

RYOBI®

R18AG7

ORIGINAL INSTRUCTIONS
TRADUCTION DES INSTRUCTIONS ORIGINALES
ÜBERSETZUNG DER ORIGINALANLEITUNG
TRADUCCIÓN DE LAS INSTRUCCIONES ORIGINALES
TRADUZIONE DELLE ISTRUZIONI ORIGINALI
VERTALING VAN DE ORIGINELE INSTRUCTIES
TRADUÇÃO DAS INSTRUÇÕES ORIGINAIS
OVERSÆTTELSE AF DE ORIGINALE INSTRUKTIONER
ÖVERSÄTTNING AV DE URSPRUNGLIGA INSTRUKTIONERNA
ALKUPERÄISTEN OHJEIDEN SUOMENNOSS
OVERSETTELSE AV DE ORIGINALE INSTRUKSJONENE
ПЕРЕВОД ОРИГИНАЛЬНЫХ ИНСТРУКЦИЙ
TŁUMACZENIE INSTRUKCJI ORYGINALNEJ
PŘEKLAD ORIGINÁLNÍCH POKYNŮ
AZ EREDETI ÚTMUTATÓ FORDÍTÁSA
TRADUCEREA INSTRUCȚIUNILOR ORIGINALE
TULKOTS NO ORIGINĀLĀS INSTRUKCIJAS
ORIGINALIŲ INSTRUKCIJŲ VERTIMAS
ORIGINAALJUHENDI TÕLGE
PRIJEVOD ORIGINALNIH UPUTA
PREVOD ORIGINALNIH NAVODIL
PREKLAD ORIGINÁLNYCH POKYNOV
ПРЕВОД ОТ ОРИГИНАЛНИТЕ ИНСТРУКЦИИ
PEREKŁAD ORYGINALNYCH INSTRUKCJI
ORIJ NAL TALIMATLARIN TERCÜMESI
ΜΕΤΑΦΡΑΣΗ ΤΩΝ ΠΡΩΤΟΤΥΠΩΝ ΟΔΗΓΙΩΝ



EN
FR
DE
ES
IT
NL
PT
DA
SV
FI
NO
RU
PL
CS
HU
RO
LV
LT
ET
HR
SL
SK
BG
UK
TR
EL





- Important!** It is essential that you read the instructions in this manual before assembling, maintaining and operating the product.
- Attention!** Il est essentiel que vous lisiez les instructions contenues dans ce manuel avant d'assembler, d'entretenir et d'utiliser le produit.
- Achtung!** Es ist wichtig, dass Sie vor Zusammenbau, Wartung und Benutzung des Produktes die Anweisungen in dieser Anleitung lesen.
- ¡Atención!** Resulta fundamental que lea este manual de instrucciones antes de realizar el montaje, el mantenimiento y de utilizar este producto
- Attenzione!** È importante leggere le istruzioni contenute nel presente manuale prima di montare il prodotto, svolgere le operazioni di manutenzione sullo stesso e metterlo in funzione.
- Let op!** Het is van essentieel belang dat u de instructies in deze gebruiksaanwijzing leest voor u het product monteert, onderhoudt en gebruikt.
- Atenção!** É fundamental que leia as instruções deste manual antes da montagem, manutenção e operação do aparelho.
- OBS!** Det er vigtigt, at man læser instrukserne i denne brugsanvisning, inden man samler, vedligeholder og betjener produktet.
- Observera!** Det är viktigt att du läser instruktionerna i manualen före montering, användning och underhåll av produkten.
- Huomio!** On tärkeää, että luet tämän käsikirjan ohjeet ennen tuotteen kokoamista, huoltoa ja käyttöä.
- Advarsel!** Det er vigtigt at du leser instruksjonene i denne manualen før sammensetning, vedlikehold og bruk av produktet
- Внимание!** Необходимо прочитать инструкции в данном руководстве перед сборкой, обслуживанием и эксплуатацией этого изделия.
- Uwaga!** Koniecznie należy przeczytać instrukcje zawarte w tym podręczniku przed montażem, obsługą oraz konserwacją produktu.
- Důležité upozornění!** Neinstalujte, neprovádějte údržbu ani nepoužívejte tento výrobek dřív, než si přečtete pokyny uvedené v tomto návodu.
- Figyelem!** Fontos, hogy a termék összeszerelése, karbantartása és használatá elött elolvassa a kézikönyvben található utasításokat.
- Atenție!** Este esențial să citiți instrucțiunile din acest manual înainte de asamblare, efectuarea întreinerii și operarea produsului.
- Uzmanību!** Ir svarīgi izlasīt šīs rokasgrāmatas instrukcijas pirms uzstādīšanas, apkopes un preces darbināšanas.
- Dėmesio!** Prieš surenkant, prižiūrint ir naudojant gaminį, būtina perskaityti šiam vadove pateiktus nurodymus.
- Tähtis!** Enne masina kokkupanekut, hooldamist ja kasutama hakkamist tuleb käesolevas juhendis esitatud juhised kindlasti läbi lugeda.
- Upozorenie!** Vrlo je važno da ste prije sklapanja, održavanja i rada s ovim proizvodom pročitali upute u ovom priručniku.
- Pomembno!** Pomembno je da pred montažo vzdrževanjem in uporabo tega izdelka preberete navodila v tem priručniku.
- Upozornenie!** Je dôležité, aby ste si pred montážou, údržbou a obsluhou produktu prečítali pokyny v tomto návode.
- Важно!** Исключительно важно е да прочетете инструкциите в настоящото ръководство, преди да преминете към сглобяване, поддръжка или работа с продукта.
- Важливо!** Дуже важливо, щоб ви прочитали інструкції в цьому керівництві перед складанням, обслуговуванням та експлуатацією цієї машини.
- Dikkat!** Ürünün montajını, bakımını yapmadan ve ürünü çalıştırmadan önce bu kılavuzda yer alan talimatları okumanız önemlidir.
- Προσοχή!** Είναι πολύ σημαντικό να διαβάσετε τις οδηγίες στο παρόν εγχειρίδιο πριν συναρμολογήσετε, συντηρήσετε ή λειτουργήσετε το προϊόν.

Subject to technical modification | Sous réserve de modifications techniques | Technische Änderungen vorbehalten | Bajo reserva de modificaciones técnicas | Con riserva di eventuali modifiche tecniche | Technische wijzigingen voorbehouden | Com reserva de modificações técnicas | Med forbehold for tekniske ændringer | Med förbehåll för tekniska ändringar | Tekniset muutokset varataan | Med forbehold om tekniske endringer | могут быть внесены технические изменения | Z zastrzeżeniem modyfikacji technicznych | Změny technických údajů vyhrazeny | A műszaki módosítás jogát fenntartjuk | Sub rezerva modificățiilor tehnice | Paturam tiesības mainīt tehnisko raksturlielumus | Pasiliekan teisę daryti techninius pakeitimus | Tehnilised muudatused võimalikud | Podložno tehničkim promjenama | Tehnične spremembe dopuščene | Právo na technické zmeny je vyhradené | Подлежи на технически модификации | Є об'єктом для технічних змін | Teknik değişiklik hakkı saklıdır | Υπό την επιφύλαξη τεχνικών τροποποιήσεων



Safety, performance, and dependability have been given top priority in the design of your cordless angle grinder.

INTENDED USE

The angle grinder is intended to be used only by adults who have read and understood the instructions and warnings in this manual and can be considered responsible for their actions. The angle grinder is designed for grinding and cutting metals only. Only appropriate grinding discs as described in the product specification section of this manual should be fitted to the angle grinder. The angle grinder is designed for handheld use; it is not to be mounted onto a fixture or workbench.

Do not use the product in any way other than those stated for intended use.

⚠ WARNING

Read all safety warnings and all instructions. Failure to follow the warnings and instructions may result in electric shock, fire and/or serious injury.

Save all warnings and instructions for future reference.

ANGLE GRINDER SAFETY WARNINGS

SAFETY WARNINGS COMMON FOR GRINDING AND ABRASIVE CUTTING-OFF OPERATIONS

- **This power tool is intended to function as a grinder and cut-off tool. Read all safety warnings, instructions, illustrations and specifications provided with this power tool.** Failure to follow all instructions listed below may result in electric shock, fire and/or serious injury.
- **Operations such as sanding, wire brushing or polishing are not recommended to be performed with this power tool.** Operations for which the power tool was not designed may create a hazard and cause personal injury.
- **Do not use accessories which are not specifically designed and recommended by the tool manufacturer.** Just because the accessory can be attached to your power tool, it does not assure safe operation.
- **The rated speed of the accessory must be at least equal to the maximum speed marked on the power tool.** Accessories running faster than their rated speed can break and fly apart.
- **The outside diameter and the thickness of your accessory must be within the capacity rating of your power tool.** Incorrectly sized accessories cannot be adequately guarded or controlled.
- **Threaded mounting of accessories must match the grinder spindle thread. For accessories mounted by flanges, the arbour hole of the accessory must fit the locating diameter of the flange.** Accessories that do not match the mounting hardware of the power tool will run out of balance, vibrate excessively and may cause loss of control.
- **Do not use a damaged accessory. Before each use inspect the accessory such as abrasive wheels for chips and cracks, backing pad for cracks, tear or excess wear, wire brush for loose or cracked wires. If power tool or accessory is dropped, inspect for**

damage or install an undamaged accessory. After inspecting and installing an accessory, position yourself and bystanders away from the plane of the rotating accessory and run the power tool at maximum no-load speed for one minute. Damaged accessories will normally break apart during this test time.

- **Wear personal protective equipment. Depending on application, use face shield, safety goggles or safety glasses. As appropriate, wear dust mask, hearing protectors, gloves and workshop apron capable of stopping small abrasive or workpiece fragments.** The eye protection must be capable of stopping flying debris generated by various operations. The dust mask or respirator must be capable of filtering particles generated by your operation. Prolonged exposure to high intensity noise may cause hearing loss.
- **Keep bystanders a safe distance away from work area. Anyone entering the work area must wear personal protective equipment.** Fragments of workpiece or of a broken accessory may fly away and cause injury beyond immediate area of operation.
- **Hold the power tool by insulated gripping surfaces only, when performing an operation where the cutting accessory may contact hidden wiring.** Cutting accessory contacting a "live" wire may make exposed metal parts of the power tool "live" and could give the operator an electric shock.
- **Never lay the power tool down until the accessory has come to a complete stop.** The spinning accessory may grab the surface and pull the power tool out of your control.
- **Do not run the power tool while carrying it at your side.** Accidental contact with the spinning accessory could snag your clothing, pulling the accessory into your body.
- **Regularly clean the power tool's air vents.** The motor's fan will draw the dust inside the housing and excessive accumulation of powdered metal may cause electrical hazards.
- **Do not operate the power tool near flammable materials.** Sparks could ignite these materials.
- **Do not use accessories that require liquid coolants.** Using water or other liquid coolants may result in electrocution or shock.

FURTHER SAFETY INSTRUCTIONS FOR ALL OPERATIONS

Kickback and related warnings

Kickback is a sudden reaction to a pinched or snagged rotating wheel, backing pad, brush or any other accessory. Pinching or snagging causes rapid stalling of the rotating accessory which in turn causes the uncontrolled power tool to be forced in the direction opposite of the accessory's rotation at the point of binding.

For example, if an abrasive wheel is snagged or pinched by the workpiece, the edge of the wheel that is entering into the pinch point can dig into the surface of the material causing the wheel to climb out or kick out. The wheel may either jump toward or away from the operator, depending on the direction of the wheel's movement at the point of pinching. Abrasive wheels may also break under these conditions.

Kickback is the result of power tool misuse and/or incorrect



operating procedures or conditions and can be avoided by taking proper precautions as given below.

- **Maintain a firm grip on the power tool and position your body and arm to allow you to resist kickback forces. Always use auxiliary handle, if provided, for maximum control over kickback or torque reaction during startup.** The operator can control torque reactions or kickback forces, if proper precautions are taken.
- **Never place your hand near the rotating accessory.** Accessory may kickback over your hand.
- **Do not position your body in the area where power tool will move if kickback occurs.** Kickback will propel the tool in the direction opposite to the wheel's movement at the point of snagging.
- **Use special care when working corners, sharp edges, etc. Avoid bouncing and snagging the accessory.** Corners, sharp edges or bouncing have a tendency to snag the rotating accessory and cause loss of control or kickback.
- **Do not attach a saw chain woodcarving blade or toothed saw blade.** Such blades create frequent kickback and loss of control.

SAFETY WARNINGS SPECIFIC FOR GRINDING AND ABRASIVE CUTTING-OFF OPERATIONS

- **Use only wheel types that are recommended for your power tool and the specific guard designed for the selected wheel.** Wheels for which the power tool was not designed cannot be adequately guarded and are unsafe.
- **The grinding surface of centre depressed wheels must be mounted below the plane of the guard lip.** An improperly mounted wheel that projects through the plane of the guard lip cannot be adequately protected.
- **The guard must be securely attached to the power tool and positioned for maximum safety, so the least amount of wheel is exposed towards the operator.** The guard helps to protect the operator from broken wheel fragments, accidental contact with wheel and sparks that could ignite clothing.
- **Wheels must be used only for recommended applications. For example, do not grind with the side of cut-off wheel.** Abrasive cut-off wheels are intended for peripheral grinding, side forces applied to these wheels may cause them to shatter.
- **Always use undamaged wheel flanges that are of correct size and shape for your selected wheel.** Proper wheel flanges support the wheel thus reducing the possibility of wheel breakage. Flanges for cut-off wheels may be different from grinding wheel flanges.
- **Do not use worn down wheels from larger power tools.** Wheel intended for larger power tool is not suitable for the higher speed of a smaller tool and may burst.

ADDITIONAL SAFETY WARNINGS SPECIFIC FOR ABRASIVE CUTTING-OFF OPERATIONS

- **Do not "jam" the cut-off wheel or apply excessive pressure. Do not attempt to make an excessive depth of cut.** Overstressing the wheel increases the loading and susceptibility to twisting or binding of the wheel in the cut and the possibility of kickback or wheel breakage.

- **Do not position your body in line with and behind the rotating wheel.** When the wheel, at the point of operation, is moving away from your body, the possible kickback may propel the spinning wheel and the power tool directly at you.
- **When wheel is binding or when interrupting a cut for any reason, switch off the power tool and hold the power tool motionless until the wheel comes to a complete stop. Never attempt to remove the cut-off wheel from the cut while the wheel is in motion, otherwise kickback may occur.** Investigate and take corrective action to eliminate the cause of wheel binding.
- **Do not restart the cutting operation in the workpiece. Let the wheel reach full speed and carefully re-enter the cut.** The wheel may bind, walk up or kickback if the power tool is restarted in the workpiece.
- **Support panels or any oversized workpiece to minimize the risk of wheel pinching and kickback.** Large workpieces tend to sag under their own weight. Supports must be placed under the workpiece near the line of cut and near the edge of the workpiece on both sides of the wheel.
- **Use extra caution when making a "pocket cut" into existing walls or other blind areas.** The protruding wheel may cut gas or water pipes, electrical wiring or objects that can cause kickback.

ADDITIONAL SAFETY WARNING

WARNING

Always check that the spindle lock button is fully released before switching on the product.

RESIDUAL RISKS

Even when the angle grinder is used as prescribed, it is still impossible to completely eliminate certain residual risk factors. The following hazards may arise and the operator should pay special attention to avoid the following:

- Injury caused by thrown-off particles
 - Metal or abrasive particles may enter the eyes and cause severe permanent damage. Wear goggles approved for grinding operations whenever you use the product.
- Injury caused by vibration
 - Limit exposure. See Risk Reduction.
- Injury caused by dust
 - Wear appropriate dust control mask with filters suitable for protecting against particles from the material being worked on and abrasive particles from the grinding disc. Do not eat, drink, or smoke in the work area. Ensure adequate ventilation.
- Injury from contact with the grinding disc
 - The disc and workpiece will become hot during use. Wear gloves when changing discs or touching workpiece. Keep hands away from the grinding area at all times. Clamp the workpiece whenever possible.
- Injury caused by noise
 - Prolonged exposure to noise will increase the risk of hearing damage, and the effects are cumulative.



When using power tools for any extended period of time, wear hearing protection.

⚠ WARNING

Injuries may be caused or aggravated by prolonged use of a tool. When using any tool for prolonged periods, ensure you take regular breaks.

RISK REDUCTION

It has been reported that vibrations from handheld tools may contribute to a condition called Raynaud's Syndrome in certain individuals. Symptoms may include tingling, numbness and blanching of the fingers, usually apparent upon exposure to cold. Hereditary factors, exposure to cold and dampness, diet, smoking, and work practices are all thought to contribute to the development of these symptoms. There are measures that can be taken by the operator to possibly reduce the effects of vibration:

- Keep your body warm in cold weather. When operating the product, wear gloves to keep the hands and wrists warm. It is reported that cold weather is a major factor contributing to Raynaud's Syndrome.
- After each period of operation, exercise to increase blood circulation.
- Take frequent work breaks. Limit the amount of exposure per day.

If you experience any of the symptoms of this condition, immediately discontinue use and see your doctor about these symptoms.

KNOW YOUR PRODUCT

See page 109.

1. Spindle lock button
2. Switch trigger
3. Guard lever lock
4. Toolless guard
5. Side handle
6. Battery port
7. Clamp nut
8. Grinding wheel
9. Disc flange
10. Cutting wheel(not included)
11. Toolless cutting guard(not included)

MAINTENANCE

- When servicing, use only identical replacement parts. Use of any other parts may create a hazard or cause product damage.
- Avoid using solvents when cleaning plastic parts. Most plastics are susceptible to damage from various types of commercial solvents and may be damaged by their use. Use clean cloths to remove dirt, dust, oil, grease, etc.
- Always wear safety goggles or safety glasses with side shields during power product operation or when blowing dust. If operation is dusty, also wear a dust mask.
- To avoid serious personal injury, always remove the battery pack from the product when cleaning or performing any maintenance.
- Do not at any time let brake fluids, gasoline, petroleum-based products, penetrating oils, etc., come in contact with plastic parts. Chemicals can damage, weaken or

destroy plastic which may result in serious personal injury.

- Only the parts shown on the parts list are intended to be repaired or replaced by the customer. All other parts should be replaced at an authorized service center.

⚠ WARNING

Do not use compressed air to blow dust from the product. This practice is dangerous and can cause dirt and grit to be blasted into someone's eyes, causing serious injury.

ENVIRONMENTAL PROTECTION



Recycle raw materials instead of disposing of as waste. The machine, accessories and packaging should be sorted for environment-friendly recycling.

SYMBOLS



Safety alert

n

Rated speed



EurAsian Conformity Mark.



Ukrainian mark of conformity



CE conformity



Please read the instructions carefully before starting the machine.



Wear ear protection



Wear eye protection



Wear dust mask



Wear safety hand gloves



Do not use chipped, cracked or defective grinding wheel



Do not use for cutting



Use a guard



Metal



Waste electrical products should not be disposed of with household waste. Please recycle where facilities exist. Check with your local authority or retailer for recycling advice.

SYMBOLS IN THIS MANUAL



Note



Parts or accessories sold separately



Unlock



Lock

The following signal words and meanings are intended to explain the levels of risk associated with this product:

DANGER

Indicates an imminently hazardous situation, which, if not avoided, will result in death or serious injury.

WARNING

Indicates a potentially hazardous situation, which, if not avoided, could result in death or serious injury.

CAUTION

Indicates a potentially hazardous situation, which, if not avoided, may result in minor or moderate injury.

CAUTION

(Without Safety Alert Symbol) Indicates a situation that may result in property damage.



EN
FR
DE
ES
IT
NL
PT
DA
SV
FI
NO
RU
PL
CS
HU
RO
LV
LT
ET
HR
SL
SK
BG
UK
TR

Votre meuleuse d'angle sans fil a été conçue en donnant priorité à la sécurité, à la performance et à la fiabilité.

UTILISATION PREVUE

Cette meuleuse d'angle est destinée à n'être utilisée que par des adultes ayant lu et compris les instructions et avertissements présents dans ce manuel, et pouvant être considérés responsables de leurs actions. La meuleuse d'angle est uniquement destinée au meulage et à la découpe des métaux. Seuls les disques de meulage appropriés tels que décrits dans le chapitre des caractéristiques du produit de ce manuel doivent être adaptés sur cette meuleuse d'angle. La meuleuse d'angle est conçue pour être tenue à la main; il n'est pas recommandé de la fixer sur un support ou sur un établi.

Ne vous servez pas de ce produit pour d'autres utilisations que celles décrites au chapitre des utilisations prévues.

⚠ AVERTISSEMENT

Lisez tous les avertissements de sécurité et toutes les instructions. Le non-respect des avertissements et instructions peut entraîner une décharge électrique, un incendie et/ou de graves blessures.

Conservez tous les avertissements et toutes les instructions pour pouvoir vous y reporter ultérieurement.

CONSIGNES DE SECURITE SPECIFIQUES AUX MEULEUSES D'ANGLE

AVERTISSEMENTS DE SECURITE COMMUNS AUX OPERATIONS DE DECOUPE ET DE MEULAGE

- **Le but de cet outil électrique est d'être utilisé comme une meuleuse et comme un outil de découpe. Lisez attentivement l'ensemble des avertissements, instructions et spécifications fournis avec cet outil, et reportez-vous aux illustrations.** Le non-respect des instructions présentées ci-après peut entraîner des accidents tels que des incendies, des décharges électriques et/ou des blessures corporelles graves.
- **Il n'est pas recommandé d'effectuer des opérations telles que le ponçage, le décapage à la brosse métallique et le polissage avec cet outil électrique.** Le non-respect de cette consigne peut entraîner des accidents et des blessures graves.
- **N'utilisez pas des accessoires qui ne sont pas spécifiquement conçus pour cet outil et qui ne sont pas recommandés par le fabricant.** Même si un accessoire peut être monté sur un outil, cela ne garantit pas que vous pourrez utiliser cet outil en toute sécurité.
- **La vitesse nominale de l'accessoire doit être égale ou supérieure à la vitesse maximale indiquée sur l'outil.** Les accessoires fonctionnant à une vitesse supérieure à leur vitesse nominale peuvent se casser et être éjectés.
- **Le diamètre extérieur et l'épaisseur de l'accessoire doivent correspondre aux caractéristiques spécifiées pour l'outil.** Si les accessoires ne correspondent pas aux caractéristiques données, les systèmes de protection et de réglage de l'outil ne pourront pas fonctionner correctement.
- **La fixation filetée des accessoires doit correspondre**

au filetage de l'arbre de la meuleuse. Le trou de montage des accessoires se montant par appui sur l'épaulement de l'arbre de la meuleuse doit avoir un diamètre correspondant à l'épaulement. Les accessoires aux dimensions ne correspondant pas aux éléments de fixation de l'outil électrique entraîneront un balourd, source de vibrations excessives et de perte de contrôle.

- **N'utilisez pas un accessoire endommagé. Avant chaque utilisation, vérifiez que l'accessoire que vous utilisez est en bon état: assurez-vous que les disques abrasifs ne sont pas ébréchés ou fissurés, que les patins ne sont pas déchirés ou usés, que les poils des brosses métalliques ne sont pas trop usés ou cassés. En cas de chute de l'outil ou de l'accessoire, vérifiez qu'aucun élément n'est endommagé et, si besoin, installez un accessoire neuf. Après avoir vérifié et installé l'accessoire, maintenez-vous éloigné du plan de l'accessoire en rotation et faites fonctionner l'outil à la vitesse maximale à vide pendant une minute.** Si l'accessoire est endommagé, il se cassera pendant ce test.
- **Portez des équipements de protection individuelle. Selon l'utilisation que vous faites de votre outil, portez un masque de protection, des lunettes de sécurité ou des lunettes de protection. Si besoin, portez un masque anti-poussière, des protections auditives, des gants et un tablier de protection afin de vous protéger de toute projection de corps étrangers (éléments abrasifs, copeaux de bois, etc.). Les masques anti-poussière permettent de filtrer les particules générées par l'opération que vous menez.** Une exposition prolongée à un niveau sonore excessif peut provoquer une diminution de l'acuité auditive.
- **Maintenez les visiteurs à bonne distance de la zone de travail et veillez à ce qu'ils portent un équipement de protection.** Des fragments de pièce à usiner ou d'un accessoire cassé peuvent être projetés au-delà de la zone de travail et causer des blessures corporelles graves.
- **Ne tenez l'outil que par les parties isolées et antidérapantes lorsque vous travaillez sur une surface pouvant cacher des fils électriques.** Un accessoire de coupe qui entre en contact avec un câble "sous tension" est susceptible de véhiculer le courant électrique vers les parties métalliques de l'outil et de provoquer une décharge électrique.
- **Ne posez jamais votre outil avant que l'accessoire ne soit complètement arrêté.** L'accessoire en rotation pourrait entrer en contact avec la surface sur laquelle il est posé et vous faire perdre le contrôle de l'outil.
- **Ne faites pas fonctionner votre outil lorsque vous le transportez.** L'accessoire en rotation pourrait se prendre dans vos vêtements et vous blesser gravement.
- **Nettoyez régulièrement les fentes de ventilation de l'outil.** La ventilation du moteur fait pénétrer les poussières à l'intérieur du carter moteur, ce qui peut générer une accumulation excessive de particules métalliques et provoquer des décharges électriques.
- **N'utilisez pas votre outil à proximité de produits inflammables.** Des étincelles risqueraient de les enflammer.
- **N'utilisez pas d'accessoires nécessitant des fluides de refroidissement.** L'utilisation d'eau ou de liquides



de refroidissement peut causer des électrocutions ou des décharges électriques.

CONSIGNES DE SECURITE SUPPLEMENTAIRES POUR TOUTES LES OPERATIONS

Avertissements relatifs au rebond et autres risques associés

Le rebond est une réaction soudaine qui a lieu lorsque la meule en mouvement, le patin, la brosse ou tout autre accessoire se pince ou se tord, ce qui entraîne le blocage rapide de l'accessoire. L'outil, qui continue à fonctionner, est alors projeté dans la direction opposée au sens d'utilisation de l'accessoire.

Par exemple, si un disque abrasif se coince ou se tord dans la pièce à usiner, le bord du disque qui se fait coincer peut se faire entraîner dans le matériau et provoquer un rebond vers le haut ou vers l'arrière. En cas de rebond, le disque abrasif peut également se casser.

Le rebond est donc le résultat d'une mauvaise utilisation de l'outil et/ou de procédures ou de conditions d'utilisation incorrectes. Il peut être évité en veillant à respecter quelques précautions :

- **Maintenez fermement l'outil et positionnez votre corps et votre bras de façon à pouvoir contrôler un éventuel rebond. Si l'outil dispose d'une poignée auxiliaire, veillez à toujours la tenir pour avoir un contrôle optimal de l'outil en cas de rebond ou de couple de réaction lors de la mise en marche de l'outil.** Prenez les mesures nécessaires afin de pouvoir contrôler votre outil en cas de rebond ou de couple de réaction.
- **Ne placez jamais votre main à proximité de l'accessoire en rotation afin d'éviter tout risque de blessures corporelles graves en cas de rebond.** Accessoire risque de rebondir sur votre main.
- **Ne vous placez pas dans la zone où l'outil risque d'être projeté en cas de rebond.** En cas de rebond, l'outil est projeté dans la direction opposée au sens de rotation du disque.
- **Faites particulièrement attention lorsque vous travaillez sur des angles, des bords tranchants, etc. Évitez de faire déraiper ou de coincer l'accessoire.** Lorsque vous travaillez sur des angles ou des bords tranchants ou lorsque vous faites déraiper l'outil, le risque est plus élevé de bloquer l'accessoire, et donc de perdre le contrôle de l'outil et de provoquer un rebond.
- **N'utilisez jamais de lame de tronçonneuse à bois ou de lame de scie avec cet outil.** De telles lames augmentent le risque de rebond et de perte de contrôle de l'outil.

AVERTISSEMENTS DE SECURITE PARTICULIERS POUR LES OPERATIONS DE DECOUPE ET DE MEULAGE

- **N'utilisez que des types de meule recommandés pour votre outil électrique ainsi que la protection spécifique à la meule utilisée.** Les disques pour lesquels l'outil électrique n'a pas été prévu ne peuvent pas être protégés de façon adéquate et présentent un danger.
- **Les disques ayant un renforcement central doivent être montés de façon que leur surface de meulage se trouve sous le plan du carter de protection.** Un disque monté de façon inadéquate qui dépasse du

plan du carter de protection n'est pas protégé de façon correcte.

- **La protection doit être bien fixée sur l'outil électrique et positionnée de façon à offrir la meilleure sécurité, afin que la plus petite partie possible de la meule soit dirigée vers l'opérateur.** Le carter de protection aide à protéger l'opérateur des fragments d'une meule qui se brise, du contact accidentel avec la meule et des étincelles susceptibles de mettre le feu aux vêtements.
- **Les meules ne doivent être utilisées que dans leur domaine d'application recommandé. Par exemple, n'utilisez pas le flanc d'un disque à tronçonner pour meuler.** Les disques à tronçonner sont conçus pour meuler sur leur périphérie, ils sont susceptibles de se briser si l'on y applique une force latérale.
- **Assurez-vous de toujours utiliser des supports de disques en bon état et dont la taille et la forme sont adaptées au disque à utiliser.** Un support de disque adapté maintient le flanc du disque et réduit le risque de bris. Les supports des disques à découper peuvent être différents des supports pour meules.
- **N'utilisez pas de disques usés en provenance d'outils plus puissants.** Les meules destinées à un outil plus important ne sont pas adaptées à la vitesse de rotation supérieure d'un petit outil et sont susceptibles d'éclater.

AVERTISSEMENTS DE SECURITE PARTICULIERS POUR LES OPERATIONS DE DECOUPE PAR ABRASION

- **Ne "coincez" pas le disque de coupe et ne lui appliquez pas de pression excessive. Ne tentez pas d'effectuer des découpes d'une profondeur excessive.** Un excès de contraintes sur le disque augmente sa charge et risque de le tordre ou de le coincer dans la coupe, ce qui pourrait provoquer un rebond ou un bris du disque.
- **Ne positionnez votre corps ni derrière le disque en rotation ni dans son alignement.** Lorsque le disque, au cours du travail, s'éloigne de votre corps, un éventuel rebond pourrait projeter le disque ainsi que l'outil directement vers vous.
- **Lorsque le disque se bloque, ou lorsque vous interrompez la coupe pour une raison quelconque, arrêtez l'outil et maintenez-le immobile jusqu'à ce que le disque s'arrête complètement. Ne tentez jamais de retirer le disque à tronçonner de l'élément à couper tant que le disque est en rotation, sous peine de provoquer un effet de rebond.** Si le disque se coince, cherchez-en la cause et prenez les mesures nécessaires pour que cela ne se reproduise plus.
- **Ne reprenez pas la coupe dans la pièce à tronçonner. Laissez le disque atteindre sa pleine vitesse et pénétrez à nouveau dans la coupe.** Le disque peut se coincer, être entraîné ou provoquer un rebond si l'outil est redémarré dans la pièce à couper.
- **Supportez les panneaux et toutes les pièces de grande dimension pour minimiser les risques de rebond et de pincement du disque.** Les grandes pièces à couper ont tendance à fléchir sous leur propre poids. Les supports doivent être placés sous la pièce à proximité de la ligne de coupe ou près du bord de la pièce de chaque côté du disque.
- **Soyez particulièrement attentif lorsque vous effectuez une "coupe en plongée" dans des murs**



existants ou autres zones aveugles. Le disque saillant est susceptible de couper les conduites d'eau ou de gaz, les câbles électriques ou des objets pouvant provoquer un rebond.

INSTRUCTIONS DE SECURITE ADDITIONNELLES

⚠ AVERTISSEMENT

Vérifiez toujours que le bouton de blocage de l'arbre est totalement relâché avant d'allumer l'appareil.

RISQUES RESIDUELS

Même lorsque le produit est utilisé selon les prescriptions, il reste impossible d'éliminer totalement certains facteurs de risque résiduels. Les dangers suivants risquent de se présenter en cours d'utilisation et l'utilisateur doit prêter particulièrement garde aux points suivants :

- Blessures provoquées par la projection de particules
 - Des particules métalliques ou abrasives peut entrer en contact avec les yeux et provoquer des lésions graves et irréversibles. Portez des lunettes de protection agréées pour les opérations de meulage lorsque vous utilisez le produit.
- Blessures dues aux vibrations
 - Limitez l'exposition. Voir "Réduction Des Risques".
- Blessures dues à la poussière
 - Portez un masque anti-poussière approprié équipé de filtres adaptés capables de vous protéger contre les poussières en provenance du matériau sur lequel vous travaillez et contre les particules abrasives en provenance du disque de meulage. Ne mangez pas, de buvez pas, et ne fumez pas dans l'espace de travail. Assurez-vous que la ventilation est suffisante.
- Blessures dues au contact avec le disque de meulage
 - Le disque et la pièce à travailler deviennent très chauds en cours de fonctionnement. Portez des gants lorsque vous changez de disque ou que vous touchez la pièce à travailler. Gardez en permanence vos mains éloignées de la zone de meulage. Fixez la pièce à travailler lorsque cela est possible.
- Blessures dues au bruit
 - Une exposition prolongée au bruit augmente le risque d'atteinte auditive, et les effets sont cumulatifs. Lorsque vous utilisez des outils à moteur pendant une longue période de temps, portez une protection auditive.

⚠ AVERTISSEMENT

L'utilisation prolongée d'un outil est susceptible de provoquer ou d'aggraver des blessures. Assurez-vous de faire des pauses de façon régulière lorsque vous utilisez tout outil de façon prolongée.

REDUCTION DES RISQUES

Il a été reporté que les vibrations engendrées par les outils tenus à main peuvent contribuer à l'apparition d'un état appelé le syndrome de Raynaud chez certaines personnes. Les symptômes peuvent comprendre des

fourmillements, un engourdissement et un blanchiment des doigts, généralement par temps froid. Des facteurs héréditaires, l'exposition au froid et à l'humidité, le régime alimentaire, le tabagisme et les habitudes de travail peuvent contribuer au développement de ces symptômes. Certaines mesures peuvent être prises par l'utilisateur pour aider à réduire les effets des vibrations:

- Gardez votre corps au chaud par temps froid. Lorsque vous utilisez l'appareil, portez des gants afin de garder vos mains et vos poignets au chaud. Le temps froid est considéré comme un facteur contribuant très largement à l'apparition du syndrome de Raynaud.
- Après chaque session de travail, pratiquez des exercices qui favorisent la circulation sanguine.
- Faites des pauses fréquentes. Limitez la quantité d'exposition journalière.

Si vous ressentez l'un des symptômes associés à ce syndrome, arrêtez immédiatement le travail et consultez votre médecin pour lui en faire part.

APPRENEZ A CONNAITRE VOTRE PRODUIT

Voir page 109.

1. Bouton de verrouillage de l'arbre
2. Gâchette-interrupteur
3. Levier de verrouillage de la protection
4. Protection sans outils
5. Poignée latérale
6. Réceptacle de la batterie
7. Flasque extérieur
8. Disque de meulage
9. Flasque
10. Disque de coupe (non fourni)
11. Protection de coupe sans outils (non fourni)

ENTRETIEN

- N'effectuez les réparations qu'en utilisant des pièces détachées identiques. L'utilisation de toute autre pièce est susceptible de présenter un danger ou d'endommager votre outil.
- Évitez d'utiliser des solvants pour nettoyer les parties en plastique. La plupart des plastiques sont susceptibles d'être endommagés par différents types de solvants du commerce. Utilisez des chiffons propres pour retirer la saleté, les poussières, l'huile, la graisse, etc.
- Portez toujours un masque oculaire ou des lunettes de protection à volets latéraux lorsque vous utilisez un outil à moteur ou lorsque vous soufflez de la poussière. Si l'opération génère des poussières, portez également un masque anti-poussière.
- Pour éviter de graves blessures, retirez toujours le bloc de batterie du produit lorsque vous le nettoyez ou que vous effectuez une quelconque opération d'entretien.
- Ne laissez jamais du liquide de frein, de l'essence, des produits pétroliers, des huiles pénétrantes, etc. entrer en contact avec les éléments en plastique. Les produits chimiques peuvent endommager, affaiblir ou détruire les plastiques, ce qui pourrait entraîner de graves blessures.
- Seuls les éléments mentionnés dans la liste des pièces détachées peuvent être remplacés ou réparés par l'utilisateur. Toutes les autres pièces doivent être remplacées par un service après-vente agréé.



⚠ AVERTISSEMENT

N'utilisez pas d'air comprimé pour retirer la poussière du produit. Cette pratique est dangereuse et susceptible de projeter des saletés et des poussières et de blesser les yeux de quelqu'un.

PROTECTION DE L'ENVIRONNEMENT



Recyclez les matières premières au lieu de les jeter avec les ordures ménagères. Pour protéger l'environnement, l'outil, les accessoires et les emballages doivent être triés.

SYMBOLES



Alerte de sécurité

n

Vitesse nominale



Marque de conformité d'Eurasie



Marque de conformité ukrainienne



Conformité CE



Veillez lire attentivement le mode d'emploi avant de démarrer la machine.



Portez une protection auditive



Portez une protection oculaire



Portez un masque anti-poussières.



Portez des gants de sécurité.



N'utilisez pas de meule ébréchée, fendue ou défectueuse



N'utilisez pas le produit à des fins de découpe



Utilisez un carter de protection



Métal



Les produits électriques hors d'usage ne doivent pas être jetés avec les ordures ménagères. Recyclez-les par l'intermédiaire des structures disponibles. Contactez les autorités locales ou votre distributeur pour vous renseigner sur les conditions de recyclage.

SYMBOLES PRESENTS DANS LE MANUEL



Remarque



Pièces détachées et accessoires vendus séparément



Déverrouillage



Verrouillage

Les symboles suivants, et les noms qui leur sont associés, permettent d'expliquer les différents niveaux de risques liés à l'utilisation de cet outil.

⚠ DANGER

Imminence d'un danger qui, si l'on n'y prend garde, peut entraîner des blessures graves voire mortelles.

⚠ AVERTISSEMENT

Situation potentiellement dangereuse qui, si l'on n'y prend garde, peut entraîner des blessures graves voire mortelles.

⚠ ATTENTION

Situation potentiellement dangereuse qui, si l'on n'y prend garde, peut entraîner des blessures moyennes ou légères.

ATTENTION

(Sans symbole de sécurité) Indique une situation pouvant provoquer des dommages matériels.

Sicherheit, Leistung und Zuverlässigkeit hatten oberste Priorität bei der Entwicklung Ihres Akku-Winkelschleifers.

BESTIMMUNGSGEMÄSSE VERWENDUNG

Der Winkelschleifer ist nur für den Gebrauch durch Erwachsene vorgesehen, die die Bedienungsanleitung gelesen und verstanden haben und als verantwortlich für ihre Taten erachtet werden können. Der Winkelschleifer ist nur zum Schleifen und Schneiden von Metallen geeignet. Nur geeignete Schleifscheiben, wie in den Produktdaten dieser Bedienungsanleitung beschrieben, sollten an den Winkelschleifer montiert werden. Der Winkelschleifer wurde für den Handgebrauch konstruiert; er darf nicht an eine Halterung oder einen Arbeitstisch montiert werden.

Benutzen Sie das Produkt nicht für andere Aufgaben, als die genannten bestimmungsgemäßen Verwendungen.

⚠️ WARNUNG

Lesen Sie alle Sicherheitshinweise und Anweisungen. Versäumnisse bei der Einhaltung der Sicherheitshinweise und Anweisungen können elektrischen Schlag, Brand und/oder schwere Verletzungen verursachen.

Bewahren Sie alle Sicherheitshinweise und Anweisungen für die Zukunft auf.

SPEZIFISCHE SICHERHEITSVORSCHRIFTEN FÜR WINKELSCHLEIFER

GEMEINSAME SICHERHEITSHINWEISE FÜR SCHLEIF- UND TRENSCHLEIFARBEITEN

- Dieses Elektrowerkzeug ist zu verwenden als Schleifer und Trennschleifer. Beachten Sie alle Sicherheitshinweise, Anweisungen, Darstellungen und Daten, die Sie mit dem Gerät erhalten. Wenn Sie die folgenden Anweisungen nicht beachten, kann es zu elektrischem Schlag, Feuer und/oder schweren Verletzungen kommen.
- Dieses Elektrowerkzeug ist nicht geeignet zum Sandpapierschleifen, Arbeiten mit Drahtbürsten und Polieren. Verwendungen, für die das Elektrowerkzeug nicht vorgesehen ist, können Gefährdungen und Verletzungen verursachen.
- Verwenden Sie kein Zubehör, das vom Hersteller nicht speziell für dieses Elektrowerkzeug vorgesehen und empfohlen wurde. Nur weil Sie das Zubehör an Ihrem Elektrowerkzeug befestigen können, garantiert das keine sichere Verwendung.
- Die zulässige Drehzahl des Einsatzwerkzeugs muss mindestens so hoch sein wie die auf dem Elektrowerkzeug angegebene Höchstdrehzahl. Zubehör, das sich schneller als zulässig dreht, kann zerbrechen und umherfliegen.
- Außendurchmesser und Dicke des Einsatzwerkzeugs müssen den Maßangaben Ihres Elektrowerkzeugs entsprechen. Falsch bemessene Einsatzwerkzeuge können nicht ausreichend abgeschirmt oder kontrolliert werden.
- Einsatzwerkzeuge mit Gewindeinsatz müssen genau auf das Gewinde der Schleifspindel passen. Bei Einsatzwerkzeugen, die mittels Flansch montiert werden, muss der Lochdurchmesser des Einsatzwerkzeugs zum Aufnahmedurchmesser

des Flansches passen. Einsatzwerkzeuge, die nicht genau am Elektrowerkzeug befestigt werden, drehen sich ungleichmäßig, vibrieren sehr stark und können zum Verlust der Kontrolle führen.

- Verwenden Sie keine beschädigten Einsatzwerkzeuge. Kontrollieren Sie vor jeder Verwendung Einsatzwerkzeuge wie Schleifscheiben auf Abspalterungen und Risse, Schleifteller auf Risse, Verschleiß oder starke Abnutzung, Drahtbürsten auf lose oder gebrochene Drähte. Wenn das Elektrowerkzeug oder das Einsatzwerkzeug herunterfällt, überprüfen Sie, ob es beschädigt ist, oder verwenden Sie ein unbeschädigtes Einsatzwerkzeug. Wenn Sie das Einsatzwerkzeug kontrolliert und eingesetzt haben, halten Sie und in der Nähe befindliche Personen sich außerhalb der Ebene des rotierenden Einsatzwerkzeugs auf und lassen Sie das Gerät 1 min lang mit Höchstdrehzahl laufen. Beschädigte Einsatzwerkzeuge brechen meist in dieser Testzeit.
- Tragen Sie persönliche Schutzausrüstung. Verwenden Sie je nach Anwendung Vollgesichtsschutz, Augenschutz oder Schutzbrille. Soweit angemessen, tragen Sie Staubmaske, Gehörschutz, Schutzhandschuhe oder Spezialschürze, die kleine Schleif- und Materialpartikel von Ihnen fernhalten. Die Augen sollen vor herumfliegenden Fremdkörpern geschützt werden, die bei verschiedenen Anwendungen entstehen. Staub- oder Atemschutzmaske müssen den bei der Anwendung entstehenden Staub filtern. Wenn Sie lange lautem Lärm ausgesetzt sind, können Sie einen Hörverlust erleiden.
- Achten Sie bei anderen Personen auf sicheren Abstand zu ihrem Arbeitsbereich. Jeder, der den Arbeitsbereich betritt, muss persönliche Schutzausrüstung tragen. Bruchstücke des Werkstücks oder gebrochener Einsatzwerkzeuge können wegfiegen und Verletzungen auch außerhalb des direkten Arbeitsbereichs verursachen.
- Halten Sie das Elektrowerkzeug nur an den isolierten Griffflächen, wenn Sie Arbeiten ausführen, bei denen das Einsatzwerkzeug verborgene Stromleitungen treffen kann. Der Kontakt mit einer spannungsführenden Leitung kann auch metallene Geräteteile unter Spannung setzen und zu einem elektrischen Schlag führen.
- Halten Sie das Netzkabel von sich drehenden Einsatzwerkzeugen fern. Wenn Sie die Kontrolle über das Gerät verlieren, kann das Netzkabel durchtrennt oder erfasst werden und Ihre Hand oder ihr Arm in das drehende Einsatzwerkzeug geraten.
- Legen Sie das Elektrowerkzeug niemals ab, bevor das Einsatzwerkzeug völlig zum Stillstand gekommen ist. Das sich drehende Einsatzwerkzeug kann in Kontakt mit der Ablagefläche geraten, wodurch Sie die Kontrolle über das Elektrowerkzeug verlieren können.
- Lassen Sie das Elektrowerkzeug nicht laufen, während Sie es tragen. Ihre Kleidung kann durch zufälligen Kontakt mit dem sich drehenden Einsatzwerkzeug erfasst werden und das Einsatzwerkzeug sich in Ihren Körper bohren.
- Reinigen Sie regelmäßig die Lüftungsschlitze Ihres Elektrowerkzeugs. Das Motorgebläse zieht Staub in das Gehäuse, und eine starke Ansammlung von Metallstaub kann elektrische Gefahren verursachen.
- Verwenden Sie das Elektrowerkzeug nicht in der

EN
FR
DE
ES
IT
NL
PT
DA
SV
FI
NO
RU
PL
CS
HU
RO
LV
LT
ET
HR
SL
SK
BG
UK
TR
EL

Nähe brennbarer Materialien. Funken können diese Materialien entzünden.

- **Verwenden Sie keine Einsatzwerkzeuge, die flüssige Kühlmittel erfordern.** Die Verwendung von Wasser oder anderen flüssigen Kühlmitteln kann zu einem elektrischen Schlag führen.

WEITERE SICHERHEITSHINWEISE FÜR ALLE ANWENDUNGEN

Rückschlag und entsprechende Sicherheitshinweise

Rückschlag ist die plötzliche Reaktion infolge eines hakenden oder blockierten drehenden Einsatzwerkzeugs wie Schleifscheibe, Schleifteller, Drahtbürste usw. Verhaken oder Blockieren führt zu einem abrupten Stopp des rotierenden Einsatzwerkzeugs. Dadurch wird ein unkontrolliertes Elektrowerkzeug gegen die Drehrichtung des Einsatzwerkzeugs an der Blockierstelle beschleunigt.

Wenn z. B. eine Schleifscheibe im Werkstück hakt oder blockiert, kann sich die Kante der Schleifscheibe, die in das Werkstück eintaucht, verfangen und dadurch die Schleifscheibe ausbrechen oder einen Rückschlag verursachen. Die Schleifscheibe bewegt sich dann auf die Bedienperson zu oder von Ihr weg, je nach Drehrichtung der Scheibe an der Blockierstelle. Hierbei können Schleifscheiben auch brechen.

Ein Rückschlag ist die Folge eines falschen oder fehlerhaften Gebrauchs des Elektrowerkzeugs. Er kann durch geeignete Vorsichtsmaßnahmen, wie nachfolgend beschrieben, verhindert werden.

- **Halten Sie das Elektrowerkzeug gut fest und bringen Sie Ihren Körper und Ihre Arme in eine Position, in der Sie die Rückschlagkräfte abfangen können. Verwenden Sie immer den Zusatzgriff, falls vorhanden, um die größtmögliche Kontrolle über Rückschlagkräfte oder Reaktionsmomente beim Hochlauf zu haben.** Die Bedienperson kann durch geeignete Vorsichtsmaßnahmen die Rückschlag- und Reaktionskräfte beherrschen.
- **Bringen Sie Ihre Hand nie in die Nähe sich drehender Einsatzwerkzeuge.** Das Einsatzwerkzeug kann sich beim Rückschlag über Ihre Hand bewegen.
- **Meiden Sie mit Ihrem Körper den Bereich, in den das Elektrowerkzeug bei einem Rückschlag bewegt wird.** Der Rückschlag treibt das Elektrowerkzeug in die Richtung entgegengesetzt zur Bewegung der Schleifscheibe an der Blockierstelle.
- **Arbeiten Sie besonders vorsichtig im Bereich von Ecken, scharfen Kanten usw. Verhindern Sie, dass Einsatzwerkzeuge vom Werkstück zurückprallen und verklemmen.** Das rotierende Einsatzwerkzeug neigt bei Ecken, scharfen Kanten oder wenn es abprallt dazu, sich zu verklemmen. Dies verursacht einen Kontrollverlust oder Rückschlag.
- **Verwenden Sie kein Ketten- oder gezähntes Sägeblatt.** Solche Einsatzwerkzeuge verursachen häufig einen Rückschlag oder den Verlust der Kontrolle über das Elektrowerkzeug.

ZUSÄTZLICHE SICHERHEITSHINWEISE ZUM SCHLEIFEN UND TRENNSCHLEIFEN

Besondere Sicherheitswarnungen zum Schleifen und Trennschleifen:

- **Verwenden Sie ausschließlich die für Ihr Elektrowerkzeug zugelassenen Schleifkörper und die für diese Schleifkörper vorgesehene**

Schutzhaube. Schleifkörper, die nicht für das Elektrowerkzeug vorgesehen sind, können nicht ausreichend abgeschirmt werden und sind unsicher.

- **Gekröpfte Schleifscheiben müssen so montiert werden, dass ihre Schleiffläche nicht über der Ebene des Schutzhaubenrandes hervorsteht.** Eine unsachgemäß montierte Schleifscheibe, die über die Ebene des Schutzhaubenrandes hinausragt, kann nicht ausreichend abgeschirmt werden.
- **Die Schutzhaube muss sicher am Elektrowerkzeug angebracht und für ein Höchstmaß an Sicherheit so eingestellt sein, dass der kleinstmögliche Teil des Schleifkörpers offen zum Bediener zeigt.** Die Schutzhaube hilft, die Bedienperson vor Bruchstücken, zufälligem Kontakt mit dem Schleifkörper sowie Funken, die Kleidung entzünden könnten, zu schützen.
- **Schleifkörper dürfen nur für die empfohlenen Einsatzmöglichkeiten verwendet werden. Zum Beispiel: Schleifen Sie nie mit der Seitenfläche einer Trennscheibe.** Trennscheiben sind zum Materialabtrag mit der Kante der Scheibe bestimmt. Seitliche Kraffeinwirkung auf diese Schleifkörper kann sie zerbrechen.
- **Verwenden Sie immer unbeschädigte Spannflansche in der richtigen Größe und Form für die von Ihnen gewählte Schleifscheibe.** Geeignete Flansche stützen die Schleifscheibe und verringern so die Gefahr eines Schleifscheibenbruchs. Flansche für Trennscheiben können sich von den Flanschen für andere Schleifscheiben unterscheiden.
- **Verwenden Sie keine abgenutzten Schleifscheiben von größeren Elektrowerkzeugen.** Schleifscheiben für größere Elektrowerkzeuge sind nicht für die höheren Drehzahlen von kleineren Elektrowerkzeugen ausgelegt und können brechen.

ZUSÄTZLICHE SICHERHEITSHINWEISE SPEZIELL FÜR TRENNSCHLEIFARBEITEN

- **Vermeiden Sie ein Blockieren der Trennscheibe oder zu hohen Anpressdruck. Führen Sie keine übermäßig tiefen Schnitte aus.** Eine Überlastung der Trennscheibe erhöht deren Beanspruchung und die Anfälligkeit zum Verkanten oder Blockieren und damit die Möglichkeit eines Rückschlags oder Schleifkörperbruchs.
- **Meiden Sie den Bereich vor und hinter der rotierenden Trennscheibe.** Wenn Sie die Trennscheibe im Werkstück von sich weg bewegen, kann im Falle eines Rückschlags das Elektrowerkzeug mit der sich drehenden Scheibe direkt auf Sie zugeschleudert werden.
- **Falls die Trennscheibe verklemmt oder Sie die Arbeit unterbrechen, schalten Sie das Gerät aus und halten Sie es ruhig, bis die Scheibe zum Stillstand gekommen ist. Versuchen Sie nie, die noch laufende Trennscheibe aus dem Schnitt zu ziehen, sonst kann ein Rückschlag erfolgen.** Ermitteln und beheben Sie die Ursachen für das Verklemmen.
- **Schalten Sie das Elektrowerkzeug nicht wieder ein, solange es sich im Werkstück befindet. Lassen Sie die Trennscheibe erst Ihre volle Drehzahl erreichen, bevor Sie den Schnitt vorsichtig fortsetzen.** Anderenfalls kann die Scheibe verhaken, aus dem Werkstück springen oder einen Rückschlag verursachen.
- **Stützen Sie Platten und große Werkstücke ab, um das Risiko eines Rückschlags durch eine**

eingeklemmte Trennscheibe zu vermindern. Große Werkstücke können sich unter ihrem eigenen Gewicht durchbiegen. Das Werkstück muss auf beiden Seiten der Scheibe abgestützt werden, und zwar sowohl in der Nähe des Trennschnitts als auch an der Kante.

- **Seien Sie besonders vorsichtig bei „Tauschnitten“ in bestehenden Wänden oder in andere nicht einsehbare Bereiche.** Die eintauchende Trennscheibe kann beim Schneiden in Gas- und Wasserleitungen, elektrische Leitungen oder andere Objekte einen Rückschlag verursachen.

ZUSÄTZLICHE SICHERHEITSWARNUNGEN

WARNUNG

Überprüfen Sie immer, dass die Spindel-Verriegelungstaste vollständig freigegeben ist, bevor Sie das Produkt einschalten.

RESTRISIKEN

Sogar wenn das Produkt wie vorgeschrieben benutzt wird, ist es unmöglich ein gewisses Restrisiko vollständig auszuschließen. Die folgenden Gefahren können bei der Benutzung entstehen, und der Benutzer sollte besonders auf folgende Punkte achten:

- Verletzungen durch geschleuderte Gegenstände
 - Metall- oder Schleifpartikel können in die Augen gelangen und schwere dauerhafte Schäden verursachen. Tragen Sie eine Schutzbrille bei Schleifarbeiten, wenn Sie das Produkt benutzen.
- Durch Vibrationen verursachte Verletzungen.
 - Begrenzen Sie die Belastung. Siehe "Risikoverringern".
- Durch Staub verursachte Verletzungen.
 - Tragen Sie eine angemessene Staubschutzmaske mit geeigneten Filtern, die Sie vor dem Staub des bearbeiteten Materials und Schleifpartikeln der Schleifscheibe schützt. Essen, trinken oder rauchen Sie nicht in dem Arbeitsbereich. Sorgen Sie für ausreichende Belüftung.
- Verletzungen durch Kontakt mit der Schleifscheibe.
 - Die Schleifscheibe und das Werkstück werden bei der Benutzung heiß. Tragen Sie Handschuhe, wenn Sie die Scheibe wechseln oder das Werkstück berühren. Halten Sie Ihre Hände immer von dem Schleifbereich fern. Klemmen Sie das Werkstück wann immer möglich fest.
- Lärm kann zu Gehörschäden führen
 - Längere Lärmbelastung erhöht die Gefahr von Gehörschaden und der Effekt ist kumulativ. Tragen Sie einen Gehörschutz, wenn Sie Elektrowerkzeug für längere Zeit benutzen.

WARNUNG

Verletzungen können durch lange Benutzung eines Werkzeugs entstehen oder verschlimmert werden. Machen Sie regelmäßig Pause, wenn Sie ein Werkzeug für lange Zeit benutzen.

RISIKOVERRINGERUNG

Vibrationen von in der Hand gehaltenen Werkzeugen können bei einigen Personen zu einem Zustand, der Raynaud-Syndrom genannt wird, führen. Symptome sind u.a. Kribbeln, Taubheitsgefühl und episodische Weißfärbung der Finger und treten normalerweise bei Kälte auf. Man geht davon aus, dass ererbte Faktoren, Kälte und Feuchtigkeit, Essgewohnheiten, Rauchen und Arbeitsweise zur Entwicklung dieser Symptome beitragen. Der Anwender kann Maßnahmen ergreifen, um die Auswirkungen der Vibrationen möglicherweise zu verringern:

- Halten Sie den Körper bei Kälte warm. Tragen Sie beim Betrieb des Geräts Handschuhe, um Hände und Handgelenke warm zu halten. Berichten zu Folge ist kaltes Wetter ein wesentlicher Faktor, der zum Raynaud Syndrom beiträgt.
- Betätigen Sie sich nach jedem Einsatz körperlich, um den Blutkreislauf zu steigern.
- Machen Sie regelmäßig Pausen. Beschränken Sie die Beanspruchung pro Tag.

Sollten bei Ihnen eines der zuvor beschriebenen Symptome / Zustände auftreten, stellen Sie unverzüglich den Betrieb ein und suchen Sie bezüglich der Symptome einen Arzt auf.

MACHEN SIE SICH MIT IHREM PRODUKT VERTRAUT

Siehe Seite 109.

1. Spindelarrretierung
2. Ein-/Ausschalter
3. Arrretierung Schutzhaube
4. Schutzhaube (werkzeuglos montierbar)
5. Zusatzhandgriff
6. Akku-Aufnahmeschacht
7. Spannflansch
8. Schleifscheibe
9. Aufnahmefflansch
10. Trennscheibe (nicht enthalten)
11. Trennschutzhaube - werkzeuglos montierbar (nicht enthalten)

WARTUNG UND PFLEGE

- Verwenden Sie zur Wartung nur Original Ersatzteile. Der Einsatz von anderen Teilen kann eine Gefahr verursachen oder das Produkt beschädigen.
- Vermeiden Sie beim Reinigen der Plastikteile den Einsatz von Lösungsmitteln. Die meisten Kunststoffe sind anfällig gegen die verschiedensten Arten von kommerziellen Reinigungsmitteln und können durch deren Verwendung beschädigt werden. Benutzen Sie saubere Lappen um Schmutz, Staub, Öl, Fett usw. zu entfernen.
- Tragen Sie beim Arbeiten mit Elektrowerkzeugen oder beim Wegblasen von Staub immer eine Schutzbrille mit Seitenschutz. Tragen Sie außerdem bei staubigen Arbeiten eine Atemschutzmaske.
- Entfernen Sie zur Vermeidung schwerer Verletzungen bei der Reinigung oder der Durchführung anderer Wartungsarbeiten immer erst den Akku aus dem Produkt.
- Lassen Sie niemals Bremsflüssigkeiten, Benzine, Produkte auf Erdölbasis, Rostlöser usw. mit den

Plastikteilen in Kontakt geraten. Chemikalien können Plastik beschädigen, aufweichen oder zerstören, was zu schweren Verletzungen führen kann.

- Nur die in der Stückliste aufgeführten Teile sind zur Reparatur oder den Austausch durch den Kunden vorgesehen. Alle anderen Teile sollten durch den autorisierten Kundendienst ausgetauscht werden.

⚠️ WARNUNG

Benutzen Sie keine Druckluft, um Staub von dem Produkt zu entfernen. Diese Vorgehensweise ist gefährlich und kann Schmutz und Späne wegblasen. Mit Druckluft weg geblasener Schmutz oder Späne können schwere Augenverletzungen verursachen.

UMWELTSCHUTZ



Recyceln Sie die Rohstoffe, anstatt sie im Haushaltsabfall zu entsorgen. Zum Schutz der Umwelt müssen das Gerät, die Zubehörteile und die Verpackungen getrennt entsorgt werden.

SYMBOLS



Sicherheitswarnung

n

Nenn Drehzahl



EurAsian Konformitätszeichen



Ukrainisches Prüfzeichen



CE Konformität



Bitte lesen Sie die Anweisungen sorgfältig, bevor Sie das Gerät einschalten.



Gehörschutz tragen



Augenschutz tragen



Tragen Sie eine Staubschutzmaske.



Tragen Sie Sicherheitshandschuhe



Benutzen Sie keine angeschlagene, gebrochene oder defekte Schleifscheibe



Nicht zum Schneiden benutzen



Benutzen Sie eine Schutzvorrichtung



Metall



Elektrische Geräte sollten nicht mit dem übrigen Müll entsorgt werden. Bitte entsorgen Sie diese an den entsprechenden Entsorgungsstellen. Wenden Sie sich an die örtliche Behörde oder Ihren Händler, um Auskunft über die Entsorgung zu erhalten.

SYMBOLS IN DER BEDIENUNGSANLEITUNG



Hinweis



Teile oder Zubehör getrennt erhältlich



Öffnen



Sperren

Mit den folgenden Symbolen wird die Bedeutung der verschiedenen Risikostufen, die mit dem Produkt einhergehen, dargestellt.

⚠️ GEFAHR

Bezeichnet eine unmittelbare Gefahrensituation, die, falls nicht vermieden, zum Tode oder schweren Verletzungen führen kann.

⚠️ WARNUNG

Bezeichnet eine mögliche Gefahrensituation, die, falls nicht vermieden, zum Tode oder schweren Verletzungen führen kann.

⚠️ ACHTUNG

Bezeichnet eine mögliche Gefahrensituation, die, falls nicht vermieden, zu kleineren und mittleren Verletzungen führen kann.

⚠️ ACHTUNG

(Ohne Warnsymbol) weist auf eine Situation hin, die zu Sachschaden führen kann.



EN
FR
DE
ES
IT
NL
PT
DA
SV
FI
NO
RU
PL
CS
HU
RO
LV
LT
ET
HR
SL
SK
BG
UK
TR
EL

La seguridad, el rendimiento y la fiabilidad han sido las máximas prioridades a la hora de diseñar esta amoladora angular inalámbrica.

USO PREVISTO

Su amoladora angular está diseñada para ser utilizado por adultos que hayan leído y comprendido las instrucciones y advertencias recogidas en este manual y que puedan ser considerados responsables de sus acciones. La amoladora angular está diseñada para solamente para amolar y cortar metales. Solo deben utilizarse los discos de corte adecuados descritos en la sección de especificaciones del producto de este manual con la amoladora angular. La amoladora angular está diseñada para uso manual; no debe montarse en una base fija o banco de trabajo.

Utilice el producto exclusivamente para el uso para el que fue diseñado.

⚠ ADVERTENCIA

Lea todas las instrucciones y advertencias de seguridad. No seguir las advertencias e instrucciones correctamente puede provocar descargas eléctricas, incendios y/o daños graves.

Guarde todas estas advertencias e instrucciones para futuras referencias.

CONSIGNAS DE SEGURIDAD ESPECÍFICAS PARA LAS AMOLADORAS DE ÁNGULO

ADVERTENCIAS COMUNES DE SEGURIDAD PARA OPERACIONES DE CORTE ABRASIVO Y ESMERILADO

- Esta herramienta está destinada a funcionar como una herramienta de corte y esmerilado. Lea atentamente todas las advertencias, instrucciones y especificaciones suministradas con la herramienta, y consulte las ilustraciones. El incumplimiento de las instrucciones que se indican a continuación puede ocasionar diversos accidentes como incendios, descargas eléctricas y/o graves heridas corporales.
- Se recomienda no realizar operaciones de lijado, cepillado con alambre o pulido con esta herramienta eléctrica. El incumplimiento de esta instrucción puede ocasionar accidentes y graves heridas corporales.
- No utilice accesorios que no han sido específicamente diseñados para esta herramienta y que no han sido recomendados por el fabricante. Aun cuando pueda montar un accesorio en una herramienta, esto no le garantiza que pueda utilizar la herramienta con total seguridad.
- La velocidad nominal del accesorio debe ser igual o superior a la velocidad máxima indicada en la herramienta. Los accesorios que funcionen a una velocidad superior a su velocidad nominal pueden romperse y resultar proyectados de la herramienta.
- El diámetro exterior y el grosor del accesorio deben corresponder a las características especificadas para la herramienta. Si los accesorios no corresponden a las características indicadas, los sistemas de protección y ajuste de la herramienta no podrán funcionar correctamente.
- El montaje roscado de accesorios debe encajar en las roscas del eje de la amoladora. Para accesorios

montados mediante salientes, el orificio del árbol del accesorio debe encajar en el diámetro correspondiente del saliente. Los accesorios que no encajen con el equipo de montaje de la herramienta se desequilibrarán, vibrarán en exceso y podrán dar lugar a una pérdida de control.

- No utilice accesorios deteriorados. Antes de cada utilización, compruebe que el accesorio que va a utilizar se encuentra en buenas condiciones: compruebe que los discos abrasivos no están mellados o agrietados, que los patines no están desgarrados o gastados, que las cerdas de los cepillos metálicos no están demasiado gastadas o rotas. Si se cae la herramienta eléctrica o el accesorio, compruebe que ningún elemento está deteriorado o instale un accesorio nuevo. Después de comprobar que el accesorio se encuentra en buenas condiciones y una vez que lo haya montado, manténgase a distancia del accesorio móvil y deje que la herramienta alcance su velocidad máxima durante un minuto. Si el accesorio está dañado, se romperá al realizar esta prueba.
- Use el equipo de protección personal. En función del uso que haga de la herramienta, lleve una máscara de protección, gafas de seguridad o de protección. Si fuera necesario, lleve una mascarilla antipolvo, protecciones auditivas, guantes y un delantal de protección para protegerse de las proyecciones de cuerpos extraños (elementos abrasivos, virutas de madera, etc.). Las gafas de protección permiten evitar las proyecciones de residuos que pueden dañar los ojos. Las mascarillas antipolvo permiten filtrar las partículas producidas por la operación que está realizando. La exposición prolongada a ruidos de fuerte intensidad puede causar una pérdida de audición.
- Mantenga a las demás personas a una distancia prudente de la zona de trabajo y cerciése de que lleven un equipo de protección. Cualquiera que entre en el área de trabajo debe utilizar equipo de protección personal. Fragmentos de la pieza trabajada o de un accesorio roto pueden resultar proyectados más allá de la zona de trabajo y causar heridas graves.
- Agarre la herramienta eléctrica por las superficies de agarre aislantes cuando realice una operación en la que el accesorio de corte puede ponerse en contacto con el cableado oculto. El accesorio de corte que esté en contacto con un cable "vivo" puede transmitir corriente a las piezas metálicas de la herramienta que estén expuestas y el operador podría sufrir una descarga eléctrica.
- No deje nunca la herramienta hasta que el accesorio se haya detenido completamente. El accesorio en movimiento puede entrar en contacto con la superficie donde lo ha dejado y hacerle perder el control de la herramienta.
- No transporte la herramienta mientras está funcionando. El accesorio en movimiento podría engancharse en su ropa y causarle heridas graves.
- Limpie con frecuencia las ranuras de ventilación de la herramienta. La ventilación del motor arrastra el polvo hacia el cárter del motor, lo que puede producir una acumulación excesiva de partículas metálicas y provocar descargas eléctricas.
- No utilice la herramienta cerca de productos



inflamables. Las chispas podrían provocar un incendio.

- **No utilice accesorios que requieran el uso de fluidos de refrigeración.** El uso de agua o de líquidos de refrigeración puede provocar electrocuciones o descargas eléctricas.

INSTRUCCIONES ADICIONALES DE SEGURIDAD PARA TODAS LAS OPERACIONES

Advertencias de rebote y similares

El rebote es una reacción brusca que se produce al atascarse o engancharse el accesorio, como un disco de amolar, plato lijador, cepillo de alambre, etc. Al atascarse o engancharse el accesorio en funcionamiento, éste es frenado bruscamente. Ello puede hacer que pierda el control de la herramienta eléctrica y hacer que ésta salga impulsada en dirección opuesta al sentido de giro que tenía el accesorio.

En el caso de que por ejemplo, un disco amolador se atasque o bloquee en la pieza de trabajo, puede suceder que el canto del accesorio que penetra en el material se enganche, provocando la rotura del accesorio o el rebote del aparato. Según el sentido de giro y la posición del accesorio en el momento de bloquearse puede que éste resulte despedido hacia, o en sentido opuesto al usuario. En estos casos puede suceder que el accesorio incluso llegue a romperse.

Por lo tanto, el rebote es el resultado de una mala utilización de la máquina y/o de procedimientos o condiciones de corte incorrectas.

- **Sostenga firmemente la herramienta y mantenga el cuerpo y el brazo de manera que pueda controlar un posible rebote.** Si la herramienta cuenta con una empuñadura auxiliar, sosténgala siempre para tener un óptimo control de la herramienta en caso de producirse algún rebote o par de reacción al poner en marcha la herramienta. Adopte las medidas necesarias para poder controlar la herramienta en caso de producirse algún rebote o par de reacción.
- **No coloque nunca las manos cerca del accesorio en movimiento para evitar el riesgo de heridas graves en caso de producirse algún rebote.** Accesorio puede rebotar contra su mano.
- **No se ponga en la zona donde la herramienta puede resultar expulsada si se produce algún rebote.** De producirse algún rebote, la herramienta sería expulsada en el sentido opuesto al sentido de rotación del disco.
- **Preste especial atención cuando trabaje en ángulos, bordes cortantes, etc.** Evite que el accesorio resbale o se atasque. Cuando trabaja en ángulos o bordes cortantes o cuando la herramienta resbala, aumenta el riesgo de bloqueo del accesorio, lo que le puede hacer perder el control de la herramienta y provocar un rebote.
- **No utilice nunca hojas de tronadoras de madera u hojas de sierra con esta herramienta.** Este tipo de hojas aumenta el riesgo de rebote y de pérdida de control de la herramienta.

ADVERTENCIAS DE SEGURIDAD ADICIONALES ESPECÍFICAS PARA OPERACIONES DE CORTE ABRA-SIVO Y ESMERILADO

- **Utilice sólo los tipos de disco recomendados para esta herramienta eléctrica y la protección específica diseñada para el disco seleccionado.** Los

discos para los que la herramienta no ha sido diseñada no pueden ser adecuadamente protegidos y suponen un riesgo.

- **La superficie de corte de los discos hundidos en el centro debe montarse por debajo del plano del borde de la cubierta.** Un disco mal montado que se proyecta en el plano del borde de la cubierta no puede protegerse correctamente.
- **La protección debe estar firmemente sujeta a la herramienta y colocada para una seguridad máxima, de forma que se exponga la menor cantidad de disco hacia el operador.** La protección ayuda al operador a protegerse de fragmentos de rueda rotos, del contacto accidental con la rueda y de chispas que puedan incendiar la ropa.
- **Los discos sólo deben utilizarse para las aplicaciones recomendadas.** Por ejemplo, no use los laterales de los discos de corte para amolar. Los discos abrasivos de corte están destinados a las fuerzas laterales, de afilado periférico; si se aplican a estos discos puede hacer que se rompan.
- **Utilice siempre bridas en perfecto estado que tengan el tamaño la y forma correctos para el disco seleccionado.** Las bridas adecuadas soportan el disco, reduciendo así la posibilidad de rotura del mismo. Las bridas para discos tronzadores pueden ser diferentes de aquellas para los discos de amolar.
- **No use discos desgastados de herramientas de mayor potencia.** Los discos diseñados para herramientas eléctricas más grandes no son adecuados para una velocidad más alta de las herramientas más pequeñas y podrían romperse.

ADVERTENCIAS DE SEGURIDAD ADICIONALES ESPECÍFICAS PARA OPERACIONES DE CORTE ABRA-SIVO

- **Procure no "atascar" el disco de corte o aplicar una presión excesiva. No trate de hacer una excesiva profundidad de corte.** La sobrecarga del disco aumenta la carga y la susceptibilidad a la torsión o al atasco del disco en el corte y la posibilidad de contragolpes o rotura del disco.
- **No coloque su cuerpo en línea con o detrás del disco giratorio.** Cuando el disco está en funcionamiento y se aleja de su cuerpo, un posible contragolpe podría proyectar el disco giratorio y la herramienta en dirección a usted.
- **Cuando el disco se bloquee, o cuando se interrumpe un corte por cualquier razón, apague la herramienta y manténgala inmóvil hasta que el disco se detenga por completo. Nunca trate de quitar el disco del corte mientras que la rueda esté en movimiento, ya que podría provocar un rebote.** Si el disco se atasca, averigüe la causa del problema y tome las medidas necesarias para que no se repita.
- **No inicie la operación de corte en la pieza de trabajo. Deje que el disco alcance la máxima velocidad y con cuidado vuelva a introducir la herramienta para realizar el corte.** El disco se puede doblar, saltar o rebotar si la herramienta se vuelve a arrancar en la pieza de trabajo.
- **Apoye los paneles o cualquier pieza de gran tamaño para minimizar el riesgo de que se atasque el disco o de que la unidad rebote.** Las piezas de trabajo grandes tienden a hundirse por su propio peso.

Los soportes deben colocarse bajo la pieza de trabajo cerca de la línea de corte y cerca del borde de la pieza de trabajo a ambos lados del disco.

- **Tenga mucho cuidado al hacer un "corte de bolsillo" en paredes u otras superficies similares.** El disco que sobresale puede cortar tuberías de gas o agua, cables eléctricos u objetos que pueden causar un efecto rebote.

AVISOS DE SEGURIDAD ADICIONALES

⚠ ADVERTENCIA

Compruebe siempre que el botón de bloqueo del husillo esté totalmente liberado antes de encender el producto.

RIESGOS RESIDUALES

Incluso cuando se utiliza el producto según las instrucciones, sigue siendo imposible eliminar por completo ciertos factores de riesgo residuales. Pueden surgir los siguientes riesgos durante el uso y el operador debe prestar especial atención para evitar lo siguiente:

- Lesiones causadas por partículas proyectadas.
 - Partículas de metal o abrasivas podrían entrar en los ojos y provocar daños permanentes. Utilice gafas aprobadas para tareas de amolado al utilizar el producto.
- Lesiones por vibración
 - Limite la exposición. Consulte el apartado "Reducción De Riesgos".
- Lesiones causadas por el polvo
 - Use las correspondientes mascarillas antipolvo con filtros adecuados que puedan protegerlo contra el polvo del material de trabajo y las partículas abrasivas del disco de corte. No comer, beber o fumar en el área de trabajo. Asegurar una ventilación adecuada.
- Lesiones por contacto con el disco de corte
 - El disco y la pieza de trabajo se calentarán durante el uso. Utilice guantes al cambiar los discos o al tocar la pieza de trabajo. Mantenga las manos alejadas de la zona de amolado en todo momento. Sujete la pieza de trabajo siempre que sea posible.
- Lesiones causadas por el ruido
 - La exposición prolongada al ruido aumentará el riesgo de daños a la audición, y los efectos son acumulativos. Al utilizar herramientas eléctricas durante cualquier período de tiempo prolongado, utilice protección para los oídos.

⚠ ADVERTENCIA

El uso prolongado de la herramienta puede provocar o agravar lesiones. Al utilizar cualquier herramienta durante períodos prolongados asegúrese de tomar descansos regulares.

REDUCCIÓN DEL RIESGO

Se ha informado de que las vibraciones de las herramientas manuales pueden contribuir a una enfermedad llamada síndrome de Raynaud en ciertos individuos. Los síntomas

pueden incluir hormigueo, entorpecimiento y decoloración de los dedos, generalmente aparentes cuando tiene lugar una exposición al frío. Se considera que los factores hereditarios, exposición al frío y a la humedad, dieta, tabaquismo y prácticas de trabajo contribuyen al desarrollo de estos síntomas. Existen medidas que pueden ser tomadas por el operador para reducir los efectos de vibración:

- Mantenga su cuerpo caliente durante el tiempo frío. Al manipular la unidad, utilice guantes para mantener las manos y las muñecas calientes. Hay informes que indican que el tiempo frío es un gran factor que contribuye al síndrome de Raynaud.
- Después de cada período de funcionamiento, realice ejercicios para aumentar la circulación sanguínea.
- Haga pausas de trabajo frecuentes. Limite la cantidad de exposición por día.

Si siente alguno de los síntomas de esta enfermedad, interrumpa inmediatamente el uso y consulte a su médico estos síntomas.

CONOZCA EL PRODUCTO

Consulte la página 109.

1. Botón de bloqueo del árbol
2. Gatillo del interruptor
3. Palanca de bloqueo de la protección
4. Protección sin herramientas
5. Asa lateral
6. Puerto de la batería
7. Disco de sujeción exterior
8. Disco para desbarbar
9. Brida
10. Disco de corte (no incluida)
11. Protección de corte sin herramientas (no incluida)

MANTENIMIENTO

- Utilice solo piezas de recambio idénticas cuando esté realizando labores de mantenimiento de la máquina. El uso de otras piezas puede ocasionar riesgos o daños en el producto.
- Evite el uso de disolventes para limpiar las piezas de plástico. La mayoría de los plásticos se dañan con diferentes tipos de disolventes comerciales y se pueden dañar con su uso. Utilice un paño limpio para retirar las impurezas, el polvo, el aceite, la grasa, etc.
- Utilice siempre gafas protectoras o de seguridad con protecciones laterales durante el funcionamiento del producto eléctrico o al soplar polvo. Si la superficie de trabajo es polvorienta, use también una careta específica.
- Para evitar lesiones personales graves, retire siempre la batería del producto al realizar operaciones de limpieza o de mantenimiento.
- No permita en ningún momento que las piezas de plástico entren en contacto con líquido de frenos, gasolina, productos derivados del petróleo, aceites penetrantes, etc. Los productos químicos pueden dañar, destruir o debilitar el plástico, lo que puede ocasionar graves daños personales.
- El cliente sólo puede reemplazar o reparar las piezas que aparecen en la lista de piezas. Todas las demás piezas deben reemplazarse en un Centro de Servicio Autorizado.

⚠ ADVERTENCIA

No use aire comprimido para eliminar el polvo del producto. Esta práctica es peligrosa y puede hacer que la suciedad y el polvo salgan disparados y dañen los ojos de alguien.

PROTECCIÓN DEL MEDIO AMBIENTE



Recicle las materias primas en lugar de tirarlas a la basura doméstica. Para proteger el medio ambiente, debe separar la herramienta, los accesorios y los embalajes.

SÍMBOLOS



Alerta de seguridad

n

Velocidad nominal



Certificado EAC de conformidad



Marca de conformidad ucraniana



Conformidad CE



Por favor lea las instrucciones detenidamente antes de arrancar la máquina.



Utilice dispositivos de protección para los oídos



Utilice gafas de seguridad



Utilice una máscara antipolvo.



Use guantes de seguridad para las manos



No utilice una rueda de esmeril picada, rajada o defectuosa



No apto para cortar



Utilice protección



Metal



Los productos eléctricos de desperdicio no deben desecharse con desperdicios caseros. Por favor reciclelos donde existan dichas instalaciones. Compruebe con su autoridad local o minorista para reciclar.

SÍMBOLOS EN ESTE MANUAL



Nota



Las piezas o accesorios se venden por separado



Desbloquear



Bloquear

Los siguientes símbolos y palabras detallan los niveles de cuidado necesarios para usar este producto.

⚠ PELIGRO

Indica una situación inminente de peligro que, si no se evita, provocará la muerte o lesiones graves.

⚠ ADVERTENCIA

Indica una situación potencialmente peligrosa que, si no se evita, podría causar la muerte o lesiones graves.

⚠ PRECAUCIÓN

Indica una situación potencialmente peligrosa que, si no se evita, puede provocar lesiones leves o moderadas.

PRECAUCIÓN

(Sin símbolo de seguridad) Indica una situación que podría ocasionar daños materiales.



EN
FR
DE
ES
IT
NL
PT
DA
SV
FI
NO
RU
PL
CS
HU
RO
LV
LT
ET
HR
SL
SK
BG
UK
TR
EL

Durante la progettazione di questa smerigliatrice angolare a batteria è stata data la massima priorità a sicurezza, prestazioni e affidabilità.

UTILIZZO

La smerigliatrice angolare è adatta per essere utilizzata da adulti che hanno letto e compreso le istruzioni e gli avvertimenti nel presente manuale e che possono quindi essere considerati responsabili delle loro azioni. La smerigliatrice angolare è progettata solo per operazioni di smerigliatura e taglio di metalli. Utilizzare con questa smerigliatrice angolare solo dischi di smerigliatura indicati nella sezione specifiche del presente manuale. La smerigliatrice angolare è progettata solo per essere sorretta dalle mani dell'operatore; non montarla su tavoli da lavoro o altre strutture simili.

Non utilizzare il prodotto in modi diversi da quelli indicati.

⚠ AVVERTENZE

Leggere tutti gli avvertimenti e le istruzioni di sicurezza. La mancata osservanza delle avvertenze e delle istruzioni potrà causare scosse elettriche, incendi e/o gravi lesioni personali.

Conservare tutte le istruzioni e le avvertenze per eventuali riferimenti futuri.

NORME DI SICUREZZA SPECIFICHE PER LE MOLATRICI ANGOLARI

AVVERTENZE DI SICUREZZA IN COMUNE PER OPERAZIONI DI MOLATURA E TAGLIO ABRASIVO

- Questo elettroutensile è in grado di funzionare come mola e dispositivo di taglio. Leggere attentamente tutte le avvertenze, le istruzioni e le specifiche fornite con l'apparecchio e fare riferimento alle illustrazioni. La mancata osservanza delle istruzioni riportate di seguito potrebbe provocare incidenti quali incendi, scosse elettriche e/o gravi lesioni fisiche.
- Operazioni di levigatura, spazzolatura o lucidatura non devono essere svolte con questo elettroutensile. La mancata osservanza di questa norma può provocare incidenti e gravi lesioni fisiche.
- Non utilizzare accessori che non sono stati appositamente progettati per questo apparecchio e che non sono raccomandati dal produttore. Anche se un accessorio può essere montato su un apparecchio, ciò non garantisce che l'apparecchio possa comunque essere utilizzato in totale sicurezza.
- La velocità nominale dell'accessorio deve essere pari o superiore alla velocità massima indicata sull'apparecchio. Gli accessori utilizzati ad una velocità superiore alla loro velocità nominale possono infatti rompersi ed essere proiettati verso l'esterno.
- Il diametro esterno e lo spessore dell'accessorio devono corrispondere alle caratteristiche specificate per l'apparecchio. Se gli accessori non corrispondono alle caratteristiche indicate, i sistemi di protezione e di regolazione dell'apparecchio non possono funzionare correttamente.
- Gli eventuali accessori filettati devono poter essere montati sull'albero della smerigliatrice e ne devono quindi rispettare le dimensioni. Per accessori montati da flange, il foro dell'albero dell'accessorio deve essere delle stesse dimensioni del diametro della flangia. Accessori che non rispettino le dimensioni dell'utensile provocheranno una perdita di equilibrio, causeranno eccessive vibrazioni e potranno provocare perdita di controllo.
- Non utilizzare un accessorio danneggiato. Prima di ciascun impiego, assicurarsi che l'accessorio utilizzato sia in buono stato: accertarsi quindi che i dischi abrasivi non siano scheggiati né fessurati, che i pattini non siano lacerati né usurati e che le setole delle spazzole metalliche non siano eccessivamente usurate né rotte. In caso di caduta dell'apparecchio o dell'accessorio, assicurarsi che non vi siano componenti danneggiati e, all'occorrenza, installare un accessorio nuovo. Dopo avere verificato che l'accessorio è in buono stato e dopo averlo installato, tenersi a debita distanza dall'accessorio mobile ed attendere circa un minuto affinché l'apparecchio raggiunga la velocità massima. Se l'accessorio è danneggiato, si romperà durante questo test.
- Indossare dispositivi equipaggiamento di protezione personale. A seconda dell'uso a cui è destinato l'apparecchio, indossare una maschera protettiva, occhiali di sicurezza o occhiali di protezione. All'occorrenza, indossare una maschera antipolvere, dispositivi di protezione uditiva, guanti ed un grembiule di protezione per proteggersi da eventuali proiezioni di corpi estranei (elementi abrasivi, trucioli di legno, ecc.). Gli occhiali di protezione consentono di evitare le lesioni oculari dovute alle proiezioni di frammenti. Le maschere antipolvere permettono di filtrare le particelle generate dall'operazione eseguita. L'esposizione prolungata ad un rumore di forte intensità può comportare la perdita dell'udito.
- Tenere le persone estranee a debita distanza dalla zona di lavoro ed assicurarsi che indossino un'attrezzatura di protezione. Persone che entrano nella zona di lavoro deve indossare dispositivi di protezione individuale. Eventuali frammenti del pezzo da lavorare o di un accessorio rotto possono essere scagliati oltre la zona di lavoro e causare gravi lesioni fisiche.
- Sujete la máquina por la parte engomada cuando trabaje en una superficie debajo de la cual puedan pasar cables eléctricos. Se la lama taglia un cavo "vivo" le parti esposte dell'elettroutensile potrebbero fare da conduttore e causare scosse elettriche.
- Non posare mai l'apparecchio prima che l'accessorio si sia completamente arrestato. L'accessorio in rotazione potrebbe entrare a contatto con la superficie sulla quale è posato e fare perdere il controllo dell'apparecchio.
- Non fare funzionare l'apparecchio mentre lo si trasporta. L'accessorio in rotazione potrebbe impigliarsi nei propri indumenti e causare gravi lesioni.
- Pulire regolarmente le aperture di ventilazione dell'apparecchio. La ventilazione del motore fa penetrare le polveri all'interno del carter del motore, con conseguente accumulo eccessivo di particelle metalliche e possibilità di scosse elettriche.
- Non utilizzare l'apparecchio nelle vicinanze di prodotti infiammabili. Le eventuali scintille generate rischierebbero di incendiari.





- **Non utilizzare accessori che richiedono fluidi di raffreddamento.** L'utilizzo di acqua o di liquidi di raffreddamento può causare episodi di elettrocuzione o scosse elettriche.

ULTERIORI ISTRUZIONI DI SICUREZZA PER TUTTE LE OPERAZIONI

Rimbalzi e avvertenze correlate

Il contraccolpo è una reazione improvvisa che si verifica quando la mola in movimento, il pattino, la spazzola o qualunque altro accessorio si incastra o si piega, con conseguente bloccaggio rapido dell'accessorio. L'apparecchio, che continua a funzionare, viene quindi proiettato nella direzione opposta a quella di utilizzo dell'accessorio.

Ad esempio, se un disco abrasivo si incastra o si piega nel pezzo da lavorare, il tagliente del disco rischia di penetrare nella superficie del pezzo facendo uscire bruscamente il disco dal pezzo e scagliandolo verso l'operatore o comunque a distanza. La ruota può saltare verso o lontano dall'operatore, a seconda della direzione del movimento della ruota al punto di pizzicamento. In caso di contraccolpo, il disco abrasivo può anche rompersi.

Il contraccolpo è pertanto il risultato di un utilizzo errato dell'apparecchio e/o di procedimenti o di condizioni di impiego inappropriati.

- **Tenere l'apparecchio saldamente e posizionare il proprio corpo e il braccio in modo tale da riuscire a controllare un eventuale contraccolpo.** Se l'apparecchio dispone di un'impugnatura ausiliaria, assicurarsi sempre di afferrarla per avere il controllo ottimale dell'apparecchio in caso di contraccolpo o di controcoppia al momento della sua messa in funzione. Adottare le misure necessarie per riuscire a controllare l'apparecchio in caso di contraccolpo o di controcoppia.
- **Non avvicinare mai la mano all'accessorio in rotazione, onde evitare qualunque rischio di gravi lesioni fisiche in caso di contraccolpo.** Accessorio possono causare contraccolpi alla mano.
- **Non sistemarsi nella zona in cui l'apparecchio rischia di essere scagliato in caso di contraccolpo.** In caso di contraccolpo, l'apparecchio viene scagliato nella direzione opposta al senso di rotazione del disco.
- **Prestare particolare attenzione quando si lavora su angoli, bordi taglienti, ecc. Evitare di fare slittare o di incastrare l'accessorio.** Quando si lavora su angoli o bordi taglienti o si fa slittare l'apparecchio, si accentua il rischio di bloccare l'accessorio e pertanto di perdere il controllo dell'apparecchio stesso e di provocare un contraccolpo.
- **Non utilizzare mai lame adatte alle troncatrici per legno o lame da sega con questo apparecchio.** Queste lame aumentano infatti il rischio di contraccolpo e di perdita di controllo dell'apparecchio.

AVVERTENZE DI SICUREZZA SPECIFICHE PER OPERAZIONI DI MOLATURA E TAGLIO ABRASIVO

- **Utilizzare solo con il tipo di ruote indicate con questo elettroutensile e con i pararuote specifici per queste ruote.** L'utilizzo di ruote non progettate per essere utilizzate con questo utensile non garantirà la protezione e la sicurezza dell'operatore.
- **La superficie delle ruote a pressione centrale deve essere montata a un livello inferiore rispetto**

al bordo del dispositivo di protezione. Una ruota non adeguatamente montata che si proietti attraverso il bordo del dispositivo di protezione non può essere adeguatamente protetta.

- **I pararuote devono essere collegati all'elettroutensile in modo da garantire una massima sicurezza, lasciando solo una minima parte delle ruote esposta verso l'operatore.** La protezione aiuta a proteggere l'operatore da frammenti di ruota taglienti, contatto accidentale e scintille in grado di infiammare gli indumenti.
- **Le ruote devono essere utilizzate solo per le applicazioni raccomandate. Per esempio, non svolgere operazioni di smerigliatura con la parte laterale delle ruote di taglio.** Le ruote di taglio abrasive sono progettate per molature periferiche, applicare eccessiva forza su di esse potrà romperle.
- **Utilizzare sempre flange per ruote non danneggiate delle corrette dimensioni e misure, adatte alle ruote selezionate.** Le flange per le ruote sostengono le ruote riducendo la possibilità di rottura. Le flange per le ruote di taglio possono essere diverse dalle flange delle ruote di smerigliatura.
- **Non utilizzare ruote consumate per elettroutensili grandi.** Le ruote indicate per elettroutensili più grandi non sono adatte per velocità più alte di utensili più piccoli e potranno scoppiare.

AVVERTENZE DI SICUREZZA ADDIZIONALI SPECIFICHE PER OPERAZIONI DI TAGLIO ABRASIVO

- **Non "incastrare" la ruota di taglio o applicare eccessiva pressione. Non tentare di fare un taglio eccessivamente profondo.** Applicare una eccessiva forza sulla ruota aumenterà il carico e la possibilità che la ruota si pieghi o rimanga incastrata nel taglio e la possibilità di rimbalzi o di rottura delle ruote.
- **Non posizionare il corpo in linea o dietro la ruota in movimento.** Quando la ruota, durante il funzionamento, si sposta dal corpo, il rimbalzo potrà spingere la ruota e l'utensile verso l'operatore.
- **Se la ruota rimane incastrata o quando si interrompono le operazioni di taglio per una qualsiasi ragione, scollegare l'elettroutensile e attendere fino a che la ruota non si sia bloccata completamente. Non tentare mai di rimuovere la ruota di taglio dal taglio mentre è in movimento, in caso contrario si potrà verificare un rimbalzo.** Se il disco si incastra, individuare la causa e adottare le misure necessarie affinché ciò non si verifichi più.
- **Non riavviare le operazioni di taglio sul pezzo sul quale si sta lavorando. Lasciare che la ruota raggiunga la massima velocità quindi reinserire la lama nel taglio.** La ruota potrà incastrarsi, rimanere bloccata o scagliare contro l'operatore corpi estranei se l'elettroutensile viene riavviato nel pezzo sul quale si sta lavorando.
- **Reggere pannelli o pezzi più grandi sui quali si sta lavorando per minimizzare il rischio che la ruota rimanga incastrata e rischi di rimbalzo.** I pezzi molti grandi sui quali si lavora tendono a cedere sotto il proprio peso. I sostegni dovranno essere posizionati sotto il pezzo sul quale si sta lavorando accanto alla linea di taglio e vicino all'estremità del pezzo sul quale si sta lavorando su entrambi i lati della ruota.
- **Fare ulteriore attenzione quando si svolgono "tagli**



di profondità” in muri o altre zone cieche. La ruota che protrude potrà tagliare tubi del gas e dell'acqua, cavi elettrici o scagliare verso l'operatore corpi estranei.

ULTERIORI AVVERTENZE DI SICUREZZA

⚠ AVVERTENZE

Prima di accendere il prodotto controllare sempre che il pulsante di blocco dell'alberino sia completamente rilasciato.

RISCHI RESIDUI

Anche quando il prodotto viene utilizzato come indicato, sarà ancora impossibile eliminare completamente alcuni fattori di rischio residuo. Si potranno verificare i seguenti rischi e l'operatore dovrà prestare particolare attenzione per evitare quanto segue:

- Lesioni causate da parti scagliate verso l'operatore
 - Particelle metalliche o abrasive possono penetrare negli occhi e causare gravi danni permanenti. Indossare occhiali di protezione per operazioni di smerigliatura quando si utilizza il prodotto.
- Lesioni causate da vibrazioni
 - Limitare l'esposizione. Vedere “Riduzione Rischio”.
- Lesioni causate dalla polvere
 - Indossare un'adeguata maschera per il controllo della polvere con filtri che siano in grado di proteggere dalla polvere prodotta dal materiale sul quale si sta lavorando e dalle particelle abrasive prodotte dai dischi di smerigliatura. Non mangiare, bere, né fumare nell'area di lavoro. Assicurare una ventilazione adatta.
- Lesioni da contatto con il disco di smerigliatura.
 - Il disco e il pezzo sul quale si sta lavorando potranno diventare caldi durante l'utilizzo. Indossare guanti quando si cambiano dischi o quando si tocca il pezzo sul quale si sta lavorando. Tenere sempre le mani lontane dall'area di smerigliatura. Ancorare il pezzo sul quale si sta lavorando ogniqualvolta sia possibile.
- Lesioni causate dal rumore.
 - L'esposizione prolungata al rumore aumenterà il rischio di danni all'udito, gli effetti saranno cumulativi. Indossare cuffie di protezione, quando si utilizzano elettrotensili per un lungo periodo di tempo.

⚠ AVVERTENZE

L'utilizzo prolungato dell'utensile potrà causare o aggravare lesioni già esistenti. Quando si utilizza questo utensile per periodi di tempo prolungati, assicurarsi di fare sempre delle pause regolari.

RIDUZIONE DEL RISCHIO

E' stato fatto presente che le vibrazioni da utensili a mano potrebbero contribuire a una condizione chiamata Sindrome di Raynaud in alcuni individui. I sintomi, comprendenti formicolio, intorpidimento e perdita di colore alle dita, si verificano di solito quando ci si espone al freddo.

Fattori ereditari, esposizione a freddo e umidità, una dieta scorretta, fumo e condizioni di lavoro non sicure potranno contribuire allo sviluppo di questi sintomi. È possibile prendere delle precauzioni per ridurre le vibrazioni:

- Tenere il corpo al caldo a basse temperature. Quando si utilizza l'utensile, indossare guanti e tenere le mani e i polsi caldi. Le basse temperature contribuiscono a causare la Sindrome di Raynaud.
- Dopo aver utilizzato l'utensile per un certo periodo, fare degli esercizi per stimolare la circolazione del sangue.
- Fare spesso delle pause. Limitare la quantità di esposizione giornaliera.

Nel caso in cui si provino i sintomi di questa condizione, interrompere immediatamente l'utilizzo dell'utensile e consultare un dottore.

FAMILIARIZZARE CON IL PRODOTTO

Vedere a pagina 109.

1. Pulsante di bloccaggio dell'albero
2. Grilletto interruttore
3. Leva di blocco dispositivo di protezione
4. Carter di sicurezza
5. Maniglia laterale
6. Porta batterie
7. Flangia esterna
8. Mola per sbavatura
9. Flangia
10. Ruota di taglio (non incluso)
11. Carter di sicurezza per il taglio (non incluso)

MANUTENZIONE

- Quando si svolgono operazioni di manutenzione, utilizzare solo ricambi identici. Utilizzare parti di ricambio diverse potrebbe causare rischi o danneggiare il prodotto.
- Evitare di utilizzare solventi quando si puliscono le parti in plastica. La maggior parte dei materiali plastici è soggetta a danni di vario tipo da solventi commerciali e può essere danneggiata dal contatto con gli stessi. Utilizzare un panno pulito per rimuovere tracce di sporco, polvere, olio, grasso, ecc.
- Indossare sempre una maschera per gli occhi o occhiali di sicurezza con schermi laterali durante le operazioni con il prodotto o quando si aspira polvere. Nel caso in cui si preveda che le operazioni di lavoro causeranno polvere, indossare sempre una maschera anti-polvere.
- Per evitare gravi lesioni personali, rimuovere sempre il gruppo batterie dal prodotto quando si svolgono operazioni di pulizia o manutenzione.
- Non lasciare che liquidi per freni, benzina, prodotti a base di petrolio, oli penetranti, ecc, entrino in contatto con le parti in plastica. Le sostanze chimiche potranno danneggiare, indebolire o distruggere la plastica, il che potrà risultare in gravi lesioni personali.
- Solo le parti mostrate sulla lista parti potranno essere riparate o sostituite dall'operatore. Tutte le parti devono essere sostituite da un Centro Servizi Autorizzato.

⚠ AVVERTENZE

Non utilizzare aria compressa per rimuovere la polvere dal prodotto. Questa pratica è pericolosa e potrà causare a sporco e sabbia di essere soffiati verso occhi di operatori ed eventuali osservatori causando lesioni.

TUTELA DELL'AMBIENTE



Riciclare le materie prime anziché gettarle tra i rifiuti domestici. Per tutelare l'ambiente, l'apparecchio, gli accessori e gli imballaggi devono essere smaltiti separatamente.

SIMBOLI



Indicazioni sicurezza

n

Velocità nominale



Marchio di conformità EurAsian



Marchio di conformità ucraino



Conformità CE



Leggere attentamente le istruzioni prima di avviare l'utensile.



Indossare cuffie di protezione



Indossare occhiali di protezione



Indossare una maschera per la polvere.



Indossare guanti di sicurezza



Non utilizzare ruote smerigliatrici consumate, rotte o difettose



Non utilizzare per operazioni di taglio



Utilizzare una protezione



Metallo



I prodotti elettrici non devono essere smaltiti con i rifiuti domestici. Vi sono strutture per smaltire tali prodotti. Informarsi presso il proprio Comune o rivenditore di sicurezza per smaltire adeguatamente tali rifiuti.

SIMBOLI NEL MANUALE



Note



Parti o accessori venduti separatamente



Sblocco



Blocco

I seguenti simboli indicano i livelli di rischio associati a questo prodotto.

⚠ PERICOLO

Indica una situazione immediatamente pericolosa che, se non evitata, potrà causare gravi lesioni o morte.

⚠ AVVERTENZE

Indica una situazione potenzialmente pericolosa che, se non evitata potrà causare gravi lesioni o morte.

⚠ ATTENZIONE

Indica una situazione potenzialmente pericolosa che, se non evitata, potrà causare lesioni minori o moderate.

ATTENZIONE

(Senza simbolo di allarme in materia di sicurezza) Indica una situazione che può provocare danni materiali.

Bij het ontwerp van uw draadloze haakse slijpmachine hebben veiligheid, prestaties en betrouwbaarheid de hoogste prioriteit gekregen.

BEOOGD GEBRUIK

De haakse slijpmachine is uitsluitend geschikt om te worden gebruikt door volwassenen die de instructies en waarschuwingen in deze gebruiksaanwijzing hebben gelezen en begrepen en die als verantwoordelijk voor hun handelingen kunnen worden beschouwd. De haakse slijpmachine is uitsluitend ontworpen om te slijpen en voor het zagen van metaal. Alleen geschikte slijpschijven, zoals beschreven in de productspecificatie van deze gebruiksaanwijzing, mogen op de haakse slijpmachine worden gemonteerd. De haakse slijpmachine is ontworpen voor gebruik met de hand; ze mag niet op een houder of werkbank worden gemonteerd.

Gebruik het product niet voor andere doeleinden dan waarvoor het is bestemd.

⚠ WAARSCHUWING

Lees alle veiligheidswaarschuwingen en instructies. Wanneer u deze en de instructies niet opvolgt, kan dit leiden tot electrocutie, brand en/of ernstige letstels.

Bewaar alle waarschuwingen en instructies voor toekomstig gebruik.

SPECIFIEKE VEILIGHEIDSVOORSCHRIFTEN VOOR HAAKSE SLIJPERS

NORMALE VEILIGHEIDSWAARSCHUWINGEN VOOR HET SLIJPEN EN SCHERPE AFSNIJWERKEN

- Dit werktuig is bedoeld om als slijpmachine en afsnijwerktuig te worden gebruikt. Lees aandachtig alle waarschuwingen, aanwijzingen en specificaties die bij deze machine worden meegeleverd en bestudeer de afbeeldingen. Als u onderstaande voorschriften niet opvolgt, kan dit leiden tot ongelukken zoals brand, elektrische schokken en/of ernstig lichamelijk letsel.
- Van werkzaamheden, zoals schuren, staalborstelen of polijsten is het niet aanbevolen ze met dit werktuig uit te voeren. Niet naleving van dit voorschrift kan ongelukken en ernstig lichamelijk letsel veroorzaken.
- Gebruik geen accessoires die niet specifiek voor deze machine zijn bedoeld en die niet zijn aanbevolen door de fabrikant. Ook al kan een accessoire wel op de machine worden gemonteerd, garandeert dit niet dat u de machine geheel veilig kunt gebruiken.
- De nominale snelheid van de accessoire moet hoger of gelijk zijn aan de maximale snelheid die op de machine is aangegeven. Als accessoires op een snelheid werken die hoger is dan hun nominale snelheid, kunnen ze breken of worden weggeslingerd.
- De buitendiameter en de dikte van de accessoire moeten overeenkomen met de specificaties die zijn voorgeschreven voor de machine. Als de accessoires niet overeenkomen met de voorgeschreven specificaties, werken de beveiligings-afstelsystemen van de machine mogelijk niet

naar behoren.

- Houders of accessoires die voorzien zijn van schroefdraad moeten overeenkomen met de schroefdraad van de haakse slijpmachine. Voor accessoires die met behulp van flenzen worden gemonteerd, moet het asgat van het accessoire overeenstemmen met de diameter van de flens. Accessoires die niet overeenkomen met de gemonteerde hardware van het gereedschap zullen leiden tot evenwichtsverlies, overmatige trilling en kunne leiden tot controleverlies.
- Gebruik een accessoire niet als het is beschadigd. Controleer eerst de accessoire in goede staat is voordat u het gaat gebruiken: controleer of doorslijpschijven niet zijn ingekeept of gescheurd en of haren van staalborstels niet zijn versleten of afgebroken. Controleer of er geen elementen zijn beschadigd en installeer zodig een nieuw accessoire als de machine of accessoire is gevallen. Na te hebben gecontroleerd of de accessoire in goede staat is en na dit te hebben geïnstalleerd, zorgt u dat u op afstand blijft van de accessoire en laat u de machine gedurende één minuut op volle toeren draaien. Als de accessoire is beschadigd, zal het gedurende deze test breken.
- Draag persoonlijke beschermingsmiddelen. Afhankelijk van het gebruik dat u van uw machine maakt, dient u een veiligheidsmasker, veiligheidsbril of beschermbril te dragen. Draag al naar behoefte een stofmasker, gehoorbeschermers, handschoenen en een veiligheidschoort om u te beschermen tegen alle eventueel rondslingerende voorwerpen (slijpsel, zaagsel, stukjes hout, enz.). Een veiligheidsbril helpt te voorkomen dat wegsplattend vuil uw ogen beschadigt. Door stofmaskers worden de deeltjes weggefilterd die ontstaan door het werk dat u aan het doen bent. Langdurige blootstelling aan intens geluid kan gehoorverlies veroorzaken.
- Houd omstanders op redelijke afstand van de werkzone en zorg dat zij een veiligheidsuitrusting dragen. Iedereen die zich binnen de werkzone moeten dragen van persoonlijke beschermingsmiddelen. Fragmenten van het werkstuk of een accessoire kunnen buiten de werkzone worden weggeslingerd en ernstig lichamelijk letsel veroorzaken.
- Houd de machine alleen vast aan geïsoleerde en slipvrije delen als u in een oppervlak of ondergrond werkt waarin zich elektrische leidingen kunnen bevinden. Wanneer de accessoire een spanningvoerende leiding raakt, kunnen de blootgestelde onderdelen van de machine onder spanning komen waardoor de gebruiker wordt geëlectrocuteerd.
- Leg de machine nooit neer voordat de accessoire volledig tot stilstand is gekomen. Een nog draaiende accessoire zou in aanraking kunnen komen met het oppervlak waarop u het neerlegt en u de macht over de machine doen verliezen.
- Laat de machine niet werken tijdens het transport. De draaiende accessoire zou in uw kleding verstrikt kunnen raken en u ernstig kunnen verwonden.
- Reinig regelmatig de ventilatieopeningen van de machine. De ventilatie van de motor doet stof in de motorombouw binnendringen, wat een overmatige opeenhoping van metaaldeeltjes kan verwekken en elektrische schokken kan veroorzaken.



- **Gebruik de machine niet in de buurt van brandbare stoffen.** Door vonkvorming kunnen deze in brand worden gestoken.
- **Gebruik geen accessoires waarvoor koelvloeistoffen zijn vereist.** Het gebruik van water of koelvloeistoffen kan elektrocuties of elektrische schokken veroorzaken.

VERDERE VEILIGHEIDSinSTRUCTIES VOOR ALLE BEWERKINGEN

Terugslag en aanverwante waarschuwingen

Een terugslag is een plotselinge reactie die optreedt wanneer een draaiende slijpschijf, schuurvoet, borstel of andere accessoire zich vastklemt of verbuigt, wat de snelle blokkering van de accessoire veroorzaakt. De machine wordt hierdoor in de tegengestelde richting van de gebruiksrichting van de accessoire geworpen.

Als bijvoorbeeld een doorslijpschijf zich vastklemt of verbogen raakt in het werkstuk, bestaat het gevaar dat de snijkant van de schijf zich diep in het oppervlak van het werkstuk drukt, waardoor de schijf plotseling uit het werkstuk kan komen. Het wiel kan zowel springen naar of uit de buurt van de exploitant, afhankelijk van de richting van de beweging van het wiel op de plaats van knijpen. Bij een terugslag kan de doorslijpschijf ook breken.

Terugslag is dus het gevolg van een verkeerd gebruik van de machine en/of van onjuiste procedures of omstandigheden.

- **Houd de machine stevig vast en plaats uw lichaam en uw armen zo dat ze een eventuele terugslag kunnen opvangen.** Als de machine is voorzien van een zijhandgreep, dient u deze altijd te benutten om optimale macht over de machine te behouden bij terugslag of reactiekoppel wanneer de machine inschakelt. Neem de nodige maatregelen om de machine in uw macht te kunnen houden ingeval van terugslag of reactiekoppel.
- **Plaats uw hand nooit in de nabijheid van de draaiende accessoire om gevaar voor ernstig lichamelijk letsel te voorkomen in geval van terugsluiten.** Accessoire kan terugslaan over je hand.
- **Plaats uzelf niet in het gebied waarheen de machine zou kunnen terugsluiten ingeval van terugslag.** Bij een terugslag wordt de machine in de tegenovergestelde richting van de draairichting van de schijf weggeslingerd.
- **Wees bijzonder waakzaam als u werkt aan de hoeken, scherpe randen, enz.** Voorkom dat de accessoire uitschiet of beklemd raakt. Wanneer u aan hoeken of scherpe randen werkt of wanneer u de machine laat uitschieten, is het gevaar om de accessoire te blokkeren veel groter, en om dus de macht over de machine te verliezen en een terugslag te veroorzaken.
- **Gebruik nooit een blad van een afkortzaag of een cirkelzaagblad in combinatie met deze machine.** Dergelijke bladen verhogen het risico voor terugslag en verlies van de macht over de machine.

SPECIFIEKE VEILIGHEIDSWAARSCHUWINGEN VOOR HET SLIJPEN EN SCHERPE AFSNIJWERKEN

- **Gebruik uitsluitend slijpschijven die voor uw machine worden aanbevolen en de specifieke beschermkap, ontworpen voor de geselecteerde slijpschijf.** Slijpschijven die niet voor de machine zijn

ontworpen zijn onveilig.

- **Het slijppoppervlak van de centraal ingedrukte wielen moet onder de schaaaf van de beschermclip worden gemonteerd.** Een foutief gemonteerd wiel dat door de schaaaf van de beschermclip uitsteekt, kan niet correct worden beschermd.
- **De beschermkap moet stevig op de machine worden vastgemaakt en afgesteld voor maximale veiligheid zodat zo weinig mogelijk van de slijpschijf aan de gebruiker wordt blootgesteld.** De beschermkap helpt de gebruiker beschermen tegen gebroken wielfragmenten, accidenteel contact met het wiel en vonken die kledij kunnen doen ontbranden.
- **Slijpschijven mogen uitsluitend worden gebruikt voor de aanbevolen toepassingen. Zo is het verboden te slijpen met de rand van de slijpschijf.** Afbraamschijven zijn bedoeld voor periferisch slijpen, zijdelingse krachten die op deze slijpschijven worden uitgeoefend kunnen ervoor zorgen dat deze breken.
- **Gebruik altijd onbeschadigde flensen met de juiste afmetingen en vorm voor het wiel dat u heeft geselecteerd.** Degelijke wielflensen ondersteunen de slijpschijf zodanig dat de kans dat de slijpschijf breekt, kleiner wordt. Flensen voor afbraamschijven kunnen verschillen van flensen voor doorslijpschijven.
- **Gebruik geen versleten wielen van grotere werktuigen.** Slijpschijven, bedoeld voor grotere machines zijn niet geschikt voor de hogere snelheid van een kleinere machine en kan breken.

BIJKOMENDE VEILIGHEIDSWAARSCHUWINGEN SPECIFIEK VOOR HARDE AFSNIJWERKEN

- **Blokkeer het afsnijwiel niet en pas geen overdreven druk uit.** Probeer geen overdreven diepe insnedes te maken. Wanneer u teveel druk op het wiel plaatst verhoogt dit de lading en gevoeligheid voor plooiën en verstrengelen van het wiel in de insnede en de mogelijkheid tot terugslag.
- **Plaats uw lichaam niet in lijn met en achter het draaiend wiel.** Wanneer het wiel op het moment dat het begint te werken zich weg van uw lichaam beweegt, kan een mogelijke terugslag het draaiend wiel en het werktuig in uw richting werpen.
- **Wanneer het wiel vastraakt of wanneer een zaagsnede voor de een of andere reden wordt onderbroken, schakelt u de aan/uit-schakelaar uit en houd u het werktuig bewegingsloos tot het wiel volledig tot stilstand komt.** Probeer het afsnijwiel nooit van de zaagsnede te verwijderen terwijl het wiel in beweging is; anders kan terugslag voorkomen. Als de schijf zich vastklemt, moet u de oorzaak daarvan opzoeken en de nodige maatregelen nemen om te voorkomen dat het opnieuw gebeurt.
- **Herstart de zaagwerken niet in het werkstuk. Laat het wiel op topsnelheid komen en voeg de zaag voorzichtig opnieuw in de zaagsnede.** Het wiel kan vastraken, oplopen of terugslaan als het werktuig in het werkstuk wordt herstart.
- **Ondersteun panelen of grote werkstukken om het risico dat het wiel vastraakt en terugslaat te minimaliseren.** Grote werkstukken hebben de neiging om onder hun eigen gewicht door te zakken. Steunen moeten onder het werkstuk aan beide zijden van het wiel nabij de zaaglijn en de rand van het werkstuk worden geplaatst.



- **Wees extra voorzichtig wanneer u een "zakinsnede" in een bestaande muur of andere blinde plaats maakt.** Het uitstekende wiel kan gas- of waterleidingen, elektrische bekabeling of voorwerpen die een terugslag kunnen veroorzaken, doorzagen.

AANVULLENDE VEILIGHEIDSWAARSCHUWINGEN

⚠ WAARSCHUWING

Controleer altijd dat de vergrendelingsknop voor de spoel volledig ontgrendeld is voordat u het product inschakelt.

RESTRISCO'S

Zelfs wanneer het product zoals voorgeschreven wordt gebruikt, blijft het onmogelijk om alle restrisco's te voorkomen. De volgende gevaren kunnen optreden bij gebruik en de gebruiker dient speciaal op te letten om het volgende te voorkomen:

- Letsels veroorzaakt door weggeworpen deeltjes
 - Metaal of schurende deeltjes kunnen de ogen binnendringen en ernstige, permanente schade veroorzaken. Draag gezichtsbescherming tijdens het slijpen wanneer u het product gebruikt.
- Letsel veroorzaakt door trillingen
 - Beperk blootstelling. Zie "Risiko's Beperken".
- Verwonding veroorzaakt door stof
 - Draag een geschikt stofmasker met aangepaste filters die bescherming kunnen bieden tegen het materiaal dat wordt bewerkt en schurende deeltjes van de slijpschijf. Eten, drinken of roken verboden in het werkgebied. Zorg voor voldoende ventilatie.
- Letsels veroorzaakt door contact met de slijpschijf.
 - De schijf en het werkstuk worden warm tijdens het gebruik. Draag handschoenen wanneer u slijpschijven vervangt of het werkstuk aanraakt. Houd handen altijd weg van de slijpomgeving. Klem het werkstuk indien mogelijk vast.
- Letsels veroorzaakt door geluid
 - Langdurige blootstelling aan geluid verhoogt het risico op gehoorschade en de gevolgen hiervan zijn cumulatief. Wanneer u het gereedschap gedurende langere tijd gebruikt, draagt u gehoorbescherming.

⚠ WAARSCHUWING

Letsels kunnen optreden of verergeren door langdurig gebruik van een gereedschap. Als u een werktuig gedurende langere periodes gebruikt, neem dan regelmatig pauze.

RISICOBEPERKING

Vibraties van handgereedschap kan in bepaalde individuele gevallen leiden tot het syndroom van Raynaud. Symptomen kunnen ondermeer tintelingen, gevoelloosheid en bleek worden van de vingers omvatten, wat normaal gezien duidelijk wordt bij blootstelling aan koude. Erfelijke factoren, blootstelling aan koude en vocht, dieet, roken en werkrouetine kunnen allemaal bijdragen tot de ontwikkeling

van deze symptomen. Er kunnen door de bediener maatregelen worden genomen om de gevolgen van de trillingen te beperken:

- Houd bij koud weer uw lichaam warm. Draag handschoenen wanneer u de machine gebruikt om handen en polsen warm te houden. Men neemt aan dat koud weer een belangrijke factor is die bijdraagt tot het Syndroom van Raynaud.
- Doe oefeningen om de bloeddoorstroming te bevorderen op elke periode van gebruik.
- Neem regelmatig een pauze. Beperk het aantal uren dat u per dag wordt blootgesteld.

Wanneer u enige van de symptomen van deze aandoening ervaart, stop dan onmiddellijk met het gebruik van het toestel en raadpleeg uw dokter

KEN UW PRODUCT

Zie pagina 109.

1. Asvergrendelingsknop
2. Aan-/uitschakelaar
3. Beschermhendelvergrendeling
4. Sleutelvrije beschermkap
5. Zijhandvat
6. Accupoort
7. Buitenflens
8. Afbraamschijf
9. Flens
10. Zaagwiel (niet inbegrepen)
11. Sleutelvrije snijbeschermkap (niet inbegrepen)

ONDERHOUD

- Gebruik voor vervanging uitsluitend originele reserveonderdelen. Gebruik van niet originele onderdelen kan gevaar opleveren of schade aan de machine veroorzaken.
- Voorkom het gebruik van oplosmiddelen wanneer u kunststof onderdelen reinigt. De meeste kunststoffen zijn gevoelig voor schade van verschillende types commerciële schoonmaakproducten en kunnen door hun gebruik worden beschadigd. Gebruik een schone doek om vuil, stof, olie, vet, enz. te verwijderen.
- Draag altijd een veiligheidsbril of een veiligheidsbril met zijdelingse bescherming terwijl u de machine gebruikt of wanneer u stof blaast. Als het werk stof veroorzaakt, draag dan ook een stofmasker.
- Om ernstige letsels te vermijden, verwijder altijd de accu uit de machine wanneer u het schoonmaakt of onderhoudt.
- Remvloeistof, benzine, producten op basis van petroleum, kruipolie, enz mogen nooit in contact komen met kunststof onderdelen. Chemicaliën kunnen kunststof beschadigen, verzwakken of verwoesten, wat kan leiden tot ernstig letsel.
- Enkel de getoonde onderdelen op de onderdelenlijst mogen door de klant worden gerepareerd of vervangen. Alle andere onderdelen moeten in een geautoriseerd onderhoudscentrum worden vervangen.

⚠ WAARSCHUWING

Gebruik geen perslucht om stof van het product te verwijderen. Deze praktijk is gevaarlijk en kan ertoe leiden dat vuil en grind kan worden weggeblazen en in de ogen van iemand kan terecht komen.

MILIEUBESCHERMING



Zorg dat grondstoffen worden gerecycleerd in plaats van weggegooid als afval. Om het milieu te beschermen moeten de machine, de accessoires en de verpakking gesorteerd bij een erkend recyclingcentrum worden aangeleverd.

SYMBOLEN



Veiligheidswaarschuwing

n

Nominaal toerental



EurAsian-symbool van overeenstemming



Oekraïens conformiteitssymbool



EG conformiteit



Lees de instructies zorgvuldig voordat u de machine in gebruik neemt.



Draag gehoorbescherming



Draag gezichtsbescherming



Draag een stofmasker.



Draag veiligheidshandschoenen



Gebruik geen gebroken, gebarsten of defect slijpwiël



Niet geschikt voor zagen



Gebruik een beschermer



Metaal



Elektrisch afval mag niet samen met ander huishoudafval worden weggegooid. Gelieve te recycleren indien de mogelijkheid bestaat. Neem contact op met uw gemeente of handelaar om advies te krijgen over recyclage.

SYMBOLEN IN DE GEBRUIKSAANWIJZING



Opmerking



Onderdelen of accessoires afzonderlijk gekocht



Ontgrendeling



Vergrendeling

De volgende kernwoorden en verklaringen zijn bedoeld om de gevarenniveaus die op dit toestel betrekking hebben, te verklaren.

⚠ GEVAAR

Wijst op een gevaarlijke situatie die, indien ze niet wordt vermeden, kan leiden tot ernstige verwondingen of de dood.

⚠ WAARSCHUWING

Wijst op een mogelijk gevaarlijke situatie die, indien ze niet wordt vermeden, kan leiden tot ernstige verwondingen of de dood.

⚠ LET OP

Wijst op een mogelijk gevaarlijke situatie die, indien ze niet wordt vermeden, kan leiden tot lichte of middelmatige verwondingen.

LET OP

(Zonder veiligheidssymbool) Geeft een situatie aan die materiële schade zou kunnen veroorzaken.



Na concepção da sua rebarbadora eléctrica recarregável foi dada a máxima prioridade à segurança, ao desempenho e à fiabilidade.

UTILIZAÇÃO PREVISTA

A sua afiadora angular foi desenhado para ser utilizado por adultos que tenham lido e compreendido as instruções e avisos recolhidos neste manual e que possam ser considerados responsáveis das suas ações. A afiadora angular foi concebida exclusivamente para afiar e cortar metais. Só devem utilizar-se as lixas descritas na secção de especificações do produto com a afiadora angular. A afiadora angular foi concebida para utilização manual; não se destina a ser montada noutro aparelho nem numa bancada de trabalho.

Utilize o produto exclusivamente para o uso para o qual foi concebido.

⚠ AVISO

Leia todos os avisos de segurança e todas as instruções. O incumprimento em seguir os s e as instruções pode ter como consequências o choque eléctrico, incêndio e/ou lesões graves.

Guarde todos os avisos e instruções para futuras consultas.

INSTRUÇÕES DE SEGURANÇA PARA A REBARBADORA ANGULAR

ADVERTÊNCIAS COMUNS DE SEGURANÇA PARA OPERAÇÕES DE CORTE ABRASIVO E ESMERILAR

- Esta ferramenta está destinada a funcionar como uma ferramenta de corte e esmerilar. Leia com atenção todas as advertências, instruções e especificações fornecidas com a ferramenta, e consulte as ilustrações. O incumprimento das instruções seguintes pode ocasionar acidentes como incêndios, choques eléctricos e/ou ferimentos graves.
- Não se recomenda que esta máquina seja utilizada em operações como lixagem, escovagem ou polimento. O incumprimento desta recomendação pode ocasionar acidentes e ferimentos graves.
- Não utilize acessórios que não são concebidos especificamente para esta ferramenta e que não são recomendados pelo fabricante. Mesmo se um acessório puder ser montado numa ferramenta, isso não garante que possa utilizar esta ferramenta com toda a segurança.
- A velocidade nominal do acessório deve ser igual ou superior à velocidade máxima indicada na ferramenta. Os acessórios que funcionam a uma velocidade superior à sua velocidade nominal podem quebrar e ser ejectados.
- O diâmetro externo e a espessura do acessório devem corresponder às características especificadas para a ferramenta. Se os acessórios não corresponderem às características indicadas, os sistemas de protecção e de ajuste da ferramenta não poderão funcionar correctamente.
- A roscagem dos acessórios a utilizar deve corresponder à roscagem do fuso da afiadora. Nos acessórios montados por flanges, o furo

do acessório deve corresponder ao diâmetro da flange. Os acessórios que não correspondam ao equipamento de montagem da ferramenta funcionarão de forma desequilibrada, terão um excesso de vibração e podem levar a uma perda de controlo da ferramenta.

- Não utilize um acessório danificado. Antes de cada utilização, verifique se o acessório que vai utilizar está em bom estado. Confirme que os discos abrasivos não estão rachados ou fissurados, que as placas de lixar não estão rasgadas ou usadas, que os pêlos das escovas metálicas não estão usados demais ou quebrados. Se a ferramenta ou o acessório cair, verifique se nenhum elemento ficou danificado e, sendo necessário, instale um acessório novo. Se a ferramenta ou o acessório cair, verifique se nenhum elemento ficou danificado e, sendo necessário, instale um acessório novo. Se o acessório estiver danificado, vai quebrar durante este teste.
- Usar equipamento de protecção pessoal. Conforme a utilização que faz da sua ferramenta, use uma máscara de protecção, óculos de segurança ou óculos de protecção. Conforme a utilização que faz da sua ferramenta, use uma máscara de protecção, óculos de segurança ou óculos de protecção. Se necessário, use uma máscara anti-poeira, protecções auditivas, luvas e um avental de protecção, de modo a proteger-se contra qualquer projecção de corpos estranhos (elementos abrasivos, aparas de madeira, etc.). As máscaras anti-poeira permitem filtrar as partículas criadas pela operação realizada. As máscaras anti-poeira permitem filtrar as partículas criadas pela operação realizada.
- Mantenha os visitantes a boa distância da zona de trabalho e verifique se usam equipamento de protecção. Mantenha os visitantes a boa distância da zona de trabalho e verifique se usam equipamento de protecção. Os fragmentos da peça a trabalhar, ou de um acessório quebrado, podem ser projectados além da zona de trabalho e causar ferimentos graves.
- Segure a ferramenta unicamente pelas partes isoladas e anti-derrapantes quando trabalhar numa superfície que pode esconder fios eléctricos. O acessório de corte que entre em contacto com um fio "ligado" pode tornar as peças de metal da ferramenta eléctrica condutivas e tal pode causar um choque eléctrico ao operador.
- Nunca assente a ferramenta enquanto o acessório não estiver completamente parado. O acessório em rotação poderia entrar em contacto com a superfície onde está assente e fazer perder o controlo da ferramenta.
- Não faça funcionar a ferramenta quando a transporta. O acessório em rotação poderia prender-se nas roupas e causar ferimentos graves.
- Limpe regularmente as fendas de ventilação da ferramenta. A ventilação do motor faz penetrar as poeiras no cárter do motor, o que pode ocasionar uma acumulação excessiva de partículas metálicas e provocar choques eléctricos.
- Não utilize a sua ferramenta próximo de produtos inflamáveis. As chispas poderiam inflamá-los.
- Não utilize acessórios que requerem fluidos de arrefecimento. A utilização de água ou de líquidos

EN
FR
DE
ES
IT
NL
PT
DA
SV
FI
NO
RU
PL
CS
HU
RO
LV
LT
ET
HR
SL
SK
BG
UK
TR
EL



de arrefecimento pode provocar electrocussões ou choques eléctricos.

RECOMENDAÇÕES GERAIS DE SEGURANÇA SUPLEMENTARES

Recuo e avisos associados

O contra-golpe é uma reacção súbita que se produz quando o rebolo em movimento, a placa de lixar, a escova ou qualquer outro acessório fica entalado ou torcido, o que provoca o bloqueio repentino do acessório. A ferramenta, que continua a funcionar, é então projectada na direcção oposta ao sentido de utilização do acessório.

Por exemplo, se um disco abrasivo ficar entalado ou torcido na peça a trabalhar, o gume do disco pode encravar-se na superfície da peça a trabalhar, fazendo com que o disco suba ou seja projectado bruscamente. A roda pode saltar para perto ou para longe do operador, dependendo da direcção do movimento da roda no ponto de perfuração. Em caso de contra-golpe, o disco abrasivo também pode quebrar.

Prede ser evitado tendo o cuidado de respeitar certas precauções.

- **Mantenha a ferramenta bem firme e coloque o corpo e o braço de modo a poder controlar um eventual contra-golpe.** Se a ferramenta tiver uma pega auxiliar, esta deve ser sempre utilizada para ter um óptimo controlo da ferramenta em caso de contra-golpe ou binário de reacção ao pôr a ferramenta a trabalhar. Tome as disposições necessárias de modo a poder controlar a ferramenta em caso de contra-golpe ou binário de reacção.
- **Nunca ponha a mão próximo do acessório em rotação, de modo a evitar qualquer risco de ferimentos graves no caso de contra-golpe.** O acessório pode recuar mais de sua mão.
- **Não fique na zona onde a ferramenta pode ser projectada em caso contra-golpe.** Em caso de contra-golpe, a ferramenta é projectada na direcção oposta ao sentido de rotação do disco.
- **Preste uma atenção particular quando trabalha em ângulos, bordos cortantes, etc.** Evite fazer derrapar ou entalar o acessório. Quando trabalhar em ângulos ou bordos cortantes ou quando fizer derrapar a ferramenta, o risco de bloquear o acessório é maior, e por isso de perder o controlo da ferramenta e provocar um contra-golpe.
- **Nunca utilize uma lâmina de corte para madeira ou uma lâmina de serra com esta ferramenta.** Estas lâminas aumentam o risco de contra-golpe e de perda de controlo da ferramenta.

ADVERTÊNCIAS DE SEGURANÇA ADICIONAIS ESPECÍFICAS PARA OPERAÇÕES DE CORTE ABRASIVO E ESMERILAR

- **Utilize exclusivamente tipos de discos recomendados para a sua ferramenta e a protecção específica concebida para o disco seleccionado.** Os discos para os quais a ferramenta não foi concebida não podem ser adequadamente protegidos e implicam um risco.
- **A superfície de corte de rodas com centros côncavos deve ser montada abaixo do plano da protecção.** Uma roda incorretamente montada que ultrapasse o plano da protecção não pode ser devidamente protegida.

- **A protecção deve estar firmemente presa à ferramenta e posicionada para proporcionar a máxima segurança, de modo a que a menor quantidade de disco fique exposto face ao operador.** A protecção ajuda a proteger o operador de estilhaços de uma mó partida, do contato accidental com a roda e fr faíscas que podem incendiar a roupa.
- **Os discos só devem ser usados para as aplicações recomendadas. Por exemplo, não triture com a parte lateral do disco de corte.** Os discos de corte são concebidos para a esmerilação periférica, sendo que as forças laterais aplicadas a esses discos podem fazer com que estilhaquem.
- **Utilize sempre aletas em boas condições e do tamanho e forma correctos para o disco seleccionado.** As adequadas aletas de disco suportam o disco reduzindo, assim, a possibilidade de este se partir. As aletas dos discos de corte podem ser diferentes das aletas dos discos de trituração.
- **Não use discos desgastados de ferramentas eléctricas maiores.** Os discos destinados a ferramentas maiores não são adequados à velocidade superior de ferramentas mais pequenas e podem rebentar.

ADVERTÊNCIAS DE SEGURANÇA ADICIONAIS ESPECÍFICAS PARA OPERAÇÕES DE CORTE ABRASIVO

- **Procure não "entupir" o disco de corte ou aplicar uma pressão excessiva. Não trate de fazer uma excessiva profundidade de corte.** A sobrecarga do disco aumenta a carga e a susceptibilidade à torção ou ao entupimento do disco no corte e a possibilidade de contragolpes ou rotura do disco.
- **Não coloque o seu corpo em linha com ou por trás do disco giratório.** Quando o disco está em funcionamento e distancia-se do seu corpo, um eventual contragolpe poderia projectar o disco giratório e a ferramenta em direcção a si.
- **Quando o disco ficar preso ou quando interromper um corte por qualquer razão, desligue a ferramenta e mantenha a ferramenta sem realizar movimentos até que o disco pare completamente. Nunca tente retirar o disco de corte do corte enquanto o disco estiver em movimento, caso contrário poderá ocorrer uma força de recuo.** Se o disco ficar entalado, procure a causa e tome as medidas necessárias para que isso não volte a acontecer.
- **Não reinicie a operação de corte na peça a trabalhar. Permita que o disco alcance a velocidade total e volte a efectuar o corte cuidadosamente.** O disco pode prender, avançar ou recuar se a ferramenta for reiniciada na peça a trabalhar.
- **Apoie os painéis ou qualquer peça a trabalhar sobredimensionada para minimizar o risco de aperto do disco e consequente força de recuo.** As peças a trabalhar grandes têm tendência vergar sob o seu próprio peso. Os apoios devem ser colocados por baixo da peça a trabalhar perto da linha de corte e perto da borda da peça a trabalhar em ambos os lados do disco.
- **Tenha muito cuidado ao fazer um "corte de bolso" em paredes ou outras superfícies similares.** O disco saliente pode cortar tubos de gás ou água, fios eléctricos ou objectos que podem provocar uma força de recuo.

AVISOS DE SEGURANÇA ADICIONAIS

⚠ AVISO

Antes de ligar o produto, certifique-se sempre de que o botão de bloqueio do veio está completamente libertado.

RISCOS RESIDUAIS

Mesmo quando se utiliza o produto segundo as instruções, continua a ser impossível eliminar por completo certos fatores de risco residuais. Podem surgir os seguintes riscos durante o uso e o operador deve prestar especial atenção para evitar o seguinte:

- Lesões causadas por partículas projetadas
 - Partículas metálicas ou abrasivas podem entrar nos olhos e causar ferimentos graves com lesões permanentes. Utilize óculos aprovados para operações de corte ao operar o aparelho.
- Lesões por vibração
 - Limite a exposição. Consulte o ponto "Redução De Riscos".
- Prejuízo causado pela poeira
 - Use uma máscara de controlo de poeiras adequada com os filtros certos para proteção contra a poeira e partículas libertadas pelo material a ser trabalhado com a lixa. Não coma, beba ou fume na área de trabalho. Assegurar uma ventilação adequada.
- Lesões por contacto com a lixa
 - O disco e a peça de trabalho ficarão quentes durante a utilização. Use luvas ao substituir os discos ou tocar na peça de trabalho. Mantenha as mãos afastadas da área de corte em todas as circunstâncias. Sempre que possível, fixe a peça de trabalho.
- Lesões provocadas pelo ruído
 - A exposição prolongada ao ruído irá aumentar o risco de danos auditivos e os efeitos são cumulativos. Ao utilizar ferramentas elétricas durante qualquer período de tempo prolongado, utilize proteção auditiva.

⚠ AVISO

As lesões podem ser causadas ou agravadas pelo uso prolongado de uma ferramenta. Ao usar qualquer ferramenta durante períodos prolongados, assegure-se que faz intervalos regulares.

REDUÇÃO DO RISCO

Informou-se que as vibrações das ferramentas manuais podem contribuir para uma doença chamada síndrome de Raynaud em certos indivíduos. Os sintomas podem incluir formigamento, entorpecimento e empalidezimento dos dedos, habitualmente visível aquando da exposição ao frio. Estima-se que os fatores hereditários, exposição ao frio e humidade, dieta, tabagismo e práticas de trabalho contribuam todos para o desenvolvimento destes sintomas. Existem medidas que podem ser tomadas pelo operador para possivelmente reduzir os efeitos da vibração:

- Mantenha o seu corpo quente durante o tempo frio. Ao operar a unidade, use luvas para manter as mãos e

os pulsos quentes. Encontra-se reportado que o tempo frio é um grande factor que contribui para o Síndrome de Raynaud.

- Após cada período de operação, exercite para aumentar a circulação sanguínea.
- Faça pausas frequentes no trabalho. Limite o tempo de exposição por dia.

Caso sinta algum dos sintomas desta doença, interrompa de imediato a sua utilização e consulte o seu médico sobre estes sintomas.

CONHEÇA O SEU PRODUTO

Consulte a página 109.

1. Botão de bloqueio do eixo
2. Interruptor selector
3. Alavanca de bloqueio da proteção
4. Guarda sem ferramenta
5. Pega lateral
6. Orifício da bateria
7. Flange externo
8. Disco de rebarbar
9. Flange
10. Roda de corte (não incluída)
11. Guarda de corte sem ferramenta (não incluída)

MANUTENÇÃO

- Ao realizar serviços de manutenção, use apenas peças de substituição idênticas. O uso de quaisquer outras peças pode criar perigo ou causar danos ao aparelho.
- Evite usar solventes ao limpar as peças de plástico. A maioria dos plásticos são susceptíveis a danos de vários tipos de solvente comerciais e podem ser danificados pela sua utilização. Use panos limpos para remover a sujidade, a poeira, o óleo, a gordura, etc.
- Use sempre óculos de proteção ou óculos de segurança com proteções laterais durante o funcionamento do produto eléctrico ou ao soprar o pó. Caso a operação seja poeirenta, use também uma máscara contra o pó.
- Para evitar graves lesões pessoais, retire sempre a bateria do aparelho ao limpar ou realizar qualquer trabalho de manutenção.
- Nunca, em qualquer momento, deixe que fluidos de travagem, gasolina, produtos petrolíferos, óleos de perfuração, etc., entrem em contacto com as peças de plástico. Estes produtos químicos contêm substâncias que podem danificar, deteriorar ou destruir o plástico, o que poderia provocar ferimentos graves.
- Apenas as peças indicadas na lista de peças se destinam a ser reparadas ou substituídas pelo cliente. Todas as outras peças devem ser substituídas por um Centro de Assistência Autorizado.

⚠ AVISO

Não use ar comprimido para eliminar o pó do produto. Esta prática é perigosa e pode fazer com que a sujidade e poeiras sejam projetadas e ferir os olhos de alguém.

PROTECÇÃO DO AMBIENTE



Recicle os materiais em vez de pô-los directamente no lixo doméstico. Para proteger o ambiente, a ferramenta, os acessórios e as embalagens devem ser seleccionados.



Os aparelhos eléctricos antigos não devem ser eliminados juntamente com o lixo doméstico. Recicle onde existem instalações para o efeito. Verifique com as suas Autoridades Locais ou revendedor para obter informações sobre reciclagem.

SÍMBOLOS



Alerta de segurança

n

Velocidade Nominal



Marca de conformidade EurAsian



Marca de conformidade ucraniana



Conformidade CE



Agradecemos que leia atentamente as instruções antes de iniciar a máquina.



Use protecção para os ouvidos



Use protecção para os olhos



Use máscara contra pó.



Use luvas de segurança



Não use uma mó lascada, rachada ou com defeito



Não use para cortar



Use uma protecção



Metal

SÍMBOLOS NESTE MANUAL



Nota



As peças ou acessórios vendem-se separadamente



Abrir



Bloqueio

As seguintes palavras de sinal e significados destinam-se a explicar os níveis de risco associados a este produto.

PERIGO

Indica uma situação de perigo iminente, a qual, se não for evitada, pode resultar em morte ou ferimentos graves.

AVISO

Indica uma situação potencialmente perigosa que, se não for evitada, pode resultar em morte ou ferimentos graves.

CAUTELA

Indica uma situação potencialmente perigosa que, se não for evitada, pode resultar em ferimentos leves ou moderados.

CAUTELA

(Sem símbolo de segurança) Indica uma situação que pode provocar danos materiais.



Ved udformningen af din ledningsfri vinkelsliber har vi givet topprioritet til sikkerhed, ydelse og driftssikkerhed.

TILTÆNKT ANVENDELSESFORMÅL

Vinkelsliberen er kun beregnet til at blive brugt af voksne, som har læst og forstået instrukserne og advarslerne i denne brugsanvisning, og som kan betragtes som værende ansvarlige for deres handlinger. Vinkelsliberen er kun beregnet til slibning af skæring i metal. Kun passende slibeskiver, som beskrevet i produktspecifikationen i denne brugsanvisning, må monteres på vinkelsliberen. Vinkelsliberen er designet til håndholdt brug; den må ikke monteres på et stativ eller arbejdsbænk.

Produktet må kun bruges til de formål, der er angivet under formålsbestemt/korrekt brug.

⚠ ADVARSEL

Alle sikkerhedsadvarsler og alle anvisninger skal læses. Hvis advarslen og instruktionerne ikke følges, kan det medføre elektrisk stød og/eller alvorlig personskade.

Gem alle advarsler og brugsanvisninger til senere brug.

SÆRLIGE SIKKERHEDSREGLER I FORBINDELSE MED VINKELSLIBERE

SIKKERHEDSADVARSLER FÆLLES FOR SLIBNING OG ABRASIVT AFSKÆRINGSARBEJDE

- Dette elværktøj er beregnet til at fungere som slibemaskine og afskæringsværktøj. Læs alle omhyggeligt alle advarsler, anvisninger og specifikationer, som følger med maskinen, og studer illustrationerne. Hvis nedenstående forskrifter ikke overholdes, kan der ske uheld og ulykker som brand, elektrisk stød og/eller alvorlige personskader.
- Det kan ikke anbefales at bruge dette elværktøj til fx træslibning, tråd børstning eller polering. Hvis denne regel ikke overholdes, kan der ske ulykker, så man kommer alvorligt til skade.
- Anvend ikke tilbehør, som ikke er specielt beregnet til dette værktøj, og som ikke anbefales af fabrikanten. Selv om en tilbehørsdel kan monteres på et værktøj, er der ingen garanti for, at det er forsvarligt at bruge værktøjet.
- Tilbehørets mærkehastighed skal være lig med eller højere end maksimalhastigheden anført på værktøjet. Hvis tilbehøret anvendes med en hastighed, der er højere end dets mærkehastighed, kan det knække og rive sig løs.
- Tilbehørets udvendige diameter og tykkelse skal svare til det for værktøjet specificerede. Hvis tilbehøret ikke svarer til de anførte specifikationer, virker værktøjets sikkerheds- og indstillingssystemer måske ikke efter hensigten.
- Tilbehørets monteringsgevind skal passe til slibemaskinens spindelgevind. For tilbehør, der monteres via flanger, skal tilbehørets akselhul passe til flangens referencediameter. Tilbehør, som ikke passer til elværktøjets monteringsudstyr, vil rotere ubalanceret, vibrere kraftigt og kan bevirke, at operatøren mister kontrollen.

- Brug aldrig en beskadiget tilbehørsdel. Inden værktøjet bruges, undersøges den anvendte tilbehørsdel: se slibeskiverne efter for revner og skår, slibepuderne for flænger og slitage og metalbørsterne for kraftig slitage og knækkede tråde. Hvis værktøjet eller tilbehøret falder på gulvet, skal alle dele undersøges for skader, og der påmonteres evt. nyt tilbehør. Efter tilbehøret er undersøgt for skader og monteret, holdes afstand til det roterende tilbehør, mens værktøjet kører et minut på fuld hastighed. Hvis tilbehøret er beskadiget, vil det knække under denne test.
- Bær personlige værnemidler. Brug beskyttelsesmaske, sikkerheds- eller beskyttelsesbriller afhængig af den pågældende opgave. Om nødvendigt bruges støvmaske, høreværn, handsker og beskyttelsesforklæde som sikring mod løsevne fremmedlegemer (slibeelementer, spåner m.v.). Med beskyttelsesbriller undgår man øjenskader på grund af udslyngede stumper. Støvmasken filtrerer partikler dannet under arbejdet. Hvis man udsættes for kraftig støj i længere tid, kan hørelsen tage skade.
- Sørg for at holde tilskuere i god afstand fra arbejdsstedet, og for at få dem til at bruge beskyttelsesudstyr. Alle kommer ind i arbejdsområdet skal bære personlige værnemidler. Stumper fra arbejdsstykket eller et knækket tilbehør kan springe langt væk fra arbejdsstedet og forårsage alvorlige ulykker.
- Hold udelukkende værktøjet de isolerede gribesteder ved arbejde på flader, hvor der kan ligge el-ledninger skjult. Hvis der skæres i en strømførende ledning, kan det gøre udsatte metaldele af maskinværktøjet strømførende og give operatøren elektrisk stød.
- Læg ikke værktøjet ned, før tilbehøret står helt stille. Det roterende tilbehør kan gribe fat i fladen, det lægges på, så man mister kontrollen over værktøjet.
- Lad ikke værktøjet arbejde, mens det flyttes eller bæres. Det roterende tilbehør kan hænge fast i tøjet og forårsage alvorlige skader.
- Rens værktøjets ventilationsåbninger med jævne mellemrum. Motorens ventilation bevirker, at der trænger støv ind i motorkassen, og at der derfor ophobes for mange metalpartikler, som kan forårsage elektrisk stød.
- Anvend ikke værktøjet i nærheden af brændbare stoffer. De kan blive antændt af gnister.
- Brug ikke tilbehør, som kræver kølemiddel. Hvis der anvendes vand eller flydende kølemiddel, kan man få elektrisk stød, måske livsfarligt.

YDERLIGERE SIKKERHEDSANVISNINGER FOR ALLE OPERATIONER

Tilbageslag ("kickback") og tilhørende advarsler

Tilbageslag er en pludselig reaktion, som opstår, når den roterende slibeskive, slibepude, børste eller andet tilbehør kommer i klemme eller vrider sig og derefter sætter sig fast. Værktøjet, som arbejder videre, bliver så kastet modsat tilbehørets driftsretning.

Hvis fx. en slibeskive kommer i klemme eller vrider sig i emnet, kan skivens kant trænge ned i emnets overflade, hvorefter skiven pludselig springer ud af emnet, så værktøjet bliver slynget mod brugeren. Hjulet kan enten





hoppe mod eller væk fra operatøren, afhængigt retning af hjulets bevægelse på det sted, klemmer. Ved tilbageslag kan slibeskiven tilmed knække.

Tilbageslag skyldes altså, at værktøjet bruges forkert, og/eller at fremgangsmåden eller driftsforholdene er uhensigtsmæssige. Det kan undgås, hvis der tages nogle forholdsregler.

- **Grib godt fat om værktøjet, og hold kroppen og armen i en stilling, hvor et eventuelt tilbageslag kan kontrolleres.** Hvis værktøjet har et hjælpehåndtag, skal det altid bruges for at kunne styre værktøjet optimalt, hvis der opstår tilbageslag eller et reaktionsmoment, når værktøjet sættes i gang. Tag de nødvendige forholdsregler for at kunne styre værktøjet, hvis der opstår tilbageslag eller et reaktionsmoment ved start.
- **Anbring aldrig hånden i nærheden af det roterende tilbehør for ikke at komme alvorligt til skade i tilfælde af tilbageslag.** Tilbehør kan tilbageslag over din hånd.
- **Stå ikke i det område, hvor værktøjet kan blive slynget hen i tilfælde af tilbageslag.** Hvis der opstår tilbageslag, bliver værktøjet kastet modsat skivens drejningsretning.
- **Vær særlig opmærksom ved bearbejdning af hjørner, skarpe kanter o.l.** Undgå, at tilbehøret skrider eller bliver klemt fast. Ved bearbejdning af hjørner eller skarpe kanter eller hvis værktøjet kommer til at skride, er der større risiko for, at tilbehøret sætter sig fast og altså for at miste kontrollen over værktøjet, så der opstår tilbageslag.
- **Brug aldrig skæreklinger til træ eller savklinger med dette værktøj.** Den slags klinger øger risikoen for tilbageslag og for at miste kontrollen over værktøjet.

SIKKERHEDSADVARSLER SPECIFIKT FOR SLIBNING OG ABRASIVT AFSKÆRINGSARBEJDE

- **Brug kun hjul typer, der er anbefalet til elværktøjet, og brug den specifikke skærm, der er beregnet til det pågældende hjul.** Hjul, som elværktøjet ikke er beregnet til, kan ikke afdækkes tilstrækkeligt og er derfor usikre at bruge.
- **Slibefladen på slibeskiver med nedsænket center skal monteres under skærmkantens plan.** En forkert monteret slibeskive, som rager uden for skærmkantens plan, kan ikke beskyttes ordentligt.
- **Skærmen skal fastgøres ordentligt til elværktøjet og positioneres for maksimal sikkerhed, således at så lille en del af hjulet er blottet for operatøren.** Skærmen hjælper til at beskytte operatøren mod afknækkede skivesegmenter, utilsigtet kontakt med skiven samt evt. gløder, som kan antænde tøj.
- **Hjul må kun bruges til de anbefalede anvendelsesformål.** Man må fx ikke slibe med siden af skærehjulet. Abrasive skærehjul er beregnet til periferislibning; hjulene kan begynde at ryste, hvis de udsættes for sidekræfter.
- **Brug altid uskadede hjulflanger med korrekt størrelse og form i forhold til det valgte hjul.** Ordentlige hjulflanger understøtter hjulet og reducerer dermed faren for, at hjulet knækker. Flanger til skærehjul kan være forskellige fra slibehjulsflanger.
- **Brug ikke udslidte hjul fra større elværktøjer.** Hjul beregnet til større elværktøjer er uegnede til de højere hastigheder på mindre værktøjer og risikerer at knække.

EKSTRA SIKKERHEDSADVARSLER SPECIFIKT FOR ABRASIVT AFSKÆRINGSARBEJDE

- **Undgå at "blokere" afskæringshjulet eller anvende overdrevent pres. Forsøg ikke at udføre overdrevent dybe snit.** Overbelastning af hjulet øger belastningen og tilbøjeligheden til vrid eller blokering af hjulet samt tilbageslag ("kickback") eller hjulbrud.
- **Anbring ikke kroppen på linje med og bag ved det roterende hjul.** Når du under arbejdet bevæger hjulet bort fra kroppen, kan et evt. tilbageslag ("kickback") bevirke, at det roterende hjul og selve elværktøjet slynges direkte ind mod dig.
- **Når hjulet binder, eller hvis man af en eller anden grund er nødt til at afbryde et snit, skal man slukke elværktøjet og holde det stille, indtil hjulet er fuldstændigt stoppet. Forsøg aldrig at tage skærehjulet ud af snittet, mens hjulet roterer; der er fare for tilbageslag ('kickback').** Hvis skiven sætter sig fast, skal årsagen søges og de nødvendige forholdsregler tages for at undgå, at det sker igen.
- **Genstart ikke skæreoperationen i emnet. Vent, til hjulet har tophastighed, og sæt det da forsigtigt ind i snittet igen.** Hjulet kan binde, kravle op eller slå tilbage, hvis elværktøjet genstartes, mens hjulet sidder i emnet.
- **Understøt paneler og andre større emne for at minimere faren for, at hjulet binder eller slår tilbage.** Store emner har tendens til at synke ned under egen vægten. Understøtninger skal anbringes under emnet nær skærelinjen og nær emnekanten på begge sider af hjulet.
- **Man skal være ekstra forsigtig under fremstilling af "lommesnit" i eksisterende vægge eller andre blinde områder.** Det udragende hjul kan skære i gas- eller vandrør, elledninger eller genstande, som kan forårsage tilbageslag ('kickback').



EKSTRA SIKKERHEDSADVARSLER

⚠ ADVARSEL

Kontroller altid, at spindellåsens knap er udløst helt, inden der tændes for produktet.

UUNDGÅELIGE RISICI

Selv om produktet anvendes som foreskrevet, er det stadig umuligt at eliminere visse uundgåelige risikofaktorer fuldstændigt. Følgende risici kan opstå under brug, og operatøren bør være særligt opmærksom for at undgå følgende:

- Personskade forårsaget af udslyngede partikler.
 - Metal- eller slibepartikler kan komme i øjnene og forårsage alvorlige, permanente skader. Under arbejdet med produktet skal man benytte sikkerhedsbriller, der er godkendt til slibearbejde.
- Personskader forårsaget af vibration
 - Begræns eksponering. Se "Risikoreduktion".
- Personskader forårsaget af støv
 - Benyt passende støvmaske med egnede filtre, der kan beskytte mod støv fra det materiale, der arbejdes med, samt slibende partikler fra slibeskiven. Undlad at spise, drikke eller ryge i



arbejdsområdet. Sørg for tilstrækkelig ventilation på arbejdspladsen.

- Personskade pga. kontakt med slibeskiven.
 - Skiven og emnet bliver varme under arbejdet. Benyt handsker ved skift af skive eller ved berøring af emnet. Hænderne skal altid holdes på afstand af slibeområdet. Emnet skal så vidt muligt altid fastspændes.
- Personskader forårsaget af støj
 - Langvarig eksponering for støj vil øge risikoen for høreskader, og virkningerne er kumulative. Når man anvender elektriske værktøjer i længere tid ad gangen, skal man benytte høreværn.

ADVARSEL

Længere tids brug af et værktøj kan forårsage - eller forværre - personskader. Når man bruger et værktøj i længere perioder ad gangen, skal man huske at holde hyppige pauser.

RISIKOREDUKTION

Der er rapporteret om, at vibrationer fra håndholdte værktøjer kan være medvirkende til en lidelse kaldet Raynauds syndrom hos visse personer. Symptomerne herpå kan være prikken, følelsesløshed og blegning af fingrene, der normalt viser sig ved kuldepåvirkning. Faktorer som arvelighed, udsættelse for kulde og fugt, kost, rygning og arbejdsvaner menes alle at medvirke til udviklingen af disse symptomer. Der findes forholdsregler, som operatøren kan træffe for at begrænse påvirkningen fra vibrationer:

- Hold kroppen varm i koldt vejr. Brug handsker, så hænder og vriste holdes varme under arbejdet. Der er rapporteret om, at koldt vejr er en væsentlig faktor til Raynauds syndrom.
- Motionér efter hver arbejdsperiode for at øge blodcirkulationen.
- Hold hyppige arbejdspauser. Begræns eksponeringen for vibrationer pr. dag.

Hvis du mærker nogen af symptomerne på denne tilstand, skal du straks ophøre med arbejdet og søge læge.

KEND PRODUKTET

Se side 109.

1. Aksellåseknap
2. Kontaktudløser
3. Skærmhåndtagsslås
4. Værktøjsfri afskærmning
5. Sidehåndtag
6. Batteriåbning
7. Yderflange
8. Slibeskive
9. Flange
10. Skærehjul (medfølger ikke)
11. Værktøjsfri skæreafskærmning (medfølger ikke)

VEDLIGEHOLDELSE

- I forbindelse med servicearbejde må der kun bruges originale reservedele. Brug af alternative dele kan forårsage farlige situationer eller ødelægge produktet.
- Undgå brug af opløsningsmidler til rengøring af plastdele. De fleste plastdele tåler ikke forskellige typer

kommercielle opløsningsmidler og risikerer at blive ødelagt af disse. Fjern snavs, støv, olie, smørefedt osv. med en ren klud.

- Bær altid sikkerhedsbriller med sideskjolde under betjening af elproduktet eller ved støv-ophvirvling. Hvis der ophvirvles støv under arbejdet, bæres også støvmaske.
- For at undgå alvorlige personskader skal man altid tage batteriet ud af produktet i forbindelse med rengøring eller vedligeholdelse.
- Sørg for, at bremsevæske, benzin, petroleumsbaserede produkter, penetreringsolie, mv., aldrig kommer i kontakt med plastdele. Disse kemiske produkter indeholder stoffer, som kan beskadige, mørne eller ødelægge plastmaterialet, så man risikerer at komme alvorligt til skade.
- Kun de dele, der fremgår af reservedelslisten, må repareres eller udskiftes af kunden selv. Alle andre dele skal udskiftes på et autoriseret servicecenter.

ADVARSEL

Undlad at bruge trykluft til at fjerne støv fra produktet. Denne praksis er farlig og kan bevirke, at der blæses snavs og grus, hvilket kan beskadige andres øjne.

MILJØBESKYTTELSE



Råmaterialerne skal genbruges og ikke bortskaffes som almindeligt affald. Af hensyn til miljøet skal redskab, tilbehør og emballage sorteres.

SYMBOLER



Sikkerhedsadvarsel

n

Mærkehastighed



EurAsian overensstemmelsesmærke



Ukrainsk overensstemmelsesmærke



CE-overensstemmelse



Læs venligst vejledningen grundigt igennem før maskinen tages i brug.



Benyt høreværn



Benytt øjenværn



Bær støvmaske.



Bær sikkerhedshandsker



Undgå at bruge krakelerede, revnede eller defekte slibesliver



Må ikke bruges til skæring



Brug skjærm



Metal



Elektriske affaldsprodukter bør ikke afskaffes sammen med husholdningsaffald. Genbrug venligst hvor faciliteterne tillader dette. Tjek med din lokale kommune eller forhandler for genbrugsråd.

VÆR OPMÆRKSOM

Indikerer en potentielt farlig situation, som - hvis den ikke afværges - kan medføre mindre eller middelsvær personskaade.

VÆR OPMÆRKSOM

(Uden sikkerhedssymbol) indikerer en situation som kan føre til skade af personlig ejendom.

SYMBOLER I BRUGSANVISNINGEN



Bemærk



Dele eller tilbehør, der sælges separat



Oplås



Lås

De følgende ikoner og betydninger er beregnet til at forklare risikoen involveret i at anvende denne enhed.

FARE

Indikerer en umiddelbart farlig situation, som - hvis den ikke afværges - vil medføre dødsfald eller alvorlig personskaade.

ADVARSEL

Indikerer en potentielt farlig situation, som - hvis den ikke afværges - kan medføre dødsfald eller alvorlig personskaade.



Säkerhet, prestanda och pålitlighet har fått högsta prioritet vid utformningen av din sladdlösa vinkelslip.

ANVÄNDNINGSMÅL

Vinkelslipen är enbart avsedd att användas av vuxna som har läst och är införstådda med instruktioner och varningar i denna bruksanvisning och kan anses vara ansvariga för sina åtgärder. Vinkelslipen är enbart avsedd för slipning och skärning metall. Använd enbart passande slipskivor enligt beskrivningen i avsnittet med produktspecifikationer med vinkelslipen. Vinkelslipen är enbart avsedd för att hållas med händerna, den ska inte monteras på fäste eller på arbetsbänk.

Använd inte produkten på något annat sätt än vad som är avsett.

⚠ VARNING

Läs alla säkerhetsvarningar och anvisningar. Att inte följa en och instruktionerna kan resultera i elstöt, brand och/eller allvarlig skada.

Behåll dessa varningar och anvisningar för framtida referens.

SPECIFIKA SÄKERHETSFORESKRIFTER FÖR VINKELSLIPAR

GEMENSAMMA SÄKERHETSVARNINGAR FÖR SLIPNING OCH SLIPANDE KAPNING

- Det här motordrivna verktyget är tänkt att fungera både som en slip- och kapmaskin. Läs uppmärksamt alla varningar, instruktioner och specifikationer som bifogas med detta verktyg och studera bilderna. Underlåtenhet att respektera dessa föreskrifter kan leda till olyckor som brand, elektriska stötar och/eller allvarliga kroppsskador.
- Aktiviteter som exempelvis sandning, användning av stålborste och polering är inte rekommenderade att utföra med det här verktyget. Underlåtenhet att följa denna föreskrift kan förorsaka olyckor och allvarliga kroppsskador.
- Använd inte tillbehör som inte speciellt konstruerats för detta verktyg och som inte rekommenderas av tillverkaren. Även om ett tillbehör kan monteras på ett verktyg är detta ingen garanti för att du kan använda verktyget helt tryggt.
- Tillbehörets nominella hastighet ska vara lika med eller högre än den maximala hastighet som anges på verktyget. Tillbehör som fungerar i en hastighet som är högre än deras nominella hastighet kan brytas av och slungas ut.
- Tillbehörets ytterdiameter och tjocklek bör motsvara de karakteristika som getts för verktyget. Om tillbehören inte motsvarar givna karakteristika, kan det hända att verktygets skyddssystem och inställning inte fungerar normalt.
- Gängningen på tillbehör som monteras måste stämma med gängning på spindelfästet. För flänsmonterade tillbehör ska hålet på tillbehör stämma med diametern på flänsen. Tillbehör som inte stämmer med monteringsfästen på elverktyget kommer att vara obalanserade, vibrera kraftigt och kan göra att du tappar kontrollen.

- Använd inte ett skadat tillbehör. Kontrollera före varje användning att tillbehöret som du använder är i gott skick: kontrollera att slipskivorna inte är kantstötta eller spruckna, att slippyvorna inte är trasiga eller slitna, att håren på metallborstarna inte är för slitna eller avbrutna. Om verktyget eller tillbehöret tappas, kontrollera att ingen del har skadats och montera vid behov ett nytt tillbehör. Efter att ha kontrollerat att tillbehöret är i gott skick och efter att ha monterat det, håll dig på avstånd från det rörliga tillbehöret och låt verktyget gå i maximal hastighet under en minut. Om tillbehöret är skadat bryts det av under denna kontroll.
- Använd personlig skyddsutrustning. Beroende på vad du använder verktyget till bör du använda en skyddsmask, säkerhetsglasögon eller skyddsglasögon. Använd även vid behov en skyddsmask mot damm, hörselskydd, handskar och skyddsförkläde för att skydda dig mot utslungade främmande föremål (slipdelar, träspån, osv.). Skyddsglasögon hindrar att utslungat avfall skadar ögonen. Skyddsmasken mot damm filtrerar partiklar som alstras av det arbete du utför. Långvarig exponering för kraftigt ljud kan leda till hörselörlust.
- Håll besökare på ett lämpligt avstånd från arbetsområdet och se till att de använder en skyddsutrustning. Den som kommer in i arbetsområdet måste bära personlig skyddsutrustning. Bitar av arbetsstycket eller ett trasigt tillbehör kan slungas ut från arbetsområdet och förorsaka allvarliga kroppsskador.
- Håll i verktyget endast i de isolerade och halksäkra delarna då du arbetar på en yta som kan dölja elektriska ledningar. Vid kontakt med en strömförande kabel kan de exponerade delarna på verktyget bli strömförande och ge användaren en elektrisk stöt.
- Lagg aldrig ned verktyget innan tillbehöret stannat helt. Det roterande tillbehöret kan komma i kontakt med ytan det är ställt på och få dig att förlora kontrollen över verktyget.
- Ha inte verktyget i gång medan du transporterar det. Det roterande tillbehöret skulle kunna fastna i kläderna och skada dig allvarligt.
- Rengör regelbundet verktygets ventilationsöppningar. Motorventilationen gör att damm tränger in i motorhuset, vilket kan förorsaka en extrem anhopning av metallpartiklar och framkalla elektriska stötar.
- Använd inte verktyget i närheten av lättantändliga produkter. Gnistor kan antända dem.
- Använd inte tillbehör som kräver kylvätskor. Användning av vatten eller kylvätskor kan förorsaka elektriska stötar.

YTTERLIGARE SÄKERHETSFORESKRIFTER FÖR ALL VERKSAMHET

Återkast och relaterade varningar

Återslaget är en plötslig reaktion som inträffar då slipskivan som är i rörelse, slippyvnan, borsten eller ett annat tillbehör fastnar eller vrids, vilket leder till att tillbehöret snabbt läses fast. Verktyget, som fortsätter att fungera, kastar då verktyget i motsatt riktning jämfört med tillbehörets användningsriktning.

Om till exempel en slipskiva kläms ihop eller vrids in i arbetsstycket, kan eggen på skivan tryckas in i

EN
FR
DE
ES
IT
NL
PT
DA
SV
FI
NO
RU
PL
CS
RO
HU
LV
LT
ET
HR
SK
SL
BG
UK
TR
EL





arbetsstyckets yta, vilket gör att skivan snabbt går ut ur arbetsstycket och slungas mot användaren. Hjulet kan antingen hoppa mot eller bort från operatören, beroende på riktning av hjulet rörelse på platsen för klämskador. I händelse av återslag kan slipskivan även brytas av. Det kan undvikas genom att vidta några försiktighetsåtgärder.

- **Håll stadigt i verktyget och placera kroppen och armen så att du kan kontrollera ett eventuellt återslag. Om verktyget har ett hjälphandtag, håll alltid i det för att kunna kontrollera verktyget optimalt i händelse av återslag eller reaktionsmoment vid start av verktyget.** Vidta nödvändiga åtgärder för att kunna kontrollera verktyget i händelse av återslag eller reaktionsmoment.
- **Ha aldrig handen i närheten av det roterande tillbehöret för att undvika risker för allvarliga kroppsskador vid återslag.** Tillbehör kan kast över din hand.
- **Stå inte i det område dit verktyget kan slungas vid återslag.** Vid återslag slungas verktyget i motsatt riktning jämfört med skivans rotation.
- **Var speciellt på din vakt då du arbetar i hörn, på vassa kanter, osv. Låt inte tillbehöret slira eller kllas fast.** Då du arbetar i hörn eller på vassa kanter eller då verktyget slirar är risken större att tillbehöret blockeras, att du förlorar kontrollen över verktyget och att ett återslag uppstår.
- **Använd aldrig en kapskiva för trä eller en sågklinga med detta verktyg.** Dylka skivor eller klingor ökar risken för återslag och för att man förlorar kontrollen över verktyget.

SÄKERHETSVARNINGAR SPECIFIKT FÖR FÖR SLIPNING OCH SLIPANDE KAPNING

- **Använd endast skivtyper som rekommenderas till ditt verktyg och använd endast det skydd som är avsett för den valda skivtypen.** Skivor som inte är anpassade för maskinen kan inte skyddas ordentligt och är osäkra att använda.
- **Slipytan på centrumsänkta hjul måste monteras under planet för skyddskanten.** Felaktigt monterat hjul som skjuter genom planet för skyddskanten kommer inte att skyddas ordentligt.
- **Skyddet måste sitta fast ordentligt på verktyget och vara placerat så att det erbjuder maximalt skydd där användaren exponeras för en så liten del av skivan som möjligt.** Skyddet skyddar användaren mot skivbitar som lossnar, kontakt av misstag med skivan och gnistor som kan antända kläder.
- **Skivorna får endast användas till de aktiviteter som de är avsedda för. Exempel: använd inte sidorna på en kapskiva för att slipa.** Abrasiva kapskivor är avsedda för slipning med skivans periferi; om skivorna utsätts för sidokrafter kan de spricka.
- **Använd alltid oskadade skivflänsar i rätt storlek och form så att de passar den skiva du använder.** Korrekta skivflänsar stärker skivan och minskar risken att den går sönder. Flänsarna för kapskivor kan vara annorlunda än flänsarna för slipskivor.
- **Använd inte nedslitna skivor från större maskiner.** Skivor som är avsedda för större verktyg är inte lämpliga att använda till mindre verktyg med högre hastighet eftersom skivan kan splittras.

YTTERLIGARE SÄKERHETSVARNINGAR SPECIFIKT FÖR SLIPANDE KAPNING

- **Blockera inte skivan och lägg inte på för stort tryck. Försök inte att göra ett för djupt skär.** Överbelastning av skivan ökar påfrestningarna, och risken att skivan böjs eller fastnar i skåret ökar samtidigt som det finns risk för återkast och att skivan går sönder.
- **Placera inte din kropp i linje med, och bakom, den roterande skivan.** När skivan under användning roterar bort från din kropp kan ett återkast få den roterande skivan och hela maskinen att kastas mot dig.
- **När klingan nypas fast eller när du avbryter kapningen av någon anledning ska du slå av elverktyget och hålla det helt still tills skivan har stannat helt. Försök aldrig dra ur kapskivan ur ett kapspår medan skivan är i rörelse eftersom det kan orsaka ett våldsamt kast (kickback).** Om skivan kllas fast, ta reda på orsaken och vidta nödvändiga åtgärder för att detta inte upprepas.
- **Starta inte maskinen igen medan skivan sitter i arbetsstycket. Låt skivan komma upp i maximal hastighet och för sedan försiktigt in skivan i kapspåret igen.** Skivan kan nypas fast, klättra uppåt eller slungas bakåt med en våldsam kraft om elverktyget startas om medan skivan sitter i arbetsstycket.
- **Använd stöd på undersidan av paneler eller extremt stora arbetsstycken för att minska risken att skivan nyper fast och att maskinen kastas mot dig.** Stora arbetsstyckens tenderar att bägna av sin egen vikt. Placera stöd, till exempel bockar, på båda sidor av arbetsstycket; placera dem nära sågspåret och nära arbetsstyckets kanter.
- **Var extra försiktigt när du gör "instickssägningar" i befintliga väggar eller andra dolda områden.** En utstickande skiva kan kapa av gas- eller vattenledningar, elledningar eller föremål som kan orsaka ett våldsamt kast.

YTTERLIGARE SÄKERHETSFÖRESKRIFTER

VARNING

Kontrollera alltid att spindelns lås knapp är helt lossad innan produkten slås på.

RESIDUALRISK

Även om produkten används enligt instruktionerna går det inte att eliminera alla eventuella riskfaktorer. Följande risker kan uppstå vid användning och operatören ska vara extra uppmärksam för att undvika följande:

- Skador orsakade av kringkastade föremål
 - Metall- eller slippartiklar kan hamna i ögonen och orsaka allvarlig permanent ögonskada. Använd skyddsglasögon avsedda för slipning när produkten används.
- Skador orsakad av vibrationer
 - Begränsa exponeringen. Se "Riskreducering".
- Skador orsakade av damm
 - Använd lämplig dammask med passande filter som skyddar mot damm från materialet som bearbetas och metallpartiklar från slipskivan. Ät, drick eller rök inte på arbetsområdet. Sörj för bra ventilation.



- Skador vid kontakt med slipskivan
 - Skivan och arbetsstycket blir varma under användning. Använd handskar vid byte av skiva och då arbetsstycket hanteras. Hålla alltid händerna på säkert avstånd från slipområdet. Kläm alltid fast arbetsstycket om så är möjligt.
- Skador orsakade av buller
 - Exponering för buller under längre tidsperioder ökar risken för hörselskador och effekten ackumuleras. När elverktyg används längre perioder ska alltid hörselskydd användas.

VARNING

Risk för person- eller slitageskador vid användning av verktyget under lång tid. Om verktyget används under längre perioder krävs regelbundna pauser.

RISKMINSKNING

Det finns rapporter om att vibrationer från handhållna produkter kan bidra till ett tillstånd som kallas Raynauds syndrom för vissa personer. Symptomen brukar vara att det sticker i fingrarna och att de domnar bort; fingrarna kan också bli vita, särskilt vid kyla. Årftliga faktorer, kyla och fukt, diet, rökning och arbetsrutiner tros alla bidra till att orsaka dessa symptom. Det finns förebyggande åtgärder som du kan vidta för att försöka minska vibrationernas påverkan:

- Håll dig varm när du arbetar i kallt väder. Använd handskar för att hålla kvar värmen i händer och handleder. Kyla har rapporterats som en viktig del i utvecklandet av Raynauds syndrom.
- Träna och rör på dig efter varje användningstillfälle för att öka blodcirkulationen.
- Ta ofta pauser från arbetet. Begränsa tiden du utsätter dig varje dag.

Upphör omedelbart om du upplever några av dessa symptom och uppsök din läkare.

LÄR KÄNNA DIN PRODUKT

Se sidan 109.

1. Låsknapp för axeln
2. Avtryckare
3. Lås för skyddsspak
4. Verktygslöst skydd
5. Sidohandtag
6. Batteriport
7. Yttre fläns
8. Slipskiva
9. Fläns
10. Skärklinga (medföljer ej)
11. Verktygslöst bladskydd (medföljer ej)

UNDERHÅLL

- Använd endast identiska originaldelar när du servar maskinen. Användning av andra delar kan orsaka fara eller produktskada.
- Undvik att använda lösningsmedel vid rengöring av plastdelar. De flesta plaster är känsliga för skador vid användning av olika typer av kommersiella lösningsmedel och kan skadas om du använder sådana. Använd en ren och torr trasa för att ta bort smuts, damm, olja, fett, osv.

- Använd alltid skyddsglasögon eller skyddsglasögon med sidoskydd när du använder produkten eller blåser damm. Använd en ansiktsmask om det dammar mycket.
- Ta alltid bort batteripacken från produkten vid rengöring eller underhållsarbeten för att undvika allvarlig kroppsskada.
- Låt aldrig bromsvätska, bensen, petroleumbaserade produkter, penetrerande oljor och liknande komma i kontakt med plastdelar. Dessa kemiska produkter innehåller ämnen som kan skada, försvaga eller förstöra plasten, vilket kunde förorsaka allvarliga kroppsskador.
- Endast delarna på reservdelslistan är avsedda att repareras eller bytas ut av kunden. Alla andra delar bör bytas hos ett Auktoriserat Service Center.

VARNING

Använd inte tryckluft för att blåsa bort smuts/damm från produkten. Denna metod är riskfylld och kan göra att smuts och skräp flyger iväg och orsakar ögonskador.

MILJÖSKYDD



Råmaterialen ska återvinnas i stället för att kastas i hushållsavfallet. För att skona miljön ska verktyget, tillbehören och emballagen sorteras.

SYMBOLER



Säkerhetsvarning

n

Hastighet



EurAsian överensstämmelsesymbol



Ukrainskt märke för överensstämmelse



CE-överensstämmelse



Läs instruktionerna ordentligt innan start av maskinen.



Bär hörselskydd.



Använd skyddsglasögon



Använd dammskydd.



Bär säkerhetshandskar



Använd aldrig hackade, spruckna eller defekta slipskivor



Använd inte för att skära



Använd skydd



Metall



Gamla elektroniska produkter ska inte kastas med hushållssoporna. Återvinn där sådana faciliteter finns. Kontrollera med din lokala myndighet eller säljaren för att få återvinningstips.

SYMBOLER I MANUALEN



Notera



Delar och utrustning säljs separat



Lås upp



Lås

Följande signalord och betydelser är tänkta att förklara de olika risknivåerna som är associerade med denna produkt.

⚠ FARA

Visar på en direkt riskfylld situation som, om den inte undviks, kan orsaka dödsfall eller allvarlig personskada.

⚠ VARNING

Visar på en potentiellt riskfylld situation som, om den inte undviks, kan orsaka dödsfall eller allvarlig personskada.

⚠ FÖRSIKTIGHET

Visar på en potentiellt riskfylld situation som, om den inte undviks, kan orsaka mindre eller måttlig personskada.

FÖRSIKTIGHET

(Utan säkerhetssymbolen) Indikerar en situation som kan leda till egendomsskada.



Turvallisuus, tehokkuus ja käyttövarmuus ovat langattoman kulmahiomakoneemme tärkeimpiä ominaisuuksia.

KÄYTTÖTARKOITUS

Kulmahiomakone on tarkoitettu vain sellaisten aikuisten käytettäväksi, jotka ovat lukeneet ja ymmärtäneet tämän käsikirjan ohjeet ja varoitukset ja joita voidaan pitää vastuullisina toistaan. Kulmahiomakone on tarkoitettu vain metallien hiontaan ja leikkaamiseen. Kulmahiomakoneeseen saa asentaa vain tämän käsikirjan teknisten tietojen mukaisia hiontalaikkoja. Kulmahiomakone on tarkoitettu käsin pideltäväksi, ei kiinnitettäväksi telineeseen tai työpenkkiin.

Älä käytä tätä tuotetta millään muulla tavalla kuin mihin se on tarkoitettu.

VAROITUS

Lue kaikki turvallisuusvaroitukset ja ohjeet. Sen ja ohjeiden laiminlyönnistä voi seurata sähköisku, tulipalo ja/tai vakava loukkaantuminen.

Säästä kaikki varoitukset ja ohjeet tulevaa käyttöä varten.

KULMAHIOMAKONEITA KOSKEVAT TURVALLISUUS-OHJEET

HIONTAAN JA KATKAISEMISEEN LIITTYVIÄ YLEISIÄ TURVALLISUUSVAROITUKSIA

- Tämä sähkötyökalu on tarkoitettu toimimaan hiomasekä katkaisulaitteena. Lue tarkkaavaisesti kaikki tämän työkalun kanssa toimitetut varoitukset, ohjeet ja spesifikaatiot, ja katso lisäksi kuvat. Seuraavassa esitettyjen ohjeiden laiminlyönnistä saattaa olla seurauksena onnettomuuksia kuten tulipalot, sähköiskut ja/tai vakavia kehon vammoja.
- Sähkötyökalulla ei suositella suoritettavan sellaisia toimintoja kuten hiominen, teräsharjaus ja kiillotus. Tämän ohjeen laiminlyönnistä saattaa olla seurauksena onnettomuuksia ja vakavia kehon vammoja.
- Älä käytä lisälisävarusteita, joita ei ole suunniteltu juuri tälle työkalulle ja joita valmistaja ei suosittele. Vaikka lisälisävarusteen voi mahdollisesti asentaa työkaluun, tämä ei takaa, että työkalua voi käyttää täysin turvallisesti.
- Lisävarusteen nimellinopeuden on oltava sama tai korkeampi kuin lisävarusteille mainittu maksiminopeus. Yli nimellinopeudella käytetyt lisävarusteet saattavat rikkoutua ja joutuvat hylätyiksi.
- Lisävarusteen ulkohalkaisijan ja paksuuden on vastattava työkalun ilmoitettuja ominaisuuksia. Ellei lisävarusteiden ominaisuudet vastaa annettuja ominaisuuksia, työkalun suoja- ja säätöjärjestelmä elleivät voi toimia oikein.
- Lisälaitteiden asennuskierteiden on vastattava hiomakoneen karan kierteitä. Jos lisälaitteessa on asennuslaipat, sen tuurnareiän on vastattava laipan asennushalkaisijaa. Lisälaitteet, jotka eivät vastaa sähkötyökalun kiinnityksiä, joutuvat epätasapainoon, tärisivät liikaa ja voivat riistää laitteen hallinnasta.
- Älä käytä voittuneita lisävarusteita. Tarkista ennen jokaista käyttöä, että käyttämäsi lisävaruste on hyväkuntoinen: varmista, että hiontalaikan

reunat ovat ehjät eikä siinä ole halkeamia ja etteivät kengät eivätkä ole repeytyneet tai kuluneet, ettei metalliharjojen harjakset ole liian kuluneet tai katkeilleet. Jos sähkötyökalu tai lisävaruste putoaa, tarkista, ettei se ole vioittunut, tai vaihda lisävarusteen tilalle vioittumaton laite. Kun olet todennut lisävarusteen hyvän kunnon ja kun olet asentanut sen, pysy loitolla liikkuvasta lisävarusteesta sallien työkalun saavuttaa maksiminopeuden minuutin aikana. Jos lisävaruste on viallinen, se särkyä tämän kokeen aikana.

- Käytä henkilökohtaisia suojavarusteita. Sen mukaan, mihin käytät työkalua, pidä suojavaamaria, turva- tai suojalaseja. Pidä tarvittaessa pölynsuojavaamaria, kuulosuojaimia, suojakäsineitä ja suojaesiliinaa kaikkia ulkoisten kappaleiden sinkoamista vastaan (hankaavat kappaleet, puun lastut jne.). Suojalasit estävät lentäviä jätetalasia vahingoittamasta silmiä. Pölynsuojavaamareilla voidaan suodattaa käytetyssä työssä syntyneet hiukkaset. Pitkäaikaisesta altistuksesta kovalle melulle saattaa aiheutua kuulon huononeminen.
- Pidä vieraat hyvin loitolla työalueesta ja huolehdi, että heillä on suojalisävarusteet. Jokaisella, joka tulee työalueelle on käytettävä henkilökohtaisia suojavarusteita. Työstettävistä kappaleista tai rikkoutuneesta välineestä saattaa singota palasia työalueen ulkopuolellekin aiheuttaen vakavia vammoja.
- Pidä työkalusta kiinni vain eristetyistä luistamattomista osista työskennellessäsi pinnalla, joka saattaa kätkeä sähköjohtoja. Jos leikkuri koskettaa sähköistettyä johtoa, työkalun metalliosat voivat sähköistyä ja aiheuttaa käyttäjälle sähköiskun.
- Älä laske työkalua koskaan kädestäsi ennen kuin lisävaruste on kokonaan pysähtynyt. Pyörivä lisävaruste saattaa koskettaa pintaa, jolle se lasketaan ja menetät laitteen hallinnan.
- Älä käynnistä työkalua sitä kuljetettaessa. Pyörivä lisävaruste saattaa takertua vaatteisiisi ja aiheuttaa vakavan vamman.
- Puhdista säännöllisesti työkalun puhallinaukot. Moottorin puhallin imee pölyä moottorin kuoren sisään, mistä saattaa johtua metallihiukkasten liiallinen kertyminen aiheuttaen sähköiskuja.
- Älä käytä laitetta syytävien aineiden läheisyydessä. Kipinät saattavat syyttää ne.
- Älä käytä lisävarusteita, jotka tarvitsevat jäähdytysnesteitä. Vesi tai jäähdytysnesteet voivat aiheuttaa sähkösurman tai sähköiskun.

MUITA TURVAOHJEITA KAIKKIIN TOIKIIN

Takapotku ja siihen liittyvät varoitukset

Pomppaus on äkillinen reaktio, kun liikkeessä oleva hiomalaikka, kenkä, harja tai jokin muu lisävaruste tarttuu kiinni tai vääntyy, mikä aiheuttaa lisälaitteen äkillisen jumiumisen. Edelleen käynnissä oleva työkalu linkoa tällöin lisälaitteen liikkeensä vastakkaiseen suuntaan.

Esimerkiksi, jos hiomalaikka jumiuu tai perustuu kiinni työkaluun, se laikan reunan kohta, joka koskettaa jumittumiskohtaa, voi kaivautua materiaalin pintaan, jolloin laikka kipeää ulos tai ponnahtaa käyttäjää kohden. Pyörän voi joko hypätä kohti tai pois päin käyttäjästä riippuen suunnasta pyörän liikkeen paikassa puristimilla. Hiomalaikka saattaa myös hajeta pomppauksen



seurauksena.

Sen voi välttää erällä varoitoimenpiteillä:

- **Pidä tukevasti kiinni työkalusta ja pidä vartalos ja käsivarret niin, että voit hallita mahdollisen pomppauksen.** Jos työkalussa on lisäkahva, pidä aina siitä kiinni parhaan hallinnan saamiseksi pomppauksen sattuessa tai työkalun käynnistyksessä syntyvälle reaktioväntömomentille. Suorita tarvittavat toimenpiteet voidaksesi hallita työkalun pomppauksen tai käynnistysreaktion sattuessa.
- **Älä vie koskaan kättä pyörivän lisävarusteen lähelle vakavien kehonvammojen välttämiseksi pomppauksen sattuessa.** Lisälaite voidaan takapotkun aikana kätesi.
- **Älä asetu paikkaan, mihin työkalu mahdollisesti sinkoaa pomppauksen sattuessa.** Työkalu sinkoaa pomppauksessa laikan pyörimissuunnan vastaiseen suuntaan.
- **Ole erikoisen valpas työstäessäsi särmiä, teräviä reunoja jne. Vältä lisävarusteen luisumista tai jumittumista.** Kun työskentelet särmillä tai terävillä reunoilla tai jos työkalu pääsee luiskahtamaan, on sen jumittumisvaara suurempi. Tällöin saatat menettää työkalun hallinnan ja aiheuttaa pomppauksen.
- **Älä käytä koskaan puun katkaisuterää tai puun sahausterää tällä työkalulla.** Sellaisilla terillä on suurempi pomppausvaara ja työkalun hallinnan menetyks.

HIONTAAN JA KATKAISEMISEEN LIITTYVIÄ ERITYISIÄ TURVALLISUUSVAROITUKSIA

- **Käytä ainoastaan sähkötyökalulle suositeltuja laikkoja ja kyseiselle laikalle tarkoitettua suojusta.** Muita kuin sähkötyökalulle tarkoitettuja laikkoja ei voi suojata asianmukaisesti, ja ne ovat vaarallisia.
- **Keskeltä koverien laikkojen hiomapinta on asennettava suojuksen tason alapuolelle.** Virheellisesti asennettua laikkaa, joka ulottuu suojuksen tason ulkopuolelle, ei voida suojata riittävästi.
- **Suojan on oltava tukevasti kiinnitetty sähkötyökaluun ja sijoitettu siten, että se tekee laitteesta mahdollisimman turvallisen ja että käyttäjän puolella on mahdollisimman vähän paljasta laikkaa.** Suoja suojelee käyttäjää irronneilta laikan osasilta ja estää häntä koskettamatta vahingossa laikkaa tai kipinöitä, jotka voisivat sytyttää vaatteet.
- **Laikkoja saa käyttää ainoastaan niille tarkoitettuun käyttötarkoitukseen.** Älä esimerkiksi hio katkaisulaikan sivulla. Katkaisulaikat on tarkoitettu käytettäväksi siten, että hionta suoritetaan niiden ulkokehällä; niihin kohdistuvat sivuttaisrasitukset voisivat murtaa ne.
- **Käytä aina kunnossa olevia laikan laippoja, jotka vastaavat valitun laikan kokoa ja muotoa.** Asianmukaiset laipat tukevat laikkaa ja pienentävät siten mahdollisuutta, että laikka rikkoutuu. Katkaisulaikkojen laipat voivat poiketa hiomalaikkojen laipoista.
- **Älä käytä suurempien sähkötyökalujen kuluneita laikkoja.** Suuremmille sähkötyökaluille tarkoitettut laikat eivät sovi pienemmän laitteen suuremmalle nopeudelle, sillä ne voivat lohjeta.

KATKAISEMISEEN LIITTYVIÄ TURVALLISUUDEN LISÄVAROITUKSIA

- **Älä "jumita" katkaisulaikkaa tai käytä liiallista painetta. Älä yritä leikata liian syvälle.** Laikan ylikuormitus kasvattaa kuormaa ja mahdollisuutta, että laikka taittuu tai jumittuu leikkuu-uraan ja potkaisee takaisin tai rikkoutuu.
- **Älä asetu pyörivän laikan taakse, samaan linjaan sen kanssa.** Kun laikka liikkuu kehosta pois päin, takapotku saattaa singota laikan ja sähkötyökalun suoraan käyttäjää kohten.
- **Jos laikka takertuu tai kun keskeytät leikkaamisen mistään syystä, sammuta sähkötyökalu ja pitele sitä paikoillaan, kunnes laikka pysähtyy. Älä koskaan yritä nostaa katkaisulaikkaa leikkuu-urasta laikan pyöriessä; muutoin laite voi potkaista takaisin.** Älä yritä koskaan irrottaa laikkaa sen pyöriessä, se saattaa aiheuttaa pomppauksen.
- **Älä aloita leikkausta laikan koskettaessa työkappaleella.** Anna laikan saavuttaa täysi nopeus ja aseta laikka takaisin leikkuu-uraan varovasti. Laikka saattaa jumittua, kulkea ylöspäin tai potkaista takaisin, jos sähkötyökalu käynnistetään laikan ollessa kosketuksissa työkappaleeseen.
- **Tue paneelit ja muut suuret työkappaleet siten, että minimoit juuttumisen ja takapotkun vaaran.** Suuret työkappaleet ovat taipuvaisia painumaan oman painonsa ansiosta. Tuet tulee asettaa työkappaleen alle, lähelle leikkuulinjaa, ja lähelle työkappaleen reunoja, laikan molemmille puolille.
- **Ole erittäin varovainen tehdessäsi olemassa oleviin seinämiin tai muihin sokeisiin kohtiin niiden keskeltä alkavaa leikkausta.** Ulos työntyvä laikka voi leikata kaasu- tai vesiputkia, sähköjohtoja tai kappaleita, jotka voivat aiheuttaa takapotkun.

MUITA TURVALLISUUSVAROITUKSIA

VAROITUS

Tarkista aina, että karan lukituspainike on täysin vapautettuna ennen tuotteen käynnistämistä.

KÄYTÖN RISKIT

Vaikka tuotetta käytettäisiin ohjeiden mukaisesti, ei ole mahdollista täysin eliminoida tiettyjä käyttöön liittyviä riskitekijöitä. Käytössä voi aiheutua seuraavia vaaroja, ja käyttäjän tulee kiinnittää erityistä huomiota niiden välttämiseen:

- Sinkoutuvien kappaleiden aiheuttama vahinko
 - Metall- tai hiomahiukkasia voi kulkeutua silmiin ja aiheuttaa vakavia, pysyviä vaurioita. Käytä hiomiseen soveltuvia suojalaseja käyttäessäsi tuotetta.
- Tärinän aiheuttama vamma
 - Vältä altistumista. Katso kohta Riskien Vähentäminen.
- Pölyn aiheuttama vamma
 - Käytä asianmukaista pölynaamaria, jossa on asianmukaiset suodattimet, jotka suojaavat työmateriaalista irtoavalla pölyllä sekä hiomalaikan hankaavilta hiukkasilta. Älä syö, juo tai tupakoi

työalueella. Huolehdi riittävästä tuuletuksesta.

- Loukkaantuminen hiomalaikan kosketuksesta
 - Laikka ja työkappale kuumenevat käytössä. Käytä käsineitä vaihtaessasi laikkoja ja koskettaessasi työkappaletta. Pidä kädet aina irti hioma-alueesta. Kiinnitä työkappale puristimilla aina kun mahdollista.
- Melun aiheuttama vamma
 - Pitkäliennin altistuminen melulle kasvattaa kuulovaurion riskiä, ja vaikutukset ovat kumulatiivisia. Käytä kuulosuojaimia käyttäessasi sähkötyökaluja pitemmän aikaa.

VAROITUS

Laitteen pitkittynyt käyttö voi aiheuttaa tai vaikeuttaa vammoja. Kun käytät mitä tahansa laitetta pitkiä aikoja, muista pitää säännöllisiä taukoja.

RISKIEN VÄHENTÄMINEN

Raporttien mukaan käsityökalujen tärinä voi joidenkin kohdalla myötävaikuttaa Raynaudin oireen ilmenemiseen. Oireita ovat pistely, turtuus ja sormien kalpeneminen, yleensä kylmässä ilmassa. Perinnölliset tekijät, kylmyys ja kosteus, ruokavalio, tupakointi sekä työtavat voivat kaikki myötävaikuttaa näiden oireiden ilmenemiseen. Käyttäjä voi ehkäistä tärinän aiheuttamia vaikutuksia seuraavasti:

- Pidä itsesi lämpimänä kylmällä säällä. Käytä laitteen käytön aikana käsineitä, jotta kätesi ja ranteesi pysyvät lämpöisinä. Raporttien mukaan kylmä ilma on tärkeä tekijä Raynaud's Syndromen (Raunaudin oireiden) ilmenemisessä.
- Harjoita kunkin käyttöjakson jälkeen liikuntaa, jotta verenkierto lisääntyisi.
- Pidä työn aikana säännöllisesti taukoja. Rajoita päivittaisen tärinän määrä.

Jos mitään yllä mainittuja oireita ilmenee, lopeta heti laitteen käyttö ja kerro oireista lääkärille.

TUNNE TUOTTEESI

Katso sivu 109.

1. Akselin lukintanappi
2. Liipaisin
3. Suojavipulukitus
4. Ilman työkaluja avattava suoja
5. Sivukahva
6. Akkutila
7. Ulkolaippa
8. Tasoitushiomalaikka
9. Laippa
10. Leikkuuterä (ei sisälly toimitukseen)
11. Ilman työkaluja avattava leikkusuoja (ei sisälly toimitukseen)

HUOLTO

- Huollossa tulee käyttää ainoastaan identtisiä varaosia. Muunlaisten osien käyttö voi aiheuttaa vaaran tai vioittaa laitetta.
- Älä puhdisti muoviosia liuottimilla. Erilaiset kaupalliset liuottimet voivat vioittaa useimpia muovityyppejä. Poista lika, pöly, öljy, rasva tms. puhtailla rievuilla.
- Käytä aina sivulta suojaavia suojalaseja käyttäessäsi sähkötyökalua tai puhaltaessasi pölyä. Käytä lisäksi

pölynaamaria, jos työ on pölyistä.

- Jotta vältyt vakavalta vammalta, irrota akku tuotteesta aina ennen puhdistusta ja huoltoa.
- Älä koskaan päästä jarrunesteitä, bensiiniä, öljytuotteita, läpäiseviä öljyjä tms. kosketuksiin muoviosien kanssa. Nämä kemialliset tuotteet sisältävät aineita, jotka voivat vaurioittaa, heikentää tai tuhota muovin minkä seurauksena voi aiheutua vakavia ruumiinvammoja.
- Ainoastaan osaluettelon osat on tarkoitettu asiakkaan korjattaviksi tai vaihdettaviksi. Kaikki muut osat tulee vaihtaa valtuutetussa huollossa.

VAROITUS

Älä poista pölyä tuotteesta paineilmalla. Tämä on vaarallista, ja voi aiheuttaa sen, että roskaa ja pölyä sinkoutuu laitteesta ja vahingoittaa ihmisten silmiä.

YMPÄRISTÖNSUOJELU



Älä hävitä raaka-aineita jätteinä vaan vie ne kierrätykseen. Ympäristönsuojelun kannalta työkalu, lisäksi r usteet ja pakkausmateriaali on lajiteltava.

SYMBOLIT



Turvallisuusvaroitus

n

Nimellisoopeus



EurAsian-vaatimustenmukaisuusmerkki



Ukrainalainen säästöstenmukaisuusmerkintä



Todistus CE-sääntöjen noudattamisesta



Lue ohjeet huolellisesti ennen laitteen käynnistämistä.



Käytä kuulosuojaimia



Käytä suojalaseja



Käytä pölynaamaria.



Käytä suojakäsineitä



Älä käytä lohkeilleita, haljenneita tai viallisia hiomalaikkoja



Älä käytä leikkaamiseen



Käytä suojaa



Metalli



Käytöstä poistettavia sähkölaitteita ei pidä hävittää talousjätteiden mukana. Ne on mahdollisuuksien mukaan pantava kiertoon. Kierrätysohjeita antavat kunnan viranomaiset ja vähittäiskauppiat.

KÄSIKIRJAN SYMBOLIT



Huom



Osat ja lisävarusteet on hankittava erikseen



Avaa



Lukko

Seuraavat signaalisanat ja merkitykset on tarkoitettu selittämään tähän tuotteeseen liittyviä riskin tasoja.

VAARA

Ilmoittaa välittömästä vaaratilanteesta, joka saattaa aiheuttaa kuoleman tai vakavan vamman.

VAROITUS

Ilmoittaa mahdollisesta vaaratilanteesta, joka saattaa aiheuttaa kuoleman tai vakavan vamman.

VAROITUS

Ilmoittaa mahdollisesta vaaratilanteesta, joka saattaa aiheuttaa pienen tai kohtalaisen vamman.

VAROITUS

(Ilman varoitusmerkkiä) Tilanne, joka voi aiheuttaa materiaalista vahinkoa.



Sikkerhet, ytelse og pålitelighet har fått topp prioritet ved konstruksjonen av denne kabelfrie vinkelsliperen.

TILTENKT BRUK

Vinkelsliperen skal kun brukes av voksne som har lest og forstått anvisningene og advarslene i denne brukermanualen og som kan anses å være ansvarlige for sine handlinger. Vinkelsliperen er ment kun for sliping og kutting av metall. Kun passende slipeskiver, slik det er beskrevet i i denne manualen under avsnittet med produktspesifikasjoner, bør settes på vinkelsliperen. Vinkelsliperen er ment for håndholdt bruk, den skal ikke festes på en holder eller på arbeidsbenken.

Ikke bruk produktet på noe annen måte enn det som er beskrevet som tiltenkt bruk.

⚠ ADVARSEL

Les alle sikkerhetsadvarslene og alle instruksjonene. Dersom man ikke holder seg til advarsler og instruksjoner kan det føre til elektrisk støt, brann og/eller alvorlig personskade.

Ta vare på alle advarsler og anvisninger for senere bruk.

SPESIELLE SIKKERHETSFORSKRIFTER FOR VINKELSLIPERE

SIKKERHETSVARSLER MED TILKNYTNING TIL VANLIGE SLIPE- ELLER KAPPEOPERASJONER

- Dette elektriske verktøyet er ment brukt til slipe- og kappeoperasjoner. Les nøye gjennom alle advarslene, instruksjonene og spesifikasjonene som følger med verktøyet, og se på tegningene. Hvis forskriftene nedenfor ikke overholdes, kan det forårsake ulykker som brann, elektrisk støt og/eller alvorlige personskader.
- Arbeidsoppgaver som sliping, stålborsting eller polering anbefales ikke utført med dette verktøyet. Hvis denne forskriften ikke overholdes, kan det forårsake ulykker og alvorlige personskader.
- Bruk ikke tilbehør som ikke er spesialkonstruert for dette verktøyet og som ikke er anbefalt av produsenten. Selv om et tilbehør kan monteres på et verktøy, garanterer det ikke at du kan bruke det verktøyet på en sikker måte.
- Tilbehørets nominelle hastighet skal være lik eller høyere enn maksimalhastigheten som står på verktøyet. Tilbehørene som brukes i høyere hastighet enn sin nominelle hastighet kan brytes og slynges ut.
- Tilbehørets ytre diameter og tykkelse skal svare til egenskapene som spesifiseres for verktøyet. Hvis tilbehørene ikke svarer til de angitte egenskapene, kan ikke verktøyet beskyttelses- og innstillingssystemer virke ordentlig.
- Gjengene på utstyret må passe til gjengene på slipespindelen. Dersom utstyr festes med flenser, må festehullet på tilbehøret passe til diameteren på flensen. Tilbehør som ikke passer i maskinens fester, vil skli ut av balanse, vibrere overdrevent og kan føre til at du mister kontrollen.
- Bruk ikke et skadet tilbehør. Før hver bruk, skal det sjekkes at tilbehøret du bruker er i god stand: Påse

at slipeskivene ikke er sprukket eller ødelagt, at sliperondellene ikke er revnet eller slitt, at busten på metallbørstene ikke er altfor slitt eller brukt. Hvis verktøyet eller tilbehøret faller, skal du kontrollere at ingenting er skadet og, om nødvendig, installere nytt tilbehør. Etter at du har kontrollert at tilbehøret er i god stand og installert det, skal du holde deg på avstand fra det bevegelige tilbehøret og la verktøyet komme opp i maksimal hastighet i ett minutt. Hvis tilbehøret er skadet, vil det brytes under denne testen.

- Bruk Personlig verneutstyr. Alt etter hva du bruker verktøyet til, skal du bruke beskyttelsesmaske, sikkerhetsbriller eller vernebriller. Bruk om nødvendig støvmaske, hørselsvern, hansker og beskyttelsesforkle for å beskytte deg mot utslynging av fremmedlegemer (slipeavfall, trespon, osv.). Vernebriller hindrer at partikler slynges ut og skader øynene dine. Støvmaske filtrerer partiklene som dannes ved arbeidsoppgaven din. Langvarig eksponering for sterkt støv kan svekke hørselen.
- Hold besøkende i god avstand fra arbeidsområdet og påse at de har verneutstyr på seg. Alle som kommer inn i arbeidsområdet må bruke personlig verneutstyr. Små elementer fra arbeidsstykket eller et brukket tilbehør kan slynges ut utenfor arbeidsområdet og forårsake alvorlige kroppsskader.
- Hold verktøyet kun i de isolerte og sklisikre delene når du arbeider på en frate som kan skjule elektriske ledninger. Skjæregedskap som får kontakt med strømførende elektriske ledninger kan føre til at metalldelene på verktøyet blir strømførende og at brukeren kan få støt.
- Legg aldri fra deg verktøyet før tilbehøret har sluttet helt å rotere. Det roterende tilbehøret kan komme i kontakt med underlaget det står på og få deg til å miste kontroll over verktøyet.
- Ikke la verktøyet gå når du frakter det. Det roterende tilbehøret kan henge seg fast i klærne dine og skade deg alvorlig.
- Rengjør regelmessig verktøyet ventilasjonsspalter. Motorens ventilasjon får støv til å komme inn i motorhuset, noe som kan medføre altfor stor oppsamling av metallpartikler og forårsake elektrisk støt.
- Bruk ikke verktøyet i nærheten av brannfarlige produkter. Gnister kan sette fyr i dem.
- Bruk ikke tilbehør som krever kjølevæsker. Bruken av vann eller kjølevæsker kan forårsake elektrisk støt, som kan være livsfarlig.

YTTERLIGERE SIKKERHETSINSTRUKSJONER FOR ALLE OPERASJONER

Tilbakeslag og relaterte advarsler

Tilbakeslag er en plutselig reaksjon som oppstår når den bevegede slipeskiven, sliperondellen, børsten eller et annet tilbehør klemmes fast eller vris, noe som raskt får tilbehøret til å låses fast. Verktøyet blir da slynget ut i motsatt retning til tilbehørets bruksretning.

Hvis for eksempel en slipeskive klemmes eller vris i arbeidsstykket, vil skivens skarpe del trenge inn i arbeidsstykkets overflate, noe som vil få skiven til å klatre ut eller slå tilbake. Hjulet kan enten hoppe mot eller bort fra operatøren, avhengig retning hjulet beveges på punktet av knipe. I tilfelle tilbakeslag, kan slipeskiven også brytes.

Det kan unngås ved å ta visse forholdsregler:





- **Hold godt i verktøyet og still kroppen og armen din slik at du kan kontrollere et eventuelt tilbakeslag.** Hvis verktøyet har et støttehåndtak, skal du alltid holde i det så du får optimal kontroll over verktøyet i tilfelle tilbakeslag eller reaksjonskraft når verktøyet startes. Ta nødvendige foranstaltninger så du kan kontrollere verktøyet ditt i tilfelle tilbakeslag eller reaksjonskraft.
- **Legg aldri hånden din i nærheten av det roterende tilbehøret for å unngå all fare for kroppsskader i tilfelle tilbakeslag.** Tilbehøret kan kast over hånden din.
- **Ikke still deg i området der verktøyet kan risikere å slynges ut i i tilfelle tilbakeslag.** I tilfelle tilbakeslag slynges verktøyet ut i motsatt retning til skivens rotasjonsretning.
- **Vær spesielt forsiktig når du arbeider på hjørner, skarpe kanter, osv. Unngå at tilbehøret glir eller kiles fast.** Når du arbeider på hjørner eller skarpe kanter eller når verktøyet glir, er det større fare for at tilbehøret låses fast, og dermed at du mister kontroll over verktøyet og at det oppstår tilbakeslag.
- **Bruk aldri blad til kjedesag eller sagblad sammen med dette verktøyet.** De kan øke faren for tilbakeslag og tap av kontroll over verktøyet.

SIKKERHETSADVARSLER MED TILKNYTNING TIL VANLIGE SLIPE- ELLER KAPPEOPERASJONER

- **Brukl kun hjul typer er anbefalt for dette verktøyet og en spesifikk skjerm som er utformet for det valgte verktøyet.** Hjul som verktøyet ikke er konstruert for kan ikke beskyttes i tilstrekkelig grad og vil derfor kunne være utrygge.
- **Slipeoverflaten på skiver med nedsunket midtparti, må festes under nivået til beskyttelsesleppen.** En feil festet skive som buler ut utover beskyttelsesleppen, kan ikke beskyttes tilstrekkelig.
- **Skjemen må være godt festet til verktøyet og posisjonert for maksimum sikkerhet slik at minst mulig av hjulet eksponeres mot brukeren.** Skjermen bidrar til å beskytte operatøren mot fragmenter av hjulet som rives av, utilsikket kontakt med hjulet og gnister som kan antenne klær.
- **Hjul må kun benyttes til anbefalte applikasjoner.** For eksempel må du ikke slippe med kanten på et kappehjul. Slipende kappeskiver er ment for periferisliping, når disse hjulene utsettes for sidekrefter kan det oppstå splintring.
- **Bruk alltid ubeskadigede hjullenser som har korrekt størrelse og form for det valgte hjulet.** Korrekt hjullens støtter hjulet og reduserer dermed muligheten for at hjulet skal brette. Flenser for kappehjul kan skille seg fra flenser for slipehjul.
- **Ikke bruk nedslitte hjul fra større elektrisk verktøy.** Hjul som er ment for større verktøy egner seg ikke for de små verktøyenes høyere hastighet og kan gå i oppløsning.

YTTERLIGERE SIKKERHETSADVARSLER SPESIELT FOR KAPPEOPERASJONER MED SLIPESKIVER

- **Ikke blokker kappehjulet eller legg overdrevet trykk på verktøyet. Ikke gjør forsøk på å utføre et ekstremt dypt kutt.** Kraftig trykk mot hjulet øker belastningen og mulighet for at hjulet bendes eller blokkeres i kappesporet med tilhørende fare for tilbakeslag eller at

kappehjulet brekker.

- **Ikke plasser kroppen din på linje med og bak det roterende hjulet.** Når hjulet og arbeidspunktet beveger seg vekk fra kroppen din vil et mulig tilbakeslag kunne drive det roterende hjulet og verktøyet direkte mot deg.
- **Når kappehjulet blokkeres eller når arbeidet med et kapp av en eller annen grunn avbrytes, slå av verktøyet og hold det helt i ro inntil kappehjulet har stanset helt. Gjør aldri forsøk på å ta kappehjulet ut av sporet mens det fortsatt er i bevegelse, i så fall kan du oppleve tilbakeslag.** Hvis skiven står fast, må du forsøke å finne årsaken og ta nødvendige foranstaltninger for at det ikke gjentar seg.
- **Ikke start kappingen på nytt mens kappehjulet fortsatt står i arbeidsstykket. La hjulet nå maksimal hastighet før du forsiktig setter det tilbake i sporet som er kappet.** Hjulet kan blokkeres, kripe ut eller slå tilbake dersom verktøyet startes mens kappehjulet står i arbeidsstykket.
- **Støtt opp plater og store arbeidsstykker for å redusere faren for at kappehjulet kommer i beknip, med tilhørende fare for tilbakeslag.** Store plater har en tendens til å sige under sin egen vekt. Støttene må legges under begge sider av platen, nær sporet som skal skjæres og nær kanten av platen.
- **Vær ekstra forsiktig når du foretar et "lommekutt" inn i en eksisterende vegg eller annet blindt område.** Det utstående hjulet kan kappe gass- og vannrør, elektriske ledninger og objekter som kan føre til tilbakeslag.

SPEIELLE SIKKERHETSADVARSLER

⚠ ADVARSEL

Husk å alltid sjekke at spindellåseknaappen er helt frigitt før du slår på produktet.

GJENVÆRENDE RISIKO

Også når produktet brukes som beskrevet, er det ikke mulig å utelukke risiko for brukere eller personer i nærheten. Følgende farer kan oppstå ved bruk og operatøren bør være spesielt oppmerksom på å unngå/sikre følgende:

- Personskader pga. småbiter som slenges ut.
 - Metall eller grove partikler kan trenge inn i øynene, noe som kan føre til varig skade. Bruk vernebriller som er godkjent for sliping når du jobber med produktet.
- Personskader pga. vibrasjon
 - Begrense eksponering. Se "Farereduksjon".
- Skader skapt av støv.
 - Bruk en adekvat støvmaske med passende filtre som kan beskytte mot støvet som genereres av arbeidsemne og avslipete biter fra slipeskiven. Ikke spis, drikk eller røyk i arbeidsområdet. Husk god ventilasjon.
- Personskade ved kontakt med slipeskiven
 - Skiven og arbeidsemne blir varme ved bruk. Bruk hansker når du skifter skiver eller skal ta på arbeidsemne. Hold hendene til enhver tid unna slipeområdene. Klem fast arbeidsemne når det er mulig.



- Personskader pga. støy
 - Lang eksponering til støy øker faren for hørselskader og effekten er akkumulerende. Når du bruker elektrisk verktøy over en lenger tidsperiode, bruk hørselvern.

⚠ ADVARSEL

Skader kan oppstå eller forsterkes ved forlenget bruk av et verktøy. Når du bruker et verktøy over en lenger tidsperiode, husk å ta regelmessige pauser.

FAREREDUKSJON

Det har blitt rapportert at vibrasjonene fra håndholdt verktøy kan bidra til en tilstand som heter Raynauds syndrom hos enkelte. Symptomene kan omfatte følelsesløshet og gjøre fingrene bleke, vanligvis synlig ved eksponering til lave temperaturer. Arvelige faktorer, eksponering mot lave temperaturer og fuktighet, diett, røyking og arbeidspraksis blir alle ansett for å kunne bidra til å utvikle disse symptomene. Brukeren kan iverksette tiltak for mulig å redusere virkningene av vibrasjonene:

- Hold kroppen din varm i kaldt vær. Bruk hansker og hold hender og vrister varme ved bruk av gressklipperen. Det er rapportert at kaldt vær er en viktig faktor som bidrar til Raynauds Syndrome.
- Etter hver arbeidsperiode bør det utføres øvelser for å øke blodsirkulasjonen.
- Ta ofte pauser fra arbeidet som utføres. Begrens mengden av eksponering pr. dag.

Hvis du opplever noen av symptomene på denne tilstanden må du øyeblikkelig avbryte arbeidet og oppsøke en lege med disse symptomene.

KJENN DITT PRODUKT.

Se side 109.

1. Spindellåseknapp
2. Strømbryter
3. Beskyttelseslås
4. Beskyttelsesmekanisme uten verktøy
5. Sidehåndtak
6. Batteridør
7. Utvendig sidestykke
8. Slipeskive
9. Sidestykke
10. Skjæreblad (medfølger ikke)
11. Beskyttelsesmekanisme uten verktøy som beskytter mot kutt (medfølger ikke)

VEDLIKEHOLD

- Når vedlikehold utføres, må kun identiske reservedeler brukes. Bruk av andre deler kan skape fare eller føre til skade på produktet.
- Unngå bruk av løsemidler når du rengjør plastdelene. De fleste plasttyper er sårbare for forskjellige typer løsemidler i handelen og kan skades dersom de brukes. Bruk rene kluter til å fjerne skitt, støv, olje og fett osv.
- Bruk alltid vernebriller med sidebeskyttelse når du jobber med maskinen eller blåser støv. Hvis arbeidet utløser støv, bruk også en støvmaske.
- For å unngå alvorlig personskade, fjern alltid batteriene fra produktet når du rengjør verktøyet eller utfører vedlikehold.

- Du må aldri la bremsevæske, drivstoff, petroleumbaserte produkter, rustoppløsende olje osv. komme i kontakt med plastikkdeler. Slike kjemiske produkter inneholder stoffer som kan skade, svekke eller ødelegge plasten, noe som kan medføre alvorlige kroppsskader.
- Det er kun de delene som står på delelisten som kunden kan reparere eller skifte ut. Alle andre deler bør skiftes ut på et autorisert servicesenter.

⚠ ADVARSEL

Ikke bruk komprimert luft til å fjerne støv fra produktet. En slik fremgangsmåte er farlig og kan føre til at smuss slenges ut og skader øynene til noen.

MILJØVERN



Resirkuler råmaterialer istedenfor å kaste dem i søppelen. Verktøyet, tilbehørene og emballasjen bør sorteres for miljøvennlig resirkulering.

SYMBOLER



Sikkerhetsadvarsel

n

Nominell hastighet



EurAsian Konformitetstegn



Ukrainsk merke for konformitet



CE samsvarserklæring



Vennligst les instruksjonene nøye før du starter maskinen.



Bruk hørselsvern



Bruk øyebeskyttelse



Bruk støvmaske.



Bruk sikkerhetshansker



Ikke bruk sprukne eller på annen måte skadede slipehjul



Ikke bruk for kapping



Bruk en skjerm



Metall



Avfall fra elektriske produkter skal ikke kastes sammen med husholdningsavfall. Vennligst resirkulervedeksisterende avfallsbehandlingssted. Undersøk hos dine lokale myndigheter eller forhandler for råd om resirkulering.

SYMBOLER I MANUALEN



Nb



Deler eller tilbehør solgt separat



Låse opp



Lås

Følgende symboler og betydninger forklarer risikonivået som er assosiert med dette produktet.

FARE

Indikerer en umiddelbart farlig situasjon, som, dersom den ikke unngås, kan føre til alvorlig personskade eller død.

ADVARSEL

Indikerer en potensiell farlig situasjon, som, dersom den ikke unngås, kan føre til alvorlig personskade eller død.

ADVARSEL

Indikerer en potensiell farlig situasjon, som, dersom den ikke unngås, kan føre til mindre eller moderate skader.

ADVARSEL

(Uten sikkerhetssymbol) Indikerer en situasjon som kan resultere i skader på eiendom.

В основе конструкции вашей беспроводной угловой шлифовальной машины лежат принципы безопасности, продуктивности и надежности.

НАЗНАЧЕНИЕ

Угловой шлифмашиной могут пользоваться только компетентные взрослые, которые прочли инструкции по технике безопасности, осознали опасности, связанные с эксплуатацией изделия, и могут считаться ответственными за свои действия. Угловая шлифмашина предназначена только для шлифования и резки металлов. На угловой шлифмашине следует устанавливать только такие шлифовальные круги, которые описаны в разделе технических характеристик изделия настоящего руководства пользователя. Угловая шлифмашина является ручным инструментом, она не предназначена для крепления с помощью зажима или установки на верстак.

Используйте устройство строго по назначению, указанному в настоящем руководстве.

⚠ ОСТОРОЖНО

Прочтите все указания и инструкции по технике безопасности. Несоблюдение предостережений и инструкций может привести к поражению электрическим током, возгоранию и/или серьезным травмам.

Сохраните все предупреждения и инструкции для дальнейшего использования.

УГОЛ МЕРЫ БЕЗОПАСНОСТИ ТОЧИЛЬЩИК

ТЕХНИКА БЕЗОПАСНОСТИ ПРИ ОПЕРАЦИЯХ ШЛИФОВАНИЯ И АБРАЗИВНОЙ ОТРЕЗКЕ

- Данный инструмент предназначен для операций шлифования и отрезки. Прочтите все указания, инструкции, иллюстрации и спецификации, поставляемый с этим электроинструментом. Несоблюдение всех инструкций, указанных ниже, может привести к поражению электрическим током, пожару и / или серьезным травмам.
- Не рекомендуется с помощью данного инструмента выполнять операции по шлифованию шкуркой, очистке проволоочной щеткой и полировке. Операции, для которых власть Программа не рассчитана может создавать опасность и привести к травме.
- Не используйте аксессуар, которые не являются специально разработаны и рекомендованы производителем инструмента. Просто потому, что аксессуар может быть подключен к вашей власти инструмент, он не обеспечивает безопасную эксплуатацию.
- Номинальная скорость аксессуар должен быть по меньшей мере равную максимальной скорости отмечается электроинструмента. Аксессуары работают быстрее, чем их номинальная скорость может привести к поломке и развалится.
- Наружный диаметр и толщина ваших аксессуаров должна быть в пределах возможностей рейтинг вашего электроинструмента. Неправильно размера принадлежности не может быть адекватно охраняется или контролировать.

- При навинчивании дополнительных приспособлений учитывайте, что их резьба должна соответствовать резьбе шпинделя шлифмашины. При фланцевом креплении дополнительных приспособлений осевое отверстие приспособления должно соответствовать диаметру фланца. Приспособления, размеры которых не в точности соответствуют деталям электроинструмента, будут несбалансированы, что вызывает сильную вибрацию и может привести к потере управления.
- Не используйте поврежденный аксессуар. Перед каждым использованием проверяйте рабочее состояние аксессуара, которым собираетесь работать: проверьте, чтобы абразивные диски не были треснутыми или разбитыми, чтобы полшвы не были порваны или изношены, чтобы волоски металлических щеток не были сильно изношены или сломаны. Если инструмент или аксессуар упал, проверьте его на предмет повреждений или установите неповрежденные аксессуары. После осмотра и установки устройства, позиционировать себя и окружающих от плоскости вращающегося принадлежности и запуска инструмента при максимальной скорости без нагрузки в течение одной минуты. Поврежденные аксессуары, как правило, развалится в течение этого времени испытания.
- Использовать средства индивидуальной защиты. В зависимости от приложения, используйте маску, защитные очки или защитные очки. В случае необходимости надевайте маску от пыли, защитными наушниками, перчатки и фартук семинар, способных остановить малых абразивные или заготовки фрагментов. Для защиты глаз должны быть в состоянии остановить полеты мусора в различных операций. Респиратор или противогаз должен быть способен фильтрации частиц, созданных на операцию. Длительное воздействие высокой интенсивности шума может привести к потере слуха.
- Держите прохожих на безопасном расстоянии от рабочей области. Лица, которые прибывают области работы должны носить средства индивидуальной защиты. Фрагменты заготовки или сломанный инструмент может улететь и стать причиной травм вне непосредственной близости от места работы.
- Держите электрические инструменты за изолированные поверхности только при выполнении операций, когда режущий инструмент может контактировать со скрытой проводкой. В результате контакта полотна с проводом, находящимся под напряжением, металлические части инструмента также могут оказаться под напряжением, что приведет к поражению работающего электрическим током.
- Никогда не лежал электрический инструмент, пока аксессуар пришла к полной остановке. Прядильных инструмент может захватить поверхность и вытащить из розетки вне вашего контроля.
- Не запускайте электроинструмента при проведении его на вашей стороне. Случайный контакт с прядильных аксессуар может загвоздка



одежду, потянув за принадлежность в ваше тело.

- **Регулярно очищайте воздушные силы инструмента отверстия.** Вентилятор двигателя будет опираться пыли внутри корпуса и чрезмерное накопление сухого металла может привести к опасности поражения электрическим током.
- **Не работайте с электроинструментом вблизи легковоспламеняющихся материалов.** Искры могут воспламенить эти материалы.
- **Не используйте аксессуары, которые требуют жидких хладагентов.** Использование воды или других жидких хладагентов может привести к поражению электрическим током или удара.

ДАЛЬНЕЙШИЕ УКАЗАНИЯ ПО ТЕХНИКЕ БЕЗОПАСНОСТИ ДЛЯ ВСЕХ ОПЕРАЦИЙ

Меры предосторожности, связанные с отскоком инструмента

Отдача является внезапная реакция пережат или зацепил вращающееся колесо, бэк-панели, кистью или любой другой принадлежности. Щемящие или непредусмотренные причины быстрого срыва вращающегося принадлежности, которые в свою очередь вызывает неконтролируемый инструмент власти будут вынуждены в сторону, противоположную от аксессуар в поворот в точке силы.

Например, заклинивание отрезного круга в заготовке и захим кромки круга в зоне заземления, может привести к резкому отскоку инструмента. Колесо может либо переходить к наблюдателю или от оператора, в зависимости от направления движения колеса в точке заземления. Абразивные круги могут сломать и в этих условиях.

Отдача является результатом злоупотребления властью инструмента и/или неправильный оперативных процедур или условий, и ее можно избежать путем принятия надлежащих мер предосторожности, которые приводятся ниже.

- **Поддержание крепко электроинструмент и положение тела и рук, чтобы вас не подаваться отдачи сил. Всегда используйте дополнительную ручку, если это предусмотрено для максимального контроля над отдачей или крутящего момента реакции во время запуска.** Оператор может контролировать крутящий момент реакции или отдачи сил, если соответствующие меры предосторожности приняты.
- **Никогда не кладите руки вблизи вращающегося устройства.** Аксессуары могут откат за руку.
- **Не размещайте тела в районе, где власти инструмент будет двигаться, если откат происходит.** Отдача будет двигать этот инструмент в направлении, противоположном движению колеса в точке зацепления.
- **Использование специальных осторожны при работе с углов, острых краев т.д. Избегайте подпрыгивая и непредусмотренные аксессуар.** Уголки, острых кромок или подпрыгивая имеют тенденцию к топляк вращающиеся принадлежности и привести к потере контроля и отдача
- **Не подключайте цепи пилы дереву лезвия или зубчатой пилы.** Такие лопасти создают частые отдачи и потери контроля.

СПЕЦИАЛЬНЫЕ УКАЗАНИЯ ПО ЕХНИКЕ БЕЗОПАСНОСТИ ПРИ ОПЕРАЦИЯХ ШЛИФОВАНИЯ И АБРАЗИВНОЙ ОТРЕЗКЕ

- **Рекомендуется использование кругов, предназначенных для вашего инструмента, а также защитных экранов соответствующего размера.** Режущие диски, не предназначенные для использования с данным инструментом, нельзя должным образом защитить, и они могут представлять опасность.
- **Шлифовальная поверхность круга должна быть ниже края защитного кожуха.** Эксплуатировать устройство с кругом, выходящим за край защитного кожуха, небезопасно.
- **Экран должен быть надежно прикреплен к инструменту и расположен так, чтобы обеспечить наибольшую безопасность - чтобы оператору была открыта наименьшая часть круга.** Защитный экран предназначен для защиты оператора от вылетающих фрагментов диска и случайного контакта с рабочей поверхностью и от искр, от которых может загореться одежда.
- **Круги должны использоваться только для рекомендуемого применения.** Например, не допускается шлифование боковыми поверхностями отрезного круга. Абразивные отрезные круги предназначаются для работы периферией круга, боковые силы, возникающие при такой работе, могут привести к обламыванию краев.
- **Не допускается использование кругов с поврежденной рубашкой, всегда используйте круги, подходящие по размеру и форме.** Соответствующие рубашки дисков поддерживают диски, препятствуя их разрушению. Рубашки отрезных кругов могут отличаться от рубашек шлифовальных кругов.
- **Не допускается использование изношенных кругов от более мощных и крупных устройств.** Круги, предназначенные для использования с более мощным инструментом, не подходят для более высоких скоростей малых инструментов и могут при работе разрушиться.

ДОПОЛНИТЕЛЬНЫЕ ПРЕДУПРЕЖДЕНИЯ ПО ТЕХНИКЕ БЕЗОПАСНОСТИ ПРИ ОПЕРАЦИЯХ ПО АБРАЗИВНОЙ ОТРЕЗКЕ

- **Не зажимайте отрезной диск и не прилагайте чрезмерных усилий.** Не делайте разрезы чрезмерной глубины. Перенапряжение режущего диска увеличивает нагрузку и подвергает его скручиванию или заземлению диска в разрезе, что может привести к отскоку или повреждению диска.
- **Не стойте по линии резания или позади вращающегося диска.** Когда режущий диск при работе перемещается от вашего тела, возможный отскок может отбросить вращающийся диск может и инструмент прямо на вас.
- **При заклинивании отрезного круга или прекращении резания, по какой-либо причине, выключите электроинструмент и дождитесь полной остановки вращения отрезного круга.** Никогда не пытайтесь вынимать отрезной круг из разреза на ходу, так как может произойти отскок. Расследовать и принять меры по исправлению положения, чтобы устранить причину





колеса обязательным.

- **Не возобновляйте резание, если круг находится в заготовке. Дождитесь, пока диск не наберет полную скорость, и осторожно вводите круг в обрабатываемую деталь.** Если электроинструмент повторно запускается, когда отрезной круг находится в заготовке, то круг может заклинить, податься на оператора или отскочить.
- **Поддерживайте панели и любые крупногабаритные заготовки, чтобы уменьшить опасность заклинивания круга и отскока.** Большие заготовки могут прогибаться под собственным весом. Опоры следует размещать под панелью, рядом с линией пропила и ближе к краю панели с обеих сторон круга.
- **Соблюдайте предельную осторожность при выполнении врезок в существующие стены или другие глухие зоны.** Рельефный круг можно использовать для отрезания газовых и водопроводных труб, электрических проводов или предметов, могущих вызвать отскок.

ДОПОЛНИТЕЛЬНЫЕ ПРЕДУПРЕЖДЕНИЯ ПО ТЕХНИКЕ БЕЗОПАСНОСТИ

▲ ОСТОРОЖНО

Перед тем как включить изделие, не забудьте убедиться в том, что кнопка фиксатора шпинделя полностью отпущена.

ОСТАТОЧНЫЕ РИСКИ

Даже когда изделие используется согласно инструкциям, невозможно полностью устранить факторы риска. Следующие опасности могут возникнуть во время его использования, и во избежание их рабочий должен обратить особое внимание на следующее:

- Травмы, вызываемые отлетающими частицами
 - Металлические или абразивные частицы могут попасть в глаза и причинить тяжелую травму. Работайте в защитных очках, пригодных для шлифования, при эксплуатации изделия.
- Травмы, вызываемые вибрацией
 - Ограничивайте воздействие. См "Снижение Риска".
- Травмы, вызываемые пылью
 - Носите респиратор с надлежащими фильтрами, которые могут защитить от пыли, источником которой является обрабатываемый материал и абразивные частицы от шлифовального круга. Не ешьте, не пейте и не курите в рабочей зоне. Обеспечьте достаточную вентиляцию.
- Травма от контакта со шлифовальным кругом
 - Круг или заготовка будут нагреваться во время использования. Надевайте защитные перчатки при замене шлифовального круга или при касании заготовки. Не допускайте попадания рук в зону шлифования. По возможности закрепляйте заготовку.
- Травмы, вызываемые шумом
 - Длительное воздействие шума увеличивает опасность повреждения слуха, и это

воздействие носит кумулятивный характер. При использовании электроинструмента в течение длительного времени носите средства защиты органов слуха.

▲ ОСТОРОЖНО

Продолжительное использование инструмента без перерыва может привести к травмам. При использовании инструмента в течение длительного времени делайте регулярные перерывы.

СНИЖЕНИЕ РИСКА

Сообщалось, что вибрация ручных электроинструментов у отдельных лиц может способствовать состоянию, которое называется синдром Рейно. К симптомам могут относиться покалывание, онемение и побеление пальцев (как при переохлаждении). Считают, что наследственные факторы, охлаждение и влажность, диета, курение и практический опыт способствуют развитию этих симптомов. Ниже приводятся меры, которые может принять оператор для снижения воздействия вибрации:

- Одевайтесь теплее в холодную погоду. При работе с устройством пользуйтесь перчатками, чтобы руки и запястья были в тепле. Считается, что холодная погода является основным фактором, способствующим возникновению болезни Рейно (Raynaud's Syndrome).
- После каждого этапа работы выполните упражнения для усиления кровообращения.
- Чаще делайте перерывы в работе. Сократите длительность ежедневного пребывания на открытом воздухе.

При появлении каких-либо из указанных симптомов сразу же прекратите работу и обратитесь по их поводу к врачу.

ИЗУЧИТЕ ИЗДЕЛИЕ

Стр 109.

1. Блокировка шпинделя кнопку
2. Курковый выключатель
3. Защитная рычажная защелка
4. Защитный кожух с ручной регулировкой
5. Боковая рукоятка
6. Гнездо подключения батареи
7. Зажим гайки
8. Шлифовальный круг
9. Внешняя щечка
10. Отрезной диск (не входит в поставку)
11. Кожух для лезвия с ручной регулировкой (не входит в поставку)

ТЕХНИЧЕСКОЕ ОБСЛУЖИВАНИЕ

- При проведении текущего ремонта используйте только идентичные запчасти. Использование других запчастей может представлять опасность или повредить изделия.
- Избегайте использования растворителей во время чистки пластмассовых частей. Многие пластмассы под воздействием различных бытовых растворителей повреждаются и могут разрушиться. Для снятия грязи, масла, жира, пыли и т.д.

EN
FR
DE
ES
IT
NL
PT
DA
SV
FI
NO
RU
PL
CS
HU
RO
LV
LT
ET
HR
SL
SK
BG
UK
TR
EL



пользуйтесь чистой тряпкой.

- При работе с электрическим устройством или сдувании пыли всегда надевайте предохранительные или защитные очки с боковыми защитными экранами. Если во время работы образуется много пыли, также надевайте пылезащитную маску.
- Во избежание тяжелой травмы всегда вынимайте аккумуляторную батарею из устройства при его очистке или проведении технического обслуживания.
- Никогда не допускайте контакта тормозной жидкости, бензина, продуктов на нефтяной основе, пропиточного масла и т. д. с пластмассовыми частями. Эти химикаты содержат вещества, которые могут испортить, ослабить или разрушить пластмассу. Это ведет к тяжелым травмам.
- Покупатель может самостоятельно ремонтировать и заменять только детали, указанные в спецификации. Замена всех остальных деталей должна производиться в авторизованном сервисном центре.

⚠ ОСТОРОЖНО

Не пользуйтесь сжатым воздухом для выдувания пыли из изделия. Это опасно, так как в результате грязь и песок могут попасть в глаза и привести к их травме.

ЗАЩИТА ОКРУЖАЮЩЕЙ СРЕДЫ



Утилизируйте как сырье, а не выбрасывайте как мусор. Машина, аксессуары и упаковка должны быть отсортированы.

УСЛОВНЫЕ ОБОЗНАЧЕНИЯ



Сигнал опасности

n

Номинальная скорость



Знак Евразийского Соответствия
Сертификат Соответствия
№ TC **RU C-DE.AE11.B.04246**
Срок действия Сертификата
Соответствия По **20.09.2020**
ООО «Региональный центр оценки
соответствия»
123060 г. Москва ул. Маршала Рыбалко
дом 2 корпус 9 помещение 638



Украинский знак стандартизации



Соответствие требованиям CE



Перед использованием прибора внимательно ознакомьтесь с данной инструкцией.



Применяйте средства защиты органов слуха



Применяйте средства защиты органов зрения



Надевайте пылезащитную маску.



Надевайте защитные перчатки



Не используйте бракованные шлифовальные диски или диски со сколами или трещинами



Не используйте для резания



Используйте защитное приспособление



Металл



Отработанная электротехническая продукция должна уничтожаться вместе с бытовыми отходами. Утилизируйте, если имеется специальное техническое оборудование. По вопросам утилизации проконсультируйтесь с местным органом власти или предприятием розничной торговли.

ОБОЗНАЧЕНИЯ В РУКОВОДСТВЕ



Примечание



Детали или принадлежности, приобретаемые отдельно



Расцепить



Зафиксировать

Следующие сигнальные слова и значения предназначены, чтобы объяснить уровни риска, связанного с этим изделием.

⚠ ОПАСНО

Указывает на потенциально опасную ситуацию, которая, если ее не избежать, приведет к летальному исходу или серьезной травме.

⚠ ОСТОРОЖНО

Указывает на потенциально опасную ситуацию, которая, если ее не избежать, может привести к летальному исходу или серьезной травме.

⚠ ВНИМАНИЕ

Указывает на потенциально опасную ситуацию, которая, если ее не избежать, может привести к травме легкой или средней тяжести.

ВНИМАНИЕ

(Без Символа Тревоги Безопасности) Указывает ситуацию, которая может кончиться повреждением собственности.

Транспортировка:

Категорически не допускается падение и любые механические воздействия на упаковку при транспортировке.

При разгрузке/погрузке не допускается использование любого вида техники, работающей по принципу зажима упаковки.

Хранение:

Необходимо хранить в сухом месте.

Необходимо хранить вдали от источников повышенных температур и воздействия солнечных лучей.

При хранении необходимо избегать резкого перепада температур.

Хранение без упаковки не допускается.

Срок службы изделия:

Срок службы изделия составляет 5 лет.

Не рекомендуется к эксплуатации по истечении 5 лет хранения с даты изготовления без предварительной проверки.

Дата изготовления (код даты) отштампован на поверхности корпуса изделия.

Пример:

W17 Y2015, где Y2015 - год изготовления

W17 – неделя изготовления

Определить месяц изготовления можно согласно приведенной ниже таблице, на примере 2015 года.

Обратите внимание! Количество недель в месяце различается от года в год.

Месяц	Январь	Февраль	Март	Апрель	Май	Июнь	Июль	Август	Сентябрь	Октябрь	Ноябрь	Декабрь	Год
Неделя	01	05	09	14	18	22	27	31	36	40	44	49	2015
	02	06	10	15	19	23	28	32	37	41	45	50	
	03	07	11	16	20	24	29	33	38	42	46	51	
	04	08	12	17	21	25	30	34	39	43	47	52	
	05	09	13	18	22	26	31	35	40	44	48	53	
			14			27							

Bezpieczeństwo, efektywność i niezawodność były czynnikami o najwyższym priorytecie w trakcie projektowania Państwa bezprzewodowej szlifierki kątowej.

PRZEZNACZENIE

Ta szlifierka kątowa może być używana wyłącznie przez dorosłe osoby, które przeczytały i zrozumiały instrukcje oraz ostrzeżenia podane w tym podręczniku oraz, które mogą odpowiadać za swoje działania. Szlifierka kątowa jest przeznaczona wyłącznie do szlifowania i cięcia metalu. Szlifierka kątowa może być wyposażona wyłącznie w odpowiednie tarcze do szlifowania, które są opisane w sekcji specyfikacji produktu w tym podręczniku. Szlifierka kątowa jest przeznaczona do użytku ręcznego; nie można montować ją w uchwycie lub na stole warsztatowym.

Nie należy używać tego produktu niezgodnie z przeznaczeniem.

⚠ OSTRZEŻENIE

Zapoznaj się ze wszystkimi zasadami bezpieczeństwa i instrukcjami. Nieprzestrzeganie instrukcji i zasad bezpieczeństwa zawartych w ostrzeżeniach grozi porażeniem prądem elektrycznym, pożarem lub poważnymi obrażeniami.

Zachowaj wszystkie ostrzeżenia i instrukcje do wykorzystania w przyszłości.

WYMAGANIA BHP SPECYFICZNE DLA SZLIFIEREK KĄTOWYCH

OGÓLNE OSTRZEŻENIA W ZAKRESIE BEZPIECZEŃSTWA DOTYCZĄCE SZLIFOWANIA I CIĘCIA

- To elektronarzędzie jest przeznaczone do szlifowania i cięcia. Prosimy o uważne zapoznanie się z ostrzeżeniami, instrukcjami i specyfikacjami dostarczonymi z tym narzędziem oraz z zawartymi w nich ilustracjami. Nie przestrzeganie przedstawionych niżej zaleceń mogłoby pociągnąć za sobą wypadki takie jak pożary, porażenia prądem elektrycznym i/lub poważne obrażenia ciała.
- Nie zaleca się używać tego narzędzia do czynności takich jak szlifowanie papierem ściernym, szcztokowanie lub polerowanie. Nie zastosowanie się do tego wymogu może spowodować wypadki lub też ciężkie obrażenia ciała.
- Nie należy używać akcesoriów, które nie zostały zaprojektowane specjalnie do tego urządzenia i które nie są zalecane przez producenta. Nawet jeżeli da się zamontować jakąś przystawkę na narzędziu, nie oznacza to, że można bezpiecznie używać narzędzia z tą przystawką.
- Prędkość znamionowa przystawki powinna być równa lub większa od prędkości maksymalnej oznaczonej na narzędziu. Przystawki (akcesoria) funkcjonujące przy prędkości większej od ich prędkości znamionowej, mogą się połamać i zostać odrzucone.
- Średnica zewnętrzna i grubość akcesoria powinny odpowiadać charakterystyce podanej dla narzędzia. Jeżeli akcesoria nie są zgodne z podaną charakterystyką, systemy zabezpieczenia i ustawiania narzędzia nie będą należycie funkcjonowały.
- Gwintowane mocowanie akcesoriów musi pasować

do gwintu wrzeczona szlifierki. W przypadku akcesoriów mocowanych przy pomocy kołnierza nieprzylegający otwór osprzętu musi pasować do średnicy kołnierza. Akcesoria niepasujące dobrze do wrzeczona elektronarzędzia będą źle wyważone, wpadną w nadmierne wibracje i mogą spowodować utratę kontroli nad narzędziem.

- Nie należy używać uszkodzonych akcesoriów. Przed każdym użyciem należy sprawdzić czy narzędzie jest w dobrym stanie: upewnijcie się, że tarcze ściernie nie są wyszczerbione lub pęknięte, że płyty szlifierskie nie są rozerwane lub zużyte, że druty szcztok metalowych nie są zbyt zużyte czy połamane. W przypadku upuszczenia elektronarzędzia lub przystawki, sprawdź, czy nie są one uszkodzone, w razie potrzeby wymień przystawkę. Po sprawdzeniu, że przystawka jest w dobrym stanie i po jej zainstalowaniu, należy pozostać na dystans od ruchomych przystawek i poczekać przez minutę, aż narzędzie osiągnie maksymalną prędkość. Jeżeli przystawka jest uszkodzona, połamie się ona podczas tego testu.
- Stosować środki ochrony osobistej. W zależności od tego do czego używacie wasze narzędzie, załóżcie maskę zabezpieczającą, lub okulary zabezpieczające. W razie potrzeby, załóżcie maskę przeciwpyłową, ochronniki słuchu, rękawice i fartuch ochronny, które zabezpieczają przed odrzutem ciała obcych (opiłki, wióry, itd.). Okulary ochronne umożliwiają uniknąć skaleczenia oczu spowodowanego odrzutem odpadów. Maski przeciwpyłowe służą do filtrowania mikroskopijnych cząsteczek wydzielających się podczas wykonywanych prac. Wystawienie na wysoki poziom hałasu, może spowodować utratę słuchu.
- Wszystkie osoby wizytujące powinny nosić wyposażenie ochronne i zostawać w odpowiedniej odległości od strefy roboczej. Każdy, kto wchodzi do strefy roboczej musi nosić sprzęt ochrony osobistej. Elementy połamanego przedmiotu do obróbki czy akcesoria, mogą być odrzucone poza zakres strefy roboczej i spowodować poważne obrażenia cieleśne.
- Kiedy pracujecie na powierzchni mogącej skrywać przewody elektryczne, trzymajcie narzędzie wyłącznie za izolowane i nieśliskie części. Kontakt z przewodem pod napięciem może spowodować przepływ prądu przez metalowe elementy urządzenia i porażenie operatora.
- Nie odkładajcie narzędzia zanim przystawka nie będzie zupełnie zatrzymana. Obracająca się przystawka mogłaby się zetknąć z powierzchnią, na którą ją położono i doprowadzić do utraty kontroli nad narzędziem.
- Nie należy używać narzędzia podczas transportu. Obracająca się przystawka mogłaby zostać pochwycona przez ubrania i doprowadzić do poważnego zranienia.
- Należy regularnie czyścić szczeliny wentylacyjne narzędzia. Wentylacja silnika wprowadza kurz do wewnątrz obudowy silnika, co może być przyczyną nadmiernego nagromadzenia cząsteczek stałych i spowodować porażenie prądem elektrycznym.
- Nigdy nie używajcie waszego narzędzia w pobliżu produktów łatwopalnych. Iskry mogłyby spowodować podpalenie narzędzia.



- **Nie używajcie akcesoriów wymagających płynów chłodzących.** Używanie wody czy płynów chłodzących może spowodować porażenie prądem elektrycznym, nawet śmiertelne.

DODATKOWE ZASADY BHP DOTYCZĄCE WSZYSTKICH CZYNNOŚCI OBSŁUGOWYCH

Zjawisko odbicia i związane z nim ostrzeżenia

Odbicie (odrzut) jest nagłą reakcją, występującą podczas ruchu ściernicy kiedy dochodzi do pochwylenia czy wygięcia płyty szlifierskiej, szczotki czy innego akcesoria, powodującego szybkie zablokowanie akcesoria. Narzędzie dalej działa, powodując odrzut w kierunku odwrotnym do kierunku użytkowania akcesoria.

Np. przytarta lub zakleszczona tarcza ścierna, której krawędź zagłębiona w szczelinie na skutek ruchu obrotowego próbuje wydostać się z zakleszczenia może odskoczyć od obrabianego przedmiotu, powodując gwałtowny odrzut elektronarzędzia. Ściernica może odskoczyć w kierunku lub z dala od operatora, w zależności od kierunku ruchu koła w punkcie zakleszczenia. W przypadku odbicia, tarcza ścierna może również się połamać.

Można go uniknąć podejmując środki ostrożności.

- **Trzymajcie mocno narzędzie dwoma rękami i ustawcie ciało i ramię tak, by móc skontrolować ewentualne odbicie.** Posługujcie się uchwytem pomocniczym, jeżeli jest na wyposażeniu waszego narzędzia; zapewni to optymalną kontrolę w przypadku odbicia czy sprzężenia zwrotnego podczas uruchamiania narzędzia. Należy podjąć odpowiednie środki, by móc panować nad narzędziem w przypadku odbicia czy sprzężenia zwrotnego.
- **Nie należy umieszczać ręki w pobliżu obracającego się akcesoria, celem uniknięcia poważnych obrażeń ciała w przypadku odrzutu.** Akcesoria mogą odrzutu ręki.
- **Nie należy znajdować się w strefie, do której mogłoby zostać odrzucone narzędzie w przypadku odbicia.** W przypadku odbicia, narzędzie odrzucane jest w kierunku odwrotnym do kierunku obrotów tarczy.
- **Należy zwracać szczególną uwagę przy obrabianiu kątów, ostrych krawędzi, itd. Unikać wpadnięcia w poślizg lub pochwylenia akcesoria.** Przy obrabianiu kątów, ostrych krawędzi, czy wpadnięciu w poślizg narzędzia, zachodzi większe ryzyko zablokowania akcesoria, co może doprowadzić do utraty panowania nad narzędziem i odrzutu.
- **Nie należy używać z tym narzędziem tarczy przecinarki do drewna czy tarczy piły.** Mogłoby to spowodować ryzyko odrzutu i utratę kontroli nad narzędziem.

SPECJALNE OSTRZEŻENIA W ZAKRESIE BEZPIECZEŃSTWA DOTYCZĄCE SZLIFOWANIA I CIĘCIA

- **Stosować wyłącznie tarcze przeznaczone do tego narzędzia i osłone bezpieczeństwa przeznaczoną do wybranej tarczy.** Tarcze, które nie zostały przeznaczone do współpracy z tym elektronarzędziem nie mogą być odpowiednio osłonięte i są niebezpieczne.
- **Powierzchnia szlifowania tarczy z dociskiem na środku musi być zamontowana poniżej płaszczyzny wypustu ochronnego.** Nieprawidłowo zamontowana tarcza wystająca poza płaszczyznę wypustu ochronnego nie jest wystarczająco zabezpieczona.
- **Oslona musi być w bezpieczny sposób**

przymocowana do elektronarzędzia i ustawiona tak, aby zapewnić maksymalne bezpieczeństwo; tarcza powinna być jak w najmniejszym stopniu odsłonięta w stronę operatora. Oslona tarczy chroni operatora przed ewentualnymi odłamkami tarczy i przypadkowym kontaktem z obracającą się tarczą oraz iskrami, które mogą podpalić ubranie.

- **Tarcze należy używać wyłącznie do zalecanych zastosowań. Przykładowo, nie należy szlifować boczną powierzchnią tarczy tnącej.** Tarcze przeznaczone do szlifowania obwodowego; siły boczne oddziałujące na tarcze mogą spowodować ich zniszczenie.
- **Należy stosować kołnierze tarcz w dobrym stanie technicznym, o właściwym rozmiarze i kształcie dopasowanym do wybranej tarczy.** Odpowiedni kołnierz tarczy podpira ją, zmniejszając ryzyko pęknięcia tarczy. Kołnierze do tarcz tnących mogą być inne niż kołnierze do tarcz ściernych.
- **Nie używać zużytych tarcz z większych elektronarzędzi.** Tarcze przeznaczone do większych elektronarzędzi nie nadają się do współpracy z mniejszym elektronarzędziem pracującym z wyższą prędkością i mogą ulec pęknięciu.

DODATKOWE OSTRZEŻENIA W ZAKRESIE BEZPIECZEŃSTWA DOTYCZĄCE CIĘCIA

- **Nie blokować tarczy tnącej i nie dociskać za mocno.** Nie próbować ciąć materiału zbyt głęboko. Nadmierne dociskanie tarczy zwiększa obciążenie i ryzyko skręcenia lub zakleszczenia tarczy w ciętym materiale, co może spowodować szarpnięcie lub pęknięcie tarczy.
- **Ciało nie może znajdować się w jednej linii z obracającą się tarczą ani za tarczą.** Gdy tarcza podczas pracy porusza się w kierunku przeciwnym do ciała operatora, to w chwili odskoczenia siła odrzutu może spowodować przesunięcie narzędzia w stronę operatora.
- **Jeśli tarcza zablokuje się lub jeśli cięcie zostanie przerwane z innego powodu, należy odłączyć elektronarzędzie od źródła zasilania i przytrzymać elektronarzędzie, aż do chwili całkowitego zatrzymania.** Nie wolno usiłować zdejmować tarczy tnącej, gdy tarcza się obraca, ponieważ może dojść do odrzutu lub odskoczenia urządzenia. Kiedy tarcza się zaklinuje, szukajcie przyczyny i podejmijcie środki zapobiegawcze, by to się już nie powtórzyło.
- **Nie wznawiać cięcia, gdy urządzenie styka się z ciętym materiałem.** Należy poczekać aż tarcza nabierze pełnej prędkości i ostrożnie przyłożyć tarczę do szczeliny cięcia. Tarcza może zaklinować się, wykonać gwałtowny ruch lub odskoczyć, jeśli elektronarzędzie zostanie uruchomione w chwili kontaktu z obiektem.
- **Podpreźć panele lub inne cięższe obrabiane obiekty, aby ograniczyć ryzyko zakleszczenia tarczy i odrzutu.** Duże obiekty mogą załamać się/ugiąć pod własnym ciężarem. Podpory muszą być umieszczone pod obrabianym materiałem blisko linii cięcia i blisko krawędzi materiału, po obu stronach tarczy.
- **Należy zachować szczególną ostrożność w przypadku wykonywania cięcia kieszeniowego w istniejących ścianach lub innych strukturach nieprzelotowych.** Wystająca tarcza może przeciąć



przewody instalacji gazowej lub wodnej, przewody elektryczne lub obiekty, które mogą spowodować odrzut.

DODATKOWE OSTRZEŻENIA BEZPIECZEŃSTWA

OSTRZEŻENIE

Zawsze przed włączeniem produktu należy sprawdzić, czy przycisk blokady wrzeczona został całkowicie zwolniony.

RYZIKO ZWIĄZANE Z UŻYTKOWANIEM

Nawet jeśli produkt jest używany zgodnie z zaleceniami, nadal nie jest możliwe wyeliminowanie określonych czynników ryzyka. Następujące zagrożenia mogą wystąpić podczas używania urządzenia i operator powinien zwracać szczególną uwagę na poniższe punkty:

- Urazy spowodowane odrzucanymi odpadkami
 - Cząstki metalu lub materiału ściernego mogą przedostać się do oczu, powodując poważne i trwałe obrażenia. Podczas obsługi urządzenia należy nosić okulary ochronne zatwierdzone do szlifowania.
- Urazy ciała spowodowane przez wibracje
 - Ograniczyć narażenie na kontakt. Patrz "Ograniczenie Ryzyka".
- Urazy ciała spowodowane pyłem
 - Należy nosić odpowiednią maskę przeciwpyłową z odpowiednimi filtrami, chroniącą przed pyłem z obrabianego materiału oraz ciemnych cząstek tarczy do szlifowania. Nie jeść, nie pić i nie palić w miejscu pracy. Zapewnić odpowiednią wentylację.
- Urazy ciała spowodowane kontaktem z tarczą do szlifowania
 - Tarcza oraz obrabiany materiał nagrzewają się podczas pracy. Podczas zmiany tarczy lub dotykania obrabianego materiału należy nosić rękawice ochronne. Przez cały czas należy trzymać ręce z dala od obszaru szlifowania. Jeśli to możliwe, należy unieruchomić obrabiany materiał.
- Urazy ciała spowodowane hałasem
 - Długotrwałe narażenie na hałas zwiększa ryzyko uszkodzenia słuchu i efekty urazów kumulują się. W przypadku używania elektronarzędzi przez wydłużony okres czasu należy nosić środki ochrony słuchu.

OSTRZEŻENIE

Długotrwałe użytkowanie narzędzia może spowodować obrażenia ciała lub nasilić dolegliwości zdrowotne. W przypadku używania narzędzia przed dłuższy czas należy pamiętać o regularnych przerwach.

OGRANICZENIE RYZYKA

Znane są przypadki wywołania u niektórych osób objawu Raynauda spowodowanego wibracjami ręcznych narzędzi. Typowe objawy to mrowienie, drętwienie i blednięcie palców, widoczne zwykle po wystawieniu na działanie zimna. Uważa się, że czynniki dziedziczne, wystawienie

na działanie zimna i wilgoci, dieta, palenie papierosów i przyjęte zwyczaje przyczyniają się do rozwoju tych objawów. Istnieją środki zaradcze, które może podjąć operator narzędzia, aby zmniejszyć efekt wibracji:

- Zadbaj o niskich temperaturach o ciepłotę własnego ciała, zakładając odpowiednie ubranie. Podczas obsługi urządzenia należy nosić rękawice, aby dłoń i nadgarstki były ciepłe. Wiadomo, że niskie temperatury są główną przyczyną powstawania objawu Raynauda.
- Podczas przerw w pracy należy wykonywać ćwiczenia poprawiające krążenie krwi..
- Podczas pracy robić częste przerwy. Ograniczyć ekspozycję w ciągu dnia.

W razie doświadczenia dowolnego z wymienionych objawów, należy niezwłocznie zaprzestać użytkowania tego urządzenia i skontaktować się z lekarzem.

INFORMACJE O PRODUKCIE

Patrz strona 109.

1. Przycisk blokady wrzeczona
2. Przycisk uruchamiający
3. Blokada dźwigni osłony
4. Osłona montowana bez użycia narzędzi
5. Uchwyt boczny
6. Gniazdo akumulatora
7. Zewnętrzny kołnierz oporowy
8. Tarcza zdzierająca (ściemica)
9. Kołnierz oporowy
10. Tarcza tnąca (nie dostarczana z produktem)
11. Montowana bez użycia narzędzi osłona zakładana na czas operacji cięcia (nie dostarczana z produktem)

KONSERWACJA

- Do napraw używać wyłącznie identycznych zamienników. Użycie jakiegokolwiek innej części mogłoby spowodować zagrożenie lub też uszkodzić wasze narzędzie.
- Nie stosować rozpuszczalników do czyszczenia elementów plastikowych. Większość plastików jest wrażliwa na rozmaite rozpuszczalniki dostępne w handlu i może ulec uszkodzeniu przez ich stosowanie. Używajcie czystszej szmatki do usunięcia zabrudzeń, pyłu, oleju, smaru, itd.
- Podczas użytkowania elektronarzędzi lub wydmuchiwania pyłu należy koniecznie zakładać gogle lub okulary ochronne. Jeśli wykonywanej pracy towarzyszy powstawanie pyłu, należy również stosować maskę przeciwpyłową.
- Aby uniknąć poważnego zranienia, przed przystąpieniem do czyszczenia lub konserwacji należy wyjąć z urządzenia akumulator.
- Nie wolno dopuścić do kontaktu plastikowych części z płynem hamulcowym, benzyną, produktami ropopochodnymi, olejami penetrującymi itp. Te produkty chemiczne zawierają substancje, które mogłyby uszkodzić, osłabić lub zniszczyć plastik, co mogłoby spowodować poważne zranienie.
- Wyłącznie podzespoły zamieszczone na liście części zamiennych mogą być wymieniane lub naprawiane przez klienta. Wszystkie inne podzespoły powinny być naprawiane wyłącznie w autoryzowanym punkcie serwisowym.

⚠ OSTRZEŻENIE

Nie używać sprężonego powietrza do usuwania pyłu z produktu. Takie działanie jest niebezpieczne i może powodować wydychanie pyłu i zanieczyszczeń oraz uraz oczu.

OCHRONA ŚRODOWISKA



Surowce należy oddawać do powtórnego przetworzenia zamiast wyrzucać je na śmieci. Z myślą o ochronie środowiska, narzędzie, akcesoria i opakowania powinny być sortowane.

SYMBOLE



Uwaga dotycząca bezpieczeństwa

n

Prędkość znamionowa



Znak zgodności EurAsian



Ukraiński znak zgodności



Zgodność CE



Przed uruchomieniem urządzenia prosimy uważnie przeczytać instrukcję



Stosować środki ochrony słuchu



Stosować środki ochrony wzroku



Noś maskę przeciwpyłową.



Zakładać rękawice ochronne



Nie należy używać tarczy szlifierskiej, która jest wyszczerbiona, pęknięta (zarysowana) lub w inny sposób uszkodzona



Nie należy stosować do cięcia



Należy korzystać z osłony



Metal



Zużyte produkty elektryczne nie powinny być utylizowane z odpadami domowymi. Prosimy poddawać recyklingowi w odpowiednich miejscach. Informacje o właściwych metodach recyklingu można uzyskać u władz lokalnych lub sprzedawcy.

SYMBOLE W INSTRUKCJI



Uwaga



Części lub akcesoria sprzedawane oddzielnie



Odkręcenie uchwytu



Blokada

Poniższe symbole i nazwy które im nadano, pozwalają wyjaśnić różne poziomy ryzyka związanego z używaniem tego narzędzia.

⚠ NIEBEZPIECZEŃSTWO

Oznacza bezpośrednio niebezpieczną sytuację, która, jeśli nie zostanie uniknięta, spowoduje śmierć lub poważne urazy ciała.

⚠ OSTRZEŻENIE

Oznacza potencjalnie niebezpieczną sytuację, która, jeśli nie zostanie uniknięta, może spowodować śmierć lub poważne urazy ciała.

⚠ UWAGA

Oznacza potencjalnie niebezpieczną sytuację, która, jeśli nie zostanie uniknięta, może spowodować niewielkie lub umiarkowane urazy ciała.

UWAGA

(Bez symbolu bezpieczeństwa) Wskazuje na sytuację mogącą spowodować straty materialne.



Při konstrukci této akumulátorové úhlové brusky hrály hlavní roli bezpečnost, výkon a spolehlivost.

ZAMÝŠLENÉ POUŽITÍ

Úhlová bruska je určena pouze pro používání dospělými osobami, které si přečetly a řádně pochopily pokyny a varování v této příručce a jsou zodpovědné za své konání. Úhlová bruska je určena pouze pro broušení a řezání kovů. Pouze upínejte na úhlovou brusku odpovídající brusné kotouče, jak je popsáno v kapitole s technickými údaji výrobku této příručky. Úhlová bruska je určena pro ruční použití; nesmí být namontována na držáku nebo na pracovním stole.

Nepoužívejte výrobek jinak než je uvedeno v určeném použití.

▲ VAROVÁNÍ

Přečtěte si všechny pokyny a bezpečnostní varování. Nedodržování upozornění a těchto pokynů může vést k úrazu elektrickým proudem, ke vzniku požáru nebo vážnému zranění.

Uschovejte si všechny pokyny a varování pro budoucí nahlédnutí.

BEZPEČNOSTNÍ POKYNY PRO PRÁCI S ÚHLOVOU BRUSKOU

BEZPEČNOSTNÍ VAROVÁNÍ PRO ČINNOSTI S ŘEZ-NÝM A BRUSNÝM KOTOUČEM

- Tento elektrický nástroj je určen k funkci brusky a řezání. Přečtěte si pozorně upozornění, pokyny a technické specifikace dodané s nářadím a prohlédněte si ilustrace. Nedodržení uvedených pokynů může způsobit požár, úraz elektrickým proudem a/nebo jiné vážné zranění.
- Činnosti jako broušení, kartáčování nebo leštění nejsou doporučeny s tímto elektrickým nástrojem. Nedodržení tohoto pokynu může způsobit vážné zranění či materiální škody.
- Nepoužívejte příslušenství, které není vyrobeno pro tento nástroj a které není doporučeno výrobcem. I když lze příslušenství jiných výrobců nasadit na nářadí, neznamená to, že je jeho používání bezpečné.
- Jmenovitá rychlost příslušenství musí být stejná nebo vyšší než je maximální rychlost uvedená na nářadí. Příslušenství, které pracuje vyšší rychlostí, než je jeho jmenovitá rychlost, se může rozlomit a vymrštit z nářadí.
- Vnější průměr a tloušťka příslušenství musí odpovídat technickým údajům pro dané nářadí. Pokud příslušenství neodpovídá technickým údajům, ochranný systém nebude pracovat správně a nářadí nebude dobře seřízené.
- Závit u doplňků se musí shodovat se závitem brusky. U doplňků montovaných pomocí příruby se musí otvor doplňků shodovat s otvorem příruby, ke které se montuje. Doplňky, jejichž otvor je nevhodný pro nástroj může způsobit nerovnováhu, nadměrné vibrace a dokonce ztrátu kontroly.
- Nepoužívejte poškozené příslušenství. Po každém použití nářadí zkontrolujte, zda je příslušenství, které jste používali, v dobrém stavu: ujistěte se, že

brusné kotouče nejsou tupé nebo prasklé, brusné desky opotřebované nebo roztržené a že hroty kovových kartáčů nejsou tupé nebo zlomené. V případě pádu nářadí nebo příslušenství zkontrolujte, zda žádný prvek nářadí nebyl poškozen a v případě nutnosti, použijte nové příslušenství. Po provedení kontroly stavu příslušenství a po jeho nasazení na nářadí se postavte do bezpečné vzdálenosti a počkejte, dokud nářadí nedosáhne své maximální rychlosti. Nechte nářadí běžet na maximální otáčky zhruba po dobu jedné minuty. Pokud je příslušenství poškozené, během této zkoušky dojde k jeho rozbití.

- Používejte osobní ochranné pomůcky. V závislosti na používání nářadí, noste bezpečnostní nebo uzavřené ochranné brýle, nebo ochranné brýle s bočními kryty. V případě potřeby používejte protiprašný respirátor, sluchovou ochranu, ochranné rukavice a ochrannou zástěru s laclem, abyste se chránili před odlétajícími kousky obráběného materiálu (kovový prach a piliny, třísky apod.). Ochranné brýle chrání před vniknutím cizích těles do očí, které může způsobit zranění. Protiprašný respirátor filtruje částice prachu vytvářející se při práci. Dlouhodobá expozice vysokému hluku může způsobit poškození sluchu.
- Dbejte, aby se přihlížející osoby zdržovaly v dostatečné vzdálenosti a aby byly vybaveny osobními ochrannými prostředky. Všechny osoby vstupující na pracoviště musí používat osobní ochranné prostředky. Úlomky obráběného materiálu nebo rozlomené příslušenství může být vymršteno i mimo pracovní zónu a způsobit vážný úraz.
- Držte nářadí pouze za izolované části s protiskluzovou úpravou, pokud pracujete s materiálem, ve kterém mohou být elektrické kabely. Kontakt s „živým“ vodičem způsobí, že kovové části elektricky poháněného nástroje se stanou také „živými“ a způsobí elektrický úraz obsluze.
- Nikdy nepokládejte nářadí, pokud se příslušenství ještě otáčí. Nikdy nepokládejte nářadí, pokud se příslušenství ještě otáčí.
- Otáčející se příslušenství by mohlo narazit na plochu, na kterou jste nářadí položili, a mohli byste ztratit kontrolu nad nářadím. Při přenášení nářadí vypněte. Otáčející se příslušenství by se mohlo zachytit o váš oděv a způsobit vám závažný úraz.
- Pravidelně čistěte větrací otvory v nářadí. Při větrání motoru se pod kryt motoru dostává prach, proto je nutné větrací otvory pravidelně čistit, aby nedocházelo k usazování kovových částic, které by mohly způsobit úraz elektrickým proudem.
- Nepoužívejte nářadí v blízkosti hořlavých předmětů. Jiskřením by mohlo dojít k jejich vznícení.
- Nepoužívejte příslušenství, které si vyžaduje chladicí médium. Používání vody nebo chladicí kapaliny může způsobit úraz elektrickým proudem nebo elektrickou ránu.

DALŠÍ BEZPEČNOSTNÍ POKYNY PRO VŠECHNY OPE-RACE

Zpětný vrh a související varování

Zpětný ráz je prudká reakce nářadí, ke které dojde, když se otáčející kotouč, brusný kotouč, kartáč či jiné příslušenství ohne, uvízne či zablokuje v obráběném materiálu. Nářadí se nezastaví a stále se otáčí, tím vyvíjí tlak v opačném





EN
FR
DE
ES
IT
NL
PL
PT
DA
SV
FI
NO
RU
PL
CS
HU
RO
LV
LT
ET
HR
SL
SK
BG
UK
TR
EL

směru, než je pracovní směr zablokovaného příslušenství. Například pokud uvízne brusný kotouč v obráběném dílu, řezná hrana kotouče se zanoří do obráběného dílu a dojde k prudké reakci kotouče, který nekontrolovaně vyskočí ze své dráhy směrem k uživateli, v závislosti na směru otáčení kotouče před jeho zablokováním. Kotouč může vyskočit buď směrem k nebo od operátora, v závislosti na směru kola hnutí v místě skřípnutí. Při zpětném rázu se brusný kotouč může zlomit.

Zpětný ráz je tudíž způsoben nesprávným používáním nářadí a/nebo nevhodným postupem při řezání, případně nevhodnými podmínkami řezání.

- **Držte nářadí pevně a postavte se tak, abyste mohli kontrolovat případný zpětný ráz nářadí. Pokud je nářadí vybaveno pomocnou rukojetí, vždy držte nářadí oběma rukama.** Tím se usnadní kontrola nad nářadím v případě zpětného rázu nebo reakčního momentu při spuštění nářadí. Při zpětném rázu nebo reakčním momentu je třeba přijmout odpovídající opatření.
- **Nikdy nepřibližujte ruce do blízkosti otáčejícího se příslušenství, abyste si nezpůsobili vážné zranění v případě zpětného rázu.** Příslušenství může odskočit zpět přes vaše ruce.
- **Nestavte se do místa možného zpětného rázu nářadí.** V případě zpětného rázu je nářadí vyměřeno opačným směrem, než je směr otáčení kotouče.
- **Postupujte opatrně při práci v rozích, při opracování ostrých hran apod. Dávejte pozor, aby se vám nářadí nevyismeklo a aby se příslušenství nezablokovalo.** Při práci v rozích a při opracování ostrých hran se zvyšuje nebezpečí vysmeknutí nářadí a zablokování příslušenství, které mají za následek ztrátu kontroly a zpětný ráz.
- **Toto nářadí nepoužívejte s kotoučem, který je určen pro zkracovací či jinou pilu na řezání dřeva.** Tyto kotouče zvyšují riziko zpětného rázu a ztráty kontroly nad nářadím.

ZVLÁŠTNÍ BEZPEČNOSTNÍ VAROVÁNÍ PRO ČINNOSTI S ŘEZNÝM A BRUSNÝM KOTOUČEM

- **Používejte pouze typy kotoučů, které jsou doporučeny pro váš elektrický nástroj a určený kryt navržený pro zvolený kotouč.** Kotouče nenavržené pro danou brusku nelze dostatečně chránit a jsou nebezpečné.
- **Brusná plocha středu zatlačeného kotouče se musí montovat pod plochu okraje krytu.** Nesprávně namontovaný kotouč vyčnívající z okraje krytu nebude vhodně chráněn.
- **Kryt musí být bezpečně připojen k elektrickému nástroji a umístěn pro maximální bezpečnost, tím je obsluha vystavena minimální plocha kotouče.** Kryt pomáhá obsluhu chránit před rozbitými fragmenty kotouče, kontaktem s kotoučem a jiskrami, které mohou zapálit oděv.
- **Kotouče se smí používat pouze pro doporučená použití. Například nebruste stranou brusného kotouče.** Hrubé rozbrušovací kotouče jsou určeny pro okrajová broušení, boční síly použité na tyto kotouče mohou způsobit jejich poničení.
- **Vždy používejte nepoškozené okolky kotouče se správnou velikostí a tvarem pro váš vybraný kotouč.** Správné okolky kotouče podporují kotouč, čímž snižují možnost zaseknutí kotouče. Okolky pro rozbrušovací

kotouče mohou být jiné než okolky brusných kotoučů.

- **Nepoužívejte opotřebované kotouče z větších nástrojů.** Kotouč zvolený pro větší nástroj je nevhodný pro vysoké rychlosti malého nástroje a může prasknout.

DOPLŇKOVÉ BEZPEČNOSTNÍ VAROVNÉ PŘEDPISY PRO ČINNOSTI S ŘEZNÝM KOTOUČEM

- **„Neblokujte“ řezný kotouč ani nepoužívejte nadměrný tlak. Nezkoušejte se provádět nadměrně hluboké řezy.** Namáhání kotouče zvyšuje zátěž a náchylnost ke stočení nebo uvážnutí kotouče v řezu a možnost zpětného vrhu nebo zlomení kotouče.
- **Nestavte své tělo do linie a za rotující kotouč.** Pokud kotouč, v místě použití, se pohybuje směrem od vašeho těla, může možný zpětný vrh odhodit rotující kotouč a elektrický nástroj přímo na Vás.
- **Když kotouč uvízne, nebo když se řezání přeruší z jakéhokoliv důvodu, vypněte elektrický nástroj a držte jej nehybně v materiálu, až se kotouč zcela zastaví. Nikdy se nepokoušejte přemísťovat řezný kotouč z místa řezání, když se kotouč pohybuje, jinak nastane zpětný vrh.** Pokud kotouč uvízne v řezaném materiálu, pokuste se nalézt příčinu a proveďte nápravu, aby k zablokování kotouče již nemohlo dojít.
- **Neobnovujte řezání přímo v obrobku. Nechte kotouč dosáhnout plné rychlosti a opatrně znovu vstupte do řezaného místa.** Když je kotouč uvízlý, může z obrobku vyskočit nebo být zpětně vržen, když se znovu spustí v obrobku.
- **Podepřete velké panely nebo velké obrobky pro minimalizaci nebezpečí sevření kotouče a zpětného vržení.** Velké obrobky mají sklon se prohýbat vlastní tíhou. Podpory musí být umístěny pod obrobkem po obou stranách blízko linie řezu a blízko okrajů obrobku.
- **Buďte velmi opatrní, když děláte „zářez“ do dané zdi nebo jiných slepých oblastí.** Vyčnívající kotouč může přefezat potrubí vedoucí plyn či vodu, elektrické vodiče či předměty, které způsobují zpětný vrh.

DOPLŇUJÍCÍ BEZPEČNOSTNÍ VAROVÁNÍ

VAROVÁNÍ

Před zapnutím brusky vždy zkontrolujte, zda je zcela uvolněno tlačítko zámku vřetená brusky.

ZBYTKOVÁ RIZIKA

Dokonce, i když se výrobek provozuje jak je předepsáno, je stále nemožné zcela eliminovat veškeré zbytkové rizikové faktory. Následující nebezpečí mohou nastat při používání; vyhýbejte se:

- Zranění způsobená odletujícími částicemi
 - Kovové nebo abrazivní částice mohou vniknout do očí a způsobit vážné trvalé poškození. Noste při provozu produktu ochranné brýle schválené pro broušení.
- Poranění způsobené vibracemi
 - Limit expozice. Viz "Snížení Rizik".
- Zranění způsobené prachem
 - Používejte vhodnou masku proti prachu s vhodnými filtry, které mohou chránit proti prachu z materiálu a částicím z brusného kotouče. V pracovní



oblasti výrobku nejíst, nepít, ani nekouřit. Zajistit dostatečné větrání pracoviště.

- Zranění z kontaktu s brusným kotoučem
 - Disk a obrobek se během provozu zahřívají. Při výměně kotouče nebo dotyku obrobku používejte rukavice. Udržujte vždy ruce v bezpečné vzdálenosti od brusného prostoru. Upínejte obrobek kdykoli je to možné.
- Zranění způsobené hlukem
 - Dlouhodobé vystavení hluku zvyšuje riziko poškození sluchu a účinky jsou kumulativní. Při používání elektrického nářadí po delší dobu používejte ochranu sluchu.

VAROVÁNÍ

Poranění mohou být způsobena, či zhoršena, prodlouženým používáním nástroje. Když používáte jakýkoliv nástroj delší dobu, dělejte pravidelné přestávky.

SNÍŽENÍ RIZIKA

Bylo zjištěno, že vibrace z nástrojů mohou u některých osob přispívat ke stavu tzv Raynaud's Syndrome (Raynaudovu syndromu). Mezi jeho příznaky patří brnění, necitlivost a zblednutí prstů, patrné obvykle po pobytu v chladu. Vědci se domnívají, že k rozvinutí těchto příznaků přispívají dědičné faktory, pobyt v chladu a vlhku, strava, kouření a pracovní návyky. Uživatel může omezit případné působení vibrací použitím vhodných opatření:

- Za chladného počasí se teple oblečte. Při práci s nástrojem si navlekněte rukavice, abyste udrželi ruce a zápěstí v teple. Bylo zjištěno, že chladné počasí je hlavním faktorem přispívajícím k Raynaud's Syndrome (Raynaudovu syndromu).
- Během práce si v pravidelných intervalech zacvičte, abyste zvýšili krevní oběh.
- Zařazujte časté pracovní přestávky. Omezte dobu práce za den.

Jakmile pocítíte některý z výše uvedených příznaků tohoto syndromu, okamžitě přerušete práci a vyhledejte lékaře.

SEZNAMTE SE S VÝROBKEM

Viz strana 109.

1. Tlačítko pro aretaci vřetene
2. Spínač spouště
3. Zamykací páka kryty
4. Chránič bez nářadí
5. Boční držadlo
6. Otvor pro baterie
7. Vnější příruba
8. Brusný kotouč
9. Příruba
10. Řezný kotouč (dodáván zvlášť)
11. Chránič řezání bez nářadí (dodáván zvlášť)

ÚDRŽBA

- Při údržbě používejte pouze stejné náhradní díly. Použití jakýchkoliv jiných dílů může vytvořit nebezpečí nebo způsobit poškození výrobku.
- Vyhněte se používání rozpouštědel, když čistíte plastové díly. Mnoho plastů je citlivých na poškození různými typy komerčních rozpouštědel a mohou se

poškodit při jejich použití. Používejte čisté utěrky pro odstranění nečistot, prachu, oleje, mastnoty, atd.

- Při obsluze elektrického zařízení nebo odfukování prachu vždy používejte ochranné brýle nebo bezpečnostní brýle s postranními kryty. Pokud pracujete v prachu, noste také respirátor.
- Předcházejte vážnému zranění a při čištění nebo provádění údržby vždy vyjměte bateriový modul z výrobku.
- Nikdy nenechte přijít brzdové kapaliny, petrolej, výrobky založené na petroleji, pronikavé oleje, atd. do kontaktu s plastovými součástmi. Tyto výrobky obsahují chemikálie, které mohou poškodit, oslabit nebo zničit plastové části, případně snížit jejich životnost a být příčinou úrazu.
- Pouze části uvedené na seznamu dílů mají být opraveny nebo vyměněny zákazníkem. Všechny ostatní části by měly být vyměněny v autorizovaném servisním středisku.

VAROVÁNÍ

K odstranění prachu z produktu nepoužívejte nikdy stlačený vzduch. Tato činnost je nebezpečná a může způsobit odhození nečistot a šterku a někomu poranit zrak.

OCHRANA ŽIVOTNÍHO PROSTŘEDÍ



V rámci možností neodhazujte vysloužilé nářadí do domovního odpadu a upřednostněte jeho recyklaci. V souladu s předpisy na ochranu životního prostředí odkládejte vysloužilé nářadí, příslušenství i obalový materiál do tříděného odpadu.

SYMBOLY



Bezpečnostní výstraha

n

Jmenovitá rychlost



Euroasijská značka shody



Ukrajinská značka shody



Shoda CE



Před spuštěním přístroje si řádně přečtěte pokyny.



Noste ochranu sluchu



Noste ochranu očí



Noste respirátor.



Noste ochranné rukavice



Nepoužívejte kotouč s prasklinami,
otřepy nebo vadami



Nepoužívejte pro řezání



Používejte kryt



Kov



Odpad elektrických výrobků se nesmí
likvidovat v domovním odpadu.
Recyklujte prosím na sběrných
místech. Ptejte se u místních úřadů
nebo prodejce na postup při recyklaci.

VAROVÁNÍ

Upozorňuje na možnou nebezpečnou situaci, která by mohla vést ke smrtelnému úrazu nebo k závažnému zranění.

POZOR

Upozorňuje na možnou nebezpečnou situaci, která může vést k menšímu nebo lehkému zranění.

POZOR

(Bez bezpečnostního výstražného symbolu) Určuje situaci, která může mít za následek vážné poškození.

SYMBOLY POUŽITÉ V NÁVODU



Poznámka



Díly nebo příslušenství jsou v prodeji
samostatně



Odemknuto



Zamknuto

Následující signální slova a významy jsou vhodné pro vysvětlení úrovně nebezpečí spojených s tímto výrobkem.

NEBEZPEČÍ

Upozorňuje na bezprostředně nebezpečnou situaci, která vede k usmrcení nebo těžkému zranění.



A vezeték nélküli sarokcsiszoló tervezése során elsődleges szempont volt a biztonság, a teljesítmény és a megbízhatóság.

RENDELTESSZERŰ HASZNÁLAT

A sarokcsiszolót csak felnőttek használhatják, akik elolvasták és megértették a kézikönyvben lévő utasításokat és figyelmeztetéseket, és felelősnek lehet őket tekinteni a tetteikért. A sarokcsiszoló csak fémek csiszolására és vágására használható. Csak a termék kézikönyvének műszaki adatak részében meghatározott megfelelő csiszolókorongok szerelhetők fel a sarokcsiszolóra. A sarokcsiszoló kézi használatra készült; nem rögzíthető szerelvényre vagy munkapadra.

Ne használja a terméket a rendeltetésétől eltérő célra.

▲ FIGYELEM

Olvassa el az összes biztonsági figyelmeztetést és utasítást. A figyelmeztetések és előírások be nem tartása elektromos áramütést, tüzet és/vagy súlyos sérülést eredményezhet.

A jövőbeli felhasználásra őrizz meg az összes figyelmeztetést és útmutatót.

A SAROKCSISZOLÓKRA VONATKOZÓ SPECIFIKUS BIZTONSÁGI ELŐÍRÁSOK

A CSISZOLÁSI ÉS VÁGÁSI MŰVELETEKRE VONATKOZÓ ÁLTALÁNOS BIZTONSÁGI FIGYELMEZTETÉSEK

- A gép csiszolóként és vágóként is használható. Figyelmesen olvassa el az ehhez a szerszámozhoz mellékelt összes figyelmeztetést, utasítást és műszaki adatokat, valamint tanulmányozza az ábrákat is. Az alább részletezett előírások be nem tartása olyan baleseteket okozhat, mint pl. tűz, áramütés és/vagy súlyos testi sérülések.
- A géppel nem javasolt köszörülést, drótkéfézést, polírozást vagy vágást végezni. Ezen előírás be nem tartása baleseteket és súlyos testi sérüléseket okozhat.
- Ne használjon olyan tartozékokat, amelyeket nem speciálisan ehhez a szerszámozhoz terveztek és a gyártó által nincs előírva a használatuk. Még ha egy tartozékot fel is lehet a szerszámozra szerelni / helyezni, ez nem jelenti azt, hogy teljes biztonságban is lehetne ezt a szerszámozot ily módon használni.
- A tartozék névleges sebessége (fordulatszáma) nagyobb vagy egyenlő kell hogy legyen, mint a szerszámozon jelölt maximális sebesség (fordulatszám). A saját névleges sebességüknél nagyobb sebességen üzemelő tartozékok eltérhetnek és kibodódnak / kirepülhetnek a szerszámból.
- A tartozék külső átmérője és vastagsága meg kell hogy feleljen a szerszámoz megjelölt műszaki adatainak. Amennyiben a tartozékok nem felelnek meg a megadott adatoknak, akkor a szerszámoz védelmi- és beállítási rendszerei nem képesek megfelelőképp működni.
- A tartozékok menetes rögzítésének illeszkednie kell a csiszoló orsójának menetéhez. A peremekkel rögzített tartozékok esetében a tartozékok középső furatának illeszkednie kell a perem igazító átmérőjéhez. A gép rögzítőfelületeihez nem illeszkedő

tartozékok nem lesznek kiegyensúlyozva, vibrálni fogak, és a gép feletti irányítás elvesztését okozhatják.

- Ne használjon sérült tartozékokat. Minden használat előtt ellenőrizze, hogy a használt tartozék jó állapotban van-e: bizonyosodjon meg arról, hogy a csiszoló korongok nem csorbultak / deformálódtak vagy repedtek, a talpak nem szakadtak vagy kopottak, valamint hogy a drótkéfék sőrtei nem túlságosan kopottak vagy töröttek. Amennyiben a szerszámoz vagy a tartozék leesett, ellenőrizze hogy semelyik alkatlem nem sérült, szükség esetén pedig szereljen / tegyen fel egy sérülésmentes tartozékot. Miután leellenőrizte, hogy a tartozék jó állapotban van, és felszerelte / felhelyezte azt, akkor helyezkedjen el biztonságos távolságban a mozgó tartozékoktól és hagyja hogy a szerszámoz egy percig maximális fordulatszámra működjön. Ha a tartozék sérült, akkor el fog törni e teszt során.
- Viseljen személyi védőfelszerelést. Aszerint, hogy mire használja a szerszámozot, viseljen védőmaszkot, biztonsági- vagy védőszemüveget. Szükség esetén hordjon porvédő maszkot, hallásvédő eszközt (fülvédőt, fül dugót), kesztyűt, védőkötényt az idegen testek (sűrűlő darabok, faforgács stb.) becsapódása elleni védelem érdekében. A védőszemüveg lehetővé teszi, hogy a kipattogó törmelék ne sértse meg a szemét. A porvédő maszk lehetővé teszi a munkafolyamat által keltett részecskék kiszűrését. Halláskárosodást okozhat, ha erős zajnak hosszabb időn keresztül ki van téve.
- A munkát szemlélőket tartsa megfelelő távolságban a munkaterülettől és ügyeljen arra, hogy hordjanak megfelelő védőfelszerelést. Bárki beléphet a munkaterületen kell viselniük egyéni védőeszközöket. A munkadarab ill. egy sérült tartozék töredékei a munkaterületen túlrá repülhetnek és súlyos testi sérüléseket okozhatnak.
- A gépet kizárólag a szigetelt, csúszásgátló részénél fogja, ha olyan felületen dolgozik, amelyben elektromos vezeték lehet. A feszültség alatt lévő vezetékkel történő érintkezés során a szerszámoz fém alkatrészei áram alá kerülhetnek, minek következtében a kezelőt áramütés érheti.
- Soha ne tegye le addig a szerszámozot, amíg a tartozék teljesen le nem áll. A forgó tartozék érintkezésbe léphet azzal a felülettel, amelyre helyezték, emiatt elveszítheti a szerszámoz felett az uralmát.
- Szállítás közben soha ne működtesse a szerszámozot. A forgó tartozék bekaphatja a ruháját és súlyos sérülést okozhat.
- Rendszeresen tisztítsa a szerszámoz szellőzőnyílásait. A motor légáramlása a motorház belsejébe szívja a port, ami által felhalmozódhatnak ott a fémrészecskék és ez áramütést idézhet elő.
- Ne használja a szerszámozot gyúlékony, tűzveszélyes anyagok közelében. A szerszámoz által keltett szikrák meggyújthatják ezeket.
- Ne használjon hűtőfolyadékkal működő tartozékokat. A víz ill. a hűtőfolyadék használata áramütést okozhat.

TOVÁBBI BIZTONSÁGI ELŐÍRÁSOK MINDEN MŰVELETRE

Visszarúgás és ahhoz kapcsolódó figyelmeztetések





A megugrás egy olyan hirtelenszerű reakció, amely akkor léphet fel, ha a mozgásban lévő csiszolókorong, talp, drótkéfe vagy egyéb tartozék beszorul vagy elgörbül, ami az adott tartozék gyors blokkolásában nyilvánul meg. A szerszám tovább mőködik, így a tartozék használati irányával ellenkező irányban megdobja a szerszámot.

Például, ha egy vágótárcsa beszorul vagy elgörbül a munkadarabban, akkor a tárcsa éle belemélyülhet a munkadarab felületébe, ami a tárcsát a munkadarabról hirtelen a szerszámot használó személy irányába ill. – a leblokkolt tárcsa forgásirányának függvényében – távolra is vetheti. A kerék akkor sem ugrik irányába, vagy távol az üzemeltető, attól függően, irány a kerék mozgását pontosan csipkedte. Megugrás esetén a vágótárcsa el is törhet.

A megugrás ily módon a szerszám nem megfelelő használatának és/vagy a helytelen használati módoknak / körülményeknek az eredménye. Néhány óvintézkedés meghozatalával ill. figyelmes betartásával azonban elkerülhető ez a veszélyes jelenség.

- **Tartsa erősen a szerszámot és oly módon pozicionálja a testét és a kezeit, hogy egy esetleges megugrást kontrollálni tudjon.** Ha a szerszámon segédfogantyú van, mindig ügyeljen a fogására. Ekkor optimális kontroll alatt tartja a szerszámot egy esetleges megugrás vagy a szerszám beindítása során jelentkező ellenhatás-nyomaték esetén. Hozza meg a szükséges intézkedéseket ahhoz, hogy uralma alatt maradjon a szerszám megugrás vagy ellenhatás-nyomaték esetén.
- **Soha ne helyezze a kezét a forgó tartozék közelébe, a súlyos testi sérülések veszélyének elkerülése érdekében.** Tartozékok kezein át.
- **Ne helyezkedjen abba a térrészbe, ahova a szerszám kidobódhat egy esetleges megugrás esetén.** Megugrás esetén a szerszám a tárcsa forgásirányával ellentétes irányba repül ki.
- **Különös figyelemmel járjon el, ha sarkokon, éles peremeken stb. dolgozik.** Kerülje a tartozék megcsúszását és beszorulását. Amikor sarkokon, éles peremeken dolgozik, vagy megcsúszik a szerszám, akkor a tartozék blokkolásának – ily módon az uralom elvesztésének és a szerszám megugrásának – nagyobb a veszélye.
- **Soha ne használjon ezzel a szerszámmal fadaraboló- és fűrész tárcsát.** Az ilyen típusú tárcsák növelik a szerszám megugrásának és uralomvesztésének veszélyét.

A CSISZOLÁSI ÉS VÁGÁSI MŰVELETEKRE VONATKOZÓ SPECIÁLIS BIZTONSÁGI FIGYELMEZTETÉSEK

- **Csak a géphez javasolt tárcsákat használja, melyekhez van speciális védőburkolat.** Azok a tárcsák, melyeknek használatára a gép nincs felkészítve, nem védhetők megfelelően és ezért nem biztonságosak.
- **A süllyesztett középső furatú korongokat úgy kell felszerelni, hogy a védőburkolat pereme alá kerüljenek.** A védőburkolat peremének síkján átnyúló, rosszul felszerelt korongnak nem megfelelő a védelme.
- **A védőt biztosan kell rögzíteni a gépen, és úgy kell beállítani, hogy a maximális biztonságot nyújtsa, azaz a tárcsa lehető legkisebb nem védett része nézzen a kezelő felé.** A védőburkolat megvédi a kezelőt a széttört korong darabjaitól és a koronggal, illetve a ruházatot esetleg meggyújtó szikrákkal való

véletlen érintkezéstől.

- **A tárcsákat csak a javasolt alkalmazásokra szabad használni. Ezért ne csiszoljon például a vágótárcsa oldalával.** A csiszoló vágótárcsák oldalirányú csiszolásra valók, ezért nagy oldalsó erőknek vannak kitéve, melyek akár a tárcsa összetörését is okozhatják.
- **Mindig sérülésektől mentes tárcsarögzítő peremeket használjon, melyek mérete és alakja megfelelő a kiválasztott tárcsához.** A tárcsarögzítő peremek megtámasztják a tárcsát, így csökkentik a tárcsa eltörésének veszélyét. A vágótárcsák rögzítőperemei különbözőhetnek a csiszolókorongokhoz szükséges peremektől.
- **Ne használjon nagyobb gépekről származó elhasználtott tárcsákat.** A nagyobb szerszámgépekhez való tárcsa a kisebb gép nagyobb fordulatszáma miatt nem használható, mert szétrobbanhat.

A CSISZOLÓVAL VÉGZETT VÁGÁSOKKAL KAPCSOLATOS TOVÁBBI BIZTONSÁGI FIGYELMEZTETÉSEK

- **Ne "csipje be" a vágótárcsát, és ne fejtsen ki túlzott nyomást. Ne próbálkozzon túl mélyen vágni.** A tárcsa feszítése növeli a terhelést és a tárcsa hajlamosságát a csavarodásra vagy görbülésre a vágásjáratban, valamint a visszarúgás és a tárcsa törésének veszélyét.
- **Ne helyezze a testét forgó tárcsa síkjába.** Amikor a tárcsa a megmunkálási pontban az Ön testétől elfelé mozog, az esetleges visszarúgás megperdítheti a forgó tárcsát, és Ön felé lendítheti a szerszámgépet.
- **A tárcsa beakadásakor, vagy ha bármilyen okból megszakítja a vágást, kapcsolja ki a szerszámgépet, és tartsa mozdulatlanul mindaddig, amíg a tárcsa teljesen meg nem áll.** Ne próbálja eltávolítani a vágótárcsát a vágásból, ha a tárcsa forog, máskülönben visszarúgás történhet. Soha ne próbálja a még forgó tárcsát levenni, ez megugrást idézhet elő.
- **Ne kezdje újra a vágást a munkadarabban. Hagyja, hogy a vágótárcsa teljes fordulatszámra gyorsuljon, majd óvatosan engedje be a vágásba.** A tárcsa beakadhat, felemelkedhet vagy visszarúghat, ha a gépet a munkadarabban indítja be.
- **A paneleket és a túlméretes munkadarabokat támassza alá, hogy csökkentse a tárcsa becsúszásának és visszarúgásának kockázatát.** A nagyméretű munkadarabok a saját súlyuk alatt behajolhatnak. A támasztékokat a vágásvonal közelében, valamint a munkadarab széléhez közel is el kell helyeznie a tárcsa mindkét oldalán.
- **Különös figyelemmel járjon el, ha "beszűrő vágást" végez egy már meglévő falban vagy más előre nem látható területen.** A kiálló tárcsa gáz- vagy vízcsőveket, illetve elektromos vezetékeket vagy más tárgyakat vághat el, ami visszarúgást okozhat.

TOVÁBBI BIZTONSÁGI FIGYELMEZTETÉSEK

FIGYELEM

Mindig ellenőrizze, hogy a termék bekapcsolása után a tengelyrögzítő gomb teljesen ki legyen engedve.





VISSZAMARADÓ KOCKÁZATOK

Még a termék rendeltetésszerű használata esetén sem lehet teljesen kiküszöbölni minden kockázati tényezőt. A gép használata során a következő veszélyek merülhetnek fel, és a kezelőnek különösen oda kell figyelnie az alábbiak elkerülésére:

- Kivetődő darabok okozta sérülés
 - Fém vagy abrazív szemcsék kerülhetnek a szembe, és súlyos, maradandó sérülést okozhatnak. A termék használatakor viseljen a csiszolási műveleteknek megfelelő védőszemüveget.
- Vibráció okozta sérülések
 - Korlátozza a kitétséget. Lásd "Kockázatsökkentés".
- Por okozta sérülések
 - Viseljen megfelelő szűrőkkel ellátott porvédő maszkot, ami meg tudja óvni a megmunkált anyagból származó portól és a csiszolókorongból leváló szemcséktől. Ne egyen, igyon vagy dohányozzon a munkaterületen. Biztosítson megfelelő szellőztetést.
- Csiszolókorong érintése okozta sérülés
 - A korong és a munkadarab használat közben felforrósodnak. A korong cseréjekor vagy a munkadarab megérintésekor viseljen kesztyűt. A kezét mindig tartsa távol a csiszolási területtől. Amikor lehetséges, szorítókkal rögzítse a munkadarabot.
- Zaj okozta sérülések
 - A zajnak való hosszú idejű kitétség növeli a halláskárosodás kockázatát, és az ilyen hatások összeadódnak. Amikor hosszabb ideig használ szerszámgepeket, viseljen fülvédőt.

▲ FIGYELEM

A gép hosszabb idejű folyamatos használata sérüléseket okozhat vagy súlyosbíthatja a tüneteket. Ha a gépet hosszú időn át kell használnia, tartson gyakran szünetet.

KOCKÁZATCSÖKKENTÉS

Ismert, hogy a kézi szerszámgépek használata során fellépő vibráció bizonyos személyeknél hozzájárulhat az úgynevezett Raynaud-szindróma (Raynaud's Syndrome) nevű állapot kialakulásához. A tünetei lehetnek: az ujjak zsibbadása, elfehéredése, szúrások érzése, amelyek hidegnek kitéve gyakran felerősödnek. Az örökítő tényezők, a hidegnek kitétség és verejtékezés, a diéta, a dohányzás és munka közben alkalmazott fogások valószínűleg mind hozzájárulhatnak ezen tünetek megjelenéséhez. A vibráció hatásainak csökkentése érdekében a kezelőnek be kell tartani az alábbi óvintézkedéseket:

- Hideg időben tartsa melegen a testét. A gép használatakor viseljen kesztyűt a kéz és a csukló melegen tartásához. Arról számoltak be, hogy a hideg időjárásnak fontos szerepe van a Raynaud-szindróma kialakulásában.
- Bizonyos időtartamú használat után mindig végezzen gyakorlatokat a vérkeringés javításához.
- Gyakran tartson munkaszünetet. Korlátozza a napi munkaidőt.

Ha ezen állapot bármelyik tünetét tapasztalja, azonnal hagyja abba a munkát, és tájékoztassa az orvosát a tünetekről.

ISMERJE MEG A TERMÉKET

109. oldal.

1. Tengely reteszgomb
2. Be - ki kapcsológomb
3. Védőburkolat kar reteszelő
4. Eszköz nélküli védőelem
5. Oldalsó kar
6. Akkumulátornyílás
7. Külső alátét
8. Csiszolókorong (tárcsa)
9. Alátét
10. Vágótárcsa (nem tartozék)
11. Eszköz nélküli vágás védőeleme (nem tartozék)

KARBANTARTÁS

- Szervizelőkor csak azonos cserealkatrészeket használjon. Bármilyen más alkatrész használata veszélyes és a termék károsodását okozhatja.
- A műanyag részek tisztításakor tartózkodjon a tisztítószeres használatától. A legtöbb műanyag érzékeny a különböző típusú kereskedelmi oldószerekre és azok használata esetén károsodhat. Egy tiszta ruhát használjon a kosz, por, olaj, kenőzsír, stb. eltávolítására.
- A szerszámgépek használatakor vagy a por lefűvásakor mindig viseljen védőszemüveget vagy oldalellenzővel rendelkező védősisakot. Ha a használat poros környezetben történik, vegyen fel egy pormaszkot is.
- A súlyos személyi sérülések elkerülése érdekében tisztítás vagy karbantartás előtt mindig vegye ki az akkumulátort a termékből.
- A műanyag részek semmilyen körülmények között nem érintkezhetnek fékolajjal, benzinnel, petróleum alapú termékekkel, beszívódó olajokkal stb. Ezek a vegyszerek olyan vegyületeket tartalmaznak, melyek megrongálhatják, meglágyíthatják vagy lebontják a műanyagból készült részeket, ami súlyos testi sérüléseket is okozhat.
- A vásárló csak az alkatrészlistán lévő alkatrészeket javíthatja, vagy cserélheti ki. Minden más alkatrészt egy hivatalos szervizközpontban kell kicseréltetni.

▲ FIGYELEM

Ne használjon sűrített levegőt a pornak a termékről való eltávolításához. Ez a gyakorlat veszélyes, és szennyeződések és porszemcsék kifújását, valamint a szem sérülését okozhat.

KÖRNYEZETVÉDELEM



Segítse elő az alapanyagok újrahasznosítását azzal, hogy nem helyezi el őket a háztartási szemétben. Környezetvédelmi megfontolásból az elhasznált gépet és tartozékokat, valamint a csomagolóanyagokat szelektív módon kell gyűjteni.



SZIMBÓLUMOK



Biztonsági figyelmeztetés

n

Névleges fordulatszám



Eurázsiai megfeleléségi jelzés



Ukrainai megfeleléségi nyilatkozat



CE megfeleléség



A gép bekapcsolása előtt figyelmesen olvassa el az útmutatót.



Viseljen fülvédőt



Viseljen szemvédőt



Viseljen pormaszkot.



Viseljen biztonsági védőkesztyűt



Ne használjon kicsorbult, repedt vagy hibás csiszolókorongot



Ne használja vágásra



Használjon védőburkolatot



Fém



A kiselejtezett elektromos termékeket nem szabad a háztartási hulladékkal együtt kidobni. Ezeket újra kell hasznosítani, ha van rá lehetőség. Az újrahasznosítással kapcsolatban érdeklődjön a helyi önkormányzatnál vagy a termék forgalmazójánál.

A KÉZIKÖNYVBEN HASZNÁLT SZIMBÓLUMOK



Megjegyzés



Külön értékesített alkatrészek és kiegészítők



Szétnyitás



Retes

A következő jelölőszavak és jelentések arra szolgálnak, hogy megmagyarázzák a termékkel kapcsolatos veszélyességi szinteket.

⚠ VESZÉLY

Egy bekövetkező veszélyes helyzetet jelez, ami, ha nem előzik meg, halált vagy komoly sérülést eredményez.

⚠ FIGYELEM

Egy potenciálisan bekövetkező veszélyes helyzetet jelez, ami, ha nem előzik meg, halált vagy súlyos sérülést eredményezhet.

⚠ VIGYÁZAT

Egy potenciálisan veszélyes helyzetet jelez, ami, ha nem előzik meg, kisebb vagy mérsékelten súlyos sérülést eredményezhet.

VIGYÁZAT

(Biztonsági figyelmeztető szimbólum nélkül) Egy olyan helyzetet jelez, ami anyagi kárt eredményezhet.



Siguranța, performanța și fiabilitatea au constituit principalele noastre preocupări la proiectarea polizorului unghiular fără fir.

DOMENIU DE APLICAȚII

Polizorul unghiular este destinat a fi folosit doar de adulții care au citit și înțeles instrucțiunile și avertizările din acest manual și pot fi considerați responsabili pentru acțiunile lor. Polizorul unghiular este proiectat doar pentru polizarea și tăierea metalelor. Doar discuri de polizare corespunzătoare trebuie să fie fixate la acest polizor unghiular, așa cum este descris în secțiunea specificații produs din cadrul acestui manual. Polizorul unghiular este destinat doar pentru uz casnic; nu trebuie să fie montat pe un dispozitiv de fixare sau banc de lucru.

Nu folosiți produsul în niciun alt fel decât cel menționat pentru folosirea lui destinată.

⚠ AVERTISMENT

Citiți toate avertismentele și instrucțiunile de siguranță. Neurmăreați avertizările și instrucțiunile ar putea cauza electrocutare, incendiu și/sau vătămare gravă.

Salvați toate avertizările și instrucțiunile pentru o consultare ulterioară.

MĂSURI DE SECURITATE SPECIFICE POLIZOARELOR UNGHIULARE

AVERTIZĂRI DE SIGURANȚĂ COMUNE OPERAȚIILOR DE POLIZARE ȘI DE TĂIERE ABRAZIVĂ

- **Această mașină electrică este destinată funcționării ca polizor și ca unealtă de debitare. Citiți, cu atenție, toate avertismentele, instrucțiunile și specificațiile furnizate împreună cu aparatul, și consultați ilustrațiile.** Nerespectarea instrucțiunilor prezentate în continuare poate provoca accidente cum ar fi incendii, electrocutare și/sau vătămări corporale grave.
- **Operațiile, precum șlefuirea, perierea, lustruirea, nu sunt recomandate a fi efectuate cu această unealtă electrică.** Nerespectarea acestei reguli poate produce accidente și vătămări corporale grave.
- **Nu utilizați accesorii care nu sunt concepute special pentru acest aparat și care nu sunt recomandate de către producător.** Chiar dacă un accesoriu se poate monta pe aparat, acesta nu garantează că veți putea utiliza aparatul în deplină siguranță.
- **Viteza nominală a accesoriului trebuie să fie egală sau mai mare decât viteza maximă indicată pe aparat.** Accesoriile care funcționează la o viteză mai mare decât viteza lor nominală se pot rupe și pot fi aruncate.
- **Diametrul exterior al accesoriului și grosimea acestuia trebuie să corespundă caracteristicilor specificate pentru aparat.** În cazul în care accesoriile nu corespund caracteristicilor date, sistemele de protecție și de reglare ale aparatului nu vor putea funcționa corect.
- **Montarea filetată a accesoriilor trebuie să se potrivească cu filetul fusului polizorului.** Pentru accesoriile montate prin flanșe, gaura arborelui accesoriului trebuie să se potrivească cu diametrul

flanșei. Accesoriile care nu se potrivesc cu dispozitivele de montare a sculei electrice își vor pierde echilibrul, vor vibra excesiv și pot cauza pierderea controlului.

- **Nu utilizați accesorii deteriorate. Înainte de fiecare utilizare, verificați dacă accesoriul pe care-l utilizați este în stare corespunzătoare: asigurați-vă că discurile abrazive nu sunt știrbite sau fisurate, că tălpile nu sunt crăpate sau uzate, că firele perilor metalice nu sunt foarte uzate sau rupte.** În cazul căderii aparatului sau accesoriului, verificați ca niciun element să nu fie deteriorat și, dacă este nevoie, instalați un accesoriu nou. După ce ați verificat că accesoriul este în stare corespunzătoare și după ce l-ați instalat, îndepărtați-vă de accesoriul mobil și lăsați aparatul timp de un minut să ajungă la viteza maximă. În cazul în care accesoriul este deteriorat, acesta se va rupe în timpul acestui test.
- **Purtați echipament de protecție personală.** În funcție de utilizarea aparatului dumneavoastră, purtați o mască de protecție, ochelari de siguranță sau ochelari de protecție. Dacă este necesar, purtați o mască antipraf, protecții auditive, mănuși și un șorț pentru a vă proteja de proiectarea de corpuri străine (elemente abrazive, așchii de lemn, etc.). Ochelarii de protecție vă permit să evitați ca proiecțiile de resturi să vă rănească ochii. Măștile antipraf permit filtrarea particulelor generate de operația pe o care o faceți. Expunerea prelungită la un zgomot de intensitate mare poate duce la pierderea auzului.
- **Țineți vizitatorii la o distanță suficientă de zona de lucru și asigurați-vă că aceștia poartă echipament de protecție.** Oricine intră în zona de lucru trebuie să poarte echipament personal de protecție. Este posibil ca fragmente din piesele de prelucrat sau de la un accesoriu rupt să fie proiectate dincolo de zona de lucru și să provoace vătămări corporale grave.
- **Nu țineți aparatul decât de părțile izolate și antiderapante când lucrați pe o suprafață care poate ascunde fire electrice.** Accesoriul de tăiere ce intră în contact cu un cablu sub curent ar putea alimenta părțile metalice expuse ale unelei electrice și ar putea expune operatorul la un șoc electric.
- **Nu așezați niciodată aparatul înainte ca accesoriul să se fi oprit complet.** Accesoriul în rotație ar putea intra în contact cu suprafața pe care este așezat, ducând la pierderea controlului asupra aparatului.
- **Nu lăsați aparatul în funcțiune când îl transportați.** Accesoriul în rotație ar putea să se agațe în îmbrăcămintea dumneavoastră și v-ar putea răni grav.
- **Curățați în mod regulat orificiile de ventilație ale aparatului.** Ventilația motorului face ca praful să pătrundă în interiorul carcasei motorului, ceea ce poate produce o acumulare excesivă de particule metalice și poate provoca șocuri electrice.
- **Nu utilizați aparatul în apropiere de produse inflamabile.** Scânteile ar risca să le aprindă.
- **Nu utilizați accesorii care necesită lichide de răcire.** Utilizarea apei sau a lichidelor de răcire poate cauza electrocutări sau șocuri electrice.

INSTRUCȚIUNI SUPPLEMENTARE DE SIGURANȚĂ PENTRU TOATE OPERAȚIUNILE

Recul și alte avertizări asociate

Recul este o reacție bruscă, care are loc când discul în mișcare, talpa, peria sau orice alt accesoriu se agață





sau se îndoiaie, ceea ce antrenează blocarea rapidă a accesoriului. Aparatul, care continuă să funcționeze, proiectează atunci aparatul în direcția opusă sensului de utilizare a accesoriului.

De exemplu, dacă un disc abraziv se agață sau se îndoiaie în piesa de prelucrat, există riscul ca tăișul discului să intre în suprafața materialului, ceea ce va face ca discul să iasă brusc din aceasta sau să fie proiectat. Discul poate sări sau nu către din partea operatorului, în funcție de direcția de mișcare roata de la punctul de blocare. În caz de recul, discul abraziv se poate și rupe.

Recul este deci rezultatul unei utilizări incorecte a aparatului și/sau al procedurilor sau al condițiilor de utilizare incorecte. Reculul poate fi evitat printr-o atenție deosebită acordată respectării unor precauțiuni:

- **Țineți aparatul cu putere și poziționați-vă corpul și brațele astfel încât să puteți controla un eventual recul. Dacă aparatul are un mâner auxiliar, țineți-l întotdeauna pentru a avea un control optim asupra aparatului în caz de recul sau cuplu de reacție când puneți aparatul în funcțiune.** Luați măsurile necesare pentru a putea controla aparatul în caz de recul sau de cuplu de reacție.
- **Nu vă așezați mâna niciodată în apropierea accesoriului în rotație pentru a evita orice risc de răni corporale grave în caz de recul.** Accesoriul poate recula peste mâna dumneavoastră.
- **Nu vă așezați în zona în care există riscul ca aparatul să fie proiectat în caz de recul.** În caz de recul, aparatul este proiectat în direcția opusă sensului de rotație al discului.
- **Fiți foarte atenți când lucrați pe unghiuri, muchii tăioase, etc. Evitați deraparea sau blocarea accesoriului.** Când lucrați pe unghiuri sau muchii tăioase sau când aparatul derapează, există un risc mai mare de blocare a accesoriului și deci de pierdere a controlului asupra aparatului și de provocare a unui recul.
- **Nu utilizați niciodată lamă de ferăstrău cu lanț pentru lemn sau lamă de ferăstrău cu acest aparat.** Astfel de lame măresc riscul de recul și de pierdere a controlului asupra aparatului.

AVERTIZĂRI DE SIGURANȚĂ SPECIFICE OPERAȚIILOR DE POLIZARE ȘI DE TĂIERE ABRAZIVĂ

- **Utilizați numai flanșele recomandate pentru unealta dvs. electrică și elementul de apărare specifi proiectat pentru unealta selectată.** Discurile care nu sunt compatibile cu mașina electrică nu pot fi protejate adecvat și nu sunt sigure.
- **Suprafața de polizare a centrului coborât a discurilor trebuie să fie montată sub planul marginii apărătoarii.** Un disc necorespunzător montat care se proiectează prin planul marginii apărătoarii nu poate fi corect protejat.
- **Elementul de apărare trebuie atașat în siguranță la unealta electrică și poziționat pentru o siguranță maximă, astfel încât doar o mică parte din piatră să fie expusă înspre operator.** Apărătoarea ajută la protejarea operatorului de fragmentele rupte din disc, de contactul accidental cu discul și scântele ce ar putea aprinde îmbrăcămintea.
- **Pietrele trebuie folosite numai pentru aplicațiile recomandate. De exemplu, nu șlefuiți cu partea laterală a pietre abrazive.** Discurile abrazive de

tăiere sunt destinate pentru polizarea periferică, forțele laterale aplicate asupra acestor discuri poate provoca spargerea lor.

- **Întotdeauna utilizați flanșe nedeteriorate, având mărimea și forma corecte pentru piatra selectată.** Flanșele corespunzătoare sprijină piatra, reducând astfel posibilitatea sfărâmării pietrei. Flanșele pentru pietrele abrazive de rețezare pot diferi de flanșele discurilor de rectificare.
- **Nu utilizați pietre uzate aparținând altor unelte electrice mai mari.** Pietrele destinate uneltelor electrice mai mari nu se potrivesc cu viteza mare a uneltelor mai mici și se pot sfărma.

AVERTIZĂRI DE SIGURANȚĂ SUPPLEMENTARE SPECIFICE OPERAȚIILOR DE TĂIERE ABRAZIVĂ

- **Nu blocați discul de tăiere și nu aplicați presiune excesivă. Nu încercați să efectuați o adâncitură de tăiere excesivă.** Suprasolicitarea discului crește sarcina și probabilitatea răsucirii sau îndoirii discului în tăietură și posibilitatea de recul sau de spargere a discului.
- **Nu poziționați corpul în dreptul și în spatele discului rotativ.** Când discul, în punctul de funcționare, se îndepărtează de corp, reculul posibil poate proiecta discul rotativ și unealta electrică direct spre dvs.
- **Când discul se gripează sau când tăierea este întreruptă din orice motiv, opriți unealta electrică și țineți unealta electrică nemișcată până când discul se oprește complet. Nu încercați niciodată să scoateți discul de tăiere din tăietură în timp ce discul este în mișcare, altfel poate apărea reculul.** Dacă discul se blochează, căutați cauza și luați măsurile necesare pentru ca acest lucru să nu se mai repete.
- **Nu reporniți operația de tăiere în piesa de prelucrat. Lăsați discul să ajungă la viteza maximă și pătrundeți din nou cu atenție în tăietură.** Discul se poate gripa, poate urca sau poate provoca recul, dacă unealta electrică este repornită în piesa de prelucrat.
- **Sprijiniți panourile sau orice piesă de prelucrat de dimensiuni mari pentru a minimiza riscul de ciupire și recul al discului.** Piesele de prelucrat mari au tendința să se lase sub propria greutate. Suporturile trebuie să fie plasate sub piesa de prelucrat, lângă linia de tăiere și lângă marginea piesei de prelucrat pe ambele părți ale roții.
- **Aveți grijă când efectuați o "tăiere îngropată" în pereți sau în alte zone fără vizibilitate.** Discul predominant poate tăia conducte de gaz sau de apă, cabluri electrice sau obiecte care pot provoca un recul.

AVERTIZĂRI SUPPLEMENTARE DE SIGURANȚĂ

⚠ AVERTISMENT

Asigurați-vă întotdeauna că butonul de blocare a axului este complet deblocat înainte de a porni produsul.

RISURI REZIDUALE

Chiar dacă produsul este folosit așa cum este descris, este totuși imposibil să se elimine complet anumiți factori de risc reziduali. Următoarele pericole ar putea apărea în timpul





folosirii iar operatorul trebuie să acorde o atenție specială pentru a evita următoarele:

- Rănire cauzată de particulele aruncate.
 - Particule de metal sau abrazive pot ajunge în ochi și pot cauza vătămări grave permanente. Purtați mănuși aprobate pentru operațiuni de polizare atunci când operați produsul.
- Vătămare cauzată de vibrații.
 - Limitați expunerea. Vezi "Reducerea Riscului"
- Vătămare cauzată de praf.
 - Purtați mască de protecție împotriva prafului cu filtre corespunzătoare ce vă pot proteja de praful de la materialul la care se lucrează și de particule abrazive de la discul de polizare. Asigurați ventilația corespunzătoare.
- Vătămare de la contactul cu discul de polizare.
 - Discul și piesa de lucru pot deveni fierbinți în timpul folosirii. Purtați mănuși când schimbați discurile sau când atingeți piesa de lucru. Țineți întotdeauna ferite mâinile de zona de polizare. Prindeți în clemă piesa de lucru oricând e posibil.
- Vătămare cauzată de zgomot.
 - Expunerea prelungită la zgomot va crește riscul de vătămare a auzului și efectele sunt cumulative. Atunci când folosiți aparate electrice pentru o perioadă prelungită de timp, purtați protecție pentru auz.

AVERTISMENT

Poti fi cauzate, sau agravate vătămări prin folosirea prelungită a sculei. Atunci când folosiți o sculă pentru perioade prelungite, asigurați-vă că luați pauze regulate.

REDUCEREA RISCULUI

S-a reținut că vibrațiile de la sculele de mână pot contribui la starea numită Sindromul lui Raynaud, la anumite persoane. Simptomele pot include furnicături, amorțeală și albirea degetelor, care apare, de obicei, după expunerea la frig. Factori ereditari, expunerea la frig și umiditate, dieta, fumatul și practicile de muncă contribuie la dezvoltarea acestor simptome. Există măsurător care pot fi efectuate de către operator pentru a reduce efectele de vibrațiilor:

- Păstrați-vă temperatura corporală ridicată pe vreme rece. Când operați unitatea purtați mănuși pentru a vă menține mâinile și încheieturile la căldură. S-a constatat că vremea rece este un factor major care contribuie la sindromul Raynaud.
- După fiecare perioadă de operare, trebuie făcute exerciții pentru a crește circulația sângelui.
- Trebuie făcute pauze la intervale de timp regulate. Limitați expunerea zilnică.

Dacă sunt experimentate oricare dintre simptomele acestei afecțiuni, trebuie întreruptă utilizarea și consultat un medic.

CUNOAȘTEȚI-VĂ PRODUSUL.

Salt la pagina nr. 109

1. Buton de blocare a axului
2. Declanșator comutator
3. Manetă de blocare a apărătorii
4. Protecție fără scule
5. Mâner lateral
6. Port acumulator

7. Flanșă exterioroară
8. Disc de polizare
9. Flanșă
10. Disc de tăiere (nu este inclusă)
11. Protecție de tăiere fără scule (nu este inclusă)

ÎNȚREȚINEREA

- Atunci când efectuați proceduri de service, utilizați doar piese de schimb identice. Utilizarea altor piese poate crea situații periculoase sau poate conduce la deteriorarea produsului.
- Evitați utilizarea solvenților atunci când curățați piesele din plastic. Majoritatea materialelor plastice pot fi deteriorate de diferite tipuri de solvenți comerciali și pot fi deteriorate de utilizarea acestora. Utilizați materiale textile curate pentru a îndepărta murdăria, praful, uleiul, grăsimea etc.
- Purtați întotdeauna ochelari de protecție cu apărători laterale când utilizați produsul electric sau când îndepărtați praful. Dacă mediul de lucru este plin de praf, purtați întotdeauna o mască împotriva prafului.
- Pentru a evita vătămarea personală gravă, scoateți întotdeauna acumulatorul din produs când curățați sau efectuați orice lucrări de întreținere.
- Nu lăsați niciun moment ca lichidele de frână, produsele pe bază de petrol, uleiurile penetrante etc să intre în contact cu părțile din plastic. Aceste produse chimice conțin substanțe care pot distruge, fragiliza sau deteriora plasticul.
- Numai piesele prezentate pe lista de piese sunt destinate să fie reparate sau înlocuite de client. Toate celelalte piese trebuie înlocuite la un centru de service autorizat.

AVERTISMENT

Nu folosiți aer comprimat pentru a îndepărta praful de pe produs. Această practică este periculoasă și poate cauza mizeria și pilitura să fie aruncată și să vătămeze ochii cuiva.

PROTECȚIA MEDIULUI ÎNCONJURĂTOR



Reciclați materiile prime în loc să le aruncați la gunoi, împreună cu deșeurile menajere. Pentru a proteja mediul înconjurător, mașina, accesoriile acesteia și ambalajele trebuie triate.

SIMBOLURI



Alertă de siguranță

n

Turație/viteză nominală



Marcaj de conformitate EurAsian





Semn de conformitate ucrainean



Conformitate CE



Vă rugăm citiți instrucțiunile cu atenție înainte de pornirea aparatului.



Purtați echipamente de protecție a auzului



Purtați echipamente de protecție a vederii



Purtați mască de praf.



Purtați mănuși de protecție



Nu folosiți disc de șlefuire ciobit, crăpat sau defect



A nu se folosi pentru tăiere



Folosiți o apărătoare



Metal



Deșeurile produselor electrice nu trebuie să fie înălțurate împreună cu deșeurile casnice. Vă rugăm reciclați acolo unde există facilități. Verificați la autoritatea dvs locală sau la vânzător pentru sfaturi privind reciclarea.



Piedică

Rmătoarele cuvinte simbol și înțelesul lor au intenția de a explica nivelele de risc asociate cu acest produs.

PERICOL

Indică o situație imediată de pericol, care dacă nu este evitată va rezulta în deces sau rănire gravă.

AVERTISMENT

Indică o situație potențială de pericol, care dacă nu este evitată poate rezulta în deces sau rănire gravă.

PRECAUȚIE

Indică o situație potențial periculoasă, care dacă nu este evitată, poate rezulta în vătămare minoră sau moderată.

PRECAUȚIE

(Fără simbol de alertă de siguranță) Indică o situație ce poate rezulta în distrugerea proprietății.

SIMBOLURILE DIN MANUAL



Notă



Piese sau accesorii vândute separat



Deblocare



Radot jūsu akumulatora leņķa slīpmašīnu, drošībai, veiktspējai un uzticamībai ir pievērsta vislielākā vērība.

PAREDZĒTĀ LIETOŠANA

Leņķa slīpmašīnu drīkst lietot tikai pieaugušie, kuri ir izlasījuši un sapratuši šīs rokasgrāmatas norādījumus un brīdinājumus un kuri spēj atbildēt par savu rīcību. Leņķa slīpmašīna ir paredzēta vienīgi metālu slīpēšanai un griešanai. Leņķa slīpmašīnai drīkst uzstādīt vienīgi piemērotus slīpēšanas diskus saskaņā ar rokasgrāmatas ierīces specifikāciju tabulā aprakstīto. Leņķa slīpmašīna ir paredzēta lietošanai, turot to rokās; to nedrīkst piemontēt ierīcei vai darbagaldam.

Neizmantojiet ierīci citiem mērķiem, bet tikai tam paredzētajiem.

▲ BRĪDINĀJUMS

Izlasiet visus drošības brīdinājumus un visas instrukcijas. Brīdinājumu un instrukciju neievērošana var izraisīt elektrošoku, aizdegšanos un/vai nopietnus ievainojumus.

Visus brīdinājumus un norādījumus saglabājiet turpmākām uziņām.

LEŅĶA SLĪPMAŠĪNAS DROŠĪBAS PASĀKUMI

VISPĀRĒJI DROŠĪBAS BRĪDINĀJUMI, KAS ATTIECAS UZ SLĪPĒŠANU UN ABRAZĪVU GRIEŠANU

- Šis elektroinstruments ir paredzēts slīpēšanai un griešanai. Izlasiet visus drošības brīdinājumus, instrukcijas, specifikācijas un apskatiet attēlus šī elektroinstrumenta dokumentācijā. Visu uzskaitīto instrukciju neievērošana ir bīstama; tā var izraisīt elektrisko triecienu, aizdegšanos un/vai nopietnas traumas.
- Ar šo elektroinstrumentu nav ieteicams veikt tādus darbus kā slīpēšana, slīpēšana ar stieplu suku vai pulēšana. Veikt darbus, kuriem šis elektroinstruments nav paredzēts, ir bīstami, un tas var izraisīt traumas.
- Neizmantojiet griezēj-/slīpinstrumentus, kas nav speciāli paredzēti un ražotāja ieteikti šim instrumentam. Tas, ka piederumu var piestiprināt elektroinstrumentam, nenozīmē, ka tā lietošana ir droša.
- Piederuma nominālajam ātrumam jābūt vismaz vienādam vai maksimālajam, kas norādīts uz elektroinstrumenta. Piederumi, kas kustās ātrāk par nominālo ātrumu, var salūzt un lidot uz visām pusēm.
- Piederuma ārējam diametram un biežumam jāatbilst elektroinstrumenta specifikācijām. Nepareiza izmēra griezēj-/slīpinstrumentus nevar atbilstoši nodrošināt un kontrolēt.
- Piederumiem ar vītņi jāsadē ar slīpmašīnas vārpstas vītņi. Piederumiem, kurus uzstāda ar atlokiem, piederuma ass atverei jāatbilst atloka ievietošanas diametram. Piederumi, kas neatbilst elektroinstrumenta uzstādāmajai aparatūrai, zaudēs līdzsvaru, pārmērīgi vibrēs un var izraisīt kontroles zudumu.
- Nelietojiet bojātus piederumus. Pirms katras lietošanas reizes pārbaudiet griezēj-/slīpinstrumentu, piemēram, abrazīvos disku, vai

tam nav atlūzu, plaisu, vai atbalstam nav plaisu vai pārleka nodiluma, vai stieplu sukai nav vaļģu vai salauztu sariņu. Ja elektroinstruments vai piederums nokrīt zemē, pārbaudiet, vai tas nav bojāts vai uzstādiet nebojātu piederumu. Pēc piederuma pārbaudes un uzstādīšanas nostāieties un nostādiat citus tuvumā esošos prom no rotējošā piederuma ass un vienu minūti darbiniet elektroinstrumentu ar maksimālo bezslodzes ātrumu. Bojāti piederumi šīs pārbaudes laikā parasti salūzīs.

- Valkājiet individuālos aizsarglīdzekļus. Atkarībā no pielietojuma valkājiet sejas aizsargu vai aizsargbrilles. Ja nepieciešams, valkājiet putekļu masku, dzirdes aizsargus, cimdus un darba priekšautu, kas var apturēt mazus abrazīvā materiāla vai sagataves fragmentus. Acu aizsargiem jāspēj apturēt dažādu darbu radītie lidojošie gruži. Putekļu maskai vai respiratoram jāspēj filtrēt daļiņas, kas rodas attiecīgā darba gaitā. Ilgstoša atrašanās ļoti intensīvā troksnī var izraisīt dzirdes traucējumus.
- Tuvumā esošajām personām jāatrodas drošā attālumā no darba vietas. Visiem, kas tuvojas darba zonai, jāvalkā individuālie aizsarglīdzekļi. Sagataves vai bojāta piederuma daļas var lidot un radīt traumas ārpus tiešās darba zonas.
- Darbos, kuros griešanas piederums var saskarties ar slēptiem vadiem, turiet instrumentu tikai aiz izolētajām satveršanas virsmām. Griezējinstrumenta saskare ar strāvu vadošajām vietām var padarīt arī atklātās metāla daļas vadošas un radīs operatoram elektrisko triecienu.
- Nenolieciet elektroinstrumentu, līdz piederums nav pilnībā apstājies. Rotējošais piederums var ieķerties virsmā un radīt kontroles zudumu pār elektroinstrumentu.
- Nedarbiniet elektroinstrumentu, nesot to sev blakus. Nejauša saskare ar rotējošu griezēj-/slīpinstrumentu var ieraut drēbes, pievelkot griezēj-/slīpinstrumentus pie jūsu ķermeņa.
- Regulāri tīriet elektroinstrumenta ventilācijas atveres. Motora ventilators ievilkus putekļus korpusā, un pārāk liela metāla pulvera koncentrācija var izraisīt elektrisko bīstamību.
- Nelietojiet elektroinstrumentu uzliesmojošu materiālu tuvumā. Dzirksteles var aizdedzināt šos materiālus.
- Nelietojiet griezēj-/slīpinstrumentus, kam nepieciešami dzesēšanas šķidrums. Ūdens vai cita šķidra dzesēšanas līdzekļa lietošana var izraisīt elektrisko triecienu vai nāvi.

PAPILDU DROŠĪBAS NORĀDĪJUMI PAR VISĀM DARBĪBĀM

Atsitiens un saistītie brīdinājumi

Atsitiens ir pēkšņa reakcija uz diska, atbalsta, sukas vai cita piederuma iespiešanu vai ieķīlēšanos. Iespiešana izraisa strauju rotējošā griezēj-/slīpinstrumenta bloķēšanos, kas var likt elektroinstrumentam atbrīvoties no kontroles un virzīties pretēji griezēj-/slīpinstrumenta rotācijas virzienam saskares punktā.

Piemēram, ja abrazīvais disks ieķeras vai ieķīlējas materiālā, iesprūdis diska mala var iespieties materiāla virsmā, izraisot diska izlēkšanu vai atsitienu. Disks var pārlekt uz priekšu vai prom no operatora atkarībā no diska





EN
FR
DE
ES
IT
NL
PT
DA
SV
FI
NO
RU
PL
CS
HU
RO
LV
LT
ET
HR
SL
SK
BG
UK
TR
EL

rotācijas virziena iespēšanas vietā. Abrazīvie diski šādos apstākļos var arī salūzt.

Atsitiens rodas no elektroinstrumenta nepareizas lietošanas un/vai nepareizas darba procedūras vai apstākļiem; no tā var izvairīties, veicot pareizus drošības pasākumus:

- Turiet elektroinstrumentu stingri un novietojiet ķermeni un rokas tā, lai tie pretotos atsitienu spēkiem. Ja tāds ir, vienmēr izmantojiet papildu rokturi, lai palaišanas laikā nodrošinātu maksimālu kontroli pār atsitienu vai griezes reakciju. Operators var kontrolēt griezes reakciju vai atsitienu spēkus, ja ir veikti atbilstošie drošības pasākumi.
- **Nenovietojiet rokas rotējošā griezē j - / slīpinstrumenta tuvumā.** Piederums var atsīties pāri jūsu rokai.
- **Nenovietojiet ķermeni tur, kur virzītos elektroinstrumenta atsitienu gadījumā.** Atsitiens virzīs instrumentu pretēji diska kustības virzienam iespēšanas punktā.
- **Esiet sevišķi uzmanīgs, kad strādājat pie stūriem, asām malām utt. Izvairieties no griezēj- / slīpinstrumenta lēkšanas un iespēšanas.** Stūriem, asām malām vai lēkšanai ir tendence iespiest rotējošo piederumu, kas var izraisīt kontroles zaudēšanu vai atsitienu.
- **Nepiestipriniet ķēdi, koka griešanas asmeni vai zāģlenti.** Šie griezējinstrumenti rada biežus atsītienu un kontroles zaudēšanu.

DROŠĪBAS BRĪDINĀJUMI, KAS ĪPAŠI ATTIECAS UZ SLĪPĒŠANU UN ABRAZĪVU GRIEŠANU

- **Izmantojiet tikai tāda veida diskus, kas paredzēti jūsu elektroinstrumentam, un speciālos aizsargus, kas paredzēti izvēlētajam diskam.** Diskus, kas nav paredzēti šim elektroinstrumentam, nevar pareizi vadīt, un to izmantošana nav droša.
- **Ripas ar ieliektu centru slīpēšanas virsmai jāatrodas zemāk par aizsargatloka plāksni.** Nepareizi uzstādīta rīpa, kas izvirzīta cauri aizsargatloka plāksnei, nav pietiekami aizsargāta.
- **Aizsargam jābūt droši piestiprinātam elektroinstrumentam un novietotam maksimālai drošībai tā, lai pret operatoru būtu atklāta pēc iespējas mazāka diska daļa.** Aizsargs palīdz pasargāt lietotāju no nolūzušām diska daļām un nejaušas saskares ar disku un dzirkstelēm, kas var aizdedzināt apģērbu.
- **Diskus drīkst lietot tikai tam paredzētajiem darbiem. Piemēram, neslīpējiet ar griezējdiska sāniem.** Abrazīvie griezējdiski ir paredzēti papildu slīpēšanai; šiem diskkiem pielikts spēks no sāniem var tos salauzt.
- **Obligāti izmantojiet nebojātus disku atlokus ar pareizu izmēru un formu, kas piemērota attiecīgajam diskam.** Pareizi disku atloki atbalsta disku, samazinot diska salūšanas iespēju. Griezējdisku atloki var atšķirties no slīpēšanas disku atlokiem.
- **Neizmantojiet nodilušus diskus no lielākiem elektroinstrumentiem.** Diskus, kas paredzēts lielākam elektroinstrumentam, nav piemērots mazāka instrumenta lielākiem apgrīzieniem un var saplīst.

PAPILDU DROŠĪBAS BRĪDINĀJUMI, KAS ĪPAŠI ATTIECAS UZ ABRAZĪVU GRIEŠANU

- **Neļaujiet griešanas diskam iestrēgt un nelietojiet pārmērīgu spēku. Nemēģiniet griezt pārmērīgi dziļi.** Pārslodot disku, palielinās slodze un risks, ka disks var nokļūt vērpē vai tikt saliekts, kas var izraisīt atsitienu vai diska salūšanu.
- **Neatrodieties vienā līmenī ar griešanas disku vai aiz tā.** Kad disks griešanas punktā virzās prom no jūsu ķermeņa, iespējama atsitiens var virzīt griešanās ratu un elektroinstrumentu tieši pret jums.
- **Ja disks ir iekļīlējis vai jūs kāda iemesla dēļ pārtraucat griešanu, izslēdziet elektroinstrumentu un turiet to nekustīgi, līdz disks pilnīgi apstājas. Nemēģiniet noņemt griezējdisku no griezuma, kamēr disks griežas, citādi varat saņemt atsitienu.** Izpēti, kādi iemesli izraisa diska ķeršanos, un novērsiet tos.
- **Neatsāciet griešanu sagatavē. Ļaujiet diskam sasniegt pilnu ātrumu un uzmanīgi ievietojiet iegriezumā.** Disks var iekļīlēties, novirzīties vai dot atsitienu, ja elektroinstrumentu tiek iedarbināts sagatavē.
- **Atbalstiet jebkuru lielzīmēra sagatavi, lai samazinātu diska iespēšanas un atsitienu risku.** Lielām sagatavēm ir tendence liekties zem pašu svara. Atbalsti ir jānovieto zem sagataves, tuvu griešanas līnijai un tuvu sagataves malai abās diskas pusēs.
- **Īpaši uzmanieties, veicot kabatas veida griezumus ēku sienās vai citās aplsēptās vietās.** Izvirzījuma disks var griezt gāzes vai ūdens caurules, elektroinstalāciju, kas var radīt pretsitienu.

PAPILDU DROŠĪBAS BRĪDINĀJUMI

▲ BRĪDINĀJUMS

Vienmēr pārliecinieties, ka vārpstas fiksācijas poga ir pilnīgi atlaista, pirms ieslēgt izstrādājumu.

PALIEKOŠIE RISKI

Pat tad, ja ierīce tiek lietota, kā aprakstīts, joprojām nav iespējams pilnībā novērst atsevišķus riska faktorus. Lietošanas laikā var rasties šādas briesmas un strādniekam īpaša uzmanība jāpievērš šim:

- Traumas no lidojošām daļiņām
 - Metāla vai abrazīvā materiāla daļiņas var iekļūt acīs un izraisīt smagus, paliekošus bojājumus. Lietojot ierīci, valkājiet aizsargbrilles, kas apstiprinātas slīpēšanas darbiem.
- Vibrācijas radīti bojājumi
 - Ierobežojiet iedarbību. Skatīt "Risku Samazināšana".
- Putekļu izraisītas traumas
 - Valkājiet atbilstošu putekļu aizsargmasku ar piemērotiem filtriem, kas var pasargāt no apstrādājamā materiāla daļiņām un slīpēšanas diska abrazīvajām daļiņām. Darba vietā nedēiet, nedzeriet un nesmēķējiet. Darba vietā nodrošiniet atbilstošu ventilāciju. Nodrošiniet pienācīgu ventilāciju.
- Traumas no saskares ar slīpēšanas disku



- Diskus un apstrādājamais materiāls lietošanas laikā uzkarst. Mainot diskus un pieskaroties apstrādājamajam materiālam, valkājiet cimdus. Vienmēr turiet rokas drošā attālumā no slīpēšanas vietas. Nostipriniet apstrādājamo materiālu, kad vien iespējams.
- Trokšņa radītas traumas
 - Ilgstoša trokšņa iedarbība palielinās dzirdes bojājumu risku, turklāt troksnim ir kumulatīva ietekme. Izmantojot elektroinstrumentus ilgstoši, lietojiet dzirdes aizsarglīdzekļus.

⚠ BRĪDINĀJUMS

Ilgstoša instrumenta lietošana var izraisīt traumas vai pasliktināt veselības stāvokli. Ilgstoši lietojot jebkuru instrumentu, pārliecinieties, ka tiek veikti regulāri pārtraukumi.

RISKA SAMAZINĀŠANA

Ir ziņots, ka rokās turamu preču vibrācijas dažām personām var veicināt „Reino sindromu”. Simptomi var ietvert pirkstu tīkšķēšanu, nejutīgumu un nobālēšanu, parasti aukstā laikā. Tiek uzskatīts, ka tradicionālie faktori, aukstums un mitrums, uzturs, smēķēšana un darba prakse sekmē šo simptomu attīstību. Operators var veikt pasākumus, lai iespējami samazinātu vibrācijas efektu:

- Aukstā laikā ķermenim jābūt siltam. Darbinot ierīci, nēsājiet cimdus, lai rokas un plaukstas locītavas būtu siltas. Ir pētījumi, ka auksts laiks ir galvenais faktors, kas veicina Reino sindromu.
- Ik pēc laika apturiet darbu un veiciet vingrinājumus, kas uzlabo asins cirkulāciju.
- Strādājot jābūt biežiem pārtraukumiem. Ierobežojiet iedarbības ilgumu dienā.

Ja jūs izjūtat kādu no šiem simptomiem, nekavējoties apturiet ierīces lietošanu un sazinieties ar ārstu par šiem simptomiem.

IERĪCES IEPAZĪŠANA

Skatīt 109. lpp.

1. Vārpstas bloķēšanas poga
2. Slēdža mēlīte
3. Aizsarga sviras bloķētājs
4. Aizsargs
5. Sānu rokturis
6. Akumulatora savienojuma ligzda
7. Fiksācijas uzgrieznis
8. Slīpriņa
9. Diska atloks
10. Zāģriņa (nav komplektā)
11. Griešanas aprīkojuma aizsargs (nav komplektā)

APKOPE

- Veicot apkopi, izmantojiet tikai identiskas rezerves daļas. Jebkādi citu detaļu izmantošana var izraisīt bīstamību vai produkta bojājumus.
- Tīrot plastmasas daļas, izvairieties no šķīdinātāju lietošanas. Vairums plastmasu bojājas no pārdošanā pieejamo šķīdinātāju iedarbības. Izmantojiet tīru drānu, lai notīrītu netīrumus, putekļus, eļļu, ziežvielas utt.
- Vienmēr valkājiet aizsargbrilles vai brilles ar sānu aizsargiem, lietojot elektroinstrumentu vai pušot

putekļus. Ja darbība ir saistīta ar putekļu rašanos, uzlieciet arī putekļu masku.

- Lai izvairītos no ievainojumiem, vienmēr atvienojiet akumulatoru no izstrādājuma tīrīšanas vai apkopes laikā.
- Nekādā gadījumā plastmasas daļām neļaujiet nonākt saskarē ar bremžu šķidrums, benzīnu, naftas izstrādājumiem, eļļām ar paaugstinātu mitrināšanas spēju utt. Ķīmikālijas var sabojāt, novājināt vai iznīcināt plastmasu, kas var izraisīt nopietnas personīgās traumas.
- Tikai detaļu sarakstā esošās detaļas drīkst nomainīt klients. Visu pārējo detaļu nomainīšana jāveic pilnvarotā servisa centrā.

⚠ BRĪDINĀJUMS

Putekļu tīrīšanai no preces neizmantojiet saspiestu gaisu. Tas ir bīstami, jo gružus un skaidas var iepūst kādam acīs.

VIDES AIZSARDZĪBA



Tā vietā, lai iezemmateriālus izmestu atkritumos, nododiet tos atsevišķai pārstrādei. Mašīna, aksesuāri un iepakojums ir jāsašķiro un jānodod videi draudzīgā atkārtotas pārstrādes vietā.

APZĪMĒJUMI



Drošības brīdinājums

n

Nominālais ātrums



EurAsian atbilstības marķējums



Ukrainas apstiprinājuma zīme



CE atbilstība



Pirms iedarbināt mašīnu, lūdzu rūpīgi izlasiet instrukcijas.



Lietojiet dzirdes aizsargus



Valkājiet acu aizsarglīdzekļus



Valkājiet putekļu masku.



Valkājiet aizsargcimdus



Neizmantot saplīsušus, ieplaisājušus un bojātus slīpēšanas diskus



Neizmantot griešanai



Izmantot aizsargu



Metāls



Izlietotie elektroprodukti nedrīkst tikt izmesti kopā ar mājsaimniecības atkritumiem. Lūdzu, nododiet tos attiecīgajās atk ār totas izmantošanas vietās. Sazinieties ar savu vietējo varas pārstāvi vai izplatītāju, lai noskaidrotu, kur iespējama atkārtota pārstrāde.

EN
FR
DE
ES
IT
NL
PT
DA
SV
FI
RU
PL
CS
HU
RO
LV
LT
ET
HR
SL
SK
BG
UK
TR
EL

SIMBOLI ROKASGRĀMATĀ



Piezīme



Atsevišķi nopērkamās daļas vai piederumi



Atbloķēt



Bloķētājs

Lai izskaidrotu risku, kas saistīti ar izstrādājumu, līmeni, paredzēti šādi norādījuma vārdi un jēdzieni.

BĪSTAMI

Norāda uz nenovēršami bīstamu situāciju, kas, ja netiks novērsta, izraisīs nāvi vai nopietnus miesas bojājumus.

BRĪDINĀJUMS

Norāda uz potenciāli bīstamu situāciju, kas, ja netiks novērsta, var izraisīt nāvi vai nopietnus miesas bojājumus.

UZMANĪBU

Norāda uz potenciāli bīstamu situāciju, kas, ja netiek novērsta, var izraisīt vieglus vai vidējus miesas bojājumus.



Gaminant šį akumuliatorinį kaminį šlifuoکلį didžiausia svarba buvo teikiama jo saugai, efektyvumui ir patikimumui.

NAUDOJIMO PASKIRTIS

Kampinis šlifuoکلis skirtas naudoti tik suaugusiems, kurie yra perskaitę ir supratę šiame vadove pateiktus nurodymus bei įspėjimus ir gali būti laikomi atsakingi už savo veiksmus. Kampinis šlifuoکلis skirtas šlifuoti ir pjauti metalą. Ant kaminio šlifuoکلio galima montuoti tik atitinkamus šlifavimo diskus, aprašytus šio vadovo gaminio specifikacijų skyriuje. Kampinis šlifuoکلis skirtas naudoti rankiniu būdu; jo negalima montuoti ant įrenginių arba staklių.

Gaminį galima naudoti tik pagal paskirtį.

⚠ ĮSPĖJIMAS

Perskaitykite visus saugos įspėjimus ir visą instrukciją. Įspėjimų ir instrukcijų nesilaikymas gali sukelti elektros smūgį, gaisrą ir (ar) sunkius sužeidimus.

Kad tinkamai naudotumėte įrankį, žr. visus perspėjimus ir nurodymus.

KAMPINIO ŠLIFUOKLIO ATSARGUMO PRIEMONĖS

ĮSPĖJIMAI DĖL SAUGOS, TAIKOMI ŠLIFAVIMO IR ABRAZYVINIO PJOVIMO DARBAMS

- Šis elektrinis įrankis yra skirtas naudoti kaip šlifuoکلis ir prietaisas nupjovimo darbams atlikti. Perskaitykite visus saugos įspėjimus, visas instrukcijas, paveikslėlius ir techninius reikalavimus, pateikiamus su šiuo elektriniu įrankiu. Apačioje išdėstytų instrukcijų nesilaikymas gali sukelti elektros smūgį, gaisrą ir (ar) sunkius sužeidimus.
- Tokie darbai kaip šlifavimas, šlifavimas su metaliniu šepetėliu ar poliravimas šiuo elektriniu įrankiu yra nerekomenduojami. Atliekant veiksmus, kuriems elektrinis įrankis nėra skirtas, galima sudaryti pavojų ir sukelti sunkius sužeidimus.
- Nenaudokite tokių priedų, kurie šiam darbui specialiai nėra skirti ir įrankio gamintojo nerekomenduoti. Vien tik tai, kad priedą galima pritvirtinti prie Jūsų elektrinio įrankio, saugaus darbo neužtikrina.
- Priedo nustatytas greitis turi būti lygus bent didžiausiam greičiui, pažymėtam ant elektrinio įrankio. Priedai, kurie sukasi didesniu nei jų nustatytu greičiu, gali sulūžti, atsiskirti ir skrieti į šonus.
- Priedo išorinis skersmuo ir storis turi būti Jūsų įrankio nustatytos galios ribose. Neteisingo dydžio priedų atitinkamai apsaugoti ar suvaldyti neįmanoma.
- Montuojamų įtaisų sriegiai turi atitikti šlifuoکلio suklio sriegį. Jungėms (flanšais) montuojamų įtaisų angos turi atitikti jungės (flanšo) fiksavimo skersmenį. Įtaisai, kurie neatitinka elektrinio įrankio montavimo įrangos, netenka pusiausvyros, pernelyg stipriai vibruoja ir gaminyje gali tapti nevaldomas.
- Nenaudokite pažeistų priedų. Prieš kiekvieną naudojimą priedą patikrinkite, ar diskai nėra nudužę ir įtrūkę, pagalbinius padėlis įtrūkęs, detalės smarkiai nusidėvėjusios, metalinio šepetėlio vielutės atsilaisvinusios ar sutrūkusios. Elektrinį

įrankį ar priedą numetus, būtina patikrinti, ar jie nepažeisti arba pakeisti priedą nepažeistų. Patikrinus ir pakeitus priedą, nuo besisukančio priedo plokštės būtina pasitraukti toliau bei neleisti žiūrovams artai jo stovėti. Po to elektrinį įrankį reikia įjungti ir leisti jam vieną minutę veikti didžiausiu greičiu. Šio patikrinimo metu, pažeisti priedai paprastai sulūžta.

- Dėvėkite asmenines apsaugos priemones. Priklausomai nuo darbo paskirties, naudokite veido kaukę, apsauginius didesnius akinius ar saugos akinius. Jei taikytina, dėvėkite kaukę nuo dulkių, ausų apsaugą, pirštines ir darbinę prijuostę, atlaikančią mažas, šlifavimo metu susidariusias ar nuo ruošinio daleles. Apsauginiai akiniai turi apsaugoti akis, kad į jas nepatektų įvairaus darbo operacijų metu skriejančių dalelių. Kaukė nuo dulkių ar dujų turi filtruoti darbo metu susidariusias daleles. Dėl neapsaugotų ausų nuo didelio triukšmo ilgesnį laiką, galite klausą prarasti.
- Įsitikinkite, kad atstumas tarp įrankio ir pašalinių asmenų yra saugus. Visi asmenys, esantys darbo zonoje, privalo dėvėti asmenines apsaugos priemones. Dalelės nuo ruošinio ar sulūžusio priedo gali skrieti į šalis ir jus sužeisti, jei stovite šalia apdirbamo ruošinio.
- Elektrinį įrankį laikykite tik izoliavę sukibimo paviršius, kad darbo metu pjovimo įrankio priedas nesusilietų su paslėptais laidais. Pjovimo metu priedas, prisilietęs prie laido, prijungto prie maitinimo šaltinio, gali aktyvuoti metalines elektrinio įrankio detales ir sukelti operatoriui elektros smūgį.
- Niekada nedėkite įrankio žemyn, kol jo priedas visiškai nesustojo. Besisukantis įrankio priedas gali pagriebti paviršių ir dėl to galite įrankio nesuvaldyti.
- Elektrinį prietaisą nešdami šone, prieš tai jį išjunkite. Besisukančiam įrankio priedui atsitiktinai prisilietus prie Jūsų, jis gali pagriebti drabužius ir priedas gali būti įtrauktas į Jūsų kūną.
- Reguliariai valykite elektrinio įrankio oro ventiliacijos angas. Variklio ventiliatorius įsiurbia į korpuso vidų dulkes ir per didelis susikaupusių metalo dalelių kiekis gali kelti su elektra susijusius pavojus.
- Nenaudokite elektrinio įrankio šalia degių medžiagų. Kibirkštys gali šias medžiagas uždegti.
- Nenaudokite tokių priedų, kuriems reikalingas aušinimo skystis. Naudojant vandenį ar kitą aušinimo skystį galima sukelti elektros smūgį ar nuo elektros žūtį.

DAUGIAU SAUGOS INSTRUKCIJŲ VISIEMS DARBAMS ATLIKTI

Atatranka ir su ja susiję įspėjimai

Atgalinis smūgis yra staigi reakcija į sugnybtą ar užkabintą besisukančią diską, pagalbinių padėlių, šepetėlių ar bet kokį kitą įrankio priedą. Sugnybus ar užkabinus, besisukantis priedas greitai prigesta, o dėl to nevaldomas įrankis atšoksta priešiną įrankio priedui sukimosi kryptimi sukibimo vietoje.

Pavyzdžiui, jei abrazyvinį diską sugnybia ar užkabina ruošinys, tas disko kraštas, kuris prisiliečia prie sugnybimo taško, gali įlysti į medžiagos paviršių, ir dėl to diskas išlenda ar iššoksta atgal. Diskas gali iššokti link operatoriaus arba nuo jo, priklausomai nuo sugnybimo taško disko sukimosi krypties. Tokiais atvejais, abrazyviniai diskai gali taip pat sulūžti.





Atatranka yra netinkamo naudojimo elektrinio įrankio ir (ar) klaidingo darbo proceso ar sąlygų rezultatas. Jos galima išvengti laikantis atitinkamų žemiau išdėstytų apsaugos priemonių.

- **Pjūklą tvirtai laikykite rankomis, o ranką ir kūną laikykite taip, kad jie išlaikytų atgalinio smūgio jėgą. Visada naudokite pagalbinių rankeną (jei ji pridėdama), kad atgalinį smūgį ar sukimo momentą užvedimo metu galėtumėte geriausiai suvaldyti.** Jei operatorius laikosi tinkamų atsargumo priemonių, jis sukio reakcijos ir atgalinio smūgio jėgas gali suvaldyti.
- **Rankų niekada nedėkite šalia besisukančio įrankio priedo.** Priedas gali atšokti atgal į Jūsų ranką.
- **Nestovėkite tokioje zonoje, į kurią elektrinis įrankis atgalinio smūgio metu būtų nusviestas.** Atgalinio smūgi metu po užkabinimo įrankis nustumiamas kryptimi, priešinga disko sukimuisi.
- **Apdirbdami kampus, smailius kraštus ir t. t., būkite ypač atsargūs. Stenkitės priedo neužkabinti ir neatlikti tokių veiksmų, kad priedas šokinėtų.** Kampai, smailūs kraštai ar šokinėjimas dažnai užkabina besisukančią įrankio priedą, ir dėl to įrankis nesuvaldomas ar įvyksta atgalinis smūgis.
- **Netvirtinkite grandininio pjūklo medžio drožinėje geležtės ar dantytos pjūklo geležtės.** Tokios geležtės dažnai sukelia atgalinį smūgį ar dėl jų įrankis nesuvaldomas.

ĮSPĖJIMAI DĖL SAUGOS, SKIRTI TIK ŠLIFAVIMO IR ABRAZYVINIO PJOVIMO DARBAMS

- **Naudokite tik tokius diskų tipus, kurie rekomenduojami Jūsų elektriniam įrankiui ir kai pasirinktam diskui yra pagamintas specialus apsauginis gaubtas.** Diskų, kuriems elektrinis įrankis nėra specialiai pritaikytas, negalima tinkamai apsaugoti, todėl jie nėra saugūs naudoti.
- **Centre nuspaustų ratukų šlifavimo paviršius turi būti montuojamas po apsauginio įtaiso krašto plokštuma.** Netinkamai uždėto ratuko, išsikišančio per apsauginio įtaiso krašto plokštumą, negalima tinkamai apsaugoti.
- **Apsauginį gaubtą būtina tvirtai pritvirtinti prie elektrinio įrankio ir nustatyti saugiausioje padėtyje taip, kad būtų neuždengta tik mažiausia disko dalis prie operatoriaus.** Apsauginis gaubtas apsaugo operatorių nuo atskilusių nuo disko dalelių ir atsitiktinio prisilietimo prie disko ir kibirkščių, kurios gali uždegti drabužius.
- **Diskus galima naudoti tik rekomenduojamiems darbams atlikti. Pavyzdžiui, nešlifukite nupjovimo disko šonu.** Abrazyviniai nupjovimo diskai yra skirti periferiniam šlifavimui, dėl šiuos diskus veikiančių šoninių jėgų, jie gali sulūžti.
- **Visada naudokite nepažeistas diskų junges, teisingo dydžio ir formos Jūsų pasirinktam diskui.** Tinkamos diskų jungės atremia diską, dėl to sumažėja disko sulūžimo tikimybė. Nupjovimo diskų jungės gali skirtis nuo šlifavimo diskų jungių.
- **Nenaudokite nusidėvėjusių diskų nuo didesnių elektrinių įrankių.** Diskas, skirtas didesniam elektriniam įrankiui, nėra tinkamas didesnio greičio mažesniam įrankiui ir gali sulūžti.

PAPILDOMI ĮSPĖJIMAI DĖL SAUGOS TIK ABRAZYVINIO PJOVIMO DARBAMS

- **Nedirbkite taip, kad nupjovimo diskas užsikirstų arba įrankio per stipriai nespaukrite žemyn.** Nebandykite pjauti per daug giliai. Naudojant per didelę jėgą apkrova diskui padidėja, taip pat pjaunant diskas greičiau gali sulinkti, užsikirsti ar sulūžti, ar įvykti atatranka.
- **Nestovėkite vienoje linijoje su besisukančiu disku ar už jo.** Jei darbo metu diskas sukasi nuo kūno kryptimi, gali įvykti atatranka, kuri gali nusviesti besisukančią diską ir visą įrankį tiesiai į Jus.
- **Jei diskas užkliūna ar trukdo normaliam pjovimui dėl tam tikros priežasties, elektrinį įrankį išjunkite ir jį nejudindami laikykite tol, kol diskas visiškai nustoja sukstis.** Diskui sukantis niekada nebandykite nupjovimo disko nuimti, nes sukelsite atatranką. Nustatykite disko kirtimosi priežastis ir imkitės tinkamų veiksmų joms pašalinti.
- **Pjovimo metu įrankiui esant ruošinyje, įrankio iš naujo neužveskite. Leiskite diskui išvystyti visą greitį ir jį iš naujo atsargiai įveskite į įplovą.** Jei elektrinį įrankį iš naujo užvesite diskui esant ruošinyje, diskas gali užkliūti, pasislinkti, ar atšokti atgal.
- **Dideles plokštes ar kitus labai didelius ruošinius paremkite, kad išvengtumėte disko suspaudimo ir atatrankos.** Dėl savo svorio dideli ruošiniai paprastai įlinksta. Atramas būtina padėti iš abiejų disko pusių po ruošiniu, šalia pjoavimo linijos bei ruošinio kraštų.
- **Atlikdami vidinį pjovimą esančiose sienose ar kitose nematomose srityse, būkite ypač atsargūs.** Atsikišęs diskas gali nupjauti dujų ar vandens vamzdžius, elektros laidus ar objektus, kurie gali sukelti atatranką.

PAPILDOMI SAUGOS PERSPĖJIMAI

⚠ ĮSPĖJIMAS

Prieš įjungdami gaminį, visada patikrinkite, ar iki galo nuspaustas veleno fiksavimo mygtukas.

ŠALUTINIS PAVOJUS

Net naudojant gaminį griežtai pagal paskirtį neįmanoma visiškai atmesti kai kurių liktinių rizikos veiksnių. Naudojant gali kilti toliau nurodyti pavojai ir naudotojas turi būti ypatingai atsargus, kad išvengtų šių pavojų:

- Išsviestų dalelių sukeliama sužeidimai
 - Metalo arba šliufojamųjų medžiagų dalelės gali patekti į akis ir sukelti sunkių negrįžtamą žalą. Naudojant gaminį, reikia dėvėti specialiai šlifavimo darbas skirtus apsauginius akinius.
- Vibracijos sukeliama pažeidimai
 - Ribokite buvimą darbo aplinkoje. Žr. "Rizikos Veiksnių Mažinimas".
- Dulkių sukeliama žala
 - Dėvėkite tinkamą dulkių apsauginę kaukę su specialiais filtrais, galinčiais apsaugoti nuo dulkių, kurias sukelia apdirbama medžiaga, arba nuo abrazyvinių dalelių, kurias skleidžia šlifavimo diskas. Darbo vietoje negalima valgyti, gerti ar rūkyti. Užtikrinkite tinkamą ventiliaciją.





- Sąlyčio su šlifavimo disku sukeliama sužeidimai
 - Naudojant, diskas ir ruošinys įkaista. Keičiant diską ar liečiant ruošinį, reikia mūvėti pirštines. Rankas visada būtina laikyti atokiai nuo šlifavimo srities. Kai yra galimybė, ruošinį reikia suspausti.
- Triukšmo sukeliama trauma
 - Ilgai būnant triukšme padidėja pavojus pakenkti klausai ir šis triukšmo poveikis ilgai didėja. Naudojant elektrinius įrankius labai ilgai, reikia dėvėti klausos apsaugos priemones.

⚠ ĮSPĖJIMAS

Ilgai naudojant įrankį, galima susižaloti arba pakenkti sveikatai. Ilgiau naudojant įrankius, reikia reguliariai daryti pertraukas.

RIZIKOS MAŽINIMAS

Pranešama, kad rankinių įrankių keliamos vibracijos kai kuriems asmenims gali paskatinti Reino sindromo vystymąsi. Šios ligos požymiai yra pirštų dilgčiojimas, nutirpimas ir pabalinimas, paprastai pasireiškiantis nuo šalčio. Šie simptomai vystosi dėl paveldimų veiksnių, nesisaugant nuo šalčio ir drėgmės, dėl mitybos, rūkymo ir darbo praktikos. Operatorius gali imtis šių priemonių, kurios gali sumažinti vibracijos poveikį:

- Apsirenkite kuo šilčiau šaltu oru. Dirbant šiuo prietaisu mūvėkite pirštines, kad plaštakos ir riešai būtų laikomi šiltai. Turime pranešimų, kad Raynaud sindromas labiausiai vystosi nuo šalto oro sąlygų.
- po darbo kiekvieną kartą pasportuokite, kad pagerėtų kraujo apytaka;
- dažnai darykite darbo pertraukas. Aprobokite darbo laikotarpį per dieną.

Jei jums pasireiškia kokie nors šios būklės simptomai, nedelsdami nutraukite darbą ir kreipkitės į gydytoją.

GERAI IŠMANYKITE APIE GAMINĮ

Žiūrėti 109 psl.

1. Ašies užrakinimo mygtukas
2. Perjungiklis
3. Apsauginio įtaiso svorto blokavimo sistema
4. Beraktis apsaugos gaubtas
5. Šoninė rankena
6. Baterijos gnybtas
7. Suspaudimo veržlė
8. Šlifavimo diskas
9. Disko antbriaunis
10. Pjovimo diskas (nepriedama)
11. Beraktis pjovimo apsaugos gaubtas (nepriedama)

PRIEŽIŪRA

- Sugedusias detales keiskite tik originaliomis atsarginėmis detalėmis. Kitų detalių naudojimas gali sukelti pavojų ar sugadinti įrankį.
- Valydami plastikines detales, nenaudokite tirpiklių. Komeraciniai tirpikliai lengvai pažeidžia daugelį plastikinių detalių ir juos naudojant galima pažeisti plastikines detales. Valydami purvą, dulkes, tepalus, alyvas ir t.t., naudokite švarias šluostes.
- Dirbdami su elektros prietaisu ar kai pučiamos dulkės, visada dėvėkite apsauginius akinius ar akinius su

šonine apsauga. Jei darbo metu kyla dulkės, taip pat dėvėkite kaukę nuo dulkių.

- Baterijos paketo neišėmus iš produkto, kai jis valomas ar atliekami priežiūros darbai, galima rimtai susižeisti.
- Stabdžių skysčiai, gazolinas ir benzino produktai, skvarbiuos alyvos ir pan. jokiū būdu negali patekti ant plastikū dalių. Juose yra chemikalų, kurie gali sugadinti, pažeisti arba susilpninti plastiką.
- Klientas gali remontuoti ar keisti tik tas detales, kurios nurodytos atsarginių detalių sąrašė. Visos kitos dalys turi būti pakeistos įgaliotame techninės priežiūros centre.

⚠ ĮSPĖJIMAS

Dulkių nuo gaminio negalima šalinti suspaustu oru. Darbas pavojingas ir nešvarumai bei nuopjovos gali būti išpūstos ir sužeisti akis.

APLINKOS APSAUGA



Žaliavines medžiagas perdirbkite pakartotinai, o ne išmeskite kaip atliekas. Mechanizmas, priedai ir pakuotės turi būti laikomi pakartotinai perdirbti aplinkai nekenksmingu būdu.

ŽENKLAI



Saugos perspėjimas

n

Nominalus greitis



„EurAsian“ atitikties ženklas



Ukrainos atitikties ženklas



CE atitiktis



Atidžiai perskaitykite instrukcijas prieš pradėdami naudoti mechanizmą.



Dėvėkite klausos apsaugos priemones



Dėvėkite akių apsaugos priemones



Dėvėkite kaukę nuo dulkių.





Mūvėkite apsaugines rankų pirštines



Nenaudokite nuskilusio, įskilusio ar pažeisto šlifavimo disko



Nenaudokite pjovimui



Naudokite apsaugą



Metalas



Elektrinių produktų atliekos neturi būti metamos kartu su namų ūkio atliekomis. Prašome perdirbkite jas ten, kur yra tokios perdirbimo bazės. Dėl perdirbimo patarimo kreipkitės į savo vietinę savivaldybę ar pardavėją.

SIMBOLIAI VADOVE



Pastaba



Detalės arba priedai yra parduodami atskirai



Atrakinti



Blokėtąjs

Šie signaliniai žodžiai yra skirti nurodyti su prietaiso naudojimu susijusio pavojaus lygį.

PAVOJUS

Rodo grėšiančią pavojingą situaciją, kurios neišvengus galima patirti mirtiną arba sunkų sužalojimą.

ĮSPĖJIMAS

Rodo potencialiai pavojingą situaciją, kurios neišvengus galima patirti mirtiną arba sunkų sužalojimą.

ATSARGIAI

Rodo potencialiai pavojingą situaciją, kurios neišvengus galima patirti nesunkų arba vidutinio sunkumo sužalojimą.

ATSARGIAI

(Be įspėjamojo šauktuko) Reiškia situaciją, kurioje galima sugadinti turtą.



Juhtmeta nurklihviija juures on peetud esmatahtsaks ohutust, töövõimet ja töökindlust.

OTSTARBEKOHANE KASUTAMINE

Ketaslõikur on ette nähtud kasutamiseks vaid täiskasvanud töötaja poolt, kes on selle kasutusjuhendi juhised ja hoiatused läbi lugenud ja mõistab vastutust nende täitmise eest. Ketaslõikur on ette nähtud ainult metallide lihvimiseks ja lõikamiseks. Ketaslõikurile võib kinnitada ainult seadme kasutusjuhendi tehniliste andmete jaotises mainitud lihvkettaid. Ketaslõikur on ette nähtud ainult käes kasutamiseks, see pole ette nähtud paigaldamiseks kinnitustahvile või tööpingile.

Ärge kasutage seadet ühelgi muul viisil kui mainitud sihtotstarbeks.

⚠ HOIATUS

Lugege kõik ohuhoiatused ja juhised läbi. Hoiatuse ja juhiste eiramise puhul on oht saada elektrilööki või raskeid kehavigastusi ning/või põhjustada tulekahju.

Hoidke kõik hoiatused ja juhised edaspidiseks juhindumiseks alles.

ETTEVAATUSABINÕUD NURKLIHVIIJA KASUTAMISEL

LIHVIMIS- JA ABRASIIVMAHALÕIKEOPERATSIOONI-DE TAVA-OHUHOIATUSED

- Seade on ette nähtud lihvimiseks ja mahalõikamiseks. Lugege läbi kõik mehaanilise tööriista kohta esitatud ohuhoiatused ning tutvuge tööriista jooniste ja tehniliste andmetega. Allpool esitatud hoiatuste ja juhiste eiramise puhul on oht saada elektrilööki või raskeid kehavigastusi ning/või tekitada tulekahju.
- Tööriistaga ei soovitata teha metalli abrasiiv lihvimise, liivpaberiga lihvimise, traatharjaga puhastamise ja poleerimise abrasiiv. Operatsioonid, milleks tööriist ei ole ette nähtud, võivad luua ohuolukorra ja põhjustada kehavigastusi
- Ärge kasutage mingeid kettaid ja kettasarnaseid tööorganeid (edaspidi: tarvikuid), mis ei ole tööriista tootja poolt spetsiaalselt välja tootatud ja soovitatud. Asjaolu, et tarvikut on võimalik mehaanilisele tööriistale kinnitada, ei taga selle tarvikuga töötamise ohutust.
- Tarviku lubatud nimikiirus peab olema vähemalt võrdne mehaanilisele tööriistale märgitud maksimaalse kiirusega. Tarvikud, mis ületavad nendele ettenähtud kiiruse, võivad puruneda ja tükideks lennata.
- Kasutatava tarviku välisläbimõõt ja paksus peab vastama teie tööriista nimiaandmetele. Valede mõõtmetega tarvikuid ei ole võimalik nõuetekohaselt turvata ja kontrolli all hoida.
- Tarvikute keermetatud osad peavad sobima ketaslõikuri spindli keermega. Tarvikutel, mis paigaldatakse äärikute abil, peab kinnitusava sobima ääriku tsentreerimisastme läbimõõduga. Tarvik, mis ei sobi mehaanilise tööriista kinnitusmõõtmetega, läheb tasakaalust välja, hakkab tugevasti vibreerima ja võib kontrolli alt väljuda.

- Ärge kasutage vigastatud tarvikuid. Enne iga kasutamist kontrollige tarvikud, näiteks abrasiivkettad üle kildumisele ja pragunemisele, tugikettad pragumisele ja kulumisele, traatharjad lahtistele ja murdunud harjastele. Kui mehaaniline tööriist või tööriist on maha kukkunud, siis vaadake tööriista vigastused üle või asendage uue tarvikuga. Pärast tarviku ülevaatamist ja paigaldamist hoidke ennast ning kõrvalseisjad pöörleva tarviku pöörlemistasapinnast eemal ja käitage tööriista ühe minuti jooksul maksimaalsel pöörlemiskiirusel ilma koormuseta. Vigastatud tarvik puruneb selle aja jooksul tavaliselt tükideks.
- Kandke isikukaitsevahendeid. Olenevalt töö iseloomust kandke näovisiiri, kaitsemaski või kaitseprille. Vajaduse korral kandke tolmu maski, kuulmiskaitseid, kaitsekindaid ja kaitsepõlle, mis kaitsevad teid abrasiivkettast või toorikut lähtuvate osakeste eest. Silmakaitsevahendid peavad kaitsma töötlemisjätkide eest, mis erinevate tööoperatsioonide juures välja paiskuvad. Tolmu mask või respiraator peavad tööoperatsioonidel tekkivaid osakesi piisavalt filtreerima. Pikaajaline viibimine kõrge müratasemega piirkonnas võib põhjustada kuulmishäireid.
- Hoidke kõrvalised isikud tööpiirkonnast ohutul kaugusel. Iga tööpiirkonda siseneja peab kandma isikukaitsevahendeid. Tooriku töötlemisjäätmed või purunenud tarvikud võivad välja lennata ja põhjustada kehavigastusi ka väljapool vahetatud tööpiirkonda.
- Töötamise kohtades, kus löikeriist võib kokku puutuda varjatud elektrijuhtmetega, hoidke tööriista kinni ainult isoleeritud käepidemetest. Kui kinnitusdetail või puur satub kontakti pingele all olevate juhtmetega, jäävad tööriista isoleerimata metallosad pingele alla ja kasutaja võib saada elektrilöögi.
- Ärge pange tööriista enne maha, kui tarvik on täielikult peatunud. Pöörlev tarvik võib pinnaga haarduda ja selle tagajärjel võib tööriist väljuda teie kontrolli alt.
- Ärge käitage tööriista siis, kui te seda küljel hoiate. Juhuslik kontakt pöörleva tarvikuga võib põhjustada riietesse kinnijäämise ja selle tulemusena võib tarvik tungida teie kehasse.
- Puhastage regulaarselt tööriista ventilatsioonipilusid. Mootori ventilaator tõmbab tolmu korpusesse ja metalliosakesi sisaldava tolmu kogunemine põhjustab elektrivooluga seotud ohtusid.
- Ärge kasutage tööriista süttivate materjalide läheduses. Sädemed võivad need materjalid süüdata. Sädemed võivad need materjalid süüdata.
- Ärge kasutage tarvikuid, mis nõuavad jahutusvedelike kasutamist. Kasutades vett või muud vedelikku jahutusvedelikud võib põhjustada elektrilöögi või šokki.

TÄIENDAVID OHUTUSJUHISED KÕIKIDEL TÖÖPERATSIOONIDEL

Tagasilöökk ja sellega seotud hoiatused

Tagasilöökk on ootamatu reaktsioon, mis järgneb pöörleva ketta, tugiketta, terasharja või muu tarviku kinnijäämisele või haardumisele. Kinnikiilumine või haardumine põhjustab pöörleva tarviku kiire peatumise, mis omakorda põhjustab kinnijäämise punktis vastassuunaliste kontrollimatute jõudude mõjumise tarviku pöörlemisele vastassuunas. Näiteks juhul, kui abrasiivkettas on toorikuga haardunud või





sellesse kinni jäänud, võib ketta sisenev serv kinnijäämise punktis materjali pinna sisse kaevuda ja põhjustada ketta väljaliiikumise või tagasilöögi. Ketas võib hüpata operaatori suunas või temast eemale, sõltuvalt ketta liikumissuunast kinnijäämise punktis. Abrasiivkettad võivad selliste tingimuste korral puruneda.

Tagasilöök on tööriista väära kasutamise, ebaõigete töövõtete või tööks mittevastavate töötingimuste tulemus ja seda saab vältida allpool esitatud ettevaatusabinõude rakendamisega.

- **Tagasilöögist tulenevate jõudude vastuvõtmiseks kasutage oma keha ja käsivart ning hoidke tööriistast tugevasti kinni. Kasutage alati komplektis olevat lisakäepidet, et hoida tagasilööki või puutereaktsioonist tingitud reaktsiooni kontrolli all.** Operaatoril on võimalik puutereaktsiooni ja tagasilöögist tekkivaid jõudusid hallata, kui selleks vastavaid meetmeid võtta.
- **Ärge hoidke mingil juhul oma kätt pöörleva tarviku läheduses.** Tarvik võib tagasilöögiga tabada teie kätt.
- **Ärge olge oma kehaga seal, kuhu tööriist võib tagasilöögi ajal liikuda.** Tagasilöök paiskab kinnijäämise kohas tööriista vastuspidsisse suunda ketta pöörlemisele.
- **Olge eriti ettevaatlik töötamisel nurkades, teravatel servadel jne.** Vältige tarviku pörkamist ja kinnijäämist. Nurkades ja teravatel servadel või pörkamisel on kalduvus pöörlevat tarvikut kinni kiiluda ja põhjustada sellega kontrolli kadumist või tagasilööki.
- **Ärge kinnitage tööriistale kettsaega ketast või hammastega saeketast.** Selliste ketaste kasutamisel ilmneb tihti tagasilööki ja kontrolli kadumist.

LIHVIMIS- JA ABRASIIVMAHALÖIKEOPERATSIOONI-DE ERI-OHUHOIATUSED

- **Kasutage ainult sellist tüüpi kettaid, mis on selle tööriista jaoks ette nähtud ja ainult neile spetsiaalselt ettenähtud kaitsekatteid.** Kasutamiseks mitteettenähtud kettaid ei saa kattega kaitsta ja need ei ole ohutud.
- **Keskkohtal surutud ketaste lihvimise tööpind peab olema paigutatud kaitsekatte serva tasapinnast allapoole.** Ketas, mis ulatub kaitsekatte serva tasapinnalt välja, ei ole piisavalt kaitstud.
- **Kaitsekate peab olema tööriistale ohutult kinnitatud ja paigutatud maksimaalse ohutuse saavutamiseks nii, et võimalikult väike osa ketast on kasutaja suunas nähtav.** Kaitsekate aitab kaitsta kasutajat purunenud ketta tükide eest ja kokkupuutumisest ketta ning sädemetega, mis võivad süüdata riied.
- **Kettaid tohib kasutada ainult neile ettenähtud otstarveteks.** Näiteks ärge lihvide mahaloikeketta küljega. Abrasiiv-mahalöikeketad on ette nähtud läbilõikamiseks; kui neile rakendada küljõudusid, siis võivad need kildudeks puruneda.
- **Kasutage valitud kettale mõõdetelt ja kujult sobivaid ning vigastamata kettaäärrikuid.** Õigesti valitud äärrikud toetavad ketast ja vähendavad sellega ketta purunemisohtu. Mahaloikeketta äärrikud võivad erineda lihvkettaste äärrikust.
- **Ärge kasutage suurtelt tööriistadest järelejäänud kulunud kettaid.** Suurte tööriistade kettad ei ole ette nähtud väikeste tööriistade suurtel kiirustel, sest siis võivad need kettad puruneda.

TÄIENDAVAD OHUHOIATUSED ABRASIIV-MAHALÖIKEOPERATSIOONIDEL

- **Ärge laske löikekettal kinni jääda ega suruge sellele liigset peale. Ärge püüdke kasutada liiga suurt löikesügavust.** Liigse jõu avaldamine suurendab ketta koormust, väändumist või kinnijäämist löiketees ning suurendab tagasilöögi või ketta purunemise tõenäosust.
- **Ärge seiske tööriista taga pöörleva ketta tasapinnas.** Kui ketas liigub oma tööpunktis kehast eemale, siis pöörleva ketta võimalik tagasilöök võib suunata tööriista otse teie suunas.
- **Kui ketas jääb kinni või lõikamine katkeb mingil muul põhjusel, lülitage tööriist välja ja hoidke seda liikumatuna seni, kui ketas täielikult seiskub. Ärge püüdke võtta löikeketast löikekohast välja ketta pöörlemise ajal, muudu võib ilmneda tagasilöök.** Uurige ketta kinnijäämise põhjus välja ja võtke meetmeid selle kõrvaldamiseks.
- **Ärge alustage lõikamisoperatsiooni uuesti siis, kui ketas on tooriku sees. Laske kettal saavutada täiskiiirus ja pange ketas uuesti löikekohta.** Kui lõikamist jätkata ilma, et ketas oleks välja võetud, siis võib see kinni jääda, üles tõusta või anda tagasilöögi.
- **Toetage lõigatavaid plaate ja suuremõtmelisi toorikuid, et minimeerida ketta kinnijäämise ning tagasilöögi ohtu.** Suurtel toorikutel on kalduvus oma raskuse all läbi vajuda. Toetage toorikuid allpool löikejoone lähedal ja serva lähedal mõlemal pool löikejoont.
- **Olge pesa lõikamisel seinas sisse või varjatud kohtadesse ettevaatlik.** Väljuv ketas võib lõigata läbi gaasi- või veetoru, elektrijuhtmed või muud objektid ja need võivad põhjustada tagasilööki.

EN
FR
DE
ES
IT
NL
PT
DA
SV
FI
NO
RU
PL
CS
HU
RO
LV
LT
ET
HR
SL
SK
BG
UK
TR
EL



TÄIENDAVAD OHUTUSJUHISED

▲ HOIATUS

Veenduge alati enne toote sisselülitamist, et spindli lukustusnupp on täielikult vabastatud.

JÄÄKRISKID

Isegi siis, kui seadet kasutatakse kirjeldatud viisil, ei ole võimalik kõrvaldada kõiki jääkriskide mõjureid. Töötamise ajal võivad tekkida järgmised ohud, millele operaator peab pöörama erilist tähelepanu.

- Väljapaiksunud peenosakekest põhjustatud vigastus
 - Metall- või abrasiivosakesed võivad silma sattuda ning tekitada tõsiseid ja püsivaid vigastusi. Kandke ketaslõikuriga lihvimistoimingute tegemisel ette nähtud kaitseprille.
- Vibratsioonist põhjustatud kehavigastus
 - Piirake kokkupuudet. Consulte el apartado "Reducción De Riesgos".
- Tolmusest põhjustatud kehavigastus
 - Kandke tolmu maski, millel on ettenähtud filtrid, mis kaitsevad materjalist tekkiva tolmu ja abrasiivmaterjalide peenosakeste eest. Ärge töökohal sööge, jooge ega suitsetage. Kindlustage nõuetekohane ventilatsioon
- Lihvkettast tingitud kehavigastus



- Töötamise ajal võib ketas või toorik kuumeneda. Ketaste või tooriku vahetamisel tuleb kanda kindaid. Hoidke käed lihvimise ajal lõikamispiirkonnast eemal. Võimaluse korral kinnitage toorik kruustangide vahele.
- Mürast põhjustatud vigastus
 - Pidev müra põhjustab kuulmiskahjustusi ja selle mõju on kuhjuv. Kui kasutate tööriista pika ajaperioodi vältel, kandke kuulmiskaitsevahendeid.

⚠ HOIATUS

Seadme pikaajalisel kasutamisel võite saada kehavigastusi või vigastused võivad süveneda. Seadme kasutamisel pika aja jooksul tuleb teha korralisi vaheaegasid.

RISKI ALANDAMINE

Teadaolevalt võib käsitööriistade kasutamine põhjustada mõnedel inimestel seisundit, mida nimetakse Raynaud' sündroomiks. Los síntomas pueden incluir hormigueo, entorpecimiento y decoloración de los dedos, generalmente aparentes cuando tiene lugar una exposición al frío. Nende sümptomite puhul tuleb hoiduda külmast ja niiskusest, dieedist ning suitsetamisest ja kasutada õigeid töövõtteid. Vibratsiooni mõju vähendamiseks tuleb rakendada järgmisi abinõusid.

- Külma ilmaga hoidke oma keha soe. Kandke kindaid, et hoida oma käed ja randmed soojad. Uuringud näitavad, et Raynaud's Syndrome ilmneb põhiliselt külma ilmaga.
- Pärast külmas töötamist tehke harjutusi, et verevarustust kiirendada.
- Tehke regulaarselt töovaheaegasid. Piirake tööperioodi pikkust.

Kui ilmnevad haigusnähud, lõpetage kohe töö ja pöörduge arsti poole.

ÕPPIGE OMA TOODET TUNDMA

Vt lk 109.

1. Spindli lukustusnupp
2. Lülitusnupp
3. Kaitse lukustushoob
4. Kettakaitse
5. Külgmise käepide
6. Aku ühenduspesa
7. Survemutter
8. Lihvketas
9. Ketta äärik
10. Lõikeketas (ei ole kaasas)
11. Kettakaitse lõikamiseks (ei ole kaasas)

HOOLDUS

- Kasutage teenindamisel ainult täpselt sobivaid varuosi. Muude osade kasutamine võib tekitada ohuolukorra ja põhjustada seadme vigastumise.
- Vältige plastosade puhastamisel lahustite kasutamist. Enamik plaste on tundlikud erinevate kaubandusvõrgust saadaolevate lahustite suhtes ja võivad nende mõjul oma omadusi kaotada. Mustusest, tolmust, õlist, määrdest jne puhastamiseks kasutage puhast riidelappi.
- Töötamisel ja tolmu ärापuhumisel kandke alati silmamaski või küljekaitsetega kaitseprille. Kui

töötlemine on tolmune, siis kandke tolmumaski.

- Raskete kehavigastuste vältimiseks võtke akupakett seadme puhastamise ja hooldamise ajaks alati välja.
- Ärge laske plastosadel mitte mingil juhul sattuda kokkupuutesse auto pidurivedeliku, bensiini, bensiinipõhiste toodete, immutusõlidega või muude samalaadsete vedelikega. Kemikaalid võivad kahjustada, nõrgendada või hävitada plastiku, mis võib omakorda põhjustada vigastusi kasutajale.
- Kasutaja tohib vahetada või parandada ainult neid osi, mis on varuosade loetelus vastavalt tähistatud. Kõiki muid osi tohib vahetada ainult volitatud hoolduskeskuses.

⚠ HOIATUS

Ärge kasutage tööriistalt tolmu/mustuse eemaldamiseks suruõhku. Selline kasutusviis on ohtlik ja võib põhjustada mustuse ja abrasiivkübemetega väljapuhumist ja tekitada kellelegi silmakahjustusi.

KESKKONNAKAITSE



Taaskasutage materjale nende jäätmekäitluse andmise asemel. Masin, selle lisaseadmed ja pakend tuleb jäätmekäitluseks keskkonnasõbralikult sorteerida.

SÜMBOLID



Ouhuoiatus

n

Nimikiirus



Euraasia vastavusmärk



Ukraina vastavusmärgis



CE-vastavus



Enne seadme kasutamist lugege palun kasutusjuhend hoolega läbi.



Kandke kuulmise kaitsevahendeid



Kandke silmade kaitsevahendeid



Kandke tolmumaski.



Kandke turvakindaid



Ärge kasutage kildunud, pragunenud ja rikutud kettaid



Ärge kasutage löikamiseks



Kasutage kaitsekate



Metall



Mittekasutatavaid elektritooteid ei tohi visata olmejäätmete hulka. Vaid tuleb viia vastavasse kogumispunkti. Vajadusel küsige sellekohast nõu oma edasimüüjalt või vastavalt kohaliku omavalitsuse institutsioonilt.

ETTEVAATUST

(Ilma ohutussümbolita) Viitab olukorrale, mis võib põhjustada kahjustusi varale.

EN
FR
DE
ES
IT
NL
PT
DA
SV
FI
NO
RU
PL
CS
HU
RO
LV
LT
ET
HR
SL
SK
BG
UK
TR
EL

KASUTUSJUHENDIS KASUTATUD SÜMBOLID



Märkus



Eraldi ostetavad osad või tarvikud



Lahtikeeramine



Lukk

Järgnevad märguandesõnad ja tähendused on mõeldud selle toote kasutamiseiga seotud riskitasemete kirjeldamiseks.

OHT.

Osutab ähvardavale ohuolukorrale, mille mittevältimine lõpeb surma või tõsise vigastusega.

HOIATUS

Osutab võimalikule ohuolukorrale, mille mittevältimine võib lõppeda surma või tõsise kehavigastusega.

ETTEVAATUST

Osutab võimalikule ohuolukorrale, mille mittevältimine võib lõppeda väiksemate või mõõdukate kehavigastustega.



Vodeću ulogu u dizajnu vaše bežične kutne brusilice imaju sigurnost, performanse i pouzdanost.

NAMJENA

Kutna brusilica namijenjena je za korištenje samo od strane odraslih osoba koje su pročitale i razumiju upute i upozorenja u ovom priručniku te se mogu smatrati odgovornim za svoje radnje. Kutna brusilica namijenjena je samo za brušenje i rezanje metala. Samo odgovarajuće rezne ploče kao što je opisano u odjeljku specifikacija proizvoda ovog priručnika treba postaviti na kutnu brusilicu. Kutna brusilica namijenjena je za ručno rukovanje, nije namijenjena na montažu na radni stol.

Nemojte koristiti proizvod na bilo koji drugi način od onog za koji je namijenjen.

⚠ UPOZORENJE

Pročitajte sva sigurnosna upozorenja i sve upute. Nepodržavanje upozorenja i uputa navedenih u nastavku može dovesti do električnog udara, požara i/ili ozbiljnih tjelesnih ozljeda.

Spremite sva upozorenja i upute za buduće korištenje.

POSEBNE SIGURNOSNE UPUTE ZA KUTNE BRUSILICE

ČESTA SIGURNOSNA UPOZORENJA ZA RADOVE BRUŠENJA I ABRAZIVNOG REZANJA

- Ovaj električni alat namijenjen je da radi kao brusilica i rezni alat. Pažljivo pročitajte sva upozorenja, upute i specifikacije priložene uz alat i pogledajte crteže. Nepoštivanje svih uputa može dovesti do električnog udara, požara i / ili teške ozljede.
- Pomoću ovog električnog alata ne preporučuje se vršenje radova kao što su brušenje, brušenje žicom ili poliranje. Operacije za koju električni alat nije osmišljen predstavlja opasnost i prouzročiti ozljede.
- Ne koristite dodatke koji nisu namijenjeni ovom alatu i koji nije preporučio proizvođač. Samo zato što pribor može biti priključen na vaš električni alat, to ne osigurava siguran rad.
- Okretaja od pribora mora biti najmanje jednaka maksimalnu brzinu označen na električni alat. Dodaci koji rade na višim brzinama od njihove nominalne brzine mogu se slomiti ili izletjeti s alata.
- Vanjskog promjera i debljine vašeg pribora mora biti unutar ocjenjivanja sposobnosti vašeg uređaja. Pogrešno veličine pribor se ne može adekvatno čuvano ili kontrolirati.
- Navoj za montažu dodatnog pribora mora odgovarati navoju osovine brusilice. Za dodatni pribor montiran prirubnicama, sidreni otvor dodatnog pribora mora odgovarati promjeru lokacija prirubnice. Dodatni pribor koji ne odgovaraju pričvrstnim elementima električnog alata se okreću izvan balansa, previše vibriraju i mogu dovesti do gubitka kontrole.
- Nemojte koristiti oštećeni pribor. Prije svake upotrebe provjerite jesu li svi dodaci koje koristite u dobrom stanju: provjerite da brusne ploče nisu oštećene ili okrnute, da podložne pločice nisu polomljene ili pohabane, da niti metalne četke nisu

previše istrošene ili polomljene. Ako je AKU alat ili pribor pao, provjerite štetu ili ugradite neoštećen pribor. Ako je potrebno, stavite i masku protiv prašine, zaštitu od buke, rukavice i zaštitnu ploču kako biste se zaštitili od izljetanja dijelova komada kojeg obrađujete (brusni dijelovi, komadići drveta itd.). Ako je dodatak oštećen, tijekom ove provjere će se slomiti.

- **Nosite osobnu zaštitnu opremu.** Ovisno o primjeni, koristiti lice štít, zaštitne naočale i zaštitne naočale. Ako je potrebno, stavite i masku protiv prašine, zaštitu od buke, rukavice i zaštitnu ploču kako biste se zaštitili od izljetanja dijelova komada kojeg obrađujete (brusni dijelovi, komadići drveta itd.). Zaštita očiju mora biti sposoban zaustavljanja letućih krhotina generirani od strane različitih operacija. Maska protiv prašine filtrirat će prašinu koja se stvara tijekom rada. Duže izlaganje jakoj buci može dovesti do gubitka sluha.
- **Držite nazočnima sigurnoj udaljenosti od područja rada.** Svatko tko bi stupio u radno područje, mora nositi osobnu zaštitnu opremu. Krhotine izratka ili slomljena mogu odletjeti i uzrokovati ozljede i izvan neposrednog područja djelovanja.
- **Držite uređaj po izoliranim ručkama površina samo pri obavljanju operacije u kojoj rezanje skrivene ožičenja.** Dodirivanje „žive“ žice priborom za rezanje može izložiti metalne dijelove alata električnoj energiji i može dovesti do strujnog udara na operatera.
- **Nikad ne odlažite alat prije nego što se pokretni dijelovi sasvim ne zaustave.** Predenje alata mogu zgrabite i povucite površinu uređaja izvan vaše kontrole.
- **Ne uključujte alat dok ga prevozite.** Rotirajući dodatak može se zaplesti u vašu odjeću i ozbiljno vas ozlijediti.
- **Redovno čistite ventilacijske otvore alata.** Kroz ventilacijske otvore u unutrašnjost kucišta motora može dospjeti prašina što može uzrokovati pretjerano nakupljanje metalnih komadića i uzrokovati strujni udar.
- **Ne koristite uređaj u blizini zapaljivih tvari.** U slučaju otkakivanja, alat se odbacuje u smjeru suprotnom od smjera rotacije ploče.
- **Ne koristite pribor koji zahtijevaju tekućih sredstava za hlađenje.** Korištenje vode ili druge tekućine rashladne može dovesti do električnog udara.

DALJNJE SIGURNOSNE UPUTE ZA SVE OPERACIJE

Upozorenja na povratni udar i druge vezane opasnosti

Bakšiš je iznenadna reakcija ili kvrgav stegnut rotirajućeg kotača, prateći pad, četkom ili bilo koji drugi pribor. Štipanje ili snagging uzroka brzog odugovlačenje od rotirajućeg pribor što opet uzrokuje nekontrolirani uređaja biti prisiljeni u smjeru suprotno od dodatne opreme rotacije na mjestu vezanja.

Na primjer, ako je brusna ploča kvrgava ili prignječena od strane izratka, rub kotača koji ulazi u točnu prignječena se može zakopati u površinu materijala uzrokujući da se kotač popne iz prignječena ili iskoči. Kotača ili može skočiti prema ili od operatera, ovisno o smjeru kotača pokreta na mjestu štipanje. U slučaju otkakivanja može doći i do lomljenja brusne ploče.

Odkakivanje je dakle rezultat loše uporabe alata i/ili nepravilnih postupaka ili uvjeta upotrebe. Može ga se izbjeći ako se poštuju neke mjere opreza:

- **Održavati čvrst zahvat na električni alat i položaj**





vašeg tijela i ruke kako bi Vam omogućiti da se odupre silama povratnog udara. Ako alat ima pomoćnu ručku, svakako je držite kako biste imali optimalni nadzor nad alatom u slučaju odskakivanja ili da možete odgovarajuće reagirati u trenutku uključivanja uređaja. Poduzmite potrebne mjere kako biste alat mogli kontrolirati u slučaju odskakivanja ili jakog okretnog momenta.

- **Nikada ne stavljajte ruku u blizini rotirajuće pribor.** Alata mogu bakiš preko vaše ruke.
- **Ne poziciju vaše tijelo na području gdje se električni alat će se pomaknuti ako dođe do povratnog udara.** Bakiš će pokrenuti alat u smjeru suprotnom kotača pokreta na mjestu snagging.
- **Koristite posebna njega kod rada kutova, oštih rubova i sl. Nemojte alat zaglavljivati ili ispuštati iz ruku.** Uglovi, oštih rubova i odskakanje imaju tendenciju da uloviti rotirajuće pribor i dovesti do gubitka kontrole ili povratnog udara
- **Ne lijepite vidio lanac woodcarving pile ili nazubljeni list pile.** Takve oštrice povećavaju rizik od odskakivanja i gubitka nadzora na alatom.

SPECIFIČNA SIGURNOSNA UPOZORENJA ZA RADOVE BRUŠENJA I ABRAZIVNOG REZANJA

- **Koristite samo vrste kotača koji se preporučuju za vaš električni alat i posebni štitnik namijenjen za odabrani kotač.** Rezna ploče koje nisu namijenjene za električni alat ne mogu se odgovarajuće zaštititi i nisu sigurni.
- **Površina za brušenja središta brusne ploče mora biti montirana ispod ravnine štitnika** Nepravilno montirana ploče koja prolazi kroz ravninu štitnika ne može se pravilno zaštititi.
- **Štitnik mora biti čvrsto postavljen i pozicioniran na električni alat radi maksimalne sigurnosti, tako da je minimalna količina kotača izložena prema rukovatelju.** Štitnik pomaže zaštititi rukovatelja od dijelica slomljene ploče, slučajnog kontakta s pločom te od iskri koje mogu zapaliti odjeću.
- **Kotači se moraju koristiti samo za preporučene primjene. Na primjer, nemojte brusiti s bočnom stranom reznog kotača.** Abrazivne rezne ploče namijenjene su za površinsko brušenje, primjena bočnih sila na ove kotače može dovesti do njihovog pucanja.
- **Za vaš odabrani kotač uvijek koristite neoštećene prirubnice kotača koje su točne veličine i oblika.** Pravilna prirubnica kotača podupire kotač te stoga smanjuje mogućnost lomljenja kotača. Prirubnice za rezne kotače mogu se razlikovati od prirubnica za brusne kotače.
- **Nemojte koristiti istrošene kotače za alate velike snage.** Kotač namijenjen za alat velike snage nije prikladan za velike brzine manjeg alata i može prsnuti.

DODATNA SIGURNOSNA UPOZORENJA SPECIFIČNA ZA RADOVE ABRAZIVNIM REZANJEM

- **Nemojte „zaglavljivati“ reznu ploču ili primjenjivati prekomjerni pritisak. Nemojte pokušavati učiniti pređubok rez.** Prekomjerno naprezanje ploče povećava opterećenje i mogućnost uvrtnja ili savijanja ploče prilikom reza i mogućnost povratnog udara ili pucanja ploče.
- **Nemojte postavljati tijelo u liniju s i iza ploče za**

rezanje. Kad se rezna ploča, u točki rada odmiče od vašeg tijela, može doći do mogućeg povratnog udara rotirajuće ploče i električnog alata prema vama.

- **Kad se rezna ploča savije ili kod prekida reza iz bilo kojeg razloga, isključite električni alat i držite alat bez kretanja kako bi se rezna ploča potpuno zaustavila. Nikada ne pokušavajte ukloniti reznu ploču iz reza dok je ploča u pokretu, u suprotnom može doći do povratnog udara.** Istražiti i poduzeti korektivne akcije kako bi se uklonili uzrok kotača obvezujuće.
- **Nemojte ponovno pokretati radnju rezanja u izratku. Neka rezna ploča dostigne punu brzinu i pažljivo ponovno nastavite rezati.** Ploča se može saviti, isključiti ili odskočiti unatrag ako se električni alat ponovno pokreće u izratku.
- **Poduprite ploče ili bilo koji izradak velikih dimenzija kako biste smanjili prignječenje i povratni udar rezne ploče.** Veliki izratci se uvijaju pod svojom vlastitom težinom. Potporniji se moraju postaviti ispod izratka na obim stranama, blizu crte rezanja i pored ruba izratka.
- **Budite izrazito oprezni kada radite „prividni rez“ u postojećim zidovima ili područjima u kojima ne vidite rez.** Ploča koja izviruje može odrezati cijevi od plina ili vode, električne žice ili predmete koji mogu uzrokovati povratni udar.

DODATNA SIGURNOSNA UPOZORENJA

UPOZORENJE

Prije paljenja proizvoda uvijek prvo provjerite je li gumb za blokiranje vretena do kraja otpušten.

PREOSTALE OPASNOSTI

Čak i kad je proizvod korišten kao što je prethodno opisano, još uvijek nije moguće potpuno isključiti ostale čimbenike opasnosti. Može doći do sljedećih opasnosti prilikom korištenja i operator mora obratiti posebnu pozornost kako bi izbjegao sljedeće:

- **Ozljede uzrokovane odbacivanjem čestica**
 - Metalne ili abrazivne čestice mogu ući u oči i prouzročiti njihovo teško i trajno oštećenje. Nosite naočale odobrene za radove brušenje prilikom rada s proizvodom.
- **Ozljede uzrokovane vibracijom**
 - Ograničite izloženost. Pogledajte „Smanjenje Opasnosti“.
- **Ozljede uzrokovane prašinom**
 - Nosite odgovarajuću masku s prikladnim filterima koji štite od prašine od materijala na kojem se radi i abrazivnih čestica od ploče za brušenje. Nemojte jesti, piti ili pušiti u radom području. Osigurajte odgovarajuću ventilaciju radnog mjesta.
- **Ozljede od kontakta s pločom za brušenje**
 - Ploča i izradak postaju vrući tijekom korištenja. Nosite rukavice prilikom izmjene ploče ili doticanja izratka. Držite ruke dalje od područja brušenja. Pričvrstite izradak gdje got je moguće.
- **Ozljede uzrokovane bukom**
 - Produljeno izlaganje buci povećava opasnost



oštećenja sluha, a učinak je kumulativan. Kada koristite AKU alate za dulje vremensko razdoblje, nosite zaštitu za sluh.

⚠ UPOZORENJE

Ozljede mogu biti uzorkovane ili izazvane produljenim vremenskim razdobljem korištenja alata. Kada koristite bilo koji alat dulje vremena, osigurajte da uzimate povremene stanke.

SMANJENJE OPASNOSTI

Prijavljeno je da vibracije alata kod određenih pojedinaca mogu doprinijeti stanju pod nazivom Raynaud's Syndrome. Simptomi mogu uključivati trnce, ukočenost i bjelinu prstiju, obično uočljivo po izlaganju hladnoći. Smatra se da nasljedne osobine, izlaganje hladnoći i vlazi, dijeta, pušenje i radni postupci pridonose razvoju ovih simptoma. Postoje mjere koje operator može poduzeti kako bi smanjio moguće učinke vibracije:

- Održavajte svoje tijelo toplim u hladnim vremenskim uvjetima. Kad radite s uređajem nosite rukavice kako biste ruke i zglobove održavali toplima. Prijavljeno je da je hladnoća glavni čimbenik koji doprinosi Raynaud's Syndrome.
- Nakon svakog perioda rada vježbajte kako biste povećali cirkulaciju krvi.
- Uzimajte česte stanke u radu. Ograničite količinu izlaganja po danu.

Ako osjetite neke od simptoma ovog stanja, odmah prekinite korištenje i obratite se svome liječniku vezano uz ove simptome.

UPOZNAJTE SVOJ PROIZVOD

Pogledajte stranicu 109.

1. Gumb za zaključavanje osovine
2. Sklopka za pokretanje
3. Gumb poluge za zaključavanje
4. Beزالatni štitičnik
5. Bočna ručka
6. Ulaz za bateriju
7. Vanjska prirubnica
8. Brus
9. Prirubnica
10. Rezna ploča (nije uključena)
11. Beزالatni štitičnik za zaštitu od posjekotina (nije uključena)

ODRŽAVANJE

- Prilikom servisiranja koristite samo identične zamjenske dijelove. Korištenje nekih drugih dijelova može dovesti do opasnosti ili uzrokovati oštećenje alat.
- Prilikom čišćenja plastičnih dijelova izbjegavajte koristiti kemijska sredstva. Većina plastika je podložna oštećenju od različitih vrsta komercijalnih kemijskih sredstava za čišćenje i mogu se oštetiti prilikom njihovog korištenja. Za uklanjanje prljavštine, prašine, ulja, masnoće itd., koristite čistu krpu.
- Uvijek tijekom rada s proizvodom ili prilikom ispuhivanja prašine nosite zaštitne naočale i zaštitne naočale s bočnim štitičnicima. Ako radite u prašini nosite i masku za zaštitu od prašine.
- Za izbjegavanje ozbiljnih ozljeda uvijek uklonite bateriju

iz proizvoda prilikom čišćenja ili izvođenja bilo kakvog održavanja.

- Nikada ne dopustite kontakt plastičnih dijelova s tekućinom za kočnice, benzinom, proizvodima na bazi petroleja, sredstvima za odmašćivanje, idr. Kemijske mogu oštetiti, oslabiti ili uništiti plastiku što može dovesti do ozbiljnih osobnih ozljeda.
- Samo dijelovi koji su prikazani na popisu dijelova su namijenjeni da budu popravljivi ili zamijenjeni od strane korisnika. Svi drugi dijelovi trebaju biti zamijenjeni od strane ovlaštenog servisnog centra tvrtke.

⚠ UPOZORENJE

Nemojte koristiti komprimirani zrak za uklanjanje prašine iz proizvoda. Ove čestice su opasne i mogu uzrokovati prijavštinu i biti odbačene te ozlijediti nečije oči.

ZAŠTITA OKOLIŠA



Sirovine reciklirajte, umjesto da ih odlažete kao otpad. Kako biste zaštitili okoliš, alat, dodatke i ambalažu treba odvojeno bacati u otpad.

SIMBOLI



Sigurnosno upozorenje

n

Nazivna brzina



EurAsian znak konformnosti



Ukrajinska oznaka za sukladnost



CE usklađenost



Molimo da pažljivo pročitate upute prije pokretanja stroja.



Nosite zaštitu za sluh



Nosite zaštitu za vid



Nosite masku protiv prašine.



Nosite zaštitne rukavice



Nemojte koristiti zarezanu, puknutu ili oštećenu brusnu ploču



Nemojte koristiti za rezanje



Koristite štitnik



Metal



Otpadni električni proizvodi ne treba da se odlažu s otpadom iz domaćinstva. Molimo da reciklirate gdje je to moguće. Potražite savjet od lokalnih vlasti ili prodavca kako reciklirati.

SIMBOLI U PRIRUČNIKU



Napomena



Dijelovi ili pribor prodan odvojeno



Otključavanje



Brava

Slijedeće riječi upozorenja i značenja imaju namjeru da objasne nivo rizika u vezi s ovim proizvodom.

OPASNOST

Naznačuje prijeteću opasnu situaciju, koja ako se ne izbjegne dovodi do smrti ili ozbiljnih ozljeda.

UPOZORENJE

Naznačuje potencijalno opasnu situaciju, koja ako se ne izbjegne dovodi do smrti ili ozbiljnih ozljeda.

OPREZ

Naznačuje potencijalno opasnu situaciju, koja ako se ne izbjegne dovodi do lakših ili srednjih ozljeda.

OPREZ

(Bez simbola upozorenja sigurnosti) Označava situaciju koja može izazvati oštećenje imovine



Brezžična kotna brusilka je zasnovana in izdelana za zagotavljanje najvišje ravni varnosti, učinkovitosti in zanesljivosti delovanja.

NAMEN UPORABE

Kotni brusilnik je namenjen odraslim, ki so prebrali in razumejo navodila in opozorila v tem priročniku in ki so odgovorni za svoja dejanja. Kotni brusilnik je namenjen samo brušenju in rezanju kovin. Na kotni brusilnik nameščajte samo ustrezne brusilne plošče, kot je opisano v razdelku s tehničnimi podatki v teh navodilih. Kotni brusilnik je zasnovan za ročno uporabo in ni namenjen za fiksiranje ali montažo na delovno mizo.

Izdelka ne uporabljajte na noben način, ki ni predpisan za to napravo.

⚠ OPOZORILO

Preberite vsa varnostna opozorila in navodila. Neupoštevanje opozoril in navodil lahko privede do električnega udara, požara in/ali resnih poškodb.

Vsa opozorila in vsa navodila shranite za bodočo referenco.

VARNOSTNA OPOZORILO ZA KOTNI BRUSILNIK

VARNOSTNA OPOZORILO ZA BRUŠENJE IN BRUSILNO REZANJE

- To električno orodje je zasnovano kot orodje za brušenje in rezanje. Preberite vsa varnostna opozorila, navodila, ilustracije in specifikacije, ki so priložene temu električnemu orodju. Če ne upošteвате opozoril in navodil, lahko pride do električnega udara, ognja in/ali hudih poškodb.
- Orodja ni priporočljivo uporabljati za brušenje z brusilnim papirjem, žično brušenje ali poliranje. Operacije, za katere električno orodje ni bilo predvideno, so lahko tvegane in lahko povzročijo telesne poškodbe.
- Ne uporabljajte dodatkov, ki jih proizvajalec orodja izrecno ne priporoča. Samo dejstvo, da je dodatek mogoče priključiti na vaše električno orodje, ne zagotavlja varnega delovanja.
- Označena hitrost dodatka mora biti najmanj enaka maksimalni hitrosti, označeni na električnem orodju. Dodatki, ki delujejo hitreje, kot je njihova označena hitrost, se lahko polomijo in razletijo.
- Zunanji premer in debelina vašega dodatka morata biti znotraj oznake zmogljivosti vašega električnega orodja. Dodatki nepravilne velikosti ne boste mogli ustrezno nadzorovati.
- Navojne dodatke pritrdite tako, da se ujemajo z navojem vretena brusilnika. Pri dodatkih, ki so pritrjeni s prirobnicami, se mora sprejemna odprtina na dodatku prilegati vgraditvenemu premeru prirobnice. Če se dodatki ne ujemajo z namestitvenimi elementi električnega orodja, ne bodo uravnoteženi in bodo prekomerno vibrirali, zato lahko izgubite nadzor.
- Ne uporabljajte poškodovanih dodatkov. Pred vsako uporabo pregledajte dodatke: preverite, če so na brusnih kolesih okrušena mesta ali razpoke, na podpornih blazinicah razpoke, raztrganine ali prevelika obraba oz. na žičnih ščetkah nepritrjene

ali polomljene žice. Če vam električno orodje ali dodatek padeta iz rok, preverite, ali sta se morda poškodovala, oz. namestite nepoškodovan dodatek. Potem ko ste pregledali in namestili dodatek, poskrbite, da boste vi sami in morebitne druge osebe stali dovolj stran od vrtečega se dodatka, ter poženite električno orodje s polno hitrostjo brez obremenitve za eno minuto. Poškodovani dodatki običajno v takem testnem času odletijo.

- Nosite osebno varovalno opremo. Glede na uporabo orodja nosite obrazno masko in varnostna očala. Po potrebi nosite proti-prašno masko, zaščito za sluh, rokavice in delovni predpasnik, ki lahko zadrži drobne ostanke brušenja ali drobne delce obdelovanca. Očesna zaščita mora biti zadostna, da ustavi leteče drobce, ki nastajajo pri različnih operacijah. Proti-prašna maska ali dihalni aparat morata biti sposobna filtriranja delcev, ki nastajajo pri vašem delu. Daljša izpostavljenost zelo intenzivnemu hrupu lahko povzroči okvaro sluha.
- Pazite, da bodo morebitni gledalci dovolj oddaljeni od delovnega območja. Vsaka oseba, ki vstopi v delovno območje, mora nositi sredstva za osebno zaščito. Delci obdelovanega kosa ali odlomljen dodatek lahko poleti po zraku in povzročijo poškodbe izven neposrednega območja dela.
- Ko izvajate operacijo, pri kateri lahko dodatek za rezanje pride v stik s skritim ožičenjem, držite električno orodje le na izoliranih površinah, predvidenih za držanje. Če se pripomočki za rezanje dotaknejo žice, ki je pod električno napetostjo, lahko izpostavljeni kovinski deli električnega orodja povzročijo električni udar.
- Nikoli ne odlagajte električnega orodja, dokler se dodatek ni popolnoma ustavil. Vrteči se dodatek lahko zgrabi površino in izgubili boste nadzor nad orodjem.
- Ne vključujte električnega orodja, kadar ga nosite ob telesu. Vrteče se orodje lahko nehote pride v stik z vašim oblačilom in potegne dodatek proti vam.
- Redno čistite zračne odprtine na električnem orodju. Ventilator motorja bo potegnil prah v ohišje, preveliko nabiranje kovinskega prahu pa lahko povzroči električno tveganje.
- Ne uporabljajte električnega orodja v bližini vnetljivih materialov. Zaradi iskrice se ti materiali lahko vžgejo.
- Ne uporabljajte dodatkov, pri katerih je potreba hladilna tekočina. Pri uporabi vode ali drugih hladilnih tekočin lahko pride do električnega udara.

NADALJNJA VARNOSTNA NAVODILA ZA VSE OPERACIJE

Opozorila glede povratnih udarcev in podobnih primerov

Povratni udarec je nenadna reakcija zataknenega ali zagozdenega vrtečega se kolesa, podporne blazinice, krtače ali kateregakoli drugega dodatka. Zagozdenje ali zatikanje povzroči nenadno blokado vrtečega se dodatka, ki zaradi tega povzroči nekontrolirano premikanje električnega orodja v nasprotno smer od rotacije dodatka.

Na primer, če se brusno kolo zatakne ali zagozdi na obdelovancu, se lahko rob kolesa, ki vstopa v točko zatikanja, zakopje v površino materiala, kar povzroči, da se kolo nenadoma pomakne ali skoči navzven. Kolo lahko





poskoči proti uporabniku ali proč od njega, odvisno od smeri premikanja kolesa v trenutku zagozditve. Brusna kolesa lahko v takih pogojih tudi počijo.

Izogibajte se mu lahko tako, da upoštevamo ustrezne previdnostne ukrepe, ki so navedeni v nadaljevanju.

- **Trdno držite električno orodje in postavite svoje telo in roko tako, da boste lahko kljubovali sili povratnega udarca.** Vedno uporabljajte pomožni ročaj, če je na voljo, saj boste imeli na ta način večji nadzor nad povratnim udarcem ali protivrtilnim momentom v času zagona. Uporabnik lahko nadzira protivrtilni moment ali silo povratnega udarca, če se je nanje pravilno pripravil.
- **Nikoli ne približujte roke vrtečemu se dodatku.** Dodatek lahko zaradi povratnega udarca sune v vašo roko.
- **Ne postavljajte se s telesom v območje, kamor se bo premaknilo električno orodje, če pride do povratnega udarca.** Povratni udarec bo potisnil orodje v nasprotni smeri od premikanja kolesa v trenutku zagozditve.
- **Posebej bodite previdni pri obdelavi vogalov, ostrih robov itd. Izogibajte se poskakovanju in zaletavanju dodatka.** Zaradi vogalov, ostrih robov ali poskakovanja se lahko vrteči se dodatek zaleti, zaradi česar izgubite nadzor nad njim ali pride do povratnega udarca.
- **Ne pritrjujte verižne žage, rezila za obdelavo lesa ali zobatega rezila žage.** Taka rezila pogosto povzročijo povratni udarec in izgubo nadzora.

VARNOSTNA OPOZORILA, SPECIFIČNA ZA BRUŠENJE IN BRUSILNO REZANJE

- **Uporabljajte le vrste kolutov, ki so priporočene za vaše orodje in specifična varovala, ki so zasnovana za izbrani kolut.** Kolutov, za katere orodje ni bilo izdelano, ni mogoče ustrezno zaščititi, zato jih ni varno uporabljati.
- **Brusilna površina kolenastih brusilnih kolutov mora biti nameščena pod ravnino robu varovala.** Nepravilno nameščenega koluta, ki sega iz ravnine robu varovala, ni mogoče ustrezno zaščititi.
- **Varovalo mora biti trdno pritrjeno na orodje in nameščeno v takem položaju, da zagotavlja najboljšo zaščito tako, da je upravljavcu izpostavljen čim manjši del koluta.** Varovalo pomaga varovati upravljavca pred drobci koluta, nenamernim stikom s kolutom in iskrami, ki bi lahko vnele oblačila.
- **Kolute smete uporabljati le za priporočeno uporabo. Zato, na primer, ne brusite s stranjo rezilnega koluta.** Abrazivni rezalni koluti so namenjeni obrobnemu brušenju; stranske sile, ki delujejo na kolute lahko povzročijo, da se koluti zdrobijo.
- **Vedno uporabljajte nepoškodovane prirobnice kolutov pravilne velikosti in oblike za izbrani kolut.** Ustrezne prirobnice kolutov podpirajo kolut in tako zmanjšujejo možnost, da se kolut zlomi. Prirobnice rezilnih kolutov so lahko drugačne od prirobnic brusilnih kolutov.
- **Ne uporabljajte obrabljenih kolutov večjih orodij.** Koluti, namenjeni za uporabo z večjimi orodji, niso primerni za višje hitrosti manjših orodij in se lahko razletijo.

DODATNA VARNOSTNA OPOZORILA ZA BRUSILNO REZANJE

- **Rezalnega koluta ne zagozdite in ne pritiskajte premočno. Ne poskušajte prekomerno zarezati v globino.** Prekomeren pritisk na kolut poveča obremenjenost in s tem dovzetnost za upogibanje ali zvijanje koluta v rezu ter možnost povratnega udarca ali zloma koluta.
- **Telesa ne postavljajte v linijo z vrtečim se kolutom ali za kolut.** Ko se kolut med delovanjem pomika proč od vašega telesa, lahko možen povraten udarec vrže vrteči se kolut in orodje naravnost v vas.
- **Če se kolut upogiba ali če rezanje prekinete zaradi kateregakoli vzroka, izklopite orodje in ga držite v mirovanju, dokler se kolut popolnoma ne ustavi. Rezalnega koluta nikoli ne poskušajte odstraniti iz reza, medtem ko se kolut premika, saj lahko pride do povratnega udarca.** Preiščite situacijo in ukrepajte tako, da boste odstranili vzrok za ustavev kolesa.
- **Rezanja obdelovanca ne začnite znova. Kolut naj doseže polno hitrost, nato pa previdno ponovite rez.** Kolut se lahko upogne, nenadzorovano premakne ali udari nazaj, če električno orodje ponovno zaženete v obdelovancu.
- **Plošče ali prevelike obdelovance ustrezno podprite, da zmanjšate tveganje za stiskanje koluta in povratni udarec.** Veliki obdelovanci se lahko zaradi svoje lastne teže upognejo. Podpore morajo biti nameščene pod obdelovanec na obeh straneh, blizu linije rezanja in na robu obdelovanca.
- **Pri potopnem rezanju v obstoječo steno ali druge polne površine bodite posebej pazljivi.** Štrleči del koluta lahko reže plinske ali vodne cevi, električne žice ali predmete, ki lahko povzročijo povratni udarec.

EN
FR
DE
ES
IT
NL
PT
DA
SV
FI
NO
RU
PL
CS
HU
RO
LV
LT
ET
HR
SL
SK
BG
UK
TR
EL



DODATNA VARNOSTNA OPOZORILA

⚠ OPOZORILO

Pred vklopom izdelka se vedno prepričajte, da je gumb za zaklenitev vretena popolnoma sproščen.

PREOSTALA TVEGANJA

Nekateri preostalih dejavnikov tveganja ni mogoče povsem odpraviti, tudi če ta izdelek uporabljate v skladu z navodili. Med uporabo se lahko pojavijo nekatere nevarnosti, upravljavec pa naj bo pozoren na naslednje:

- Poškodbe zaradi odbitih delcev
 - Kovinski ali abrazivni delci lahko zaidejo v oči in povzročijo trajne poškodbe. Pri uporabi izdelka nosite zaščitna očala, namenjena za brušenje.
- Poškodbe zaradi vibracij
 - Omejite izpostavljenost. Glejte »Zmanjševanje Tveganj«.
- Poškodbe zaradi prahu
 - Nosite ustrezno masko za zaščito pri izpostavljenosti prahu, ki lahko zaščiti pred prahom, ki nastaja pri obdelovanju materiala, in abrazivnimi delci brusilnega koluta. V delovnem območju je prepovedano jesti, piti in kaditi. Zagotovite ustrezno prezračevanje.
- Poškodbe zaradi stika z brusilnim kolutom



- Kolut in obdelovanec se med uporabo segrejeta. Pri menjavanju kolutov ali dotikanju obdelovanca nosite zaščitne rokavice. Roke vedno držite stran od območja brušenja. Obdelovanec vedno, kadar je mogoče, fiksirajte.
- Poškodbe zaradi hrupa
 - Daljša izpostavljenost hrupu poveča tveganje za poškodbe sluha in učinki se seštevajo. Kadar električna orodja uporabljate dalj časa, nosite zaščitno opremo za ušesa.

⚠ OPOZORILO

Zaradi daljše uporabe orodja lahko pride do poškodb oz. se morebitne poškodbe poslabšajo. Kadar orodje uporabljate dalj časa, si večkrat vzemite odmor.

ZMANJŠANJE TVEGANJA

Poročali so že, da lahko vibracije ročnih orodij pri nekaterih posameznikih pripomorejo k razvoju Raynaudovega sindroma. Simptomi so lahko mravljinci, otrplost in pobeljeni prsti, kar je običajno vidno, kadar je oseba izpostavljena mrazu. Dedni dejavniki, izpostavljenost mrazu in vlagi, dieta, kajenje in delovne navade naj bi pripomogle k razvoju teh simptomov. Za zmanjšanje učinkov vibracij lahko upravljavec upošteva naslednja navodila:

- Poskrbite, da bo vaše telo na mrazu toplo. Med upravljanjem nosite rokavice in tako ohranjate toploto vaših dlani in zapestij. Kot poročajo, je mraz glavni dejavnik, ki prispeva k Raynaudovemu sindromu.
- Po vsakem obdobju upravljanja naprave telovadite in tako pospešite krvni obtok.
- Pogosto si vzemite odmor. Omejite dnevno količino izpostavljenosti.

Če zaznavate kakršnekoli simptome takšnega stanja, takoj prenehajte z uporabo naprave in se posvetujte z zdravnikom.

SPOZNAJTE SVOJ IZDELEK

Glej stran 109.

1. Gumb za blokado vretena
2. Sprožilo stikala
3. Zapora vzvoda za varovalo
4. Varovalo za uporabo brez orodja
5. Stranska ročica
6. Priklop za bateriji
7. Zunanja prirobnica
8. Brusni kolut
9. Kolutna prirobnica
10. Rezilni žagin list (ni priložena)
11. Varovalo rezila za uporabo brez orodja (ni priložena)

VZDRŽEVANJE

- Ob servisiranju uporabljajte samo identične nadomestne dele. Uporaba drugih delov lahko pomeni tveganje ali povzroči škodo na izdelku.
- Pri čiščenju plastičnih delov se izogibajte toplom. Večina vrst plastike se poškoduje, če uporabljate različne vrste komercialnih topil. Uporabite čiste krpe za odstranjevanje prahu, umazanije, olja, masti itd.
- Med upravljanjem stroja ali ko pihate prah, vedno nosite zaščitna očala ali očala s stransko zaščito. Če pri delu nastaja prah, nosite tudi zaščitno masko proti prahu.

- Da se izognete resnim telesnim poškodbam med vsakršnim postopkom čiščenja in vzdrževanja, iz naprave vedno odstranite baterije.
- Zavorna tekočina, gorivo, izdelki na osnovi nafte, prodirajoče olje ipd. nikoli ne smejo priti v stik s plastičnimi deli. Kemikalije lahko poškodujejo, oslabijo ali uničijo plastiko, kar lahko ima za posledico tudi resne telesne poškodbe.
- Uporabnik lahko zamenja samo rezervne dele, ki so navedeni na seznamu delov, ki jih lahko zamenja ali popravlja uporabnik sam. Vse druge rezervne dele je treba zamenjati v pooblaščenem servisnem centru.

⚠ OPOZORILO

Iz izdelka prahu ne spihujte s stisnjenim zrakom. Takšno ravnanje je nevarno in lahko povzroči dvig umazanije ter peska in posledično poškoduje oči.

ZAŠČITA OKOLJA



Namesto, da napravo zavržete, reciklirajte surovine. Napravo, pribor in embalažo je treba sortirati za okolju prijazno recikliranje.

SIMBOLI



Varnostno opozorilo

n

Nazivna hitrost



EurAsian oznaka o skladnosti



Ukrajinska oznaka za skladnost



Skladnost CE



Prosimo, da si pred zagonom naprave pozorno preberete navodila



Nosite zaščito za ušesa



Nosite zaščito za oči



Nosite protiprašno masko.



Nosite zaščitne rokavice



Ne uporabljajte odkrušenih, počenih ali poškodovanih brusilnih kolutov



Ne uporabljajte za rezanje



Uporabite varovalo



Kovina



Odpadne električne izdelke ne odlagajte skupaj z ostalimi gospodinjskimi odpadki. Reciklažo opravljajte na predpisanih mestih. Za nasvet se obrnite na lokalne oblasti.

SIMBOLI V PRIROČNIKU



Opomba



Deli ali dodatki so na prodaj ločeno



Odklenjeno



Zaklenjeno

Sledeče signalne besede in pomeni naj bi pojasnili ravni tveganja, ki so povezane s tem izdelkom.

NEVARNOST

Označuje neizogibno nevarno stanje, ki lahko povzroči smrt ali hude poškodbe, če ga ne preprečite.

OPOZORILO

Označuje morebitno nevarno stanje, ki bi lahko povzročilo smrt ali hude poškodbe, če ga ne preprečite.

POZOR

Označuje morebitno nevarno stanje, ki lahko povzroči manjše ali zmerne poškodbe, če se ga ne preprečite.

POZOR

(Brez simbola Varnostni alarm) Označuje stanje, ki lahko privede do poškodovanja lastnine.



Bezpečnosť, efektívnosť a spoľahlivosť boli prvoradáre pri navrhovaní vašej uhlovej brúsky.

ÚČEL POUŽITIA

Táto uhlová brúška je určená len na použitie dospelými osobami, ktoré si prečítali a porozumeli pokynom a výstrahám v tomto návode a možno ich považovať za zodpovedajúce za svoje činy. Uhlová brúška je určená len na brúsenie a rezanie kovov. Na uhlovú brúsku možno montovať len príslušné brúsne disky podľa popisu v sekcii špecifikácií produktu v tomto návode. Uhlová brúška je určená na ručné použitie, nie je určená na montáž na upínací prvok alebo pracovný stôl.

Tento produkt nepoužívajte žiadnym iným spôsobom, ako je uvedené v účele použitia.

⚠ VAROVANIE

Prečítajte si všetky bezpečnostné výstrahy a pokyny. Ak nerešpektujete a inštrukcie, môže to mať za následok úraz elektrickým prúdom, požiar a/alebo vážne zranenie.

Odložte všetky výstrahy a pokyny pre budúce použitie.

BEZPEČNOSTNÉ OPATRENIA PRE UHLOVÚ BRÚSKU

BEZPEČNOSTNÉ VÝSTRAHY ŠPECIFICKÉ PRE BRÚSENIE A ABRAZÍVNE ROZBRUSOVANIE

- Tento nástroj slúži ako brúška a rozbrusovačka. Prečítajte si všetky výstrahy, pokyny, vyobrazenia a špecifikácie dodané k tomuto elektrickému nástroju. Pri nedodržaní týchto výstrah a pokynov môže dôjsť k úrazu elektrickým prúdom, požiaru a/alebo závažnému poraneniu
- S týmito elektrickým nástrojom sa neodporúča vykonávať operácie ako pieskovanie, brúsenie drôteným kotúčom alebo leštenie. Pri vykonávaní operácií, pre ktoré nie je tento elektrický nástroj určený, vzniká riziko poranenia osôb.
- Nepoužívajte príslušenstvo, ktoré nie je konkrétne určené a odporúčané výrobcom náradia. To, že príslušenstvo sa dá nasadiť na váš elektrický nástroj, ešte neznamená, že bude pri tom zaistená bezpečná prevádzka.
- Menovitá rýchlosť príslušenstva môže byť maximálne rovnaká maximálnej rýchlosti vyznačenej na elektrickom náradí. Príslušenstvo pracujúce na vyššej ako svojej menovitej rýchlosti, sa môže rozbiť a rozpadnúť.
- Vonkajší priemer a hrúbka vášho príslušenstva musí byť v rozmedzí menovitej kapacity elektrického náradia. Príslušenstvo nepravnej veľkosti nie je možné primerane viesť a ovládať.
- Závitová držiak príslušenstva musí zodpovedať závitú vretien brúsky. Pri príslušenstve montovanom pomocou prírub musí upínací otvor príslušenstva zodpovedať vodiacemu priemeru príruby. Príslušenstvo, ktoré nezodpovedá montážnemu náradíu elektrického nástroja, sa dostane mimo rovnováhu, spôsobí nadmerné vibrácie a môže spôsobiť stratu kontroly.
- Nepoužívajte poškodené príslušenstvo. Pred každou kontrolou príslušenstva, napríklad

abrazívnych kotúčov, skontrolujte, či neobsahuje úlomky alebo praskliny, oporné podložky, nie sú zoderaté alebo nadmerne opotrebované, drôtené kotúče, či nie sú uvoľnené alebo nemajú popraskané vlákna. Ak elektrické náradie alebo príslušenstvo spadnú, skontrolujte prípadné poškodenie alebo namontujte nepoškodené príslušenstvo. Po skontrolovaní a namontovaní príslušenstva sa postavte vy aj okolostojaci mimo roviny rotujúceho príslušenstva a na jednu minútu spustíte elektrický náradie na maximálnu rýchlosť bez záťaže. Poškodené príslušenstvo sa zvyčajne počas tohto testu rozpadne.

- Používajte osobné ochranné prostriedky. V závislosti od použitia používajte chránič na tvár, ochranné alebo bezpečnostné okuliare. Podľa potreby používajte protiprachovú masku, chrániče sluchu, rukavice a pracovnú zásteru schopnú zachytiť malé úlomky brusiva alebo obrobku. Chránič zraku musí byť schopný zastaviť odletujúce úlomky vytvárané pri rôznych úkonoch. Protiprachová maska alebo respirátor musia byť schopné filtrovať častičky vytvárané pri vašej činnosti. Dlhodobé vystavovanie hluku môže spôsobiť stratu sluchu.
- Okolostojacich udržiavajte v bezpečnej vzdialenosti od pracoviska. Každá osoba, ktorý vstúpi do oblasti pracoviska, musí mať osobné ochranné pomôcky. Úlomky obrobku alebo poškodené príslušenstvo môže odletieť a spôsobiť poranenie aj mimo bezprostredného miesta práce.
- Pri vykonávaní operácie, kedy môže rezacie náradie prísť do kontaktu so skrytým vedením, držte náradie za izolované úchopné miesta. Pri kontakte rezacieho príslušenstva so „živým“ vodičom by mohli byť obnažené kovové diely pod prúdom a spôsobiť obsluhujúcemu úder elektrickým prúdom.
- Nikdy elektrický nástroj neodkladajte, kým sa príslušenstvo úplne nezastavilo. Otáčajúce sa príslušenstvo môže zachytiť a stiahnuť elektrické náradie mimo vašej kontroly.
- Nikdy nespúšťajte elektrické náradie, keď ho nosíte na boku. Pri náhodnom kontakte s otáčajúcim sa príslušenstvom by vám mohlo zachytiť odev a stiahnuť príslušenstvo smerom na vaše telo.
- Pravidelne čistite vzduchové priechody elektrického náradia. Ventilátor motora vŕha prach dovnútra a nadmerné nahromadenie práškoveho kovu môže spôsobiť ohrozenie elektrickým prúdom.
- Nepracujte s elektrickým náradím v blízkosti zápalných materiálov. Iskry mohli spôsobiť vznietenie týchto materiálov.
- Nepoužívajte príslušenstvo, ktoré vyžadujú tekuté chladivá. Pri použití vody alebo iného tekutého chladiva by mohlo dôjsť k usmrteniu alebo úderu elektrickým prúdom.

ĎALŠIE BEZPEČNOSTNÉ POKYNY PRE VŠETKY OPERÁCIE

Spätný náraz a súvisiace výstrahy

Spätný náraz je náhla reakcia na zovretý alebo pritlačený rotujúci kotúč, opornú podložku, kefku alebo iné príslušenstvo. Zoškrtenie alebo pritlačenie spôsobí náhle spomalenie otáčajúceho sa príslušenstva, čo zase spôsobí nekontrolované uskočenie elektrického náradia v opačnom smere ako otáčanie príslušenstva v momente zovretia.





Napríklad, ak obrobok priškrtní alebo pritlačí rozbrusovací kotúč, okraj kotúča vstupujúceho do bodu priškrtenia môže spôsobiť jeho vrytie do povrchu materiálu, čo spôsobí vytiahnutie alebo vykopnutie kotúča. Kotúč môže byť vyskočiť dopredu alebo dozadu od obsluhujúcej osoby, v závislosti od smeru pohybu kotúča v momente priškrtenia. Za týchto podmienok môžu tiež prasknúť abrazívne kotúče.

Spätňý náraz je výsledok nesprávneho použitia nástroja a/alebo nesprávnych prevádzkových postupov a možno mu predchádzať vykonávaním príslušných predbežných opatrení uvedených nižšie.

- **Udržiavajte pevný úchop elektrického náradia a vaše telo a rameno v polohe, ktorá vám umožní odolávať sile spätňého nárazu. Vždy používajte aj pomocnú rukoväť, ak je namontovaná, aby ste dosiahli maximálnu kontrolu nad spätňým nárazom alebo momentovou reakciou pri spustení.** Sily spätňého nárazu alebo momentových reakcií môže obsluhujúca osoba ovládnuť, ak vykoná príslušné protiopatrenia.
- **Nikdy nedávajte ruku do blízkosti otáčajúceho sa príslušenstva.** Príslušenstvo môže vykonať spätňý náraz do vašej ruky.
- **Nepribližujte sa telom do oblasti, kam sa pohne elektrické náradie, keď nastane spätňý náraz.** Spätňý náraz odhodí náradie opačným smerom od smeru pohybu kotúča v momente priškrtenia.
- **Pri opracovávaní rohov, ostrých hrán a pod. buďte zvlášť opatrní.** Zabráňte odsakovaniu a zadrhávaniu príslušenstva. Rohy, ostré hrany alebo odsakovanie majú tendenciu zadrhnúť príslušenstvo a spôsobiť stratu kontroly alebo spätňý náraz.
- **Nenasadzujte rezbárske ostriem na reťazovú pílu alebo ozubené pilové ostriem.** Takéto ostriem často spôsobujú spätňý náraz a stratu kontroly

BEZPEČNOSTNÉ VÝSTRAHY ŠPECIFICKÉ PRE BRÚSENIE A ABRAZÍVNE ROZBRUSOVANIE

- **Používajte len typy kotúčov odporúčané pre váš elektrické náradie a špecifický ochranný kryt pre zvolený kotúč.** Kotúče, pre ktoré nie je tento elektrické náradie určené, nie je možné primerane viesť a nie sú bezpečné.
- **Brúsna plocha v strede sploštených kotúčov musí byť namontovaná pod rovinou obruby ochranného krytu.** Nesprávne namontovaný kotúč, ktorý vyčnieva cez rovinu obruby ochranného krytu, nie je možné primerane chrániť.
- **Ochranný kryt musí byť bezpečne nasadený na elektrickom náradí a v polohe zaručujúcej maximálnu bezpečnosť, aby smerom k obsluhujúcemu bola vystavená čo najmenšia časť kotúča.** Kryt chráni obsluhujúceho pred úlomkami poškodeného kotúča, náhodným kontaktom a iskrami, ktoré by mohli spôsobiť vznietenie odevu.
- **Kotúče možno používať len pre odporúčané aplikácie. Napríklad, nebrúste s bočnou stranou rozbrusovacieho kotúča.** Abrazívne rozbrusovacie kotúče sú určené pre periférne brúsenie, inak by bočné sily aplikované na tieto kotúče mohli zapríčiniť ich rozlomenie.
- **Vždy používajte nepoškodené príruby kotúčov správnej veľkosti a tvaru pre váš zvolený kotúč.** Správne príruby kotúčov podopierajú kotúč, a tým znižujú pravdepodobnosť zlomenia kotúča. Príruby pre

rozbrusovacie kotúče môžu byť odlišné od prírub pre brúsne kotúče.

- **Nepoužívajte vydraté kotúče z väčších elektrických nástrojov.** Kotúče určené pre väčšie elektrické náradie nie sú vhodné pre vyššie rýchlosti menšieho náradia a môžu prasknúť.

ĎALŠIE BEZPEČNOSTNÉ VÝSTRAHY ŠPECIFICKÉ PRE ABRAZÍVNE ROZBRUSOVANIE

- **Dbajte na to, aby nedošlo k „zaseknutiu“ rozbrusovacieho kotúča ani naň nevyvíjajte nadmerný tlak. Nevykonávajte rezy nadmernej hĺbky.** Preťažovanie kotúča zvyšuje zaťaženie a náchylnosť ku skrúteniu alebo zovretiu kotúča v reze a pravdepodobnosť spätňého nárazu alebo prasknutia kotúča.
- **Nepribližujte sa telom do línie a za otáčajúci sa kotúč.** Keď sa kotúč v bode operácie pohybuje smerom od vášho tela, prípadný spätňý náraz môže odhodí otáčajúci sa kotúč a elektrický nástroj priamo do vás.
- **Keď sa kotúč zoviera alebo sa rezanie z akéhokoľvek dôvodu preruší, vypnite elektrický nástroj a podržte ho nehybne, kým sa kotúč úplne nezastaví. Nikdy sa nepokúšajte vybrať rozbrusovací kotúč z rezu, kým sa tento pohybuje, inak môže dôjsť k spätnému nárazu.** Zistite a vykonajte nápravné kroky a eliminujte príčinu zovierania kotúča.
- **Nespúšťajte znova rezanie v obrobku. Počkajte, kým kotúč dosiahne maximálnu rýchlosť a potom znova vjdite do rezu.** Pri opätovnom spustení elektrického nástroja v obrobku sa kotúč môže zovrieť, vysunúť alebo spätne naraziť.
- **Panely či iné nadmerné obrobky podoprite, aby sa minimalizovalo riziko zovretia kotúča a spätňého nárazu.** Veľké obrobky sa zvyknú prehybať pod vlastnou váhou. Podpery sa musia umiestniť pod obrobok v blízkosti línie rezania a v blízkosti okraja obrobku na oboch stranách kotúča.
- **Pri vykonávaní „vreckového rezu“ do existujúcich stien či iných neprehľadných povrchov.** Prečnievajúci kotúč môže prerzať plynové alebo vodovodné potrubie, elektrické vedenie alebo objekty, ktoré môžu zapríčiniť spätňý náraz.

AKUMULÁTOR – BEZPEČNOSTNÉ VÝSTRAHY

⚠ VAROVANIE

Pred zapnutím výrobku vždy skontrolujte úplné uvoľnenie poistného tlačidla vretena.

ZVYŠKOVÁ RIZIKOVOSŤ

Aj keď sa nástroj používa podľa predpisu, nie je možné eliminovať určité zvyškové rizikové faktory. Pri použití vznikajú nasledujúce riziká a obsluhujúca osoba musí venovať zvláštnu pozornosť, aby nedošlo k nasledovnému:

- Zranenie spôsobené vymrštenými čiastočkami
 - Do očí sa môžu dostať kovové alebo abrazívne častice a môžu spôsobiť vážne trvalé poškodenie. Pri obsluhu produktu používajte okuliare určené na brúsenie.
- Zranenie spôsobené vibráciami





- Obmedzte expozíciu. Pozrite časť "Znižovanie Rizika".
- Zranenie spôsobené prachom
 - Používajte primeranú masku na zachytávanie prachu s vhodnými filtrami, ktoré dokážu chrániť pred prachom z opracúvaného materiálu a abrazívnymi čistočkami z brúsneho kotúča. Na pracovisku nejeďte, nepite ani nefajčite. Zaisťte správne vetranie.
- Zranenie pri kontakte s brúsnym kotúčom
 - Kotúč alebo obrobok sa pri práci zohrejú na vysokú teplotu. Pri výmene kotúčov alebo dotýkaní sa obrobku používajte rukavice. Držte ruky neustále mimo dosahu brúsneho priestoru. Upnite obrobok vždy, keď je to možné.
- Zranenie spôsobené hlukom
 - Dlhodobé vystavovanie hluku zvyšuje riziko poškodenia sluchu a účinky sú kumulatívne. Pri používaní mechanických nástrojov dlhšiu dobu používajte ochranu sluchu.

VAROVANIE

Dlhodobé používanie nástroja môže spôsobiť alebo zhoršiť poranenia. Pri používaní nástroja príliš dlhé obdobia si vždy doprajte pravidelné prestávky.

OBMEDZENIE RIZIKA

Boli hlásené prípady, kedy vibrácie z ručných nástrojov u niektorých osôb prispeli k stavu nazývanému Raynaudov syndróm. K symptómom patria: trpnutie, znecitlivenie a blednutie prstov, zvyčajne zjavné po vystavení zime. Je známe, že k vývoju týchto symptómov prispievajú: dedičné faktory, vystavovanie zime a vlhkosti, diéta, fajčenie a pracovné návyky. Opatrenia, ktoré môže vykonať obsluhujúca osoba na možné zníženie účinkov vibrácií:

- V studenom počasí udržiavajte svoje telo v teple. Pri práci so zariadením noste rukavice, aby ste mali ruky a zápästia v teple. Boli hlásené prípady, kedy hlavným faktorom prispievajúcim k Raynaudovmu syndrómu bolo studené počasie.
- Po každom určitom časovom úseku prevádzky cvičte, aby ste zlepšili krvný obeh.
- Počas práce si doprajte časté prestávky. Obmedzte počet vystavení za deň.

Ak zistíte ktorýkoľvek zo symptómov tohto stavu, okamžite prerušte používanie zariadenia, navštívte svojho lekára a povedzte mu o symptómoch.

OBOZNÁMTE SA S VAŠIM PRODUKTOM

Vid' strana 109

1. Tlačidlo blokovania vretena
2. Spínač
3. Poistka páčky krytu
4. Kompletný chránič
5. Bočná rukoväť
6. Otvor na akumulátory
7. Upínacia matica
8. Brúsný kotúč
9. Príruba disku
10. Rezací kotúč (nie je súčasťou dodávky)
11. Kompletný chránič na rezanie (nie je súčasťou dodávky)

ÚDRŽBA

- Pri servise používajte len originálne náhradné diely. Použitie iných dielov môže predstavovať riziko alebo spôsobiť poškodenie produktu.
- Vyhýbajte sa použitiu rozpúšťadiel pri čistení plastových častí. Väčšina plastov je náchylných na poškodenie rôznymi druhmi komerčných rozpúšťadiel a ich používaním sa môžu poškodiť. Na odstránenie nečistoty, prachu, oleja, mazadla atď. použite čistú handričku.
- Pri práci s elektrickým náradím alebo odfukovaní prachu vždy používajte ochranné okuliare alebo ochranné okuliare s bočnými chráničmi. Ak pri práci vzniká prach, používajte aj protiprachovú masku.
- Aby nedošlo k vážnemu telesnému poraneniu, vždy vyberte jednotku akumulátora z produktu pri čistení alebo vykonávaní akejkoľvek údržby.
- Dbajte na to, aby do kontaktu s plastovými dielmi nikdy neprišli do kontaktu brzdomé kvapaliny, benzín, ropné produkty, prenikavé oleje a pod. Chemikálie môžu poškodiť, oslabiť, alebo zničiť plastové časti a tak spôsobiť vážne zranenie.
- Na opravu alebo výmenu zo strany zákazníka sú určené len diely uvedené na zozname dielov. Všetky ostatné diely môže vymieňať len autorizované servisné centrum spoločnosti.

VAROVANIE

Na odstraňovanie prachu z produktu nepoužívajte stlačený vzduch. Tento zvyk je nebezpečný a môže spôsobiť odfúknutie hliny a štrku poraniť niekoho zrak.

OCHRANA ŽIVOTNÉHO PROSTREDIA



Surové materiály recyklujte, nelikvidujte ich ako odpad. Stroj, príslušenstvo a obaly by sa mali triedene recyklovať spôsobom šetrným k životnému prostrediu.

SYMBOLY



Budte ostrážit

n

Menovitá rýchlosť



Euroázijská značka zhody



Ukrajinské označenie zhody



Zhoda CE





Pred zapnutím zariadenia si prosím prečítajte inštrukcie



Noste ochranu sluchu



Noste ochranu zraku



Používajte protiprachovú masku.



Používajte ochranné rukavice



Nepoužívajte vyštrbený, prasknutý alebo poškodený brúsny kotúč



Nepoužívajte na rezanie



Použite kryt



Kov



Opatrebované elektrické zariadenia by ste nemali odhadzovať do domového odpadu. Prosíme o recykláciu ak je možné. Kontaktujte miestne úrady, alebo predajcu pre viac informácií ohľadom ekologického spracovania.

SYMBOLY V NÁVODE



Poznámka



Diely alebo príslušenstvo predávané samostatne



Odomknuté



Zamknuté

Nasledujúce značky a významy vysvetľujú úroveň rizika spojeným s výrobkom.

NEBEZPEČENSTVO

Označuje bezprostredne nebezpečnú situáciu, ktorá, ak jej nepredídete, spôsobí usmrtenie alebo vážne poranenie.

VAROVANIE

Označuje potenciálne nebezpečnú situáciu, ktorá, ak jej nepredídete, môže spôsobiť usmrtenie alebo vážne poranenie.

UPOZORNENIE

Označuje potenciálne nebezpečnú situáciu, ktorá, ak jej nepredídete, môže spôsobiť menšie alebo stredne závažné poranenie.

UPOZORNENIE

(Bez výstražnej značky s výkričníkom) Označuje situáciu, ktorá môže zapríčiniť škody na majetku.



Безопасността, производителността и надеждността са аспектите, на които е отделен най-голям приоритет при проектирането на вашия ъглошлайф.

ПРЕДНАЗНАЧЕНИЕ

Ъглошлайфът е предназначен за използване само от възрастни, които са прочели и разбрали инструкциите и предупрежденията в настоящото ръководство и могат да бъдат считани като отговорни за своите действия. Продуктът е предназначен за шлифване и рязане само на метали. Към ъглошлайфа трябва да се монтира само подходящи шлифовъчни дискове, както е описано в раздела със спецификации на продукта на настоящото ръководство. Ъглошлайфът е предназначен за ръчно ползване; не трябва да се монтира върху фиксиращо приспособление или работен плот.

Не използвайте продукта по начини, различни от посочените.

⚠ ПРЕДУПРЕЖДЕНИЕ

Прочетете всички предупреждения относно безопасността и всички инструкции. Неспазването на предупрежденията и инструкциите може да доведе до токов удар, пожар и/или сериозни наранявания.

Съхранявайте всички предупреждения и инструкции за бъдещи справки.

ПРЕДУПРЕЖДЕНИЯ ЗА БЕЗОПАСНОСТ ПРИ РАБОТА С ЪГЛОШЛАЙФА

ПРЕДУПРЕЖДЕНИЯ ЗА БЕЗОПАСНОСТ КОНКРЕТНО ЗА ЗАТОЧВАНЕ И РЯЗАНЕ С АБРАЗИВЕН ДИСК

- Този електрически инструмент е предназначен да функционира като шлайфмашинна или инструмент за рязане. Прочетете всички предупреждения за безопасност инструкции, илюстрации и спецификации, предоставени с този електрически инструмент. Неспазването на инструкциите, изброени по-долу, може да доведе до електрически удар, пожар и/или тежки физически травми.
- Не се препоръчва с този електрически инструмент да се извършват операции като полиране, четкане или изглаждане. Операциите, за които не е предназначен електрическият инструмент, могат да доведат до рискове и да причинят физическо нараняване.
- Не използвайте аксесоари, които не са конкретно предназначени и препоръчани от производителя на инструмента. Това, че аксесоарът може да бъде прикачен към електрическия инструмент, не гарантира безопасна работа.
- Номиналната скорост на аксесоара трябва да е поне равна на максималната скорост, означена върху електрическия инструмент. Аксесоари, работещи по-бързо от номиналната си скорост, могат да се счупят и да се разхвърчат части от тях.
- Външният диаметър и дебелината на аксесоара трябва да попадат в номиналните стойности за капацитета на електрическия инструмент.

Аксесоари с неподходящ размер не могат да бъдат правилно предпазвани и контролирани.

- Монтирането чрез резба на аксесоарите трябва да съответства на резбата на шпиндела на шлайфмашината. За аксесоари, които се монтират чрез фланци, отворът на вала трябва да съответства на диаметъра на фланеца. Аксесоари, които не съвпадат с монтажните принадлежности на електрическия инструмент, ще излязат от баланс, ще вибрират прекалено и могат да доведат до загуба на контрол над уреда.
- Не използвайте аксесоар, ако е повреден. Преди всяко използване проверявайте аксесоара, например абразивните дискове – за пукнатини и стружки, поддържащата подложка – за пукнатини, разкъсване или прекомерно износване, телената четка за разхлабени или пречупени телчета. Ако електрическият инструмент или даден аксесоар бъдат изпуснати, проверете ги за повреда или поставете неповреден аксесоар. След проверката и поставянето на аксесоар, вие и страничните лица трябва да застанете настрана от зоната на действие на ротационния аксесоар и след това стартирайте електрическия инструмент на максимална скорост без натоварване в продължение на една минута. Обикновено повредените аксесоари ще се счупят през този тестов период.
- Използвайте лична защитна екипировка. В зависимост от приложението използвайте маска за лице или предпазни очила. Ако е необходимо носете маска против прах, антифони, ръкавици и работна престилка, която да е в състояние да спре малки абразивни фрагменти или елементи от работния материал. Предпазните очила трябва да са в състояние да спрат хвърчащи детайли, образувани при различните операции. Противопраховата маска или респираторът трябва да са в състояние да филтрират частиците, образувани при съответната операция. Продължителното излагане на действието на шум с висока интензивност може да доведе до загуба на слуха.
- Страничните лица трябва да са на безопасно разстояние от работната зона. Всеки, който навлиза в работната зона, трябва да носи лични предпазни средства. Фрагменти от работния материал или отчупени елементи от аксесоар могат да изхвърчат и да причинят нараняване извън непосредствената работна зона.
- Дръжте електрическия инструмент само за изолираните повърхности за хващане, когато извършвате операция, при която режещият аксесоар може да влезе в контакт със скрити проводници. Режещ аксесоар, който влезе в контакт с проводник, по който тече ток, може да доведе до протичането на ток по неизолираните метални части на електрическия инструмент и да причини токов удар на оператора.
- Никога не полагайте електрически инструмент, докато аксесоарът не спре да се движи напълно. Въртящият се аксесоар може да захване повърхността и да изведе електрическия инструмент извън контрола ви.
- Не стартирайте електрическия инструмент, докато го носите странично от себе си.





Случайното влизане в контакт с въртящия се аксесоар може да доведе до захващане на облеклото ви, при което аксесоарът да се доближи до тялото ви.

- **Редовно почиствайте вентилационните отвори на електрическия инструмент.** Вентилаторът на мотора ще придърпва праха в корпуса, а прекомерното натрупване на метални прахообразни частици може да причини рискове от електрическа неизправност.
- **Не използвайте електрическия инструмент в близост до запалими материали.** Искрите могат да ги запалят.
- **Не използвайте аксесоари, които изискват течни охладители.** Използването на вода или друг течен охладител може да доведе до токов удар.

ДОПЪЛНИТЕЛНИ ИНСТРУКЦИИ ЗА БЕЗОПАСНОСТ ЗА ВСИЧКИ ОПЕРАЦИИ

Откат и свързани с това предупреждения

Откатът е внезапна реакция при стягане или захващане на въртящ се диск, поддържаща подложка, четка или друг аксесоар. При заципване или заклиняване въртящата се приставка спира бързо, което на свой ред тласка неуправляемия електронинструмент в посока, обратна на въртенето на приставката в точката на заклиняване.

Ако например абразивен диск бъде стегнат или захванат в работния детайл, ръбът на диска, който влиза в точката на захващане, може да задълбае в повърхността на материала, което да доведе до излизан или откат на диска. Дискът може да отскочи в посока към или встрани от оператора в зависимост от посоката на движение на диска в точката на захващане. Абразивните дискове могат да се счупят при тези условия.

Откатът е следствие на неправилно използване на електрическия инструмент. Той може да бъде предотвратен с предприемане на подходящи предпазни мерки, които са описани по-долу:

- **Поддържайте здрав хват на електрическия инструмент и разположете тялото и ръката си така, че да можете да устоите на силите на отката.** Винаги използвайте спомагателната ръкохватка, ако има такава, за максимален контрол върху отката или реакцията на въртящия момент по време на стартиране. Операторът може да контролира реакциите на въртящия момент или силите на отката, ако са взети подходящи предпазни мерки.
- **Никога не поставяйте ръката си в близост до въртящ се аксесоар.** Аксесоарът може да отскочи над ръката ви.
- **Ако се получи откат, не поставяйте тялото си в зоната на движение на електрическия инструмент.** Откатът ще завърти инструмента в посока, противоположна на движението на диска в точката на захващане.
- **Бъдете особено внимателни, когато работите близо до ъгли, остри ръбове и т.н.** Избягвайте отскачането и захващането на аксесоара. При ъгли, остри ръбове или отскачане има риск въртящият се аксесоар да се закачи и това да доведе до загуба на контрол или до откат.
- **Не докосвайте верижното острие за дърворезба**

или наръбеното острие. Такива остриета причиняват често откат и загуба на контрол.

ПРЕДУПРЕЖДЕНИЯ ЗА БЕЗОПАСНОСТ КОНКРЕТНО ЗА ЗАТОЧВАНЕ И РЯЗАНЕ С АБРАЗИВЕН ДИСК

- **Използвайте само видове дискове, които са препоръчителни за вашия електрически инструмент, както и специфичен предпазител, проектиран за избрания диск.** Дискове, за които електрическият инструмент не е проектиран, не могат да бъдат правилно обезопасени и са опасни.
- **Шлифовъчната повърхност на притиснатите в центъра дискове трябва да бъде монтирана под равнината на ръба на предпазителя.** Неправилно монтиран диск, който минава през равнината на ръба на предпазителя, не може да бъде правилно обезопасен.
- **Предпазителят трябва да бъде поставен и здраво закрепен за електрическия инструмент за максимална безопасност, така че възможно най-малка част от диска да бъде изложена към оператора.** Предпазителят помага за защитата на оператора срещу счупени части на диска, случаен контакт с диска и искри, които могат да запалят облеклото му.
- **Дисковете трябва да се използват само за препоръчителните приложения.** Например, не заточвайте със страничната част на режещ диск. Абразивните режещи дискове са предназначени за периферно заточване, страничните сили, приложени към тези дискове, могат да доведат до разтрошаването им.
- **Винаги използвайте здрави фланци за дискове, които са с правилния размер и форма за избрания от вас диск.** Подходящият фланец поддържа диска, като по този начин намалява вероятността за неговото счупване. Фланците за режещи дискове могат да се различават от фланците за шлифовъчни.
- **Не използвайте износени дискове от по-големи електрически инструменти.** Диск, предназначен за по-голям електрически инструмент, не е подходящ за по-висока скорост на по-малкия инструмент и може да се пръсне.

ДОПЪЛНИТЕЛНИ ПРЕДУПРЕЖДЕНИЯ ЗА БЕЗОПАСНОСТ КОНКРЕТНО ЗА ОПЕРАЦИИТЕ ЗА РЯЗАНЕ С АБРАЗИВЕН ДИСК

- **Внимавайте режещият диск да не „заседне“ и не прилагайте прекомерен натиск.** Не се опитвайте да правите разрез с прекалена дълбочина. Претоварването на диска увеличава натоварването и податливостта му на усукване или захващане в разреза, както и вероятността от откат или счупване на диска.
- **Не разполагайте тялото си успоредно или зад въртящия се диск.** Когато по време на работа дискът се отдалечава от тялото ви, възможният откат може да задвижи въртящия се диск и електрическият инструмент директно към вас.
- **Когато дискът е заклекен или даден разрез е прекъснат поради някаква причина, изключете електрическия инструмент и го задръжте неподвижен, докато дискът спре напълно.** Никога не опитвайте да извадите режещия диск

EN
FR
DE
ES
IT
NL
PT
DA
SV
FI
NO
RU
PL
CS
HU
RO
LV
LT
ET
HR
SL
SK
BG
UK
TR
EL



от разреза, докато се движите, тъй като може да се получи откат. Направете проверка и предприемете коригиращи действия, за да отстраните причината за заклещване на диска.

- **Не започвайте отново операцията по рязане на детайла. Нека дискът да достигне пълна скорост и внимателно го вкарайте отново в разреза.** Дискът може да отскочи, да се придвижи нагоре или да се получи откат, ако електрическият инструмент е стартиран повторно в работния детайл.
- **Поддържайте панелите или всеки голям работен детайл, с цел намаляване до минимум на риска от захващане или стягане на диска.** Големите работни детайли могат да се огънат от собствената си тежест. Трябва да се поставят подпори под работния детайл, близо до линията на рязане и до ръба на детайла, от двете страни на диска.
- **Бъдете особено внимателни, когато правите „дъобен разрез“ в съществуващите стени или други слепи зони.** Издаденият диск може да реже газови или водни тръби, електрически кабели или предмети, които могат да доведат до откат.

ДОПЪЛНИТЕЛНИ ПРЕДУПРЕЖДЕНИЯ ЗА БЕЗОПАСНОСТ

⚠ ПРЕДУПРЕЖДЕНИЕ

Преди да включите продукта, винаги проверявайте дали бутонът на шпиндела е освободен напълно.

НЕПРЕДВИДЕНИ РИСКОВЕ.

Дори когато ъглошлайфът се използва според инструкциите, е невъзможно да се елиминират напълно определени остатъчни рискови фактори. Могат да възникнат следните опасности и операторът трябва да обърне особено внимание, за да ги избегне:

- Наранявания, получени от изхвърлени частици
 - Метални или абразивни частици могат да влязат в очите и да причинят тежки, трайни наранявания. Носете очила, одобрени за операции по шлайфане, при използване на продукта.
- Нараняване, причинено от вибрация.
 - Ограничете излагането. Вижте „Намаляване на опасността“.
- Наранявания, причинени от прах
 - Носете подходяща маска против прах с филтри, подходящи за защита срещу частици от материали, върху които работите, и абразивни частици от шлифовъчния диск. Не употребявайте храни, напитки или цигари в зоната на работа. Осигурете подходяща вентилация.
- Наранявания от контакт с шлифовъчния диск
 - Дискът и работният детайл ще се нагорещат при употреба. Носете ръкавици, когато сменяте дискове или докосвате работния детайл. Дръжте ръцете си далече от зоната на шлифоване през цялото време. Пристегнете работния детайл в менгеме, когато е възможно.
- Наранявания, причинени от шум
 - Продължителното излагане на шум ще повиши

риска от увреждане на слуха и ефектите са кумулативни. Когато използвате електрически инструменти за продължителен период от време, носете антифони.

⚠ ПРЕДУПРЕЖДЕНИЕ

Продължителното използване на инструмента може да доведе до наранявания или влошаване. При използване на инструмента за продължителни периоди от време правете чести почивки.

ΜΕΙΩΣΗ ΚΙΝΔΥΝΟΥ

Известно е, че вибрациите, произведени от ръчни инструменти може да предизвикат у някои индивиди заболяване, наречено Синдром на Рейнолд (Raynaud's Syndrome). Симптомите може да включват изтръпване, схващане и изледняване на пръстите, обикновено се забелязват при излагане на студ. Смята се, че наследствените фактори, излагането на студ и влага, диетите, пушенето и някои работни навици допринасят за развитието на тези симптоми. Могат да се вземат някои мерки, които могат да се предприемат от оператора, за да се намалят ефектите от вибрациите:

- Поддържайте телесната температура в студено време. Когато работите с продукта, носете ръкавици, за да поддържате ръцете и китките си топли. Според изследвания главният фактор, допринасящ за развитието на Raynaud's Syndrome, е студеното време.
- Правете упражнения за активизиране на кръвообращението след всеки работен цикъл.
- Редовно излизайте в почивка. Ограничете излагането на вибрации на ден.

При поява на някой от симптомите на това заболяване, незабавно прекратете употребата на инструмента и посетете лекар.

ОПОЗНАЙТЕ ВАШИЯ ПРОДУКТ

Вж. страница 109.

1. Бутон за заключване на шпиндела
2. Спусък
3. Предпазно заключване на лоста
4. Предпазител за безинструментно фиксиране
5. Странична ръкохватка
6. Гнездо за батерията
7. Гайка на скобата
8. Шлифовъчен диск
9. Фланец на диска
10. Режещ диск (не е включено в комплекта)
11. Предпазител за рязане за безинструментно фиксиране (не е включено в комплекта)

ПОДДРЪЖКА

- При ремонт използвайте само идентични резервни части. Използването на други части може да ви постави в опасност или да повреди продукта.
- Избягвайте използването на разтворители при почистването на пластмасовите части. Повечето пластмаси са чувствителни към различни видове разтворители и може да се повредят при използването на такива. Използвайте чисти парцали, за да премахнете кал, прах, масло, грес

и т.н.

- Винаги носете предпазна маска или очила със странични екрани, когато боравите с механизирани инструменти или издухвате прах. Ако при работата се отделя прах, използвайте и маска за предпазване от него.
- За да избегнете сериозни физически наранявания, винаги изваждайте акумулаторната батерия от продукта при извършване на дейности по почистване или поддръжка.
- В никакъв случай не позволявайте пластмасовите части да влизат в контакт със спирачни течности, нефтени продукти, проникващи масла и т.н. Химикалите могат да повредят, отслабят или унищожат пластмасата, което може да доведе до сериозни физически наранявания.
- Само частите, които са посочени в списъка с резервни части, могат да бъдат ремонтирани или подменени от клиента. Всички останали части трябва да бъдат подменени в оторизиран сервизен център.

⚠ ПРЕДУПРЕЖДЕНИЕ

Не използвайте компресиран въздух за издухване на прах от продукта. Тази практика е опасна и може да доведе до издухване на прах или пясъчинки в очите на някого, причинявайки наранявания.

ОПАЗВАНЕ НА ОКОЛНАТА СРЕДА



Рециклиране на суровини, вместо за обезвреждане като отпадък. Машината, допълнителните приспособления и опаковките трябва да бъдат подложени на подходяща преработка за оползотворяване на съдържащите се в тях вторични суровини.

СИМВОЛИ



Предупреждение относно безопасността

n

Номинална скорост



EurAsian знак за съответствие



Украински знак за съответствие



CE съответствие



Прочетете инструкциите внимателно, преди да стартирате машината.



Носете антифони



Носете защитни средства за очи



Носете подходяща маска против прах.



Носете предпазни ръкавици



Не използвайте надраскан, пукнат или дефектен шлифовъчен диск



Не използвайте за рязане



Използвайте предпазител



Метален



Електрическите уреди не трябва да се изхвърлят заедно с битовите отпадъци. Рециклирайте, където има възможност. Обърнете се за съвет по рециклирането към местните власти или разпространителите.

СИМВОЛИ В НАСТОЯЩОТО РЪКОВОДСТВО



Забележка



Частите или принадлежностите се продават отделно



Отключване



Ключалка

Следните сигнални думи и техните съответни значения обясняват нивата на опасност, свързани с употребата на този продукт:

⚠ ОПАСНОСТ

Указва неминуемо опасна ситуация, която ако не бъде избегната, ще доведе до сериозни наранявания или смърт.



⚠ ПРЕДУПРЕЖДЕНИЕ

Указва потенциално опасна ситуация, която ако не бъде избегната, може да доведе до сериозни наранявания или смърт.

⚠ ВНИМАНИЕ

Указва потенциално опасна ситуация, която ако не бъде избегната, може да доведе до дребни или средни наранявания.

ВНИМАНИЕ

(Без предупредителен символ за безопасност) Указва ситуация, която може да доведе до имуществени щети.

Головними міркуваннями при розробці цієї акумуляторної кутової шліфувальної машини були безпека, ефективність та надійність.

ПРИЗНАЧЕННЯ

Ця кутова шліфувальна машина призначена для використання тільки дорослими, які читали і зрозуміли інструкції та попередження в цьому посібнику і можуть вважатися відповідальними за свої дії. Кутова шліфувальна машина призначена для шліфування та різання тільки металів. Тільки відповідні шліфувальні диски, які описані в розділі специфікації продукту даного керівництва, повинні бути встановлені на кутову шліфувальну машину. Кутова шліфувальна машина призначена для портативного використання; вона не для монтажу на арматурі або на верстаку.

Для довбання та свердлення кам'яної кладки, може бути використаний режим молотка.

⚠ ПОПЕРЕДЖЕННЯ

Читайте всі правила безпеки та інструкції. Недотримання попереджень та інструкцій може призвести до ураження електричним струмом, пожежі та / або серйозної травми.

Збережіть всі інструкції і вказівки для майбутнього використання.

ТЕХНІКА БЕЗПЕКИ ПРИ ЕКСПЛУАТАЦІЇ КУТОВОЇ ШЛІФУВАЛЬНОЇ МАШИНИ

ПОПЕРЕДЖЕННЯ БЕЗПЕКИ, СПЕЦИФІЧНІ ДЛЯ ШЛІФУВАННЯ І ОПЕРАЦІЙ АБРАЗИВНОГО ЗРІЗАННЯ:

- Цей електроінструмент призначений для роботи в якості шліфувальної машини та інструменту для різання. Прочитайте всі правила безпеки, інструкції, ілюстрації і специфікації, що поставляються з електроінструментом. Недотримання всіх зазначених інструкцій може призвести до ураження електричним струмом, пожежі та/або серйозних травм.
- Такі операції, як шліфування, шліфування дротяною щіткою або полірування не рекомендують виконувати за допомогою цього інструменту. Операції, для яких електроінструмент не призначений, можуть створити небезпеку і заподіяти травму.
- Не використовуйте приладдя, що спеціально не розроблено і не рекомендовано виробником інструменту. Просто тому, що приладдя може бути підключене до електроінструменту, це не гарантує безпечну експлуатацію.
- Номінальна швидкість диску повинна бути як мінімум рівною максимальній швидкості, зазначеній на силовому інструменті. Диски, які обертаються швидше за їх номінальну швидкість можуть розколотися і їх частини можуть розлетітися.
- Зовнішній діаметр і товщина приладдя повинна бути в межах розрахунку продуктивності вашого електроінструменту. Некоректні за розміром аксесуари не можуть бути адекватно захищені та керовані.
- Різьбове встановлення аксесуарів повинно

відповідати шпindelній різьбі шліфувальної машини. Для аксесуарів, що встановлюються за допомогою різблення, діра альтанки повинна відповідати розміщуючому діаметру кромки. Приладдя які не співпадають монтажному приладдю електроінструменту, електроінструмент буде працювати без рівноваги, надмірно вібрувати, і може призвести до втрати управління.

- Не використовуйте пошкоджене приладдя. Перед кожним використанням огляньте аксесуар, наприклад, шліфувальні диски на предмет відколів та тріщин, опорну платву перевірте на наявність тріщин, розривів або надмірного зносу, дротяну щітку на послаблені або потріскані дроти. Якщо електроінструмент або приладдя впало, перевірте на наявність пошкоджень або встановіть неушкоджене приладдя. Після перевірки і установки приладдя, позиціонуйте себе і перехожих подалі від площини обертання приладдя і запустіть електроінструмент на максимальній швидкості без навантаження на одну хвилину. Пошкоджене приладдя, як правило, розпадається протягом цього часу випробування.
- Використовуйте персональне захисне обладнання. Залезно від застосування, використовуйте захисну маску, запобіжні або захисні окуляри." Коли необхідно, надягайте маску від пилу, захист для слуху, рукавички і робочий фартух, здатні зупинити невеликі абразивні частинки або фрагменти заготовки. Захист очей повинен бути здатним зупинити летюче сміття, утворене при різних операціях. Маска від пилу або респіратор повинен бути здатними фільтрувати частинки, що утворюються від вашої роботи. Тривалий вплив високої шуму може призвести до втрати слуху.
- Тримайте людей на безпечній відстані від робочої зони. Будь-хто, входячий в робочу зону повинен носити приватне захисне обладнання. Фрагменти заготовки або розбитого приладдя можуть полетіти і заподіяти травму за межами безпосередній близькості від роботи.
- Тримайте електроінструмент за ізольовані поверхні при виконанні дій, при яких ріжуче приладдя можуть контактувати з прихованою проводкою. Ріжучі приладдя при контакті з проводом під напругою можуть зробити незахищені металеві частини електроінструменту під напругою і можуть вдарити оператора електричним струмом.
- Ніколи не кладіть електроінструмент, поки приладдя повністю не зупинилось. Обертове приладдя може захопити поверхню і витягнути електроінструмент з вашого контролю.
- Не запускайте електроінструмент коли переносите його на робоче місце. Випадковий контакт з обертовим приладдям може зловити ваш одяг, потягнувши приладдя до вашого тіла.
- Регулярно очищайте вентиляційні прорізи електроінструменту. Вентилятор двигуна буде втягувати пил усередину корпусу і надмірне накопичення металевих порошків може викликати ураження електричним струмом.
- Не використовуйте електроінструмент поблизу легкозаймистих матеріалів. Іскри можуть запалити ці матеріали.



- **Не використовуйте приладдя, що вимагає рідких охолоджуючів.** Використання води або інших охолоджуючих рідин може призвести до ураження електрострумом або шоку.

ДОДАТКОВІ ІНСТРУКЦІЇ З ТЕХНІКИ БЕЗПЕКИ ДЛЯ ВСІХ ОПЕРАЦІЙ.

Віддача і суміжні попередження

Віддача є раптовою реакцією на защемлення або зачеплення обертального диску, опорної платви, щітки або будь-якого іншого аксесуару. Стиснення або зачеплення викликає швидку втрату швидкості обертаємого аксесуару, який в свою чергу викликає переміщення неконтрольованого електроінструменту в напрямку, протилежному обертанню аксесуара.

Наприклад, якщо абразивне коло зачепилося або затиснуло у заготовці, край колеса, що входить в точку зачеплення може вкопатися в поверхню матеріалу в результаті чого коло буде западати або викидатися." Коло може рухатися до або від оператора, в залежності від напрямку руху колеса в точці защемлення. За цих умов абразивні диски можуть також розколотися.

Віддача є наслідком неправильного застосування електро інструменту та/або неправильних процедур або умов експлуатації і може бути уникнута застосуванням належних запобіжних заходів, як зазначено нижче.

- **Міцно тримайте електроінструмент і розташуйте тіло і руки, щоб дозволити вам протистояти віддачі.** Для максимального контролю віддачі або реакції на обертання під час запуску завжди використовуйте додаткову ручку, якщо вона є в наявності. Оператор може контролювати реакції крутного моменту або віддачу, якщо будуть прийняті відповідні запобіжні заходи.
- **Ніколи не тримайте руки біля диску, що обертається.** Може виникнути віддача у руку.
- **Не ставайте в місці потенційного руху електроінструменту при виникненні зворотнього удару.** Віддача спонукає інструмент рухатись у напрямку, протилежному напрямку руху диску від точки стопоріння.
- **Будьте особливо обережними під час роботи у кутах, біля гострих кромки і т.д. Уникайте відскоків та зачеплень диску.** Куточки, гострі краї або стрибання мають тенденцію зловлювати обертові приладдя і приводити до втрати контролю або віддачі.
- **Не прикріплюйте ланцюгову пилку для різблення по дереву або зубчасте лезо пилки.** Такі леза створюють часті відкати і втрату контролю.

ПОПЕРЕДЖЕННЯ БЕЗПЕКИ, СПЕЦИФІЧНІ ДЛЯ ШЛІФУВАННЯ І ОПЕРАЦІЙ АБРАЗИВНОГО ЗРІЗАННЯ:

- **Використовуйте тільки типи коліс, рекомендовані для вашого електроінструменту і тільки для рекомендованого застосування.** Диски, які не призначені для цього електроінструмента не гарантують належного захисту та не є безпечними.
- **Додаткові інструкції з техніки безпеки для шліфувальних і відрізних операцій.** Неправильно встановлене коло що виступає з пластини захисної кромки не може бути належним чином захищене.
- **Захист має бути надійно приєднаний до**

силового інструмента і бути розміщений так, щоб забезпечувати максимальну безпеку, щоб в сторону користувача викидалася мінімальна кількість уламків диску. Кожух допомагає захистити оператора від осколків розбитого диска, випадкового контакту з диском та іскор, які можуть підпалити одяг.

- **Треба використовувати тільки ті диски, які підходять для операції.** Наприклад, не виконуйте шліфування боковою стороною відрізного диску. Абразивні відрізаючі диски призначені для периферійного шліфування, бічні сили, прикладені до цих дисків можуть призвести до їх зруйнування.
- **Завжди використовуйте неушкоджені фланці дисків правильного розміру і форми, що відповідають обраному диску.** Правильні фланці диску підтримують диск, що знижує можливість розламування диску. Фланці для відрізних дисків можуть відрізнятись від фланців для шліфувальних дисків.
- **Не використовуйте зношені диски від електроінструментів більших за розміром.** Диск призначений для більшого за розміром електроінструмента не підходить для більш високої швидкості меншого інструмента та може призвести до вибуху.

ДОДАТКОВІ ЗАХОДИ БЕЗПЕКИ СПЕЦІАЛЬНО ДЛЯ ШЛІФУВАЛЬНИХ ВІДРІЗНИХ ОПЕРАЦІЙ

- **Не "затискайте" відрізний диск або не застосовуйте надмірний тиск.** Не намагайтеся зробити зріз надмірної глибини. Перевантаження диска збільшує навантаження і сприйнятливості до скручування або зачеплення диска в розрізі, віддачі або поломки диска.
- **Не ставайте на одній лінії з обертовим диском або позаду нього.** Коли диск, в момент експлуатації віддається від вашого тіла, можлива віддача може спрямувати обертаний диск і електроінструмент прямо на вас.
- **Коли коло затискається, зачепляється, або коли зрізання переривається з будь-якої причини, вимкніть електроінструмент і тримайте нерухомо електроінструмент, поки коло повністю не зупиниться.** Ніколи не намагайтеся видалити відрізаючий диск з розрізу, коли диск крється, це може спричинити віддачу. Щоб усунути причину заклинювання диску, знайдіть її та усуньте.
- **Не розпочинайте ріжучу операцію у заготовці.** Нехай диски досягнуть повної швидкості і повторно введіть їх у розріз. Диск може зв'язуватися, підскакувати або спричинити віддачу, якщо електроінструмент буде перезапущений у заготівлі.
- **Підтримуйте панелі або будь-які негабаритні деталі, щоб мінімізувати ризик зачеплення диска і віддачі.** Великі заготовки можуть прогинатися під власною вагою. Опори повинні бути поміщені під заготовку поблизу лінії розрізу і поруч з кряями заготовки на обох сторонах диска.
- **Будьте особливо обережні при виконанні "кишенькових розрізів" в існуючих стінах або інших відмостках.** Виступаючий диск може скоротити газові або водопровідні труби,



електропроводку або предмети, які можуть викликати віддачу.

ДОДАТКОВІ ЗАХОДИ БЕЗПЕКИ.

▲ ПОПЕРЕДЖЕННЯ

Перш ніж увімкнути пристрій, завжди переконайтесь, що кнопка фіксування шпинделя повністю розблокована.

ЗАЛИШКОВІ РИЗИКИ

Навіть коли продукт використовується як написано, залишається неможливим повністю усунути деякі залишкові чинники ризику. Наступні небезпеки можуть виникнути і оператор повинен звернути особливу увагу, щоб уникнути наступного:

- Травми, викликані відкинутими частинками
 - Металеві або абразивні частинки можуть потрапити в очі та викликати серйозні незворотні пошкодження. Носіть захисні окуляри, схвалені для шліфування при роботі продукту.
- Травми, викликані вібрацією
 - Лімітуйте вплив. Дивіться «ЗНИЖЕННЯ РИЗИКУ».
- Травми, викликані пилом.
 - Носіть відповідну маску від пилу з фільтрами, придатну для захисту від частинок оброблюваного матеріалу та абразивних частинок шліфувального диска. Не їжте, не пийте і не паліть в робочій зоні. Забезпечте достатню вентиляцію на робочому місці.
- Травми від контакту з шліфувальною машиною
 - Диск і заготовка нагріваються під час використання. Одягайте рукавички при зміні дисків або торкаючись заготовки. Тримайте руки увесь час подалі від зони різання. Затисніть заготовку, коли це можливо.
- Пошкодження слуху, викликане шумом
 - Тривалий вплив шуму підвищує ризик пошкодження слуху, і цей ефект накопичується. При використанні електроінструментів протягом тривалого періоду часу, використовуйте засоби захисту органів слуху.

▲ ПОПЕРЕДЖЕННЯ

Тривале використання інструменту може викликати або посилити травми. При використанні інструменту протягом тривалого періоду, робіть регулярні перерви.

ЗНИЖЕННЯ РИЗИКУ

Повідомлялося, що вібрації від ручних інструментів у певних осіб можуть сприяти стану, який називається синдромом Рейно. Симптоми можуть включати поколювання, оніміння і збліднення пальців, як правило, очевидні при впливі холоду. Спадкові фактори, вплив холоду і вогкості, діста, куріння і робоча практика, всі ці чинники роблять свій внесок у розвиток цих симптомів. Ці заходи можуть бути прийняті оператором, щоб можливо зменшити вплив вібрації:

- Тримайте тіло в теплі в холодну погоду. При експлуатації приладу, одягайте рукавички, щоб тримати руки і заг'ястя у теплі. Повідомлялося, що холодна погода є основним чинником, що сприяє синдрому Рейно.
- Після кожного періоду роботи, здійснюйте вправи для підвищення кровообігу.
- Робіть часті перерви в роботі. Зробіть обмеження кількості впливу на день.

Якщо ви відчуваєте будь-які з симптомів цього стану, негайно припиніть використання і зверніться до лікаря з ціми симптомами.

ЗНАЙТЕ СВІЙ ПРОДУКТ.

Див. стор. 109.

1. Блокування шпинделя кнопки
2. Гачок ремікача
3. Важіль захисного блокування
4. Кожух диска, що кріпиться без інструментів
5. Бічна рукоятка
6. Гніздо для акумулятора
7. Затискна гайка
8. Шліфувальний диск
9. Фланець диска
10. Відрізний диск (не входить в комплект)
11. Різальний кожух, що кріпиться без інструментів (не входить в комплект)

ОБСЛУГОВУВАННЯ

- При обслуговуванні використовуйте тільки ідентичні запасні частини. Використання будь-яких інших деталей може створити небезпеку або спричинити пошкодження продукту.
- Не використовуйте розчинники для очищення пластмасових деталей. Багато пластиків сприйнятливі до ушкоджень від різних типів технічних розчинників та можуть бути пошкоджені при їх використанні. Використовуйте чисті ганчірки для видалення бруду, пилу, масла, мастила і т.д.
- Завжди надягайте захисні окуляри або захисні окуляри з бічними щитками під час роботи з електроприладом або при здуванні пилу. Якщо робота пильна, також носіть захисну маску.
- Щоб уникнути серйозних травм, завжди виймайте акумулятор із пристрою при очищенні або при виконанні технічного обслуговування.
- Ніколи не дозволяйте гальмівній рідині, бензину, продуктам на основі нафти, і проникаючим маслам вступати в контакт з пластиковими деталями. Хімічні речовини можуть пошкодити, послабити або знищити пластик, який може привести до серйозної травми.
- Тільки компоненти, показані в списку частин призначені для ремонту або заміни користувачем. Всі інші деталі повинні бути замінені в авторизованому сервісному центрі.

▲ ПОПЕРЕДЖЕННЯ

Не використовуйте стиснене повітря для видалення пилу з продукту. Ця практика небезпечна і може призвести до потраплення бруду і піску, що бути здувається, і потрапитиляти у чийсь очі.

ЗАХИСТ НАВКОЛИШНЬОГО СЕРЕДОВИЩА.



Переробляйте сировину замість утилізації в якості відходів. Машини, обладнання та упаковка повинні бути відсортовані для дружньої для навколишнього середовища утилізації.



Відходи електротехнічної продукції не слід викидати разом із побутовими відходами. Будь ласка, переробляйте там, де наявне устаткування. Перевірте з вашим місцевим органом влади або продавцем для консультацій з приводу переробки.

СИМВОЛИ



Попередження безпеки

n

Номінальна швидкість



Євразійський знак відповідності



Український знак відповідності



СЕ відповідність



Будь ласка, уважно прочитайте інструкцію перед запуском продукту.



Носіть захист слуху



Носіть захист для очей



Носіть маску



Надягати захисні рукавиці.



Не використовуйте шліфувальний круг, якщо він пошкоджений або має відколи, тріщини.



Не використовуйте для різання



Використовуйте кожух



Метал

СИМВОЛИ В ЦІЙ ІНСТРУКЦІЇ З ЕКСПЛУАТАЦІЇ



Примітка



Запасні деталі або принадлежності продаються окремо



Розблокувати



Блокувати

Нижчезказані попереджальні слова та символи пояснюють рівень ризику при роботі з цим приладом.

НЕБЕЗПЕКА

Вказує на неминуче небезпечну ситуацію, яка, якщо її не уникнути, може призвести до смерті або серйозних травм.

ПОПЕРЕДЖЕННЯ

Вказує на потенційно небезпечну ситуацію, яка, якщо її не уникнути, може призвести до смерті або серйозних травм.

УВАГА

Вказує на потенційно небезпечну ситуацію, яка, якщо її не уникнути, може призвести до середньої або легкої травми.

УВАГА

(Без Символу попередження про небезпеку) Вказує на ситуацію, яка може привести до матеріальних збитків.

Açılı taşlama makinesinin tasarımında güvenlik, performans ve güvenilirliği en yüksek öncelik verilmiştir.

KULLANIM AMACI

Açılı taşlama makinesi, bu kılavuzdaki talimatları ve uyarıları okumuş ve anlamış ve eylemlerinden sorumlu tutulabilecek yetişkinler tarafından kullanılmalı amaçlanmaktadır. Açılı taşlama makinesi yalnızca metal parçaları taşlamak ve kesmek için tasarlanmıştır. Açılı taşlama makinesine yalnızca bu kılavuzun ürün teknik özellikleri kısmında belirtilen uygun taşlama diskleri takılmalıdır. Açılı taşlama makinesi, elle kullanılmak üzere tasarlanmıştır; bir bağlama düzeneğine ya da tezgaha monte edilemez.

Bu ürünü belirtilen kullanım amacı dışında herhangi bir amaçla kullanmayın.

⚠ UYARI

Tüm güvenlik uyarılarını ve talimatlarını okuyun. Uyarıların ve talimatların yerine getirilmemesi elektrik çarpması, yangın ve/veya ciddi yaralanmalara yol açabilir.

Tüm uyarıları ve talimatları daha sonra başvurmak üzere saklayın.

AÇI TAŞLAMA MAKİNESİNE AİT ÖZEL GÜVENLİK TALİMATLARI

TAŞLAMA VE AŞINDIRICILI KESME İŞLEMLERİNE YÖNELİK GENEL GÜVENLİK UYARILARI

- Bu elektrikli alet taşlama makinesi ve kesme aleti olarak kullanılmak üzere tasarlanmıştır. Bu aletle birlikte verilen tüm uyarı, talimat ve özellikleri dikkatlice okuyunuz ve resimli açıklamalara bakınız. Aşağıda belirtilen talimatlara uyulmaması, yangın, elektrik çarpması ve/veya ciddi bedensel yaralanmalar gibi kazalar sebep olabilir.
- Kumlama, tel fırça ile fırçalama, cilalama işlemlerin bu elektrikli aletle yapılması tavsiye edilmez. Bu talimata uyulmaması kazalara ve ciddi bedensel yaralanmalara sebep olabilir.
- Bu alet için özel olarak tasarlanmış olmayan ve üretici tarafından önerilmeyen aksesuarları kullanmayın. Bir aksesuar bir alet üzerine takılabilir bile, bu, cihazı güvenlik içerisinde kullanabileceğiniz anlamına gelmemektedir.
- Aksesuarın nominal hızının, alet üzerinde belirtilen azami hıza eşit veya üzerinde olması gerekmektedir. Nominal hızlarından daha yüksek bir hızda çalışan aksesuarlar kırışabilir veya fırlayabilir.
- Aksesuarın dış çapı ve kalınlığının, cihaz için belirtilen özelliklere tekabül etmesi gerekmektedir. Eğer aksesuarlar verilen özelliklere uymuyor ise, aletin koruma ve ayarlama sistemleri doğru olarak çalışamazlar.
- Vidalı aksesuar montaj elemanları taşlama makinesinin mil dişine karşılık gelmelidir. Flaşlarla monte edilen aksesuarlarda aksesuarın mil deliği flaşın tespit çapına oturmalıdır. Elektrikli aletin montaj donanımına oturmayan aksesuarlar dengesini yitirecek, aşırı titrecektir ve kontrolün kaybedilmesine neden olabilir.
- Hasar görmüş bir aksesuarı kullanmayın. Her

kullanımdan önce, kullandığınız aksesuarın iyi durumda olmasını kontrol edin: aşındırıcı disklerin çizilmiş veya çatlamış olmamasına, patenlerin yırtılmış veya yıpranmış olmamasına, metalik fırçaların kollarının çok yıpranmış veya kırılmış olmamasına emin olun. Aletin veya aksesuarın düşmesi durumunda, hiçbir parçanın hasar görmemiş olduğunu kontrol edin ve gerekirse yeni bir aksesuar takın. Aksesuarın iyi durumda olmasını kontrol ettikten ve aksesuarı taktıktan sonra, hareketli aksesuardan uzak durun ve bir dakika boyunca aletin azami hızına erişmesini bekleyin. Eğer aksesuar hasar görmüş ise, bu test esnasında kırılacaktır.

- Kişisel koruyucu donanımlar kullanın. Aletinizi kullandığınız şekle göre, bir koruma maskesi, güvenlik gözlükleri veya koruma gözlükleri takın. Gerekirse, toz önleyici bir maske, sese karşı koruyucular, eldivenler ve her türlü yabancı madde (aşındırıcı unsurlar, ağaç talaşı, vs.) sıçramasına karşı kendinizi korumak için bir koruma tablası kullanın. Koruma gözlükleri, sıçrayan parçaların gözlerinizi yaralamamasını sağlar. Toz önleyici maskeler, yaptığınız işlemin ürettiği partiküllerin filtrelenmesini sağlar. Uzun süre çok yoğun bir gürültüye maruz kalınması, duyum kaybına sebep olabilir.
- Ziyaretçileri çalışma alanına uzak bir mesafede tutun ve bir koruma ekipmanı takmalarına dikkat edin. Herkes Çalışma alanınıza giren kişisel koruyucu donanımlar giymek gerekir. Üretilecek parçanın veya kırılmış bir aksesuarın kalıntıları çalışma alanının dışına fırlayabilir ve ciddi bedensel yaralanmalara sebep olabilir.
- Kesici aksesuarlar gizli kablo tesisatını kesebileceği için, matkapla çalışırken izolasyonlu tutma yüzeylerinden tutun. Kesici aksesuarın elektrik geçen kabloyla temas etmesi, elektrikli aletin metal parçalarının elektrikle yüklenmesine ve kullanıcının elektrige çarpmasına neden olabilir.
- Aksesuar tamamen durmadan aleti asla bırakmayın. Dönen aksesuar, konulduğu yere temas edebilir ve sizin aletin kontrolünü kaybetmenize sebep olabilir.
- Taşırken aletinizi çalıştırmayın. Dönen aksesuar kıyafetleriniz kapabilir ve sizi ciddi bir şekilde yaralayabilir.
- Aletin havalandırma boşluklarını düzenli olarak temizleyin. Motorun havalandırılması, motor karteri içerisine toz girmesine sebep olur ve bu da metalik partiküllerin aşırı şekilde toplanmasına elektrik çarpmalarına sebep olabilir.
- Aletinizi yanıcı unsurların yanında kullanmayın. Kıvılcımlar bunların tutuşmasına sebep olabilir.
- Soğutma sıvıları gerektiren aksesuarlar kullanmayın. Su veya soğutma sıvısının kullanılması, elektrik çarpmasına veya buna bağlı ölümlere sebep olabilir.

TÜM İŞLEMLER İÇİN İLAVE GÜVENLİK TALİMATLARI

Geri tepme ve ilgili uyarılar

Sıçrama, taşlama makinesi hareket halinde iken, paten, fırça veya diğer aksesuarlar delerken veya keserken gerçekleşen ani bir tepkidir ve sonucunda aksesuar hızla bloke edilir. Alet, çalışmaya devam eder, bu durumda aleti aksesuarın kullanıldığı yönün aksi yönüne doğru sıçratır.

Örneğin, aşındırıcı bir disk iş parçasına takılır veya iş



parçasına sıkışırsa, sıkışan diskin kenarı iş parçasına girebilir ve bu durum diskin çıkmasına veya aniden fırlamasına yol açabilir. Tekerlek ya doğru ya da uzağa operatörünüzden, tekerlek hareketi yönüne pinching noktasında bağlı atlama olabilir. Sıçrama olması durumunda, aşındırıcı disk ayrıca kırılabilir de.

Dolayısıyla sıçrama, aletin yanlış olarak kullanılmasının ve/veya hatalı kullanım yöntem ve koşullarının sonucunda oluşur. Birkaç tedbire uyarak bu önlenebilir:

- **Aleti sıkıca tutun ve vücudunuza ve kolunuza, olası bir sıçramayı kontrol edebilecek şekilde yerleştirin. Eğer aletin yardımcı bir kolu varsa, sıçrama veya aletin çalıştırıldığı anda reaksiyon momentini olası durumunda aleti daha iyi kontrol edebilmek için her zaman bu yardımcı kolu tutun.** Sıçrama veya reaksiyon momentini olası durumda aletinizi kontrol edebilmek için gerekli tedbirleri alın.
- **Sıçrama anında meydana gelebilecek her türlü bedensel yaralanmayı önlemek için - Elinizi asla dönen aksesuarın yakınına koymayın** Elinizi yere Aksesuar olabilir komisyon.
- **Sıçrama halinde aletini fırlatılma riskinin olduğu bölgede durmayın.** Sıçrama olması durumunda, alet, diskin dönme yönünün aksi istikametine fırlatılır.
- **Özellikle köşelerde, keskin kenarlarda, vs çalışırken dikkatli olun.** Aksesuarı kaydırmamaya veya sıkıştırmamaya özen gösterin. Aksesuarı kaydırmamaya veya sıkıştırmamaya özen gösterin. Köşelerde veya keskin kenarlarda çalışırken veya aleti kaydırırken, aksesuarın bloke olma riski ve dolayısıyla aletin kontrolünü kaybetme ve bir sıçramaya sebep olma riski daha fazladır.
- **Bu alet ile asla ağaç kesme biçanını veya testere biçanını kullanmayın.** Bu tür bıçaklar sıçrama ve aletin kontrolünü kaybetme riskini artırmaktadır.

TAŞLAMA VE AŞINDIRICI KESME İŞLEMLERİNE YÖNELİK ÖZEL GÜVENLİK UYARILARI

- **Sadece elektrikli aletiniz için tavsiye edilen dişli türlerini ve seçilen dişli için tasarlanmış özel korumayı kullanınız.** Elektrikli alete uygun tasarlanmamış çarklar yeterince iyi kontrol edilemez ve güvenli değildir.
- **Bombeli diskinerle taşıma yüzeyi, koruyucu kapağın düzleminin altına monte edilmelidir.** Koruyucu kapağın düzleminin dışarı uzanacak şekilde yanlış monte edilen disk, doğru şekilde korunamaz.
- **Koruma, elektrikli alete güvenli bir şekilde bağlanmalı ve maksimum güvenlik sağlayacak şekilde konumlandırılmalıdır, böylece operatör dişliye minimum miktarda maruz kalır.** Siper; operatörü kırık çark parçalarından, çarkla kazara temasın ve kıyafetleri tutuşturabilecek kılıcılardan korur.
- **Dişliler sadece tavsiye edilen uygulamalar için kullanılmalıdır. Örneğin, kesme dişlilerinin yanlarıyla taşıma yapmayın.** Taşıma taşı kesici çarklar sadece çevresel taşıma işlemi için üretilmiştir, çarklara yanlardan uygulanacak basınç çarkın dağılmasına sebep olabilir.
- **Seçtiğiniz dişliniz için her zaman doğru boyutta ve şekilde zarar görmemiş dişli flanşları kullanın.** Uygun dişli flanşları dişliyi destekleyerek dişli kırılması olasılığını azaltırlar. Kesme dişlileri için flanşlar taşıma dişli flanşlarından farklı olabilir.

- **Daha büyük elektrikli aletlerin aşındırılmış dişlilerini kullanmayın.** Daha büyük elektrikli aletler için tasarlanan dişliler daha küçük bir aletin daha yüksek hıza uygun değildir ve patlayabilir.

AŞINDIRICI KESME İŞLEMLERİNE ÖZEL İLAVE GÜVENLİK UYARILARI

- **Kesme çarkının sıkışmamasına ya da çarka aşırı baskı uygulamamaya dikkat edin. Fazla derin kesmeye çalışmayın.** Çarka aşırı baskı uygulamak, kesme sırasında çarkın yükü ile bükülme ya da sıkışmaya karşı hassasiyetini ve geri tepme ya da çarkın kırılma olasılığını artırır.
- **Gövdenizin pozisyonu dönen çarkla aynı doğrultuda ve arkasında olmasın.** İşlem esnasında çark gövdenizden uzaklaştığında, olası geri tepme kayan çarkı ve elektrikli aleti doğrudan size doğru itebilir.
- **Çark sıkıştığında ya da herhangi bir nedenle kesik yerlerden birine müdahale durumunda aleti kapatın ve çark tamamen durana kadar aleti tutun. Kesme çarkını hareket halindeyken kesik yerden çıkarmaya çalışmayın, yoksa geri tepmeye neden olabilir.** Eğer disk sıkışırsa, sebebini araştırın ve bunun yeniden olmaması için gerekli tedbirleri alın.
- **İş parçası üzerinde keme işlemini yeniden başlatmayın. Çarkın tam hıza ulaşmasını bekleyin ve ardından kesik yer şeklinde tekrar girin.** Elektrikli alet iş parçası üzerinde yeniden başlatıldığında çark sıkışabilir, yanaşabilir ya da geri tepebilir.
- **Çark sıkışması ya da geri tepme riskini en aza indirmek için panelleri ya da büyük boylardaki iş parçalarını destekleyin.** Büyük iş parçaları kendi ağırlıkları altında eğilip bükülebilmektedirler. Destekler iş parçasının altına çarkın her iki tarafına kesme hattının yanı ile iş parçasının kenarına yerleştirilmelidir.
- **Duvar ya da dış duvarda "keserek delme" işlemi gerçekleştirecekseniz çok dikkatli olun.** Çıkıntılı çark gaz ya da su borularını, elektrik kablolarını ya da nesnelere kesebilir ve bu geri tepmelere neden olabilir.

İLAVE GÜVENLİK UYARILARI

⚠ UYARI

Ürünü çalıştırmadan önce her zaman mil kilit düğmesinin bütünüyle serbest bırakıldığından emin olun.

ARDIL RİSKLER

Ürün belirtildiği şekilde kullanıldığı zaman bile belirli artık risk faktörlerinin tamamen ortadan kaldırılması mümkün değildir. Kullanım sırasında aşağıdaki tehlikeler ortaya çıkabilir ve operatör bunlardan kaçınmak için özellikle dikkat etmelidir:

- Fırlayan parçacıklar nedeniyle yaralanma riski
 - Metal ya da aşındırıcı parçacıklar gözle giren ciddi ve kalıcı hasara neden olabilir. Ürünü kullanırken taşıma çalışmaları için onaylanmış gözlükler takın.
- Titreşim kaynaklı yaralanma
 - Maruziyet seviyesini sınırlandırın. Bkz. "Risk Azaltma".



- Toz kaynaklı yaralanmalar
 - İşlenmekte olan materyalden çıkan toza ve taşlama diskinden çıkan aşındırıcı parçacıklara karşı koruma sağlayabilecek uygun filtrelelere sahip doğru bir toz maskesi takın. Çalışma alanı içinde bir şey yemeyin, içmeyin veya sigara içmeyin. Yeterli havalandırmayı sağlayın.
- Taşlama diskine temas nedeniyle yaralanma riski
 - Disk ve iş parçası kullanım sırasında ısınacaktır. Diskleri değiştirirken ya da iş parçasına dokunurken eldiven takın. Ellerinizi her zaman taşlanan alandan uzak tutun. İş parçasını mümkün olduğunda kelepçelerle sabitleyin.
- Gürültü kaynaklı tahribat
 - Uzun süre gürültüye maruz kalmak duyu organınızın zarar görme riskini artırır ve etkilere kümülatiftir. Elektrikli aletler uzun süre kullanıldığında kulak tıkacı takılmalıdır.

⚠ UYARI

Bir aletin uzun süre kullanılması nedeniyle yaralanmalar olabilir veya mevcut yaraların durumu kötüleşebilir. Herhangi bir aleti uzun bir süre boyunca kullanırken düzenli olarak ara vermeyi ihmal etmeyin.

RİSK AZALTMA

El aletlerinden kaynaklanan titreşimlerin belirli kişilerde Raynaud Sendromu olarak adlandırılan bir durumu etkileyebileceği rapor edilmiştir. Karıncalanma, hissizlik ve parmakların sararması gibi genelde soğuğa maruz kaldıktan sonra görülen semptomlar oluşabilir. Kalıtsal faktörler, soğuğa ve ıslaklığa maruz kalmak, diyet, sigara içmek ve fiziksel yorgunluk gibi etkenlerin hepsinin bu semptomların ortaya çıkmasına zemin hazırlayabileceği bildirilmiştir. Titreşimin etkilerini azaltmak için operatör tarafından alınabilecek önlemler bulunmaktadır:

- Soğuk havalarda vücudunuzu sıcak tutun. Ürünü çalıştırırken elleri ve bilekleri sıcak tutmak için eldiven takın. Soğuk havanın Raynaud Sendromunun ana tetikleyicilerinden olduğu bildirilmiştir.
- Her operasyon sürecinden sonra kan dolaşımını arttırmak için egzersiz yapın.
- Sık sık işe ara verin. Günlük maruziyet miktarını sınırlandırın.

Bu rahatsızlığın semptomlarından herhangi birini görürseniz, aleti kullanmayı derhal bırakın ve bir doktora görünün.

ÜRÜNÜZÜ TANIYIN

Sayfa 109'ya bakın.

1. Mil kilitleme düğmesi
2. Tetik anahtarı
3. Koruyucu kol kilidi
4. Aletsiz korkuluk
5. Yan tutamak
6. Pili bağlantı noktası
7. Dış kapak
8. Temizleme taşı
9. Kapak
10. Kesme diski (dahil değil)
11. Aletsiz kesme korkuluğu (dahil değil)

BAKIM

- Servis hizmetinde sadece aynı yedek parçaları kullanın. Diğer parçaları kullanmak tehlike yaratabilir ya da hasara neden olabilir.
- Plastik parçaları temizlerken solventleri kullanmaktan kaçının. Çoğu plastik, piyasada bulunan çözültü çözümlerine karşı hassastır ve bu çözümlerin kullanılmasından dolayı hasar görebilirler. Kiri, tozu, yağı ve gres yağını temizlemek için temiz bir bez kullanın.
- Toz üflemek veya ürünü çalıştırırken mutlaka yanları kapalı tam boy koruyucu gözlük takın. İşlem tozlu olacaksa aynı zamanda bir toz maskesi de kullanın.
- Ciddi kişisel yaralanmaları önlemek için, temizlik veya bakım yaparken akü paketini mutlaka üründen çıkarın.
- Asla fren hidroliğinin, benzinin, petrol esaslı ürünlerin, yüzeye işleyen yağların vb. plastik parçalarla temas etmesine izin vermeyin. Bu kimyasal ürünler plastik parçaları zara verebilir; kırabilir ya da bozabilir.
- Sadece parça listesinde gösterilen parçalar müşteri tarafından onarılabilir veya değiştirilebilir. Diğer tüm parçalar mutlaka Yetkili Servis Merkezi'nde değiştirilmelidir.

⚠ UYARI

Üründeki tozu temizlemek için sıkıştırılmış hava kullanmayın. Bu uygulama tehlikelidir, kirin ve taneçiklerin fırlamasına ve gözlerinizin yaralanmasına neden olabilir.

ÇEVRENİN KORUNMASI



Ham maddeleri çöp olarak atmak yerine geri dönüştürün. Çevreyi korumak için, alet, aksesuarlar ve ambalajlar tasnif edilmelidir.

SEMBOLLER



Güvenlik ikazı

n

Nominal hız



EurAsian Uyumluluk işareti



Ukrayna uygunluk işareti



CE uygunluğu



Makineyi çalıştırmadan talimatları dikkatlice okuyun.



Koruyucu kulaklık kullanın



Koruyucu gözlük kullanın



Toz maskesi kullanın.



Emniyet eldivenleri giyin



Kırık, çatlak ya da arızalı taşlama çarkını kullanmayın



Kesim için kullanmayın.



Bir siper kullanın



Metal



Atık elektrikli ürünler evsel atıklarla birlikte atılmamalıdır. Tesis bulunuyorsa lütfen geri dönüşüme verin. Geri dönüşümle ilgili tavsiye için Yerel Makamlarla veya bayi ile irtibat kurun.

⚠ TEHLİKE

Önlenmemesi durumunda ölüm veya ciddi yaralanma ile sonuçlanacak, tehdit edici tehlikeli bir durumu gösterir.

⚠ UYARI

Önlenmemesi durumunda ölüm veya ciddi yaralanma ile sonuçlanabilecek potansiyel olarak tehlikeli bir durumu gösterir.

⚠ DİKKAT

Önlenmemesi durumunda önemsiz veya orta derece yaralanma ile sonuçlanabilecek potansiyel olarak tehlikeli bir durumu gösterir.

DİKKAT

(Güvenlik uyarı simgesiz) maddi hasarla sonuçlanabilecek bir durum belirtir.

KİTAPÇIKTAKİ SEMBOLLER



Not



Parçalar ya da aksesuarlar ayrı olarak satılır.



Kilidi açma



Kilit

Aşağıdaki işaret sözcükleri ve anlamları, bu ürünle ilişkili risk seviyelerini açıklamaya yöneliktir:



Κατά το σχεδιασμό του ασύρματου γωνιακού δράπανου δόθηκε ιδιαίτερη προτεραιότητα στην ασφάλεια, την απόδοση και την αξιοπιστία του.

ΠΡΟΟΡΙΖΟΜΕΝΗ ΧΡΗΣΗ

Το τροχιστικό μηχάνημα διατίθεται για χρήση μόνο από ενήλικες που έχουν διαβάσει και κατανοήσει τις οδηγίες και τις προειδοποιήσεις του παρόντος εγχειρίδιου και μπορούν να θεωρηθούν υπεύθυνοι για τις πράξεις τους. Το τροχιστικό μηχάνημα είναι σχεδιασμένο μόνο για το τρόχισμα και την κοπή μετάλλων. Με το τροχιστικό μηχάνημα θα πρέπει να χρησιμοποιούνται μόνο οι κατάλληλοι δίσκοι τροχίσματος, όπως περιγράφεται στο τμήμα προδιαγραφών του προϊόντος στο παρόν εγχειρίδιο. Το τροχιστικό μηχάνημα είναι σχεδιασμένο μόνο για χρήση στο χέρι και δεν θα πρέπει να τοποθετείται σε δομές ή πάγκους εργασίας.

Μην χρησιμοποιείτε το προϊόν με τρόπο διαφορετικό από αυτόν που αναφέρεται για τη χρήση του.

▲ ΠΡΟΕΙΔΟΠΟΙΗΣΗ

Διαβάστε όλες τις συστάσεις ασφαλείας και τις οδηγίες. Αν δεν τηρηθούν οι προειδοποιήσεις και οδηγίες, υπάρχει κίνδυνος ηλεκτροπληξίας, φωτιάς και / ή σοβαρού τραυματισμού.

Φυλάσσετε όλες τις προειδοποιήσεις και οδηγίες για μελλοντική χρήση.

ΣΥΣΤΑΣΕΙΣ ΑΣΦΑΛΕΙΑΣ ΓΙΑ ΤΟ ΓΩΝΙΑΚΟ ΤΡΟΧΟ

ΚΟΙΝΕΣ ΠΡΟΕΙΔΟΠΟΙΗΣΕΙΣ ΑΣΦΑΛΕΙΑΣ ΓΙΑ ΛΕΙΤΟΥΡΓΙΕΣ ΚΟΠΗΣ ΑΚΟΝΙΣΜΑΤΟΣ ΚΑΙ ΛΕΙΑΝΣΗΣ

- Το εργαλείο διατίθεται για χρήση ως εργαλείο λείανσης / ακονίσματος και κοπής. Διαβάστε προσεκτικά όλες τις προειδοποιήσεις, οδηγίες και προδιαγραφές που παρέχονται με το εργαλείο και ανατρέξτε στις εικόνες. Η μη τήρηση των ακόλουθων οδηγιών μπορεί να επιφέρει ατυχήματα όπως πυρκαγιές, ηλεκτροπληξίες ή και σοβαρό σωματικό τραυματισμό.
- Εργασίες όπως η αμβολή, το βούρτσισμα με σύρμα, το γυάλισμα ή η αποκοπή, δεν προτείνεται να εκτελούνται χρησιμοποιώντας αυτό το ηλεκτροκίνητο εργαλείο. Η μη τήρηση της σύστασης αυτής μπορεί να επιφέρει ατυχήματα και σοβαρό σωματικό τραυματισμό.
- Μην χρησιμοποιείτε αξεσουάρ που δεν έχουν σχεδιαστεί ειδικά γι' αυτό το εργαλείο και δεν συνιστώνται από τον κατασκευαστή. Ακόμα κι αν ένα αξεσουάρ μπορεί να τοποθετηθεί σε εργαλείο, αυτό δεν διασφαλίζει ότι μπορείτε να χρησιμοποιείτε το εργαλείο εκείνο με απόλυτη ασφάλεια.
- Η ονομαστική ταχύτητα του αξεσουάρ πρέπει να είναι ίση ή μεγαλύτερη από την μέγιστη ταχύτητα που αναγράφεται στο εργαλείο. Τα αξεσουάρ που λειτουργούν με ταχύτητα μεγαλύτερη από την ονομαστική ταχύτητα μπορεί να σπάσουν και να εκτιναχθούν.
- Η εξωτερική διάμετρος και το πάχος του αξεσουάρ πρέπει να αντιστοιχούν στα τεχνικά χαρακτηριστικά του εργαλείου. Όταν τα αξεσουάρ δεν αντιστοιχούν στα δεδομένα χαρακτηριστικά, δεν μπορούν να λειτουργήσουν σωστά τα συστήματα

προστασίας και ρύθμισης του εργαλείου.

- Τα σπειρωτά δεσίματα των εξαρτημάτων πρέπει να ταιριάζουν με το σπείρωμα ατράκτου του τροχιστικού. Σε εξαρτήματα που τοποθετούνται με φλάντζες, η τρύπα άξονα του εξαρτήματος πρέπει να ταιριάζει με τη διάμετρο εντοπισμού της φλάντζας. Εξαρτήματα που δεν ταιριάζουν με το υλικό στερέωσης του εργαλείου, δεν θα έχουν ισορροπία, θα προκαλούν υπερβολικούς κραδασμούς και μπορεί να επιφέρουν απώλεια ελέγχου.
- Μην χρησιμοποιείτε χαλασμένο αξεσουάρ. Πριν από κάθε χρήση, να βεβαιώνετε ότι είναι σε καλή κατάσταση το αξεσουάρ που χρησιμοποιείτε: να σιγουρεύεστε ότι οι λειαντικοί τροχοί δεν είναι φαγωμένοι ή ραγισμένοι, ότι τα πέλματα δεν είναι σχισμένα ή φθαρμένα, ότι οι τρίχες των μεταλλικών βουρτσών ότι οι τρίχες των μεταλλικών βουρτσών δεν είναι πολύ φθαρμένες ή σπασμένες. Σε περίπτωση πτώσης του εργαλείου ή του εξαρτήματος, ββαιωθείτε ότι δεν έχει χαλάσει κανένα στοιχείο, και αν χρειαστεί, τοποθετήστε καινούργιο εξάρτημα. Αφού ββαιωθείτε ότι το αξεσουάρ είναι σε καλή κατάσταση και αφού το τοποθετήσετε, κρατηθείτε σε απόσταση από το κινητό αξεσουάρ και αφήστε το εργαλείο να φθάσει στη μέγιστη ταχύτητά του για ένα λεπτό. Αν είναι χαλασμένο το αξεσουάρ, θα σπάσει κατά την δοκιμή.
- Να φοράτε μέσα ατομικής προστασίας. Ανάλογα με την χρήση του εργαλείου σας, φοράτε προστατευτική μάσκα, γυαλιά ασφαλείας ή προστατευτικά γυαλιά. Αν χρειαστεί, φορέστε μάσκα κατά της σκόνης, ωασιπίδες, γάντια και προστατευτική ποδιά για να προφυλαχτείτε από οιαδήποτε εκτίναξη ξένων εργαλείων (λειαντικά στοιχεία, ροκανίδια κλπ). Τα προστατευτικά γυαλιά αποτρέπουν την εκτίναξη θραυσμάτων και τον τραυματισμό των ματιών. Οι μάσκες κατά της σκόνης φιλτράρουν τα σωματίδια που δημιουργούνται από την εργασία που κάνετε. Η παρατεταμένη έκθεση στο δυνατό θόρυβο μπορεί να προκαλέσει απώλεια της ακοής.
- Κρατάτε τους επισκέπτες σε αρκετή απόσταση από την ζώνη εργασίας και φροντίστε να φορούν προστατευτικό εξοπλισμό. Κάθε άτομο που εισέρχεται στο χώρο εργασίας πρέπει να φορούν εξοπλισμό ατομικής προστασίας. Μπορεί να εκτιναχθούν θραύσματα κατεργαζόμενου υλικού ή σπασμένου αξεσουάρ πέρα από την ζώνη εργασίας και να προκαλέσουν σοβαρό σωματικό τραυματισμό.
- Κρατάτε το εργαλείο μόνο από τα μονωμένα και αντιολισθητικά τμήματα όταν εργάζεστε σε επιφάνεια η οποία μπορεί να κρύβει ηλεκτρικά καλώδια. Η επαφή του εξαρτήματος κοπής με «ζωντανό» καλώδιο (ηλεκτροφόρο) μπορεί να μεταφέρει τον ηλεκτρισμό στα εκτεθειμένα μεταλλικά εξαρτήματα του εργαλείου, προκαλώντας ηλεκτροπληξία στον χειριστή.
- Μην αναποθέτε ποτέ το εργαλείο σας πριν σταματήσει τελείως το αξεσουάρ. Το περιστρεφόμενο αξεσουάρ μπορεί να έλθει σε επαφή με την επιφάνεια στην οποία είναι τοποθετημένο και να σας κάνει να χάσετε τον έλεγχο του εργαλείου.
- Μην βάζετε ποτέ το εργαλείο σας σε λειτουργία όταν το μεταφέρετε. Το περιστρεφόμενο αξεσουάρ μπορεί να πιαστεί στα ρούχα σας και να σας τραυματίσει σοβαρά.





- **Καθαρίζετε τακτικά τις σχισμές αερισμού του εργαλείου.** Ο αερισμός του μοτέρ αφήνει να διεισδύουν σκόνες στο εσωτερικό του περιβλήματος μοτέρ, με αποτέλεσμα να δημιουργείται υπερβολική συσσώρευση μεταλλικών σωματιδίων με κίνδυνο την ηλεκτροπληξία.
- **Μην χρησιμοποιείτε το εργαλείο σας κοντά σε εύφλεκτα υλικά.** Οι σπίθες κινδυνεύουν να προκαλέσουν ανάφλεξη.
- **Μην χρησιμοποιείτε αξεσουάρ που χρειάζονται ψυκτικά ρευστά.** Η χρήση νερού ή ψυκτικών υγρών μπορεί να προκαλέσει ηλεκτροπληξία.

ΠΕΡΙΣΣΟΤΕΡΕΣ ΟΔΗΓΙΕΣ ΑΣΦΑΛΕΙΑΣ ΓΙΑ ΟΛΕΣ ΤΙΣ ΛΕΙΤΟΥΡΓΙΕΣ

Επιστροφή και σχετικές ειδοποιήσεις

Το αναπήδημα είναι μια ξαφνική αντίδραση η οποία λαμβάνει χώρα όταν ο κινούμενος τροχός, το πέλμα, η βούρτσα ή οιοδήποτε άλλο αξεσουάρ μαγκώσει ή στρεβλώσει, με αποτέλεσμα το άμεσο μπλοκάρισμα του αξεσουάρ. Το εργαλείο, το οποίο συνεχίζει να λειτουργεί, εκτινάσσει τότε το αξεσουάρ προς την αντίθετη κατεύθυνση από την φορά χρήσης του αξεσουάρ

Για παράδειγμα, αν ένας λειαντικός τροχός μαγκώσει ή στρεβλώσει μέσα στο κατεργαζόμενο τεμάχιο, η κόψη του τροχού κινδυνεύει να καρφώσει στην επιφάνεια του κατεργαζόμενου τεμαχίου, με αποτέλεσμα ο τροχός να βγει απότομα από το κατεργαζόμενο τεμάχιο ή να κάνει επιστροφή. Σε περίπτωση αναπήδηματος, ο λειαντικός τροχός μπορεί ακόμα και να σπάσει. Το αναπήδημα είναι συνεπώς το αποτέλεσμα λανθασμένης χρήσης του εργαλείου ή και λανθασμένων διαδικασιών ή συνθηκών κοπής.

Το αναπήδημα είναι συνεπώς το αποτέλεσμα λανθασμένης χρήσης του εργαλείου ή και λανθασμένων διαδικασιών ή συνθηκών κοπής. Μπορεί ωστόσο να αποφευχθεί τηρώντας ορισμένες προφυλάξεις:

- **Κρατάτε σταθερά το εργαλείο και φέρετε το σώμα σας και το μπράτσο σας σε κατάλληλη θέση ώστε να μπορείτε να ελέγχετε τυχόν αναπήδημα. Αν το εργαλείο διαθέτει βοηθητική λαβή, φροντίστε να την κρατάτε πάντα για να έχετε άριστο έλεγχο του εργαλείου σε περίπτωση αναπήδηματος ή ζεύγους αντίδρασης κατά την έναρξη λειτουργίας του εργαλείου.** Παίρνετε τα απαραίτητα μέτρα για να μπορείτε να ελέγχετε το εργαλείο σας σε περίπτωση αναπήδηματος ή ζεύγους αντίδρασης.
- **Μην βάζετε ποτέ το χέρι σας κοντά στο περιστρεφόμενο αξεσουάρ για να αποτρέψετε τον κίνδυνο σοβαρού σωματικού τραυματισμού σε περίπτωση αναπήδηματος.** Εξάρτημα μπορεί να κλωτσήσει επάνω από το χέρι σας.
- **Μην στέκεστε μέσα στη ζώνη όπου κινδυνεύει να εκτιναχτεί το εργαλείο σε περίπτωση αναπήδηματος.** Σε περίπτωση αναπήδηματος, το εργαλείο εκτινάσσεται προς την αντίθετη κατεύθυνση από την φορά περιστροφής του τροχού.
- **Προσέχετε ιδιαίτερα όταν εργάζεστε σε γωνίες, κοφτερές άκρες κλπ. Φροντίστε να μην σας πλαγιολισθήσει ή να σας μαγκώσει το αξεσουάρ.** Όταν εργάζεστε σε γωνίες ή κοφτερές άκρες ή όταν σας πλαγιολισθήσει το εργαλείο, ο κίνδυνος είναι πιο μεγάλος να μπλοκάρει το αξεσουάρ και να χάσετε τον έλεγχο του εργαλείου προκαλώντας αναπήδημα.
- **Μην χρησιμοποιείτε ποτέ λάμα αλυσοπρίονου ή λάμα πριονιού με αυτό το εργαλείο.** Αυτού του

είδους οι λάμες αυξάνουν τον κίνδυνο αναπήδηματος και απώλειας ελέγχου του εργαλείου.

ΣΥΓΚΕΚΡΙΜΕΝΕΣ ΠΡΟΕΙΔΟΠΟΙΗΣΕΙΣ ΑΣΦΑΛΕΙΑΣ ΓΙΑ ΛΕΙΤΟΥΡΓΙΕΣ ΚΟΠΗΣ ΑΚΟΝΙΣΜΑΤΟΣ ΚΑΙ ΛΕΙΑΝΣΗΣ

- **Χρησιμοποιείτε μόνο τύπους τροχών που προτείνονται για το ηλεκτροκίνητο εργαλείο σας και το συγκεκριμένο προστατευτικό που έχει σχεδιαστεί για τον επιλεγμένο τροχό.** Τροχοί για τους οποίους δεν έχει σχεδιαστεί το εργαλείο, δεν προστατεύονται επαρκώς και δεν είναι ασφαλείς.
- **Η επιφάνεια τροχίσματος των κεντρικών πεπιεσμένων τροχών πρέπει να τοποθετείται κάτω από το επίπεδο του προστατευτικού πέλματος.** Αν ο τροχός δεν τοποθετηθεί σωστά και προεξέχει πέρα από το επίπεδο του προστατευτικού πέλματος, δεν θα παρέχεται κατάλληλη προστασία.
- **Το προστατευτικό πρέπει να βρίσκεται πάντα τοποθετημένο στο ηλεκτροκίνητο εργαλείο και στη σωστή θέση για μέγιστη ασφάλεια, έτσι ώστε να εκτίθεται όσο γίνεται μικρότερος βαθμός του τροχού προς τον χειριστή.** Τα προστατευτικά παρέχουν στον χειριστή προστασία από σπασμένα τεμάχια τροχού, τυχαία επαφή με τον τροχό και σπινθήρες που θα μπορούσαν να προκαλέσουν ανάφλεξη στα ρούχα.
- **Οι τροχοί πρέπει να χρησιμοποιούνται μόνο για τις προτεινόμενες εφαρμογές. Για παράδειγμα, μην εκτελείτε εργασίες ακονίσματος / λείανσης με την πλευρά του τροχού αποκοπής.** Οι λειαντικοί τροχοί αποκοπής διατίθενται για περιφερειακό ακόνισμα - εάν ασκηθεί πλευρική πίεση σε αυτούς τους τροχούς ενδέχεται να θρυμματιστούν.
- **Χρησιμοποιείτε πάντα φλάντζες τροχών σε άριστη κατάσταση και με σωστό μέγεθος και σχήμα για τον επιλεγμένο τροχό.** Οι σωστές φλάντζες τροχών στηρίζουν τον τροχό και μειώνουν την πιθανότητα σπασίματός του. Οι φλάντζες για τους τροχούς αποκοπής μπορεί να διαφέρουν από τις φλάντζες τροχών ακονίσματος.
- **Μην χρησιμοποιείτε φθαρμένους τροχούς από μεγαλύτερα ηλεκτροκίνητα εργαλεία.** Τροχοί για μεγαλύτερα ηλεκτροκίνητα εργαλεία δεν είναι κατάλληλοι για τις υψηλότερες ταχύτητες που αναπτύσσουν τα μικρότερα εργαλεία και ενδέχεται να σπάσουν.

ΕΠΙΠΡΟΣΘΕΤΕΣ ΠΡΟΕΙΔΟΠΟΙΗΣΕΙΣ ΑΣΦΑΛΕΙΑΣ ΓΙΑ ΛΕΙΤΟΥΡΓΙΕΣ ΛΕΙΑΝΣΗΣ ΑΠΟΚΟΠΗΣ

- **Μην "φρακάρετε" τον τροχό αποκοπής και μην ασκείτε υπερβολική πίεση.** Μην προσπαθείτε να κάνετε υπερβολικά βαθιές κοπές. Αν πιέσετε υπερβολικά τον τροχό, αυξάνεται το φορτίο και η πιθανότητα συστορφής ή πιασίματος του τροχού στην κοπή, μαζί με την πιθανότητα επιστροφής ή σπασίματος του τροχού.
- **Μην τοποθετείτε το σώμα σας στην ίδια σειρά με και πίσω από τον περιστρεφόμενο τροχό.** Όταν ο τροχός, στο σημείο λειτουργίας, μετακινείται μακριά από το σώμα σας, η πιθανή επιστροφή μπορεί να εκτινάξει τον περιστρεφόμενο τροχό μαζί με το εργαλείο κατευθείαν προς εσάς.
- **Αν ο τροχός πιαστεί ή όταν διακόπτετε μία κοπή για οποιονδήποτε λόγο, απενεργοποιείτε το εργαλείο και κρατάτε το ακίνητο μέχρι ο τροχός να σταματήσει τελείως.** Μην προσπαθείτε ποτέ να





αφαιρέσετε τον τροχό αποκοπής από την κοπή όσο αυτός κινείται, διαφορετικά μπορεί να προκληθεί επιστροφή. Αν ο δίσκος μαγκώσει, αναζητήστε την αιτία και λάβετε τα απαραίτητα μέτρα ούτως ώστε να μην επαναληφθεί.

- **Μην ξεκινάτε απ' την αρχή την εργασία κοπής στο τεμάχιο όπου εργάζεστε. Αφήστε τον τροχό να φτάσει στην πλήρη ταχύτητά του και κάντε προσεκτικά ξανά την κοπή.** Ο τροχός μπορεί να πιαστεί, να μετακινηθεί ή να κάνει επιστροφή, αν γίνει νέα εκκίνηση του εργαλείου πάνω στο τεμάχιο.
- **Στηρίξτε πλαίσια ή ευμεγέθη τεμάχια για να ελαχιστοποιήσετε τον κίνδυνο πιασίματος του τροχού και επιστροφής.** Τα μεγάλα πλαίσια τείνουν να κρεμάνε από το βάρος τους. Τα υποστηρίγματα πρέπει να τοποθετηθούν κάτω από το τεμάχιο, κοντά στη γραμμή της κοπής και κοντά στην άκρη του τεμαχίου και στις δύο πλευρές του τροχού.
- **Προσέχετε ιδιαίτερα όταν κάνετε μία "κοπή θυλάκωσης" σε υπάρχοντα τοιχώματα ή άλλες περιοχές χωρίς ορατότητα.** Η προεξέχων τροχός μπορεί να κόψει αγωγούς αερίου ή νερού, ηλεκτρικά σύρματα ή αντικείμενα που μπορούν να προκαλέσουν επιστροφή.

ΕΠΙΠΡΟΣΘΕΤΕΣ ΠΡΟΕΙΔΟΠΟΙΗΣΕΙΣ ΑΣΦΑΛΕΙΑΣ

ΠΡΟΕΙΔΟΠΟΙΗΣΗ

Πάντοτε να ελέγχετε ότι το κουμπί ασφάλισης του άξονα είναι απασφαλισμένο πριν θέσετε σε λειτουργία τη συσκευή.

ΆΛΛΟΙ ΚΙΝΔΥΝΟΙ

Ακόμη και όταν το προϊόν χρησιμοποιείται σύμφωνα με τις οδηγίες, δεν είναι δυνατή η απόλυτη απαλειφή συγκεκριμένων παραγόντων κινδύνου. Κατά τη χρήση μπορεί να προκύψουν οι ακόλουθοι κίνδυνοι και ο χειριστής πρέπει να δίδει ιδιαίτερη προσοχή προς αποφυγή των εξής:

- Τραυματισμοί από εκτίναξη σωματιδίων
 - Σε περίπτωση επαφής με τα μάτια τυχόν κόκκων μετάλλου ή προϊόντων λείανσης, μπορεί να προκληθεί σοβαρή και μόνιμη βλάβη. Φοράτε προστατευτικά γυαλιά κατάλληλα για εργασίες τροχισμού όταν χρησιμοποιείτε το προϊόν.
- Τραυματισμοί από τον κραδασμό
 - Περιορίστε την έκθεση. Βλ. "Μείωση Κινδύνου".
- Τραυματισμός που προκαλείται από τη σκόνη
 - Φοράτε κατάλληλη μάσκα προστασίας με τα σωστά φίλτρα που προστατεύουν από τη σκόνη που προέρχεται από το υλικό εργασίας και τα τριπτικά σωματίδια του δίσκου τροχισμού. Βεβαιωθείτε ότι υπάρχει κατάλληλος εξαερισμός.
- Τραυματισμοί από επαφή με το δίσκο τροχισμού
 - Ο δίσκος και το τεμάχιο εργασίας θερμαίνονται κατά τη διάρκεια της χρήσης. Φοράτε γάντια όταν αλλάζετε δίσκους ή αγγίζετε το τεμάχιο εργασίας. Διατηρείτε πάντα τα χέρια σας μακριά από την περιοχή τροχισμού. Πιάνετε με σφιγκτήρα το τεμάχιο εργασίας όπου αυτό είναι δυνατό.
- Τραυματισμοί από τον θόρυβο
 - Η παρατεταμένη έκθεση στο θόρυβο αυξάνει τον

κίνδυνο ακουστικής βλάβης και οι επιπτώσεις είναι αθροιστικές. Όταν χρησιμοποιείτε ηλεκτρικά εργαλεία για μεγάλα διαστήματα, φοράτε προστατευτικά ακοής.

ΠΡΟΕΙΔΟΠΟΙΗΣΗ

Υπάρχει κίνδυνος πρόκλησης ή επιδείνωσης τραυματισμού, από την παρατεταμένη χρήση εργαλείου. Όταν χρησιμοποιείτε το εργαλείο για μεγάλες περιόδους, κάνετε τακτικά διαλείμματα.

ΜΕΙΩΣΗ ΚΙΝΔΥΝΟΥ

Έχει αναφερθεί ότι οι κραδασμοί των χειροκίνητων εργαλείων μπορεί να συμβάλει σε μια πάθηση γνωστή ως Σύνδρομο Raynaud σε ορισμένα άτομα. Τα συμπτώματα περιλαμβάνουν κνησμό, μούδιασμα και λευκότητα των δακτύλων, που εμφανίζονται συνήθως μετά την έκθεση σε κρύο. Κληρονομικοί παράγοντες, έκθεση σε κρύο και υγρασία, η διατροφή, το κάπνισμα και οι εργασιακές πρακτικές θεωρείται ότι συμβάλλουν στην ανάπτυξη αυτών των συμπτωμάτων. Υπάρχουν μέτρα που μπορούν να ληφθούν από τον χειριστή για να μειωθούν πιθανώς οι επιδράσεις των κραδασμών:

- Διατηρείτε το σώμα σας ζεστό όταν ο καιρός είναι ψυχρός. Κατά τη λειτουργία του προϊόντος φοράτε γάντια ώστε να διατηρείτε τα χέρια και τους καρπούς ζεστά. Ο ψυχρός καιρός είναι κύριος παράγοντας που συμβάλλει στην εκδήλωση του συνδρόμου Raynaud.
- Μετά από κάθε περίοδο λειτουργίας, κάνετε ασκήσεις για να αυξάνετε την κυκλοφορία αίματος.
- Κάνετε τακτικά διαλείμματα κατά την εργασία. Περιορίζετε το σύνολο έκθεσης ανά ημέρα.

Αν παρουσιάσετε οποιοδήποτε σύμπτωμα αυτής της πάθησης, διακόψτε αμέσως τη χρήση και συμβουλευτείτε τον γιατρό σας για τα συμπτώματα.

ΓΝΩΡΙΣΤΕ ΤΟ ΠΡΟΪΟΝ ΣΑΣ

Βλέπε σελίδα 119.

1. Πλήκτρο ασφάλισης του άξονα
2. Διακόπτης
3. Κλειδωμα μοχλού προστατευτικού
4. Προστατευτικό
5. Πλευρική λαβή
6. Θύρα μπαταρίας
7. Εξωτερική φλάντζα
8. Δίσκος ξακρίσματος
9. Φλάντζα
10. Τροχός κοπής (δεν συμπεριλαμβάνεται)
11. Προστατευτικό κοπής (δεν συμπεριλαμβάνεται)

ΣΥΝΤΗΡΗΣΗ

- Κατά τη συντήρηση, χρησιμοποιείτε μόνο πανομοιότυπα ανταλλακτικά. Η χρήση οποιοδήποτε άλλου ανταλλακτικού μπορεί να παρουσιάσει κίνδυνο ή να προκαλέσει ζημιά στο εργαλείο σας.
- Αποφύγετε τη χρήση διαλυτών κατά τον καθαρισμό πλαστικών εξαρτημάτων. Τα περισσότερα πλαστικά είναι επιρρεπή σε φθορές από τους διάφορους τύπους διαλυτών που είναι διαθέσιμοι στο εμπόριο και μπορεί να καταστραφούν από τη χρήση τους. Χρησιμοποιήστε ένα καθαρό πανί για να αφαιρέσετε βρωμιά, σκόνη, λάδια, γράσο κ.λπ.



- Φοράτε πάντα προστατευτικά ματιών ή γυαλιά με πλαϊνές ασπίδες ενώ χρησιμοποιείτε ηλεκτροκίνητα εργαλεία ή κάνετε εργασίες με σκόνη. Αν η εργασία προκαλεί σκόνη, φοράτε και ειδική μάσκα.
- Για την αποφυγή σοβαρών τραυματισμών, αφαιρείτε πάντα τη μπαταρία από το προϊόν κατά τον καθαρισμό ή τη συντήρησή του.
- Σε καμία περίπτωση μην επιτρέπετε τα υγρά φρένων, η βενζίνη, προϊόντα με βάση το πετρέλαιο, έλαια που διεισδύουν κλπ. να έρχονται σε επαφή με πλαστικά τμήματα. Αυτά τα χημικά προϊόντα περιέχουν ουσίες οι οποίες μπορούν να προξενήσουν ζημιά, να μειώσουν ή να καταστρέψουν το πλαστικό.
- Μόνο τα εξαρτήματα που εμφανίζονται στη λίστα μπορούν να επισκευαστούν ή αντικατασταθούν από τον πελάτη. Όλα τα άλλα εξαρτήματα πρέπει να αντικαθίστανται σε Εξουσιοδοτημένο Κέντρο Σέρβις της.

⚠ ΠΡΟΕΙΔΟΠΟΙΗΣΗ

Μην χρησιμοποιείτε πεπιεσμένο αέρα για την αφαίρεση σκόνης από το προϊόν. Αυτή η πρακτική είναι επικίνδυνη και μπορεί να προκαλέσει την εκτίναξη σκόνης και υπολειμμάτων με πιθανό τραυματισμό των ματιών.

ΠΡΟΣΤΑΣΙΑ ΤΟΥ ΠΕΡΙΒΑΛΛΟΝΤΟΣ



Ανακυκλώνετε τις πρώτες ύλες αντί να τις πετάτε ως απορρίμματα. Για την προστασία του περιβάλλοντος, πρέπει να γίνεται ι διαλογή του εργαλείου, των εξαρτημάτων και των συσκευασιών του.



Φοράτε προστατευτικά ματιών



Φοράτε μάσκα προστασίας από πριονίδια/σωματίδια.



Φοράτε προστατευτικά γάντια



Μην χρησιμοποιείτε λειαντικούς τροχούς που έχουν ξεφλουδίσει, ραγίσει ή είναι ελαττωματικοί



Να μην χρησιμοποιείται για εργασίες κοπής



Χρησιμοποιείτε προστατευτικό



Μέταλλο



Τα ηλεκτρικά προϊόντα προς απόρριψη δεν θα πρέπει να απορρίπτονται μαζί με τα οικιακά απόβλητα. Παρακαλούμε ανακυκλώστε όπου υπάρχουν οι αντίστοιχες εγκαταστάσεις. Μιλήστε με τις τοπικές αρχές ή τον πωλητή για να σας ενημερώσουν σχετικά με τα προγράμματα ανακύκλωσης.

ΣΥΜΒΟΛΑ



Προειδοποίηση ασφαλείας

n

Βαθμονομημένη ταχύτητα



EurAsian σήμα πιστότητας



Ουκρανικό σήμα συμμόρφωσης



Συμμόρφωση CE



Παρακαλούμε διαβάστε τις οδηγίες προσεκτικά πριν ξεκινήσετε το μηχάνημα.



Φοράτε προστατευτικά αυτιών

ΣΥΜΒΟΛΑ ΣΤΟ ΕΓΧΕΙΡΙΔΙΟ



Σημείωση



Ανταλλακτικά και εξαρτήματα πωλούνται χωριστά



Ξεκλειδωμα



Κλειδωμα

Οι ακόλουθες προειδοποιητικές λέξεις και έννοιες προορίζονται να εξηγήσουν τα επίπεδα κινδύνου που συνδέονται με αυτό το προϊόν:

⚠ ΚΙΝΔΥΝΟΣ

Υποδεικνύει μια επικείμενη επικίνδυνη κατάσταση, η οποία, αν δεν αποφευχθεί, θα οδηγήσει σε θάνατο ή σοβαρό τραυματισμό.

ΠΡΟΕΙΔΟΠΟΙΗΣΗ

Υποδεικνύει μια δυνητικά επικίνδυνη κατάσταση, η οποία, αν δεν αποφευχθεί, θα οδηγήσει σε θάνατο ή σοβαρό τραυματισμό.

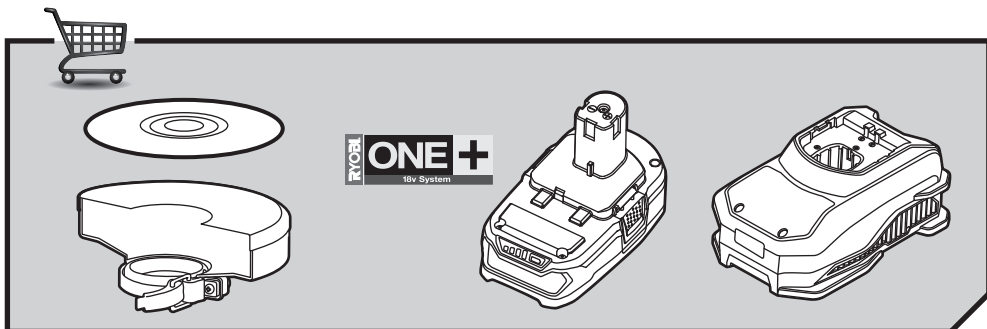
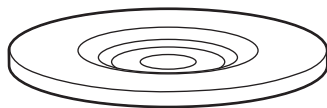
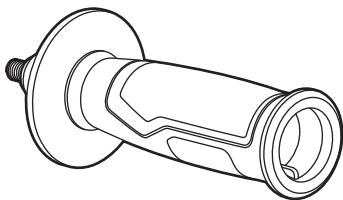
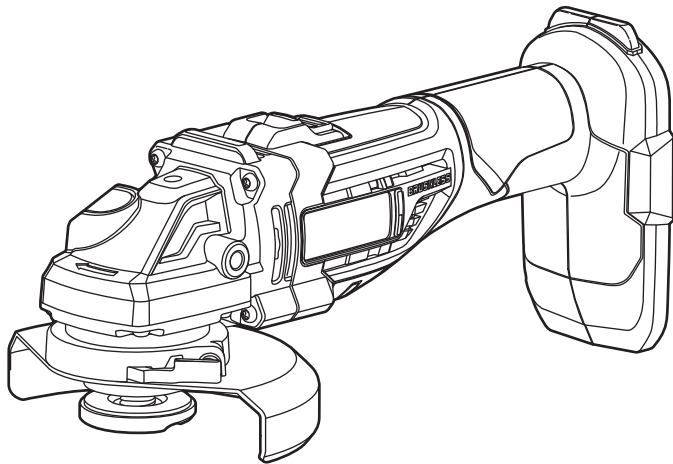
ΠΡΟΣΟΧΗ

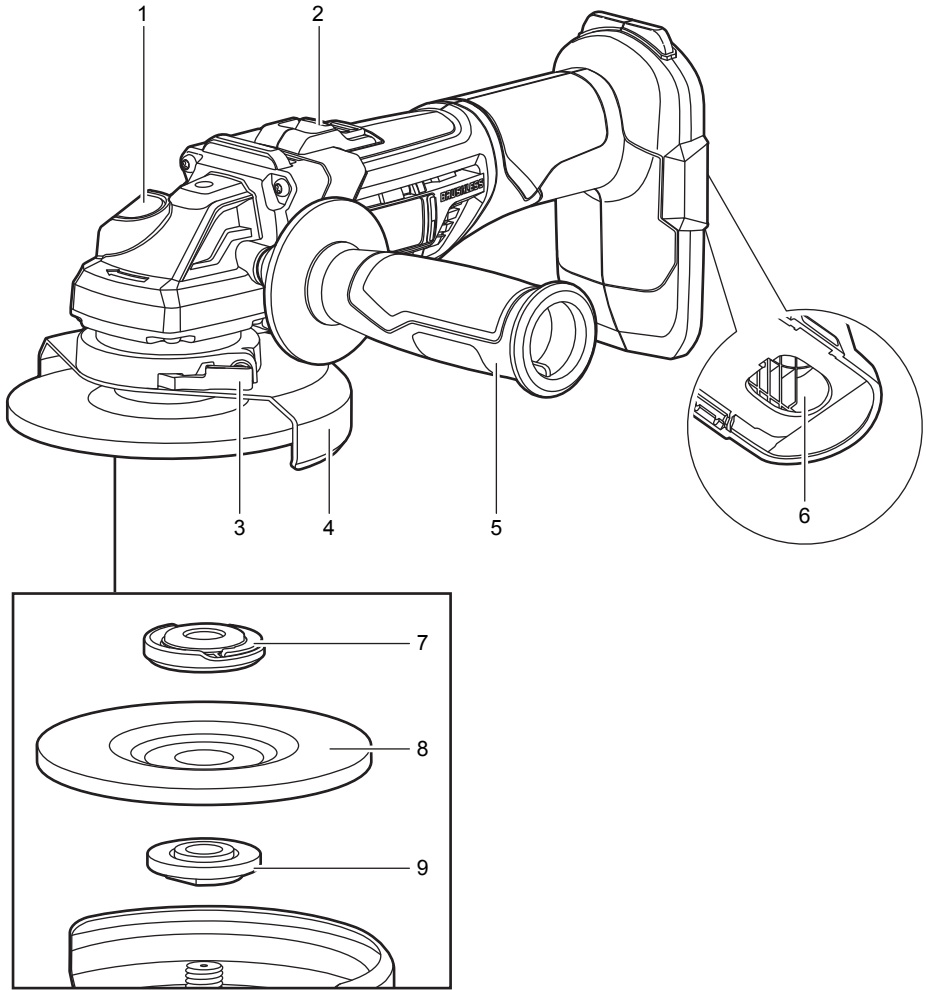
Υποδεικνύει μια δυνητικά επικίνδυνη κατάσταση, η οποία, αν δεν αποφευχθεί, ενδέχεται να οδηγήσει σε ελαφρύ ή μέτριο τραυματισμό.

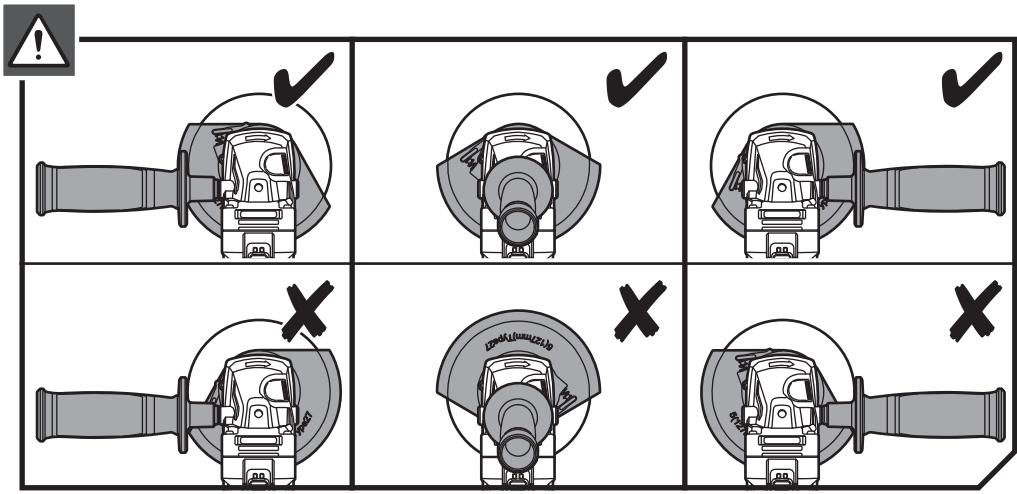
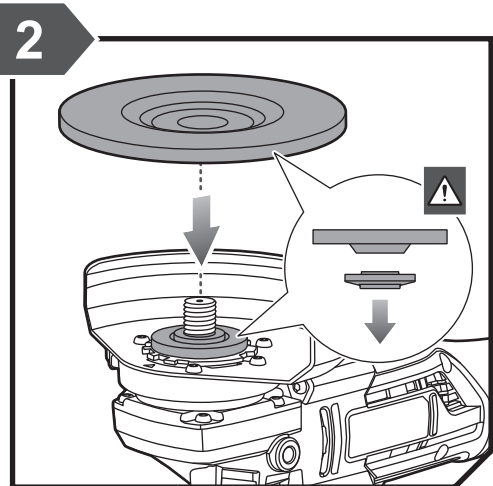
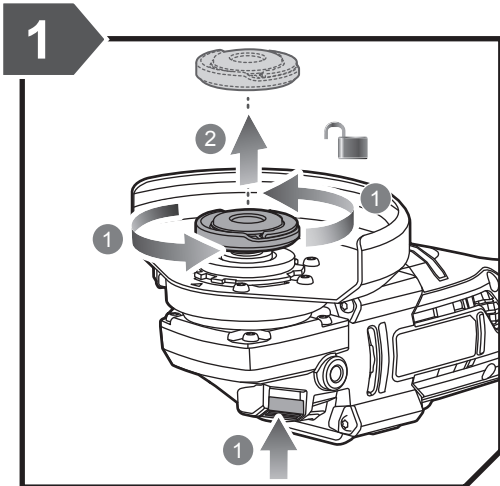
ΠΡΟΣΟΧΗ

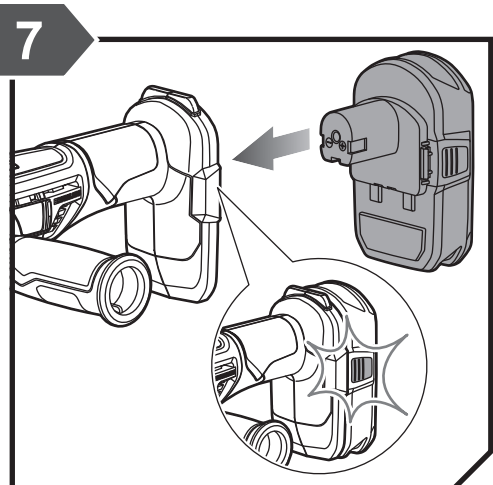
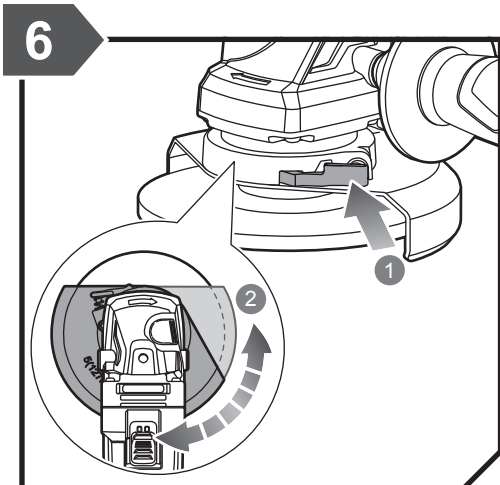
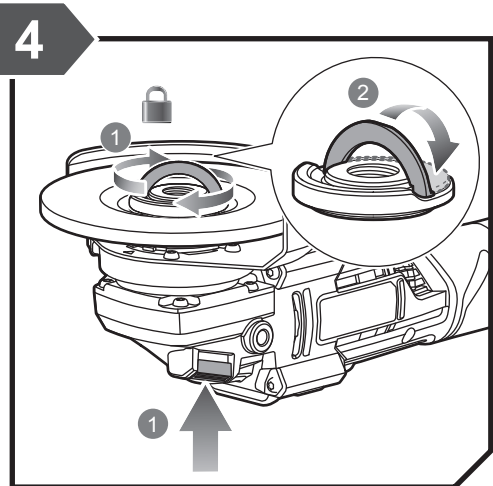
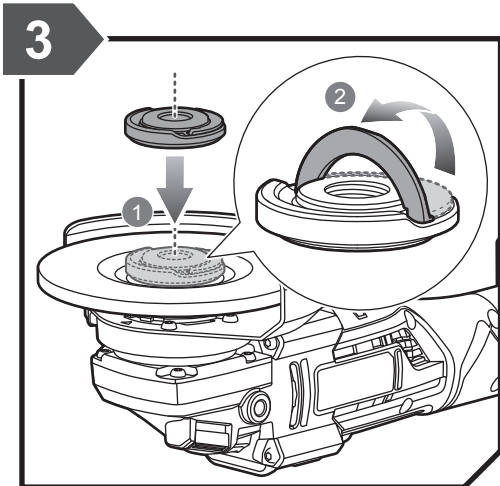
(Χωρίς προειδοποιητικό σύμβολο) Επισημαίνει μια κατάσταση που ενδέχεται να προκαλέσει υλικές ζημιές.

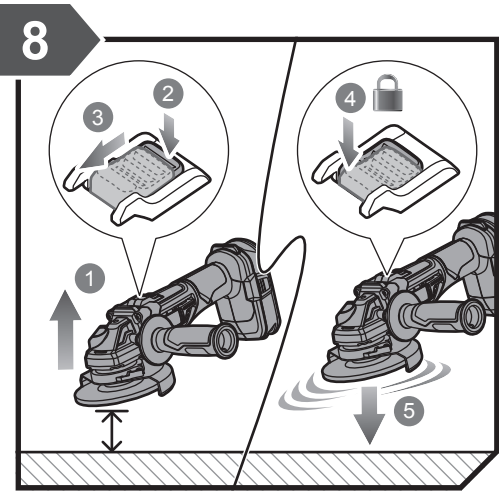
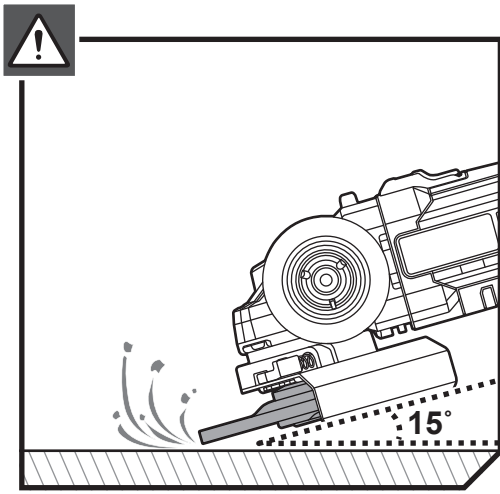
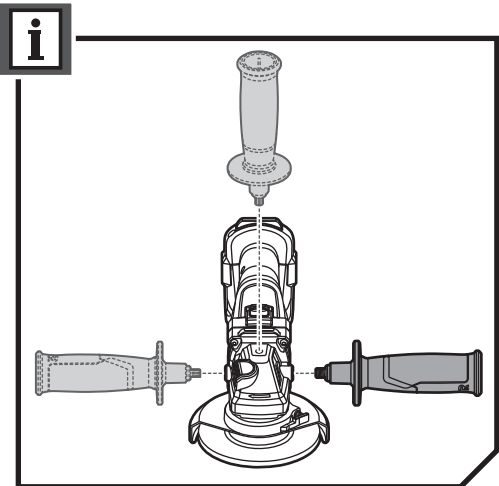
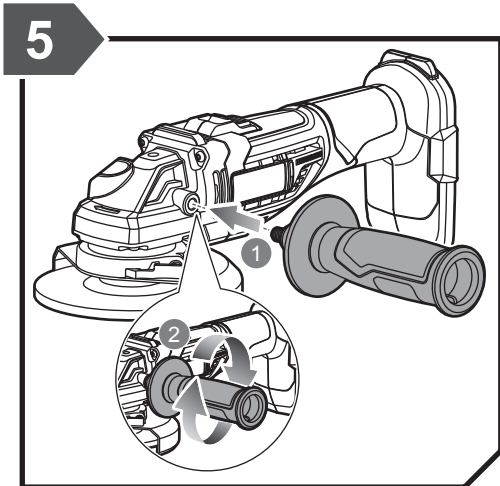
EN
FR
DE
ES
IT
NL
PT
DA
SV
FI
NO
RU
PL
CS
HU
RO
LV
LT
ET
HR
SL
SK
BG
UK
TR
EL



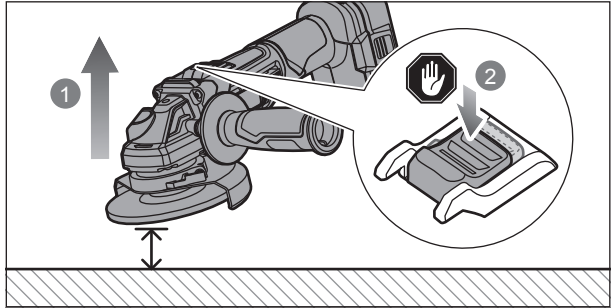
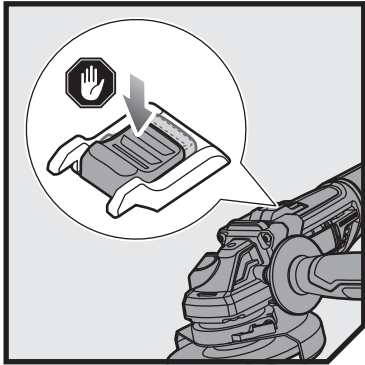
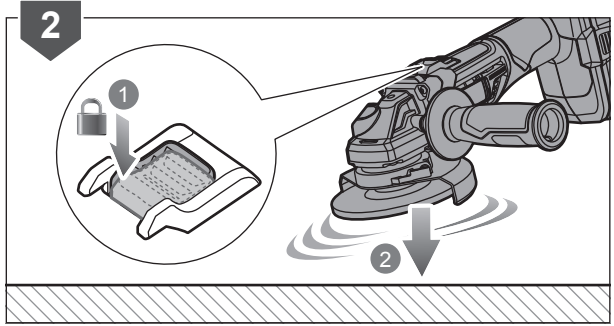
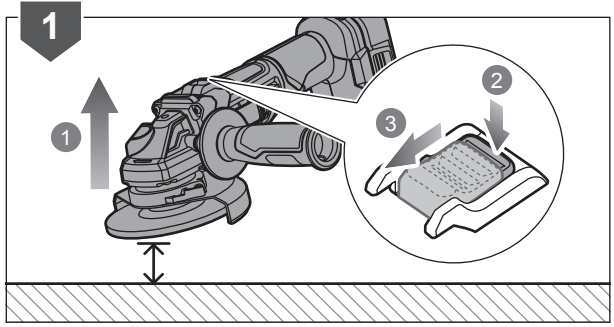
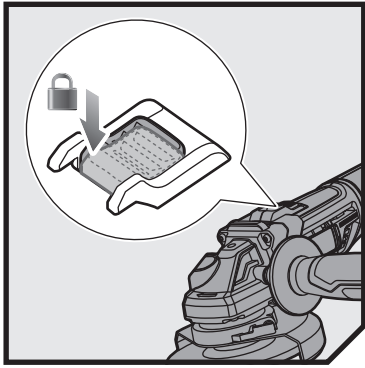


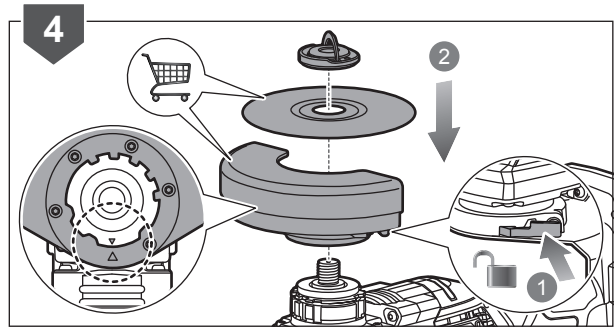
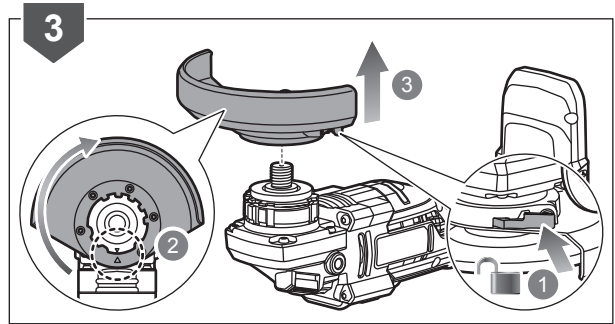
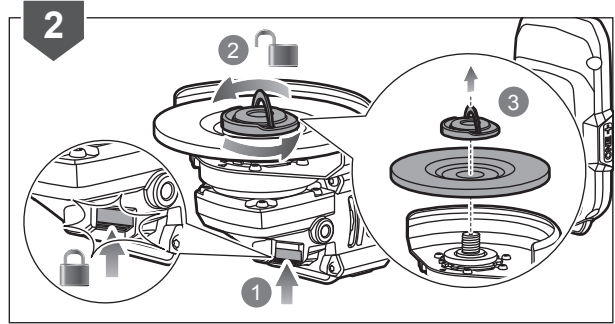
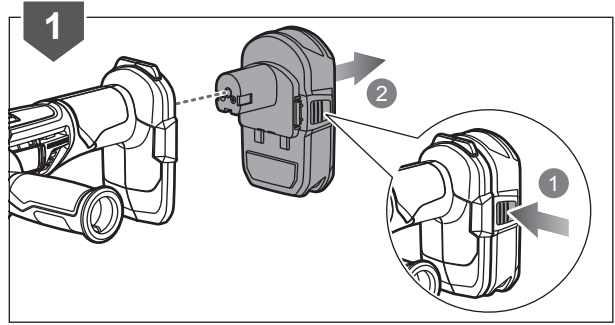
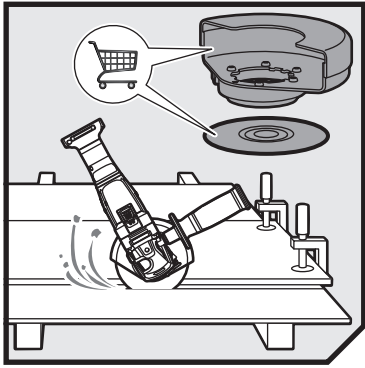


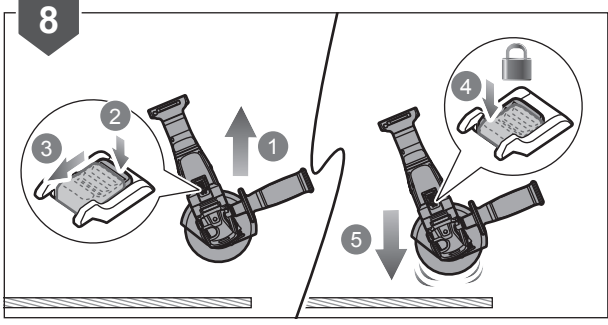
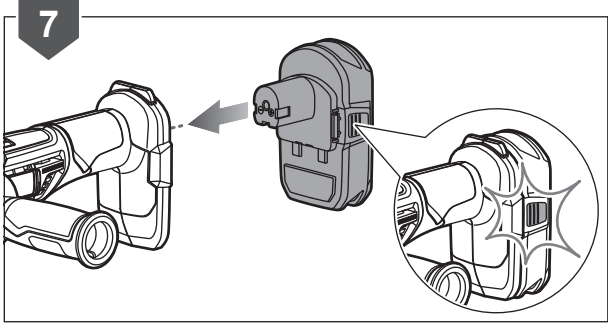
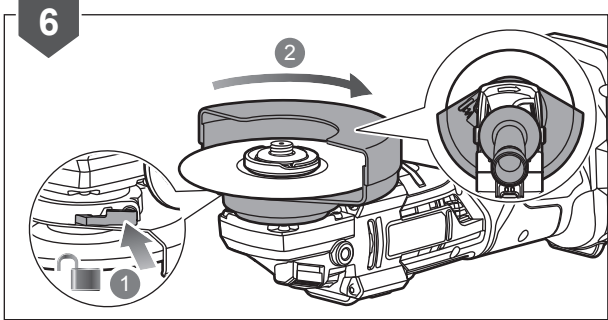
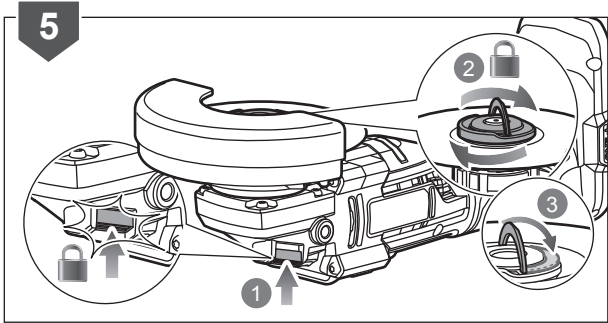


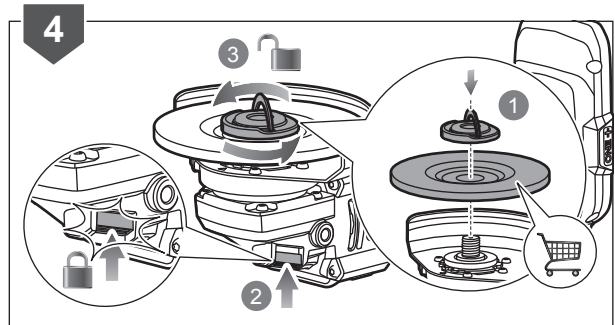
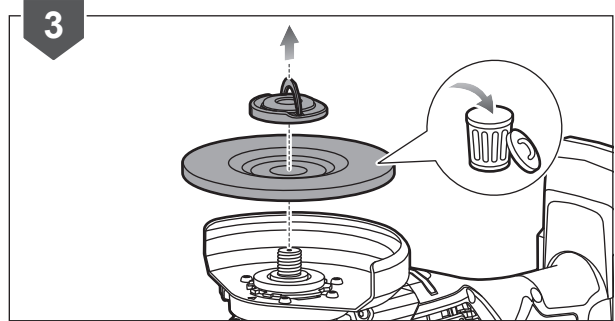
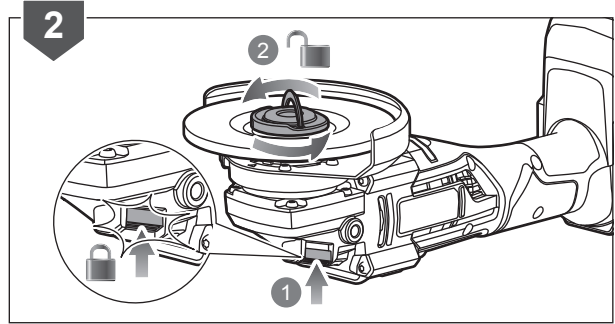
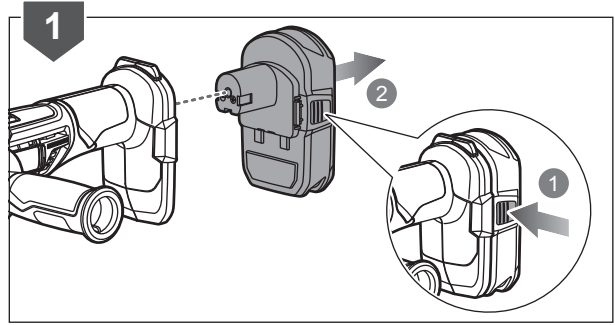
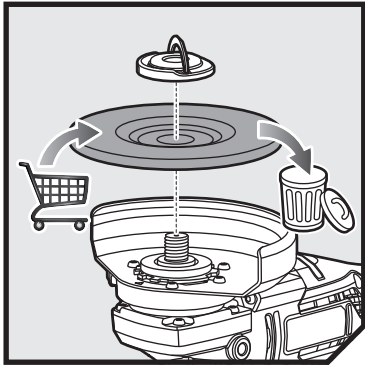














English	Français	Deutsch	Español	Italiano	Nederlands	Português
Product specifications	Caractéristiques de l'appareil	Produkt-Spezifikationen	Especificaciones del producto	Specifiche prodotto	Productspecificaties	Especificações do produto
Cordless angle grinder	Meuleuse d'angle sans-fil	Akku-Winkelschleifer	Esmeril angular inalámbrico	Levigatrice angolare senza cavo	Snoerloze hoekslijpmachine	Afiadora angular sem fios
Model	Numéro de modèle	Modell	Marca	Marca	Merk	Marca
Voltage	Tension	Spannung	Tensión	Voltaggio	Spanning	Voltagem
Rated speed	Vitesse nominale	Nennndrehzahl	Velocidad nominal	Velocità nominale	Nominaal toerental	Velocidade Nominal
Spindle thread	Filetage de l'arbre	Gewinde der Welle	Roscado del árbol	Filettatura dell'albero	Schroefdraad van as	Rosca do eixo
Grinding wheel capacity	Capacité de la meule	max. Schleifscheibendurchmesser	Capacidad de la rueda de esmeril	Capacità di smerigliatura ruota	Slijpwielvormogen	Capacidade da mó
Thickness of grinding wheel	Épaisseur de la meule	Dicke der Schleifscheibe	Grosor de la rueda de esmeril	Spessore ruota di smerigliatura	Dikte van het slijp wiel	Espessura da mó
Inner diameter of the wheel	Diamètre intérieur de la meule	Innendurchmesser der Schleifscheibe	Diámetro interior de la muela	Diametro della mola interna	Binnendiameter, Wiel	Diâmetro interior da roda
Weight - excluding battery pack	Poids - sans batterie	Gewicht - ohne Akkupack	Peso - Excluyendo conjunto de batería	Peso - Senza gruppo batteria	Gewicht - exclusief accupack	Peso - excluindo conjunto de bateria
Weight According to EPTA-Procedure 01/2003	Poids Selon la procédure EPTA 01/2003	Gewicht Gemäß EPTA-Verfahren 01/2003	Peso Según el procedimiento EPTA 01/2003	Peso Secondo quanto indicato dalla EPTA-Procedure 01/2003	Gewicht Overeenkomstig de EPTA-procedure 01/2003	Peso De acordo com o Procedimento EPTA 01/2003



Čeština	Magyar	Română	Latviski	Lietuviškai	Eesti
Technické údaje produktu	Termék műszaki adatai	Specificațiile produsului	Produkta specifikācijas	Gaminio techninės savybės	Toote tehnilised andmed
Bezdrátová úhlová bruska	Akkumulátoros sarokcsiszoló	Mașină de șlefuit în unghi fără fir	Bezvadu leņķa slīpmašīna	Belaidis kampinis šlifuoklus	Akutoitega nurklihvija
Značka	Márka	Număr serie	Modeļa numurs	Prekės ženklas	Mark
Elektrické napětí	Feszültség	Tensiune	Spriegums	Ītampa	Pinge
Jmenovitá rychlost	Névleges fordulatszám	Turațe/viteză nominală	Nominālais ātrums	Nominalus greitis	Nimikiirus
Závit na vřetenu	Tengely csavarmentet	Filetul axului motor	Vārpstas vītne	Veleno sriegis	Spindli keere
Kapacita brusného kotouče	Csiszolókorong kapacitása	Randament disc de șlefuire	Slīpēšanas diska dziļums	Šlifavimo disko galia	Lihvketta läbimõõt
Síla brusného kotouče	Csiszolókorong vastagsága	Grosimea discului de șlefuire	Slīpēšanas diska biezums	Šlifavimo disko storis	Lihvketta paksus
Vnitřní průměr brusného kotouče	Korong belső átmérője	Diametru interior al roată	Diska iekšējais diametrs	Disko disko vidinis skersmuo	Ketta sisemine läbimõõt
Hmotnost - bez baterie	Tömeg - akkumulátor nélkül	Greutate - exclusiv acumulatorul	Svars - izņemot akumulatora iepakojumu	Svoris - neįskaitant baterijos paketo	Mass - välja arvatud akupakett
Hmotnost Dle protokolu EPTA 01/2003	Tömeg A 01/2003 EPTA-eljárás szerint	Greutate În conformitate cu Procedura EPTA din 01/2003	Svars Saskaņā ar EPTA procedūru 01/2003	Svoris Pagal Europos elektrinių įrankių asociacijos (EPTA) nustatytą tvarką 01/2003	Mass Vastavalt EPTA-protseduurile 01/2003





Dansk	Svenska	Suomi	Norsk	Русский	Polski	
Produktspecifikationer	Produktspecifikationer	Tuotteen tekniset tiedot	Produktspesifikasjoner	Характеристики изделия	Parametry techniczne	
Trådløs vinkelsliber	Sladdlös vinkelslip	Johdoton kulmahiomakone	Batteridrevet vinkelsliper	Беспроводная угловая шлифовальная машина	Bezprzewodowa szlifierka kątowa	
Brand	Modellnummer	Mallinumero	Merke	Марка	Numer modelu	R18AG7
Spænding	Spänning	Jännite	Spenning	Напряжение	Napięcie	18 V $\overline{\text{---}}$
Mærkehastighed	Hastighet	Nimellisnopeus	Nominell hastighet	Номинальная скорость	Prędkość znamionowa	11000 min ⁻¹
Akselgevind	Axelgängning	Akselin kierteitys	Spindelgjenge	Резьба шпинделя	Gwint wrzeciona	M14
Slibeskivekapacitet	Slipskivans kapacitet	Hiomalaikan kapasiteetti	Slipehjulets kapasitet	Диаметр шлифовального диска	Średnica tarczy	125 mm
Slibeskivens tykkelse	Slipskivans tjocklek	Hiomalaikan paksuus	Tykkelse på slipehjul	Толщина шлифовального диска	Grubość tarczy	6 mm
Indvendig diameter, Hjul	Hjul indre diameter	Hiomalaikan sisäläpimitta	Hjul innvendige diameter	Внутренний диаметр колеса	Średnica wewnętrzna tarczy	22,2 mm
Vægt - Batteri medfølger ikke	Vikt - Batteri medfølger ej	Paino - ilman akkua	Vekt - uten batteripakke	Вес - без аккумуляторной батареи	Waga - bez akumulatora	2,01 kg
Vægt I henhold til EPTA-procedure 01/2003	Vikt Enligt EPTA 01/2003	Paino EPTA-menetelmän 01/2003 mukaan	Vekt I henhold til EPTA-prosedyre 01/2003	Вес Соответствует требованиям EPTA-Procedure 01/2003	Waga Zgodnie z procedurą EPTA 01/2003	2,43 kg

Hrvatski	Slovensko	Slovenčina	България	українська мова	Türkçe	Ελληνικά	
Specifikacije proizvoda	Specifikacije izdelka	Špecifikácie produktu	Технически характеристики	Технічні характеристики продукту	Ürün Özellikleri	Προδιαγραφές Προϊόντος	
Aku kutna brusilica	Brezžični kotni brusilnik	Akumulátorová uhlová brúska	Безжичен ъглошлайф	Бездротова кутова шліфувальна машина	Kablosuz açılı taşlama makinesi	Ασυρματος γωνιακού τροχίστης	
Marka	Znamka	Značka	Модел	Модель	Marka	Μάρκα	R18AG7
Napon	Napetost	Napätie	Напряжение	Напруга	Gerilim	Τάση	18 V $\overline{\text{---}}$
Nazivna brzina	Nazivna hitrost	Menovitá rýchlosť	Номинална скорост	Номинальна швидкість	Nominal hız	Βαθμονομημένη ταχύτητα	11000 min ⁻¹
Navoj osovine	Navoj vretena	Závit vretena	Резба на шпиндела	Різь шпинделя	Mil dişleri	Στερίωμα του άξονα	M14
Kapacitet brusne ploče	Zmogljivost brusilnega koluta	Kapacita brúsneho kotúča	Капацитет на шлифовъчен диск	Робоча здатність шліфувального диску	Taşlama çarkı kapasitesi	Δυναμικό λειαντικού τροχού	125 mm
Debljina brusne ploče	Debelina brusilnega koluta	Hrúbka brúsneho kotúča	Дебелина на шлифовъчен диск	Товщина шліфувального диску	Taşlama çarkının kalınlığı	Πάχος λειαντικού τροχού	6 mm
Unutarnji promjer kotača	Notranji premer koluta	Vnútrotný priemer kotúča	Вътрешен диаметър на шлифовъчен диск	Внутрішній діаметр диску	Tekerlek iç çapı	Εσωτερική διάμετρος δίσκου	22,2 mm
Težina - baterija nije uključena	Teža - razen baterij	Hmotnosť - okrem jednotky akumulátora	Тегло - без батерията	Вага - без акумулятора	Ağırlık - Harici batarya takımı	Βάρος - χωρίς μπαταρία	2,01 kg
Težina Prema EPTA-postupku 01/2003	Teža Skladno s postopkom EPTA 01/2003	Hmotnosť Podľa EPTA-Procedure 01/2003	Тегло (съответствие с EPTA 01/2003)	Вага (відповідно до процедури EPTA 01/2003)	Ağırlık EPTA-Prosedürü 01/2003'e göre	Βάρος Σύμφωνα με την Διαδικασία EPTA 01/2003	2,43 kg





English	Français	Deutsch	Español	Italiano	Nederlands	Português
Product specifications	Caractéristiques de l'appareil	Produkt-Spezifikationen	Especificaciones del producto	Specifiche prodotto	Productspecificaties	Especificações do produto
Measured sound values determined according to EN 60745:	Valeurs du son mesuré déterminées selon EN 60745:	Gemäß EN 60745: gemessene Schallwerte	Valores medidos del sonido en función de la norma EN 60745:	Valori del suono misurati determinati secondo lo standard EN 60745:	Gemeten geluidswaarden bepaald in overeenstemming met EN 60745:	Valores medidos do som em função da norma EN 60745:
A-weighted sound pressure level	Niveau de pression sonore pondéré-A	A-bewerteter Schalldruckpegel	Nivel de presión acústica ponderada en A	Livello di pressione sonora pesato A	A-gewogen geluidsrukniveau	Nível de pressão sonora ponderada A
Uncertainty K	Incertitude K	Unsicherheit K	Incertidumbre K	Incertezza K	Onzekerheid K	Incerteza K
A-weighted sound power level	Niveau de puissance sonore pondéré-A	A-bewerteter Schalleistungspegel	Nivel de potencia acústica ponderada en A	Livello di potenza sonora pesato A	A-gewogen geluidsniveau	Nível de potência sonora ponderada A
Uncertainty K	Incertitude K	Unsicherheit K	Incertidumbre K	Incertezza K	Onzekerheid K	Incerteza K
Wear ear protectors.	Portez une protection acoustique.	Tragen Sie Gehörschutz.	Utilice protección auditiva!	Indossare protezioni acustiche adeguate.	Draag oorbeschermers.	Sempre use a protecção dos ouvidos.
The vibration total values (triaxial vector sum) determined according to EN 60745:	La valeur totale des vibrations (somme vectorielle triaxiale) déterminée selon EN60745:	Die Vibrationsgesamtwerte (dreiaxiale Vektorsumme) ermittelt nach EN60745:	Los valores de vibración total (suma vectorial triaxial), determinado según la norma EN60745:	I valori totali delle vibrazioni (somma vettore triassiale) sono misurati conformemente alla norma EN60745:	De totale trillingswaarden (triaxiale vectorsom) vastgesteld in overeenstemming met EN60745:	Os valores totais de vibração (soma vectorial triaxial) são determinados em conformidade com a:
Surface grinding	Meulage en surface	Flachschleifen	Tratamiento de superficies	Superficie di molatura	Vlakslijpen	Tratamento de superficies
Uncertainty K	Incertitude K	Unsicherheit K	Incertidumbre K	Incertezza K	Onzekerheid K	Incerteza K

Čeština	Magyar	Română	Latviski	Lietuviškai	Eesti
Technické údaje produktu	Termék műszaki adatai	Specificațiile produsului	Produkta specifikaācijas	Gaminio techninės savybės	Toote tehnilised andmed
Naměřené hodnoty hluku zjištěné dle EN 60745:	A hang értékek meghatározása az EN 60745: szerint történt.	Valori de sunet măsurate determinate în conformitate cu EN 60745:	Izmērītās skaņas vērtības ir noteiktas saskaņā ar EN 60745:	Išmatuotos garso vērtis nustatytos pagal EN 60745:	Mõõteväärtused on kindlaks määratud vastavalt standardile EN 60745:
Hladina akustického tlaku vážená funkci A	A-súlyozott hangnyomásszint	Nivel de presiune acustică ponderată A	A-līmeņa skaņas spiediena līmenis	A svertinis garso slėgio lygis	A-kaalutud helirõhu tase
Nejistota K	Bizonytalanság K	Incertitudine K	kļūdas vērtība K	Nepastovumas K	mõõtemääramatus K
Hladina akustického výkonu vážená funkci A	A-súlyozott hangteljesítményszint	Nivel de putere acustică ponderată A	A-līmeņa skaņas jaudas līmenis	A svertinis garso galios lygis	A-kaalutud helivõimsuse tase
Nejistota K	Bizonytalanság K	Incertitudine K	kļūdas vērtība K	Nepastovumas K	mõõtemääramatus K
Používejte chrániče sluchu.	Viseljen hallásvédőt.	Purtați aparatoare de urechi.	Lietojiet dzirdes aizsargus.	Naudokite ausų apsaugos priemonės.	Kasutage kuulmiskaitsevahendeid.
Celkové hodnoty vibrací (Trojosý vektorový součet) určené v souladu s EN60745:	Vibráció teljes értékei (háromtengelyű vektorösszeg), az EN 60745 szerint meghatározva:	Valorile totale ale vibrațiilor (sumă vector triaxială) au fost determinate conform EN60745:	Vibrāciju kopējās vērtības (triaksiālā vektoru summa) tiek noteiktas atbilstoši EN60745:	Bendros vibracijos vertės (trirašio vektoriaus suma) nustatomos pagal EN60745:	Vibratsiooni koguväärtused (kolme suuna vektorsumma) on vastavalt standardile EN 60745 määratud järgmiselt:
Broušení povrchu	Felület csiszolása	Șlefuire la suprafață	Virsmas slīpēšana	Paviršiaus šlifavimas	Pinna lihvimine
Nejistota K	Bizonytalanság K	Incertitudine K	kļūdas vērtība K	Nepastovumas K	Mõõtemääramatus K





Dansk	Svenska	Suomi	Norsk	Русский	Polski	
Produktspecifikationer	Produktspecifikationer	Tuotteen tekniset tiedot	Produktspesifikasjoner	Характеристики изделия	Parametry techniczne	
Målte lydverdier bestemt iht. EN 60745:	Uppmåttade ljudvärden enligt EN 60745:	Mitatut arvot määritetty EN 60745: standardin mukaan:	Målte lydverdier bestemt iht. EN 60745:	Измеренные значения параметров звука определены в соответствии с EN 60745:	Zmierzone wartości akustyczne zgodnie z normą EN 60745:	
A-vægtet lydtryksniveau	A-vægted lydtryksnivå	A-painotettu äänenpainetaso	A-vektaet lydtrykknivå	Уровень A-взвешенного звукового давления	A-ważony poziom ciśnienia hałasu	$L_p = 80 \text{ dB(A)}$
Usikkerhed K	Osåkerhet K	Epätarkkuus K	Usikkerhet K	Разброс K	Niepewność pomiaru K	3 dB
A-vægtet lydeffektniveau	A-vægted lydeffektsnivå	A-painotettu äänenheho	A-vektaet lydeffektnivå	Уровень A-взвешенной звуковой мощности	A-ważony poziom natężenia hałasu	$L_w = 91 \text{ dB(A)}$
Usikkerhed K	Osåkerhet K	epätarkkuus K	Usikkerhet K	Разброс K	Niepewność pomiaru K	3 dB
Bær høreværn.	Bår hørselskydd.	Käytä korvasuojia.	Bruk hørselsvern.	Используйте наушники!	Stosować środki ochrony słuchu!	
Totale vibrationsværdier (triaksial vektorsum) afgøres ifølge EN60745:	Det totala vibrationsvärdet (triaksial vektorsumma) är framtaget enligt EN60745:	Tärinän kokonaisarvot (kolmiakselinen vektorisumma) määritettyä standardin EN60745 mukaisesti:	De totale vibrasjonsverdiene (treakset vektorsum) er fastsatt i henhold til EN60745:	суммарное значение вибрации (сумма векторов по трем координатным осям) определено в соответствии со стандартом EN60745:	Wartości sumaryczne drgań (suma wektora trójosiowego) określone zgodnie z normą EN60745:	
Overfladeslibning	Ytslipning	Pinnan hionta	Overflatesliping	Плоское шлифование	Szlifowanie powierzchniowe	$a_{h,AG} = 3.9 \text{ m/s}^2$
Usikkerhed K	Osåkerhet K	epätarkkuus K	Usikkerhet K	Разброс K	Niepewność pomiaru K	1.5 m/s^2

Hrvatski	Slovensko	Slovenčina	България	українська мова	Türkçe	Ελληνικά	
Specifikacije proizvoda	Specifikacije izdelka	Špecifikácie produktu	Технически характеристики	Технічні характеристики продукту	Ürün Özellikleri	Προδιαγραφές Προϊόντος	
Mjerenja vrijednost zvuka određena je prema EN 60745:	Izmerjene zvočne vrednosti določene v skladu s standardom EN 60745:	Nameraná hodnoty určené podľa EN 60745:	Измерените стойности на звука са определени в съответствие с EN 60745:	Вимірні значення шуму визначаються відповідно до EN 60745:	EN 60745: e göre hesaplanmış ses değerleri:	Μετρημένες τιμές ήχου σύμφωνα με το EN 60745:	
Ponderirana razina tlaka zvuka	A-izmerjena raven zvočnega tlaka	Vážená A hladina akustického tlaku	Ниво на шумово налягане с равнище A	A-зважений рівень звукового тиску	A ağırlıklı ses basıncı seviyesi	A-σταθμισμένο επίπεδο πίεσης ήχου	$L_p = 80 \text{ dB(A)}$
neodređenost K	nedoloč. K	odchýlka K	Променливост (K)	Невизначеність K	Belirsizlik K	Αβεβαιότητα K	3 dB
Ponderirana razina zvučne snage	A-izmerjena raven zvočne moči	Vážená A hladina akustického výkonu	Ниво на силата на шума с равнище A	A-зважений рівень звукової потужності	A ağırlıklı ses gücü seviyesi	A-σταθμισμένο επίπεδο έντασης ήχου	$L_w = 91 \text{ dB(A)}$
neodređenost K	nedoloč. K	odchýlka K	Променливост (K)	Невизначеність K	Belirsizlik K	Αβεβαιότητα K	3 dB
Nosite štinitike za uši.	Nosite ščitnike za ušesa.	Používajte chrániče sluchu.	Носете антифони	Діаметр ріжучої лінії	Kulak koruyucu kullanın.	Φοράτε ωτοασπίδες.	
Ponderirana energetska vrijednost Ukupne vrijednosti vibracija (troosovinski vektorski zbroj) određuju se u skladu s EN60745:	Skupna vrednost vibracij (triaksialna vektorska vsota) določena v skladu z EN60745:	Celkové hodnoty vibrácií (priestorový vektorový súčet) určuje norma EN60745:	Общата стойност на вибрациите (триосна векторна сума) е определена в съответствие с EN 60745:	Загальне значення вібрацій (триаксіальна векторна сума) визначається відповідно до EN 60745:	EN 60745 normuna uygun olarak belirlenmiş titreşim toplamı değerleri (çeksenli vektör toplamı):	Συνολικές αξίες κραδασμών (τριεξονικό διανυσματικό άθροισμα) σύμφωνα με EN60745:	
Površina brušenja	Površinsko brušenje	Plošné brušenie	Заточване на повърхност	Шліфування	Yüzey taşlama	Λείανση επιφανειών	$a_{h,AG} = 3.9 \text{ m/s}^2$
Neodređenost K	Nedoloč. K	Odhýlka K	Променливост (K)	Невизначеність K	Belirsizlik K	Αβεβαιότητα K	1.5 m/s^2





English	Français	Deutsch	Español	Italiano	Nederlands	Português
Battery and charger	Batterie et chargeur	Akku und Ladegerät	Batería y cargador	Batteria e caricatore	Accu en lader	Bateria e carregador
Compatible battery pack (not included)	Pack batterie compatible (non compris)	Kompatible Akkus (nicht im Lieferumfang enthalten)	Packs de Bateria compatibles (no incluido)	Gruppo batterie compatibile (non incluso)	Compatibel accupack (niet inbegrepen)	Baterias compatíveis (não incluída)
Lithium-ion	Lithium-ion	Lithium-Ionen	ión-litio	ioni di litio	Lithium-ion	lão-Lítio
Compatible charger (not included)	Chargeur compatible (non compris)	Kompatibles Ladegerät (nicht im Lieferumfang enthalten)	Cargador compatible (no incluido)	Caricatore compatibile (non incluso)	Compatibele oplader (niet inbegrepen)	Carregador compatível (não incluída)



Čeština	Magyar	Română	Latviski	Lietuviškai	Eesti
Baterie a nabíječka	Akkumulátor és töltő	Baterie și încărcător	Akumulators un lādētājs	Baterija ir įkroviklis	Aku ja laadija
Kompatibilní akumulátor (nepřibalen)	Kompatibilis akkumulátor (nem tartozék)	Acumulatori compatibili (neinclus)	Saderīgu akumulatoru komplekts (nav kompl.)	Suderinamas baterijos paketas (nepriedama)	Ühilduvad akupaketid (ei ole komplektis)
Lithium iontový akumulátor	Lítiumion	Litiu-ion	Litija-jonu	Litis-jonas	Liitiumioon
Kompatibilní nabíječka (nepřibalen)	Kompatibilis töltő (nem tartozék)	Încărcător compatibil (neinclus)	Saderīgs lādētājs (nav kompl.)	Tinkamas įkroviklis (nepriedama)	Kasutatav laadija (ei ole komplektis)





Dansk	Svenska	Suomi	Norsk	Русский	Polski	
Batteri og oplader	Batteri och laddare	Akku ja laturi	Batteri og lader	Батарея и зарядное устройство	Akumulator i ładowarka	
Kompatibelt batteri (medfølger ikke)	Kompatibelt batteripack (inte inkluderat)	Yhteensopiva akku (ei mukana)	Kompatible batteripakker (ikke inkluderet)	Совместимая аккумуляторная батарея (не входит в комплект поставки)	Pasujące akumulatory (nie dołączona)	
Lithium-ion	Litiumjon	Litiumioni	Litium-Ion	Литий-ионная аккумуляторная батарея	Li-Ion	RB18L13 RB18L15 RB18L20 RB18L25 RB18L40 RB18L50
Kompatibel oplader (medfølger ikke)	Passande laddare (inte inkluderat)	Yhteensopiva laturi (ei mukana)	Kompatibel lader (ikke inkluderet)	Совместимое зарядное устройство (не входит в комплект поставки)	Odpowiednia ładowarka (nie dołączona)	BCS618 BCL14181H BCL14183H RC18150 RC18627 RC18120



Hrvatski	Slovensko	Slovenčina	България	українська мова	Türkçe	Ελληνικά	
Baterija i punjač	Baterija in polnilnik	Akumulátor a nabíjačka	Батерия и зарядно устройство	Акумулятор і зарядний пристрій	Batarya ve şarj aleti	Μπαταρία και φορτιστής	
Kompatibilno pakiranje baterija (nije uključeno)	Združljive baterije (ni priložen)	Kompatibilná jednofáza akumulátorov (nie je súčasťou balenia)	Съвместима акумулаторна батерия (не е включена в комплекта)	Сумісний акумулятор (не входить в комплект)	Uyumlu pil takımı (dahil değildir)	Συμβατή μπαταρία (δεν περιλαμβάνεται)	
Litij-ion	Litij-ionska	Lítium-iónová	Литиево-ионна	Літій-іонний	Lityum-Iyon	Λθίου-Ιόντων	RB18L13 RB18L15 RB18L20 RB18L25 RB18L40 RB18L50
Kompatibilni punjač (nije uključeno)	Združljiv polnilec (ni priložen)	Kompatibilná nabíjačka (nie je súčasťou balenia)	Съвместимо зарядно устройство (не е включено в комплекта)	Сумісний зарядний пристрій (не входить в комплект)	Uyumlu şarj cihazı (dahil değildir)	Συμβατος φορτιστρος (δεν περιλαμβάνεται)	BCS618 BCL14181H BCL14183H RC18150 RC18627 RC18120





EN WARNING

The vibration emission level given in this information sheet has been measured in accordance with a standardised test given in EN 60745 and may be used to compare one tool with another. It may be used for a preliminary assessment of exposure. The declared vibration emission level represents the main applications of the tool. However if the tool is used for different applications, with different accessories or poorly maintained, the vibration emission may differ. This may significantly increase the exposure level over the total working period.

An estimation of the level of exposure to vibration should also take into account the times when the tool is switched off or when it is running but not actually doing the job. This may significantly reduce the exposure level over the total working period. Identify additional safety measures to protect the operator from the effects of vibration such as: maintain the tool and the accessories, keep the hands warm, organisation of work patterns.

FR AVERTISSEMENT

Le niveau d'émission des vibrations indiqué dans cette feuille d'information a été mesuré en concordance avec un test normalisé fourni par EN60745 et peut être utilisé pour comparer un outil à un autre. Il peut être utilisé pour une évaluation préliminaire de l'exposition. Le niveau déclaré d'émission des vibrations s'applique à l'utilisation principale de l'outil. Toutefois, si l'outil est utilisé pour des applications différentes, avec des accessoires différents, ou mal entretenu, l'émission de vibrations peut être différente. Le niveau d'exposition peut en être augmenté de façon significative tout au long de la période de travail.

Une estimation du niveau d'exposition aux vibrations doit aussi prendre en compte les périodes où l'outil est arrêté ainsi que les périodes où il fonctionne sans vraiment travailler. Le niveau d'exposition pendant la durée totale du travail peut en être réduit de façon significative. Prenez en considération les mesures additionnelles de sécurité à prendre pour protéger l'opérateur des effets des vibrations telles que: maintien de l'outil et de ses accessoires, maintien des mains au chaud, organisation du travail.

DE WARNUNG

Der in diesem Informationsblatt genannte Schwingungspegel wurde entsprechend dem standardisierten Test von EN60745 gemessen und kann benutzt werden um das Werkzeug mit anderen zu vergleichen. Er kann benutzt werden, um eine vorausgehende Einschätzung der Exposition durchzuführen. Der genannte Schwingungspegel repräsentiert den Haupteinsatzbereich des Werkzeugs. Jedoch kann das Werkzeug für verschiedene Einsatzbereiche benutzt werden. Mit unterschiedlichen Zusatzgeräten oder bei schlechter Wartung kann der Schwingungspegel unterschiedlich sein. Dadurch kann die Expositionshöhe über die gesamte Arbeitszeit signifikant erhöht werden.

Eine Einschätzung der Exposition zu Schwingungen sollte auch die Zeiten wenn das Werkzeug ausgeschaltet ist, oder wenn es angeschaltet aber nicht in Betrieb ist, in Betracht ziehen. Dadurch kann die Expositionshöhe über die gesamte Arbeitszeit signifikant reduziert werden. Identifizieren Sie zusätzliche Sicherheitsmaßnahmen um die Bedienungsperson vor den Effekten der Schwingungen zu schützen, wie zum Beispiel: Das Werkzeug und Zusatzgeräte warten, Hände warmhalten und Organisation der Arbeitszeiten.

ES ADVERTENCIA

El nivel de emisión de las vibraciones que figura en esta hoja de información se ha medido según una prueba estandarizada que figura en EN60745 y puede ser utilizado para comparar una herramienta con otra. Puede ser utilizado para una evaluación preliminar de la exposición. El nivel de emisión de las vibraciones declarado representa las principales aplicaciones de la herramienta. No obstante, si la herramienta se utiliza para diferentes aplicaciones, con diferentes accesorios o no recibe el mantenimiento adecuado, la emisión de las vibraciones puede ser diferente. Esto puede aumentar significativamente el nivel de exposición durante el período de trabajo total.

Una estimación del nivel de exposición a la vibración también debe tener en cuenta el tiempo en el que la herramienta está desconectada o cuando está conectada pero no está realizando ningún trabajo. Esto puede reducir significativamente el nivel de exposición durante el período de trabajo total. Identificar las medidas de seguridad adicionales para proteger al operador de los efectos de las vibraciones, tales como: mantenimiento de la herramienta y de los accesorios, y la organización de los patrones de trabajo.

IT AVVERTENZE

Il livello di vibrazioni indicato in questo foglio informativo è stato misurato seguendo un test svolto secondo i requisiti indicati dallo standard EN60745 e potrà essere utilizzato per paragonare un utensile con un altro. Potrà essere utilizzato per una valutazione preliminare dell'esposizione a vibrazioni. Il livello dichiarato di emissioni di vibrazioni viene indicato tenendo conto delle applicazioni principali dell'utensile. Comunque se l'utensile viene utilizzato per applicazioni diverse con accessori diversi o non viene correttamente conservato, il livello delle vibrazioni potrà variare. Ciò potrà significativamente aumentare il livello di esposizione alle vibrazioni durante il periodo di lavoro totale.

Una valutazione del livello di esposizione alle vibrazioni dovrà inoltre prendere in considerazione i tempi in cui l'utensile viene spento o è acceso ma non viene utilizzato. Ciò potrà significativamente ridurre il livello di esposizione in un periodo totale di funzionamento. Ulteriori misure di sicurezza per proteggere l'operatore dagli effetti delle vibrazioni come: conservare correttamente l'utensile e i suoi accessori, tenere le mani calde e organizzare i tempi di lavoro.

NL WAARSCHUWING

Het trillingsemissieniveau dat op dit informatieblad wordt gegeven, is gemeten in overeenstemming met een gestandaardiseerde test, vastgelegd in EN60745 en mag worden gebruikt om machines met elkaar te vergelijken. Het verklaarde trillingsemissieniveau geeft de hoofdtoepassing van het gereedschap weer. Als de machine echter voor andere toepassingen of met andere accessoires wordt gebruikt of slecht wordt onderhouden, kan de trillingsemissie verschillen. Dit kan de blootstelling gedurende de gehele werkduur aanzienlijk verhogen.

Bij een schatting van het niveau van blootstelling aan trillingen moet ook rekening worden gehouden met het aantal keren dat de machine wordt uitgeschakeld of draait, maar niet wordt gebruikt. Dit kan het niveau van blootstelling gedurende de gehele werkduur aanzienlijk verlagen. Stel bijkomende veiligheidsmaatregelen op om de gebruiker tegen de gevolgen van trillingen te beschermen: zoals onderhoud het gereedschap en de accessoires, houd de handen warm, de organisatie van werktijden.

PT AVISO

O nível de emissão de vibrações fornecido nesta folha de informações foi medido em conformidade com o teste uniformizado descrito em EN60745 e pode ser usado para comparar uma ferramenta com outra. Este pode ser usado para uma avaliação preliminar da exposição. O nível de emissão de vibração declarado refere-se à aplicação principal da ferramenta. Contudo, se a ferramenta for usada para aplicações diferentes, com acessórios diferentes ou não for devidamente mantida, a emissão de vibrações pode diferir. Isto pode fazer aumentar significativamente o nível de exposição ao longo do período de trabalho total.

Uma estimativa do nível de exposição às vibrações deve ter, também, em consideração o tempo durante o qual a ferramenta está desligada ou em que está ligada mas não está a realizar qualquer trabalho. Isto pode reduzir significativamente o nível de exposição durante o período total de trabalho. Identifique medidas adicionais de segurança que protejam o operário dos efeitos da vibração como a manutenção da ferramenta e dos acessórios, a manutenção das mãos quentes e a organização de padrões de trabalho.

DA ADVARSEL

Det angivne niveau for vibrationsemission på denne oplysningsside er blevet målt iht. en standardtest ifølge EN60745 og kan bruges til at sammenligne værktøjer indbyrdes. Det kan bruges til en foreløbig eksponeringsvurdering. Det opgivne niveau for vibrationsemission gælder, når værktøjet bruges til sit hovedformål. Men hvis værktøjet bruges til andre formål, med forskelligt eller med dårligt vedligeholdt ekstraudstyr, kan vibrationsemissionen variere. Dette kan medføre en betragtelig stigning i eksponeringsniveauet set over hele arbejdsperioden.

Et skøn over niveauet for vibrationseksponering bør også tage højde for de perioder, hvor værktøjet er slukket, eller hvor det er tændt uden faktisk at være i brug. Dette kan medføre en betragtelig reduktion i eksponeringsniveauet set over hele arbejdsperioden. Træf ekstra sikkerhedsforanstaltninger til beskyttelse af operatøren mod virkningerne fra vibrationen som fx: vedligeholdte værktøj og ekstraudstyr, holde hænderne varme, organisere arbejdsmonstre.





SV VARNING

Vibrationsnivåerna som uppges i det här dokumentet har uppmäts i enlighet med ett standardiserat test som beskrivs i EN60745 och som kan användas för att jämföra verktyg. Det kan användas som en preliminär bedömning av den vibration som användaren utsätts för. De deklarerade vibrationsvärdena motsvarar de som uppstår när verktyget används i sitt huvudsyfte. Om verktyget används i andra syften, med andra tillbehör eller om verktyget är dåligt underhållet kan vibrationsnivåerna vara annorlunda. Det kan kraftigt öka vibrationsnivåerna över den totala arbetsperioden.

En uppskattning av vibrationsnivåerna som användaren utsätts för ska också ta hänsyn till de stunder då verktyget är avstängt och när det går på tomgång. Detta kan kraftigt minska vibrationsnivåerna över den totala arbetsperioden. Andra säkerhetsåtgärder som kan skydda användaren från effekterna av vibrationer är: underhållning av verktyget och tillbehören, hålla händerna varma och organisera arbets sättet.

FI VAROITUS

Tämän tiedotteen tärnätaso on mitattu EN60745-standardien mukaisilla testeillä, ja niitä voidaan käyttää verrattaessa laitetta toiseen. Sitä voidaan käyttää arvioitaessa tärnävaikutusta. Ilmoitettu tärnätaso vastaa laitteen pääasiallista käyttötarkoitusta. Jos laitetta kuitenkin käytetään muuhun tarkoitukseen, muilla lisälaitteilla tai huonosti huollettuina, tärnätaso saattaa poiketa ilmoitetusta arvosta. Tämä voi kasvatata kokonaisaltistumista huomattavasti koko työjakson kuluessa.

Tärnän altistumistasoa arvioitaessa tulee huomioida ajat, jolloin laite on sammutettu tai kun se on käynnissä, mutta sitä ei käytetä varsinaiseen työskentelyyn. Tämä voi vähentää kokonaisaltistumista huomattavasti koko työjakson kuluessa. Käytä muitakin suojakeinoja turvataksesi käyttäjän tärnävaikutukselta, kuten: huolla laite ja lisälaitteet, pidä kätesi lämpiminä, organisoi työnlukku.

NO ADVARSEL

Vibrasjonsnivået som oppgis på dette informasjonsarket er målt i henhold til en standardisert test gitt i EN60745 og kan brukes til å sammenligne ett verktøy med et annet. Det kan brukes til en foreløpig vurdering av eksponering. Det erklærte vibrasjonsnivået representerer hovedanvendelsen for verktøyet. Dersom verktøyet brukes for andre anvendelser, med forskjellige tilbehør eller med dårlig vedlikehold, vil vibrasjonsnivået kunne være annerledes. Det kan gi en betydelig økning av eksponeringsnivået over den totale arbeidsperioden.

En beregning av nivået for eksponering til vibrasjoner må også ta hensyn til den tiden verktøyet er slått av eller er i gang men ikke i faktisk bruk for å utføre den tiltenkte oppgaven. Dette kan gi en betydelig økning av eksponeringsnivået over den totale arbeidsperioden. Identifiser ytterligere sikkerhetstiltak for å beskytte den som bruker verktøyet for virkningen av vibrasjoner, tiltak som: Vedlikehold verktøyet og tilbehør, hold hendene varme, organiser arbeidsmetodene.

RU ОСТОРОЖНО

Уровень вибрации, приведенный в данном справочном листе, измерен согласно стандартизованным испытаниям, определенным в EN60745 и может использоваться для сравнения различных инструментов. Значение уровня может использоваться для предварительной оценки влияния вибрации. Заявленный уровень вибрации действителен для основного применения инструмента. Однако, если инструмент используется для других целей, с другими приспособлениями, или плохо обслуживается, уровень вибрации может отличаться от указанного. Это может значительно увеличить величину воздействия за общее время работы.

При оценке уровня воздействия вибрации следует также принять во внимание время простоя и холостой ход (когда инструмент выключен и когда включен, но работа не производится). Эти факторы могут значительно уменьшить величину воздействия вибрации за общее время работы. Определите дополнительные меры безопасности, защищающие работающего от влияния вибрации: техническое обслуживание инструмента и принадлежностей, недопущение охлаждения рук, соответствующие приемы и распорядок работы.

PL OSTRZEŻENIE

Deklarowany poziom drgań został zmierzony za pomocą standardowej metody pomiaru określonej normą EN60745 i jego wyniki mogą służyć do porównywania tego urządzenia z innymi. Deklarowana wartość drgań może służyć do wstępnej oceny narażenia operatora na drgania. Deklarowany poziom drgań dotyczy podstawowych zastosowań urządzenia. Jednak w przypadku użycia urządzenia do innych zastosowań, z innymi przystawkami lub w przypadku niewłaściwego stanu technicznego urządzenia poziom drgań może odbiegać od deklarowanego. Może być to przyczyną zwiększenia stopnia narażenia operatora na drgania w całym okresie wykonywania pracy.

Podczas oceny narażenia na drgania należy również uwzględnić czas wyłączenia urządzenia oraz czas, w którym urządzenie jest włączone, jednak praca nie jest wykonywana. Czas te mogą znacznie zmniejszyć stopień narażenia operatora na drgania w całym okresie wykonywania pracy. Należy określić dodatkowe środki ochrony operatora przed skutkami drgań, przykładowo: dbać o stan techniczny urządzenia i przystawek, dbać o zachowanie ciepłoty dłoni, odpowiednio zorganizować harmonogram wykonywania prac.

CS VAROVÁNÍ

Hodnota vibračních emisí uvedená v tomto informačním listu byla naměřena standardizovaným testem podle EN60745 a ji použít k porovnání s hodnotami jiných nástrojů. Může se používat k předběžnému odhadu vystavování vibračím. Uznaná hodnota vibračních emisí reprezentuje hlavní použití nástroje. Nicméně pokud se nástroj používá pro jiné použití, s různými doplňky nebo se nedostatečně neudržuje, mohou se vibrační emise lišit. Toto může výrazně zvýšit úroveň vystavení nad celkové pracovní období.

Odhad úrovně vystavení vibračím by měl vzít taktéž v potaz časy, kdy je chvění vypnuté, nebo když přístroj běží, ale nevykonává práci. Toto může výrazně snížit úroveň vystavení nad celkové pracovní období. Určete doplňující bezpečnostní opatření pro ochranu obsluhy před různými vibracemi, například: Udržujte nástroj a doplňky, udržujte ruce v teple, organizujte pracovní schéma.

HU FIGYELMEZTÉTES

A vibráció-kibocsátás adattal megadott értéke az EN60745 által meghatározott szabványosított mérési eljárás szerint lett megmértve, amely lehetővé teszi a különböző szerszámok összehasonlítását. Használható a kitettség előzetes felmérésére is. A nyilatkozatban szereplő kibocsátási érték a szerszám főbb alkalmazási területeire vonatkozik. Ugyanakkor, ha a szerszámot más alkalmazásokra, más kiegészítőkkel használják vagy rosszul tartják karban, a vibráció-kibocsátás értéke ettől eltérő is lehet. Ez jelentősen növelheti a kitettség szintjét a gép teljes használati időtartama során.

A vibrációnak való kitettség szintjének becslésekor figyelembe kell venni azokat az időintervallumokat is, amikor a szerszám ki van kapcsolva, vagy működik, de nem végeznek munkát vele. Ez jelentősen csökkentheti a kitettség szintjét a gép teljes használati időtartama során. Tegyén további óvintézkedéseket a kezelő vibrációval szembeni megvédése érdekében: tartsa karban a szerszámot és a tartozékokat, tartsa melegen a kezét, tervezzék meg a munkafolyamatot.

RO AVERTISMENT

Nivelul emisiilor de vibrații prezentat în cadrul acestei fișe cu informații a fost măsurat în conformitate cu un test standardizat furnizat în EN60745 și poate fi folosit la a compara o unealtă cu o alta. Poate fi folosit la o evaluare preliminară a expunerii. Nivelul declarat al emisiilor de vibrații reprezintă aplicațiile principale ale unelei. Cu toate acestea, în cazul în care unealta este utilizată pentru aplicații diferite, cu accesorii diferite sau întreținute necorespunzător, emisiile de vibrații pot diferi. Acestea pot crește semnificativ nivelul de expunere pe întreaga perioadă de lucru.

O estimare a nivelului de expunere la vibrații trebuie, de asemenea, să țină cont de tălile în care unealta este oprită sau de tălile în care aceasta funcționează fără a efectua propriu-zis sarcina de lucru. Acestea pot reduce semnificativ nivelul de expunere pe întreaga perioadă de lucru. Identificați măsuri de siguranță suplimentare pentru a proteja operatorul de efectele vibrațiilor, precum: întreținerea unelei și a accesoriilor, păstrarea mâinilor calde, organizarea de modele de lucru.





LV BRĪDINĀJUMS

Šajā datu lapā dotā vibrāciju emisijas vērtība ir mērīta saskaņā ar standartizēto testu, kas dots EN60745 un kuru var izmantot, lai salīdzinātu vienu instrumentu ar citu. To var izmantot aptuvenam ekspozīcijas novērtējumam. Deklarētais vibrāciju emisijas līmenis atbilst galvenajiem instrumenta pielietojumiem. Tomēr, ja instrumentu lieto citiem pielietojumiem, ar citiem piederumiem vai tas tiek slikti apkopts, vibrāciju emisijas vērtība var atšķirties. Tas var ievērojami palielināt ekspozīcijas līmeni visā darba periodā.

Vibrāciju ekspozīcijas līmeņa novērtējumam jāņem vērā laiks, kad instruments ir izslēgts vai ir ieslēgts, bet neviens nekādu darbu. Tas var ievērojami samazināt ekspozīcijas līmeni visā darba periodā. Identificējiet papildu drošības pasākumus, lai aizsargātu operatoru no vibrāciju iedarbības, piemēram, veiciet instrumenta un piederumu apkopi, turiet rokas siltas un pielāgojiet darba grafiku.

LT IŠPĒJIMAS

Šīame lapę nurodętas vibręcijas emisijos lygis buvo išmatuotas pagal standartinį testą, aprašytą EN60745, ir gali būti naudojamas vieno įrankio su kitu palyginimui. Jis gali būti naudojamas preliminariam pavojaus įvertinimui. Deklaruotas vibręcijos emisijos lygis priskiriamas pagrindinėms įrankio taikymo sritims. Tačiau, jei įrankis naudojamas kitiems tikslams, su kitokiais priedais ar įrankis prastai prižiūrimas, vibręcijos emisija gali skirtis. Per visą darbo laikotarpį tai gali žymiai padidinti vibręcijos keliamą pavojų.

Nustatant vibręcijos keliamą pavojų taip pat būtina atsižvelgti į tai, kiek kartų įrankis yra išjungtas ar kai jis veikia, bet juo iš tikrųjų nedirbama. Per visą darbo laikotarpį tai gali žymiai sumažinti vibręcijos keliamą pavojų. Naudokite papildomas apsaugos priemones dirbančiam asmeniui apsaugoti nuo vibręcijos poveikio, pvz.: prižiūrėti įrankį ir jo priedus, rankas laikyti šiltai, organizuoti darbo sesijas.

ET HOIATUS

Sellel infolehel esitatud vibratsioonitaseme väärtus on mõõdetud standardis EN60745 kirjeldatud katsemeetodiga ja seda võib kasutada tööriistade omakehiseks võrdlemiseks. Seda võib kasutada vibratsioonimõju eelhindamiseks. Deklareeritud vibratsioonitaseme väärtus kehtib tööriista tavakasutamisel. Kui aga kasutate tööriista muudeks kasutusotstarveteks, eriotstarbeliste tarvikutega või kui tööriist on puudulikult hooldatud, siis võib vibratsiooniväärtus erineda. Sellistel juhtudel võib tööperioodi summaarne vibratsioonitaseme suureneda märgatavalt.

Vibratsiooniväärtuse taset tuleb arvesse võtta ka sel ajal, kui tööriist on välja lülitatud või kui tööriist põleb, kuid ei tee tööoperatsiooni. Sellistel juhtudel võib tööperioodi ajal summaarne vibratsioonitaseme väheneda märgatavalt. Määrake kindlaks täiendavad ohutusmeetmed, et kaitsa operaatorit vibratsioonimõjude eest – tööriistade ja tarvikute hooldamine, käte soojas hoidmine ja tövähetus teorganiseerimine.

HR UPOZORENJE

Razina vrijednosti vibracija data u ovoj tablici s informacijama mjerenja je skladno normiranom testu pruženom u EN60745 i može se koristiti za usporedbu jednog alata s drugim. Može se koristiti u početnom usklađivanju izloženosti. Objavljena razina vrijednosti vibracija predstavlja glavnu primjenu alata. Međutim, ako se alat koristi za druge primjene, s različitim dodatnim priborom ili je slabo održavan, vrijednost vibracija može se razlikovati. Ovo može značajno povećati razinu izloženosti tijekom ukupnog radnog razdoblja.

U procjeni razine izloženosti na vibraciju također treba uzeti u obzir vrijeme kada je alat isključen ili kada je pokrenut no ne i stvarno vrijeme rada. Ovo može značajno smanjiti razinu izloženosti tijekom ukupnog radnog razdoblja. Odredite dodatne sigurnosne mjere za zaštitu operatera od učinaka vibracije poput: održavanje alata i pribora, održavanje toplih ruku, organizacija obrazaca za rad.

SL OPOZORILO

Nivo emisij vibracij, naveden v tem informacijskem listu, je bil izmerjen v skladu s standardiziranim testom, ki je podan v EN60745, podatek pa se lahko uporablja za primerjavo enega orodja z drugim. Uporablja se ga lahko za predhodno oceno izpostavljenosti. Navedeni nivo emisij vibracij predstavlja glavne uporabe orodja. Vendar, če se orodje uporablja v druge namene in z različnimi nastavki oz. če je orodje slabo vzdrževano, se lahko emisije vibracij razlikujejo. To lahko občutno poveča nivo izpostavljenosti v skupnem delovnem času.

Ocena nivoja izpostavljenosti vibracijam bi morala prav tako upoštevati, koliko krat je orodje bilo izključeno ali je v delovanju in pravzaprav ne opravlja svojega dela. To lahko občutno zmanjša nivo izpostavljenosti v skupnem delovnem času. Upoštevajte dodatne varnostne ukrepe, da bi upravljavca zaščitili pred vplivom vibracij, kot je: vzdržujte orodje in nastavke, pazite, da so roke tople, organizirajte delovne vzorce.

SK VAROVANIE

Úroveň emisie vibrácií, uvedená v tomto informačnom hárku bola nameraná v súlade so štandardizovaným testom, daný normou EN60745 a môže sa použiť na porovnanie jedného nástroja s druhým. Môže sa použiť na predbežné určenie miery vystavenia sa vibráciám. Uvedená úroveň emisie vibrácií predstavuje hlavné aplikácie nástroja. Avšak keď sa nástroj používa na iné aplikácie, s rôznym príslušenstvom alebo má zlý údržbu, úroveň vibrácií sa môže líšiť. Týmto sa môže výrazne zvýšiť úroveň vystavenia sa vibráciám počas celkového času práce.

Odhad úrovne vystavenia sa vibráciám via vibráciám by mal brať tiež do úvahy, vzdy, keď sa nástroj vypne, alebo potom, keď beží ale v skutočnosti sa nevykonáva práca. Týmto sa môže výrazne znížiť úroveň vystavenia sa vibráciám počas celkového času práce. Nasledovné doplnujúce bezpečnostné opatrenia pomáhajú chrániť operátora od účinkov vibrácií: údržba nástroja a príslušenstva, udržiavanie teplých držadiel, organizácia práce.

BG ВНИМАНИЕ

Посоченото в тази инструкция ниво на вибрациите е измерено в съответствие със стандартизиран в EN 60745 измервателен метод и може да се използва за сравнение на електрически инструменти помежду им. Подходящ е и за временна оценка на вибрационното натоварване. Посоченото ниво на вибрациите представя основните приложения на електрическия инструмент. Ако обаче електрическият инструмент се използва с друго предназначение, с различни сменяеми инструменти или при недостатъчна техническа поддръжка, нивото на вибрациите може да е различно. Това чувствително може да увеличи вибрационното натоварване по време на целия работен цикъл.

За точната оценка на вибрационното натоварване трябва да се вземат предвид и периодите от време, в които уредът е изключен или работи, но в действителност не се използва. Това чувствително може да намали вибрационното натоварване по време на целия работен цикъл. Определете допълнителни мерки по техника на безопасност в защита на обслужващия работник от въздействието на вибрациите като например: техническа поддръжка на електрическия инструмент и сменяемите инструменти, поддръжане на ръцете топли, организация на работния цикъл.

UK ПОПЕРЕДЖЕННЯ

Рівень вібрації, зазначений у цьому інформаційному листку, був розрахований відповідно зі стандартизованим випробуванням, наведеним в EN 60745 і може використовуватися для порівняння одного інструмента з іншим. Він може бути використаний для попередньої оцінки впливу. Зазначений рівень вібрації представляє основні застосування інструменту. Тим не менш, якщо інструмент використовується для різних додатків, з різними аксесуарами і недоглянутий, рівень вібрації може відрізнятись. Це може значно підвищити рівень впливу протягом усього робочого періоду.

При оцінюванні рівня впливу вібрації необхідно також враховувати час, коли інструмент вимкнений або коли він працює, але насправді не виконує ніякої роботи. Це може значно зменшити рівень впливу протягом усього робочого періоду. Для захисту оператора від впливу вібрації, визначте додаткові заходи безпеки, такі як: ретельний догляд за інструментом і приладдям, тримання рук в теплі, і організація схеми роботи.





TR UYARI

Bu bilgi sayfasında verilen titreşim emisyon seviyesi, EN60745 standardında belirtilen standartlaştırılmış bir teste uygun olarak ölçülmüş ve bir aleti diğeriyle karşılaştırmak için kullanılabilir. Ön maruz kalma tespiti için kullanılabilir. Beyan edilen titreşim emisyon seviyesi aletin asıl uygulamalarını temsil etmektedir. Ancak alet, farklı aksesuarlarla veya yetersiz bakımlı olarak farklı uygulamalar için kullanılırsa titreşim emisyonu değişebilir. Bu durum toplam çalışma süresi boyunca maruz kalma seviyesini önemli ölçüde artırır.

Titreşime maruz kalma seviyesinin değerlendirilmesi aynı zamanda alet kapalı ve ardından çalışır ancak gerçek anlamda iş yapmadığı zamanlar da göz önünde bulundurulmalıdır. Bu durum toplam çalışma süresi boyunca maruz kalma seviyesini önemli ölçüde azaltır. Operatörü titreşimin etkilerinden korumak için ilave güvenlik önlemleri belirleyin, örneğin: aletin ve aksesuarlarının bakımını yapmak, operatörün ellerini sıcak tutmak, çalışma modellerini organize etmek.

EL ΠΡΟΕΙΔΟΠΟΙΗΣΗ

Τα επίπεδα εκπομπών κραδασμών που παρέχονται στο παρόν ενημερωτικό φυλλάδιο, έχουν μετρηθεί βάσει τυποποιημένης δοκιμής που προβλέπεται στο EN60745 και μπορούν να συγκριθούν για τη σύγκριση του εργαλείου με άλλα. Μπορούν επίσης να χρησιμοποιηθούν για προκαταρκτική αξιολόγηση της έκθεσης. Τα δηλωμένα επίπεδα εκπομπών κραδασμών αφορούν τις βασικές εφαρμογές του εργαλείου. Ωστόσο, αν το εργαλείο χρησιμοποιείται για διαφορετικές εφαρμογές, με διαφορετικά εξαρτήματα ή με κακή συντήρηση, η εκπομπή κραδασμών μπορεί να διαφέρει. Αυτό μπορεί να αυξήσει σημαντικά το επίπεδο έκθεσης στη συνολική περίοδο εργασίας.

Η εκτίμηση των επιπέδων έκθεσης σε κραδασμούς θα πρέπει επίσης να λαμβάνει υπόψη τις χρονικές περιόδους κατά τις οποίες το εργαλείο είναι απενεργοποιημένο ή λειτουργεί χωρίς να χρησιμοποιείται σε συγκεκριμένη εργασία. Αυτό μπορεί να μειώσει σημαντικά το επίπεδο έκθεσης στη συνολική περίοδο εργασίας. Εφαρμόστε επιπρόσθετα μέτρα ασφαλείας για την προστασία του χειριστή από τις επιπτώσεις των κραδασμών, όπως τα εξής: συντηρείτε το εργαλείο και τα εξαρτήματα, διατηρείτε τα χέρια ζεστά, οργανώστε μοτίβα εργασίας.



EN RYOBI® WARRANTY APPLICATION CONDITIONS

In addition to any statutory rights resulting from the purchase, this product is covered by a warranty as stated below.

1. The warranty period is 24 months for consumers and commences on the date the product was purchased. This date has to be documented by an invoice or other proof of purchase. The product is designed and dedicated to consumer and private use only. So there is no warranty provided in case of professional or commercial use. This warranty applies only on new products.
2. There is a possibility to extend for a part of the range of power tools (AC/DC) the warranty period over the period described above using the registration on the www.ryobitools.eu website. The eligibility of products for extended warranty is clearly displayed in stores and / or on packaging and is contained within the product documentation. The end user is required to register his/her newly-acquired products online within 30 days from the date of purchase. The end user may register for the extended warranty in his/her country of residence if listed on the online registration form where this option is valid. Furthermore, end users must give their consent to the storage of their personal data that is required to be entered online. They must also accept the terms and conditions. The registration confirmation receipt, which is sent out by e-mail, and the original invoice showing the date of purchase will serve as proof of the extended warranty.
3. The warranty covers all defects of the product during the warranty period due to faults in workmanship or material at the purchase date. The warranty is limited to repair and/or replacement and does not include any other obligations including but not limited to incidental or consequential damages. The warranty is not valid if the product has been misused, used contrary to the instruction manual, or has been incorrectly connected to a power supply. This warranty does not apply to:
 - any damage to the product that is the result of improper or lack of maintenance
 - any product that has been altered or modified
 - any product where original identification (trade mark, serial number) markings have been defaced, altered or removed
 - any damage caused by non-observance of the instruction manual
 - any product not displaying the CE approval mark on the rating plate
 - any product that has been attempted to be repaired by a non-authorized warranty service centre or without prior authorisation by Techtronic Industries
 - any product connected to improper power supply (amps, voltage, frequency)
 - any damage caused by external influences (water, chemical, physical, shocks) or foreign substances
 - normal wear and tear spare parts
 - inappropriate use, overloading of the tool
 - use of non-approved accessories or parts
 - Power tool accessories provided with the tool or purchased separately, including but not limited to screw driver bits, drill bits, abrasive discs, sand paper and blades, lateral guide, etc.
 - Components (parts and accessories) subject to natural wear and tear, including but not limited to service & maintenance kits, carbon brushes, bearings, chuck, SDS drill bit attachment or reception, power cord, auxiliary handle, transport carry case, sanding plate, dust bag, dust exhaust tube, felt washers, impact wrench pins & springs, etc.
4. For servicing, the product must be sent or presented to a RYOBI authorised service station listed for each country in the following list of service station addresses. In some countries your local RYOBI dealer undertakes to send the product to the RYOBI service organisation. When sending a product to a RYOBI service station, the product should be safely packed without any dangerous contents such as petrol, marked with sender's address and accompanied by a short description of the fault.
5. A repair / replacement under this warranty is free of charge. It does not constitute an extension or a new start of the warranty period. Exchanged parts or products become our property. In some countries delivery charges or postage will have to be paid by the sender. Your statutory rights arising from the purchase of the product remain unaffected
6. This warranty is valid in the European Community, Switzerland, Iceland, Norway, Liechtenstein, Turkey and Russia. Outside these areas, please contact your authorised RYOBI dealer to determine if another warranty applies.

AUTHORISED SERVICE CENTRE

To find an authorised service centre near you, visit <http://en.ryobitools.eu/header/service-and-support/service-agents>

FR RYOBI® CONDITIONS D'APPLICATION DE LA GARANTIE

En plus des droits statutaires liés à l'achat, ce produit est couvert par une garantie telle que décrite ci-dessous.

1. La durée de la garantie accordée au consommateur est de 24 mois à partir de la date d'achat. Cette date doit être authentifiée par une facture ou toute autre preuve d'achat. Le produit a été conçu en vue d'une utilisation strictement privée. Aucune garantie ne s'applique donc en cas d'utilisation professionnelle ou commerciale.
2. Il existe pour une partie de la gamme d'outils électroportatifs (AC/DC), une possibilité d'étendre la période de garantie au-delà de la période précédemment décrite en utilisant le formulaire d'enregistrement présent sur le site Internet www.ryobitools.eu. L'éligibilité d'un outil est clairement affichée dans les points de vente et/ou sur l'emballage et la documentation. L'utilisateur final doit enregistrer son/ses outil(s) nouvellement acheté(s) en ligne dans les 30 jours qui suivent la date d'achat. L'utilisateur a la possibilité de s'enregistrer pour l'extension de garantie dans son pays de résidence si celui-ci est listé dans le formulaire d'enregistrement en ligne où cette option est valide. L'utilisateur final doit donner son consentement pour l'enregistrement des données requises pour accéder au site et doit accepter les termes et conditions. La confirmation d'enregistrement, envoyée par courrier électronique, ainsi que la facture originale mentionnant la date d'achat serviront de preuve de l'extension de garantie.
3. La garantie couvre pendant la période de garantie les défauts des produits liés à la fabrication et aux matériaux à la date d'achat. La garantie est limitée à la réparation et/ou au remplacement et n'inclut aucune autre obligation, tel que, mais sans s'y limiter, les dommages accessoires ou indirects. La garantie est non valable en cas de mauvaise utilisation du produit, d'utilisation contraire aux instructions du mode d'emploi, ou en cas de branchement incorrect. Cette garantie ne s'applique pas pour :
 - tout dommage au produit résultant d'un mauvais entretien
 - tout produit ayant été altéré ou modifié
 - tout produit dont les marquages originaux d'identification (marque, numéro de série) ont été dégradés, altérés ou retirés
 - tout dommage causé par le non-respect des instructions du mode d'emploi
 - tout produit non CE
 - tout produit ayant subi une tentative de réparation par du personnel non qualifié ou sans autorisation préalable de Techtronic Industries
 - tout produit raccordé à une alimentation secteur non conforme (ampérage, voltage, fréquence)
 - tout dommage causé par des influences extérieures (chimiques, physiques, chocs) ou par des substances étrangères
 - l'usure normale des pièces consommables
 - une utilisation inappropriée, une surcharge de l'outil
 - l'utilisation de pièces ou accessoires non agréés
 - accessoires de l'outil électrique fournis avec l'outil ou achetés séparément. Cela comprend notamment les embouts de vissage, les forets de perceuse, les disques abrasifs, le papier de verre et les lames, le guide latéral
 - Les composants (pièces et accessoires) sujets à l'usure naturelle, ceci incluant notamment les mandrins, les charbons, adaptateurs SDS, les cordons d'alimentation, les poignées auxiliaires, les mallettes de transport, les plateaux de ponçage, les sacs collecteurs de poussière, les tubes d'extraction de poussière, les carrés de clé à choc, etc.
4. Si le produit doit être réparé, envoyez-le à un service après-vente agréé RYOBI dont vous trouverez ci-dessous la liste pour chaque pays. Dans certains pays, votre revendeur RYOBI se chargera d'envoyer le produit à un centre de réparation RYOBI. Lorsque vous envoyez un produit à un service après-vente RYOBI, celui-ci doit être correctement emballé, sans contenir aucun produit dangereux tel que de l'essence, et vous devez indiquer votre adresse ainsi qu'une courte description du problème.
5. Une réparation / un remplacement sous garantie est gratuit(e). Ceci ne constituera pas une extension de garantie ni un nouveau départ de la période de garantie. Les pièces ou les outils remplacés deviennent notre propriété. Dans certains pays, les frais de port devront être assumés par l'expéditeur. Vos droits statutaires restent inchangés.
6. Cette garantie est valable au sein de l'Europe, de la Suisse, de l'Islande, de la Norvège, du Liechtenstein, de la Turquie, de la Russie. En dehors de ces zones, veuillez contacter votre distributeur agréé RYOBI pour déterminer si une autre garantie s'applique.

SERVICE APRÈS-VENTE AGRÉÉ

Pour trouver le service après-vente agréé le plus proche, rendez-vous sur <http://fr.ryobitools.eu/header/service-and-support/service-agents>.

DE RYOBI® GARANTIEBEDINGUNGEN

Zusätzlich zu den gesetzlichen Rechten aus dem Kauf gilt für dieses Produkt die nachstehend aufgeführte Garantie.

- Der Garantiezeitraum beträgt für Verbraucher 24 Monate und beginnt mit dem Datum des Kaufs. Dieses Datum muss durch eine Rechnung oder einen anderen Kaufbeleg dokumentiert werden. Dieses Produkt wurde ausschließlich zur privaten Nutzung durch Verbraucher entwickelt. Für den Fall einer professionellen bzw. kommerziellen Nutzung besteht daher keine Garantie.
- Es besteht die Möglichkeit, für einen Teil des Sortiments der Elektrogeräte (AC/CC) den Garantiezeitraum über den oben genannten Zeitraum hinaus zu verlängern, indem der Verbraucher die Registrierung auf der Website www.ryobitools.eu durchführt. Die Berechtigung der Werkzeuge für die Garantieverlängerung ist deutlich im Geschäft und/oder auf der Verpackung beschrieben und in der Produktdokumentation erwähnt. Der Verbraucher muss das neu erworbene Gerät online innerhalb von 30 Tagen ab dem Kaufdatum registrieren. Der Verbraucher kann das Gerät zwecks Garantieverlängerung in seinem Wohnsitzland/Heimatland registrieren, wenn dieses Land auf dem Online-Registrierungsformular aufgeführt ist und die Option gültig ist. Darüber hinaus muss der Verbraucher seine Zustimmung zur Speicherung der Daten geben, die online eingegeben werden müssen, und er muss die allgemeinen Geschäftsbedingungen akzeptieren. Die Bestätigung der Registrierung, die per E-Mail versandt wird, und die Originalrechnung mit dem Kaufdatum gelten als Beleg für die Garantieverlängerung.
- Die Garantie deckt alle Defekte des Geräts während des Garantiezeitraums ab, die auf zum Zeitpunkt des Kaufs bestehende Verarbeitungs- oder Materialfehler zurückzuführen sind. Die Garantie beschränkt sich auf Reparatur und/oder Ersatz und beinhaltet keine anderen Verpflichtungen, insbesondere keinen Schadenersatz für Folge- oder Nebenschäden. Die Garantie gilt nicht, wenn das Gerät fehlerhaft eingesetzt wurde, gegensätzlich zur Bedienungsanleitung eingesetzt wurde oder falsch angeschlossen wurde. Die Garantie gilt nicht für Folgendes:
 - Schäden am Gerät, die auf unkorrekte Wartung zurückzuführen sind
 - Geräte, an denen Veränderungen vorgenommen wurden
 - Produkte, bei denen die ursprüngliche Identifizierung (Handelsmarke, Seriennummer) unleserlich gemacht, verändert oder entfernt wurde
 - Schäden durch Nichtbeachtung der Bedienungsanleitung
 - nicht-CE-zertifizierte Geräte
 - Geräte, an denen durch nicht-qualifizierte Personen oder ohne vorherige Genehmigung von Techtronic Industries Reparaturversuche vorgenommen wurden
 - Geräte, die an unkorrekte Energiequellen (Ampere, Volt, Frequenz) angeschlossen wurden
 - Schäden durch äußere Einflüsse (chemisch, physisch, Stöße) oder Fremdstoffe
 - normaler Verschleiß von Ersatzteilen
 - unangemessene Nutzung, Überlastung des Geräts
 - Nutzung nicht genehmigter Zubehörteile oder Ersatzteile
 - mit dem Gerät gelieferte oder separat erworbene Zubehörteile. Dieser Ausschuss beinhaltet, ist aber nicht beschränkt auf Schraubendreher-Bits, Bohreinsätze, Schleifscheiben, Sandpapier und Klingen, Seitenführungen
 - Komponenten (Ersatzteile und Zubehörteile), die natürlichen und normalen Verschleißerscheinungen unterworfen sind, einschließlich aber nicht beschränkt auf: Service- und Wartungssätze, Kohlebürsten, Lager, Spannfüter, SDS-Bohreraufnahme /Bit-Adapter, Netzkabel, Zusatzhandgriff, Transportkoffer, Schleifteller, Staubbeutel, Staubabsaugrohr, Filzunterlegscheiben, Bolzen und Federn von Schlagschraubern usw.
- Zum Service muss das Gerät zu einer von RYOBI autorisierten Servicestation gebracht oder dorthin gesendet werden. Die Servicestationen für die einzelnen Länder sind in der folgenden Liste aufgeführt. In einigen Ländern sendet Ihr RYOBI-Händler vor Ort das Gerät an das RYOBI-Serviceunternehmen. Beim Einsenden an die RYOBI-Servicestation sollte das Gerät sicher verpackt sein, ohne gefährliche Inhalte wie Benzin, und es sollte mit der Adresse des Absenders und einer kurzen Beschreibung des Fehlers versehen sein.
- Eine Reparatur bzw. ein Ersatz gemäß dieser Garantie ist kostenlos. Hieraus ergibt sich weder eine Garantieverlängerung noch der Beginn eines neuen Garantiezeitraums. Die ausgetauschten Ersatzteile oder Werkzeuge gehen in unser Eigentum über. In einigen Ländern müssen die Zustellgebühren oder die Versandkosten vom Absender gezahlt werden. Ihre gesetzlichen Rechte aus dem Kauf des Geräts bleiben hiervon unberührt.
- Diese Garantie gilt in der Europäischen Union, der Schweiz, Island, Norwegen, Liechtenstein, der Türkei und Russland. Bitte wenden Sie sich außerhalb dieser Gebiete an Ihren autorisierten RYOBI-Händler, um festzustellen, ob eine andere Garantie gilt.

AUTORISIERTER KUNDENDIENST

Besuchen Sie <http://de.ryobitools.eu/header/service-and-support/service-agents>, um einen autorisierten Kundendienst in Ihrer Nähe zu finden.

ES CONDICIONES DE APLICACIÓN DE LA GARANTÍA DE RYOBI®

Además de cualquier derecho legal derivado de la compra, este producto está cubierto por una garantía que se indica a continuación.

- El periodo de garantía es de 24 meses para consumidores y comienza a la fecha en que se comprara el producto. Dicha fecha debe documentarse con una factura u otro comprobante de compra. El producto está diseñado y concebido únicamente para el uso privado del consumidor. Por lo tanto, no se ofrece garantía en caso de uso profesional o comercial.
- Existe la posibilidad de ampliar el periodo de garantía respecto a una parte de la gama de herramientas eléctricas (CA/CC) durante el periodo descrito más arriba y mediante el registro en el sitio web www.ryobitools.eu. La elegibilidad de las herramientas para que se amplíe el periodo de garantía se muestra claramente en las tiendas o en el embalaje y está incluida en la documentación del producto. El usuario final tiene que registrar en línea sus herramientas recientemente adquiridas en un plazo de 30 días a partir de la fecha de compra. El usuario final podrá registrarse para obtener la garantía ampliada en su país de residencia si este aparece en la lista del formulario de registro en línea cuando esta opción sea válida. Además, los usuarios finales deberán dar su consentimiento al almacenamiento de los datos necesarios para el acceso en línea y tienen que aceptar los términos y condiciones. El recibo de confirmación de registro, que se envía por correo electrónico, y la factura original que muestra la fecha de compra servirán como comprobante para la garantía ampliada.
- La garantía cubre todos los defectos del producto durante el periodo de garantía debido a fallos de mano de obra o material en la fecha de compra. La garantía se limita a la reparación o sustitución y no incluye ninguna otra obligación como, por ejemplo, daños accidentales o consecuentes. La garantía no es válida si se ha usado mal el producto, se ha usado contraviniendo el manual de instrucciones o se ha conectado de forma incorrecta. Esta garantía no es aplicable a:
 - ningún daño en el producto que sea consecuencia de un mantenimiento inadecuado
 - ningún producto que haya sido alterado o modificado
 - ningún producto en el que los marcados de identificación originales (marca comercial, número de serie) se hayan borrado, modificado o eliminado
 - ningún daño provocado por no seguir el manual de instrucciones
 - ningún producto que no sea CE
 - ningún producto que haya sufrido un intento de reparación por parte de un profesional no cualificado o sin la autorización previa de Techtronic Industries.
 - ningún producto conectado a un suministro eléctrico inadecuado (amperios, voltaje, frecuencia)
 - ningún daño causado por influencias externas (químicas, físicas, impactos) o sustancias extrañas
 - desgaste normal de piezas de repuesto
 - uso inadecuado, sobrecarga de la herramienta
 - uso de accesorios o piezas no aprobados
 - Accesorios de herramientas eléctricas proporcionados con la herramienta o comprados por separado. Tales exclusiones incluyen, entre otros, brocas de destornilladores, brocas de taladro, discos abrasivos, papel de lija y cuchillas, y guías laterales
 - Componentes (piezas y accesorios) sujetos a un desgaste natural, que incluyen, entre otros, equipos de servicio y mantenimiento, escobillas de carbono, cojinetes, pinzas, accesorio o recepción de broca de taladro SDS, cable eléctrico, manillar auxiliar, bolsa de transporte, hoja lijadora, bolsa de polvo, tubo de escape de polvo, disco de fieltro, pasadores y resortes de llave de impacto, etc.
- Para su mantenimiento, el producto debe enviarse o presentarse a una estación de servicio de RYOBI autorizada que figure en la siguiente lista de direcciones de estaciones de servicio por países. En algunos países, su distribuidor RYOBI local se responsabiliza de enviar el producto a la compañía de servicio de RYOBI. Cuando se envíe un producto a una estación de servicio de RYOBI, este debe estar empaquetado de forma segura sin contenidos peligrosos como gasolina, marcado con la dirección del remitente y acompañado de una breve descripción del fallo.
- Una reparación / sustitución con esta garantía es gratuita. No constituye una ampliación ni un nuevo comienzo del periodo de garantía. Las piezas o herramientas intercambiadas pasan a ser de nuestra propiedad. En algunos países, los gastos de envío o correo tendrán que pagarlos el remitente. Sus derechos legales derivados de esta compra de la herramienta no se verán afectados.
- Esta garantía es válida en la Unión Europea, Suiza, Islandia, Noruega, Liechtenstein, Turquía y Rusia. Fuera de estas zonas, póngase en contacto con su distribuidor de RYOBI autorizado para determinar si es aplicable otra garantía.

SERVICIO TÉCNICO AUTORIZADO

Para encontrar el servicio técnico autorizado más cercano, visite <http://es.ryobitools.eu/header/service-and-support/service-agents>



IT CONDIZIONI DI VALIDITÀ DELLA GARANZIA RYOBI®

In aggiunta ai diritti di legge risultanti dall'acquisto, il prodotto è coperto dalla garanzia sotto descritta.

- Il periodo di garanzia è di 24 mesi per i consumatori, a decorrere dalla data di acquisto del prodotto. La data deve essere documentata da una fattura o altra prova d'acquisto. Il prodotto è progettato e destinato solo all'utilizzo privato dei consumatori. Pertanto non viene fornita alcuna garanzia in caso di uso professionale o commerciale.
- Per una serie di utensili elettrici (CA/CC) è possibile prolungare il periodo di garanzia oltre quello descritto, registrandosi sul sito web www.ryobitools.eu. Gli utensili per i quali è possibile prolungare il periodo di garanzia sono chiaramente indicati nei negozi e/o sulle confezioni e nella documentazione dei prodotti. L'utente deve registrare online l'utensile acquistato entro 30 giorni dalla data di acquisto. L'utente può registrarsi per la garanzia prolungata nel proprio paese di residenza, se questo è elencato nel modulo di registrazione online dove questa opzione sia valida. Inoltre gli utenti devono fornire il proprio consenso alla conservazione dei dati da immettere online e devono accettare le condizioni generali. La conferma di registrazione, inviata tramite e-mail, e la fattura originale indicante la data di acquisto, costituiscono la prova della garanzia prolungata.
- La garanzia copre tutti i difetti del prodotto durante il periodo di garanzia, risultati da manodopera o materiali alla data di acquisto. La garanzia è limitata alla riparazione e/o sostituzione e non include alcun altro obbligo quali, a mero titolo esemplificativo, i danni incidentali o consequenziali. La garanzia non è valida se il prodotto è stato usato scorrettamente, in modo contrario al manuale di istruzioni o se è stato collegato in modo errato. La garanzia non è valida per:
 - qualsiasi danno al prodotto dovuto a manutenzione errata;
 - qualsiasi prodotto che sia stato alterato o modificato;
 - qualsiasi prodotto le cui marcature di identificazione originali (marchi di fabbrica, numero di serie) siano state cancellate, alterate o rimosse;
 - qualsiasi danno causato dalla non osservanza delle istruzioni del manuale;
 - qualsiasi prodotto privo di omologazione CE;
 - qualsiasi prodotto che sia stato sottoposto a un tentativo di riparazione da parte di un professionista non qualificato oppure senza la previa autorizzazione di Techtronic Industries;
 - qualsiasi prodotto collegato a un'alimentazione errata (per ampere, tensione, frequenza);
 - qualsiasi danno causato da influenze esterne (chimiche, fisiche, urti) o sostanze estranee;
 - la normale usura delle parti di ricambio;
 - uso inappropriato, sovraccarico dell'utensile;
 - uso di accessori o parti non omologate;
 - accessori per utensili elettrici forniti con l'utensile o acquistati separatamente. Questa esclusione comprende, a mero titolo esemplificativo, punte per cacciaviti, punte per trapani, dischi abrasivi, carta vetrata, lame e guide laterali;
 - componenti (parti e accessori) soggetti alla normale usura compresi, a mero titolo esemplificativo, kit di servizio e manutenzione, spazzole al carbonio, cuscinetti, mandrini, attacchi per punte a vite autopoterforante, cavi di alimentazione, maniglie ausiliarie, custodie di trasporto, piastre di levigatura, sacchetti per la polvere, tubi di scarico della polvere, rondelle di feltro, perni e molle per avvitatori ecc.
- Per la manutenzione il prodotto dev'essere spedito o portato presso uno dei centri assistenza autorizzati RYOBI elencati per ogni paese nel seguente elenco di indirizzi dei centri. In alcuni paesi il rivenditore locale RYOBI si incarica di inviare il prodotto all'organizzazione di assistenza RYOBI. Quando si invia un prodotto a un centro assistenza RYOBI, imballarlo in modo sicuro senza contenuti pericolosi come la benzina, apporre l'indirizzo del mittente e accompagnarlo da una breve descrizione del guasto.
- La riparazione/sostituzione ai sensi della presente garanzia è gratuita. Non costituisce un prolungamento o un nuovo inizio del periodo di garanzia. Le parti o gli utensili scambiati diventano di nostra proprietà. In alcuni paesi i costi di consegna o di spedizione postale devono essere pagati dal mittente. I diritti di legge derivanti dall'acquisto dell'utensile rimangono inalterati.
- La presente garanzia è valida in Unione Europea, Svizzera, Islanda, Norvegia, Liechtenstein, Turchia e Russia. Al di fuori di tali aree contattare il rivenditore autorizzato RYOBI per sapere se è valida un'altra garanzia.

CENTRO SERVIZI AUTORIZZATO

Per individuare il più vicino centro servizi autorizzato, visitare il sito <http://it.ryobitools.eu/header/service-and-support/service-agents>.

NL RYOBI® GARANTIEVOORWAARDEN

Naast de wettelijke rechten die voortvloeien uit de aankoop, wordt dit product gedekt door een garantie, zoals hieronder staat vermeld.

- De garantietermijn voor consumenten bedraagt 24 maanden en gaat in op de datum waarop het product is gekocht. Deze datum moet worden gedocumenteerd met een factuur of een ander aankoopbewijs. Het product is uitsluitend ontworpen en bedoeld voor persoonlijk gebruik door consumenten. Er wordt dus geen garantie gegeven voor professioneel of commercieel gebruik.
- Voor een deel van ons aanbod van elektrische gereedschappen (AC/DC) is het mogelijk om de garantietermijn te verlengen over de boven beschreven termijn, met behulp van de website www.ryobitools.eu. De gereedschappen die in aanmerking komen voor de verlenging van de garantietermijn wordt duidelijk weergegeven in winkels en/of verpakkingen en staat beschreven in de productdocumentatie. De eindgebruiker moet zijn/haar nieuw gekochte gereedschappen binnen 30 dagen na aankoop online registreren. De eindgebruiker kan zich registreren voor de verlengde garantietermijn als zijn woonland staat vermeld op het online registratieformulier waar deze optie geldt is. Bovendien moeten eindgebruikers toestemming geven voor de opslag van de gegevens die online ingevuld moeten worden en moeten ze de algemene voorwaarden accepteren. Het ontvangstbewijs van de registratie, dat per e-mail wordt verzonden en de oorspronkelijke factuur met de aankoopdatum vormt het bewijs van de verlengde garantietermijn.
- De garantie dekt tijdens de garantietermijn alle gebreken van het product vanwege defecten in vakmanschap of materiaal op de aankoopdatum. De garantie is beperkt tot reparatie en/of vervanging en bevat geen andere verplichtingen, waaronder maar niet beperkt tot incidentele of gevolgschade. De garantie is niet geldig als het product is misbruikt, in strijd met de gebruiksaanwijzing wordt gebruikt of onjuist is aangesloten. Deze garantie geldt niet voor:
 - alle schade aan het product die het gevolg is van onjuist onderhoud
 - elk product dat is veranderd of aangepast
 - elk product waar de oorspronkelijke identificatie (handelsmerk, serienummer) is beschadigd, gewijzigd of verwijderd
 - alle schade die is veroorzaakt door het niet opvolgen van de gebruiksaanwijzing
 - elk niet-CE-product
 - elk product waar een poging tot reparatie is gedaan door een niet-erkende professional of zonder voorafgaande toestemming door Techtronic Industries.
 - elk product dat is verbonden met een verkeerde voeding (amperage, spanning, frequentie)
 - alle schade die is veroorzaakt door externe invloeden (chemisch, fysisch, schokken) of vreemde stoffen
 - normale slijtage van reserveonderdelen
 - ongepast gebruik, overbelasting van het gereedschap
 - gebruik van niet-goedgekeurde accessoires of onderdelen
 - gereedschapsaccessoires die bij het gereedschap worden geleverd of afzonderlijk zijn aangeschaft. Zulke uitzonderingen bevatten, maar niet beperkt tot schroevendraaierbits, boorbits, slijpschijven, schuurpapier en zagen, laterale geleiding
 - Componenten (onderdelen en accessoires) die onderhevig zijn aan natuurlijke slijtage, waaronder maar niet beperkt tot service-onderhoudsets, koolstofborstels, lagers, boorkoppen, SDS boorbitbevestigingen of ontvangers, stroomsoeren, hulpprepen, transporttassen, schuurplateaus, stofzakken, stofafvoerbuizen, viltlingen, pennen en veren van slagmoersleutels, etc.
- Voor onderhoud moet het product worden verzonden of gebracht naar een erkend servicecenter van RYOBI die voor elk land staan vermeld in de volgende lijst met adressen voor servicecentra. In sommige landen zal uw lokale RYOBI-dealer het product verzenden naar de RYOBI-serviceorganisatie. Wanneer u het product naar een servicecenter van RYOBI verzendt, moet het product veilig worden verpakt zonder enige gevaarlijke inhoud, zoals benzine, met het adres van de afzender en vergezeld van een korte beschrijving van het defect.
- Een reparatie/vervanging die onder deze garantie valt is gratis. Het vormt geen verlenging of een nieuwe start van de garantietermijn. Vervisselde onderdelen of gereedschappen worden ons eigendom. In sommige landen moeten de verzendkosten door de afzender worden betaald. Uw wettelijke rechten die voortvloeien uit de aankoop van het gereedschap blijven onaangetaast.
- Deze garantie is geldig in de Europese Gemeenschap, Zwitserland, Usland, Noorwegen, Liechtenstein, Turkije en Rusland. Buiten deze gebieden moet u contact opnemen met uw erkende RYOBI-dealer om vast te stellen of er een andere garantie van toepassing is.

GEAUTORISEERD ONDERHOUDSCENTRUM

Om een geautoriseerd onderhoudscentrum in uw buurt te vinden, surf u naar <http://nl.ryobitools.eu/header/service-and-support/service-agents>.



PT CONDIÇÕES DE APLICAÇÃO DA GARANTIA RYOBI®

Para além de quaisquer direitos previstos por lei resultantes da compra, este produto está coberto por uma garantia conforme descrição abaixo.

- O período da garantia é de 24 meses para consumidores particulares e inicia-se na data de compra do produto. Esta data tem de ser documentada por uma factura ou por outra prova de compra. O produto foi concebido para e destina-se apenas a consumidores particulares e uso privado. Assim, não é dada garantia em caso de utilização por profissionais ou uso comercial.
- Para uma parte da gama de ferramentas eléctricas (AC/DC) existe a possibilidade de prolongamento do período da garantia para além do período descrito acima, mediante registo no Web site www.ryobitools.eu. A elegibilidade das ferramentas para prolongamento do período da garantia é claramente visível nas lojas e/ou nas embalagens e está contida na documentação do produto. O utilizador final tem de fazer o registo online das suas ferramentas recém-adquiridas no prazo de 30 dias após a data de compra. O utilizador final pode fazer o registo para prolongamento da garantia no seu país de residência, desde que esteja listado no formulário de registo online e para os casos em que esta opção seja válida. Para além disso, os utilizadores finais têm de autorizar o armazenamento dos dados cujo preenchimento lhes for solicitado online e têm de aceitar os termos e as condições. O recibo de confirmação do registo é enviado por e-mail e, em conjunto com a factura original ostentando a data de compra, servirá de prova do prolongamento da garantia.
- A garantia cobre todos os defeitos do produto durante o período da garantia devidos a defeitos de fabrico ou de material à data da compra. A garantia está limitada à reparação e/ou substituição e não inclui quaisquer outras obrigações, incluindo mas não se limitando a, perdas complementares ou indirectas. A garantia não é válida se o produto tiver sido utilizado incorrectamente, utilizado de forma contrária ao Manual de Instruções ou se as respectivas ligações tiverem sido feitas incorrectamente. Esta garantia não se aplica ao seguinte:
 - quaisquer danos ao produto que sejam resultado de manutenção incorrecta
 - qualquer produto que tenha sido alterado ou modificado
 - qualquer produto cujas marcações de identificação de origem (marca comercial, número de série) tiverem sido apagadas, alteradas ou retiradas
 - quaisquer danos causados pelo incumprimento do Manual de Instruções
 - qualquer produto que não seja da Comunidade Europeia
 - qualquer produto ao qual tenha sido feita, ou tentada fazer, uma reparação por outra pessoa que não um profissional habilitado ou sem autorização prévia da Techtronic Industries.
 - qualquer produto ligado a uma fonte de alimentação eléctrica incorrecta (Amperes, Voltagem e Frequência)
 - qualquer dano causado por influências externas (químicas, físicas, impactos) ou substâncias estranhas
 - desgaste e degradação normal de sobresselentes
 - utilização incorrecta, sobrecarga da ferramenta
 - utilização de acessórios ou peças não aprovados
 - acessórios para ferramentas eléctricas fornecidos com a ferramenta ou comprados em separado. Estas exclusões incluem mas não se limitam a, pontas de aparafusadora, brocas, discos abrasivos, papel de lixa e lâminas, guia lateral
 - Componentes (peças e acessórios) sujeitos a desgaste e degradação natural, incluindo mas não se limitando a, Kits de Assistência e Manutenção, escovas de carvão, roletamentos, bucha, acessórios ou recepções de brocas SDS, cabos eléctricos, pegas auxiliares, estojos de transporte, placas de lixagem, sacos de poeiras, tubos de saída de poeiras, anilhas de feltro, pinos e molas da aparafusadora de impacto, etc.
- Para assistência, o produto tem de ser enviado para, ou apresentado em, um posto de assistência autorizado RYOBI, conforme listado para cada país na lista de moradas de postos de assistência seguinte. Nalguns países, o seu concessionário RYOBI local encarrega-se de enviar o produto para a organização de assistência RYOBI. Quando enviar um produto para um posto de assistência RYOBI, o produto deve ser embalado de forma segura, sem conter nenhuns conteúdos perigosos (por exemplo, gasolina), marcado com o endereço do remetente e acompanhado por uma breve descrição da avaria.
- Uma reparação/substituição ao abrigo desta garantia é gratuita. Não constitui um prolongamento a, nem um novo início de, o período da garantia. As peças ou ferramentas substituídas tornam-se propriedade nossa. Nalguns países, o remetente terá de pagar os custos de entrega ou a remessa postal. Os seus direitos previstos por lei resultantes da compra da ferramenta mantêm-se inalterados
- Esta garantia é válida na Comunidade Europeia, Suíça, Islândia, Noruega, Liechtenstein, Turquia e Rússia. Fora destas áreas, entre em contacto com o seu concessionário autorizado RYOBI para determinar se existe outra garantia aplicável.

CENTRO DE ASSISTÊNCIA AUTORIZADO

Para encontrar um centro de assistência autorizado próximo de si, visite <http://pt.ryobitools.eu/header/service-and-support/service-agents>.

DA RYOBI® BETINGELSER FOR GARANTI

Udover lovbestemte rettigheder, som resulterer af købet, er dette produkt dækket af en garanti, som anført herunder.

- Garantiperioden er 24 måneder for forbrugere og begynder på den dato, som produktet blev købt. Denne dato skal dokumenteres af en faktura eller andet bevis for køb. Produktet er udelukkende designet og dedikeret til forbrugere og privat brug. Så der ydes ingen garanti i tilfælde af professionel eller kommerciel brug.
- Der er en mulighed for at forlænge garantiperioden for en del af udvalget af elværktøj (AC/DC), hen over den ovenfor beskrivne periode vha. registrering på hjemmesiden www.ryobitools.eu. Rettigheden af værktøjet til forlængelse af garantiperioden er tydeligt vist i butikker og/eller på emballage/og indeholdt i produktokumentationen. Slutbrugeren skal registrere hans/hendes nyligt indkøbte værktøj online indenfor 30 dage efter købsdatoen. Slutbrugeren kan registrere sig for den forlængede garanti i sit land, hvis han/hun er opført på den online registreringsformular, hvor denne mulighed er gyldig. Derudover skal slutbrugere give deres samtykke til at opbevare data, som er påkrævet at indtaste online, og de er nødt til at acceptere vilkår og betingelser. Registreringsbekræftelseskvitteringen, som sendes ud på e-mail, og den originale faktura, som viser købsdatoen, vil fungere som bevis for den forlængede garanti.
- Garanti dækker alle defekter, som et produkt måtte have i løbet af garantiperioden, og som skyldes produktionsfejl eller materialefejl på købsdatoen. Garantien er begrænset til reparation og/eller udskiftning og inkluderer ikke andre forpligtelser, inklusiv men ikke begrænset til tilfældige skader eller følgeskader. Garantien er ugyldig, hvis produktet er blevet misbrugt, brugt uden at overholde vejledningen, eller det er blevet forkert tilsluttet. Denne garanti gælder ikke:
 - Beskadigelse af produktet, som er et resultat af uegnet vedligeholdelse
 - Et produkt der er blevet ændret eller modificeret
 - Et produkt hvor de originale identifikationsmærkninger (varemærke, serienummer) er blevet ødelagt, ændret eller fjernet.
 - Enhver beskadigelse forårsaget af manglende overholdelse af vejledningen
 - Ethvert ikke CE-produkt
 - Ethvert produkt som er blevet forsøgt repareret af en ukvalificeret professionel eller uden tidligere autorisation af Techtronic Industries.
 - Ethvert produkt som er tilsluttet uegnet strømforsyning (ampere, spænding, frekvens)
 - Enhver skade forårsaget af ekstern påvirkning (kemisk, fysisk, chok) eller fremmedelementer
 - Normal slid på reservedele
 - Uegnet brug, overbelastning af værktøjet
 - Brug af ikke-godkendt tilbehør eller dele
 - Elværktøjstilbehør som leveres med værktøjet eller købes separat. Sådanne udtagelser inkluderer men er ikke begrænset til skruetrækkerbits, bor, bits, slibeværk, sandpapir og klinger, sidestyk
 - Komponenter (dele og tilbehør) som er udsat for naturligt slid og ælde, inklusiv men ikke begrænset til Service- og vedligeholdelsessæt, kulbrøster, lejer, bøsninger, påsætning eller modtagelse af SDS-bor, El ledning, hjælpehåndtag, transporttaske, sandplade, støvpose, støvudstødningslange, filtskiver, nåle og fjedre slagngøle etc.
- For eftersyn skal produktet sendes til eller præsenteres for en RYOBI-autoriseret service værksted, som er oplyst for hvert land i den følgende liste over service værksted adresser. I nogle lande påtager din lokale RYOBI-forhandler sig ansvaret for at sende produktet til RYOBI-serviceorganisationen. Når et produkt sendes til en RYOBI-service værksted, skal det pakkes sikkert ind uden noget farligt indhold som benzin, mærkes med afsenderens adresse og med en kort beskrivelse af fejlen.
- En reparation/erstatning under denne garanti er gratis. Den udgør ikke en forlængelse eller en ny start på garantiperioden. Udvekslede dele eller værktøjer bliver vores ejendom. I nogle lande skal leveringsafgifter eller porto betales af afsenderen. Dine lovbestemte rettigheder i forbindelse med købet forbliver uanfægtede
- Denne garanti gælder i EU, Schweiz, Island, Norge, Liechtenstein, Tyrkiet og Rusland. Udenfor disse områder bedes du kontakte din autoriserede RYOBI-forhandler for at afgøre, om en anden garanti gælder.

AUTORISERED E SERVICE/VÆRKSTEDER

Find nærmeste autoriserede serviceværksted på <http://dk.ryobitools.eu/header/service-and-support/service-agents>.

SV RYOBI® ANVÄNDNINGSVILLKOR FÖR GARANTI

Förutom eventuella lagstadgade rättigheter som uppstår genom köpet, täcks den här produkten av en garanti som anges nedan.

1. Garantiperioden är 24 månader för konsumenter och börjar gälla från det datum då produkten köptes. Detta datum måste dokumenteras på en faktura eller annat köpbevis. Produkten är utformad och avsedd för konsumenter och privat bruk. Därmed tillhandahålls ingen garanti vid yrkesmässigt eller kommersiellt bruk.
2. Det finns möjlighet att förlänga garantiperioden för en del av utbudet för elverktyg (AC/DC) under den period som anges ovan genom att använda registreringen på webbplatsen www.ryobitools.eu. De verktyg som är berättigade till en förlängning av garantiperioden visas tydligt i butiker och/eller på förpackningen/och anges i produktdokumentationen. Slut användaren behöver registrera hans/hennes nyförvävade verktyg online inom 30 dagar från köpdatumet. Slut användaren kan registrera sig för den förlängda garantin i det land där han/hon bor om landet finns angivet i registreringsformuläret online och där detta alternativ är giltigt. Dessutom måste slut användaren ge sitt medgivande till lagring av data vilket krävs vid registrering online samt acceptera villkoren. Bekräftelsekvittot för registreringen som skickas ut via e-post och originalfakturan som visas köpdatumet kommer att gälla som bevis för den förlängda garantin.
3. Garantin täcker alla produktdefekter under garantiperioden som beror på brister i utförande eller material vid köpdatumet. Garantin är begränsad gällande reparation och/eller utbyte och inkluderar inte några skyldigheter inklusive men inte begränsat till oförutsedda skador eller följskador. Garantin är inte giltig om produkten har missbrukats, använts i strid med bruksanvisningen eller inte anslutits på rätt sätt. Denna garanti täcker inte:
 - eventuella skador på produkten som uppstått till följd av felaktigt underhåll
 - produkter som har ändrats eller modifierats
 - produkter där ursprungliga identifieringsmärkningar (varumärke, serienummer) har målats över, ändrats eller tagits bort
 - eventuella skador som uppstått till följd av att bruksanvisningen inte efterföljts
 - alla icke CE-produkter
 - eventuella produkter som har försökts repareras av en icke-kvalificerad yrkesman eller utan föregående medgivande från Technronic Industries.
 - eventuella produkter som anslutits till felaktig strömförsörjning (ampere, volt, frekvens)
 - eventuella skador som uppstått till följd av yttre påverkan (kemisk, fysisk, stötar) eller främmande ämnen
 - normalt slitage av reservdelar
 - olämplig användning, överbelastning av verktyget
 - användningen av icke-godkända tillbehör eller delar
 - tillbehör till elverktyg som medföljde verktyget eller köpts separat. Sådana undantag inkluderar men är inte begränsat till skruvmejselbits, borrbits, slipskivor, sandpapper, blad och sidoskena
 - Komponenter (delar och tillbehör) är föremål för naturligt slitage, inklusive men inte begränsat till service- och underhållsatsar, kolborstar, kullager, chuck, tillbehör eller tillhörande SDS-borrbitt, strömladd, hjälphandtag, transportväska, slipplatta, damppåse, dammtullblåsrör, filterbrickor, stift och fjädrar till mutterdragare osv.
4. Vid service måste produkten skickas eller uppvisas för en RYOBI- auktoriserad servicestation som står angiven för varje land i följande adresslista över servicestationer. I vissa länder tar din lokala RYOBI- återförsäljare på sig ansvaret att skicka produkten till RYOBI- serviceorganisationen. När en produkt skickas till en RYOBI- servicestation, ska produkten paketeras säkert utan något farligt innehåll såsom bensin, markeras med avsändarens adress samt en kort beskrivning av felet.
5. En reparation/ett utbyte under denna garanti är kostnadsfri. Det utgör inte en förlängning eller förnyelse av garantiperioden. Utbyta delar eller verktyg blir vår egendom. I vissa länder måste leveranskostnader eller porto betalas av avsändaren. Dina lagstadgade rättigheter som härrör från köpet av verktyget förblir opåverkade
6. Denna garanti är giltig i Europeiska gemenskapen: Schweiz, Island, Norge, Liechtenstein, Turkiet och Ryssland. Utanför dessa länder, kontakta din auktoriserade RYOBI-återförsäljare för att avgöra om en annan garanti gäller.

AUKTORISERAT SERVICECENTER

Du hittar närmaste auktoriserade servicecenter genom att gå till <http://se.ryobitools.eu/header/service-and-support/service-agents>.

FI RYOBI®-TAKUUN SOVELTAMISEHDOT

Tällä tuotteella on oston luomien lakisääteisten oikeuksien ohella alla mainitun mukainen takuu.

1. Takuun kesto on kuluttajille 24 kuukautta ja takuuaika alkaa tuotteen ostohetkestä. Tämän päivämäärän tulee lukea laskussa tai muussa ostotositteessa. Tuote on suunniteltu ja tarkoitettu vain kuluttajien ja yksityiseen käyttöön. Takuu ei siis kata ammatti- eikä kaupallista käyttöä.
2. Joidenkin sähkötyökalujen (AC/DC) takuun kesto on mahdollista laajentaa yllä mainittua kestoä pidemmäksi verkossivuston www.ryobitools.eu rekisteröinnin kautta. Työkalujen kelppoisuus takuujakson laajennukseen näkyy selkeästi myymälöissä ja/tai pakkauksissa ja/ tai tämä tieto sisältyy tuotedokumentaation. Loppukäyttäjän täytyy rekisteröidä vasta hankitut työkalut internetissä 30 päivän kuluessa ostopäivämäärästä. Loppukäyttäjät voi rekisteröidä laajennetun takuun kotimaassaan, jos se on luetteluna online-rekisteröintilomakkeessa, jossa mainitaan, missä tämä vaihtoehto on voimassa. Loppukäyttäjien täytyy lisäksi hyväksyä tietojen tallennus, jotka heidän täytyy antaa online-tilassa sekä ehdot. Rekisteröinnin vahvistuskuitti, joka lähetetään sähköpostitse, ja alkuperäinen ostopäivämäärän ilmaiseva lasku toimivat laajennetun takuun tositteina.
3. Takuu kattaa kaikki tuotteeseen takuuaikana tulevat viat, joiden aiheuttajina ovat tuotteessa ostopäivänä olleet valmistus- tai materiaali viat. Takuu on rajoitettu korjaukseen ja/tai vaihtoon eikä se sisällä mitään mallela velvoitteita mukaan lukien satunnais- ja seurannaisvaihinkoja, mutta rajoittumatta niihin. Takuu ei päde, jos tuotetta on käylyetty väärin, käyttöohjeen vastaisesti tai jos se on liitetty virheellisesti. Tämä takuu ei kata:
 - virheellisestä huollosta johtuvia vaurioita
 - muunnettua tai muutettua tuotetta
 - tuotetta, jonka alkuperäiset tunnistemerkinnät (tavaramerkki, sarjanumero) on turmeltu, muutettu tai poistettu
 - tämän käyttöoppaan laiminlyönnistä johtuvia vaurioita
 - ei-CE-tuotetta
 - tuotetta, jota on yrittänyt korjata epäpätevä ammattilainen tai joka on korjattu ilman Technronic Industriesin emakkoluopaa.
 - tuotetta, joka on liitetty virheelliseen tehohäätteen (ampeirit, jännite, taajuus)
 - ulkoisten vaikutusten (kemiallinen, fyysinen, iskut) tai vieraiden aineiden aiheuttamaa vauriota
 - normaaleja kuluvia vaurioita
 - virheellistä käyttöä, työkalun ylikuormitusta
 - ei-hyväksytyjen tarvikkeiden tai osien käyttöä
 - sähkötyökalun tarvikkeita, jotka on toimitettu työkalun mukana tai ostettu erikseen. Poissuljettuja osia ovat ruuvausterät, poranterät, hiomalaikat, hiekkapaperi ja terät, sivuohjain, näihin kuitenkaan rajoittumatta
 - Luonnollisesti kuluvia komponentteja (osia tai tarvikkeita), joihin sisältyvät huolto- ja kunnossapitoset, hiiliharjat, laakerit, terästäkat, SDS-porien kiinnitin tai istukka, virtajohto, apukahva, kuljetuskotelo, hiomalaikka, pölypussi, pölynpoistoputki, huopatiivisteet, iskunvääntimen pultit ja jouset yms. näihin kuitenkaan rajoittumatta.
4. Tuote on lähetettävä huollettavaksi valtuutettuun RYOBI-huoltoon tai näyteltävä siellä. Niiden osoitteet kussakin maassa löytyvät seuraavasta luettelosta. Joissakin maissa paikallinen RYOBI-jälleenmyyjä huolehtii tuotteen lähetyksestä RYOBI-huolto-organisaatioon. Kun tuote lähetetään RYOBI-huoltoon, se täytyy pakata hyvin ilman vaarallisia aineita, kuten polttoainetta, ja pakkaukseen täytyy merkitä lähettäjän nimi sekä vain lyhyt kuvaus.
5. Takuun kattama korjaus/vaihto on maksuton. Se ei tarkoita takuuaajan laajennusta tai alkamista alusta. Vaihdetut osat tai työkalut siirtyvät valmistajan omistukseen. Joissakin maissa lähettäjän täytyy maksaa lähetyksustannukset tai postikulut. Työkalun oston luomat lakisääteiset oikeudet pysyvät koskemattomina
6. Tämä takuu on voimassa Euroopan yhteisössä, Sveitsissä, Islannissa, Norjassa, Liechtensteinissa, Turkissa ja Venäjällä. Ota näiden alueiden ulkopuolella yhteyttä omaan valtuutettuun RYOBI-jälleenmyyjään ja selvitä, onko jokin tämäntu takuuta.

VALTUUTETTU HUOLTO

Voit etsiä lähimmän valtuutetun huollon sivulta <http://fi.ryobitools.eu/header/service-and-support/service-agents>.

NO RYOBI® GARANTIBETINGELSER

I tillegg til eventuelle lovbestemte rettigheter som følger av kjøpet, er dette produktet dekket av en garanti som angitt nedenfor.

1. Garantiperioden er 24 måneder for konsumenter og gjelder fra den datoen som produktet ble kjøpt. Denne datoen skal dokumenteres med en faktura eller annet kjøpsbevis. Produktet er designet og beregnet kun til konsument- og privat bruk. Så det gis ingen garanti ved profesjonell eller kommersiell bruk.
2. For en del av utvalget av elektriske verktøy (AC/DC) er det mulighet til å utvide garantiperioden i den perioden som er beskrevet ovenfor ved bruk av registreringer på nettsidene www.ryobitools.eu. Kvalifisering av verktøyene for en utvidelse av garantiperioden er tydelig vist i butikker og/eller på pakningen / og finnes innen produktdokumentasjonen. Sluttbrukeren må registrere sine nylig anskaffede verktøy online innen 30 dager etter kjøpsdato. Sluttbrukeren kan registrere seg for den utvidede garantien i sitt land hvis det er opplistet på online registreringsskjemaet der dette alternativet er gyldig. Videre må sluttbrukere gi sitt samtykke til oppbevaring av dataene som kreves for å gå online, og de må godta vilkår og betingelser. Registreringsbekreftelsen, som sendes ut på e-post, og den originale fakturaen som viser kjøpsdato, vil tjene som bevis for den utvidede garantien.
 - enhver skade på produktet som er resultat av utlitrsekkelig vedlikehold
 - ethvert produkt som har blitt endret eller modifisert
 - ethvert produkt der de originale identifiseringsmerkene (varemerke, serienummer) har blitt uleselig, er endret eller fjernet
 - enhver skade som forårsakes av ikke-overholdelse av instruksjonshåndboken
 - ethvert ikke-CE-produkt
 - ethvert produkt som har blitt forsøkt reparert eller av en ikke-kvalifisert fagperson eller uten tidligere autorisasjon fra Techtronic Industries.
 - ethvert produkt tilkoblet feil strømforsyning (ampere, spenning, frekvens)
 - enhver skade som er forårsaket av eksterne påvirkninger (kjemiske, fysiske, støt) eller fremmede stoffer
 - normal slitasje og slitereservedeler
 - feil bruk, overbelastning av verktøyet
 - bruk av ikke-godkjent tilbehør eller deler
 - Elektrisk verktøytlibehør levert med verktøyet eller kjøpt separat. Slike ekskluderinger, inkludert, men ikke begrenset til skrutrekkerbits, drillbits, slipedisker, sandpapir og blader, lateral føring
 - Komponenter (deler og tilbehør) som er utsatt for naturlig slitasje, inkludert, men ikke begrenset til service- og vedlikeholdssett, karbonborster, lagre, chuck, SDS-borrbifeste eller -mottak, strømledning, hjelpehåndtak, transportbæreske, sandingsplate, støvpose, støvutslippsrør, filtpakninger, støtnøkkelplinner og fjær, osv.
3. Garantien dekker alle defekter i produktet under garantiperioden på grunn av defekter i utførelse eller materiale på kjøpsdato. Garantien er begrenset til å reparere og/eller erstatte og inkluderer ikke noen andre forpliktelser, inkludert, men ikke begrenset til, tilfældige eller følgesmessige skader. Garantien er ikke gyldig hvis produktet har blitt misbrukt, brukt på annen måte enn det som beskrives i bruksanvisningen eller er koblet til på feil måte. Denne garantien gjelder ikke for:
 - enhver skade på produktet som er resultat av utlitrsekkelig vedlikehold
 - ethvert produkt som har blitt endret eller modifisert
 - ethvert produkt der de originale identifiseringsmerkene (varemerke, serienummer) har blitt uleselig, er endret eller fjernet
 - enhver skade som forårsakes av ikke-overholdelse av instruksjonshåndboken
 - ethvert ikke-CE-produkt
 - ethvert produkt som har blitt forsøkt reparert eller av en ikke-kvalifisert fagperson eller uten tidligere autorisasjon fra Techtronic Industries.
 - ethvert produkt tilkoblet feil strømforsyning (ampere, spenning, frekvens)
 - enhver skade som er forårsaket av eksterne påvirkninger (kjemiske, fysiske, støt) eller fremmede stoffer
 - normal slitasje og slitereservedeler
 - feil bruk, overbelastning av verktøyet
 - bruk av ikke-godkjent tilbehør eller deler
 - Elektrisk verktøytlibehør levert med verktøyet eller kjøpt separat. Slike ekskluderinger, inkludert, men ikke begrenset til skrutrekkerbits, drillbits, slipedisker, sandpapir og blader, lateral føring
 - Komponenter (deler og tilbehør) som er utsatt for naturlig slitasje, inkludert, men ikke begrenset til service- og vedlikeholdssett, karbonborster, lagre, chuck, SDS-borrbifeste eller -mottak, strømledning, hjelpehåndtak, transportbæreske, sandingsplate, støvpose, støvutslippsrør, filtpakninger, støtnøkkelplinner og fjær, osv.
4. For service må produktet sendes eller fremlegges for en RYOBI-autorisert servicestasjon opplistet for hvert land i den følgende listen over servicestasjonsadresser. I noen land sender den lokale RYOBI-forhandleren produktet til RYOBI serviceorganisasjonen. Ved å sende et produkt til en RYOBI servicestasjon skal produktet være sikkert pakket uten noe farlig innhold, slik som bensin, merket med senderens adresse og fulgt av en kort beskrivelse av feilen.
5. En reparasjon/erstatning under denne garantien er gratis. Den utgjør ingen forlengelse eller en ny start av garantiperioden. Utvekslede deler eller verktøy blir vår eiendom. I noen land vil leveringskostnader eller frankering måtte betales av senderen. Dine lovbestemte rettigheter som oppstår fra kjøp av verktøyet forblir uberørt.
6. Denne garantien er gyldig i EU, Sveits, Island, Norge, Liechtenstein, Tyrkia og Russland. Utenfor disse områdene ta kontakt med din autoriserte RYOBI-forhandler om en annen garanti gjelder.

AUTORISERT SERVICESENTER

For å finne et autorisert servicesenter i nærheten, gå til <http://no.ryobitools.eu/header/service-and-support/service-agents>.

RU УСЛОВИЯ ПРИМЕНЕНИЯ ГАРАНТИИ НА ПРОДУКЦИЮ RYOBI®

Помимо законных прав, возникающих при покупке, данное изделие покрывается гарантией в соответствии с приведенными ниже пунктами.

1. Гарантийный период для покупателя составляет 24 месяца с даты покупки изделия. Дата покупки должна быть подтверждена полностью заполненным гарантийным талоном и чеком о покупке. Данное изделие предназначено только для частного использования покупателем. Поэтому гарантия не распространяется на использование в профессиональных или коммерческих целях.
2. Предусмотрена возможность продления для части изделий линейки электроинструментов (AC/DC) гарантийного периода с помощью регистрации на сайте www.ryobitools.eu. Право инструмента на продление гарантийного периода четко указано в магазинах и / или на упаковке / и содержится в сопутствующей инструменту документации. Конечный пользователь должен зарегистрировать свой приобретенный инструмент в течение 30 дней с даты покупки. Конечный пользователь может зарегистрировать свой инструмент на продление гарантии в стране своего проживания, если она указана в форме онлайн-регистрации. Кроме того, конечный пользователь должен дать свое согласие на хранение данных, которые необходимо ввести в онлайн-форму и принять правила и условия. Подтверждение регистрации, которое вы получите по электронной почте, заполненный гарантийный талон и оригинальный чек, в котором указана дата покупки, будут служить доказательством продленной гарантии.
3. Гарантия покрывает в течение гарантийного периода все дефекты качества или материала изделия на дату покупки. Гарантия ограничена ремонтом и / или заменой и не включает никакие другие обязательства, включая, но не ограничиваясь случайными или косвенными убытками. Гарантия становится недействительной, если изделие использовалось не по назначению, вопреки инструкциям, данным в Руководстве пользователя или было неправильно подключено. Настоящая гарантия не распространяется на:
 - любые повреждения изделия в результате неправильного технического обслуживания или недостаточного ухода за инструментом
 - любые изделия, подвергшиеся изменениям и модификации
 - любые изделия, оригинальные идентификационные отметки которого (торговая марка, серийный номер) были повреждены, изменены или удалены
 - любые повреждения, вызванные несоблюдением инструкций Руководства пользователя
 - любые изделия, не сертифицированные маркировкой "CE" для продажи в Европейском союзе
 - любые изделия, подвергшиеся попыткам ремонта неквалифицированным работником или без предварительного утверждения компанией Techtronic Industries.
 - любые изделия, подключенные к неправильному источнику питания (сила тока, напряжение, частота)
 - любые повреждения, вызванные внешними воздействиями (химические, физические, удары) или посторонними веществами
 - естественный износ запасных деталей
 - несоответствующее использование, перегрузка инструмента
 - использование неутвержденных аксессуаров и неофициальных запасных деталей
 - аксессуары электроинструментов, поставляемые с инструментом или приобретаемые отдельно. К этому списку относятся, но не исчерпывают его: сверла шуруповертов, дрелей, абразивные диски, наждачную бумагу, лезвия и боковые направляющие компоненты (детали и аксессуары), подверженные естественному износу и разрыву, включая, но не ограничиваясь наборы для технического обслуживания, угольные щетки, подшипники, патроны, переходники SDS, кабели питания, дополнительные ручки, футляры для транспортировки, шифовальные подошвы, пылесборники, трубки для отвода пыли, войлочные шайбы, штыри и пружины ударных ключей и др.
4. Для проведения технического обслуживания изделие следует направлять в авторизованные сервисные центры RYOBI, указанные для каждой страны в приведенном ниже списке адресов станций сервисного обслуживания. В некоторых странах местные дилеры RYOBI отправляют изделия в сервисные организации RYOBI. При отправке изделия в сервисный центр RYOBI, изделие должно быть безопасно упаковано и не содержать никаких опасных веществ, таких как бензин, должен быть подписан адрес отправителя и сопровождаться кратким описанием неисправности.
5. Ремонт / замена проводится в рамках настоящей гарантии бесплатно. Он не продлевает гарантию и не начинает новый гарантийный период. Замененные детали и инструменты становятся нашей собственностью. В некоторых странах отправитель должен оплачивать стоимость отправки. Ваши законные права, возникающие при покупке инструмента, остаются неизменными.
6. Данная гарантия действительна в Европейском Союестве, Швейцарии, Исландии, Норвегии, Лихтенштейне, Турции и России. Вне указанных территорий обращайтесь к своему авторизованному дилеру RYOBI, чтобы узнать, применяются ли условия каких-либо других гарантий.

УПОЛНОМОЧЕННЫЙ СЕРВИСНЫЙ ЦЕНТР

Чтобы найти ближайший уполномоченный сервисный центр, обратитесь к веб-сайту <http://ru.ryobitools.eu/header/service-and-support/service-agents>.

PL WARUNKI GWARANCJI RYOBI®

Oprócz praw ustawowych wynikających z zakupu produkt jest objęty gwarancją, której warunki podano poniżej.

1. Okres gwarancyjny wynosi 24 miesiące dla konsumentów i rozpoczyna się w dniu zakupu produktu. Datę zakupu należy udokumentować fakturą lub innym dowodem zakupu. Produkt został zaprojektowany i jest przeznaczony do użytku konsumenckiego i prywatnego. W związku z tym gwarancja nie obejmuje zastosowań profesjonalnych i komercyjnych.
2. Istnieje możliwość wydłużenia okresu gwarancyjnego dla części asortymentu narzędzi ręcznych z napędem mechanicznym (AC/DC) poprzez zarejestrowanie produktu na stronie internetowej www.ryobitools.eu. Kwalifikowalność narzędzi do wydłużenia okresu gwarancyjnego jest wyraźnie określona w sklepach i/lub na opakowaniu oraz w dokumentacji produktu. Użytkownik końcowy musi zarejestrować nowo kupione narzędzia online w ciągu 30 dni od daty zakupu. Użytkownik końcowy może zarejestrować się w celu przedłużenia gwarancji w swoim kraju zamieszkania, jeżeli jest on wymieniony w formularzu rejestracji online, gdzie opcja ta obowiązuje. Ponadto użytkownicy końcowi muszą wyrazić zgodę na przechowywanie danych, wprowadzanych na stronie internetowej i zaakceptować regulamin. Dowodem wydłużenia gwarancji jest wysłane pocztą elektroniczną potwierdzenie rejestracji i oryginalny faktury potwierdzającej datę zakupu.
3. Gwarancja obejmuje wszystkie wady produktu ujawnione w okresie gwarancyjnym wynikające usterek wykonania lub materiału obecnego w dniu zakupu. Gwarancja jest ograniczona do naprawy i/lub wymiany i nie obejmuje żadnych innych zobowiązań, w tym między innymi odpowiedzialności za szkodę przypadkową lub wtórne. Gwarancja nie obowiązuje, jeżeli produkt był nieprawidłowo używany, używany niezgodnie z instrukcją lub nie był prawidłowo podłączony. Gwarancja nie obejmuje:
 - uszkodzenia produktu wynikającego z nieprawidłowej konserwacji,
 - produktu, który został zmieniony lub zmodyfikowany,
 - produktu, którego oryginalne oznaczenie (znak towarowy, numer seryjny) zostało zniszczone, zmienione lub usunięte,
 - jakiegokolwiek uszkodzeń wynikających z nieprzestrzegania instrukcji,
 - jakiegokolwiek produktu bez certyfikatu CE,
 - jakiegokolwiek produktu, który próbowano naprawiać z pomocą niewykwalifikowanej osoby lub bez uzyskania wcześniejszej zgody firmy Techtronic Industries.
 - jakiegokolwiek produktu podłączonego nie prawidłowego źródła zasilania (nieprawidłowe napięcie prądu, napięcie, częstotliwość),
 - jakiegokolwiek uszkodzeń spowodowanych wpływem czynników zewnętrznych (chemicznych, fizycznych, drgań) lub substancji obcych,
 - normalnego zużycia części zamiennych,
 - nieprawidłowego użycia, przeciążenia narzędzia,
 - stosowania niezatwierdzonych akcesoriów lub części,
 - akcesoriów narzędzi ręcznych z napędem mechanicznym dostarczonych z narzędziem lub kupionych oddzielnie. Takie wykluczenia obejmują, między innymi, wymienne ostrza wkrętaka, wiertła, tarcze cierne, papier ścierny i ostrza, prowadnicę boczną.
 - elementów (części i akcesoriów) podlegających naturalnemu zużyciu obejmujących, między innymi, zestawy do konserwacji i serwisu, szczotki węglowe, łożyska, uchwyty, przystawkę wiertła SDS, gniazdo, przewód zasilania, uchwyty pomocnicze, skrzynię transportową, płytę szlifierską, worek pyłowy, rurę odprowadzania pyłu, podkładki filcowe, kolki i sprężyny klucza udarowego itp.
4. W celu serwisowania produkt należy wysłać lub okazać w autoryzowanym punkcie serwisowym RYOBI znajdującym się na przedstawionym poniżej wykazie punktów serwisowych w poszczególnych krajach. W niektórych krajach lokalny dystrybutor produktów RYOBI podejmuje się wysyłki produktu do centrum serwisowego RYOBI. W przypadku wysyłki do punktu serwisowego RYOBI produkt — pozbawiony jakiegokolwiek niebezpiecznych substancji, na przykład benzyny — należy bezpiecznie zapakować i dołączyć adres nadawcy oraz krótki opis usterek.
5. Naprawa/wymiana w ramach niniejszej gwarancji jest bezpłatna. Nie stanowi jednak o przedłużeniu lub rozpoczęciu od nowa biegu okresu gwarancyjnego. Wymienione części lub narzędzia stają się naszą własnością. W przypadku niektórych krajów nadawca będzie musiał uregulować koszty dostawy lub opłaty pocztowe. Prawa ustawowe wynikające z zakupu narzędzia pozostają niezmienione.
6. Niniejsza gwarancja obowiązuje w Unii Europejskiej, Szwajcarii, Islandii, Norwegii, Liechtensteinie, Turcji i Rosji. Poza tymi obszarami należy skontaktować się z autoryzowanym dostawcą produktów RYOBI i ustalić, czy obowiązuje inna gwarancja.

AUTORYZOWANY PUNKT SERWISOWY

Najbliższy autoryzowany punkt serwisowy można wyszukać w witrynie internetowej <http://pl.ryobitools.eu/header/service-and-support/service-agents>.

CS ZÁRUČNÍ PODMÍNKY RYOBI®

Kromě zákonných práv vyplývajících z koupě výrobku se na tento výrobek vztahuje také níže uvedené záruka.

1. Záruční doba pro spotřebitele je 24 měsíců a začíná datem nákupu výrobku. Datum musí být zaznamenáno na fakturě nebo jiném dokladu o koupi. Tento výrobek je navržen a určen pouze pro soukromé účely spotřebitelů. Záruka se tedy nevztahuje na profesionální nebo komerční využití výrobku.
2. U některých elektrických nástrojů (AC/DC) je možné záruční dobu prodloužit. K tomu je nutná registrace na stránkách www.ryobitools.eu. Možnost prodloužení záruční doby výrobků je jasně uvedena v prodejních, popř. na obalech nebo v dokumentech o výrobku. Koncový uživatel musí svůj nový nástroj zaregistrovat online do 30 dnů od data nákupu. Koncový uživatel se může k prodloužené záruční době zaregistrovat v zemi trvalého pobytu, pokud je tato uvedena na internetovém registračním formuláři u výrobku, kde je tato možnost dostupná. Koncový uživatel musí dále souhlasit s uložením osobních údajů, která musí zadat na internetu, a přijmout obchodní podmínky. E-mail s původní registrací a původní faktura s datem koupě poslouží jako důkaz o prodloužené záruce.
3. Záruka se vztahuje na veškeré vady na výrobku v rámci záruční doby způsobené výrobními vadami nebo vadami materiálu v době koupě. Záruka je omezena na opravu, popřípadě výměnu a nezahrnuje žádná další povinnosti, včetně mimo jiné vedlejších či následných odškodnění. Záruka neplatí při použití výrobku k nevhodným účelům, v rozporu s uživatelskou příručkou nebo při nesprávném zapojení. Záruka se nevztahuje na:
 - veškeré škody na výrobku způsobené nesprávnou údržbou
 - veškeré produkty, které byly pozměněny nebo upraveny
 - veškeré produkty, kde byly původní identifikační prvky (obchodní značka, sériové číslo) poničeny, pozměněny nebo odstraněny
 - veškeré škody způsobené nedodržením pokynů uživatelské příručky
 - veškeré produkty bez CE certifikace
 - veškeré produkty, které se pokusil opravit nekvalifikovaný odborník nebo opravy bez předchozího svolení společnosti Techtronic Industries.
 - veškeré produkty zapojené do nesprávného elektrického zdroje (proud, napětí, frekvence)
 - veškeré škody způsobené externími vlivy (chemickými, fyzickými, nárazy) nebo cizími látkami
 - běžné opotřebování dílů
 - nevhodné použití, přetěžování nástroje
 - použití neschválených příslušenství nebo dílů
 - příslušenství k elektrickému nástroji poskytnuté s nástrojem nebo zakoupené samostatně. Tyto výjimky se vztahují mimo jiné na šroubovací bity, vrtáky, brusné disky, brusný papír a čepele, postranní vodičí lišty
 - komponenty (díly a příslušenství) podléhající přirozenému opotřebování, včetně mimo jiné servisních sad, karbonových kartáčů, ložisek, sklíčidla, SDS nástavce na vrtací bity, napájecího kabelu, pomocné nukojele, přepravního pouzdra, brusné desky, prachového vaku, výfukové prachové trubice, plstěných podložek, západek a pružin rázového utahovačku atd.
4. K provedení servisu musí být výrobek zaslán nebo předán do autorizovaného servisního centra společnosti RYOBI, jejichž adresy jsou uvedeny podle země v seznamu servisních center. V některých zemích z vás výrobek pošle servisní organizaci RYOBI sám prodejce výrobků této značky. Při zasílání výrobku do servisního centra RYOBI je potřeba výrobek bezpečně zabalit bez nebezpečného obsahu jako benzín, opatřit adresou odesílatele a přiložit krátký popis závady.
5. Oprava, popř. výměna v rámci této záruky je zdarma. Neznamená to prodloužení nebo začátek nové záruční lhůty. Vyměněné díly nebo nástroje přejdou do našeho vlastnictví. V některých zemích platí poštovné odesílatele. Vaše zákonná práva vyplývající z koupě tohoto nástroje utvářejí nedotčená.
6. Tato záruka platí v Evropském Společenství, Švýcarsku, Norsku, Lichtenštejnsku, Turecku, Rusku a na Islandu. Mimo tuto území kontaktujte autorizovaného prodejce značky RYOBI, který zjistí, zda se na výrobek vztahuje jiná záruka.

POVĚŘENÉ SERVISNÍ STŘEDISKO

Pro nalezení nejbližšího pověřeného servisního střediska navštivte <http://cz.ryobitools.eu/header/service-and-support/service-agents>.

HU A RYOBI® GARANCIA ALKALMAZÁSÁNAK FELTÉTELEI

A vásárlásból adódó törvényben rögzített jogok mellett a termékre az alábbi garancia vonatkozik.

1. A fogyasztói garancia tartama 24 hónap, mely a termék vásárlásának napjával kezdődik. Ezt a dátumot számlával vagy a vásárlást igazoló egyéb dokumentummal kell bizonyítani. A termék rendeltetése csak fogyasztói és magán célú használat. Ezért professzionális vagy kereskedelmi használat esetén a garancia nem érvényes.
2. A szerszámgépek (egyenáramú/váltóáramú) egy részénél a garancia időtartama a www.ryobitools.eu weblapon regisztrálva meghosszabbítható. Az áruházakban, a csomagolásban, illetve a termék dokumentációjában egyértelműen jelezzük, hogy az adott termék garanciája meghosszabbítható-e. A végfelhasználónak a vásárlás dátumától számított 30 napon belül regisztrálnia kell az újonnan vásárolt szerszámot. A végfelhasználó akkor regisztrálhatja a kiterjesztett garanciára, ha az ország, ahol lakik, fel van sorolva az online regisztrációs úrlapon azon országok között, ahol választható ez az opció. Ezenkívül a végfelhasználónak bele kell egyeznie az online regisztrálás során szükséges adatok tárolásába, és el kell fogadnia a felhasználási feltételeket. A kiterjesztett garanciát a regisztráció beérkezésétől e-mailben küldött visszaigazolás és a vásárlás dátumát tartalmazó eredeti számla igazolja.
3. A garancia a termék vásárlásakor fennálló, a gyártás során keletkezett hibákra és anyaghibákra érvényes a garanciális időtartamon belül. A garancia csak a javításra/cserére korlátozódik, és nem terjed ki semmilyen egyéb kötelezettségre, nem kizárólagosan ideértve a véletlen vagy szándékos rongálást. A garancia nem érvényes, ha a terméket nem megfelelően, a használati utasításban foglaltakkal ellentétben, illetve nem megfelelően csatlakoztatva használták. A garancia nem vonatkozik:
 - a terméket a nem megfelelő karbantartás következtében ért károsodásra
 - megváltoztatott vagy átalakított termékre
 - olyan termékre, melyben az eredeti azonosítókat (védjegy, sorozatszám) megromlították, megváltoztatták vagy eltávolították
 - a használati utasítás be nem tartásából eredő kárra
 - CE jelöléssel nem rendelkező termékekre
 - olyan termékre, melyet nem képzett, illetve a Techtronc Industries által nem fejlesztett szerelvény javított
 - nem megfelelő (áramerősség, feszültségű, frekvenciájú) áramforrásra csatlakoztatott termékre
 - külső (vegyszeri, fizikai, ütés) hatásokból vagy idegen anyagokból eredő károkkra
 - a cserélhető alkatrészek természetes kopására és elhasználódására
 - a szerszám helytelen használatára, túlterhelésére
 - nem jóváhagyott tartozékok és alkatrészek használatára
 - A számmal adott vagy külön megvásárolt tartozékokra. Ilyenek például (de nem kizárólag) a csavarhűzőfejek, fűrészek, csiszolókorongok, csiszolópapír, kések, oldallirányú terelők.
 - A természetes kopásnak, elhasználódásnak kitett alkatrészek és kiegészítők, például (de nem kizárólag) szerviz- és karbantartóeszközök, szénkefék, csapagyak, tokmány, SDS fűrészar csatlakozója, tápkábel, segédfogantyú, szállítók, csiszolólap, porzsák, porlevezető cső, filcaltátek, ütőműves csavarbehajtó gép csapszege és rugója stb.
4. A terméket javításra el kell vinni egy meghatalmazott RYOBI szervizbe; ezeket az egyes országokhoz a következő listában találja. Egyes országokban a helyi RYOBI kereskedő vállalja a termék elszállítását a RYOBI szervizbe. A terméket veszélyes tartalom, például benzín nélkül csomagolja, a feladó címét feltüntetve, a hiba rövid leírásával együtt küldje el a RYOBI szervizbe.
5. A jelen garancia hatálya alatt végzett javítás, illetve csere ingyenes. Nem jelenti a garanciális időtartam újraindulását. A kicserélt alkatrészek és szerszámok a mi tulajdonunkba kerülnek. Egyes országokban a szállítás vagy postázás költségét a feladó viseli. A vevőnek a szerszám megvásárlásából adódó törvényes jogai nem változnak.
6. Jelen garancia az Európai Közösségben, Svájcban, Izlandon, Norvégiában, Liechtensteinben, Törökországban és Oroszországban érvényes. E területeken kívül kérdezze meg a RYOBI forgalmazót, hogy milyen garancia van érvényben.

HIVATALOS SZERVIZKÖZPONT

A legközelebbi hivatalos szervizközpont megtalálásához látogasson el a <http://hu.ryobitools.eu/header/service-and-support/service-agents>.

RO CONDIȚII DE APLICARE A GARANȚIEI PENTRU PRODUSELE RYOBI®

În plus față de condițiile statutare rezultate din achiziționarea acestui produs, acesta este acoperit de garanția stipulată mai jos.

1. Perioada de garanție este de 24 de luni pentru consumatori și începe de la data achiziționării produsului. Data de începere a garanției trebuie demonstrată cu o factură sau altă dovadă a cumpărării produsului. Produsul este destinat și conceput doar pentru utilizare în scopuri personale. Din acest motiv, nu se oferă garanție pentru utilizarea sa în scop profesional sau comercial.
2. Există posibilitatea de a extinde a perioadei de garanție pentru gama de unelte electrice (de CA/CC) peste perioada stipulată mai sus prin înscrierea produsului pe [website-ul www.ryobitools.eu](http://www.ryobitools.eu). Eligibilitatea pentru perioada de extindere a garanției este afișată în mod clar în magazinele de vânzare și/sau pe ambalaj sau este inclusă în documentația livrată împreună cu produsul. Utilizatorul final este obligat să-și înregistreze produsul online în termen de maxim 30 de zile de la data achiziției acestuia. Utilizatorul final poate înregistra produsul pentru garanția extinsă oferită în țara sa de rezidență dacă aceasta este listată în formularul de înregistrare online și dacă această opțiune este validă. În plus, utilizatorul final trebuie să-și dea acordul pentru stocarea datelor personale solicitate la înregistrare online și trebuie să accepte termenii și condițiile. Mesajul de confirmare a înregistrării, trimis prin e-mail și factura originală cu data achiziției vor dovedi perioada de garanție extinsă.
3. Garanția acoperă toate defecțiunile produsului survenite în perioada de garanție datorate defectelor de execuție sau materialelor folosite, începând cu data achiziției acestuia. Garanția este limitată la reparare și/sau înlocuire și nu include alte obligații, inclusiv, dar fără a se limita la daune accidentale sau rezultate pe cale de consecință. Garanția își pierde valabilitatea dacă produsul este utilizat necorespunzător, utilizat neconform cu instrucțiunile de utilizare din manualul cu instrucțiuni sau conectat incorect. Garanția nu se aplică în cazul:
 - oricărei defecțiuni survenite în urma întreținerii necorespunzătoare a produsului
 - oricărui produs alterat sau modificat
 - oricărui produs la care inscripțiile cu datele de identificare (marca comercială, numărul de serie) au fost șterse, modificate sau îndepărtate
 - oricărei defecțiuni datorate neconformării cu instrucțiunile din manualul de utilizare
 - oricărui produs necertificat CE
 - oricărui produs asupra căruia au fost efectuate tentative de reparare de către personal necertificat sau fără autorizație prealabilă din partea Techtronc Industries.
 - oricărui produs conectat la o sursă de alimentare necorespunzătoare (curent, tensiune, frecvență)
 - oricărui defecțiuni datorate unor influențe externe (chimice, fizice, socuri) sau substanțe străine
 - uzurii și fisurării normale a pieselor de rezervă
 - utilizării neadecvate, suprasolicitării uneltei
 - utilizării de piese și accesorii neaprobate
 - accesorilor pentru unelți furnizate odată cu acestea sau achiziționate separat. Acestea excluzi se aplică, dar fără a se limita la următoarele: burghie, biți de șrubelniță, discuri abrazive, hârte abrazivă și lame de tăiere, ghidaje laterale
 - Componentele (piese și accesorii) supuse uzurii normale, care includ, fără a se limita la, kituri de întreținere și service, perii de carbon, rulmenți, mandrină, adaptor pentru burghie SDS, cordon de alimentare, mâner auxiliare, cutie de transport, placă pentru șlefuit, suport praf, tub pentru evacuarea prafului, discuri de păsă, adaptoare și resorturi pentru cheile de strângere prin vibrație, etc.
4. Pentru efectuarea reparațiilor, produsul trebuie trimis sau adus la un centru de reparații autorizat RYOBI din lista următoare de centre de reparații prezentate pentru fiecare țară. În anumite țări, reprezentantul local RYOBI va trimite produsul spre reparare la sediul central de reparații RYOBI. Atunci când trimiteți produsul spre reparare la un centru de reparații RYOBI, acesta trebuie ambalat în siguranță, fără conținut periculos (cum ar fi benzina), marcat cu adresa expeditorului și însoțit de o scurtă descriere a defectului.
5. Repararea/inlocuirea în perioada de garanție este gratuită. Aceasta nu este însoțită de o prelungire sau o reinițiere a perioadei de garanție. Piesele sau uneltele schimbate devin proprietatea dvs. În anumite țări, taxele de expediție sau poștale vor fi suportate de expeditor. Drepturile dvs. statutare rezultate din achiziția produsului rămân neschimbate
6. Această garanție este valabilă în Comunitatea Europeană, Elveția, Islanda, Norvegia, Liechtenstein, Turcia și Rusia. În afara acestor zone, vă rugăm să contactați reprezentantul dvs. local RYOBI pentru a determina dacă se aplică alt tip de garanție.

CENTRU DE SERVICE AUTORIZAT

Pentru a găsi un centru de service autorizat lângă dvs., vizitați <http://en.ryobitools.eu/header/service-and-support/service-agents>.

LV RYOBI® GARANTIJAS PIEMĒROŠANAS NOSACĪJUMI

Papildus jebkādam likumiskajām tiesībām, kuras rodas, veicot pirkumu, izstrādājums tiek nodrošināts ar tālāk tekstā noteikto garantiju.

1. Garantijas periods patērētājiem ir 24 mēneši, tā atskaitē tiek sākta no datuma, kurā veikta izstrādājuma iegāde. Šim datumam jābūt dokumentētam rēķinā vai citā pirkumu apliecināšā dokumentā. Izstrādājums ir radīts un paredzēts tikai patērētāja privātai lietošanai. Saistībā ar iepriekšminēto, garantija netiek nodrošināta profesionālas vai komerciālas lietošanas gadījumā.
2. Pastāv iespēja pagarināt daļas no elektroinstrumentu klāsta (Maignstrāvas/akumulatoru) garantiju ilgāk par iepriekš minēto periodu, izmantojot reģistrāciju interneta vietnē www.ryobitools.eu. Instrumenti, kas pakļauti garantijas perioda pagarināšanai, tiek skaidri apzīmēti veikalos un/vai uz iepakojuma un izstrādājumu komplektējošajā dokumentācijā. Gala lietotājam nepieciešams reģistrēt tālruni jauno instrumentu 30 dienu laikā no pirkuma datuma. Gala lietotājs var reģistrēties pagarinātajai garantijai savā mītnes valstī, ja tā minēta tiesaisties reģistrācijas veidlapā, kurā šī iespēja ir aktīva. Bez tam, gala lietotājam ir jāsniedz pierādīšana tiesaisties ievadīšanai nepieciešamo datu glabāšanai un jāpiekrīt noteikumiem un nosacījumiem. Reģistrācijas apstiprinājums, kas tiek nosūtīts, izmantojot e-pastu, un rēķina oriģināls, kurā norādīts iegādes datums, kalpo kā pagarinātās garantijas apstiprinājums.
3. Garantija attiecas uz visiem izstrādājumu defektiem garantijas periodā, kas saistīti ar ražošanas vai materiālu defektiem no pirkuma datuma. Šī garantija tiek ierobežota ar remontu un/vai nomaiņu un neietver jebkādas citas saistības, tajā skaitā, bet ne tikai, cēloņsakarīgos vai saistītos bojājumus. Garantija nav spēkā, ja izstrādājums ir nepareizi lietots, izmantots pretēji norādēm lietošanas rokasgrāmatā vai bijis nepareizi pieslēgts. Šī garantija netiek attiecināta uz:
 - jebkādiem izstrādājuma bojājumiem, kas radušies nepareizas uzturēšanas rezultātā
 - jebkuru izstrādājumu, kas ticis pārveidots vai mainīts
 - jebkuru izstrādājumu, kura oriģinālās identifikācijas (preču zīme, sērijas numurs) marķējums ir ticis nodzēsts, mainīts vai noņemts
 - jebkādiem bojājumiem, kuri radušies neievērojot norādes lietošanas rokasgrāmatā
 - jebkādam izstrādājumam bez CE sertifikācijas
 - jebkuru izstrādājumam, kura remontu mēģinājis veikt nekvalificēts personāls vai bez Technronic Industries iepriekšējas autorizācijas.
 - jebkuru izstrādājumam, kurš bijis pieslēgts neatbilstošu parametru (strāvas, sprieguma, frekvences) sprieguma avotam
 - jebkuriem bojājumiem, kuri radušies ārējas iedarbības (ķīmiskas, fiziskas, triecieni) vai vielu ietekmē
 - detaļu normāla lietošanas nodiluma rezultātā
 - nepareizas lietošanas vai instrumentu pārslodzes rezultātā
 - neapstiprinātu detaļu vai aprīkojuma lietošanas rezultātā
 - elektroinstrumentu aksesuāriem, kas atrodas instrumenta komplektācijā vai ir iegādāti atsevišķi. Šis izņēmums attiecināms uz, bet neaprobežojoties ar, skrūvgrīžu uzgaļiem, urbjiem, abrazīvajiem diskkiem, smilšpapīru un asmeņiem, sānu vadotnēm
 - komponentiem (daļām un aksesuāriem), kas pakļauti normālam nodilumam, ieskaitot, bet neaprobežojoties ar Servisa un apkopju komplekti, oglekļa sukuks, gultņi, patrona, SDS urbju uztverējiem vai uzliks, elektrības vads, papildus rukturis, transportēšanas un pārmēsāšanas kaste, sīļpmašīnas plāksne, putekļu maisis, putekļu izvadīšanas caurule, paplākšņi, triecienatslēgu tapas un atsperes, u.t.t.
4. Servisa nodrošināšanai, izstrādājums ir jānodod pilnvarotā RYOBI servisa centrā, kas norādīts katrai valstij tālāk minētajā servisa centru adresē sarakstā. Dažās valstīs jūs vietējais RYOBI izplatītājs uzņemas izstrādājuma nosūtīšanu uz RYOBI servisa organizāciju. Nosūtot izstrādājumu uz RYOBI servisa centru, izstrādājuma jābūt droši iepakotam, tas nedrīkst saturēt bīstamas vielas kā degvielu, sūtlījumam jābūt marķētam ar sūtītāja adresi un īsu kļūmes aprakstu.
5. Remonts/nomaiņa šīs garantijas ietvaros ir bezmaksas. Tas nerada garantijas perioda pagarināšanu vai jaunu garantiju. Nomaiņās daļas vai instrumentu kļūst par mūsu īpašumu. Dažās valstīs piegādes vai pasta izmaksas būs jāapmaksā sūtlījam. Jūsu likumiskās tiesības, kas nodibinās, iegādājoties instrumentu, paliek nemainīgas
6. Šī garantija ir spēkā Eiropas Kopienā, Šveicē, Islandē, Norvēģijā, Līhtenšteinā, Turcijā un Krievijā. Ārpus šīm teritorijām, lūdzu, sazinieties ar jūsu pilnvaroto RYOBI izplatītāju, lai noteiktu, vai ir piemērojama cita garantija.

AUTORIZĒTS APKALPOŠANAS CENTRS

Lai atrastu tuvāko autorizēto apkalpošanas centru, apmeklējiet <http://en.ryobitools.eu/header/service-and-support/service-agents>.

LT „RYOBI®“ GARANTIJOS TAIKYMO SĄLYGOS

Papildant bet kokias įstatybose numatytas perkanat atsirandancias teises, šiam įrenginiui taikoma toliau nurodyta garantija.

1. Vartotojams suteikiama 24 mėnesių trukmės garantija nuo įrenginio įsigijimo datos. Ši data turi būti nurodyta sąskaitoje faktūroje ar kitame pirkimą įrodančiame dokumente. Šis įrenginys skirtas tik vartotojų rinkai ir asmeniniam naudojimui. Todėl garantija netaikoma, jei įrenginys naudojamas profesiniems ar komerciniems reikmėms.
2. Įsigijus tam tikrus elektrinius įrenginius (AC/DC), suteikiama galimybė pratęsti garantiją, kad ji galiojūt ilgiau, nei nurodyta pirmiau, naudojantis registracija interneto svetainėje www.ryobitools.eu. Ar galima pratęsti įrenginio garantinį laikotarpį, aiškiai nurodoma parduotuvėse ir (arba) ant įrenginio pakuočės, ir (arba) įrenginio dokumentuose. Galutinis naudotojas turi užregistruoti savo naujai įsigytą įrenginį per 30 dienų nuo įsigijimo datos. Galutinis naudotojas gali registruotis išplėstinei garantijai savo gyvenamojoje šalyje, jei ji nurodyta internetinėje registracijos formoje, kurioje siūloma tokia galimybė. Be to, galutiniai naudotojai turi sutikti su duomenų, kuriuos reikia įvesti internetu, saugojimu ir sveatinės naudojimo sąlygomis. Kaip išplėstinės garantijos įrodymas naudojamas registracijos patvirtinimo kvitas, atsiunčiamas el. paštu, ir originali sąskaita faktūra, kurioje nurodyta įsigijimo data.
3. Ši garantija apima visus garantiniu laikotarpiu aptiktus įrenginio trūkumus, atsiradusius dėl gamybos arba medžiaginių defektų nuo įsigijimo datos. Ši garantija nįbjoama remonto ir (arba) pakeitimu, jei neapima jokių kitų įsipareigojimų, įskaitant (bet tuo neapsiribojant) šaltininius arba antrinius nuostolius. Garantija anuliuojama, jei įrenginys buvo naudojamas netinkamai, naudojamas ne pagal naudojimo instrukciją arba netinkamai prijungtas. Ši garantija netaikoma:
 - jokiai įrenginiui padarytai žalai, kurią lėmė netinkama techninė priežiūra;
 - jokiam įrenginiui, kuris buvo keičiamas ar modifikuojamas;
 - jokiam įrenginiui, kurio originalūs identifikavimo ženklai (prekės ženklas, serijos numeris) buvo sugadinti, pakeisti arba pašalinti;
 - jokiai žalai, kurią lėmė naudojimo instrukcijos nesilaikymas;
 - jokiams CE ženklų nepažymėtiems įrenginiams;
 - jokiam įrenginiui, kurį bandė remontuoti nekvalifikuoti asmenys arba kuris buvo remontojamas be „Technronic Industries“ leidimo;
 - jokiam įrenginiui, kuris buvo prijungtas prie netinkamo maitinimo tinklo (netinkamos srovės, įtampos, dažnio);
 - jokiai žalai, kurią lėmė išorinis poveikis (cheminis, fizinis, smūgiai) arba pašalinės medžiagos;
 - dėvimosioms dalims;
 - netinkamam naudojimui, įrenginio perkrovai;
 - nepatvirtintų priedų arba dalių naudojimui;
 - su įrenginiu pateiktiems arba atskirai įsigytiems elektrinio įrenginio priedams. Šios išimty apima (tuo neapsiribojant) atsektuvų antgalius, gražtų antgalius, šlifavimo diskus, švitrinį popierių ir geležtes, šoninį kreiptuvą;
 - komponentams (dalims ir priedams), kurie natūraliai dėviis, įskaitant (bet tuo neapsiribojant) įprastines ir technines priežiūros rinkinius, anglinius šepetėlius, guolius, laikiklį, SDS gražtų antgalį priedą arba lizdą, maitinimo kabelį, pagalbinę rankena, neįsiojimo dėklą, šlifavimo diską, maišelį dulkmėms, dulkių ištraukimo vamzdelį, fetro poveržles, smūginio veržliarakčio kaiščius ir spyruokles ir pan.
4. Prieiksui atlikti priežiūros darbus, įrenginį reikia siųsti arba atvežti RYOBI įgaliojamam priežiūros centrui, nurodytam kiekvienos šalies priežiūros centrų adresų sąrašė. Kai kuriose šalyse vietinis RYOBI atstovas siunčia įrenginį RYOBI priežiūros organizacijai. Siunčiant įrenginį RYOBI priežiūros centrui, reikia saugiai jį supakuoti pašalinant visas pavojingas medžiagas, pvz., benzina, nurodyti ant pakuotės siuntytojo adresą ir pridėti trumpą gedimo aprašymą.
5. Pagal šią garantiją remontas / keitimas atliekami nemokamai. Tokie veiksmai netaikomi garantijos pratęsimu arba naujo garantinio laikotarpio pradžia. Dalys arba įrenginiai, kuriuos pakeitėme, tampa mūsų nuosavybe. Kai kuriose šalyse pristatymo ir pašto išlaidas turi padengti siuntėjas. Įstatybose numatytos teisės, atsirandancias perkanat įrenginį, lieka nepakeistos
6. Ši garantija galioja Europos bendrijoje, Šveicarijoje, Islandijoje, Norvegijoje, Lichtenšteine, Turkijoje ir Rusijoje. Jei gyvenate ne šiose šalyse, kreipkitės į įgaliojamą RYOBI atstovą ir sužinokite, ar jums taikoma kita garantija.

ĮGALIOJAS TECHNINĖS PRIEŽIŪROS CENTRAS

Jei norite surasti įgaliojatą techninės priežiūros centrą netoli Jūsų, apsilankykite interneto svetainėje <http://en.ryobitools.eu/header/service-and-support/service-agents>.

ET RYOBI® GARANTIIINGIMUSED

Lisaks toote ostust tulenevatele seadusjärgsetele õigustele, kehtib tootele ka alitoodud garantiiga.

1. Tarbijatele on garantiiaeg 24 kuud ja algab sellel kuupäeval, mil toode osteti. Selle kuupäeva tõestuseks on vaja arvet või mõnda teist tõendit ostu sooritamise kohta. Toode on mõeldud eratarbijatele ainult isiklikuks kasutamiseks. Seega ei kehti garantii ostu kasutamisel kutsetegevuses või kaubanduslikel eesmärkidel.
2. Teatud osale elektrilistele (vahelduvvoolu/alalisvoolu) tööriistadele on võimalik pikendada tõestuseks tooldud garantiieaga, kasutades toote registreerimist veebilehel www.ryobitools.eu. Teave tööriista võimaliku pikendatud garantiiaja kohta on selgelt esile toodud poodides ja/või pakendil / ning see sisaldub toote dokumentatsioonis. Lõpptarbijaja peab registreerima oma uued tööriistad interneti teel 30 päeva jooksul pärast ostmise. Lõppkasutaja võib registreerida pikendatud garantiiaja saatmisega oma elukohariigis, kui veebis olevas registreerimisvormis on see valik lubatud. Lisaks peavad kasutajad andma oma nõusoleku veebis nõutud sisestavate andmete säilitamiseks ning nad peavad nõustuma tingimustega. E-posti teel saadetav registreerimise kinnitus ja arve originaal, kus on näha ostu sooritamise kuupäev, on pikendatud garantiiaja tõestuseks.
3. Garantii katab kõik defektid toote garantiiaja jooksul, kui ostu kuupäeval ilmnevad talitlus- või materjalivead. Garantii piirub toote remondi ja/või väljavahetamisega ning ei sisalda muid kohustusi, muu hulgas ettenägematuid või kaudseid kahjusid. Garantii ei kehti, kui toodet ei ole kasutatud sihtotstarbelselt või kooskõlas kasutusjuhendiga või see on valesti ühendatud. Garantii ei kehti järgmistel põhjustel:
 - toode on kahjustatud vale hoolituse tõttu
 - toodet on muudetud
 - toote algupäraseid identifitseerimisnähte (kaubamärk, seerianumber) on rikutud, muudetud või eemaldatud
 - kahju on tekkinud kasutusjuhendi mittejärgmisest
 - tootel puudub CE-märgis
 - toodet on püüdnud remontida vastavat kvalifikatsiooni mitte omav isik või ilma firma Techtronic Industries eelneva loata.
 - toode on ühendatud valesse toiteallikasse (voolutugevus, pinge, sagedus)
 - välismõjude (keemilised, füüsilised, elektrilöögid) või võrkehade tekitatud kahju
 - tavapärase kulumine ja katkised varuosad
 - ebaõige kasutamine, tööriista ülekoormamine
 - heakskiitmata tarvikute või osade kasutamine
 - koos tööriistaga saadud või eraldi ostetud elektriliste tööriistade tarvikud. Need erandid puudutavad muu hulgas kruvikeeraja otsakuid, puuriterasid, lihvkettaid, lihvpaberit ja -tald, küljuhukuid
 - Komponentid (osad ja tarvikud), mida iseloomustab kulumine ja vananemine, muu hulgas remondi- ja hoolduskomplektid, süsinikharjad, laagrid, padrunid, SDS-puuriterade tarvikud, toitejuht, lisakäepide, transpordikott, lihvplaat, tolmuok, tolmu väljalasketoru, vildist seibid, löökmutrivõtme võliid ja vedrud jne.
4. Hoolduseks peab toote saatma või viima RYOBI volitatud teenindusse, mille aadressi leiate järgnevat teeninduspunkti nimekirjast vastava riigi alt. Mõnedes riikides võtab kohalik RYOBI edasimüüja enda kanda kohustuse saata toode RYOBI teenindusorganisatsiooni. Toote saatmisel RYOBI teenindusse peab toode olema ohutult pakitud ja ei tohi sisaldada ohtlikke aineid (nt bensiin), kirjas peab olema saatja aadress ja lisatud vea lühikirjeldus.
5. Garantii alusel tehtavad remonditööd / asendamine on tasuta. See ei pikenda garantii kehtivusaega ega tähista uue garantiiaja algust. Väljavahetatud osad või tööriistad kuuluvad meile. Mõnedes riikides maksab kätetoimetamis- ja postikulud saatja. Teile jäävad kehtima tööriista ostust tulenevad seadusjärgsed õigused
6. See garantii kehtib Euroopa Ühenduse territooriumil, Šveitsis, Islandil, Norras, Liechtensteinis, Türgis ja Venemaal. Väljaspool neid piirkondi võtke ühendust volitatud RYOBI edasimüüjaga, et teha kindlaks kas kehtib mõni teine garantii.

VOLITATUD HOOLDUSKESKUS

Oma volitatud hoolduskeskuse leiate veebisaidilt <http://en.ryobitools.eu/header/service-and-support/service-agents>.

HR UVJETI PRIMJENE JAMSTVA TVRTKE RYOBI®

Osim svim zakonskim pravima koja proizlaze iz kupnje, ovaj je proizvod pokriven jamstvom kako je navedeno u nastavku.

1. Jamstveno razdoblje za potrošače traje 24 mjeseca i počinje s datumom na koji je proizvod kupljen. Taj datum gore navedeno jamstveno razdoblje jasno ili drugim dokazom o kupnji. Proizvod je konstruiran i namijenjen samo za privatnu upotrebu korisnika. Stoga se jamstvo ne daje u slučaju profesionalne ili komercijalne uporabe.
2. Postoji mogućnost da se za dio asortimana električnih alata pokretanih izmjeničnom strujom (AC/DC) produži gore navedeno jamstveno razdoblje putem registriranja na mrežnom mjestu www.ryobitools.eu. Uvjeti koje je potrebno zadovoljiti kako bi se produžilo jamstveno razdoblje jasno su istaknuti u prodavaonicama i / ili na pakiranju / i nalaze se unutar dokumentacije proizvoda. Krajnji korisnik mora registrirati svoje novo kupljene alate na mreži u roku od 30 dana od datuma kupnje. Krajnji korisnik može se registrirati za produženo jamstvo u svojoj zemlji boravišta ako se nalazi na popisu u mrežnom obrascu za registraciju gdje je ta opcija važeća. Nadalje, krajnji korisnici moraju dati svoj pristanak na pohranu podataka koji su potrebni za mrežni ulazak i moraju prihvatiti odredbe i uvjete. Potvrda o prijemu registracije, koja se šalje putem e-pošte, kao i originalni račun s vidljivim datumom kupnje poslužit će kao dokaz produženog jamstva.
3. Jamstvo pokriva sve nedostatke proizvoda tijekom jamstvenog razdoblja koji su nastali zbog neispravnosti prilikom izrade ili materijala s datumom kupnje. Jamstvo je ograničeno na popravak i/ili zamjenu i ne obuhvaća nikakve druge obveze, uključujući, ali ne ograničavajući se na slučajne ili posjednične štete. Jamstvo ne vrijedi ako je proizvod bio zlorabljeno, korišten u suprotnosti s priručnikom s uputama ili ako je pogrešno spojen. Ovo jamstvo ne primjenjuje se na:
 - svaku štetu koja je na proizvodu nastala kao rezultat nepravilnog održavanja
 - svaki proizvod koji je promijenjen ili izmijenjen
 - svaki proizvod na kojem su izvorne identifikacijske oznake (žig, serijski broj) bile oštećene, izmijenjene ili uklonjene
 - svaku štetu prouzročenu neprirodžavanjem priručnika s uputama
 - svaki proizvod koji nema oznaku CE
 - svaki proizvod koji je pokušao popraviti neovlašćirani profesionalac ili onaj koji je popravljao bez prethodnog odobrenja tvrtke Techtronic Industries.
 - svaki proizvod koji je spojen na neprikladan izvor električnog napajanja (neodgovarajuća amperaza, napon, frekvencija)
 - svaku štetu prouzročenu unutarnjim utjecajima (kemijskim, fizikalnim, udarima) ili stranim tvarima
 - normalno habanje i trošenje rezervnih dijelova
 - neodgovarajuću uporabu, preopterećenje alata
 - upotrebu neodobrenog pribora ili dijelova
 - dodatnu opremu električnog alata isporučenu s alatom ili kupljenu odvojeno. Takvi izuzetci uključuju ali nisu ograničeni na vrhove odvijачa, svrdla bušilice, abrazivne diske, brusni papir i noževe, bočnu vodilicu
 - Komponente (dijelovi i pribor) podložne prirodnom trošenju i habanju, što uključuje, ali nije ograničeno na komplecte za servisiranje i održavanje, ugljične četkice, ležajeve, steznu glavu, nastavak ili priključak za svrdla za SDS bušilicu, priključni kabel, pomoćnu ručku, transportne torbe, brusnu ploču, vreću za prašinu, ispušnu cijev za prašinu, podloške od filca, udami ključ, zatici i opruge, itd.
4. Za potrebe servisiranja, proizvod se mora poslati ili odnijeti u ovlaštenu servisnu postaju tvrtke RYOBI navedenu na sljedećem popisu s adresama servisnih postaja u svakoj zemlji. U nekim zemljama, vaš lokalni RYOBI zastupnik obvezuje se da će poslati proizvod u servisnu organizaciju tvrtke RYOBI. Kada se proizvod šalje u neku servisnu postaju tvrtke RYOBI, proizvod se mora sigurno pakirati bez jednog od opasnih sadržaja kao što je benzin, na njemu mora pisati adresa pošiljatelja i mora biti popraćen kratkim opisom kvara.
5. Popravak / zamjena pod ovim jamstvom su besplatni. Oni ne predstavljaju produženje ili novi početak jamstvenog razdoblja. Zamijenjeni dijelovi ili alati postaju naše vlasništvo. U nekim državama troškove isporuke ili poštarinu mora platiti pošiljatelj. Vaša zakonska prava koja proizlaze iz kupnje alata ostaju nepromijenjena
6. Ovo jamstvo vrijedi u Europskoj uniji, Švicarskoj, Islandu, Norveškoj, Lihtenštajnu, Turskoj i Rusiji. Izvan tih područja vas molimo da se obratite svojem ovlaštenom zastupniku tvrtke RYOBI kako biste utvrdili primjenjuje li se drugo jamstvo.

OVLAŠTENI SERVISNI CENTAR

Za pronalaženje ovlaštenog servisnog centra pored vas posjetite <http://en.ryobitools.eu/header/service-and-support/service-agents>.

SL POGOJI ZA VELJAVNOST GARANCIJE RYOBI®

Poleg morebitnih zakonsko določenih pravic, ki izvirajo iz nakupa, za ta izdelek velja spodaj navedena garancija.

- Garancijsko obdobje je za potrošnike 24 mesecev in začne teči z dnem nakupa izdelka. Ta datum mora biti dokumentiran z računom ali drugim dokazilom o nakupu. Izdelek je zasnovan in namenjen izključno za potrošniško zasebno uporabo. V primeru strokovne oziroma komercialne uporabe izdelka garancija ne velja.
- Obstaja možnost podaljšanja garancije na del naše ponudbe električnih orodij (AC/DC) prek obdobja garancije, opisaneega zgoraj, s pomočjo registracije na spletnem mestu www.ryobitools.eu website. Ustreznost orodij za podaljšanje garancijskega obdobja je jasno prikazana v trgovinah in/ali na embalaži oziroma je navedena v dokumentaciji izdelka. Končni uporabnik mora registrirati svoje novo orodje na spletu v 30 dneh po datumu nakupa. Končni uporabnik lahko registrira podaljšano garancijo v svoji državi bivanja, če je na obrazcu spletne registracije navedeno, da ta možnost velja za njegovo državo. Poleg tega morajo končni uporabniki podati svoje soglasje za shranjevanje podatkov, ki so potrebni za spletni dostop in morajo sprejeti pogoje in določila uporabe spletnega mesta. Potrdilo o registraciji, ki ga pošljemo prek e-pošte, in originalni račun, ki prikazuje datum nakupa, služita kot dokazilo o podaljšani garanciji.
- Garancija krije vse okvare izdelka, do katerih pride v garancijskem obdobju zaradi napak v izdelavi ali materialu, ki so bile prisotne ob datumu nakupa. Garancija je omejena na popravilo in/ali zamenjavo in ne vključuje nobenih drugih obveznosti, med drugim vključno z naključno ali posledično škodo. Garancija ne velja, če je bil izdelek napačno uporabljen, uporabljen v nasprotju z navodili iz priložnice za uporabo ali če ni bil pravilno povezan. Ta garancija ne velja za:
 - škodo na izdelku, ki je posledica neustreznega vzdrževanja
 - spremenjen ali prilagojen izdelek
 - izdelek, katerega originalna identifikacijska oznaka (blagovna znamka, serijska številka) je bil poškodovan, spremenjena ali odstranjena
 - škodo, ki je posledica neupoštevanja navodil iz priložnice za uporabo izdelka, ki nima oznake CE
 - izdelek, ki ga je poskušal opraviti ne kvalificiran strokovnjak ali ki je bil popraviljen brez predhodne odobritve s strani družbe Techtronic Industries.
 - izdelek, ki je bil povezan na neustrezno napajanje (amperska moč, napetost, frekvenca)
 - škodo, ki jo povzročijo zunanji vplivi (kemični, fizični, mehanski) ali tuje snovi
 - rezervne dele, ki so podvrženi običajni uporabi
 - neprimerno uporabo, preobremenitev orodja
 - uporabo neodobrenih dodatkov ali delov
 - Dodatno električno orodje, priloženo orodju ali kupljeno ločeno. Take izjeme so med drugim nastavki za izvijače, svedri, abrazivni diski, brusni papir in rezila, stranska vodila.
 - Komponente (sestavni in rezervni deli), ki so podvrženi običajni obrabi, med drugim vključno s kompleti za servisiranje in vzdrževanje, oglikovimi krtačkami, ležaji, vpenjali, svedrni priključki SDS ali sprejemnimi odprtini zanje, napajalnimi kablji, pomožnimi ročajji, prenosnimi kovčki, brusnimi ploščami, vreckami za prah, cevmi za izpuh prahu, tesnilni iz filca, iglami in vzmetni udamega ključa itd.
- Za servisiranje morate izdelek poslati ali prinesiti v pooblaščen servisni center družbe RYOBI, ki je naveden za vsako državo na naslednjem seznamu naslovov servisnih centrov. V nekaterih državah se vaš lokalni posrednik družbe RYOBI obveže, da bo poslal izdelek na servis družbe RYOBI. Ko pošiljate izdelek v servisni center družbe RYOBI, mora biti izdelek varno zapakiran in ne sme vsebovati nobenih nevarnih snovi, kot je npr. bencin, opremljen pa mora biti z naslovom pošiljatelja in vsebovati kratek opis napake.
- Popravilo/zamenjava v skladu s to garancijo sta brezplačni storitvi. To pa ne predstavlja podaljšanja ali ponovnega začetka garancijskega obdobja. Zamenjani deli ali orodja postanejo naša last. V nekaterih državah stroške dostave ali poštno plača pošiljatelj. Vaše zakonsko določene pravice, ki izvirajo iz nakupa orodja, ostajajo nespremenjene.
- Ta garancija velja v Evropski skupnosti, Švici, Islandiji, na Norveškem, v Lichtenštajnu, v Turčiji in Rusiji. Izven teh območij se obrnite na svojega pooblaščenega posrednika izdelkov RYOBI, dealer ki vam bo povedal, ali velja kakšna druga garancija.

POOBLAŠČEN SERVISNI CENTER

Pooblaščen servisni center blizu vas poiščite na <http://en.ryobitools.eu/header/service-and-support/service-agents>.

SK ZÁRUČNÉ PODMIENKY RYOBI®

Na tento výrobok sa okrem všetkých zákonných práv, vyplývajúcich z nákupu, vzťahuje záruka v nasledovnom znení.

- Záručná doba pre spotrebiteľa je 24 mesiacov a začína plynúť odo dňa, kedy bol výrobok zakúpený. Tento dátum musí byť doložený faktúrou alebo iným dokladom o zakúpení. Výrobok je navrhnutý a určený pre spotrebiteľov a ten na súkromné používanie. Preto sa záruka sa neposkytuje v prípade použitia na profesionálne a komerčné účely.
- V prípade elektrického náradia (na striedavý/jednosmerný prúd AC/DC), existuje možnosť predĺženia záručnej doby oproti záručnej dobe, uvedenej vyššie, s využitím on-line registrácie na webovej stránke www.ryobitools.eu. Označenie na náradí o nároku na predĺženie záručnej doby je zreteľne uvedené v obchodoch a/alebo na obale a je uvedené v dokumentácii k výrobku. Koncový používateľ musí zaregistrovať svoje novozískané náradie on-line do 30 dní odo dňa nákupu. Koncový používateľ sa môže zaregistrovať na predĺženie záruky v krajine svojho bydliska, ak je v on-line registračnom formulári uvedená táto možnosť. Ďalej musia koncoví používatelia ešte dať svoj súhlas k uchovávaní údajov, ktoré je potrebné zadať on-line a musia súhlasiť s podmienkami. Potvrdenie o prijatí registrácie, ktoré je zasielané e-mailom a originál faktúry, v ktorej je uvedený dátum nákupu, slúžia ako dôkaz o predĺženej záruke.
- Záruka sa vzťahuje na všetky poruchy výrobku v záručnej dobe, spôsobené chybami materiálů alebo spracovania k dátumu nákupu. Táto záruka je obmedzená na opravu a/alebo výmenu a nezahŕňažiadne ďalšie povinnosti, vrátane, okrem iných, náhodné alebo následné škody. Táto záruka je neplatná, ak bol výrobok nesprávne používaný, bol používaný v rozpore s návodom na použitie alebo bol nesprávne zapojený. Táto záruka sa nevzťahuje na:
 - akékoľvek poškodenie výrobku, ktoré bolo spôsobené nesprávnou obsluhou
 - akýkoľvek výrobok, ktorý bol zmenený alebo upravený
 - akýkoľvek výrobok, na ktorom bolo poškodené, upravené alebo odstránené identifikačné označenie (ochranná známka, výrobné číslo)
 - akékoľvek škody, spôsobené nedodržením návodu na obsluhu
 - akýkoľvek výrobok, ktorý neobsahuje označenie CE
 - akýkoľvek výrobok, ktorý sa pokúšal opraviť nekvalifikovaný odborník alebo bol opravovaný bez predchádzajúceho súhlasu so strany spoločnosti Techtronic Industries.
 - akýkoľvek výrobok, pripojený k nesprávnemu napájaciemu zdroju (ampéry, napätie, frekvencia)
 - akékoľvek poškodenia, spôsobené vonkajšími vplyvmi (chemickými, fyzikálnymi, nárazmi) alebo cudzorodými látkami
 - bežné opotrebovanie náhradných dielov
 - nehodné používanie, preťažovanie nástroja
 - používanie neschváleného príslušenstva a dielov
 - príslušenstvo k elektrickému náradu, dodávané spolu s náradím alebo zakúpené oddelene. Takéto vylúčenia sa vzťahujú, okrem iného, na násady skrutkovačov, vrtáky, brusne kotúče, brusný papier a čepele, bočné vodiace lišty
 - Súčiastky (diely a príslušenstvo), ktoré podliehajú prirodzenému opotrebeniu, okrem iného súpravy na servis a údržbu, uhliky, ložiská, skľučovadlá, SDS vrtáky a príslušenstvo, príloh alebo prijímanie, napájací kábel, pomocná rukoväť, prepravná skriňa, brusná doska, pracovné vrecko, výfuková trubica, pistené podložky, kotlíky a pružiny na rázový uťahovač atď.
- Na opravu musí byť výrobok odoslaný alebo doručený do autorizovaného servisného strediska RYOBI, uvedeného pre každú krajinu v nasledovnom zozname adries servisných stredísk. V niektorých krajinách miestny zástupca RYOBI preberá na seba záväzok zaslať tovar do servisnej organizácie RYOBI. Pri odoslaní výrobku do servisného strediska RYOBI je potrebné výrobok bezpečne zabaliť bez akýchkoľvek nebezpečného obsahu, ako je bencín, s vyznačením adresy odosielateľa, s krátkym popisom poruchy.
- Oprava/výmena je vrámci tejto záruky bezplatná. Neznamená to predĺženie záruky alebo spustenie novej záručnej doby. Vymenené diely alebo nástroje sa stávajú našim vlastníctvom. V niektorých krajinách náklady na odoslanie alebo poštovné musí zaplatiť odosielateľ. Vaše zákonné práva, vyplývajúce z nákupu náradia, zostávajú nedotknuté.
- Táto záruka platí v Európskej únii, Švajčiarsku, Islande, Nórsku, Lichtenštajnsku, Turesku a Rusku. Ak sa nachádzate mimo týchto oblastí, obráťte sa na autorizovaného predajcu RYOBI na určenie, či sa dá uplatniť iná záruka.

AUTORIZOVANÉ SERVISNÉ CENTRUM

Ak chcete nájsť najbližšie autorizované servisné centrum, navštívte stránku <http://en.ryobitools.eu/header/service-and-support/service-agents>.

BG УСЛОВИЯ ЗА ВАЛИДНОСТ НА ГАРАНЦИЯТА НА RYOBI®

В допълнение към законоустановените права, произтичащи от покупката, този продукт е обхванат от гаранция, както е изложено по-долу.

- Гаранционният срок е 24 месеца за клиенти и започва да тече от деня на закупуване на продукта. Тази дата трябва да се докаже с фактура или друго доказателство за покупка. Продуктът е изработен и предназначен само за потребителска и лична употреба. Следователно не се дава гаранция в случай на използване от професионалисти или с търговска цел.
- Съществува възможност за удължаване на гаранционния срок за част от диапозона на гаранцията на електрически инструменти (AC/DC) след изтичането на описания тук чрез регистрация на уеб сайта www.ryobitools.eu. В магазините и/или на опаковката или вътре в документацията на продукта е показано ясно дали инструментът отговаря на условията за такова удължаване на гаранционния срок. Крайният потребител трябва да регистрира своите новопридобити инструменти онлайн в рамките на 30 дни от датата на покупка. Крайният потребител може да се регистрира за удължена гаранция в държавата си на пребиваване, ако е посочена във формуляра за онлайн регистрация като място, където тази опция е валидна. Освен това крайните потребители трябва да дадат съгласието си за съхранение на данните, които са задължителни за ползване онлайн, и трябва да приемат общите условия. Полученото потвърждение за регистрация, изпратено по електронна поща, и оригиналната фактура, показваща датата на покупка, ще служат като доказателство за удължената гаранция.
- Гаранцията покрива всички дефекти на продукта по време на гаранционния срок, които се дължат на проблеми в изработката или материалите към момента на покупката. Гаранцията е ограничена до ремонт и/или замяна и не включва други задължения, включително, но не само, случайни или косвени щети. Гаранцията е невалидна, ако продуктът е използван неправилно или в противоречие с ръководството с инструкции, както и ако е свързан неправилно. Тази гаранция не важи за:
 - щети по продукта в резултат на неправилна профилактика
 - продукти, които са били изменени или модифицирани
 - продукт, при който оригиналните маркировки за идентификация (търговска марка, серийен номер) са изтрети, променени или премахнати
 - повреда, причинена от неспазване на ръководството с инструкции
 - продукт без CE маркировка
 - продукт, за който е направен опит за ремонт от неквалифициран специалист или без предварително разрешение от Techtronic Industries.
 - продукт, свързан към неподходящо електрохранване (ампераж, волтаж, честота)
 - щети, причинени от външни влияния (химични, физични, удари) или чужди вещества
 - нормално износване на резервни част
 - неподходяща употреба, претоварване на инструмента
 - използване на неободбени аксесоари или части
 - Аксесоарите за електрически инструмент са предоставени с инструмента или се купуват отделно. Тези изключения включват, но не само, накрайници за отвертка, свердела, абразивни дискове, шкурка и остриета, страничен водач
 - Компоненти (части и аксесоари), подложени на естествено износване, включително, но не само, комплекти за обслужване и поддръжка, карбонови четки, лагери, патронник, приставка със средло SDS или приемно устройство, захранващ кабел, спомогателна ръкохватка, кутия за транспортиране, шлифовъчна пластина, торба за прах, тръба за отвеждане на прах, филцови шаблони, цифрове и пружини за винтовете и др.
- За обслужване продуктът трябва да се изпрати или занесе на авторизан сервис на RYOBI, посочен за всяка държава в следния списък с адреси на сервиси. В някои държави местният търговец на RYOBI поема отговорността да изпрати продукта до сервизен център на RYOBI. При изпращане на продукт до сервис на RYOBI той трябва да е опакован безопасно без опасно съдържание, напр. бензин, да е маркиран с адреса на подателя и придружен от кратко описание на повредата.
- Ремонтът/замяната по силата на тази гаранция са безплатни. Те не водят до удължаване или подновяване на гаранционния срок. Сменените части или инструменти стават наша собственост. В някои държави таксите за доставка или изпращане трябва да се платят от подателя. Законоустановените ни права, произтичащи от закупуването на инструмента, остават незасегнати.
- Тази гаранция е валидна в Европейската общност, Швейцария, Исландия, Норвегия, Лихтенщайн, Турция и Русия. Извън тези области се свържете с упълномощения търговец на RYOBI, за да се установи дали е приложима друга гаранция.

УПЪЛНОМОЩЕН СЕРВИЗЕН ЦЕНТЪР

За да намерите упълномощен сервизен център близо до вас, посетете <http://en.ryobitools.eu/header/service-and-support/service-agents>.

UK ГАРАНТИЙНИ УМОВИ ДЛЯ RYOBI®

Окрім загалом установлених законом прав, що стосуються покупки, цей пристрій покривається гарантією, що зазначено нижче.

- Гарантійний період для споживачів складає 24 місяці і починається з моменту придбання цього пристрою. Ця дата повинна бути задокументована у гарантійному талоні або чеку. Цей пристрій був розроблений і призначений тільки для споживаючого та приватного використання. У разі професійного або комерційного використання цього пристрою, він втрачає гарантію.
- Існує можливість подовжити гарантійний період для частини лінійки електричних інструментів (перемінного/постійного струму), понад період описаний вище за допомогою реєстрації на сайті www.ryobitools.eu. Пристрої, які мають право на подовження гарантійного періоду, мають чіткі позначки щодо цього в магазинах і / або на упакуванні / та документації до пристрою. Кінцевий користувач повинен зареєструвати його/її новопридбаний пристрій онлайн протягом 30 днів з дати покупки. Кінцевий користувач може зареєструватися для подовження гарантійного періоду в своїй країні постійного перебування, якщо вона є доступною у відповідній опції онлайн форми реєстрації. Крім того, кінцеві користувачі повинні дати свою згоду на збірвання даних, які необхідні для ведення онлайн, а також вони повинні прийняти правила та умови. Отримання підтвердження реєстрації, яке відправляється на адресу електронної пошти, та оригінал гарантійного талона і зазначеною датою покупки буде служити доказом подовженої гарантії.
- Гарантія поширюється на всі дефекти пристрою протягом гарантійного терміну щодо недотримання стандартів виробництва або матеріалів на дату придбання. Гарантія обмежується ремонтом та/або заміною, та не включає в себе будь-яких інших зобов'язань, в тому числі, але не обмежена у разі будь-яких та подальших пошкоджень. Гарантія не діє, якщо пристрій використовувався незначним чином, всупереч інструкції з експлуатації або був неправильно підключений до мережі. Дана гарантія не поширюється на:
 - пристрої, що були пошкоджені у результаті неправильного технічного обслуговування;
 - пристрої, що були видозміннені або модифіковані;
 - пристрої, оригінальні ідентифікаційні (товарний знак, серійний номер) маркування яких було пошкоджене, змінене або видалено;
 - будь-які пошкодження, заподіяні недотриманням інструкції з експлуатації;
 - пристрої, що не мають маркування CE;
 - пристрої, що були відремонтовані некваліфікованим фахівцем або за відсутності попереднього дозволу від Techtronic Industries;
 - пристрої, підключені до невідповідного джерела живлення (сила току, напруги, частота);
 - будь-які пошкодження спричинені зовнішнім впливом (хімічним, фізичним, стрибком напруги) або сторонніми речовинами;
 - нормальну амортизацію запасних частин;
 - невідповідне використання, перевантаження пристрою;
 - використання не підтверджених запасних частин або аксесуарів;
 - приладдя до електронного пристрою, що постачається разом з пристроєм або купуються окремо. Такі винятки враховують але не є обмеженнями для наконечників викруток, свердел, абразивних дисків, наждачного паперу та лез, бічних напрямних – компоненти(частини та приладдя) з урахуванням нормального зношування, враховуючи, але без обмеження на комплекти профілактики та технічного обслуговування, вугільні щітки, підшипники, патрони, кріплення або прийом SDS свердел, кабелі живлення, додаткові рукоятки, чохла для транспортування, шліфувальні пластини, мішки для збору пилю, трубки виплопу, фітрові кільця, штирі і пружини гайковерту і т.д.
- Для обслуговування, пристрій має бути відправлений або поданий до одного з авторизованих сервісних центрів RYOBI, які перелічені для кожної країни у наступному переліку адрес сервісних центрів. У деяких країнах місцевий дилер RYOBI зобов'язується відправити пристрій до сервісного центру RYOBI. При відправленні пристрою до сервісного центру RYOBI, пристрій має бути надійно упакуваний без будь-якого небезпечного вмісту, наприклад бензину, з позначеною адресою відправника та супроводжуватися коротким описом несправності.
- Ремонт / заміна відповідно до цієї гарантії здійснюється безкоштовно. Це не є основою для подовження або початку нового гарантійного періоду. Замінені частини або прилади переходять до власності компанії. У деяких країнах вартість доставки або поштові витрати повинні бути сплачені відправником. Загально встановлені права покупця на пристрій залишаються незмінними.
- Ця гарантія діє в Європейському Союзі, Швейцарії, Ісландії, Норвегії, Лихтенштейні, Туреччині та Росії. За межами цих зон, будь ласка, зверніться до офіційного дилера RYOBI, щоб визначити, чи застосовується інша гарантія.

АВТОРИЗОВАНІ СЕРВІСНІ ЦЕНТРИ

Для отримання оновленого переліка авторизованих сервісних центрів, відвідайте <http://en.ryobitools.eu/header/service-and-support/service-agents>.

TR RYOBI® GARANTİ UYGULAMA KOŞULLARI

Alımdan kaynaklanan yasal haklara ek olarak, ürün aşağıda belirtilen garanti kapsamındadır.

1. Tüketiciler için 24 ay olan garanti süresi, ürünün satın alındığı tarihte başlar. Bu tarihin bir fatura ya da alım kanıtıyla belgelenmesi gerekir. Ürün sadece tüketim ve özel kullanım için geliştirilmiş ve adanmıştır. Bu nedenle, profesyonel ya da ticari kullanım halinde garanti kapsamı sağlanmaz.
2. Elektrikli el aletlerinin bir bölümü (AC/DC) için www.ryobitools.eu sayfasındaki kayıt işlemini kullanarak garantinin belirtilen süresini ötesine uzatma imkanı mevcuttur. Aletlerin garanti süresinin uzatılmasına uygun olup olmadığı mağazalarda ve / veya ambalajda açıkça belirtilmiş olup, ürün dokümantasyonunda gösterilir. Son kullanıcının yeni aldığı aletleri satın alma tarihini izleyen 30 gün içinde kaydetmesi gerekir. Son kullanıcı ikamet ettiği ülkede, bu seçeneğin geçerli olduğu çevrimiçi kayıt formunda belirtilmişse, uzatılmış garanti süresi için kayıt yapılabilir. Dahası, son kullanıcıların çevrimiçi giriş için gerekli verilerin kaydedilmesine izin vermek ve hüküm ve koşulları kabul etmelidir. E-posta ile gönderilen kayıt teyit makbuzu ve alım tarihini gösteren orijinal fatura uzatılmış garantinin kanıtı olarak değerlendirilir.
3. Garanti, ürünün alım tarihindeki işçilik ve malzeme kusurları nedeniyle garanti süresi içinde oluşacak bütün arızaları kapsar. Bu garanti onarım ve değiştirilmeyle sınırlı olup, tasadüfî ya da dolaylı hasarlar da dahil, ancak bunlarla kısıtlı olmayan başka hiçbir tahahhüdü kapsamaz. Garanti, ürünün kötü, kullanıcı kılavuzuna aykırı kullanımına ya da yanlış bağlanmış olması halinde geçerli değildir. Bu garanti aşağıdakileri kapsamaz:
 - üründe, yanlış bakımдан kaynaklanan herhangi bir hasar
 - değiştirilmiş ya da modifiye edilmiş herhangi bir ürün
 - orijinal tanıtmış işaretleri (ticari marka, seri numarası) silinmiş, değiştirilmiş ya da kaldırılmış herhangi bir ürün
 - kullanma kılavuzuna uymamaktan kaynaklanmış herhangi bir hasar
 - herhangi bir AT dışı ürün
 - kalifiye olmamış personel tarafından ya da önceden Techtronic Industries onayı alınmadan onarılmış herhangi bir ürün.
 - uygunsuz güç kaynağına (amper, voltaj, frekans) bağlanmış herhangi bir ürün
 - harici etkenlerden (kimyasal, fiziksel, darbe) veya yabancı cisimlerden kaynaklanan her türlü hasar
 - normal aşınır ve yıpranır aksam
 - uygunsuz kullanım, aletin aşırı yüklenmesi
 - onaysız aksesuar veya parça kullanımı
4. Aletle birlikte sağlanmış ya da ayrıca alınmış elektrikli alet aksesuarları, Tornavida uçları, matkap uçları, aşındırıcı diskler, zımpara kağıdı ve bıçakları, yanal kılavuz gibi aksamı içeren, ancak bunlarla sınırlı olmayan eklentiler
5. Servis ve Bakım kitiyle, kömür fırçalar, yataklar, kovanlar, SDS matkap ucu bağlantısı ya da yuvaları, güç kablosu, yedek tutamak, nakliye ve taşıma kutusu, kuşlama plakası, toz torbası, toz egzoz borusu, keçe rondelalar, Darbeli Tornavida Pim ve yayları vb. gibi parçaları kapsayan, ancak bunlarla sınırlı olmayan, aşınma ve yıpranmaya tabi bileşenler (aksam ve aksesuarlar).
4. Ürünün servis için her ülkede aşağıdaki servis istasyonları adres listesinde yer alan yetkili bir RYOBI servis istasyonuna gönderilmesi ya götürülmesi gereklidir. Bazı ülkelerde, yerel RYOBI distribütörünüz ürünü RYOBI servis tekliflatına göndermeyi üstlenir. Bir ürün bir RYOBI servis istasyonuna gönderilirse, ürünün güvenli bir biçimde ambalajlanması, benzin gibi tehlikeli maddeler içermemesi, gönderinen adresini taşımaması ve anızın kısa bir açıklamasını içermesi gerekir.
5. Bu garanti kapsamında yapılacak onarım / değişiklik ücretsizdir. Garanti süresinin uzatılması ya da yeniden başlatılması anlamına gelmez. Değiştirilmiş parçalar veya aletler bize ait olur. Bazı ülkelerde teslimat ücretleri veya posta giderlerinin gönderici tarafından ödenmesi gerekir. Alımdan kaynaklanan yasal haklarınız etkilenmez
6. Bu Garanti Avrupa Topluçluğu, İsviçre, İzlanda, Norveç, Liechtenstein, Türkiye ve Rusya'da geçerlidir. Bu alanların dışında, başka bir garantinin geçerli olup olmadığını belirlemek için lütfen yetkili RYOBI distribütörünüzle irtibata geçin.

YETKİLİ SERVİS MERKEZİ

En yakın yetkili servis merkezini öğrenmek için <http://en.ryobitools.eu/header/service-and-support/service-agents> sitesine girin.

EL ΟΡΟΙ ΕΦΑΡΜΟΓΗΣ ΤΩΝ ΠΡΟΫΠΟΘΕΣΕΩΝ ΕΓΓΥΗΣΗΣ ΤΗΣ RYOBI®

Εκτός από τα νόμιμα δικαιώματα, τα οποία προκύπτουν από την αγορά, το προϊόν καλύπτεται από εγγύηση, λεπτομέρειες της οποίας ακολουθούν στη συνέχεια.

1. Η διάρκεια της εγγύησης για τους καταναλωτές είναι 24 μήνες και αρχίζει από την ημερομηνία αγοράς. Η ημερομηνία θα πρέπει να αναγράφεται στην απόδειξη ή σε άλλο αποδεικτικό αγοράς. Το προϊόν έχει σχεδιαστεί και προορίζεται αποκλειστικά για οικιακή χρήση από καταναλωτές. Συνεπώς, δεν παρέχεται εγγύηση σε περίπτωση επαγγελματικής ή εμπορικής χρήσης.
2. Υπάρχει η δυνατότητα επέκτασης της εγγύησης για ορισμένα ηλεκτρικά εργαλεία (AC/DC), πέραν του παραπάνω αναφερόμενου χρονικού διαστήματος, μέσω εγγραφής στο δικτυακό τόπο www.ryobitools.eu. Η επιλεξιμότητα των εργαλείων με δυνατότητα επέκτασης της περιόδου εγγύησης αναγράφεται ρητά στα καταστήματα και/ή επάνω στη συσκευασία, ενώ περιέχεται στην τεκμηρίωση του προϊόντος. Το τελικός χρήστης θα πρέπει να καταχωρήσει το προσωπικά αποκτηθέντα εργαλεία online, εντός 30 ημερών από την ημερομηνία αγοράς. Ο τελικός χρήστης μπορεί να εγγραφεί για την επέκταση εγγύησης στη χώρα κατοικίας, εφόσον αυτή περιλαμβάνεται στο online έντυπο εγγραφής, εάν υπάρχει η δυνατότητα επέκτασης. Επιπλέον, οι τελικοί χρήστες θα πρέπει να παρέχουν τη συγκατάθεσή τους για την αποθήκευση των στοιχείων τους, τα οποία οφείλουν να καταχωρούν online, όπως και να αποδεχθούν τον όρο και τις προϋποθέσεις. Η απόδειξη επιβεβαίωσης της εγγραφής, η οποία αποστέλλεται μέσω email, και η πρωτότυπη απόδειξη αγοράς, η οποία αναγράφεται στην ημερομηνία αγοράς, αποτελούν αποδεικτικά της παρατεταμένης εγγύησης.
3. Η εγγύηση καλύπτει όλα τα ελαττώματα του προϊόντος, κατά τη διάρκεια της περιόδου εγγύησης, λόγω κατασκευαστικών ελαττωμάτων ή αστοχίας υλικού κατά την ημερομηνία αγοράς. Η εγγύηση περιορίζεται στην επισκευή και/ή την αντικατάσταση και δεν περιλαμβάνει καμία άλλη υποχρέωση, συμπεριλαμβανομένων, ενδεικτικά, συμπληρωματικών ή παρεπόμενων ζημιών. Η εγγύηση δεν ισχύει εφόσον, έχει σημειωθεί κακομεταχείριση του προϊόντος, δεν έχουν τηρηθεί οι οδηγίες του εγχειριδίου οδηγιών ή το προϊόν έχει συνδεθεί λανθασμένα. Η εγγύηση δεν ισχύει για:
 - οποιαδήποτε ζημία στο προϊόν, η οποία είναι αποτέλεσμα κακής συντήρησης
 - οποιοδήποτε προϊόν, το οποίο έχει αλλοιωθεί ή τροποποιηθεί
 - οποιοδήποτε προϊόν, στο οποίο έχει αλλοιωθεί, τροποποιηθεί ή αφαιρεθεί το γνήσιο αναγνωριστικό (σήμα κατατεθέν, σειριακός αριθμός)
 - οποιαδήποτε ζημία προκλήθει λόγω μη τήρησης του εγχειριδίου οδηγιών
 - οποιοδήποτε προϊόν χωρίς σήμανση CE
 - οποιοδήποτε προϊόν, στο οποίο έχει γίνει προσπάθεια επισκευής από μη καταρτισμένο επαγγελματία ή χωρίς την προηγούμενη έγκριση της Techtronic Industries.
 - οποιοδήποτε προϊόν, το οποίο έχει συνδεθεί σε ακατάλληλη παροχή ρεύματος (αμπερ, ισχύ, συχνότητα)
 - οποιαδήποτε ζημία έχει προκληθεί από εξωτερικές επιδράσεις (χημικές, φυσικές, κλιματιομετρικές) ή ξένες ουσίες
 - φυσιολογική φθορά και ρήξη ανταλλακτικών
 - ακατάλληλη χρήση, υπερφόρτωση του εργαλείου
 - χρήση μη ενδεδειγμένων εξαρτημάτων ή ανταλλακτικών
 - Εξαρτήματα ηλεκτρικών εργαλείων που παρασχεθήκαν με το εργαλείο ή αγοράστηκαν ξεχωριστά. Τέτοιες εξαρτήματα περιλαμβάνουν, ενδεικτικά, μύτες καθαρισμού, τρυπάνια, δίσκους λείανσης, γυαλόχαρτο και λειπίδες, πλευρικό οδηγό
 - Εξαρτήματα (ανταλλακτικά και αξεσουάρ) που υποκείμενα σε φυσική φθορά και θραύση, συμπεριλαμβανομένων, ενδεικτικά, σετ επισκευής & συντήρησης, ψηκτρών άνθρακα, εφεδράνων, τσοκ, εξαρτημάτων ή υποδοχών τρυπάνιων SDS, καλωδίων ισχύος, βοηθητικής λαβής, βαλίτσας μεταφοράς, βάσης τριβείου, σακούλας συλλογής σκόνης, σωλήνα εξαναγκαστικής σκόνης, ροδελών τοξόχας, μωτών και ελατηρίων κροστικού κλειδιού κοχλίων, κτλ.
4. Το προϊόν θα πρέπει να αποσταλεί ή να παραδοθεί για επισκευή ή συντήρηση σε εξουσιοδοτημένο σημείο σέρβις της RYOBI που περιλαμβάνεται στον ακόλουθο κατάλογο διευθύνσεων για κάθε χώρα. Σε ορισμένες χώρες, το τοπικό σημείο πώλησης της RYOBI αναλαμβάνει την αποστολή του προϊόντος στο κεντρικό σέρβις της RYOBI. Κατά την αποστολή ενός προϊόντος σε σημείο σέρβις της RYOBI, αυτό θα πρέπει να είναι ασφαλώς συσκευασμένο, χωρίς επικίνδυνον περιεχόμενο, όπως, πετρέλαιο, να φέρει τη διευθύνση του αποστολέα και να συνοδεύεται από σύντομη περιγραφή της βλάβης.
5. Η επιδιόρθωση / αντικατάσταση υπό την παρούσα εγγύηση παρέχεται δωρεάν. Δε συνιστά παράταση της περιόδου εγγύησης ή εκκίνηση νέας περιόδου εγγύησης. Τα μέρη που αντικαθίστανται περιέχονται στην κυριότητα μας. Σε ορισμένες χώρες, τα ενδεχόμενα έξοδα παραδοσης ή μεταφοράς βεβαιώνουν τον αποστολέα. Τα νόμιμα δικαιώματά σας, τα οποία απορρέουν από την αγορά του εργαλείου, δεν θίγονται.
6. Η παρούσα εγγύηση ισχύει στην Ευρωπαϊκή Κοινότητα, την Ελβετία, την Ισπανία, τη Νορβηγία, το Λιχτενστάιν, την Τουρκία και την Ρωσία. Εκτός των παραπάνω περιοχών, σας παρακαλούμε να επικοινωνήσετε με εξουσιοδοτημένο κατάστημα πώλησης της RYOBI, προκειμένου να διαπιστωθεί ένα ισχύει κάποια άλλη εγγύηση.

ΕΞΟΥΣΙΟΔΟΤΗΜΕΝΟ ΚΕΝΤΡΟ ΣΕΡΒΙΣ

Για να εντοπίσετε ένα εξουσιοδοτημένο κέντρο σέρβις στην περιοχή σας, επισκεφτείτε τη σελίδα <http://en.ryobitools.eu/header/service-and-support/service-agents>.

(EN) EC declaration of conformity

Technronic Industries GmbH
Max-Eyth-Straße 10, 71364 Winnenden, Germany

Herewith we declare that the product

Cordless Angle Grinder
Brand: Ryobi
Model number: R18AG7
Serial number range: 46232401000001 - 46232401999999

is in conformity with the following European Directives and harmonised standards
2011/65/EU, 2006/42/EC, 2014/30/EU,
EN 60745-1:2009+A11:2010,
EN60745-2-3:2011+A2:2013+A11:2014+A12:2014+A13:2015,
EN 55014-1:2006+A1:2009+A2:2011, EN 55014-2:2015

RoHS documentation is compiled according to EN 50581:2012


Andrew John Eyre (BEng, CEng, MIET)
Vice President, Regulatory & Safety
Winnenden, Mar. 07, 2017

Authorised to compile the technical file:
Alexander Krug, Managing Director
Technronic Industries GmbH
Max-Eyth-Straße 10, 71364 Winnenden, Germany

CE**(FR) DÉCLARATION DE CONFORMITÉ EC**

Technronic Industries GmbH
Max-Eyth-Straße 10, 71364 Winnenden, Germany

Déclarons par la présente que le produit

Meuleuse d'angle sans-fil
Marque: Ryobi
Numéro de modèle: R18AG7
Étendue des numéros de série: 46232401000001 - 46232401999999

est conforme aux Directives Européennes et Normes Harmonisées suivantes
2011/65/EU, 2006/42/EC, 2014/30/EU,
EN 60745-1:2009+A11:2010,
EN60745-2-3:2011+A2:2013+A11:2014+A12:2014+A13:2015,
EN 55014-1:2006+A1:2009+A2:2011, EN 55014-2:2015

La documentation RoHS a été dressée d'après EN50581:2012


Andrew John Eyre (BEng, CEng, MIET)
Vice-Président, Réglementation & Sécurité
Winnenden, Mar. 07, 2017

Autorisé à rédiger le dossier technique:
Alexander Krug, Directeur Général
Technronic Industries GmbH
Max-Eyth-Straße 10, 71364 Winnenden, Germany

CE**(DE) EC KONFORMITÄTSERKLÄRUNG**

Technronic Industries GmbH
Max-Eyth-Straße 10, 71364 Winnenden, Germany

Hiermit erklären wir, dass die Produkte

Akku-Winkelschleifer
Marke: Ryobi
Modellnummer: R18AG7
Seriennummernbereich: 46232401000001 - 46232401999999

den folgenden europäischen Richtlinien und harmonisierten Normen entspricht
2011/65/EU, 2006/42/EC, 2014/30/EU,
EN 60745-1:2009+A11:2010,
EN60745-2-3:2011+A2:2013+A11:2014+A12:2014+A13:2015,
EN 55014-1:2006+A1:2009+A2:2011, EN 55014-2:2015

RoHS Dokumentation ist gemäß EN50581:2012 zusammengestellt


Andrew John Eyre (BEng, CEng, MIET)
Vizepräsident, Vorschriften und Sicherheit
Winnenden, Mar. 07, 2017

Autorisiert die technische Datei zu erstellen:
Alexander Krug, Geschäftsführer
Technronic Industries GmbH
Max-Eyth-Straße 10, 71364 Winnenden, Germany

CE**(ES) DECLARACIÓN EC DE CONFORMIDAD**

Technronic Industries GmbH
Max-Eyth-Straße 10, 71364 Winnenden, Germany

Por la presente declaramos que los productos

Esmeril angular inalámbrico
Marca: Ryobi
Número de modelo: R18AG7
Intervalo del número de serie: 46232401000001 - 46232401999999

se encuentra en conformidad con las siguientes Directivas Europeas y normas armonizadas
2011/65/EU, 2006/42/EC, 2014/30/EU,
EN 60745-1:2009+A11:2010,
EN60745-2-3:2011+A2:2013+A11:2014+A12:2014+A13:2015,
EN 55014-1:2006+A1:2009+A2:2011, EN 55014-2:2015

Documentación sobre restricción de sustancias peligrosas (RoHS) recopilada según la norma EN50581:2012


Andrew John Eyre (BEng, CEng, MIET)
Vicepresidente, Director General de Normativa y Seguridad
Winnenden, Mar. 07, 2017

Autorizado para elaborar la ficha técnica:
Alexander Krug, Administrador Ejecutivo
Technronic Industries GmbH
Max-Eyth-Straße 10, 71364 Winnenden, Germany

CE**(IT) DICHIARAZIONE DI CONFORMITÀ EC**

Technronic Industries GmbH
Max-Eyth-Straße 10, 71364 Winnenden, Germany

Si dichiara con la presente che il prodotto

Levigatrice angolare senza cavo
Marca: Ryobi
Numero modello: R18AG7
Gamma numero seriale: 46232401000001 - 46232401999999

è conforme alle seguenti Direttive Europee e ai seguenti standard armonizzati
2011/65/EU, 2006/42/EC, 2014/30/EU,
EN 60745-1:2009+A11:2010,
EN60745-2-3:2011+A2:2013+A11:2014+A12:2014+A13:2015,
EN 55014-1:2006+A1:2009+A2:2011, EN 55014-2:2015

La documentazione RoHS è stata compilata come indicato dalle norme EN50581:2012


Andrew John Eyre (BEng, CEng, MIET)
Vice-Presidente, Dipartimento Regolazioni & Sicurezza
Winnenden, Mar. 07, 2017

Autorizzato per compilare il file tecnico:
Alexander Krug, Direttore Amministrativo
Technronic Industries GmbH
Max-Eyth-Straße 10, 71364 Winnenden, Germany

CE**(NL) EC CONFORMITEITSVERKLARING**

Technronic Industries GmbH
Max-Eyth-Straße 10, 71364 Winnenden, Germany

Hierbij verklaren wij dat het product

Snoerloze hoekslijpmachine
Merk: Ryobi
Modelnummer: R18AG7
Seriennummerbereik: 46232401000001 - 46232401999999

is in overeenstemming met de volgende Europese Richtlijnen en geharmoniseerde normen

2011/65/EU, 2006/42/EC, 2014/30/EU,
EN 60745-1:2009+A11:2010,
EN60745-2-3:2011+A2:2013+A11:2014+A12:2014+A13:2015,
EN 55014-1:2006+A1:2009+A2:2011, EN 55014-2:2015

RoHS-documentatie is samengesteld in overeenstemming met EN50581:2012


Andrew John Eyre (BEng, CEng, MIET)
Vice-president, Regelgeving en Veiligheid
Winnenden, Mar. 07, 2017

Afgevaardigde voor het samenstellen van de technische fiche:
Alexander Krug, Directeur
Technronic Industries GmbH
Max-Eyth-Straße 10, 71364 Winnenden, Germany

CE

PT DECLARAÇÃO EC DE CONFORMIDADE

Techtronic Industries GmbH
Max-Eyth-Straße 10, 71364 Winnenden, Germany

Pelo presente declaramos que os produtos

Afiadora angular sem fios

Marca: Ryobi

Número do modelo: R18AG7

Intervalo do número de série: 46232401000001 - 46232401999999

se encontra em conformidade com as seguintes Directivas Europeias e normas harmonizadas

2011/65/EU, 2006/42/EC, 2014/30/EU,

EN 60745-1:2009+A11:2010,

EN60745-2-3:2011+A2:2013+A11:2014+A12:2014+A13:2015,

EN 55014-1:2006+A1:2009+A2:2011, EN 55014-2:2015

Documentação sobre restrição de substâncias perigosas (RoHS) compilada segundo a norma EN50581:2012

Andrew John Eyre (BEng, CEng, MIET)
Vice-Presidente, Regulamentação & Segurança
Winnenden, Mar. 07, 2017

Autorizado para compilar o ficheiro técnico:

Alexander Krug, Administrador Executivo

Techtronic Industries GmbH

Max-Eyth-Straße 10, 71364 Winnenden, Germany

DA EC OVERENSSTEMMELSEERKLÆRING

Techtronic Industries GmbH
Max-Eyth-Straße 10, 71364 Winnenden, Germany

Vi erklærer hermed, at produktet

Trådløs vinkelsliber

Brand: Ryobi

Modelnummer: R18AG7

Serienummerområde: 46232401000001 - 46232401999999

er i overensstemmelse med følgende EU-direktiver og harmoniserede standarder

2011/65/EU, 2006/42/EC, 2014/30/EU,

EN 60745-1:2009+A11:2010,

EN60745-2-3:2011+A2:2013+A11:2014+A12:2014+A13:2015,

EN 55014-1:2006+A1:2009+A2:2011, EN 55014-2:2015

RoHS-dokumentationen er udarbejdet i henhold til EN50581:2012

Andrew John Eyre (BEng, CEng, MIET)
Vicepræsident, Regler og Sikkerhed
Winnenden, Mar. 07, 2017

Bemyndiget til at udarbejde det tekniske kartotek:

Alexander Krug, Administrerende Direktør

Techtronic Industries GmbH

Max-Eyth-Straße 10, 71364 Winnenden, Germany

SV EC-Konformitetsdeklaration

Techtronic Industries GmbH
Max-Eyth-Straße 10, 71364 Winnenden, Germany

Härmed deklarerar vi att produkterna

Sladdlös vinkelslip

Märke: Ryobi

Modellnummer: R18AG7

Serienummerintervall: 46232401000001 - 46232401999999

är i enlighet med följande EU-direktiv och harmoniserade standarder

2011/65/EU, 2006/42/EC, 2014/30/EU,

EN 60745-1:2009+A11:2010,

EN60745-2-3:2011+A2:2013+A11:2014+A12:2014+A13:2015,

EN 55014-1:2006+A1:2009+A2:2011, EN 55014-2:2015

RoHS-dokumentation sammanställd enligt EN50581:2012

Andrew John Eyre (BEng, CEng, MIET)
Vice President, Regelverk och Säkerhet
Winnenden, Mar. 07, 2017

Godkänd att sammanställa den tekniska filen:

Alexander Krug, VD

Techtronic Industries GmbH

Max-Eyth-Straße 10, 71364 Winnenden, Germany

FI EC-SÄÄNNÖSTEN NOUDATTAMINEN

Techtronic Industries GmbH
Max-Eyth-Straße 10, 71364 Winnenden, Germany

Ilmoitamme täten, että tuotteet

Johdoton kulmahiomakone

Tuotemerkki: Ryobi

Mallinumero: R18AG7

Sarjanumeroalue: 46232401000001 - 46232401999999

RoHS-dokumentaatio on koottu standardin EN50581:2012 mukaisesti

noudattaa seuraavia EU-direktiivejä ja harmonoituja standardeja

2011/65/EU, 2006/42/EC, 2014/30/EU,

EN 60745-1:2009+A11:2010,

EN60745-2-3:2011+A2:2013+A11:2014+A12:2014+A13:2015,

EN 55014-1:2006+A1:2009+A2:2011, EN 55014-2:2015

RoHS-dokumentaatio on koottu standardin EN 50581:2012 mukaisesti

Andrew John Eyre (BEng, CEng, MIET)
Varatoimitusjohtaja, Säädöstenmukaisuus ja Turvallisuus
Winnenden, Mar. 07, 2017

Valtuutetun kokoamaan tekninen tiedosto:

Alexander Krug, Toimitusjohtaja

Techtronic Industries GmbH

Max-Eyth-Straße 10, 71364 Winnenden, Germany

NO EC-Samsvarserklæring

Techtronic Industries GmbH
Max-Eyth-Straße 10, 71364 Winnenden, Germany

Herved erklærer vi at produktet

Batteridrevet vinkelsliper

Merke: Ryobi

Modellnummer: R18AG7

Serienummerserie: 46232401000001 - 46232401999999

er i samsvar med følgende europeiske direktiver og harmoniserte standarder

2011/65/EU, 2006/42/EC, 2014/30/EU,

EN 60745-1:2009+A11:2010,

EN60745-2-3:2011+A2:2013+A11:2014+A12:2014+A13:2015,

EN 55014-1:2006+A1:2009+A2:2011, EN 55014-2:2015

Andrew John Eyre (BEng, CEng, MIET)
Visepresident, Forskrifter og Sikkerhet
Winnenden, Mar. 07, 2017

Autorisert til å sette sammen den tekniske filen:

Alexander Krug, Administrerende Direktør

Techtronic Industries GmbH

Max-Eyth-Straße 10, 71364 Winnenden, Germany

RU ЗАЯВЛЕНИЕ О СООТВЕТСТВИИ ТРЕБОВАНИЯМ ЕС

Techtronic Industries GmbH
Max-Eyth-Straße 10, 71364 Winnenden, Germany

Настоящим мы заявляем, что данный продукт

Беспроводная угловая шлифовальная машина

Марка: Ryobi

Номер модели: R18AG7

Диапазон заводских номеров: 46232401000001 - 46232401999999

соответствует требованиям следующих Директив ЕС и согласованных стандартов

2011/65/EU, 2006/42/EC, 2014/30/EU,

EN 60745-1:2009+A11:2010,

EN60745-2-3:2011+A2:2013+A11:2014+A12:2014+A13:2015,

EN 55014-1:2006+A1:2009+A2:2011, EN 55014-2:2015

Andrew John Eyre (BEng, CEng, MIET)
Вице-Президент По Технике Безопасности И Стандартам
Winnenden, Mar. 07, 2017

Лицо, ответственное за подготовку технической документации:

Alexander Krug, Директор

Techtronic Industries GmbH

Max-Eyth-Straße 10, 71364 Winnenden, Germany

PL DEKLARACJA ZGODNOŚCI EC

Techtronic Industries GmbH
Max-Eyth-Straße 10, 71364 Winnenden, Germany

Niniejszym deklarujemy, że produkt
Bezprzewodowa szlifierka kątowa
Marka: Ryobi
Numer modelu: R18AG7
Zakres numerów seryjnych: 46232401000001 - 46232401999999

jest zgodny z następującymi dyrektywami europejskimi i zharmonizowanymi normami
2011/65/EU, 2006/42/EC, 2014/30/EU,
EN 60745-1:2009+A11:2010,
EN 60745-2-3:2011+A2:2013+A11:2014+A12:2014+A13:2015,
EN 55014-1:2006+A1:2009+A2:2011, EN 55014-2:2015

Dokumentacja RoHS została opracowana zgodnie z normą EN50581:2012

Andrew John Eyre (BEng, CEng, MIET)
Wiceprezes ds. Zgodności Prawnej i Bezpieczeństwa
Winnenden, Mar. 07, 2017

Osoba upoważniona do sporządzenia dokumentu technicznego:
Alexander Krug, Dyrektor Zarządzający
Techtronic Industries GmbH
Max-Eyth-Straße 10, 71364 Winnenden, Germany

CS PROHLÁŠENÍ O SHODĚ EC

Techtronic Industries GmbH
Max-Eyth-Straße 10, 71364 Winnenden, Germany

Tímto prohlašujeme, že výrobky
Bezdrátová úhlová bruska
Značka: Ryobi
Číslo modelu: R18AG7
Rozsah sériových čísel: 46232401000001 - 46232401999999

že tento výrobek je v souladu s evropskými a harmonizovanými standardy
2011/65/EU, 2006/42/EC, 2014/30/EU,
EN 60745-1:2009+A11:2010,
EN 60745-2-3:2011+A2:2013+A11:2014+A12:2014+A13:2015,
EN 55014-1:2006+A1:2009+A2:2011, EN 55014-2:2015

RoHS dokumentace sestavena dle EN50581:2012

Andrew John Eyre (BEng, CEng, MIET)
Viceprezident, Normy a Bezpečnost
Winnenden, Mar. 07, 2017

Pověřeni ke kompilaci technického souboru:
Alexander Krug, Generální Reditel
Techtronic Industries GmbH
Max-Eyth-Straße 10, 71364 Winnenden, Germany

HU EC Megfelelőségi nyilatkozat

Techtronic Industries GmbH
Max-Eyth-Straße 10, 71364 Winnenden, Germany

Ezúton kijelentjük, hogy a termék
Akumulátoros sarokcsiszoló
Márka: Ryobi
Típusszám: R18AG7
Sorozatszám tartomány: 46232401000001 - 46232401999999

megfelel az alábbi Európai Irányelvek és harmonizált szabványok vonatkozó rendelkezéseinek
2011/65/EU, 2006/42/EC, 2014/30/EU,
EN 60745-1:2009+A11:2010,
EN 60745-2-3:2011+A2:2013+A11:2014+A12:2014+A13:2015,
EN 55014-1:2006+A1:2009+A2:2011, EN 55014-2:2015

A RoHS dokumentáció összeállítása az EN50581:2012 szerint történt

Andrew John Eyre (BEng, CEng, MIET)
Alelnök, Megfelelőségi és Biztonsági Területek
Winnenden, Mar. 07, 2017

A műszaki dokumentáció összeállítására felhatalmazott:
Alexander Krug, Ügyvezető Igazgató
Techtronic Industries GmbH
Max-Eyth-Straße 10, 71364 Winnenden, Germany

RO DECLARAȚIE DE CONFORMITATE EC

Techtronic Industries GmbH
Max-Eyth-Straße 10, 71364 Winnenden, Germany

Prin prezenta, declarăm că produsele
Mașină de șlefuit în unghi fără fir
Marca: Ryobi
Număr serie: R18AG7
Gamă număr serie: 46232401000001 - 46232401999999

este în conformitate cu următoarele Directive Europene și standarde armonizate
2011/65/EU, 2006/42/EC, 2014/30/EU,
EN 60745-1:2009+A11:2010,
EN 60745-2-3:2011+A2:2013+A11:2014+A12:2014+A13:2015,
EN 55014-1:2006+A1:2009+A2:2011, EN 55014-2:2015

Documentația RoHS este întocmită în conformitate cu EN50581:2012

Andrew John Eyre (BEng, CEng, MIET)
Vicepreședinte, Reglementare & Siguranță
Winnenden, Mar. 07, 2017

Autorizat să completeze fișa tehnică:
Alexander Krug, Director General
Techtronic Industries GmbH
Max-Eyth-Straße 10, 71364 Winnenden, Germany

LV EC Atbilstības deklarācija

Techtronic Industries GmbH
Max-Eyth-Straße 10, 71364 Winnenden, Germany

Ar šo paziņojam, ka produkti
Bezvadu leņķa slīpmašīna
Zīmols: Ryobi
Modeļa numurs: R18AG7
Sērijas numura intervāls: 46232401000001 - 46232401999999

atbilst šādām Eiropas direktīvām un saskaņotajiem standartiem
2011/65/EU, 2006/42/EC, 2014/30/EU,
EN 60745-1:2009+A11:2010,
EN 60745-2-3:2011+A2:2013+A11:2014+A12:2014+A13:2015,
EN 55014-1:2006+A1:2009+A2:2011, EN 55014-2:2015

RoHS dokumentācija ir izstrādāta saskaņā ar EN50581:2012

Andrew John Eyre (BEng, CEng, MIET)
Viceprezidents, Darba Drošības Noteikumi
Winnenden, Mar. 07, 2017

Pilnvarots sastādīt tehnisko failu:
Alexander Krug, Izpildītredaktors
Techtronic Industries GmbH
Max-Eyth-Straße 10, 71364 Winnenden, Germany

LT EC Atitikties pareiškimas

Techtronic Industries GmbH
Max-Eyth-Straße 10, 71364 Winnenden, Germany

Mes pareiškiamo, kad šie produktai
Belaidis kampinis šlifuoklus
Prekės ženklas: Ryobi
Modelio numeris: R18AG7
Serijinio numerio diapazonas: 46232401000001 - 46232401999999

pagamintas laikantis toliau nurodytųjų Europos Direktyvų ir darniųjų standartų
2011/65/EU, 2006/42/EC, 2014/30/EU,
EN 60745-1:2009+A11:2010,
EN 60745-2-3:2011+A2:2013+A11:2014+A12:2014+A13:2015,
EN 55014-1:2006+A1:2009+A2:2011, EN 55014-2:2015

Tam tikrų pavojingų medžiagų naudojimo elektros ir elektroninėje įrangoje apri bojimo dokumentai sudaryti pagal standartą EN50581:2012

Andrew John Eyre (BEng, CEng, MIET)
Kontrolės Ir Saugos Viceprezidentas
Winnenden, Mar. 07, 2017

Igaliotas sudaryti techninį failą:
Alexander Krug, Generalinis Direktorius
Techtronic Industries GmbH
Max-Eyth-Straße 10, 71364 Winnenden, Germany

(ET) EC VASTAVUSDEKLARATSIOON

Techtronic Industries GmbH
Max-Eyth-Straße 10, 71364 Winnenden, Germany

Kinnitame, et see toode

Akutoitega nurklühvija
Mark: Ryobi
Mudelil number: R18AG7
Seerianumbri vahemik: 46232401000001 - 4623240199999

vastab järgmistele Euroopa direktiividele ja harmoniseeritud standarditele
2011/65/EU, 2006/42/EC, 2014/30/EU,
EN 60745-1:2009+A11:2010,
EN60745-2-3:2011+A2:2013+A11:2014+A12:2014+A13:2015,
EN 55014-1:2006+A1:2009+A2:2011, EN 55014-2:2015

RoHS dokumendid on koostatud vastavuses standardi EN50581:2012 nõuetele.



Andrew John Eyre (BEng, CEng, MIET)
Asepresident Standardiseerimise Ja Ohutuse Alal
Winnenden, Mar. 07, 2017

Tehnilise faili koostamiseks volitatud isik:
Alexander Krug, Tegevdirektor
Techtronic Industries GmbH
Max-Eyth-Straße 10, 71364 Winnenden, Germany

(SK) PREHLÁSENIE O ZHODE EC

Techtronic Industries GmbH
Max-Eyth-Straße 10, 71364 Winnenden, Germany

Týmto vyhlasujeme, že výrobok

Akumulátorová uhľová brúška
Značka: Ryobi
Číslo modelu: R18AG7
Rozsah sériových čísel: 46232401000001 - 4623240199999

je v súlade s nasledujúcimi Európskymi smernicami a harmonizovanými normami
2011/65/EU, 2006/42/EC, 2014/30/EU,
EN 60745-1:2009+A11:2010,
EN60745-2-3:2011+A2:2013+A11:2014+A12:2014+A13:2015,
EN 55014-1:2006+A1:2009+A2:2011, EN 55014-2:2015

Dokumentácia RoHS je zostavená podľa EN50581:2012



Andrew John Eyre (BEng, CEng, MIET)
Viceprezident, Regulácia a Bezpečnosť
Winnenden, Mar. 07, 2017

Oprávnená osoba na zostavenie technického súboru:
Alexander Krug, Regulácia a Bezpečnosť
Techtronic Industries GmbH
Max-Eyth-Straße 10, 71364 Winnenden, Germany

(HR) EC IZJAVA O USKLADENOSTI

Techtronic Industries GmbH
Max-Eyth-Straße 10, 71364 Winnenden, Germany

Ovime izjavljujemo da su proizvodi

Aku kutna brusilica
Marka: Ryobi
Broj modela: R18AG7
Raspon serijskog broja: 46232401000001 - 4623240199999

usklađen sa sljedećim Europskim Direktivama i usklađenim normama
2011/65/EU, 2006/42/EC, 2014/30/EU,
EN 60745-1:2009+A11:2010,
EN60745-2-3:2011+A2:2013+A11:2014+A12:2014+A13:2015,
EN 55014-1:2006+A1:2009+A2:2011, EN 55014-2:2015

RoHS dokumentacija sukladna je EN50581:2012



Andrew John Eyre (BEng, CEng, MIET)
Potpredsjednik za Pravila i Sigurnost
Winnenden, Mar. 07, 2017

Ovlašten da sastavi tehničku datoteku:
Alexander Krug, Direktor Upravljanja
Techtronic Industries GmbH
Max-Eyth-Straße 10, 71364 Winnenden, Germany

(BG) ДЕКЛАРАЦИЯ НА ЗА СЪОТВЕТСТВИЕ

Techtronic Industries GmbH
Max-Eyth-Straße 10, 71364 Winnenden, Germany

С настоящето декларираме, че продуктите

Безжичен зглоблайф
Марка: Ryobi
Номер на модела: R18AG7
Обхват на серийни номера: 46232401000001 - 4623240199999

отговаря на следните директиви на ЕС и хармонизирани стандарти
2011/65/EU, 2006/42/EC, 2014/30/EU,
EN 60745-1:2009+A11:2010,
EN60745-2-3:2011+A2:2013+A11:2014+A12:2014+A13:2015,
EN 55014-1:2006+A1:2009+A2:2011, EN 55014-2:2015

Документацията за RoHS е съставена в съответствие с EN 50581:2012.



Andrew John Eyre (BEng, CEng, MIET)
Вицепрезидент, Правни Услуги И Безопасност
Winnenden, Mar. 07, 2017

Упълномощено лице за съставяне на техническия файл:
Alexander Krug, Изпълнителен Директор
Techtronic Industries GmbH
Max-Eyth-Straße 10, 71364 Winnenden, Germany

(SL) IZJAVA EC O SKLADNOSTI

Techtronic Industries GmbH
Max-Eyth-Straße 10, 71364 Winnenden, Germany

Izjavljamo, da je izdelek

Brezžični kotni brusilnik
Znamka: Ryobi
Številka modela: R18AG7
Razpon serijskih števil: 46232401000001 - 4623240199999

v skladu s sledečimi evropskimi direktivami in harmoniziranimi standardi
2011/65/EU, 2006/42/EC, 2014/30/EU,
EN 60745-1:2009+A11:2010,
EN60745-2-3:2011+A2:2013+A11:2014+A12:2014+A13:2015,
EN 55014-1:2006+A1:2009+A2:2011, EN 55014-2:2015

Dokumentacija RoHS je sestavljena skladno s standardom EN50581:2012



Andrew John Eyre (BEng, CEng, MIET)
Podpredsednik, Zakonodajne In Varnostne Zadeve
Winnenden, Mar. 07, 2017

Pooblaščen oseba za sestavo tehnične dokumentacije:
Alexander Krug, Izvršni Direktor
Techtronic Industries GmbH
Max-Eyth-Straße 10, 71364 Winnenden, Germany

(UK) Декларация по відповідності

Techtronic Industries GmbH
Max-Eyth-Straße 10, 71364 Winnenden, Germany

При цьому ми заявляємо, що продукт

Бездротова кутова шліфувальна машина
Марка: Ryobi
Номер моделі: R18AG7
Діапазон серійного номеру: 46232401000001 - 4623240199999

у відповідності з наступними європейськими директивами та гармонізованими стандартами
2011/65/EU, 2006/42/EC, 2014/30/EU,
EN 60745-1:2009+A11:2010,
EN60745-2-3:2011+A2:2013+A11:2014+A12:2014+A13:2015,
EN 55014-1:2006+A1:2009+A2:2011, EN 55014-2:2015

Документация RoHS складена відповідно до EN 50581:2012



Andrew John Eyre (BEng, CEng, MIET)
Вице-президент, регулювання і безпека
Winnenden, Mar. 07, 2017

Дозвіл на складання технічного файла:
Alexander Krug, Керуючий директором
Techtronic Industries GmbH
Max-Eyth-Straße 10, 71364 Winnenden, Germany

TR EC Uygunluk beyanı

Techtronic Industries GmbH
Max-Eyth-Straße 10, 71364 Winnenden, Germany

Böylelikle beyan ederiz ki; ürün

Kablosuz açılı taşlama makinesi

Marka: Ryobi

Model numarası: R18AG7

Seri numarası aralığı: 46232401000001 - 46232401999999

aşağıdaki Avrupa Direktifleri ve uyumlaştırılmış standartlara uygundur

2011/65/EU, 2006/42/EC, 2014/30/EU,

EN 60745-1:2009+A11:2010,

EN60745-2-3:2011+A2:2013+A11:2014+A12:2014+A13:2015,

EN 55014-1:2006+A1:2009+A2:2011, EN 55014-2:2015

RoHS belgeleri EN50581:2012 uyarınca derlenmiştir



CE

Andrew John Eyre (BEng, CEng, MIET)

Başkan Vekili, Düzenleme ve Güvenlik

Winnenden, Mar. 07, 2017

Teknik dosya hazırlamaya yetkilidir:

Alexander Krug, Genel Müdür

Techtronic Industries GmbH

Max-Eyth-Straße 10, 71364 Winnenden, Germany

EL EK Δήλωση συμμόρφωσης

Techtronic Industries GmbH
Max-Eyth-Straße 10, 71364 Winnenden, Germany

Δια του παρόντος δηλώνουμε ότι το προϊόν

Ασυρματος γωνιακος τροχιστης

Μάρκα: Ryobi

Αριθμός μοντέλου: R18AG7

Εύρος σειριακών αριθμών: 46232401000001 - 46232401999999

είναι σύμφωνο με τις παρακάτω Ευρωπαϊκές Οδηγίες και εναρμονισμένα πρότυπα

2011/65/EU, 2006/42/EC, 2014/30/EU,

EN 60745-1:2009+A11:2010,

EN60745-2-3:2011+A2:2013+A11:2014+A12:2014+A13:2015,

EN 55014-1:2006+A1:2009+A2:2011, EN 55014-2:2015

Τα έγγραφα RoHS συντάσσονται σύμφωνα με το EN50581:2012



CE

Andrew John Eyre (BEng, CEng, MIET)

Αντιπρόεδρος, Τμήμα Ρυθμίσεων & Ασφάλειας

Winnenden, Mar. 07, 2017

Εξουσιοδοτημένο άτομο για σύνταξη τεχνικού αρχείου:

Alexander Krug, Διευθύνων Σύμβουλος

Techtronic Industries GmbH

Max-Eyth-Straße 10, 71364 Winnenden, Germany







Techtronic Industries GmbH
Max-Eyth-Straße 10,
71364 Winnenden, Germany

961075406-01

ОФИЦИАЛЬНЫЙ ДИЛЕР В УКРАИНЕ:

storgom.ua

ГРАФИК РАБОТЫ:

Пн. – Пт.: с 8:30 по 18:30

Сб.: с 09:00 по 16:00

Вс.: с 10:00 по 16:00

КОНТАКТЫ:

+38 (044) 360-46-77

+38 (066) 77-395-77

+38 (097) 77-236-77

+38 (093) 360-46-77

Детальное описание товара:

<https://storgom.ua/product/shlifmashina-uglovaya-ryobi-one-r18ag7-0-besshchetohnaya-bez-akb-i-zu-5133002852.html>

Другие товары: <https://storgom.ua/akkumulyatornyye-bolgarki.html>