

RYOBI®

RLT3525

ORIGINAL INSTRUCTIONS
TRADUCTION DES INSTRUCTIONS ORIGINALES
ÜBERSETZUNG DER ORIGINALANLEITUNG
TRADUCCIÓN DE LAS INSTRUCCIONES ORIGINALES
TRADUZIONE DELLE ISTRUZIONI ORIGINALI
VERTALING VAN DE ORIGINELE INSTRUCTIES
TRADUÇÃO DAS INSTRUÇÕES ORIGINAIS
OVERSETTELSE AF DE ORIGINALE INSTRUKTIONER
ÖVERSÄTTNING AV DE URSPRUNGLIGA INSTRUKTIONERNA
ALKUPERÄISTEN OHJEIDEN SUOMENNO
OVERSETTELSE AV DE ORIGINALE INSTRUKSJONENE
ПЕРЕВОД ОРИГИНАЛЬНЫХ ИНСТРУКЦИЙ
TŁUMACZENIE INSTRUKCJI ORYGINALNEJ
PŘEKLAD ORIGINÁLNÍCH POKYNŮ
AZ EREDETI ÚTMUTATÓ FORDÍTÁSA
TRADUCEREA INSTRUCȚIUNILOR ORIGINALE
TULKOTS NO ORIĢINĀLĀS INSTRUKCIJAS
ORIGINALIŲ INSTRUKCIJŲ VERTIMAS
ORIGINAALJUHENDI TÕLGE
PRIJEVOD ORIGINALNIH UPUTA
PREVOD ORIGINALNIH NAVODIL
PREKLAD ORIGINÁLNYCH POKYNOV
ПРЕВОД ОТ ОРИГИНАЛНИТЕ ИНСТРУКЦИИ
ПЕРЕКЛАД ОРИГИНАЛЬНИХ ИНСТРУКЦІЙ
ORIJINAL TALĪMATLAR



EN
FR
DE
ES
IT
NL
PT
DA
SV
FI
NO
RU
PL
CS
HU
RO
LV
LT
ET
HR
SL
SK
BG
UK
TR





- Important!** It is essential that you read the instructions in this manual before assembling, maintaining and operating the product.
- Attention!** Il est essentiel que vous lisiez les instructions contenues dans ce manuel avant d'assembler, d'entretenir et d'utiliser le produit.
- Achtung!** Es ist wichtig, dass Sie vor Zusammenbau, Wartung und Benutzung des Produktes die Anweisungen in dieser Anleitung lesen.
- ¡Atención!** Resulta fundamental que lea este manual de instrucciones antes de realizar el montaje, el mantenimiento y de utilizar este producto
- Attenzione!** È importante leggere le istruzioni contenute nel presente manuale prima di montare il prodotto, svolgere le operazioni di manutenzione sullo stesso e metterlo in funzione.
- Let op!** Het is van essentieel belang dat u de instructies in deze gebruiksaanwijzing leest voor u het product monteert, onderhoudt en gebruikt.
- Atenção!** É fundamental que leia as instruções deste manual antes da montagem, manutenção e operação do aparelho.
- OBS!** Det er vigtigt, at man læser instrukserne i denne brugsanvisning, inden man samler, vedligeholder og betjener produktet.
- Observera!** Det är viktigt att du läser instruktionerna i manualen före montering, användning och underhåll av produkten.
- Huomio!** On tärkeää, että luet tämän käsikirjan ohjeet ennen tuotteen kokoamista, huoltoa ja käyttöä.
- Advarsel!** Det er viktig at du leser instruksjonene i denne manualen før sammensetning, vedlikehold og bruk av produktet
- Внимание!** Необходимо прочитать инструкции в данном руководстве перед сборкой, обслуживанием и эксплуатацией этого изделия.
- Uwaga!** Koniecznie należy przeczytać instrukcje zawarte w tym podręczniku przed montażem, obsługą oraz konserwacją produktu.
- Důležité upozornění!** Neinstalujte, neprovádějte údržbu ani nepoužívejte tento výrobek dříve, než si přečtete pokyny uvedené v tomto návodu.
- Figyelem!** Fontos, hogy a termék összeszerelése, karbantartása és használatá elött elolvassa a kézikönyvben található utasításokat.
- Atenție!** Este esențial să citiți instrucțiunile din acest manual înainte de asamblare, efectuarea întreinerii și operarea produsului.
- Uzmanību!** Ir svarīgi izlasīt šīs rokasgrāmatas instrukcijas pirms uzstādīšanas, apkopes un precas darbināšanas.
- Dėmesio!** Prieš surenkant, prižiūrint ir naudojam gaminį, būtina perskaityti šiam vadove pateiktus nurodymus.
- Tähtis!** Enne masina kokkupanekut, hooldamist ja kasutama hakkamist tuleb käesolevas juhendis esitatud juhised kindlasti läbi lugeda.
- Upozorenje!** Vrlo je važno da ste prije sklapanja, održavanja i rada s ovim proizvodom pročitali upute u ovom priručniku.
- Pomembno!** Pomembno je da pred montažo vzdrževanjem in uporabo tega izdelka preberete navodila v tem priročniku.
- Upozornenie!** Je dôležité, aby ste si pred montážou, údržbou a obsluhou produktu prečítali pokyny v tomto návode.
- Важно!** Исключительно важно е да прочетете инструкциите в настоящото ръководство, преди да преминете към сглобяване, поддръжка или работа с продукта.
- Важливо!** Дуже важливо, щоб ви прочитали інструкції в цьому керівництві перед складанням, обслуговуванням та експлуатацією цієї машини.
- Önemli!** Ürünü monte etmeden, kullanmadan ve bakımını yapmadan önce bu kılavuzdaki talimatları okumanız önemlidir.

Subject to technical modification | Sous réserve de modifications techniques | Technische Änderungen vorbehalten | Bajo reserva de modificaciones técnicas | Con riserva di eventuali modifiche tecniche | Technische wijzigingen voorbehouden | Com reserva de modificações técnicas | Med forbehold for tekniske ændringer | Med förbehåll för tekniska ändringar | Tekniset muutokset varataan | Med forbehold om tekniske endringer | могут быть внесены технические изменения | Z zastrzeżeniem modyfikacji technicznych | Změny technických údajů vyhrazeny | A műszaki módosítás jogát fenntartjuk | Sub rezerva modificațiilor tehnice | Paturam tiesības mainīt tehniskos raksturlielumus | Pasīlietākam tiešaj daryti techninius pakeitimus | Tehnilised muudatused võimalikud | Podloženo tehničkim promjenama | Tehnične spremembe dopuščene | Právo na technické zmeny je vyhradené | Подлежи на технически модификации | Є об'єктом для технічних змін | Teknik değişikliğe tabidir.



Safety, performance, and dependability have been given top priority in the design of your electric lawn trimmer/edge trimmer.

INTENDED USE

The electric lawn trimmer/edge trimmer is only intended for use outdoors by a standing operator.

The product is designed for cutting grass, light weeds, and other similar vegetation at or about ground level. The cutting plane should be approximately parallel to the ground surface when trimming and approximately vertical when edging.

The product should not be used to cut or trim hedges, bushes, or other vegetation where the cutting plane is not at or about ground surface level.

Do not use the product for any other purpose.

GENERAL SAFETY WARNINGS

⚠ WARNING

When using the product, the safety rules must be followed. For your own safety and that of bystanders, please read these instructions before operating the product. Please keep the instruction safe for later use.

⚠ WARNING

The product is not intended to be used by children or persons with reduced physical, mental or sensory capabilities. Children should be adequately supervised to ensure they do not play with the product.

⚠ WARNING

Some regions have regulations that restrict the use of the product. Check with your local authority for advice.

TRAINING

- Never allow children or people unfamiliar with these instructions to use the product. Local regulations may restrict the age of the operator.
- Read the instructions carefully. Be familiar with all controls and the proper use of the product.
- Keep bystanders, children, and pets 15 m away from the area of operation. Stop the product if anyone enters the area.
- Never use the product when you are tired, ill or under the influence of alcohol, drugs or medicine.
- Keep in mind that the operator or user is responsible for accidents or hazards occurring to other people or their property.

ELECTRICAL SAFETY

- Power plugs must match the outlet. Never modify the plug in any way. Do not use any adapter plugs with earthed (grounded) power tools. Unmodified plugs and matching outlets will reduce risk of electric shock.
- Avoid unintentional starting. Always check that the

switch is in off position before plugging in the product to the power supply. Do not carry a plugged in product with your finger on the switch.

- Avoid body contact with earthed or grounded surfaces, such as pipes, radiators, ranges and refrigerators. There is an increased risk of electric shock if your body is earthed or grounded.
- Do not operate the product when there is a risk of lightning.
- Do not expose the product to rain or wet conditions. Water entering an appliance will increase the risk of electric shock.
- Electrical power should be supplied via a residual current device (RCD) with a tripping current of not more than 30 mA.
- Before every use, examine the power cord for damage. If there are signs of damage, it must be replaced. Always uncoil the power cord during use; coiled cables can overheat.
- If you need to use an extension cable, ensure it is suitable for outdoor use and has a current capacity sufficient to supply the product. The extension cord cable should be marked with either "H05RN-F" or H05 VV-F". Check it before every use for damage. Always uncoil it during use because coiled cables can overheat. Damaged extension cables should not be repaired; they should be replaced with an equivalent type.
- Do not use the product if the electric cables are damaged or worn.
- If the power cord or extension cable becomes damaged during use, disconnect from the power supply immediately. Do not touch the electric cables until the power supply has been disconnected.
- Make sure the power cord is positioned so that it cannot be damaged by the cutting means and will not be stepped on, tripped over, or otherwise subjected to damage or stress.
- Never pick up or carry the product by the electric cable.
- Keep the power cord away from heat, oil, and sharp edges.
- Make sure voltage is correct for your product. A nameplate on the product indicates the product's voltage. Never connect the product to an AC voltage that differs from this voltage.
- Make sure the switch is in off position before disconnecting from power supply.

PREPARATION

- Wear full eye and hearing protection while operating the product. If working in an area where there is a risk of falling objects, head protection must be worn.
- Hearing protection may restrict the operator's ability to hear warning sounds. Pay particular attention to potential hazards around and inside the working area.
- Wear long trousers, boots, and gloves. Do not wear loose fitting clothing, short trousers, jewellery of any kind, or use with bare feet.
- Secure long hair so it is above shoulder level to prevent entanglement in moving parts.

- Before use and after any impact, check that there are no damaged parts. A defective switch or any part that is damaged or worn should be properly repaired or replaced by an authorised service centre.
- Make sure the cutting attachment is properly installed and securely fastened.
- Never operate the product unless all guards, deflectors, and handles are properly and securely attached.
- Consider the environment in which you are working. Keep the working area free from wires, sticks, stones and debris that if struck by the cutter, can become thrown objects.

LAWN TRIMMER / EDGE TRIMMER SAFETY WARNINGS

- Use the product in daylight or with good artificial light.
- Avoid using on wet grass.
- Do not walk backwards when using the product.
- Keep firm footing and balance. Do not overreach. Overreaching can result in loss of balance. Always be sure of your footing on slopes. Walk, never run.
- Keep bystanders, children and pets 15 m away from the area of operation. Stop the product if anyone enters the area.
- Keep the cutting attachment below waist level.
- Never operate the product with damaged guards or without guards in place.
- Never fit a metal replacement line.
- Keep hands and feet away from the cutting means at all times, especially when switching on the motor.
- Beware, the cutting elements continue to rotate after the motor is switched off.
- Beware of objects thrown by the cutting means. Clear debris like small stones, gravel and other foreign objects from the work area before starting operation. Wires or string may become entangled with the cutting means.
- Switch off and disconnect from the power supply before:
 - servicing
 - leaving the product unattended
 - cleaning your product or clearing a blockage
 - changing accessories
 - checking for any damage after hitting a foreign object
 - checking for any damage if the product starts to vibrate abnormally
 - performing maintenance
- The small blade fitted to the lawn guard is designed to trim the new extended line to the correct length for safe and optimum performance. It is very sharp; do not touch it, particularly when cleaning the product.
- Always ensure that ventilation openings are kept clear of debris.
- Make sure the cutting head attachment is properly installed and securely fastened.
- Make sure all guards, deflectors, and handles are properly and securely attached.

- Do not modify the product in any way. This may increase the risk of injury to yourself or others.
- Use only the manufacturer's replacement cutting line. Do not use any other cutting attachment.
- Immediately switch off and disconnect from the mains in the event of accident or breakdown. Don't operate the product again until it has been fully checked by an authorised service centre.

TRANSPORTATION AND STORAGE

- Stop the product and allow it to cool down before storing or transporting. Always disconnect from the power supply and wind the cable to prevent damage.
- Clean all foreign materials from the product. Store it in a cool, dry, and well-ventilated place that is inaccessible to children. Keep away from corrosive agents, such as garden chemicals and de-icing salts. Do not store outdoors.
- For transportation in vehicles, secure the product against movement or falling to prevent injury to persons or damage to the product.

MAINTENANCE

WARNING

Use only original manufacturer's replacement parts, accessories, and attachments. Failure to do so can cause possible injury, poor performance, and may void your warranty.

WARNING

Servicing requires extreme care and knowledge and should be performed only by a qualified service technician. For service, bring the product to an authorised service centre for repair. When servicing, use only identical replacement parts.

- Switch off and disconnect from the mains before conducting any maintenance or cleaning work.
- You may make adjustments and repairs described in this manual. For other repairs, contact the authorised service agent.
- For the replacement line, use only nylon filament line of the diameter described in the specification table of this manual.
- After extending the new cutter line, always return the product to its normal operating position before starting.
- After each use, clean the product with a soft dry cloth. Any part that is damaged should be properly repaired or replaced by an authorised service centre.
- Check all nuts, bolts, and screws at frequent intervals for proper tightness to ensure the product is in a safe working condition.

RESIDUAL RISKS

Even when the product is used as prescribed, it is still impossible to completely eliminate certain residual risk

factors. The following hazards may arise in use and the operator should pay special attention to avoid the following:

- Injury caused by vibration
 - Hold the product by designated handles and restrict working time and exposure.
- Injury caused by exposure to noise
 - Wear hearing protection and limit exposure.
- Injury caused by flying debris
 - Wear eye protection at all times.

RISK REDUCTION

It has been reported that vibrations from hand-held products may contribute to a condition called Raynaud's Syndrome in certain individuals. Symptoms may include tingling, numbness and blanching of the fingers, usually apparent upon exposure to cold. Hereditary factors, exposure to cold and dampness, diet, smoking and work practices are all thought to contribute to the development of the symptoms. There are measures that can be taken by the operator to possibly reduce the effects of vibration:

- Keep your body warm in cold weather. When operating the product, wear gloves to keep the hands and wrists warm. It is reported that cold weather is a major factor contributing to Raynaud's Syndrome.
- After each period of operation, exercise to increase blood circulation.
- Take frequent work breaks. Limit the amount of exposure per day.

If you experience any of the symptoms of this condition, immediately discontinue use and see your physician.

⚠ WARNING

Injuries may be caused, or aggravated, by prolonged use of a tool. When using any tool for prolonged periods, ensure you take regular breaks.

KNOW YOUR PRODUCT

See page 104.

1. On/off trigger
2. Cord hook
3. Power cord retainer
4. Edging button
5. Spool cover
6. Spool
7. Cut-off blade
8. Cutting line
9. Safety guard
10. Lower tube
11. Upper tube
12. Front handle
13. Rear handle

SYMBOLS ON THE PRODUCT



Read and understand all instructions before operating the product, follow all warnings and safety instructions.



Wear eye protection.



Wear hearing protection.



Do not use metal blade(s) on the product.



Do not expose to rain or damp condition.



Remove plug from the mains immediately before maintenance or if cable is damaged, cut or entangled.



Beware of thrown or flying objects. Keep all bystanders, especially children and pets, at least 15m away from the operating area



Keep hands away from blades



Class II tool, double insulation



Waste electrical products should not be disposed of with household waste. Please recycle where facilities exist. Check with your Local Authority or retailer for recycling advice.



Conforms to all regulatory standards in the country in the EU where the product is purchased.



EurAsian Conformity Mark



Ukrainian mark of conformity



Guaranteed sound power level is 96 dB.

The following signal words and meanings are intended to explain the levels of risk associated with this product.

⚠ DANGER

Indicates an imminently hazardous situation, which, if not avoided, will result in death or serious injury.

⚠ WARNING

Indicates a potentially hazardous situation, which, if not avoided, could result in death or serious injury.

⚠ CAUTION

Indicates a potentially hazardous situation, which, if not avoided, may result in minor or moderate injury.

CAUTION

Without safety alert symbol

Indicates a situation that may result in property damage.

SYMBOLS IN THIS MANUAL



Connect to power outlet.



Disconnect from power outlet.



Parts or accessories sold separately



Note



Warning

Votre coupe-bordures / dresse-bordures électrique a été conçu en donnant priorité à la sécurité, à la performance et à la fiabilité.

UTILISATION PRÉVUE

Le coupe-bordures / dresse-bordures électrique est uniquement conçu pour une utilisation en extérieur par un opérateur debout.

Ce produit est prévu pour la coupe de l'herbe, des mauvaises herbes peu denses et autres végétaux similaires au niveau du sol ou près du sol. Le plan de coupe doit être approximativement parallèle à la surface du sol lors du débroussaillage et approximativement vertical lors de la coupe de bordure.

Cet appareil ne doit pas être utilisé pour la coupe ou la taille des haies, buissons ou autres végétaux pour lesquels le plan de coupe n'est pas parallèle à la surface du sol.

N'utilisez pas le produit pour un usage autre que ceux listés ci-dessus.

AVERTISSEMENTS GÉNÉRAUX DE SÉCURITÉ

⚠ AVERTISSEMENT

Suivez les règles de sécurité lorsque vous utilisez le produit. Pour votre sécurité et celle des passants, veuillez lire ces instructions avant d'utiliser le produit. Veuillez conserver les instructions en lieu sûr pour vous-y reporter dans le futur.

⚠ AVERTISSEMENT

Ce produit ne doit pas être utilisé par des enfants ou par des personnes aux capacités physiques, sensorielles ou mentales diminuées. Les enfants doivent être bien surveillés afin de s'assurer qu'ils ne jouent pas avec le produit.

⚠ AVERTISSEMENT

La législation de certaines régions restreint l'utilisation du produit. Contactez les autorités locales pour obtenir des conseils.

ENTRAÎNEMENT

- Ne laissez jamais les enfants ou les personnes non familiarisées avec ces instructions utiliser le produit. Les lois locales peuvent imposer un âge minimum à l'opérateur.
- Lisez attentivement les instructions. Familiarisez-vous avec les commandes du produit ainsi qu'avec son utilisation correcte.
- Gardez les passants, les enfants et les animaux éloignés d'au moins 15 m de l'aire de travail. Arrêtez le produit lorsque quiconque pénètre dans l'environnement de travail.
- N'utilisez jamais le produit lorsque vous êtes fatigué, malade, ou sous l'influence de l'alcool, de drogues ou de médicaments.
- Gardez à l'esprit que l'opérateur est responsable des

accidents qui arrivent aux autres personnes présentes dans sa propriété.

SÉCURITÉ RELATIVE AU SYSTÈME ÉLECTRIQUE

- Les fiches secteur doivent correspondre à la prise de courant. Ne pas modifier en aucun cas la fiche. Ne pas utiliser de fiches d'adaptateur avec des outils électroportatifs avec mise à la terre. Les fiches non modifiées et les prises de courant appropriées réduisent le risque de choc électrique.
- Évitez tout démarrage involontaire. Assurez-vous que l'interrupteur est toujours en position Off (arrêt) avant de brancher le produit sur l'alimentation. Ne déplacez pas un produit en ayant le doigt sur la gâchette lorsque celui-ci est branché.
- Éviter le contact physique avec des surfaces mises à la terre tels que tuyaux, radiateurs, fours et réfrigérateurs. Il y a un risque élevé de choc électrique au cas où votre corps serait relié à la terre.
- N'utilisez pas le produit en cas de risque d'éclair.
- N'exposez pas ce produit à la pluie ou à des conditions humides. La pénétration d'eau dans un appareil augmente le risque de décharge électrique.
- L'appareil doit être alimenté par l'intermédiaire d'un disjoncteur différentiel d'une sensibilité minimale de 30mA.
- Avant chaque utilisation, vérifiez que le câble d'alimentation n'est pas endommagé. En cas de signe de dommage faites-le remplacer par un réparateur agréé. Déroulez toujours le câble d'alimentation en cours d'utilisation, les câbles enroulés sont susceptibles de surchauffer.
- Si vous devez utiliser une rallonge électrique, assurez-vous qu'elle est prévue pour une utilisation à l'extérieur et que sa capacité en courant est suffisante pour alimenter votre produit. Le câble de la rallonge électrique doit porter la mention "H05RN-F" ou "H05 VV F". Vérifiez l'absence de dommages avant chaque utilisation. Le câble d'alimentation doit toujours être déroulé pendant utilisation, les câbles enroulés étant susceptibles de surchauffer. Les rallonges endommagées ne doivent pas être réparées, elles doivent être remplacées par un modèle équivalent.
- N'utilisez pas le produit si le câble électrique est endommagé ou usé.
- Au cas où le câble d'alimentation ou la rallonge seraient endommagés en cours d'utilisation, débranchez immédiatement l'alimentation électrique. Ne touchez pas les câbles électriques avant d'avoir coupé l'alimentation en courant.
- Assurez-vous que le câble chemine de façon qu'il ne puisse pas être coupé et que l'on ne puisse pas marcher dessus ou se prendre les pieds dedans, et qu'il ne peut pas être forcé ou endommagé.
- Ne soulevez et ne transportez jamais le produit en le tenant par son câble d'alimentation.
- Gardez le câble d'alimentation éloigné de la chaleur, des graisses et des bords coupants.
- Assurez-vous que la tension secteur est adaptée à votre produit. La tension de service est indiquée sur

une plaque signalétique présente sur le produit. Ne branchez jamais le produit sur une source de courant dont la tension est différente de sa tension nominale.

- Assurez-vous que l'interrupteur est en position Off (arrêt) avant de débrancher l'alimentation.

PRÉPARATION

- Portez une protection auditive et oculaire totale lorsque vous utilisez ce produit. Si vous travaillez dans une zone qui comporte des risques de chute d'objets, il est nécessaire que vous portiez un casque de chantier.
- Le port d'une protection auditive est susceptible de diminuer la capacité de l'opérateur à entendre les sons d'alerte. Faites particulièrement attention aux dangers éventuels dans la zone de travail et à ses alentours.
- Portez des pantalons longs et épais, des bottes et des gants. Ne portez pas de vêtements amples, de shorts ou de bijoux quels qu'ils soient, et ne travaillez pas pieds nus.
- Attachez les cheveux longs au-dessus du niveau des épaules afin d'éviter qu'ils ne se prennent dans les parties en mouvement.
- Avant utilisation et après tout impact, vérifiez qu'aucun élément n'est endommagé. Un interrupteur défectueux ou toute autre pièce endommagée doit être correctement remplacée ou réparée par un service après-vente agréé.
- Assurez-vous que l'accessoire de coupe est bien en place et bien serré.
- N'utilisez jamais le produit sans que toutes les protections, tous les déflecteurs et toutes les poignées soient bien en place et bien verrouillés.
- Tenez compte de votre environnement de travail. Gardez la zone de travail exempte de fils, bâtons, pierres et débris qui pourraient se voir transformer en projectiles s'ils venaient à être happés par l'élément de coupe.

AVERTISSEMENTS DE SÉCURITÉ CONCERNANT LE TAILLE-BORDURE / COUPE-BORDURE

- Utilisez le produit en plein jour ou sous un bon éclairage artificiel.
- Évitez d'utiliser la machine sur de l'herbe mouillée.
- Ne reculez pas lors de l'utilisation du produit.
- Gardez un bon appui et un bon équilibre. Ne pas se précipiter. Ne travaillez pas en extension, vous pourriez perdre l'équilibre. Gardez toujours un bon appui dans les pentes. Marchez, ne courez jamais.
- Gardez les passants, les enfants et les animaux éloignés d'au moins 15 m de l'aire de travail. Arrêtez le produit lorsque quiconque pénètre dans l'environnement de travail.
- Maintenez l'accessoire de coupe en dessous du niveau de votre taille.
- N'utilisez jamais le produit si ses protections sont absentes ou endommagées.
- N'utilisez jamais de fil de coupe en métal avec votre coupe-bordures.

- Maintenez toujours vos mains et vos pieds éloignés de la tête de fil, en particulier lors de la mise en marche du coupe-bordures.
- Prenez garde, les éléments de coupe continuent de tourner une fois le moteur coupé.
- Prenez garde aux objets projetés par l'élément de coupe. Dégagez la zone de travail des débris tels que petites pierres, gravier et autres objets étrangers avant de commencer le travail. Des câbles ou de la ficelle pourraient s'emmêler dans les éléments de coupe.
- Arrêtez et débranchez l'appareil du secteur avant de:
 - réparations
 - laisser le produit sans surveillance
 - nettoyage de votre produit ou dégagement de la cause d'un blocage.
 - changer un accessoire
 - vérifier tout dommage éventuel après avoir heurté un objet
 - vérifier tout dommage éventuel au cas où le produit se mettrait à vibrer de façon anormale
 - opérations d'entretien
- La petite lame incorporée au carter de protection a pour but de tailler le fil de coupe nouvellement libéré à la bonne longueur pour de meilleures performances et une bonne sécurité d'utilisation. Elle est très coupante, veillez à ne pas la toucher, en particulier lorsque vous nettoyez l'outil.
- Assurez-vous que les ouïes de ventilation sont en permanence exemptes de débris.
- Assurez-vous que l'accessoire de coupe est bien en place et bien serré.
- Assurez-vous que toutes les protections, tous les déflecteurs et toutes les poignées sont bien en place et bien verrouillés.
- Ne modifiez le produit en aucune façon, vous augmenteriez les risques de blessures occasionnées aux autres et à vous-même.
- N'utilisez que du fil de coupe fourni par le fabricant. N'utilisez aucun autre accessoire de coupe.
- Éteindre immédiatement l'appareil et le couper de l'alimentation électrique en cas d'accident ou de panne. N'utilisez plus le produit jusqu'à ce qu'il ait été entièrement vérifié par un centre de service agréé.

TRANSPORT ET STOCKAGE

- Arrêtez le produit et laissez-le refroidir avant de le ranger ou de le transporter. Avant stockage, toujours débrancher l'alimentation et enrouler la rallonge.
- Débarrassez l'appareil de tous les corps étrangers. Rangez la en un endroit frais, sec et correctement ventilé, hors de portée des enfants. Ne la rangez pas à proximité d'agents corrosifs tels que produits chimiques de jardinage ou sels de dégel. Ne rangez pas à l'extérieur.
- Pour le transport, attachez le produit pour l'empêcher de bouger ou de tomber, afin d'éviter toute blessure et tout dommage matériel.

ENTRETIEN

⚠ AVERTISSEMENT

N'utilisez que des pièces détachées et accessoires d'origine constructeur. Le non respect de cette précaution peut entraîner de mauvaises performances, des blessures, et annuler votre garantie.

⚠ AVERTISSEMENT

Les réparations demandent un soin et des connaissances extrêmes et ne doivent être effectuées que par un réparateur qualifié. Pour l'entretien et les réparations, apportez le produit à un service après-vente agréé. N'utilisez que des pièces détachées identiques pour effectuer les réparations.

- Arrêtez le produit et débranchez-le du secteur avant toute opération d'entretien ou de nettoyage.
- Vous pouvez effectuer les réglages et réparations décrits dans ce manuel. Pour les autres réparations, contactez un service après-vente agréé.
- Pour remplacer le fil de coupe, n'utilisez que du fil nylon du diamètre indiqué dans la table des caractéristiques de ce manuel.
- Après avoir déroulé une nouvelle longueur de fil de coupe, remettez toujours le produit en position normale de travail avant de le mettre en marche.
- Après chaque utilisation, utilisez un chiffon propre et sec pour nettoyer le produit. Toute pièce endommagée doit être correctement remplacée ou réparée par un service après-vente agréé.
- Vérifiez régulièrement le bon serrage des écrous, vis et boulons pour que le produit soit toujours en bon état de fonctionnement.

RISQUES RÉSIDUELS

Même lorsque le produit est utilisé selon les prescriptions, il reste impossible d'éliminer totalement certains facteurs de risque résiduels. Les dangers suivants risquent de se présenter en cours d'utilisation et l'utilisateur doit prêter particulièrement garde à ce qui suit :

- Blessures dues aux vibrations.
 - Maintenez le produit par les poignées destinées à cet effet et limitez le temps de travail et d'exposition.
- Perte d'audition provoquée par l'exposition au bruit.
 - Portez une protection auditive et limitez le temps d'exposition.
- Blessures oculaires dues aux débris volants.
 - Portez en permanence une protection oculaire.

RÉDUCTION DES RISQUES

Il a été reporté que les vibrations engendrées par les outils à main peuvent contribuer à l'apparition d'un état appelé le Syndrome de Raynaud chez certaines personnes. Les symptômes peuvent comprendre des fourmillements, un engourdissement et un blanchiment des doigts,

généralement par temps froid. Des facteurs héréditaires, l'exposition au froid et à l'humidité, le régime alimentaire, le tabagisme et les habitudes de travail peuvent contribuer au développement de ces symptômes. Certaines mesures peuvent être prises par l'utilisateur pour aider à réduire les effets des vibrations:

- Gardez votre corps au chaud par temps froid. Lorsque vous utilisez le produit, portez des gants afin de garder vos mains et vos poignets au chaud. Le temps froid est considéré comme un facteur contribuant très largement à l'apparition du Syndrome de Raynaud.
- Après chaque session de travail, pratiquez des exercices qui favorisent la circulation sanguine.
- Faites des pauses fréquentes. Limitez la quantité d'exposition journalière.

Si vous ressentez l'un des symptômes associés à ce syndrome, arrêtez immédiatement le travail et consultez votre médecin pour lui en faire part.

⚠ AVERTISSEMENT

L'utilisation prolongée d'un outil est susceptible de provoquer ou d'aggraver des blessures. Assurez-vous de faire des pauses de façon régulière lorsque vous utilisez tout outil de façon prolongée.

APPRENEZ À CONNAÎTRE VOTRE PRODUIT

Voir page 104.

1. Gâchette Marche/Arrêt
2. Crochet pour câble
3. Accroche de câble d'alimentation
4. Bouton de finition
5. Couvercle de bobine
6. Bobine
7. Lame de taille
8. Fil de coupe
9. Carter de protection
10. Tube inférieur
11. Tube supérieur
12. Poignée avant
13. Poignée arrière

SYMBOLES APPLIQUÉS SUR LE PRODUIT



Lisez et comprenez toutes les instructions avant d'utiliser le produit, respectez tous les avertissements et toutes les instructions de sécurité.



Portez une protection oculaire



Portez une protection auditive.



N'utilisez pas de lame(s) métallique(s) sur le produit.



Ne pas exposer à la pluie ou à des conditions humides.



Débranchez immédiatement la fiche secteur avant l'entretien ou si le câble est endommagé, coupé ou emmêlé.



Prenez garde à la projection d'objets au sol et dans les airs. Gardez tous les passants, en particulier les enfants et les animaux, éloignés d'au moins 15m de distance de la zone de travail.



Gardez vos mains à l'écart des lames.



Outil de Classe II, isolation double



Les produits électriques hors d'usage ne doivent pas être jetés avec les ordures ménagères. Recyclez-les par l'intermédiaire des structures disponibles. Contactez les autorités locales pour vous renseigner sur les conditions de recyclage.



Cet outil est conforme à l'ensemble des normes réglementaires du pays de l'UE où il a été acheté.



Marque de qualité EurAsian



Marque de conformité ukrainienne



Le niveau de puissance sonore garanti est 96 dB.

SYMBOLES DE CE MANUEL



Branchez sur le secteur



Débranchez du secteur



Pièces détachées et accessoires vendus séparément



Remarque



Avertissement

Les symboles suivants, et les noms qui leur sont associés, permettent d'expliquer les différents niveaux de risques liés à l'utilisation de cet outil.

DANGER

Situation potentiellement dangereuse qui, si l'on n'y prend garde, peut entraîner la mort ou des blessures graves.

AVERTISSEMENT

Situation potentiellement dangereuse qui, si l'on n'y prend garde, peut entraîner la mort ou des blessures graves.

MISE EN GARDE

Situation potentiellement dangereuse qui, si l'on n'y prend garde, peut entraîner des blessures moyennes ou légères.

MISE EN GARDE

Sans symbole d'alerte de sécurité

Indique une situation pouvant entraîner des dommages matériels.

Sicherheit, Leistung und Zuverlässigkeit hatten oberste Priorität bei der Entwicklung Ihres elektrischen Rasentrimmers/Rasenkantenschneiders.

BESTIMMUNGSGEMÄSSE VERWENDUNG

Der elektrische Rasentrimmer/Rasenkantenschneider ist ausschließlich zur Verwendung eines stehenden Bedieners im Freien vorgesehen.

Das Produkt ist zum Schneiden von Gras, leichtem Unkraut, und anderer ähnlicher Vegetation auf bzw. über Bodenhöhe vorgesehen. Die Schnittebene ist beim Schneiden in etwa parallel zur Bodenoberfläche und beim Kantenschneiden in etwa vertikal zur Bodenoberfläche.

Das Produkt darf nicht zum Schneiden oder Trimmen von Hecken, Büschen oder anderer Vegetation verwendet werden, wobei die Schnittebene sich nicht parallel zur Oberfläche des Untergrunds befindet.

Verwenden Sie das Produkt nicht für andere, als die oben aufgeführten Zwecke.

ALLGEMEINE SICHERHEITSWARNUNGEN

⚠️ WARNUNG

Die Sicherheitsregeln müssen befolgt werden, wenn dieses Produkt benutzt wird. Lesen Sie für Ihre eigene Sicherheit und die von Außenstehenden diese Anweisungen bevor Sie das Produkt benutzen. Bitte bewahren Sie die Anweisungen zum späteren Nachschlagen auf.

⚠️ WARNUNG

Dieses Produkt ist nicht für Kinder oder Personen mit verminderten physischen, geistigen oder sensorischen Fähigkeiten geeignet. Kinder müssen ausreichend beaufsichtigt werden, so dass gewährleistet ist, dass sie nicht mit dem Produkt spielen.

⚠️ WARNUNG

In einigen Regionen können Vorschriften die Benutzung dieses Produkts einschränken. Lassen Sie sich von Ihrer örtlichen Behörde beraten.

UNTERWEISUNG

- Erlauben Sie niemals Personen, die mit diesen Anweisungen nicht vertraut sind, das Produkt zu benutzen. Die lokale Gesetzgebung regelt das Mindestalter des Benutzers.
- Lesen Sie die Anweisungen sorgfältig durch. Machen Sie sich mit den Bedienelementen und dem ordnungsgemäßen Gebrauch des Produktes vertraut.
- Halten Sie Zuschauer, Kinder und Haustiere 15 m von dem Arbeitsbereich fern. Stoppen Sie das Produkt, wenn jemand diesen Bereich betritt.
- Arbeiten Sie niemals mit dem Produkt, wenn Sie müde oder krank sind, oder unter dem Einfluss von Alkohol, Drogen oder Medikamenten stehen.
- Vergessen Sie nie, dass der Benutzer verantwortlich

ist für Unfälle und Gefahren, die an Eigentum Fremder oder an anderen Personen entstehen könnte.

ELEKTRISCHE SICHERHEIT

- Der Anschlussstecker des Elektrowerkzeuges muss in die Steckdose passen. Der Stecker darf in keiner Weise verändert werden. Verwenden Sie keine Adapterstecker gemeinsam mit schutzgeerdeten Elektrowerkzeugen. Unveränderte Stecker und passende Steckdosen verringern das Risiko eines elektrischen Schlags!
- Vermeiden Sie eine unbeabsichtigte Inbetriebnahme. Überprüfen Sie immer, dass der Schalter sich in der AUS-Position befindet, bevor Sie das Werkzeug an das Stromnetz anschließen. Wenn Sie beim Tragen des Elektrowerkzeuges den Finger am Schalter haben oder das Gerät eingeschaltet an die Stromversorgung anschließen, kann dies zu Unfällen führen.
- Vermeiden Sie Körperkontakt mit geerdeten Oberflächen wie von Rohren, Heizungen, Herden und Kühlschränken. Es besteht ein erhöhtes Risiko durch elektrischen Schlag, wenn Ihr Körper geerdet ist.
- Benutzen Sie das Produkt nicht, wenn die Gefahr von Blitzschlag besteht.
- Setzen Sie dieses Produkt nicht Regen oder feuchten Bedingungen aus. Ein Eindringen von Wasser in ein Gerät erhöht die Gefahr eines Stromschlags.
- Die Stromversorgung sollte über eine Fehlerstromschutzeinrichtung mit einem Auslösestrom von nicht mehr als 30 mA angeschlossen werden.
- Überprüfen Sie das Netzkabel vor jeder Benutzung auf Schäden. Es muss von einem autorisierten Kundendienst ausgetauscht werden, wenn Beschädigungen sichtbar sind. Entrollen Sie bei der Benutzung immer das Netzkabel; aufgerollte Kabel können überhitzen.
- Wenn Sie eine Verlängerungskabel benutzen müssen, stellen Sie sicher, dass es für den Einsatz im Freien geeignet ist und es ausreichend für die Strombelastung Ihres Produktes ist. Das Verlängerungskabel sollte entweder mit "H05RN-F" oder "H05 VV F" gekennzeichnet sein. Überprüfen Sie es vor jeder Benutzung auf Schäden. Entrollen Sie es immer, weil aufgewickelte Kabel überhitzen können. Beschädigte Verlängerungskabel sollten nicht repariert werden; sie sollten durch einem gleichwertigen Typ ersetzt werden.
- Verwenden Sie das Produkt nicht, falls die elektrische Leitungen beschädigt oder abgenutzt ist.
- Trennen Sie sofort die Stromversorgung, wenn das Netzkabel oder Verlängerungskabel beim Einsatz beschädigt wird. Berühren Sie nicht die Stromkabel bis die Stromversorgung getrennt ist.
- Stellen Sie sicher, dass das Netzkabel so liegt, dass es nicht vom Schneidwerkzeug beschädigt werden kann, man nicht darauf tritt, darüber stolpern kann, oder es auf andere Weise Beschädigungen und Belastungen ausgesetzt wird.
- Heben oder tragen Sie das Produkt niemals mit dem Netzkabel.
- Halten Sie das Netzkabel fern von Hitze, Öl, und scharfen Kanten.

- Stellen Sie sicher, dass die Spannung für Ihr Produkt richtig ist. Ein Typenschild auf dem Produkt zeigt die Spannung des Produktes an. Schließen Sie das Produkt niemals an eine andere als diese Gleichstromspannung an.
- Stellen Sie sicher, dass sich der Schalter auf der AUS-Position befindet, bevor Sie die Stromversorgung trennen.

VORBEREITUNG

- Tragen Sie bei Einsatz dieses Geräts vollen Augen- und Gehörschutz. Bei Arbeiten in Bereichen wo die Gefahr herabfallender Objekte besteht, muss Kopfschutz getragen werden.
- Ein Gehörschutz kann die Fähigkeit des Benutzers Warntöne zu hören einschränken. Achten Sie besonders auf mögliche Gefahren um und in dem Arbeitsbereich.
- Tragen Sie lange, schwere Hosen, Stiefel und Handschuhe. Tragen Sie keine locker sitzende Kleidung, kurze Hosen und keinen Schmuck. Gehen Sie nicht barfuß.
- Binden Sie lange Haare zurück, so dass diese sich über Schulterhöhe befinden, um zu verhindern, dass sie sich in beweglichen Teilen verfangen.
- Überprüfen Sie vor jeder Benutzung und nach jedem Schlag, dass keine Teile beschädigt sind. Ein defekter Schalter oder ein anderes Teil, das beschädigt oder abgenutzt ist, sollte durch den autorisierten Kundendienst ordnungsgemäß repariert oder ausgetauscht werden.
- Stellen Sie sicher, dass der Schneidaufsatz ordnungsgemäß montiert und befestigt ist.
- Bedienen Sie das Produkt niemals, ohne dass alle Schutzvorrichtungen, Abweiser und Griffe ordnungsgemäß und sicher befestigt sind.
- Prüfen Sie die Umgebung, in der Sie arbeiten. Halten Sie den Arbeitsbereich frei von Drähten, Stöcken, Steinen und Unrat, die emporgeschleudert werden können, wenn sie von dem Schneidwerkzeug getroffen werden.

RASENTRIMMER / RASENKANTENSCHNEIDER SICHERHEITSHINWEISE

- Benutzen Sie das Produkt nur bei Tageslicht oder gutem Kunstlicht.
- Vermeiden Sie den Einsatz in nassem Gras.
- Gehen Sie nicht rückwärts, wenn Sie das Produkt benutzen.
- Sorgen Sie für einen sicheren Stand und halten Sie das Gleichgewicht. Vermeiden Sie eine abnormale Körperhaltung. Eine abnormale Körperhaltung kann zu Gleichgewichtsverlust führen. Achten Sie bei der Arbeit an Hängen auf einen festen Stand. Gehen Sie immer, laufen Sie nie.
- Halten Sie Zuschauer, Kinder und Haustiere 15 m von dem Arbeitsbereich fern. Stoppen Sie das Produkt, wenn jemand diesen Bereich betritt.
- Halten Sie den Schneidaufsatz unterhalb der Hüfthöhe.

- Nutzen Sie das Produkt niemals mit beschädigten oder nicht montierten Schutzvorrichtungen.
- Verwenden Sie niemals einen Metallfaden als Ersatz.
- Halten Sie Ihre Hände und Füße jederzeit weit vom Schneidwerkzeug entfernt, vor allem, wenn sie den Motor einschalten.
- Vorsicht, die Schneidelemente drehen sich weiter, nachdem der Motor ausgeschaltet wurde.
- Achten Sie auf Objekte die durch das Schneidwerkzeug geschleudert werden können. Entfernen Sie alle Unrat, wie kleine Steine, Kies und andere Fremdkörper von dem Arbeitsbereich, bevor Sie die Arbeit beginnen. Drähte oder Schnüre können in dem Schneidwerkzeug verwickelt werden.
- Bitte schalten Sie das Gerät aus und trennen es von der Stromversorgung, bevor:
 - Sie das Produkt warten
 - Sie das Produkt unbeaufsichtigt zurücklassen
 - Sie es reinigen oder eine Blockierung entfernen
 - Sie Zubehörteile wechseln
 - Sie es auf Schäden überprüfen, wenn es von einem Fremdkörper getroffen wurde.
 - Sie auf Schäden überprüfen, wenn das Produkt anfängt, ungewöhnlich zu vibrieren.
 - Sie Wartungsarbeiten durchführen
- Das kleine Messer am Schneidgarniturschutz wurden so konstruiert, dass es des neu verlängerten Schneidfadens sicher und optimal kürzt. Es ist sehr scharf, berühren Sie es nicht, besonders beim Reinigen des Werkzeugs.
- Stellen Sie immer sicher, dass die Belüftungsöffnungen frei von Ablagerungen gehalten werden.
- Stellen Sie sicher, dass der Schneidaufsatz ordnungsgemäß montiert und sicher befestigt ist.
- Stellen Sie sicher, dass alle Schutzvorrichtungen, Abweiser und Griffe ordnungsgemäß und sicher befestigt sind.
- Verändern Sie das Produkt nicht in irgendeiner Weise. Dies könnte das Verletzungsrisiko für Sie und andere erhöhen.
- Verwenden Sie nur den Ersatz-Schneidfaden des Herstellers. Benutzen Sie keinen anderen Schneidaufsatz.
- Im Falle eines Unfalls oder einer Betriebsstörung schalten Sie sofort das Gerät aus und trennen Sie es von der Stromversorgung. Das Produkt darf nicht wieder in Betrieb genommen werden, bis es vollständig von einem autorisierten Kundendienst überprüft wurde.

TRANSPORT UND LAGERUNG

- Stoppen Sie die Maschine und lassen Sie sie abkühlen, bevor Sie sie lagern oder transportieren. Trennen Sie das Produkt immer von der Stromversorgung und wickeln Sie das Kabel auf, um Schäden zu vermeiden.
- Entfernen Sie alle Fremdkörper vom Produkt. Lagern Sie das Produkt an einem kühlen, trockenen und gut belüfteten Ort, der Kindern keinen Zugang bietet. Von korrodierend wirkenden Stoffen, wie Gartenchemikalien

und Enteisungssalzen, fernhalten. Nicht im Freien lagern.

- Sichern Sie die Maschine beim Transport in einem Fahrzeug gegen Bewegung oder Herunterfallen, um Verletzungen und Beschädigung des Produkts zu verhindern.

WARTUNG UND PFLEGE

⚠️ WARNUNG

Verwenden Sie ausschließlich original Ersatzteile, Zubehör und Aufsätze des Herstellers. Nichtbefolgen kann mögliche Verletzungen oder schlechte Leistung verursachen und Ihre Garantie ungültig machen.

⚠️ WARNUNG

Service und Wartung des Gerätes erfordert besonderen Sorgfalt und Kenntnisstand und sollte nur durch qualifiziertes Personal durchgeführt werden. Bringen Sie das Produkt zur Wartung zu einem autorisierten Kundendienst. Beim Service sollten Sie nur originale Ersatzteile benutzen.

- Bitte schalten Sie das Gerät aus und trennen es von der Stromversorgung, bevor Sie Wartungsarbeiten durchführen oder es reinigen.
- Sie dürfen die in dieser Bedienungsanleitung beschriebenen Einstellungen und Reparaturen durchführen. Kontaktieren Sie Ihren autorisierten Kundendienst für andere Reparaturen.
- Verwenden Sie als Ersatzfaden nur Nylonfaden mit einem Durchmesser wie in der Spezifikations-Tabelle in dieser Bedienungsanleitung beschrieben.
- Bringen Sie das Produkt nach dem Herausschieben neuen Fadens immer erst wieder in die normale Betriebsposition, bevor Sie es einschalten.
- Reinigen Sie das Produkt nach jeder Benutzung mit einem weichen, trockenen Lappen. Jedes beschädigte Teil sollte durch den autorisierten Kundendienst ordnungsgemäß repariert oder ausgetauscht werden.
- Überprüfen Sie Bolzen, Muttern und Schrauben immer wieder, ob alle fest angezogen sind, so dass das Produkt in einem sicheren Zustand ist.

RESTRISIKEN

Sogar wenn das Produkt wie vorgeschrieben benutzt wird, ist es unmöglich ein gewisses Restrisiko vollständig zu beseitigen. Die folgenden Gefahren können bei der Benutzung entstehen, und der Benutzer sollte besonders auf folgende Punkte achten:

- Durch Vibrationen verursachte Verletzungen.
 - Halten Sie das Produkt an den dafür vorgesehenen Griffen und schränken Sie die Arbeitszeit und Belastung ein.
- Lärm kann zu Gehörschaden führen.
 - Tragen Sie einen Gehörschutz und schränken Sie die Belastung ein.

- Durch geschleuderte Objekte verursachte Verletzungen
 - Tragen Sie immer einen Augenschutz.

RISIKOVERRINGERUNG

Vibrationen von in der Hand gehaltenen Produkten können bei einigen Personen zu einem Zustand, der Raynaud-Syndrom genannt wird, führen. Symptome sind u.a. Kribbeln, Taubheitsgefühl und episodische Weißfärbung der Finger und treten normalerweise bei Kälte auf. Man geht davon aus, dass ererbte Faktoren, Kälte und Feuchtigkeit, Essgewohnheiten, Rauchen und Arbeitsweise zur Entwicklung dieser Symptome beitragen. Der Anwender kann Maßnahmen ergreifen, um die Auswirkungen der Vibrationen möglicherweise zu verringern:

- Halten Sie den Körper bei Kälte warm. Tragen Sie beim Betrieb des Gerätes Handschuhe, um Hände und Handgelenke warm zu halten. Berichten zu Folge ist kaltes Wetter ein wesentlicher Faktor, der zum Raynaud Syndrom beiträgt.
- Betätigen Sie sich nach jedem Einsatz körperlich, um den Blutkreislauf zu steigern.
- Machen Sie regelmäßig Pausen. Beschränken Sie die Beanspruchung pro Tag.

Sollten bei Ihnen Symptome dieses Zustands auftreten, stellen Sie unverzüglich den Betrieb ein und suchen Sie in Hinsicht auf die Symptome einen Arzt auf.

⚠️ WARNUNG

Verletzungen können durch lange Benutzung eines Werkzeugs entstehen oder verschlimmert werden. Machen Sie regelmäßig Pause, wenn Sie ein Werkzeug für lange Zeit benutzen.

MACHEN SIE SICH MIT IHREM PRODUKT VERTRAUT

Siehe Seite 104.

1. Ein/Aus-Schalter
2. Kabelhaken
3. Netzkabelhalter
4. Schwenkknopf Kantenschneider
5. Spulenabdeckung
6. Spule
7. Messer
8. Schneidfaden
9. Schutzvorrichtung
10. Unteres Rohr
11. Oberes Rohr
12. Vorderer Haltegriff
13. Hinterer Haltegriff

SYMBOLE AUF DEM PRODUKT



Lesen und verstehen Sie alle Anweisungen, bevor Sie das Produkt benutzen, befolgen Sie alle Warnungen und Sicherheitsanweisungen.



Tragen Sie einen Augenschutz



Tragen Sie einen Gehörschutz.



Benutzen Sie kein(e) Metallklinge(n) an diesem Produkt.



Nicht Regen oder feuchten Bedingungen aussetzen.



Trennen Sie vor Wartungsarbeiten den Stecker sofort vom Stromnetz, oder falls das Kabel beschädigt, geschnitten oder verwickelt ist.



Achten Sie auf geschleuderte oder fliegende Objekte. Halten Sie alle Zuschauer, besonders Kinder und Haustiere, mindestens 15m von dem Arbeitsbereich fern.



Halten Sie die Hände von den Messern fern!



Klasse II Werkzeug, Doppelisolierung



Elektrische Geräte sollten nicht mit dem übrigen Müll entsorgt werden. Bitte entsorgen Sie diese an den entsprechenden Entsorgungsstellen. Wenden Sie sich an die örtliche Behörde oder Ihren Händler, um Auskunft über die Entsorgung zu erhalten.



Dieses Gerät entspricht allen gesetzlichen Normen des Landes der Europäischen Union, in dem es gekauft wurde.



EurAsian Konformitätszeichen



Ukrainisches Prüfzeichen



Der garantierte Schalleistungspegel beträgt 96 dB.

⚠️ WARNUNG

Weist auf eine mögliche gefährliche Situation hin, die, falls nicht vermieden, zu Tod oder ernsthafter Verletzung führen kann.

⚠️ VORSICHT

Weist auf eine mögliche gefährliche Situation hin, die, falls nicht vermieden, zu einer leichten oder mittleren Verletzung führen kann.

VORSICHT

Ohne Sicherheitswarnsymbol

Weist auf eine Situation hin, die zu Sachbeschädigungen führen kann.

SYMBOLS IN DIESER BEDIENUNGSANLEITUNG



Anschließen an das Stromnetz



Trennen vom Stromnetz



Teile oder Zubehör getrennt erhältlich



Hinweis



Warnung

Mit den folgenden Symbolen wird die Bedeutung der verschiedenen Risikostufen, die mit dem Produkt einhergehen, dargestellt.

⚠️ GEFAHR

Weist auf eine unmittelbare gefährliche Situation hin, die, falls nicht vermieden, zu Tod oder ernsthafter Verletzung führen kann.

En el diseño de este cortasetos/bordeador eléctrico se ha dado prioridad absoluta a la seguridad, el rendimiento y la fiabilidad.

USO PREVISTO

El cortasetos/bordeador eléctrico está únicamente concebido para su uso en el exterior por un operario de pie. Este producto está diseñado para cortar hierba y maleza liviana y vegetación similar en o sobre el nivel del suelo. El plano de corte debe estar aproximadamente paralelo a la superficie del suelo al cortar en horizontal y aproximadamente vertical al recortar bordes.

Este producto no debería ser utilizado para cortar o recortar setos, arbustos u otro tipo de vegetación cuando el plano de corte no es paralelo a la superficie del suelo.

No utilice el producto para cualquier otro propósito que no sea alguno de los mencionados anteriormente.

ALERTA DE SEGURIDAD GENERAL

⚠ ADVERTENCIA

Al utilizar el producto, deben seguirse las normas de seguridad. Por su propia seguridad y la de los que le rodean, lea estas instrucciones antes de utilizar el producto. Guarde las instrucciones para usarlas en el futuro.

⚠ ADVERTENCIA

Este producto no debe ser utilizado por niños o personas con discapacidad física, mental o sensorial. Los niños deben estar adecuadamente supervisados para asegurarse de que no juegan con el producto.

⚠ ADVERTENCIA

Algunas regiones tienen normas que limitan el uso del producto. Consulte con su autoridad local para obtener información.

APRENDIZAJE

- Nunca permita que niños o personas no familiarizadas con las instrucciones utilicen este producto. Las regulaciones locales pueden restringir la edad del operario.
- Lea las instrucciones cuidadosamente. Familiarícese con los mandos y con la correcta utilización del aparato.
- Mantenga a los transeúntes, a los niños y a los animales a 15 m de distancia de la zona de operación. Apague el aparato si alguien entra en el área.
- No utilice el producto cuando esté cansado, enfermo o bajo la influencia del alcohol, las drogas o medicamentos.
- Tenga presente que el operario o usuario es responsable de los accidentes o riesgos que le puedan ocurrir a otras personas o a su propiedad.

SEGURIDAD ELÉCTRICA

- Los enchufes deben ser adecuados para la toma de corriente. No modifique el enchufe de ninguna manera. No utilice ningún adaptador con herramientas eléctricas conectadas a tierra. Utilizar enchufes sin modificar y tomas correspondientes reducirán el riesgo de descargas eléctricas.
- Evite el arranque no intencionado. Compruebe siempre que el interruptor está en la posición OFF antes de conectar el producto a la fuente de alimentación. No lleve un producto enchufado con su dedo en el interruptor.
- Evite el contacto corporal con superficies conectadas a tierra, como tuberías, radiadores, estufas y refrigeradores. Existe un mayor riesgo de descargas eléctricas si su cuerpo está conectado a tierra.
- No utilice el aparato cuando haya riesgo de relámpago.
- No exponga este producto a la lluvia o humedad. Si entra agua en el aparato, esto aumentará el riesgo de descargas eléctricas.
- El suministro eléctrico debería efectuarse mediante un dispositivo de corriente residual (RDC) con una corriente activa no superior a 30 mA.
- Antes de cada uso, examine el cable para ver si está dañado. Si hay signos de daños, debe ser reemplazado por un centro de servicio autorizado. Desenrolle siempre el cable durante el uso, los cables enrollados pueden sobrecalentarse.
- Si necesita utilizar una extensión, compruebe que es adecuada en uso en el exterior y que tiene una capacidad de corriente suficiente para alimentar el aparato. El cable de prolongación deberá llevar la marca "H05RN-F" o "H05 VV F". Antes de cada uso compruebe que no hay daños. Mantenga siempre los cables desenrollados mientras los utiliza ya que los cables enrollados pueden sobrecalentarse. Los alargadores no deben repararse, deben sustituirse por otros que sean equivalentes.
- No utilizar el producto si los cables eléctricos están dañados o desgastados.
- Si el cable de alimentación o el cable extensor resultan dañados durante el uso, desconectar del suministro eléctrico inmediatamente. No tocar los cables eléctricos hasta que se haya desconectado el suministro eléctrico.
- Asegúrese de que el cable de alimentación está situado de tal manera que no puede dañarse por cortes y no se pisará, estorbará ni estará sometido a daños o molestias.
- No coja ni lleve el producto por el cable eléctrico.
- Mantenga el cable eléctrico lejos de fuentes de calor, aceite y bordes afilados.
- Asegúrese de que el voltaje es adecuado para su producto. Una placa de identificación en el producto indica el voltaje del producto. No conecte el producto a un voltaje de CA que no se corresponda con su voltaje.
- Asegúrese de que el interruptor está en posición Apagado antes de desconectarlo del suministro eléctrico.



PREPARACIÓN

- Use gafas de protección total para los ojos y oídos al utilizar este producto. Si trabaja en un área donde existe un riesgo de caída de objetos, deberá utilizar casco.
- La protección auditiva puede restringir la capacidad del operador de oír los sonidos de alarma. Hay que tener mucha atención a los peligros potenciales dentro y alrededor del área de trabajo.
- Use guantes, botas y pantalones resistentes. No utilice ropa ancha, pantalones cortos, joyas ni lo utilice con los pies descalzos.
- Recoja el cabello largo para que quede por encima del nivel de los hombros y evitar así que se enmarañe en cualquier pieza móvil.
- Antes de su uso y después de algún golpe, compruebe que no hay piezas dañadas. Los interruptores defectuosos o cualquier otra pieza dañada o gastada deben ser sustituidos o reparados adecuadamente por un establecimiento de servicio autorizado.
- Asegúrese de que el accesorio de corte está correctamente instalado y ajustado.
- Nunca use el producto excepto si todas las protecciones, deflectores y mangos están unidos de forma correcta y segura.
- Considere el ambiente en donde está trabajando. Mantenga la zona de trabajo libre de cables, palos, piedras y suciedad que, si son golpeados por la cuchilla, puedan convertirse en objetos lanzados.

ADVERTENCIAS DE SEGURIDAD DEL CORTASETOS/BORDEADOR

- Utilice el aparato sólo con luz diurna o con una buena luz artificial.
- Evite el uso en hierba mojada.
- No camine hacia atrás mientras use este producto.
- Mantenga su pisada firme y su equilibrio. No se extienda demasiado. Si lo hace, podrá perder el equilibrio. Asegúrese siempre de mantener el equilibrio y de no situarse en pendientes. Camine, nunca corra.
- Mantenga a los transeúntes, a los niños y a los animales a 15 m de distancia de la zona de operación. Apague el aparato si alguien entra en el área.
- Mantenga el accesorio de corte por debajo del nivel de la cintura.
- No utilice el producto con las cubiertas dañadas o sin tenerlas colocadas.
- Nunca adapte una línea de reemplazo de metal.
- Mantenga las manos y los pies lejos de los medios cortantes en todo momento y especialmente cuando encienda el motor.
- Tenga cuidado. Los elementos de corte siguen rotando después de apagar el motor.
- Tenga cuidado con los objetos lanzados por el medio de corte. Limpie la suciedad como pequeñas piedras, gravilla y otros objetos extraños de la zona de trabajo antes de empezar a operar. Los alambres o las cuerdas pueden enredarse en las líneas de corte.

- Desactivar y desconectar del suministro eléctrico antes de:
 - mantenimiento
 - dejar el producto desatendido
 - limpieza y desobstrucción de bloqueo de su producto
 - cambiar accesorios
 - comprobar si hay daños después de golpear un objeto
 - comprobar si hay daños en caso de que el producto empiece a vibrar de un modo anormal
 - realizar operaciones de mantenimiento
- La pequeña cuchilla encajada en el protector del césped está diseñada para cortar la nueva línea ampliada a la longitud correcta a fin de obtener un rendimiento seguro y óptimo. Es muy afilada, no la toque, especialmente cuando limpie la herramienta.
- Asegúrese siempre de que las aberturas de ventilación estén libres de residuos.
- Asegúrese de que el accesorio de corte está correctamente instalado y ajustado.
- Asegúrese de que todas las protecciones, deflectores y mangos están unidos de forma correcta y segura.
- No modifique, de ninguna manera, el producto, ya que puede aumentar el riesgo de lesionarse usted o de lesionar a los demás.
- Utilice sólo el hilo de corte de recambio del fabricante. No utilice ningún tipo de pieza cortante.
- Apague inmediatamente el aparato y desconéctelo del suministro eléctrico en el caso de accidente o avería. No vuelva a utilizar el producto hasta que un servicio de mantenimiento autorizado lo haya inspeccionado completamente.

TRANSPORTE Y ALMACENAMIENTO

- Pare el producto y deje que se enfríe antes de guardarla o transportarla. Para su almacenamiento, desconecte siempre del suministro eléctrico y enrollar el cable.
- Limpie todo el material extraño que pueda permanecer en el producto. Guarde en una zona seca y bien ventilada, a la que no puedan acceder los niños. Evite el contacto con agentes corrosivos tales como productos químicos de jardinería o sales descongelantes. No almacenar al aire libre.
- Para transportar el producto, sujételo de modo que no se mueva ni se caiga para evitar lesiones personales o daños al producto.

MANTENIMIENTO

⚠ ADVERTENCIA

Utilice sólo piezas y accesorios de recambio originales del fabricante. Si no lo hace podría ocurrir un mal funcionamiento, podrían producirse daños o podría quedar anulada la garantía.





⚠ ADVERTENCIA

Las reparaciones requieren tener mucho cuidado y conocimiento y sólo debe realizarse por un técnico de servicio calificado. Para operaciones de servicio, lleve el producto a un centro de servicio autorizado. Al realizar una reparación, sólo use piezas de reemplazo idénticas.

- Apague y desenchufe el aparato de la toma antes de realizar cualquier operación de mantenimiento o de limpieza.
- Usted puede realizar los ajustes y reparaciones descritos en este manual del usuario. Para otro tipo de reparaciones póngase en contacto con un agente de servicios autorizado.
- Para sustituir el hilo utilice solo hilo con filamento de nylon del diámetro descrito en la tabla de características de este manual.
- Después de extender un nuevo hilo de corte, asegúrese siempre de que el producto está en su posición de funcionamiento normal antes de encenderla.
- Limpiar el producto con un paño suave seco después de cada uso. Cualquier pieza dañada debe ser sustituida o reparada adecuadamente por un centro de servicio autorizado.
- Verifique a intervalos frecuentes si todas las tuercas, pernos y tornillos están apretados apropiadamente para asegurarse de que el producto esté en buenas condiciones de trabajo.

RIESGOS RESIDUALES:

Incluso cuando se utiliza el producto según las instrucciones, sigue siendo imposible eliminar por completo ciertos factores de riesgo residuales. Los siguientes peligros pueden surgir en el uso y el operador debe prestar especial atención para evitar lo siguiente:

- Lesiones por vibración.
 - Sujete el producto por los mangos destinados al efecto y limite el tiempo de funcionamiento y de exposición.
- Daños auditivos causados por la exposición al ruido.
 - Use protección para los oídos y limite el tiempo de exposición.
- Lesiones oculares provocadas por detritos proyectados.
 - Use siempre protección para los ojos.

REDUCCIÓN DEL RIESGO

Se ha demostrado que las vibraciones provenientes de productos que se sostienen con las manos pueden contribuir a la aparición de una enfermedad denominada Síndrome de Raynaud en determinados individuos. Los síntomas pueden incluir hormigueo, entorpecimiento y decoloración de los dedos, generalmente aparentes cuando tiene lugar una exposición al frío. Se considera que los factores hereditarios, exposición al frío y a la humedad, dieta, tabaquismo y prácticas de trabajo contribuyen al desarrollo de estos síntomas. Existen medidas que pueden ser tomadas por el operador para reducir los efectos de vibración:

- Mantenga su cuerpo caliente durante el tiempo frío. Al manipular el producto, utilice guantes para mantener las manos y las muñecas calientes. Hay informes que indican que el tiempo frío es un gran factor que contribuye al síndrome de Raynaud.
- Después de cada período de funcionamiento, realice ejercicios para aumentar la circulación sanguínea.
- Haga pausas de trabajo frecuentes. Limite la cantidad de exposición por día.

Si siente alguno de los síntomas de esta enfermedad, interrumpa inmediatamente el uso y consulte a su médico estos síntomas.

⚠ ADVERTENCIA

El uso prolongado de una herramienta puede causar o agravar lesiones. Al utilizar cualquier herramienta durante períodos prolongados asegúrese de tomar descansos regulares.

CONOZCA SU PRODUCTO

Véase la página 104.

1. Gatillo de encendido/apagado (On/Off)
2. Gancho del cable
3. Retenedor del cable eléctrico
4. Botón de canteado
5. Cubierta del carrete
6. Bobina
7. Cuchilla de corte
8. Hilo de corte
9. Protección de seguridad
10. Tubo inferior
11. Tubo superior
12. Mango delantero
13. Mango trasero

SÍMBOLOS EN EL PRODUCTO



Lea y comprenda todas las instrucciones antes de manipular el producto, respete las advertencias y las instrucciones de seguridad.



Utilice protección ocular



Use protección para los oídos.



No utilice cuchillas metálicas en el producto.



No la esponja a la lluvia o a lugares húmedos.

- EN
- FR
- DE
- ES
- IT
- NL
- PT
- DA
- SV
- FI
- NO
- RU
- PL
- CS
- HU
- RO
- LV
- LT
- ET
- HR
- SL
- SK
- BG
- UK
- TR





Retire el enchufe de la corriente inmediatamente antes de realizar cualquier mantenimiento o si el cable está dañado, cortado o enredado.



Tenga cuidado con los objetos volátiles o lanzados. Mantenga a todos los espectadores, especialmente a los niños y las mascotas, por lo menos a 15 metros de la zona de trabajo.



Mantenga las manos alejadas de las hojas.



Herramienta de tipo II, doble aislamiento



Los productos eléctricos de desperdicio no deben desecharse con desperdicios caseros. Por favor recíclelos donde existan dichas instalaciones. Compruebe con su autoridad local o minorista para reciclar.



Esta herramienta responde a todas las normas reglamentarias del país de la UE donde se ha comprado.



Certificado EAC de conformidad



Marca de conformidad ucraniana



El nivel de potencia sonora garantizado es de 96 dB.

SÍMBOLOS EN ESTE MANUAL



Conectar a la toma de corriente



Desconectar de la toma de corriente



Las piezas o accesorios se venden por separado



Nota



Advertencia

Los siguientes símbolos y palabras detallan los niveles de cuidado necesarios para usar este producto.

PELIGRO

Indica una situación potencialmente peligrosa que, de no evitarse, puede ocasionar la muerte o heridas de gravedad.

ADVERTENCIA

Indica una situación peligrosa que, de no evitarse, puede ocasionar la muerte o heridas de gravedad.

ADVERTENCIA

Indica una situación potencialmente peligrosa que, de no evitarse, puede ocasionar heridas leves.

ADVERTENCIA

Sin símbolo de alerta de seguridad

Indica una situación que puede causar daños en las cosas.



Il design del tagliabordi elettrico è stato progettato per garantire sicurezza, prestazioni e affidabilità.

UTILIZZO RACCOMANDATO

Il tagliabordi elettrico è destinato all'utilizzo esclusivamente all'aperto.

Il prodotto è progettato per tagliare erba, erbacce sottili e altra vegetazione simile al o attorno al livello del terreno. Il piano di taglio deve essere approssimativamente parallelo alla superficie del pavimento durante il taglio e approssimativamente verticale durante la bordatura.

Il prodotto non deve essere utilizzato per tagliare o sfondare siepi, cespugli o altra vegetazione in cui il piano di taglio non è parallelo alla superficie del terreno.

Non utilizzare il prodotto per scopi non indicati sopra.

AVVERTENZE GENERALI DI SICUREZZA

⚠ AVVERTENZA

Quando si utilizza questo prodotto, seguire eventuali norme di sicurezza. Per la propria sicurezza e per la sicurezza degli osservatori, leggere queste istruzioni prima di mettere in funzione il prodotto. Conservare le istruzioni per eventuali utilizzi futuri.

⚠ AVVERTENZA

Prodotto non inteso per essere utilizzato da bambini o persone con ridotte capacità fisiche, mentali o sensoriali. Supervisionare adeguatamente i bambini per assicurarsi che non giochino con il prodotto.

⚠ AVVERTENZA

Alcune regioni hanno norme che limitano l'utilizzo del prodotto. Rivolgersi alle autorità locali per eventuali consigli.

UTILIZZO

- Non lasciare che bambini o persone che non conoscono le istruzioni lo utilizzino. Leggi locali possono limitare l'età dell'operatore.
- Leggere attentamente le istruzioni. Familiarizzare con tutti i controlli e con l'utilizzo corretto del prodotto.
- Tenere osservatori, bambini e animali ad almeno 15 metri di distanza dall'area delle operazioni. Arrestare il prodotto nel caso in cui eventuali osservatori entrino nell'area di lavoro.
- Non utilizzare il prodotto se stanchi, malati o sotto l'influenza di alcool, droghe o medicinali.
- Ricordare che l'operatore sarà responsabile di eventuali lesioni o danni a persone o cose.

SICUREZZA ELETTRICA

- Le prese dell'alimentazione devono essere compatibili con la spina. Non modificare la spina in alcun modo. Non utilizzare spine adattatrici con elettrotensili con messa a terra (presa di terra). Spine non modificate

e prese corrispondenti ridurranno il rischio di scosse elettriche.

- Non mettere in funzione accidentalmente l'utensile. Controllare sempre che l'interruttore sia in posizione Off (spento) prima di collegare il prodotto all'alimentazione. Non trasportare mai il prodotto con il dito sull'interruttore.
- Evitare il contatto del corpo con superfici con messa a terra come tubi, radiatori, piani cottura e refrigeratori. Rischio aumentato di scosse elettriche se il corpo viene collegato con messa a terra.
- Non utilizzare il prodotto in caso di rischi di fulmini.
- Non esporre il prodotto a pioggia o umidità. Si aumenterà il rischio di scosse elettriche nel caso in cui l'acqua entri nel dispositivo.
- La corrente elettrica dovrà essere fornita attraverso un dispositivo di corrente residua (RCD) con una corrente di scatto non superiore a 30 mA.
- Prima di ogni utilizzo, controllare il cavo dell'alimentazione per evidenziare eventuali danni. Nel caso in cui si riscontrino segni di danni, far sostituire l'utensile da un centro servizi autorizzato. Srotolare sempre il cavo prima dell'uso, cavi arrotolati possono surriscaldarsi.
- Nel caso in cui si abbia bisogno di una prolunga assicurarsi che la stessa sia adatta all'utilizzo in esterni e abbia una capacità di corrente sufficiente per alimentare il prodotto. La prolunga dovrà essere marcata con "H05RN-F" o "H05 VV F". Controllare che l'utensile non presenti danni prima di ogni utilizzo. Srotolarlo sempre durante l'utilizzo dal momento che i cavi arrotolati potranno surriscaldarsi. Cavi di prolughe danneggiati non devono essere riparati, devono essere sostituiti con un tipo equivalente.
- Non utilizzare il prodotto se i cavi elettrici sono stati danneggiati o sono consumati.
- Se il cavo dell'alimentazione o la prolunga vengono danneggiati durante l'utilizzo scollegarli immediatamente dall'alimentazione. Non toccare i cavi elettrici prima che l'alimentazione non sia stata scollegata.
- Assicurarsi che il cavo dell'alimentazione sia posizionato in modo da non essere danneggiato dai dispositivi di taglio, in modo che non venga calpestato o da non causare inciampo né che venga sottoposto a danni o stress.
- Non prendere né trasportare mai il prodotto dal cavo elettrico.
- Tenere il cavo lontano da fonti di calore, olio ed angoli appuntiti.
- Assicurarsi che il voltaggio sia corretto per il prodotto. Una targhetta sul prodotto indica il voltaggio del prodotto. Non collegare il prodotto a voltaggio AC diverso dal voltaggio del presente prodotto.
- Assicurarsi che l'interruttore sia su OFF (spento) prima di scollegarlo dall'alimentazione.

PREPARAZIONE

- Indossare occhiali e cuffie di protezione mentre si utilizza questo prodotto. Nel caso in cui si sia lavorando in un'area dove vi sia rischio di caduta di oggetti,





indossare sempre una protezione per la testa.

- Le cuffie di protezione potranno limitare la capacità dell'operatore di sentire avvertimenti e segnalazioni sonore. Fare particolare attenzione a potenziali rischi attorno e all'interno dell'area di lavoro.
- Indossare pantaloni lunghi e resistenti, stivali e guanti da lavoro. Non indossare abbigliamento con parti svolazzanti, pantaloni corti, gioielli di ogni genere né utilizzare il dispositivo a piedi scalzi.
- Assicurare i capelli lunghi al di sopra delle spalle per evitare che rimangano impigliati nelle parti in movimento.
- Prima dell'utilizzo e dopo ogni impatto, controllare che non vi siano parti danneggiate. Un interruttore difettoso o qualsiasi parte danneggiata o consumata dovrebbe essere accuratamente riparata o sostituita da un servizio autorizzato.
- Assicurarsi che l'accessorio di taglio sia accuratamente installato e serrato.
- Non mettere mai in funzione il prodotto a meno che tutti gli schermi, i deflettori e i manici siano correttamente e saldamente montati.
- Non utilizzare l'elettro utensile in ambienti umidi o in presenza di acqua. Tenere l'area di lavoro pulita, rimuovendo sempre cavi, bastoni, pietre e detriti che, se incastrati nell'utensile, potranno venire scagliati dalla stessa.

AVVERTENZE DI SICUREZZA DEL TAGLIABORDI

- Utilizzare il prodotto solo alla luce del giorno o con una buona illuminazione artificiale.
- Evitare di utilizzare sull'erba bagnata.
- Non camminare all'indietro quando si utilizza l'utensile.
- Mantenere sempre un appoggio saldo e l'equilibrio. Non protendersi. Protendersi potrà causare una perdita di equilibrio. Mantenere l'equilibrio su terreni in discesa. Camminare, non correre mai.
- Tenere osservatori, bambini e animali ad almeno 15 metri di distanza dall'area delle operazioni. Arrestare il prodotto nel caso in cui eventuali osservatori entrino nell'area di lavoro.
- Tenere l'accessorio di taglio al di sotto dell'addome.
- Non mettere mai in funzione il prodotto con paralame danneggiati o senza paralame.
- Non sostituire mai un cavo di metallo.
- Tenere mani e piedi lontani dalle parti di taglio e soprattutto durante l'accensione del motore.
- Fare attenzione, gli elementi di taglio continueranno a ruotare dopo aver spento il motore
- Fare attenzione agli oggetti che potranno essere scagliati dalle parti di taglio dell'utensile. Rimuovere i detriti come piccole pietre, sassolini e simili dall'area di lavoro prima di avviare le operazioni. I cavi o fili potranno rimanere impigliati nelle parti di taglio.
- Spegnerne e scollegare dall'alimentazione prima di:
 - assistenza
 - Lasciare il prodotto incustodito

- Pulire il prodotto o rimuovere un eventuale blocco
- Cambio accessori
- Controllare eventuali danni dopo aver colpito un oggetto
- Controllare eventuali danni se il prodotto inizia a vibrare eccessivamente
- Svolgere le operazioni di manutenzione
- La lama piccola montata sul paraerba è progettata per tagliare il nuovo filo di taglio alla corretta lunghezza per sicurezza e prestazioni ottimali. È molto affilato, non toccarlo soprattutto quando si pulisce l'utensile.
- Assicurarsi che le griglie di ventilazione siano pulite e rimuovere eventuali materiali di scarto rimasti intrappolati.
- Assicurarsi che l'accessorio di taglio sia accuratamente installato e serrato.
- Assicurarsi che i paralame, deflettori e manici siano montati accuratamente e correttamente.
- Non modificare il prodotto in alcun modo dal momento che ciò potrà aumentare il rischio di lesioni a se stessi e agli altri.
- Utilizzare solo il filo di taglio di sostituzione della ditta produttrice. Non utilizzare alcun altro accessorio di taglio.
- Spegnerne immediatamente e scollegare l'alimentazione in caso di incidente o rottura. Non utilizzare di nuovo il prodotto finché non è stato controllato a fondo da un centro di assistenza autorizzato.

TRASPORTO E RIPONIMENTO

- Arrestare l'utensile e lasciarlo raffreddare prima di riporlo o trasportarlo. Scollegare dall'alimentazione e arrotolare il cavo prima di riporre l'utensile.
- Rimuovere eventuali materiali di scarto dal prodotto. Riporre in un luogo asciutto e ben ventilato non accessibile ai bambini. tenerlo a distanza da agenti corrosivi, come le sostanze chimiche per il giardinaggio e il fondente chimico. Non riporre all'esterno.
- Per il trasporto, assicurare il prodotto contro ogni movimento o contro eventuali cadute per evitare lesioni a persone o danni al prodotto.

MANUTENZIONE

⚠ AVVERTENZA

Utilizzare solo parti di ricambio, accessori e dispositivi originali della ditta produttrice. In caso contrario si potranno causare lesioni, prestazioni basse e la garanzia verrà invalidata.

⚠ AVVERTENZA

Le operazioni di manutenzione devono essere svolte con grande attenzione e accortezza solo da un tecnico qualificato. Per la manutenzione, portare il prodotto presso un centro servizi autorizzato. Quando l'attrezzo viene riparato, utilizzare solo ricambi identici.





- Spegner e scollegare dall'alimentazione principale prima di svolgere operazioni di manutenzione o pulizia.
- L'operatore potrà fare le regolazioni e riparazioni descritte nel presente manuale. Per ulteriori riparazioni, contattare il centro servizi autorizzato.
- Per sostituire il filo di taglio, utilizzare solo il filo in nylon del diametro descritto nella tabella delle specifiche del presente manuale.
- Dopo aver esteso il nuovo filo di taglio, riportare sempre il prodotto alla normale posizione di funzionamento prima dell'avvio.
- Dopo ogni uso, pulire il prodotto con una panno morbido e asciutto. Riparare eventuali parti danneggiate o farle sostituire da un centro servizi autorizzato.
- Controllare frequentemente dadi, bulloni e viti, verificando che siano stati assicurati correttamente per fare in modo che il prodotto garantisca condizioni di lavoro ottimali.

RISCHI RESIDUI:

Anche quando il prodotto viene utilizzato come indicato, è impossibile eliminare completamente alcuni fattori di rischio residuo. Si potranno verificare i seguenti rischi durante l'utilizzo e l'operatore dovrà prestare attenzione speciale per evitare quanto segue:

- Lesioni causate da vibrazioni.
 - Reggere il prodotto dai manici e limitare i tempi di utilizzo e l'esposizione.
- Danni causati all'udito dall'esposizione al rumore.
 - Indossare cuffie di protezione e limitare l'esposizione.
- Lesioni agli occhi causate da detriti scagliati dall'utensile.
 - Indossare sempre protezioni per gli occhi.

RIDUZIONE DEL RISCHIO

Le vibrazioni ai prodotti manuali possono contribuire a causare una condizione che si chiama Sindrome di Raynaud in alcune persone. I sintomi, comprendenti formicolio, intorpidimento e perdita di colore alle dita, si verificano di solito quando ci si espone al freddo. Fattori ereditari, esposizione a freddo e umidità, una dieta scorretta, fumo e condizioni di lavoro non sicure potranno contribuire allo sviluppo di questi sintomi. È possibile prendere delle precauzioni per ridurre le vibrazioni:

- Tenere il corpo al caldo a basse temperature. Quando si utilizza il prodotto indossare guanti per tenere le mani e i polsi caldi. Le basse temperature contribuiscono a causare la Sindrome di Raynaud.
- Dopo aver utilizzato l'utensile per un certo periodo, fare degli esercizi per stimolare la circolazione del sangue.
- Fare spesso delle pause. Limitare la quantità di esposizione giornaliera.

Nel caso in cui si provino i sintomi di questa condizione, interrompere immediatamente l'utilizzo dell'utensile e consultare un dottore.

⚠ AVVERTENZA

Il prolungato utilizzo dell'utensile potrà causare o aggravare lesioni. Quando si utilizza questo utensile per periodi di tempo prolungati, assicurarsi di fare sempre delle pause regolari.

FAMILIARIZZARE CON IL PRODOTTO

Verdere pagina 104.

1. Grilletto On/Off (Acceso/Spento)
2. Gancio cavo
3. Dispositivo di blocco cavo di alimentazione
4. Pulsante per la bordatura
5. Coperchio bobina
6. Bobina
7. Lama di taglio
8. Filo di taglio
9. Schermo di sicurezza
10. Tubo inferiore
11. Tubo superiore
12. Manico anteriore
13. Manico posteriore

SIMBOLI SUL PRODOTTO



Leggere e comprendere tutte le istruzioni prima di mettere in funzione il prodotto, seguire tutte le istruzioni e le avvertenze di sicurezza.



Indossare dispositivi di protezione occhi



Indossare cuffie di protezione.



Non utilizzare lama(e) metallica(he) con questo prodotto.



Non esporre a pioggia o umidità.



Rimuovere la spina dalla presa immediatamente prima di svolgere le operazioni di manutenzione o se il cavo è danneggiato, tagliato o impigliato.



Fare attenzione ad oggetti scagliati o lanciati dall'utensile. Tenere lontani tutti gli osservatori, soprattutto bambini e animali, ad almeno 15m dalla zona di funzionamento.



Tenere le mani lontane dalle lame.



Utensile di Classe II, isolamento doppio





I prodotti elettrici non devono essere smaltiti con i rifiuti domestici. Vi sono strutture per smaltire tali prodotti. Informarsi presso il proprio Comune o rivenditore di sicurezza per smaltire adeguatamente tali rifiuti.



Questo apparecchio è conforme a tutte le norme vigenti nel paese dell'UE in cui è stato acquistato.



Marchio di conformità EurAsian



Marchio di conformità ucraino



Il livello garantito di potenza sonora è di 96 dB.

I seguenti simboli indicano i livelli di rischio associati a questo prodotto.

⚠ PERICOLO

Indica una situazione pericolosa che, se non evitata attentamente, potrà causare gravi lesioni alla persona o morte.

⚠ AVVERTENZA

Indica una situazione potenzialmente pericolosa che, se non evitata attentamente, potrà causare gravi lesioni alla persona o morte.

⚠ ATTENZIONE

Indica una situazione potenzialmente pericolosa che, se non evitata attentamente, potrà causare lesioni minori o moderate alla persona.

ATTENZIONE

Senza simbolo di allerta di sicurezza

Indica una situazione che potrà risultare in gravi danni a cose.

SIMBOLI NEL PRESENTE MANUALE



Collegare alla presa dell'alimentazione



Scollegare dalla presa dell'alimentazione



Parti o accessori venduti separatamente



Note



Avvertenze

Bij het ontwerp van uw elektrische gazontrimmer/graskantrimmer hebben veiligheid, prestaties en betrouwbaarheid de hoogste prioriteit gekregen.

VOORGESCHREVEN GEBRUIK

De elektrische gazontrimmer/graskantrimmer is uitsluitend bedoeld voor gebruik buitenshuis door een gebruiker die staat.

Het product is ontworpen voor het maaien van gras, licht onkruid en andere gelijkaardige vegetatie op en nabij bodemniveau. Het snijvlak moet ongeveer parallel zijn aan het grondoppervlak wanneer u trimt en bijna verticaal wanneer u kanten bijwerkt.

Het product mag niet worden gebruikt om heggen, struiken of andere begroeiing te snoeien of trimmen waar het maaiblad niet parallel is met de grond.

Gebruik het product voor andere doeleinden dan deze die hierboven zijn opgelijst.

ALGEMENE VEILIGHEIDSWAARSCHUWINGEN

⚠ WAARSCHUWING

Wanneer u het product gebruikt, moeten de veiligheidsregels worden opgevolgd. Voor uw eigen veiligheid en deze van omstanders, dient u deze instructies te lezen voor u het product gebruikt. Bewaar de instructies op een veilige plaats voor later gebruik.

⚠ WAARSCHUWING

Het product is niet geschikt voor gebruik door kinderen of personen met verminderde fysieke, mentale of zintuigelijke vermogens. Kinderen moeten onder toezicht staan om ervoor te zorgen dat ze niet met het product spelen.

⚠ WAARSCHUWING

Enkele regio's hebben regels die het gebruik van het product beperken. Raadpleeg uw lokale autoriteit voor advies.

OPLEIDING

- Laat kinderen of personen die niet vertrouwd zijn met deze instructies, het product gebruiken. De plaatselijke wetgeving kan beperkingen opleggen i.v.m. de leeftijd van de bediener.
- Lees zorgvuldig de instructies. Wees vertrouwd met alle bedieningen en het correct gebruik van het product.
- Houd omstanders, kinderen en huisdieren op tenminste 15 m afstand van het werkgebied. Leg het product stil als iemand het werkgebied betreedt.
- Gebruik het product nooit als u moe of ziek bent of onder de invloed van alcohol, drugs of medicijnen staat.
- Hou er rekening mee dat de bediener of gebruiker verantwoordelijk is voor ongevallen of gevaren t.o.v. anderen of hun eigendom.

ELEKTRISCHE VEILIGHEID

- De stekker moet overeenkomen met de contactdoos. Wijzig de stekker nooit. Gebruik geen adapters met geaarde elektrische werktuigen. Niet-gewijzigde stekkers en overeenkomstige contactdozen zullen het risico op elektrische schok verminderen.
- Voorkom ongewild starten. Controleer altijd of de schakelaar zich in de uit-stand bevindt voor u het product met de contactdoos verbindt. Draag het product niet met de stekker in het stopcontact en uw vinger op de schakelaar.
- Vermijd lichaamscontact met een geaard oppervlak, zoals buizen, radiatoren, kookfornuizen en koelkasten. Er bestaat een verhoogd risico voor elektrische schokken als uw lichaam is geaard.
- Gebruik het product niet als er gevaar is voor bliksem.
- Stel het product niet bloot aan regen of natte omstandigheden. Water dat in het apparaat binnensijpelt verhoogt het risico voor elektrische schok.
- Elektrische stroom moet via een aardlekschakelaar (RCD) worden geleverd met een uitschakelstroom van niet meer dan 30 mA.
- Voor elk gebruik controleert u het stroomsnoer op schade. Als er tekenen van schade zijn, moet dit door een geautoriseerd onderhoudscentrum worden vervangen. Ontrol het stroomsnoer altijd tijdens gebruik, opgerolde snoeren kunnen oververhitten.
- Als u een verlengsnoer moet gebruiken, zorg er dan voor dat dit geschikt is voor buitenshuis gebruik en dat het stroomvermogen voldoende is om uw product van stroom te voorzien. Het verlengsnoer moet gemarkeerd zijn met "H05RN-F" of "H05 VV F". Controleer voor elk gebruik op schade. Laat tijdens gebruik altijd afrollen omdat opgerolde kabels kunnen oververhitten. Beschadigde verlengsnoeren mogen niet worden hersteld, maar moeten door een gelijkaardig type worden vervangen.
- Gebruik het product niet als de elektrische kabels beschadigd of versleten zijn.
- Als het stroom- of verlengsnoer tijdens het gebruik beschadigd raakt, dient u het onmiddellijk van de stroomtoevoer te ontkoppelen. Raak de elektrische kabels niet aan tot de stroomtoevoer werd ontkoppeld.
- Zorg ervoor dat het stroomsnoer zo is geplaatst dat het niet door de snijelementen kan worden beschadigd en men er niet kan op trappen, er over struikelen of op een andere manier beschadigen of onder druk brengen.
- Til het product nooit op aan de elektrische kabel of draag het nooit aan de elektrische kabel.
- Houd het stroomsnoer weg van hitte, olie en scherpe randen.
- Zorg ervoor dat de spanning correct is voor uw product. Een naamplaatje op het product duidt de spanning van het product aan. Verbind het product nooit met een AC-spanning die verschilt van deze spanning.
- Zorg ervoor dat de schakelaar zich in de Off-positie bevindt voor u de machine van de stroombron ontkoppelt.



VOORBEREIDING

- Draag volledige gezichts- en gehoorbescherming terwijl u het product bedient. Als u op een plaats werkt waar het risico bestaat op vallende voorwerpen moet een veiligheidshelm worden gedragen.
- Geheorsbescherming kan de mogelijkheid dat de operator geluiden hoort, verkleinen. Wees bijzonder voorzichtig voor mogelijke gevaren rond en op de werkplek.
- Draag een zware lange broek, laarzen en handschoenen. Draag geen losse kleding, korte broek, juwelen van enig soort en gebruik het apparaat niet met blote voeten.
- Maak lang haar vast boven schouderhoogte om te voorkomen dat het verstrikt raakt in de bewegende delen.
- Voor gebruik en na elke impact controleert u op beschadigde onderdelen. Een defecte schakelaar of een ander onderdeel dat beschadigd of versleten is, moet deskundig worden hersteld of vervangen door een geautoriseerde onderhoudsdienst.
- Zorg ervoor dat het snijvoorzetstuk goed is geïnstalleerd en stevig is vastgemaakt.
- Gebruik het product nooit tenzij alle beschermers, deflectoren en handvatten correct en stevig zijn bevestigd.
- Hou rekening met de omgeving waarin u werkt. Houd het werkgebied vrij van kabels, stokken, stenen en afval dat door de maaier kan worden weggegooid, indien geraakt.

VEILIGHEIDSWAARSCHUWINGEN MET BETREKKING TOT DE GRAS/RAND-TRIMMER

- Gebruik het product uitsluitend bij daglicht of goede kunstmatige verlichting.
- Vermijd gebruik van de machine op nat gras.
- Stap niet achteruit terwijl u het product gebruikt.
- Bewaar steeds een stevige houvast en goed evenwicht. Overrek u niet. Rek u niet uit, waardoor u uw evenwicht kunt verliezen. Zorg ervoor dat u altijd stevig vast staat op hellingen. Stap altijd, loop nooit.
- Houd omstaanders, kinderen en huisdieren op tenminste 15 m afstand van het werkgebied. Leg het product stil als iemand het werkgebied betreedt.
- Houd het snijvoorzetstuk onder het heupniveau.
- Gebruik het product nooit wanneer de beschermers beschadigd of niet gemonteerd zijn.
- Monteer nooit een metalen vervangingslijn.
- Hou handen en voeten steeds helemaal weg bij het inschakelen van de motor en tijdens het snijden.
- Pas op! De snijelementen blijven draaien nadat de motor is uitgeschakeld.
- Wees voorzichtig voor voorwerpen die door de snijelementen worden weggegooid. Verwijder afval, zoals kleine stenen, grind en andere vreemde voorwerpen uit het werkgebied voor u begint te werken. Draden of touw kunnen/kan in het snijmechanisme vast komen te zitten.

- Schakel de machine uit en ontkoppel deze van de stroombron voor:
 - onderhoud
 - het product onbeheerd achterlaten
 - uw product reinigen of een blokkering vrijmaken
 - accessoires vervangen
 - controleer op schade nadat u een voorwerp hebt geraakt
 - controleer op schade als het product abnormaal begint te trillen
 - onderhoud uitvoeren
- Het kleine snijblad dat in de maaibeschermer is geïntegreerd, is ontworpen om de nieuwe uitgebrachte lijn op de correcte lengte af te snijden voor veilige en optimale prestaties. Het is heel scherp, niet aanraken, vooral niet terwijl u het werktuig reinigt
- Zorg er altijd voor dat de ventilatie-openingen vrij blijven van afval.
- Zorg ervoor dat het snijvoorzetstuk goed is geïnstalleerd en stevig is vastgemaakt.
- Zorg ervoor dat alle beschermers en handvatten goed en veilig zijn vastgemaakt.
- Wijzig het product niet aangezien dit het risico op letsels voor uzelf en anderen kan verhogen.
- Gebruik alleen de vervangmaailijn van de fabrikant. Gebruik geen enkel ander maaivoorzetstuk.
- Bij een ongeval of defect direct uitschakelen en uit het stopcontact halen. Gebruik het product niet opnieuw totdat het volledig is gecontroleerd door een erkend onderhoudscentrum.

TRANSPORT EN OPSLAG

- Leg het product stil en laat het afkoelen voor u het opbergt of transporteert. Ontkoppel de machine altijd van de stroomtoevoer en rol de kabel op als u de machine bewaart.
- Verwijder alle vreemde voorwerpen van het product. Bewaar op een koele, droge en goed geventileerde plaats die niet toegankelijk is voor kinderen. Houd corrosieve producten, zoals tuinchemicaliën en strooizout uit de buurt van het apparaat. Bewaar niet buitenshuis.
- Voor transport beveilig u het product tegen bewegen of vallen om lichamelijke letsels of schade aan het product te voorkomen.

ONDERHOUD

⚠ WAARSCHUWING

Gebruik uitsluitend originele vervagonderdelen, accessoires en voorzetstukken van de fabrikant. Als u dit niet doet, kan dit mogelijk letsels of slechte prestaties veroorzaken waardoor uw garantie kan vervallen.





⚠ WAARSCHUWING

Het onderhoud vereist extreme voorzichtigheid en deskundigheid en mag enkel door een gekwalificeerde onderhoudstechnicus worden uitgevoerd. Voor onderhoud brengt u het product naar een geautoriseerd onderhoudscentrum. Gebruik voor het onderhoud alleen identieke vervangingsonderdelen.

- Schakel het product uit en trek de stekker uit de contactdoos voor u onderhouds- of reinigingswerken uitvoert.
- U kunt de afstellingen en reparaties die in deze gebruiksaanwijzing worden vermeld, uitvoeren. Voor andere herstellingen, neemt u contact op met uw geautoriseerd onderhoudsagent.
- Als vervanglijn gebruikt u uitsluitend filamentlijnen uit nylon van de diameter die in de specificatielijst van deze gebruiksaanwijzing is beschreven.
- Nadat u een nieuwe maailijn hebt uitgebracht, brengt u het product altijd terug in de normale bedrijfspositie voor u start.
- Na elk gebruik, reinigt u het product met een zachte, droge doek. Een beschadigd onderdeel moet door een geautoriseerd onderhoudscentrum goed worden gerepareerd of vervangen.
- Controleer regelmatig of alle moeren, bouten en vijzen goed zijn vastgemaakt om zeker te zijn dat het product veilig kan worden gebruikt.

RESTRISICO'S

Zelfs wanneer het product zoals voorgeschreven wordt gebruikt, is het nog steeds onmogelijk om bepaalde restrisico's volledig te elimineren. De volgende gevaren kunnen zich voordoen tijdens het gebruik en de gebruiker dient in het bijzonder aandacht te hebben om de volgende situaties te vermijden:

- Letsels veroorzaakt door trillingen.
 - Houd het product uitsluitend vast aan de handvatten en beperk de bedrijfs- en blootstellingstijd.
- Gehoorschade veroorzaakt door blootstelling aan geluid.
 - Draag gehoorbescherming en beperk de blootstelling.
- Gezichtsletsels door rondvliegend afval.
 - Draag altijd gezichtsbescherming.

RISICOBEPERKING

Trillingen door handbediende producten kunnen in bepaalde gevallen bijdragen tot het Fenomeen van Raynaud. Symptomen kunnen ondermeer tintelingen, gevoelloosheid en bleek worden van de vingers omvatten, wat normaal gezien duidelijk wordt bij blootstelling aan koude. Erfelijke factoren, blootstelling aan koude en vocht, dieet, roken en werkroutine kunnen allemaal bijdragen tot de ontwikkeling van deze symptomen. Er kunnen door de bediener maatregelen worden genomen om de gevolgen van de trillingen te beperken:

- Houd bij koud weer uw lichaam warm. Draag handschoenen terwijl u het product gebruikt om de handen en polsen warm te houden. Men neemt aan dat koud weer een belangrijke factor is die bijdraagt tot het Syndroom van Raynaud.
- Doe oefeningen om de bloeddoorstroming te bevorderen na elke periode van gebruik.
- Neem regelmatig een pauze. Beperk het aantal uren dat u per dag wordt blootgesteld.

Wanneer u enige van de symptomen van deze aandoening ervaart, stop dan onmiddellijk met het gebruik van het toestel en raadpleeg uw dokter

⚠ WAARSCHUWING

Letsels kunnen worden veroorzaakt of ernstiger worden door verlengd gebruik van een werktuig. Als u een werktuig gedurende langere periodes gebruikt, neem dan regelmatig pauze.

KEN UW PRODUCT

Zie pagina 104.

1. Aan-/uithendel
2. Touwhaak
3. Stroomsnoerhouder
4. Kanttrimknop
5. Spoeldeksel
6. Spoel
7. Afsnijblad
8. Maailijn
9. Veiligheidsscherm
10. Onderbuis
11. Bovenbuis
12. Voorste handvat
13. Achterste handvat

SYMBOLEN OP HET PRODUCT



Lees en begrijp alle instructies voor u het product bedient, volg alle waarschuwingen en veiligheidsinstructies.



Draag gezichtsbescherming



Draag gehoorbescherming



Gebruik geen metalen blad(en) op het product.



Stel niet bloot aan regen of vocht.

- EN
- FR
- DE
- ES
- IT
- NL**
- PT
- DA
- SV
- FI
- NO
- RU
- PL
- CS
- HU
- RO
- LV
- LT
- ET
- HR
- SL
- SK
- BG
- UK
- TR





Trek de stekker uit de contactdoos onmiddellijk voor onderhoud of als het snoer is beschadigd, doorgesneden of verstrikt.



Houd rekening met weggeslingerde of rondvliegende voorwerpen. Houd alle omstanders, in het bijzonder kinderen en huisdieren, op tenminste 15m afstand van het werkgebied.



Houd handen weg van snijbladen.



Klasse II-apparaat, dubbele isolatie



Elektrisch afval mag niet samen met ander huishoudafval worden weggegooid. Gelieve te recyclen indien de mogelijkheid bestaat. Neem contact op met uw lokaal bestuur of handelaar om advies te krijgen over recyclage.



Dit apparaat voldoet aan alle geldende normen van Lid-Staat van de Europese Unie waar het werd gekocht.



EurAsian-symbool van overeenstemming



Oekraïens conformiteitssymbool



Het gegarandeerd geluidsniveau bedraagt 96 dB.

SYMBOLLEN IN DEZE GEBRUIKSAANWIJZING



Met een contactdoos verbinden



Trek uit de contactdoos



Onderdelen of accessoires afzonderlijk verkocht



Opmerking



Waarschuwing

De volgende kernwoorden en verklaringen zijn bedoeld om de gevareniveaus die op dit toestel betrekking hebben, te verklaren.

GEVAAR

Wijst op een gevaarlijke situatie die, als ze niet wordt voorkomen, dodelijk kan zijn of ernstige verwondingen kan veroorzaken.

WAARSCHUWING

Wijst op een mogelijks gevaarlijke situatie die, als ze niet wordt voorkomen, dodelijk kan zijn of ernstige verwondingen kan veroorzaken.

LET OP

Wijst op een mogelijks gevaarlijke situatie die, als ze niet wordt voorkomen, kleine of middelmatige verwondingen kan veroorzaken.

LET OP

Zonder veiligheidswaarschuwingssymbool

Wijst op een situatie die kan leiden tot materiële schade.

No design do seu recortador de relvado/recortador de sebes eléctrico demos prioridade à segurança, ao desempenho e à fiabilidade.

USO PREVISTO

O recortador de relvado/recortador de sebes eléctrico destina-se a ser utilizado apenas ao ar livre, por um operador em pé.

Este produto destina-se a cortar relva, ervas e vegetação semelhante a ou perto do nível do chão. O plano de corte deve estar aproximadamente paralelo à superfície do chão durante a aparagem, e deve estar aproximadamente à vertical durante a rebordagem.

O produto não deve ser usado para cortar ou aparar sebes, arbustos ou outra vegetação em que o aparelho de corte não fique paralelo à superfície do chão.

Não use o produto para qualquer finalidade que não esteja listada acima.

AVISOS GERAIS DE SEGURANÇA

⚠️ ADVERTÊNCIA

Ao utilizar o produto, devem seguir-se as normas de segurança. Para a sua própria segurança e a dos que o rodeiam, leia estas instruções antes de utilizar o produto. Guarde as instruções para usá-las no futuro.

⚠️ ADVERTÊNCIA

O produto não deve ser utilizado por crianças nem por pessoas com capacidades físicas, mentais ou sensoriais reduzidas. As crianças devem ser mantidas sob vigilância adequada para se garantir que não brincam com o produto.

⚠️ ADVERTÊNCIA

Algumas regiões têm normas que limitam o uso do produto. Consulte a sua autoridade local para obter informação.

FORMAÇÃO

- Nunca permita que crianças ou pessoas que não estejam familiarizadas com estas instruções utilizem o produto. A legislação local pode restringir a idade do operador.
- Leia as instruções com atenção. Familiarize-se com todos os controlos e a utilização adequada do aparelho.
- Mantenha os transeuntes, as crianças e os animais a 15 m de distância da zona de operação. Desligue o aparelho se alguém entrar na área.
- Não utilize o produto quando estiver cansado, doente ou sob a influência do álcool, drogas ou medicamentos.
- Mantenha em mente que o operador ou o utilizador é responsável pelos acidentes ou perigos que ocorrem a outras pessoas ou à sua propriedade.

SEGURANÇA ELÉCTRICA

- As ligações devem ser adequadas para a tomada de corrente. Nunca altere a ficha seja de que maneira for. Não use quaisquer fichas adaptadoras com ferramentas de ligação com terra. As fichas não modificadas e tomadas compatíveis reduzirão o risco de choque eléctrico.
- Evite um arranque inesperado. Verifique sempre se o interruptor está na posição OFF (desligado) antes de ligar o produto à corrente eléctrica. Não transporte um produto ligado com o dedo no interruptor.
- Evite o contacto do corpo com superfícies com ligação terra ou enterradas, tais como tubos, radiadores, fogões e frigoríficos. Há um aumento do risco de choque eléctrico se o seu corpo estiver ligado à terra.
- Não utilize o aparelho quando houver risco de relâmpago.
- Não exponha este produto à chuva ou humidade elevada. Se entrar água no aparelho, isto aumentará o risco de descargas eléctricas.
- O fornecimento eléctrico deveria efectuar-se através de um dispositivo de corrente residual (RDC) com uma corrente activa não superior a 30 mA.
- Antes de cada uso, examine o cabo para ver se está danificado. Se houver sinais de danos, deve ser substituído por um centro de serviço autorizado. Desenrole sempre o cable durante o uso, os cabos enrolados podem sobreaquecer.
- Caso precise utilizar uma extensão, assegure-se que esta é adequada para uso no exterior e que tem uma capacidade de corrente suficiente para alimentar o aparelho. O cabo de prolongamento deverá levar a marca "H05RN-F" ou "H05 VV F". Antes de cada uso verifique que não há danos. Mantenha sempre os cabos desenrolados enquanto os utiliza porque os cabos enrolados podem sobreaquecer. Os alargadores não devem ser reparados, devem ser substituídos por outros que sejam equivalentes.
- Não utilizar o produto se os cabos eléctricos estiverem danificados ou desgastados.
- Se o cabo de alimentação ou o cabo de extensão se danificarem durante o uso, desligar imediatamente do fornecimento eléctrico. Não tocar nos cabos eléctricos até se ter desligado o fornecimento eléctrico.
- Assegure-se de que o cabo de alimentação está estuado de tal maneira que não pode ser danificado ou cortado e que não se pisará, estorvará nem estará submetido a danos ou incómodos.
- Não pegue nem leve o produto pelo cabo eléctrico.
- Mantenha o cabo eléctrico afastado do calor, óleo e pontas afiadas.
- Assegure-se de que a voltagem é adequada para o seu produto. Uma placa de identificação no produto indica a voltagem do produto. Não ligue o produto a uma voltagem de CA que não corresponda à sua voltagem.
- Assegure-se de que o interruptor está em posição Desligado antes de desligar do fornecimento eléctrico.



PREPARAÇÃO

- Use óculos de protecção total para os olhos e ouvidos ao utilizar este produto. Ao trabalhar numa área onde haja um risco de queda de objectos, tem que se usar uma protecção para a cabeça.
- A protecção auditiva pode restringir a capacidade do operador de ouvir os sons de alarme. É preciso ter muita atenção aos perigos potenciais dentro e à volta da área de trabalho.
- Use luvas, botas e calças resistentes. Não utilize roupa larga, calções, joias nem utilize com os pés descalços.
- Prenda o cabelo comprido para que fique acima do nível dos ombros para evitar que fique emaranhado em peças móveis.
- Antes do seu uso e após qualquer impacto, comprove que não há peças danificadas. Os interruptores defeituosos ou gastas ou qualquer outra peça danificada devem ser substituídos ou reparados adequadamente por um estabelecimento de serviço autorizado.
- Assegure-se de que o acessório de corte está correctamente instalado e ajustado.
- Nunca opere com o produto a menos que todas as protecções, deflectores e cabos estejam unidos de forma correcta e segura.
- Tenha em consideração o ambiente em que está a trabalhar. Mantenha a zona de trabalho livre de cabos, paus, pedras e sujidade que, se forem atingidos pela lâmina, podem converter-se em objetos lançados.

AVISOS DE SEGURANÇA DA RECORTADORA DE FIO/DO RECORTADOR DE SEBAS

- Utilize o aparelho apenas com luz diurna ou com uma boa luz artificial.
- Evite o uso em erva molhada.
- Não ande para enquanto usa este produto.
- Mantenha-se bem apoiado e equilibrado. Não se aproxime em demasia. Tentar esticar-se demais pode provocar a perda de equilíbrio. Certifique-se sempre onde põe os pés em sítios inclinados. Ande e nunca corra.
- Mantenha os transeuntes, as crianças e os animais a 15 m de distância da zona de operação. Desligue o aparelho se alguém entrar na área.
- Mantenha o acessório de corte abaixo do nível da cintura.
- Não utilize o produto com as tampas danificadas ou sem tê-las colocado.
- Nunca encaixe uma linha de substituição de metal.
- Mantenha sempre as mãos e os pés afastados dos meios de corte, especialmente quando ligar o motor.
- Cuidado, os elementos de corte continuam a funcionar após o motor ser desligado.
- Tenha cuidado com os objectos lançados pelo meio de corte. Limpe a sujidade como pequenas pedras, gravilha e outros objetos estranhos da zona de trabalho antes de começar a operar. Os cabos ou fio podem ficar emaranhados com as peças de corte.

- Desactivar e desligar do fornecimento eléctrico antes de:
 - manutenção
 - deixar o produto sem vigilância
 - limpeza do seu produto e desobstrução de bloqueio.
 - mudar acessórios
 - comprovar se há danos depois de bater num objecto
 - comprovar se há danos caso o produto comece a vibrar de um modo anormal
 - realizar operações de manutenção
- A pequena lâmina encaixada no protetor do relvado foi dissecada para cortar a nova linha ampliada ao comprimento correto a fim de obter um rendimento seguro e ótimo. É muito afiada, não toque nela, especialmente quando limpar a ferramenta.
- Assegure-se sempre que as aberturas de ventilação se mantêm desobstruídas de detritos.
- Assegure-se de que o acessório de corte está correctamente instalado e ajustado.
- Assegure-se de que todas as protecções, deflectores e cabos estão unidos de forma correcta e segura.
- Não modifique, de forma nenhuma, o produto, porque pode aumentar o risco de lesionar-se ou os demais.
- Use somente linhas de corte de substituição do fabricante. Não utilize nenhum tipo de peça cortante.
- Se houver algum acidente ou alguma avaria, desligue imediatamente o produto e desligue-o da alimentação eléctrica, desencaixando a ficha da tomada de rede eléctrica. Não volte a operar o produto enquanto não tiver sido totalmente verificado por um centro de assistência autorizado.

TRANSPORTE E ARMAZENAMENTO

- Pare o produto e deixe arrefecer antes de guardá-la ou transportá-la. Para o seu armazenamento, desligar sempre do fornecimento eléctrico e enrolar o cabo.
- Limpe todos os materiais estranhos do produto. Guarde-o num local fresco e seco e bem ventilado a que as crianças não consigam aceder. Mantenha-o afastado de substâncias corrosivas, tais como produtos químicos utilizados em jardinagem e sais de descongelação. Não armazenar ao ar livre.
- Para transportar, prenda o aparelho de modo a evitar que este se mova ou caia, para evitar lesões ou danos no produto.

MANUTENÇÃO

⚠ ADVERTÊNCIA

Utilize apenas peças de substituição, acessórios e encaixes do fabricante original. A inobservância desta indicação pode causar um fraco desempenho, possíveis lesões e poderá anular a sua garantia.



⚠️ ADVERTÊNCIA

Os serviços de manutenção requerem extremo cuidado e conhecimentos e devem apenas ser realizado por um técnico de assistência qualificado. Para operações de serviço, leve o produto a um centro de serviço autorizado. Ao realizar serviços de manutenção, use apenas peças de substituição idênticas.

- Desligue e desconecte o aparelho da tomada antes de realizar qualquer operação de manutenção ou de limpeza.
- Pode realizar os ajustes e reparações descritos neste manual do utilizador. Para outro tipo de reparações entre em contacto com um agente de serviço autorizado.
- Ao substituir a linha use sempre linha com filamento de nylon com o diâmetro descrito na tabela de especificações neste manual.
- Após ter estendido a nova linha do aparador, volte sempre a colocar o produto na sua posição normal de operação antes de o ligar.
- Limpar o produto com um pano suave seco depois de cada uso. Qualquer peça danificada deve ser substituída ou reparada adequadamente por um centro de serviço autorizado.
- Verifique todas as porcas, pregos e parafusos com intervalos frequentes para confirmar a tensão apropriada e se certificar que o produto está em condições seguras de funcionamento.

RISCOS RESIDUAIS:

Mesmo quando se utiliza o produto segundo as instruções, continua a ser impossível eliminar por completo certos fatores de risco residuais. Os seguintes perigos podem surgir na utilização e o operador deve prestar especial atenção para evitar o seguinte:

- Lesões por vibração.
 - Segure o produto pelos cabos destinados para o efeito e limite o tempo de funcionamento e de exposição.
- Danos auditivos causados pela exposição ao ruído.
 - Use proteção para os ouvidos e limite o tempo de exposição.
- Lesões oculares provocadas por detritos projetados.
 - Use sempre proteção para os olhos.

REDUÇÃO DO RISCO

Foi reportado que as vibrações que derivam de produtos que se seguram com as mãos podem contribuir para uma doença designada Síndrome de Raynaud em determinados indivíduos. Os sintomas podem incluir formigamento, entorpecimento e empalidecimento dos dedos, habitualmente visível aquando da exposição ao frio. Estima-se que os factores hereditários, exposição ao frio e humidade, dieta, tabagismo e práticas de trabalho contribuam todos para o desenvolvimento destes sintomas. Existem medidas que podem ser tomadas pelo operador para possivelmente reduzir os efeitos da vibração:

- Mantenha o seu corpo quente durante o tempo frio. Ao operar o produto, use luvas para manter as mãos e os pulsos quentes. Encontra-se reportado que o tempo frio é um grande factor que contribui para o Síndrome de Raynaud.
- Após cada período de operação, exercite para aumentar a circulação sanguínea.
- Faça pausas frequentes no trabalho. Limite o tempo de exposição por dia.

Caso sinta algum dos sintomas desta doença, interrompa de imediato a sua utilização e consulte o seu médico sobre estes sintomas.

⚠️ ADVERTÊNCIA

O uso prolongado de uma ferramenta pode causar o agravar lesões. Ao usar qualquer ferramenta durante períodos prolongados, assegure-se que faz intervalos regulares.

CONHEÇA O SER APARELHO

Ver a página 104.

1. Botão On/Off
2. Gancho do cabo
3. Retentor do cabo elétrico
4. Botão de rebordagem
5. Cobertura da bobina
6. Bobina
7. Lâmina de corte
8. Linha de corte
9. Guarda de protecção
10. Tubo inferior
11. Tubo superior
12. Pega frontal
13. Pega traseira

SÍMBOLOS NO PRODUTO



Leia e compreenda todas as instruções antes de manipular o produto, respeite os alertas e as instruções de segurança.



Usar protecção para os olhos



Use protecção para os ouvidos.



Não utilize lâmina(s) de metal no produto.



Não o exponha à chuva ou a condições de humidade.



Retire a ficha da corrente de imediato antes da manutenção ou caso o cabo esteja danificado, cortado ou enredado.



Tenha cuidado com os objectos voláteis ou lançados. Mantenha todos os espectadores, especialmente crianças e animais de estimação, a pelo menos 15m da área de funcionamento.



Mantenha as mãos afastadas das lâminas.



Ferramenta de tipo II, duplo isolamento



Os aparelhos eléctricos antigos não devem ser eliminados juntamente com o lixo doméstico. Recicle onde existem instalações para o efeito. Verifique com as suas Autoridades Locais ou revendedor para obter informações sobre reciclagem.



Esta ferramenta obedece a todas as normas regulamentares do país da UE onde foi comprada.



Marca de conformidade EurAsian



Marca de conformidade ucraniana



O nível de potência sonora garantido é de 96 dB.

SÍMBOLOS NESTE MANUAL



Ligar à tomada de corrente



Desligar da tomada de corrente



As peças ou acessórios vendem-se separadamente



Nota



Aviso

As seguintes palavras de sinal e significados destinam-se a explicar os níveis de risco associados a este produto.

PERIGO

Indica uma situação perigosa iminente, que, se não evitada, poderá resultar em morte ou ferimentos graves.

ADVERTÊNCIA

Indica uma situação potencialmente perigosa, que, se não evitada, poderá conduzir à morte ou graves lesões.

ADVERTÊNCIA

Indica uma situação potencialmente perigosa, que, se não evitada, poderá resultar em pequenas ou moderadas lesões.

ADVERTÊNCIA

Sem símbolo de alerta de segurança

Indica uma situação que pode resultar em danos de propriedade.



Ved udformningen af din elektriske plænetrimmer/kantrimmer har vi givet topprioritet til sikkerhed, gode resultater og driftssikkerhed.

TILTÆNKET ANVENDELSESFORMÅL

Den elektriske plænetrimmer/kantrimmer er kun beregnet til brug udendørs af en opretstående operatør.

Produktet er beregnet til klipning af græs, lettere ukrudt og anden lignende vegetation i eller ved jordniveau. Skæreniveauet skal være nogenlunde parallelt med jordoverfladen ved beskæring og nogenlunde lodret ved beskærelse af kanter.

Produktet bør ikke bruges til klipning eller trimning af hække, buske eller anden vegetation, hvor klippeplanet ikke er parallelt med jordoverfladen.

Produktet må kun bruges til de ovennævnte formål.

GENERELLE SIKKERHEDSADVARSLER

⚠ ADVARSEL

Når produktet anvendes, skal sikkerhedsreglerne efterleves. Af hensyn til egen og andres sikkerhed skal man læse denne brugsanvisning, inden produktet anvendes. Disse sikkerhedsregler skal opbevares med henblik på senere brug.

⚠ ADVARSEL

Produktet er ikke beregnet til at blive benyttet af børn eller personer med nedsatte fysiske, mentale eller sensoriske evner. Børn bør holdes under tilstrækkelig opsyn, så man er sikker på, at de ikke leger med produktet.

⚠ ADVARSEL

Nogle områder har regler, som begrænser brugen af produktet. Forhør dig hos de lokale myndigheder.

UDDANNELSE

- Lad aldrig børn eller personer uden kendskab til denne brugsanvisning bruge produktet. Lokale love kan have indflydelse på den tilladte brugerage.
- Læs brugsanvisningen omhyggeligt. Sørg for at blive fortrolig med betjeningselementerne samt korrekt brug af produktet.
- Tilskuere, børn og kæledyr skal have en sikkerhedsafstand på mindst 15 m til arbejdsområdet. Stop produktet, hvis uvedkommende kommer ind i området.
- Du må aldrig bruge produktet, når du er træt, syg eller under påvirkning af alkohol, narkotika eller medicin.
- Husk det er brugeren selv der er ansvarlig for ulykker eller farer andre folk bliver udsat for.

ELEKTRISK SIKKERHED

- Elværktøjets elstik skal passe til stikkontakten. Elstikket må aldrig modificeres på nogen som helst måde. Undlad brug af adapterstik til jordede (stelforbundne)

elværktøjer. Umodificerede elstik og passende elnetkontakter reducerer faren for elektrisk stød.

- Undgå utilsigtet start af enheden. Kontrollér altid, at kontakten er i pos. Off (=slukket), inden produktet sluttes til strømforsyningen. Flyt ikke produktet med fingeren på startknappen, mens det er tilsluttet strøm.
- Undgå kropskontakt med jordede eller stelforbundne overflader som fx rør, radiatorer, komfurer og køleskabe. Der er forøget risiko for elektrisk stød, hvis din krop er forbundet med jord eller stel.
- Produktet må ikke benyttes, hvis der er fare for tordenvejr.
- Dette produkt må ikke udsættes for regn eller fugt. Hvis der trænger vand ind i et produkt, øges faren for elektrisk stød.
- Strømmen skal tilføres via et fejlstrømsmodul (RCD) med en udløsestrøm på max 30 mA.
- Inden hver brug skal man kontrollere elkablet for evt. beskadigelser. Hvis det opviser tegn på skader, skal det udskiftes på et autoriseret servicecenter. Elkablet skal altid ruller helt ud under brug; oprullede kabler kan blive overophedet.
- Hvis man skal bruge en forlængerledning, skal man sikre sig, at den er velegnet til udendørs brug og har en mærkekapacitet, der er tilstrækkelig til at forsyne produktet. Forlængerledningen skal være mærket med enten "H05RN-F" eller "H05 VV F". Skal kontrolleres for skader inden hver brug. Kablet skal altid ruller helt ud, da oprullede kabler kan blive overophedet. Beskadigede forlænger kabler må ikke repareres, men skal udskiftes med en tilsvarende type.
- Produktet må ikke anvendes, hvis de elektriske kabler er beskadiget eller slidte.
- Hvis strømforsyningskabler eller forlænger kablet bliver beskadiget under brug, skal strømforsyningen afbrydes øjeblikkeligt. Undgå at røre ved elektriske kabler, før strømforsyningen er blevet afbrudt.
- Kontrollér, at strømforsyningskablet er positioneret, så det ikke kan blive beskadiget af skærende genstande, så ingen træder på det eller falder over det, eller så det ikke på anden måde udsættes for skade eller belastning.
- Produktet må aldrig løftes eller bæres i strømforsyningskablet.
- Hold strømforsyningsledningen på afstand af varme, olie og skarpe kanter.
- Kontrollér, at spændingen passer til produktet. En navneplade på produktet indikerer enhedens spænding. Produktet må aldrig sluttes en til vekselstrøms spænding, der afviger fra denne spænding.
- Kontrollér, at kontakten er i pos. Off (=slukket), inden stikket trækkes ud af stikkontakten.

FORBEREDELSE

- Benyt fuldt øjen- og høreværn under arbejde med dette produkt. Hvis der arbejdes i et område med fare for nedfaldende genstande, skal der bæres hovedværn.
- Øreværn kan nedsætte operatørens evne til at høre advarselslyde. Vær særligt opmærksom på potentielle faremomenter omkring og i arbejdsområdet





- Bær kraftige, lange bukser, støvler og handsker. Undlad at bære løstsiddende tøj, korte bukser, smykker af enhver art eller gå barfodet.
- Langt hår skal bindes op over skulderniveau, så det ikke risikerer at vikles ind i bevægelige dele.
- Inden ibrugtagning og efter enhver ydre påvirkning skal man kontrollere, at der ikke findes beskadigede dele. En defekt kontakt eller en del, som er blevet beskadiget eller slidt, skal repareres ordentligt eller udskiftes på et autoriseret serviceværksted.
- Kontrollér, at klippeudstyret er monteret korrekt og ordentligt fastgjort.
- Produktet må aldrig benyttes, før alle skærme, deflektorer og håndtag er fastgjort ordentligt og sikkert.
- Overvej grundigt hvilken type arbejdsmiljø du befinder dig i. Hold arbejdsområdet ryddet for ledninger, pinde, sten og affald, som ved kontakt med klipperen kan blive til udslyngede genstande.

TRÅDTRIMMER / KANTTRIMMER, SIKKERHEDSADVARSLER

- Brug produktet i dagslys eller god kunstig belysning.
- Undgå brug på vådt græs.
- Undgå at gå baglæns under brug af produktet.
- Hold et godt fodfæste og balance. Overstræk ikke. Overstrækning kan føre til tab af balancen. Sørg altid for at have godt fodfæste på skråninger. Gå, løb aldrig.
- Tilskuere, børn og kæledyr skal have en sikkerhedsafstand på mindst 15 m til arbejdsområdet. Stop produktet, hvis uvedkommende kommer ind i området.
- Hold klippehovedet under hofteniveau.
- Brug aldrig produktet med beskadigede skærme eller uden påmonterede skærme.
- Anvend aldrig en metalsnor i enheden.
- Hold altid hænder og fødder væk fra skæredelene, dette især når motoren tændes.
- Vær opmærksom på, at de skærende dele fortsætter med at rotere, efter at motoren er slukket.
- Pas på bortslyngede objekter fra klippeudstyr. Fjern affald som små sten, ral og andre fremmedlegemer fra arbejdsområdet, inden arbejdets start. Ledninger og snore kan blive viklet ind i klippeudstyret.
- Produktet skal slukkes og afbrydes fra strømforsyningen inden:
 - servicering
 - at efterlade produktet uden opsyn
 - rengøring af produktet eller eliminering af en blokering.
 - Udskiftning af tilbehør
 - kontrol for evt. skader efter kollision med et objekt
 - kontrol for evt. skader, hvis produktet begynder at vibrere unormalt
 - udførelse af vedligeholdelsesarbejde
- De små klinger på plæneklipperens skærm er designet til at trimme den nye forlængede tråd til korrekt længde for sikker og optimal ydelse. Den er meget skarp; undgå at røre ved den, især under rengøring af værktøjet.

- Sørg altid for, at ventilationsåbningerne er fri for affald.
- Kontrollér, at klippeudstyret er monteret korrekt og ordentligt fastgjort.
- Kontrollér, at alle skærme, og håndtag er fastgjort ordentligt og sikkert.
- Undgå at ændre ved produktet på nogen måde; dette kan øge risikoen for at skade sig selv eller andre.
- Brug kun udskiftningstråd fra producenten. Der må ikke bruges andet skærende udstyr.
- Sluk og afbryd straks strømmen i tilfælde af en ulykke eller et nedbrud. Betjen ikke produktet igen, før det er blevet kontrolleret fuldstændigt af et godkendt servicecenter.

TRANSPORT OG OPBEVARING

- Stop produktet, og lad det køle af, inden den opbevares eller transporteres. Opbevaring skal altid ske med afbrudt strømforsyning op oprullet kabel.
- Afrens alle fremmedlegemer fra produktet. Opbevar den på et køligt, tørt og godt ventileret sted utilgængeligt for børn. Opbevar motorsaven på afstand af ætsende midler som f.eks. havekemikalier og optønings salt. Må ikke opbevares udendørs.
- Til transport skal man sikre produktet, så den ikke kan bevæge sig eller vælte; dette for at forebygge personskader eller skader på produktet.

VEDLIGEHOLDELSE

⚠ ADVARSEL

Brug kun originale reservedele, ekstraudstyr og tilbehør fra producenten. I modsat fald er der fare for personskader, dårlig maskinydelse og annullering af garantien.

⚠ ADVARSEL

Vedligeholdelse kræver stor omhyggelighed og viden og kun bør udføres af en kvalificeret tekniker. Servicering af produktet skal ske på et autoriseret servicecenter. Skal dele udskiftes må kun identiske reservedele anvendes.

- Sluk produktet, og tag stikket ud af kontakten, inden påbegyndelse af vedligeholdelses- eller rengøringsarbejde.
- Du kan lave justeringer og reparationer beskrevet i denne brugervejledning. Til andre reparationsopgaver skal man kontakte den autoriserede servicemontør.
- Tråden må kun udskiftes med en nylonfilamenttråd med den diameter, der er beskrevet i specifikationstabellen i denne brugsanvisning.
- Når man har monteret en ny tråd, skal produktet altid stilles tilbage i normal arbejdsposition, inden den startes.
- Produktet skal rengøres med en blød klud efter hver brug. Enhver del, som bliver beskadiget, skal repareres ordentligt eller udskiftes på et autoriseret servicecenter.



- Tjek ofte alle møtrikker, bolte og skruer om de sidder godt fast, og sørg for at produktet fungerer ordentligt.

UUNDGÅELIGE RISICI

Selv om produktet anvendes som foreskrevet, er det stadig umuligt at eliminere visse uundgåelige risikofaktorer fuldstændigt. Følgende risici kan opstå under brug, og operatøren bør være særligt opmærksom for at undgå følgende:

- Personskader forårsaget af vibration.
 - Hold produktet i de hertil indrettede håndtag, og begræns arbejdstiden og eksponeringen.
- Fare for høreskader som følge af eksponering til støj.
 - Benyt høreværn, og begræns eksponering.
- Øjenskader pga. flyvende affaldsstykker.
 - Der skal altid benyttes øjenværn.

RISIKOREDUKTION

Der er rapporteret om, at vibrationer fra håndholdte produkter kan være medvirkende til en lidelse kaldet Raynauds syndrom hos visse personer. Symptomerne herpå kan være prikken, følelseløshed og blegning af fingrene, der normalt viser sig ved kuldepåvirkning. Faktorer som arvelighed, udsættelse for kulde og fugt, kost, rygning og arbejdsvaner menes alle at medvirke til udviklingen af disse symptomer. Der findes forholdsregler, som operatøren kan træffe for at begrænse påvirkningen fra vibrationer:

- Hold kroppen varm i koldt vejr. Brug handsker, så hænder og vriste holdes varme under arbejdet. Der er rapporteret om, at koldt vejr er en væsentlig faktor til Raynauds syndrom.
- Motionér efter hver arbejdsperiode for at øge blodcirkulationen.
- Hold hyppige arbejdspauser. Begræns eksponeringen for vibrationer pr. dag.

Hvis du mærker nogen af symptomerne på denne tilstand, skal du straks ophøre med arbejdet og søge læge.

⚠ ADVARSEL

Længere tids brug af et værktøj kan forårsage - eller forværrer - personskader. Når man bruger et værktøj i længere perioder ad gangen, skal man huske at holde hyppige pauser.

KEND PRODUKTET

Se side 104.

1. Tænd/Sluk-udløser
2. Kabelkrog
3. Holder til strømforsyningskabel
4. Kantningsknap
5. Spoleskærm
6. Spole
7. Afklipningsklinge
8. Klippetråd
9. Sikkerhedsskærm
10. Nederste slange

11. Øverste slange
12. Forhåndtag
13. Baghåndtag

SYMBOLER PÅ PRODUKTET



Alle vejledninger skal læses og forstås, inden produktet benyttes; følg alle advarsler og sikkerhedsinstrukser.



Benyt øjenværn



Benyt høreværn.



Undgå brug af metalklinge(r) på produktet.



Må ikke udsættes for regn eller bruges på fugtige steder.



Træk omgående stikket ud af lysnetkontakten, hvis kablet beskadiges, skæres over eller sammenfiltres.



Pas på udslyngede eller flyvende objekter. Sørg for, at tilskuere (især børn og dyr) er mindst 15m fra arbejdsområdet.



Hold hænderne på afstand af knivene.



Klasse II-værktøj, dobbelt-isoleret



Elektriske affaldsprodukter bør ikke afskaffes sammen med husholdningsaffald. Genbrug venligst hvor faciliteterne tillader dette. Tjek med din lokale kommune eller forhandler for genbrugsråd.



Dette redskab overholder alle lovkra v og standarder i det EU-land, hvor det er købt.



EurAsian overensstemmelsesmærke



Ukrainsk overensstemmelsesmærke



Det garanterede lydeffektivniveau er 96 dB(A).

De følgende ikoner og betydninger er beregnet til at forklare risikoen involveret i at anvende denne enhed.

⚠ FARE

Indikerer en meget farlig situation, som hvis ikke undgås, kan føre til alvorlige skader og i værste fald døden.

⚠ ADVARSEL

Indikerer en potentielt farlig situation, som hvis ikke undgås, kan føre til alvorlige skader og i værste fald døden.

⚠ PAS PÅ

Indikerer en potentielt farlig situation, som hvis ikke undgås, kan føre til mindre eller moderate skader.

PAS PÅ

Uden sikkerhedsadvarselssymbol

Indikerer en situation, som kan medføre materiel skade.

SYMBOLER I DENNE BRUGSANVISNING



Tilslut til stikkontakt



Træk stikket ud af stikkontakten



Dele eller tilbehør, der sælges separat



Bemærk



Advarsel

Säkerhet, prestanda och tillförlitlighet har varit högsta prioritet vid utformningen av din elektriska grässtrimmer/kantrimmer.

ANVÄNDINGSOMRÅDE

Den elektriska grässtrimmern/kantrimmern är endast avsedd för användning utomhus av en användare som står upp.

Produkten är avsedd för att klippa gräs, lätt buskage och liknande växtlighet på eller vid marknivå. Skärplanet ska vara ungefär parallellt med markytan vid trimning och ungefär vertikalt vid kantskärning.

Produkten ska inte användas för att kapa eller trimma häckar, buskar eller annan vegetation där skärplanet inte är parallellt med marknivån.

Använd inte produkten till något annat än vad som anges ovan.

ALLMÄNNA SÄKERHETSFORESKRIFTER

⚠ VARNING

När man använder apparaten måste säkerhetsföreskrifterna följas För din egen, och andra närvarandes säkerhet, läs alltid dessa instruktioner innan du använder produkten Förvara instruktionerna på säker plats.

⚠ VARNING

Produkten är inte avsedd för användning av barn eller personer med fysiska, mentala eller emotionella funktionshinder. Barn ska alltid övervakas så att de inte leker med produkten.

⚠ VARNING

I vissa regioner finns regleringar som begränsar användning av produkten. Ta kontakt med lokala myndigheter för information.

UTBILDNING

- Låt aldrig barn eller personer som inte känner till dessa instruktioner använda maskinen. Lokala regler kan åldersbegränsa användningen av gräsklipparen.
- Läs igenom instruktionerna noga. Bekanta dig med reglagen och rätt användning av produkten.
- Håll åskådare, barn och husdjur på minst 15 meters avstånd. Stoppa produkten om någon kommer i närheten.
- Använd aldrig produkten om du är trött, sjuk eller påverkad av alkohol, droger eller medicin.
- Kom ihåg att användaren är ansvarig för olyckor och faror som uppstår för andra människor och deras egendom.

ELSÄKERHET

- Elverkytgets kontakt måste passa i uttaget. Modifiera inte kontakten på något sätt. Använd inga adapterkontakter

med jordade kraftverkyg. Omodifierade kontakter och matchande uttag minskar risken för elektrisk stöt.

- Undvik oavsiktlig start. Kontrollera att reglaget är i Off-läget innan produkten kopplas till strömförsörjning. Bär inte en inkopplad produkt med dina fingrar på strömbrytaren.
 - Undvik kroppskontakt med jordade ytor, som exempelvis rör, element, spis och kylskåp. Det föreligger en förhöjd risk för elektrisk stöt om din kropp är jordad.
 - Använd inte produkten om det finns risk för blixtnedslag.
 - Exponera inte produkten för regn eller våta förhållanden. Om vatten kommer in i maskinen ökar risken för elektrisk stöt.
 - El bör komma ifrån en apparat med residual krets (RCD) med en utlösande strömstyrka ej överstigande 30 mA.
 - Kontrollera alltid elkabeln före användning. Om det finns tecken på skada ska den bytas ut på godkänt servicecenter. Rulla ut kabeln före användning, hoprullad kabel kan överhettas.
 - Om du måste använda förlängningskabel ska du kontrollera att den är för utomhusbruk och har tillräcklig kapacitet för att fungera med verkytget. Förlängningskabeln ska vara märkt med antingen "H05RN-F" eller "H05 VV F". Kontrollera så det inte finns några skador inför varje användning. Rulla ut kabeln under användning, hoprullad kabel kan överhettas. Skadade förlängningskablar får inte repareras, de ska ersättas med motsvarande typ.
 - Använd inte produkten om kablarna är skadade eller slitna.
 - Om el-kabeln eller försägningsladdnen skadas när den används, måste man genast koppla ur väggurtaget. Rör inte vid el-kablarna förrän väggkontakten är urkopplad
 - Se till att kabeln är placerad så att den inte kan skadas under arbetet och att ingen kliver på den, ingen snubblar på den och kabeln inte på något sätt utsätts för påfrestningar.
 - Lyft aldrig upp- eller bär produkten i el-kabeln.
 - Håll el-kabeln borta från värme, olja och skarpa kanter.
 - Kontrollera att spänningen är korrekt för produkten. På en skylt på produkten anges strömstyrkan (volt). Koppla aldrig produkten till en växelströmsstyrka som skiljer från denna.
 - Kontrollera att omkopplaren står i OFF-läge innan den kopplas ur från väggurtaget.
- ## FÖRBEREDELSE
- Använd alltid ögon- och hörselskydd vid användning av produkten. Skyddshjälma ska användas på platser där det finns risk för fallande föremål.
 - Hörselskydd kan begränsa användarens möjlighet att höra varningsljud. Var extra uppmärksam på eventuella risker i och kring arbetsområdet.
 - Bär grova, långa byxor, stövlar och handskar. Bär inte löst sittande kläder, korta byxor eller smycken. Ha skor på fötterna.
 - Sätt upp hår som är längre än till axlarna så att det inte trasslas in i rörliga delar.



- Kontrollera före användning och efter påverkan att det inte finns några skadade delar. Ett defekt reglage eller någon del som är skadad eller sliten ska repareras eller ersättas av godkänt servicecenter.
- Se till att skärtilbehöret är korrekt installerat och ordentligt fäst.
- Använd inte maskinen om inte alla skydd, avvisare och handtag är korrekt och ordentligt monterade.
- Tänk på vilken omgivning du arbetar i. Håll arbetsområdet fritt från vajrar, pinnar, stenar och skräp som kan träffas och flyga iväg.

SÄKERHETSVARNINGAR FÖR GRÄSTRIMMER/ KANTTRIMMER

- Använd enbart produkten i dagsljus eller i bra elljus.
- Undvik användning på vått gräs.
- Gå inte baklänges när produkten används.
- Bibehåll ett bra fotfäste och bra balans. Sträck dig inte. Att sträcka sig kan resultera i balansförlust. Se till att du har ordentligt fotfäste i lutningar. Gå. Spring aldrig.
- Håll åskådare, barn och husdjur på minst 15 meters avstånd. Stoppa produkten om någon kommer i närheten.
- Håll skärtilbehöret lägre än midjehöjd.
- Använd aldrig produkten med skadade skydd eller utan skydd.
- Montera aldrig en utbyteslina av metall.
- Håll alltid händer och fötter borta från trimmerdelarna, speciellt under motorstart.
- Var försiktig, skärdelarna fortsätter snurra efter att motorn stängts av.
- Se upp för föremål som kastas i väg av skäranordningen. Rensa bort skräp som småstenar, grus och andra främmande föremål från arbetsområdet innan arbetet påbörjas. Vajrar eller tråd kan trasslas in i skärverktyget.
- Stäng av och koppla ur väggkontakten innan:
 - service
 - att lämna produkten utan tillsyn
 - rengöring eller rensning av ett stopp
 - byte av tillbehör
 - efter att ha slagit i något skall man kontrollera ev. skador
 - kontrollera ev. skador om produkten börjar vibrera onormalt
 - Underhåll
- Det lilla bladet som sitter på skärskyddet är för att klippa av trimmertråd till korrekt längd för säker användning och bra resultat. Bladet är mycket vasst, undvik beröring, speciellt vid rengöring.
- Säkerställ alltid att ventilationshålen är öppna och fria från smuts.
- Se till att skärtilbehöret är korrekt installerat och ordentligt fäst.
- Se till att alla skydd, avvisare och handtag sitter fast ordentligt
- Modifiera inte produkten på något sätt, det kan öka risken för skador på dig själv eller andra.

- Använd enbart ersättningstråd från tillverkaren. Använd inga andra skärtilbehör.
- Slå omedelbart av enheten och koppla bort den från elnätet vid ett olycksfall eller om enheten inte fungerar. Använd inte produkten igen innan den har kontrollerats i sin helhet av en auktoriserad serviceverkstad.

TRANSPORT OCH FÖRVARING

- Stoppa produkten och låt den svalna före transport eller förvaring. Vid förvaring skall den alltid vara urkopplad från vägguttaget och kabeln upprullad
- Ta bort allt främmande material från produkten. Förvara den svalt och välventilerat på en plats där barn inte kan komma åt den. Förvara på avstånd från frätande medel, t.ex. trädgårdskemikalier och vägsalt. Förvara den inte utomhus.
- Vid transport ska produkten säkras mot rörelser eller fallande för att förhindra personskadorna eller att produkten skadas.

UNDERHÅLL

⚠ VARNING

Använd enbart ersättningsdelar och tillbehör från tillverkaren. Om inte kan det eventuellt orsaka skador, sämre resultat och kan upphäva garantin.

⚠ VARNING

Att serva produkten kräver extrem försiktighet och kunskap och bör endast utföras av en kvalificerad servicetekniker. Vid service ska produkten lämnas till auktoriserat servicecenter. Använd endast identiska utbytesdelar när produkten servas.

- Stäng av och koppla från ström före underhåll eller rengöring.
- Du kan göra de justeringar och reparationer som beskrivs i den här manualen. För alla andra reparationer ska godkänt servicecenter kontaktas.
- Använd enbart den specificerade nylontråden (finns i specifikationsstabell i denna manual) vid utbyte.
- När ny skärtråd är ute ska maskinen tillbaka i normalt arbetsläge innan den startas.
- Efter rengöring ska maskinen alltid rengöras med en mjuk torr trasa. Skadade delar skall repareras ordentligt eller bytas ut av en auktoriserad servicefirma.
- För att vara säker på att produkten är säker att använda, kontrollera alla muttrar, bultar och skruvar regelbundet för att säkerställa att de är åtdragna ordentligt.

KVARSTÅENDE RISKER

Även om produkten används enligt instruktionerna går det inte att eliminera alla eventuella riskfaktorer. Följande risker kan uppkomma under bruk och användaren ska vara extra uppmärksam för att undvika följande:

- Skada orsakad av vibration.



- Håll produkten i de avsedda handtagen och begränsa arbetstid och exponering.
- Hörselskada orsakad av ljud.
 - Använd hörselskydd och begränsa exponeringen.
- Ögonskador på grund av kringkastade föremål.
 - Använd alltid lämpligt ögonskydd.

RISKMINSKNING

Det finns rapporter om att vibrationer från handhållna produkter kan bidra till ett tillstånd som kallas Raynauds syndrom för vissa personer. Symptomen brukar vara att det sticker i fingrarna och att de domnar bort; fingrarna kan också bli vita, särskilt vid kyla. Årftiga faktorer, kyla och fukt, diet, rökning och arbetsrutiner tros alla bidra till att orsaka dessa symptom. Det finns förebyggande åtgärder som du kan vidta för att försöka minska vibrationernas påverkan:

- Håll dig varm när du arbetar i kallt väder. Använd handskar för att hålla händer och handleder varma under användning. Kyla har rapporterats som en viktig del i utvecklandet av Raynauds syndrom.
- Träna och rör på dig efter varje användningstillfälle för att öka blodcirkulationen.
- Ta ofta pauser från arbetet. Begränsa tiden du utsätter dig varje dag.

Upphör omedelbart om du upplever några av dessa symptom och uppsök din läkare.

⚠ VARNING

Risk för person- eller slitageskador vid användning av verktyget under lång tid. Om verktyget används under längre perioder krävs regelbundna pauser.

LÄR KÄNNA PRODUKTEN

Se sida 104.

1. Strömbrytare
2. Kabelkrok
3. Elkabelhållare
4. Kanttrimningsknapp
5. Rullens kåpa
6. Rulle
7. Skärblad
8. Skärtråd
9. Säkerhetsskydd
10. Nedre rör
11. Övre rör
12. Främre handtag
13. Bakre handtag

SYMBOLER PÅ PRODUKTEN



Läs igenom och var införstådd med alla instruktioner före användning av produkten, var uppmärksam på alla varningar och säkerhetsinstruktioner.



Bär ögonskydd



Använd hörselskydd.



Använd inte metallblad för produkten.



Utsätt inte för regn eller våta omgivning.



Koppla bort kontakten från elnätet direkt före underhåll eller om kabeln skulle vara skadad, avklippt eller tilltrasslad.



Se upp med kringkastade eller flygande föremål. Håll alla åskådare, barn och husdjur på minst 15 meters avstånd från arbetsområdet.



Håll händerna borta från bladen.



Klass II-verktyg, dubbelt isolerat



Gamla elektroniska produkter ska inte kastas med hushållsoporna. Återvinn där sådana faciliteter finns. Kontrollera med din lokala myndighet eller säljaren för att få återvinningstips.



Detta verktyg uppfyller alla standarder i de EU-länder där det kan köpas.



EurAsian överensstämmelsesymbol



Ukrainskt märke för överensstämmelse



Garanterad ljudnivå är 96 dB.

Följande signalord och betydelser är tänkta att förklara de olika risknivåerna som är associerade med denna produkt.

⚠ FARA

Indikerar en överhängande farlig situation som kan, om den inte undviks, resultera i dödsfall eller allvarlig skada.

⚠ VARNING

Indikerar en potentiellt farlig situation som kan, om den inte undviks, resultera i dödsfall eller allvarlig skada.

⚠ PÅMINNELSE

Indikerar en potentiellt farlig situation som kan, om den inte undviks, resultera i mindre eller medelstora skador.

PÅMINNELSE

Utan säkerhetssymbol

Visar på en situation som kan orsaka skada på egendom.

SYMBOLER I MANUALEN



Koppla den till ett väggurtag



Urkoppling från väggurtag



Delar och utrustning säljs separat



Notera



Varning

Sähkökäyttöisen ruohotrimmerin/reunatrimmerin suunnittelussa on kiinnitetty erityistä huomiota turvallisuuteen, suorituskykyyn ja käyttövarmuuteen.

KÄYTTÖTARKOITUS

Sähkökäyttöinen ruohotrimmerimme/reunatrimmerimme on tarkoitettu ainoastaan ulkokäyttöön, ja laitetta tulee käyttää seisten.

Laitte on tarkoitettu ruohon, pienten rikkaruohojen ja muiden vastaavien kasvien leikkaamiseen maanpinnan tasolla. Leikatessa leikkaavan osan tulee olla lähes saman suuntainen maanpinnan kanssa, ja reunoja siistittäessä lähes kohtisuorassa maan pintaan nähden.

Laitetta ei saa käyttää pensasaitojen, pensaikkojen tai muun kasvillisuuden leikkaukseen eikä trimmaukseen, jos leikkuutaso ei ole maanpinnan suuntainen.

Älä käytä tuotetta mihinkään käyttötarkoitukseen, jota ei luetella yllä.

YLEISET TURVALLISUUSVAROITUKSET

VAROITUS

Noudata turvallisuussääntöjä tuotetta käyttäessäsi. Oman ja sivullisten turvallisuuden vuoksi, lue nämä ohjeet ennen tuotteen käynnistämistä. Säilytä ohjeet tulevaa käyttöä varten.

VAROITUS

Tuotetta ei ole tarkoitettu lasten eikä sellaisten ihmisten käytettäväksi, joiden ruumiin, aistien tai mielen suorituskyky on heikentynyt. Lapsia on pidettävä asianmukaisesti silmällä, jotta he eivät pääse leikkimään tuotteella.

VAROITUS

Joillain alueilla vallitsee säädöksiä, jotka rajoittavat tämän tuotteen käyttöä. Pyydä paikallisilta viranomaisilta neuvoa.

KOULUTUS

- Älä anna lasten tai käyttöohjeita tuntemattomien ihmisten käyttää laitetta. Paikalliset säädökset saattavat asettaa rajoituksia käyttäjän ille.
- Lue ohjeet huolella. Opi käyttämään kaikkia ohjaimia ja laitetta asianmukaisesti.
- Pidä sivulliset, lapset ja lemmikit 15 metrin etäisyydellä työalueesta. Sammuta tuote, jos alueelle tulee joku.
- Älä koskaan käytä tuotetta väsyneenä, sairaana tai alkoholin, huumeiden tai lääkkeiden vaikutuksen alaisena.
- Muista, että ruohonleikkurin käyttäjä on vastuunlainen vahingoista ja vaaroista, jotka hän aiheuttaa muille ihmisille ja heidän omaisuuksilleen.

SÄHKÖTURVALLISUUS

- Pistokkeen on sovittava pistorasiaan. Älä koskaan muunna pistoketta millään tavalla. Älä käytä maadoitettujen sähkötyökalujen kanssa minkäänlaisia sovittinpistokkeita. Aluperäiset pistokkeet ja niitä vastaavat pistorasiat pienentävät sähköiskun vaaraa.
- Varo tahatonta käynnistystä. Tarkista aina, että kytkin on OFF-asennossa, ennen kuin kytket tuotteen virtalähteeseen. Älä kannata tuotetta, joka on kytketty virtaan, jos sormi on kytkimellä.
- Älä kosketa maadoitettuihin pintoihin, kuten putkiin, lämpöpattereihin, helioihin tai jääkaappeihin. Jos ruumiisi on maadoitettu, sähköiskun vaara on suurempi.
- Älä käytä tuotetta paikassa, jossa on salamaniskun vaara.
- Älä altista tuotetta sateelle tai kosteudelle. Veden pääsy laitteeseen lisää sähköiskun vaaraa.
- Virtalähteessä tulee olla jäännösvirtalaite (RCD), jonka trippausvirta on enintään 30 mA.
- Tarkista virtajohto aina ennen käyttöä. Jos löytyy mitään merkkejä vaurioitumisesta, se on vaihdettava valtuutetussa huollossa. Avaa aina johto kääröltä ennen käyttöä; käärityt johdot voivat ylikuumentua.
- Jos sinun on käytettävä jatkojohtoa, varmista että se soveltuu ulkokäyttöön ja että sen luokitus riittää tuotteelle. Jatkojohdossa tulisi olla merkintä "H05RN-F" tai "H05 VV F". Tarkista se vaurioiden varalta ennen jokaista käyttökertaa. Avaa aina se kääröltä ennen käyttöä, koska käärityt johdot voivat ylikuumentua. Vaurioituneita jatkojohtoja ei saa korjata vaan ne tulee vaihtaa vastaavan tyyppiin.
- Älä käytä tuotetta, jos sähköjohto on vioittunut tai kulunut.
- Jos virtajohto tai jatkojohto vioittuu käytön aikana, irrota se heti virtalähteestä. Älä kosketa sähköjohtoja, ennen kuin virta on katkaistu.
- Varmista, että virtajohto sijaitsee siten, että se ei voi leikkaantua ja että sen päälle ei astuta eikä siihen kompastuta eikä se muuten vioitu tai rasitu.
- Älä koskaan nosta tai kannata tuotetta sähköjohdosta.
- Älä päästä virtajohtoa koskettamaan kuumuuden lähteitä, öljyä tai teräviä reunoja.
- Tarkista, että jännite on tuotteelle oikea. Tuotteen jännite ilmoitetaan sen nimikyltissä. Älä koskaan kytke tuotetta tästä jännitteestä poikkeavaan vaihtovirtaan.
- Tarkista ennen virtalähteestä irrottamista, että kytkin on Off-asennossa.

VALMISTELUT

- Käytä tuotetta käyttäessäsi täysisiä suojalaseja ja kuulosuojaimia. Suojakypärää on käytettävä alueilla, joissa on putoavien kappaleiden vaara.
- Kuulosuojaimet voivat rajoittaa käyttäjän kykyä kuulla varoitussääniä. Kiinnitä erityistä huomiota mahdollisiin vaaratekijöihin työalueella ja sen ympärillä.
- Käytä paksuja pitkiä housuja, saappaita ja käsineitä. Älä käytä löysiä vaatteita, shortseja tai minkäänlaisia koruja tai kulje paljasjaloin.



- Sido pitkät hiukset hartioiden yläpuolelle, jotta ne eivät pääse tarttumaan liikkuviin osiin.
- Tarkista ennen käyttöä ja aina iskun jälkeen, että laitteesta ei ole vioittuneita osia. Valtuutetun huoltopisteen on korjattava tai vaihdettava viallinen kytkin tai muu vahingoittunut tai kulunut osa asianmukaisesti.
- Tarkista, että leikkuupää on asennettu asianmukaisesti ja tukevasti.
- Älä koskaan käytä tuotetta ilman, että kaikki suojukset, hihnat, ohjauslevyt ja kädensijat on kiinnitetty tukevasti.
- Huomioi ympäristöä, missä työskentelet. Pidä työalue vapaana johdoista, kepeistä, kivistä ja roskista, jotka saattavat sinkoutua leikkurin osuessa niihin.

SIIMALEIKKURIN/VIIMEISTELIJÄN TURVAOHJEET

- Käytä tuotetta ainoastaan päivänvalossa tai hyvässä keinovalossa.
- Vältä käyttöä märällä ruoholla.
- Älä kävele takaperin tuotetta käyttäessäsi.
- Pidä vakaa tasapaino. Älä kurkotta liian pitkälle. Liian pitkälle kurkotta minen saattaa johtaa tasapainon menettämiseen. Seiso rinteissä aina tukevasti. Kävele, älä koskaan juokse.
- Pidä sivulliset, lapset ja lemmikit 15 metrin etäisyydellä työalueesta. Sammuta tuote, jos alueelle tulee joku.
- Pidä leikkuupää pää vyötärön alapuolella.
- Älä koskaan käytä tuotetta, jos sen suojukset ovat vioittuneita tai puuttuvat.
- Älä koskaan asenna metallista varasiimaa.
- Pidä kädet ja jalat hyvin kaukana terästä koko ajan, varsinkin konetta käynnistäessä.
- Varo – leikkuuelementit jatkavat pyörimistä moottorin sammuttamisen jälkeen.
- Varo leikkuusiiman sinkoamia kappaleita. Siivoa työalueelta roskat, kuten pienet kivet, sora ja muut vieraskappaleet, ennen käytön aloittamista. Leikkuulaitteeseen voi tarttua johtoja tai lankoja.
- Sammuta laite ja irrota se virtalähteestä ennen seuraavia toimintoja:
 - huolto
 - tuotteen jättäminen valvomatta
 - ennen tuotteen puhdistamista tai tukoksen poistamista.
 - lisävarusteiden vaihtaminen
 - vaurioiden tarkistaminen esineeseen osumisen jälkeen
 - vaurioiden tarkistaminen, jos tuote alkaa täristä epänormaalisti
 - huolto
- Ruohosuojaan kiinnitetty pieni terä on suunniteltu trimmaamaan uusi siima oikean pituiseksi turvallisen ja optimaalisen toiminnan takaamiseksi. Se on hyvin terävä; älä kosketa sitä puhdistaussasi laitetta.
- Pidä aina huoli siitä, että tuuletusaukoissa ei ole roskaa.

- Tarkista, että leikkuupää on asennettu asianmukaisesti ja tukevasti.
- Varmista, että kaikki suojukset, ohjauslevyt ja kädensijat on kiinnitetty tukevasti.
- Älä tee tuotteeseen mitään muunnoksia; se lisäksi loukkaantumisen vaaraa sinulle ja muille.
- Käytä ainoastaan valmistajan tuottamaa siimaa. Älä käytä muita leikkuuvälineitä.
- Onnettomuuden tai konevian sattuessa sammuta laite välittömästi ja kytke se irti virtalähteestä. Älä käytä laitetta ennen kuin se on perusteellisesti tutkittu valtuutetussa huoltoilikkeessä.

KULJETUS JA VARASTOITAESSA

- Sammuta tuote ja anna sen jäähtyä riittävästi ennen varastointia tai kuljetusta. Irrota virtalähde ja kiedo johto kelaksi ennen varastointia.
- Puhdista laitteesta kaikki vieraat materiaalit. Varasto laite viileään, kuivaan ja hyvin tuuletettuun paikkaan, jossa lapset eivät pääse siihen käsiksi. Pidä poissa syövyttäviltä aineilta kuten puutarhakemikaaleilta ja jäänsulatussuolalta. Älä säilytä ulkona.
- Kiinnitä tuote kuljetettaessa siten, että se ei pääse liikkumaan tai kaatumaan, jotta välttyä loukkaantumisilta ja vaurioilta.

HUOLTO

VAROITUS

Käytä ainoastaan alkuperäisiä valmistajan tuottamia varaosia, lisälaitteita ja lisävarusteita. Tämän noudattamatta jättäminen voi johtaa loukkaantumiseen ja huonoon tulokseen ja voi mitätöidä takuun.

VAROITUS

Huolto kaipaa suurta huolellisuutta ja hyvää työkalun tuntemusta: Se on annettava pätevän teknikon tehtäväksi. Kun tuote vaatii huoltoa, vie tuote valtuutettuun huoltoon. Käytä vaihdossa yksinomaan alkuperäisiä varaosia.

- Sammuta laite ja irrota se pistorasiasta ennen huoltoa tai puhdistusta.
- Voit tehdä tässä käyttöoppaassa kuvattuja säätöjä ja korjauksia. Jos laite vaatii muuta huoltoa, ota yhteys valtuutettuun huoltopisteeseen.
- Käytä vaihtosiimana ainoastaan nailonsiimaa, jonka läpimitta vastaa tämän käsikirjan teknisten tietojen taulukkoa.
- Kun pidennät siimaa, palauta laite aina normaaliin käyttöasentoon ennen sen käynnistystä.
- Puhdista tuote aina käytön jälkeen pehmeällä ja kuivalla liinalla. Valtuutetun huoltopisteen on korjattava tai vaihdettava vioittuneet osat asianmukaisesti.
- Varmista aina, että ruuvit ja mutterit ovat tiukasti kiinni, jotta tuote olisi aina turvallinen ja käyttövalmis.



KÄYTTÖÖN LIITTYVÄT RISKIT

Vaikka tuotetta käytettäisiin ohjeiden mukaisesti, ei ole mahdollista täysin eliminoida tiettyjä käyttöön liittyviä riskitekijöitä. Käytössä voi aiheutua seuraavia vaaroja, ja käyttäjän tulee kiinnittää erityistä huomiota niiden välttämiseen:

- Tärinän aiheuttama vamma.
 - Pitele tuotetta aina kahvoista ja rajoita työaikaa sekä altistumista.
- Melulle altistumisesta aiheutunut kuulovamma.
 - Käytä suojalaseja ja rajoita altistumista.
- Silmävamma sinkoilevien roskien takia.
 - Käytä aina suojalaseja.

RISKIEN VÄHENTÄMINEN

Raporttien mukaan käsikäyttöisten tuotteiden tärinä voi joidenkin kohdalla myötävaikuttaa Raynaud's Syndromen (Raynauodin oireen) ilmenemiseen. Oireita ovat pistely, turtuus ja sormien kalpeneminen, yleensä kylmässä ilmassa. Perinnölliset tekijät, kylmyys ja kosteus, ruokavalio, tupakointi sekä työtavat voivat kaikki myötävaikuttaa näiden oireiden ilmenemiseen. Käyttäjä voi ehkäistä tärinän aiheuttamia vaikutuksia seuraavasti:

- Pidä itsesi lämpimänä kylmällä säällä. Käytä tuotteen käytön aikana käsineitä, jotta kätesi ja ranteesi pysyvät lämpöisinä. Raporttien mukaan kylmä ilma on tärkeä tekijä Raynaud's Syndromen (Raunauodin oireiden) ilmenemisessä.
- Harjoita kunkin käyttöjakson jälkeen liikuntaa, jotta verenkierto lisääntyi.
- Pidä työn aikana säännöllisesti taukoja. Rajoita päivittäisen tärinän määrä.

Jos mitään yllä mainittuja oireita ilmenee, lopeta heti laitteen käyttö ja kerro oireista lääkärille.

VAROITUS








Laitteen pitkittynyt käyttö voi aiheuttaa tai vaikeuttaa vammoja. Kun käytät mitä tahansa laitetta pitkiä aikoja, muista pitää säännöllisiä taukoja.

TUNNE TUOTTEESI

Katso sivu 104.

1. On/Off-liipaisin
2. Johdon koukku
3. Virtajohdon pidike
4. Reunuspainike
5. Kelan kansi
6. Kela
7. Katkaisuterä
8. Leikkuusiima
9. Suoja
10. Alavarsi
11. Ylävarsi
12. Etukädensija
13. Takakädensija

TUOTTEESSA OLEVAT SYMBOLIT

-  Lue ja ymmärrä kaikki ohjeet ennen tuotteen käyttöä ja noudata kaikkia varoituksia ja turvallisuusohjeita.
-  Käytä silmäsuojaimia.
-  Käytä kuulosuojaimia.
-  Älä käytä tuotteessa metalliteriä.
-  Älä altista konetta sateelle tai kosteudelle.
-  Jos johto vioittuu, katkeaa tai sotkeutuu, irrota se heti pistokkeesta ennen sen huoltoa.
-  Varo sinkoutuneita ja muita lentäviä esineitä. Pidä kaikki sivulliset vähintään 15 metrin päässä toiminta-alueelta – erityisesti lapset ja lemmikit.
-  Pidä kädet kaukana teristä.
-  Luokan II laite, kaksoiseristetty.
-  Käytöstä poistettavia sähkölaitteita ei pidä hävittää talusjätteiden mukana. Ne on mahdollisuuksien mukaan pantava kiertoon. Kierrätysohjeita antavat kunnan viranomaiset ja vähittäiskauppiaat.
-  Tämä työkalu on sen EU-maan kaikkien sääntömääräisten standardien mukainen, josta se on ostettu.
-  EurAsian-vaatimustenmukaisuusmerkki
-  Ukrainalainen säädöstenmukaisuusmerkkiä
-  Taattu äänenteho on 96 dB.

Seuraavat signaalisanat ja merkitykset on tarkoitettu selittämään tähän tuotteeseen liittyviä riskejä.

VAARA
Ilmaisee välitöntä vaaratilannetta, joka ellei sitä vältetä, johtaa kuolemaan tai vakavaan loukkaantumiseen.

VAROITUS

Ilmaisee potentiaalisen vaaratilanteen, joka ellei sitä vältetä, johtaa kuolemaan tai vakavaan loukkaantumiseen.

HUOMAUTUS

Ilmaisee potentiaalisen vaaratilanteen, joka ellei sitä vältetä, saattaa johtaa pienempään tai keskivaikeaan loukkaantumiseen.

HUOMAUTUS

Ilman turvallisuusvaroitussymbolia

Ilmoittaa tilanteesta, jossa omaisuutta saattaa vaurioitua.

TÄMÄN KÄSIKIRJAN SYMBOLIT



Kytke pistorasiaan



Irrota pistorasiasta



Osat ja lisävarusteet on hankittava erikseen



Huom



Varoitus

Sikkerheten, ytelsen og påliteligheten har vært første prioritet under konstruksjonen av elektriske hybridgressstrimmeren/kantklipperen.

TILTENKT BRUK

Den elektriske gressstrimmeren/kantklipperen er bare beregnet til utendørs bruk og skal bare brukes av en stående person.

Produktet er tiltenkt å kutte gress, smått ugress og annen lignende vegetasjon ved eller nær bakkenivå. Skjæreplanet bør være omtrent parallell med jordoverflaten ved kutting av gress og omtrent vertikal ved kantiing.

Produktet må ikke brukes til klipping av hekker, busker eller annen vegetasjon der kniven ikke er parallell med bakken. Ikke bruk produktet til annet enn det som er beskrevet over.

GENERELLE SIKKERHETSADVARSLER

⚠ ADVARSEL

Når produktet brukes må sikkerhetsreglene følges. Les disse instruksjonene før du tar i bruk produktet for din egen sikkerhet og sikkerheten til personer som befinner seg i nærheten. Ta godt vare på instruksjonene for framtidig referanse!

⚠ ADVARSEL

Dette produktet er ikke ment å bli brukt av barn eller personer med nedsatte fysiske, mentale eller sensoriske evner. Barn må ha riktig tilsyn for å sikre at de ikke leker med produktet.

⚠ ADVARSEL

Noen regioner har bestemmelser som begrenser bruk av dette produktet. Spør de lokale myndigheter for råd.

OPPLÆRING

- Ikke tillat at barn eller personer som ikke er kjent med brukermanualen bruke produktet. Lokale forskrifter kan begrense en alder av operatøren.
- Les instruksjonsmanualen nøye. Gjør deg kjent med alle kontrollene og korrekt bruk av produktet.
- Hold tilskuere, barn og kjæledyr 15 m unna arbeidsområde. Stopp produktet når noen kommer inn på området hvor produktet brukes.
- Ikke bruk utstyret når du er sliten, syk eller under påvirkning av alkohol, narkotika eller medisiner som kan påvirke reaksjonsevne og dømmekraft.
- Husk at operatøren eller brukeren er ansvarlig for uhell og farer som andre personer og deres eiendom får påført.

ELEKTRISK SIKKERHET

- Strømpluggene må passe til kontaktene. Foreta aldri noen form for endringer av støpslet. Ikke bruk noen form for adapterstøpsel til jordet elektrisk verktøy. Umodifiserte støpsler og passende stikkontakter vil

reducere risikoen for elektrisk støt.

- Unngå utilsiktet start. Sjekk alltid at bryteren er i avposisjon før du stikker pluggen i stikkontakten. Ikke bær produktet med fingeren på bryteren dersom det er koblet til strømmen.
 - Unngå kroppskontakt med jordede overflater, som vannrør, radiatorer, kokeapparater og kjøleaggregater. Det er økt risiko for elektrisk støt dersom kroppen din har kontakt med jord.
 - Bruk ikke produktet når det er fare for lynnedslag.
 - Ikke utsett produktet for regn eller høy fuktighet. Vann som trenger inn i apparatet vil øke risikoen for elektrisk støt.
 - Utstyret må få strøm fra en elektrisk kurs med jordfeilbryter som ikke overstiger 30 mA.
 - Før hver bruk skal strømledningen sjekkes for skader. Hvis det finnes tegn på skade, må ledningen skiftes ut av et autorisert servicested. Rull alltid ut ledningen under bruk for sammenrullede ledninger kan bli overopphetet.
 - Hvis du trenger å bruke en skjøteledning må du påse at kabelen egner seg for utendørs bruk og at kapasiteten tilfredsstiller produktets behov. Skjøteledningen må være merket med enten "H05RN-F" eller "H05 VV F". Sjekk for skader før hver bruk. Rull alltid ut ledningen under bruk for sammenrullede ledninger kan bli overopphetet. Skader på skjøteledninger må ikke repareres med skiftes ut med tilsvarende type ledning.
 - Ikke bruk produktet dersom den elektriske kabelen er slitt eller skadet.
 - Hvis den elektriske ledningen blir skadet under bruk må støpslet umiddelbart trekkes ut av den elektriske kontakten. Ikke berør den elektriske kabelen før støpslet er trukket ut av den elektriske kontakten.
 - Sjekk at ledningen er lagt slik at den ikke kan bli skadet av kuttenheden og at ingen trækker eller snubler i den, eller at ledningen er utsatt for skade eller stress.
 - Plukk aldri opp eller bær produktet i den elektriske ledningen.
 - Hold ledningen vekke fra varme, olje og skarpe kanter.
 - Påse at spenningen stemmer med det som angis for produktet. En navneplate på produktet viser produktets spenning. Tilkoblet aldri utstyret til en elektrisk kontakt med en spenning som skiller seg fra produktets.
 - Påse at bryteren er i posisjon OFF før støpslet trekkes ut av den elektriske kontakten.
- ### KLARGJØRING
- Ha på deg passende vernebriller og hørselsvern når du bruker produktet. Hvis du jobber i områder der det er fare for fallende objekter, må du bruke hjelm.
 - Hørselsvern kan hindre operatøren i å høre varselslyder. Vær spesielt oppmerksom på mulige farer rundt deg og innenfor arbeidsområdet.
 - Bruk tette langbukser, støvler og hansker. Ikke bruk løstsittende klær, kortbukser, smykker av alle slag og ikke gå barbert.
 - Sørg for at langt hår ikke når lenger ned en til skuldrene for å hindre at det kan fanges opp av roterende deler.



- Før bruk og etter hvert slag, sjekk for skadede deler. En defekt bryter eller annen del som er skadet eller slitt skal repareres adekvat eller skiftes ut av et autorisert serviceverksted.
- Påse at kutteutstyret er satt på riktig og festet godt.
- Ikke bruk produktet dersom ikke alle vern, avvisere og håndtak er på plass og forsvarlig festet.
- Vurder omgivelsene du skal jobbe i. Hold arbeidsområde fri for ledninger, pinner, steiner og annet avfall som kan sprette unna dersom kutteren kommer borti det.

SIKKERHETSADVARSLER VED BRUK AV KANTKLIPPER

- Bruk klipperen i dagslys eller i godt kunnslys.
- Unngå å bruke på vått gress.
- Ikke gå baklengs når du bruker produktet.
- Ha god fotfeste og ballanse til enhver tid. Ikke len deg for langt. Hvis du lener deg for langt, kan du miste balansen. Sørg for å ha god fotfeste i skråninger. Gå, du må aldri løpe mens du arbeider med maskinen.
- Hold tilskuere, barn og kjæledyr 15 m unna arbeidsområde. Stopp produktet når noen kommer inn på området hvor produktet brukes.
- Kutteenheten må ikke løftes høyere enn til hofte høyde.
- Bruk aldri produktet med ødelagt skjerming eller uten at skjermingen er montert.
- Du må ikke bruke metalltråd ved skifting av kuttetråd.
- Hold hender og føtter til enhver tid unna kutteenheten, spesielt når du skrur motoren på.
- Vær oppmerksom på at kutteenheten fortsetter å rotere etter at motoren har blitt skrudd av.
- Vær oppmerksom på at kutteenheten kan slenge opp gjenstander. Fjern avfall som småstein, grus og andre fremmedlegemer fra arbeidsområde før du begynner med jobben. Ledninger eller snorer kan surre seg inn i kutteenheten.
- Slå av og trekk ut støpslet fra den elektriske kontakten før:
 - det utføres servicearbeid
 - etterlater produktet uten tilsyn
 - rens produktet eller rens en blokkering
 - skifte av tilbehør
 - se etter skader dersom verktøyet har truffet en gjenstand
 - se etter skader dersom produktet begynner å vibrere kraftig
 - gjennomfører vedlikehold
- Det lille kuttebladet som sitter på gressbeskyttelsen er ment å kappe ny tråd til riktig lengde for å kunne bruke trimmeren trygt og optimalt. Det er meget skarpt, så ikke ta på det, pass spesielt på når du renser verktøyet.
- Sørg alltid for at avfall ikke tetter ventilasjonspaltene.
- Påse at kutteutstyret er satt på riktig og festet godt.
- Påse at alle deksler, stropper, avvisere og håndtak er korrekt og trygt montert.
- Ikke modifier produktet på noen måte idet dette kan øke risikoen for skade på deg selv eller andre.

- Bruk kun produsentens påfyllingstråd. Ikke bruk andre kuttetillegg.
- Hvis det skjer en ulykke eller maskinskade, må redskapen straks slås av og frakobles strømmettet. Ikke bruk redskapen igjen før den er nøye kontrollert av et autorisert servicesenter.

TRANSPORT OG LAGRING

- Slå av produktet og la det kjøles ned før lagring eller transport. Ved lagring må støpslet alltid trekkes ut av kontakten og ledningen kveiles opp.
- Fjern alle fremmedelementer fra produktet. Lagres på et kjølig, tørt og godt ventilert sted som er utilgjengelig for barn. Hold den borte fra korrosive materialer, så som ugressmidler og veisalt. Ikke oppbevar utendørs.
- Ved transport må produktet sikres mot å komme i bevegelse eller falle for å unngå skade på personer eller produktet.

VEDLIKEHOLD

⚠ ADVARSEL

Bruk kun produsentens originale reservedeler, tilleggsutstyr og påsatser. Dersom dette ikke følges, kan det forårsake personskader, dårlig funksjon og kan annullere garantien din.

⚠ ADVARSEL

Service krever meget stor forsiktighet og kunnskap og bør utføres kun av kvalifisert teknisk personale. For service skal produktet leveres til et autorisert serviceverksted. Når service utføres skal kun identiske reservedeler brukes.

- Skru av produktet og koble fra strømtilførselen før du utfører vedlikehold og rengjøring.
- Du kan foreta justeringer og reparasjoner som er beskrevet i denne brukermanualen. For andre reparasjoner, ta kontakt med et autorisert serviceverksted.
- For å skifte tråd, bruk kun nylonfibertråd med diameteren spesifisert i tabellen i denne håndboken.
- Etter at du har forlenget kuttetråden, må du alltid først sneu produktet til vanlig arbeidsstilling før du starter det.
- Etter hver bruk, rens produktet med en myk tørt klut. Enhver del som er skadet må repareres eller skiftes ut ved et autorisert serviceverksted.
- Kontroller all mutter, bolter og skruer med jevne mellomrom at de er skrudd fast for å sikre at produktet er i driftssikker stand.

GJENVÆRENDE RISIKO

Selv om utstyret brukes som beskrevet er det ikke mulig å unngå enhver gjenværende risiko. Følgende faresituasjoner kan oppstå ved bruk, og operatøren må legge spesielt vekt på å unngå følgende:

- Personskade på grunn av vibrasjon.



- Hold produktet i angitte håndtak og begrenns arbeidstid og eksponering.
- Eksponering for støy kan gi hørselsskader.
 - Bruk hørselvern og begrenns eksponeringen.
- Øyeskader som følge av flygende gjenstander.
 - Bruk til enhver tid øyebeskyttelse.

FAREDEDUKSJON

Det foreligger rapporter om at vibrasjoner fra håndholdt verktøy for enkelte personer kan bidra til en tilstand som kalles Raynauds Syndrome. Symptomene kan omfatte følelsesløshet og gjøre fingrene bleke, vanligvis synlig ved eksponering til lave temperaturer. Arvelige faktorer, eksponering mot lave temperaturer og fuktighet, diett, røyking og arbeidspraksis blir alle ansett for å kunne bidra til å utvikle disse symptomene. Brukeren kan iverksette tiltak for mulig å redusere virkningene av vibrasjonene:

- Hold kroppen din varm i kaldt vær. Bruk hansker og hold hender og håndledd varme ved bruk av produktet. Det er rapportert at kaldt vær er en viktig faktor som bidrar til Raynauds Syndrome.
- Etter hver arbeidsperiode bør det utføres øvelser for å øke blodsirkulasjonen.
- Ta ofte pauser fra arbeidet som utføres. Begrens mengden av eksponering pr. dag.

Hvis du opplever noen av symptomene på denne tilstanden må du øyeblikkelig avbryte arbeidet og oppsøke en lege med disse symptomene.

⚠ ADVARSEL

Hvis man bruker verktøyet for lenge av gangen, kan det føre til eller forverre allerede eksisterende personskaade. Når du bruker et verktøy over en lenger tidsperiode, husk å ta regelmessige pauser.

KJENN PRODUKTET DITT

Se side 104.

1. Av/På-bryter
2. Ledningskrok
3. Spole for elektrisk kabel
4. Kantingsknapp
5. Spoledeksel
6. Spole
7. Kappeblad
8. Klippesnor
9. Sikkerhetsvern
10. Nedre rør
11. Øvre rør
12. Fremre håndtak
13. Bakre håndtak

SYMBOLER PÅ PRODUKTET



Les og forstå alle instruksjoner før du tar i bruk produktet, følg alle advarsler og sikkerhetsanvisninger.



Bruk øyebeskyttelse



Bruk hørselvern.



Ikke bruk metallblader på produktet.



Ikke utsette for regn eller fuktige forhold.



Fjern øyeblikkelig støpslet fra stikkkontakten dersom ledningen skades eller kappes av.



Vær oppmerksom på utkastede eller flygende gjenstander. Hold tilskuere, spesielt barn og dyr, på god avstand, det vil si minst 15 meter fra arbeidsområdet



Hold hendene vekke fra kniven.



Klasse II verktøy, dobbelisolasjon



Avfall fra elektriske produkter skal ikke kastes sammen med husholdningsavfall. Vennligst resirkulere ved eksisterende avfallsbehandlingssted. Undersøk hos dine lokale myndigheter eller forhandler for råd om resirkulering.



Dette verktøyet overholder samtlige standarder i det EU-landet det er kjøpt i.



EurAsian Konformitetstegn



Ukrainsk merke for konformitet

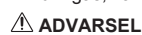


Garantert lydeffektivnivå er 96 dB.

Følgende symboler og betydninger forklarer risikonivået som er assosiert med dette produktet.



Indikerer en øyeblikkelig farlig situasjon, som, hvis ikke unngås, kan resultere i død eller alvorlig personskaade.



Indikerer en potensiell farlig situasjon, som, hvis ikke unngås, kan resultere i død eller alvorlig personskaade.



Indikerer en potensiell farlig situasjon, som, hvis

ikke unngås, kan resultere i mindre eller moderat personskade.

FORSIKTIGHETSREGEL

Uten sikkerhetsvarselsymbol

Indikerer en situasjon som kan føre til skade på eiendom.

SYMBOLER I DENNE MANUALEN



Tilkoble til strømkontakten



Ta ut av strømkontakten



Deler eller tilbehør solgt separat



Nb



Advarsel



При производстве электрического триммера/кромкореза наибольшее внимание уделяется безопасности, эксплуатационным характеристикам и надежности инструмента.

НАЗНАЧЕНИЕ

Электрический триммер / кромкорез предназначен для использования только вне помещений в положении стоя.

Продукт предназначен для скашивания травы, небольших сорняков и другой подобной растительности на уровне земли или около него. Режущая поверхность должна быть расположена примерно параллельно плоскости земли при стрижке и вертикально при обработке краев.

Данное устройство не должно использоваться для обрезки или подрезания живой изгороди, кустов или другой растительности, при работе с которой плоскость резания не параллельна поверхности земли.

Используйте инструмент только в вышеперечисленных целях.

ОБЩИЕ ПРАВИЛА БЕЗОПАСНОСТИ

⚠ ОСТОРОЖНО

При использовании устройства необходимо соблюдать правила техники безопасности. В целях собственной безопасности и безопасности наблюдающих лиц перед использованием устройства прочитайте приведенные в данном руководстве инструкции. Сохраняйте эту инструкцию для дальнейшего использования.

⚠ ОСТОРОЖНО

Данное устройство не предназначено для использования детьми или лицами с ограниченными физическими, психическими или сенсорными возможностями. Не допускайте того, чтобы дети играли с этим устройством.

⚠ ОСТОРОЖНО

В некоторых регионах существуют правила, ограничивающие использование этого продукта. Проконсультируйтесь с местными органами власти.

ОБУЧЕНИЕ

- Никогда не позволяйте детям или людям, незнакомым с этими инструкциями, использовать данное изделие. Местные инструкции могут ограничить возраст оператора.
- Внимательно прочтите данные инструкции. Ознакомьтесь с элементами управления и правилами эксплуатации изделия.
- Не допускайте прохожих, детей и домашних животных ближе чем на 15 м от рабочей зоны. Остановите устройство, если кто-то войдет в рабочую зону.

- Не работайте с изделием, если вы утомлены, больны, находитесь в состоянии алкогольного, наркотического опьянения или под воздействием лекарственных средств.
- Иметь в виду, что оператор или пользователь ответственны за несчастные случаи или опасности, встречающиеся другим людям или их собственности.

ЭЛЕКТРОБЕЗОПАСНОСТЬ

- Вилка должна соответствовать розетке. Не подвергайте вилку кабеля каким-либо изменениям. Не используйте какие-либо переходники с электроинструментами с заземляющим проводом. Использование оригинальных штепсельных вилок и соответствующих розеток предотвращает опасность поражения электрическим током.
- Избегайте неумышленного старта. Прежде чем подключать устройство к источнику электропитания, убедитесь, что выключатель находится в положении «Выкл.». Не несите включенное изделие с вашим пальцем на выключателе.
- Не допускайте контакта частей тела с поверхностями заземленных предметов, таких как трубы, радиаторы отопления, кухонные плиты, холодильники. При соприкосновении частей тела человека с заземленными участками возрастает опасность поражения электрическим током.
- Не используйте прибор, если есть опасность поражения молнией.
- Не допускайте попадания влаги на изделие и не используйте его во влажной атмосфере. Попадание влаги в устройство может привести к выходу его из строя или поражению электрическим током.
- Электропитание на устройство должно подаваться через устройство защитного отключения (RCD) с силой тока размыкания не более 30 мА.
- Перед каждым использованием проверьте шнур питания на наличие повреждений. В случае обнаружения признаков повреждения он должен быть заменен в авторизованном сервисном центре. Всегда разматывайте шнур питания во время эксплуатации устройства, гибкие кабели могут перегреваться.
- Если необходимо использовать удлинительный шнур, убедитесь, что он подходит для использования вне помещений, и допустимый ток достаточен для питания изделия. Удлинительный шнур должен быть маркирован «H05RN-F» или «H05 VV-F». Проверьте это перед каждым использованием на предмет повреждений. Всегда разматывайте его во время эксплуатации устройства, потому что спиральные шнуры могут перегреваться. Поврежденные удлинители не подлежат ремонту, их следует заменять аналогичным устройством.
- Не используйте изделие, если его электрический кабель поврежден или изношен.
- Если во время использования произошло повреждение кабеля питания или удлинительного кабеля, незамедлительно отсоедините его от сети питания. Не прикасайтесь к электрическому кабелю,





пока он не будет отключен от источника питания.

- Убедитесь, что шнур питания расположен так, что невозможно его порезать, наступить на него, споткнуться об него или повредить каким-либо иным способом.
- Запрещается тянуть за кабель питания для поднятия или перемещения изделия.
- Не раскладываете кабель питания вблизи источников тепла, емкостей с маслом и острых предметов.
- Убедитесь, что напряжение является правильным для вашего изделия. В паспортной табличке изделия указано его номинальное напряжение. Запрещается подключать устройство к сети переменного тока, напряжение которой отличается от указанного.
- Перед отключением устройства от сети питания убедитесь, что выключатель находится в выключенном положении.

ПОДГОТОВКА

- Используйте надежные приспособления для защиты глаз и органов слуха при работе с продуктом. При работе в зоне, где есть риск падения предметов, необходимо носить защитную каску.
- Средства защиты органов слуха ограничивают возможность оператора слышать предупредительные звуковые сигналы. Обращайте особое внимание на потенциальные опасности вокруг и внутри рабочей зоны.
- Работайте в толстых длинных брюках, сапогах и перчатках. Не допускается ношение слишком свободной одежды, коротких брюк, ювелирных изделий. Запрещается работать босиком.
- Соберите длинные волосы выше плеч, чтобы предотвратить их попадание в движущиеся части.
- Перед использованием устройства или после него убедитесь, что в нем нет поврежденных деталей. Для ремонта или замены неисправного переключателя или любой иной детали следует обращаться в авторизованный сервисный центр.
- Убедитесь, что режущая насадка правильно установлена и надежно закреплена.
- Никогда не эксплуатируйте изделие, если все защитные приспособления, отражатели и ручки не будут правильно и надежно закреплены.
- Рассмотрите окружающую среду, в которой Вы работаете. Держите рабочее место свободным от проводов, палок, камней и мусора, которые при столкновении с режущим устройством могут вылететь с большой скоростью.

МЕРЫ ПРЕДОСТОРОЖНОСТИ ПРИ ИСПОЛЬЗОВАНИИ ТРИММЕРА / КРОМКОРЕЗА

- Эксплуатируйте изделие только при дневном свете или хорошем искусственном освещении.
- Не используйте устройство для стрижки влажной травы.
- Запрещается пятиться при эксплуатации продукта.

- Держать устойчивую опору и баланс. Не перенапрягать. Перенапряжение может кончиться потерей баланса. Обеспечьте устойчивость ног при работе на склонах. Передвигайтесь шагом, не бегайте.
- Не допускайте прохожих, детей и домашних животных ближе чем на 15 м от рабочей зоны. Остановите устройство, если кто-то войдет в рабочую зону.
- Не поднимайте режущую насадку выше пояса.
- Запрещается использовать изделие, если защитные устройства повреждены или вообще не установлены.
- Никогда не закрепляйте металлическую линию замены.
- Держите руки и ноги далеко от режущих средств во всех случаях и особенно при включении двигателя.
- Осторожно! Режущие элементы продолжают вращаться после отключения двигателя.
- Остерегайтесь объектов, выбрасываемых режущими приспособлениями. Удалите мусор, такой как мелкие камни, гравий и другие посторонние предметы, из рабочей зоны до начала работы. Провода или шнуры могут запутаться в режущих деталях.
- Перед выполнением следующих операций отключите устройство и отсоедините его от сети питания:
 - обслуживание
 - оставление изделия без присмотра
 - очистка продукта или устранение забивания
 - Замена принадлежностей
 - Проверка на наличие повреждений после столкновения с предметами
 - Проверка на наличие повреждений, если изделие начнет необычно вибрировать
 - Выполнение технического обслуживания
- Небольшое лезвие, установленное под защитным приспособлением, предназначено для подрезания новой удлинненной струной до нужной длины в целях обеспечения безопасной и оптимальной производительности. Оно очень острое, не прикасайтесь к нему, особенно при очистке инструмента.
- Всегда проверяйте устройство на отсутствие грязи в вентиляционных отверстиях.
- Убедитесь, что режущая насадка правильно установлена и надежно закреплена.
- Проверьте правильность установки и надежность крепления всех защитных устройств, отражателей и ручек.
- Запрещается каким-либо образом изменять изделие, так как это может привести к травмам оператора или окружающих лиц.
- Для замены режущей струны используйте только оригинальные струны от производителя. Использование других режущих насадок не допускается.



- В случае аварии или поломки немедленно выключите двигатель и отключите изделие от сети питания. Не используйте устройство, обратитесь в гарантийное обслуживание для дальнейшей проверки.

ТРАНСПОРТИРОВКА И ХРАНЕНИЕ

- Остановите изделие, дайте ему остыть перед постановкой на хранение или транспортировкой. При хранении устройства всегда отключайте его от сети питания и сматывайте его кабель.
- Очистите устройство от всех посторонних материалов. Храните его в прохладном, сухом, хорошо проветриваемом и недоступном для детей месте. Не держите бензопилу рядом с коррозионными веществами, такими как садовые химикаты или размораживающая соль. Не храните на открытом воздухе.
- Для транспортировки закрепите изделие так, чтобы оно не могло перемещаться или упасть во избежание травмирования персонала или повреждения изделия.

ТЕХНИЧЕСКОЕ ОБСЛУЖИВАНИЕ

⚠ ОСТОРОЖНО

Используйте только оригинальные запчасти, аксессуары и насадки от производителя. Невыполнение этого требования может привести к травме, к снижению производительности и к аннулированию гарантии.

⚠ ОСТОРОЖНО

Обслуживание требует чрезвычайной заботы и знания и должно быть выполнено только квалифицированным техником обслуживания. Обратитесь в авторизованный сервисный центр для техобслуживания. При обслуживании использовать только идентичные сменные части.

- Перед проведением обслуживания или чистки выключите устройство и извлеките шнур питания из розетки.
- Вы можете также выполнить другие виды регулировки и ремонтные работы, описанные в данном руководстве. По вопросу ремонта обратитесь в авторизованный сервисный центр.
- Для замены струны используйте только нейлоновую струну, диаметр которой выбирается в соответствии с таблицей технических характеристик настоящего руководства.
- После удлинения режущей струны всегда возвращайте устройство в обычное рабочее положение перед запуском.
- После каждого использования протирайте изделие мягкой сухой тканью. В случае повреждения

какой-либо детали необходимо обратиться в авторизованный сервисный центр для выполнения надлежащего ремонта или замены.

- Проверить все болты, задвижки, и винты, через короткие интервалы, на надлежащую плотность, чтобы убедиться, что изделие находится в безопасном, рабочем состоянии.

БУДЬТЕ ВСЕГДА ОСТОРОЖНЫ

Даже когда изделие используют согласно инструкциям, невозможно полностью устранить факторы риска. При эксплуатации могут возникнуть следующие ситуации, которым пользователь должен уделять особое внимание, чтобы избежать проблем:

- Травмы, вызываемые вибрацией.
 - Держите изделие только за предназначенные для этого ручки и соблюдайте рабочий режим.
- Повреждение слуха, вызываемое воздействием шума.
 - Носите устройства защиты слуха и ограничивайте продолжительность шумового воздействия.
- Повреждение глаз летящим мусором.
 - Обязательно носите устройства для защиты глаз.

СНИЖЕНИЕ РИСКА

Сообщалось, что вибрация ручных электроинструментов у отдельных лиц может способствовать состоянию, которое называется синдром Рейно. К симптомам могут относиться покалывание, онемение и побеление пальцев (как при переохлаждении). Считают, что наследственные факторы, охлаждение и влажность, диета, курение и практический опыт способствуют развитию этих симптомов. Ниже приводятся меры, которые может принять оператор для снижения воздействия вибрации:

- Одевайтесь теплее в холодную погоду. При эксплуатации изделия носите перчатки, чтобы сохранить руки и запястья в тепле. Считается, что холодная погода является основным фактором, способствующим возникновению болезни Рейно (Raynaud's Syndrome).
- После каждого этапа работы выполните упражнения для усиления кровообращения.
- Чаще делайте перерывы в работе. Сократите длительность ежедневного пребывания на открытом воздухе.

При появлении каких-либо из указанных симптомов сразу же прекратите работу и обратитесь по их поводу к врачу.

⚠ ОСТОРОЖНО

Слишком продолжительное использование инструмента может привести к травме. При использовании инструмента в течение длительного времени делайте регулярные перерывы.

ИЗУЧИТЕ УСТРОЙСТВО

См. стр. 104.

1. Кнопка запуска
2. Держатель шнура
3. Держатель шнура питания
4. Кнопка режима обработки краев
5. Крышка шпильки
6. Шпилька
7. Лезвие для отрезания струны
8. Режущая струна
9. Защитное приспособление
10. Нижняя трубка
11. Верхняя трубка
12. Передняя ручка
13. Задняя ручка

УСЛОВНЫЕ ОБОЗНАЧЕНИЯ НА ПРОДУКТЕ



Внимательно прочитайте все инструкции перед началом работы с продуктом, соблюдайте все предупреждения и инструкции по безопасности.



Используйте средства защиты органов зрения



Носите устройства защиты слуха.



Не используйте металлические лезвия при обслуживании устройства.



Не подвергайте инструмент воздействию дождя и не используйте в условиях повышенной влажности.



Извлеките вилку из розетки перед проведением технического обслуживания, или если шнур питания поврежден, порезан или запутан.



Помните об опасности, которую представляют собой отбрасываемые устройством или вылетающие из-под него предметы. Не допускайте приближения посторонних лиц, особенно детей и домашних животных к рабочей зоне ближе чем на 15 м



Не касайтесь режущих полотен.



Инструмент класса II, двойная изоляция



Отработанная электротехническая продукция должна уничтожаться вместе с бытовыми отходами. Утилизируйте, если имеется специальное техническое оборудование. По вопросам утилизации проконсультируйтесь с местным органом власти или предприятием розничной торговли.



Настоящий инструмент отвечает всем официальным стандартам страны ЕС, в которой он был приобретен.



Знак Евразийского Соответствия



Украинский знак стандартизации



Гарантируемый уровень звуковой мощности составляет 96 дБ.

Следующие сигнальные слова и значения предназначены, чтобы объяснить уровни риска, связанного с этим изделием.

ОПАСНО

Указывает неизбежно опасную ситуацию, которая, если не избежать, кончится смертельным или серьезным ущербом.

ОСТОРОЖНО

Указывает потенциально опасную ситуацию, которая, если не избежать, может кончиться смертельным или серьезным ущербом.

ПРЕДОСТЕРЕЖЕНИЕ

Указывает потенциально опасную ситуацию, которая, если не избежать, может кончиться малым или уменьшенным ущербом.

ПРЕДОСТЕРЕЖЕНИЕ

Употребляется без предупреждающего знака

Указывает на ситуацию, которая может привести к повреждению имущества.

УСЛОВНЫЕ ОБОЗНАЧЕНИЯ В ДАННОМ РУКОВОДСТВЕ.



Подключение к сетевой розетке



Отсоединение от сетевой розетки



Детали или принадлежности, приобретаемые отдельно



Примечание



Осторожно

EN
FR
DE
ES
IT
NL
PT
DA
SV
FI
NO
RU
PL
CS
HU
RO
LV
LT
ET
HR
SL
SK
BG
UK
TR

Najwyższymi priorytetami w trakcie projektowania zakupionej przez Państwa elektrycznych przycinarki trawnika/krawędzi były bezpieczeństwo, wydajność i niezawodność.

PRZEZNACZENIE

Elektryczna przycinarka do trawnika/krawędzi przeznaczona jest wyłącznie do użytku na zewnątrz i przez operatora znajdującego się w pozycji stojącej.

Produkt jest przeznaczony do cięcia trawy, lekkich chwastów oraz wszelkich podobnych roślin na poziomie ziemi. W trakcie przycinania na wysokość płaszczyzna cięcia powinna być ustawiona w przybliżeniu równoległe do gruntu, a w trakcie kształtowania płaszczyzny pionowej krzewów — w przybliżeniu pionowo.

Urządzenia nie należy używać do docinania żywoptłotów, krzewów lub innych roślin w przypadkach, gdy płaszczyzna koszenia nie jest równoległa do płaszczyzny gruntu.

Nie wolno używać produktu do jakiegokolwiek celu, który nie jest wyszczególniony powyżej.

OGÓLNE OSTRZEŻENIA DOTYCZĄCE BEZPIECZEŃSTWA

⚠ OSTRZEŻENIE

Podczas używania tego urządzenia należy przestrzegać odpowiednich zasad bezpieczeństwa. Aby zapewnić bezpieczeństwo sobie i osobom postronnym, przed przystąpieniem do użytkowania urządzenia należy zapoznać się z niniejszą instrukcją. Należy zachować te instrukcje do wykorzystania w przyszłości.

⚠ OSTRZEŻENIE

Produkt ten nie jest przeznaczony do użytkowania przez dzieci lub osoby o ograniczonych zdolnościach fizycznych, umysłowych lub sensorycznych. Należy dopilnować, aby dzieci nie bawiły się produktem.

⚠ OSTRZEŻENIE

W niektórych regionach obowiązują przepisy ograniczające używanie produktu. Informacje na ten temat można uzyskać w lokalnych urzędach.

SZKOLENIE

- Nigdy nie wolno pozwalać obsługiwać tego produktu dzieciom ani osobom nieznanym tych instrukcji. Przepisy lokalne mogą ograniczać dopuszczalny wiek operatora.
- Przeczytać uważnie wszystkie instrukcje. Należy zapoznać się z przyrządami sterowania oraz zasadami prawidłowej obsługi produktu.
- Osoby postronne, dzieci i zwierzęta muszą znajdować się w odległości przynajmniej 15 metrów od miejsca pracy. Jeśli na obszarze znajduje się inna osoba, należy zatrzymać produkt.
- Nigdy nie wolno używać produktu, gdy użytkownik jest

zmęczony lub pod wpływem alkoholu, narkotyków lub leków.

- Należy pamiętać, że operator lub użytkownik jest odpowiedzialny za spowodowanie wypadku lub zagrożenia bezpieczeństwa osób i mienia.

ZASADY BEZPIECZEŃSTWA DOTYCZĄCE OBSŁUGI URZĄDZEŃ ELEKTRYCZNYCH

- Wtyczka musi pasować do gniazda elektrycznego. Nie wolno modyfikować wtyczek w żaden sposób. Nie wolno używać żadnych przejściówek do podłączania urządzeń posiadających przewód zasilania z uziemieniem. Stosowanie oryginalnych wtyczek i dopasowanych gniazd sieciowych zmniejsza ryzyko porażenia prądem.
- Unikać możliwości przypadkowego uruchomienia urządzenia. Przed podłączeniem produktu do źródła zasilania zawsze należy sprawdzać, czy przełącznik znajduje się w położeniu wyłączenia (Off). Nie wolno przenosić podłączonego do prądu produktu, trzymając palec na wyłączniku.
- Unikać kontaktu ciała z powierzchniami uziemionymi lub podłączonymi do bieguna zerowego, np. rury, instalacje grzewcze i chłodnicze. Kontakt ciała z masą lub uziemieniem zwiększa ryzyko porażenia prądem.
- Nie wolno używać produktu, gdy występuje ryzyko burzy lub wyładowań atmosferycznych.
- Nie narażać tego produktu na działanie deszczu lub wody. Woda dostająca się do urządzenia stwarza zagrożenie porażenia prądem.
- Urządzenie powinno być zasilane przez wyłącznik różnicowo-prądowy (RCD), o prądzie zadziałania nie większym niż 30 mA.
- Przed każdym użyciem należy sprawdzić, czy przewód zasilający nie jest uszkodzony. W przypadku stwierdzenia oznak uszkodzenia, należy oddać urządzenie do naprawy do autoryzowanego punktu serwisowego. Zawsze należy rozwijać zwinięty przewód zasilający podczas użycia, ponieważ zwinięte przewody mogą się przegrzać.
- Jeśli konieczne jest użycie przedłużacza, należy upewnić się, że nadaje się on do stosowania na zewnątrz pomieszczeń oraz że ma parametry (moc podłączonych urządzeń) umożliwiające podłączenie danego produktu. Przedłużacz powinien mieć oznaczenie „H05RN-F” lub „H05 VV F”. Sprawdzić przed każdym użyciem, czy nie ma uszkodzeń. Zawsze należy rozwijać go podczas użytkowania, ponieważ zwinięte kable mogą ulec przegrzaniu. Nie wolno naprawiać uszkodzonych przedłużaczy. Należy wymienić je na produkt o takich samych parametrach.
- Nie używać produktu w przypadku uszkodzenia lub zużycia przewodu zasilającego.
- W przypadku, gdy podczas pracy dojdzie do uszkodzenia przewodu zasilającego lub przedłużacza, urządzenie należy niezwłocznie odłączyć od zasilania. Nie dotykać przewodów elektrycznych dopóki urządzenie jest podłączone do zasilania.
- Należy upewnić się, że przewód zasilający jest umieszczony w taki sposób, że nie można go



uszkodzić poprzez przecięcie, nie zostanie nadepnięty, zaczepiony lub uszkodzony lub narażony w inny sposób.

- Nie podnosić ani nie przenosić produktu za przewód elektryczny.
- Przewód zasilania trzymać z dala od źródeł ciepła, oleju i ostrych krawędzi.
- Należy upewnić się, że produkt jest zasilany odpowiednim napięciem. Napięcie zasilania tego produktu podano na tabliczce znamionowej. Nie podłączać urządzenia do zasilania prądem AC o napięciu innym niż znamionowe.
- Upewnić się, że przełącznik znajduje się w położeniu Off (Wyl.) przed odłączeniem urządzenia od zasilania.

PRZYGOTOWANIE

- Należy nosić pełne zabezpieczenie oczu i uszu podczas obsługi produktu. W przypadku pracy w miejscu, gdzie występuje ryzyko spadających przedmiotów, należy nosić kask.
- Środki ochrony słuchu mogą ograniczać zdolność operatora do usłyszenia dźwięków ostrzegawczych. Należy zwracać szczególną uwagę na potencjalne zagrożenia na obszarze pracy.
- Założyć grube, długie spodnie, wysokie buty i rękawice. Nie należy nosić luźnego ubrania, krótkich spodenek, biżuterii oraz nie chodzić bosą.
- Długie włosy należy związać, aby znajdowały się powyżej ramion i aby nie zostały pochwycone przez maszynę.
- Przed użyciem oraz po jakimkolwiek uderzeniu należy sprawdzić, czy żadna część nie jest uszkodzona. Uszkodzony przełącznik lub inna uszkodzona lub zużyta część muszą być odpowiednio naprawione lub wymienione przez autoryzowany punkt serwisowy.
- Należy upewnić się, że głowica tnąca jest prawidłowo zainstalowana i dobrze zamocowana.
- Nigdy nie wolno używać produktu, jeśli jakakolwiek osłona, deflektor lub uchwyt nie są prawidłowo i dobrze zamocowane.
- Należy uwzględnić warunki otoczenia, w którym mają być wykonywane prace. Na miejscu pracy nie mogą znajdować się druty, przewody, patyki, kamienie ani gruz, ponieważ w przypadku uderzenia przez nóż mogą zostać odrzucone.

PODKASZARKA ŻYŁKOWA (DO KRAWĘDZI) – OSTRZEŻENIA DOTYCZĄCE BEZPIECZEŃSTWA

- Produkt należy obsługiwać wyłącznie przy świetle dziennym lub przy odpowiednim sztucznym oświetleniu.
- Unikać używania urządzenia do mokrej pracy.
- Podczas używania produktu nie należy chodzić do tyłu.
- Stać stabilnie, zachowując równowagę. Nie sięgać zbyt daleko. Sięganie zbyt daleko grozi utratą równowagi. Na zboczach należy zawsze stać w sposób pewny. Podczas pracy należy chodzić, nie wolno biegać.
- Osoby postronne, dzieci i zwierzęta muszą znajdować się w odległości przynajmniej 15 metrów od miejsca

pracy. Jeśli na obszarze znajduje się inna osoba, należy zatrzymać produkt.

- Głowica tnąca musi znajdować się poniżej linii pasa.
- Nie używać produktu z uszkodzonymi osłonami lub bez założonych osłon.
- Nie wolno zastępować żyłki linką metalową.
- Trzymać dłonie i stopy z dala od elementów tnących przez cały czas pracy, a szczególnie podczas uruchamiania silnika.
- Uwaga: ostrza nadal obracają się po wyłączeniu silnika.
- Należy zwrócić uwagę na obiekty odrzucane przez elementy tnące. Przed rozpoczęciem pracy należy usunąć małe kamienie, gruz oraz inne obce obiekty z miejsca pracy. Druty lub sznurki mogą zostać pochwycone przez przyrząd tnący.
- Wyłączyć zasilanie i wyjąć wtyczkę z gniazda sieciowego przed następującymi czynnościami:
 - serwisowanie
 - pozostawianie produktu bez nadzoru
 - czyszczenie produktu lub usuwanie zablokowanego obiektu
 - wymiana akcesoriów
 - kontrola uszkodzeń po uderzeniu obiektu
 - kontrola uszkodzeń w przypadku, gdy produkt wpada w nietypowe drgania
 - konserwacja
- Małe ostrze zamocowane na osłonie do koszenia umożliwia docinanie świeżo rozwiniętej żyłki na odpowiedniej długości w celu zapewnienia optymalnej pracy. Jest ono bardzo ostre. Nie należy dotykać go szczególnie podczas czyszczenia narzędzia.
- Otwory wentylacyjne należy utrzymywać w stanie wolnym od zanieczyszczeń.
- Należy upewnić się, że głowica tnąca jest prawidłowo zainstalowana i dobrze zamocowana.
- Upewnić się, że wszystkie elementy zabezpieczające, osłony i uchwyty są prawidłowo i bezpiecznie zamocowane.
- Nie należy w żaden sposób modyfikować produktu; może to spowodować większe ryzyko obrażeń ciała operatora lub innych osób.
- Należy stosować wyłączanie żyłkę tnącą producenta. Nie używaj żadnych innych akcesoriów tnących.
- W razie wypadku lub awarii należy natychmiast wyłączyć urządzenie i odłączyć je od sieci. Nie należy włączać produktu ponownie, dopóki nie zostanie w pełni sprawdzony przez autoryzowane centrum serwisowe.

TRANSPORT I PRZECHOWYWANIE

- Przed schowaniem lub transportem produktu należy zatrzymać go i odczekać, aż ostygnie. Przed odłożeniem urządzenia w miejsce przechowywania, należy je odłączyć od zasilania i zwinąć przewód zasilający.
- Usunąć z produktu wszelkie zanieczyszczenia. Należy przechowywać urządzenie w chłodnym, suchym i dobrze wentylowanym miejscu, które jest niedostępne

EN
FR
DE
ES
IT
NL
PT
DA
SV
FI
NO
RU
PL
CS
HU
RO
LV
LT
ET
HR
SL
SK
BG
UK
TR



dla dzieci. Nie chowajcie jej w pobliżu czynników żrących, takich jak ogrodowe produkty chemiczne czy sole odmrażające. Nie przechowywać na zewnątrz.

- W przypadku transportu produktu należy zabezpieczyć go przed przemieszczaniem się lub upadkiem, aby nie dopuścić do obrażeń ciała lub uszkodzenia urządzenia.

KONSERWACJA

⚠ OSTRZEŻENIE

Należy stosować wyłącznie oryginalne części zamienne, akcesoria oraz przystawki producenta. W przeciwnym razie może dojść do obrażeń ciała, niskiej wydajności oraz do unieważnienia gwarancji.

⚠ OSTRZEŻENIE

Serwisowanie wymaga wyjątkowej staranności i wiedzy. Może być wykonywane wyłącznie przez wykwalifikowany personel serwisowy. Serwisowanie produktu należy zlecić autoryzowanemu przedstawicielowi serwisu. Do napraw używać wyłącznie identycznych zamienników.

- Wyłączyć i odłączyć od źródła zasilania przed podjęciem prac konserwacyjnych lub czyszczenia.
- Możesz wykonywać czynności regulacyjne i naprawcze opisane w tej instrukcji obsługi. W przypadku innych napraw należy skontaktować się autoryzowanym punktem serwisowym.
- Do wymiany należy stosować wyłącznie nylonowej ciągłej żyłki o średnicy podanej w tabeli specyfikacji w tej instrukcji.
- Po wyciągnięciu nowej żyłki tnącej, zawsze przed włączeniem urządzenia należy ustawić je w normalnym położeniu roboczym.
- Po każdym użyciu należy wyczyścić produkt miękką, suchą szmatką. Każdą uszkodzoną część należy odpowiednio naprawić lub wymienić w autoryzowanym punkcie serwisowym.
- Systematycznie sprawdzać, czy wszystkie nakrętki, wkręty i śruby są dobrze dokręcone, aby upewnić się, że produkt jest w bezpiecznym stanie.

RYZIKO ZWIĄZANE Z UŻYTKOWANIEM:

- Nawet jeśli produkt jest używany zgodnie z zaleceniami, nadal nie jest możliwe wyeliminowanie określonych czynników ryzyka. Następujące zagrożenia mogą wystąpić podczas używania urządzenia i operator powinien zwracać szczególną uwagę na poniższe punkty:
- Urazy ciała spowodowane przez wibracje.
 - Należy trzymać produkt za odpowiednie uchwyty oraz stosować się do zaleceń dotyczących czasu pracy i narażenia.
 - Uszkodzenie słuchu spowodowane narażeniem na hałas.
 - Należy nosić środki ochrony uszu oraz ograniczyć poziom narażenia.

- Występuje ryzyko spowodowane odrzucanymi obiektami.
 - Stosować przez cały czas środki ochrony oczu.

OGRANICZENIE RYZYKA

Znane są przypadki wywołania u niektórych osób objawu Raynauda spowodowanego wibracjami produktu. Typowe objawy to mrowienie, drętwienie i blednięcie palców, widoczne zwykle po wystawieniu na działanie zimna. Uważa się, że czynniki dziedziczne, wystawienie na działanie zimna i wilgoci, dieta, palenie papierosów i przyjęte zwyczaje przyczyniają się do rozwoju tych objawów. Istnieją środki zaradcze, które może podjąć operator narzędzia, aby zmniejszyć efekt wibracji:

- Zadbaj w niskich temperaturach o ciepłotę własnego ciała, zakładając odpowiednie ubranie. Podczas obsługi produktu należy nosić rękawice, aby dłonie i nadgarstki były ciepłe. Wiadomo, że niskie temperatury są główną przyczyną powstawania objawu Raynauda.
- Podczas przerw w pracy należy wykonywać ćwiczenia poprawiające krążenie krwi..
- Podczas pracy robić częste przerwy. Ograniczyć ekspozycję w ciągu dnia.

W razie doświadczenia dowolnego z wymienionych objawów, należy niezwłocznie zaprzestać użytkowania tego urządzenia i skontaktować się z lekarzem.

⚠ OSTRZEŻENIE

Długotwale użytkowanie narzędzia może spowodować obrażenia ciała lub nasilić dolegliwości zdrowotne. W przypadku używania narzędzia przed dłuższy czas należy pamiętać o regularnych przerwach.

ZAPOZNAJ SIĘ ZE SWOIM PRODUKTEM

Patrz str. 104.

1. Przelącznik wł./wyl.
2. Zaczep przewodu
3. Zaczep przewodu zasilającego
4. Przycisk funkcji przycinania krawędzi
5. Osłona szpuli
6. Szpula
7. Ostrze do przycinania żyłki
8. Linia cięcia
9. Osłona zabezpieczająca
10. Rura dolna
11. Rura górna
12. Przedni uchwyt
13. Tylny uchwyt

SYMBOLE PRODUKTU



Należy przeczytać i zrozumieć wszystkie instrukcje przed rozpoczęciem obsługi produktu oraz przestrzegać wszystkich ostrzeżeń i instrukcji dotyczących bezpieczeństwa.



Zakładać środki ochrony wzroku



Należy stosować środki ochrony słuchu.



Nie należy montować w produkcji metalowych ostrzy.



Nie wystawiać urządzenia na działanie deszczu ani nie używać w miejscach o dużej wilgotności.



Przed rozpoczęciem czynności konserwacyjnych lub jeśli przewód jest uszkodzony, przecięty lub splątany, należy odłączyć wtyczkę od źródła zasilania.



Uwaga na odrzucane przedmioty. Wszystkie osoby postronne, a szczególnie dzieci i zwierzęta, muszą znajdować się w odległości przynajmniej 15 metrów od miejsca pracy.



Nie zbliżać rąk do ostrzy.



Narzędzie klasy II, podwójna izolacja



Zużyte produkty elektryczne nie powinny być utylizowane z odpadami domowymi. Prosimy poddawać recyklingowi w odpowiednich miejscach. Informacje o właściwych metodach recyklingu można uzyskać u władz lokalnych lub sprzedawcy.



Narzędzie to spełnia wymogi wszystkich norm reglamentacji kraju UE, w którym było ono zakupione.



Znak zgodności EurAsian



Ukraiński znak zgodności



Maksymalny poziom natężenia hałasu wynosi 96 dB.

Poniższe symbole i nazwy które im nadano, pozwalają wyjaśnić różne poziomy ryzyka związanego z używaniem tego narzędzia.

NIEBEZPIECZEŃSTWO

Wskazuje na realne zagrożenie, które może spowodować śmierć lub poważne zranienie, jeżeli się nie uniknie tego niebezpieczeństwa.

OSTRZEŻENIE

Wskazuje na potencjalne zagrożenie, które może spowodować śmierć lub poważne zranienie, jeżeli się nie uniknie tego niebezpieczeństwa.

UWAGA

Wskazuje na potencjalne zagrożenie, które może spowodować mniejsze lub bardziej poważne zranienie, jeżeli się nie uniknie tego niebezpieczeństwa.

UWAGA

Bez symbolu ostrzeżenia
Sytuacja, która może grozić uszkodzeniem mienia.

SYMBOLE W TYM PODRĘCZNIKU



Podłączyć do gniazda zasilania



Odłączyć z gniazda zasilania



Części lub akcesoria sprzedawane oddzielnie



Objaśnienie



Ostrzeżenie!



Při návrhu elektrického vyžinače trávníků / začišťovače okrajů trávníků byl kladen obzvláštní důraz na bezpečnost, výkon a spolehlivost.

ZAMÝŠLENÉ POUŽITÍ

Elektrický vyžinač trávníků / začišťovač okrajů trávníků je určen pouze pro venkovní použití uživatelem ve stoje.

Výrobek je navržen pro sečení trávy, měkkého plevelu a další podobné vegetace na úrovni nebo v blízkosti úrovně země. Rezná rovina by měla být při zastřihávání trávniku přibližně paralelní se zemí a při údržbě okrajů přibližně vertikální.

Výrobek se nesmí používat pro stříhání či úpravu živého plotu, keřů nebo jiné vegetace, kde rovina řezu není rovnoběžně s plochou země.

Nepoužívejte tento nástroj pro zde neuvedené účely.

VŠEOBECNÁ BEZPEČNOSTNÍ VAROVÁNÍ

VAROVÁNÍ

Při používání výrobku musí být dodrženy bezpečnostní předpisy. Pro vaši vlastní bezpečnost i bezpečnost kolemjdoucích si přečtěte tento návod k obsluze. Uchovejte si prosím bezpečnostní pokyny pro budoucí použití.

VAROVÁNÍ

Tento nástroj není určen pro používání osobami, včetně dětí, pokud jsou jejich fyzické, pohybové nebo mentální schopnosti sníženy. Dohlédněte, aby si děti se spotřebičem nehrály.

VAROVÁNÍ

Místní předpisy mohou omezovat použití výrobku. Ověřte si u svého orgánu místní správy toto nařízení.

ZAŠKOLENÍ

- Nenechejte děti nebo osoby neseznámené s těmito pokyny pracovat s výrobkem. Místní předpisy mohou omezovat dobu obsluhy.
- Návod si pečlivě přečtěte. Seznamte se všemi ovládacími a řádným používáním výrobku.
- Všechny přihlízející, zvláště děti a zvířata udržujte 15 m mimo pracovní oblasti. Zastavte výrobek, pokud někdo vstoupí do pracovního prostoru výrobku.
- Výrobek nepoužívejte, pokud jste unavení, nemocní nebo pod vlivem drog, alkoholu či léků.
- Uživatel nebo obsluha tohoto zahradnického nástroje je zodpovědná za nehody nebo nebezpečí způsobená na jiné osobě nebo jejich majetku.

ELEKTRICKÁ BEZPEČNOST

- Elektrické zástrčky musí být shodné s elektrickou zásuvkou. Nepokoušejte se zástrčku jakýmkoliv způsobem upravovat. Nepoužívejte žádný adaptér zástrček se zemněným (uzemněným) elektrický

poháněným nástrojem. Neupravené zástrčky a shodné zásuvky snižují nebezpečí elektrického úrazu.

- Zabraňte náhodnému spuštění. Vždy zkontrolujte, že je před zapojením výrobku do síťové zásuvky spínač v poloze Off (VYPNUTO). Nenoste zapojených výrobek s prstem na spínači.
- Předcházejte tělesnému kontaktu s uzemněnými nebo zemněnými povrchy, například trubkami, radiátory, sporáky a lednicemi. Je zde zvýšené nebezpečí zásahu elektrickým proudem, pokud je vaše tělo zemněno nebo uzemněno.
- Zařízení nepoužívejte, hrozí-li nebezpečí blesku.
- Nevystavujte tento přístroj dešti nebo vlhkým podmínkám. Voda vnikající do zařízení zvyšuje nebezpečí elektrického úrazu.
- Elektrické zařízení musí být napájeno přes proudový chránič s reziduálním proudem nepřesahujícím 30 mA.
- Před každým použitím zkontrolujte napájecí kabel na poškození. Pokud jeví známky poškození, je nutné jej vyměnit v pověřeném servisním středisku. Během používání kabel plně rozvířte, smotaný kabel se může přehřívat.
- Pokud potřebujete použít prodlužovací kabel, ujistěte se, že je vhodný pro venkovní použití a má dostatečnou proudovou kapacitu pro napájení výrobku. Prodlužovací kabel by měl být označen buď „H05RN-F“ nebo „H05 VV F“. Před každým použitím vizuálně prohlédněte na poškození. Během používání kabel plně rozvířte, smotaný kabel se může přehřívat. Poškozené napájecí kabely se nesmí opravovat, vždy vyměňte za stejný typ.
- Výrobek nepoužívejte, pokud jsou elektrické kabely poškozené nebo opotřebované.
- Dojde-li během používání k poškození napájecího nebo prodlužovacího kabelu, zařízení odpojte ihned od elektrické sítě. Nedotýkejte se elektrických kabelů, dokud není napájecí kabel odpojen od sítě.
- Ujistěte se, zda je kabel umístěn tak, aby se nepoškodil, tedy aby se po něm nešlapalo, neklopýtalo se o něj a aby nebyl jiným způsobem vystaven možnému poškození či namáhání.
- Nikdy výrobek nezvedejte ani nepřeházejte uchopením za elektrický kabel.
- Dávejte pozor, aby se napájecí kabel nedostal do kontaktu s horkem, olejem nebo ostrými hranami.
- Zkontrolujte, zda je napětí napájecí soustavy vhodné pro výrobek. Štítek s názvem výrobku udává pracovní napětí zařízení. Nikdy nepřipojujte produkt ke střídavému napětí, které se liší od tohoto napětí.
- Před odpojením od napájení se ujistěte, že je vypínač v poloze Off (Vyp.).

PŘÍPRAVA

- Při práci s výrobkem používejte kompletní ochranu zraku a sluchu. Noste ochrannou helmu, kde hrozí nebezpečí pádu předmětů.
- Ochrana sluchu může omezit schopnost obsluhy slyšet varovné signály. Věnujte zvláštní pozornost na potenciálním nebezpečím kolem a uvnitř pracovní plochy.





- Noste silné dlouhé kalhoty, boty a rukavice. Nenoste volné oděvy, krátké kalhoty, jakékoli šperky; nebuďte při práci bosí.
- Dlouhé vlasy si svažte nad rameny, aby se nemohly zaplést do pohyblivých částí.
- Před pracemi s nástrojem a po nárazu zkontrolujte možné poškození dílů. Pokud je spínač nebo nějaká část poškozena či opotřebována, musí se řádně opravit nebo vyměnit pověřeným servisním střediskem.
- Zkontrolujte, zda je sekací doplněk řádně nainstalován a bezpečně upevněn.
- Nikdy výrobek neprovozujte, dokud nejsou všechny chrániče, vodící plechy a rukojeti řádně a bezpečně připojeny.
- Berte ohled na prostředí, ve kterém pracujete. Z pracovní oblasti odstraňujte dráty, kameny a předměty, které po styku s nástrojem mohou být odmrštěny.

BEZPEČNOSTNÍ POKYNY PRO VYŽÍNAČ / ZAČIŠŤOVAČ OKRAJŮ TRÁVNÍKŮ

- Používejte výrobek pouze ve dne nebo v dobrém umělé osvětlení.
- Nepoužívejte na mokrou trávu.
- Nechodte pospět, když výrobek používáte.
- Udržujte bezpečně postavení a rovnováhu. Nepřeceňujte se. Přeceňování může způsobit ztrátu rovnováhy. Vždy na svazích zabezpečte své pevné postavení. Chodte, nikdy neběhejte.
- Všechny přihlízející, zvláště děti a zvířata udržujte 15 m mimo pracovní oblasti. Zastavte výrobek, pokud někdo vstoupí do pracovního prostoru výrobku.
- Používejte sekací doplněk pod úroveň pasu.
- Nikdy nepoužívejte výrobek s poškozenými ochrannými kryty nebo bez správně nainstalovaných krytů.
- Nikdy neměňte za kovovou sekací šňůru.
- Mějte ruce i nohy vždy mimo oblast sekání, obzvláště, když zapínáte motor.
- Pozor, žací prvky rotují i po vypnutí motoru.
- Vyhýbejte se při sekání odmršťování předmětů. Odstraňte z pracovní oblasti předměty jako malé kameny, štěrka a další cizí předměty před započatím práce. Do žacího nástroje se mohou namotat dráty nebo struna.
- Přístroj vypněte a odpojte od napájení v následujících situacích:
 - servis
 - ponechání výrobku bez dozoru
 - čištění výrobku nebo odstranění ucpávků
 - výměna příslušenství
 - kontrola případného poškození po nárazu do předmětu
 - kontrola případného poškození, pokud začne výrobek nezvykle vibrovat
 - provádění údržby
- Malý nůž upevněný na sekačce trávy je navržen pro oříznutí nově natažené struny na správnou délku pro bezpečný a optimální výkon. Je velmi ostrý, nedotýkejte se, zejména, když čistíte nástroj.

- Vždy zajistěte, aby ventilační otvory nebyly ničím zataraseny.
- Zkontrolujte, zda je sekací doplněk řádně nainstalován a bezpečně upevněn.
- Ujistěte se, že jsou všechny ochranné kryty, vodící plechy a rukojeti správně a bezpečně nasazeny.
- Výrobek nijak neupravujte, může to zvýšit nebezpečí poranění jak sebe samého, tak i ostatních.
- Používejte pouze náhradní žací strunu od výrobce. Nepoužívejte žádné jiné sekací nástavce.
- V případě nehody či poškození okamžitě vypněte a odpojte ze zdroje elektrického napětí. Výrobek můžete znovu používat až po důkladné kontrole autorizovaným servisním centrem.

TRANSPORT A SKLADOVÁNÍ

- Před skladováním a transportem nechte výrobek vždy zastavit a vychladnout. Před uskladněním vždy zařízení odpojte od sítě a kabel sviňte.
- Odstraňte z výrobku všechny cizí materiál. Ukládejte v chladných, suchých a dobře větraných prostorech, které nejsou přístupné dětem. Nářadí neuskládujte v blízkosti žíravých látek, jako například v blízkosti zahrádkářských nebo zahradnických chemických přípravků nebo soli na zimní sypání komunikací. Neskládujte mimo budovu.
- Při transportu výrobku zajistěte proti pohybům nebo pádu, abyste zabránili poranění osob nebo poškození výrobku.

ÚDRŽBA

⚠ VAROVÁNÍ

Používejte pouze originální příslušenství, doplňky a náhradní díly výrobce. Zanedbání může zapříčinit možné poranění, slabý výkon a může dojít ke ztrátě záruky.

⚠ VAROVÁNÍ

Údržba vyžaduje extrémní péči a znalosti a měla by být prováděna pouze kvalifikovaným servisním technikem. Pro servis vraťte výrobek do autorizovaného servisního centra. Pokud opravujete, používejte pouze stejné náhradní díly.

- Před seřizováním nebo čištěním vypněte a odpojte z elektrické zásuvky.
- Můžete provádět v návodu k obsluze uvedené opravy a seřízení. Další opravy se smí provádět pouze u pověřených servisních prodejců.
- Při výměně struny používejte pouze monofilní strunu o průměru dle tabulky technických údajů v návodu.
- Po natažení nové žací struny vždy výrobek vraćte do normální provozní polohy, než jej znovu použijete.
- Po každém použití seřete nástroj měkkým a suchým hadříkem. Jakýkoliv poškozený díl je nutné správně opravit nebo nechat vyměnit v autorizovaném servisním středisku.



- Zkontrolujte všechny šrouby, matice v častých intervalech na řádné utažení, aby se zajistilo, že výrobek bude pracovat v bezpečných pracovních podmínkách.

ZBYTKOVÁ RIZIKA

Dokonce, i když se výrobek provozuje jak je předepsáno, je stále nemožné zcela eliminovat veškeré zbytkové rizikové faktory. Následující nebezpečí mohou nastat při používání; vyhýbejte se:

- Poranění způsobené vibracemi.
 - Držte výrobek za rukojeť určené k držení a práci provádějte po omezenou dobu.
- Poškození sluchu způsobeného expozicí hluku.
 - Noste ochranu sluchu a omezte vystavení.
- Poranění zraku odletujícími materiálem.
 - Vždy noste adekvátní ochranu zraku.

SNÍŽENÍ RIZIKA

Bylo zjištěno, že vibrace z ručních pracovních nástrojů mohou u některých osob přispívat ke stavu tzv. Raynaud's Syndrome (Raynaudovu syndromu). Mezi jeho příznaky patří brnění, necitlivost a zbledení prstů, patrné obvykle po pobytu v chladu. Vědci se domnívají, že k rozvinutí těchto příznaků přispívají dědičné faktory, pobyt v chladu a vlhku, strava, kouření a pracovní návyky. Uživatel může omezit případné působení vibrací použitím vhodných opatření:

- Za chladného počasí se teple oblečte. Při práci s výrobkem si navlekněte rukavice, abyste udrželi ruce a zápěstí v teple. Bylo zjištěno, že chladné počasí je hlavním faktorem přispívajícím k Raynaud's Syndrome (Raynaudovu syndromu).
- Během práce si v pravidelných intervalech zacvičte, abyste zvýšili krevní oběh.
- Zařazujte časté pracovní přestávky. Omezte dobu práce za den.

Jakmile pocítíte některý z výše uvedených příznaků tohoto syndromu, okamžitě přerušete práci a vyhledejte lékaře.

VAROVÁNÍ

Poranění mohou být způsobena, či zhoršena, prodlouženým používáním nástroje. Když používáte jakýkoliv nástroj delší dobu, dělejte pravidelně přestávky.

POZNEJTE SVŮJ NÁSTROJ

Viz strana 104.

1. Spoušť (ZAP/VYP)
2. Háček zavěšení kabelu
3. Úchyt napájecího kabelu
4. Tlačítko pro sekání okrajů trávníku
5. Kryt cívky
6. Cívka
7. Řezací nůž struny
8. Žací struna
9. Ochranný kryt
10. Spodní tyč
11. Horní tyč

12. Přední rukojeť

13. Zadní rukojeť

SYMBOLY NA VÝROBKU



Řádně si návod přečtěte, porozumějte veškerým pokynům a dodržujte všechny bezpečnostní pokyny a bezpečnostní varování.



Noste ochranu očí



Noste ochranu sluchu.



Nepoužívejte na výrobku kovové nože(nůž).



Nevystavujte dešti nebo nepoužívejte ve vlhkých podmínkách.



Vyndejte ihned zástrčku z elektrické zásuvky, jakmile zjistíte poškození, pořezání nebo zamotání.



Dávejte pozor na odmrštěné nebo odletující předměty. Všechny přihlízející, zvláště děti a zvířata udržujte ve vzdálenosti alespoň 15m od pracovní oblasti.



Udržujte ruce mimo nože.



Zařízení třídy II, dvojité izolováno



Odpad elektrických výrobků se nesmí likvidovat v domovním odpadu. Recyklujte prosím na sběrných místech. Ptejte se u místních úřadů nebo prodejce na postup při recyklaci.



Toto nářadí je v souladu se všemi normami a předpisy platnými v zemi EU, ve které bylo zakoupeno.



Euroasijská značka shody



Ukrajinská značka shody



Zaručená hladina akustického výkonu je 96 dB.

Následující signální slova a významy jsou vhodné pro vysvětlení úrovně nebezpečí spojených s tímto výrobkem.

⚠ NEBEZPEČÍ

Označuje bezprostředně rizikovou situaci, které je třeba předejít, jinak bude jejím následkem smrt nebo vážné zranění.

⚠ VAROVÁNÍ

Označuje možnou rizikovou situaci, které je třeba předejít, jinak jejím následkem může být smrt nebo vážné zranění.

⚠ VAROVÁNÍ

Označuje možnou rizikovou situaci, které je třeba předejít, jinak jejím následkem může být smrt nebo vážné zranění.

VAROVÁNÍ

Bez symbolu bezpečnostní výstrahy

Určuje situaci, která může mít za následek vážné poškození.

SYMBOLY V NÁVODU



Zapojení do elektrické zásuvky



Odpojení od elektrické sítě



Díly nebo příslušenství jsou v prodeji samostatně



Poznámka



Varování



Az elektromos fűkasza/szegélyvágó kialakítása során elsődleges szempont volt a biztonság, a teljesítmény és a megbízhatóság.

RENDELTESSZERŰ HASZNÁLAT

Az elektromos fűkaszát/szegélyvágót csak álló személy használhatja kültéren.

A termék fű, gaz és más hasonló növényzet talajszinten való vágására alkalmas. Nyírásakor a vágási síknak nagyjából párhuzamosnak kell lennie a talajjal, szegélykialakításkor pedig kb. függőlegesnek.

A termék nem használható sővények, bokrok vagy más olyan növény vágására vagy nyésére, ahol a vágás síkja nem párhuzamos a talajfelszínnel.

Ne használja a terméket a fent leírtaktól eltérő célra.

ÁLTALÁNOS BIZTONSÁGI FIGYELMEZTETÉSEK

▲ FIGYELMEZTETÉS

A termék használatakor a biztonsági szabályokat be kell tartani. A saját és mások biztonsága érdekében kérjük, olvassa el ezt az útmutatót a termék használata előtt. Tartsa meg a kézikönyvet, hátha a későbbiekben szüksége lehet rá.

▲ FIGYELMEZTETÉS

Ezt a terméket nem használhatják gyerekek és korlátozott fizikai, érzékelési vagy mentális képességekkel rendelkező személyek. A gyerekekre oda kell figyelni, nehogy játsszanak a termékkel.

▲ FIGYELMEZTETÉS

Egyes régiókban olyan előírások érvényesek, amelyek korlátozzák a termék használatát. További információért forduljon a helyi önkormányzatához.

GYAKORLÁS

- Ne hagyja, hogy gyerekek vagy a termék használatát nem ismerő felnőttek használják a terméket. A helyi előírások korlátozhatják a kezelő életkorát.
- Figyelmesen olvassa el az utasításokat. Legyen tisztában a termék kezelőszerveivel és a helyes használatával.
- A nézelődőket, gyerekeket és a háziállatokat tartsa 15 m távolságban a munkaterülettől. Állítsa le a terméket, ha bárki belép a területre.
- Soha ne használja a terméket, ha fáradt, beteg, alkohol, tudatmódosítók, illetve gyógyszerek hatása alatt áll.
- Jegyezze meg, hogy a kezelő vagy a felhasználó felelős a más embereknek vagy tulajdonuknak okozott veszélyekért vagy balesetekért.

ELEKTROMOS BIZTONSÁG

- A dugasznak illeszkednie kell az aljzathoz. Semmilyen módon ne módosítsa a dugaszt. A földelt elektromos gépekhez ne használjon adapter dugaszt. A nem

módosított és illeszkedő dugasz csökkenti az áramütés kockázatát.

- Kerülje el a véletlen bekapcsolást. A termék elektromos hálózatba való csatlakoztatása előtt mindig ellenőrizze, hogy a kapcsoló kikapcsolt állásban van. Az elektromos hálózatba kapcsolt terméket ne szállítsa úgy, hogy az ujjja a kapcsolón van.
- Kerülje az érintkezést földelt felületekkel, mint például csövekkel, radiátorokkal és hűtőkkel. Megnöveli az áramütés kockázatát, ha a teste földeltté válik.
- Ne használja a terméket, ha villámzás veszélye áll fenn.
- Ne tegye ki a terméket esőnek vagy nedves környezet hatásának. A készülékbe bejutó víz növeli az áramütés kockázatát.
- A készüléket egy 30 mA-nél nem nagyobb kioldóáramú áram-védőkapcsolóval (RCD) kell felszerelni.
- Minden használat előtt sérülés tekintetében vizsgálja át a tápkábelt. Ha sérülés jelei látszanak, hivatalos szervizközpontban kell kicseréltetni. Használatkor mindig tekerje szét a tápkábelt, a feltekert kábelek túlhevülhetnek.
- Ha hosszabbító kábelt kell használnia, ügyeljen arra, hogy az kültéri használatra alkalmas és a termék meghajtásához elégséges teljesítményű legyen. A hosszabbító kábelnek „H05RN-F” vagy „H05 VV F” jelöléssel kell rendelkeznie. Sérülés tekintetében minden használat előtt vizsgálja meg. Használatkor mindig tekerje szét, mert a feltekert kábelek túlhevülhetnek. A sérült hosszabbító kábeleket tilos megjavítani, azokat azonos típusúra kell kicserélni.
- Ne használja a terméket ha az elektromos kábelek károsodtak vagy elhasználdotak.
- Ha használat közben a tápkábel vagy a hosszabbító kábel megsérül, azonnal húzza ki a kábelt az elektromos hálózati aljzathoz. Na érintse meg az elektromos kábeleket, amíg a gép nincs kihúzva a hálózathoz.
- Ügyeljen rá, hogy a tápkábel úgy legyen elvezetve, hogy azt ne vágják el a vágószerszámok, arra ne lépjenek rá, ne botoljanak el benne, és más módon se károsítsák vagy feszítsék meg.
- Ne fogja meg és ne szállítsa a terméket az elektromos kábelnél fogva.
- Hőtől, olajtól és éles szélektől tartsa távol a tápkábelt.
- Ellenőrizze, hogy a hálózati feszültség megfelelő a termékhez. A termék működési feszültsége az adattáblán van feltüntetve. A terméket ne csatlakoztassa olyan váltóáramú feszültséghez, amely különbözik ettől a feszültségtől.
- Ügyeljen rá, hogy áramtalanítás előtt a kapcsolót mindig állítsa kikapcsolt állásba.

ELŐKÉSZÜLET

- Viseljen teljes szem- és fülvédőt a termék használata közben. Kötelező a fejtámasz viselete, ha olyan területen dolgozik, ahol tárgyak hullhatnak le.
- A hallásvédő meggátolhatja a kezelőt abban, hogy meghallja a figyelmeztető hangokat. Figyeljen különösen oda a potenciális veszélyekre a munkaterület körül és a munkaterületen.





- Viseljen vastag anyagból készült hosszú nadrágot, csizmát és kesztyűt. Ne vegyen fel laza ruhát, rövid nadrágot, semmilyen ékszert, illetve ne legyen mezítláb.
- Ha hosszú a haja, azt a vállvonal felett rögzítse, nehogy beakadjon valamilyen mozgó alkatrészbe.
- Használat előtt és amennyiben a gépet bármilyen behatás éri, ellenőrizze, hogy az alkatrészek nem sérültek. A hibás kapcsolókat vagy bármilyen más sérült vagy elhasználódott alkatrészt egy hivatalos szervizközpontban megfelelően meg kell javíttatni vagy ki kell cseréltetni.
- Bizonyosodjon meg róla, hogy a vágószerelék helyesen lett felszerelve és biztonságosan rögzítve van.
- Soha ne működtesse a terméket, amíg nincs minden védőburkolat, terelőlemez és fogantyú megfelelően felszerelve és rögzítve.
- Vizsgálja át a környezetet, ahol dolgozik. A munkaterület tisztítsa meg a drótdaraboktól, fadaraboktól, kövektől és más hulladéktól, melyek a vágófejbe ütközve kivetődhetnek.

SZEGÉLYVÁGÓ / FÚKASZA BIZTONSÁGI FIGYELMEZTÉSEI

- Nappal vagy jó mesterséges megvilágításnál használja a terméket.
- Kerülje a nedves fűvön való használatot.
- Ne lépjen hátrafelé a termék használata közben.
- Stabilan álljon és vegyen fel megfelelő egyensúlyt. Ne hajoljon ki túlságosan. A túlzott kihajlás egyensúlyvesztést eredményezhet. Mindig biztosan támaszkodjon meg a lejtőkön. Gyalogoljon, ne fusson.
- A nézelődőket, gyerekeket és a háziállatokat tartsa 15 m távolságban a munkaterülettől. Állítsa le a terméket, ha bárki belép a területre.
- A vágószerelékét tartsa derékszint alatt.
- Ne működtesse a terméket sérült védőburkolattal vagy ha a védőburkolatok nincsenek a helyükön.
- Ne szereljen fel fém csereszálát.
- A kezét és lábát minden esetben, de különösen a motor bekapcsolásakor, tartsa távol a vágóeszközöktől.
- Vigyázzon, a vágószemek a motor leállítása után tovább forognak.
- Ügyeljen a vágóeszköz által kivetett tárgyakra. A használat megkezdése előtt tisztítsa le a hulladékot, például a kisebb köveket, kavicsot és más idegen tárgyakat a munkaterületről. A drótok és a vágószál beakadhatnak a vágóeszközbe.
- Kapcsolja ki és húzza ki a gépet az elektromos hálózatból, mielőtt:
 - szervizelés
 - a termék felügyelet nélkül hagyása
 - a termék tisztítása vagy eltömődés megszüntetése
 - tartozékok cseréje
 - egy tárgy eltalálása után vizsgálja meg, hogy nincsenek-e rajta sérülések
 - Ellenőrizze, hogy a termék nem sérült-e meg, ha a vágó túlzottan vibrálni kezd

- karbantartás végrehajtása

- A fű védőburkolatra felszerelt kisméretű penge a kitölt szálnak a biztonságos és optimális működéshez szükséges méretűre vágására szolgál. Nagyon éles, úgyhogy ne érjen hozzá, különösen a termék tisztításakor.
- Mindig ügyeljen rá, hogy semmi ne maradjon a szellőzőnyílásokban.
- Bizonyosodjon meg róla, hogy a vágószerelék helyesen lett felszerelve és biztonságosan rögzítve van.
- Ügyeljen rá, hogy minden a védőburkolat, terelőlemez és fogantyú megfelelően fel legyen szerelve és rögzítve.
- Semmilyen módon ne változtassa meg a terméket, mert azzal növelheti a saját maga vagy mások sérülésének veszélyét.
- Csere esetén csak a gyártó által előírt csereszálát használja. Ne használjon semmilyen más vágó szerelvényt.
- Baleset vagy műszaki probléma esetén azonnal kapcsolja ki és váltsza le a tápellátásról. Ne használja a készüléket, amíg teljesen ét nem vizsgálták egy hivatalos szervizközpont

SZÁLLÍTÁS ÉS TÁROLÁS

- Szállítás és tárolás előtt állítsa le és hagyja lehűlni a terméket. A tároláshoz mindig váltsza le a hálózatról és tekerje fel a kábelt.
- Minden idegen anyagtól tisztítsa meg a terméket. Hűvös, száraz és jól szellőztetett, gyerekektől elzárt helyiségben tárolja. Ne tárolja olyan oxidálószerrel közelében, mint pl. kerti munkáknál használatos vegyszerek vagy jégmentesítő sók. Ne tárolja a szabadban.
- Szállításkor rögzítse a terméket elmozdulás és leesés ellen, hogy elkerülje a sérüléseket és a termék sérülését.

KARBANTARTÁS

▲ FIGYELMEZTETÉS

Csak a gyártó eredeti cserealkatrészeit, tartozékait és szereléseit használja. Ennek figyelmen kívül hagyása gyenge motorteljesítményt, esetleges sérülést és a jótállás elvesztését okozhatja.

▲ FIGYELMEZTETÉS

szervizelés különös figyelmet és hozzáértést igényel, és csak szakképzett szerelő végezheti el. A szervizeléshez vigye el a terméket egy hivatalos szervizközpontba. Szervizeléskor csak azonos cserealkatrészeket használjon.

- Mindenféle karbantartási vagy tisztítási munka előtt kapcsolja ki és áramtalanítsa a készüléket.
- A használati útmutatóban leírt beállításokat és javításokat Ön is elvégezheti. Az egyéb javításokhoz



vegye fel a kapcsolatot a hivatalos szervizzel.

- Csere vágószálként csak a jelen kézikönyvből a műszaki adatoknál megadott átmérőjű nejlon vágószál használjon.
- Új vágószál kihúzását követően a beindítás előtt mindig állítsa vissza a terméket a normális működési állásba.
- Minden egyes használat után egy puha, száraz ruhával tisztítsa meg a terméket. A sérült alkatrészeket egy hivatalos szervizközpontban kell megjavíttatni vagy kicseréltetni.
- Gyakori időközönként ellenőrizze a csavaranyák, csavarok és fejescsavarok megfelelő meghúzását, hogy a termék biztonságos üzemi állapotban legyen.

FENNMARADÓ KOCKÁZAT

Még a termék rendeltetésszerű használata esetén sem lehet teljesen kiküszöbölni minden kockázati tényezőt. A gép használata során a következő veszélyek merülhetnek fel, és a kezelőnek különösen oda kell figyelnie az alábbiak elkerülésére:

- A vibráció sérüléseket okozhat.
 - A terméket az arra szolgáló fogantyúknál tartsa, és korlátozza a munkaidőt és a vibrációnak való kitettséget.
- A zajnak való kitettség halláskárosodást okoz.
 - Viseljen hallásvédőt és korlátozza a zajnak való kitettséget.
- A repülő hulladék okozta szemsérülés.
 - Mindig viseljen szemvédőt.

KOCKÁZATCSÖKKENTÉS

Arról számoltak be, hogy a kéziszerszámok használata során fellépő vibráció bizonyos személyeknél hozzájárulhat az úgynevezett Raynaud-szindróma (Raynaud's Syndrome) nevű állapot kialakulásához. A tünetei lehetnek: az ujjak zsibbadása, elfehéredése, szúrások érzése, amelyek hidegnek kiteve gyakran felerősödnek. Az örökletes tényezők, a hidegnek kitettség és verejtékezés, a diéta, a dohányzás és munka közben alkalmazott fogások valószínűleg mind hozzájárulhatnak ezen tünetek megjelenéséhez. A vibráció hatásainak csökkentése érdekében a kezelőnek be kell tartani az alábbi óvintézkedéseket:

- Hideg időben tartsa melegen a testét. A termék használatakor viseljen kesztyűt a kéz és a csukló melegen tartásához. Arról számoltak be, hogy a hideg időjárásnak fontos szerepe van a Raynaud-szindróma kialakulásában.
- Bizonyos időtartamú használat után mindig végezzen gyakorlatokat a vérkeringés javításához.
- Gyakran tartson munkaszünetet. Korlátozza a napi munkaidőt.

Ha ezen állapot bármelyik tünetét tapasztalja, azonnal hagyja abba a munkát, és tájékoztassa az orvosát a tünetekről.

FIGYELMEZTETÉS

Hosszabb használat sérülést okozhatnak. Ha a gépet hosszú időn át kell használnia, tartson gyakran szünetet.

ISMERJE MEG A TERMÉKET

Lásd 104. oldalt.

1. Be-/kikapcsoló kioldó
2. Kábelakasztó
3. Tápkábel tartó
4. Szegélyező gomb
5. Orsfédél
6. Ors
7. Vágókés
8. Vágószál
9. Biztonsági védőburkolat
10. Alsó cső
11. Felső cső
12. Elülső fogantyú
13. Hátsó fogantyú

SZIMBÓLUMOK A TERMÉKEN



A termék használata előtt olvassa el és értesse meg a kezelési útmutatóban leírtakat, és tartsa be az összes figyelmeztető és biztonsági utasítást.



Viseljen védőszemüveget



Viseljen fülvédőt.



Ne használjon fém kés(eke)t a terméken.



Ne tegye ki esőnek, és ne használja nedves környezetben.



Karbantartás előtt, vagy a kábel sérülése, átvágása vagy beakadása esetén azonnal húzza ki a tápkábelt az elektromos hálózatból.



Figyeljen a kivetett vagy repülő tárgyakra. Az összes nézelődő, különösen a gyerekek és a háziállatok, legyenek legalább 15m-es távolságra a használati területtől.



Tartsa a kezeit távol a késektől.



Class II gép, kettős szigetelés



A kiselejtezett elektromos termékeket nem szabad a háztartási hulladékkal együtt kidobni. Ezeket újra kell hasznosítani, ha van rá lehetőség. Az újrahasznosítással kapcsolatban érdeklődjön a helyi önkormányzatnál vagy a termék forgalmazójánál.



Ez a szerszám minden, a vásárlás európai uniós országában hatályos szabványnak megfelel.



Eurázsiai megfelelési jelzés



Ukrainai megfelelési nyilatkozat



Garantált hangteljesítményszint: 96 dB.



Figyelem

A következő jelölőszavak és jelentések arra szolgálnak, hogy megmagyarázzák a termékkel kapcsolatos veszélyességi szinteket.

⚠ VESZÉLY

Egy bekövetkező veszélyes helyzetet jelez, ami, ha nem előzik meg, halált vagy komoly sérülést eredményez.

⚠ FIGYELMEZTETÉS

Egy potenciálisan bekövetkező veszélyes helyzetet jelez, amit, ha nem előznek meg, halált vagy komoly sérülést eredményezhet.

⚠ FIGYELEMFELHÍVÁS

Egy potenciálisan veszélyes helyzetet jelez, ami, ha nem előzik meg, kisebb vagy mérsékelt sérülést eredményezhet.

FIGYELEMFELHÍVÁS

Biztonsági figyelmeztető szimbólum nélkül

Egy olyan helyzetet jelez, ami anyagi kárt eredményezhet.

A KÉZIKÖNYVBEN HASZNÁLT SZIMBÓLUMOK



Csatlakoztassa egy elektromos hálózati aljzathoz



Húzza ki az elektromos hálózati aljzathól



Külön értékesített alkatrészek és kiegészítők



Megjegyzés



Siguranța, performanța și fiabilitatea au fost principalele noastre priorități la proiectarea motocoasa electrică de tuns gazonul/gardul viu.

UTILIZARE PREVĂZUTĂ

Motocoasa electrică de tuns gazonul/gardul viu este destinată doar utilizării în exterior.

Produsul este proiectat pentru tăierea ierbii, a buruienilor ușoare și altă vegetație similară la sau deasupra nivelului solului. Planul de tăiere trebuie să fie aproximativ orizontal în cazul tunderii ierbii și aproximativ vertical în cazul bordurării.

Produsul nu trebuie utilizat pentru a tăia sau a tunde garduri vii, tufișuri sau altă vegetație în care planul de tăiere nu este paralel cu suprafața solului.

Nu folosiți produsul pentru niciun alt scop nementionat mai sus.

AVERTISMENTE GENERALE PRIVIND SIGURANȚA

⚠ AVERTISMENT

Atunci când utilizează produsul, normele de siguranță trebuie să fie respectate. Pentru siguranța dumneavoastră și a trecătorilor, vă rugăm să citiți aceste instrucțiuni înainte de utilizarea produsului. Vă rugăm păstrați instrucțiunile în siguranță pentru o folosire ulterioară.

⚠ AVERTISMENT

Produsul nu este destinat a fi folosit de către copii sau persoane cu capacități fizice, mintale sau senzoriale reduse. Copiii trebuie să fie supravegheați adecvat pentru a vă asigura că nu se joacă cu produsul.

⚠ AVERTISMENT

Anumite regiuni au reglementări ce restricționează folosirea produsului. Pentru sfaturi întrebați autoritățile dvs. locale.

INSTRUIRE

- Nu lăsați niciodată copiii sau persoanele nefamiliarizate cu aceste instrucțiuni să folosească produsul. Reglementările locale pot restricționa vârsta operatorului.
- Citiți instrucțiunile cu atenție. Familiarizați-vă cu toate comenzile și folosirea corespunzătoare a produsului.
- Țineți trecătorii, copiii și animalele de companie la 15 metri depărtare de zona de operare. Oprțiți produsul dacă cineva intră în zonă.
- Nu folosiți niciodată produsul când sunteți obosit, bolnav sau sub influența alcoolului, drogurilor sau medicamentelor.
- Rețineți că operatorul sau utilizatorul este responsabil pentru accidentele sau pericolele ce pot avea loc asupra altor persoane sau proprietății lor.

SIGURANȚĂ ELECTRICĂ

- Ștecherile trebuie să se potrivească cu prizele. Nu modificați niciodată ștecărul în nici un fel. Nu folosiți niciodată adaptoare de ștecăr cu uneltele electrice cu împământare. Ștecherile nemodificate și prizele potrivite reduc riscul de electrocutare.
- Evitați pornirile involuntare. Verificați întotdeauna că întrerupătorul este în poziția Oprit înainte de conectarea produsului la priza electrică. Nu transportați un produs alimentat la priză având degetul pe butonul de pornire.
- Evitați contactul corpului cu suprafețele conectate la împământare, precum țevi, radiatoare, reșouri, mașini de gătit și frigider. Există un risc crescut de electrocutare când corpul dumneavoastră are contact cu împământarea.
- Nu folosiți produsul când există risc de fulgere.
- Nu expuneți produsul la ploaie sau condiții de umiditate. Pătrunderea apei în aparat va crește riscul electrocutării.
- Energia electrică trebuie să fie furnizată printr-un dispozitiv pentru curent rezidual (RCD) cu un curent de declanșare de nu mai mult de 30 mA.
- Înainte de fiecare folosire, verificați de defecte cablul de alimentare. Dacă există semne de deteriorare, trebuie înlocuit la un centru service autorizat. Desfășurați întotdeauna cablul de alimentare, cablurile înfășurate pot să se supraîncalzească.
- Dacă trebuie să folosiți un cablu prelungitor, asigurați-vă că este potrivit pentru uzul exterior și are o capacitate suficientă de curent pentru a alimenta produsul Dvs. Cablul prelungitor trebuie să fie marcat fie "H05RN-F", fie "H05 VV F". Verificați înainte de fiecare folosire să nu fie deteriorat. Desfășurați întotdeauna cablul în timpul folosirii întrucât cablurile nedesfășurate se pot supraîncălzi. Cablurile prelungitoare deteriorate nu trebuie reparate, ele trebuie înlocuite cu un model echivalent.
- Nu utilizați produsul în cazul în care cablurile electrice sunt deteriorate sau uzate.
- În cazul în care cablul de alimentare sau cablu de extensie se deteriorează în timpul utilizării, deconectați de la sursa de alimentare imediat. Nu atingeți cablurile electrice până când sursa de alimentare nu este deconectată.
- Asigurați-vă că poziționarea cablului de alimentare este în așa fel încât nu poate fi deteriorat prin mijloace de tăiere și că nu se va călca peste el, nu vă împiedicați de el sau să nu-l supuneți stresului.
- Nu ridicați sau transportați produsul de cablul electric.
- Păstrați cablul departe de căldură, ulei sau margini ascuțite.
- Asigurați-vă că tensiunea este corectă pentru produsul Dvs. O etichetă de pe produs indică tensiunea produsului. Nu conectați produsul la o tensiune de curent alternativ care diferă de această tensiune.
- Asigurați-vă că comutatorul este în poziția Off (Oprit) înainte de deconectarea de la sursa de alimentare.





PREGĂTIRE

- Purtați protecție completă a ochilor și urechilor în timpul operării produsului. Dacă în zona de lucru există riscul căderii de obiecte, trebuie purtată protecție a capului.
- Protecția pentru auz ar putea restricționa capacitatea operatorului de a auzi sunetele de avertizare. Acordați atenție specială potențialelor pericole din jurul sau din interiorul zonei de lucru.
- Purtați pantaloni lungi groși, cizme și mănuși. Nu purtați haine largi, pantaloni scurți, bijuterii de niciun fel sau să fiți desculți.
- Prindeți părul lung deasupra umerilor pentru a preveni prinderea lui de părțile în mișcare.
- Înainte de folosire și după fiecare impact, verificați să nu existe părți/piese deteriorate. Un întrerupător defect sau orice altă parte care e deteriorată sau uzată trebuie reparată corespunzător sau înlocuită la un atelier service autorizat.
- Asigurați-vă că accesoriul de tăiere este corect instalat și prins fix.
- Nu operați niciodată produsul fără a avea toate apărătorile, deflectoarele și mânerele corespunzător atașate și fixate.
- Aveți în vedere mediul în care lucrați. Păstrați zona de lucru liberă de cabluri, bețe, pietre și resturi care dacă sunt lovite de cuțit pot să fie aruncate.

AVERTISMENTE DE SIGURANȚĂ PENTRU MOTOCOASA CU FIR / MOTOCOASA PENTRU BORDURARE

- Folosiți produsul doar pe lumina zilei sau pe lumină artificială puternică.
- Evitați utilizarea pe iarba umedă.
- Nu pășiți înapoi atunci când folosiți produsul.
- Mențineți sprijin ferm pe picioare și echilibru. Nu vă aplecați excesiv. Aplecarea excesivă poate cauza pierderea echilibrului. Trebuie să stați întotdeauna într-o poziție stabilă pe pante. Mergeți. Nu alergați niciodată.
- Țineți trecătorii, copiii și animalele de companie la 15 metri depărtare de zona de operare. Opriti produsul dacă cineva intră în zonă.
- Mențineți accesoriul de tăiere sub nivelul taliei.
- Nu utilizați niciodată produsul cu dispozitive de protecție deteriorate sau fără ca acestea să fie montate.
- Nu înlocuiți niciodată firul de nylon cu unul metalic.
- Feriți întotdeauna mâinile și picioarele de părțile tăietoare ale unelei, mai ales atunci când porniți motorul.
- Atenție, elementele de tăiere continuă să se rotească după ce motorul este oprit.
- Fiți atent la obiectele aruncate de mijloacele de tăiere. Curățați resturile precum pietre mici, pietriș și alte obiecte străine din zona de lucru înainte de începerea operării. Cabluri sau fire pot să fie încălcite în mijloacele de tăiere
- Opriti și deconectați de la sursa de alimentare înainte de:
 - revizia

- lăsarea produsului fără supraveghere
- curățarea produsului dvs sau înlăturarea unui blocaj
- schimbarea accesoriilor
- verificare pentru orice daune după lovirea unui obiect
- verificare pentru orice daune în cazul în care produsul începe să vibreze anormal
- efectuarea întreținerii
- Lama mică fixată la apărătoarea mașinii de tuns este proiectată să tundă noul fir prelungit la lungimea corectă pentru o funcționare sigură și optimă. Este foarte ascuțită, nu o atingeți în special când curățați aparatul.
- Asigurați-vă întotdeauna că deschiderile de ventilație nu sunt acoperite de resturi.
- Asigurați-vă că accesoriul de tăiere este corect instalat și prins fix.
- Asigurați-vă că toate dispozitivele de protecție, deflectoarele și mânerele sunt fixate corect și strâns.
- Nu modificați produsul în niciun fel întrucât acest lucru crește riscul de vătămare a Dvs sau a celorlalți.
- Folosiți doar fir de tăiere înlocuitor al producătorului. Nu folosiți niciun alt accesoriu de tăiere.
- Opriti imediat echipamentul și deconectați-l de la sursa de alimentare în cazul unui accident sau al unei defecțiuni. Nu utilizați din nou produsul înainte de a realiza o verificare completă, la un centru de service autorizat.

TRANSPORTAREA ȘI DEPOZITAREA

- Opriti produsul și lăsați-l să se răcească înainte de a-l depozita sau transporta. Pentru depozitare, deconectați întotdeauna de la sursa de alimentare și înfășurați cablul.
- Curățați toate materialele străine din produs. Depozitați-l într-un loc răcoros, uscat și bine aerisit ce este inaccesibil copiilor. Nu-l depozitați în apropiere de agenți corozivi cum ar fi produși chimici de grădinarit sau săruri antigel. Nu depozitați în aer liber.
- Pentru transportare, fixați produsul împotriva mișcării sau căderii pentru a preveni vătămarea persoanelor sau deteriorarea produsului.

ÎNȚEȚINEREA

⚠ AVERTISMENT

Folosiți doar piese de schimb, accesorii și atasamente originale ale producătorului. Neurmarea acestora poate cauza posibilă vătămare, slaba funcționare și ar putea anula garanția.

⚠ AVERTISMENT

Service-ul necesită atenție și cunoștințe deosebite și trebuie îndeplinit doar de către un tehnician service calificat. Pentru service, duceți produsul la un centru service autorizat. Când se efectuează service-ul folosiți doar piese de schimb identice.





- Opriți și deconectați de la priză înainte de a îndeplini orice operațiune de întreținere sau de curățare.
- Puteți face reglaje și reparații descrise în acest manual de instrucțiuni. Pentru alte reparații, contactați agentul service autorizat.
- Pentru fir de schimb, folosiți doar linie cu filament din nylon cu diametrul descris în tabelul cu specificații din acest manual.
- Nu prelungirea noului fir de tăiere, reveniți întotdeauna produsul la poziția sa normală de funcționare înainte de a-l opera.
- După fiecare folosire curățați produsul cu o cârpă moale și uscată. Orice piesă deteriorată trebuie să fie reparată în mod corespunzător sau înlocuită de un service autorizat.
- Verificați toate piulițele, suruburile la intervale frecvente de timp ca să fie corespunzător strânse pentru a vă asigura că produsul este în stare de lucru în siguranță.

RISCURI REZIDUALE

Chiar dacă produsul este folosit așa cum a fost prescris, este totuși imposibil să se elimine complet anumiți factori de risc reziduali. Următoarele pericole pot apărea în timpul folosirii și operatorul trebuie să acorde atenție specială pentru a evita următoarele:

- Vătămare cauzată de vibrație.
 - Țineți produsul de mânerele proiectate și restricționați timpul și expunerea de lucru.
- Poate fi cauzată vătămarea auzului de la expunerea la zgomot.
 - Purtați protecție pentru auz și limitați expunerea.
- Vătămare a ochilor datorată resturilor aruncate.
 - Purtați întotdeauna protecție pentru ochi.

REDUCEREA RISCULUI

A fost raportat faptul că vibrațiile de la produsele ținute în mână ar putea să contribuie la anumite persoane la starea numită sindromul lui Raynaud. Simptomele pot include furnicături, amorțeală și albirea degetelor, care apare, de obicei, după expunerea la frig. Factori ereditari, expunerea la frig și umiditate, dieta, fumatul și practicile de muncă contribuie la dezvoltarea acestor simptome. Există măsurători care pot fi efectuate de către operator pentru a reduce efectele de vibrațiilor:

- Păstrați-vă temperatura corporală ridicată pe vreme rece. Când operați produsul purtați mănuși pentru a menține calde mâinile și încheieturile. S-a constatat că vremea rece este un factor major care contribuie la sindromul Raynaud.
- După fiecare perioadă de operare, trebuie făcute exerciții pentru a crește circulația sângelui.
- Trebuie făcute pauze la intervale de timp regulate. Limitați expunerea zilnică.

Dacă sunt experimentate oricare dintre simptomele acestei afecțiuni, trebuie întreruptă utilizarea și consultat un medic.

⚠ AVERTISMENT

Pot fi cauzate sau agravate vătămările de la folosirea prelungită a aparatului. Atunci când folosiți o sculă pentru perioade prelungite, asigurați-vă că luați pauze regulate.

CUNOAȘTEȚI-VĂ PRODUSUL

Vezi pagina 104.

1. Trăgaci pornire/oprire
2. Cârlig cablu
3. Dispozitiv de retenție a cablului electric.
4. Buton de bordurare
5. Capac bobină
6. Bobină
7. Lamă de tăiere
8. Fir de tăiere
9. Apărătoare de siguranță
10. Tub inferior
11. Tub superior
12. Măner anterior
13. Mănerul principal

SIMBOLURILE DE PE PRODUS.



Citiți și înțelegeți toate instrucțiunile înaintea operării produsului, urmați toate avertizările și instrucțiunile de siguranță.



Purtați întotdeauna ochelari de protecție



Purtați protecție pentru auz.



Nu folosiți lame/discuri de metal la acest produs.



Nu expuneți la ploaie sau umezeală.



Scoateți ștecherul din priză imediat înaintea întreținerii sau în cazul în care cablul electric este deteriorat, tăiat sau încălzit.



Feriți-vă de obiecte proiectate sau în zbor. Țineți toți trecătorii, în special copii și animalele de companie la cel puțin 15 metri de zona de operare.



Țineți mâinile departe de lame.



Aparat clasa II, izolație dublă.





Deșeurile produselor electrice nu trebuie să fie înălțurate împreună cu deșeurile casnice. Vă rugăm să reciclați acolo unde există facilități. Verificați la autoritatea dvs. locală sau la vânzător pentru sfaturi privind reciclarea.



Acest aparat este conform cu ansamblul normelor reglementare din țara din UE în care a fost cumpărat.



Marcaj de conformitate EurAsian



Semn de conformitate ucrainean



Nivelul de putere sonoră garantat este de 96 dB.

rmătoarele cuvinte simbol și înțelesul lor au intenția de a explica nivelele de risc asociate cu acest produs.

⚠ PERICOL

Indică o situație periculoasă iminentă, care dacă nu este evitată va cauza decesul sau vătămarea gravă.

⚠ AVERTISMENT

Indică o situație periculoasă iminentă, care dacă nu este evitată poate rezulta în deces sau vătămare gravă.

⚠ ATENȚIE

Indică o situație potențial periculoasă, care dacă nu este evitată poate cauza vătămarea moderată sau ușoară.

ATENȚIE

Fără a simbolul de alertă privind siguranța

Indică o situație care poate duce la pagube materiale.

SIMBOLURI DIN ACEST MANUAL



Conectarea la priză



Deconectați de la priză



Piese sau accesorii vândute separat



Notă



Avertisment



Drošībai, veiktspējai un uzticamībai ir pievērsta vislielākā uzmanība, radot jūsu elektriskais zāles trimmeri / malu trimmeri.

PAREDZĒTAIS LIETOJUMS

Elektriskais zāles trimmeris/malu trimmeris ir paredzēts izmantošanai tikai ārpus telpām, lietotājam atrodoties stāvus.

Šī prece ir paredzēta zāles, mīkstu nezāļu un citas līdzīgas veģetācijas griešanai zemes vai aptuveni zemes līmenī. Pļaušanas plaknei jābūt aptuveni paralēlai zemes virsmai, veicot zāles pļaušanu, vai aptuveni vertikālai, veicot malu apļaušanu.

Izstrādājumu nedrīkst lietot dzīvzogu, krūmu vai cita apauguma griešanai vai cirpšanai, ja griešanas plakne nav paralēla zemes virsmai.

Neizmantojiet ierīci citiem nolūkiem, kas nav iepriekš uzskaitīti.

VISPĀRĪGIE DROŠĪBAS BRĪDINĀJUMI

⚠ BRĪDINĀJUMS

Izmantojot ierīci, izpildiet drošības noteikumus. Pirms darba uzsākšanas Jūsu un blakusstāvētāju drošības dēļ, lūdzu, izlasiet šos norādījumus. Lūdzu, saglabāiet instrukciju vēlākai izmantošanai.

⚠ BRĪDINĀJUMS

Ierīce nav paredzēta bērniem vai cilvēkiem ar samazinātām fiziskām, garīgām spējām vai maņu kustību traucējumiem. Nepieciešams pienācīgi uzmanīt bērnus, lai nodrošinātu, ka tie nespēlējas ar ierīci.

⚠ BRĪDINĀJUMS

Dažos reģionos pastāv noteikumi, kas ierobežo preces lietošanu. Vērsieties pie atbildīgajām amatpersonām pēc padoma.

APMĀCĪBA

- Nekad neļaujiet bērniem vai personām, kas nav iepazinušās ar instrukcijām, izmantot precī. Vietos īstātai gali apriboti jrengimo operatoriauz amži.
- Uzmanīgi izlasiet norādījumus. Iepazīstieties ar visām vadībām un pareizu preces izmantošanu.
- Pārlicinieties, ka tuvumā stāvošie -bērni un dzīvnieki ir 15 m attālumā no jūsu darbošanās vietas. Ja kāds ienāk zonā, apturiet precī.
- Nekad neizmantojiet produktu, kad esat noguris, slims vai alkohola, narkotiku vai medikamentu iespaidā.
- Turēkite omenyje, kad operatorius arba vartotojas yra atsakingas už nelaimingus atsitikimus arba kitiems asmenims ar jų turtui sukeltą pavojų.

ELEKTRODROŠĪBA

- Kontaktakšai ir jābūt tādai pašai kā elektrības izejai. Nekad nepārveidojiet kontaktakšu. Sazemētiem elektroinstrumentiem nelietojiet pārejas ligzdas.

Nepārveidotas kontaktakšas un atbilstošas kontaktligzdas samazinās elektriskā trieciena risku.

- Izvairieties no nejaušas iedarbināšanas. Pirms pievienojiet iekārtu pie elektrības, vienmēr pārbaudiet, vai ieslēgšanas slēdzis atrodas pozīcijā izslēgts. Nepārsniet pieslēgtu izstrādājumu, turot pirkstu uz slēdzā.
- Nepieļaujiet ķermeņa kontaktu ar sazēmētām virsmām, piemēram, caurulēm, radiatoriem, pavadiem un saldētavām. Ja jūsu ķermenis ir sazēmēts, pastāv palielināts elektriskā trieciena risks.
- Nelietojiet ierīci, kad pastāv zibens spēriena risks.
- Nepakļaujiet precī lietum vai slapiem apstākļiem. Ūdenim iekļūstot iekārtā, palielināsies risks saņemt elektriskās strāvas triecienu.
- Elektriskā enerģija jāpiegādā caur strāvas noplūdes automātslēdzi (RCD) ar atslēgšanas strāvu, kas nepārsniedz 30 mA.
- Pirms katras lietošanas reizes pārbaudiet, vai strāvas vads nav bojāts. Ja vērojamas bojājumu pazīmes, bojātā vieta jānomaina pilnvarotā servisa centrā. Lietošanas laikā vienmēr atīniet strāvas vadu, satīti vadi var pārkarst.
- Ja jums nepieciešams izmantot pagarinātāju, nodrošiniet, ka tas ir piemērots izmantošanai ārā un tā strāvas kapacitāte ir atbilstoša, lai apgādātu jūsu precī. Pagarinātājam jābūt apzīmētai ar "H05RN-F" vai "H05 VV F" Pirms katras lietošanas reizes, pārbaudiet, vai tas nav bojāts. Izmantošanas laikā, pilnībā atīniet kabeli jo satīti kabeli var pārkarst. Bojātu vada pagarinātāju nedrīkst labot, to jānomaina pret līdzvērtīgu.
- Nelietojiet izstrādājumu, ja elektriskais kabelis ir bojāts vai nolietojies.
- Ja elektrības vads vai pagarinātāja kabelis darba laikā tiek bojāts, nekavējoties atvienojiet to no strāvas avota. Nepieskarieties elektriskajiem kabeļiem, kamēr nav atvienota enerģijas piegāde.
- Pārlicinieties, ka strāvas vads ir novietots tā, ka to nevar bojāt sagriežot un ka uz tā nevar uzkāpt, paklupt vai to kā citādi bojāt vai nosprīgot.
- Nekad nepaceliet un nenesiet izstrādājumu aiz elektriskā kabeļa.
- Turiet elektrības vadu prom no siltuma avota, eļļas un asām šķautnēm.
- Pārlicinieties, ka spriegums atbilst jūsu precei. Izstrādājuma spriegums norādīts uz izstrādājuma nosaukuma plāksnītes. Nekad nepievienojiet ierīci cita sprieguma vērtības mainspriegumam.
- Pirms atvienošanas no enerģijas avota pārlicinieties, vai slēdzis ir izslēgtā (Off) stāvoklī.

SAGATAVOŠANA

- Darbinot precī, valkājiet pilnus acu un ausu aizsargus. Ja strādājat zonā, kur pastāv krītošu priekšmetu risks, jāvalkā galvas aizsargs.
- Dzirdes aizsardzība var ietekmēt lietotāja spēju dzirdēt brīdinājuma skaņas. Īpašu uzmanību pievēršiet potenciālajiem riskiem jums apkārt un darba vietā.





- Velciet izturīgas garās bikses, zābakus un cimdus. Nevelciet platu un vaļīgu apģērbu, īsās bikses, jebkādas rotaslietas un nelietojiet bez apaviem.
- Nostipriniet garus matus tā, lai tie ir virs plecu līmeņa, lai novērstu sapīšanas kustīgajās daļās.
- Pirms lietošanas un pēc jebkura trieciena, pārbaudiet, vai nav bojātu daļu. Bojāts slēdzis vai kāda daļa, kas ir bojāta vai nolietota, pareizi jāsalabo vai jānomaina pilnvarotā servisa centrā.
- Pārliecinieties, ka griešanas uzgalis ir pareizi uzstādīts un droši nostiprināts.
- Nekad nedarbiniet produktu, ja vien visi aizsargi, deflektori un rokturi ir pareizi un droši pievienoti.
- Pārskatiet apkārtni, kurā strādājat. Atbrīvojiet darba zonu no vadiem, zariem, akmeņiem un būvgružiem, kas, iedarbinot griezēju, var tikt izsvaidīti.

JOSLU TRIMMERA / MALU TRIMMERA DROŠĪBAS BRĪDINĀJUMI

- Izmantojiet precī tikai dienas gaismā vai labā mākslīgā apgaismojumā.
- Nelietojiet ierīci slajā zālē.
- Lietojot šo precī, nestaigājiet atmuguriski.
- Visada tvirtai stovēkite ir išlaikykite pusiausvyrā. Nepersitempkite. Persitempę galite prarasti pusiausvyrā. Slīpumā kājas vienmēr turiet stabilā pozīcijā. Ejiet, nekādā gadījumā neskrīeniet.
- Pārliecinieties, ka tuvumā stāvošie bērni un dzīvnieki ir 15 m attālumā no jūsu darbošanās vietas. Ja kāds ienāk zonā, apturiet precī.
- Turiet griešanas uzgali zem jostasvietas līmeņa.
- Nekad nedarbiniet izstrādājumu ar bojātiem vai bez uzstādītiem aizsargiem.
- Nekad nepielāgojiet metāla aizvietotāja auklu.
- Turiet rokas un kājas tālāk no griezējdaļām visu laiku un īpaši, kad tiek ieslēgts motors.
- Uzmanieties, jo griezējelementi turpina rotēt arī pēc motora izslēgšanas.
- Uzmanieties no priekšmetiem, kas tiek izsvaidīti griešanas laikā. Pirms darba uzsākšanas attīriet darba zonu no maziem akmeņiem, grants un citiem svešiem priekšmetiem. Vadi vai auklas var iepīties griešanas laikā.
- Izslēdziet un atvienojiet no enerģijas avota pirms:
 - apkope
 - izstrādājuma atstāšana bez uzraudzības
 - precēs tīrīšana vai nosprostojuuma atbrīvošana
 - maināmi piederumi
 - ierīces pārbaude pēc sitiena pa priekšmetu
 - ja izstrādājums sāk neparasti vibrēt, pārbaudiet, vai tas nav bojāts
 - apkopes veikšana
- Mazais asmens, kas pievienots zāliena aizsargam, ir paredzēts jaunās pagarinātās auklas apgriešanai pareizā garumā, nodrošinot drošu un optimālu sniegumu. Tas ir ļoti ass, tāpēc neaiztieciet to, it īpaši, tīrot instrumentu.

- Vienmēr pārliecinieties, ka ventilācijas atveres ir tīras no netīrumiem.
- Pārliecinieties, ka griešanas uzgalis ir pareizi uzstādīts un droši nostiprināts.
- Pārbaudiet, vai visi aizsargi, noliecēji un rokturi ir pareizi un stingri piestiprināti.
- Nepārveidojiet precī, jo tas var palielināt savainojumu risku jums un citiem.
- Lietojiet tikai ražotāja piedāvāto rezerves griešanas auklu. Nelietojiet citus griešanas uzgāļus.
- Nekavējoties izslēdziet un atvienojiet no sprieguma negadījuma vai salūšanas gadījumā. Neizmantojiet izstrādājumu līdz tas nav pilnībā pārbaudīts pilnvarotā servisa centrā.

TRANSPORTĒŠANA UN UZGLABĀŠANA

- Apturiet precī tikai tad, kad atdzīst pirms noglabāšanas vai transportēšanas. Glabāšanas laikā vienmēr atvienojiet kabeli no strāvas avota un satiniet.
- Noīriet visus svešķermeņus no izstrādājuma. Uzglabājiet to vēsā, sausā un labi vēdinātā vietā, kurai nevar piekļūt bērni. Neglabājiet to vietā, kur tuvumā atrodas korozīvas vielas, piemēram dārza darbos izmantojamās ķīmikālijas vai atsalēšanai domāta sāls. Neuzglabājiet ārpus telpām.
- Transportējot nostipriniet ierīci, lai tā nekustētos un neapgāztos, jo tas var izraisīt miesas bojājumus un ierīces bojājumus.

APKOPE

⚠ BRĪDINĀJUMS

Lietojiet tikai oriģinālās ražotāja rezerves daļas, piederumus un uzgāļus. Pretējā gadījumā var tikt radīti ievainojumi un parādīts slikts sniegums, kā arī var tikt anulēta garantija.

⚠ BRĪDINĀJUMS

Aptarnavimā atlikti būtina itin atīdzīai, todēl rekomenduoame, kad tehniņę apzīurā vykdytų kvalifikuotas specialistas. Lai veiktu remontu, nogādājiet ierīci pilnvarotā servisa centrā. Sugedusias detales keiskite tik originaliomis detalėmis.

- Pirms jebkādas apkopes vai tīrīšanas darbu veikšanas, izslēdziet un atvienojiet ierīci no elektrības.
- Daudzus šajā lietotāja rokasgrāmatā aprakstītos regulēšanas un remontdarbus varat veikt pats. Lai veiktu citus remontdarbus, sazinieties ar pilnvarotu servisa darbinieku.
- Aizstāšanai izmantojiet tikai neilona šķiedras auklu, kuras diametrs aprakstīts šīs rokasgrāmatas specifikācijas tabulā.
- Kad pagarināta jauna griešanas aukla, pirms iedarbināšanas vienmēr atgrieziet precī tās parastajā darba stāvoklī.



- Pēc katras lietošanas reizes notīriet precī ar mīkstu, sausu drāniņu. Jebkura bojāta detaļa jānodod remontam vai nomaīgai pilnvarotā apkopes centrā.
- Regulāri pārbaudiet visus uzgriežņus, stiprinājumus un skrūves, lai pārliecinātos, ka tās ir cieši pievilkta un izstrādājums ir drošā darba stāvoklī.

OBJEKTĪVIE RISKI

Pat ka prece ir lietotā kā noteikts, nav iespējams pilnībā novērst noteiktus riska faktorus. Lietošanas laikā var rasties šādas bīstamas situācijas, un lietotājam ir jāpievērš pastiprināta uzmanība, lai tās novērstu:

- Vibrācijas radīts ievainojums.
 - Turiet precī aiz paredzētajiem rokturiem un ierobežojiet darba laiku, un pakļaušanu.
- Pakļaušanas troksnis var radīt dzirdes bojājumus.
 - Valkājiet ausu aizsargu un ierobežojiet saskarsmi.
- Acu savainojumi lidojošu atkritumu dēļ.
 - Vienmēr nēsājiet acu aizsardzību.

RISKA SAMAZINĀŠANA

Ir ziņots, ka rokās turamu preču vibrācijas dažām personām var veicināt „Reino sindromu”. Simptomi var ietvert pirkstu tīkšķēšanu, nejutīgumu un nobālēšanu, parasti aukstā laikā. Tiek uzskatīts, ka tradicionālie faktori, aukstums un mitrums, uzturs, smēķēšana un darba prakse sekmē šo simptomu attīstību. Operators var veikt pasākumus, lai iespējami samazinātu vibrācijas efektu:

- Aukstā laikā ķermeņiem jābūt siltam. Kad darbināt precī valkājiet cimdus, lai rokas un plaukstu locītavas būtu siltas. Ir pētījumi, ka auksts laiks ir galvenais faktors, kas veicina Reino sindromu.
- Ik pēc laika apturiet darbu un veiciet vingrinājumus, kas uzlabo asins cirkulāciju.
- Strādājot jābūt biežiem pārtraukumiem. Ierobežojiet iedarbības ilgumu dienā.

Ja jūs izjūtat kādu no šiem simptomiem, nekavējoties apturiet ierīces lietošanu un sazinieties ar ārstu par šiem simptomiem.

⚠ BRĪDINĀJUMS

Ilgstoša preces lietošana var radīt ievainojumus vai pasliktināt jau esošos. Ilgstoši lietojot jebkuru instrumentu, pārliecinieties, ka tiek veikti regulāri pārtraukumi.

PAZĪSTIET SAVU IERĪCI

Skatīt 104. lappusi

1. Iesl./izsl. sprūds
2. Vada āķis
3. Strāvas vada aizture
4. Malu apstrādes režīma poga
5. Spoles pārsegs
6. Spole
7. Atgriešanas asmens
8. Griešanas aukla
9. Drošības aizsargs

10. Apakšējā caurule
11. Augšējā caurule
12. Priekšējais rokturis
13. Aizmugurējais rokturis

UZ PRECES ESOŠIE SIMBOLI



Pirms preces darbināšanas izlasiet un izprotiet visus norādījumus, ievērojiet visus brīdinājumus un drošības norādījumus.



Valkājiet acu aizsargaprīkojumu



Valkājiet ausu aizsargu.



Neizmantojiet metāla asmeņus.



Nepakļaujiet lietum vai mitriem apstākļiem.



Izņemiet spraudni no padeves tieši pirms apkopes vai ja vads ir bojāts, sagriezts vai sapinies.



Sargieties no izmestiem vai lidojošiem priekšmetiem. Rūpējieties, lai visi tuvumā stāvošie, īpaši bērni un dzīvnieki atrastos vismaz 15m attālumā no darba zonas



Neturiet rokas asmeņu tuvumā.



2. klases instruments, dubulta izolācija



Izlietotie elektroprodukti nedrīkst tikt izmesti kopā ar mājtsaimniecības atkritumiem. Lūdzu, nododiet tos attiecīgajās atk ār totas izmantošanas vietās. Sazinieties ar savu vietējo varas pārstāvi vai izplatītāju, lai noskaidrotu, kur iespējama atkārtota pārstrāde.



Darbarīks atbilst visām normām ES valstī, kurā tas ir iegādāts.



EurAsian atbilstības marķējums



Ukrainas apstiprinājuma zīme



Garantētais skaņas jaudas līmenis ir 96 dB.

Lai izskaidrotu risku, kas saistīti ar izstrādājumu, līmeni, paredzēti šādi norādījuma vārdi un jēdzieni.

⚠ BĪSTAMI

Norāda draudošo bīstamo situāciju, kas, ja no tās neizvairās, var novest pie nāves vai nopietnas traumas.

⚠ BRĪDINĀJUMS

Norāda potenciālo bīstamo situāciju, kas, ja no tās neizvairās, var novest pie nāves vai nopietnas traumas.

⚠ UZMANĪBU

Norāda potenciālo bīstamo situāciju, kas, ja no tās neizvairās, var novest pie nelielas vai vidējas traumas.

UZMANĪBU

Bez drošības brīdinājuma apzīmējuma

Norāda uz situāciju, kas var radīt īpašuma bojājumus.

SIMBOLI ŠAJĀ ROKASGRĀMATĀ



Pievienojiet enerģijas avotam



Atvienojiet no enerģijas avota



Atsevišķi nopērkamās daļas vai piederumi



Piezīme



Brīdinājums



Gaminant šią elektrines pievelės / pakraščių žoliapjovę didžiausia svarba buvo teikiama jos saugai, efektyvumui ir patikimumui.

NAUDOJIMO PASKIRTIS

Ši elektrinė pievelės / pakraščių žoliapjovė skirta naudoti tik lauke, operatorius turi ją naudoti stovėdamas.

Įrenginys skirtas pjauti žolę, smulkesnes piktžoles ir kitą panašią neaukštą augmeniją. Pjovimo plokštuma turi būti maždaug lygiagrečiai pagrindo paviršiui, kai pjaunate, ir maždaug vertikali, kai tvarkote kraštus.

Produkto negalima naudoti pjauti ar apkarpyti gyvatvories, krūmus ar kitus augalus, kai pjovimo plokštuma nėra lygiagrečiai žemės paviršiui.

Nenaudokite grandininio pjūklo jokiai kitai, aukščiau nenurodytai paskirčiai.

BENDRIEJI SAUGOS ĮSPĖJIMAI

▲ ĮSPĖJIMAS

Būtina laikytis saugos reikalavimų naudojantis šiuo produktu. Dėl savo pačių ir šalia esančių asmenų saugumo, perskaitykite šias instrukcijas prieš pradėdami dirbti prietaisu. Šias instrukcijas reikia išsaugoti ateičiai.

▲ ĮSPĖJIMAS

Krūmapjovės negali naudoti vaikai ar asmenys su fiziniais, psichiniais ar jutiminiais sutrikimais. Vaikus reikia tinkamai prižiūrėti, kad jie nežaistų su krūmapjove.

▲ ĮSPĖJIMAS

Kai kuriuose regionuose taisyklės riboja įrenginio naudojimą. Kreipkitės patarimo į vietos įstaigą.

APMOKYMAS

- Šio gaminio jokia būdu negalima leisti naudoti vaikams ar asmenims, nesusipažinusiems su šiomis instrukcijomis. Vietos įstatymai gali apriboti įrengimo operatoriaus amžių.
- Atidžiai perskaitykite instrukcijas. Būtina susipažinti su gaminio valdymo įtaisais ir tinkamo naudojimo nurodymais.
- Pašaliniai asmenys, vaikai ir gyvūnai turi būti 15 m atstumu nuo genėjimo vietos. Į apdirbamą plotą įėjus pašaliniam asmeniui, gaminį reikia sustabdyti.
- Gaminio jokia būdu negalima naudoti pavargus, sergant ar apsvaigus nuo alkoholio, narkotinių medžiagų ar vaistų.
- Turėkite omenyje, kad operatorius arba vartotojas yra atsakingas už nelaimingus atsitikimus arba kitiems asmenims ar jų turtui sukeltą pavojų.

ELEKTROS SAUGA

- Maitinimo kištukai turi atitikti lizdą. Niekada nekeiskite kištuko. Su žemintais (žeminimo) elektriniais įrankiais niekada nenaudokite kištukų adapterių. Nepakeisti

kištukai ir atitinkantys lizdai sumažina elektros smūgio pavojų.

- Saugokitės, kad jis netyčia neužsivestų. Prieš jungiant krūmapjovę į maitinimo šaltinį, būtina patikrinti, ar jungiklis išjungtas. Nenešioti gaminio su prijungtu laidu laikydami pirštą ant jungiklio.
- Stenkitės nesiliesti prie žemintų ar žeminimo paviršių (vamzdžių, radiatorių, grandinių / viryklių, šaldytuvų). Įžeminus savo kūną, padidės elektros smūgio pavojus.
- Gaminio negalima naudoti, jeigu yra perkūnijos ar žaibavimo grėsmė.
- Gaminio negalima naudoti ar laikyti lietuje ar drėgmėje. Į įrenginį patekęs vanduo padidina elektros smūgio pavojų.
- Elektros maitinimas turi būti paduodamas per prietaisą su srovės atjungimo (RCD), kurio išsijungimo srovės riba neturi būti didesnė, nei 30 mA.
- Kiekvieną kartą prieš naudojant įrenginį, būtina patikrinti, ar nepažeistas maitinimo laidas. Pastebėjus pažeidimo požymių, laidą reikia pakeisti. Laidą gali keisti tik įgaliotas techninio aptarnavimo centras. Naudojant, maitinimo laidą reikia išvynioti: susukti į ritę laidai gali perkaisti.
- Jei reikia jungti pailginimo laidą, šis laidas turi būti tinkamas naudoti lauko sąlygomis, o srovė atitikti gaminio maitinimo parametrus. Pailginimo laidas turi būti paženklintas „H05RN-F“ arba „H05 VV F“. Prieš kiekvieną naudojimą patikrinkite, ar krūmapjovė nepakenkta. Naudojant, būtina išvynioti laido ritę, nes susukti laidai gali perkaisti. Pažeistų pailginimo laidų nereikia taisyti: juos reikia keisti tolygaus tipo laidais.
- Nenaudokite gaminio, jei elektros laidas apgadinti ar nusidėvėję.
- Jei maitinimo laidas ar prailginimo laidas naudojimosi metu būtų apgadintas, jį kuo skubiau išjunkite iš maitinimo lizdo. Nelieskite maitinimo laidų tol, kol neišjungsitate maitinimo iš lizdo.
- Patikrinkite, ar maitinimo laidas tokioje padėtyje, kad jo nepažeis pjovimo įrankiai, ant jo nebus galima užlipti, suklipti ar kitaip pažeisti ar susižeisti.
- Niekada nekelkite ir neneškite gaminio už elektros laido.
- Saugokite maitinimo laidą nuo karščio, alyvos ir aštrių briaunų.
- Elektros įtampa turi atitikti gaminio parametrus. Pavadinimo plokštelėje ant gaminio nurodoma prietaiso įtampa. Niekada nejunkite produkto prie AC įtampos šaltinio, kurio skirtinga įtampa.
- Patikrinkite, ar jungiklis yra išjungimo (Off) padėtyje prieš išjungdami prietaisą iš maitinimo lizdo.

PARUOŠIMAS

- Naudodami šį įrenginį, dėvėkite pilną akių ir klausos apsaugą. Dirbant zonoje, kurioje gali kristi objektai, būtina dėvėti galvos apsaugos priemones.
- Klausos apsaugos priemonės gali kliudyti operatoriui išgirsti įspėjamuosius garsus. Ypatingą dėmesį reikia atkreipti į potencialius pavojus aplink darbo sritį ir joje.
- Dėvėkite sunkias ilgas kelnes, batus ir pirštines.





Nedėvėkite dukšlių drabužių, trumpų kelnų, papuošalų ir atviros avalynės.

- Ilgus plaukus reikia susėti virš pečių lygio, kad nepajautytumėte judančias dalis.
- Prieš naudodami įrenginį ir po bet kokio jo sutrenkimo patikrinkite, ar nėra pakenktų dalių. Nekokybišką jungiklį ar pakenktą arba susidėvėjusią dalį reikia tinkamai sutaisyti arba pakeisti. Dalis keisti gali tik įgaliotas techninio aptarnavimo centras.
- Patikrinkite, ar pjovimo įtaisas tinkamai sumontuotas ir pritvirtintas.
- Gaminio jokių būdų negalima naudoti, jeigu nėra tinkamai pritvirtinti apsauginiai įtaisai, kreiptuvai ir rankenos.
- Prieš pradėdami naudoti elektrinius įrankius atidžiai apžiūrėkite darbo aplinką. Darbo plote negali būti mėtys laidai, pagaliai, akmenys ir nuolaužas, kurie, įstrigę pjovimo įtaise, iš jo „iššauna“.

NEŠIOJAMOSIOS ŽOLIAPJOVĖS / GYVATVORIŲ ŽIRKLIŲ SAUGOS ĮSPĖJIMAI

- Gaminį galima naudoti tik dienos šviesoje arba esant geram dirbtiniam apšvietimui.
- Venkite naudoti ant drėgnos žolės.
- Pjaudami, neikite atbulomis.
- Visada tvirtai stovėkite ir išlaikykite pusiausvyrą. Nepersitempkite. Persitempę galite prarasti pusiausvyrą. Nuolat atkreipkite dėmesį į stabilią stovėseną nuolaidžiose vietose. Visada eikite, niekada nebėkite.
- Pašaliniai asmenys, vaikai ir gyvūnai turi būti 15 m atstumu nuo genėjimo vietos. Į apdirbamą plotą įėjus pašaliniam asmeniui, gaminį reikia sustabdyti.
- Pjovimo įtaisą laikykite žemiau juosmens.
- Niekada nedirbkite šiuo gaminiu, jei apgadintos apsaugos arba jei apsaugos neuždėtos.
- Nenaudokite metalinių juostų.
- Prieš jungdami variklį nestovėkite per arti žoliapjovės, saugokite rankas ir kojas.
- Būkite atsargūs: išjungus variklį, pjovimo dalys kurį laiką dar sukasi.
- Saugokitės iš pjovimo įtaiso „iššaunamų“ objektų. Prieš pradėdami darbą, iš darbo ploto pašalinkite nuolaužas, tokias kaip nedideli akmenukai, žvyras ir kiti pašaliniai daiktai. Vėliavos arba virvelės gali įspainioti pjovimo įtaisuose.
- Išjunkite prietaisą iš atjunkite maitinimą prieš:
 - aptarnavimas
 - gaminio palikimas be priežiūros
 - įrenginio valymas arba kamščių naikinimas
 - priedų keitimas
 - patikrinkite, ar prietaisas neapgadintas po sutrenkimo į kitą daiktą
 - patikrinkite šį gaminį dėl apgadavimo, jei jis padeda neįprastai vibruoti
 - techninės priežiūros atlikimas
- Maža geležtė, pritaisyta prie vejos apsauginio aptvaro, skirta reikiama ilgiu apkarpyti išlindusias ataugas, kad

būtų saugu ir gražu. Ji labai aštri: nepalieskite jos valydami įrankį.

- Visada patikrinkite, ar ventiliavimo angos nėra užsikūšusios atliekomis.
- Patikrinkite, ar pjovimo įtaisas tinkamai sumontuotas ir pritvirtintas.
- Patikrinkite, ar visos apsaugos, deflektoriai, rankenos tinkamai ir patikimai pritvirtintos.
- Gaminio jokių būdų negalima modifikuoti, nes tai didina pavojų susižeisti arba sužeisti kitus.
- Keitimui naudokite tik gamintojo pjovimo lyną. Nenaudokite jokio kito pjovimo įtaiso.
- Nelaimės arba gedimo atveju nedelsdami išjunkite ir atjunkite nuo maitinimo linijos. Nenaudokite įrenginio tol, kol jis nebus išsamiai patikrintas įgaliotos techninės priežiūros centre.

GABENIMAS IR LAIKYMAS

- Prieš padedant į sandėlį arba išgabenant, kultivatorių reikia sustabdyti ir palaukti, kol jis atšals. Prietaisą laikykite visada išjungę iš maitinimo lizdo ir suvynioję laidą.
- Nuo įrankio nuvalykite visas pašalines medžiagas. Laikykite vėsoje, sausoje, gerai vėdinamoje ir vaikams nepasiekiamoje vietoje. Nelaikykite jo arti nuo tokių koroziją sukeliančių reagentų kaip cheminės sodininkystės medžiagos arba druskos, naudojamos prieš apledėjimą. Nelaikykite lauke.
- Paruošiant gabenimui, gaminį reikia pritvirtinti, kad nejudėtų ir nenukristų, nes priešingu atveju jis gali sužaloti žmones arba sugesti pats.

PRIEŽIŪRA

⚠ ĮSPĖJIMAS

Keitimui naudokite tik originalias gamintojo atsargines dalis. Neoriginalios dalys gali būti sužeidimų ir įrenginio blogo veikimo priežastis, ir dėl to gali būti anuliuotas garantinis pažymėjimas.

⚠ ĮSPĖJIMAS

Aptarnavimą atlikti būtina itin atidžiai, todėl rekomenduojame, kad techninę apžiūrą vykdytų kvalifikuotas specialistas. Jei reikia atlikti techninio aptarnavimo darbus, nugabenkite gaminį į įgaliotą techninio aptarnavimo centrą. Sugedusias detales keiskite tik originaliomis detalėmis.

- Prieš pradėdami priežiūros ar valymo darbus, krūmapjovę išjunkite ir atjunkite nuo maitinimo tinklo.
- Prietaisą galite reguliuoti ir remontuoti, kaip aprašyta šiame naudotojo vadove. Jei reikia atlikti techninio aptarnavimo darbus, nugabenkite gaminį į įgaliotą techninio aptarnavimo centrą.
- Seną stygą keisti tik nailono pluošto styga, kurios skersmuo nurodytas šio vadovo specifikacijų lentelėje.
- Ištiesus naują pjovimo įtaiso lyną, prieš pradėdami darbą, reikia būtina gražinti įrenginį į jo įprastą darbo padėtį.

EN
FR
DE
ES
IT
NL
PT
DA
SV
FI
NO
RU
PL
CS
HU
RO
LV
LT
ET
HR
SL
SK
BG
UK
TR



- Po kiekvieno naudojimo, išvalykite įrenginį sausu švelnaus audinio gabalėliu. Bet kurią apgadintą detalę leidžiama remontuoti arba keisti tik autorizotame aptarnavimo centre.
- Dažnai tikrinkite visas varžles, varžtus ir sraigtus, ar jie tvirtai laikosi ir ar gaminys yra saugios darbo būklės stovyje.

ŠALUTINIAI PAVOJAI

Net naudojant gaminį pagal nurodymus, neįmanoma visiškai atmesti visų pavojaus veiksnių. Gali kilti toliau nurodyti pavojai, todėl operatorius turi būti itin dėmesingas, kad išvengtų šių dalykų:

- Vibracijos sukeltas sužalojimas.
 - Laikyti gaminį už tam skirtų rankenų ir riboti darbo laiką bei buvimą sveikatai žalingoje aplinkoje.
- Klausos pakenkimas dėl buvimo triukšme.
 - Dėvėkite akių apsaugą ir ribokite poveikio trukmę.
- Akių traumas dėl ištiškusių nuolaužų.
 - Būtinai dėvėti akių apsaugą.

RIZIKOS MAŽINIMAS

Nustatyta, kad rankinių įtaisų keliami vibracija kai kuriems asmenims paskatina Reino sindromo vystymąsi. Šios ligos požymiai yra pirštų dilgčiojimas, nutirpimas ir pabalimas, paprastai pasireiškiantis nuo šalčio. Šie simptomai vystosi dėl paveldimų veiksnių, nesisaugant nuo šalčio ir drėgmės, dėl mitybos, rūkymo ir darbo praktikos. Operatorius gali imtis šių priemonių, kurios gali sumažinti vibracijos poveikį:

- Apsirenkite kuo šilčiau šaltu oru. Naudojant gaminį, reikia mūvėti pirštines, nesisaugant nuo šalčio ir drėgmės, Turime pranešimų, kad Raynaud sindromas labiausiai vystosi nuo šalto oro sąlygų.
- po darbo kiekvieną kartą pasportuokite, kad pagerėtų kraujo apytaka;
- dažnai darykite darbo pertraukas. Apribokite darbo laikotarpį per dieną.

Jei jums pasireiškia kokie nors šios būklės simptomai, nedelsdami nutraukite darbą ir kreipkitės į gydytoją.

⚠️ ĮSPĖJIMAS

Ilgiau naudojant, įrankis kelia sužeidimų pavojų ir apsunkina darbą. Ilgiau naudojant įrankius, reikia reguliariai daryti pertraukas.

PAŽINKITE SAVO GRANDININĮ PJŪKLĄ

Žr. 104 psl.

- Įjungimo/išjungimo spragtukas
- Laido kablys
- Maitinimo laido fiksatorius–laikiklis
- Gyvatvorių režimo mygtukas
- Ritės dangtelis
- Ritė
- Nupjovimo geležtė
- Pjovimo linija
- Saugos apsauginis aptvaras
- Apatinis vamzdis

- Viršutinis vamzdis
- Priekinė rankena
- Galinė rankena

SIMBOLIAI ANT ĮRENGINIO



Prieš naudodami įrenginį, atidžiai perskaitykite instrukcijas, laikykitės įspėjimų ir saugos nurodymų.



Dėvėkite apsauginius akinius



Dėvėkite klausos apsaugą.



Prietaise nemontuokite metalinės(-ių) geležtės(-čių).



Nenaudoti lyjant ar esant drėgnoms sąlygoms.



Prieš atliekant priežiūros darbus arba jeigu laidas pažeistas, įpjautas ar įsinarpliojęs, reikia nedelsiant ištraukti kištuką iš elektros maitinimo tinklo.



Saugokitės išmetamų arba skrendančių objektų. Visi pašaliniai asmenys, ypač vaikai ir naminiai gyvūnai, turi būti ne arčiau kaip 15m nuo darbo vietos.



Rankas laikykite toliau nuo geležčių.



II klasės įrankis, dviguba izoliacija



Elektrinių produktų atliekos neturi būti metamos kartu su namų ūki atliekomis. Prašome perdirbimo bazės. Dėl perdirbimo patarimo kreipkitės į savo vietinę savivaldybę ar pardavėją.



Šis prietaisas atitinka visas reglamentuotas normas ES šalies, kur jis buvo nupirktas.



„EurAsian“ atitikties ženklas



Ukrainos atitikties ženklas



Garantuotas garso galios lygis yra 96 dB.

Šie signaliniai žodžiai yra skirti nurodyti su prietaiso naudojimu susijusio pavojaus lygį.

⚠ PAVOJUS

Reiškia ypač pavojingą padėtį, kurios neišvengus bus patirti sunkūs ar net mirtini sužeidimai.

⚠ ĮSPĖJIMAS

Reiškia potencialiai pavojingą situaciją, kurios neišvengus galimi sunkūs ar net mirtini sužeidimai.

⚠ ATSARGIAI

Reiškia potencialiai pavojingą situaciją, kurios neišvengus galimi lengvi ar vidutinio sunkumo sužeidimai.

ATSARGIAI

Be įspėjamųjų simbolių

Reiškia nuosavybės žalos tikimybę.

SIMBOLIAI VADOVE



Pajunkite į maitinimo lizdą



Išjunkite iš maitinimo lizdo



Detalės arba priedai yra parduodami atskirai



Pastaba



Įspėjimas!



Elektrivõrgutoitega muru- ja servatrimmeri juures on peetud esmatähtsaks selle ohutust, töövõimet ja töökindlust.

OTSTARBEKOHANE KASUTAMINE

Elektrilist muru- ja servatrimmerit tohib kasutada ainult välitingimustes ja kasutaja peab olema püstitasendis.

See seade on ette nähtud rohu, kerge umbrohu ja sarnaste taimede lõikamiseks maapinnal või selle lähedal. Lõikepea peab trimmerdamise ajal olema maapinnaga ligikaudu paralleelne ja servalõikamise ajal ligikaudu vertikaalne.

See seade ei ole ette nähtud hekkide, põõsaste või muude taimede lõikamiseks lõiketapasinnas, mis ei ole maapinnaga paralleelne.

Ärge kasutage saagi mingiks muuks otstarbeks kui allpool loetletud.

OHUTUSE ÜLDEESKIRJAD

⚠ HOIATUS

Seadme kasutamisel tuleb järgida ohutusreegleid. Teie ja kõrvalseisjate ohutuse tagamiseks lugege käesolevaid juhiseid enne seadme kasutamist läbi. Hoidke juhend edaspidiseks kasutamiseks alles.

⚠ HOIATUS

Seade ei ole ette nähtud kasutamiseks laste või nende isikute poolt, kellel on piiratud füüsilised, vaimsed või sensoorsed võimed. Laste järele tuleb piisavalt valvata, et nad seadmega ei mängiks.

⚠ HOIATUS

Mõnedes piirkondades on seadused, mis piiravad selle toote kasutamist. Lisateavet saate kohalikest omavalitsusest.

VÄLJAÕPE

- Ärge laske kultivaatorit kasutada lastel ega neil, kes ei ole käesoleva juhendiga tutvunud. Kohalikud regulatsioonid võivad seada kasutaja vanusele piiranguid.
- Lugege juhised hoolikalt läbi. Õppige tundma kõiki seadme juhtseadiseid ja kasutusnõudeid.
- Hoidke kõik kõrvalseisjad, lapsed ja lemmikloomad tööalalt vähemalt 15 meetri kaugusele. Kui keegi tööpiirkonda siseneb, siis seisake kultivaator.
- Ärge kasutage kultivaatorit väsinuna või haigena ega siis, kui olete uimastite, alkoholi või ravimite mõju all.
- Pidage meeles, et operaator või kasutaja on vastutav õnnetuste või ohuolukordade eest, mis võivad puudutada teisi inimesi või nende vara.

ELEKTROHUTUS

- Toitepistikud peavad pistikupesasse sobima. Ärge püüdke pistiku konstruktsiooni mingil moel muuta. Ärge ühendage maanduskontaktiga (kordusmaandusega) elektritööriistu elektrivõrku läbi vahepistmike. Pistiku

ja pistikupesaga konstruktsiooni muutmise korral tekib elektrilöögi oht.

- Vältige soovimatut käivitumist. Enne toitejuhtme ühendamist veenduge alati, et toitelüliti on väljalülitatud asendis. Ärge kandke toitega ühendatud toodet sõrme lüliti hoides.
- Hoiduge kehalisest kontaktist maandatud pindadega, näiteks torud, radiaatorid, elektripliidid ja külmikud. Kehaosade maandamisel suureneb elektrilöögi saamise oht.
- Ärge kasutage seadet kui on äikes oht.
- Ärge jätke kultivaatorit vihma kätte või märga kohta. Vee sattumisel seadme sisemusse suureneb elektrilöögi saamise oht.
- Elektriline tööriist tuleb ühendada vooluvõrku läbi rikkevoolu-kaitseüliti (RCD), mille rakendumisvoolu tugevus on maksimaalselt 30 mA.
- Enne iga kasutuskorda kontrollige toitejuhte üle vigastuste suhtes. Kui on vigastumise märke, tuleb see asendada pädeva elektriku poolt. Kerige toitejuhte lahti, sest kokku keeratud juhe võib üle kuumeneda.
- Kui teil on vaja kasutada pikendusjuhet, veenduge et see on välitingimuste jaoks sobiv ja teie tööriista jaoks piisava ristlõikega. Pikenduskaablitel peab olema markeering "H05RN-F" või "H05 VV F". Kontrollige seda enne iga kasutamist vigastuste suhtes. Kerige see lahti, sest kokku keeratud juhe võib üle kuumeneda. Ärge hakake vigastatud pikendusjuhet parandama, vaid asendage teise sobivat tüüpi juhtmega.
- Kui kahtlustate, et elektrijuhe on mingil moel vigastada saanud, siis ärge toodet kasutage.
- Kui toitejuhe või pikendusjuhe saab kasutamise ajal vigastada, ühendage seade toitevõrgust kohe välja. Ärge puudutage elektrijuhtmeid enne, kui toide on lahti ühendatud.
- Veenduge, et toitejuhte asetseb nii, et see ei saa teravate esemete sisselõike tõttu vigastada, sellele ei saa peale astuda, komistada ja see ei saa mingil muul viisil vigastada ega sattuda tõmbepingele alla.
- Ärge kunagi tõstke või kandke toodet juhtmest hoides.
- Hoidke toitejuhte eemal kuumusest, õlist ja teravatest servadest.
- Veenduge, et võrgupinge vastab seadmel kasutatavale pingele. Tootte tehasesildil on näidatud kasutatav pingevahemik. Ärge mingil juhul ühendage seadet AC-võrku, millel on sellest erinev pingevahemik.
- Enne toitejuhtme lahtiühendamist veenduge, et lüliti on asendis "OFF".

ETTEVALMISTUSTOIMINGUD

- Kandke selle seadme kasutamisel kaitseprille ja kõrvaklappe. Töötamisel kohtades, kus on allakukkivate esemete oht, tuleb kanda kiivrit.
- Kuulmiskaitse võib takistada kasutajal kuulda hoiatussignaale. Pöörake tähelepanu tööpiirkonnas ja selle ümbruses olevatele ohtudele.
- Kandke tugevasti riided pikki kotte, saapaid ja kindaid. Ärge kandke lõtvu riideid, lühikesi pükse, mistahes ehteid ega töötage paljajalu.





- Kinnitage pikad juuksed õlgadest kõrgemale, et vältida nende takerdumist liikuvate osade vahele.
- Enne töötamise alustamist kontrollige, et seadme osad ei ole vigastatud. Vigastatud lüliti ja vigastatud osad tuleb lasta pädeval hooldajal parandada või asendada.
- Veenduge, et lõikeorgan on õigesti paigaldatud ja kindlalt kinnitatud.
- Ärge hakake masinat enne kasutama, kui olete veendunud, et kõik kaitsed, suunajad ja käepidemed on õigesti ja ohutult kinnitatud.
- Hinnake keskkonda, kus töötate. Hoidke töökoht vaba traatidest, vaiadest, kividest ja prahist, mis võivad lõikeorganiga kokku puutudes välja paiskuda.

JÕHVTRIMMERI/SERVATRIMMERI OHUTUSNÕUDED

- Kasutage kultivaatorit ainult päevavalguses või hästivalgustatud kohas.
- Vältige märjas rohus kasutamist.
- Ärge liikuge seadme kasutamisel selg ees.
- Hoidke kindlat jalgade asendit ja tasakaalu. Ärge kummardage. Kummardamine võib põhjustada tasakaalu kadumist. Kallakul töötamisel tagage endale kindel jalgealune. Töötamisel kõndige, ärge kunagi jookske.
- Hoidke kõik kõrvalseisjad, lapsed ja lemmikloomad tööalalt vähemalt 15 meetri kaugusele. Kui keegi tööpiirkonda siseneb, siis seisake kultivaator.
- Hoidke lõikepead allapoole vööd.
- Ärge kunagi kasutage toodet kui kaitse on vigastatud või ei ole oma kohale paigaldatud.
- Ärge paigaldage metallist asendustera.
- Hoidke jalad ja käed alati eemal lõikepeast ja eriti siis, kui lülitate mootori sisse.
- Ettevaatust! Lõiketera liigub edasi ka siis, kui mootor on välja lülitatud.
- Hoidke eemale lõikeorgani poolt ülespaisatud esemete eest. Enne töö alustamist puhastage tööpiirkond väikestest kividest, kruusast ja muust lahtisest materjalist. Traadid ja nõõrid võivad takerduda lõiketeradesse.
- Lülitage seade välja või ühendage vooluvõrgust lahti enne kui teete järgmist:
 - teenindamine
 - toote jätmisel järelevalveta
 - puhastamine ja ummistuse kõrvaldamine
 - lisatarvikute vahetamine
 - kõikide vigastuste ülekontrollimine pärast lööki mõne eseme vastu
 - kõikide vigastuste ülekontrollimine kui toode hakkab ebanormaalselt vibreerima
 - hooldustööde tegemine
- Väike lõiketera, mis on kinnitatud suunaja külge, on ette nähtud vastupaigaldatud jõhvi lõikamiseks õigesse mõõtu, et tagada ohutus ja tootlus. See on väga terav, ärge seda puhastamise ajal puudutage.
- Veenduge, et ventilatsioonivad on kogu aeg prahist puhtad.

- Veenduge, et lõikeorgan on õigesti paigaldatud ja kindlalt kinnitatud.
- Veenduge, et kõik kaitsed, suunajad ja käepidemed on õigesti ja ohutult kinnitatud.
- Ärge muutke seadme konstruktsiooni mingil moel, sellega suurendate iseenda ja kõrvalseisjate kehavigastuste ohtu.
- Kasutage ainult tootja poolt tarnitud jõhvi. Ärge kasutage mingit muud lõikeorganit.
- Õnnetuse või rikke korral peatage ja lülitage vooluvõrgust välja. Ärge kasutage tööriista enne, kui see on volitatud parandustöökojas põhjalikult kontrollitud.

TRANSPORTIMINE JA HOIUSTAMINE

- Enne hoiule paneku või teisaldamise alustamist seisake mootor. Hoiustamise ajaks ühendage seade toitevõrgust välja ja kerige juhe kokku.
- Puhastage seade kõikidest võõrkehadest. Hoidke kuivas ja hästi ventileeritud kohas, mis on lastele juurdepääsmatu. Hoidke kettasaagi eemal söõvitavatest ainetest nagu aiakemikaalid ja jäätõrjevahendid. Ärge hoiustage õues.
- Vedamise ajal tõkestage kultivaator liikuma hakkamise ja alla kukkumise vastu, et vältida kehavigastusi ja masinaosade kahjustamist.

HOOLDUS

▲ HOIATUS

Kasutage ainult tootja originaalvaruosi, tarvikuid ja tööorganeid. Selle nõude eiramine võib põhjustada, kehavigastuse, tootluse languse ja teile antud garantiitühistamise.

▲ HOIATUS

Hooldamine nõuab ülimalt korrashooldu ja teadmisi ning tuleks teostada ainult kvalifitseeritud hooldustehnikute poolt. Hoolduseks andke seade volitatud hoolduskeskusesse. Kui hooldate, kasutage ainult identseid varuosi.

- Enne iga hooldus- või puhastustöö alustamist lülitage seade välja ja ühendage toide lahti.
- Lubatud on teha ainult selles kasutusjuhendis kirjeldatud reguleerimis- ja parandustoiminguid. Muude remonditööde tegemiseks võtke ühendust volitatud hooldajaga.
- Asendusjõhvina kasutage vaid sellise läbimõõduga nailonjõhvi, mis on esitatud selle kasutusjuhendi tehniliste andmete tabelis.
- Pärast uue trimmerijõhvi paigaldamist seadke trimmer enne käivitamist tavatöösandis.
- Pühkige trimmer pärast iga kasutuskorda pehme kuiva lapiga puhtaks. Vigastatud osad tuleb lasta pädeval hooldajal parandada või asendada.
- Kontrollige kõiki mutreid, polte ja kruvisid sagedaste



intervallidega õige pinguloleku suhtes, et veenduda toote ohutus töökorras olemises.

JÄÄKRISKID

Isegi siis, kui kultivaatorit kasutatakse kirjeldatud viisil, ei ole võimalik kõrvaldada kõiki jääkriskide mõjureid. Töötamise ajal võivad tekkida järgmised ohud, millele operaator peab pöörama erilist tähelepanu.

- Vibratsioonist põhjustatud kehavigastus.
 - Hoidke kultivaatorit kinni selleks ette nähtud käepidemetest ja piirake tööaega ning vibratsiooniga kokkupuudet.
- Müraga kokkupuutumine võib kuulmist kahjustada.
 - Kandke kuulmiskaitsevahendeid ja piirake müraga kokkupuudet.
- Silmade vigastamise oht lendavast prahist.
 - Kandke alati silmakaitsevahendeid.

RISKI ALANDAMINE

Teadaolevalt võib käsitööriistade kasutamine põhjustada mõnedel inimestel seisundit, mida nimetatakse Raynaud' sündroomiks. Sümptomidena võib ilmned sõrmede tuimus ja valkjaks muutumine, mis tavaliselt ilmneb külmas töötamisel. Nende sümptomite puhul tuleb hoiduda külmast ja niiskusest, dieedist ning suitsetamisest ja kasutada õigeid töövõtteid. Vibratsiooni mõju vähendamiseks tuleb rakendada järgmisi abinõusid.

- Külma ilmaga hoidke oma keha soe. Kandke kindaid, et hoida oma käed ja randmed soojad. Uuringud näitavad, et Raynaud's Syndrome ilmneb põhiliselt külma ilmaga.
- Pärast külmas töötamist tehke harjutusi, et verevarustust kiirendada.
- Tehke regulaarselt töövaheaegasid. Piirake tööperioodi pikkust.

Kui ilmnevad haigustunnused, lõpetage kohe töö ja pöörduge arsti poole.

⚠ HOIATUS

Seadme pikaajalisel kasutamisel võite saada kehavigastusi ja varasemad vigastused võivad süveneda. Seadme kasutamisel pika aja jooksul tuleb teha korralisi vaheaegasid.

ÕPPIGE OMA TOODET TUNDMA

Vt leht 104.

1. „Sisse/Välja“-päästik
2. Toitejuhtme riputi
3. Toitejuhtme hoidik
4. Servalõikamise nupp
5. Pooli kate
6. Jõhvi pool
7. Mahalõiketera
8. Lõikejõhv
9. Kaitsekate
10. Alumine toru
11. Ülemine toru
12. Eesmine käepide
13. Tagumine käepide

MASINAL OLEVAD SÜMBOLID



Enne seadmega töö alustamist lugege kõik juhised hoolikalt läbi ja pidage kinni ohutustest ja ohutusega seotud juhistest.



Kandke silmakaitsevahendeid



Kasutage kõrvaklappe.



Ärge kasutage seadmel metallist lõiketera(sid).



Ärge jätke vihma kätte või kasutage niiskes kohas.



Kui toitejuhe on vigastatud, sellel on sisselõikeid või see on keerdus, siis ühendage pistik vooluvõrgust enne parandamist kohe lahti.



Hoiduge ülespaisatud ja lendavate esemete eest. Hoidke kõik tõrvalseisjad, eriti lapsed ja lemmikloomad tööalalt vähemalt 15 meetri kaugusele.



Hoidke käed lõiketeradest eemal.



Tööriista klass II, topeltisolatsiooniga



Mittekasutatavaid elektrotooteid ei tohi visata olmejäätmete hulka. Vaid tuleb viia vastavasse kogumispunkti. Vajadusel küsige sellekohast nõu oma edasimüüjalt või vastavalt kohaliku omavalitsuse institutsioonilt.



Vastab kõigile eeskirjadele EL-i liikmesriigis, kus toode on ostetud.



Euraasia vastavusmärk



Ukraina vastavusmärgis



Garanteeritud helivõimsuse tase on 96 dB.

Järgnevad märguandesõnad ja tähendused on mõeldud selle toote kasutamisega seotud riskitasemete kirjeldamiseks.

⚠ OHT.

Viitab kohe tekkivale ohtlikule situatsioonile, mis, kui ei väldita, lõpeb surma või tõsise vigastusega.

⚠ HOIATUS

Viitab võimalikule ohtlikule situatsioonile, mis, kui ei väldita, võib lõppeda surma või tõsise vigastusega.

⚠ ETTEVAATUST

Viitab võimalikule ohtlikule situatsioonile, mis, kui ei väldita, võib lõppeda väiksemate või keskmiste vigastusega.

ETTEVAATUST

Ilma hoiatussümbolita

Osutab olukorrale, mis võib põhjustada varakahju.

KASUTUSJUHENDI SÜMBOLID



Ühendage pistikupessa



Võtke pistikupesast välja



Eraldi ostetavad osad või tarvikud



Märkus



Hoiatus



Dizajn Vašeg električni trimera za travnjake/trimera za rubove počiva na prioritetima sigurnosti, visokih performansi i pouzdanosti.

NAMJENA

Električni trimer za travnjak/trimer za rubove travnjaka namijenjen je samo za korištenje na otvorenom. Operater mora za vrijeme rada biti u stojećem položaju.

Ovaj proizvod namijenjen je za rezanje trave, sitnog korova i slične vegetacije na ili oko razine tla. Rezna ravnina treba biti približno paralelna s površinom tla prilikom šišanja i približno okomita prilikom rezanja rubova.

Proizvod se ne smije koristiti za rezanje ili obrezivanje živica, žbunja ili druge vegetacije gdje površina rezanja nije paralelna s površinom tla.

Nemojte koristiti proizvod za bilo koju svrhu koja nije navedena.

OPĆA SIGURNOSNA PRAVILA

⚠ UPOZORENJE

Prilikom korištenja proizvoda moraju se slijediti sigurnosna pravila. Radi vaše i sigurnosti ostalih promatrača, molimo vas da prije rada s proizvodom pročitate ove upute. Molimo vas da čuvate ovu uputu radi kasnijeg korištenja.

⚠ UPOZORENJE

Ovaj proizvod nije namijenjen za korištenje od strane djece ili osoba sa smanjenim fizičkim, psihičkim ili mentalnim mogućnostima. Djecu je potrebno odgovarajuće nadzirati kako bi se osiguralo da se ne igraju s proizvodom.

⚠ UPOZORENJE

Neke regije imaju pravila koja ograničavaju korištenje proizvoda. Provjerite kod lokalnih tijela za savjet.

OBUKA

- Nikada nemojte dopustiti korištenje proizvoda djeci ili osobama koje nisu upoznate s uputama. Moguće je da lokalni propisi propisuju starosnu dob rukovatelja.
- Pažljivo pročitate upute. Upoznajte se sa svim upravljačkim elementima i pravilnim korištenjem proizvoda.
- Držite promatrače, djecu i kućne ljubimce 15 m dalje od područja rada. Zaustavite proizvod ako bilo tko uđe u područje rada.
- Nemojte raditi s proizvodom kad ste umorni, bolesni ili pod utjecajem alkohola, droga ili lijekova.
- Imajte na umu da je rukovatelj ili korisnik odgovoran za nezgode ili opasnosti koje nastanu drugim osobama ili njihovoj imovini.

ELEKTRIČNA SIGURNOST

- Utikači moraju odgovarati utičnici. Nikada nemojte modificirati utikače ni na koji način. Nemojte koristiti nikakve adapter utikače s uzemljenim električnim alatima. Originalni utikači i odgovarajuće utičnice smanjuju opasnost od strujnog udara.
- Izbjegavajte nehotično pokretanje alatke. Prije uključivanja proizvoda u napajanje uvijek provjerite da li je prekidač u položaju OFF (Isključeno). Ne nosite proizvod priključen na struju s prstom na prekidaču.
- Izbjegavajte kontakt tijela s uzemljenim površinama poput cijevi, radijatora, štednjaka i hladnjaka. Ako je vaše tijelo uzemljeno, povećava se opasnost od strujnog udara.
- Nemojte raditi s proizvodom kada postoji opasnost od grmljavinskog nevremena.
- Nemojte proizvod izlagati kiši ili vlažnim uvjetima. Ulazak vode u uređaj povećava opasnost od strujnog udara.
- Napajanje treba biti putem FID sklopke (RCD uređaj) s proračunom strujom ne većom do 30 mA.
- Prije svakog korištenja, provjerite kabel za napajanje na oštećenje. Ako postoje znakovi oštećenja, mora ga zamijeniti ovlašteni servisni tehničar. Uvijek odmotajte kabel za napajanje tijekom korištenja, namotani kabel može se ugrijati.
- Ako trebate koristiti produžni kabel, osigurajte da je prikladan za korištenje na otvorenom i da ima dovoljan kapacitet za napajanje proizvoda. Produžni kabel treba imati oznaku „H05RN-F“ ili „H05 VV F“. Prije svakog korištenja provjerite na oštećenja. Uvijek odmotajte kabel za napajanje tijekom korištenja jer se namotani kabel može pregrijati. Oštećene produžne kabele ne treba popravljati, treba ih zamijeniti s odgovarajućim tipom.
- Nemojte koristiti proizvod ako su električni kabeli oštećeni ili istrošeni.
- Ako se kabel napajanja ili produžni kabel ošteti tijekom korištenja, odmah ga odspojite iz napajanja. Nemojte dodirivati električne kabele dok napajanje nije isključeno.
- Provjerite je li kabel za napajanje pravilno pozicioniran tako da ne može biti oštećen rezanjem i da se na njega ne može stati, zapeti ili drugim predmetima oštetiti ili naprezati.
- Nikada ne podižite ili nosite proizvod za električni kabel.
- Držite kabel za napajanje podalje od topline, ulja i oštrih rubova.
- Provjerite da li je točno napajanje za vaš proizvod. Nazivna pločica na proizvodu naznačuje napon proizvoda. Nikada ne priključujte proizvod na AC napon koji se razlikuje od ovog napona.
- Prije isključivanja iz napajanja provjerite je li prekidač u položaju Off (isključeno).

PRIPREMA

- Kada radite s ovim proizvodom nosite zaštitu za oči i sluh. Ako radite u području gdje postoji opasnost od padajućih predmeta, morate nositi zaštitu za glavu.





- Zaštita za sluh može ograničiti sposobnost operatera da čuje zvukove upozorenja. Obratite posebnu pozornost na moguće opasnosti u okolini i unutar radnog područja.
- Nosite hlače s dugim nogavicama, čizme i rukavice. Nemojte nositi široku odjeću, kratke hlače, nakit bilo kakve vrste ili hodati bosonogi.
- Osigurajte dugu kosu na način da je iznad razine ramena kako biste spriječili zahvaćanje u pokretne dijelove.
- Prije korištenja i nakon svakog udara provjerite da nema oštećenih dijelova. Prekidač u kvaru ili bilo koji dio da je oštećen ili istrošen trebali biste pravilno popraviti ili zamijeniti od strane ovlaštenog servisnog centra.
- Provjerite da li je priključak za rezanje pravilno instaliran i čvrsto pritegnut.
- Nikada ne radite s proizvodom ako svi štitnici, deflektori i ručke nisu pravilno i čvrsto priključeni.
- Razmotrite okoliš u kome radite. Radno područje držite čistim od žica, štapova, kamenja i ostataka koji ako se zaglave mogu postati leteći predmeti.

SIGURNOSNA UPOZORENJA ZA TRIMER S REZNOM NITI / TRIMER ZA ROBOVE TRAVNJAKA

- Koristite proizvod po danjem svjetlu ili pri dobroj umjetnoj rasvjeti.
- Izbjegavajte koristiti na mokroj travi.
- Kada koristite proizvod ne hodajte unatrag.
- Zauzmite čvrst stav i ravnotežu. Ne sežite preko određene granice. Sezanje preko određene granice može imati za posljedicu gubitak ravnoteže. Uvijek se čvrsto uprite na kosinama. Hodajte, nemojte trčati.
- Držite promatrače, djecu i kućne ljubimce 15 m dalje od područja rada. Zaustavite proizvod ako bilo tko uđe u područje rada.
- Držite priključak za rezanje ispod razine pojasa.
- Nikada nemojte raditi s proizvodom s oštećenim štitnicima ili bez postavljenih štitnika.
- Nikada ne stavljajte metal umjesto silka.
- Sve vrijeme držite ruke i noge podalje od sredstva za šišanje, a posebno kada se uključuje motor.
- Imajte na umu da se rezni elementi nastavljaju okretati nakon što je motor isključen.
- Čuvajte se odbačenih predmeta od flaksa. Očistite malene ostatke poput kamenčića, grumena i drugih stranih predmeta iz radnog područja prije rada. Žice ili flaks se mogu upetljati određenim komadima.
- Ugasite i isključite iz napajanja prije:
 - servisiranje
 - ostavljanje proizvoda bez nadzora
 - čišćenje proizvoda ili čišćenje blokada
 - promjena dodatnog pribora
 - provjerite za bilo kakvo oštećenje nakon odbacivanja predmeta
 - provjerite za bilo kakvo oštećenje ako proizvod počne abnormalno vibrirati
 - izvođenje održavanja
- Mala oštrica postavljena na štitniku kosilice namijenjen

je za rezanje novog produženog flaksa na točnu duljinu radi sigurnosti i optimalne učinkovitosti. Vrlo je oštra, ne dodirujete je posebice kada čistite alat.

- Osigurajte da su ventilacijski otvori uvijek čisti od krhotina.
- Provjerite da li je priključak za rezanje pravilno instaliran i čvrsto pritegnut.
- Osigurajte da su svi štitnici, deflektori i ručke pravilno i čvrsto priključeni.
- Ne modificirajte proizvod na bilo koji način, ovo može povećati opasnost od ozljede za vas i druge.
- Koristite samo proizvođačevu zamjenski flaks. Nemojte koristiti nikakav drugi priključak za rezanje.
- U slučaju nesreće ili slamanja uređaja, odmah ga isključite i odspojite s dovoda napajanja. Proizvodom nemojte ponovno rukovati sve dok ga potpuno ne provjeri ovlašteno servisno centar.

PRIJEVOZ I SKLADIŠTENJE

- Zaustavite proizvod i omogućite mu da se ohladi prije skladištenja ili prijevoza. Za skladištenje uvijek isključite napajanje i namotajte kabel.
- Očistite svaki strani materijal s uređaja. Skladištite ga na suhom i dobro ventiliranom mjestu koje nije pristupačno djeci. Nemojte ju ostavljati u blizini korozivnih agenasa kao ni vrtnih kemijskih proizvoda i soli za odmrzavanje. Ne ostavljajte na otvorenom.
- Za prijevoz, osigurajte uređaj protiv pomicanja ili pada kako biste spriječili povrede osoba ili oštećenja na uređaju.

ODRŽAVANJE

⚠ UPOZORENJE

Koristite samo originalne zamjenske dijelove, dodatni pribor i priključke od proizvođača. Nepoštivanje ovih uputa može dovesti do mogućih ozljeda, loše učinkovitosti i može dovesti do poništenja jamstva.

⚠ UPOZORENJE

Servisiranje iziskuje krajnju pažnju i znanje i treba da ga vrši samo kvalificirani serviser. Radi servisa, donesite proizvod u ovlašteno servisno centar. Prilikom servisiranja koristiti identične zamjenske dijelove.

- Isključite i odspojite iz napajanja prije izvođenja bilo kakvog posla održavanja ili čišćenja.
- Možete izvršiti podešavanja i popravke koji su opisani u ovom priručniku. Za druge popravke, obratite se ovlaštenom servisnom agentu.
- Za zamjenski flaks koristite samo najlonski flaks promjera koji je opisan u tablici specifikacija u ovom priručniku.
- Nakon produljenja novog flaksa prije uključivanja uvijek proizvod vratite u njegov uobičajeni radni položaj.
- Nakon svakog korištenja proizvod obrišite sa suhom mekom krpom. Svaki oštećeni dio trebao bi pravilno popraviti ili zamijeniti ovlašteno servisno centar.



- Često provjeravajte sve matice i zavrtnje da li su dobro pritegnuti kako biste bili sigurni da je proizvod u sigurnom radnom stanju.

OSTALE OPASNOSTI:

Čak i kad je proizvod korišten kao što je prethodno opisano, još uvijek nije moguće potpuno isključiti ostale čimbenike opasnosti. Može doći do sljedećih opasnosti prilikom korištenja i operater mora obratiti posebnu pozornost kako bi izbjegao sljedeće:

- Ozljede uzrokovane vibracijom.
 - Držite proizvod za označene ručke i ograničite radno vrijeme i izloženost.
- Oštećenje sluha uzrokovano izlaganjem buci.
 - Nosite zaštitu za sluh i ograničite izloženost.
- Ozljede oka zbog letećih krhotina.
 - Cijelo vrijeme nosite sredstva za zaštitu očiju.

SMANJENJE OPASNOSTI

Prijavljeno je da vibracije proizvoda koje se drži u ruci kod određenih pojedinaca mogu doprinijeti stanju pod nazivom Raynaud's Syndrome. Simptomi mogu uključivati trnce, ukočenost i bjelinu prstiju, obično uočljivo po izlaganju hladnoći. Smatra se da nasljedne osobine, izlaganje hladnoći i vlazi, dijeta, pušenje i radni postupci pridonose razvoju ovih simptoma. Postoje mjere koje operator može poduzeti kako bi smanjio moguće učinke vibracije:

- Održavajte svoje tijelo toplim u hladnim vremenskim uvjetima. Kad radite s proizvodom nosite rukavice kako biste ruke i zglobove održavali toplima. Prijavljeno je da je hladnoća glavni čimbenik koji doprinosi Raynaud's Syndrome.
- Nakon svakog perioda rada vježbajte kako biste povećali cirkulaciju krvi.
- Uzimajte česte stanke u radu. Ograničite količinu izlaganja po danu.

Ako osjetite neke od simptoma ovog stanja, odmah prekinite korištenje i obratite se svome liječniku vezano uz ove simptome.

⚠ UPOZORENJE

Povrede mogu biti uzrokovane ili zadobivene produljenim korištenjem alata. Kada koristite bilo koji alat dulje vremena, osigurajte da uzimate povremene stanke.

UPOZNAJTE SVOJ PROIZVOD

Pogledajte stranicu 104.

1. Sklopka za uklj./isklj.
2. Kuka za kabel
3. Držać kabela za napajanje
4. Gumb za funkciju rezanja na rubovima
5. Poklopac kalema
6. Kalem
7. Oštrica za rezanje
8. Flaks
9. Štitnik
10. Donja cijev

11. Gornja cijev
12. Prednja ručka
13. Stražnja ručka

SIMBOLI NA PROIZVODU



Pročitajte i razumite sve upute prije rada s proizvodom, slijedite sva upozorenja i sigurnosne upute.



Nosite sredstva za zaštitu očiju



Nosite sredstva za zaštitu sluha.



Nemojte koristiti metalne oštrice na proizvodu.



Ne izlažite kiši ili vlažnim uvjetima.



Ako je kabel oštećen, prerezan ili zaglavljnjen, odmah uklonite utikač iz utičnice prije održavanja.



Čuvajte se odbačenih ili letećih predmeta. Držite sve promatrače naročito djecu i kućne ljubimce, na udaljenosti najmanje 15m od radnog područja.



Držite ruke dalje od oštrica.



Alat II razreda s dvostrukom izolacijom



Otpadni električni proizvodi ne treba da se odlažu s otpadom iz domaćinstva. Molimo da reciklirate gdje je to moguće. Potražite savjet od lokalnih vlasti ili prodavca kako reciklirati.



Ovaj alat usklađen je sa svim normama i propisima zemlje Europske unije u kojoj je kupljen.



EurAsian znak konformnosti



Ukrajinska oznaka za sukladnost



Jamčena razina zvučne snage 96 dB.

Slijedeće riječi upozorenja i značenja imaju namjeru da objasne nivo rizika u vezi s ovim proizvodom.

⚠ OPASNOST

Ukazuje na neposrednu opasnu situaciju, koja, ukoliko se ne izbjegne, može rezultirati smrću ili opasnim povredama

⚠ UPOZORENJE

Ukazuje na moguću opasnu situaciju, koja, ukoliko se ne izbjegne, može rezultirati smrću ili opasnim povredama

⚠ UPOZORENJE

Ukazuje na moguću opasnu situaciju, koja, ukoliko se ne izbjegne, može rezultirati manjim ili blažim povredama

UPOZORENJE

Bez sigurnosnog simbola upozorenja

Naznačuje situaciju koja može rezultirati oštećenjem imovine.

SIMBOLI U OVOM PRIRUČNIKU



Priključite u utičnicu za napajanje



Isključite iz utičnice za napajanje



Dijelovi ili pribor prodan odvojeno



Napomena



Upozorenje

Pri zasnovi te električnega kosilnice za trato/robne rezačnike smo se prednostno osredotočali na varnost, učinkovitost in zanesljivost.

NAMEN UPORABE

Električna kosilnica za trato/robni rezačnik sta namenjena samo za zunanjo uporabo s strani upravljalca v pokončnem stanju.

Izdelek je namenjen za košenje trave, plevela in podobnega rastlinja talne rasti. Rezalno ploskev je treba pri košenju premikati čimbolj vodoravno s tlemi, pri obrezovanju pa čimbolj navpično.

Izdelka se ne sme uporabljati za obrezovanje živih mej, grmovja ali drugega rastlinja, kjer obrezovalna raven ni vzporedna s tlemi.

Izdelka ne uporabljajte drugače, kot je navedeno zgoraj.

SPLOŠNA VARNOSTNA OPOZORIILA

⚠ OPOZORILO

Med uporabo stroja upoštevajte varnostna navodila. Za svojo varnost in varnost drugih oseb preberite ta navodila pred uporabo izdelka. Shranite navodila za poznejšo uporabo.

⚠ OPOZORILO

Izdelek ni namenjen za uporabo s strani otrok ali oseb z zmanjšanimi fizičnimi, duševnimi ali senzoričnimi zmoglostmi. Otroke nenehno primerno nadzorujte, da se ne bodo igrali z napravo.

⚠ OPOZORILO

Prepisi nekaterih regij omejujejo uporabo tega izdelka. Za nasvet se obrnite na lokalne oblasti.

URJENJE

- Nikoli ne pustite, da bi izdelek uporabljali otroci ali osebe, ki niso seznanjene s temi navodili za uporabo. Lokalni predpisi se morda nanašajo tudi na minimalno starost upravitelja.
- Pazljivo preberite navodila. Seznanite se z vsemi krmilnimi elementi in pravilno uporabo izdelka.
- Prisotni, otroci in živali naj bodo vsaj 15 m oddaljeni od delovnega območja. Ugasnite izdelek, če kdo vstopi v območje.
- Izdelka nikoli ne uporabljajte, če ste utrujeni, bolni ali pod vplivom alkohola, drog ali zdravil.
- Pomnite, da je upravitelj oz. uporabnik odgovoren za nesreče ali nevarnosti, ki se pripetijo ostalim ljudem ali njihovi lastnini.

ELEKTRIČNA VARNOST

- Vtiči električnih orodij se morajo prilegati vtičnicam. Vtiča nikoli in na noben način ne smete spreminjati. Z ozemljenimi električnimi orodji ne uporabljajte adapterjev vtiča. Nespremenjeni vtiči in ustrezne

vtičnice zmanjšajo tveganje električnega udara.

- Izogibajte se nenamernemu zaganjanju naprave. Preden izdelek priklopite na napajanje, preverite če je stikalo v položaju OFF (IZKLOP). Ne nosite vklopljenega izdelka s prstom na stikalu.
- Izogibajte se telesnemu stiku z ozemljenimi površinami, kot so cevi, radiatorji, kuhalniki in hladilniki. Če je vaše telo ozemljeno, obstaja povečano tveganje električnega udara.
- Izdelka ne uporabljajte v primeru pojava nevihte.
- Izdelka ne izpostavljajte dežju ali vlagi. Voda, ki vstopi v napravo, zviša tveganje za električni udar.
- Napajanje naprave mora imeti napravo za rezidualni tok (RCD), tok naj ne presega 30 mA.
- Pred vsako uporabo preverite, če je napajalni kabel poškodovan. Če obstajajo znaki poškodb, morajo zamenjavo opraviti na pooblaščenem servisu. Kadar izdelek uporabljate, vedno odvijte napajalni kabel; zaviti kablji se lahko pregrejejo.
- Če potrebujete podaljšek za električni kabel, se prepričajte, da je primeren za uporabo na prostem in ima zadostno kapaciteto toka za vaš izdelek. Električni podaljšek mora biti označen z oznako »H05RN-F« ali »H05 VV F«. Pred vsako uporabo preverite, ali je izdelek poškodovan. Kadar izdelek uporabljate, vedno odvijte kable, saj se drugače lahko pregrejejo. Poškodovane podaljševalne kable ne smete popravljati, temveč jih zamenjajte s kablom enakovredne vrste.
- Če opazite, da so električni kablji poškodovani ali obrabljeni, izdelka ne uporabljajte.
- Če se napajalni kabel ali podaljšek med uporabo poškodujeta, ju takoj odklopite iz napajanja. Ne dotikajte se električnih kablov, dokler napajanje ni izključeno.
- Prepričajte se, da je napajalni kabel napeljan tako, da ga rezila ne morejo poškodovati in da nanj nič ali nihče ne more pasti, stopiti, se obenj spotakniti ali ga kakor koli poškodovati.
- Izdelka nikoli ne dvigujte in ne prenašajte za električni kabel.
- Kabel držite proč od vročine, olja ali ostrih robov.
- Prepričajte se, da napetost ustreza vašemu izdelku. Imenska ploščica na izdelku prikazuje napetost izdelka. Nikoli ne priklaplajte izdelka na izmenično napetost, drugačno od navedene.
- Prepričajte se, da je stikalo v položaju OFF (IZKLOP), preden izključite napajanje.

PRIPRAVA

- Pri uporabi izdelka vedno nosite popolno zaščito za oči in sluh. Pri delu na območju, kjer obstaja tveganje za padajoče predmete, morate nositi zaščito za glavo.
- Upravljalavec morda zaradi opreme za zaščito sluha ne bo slišal opozorilnih zvokov. Bodite še posebej pozorni na morebitne nevarnosti okrog delovnega območja in znotraj njega.
- Nosite trdne, dolge hlače, škornje in rokavice. Ne nosite ohlapnih oblačil, kratkih hlač, nobenega nakita in ne uporabljajte bosih.
- Dolge lase si spnite nad rameni in tako preprečite



njihovo ujetje v premikajoče se dele.

- Pred uporabo in po vsakem udarcu se prepričajte, da ni poškodovanih delov. Okvarjeno stikalo ali drug del, ki je poškodovan ali obrabljen, morate ustrezno popraviti ali zamenjati pri pooblaščenem serviserju.
- Prepričajte se, da je rezalna glava ustrezno nameščena in trdno pritrjena.
- Izdelka nikoli ne uporabljajte, če vse zaščitne, ščitniki in ročaj niso pravilno in čvrsto nameščeni.
- Pazite na okolje, v katerem delate. Na delovnem območju ne sme biti žic, palic, kamenja ali drugih predmetov, ki bi lahko leteli naokrog, če bi jih zadel rezalnik.

VARNOSTNA OPOZORILO ZA KOSILNICO Z VRVICO / ROBNi REZALNIK

- Izdelek uporabljajte samo pri dnevni svetlobi ali dobri osvetlitvi.
- Ne uporabljajte v mokri travi.
- Kadar uporabljate ta izdelek, ne hodite vzvratno.
- Pazite na ravnotežje in ne pretiravajte. Nesiahajte prelišč daleko. Pretiravanje lahko povzroči izgubo ravnotežja. Pri uporabi na pobočjih vedno pazite na ravnotežje. Vedno hodite, nikoli ne tecite.
- Prisotni, otroci in živali naj bodo vsaj 15 m oddaljeni od delovnega območja. Ugasnite izdelek, če kdo vstopi v območje.
- Rezalni del imejte nenehno pod višino pasu.
- Izdelka nikoli ne uporabljajte, če je varovalo poškodovano ali če ni nameščeno.
- Nikoli ne nameščajte kovinske nadomestne nitke.
- Roke in noge stalno držite proč od rezalnih delov, še posebej ko izklapljate motor.
- Pazite! Po izklopu motorja se ostri elementi še naprej vrtijo.
- Pazite na predmete, ki jih odmetava rezalni del. Z delovnega območja odstranite ostanke, kot so kamenčki, gramoz in drugi tujki, preden začnete z delom. Žice ali vrvice se lahko ujamejo v rezila.
- Ugasnite in izklopite električno napajanje, preden:
 - servisiranje
 - pustiti izdelek brez nadzora
 - čiščenje izdelka in odpravljanje blokade
 - menjava dodatkov
 - preverjanje glede poškodb, ko zadenete predmet
 - preverjanje glede poškodb, če izdelek začne neobičajno vibrirati
 - vzdrževanje
- Majhno rezilo, nameščeno na ščitnik za travo, je namenjeno za to, da predolgo vrvice odrežete na primerno dolžino in tako zagotovite varno in optimalno delovanje. Je zelo ostro, zato se ga ne dotikajte, zlasti ne pri čiščenju orodja.
- Poskrbite, da bodo prezračevalne odprtine vedno proste.
- Prepričajte se, da je rezalna glava ustrezno nameščena in trdno pritrjena.

- Prepričajte se, da so vsa varovala, deflektorji in ročaji pravilno in trdno pritrjeni.
- Izdelka na noben način ne spreminjajte, saj bi s tem povečali tveganje za poškodbe sebe in tretjih oseb.
- Uporabljajte le originalno nadomestno rezalno vrvico. Ne uporabljajte nobenih drugih rezalnih pripomočkov.
- V primeru nezgode ali okvare izdelek nemudoma izklopite in ga izključite iz električnega napajanja. Kosilnice ne uporabljajte, dokler je v celoti ne pregledajo na pooblaščenem servisu.

TRANSPORT IN SHRANJEVANJE

- Ustavite izdelek in pustite, da se ohladi, preden ga shranite ali prevažate. Pred shranjevanjem vedno izključite iz napajanja in zvijte kabel.
- Očistite vse tujke z izdelka. Shranite jo na suhem in dobro prezračenem mestu, ki ni na dosegu otrok. Hranite proč od jedkih sredstev, kot so kemikalije za vrtnarjenje in soli za odmrzovanje. Ne shranjujte na prostem.
- Za transport zavarujte izdelek pred premiki ali padci, da preprečite poškodbe oseb ali izdelka.

VZDRŽEVANJE

⚠ OPOZORILO

Uporabljajte le originalne rezervne dele in dodatke, ki jih priporoča proizvajalec. V nasprotnem primeru naprava lahko slabo deluje, povzroči poškodbe, garancija pa ne velja več.

⚠ OPOZORILO

Servisiranje zahteva posebno pozornost in znanje in naj jo zato opravlja samo izurjeni servisni tehnik. Za servisiranje odnesite izdelek na pooblaščen servis. Pri servisiranju uporabljajte le identične nadomestne dele.

- Preden se lotite kakršnega koli vzdrževanja ali čiščenja, ugasnite in odklopite izdelek od glavnega napajanja.
- Opravljati smete le nastavitve in popravila, ki so opisana v teh navodilih za uporabo. Za ostala popravila se obrnite na pooblaščenega serviserja.
- Za nadomestno nitko uporabljajte samo nitko iz najlonskih vlaken s premerom, ki je opisan v tabeli s tehničnimi podatki v tem priročniku.
- Po menjavi rezalne vrvice vedno preklonite napravo v normalno delovno stanje, preden jo znova zaženete.
- Po vsaki uporabi izdelka očistite z mehko in suho krpo. Vsak poškodovani del mora ustrezno popraviti ali zamenjati pooblaščen servisni center.
- Pogosto preverjajte, ali so vse matice in vijaki dobro pritiiti in tako zagotovite varno delovno stanje izdelka.

REZIDUALNA TVEGANJA:

Tudi če izdelek uporabljate tako, kot je predpisano, še vedno ne moremo izključiti določenih preostalih dejavnikov

EN
FR
DE
ES
IT
NL
PT
DA
SV
FI
NO
RU
PL
CS
HU
RO
LV
LT
ET
HR
SL
SK
BG
UK
TR



tveganja. Med uporabo se lahko pojavijo naslednje nevarnosti, upravljaavec pa naj bo pozoren na sledeče:

- Poškodbe zaradi vibracij.
 - Izdelek držite za temu namenjene ročaje ter omejite čas uporabe in izpostavljenosti.
- Poškodbe sluha zaradi izpostavljenosti hrupu
 - Nosite zaščito za sluh in omejite izpostavljenost.
- Poškodbe oči, zaradi delcev, ki odletijo.
 - Vedno nosite zaščito za oči.

ZMANJŠANJE TVEGANJA

Ugotovljeno je bilo, da lahko pri nekaterih posameznikih vibracije ročnih orodij povzročijo Raynaudov sindrom. Simptomi so lahko mravljinca, otrplost in pobledele prsti, kar je običajno vidno, kadar je oseba izpostavljena mrazu. Dedni dejavniki, izpostavljenost mrazu in vlagi, dieta, kajenje in delovne navade naj bi pripomogle k razvoju teh simptomov. Za zmanjšanje učinkov vibracij lahko upravljaavec upošteva naslednja navodila:

- Poskrbite, da bo vaše telo na mrazu toplo. Med upravljanjem nosite rokavice in tako ohranjajte toploto vaših dlani in zapestij. Kot poročajo, je mraz glavni dejavnik, ki prispeva k Raynaudovemu sindromu.
- Po vsakem obdobju upravljanja naprave telovadite in tako pospešite krvni obtok.
- Pogosto si vzemite odmor. Omejite dnevno količino izpostavljenosti.

Če zaznavate kakršne koli simptome takšnega stanja, takoj prenehajte z uporabo naprave in se o simptomih posvetujte z zdravnikom.

⚠ OPOZORILO

Daljša uporaba orodja lahko privede do poškodb ali pa so poškodbe lahko hujše. Kadar orodje uporabljate dalj časa, si večkrat vzemite odmor.

SPOZNAJTE SVOJ IZDELEK

Glejte stran 104

1. Sprožilnik za vklop/izklop
2. Kavelj za kabel
3. Držalo napajalnega kabla
4. Gumb za obrezovanje
5. Pokrov vretena
6. Vreteno
7. Rezilo
8. Rezilna nitka
9. Varovalo
10. Spodnja cev
11. Zgornja cev
12. Sprednji ročaj
13. Zadnji ročaj

SIMBOLI NA IZDELKU



Pred uporabo izdelka morate prebrati in razumeti vsa navodila, upoštevati vsa opozorila in varnostne napotke.



Nosite zaščito za oči



Nosite zaščito za sluh.



Z izdelkom ne uporabljajte kovinskih rezil.



Ne izpostavljajte ga dežju ali vlagi.



Pred vzdrževanjem oziroma če je kabel poškodovan, prerezan ali zavozlan, takoj izvlcite vtič iz glavnega omrežja.



Pazite na izvržene ali leteče predmete. Prisotni (še posebej otroci in živali) naj bodo med obratovanjem oddaljeni vsaj 15m od delovnega območja.



Roke držite proč od rezil.



Orodje razreda II, dvojna izolacija



Odpadne električne izdelke odlagajte skupaj z ostalimi gospodinjstvi odpadki. Reciklažo opravljajte na predpisanih mestih. Za reciklažni nasvet se obrnite na lokalne oblasti.



Ustreza vsem predpisanim standardom v državi članici EU, kjer je bil kupljen izdelek.



EurAsian oznaka o skladnosti



Ukrajinska oznaka za skladnost



Zajamčena raven zvočne moči je 96 dB.

Sledeče signalne besede in pomeni naj bi pojasnili ravni tveganja, ki so povezane s tem izdelkom.

⚠ NEVARNOST

Označuje neizbežno tvegano stanje, ki če se ji ne izognete lahko povzroči smrt ali resno poškodbo.

OPOZORILO

Označuje morebitno tvegano stanje, ki če se ji ne izognete lahko povzroči smrt ali resno poškodbo.

POZOR

Označuje morebitno tvegano stanje, ki če se mu ne izognete lahko povzroči manjšo ali srednje resno poškodbo.

POZOR

Brez simbola za varnostno opozorilo

Prikazuje situacijo, ki lahko povzroči materialno škodo.

SIMBOLI V TEM PRIROČNIKU



Priključite v vtičnico



Izključite iz vtičnice



Deli ali dodatki so na prodaj ločeno



Opomba



Opozorilo



Bezpečnosť, efektívnosť a spoľahlivosť boli prvoradé pri navrhovaní vášho elektrického vyžínača na trávu/orezávača okrajov trávnikov.

ÚČEL POUŽITIA

Tento elektrický vyžínač na trávu/orezávač okrajov trávnikov je určený iba na vonkajšie použitie.

Tej to produkt je určený na strihanie dlhej trávy, ľahkej buriny a podobnej vegetácie na úrovni zeme alebo kúsok nad ňou. Rovina rezu musí byť približne rovnobežná s povrchom zeme pri strihaní a približne kolmá na povrch zeme pri začíšťovaní okrajov trávника.

Tento produkt sa nesmie používať na strihanie či orezávanie živých plotov, kríkov či inej vegetácie, kde rezná rovina nie je rovnobežná s povrchom zeme.

Nepoužívajte produkt na iné účely, ako sú uvedené vyššie.

VŠEOBECNÉ BEZPEČNOSTNÉ VÝSTRAHY

VAROVANIE

Pri používaní tohto produktu sa musia dodržiavať bezpečnostné zásady. Pre vašu vlastnú bezpečnosť a bezpečnosť okolostojacich osôb si pred použitím produktu prečítajte tento návod. Odložte si návod na neskoršie použitie.

VAROVANIE

Produkt nie je určený na použitie deťmi alebo osobami so zníženými fyzickými, duševnými alebo zmyslovými schopnosťami. Deti musia byť pod primeraným dozorom, aby sa nemohli s produktom hrať.

VAROVANIE

Niektoré regióny majú nariadenia, ktoré obmedzujú použitie produktu. Poradte sa s miestnym úradom.

ŠKOLENIE

- Nikdy nedovoľte používať produkt deťom ani osobám, ktoré nie sú oboznámené s týmto návodom. Miestne platné predpisy môžu obmedzovať dobu použitia kosačky.
- Pozorne si prečítajte pokyny. Oboznámte sa s ovládacími prvkami a správnou obsluhou produktu.
- Okolostojace osoby, deti a domáce zvieratá, musia stáť min. 15 m od pracovného priestoru. Ak nejaká osoba vstúpi do pracovného priestoru, zastavte produkt.
- Nikdy nepoužívajte produkt, keď ste unavení, chorí alebo pod vplyvom, alkoholu, drog alebo liekov.
- Užívateľ alebo obsluha stroja sú zodpovední za nehody alebo škody na majetku a za nebezpečenstvo vzniknuté pri prevádzke stroja.

ELEKTRICKÁ BEZPEČNOSŤ

- Elektrické zástrčky musia zodpovedať zásuvke. Zástrčku nikdy žiadnym spôsobom neupravujte. S uzemnenými mechanickými nástrojmi nepoužívajte

rozdvojnú zásuvku. Použitím neupravených zástrčiek a zodpovedajúcich zásuviek sa znižuje riziko úrazu elektrickým prúdom.

- Dbajte na to, aby nedochádzalo k neúmyselnému spusteniu. Pred zapojením produktu do elektrickej siete vždy skontrolujte, či je spínač vo vypnutej polohe (OFF). Neprenášajte zapojený produkt s prstom nachádzajúcim sa na spínači.
- Vyhýbajte sa telesnému kontaktu s uzemnenými povrchmi, napríklad rúrami, radiátormi, sporákmi a chladničkami. Ak je vaše telo uzemnené, hrozí vysoké riziko úrazu elektrickým prúdom.
- Nepoužívajte produkt, keď hrozí riziko blesku.
- Nevystavujte produkt dažďu ani mokrému prostrediu. Voda, ktorá vnikne do zariadenia, zvyšuje riziko úrazu elektrickým prúdom.
- Elektrické napájanie musí byť privádzané cez zariadenie pre zvyškový prúd s vypinacím prúdom maximálne 30 mA.
- Pred použitím skontrolujte napájací kábel, či nie je poškodený. Pri akýchkoľvek známkach poškodenia ich musí vymeniť autorizovaný servisné centrum. Pri použití vždy odviňte napájací kábel, lebo zvinuté káble sa môžu prehrievať.
- Ak potrebujete použiť predlžovací kábel, dbajte na to, aby bol vhodný na použitie v exteriéri a mal prúdovú kapacitu dostatočnú na napájanie vášho produktu. Predlžovací kábel musí mať označenie „H05RN-F“ alebo „H05 VV F“. Pred každým použitím skontrolujte, či nedošlo k poškodeniu. Pri použití ho vždy odviňte, lebo zvinuté káble sa môžu prehrievať. Poškodené predlžovacie káble sa nesmú opravovať, ale vymeniť za ekvivalentný typ.
- Produkt nepoužívajte, ak sú elektrické káble poškodené alebo opotrebované.
- Ak sa napájací kábel alebo predlžovací kábel pri používaní poškodí, okamžite ich odpojte z elektrickej siete. Nedotýkajte sa elektrických káblov, kým predtým neodpojíte elektrické siete.
- Dbajte na to, aby bol napájací kábel umiestnený tak, aby ho nebolo možné poškodiť prerezaním, aby naň nikto nestúpil, nezakopol oň, ani ho inak nepoškodil alebo nenamáhal.
- Produkt nikdy nezdvíhajte ani neprenášajte za elektrický kábel.
- Napájací kábel nedávajte do blízkosti tepla, oleja alebo ostrých okrajov.
- Skontrolujte, či je napätie správne pre váš produkt. Firemný štítok na produkte uvádza napätie jednotky. Zariadenie nikdy nepripájajte k striedavému napätiu inému, ako je uvedené napätie.
- Pred odpojením z elektrickej siete skontrolujte, či je spínač vo vypnutej polohe.

PRÍPRAVA

- Pri práci s týmto zariadením používajte chrániče zraku a sluchu. Pri práci v priestore, kde existuje riziko pádu predmetov, používajte ochranu hlavy.
- Ochrana sluchu môže obmedziť schopnosť obsluhujúceho počuť výstražné zvuky. Venujte zvýšenú





pozornosť potenciálnym rizikám v pracovnom priestore a jeho okolí.

- Noste hrubé a dlhé nohavice, topánky a rukavice. Nenoste voľné pohodlné oblečenie, krátke nohavice, bižutériu žiadneho druhu, ani nepracujte bosí.
- Dlhé vlasy zaistíte, aby boli nad úrovňou pliec a nedošlo tak k ich zamotaniu do pohyblivých dielov.
- Pred použitím a po každom náraze skontrolujte, či nie sú nejaké diely poškodené. Chybný spínač či akýkoľvek iný diel, ktorý je poškodený alebo opotrebovaný, je potrebné náležite opraviť alebo vymeniť v autorizovanom servisnom zariadení.
- Skontrolujte, či je rezný nástavec správne namontovaný a bezpečne upnutý.
- Nikdy nepoužívajte produkt, kým nie sú správne a bezpečne nasadené všetky ochranné kryty, odchylovače a rukoväte.
- Berte ohľad na prostredie, v ktorom pracujete. Z pracoviska odstráňte všetky drôty, paličky, drevka, kamene a sutinu, ktoré by sa mohli pri zásahu nožom vymrštiť.

BEZPEČNOSTNÉ VÝSTRAHY PRE STRUNOVÝ KOSAČKU/OREZÁVAČ OKRAJOV TRÁVNIKOV

- Produkt používajte len na dennom svetle alebo pri dostatočnom umelom osvetlení.
- Nepoužívajte na mokrej tráve.
- Pri používaní produktu nekráčajte dozadu.
- Udržujte bezpečný postoj a rovnováhu. Nepreceňujte sa. Preceňovanie sa môže spôsobiť stratu rovnováhy. Na svahoch vždy dbajte na pevnú oporu nôh. Choďte krokom, nikdy nebežte.
- Okolostojace osoby, deti a domáce zvieratá, musia stáť min. 15 m od pracovného priestoru. Ak nejaká osoba vstúpi do pracovného priestoru, zastavte produkt.
- Rezný nástavec udržiavajte pod úrovňou pásu.
- Nikdy nepoužívajte produkt, ktorý má poškodené kryty alebo keď kryty nie sú nasadené.
- Nikdy nenasadzujte kovový náhradný drôt.
- Neustále, najmä pri zapínaní motora, držte ruky a nohy mimo dosahu rezných prostriedkov.
- Pozor, rezné prvky pokračujú v otáčaní aj po vypnutí motora.
- Pozor na objekty vymrštené rezným nástrojom. Pred začatím práce odstráňte z pracoviska kameňky, štrk a ostatné cudzie predmety. Do rezných zariadení sa môžu zamotať vodiče alebo vlákna.
- Vypnite a odpojte z elektrickej siete, pred:
 - servis
 - ponechanie produktu bez dozoru
 - čistenie produktu alebo odstránenie upchatia
 - výmena príslušenstva
 - skontrolujte akékoľvek poškodenie po zásahu objektom
 - skontrolujte akékoľvek poškodenie, ak produkt začne neštandardne vibrovať
 - vykonávanie údržby

- Malé ostrie nasadené na kryt na trávnik slúži na orezávanie vysúvacieho vlákna na správnu dĺžku za účelom bezpečnej a optimálnej prevádzky. Je veľmi ostré, nedotýkajte sa ho, najmä pri čistení nástroja.
- Vždy skontrolujte, či vetracie otvory nie sú upchaté úlomkami.
- Skontrolujte, či je rezný nástavec správne namontovaný a bezpečne upnutý.
- Skontrolujte, či sú všetky kryty, odchylovače a rukoväte bezpečne nasadené.
- Produkt žiadnym spôsobom neupravujte, inak zvýšite riziko poranenia – vás alebo iných osôb.
- Používajte len náhradné rezné vlákno výrobcu. Nepoužívajte žiadne iné rezné nástavce.
- V prípade nehody alebo poruchy okamžite vypnite a odpojte z elektrickej siete. Nepoužívajte výrobok znovu, pokiaľ nebude úplne skontrolovaný autorizovaným servisným strediskom.

PREPRAVA A SKLADOVANIE

- Pred uskladnením alebo prepravou zastavte produkt a nechajte ho vychladnúť. Pred skladovaním vždy odpojte od elektrickej siete a navíňte kábel.
- Odstráňte zo zariadenia všetky cudzie materiály. Odložte ho na suché a dobre vetrané miesto, na ktoré nemajú prístup deti. Náradie neuskladňujte v blízkosti žieravých látok, ako napríklad v blízkosti záhradníckych chemických prípravkov alebo soli na zimný posyp komunikácií. Neskladujte v exteriéri.
- Pri preprave zaistite produkt pred pohybom alebo pádom, aby nedošlo k poraneniu osôb alebo poškodeniu produktu.

ÚDRŽBA

VAROVANIE

Používajte len originálne náhradné diely, príslušenstvo a nástavce výrobcu. V opačnom prípade môže dôjsť k možnému poraneniu, nedostatočnému výkonu a strate platnosti záruky.

VAROVANIE

Údržba vyžaduje extrémnu starostlivosť a znalosti, a musí byť prevádzaná výhradne v autorizovanom servise. Ak chcete vykonať servis, prineste produkt do autorizovaného servisného centra. Ak výrobok opravujete, používajte iba rovnaké originálne náhradné diely.

- Pred vykonaním akejkoľvek údržby alebo čistenia vždy zariadenie vypnite a odpojte z elektrickej siete.
- Môžete vykonávať úpravy a opravy popísané v tejto príručke. Pri ostatných opravách sa obráťte na autorizovaného servisného zástupcu.
- Pri výmene drôtu používajte len nylonové drôtené vlákno s priemerom predpísaným v tabuľke špecifikácií tejto príručky.



- Po predžení nového rezného drôtu vždy vráťte produkt pred spustením do štandardnej prevádzkovej polohy.
- Po každom použití vyčistite produkt mäkkou suchou tkaninou. Akýkoľvek poškodený diel sa musí náležite opraviť alebo vymeniť v autorizovanom servisnom centre.
- Skontrolujte všetky skrutky, matice v častých intervaloch či sú riadne utiahnuté, aby sa zaistila bezpečná prevádzka produktu.

ZVYŠKOVÉ RIZIKÁ:

Aj keď sa nástroj používa podľa predpisu, nie je možné eliminovať určité zvyškové rizikové faktory. Pri použití vznikajú nasledujúce riziká a obsluhujúca osoba musí venovať zvláštnu pozornosť, aby nedošlo k nasledovnému:

- Zranenie spôsobené vibráciami.
 - Produkt držte za rukoväť na to určené a obmedzte pracovný čas a expozíciu.
- Poškodenie sluchu v dôsledku vystaveniu hluku.
 - Používajte ochranu sluchu a obmedzte expozíciu.
- Poranenie zraku následkom odletujúcej sutiny.
 - Neustále používajte ochranu zraku.

OBMEDZENIE RIZIKA

Boli hlásené prípady, kedy vibrácie z ručných produktov u niektorých osôb prispeli k stavu nazývanému Raynaudov syndróm. K symptómom patria: tŕpnutie, znecitlivenie a blednutie prstov, zvyčajne zjavné po vystaveniu zime. Je známe, že k vývoju týchto symptómov prispievajú: dedičné faktory, vystavovanie zime a vlhkosti, diéta, fajčenie a pracovné návyky. Opatrenia, ktoré môže vykonať obsluhujúca osoba na možné zníženie účinkov vibrácií:

- V studenom počasí udržiavajte svoje telo v teple. Pri práci s produktom noste rukavice, aby ste mali ruky a zápästia v teple. Boli hlásené prípady, kedy hlavným faktorom prispievajúcim k Raynaudovmu syndrómu bolo studené počasie.
- Po každom určitom časovom úseku prevádzky cvičte, aby ste zlepšili krvný obeh.
- Počas práce si doprajte časté prestávky. Obmedzte počet vystavení za deň.

Ak zistíte ktorýkoľvek zo symptómov tohto stavu, okamžite prerušte používanie zariadenia, navštívte svojho lekára a povedzte mu o symptómoch.

⚠ VARIOVANIE

Pri dlhodobom alebo zvýšenom používaní môže dôjsť k zraneniam. Pri používaní nástroja príliš dlhé obdobia si vždy doprajte pravidelné prestávky.

OBOZNÁMTE SA S VAŠIM PRODUKTOM

Pozrite stranu 104.

1. Hlavný spínač
2. Hák na kábel
3. Držiak napájacieho kábla
4. Tlačidlo orezávania
5. Kryt cievky

6. Cievka
7. Orezávacie ostrie
8. Rezací drôt
9. Ochranný kryt
10. Spodná trubica
11. Horná trubica
12. Predná rukoväť
13. Zadná rukoväť

SYMBOLY NA PRODUKTE



Pred použitím produktu si s porozumením prečítajte všetky pokyny a dodržiavajte výstražné a bezpečnostné upozornenia.



Používajte chrániče zraku



Používajte chrániče sluchu.



Nepoužívajte kovové ostria na produkte.



Nevystavujte dažďu ani nepoužívajte vo vlhkom prostredí.



Ak sa kábel poškodí, pretrhne alebo zamotá a bezprostredne pred vykonaním údržby odpojte zástrčku z elektrickej siete.



Pozor na vymrštené alebo odletujúce objekty. Všetky okolostojace osoby (najmä deti a domáce zvieratá) musia stáť minimálne 15m od miesta práce



Ruky nedávajte do blízkosti ostrí.



Nástroj triedy II, dvojitá izolácia



Opotrebované elektrické zariadenia by ste nemali odhadzovať do domového odpadu. Prosíme o recykláciu ak je možné. Kontaktujte miestne úrady, alebo predajcu pre viac informácií ohľadom ekologického spracovania.



Vyhovuje všetkým regulačným normám v krajine EÚ, v ktorej bol výrobok zakúpený.



Euroázijská značka zhody



Ukrajinské označenie zhody



Garantovaná hladina akustického výkonu je 96 dB.

Nasledujúce značky a významy vysvetľujú úroveň rizika spojeným s výrobkom.

⚠ NEBEZPEČENSTVO

Označuje bezprostredne nebezpečnú situáciu, ktorá môže vyústiť v smrť, alebo vážne zranenie.

⚠ VAROVANIE

Označuje potenciálne nebezpečnú situáciu, ktorá môže vyústiť v smrť, alebo vážne zranenie.

⚠ VÝSTRAHA

Označuje potenciálne nebezpečnú situáciu, ktorá môže vyústiť v ľahké, alebo stredne ťažké zranenie.

VÝSTRAHA

Bez symbolu bezpečnostného alarmu

Označuje situáciu, ktorá môže zapríčiniť poškodenie majetku.

SYMBOLY V TOMTO NÁVODE



Pripojte do elektrickej zásuvky



Odpojte z elektrickej zásuvky



Diely alebo príslušenstvo predávané samostatne



Poznámka



Varovanie



Безопасността, производителността и надеждността са аспектите, на които е отделен най-голям приоритет при проектирането на вашия електрически тример за трева/тример за оформяне на ръбове.

ПРЕДНАЗНАЧЕНИЕ

Електрическият тример за трева/тримерът за оформяне на ръбове е предназначен за употреба само на открито и от оператор, заел изправена позиция на тялото.

Продуктът е проектиран за рязане на трева, леки бурени и подобна растителност на нивото на земята или над него. Повърхността на рязане трябва да е приблизително успоредна на земната повърхност при рязане и приблизително отвесна при оформяне на ръбове.

Продуктът не трябва да се използва за рязане или подрязване на жив плет, храсталаци или друга растителност, при която плоскостта на рязане не е успоредна на земната повърхност.

Не използвайте продукта за цели, различни от описаните по-горе.

ОБЩИ ПРЕДУПРЕЖДЕНИЯ ЗА БЕЗОПАСНОСТ

▲ ПРЕДУПРЕЖДЕНИЕ

При използване на продукта трябва да се спазват правилата за безопасност. За осигуряване на вашата безопасност и тази на страничните наблюдатели прочетете тези инструкции, преди да работите с продукта. Съхранявайте ръководството на сигурно място, за да можете да го ползвате и по-късно.

▲ ПРЕДУПРЕЖДЕНИЕ

Продуктът не е предназначен за използване от деца или от лица с намалени физически, сетивни или умствени способности. Децата трябва да бъдат внимателно надзиравани, за да се гарантира, че не си играят с продукта.

▲ ПРЕДУПРЕЖДЕНИЕ

В някои региони действат наредби, които ограничават употребата на продукта. За съвети се обръщайте към местните власти.

ОБУЧЕНИЕ

- Никога не позволявайте продуктът да бъде използван от деца или от лица, незапознати с настоящите инструкции. Местните наредби могат да налагат ограничения за възрастта на оператора.
- Прочете инструкциите внимателно. Запознайте се с всички контроли и с правилния начин за използване на продукта.
- Дръжте всички странични наблюдатели, деца и домашни животни на разстояние поне 15 метра от работната зона. Спрете продукта, ако някой навлезе в работната зона.

- Никога не използвайте продукта, ако сте уморени, болни или под влиянието на алкохол, наркотични вещества или лекарства.
- Трябва да знаете, че операторът или потребителят е отговорен за причиняването на злополуки или щети на други лица или имущество.

ЕЛЕКТРИЧЕСКА БЕЗОПАСНОСТ

- Щепселът на инструмента трябва да е съвместим с контакта. В никакъв случай не внасяйте изменения в конструкцията на щепсела. Когато работите със занулени електрически инструменти, не използвайте адаптери за щепсела. Използването на оригиналните щепсели и контакти намалява риска от токов удар.
- Избягвайте неволно стартиране. Винаги проверявайте дали превключателят е на позиция OFF („Изключено“), преди да включите продукта в захранването. Не носете включен продукт, докато пръстът ви е на бутона.
- Избягвайте допир със заземени повърхности, като тръби, радиатори, печки и хладилници. Когато тялото ви е заземено, рискът от възникване на токов удар е по-голям.
- Не използвайте продукта, когато има риск от мълнии.
- Не излагайте продукта на дъжд или влажни условия. Проникването на вода в уреда повишава риска от токов удар.
- Уредът трябва да бъде захранван чрез прекъсвач за защитно изключване, пропускател ток не повече от 30 mA.
- Преди употреба огледайте захранващия кабел за повреди. Ако има следи от повреда, той трябва да се смени от упълномощен сервизен център. Винаги развивайте захранващия кабел преди употреба; навитите кабели могат да прегреят.
- Ако е необходимо да използвате удължаващ кабел, проверете дали той е подходящ за работа на открито или дали токовият му капацитет е достатъчен за захранване на вашия продукт. Удължаващият кабел трябва да има маркировка „H05RN-F“ или „H05 VV F“. Проверявайте го за повреди преди всяка употреба. Винаги развивайте кабела при работа, защото неразвитите кабели могат да прегреят. Повредените удължителни кабели не трябва да се поправят, а да се сменят с такива от еквивалентен тип.
- Не използвайте продукта, ако електрическите кабели са повредени или износени.
- Ако кабелът се повреди по време на работа, незабавно го разкачете от електричеството. Не докосвайте електрическите кабели, докато не бъде изключен захранващия източник.
- Внимавайте захранващият кабел да не е на места, където може да бъде повреден от режещите устройства, настъпен, прегазен или изложен по друг начин на повреда или напрежение.
- Никога на вдигайте и не носете продукта за електрическия кабел.





- Дръжте захранващия кабел далече от топлина, масло и остри предмети.
- Уверете се, че използваното напрежение е правилно за вашия продукт. На табелката с характеристиките на продукта, можете да видите напрежението му. Никога не свързвайте уреда към променлив ток с различно от посоченото напрежение.
- Уверете се, че ключът е в позиция „Off“ (Изкл.), преди изключите от електрозахранването.

ПОДГОТОВКА

- Носете пълна защитна екипировка за очите и слуха ви, когато боравите с продукта. Ако работите в зона, където съществува риск от падащи предмети, трябва да носите каска.
- Защитните средства за слуха могат да попречат на оператора да чува предупредителните звуци. Бъдете особено внимателни за потенциални опасности в работната зона и около нея.
- Носете здрави дълги панталони, ботуши и ръкавици. Не носете широки дрехи, къси панталони или бижута и не използвайте машината, ако не сте с обувки.
- Дългата коса трябва да бъде прибрана на ниво над раменете, за да се избегне нейното заплитане в движещите се части.
- Преди употреба и след всяко въздействие проверете дали няма повредени части. Поправянето или заменянето на дефектен превключвател или повредени или износени части трябва да се извършва само от упълномощени сервиси.
- Уверете се, че приспособлението за рязане е правилно монтирано и здраво закрепено.
- Никога не работете с продукта, докато всички предпазители, отклонители и ръкохватки не са прикрепени правилно и стабилно.
- Помислете за средата, в която работите. Прочиствайте работната зона от жици, пръчки, камъни и отпадъци, които биха могли да бъдат захвърлени във въздуха, ако попаднат в съприкосновение с режещия механизъм.

ПРЕДУПРЕЖДЕНИЯ ЗА БЕЗОПАСНОСТ ЗА ТРИМЕР С КОРДА/ТРИМЕР ЗА ОФОРМЯНЕ НА РЪБОВЕ

- Използвайте продукта само на дневна светлина или при добро изкуствено осветление.
- Избягвайте използването върху мокро стъкло.
- Не ходете назад, докато използвате продукта.
- Заемайте стабилна позиция и пазете баланс. Не се протягайте, за да работите на трудно достижими места. Протягането може да доведе до загуба на равновесие. Винаги стъпвайте внимателно и стабилно на стръмни повърхности. Вървете, никога не тичайте, когато косите.
- Дръжте всички странични наблюдатели, деца и домашни животни на разстояние поне 15 метра от работната зона. Спрете продукта, ако някой навлезе в работната зона.
- Дръжте приспособлението за рязане под нивото на

кръста.

- Никога не използвайте продукта, ако предпазителите са повредени или ако не са на мястото си.
- Никога не поставяйте метална корда.
- Дръжте ръцете и краката си далеч от режещите части и особено при включване на мотора.
- Внимавайте, режещите елементи продължават да се въртят след изключването на мотора.
- Внимавайте за обекти, захвърлени от режещия механизъм. Почистете отпадъците като малки камъни, чакъл и други чужди обекти от работната зона, преди да започнете работа. В режещите елементи могат да се заплетат жици или влакна.
- Изключете инструмента и извадете кабела от захранването преди:
 - обслужване
 - оставяне на продукта без надзор
 - почистване на продукта или отстраняване на препятствия
 - смяна на принадлежности
 - проверка за повреда след удряне на обект
 - Проверка за повреда, ако продуктът започне да вибрира необичайно
 - извършване на профилактика
- Малкото острие, монтирано към предпазителя, е проектирано за подрязване на новата удължена линия до правилната дължина за целите на безопасната и оптимална производителност. Острието е изключително остро; не го докосвайте, особено когато почиствате инструмента.
- Винаги проверявайте дали по вентилационните отвори има отпадък.
- Уверете се, че приспособлението за рязане е правилно монтирано и здраво закрепено.
- Уверете се, че всички предпазители, отклонители и дръжки са правилно стабилно прикрепени.
- Не модифицирайте продукта по никакъв начин, защото това може да доведе до нараняване на вас или на други хора.
- Подменяйте режещото влакно само с оригинално такова от производителя. Не използвайте никакво друго режещо приспособление.
- Ако възникне инцидент или повреда, незабавно изключете и извадете захранващия кабел от мрежата. Не работете с продукта отново, докато той не премине щателна проверка в оторизиран сервизен център.

ТРАНСПОРТИРАНЕ И СЪХРАНЕНИЕ

- Спрете продукта и го изчакайте да се охлади, преди да го транспортирате или приберете за съхранение. За съхранение винаги изключвайте от електрическата мрежа и навийте кабела.
- Почистете продукта от всички чужди частици. Съхранявайте я на хладно, сухо и добре проветрявано място, което е недостъпно за деца. Не го оставяйте в близост до корозивни материали като градински химикали или соли за размразяване.



Не съхранявайте на открито.

- Когато транспортирате продукта, го обезопасете така, че да не може да се движи или да падне, защото това може да доведе до евентуални наранявания на хора или повреди по продукта.

ПОДДРЪЖКА

⚠ ПРЕДУПРЕЖДЕНИЕ

Използвайте само оригинални резервни части, аксесоари и приставки от производителя. В противен случай може да се влоши работата на инструмента или да получите тежки контузии, а гаранцията ви ще стане невалидна.

⚠ ПРЕДУПРЕЖДЕНИЕ

Сервизното обслужване изисква изключително внимание и специфични познания и следва да бъде извършвано само от квалифициран техник. За сервизно обслужване занесете продукта в оторизиран сервизен център. При ремонт използвайте само идентични резервни части.

- Спрете уреда и го изключете от захранването, преди да извършвате дейности по поддръжка и почистване.
- Можете да правите настройки и поправки, описани в това ръководство на потребителя. За други поправки се свържете с агент на упълномощения сервиз.
- Когато трябва да смените кордата, използвайте само корда с найлонови влакна със съответния диаметър, посочен в таблицата със спецификации в настоящото ръководство.
- След удължаване на ново режещо влакно винаги връщайте продукта в нормална за работа позиция, преди да го включите.
- Всеки път след употреба почиствайте продукта с мека и суха кърпа. Всяка повредена част трябва да бъде поправена или заменена от упълномощен сервизен център.
- Периодично проверявайте дали всички гайки, болтове и винтове са правилно затегнати, за да сте сигурни, че продуктът е в изправност.

НЕПРЕДВИДЕНИ РИСКОВЕ.

Дори когато продуктът се използва по предназначение, е невъзможно напълно да се ограничи влиянието на определени рискови фактори. Рисковете, описани по-долу, може да възникнат по време на употреба и операторът трябва да внимава за избягването на следното:

- Нараняване, причинено от вибрация.
 - Дръжте продукта за предназначенияте ръкохватки и ограничавайте времето за работа.
- Увреждане на слуха в следствие на излагане на шум.

– Носете антифони и ограничете излагането.

- Наранявания на очите в следствие на летящи отломки.
 - По всяко време носете защитни средства за очите.

ΜΕΙΩΣΗ ΚΙΝΔΥΝΟΥ

Установено е, че вибрациите, произведени от ръчноуправляеми продукти, могат да предизвикат у някои лица заболяване, наречено Синдром на Рейнолд (Raynaud's Syndrome). Симптомите може да включват изтръпване, схващане и изbledняване на пръстите, обикновено се забелязват при излагане на студ. Смята се, че наследствените фактори, излагането на студ и влага, диетите, пушенето и някои работни навици допринасят за развитието на тези симптоми. Могат да се вземат някои мерки, които могат да се предприемат от оператора, за да се намалят ефектите от вибрациите:

- Поддържайте телесната температура в студено време. Когато работите с продукта, носете ръкавици, за да поддържате ръцете и китките си топли. Според изследвания главният фактор, допринасящ за развитието на Raynaud's Syndrome, е студеното време.
- Правете упражнения за активизиране на кръвообращението след всеки работен цикъл.
- Редовно излизайте в почивка. Ограничете излагането на вибрации на ден.

При поява на някои от симптомите на това заболяване, незабавно прекратете употребата на инструмента и посетете лекар.

⚠ ПРЕДУПРЕЖДЕНИЕ

Продължителното използване на инструмента може да доведе до наранявания или влошаване. При използване на инструмента за продължителни периоди от време правете чести почивки.

ОПОЗНАЙТЕ ВАШИЯ ПРОДУКТ

Вж. страница 104.

1. Спусък за включване/изключване
2. Кука за кабела
3. Държач на захранващия кабел
4. Бутон за оформяне на ръбове
5. Капак на макарата
6. Макара
7. Острие за подрязване
8. Режещо влакно
9. Предпазител
10. Долна тръба
11. Горна тръба
12. Предна ръкохватка
13. Задна ръкохватка

СИМВОЛИ НА ПРОДУКТА



Прочетете и осмислете всички указания, преди да започнете работа с продукта; спазвайте всички предупреждения и инструкции за безопасност.



Носете защитни средства за очи



Носете антифони.



Не използвайте метални остриета върху продукта.



Не излагайте на дъжд и на влажни условия.



Незабавно изключете щепсела от електрическата мрежа, ако кабелът е повреден, срязан или заплетен, както и преди да извършвате дейности по поддръжка.



Внимавайте за изхвърлени или летящи обекти. Не допускайте странични наблюдатели, особено деца и домашни животни, на по-малко от 15 м от работната зона.



Дръжте ръцете си далеч от остриетата.



Инструмент от клас II, двойна изолация



Електрическите уреди не трябва да се изхвърлят заедно с битовите отпадъци. Рециклирайте, където има възможност. Обърнете се за съвет по рециклирането към местните власти или разпространителите.



Тази машина е в съответствие с нормативната уредба на държавата от ЕС, където е била закупена.



EurAsian знак за съответствие



Украински знак за съответствие



Гарантираното ниво на шум е 96 dB.

Следните сигнални думи и значенията им са предназначени да обяснят нивата на опасност, свързани с този продукт.

⚠ ОПАСНОСТ

Указва неминуемо опасна ситуация, която ако не бъде избегната, ще доведе до сериозни наранявания или смърт.

⚠ ПРЕДУПРЕЖДЕНИЕ

Указва потенциално опасна ситуация, която ако не бъде избегната, може да доведе до сериозни наранявания или смърт.

⚠ ВНИМАНИЕ

Указва потенциално опасна ситуация, която ако не бъде избегната, може да доведе до дребни или средни наранявания.

ВНИМАНИЕ

Без предупредителен символ за безопасност
Указва ситуация, която може да доведе до имуществени щети.

СИМВОЛИ В НАСТОЯЩОТО РЪКОВОДСТВО



Свържете към електрически контакт.



Изключете от електрическия контакт



Частите или принадлежностите се продават отделно



Забележка



Предупреждение



Головними міркуваннями при розробці цього електричного тримера / кутового тримера були безпека, ефективність та надійність.

ПЕРЕДБАЧУВАНОМУ ВИКОРИСТАННІ

Електричного тримера / кутового тримера призначений для використання тільки на відкритому повітрі, оператор повинен стояти.

Продукт призначений для скошування трави, легких бур'янів та іншої подібної рослинності на рівні, або близько рівня землі. Площина косіння повинна бути приблизно паралельною поверхні землі під час косіння трави і приблизно вертикальною при боковому обрізанні.

Продукт не повинен бути використаний, щоб підрізати або обрізати живоплоти, чагарники або іншу рослинність, де ріжуча площина не паралельна поверхні землі.

Не використовуйте продукт для будь-якої мети, не перерахованої вище.

ЗАГАЛЬНІ ЗАХОДИ БЕЗПЕКИ

ПОПЕРЕДЖЕННЯ

При використанні продукту, потрібно дотримуватися правил безпеки. Для вашої власної безпеки та безпеки перехожих, будь ласка, прочитайте ці інструкції перед експлуатацією виробу. Будь ласка, збережіть інструкції з безпеки для подальшого використання.

ПОПЕРЕДЖЕННЯ

Продукт не призначений для використання дітьми або особами з обмеженими фізичними, розумовими або сенсорними можливостями. Потрібно належним чином стежити за дітьми, щоб вони не грали з машиною.

ПОПЕРЕДЖЕННЯ

У деяких регіонах існують правила, що обмежують використання продукту для деяких операцій. Перевірте з вашим місцевим органом влади для консультацій

ПІДГОТОВКА

- Ніколи не дозволяйте дітям або людям, не знайомим з цими інструкціями, використовувати продукт. Місцеве законодавство може обмежувати вік оператора.
- Уважно прочитайте інструкцію. Добре ознайомтеся з органами управління та правильним використанням машини.
- Тримайте перехожих, дітей і домашніх тварин на відстані 15 м від місця експлуатації. Якщо будь-хто входить у зону роботи машини, зупиніть її.
- Не використовуйте цю машину, якщо ви втомилися,

хворі, або під впливом алкоголю, наркотиків або ліків.

- Майте на увазі, що оператор або користувач несе відповідальність за нещасні випадки або пошкодження спричинені іншим особам або їх майну.

ЕЛЕКТРОБЕЗПЕКА

- Вилка живлення електроінструменту повинна відповідати розетці. Ніколи не змінюйте вилку. Не використовуйте ніякі вилки-перехідники з заземленими (замкнутими на землю) електроінструментами. Не змінені вилки та відповідні розетки зменшують ризик ураження електричним струмом.
- Запобігайте випадкового запуску. Перед під'єднанням виробу до електроживлення завжди перевіряйте, щоб перемикач був вимкнений. Не переносьте під'єднаний до електроживлення виріб, тримаючи палець на перемикачі.
- Уникайте контакту тіла з заземленими поверхнями, такими як труби, радіатори, плити та холодильники. Існує підвищений ризик ураження електричним струмом, якщо ваше тіло заземлене.
- Не використовуйте продукт, якщо є ризик блискавки.
- Оберегайте прилад від дощу та вологи. Попадання води на пристрій збільшує ризик ураження електричним струмом.
- Електроживлення має подаватися через пристрій захисного вимикання (ПЗВ) зі струмом вимикання не більше 30 мА.
- Перед кожним використанням перевіряйте шнур живлення на наявність пошкоджень. Якщо є ознаки пошкодження, його треба замінити у авторизованому сервісному центрі. Завжди розкручуйте дріт при роботі; змотаний дріт може перегріватися.
- Якщо вам потрібно використовувати подовжувач переконайтеся, що він підходить для використання на відкритому повітрі і має поточний рейтинг потужності достатньо для забезпечення вашого продукту. Подовжувач повинен бути відзначений "H05RN-F" або "H05 VVF". Перевірте подовжувач перед кожним використанням на ушкодження. Завжди розкрутити подовжувач при використанні, бо закручені шнури можуть перегрітися. Пошкоджені подовжувачі не повинні бути відремонтовані; вони повинні бути замінені еквівалентним типом.
- Не використовуйте продукт, якщо шнур пошкоджений або зношений.
- Якщо дріт живлення або подовжувач було пошкоджено при роботі, негайно від'єднайте його від мережі живлення. Не торкайтеся електричних дротів, якщо вони підключені до мережі живлення.
- Переконайтеся, що шнур живлення розташований таким чином, що він не може бути пошкоджений ріжучими засобами, ви не можете спіткнутися чи інакше пошкодити його.
- Ніколи не піднімайте та не переносьте виріб за електричний кабель.





- Тримайте шнур живлення далеко від тепла, масла і гострих країв.
- Переконайтеся, що напруга відповідає виробу. Напруга виробу вказана на паспортній таблиці. Ніколи не під'єднуйте виріб до змін. струму з напругою, які відрізняються від вказаної.
- Перед від'єднанням електроживлення переконайтеся, що перемикач вимкнений.

ПІДГОТОВКА

- Носіть повний захист очей і слуху під час роботи з продуктом. При роботі в місцях, де є ризик падіння предметів, потрібно носити захист для голови.
- Засоби захисту органів слуху можуть зашкодити можливості оператора чути попереджувальні звуки. Приділяйте особливу увагу можливим небезпекам навкруги та всередині робочої зони.
- Носіть важкі довгі штани, чоботи і рукавички. Не носіть широкий одяг, короткі штани, коштовності будь-якого виду та не використовуйте прилад босоніж.
- Зафіксуйте довге волосся вище рівня плеча, щоб запобігти заплутуванню в будь-яких рухомих частинах.
- Перед використанням і після кожної дії, переконайтеся, що немає пошкоджених частин. Несправний вимикач або будь-яка пошкоджена частина, повинні бути відремонтовані чи замінені в авторизованому сервісному центрі.
- Переконайтеся, що ріжуча насадка правильно встановлена та надійно закріплена.
- В жодному разі не користуйтеся приладом, поки всі захисні частини, дефлектори та ручки не будуть належним чином та надійно закріплені.
- Враховуйте середовище, в якому ви працюєте. Забезпечте, щоб робоча зона була вільної від дротів, палиць, каміння і уламків, які при зіткненні з лезом може пошкодити об'єкти.

ПОПЕРЕДЖЕННЯ ДЛЯ ТРИММЕРУ ЛІНІЙНОГО/КУТОВОГО ТИПУ.

- Використовуйте продукт при денному світлі або при хорошему штучному освітленні.
- Уникайте використання на мокрій траві.
- Не задкуйте при використанні продукту.
- Тримайте міцну опору і рівновагу. Не тягніться. Намагання дотягнутися можуть призвести до втрати рівноваги. Завжди будьте пвненні в опорі на схилах. Ходіть, ніколи не бігайте.
- Тримайте перехожих, дітей і домашніх тварин на відстані 15м від місця експлуатації. Якщо буд-то входить у зону роботи машини, зупиніть її.
- Тримайте ріжуче обладнання нижче рівня талії.
- Ніколи не працюйте з пошкодженими запобіжними пристосуваннями або без запобіжних пристосувань.
- Ніколи не використовуйте для заміни металеву лінію.

- Увесь час тримайте руки і ноги подалі від ріжучого засобу, особливо при включенні мотора.
- Обережно, ріжучі елементи продовжують обертатися після відключення двигуна.
- Остерігайтеся об'єктів, кинутих у ріжучі засоби. Вичистіть сміття таке, як дрібні камені, трави та інші сторонні предмети з робочої зони перед початком операції. Дроти або волосін можуть заплутатися у ріжучому засобі.
- Вимкніть і відключіть від джерела живлення перед:
 - обслуговуванням
 - залишенням продукту без нагляду
 - очистити ваш продукт або усуньте закупорку
 - змінною приладдя
 - перевіркою на будь-яке пошкодження після удару об'єкта
 - перевіркою на будь-яке ушкодження, якщо продукт починає ненормально вібрувати
 - виконанням технічного обслуговування
- Маленьке лезо, встановлене на обмежувач ходу для галявини призначено для обрізки нової розширеної лінії до потрібної довжини для безпечної і оптимальної продуктивності. Воно дуже гостре, не торкайтеся до нього, особливо при чищенні інструменту.
- Завжди переконайтеся, що вентиляційні отвори знаходяться чистими від сміття.
- Переконайтеся, що ріжуча насадка правильно встановлена та надійно закріплена.
- Переконайтеся, що всі захисні огорожі, дефлектори і ручки правильно і надійно закріплені.
- Не змінюйте машину будь-яким чином, це може збільшити ризик травми для себе чи інших осіб.
- Використовуйте тільки заміну ріжучу лінію від виробника. Не використовуйте будь-який інше ріжуче приладдя.
- Негайно вимкніть прилад та від'єднайте його від мережі живлення у разі аварії або поломки. Не використовуйте прилад знову до проведення його повної перевірки в авторизованому сервісному центрі.

ТРАНСПОРТУВАННЯ ТА ЗБЕРІГАННЯ

- Зупиніть машину і дайте їй охолонути, перед зберіганням або транспортуванням. Для зберігання, завжди від'єднуйте прилад від джерела живлення та змотуйте кабель.
- Почистіть всі сторонні матеріали з продукту. Зберігайте продукт в прохолодному, сухому і добре провітрюваному місці, недоступному для дітей. Зберігати подалі від агресивних агентів, таких як садові хімікати і солей проти обледеніння. Не зберігайте на відкритому повітрі.
- Для транспортування, забезпечіть машину від руху або падіння, щоб запобігти травми людей або пошкодження машини.



ТЕХНІЧНЕ ОБСЛУГОВУВАННЯ

⚠ ПОПЕРЕДЖЕННЯ

Використовуйте тільки оригінальні запасні частини, аксесуари та обладнання від виробника. Невиконання цієї вимоги може привести до можливої травми, поганої продуктивності та може призвести до втрати гарантії.

⚠ ПОПЕРЕДЖЕННЯ

Обслуговування вимагає крайньої обережності і знання повинно бути виконане тільки кваліфікованим фахівцем. Для обслуговування, доставте продукт до авторизованого сервісного центру. При технічному обслуговуванні використовуйте тільки ідентичні заміні частини.

- Перед будь-яким обслуговуванням або щистенням вимикайте виріб і від'єднуйте його від мережі.
- Ви можете зробити регулювання та ремонт, описані в цьому посібнику користувача. Для інших ремонтних робіт, зверніться до авторизованого сервісного агента.
- Під час заміни волосіні використовуйте тільки нейлонову волосін з діаметром, вказаним у таблиці технічних характеристик цього керівництва.
- Після натягування нової ріжучої лінії, завжди поверніть товар в нормальне робоче положення перед початком роботи.
- Після кожного використання, очистіть виріб м'якою сухою тканиною. Будь-яка пошкоджена деталь, має бути правильно відремонтована або замінена в авторизованому сервісному центрі.
- Перевірте всі гайки, болти і гвинти після короткого проміжка часу на правильну герметичність, щоб забезпечити продукт у безпечному робочому стані.

НЕПЕРЕДБАЧЕНІ РИЗИКИ

Навіть за належного використання інструмента неможливо повністю нейтралізувати певні фактори залишкового ризику. Наступні небезпеки можуть виникати при використанні продукту та оператору слід звернути особливу увагу, щоб уникнути наступного:

- Травми спричинені вібрацією.
 - Тримайте прилад за спеціально призначені ручки та лімітуйте час роботи із ним.
- Під впливом шуму може виникнути пошкодження слуху.
 - Надягайте захист для органів слуху та лімітуйте вплив.
- Травма очей внаслідок відлітаючих обрізків.
 - Носіть захист для очей у весь час.

ЗНИЖЕННЯ РИЗИКУ

Відомі випадки, коли вібрація від ручних інструментів сприяє появі так званого синдрому Рейно. Симптоми

схожі на ті, що з'являються під впливом холоду, включаючи поколювання, оніміння та збліднення пальців. Вважається, що спадкові чинники, вплив холоду і сирості, харчування, куріння і деякі звички роботи сприяють розвитку цих симптомів. Можна прийняти деякі заходи, які можуть бути прийняті оператором, щоб зменшити вплив вібрації:

- Підтримувати температуру тіла в холодну погоду. При використанні інструменту надягайте рукавички, щоб тримати руки та зап'ястки у теплі. Згідно з дослідженнями, основний внесок в розвиток синдрому Рейно, є холодна погода.
- Вправа для активації кровообігу після кожного запуску.
- Регулярно йдуть на перерву. Лімітуйте кількість роботи на день.

Якщо ви виявили будь-який з цих симптомів, негайно припиніть використання і зверніться до вашого лікаря згідно цих симптомів.

⚠ ПОПЕРЕДЖЕННЯ

Тривале використання інструменту може призвести до травмування або загострення існуючої травми. При використанні приладу протягом тривалого періоду часу, часті перерви.

ЗНАЙ СВІЙ ПРОДУКТ

Дивіться сторінку 104.

1. Тригер Увімкнено/Вимкнено
2. Гачок шнура
3. Кріплення дроту живлення
4. Кнопка вирівнювання
5. Кришка котушки
6. Котушка
7. Обрізаюче лезо
8. Ріжуча лінія
9. Захисне запобіжне пристосування
10. Нижня труба
11. Верхня труба
12. Передня ручка
13. Задня ручка

СИМВОЛИ НА ПРОДУКТІ



Читайте і зрозумійте всі інструкції перед експлуатацією виробу, дотримуйтесь всіх вказівок і попереджень з техніки безпеки.



Одягайте захисні окуляри



Одягайте засоби для захисту слуху.



Не використовуйте металеве лезо(а) на продукті.



Не піддавайте впливу дощу або вологих умов.



Завжди виймайте вилку з розетки перед обслуговуванням або коли дріт пошкоджений, розрізаний чи заплутався.



Остерігайтеся кинутих або літаючих об'єктів. Тримайте всіх перехожих, особливо дітей і домашніх тварин, принаймні 15 м від робочої зони.



Тримайте руки подалі від лез



Клас II, Подвійна ізоляція



Не викидати відпрацьовані електричні прилади разом із побутовими відходами. Утилізувати у спеціально призначених закладах. За консультацією по утилізації приладу зверніться до органу місцевої влади або дилеру



Відповідає всім нормативним стандартам в країнах ЄС, де виріб було придбано.



Євразійська знак відповідності.



Український знак відповідності



Гарантований рівень звукової потужності 96 дБ.

СИМВОЛИ В ЦЬОМУ ПОСІБНИКУ



Підключення до електричної розетки.



Відключення від електричної розетки.



Запчастини та аксесуари, що продаються окремо



ПРИМІТКА



ПОПЕРЕДЖЕННЯ

Наступні сигнальні слова і змісти призначені для пояснення рівнів ризику, пов'язаних з продуктом.

НЕБЕЗПЕКА

Вказує на неминуче небезпечну ситуацію, яка, якщо її не уникнути, може призвести до смерті або серйозних травм.

ПОПЕРЕДЖЕННЯ

Вказує на потенційно небезпечну ситуацію, яка, якщо її не уникнути, може призвести до смерті або серйозних травм.

УВАГА

Вказує на потенційно небезпечну ситуацію, яка, якщо її не уникнути, може призвести до легкої або середньої травми.

УВАГА

Без попереджувачих символів

Вказує на ситуацію, яка може призвести до пошкодження майна.

Elektrikli çim biçme / kenar kesme makinesinin tasarımında en yüksek önceliği güvenlik, performans ve güvenilirliğe verdik.

KULLANIM AMACI

Elektrikli çim biçme / kenar kesme makinesinin yalnızca dış mekanda ayakta kullanım için tasarlanmıştır.

Ürün çim, hafif ot ve yer ve yakını seviyesindeki benzer bitkileri kesmek için tasarlanmıştır. Kesme düzlemi kesme esnasında yüzeye yaklaşık olarak paralel, kenar kesme esnasında ise yaklaşık olarak dik konumda olmalıdır.

Bu ürün kesme düzleminin zemin yüzeyine paralel olmadığı durumlarda çitleri, çalıkları veya diğer bitkileri kesmek veya biçmek için kullanılmamalıdır.

Ürünü yukarıda listelenenler dışında herhangi bir amaçla kullanmayın.

GENEL GÜVENLİK UYARILARI

⚠ UYARI

Bu ürünü kullanırken güvenlik kurallarına uyulmalıdır. Kendi güvenliğiniz ve çevrenizdeki kişilerin güvenliği için ürünü kullanmadan önce bu talimatları tamamen okumalı ve anlamalısınız. Lütfen bu talimatları daha sonra kullanmak üzere güvenli bir yerde saklayın.

⚠ UYARI

Bu ürün çocuklar veya fiziksel, zihinsel veya duyuşsal becerileri kısıtlı kişiler tarafından kullanıma uygun değildir. Ürünle oynamadıklarından emin olmak için çocuklara uygun şekilde nezaret edilmelidir.

⚠ UYARI

Bazı bölgeler ürünün bazı çalışmalarda kullanımına kısıtlama getiren yönetmeliklere sahiptir. Tavsiye için bölgenizdeki yetkili mercie başvurun.

EĞİTİM

- Hiçbir zaman çocukların veya bu talimatları bilmeyen kişilerin ürünü kullanmasına izin vermeyin. Yerel yönetmelikler kullanıcının yaşına kısıtlama getirebilir.
- Talimatları dikkatlice okuyun. Tüm kontrolleri ve makinenin nasıl doğru şekilde kullanılacağını öğrenin.
- Çevrenizdeki kişileri, çocukları ve evcil hayvanları çalışma alanından 15 m uzaklaştırın. Eğer herhangi bir bu alana girerse ürünü durdurun.
- Ürünü hiçbir zaman yorgunken, hastayken veya alkol, uyuşturucu veya ilaç etkisi altındayken kullanmayın.
- Kazalardan ve diğer insanlara veya mallarına zarar verebilecek tehlikelerden kullanıcının sorumlu olduğunu unutmayın.

ELEKTRİKSEL GÜVENLİK

- Elektrik fişleri prize uygun olmalıdır. Fişi hiçbir zaman hiçbir şekilde değiştirmeyin. Topraklı elektrikli aletlerle birlikte herhangi bir adaptörlü fiş kullanmayın. Üzerinde

değişiklik yapılmayan fişler ve uygun prizler elektrik çarpması riskini azaltır.

- Kazara çalıştırılmasını önleyin. Ürünü güç kaynağına takmadan önce her zaman anahtarın Kapalı konumda olduğunu kontrol edin. Fişe takılı bir ürünü parmağınız anahtarın üzerindeyken taşımayın.
- Vücudunuzla borular, radyatörler, kuzine ve buzdolabı gibi topraklı ürünlere temas etmekten kaçının. Vücudunuz topraklanırsa yüksek elektrik çarpması riski mevcuttur.
- Ürünü kötü hava koşullarında, özellikle yıldırım düşme riski varken kullanmaktan kaçının.
- Ürünü yağmura veya ıslak koşullara maruz bırakmayın. Cihaza su girmesi elektrik çarpması riskini artırır.
- Elektrik gücü 30 mA'yı geçmeyen trip akımına sahip bir artık akım cihazı (RCD) ile sağlanmalıdır.
- Her kullanım öncesinde güç kablosunu hasara karşı kontrol edin. Hasar belirtisi olması durumunda, değiştirme işleminin yetkili bir servis merkezince yapılması gerekir. Kullanım sırasında güç kablosunu her zaman açın; sarılmış kablolar aşırı ısınabilir.
- Bir uzatma kablosu kullanmanız gerekirse açık alanda kullanıma uygun olduğundan ve aletinizi beslemek için yeterli akım kapasitesi derecesine sahip olduğundan emin olun. Uzatma kablosu "H05RN-F" veya "H05 VV F" olarak işaretlenmiş olmalıdır. Her kullanım öncesi hasara karşı kontrol edin. Sarılmış kablolar aşırı ısınabileceğinden kullanım sırasında her zaman açın. Zarar görmüş uzatma kabloları onarılmamalıdır, muadilyle değiştirilmesi gerekir.
- Eğer kablo zarar görmüş veya aşınmışsa ürünü kullanmayın.
- Eğer kablo kullanım sırasında zarar görürse kabloyu derhal güç kaynağından ayırın. Güç kaynağı bağlantısı kesilene dek elektrikli kablolar dokunmayın.
- Güç kablosunun kesme aletleri nedeniyle hasar görmeyeceği ve üzerine basmayacağınız, takılıp düşmeyeceğiniz veya başka bir hasara veya strese maruz kalmayacağı şekilde yerleştirildiğinden emin olun.
- Ürünü hiçbir zaman elektrik kablosundan kaldırmayın veya taşımayın.
- Güç kablosunun ısı, yağ ve keskin kenarlı nesnelere uzak tutun.
- Voltajın ürününüz için doğru olduğundan emin olun. Ürün üzerinde bulunan bir isim levhası ünitenin voltajını gösterir. Ürünü hiçbir zaman bu voltajdan farklı bir AC voltajına bağlamayın.
- Güç kaynağından ayırmadan önce anahtarın Kapalı konumda olduğundan emin olun.

HAZIRLIK

- Bu ekipmanı kullanırken koruyucu gözlük ve kulak tıkaçı takın. Eğer nesnelere düşme riskinin bulunduğu bir alanda çalışıyorsanız kask takılmalıdır.
- Kulak tıkaçı operatörün ikaz seslerini duyma becerisini kısıtlayabilir. Çalışma alanının çevresinde ve içindeki potansiyel tehlikelere karşı dikkatli olun.
- Uzun ağır iş pantolonu, botu ve eldiveni giyin. Bol



kıyafetler, kısa pantolon giymeyin, herhangi bir takı takmayın veya çıplak ayakla kullanmayın.

- Saçlarınız uzunsu hareketli parçalara dolaşmasını önlemek için omuz seviyesinin üzerinde toplayın.
- Her kullanımı öncesi ve her hangi bir darbeden sonra hasarlı parça olmadığını kontrol edin. Hasarlı her tür parça yetkili servis merkezi tarafından uygun şekilde onarılmalı veya değiştirilmelidir.
- Kesme eklentisinin düzgün şekilde takılı olduğundan ve güvenli şekilde sıkıştırıldığından emin olun.
- Tüm korumalar, deflektörler ve tutamaklar düzgün ve güvenli şekilde takılmadan asla ürünü kullanmayın.
- Çalıştığınız ortama dikkat edin. Çalışma alanınızda kesicinin çarpıp fırlatmasına yol açabilecek kablo, sopa, taş ve çöp olmadığından emin olun.

ÇİM BİÇME / KENAR KESME MAKİNESİ GÜVENLİK UYARILARI

- Ürünü gün ışığında ya da iyi yapay aydınlatmayla kullanın.
- Islak çim üzerinde kullanmaktan kaçının.
- Ürünü kullanırken geri geri yürümeyin.
- Yere sağlam basın ve dengede durun. Yukarıya doğru erişmeye çalışmayın. Yukarıya erişmeye çalışmak dengeyi kaybetmenize neden olabilir. Eğimli yerlerde yere her zaman sağlam bastığınızdan emin olun. Yürüyün, hiçbir zaman koşmayın.
- Çevrenizdeki kişileri, çocukları ve evcil hayvanları çalışma alanından 15 m uzaklaştırın. Eğer herhangi bir bu alana girerse ürünü durdurun.
- Kesme eklentisini bel seviyesinin altında tutun.
- Ürünü hasar görmüş korumalar varken ya da korumalar olmadan asla kullanmayın.
- Asla metal yedek tel kullanmayın.
- Her zaman el ve ayaklarınızı kesme araçlarından özellikle motoru çalıştırırken uzak tutun.
- Dikkat, kesme elemanları motor kapandıktan sonra da dönmeye devam eder.
- Kesme araçlarının fırlatabileceği objelere karşı dikkatli olun. Çalışma alanındaki küçük taşlar, çakıl ve diğer yabancı nesnelere çalışmadan önce temizleyin. Kablo ya da teller kesme araçlarının dolanabilir.
- Aşağıdaki işlemlerden önce ürünü kapatın ve güç kaynağı bağlantısını kesin:
 - servis
 - ürün gözetimsiz bıraktığınızda
 - Makine üzerinde temizlik, bakım veya herhangi bir çalışma yapmadan önce
 - aksesuarların değiştirilmesi
 - bir nesneye çarptıktan sonra herhangi bir hasara karşı kontrol
 - ürün anormal derecede titreyerek çalışıyorsa herhangi bir hasara karşı kontrol
 - bakım yapma
- Çim korumasına takılı olan küçük bıçak, güvenli ve en iyi performans için yeni çekilmiş teli doğru uzunlukta kesmek içindir. Çok keskindir; özellikle ürünü temizlerken dokunmayın.

- Havalandırma girişlerinin her zaman biriktenden arındırılmış hâlde tutulduğundan emin olun.
- Kesme eklentisinin düzgün şekilde takılı olduğundan ve güvenli şekilde sıkıştırıldığından emin olun.
- Tüm korumaların, deflektörlerin ve kulpların doğru ve güvenli şekilde takıldığından emin olun.
- Üründe herhangi bir şekilde değişiklik yapmayın, bu sizin veya başkalarının yaralanma riskini artırabilir.
- Yalnızca üreticinin yedek kesme telini kullanın. Başka bir kesme aparatı kullanmayın.
- Kaza ya da arıza esnasında derhal güç düğmesini kapatın ve ana güç kaynağı bağlantısını kesin. Yetkili servis merkezi tarafından kontrol edilene dek ürünü tekrar çalıştırmayın.

TAŞIMA VE DEPOLAMA

- Motoru durdurun ve depolamadan veya taşımadan önce soğumasını bekleyin. Ürünü durdurun, güç kaynağı bağlantısını kesin ve kabloyu sarın.
- Üründeki tüm yabancı maddeleri temizleyin. Çocukların erişemeyeceği serin, kuru ve iyi havalandırılan bir yerde depolayın. Bahçe kimyasalları ve buz çözücü tuzlar gibi korozif maddelerden uzak tutun. Açık alanda depolamayın.
- Taşınacağı zaman insanların yaralanmasını veya ürünün zarar görmesini önlemek amacıyla ürünü hareket etmemesi veya düşmemesi için sabitleyin.

BAKIM

⚠ UYARI

Sadece orijinal üreticinin yedek parçalarını, aksesuarlarını ve ek parçalarını kullanın. Aksi hâlde olası yaralanmalara, zayıf performansla neden olabilir ve garantinizi geçersiz kılar.

⚠ UYARI

Servis çalışması en yüksek düzeyde dikkat ve bilgi gerektirir ve sadece nitelikli bir servis teknisyeni tarafından yapılmalıdır. Servis için ürünü onarım amacıyla size en yakın yetkili servis merkezi'ne göndermenizi öneriyoruz. Servis yapılırken sadece aynı yedek parçaları kullanın.

- Herhangi bir bakım veya temizlik çalışması yapmadan önce şebeke gücünü kapatın ve ayırın.
- Sadece bu kılavuzda açıklandığı şekilde ayar veya onarım yapabilirsiniz. Diğer onarımlar için yetkili servis temsilcisini arayın.
- Yedek tel olarak yalnızca bu kılavuzun spesifikasyonlar tablosunda belirtilen çapta naylon tel kullanın.
- Yeni kesme telini çektiikten sonra her zaman çalışmaya başlamadan ürünü normal çalışma konumuna getirin.
- Her kullanım sonrası ürünü yumuşak ve kuru bir bezle temizleyin. Hasarlı her tür parça yetkili servis merkezi tarafından uygun şekilde onarılmalı veya değiştirilmelidir.

EN

FR

DE

ES

IT

NL

PT

DA

SV

FI

NO

RU

PL

CS

HU

RO

LV

LT

ET

HR

SL

SK

BG

UK

TR



- Ürünün güvenli çalışma durumunda olduğundan emin olmak için tüm somunların, civataların ve vidaların doğru sıklıkta sık aralıklarla takıldığını kontrol edin.

ARTIK RİSKLER

Ürün belirtilen şekilde kullanıldığında bile belirli artık risk faktörlerini tamamen ortadan kaldırmak mümkün değildir. Kullanım sırasında aşağıdaki tehlikeler ortaya çıkabilir ve kullanıcının aşağıdaki durumları önlemek için özellikle dikkatli olması gerekir:

- Titreşim nedeniyle yaralanma.
 - Belirtilen kulpları kullanın ve çalışma ve maruz kalma süresini sınırlandırın.
- Gürültüye maruz kalma nedeniyle işitme kaybı meydana gelebilir.
 - Kulak tıkacı takın ve maruz kalma süresini sınırlandırın.
- Fırlayan birikintiler nedeniyle göz yaralanması.
 - Her zaman uygun kulak tıkacı takın.

RİSK AZALTMA

El aletlerinden kaynaklanan titreşimlerin belirli kişilerde Raynaud Sendromu adı verilen bir durumu etkilediği bildirilmiştir. Semptomlar içerisinde parmaklarda genellikle soğuğa maruz kaldığında açığa çıkan karıncalanma, hissizlik ve ağarma yer bulunabilir. Kalıtsal faktörler, soğuğa ve neme maruz kalma, diyet, sigara içme ve çalışma uygulamalarının hepsinin bu semptomların gelişimini etkilediği düşünülmektedir. Titreşim etkilerini azaltmak için kullanıcı tarafından alınabilecek önlemler vardır:

- Soğuk havada vücut ısınızı koruyun. Ürünü kullanırken ellerinizi ve bileklerinizi sıcak tutmak için eldiven giyin. Soğuk havanın Raynaud Sendromu'nu etkileyen önemli bir faktör olduğu bildirilmiştir.
- Her kullanım süresinden sonra kan dolaşımını artırmak için egzersiz yapın.
- Sık çalışma molası verin. Günlük maruz kalma miktarını sınırlayın.

Eğer bu durumla ilgili herhangi bir semptom görürseniz çalışmayı derhal bırakın ve bu semptomlar hakkında doktorunuza başvurun.

⚠ UYARI

Ürünün uzun süre kullanılması nedeniyle yaralanmalar meydana gelebilir veya kötüleşebilir. Herhangi bir alet uzun süre kullanıldığında düzenli molalar verdiğinizden emin olun.

ÜRÜNÜNÜZÜ TANIYIN

Bkz. sayfa 104.

1. Açma/Kapama tetiği
2. Kablo kancası
3. Güç kablosu tutucu
4. Kenar kesme butonu
5. Makara kapağı
6. Sargı

7. Kesme bıçağı
8. Kesme İpi
9. Güvenlik koruması
10. Alt boru
11. Üst boru
12. Ön kulp
13. Arka kulp

ÜRÜN ÜZERİNDEKİ SEMBOLLER



Ürünü kullanmadan önce tüm talimatları okuyun ve anlayın, tüm uyarılara ve güvenlik talimatlarına uyun.



Koruyucu gözlük takın.



Kulak tıkacı takın.



Bu ürünle metal bıçak kullanmayın.



Ürünü yağmura veya nemi koşullara maruz bırakmayın.



Bakım öncesinde ya da kablo hasar görmüş, kesilmiş ya da dolanmışsa fişi ana güç kaynağından hemen çekin.



Fırlayan ve sıçrayan nesnelere dikkat edin. Üçüncü şahısları, özellikle çocukları ve evcil hayvanları çalışma alanından en az 15m uzakta tutun.



Ellerinizi bıçaklardan uzak tutun.



Sınıf II alet, çift yalıtımlı



Atık elektrikli ürünler evsel atıklarla birlikte atılmamalıdır. Lütfen tesislerin mevcut olduğu yerlerde geri dönüştürün. Geri dönüşüm tavsiyesi için bölgenizdeki yetkili mercie veya satıcıya başvurun.



Ürünün satın alındığı AB ülkesindeki tüm düzenleyici standartlara uygundur.



EurAsian Uygunluk İşareti



Ukrayna uygunluk işareti.



Güvenceli ses gücü seviyesi 96 dB'dir.

Aşağıdaki işaret sözcükler ve anlamları bu ürünle ilişkili risk seviyelerinin açıklanmasına yöneliktir.

⚠ TEHLİKE

Önlenmemesi durumunda ölüm veya ciddi yaralanma ile sonuçlanacak ciddi tehlike içeren bir durumu gösterir.

⚠ UYARI

Önlenmemesi durumunda ölüm veya ciddi yaralanma ile sonuçlanabilecek potansiyel olarak tehlikeli bir durumu gösterir.

⚠ İKAZ

Önlenmemesi durumunda önemsiz veya orta derece yaralanma ile sonuçlanabilecek potansiyel olarak tehlikeli bir durumu gösterir.

İKAZ

Güvenlik uyarısı sembolü olmadığında
Maddi hasarla sonuçlanabilecek bir durumu gösterir.

BU KILAVUZDAKİ SEMBOLLER



Elektrik fişine bağlayın.



Elektrik fişinden ayırın.



Ayrı satılan parçalar veya aksesuarlar

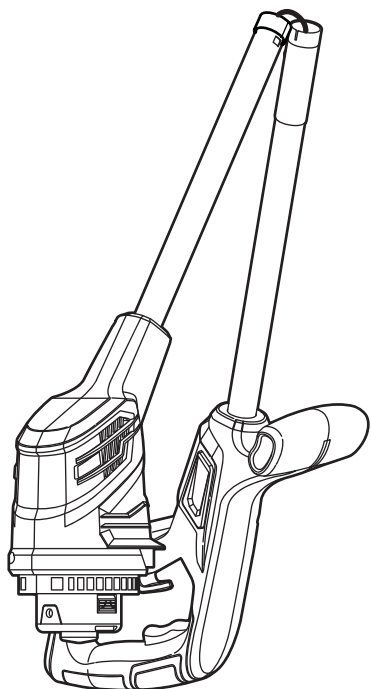


Not



Uyari

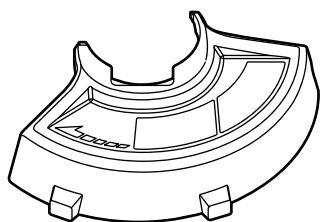




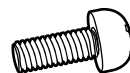
x 1



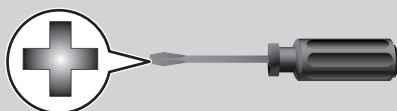
x 1

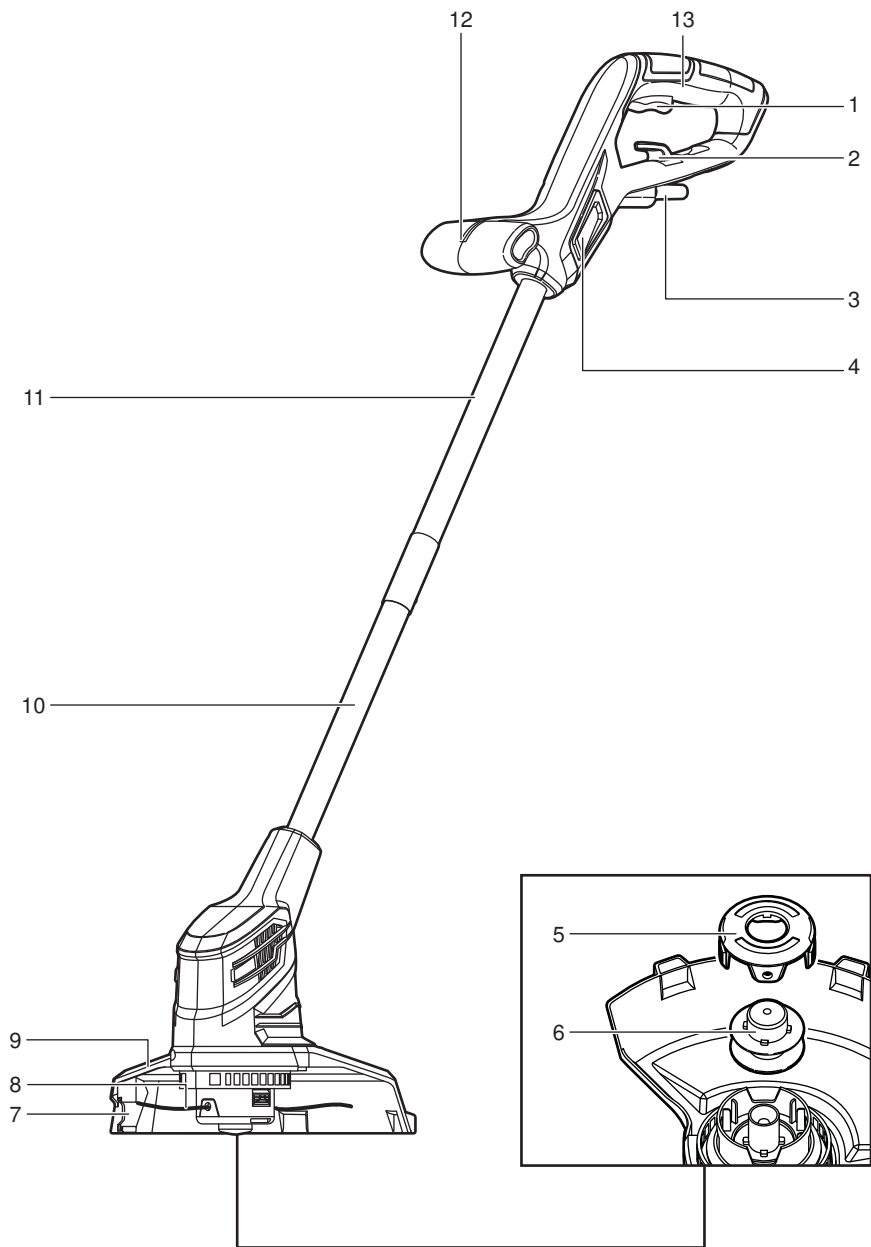


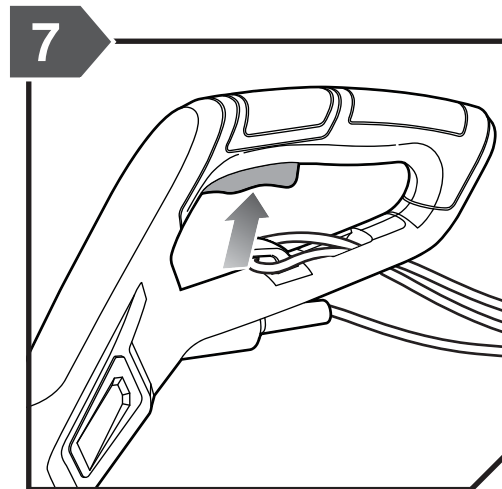
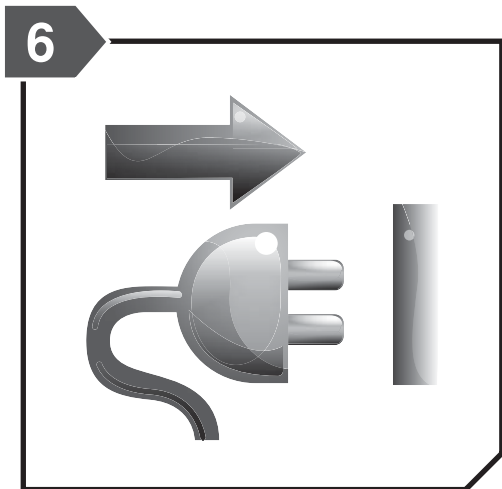
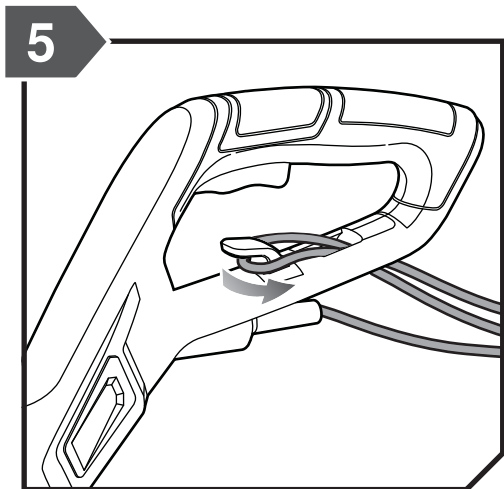
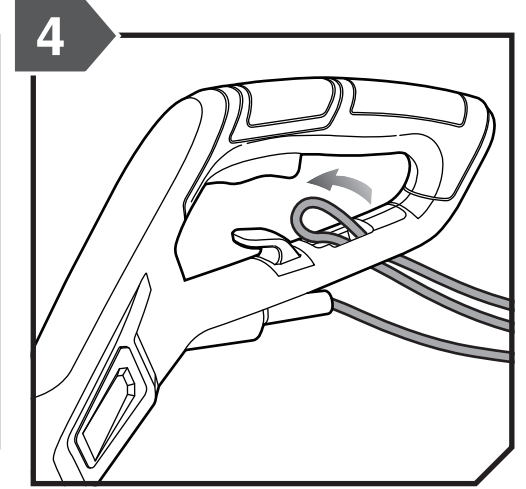
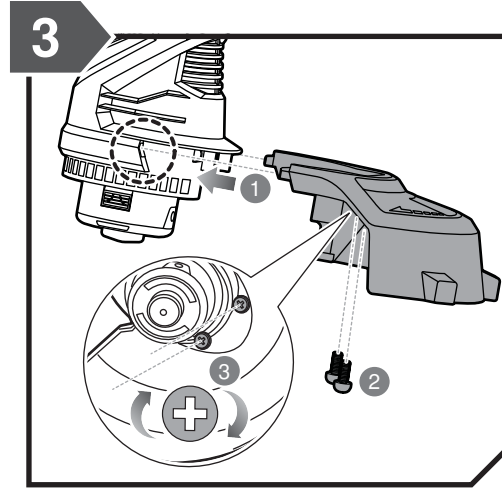
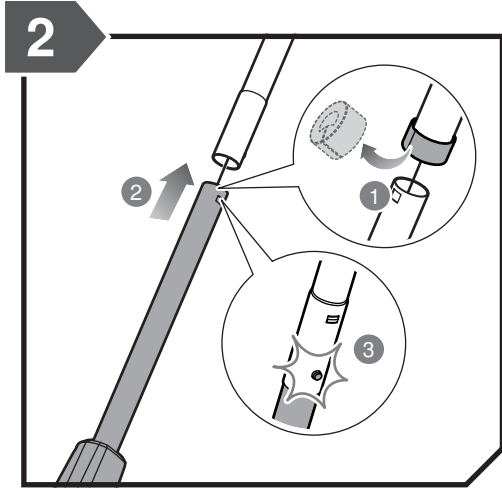
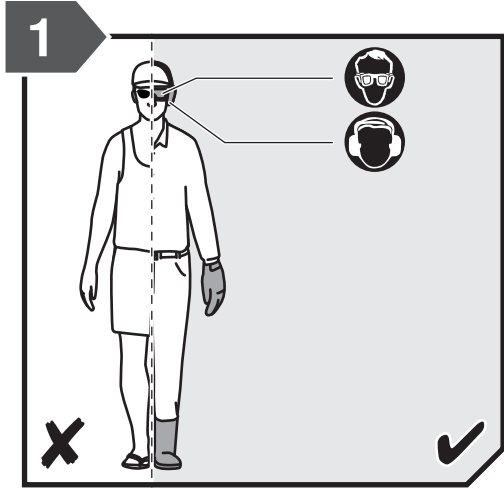
x 1



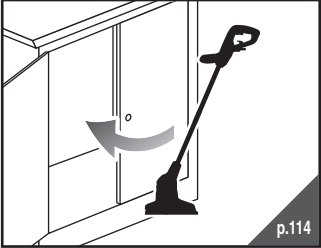
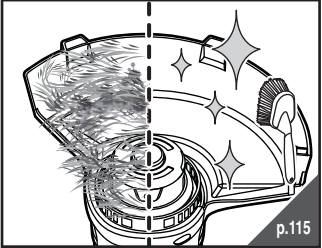
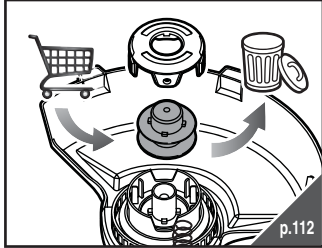
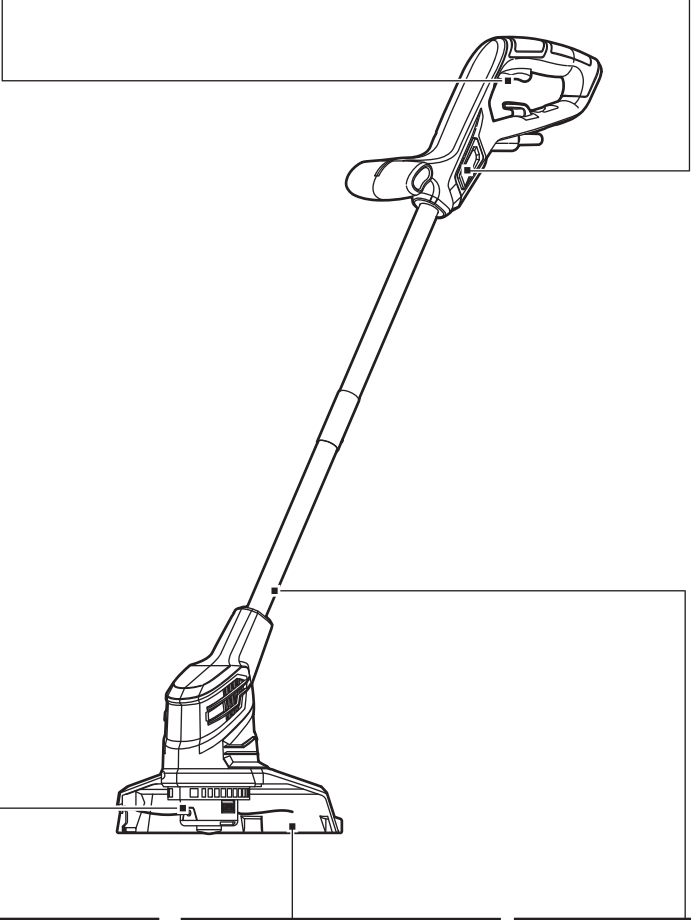
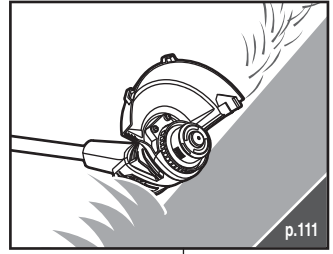
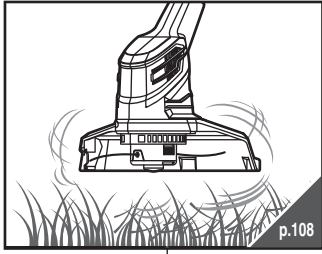
x 2

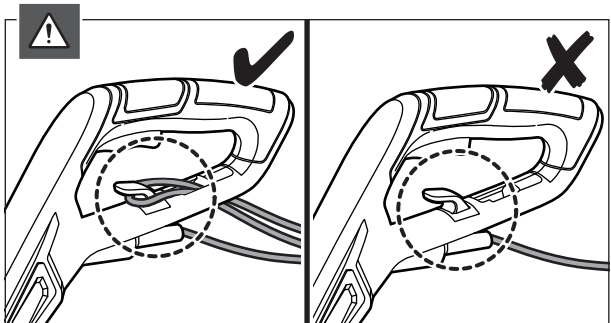
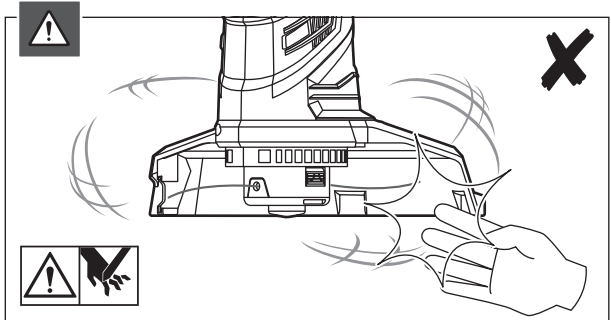
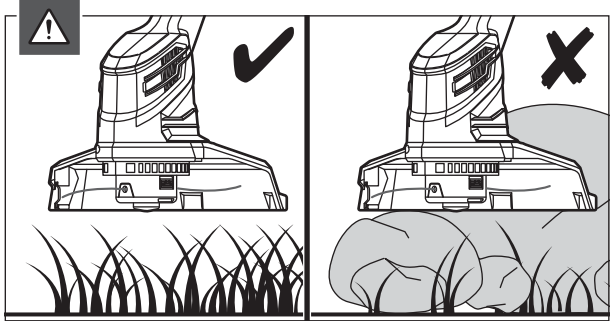
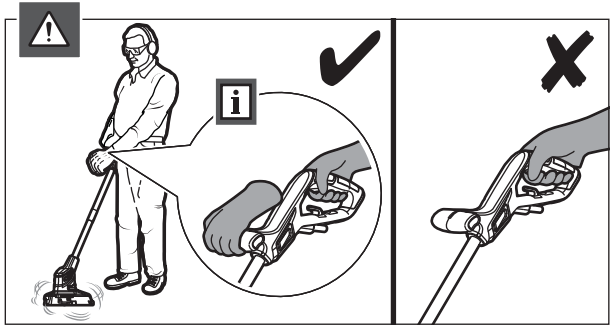


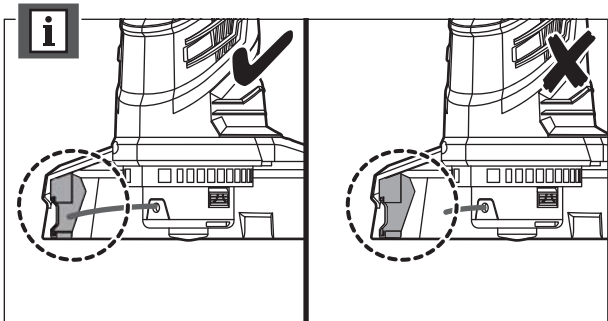
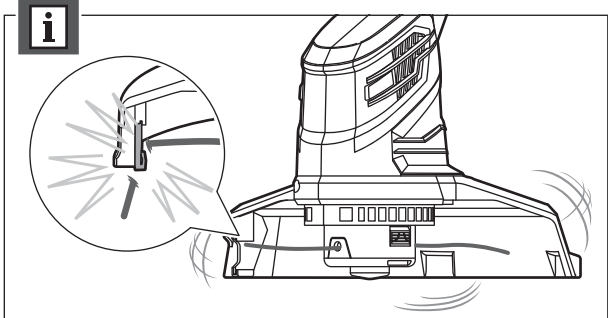
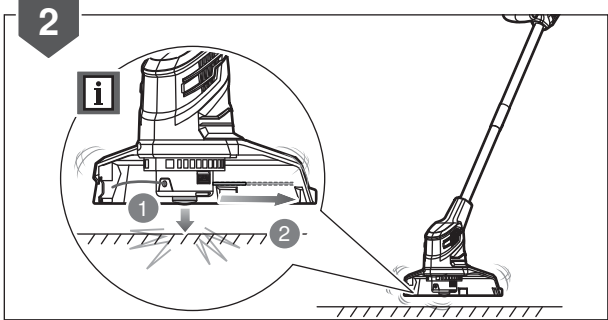
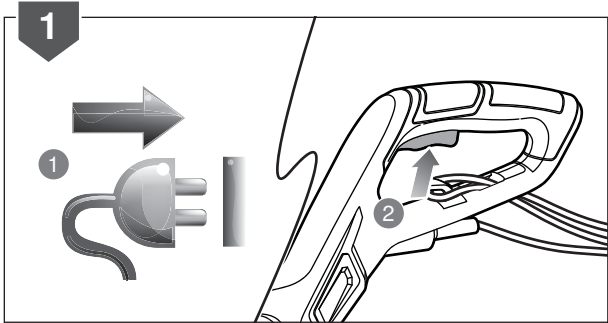


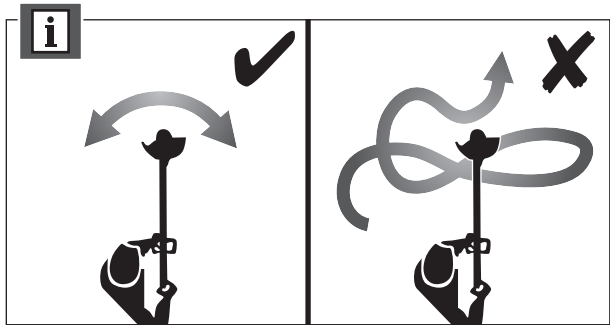
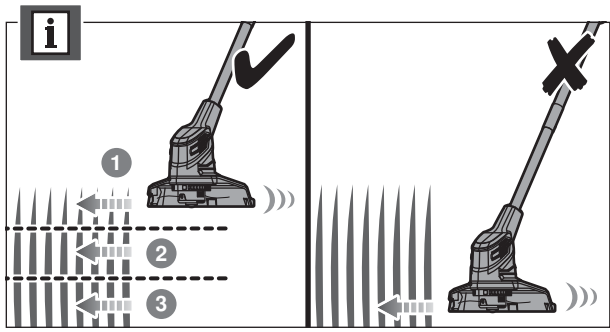


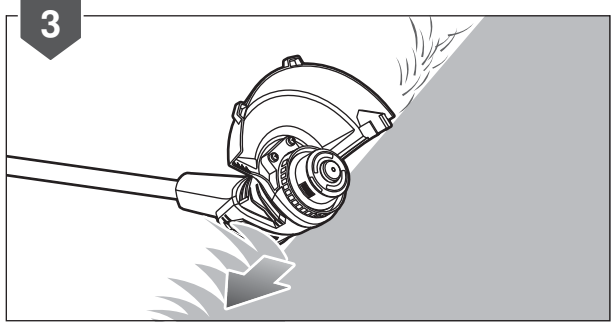
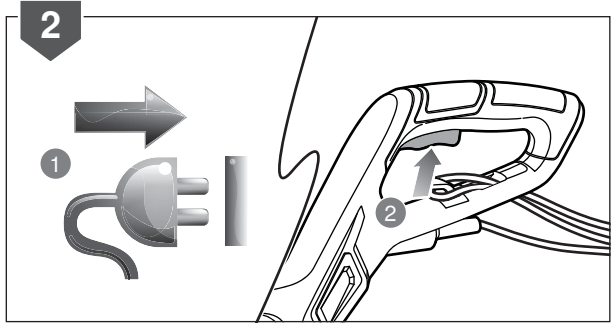
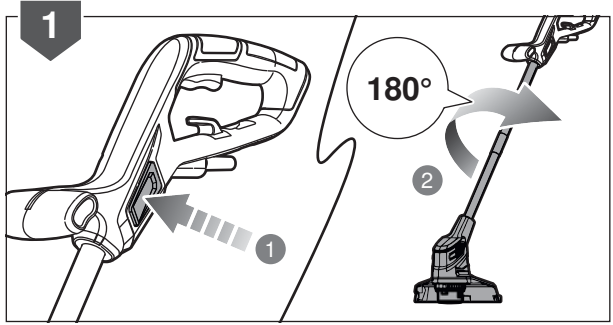
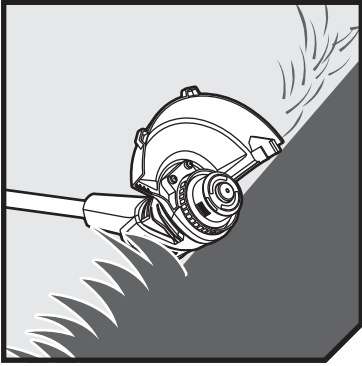


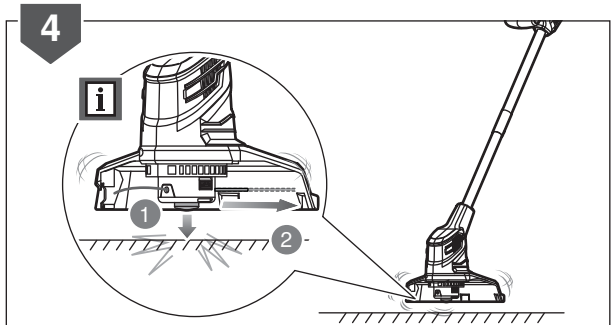
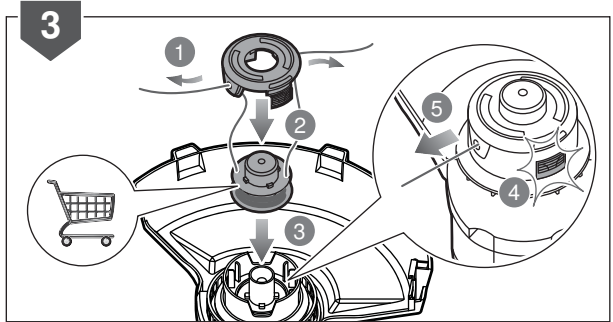
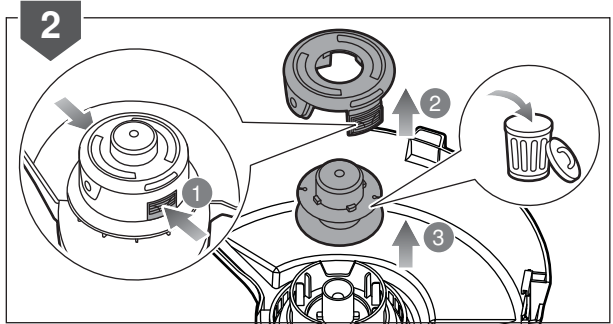
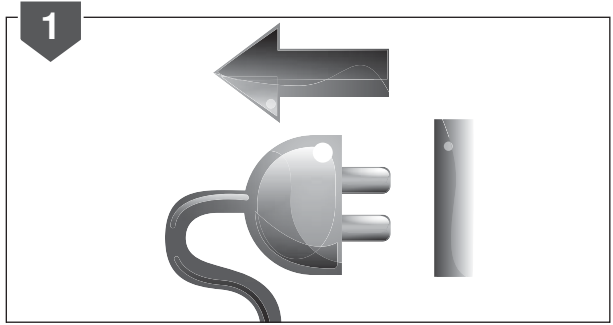
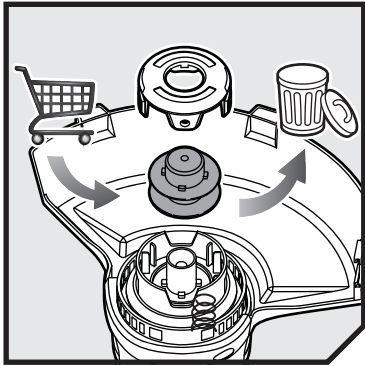


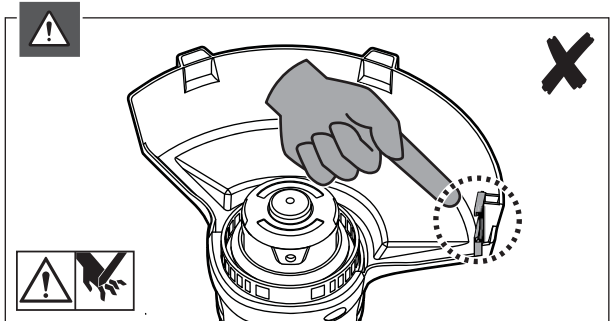
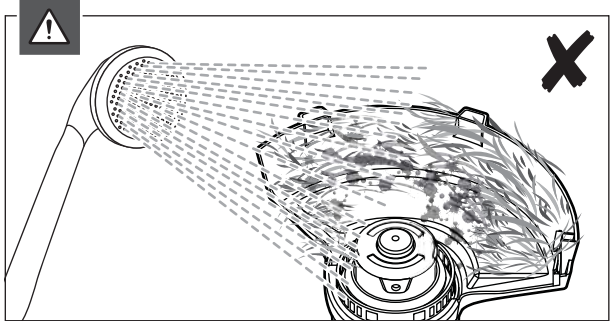
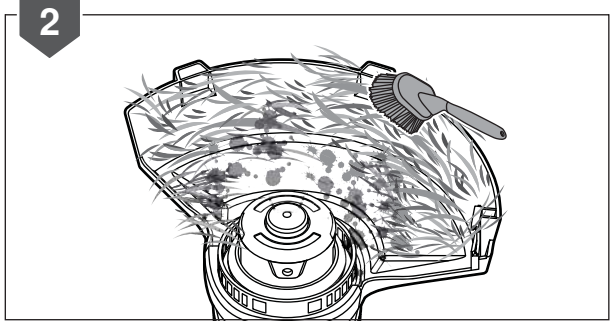
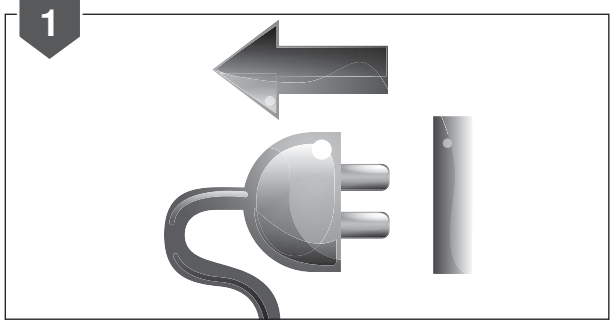
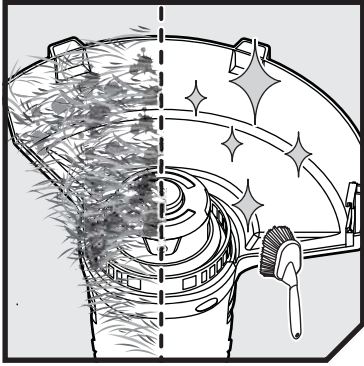


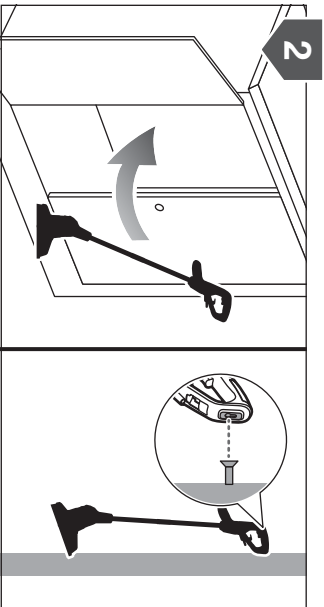
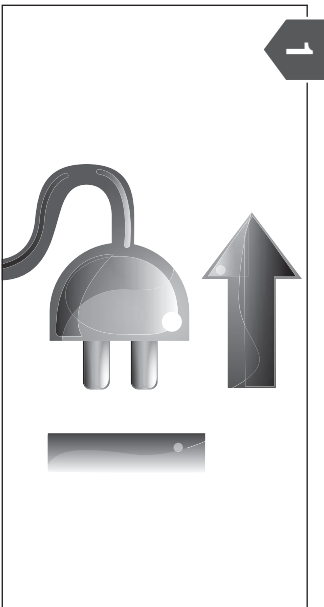
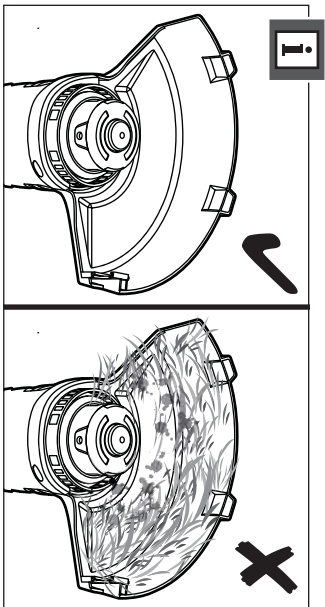
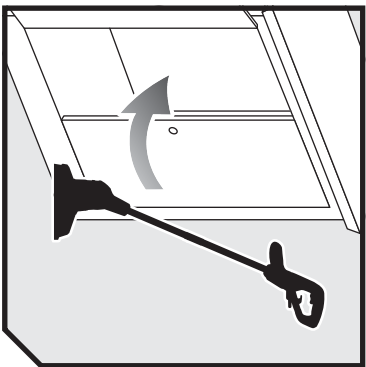
















English	Français	Deutsch	Español	Italiano	Nederlands
Product specifications	Caractéristiques produit	Produkt-Spezifikationen	Características del producto	Caratteristiche del prodotto	Productgegevens
Electric lawn trimmer/ edge trimmer	Coupe-bordures / dresse- bordures électrique	Elektrischer Rasentrimmer/ Rasenkantenschneider	Cortasetos/bordeador eléctrico	Tagliabordi elettrico	Elektrische gazontrimmer/ graskantrimmer
Model	Modèle	Modell	Modelo	Modello	Model
Rated power	Puissance nominale	Nennleistung	Potencia nominal	Potenza nominale	Nominaal vermogen
Rated voltage	Tension nominale	Nennspannung	Tensión nominal	Voltaggio nominale	Toegekende spanning
No-load speed	Vitesse de rotation	Leerlaufgeschwindigkeit	Velocidad sin carga	Velocità senza carico	Snelheid zonder lading
Cutting line diameter	Diamètre du Fil de Coupe	Schneidfaden- Durchmesser	Cortar el diámetro de la línea	Diametro linea di taglio	Maalijndiameter
Cutting capacity	Capacité de coupe	Schnittbreite Durchmesser	Capacidad de corte	Capacità di taglio	Snijcapaciteit
Maximum vibration level (in accordance with EN 50636-2-91 Annex BB)	Niveau de vibration (selon l'Annexe BB de EN 50636-2-91)	Vibrationsgrad (gemäß Anhang BB von EN 50636-2-91)	Nivel de vibración (de acuerdo con el Anexo BB de EN 50636-2-91)	Livello vibrazioni (secondo quanto disposto dall'Allegato BB della Direttiva EN 50636-2-91)	Trillingsniveau (in accordance with Annex BB of EN 50636-2-91)
Uncertainty of measurement	Incertitude de la mesure	Unsicherheit der Messung	Incertidumbre de medición	Incertezza delle misurazioni	Onzekerheid bij meting
Noise emission level	Niveau d'émission sonore	Schallenergiepegel	Nivel de emisión de ruido	Livello di emissione rumore	Geluidemissioniveau
Maximum A-weighted sound pressure level at the operator's position (in accordance with EN 50636-2-91 Annex CC)	Niveau de pression sonore pondéré-A au niveau de l'opérateur (selon l'Annexe CC de EN 50636-2-91)	A-bewerteter Schalldruckpegel an der Position des Anwenders (gemäß Anhang BB von EN 50636-2-91)	Nivel de presión sonora ponderado A en la posición del operario (de acuerdo con el Anexo CC de EN 50636-2-91)	Livello di pressione sonora pesato A alla posizione dell'operatore (secondo quanto disposto dall'Allegato CC della Direttiva EN 50636-2-91)	A-gewogen geluidsdrukniveau op de plaats van de bediener (in overeenstemming met bijlage CC van EN 50636-2-91)
Uncertainty of measurement	Incertitude de la mesure	Unsicherheit der Messung	Incertidumbre de medición	Incertezza delle misurazioni	Onzekerheid bij meting
Maximum A-weighted sound power level (in accordance with 2000/14/ EC)	Niveau de puissance sonore pondéré-A (selon 2000/14/EC)	A-bewerteter Schalleistungspegel (gemäß 2000/14/EC)	Nivel de potencia acústica ponderada en A (de acuerdo con 2000/14/EC)	Livello di potenza sonora pesato A (conforme con lo standard 2000/14/EC)	A-gewogen geluidsniveau (in overeenstemming met 2000/14/EC)
Uncertainty of measurement	Incertitude de la mesure	Unsicherheit der Messung	Incertidumbre de medición	Incertezza delle misurazioni	Onzekerheid bij meting
Guaranteed A-weighted emission sound power level (in accordance with 2000/14/EC)	Niveau de puissance sonore émise pondéré-A (selon 2000/14/EC)	A-bewerteter Schalleistungspegel (gemäß 2000/14/EC)	Nivel de potencia sonora ponderado A (de acuerdo con 2000/14/ EC)	Livello di potenza emissioni sonore ponderate A (conforme con lo standard 2000/14/EC)	A-gewichtsemisissie geluidsdrukniveau (in overeenstemming met 2000/14/EC)

Replacement parts	Pièces de Rechange	Ersatzteile	Piezas de repuesto	Parti di ricambio	Vervangonderdelen
Model	Modèle	Modell	Modelo	Modello	Model
1.2 mm complete spool	Bobine complète 1,2 mm	1,2 mm Komplettspule	Bobina completa de 1,2 mm	Bobina completa da 1,2 mm	1,2 mm volledige spoel
1.2 mm spool (3 pcs)	Bobine de 1,2 mm (3 pcs)	1,2 mm Spule (3 Stk.)	Bobina de 1,2 mm (3 unidades)	Bobina da 1,2 mm (3 pz.)	1,2 mm spoel (3 stuks)
1.2 mm spool (3 pcs)	Bobine de 1,2 mm (3 pcs)	1,2 mm Spule (3 Stk.)	Bobina de 1,2 mm (3 unidades)	Bobina da 1,2 mm (3 pz.)	1,2 mm spoel (3 stuks)





Português	Dansk	Svenska	Suomi	Norsk	Русский	
Características do aparelho	Produktspecificationer	Produktspecificationer	Tuotteen tekniset tiedot	Produktspecificasjoner	Характеристики изделия	
Recortador de relvado/recortador de sebes eléctrico	Elektriske plænetrimmer/ kanttrimmer	Elektriska grästrimmern/ kanttrimmern	Sähkökäyttöinen ruohotrimmerimme/ reunatrimmerimme	Elektriske gresstrimmeren/ kantklipperen	Электрический триммер / кромкорез	
Modelo	Model	Modell	Malli	Modell	Модель	RLT3525
Potência nominal	Mærkeeffekt	Klassad effekt	Mootorinteho	Nominell effekt	Номинальная мощность	350 W
Tensão nominal	Mærkespænding	Spänning	Nimellisjännite	Nominell spenning	Номинальное напряжение	230-240 V ~ 50Hz
Velocidade sem carga	Tomgangshastighed	Hastighet utan belastning	Nopeus ilman kuormaa	Tomgangshastighet	Холостая скорость	10,500 min ⁻¹
Cortar o diâmetro da linha	Klippetrådsdiameter	Klipptrådens diameter	Leikkusuiman halkaisija	Diameter på klippesnoren	Диаметр режущей струны	1.5 mm
Capacidade de corte	Skærekapacitet	Trimningskapacitet	Leikkauskapasiteetti	Klippekapasitet	Сокращение вместимости	25 cm
Nível de vibração (em conformidade com o Anexo BB de EN 50636-2-91)	Vibrationsniveau (iht. bilag BB til EN 50636-2-91)	Vibrationsnivå (enligt Annex BB i EN 50636-2-91)	Tärinätaso (standardin EN 50636-2-91 liitteessä mukaisesti)	Vibrasjonsnivå (iht. tillegg BB i EN 50636-2-91)	Уровень вибрации (в соответствии с Приложением ВВ стандарта EN 50636-2-91)	2.2 m/s ²
Incerteza de medições	Målingsusikkerhed	Osäkerhet för mätt	Mittausten epätarkkuus	Usikkerhet ved måling	Погрешность измерения	1.5 m/s ²
Nível de emissão de ruído	Støjemissionsniveau	Bullerutsläppsnivå	Melutaso	Støytuslpsnivå	Уровень шума	
Nível de pressão sonora ponderado A na posição do operador (em conformidade com o Anexo CC de EN 50636-2-91)	A-vægtet lydtryksniveau ved operatørens position (iht. bilag CC til EN 50636-2-91)	A-viktad ljudtryksnivå vid operatörsplats (enligt Annex CC i EN 50636-2-91)	A-painotettu käyttäjään kohdistuva äänenpainetaso (standardin EN 50636-2-91 liitteessä mukaisesti)	A-vektet lydtrykk ved operatørposisjon (iht. tillegg CC i EN 50636-2-91)	Амплитудно-взвешенный уровень звукового давления на рабочем месте оператора (в соответствии с Приложением CC стандарта EN 50636-2-91)	83.8 dB(A)
Incerteza de medições	Målingsusikkerhed	Osäkerhet för mätt	Mittausten epätarkkuus	Usikkerhet ved måling	Погрешность измерения	2.5 dB(A)
Nível de potência sonora ponderada A (em conformidade com 2000/14/EC)	A-vægtet lydeffektniveau (i henhold til ISO 2000/14/EC)	A-vägd lydeffektsnivå (enligt ISO 2000/14/EC)	A-painotettu äänenteho (standardin 2000/14/EC mukaisesti)	A-vektet lydeffektnivå (iht. 2000/14/EC)	Уровень А-взвешенной звуковой мощности (в соответствии с 2000/14/EC)	93 dB(A)
Incerteza de medições	Målingsusikkerhed	Osäkerhet för mätt	Mittausten epätarkkuus	Usikkerhet ved måling	Погрешность измерения	3.1 dB(A)
Nível de potência sonora ponderado A (em conformidade com 2000/14/EC)	A-vægtet lydeffekt-emissionsniveau (i henhold til ISO 2000/14/EC)	A-viktad lydeffektnivå (enligt ISO 2000/14/EC)	A-painotettu äänenteho (standardin 2000/14/EC mukaisesti)	A-vektet lydeffektnivå (iht. 2000/14/EC)	А-взвешенный уровень звуковой мощности (в соответствии с 2000/14/EC)	96 dB(A)

Peças de substituição	Reservevede	Utbytesdelar	Varaosat	Erstatningsdeler	Запасные части	
Modelo	Model	Modell	Malli	Modell	Модель	RLT3525
Bobina completa de 1,2 mm	1,2 mm komplet spole	Full spole, 1,2 mm	1,2 mm:n täysi kela	1,2 mm fullstendig spole	Катушка в сборе 1,2 мм	RAC118
Bobina de 1,2 mm (3 peças)	1,2 mm spole (3 stk.)	Spole, 1,2 mm (3 styck)	1,2 mm:n kela (3 kpl)	1,2 mm spole (3 stk.)	Катушка 1,2 мм (3 шт.)	RAC119
Bobina de 1,2 mm (3 peças)	1,2 mm spole (3 stk.)	Spole, 1,2 mm (3 styck)	1,2 mm:n kela (3 kpl)	1,2 mm spole (3 stk.)	Катушка 1,2 мм (3 шт.)	RAC149





Polski	Čeština	Magyar	Română	Latviski	Lietuviškai	Eesti
Parametry techniczne	Technické údaje produktu	Termék műszaki adatai	Specificațiile produsului	Produkta specifikācijas	Gaminio techninės savybės	Toote tehnilised andmed
Elektryczna przycinarka do trawnika/krawędzi	Elektrický vyžinač trávniků / začíšťovač okrajů trávníků	Elektromos fűkaszát/szegélyvágót	Motocoasa electrică de tuns gazonul/gardul viu	Elektriskais zāles trimmeris/malu trimmeris	Elektrinė pievelės / pakraščiu žoliapjovė	Elektrilist muru- ja servatrimmerit
Model	Model	Tipus	Model	Modelis	Modelis	Mudel
Moc znamionowa	Jmenovitý výkon	Névleges teljesítmény	Puterea nominală	Nominālā jauda	Nominali galia	Nimivõimsus
Napięcie znamionowe	Jmenovité napětí	Névleges feszültség	Tensiunea nominală	Nominālais spriegums	Nominali įtampa	Nimipinge
Predkość obrotowa bez obciążenia	Rychlost naprázdno	Üresjárati fordulatszám	Viteză fără sarcină	Greitis be apkrovimo	Greitis be apkrovimo	Tühikäigukirus
Średnica żyłki tnącej	Průměr záběru	Vágószál átmérő	Diametru fir de tăiere	Griezējvada diametrs	Pjovimo linijos diametras	Trimmerijõhvi läbimõõt
Szerokość cięcia	Řezací kapacita	Vágási teljesítmény	Lungimea de tăiere	Griešanas dziļums	Pjovimo talpa	Lõikevõimsus
Poziom wibracji (zgodnie z aneksem BB normy EN 50636-2-91)	Úroveň vibrací (v souladu s přílohou BB normy EN 50636-2-91)	Vibrációs szint (az EN 50636-2-91 BB függeléke szerint)	Nivel de vibrație (în conformitate cu Anexa BB a EN 50636-2-91)	Vibrācijas līmenis (saskaņā ar direktīvas EN 50636-2-91 BB pielikumu)	Vibrācijas līgis (pagal EN 50636-2-91 standarto BB priedą)	Vibratsioonitase (vastavalt standardi EN 50636-2-91 lisale BB)
Niepewność pomiaru	Nejistota měření	Mérés bizonytalansága	Nesiguranța măsurătorii	Mērījuma nenoteiktība	Matavimo paklaida	Mõõtmismääramatus
Poziom emisji hałasu	Hladina emise hluku	Hangbocsátási szint	Nivel emisie zgomot	Trokšņu emisijas līmenis	Skleidziamo triukšmo līgis	Helivõimsuse tase
Poziom ważonego ciśnienia akustycznego w pozycji operatora (zgodnie z aneksem CC normy EN 50636-2-91)	Hladina akustického výkonu vážená funkcí A v poloze obsluhy (v souladu s přílohou CC normy EN 50636-2-91)	A-súlyozott hangnyomásszint a kezelő helyén (az EN 50636-2-91 CC függeléke szerint)	Valoare A nivel presiune zgomot la poziția operatorului (în conformitate cu Anexa CC a EN 50636-2-91)	A–novērtējuma skaņas spiediena līmenis operatora darba vietā (saskaņā ar direktīvas EN 50636-2-91 CC pielikumu)	A dažnīnės charakteristikos garso slėgio līgis operatoriaus vietoje (pagal EN 50636-2-91 standarto CC priedą)	A-kaalutud helirõhu tase operaatori tõukohal (vastavalt standardi EN 50636-2-91 lisale CC)
Niepewność pomiaru	Nejistota měření	Mérés bizonytalansága	Nesiguranța măsurătorii	Mērījuma nenoteiktība	Matavimo paklaida	Mõõtmismääramatus
A-wažony poziom nateżenia hałasu (zgodnie z normą 2000/14/EC)	Hladina akustického tlaku vážená funkcí A (v souladu s 2000/14/EC)	A-súlyozott hangteljesítményszint (az 2000/14/EC szerint)	Nivel de putere acustică ponderată A (în conformitate cu 2000/14/EC)	A-līmeņa skaņas jaudas līmenis (saskaņā ar 2000/14/EC)	A-svertinis akustinis līgis (pagal 2000/14/EC)	A-kaalutud helivõimsuse tase (vastavalt standardile 2000/14/EC)
Niepewność pomiaru	Nejistota měření	Mérés bizonytalansága	Nesiguranța măsurătorii	Mērījuma nenoteiktība	Matavimo paklaida	Mõõtmismääramatus
Poziom mocy akustycznej odpowiadający emisji ważonej A (zgodnie z normą 2000/14/EC)	Hladina emisí akustického tlaku vážená funkcí A (v souladu s 2000/14/EC)	A-súlyozott emissziós hangteljesítményszint (az 2000/14/EC szerint)	Nivel emisie putere de sunet A. (în conformitate cu 2000/14/EC)	A–svērtais emisijas skaņas intensitātes līmenis (saskaņā ar 2000/14/EC)	Garso galios līgis – „A” kategorijos emisijos stiprumo (pagal 2000/14/EC)	A-kaalutud emissiooni helirõhutase (vastavalt standardile 2000/14/EC)

Części zamienne	Náhradní díly	Cserealkatrészek	Piese de schimb	Rezerves daļas	Atsarginės detalės	Asendusosad
Model	Model	Tipus	Model	Modelis	Modelis	Mudel
Kompletna szpula z żyłką 1,2 mm	1,2mm celá cívka	1,2 mm-es teljes orsó	Cap tăietor (mosor) complet cu fir de 1,2 mm	1,2 mm spole pilnā komplektā	1,2 mm sukomplektuota ritė	1,2 mm poolikomplekt
Szpula z żyłką 1,2 mm (3 szt.)	1,2mm cívka (3 ks.)	1,2 mm-es orsó (3 db)	Cap tăietor (mosor) cu fir de 1,2 mm (3 buc.)	1,2 mm spole (3 gab.)	1,2 mm ritė (3 vnt.)	1,2 mm pool (3 tk)
Szpula z żyłką 1,2 mm (3 szt.)	1,2mm cívka (3 ks.)	1,2 mm-es orsó (3 db)	Cap tăietor (mosor) cu fir de 1,2 mm (3 buc.)	1,2 mm spole (3 gab.)	1,2 mm ritė (3 vnt.)	1,2 mm pool (3 tk)





Hrvatski	Slovensko	Slovenčina	България	Українська	Turce	
Specifikacije proizvoda	Specifikacije izdelka	Špecifikácie produktu	Технически характеристики	Технічні характеристики продукту	Ürün teknik özellikleri	
Električni trimmer za travnjak/trimmer za rubove travnjaka	Električna kosilnica za trato/robni rezalnik	Električný vyžinač na trávu/orezávač okrajov	Електрическият тример за трева/тримерът за оформяне на ръбове	Електричного тримера / кутювого	Elektrikli çim biçme / kenar kesme makinesinin	
Model	Model	Modelis	Модел	Модель	Model	RLT3525
Nazivna snaga	Nazivna moć	Menovitý výkon	Номинална мощност	Номинална потужність	Nominal güç	350 W
Nazivni napon	Nazivna napetost	Menovité napätie	Номинален волтаж	Номинална напруга	Nominal voltaj	230-240 V ~ 50Hz
Brzina bez opterećenja	Hitrost neobremenjenega motorja	Rýchlosť naprázdno	Скорост в ненатоварен режим	Швидкість без навантаження	Yüksüz hız	10,500 min ⁻¹
Promjer flaksa	Premer rezalne nitke	Priemer rezného drôtu	Диаметър на режещото влакно	Диаметр волосіні	Kesme hattı çapı	1.5 mm
Duljina rezanja	Kapaciteta rezanja	Kapacita rezania	Капацитет на рязане	Різка здатність	Kesme Kapasitesi	25 cm
Razina vibracija (u skladu s Dodatkom BB EN 50636-2-91)	Nivo vibracij (v skladu s dodatkom BB standarda EN 50636-2-91)	Úroveň vibrácií (v súlade s Dodatkom BB v EN 50636-2-91)	Ниво на вибрация (в съответствие с приложение BB на EN 50636-2-91)	Рівень вібрації (відповідно до EN 50636-2-91 додаток BB)	Titreşim seviyesi (EN 50636-2-91 Ek BB uyarınca)	2.2 m/s ²
Neodređenost mjerenja	Negotovost meritve	Nespoahlivost' meraní	Несигурност на измерването	Невизначеність вимірювання	Ölçüm bilinmiyor	1.5 m/s ²
Razina emisija buke	Raven emisij hrupa	Úroveň emisii hluku	Ниво на шумова емисия	Рівень шуму	Gürültü emisyon seviyesi	
A-ponderirana razina zvučnog tlaka u položaju operatera (u skladu s Dodatkom CC EN 50636-2-91)	A-vrednotena raven zvočnega tlaka na položaju upravljalca (v skladu s dodatkom CC standarda EN 50636-2-91)	Vážená A hladina akustického tlaku na pozícií operátora (v súlade s Dodatkom CC v EN 50636-2-91)	Ниво на шумовото налягане с равнище А на мястото на оператора (в съответствие с приложение CC на EN 50636-2-91)	Рівень звукового тиску за шкалюю А для оператора пристрою (відповідно до EN 50636-2-91 додаток CC)	Kullanıcı pozisyonundaki A ağırlıklı ses basıncı seviyesi (EN 50636-2-91 Ek CC uyarınca)	83.8 dB(A)
Neodređenost mjerenja	Negotovost meritve	Nespoahlivost' meraní	Несигурност на измерването	Невизначеність вимірювання	Ölçüm bilinmiyor	2.5 dB(A)
Ponderirana razina zvučne snage (u skladu s 2000/14/EC)	A-izmerjena raven zvočne moći (v skladu s standardom 2000/14/EC)	Vážená A hladina akustického výkonu (podľa normy 2000/14/EC)	Ниво на силата на шума с равнище А (в съответствие с 2000/14/EC)	А-важният рівень звукової потужності (відповідно до 2000/14/EC)	A ağırlıklı ses gücü seviyesi (2000/14/EC uyarınca)	93 dB(A)
Neodređenost mjerenja	Negotovost meritve	Nespoahlivost' meraní	Несигурност на измерването	Невизначеність вимірювання	Ölçüm bilinmiyor	3.1 dB(A)
Ponderirana emisija razine zvučne snage (u skladu s 2000/14/EC)	A-ovrednotena raven zvočne moći (v skladu s standardom 2000/14/EC)	Vážená A hladina emisii akustického výkonu (podľa normy 2000/14/EC)	Ниво на силата на шумовите емисии с равнище А (в съответствие с 2000/14/EC)	Заявлене А-важният рівень звукової потужності (відповідно до 2000/14/EC)	Beyan Edilmiş A-ağırlıklı ses gücü düzeyi (2000/14/EC uyarınca)	96 dB(A)



Zamjena dijelova	Nadomestni deli	Náhradné diely	Резервни части	Змінна частина	Yedek Parça	
Model	Model	Modelis	Модел	Модель	Model	RLT3525
Cijeli kalem, 1,2 mm	1,2-milimetarski popolni motek	1,2 mm cievkva kompletná	Окомплектована макара 1,2 mm	Повна котушка 1,2 mm	1,2 mm tam daire	RAC118
Kalem, 1,2 mm (3 kom)	1,2-milimetarski motek (3 kosi)	1,2 mm cievkva (3 ks)	Макара 1,2 mm (3 бр.)	Котушка 1,2 mm (3 штуки)	1,2 mm daire (3 parça)	RAC119
Kalem, 1,2 mm (3 kom)	1,2-milimetarski motek (3 kosi)	1,2 mm cievkva (3 ks)	Макара 1,2 mm (3 бр.)	Котушка 1,2 mm (3 штуки)	1,2 mm daire (3 parça)	RAC149



EN GUARANTEE

In addition to any statutory rights resulting from the purchase, this product is covered by a guarantee as stated below.

1. The guarantee period is 24 months for consumers and commences on the date when the product was purchased. This date has to be documented by an invoice or other proof of purchase. The product is designed and dedicated to consumer and private use only. So there is no guarantee provided in case of professional or commercial use.
2. There is, in some cases (i.e. promotion, range of tools), a possibility to extend the warranty period over the period described above using the registration on the www.ryobitools.eu website. The eligibility of the tool is clearly displayed in stores and/or on packaging. The end user needs to register his/her newly-acquired tools online within 8 days from the date of purchase. The end user may register for the extended warranty in his country of residence if listed on the online registration form where this option is valid. Furthermore, end users must give their consent to the storage of the data which are required to enter online and they have to accept the terms and conditions. The registration confirmation receipt, which is sent out by e-mail, and the original invoice showing the date of purchase will serve as proof of the extended warranty. Your statutory rights remain unaffected.
3. The guarantee covers all defects of the product during the warranty period due to defaults in workmanship or material at the purchase date. The guarantee is limited to repair and/or replacement and does not include any other obligations including but not limited to incidental or consequential damages. The warranty is not valid if the product has been misused, used contrary to the instruction manual, or being incorrectly connected. This guarantee does not apply to
 - any damage to the product that is the result of improper maintenance
 - any product that has been altered or modified
 - any product where original identification (trade mark, serial number) markings have been defaced, altered or removed
 - any damage caused by non-observance of the instruction manual
 - any non CE product
 - any product which has been attempted to be repaired by an non-qualified professional or without prior authorization by Techtronic Industries
 - any product connected to improper power supply (amps, voltage, frequency)
 - any product used with inappropriate fuel mixture (fuel, oil, percentage of oil)
 - any damage caused by external influences (chemical, physical, shocks) or foreign substances
 - normal wear and tear of spare parts
 - inappropriate use, overloading of the tool
 - use of non-approved accessories or parts
 - carburettor after 6 months, carburettor adjustments after 6 months
 - components (parts and accessories) subject to natural wear and tear, including but not limited to bump knobs, drive belts, clutch, blades of hedge trimmers or lawn mowers, harness, cable throttle, carbon brushes, power cord, tines, felt washers, hitch pins, blower fans, blower and vacuum tubes, vacuum bag and straps, guide bars, saw chains, hoses, connector fittings, spray nozzles, wheels, spray wands, inner reels, outer spools, cutting lines, spark plugs, air filters, gas filters, mulching blades, etc.
4. For servicing, the product must be sent or presented to a RYOBI authorized service station listed for each country in the following list of service station addresses. In some countries your local RYOBI dealer undertakes to send the product to the RYOBI service organisation. When sending a product to a RYOBI service station, the product should be safely packed without any dangerous contents such as petrol, marked with sender's address and accompanied by a short description of the fault.
5. A repair/replacement under this guarantee is free of charge. It does not constitute an extension or a new start of the guarantee period. Exchanged parts or tools become our property. In some countries delivery charges or postage will have to be paid by the sender.
6. This guarantee is valid in the European Community, Switzerland, Iceland, Norway, Liechtenstein, Turkey and Russia. Outside these areas, please contact your authorized RYOBI dealer to determine if another warranty applies.

AUTHORISED SERVICE CENTRE

To find an authorised service centre near you, visit <http://uk.ryobitools.eu/header/service-and-support/service-agents>.

FR GARANTIE

En plus des droits statutaires liés à l'achat, ce produit est couvert par une garantie telle que décrite ci-dessous.

1. La durée de la garantie accordée au consommateur est de 24 mois à partir de la date d'achat. Cette date doit être authentifiée par une facture ou tout autre preuve d'achat. Le produit a été conçu en vue d'une utilisation strictement privée. Aucune garantie ne s'applique donc en cas d'utilisation professionnelle ou commerciale.
2. Il existe, dans certains cas (par exemple promotion, gamme d'outils), une possibilité d'étendre la période de garantie au-delà de la période précédemment décrite en utilisant le formulaire d'enregistrement présent sur le site Internet www.ryobitools.eu. L'éligibilité d'un outil est clairement affichée dans les points de vente et/ou sur l'emballage. L'utilisateur final doit enregistrer son/ses outil(s) nouvellement acheté(s) en ligne dans les 8 jours qui suivent la date d'achat. L'utilisateur a la possibilité de s'enregistrer pour l'extension de garantie dans son pays de résidence si celui-ci est listé dans le formulaire d'enregistrement en ligne où cette option est valide. L'utilisateur final doit donner son consentement pour l'enregistrement des données requises pour accéder au site et doit accepter les termes et conditions. La confirmation d'enregistrement, envoyée par courrier électronique, ainsi que la facture originale mentionnant la date d'achat serviront de preuve de l'extension de garantie. Vos droits statutaires restent inchangés.
3. La garantie couvre les défauts des pièces et de main d'oeuvre du produit pendant la période de garantie à partir de la date d'achat. La garantie n'inclut aucune autre obligation, tel que, mais sans s'y limiter, les dommages accessoires ou indirects. La garantie est non valable en cas de mauvaise utilisation du produit, d'utilisation contraire aux instructions du mode d'emploi, ou en cas de branchement incorrect. Cette garantie ne s'applique pas pour :
 - tout dommage au produit résultant d'un mauvais entretien
 - tout produit ayant été altéré ou modifié
 - tout produit dont les marquages originaux d'identification (marque, numéro de série) ont été dégradés, altérés ou retirés
 - tout dommage causé par le non-respect des instructions du mode d'emploi
 - tout produit non CE
 - tout produit ayant subi une tentative de réparation par du personnel non qualifié ou sans autorisation préalable de Techtronic Industries
 - tout produit raccordé à une alimentation secteur non conforme (ampérage, voltage, fréquence)
 - tout produit utilisé avec un mélange inapproprié (essence, huile, pourcentage d'huile)
 - tout dommage causé par des influences extérieures (chimiques, physiques, chocs) ou par des substances étrangères
 - l'usure normale des pièces consommables
 - une utilisation inappropriée, une surcharge de l'outil
 - l'utilisation de pièces ou accessoires non agréés
 - les carburateurs après plus de 6 mois à compter de la date d'achat, également les réglages du carburateur après plus de 6 mois à compter de la date d'achat
 - les composants (pièces et accessoires) sujets à une usure naturelle, incluant de façon non exhaustive les têtes de fil à frapper, les courroies de transmission, les embrayages, les lames des taille-haies ou des tondeuses à gazon, les harnais, les câbles d'accélérateur, les charbons, les cordons d'alimentation, les fraises de cultivateurs, les rondelles feutre, les goupilles de fraise, les turbines et lame de broyage des souffleurs, les tubes de soufflage et d'aspiration des souffleurs, les sacs de souffleurs et leurs lanières, les guides-chaîne, les chaînes de tronçonneuses, les tuyaux et raccords, les buses et lances de nettoyeurs haute pression, les roues, les recharges de fil des têtes de coupe, les têtes de coupe, le fil de coupe, les bougies d'allumage, les filtres à air, les filtres à essence, etc.
4. Si le produit doit être réparé, envoyez-le à un service après-vente agréé RYOBI dont vous trouverez ci-dessous la liste pour chaque pays. Dans certains pays, votre revendeur RYOBI se chargera d'envoyer le produit à un centre de réparation RYOBI. Lorsque vous envoyez un produit à un service après-vente RYOBI, celui-ci doit être correctement emballé, sans contenir aucun produit dangereux tel que de l'essence, et vous devez indiquer votre adresse ainsi qu'une courte description du problème.
5. Une réparation / un remplacement sous garantie est gratuit(e). Ceci ne constituera pas une extension de garantie ni un nouveau départ de la période de garantie. Les pièces ou les outils remplacés deviennent notre propriété. Dans certains pays, les frais de port devront être assumés par l'expéditeur.
6. Cette garantie est valable au sein de l'Europe, de la Suisse, de l'Islande, de la Norvège, du Liechtenstein, de la Turquie, de la Russie. En dehors de ces zones, veuillez contacter votre distributeur agréé RYOBI pour déterminer si une autre garantie s'applique.

SERVICE APRÈS-VENTE AGRÉÉ

Pour trouver le service après-vente agréé le plus proche, rendez-vous sur <http://fr.ryobitools.eu/header/service-and-support/service-agents>.

DE GARANTIE

Zusätzlich zu den aufgrund des Kaufs entstehenden gesetzlichen Rechten, ist dieses Produkt von der unten aufgeführten Garantie abgedeckt.

- Die Garantiezeit für Endverbraucher beträgt 24 Monate für und beginnt ab dem Kaufdatum des Produktes. Dieses Datum muss durch eine Rechnung oder einen anderen Kaufbeleg dokumentiert sein. Das Produkt ist ausschließlich für den Privatgebrauch entwickelt und bestimmt. Deshalb wird keine Garantie im Fall von professionellem oder kommerziellem Einsatz angeboten.
- In einigen Fällen (z.B. Promotion, auf eine bestimmte Produktpalette oder auf bestimmte Produkte begrenzt) besteht die Möglichkeit die Garantiezeit über den oben genannten Zeitraum, durch Registrierung auf der Webseite www.ryobitools.eu, zu verlängern. Der verlängerte Garantieanspruch für ein bestimmtes Produkt wird deutlich in den Geschäften und/oder auf der Verpackung des Produktes gezeigt. Der Endverbraucher muss seine neu gekauften Produkte innerhalb von 8 Tagen ab Kaufdatum registrieren. Der Endverbraucher kann sich für die erweiterte Garantie im Land seines permanenten Wohnsitzes registrieren, wenn diese Möglichkeit in dem Online-Formular gegeben ist. Des weiteren müssen die Endverbraucher ihr Einverständnis zur Speicherung der online angegebenen Daten geben und die Geschäftsbedingungen annehmen. Die per E-Mail verschickte Bestätigung der Registrierung und die Originalrechnung mit Kaufdatum dienen als Nachweis für die verlängerte Garantie. Ihre gesetzlichen Rechte bleiben unangetastet.
- Die Garantie deckt während der Garantiezeit ab Kaufdatum alle Produktmängel aufgrund von Material- oder Herstellungsmängeln ab. Diese Garantie ist auf Reparatur und/oder Ersatz beschränkt und enthält keine weiter Verpflichtungen einschließlich aber nicht beschränkt auf beiläufige oder resultierende Schäden. Die Garantie ist nicht gültig, wenn das Produkt missbräuchlich oder entgegen der Bedienungsanleitung benutzt, oder falsch angeschlossen wurde. Diese Garantie gilt nicht für:
 - Jegliche Schäden die an dem Produkt aufgrund falscher Wartung entstehen.
 - Jedes Produkt das verändert oder modifiziert wurde.
 - Jedes Produkt an dem die originale Identifizierung (Markenzeichen, Seriennummer) verunstaltet, verändert oder entfernt wurden.
 - Jede Beschädigung die durch Nichtbeachtung der Bedienungsanleitung verursacht wurde.
 - Jedes Produkt ohne CE Zeichen.
 - Jedes Produkt das von einer unqualifizierten Person oder ohne vorherige Genehmigung von Techtronic Industries versucht wurde zu reparieren.
 - Jedes Produkt das an eine falsche Stromversorgung (Ampere, Spannung, Frequenz) angeschlossen wurde.
 - Jedes Produkt das mit einer falschen Treibstoffmischung (Treibstoff, Öl, Prozentanteil von Öl) betrieben wurde.
 - Jede Beschädigung die von äußeren Einflüssen (chemisch, physisch, Stöße) oder fremden Substanzen verursacht wurde.
 - Normaler Verschleiß und Abnutzung von Ersatzteilen.
 - Zweckwidrige Benutzung, Überlastung des Werkzeugs.
 - Benutzung von nicht zugelassenem Zubehör oder Teilen.
 - Den Vergaser nach 6 Monaten, die Vergasereinstellung nach 6 Monaten.
 - Teile (Teile und Zubehörteile) die normalem Verschleiß unterliegen, einschließlich aber nicht beschränkt auf Fadenköpfe, Antriebsriemen, Kupplungen, Klingen von Heckenschneidern oder Rasenmähern, Gurtzeug, Gaszügen, Kohlebürsten, Netzkabel, Zinken, Filzunterlegscheiben, Anhangsstifte, Gebläse, Gebläse- und Saugschläuche, Saugbeutel und Riemen, Führungsschienen, Sägeketten, Schläuche, Anschlüsse, Sprühdüsen, Räder, Sprühdüsen, innere Rollen, äußere Spulen, Schneidfäden, Zündkerzen, Luftfilter, Treibstofffilter, Mulchmesser usw.
- Zur Wartung muss das Produkt eingeschickt werden oder einem für jedes Land in der folgenden Liste aufgeführten autorisierten RYOBI Kundendienst gebracht werden. In einigen Ländern schickt Ihr örtlicher RYOBI Händler das Produkt an den RYOBI Kundendienst. Wenn ein Produkt an den RYOBI Kundendienst geschickt wird, sollte es sicher verpackt werden, ohne gefährlichen Inhalt, wie Treibstoff, mit der Absenderadresse versehen sein und eine kurze Beschreibung des Fehlers enthalten.
- Reparatur/Ersatz unter dieser Garantie sind kostenfrei. Das stellt keine Verlängerung oder Neustart der Garantiezeit dar. Ausgewechselte Teile oder Werkzeuge treten in unseren Besitz über. In einigen Ländern müssen Lieferkosten oder Postgebühren von dem Absender getragen werden.
- Diese Garantie gilt in der Europäische Gemeinschaft, Schweiz, Island, Norwegen, Liechtenstein, Türkei und Russland. Bitte kontaktieren Sie Ihren autorisierten RYOBI-Händler, um herauszufinden ob eine andere Gewährleistung außerhalb dieser Gebiete gültig ist.

AUTORISIERTER KUNDENDIENST

Besuchen Sie <http://de.ryobitools.eu/header/service-and-support/service-agents>, um einen autorisierten Kundendienst in Ihrer Nähe zu finden.

ES GARANTÍA

Además de cualquier derecho estatutario derivado de la compra, este producto está cubierto con la siguiente garantía.

- El período de garantía es de 24 meses para los consumidores y comienza a partir de la fecha de compra del producto. Esta fecha debe demostrarse con una factura u otra prueba de compra. El producto está diseñado y destinado al consumidor y únicamente para uso privado. Por tanto, no se ofrece ninguna garantía en caso de uso profesional o comercial.
- En algunos casos (como promociones o un conjunto de herramientas) existe la posibilidad de ampliar el período de garantía hasta el período descrito anteriormente mediante el registro en el sitio web www.ryobitools.eu. La elegibilidad de la herramienta se muestra claramente en las tiendas o en el embalaje. El usuario final debe registrar sus herramientas recién adquiridas en línea en los 8 días siguientes a la fecha de compra. El usuario final podrá registrarse para ampliar la garantía en su país de residencia si éste aparece en el formulario de registro en línea en que esta opción es válida. Además, los usuarios finales deben dar su consentimiento para que se guarden los datos que se solicitan para entrar en línea y aceptar los términos y condiciones. El recibo de la confirmación de registro, que se enviará por correo electrónico, y la factura original que muestre la fecha de compra servirán como prueba de la ampliación de la garantía. Sus derechos estatutarios permanecerán intactos.
- La garantía cubre, durante el período de garantía, todos los defectos del producto que se deban a fallos de la mano de obra o a fallos del material en la fecha de compra. La garantía tiene un límite de reparación o sustitución y no incluye ninguna otra obligación se deba a, aunque sin limitarse a ello, daños accidentales o incidentales. La garantía no es válida si se ha hecho un uso inadecuado del producto, si no se ha usado siguiendo el manual de instrucciones o si se ha conectado incorrectamente. Esta garantía no se aplica a:
 - cualquier daño del producto derivado de un mantenimiento inadecuado
 - cualquier producto que haya sido alterado o modificado
 - cualquier producto en el que las marcas de identificación originales (marca comercial, número de serie) hayan sido borradas, modificadas o eliminadas
 - cualquier daño causado por el incumplimiento del manual de instrucciones
 - cualquier producto que no sea CE
 - cualquier producto que haya intentado reparar un profesional no cualificado o sin una autorización previa de Techtronic Industries
 - cualquier producto conectado a un suministro eléctrico inadecuado (amperios, tensión, frecuencia)
 - cualquier producto utilizado con una mezcla de combustible inadecuada (combustible, aceite, porcentaje de aceite)
 - cualquier daño causado por influencias externas (de productos químicos, daños físicos, descarga eléctrica) o sustancias extrañas
 - desgaste o rotura normal de las piezas de repuesto
 - uso inadecuado, sobrecarga de la herramienta
 - uso de accesorios o piezas no homologados
 - carburador después de 6 meses, ajustes del carburador después de 6 meses
 - componentes (piezas y accesorios) sujetos a un desgaste o rotura natural, incluyendo, aunque sin limitarse a ello, las perillas de las bombas, correas de transmisión, embrague, cuchillas de cortasetos o cortacéspedes, arnés, acelerador, escobillas de carbón, cable de alimentación, horquillas, arandelas de fieltro, pasadores de enganche, ventiladores, tubos de ventilador y de vacío, correas y bolsas de vacío, barras de guía, sierras de cadena, mangueras, accesorios de conexión, boquillas pulverizadoras, ruedas, varas rioradoras, carretes interiores y exteriores, hilos de corte, bujías, filtros de aire, filtros de gas, cuchillas de trituración, etc.
- Para el servicio, el producto debe enviarse o entregarse en un punto de servicio técnico autorizado RYOBI enumerado para cada país en la siguiente lista de direcciones de servicio técnico. En algunos países su distribuidor local RYOBI se encarga de enviar el producto a la organización del servicio de RYOBI. Al enviar un producto a un punto de servicio técnico RYOBI, el producto debe embalarse de forma segura sin que contenga ninguna sustancia peligrosa como petróleo, debe llevar la dirección del remitente e ir acompañado de una breve descripción del fallo.
- Una reparación/sustitución dentro de esta garantía se realiza de forma gratuita. No constituye una ampliación ni un reinicio del período de garantía. Las piezas o herramientas que se cambian pasan a ser de nuestra propiedad. En algunos países los gastos de envío o del franqueo deberá pagarlos el remitente.
- Esta garantía es válida en la Comunidad Europea, Suiza, Islandia, Noruega, Liechtenstein, Turquía y Rusia. Fuera de estas zonas, póngase en contacto con su distribuidor autorizado RYOBI para determinar si se aplica otra garantía.

SERVICIO TÉCNICO AUTORIZADO

Para encontrar el servicio técnico autorizado más cercano, visite <http://uk.ryobitools.eu/header/service-and-support/service-agents>.



IT GARANZIA

Oltre ai legittimi diritti derivanti dall'acquisto del prodotto, quest'ultimo è coperto da garanzia come indicato nei seguenti punti.

- Il periodo di garanzia per il consumatore è di 24 mesi ed ha inizio dalla data in cui il prodotto è stato acquistato. Questa data deve essere documentata da una ricevuta o da altra prova d'acquisto. Il prodotto è stato disegnato e progettato solo per l'utilizzo privato del consumatore. La garanzia viene invalidata in caso di utilizzo professionale o commerciale.
- In alcuni casi (per esempio promozioni e gamme di prodotti) esiste la possibilità di estendere il periodo di garanzia oltre il periodo indicato sopra registrandosi sul sito web www.ryobitools.eu. L'idoneità del prodotto a rievolvere tale estensione viene indicata chiaramente nei punti vendita e/o sull'imballo. L'utente finale deve registrare il suo prodotto appena acquistato online entro 8 giorni dalla data d'acquisto. L'utente finale può accedere all'offerta nel suo paese quando la stessa è valida e qualora si sia registrato online. Inoltre, gli utenti finali devono dare il proprio consenso all'archiviazione dei dati che si inseriscono online indicando che i termini e le condizioni sono stati accettati. La ricezione della conferma della registrazione verrà inviata via email e la fattura originale indicante la data d'acquisto verrà utilizzata come prova della garanzia estesa. I diritti legittimi dell'utente rimarranno invariati.
- La garanzia copre tutti i difetti di fabbricazione del prodotto durante il periodo di garanzia a causa di guasti di fabbricazione o di materiale alla data di acquisto. La garanzia è limitata alla riparazione e/o alla sostituzione e non include altri obblighi compreso ma non limitato a danni incidentali o consequenziali. La garanzia non è valida se il prodotto non è stato utilizzato come indicato nel manuale di istruzioni o se è stato collegato in maniera non corretta. La garanzia non si applica a:
 - qualsiasi danno al prodotto che sia il risultato di una scorretta manutenzione
 - qualsiasi prodotto che sia stato alterato o modificato
 - qualsiasi prodotto sul quale l'identificazione originale (marchio registrato, numero di serie) sia stata resa illegibile, sia stata danneggiata o alterata
 - qualsiasi danno causato dalla non osservanza del manuale d'istruzioni
 - qualsiasi prodotto non contrassegnato con il marchio CE
 - qualsiasi prodotto che una persona non qualificata abbia tentato di riparare o che si è tentato di riparare senza l'autorizzazione delle Techtronisianoc Industries
 - qualsiasi prodotto collegato a un'alimentazione non corretta (per amp, voltaggio, frequenza)
 - qualsiasi prodotto utilizzato con la miscela scorretta di carburante (carburante, olio, percentuale d'olio)
 - qualsiasi danno causato da agenti esterni (chimici, fisici o shock) o da sostanze estranee
 - normale usura di parti di ricambio
 - utilizzo non appropriato, sovraccaricamento di utensili
 - utilizzo non approvato di accessori o parti
 - carburatore dopo 6 mesi, regolazioni al carburatore dopo 6 mesi
 - componenti (parti e accessori) soggetti alla normale usura, compreso ma non limitato a manopole di avviamento a spinta, cinghie di trasmissione, frizione, lame di sfrondatori o tagliaerba, cablaggio, cavo dell'acceleratore, spazzole al carbonio, cavi dell'alimentazione, lancette, rondelle in feltro, perni di aggancio, ventole del soffiatore, tubi del soffiatore e dell'aspirapolvere, sacchetti e cinghie dell'aspirapolvere, barre di guida, catene della motosega, tubi, raccordi del connettore, ugelli a spruzzo, ruote, bacchette a spruzzo, bobine interne, bobine esterne, fili di taglio, candele, filtri dell'aria, filtri del gas, lame di triturazione, ecc.
- Per servizi di manutenzione, il prodotto dovrà essere mandato o presentato presso un punto di servizio clienti autorizzato RYOBI indicato nella seguente lista. In alcune nazioni il rivenditore RYOBI si occuperà di inviare il prodotto al più vicino servizio clienti Ryobi. Quando si invia un prodotto a un servizio clienti RYOBI, il prodotto dovrà essere correttamente imballato senza eventuali contenuti pericolosi quali carburanti, e contrassegnato con l'indirizzo della persona che lo ha inviato e accompagnato da una breve descrizione del problema riscontrato.
- Si garantisce una riparazione/sostituzione gratuita quando il prodotto è coperto da garanzia. Questa sostituzione o riparazione non costituisce una estensione o un nuovo inizio di un periodo di garanzia. Le parti o l'utensile cambiati sono di proprietà della ditta. In alcune nazioni i costi di consegna o invio dovranno essere pagati dalla persona che spedisce.
- Questa garanzia è valida all'interno della Comunità Europea, in Svizzera, Islanda, Norvegia, Liechtenstein, Turchia e Russia. Al di fuori di queste aree, si prega di contattare il proprio gestore autorizzato RYOBI per determinare se si applica un'altra garanzia.

CENTRO SERVIZI AUTORIZZATO

Per individuare il più vicino centro servizi autorizzato, visitare il sito <http://uk.ryobitools.eu/header/service-and-support/service-agents>.

NL GARANTIE

Bovenop de statutaire rechten als gevolg van de aankoop, wordt dit product gedekt door een garantie, zoals deze hieronder wordt beschreven.

- De garantietermijn bedraagt 24 maanden voor consumenten en begint vanaf de datum waarop het product werd aangekocht. Deze datum moet worden gedocumenteerd door een factuur of ander aankoopbewijs. Het product is uitsluitend ontworpen en bedoeld voor particuliere gebruikers. De garantie vervalt bij professioneel of commercieel gebruik.
- In enkele gevallen (vb. promotie, gereedschapsaanbod) bestaat er een mogelijkheid om de garantietermijn te verlengen met dezelfde periode als deze hierboven beschreven met behulp van de registratie op de website www.ryobitools.eu. Of het product al of niet in aanmerking komt, is duidelijk aangegeven in winkels en/of de verpakking. De eindgebruiker dient zijn/haar nieuw werktuig binnen de 8 dagen na de aankoopdatum online registreren. De eindgebruiker kan zich aanmelden voor de uitgebreide garantie in zijn verblijfsland als dit op het online registratieformulier is opgenomen wanneer deze optie geldig is. Bovendien moet de eindgebruiker zijn toestemming geven om informatie te gebruiken die nodig is om toegang te krijgen tot de website en dient de algemene voorwaarden te accepteren. Het ontvangstbewijs van dit registratieformulier, dat via e-mail wordt verzonden, en de originele factuur die de aankoopdatum vermeldt dienen als bewijs van de uitgebreide garantie. Uw statutaire rechten blijven onveranderd.
- De garantie dekt alle defecten van het product gedurende de garantietermijn als gevolg van fouten in het werk of materiaal op de aankoopdatum. De garantie is beperkt tot de reparatie en/of vervanging en omvat geen andere verplichtingen waaronder, maar niet beperkt tot, incidentele of gevolgschade. De garantie is niet geldig als het product werd misbruikt, in tegenspraak met de gebruiksaanwijzing werd gebruikt of foutief werd verbonden. Deze garantie geldt niet voor:
 - schade aan het product als gevolg van foutief onderhoud
 - als het product op enigerlei wijze werd gewijzigd
 - als originele markeringen ter identificatie (handelsmerk, serienummer) van het product werden verwijderd of gewijzigd
 - voor schade als gevolg van het niet in acht nemen van deze gebruiksaanwijzing
 - een niet EC-product
 - een product, waaraan een niet-gekwalificeerde vakman reparaties uitvoerde of waaraan reparaties werden uitgevoerd zonder voorafgaande toestemming van Techtronisianoc Industries
 - een product dat werd aangesloten aan een foutieve krachtbron (amps, spanning, frequentie)
 - een product dat met een ongeschikt brandstofmengsel (brandstof, olie, oliepercentage) werd gebruikt
 - schade veroorzaakt door externe invloeden (chemische, fysieke schokken) of vreemde stoffen
 - normale slijtage van reserve-onderdelen
 - foutief gebruik, overbelasting van het werktuig
 - gebruik van niet-goedgekeurde accessoires of onderdelen
 - de carburator na 6 maanden, carburatorafstellingen na 6 maanden
 - componenten (onderdelen en accessoires) die onderworpen zijn aan slijtage, met inbegrip van, maar niet beperkt tot stookknoppen, aandrijfriemen, koppeling, snijbladen van heggentrimmers of grasmaaimachines, harnassen, versnellingskabels, koolborstels, stroomsnoeren, tanden, viltrennen, trekpenen, ventilatoren, blazer- en vacuümhuizen, stofzuigzakken en -riemen, geleiders, zaagkettingen, slangen, connectoren, sproeimodellen, wielen, sproeiërs, inwendige spoelen, uitwendige spoelen, maaialijnen, bougies, luchtfilters, gasfilters, struikruimbladen, etc.
- Voor onderhoud moet het product naar een geautoriseerd RYOBI-onderhoudsstation worden gestuurd of gebracht. Een lijst met de adressen van deze stations per land is hier opgenomen. In bepaalde landen verzendt uw plaatselijke RYOBI-verdeler het product naar de RYOBI-onderhoudsorganisatie. Als een product naar een RYOBI-onderhoudsstation wordt gezonden, moet het product veilig zijn verpakt zonder gevaarlijke inhoud, zoals benzine, met aanduiding van het adres van de verzender en met inbegrip van een korte beschrijving van de fout.
- Een reparatie/vervanging onder deze garantie is gratis. Dit heeft geen gevolgen voor de duur van deze garantie of betekent niet dat de garantie wordt verlengd of opnieuw begint. Vervangen onderdelen of werktuigen worden onze eigendom. In bepaalde landen moeten verzendings- of leveringskosten door de verzender worden betaald.
- Deze garantie is geldig in de Europese Unie, Zwitserland, IJsland, Noorwegen, Liechtenstein, Turkije en Rusland. Buiten deze landen neemt u contact op met uw geautoriseerde RYOBI-verdeler om te bepalen of er een andere garantie geldt is.

GEAUTORISEERD ONDERHOUDSCENTRUM

Om een geautoriseerd onderhoudscentrum in uw buurt te vinden, surf u naar <http://uk.ryobitools.eu/header/service-and-support/service-agents>.



PT GARANTIA

Além de qualquer direito estatutário derivado da compra, este produto está coberto com a seguinte garantia.

- O período de garantia é de 24 meses para os consumidores e começa a partir da data de compra do produto. Esta data deve ser comprovada com uma factura ou outra prova de compra. O produto foi desenhado e destinado ao consumidor e apenas para uso privado. Portanto, não se oferece qualquer garantia em caso de uso profissional ou comercial.
- Em alguns casos (como promoções ou um conjunto de ferramentas) existe a possibilidade de ampliar o período de garantia até ao período descrito anteriormente através do registo no website www.ryobitools.eu. A elegibilidade da ferramenta mostra-se claramente nas lojas ou na embalagem. O utilizador final deve registar as suas ferramentas recém-adquiridas on-line nos 8 dias seguintes à data de compra. O utilizador final poderá registar-se para ampliar a garantia no seu país de residência se este aparecer no formulário de registo on-line em que esta opção é válida. Além disso, os utilizadores finais devem dar o seu consentimento para se guardarem os dados que se solicitam para entrar on-line e aceitar os termos e condições. A confirmação de registo, que será enviada por correio electrónico, e a factura original que mostre a data de compra servirão como prova da ampliação da garantia. Os seus direitos estatutários permanecerão intactos.
- A garantia cobre, durante o período de garantia, todos os defeitos do produto que se devam a falhas da mão-de-obra ou a falhas do material na data de compra. A garantia tem um limite de reparação ou substituição e não inclui qualquer outra obrigação que se deva a, embora sem se limitar a tal, danos acidentais ou incidentais. A garantia não é válida se se fez um uso inadequado do produto, se não se usou seguindo o manual de instruções ou se foi ligado incorrectamente. Esta garantia não se aplica a:
 - qualquer dado do produto derivado de uma manutenção inadequada
 - qualquer produto que tenha sido alterado ou modificado
 - qualquer produto em que as marcas de identificação originais (marca comercial, número de série) tenham sido apagadas, modificadas ou eliminadas
 - qualquer dano causado por incumprimento do manual de instruções
 - qualquer produto que não seja CE
 - qualquer produto que um profissional não qualificado tenha tentado reparar ou sem uma autorização prévia de Techtronic Industries
 - qualquer produto ligado a um fornecimento eléctrico inadequado (ampérios, tensão, frequência)
 - qualquer produto utilizado com uma mistura de combustível inadequada (combustível, óleo, percentagem de óleo)
 - qualquer dano causado por influências externas (de produtos químicos, danos físicos, descarga eléctrica) ou substâncias estranhas
 - desgaste ou ruptura normal das peças de substituição
 - uso inadequado, sobrecarga da ferramenta
 - uso de acessórios ou peças não homologadas
 - carburador após 6 meses, ajustes do carburador após 6 meses
 - componentes (peças e acessórios) sujeitos a um desgaste ou ruptura natural, incluindo, embora sem se limitar a tal, os botões de embate, correias de transmissão, embraiagem, lâminas de corta-arbustos ou corta-relvas, ameses, acelerador, escovas de carvão, cabo de vácuo, barras de guia, serras de cadeia, mangueiras, acessórios de ligação, boquilhas pulverizadoras, rodas, varas borrifadoras, carretes interiores e exteriores, fios de corte, velas, filtros de ar, filtros de gás, lâminas de trituração, etc.
- Para o serviço, o produto deve ser enviado ou entregue num ponto de serviço técnico autorizado RYOBI enumerado para cada país na seguinte lista de moradas de serviço técnico. Em alguns países o seu distribuidor local RYOBI encarrega-se de enviar o produto para a organização do serviço de RYOBI. Ao enviar um produto a um ponto de serviço técnico RYOBI, o produto deve ser embalado de forma segura sem que contenha qualquer substância perigosa como petróleo, deve levar a morada do remetente e ir acompanhado de uma breve descrição da falha.
- Uma reparação/substituição dentro desta garantia realiza-se de forma gratuita. Não constitui uma ampliação nem um reinício do período de garantia. As peças o ferramentas que se alterem passam a ser da nossa propriedade. Em alguns países os gastos de envio ou da franquia deverá pagá-los o remetente.
- Esta garantia é válida na Comunidade Europeia, Suíça, Islândia, Noruega, Liechtenstein, Turquia e Rússia. Fora destas zonas, entre em contacto com o seu distribuidor autorizado RYOBI para determinar se se aplica outra garantia.

CENTRO DE ASSISTÊNCIA AUTORIZADO

Para encontrar um centro de assistência autorizado próximo de si, visite <http://uk.ryobitools.eu/header/service-and-support/service-agents>.

DA GARANTI

Ud over de lovbestemte rettigheder ved køb, er dette produkt dækket af en garanti som angivet nedenfor.

- Garantien er 24 måneder for forbrugerne og træder i kraft den dato, hvor produktet bliver købt. Denne dato skal dokumenteres af en faktura eller andet købsbevis. Produktet er designet og beregnet til privat brug. Så der er ingen garanti i tilfælde af erhvervs-mæssig brug.
- Der er i visse tilfælde (f.eks. kampagner eller udvalgt produkter) mulighed for at forlænge garantien i perioden beskrevet ovenfor ved at registrere produktet på www.ryobitools.dk. Berettigelsen af produktet vises tydeligt i butikker og / eller på emballagen. Slutbrugeren skal registrere hans/hendes nyhvervede produkter online indenfor 8 dage fra købsdatoen. Slutbrugeren kan tilmelde sig den udvidede garanti i sit bopælsland, hvis det er opført på den online tilmeldingsformular. Desuden skal slutbrugere give deres samtykke til lagring af de data, der er nødvendige for at komme ind på nettet, og de er nødt til at acceptere vilkår og betingelser. Kvittingen på modtagelsen af registrering, som udsendes via e-mail, og den originale faktura, der angiver købsdatoen, fungerer som bevis på den udvidede garanti. Dine lovbestemte rettigheder forblive uændret.
- Garantien dækker alle fejl ved produktet i løbet af garantiperioden, som kan føres tilbage til fabrikkens- eller materialefejl på købsdatoen. Garantien begrænser sig til reparation og/eller udskidning og omfatter ikke andre forpligtelser inklusiv, men ikke begrænset til, skader eller følgeskader. Garantien er ikke gyldig, hvis produktet har været udsat for misbrug, anvendelse i strid med brugsanvisningen eller har været tilsluttet forkert. Denne garanti dækker ikke:
 - Enhver skade på produktet som følge af ukorrekt vedligeholdelse
 - Ethvert produkt, som er blevet ændret eller modificeret
 - Ethvert produkt, hvor de originale identifikationsmærker (varemærke, serienummer) er blevet ødelagt, ændret eller fjernet
 - Enhver skade, der skyldes manglende overholdelse af brugsanvisningen
 - Ethvert produkt uden CE-mærkning
 - Ethvert produkt, som har været udsat for forsøg på reparation af en uautoriseret fagmand eller uden accept fra Techtronic Industries
 - Ethvert produkt, der har været sluttet til forkert strømforsyning (ampere, spænding, frekvens)
 - Ethvert produkt, der har været anvendt med forkert brændstofblanding (brændstof, olie, olieforhold)
 - Enhver skade, der skyldes udefra kommende påvirkninger (kemisk, fysisk, stød) eller fremmedlegemer
 - Normal slitage på reservedele
 - Forkert anvendelse, overbelastning af produktet
 - Brug af ikke-godkendt tilbehør eller (reserve)dele
 - Karburator efter 6 måneder, karburatorjusteringer efter 6 måneder
 - komponenter (dele og tilbehør), der har været udsat for naturlig slitage, inklusive, men ikke begrænset til, afstandsknopper, drivremme, kobling, klinger på hækkeklippere eller plæneklippere, seler, gaskabel, kulbørster, strømforsyningskabel, knive, filtknive, låsestifte, blæseventilatorer, blæse- og indsuigningsrør, sugepose og stropper, styresværd, savkæder, slanger, tilslutningsfittings, sprøjtedyser, hjul, sprøjtestave, indvendige hjul, udvendige spoler, skæretråd, tændrør, luftfilter, gasfilter, bioklip-klinger, mv.
- Til servicering skal produktet indleveres til eller forevises et autoriseret RYOBI serviceværksted for det pågældende land. I nogle lande vil din lokale RYOBI-forhandler sende produktet til RYOBI's serviceorganisation. Når et produkt indleveres til et RYOBI serviceværksted, skal det emballeres forsvarligt uden farligt indhold (som f.eks. benzin), være forsynet med afsenderadresse og ledsaget af en kort beskrivelse af fejlen.
- Reparation/udskifning i henhold til denne garanti er gratis. Den medfører ikke forlængelse eller ny start af garantiperioden. Udskiftede dele eller værktøjer overgår til vores ejendom. I nogle lande skal leveringsomkostninger eller porto betales af afsenderen.
- Denne garanti er gyldig i EU, Schweiz, Island, Norge, Liechtenstein, Tyrkiet og Rusland. Uden for disse områder bedes man venligst kontakte sin autoriserede RYOBI-forhandler for at få opklaret, om evt. andre garantier er gældende.

AUTORISEREDE SERVICE/ÆRKSTEDER

Find nærmeste autoriserede serviceværksted på <http://dk.ryobitools.eu/header/service-and-support/service-agents>.

SV GARANTI

Förutom de lagstadgade rättigheter som följer köpet omfattas denna produkt av en garanti som anges nedan.

- Garantitiden är 24 månader för konsumenter och börjar den dag då produkten köptes. Detta datum måste kunna dokumenteras av en faktura eller annat inköpsbevis. Produkten är utformad och avsedd för konsumenter och ska endast användas för privat bruk. Det innebär att ingen garanti lämnas vid yrkesmässig eller kommersiell användning.
- I vissa fall (t.ex. marknadsföring, sortiment av verktyg), finns det en möjlighet att förlänga garantitiden under den period som beskrivs ovan genom registrering på hemsidan www.ryobitools.eu. De verktyg det gäller för framgår tydligt i butikler och/eller på förpackningen. Slut användaren måste registrera sitt nyinköpta verktyg på nätet inom 8 dagar från inköpsdatum. Slut användaren kan registrera sig för den utökade garantitiden i sitt hemland om det framgår på registreringsformuläret online där detta alternativ är giltigt. Dessutom måste slut användarna ge sitt samtycke till lagring av de uppgifter som krävs för att komma in på nätet och de måste godkänna villkoren. Registreringens mottagningsbevis som skickas ut via e-post och den ursprungliga fakturan som visar inköpsdatum fungerar som bevis på förlängd garantitid. Dina lagstadgade rättigheter påverkas inte.
- Garantin täcker alla fel på produkten under garantitiden som beror på fel i utförande eller material vid inköpsdatumet. Garantin är begränsad till reparation och/eller utbyte och inkluderar inte några andra åtaganden, inklusive men inte begränsat till oförutsedda skador eller följdskador. Garantin gäller inte om produkten har använts på fel sätt, använts på ett sätt som inte följer användarhandboken eller som har anslutits på ett felaktigt sätt. Denna garanti gäller inte för:
 - skador på produkten som beror på felaktigt underhåll
 - om produkten har ändrats eller modifierats
 - en produkt där den ursprungliga identifieringen (varumärke, serienummer) har förstörts, ändrats eller tagits bort
 - skador som orsakas av att användarhandboken inte har följts
 - alla produkter som inte följer CE-bestämmelser
 - en produkt som en icke-kvalificerad yrkesperson eller en person som inte har behörighet från Technronic Industries har försökt att reparera
 - en produkt som ansluts till eluttaget (ampere, spänning, frekvens) på fel sätt
 - en produkt som används med olämplig bränsleblandning (bränsle, olja, procent av olja)
 - skador som orsakas av yttre påverkan (kemiska, fysikaliska, stötar) eller främmande ämnen
 - normalt slitage av reservdelar
 - felaktig användning, överbelastning av verktyget
 - användning av icke-godkända tillbehör eller delar
 - förgasare efter 6 månader, justering av förgasare efter 6 månader
 - komponenter (delar och tillbehör) med förbehåll för normalt slitage, inklusive men inte begränsat till stötknappar, drivremmar, koppling, blad av häcksaxar eller gräsklippare, sele, kabelhållare, kolborstar, nätkabel, pinnar, filtbrickor, hitchkopplingar, blåsfåtkar, fläkt- och vakuurmör, vakuumväska och remmar, ledskenor, sågkedjor, slangar, anslutningar, sprutmunstycken, hjul, sprayanordningar, inre spolar, yttre spolar, skärande linjer, tändstift, luftfilter, gasfilter, marktäckningsblad, osv.
- För service, måste produkten skickas eller presenteras till en RYOBI-godkänd servicestation som anges för varje land i följande lista med adresser. I vissa länder ombesörjer den lokala RYOBI-återförsäljaren att skicka produkten till RYOBI-serviceorganisationen. När en produkt skickas till en RYOBI-servicestation, ska produkten förpackas på ett säkert sätt utan farligt innehåll som bensin, märkt med avsändarens adress tillsammans med en kort som beskriver felet.
- En reparation/utbyte som sker under denna garanti är gratis. Den utgör inte en förlängning eller en ny start på garantitiden. Utlys delar eller verktyg blir vår egendom. I vissa länder måste leveranskostnader eller porto betalas av avsändaren.
- Denna garanti gäller i EU, Schweiz, Island, Norge, Liechtenstein, Turkiet och Ryssland. Utanför dessa områden ska du kontakta din auktoriserade RYOBI-återförsäljare för att avgöra om en annan garanti gäller.

AUKTORISERAT SERVICECENTER

Du hittar närmaste auktoriserade servicecenter genom att gå till <http://uk.ryobitools.eu/header/service-and-support/service-agents>.

FI TAKUU

Hankinnasta kuitioivien laillisten oikeuksien lisäksi tätä tuotetta hallitsee alla kuvattu takuu.

- Takuukausi on 24 kuukautta kuluttajille ja alkaa tuotteen ostopäivästä. Tämän päivän on oltava merkitty kuittiin tai muuten todisteseen hankinnasta. Tämä tuote on suunniteltu ja tarkoitettu ainoastaan kuluttajien yksityiskäyttöön. Ammatti- ja kaupalliseen käyttöön ei näin ollen ole takuuta.
- Joissain tapauksissa (kuten tarjous, laitesarja) takuukautta voidaan pidentää kuvattua kautta pidemmäksi rekisteröimällä tuote osoitteessa www.ryobitools.eu. Takuun pidentämishakemuksia ilmoitetaan selkeästi kaupassa jäteti pakkauksessa. Loppukäyttäjän on rekisteröitävä uusi laitteensa online 8 päivän sisällä sen hankkimisesta. Loppukäyttäjän voi rekisteröityä saadakseen jatkuvan takuun asuinmaassaan, jos se mainitaan online-rekisteröintilomakkeessa. Lisäksi, loppukäyttäjän on annettava suostumuksensa tallentaa syötetyt tiedot online, ja hänen on hyväksyttävä ehdot. Sähköpostitse lähetettävä rekisteröintivahvistus ja alkuperäinen kuitti, josta ilmenee hankintapäivä, toimivat todistena takuun jatkamisesta. Lailliset oikeudet eivät muutu.
- Takuu kattaa takuukaikana kaikki tuotteen viat, jotka johtuvat valmistus- tai materiaaliavista hankintapäivänä. Takuu rajoittuu korjaukseen ja/ tai vaihtoon eikä sisällä mitään muita velvoitteita, mukaan lukien mm. satunnaiset ja seuraamukselliset vauriot. Takuu ei ole voimassa, jos tuotetta on väärinkäytetty tai käytetty käyttöoppaan vastaisesti tai se on kytketty virheellisesti. Takuu ei kata seuraavia:
 - tuotteelle koitunee vahingot, jotka johtuvat virheellisestä ylläpidosta
 - tuote, jota on muunneltu
 - tuote, jossa alkuperäiset tunnisteet (tavaramerkki, sarjanumero) ovat turmeltuneet tai niitä on muutettu tai ne on poistettu
 - käyttöoppaan laiminlyönnistä johtuvat vauriot
 - ei-EC-tuotteet
 - tuotteet, jolla on yrittänyt korjata ei-päteviä asentajia tai jonka korjaukselle ei ole saatu Technronic Industriesiltä hyväksyntää etukäteen
 - tuotteet, jotka on kytketty vääranlaiseen virtalähteeseen (virta, jännite, taajuus)
 - tuote, jossa on käytetty virheellistä polttoaineseosta (polttoaine, öljy, öhlyn osuus)
 - vauriot, jotka johtuvat ulkoisista syistä (kemikaalit, fyysiset tekijät, iskut) tai vieraista aineista
 - normaali varaosien kuluminen
 - virheellinen käyttö, laitteen ylikuormitus
 - muiden kuin hyväksytyjen lisävarusteiden ja osien käyttö
 - kaasutin 6 kuukauden jälkeen, kaasuttimen säätö 6 kuukauden jälkeen
 - komponentit (osat ja lisävarusteet), joihin kohdistuu luonnollista kulumista, mukaan lukien mm. napautuspuit, vetohihnat, kytin, pensastrimmeriden ja ruohonleikkurien terät, valjaat, kaapelikaasutin, hiilijarhat, virtajohto, piikit, huopavälilevyt, sokat, puhallimet, puhallin- ja imuputket, polynimurin pussit ja hihnat, terälevyt, teräketjut, letkut, liittimet, suuttimet, pyörät, suihkuputket, sisäkelat, ulkoiset kelat, leikkusuimat, syytystulpat, ilmansuodattimet, polttoainesuodattimet, silppuriterät jne.
- Huollon saaminen edellyttää, että tämä tuote lähetetään tai viedään RYOBI:n valtuuttamaan huoltoon, jotka luetaan maittain seuraavassa huoltojen osoiteluettelossa. Joissain maissa paikallinen RYOBI-jälleenmyyjä hoitaa tuotteen lähettämisen RYOBI-huoltoon. Kun tuote lähetetään RYOBI-huoltoon, se on pakattava turvallisesti ilman mitään vaarallista sisältöä, kuten bensiniä, siihen on merkittävä lähettäjän osoite ja sen mukana on lähetettävä vian kuvaus.
- Tämän takuun puitteissa tapahtuva korjaaminen/vaihto on ilmaista. Se ei merkitse takuujakson jatkamista tai uuden kauden alkua. Vaihdetuista osista ja laitteista tulee meidän omaisuuttamme. Joissain maissa lähettäjän on maksettava toimituskulut tai postimaksu.
- Tämä takuu on voimassa Euroopan Yhteisössä, Sveitsissä, Islannissa, Norjassa, Liechtensteinissa, Turkissa ja Venäjällä. Jos olet näiden alueiden ulkopuolella, ota yhteys valtuutettuun RYOBI-jälleenmyyjään, joka voi kertoa, onko joku muu takuu voimassa.

VALTUUTETTU HUOLTO

Valtuutettua huoltoa varten etsi lähimmän valtuutetun huollon sivulta <http://fi.ryobitools.eu/header/service-and-support/service-agents>.

NO GARANTI

I tillegg til enhver lovbestemt rettighet som følge av dette kjøpet er dette produktet dekket av en garanti som beskrevet nedenfor.

- Garantitiden er 24 måneder for forbrukere, og starter på produktets kjøpsdato. Denne datoen må dokumenteres av faktura eller annet kjøpsbevis. Produktet er konstruert og beregnet på forbrukere og kun privat bruk. Det gis ingen garanti ved profesjonell eller kommersiell bruk.
- Det er, i noen tilfeller, (dvs. markedsføring, serie av verktøy), mulig å utvide garantien ut over den perioden som er nevnt ovenfor ved bruk av registrering på nettstedet www.ryobitools.eu. Verktøyets garantibrettet vises klart i butikkene og/eller på emballasjen. Sluttbruker må registrere sitt nylig innkjøpte verktøy på nettet innen 8 dager etter kjøpsdatoen. Sluttbruker kan registrere seg for utvidet garanti i det landet hvor vedkommende bor hvis dette landet er ført opp på nettregistreringsskjemaet hvor dette alternativet er gyldig. Sluttbruker må også gi sin tillatelse til lagring av de data som er påkrevet å registrere på nettet, og må akseptere vilkår og betingelser. Registreringsbekreftelsen, som sendes som epost, og den originale kvitteringen som viser kjøpsdatoen, vil gjelde som bevis på den utvidede garantien. Dine lovbestemte rettigheter vil fortsatt gjelde.
- Garantien gjelder alle defekter på produktet i garantitiden som følge av feil på arbeid eller materialer på kjøpsdatoen. Garantien er begrenset til reparasjon og/eller utskifting av produktet, og inkluderer ingen annen forpliktelse, inklusive men ikke begrenset til tilfældige eller direkte eller indirekte følgeskader. Garantien gjelder ikke dersom produktet er misbrukt, brukt i strid med brukermanualens instruksjoner eller vært feilaktig tilkoblet. Denne garantien gjelder ikke:
 - enhver skade på produktet som følge av utilstrekkelig vedlikehold
 - et produkt som er endret eller modifisert
 - ethvert produkt hvor original identifikasjonsmerke (varemerke, serienummer) er tildekket, endret eller fjernet
 - enhver skade som følge av at instruksjoner i brukermanualen ikke er fulgt
 - ethvert ikke-CE-produkt
 - ethvert produkt som er forsøkt reparert av en ukvalifisert person, eller uten forutgående tillatelse av Techntron Industries
 - ethvert produkt som er tilkoblet uriktig strømkilde (ampere, spenning, frekvens)
 - ethvert produkt som er brukt med feil drivstoffblanding (drivstoff, olje, prosentvis andel olje)
 - enhver skade forårsaket av eksterne påvirkninger (kjemiske, fysiske eller slag) eller fremmede substanser
 - normal slitasje på reservedeler
 - feilaktig bruk, overbelastning av verktøyet
 - bruk av ikke godkjent tilbehør eller reservedeler
 - forgasser etter 6 måneder, forgasserjusteringer etter 6 måneder
 - komponenter (deler og tilbehør) gjenstand for naturlig slitasje, inklusive men ikke begrenset til dunkeknotter, drivreimer, clutch, kniver på hekklippere eller gressklippere, seler, gasswire, karbonborster, elektriske ledninger, tenner, filtpakninger, skaftpinner, blåseviser, blåse- og sugeslanger, oppsamlingsposer, motorsagsverd, sagkjeder, slanger, tilkoblingsdeler, sprøytedyser, hjul, sprøytestaver, innvendige ruller, utvendige spoler, klippesnorer, tennplugg, luftfiltere, gassfiltere, oppkappingsblader, etc.
- For ettersyn og reparasjoner må produktet leveres til et RYOBI-autorisert servicesenter før opp for det enkelte land i følgende liste av servicesentersadresser. I noen land vil din lokale RYOBI-forhandler sørge for å sende produktet til RYOBI's serviceorganisasjon. Når et produkt sendes til en RYOBI servicesentersom må produktet være forsvarlig emballert uten farlig innhold som bensin, merket med senders navn og adresse og medsendt en kort beskrivelse av feilen.
- En reparasjon/utskifting i henhold til denne garantien er gratis. Den representerer ikke en forlengelse av garantiperioden eller en ny start på garantiperioden. Utskiftede deler eller verktøy blir vår eiendom. I noen land vil leveringskostnader eller porto måtte betales av sender.
- Denne garantien er gyldig i EU, Sveits, Island, Norge, Liechtenstein, Tyrkia og Russland. Utenfor disse områdene ber vi om at du kontakter en autorisert Ryobi-forhandler for å finne ut om en annen garanti gjelder.

AUTORISERT SERVICESENTER

For å finne et autorisert servicesenter i nærheten, gå til <http://no.ryobitools.eu/header/service-and-support/service-agents>.

RU ГАРАНТИЯ

В дополнение к законным правам, вытекающим из факта покупки, на данный продукт распространяются следующие гарантийные обязательства.

- Гарантийный период составляет 24 месяца для покупателей и начинается с даты приобретения продукта. Дата приобретения подтверждается документально товарным чеком или другим доказательством покупки. Данный продукт предназначен для использования только в личных целях. Гарантия не предоставляется в случае профессионального или коммерческого использования данного продукта.
- В некоторых случаях (например, при продвижении продукта, приобретении некоторых видов инструментов) возможно продление гарантийного срока при регистрации продукта на веб-сайте www.ryobitools.eu. Применительно к продукту разъясняется в магазинах при продаже и/или на упаковке продукта. Конечному пользователю следует зарегистрировать вновь приобретенный инструмент через Интернет в течение 8 дней с даты покупки. Конечный пользователь может зарегистрировать продукт для получения расширенной гарантии в стране проживания, если данная возможность предоставляется интернет-формой регистрации. Также, конечный пользователь должен дать свое согласие на хранение данных, требуемых при заполнении формы через Интернет, и принять условия соглашения. Уведомление о подтверждении регистрации, отправляемое по электронной почте, и оригинальный товарный чек с датой покупки служат доказательством расширенной гарантии. Законные права потребителя при этом остаются в силе.
- Данная гарантия распространяется на все дефекты продукта, связанные с производственным браком или браком материалов в момент приобретения, в течение гарантийного периода. Данная гарантия ограничивается ремонтом и/или заменой и не включает другие обязательства, в том числе, связанные с побочным или повсеместным ущербом. Гарантия недействительна в случае ненадлежащего использования, использования с нарушением инструкций руководства по эксплуатации или неправильного подключения продукта. Гарантия недействительна, если:
 - повреждение продукта вызвано ненадлежащим техническим обслуживанием
 - продукт подвергся изменениям или был модифицирован
 - оригинальная маркировка (товарный знак, заводской номер) неудобочитаема, изменена или удалена
 - повреждение вызвано несоблюдением инструкций данного руководства
 - отсутствует маркировка CE
 - была попытка отремонтировать продукт неквалифицированным лицом или без предварительного согласования с компанией Techntron Industries
 - продукт подключался к ненадлежащему источнику питания (ненадлежащая сила тока, напряжение, частота)
 - продукт использовался с недопустимой топливной смесью (топливо, масло, процент содержания масла)
 - повреждение вызвано внешним воздействием (химические, физические, удары) или посторонними веществами
 - это связано с нормальным износом заменяемых деталей
 - это связано с ненадлежащим использованием, перегрузкой инструмента
 - это связано с использованием нереккомендованных принадлежностей или деталей
 - карбюратор использовался свыше 6 месяцев, регулировка карбюратора после 6 месяцев
 - компоненты (детали и принадлежности) подверженные естественному износу, в том числе, колпачки, приводные ремни, муфта, режущие полотна шапалерных ножиц или газонокосилок, крепежные ремни, тросик дроссельной заслонки, угольные щетки, кабель питания, фрезы, фетровые прокладки, шпильки, крыльчатки, выпускные и всасывающие трубки, мешок для мусора и ремешки, пыльные шины, пыльные щели, шланги, соединительные фитинги, распылительные насадки, колеса, распылители, внутренние бобины, внешние бобины, режущие струны, свечи зажигания, воздушные фильтры, газовые фильтры, механизмы для мульчирования и т.п.
- Для проведения технического обслуживания продукт следует представить в официальный центр технического обслуживания компании RYOBI в соответствии со списком по каждой стране. В некоторых странах дилерам компании RYOBI требуется пересылка продукта в соответствующий сервисный центр компании RYOBI. При отправке продукта в центр технического обслуживания RYOBI, продукт следует упаковать надлежащим образом без содержания любых опасных веществ (таких как бензин) с указанием адреса отправителя и кратким описанием неисправности.
- Ремонт/замена продукта по условиям данной гарантии осуществляются бесплатно. В данном случае не предусмотрено продление срока гарантии или начало нового гарантийного периода. Заменяемые детали или инструмент становятся собственностью компании. В некоторых странах оплата доставки и почтовые расходы ложатся на отправителя.
- Данная гарантия действительна в странах ЕС, Швейцарии, Исландии, Норвегии, Лихтенштейне, Турции и России. Для получения информации о применении данной гарантии в других регионах обращайтесь к официальному дилеру компании RYOBI.

УПОЛНОМОЧЕННЫЙ СЕРВИСНЫЙ ЦЕНТР

Чтобы найти ближайший уполномоченный сервисный центр, обратитесь к веб-сайту <http://uk.ryobitools.eu/header/service-and-support/service-agents>.

PL GWARANCJA

Oprócz wszelkich praw ustawowych wynikających z zakupu, ten produkt jest objęty gwarancją jak podano poniżej.

- Okres gwarancji wynosi 24 miesiące dla konsumentów i rozpoczyna się w dniu, w którym produkt został zakupiony. Ta data musi być udokumentowana przez fakturę lub inny dowód zakupu. Produkt został zaprojektowany i jest przeznaczony wyłącznie do użytku konsumenckiego i prywatnego. W związku z tym gwarancja nie jest udzielana w przypadku zastosowań profesjonalnych i komercyjnych.
- Nie ma, w niektórych przypadkach (promocja tj. zakres narzędzi), możliwość przedłużenia okresu gwarancji w okresie opisanym powyżej przy rejestracji na stronie internetowej www.ryobitools.eu. Kwalifikowalność narzędzia jest wyraźnie określona w sklepach oraz/lub na opakowaniu. Użytkownik końcowy musi zarejestrować swoje nowe zakupione narzędzia online w ciągu 8 dni od daty zakupu. Użytkownik końcowy może zarejestrować się w celu rozszerzenia gwarancji w swoim kraju zamieszkania, jeśli jest on wymieniony w formularzu rejestracji online, kiedy ta opcja jest ważna. Ponadto użytkownicy końcowi muszą wyrazić zgodę na przechowywanie danych, które są wymagane do zalogowania online oraz muszą zaakceptować regulamin. Otrzymanie potwierdzenia rejestracji, które jest wysyłane na adres e-mail oraz oryginalna faktura z podaną datą zakupu będą służyć jako dowód przedłużonej gwarancji. Twoje prawa ustawowe pozostają nienaruszone.
- Gwarancja obejmuje wszystkie wady produktu w okresie gwarancyjnym, spowodowane usterkami w wykonaniu lub materiale w chwili nabycia. Gwarancja jest ograniczona do naprawy oraz/lub wymiany i nie obejmuje żadnych innych obowiązków w tym m.in. odpowiedzialności za szkody przypadkowe lub wtórne. Gwarancja nie jest ważna, jeśli produkt był użytkowany w niewłaściwy sposób, był wykorzystywany w sposób niezgodny z instrukcją obsługi lub był nieprawidłowo podłączony. Ta gwarancja nie obejmuje:
 - uszkodzenia produktu, które jest wynikiem nieprawidłowej konserwacji
 - produktu, który został przerobiony lub zmodyfikowany
 - produktu, w którym zniekształcono, zmieniono lub usunięto oryginalne oznaczenia (nazwę handlową, numer seryjny)
 - uszkodzeń spowodowanych nieprzebraniem instrukcji obsługi produktu bez certyfikatu CE
 - produktu, który był naprawiany przez niewykwalifikowaną osobę lub bez uprzedniej autoryzacji firmy Techtronic Industries
 - produktu podłączonego do nieprawidłowego źródła zasilania (napięcie, napięcie, czystość)
 - produktu używanego z nieprawidłową mieszanką paliwa (paliwo, olej, zawartość procentowa oleju)
 - uszkodzeń spowodowanych przez przez czynniki zewnętrzne (chemiczne, fizyczne, uderzenia) lub obce substancje
 - normalnego zużycia części zamiennych
 - niewłaściwego użytkowania, przecięcia narzędzia
 - stosowania niezatwierdzonych akcesoriów lub części
 - gaźnika po 6 miesiącach, regulacji gaźnika po 6 miesiącach
 - elementów (części i akcesoriów) podlegających naturalnemu zużyciu, m.in. gałek odbojnikowych, pasów napędowych, sprężki, ostrej nożyc do żywoptłów lub kosiariek, uprząży, przepustnicy, szczołek węglowych, przewodu zasilającego, zębów, podkładek filcowych, sworznicy zaczepu, wentylatorów dmuchawy, przewodów dmuchawy i podciśnieniowych, worków próżniowych i pasków, prowadnic, łańcuchów pilarki, przewodów, mocowań złączy, dyszy rozpylających, kółek, lancy rozpylających kat., dmuchawy, dmuchawy i nury próżniowe, torebki próżniowe i paski, prowadnice, bębnowe wewnętrznych, szpuli zewnętrznych, żyłki tnącej, świec zapłonowych, filtrów powietrza, filtrów gazu, ostroży do ściółkowania itp.
- W celu serwisowania produktu należy wysłać lub okazać w autoryzowanym centrum serwisowym RYOBI wymienionym dla każdego kraju na poniższej liście adresów stacji serwisowych. W niektórych krajach lokalny dealer firmy RYOBI zobowiązuje się wysłać produkt do centrum serwisowego firmy RYOBI. W przypadku wysyłki produktu do centrum serwisowego RYOBI, produkt należy dobrze zapakować, bez umieszczenia żadnych niebezpiecznych rzeczy, tj. paliwa i oznaczyć adresem nadawcy oraz krótkim opisem usterki.
- Naprawa/wymiana w ramach tej gwarancji jest bezpłatna. Nie stanowi to przedłużenia lub nowego rozpoczęcia okresu gwarancji. Wymieniane części lub narzędzia stają się naszą własnością. W niektórych krajach koszty wysyłki lub pocztowe będą musiały być opłacone przez nadawcę.
- Ta gwarancja obowiązuje na terytorium Wspólnoty Europejskiej, Szwajcarii, Islandii, Norwegii, Liechtenstein, Turcji i Rosji. Poza tymi obszarami należy skontaktować się z autoryzowanym dealerem RYOBI aby sprawdzić, czy dostępna jest jeszcze inna gwarancja.

AUTORYZOWANY PUNKT SERWISOWY

Najbliższy autoryzowany punkt serwisowy można wyszukać w witrynie internetowej <http://uk.ryobitools.eu/header/service-and-support/service-agents>.

CS ZÁRUKA

Navíc k zákonným právam, které vznikají nákupem, je k výrobku poskytována záruka.

- Záruka je období 24 měsíců pro spotřebitele a začíná běžet datem nákupu produktu. Toto datum musí být zadokumentováno fakturou nebo jiným důkazem o koupi. Tento výrobek je určen a vyhrazen jen pro domácí a soukromé používání. Záruka se tedy nepoužije pro profesionální ani komerční používání.
- Existuje, v některých případech (tj. propagace, určité nástroje), možnost prodloužení doby záruky nad výše uvedené období pomocí registrace na stránkách www.ryobitools.eu. Vhodnost nástroje je jasně vyobrazena v prodejních a/nebo na obalu. Koncový uživatel musí zaregistrovat své nové pořízené nástroje online během 8 dní od data nákupu. Koncový uživatel se může zaregistrovat k prodloužení doby záruky v zemi jeho trvalého bydliště, pokud je uvedeno v online registračním formuláři, kde je tato možnost platná. Navíc musí koncový uživatel poskytnout souhlas s uchováním údajů, které jsou zapotřebí do online registru a musí přijmout podmínky smlouvy. Přijetí potvrzení o registraci, odeslané e-mailem, a originální faktura udávající datum nákupu slouží jako důkaz prodloužené záruky. Vaše zákonná práva zůstávají nedotčena.
- Záruka pokrývá veškeré vady produktu během záruky způsobené vadami při zpracování nebo v materiálu v době nákupu. Záruka se omezuje na opravu a/nebo výměnu a nezahrnuje žádné jiné závazky včetně, ale ne omezeně na souviselící nebo následné škody. Záruka neplatí, pokud, pokud se produkt nesprávně používal, používal v rozporu s návodem nebo byl nesprávně zapojen. Záruka nelze uplatnit v následujících případech:
 - jakákoliv škoda na výrobku v důsledku nesprávné údržby
 - jakýkoliv výrobek byl pozměněn či modifikován
 - jakýkoliv výrobek, kde byly původní identifikační značky (obchodní značka, výrobní číslo) odstraněny, pozměněny či modifikovány
 - jakákoliv škoda způsobená nedodržováním návodu k obsluze
 - výrobek nemá značku CE
 - každý výrobek, kde došlo k pokusu jej opravit nekvalifikovanou osobou nebo bez předchozího souhlasu společnosti Techtronic Industries
 - každý výrobek byl připojen nesprávnému napájení (proud, napětí, frekvence)
 - každý výrobek, který se používal s nesprávnou palivovou směsí (palivo, olej, podíl oleje)
 - veškeré škody byly způsobeny externími vlivy (chemické, fyzické, nárazy) či cizími látkami
 - běžné opotřebení a spotřební náhradní díly
 - nevhodné používání, přetěžování nástroje
 - použití neschválených doplňků nebo dílu
 - karburátor po 6 měsících, seřízení karburátoru po 6 měsících
 - komponenty (díly a doplňky) podléhající běžnému opotřebení, včetně, ale ne omezeně, nárazových tlačítek, hnacích řemenů, spojky, nožů plotostříhu či sekaček trávy, postroje, lanka škrtící klapky, uhlíkových kartáčů, napájecího kabelu, plechů, plstěných podložek, závlaček, ventilátorů fukaru, hadic fukaru a vysavače, vaku vysavače a popruhu, vodičích lišt, pilových řetězů, hadic, spojovacích tvarovek, rozprašovačích trysek, kol, stříkaček trubice, vnitřních, vnějších cívek, sekacích strun, zapalovačích svíček, vzduchových filtrů, spalňových filtrů, umíčovacích nožů atd.
- Pro servis výrobku je třeba zaslat nebo předložit pověřenému servisnímu středisku RYOBI dle seznamu adres servisních středisek. V některých zemích váš místní prodejce RYOBI provádí odeslání výrobku servisní organizaci RYOBI. Při zasílání výrobku servisnímu středisku RYOBI by se měl výrobek bezpečně zabalit bez nebezpečného obsahu jako benzin, označit adresu odesílatele a přiložit list krátkým popisem vady.
- Oprava/výměna během záruky je bezplatná. Neznamená prodloužení ani začátek nového záručního období. Vyměněné díly či nástroje se stávají naším vlastnictvím. V některých zemích doručení či poštovné platí odesílatele.
- Záruka je platná v Evropské unii, Švýcarsku, Islandu, Norsku, Lichtenštejnsku, Turecku a Rusku. U ostatních oblastí prosím kontaktujte pověřeného prodejce RYOBI pro upřesnění, zda platí jiná záruka.

POVĚŘENÉ SERVISNÍ STŘEDISKO

Pro natezení nejbližšího pověřeného servisního střediska navštivte <http://uk.ryobitools.eu/header/service-and-support/service-agents>.

HU GARANCIA

A vásárlással összefüggő esetleges törvény adta jogok mellett a termékre az alábbiakban részletezett garancia vonatkozik.

1. A garancia időtartama a fogyasztók számára 24 hónap, ami a termék megvásárlásának napjától számítódik. Ezt a dátumot számlával vagy a vásárlást igazoló más dokumentummal kell igazolni. A terméket kizárólag a vevő által, személyes célokra való használatra tervezték és készítették. Ezért a garancia nem vonatkozik a profik általi vagy üzleti célokra való használatra.
2. Egyes esetekben (pl. promóció, bizonyos termékcsaládok) lehetőség van a garancia időtartamának a fent leírt garanciaperióduson túli meghosszabbítására a www.ryobitools.eu webhelyen történő regisztrációval. Az, hogy egy adott gép jogosult-e erre, egyértelműen fel van tüntetve a boltokban és/vagy a csomagoláson. A végfelhasználónak a vásárlás napjától számított 8 napon belül regisztrálnia kell az újonnan beszerzett gépet. A végfelhasználó a kiterjesztett garanciáért a lakóhelye szerinti országban regisztrálhat, ha az szerepel az online regisztrációs űrlapon. Emellett a végfelhasználónak hozzá kell járulnia az online beépítéshez szükséges adatai tárolásához és el kell fogadnia a szerződési feltételeket. A regisztráció e-mailesben küldött visszaigazolása, valamint a vásárlást igazoló eredeti számla szolgálják a kiterjesztett garancia érvényesítésére. A törvény adta jogai nem sérülnek.
3. A garancia a garancia időtartama alatt a termék összes olyan hibájára kiterjed, amelyek a vásárlás napján is fennálló gyártási vagy anyaghiba miatt következnek be. A garancia javításra és/vagy cserére korlátozódik, és nem tartalmaz további kötelezettséget, beleértve, de nem kizárólag a véletlenszerű vagy következetes károkra vonatkozó kötelezettségeket sem. A garancia nem érvényes a termék helytelen használatára, a használati utasításban leírtakkal ellentétes használatára vagy hibás csatlakoztatás esetén. A garancia nem vonatkozik a következőkre:
 - a termék helytelen karbantartásból eredő esetleges károsodásokra
 - átalakított vagy módosított termékekre
 - olyan termékre, melyen az eredeti azonosító jelöléseket (védjegy, sorozatszám) megrongálták, átalakították vagy eltávolították
 - a használati utasítás be nem tartásával összefüggő károkra
 - a CE minősítéssel nem rendelkező termékre
 - a nem képzett szakember által vagy a Technronic Industries előzetes jóváhagyása nélküli javított termékre
 - a nem megfelelő tápforrásokhoz (áramerősség, feszültség, frekvencia) csatlakoztatott termékre
 - a nem megfelelő üzemanyag-keverékkel (üzemanyag, olaj, olajárány) használt termékre
 - külső hatások (vizigyi, fizikai, ütés) vagy idegen anyagok által okozott károsodásokra
 - a cserealkatrészek normál kopására és elhasználódására
 - helytelen használatra, a szerszám túlterhelésére
 - nem jóváhagyott tartozékok vagy alkatrészek használatára
 - a karburátorra 6 hónap elteltével, a karburátor beállításaira 6 hónap elteltével
 - Természetes elhasználódásnak és kopásnak kitett összetevőkre (alkatrészek és tartozékok), beleértve de nem kizárólag az ütközőgombokra, hajtószíjakra, tengelykapcsolóra, sóvényvágó vagy fűnyíró késeire, vezetékkefékre, gázkábelekre, szénkéfékre, tápkábeleire, kapákra, nemez alátétkarikákra, sasszegekre, fűvágó ventilátoraira, fűvő és vákuumszivőkre, szívószálókra és szíjakra, láncvezetőkre, fűrészláncokra, tömlőkre, csatlakozókra, szűrőfejekre, kerekkekre, lándsákra, belső orsókra, külső orsókra, vágószálákra, gyújtógyertyákra, légszűrőkre, üzemanyagszűrőkre, tömörítő kapákra stb.
4. A szervizeléshez a terméket el kell küldeni vagy be kell mutatni valamelyik hivatalos RYOBI szervizközpontban, melyek elérhetősége az egyes országokban az alábbiakban van megadva. Egyes országokban a RYOBI kereskedő vállalja, hogy elküldi a terméket a RYOBI szervizbe. A terméknek a RYOBI szervizelőmásra való küldésekor a terméket biztonságosan be kell csomagolni, mindenféle veszélyes anyagot, pl. üzemanyagot el kell távolítani belőle, meg kell adni a feladó címét és a hiba rövid leírását.
5. A garancia keretében végzett javítás/cseréje ingyenes. Ugyanakkor ez nem jelenti a garancia időtartamának kiterjesztését vagy új garanciaperiódus kezdetét. A kicserélt alkatrészek vagy szerszámgépek a mi tulajdonunkban maradnak. Egyes országokban a szállítási vagy a postaköltségeket a feladó fizeti.
6. Ez a garancia az Európai Közösségben, Svájcban, Izlandon, Norvégiában, Liechtensteinben, Törökországban és Oroszországban érvényes. Ezen területeken kívül az érvényes garancia-feltételeket illetően lépjen kapcsolatba a hivatalos RYOBI forgalmazóval.

HIVATALOS SZERVIZKÖZPONT

A legközelebbi hivatalos szervizközpont megtalálásához látogasson el a <http://uk.ryobitools.eu/header/service-and-support/service-agents>.

RO GARANTIE

În plus față de alte drepturi statutare rezultând din achiziție, produsul este acoperit de o garanție ca cea menționată mai jos.

1. Perioada de garanție este de 24 de luni pentru consumatori și începe de la data la care produsul a fost achiziționat. Această dată trebuie să fie dovedită de o factură sau altă dovadă de cumpărare. Produsul este proiectat și dedicat pentru consumatori și doar pentru uz privat. Ca urmare nu există nicio garanție asigurată în caz de folosire profesională sau comercială.
2. Există, în anumite cazuri (de ex. promoții, game de produse) o posibilitate de a prelungi perioada de garanție peste perioada descrisă mai sus folosind înregistrarea pe site-ul www.ryobitools.eu. Eligibilitatea aparatului este afișată clar în magazine și/sau ambalaj. Utilizatorul final se poate înregistra pentru o garanție extinsă în țara sa de reședință dacă e listată pe formularul de înregistrare online acolo unde opțiunea este validă. Mai mult, utilizatorii finali trebuie să-și dea consimțământul cu privire la păstrarea datelor ce sunt cerute a fi introduse online și trebuie să accepte termenii și condițiile. Notificarea de confirmare a înregistrării, ce este trimisă prin email, și factura originală ce arată data achiziționării vor servi ca dovadă a garanției extinse. Drepturile dvs statutare rămând neafectate.
3. Garanția acoperă toate defectele produsului în timpul perioadei de garanție cauzate de defecte din procesul de producție sau ale materialului la data achiziționării. Garanția este limitată la reparație și/sau înlocuire și nu include alte obligații incluzând dar nelimitându-se la pagube incidentale sau secundare. Garanția nu este validă dacă produsul a fost folosit greșit, folosit contrar instrucțiunilor din manual sau a fost conectat incorect. Această garanție nu se aplică la:
 - orice defecțiune a produsului ca rezultat a întreținerii necorespunzătoare
 - orice produs ce a fost schimbat sau modificat
 - orice produs unde marcajul original de identificare (marcă comercială, număr serie) a fost deteriorat, schimbat sau modificat
 - orice defecțiune cauzată de nerespectarea manualului de instrucțiuni
 - orice produs non CE
 - orice produs care a fost încercat să fie reparat de către o persoană necalificată sau fără autorizare în prealabil de către Technronic Industries
 - orice produs conectat necorespunzător la sursa de curent (amperi, voltaj, frecvență)
 - orice produs folosit cu amestec necorespunzător de combustibil (combustibil, ulei, procentaj de ulei)
 - orice defecțiune cauzată de influențe externe (chimice, fizice, șocuri) sau substanțe străine
 - uzura normală a pieselor de schimb
 - folosire necorespunzătoare, suprasolicitare a sculei
 - folosire de accesorii și părți neaprobate
 - carburator după 6 luni, reglări ale carburatorului după 6 luni
 - componente (părți și accesorii) subiect a uzurii naturale, incluzând dar nelimitându-se la butoane rotative, curele de distribuție, ambreiaj, lame ale aparatelor de bordurat și tuns iarba, hamuri, cabluri de accelerație, perii de carbon, cabluri electrice, dinți ale furcii, șaibe de păsli, ventilatoare și tuburi de absorbție, sac vacuum și chingi, bare de ghidare, ferăstraie cu lanț, furture, fitinguri de conectare, vergele de pulverizat, duze de pulverizat, roți, vergele de pulverizat, bobine interioare, bobine exterioare, fire pentru tăiat, buji, filtre de aer, filtre de gaz, lame protectoare, etc
4. Pentru service, produsul trebuie să fie trimis sau prezentat la un punct service RYOBI autorizat listat pentru fiecare țară în următoarea listă cu adrese ale punctelor service. În anumite țări reprezentantul dvs local RYOBI se angajează să trimită produsul la un punct de service RYOBI. Atunci când se trimite un produs la un punct service RYOBI, produsul trebuie să fie împachetat cu grijă fără a conține produse periculoase precum benzină, marcat cu adresa expeditorului și însoțit de o scurtă descriere a defecțiunii.
5. Repararea/inlocuirea în timpul garanției este fără niciun cost. Nu constituie o prelungire sau un nou început a perioadei de garanție. Părțile sau aparatele schimbate devin proprietatea noastră. În anumite țări taxele de expediere trebuie să fie plătite de către expeditor.
6. Garanția este valabilă în Uniunea Europeană, Elveția, Islanda, Norvegia, Lichtenstein, Turcia și Rusia. În afara acestor zone, vă rugăm contactați reprezentantul dvs local autorizat RYOBI pentru a determina dacă se aplică altă garanție.

CENTRU DE SERVICE AUTORIZAT

Pentru a găsi un centru de service autorizat lângă dvs., vizitați <http://uk.ryobitools.eu/header/service-and-support/service-agents>.

LV GARANTĪJA

Papildus visām likumā paredzētajām tiesībām saistībā ar iegādi šim izstrādājumam ir turpinājuma izklāstīta garantija.

1. Garantijas periods patērētājiem ir 24 mēneši, un tas sākas izstrādājuma iegādes dienā. Šim datumam ir jābūt dokumentētām rēķinā vai citā iegādi apliecinošā dokumentā. Šis izstrādājums ir izgatavots un paredzēts vienīgi patērētājam un privātai lietošanai. Profesionālais vai komerciālais lietošanas gadījumā garantija nav spēkā.
2. Atsevišķos gadījumos (piem., akcija, vairāki instrumenti) pastāv iespēja pagarināt garantijas periodu virs sešmēnešu perioda, reģistrējot to www.ryobitools.eu vietnē. Instrumenta pielietojums ir skaidri norādīts veikalos un/vai uz iepakojuma. Lietotājiem ir jāreģistrē savj jauniegūtie instrumenti tiešsaistē 8 dienu laikā no iegādes datuma. Lietotājs var reģistrēties pagarinātajai garantijai savā dzīvesvietas valstī, ja tā ir norādīta tiešsaistes reģistrācijas veidlapā, kur pieejama šī iespēja. Turklāt lietotājiem ir jāievada dati tiešsaistē, jādod piekrišana šo datus uzglabāšanai un jāpiekrīt noteikumiem. Saņemtais reģistrācijas apstiprinājums, kas izsūtīts pa e-pastu, un rēķina oriģināls, kurā redzams iegādes datums, ir pagarinātās garantijas pierādījums. Jūsu likumā paredzētās tiesības netiek ietekmētas.
3. Garantija attiecas uz visiem izstrādājuma bojājumiem, kas radušies garantijas perioda laikā iegādes dienā esošo izgatavošanas vai materiāla defektu dēļ. Garantija ir ierobežota līdz remontam un/vai nomaigai un neietver citus pienākumus, ieskaitot, bet neaprobežojoties ar nejausiem vai netiešiem zaudējumiem. Garantija nav spēkā, ja izstrādājums ir liets nepareizi vai neievērojot rokasgrāmatas norādījumus vai ticis nepareizi savienots. Garantija netiecas uz:
 - izstrādājuma bojājumiem, kas radušies nepareizas apkopes dēļ;
 - izstrādājumiem, kas tikusi pielāgoti vai pārveidoti;
 - izstrādājumiem, kuru oriģinālais identifikācijas marķējums (preču zīme, sērijas numurs) ticis sabojāts, pārveidots vai noņemts;
 - bojājumiem, kurus izraisījuši rokasgrāmatas norādījumu neievērošana;
 - izstrādājumiem bez CE marķējuma;
 - izstrādājumiem, kurus ir mēģinājis remontēt nekvalificēts speciālists vai kuri remontēti bez Techronic Industries atļaujas;
 - izstrādājumiem, kas tikusi pievienoti neatbilstošai energopadevei (apmēri, spriegums, frekvence);
 - izstrādājumiem, kuros izmantots nepareizs degvielas maisījums (degviela, eļļa, eļļas daudzums);
 - bojājumiem, kurus izraisījuši ārēja iedarbība (ķīmiska, fiziska, triecieni) vai svešas vielas;
 - normālu detaļu nolietojumu un nodilumu;
 - instrumenta nepareizu lietošanu, pārslozdi;
 - neapstiprinātu detaļu un piederumu lietošanu;
 - karburatoru pēc 6 mēnešiem, karburatora regulējumiem pēc 6 mēnešiem;
 - komponentiem (detaļām un piederumiem), kas ir pakļauti dabiskam nodilumam un nolietojumam, ietvert, bet neaprobežojoties ar darbināšanas pogām, piedziņas siksnām, dzīvzoga trimeru un zāles pļāvēju asmeņiem, plecu turētāju, kabeļa droseli, ogļekļa sukām, elektrības vadu, tapām, filca starplikām, sakabes tapām, pūtēja ventilatoriem, pūtēja un vakuuma caurulēm, vakuuma maisiem un lencēm, virzošajiem stieņiem, zāga ķēdēm, šļūtenēm, savienotāja stiprinājumiem, smidzināšanas sprauslām, riteņiem, smidzināšanas nūjām, iekšējiem ruļļiem, ārējām spolēm, griešanas auklām, aizdedzes svečēm, gaisa filtriem, gāzes filtriem, mulčēšanas asmeņiem u. c.;
4. Ja nepieciešams veikt remontu, izstrādājums jānosūta vai jānodod RYOBI pilnvarotam servisa centram, kas norādīts pie attiecīgās valsts servisa centru adresē sarakstā. Atsevišķās valstīs vietējais RYOBI dīleris uzņemas nosūtīt izstrādājumu RYOBI servisa organizācijai. Nosūtīt izstrādājumu RYOBI servisa centram, izstrādājumam jābūt droši iepakotam bez bīstama satura, piemēram, degvielas, marķētam ar sūtītāja adresi un kopā ar īsu aprakstu par defektu.
5. Remonts/nomaigā šīs garantijas ietvaros ir bez maksas. Tas nepagarina un neuzsāk jaunu garantijas periodu. Nomainītās detaļas un instrumenti nonāk mūsu īpašumā. Atsevišķās valstīs piegādes maksa un pasta izdevumi jāsedz sūtītājam.
6. Šī garantija ir derīga Eiropas Kopienā, Šveicē, Islandē, Norvēģijā, Līhtenšteinā, Turcijā un Krievijā, Ārpus šiem reģioniem, lūdzu, sazinieties ar savu pilnvaroto RYOBI dīleri, lai noskaidrotu, vai ir spēkā cita garantija.

AUTORIZĒTS APKALPOŠANAS CENTRS

Lai atrastu tuvāko autorizēto apkalpošanas centru, apmeklējiet <http://uk.ryobitools.eu/header/service-and-support/service-agents>.

LT GARANTĪJA

Be įstatymais nustatyty teisių, įgyjamų nusipirkus šį produktą, produktui taikoma toliau nurodyta garantija.

1. Pirkėjams galiojantis garantinis periodas yra 24 mėnesiai ir prasideda nuo produkto pirkimo datos. Data turi būti nurodyta sąskaitoje-faktūroje arba kitame pirkimą įrodančiame dokumente. Produktas sukurtas ir skirtas tik naudotojui ir tik asmeniniam naudojimui. Todėl garantija netaikoma produktą naudojančiam profesionaliam ar komerciniam tikslais.
2. Kai kuriais atvejais yra galimybė pratęsti garantinį laikotarpį iki toliau nurodyto laikotarpio, prieš tai užsiregistravus www.ryobitools.eu svetainėje. Įrankio tinkamumo aiškiai parodytas parduotuvėse ir (arba) ant pakuotės. Galutinis naudotojas turi užregistruoti savo naujai įsigytus įrankius internetu per 8 dienas nuo jų pirkimo datos. Galutinis naudotojas gali užsiregistruoti dėl garantijos pratęsimo savo šalyje, jei ši pateikta registracijos internetu formoje, kurioje galimas šis pasirinkimas. Be to, galutinai naudotojai privalo duoti savo sutikimą laikyti duomenis, kuriuos reikia įvesti internete, ir jie turi sutikti su sąlygomis ir nuostatomis. Registracijos patvirtinimo pranešimas, išsiunčiamas el. paštu, ir originali sąskaita faktūra, kurioje nurodyta pirkimo data, įrodo pratęstą garantiją. Jūsų įstatymuose nustatyti teisėms nebus pakenkta.
3. Garantiniu laikotarpiu garantija taikoma visiems produkto trūkumams, atsiradusiems dėl prastos darbo kokybės arba prastu produkto medžiagų pirkimo dieną. Garantija taikoma tik taisymsi ir (arba) pakeltimi ir joje nenumatyti jokie kiti įsipareigojimai, įskaitant, bet neapsiribojant atsitiktine ar susijusia žala. Garantija negalioja produktą netinkamai naudojant, priešingai vadove nurodytoms instrukcijoms, arba netinkamai prijungus. Garantija netaikoma šiais atvejais:
 - produktui padaryti žalai netinkamai atliekant produkto techninę priežiūrą;
 - pakeistam arba modifikuotam produktui;
 - bet kokiems produktams, kurių originalios identifikacijos (prekės ženklas, serijos numeris) žymės buvo sugadintos, pakeistos ar pašalintos;
 - bet kokiai žalai, patirtai nesaikant naudojimo vadovo;
 - bet kokiam CE nepaženklintam produktui;
 - bet kokiam produktui, kurį bandė taisyti nekvalifikuotas specialistas, arba iš anksto negavus „Techronic Industries“ leidimo;
 - bet kokiam produktui, įjungtam į netinkamą maitinimo tinklą (amperai, įtampa, dažnis);
 - bet kokiam produktui, naudojamam su netinkamu degalų mišiniu (degalai, alyva, alyvos procentinis kiekis);
 - bet kokiai žalai, kilusiai dėl išorinio poveikio (cheminis, fizinis poveikis, smūgiai) arba pašalinių medžiagų;
 - įprastam atsarginių dalių dėvėjimuisi;
 - produktą netinkamai naudojant arba jį perkrovus;
 - naudojant nepatvirtintus priedus arba dalis;
 - karbiuratorius po 6 mėnesių, karbiuratoriaus reguliavimui po 6 mėnesių;
 - komponentams (daliams ir priedams), kurie dėvisi savaime, įskaitant, bet neapsiribojant iškiliais mygtukais, diržinėmis pavaromis, sankaba, gyvatvorės žirklių arba vejos pjovimo mašinų asmenimis, diržais, kabele droseliu, anglies šepetėliais, maitinimo laidu, virbams, veltinio poveržlėmis, traukimo kaiščiais, pūtimo ventilatoriais, pūstuvu ir siurblio vamzdžiais, siurblio maišeliu ir dirželiais, kreipiamaisiais strypais, pjūklų grandinėmis, žarnelėmis, jungtimis, purkštukais, ratais, purškimo lazdelėmis, vidiniais suktaivais, išorinėmis ritėmis, smulkintuvais, uždegimo žvakėmis, oro filtrais, dujų filtrais, mulčiavimo asmenimis ir t. t.;
4. Norint atlikti techninį aptarnavimą, produktą reikia nusiųsti arba pristatyti į vieną iš RYOBI įgaliotų techninio aptarnavimo punktų, esančių kiekvienoje šalyje toliau pateiktame aptarnavimo punktų adresų sąraše. Kai kuriose šalyse jūsų vietinis RYOBI pardavėjas gali nusiųsti produktą į RYOBI techninio aptarnavimo punktą. Siunčiant produktą į RYOBI techninio aptarnavimo punktą, produktą reikia saugiai supakuoti, prieš tai iš jo pašalinus pavojingas medžiagas, pavyzdžiui, benzina, nurodyti siuntėjo adresą ir pridėti trumpą gedimo aprašymą.
5. Pagal šią garantiją taisymo ar keitimo darbai atliekami nemokamai. Garantijoje nenumatytas garantijos pratęsimas ar naujo garantinio laikotarpio pradėjimas. Pakeistos dalys arba įrankiai tampa mūsų nuosavybe. Kai kuriose šalyse pristatymo ar siuntimo paštu išlaidas turi padengti siuntėjas.
6. Ši garantija taikoma Europos bendrijoje, Šveicarijoje, Islandijoje, Norvegijoje, Lichtenšteine, Turkiijoje ir Rusijoje. Kitose šalyse kreipkitės į savo įgaliotą RYOBI pardavėją, norėdami sužinoti, ar taikoma kita garantija.

ĮGALIJOTAS TECHINIS PRIEŽIŪROS CENTRAS

Jei norite surasti įgaliotą techninės priežiūros centrą netoli Jūsų, apsilankykite interneto svetainėje <http://uk.ryobitools.eu/header/service-and-support/service-agents>.

ET GARANTIID

Lisaks ostu puhul kaasnevate seadusjärgsetele õigustele kehtib tootele allpool esitatud tingimustega garantiid.

- Ostja poolt ostetud tootele on kehtestatud garantiiperiood 24 kuud ja see hakkab kehtima toote ostmise kuupäeval. See kuupäev on märgitud arvele või muule ostu tõendavale dokumendile. Toode on ette nähtud ostjale ainult isiklikuks kasutamiseks. Kui toodet kasutatakse ametialasel või ärilistel eesmärkidel, siis garantiid ei kehti.
- Mõnel juhul (nt reklaam, seadmete seeria) on võimalik pikendada garantiiperioodi pikemaks ajaks kui ülal mainitud, kui kasutatakse registreerimist veebisaidil www.ryobitools.eu kaudu. Registreerimise tingimused on välja pandud kauplustesse ja/või on pakendil. Lõppkasutaja peab oma uued tüüristad veebis registreerima 8 päeva jooksul alates ostukuupäevast. Lõppkasutaja võib registreerida end pikendatud garantiis oma asukohamaal, kui see on esitatud veebis registreerimise loendil, seal kus see vaik on olemas. Peale selle, lõppkasutajad peavad andma nõusoleku enda andmete salvestamiseks, mida vajatakse veebi sisenumismiseks ja nõustuma esitatud tingimustega. Pikendatud garantiid kehtivust tõendab e-postiga saadetud registreerimise kinnitusteade ja algupärane arve, millel on ostukuupäev. Teie seadusjärgsed õigused jäävad mõjutamata.
- Garantiid kehtib kõikidele ostukuupäevast kehtima hakkaval garantiiperioodil ilmnenu rike suhtes, mis on tingitud töötlemis- või materjalivigadest. Garantiid on piiratud remondi ja/või asendamise ja ei sisalda muid kohustusi, kuid mitte ainult, kaasneva või tuleneva kahju eest. Garantiid ei kehti, kui toodet on väärkasutatud, kasutusjuhendis nimetatud otstarbele mittevastavalt kasutatud või toode on ebaõigesti ühendatud. See garantiid ei rakendu järgmistel juhtudel:
 - tootel on mingi vigastus, mis on põhjustatud ebaõigest kasutamisest,
 - toodet on mingil viisil ümber ehitatud või muudetud,
 - toote algupärane tuvastusmarkering (kaubamärk, seerianumber) on kahjustatud, ümber tehtud või eemaldatud,
 - tootel on mingi vigastus, mis on tingitud kasutusjuhendi mittejälgimisest,
 - toode ei ole CE-märgisega,
 - toodet on püüdnud parandada ebadepve spetsialist või seda on tehtud ilma Techtron Industries volitusteta,
 - toode on ühendatud selleks mitteetennatud elektritoitevõrguga (väär voolu tugevus, pinge või sagedus),
 - tootes on kasutatud mitteetennatud kütusesegu (kütus, õli, väär õli vahetkord),
 - tootel on vigastus välistõmõjudest (keemilised või füüsilised mõjud või löögid),
 - toote varuosadel ilmneb tavapärane kulumine,
 - toodet on ebaõigesti kasutatud või üle koormatud,
 - tootel on kasutatud mitteetennatud tarvikuid või osi,
 - toote karburaator pärast 6 kuu möõdumist, toote karburaatori säätet pärast 6 kuu möõdumist,
 - toote koostesadel (osad ja tarvikud) ilmneb tavapärane kulumine järgmistel detailidel (kuid mitte ainult): etteandenu, ajamirihmad, sidur, hekiõikuri või muruniiduki terad, rakmed, gaasitross, süsinikharjad, toitejuhe, piid, viitiseid, vedruthvitid, puhumisventilaatorid, puhuri ja imuri torud, imisüsteemi kotid ja ribad, juhtvardad, saeketid, voolikud, õhendusliitmikud, düüsid, rattad, pihustustorud, siseturmid, välispoolid, lõikeõhvid, süüteküünlad, õhufiltrid, gaasifiltrid, multšimisterad jne.
- Hooldamiseks tuleb toode saata või tuua mõnda RYOBI volitatud hoolduspunkti, mis on esitatud loendis iga riigi jaoks ja milles on hoolduspunkti aadressid. Mõnes riigis kohustub RYOBI edasimüüja saatma toote RYOBI hooldusasutusse. Kui toode saadetakse RYOBI hooldusasutusse, tuleb toode turvaliselt ära pakkida ilma, et sellesse jääks ohtlikku sisu, näiteks bensiin ja pakendile tuleb märkida saatja aadress ja riike lühikirjeldus.
- Selle garantiid alusel tehtud remont/asendus on tasuta. Sellega ei kaasne garantiiperioodi pikenedmine või uue garantiiperioodi algus. Asendatud osad ja tüüristad jäävad meie omandusse. Mõnes riigis tuleb saate- või postikulud tasuda saatja poolt.
- See garantiid kehtib Euroopa Liidus, Šveitsis, Islandil, Norras, Liechtensteinis, Ungaris ja Venemaal. Väljaspool neid riike võtke ühendust Ryobi volitatud edasimüüjaga, et teada saada teistsuguste garantiid kehtivus.

VOLITATUD HOOLDUSKESKUS

Oma volitatud hoolduskeskuse leiate veebisaidil <http://uk.ryobitools.eu/header/service-and-support/service-agents>.

HR JAMSTVO

U dodatku svih zakonskih prava koja proizlaze kao rezultat kupnje, ova proizvod pokriven je jamstvom kao što je utvrđeno u nastavku.

- Jamstveno razdoblje je 24 mjeseca za korisnike, a započinje na datum kupnje proizvoda. Ovaj datum treba biti dokumentiran računom ili nekim drugim dokazom o kupnji. Proizvod je dizajniran i namijenjen samo za korisnike i osobno korištenje. Stoga nema omogućenog jamstava u slučaju profesionalnog ili komercijalnog korištenja.
- U nekim slučajevima (primjerice promocije, paleta alata) postoji mogućnost produženog jamstvenog razdoblja preko gore navedenog razdoblja korištenjem registracije na web mjestu www.ryobitools.eu. Sukladnost alata jesno je prikazana u trgovini ili na pakiranju. Krajnji korisnik treba registrirati svoje novo pribavljene alate na mreži unutar 8 dana od datuma kupnje. Krajnji korisnik može se registrirati za produženo trajanje jamstva u svojoj zemlji stanovanja ako je navedena na mrežnom obrascu za registraciju gdje je ova opcija valjana. Nadalje, krajnji korisnici moraju dati svoje odobrenje za spremanje podatka koji su potrebni za unos na mreži i moraju prihvatiti uvjete i odredbe. Primljak potvrde o registraciji, koja se šalje e-poštom i originalni račun koji prikazuje datum kupnje služe kao dokaz produženog jamstva. Vaša zakonska prava ostaju nepromijenjena.
- Jamstvo pokriva sve kvarove proizvoda tijekom jamstvenog razdoblja zbog pogreški u izradi ili materijalu na datum kupnje. Jamstvo je ograničeno na popravak ili zamjenu i ne uključuje nikakve druge obveze uključujući ne ograničavajući se na slučajne ili posljedice štete. Jamstvo nije valjano ako je proizvod pogrešno korišten, korišten suprotno od korisničkog priručnika ili je nepravilno priključen. Ovo jamstvo se ne primjenjuje na:
 - svako oštećenje proizvoda koje je rezultat nepravilnog održavanja
 - svaki proizvod koji je izmijenjen ili modificiran
 - svaki proizvod gdje su originalne identifikacijske oznake (zaštitni znak, serijski broj) izbrisane, zamijenjene ili uklonjene
 - svako oštećenje uzrokovano neprikladnim korištenjem priružnika
 - svaki proizvod koji nije CE
 - svaki proizvod koji je pokušao popraviti neovlašten profesionalac ili bez prethodnog odobrenja od strane Techtron Industries
 - svaki proizvod priključen na nepravilno napajanje energijom (amperi, napon, frekvencija)
 - Svaki proizvod korišten s neodgovarajućom mješavinom (gorivo, ulje, postotak ulja)
 - svako oštećenje uzrokovano vanjskim utjecajima (kemijsko, fiziko, udar) ili stranim stvarima
 - normalno trošenje i habanje rezervnih dijelova
 - nepravilno korištenje, preopterećenje alata
 - korištenje neodobrenog dodatnog pribora ili dijelova
 - rasplinjača nakon 6 mjeseci, podešavanje rasplinjača nakon 6 mjeseci
 - komponente (dijelovi i dodatni pribor) koji su predmet prirodno trošenja i habanja, uključujući ne ograničavajući se na gumbce za otpuštanje, pogonske remene, spojku, oštrice trimera za grmlje ili kosilicu, kope, sajle gasa, ugljene četke, kabele za napajanje, nožve, podloške, ztkice za zgloznu vezu, ventilatore puhalice, cijevi za ispuhivanje i usisavanje, vakuumske vrećice i trake, vodilice, lance pile, crijeva, priključene elemente, mlaznice za raspršivanje, kotače, kopljica za raspršivanje, unutarne kolute, vanjske kaleme, flaksove, svječice, filtre za zrak, filtre za plin, oštrice za usitnjavanje itd.
- Za servisiranje, proizvod se mora poslati ili predati ovlaštenoj stanici za servis tvrtke RYOBI navedenoj za svaku zemlju u sljedećem popisu adresa stanica za servis. U nekim zemljama vaša lokalni RYOBI zastupnik obavezan je poslati proizvod u servisnu organizaciju tvrtke RYOBI. Prilikom slanja proizvoda u stanicu za servis tvrtke RYOBI, proizvod treba biti sigurno pakiran bez ikakvog opasnog sadržaja poput benzina, s označenom adresom pošiljatelja i pripadajućim kratkim opisom pogreške.
- Popravak/zamjena pod ovim jamstvom se ne naplaćuje. Ne produžuje zakonsko ili ne započinje novo jamstveno razdoblje. Zamijenjeni dijelovi ili alati postaju naše vlasništvo. U nekim zemljama pošiljatelj plaća poštarinu.
- Ovo jamstvo je valjano u Europskoj zajednici, Švicarskoj, Islandu, Norveškoj, Lichtenštajnu, Turskoj i Rusiji. Izvan ovih područja molimo vas da kontaktirate vašeg ovlaštenog zastupnika RYOBI kako biste odredili ako se primjenjuje druga jamstva.

OVLAŠTENI SERVISNI CENTAR

Za pronalaženje ovlaštenog servisnog centra pored vas posjetite <http://uk.ryobitools.eu/header/service-and-support/service-agents>.

SL GARANCIJA

Poleg kakršnih koli zakonskih pravic, ki jih pridobite z nakupom, za ta izdelek velja tudi garancija, kot je opisano spodaj.

- Garancijsko obdobje je 24 mesecev za potrošnike in se začne z datumom nakupa. Ta datum mora biti dokumentiran z računom ali drugim dokazilom o nakupu. Izdelek je namenjen in posevčen le potrošniški in zasebni uporabi. Zato garancija ne velja za profesionalno ali komercialno uporabo.
- V nekaterih primerih (npr. promocija, obseg orodij) obstaja možnost podaljšanja garancijskega obdobja prek zgoraj opisanega obdobja, kar je mogoče storiti z registracijo na spletnem mestu www.ryobitools.eu. Namen orodja je jasno označen v trgovinah in/ali na embalaži. Končni uporabnik mora svoje novo orodje registrirati prek spleta v 8 dneh od datuma nakupa. Končni uporabnik se lahko registrira za podaljšano garancijo v svoji državi, kjer ima stalno prebivališče, če je država vključena na seznam v obrazcu za registracijo, kjer je ta možnost veljavna. Poleg tega mora končni uporabnik odobriti shranjevanje podatkov, ki so potrebni za spletni vstop, in morajo sprejeti pogoje in določila. Potrdilo o registraciji, ki se pošlje po e-pošti, ter originalni račun, na katerem je naveden datum nakupa, veljata kot dokazilo o podaljšani garanciji. Vaše zakonske pravice ostanejo nespremenjene.
- Garancija krije vse okvare izdelka med garancijskim obdobjem zaradi napak v izdelavi ali materialu na datum nakupa. Garancija je omejena na popravilo/zamenjavo in ne vključuje drugih obveznosti, med drugim ne vključuje obveznosti zaradi nenamerne ali posledične škode. Garancija ni veljavna, če je bil izdelek zlorabljen, uporabljen v nasprotju z navodili za uporabo ali nepravilno priključen. Garancija ne velja:
 - za kakršno koli poškodbo izdelka, ki je posledica neprimernega vzdrževanja,
 - če je bil izdelek spremenjen ali modificiran,
 - če so originalne identifikacijske oznake (blagovna znamka, serijska številka) na izdelku poškodovane, spremenjene ali odstranjene,
 - če je do poškodbe prišlo zaradi neupoštevanja navodil za uporabo,
 - za katere koli izdelke, ki niso skladni z oznako CE,
 - če je izdelek poskusil opraviti neusposobljen strokovnjak ali brez predhodne odobritve družbe Techtronic Industries,
 - če je bil izdelek priključen na neustrezno električno omrežje (jakost, napetost, frekvenca),
 - če je bil izdelek uporabljen z neustrezno mešanico goriva (gorivo, olje, odstotek olja),
 - če je do poškodbe prišlo zaradi zunanjih vplivov (kemični, fizični, udarci) ali tujih snovi,
 - za normalno obrabo nadomestnih delov,
 - neustrezne uporabe, preobremenitve orodja,
 - uporabe neodobrenih dodatkov ali delov,
 - za uplinjač po 6 mesecih, prilagoditve uplinjača po 6 mesecih,
 - za sestavne dele (dele in dodatke), ki so podvrženi normalni obrabi, med drugim za vzmetne gume, pogonske jermene, sklopko, rezila obrezovalnikov ali kosilnic, nosilni trak, kabelske dušilke, karbonskih krtačk, napajalnega kabla, zobovje, polstene podložke, varnostne zatiče, ventilatorje, puhalne in sesalne cevi, sesalne vreče in trakove, vodila, verige za žage, gibljive cevi, nastavke priključkov, pršilne šobe, kolesa, pršilne palice, notranje kolute, zunanja vretena, rezalne nitke, vžigalne svečke, zračne filtre, plinske filtre, drobilna rezila itd.,
- Za servisiranje je treba izdelek poslati ali prinesiti v pooblaščen servisni center RYOBI, ki je za vsako državo naveden na naslednjem seznamu z naslovi servisnih centrov. V nekaterih državah pošiljanje izdelka servisnemu centru RYOBI prevzame lokalni trgovec z izdelki RYOBI. Za pošiljanje servisnemu centru RYOBI mora biti izdelek varno zapakiran, brez kakršnih koli nevarnih snovi, npr. gorivo, označen z naslovom pošiljatelja, priložen pa mora biti kratek opis napake.
- Popravilo/nadomestilo v sklopu te garancije je brezplačno. Ne pomeni podaljšanja ali novega začetka garancijskega obdobja. Zamenjani deli ali orodja postanejo naša last. V nekaterih državah mora stroške pošiljanja ali dostave poravnati pošiljatelj.
- Ta garancija je veljavna v Evropski skupnosti, Švic, na Islandiji, Norveškem, v Liechtensteinu, Turčiji in Rusiji. Izven teh področij stopite v stik s pooblaščenim trgovcem RYOBI, da ugotovite, ali velja katera druga garancija.

POOBLAŠČEN SERVISNI CENTER

Pooblaščen servisni center blizu vas poiščite na <http://uk.ryobitools.eu/header/service-and-support/service-agents>.

SK ZÁRUKA

Okrem zákonných práv vyplývajúcich zo zakúpenia je tento produkt pokrytý zárukou, ako je uvedené nižšie.

- Záručná doba pre spotrebiteľov je 24 mesiacov a začína dňom zakúpenia produktu. Tento dátum musí byť zdokumentovaný faktúrou alebo iným dokladom o kúpe. Tento produkt je navrhnutý a určený len na potrebné a osobné použitie. Takže v prípade profesionálneho alebo komerčného použitia neplatí žiadna záruka.
- V niektorých prípadoch (napr. reklamná akcia, rad produktov) existuje možnosť predĺženia záručnej doby nad dobu uvedenú vyššie pomocou registrácie na webovej stránke www.ryobitools.eu. Spôsobilosť nástroja je zreteľne zobrazená v obchodoch a ha obale. Koncový používateľ si musí zaregistrovať svoje novonadobudnuté nástroje online do 8 dní odo dňa zakúpenia. Koncový používateľ sa môže zaregistrovať za účelom získania predĺženej záruky vo svojej krajine, ak je uvedená v online registračnom formulári, kde je táto možnosť platná. Okrem toho musia koncoví používatelia poskytnúť súhlas k uloženiu údajov, ktoré sa zadávajú online a musia súhlasiť so zmluvnými podmienkami. Doklad s potvrdením o registrácii, ktorý posielame prostredníctvom e-mailu a originál faktúry s uvedeným dátumom zakúpenia slúžia ako dôkaz predĺženej záruky. Vaše zákonné práva ostávajú nedotknuté.
- Táto záruka pokrýva všetky poruchy produktu počas záručnej doby, ktoré vznikli následkom nedostatkov vo vypracovaní alebo materiáli v deň zakúpenia. Táto záruka je omezená na opravu alebo výmenu a nezahŕňa ďalšie povinnosti, napríklad vedľajšie alebo následné škody. Táto záruka je neplatná, ak bol produkt požívaný nesprávne, používaný v rozpore s návodom na použitie alebo nesprávne pripojený. Táto záruka sa nevzťahuje na:
 - akékoľvek poškodenie produktu, ku ktorému došlo následkom nesprávnej údržby
 - akýkoľvek produkt, ktorý bol pozmenený alebo upravený
 - akýkoľvek produkt, na ktorom boli poškodené pozmenené alebo odstránené originálne identifikačné znaky (obchodná známka, sériové číslo)
 - akékoľvek poškodenie spôsobené následkom neododržania návodu na použitie
 - akýkoľvek produkt iný ako CE
 - akýkoľvek produkt, o ktorého opravu sa pokúšal nekvalifikovaný odborník alebo v prípade opravy bez predchádzajúceho oprávnenia od spoločnosti Techtronic Industries
 - akýkoľvek produkt pripojený k nesprávnejmu napájaciemu zdroju (prúd, napätie, frekvencia)
 - akýkoľvek produkt použitý v nevhodnou palivovou zmesou (palivo, olej, percento oleja)
 - akékoľvek poškodenie spôsobené vonkajšími vplyvmi (chemické, fyzické, nárazy) alebo cudzími látkami
 - bežné opotrebenie náhradných dielov
 - nesprávne používanie a pretážovanie nástroja
 - používanie neschváleného príslušenstva alebo dielov
 - karburátor po 6 mesiacoch, úpravy karburátora po 6 mesiacoch
 - komponenty (diely a príslušenstvo), ktoré podliehajú prirodzenému opotrebeniu, napríklad pružinové tlačidlá, hnače remene, spojka, ostria strihača živého plotu alebo kosačky trávy, postroj, ťahadlo škrťacej klapky, uhlikové kefky, napájaci kábel, končeky, plstené podložky, kolký s háčikom, ventilátory dýchadla, rúrky dýchadla a vysávača, vrecko a remeň vysávača, vodiace lišty, pilové reťaze, hadice, konektorové armatúry, rozprašovače trysky, koleska, striekacie tyče, vnútorné navijaky, vonkajšie cievy, rezné drôty, zapalovače sviečky, vzduchové filtre, benzínové filtre, mulčovacie ostria a pod.
- Na servis sa musí produkt odoslať alebo predložiť autorizovanému servisnému centru RYOBI uvedenému pre každú krajinu v nasledujúcom zozname adres servisných stanic. V niektorých krajinách pošle produkt do servisnej organizácie RYOBI váš miestny predajca produktov RYOBI. Pri odoslaní produktu do servisnej stanice RYOBI musí byť produkt bezpečne zabalený bez akéhokoľvek nebezpečného obsahu, napríklad paliva, označený adresou odosielateľa a musí byť k nemu priložený krátky popis poruchy.
- Oprava či výmena v rámci tejto záruky je bezplatná. Nevplyvá na nej predĺženie či nový začiatok záručnej doby. Vymenené diely alebo nástroje sa stávajú našim majetkom. V niektorých krajinách doručovací poplatok alebo poštovné platí odosielateľ.
- Táto záruka je platná v Európskej únii, Švajčiarsku, na Islande, v Nórsku, Lichtenštajnsku, Turecku a Rusku. Mimo týchto oblastí kontaktujte autorizovaného predajcu spoločnosti Ryobi, u ktorého zisľíte, či platí nejaká iná záruka.

AUTORIZOVANÉ SERVISNÉ CENTRUM

Ak chcete nájsť najbližšie autorizované servisné centrum, navštívte stránku <http://uk.ryobitools.eu/header/service-and-support/service-agents>.

BG ГАРАНЦИЯ

В допълнение към законоустановените права, произтичащи от покупката, този продукт е обхванат от гаранция, както е изложено по-долу.

- Гаранционният срок е 24 месеца за клиенти и започва да тече от деня на закупуване на продукта. Тази дата трябва да се докаже с фактура или друго доказателство за покупка. Продуктът е изработен и предназначен само за потребителска и лична употреба. Следователно не се дава гаранция в случай на използване от професионалисти или с търговска цел.
- В някои случаи (като промоция, гама инструменти) съществува възможност за удължаване на гаранционния срок след изтичането на описания тук чрез регистрация на уеб сайта www.yobitools.eu. Дали инструментът отговаря на условията за такова удължаване, ясно показано в магазини и/или върху опаковката. Крайният потребител трябва да регистрира своите новопридобити инструменти онлайн в рамките на 8 дни от датата на покупка. Крайният потребител може да се регистрира за удължена гаранция в държавата си на пребиваване, ако е посочена във формуляра за онлайн регистрация като място, където тази опция е валидна. Освен това крайните потребители трябва да дадат съгласието си за съхранение на данните, които са задължителни за ползване онлайн, и трябва да приемат общите условия. Полученото потвърждение за регистрация, изпратено по имейл, и оригиналната фактура, показваща датата на покупка, ще служат като доказателство за удължената гаранция. Законоустановените Ви права остават незаосенати.
- Гаранцията покрива всички дефекти на продукта по време на гаранционния срок, които се дължат на проблеми в изработката или материалите към момента на покупката. Гаранцията е ограничена до ремонт и/или замяна и не включва други задължения, включително, но не само, случайни или закономерни щети. Гаранцията е невалидна, ако продуктът е използван неправилно или в противоречие с ръководството с инструкции, както и ако е свързан неправилно. Тази гаранция не важи за:
 - щети по продукта в резултат на неправилна профилировка;
 - продукти, които са били изменени или модифицирани;
 - продукт, при който оригиналните маркировки за идентификация (търговска марка, серийн номер) са изтрити, променени или премахнати;
 - повреда, причинена от неспазване на ръководството с инструкции;
 - продукт без CE маркировка;
 - продукт, за който е направен опит за ремонт от невалифициран специалист или без предварително разрешение от Techtronic Industries;
 - продукт, свързан към неподходящо електрохранване (ампераж, волтаж, честота);
 - продукт, използван с неподходяща горивна смес (гориво, масло, процент масло);
 - щети, причинени от външни влияния (химични, физични, удари) или чужди вещества;
 - нормално износване на резервни части;
 - неподходяща употреба, претоварване на инструмента;
 - използване на неодобриени аксесоари или части;
 - карбуратор след 6 месеца, настройки на карбуратора след 6 месеца;
 - компоненти (част и аксесоари), подложени на естествено износване, включително, но не само, кошчетата за тласкане, задвижващи ремъци, съединител, остриета на ножици за жив плет, косачки, самар, кабелен дросел, карбонови четки, защитна капака, остриета, филцови шайби, осигурителни цифрове, вентилатори на уреди за обдухване, тръби за обдухване и всмукване, торба за отпадъци и ремъци, водеща шпера, вериги за триони, маркучи, фитинги на конектори, дюзи, копела, пръскалки, вътрешни и външни макари, рещесто влакно, запалителни свещи, въздушни филтри, горивни филтри, остриета за мулчиране и т.н.
- За обслужване продуктът трябва да се изпрати или занесе на авторизиран сервиз на RYOBI, посочен за всяка държава в следния списък с адреси на сервиси. В някои държави местният търговец на RYOBI поема да изпрати продукта до сервизен център на RYOBI. При изпращане на продукт до сервиз на RYOBI продуктът трябва да е опакован безопасно без опасно съдържание, като бензин, да е маркиран с адреса на подателя и придружен от кратко описание на повредата.
- Ремонтът или замяната по силата на тази гаранция са безплатни. Те не водят до удължаване или подновяване на гаранционния срок. Сменените части или инструменти стават наша собственост. В някои държави таксите за доставка или изпращане трябва да се платят от подателя.
- Тази гаранция е валидна в Европейската общност, Швейцария, Исландия, Норвегия, Лихтенщайн, Турция и Русия. Извън тези области се свържете с упълномощения търговец на RYOBI, за да се установи дали са приложими други гаранции.

УПЪЛНОМОЩЕН СЕРВИЗЕН ЦЕНТЪР

За да намерите упълномощен сервизен център близо до вас, посетете <http://uk.yobitools.eu/header/service-and-support/service-agents>.

UK ГАРАНТИЯ

На додатък до любих законних прав, що випливають з покупки, цей продукт покривається гарантією, як зазначено нижче.

- Гарантійний термін складає 24 місяці для споживачів і починається з дати придбання продукту. Ця дата повинна бути задокументована рахунком або іншим документом, що підтверджує покупку. Продукт розроблений і призначений для споживача і тільки для приватного використання. Таким чином, немає ніякої гарантії, у разі професійного або комерційного використання.
- Наведені деякі випадки (наприклад, підтримка, ряд інструментів), можливості розширення гарантійного терміну протягом періоду, описаного вище, з використанням реєстрації на сайті www.yobitools.eu. Придатність інструменту чітко відображається в магазинах та / або на упаковці. Кінцевий користувач повинен зареєструвати його / її ново придбаний інструмент онлайн протягом 8 днів з моменту покупки. Кінцевий користувач може зареєструватися на розширену гарантію у своїй країні проживання, якщо ця країна є в онлайн формі реєстрації, де ця опція діє. Крім того, кінцеві користувачі повинні дати свою згоду на зберігання даних, які необхідні для онлайн входу і вони повинні прийняти терміни та умови. Квитанція підтвердження реєстрації, яка розсилається по електронній пошті, та оригінал рахунку-фактури із зазначенням дати покупки будуть служити доказом розширеної гарантії. Ваші законні права залишаються в силі.
- Гарантія покриває всі дефекти продукту протягом гарантійного періоду, пов'язані з недоліками виготовлення або матеріалу на дату покупки. Гарантія обмежується ремонтом та / або заміною, і не покриває будь-які інші зобов'язання, включаючи, але не обмежуючись випадковими або непрямими збитками. Гарантія не діє, якщо продукт неправильно використовувався всупереч інструкції, або був неправильно підключений. Ця гарантія не поширюється на:
 - будь-яке пошкодження продукту, яке є результатом неправильного технічного обслуговування
 - будь-який продукт, який був модифікований або модифікований
 - будь-який продукт, де оригінальні ідентифікаційні (торгова марка, серийний номер) маркування були зіпсовані, змінені або видалені
 - будь-який збиток, заподіяний в результаті недотримання керівництва з експлуатації
 - будь-який не CE продукт
 - будь-який виріб, який був відремонтований невалифікованим спеціалістом або без попереднього дозволу Techtronic Industries
 - будь-який продукт підключений до неналежного живлення (підсилювачі, напруга, частота)
 - будь-який збиток, заподіяний зовнішнім впливом (хімічними, фізичними, ударами) або стороннім речовинами
 - передбачене зношення запасних частин
 - неправильне використання, перевантаження інструменту
 - використання незатверджених запасних частин або аксесуарів
 - карбуратор через 6 місяців, коригування карбуратора після 6 місяців
 - аксесоари електроінструменту надані з інструментом або куплені окремо. Такі вироби включають, але не обмежуються гвинтовою викруткою, свердлами, абразивними дисками, наждачним шпером і лезами, бачним спрямовувачим пристроєм
 - компоненти (частини та аксесоари), схильні до природного зносу, в тому числі, але не обмежуючись шлітком, патроном, шнуром живлення, додатковою рукояткою, шліфувальними пластинами, мішком для пилу, витяжною трубою
- Для обслуговування виріб має бути відправлено або представлено в уповноважений RYOBI центр технічного обслуговування, перерахований для кожної країни в наступному списку адресів технічних центрів. У деяких країнах місцевий дилер RYOBI зобов'язується відправити виріб в сервісній організації RYOBI. При відправці продукту до станції технічного обслуговування RYOBI, продукт повинен бути надійно упакований, без жодного небезпечного вмісту, такого як бензин, відмічений адресною відправника і супроводжуватися коротким описом несправності.
- Ремонт / заміна по гарантії безкоштовні. Це не розширює або не починає новий гарантійний термін. Замінені частини або інструменти стають нашою власністю. У деяких країнах вартість доставки або відсилки повинні бути оплачені відправником.
- Ця гарантія дієсна в Європейському Співтоваристві, Швейцарії, Ісландії, Норвегії, Лихтенштейні, Туреччині та Росії. За межами цих областей, будь ласка, зв'яжіться з офіційним дилером RYOBI, щоб визначити, якщо поширюється інша гарантія

АВТОРИЗОВАНІ СЕРВІСНІ ЦЕНТРИ

Для отримання оновленого переліка авторизованих сервісних центрів, відвідайте <http://uk.yobitools.eu/header/service-and-support/service-agents>

TR GARANTI

Bu satın alma işleminden doğan tüm yasal haklara ek olarak, bu ürün aşağıda açıklanan garanti kapsamındadır.

1. Garanti süresi tüketiciler için 24 aydır ve bu süre ürünün satın alınması ile başlar. Bu tarih fatura veya başka bir satın alma belgesi ile kanıtlanmalıdır. Ürün sadece tüketici ve bireysel kullanım için tasarlanmış ve sunulmuştur. Profesyonel veya ticari amaçlı kullanımlarda garanti verilmez.
2. Bazı durumlarda (örn. tanıtım, aletlerin düzenlenmesi), yukarıda belirtilen garanti süresi uzatılabilir. Bunun için www.ryobitools.eu internet sitesindeki kaydı yapmak gerekir. Aletin nitelikleri mağazalarda ve/veya ambalaj üzerinde açıkça belirtilmiştir. Son kullanıcı, aleti satın aldıktan sonra en geç 8 gün içinde aletin kaydını çevrim içi olarak yapmalıdır. Son kullanıcı, garanti uzatma seçeneğinin geçerli olduğu ülkelerden birindeyse kayıt yaptırarak bu fırsattan yararlanabilir. Ayrıca, son kullanıcılar çevrim içi giriş yapmak için gerekli olan verilerin saklanmasına izin vermeli, şartlar ve koşulları kabul etmelidir. E-posta ile gönderilen kayıt onay belgesi ve satın alma tarihini belgeleyen orijinal fatura garantinin uzatılmasını sağlamak için kanıt niteliği taşımaktadır. Yasal haklarınız aynı kalacaktır.
3. Garanti, ürünün satın alma tarihindeki tüm işçilik ve malzeme kusurlarından kaynaklanan tüm sorunları garanti süresi içinde kapsamaktadır. Garanti onarım ve/veya değişim ile sınırlıdır ve sadece istenmeyen arızalar, vb. durumlarda herhangi bir sorumluluk kabul edilmez. Ürünün yanlış kullanılması, kullanım kılavuzuna uygun kullanılmaması veya yanlış bağlantı kurulması durumunda garanti geçerliliğini yitirir. Garanti kapsamı dışındaki durumlar:
 - bakımın yanlış yapılmasından kaynaklanan tüm hasarlar
 - ürünün değiştirilmesi veya düzenlenmesi
 - ürünün orijinal teşhis (ticari sembol, seri numarası) işaretlerinin tahrip olması, değiştirilmesi veya çıkarılması
 - kullanım kılavuzunun dikkate alınmaması nedeniyle oluşan tüm hasarlar
 - ürünün AB ürünü olmaması
 - ürünün kalifiye olmayan bir kişi tarafından veya Techtronic Industries'in izni olmadan onarılmaya çalışılması
 - ürünün yanlış güç desteğine (amper, voltaj, frekans) bağlanması
 - dış etkenler (kimyasal, fiziksel, darbeler) veya yabancı cisimlerden kaynaklanan arızalar
 - yedek parçaların normal aşınması ve yıpranması
 - yanlış kullanım, aletin fazla yüklenmesi
 - onaylanmayan aksesuarların veya parçaların kullanılması
 - karbüratörlü sistemlerde karbüratör ayarlarının 6 ayın ardından yapılması
 - elektronik alet aksesuarlarının alet ile birlikte veya ayrı olarak satın alınması. Akülü vidalama uçları, matkap uçları, aşındırıcı diskler, zımpara kağıdı ve bıçakları, yatay kılavuz gibi parçaların dahil olduğu, ancak bu parçalarla sınırlı olmayan istisnalar
 - karbon fırçalar, kovan, elektrik kablosu, yardımcı kol, kumlama plakası, toz torbası, toz egzoz borusu gibi parçaların bulunduğu, ancak bu parçalarla sınırlı olmayan doğal aşınma ve yıpranmaya maruz kalan bileşenler
4. Tamir işlemi için ürünün, her ülke için listelenmiş olan aşağıdaki servis istasyonu adreslerinde bulunan bir RYOBI yetkili servis istasyonuna gönderilmesi veya verilmesi gerekir. Bazı ülkelerde yerel RYOBI satıcınız ürünü RYOBI servis istasyonuna gönderme işlemini üstlenir. RYOBI servis istasyonuna gönderilen ürün; içinde petrol gibi tehlikeli maddeler olmadan emniyetli bir şekilde paketlenmeli, gönderenin adresini ve sorunun kısa bir açıklamasını içermelidir.
5. Bu garanti kapsamında gerçekleşen bir onarım/değişim ücretsizdir. Bu tarz işlemler garanti süresini uzatmaz veya yeniden başlatmaz. Değiştirilen parçalar veya aletler firmamıza ait olur. Bazı ülkelerde teslimat masrafları veya posta ücreti gönderici tarafından ödenmelidir.
6. Bu garanti Avrupa Birliği, İsviçre, İzlanda, Norveç, Lihtenştayn, Türkiye ve Rusya'da geçerlidir. Bu bölgelerin dışında yer alan müşterilerin diğer garanti seçenekleri için yetkili RYOBI satıcısına danışmaları gerekir.

YETKİLİ SERVİS MERKEZİ

En yakın yetkili servis merkezini öğrenmek için <http://uk.ryobitools.eu/header/service-and-support/service-agents> sitesine girin.

EN EC DECLARATION OF CONFORMITY

Techtronic Industries GmbH
Max-Eyth-Straße 10, 71364 Winnenden, Germany

Herewith we declare that the product

Electric lawn trimmer/edge trimmer
Brand: Ryobi
Model number: RLT3525
Serial number range: 46201001000001 - 46201001999999

is in conformity with the following European Directives and harmonised standards
2006/42/EC, 2014/30/EU, 2000/14/EC, 2005/88/EC, 2011/65/EU, EN 60335-1:2012+A11:2014,
EN 50636-2-91:2014, EN 55014-1:2006+A1:2009+A2:2011, EN 55014-2:2015, EN 61000-3-2:2014, EN 61000-3-3:2013, EN 50581:2012, EN ISO 3744:2010

Measured sound power level: 93.0 dB(A)
Guaranteed sound power level: 96 dB(A)

Conformity assessment method to Annex VI Directive 2000/14/EC amended by 2005/88/EC.

The notified body involved:
Société Nationale de Certification et d'Homologation (Notified Body 0499)
11, rue de Luxembourg L-5230 Sandweiler

Andrew John Eyre (BEng, CEng, MIET)
Vice President, Regulatory & Safety
Winnenden, Nov. 6, 2016

Authorised to compile the technical file:
Alexander Krug, Managing Director
Techtronic Industries GmbH
Max-Eyth-Straße 10, 71364 Winnenden, Germany

CE

DE EC KONFORMITÄTSERKLÄRUNG

Techtronic Industries GmbH
Max-Eyth-Straße 10, 71364 Winnenden, Germany

Hiermit erklären wir, dass die Produkte

Elektrischer Rasentrimmer/Rasenkantenschneider
Marke: Ryobi
Modellnummer: RLT3525
Seriennummernbereich: 46201001000001 - 46201001999999

mit den folgenden europäischen Richtlinien und harmonisierten Normen entspricht
2006/42/EC, 2014/30/EU, 2000/14/EC, 2005/88/EC, 2011/65/EU, EN 60335-1:2012+A11:2014,
EN 50636-2-91:2014, EN 55014-1:2006+A1:2009+A2:2011, EN 55014-2:2015, EN 61000-3-2:2014, EN 61000-3-3:2013, EN 50581:2012, EN ISO 3744:2010

Gemessener Schalleistungspegel: 93.0 dB(A)
Garantierter Schalleistungspegel: 96 dB(A)

Konformitätsbeurteilungsmethode zu Anhang VI Richtlinie 2000/14/EC wie durch 2005/88/EC.

Benannte Stelle:
Société Nationale de Certification et d'Homologation (Benannte Stelle 0499)
11, rue de Luxembourg L-5230 Sandweiler

Andrew John Eyre (BEng, CEng, MIET)
Vizepräsident, Vorschriften und Sicherheit
Winnenden, Nov. 6, 2016

Autorisiert die technische Datei zu erstellen:
Alexander Krug, Geschäftsführer
Techtronic Industries GmbH
Max-Eyth-Straße 10, 71364 Winnenden, Germany

CE

FR DÉCLARATION DE CONFORMITÉ EC

Techtronic Industries GmbH
Max-Eyth-Straße 10, 71364 Winnenden, Germany

Déclarons par la présente que le produit

Coupe-bordures / dresse-bordures électrique
Marque: Ryobi
Numéro de modèle: RLT3525
Étendue des numéros de série: 46201001000001 - 46201001999999

est conforme aux Directives Européennes et Normes Harmonisées suivantes
2006/42/EC, 2014/30/EU, 2000/14/EC, 2005/88/EC, 2011/65/EU, EN 60335-1:2012+A11:2014,
EN 50636-2-91:2014, EN 55014-1:2006+A1:2009+A2:2011, EN 55014-2:2015, EN 61000-3-2:2014, EN 61000-3-3:2013, EN 50581:2012, EN ISO 3744:2010

Niveau de puissance sonore mesuré: 93.0 dB(A)
Niveau de puissance sonore garanti: 96 dB(A)

Méthode d'évaluation de conformité de l'annexe VI Directive 2000/14/EC modifiée 2005/88/EC.

L'organisme notifié titulaire:
Société Nationale de Certification et d'Homologation (L'organisme notifié 0499)
11, rue de Luxembourg L-5230 Sandweiler

Andrew John Eyre (BEng, CEng, MIET)
Vice-Président, Réglementation & Sécurité
Winnenden, Nov. 6, 2016

Autorisé à rédiger le dossier technique:
Alexander Krug, Directeur Général
Techtronic Industries GmbH
Max-Eyth-Straße 10, 71364 Winnenden, Germany

CE

ES DECLARACIÓN EC DE CONFORMIDAD

Techtronic Industries GmbH
Max-Eyth-Straße 10, 71364 Winnenden, Germany

Por la presente declaramos que los productos

Cortasetos/bordeador eléctrico
Marca: Ryobi
Número de modelo: RLT3525
Intervalo del número de serie: 46201001000001 - 46201001999999

se encuentra en conformidad con las siguientes Directivas Europeas y normas armonizadas
2006/42/EC, 2014/30/EU, 2000/14/EC, 2005/88/EC, 2011/65/EU, EN 60335-1:2012+A11:2014,
EN 50636-2-91:2014, EN 55014-1:2006+A1:2009+A2:2011, EN 55014-2:2015, EN 61000-3-2:2014, EN 61000-3-3:2013, EN 50581:2012, EN ISO 3744:2010

Nivel de potencia acústica medido: 93.0 dB(A)
Nivel de potencia acústica garantizado: 96 dB(A)

Método de evaluación de conformidad con el anexo VI Directiva 2000/14/EC modificada por la 2005/88/EC.

El organismo notificado implicado:
Société Nationale de Certification et d'Homologation (Organismo notificado 0499)
11, rue de Luxembourg L-5230 Sandweiler

Andrew John Eyre (BEng, CEng, MIET)
Vicepresidente, Director General de Normativa y Seguridad
Winnenden, Nov. 6, 2016

Autorizado para elaborar la ficha técnica:
Alexander Krug, Administrador Ejecutivo
Techtronic Industries GmbH
Max-Eyth-Straße 10, 71364 Winnenden, Germany

CE

IT DICHIARAZIONE DI CONFORMITÀ EC

Techtronic Industries GmbH
Max-Eyth-Straße 10, 71364 Winnenden, Germany

Si dichiara con la presente che il prodotto

Tagliabordi elettrico
Marca: Ryobi
Numero modello: RLT3525
Gamma numero seriale: 46201001000001 - 46201001999999

è conforme alle seguenti Direttive Europee e ai seguenti standard armonizzati
2006/42/EC, 2014/30/EU, 2000/14/EC, 2005/88/EC, 2011/65/EU, EN 60335-1:2012+A11:2014,
EN 50636-2-91:2014, EN 55014-1:2006+A1:2009+A2:2011, EN 55014-2:2015, EN 61000-3-2:2014, EN 61000-3-3:2013, EN 50581:2012, EN ISO 3744:2010

Livello di potenza acustica misurato: 93.0 dB(A)
Livello di potenza sonora garantita: 96 dB(A)

Metodo di valutazione sulla conformità all'allegato VI Direttiva 2000/14/EC modificata con la 2005/88/EC.
Ente notificato responsabile:
Société Nationale de Certification et d'Homologation (L'ente notificato 0499)
11, rue de Luxembourg L-5230 Sandweiler

Andrew John Eyre (BEng, CEng, MIET)
Vice-Presidente, Dipartimento Regolazioni & Sicurezza
Winnenden, Nov. 6, 2016

Autorizzato per compilare il file tecnico:
Alexander Krug, Direttore Amministrativo
Techtronic Industries GmbH
Max-Eyth-Straße 10, 71364 Winnenden, Germany

CE

PT DECLARAÇÃO EC DE CONFORMIDADE

Techtronic Industries GmbH
Max-Eyth-Straße 10, 71364 Winnenden, Germany

Pelo presente declaramos que os produtos

Recortador de relvado/recortador de sebes eléctrico
Marca: Ryobi
Número do modelo: RLT3525
Intervalo do número de série: 46201001000001 - 46201001999999

se encontra em conformidade com as seguintes Directivas Europeias e normas harmozadas
2006/42/EC, 2014/30/EU, 2000/14/EC, 2005/88/EC, 2011/65/EU, EN 60335-1:2012+A11:2014,
EN 50636-2-91:2014, EN 55014-1:2006+A1:2009+A2:2011, EN 55014-2:2015, EN 61000-3-2:2014, EN 61000-3-3:2013, EN 50581:2012, EN ISO 3744:2010

Nível de potência sonora medido: 93.0 dB(A)
Nível de potência sonora garantida: 96 dB(A)

Método de avaliação de conformidade para o anexo VI Directiva 2000/14/EC alterada por 2005/88/EC.
O organismo notificado envolvido:
Société Nationale de Certification et d'Homologation (Organismo notificado 0499)
11, rue de Luxembourg L-5230 Sandweiler

Andrew John Eyre (BEng, CEng, MIET)
Vice-Presidente, Regulamentação & Segurança
Winnenden, Nov. 6, 2016

Autorizado para compilar o ficheiro técnico:
Alexander Krug, Administrador Executivo
Techtronic Industries GmbH
Max-Eyth-Straße 10, 71364 Winnenden, Germany

CE

NL EC CONFORMITEITSVERKLARING

Techtronic Industries GmbH
Max-Eyth-Straße 10, 71364 Winnenden, Germany

Hierbij verklaren wij dat het product

Elektrische gazontrimmer/graskantrimmer
Merk: Ryobi
Modelnummer: RLT3525
Serienummerbereik: 46201001000001 - 46201001999999

is in overeenstemming met de volgende Europese Richtlijnen en geharmoniseerde normen
2006/42/EC, 2014/30/EU, 2000/14/EC, 2005/88/EC, 2011/65/EU, EN 60335-1:2012+A11:2014,
EN 50636-2-91:2014, EN 55014-1:2006+A1:2009+A2:2011, EN 55014-2:2015, EN 61000-3-2:2014, EN 61000-3-3:2013, EN 50581:2012, EN ISO 3744:2010

Gemeten geluidsniveau: 93.0 dB(A)
Gegarandeerd geluidsniveau: 96 dB(A)

Evaluatiemethode conformiteit volgens bijlage VI Richtlijn 2000/14/EC gewijzigd door 2005/88/EC.
Betrokken aangemelde keuringsinstantie:
Société Nationale de Certification et d'Homologation (De aangemelde instantie 0499)
11, rue de Luxembourg L-5230 Sandweiler

Andrew John Eyre (BEng, CEng, MIET)
Vice-president, Regelgeving en Veiligheid
Winnenden, Nov. 6, 2016

Afgevaardigde voor het samenstellen van de technische fiche:
Alexander Krug, Directeur
Techtronic Industries GmbH
Max-Eyth-Straße 10, 71364 Winnenden, Germany

CE

DA EC OVERENSSTEMMELSEERKLÆRING

Techtronic Industries GmbH
Max-Eyth-Straße 10, 71364 Winnenden, Germany

Vi erklærer hermed, at produktet

Elektriske plænetrimmer/kanttrimmer
Brand: Ryobi
Modelnummer: RLT3525
Serienummerområde: 46201001000001 - 46201001999999

er i overensstemmelse med følgende EU-direktiver og harmoniserede standarder
2006/42/EC, 2014/30/EU, 2000/14/EC, 2005/88/EC, 2011/65/EU, EN 60335-1:2012+A11:2014,
EN 50636-2-91:2014, EN 55014-1:2006+A1:2009+A2:2011, EN 55014-2:2015, EN 61000-3-2:2014, EN 61000-3-3:2013, EN 50581:2012, EN ISO 3744:2010

Målt støjniveau: 93.0 dB(A)
Garanteret støjniveau: 96 dB(A)

Overensstemmelsesvurderingsmetode til bilag VI Direktiv 2000/14/EC ændret ved 2005/88/EC.
Den relevante godkendelsesinstans:
Société Nationale de Certification et d'Homologation (Relevant godkendelsesinstans 0499)
11, rue de Luxembourg L-5230 Sandweiler

Andrew John Eyre (BEng, CEng, MIET)
Vicepræsident, Regler og Sikkerhed
Winnenden, Nov. 6, 2016

Bemyndiget til at udarbejde det tekniske kartotek:
Alexander Krug, Administrerende Direktør
Techtronic Industries GmbH
Max-Eyth-Straße 10, 71364 Winnenden, Germany

CE

SV EC-KONFORMITETSDEKLARATION

Techtronic Industries GmbH
Max-Eyth-Straße 10, 71364 Winnenden, Germany

Härmed deklarerar vi att produkterna

Elektriska grässtrimmern/kanttrimmern
Märke: Ryobi
Modellnummer: RLT3525
Serienummerintervall: 46201001000001 - 46201001999999

är i enlighet med följande EU-direktiv och harmoniserade standarder

2006/42/EC, 2014/30/EU, 2000/14/EC, 2005/88/EC, 2011/65/EU, EN 60335-1:2012+A11:2014,
EN 50636-2-91:2014, EN 55014-1:2006+A1:2009+A2:2011, EN 55014-2:2015, EN 61000-3-2:2014, EN 61000-3-3:2013, EN 50581:2012, EN ISO 3744:2010

Uppmätt ljudeffektnivå: 93,0 dB(A)
Garanterad ljudeffektnivå: 96 dB(A)

Konformitetsbedömning gjord enligt metod i VI Direktiv 2000/14/EC samt tilläggen i 2005/88/EC.

Meddelandet gällde:
Société Nationale de Certification et d'Homologation (Myndigheten 0499)
11, rue de Luxembourg L-5230 Sandweiler

Andrew John Eyre (BEng, CEng, MIET)
Vice President, Regelverk och Säkerhet
Winnenden, Nov. 6, 2016

Godkänd att sammanställa den tekniska filen:

Alexander Krug, VD
Techtronic Industries GmbH
Max-Eyth-Straße 10, 71364 Winnenden, Germany

NO EC-SAMSVARERKLÆRING

Techtronic Industries GmbH
Max-Eyth-Straße 10, 71364 Winnenden, Germany

Herved erklærer vi at produktet

Elektriske gresstrimmeren/kantklipperen
Märke: Ryobi
Modellnummer: RLT3525
Serienummerserie: 46201001000001 - 46201001999999

er i samsvar med følgende europeiske direktiver og harmoniserte standarder

2006/42/EC, 2014/30/EU, 2000/14/EC, 2005/88/EC, 2011/65/EU, EN 60335-1:2012+A11:2014,
EN 50636-2-91:2014, EN 55014-1:2006+A1:2009+A2:2011, EN 55014-2:2015, EN 61000-3-2:2014, EN 61000-3-3:2013, EN 50581:2012, EN ISO 3744:2010

Målt lydteffektnivå: 93,0 dB(A)
Garantert lydteffektnivå: 96 dB(A)

Metode for vurdering av konformitet til Tillegg VI Direktiv 2000/14/EC endret ved 2005/88/EC.

Involvert meddelelsesorgan:
Société Nationale de Certification et d'Homologation (Teknisk kontrollorgan 0499)
11, rue de Luxembourg L-5230 Sandweiler

Andrew John Eyre (BEng, CEng, MIET)
Visepresident, Forskrifter og Sikkerhet
Winnenden, Nov. 6, 2016

Autorisert til å sette sammen den tekniske filen:

Alexander Krug, Administrerende Direktør
Techtronic Industries GmbH
Max-Eyth-Straße 10, 71364 Winnenden, Germany

FI EC-SÄÄNNÖSTEN NOUDATTAMINEN

Techtronic Industries GmbH
Max-Eyth-Straße 10, 71364 Winnenden, Germany

Ilmoitamme täten, että tuotteet

Sähkökäyttöinen ruuhotrimmerimme/reunatrimmerimme
Tuotemerkki: Ryobi
Mallinumero: RLT3525
Sarjanumerosalue: 46201001000001 - 46201001999999

noudattaa seuraavia EU-direktiivejä ja harmonoituja standardeja

2006/42/EC, 2014/30/EU, 2000/14/EC, 2005/88/EC, 2011/65/EU, EN 60335-1:2012+A11:2014,
EN 50636-2-91:2014, EN 55014-1:2006+A1:2009+A2:2011, EN 55014-2:2015, EN 61000-3-2:2014, EN 61000-3-3:2013, EN 50581:2012, EN ISO 3744:2010

Mitattu äänenteho: 93,0 dB(A)
Taattu ääniteho: 96 dB(A)

Säännösten noudattaminen tarkastettu direktiivin 2000/14/EC liitteen VI mukaisesti muunnettu direktiivillä 2005/88/EC.

Ilmoituselin:
Société Nationale de Certification et d'Homologation (Ilmoittava elin 0499)
11, rue de Luxembourg L-5230 Sandweiler

Andrew John Eyre (BEng, CEng, MIET)
Varatoimitusjohtaja, Säädöstenmukaisuus ja Turvallisuus
Winnenden, Nov. 6, 2016

Valtuutettu kokoamaan tekninen tiedosto:

Alexander Krug, Toimitusjohtaja
Techtronic Industries GmbH
Max-Eyth-Straße 10, 71364 Winnenden, Germany

RU ЗАЯВЛЕНИЕ О СООТВЕТСТВИИ ТРЕБОВАНИЯМ ЕС

Techtronic Industries GmbH
Max-Eyth-Straße 10, 71364 Winnenden, Germany

Настоящим мы заявляем, что данный продукт

Электрический триммер / кромокорез
Марка: Ryobi
Номер модели: RLT3525
Диапазон заводских номеров: 46201001000001 - 46201001999999

соответствует требованиям следующих Директив ЕС и согласованных стандартов

2006/42/EC, 2014/30/EU, 2000/14/EC, 2005/88/EC, 2011/65/EU, EN 60335-1:2012+A11:2014,
EN 50636-2-91:2014, EN 55014-1:2006+A1:2009+A2:2011, EN 55014-2:2015, EN 61000-3-2:2014, EN 61000-3-3:2013, EN 50581:2012, EN ISO 3744:2010

Измеренный уровень звуковой мощности: 93,0 dB(A)

Гарантируемый уровень звуковой мощности: 96 dB(A)

Способ оценки соответствия, приложение VI к директиве 2000/14/EC с изменениями 2005/88/EC.

Уведомляемый участвующий орган:
Société Nationale de Certification et d'Homologation (Нотифицированная организация 0499)
11, rue de Luxembourg L-5230 Sandweiler

Andrew John Eyre (BEng, CEng, MIET)
Вице-Президент По Технике Безопасности И Стандартам
Winnenden, Nov. 6, 2016

Лицо, ответственное за подготовку технической документации:

Alexander Krug, Директор
Techtronic Industries GmbH
Max-Eyth-Straße 10, 71364 Winnenden, Germany

PL DEKLARACJA ZGODNOŚCI EC

Techtronic Industries GmbH
Max-Eyth-Straße 10, 71364 Winnenden, Germany

Niniejszym deklarujemy, że produkty

Elektryczna przycinarka do trawnika/krawędzi
Marka: Ryobi
Numer modelu: RLT3525
Zakres numerów seryjnych: 46201001000001 - 46201001999999

jest zgodny z następującymi dyrektywami europejskimi i zharmonizowanymi normami

2006/42/EC, 2014/30/EU, 2000/14/EC, 2005/88/EC, 2011/65/EU, EN 60335-1:2012+A11:2014,
EN 50636-2-91:2014, EN 55014-1:2006+A1:2009+A2:2011, EN 55014-2:2015, EN 61000-3-2:2014, EN 61000-3-3:2013, EN 50581:2012, EN ISO 3744:2010

Zmierzony poziom natężenia hałasu: 93.0 dB(A)
Maksymalny poziom natężenia hałasu: 96 dB(A)

Metoda ocena zgodności zgodnie z aneksem VI Dyrektywa 2000/14/EC zmieniona przez dyrektywę 2005/88/EC.
Zaangazowany organ do powiadomienia:
Société Nationale de Certification et d'Homologation (Jednostka notyfikowana 0499)
11, rue de Luxembourg L-5230 Sandweiler

Andrew John Eyre (BEng, CEng, MIET)
Wiceprezes ds. Zgodności Prawnej i Bezpieczeństwa
Winnenden, Nov. 6, 2016

Osoba upoważniona do sporządzenia dokumentu technicznego:
Alexander Krug, Dyrektor Zarządzający
Techtronic Industries GmbH
Max-Eyth-Straße 10, 71364 Winnenden, Germany

CE

HU EC MEGFELELŐSÉGI NYILATKOZAT

Techtronic Industries GmbH
Max-Eyth-Straße 10, 71364 Winnenden, Germany

Ezúton kijelentjük, hogy a termékek

Elektrómos fűkaszátszégélyvágót
Márka: Ryobi
Típusszám: RLT3525
Sorozatszám tartomány: 46201001000001 - 46201001999999

megfelel az alábbi Európai Irányelvek és harmonizált szabványok vonatkozó rendelkezéseinek

2006/42/EC, 2014/30/EU, 2000/14/EC, 2005/88/EC, 2011/65/EU, EN 60335-1:2012+A11:2014,
EN 50636-2-91:2014, EN 55014-1:2006+A1:2009+A2:2011, EN 55014-2:2015, EN 61000-3-2:2014, EN 61000-3-3:2013, EN 50581:2012, EN ISO 3744:2010

Mért hangteljesítményszint: 93.0 dB(A)
Garantált hangteljesítményszint: 96 dB(A)

A megfelelőségi értékelési eljárás a 2000/14/EC irányelv VI. függeléke szerint történt által módosított 2005/88/EC irányelv.
A közreműködő tanúsító testület:
Société Nationale de Certification et d'Homologation (A következő tanúsító testület 0499)
11, rue de Luxembourg L-5230 Sandweiler

Andrew John Eyre (BEng, CEng, MIET)
Alelnök, Megfelelőségi és Biztonsági Területek
Winnenden, Nov. 6, 2016

A műszaki dokumentáció összeállítására felhatalmazott:
Alexander Krug, Ügyvezető Igazgató
Techtronic Industries GmbH
Max-Eyth-Straße 10, 71364 Winnenden, Germany

CE

CS PROHLÁŠENÍ O SHODĚ EC

Techtronic Industries GmbH
Max-Eyth-Straße 10, 71364 Winnenden, Germany

Tímto prohlašujeme, že výrobky

Elektrický vřezinač trávníků / začišťovač okrajů trávníků
Značka: Ryobi
Číslo modelu: RLT3525
Rozsah sériových čísel: 46201001000001 - 46201001999999

že tento výrobek je v souladu s evropskými a harmonizovanými standardy
2006/42/EC, 2014/30/EU, 2000/14/EC, 2005/88/EC, 2011/65/EU, EN 60335-1:2012+A11:2014,
EN 50636-2-91:2014, EN 55014-1:2006+A1:2009+A2:2011, EN 55014-2:2015, EN 61000-3-2:2014, EN 61000-3-3:2013, EN 50581:2012, EN ISO 3744:2010

Změřená hladina akustického výkonu: 93.0 dB(A)
Zaručená hladina akustického výkonu: 96 dB(A)

Soulad s metodou určování pro přílohu VI směrnice 2000/14/EC upravená 2005/88/EC.
Upozorníte příslušný orgán:
Société Nationale de Certification et d'Homologation (Úředně oznámený orgán 0499)
11, rue de Luxembourg L-5230 Sandweiler

Andrew John Eyre (BEng, CEng, MIET)
Viceprezident, Normy a Bezpečnost
Winnenden, Nov. 6, 2016

Pověření ke kompilaci technického souboru:
Alexander Krug, Generální Reditel
Techtronic Industries GmbH
Max-Eyth-Straße 10, 71364 Winnenden, Germany

CE

RO DECLARAȚIE DE CONFORMITATE EC

Techtronic Industries GmbH
Max-Eyth-Straße 10, 71364 Winnenden, Germany

Prin prezenta, declarăm că produsele

Motocoasa electrică de tuns gazonul/gardul viu
Mărcă: Ryobi
Număr serie: RLT3525
Gamă număr serie: 46201001000001 - 46201001999999

este în conformitate cu următoarele Directive Europene și standarde armonizate
2006/42/EC, 2014/30/EU, 2000/14/EC, 2005/88/EC, 2011/65/EU, EN 60335-1:2012+A11:2014,
EN 50636-2-91:2014, EN 55014-1:2006+A1:2009+A2:2011, EN 55014-2:2015, EN 61000-3-2:2014, EN 61000-3-3:2013, EN 50581:2012, EN ISO 3744:2010

Nivelul măsurat al puterii acustice: 93.0 dB(A)
Nivel garantat al puterii acustice: 96 dB(A)

Metoda de evaluare a conformității cu Anexa VI Directiva 2000/14/EC modificată prin 2005/88/EC.
Organismul de notificare implicat:
Société Nationale de Certification et d'Homologation (Organismul notificat 0499)
11, rue de Luxembourg L-5230 Sandweiler

Andrew John Eyre (BEng, CEng, MIET)
Vicepreședinte, Reglementare și Siguranță
Winnenden, Nov. 6, 2016

Autorizat să completeze fișa tehnică:
Alexander Krug, Director General
Techtronic Industries GmbH
Max-Eyth-Straße 10, 71364 Winnenden, Germany

CE

LV EC ATBILSTĪBAS DEKLARĀCIJA

Techtronic Industries GmbH
Max-Eyth-Straße 10, 71364 Winnenden, Germany

Ar šo paziņojam, ka produkti

Elektriskais zāles trimmeris/malu trimmeris
Zīmols: Ryobi
Modeļa numurs: RLT3525
Sērijas numura intervāls: 46201001000001 - 46201001999999

atbilst šādām Eiropas direktīvām un saskaņotajiem standartiem

2006/42/EC, 2014/30/EU, 2000/14/EC, 2005/88/EC, 2011/65/EU, EN 60335-1:2012+A11:2014,
EN 50636-2-91:2014, EN 55014-1:2006+A1:2009+A2:2011, EN 55014-2:2015, EN 61000-3-2:2014, EN 61000-3-3:2013, EN 50581:2012, EN ISO 3744:2010

Izmērītās skaņas jaudas līmenis: 93.0 dB(A)
Garantētais skaņas intensitātes līmenis: 96 dB(A)

Atbilstības novērtēšanas metode pielikumam VI Direktīvai 2000/14/EC labota 2005/88/EC.
Iesaistītā pilnvarotā iestāde:
Société Nationale de Certification et d'Homologation (Pilnvarotā iestāde 0499)
11, rue de Luxembourg L-5230 Sandweiler

Andrew John Eyre (BEng, CEng, MIET)
Viceprezidents, Darba Drošības Noteikumi
Winnenden, Nov. 6, 2016

Pilnvarots sastādīt tehnisko failu:
Alexander Krug, Izpilddirektors
Techtronic Industries GmbH
Max-Eyth-Straße 10, 71364 Winnenden, Germany

CE

ET EC VASTAVUSDEKLARĀCIJON

Techtronic Industries GmbH
Max-Eyth-Straße 10, 71364 Winnenden, Germany

Kinnitame, et see toode

Elektrillist muru- ja servatrimmerit
Mark: Ryobi
Modeli number: RLT3525
Seerianumbri vahenik: 46201001000001 - 46201001999999

vastab järgmistele Euroopa direktiividele ja harmoniseeritud standarditele

2006/42/EC, 2014/30/EU, 2000/14/EC, 2005/88/EC, 2011/65/EU, EN 60335-1:2012+A11:2014,
EN 50636-2-91:2014, EN 55014-1:2006+A1:2009+A2:2011, EN 55014-2:2015, EN 61000-3-2:2014, EN 61000-3-3:2013, EN 50581:2012, EN ISO 3744:2010

Mõõdetud helivõimsuse tase: 93.0 dB(A)
Garanteeritud helivõimsuse tase: 96 dB(A)

Vastavushindamine vastavalt lisale VI direktiivis 2000/14/EC muudetud direktiiviga 2005/88/EC.
Kontrolliga seotud teavitatud asutus:
Société Nationale de Certification et d'Homologation (tunnustatud asutus 0499)
11, rue de Luxembourg L-5230 Sandweiler

Andrew John Eyre (BEng, CEng, MIET)
Asepresident Standardiseerimise Ja Ohutuse Alal
Winnenden, Nov. 6, 2016

Tehnilise faili koostamiseks volitatud isik:
Alexander Krug, Tegevdirektor
Techtronic Industries GmbH
Max-Eyth-Straße 10, 71364 Winnenden, Germany

CE

LT EC ATITIKTIKIES DEKLARACIJA

Techtronic Industries GmbH
Max-Eyth-Straße 10, 71364 Winnenden, Germany

Mes pareišikiame, kad šie produktai

Elektrinė pivelės / pakraščių žoliapjovė
Prekės ženklas: Ryobi
Modelio numeris: RLT3525
Serijinio numerio diapazonas: 46201001000001 - 46201001999999

pagamintas laikantis toliau nurodytųjų Europos Direktyvų ir darniųjų standartų

2006/42/EC, 2014/30/EU, 2000/14/EC, 2005/88/EC, 2011/65/EU, EN 60335-1:2012+A11:2014,
EN 50636-2-91:2014, EN 55014-1:2006+A1:2009+A2:2011, EN 55014-2:2015, EN 61000-3-2:2014, EN 61000-3-3:2013, EN 50581:2012, EN ISO 3744:2010

Išmatuotas akustinis lygis: 93.0 dB(A)
Garantuotas akustinis lygis: 96 dB(A)

Atitikties įvertinimo metodas pagal direktyvos 2000/14/EC, VI Priedą su pataisomis 2005/88/EC.
Įtraukta notifikuotoji įstaiga:
Société Nationale de Certification et d'Homologation (Notifikuotoji institucija 0499)
11, rue de Luxembourg L-5230 Sandweiler

Andrew John Eyre (BEng, CEng, MIET)
Kontrolės Ir Saugos Viceprezidentas
Winnenden, Nov. 6, 2016

Įgaliosis sudaryti techninį failą:
Alexander Krug, Generalinis Direktorius
Techtronic Industries GmbH
Max-Eyth-Straße 10, 71364 Winnenden, Germany

CE

HR EC IZJAVA O USKLADENOSTI

Techtronic Industries GmbH
Max-Eyth-Straße 10, 71364 Winnenden, Germany

Uvime izjavljujemo da su proizvodi

Električni trimmer za travnjak/trimmer za rubove travnjaka
Marka: Ryobi
Broj modela: RLT3525
Raspon serijskog broja: 46201001000001 - 46201001999999

usklađen sa sljedećim Europskim Direktivama i usklađenim normama

2006/42/EC, 2014/30/EU, 2000/14/EC, 2005/88/EC, 2011/65/EU, EN 60335-1:2012+A11:2014,
EN 50636-2-91:2014, EN 55014-1:2006+A1:2009+A2:2011, EN 55014-2:2015, EN 61000-3-2:2014, EN 61000-3-3:2013, EN 50581:2012, EN ISO 3744:2010

Izmjerena razina zvučne snage: 93.0 dB(A)
Jamčena razina zvučne snage: 96 dB(A)

Metoda procjene usklađenosti prema Dodatku VI Direktive 2000/14/EC navedeno u 2005/88/EC.
Uključena oznaka broja tijela:
Société Nationale de Certification et d'Homologation (Nadležno tijelo 0499)
11, rue de Luxembourg L-5230 Sandweiler

Andrew John Eyre (BEng, CEng, MIET)
Potpredsjednik za Pravila i Sigurnost
Winnenden, Nov. 6, 2016

Ovlašten da sastavi tehničku datoteku:
Alexander Krug, Direktor Upravljanja
Techtronic Industries GmbH
Max-Eyth-Straße 10, 71364 Winnenden, Germany

CE

SL IZJAVA EC O SKLADNOSTI

Techtronic Industries GmbH
Max-Eyth-Straße 10, 71364 Winnenden, Germany

Izjavljamo, da je izdelek

Električna kosilnica za trato/robni rezalnik
Znamka: Ryobi
Številka modela: RLT3525
Razpon serijskih števil: 46201001000001 - 46201001999999

v skladu s sledečimi evropskimi direktivami in harmoniziranimi standardi
2006/42/EC, 2014/30/EU, 2000/14/EC, 2005/88/EC, 2011/65/EU, EN 60335-1:2012+A11:2014,
EN 50636-2-91:2014, EN 55014-1:2006+A1:2009+A2:2011, EN 55014-2:2015, EN 61000-3-2:2014, EN 61000-3-3:2013, EN 50581:2012, EN ISO 3744:2010

Izmerjena raven zvočne moči: 93.0 dB(A)
Zajamčena raven zvočne moči: 96 dB(A)

Način ugotavljanja skladnosti z aneksom VI direktive 2000/14/EC ki je bila spremenjena z 2005/88/EC.
Priglašeni organ:
Société Nationale de Certification et d'Homologation (Priglašeni organ 0499)
11, rue de Luxembourg L-5230 Sandweiler

Andrew John Eyre (BEng, CEng, MIET)
Podpredsednik, Zakonodajne In Varnostne Zadeve
Winnenden, Nov. 6, 2016

Pooblaščen oseba za sestavo tehnične dokumentacije:
Alexander Krug, Izvršni Direktor
Techtronic Industries GmbH
Max-Eyth-Straße 10, 71364 Winnenden, Germany

CE

BG ЕС ДЕКЛАРАЦИЯ НА ЗА СЪОТВЕТСТВИЕ

Techtronic Industries GmbH
Max-Eyth-Straße 10, 71364 Winnenden, Germany

С настоящето декларираме, че продуктите

Електрическият тример за трева/тримерът за оформяне на ръбове
Марка: Ryobi
Номер на модела: RLT3525
Обхват на серийния номера: 46201001000001 - 46201001999999

отговаря на следните директиви на ЕС и хармонизирани стандарти
2006/42/EC, 2014/30/EU, 2000/14/EC, 2005/88/EC, 2011/65/EU, EN 60335-1:2012+A11:2014,
EN 50636-2-91:2014, EN 55014-1:2006+A1:2009+A2:2011, EN 55014-2:2015, EN 61000-3-2:2014, EN 61000-3-3:2013, EN 50581:2012, EN ISO 3744:2010

Измерено ниво на шум: 93.0 dB(A)
Гарантирано ниво на шум : 96 dB(A)

Метод за оценяване на съответствието с приложение VI Директива 2000/14/EC, изменена от 2005/88/EC.
Отговорен нотифициращ орган:
Société Nationale de Certification et d'Homologation (Нотифициран орган 0499)
11, rue de Luxembourg L-5230 Sandweiler

Andrew John Eyre (BEng, CEng, MIET)
Вицепрезидент, Правни Услуги И Безопасност
Winnenden, Nov. 6, 2016

Упълномощено лице за съставяне на техническия файл:
Alexander Krug, Изпълнителен Директор
Techtronic Industries GmbH
Max-Eyth-Straße 10, 71364 Winnenden, Germany

CE

SK PREHLÁSENIE O ZHODE EC

Techtronic Industries GmbH
Max-Eyth-Straße 10, 71364 Winnenden, Germany

Týmto vyhlasujeme, že výrobok

Elektrický vyžinač na trávu/orezávač okrajov
Značka: Ryobi
Číslo modelu: RLT3525
Rozsah sériových čísel: 46201001000001 - 46201001999999

je v súlade s nasledujúcimi Európskymi smernicami a harmonizovanými normami
2006/42/EC, 2014/30/EU, 2000/14/EC, 2005/88/EC, 2011/65/EU, EN 60335-1:2012+A11:2014,
EN 50636-2-91:2014, EN 55014-1:2006+A1:2009+A2:2011, EN 55014-2:2015, EN 61000-3-2:2014, EN 61000-3-3:2013, EN 50581:2012, EN ISO 3744:2010

Nameraná úroveň hluku: 93.0 dB(A)
Garantovaná úroveň hluku: 96 dB(A)

Spôsob určenia zhody podľa Dodatku VI Smernica 2000/14/EC doplnená o 2005/88/EC.
K ohlasovaniu úradom patria:
Société Nationale de Certification et d'Homologation (Oboznámený orgán 0499)
11, rue de Luxembourg L-5230 Sandweiler

Andrew John Eyre (BEng, CEng, MIET)
Viceprezident, Regulácia a Bezpečnosť
Winnenden, Nov. 6, 2016

Oprávnená osoba na zostavenie technického súboru:
Alexander Krug, Generálny Riaditeľ
Techtronic Industries GmbH
Max-Eyth-Straße 10, 71364 Winnenden, Germany

CE

UK ЕС ДЕКЛАРАЦИЯ ПРО ВІДПОВІДНІСТЬ

Techtronic Industries GmbH
Max-Eyth-Straße 10, 71364 Winnenden, Germany

При цьому ми заявляємо, що продукт

Електричного тримера / кутового
Марка: Ryobi
Номер моделі: RLT3525
Діапазон серійного номеру: 46201001000001 - 46201001999999

у відповідності з наступними європейськими директивами та гармонізованими стандартами
2006/42/EC, 2014/30/EU, 2000/14/EC, 2005/88/EC, 2011/65/EU, EN 60335-1:2012+A11:2014,
EN 50636-2-91:2014, EN 55014-1:2006+A1:2009+A2:2011, EN 55014-2:2015, EN 61000-3-2:2014, EN 61000-3-3:2013, EN 50581:2012, EN ISO 3744:2010

Вимірний рівень звукової потужності: 93.0 dB(A)
Гарантований рівень звукової потужності: 96 dB(A)

Метод оцінки відповідності Annex V Directive 2000/14/EC з поправками, внесеними 2005/88 / EC.
Вповноважений орган, що приймає участь у оцінюванні відповідності:
Société Nationale de Certification et d'Homologation (Notified Body 0499)
11, rue de Luxembourg L-5230 Sandweiler

Andrew John Eyre (BEng, CEng, MIET)
Віце-президент, регулювання і безпека
Winnenden, Nov. 6, 2016

Дозвіл на складання технічного файла:
Alexander Krug, Керуючий директор
Techtronic Industries GmbH
Max-Eyth-Straße 10, 71364 Winnenden, Germany

CE

TR EC UYGUNLUK BEYANI

Techtronic Industries GmbH
Max-Eyth-Straße 10, 71364 Winnenden, Germany

İş bu belge ile bu ürünün

Elektrikli çim biçme / kenar kesme makinesinin
Marka: Ryobi
Model numarası: RLT3525
Seri numarası aralığı: 46201001000001 - 46201001999999

aşağıdaki Avrupa Direktiflerine ve uyumlaştırılmış standartlara uygun olduğunu beyan ediyorum

2006/42/EC, 2014/30/EU, 2000/14/EC, 2005/88/EC, 2011/65/EU, EN 60335-1:2012+A11:2014,
EN 50636-2-91:2014, EN 55014-1:2006+A1:2009+A2:2011, EN 55014-2:2015, EN 61000-3-2:2014, EN 61000-3-3:2013, EN 50581:2012, EN ISO 3744:2010

Ölçülen ses gücü seviyesi: 93.0 dB(A)
Güvenceli ses gücü seviyesi: 96 dB(A)

2005/88/AT ile değiştirilen 2000/14/AT Direktifi Ek V uyarınca uygunluk değerlendirilmesi yöntemi
İlgili uyarılmış makam:
Société Nationale de Certification et d'Homologation (Notified Body 0499)
11, rue de Luxembourg L-5230 Sandweiler

Andrew John Eyre

CE

Andrew John Eyre (BEng, CEng, MIET)
Mevzuat ve Güvenlik Başkan Yardımcısı
Winnenden, Nov. 6, 2016

Teknik dosyayı derlemekle yetkili sorumlu:
Alexander Krug, İdari Müdür
Techtronic Industries GmbH
Max-Eyth-Straße 10, 71364 Winnenden, Germany







Techtronic Industries GmbH
Max-Eyth-Straße 10,
71364 Winnenden, Germany

099210001001-01

ОФИЦИАЛЬНЫЙ ДИЛЕР В УКРАИНЕ:

storgom.ua

ГРАФИК РАБОТЫ:

Пн. – Пт.: с 8:30 по 18:30

Сб.: с 09:00 по 16:00

Вс.: с 10:00 по 16:00

КОНТАКТЫ:

+38 (044) 360-46-77

+38 (066) 77-395-77

+38 (097) 77-236-77

+38 (093) 360-46-77

Детальное описание товара:

<https://storgom.ua/product/trimmer-sadovyy-ryobi-rlt3525-5133002789.html>

Другие товары: <https://storgom.ua/trimmery-dlya-travy.html>