

RYOBI®

WS721S

(GB) 178MM TILE SAW WITH FOLDING STAND	USER'S MANUAL	1
(FR) COUPE-CARRELAGE 178MM AVEC PIEDS REPLIABLES	MANUEL D'UTILISATION	10
(DE) 178MM FLIESENSCHNEIDER MIT EINKLAPPBAREM TISCH	BEDIENUNGSANLEITUNG	20
(ES) SIERRA PARA CORTAR AZULEJOS CON SOPORTE PLEGABLE 178MM	MANUAL DE UTILIZACIÓN	31
(IT) SEGA TAGLIAPIASTRELLE DA 178 MM CON SUPPORTO PIEGHEVOLE	MANUALE D'USO	41
(NL) 178MM TEGELZAAGMACHINE MET OPVUWBARE STAND	GEbruIKSHANDLEIDING	51
(PT) SERRA PARA CORTAR AZULEJOS COM SUPORTE DESDOBRÁVEL 178MM	MANUAL DE UTILIZAÇÃO	61
(DK) 178MM FLISESAV MED FOLDESTATIV	BRUGERVEJLEDNING	71
(SE) 178 MM KAKELSÅG MED VIKBART STÖD	INSTRUKTIONSBOK	80
(FI) 178 MM TIILISAHA KOKOON TAITETTAVALLA ALUSTALLA	KÄYTTÄJÄN KÄSIKIRJA	89
(NO) 178 MM FLISSAG MED SAMMENLEGGBART STATIV	BRUKSANVISNING	98
(RU) ПИЛА ДЛЯ РЕЗКИ ПЛИТКИ СО СКЛАДЫВАЮЩЕЙСЯ ПОДСТАВКОЙ 178 MM	РУКОВОДСТВО ПО ЭКСПЛУАТАЦИИ	107
(PL) MASZYNA DO CIĘCIA PŁYTEK 178 MM ZE SKŁADANYM STOJAKIEM	INSTRUKCJA OBSŁUGI	118
(CZ) 178 MM DLAŽDICOVÁ PILA SE SKLÁDACÍM STOJANEM	NÁVOD K OBSLUZE	128
(HU) 178 MM-ES CSEMPEVÁGÓ ÖSSZEHAJTHATÓ ÁLLVÁNNYAL	HASZNÁLATI ÚTMUTATÓ	137
(RO) FERĂSTRĂU CU LAMĂ DIAMANTATĂ CU SUPORT PLIABIL DE 178 MM	MANUAL DE UTILIZARE	147
(LV) 178 MM FLĪŽU ZĀĢIS AR NOLIECAMU STATĪVU	LIETOTĀJA ROKASGRĀMATA	157
(LT) 178 MM FLIŽU ZĀĖIS AR NOLIECAMU STATĪVU	NAUDOJIMO VADOVAS	167
(EE) 178MM PLAADILÖIKESAAG KOKKUVOLDITAVA ALUSEGA	KASUTAJAJUHEND	177
(HR) 178 MM PILA ZA REZANJE PLOČICA S PREKLOPNIM POSTOLJEM	KORISNIČKI PRIRUČNIK	186
(SI) 178 MM ŽAGA ZA KERAMIKO Z ZLOŽLJIVIM STOJALOM	UPORABNIŠKI PRIROČNIK	196
(SK) 178 MM PÍLA NA DLAŽDICE SO SKLÁDACÍM STOJANOM	NÁVOD NA POUŽITIE	205
(GR) 178MM ΚΟΠΤΗΣ ΠΛΑΚΙΔΙΩΝ ΜΕ ΒΑΣΗ ΠΟΥ ΔΙΠΛΩΝΕΙ	ΟΔΗΓΙΕΣ ΧΡΗΣΗΣ	214
(TR) KATLANIR STANDLI 178 MM FAYANS TESTERESİ	KULLANIM KILAVUZU	224

GB ORIGINAL INSTRUCTIONS | **FR** TRADUCTION DES INSTRUCTIONS ORIGINALES | **DE** ÜBERSETZUNG DER ORIGINALANLEITUNG | **ES** TRADUCCIÓN DE LAS INSTRUCCIONES ORIGINALES | **IT** TRADUZIONE DELLE ISTRUZIONI ORIGINALI | **NL** VERTALING VAN DE ORIGINELE INSTRUCTIES | **PT** TRADUÇÃO DAS INSTRUÇÕES ORIGINAIS | **DK** ÆRSÆTTELSE AF DE ORIGINALE INSTRUKTIONER | **SE** ÖVERSÄTTNING AV DE URSPRUNGLIGA INSTRUKTIONERNA | **FI** ALKUPERÄISTEN OHJEIDEN SUOMENNO | **NO** ÆRSÆTTELSE AV DE ORIGINALE INSTRUKSJONENE | **RU** ПЕРЕВОД ОРИГИНАЛЬНЫХ ИНСТРУКЦИЙ | **PL** TŁUMACZENIE INSTRUKCJI ORYGINALNEJ | **CZ** PŘEKLAD ORIGINÁLNÍCH POKYNŮ | **HU** AZ EREDETI ÚTMUTATÓ FORDÍTÁSA | **RO** TRADUCEREA INSTRUCȚIUNILOR ORIGINALE | **LV** TULKOTS NO ORIGINĀLĀS INSTRUKCIJAS | **LT** ORIGINALIŲ INSTRUKCIJŲ VERTIMAS | **EE** ORIGINALJUHENDI TÖLGE | **HR** PRIJEVOD ORIGINALNIH UPUTA | **SI** PŘEVOD ORIGINALNIH NAVODIL | **SK** PŘEKLAD POKYNŮ V ORIGINÁLI | **GR** ΜΕΤΑΦΡΑΣΗ ΤΩΝ ΠΡΟΤΥΠΩΝ ΟΔΗΓΙΩΝ | **TR** ORIJNAL TALIMATLARIN TERCÜMESİ

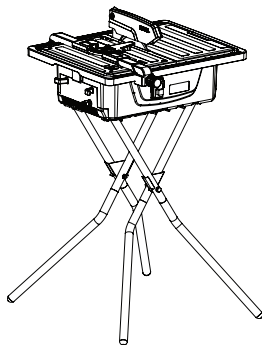


Fig. 1

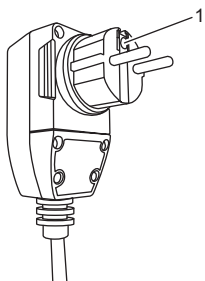


Fig. 2

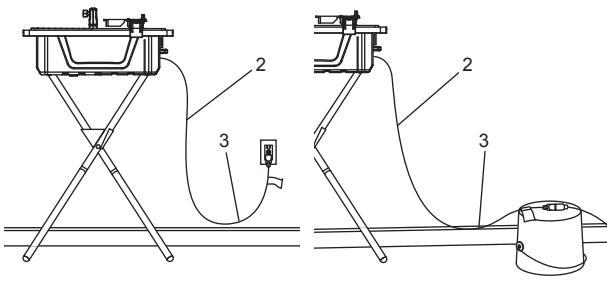


Fig. 3

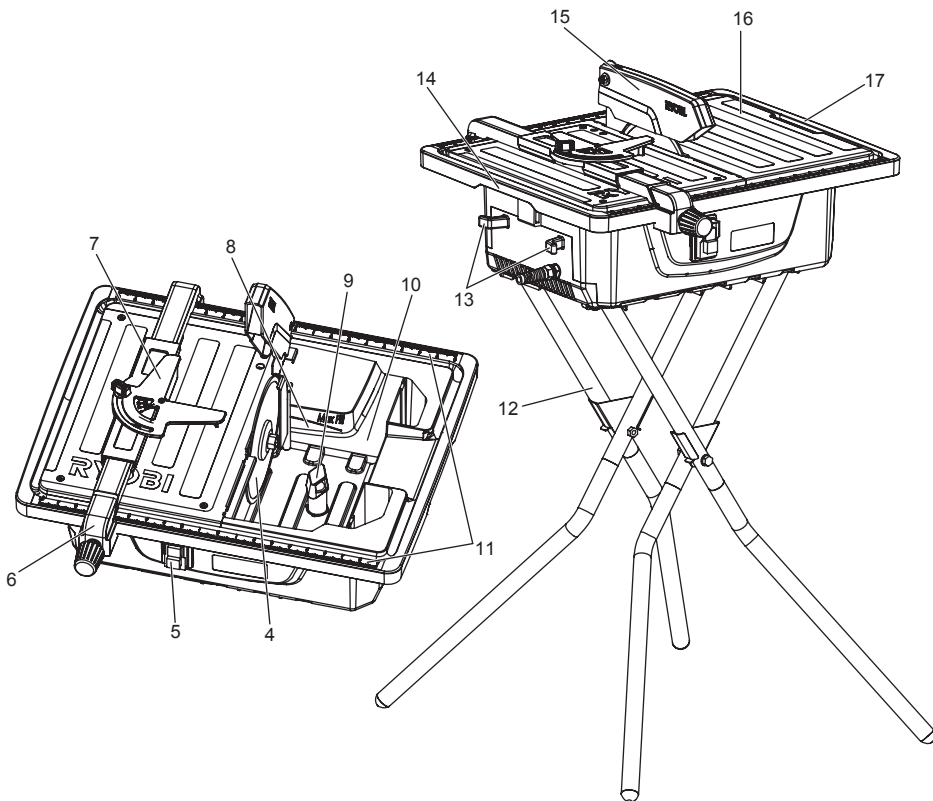


Fig. 4

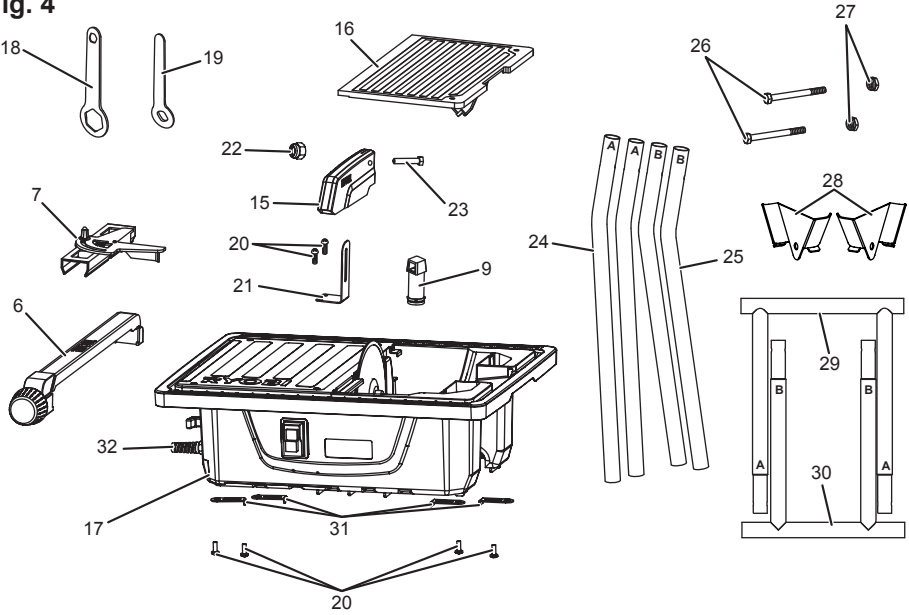


Fig. 5

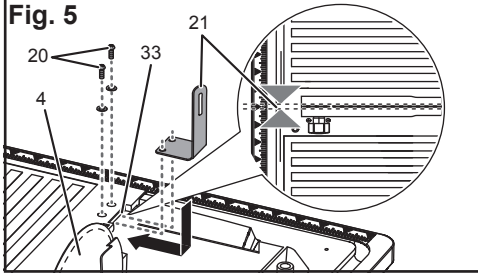


Fig. 6

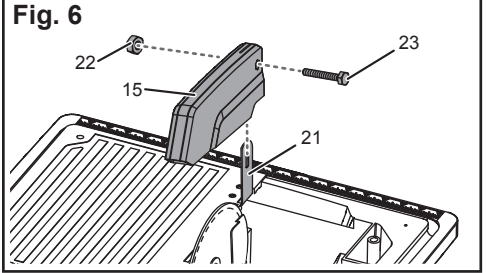


Fig. 7

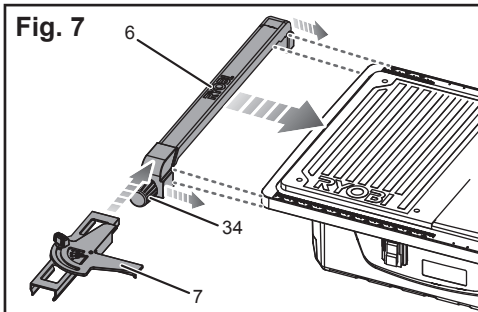
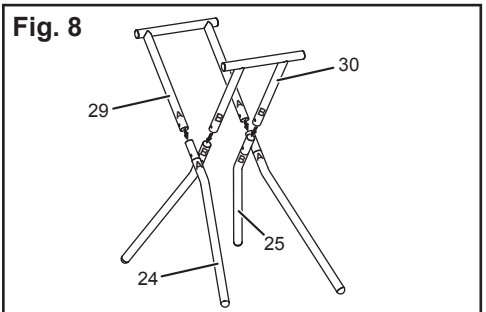


Fig. 8



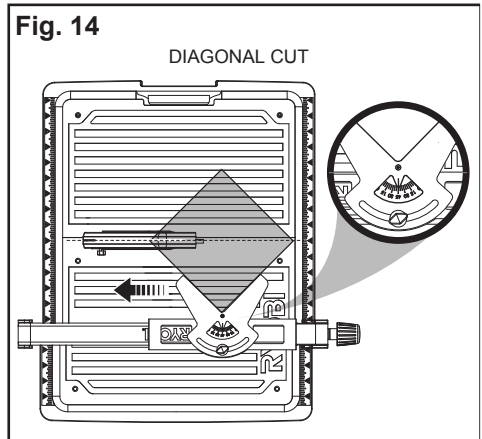
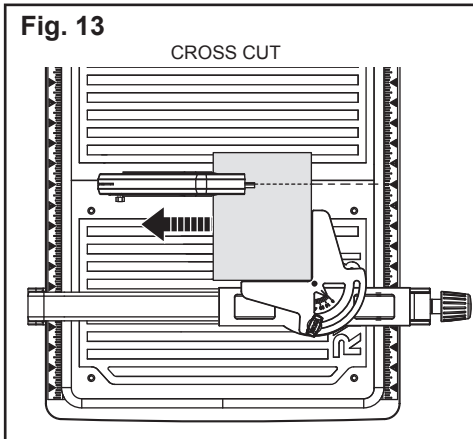
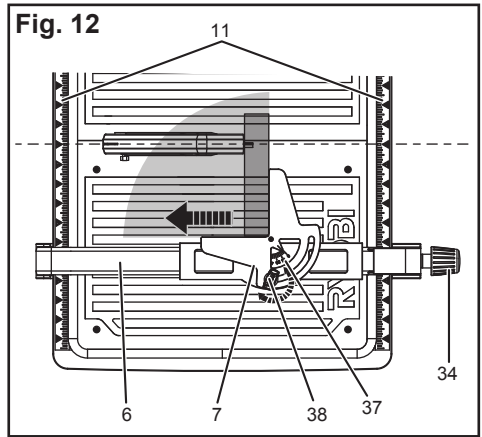
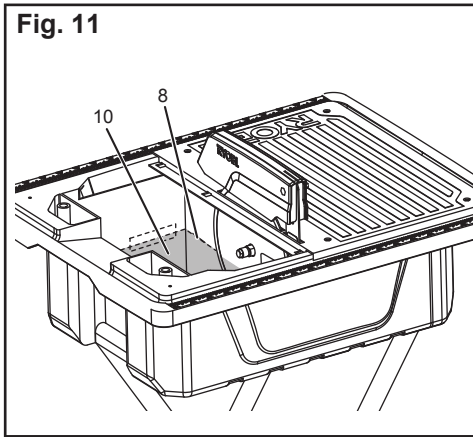
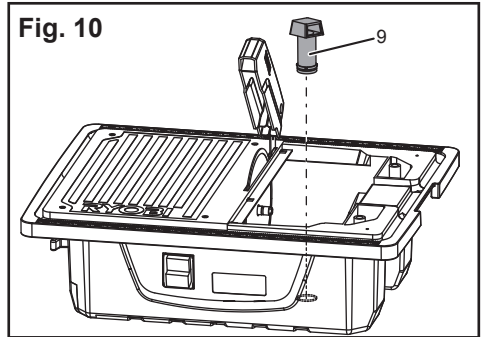
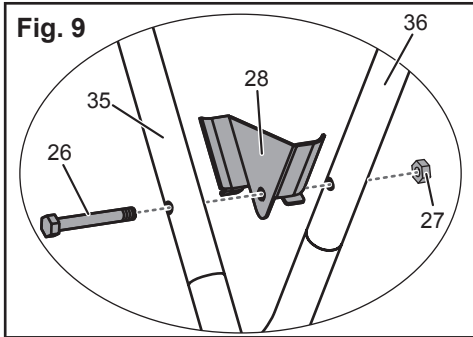


Fig. 15

MITER CUT

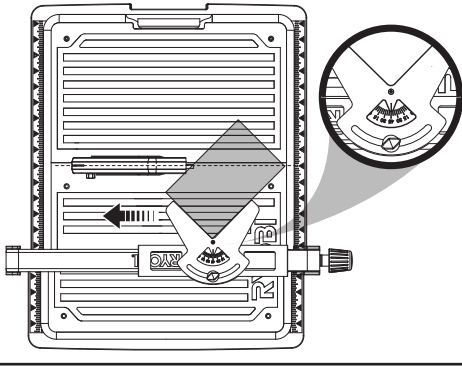


Fig. 16

L-CUT

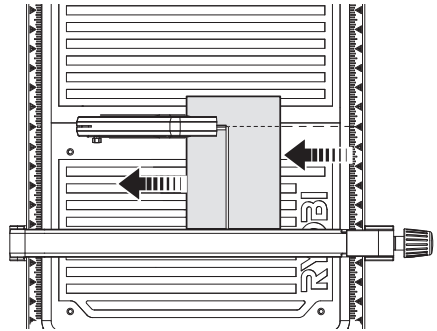


Fig. 17

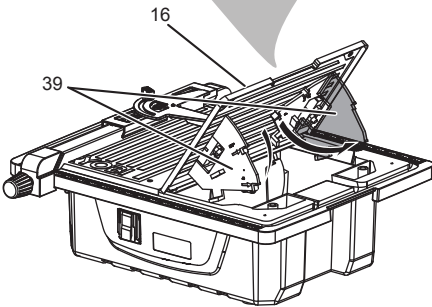
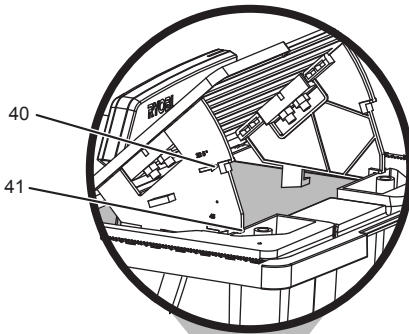


Fig. 18

BEVEL CUT

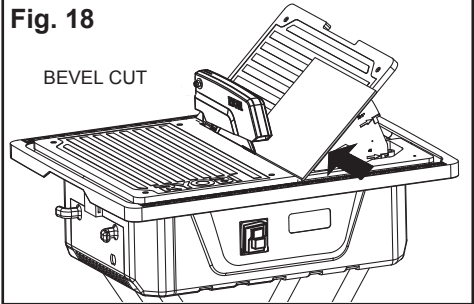
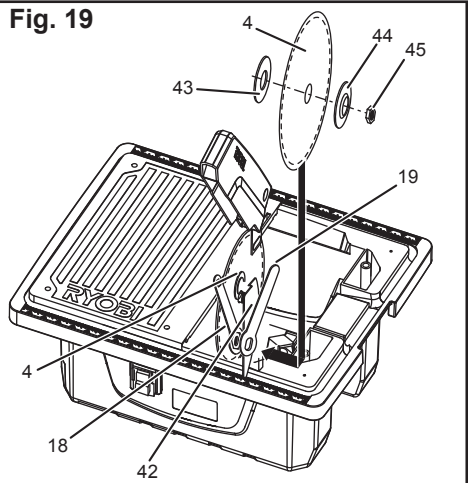


Fig. 19





Important!	It is essential that you read the instructions in this manual before operating this machine.
Attention!	Il est indispensable que vous lisiez les instructions contenues dans ce manuel avant la mise en service de l'appareil.
Achtung!	Bitte lesen Sie unbedingt vor Inbetriebnahme die Hinweise dieser Bedienungsanleitung.
¡Atención!	Es imprescindible que lea las instrucciones de este manual antes de la puesta en servicio.
Attenzione!	Prima di procedere alla messa in funzione, è indispensabile leggere attentamente le istruzioni contenute nel manuale.
Let op!	Het is van essentieel belang dat u de instructies in deze gebruiksaanwijzing leest vooraleer u dit toestel in gebruik neemt.
Atenção!	É indispensável que leia as instruções deste manual antes de utilizar a máquina.
OBS!	Denne brugervejledning skal gennemlæses inden maskinen tages i brug.
Observera!	Det är nödvändigt att läsa instruktionerna i denna bruksanvisning innan användning.
Huomio!	On ehdottoman välttämätöntä lukea tässä käyttöohjeessa annetut ohjeet ennen käyttöönottoa.
Advarsell!	Det er meget vigtigt at du leser denne brukerveiledningen før du tar maskinen i bruk.
Внимание!	Перед сборкой и запуском инструмента необходимо ознакомиться с инструкцией по эксплуатации.
Uwaga!	Przed przystąpieniem do użytkowania tego urządzenia, należy koniecznie zapoznać się z zaleceniami zawartymi w niniejszym podręczniku.
Důležité upozornění!	Nepoužívejte tento přístroj dříve, než si přečtete pokyny uvedené v tomto návodu.
Figyelem!	Feltétlenül fontos, hogy a jelen használati útmutatóban foglalt előírások az üzembe helyezés előtt elolvassa!
Atenție!	Este esențial să citiți instrucțiunile din acest manual înainte de operarea acestui aparat.
Uzmanību!	Svarīgi, lai jūs pirms mašīnas darbināšanas izlasītu instrukcijas šajā rokasgrāmatā.
Dėmesio!	Prieš pradėdami eksploatuoti šį prietaisą, svarbu, kad perskaitytumėte šiose instrukcijose pateiktus nurodymus.
Tähtis!	Enne trelli kasutama hakkamist tuleb käesolevas juhendis esitatud juhised kindlasti läbi lugeda.
Upozorenje!	Neophodno je da pročitate ove upute prije uporabe ovog uređaja.
Potrebno!	Pre uporabo tega stroja, obvezno preberite navodila iz tega priročnika.
Δόλεζιτέ!	Pre prácou s týmto zariadením je dôležité, by ste si prečítali pokyny v tomto návode.
Προσοχή!	Είναι απαραίτητο να διαβάσετε τις συστάσεις των οδηγιών αυτών πριν και τη θέση σε λειτουργία.
Dikkat!	Cihazın çalıştırılmasından önce bu kılavuzda bulunan talimatları okumanız zorunludur.

Subject to technical modifications / Sous réserve de modifications techniques / Technische Änderungen vorbehalten /
 Sujeto a modificaciones técnicas / Con riserva di eventuali modifiche tecniche / Technische wijzigingen voorbehouden /
 Com reserva de modificações técnicas / Med forbehold for tekniske ændringer / Med förbehåll för tekniska ändringar /
 Tekniset muutokset varataan / Med forbehold om tekniske endringer / Могут быть внесены технические изменения /
 Z zastrzeżeniem modyfikacji technicznych / Změny technických údajů vyhrazeny / A műszaki módosítás jogát fenntartjuk /
 Sub rezerva modificărilor tehnice / Paturam tiesības mainīt tehniskos raksturlielumus / Pasiliekan teisę daryti techninius pakeitimus /
 Tehnilised muudatused võimalikud / Podložno tehničkim promjenama / Tehnične spremembe dopuščene /
 Technické zmeny vyhradené / Υπό την επιφύλαξη τεχνικών τροποποιήσεων / Teknik değışiklik hakkı saklıdır



English

DESCRIPTION

1. Grounding pin
2. Power cord
3. Drip loop
4. Tile cutting blade
5. On/off switch
6. Rip guide
7. Mitre guide
8. Max fill line
9. Overflow drain
10. Water reservoir
11. Rip fence scale
12. Stand
13. Cord retainer
14. Lift handles
15. Blade guard
16. Bevel table
17. Tile saw housing
18. Hex wrench
19. Arbor wrench
20. Screws
21. Blade guard bracket
22. Hex nut
23. Hex bolt
24. Stand legs "A"
25. Stand legs "B"
26. Leg stand bolt(s)
27. Leg stand nut(s)
28. Leg stand brace(s)
29. Support bracket "A"
30. Support bracket "B"
31. Latches
32. Strain relief
33. Lip
34. Rip guide knob
35. Leg assembly "A"
36. Leg assembly "B"
37. Mitre guide scale
38. Mitre guide knob
39. Bevel table leg
40. 22.5° bevel notch
41. 45° bevel notch
42. Arbor
43. Inner flange
44. Outer flange
45. Arbor nut

GENERAL POWER TOOL SAFETY WARNINGS

WARNING

When using electric tools, basic safety precautions should always be followed to reduce the risk of fire, electric shock and personal injury.

Read all instructions before attempting to operate the product and save these instructions.

- **Know your power tool.** Read the owner's operating manual carefully. Learn the applications and limitations of the product as well as the specific potential hazards related to this tool.
- **Guard against electrical shock by preventing body contact with grounded surfaces.** For example, pipes, radiators, ranges, refrigerator enclosures.
- **Keep guards in place and in good working order.**
- **Remove adjusting keys and wrenches.** Form habit of checking to see that keys and adjusting wrenches are removed from tool before turning it on.
- **Keep work area clean.** Cluttered areas and benches invite accidents. Do not leave tools or pieces of wood on the saw while it is in operation.
- **Do not use in dangerous environments.** Do not use power tools in damp or wet locations or expose to rain. Keep the work area well lit. Do not use tool in the presence of flammable liquids or gases.
- **Keep children and visitors away.** All visitors should wear safety glasses and be kept a safe distance from work area. Do not let visitors contact tool or extension cord while operating.
- **Do not force tool.** It will do the job better and safer at the feed rate for which it was designed.
- **Use right tool.** Don't force the tool or attachment to do a job it was not designed for. Don't use it for a purpose not intended.
- **Use the proper extensive cord.** Make sure your extension cord is in good condition. Use only a cord heavy enough to carry the current your product will draw. An undersized cord will cause a drop in line voltage resulting in loss of power and overheating.
- **Dress properly.** Do not wear loose clothing, gloves, neckties, or jewelry. They can get caught and draw you into moving parts. Rubber gloves and nonskid footwear (rubber soled boots) are recommended when working outdoors. Also wear protective hair covering to contain long hair.
- **Always wear safety glasses with side shields.** Everyday eyeglasses have only impact-resistant lenses; they are not safety glasses.



English

- **Secure work.** Use clamps or a vise to hold work when practical, it is safer than using your hand and frees both hands to operate the tool.
- **Do not overreach.** Keep proper footing and balance at all times.
- **Maintain tools with care.** Keep tools sharp and clean for better and safer performance. Follow instructions for lubricating and changing accessories. Inspect tool cords periodically and if damaged have them repaired by an authorized service facility. Inspect extension cords periodically and replace if damaged. Keep handles dry, clean and free from oil and grease.
- **Disconnect tools.** When not in use, before servicing, or when changing attachments, blades, bits, cutters, etc., all tools should be disconnected. Remove the plug before carrying out any adjustment, servicing or maintenance.
- **Avoid accidental starting.** Be sure switch is off when plugging in any tool.
- **Use recommended accessories.** Consult the operator's manual for recommended accessories. The use of improper accessories may cause risk of injury.
- **Never stand on tool.** Serious injury could occur if the tool is tipped or if the cutting tool is unintentionally contacted.
- **Check damaged parts.** Before further use of the tool, a guard or other part that is damaged should be carefully checked to determine that it will operate properly and perform its intended function. Check for alignment of moving parts, binding of moving parts, breakage of parts, mounting, and any other conditions that may affect its operation. A guard or other part that is damaged must be properly repaired or replaced by an authorized service center to avoid risk of personal injury.
- **Use the right direction of feed.** Feed work into a blade or cutter against the direction of rotation of blade or cutter only.
- **Never leave tool running unattended. Turn the power off.** Don't leave tool until it comes to a complete stop.
- **Protect your lungs.** Wear a face or dust mask if the cutting operation is dusty.
- **Protect your hearing.** Wear hearing protection during extended periods of operation.
- **Do not abuse cord.** Never yank cord to disconnect from receptacle. Keep cord away from heat, oil, and sharp edges.
- **Always keep the blade guard in place and in working order.**
- **Keep hands away from cutting area.** Keep hands away from blade. Do not reach underneath work or

around or over the blade while blade is rotating. Do not attempt to remove cut material when blade is moving.

- **Blade coasts after being turned off.**
- **Never use in an explosive atmosphere.** Normal sparking of the motor could ignite fumes.
- **Inspect tool cords periodically.** If damaged, have repaired by a qualified service technician at an authorized service facility.
- **Inspect extension cords periodically and replace if damaged.**
- **Ground all tools.** If tool is equipped with three-prong plug, it should be plugged into a three-hole electrical receptacle.
- **Check with a qualified electrician or service personnel if the grounding instructions are not completely understood or if in doubt as to whether the product is properly grounded.**
- **Use only correct electrical devices:** 3-wire extension cords that have 3-prong grounding plugs and 3-pole receptacles that accept the tool's plug.
- **Do not modify the plug provided.** If it will not fit the outlet, have the proper outlet installed by a qualified electrician.
- **Keep tool dry, clean, and free from oil and grease.** Always use a clean cloth when cleaning. Never use brake fluids, gasoline, petroleum-based products, or any solvents to clean tool.
- **Stay alert and exercise control.** Watch what you are doing and use common sense. Do not operate tool when you are tired. Do not rush.
- **Do not use tool if switch does not turn it on and off.** Have defective switches replaced by an authorized service center.
- **Use only correct blade.** Do not use blade with incorrect size holes. Never use washers or arbor nuts that are defective or incorrect. The maximum blade capacity of your saw is 178 mm. All the blades used must be manufactured to comply with EN13236. Never use a cutting blade with a lower speed rating than that of the tool.
- **Before making a cut, be sure all adjustments are secure.**
- **Never touch blade or other moving parts during use.**
- **Never start a tool when any rotating component is in contact with the workpiece.**
- **Do not operate a tool while under the influence of drugs, alcohol, or any medication.**
- **When servicing, use only identical replacement parts.** Use of any other parts may create a hazard or cause product damage.



English

- **Use only recommended accessories listed in this manual or addendums.** Use of accessories that are not listed may cause the risk of personal injury. Instructions for safe use of accessories are included with the accessory.
- **Double-check all setups.** Make sure blade is tight and not making contact with saw or workpiece before connecting to power supply.

TILE SAW SAFETY RULES

- Always secure work firmly against the rip guide or bevel block.
- Never stand or have any part of your body in line with the path of the blade.
- Never attempt to free a stalled blade without first turning the saw off and disconnecting the saw from the power source.
- If the power supply cord damaged, it must be replaced only by the manufacturer or by an authorized service center to avoid risk.
- Avoid awkward operations and hand positions where a sudden slip could cause your hand to move into the cutting tool.
- Make sure the work area has ample lighting to see the work and that no obstructions will interfere with safe operation before performing any work using the saw.
- Always turn off saw before disconnecting it, to avoid accidental starting when reconnecting to power supply.
- This tool should have the following markings:
 - Wear eye protection.
 - Use blade guard for every operation for which it can be used.
 - Disconnect saw before servicing, when changing cutting blades, and cleaning.
 - Use tool only with smooth edge cutting blades free of openings, grooves, and teeth.
 - Replace damaged cutting blade before operating.
 - Do not fill water bath above water fill line.
- **Save these instructions.** Refer to them frequently and use to instruct other users. If you loan someone this tool, loan them these instructions too.

ELECTRICAL CONNECTION

This tool is powered by a precision built electric motor. It should be connected to a power supply that is 220-240V, AC only (normal household current), 50 Hz. Do not operate this product on direct current (DC). A substantial voltage drop will cause a loss of power and the motor will overheat. If the saw does not operate when plugged into an outlet, double check the power supply.

SPEED AND WIRING

The no-load speed of this tool is approximately 2,900 rpm. This speed is not constant and decreases under a load or with lower voltage. For voltage, the wiring in a shop is as important as the horsepower rating of the motor. A line intended only for lights cannot properly carry a power tool motor. Wire that is heavy enough for a short distance will be too light for a greater distance. A line that can support one power tool may not be able to support two or three tools.

GROUNDING INSTRUCTIONS

See Figure 1.

This product must be grounded. In the event of a malfunction or breakdown, grounding provides a path of least resistance for electric current to reduce the risk of electric shock. This tool is equipped with an electric cord having an equipment-grounding conductor and a grounding plug. The plug must be plugged into a matching outlet that is properly installed and grounded in accordance with all local codes and ordinances.

Do not modify the plug provided. If it will not fit the outlet, have the proper outlet installed by a qualified electrician.

⚠ WARNING

Improper installation of the grounding plug could result in a risk of electric shock. When repair or replacement of the cord is required, do not connect the grounding wire to the flat blade terminals. The wire with green-colored insulation (with or without yellow stripes) is the grounding wire.

Check with a qualified electrician or service personnel if the grounding instructions are not completely understood or if in doubt as to whether the product is properly grounded.

Repair or replace a damaged or worn cord immediately.

If the power supply cord is damaged, it must be replaced only by the manufacturer or by an authorized service center to avoid risk.

Only connect the product to an outlet having the same configuration as the plug. Do not use an adapter with this product.

For greater safety and reliability, all repairs should be performed by an Authorised Ryobi Service Centre.

Residual current device (RCD) protection should be provided on the circuit(s) or outlet(s) to be used for the tile saw. Outlets are available having built-in RCD protection and may be used for this measure of safety.

If the saw is used with an extension cord, ensure the connection of the power cord of the tool and the extension cord are not on the ground. Auxiliary devices should

English

always be plugged into the wall outlet and not at the connection of an extension cord and the power tools' power cord.

If a protected outlet is not available, do not use the saw until an outlet can be changed or auxiliary protection can be obtained. These auxiliary protection devices are available at your local retailer.

POSITION OF THE TILE SAW

See Figure 2.

To avoid the possibility of the tool plug or outlet getting wet, position tile saw to one side of a wall-mounted outlet to prevent water from dripping onto the outlet or plug. The operator should arrange a "drip loop" in the cord connecting the saw to the outlet. The "drip loop" is that part of the cord below the level of the outlet, or the connector if an extension cord is used, to prevent water traveling along the cord and coming in contact with the outlet.

If the plug or outlet does get wet, DO NOT unplug the cord. Disconnect the fuse or circuit breaker that supplies power to the tool then unplug and examine for the presence of water in the outlet.

⚠ WARNING

To reduce the risk of electrocution, keep all connections dry and off the ground. Do not touch the plug with wet hands.

SPECIFICATIONS

Product Specifications	
Voltage	220 - 240V
Power	500 W
No-load speed	2,900 min ⁻¹
Weight	15,5 kg (N.W.)
Features	
Table size	381 mm x 502 mm
Table height from cabinet to table	181 mm
Material Specifications	
Table material	Stainless steel
Stand material	Steel tubing
Cutting Tools/Capacity	
Blade diameter	178 mm

Blade type	Diamond
Blade inner diameter	25,4 mm
Maximum depth of cut	33 mm
Measured values determined according to EN 61029	
A-weighted sound pressure level	$L_{pA} = 61,0 \text{ dB(A)}$
Uncertainty K	3 dB(A)
Measured values determined according to EN 61029	
A-weighted sound power level	$L_{WA} = 77,0 \text{ dB(A)}$
Uncertainty K	3 dB(A)

KNOW YOUR TILE SAW

178 mm tile cutting blade

- A 178 mm tile cutting blade is included with your saw.

Bevel table

- Beveled 22,5° and 45° cuts can be made using the bevel table.

Handles

- Saw has convenient handles located on left and right side for lifting and carrying.

Mitre guide

- The Mitre guide is fully adjustable for diagonal cuts and Mitre cuts.

Motor

- This machine has a strong motor with sufficient power to handle tough cutting jobs.

Rip guide

- Rip guide is fully adjustable for making cross cuts and using the Mitre guide.

Tile saw stand

- This saw comes with a stand for increased portability and convenience.

Blade guard

- The blade guard provides protection from overspray and mist

ASSEMBLY

INSTALLING THE BLADE GUARD

See Figure 5–6.

1. Remove bevel table.
2. Install the L-shaped blade guard bracket into the lip located under the table behind the blade.
3. Install screws into the table and through the blade guard bracket then tighten securely.

NOTE: Be sure that blade guard bracket is aligned

English

with cutting blade so that it does not interfere with material being cut.

- Align blade guard with blade and slide over bracket. Line up through holes in blade guard with slot in blade guard bracket.

NOTE: Always adjust blade guard horizontally to table and slightly above tile thickness. Blade guard should not be touching tile.

- Install hex bolt through blade guard and bracket.
- Thread knob onto bolt and tighten to desired height.
- Replace the bevel table.

NOTE: The blade cover/guard is assembled in the factory. Do not disassemble during adjustment and maintenance.

INSTALLING THE RIP GUIDE

See Figure 7.

- Turn knob on rip guide counterclockwise to loosen.
- Slide rip guide onto side of table.
- Use rip guide scale, located on front and rear of table, to set rip guide to desired width of cut.
- Turn rip guide knob clockwise to tighten securely.

INSTALLING THE MITRE GUIDE

See Figure 7.

- Adjust rip guide to desired position and secure.
- Slide Mitre guide onto rip guide from the front.
- Adjust to desired angle using angle scale and tighten securely with knob.

ASSEMBLING THE STAND

See Figure 8–9.

The support brackets and stand legs have corresponding letters for easy assembly.

Tools needed: Adjustable wrench or 13 mm wrenches and Philips screwdriver.

- Insert stand legs, labeled "A", into end tubes of the support bracket labeled "A". Angled ends of stand legs should face away from each other so they resemble a "V". Align holes for hardware. Repeat with second support bracket and legs labeled "B".
- Fit leg assemblies into braces. Leg assembly "B" rests on inside of braces. Leg assembly "A" rests on the outer side. Line up holes in the braces and legs. Install hardware through holes.
- Using a wrench, tighten hardware.
- Place stand on level ground and line up grooves under tile saw with brackets on stand. Position table onto stand.
- Be sure the tile saw is on level ground and the stand is sturdy before use.

INSTALLING THE OVERFLOW DRAIN

See Figure 10.

- Remove the bevel table.
- Locate hole on bottom of water reservoir.
- Push overflow drain into hole firmly.
- Replace the bevel table.

ASSEMBLING THE LATCHES

- Turn the tile saw housing upside down.
- Align the screw holes on the latches with the screw holes on the bottom of the tile saw housing.
- Insert the screws and tighten securely.

FILLING THE WATER RESERVOIR

See Figure 11.

- Remove the bevel table.
- Fill the water reservoir with clean tap water to fill line.
NOTE: Overflow drain prevents overflowing.
- Replace the bevel table.

CHANGING THE RESERVOIR WATER

- Unplug the tile saw.
- Remove overflow drain and empty into a bucket, do not allow water to splash onto ground or around machine.
- Discard waste water in accordance with local regulations.

OPERATION

⚠ WARNING

Do not allow familiarity with the products to make you careless. Remember that a careless fraction of a second is sufficient to inflict serious injury.

⚠ WARNING

Always wear safety goggles or safety glasses with side shields when operating the products. Failure to do so could result in objects being thrown into your eyes, resulting in possible serious injury.

⚠ WARNING

Do not use any attachments or accessories not recommended by the manufacturer of the product. The use of attachments or accessories not recommended can result in serious personal injury.

English

TESTING THE RCD BEFORE USE

1. Plug the RCD into the mains socket.
2. Press the reset button. The power indicator should come on.
3. Press the test button. The power indicator should go off.
WARNING: If the RCD fails the test, do not use the tool. Consult a qualified electrician.
4. Press the reset button to activate the RCD.

APPLICATIONS

You may use this tool for the purposes listed below:

Straight line cutting operations such as cross cutting, Mitreing, ripping, and beveling

NOTE: This saw is designed to cut man-made tile, pavers, natural stone products, and stone tile products only.

On/off switch

This saw has an easy access power ON/OFF switch located below the front rail.

To turn your saw off:

Press the red button down to turn OFF (O).

To turn your saw on:

Press the green button down to turn ON (I).

To lock your saw:

With the saw turned OFF, pull the plug out of the power source.

WARNING

ALWAYS make sure your workpiece is not in contact with the cutting blade before operating the switch to start the tool. Failure to heed this warning may cause the workpiece to be kicked back toward the operator and result in serious personal injury.

WARNING

To reduce the risk of accidental starting, always make sure the switch is in the OFF position before plugging tool into the power source. In the event of a power failure or when the tool is not in use, turn the switch OFF and pull plug out of the power source. This action will prevent the tool from accidentally starting when power returns.

USING THE RIP GUIDE AND MITRE GUIDE

See Figure 13.

The rip guide can be used from both the left and right side of the cutting blade.

1. Turn knob on rip guide counterclockwise to loosen.
2. Adjust the rip guide in the desired position using the rip guide scale, located on front and rear of table, to set

rip guide to desired width of cut.

3. Rotate the knob, clockwise, to tighten securely.

TO ADJUST ANGLES

Adjust rip guide to desired position and secure tightly.

1. Slide Mitre guide onto rip guide from the front.
2. Adjust to desired angle using angle scale and tighten securely with knob.

MAKING CUTS

Always draw the line to be cut on the tile using a marker or grease pencil. If the tile is shiny and hard-to-mark, place masking tape on the tile and mark the tape.

A common problem when cutting tile is straying from the marked line. Once you've strayed from the mark, you can not force the blade back to the line by twisting the tile. Instead, back up and recut the tile slicing off a small amount of tile until the blade is back on track.

To avoid this problem, use the rip guide when making cross cuts, the Mitre guide for Mitre cuts and the adjustable right side table for making bevel cuts, whenever possible.

To make across cut

See Figure 14.

Cross cuts are straight 90° cuts. The material is fed into the cut at a 90° angle to the blade, and the blade is vertical.

1. Using a marker or grease pencil, mark the area to be cut on material.
2. Adjust rip guide to desired position and secure tightly.
3. Place the material on the table and firmly against the rip guide.
4. Make sure the material is clear of the cutting blade before turning on the saw.
5. Turn the power on.
6. Let the cutting blade build up to full speed and wait for the blade to get wet before moving the material into the blade.
7. Hold the material firmly against the rip guide and feed the material into the cutting blade.
8. When the cut is made, turn the saw OFF. Wait for the cutting blade to come to a complete stop before removing any part of the material.

To make a 45° diagonal cut

See Figure 15.

45° Diagonal cuts are also referred to as "long point to long point cuts".

1. Using a marker or grease pencil, mark the area to be cut on material.
2. Set the rip guide to desired width, and tighten the knob to secure in place.
3. Slide Mitre guide onto rip guide from the front.
4. Adjust Mitre guide to 45° using angle scale and tighten

English

- securely with knob.
- Make sure the material is clear of the cutting blade before turning on the saw.
 - Turn the power on.
 - Let the cutting blade build up to full speed and wait for the blade to get wet before moving the material into the blade.
 - Hold the material firmly against the Mitre guide and slide Mitre guide along rip fence. Feed the material into the cutting blade.
 - When the cut is made, turn the saw OFF. Wait for the cutting blade to come to a complete stop before removing any part of the material.

To make a Mitre cut

See Figure 16.

Mitre cuts are used for cutting outside and inside corners on material, decorative chair rail, and base molding with the material at any angle to the blade other than 90°. Mitre cuts tend to "creep" during cutting. This can be controlled by holding the workpiece securely against the Mitre guide.

- Using a marker or grease pencil, mark the area to be cut on material.
- Set the rip guide to desired width, and tighten the knob to secure in place.
- Slide Mitre guide onto rip guide from the front.
- Adjust Mitre guide to desired angle, using angle scale, and tighten securely with knob.
- Make sure the material is clear of the cutting blade before turning on the saw.
- Turn the power on.
- Let the cutting blade build up to full speed and wait for the blade to get wet before moving the material into the blade.
- Hold the material firmly against the Mitre guide and slide Mitre guide along rip fence. Feed the material into the cutting blade.
- When the cut is made, turn the saw OFF. Wait for the cutting blade to come to a complete stop before removing any part of the material.

To make an L-cut

See Figure 17.

L-cuts are cuts that remove a piece of tile to fit in a corner, around a cabinet, or a piece of molding and are made by two separate cuts.

NOTE: Only overcut on the bottom or underneath side of the material being cut.

- Cut material to desired width using directions for cross cut.
- Adjust rip guide to desired position and secure tightly.
- Place the material on the table and firmly against the rip guide.

- Make sure the material is clear of the cutting blade before turning on the saw.
- Turn the power on.
- Let the cutting blade build up to full speed and wait for the blade to get wet before moving the material into the blade.
- Hold the material firmly against the rip guide and feed the material into the cutting blade.
- Make the cut far enough into the material without overcutting.
- Turn the power off.
- Turn the material over and make the cut along one of the marks. This time overcut the other line and the cut piece should separate from the rest of the material.
- Turn the power on.
- Let the cutting blade build up to full speed and wait for the blade to get wet before moving the material into the blade.
- When the cut is made, turn the saw OFF. Wait for the cutting blade to come to a complete stop before removing any part of the material.

To make a bevel cut

See Figure 18–19.

Beveled 22, 5° and 45° cuts can be made using the bevel table.

- Using a marker or grease pencil, mark the area to be cut on material.
- Tip up the bevel table.
- On underside of bevel table, pull down the two table legs into right angles of the plate.
- Use first notches in legs to rest plate into 22,5° angle.
- Use second set of notches to angle bevel table into highest 45° angle.

NOTE: Make sure the bevel table is locked firmly in place before beginning cut.

Unfold legs and lay bevel table flat for 22,5° or 45° angle.

- Turn the power on.
- Let the cutting blade build up to full speed and wait for the blade to get wet before moving the material into the blade.
- Hold the material firmly against the bevel table and feed the material into the cutting blade.
- When the cut is made, turn the saw OFF. Wait for the cutting blade to come to a complete stop before removing any part of the material.

English

MAINTENANCE

WARNING

When servicing, use only identical replacement parts. Use of any other parts may create a hazard or cause product damage.

WARNING

Always wear safety goggles or safety glasses with side shields during power tool operation or when blowing dust. If operation is dusty, also wear a dust mask.

WARNING

If the power supply cord is damaged, it must be replaced only by the manufacturer or by an authorized service center to avoid risk.

WARNING

For greater safety and reliability, all repairs should be performed by an Authorised Ryobi Service Centre.

GENERAL MAINTENANCE

Avoid using solvents when cleaning plastic parts. Most plastics are susceptible to damage from various types of commercial solvents and may be damaged by their use. Use clean cloths to remove dirt, dust, oil, grease, etc.

Lubrication

All of the bearings in this tool are lubricated with a sufficient amount of high grade lubricant for the life of the unit under normal operating conditions.

Tile cutting blade

For maximum performance and safety, it is recommended that you use the 178 mm cutting blade provided with your saw. Additional cutting blades of the same high quality are available at your local dealer.

WARNING

Do not use cutting blades rated less than the no load speed of this tool. Failure to heed this warning could result in personal injury. Do not use blade with cracks, gaps, or teeth.

CHANGING THE TILE CUTTING BLADE

See Figure 20.

WARNING

A 178 mm tile cutting blade is the maximum blade capacity of the saw. Never use a blade that is too thick to allow blade flange to engage with the flats on the spindle. Larger blades will come in contact with the blade guard, while thicker blades will prevent the blade bolt from securing the blade on the spindle. Either of these situations could result in a serious accident and can cause serious personal injury.

1. Unplug the saw.
2. Remove bevel table.
3. Slide the hex wrench over the blade arbor nut. Using other hand, slide arbor wrench onto blade arbor.
4. Hold arbor wrench firmly to prevent the blade from moving. Turn arbor nut counterclockwise to loosen.
5. Remove arbor nut, outer blade flange, and cutting blade.
6. Wipe a drop of oil onto inner blade flange where it contacts the blade.

WARNING

If inner blade flange has been removed, replace it before placing blade on spindle. Failure to do so could cause an accident since the blade will not tighten properly. Never use blades that have openings, grooves, or teeth on this tool.

7. Place the cutting blade onto arbor with arrows on cutting blade going in the counterclockwise direction.
8. Replace outer blade flange. The double "D" flats on the blade flange align with the flats on the spindle.
9. Using blade wrench and arbor wrench, tighten arbor nut securely.
10. Replace the bevel table.

ENVIRONMENTAL PROTECTION



Recycle raw materials instead of disposing of as waste. The machine, accessories and packaging should be sorted for environmental-friendly recycling.

SYMBOL



Safety alert

English



CE Conformity



GOST-R Conformity



Please read the instructions carefully before starting the product.



Always wear eye protection



Wear ear protection



Wear safety gloves



DANGER! Sharp blade.



Caution, risk of cutting



Do not expose to rain or use in damp locations.



Do not expose to rain or use in damp locations.



Machines are required to be used with a continuous rim diamond cutting-off blade.



Direction of blade rotation



Diamond cutting-off blade



Blade diameter



Blade arbor diameter



Net weight



Depth of cut (max.)



Width of cut (max.)



Diagonal width of cut (max.)



Recycle



Waste electrical products should not be disposed of with household waste. Please recycle where facilities exist. Check with your Local Authority or retailer for recycling advice.



Français

DESCRIPTION

1. Broche de terre
2. Câble d'alimentation
3. Anneau d'écoulement
4. Disque de coupe du carrelage
5. Interrupteur marche/arrêt
6. Guide de coupe
7. Guide d'onglet
8. Repère de remplissage maxi
9. Trop-plein
10. Réservoir d'eau
11. Echelle graduée du guide de coupe
12. Pied
13. Range-câble
14. Poignées de levage
15. Protège-disque
16. Plateau de biseau
17. Carter du coupe-carrelage
18. Clé hexagonale
19. Clé de broche
20. Vis
21. Support du Protège-disque
22. Ecrou hexagonal
23. Boulon hexagonal
24. Pieds "A"
25. Pieds "B"
26. Boulon(s) des pieds
27. Ecrou(s) des pieds
28. Support(s) des pieds
29. Supports "A"
30. Supports "B"
31. Languettes
32. Protecteur de câble
33. Encoche
34. Bouton du guide de coupe
35. Sous-ensemble de pieds "A"
36. Sous-ensemble de pieds "B"
37. Echelle graduée du guide d'onglet
38. Bouton du guide d'onglet
39. Pied de plateau de biseau
40. Encoche de biseau à 22.5°
41. Encoche de biseau à 45°
42. Broche
43. Bride intérieure
44. Bride extérieure
45. Ecrou de broche

CONSIGNES DE SÉCURITÉ GÉNÉRALES

AVERTISSEMENT

Lors de l'utilisation d'appareils électriques, il convient de respecter certaines précautions de sécurité de base afin de réduire les risques d'incendie, de décharge électrique et de blessure.

Lisez toutes les instructions avant de tenter d'utiliser l'appareil et conservez ce manuel.

- **Apprenez à connaître votre outil.** Lisez attentivement le manuel utilisateur. Prenez connaissance des applications et des limitations de l'appareil ainsi que des risques potentiels spécifiques qui lui sont attachés.
- **Protégez-vous des décharges électriques en évitant de mettre votre corps en contact avec des surfaces reliées à la terre.** Par exemple, tuyaux, radiateurs, cuisinières, réfrigérateurs.
- **Laissez les protections en place et en bon état de fonctionnement.**
- **Retirez les clés et outils de réglage.** Prenez l'habitude de vérifier que les clés et outils de réglage ont été retirés de l'outil avant de le mettre en marche.
- **Gardez la zone de travail propre.** Les établis et les zones de travail encombrés sont propices aux accidents. Ne laissez pas d'outils ou de morceaux de bois sur le coupe-carrelage lorsqu'il est en fonctionnement.
- **N'utilisez pas cet outil en environnement dangereux.** N'utilisez pas d'outil électrique dans un environnement humide ou mouillé et ne l'exposez pas à la pluie. Gardez la zone de travail bien éclairée. N'utilisez pas cet outil en présence de gaz ou de liquides inflammables.
- **Eloignez les enfants et les visiteurs.** Tous les visiteurs doivent porter des lunettes de sécurité et se tenir à distance de sécurité de la zone de travail. Ne laissez pas les visiteurs toucher à l'outil ou à la rallonge pendant utilisation.
- **Ne faites pas forcer l'outil.** Il effectuera un meilleur travail dans de meilleures conditions de sécurité s'il est utilisé dans les limites de ses capacités.
- **Utilisez un outil adapté.** Ne forcez pas sur un outil ou sur un accessoire dans le but de lui faire effectuer un travail pour lequel il n'a pas été conçu. Ne l'utilisez pas pour un usage détourné.
- **Utilisez une rallonge électrique appropriée.** Assurez-vous que votre rallonge électrique est en bon état. N'utilisez une rallonge électrique que si elle est capable de véhiculer le courant requis par votre appareil. Une rallonge sous-dimensionnée





Français

provoquera une chute de tension, entraînant une perte de puissance et une surchauffe.

- **Habillez-vous correctement.** Ne portez pas de vêtements, gants, cravates ou bijoux amples. Ils pourraient être happés et vous attirer vers des parties en mouvement. Le port de gants en caoutchouc et de chaussures antidérapantes (à semelle caoutchouc) est recommandé lorsque vous travaillez à l'extérieur. Contenez également les cheveux longs.
- **Portez toujours des lunettes de sécurité avec écrans de protection latéraux.** Les lunettes d'usage courant ne possèdent que des verres résistant aux impacts; il ne s'agit PAS de lunettes de sécurité.
- **Sécurisez le travail.** Utilisez des serre-joints ou un étai pour maintenir le travail lorsque cela est possible, c'est plus sûr que d'utiliser votre main et vous aurez ainsi les deux mains libre pour manipuler l'outil.
- **Ne travaillez pas en extension.** Gardez un bon appui et un bon équilibre en toute circonstance.
- **Entretenez soigneusement les outils.** Gardez les outils bien affûtés et propres pour de meilleures performances et une sécurité accrue. Suivez les instructions concernant la lubrification et le changement d'accessoires. Vérifiez périodiquement le câble d'alimentation des outils et faites-le remplacer par un service après-vente agréé en cas de dommage. Vérifiez régulièrement les rallonges électriques et remplacez-les en cas de dommage. Gardez les poignées propres, sèches, et exemptes d'huile et de graisse.
- **Débranchez les outils.** Lorsqu'ils ne sont pas utilisés, avant de les entretenir, ou lorsque vous en changez des accessoires, disques, embouts, lames, etc., débranchez tous les outils. Débranchez la fiche secteur avant d'effectuer tout réglage et toute opération d'entretien et de nettoyage.
- **Évitez les mises en marche accidentelles.** Assurez-vous que l'interrupteur est sur arrêt avant de brancher tout outil électrique.
- **N'utilisez que les accessoires recommandés.** Consultez le manuel utilisateur pour les accessoires recommandés. L'utilisation d'accessoires inadéquats fait courir des risques de blessure.
- **Ne vous tenez jamais debout sur la machine.** De graves blessures pourraient se produire au cas où l'outil basculerait ou en cas de mise en contact accidentelle avec l'élément de coupe.
- **Vérifiez qu'aucune pièce n'est endommagée.** Avant de continuer à utiliser l'appareil, toute pièce ou protection endommagée doit être soigneusement vérifiée afin de s'assurer qu'elle peut fonctionner correctement et remplir sa fonction initiale. Vérifiez que les pièces en mouvement sont bien alignées et

non tordues, qu'aucune pièce n'est cassée ou mal montée, et qu'aucun autre problème n'est susceptible d'affecter le bon fonctionnement de l'appareil. Une protection ou toute autre pièce endommagée doit être correctement remplacée ou réparée par un service après-vente agréé pour éviter tout risque de blessure.

- **Utilisez le bon sens d'alimentation.** Un matériau à couper ne doit être dirigé vers une lame ou un disque de coupe qu'en opposition à son sens de rotation.
- **Ne laissez jamais la machine fonctionner sans surveillance. Coupez l'alimentation.** Ne vous éloignez pas de l'outil avant son arrêt complet.
- **Protégez vos poumons.** Portez un masque facial ou un masque anti-poussières si l'opération produit de la poussière.
- **Protégez votre audition.** Portez une protection auditive pendant les longues périodes d'utilisation.
- **Ne maltraitez pas le câble d'alimentation.** Ne tirez jamais sur le câble d'alimentation pour le débrancher. Tenez le câble secteur éloigné de la chaleur, des graisses et des bords coupants.
- **Gardez toujours le protège-disque en place et en état de fonctionner.**
- **Gardez vos mains à l'écart de la zone de coupe.** Gardez vos mains à l'écart du disque de coupe. Ne cherchez pas à atteindre le dessous du travail ni les alentours ou le dessus du disque lorsqu'il est en rotation. Ne tentez pas de retirer des matériaux coupés lorsque le disque tourne.
- **Le disque continue de tourner après l'arrêt.**
- **Ne travaillez jamais dans une atmosphère explosive.** La production normale d'étincelles du moteur est susceptible d'enflammer des vapeurs explosives.
- **Vérifiez périodiquement le câble d'alimentation des outils.** Si l'outil est endommagé, faites-le réparer par un réparateur qualifié auprès d'un service après-vente agréé.
- **Vérifiez régulièrement les rallonges électriques et remplacez-les en cas de dommage.**
- **Reliez tous les outils à la terre.** Si l'outil est équipé d'une fiche secteur à trois broches, il doit être branché dans une prise à trois trous.
- **Contactez un électricien qualifié ou un réparateur si vous n'avez pas bien compris les instructions relatives à la mise à la terre, ou si vous avez un doute quant à la bonne mise à la terre de l'appareil.**
- **N'utilisez que des appareils électriques corrects:** des rallonges à 3 conducteurs ayant des prises à 3 broches que vous brancherez dans une prise secteur à 3 broches correspondant à la prise de l'appareil.





Français

- **Ne modifiez pas la fiche fournie.** Si elle ne correspond pas à votre prise secteur, faites installer une prise secteur adéquate par un électricien qualifié.
- **Gardez l'appareil sec, propre, et exempt d'huile et de graisse.** Utilisez toujours un chiffon propre pour le nettoyer. N'utilisez jamais de liquide de frein, d'essence, de produits à base de pétrole ou de solvants pour le nettoyer.
- **Restez vigilant et contrôlez le travail.** Regardez ce que vous faites et faites preuve de bon sens. N'utilisez pas cet outil lorsque vous êtes fatigué. Ne travaillez pas avec précipitation.
- **N'utilisez pas l'outil si son interrupteur marche/arrêt est inopérant.** Faites remplacer les interrupteurs défectueux par un service après-vente agréé.
- **N'utilisez que des disques de coupe corrects.** N'utilisez pas de disque dont la taille du trou est incorrecte. N'utilisez jamais de rondelles ou d'écrous de broche défectueux ou inadaptés. Votre coupe-carrelage accepte un disque de coupe de 178 mm au maximum. Toutes les lames utilisées doivent être fabriquées en conformité avec la norme EN13236. N'utilisez jamais une lame de coupe dont la vitesse maximale est inférieure à la vitesse de l'outil.
- **Avant d'effectuer une coupe, assurez-vous que tous les réglages sont bien serrés.**
- **Ne touchez jamais le disque de coupe ni aucune autre partie en mouvement durant utilisation.**
- **Ne mettez jamais en marche un outil dont un quelconque élément rotatif est en contact avec le matériau.**
- **N'utilisez pas cet outil si vous êtes sous l'influence de l'alcool, de drogues ou de médicaments.**
- **N'effectuez les réparations qu'en utilisant des pièces détachées identiques.** L'utilisation de toute autre pièce détachée représente un danger et peut endommager l'appareil.
- **N'utilisez que les accessoires recommandés dans ce manuel ou dans ses suppléments.** L'utilisation d'accessoires non listés peut entraîner des risques de blessures. Les instructions concernant l'utilisation en toute sécurité d'un accessoire sont fournies avec l'accessoire.
- **Vérifiez deux fois le bon montage de l'outil.** Assurez-vous que le disque de coupe est bien serré et qu'il ne touche pas la machine ou le matériau avant de brancher le coupe-carrelage.
- Ne vous tenez jamais dans l'axe du disque de coupe et n'ayez jamais aucune partie de votre corps dans l'axe du disque de coupe.
- Ne tentez jamais de libérer un disque de coupe coincé sans d'abord avoir arrêté et débranché l'appareil.
- Si le câble d'alimentation est endommagé, il ne doit être remplacé que par le fabricant ou par un service après-vente agréé, pour éviter tout danger.
- Evitez les opérations peu commodes et les positions des mains qui les mettraient en contact avec le disque de coupe en cas de dérapage.
- Assurez-vous que la zone de travail est suffisamment éclairée et qu'aucune gêne n'empêchera de travailler en toute sécurité avant de commencer tout travail avec le coupe-carrelage.
- Arrêtez toujours le coupe-carrelage avant de le débrancher, afin d'éviter toute mise en route accidentelle lorsque vous le brancherez à nouveau.
- Cet outil devrait comporter les marquages suivants:
 - Portez une protection oculaire.
 - Utilisez le protège-disque chaque fois que cela est possible.
 - Débranchez le coupe-carrelage avant de l'entretenir, d'en changer le disque de coupe, et de le nettoyer.
 - N'utilisez le coupe-carrelage qu'avec des disques de coupe à bord lisse, exempts d'ouvertures, de sillons et de dents.
 - Remplacez tout disque de coupe endommagé avant utilisation.
 - Ne remplissez pas le réservoir d'eau au dessus du trait de remplissage.
- **Conservez ces instructions.** Reportez-vous y fréquemment et utilisez-le pour renseigner les autres utilisateurs. Si vous prêtez cet outil à quelqu'un, prêtez-lui également ce manuel.

RACCORDEMENT ÉLECTRIQUE

Cet outil est équipé d'un moteur électrique fabriqué avec précision. Il doit être connecté à une alimentation 220-240V, CA uniquement (alimentation secteur classique), 50 Hz. N'alimentez pas cet appareil en courant continu (CC). Une chute de tension substantielle provoquera une perte de puissance et une surchauffe du moteur. Si le coupe-carrelage ne fonctionne pas une fois branché sur le secteur, vérifiez à nouveau l'alimentation électrique.

VITESSE ET CÂBLAGE

La vitesse à vide de cet outil est d'environ 2,900 tr/min. Cette vitesse n'est pas constante et diminue en charge ou en cas de baisse de tension. L'influence du câblage dans l'atelier a autant d'importance que la puissance du moteur. Une ligne électrique prévue uniquement pour l'éclairage

AVERTISSEMENTS DE SÉCURITÉ DE LA COUPE-CARRELAGE

- Bloquez toujours fermement l'élément à couper contre le guide de coupe ou contre la butée de biseau.





Français

ne peut pas alimenter correctement un outil électrique. Un fil d'une section suffisante pour une courte longueur peut se révéler insuffisant pour une plus grande longueur. Une ligne électrique capable d'alimenter un outil électrique peut s'avérer incapable d'en alimenter deux ou trois.

INSTRUCTIONS DE MISE À LA TERRE

Voir figure 1.

Cet appareil doit être relié à la terre. En cas de dysfonctionnement ou de panne, la mise à la terre procure un chemin d'écoulement du courant de moindre résistance qui réduit le risque de décharge électrique. Cet outil est équipé d'un câble électrique avec un fil de terre et une fiche avec terre. La fiche doit être branchée dans une prise secteur correctement installée et reliée à la terre en accord avec les lois et codes locaux.

Ne modifiez pas la fiche fournie. Si elle ne correspond pas à votre prise secteur, faites installer une prise secteur adéquate par un électricien qualifié.

⚠ AVERTISSEMENT

Une mauvaise installation de la prise de terre peut entraîner un risque de décharge électrique. Lorsqu'il est nécessaire de changer ou de réparer le câble secteur, ne branchez pas le fil de terre sur les broches plates. Le fil vert (avec ou sans rayure jaune) est le fil de terre.

Contactez un électricien qualifié ou un réparateur si vous n'avez pas bien compris les instructions relatives à la mise à la terre, ou si vous avez un doute quant à la bonne mise à la terre de l'appareil.

Réparez ou remplacez immédiatement tout câble endommagé ou usé.

Si le câble d'alimentation est endommagé, il ne doit être remplacé que par le fabricant ou par un service après-vente agréé, pour éviter tout danger.

Ne branchez l'appareil qu'à une prise ayant la même configuration que la fiche secteur. N'utilisez pas d'adaptateur avec cet appareil.

Pour plus de sécurité et de fiabilité, toutes les réparations doivent être effectuées par un Centre Service Agréé Ryobi.

Un disjoncteur différentiel devrait être présent dans le(s) circuit(s) ou dans le(s) prise(s) qui alimentent le coupe-carrelage. Il existe des prises secteur équipées d'un disjoncteur différentiel que vous pouvez utiliser pour augmenter la sécurité.

Si le coupe-carrelage est utilisé avec une rallonge électrique, assurez-vous que le branchement entre cette rallonge et le câble d'alimentation ne repose pas sur le sol. Les appareils auxiliaires doivent toujours être branchés

dans la prise murale et non sur une prise multiple branchée au bout de la rallonge qui alimente le coupe-carrelage.

Si une prise de courant protégée n'est pas disponible, n'utilisez pas le coupe-carrelage tant que la prise n'a pas été changée ou qu'un dispositif auxiliaire de sécurité n'a pas été installé. Ces dispositifs auxiliaires de protection sont disponibles auprès de votre revendeur local.

POSITION DU COUPE-CARRELAGE

Voir figure 2.

Pour éviter que la fiche ou que la prise secteur ne deviennent mouillées, positionnez le coupe-carrelage le long d'un mur équipé d'une prise secteur afin d'éviter que de l'eau dégorge vers la prise ou vers la fiche secteur. L'opérateur doit former un "anneau d'écoulement" avec le câble d'alimentation du coupe-carrelage. "L'anneau d'écoulement" est cette portion du câble qui se trouve sous le niveau de la prise secteur ou de la prise de rallonge si une rallonge est utilisée, qui évite que l'eau circule le long du câble et n'entre en contact avec la prise.

Si la prise ou la fiche secteur deviennent mouillées, NE DÉBRANCHEZ PAS la fiche. Déconnectez le fusible ou le disjoncteur de la ligne qui alimente l'outil et débranchez-le, puis vérifiez la présence éventuelle d'eau dans la prise.

⚠ AVERTISSEMENT

Pour réduire le risque d'électrocution, gardez tous les raccords électriques secs et à distance du sol. Ne touchez pas la prise avec les mains mouillées.

CARACTÉRISTIQUES

Caractéristiques de l'appareil	
Tension	220 - 240V
Puissance	500 W
Vitesse à vide	2,900 rpm
Poids	15,5 kg (N.W.)
Fonctionnalités	
Dimensions du Plateau	381 mm x 502 mm
Hauteur de plateau du châssis au plateau	181 mm
Caractéristique des Matériaux	
Matériau du plateau	Acier inoxydable
Matériaux des pieds	Tube d'acier
Outils de coupe/Capacité	



Diamètre du disque de coupe	178 mm
Type de disque	Diamant
Diamètre intérieur du disque	25,4 mm
Profondeur de coupe maxi	33 mm
Valeurs mesurées obtenues selon EN 61029 Niveau de pression sonore pondéré-A Incertitude K	$L_{pA} = 61,0 \text{ dB(A)}$ 3 dB(A)
Valeurs mesurées obtenues selon EN 61029 Niveau de puissance sonore pondéré-A Incertitude K	$L_{WA} = 77,0 \text{ dB(A)}$ 3 dB(A)

APPRENEZ À CONNAÎTRE VOTRE COUPE-CARRELAGE

Disque de coupe du carrelage 178 mm

- Un disque de coupe de 178 mm est fourni avec votre coupe-carrelage.

Plateau de biseau

- Des coupes en biseau de 22,5° et de 45° peuvent être effectuées à l'aide du plateau de biseau.

Poignées

- Le coupe-carrelage est équipé de poignées pratiques situées à gauche et à droite pour le soulever et le transporter.

Guide d'onglet

- Le guide d'onglet est complètement réglable pour les coupes diagonales et les coupes d'onglet.

Moteur

- Cet appareil est équipé d'un moteur suffisamment puissant pour effectuer les travaux de coupe difficiles.

Guide de coupe

- Le guide de coupe est complètement réglable pour les coupes droites et les coupes utilisant le guide d'onglet.

Pied du coupe-carrelage

- Ce coupe-carrelage est équipé d'un pied pour augmenter sa portabilité et sa commodité d'emploi.

Protège-disque

- Le protège-lame évite les projections d'eau et la brumisation

MONTAGE

MONTAGE DU PROTÈGE-DISQUE

Voir figure 5-6.

1. Retirez le plateau de biseau.
2. Mettez en place le support en forme de L du protège-disque dans l'encoche située sous le plateau, sous le disque.
3. Mettez en place les vis dans le plateau et à travers le support du protège-disque puis serrez fermement.
NOTE: Assurez-vous que le support du protège-disque est aligné avec le disque de coupe afin qu'il ne gêne pas l'élément en train d'être coupé.
4. Alignez le protège-disque avec le disque et glissez-le sur le support. Alignez les trous du protège-disque avec la fente du support du protège-disque.
NOTE: Réglez toujours le protège-disque de façon parallèle par rapport au plateau et légèrement plus haut que l'épaisseur à couper. Le protège-disque ne doit pas toucher le carreau.
5. Faites passer le boulon hexagonal à travers le protège-disque et le support.
6. Vissez le bouton sur le boulon et serrez-le à la hauteur désirée.
7. Remettez en place le plateau de biseau.
NOTE: Le carter/protecteur de disque de coupe est monté en usine. Ne le démontez pas au cours des opérations de réglage et d'entretien.

MONTAGE DU GUIDE DE COUPE

Voir figure 7.

1. Tournez le bouton du guide de coupe dans le sens inverse des aiguilles d'une montre pour le desserrer.
2. Faites glisser le guide de coupe sur le côté du plateau.
3. Utilisez l'échelle graduée du guide, située à l'avant et à l'arrière du plateau, pour régler le guide de coupe à la largeur de coupe désirée.
4. Tourner le bouton du guide de coupe dans le sens des aiguilles d'une montre pour le verrouiller fermement.

MONTAGE DU GUIDE D'ONGLET

Voir figure 7.

1. Réglez le guide de coupe à la position désirée et serrez-le.
2. Faites glisser le guide d'onglet sur le guide de coupe à partir du devant.
3. Réglez-le à l'angle désiré à l'aide de l'échelle graduée d'angle et serrez-le fermement à l'aide du bouton.

MONTAGE DES PIEDS

Voir figure 8-9.

Les supports et les jambes du pied sont marqués de



Français

lettres pour faciliter leur montage.

Outils requis: Clé à molette ou clés 13 mm et tournevis cruciforme.

1. Insérez les jambes du pied marquées "A" dans l'extrémité des tubes du support marqué "A". Les extrémités inclinées des pieds doivent se tourner le dos de façon à former un "V". Alignez les trous avec les vis. Répétez l'opération avec le deuxième jeu de pieds et de supports marqué "B".
2. Montez les pieds sur leurs supports. Le sous-ensemble de pieds "B" s'appuie sur le côté intérieur des supports. Le sous-ensemble de pieds "A" s'appuie sur le côté extérieur. Alignez les trous des supports et des pieds. Faites passer les vis à travers les trous.
3. Serrez les vis à l'aide d'une clé.
4. Placez le pied sur une surface de niveau et alignez les rainures situées sous le coupe-carrelage avec les supports du pied. Mettez le plateau sur le pied.
5. Avant utilisation, assurez-vous que le coupe-carrelage se trouve sur un sol de niveau et que le pied est stable.

MONTAGE DU TROP-PLEIN

Voir figure 10.

1. Retirez le plateau de biseau.
2. Repérez le trou situé au fond du réservoir d'eau.
3. Poussez fermement le trop-plein dans le trou.
4. Remettez en place le plateau de biseau.

MONTAGE DES LOQUETS

1. Retournez le carter du coupe-carrelage.
2. Alignez les trous de vis des loquets avec les trous de vis du bas du carter du coupe-carrelage.
3. Insérez les vis et serrez-les fermement.

REPLISSAGE DU RÉSERVOIR D'EAU

Voir figure 11.

1. Retirez le plateau de biseau.
2. Remplissez le réservoir d'eau jusqu'au trait de remplissage avec de l'eau propre du robinet.
NOTE: Le trop-plein évite de trop remplir le réservoir.
3. Remettez en place le plateau de biseau.

CHANGEMENT DU RÉSERVOIR D'EAU

1. Débranchez le coupe-carrelage.
2. Retirez le trop-plein et videz-le dans un seau, en évitant de renverser de l'eau sur le sol ou aux alentours de l'appareil.
3. Jetez l'eau souillée en respectant les lois locales.

UTILISATION

⚠ AVERTISSEMENT

Ne relâchez pas votre vigilance une fois familiarisé avec votre outil. N'oubliez jamais qu'il suffit d'une seconde d'inattention pour vous blesser gravement

⚠ AVERTISSEMENT

Portez toujours des lunettes de sécurité ou des lunettes de protection munies d'écrans latéraux lorsque vous utilisez des outils. Le non-respect de cette consigne peut entraîner la projection de corps étrangers dans vos yeux et provoquer des lésions oculaires graves.

⚠ AVERTISSEMENT

N'utilisez pas de pièces ou accessoires autres que ceux recommandés par le fabricant pour cet outil. L'utilisation de pièces ou accessoires non recommandés peut entraîner des risques de blessures graves.

TESTEZ LE DISJONCTEUR DIFFÉRENTIEL AVANT UTILISATION

1. Branchez le disjoncteur différentiel dans la prise secteur.
2. Branchez le disjoncteur différentiel dans la prise secteur.
3. Appuyez sur le bouton de test. Le voyant d'alimentation doit s'éteindre.
AVERTISSEMENT: Si le test du disjoncteur différentiel échoue, n'utilisez pas l'outil. Prenez conseil auprès d'un électricien qualifié.
4. Appuyez sur le bouton de remise à zéro pour déclencher le disjoncteur différentiel.

APPLICATIONS

Vous pouvez utiliser cet outil pour les applications suivantes:

Coupes en ligne droite telles que coupes droites, coupes d'onglet, de biseau, et coupes longitudinales

NOTE: Ce coupe-carrelage est uniquement destiné à la coupe des carreaux fait-main, des pavés, des produits en pierre naturelle et des carreaux en pierre.

Interrupteur marche/arrêt

Ce coupe carrelage est équipé d'un interrupteur ON/OFF (marche/arrêt) situé sous le rail frontal.





Français

Pour arrêter votre coupe-carrelage:

Appuyer sur le bouton rouge pour mettre l'appareil sur OFF (arrêt, O).

Pour mettre en marche votre coupe-carrelage:

Appuyer sur le bouton vert pour mettre l'appareil sur ON (marche, I).

Pour verrouiller votre coupe-carrelage:

Lorsque le coupe-carrelage est arrêté, débranchez la fiche secteur de la prise.

AVERTISSEMENT

Assurez-vous **TOUJOURS** que l'élément à couper ne touche pas le disque de coupe avant d'agir sur l'interrupteur pour mettre en route l'appareil. Le non respect de cet avertissement peut entraîner une projection de l'élément coupé en direction de l'opérateur et provoquer de graves blessures.

AVERTISSEMENT

Pour réduire le risque de mise en marche accidentelle, assurez-vous toujours que l'interrupteur est en position OFF (arrêt) avant de brancher l'outil sur le secteur. En cas de coupure de courant ou lorsque l'outil n'est pas utilisé, mettez l'interrupteur sur OFF (arrêt), et débranchez la prise. Cette action évitera que l'outil se remette en marche une fois le courant rétabli.

UTILISATION DU GUIDE DE COUPE ET DU GUIDE D'ONGLET

Voir figure 13.

Le guide de coupe peut être utilisé à gauche ou à droite du disque de coupe.

1. Tournez le bouton du guide de coupe dans le sens inverse des aiguilles d'une montre pour le desserrer.
2. Réglez le guide de coupe à la position désirée à l'aide de l'échelle graduée du guide, située à l'avant et à l'arrière du plateau, pour régler la largeur de coupe désirée.
3. Verrouillez fermement en tournant le bouton dans le sens des aiguilles d'une montre.

POUR RÉGLER LES ANGLES

Réglez le guide de coupe à la position désirée et serrez-le fermement.

1. Faites glisser le guide d'onglet sur le guide de coupe à partir du devant.
2. Réglez-le à l'angle désiré à l'aide de l'échelle graduée d'angle et serrez-le fermement à l'aide du bouton.

RÉALISATION DES COUPES

Tracez toujours un trait de repère sur le carreau à l'aide d'un marqueur ou d'un crayon gras. Si le carreau est brillant et difficile à marquer, collez du ruban de masquage sur le carreau et tracez le trait sur ce ruban.

Un problème courant lors de la coupe d'un carreau est la divergence par rapport au trait tracé. Une fois que vous vous êtes éloigné du repère, vous ne pouvez pas forcer sur le disque de coupe pour le faire revenir dans l'axe. Il vous faut plutôt reculer et recouper le carreau en enlevant une fine partie jusqu'à ce que vous soyez revenu dans l'axe.

Pour éviter ce problème, utilisez le guide de coupe lorsque vous faites des coupes droites, le guide d'onglet pour les coupes d'onglet, et le côté droit réglable du plateau pour les coupes en biseau, lorsque cela est possible.

Pour faire une coupe droite

Voir figure 14.

Les coupes transversales sont des coupes droites à 90°. Le matériau est introduit à un angle de 90° par rapport au disque de coupe, et le disque est vertical.

1. Marquez la surface à couper du matériau à l'aide d'un marqueur ou d'un crayon gras.
2. Réglez le guide de coupe à la position désirée et serrez-le fermement.
3. Mettez le matériau sur le plateau et pressez le fermement contre le guide de coupe.
4. Assurez-vous que le matériau n'est pas en contact avec le disque de coupe avant de mettre le coupe-carrelage en marche.
5. Branchez l'alimentation.
6. Laissez le disque de coupe tourner à pleine vitesse et laissez-le se mouiller avant de pousser le matériau vers le disque.
7. Maintenez fermement le matériau contre le guide de coupe et poussez le matériau vers le disque de coupe.
8. Lorsque la coupe est faite, mettez le coupe-carrelage sur OFF (arrêt). Attendez que le disque de coupe ait complètement fini de tourner avant de retirer toute partie du matériau.

Pour faire une coupe d'angle à 45°

Voir figure 15.

Les coupes diagonales à 45° sont aussi appelées "coupes longues point à point".

1. Marquez la surface à couper du matériau à l'aide d'un marqueur ou d'un crayon gras.
2. Réglez le guide de coupe à la largeur désirée, puis serrez le bouton pour le verrouiller.
3. Faites glisser le guide d'onglet sur le guide de coupe à partir du devant.
4. Réglez le guide d'onglet à 45° à l'aide de l'échelle graduée





Français

d'angle et serrez-le fermement à l'aide du bouton.

5. Assurez-vous que le matériau n'est pas en contact avec le disque de coupe avant de mettre le coupe-carrelage en marche.
6. Branchez l'alimentation.
7. Laissez le disque de coupe tourner à pleine vitesse et laissez-le se mouiller avant de pousser le matériau vers le disque.
8. Maintenez fermement le matériau contre le guide d'onglet et faite coulisser le guide d'onglet le long du guide de coupe. Introduisez le matériaux vers le disque de coupe.
9. Lorsque la coupe est faite, mettez le coupe-carrelage sur OFF (arrêt). Attendez que le disque de coupe ait complètement fini de tourner avant de retirer toute partie du matériau.

Pour faire une coupe d'onglet

Voir figure 16.

Les coupes d'onglet sont utilisées pour couper des angles intérieurs et extérieurs dans les matériaux, des cimaises décoratives, et des moules de base à tout angle autre que 90°. Les coupes d'onglet ont tendance à "forcer" pendant la coupe. Ceci peut être contrôlé en maintenant fermement le matériau contre le guide d'onglet.

1. Marquez la surface à couper du matériau à l'aide d'un marqueur ou d'un crayon gras.
2. Réglez le guide de coupe à la largeur désirée, puis serrez le bouton pour le verrouiller.
3. Faites glisser le guide d'onglet sur le guide de coupe à partir du devant.
4. Réglez le guide d'onglet à l'angle désiré à l'aide de l'échelle graduée d'angle et serrez-le fermement à l'aide du bouton.
5. Assurez-vous que le matériau n'est pas en contact avec le disque de coupe avant de mettre le coupe-carrelage en marche.
6. Branchez l'alimentation.
7. Laissez le disque de coupe tourner à pleine vitesse et laissez-le se mouiller avant de pousser le matériau vers le disque.
8. Maintenez fermement le matériau contre le guide d'onglet et faite coulisser le guide d'onglet le long du guide de coupe. Introduisez le matériaux vers le disque de coupe.
9. Lorsque la coupe est faite, mettez le coupe-carrelage sur OFF (arrêt). Attendez que le disque de coupe ait complètement fini de tourner avant de retirer toute partie du matériau.

Pour faire une coupe en L

Voir figure 17.

Les coupes en L sont des coupes qui retirent un morceau de carreau pour le placer dans un angle, autour d'un placard ou d'une moulure, et consistent en deux coupes

séparées.

NOTE: Ne faites déborder la coupe que par le dessous du matériau coupé.

1. Coupez le matériau à la largeur désirée en suivant les instructions pour les coupes transversales.
2. Réglez le guide de coupe à la position désirée et serrez-le fermement.
3. Mettez le matériau sur le plateau et pressez le fermement contre le guide de coupe.
4. Assurez-vous que le matériau n'est pas en contact avec le disque de coupe avant de mettre le coupe-carrelage en marche.
5. Branchez l'alimentation.
6. Laissez le disque de coupe tourner à pleine vitesse et laissez-le se mouiller avant de pousser le matériau vers le disque.
7. Maintenez fermement le matériau contre le guide de coupe et poussez le matériau vers le disque de coupe.
8. Effectuez la coupe suffisamment loin dans le matériau sans trop le couper.
9. Coupez l'alimentation.
10. Retournez le matériau et faites la coupe le long d'une des marques. Cette fois-ci, coupez au delà de l'autre trait, et la partie coupée devrait se séparer du reste du matériau.
11. Branchez l'alimentation.
12. Laissez le disque de coupe tourner à pleine vitesse et laissez-le se mouiller avant de pousser le matériau vers le disque.
13. Lorsque la coupe est faite, mettez le coupe-carrelage sur OFF (arrêt). Attendez que le disque de coupe ait complètement fini de tourner avant de retirer toute partie du matériau.

Pour faire une coupe en biseau

Voir figure 18-19.

Des coupes en biseau de 22,5° et de 45° peuvent être effectuées à l'aide du plateau de biseau.

1. Marquez la surface à couper du matériau à l'aide d'un marqueur ou d'un crayon gras.
2. Relevez le plateau de biseau.
3. Sous le plateau de biseau, tirez sur les deux pieds pour les mettre à angle droit avec le plateau.
4. Utilisez les premières encoches des pieds pour positionner le plateau à 22,5°.
5. Utilisez le deuxième jeu d'encoches pour positionner le plateau à 45°.

NOTE: Assurez-vous que la table de biseau est fermement verrouillée avant de commencer la coupe.

Dépliez les pieds et mettez le plateau de biseau à plat pour un angle de 22,5° ou 45°.

6. Branchez l'alimentation.
7. Laissez le disque de coupe tourner à pleine vitesse





Français

et laissez-le se mouiller avant de pousser le matériau vers le disque.

8. Maintenez fermement le matériau contre le plateau de biseau et poussez le vers le disque de coupe.
9. Lorsque la coupe est faite, mettez le coupe-carrelage sur OFF (arrêt). Attendez que le disque de coupe ait complètement fini de tourner avant de retirer toute partie du matériau.

ENTRETIEN

▲ AVERTISSEMENT

N'effectuez les réparations qu'en utilisant des pièces détachées identiques. L'utilisation de toute autre pièce détachée représente un danger et peut endommager l'appareil.

▲ AVERTISSEMENT

Portez toujours un masque oculaire ou des lunettes de protection à volets latéraux lorsque vous utilisez l'outil électrique ou lorsque vous soufflez de la poussière. Si l'opération génère des poussières, portez également un masque anti-poussières.

▲ AVERTISSEMENT

Si le câble d'alimentation est endommagé, il ne doit être remplacé que par le fabricant ou par un service après-vente agréé, pour éviter tout danger.

▲ AVERTISSEMENT

Pour plus de sécurité et de fiabilité, toutes les réparations doivent être effectuées par un Centre Service Agréé Ryobi.

ENTRETIEN GÉNÉRAL

Évitez d'utiliser des solvants pour nettoyer les parties en plastique. La plupart des plastiques sont susceptibles d'être endommagés par différents types de solvants du commerce. Utilisez des chiffons propres pour retirer la saleté, les poussières, l'huile, la graisse, etc.

▲ AVERTISSEMENT

Ne laissez jamais du liquide de frein, de l'essence, des produits pétroliers, des huiles pénétrantes, etc. entrer en contact avec les parties en plastique. Les produits chimiques peuvent endommager, affaiblir ou détruire les plastiques, ce qui pourrait entraîner de graves blessures.

Lubrification

Tous les roulements de cette machine sont suffisamment lubrifiés avec de l'huile de haute qualité pour toute la durée de vie de la machine sous des conditions d'utilisation normales.

Disque de coupe du carrelage

Pour un maximum de performance et de sécurité, il est recommandé d'utiliser le disque de coupe de 178 mm fourni avec votre coupe-carrelage. Des disques de coupe supplémentaires d'une même haute qualité sont disponibles auprès de votre revendeur local.

▲ AVERTISSEMENT

N'utilisez pas de disque de coupe dont la vitesse maximale de rotation est inférieure à la vitesse de rotation à vide de l'outil. Le non respect de cet avertissement peut entraîner des blessures. N'utilisez pas disque de coupe fêlé ou comportant des craquelures, des espaces ou des dents.

CHANGEMENT DU DISQUE DE COUPE DU CARRELAGE

Voir figure 20.

▲ AVERTISSEMENT

Le coupe carrelage accepte un disque d'un diamètre maximal de 178 mm. N'utilisez jamais de disque de coupe trop large qui empêcherait la bride extérieure de s'insérer dans la partie aplatie de l'axe de broche. Les disques de plus grand diamètre entreraient en contact avec le protège disque, tandis que les disques plus épais empêcheraient le boulon du disque de bien le bloquer. N'importe laquelle de ces situations peut entraîner de graves accidents.

1. Débranchez le coupe-carrelage.
2. Retirez le plateau de biseau.
3. Insérez la clé hexagonale sur l'écrou de la broche du disque de coupe. De l'autre main, insérez la clé de broche sur la broche de disque.
4. Maintenez fermement la clé de broche pour empêcher tout mouvement du disque de coupe. Tournez l'écrou de broche dans le sens inverse des aiguilles d'une montre pour le desserrer.
5. Retirez l'écrou de broche, la bride extérieure, et le disque de coupe.
6. Déposez une goutte d'huile sur la bride intérieure du disque de coupe à l'endroit où elle est en contact avec le disque.



Français

▲ AVERTISSEMENT

Si la bride intérieure a été démontée, remettez-la en place avant de monter le disque de coupe sur la broche. Le non respect de cette consigne peut entraîner un accident car le disque ne serait pas bien serré. N'utilisez pas de disque de coupe ayant des ouvertures, des sillons ou des dents avec cet outil.

7. Mettez le disque de coupe sur la broche avec ses flèches dirigées dans le sens inverse des aiguilles d'une montre.
8. Remettez en place la bride extérieure. Les méplats en double "D" de la bride du disque de coupe s'alignent avec les méplats de la broche.
9. A l'aide de la clé pour disque de coupe et de la clé de broche, serrez fermement l'écrou de broche.
10. Remettez en place le plateau de biseau.

PROTECTION DE L'ENVIRONNEMENT



Recyclez les matières premières au lieu de les jeter aux ordures ménagères. Pour protéger l'environnement, l'outil, les accessoires et les emballages doivent être triés.

SYMBOLE



Alerte de Sécurité



Conformité CE



Conformité GOST-R



Veillez lire attentivement les instructions avant de mettre l'appareil en marche.



Portez toujours une protection oculaire.



Portez une protection auditive



Portez des gants de sécurité



DANGER! Lame Coupante



Portez des gants de sécurité



Ne pas exposer à la pluie ni utiliser en un lieu humide.



Ne pas exposer à la pluie ni utiliser en un lieu humide.



Les machines doivent être équipées d'un disque de coupe à jante continue.



Sens de rotation de la lame



Disque de coupe au diamant



Diamètre du disque de coupe



Diamètre du arbre de lame



Poids net



Profondeur de coupe (maxi.)



Largeur de coupe (maxi.)



Largeur diagonale de coupe (maxi.)



Recyclage



Les produits électriques hors d'usage ne doivent pas être jetés avec les ordures ménagères. Recyclez-les par l'intermédiaire des structures disponibles. Contactez les autorités locales pour vous renseigner sur les conditions de recyclage.



Deutsch

BESCHREIBUNG

1. Erdungstift
2. Stromkabel
3. Tropfen-Schlaufe
4. Fliesentrennscheibe
5. Ein/Aus Schalter
6. Anlagekante
7. Gehrungsschiene
8. Fülllinie
9. Überlauf-Abfluss
10. Wassertank
11. Skala der Anlagekante
12. Tisch
13. Kabelhalter
14. Heben Sie die Griffe an
15. Trennscheiben-Schutzvorrichtung
16. Schrägtisch
17. Fliesenschneider-Gehäuse
18. Sechskantschlüssel
19. Wellen-Schraubenschlüssel
20. Schrauben
21. Trennscheibenklammer
22. Sechskantmutter
23. Sechskantschraube
24. Tischbein "A"
25. Tischbein "B"
26. Bein Tisch Schraube(n)
27. Bein Tisch Mutter(n)
28. Bein Tisch Klammer(n)
29. Stützwinkel "A"
30. Stützwinkel "B"
31. Laschen
32. Zugentlastung
33. Leiste
34. Knopf der Anlagekante
35. Bein "A"
36. Bein "B"
37. Skala der Gehrungsschiene
38. Knopf der Gehrungsschiene
39. Schrägtischfuß
40. 22.5° Neigungskerbe
41. 45° Neigungskerbe
42. Welle
43. Innerer Flansch
44. Äußerer Flansch
45. Wellenmutter

ALLGEMEINE SICHERHEITSVORSCHRIFTEN

⚠️ WARNUNG

Bei der Verwendung elektrischer Werkzeuge sollten immer einige grundlegende Sicherheitsvorkehrungen getroffen werden, um die Gefahr von Feuer, Stromschlag und Verletzungen zu verringern.

Lesen Sie vor der Benutzung des Produkts die Anleitung vollständig durch und bewahren Sie die Anleitung auf.

- **Machen Sie sich mit dem Werkzeug vertraut.** Lesen Sie die Bedienungsanleitung sorgfältig durch. Machen Sie sich mit den Funktionen und Einschränkungen, sowie den besonderen potenziellen Gefahren in Verbindung mit diesem Werkzeug, vertraut.
- **Schützen Sie sich gegen Stromschläge, indem Sie Körperkontakt mit geerdeten Oberflächen vermeiden.** Zum Beispiel: Rohre, Heizkörper, Öfen, Kühlschrankschrankumfassungen.
- **Belassen Sie Schutzvorrichtungen an Ort und Stelle und halten Sie sie in einem funktionstüchtigen Zustand.**
- **Entfernen Sie Einstellhilfen und Schraubenschlüssel.** Machen Sie es sich zur Gewohnheit, vor Einschalten des Geräts zu prüfen, ob alle Einstellhilfen und Schraubenschlüssel etc. vom Gerät entfernt wurden.
- **Halten Sie den Arbeitsbereich sauber.** Unordentliche Arbeitsbereiche und Werkbänke bergen Unfallrisiken. Lassen Sie keine anderen Werkzeuge oder Holzstücke auf dem Fliesenschneider liegen, während dieser sich in Betrieb befindet.
- **Nicht an gefährlichen Orten verwenden!** Arbeiten Sie mit Elektrowerkzeugen nicht an feuchten oder nassen Orten und setzen Sie sie nicht Regen aus. Sorgen Sie dafür, dass der Arbeitsbereich gut beleuchtet ist. Verwenden Sie das Werkzeug nicht bei Vorhandensein entzündlicher Flüssigkeiten oder Gase!
- **Kinder und Tiere fern halten.** Alle beistehenden Personen sollten Schutzbrillen tragen und sicheren Abstand zum Arbeitsbereich halten. Lassen Sie Besucher das Werkzeug und das Verlängerungskabel nicht berühren, während es sich im Betrieb befindet.
- **Betätigen Sie das Werkzeug nicht mit Gewalt.** Es wird die Arbeit mit der Geschwindigkeit für die es ausgelegt wurde besser und sicherer erledigen.
- **Benutzen Sie das richtige Werkzeug.** Überlasten Sie das Werkzeug oder Anbauteile nicht. Benutzen Sie es nicht für Aufgaben, für die es nicht geeignet ist.





Deutsch

- **Verwenden Sie ein passendes Verlängerungskabel.** Stellen Sie sicher, dass das Verlängerungskabel in gutem Zustand ist. Verwenden Sie nur ein Kabel, das für den Strom, den Ihr Produkt zieht, stark genug ist. Ein unterdimensioniertes Kabel führt zu einem Spannungsabfall, der Überhitzung und Leistungsverlust verursacht.
- **Kleiden Sie sich den Umständen entsprechend!** Tragen Sie keine lockere Kleidung, Handschuhe, Krawatten oder Schmuck! Diese könnten sich verfangen und Sie in die beweglichen Teile ziehen. Für Außenarbeiten empfehlen wir Gummihandschuhe und rutschfestes Schuhwerk (Stiefel mit Gummisohle). Tragen Sie außerdem eine schützende Haarbedeckung zum Zurückhalten langer Haare.
- **Tragen Sie immer eine Sicherheitsbrille mit Seitenschutz.** Gewöhnliche Brillen haben nur schlagfeste Gläser; sie sind KEINE Sicherheitsbrillen.
- **Sichern Sie das Werkstück.** Verwenden Sie Klammern oder eine Klemme, um das Werkstück zu halten, sofern dies praktikabel ist; das ist sicherer, als die Verwendung Ihrer Hände und Sie haben dadurch beide Hände zur Bedienung des Werkzeugs frei.
- **Nicht überstrecken.** Sorgen Sie jederzeit für einen festen Stand und ein gutes Gleichgewicht.
- **Pflegen Sie Werkzeuge.** Halten Sie Werkzeuge für eine bessere und sichere Leistung scharf und sauber. Befolgen Sie die Anweisungen zum Ölen und dem Austausch von Zubehörteilen. Überprüfen Sie Werkzeugkabel regelmäßig und lassen Sie sie bei Beschädigung durch einen autorisierten Kundendienst reparieren. Überprüfen Sie Verlängerungskabel regelmäßig und tauschen Sie sie bei Beschädigung aus. Halten Sie die Griffe trocken, sauber und frei von Öl und Schmierstoffen.
- **Trennen Sie die Werkzeuge von der Stromquelle.** Alle Werkzeuge sollten bei längerem Nichtgebrauch, vor einer Wartung, oder beim Wechsel von Zubehörteilen, Klingen, Bits, Schneidvorrichtungen usw. vom Stromnetz getrennt werden. Ziehen Sie den Stecker aus der Steckdose bevor Sie Einstellungen vornehmen oder Wartungsarbeiten durchführen.
- **Verhindern Sie ein unbeabsichtigtes Einschalten!** Achten Sie darauf, dass Geräte ausgeschaltet sind, wenn Sie sie einstecken.
- **Verwenden Sie empfohlenes Zubehör.** Lesen Sie die Bedienungsanleitung für Informationen über empfohlenes Zubehör. Die Benutzung von ungeeignetem Zubehör kann zu Verletzungsgefahr führen.
- **Stellen Sie sich niemals auf das Werkzeug.** Bei einem Kippen des Werkzeugs oder bei unbeabsichtigtem Kontakt mit dem Werkzeug können schwere Verletzungen verursacht werden.
- **Überprüfen Sie beschädigte Teile.** Vor dem weiteren Einsatz des Werkzeugs muss eine beschädigte Schutzvorrichtung oder ein anderes beschädigtes Teil sorgfältig überprüft werden um festzustellen ob es seine Funktion erfüllt. Kontrollieren Sie, ob sich bewegende Teile Spiel haben oder Klemmen, Teile oder Halterungen gebrochen sind oder ein anderer Zustand den Betrieb beeinträchtigen könnte. Eine beschädigte Schutzvorrichtung oder ein anderes beschädigtes Teil muss von einer autorisierten Service Werkstatt ordnungsgemäß repariert oder ersetzt werden, um die Gefahr von Körperverletzungen zu vermeiden.
- **Arbeiten Sie in der richtige Zuführrichtung.** Führen Sie ein Werkstück auf die Trennscheibe bzw. Schnittvorrichtung zu und ausschließlich entgegen der Drehrichtung der Trennscheibe bzw. Schnittvorrichtung.
- **Lassen Sie das Werkzeug während es sich in Betrieb befindet niemals unbeaufsichtigt. Schalten Sie den Strom aus.** Lassen Sie das Werkzeug nicht zurück bevor es nicht vollständig zum Stillstand gekommen ist.
- **Schützen Sie Ihre Lungen!** Tragen Sie eine Gesichts- oder Staubmaske falls das Schneiden eine Staubenentwicklung verursachen sollte.
- **Schützen Sie Ihr Gehör!** Tragen Sie während längerer Anwendungszeiträume Gehörschutz.
- **Das Stromkabel nicht überstrapazieren.** Ziehen Sie niemals am Kabel, um dieses aus der Steckdose zu ziehen. Halten Sie das Kabel von Hitze, Öl und scharfen Kanten fern.
- **Belassen Sie die Schutzvorrichtung jederzeit an ihrem Platz und halten Sie sie funktionstüchtig.**
- **Hände vom Schnittbereich fern halten.** Halten Sie die Hände von der Trennscheibe fern! Fassen Sie nicht unter das Werkstück oder um das Werkstück herum oder über die Trennscheibe während die Trennscheibe sich dreht. Versuchen Sie nicht, geschnittenes Material zu entfernen, während die Scheibe noch läuft.
- **Die Trennscheibe läuft nach dem Ausschalten weiter.**
- **Arbeiten Sie niemals in einer explosiven Atmosphäre.** Der normale Zündfunke des Motors könnte Gase entzünden.
- **Überprüfen Sie Werkzeugkabel regelmäßig.** Falls beschädigt, lassen Sie es durch einen qualifizierten Techniker bei einem autorisierten Kundendienst reparieren.
- **Überprüfen Sie Verlängerungskabel regelmäßig**





Deutsch

und tauschen Sie sie bei Beschädigung aus.

- **Erden Sie alle Werkzeuge.** Falls das Werkzeug mit einem Stecker mit drei Stiften versehen ist, muss er in eine entsprechende Steckdose mit drei Öffnungen gesteckt werden.
- **Wenden Sie sich an einen qualifizierten Elektriker oder den Kundendienst, falls Sie die Anweisungen zur Erdung nicht vollkommen verstanden haben, oder falls Sie im Zweifel sind, ob das Produkt ordnungsgemäß geerdet ist, oder nicht.**
- **Verwenden Sie nur die vorgesehenen Elektrogeräte:** Dreiadrige Verlängerungskabel mit Schutzsteckern mit drei Stiften und dreipolige Steckdosen, die den Stecker des Werkzeugs aufnehmen.
- **Nehmen Sie am mitgelieferten Stecker keine Veränderungen vor!** Falls der Stecker nicht zu der Steckdose passt, lassen Sie durch einen qualifizierten Elektriker eine ordnungsgemäße Steckdose installieren.
- **Halten Sie das Werkzeug trocken, sauber und frei von Öl und Fett.** Benutzen Sie zum Reinigen immer einen sauberen Lappen. Verwenden Sie nie Bremsflüssigkeit, Benzin, Produkte auf Erdölbasis oder Lösungsmittel um das Werkzeug zu reinigen.
- **Blieben Sie aufmerksam und behalten Sie die Kontrolle.** Achten Sie auf das, was sie tun, und setzen Sie Ihren gesunden Menschenverstand ein. Arbeiten Sie mit dem Gerät nicht, wenn Sie müde sind. Hetzen Sie sich nicht.
- **Verwenden Sie das Gerät nicht, falls der Schalter es nicht ein- und ausschaltet.** Lassen Sie schadhafte Schalter durch eine autorisierte Service Werkstatt austauschen.
- **Verwenden Sie nur die vorgesehenen Trennscheiben.** Verwenden Sie keine Trennscheiben, die nicht über die richtige Lochgröße verfügen. Verwenden Sie niemals defekte oder falsche Unterlegscheiben oder Wellenmutter. Die maximale Trennscheibengröße Ihres Fliesenschneiders beträgt 178 mm. Alle verwendeten Klingen müssen unter Einhaltung von EN13236 hergestellt sein. Verwenden Sie niemals eine Schnittklinge mit einer niedrigeren Geschwindigkeitskategorie, als das Werkzeug.
- **Vergewissern Sie sich, dass alle Vorrichtungen fest sitzen, bevor Sie mit dem Schnitt beginnen.**
- **Berühren Sie während des Betriebs niemals die Trennscheibe oder andere bewegliche Teile.**
- **Starten Sie niemals ein Werkzeug solange die rotierende Komponente in Kontakt mit dem Werkstück steht.**
- **Arbeiten Sie mit dem Gerät nicht, während Sie**

unter dem Einfluss von Drogen, Alkohol oder Medikamenten stehen.

- **Verwenden Sie für die Wartung nur Originalersatzteile.** Die Verwendung anderer Teile kann gefährlich sein oder eine Beschädigung des Produkts verursachen.
- **Verwenden Sie ausschließlich das in dieser Anleitung bzw. in Nachträgen aufgeführte Zubehör.** Die Verwendung von Zubehör, das nicht aufgeführt ist, kann zu Verletzungen führen. Anweisungen zum sicheren Umgang mit Zubehör liegt dem Zubehör bei.
- **Prüfen Sie alle Einstellungen genau nach.** Vergewissern Sie sich, dass die Trennscheibe fest sitzt und keinen Kontakt mit der Säge oder dem Werkstück hat bevor Sie das Werkzeug an die Stromversorgung anschließen.

**FLIESENSCHNEIDER
SICHERHEITSWARNUNGEN**

- Sichern Sie das Werkstück immer gut mit Hilfe der Anlegekante bzw. des Stellblocks.
- Stehen Sie niemals im Laufweg der Trennscheibe und halten Sie Körperteile aus diesem heraus.
- Versuchen Sie niemals eine verklemmte Trennscheibe zu lösen, ohne zunächst den Fliesenschneider auszuschalten und vom Stromnetz zu trennen.
- Falls das Stromkabel beschädigt sein sollte, darf es, um jegliche Risiken zu vermeiden, ausschließlich durch den Hersteller oder ein autorisiertes Kundendienstzentrum ausgetauscht werden.
- Vermeiden Sie schwer durchzuführende Arbeitsvorgänge und Handpositionen bei denen ein plötzliches Verrutschen dazu führen kann, dass Ihre Hand in das Schnittwerkzeug gerät.
- Vergewissern Sie sich, dass der Arbeitsbereich ausreichend ausgeleuchtet ist, so dass Sie das Werkstück gut sehen, und, dass die Betriebssicherheit auf keine Weise eingeschränkt wird, bevor Sie mit dem Fliesenschneider irgendwelche Arbeiten durchführen.
- Schalten Sie den Fliesenschneider immer erst aus, bevor Sie ihn vom Stromnetz trennen, um ein unbeabsichtigtes Einschalten beim erneuten Anschließen an das Stromnetz zu vermeiden.
- Dieses Werkzeug sollte über die folgenden Markierungen verfügen:
 - Augenschutz tragen.
 - Verwenden Sie die Trennscheiben-Schutzvorrichtung für alle Arbeiten, für die sie sich einsetzen lässt.
 - Trennen Sie den Fliesenschneider vor der Wartung, zum Wechseln der Trennscheiben und vor einer Reinigung vom Stromnetz.





Deutsch

- Verwenden Sie das Werkzeug ausschließlich mit Trennscheiben mit glatten Rändern, die keine Öffnungen, Furchen oder Zähne aufweisen.
- Tauschen Sie beschädigte Trennscheiben vor dem Betrieb aus.
- Füllen Sie die Wasserwanne nicht höher als die durch die Markierungslinie angezeigte Höhe.

■ **Bewahren sie diese anleitung auf.** Lesen Sie sie regelmäßig nach und verwenden Sie sie zur Einweisung anderer Anwender. Sollten Sie dieses Werkzeug jemandem leihen, geben Sie dieser Person auch diese Anleitung.

ELEKTRISCHE VERBINDUNG

Dieses Werkzeug wird durch einen präzise konstruierten Elektromotor betrieben. Es sollte an eine Stromversorgung mit 220-240 V Wechselstrom (normaler Haushaltsstrom) mit 50 Hz angeschlossen werden. Betreiben Sie dieses Produkt nicht mit Gleichstrom (DC). Ein größerer Spannungsabfall verursacht Leistungsverlust und der Motor überhitzt sich. Falls die Säge nicht funktioniert, nachdem sie an eine Steckdose angeschlossen wurde, überprüfen Sie die Stromversorgung.

GESCHWINDIGKEIT UND LEITUNGSFÜHRUNG

Die Leerlaufgeschwindigkeit dieses Werkzeugs beträgt ungefähr 2.900 U/min. Diese Geschwindigkeit ist nicht konstant und vermindert sich unter Belastung oder einer geringeren Stromspannung. Für die Stromspannung ist die Verdrahtung in einer Werkstatt ebenso wichtig, wie die angegebene Motorleistung. Ein Stromnetz, das nur für Beleuchtung ausgelegt ist, kann den Motor eines Elektrowerkzeugs nicht ausreichend versorgen. Ein Kabel, das für eine kurze Distanz ausreicht, ist möglicherweise für eine größere Distanz nicht geeignet. Ein Anschluss, der dazu geeignet ist, ein Elektrowerkzeug zu unterstützen, ist möglicherweise nicht dazu geeignet, zwei oder drei Werkzeuge zu unterstützen.

ANWEISUNGEN ZUR ERDUNG

Siehe Abbildung 1.

Dieses Produkt muss geerdet werden. Im Falle einer Funktionsstörung oder eines Defekts sorgt die Erdung für einen Weg des geringsten Widerstandes für die elektrische Spannung und verringert so das Risiko eines Stromschlags. Dieses Werkzeug verfügt über ein Stromkabel mit einem Schutzleiter und einem Schutzstecker. Der Stecker muss in eine entsprechende Steckdose, die ordnungsgemäß installiert und gemäß sämtlicher regionaler Vorschriften und Verordnungen geerdet ist, gesteckt werden.

Nehmen Sie am mitgelieferten Stecker keine Veränderungen vor! Falls der Stecker nicht zu der Steckdose passt, lassen Sie durch einen qualifizierten Elektriker eine ordnungsgemäße Steckdose installieren.

⚠️ WARNUNG

Der nicht ordnungsgemäße Anschluss des Schutzsteckers birgt die Gefahr eines Stromschlags! Falls das Kabel repariert oder ausgetauscht werden muss, verbinden Sie den Erdungsdraht nicht mit einem der beiden Anschlusspunkte. Der Draht mit der grünfarbigen Isolierung (mit oder ohne gelbe Streifen) ist der Erdungsdraht.

Wenden Sie sich an einen qualifizierten Elektriker oder den Kundendienst, falls Sie die Anweisungen zur Erdung nicht vollkommen verstanden haben, oder falls Sie im Zweifel sind, ob das Produkt ordnungsgemäß geerdet ist, oder nicht.

Reparieren oder ersetzen Sie beschädigte oder verschlissene Kabel unverzüglich.

Falls das Stromkabel beschädigt sein sollte, darf es, um jegliche Risiken zu vermeiden, ausschließlich durch den Hersteller oder ein autorisiertes Kundendienstzentrum ausgetauscht werden.

Schließen Sie das Produkt nur an einen Stromkreis an, der über dieselbe Konfiguration verfügt, wie der Stecker. Verwenden Sie dieses Produkt nicht mit einem Adapter.

Für eine höhere Sicherheit und Zuverlässigkeit müssen alle Reparaturen von einem autorisierten Ryobikundendienst durchgeführt werden.

Die Stromkreise bzw. Steckdosen, die für den Fliesenschneider verwendet werden, müssen über Fehlerstromschutzeinrichtungen verfügen. Es gibt Steckdosen mit eingebauter Fehlerstromschutzschaltung, die für diese Sicherheitsmaßnahme verwendet werden können.

Falls der Fliesenschneider zusammen mit einem Verlängerungskabel verwendet wird, vergewissern Sie sich, dass die Verbindung von Werkzeugkabel und Verlängerungskabel nicht auf dem Boden liegt. Zusatzgeräte sollten immer an eine Wandsteckdose angeschlossen werden und nicht an einen Anschluss an dem Verlängerungskabel an dem auch das Werkzeug angeschlossen ist.

Falls kein geschützter Ausgang vorhanden sein sollte, verwenden Sie den Fliesenschneider nicht, bis der Ausgang ausgetauscht werden kann oder zusätzlicher Schutz zur Verfügung steht. Diese zusätzlichen Schutzvorrichtungen erhalten Sie bei Ihrem örtlichen Händler.

POSITION DES FLIESENSCHNEIDERS

Siehe Abbildung 2.

Um zu verhindern, dass der Werkzeugstecker oder die Steckdose nass werden, positionieren Sie den Fliesenschneider an einem an einer Wand angebrachten



Deutsch

Ausguss, so dass vermieden wird, dass Wasser auf die Steckdose oder den Stecker tropft. Der Benutzer sollte für eine "Tropfen-Schlaufe" in dem Kabel, das den Fliesenschneider mit der Steckdose verbindet, sorgen. Die "Tropfen-Schlaufe" ist der Teil des Kabels, der sich unterhalb der Steckdose bzw. der Verbindung mit dem Verlängerungskabel befindet und verhindert, dass Wasser am Kabel entlangläuft und in Kontakt mit der Steckdose gerät.

Trennen Sie das Kabel NICHT vom Stromkreis, falls der Stecker oder die Steckdose nass sein sollten. Trennen Sie die Sicherung oder den Leistungsschalter, die das Werkzeug mit Strom versorgen und stecken Sie es dann aus; dann können Sie es auf Wasser im Auslass untersuchen.

⚠️ WARNUNG

Um einen elektrischen Schlag zu vermeiden, halten Sie all Verbindungen trocken und vom Boden entfernt. Berühren Sie den Stecker nicht mit nassen Händen.

TECHNISCHE DATEN

Produkt-Spezifikationen

Elektrische Spannung 220 - 240 V

Leistung 500 W

Leerlaufdrehzahl 2,900 rpm

Gewicht 15,5 kg (N.W.)

Produktmerkmale

Tischgröße 381 mm x 502 mm

Tishhöhe vom Schrank zum Tisch 181 mm

Material-Spezifikationen

Tischmaterial Edelstahl

Standmaterial Stahlrohr

Schnittwerkzeuge/Kapazität

Trennscheibendurchmesser 178 mm

Trennscheibe Typ Diamant

Innendurchmesser der Trennscheibe 25,4 mm

Maximale Schnitttiefe 33 mm

Gemäß EN 61029 gemessene Werte	
A-bewerteter Schalldruckpegel	$L_{pA} = 61,0 \text{ dB(A)}$
Unsicherheit K	3 dB(A)
Gemäß EN 61029 gemessene Werte	
A-bewerteter Schalleistungspegel	$L_{WA} = 77,0 \text{ dB(A)}$
Unsicherheit K	3 dB(A)

MACHEN SIE SICH MIT DEM FLIESENSCHNEIDER VERTRAUT

178 mm Fliesentrennscheibe

- Eine 178 mm Trennscheibe für Fliesen wird mit Ihrer Säge mitgeliefert.

Schrägtisch

- Schrägschnitte mit 22,5° und 45° können mit dem Schrägtisch durchgeführt werden.

Griffe

- Der Fliesenschneider verfügt an der linken und rechten Seite über komfortable Griffe zum Heben und Tragen.

Gehrungsschiene

- Die Gehrungsschiene lässt sich auf diagonale Schnitte und Gehrungsschnitte flexibel einstellen.

Motor

- Diese Maschine verfügt über einen starken Motor mit ausreichend Kraft, um auch schwierige Schnitte durchzuführen.

Anlagekante

- Die Anlagekante lässt sich flexibel für Querschnitte und die Benutzung der Gehrungsschiene einstellen.

Fliesenschneider-Tisch

- Dieser Fliesenschneider wird mit einem Tisch für höhere Mobilität und Komfort geliefert.

Trennscheiben-Schutzvorrichtung

- Die Schutzvorrichtung der Trennscheibe bietet Spritzschutz

ZUSAMMENBAU

ANBRINGEN DER TRENNSCHEIBEN-SCHUTZVORRICHTUNG

Siehe Abbildung 5-6.

1. Entfernen Sie den Schrägtisch.
2. Bringen Sie die L-förmige Trennscheiben-Schutzvorrichtung an der Leiste unterhalb des Tisches hinter der Trennscheibe an.
3. Montieren Sie die Schrauben an dem Tisch und durch die Trennscheiben-Schutzvorrichtung, und ziehen Sie sie fest.



Deutsch

BITTE BEACHTEN: Achten Sie darauf, dass die Trennscheiben-Schutzvorrichtung auf die Trennscheibe ausgerichtet ist, so dass sie nicht in den Weg von zu schneidendem Material gerät.

4. Richten Sie die Trennscheiben-Schutzvorrichtung auf die Scheibe aus und schieben Sie sie über die Klammer. Richten Sie die Öffnungen in der Trennscheiben-Schutzvorrichtung auf den Schlitz in der Klammer für die Trennscheiben-Schutzvorrichtung aus.

BITTE BEACHTEN: Stellen Sie die Scheiben-Schutzvorrichtung immer waagrecht zum Tisch ein und etwas höher, als die Fliesendicke. Die Trennscheiben-Schutzvorrichtung darf die Fliese nicht berühren.

5. Installieren Sie die Sechskantschraube durch Trennscheiben-Schutzvorrichtung und Klammer.
6. Drehen Sie den Knopf auf die Schraube und ziehen Sie ihn in der gewünschten Höhe fest.
7. Tauschen Sie den Schrägtisch aus.

BITTE BEACHTEN: Die Trennscheiben-Schutzvorrichtung wird werksseitig vormontiert. Für Einstellungen und Wartung nicht auseinanderbauen.

ANBRINGEN DER BRUCHKANTE

Siehe Abbildung 7.

1. Drehen Sie den Knopf an der Anlegekante zum Lösen gegen den Uhrzeigersinn.
2. Schieben Sie die Anlagekante auf die Seite des Tisches.
3. Verwenden Sie die Skala der Anlegekante an der Vorder- und Hinterseite des Tisches, um die Anlegekante auf die gewünschte Schnittbreite einzustellen.
4. Drehen Sie den Knopf der Anlegekante zum Festziehen im Uhrzeigersinn.

ANBRINGEN DER GEHRUNGSSCHIENE

Siehe Abbildung 7.

1. Stellen Sie die Bruchkante auf die gewünschte Position ein und sichern Sie sie.
2. Schieben Sie die Gehrungsschiene von vorne auf die Anlagekante.
3. Stellen Sie mit Hilfe der Winkelskala den gewünschten Winkel ein und ziehen Sie den Knopf fest.

MONTAGE DES TISCHES

Siehe Abbildung 8-9.

Die Stützwinkel und Tischbeine haben zum einfacheren Zusammenbau die entsprechenden Buchstaben.

Benötigtes Werkzeug: Einstellbarer Schraubenschlüssel oder 13 mm Schraubenschlüssel und Kreuzschlitzschraubenzieher.

1. Führen Sie die Tischbeine mit der Aufschrift "A" in

die Endröhren der Tischklammern mit der Aufschrift "A". Die abgewinkelten Enden der Tischbeine sollten voneinander fort gerichtet sein, so dass sie ein "V" bilden. Richten Sie die Öffnungen für die Hardware aus. Wiederholen Sie dies mit den zweiten Stützwinkeln und den als "B" markierten Beinen.

2. Führen Sie die Beine in die Klammern. Bein "B" ruht auf der äußeren Seite. Bein "A" ruht auf der äußeren Seite. Richten Sie die Öffnungen in den Klammern und Beinen aufeinander aus. Installieren Sie die Hardware durch die Löcher.
3. Ziehen Sie die Hardware mit einem Schraubenschlüssel fest.
4. Setzen Sie den Tisch auf einen ebenen Untergrund und richten Sie die Kerben unter dem Fliesenschneider auf die Klammern des Tisches aus. Setzen Sie den Tisch auf die Auflage.
5. Achten Sie darauf, dass der Fliesenschneider gerade und auf einem festen Untergrund steht.

ANBRINGEN DES ÜBERLAUFABLAUFS

Siehe Abbildung 10.

1. Entfernen Sie den Schrägtisch.
2. Finden Sie die Öffnung am Boden des Wassertanks.
3. Drücken Sie den Überlauf-Ausfluss fest in das Loch.
4. Tauschen Sie den Schrägtisch aus.

MONTAGE DER LASCHEN

1. Drehen Sie das Gehäuse des Fliesenschneiders um.
2. Richten Sie die Schraubenlöcher der Laschen auf die Schraubenlöcher an der Unterseite des Fliesenschneidergehäuses aus.
3. Führen Sie die Schrauben ein und ziehen Sie sie fest.

BEFÜLLEN DES WSSERTANKS

Siehe Abbildung 11.

1. Entfernen Sie den Schrägtisch.
2. Befüllen Sie den Wassertank bis zur Markierungslinie mit sauberem Leitungswasser.

BITTE BEACHTEN: Der Überlauf-Abfluss verhindert ein Überlaufen.

3. Tauschen Sie den Schrägtisch aus.

WECHSELN DES TANKWASSERS

1. Stecken Sie den Fliesenschneider aus.
2. Entfernen Sie den Überlauf-Abfluss und entleeren Sie das Wasser in einen Eimer. Lassen Sie das Wasser nicht auf den Boden oder um die Maschine herum spritzen.
3. Entsorgen Sie Abwasser gemäß den örtlichen Bestimmungen.





Deutsch

BETRIEB

⚠️ WARNUNG

Blieben Sie, auch nachdem Sie sich mit Ihrem Gerät vertraut gemacht haben, stets wachsam. Denken Sie daran, dass eine sekundenlange Unkonzentriertheit genügen kann, um eine schwere Verletzung zu verursachen.

⚠️ WARNUNG

Tragen Sie stets eine Sicherheits- oder Schutzbrille mit Seitenschutz, wenn Sie mit Geräten arbeiten. Die Missachtung dieser Anweisung kann dazu führen, dass Fremdkörper in Ihre Augen spritzen und schwere Augenverletzungen verursachen.

⚠️ WARNUNG

Verwenden Sie nur vom Hersteller empfohlene Komponenten oder Zubehörteile für dieses Gerät. Die Verwendung von nicht empfohlenen Komponenten oder Zubehörteilen kann schwere Verletzungsrisiken auslösen.

TESTEN SIE VOR DEM EINSATZ DEN FEHLERSTROM-SCHALTER

1. Stecken Sie den Fehlerstromschutzschalter in die Steckdose.
2. Drücken Sie die Reset-Taste. Die Betriebsanzeige sollte aufleuchten.
3. Drücken Sie die Test-Taste. Die Betriebsanzeige sollte ausgehen.
WARNUNG: Benutzen Sie das Werkzeug nicht, wenn der Fehlerstromschutzschalter den Test nicht besteht. Konsultieren Sie einen qualifizierten Elektriker.
4. Drücken Sie die Reset-Taste um den Fehlerstromschutzschalter zu aktivieren.

ANWENDUNGSBEREICHE

Sie können dieses Werkzeug für die unten aufgeführten Zwecke verwenden:

- Gradlinige Schnitte wie Querschnitte, Gehrschnitte, Längsschnitte und Schrägschnitte

BITTE BEACHTEN: Der Fliesenschneider wurde zum Schneiden von künstlich hergestellten Fliesen, Fußbodenplatten, Natursteinprodukten und Fliesenmaterialien aus Naturstein entwickelt.

Ein/Aus Schalter

Der Fliesenschneider verfügt über einen leicht zugänglichen EIN/AUS Schalter an der Schiene an der Vorderseite.

Ausschalten der Säge:
Drücken Sie zum AUSschalten den roten Knopf (O).

Einschalten der Säge:
Drücken Sie zum EINSchalten den grünen Knopf (I).

Sperren Ihrer Säge:
Ziehen Sie bei AUSgeschaltetem Fliesenschneider den Stecker aus der Steckdose.

⚠️ WARNUNG

Achten Sie **IMMER** darauf, dass Ihr Werkstück keinen Kontakt mit der Trennscheibe hat bevor Sie den Schalter zum Einschalten des Werkzeugs betätigen. Die Nichtbeachtung dieser Warnung kann verursachen, dass das Werkstück zurück auf den Benutzer geschleudert wird, was zu schweren Verletzungen führen kann.

⚠️ WARNUNG

Um das Risiko eines unbeabsichtigten Startens zu verringern, vergewissern Sie sich immer, dass der Schalter sich in der AUS Position befindet, bevor Sie das Gerät an die Stromquelle anschließen. Schalten Sie den Schalter im Fall eines Stromausfalls, oder wenn das Werkzeug nicht benutzt wird, AUS und ziehen Sie den Stecker aus der Stromquelle. Dies verhindert, dass das Werkzeug versehentlich startet, wenn der Strom zurückkehrt.

VERWENDUNG DER ANLEGEKANTE UND DER GEHRUNGSSCHIENE

Siehe Abbildung 13.

Die Anlegekante kann links und rechts von der Trennscheibe verwendet werden.

1. Drehen Sie den Knopf an der Anlegekante zum Lösen gegen den Uhrzeigersinn.
2. Stellen Sie die Anlegekante mit Hilfe der Anlegekantenskala, die sich an der Vorder- und Rückseite des Tisches befindet, auf die gewünschte Position ein, um die gewünschte Schnittbreite zu bestimmen.
3. Drehen Sie den Knopf zum Festziehen im Uhrzeigersinn.

EINSTELLEN DER WINKEL

Stellen Sie die Bruchkante auf die gewünschte Position ein und sichern Sie sie.

1. Schieben Sie die Gehrungsschiene von vorne auf die Anlegekante.
2. Stellen Sie mit Hilfe der Winkelskala den gewünschten Winkel ein und ziehen Sie den Knopf fest.





Deutsch

SCHNEIDEN

Zeichnen Sie den Schnitt immer erst mit einem Markier- oder Fettstift vor. Falls die Fliese glänzend und nur schwer zu markieren ist, kleben Sie Abklebeband auf die Fliese und markieren Sie dann das Klebeband.

Ein häufiges Problem beim Schneiden ist das Abweichen von der markierten Linie. Wenn Sie von der Markierung abweichen, können Sie die Trennscheibe nicht wieder in die gewünschte Richtung führen, indem Sie die Fliese drehen. Ziehen Sie stattdessen das Werkzeug zurück und schneiden Sie die Fliese erneut, indem Sie ein kleines Stück der Fliese abschneiden bis die Trennscheibe wieder auf der Linie liegt.

Um dieses Problem zu vermeiden, verwenden Sie wann immer möglich für Querschnitte die Anlegekante, für Gehrungsschnitte die Gehrungsschiene und die verstellbare rechte Seite des Tisches für Schrägschnitte.

für einen Querschnitt

Siehe Abbildung 14.

Querschnitte sind gerade 90° Schnitte. Das Material wird in einem 90° Winkel an die Trennscheibe geführt, wobei die Trennscheibe senkrecht steht.

1. Markieren Sie mit einem Filzstift oder einem Fettstift den Bereich auf dem Material, der geschnitten werden soll.
2. Stellen Sie die Bruchkante auf die gewünschte Position ein und sichern Sie sie.
3. Legen Sie das Material auf den Tisch und drücken Sie es fest gegen die Bruchkante.
4. Vergewissern Sie sich bevor Sie den Fliesenschneider einschalten, dass das Material die Trennscheibe nicht berührt.
5. Schalten Sie den Strom ein.
6. Lassen Sie die Trennscheibe zunächst mit voller Geschwindigkeit laufen und warten Sie bis die Trennscheibe feucht ist, bevor Sie das Material auf die Scheibe zu führen.
7. Halten Sie das Material fest gegen Anlagekante und führen Sie es auf die Trennscheibe zu.
8. Schalten Sie den Fliesenschneider nachdem der Schnitt ausgeführt wurde AUS. Warten Sie bis die Trennscheibe komplett angehalten hat, bevor Sie Material entfernen.

Für einen 45° Diagonalschnitt

Siehe Abbildung 15.

45° Diagonalschnitte werden auch "Langpunkt zu Langpunkt Schnitte" genannt.

1. Markieren Sie mit einem Filzstift oder einem Fettstift den Bereich auf dem Material, der geschnitten werden soll.
2. Stellen Sie die Anlagekante auf die gewünschte Breite

- ein und ziehen Sie den Knopf fest, um sie zu sichern.
3. Schieben Sie die Gehrungsschiene von vorne auf die Anlagekante.
4. Stellen Sie die Gehrungsschiene mit Hilfe der Skala auf 45° ein und ziehen Sie den Knopf fest.
5. Vergewissern Sie sich bevor Sie den Fliesenschneider einschalten, dass das Material die Trennscheibe nicht berührt.
6. Schalten Sie den Strom ein.
7. Lassen Sie die Trennscheibe zunächst mit voller Geschwindigkeit laufen und warten Sie bis die Trennscheibe feucht ist, bevor Sie das Material auf die Scheibe zu führen.
8. Halten Sie das Material fest gegen die Gehrungsschiene und führen Sie sie an der Anlagekante entlang. Führen Sie das Material auf die Trennscheibe zu.
9. Schalten Sie den Fliesenschneider nachdem der Schnitt ausgeführt wurde AUS. Warten Sie bis die Trennscheibe komplett angehalten hat, bevor Sie Material entfernen.

für einen Gehrungsschnitt

Siehe Abbildung 16.

Gehrungsschnitte werden zum Schneiden von äußeren und inneren Ecken an Material, Zier- und Bodenleisten verwendet, wobei der Winkel der Trennscheibe zum Material einen anderen Wert als 90° hat. Gehrungsschnitte haben die Tendenz beim Schneiden zu "wandern". Dies kann dadurch kontrolliert werden, dass das Werkstück fest gegen die Gehrungsschiene gehalten wird.

1. Markieren Sie mit einem Filzstift oder einem Fettstift den Bereich auf dem Material, der geschnitten werden soll.
2. Stellen Sie die Anlagekante auf die gewünschte Breite ein und ziehen Sie den Knopf fest, um sie zu sichern.
3. Schieben Sie die Gehrungsschiene von vorne auf die Anlagekante.
4. Stellen Sie die Gehrungsschiene mit Hilfe der Winkelskala auf den gewünschten Winkel ein und ziehen Sie den Knopf fest.
5. Vergewissern Sie sich bevor Sie den Fliesenschneider einschalten, dass das Material die Trennscheibe nicht berührt.
6. Schalten Sie den Strom ein.
7. Lassen Sie die Trennscheibe zunächst mit voller Geschwindigkeit laufen und warten Sie bis die Trennscheibe feucht ist, bevor Sie das Material auf die Scheibe zu führen.
8. Halten Sie das Material fest gegen die Gehrungsschiene und führen Sie sie an der Anlagekante entlang. Führen Sie das Material auf die Trennscheibe zu.
9. Schalten Sie den Fliesenschneider nachdem der Schnitt ausgeführt wurde AUS. Warten Sie bis die Trennscheibe komplett angehalten hat, bevor Sie Material entfernen.





Deutsch

Für einen L-Schnitt

Siehe Abbildung 17.

L-Schnitte sind Schnitte, die ein Stück einer Fliese entfernen, so dass diese in eine Ecke, um einen Schrank, oder an eine Leiste passt, und erfolgen durch zwei einzelne Schritte.

BITTE BEACHTEN: Überschneiden Sie nur am Fuß bzw. der Unterseite des zu schneidenden Materials.

1. Schneiden Sie das Material gemäß den Anweisungen für Querschnitte auf die gewünschte Breite.
2. Stellen Sie die Bruchkante auf die gewünschte Position ein und sichern Sie sie.
3. Legen Sie das Material auf den Tisch und drücken Sie es fest gegen die Bruchkante.
4. Vergewissern Sie sich bevor Sie den Fliesenschneider einschalten, dass das Material die Trennscheibe nicht berührt.
5. Schalten Sie den Strom ein.
6. Lassen Sie die Trennscheibe zunächst mit voller Geschwindigkeit laufen und warten Sie bis die Trennscheibe feucht ist, bevor Sie das Material auf die Scheibe zu führen.
7. Halten Sie das Material fest gegen Anlagekante und führen Sie es auf die Trennscheibe zu.
8. Schneiden Sie tief genug in das Material ohne dabei zu überschneiden.
9. Schalten Sie den Strom aus.
10. Drehen Sie das Material um und führen Sie einen Schnitt entlang der Markierung durch. Überschneiden Sie dieses Mal die andere Linie, das geschnittene Stück sollte sich dann vom restlichen Material lösen.
11. Schalten Sie den Strom ein.
12. Lassen Sie die Trennscheibe zunächst mit voller Geschwindigkeit laufen und warten Sie bis die Trennscheibe feucht ist, bevor Sie das Material auf die Scheibe zu führen.
13. Schalten Sie den Fliesenschneider nachdem der Schnitt ausgeführt wurde AUS. Warten Sie bis die Trennscheibe komplett angehalten hat, bevor Sie Material entfernen.

für einen Schrägschnitt

Siehe Abbildung 18-19.

Schrägschnitte mit 22,5° und 45° können mit dem Schrägtisch durchgeführt werden.

1. Markieren Sie mit einem Filzstift oder einem Fettstift den Bereich auf dem Material, der geschnitten werden soll.
2. Kippen Sie den Schrägtisch an.
3. Ziehen Sie an der Unterseite des Schrägtischs die beiden Tischbeine, so dass diese im rechten Winkel von der Platte abstehen.
4. Verwenden Sie die ersten Kerben in den Beinen, um

die Platte in einem Winkel von 22,5° zu lagern.

5. Verwenden Sie die zweiten Kerben, um den Schrägtisch auf den höchsten Winkel, 45° einzustellen. **BITTE BEACHTEN:** Vergewissern Sie sich, dass der Schrägtisch gut gesichert ist, bevor Sie mit dem Schnitt beginnen.
- Klappen Sie die Beine aus legen Sie den Schrägtisch für einen 22,5° bzw. 45° Winkel flach hin.
6. Schalten Sie den Strom ein.
7. Lassen Sie die Trennscheibe zunächst mit voller Geschwindigkeit laufen und warten Sie bis die Trennscheibe feucht ist, bevor Sie das Material auf die Scheibe zu führen.
8. Halten Sie das Material fest gegen den Schrägtisch und führen Sie es auf die Trennscheibe zu.
9. Schalten Sie den Fliesenschneider nachdem der Schnitt ausgeführt wurde AUS. Warten Sie bis die Trennscheibe komplett angehalten hat, bevor Sie Material entfernen.

WARTUNG UND PFLEGE

⚠ WARNUNG

Verwenden Sie für die Wartung nur Originalersatzteile. Die Verwendung anderer Teile kann gefährlich sein oder eine Beschädigung des Produkts verursachen.

⚠ WARNUNG

Tragen Sie beim Arbeiten mit motorbetriebenen Werkzeugen oder beim Wegblasen von Staub immer eine Schutzbrille mit Seitenschutz. Tragen Sie außerdem bei staubigen Arbeiten eine Atemschutzmaske.

⚠ WARNUNG

Falls das Stromkabel beschädigt sein sollte, darf es, um jegliche Risiken zu vermeiden, ausschließlich durch den Hersteller oder ein autorisiertes Kundendienstzentrum ausgetauscht werden.

⚠ WARNUNG

Für eine höhere Sicherheit und Zuverlässigkeit müssen alle Reparaturen von einem autorisierten Ryobi-Kundendienst durchgeführt werden.

ALLGEMEINE WARTUNG UND PFLEGE

Vermeiden Sie beim Reinigen der Plastikteile den Einsatz von Lösungsmitteln. Die meisten Kunststoffe sind anfällig gegen die verschiedensten Arten von kommerziellen





Deutsch

Reinigungsmitteln und können durch deren Verwendung beschädigt werden. Verwenden Sie saubere Tücher um Verunreinigungen wie Staub, Öl, Schmierstoffe usw. zu entfernen.

⚠️ WARNUNG

Lassen Sie niemals Bremsflüssigkeiten, Benzin, Produkte auf Erdölbasis, Penetrieröle usw. mit den Plastikteilen in Kontakt geraten. Chemikalien können Plastik beschädigen, aufweichen oder zerstören, was zu schweren Verletzungen führen kann.

Ölen

Alle Lagerelemente in diesem Werkzeug sind mit genug qualitativ hochwertigem Schmiermittel für die gesamte Lebensdauer unter normalen Betriebsbedingungen geölt.

Fliesentrennscheibe

Für optimale Leistung und Sicherheit empfehlen wir die Verwendung der 178 mm Trennscheibe, die mit Ihrem Fliesenschneider mitgeliefert wurde. Weitere Trennscheiben in der gleichen Qualität erhalten Sie bei Ihrem Händler.

⚠️ WARNUNG

Verwenden Sie keine Trennscheiben, die für eine geringere Leerlaufdrehzahl, als die, die dieses Werkzeug aufweist, ausgelegt sind. Die Nichtbeachtung dieser Warnung kann zu Verletzungen führen. Verwenden Sie keine Trennscheiben mit Rissen, Lücken oder Zähnen!

WECHSELN DER TRENNSCHEIBE

Siehe Abbildung 20.

⚠️ WARNUNG

178 mm ist die maximale Trennscheibengröße des Fliesenschneiders. Verwenden Sie niemals eine Trennscheibe, deren Stärke so hoch ist, dass es nicht möglich ist, den Trennscheibenflansch auf der Gewindespitze der Spindel anzubringen. Größere Trennscheiben geraten in Kontakt mit der Trennscheiben-Schutzvorrichtung, während dickere Trennscheiben verhindern, dass die Scheibe ordnungsgemäß mit der Scheibenmutter auf der Spindel gesichert werden kann. Diese Situationen können zu schweren Unfällen mit schweren Verletzungen führen.

1. Stecken Sie die Säge aus.
2. Entfernen Sie den Schrägtisch.

3. Führen Sie den Sechskantschlüssel über die Wellenmutter der Trennscheibe. Schieben Sie mit der anderen Hand den Wellen-Schraubenschlüssel auf die Trennscheibenwelle.
4. Halten Sie den Wellen-Schraubenschlüssel gut fest, um zu verhindern, dass die Trennscheibe sich bewegt. Drehen Sie die Wellenmutter zum Lösen gegen den Uhrzeigersinn.
5. Entfernen Sie die Wellenmutter, den äußeren Trennscheibenflansch und die Trennscheibe.
6. Tragen Sie einen Tropfen Öl auf den inneren Trennscheibenflansch, dort wo dieser die Scheibe berührt, auf.

⚠️ WARNUNG

Falls der Scheibenflansch abgenommen worden sein sollte, setzen Sie ihn wieder auf, bevor Sie die Trennscheibe wieder auf die Spindel setzen. Nichtbeachtung kann einen Unfall verursachen, da die Trennscheibe nicht richtig befestigt wird! Verwenden Sie mit diesem Werkzeug niemals Trennscheiben, die Löcher, Spalten oder Zähne aufweisen.

7. Setzen Sie die Trennscheibe auf die Welle, so dass die Pfeile auf der Trennscheibe gegen den Uhrzeigersinn gerichtet sind.
8. Tauschen Sie den äußeren Trennscheibenflansch aus. Das Doppel-"D" an der Spitze des Trennscheibenflansches wird auf die Spitze der Spindel ausgerichtet.
9. Ziehen Sie mit einem Schraubenschlüssel und dem Wellen-Schraubenschlüssel die Wellenmutter fest.
10. Tauschen Sie den Schrägtisch aus.

UMWELTSCHUTZ



Recyceln Sie die Rohstoffe anstatt sie in die Haushaltsabfälle zu geben. Zum Schutz der Umwelt müssen das Gerät, die Zubehörteile und die Verpackungen getrennt entsorgt werden.

SYMBOL



Sicherheitswarnung



CE-Konformität



Deutsch



GOST-R-Konformität



Bitte lesen Sie die Anweisungen sorgfältig durch, bevor Sie das Produkt einschalten.



Tragen Sie immer Augenschutz!



Gehörschutz tragen



Tragen Sie Sicherheitshandschuhe



GEFAHR! Scharfes Sägeblatt



Achtung - Verletzungsgefahr!



Nicht Regen aussetzen, oder an feuchten Orten verwenden!



Nicht Regen aussetzen, oder an feuchten Orten verwenden!



Für die Maschinen müssen Endlosrand-Diamanttrennscheiben verwendet werden.



Drehrichtung des Messers



Diamanttrennscheibe



Trennscheibendurchmesser



Sägeblattspindeldurchmesser



Nettogewicht



Schnitttiefe (Max.)



Fräsbreite (Max.)



Diagonale Breite des Schnitts (Max.)



Wiederverwerten



Elektrische Geräte sollten nicht mit dem übrigen Müll entsorgt werden. Bitte entsorgen Sie diese an den entsprechenden Entsorgungsstellen. Wenden Sie sich an die örtliche Behörde oder Ihren Händler, um Auskunft über die Entsorgung zu erhalten.



Español

DESCRIPCIÓN

1. Conexión a tierra
2. Cable de alimentación
3. Lazo de goteo
4. Hoja de corte de azulejos
5. Interruptor de encendido/apagado
6. Guía de corte
7. Guía de inglete
8. Línea de llenado máximo
9. Drenaje de desbordamiento
10. Depósito de agua
11. Escala de la guía de corte
12. Soporte
13. Retenedor de cable
14. Empuñaduras
15. Protección de la cuchilla
16. Mesa para biselar
17. Cubierta de la sierra
18. Llave hexagonal
19. Llave del eje
20. Tornillos
21. Abrazadera de la protección de la hoja
22. Tuerca hexagonal
23. Perno hexagonal
24. Patas del soporte con la marca "A"
25. Patas del soporte con la marca "B"
26. Perno(s) del soporte de la pata
27. Tuerca(s) del soporte de la pata
28. Refuerzo(s) del soporte de la pata
29. Abrazadera del soporte, con marca "A"
30. Abrazadera del soporte, con marca "B"
31. Cierres
32. Protector
33. Reborde
34. Perilla de la guía de corte
35. Montaje de la pata, marca "A"
36. Montaje de la pata "B"
37. Escala de la guía de inglete
38. Perilla de la guía de inglete
39. Pata de la mesa para biselar
40. Muesca de bisel de 22.5°
41. Muesca de bisel de 45°
42. Mandril de sujeción
43. Reborde interior
44. Reborde externo
45. Tuerca del eje

INSTRUCCIONES GENERALES DE SEGURIDAD

ADVERTENCIA

Cuando use herramientas eléctricas, siempre deben seguirse las precauciones básicas de seguridad para reducir el riesgo de incendio, descarga eléctrica y lesiones personales.

Lea todas las instrucciones antes de utilizar el producto y guarde estas instrucciones.

- **Conozca su herramienta.** Lea atentamente el manual del propietario. Aprenda las aplicaciones y las limitaciones del producto, así como los posibles peligros específicos relacionados con él.
- **Protéjase contra descargas eléctricas evitando el contacto corporal con superficies conectadas a tierra.** Por ejemplo, tuberías, radiadores, estufas y refrigeradores.
- **Mantenga las protecciones en su lugar y en perfecto estado.**
- **Retire las llaves de ajuste.** Compruebe siempre que las llaves de ajuste no se encuentran en la herramienta antes de encenderla.
- **Mantenga el área de trabajo limpia.** Las áreas y los bancos de trabajo desordenados propician los accidentes. No deje herramientas o piezas de madera en la sierra mientras está en funcionamiento.
- **No utilice la herramienta en entornos peligrosos.** No utilice herramientas eléctricas en lugares húmedos o mojados ni las exponga a la lluvia. Mantenga limpia el área de trabajo. No utilice la herramienta en presencia de líquidos o gases inflamables.
- **Mantenga el aparato lejos de los niños o visitantes.** Cualquier persona que se encuentre en la zona de trabajo deberían utilizar gafas de seguridad y mantener una distancia de seguridad. No deje que personas ajenas toquen la herramienta o el cable de extensión mientras ésta esté en funcionamiento.
- **No fuerce la herramienta.** Realizará un trabajo mejor y más seguro a la velocidad de avance para la que ha sido diseñada.
- **Utilice la herramienta correcta.** No intente que la herramienta o los accesorios realicen un trabajo para el cual no estén diseñados. No lo utilice para tareas para las que no está diseñado.
- **Utilice el cable extensible adecuado.** Asegúrese de que el cable extensible esté en buenas condiciones. Utilice sólo un cable de calibre suficiente para soportar la corriente que utiliza su producto. Un cable no adecuado puede causar una caída en el voltaje de la línea, provocando calentamiento o pérdida de potencia.





Español

- **Vístase adecuadamente.** No utilice ropa holgada, guantes, corbatas o joyas. Pueden quedar atrapadas en las partes móviles. Se recomienda utilizar guantes de goma y calzado antideslizante (botas con suela de goma) cuando trabaje a la intemperie. Utilice también un gorro protector para sujetar el cabello largo.
- **Utilice siempre gafas de seguridad con protección lateral.** Las gafas habituales solamente tienen cristales resistentes contra impactos; NO son gafas de seguridad.
- **Fije la pieza de trabajo.** Utilice abrazaderas o un tornillo de banco para sujetar la pieza de trabajo cuando sea necesario; es más seguro que usar las manos ya que, de ese modo, quedan libres para manejar la herramienta.
- **No realice sobreesfuerzos.** Mantenga un equilibrio adecuado en todo momento.
- **Utilice las herramientas con cuidado.** Mantenga las herramientas afiladas y limpias para que realicen un trabajo mejor y más seguro. Siga las instrucciones de lubricación y cambio de accesorios. Inspeccione periódicamente los cables y si están dañados llévalos a un centro de servicio autorizado. Revise las prolongaciones periódicamente y sustitúyalas si están dañadas. Mantenga las asas secas, limpias y libres de aceite y grasa.
- **Desconecte las herramientas.** Cuando la herramienta no esté en uso, y antes de reparar o cambiar accesorios, hojas, brocas, cuchillas, etc., debería desconectarla de la corriente. Desenchufe la herramienta antes de realizar cualquier ajuste, reparación o tarea de mantenimiento.
- **Evite el arranque accidental.** Asegúrese que el interruptor está apagado al conectar la herramienta.
- **Utilice sólo los accesorios recomendados por el fabricante.** Consulte el manual del operador para conocer los accesorios recomendados. El uso de accesorios inadecuados puede provocar riesgo de daños.
- **Nunca se coloque sobre la herramienta.** Podrían producirse lesiones graves si la herramienta se inclina o si la herramienta de corte se toca de forma accidental.
- **Compruebe que no haya piezas dañadas.** Antes de utilizar la herramienta, la protección o cualquier pieza que esté dañada debería comprobarse cuidadosamente para determinar que funciona correctamente y que realiza sus funciones. Compruebe la alineación de las piezas móviles, el acoplamiento de piezas móviles, la rotura de piezas, el montaje y cualquier otro problema que pueda afectar a su funcionamiento. Una protección o piezas que estén dañadas deben ser debidamente reparadas o sustituidas por un centro de servicio autorizado para evitar lesiones personales.
- **Asegúrese de que la alimentación sigue la dirección correcta.** Introduzca la pieza de trabajo y empújela hacia la hoja o cuchilla contra la dirección de rotación de la cuchilla o cuchilla.
- **Nunca deje desatendida una herramienta en funcionamiento. Apague la sierra.** No abandone la herramienta hasta que se detenga totalmente.
- **Proteja sus pulmones.** Utilice una careta o mascarilla si se encuentra en una zona de corte con mucho polvo.
- **Proteja su audición.** Use protectores auditivos durante largos periodos de operación.
- **No haga un mal uso del cable.** Nunca tire del cable para desconectarlo del enchufe. Mantenga el cable alejado del calor, aceite y de los bordes afilados.
- **Mantenga siempre el protector de la hoja en su lugar y en buen estado.**
- **Mantenga las manos fuera de la zona de corte.** Mantenga las manos alejadas de la hoja. No se ponga debajo de la pieza de trabajo, o alrededor o sobre la hoja, mientras ésta esté girando. No intente retirar el material cortado cuando la hoja esté en movimiento.
- **La hoja puede continuar en movimientos después de apagar la herramienta.**
- **Nunca utilice esta herramienta en una atmósfera explosiva.** La chispa normal del motor podría prender fuego.
- **Inspeccione periódicamente los cables.** Si la herramienta está dañada, un técnico cualificado debería repararla en un centro de servicio autorizado.
- **Revise las prolongaciones periódicamente y sustitúyalas si están dañadas.**
- **Conecte a tierra todas las herramientas.** Si la herramienta está equipada con un enchufe de tres clavijas, debería enchufarla en un receptor eléctrico de tres orificios.
- **Compruebe con un electricista o personal de mantenimiento cualificado si no se entienden bien las instrucciones de la conexión a tierra o si duda si el producto está conectado correctamente a tierra.**
- **Use sólo los aparatos eléctricos adecuados:** cables de extensión de 3 alambres que tienen enchufes de conexión a tierra de 3 clavijas y receptáculos de 3 polos que aceptan el enchufe de la herramienta.
- **No modifique el enchufe proporcionado.** Si no encaja en la toma, haga que un electricista cualificado instale un enchufe adecuado.
- **Mantenga la herramienta seca, limpia y libre de aceite y grasa.** Utilice siempre un paño limpio





Español

para limpiarlo. No utilice líquido de frenos, gasolina, productos derivados del petróleo o disolventes para limpiar la herramienta.

- **Manténgase alerta y siempre controlando lo que está haciendo.** Fíjese siempre en lo que está haciendo y utilice el sentido común. No utilice la herramienta cuando esté cansado. No se apresure.
- **No utilice la herramienta si no funciona el interruptor de encendido y apagado.** Los enchufes defectuosos deben ser sustituidos por un centro de reparación autorizado.
- **Utilice únicamente la hoja correcta.** No use una hoja que tenga unos orificios de tamaño inadecuados. Nunca utilice arandelas o tuercas del eje que sean defectuosas o inadecuadas. La capacidad máxima de la hoja de la sierra es de 178 mm. Todas las cuchillas deben fabricarse para cumplir con la EN13236. No utilice nunca una cuchilla de corte con velocidad nominal inferior a la de la herramienta.
- **Antes de hacer un corte, asegúrese de que todos los ajustes están fijados.**
- **Nunca toque la superficie u otras partes móviles durante el uso de la herramienta.**
- **Nunca ponga en marcha la herramienta cuando algún componente giratorio esté en contacto con la pieza de trabajo.**
- **No haga funcionar la herramienta bajo los efectos de drogas, alcohol o cualquier medicación.**
- **Utilice solo piezas de recambio idénticas cuando esté realizando labores de mantenimiento de la máquina.** El uso de otras piezas puede ocasionar riesgos o daños en el producto.
- **Utilice sólo las piezas o accesorios recomendados que figuran en este manual.** El uso de accesorios que no figuran en esta lista puede causar un riesgo de lesiones personales. Las instrucciones para el uso seguro de los accesorios están incluidas con el accesorio.
- **Revise cuidadosamente la configuración de la herramienta.** Asegúrese de que la hoja está fija y no hace contacto con la sierra o la pieza de trabajo antes de conectarla a la fuente de alimentación.

ADVERTENCIAS DE SEGURIDAD DE LA SIERRA PARA CORTAR AZULEJOS

- Siempre asegure la pieza de trabajo firmemente contra la guía de corte o el bloqueo de bisel.
- Nunca se pare o alinee ninguna parte de su cuerpo con la trayectoria de la hoja.
- Nunca trate de liberar una hoja atascada sin apagar primero la sierra y desconectarla de la fuente de

alimentación.

- Si el cable de alimentación está dañado, debería ser reemplazado únicamente por el fabricante o por un centro de servicio autorizado para evitar riesgos.
- Evite posturas incómodas y posiciones de las manos donde un deslizamiento repentino podría hacer que su mano se moviera a la herramienta de corte.
- Asegúrese de que el área de trabajo tiene una iluminación suficiente para ver la pieza de trabajo y que ninguna obstrucción interfiere con el funcionamiento seguro de la herramienta antes de realizar cualquier trabajo.
- Siempre apague la sierra antes de desconectarla, para evitar un arranque accidental al volver a conectarla al suministro eléctrico.
- Esta herramienta debería tener las siguientes marcas:
 - Utilice gafas de seguridad.
 - Use el protector de la hoja para cualquier operación para la que se pueda utilizar.
 - Desconecte la sierra antes de realizar reparaciones, cuando cambie las hojas o al limpiar la herramienta.
 - Utilice la herramienta sólo con hojas de corte con el borde liso y sin aberturas, surcos, o dientes.
 - Reemplace la hoja antes de utilizar la herramienta.
 - No rellene con agua por encima de la línea de llenado.
- **Guarde estas instrucciones.** Consúltelas con frecuencia y utilícelas para instruir a otros usuarios. Si presta esta herramienta, facilite también estas instrucciones.

CONEXIÓN ELÉCTRICA

Esta herramienta funciona con un motor eléctrico de precisión. Esta herramienta debe conectarse a una fuente de alimentación de 220-240V, de CA solamente (corriente normal del hogar), 50 Hz. No utilice este producto con corriente continua (CC). Una caída sustancial del voltaje causará una pérdida de potencia y el motor se sobrecalentará. Si la sierra no funciona al enchufarlo a una toma de corriente, vuelva a comprobar el suministro de corriente.

VELOCIDAD Y CABLEADO

La velocidad sin carga de esta herramienta es de aproximadamente 2,900 rpm. Esta velocidad no es constante y disminuye durante una carga o con menor tensión. En cuanto al voltaje, la instalación eléctrica de una tienda es tan importante como el rango de potencia de un motor. Una línea de alimentación destinada sólo para luces no puede soportar un motor de una herramienta eléctrica. Un cable con un calibre suficiente para una distancia corta será muy débil para una mayor





Español

distancia. Una línea de alimentación que puede soportar una herramienta eléctrica puede no ser suficiente para alimentar dos o tres herramientas.

INSTRUCCIONES DE CONEXIÓN A TIERRA

Ver figura 1.

Este producto debe estar conectado a tierra. En caso de un mal funcionamiento o avería, la toma de tierra ofrece menos resistencia a la corriente eléctrica para reducir el riesgo de descarga eléctrica. Esta herramienta está equipada con un cable eléctrico que tiene un conductor de tierra y un enchufe de tierra. El enchufe debe estar conectado a la toma correspondiente que está instalada adecuadamente y que se usa una toma de tierra según todos los códigos y ordenanzas locales.

No modifi que el enchufe proporcionado. Si no encaja en la toma, haga que un electricista cualifi cado instale un enchufe adecuado.

⚠ ADVERTENCIA

Una instalación no adecuada del enchufe de tierra puede causar riesgo de descarga eléctrica. Cuando sea necesario reparar o sustituir el cable, no conecte el cable de tierra a ningún terminal de punta plana. El cable con aislamiento de color verde (con o sin rayas amarillas) es el cable a tierra.

Compruebe con un electricista o personal de mantenimiento cualifi cado si no se entienden bien las instrucciones de la conexión a tierra o si duda si el producto está conectado correctamente a tierra.

Repare o sustituya inmediatamente un cable dañado o gastado.

Si el cable de alimentación está dañado, debería ser reemplazado únicamente por el fabricante o por un centro de servicio autorizado para evitar riesgos.

Conecte sólo el producto a una toma que tenga la misma confi guración que el enchufe. No utilice un adaptador con este producto.

Para más seguridad y fiabilidad, todas las reparaciones deben ser efectuadas por un Centro de Servicio Habilitado Ryobi.

Debería estar incluido un dispositivo de corriente residual (RCD) en el(los) circuito(s) o toma(s) de corriente para ser utilizado con la sierra. Están disponibles las tomas de corriente con protección RCD incorporada y se pueden utilizar para esta medida de seguridad.

Si la sierra se utiliza con un cable de extensión, asegúrese de que la conexión del cable de la herramienta y el cable de extensión no están conectados a tierra. Los dispositivos auxiliares siempre deben estar conectados a

la toma pared y no a la conexión de un cable de extensión y al cable de alimentación de una herramienta eléctrica.

Si no está disponible una toma eléctrica protegida, no use la sierra hasta que pueda cambiar la toma o hasta poder obtener protección auxiliar. Estos dispositivos auxiliares de protección están disponibles en su distribuidor local.

POSICIÓN DE LA SIERRA

Ver figura 2.

Para evitar la posibilidad de que el enchufe de la herramienta o la toma se mojen, coloque la sierra a un lado de la toma de pared para evitar que el agua gotee en la toma o el enchufe. El operador debe formar un lazo de goteo en el cable conectando la sierra a la toma de salida. El lazo de goteo es la parte del cable por debajo del nivel de la toma, o del conector, si se utiliza un cable de extensión, para evitar que el agua se deslice por el cable y entre en contacto con la toma.

Si el enchufe o la toma de corriente se mojan, NO desenchufe el cable. Desconecte el fusible o el cortacircuitos que suministran energía a la herramienta y, a continuación, desenchufe y examine la herramienta para detectar la presencia de agua en la toma.

⚠ ADVERTENCIA

Para reducir el riesgo de electrocución, mantenga todas las conexiones secas y lejos del suelo. No toque el enchufe con las manos mojadas.

ESPECIFICACIONES

Especificaciones del producto	
Tensión	220 - 240 V
Potencia	500 W
Velocidad sin carga	2,900 rpm
Peso	15,5 kg (N.W.)
Características	
Dimensiones de la mesa	381 mm x 502 mm
Altura de la mesa del armario a la mesa	181 mm
Especificaciones de materiales	
Material de la mesa	Acero inoxidable
Material del banco	Tubos de acero
Capacidad/herramientas de corte	



Español

Diámetro de la hoja	178 mm
Tipo de hoja	Diamante
Diámetro interior de la hoja	25,4 mm
Profundidad máxima del corte	33 mm
Valores medidos determinados de acuerdo con EN 61029 Nivel de presión acústica ponderada en A Unsicherheit K	$L_{pa} = 61,0 \text{ dB(A)}$ 3 dB(A)
Valores medidos determinados de acuerdo con EN 61029 Nivel de potencia acústica ponderada en A Unsicherheit K	$L_{wa} = 77,0 \text{ dB(A)}$ 3 dB(A)

CONOZCA SU SIERRA DE CORTE DE AZULEJOS

178 mm de hoja de corte de azulejos

- Se incluye con la sierra una hoja de corte para azulejos de 178 mm.

Mesa para biselar

- Se pueden hacer cortes biselados de 22,5° y 45° usando la mesa para biselar.

Empuñaduras

- La sierra tiene asas útiles localizadas en el lado izquierdo y derecho para levantarla o transportarla.

Guía de inglete

- La guía de inglete es completamente ajustable para cortes diagonales y cortes a inglete.

Motor

- Esta máquina tiene un motor potente con suficiente potencia para realizar trabajos duros de corte.

Guía de corte

- La guía de corte es completamente ajustable para hacer cortes transversales y utilizar la guía de inglete.

Soporte de la sierra

- Esta sierra viene con un soporte para una mayor portabilidad y comodidad.

Protección de la cuchilla

- El protector de la hoja ofrece una protección contra salpicaduras y la niebla

MONTAJE

INSTALACIÓN DEL PROTECTOR DE LA HOJA

Ver figura 5-6.

1. Retire la mesa para biselar.

2. Instale el soporte protector de la hoja en forma de L- en el labio situado debajo de la mesa detrás de la hoja.
3. Instale los tornillos en la mesa y a través del protector de la hoja y, a continuación, apriete firmemente.
NOTA: Asegúrese de que la abrazadera del protector de la hoja está alineada con la hoja de corte para que no interfiera con el material que se está cortando.
4. Alinee el protector de la hoja con la hoja y deslícelo sobre el soporte. Alinee a través de los orificios del protector de la hoja con la ranura de la abrazadera del protector de la hoja.
NOTA: Ajuste siempre el protector de la hoja de forma horizontal a la mesa y ligeramente por encima del espesor de los azulejos. El protector de la hoja no debería tocar los azulejos.
5. Instale el perno hexagonal a través de de la abrazadera y del protector de la hoja.
6. Enrosque la perilla en el perno y apriete a la altura deseada.
7. Vuelva a colocar la mesa para biselar.
NOTA: La cubierta/protector de la hoja viene ensamblada de fábrica. No desarme la herramienta durante las tareas de ajuste y mantenimiento.

INSTALACIÓN DE LA GUÍA DE CORTE

Ver figura 7.

1. Gire la perilla de la guía de corte hacia la izquierda para aflojarla.
2. Deslice la guía de corte en el lateral de la mesa.
3. Use la escala de la guía de corte, situada en la parte delantera y trasera de la mesa para configurar la guía de corte a la anchura de corte deseada.
4. Gire la perilla de la guía de corte hacia la derecha para apretarla.

INSTALACIÓN DE LA GUÍA DE INGLETE

Ver figura 7.

1. Ajuste la guía de corte a la posición deseada y asegúrela.
2. Deslice la guía de inglete en la guía de corte desde la parte frontal.
3. Ajuste al ángulo deseado utilizando la escala de ángulo y apriete firmemente con la perilla.

MONTAJE DEL SOPORTE

Ver figura 8-9.

Las abrazaderas del soporte tienen letras correspondientes para facilitar su montaje.

Herramientas necesarias: Llave ajustable o llaves de 13 mm y destornillador Philips.

1. Inserte las patas del soporte, que tienen la marca "A", en los tubos terminales de la abrazadera del soporte



Español

- con la marca "A". Los extremos angulares de las patas deben estar contrapuestos y conformando la forma de una "V". Alinee los orificios para los artículos de ferretería. Repita con la segunda abrazadera del soporte y las patas con la marca "B".
2. Ensamble las patas en las abrazaderas. Montaje de la pata, la marca "B" se encuentra en la parte interna. Montaje de la pata, la marca "A" se encuentra en la parte externa. Alinee los orificios de los refuerzos y las patas. Instale los artículos de ferretería a través de los orificios.
 3. Con una llave, apriete los tornillos.
 4. Coloque el soporte sobre una superficie plana y alinee las ranuras situadas debajo de la sierra con las abrazaderas del soporte. Coloque la mesa en el soporte.
 5. Asegúrese de que la sierra está a nivel del suelo y el soporte está en una posición firme antes de usarla.

INSTALACIÓN DE LA FUGA POR DESBORDAMIENTO

Ver figura 10.

1. Retire la mesa para biselar.
2. Localice el orificio situado en el fondo del depósito de agua.
3. Empuje el tubo de drenaje de desbordamiento en la ranura de forma firme.
4. Vuelva a colocar la mesa para biselar.

MONTAJE DE LOS SEGUROS

1. Gire la cubierta de la sierra para colocarla de forma invertida.
2. Alinee los orificios de los tornillos de los seguros con los orificios de los tornillos situados en la parte inferior de la carcasa de la sierra.
3. Inserte los tornillos y apriételes bien.

LLENADO DEL DEPÓSITO DE AGUA

Ver figura 11.

1. Retire la mesa para biselar.
2. Llene el depósito con agua limpia del grifo para llenar el tubo.
NOTA: El drenaje de desbordamiento impide el llenado excesivo.
3. Vuelva a colocar la mesa para biselar.

CAMBIO DEL AGUA DEL DEPÓSITO

1. Desenchufe la sierra.
2. Retire el tubo de drenaje para desbordamiento y vacíelo en un cubo, evitando que el agua salpique sobre el suelo ni alrededor de la máquina.
3. Deseche las aguas residuales de conformidad con las regulaciones locales.

FUNCIONAMIENTO

⚠ ADVERTENCIA

Aun cuando esté familiarizado con la herramienta, no deje de estar atento. No olvide nunca que basta con un segundo de inatención para herirse gravemente.

⚠ ADVERTENCIA

Lleve siempre gafas de seguridad o gafas de protección con pantallas laterales cuando utilice herramientas eléctricas. Si incumple esta instrucción, pueden proyectarse cuerpos extraños a sus ojos y provocarle graves lesiones oculares.

⚠ ADVERTENCIA

Utilice exclusivamente las piezas y accesorios recomendados por el fabricante. El uso de cualquier pieza o accesorio no recomendado puede ocasionar heridas graves.

PROBAR EL RCD ANTES DE USARLO

1. Plug the RCD into the mains socket.
2. Pulse el botón de reinicio. El indicador de corriente debería apagarse.
3. Pulse el botón de prueba. El indicador de corriente debería apagarse.
ADVERTENCIA: Si el RCD no supera la prueba, no utilice esta herramienta. Consulte con un técnico cualificado.
4. Pulse el botón de reinicio para activar el RCD.

APLICACIONES

Puede utilizar esta herramienta para los fines que figuran a continuación:

Operaciones de corte en línea recta, como el corte transversal, a inglete, rasgado y biselado

NOTA: Esta sierra está diseñada únicamente para cortar adoquines, productos de piedra natural, productos de azulejo de piedra y azulejos artificiales.

Interruptor de encendido/apagado

Esta sierra tiene un interruptor de encendido (ON/OFF) de fácil acceso situado debajo del riel frontal.

Apagar la sierra:

Pulse el botón rojo para apagar la herramienta (O).

Encender la sierra:

Pulse el botón verde para encender la herramienta (I).





Español

Bloquear la sierra:

Con la sierra apagada (OFF), desconecte el cable de la fuente de alimentación.

⚠ ADVERTENCIA

SIEMPRE asegúrese de que su pieza de trabajo no está en contacto con la hoja de corte antes de accionar el interruptor para encender la herramienta. El incumplimiento de esta advertencia puede causar que la pieza de trabajo sea expulsada hacia el operador y provoque lesiones personales graves.

⚠ ADVERTENCIA

Para reducir el riesgo de un arranque accidental de la herramienta, asegúrese siempre de que el interruptor está en la posición OFF (apagado) antes de conectar la herramienta a la fuente de alimentación. En el caso de un fallo de energía o cuando la herramienta no esté en uso, apague el interruptor y desenchufe la herramienta de la fuente de alimentación. Esta acción evitará que la herramienta se encienda de forma accidental cuando se restaure la alimentación.

USO DE LA GUÍA DE CORTE Y LA GUÍA DE INGLETE

Ver figura 13.

La guía de corte puede ser utilizada desde el lado izquierdo y el derecho de la hoja de corte.

1. Gire la perilla de la guía de corte hacia la izquierda para aflojarla.
2. Ajuste la guía de corte en la posición deseada utilizando la escala de guía de corte, situada en la parte delantera y trasera de la mesa, para configurar la guía de corte a la anchura de corte deseada.
3. Gire la perilla hacia la derecha para ajustar bien.

AJUSTE DE ÁNGULOS

Ajuste la guía de corte a la posición deseada y asegúrela firmemente.

1. Deslice la guía de inglete en la guía de corte desde la parte frontal.
2. Ajuste al ángulo deseado utilizando la escala de ángulo y apriete firmemente con la perilla.

REALIZACIÓN DE CORTES

Trace siempre la línea a cortar en el azulejo con un marcador o un lápiz litográfico. Si el azulejo es brillante y difícil de marcar, coloque cinta adhesiva sobre el azulejo y realice la marca en la cinta.

Un problema común al cortar azulejo es desviarse de

la línea marcada. Una vez que se haya desviado de la marca, no debe forzar la lámina a la línea girando el azulejo. En su lugar, vuelva hacia atrás y vuelva a cortar el azulejo cortando por la línea correcta.

Para evitar este problema, utilice la guía de corte al hacer cortes transversales, la guía de inglete para cortes en inglete y la mesa regulable del lado derecho para hacer cortes en bisel, siempre que sea posible.

Hacer un corte transversal

Ver figura 14.

Los cortes transversales con cortes rectos de 90°. El material se introduce en el corte en un ángulo de 90° con respecto a la hoja y la hoja debe estar vertical.

1. Mediante un marcador o un lápiz graso, marque el área que va a ser cortada en la material.
2. Ajuste la guía de corte a la posición deseada y asegúrela firmemente.
3. Coloque el material sobre la mesa y agárrelo firmemente contra la guía de corte.
4. Asegúrese de que el material está lejos de la hoja de corte antes de encender la sierra.
5. Encienda la sierra.
6. Deje que la hoja de corte alcance la máxima velocidad y espere a que la hoja se empape antes de mover el material hacia la hoja.
7. Mantenga el material firmemente contra la guía de corte y empuje el material hacia la hoja de corte.
8. Cuando termine de realizar un corte, apague la sierra. Espere a que la hoja de corte se detenga por completo antes de retirar cualquier parte del material.

Hacer un corte diagonal de 45°

Ver figura 15.

Los cortes diagonales de 45° también se conocen como "cortes de punto largo a punto largo".

1. Mediante un marcador o un lápiz graso, marque el área que va a ser cortada en la material.
2. Configure la guía de corte a la anchura deseada y apriete la perilla para asegurarla en su lugar.
3. Deslice la guía de inglete en la guía de corte desde la parte frontal.
4. Ajuste la guía de inglete a 45° utilizando una escala de ángulo y apriete firmemente con la perilla.
5. Asegúrese de que el material está lejos de la hoja de corte antes de encender la sierra.
6. Encienda la sierra.
7. Deje que la hoja de corte alcance la máxima velocidad y espere a que la hoja se empape antes de mover el material hacia la hoja.
8. Sostenga firmemente el material contra la guía de inglete y deslice la guía de inglete a lo largo de la guía de corte. Introduzca el material en la hoja de corte.





Español

9. Cuando termine de realizar un corte, apague la sierra. Espere a que la hoja de corte se detenga por completo antes de retirar cualquier parte del material.

Hacer un corte en inglete

Ver figura 16.

Los cortes a inglete se utilizan para cortar las esquinas exteriores e interiores del material, rieles decorativos de sillas, y molduras de bases a cualquier ángulo del material con respecto de la hoja que no sea 90°. Los cortes a inglete tienden a "introducirse" durante el corte. Esto puede controlarse agarrando la pieza de trabajo firmemente contra la guía de inglete.

1. Mediante un marcador o un lápiz graso, marque el área que va a ser cortada en la material.
2. Configure la guía de corte a la anchura deseada y apriete la perilla para asegurarla en su lugar.
3. Deslice la guía de inglete en la guía de corte desde la parte frontal.
4. Ajuste la guía de inglete al ángulo deseado, utilizando la escala de ángulo, y apriete firmemente con la perilla.
5. Asegúrese de que el material está lejos de la hoja de corte antes de encender la sierra.
6. Encienda la sierra.
7. Deje que la hoja de corte alcance la máxima velocidad y espere a que la hoja se empape antes de mover el material hacia la hoja.
8. Sostenga firmemente el material contra la guía de inglete y deslice la guía de inglete a lo largo de la guía de corte. Introduzca el material en la hoja de corte.
9. Cuando termine de realizar un corte, apague la sierra. Espere a que la hoja de corte se detenga por completo antes de retirar cualquier parte del material.

Hacer un corte en L

Ver figura 17.

Los cortes en L- son cortes que dan como resultado una pieza de azulejo que encaje en una esquina, alrededor de un armario, o un pedazo de moldura y se realizan mediante dos cortes diferentes.

NOTA: Sólo repita la acción de corte varias veces en la parte inferior o por debajo de lado del material a cortar.

1. Corte el material a la anchura deseada utilizando las indicaciones para el corte transversal.
2. Ajuste la guía de corte a la posición deseada y asegúrela firmemente.
3. Coloque el material sobre la mesa y agárrelo firmemente contra la guía de corte.
4. Asegúrese de que el material está lejos de la hoja de corte antes de encender la sierra.
5. Encienda la sierra.
6. Deje que la hoja de corte alcance la máxima velocidad y espere a que la hoja se empape antes de mover el

material hacia la hoja.

7. Mantenga el material firmemente contra la guía de corte y empuje el material hacia la hoja de corte.
8. Haga el corte a una distancia considerable en el material sin repetir la acción de corte varias veces.
9. Apague la sierra.
10. Déle la vuelta al material y haga un corte a lo largo de una de las marcas. Esta vez repita la acción de corte varias veces en la otra línea y la pieza cortada se separará del resto del material.
11. Encienda la sierra.
12. Deje que la hoja de corte alcance la máxima velocidad y espere a que la hoja se empape antes de mover el material hacia la hoja.
13. Cuando termine de realizar un corte, apague la sierra. Espere a que la hoja de corte se detenga por completo antes de retirar cualquier parte del material.

Hacer un corte en bisel

Ver figura 18-19.

Se pueden hacer cortes biselados de 22,5° y 45° usando la mesa para biselar.

1. Mediante un marcador o un lápiz graso, marque el área que va a ser cortada en la material.
2. Incline la mesa para biselar.
3. En la parte inferior de la mesa para biselar, tire hacia abajo las dos patas de la mesa en ángulo recto con respecto a la placa.
4. Utilice las primeras muescas de las patas para posicionar la placa en un ángulo de 22,5°.
5. Utilice el segundo conjunto de muescas para configurar el ángulo de la mesa de biselado en el mayor ángulo de 45°.

NOTA: Asegúrese de que la mesa para biselar está firmemente sujeta en su lugar antes de comenzar el corte.

Despliegue las patas y coloque la marca de la mesa para biselado para un ángulo de 22,5° o 45°.

6. Encienda la sierra.
7. Deje que la hoja de corte alcance la máxima velocidad y espere a que la hoja se empape antes de mover el material hacia la hoja.
8. Mantenga el material firmemente contra la mesa para biselar y empuje el material hacia la hoja de corte.
9. Cuando termine de realizar un corte, apague la sierra. Espere a que la hoja de corte se detenga por completo antes de retirar cualquier parte del material.





Español

MANTENIMIENTO

⚠ ADVERTENCIA

Utilice solo piezas de recambio idénticas cuando esté realizando labores de mantenimiento de la máquina. El uso de otras piezas puede ocasionar riesgos o daños en el producto.

⚠ ADVERTENCIA

Siempre use gafas de seguridad o gafas de seguridad con protección lateral durante el funcionamiento de la herramienta eléctrica o cuando ésta desprenda polvo. Si la superficie de trabajo es polvorienta, use también una careta específica.

⚠ ADVERTENCIA

Si el cable de alimentación está dañado, debería ser reemplazado únicamente por el fabricante o por un centro de servicio autorizado para evitar riesgos.

⚠ ADVERTENCIA

Para más seguridad y fiabilidad, todas las reparaciones deben ser efectuadas por un Centro de Servicio Habilitado Ryobi.

MANTENIMIENTO GENERAL

Evite el uso de disolventes para limpiar las piezas de plástico. La mayoría de los plásticos se dañan con diferentes tipos de disolventes comerciales y se pueden dañar con su uso. Use un paño limpio para limpiar la suciedad, polvo, aceite, grasa, etc. de la herramienta.

⚠ ADVERTENCIA

No permita en ningún momento que las piezas de plástico entren en contacto con líquido de frenos, gasolina, productos derivados del petróleo, aceites penetrantes, etc. Los productos químicos pueden dañar, destruir o debilitar el plástico, lo que puede ocasionar graves daños personales.

Lubricación

Todos los rodamientos de esta herramienta están lubricados con cantidad suficiente de lubricante de grado alto para toda la vida de la unidad en condiciones de funcionamiento normales.

Hoja de corte de azulejos

Para un máximo rendimiento y seguridad, se recomienda que utilice la hoja de corte de 178 mm incluida con la sierra. Están disponibles hojas adicionales de corte de la misma calidad en su distribuidor local.

⚠ ADVERTENCIA

No utilice láminas de corte nominal inferior a la velocidad sin carga de esta herramienta. No prestar atención a esta advertencia podría resultar en lesiones personales. No use la lámina con grietas, huecos, o dientes.

CAMBIO DE LA HOJA DE CORTE

Ver figura 20.

⚠ ADVERTENCIA

Una hoja de corte para azulejos de 178 mm es la capacidad máxima de la hoja de la sierra. Nunca use una hoja que sea demasiado gruesa para dejar que el reborde de la hoja entre en contacto con las marcas del eje. Las hojas más largas entrarán en contacto con el protector de la hoja, mientras que las hojas más gruesas evitarán que el perno de la hoja bloquee la hoja en el eje. Cualquiera de estas situaciones podría resultar en un accidente grave y causar lesiones personales graves.

1. Desenchufe la sierra.
2. Retire la mesa para biselar.
3. Deslice la llave hexagonal en la tuerca del eje de la hoja. Usando la otra mano, deslice la llave del eje en el eje de la hoja.
4. Sostenga la llave del eje firmemente para evitar que la hoja se mueva. Gire la tuerca del eje hacia la izquierda para aflojarla.
5. Retire la tuerca del eje, el reborde exterior de la hoja y la hoja de corte.
6. Vierta una gota de aceite en el reborde interior de la hoja donde hace contacto con la hoja.

⚠ ADVERTENCIA

Si el reborde interior de la hoja se ha eliminado, cámbiolo antes de colocar la hoja en el eje. Si no lo hace podría causar un accidente ya que la lámina no se ajustará adecuadamente. Nunca use hojas que tengan aberturas, surcos, o dientes, en esta herramienta.

7. Coloque la hoja de corte en el eje con las flechas en la hoja de corte que gira en sentido contrario a las



Español

- agujas del reloj.
8. Vuelva a colocar el reborde exterior de la hoja. Las marcas en "D" de las arandelas se alinean con las marcas del eje.
 9. Con una llave de hoja y la llave del eje, apriete la tuerca del eje de forma segura.
 10. Vuelva a colocar la mesa para biselar.

PROTECCIÓN DEL MEDIO AMBIENTE



Recicle las materias primas en lugar de tirarlas a la basura doméstica. Para proteger el medio ambiente, debe separar la herramienta, los accesorios y los embalajes.

SÍMBOLO



Atención



Conformidad con CE



Conformidad con GOST-R



Por favor, lea atentamente las instrucciones antes de encender el producto.



Utilice siempre gafas de protección.



Utilice dispositivos de protección para los oídos



Utilice guantes de seguridad



PELIGRO! Cuchilla afilada



Precaución, riesgo de corte



No exponer a la lluvia ni utilizar en lugares húmedos.



No exponer a la lluvia ni utilizar en lugares húmedos.



Es necesario utilizar las máquinas con una hoja de corte de diamante de corona continua.



Sentido de rotación de la lámina



Disco de corte de diamante.



Diámetro de la hoja



Diámetro de la ranura de la cuchilla



Peso neto



Profundidad de corte (máx.)



Anchura de fresado (máx.)



Ancho diagonal del corte (máx.)



Reciclar



Los productos eléctricos de desperdicio no deben desecharse con desperdicios caseros. Por favor recíclelos donde existan dichas instalaciones. Compruebe con su autoridad local o minorista para reciclar.



Italiano

DESCRIZIONE

1. Spina di terra
2. Cavo di alimentazione
3. Curva di anti-sgocciolamento
4. Lama taglio piastrelle
5. Interruttore On/Off (Acceso/Spento)
6. Guida per la rifilatura
7. Guida per tagli ad angolo
8. Linea massima di riempimento
9. Sistema di scarico di troppo pieno
10. Serbatoio acqua
11. Scala sponda di rifilatura
12. Cavalletto
13. Fascetta di blocco cavo
14. Alzare i manici
15. Paralame
16. Tavola di smussatura
17. Sede sega taglia piastrelle
18. Chiave esagonale
19. Chiave albero
20. Viti
21. Staffa paralame
22. Dado esagonale
23. Bullone esagonale
24. Gambe cavalletto "A"
25. Gambe cavalletto "B"
26. Bullone(i) gambe cavalletto
27. Dado(i) gambe cavalletto
28. Morsetto(i) gambe cavalletto
29. Staffa di supporto "A"
30. Staffa di supporto "B"
31. Linguette
32. Pressacavo
33. Linguetta
34. Manopola guida per la rifilatura.
35. Gruppo gambe "A"
36. Gruppo gambe "B"
37. Scala guida per tagli ad angolo
38. Manopola guida per tagli ad angolo
39. Gambe tavola di smussatura
40. tacca smussatura 22.5°
41. tacca smussatura 45°
42. Albero
43. Flangia interna
44. Flangia esterna
45. Dado albero

NORME DI SICUREZZA GENERALI

AVVERTENZE

Quando si utilizzano elettroutensili, si dovranno sempre seguire precauzioni di base di sicurezza per ridurre il rischio di incendi, scosse elettriche e lesioni personali.

Leggere tutte le istruzioni prima di tentare di mettere in funzione il prodotto e conservare queste istruzioni.

- **Familiarizzare con l'utensile.** Leggere attentamente il manuale d'istruzioni. Imparare a conoscere le applicazioni e limitazioni del prodotto come pure i rischi potenziali specifici correlati allo stesso.
- **Proteggersi da scosse elettriche prevenendo il contatto del corpo con superfici con messa a terra.** Per esempio tubi, radiatori, stufe ed esterni di un refrigerante.
- **Tenere i paralame sempre installati e funzionanti.**
- **Rimuovere tutte le chiavi di regolazione.** Controllare sempre che eventuali chiavi di regolazione siano state rimosse dall'utensile prima di accenderlo.
- **Tenere pulita l'area di lavoro.** Ambienti e banchi in disordine possono essere causa di incidenti. Non lasciare utensili o i pezzi di legno sulla sega mentre è in funzione.
- **Non utilizzare in ambienti pericolosi.** Non utilizzare elettroutensili in ambienti umidi o bagnati o esposti a pioggia. Mantenere sempre l'area di lavoro ben illuminata. Non utilizzare l'utensile in presenza di liquidi o gas infiammabili.
- **Tenere bambini e visitatori lontani.** Tutti gli osservatori devono indossare occhiali di sicurezza e tenersi a distanza di sicurezza dalla zona di lavoro. Non permettere a eventuali osservatori di toccare l'utensile o la prolunga mentre l'utensile è in funzione.
- **Non forzare l'utensile.** L'utensile svolgerà meglio le sue funzioni se utilizzato all'alimentazione per la quale è stato progettato.
- **Utilizzare l'utensile giusto.** Non forzare l'utensile o l'accessorio per svolgere un lavoro per il quale l'utensile non è destinato. Non utilizzare per lavori per scopi non previsti nelle istruzioni.
- **Utilizzare la prolunga adatta.** Assicurarsi che la prolunga sia in ottime condizioni. Utilizzare solo un cavo abbastanza pesante per reggere la corrente utilizzata dal prodotto. Un cavo non idoneo causerà una caduta di corrente provocando una perdita di potenza e surriscaldamento.
- **Vestirsi adeguatamente.** Non indossare abiti con parti svolazzanti, guanti, cravatte o gioielli. Potranno impigliarsi e attirare l'operatore verso le parti





Italiano

dell'utensile in movimento. Si raccomanda di indossare guanti in gomma e calzature antiscivolo (con suola di gomma) quando si svolgono operazioni di lavoro all'esterno. Indossare inoltre una rete protettiva per proteggere i capelli lunghi.

- **Indossare sempre occhiali di sicurezza con schermi laterali.** I normali occhiali sono dotati solo di lenti resistenti agli impatti, NON sono occhiali di sicurezza.
- **Assicurare il pezzo sul quale si sta lavorando.** Utilizzare dei morsetti o ganasce per reggere le parti sulle quali si sta lavorando è più sicuro che tenere le parti ferme con una mano e permette di utilizzare entrambe le mani per operare l'utensile.
- **Non protendersi.** Mantenere sempre l'equilibrio e un punto di appoggio sicuro.
- **Svolgere sempre le dovute manutenzioni sull'utensile.** Mantenere sempre gli utensili in ordine e puliti per prestazioni migliori e più sicure. Seguire le istruzioni per lubrificare e cambiare gli accessori. Ispezionare periodicamente i cavi dell'utensile e, se danneggiati, farli riparare da un servizio clienti autorizzato. Ispezionare periodicamente la prolunga e sostituirla se danneggiata. Tenere i manici puliti, asciutti e senza tracce di olio e grasso.
- **Scollegare gli utensili.** Quando non si utilizza l'utensile, prima di svolgere la dovuta manutenzione o quando si cambiano gli accessori, le lame, le punte, i taglierini ecc. tutti gli utensili devono essere scollegati dall'alimentazione. Scollegare la spina prima di svolgere eventuali regolazioni e operazioni di manutenzione.
- **Evitare l'avvio accidentale.** Assicurarsi che l'interruttore sia spento prima di collegare l'utensile all'alimentazione.
- **Utilizzare gli accessori raccomandati.** Consultare il manuale d'istruzioni per gli accessori raccomandati. L'utilizzo di accessori diversi da quelli raccomandati potrà causare gravi lesioni.
- **Non salire mai sull'utensile.** Si potranno verificare gravi lesioni personali se l'utensile si rovescia o entrando accidentalmente in contatto con lo stesso.
- **Controllare eventuali parti danneggiate.** Prima di utilizzare ulteriormente l'utensile, controllare le sue protezioni o eventuali parti danneggiate e verificare che funzioni e svolga le sue funzioni correttamente. Controllare l'allineamento, il blocco o la rottura delle parti in movimento, il montaggio e qualsiasi altra condizione che potrà influenzare il funzionamento dell'utensile. Eventuali protezioni o parti danneggiate dovranno essere adeguatamente riparate o sostituite da un centro servizi autorizzato per evitare rischi di gravi lesioni personali.

- **Utilizzare la direzione giusta.** Inserire il materiale nella lama o taglierina solo nella direzione opposta a quella di rotazione.
- **Non lasciare mai l'utensile incustodito. Spegnerne l'alimentazione.** Non lasciare l'utensile incustodito fino a che non si sia completamente fermato.
- **Proteggere i polmoni.** Indossare una maschera per il volto o per la polvere nel caso in cui si prevede di produrre polvere durante le operazioni.
- **Proteggere l'udito.** Indossare cuffie di protezione durante lunghi periodi di funzionamento.
- **Non sottoporre mai il cavo a stress.** Non tirare mai il cavo per scollegarlo dalla spina. Tenere il cavo dell'alimentazione lontano da fonti di calore, olio e estremità appuntite.
- **Tenere sempre il paralame installato e assicurarsi che funzioni correttamente.**
- **Tenere le mani lontane dall'area di taglio.** Tenere le mani lontane dalla lama. Non posizionarsi sotto, sopra o attorno alla lama mentre è in movimento. Non tentare di rimuovere il materiale da tagliare mentre la lama si muove.
- **La lama continua a girare per inerzia una volta spento l'utensile.**
- **Non utilizzare in atmosfere esplosive.** L'accensione normale del motore potrà causare incendi.
- **Ispezionare periodicamente i cavi degli utensili.** In caso di danni, rivolgersi per le riparazioni a un tecnico qualificato presso un centro servizi autorizzato.
- **Ispezionare periodicamente la prolunga e sostituirla se danneggiata.**
- **Collegare tutti gli utensili a terra.** Se l'utensile è dotato di spina a tre perni, dovrà essere collegato con una presa elettrica tripolare.
- **Consultare un tecnico o personale qualificato se le istruzioni per la messa a terra non sono chiare o se si hanno dubbi sulla corretta messa a terra del prodotto.**
- **Utilizzare solo i dispositivi elettrici corretti:** prolunghes a 3 cavi con spine a 3 perni e connettori tripolari conformi con la spina dell'utensile.
- **Non modifi care la presa fornita.** Se la spina non entra nella presa, far installare una presa adatta da un tecnico qualificato.
- **Mantenere l'utensile asciutto e pulito e rimuovere eventuali tracce di sporco e grasso.** Utilizzare sempre un panno pulito quando si pulisce la macchina. Non utilizzare liquidi per freni, prodotti a base di benzina o petrolio o solventi per pulire l'utensile.
- **Rimanere attenti ed esercitare sempre il massimo controllo.** Prestare la massima attenzione a quello





Italiano

che si sta facendo e utilizzare buon senso. Non mettere in funzione l'utensile se si è stanchi. Non correre durante le operazioni di lavoro.

- **Non utilizzare l'utensile se l'interruttore non si accende o spegne.** Far controllare eventuali interruttori difettosi.
- **Utilizzare solo la lama corretta.** Non utilizzare lame con fori delle dimensioni non corrette. Non utilizzare rondelle o dadi difettosi o incorretti. La capacità massima della lama della sega è di 178 mm. Tutte le lame devono rispettare lo standard EN13236. Non utilizzare mai una lama di taglio con una velocità più bassa di quella indicata sull'utensile.
- **Prima di procedere con le operazioni di taglio, assicurarsi che tutte le regolazioni siano state svolte correttamente.**
- **Non toccare la lama o altre parti in movimento durante l'uso.**
- **Non avviare l'utensile quando un componente rotante entra in contatto con del materiale da tagliare.**
- **Non mettere in funzione l'utensile sotto l'influenza di droghe, alcool o medicinali.**
- **Quando si svolgono operazioni di manutenzione, utilizzare solo ricambi identici.** Utilizzare qualsiasi altra parte potrà costituire un rischio o causare danni al prodotto.
- **Utilizzare solo gli accessori raccomandati indicati nel presente manuale o nei suoi allegati.** Utilizzare accessori non indicati potrà causare gravi lesioni personali. Le istruzioni per un utilizzo corretto degli accessori sono incluse con l'accessorio.
- **Ricontrollare tutte le impostazioni.** Assicurarsi che la lama sia serrata e non sia in contatto con la sega o con il pezzo sul quale si sta lavorando prima di collegare l'utensile all'alimentazione.

AVVERTENZE DI SICUREZZA SEGA TAGLIAPIASTRELLE

- Assicurare sempre il pezzo sul quale si sta lavorando lungo la guida per la rifilatura o il blocco per la smussatura.
- Non salire sull'utensile né allineare parti del corpo alla direzione della lama.
- Non tentare mai di liberare una lama in stallo senza prima aver spento e scollegato la sega dall'alimentazione.
- Se il cavo di alimentazione è danneggiato deve essere sostituito solo dalla ditta produttrice o dal centro servizi autorizzato per evitare eventuali rischi.
- Evitare operazioni difficili e non posizionare le mani in

modo che possano entrare in contatto con le lame a causa di un movimento improvviso.

- Assicurarsi che l'area di lavoro sia correttamente illuminata per permettere di vedere chiaramente le operazioni di lavoro e che non vi siano eventuali ostruzioni che interferiscano con la sicurezza delle operazioni prima di iniziare a utilizzare la sega.
- Spegnerne sempre l'utensile prima di scollegarlo, per evitare l'avvio accidentale dell'utensile quando lo si ricollega all'alimentazione.
- Questo utensile dovrebbe essere contrassegnato dalle seguenti marcature:
 - Indossare occhiali di protezione.
 - Utilizzare il paralame per tutte le operazioni per le quali la sega può essere utilizzata.
 - Scollegare la sega prima di svolgere le dovute operazioni di manutenzione, cambiare le lame di taglio e svolgere le operazioni di pulizia.
 - Utilizzare l'utensile solo con lame di taglio arrotondate che non presentino lesioni, crepe o incrinature.
 - Sostituire le lame danneggiate prima di mettere in funzione l'utensile.
 - Non riempire l'acqua oltre la linea di riempimento.
- **Conservare queste istruzioni.** Far spesso riferimento alle istruzioni e utilizzarle per istruire altri. Prestare l'utensile sempre assieme a queste istruzioni.

COLLEGAMENTO ELETTRICO

Questo utensile è dotato di motore elettrico integrato di precisione. Dovrebbe essere collegata solo a un'alimentazione da 220-240V, AC (normale corrente domestica), 50 Hz. Non mettere in funzione con corrente diretta (DC). Una sostanziale caduta di voltaggio causerà una perdita di potenza e farà surriscaldare il motore. Se la sega non funziona correttamente quando collegata all'impianto, controllare l'alimentazione elettrica.

VELOCITÀ E CABLAGGIO

La velocità senza carico dell'utensile è di circa 2,900 rpm. La velocità non è costante e diminuisce sotto carico o con un voltaggio più basso. Per il voltaggio, assicurarsi che l'impianto del luogo di lavoro sia compatibile con la potenza nominale del motore. Un impianto elettrico per la luce potrà non essere in grado di reggere un elettro utensile. Un cavo abbastanza pesante per una breve distanza sarà troppo leggero per una distanza più grande. Un impianto elettrico in grado di reggere un elettro utensile potrà non essere in grado di reggerne contemporaneamente due o tre.

ISTRUZIONI PER LA MESSA A TERRA

Vedere la figura 1.





Italiano

Questo prodotto deve essere direttamente collegato a terra. Nel caso in cui si verifichi un malfunzionamento o una rottura, la messa a terra fornisce un percorso a bassa resistenza che riduce il rischio di scosse elettriche. Questo utensile è dotato di un cavo elettrico con un conduttore di terra e una spina di terra. La spina deve essere inserita in una presa idonea correttamente installata e collegata seguendo tutte le norme locali.

Non modifi care la presa fornita. Se la spina non entra nella presa, far installare una presa adatta da un tecnico qualificato.

⚠ AVVERTENZE

Una installazione scorretta della presa di terra potrà causare rischi di scosse elettriche. Se necessaria una riparazione o sostituzione del cavo, non collegare il cavo di terra ai terminali della lama. Il cavo verde (con o senza strisce gialle) è il cavo di terra.

Consultare un tecnico o personale qualificato se le istruzioni per la messa a terra non sono chiare o se si hanno dubbi sulla corretta messa a terra del prodotto.

Riparare o sostituire un cavo danneggiato o consumato immediatamente.

Se il cavo di alimentazione è danneggiato deve essere sostituito solo dalla ditta produttrice o dal centro servizi autorizzato per evitare eventuali rischi.

Collegare il prodotto solo a una presa che abbia la stessa configurazione della spina. Non utilizzare un adattatore con questo prodotto.

Per maggiore sicurezza ed affidabilità, effettuare tutte le riparazioni presso un Centro di Assistenza Autorizzato Ryobi.

La protezione del dispositivo di corrente residua (RCD) deve essere fornita sul(i) circuito (i) o sulla(e) presa(e) da utilizzare per la sega taglia piastrelle. Le prese sono disponibili con protezione RCD integrata che potrà essere utilizzata come misura di sicurezza.

Se la sega viene utilizzata con una prolunga, assicurarsi che la connessione del cavo di alimentazione e la prolunga non siano collegati a terra. Eventuali apparecchi ausiliari dovranno essere sempre collegati a una presa a muro e non alla presa di una prolunga o al cavo dell'elettro utensile.

Nel caso in cui non sia disponibile una presa protetta, non utilizzare la sega fino a che la presa non sia stata cambiata o non sia stata installata una protezione ausiliaria. Questi dispositivi ausiliari di protezione sono disponibili presso il proprio rivenditore autorizzato.

POSIZIONE DELLA SEGA TAGLIA PIASTRELLE

Vedere la figura 2.

Per evitare che la spina o la presa dell'utensile si bagnino posizionare la sega taglia piastrelle lateralmente rispetto alla presa a muro per evitare l'eventuale gocciolamento dell'acqua sulla spina o sulla presa. L'operatore deve installare una "curva di anti-sgocciolamento" nel cavo che collega la sega alla presa. La "curva di anti-sgocciolamento" è quella parte di cavo che deve trovarsi ad un livello inferiore rispetto alle prese o al collegamento elettrico utilizzato per prevenire che l'acqua viaggi lungo il cavo ed entri in contatto con la presa.

Se la spina o la presa si bagnano, NON scollegare il cavo. Scollegare il fusibile o l'interruttore differenziale che fornisce l'alimentazione elettrica all'utensile, quindi scollegarlo e controllare la presenza d'acqua nell'uscita.

⚠ AVVERTENZE

Per ridurre il rischio di scosse elettriche, tenere tutti i collegamenti asciutti e lontani da terra. Non toccare la presa con le mani bagnate.

SPECIFICHE

Specifiche prodotto

Voltaggio	220 - 240V
Alimentazione	500 W
Velocità a vuoto	2,900 rpm
Peso	15,5 kg (N.W.)

Caratteristiche

Dimensioni tavolo	381 mm x 502 mm
Altezza tavolo dall'armadietto al tavolo	181 mm

Specifiche materiale

Materiale tavolo	Acciaio inossidabile
Materiale per il supporto	Tubi in acciaio

Utensili di taglio/Capacità

Diametro lama	178 mm
Tipo di lama	Diamante
Diametro lama interna	25,4 mm
Profondità massima del taglio	33 mm





Italiano

Valori misurati determinati in accordo con lo standard EN 61029 Livello di pressione sonora pesato A Incertezza K	$L_{pA} = 61,0 \text{ dB(A)}$ 3 dB(A)
Valori misurati determinati in accordo con lo standard EN 61029 Livello di potenza sonora pesato A Incertezza K	$L_{WA} = 77,0 \text{ dB(A)}$ 3 dB(A)

FAMILIARIZZARE CON LA SEGA TAGLIA PIASTRELLE

Lama taglia piastrelle da 178 mm

- Con lama taglia piastrelle da 178 mm inclusa con la sega.

Tavola di smussatura

- I tagli smussati a 22,5° e 45° possono essere fatti utilizzando la tavola di smussatura.

Manici

- La sega è dotata di convenienti manici situati a sinistra e destra per alzare e trasportare l'utensile.

Guida per tagli ad angolo

- La guida per il taglio ad angolo è completamente regolabile per tagli diagonali e ad angolo.

Motore

- Questa macchina è dotata di un motore potente in grado di fornire sufficiente potenza per gestire le operazioni di taglio più pesanti.

Guida per la rifilatura

- La guida per la rifilatura è completamente regolabile ed è utile per fare tagli incrociati e utilizzare la guida per tagli ad angolo.

Supporto sega taglia piastrelle

- Questa sega viene venduta con un supporto per una maggiore comodità e trasportabilità.

Paralame

- Il paralame fornisce protezione da vapori o polveri

MONTAGGIO

INSTALLARE IL PARALAME

Vedere la figura 5-6.

- Rimuovere la tavola di smussatura.
- Installare la staffa del paralame a forma di L nella linguetta situata sotto il tavolo dietro la lama.
- Installare le viti nel tavolo e attraverso la staffa del paralame e serrare in modo saldo.

NOTE: Assicurarsi che la staffa del paralame sia allineata con la lama di taglio in modo che non interferisca con il materiale da tagliare.

- Allineare il paralame con la lama e farvi scorrere sopra la staffa. Allineare attraverso i fori nel paralame con la fessura nella staffa del paralame.

NOTE: Regolare sempre il paralame orizzontalmente sul tavolo, posizionandolo sempre a uno spessore leggermente superiore a quello della piastrella. Il paralame non deve toccare le piastrelle.

- Installare il bullone esagonale attraverso il paralame e la staffa.
- Avvitare la manopola sul bullone e serrare all'altezza desiderata.
- Sostituire la tavola di smussatura.

NOTE: Il coperchio per le lame/paralame è montato in fabbrica. Non smontare durante le operazioni di regolazione e manutenzione.

INSTALLARE LA GUIDA PER LA RIFILATURA

Vedere la figura 7.

- Per allentare girare la manopola sulla guida per la rifilatura in senso antiorario.
- Far scorrere la guida per la rifilatura sul lato del tavolo.
- Utilizzare la scala per la guida per la rifilatura, situata sulla parte anteriore o posteriore del tavolo, per impostare la guida per la rifilatura alla profondità di taglio desiderata.
- Per serrare in modo saldo girare la manopola della guida per la rifilatura in senso orario.

INSTALLARE LA GUIDA DI TAGLIO AD ANGOLO.

Vedere la figura 7.

- Regolare la guida per operazioni di rifilatura alla posizione desiderata e serrare.
- Far scorrere la guida per tagli ad angolo sulla guida per la rifilatura.
- Regolare l'angolo desiderato utilizzando la scala di angolazione e serrare saldamente con la manopola.

MONTAGGIO CAVALLETTO

Vedere la figura 8-9.

Le staffe di supporto e le gambe del cavalletto sono contrassegnate con lettere corrispondenti per un montaggio facile.

Attrezzi necessari: Chiave regolabile o chiavi da 13 mm e giravite Philips.

- Inserire le gambe del cavalletto, indicate con "A", nei tubi della staffa di supporto indicati con "A". Le estremità ad angolo delle gambe del cavalletto dovranno essere posizionate in modo da formare una "V". Allineare i fori per i componenti meccanici.





Italiano

- Ripetere le stesse operazioni con la seconda staffa di supporto e con le gambe indicate con "B".
- Montare le gambe del cavalletto nei morsetti. Il gruppo gambe "B" poggia internamente. Il gruppo gambe "A" poggia esternamente. Allineare i fori nei morsetti e nelle gambe. Far passare la parte meccanica attraverso i fori.
 - Utilizzare una chiave e serrare la parte meccanica.
 - Posizionare il cavalletto su una superficie piana e allineare le fessure sotto la sega taglia piastrelle con le staffe sul cavalletto. Posizionare il tavolo sul cavalletto.
 - Assicurarsi che la sega taglia piastrelle sia posizionata su una superficie uniforme e che il cavalletto sia stato correttamente installato prima dell'utilizzo.

INSTALLARE IL SISTEMA DI SCARICO DI TROPPO-PIENO

Vedere la figura 10.

- Rimuovere la tavola di smussatura.
- Individuare il foro sulla parte inferiore del serbatoio dell'acqua.
- Spingere il dispositivo di scarico di troppo pieno nel foro.
- Sostituire la tavola di smussatura.

MONTAGGIO LINGUETTE

- Capovolgere la sega.
- Allineare i fori delle viti sulle linguette con i fori delle viti sulla parte inferiore della sede della sega taglia piastrelle.
- Inserire le viti e serrare saldamente.

RIEMPIRE IL SERBATOIO DELL'ACQUA

Vedere la figura 11.

- Rimuovere la tavola di smussatura.
- Riempire il serbatoio dell'acqua con acqua pulita fino alla linea di riempimento.

NOTE: Il sistema di scarico di troppo pieno evita l'eccessivo riempimento del serbatoio.

- Sostituire la tavola di smussatura.

CAMBIARE L'ACQUA NEL SERBATOIO

- Scollegare la sega taglia piastrelle.
- Rimuovere lo scarico di troppo pieno e svuotarlo in un secchio, non lasciare che l'acqua finisca a terra o attorno alla macchina.
- Smaltire l'acqua di scarico secondo quanto indicato dalle norme e regolamentazioni locali.

FUNZIONAMENTO

⚠ AVVERTENZE

Fare sempre attenzione, anche dopo avere acquisito dimestichezza con l'apparecchio. Non dimenticare mai che basta un secondo di distrazione per ferirsi in modo grave.

⚠ AVVERTENZE

Durante l'uso di un utensile, indossare sempre occhiali di sicurezza o occhiali di protezione muniti di schermi laterali. La mancata osservanza di questa norma, nel caso di proiezione di corpi estranei, potrebbe causare gravi lesioni oculari.

⚠ AVVERTENZE

Non utilizzare componenti o accessori diversi da quelli raccomandati dal produttore per questo apparecchio. L'impiego di componenti o accessori non raccomandati potrebbe comportare il rischio di gravi lesioni.

TESTARE IL DISPOSITIVO DI CORRENTE RESIDUA PRIMA DELL'USO

- Collegare il dispositivo di corrente residua alla presa principale.
- Premere il tasto di reset. L'indicatore dell'alimentazione dovrebbe accendersi.
- Premere il tasto di test. L'indicatore dell'alimentazione dovrebbe spegnersi.
AVVERTENZE: Se il dispositivo di corrente residua non si attiva, non utilizzare l'utensile. Consultare un elettricista qualificato.
- Premere il tasto di reset per attivare il dispositivo di corrente residua.

APPLICAZIONI

Utilizzare l'utensile per gli scopi indicati di seguito:

Operazioni di taglio dritto come tagli incrociati, ad angolo, rifiniture e smussature

NOTE: Questa sega è stata progettata per tagliare esclusivamente piastrelle, lastre per pavimenti, prodotti in pietra naturale e piastrelle in pietra.

Interruttore On/Off (Acceso/Spento)

Questa sega ha un interruttore ON/OFF (acceso/spento) facilmente accessibile situato sulla parte anteriore.

Per spegnere la sega:

Premere il tasto rosso per SPEGNERE (O).





Per accendere la sega:

Premere il tasto verde per ACCENDERE (I).

Per bloccare la sega:

Con la sega spenta, scollegare la spina dall'alimentazione.

AVVERTENZE

Assicurarsi SEMPRE che il materiale sul quale si sta lavorando non entri in contatto con la lama di taglio prima di mettere in funzione l'interruttore che attivi l'utensile. La mancata osservanza di questa norma potrà causare eventuali rimbalzi del pezzo sul quale si sta lavorando verso l'operatore e causare allo stesso gravi lesioni personali.

AVVERTENZE

Per ridurre il rischio di avvio accidentale, assicurarsi sempre che l'interruttore si trovi in posizione OFF (Spento) prima di collegare l'utensile alla fonte di alimentazione. In caso di guasti alla fornitura di energia o quando l'utensile non viene utilizzato, posizionare l'interruttore su OFF (Spento) e scollegare la spina dall'alimentazione. Questa azione eviterà che l'utensile venga avviato accidentalmente quando l'elettricità tornerà.

UTILIZZARE LA GUIDA PER LA RIFILATURA E LA GUIDA PER TAGLI AD ANGOLO.

Vedere la figura 13.

La guida per la rifilatura può essere utilizzata da entrambe le parti della lama di taglio, sia a sinistra che a destra.

1. Per allentare girare la manopola sulla guida per la rifilatura in senso antiorario.
2. Regolare la guida per operazioni di rifilatura alla posizione desiderata utilizzando la scala per la guida per operazioni di rifilatura posizionata sulla parte anteriore e posteriore del tavolo di lavoro per impostare la guida all'ampiezza di taglio desiderata.
3. Ruotare la manopola in senso orario e serrarla saldamente.

PER REGOLARE GLI ANGOLI

Regolare la guida per operazioni di rifilatura alla posizione desiderata e serrare saldamente.

1. Far scorrere la guida per tagli ad angolo sulla guida per la rifilatura.
2. Regolare l'angolo desiderato utilizzando la scala di angolazione e serrare saldamente con la manopola.

PROCEDERE CON I TAGLI

Tracciare sempre con un pennarello o una matita a mina cerosa la linea di taglio. Se la piastrella presenta una superficie lucida difficile da marcare, posizionare del nastro adesivo sulla piastrella per tracciare la linea di taglio.

Un problema comune che si verifica quando si taglia una piastrella è seguire la linea tracciata. Se ci si allontana dal segno sulla piastrella, non si potrà forzare la lama a tornare in linea girando la piastrella. Tornare indietro e ritagliare la piastrella eliminandone una piccola parte fino a che la lama non torni al suo posto.

Per evitare che si verifichi questo problema, utilizzare ove possibile la guida per la rifilatura quando si svolgono tagli incrociati, la guida per tagli ad angolo quando si svolgono tagli ad angolo e la tavola regolabile laterale per smussature.

Per fare in taglio incrociato

Vedere la figura 14.

I tagli incrociati sono tagli dritti a 90°. Il materiale da tagliare viene introdotto nell'utensile a un'angolo di 90° con la lama in posizione verticale.

1. Con un pennarello o una matita con punta cerosa, indicare la parte di materiale da tagliare.
2. Regolare la guida per operazioni di rifilatura alla posizione desiderata e serrare saldamente.
3. Posizionare il materiale sul tavolo e contro la guida per la rifilatura.
4. Assicurarsi che il materiale non sia in contatto con la lama di taglio prima di avviare la sega.
5. Accendere l'alimentazione.
6. Lasciare che la lama prenda velocità e attendere che si bagni prima di spostare il materiale verso la lama.
7. Reggere il materiale in modo saldo contro la guida per la rifilatura e avvicinare il materiale alla lama di taglio.
8. Una volta portato a termine il taglio, spegnere l'utensile. Attendere che la lama si sia completamente fermata prima di rimuovere le parti dal materiale.

per fare un taglio diagonale a 45°

Vedere la figura 15.

I tagli diagonali da 45° sono anche chiamati "tagli da un punto lungo a un punto lungo"

1. Con un pennarello o una matita con punta cerosa, indicare la parte di materiale da tagliare.
2. Impostare la guida per la rifilatura all'ampiezza desiderata e serrare la manopola per assicurarla al suo posto.
3. Far scorrere la guida per tagli ad angolo sulla guida per la rifilatura.
4. Regolare la guida per il taglio ad angolo a 45° utilizzando una scala di angolazione e serrare





Italiano

saldamente con la manopola.

5. Assicurarsi che il materiale non sia in contatto con la lama di taglio prima di avviare la sega.
6. Accendere l'alimentazione.
7. Lasciare che la lama prenda velocità e attendere che si bagni prima di spostare il materiale verso la lama.
8. Reggere il materiale in modo saldo contro la guida per tagli ad angolo e far scorrere la guida per tagli ad angolo lungo la barra di taglio. Inserire il materiale nella lama di taglio.
9. Una volta portato a termine il taglio, spegnere l'utensile. Attendere che la lama si sia completamente fermata prima di rimuovere le parti dal materiale.

Per fare un taglio ad angolo

Vedere la figura 16.

I tagli ad angolo sono utilizzati per tagliare angoli esterni e interni sul materiale e tagliare modanature decorative e di base con il materiale posizionato a qualsiasi angolo della lama tranne che a 90°. I tagli ad angolo tendono a spostarsi durante le operazioni di taglio. Questa azione potrà essere controllata reggendo in modo saldo la parte sulla quale si sta lavorando contro la guida per il taglio ad angolo.

1. Con un pennarello o una matita con punta cerosa, indicare la parte di materiale da tagliare.
2. Impostare la guida per la rifilatura all'ampiezza desiderata e serrare la manopola per assicurarla al suo posto.
3. Far scorrere la guida per tagli ad angolo sulla guida per la rifilatura.
4. Regolare la guida per il taglio ad angolo all'angolo desiderato, utilizzando una scala di angolazione e serrare saldamente con la manopola.
5. Assicurarsi che il materiale non sia in contatto con la lama di taglio prima di avviare la sega.
6. Accendere l'alimentazione.
7. Lasciare che la lama prenda velocità e attendere che si bagni prima di spostare il materiale verso la lama.
8. Reggere il materiale in modo saldo contro la guida per tagli ad angolo e far scorrere la guida per tagli ad angolo lungo la barra di taglio. Inserire il materiale nella lama di taglio.
9. Una volta portato a termine il taglio, spegnere l'utensile. Attendere che la lama si sia completamente fermata prima di rimuovere le parti dal materiale.

Per fare un taglio a L

Vedere la figura 17.

I tagli a L sono tagli che permettono di rimuovere un pezzo di piastrina per inserirla in un angolo, attorno a un mobile o a un pezzo di modanatura e si possono fare con due tagli separati.

NOTE: Tagliare solo la parte inferiore o interna erranea del masul quale si sta lavorando.

1. Tagliare il materiale all'ampiezza desiderata utilizzando le direzioni per il taglio incrociato.
2. Regolare la guida per operazioni di rifilatura alla posizione desiderata e serrare saldamente.
3. Posizionare il materiale sul tavolo e contro la guida per la rifilatura.
4. Assicurarsi che il materiale non sia in contatto con la lama di taglio prima di avviare la sega.
5. Accendere l'alimentazione.
6. Lasciare che la lama prenda velocità e attendere che si bagni prima di spostare il materiale verso la lama.
7. Reggere il materiale in modo saldo contro la guida per la rifilatura e avvicinare il materiale alla lama di taglio.
8. Tagliare il materiale correttamente senza eccedere.
9. Spegner l'alimentazione.
10. Girare il materiale e tagliare seguendo il segno. Questa volta, tagliare lungo l'altra linea, la parte tagliata si dovrà separare dal resto del materiale.
11. Accendere l'alimentazione.
12. Lasciare che la lama prenda velocità e attendere che si bagni prima di spostare il materiale verso la lama.
13. Una volta portato a termine il taglio, spegnere l'utensile. Attendere che la lama si sia completamente fermata prima di rimuovere le parti dal materiale.

Per fare una smussatura

Vedere la figura 18-19.

I tagli smussati a 22,5° e 45° possono essere fatti utilizzando la tavola di smussatura.

1. Con un pennarello o una matita con punta cerosa, indicare la parte di materiale da tagliare.
 2. Inclinare la tavola per la smussatura.
 3. Aprire le due gambe del cavalletto verso il lato interno della tavola di smussatura in modo che formino angoli retti.
 4. Utilizzare prima le tacche nelle gambe del cavalletto per posizionare la piastra di appoggio a un'angolo di 22,5°.
 5. Utilizzare il secondo gruppo di tacche per posizionare il tavolo di smussatura a un angolo superiore a 45°.
- NOTE:** Assicurarsi che la tavola di smussatura sia bloccata saldamente al suo posto prima di iniziare le operazioni di taglio.
- Dispiegare le gambe e aprire la tavola per la smussatura a un angolo di 22,5° o 45°.
6. Accendere l'alimentazione.
 7. Lasciare che la lama prenda velocità e attendere che si bagni prima di spostare il materiale verso la lama.
 8. Reggere il materiale in modo saldo contro la tavola di smussatura e avvicinare il materiale alla lama.
 9. Una volta portato a termine il taglio, spegnere





Italiano

l'utensile. Attendere che la lama si sia completamente fermata prima di rimuovere le parti dal materiale.

MANUTENZIONE

AVVERTENZE

Quando si svolgono operazioni di manutenzione, utilizzare solo ricambi identici. Utilizzare qualsiasi altra parte potrà costituire un rischio o causare danni al prodotto.

AVVERTENZE

Indossare sempre occhiali di sicurezza o occhiali di sicurezza con schermi laterali durante le operazioni con l'elettrotensile o quando si aspira della polvere. Nel caso in cui si preveda che le operazioni di lavoro causeranno polvere, indossare sempre una maschera anti-polvere.

AVVERTENZE

Se il cavo di alimentazione è danneggiato deve essere sostituito solo dalla ditta produttrice o dal centro servizi autorizzato per evitare eventuali rischi.

AVVERTENZE

Per maggiore sicurezza ed affidabilità, effettuare tutte le riparazioni presso un Centro di Assistenza Autorizzato Ryobi.

MANUTENZIONE GENERAL

Evitare di utilizzare solventi quando si puliscono le parti in plastica. La maggior parte dei materiali plastici è soggetta a danni di vario tipo da solventi commerciali e può essere danneggiata dal contatto con gli stessi. Utilizzare un panno pulito per rimuovere tracce di sporco, polvere, olio, grasso, ecc.

AVVERTENZE

Evitare che sostanze quali liquidi per i freni, benzina, prodotti a base di petrolio, oli penetranti, ecc. entrino in contatto con parti metalliche. Le sostanze chimiche potranno danneggiare, indebolire o distruggere la plastica, il che potrà risultare in gravi lesioni personali.

Lubrificazione

Tutti i cuscinetti di questo utensile sono stati lubrificati con una quantità sufficiente di lubrificante di alta qualità per garantire l'ottimo funzionamento dell'utensile.

Lama taglio piastrelle

Per prestazioni ottimali e massima sicurezza, si raccomanda di utilizzare la lama di taglio da 178 mm fornita con la sega. Ulteriori lame di taglio della stessa qualità sono disponibili presso il proprio rivenditore autorizzato.

AVVERTENZE

Non utilizzare lame di taglio con un livello nominale inferiore a quelle della velocità senza carico di questo utensile. La mancata osservanza di questa norma potrà causare lesioni personali. Non utilizzare lame con lesioni, crepe o incrinature.

CAMBIARE LA LAMA PER TAGLIARE LE PIASTRELLE

Vedere la figura 20.

AVVERTENZE

La lunghezza massima della lama da utilizzare con questa sega è pari a 178 mm. Non utilizzare una lama troppo spessa che permetta alla flangia della lama di rimanere agganciata alle forature sull'albero. Lame grandi entreranno in contatto con il paralame mentre lame spesse non permetteranno che il bullone della lama la assicuri all'albero. Queste situazioni potranno causare gravi incidenti e gravi lesioni personali.

1. Scollegare la sega.
2. Rimuovere la tavola di smussatura.
3. Far scorrere la chiave esagonale sul dado dell'albero della lama. Con l'altra mano far scorrere la chiave dell'albero sull'albero della lama.
4. Reggere la chiave dell'albero in modo saldo per prevenire il movimento della lama. Per allentare girare il dado dell'albero in senso antiorario.
5. Rimuovere il dado dell'albero, la flangia della lama esterna e la lama di taglio.
6. Asciugare eventuali gocce d'olio sulla flangia della lama interna sul punto in cui entra in contatto con la lama.

AVVERTENZE

Se la flangia della lama è stata rimossa, sostituirla prima di sostituire la lama sull'albero. La mancata osservanza di questa norma potrà causare incidenti dal momento che la lama non sarà stata correttamente serrata. Non utilizzare lame con lesioni, crepe o incrinature con questo utensile.



Italiano

7. Posizionare la lama di taglio sull'albero con le frecce sulla lama di taglio in direzione antioraria.
8. Sostituire la flangia della lama esterna. Le doppie forature "D" sulla flangia della lama si allineano con le forature sull'albero.
9. Utilizzare una chiave per la lama e una chiave per l'albero, serrare in modo saldo il dado dell'albero.
10. Sostituire la tavola di smussatura.

TUTELA DELL'AMBIENTE



Riciclare le materie prime anziché gettarle tra i rifiuti domestici. Per tutelare l'ambiente, l'apparecchio, gli accessori e gli imballaggi devono essere smaltiti separatamente.

SIMBOLO



Allarme di sicurezza



Conformità CE



Conformità GOST-R



Leggere attentamente le istruzioni prima di utilizzare il prodotto.



Indossare sempre occhiali di protezione.



Indossare cuffie di protezione



Indossare guanti di sicurezza



PERICOLO! Lama affilata



Attenzione, rischio di taglio



Non esporre a pioggia né utilizzare in ambienti umidi.



Non esporre a pioggia né utilizzare in ambienti umidi.



Questo utensile deve essere utilizzato con una lama di taglio continua diamantata.



Direzione della rotazione lama



Lama di taglio al diamante



Diametro lama



Diametro portalama



Peso netto



Profondità di taglio (Massimo)



Larghezza di fresatura (Massimo)



Ampiezza di taglio diagonale (Massimo)



Riciclare



I prodotti elettrici non devono essere smaltiti con i rifiuti domestici. Vi sono strutture per smaltire tali prodotti. Informarsi presso il proprio Comune o rivenditore di sicurezza per smaltire adeguatamente tali rifiuti.



Nederlands

BESCHRIJVING

1. Aardpen
2. Stroomsnoer
3. Druiplus
4. Tegelzaagblad
5. Aan-/uitschakelaar
6. Schulpgeleider
7. Verstekgeleider
8. Max vullijn
9. Overstroomb drainage
10. Waterreservoir
11. Schulpgeleiderschaal
12. Stand
13. Snoerhouder
14. Hef de handvaten op
15. Zaagbladbeschermer
16. Afschuintafel
17. Tegelzaagbehuizing
18. Inbussleutel
19. Doorn sleutel
20. Schroeven
21. Zaagbladbeschermbegel
22. Inbusmoer
23. Inbusschroef
24. Steunen "A"
25. Steunen "B"
26. Steunstandbout(en)
27. Steunstandmoer(en)
28. Steunstandbeugel(s)
29. Steunbeugel "A"
30. Steunbeugel "B"
31. Knipsluitingen
32. Spanningsaflossing
33. Lip
34. Schulpgeleiderknop
35. Montage van de steunen "A"
36. Montage van de steunen "B"
37. Verstekgeleiderschaal
38. Verstekgeleiderknop
39. Afschuintafelsteen
40. 22.5° afschuininkeping
41. 45° afschuininkeping
42. Doorn
43. Binnenste flens
44. Buitenste flens
45. Doornmoer

ALGEMENE VEILIGHEIDSVOORSCHRIFTEN

WAARSCHUWING

Wanneer u elektrisch gereedschap gebruikt, moeten de basisveiligheidsvoorzieningen altijd worden gevolgd om het risico op brand, elektrische schok en letsels te verminderen.

Lees alle instructies voor u probeert het product te gebruiken en bewaar deze instructies.

- **Ken uw werktuig.** Lees zorgvuldig de gebruiksaanwijzing. Leer de toepassingen en beperkingen van het product en de specifieke mogelijke gevaren die met ermee zijn verbonden.
- **Bescherm tegen elektrische schokken door lichaamscontact met geaarde oppervlaktes te vermijden.** Bijvoorbeeld, buizen, radiatoren, fornuizen, koelkastruimtes.
- **Houd de beschermers op hun plaats en in een goede staat.**
- **Verwijder afstelsleutels en sleutels.** Maak er een gewoonte van om de controleren of sleutels en afstelsleutels van het werktuig verwijderd zijn voor u het inschakelt.
- **Houd de werkplek schoon.** Rommelige plaatsen en banken nodigen uit tot ongevallen. Laat werktuigen of stukken hout niet op de zaag achter terwijl deze werkt.
- **Gebruik niet in een gevaarlijke omgeving.** Gebruik geen werktuigen op vochtige of natte plaatsen en stel ze niet bloot aan regen. Houd de werkplaats goed verlicht. Gebruik het werktuig niet in de aanwezigheid van ontvlambare vloeistoffen of gassen.
- **Houd kinderen en bezoekers weg.** Alle bezoekers moeten een veiligheidsbril dragen en op een veilige afstand van de werkplaats worden gehouden. Laat bezoekers niet in contact komen met het werktuig of het verlengsnoer terwijl dit werkt.
- **Forceer het werktuig niet.** Het zal de taak beter en veiliger uitvoeren volgens het tempo waarvoor het werd ontworpen.
- **Gebruik het juiste gereedschap.** Forceer het gereedschap of accessoire niet om een bepaalde taak uit te voeren waarvoor het niet werd ontworpen. Gebruik het gereedschap alleen waarvoor het werd ontworpen.
- **Gebruik het juiste verlengsnoer.** Zorg ervoor dat uw verlengsnoer in goede staat is. Gebruik uitsluitend een snoer dat zwaar genoeg is om de stroom dat uw product zal afnemen, te dragen. Een te klein snoer zal leiden tot spanningsval, waardoor vermogensverlies en oververhitting optreden.





Nederlands

- **Draag aangepaste kleding.** Draag geen losse kleding, handschoenen, dassen of juwelen. Ze kunnen verstrikt of vast raken in de bewegende delen. Rubberen handschoenen en antislipschoenen (laarzen met rubberen zolen) zijn aanbevolen wanneer u buitenshuis werkt. Draag ook een beschermkap om lang haar samen te houden.
- **Draag altijd een veiligheidsbril met zijdelingse bescherming.** Normale brilglazen zijn alleen bestand tegen impact; dit is GEEN veiligheidsbril.
- **Maak het werkstuk vast.** Gebruik klemmen of een bankschroef om een werkstuk vast te houden, indien praktisch; dit is veiliger dan uw handen te gebruiken en maakt beide handen vrij om het werktuig te bedienen.
- **Overrek u niet.** Houd steeds een goed evenwicht en sta stevig met de voeten op de grond.
- **Onderhoud de werktuigen met zorg.** Houd werktuigen scherp en schoon voor een beter en veiliger gebruik. Volg de instructies i.v.m. smeren en accessoires vervangen. Inspecteer de snoeren van het werktuig regelmatig en laat ze repareren door een geautoriseerde onderhoudsdienst, indien beschadigd. Inspecteer de verlengsnoeren regelmatig en vervang indien beschadigd. Houd de handvaten droog, schoon en vrij van olie en vet.
- **Ontkoppel de werktuigen.** Wanneer niet in gebruik, voor het onderhoud of wanneer u opzetstukken, zaagbladen, boorstiften, snijders, etc. vervangt, moeten alle werktuigen van de stroomtoevoer zijn ontkoppeld. Verwijder de stekker voor u de machine afstelt of onderhoud.
- **Vermijd ongewild starten.** Zorg ervoor dat de schakelaar uit staat wanneer u een werktuig met het stroomnet verbindt.
- **Gebruik de aangewezen accessoires.** Raadpleeg de gebruiksaanwijzing voor aanbevolen accessoires. Het gebruik van niet-geschikte accessoires kan een risico op letsels met zich meebrengen.
- **Sta nooit op een werktuig.** Ernstige letsels kunnen optreden als het werktuig kantelt of als u ongewild in contact komt met het zaagwerktuig.
- **Controleer beschadigde onderdelen.** Voor u het gereedschap verder gebruikt, moet een beschermer of ander beschadigd onderdeel zorgvuldig worden gecontroleerd om vast te stellen dat het naar behoren zal werken en zijn bedoelde functie zal uitvoeren. Controleer de afijning, het vastraken van bewegende onderdelen, defecten van onderdelen, montagebeugels en andere toestanden die de werking kunnen beïnvloeden. Een beschadigde beschermer of een ander onderdeel dat beschadigd is moet door een geautoriseerd onderhoudscentrum degelijk worden hersteld of vervangen om het risico op letsels te voorkomen.
- **Gebruik de juiste richting van de voeding.** Breng het werk een zaagblad of zaag alleen in tegen de draairichting van het zaagblad of de zaag.
- **Laat een werktuig nooit onbeheerd draaien. Zet het toestel uit.** Laat het gereedschap niet achter voor het volledig tot stilstand is gekomen.
- **Bescherm uw longen.** Draag een gezichts- of stofmasker als de werking stoffig is.
- **Bescherm uw gehoor.** Draag gehoorbescherming tijdens langere periodes van gebruik.
- **Misbruik het snoer niet.** Trek nooit aan het snoer om dit uit een contactdoos te trekken. Houd het snoer weg van hitte, olie en scherpe randen.
- **Houd de beschermkap altijd op zijn plaats en in werkende toestand.**
- **Houd uw handen weg van het zaaggebied.** Houd uw handen weg van het zaagblad. Reik niet onder het werk of rond of over het zaagblad terwijl het zaagblad draait. Probeer niet om gezaagd materiaal te verwijderen wanneer het zaagblad beweegt.
- **Het zaagblad loopt uit nadat het wordt stilgelegd.**
- **Gebruik nooit in een explosieve atmosfeer.** De normale vonken van de motor kunnen dampen ontsteken.
- **Inspecteer de snoeren van het werktuig regelmatig.** Indien beschadigd, laat dan herstellen door een erkende onderhoudstechnicus in een geautoriseerd onderhoudscentrum.
- **Inspecteer de verlengsnoeren regelmatig en vervang indien beschadigd.**
- **Aard alle werktuigen.** Als het werktuig is uitgerust met een 3-polige stekker, moet deze in een elektrische contactdoos met 3 openingen worden gestoken.
- **Controleer met behulp van een gekwalificeerde elektrotechnicus of onderhoudspersoneel als u de aardingsinstructies niet volledig begrijpt of als u twijfelt of het product wel correct is geaard.**
- **Gebruik uitsluitend correcte elektrische toestellen:** 3-aderige verlengsnoeren met 3-polige geaarde stekkers en 3-polige contactdozen die geschikt zijn voor de stekker van het gereedschap.
- **Breng geen wijzigingen aan de meegeleverde stekker aan.** Als deze niet in de wandcontactdoos past, laat dan de correcte wandcontactdoos door een gekwalificeerde elektrotechnicus installeren.
- **Houd het gereedschap droog, schoon en vrij van olie en vet.** Gebruik altijd een schone doek wanneer u de machine reinigt. Gebruik nooit remvloeistoffen, benzine, producten op petroleumbasis of oplosmiddelen om de machine te reinigen.





Nederlands

- **Blijf alert en behoud de controle.** Kijk naar wat u doet en gebruik uw gezond verstand. Gebruik het werktuig niet wanneer u moe bent. Spoed u niet.
 - **Gebruik het werktuig niet als de schakelaar het niet in- of uitschakelt.** Laat defecte schakelaars door een geautoriseerd onderhoudscentrum vervangen.
 - **Gebruik uitsluitend het juiste zaagblad.** Gebruik geen zaagblad met openingen van een foutieve afmeting. Gebruik nooit sluitringen of doormoeren die defect of foutief zijn. De maximum zaagbladcapaciteit van uw zaagmachine is 178 mm. Alle zaagbladen moeten worden gemaakt om overeen te stemmen met EN13236. Gebruik een zaagblad nooit aan een lagere snelheid dan deze van het werktuig.
 - **Voor u een insnede maakt, moet u ervoor zorgen dat alle afstellingen veilig zijn.**
 - **Raak het zaagblad of een ander bewegend onderdeel nooit aan tijdens het gebruik.**
 - **Start een werktuig nooit wanneer een draaiend onderdeel in contact komt met het werkstuk.**
 - **Gebruik het werktuig niet wanneer u onder de invloed bent van drugs, alcohol of medicijnen.**
 - **Gebruik voor het onderhoud enkel identieke vervangonderdelen.** Het gebruik van andere onderdelen kan een gevaar betekenen of schade aan het product veroorzaken.
 - **Gebruik uitsluitend de aangewezen accessoires die in deze gebruiksaanwijzing of bijlagen worden opgelijst.** Het gebruik van accessoires die niet zijn opgelijst kan leiden tot risico op letsels. Instructies voor het veilig gebruik van accessoires zijn inbegrepen bij het accessoire.
 - **Controleer alle setups nog een keer.** Zorg ervoor dat het zaagblad stevig vastzit en niet in contact komt met de zaagmachine of het werkstuk voor u het met de stroomtoevoer verbindt.
- u plots kunt wegglijden, waardoor uw hand tegen het zaagwerktuig kan terechtkomen.
- **Zorg ervoor dat de werkplaats goed verlicht is** zodat u het werk ziet en dat er geen hindernissen het veilig gebruik hinderen voor u met de zaag begint te werken.
 - **Schakel de zaagmachine uit voor u ze ontkoppelt om ongewild starten te voorkomen** wanneer u de stroomtoevoer opnieuw verbindt.
 - **Dit werktuig moet van de volgende markeringen zijn voorzien:**
 - Draag gezichtsbescherming.
 - Gebruik de zaagbladbeschermer voor elke handeling waarvoor deze kan worden gebruikt.
 - Ontkoppel de zaag voor u ze onderhoudt, wanneer u het zaagblad vervangt en wanneer u ze schoonmaakt.
 - Gebruik het werktuig uitsluitend met zaagbladen met een zachte rand, vrij van openingen, groeven en tanden.
 - Vervang een beschadigd zaagblad voor u het gebruikt.
 - Vul het waterbad niet boven de watervullijn.
 - **Bewaar deze instructies.** Raadpleeg ze regelmatig en gebruik dit om anderen te instrueren. Als u dit werktuig aan iemand uitleent, leen hem dan deze instructies ook uit.

ELEKTRISCHE VERBINDING

Dit werktuig is aangedreven door een op maat gemaakte elektrische motor. Het moet worden verbonden met een stroomtoevoer van 220 - 240V, uitsluitend AC (normale huishoudstroom), 50 Hz. Gebruik dit product niet op gelijkstroom (DC). Een belangrijke spanningsval zal leiden tot vermogensverlies en de motor zal oververhitten. Als de zaag niet werkt wanneer deze met een wandcontactdoos is verbonden, controleer dan de stroomtoevoer.

SNELHEID EN BEKABELING

Het onbelast toerental van dit werktuig bedraagt ongeveer 2.900 tpm. Deze snelheid is niet constant en vermindert onder een lading of bij lagere spanning. Voor spanning, de bekabeling in een winkel is net zo belangrijk als de nominale paardenkracht van een motor. Een snoer dat uitsluitend geschikt is voor lampen kan onmogelijk de motor van elektrisch gereedschap dragen. Een snoer dat zwaar genoeg is voor een korte afstand zal te licht zijn voor een grote afstand. Een snoer dat één gereedschapswerktuig kan ondersteunen is misschien niet in staat om twee of drie gereedschapswerktuigen te ondersteunen.

AARDINGSINSTRUCTIES

Zie afbeelding 1.

VEILIGHEIDSWAARSCHUWINGEN TEGELZAAGMACHINE

- Maak het werkstuk altijd stevig vast tegen de schulpleieler of afschuinblok.
- Sta nooit in de zaaglijn of laat een lichaamsdeel nooit in lijn komen met de zaaglijn.
- Probeer nooit een stilgevalven zaagblad los te maken zonder eest de zaagmachine uit te schakelen en de verbinding met de stroomtoevoer te onderbreken.
- Als het stroomsnoer beschadigd is, mag deze uitsluitend worden vervangen door de fabrikant of door een geautoriseerd onderhoudscentrum om risico te voorkomen.
- Vermijd vreemde handelingen en handposities waar





Nederlands

Dit product moet worden geaard. Als er zich een defect of panne voordoet, dan zorgt de aarding ervoor dat er minder weerstand is voor de elektrische stroom, waardoor het risico op een elektrische schok vermindert. Dit werktuig is uitgerust met een elektrisch snoer dat van een aardleiding en een geaarde stekker is voorzien. De stekker moet met een overeenkomstige wandcontactdoos worden verbonden die correct is geïnstalleerd en geaard in overeenstemming met de plaatselijke voorschriften en regels.

Breng geen wijzigingen aan de meegeleverde stekker aan. Als deze niet in de wandcontactdoos past, laat dan de correcte wandcontactdoos door een gekwalificeerde elektrotechnicus installeren.

⚠ WAARSCHUWING

Onjuiste installatie van de geaarde stekker kan leiden tot een risico voor elektrische schok. Wanneer reparatie of vervanging van het snoer nodig is, verbindt u de aardleiding niet met de vlakke bladterminals. De kabel met de groen gekleurde isolatie (met of zonder gele strepen) is de aardkabel.

Controleer met behulp van een gekwalificeerde elektrotechnicus of onderhoudspersoneel als u de aardingsinstructies niet volledig begrijpt of als u twijfelt of het product wel correct is geaard.

Herstel of vervang een beschadigd of versleten snoer onmiddellijk.

Als het stroomsnoer beschadigd is, mag deze uitsluitend worden vervangen door de fabrikant of door een geautoriseerd onderhoudscentrum om risico te voorkomen.

Verbind het product uitsluitend met een wandcontactdoos met dezelfde confi guratie als de stekker. Gebruik geen adapter met dit product.

Alle reparaties moeten worden uitgevoerd door een Erkend Ryobi Servicecentrum teneinde de veilige en betrouwbare werking van de machine te garanderen.

Aardlekschakelaarbeveiliging (RCD) moet voorzien zijn op de circuit(s) of contactdoos/contactdozen die voor de tegelzaagmachine worden gebruikt. Stekkers met ingebouwde aardlekbeveiliging zijn beschikbaar en kunnen worden gebruikt als veiligheidsvoorziening.

Als de zaagmachine met een verlengsnoer wordt gebruikt, moet u er zeker van zijn dat de verbinding van het stroomsnoer van het werktuig en het verlengsnoer niet op de grond liggen. Bijkomende apparaten moeten altijd met een wandcontactdoos worden verbonden en niet met de verbinding van een verlengsnoer en het stroomsnoer van het werktuig.

Als er geen beschermd stopcontact beschikbaar is,

gebruik dan de zaag niet tot een stopcontact kan worden verwisseld of bijkomende bescherming kan worden verkregen. Deze bijkomende beschermvoorzieningen zijn beschikbaar bij uw plaatselijke handelaar.

POSITIE VAN DE TEGELZAAGMACHINE.

Zie afbeelding 2.

Om te voorkomen dat de stekker van het werktuig of de wandcontactdoos nat wordt, plaatst u de tegelzaagmachine aan een kant van een wandcontactdoos om te voorkomen dat er water in de stekker of contactdoos druppelt. De bediener moet een "druiploop" ("drip loop") aanbrengen in het snoer dat de zaagmachine met de wandcontactdoos verbindt. De "druiploop" ("drip loop") is het gedeelte van het snoer onder het niveau van de wandcontactdoos of de verbinding als een verlengsnoer wordt gebruikt, dat voorkomt dat water langs het snoer stroomt en in contact komt met de wandcontactdoos.

Als de stekker of het stopcontact nat wordt, **VERBIND** het snoer dan **NIET**. Ontkoppel de bougie of stroomonderbreker die zorgt voor de stroomtoevoer naar de machine en ontkoppel en onderzoek of er water in het stopcontact aanwezig is.

⚠ WAARSCHUWING

Om het risico op elektrocutie te verminderen, houd u alle verbindingen droog en weg van de grond. Raak het stopcontact niet met natte handen aan.

SPECIFICATIES

Productspecificaties

Spanning	220 - 240V
Aan/Uit	500 W
Toerental bij nullast	2,900 rpm
Gewicht	15,5 kg (N.W.)

Eigenschappen

Tafelafmeting	381 mm x 502 mm
Tafelhoogte van kast tot tafel	181 mm

Materiaalspecificaties

Tafelmateriaal	Roestvrij staal
Standmateriaal	Stalen kabels

Zaagwerktuigen/Capaciteit

Zaagbladdiameter	178 mm
------------------	--------





Nederlands

Zaagbladtype	Diamant
Binnendiameter zaagblad	25,4 mm
Maximum diepte van de insnede	33 mm
Valeurs mesurées obtenues selon EN 61029 A-gewogen geluidsdrukniveau Onzekerheid K	$L_{pA} = 61,0 \text{ dB(A)}$ 3 dB(A)
Valeurs mesurées obtenues selon EN 61029 A-gewogen geluidsniveau Onzekerheid K	$L_{WA} = 77,0 \text{ dB(A)}$ 3 dB(A)

KEN UW TEGELZAAGMACHINE

178 mm tegelzaagblad

- Een tegelzaagblad van 178 mm is inbegrepen bij uw zaag.

Afschuintafel

- Schuine insnedes van 22,5° en 45° kunnen worden gemaakt met behulp van de afschuintafel.

Handvaten

- Zaagmachine heeft praktische handvaten die zich aan de linker- en rechterzijde bevinden om deze op te heffen en te dragen.

Verstekgeleider

- De verstekgeleider is volledig afstelbaar voor diagonale insnedes en verstekzagen.

Motor

- Deze machine heeft een krachtige motor met voldoende vermogen om lastige zaagopdrachten aan te kunnen.

Schulpleider

- Schulpleider is volledig afstelbaar om af te korten en de verstekgeleider te gebruiken.

Tegelzaagstand

- Deze zaagmachine wordt geleverd met een stand voor verbeterde draagbaarheid en comfort.

Zaagbladbeschermer

- De zaagbladbeschermer biedt bescherming tegen opspattend water en nevel

MONTAGE

ZAAGBLADBESCHERMER INSTALLEREN

Zie afbeelding 5-6.

1. Verwijder de afschuintafel.
2. Installeer de L-vormige zaagbladbeschermerbeugel die zich in de lip onder de tafel achter het zaagblad bevindt.

3. Installeer de schroeven in de tafel en doorheen de zaagbladbeschermerbeugel en maak dan stevig vast.

OPMERKING: Zorg ervoor dat de zaagbladbeschermerbeugel afgelijnd is met het zaagblad zodat dit het materiaal dat moet worden gezaagd, niet hindert.

4. Lijn de zaagbladbeschermer af met het zaagblad en schuif over de montagebeugel. Breng in een lijn doorheen de openingen in de zaagbladbeschermer met de gleuf in de zaagbladbeschermerbeugel.

OPMERKING: Stel de zaagbladbeschermer altijd horizontaal met de tafel af en een klein beetje hoger dan de dikte van de tegel. Zaagbladbeschermer mag de tegel niet raken.

5. Installeer de inbuschroef doorheen de zaagbladbeschermer en montagebeugel.

6. Draad knop op de bout en maak vast op de gewenste hoogte.

7. Plaats de afschuintafel terug.

OPMERKING: Het zaagbladdekseel/De zaagbladbeschermer wordt in de fabriek gemonteerd. Haal de machine niet uit elkaar terwijl u ze afstelt of onderhoudt.

SCHULPGELEIDER INSTALLEREN

Zie afbeelding 7.

1. Draai de knop op de schulpleider tegen de richting van de wijzers van de klok om los te maken.

2. Glijd de schulpleider op de zijkant van de tafel.

3. Gebruik een schulpleiderschaal die zich voor- en achteraan de tafel bevindt, om de schulpleider in de gewenste zaagbreedte in te stellen.

4. Draai de schulpleiderknop tegen de richting van de wijzers van de klok om stevig vast te maken.

VERSTEKGELEIDER INSTALLEREN

Zie afbeelding 7.

1. Stel de schulpleider in de gewenste positie af en maak vast.

2. Glijd de verstekgeleider op de schulpleider vanaf de voorkant.

3. Stel af in de gewenste hoek met behulp van de hoekschaal en span stevig aan met de knop.

STAND MONTEREN

Zie afbeelding 8-9.

De steunbeugels en steunen hebben overeenkomstige letters voor makkelijke montage.

Vereist gereedschap: Afstelbare sleutel of 13 mm sleutels en kruiskopschroevendraaier.

1. Breng de standsteunen, gemarkeerd "A" in het eindleidingen van de steunbeugel, gemarkeerd "A".





Nederlands

De hoekige uiteinden van de steunbenen moeten weg van elkaar wijzen zodat ze op een "V"gelijken. Lijn de openingen af voor hardware. Herhaal met een tweede steunbeugel en de steunen, gemarkeerd "B".

- Plaats de steunen in de montagebeugels. Montage van de steunen "B" rust op de binnenste zijde van de beugels. Montage van de steunen "A" rust op de buitenste zijde. Breng de openingen in de beugels en steunen in een lijn. Installeer de apparatuur door de openingen.
- Maak de apparatuur vast met een sleutel.
- Plaats de stand op een effen oppervlak en brengt de groeven onder de tegelzaagmachine op een lijn met de beugels op de stand. Positioneer de tafel op de stand.
- Zorg ervoor dat de tegelzaag op een vlakke bodem staat en de stand stevig is gemontereerd voor gebruik.

OVERSTROOMDRAINAGE INSTALLEREN

Zie afbeelding 10.

- Verwijder de afschuintafel.
- Vind de opening onderaan het waterreservoir.
- Druk de overstroomdrainage stevig in de opening.
- Plaats de afschuintafel terug.

KNIPSLUITINGEN MONTEREN

- Draai de tegelzaagmachinebehuizing om.
- Lijn de schroefopeningen op de knipsluitingen af met de schroefopeningen onderaan de behuizing van de tegelzaagmachine.
- Breng de schroeven in en maak stevig vast.

WATERRESERVOIR VULLEN

Zie afbeelding 11.

- Verwijder de afschuintafel.
- Vul het waterreservoir met helder kraanwater tot de vullijn.
OPMERKING: Overstroomdrainage voorkomt overvullen.
- Plaats de afschuintafel terug.

RESERVOIRWATER VERVANGEN

- Trek de tegelzaagmachine uit de wandcontactdoos.
- Verwijder overstroomdrainage en maak leeg in een emmer, laat het water niet op de grond of rond de machine spatten.
- Gooi afvalwater weg in overeenstemming met de plaatselijke reglementen.

BEDIENING

⚠ WAARSCHUWING

Laat uw waakzaamheid niet verslappen als u eenmaal vertrouwd bent geraakt met de machine. Vergeet niet dat zelfs één seconde onoplettendheid ernstig lichamelijk letsel kan veroorzaken.

⚠ WAARSCHUWING

Draag altijd een veiligheidsbril of een beschermbril met zijschotjes wanneer u met gereedschap werkt. Er kunnen wegsplattende deeltjes in uw ogen komen en ernstig oogletsel veroorzaken als u zich hier niet aan houdt.

⚠ WAARSCHUWING

Gebruik geen andere onderdelen of accessoires dan die door de fabrikant voor deze machine zijn aanbevolen en bijgeleverd. Bij gebruik van niet aanbevolen onderdelen of accessoires bestaat gevaar voor ernstig lichamelijk letsel.

RCD TESTEN VOOR GEBRUIK

- RCD met de netschakelaar verbinden.
- Druk op de resetknop. De aan/uit-knop moet oplichten.
- Druk op de testknop. De aan/uit-knop moet uitdoven.
WAARSCHUWING: Als de test met de RCD mislukt, mag u het apparaat niet gebruiken. Raadpleeg een gekwalificeerd elektricien.
- Druk op de resetknop om de RCD te activeren.

TOEPASSINGEN

U mag dit werktuig gebruiken voor de onderstaande doeleinden:

Zaagbewerkingen in rechte lijn, zoals afkorten, verstekzagen, schulpen en afschuïnen

OPMERKING: Deze zaagmachine is uitsluitend ontworpen voor het zagen van tegels, straatstenen, natuursteenproducten, en tegelproducten.

Aan-/uitschakelaar

Deze zaagmachine heeft een makkelijk toegankelijke AAN/UIT-schakelaar (ON/OFF) onderaan de voorste rail.

Schakel de zaag uit:

Druk op de rode knop om UIT (O) te schakelen.





Nederlands

Schakel de zaag aan:

Druk op de groene knop om IN (I) te schakelen.

Om uw zaag te vergrendelen:

Als de zaag UITGESCHAKELD is, trekt u de stekker uit de wandcontactdoos.

⚠ WAARSCHUWING

Zorg er ALTIJD voor dat uw werkstuk niet met het zaagblad in contact komt voor u de schakelaar om het werktuig te starten, bedient. Wanneer u deze waarschuwing niet in acht neemt, kan het werkstuk terugslaan in de richting van de bediener en leiden tot ernstige letsels.

⚠ WAARSCHUWING

Om het risico op ongewild starten te verminderen, zorgt u er altijd voor dat de schakelaar zich in de UIT-stand (OFF) bevindt voor u het werktuig met de stroomtoevoer verbindt. In geval van een stroomonderbreking of wanneer het werktuig niet wordt gebruikt, schakelt u de schakelaar UIT (OFF) en ontkoppelt u het werktuig van de stroombron. Deze handeling zal voorkomen dat het werktuig ongewild start wanneer de stroom opnieuw wordt aangesloten.

MET BEHULP VAN DE SCHULP- EN VERSTEK-GELEIDER

Zie afbeelding 13.

De schulpgeleider kan zowel aan de linker- als de rechterzijde van het zaagblad worden gebruikt.

1. Draai de knop op de schulpgeleider tegen de richting van de wijzers van de klok om los te maken.
2. Stel de schulpgeleider in de gewenste positie af met behulp van de schulpgeleiderschaal aan de voor- en achterkant van de tafel om de schulpgeleider op de gewenste zaagbreedte in te stellen.
3. Draai aan de knop in de richting van de wijzers van de klok om stevig vast te maken.

OM DE HOEKEN AF TE STELLEN

Stel de schulpgeleider in de gewenste positie af en maak stevig vast.

1. Glijd de verstekgeleider op de schulpgeleider vanaf de voorkant.
2. Stel af in de gewenste hoek met behulp van de hoekschaal en span stevig aan met de knop.

INSNEDES MAKEN

Trek altijd een zaaglijn op de tegel met behulp van een markeerstift of waspotlood. Als de tegel glanzend is en moeilijk om te markeren, plaatst u markeertape op de tegel en brengt u de markeringen op de tape aan.

Het afwijken van de gemarkeerde lijn is een vaak voorkomend probleem bij het zagen van tegels. Eens dat u van de markering bent afgeraakt, kunt u het zaagblad niet terug op de lijn forceren door de tegel te draaien. In de plaats daarvan gaat u terug en zaagt u de tegel opnieuw waarbij u een klein stukje van de tegel afzaagt tot het zaagblad zich opnieuw op de zaaglijn bevindt.

Om dit probleem te vermijden, gebruikt u, indien mogelijk, de schulpgeleider wanneer u afkort, de verstekgeleider voor verstekzagen en de afstelbare rechtertafel om af te schuinen.

Om af te korten

Zie afbeelding 14.

Afkorten is recht of in een hoek van 90°. Het materiaal wordt in de insnede gevoegd in een hoek van 90° tot het zaagblad en het zaagblad is verticaal.

1. Markeer de plaats op het materiaal waar gezaagd moet worden met een markeerstift of een vetpotlood.
2. Stel de schulpgeleider in de gewenste positie af en maak stevig vast.
3. Plaats het materiaal op de tafel en stevig tegen de schulpgeleider.
4. Zorg ervoor dat het materiaal weg is van het zaagblad voor u de zaagmachine inschakelt.
5. Zet het toestel aan.
6. Laat het zaagblad op volledige snelheid komen en wacht tot het zaagblad nat wordt voor u het materiaal in het zaagblad beweegt.
7. Houd het materiaal stevig tegen de schulpgeleider en breng het materiaal in het zaagblad.
8. Wanneer de insnede is gemaakt, schakelt u de zaag UIT (OFF). Wacht tot het zaagblad volledig is stilgevallen voor u een deel van het materiaal verwijdt.

Om een diagonale insnede van 45° te maken

Zie afbeelding 15.

45° Diagonale insnedes worden ook "lange zijde tot lange zijde insnedes" genoemd.

1. Markeer de plaats op het materiaal waar gezaagd moet worden met een markeerstift of een vetpotlood.
2. Stel de schulpgeleider op de gewenste breedte af en maak de knop vast om de geleider op zijn plaats te houden.
3. Glijd de verstekgeleider op de schulpgeleider vanaf de voorkant.





Nederlands

4. Stel de verstekgeleider af op 45° met behulp van de hoekschaal en span stevig aan met de knop.
5. Zorg ervoor dat het materiaal weg is van het zaagblad voor u de zaagmachine inschakelt.
6. Zet het toestel aan.
7. Laat het zaagblad op volledige snelheid komen en wacht tot het zaagblad nat wordt voor u het materiaal in het zaagblad beweegt.
8. Houd het materiaal stevig tegen de verstekgeleider en glijd de verstekgeleider langs het schulpscherm. Breng het materiaal in het zaagblad.
9. Wanneer de insnede is gemaakt, schakelt u de zaag UIT (OFF). Wacht tot het zaagblad volledig is stilgevallen voor u een deel van het materiaal verwijdert.

Om verstek te zagen

Zie afbeelding 16.

Verstekzagen worden gebruikt om buiten- en binnenhoeken op materiaal, decoratieve stoeleuning en wandplinten te zagen, waarbij het materiaal zich in een hoek tot het zaagblad bevindt die niet gelijk is aan 90°. Verstekzagen hebben te neiging te "kruipen" tijdens het zagen. Dit kan worden beheerst door het werkstuk stevig tegen de verstekgeleider te houden.

1. Markeer de plaats op het materiaal waar gezaagd moet worden met een markeerstift of een vetpotlood.
2. Stel de schulpgeleider op de gewenste breedte af en maak de knop vast om de geleider op zijn plaats te houden.
3. Glijd de verstekgeleider op de schulpgeleider vanaf de voorkant.
4. Stel de verstekgeleider af in de gewenste hoek met behulp van de hoekschaal en span stevig aan met de knop.
5. Zorg ervoor dat het materiaal weg is van het zaagblad voor u de zaagmachine inschakelt.
6. Zet het toestel aan.
7. Laat het zaagblad op volledige snelheid komen en wacht tot het zaagblad nat wordt voor u het materiaal in het zaagblad beweegt.
8. Houd het materiaal stevig tegen de verstekgeleider en glijd de verstekgeleider langs het schulpscherm. Breng het materiaal in het zaagblad.
9. Wanneer de insnede is gemaakt, schakelt u de zaag UIT (OFF). Wacht tot het zaagblad volledig is stilgevallen voor u een deel van het materiaal verwijdert.

Om een L-insnede te maken

Zie afbeelding 17.

L-insnedes zijn insnedes die een stuk tegel afnemen om in een hoek, rond een kast of een stuk profiel te worden gepast en worden gemaakt door twee afzonderlijke insnedes.

OPMERKING: Overzaag uitsluitend onderaan of aan de onderkant van het materiaal dat wordt gezaagd.

1. Zaag het materiaal op de gewenste breedte met behulp van de aanwijzingen voor afkorten.
2. Stel de schulpgeleider in de gewenste positie af en maak stevig vast.
3. Plaats het materiaal op de tafel en stevig tegen de schulpgeleider.
4. Zorg ervoor dat het materiaal weg is van het zaagblad voor u de zaagmachine inschakelt.
5. Zet het toestel aan.
6. Laat het zaagblad op volledige snelheid komen en wacht tot het zaagblad nat wordt voor u het materiaal in het zaagblad beweegt.
7. Houd het materiaal stevig tegen de schulpgeleider en breng het materiaal in het zaagblad.
8. Maak de insnede ver genoeg in het materiaal zonder te ver te zagen.
9. Zet het toestel uit.
10. Draai het materiaal om en maak de insnede langs een van de markeringen. Deze keer oversnijdt u de andere lijn en het gezaagde deel wordt van de rest van het materiaal gescheiden.
11. Zet het toestel aan.
12. Laat het zaagblad op volledige snelheid komen en wacht tot het zaagblad nat wordt voor u het materiaal in het zaagblad beweegt.
13. Wanneer de insnede is gemaakt, schakelt u de zaag UIT (OFF). Wacht tot het zaagblad volledig is stilgevallen voor u een deel van het materiaal verwijdert.

Om af te schuiven

Zie afbeelding 18-19.

Schuine insnedes van 22,5° en 45° kunnen worden gemaakt met behulp van de afschuintafel.

1. Markeer de plaats op het materiaal waar gezaagd moet worden met een markeerstift of een vetpotlood.
 2. Hef de afschuintafel op.
 3. Aan de onderkant van de afschuintafel trekt u de twee tafelsteunen naar beneden in de rechterhoeken van de plaat.
 4. Gebruik de eerste inkepingen in de steunen om de plaat te laten rusten in een hoek van 22,5°.
 5. Gebruik de tweede set inkepingen om de afschuintafel in de hoogste hoek van 45° in te stellen.
- OPMERKING:** Zorg ervoor dat de afschuintafel stevig op zijn plaats is vergrendeld voor u begint te zagen. Plooi de steunen uit en leg de afschuintafel plat in een hoek van 22,5°, of 45°.
6. Zet het toestel aan.
 7. Laat het zaagblad op volledige snelheid komen en wacht tot het zaagblad nat wordt voor u het materiaal in het zaagblad beweegt.





Nederlands

8. Houd het materiaal stevig tegen de afschuintafel en breng het materiaal in het zaagblad.
9. Wanneer de insnede is gemaakt, schakelt u de zaag UIT (OFF). Wacht tot het zaagblad volledig is stilgevallen voor u een deel van het materiaal verwijdert.

ONDERHOUD

⚠ WAARSCHUWING

Gebruik voor het onderhoud enkel identieke vervagonderdelen. Het gebruik van andere onderdelen kan een gevaar betekenen of schade aan het product veroorzaken.

⚠ WAARSCHUWING

Draag altijd een veiligheidsbril of gezichtsbescherming met zijdelingse bescherming terwijl u het werktuig gebruikt of wanneer u stof blaast. Als de werking stof veroorzaakt, draag dan ook een stofmasker.

⚠ WAARSCHUWING

Als het stroomsnoer beschadigd is, mag deze uitsluitend worden vervangen door de fabrikant of door een geautoriseerd onderhoudscentrum om risico te voorkomen.

⚠ WAARSCHUWING

Alle reparaties moeten worden uitgevoerd door een Erkend Ryobi Servicecentrum teneinde de veilige en betrouwbare werking van de machine te garanderen.

ALGEMEEN ONDERHOUD

Voorkom het gebruik van oplosmiddelen wanneer u kunststof onderdelen reinigt. De meeste kunststoffen zijn gevoelig voor schade van verschillende types commerciële schoonmaakproducten en kunnen door hun gebruik worden beschadigd. Gebruik een schone doek om vuil, stof, olie, vet, enz. te verwijderen.

⚠ WAARSCHUWING

Voorkom steeds dat remvloeistoffen, benzine, petroleumproducten, kruipolie enz. in contact komen met kunststof onderdelen. Chemicaliën kunnen kunststof beschadigen, verzwakken of verwoesten, wat kan leiden tot ernstig letsel.

Smering

Alle lagers in dit gereedschap zijn gesmeerd met een voldoende hoeveelheid smeermiddel van hoge kwaliteit, wat moet volstaan voor de levensduur van de machine

onder normale gebruiksomstandigheden.

Tegelzaagblad

Voor maximaal vermogen en veiligheid is het aangewezen het zaagblad van 178 mm dat met uw zaag wordt meegeleverd, te gebruiken. Bijkomende zaagbladen van dezelfde hoge kwaliteit zijn beschikbaar bij uw plaatselijke dealer.

⚠ WAARSCHUWING

Gebruik geen zaagbladen met een mindere nominale waarde dan het onbelast toerental van dit werktuig. Wanneer u deze waarschuwing niet in acht neemt, kan dit leiden tot ernstige letsels. Gebruik geen zaagblad met barsten, gaten of tanden.

TEGELZAAGBLAD VERVANGEN

Zie afbeelding 20.

⚠ WAARSCHUWING

Een tegelzaagblad van 178 mm is de maximum zaagbladcapaciteit van de zaag. Gebruik nooit een zaagblad dat te dik is om toe te laten dat de zaagbladflens in contact komt met de vlakken op de as. Grotere zaagbladen zullen in contact komen met de zaagbladbeschermer terwijl dikkere zaagbladen verhinderen dat de zaagbladbout het zaagblad op de as vasthoudt. Deze situaties kunnen leiden tot een ernstig ongeval en kunnen ernstige persoonlijke letsels veroorzaken.

1. Trek de zaagmachine uit de wandcontactdoos.
2. Verwijder de afschuintafel.
3. Glijd de insbusleutel over de zaagbladdoorn. Met uw andere hand glijdt u de doornleutel op de zaagbladdoorn.
4. Houd de doornleutel stevig vast om te voorkomen dat het zaagblad beweegt. Draai de doornmoer tegen de richting van de wijzers van de klok om los te maken.
5. Verwijder de doornmoeren, de buitenste bladflens en het zaagblad.
6. Wrijf een oliedruppel op de binnenste zaagbladflens waar het in contact komt met het zaagblad.

⚠ WAARSCHUWING

Als de binnenste zaagbladflens werd verwijderd, vervangt u dit voor u het zaagblad op de as plaatst. Wanneer u deze waarschuwing niet in acht neemt, kan dit leiden tot een ongeval, aangezien het zaagblad niet goed vast zal zitten. Gebruik nooit zaagbladen met openingen, groeven of tanden op dit werktuig.

7. Plaats het zaagblad op de doorn, waarbij de pijlen op het zaagblad tegen de richting van de wijzers van de



Nederlands

- klok wijzen.
- Vervang de buitenste zaagbladflens. De dubbele "D" vlakken op de zaagbladflens lijnen af met de vlakken op de as.
 - Maak de doormoer stevig vast met een zaagblad- of doorsleutel.
 - Plaats de afschuintafel terug.

MILIEUBESCHERMING



Zorg dat grondstoffen gerecycleerd worden. Zet daarom een afgedankte elektrische machine niet bij het huishoudafval. Om het milieu te beschermen moeten de machine, de accessoires en de verpakking gesorteerd bij een erkend recyclingcentrum worden aangeleverd.

SYMBOOL



Veiligheidswaarschuwing



EU-conformiteit



GOST-R-conformiteit



Lees zorgvuldig de instructies voor u het product start.



Draag altijd gezichtsbescherming.



Draag gehoorbescherming



Draag veiligheidshandschoenen



GEVAAR! Scherp zaagblad



Waarschuwing, snijgevaar



Stel niet bloot aan regen of gebruik niet in op vochtige plaatsen.



Stel niet bloot aan regen of gebruik niet in op vochtige plaatsen.



Machines moeten worden gebruikt met een diamantzaagblad met naadloze rand.



Richting van de maaibladrotatie



Diamantzaagblad



Zaagblad \emptyset



Asgat \emptyset



Netto gewicht



Zaagdiepte (max.)



Freesbreedte (max.)



Diagonale maaibreedte (max.)



Recycleren



Elektrisch afval mag niet samen met ander huishoudafval worden weggegooid. Gelieve te recycleren indien de mogelijkheid bestaat. Neem contact op met uw lokaal bestuur of handelaar om advies te krijgen over recycleage.



Português

DESCRIÇÃO

1. Pino de ligação
2. Cabo de alimentação
3. Alça/anel de gotejamento
4. Lâmina de corte de azulejos
5. Interruptor desligado/ligado
6. Guia de corte/graminho
7. Guia de corte/graminho
8. Linha de enchimento máx.
9. Drenagem do extravasamento
10. Depósito de água
11. Escala da guia de corte/do graminho
12. Suporte
13. Fixador de cabo
14. Pegas
15. Protecção da lâmina
16. Bancada para chanfrar
17. Capa protectora da serra
18. Chave hexagonal
19. Chave do eixo
20. Parafusos
21. Abraçadeira da protecção da lâmina
22. Porca hexagonal
23. Perno hexagonal
24. Pernas do suporte com a marca "A"
25. Pernas do suporte com a marca "B"
26. Perno(s) do suporte da perna
27. Porca(s) do suporte da perna
28. Reforço(s) do suporte da perna
29. Abraçadeira do suporte, com marca "A"
30. Bbraçadeira do suporte, com marca "B"
31. Fechos
32. Protector
33. Rebordo
34. Trave da guia de corte/do graminho
35. Montagem da perna, marca "A"
36. Montagem da perna, marca "B"
37. Escala da guia de corte/do graminho
38. Trave da guia de corte/do graminho
39. Perna da bancada para chanfrar
40. Encaixe de bisel de 22.5°
41. Encaixe de bisel de 45°
42. Eixo
43. Rebordo interior
44. Rebordo externo
45. Porca do eixo

INSTRUÇÕES GERAIS DE SEGURANÇA

AVISO

Ao utilizar ferramentas eléctricas, devem seguir-se sempre precauções básicas de segurança para minimizar o risco de incêndio, choque eléctrico e lesões.

Leia todas as instruções antes de utilizar o produto e conserve-as.

- **Conheça a sua ferramenta.** Leia atentamente o manual do proprietário. Aprenda as aplicações e as limitações do produto, assim como os possíveis perigos específicos relacionados com o mesmo.
- **Proteja-se contra descargas eléctricas evitando o contacto físico com superfícies ligadas à terra.** Por exemplo, tubagens, radiadores, estufas e refrigeradores.
- **Mantenha as protecções no lugar em boas condições operacionais.**
- **Retire as chaves de porcas.** Habitue-se a verificar se as chaves de ajuste e as chaves inglesas foram retiradas da ferramenta antes de a ligar.
- **Mantenha a área de trabalho limpa.** As áreas e os bancos de trabalho desordenados são mais susceptíveis de causar acidentes. Não deixe ferramentas ou peças de madeira na serra enquanto estiver a funcionar.
- **Não utilize a ferramenta em ambientes perigosos.** Não utilize ferramentas eléctricas em locais húmidos ou molhados e mantenha-as ao abrigo da chuva. Mantenha a área de trabalho bem iluminada. Mantenha a ferramenta ao abrigo de líquidos ou gases inflamáveis.
- **Mantenha as crianças e os visitantes afastados.** Todos os visitantes devem usar óculos de protecção e serem mantidos a uma distância de segurança da área de trabalho. Não deixe que pessoas estranhas toquem na ferramenta ou no cabo de extensão enquanto este(a) estiver a funcionar.
- **Não force a ferramenta.** Realizará um trabalho melhor e mais seguro à velocidade de avanço para a qual foi concebida.
- **Use a ferramenta correcta.** Não obrigue a ferramenta ou os acessórios a executar uma tarefa para a qual não foram concebidos. Não a use para fins não previstos.
- **Utilize o cabo extensível adequado.** Assegure-se de que o cabo extensível está em boas condições. Utilize unicamente um cabo de calibre suficiente para suportar a corrente que utiliza o seu produto. Uma



Português

extensão eléctrica inadequada provocará um declínio de tensão e resultará em sobreaquecimento e na perda de corrente.

- **Vista-se adequadamente.** Não use roupas largas, luvas, gravatas ou jóias. Podem ficar presas e levá-lo para peças em movimento. É recomendado utilizar luvas de borracha e calçado anti-deslizante (botas com sola de borracha) sempre que trabalhar ao ar livre. Use também uma cobertura protectora para o cabelo para recolher o cabelo comprido.
- **Use sempre óculos de segurança com protectores laterais.** Os óculos do dia a dia apenas possuem lentes resistentes ao impacto; estes NÃO são óculos de segurança.
- **Fixe a peça de trabalho.** Utilize abraçadeiras ou um parafuso de banco para fixar a peça de trabalho quando seja prático, é mais seguro do que usar as mãos já que, deste modo, ficam livres para manusear a ferramenta.
- **Não se aproxime em demasia.** Mantenha sempre o equilíbrio e a posição dos pés adequada.
- **Utilize as ferramentas com cuidado.** Mantenha as ferramentas afiadas e limpas para que realizem um trabalho melhor e mais seguro. Siga as instruções de lubrificação/oleamento e mudança de acessórios. Inspeccione periodicamente os cabos e, se estiverem danificados, leve-os a um centro de serviço autorizado. Inspeccione os cabos de extensão periodicamente e substitua-os, se danificados. Mantenha os manipuladores secos, limpos e livres de óleo e graxa.
- **Desligue as ferramentas.** Quando a ferramenta não estiver a ser utilizada, e antes de reparar ou trocar acessórios, lâminas, brocas, etc., deverá desligá-la da corrente. Desligue a ferramenta da tomada antes de realizar qualquer ajuste, reparação ou tarefa de manutenção.
- **Evite o arranque accidental.** Assegure-se de que o interruptor está apagado ao ligar o aparelho.
- **Utilize unicamente os acessórios recomendados pelo fabricante.** Consulte o manual do operador para conhecer os acessórios recomendados. O uso de acessórios inadequados pode ocasionar riscos de ferimento.
- **Nunca se coloque sobre a ferramenta.** Podem ocorrer lesões graves se a ferramenta se inclina ou se a ferramenta de corte for tocada de forma accidental.
- **Verifique se existem peças danificadas.** Antes de qualquer outro uso da ferramenta, uma protecção de qualquer outra peça que esteja danificada deve ser cuidadosamente verificada para determinar que irá funcionar adequadamente e que executa a função a que se destina. Confirme o alinhamento das peças móveis, a união das peças móveis, a ruptura de

peças, montagem e quaisquer outras condições que possam afectar o funcionamento. Uma protecção ou outra peça que esteja danificada deve ser reparada adequadamente ou substituída por um centro de assistência autorizado para evitar riscos de ferimentos.

- **Certifique-se de que a alimentação esteja correctamente direccionada.** Introduza a peça de trabalho e empurre-a até à lâmina ou a broca no sentido contrário da rotação da lâmina ou da broca.
- **Nunca deixe uma ferramenta em funcionamento sem vigilância.** Apague a serra. Não deixe a ferramenta sem que pare completamente.
- **Proteja os seus pulmões.** Utilize uma máscara ou protecção para a cara se trabalhar em condições de corte com poeira.
- **Proteja a sua audição.** Use protecção auricular durante períodos prolongados de operação.
- **Não dê um uso inadequado ao cabo.** Nunca puxe o cabo para o desligar da tomada. Mantenha o cabo afastado de fontes de calor, óleo e extremidades afiadas.
- **Mantenha sempre o protector da lâmina no seu devido lugar e em bom estado.**
- **Mantenha as mãos afastadas da área de corte.** Mantenha as mãos afastadas da lâmina. Não se posicione debaixo da peça de trabalho, em volta ou sobre a lâmina, enquanto a mesma estiver a girar. Não tente retirar o material cortado se a lâmina estiver em movimento.
- **A lâmina pode continuar em movimentos depois de apagar a ferramenta.**
- **Nunca utilize esta ferramenta numa atmosfera explosiva.** A ignição normal do motor pode inflamar fumos.
- **Inspeccione periodicamente os cabos.** Se a ferramenta estiver danificada, um técnico qualificado deverá repará-la num centro de serviço autorizado.
- **Inspeccione os cabos de extensão periodicamente e substitua-os, se danificados.**
- **Ligue à terra todas as ferramentas.** Se a ferramenta vier equipada com uma tomada de três pinos, deverá ligá-la num receptor eléctrico de três orifícios.
- **Confirme junto de um electricista qualificado ou de pessoal de manutenção caso não compreenda totalmente as instruções ou caso tenha dúvidas quanto à adequada ligação a terra do produto.**
- **Use unicamente os aparelhos eléctricos adequados:** cabos de extensão de 3 alambres que têm tomadas de ligação à terra de 3 pinos e receptáculos de 3 pólos compatíveis com a tomada da ferramenta.



Português

- **Não modifi que a fi cha fornecida.** Se esta não se adequar à tomada, peça a um electricista qualifi cado que instale uma tomada apropriada.
- **Mantenha a ferramenta seca, limpa e livre de óleo e gorduras.** Utilize sempre roupa limpa quando estiver a limpar. Nunca utilize fluidos de travões, gasolina, produtos à base de petróleo ou quaisquer solventes para limpar a ferramenta.
- **Mantenha-se alerta e sempre a controlar o que estiver a fazer.** Observe o que está a fazer e utilize o senso comum. Não utilize a ferramenta quando estiver cansado. Não se precipite.
- **Não utilize a ferramenta se o interruptor não a ligar e desligar.** Leve os interruptores defeituosos para serem substituídos num centro de assistência autorizado.
- **Utilize unicamente a lâmina correcta.** Não use uma lâmina que tenha orifícios cujo tamanho seja inadequado. Nunca utilize anilhas ou porcas de eixo que sejam defeituosas ou inadequadas. A capacidade máxima da lâmina da serra é de 178 mm. Todas as lâminas utilizadas têm que ser fabricadas de forma a cumprirem com EN13236. Nunca utilize uma lâmina de corte com uma definição de velocidade inferior à da ferramenta.
- **Antes de realizar um corte, verifique que todos os ajustes estão fixados.**
- **Nunca toque na superfície ou noutras partes móveis durante o uso da ferramenta.**
- **Nunca ponha a ferramenta a funcionar se algum componente giratório estiver em contacto com a peça de trabalho.**
- **Não opere esta ferramenta enquanto sob a influência de drogas, álcool ou qualquer medicamento.**
- **Ao realizar a manutenção utilize apenas peças de substituição idênticas.** O uso de quaisquer outras peças pode criar perigo ou causar danos ao aparelho.
- **Utilize unicamente as peças ou acessórios recomendados que figuram neste manual** O uso de acessórios que não figuram nesta lista pode causar um risco de lesões pessoais. As instruções para o uso seguro dos acessórios estão incluídas com o acessório.
- **Reveja cuidadosamente a configuração da ferramenta.** Certifique-se de que a lâmina esteja fixa e não tenha contacto com a serra ou a peça de trabalho antes de a ligar à fonte de alimentação.
- Nunca pare ou alinhe nenhuma parte do seu corpo com a trajetória da lâmina.
- Nunca tente liberar uma lâmina presa sem antes apagar a serra e desligá-la da fonte de alimentação.
- Se o cabo de alimentação estiver danificado, deverá ser substituído unicamente pelo fabricante ou por um centro de serviço autorizado para evitar riscos.
- Evite posturas incómodas e posições das mãos em que um deslizamento repentino possa fazer com que a sua mão se mova à ferramenta de corte.
- Certifique-se de que a área de trabalho esteja suficientemente iluminada para ver a peça de trabalho e que nenhuma obstrução interfira com o funcionamento seguro da ferramenta antes de realizar qualquer trabalho.
- Desligue sempre a serra antes de remover o cabo de alimentação da tomada, para evitar um arranque acidental ao voltar a ligá-la à corrente.
- Esta ferramenta deverá ter as seguintes marcas:
 - Use protecção para os olhos.
 - Use a capa protectora da lâmina para qualquer operação para a qual possa de utilizada.
 - Desligue a serra antes de realizar reparações, sempre que trocar as lâminas ou limpar a ferramenta.
 - Utilize a ferramenta apenas com lâminas de corte com o bordo liso e sem aberturas, sulcos, ou dentes.
 - Troque a lâmina antes de utilizar a ferramenta.
 - Não exceda a linha de enchimento de água.
- **Guarde estas instruções.** Consulte as instruções de forma frequente e utilize-as para instruir outros utilizadores. Se emprestar esta ferramenta, assegure-se de que o novo utilizador recebe também estas instruções.

LIGAÇÃO ELÉCTRICA

Esta ferramenta é alimentada por um motor eléctrico de precisão encastrado. Esta ferramenta deve ser unicamente ligada a uma fonte de alimentação de 220-240V, de CA (corrente normal doméstico), 50 Hz. Não opere este aparelho em corrente contínua (CC). Uma queda de tensão substancial causará uma perda da potência e o motor irá sobreaquecer. Se a serra não funcionar quando ligada a uma tomada, verifique novamente a finte de alimentação.

VELOCIDADE E INSTALAÇÃO ELÉCTRICA

A velocidade sem carga desta ferramenta é de aproximadamente 2,900 rpm. Esta velocidade não é constante e diminui durante uma carga ou com menor tensão. No que se refere à voltagem, a instalação eléctrica de uma loja é tão importante quanto a classe de

AVISOS DE SEGURANÇA SERRA PARA CORTAR AZULEJOS

- Segure sempre a peça de trabalho firmemente contra a guia de corte ou a trave de bisel.





Português

potência de um motor. Um cabo de alimentação destinado unicamente para luzes não pode suportar um motor de uma ferramenta eléctrica. Um cabo com um calibre suficiente para uma distância curta será muito débil para uma maior distância. Um cabo de alimentação que pode suportar uma ferramenta eléctrica pode não ser suficiente para alimentar duas ou três ferramentas.

INSTRUÇÕES DE LIGAÇÃO À TERRA

Ver figura 1.

Este produto deve ter uma ligação à terra. Em caso de falha ou avaria, a ligação à terra fornece um caminho de menor resistência para a corrente eléctrica e reduz o risco de choque eléctrico. Este ferramenta está equipada com um cabo eléctrico e possui um equipamento condutor e uma ficha de ligação à terra. A fi cha deve ser inserida numa tomada correspondente devidamente instalada e com ligação à terra em conformidade com todos os códigos e regulamentos locais.

Não modifi que a fi cha fornecida. Se esta não se adequar à tomada, peça a um electricista qualifi cado que instale uma tomada apropriada.

⚠ AVISO

Uma inadequada instalação da ficha de terra pode resultar num risco de choque eléctrico. Sempre que for necessário reparar ou substituir o cabo de alimentação, não ligue o fio de terra a nenhum dos terminais planos. O cabo com isolamento de cor verde (com ou sem riscas amarelas) é o cabo de ligação à terra.

Confi rme junto de um electricista qualifi cado ou de pessoal de manutenção caso não compreenda totalmente as instruções ou caso tenha dúvidas quanto à adequada ligação a terra do produto.

Faça reparar imediatamente um cabo danifi cado ou desgastado.

Se o cabo de alimentação estiver danificado, deverá ser substituído unicamente pelo fabricante ou por um centro de serviço autorizado para evitar riscos.

O produto só deve ser ligado a uma tomada com a mesma confi guração que a fi cha. Não use um adaptador com este aparelho.

Para mais segurança e fiabilidade, todas as reparações devem ser feitas por um Centro de Serviço Autorizado Ryobi.

Deverá estar incluído um dispositivo de corrente residual (RCD) no(s) circuito(s) ou tomada(s) de corrente para ser utilizado com a serra. Estão disponíveis as tomadas de corrente com protecção RCD incorporada, as quais se podem utilizar para esta medida de segurança.

Se precisar de usar um cabo de extensão com a serra, certifique-se de que a ligação do cabo da ferramenta e o cabo de extensão não estão ligados à terra. Os dispositivos auxiliares devem estar sempre ligados à tomada da parede e não a um cabo de extensão e ao cabo de alimentação de uma ferramenta eléctrica.

Se não dispuser de nenhuma tomada eléctrica protegida, não use a serra até trocar a tomada ou obter uma protecção auxiliar. Estes dispositivos auxiliares de protecção estão disponíveis no seu distribuidor local.

POSIÇÃO DA SERRA

Ver figura 2.

Para evitar que a ficha da ferramenta ou a tomada se molhem, coloque a serra a um lado da tomada de parede para evitar que a água pingue na tomada ou ficha. O operador deve formar um(a) anel/alça de gotejamento no cabo ligando a serra à tomada de saída. O anel/a alça de gotejamento é a parte do cabo debaixo do nível da tomada, ou do conector, se se utilizar um cabo de extensão, para evitar que a água deslize pelo cabo e entre em contacto com a tomada.

Se a ficha ou a tomada de corrente se molharem, **NÃO** desligue o cabo da tomada. Desligue o fusível ou o curto-circuito que alimentam o aparelho e, de seguida, desligue da tomada e verifique a ferramenta para detectar a presença de água na tomada.

⚠ AVISO

Para reduzir o risco de electrocussão, mantenha todas as ligações secas e fora do chão. Não toque na ficha com as mãos molhadas.

ESPECIFICAÇÕES

Especificações do produto	
Voltagem	220 - 240V
Potência	500 W
Velocidade em vazio	2,900 rpm
Peso	15,5 kg (N.W.)
Características	
Dimensões da bancada	381 mm x 502 mm
Altura da bancada desde o compartimento da serra até à bancada	181 mm
Especificações de materiais	
Material da bancada	Aço inoxidável
Material da banca	Tubos de aço





Português

Capacidade/ferramentas de corte	
Diâmetro da lâmina	178 mm
Tipo de lâmina	Diamante
Diâmetro interior da lâmina	25,4 mm
Profundidade máxima do corte	33 mm
Valores medidos calculados de acordo com EN 61029 Nível de pressão sonora ponderada A Incerteza K	$L_{pA} = 61,0 \text{ dB(A)}$ 3 dB(A)
Valores medidos calculados de acordo com EN 61029 Nível de potência sonora ponderada A Incerteza K	$L_{WA} = 77,0 \text{ dB(A)}$ 3 dB(A)

CONHEÇA A SUA SERRA DE CORTE DE AZULEJOS 178 mm de lâmina de corte de azulejos

- Vem incluída com a serra uma lâmina de corte para azulejos de 178 mm.

Bancada para chanfrar

- É possível realizar cortes biselados de 22,5° e 45° usando a bancada para chanfrar.

Pegas

- A serra tem pegas úteis localizadas no lado esquerdo e direito para a levantar ou transportar.

Guia de corte/graminho

- A guia de corte/o graminho é completamente ajustável para cortes diagonais e cortes a graminho.

Motor

- Esta máquina dispõe de um motor potente com suficiente potência para realizar trabalhos duros de corte.

Guia de corte/graminho

- A guia de corte/o graminho é completamente ajustável para efectuar cortes transversais e utilizar a guia de corte/o graminho.

Suporte da serra

- Esta serra vem com um suporte para uma maior portabilidade e comodidade.

Protecção da lâmina

- A capa protectora da lâmina confere uma protecção contra salpicos e a névoa

MONTAGEM

INSTALAÇÃO DO PROTECTOR DA LÂMINA

Ver figura 5-6.

1. Retire a bancada para chanfrar.
2. Instale o suporte protector da lâmina em forma de L- no gume de broca situado debaixo da bancada atrás da lâmina.
3. Instale os parafusos na bancada e através do protector da lâmina. Depois, aperte firmemente.

NOTA: Assegure-se de que a abraçadeira do protector da lâmina está alindada com a lâmina de corte para que não interfira com o material que se estiver a cortar.

4. Alinhe o protector da lâmina com a lâmina e deslize-o sobre o suporte. Alinhe através dos orifícios do protector da lâmina com a fenda da abraçadeira do protector da lâmina.

NOTA: Ajuste sempre o protector da lâmina de forma horizontal à bancada e ligeiramente por cima da espessura dos azulejos. O protector da lâmina não deve tocar os azulejos.

5. Instale o perno hexagonal através da abraçadeira e do protector da lâmina.
6. Enrosque a trave no perno e aperte na altura desejada.
7. Volte a colocar a bancada para chanfrar.

NOTA: A capa protectora da lâmina vem montada da fábrica. Não desarme a ferramenta durante as tarefas de ajuste e manutenção.

INSTALAÇÃO DA GUIA DE CORTE/DO GRAMINHO

Ver figura 7.

1. Gire a trave da guia de corte para o lado esquerdo se desejar soltá-la.
2. Deslize a guia de corte na lateral da bancada.
3. Use a escala da guia de corte, situada na parte dianteira e traseira da bancada para configurar a guia de corte à largura de corte desejada.
4. Gire a trave da guia de corte para o lado direito se desejar apertá-la.

INSTALAÇÃO DA GUIA DE CORTE/DO GRAMINHO

Ver figura 7.

1. Ajuste a guia de corte/o graminho na posição desejada e prenda-o(a).
2. Deslize a guia de corte/o graminho na guia de corte a partir da parte frontal.
3. Ajuste ao ângulo desejado utilizando a escala de ângulo e aperte firmemente com a trave.

MONTAGEM DO SUPORTE

Ver figura 8-9.

As abraçadeiras do suporte têm letras correspondentes para facilitar a sua montagem.

Ferramentas necessárias: Chave ajustável ou chaves de 13 mm e chave de fenda Philips.

1. Insira as pernas do suporte, que tenham a marca "A", nos tubos terminais da abraçadeira do suporte com





Português

a marca "A". Os extremos angulares das pernas devem estar contrapostos e dispostos em forma de "V". Alinhe os orifícios para os artigos de serralharia (ferragens). Repita com a segunda abraçadeira do suporte e as pernas com a marca "B".

- Monte as pernas nas abraçadeiras. Montagem da perna, a marca "B" encontra-se na parte interna. Montagem da perna, a marca "A" encontra-se na parte externa. Alinhe os orifícios dos reforços e as pernas. Instale as ferragens através dos orifícios.
- Com uma chave, aperte os parafusos.
- Coloque o suporte em cima de uma superfície plana e alinhe as fendas situadas debaixo da serra com as abraçadeiras do suporte. Coloque a bancada no suporte.
- Assegure-se de que a serra está ao nível do solo e o suporte está numa posição firme antes de a usar.

INSTALAÇÃO DA FUGA POR EXTRAVASAMENTO

Ver figura 10.

- Retire a bancada para chanfrar.
- Localize o orifício situado no fundo do depósito de água.
- Empurre o tubo de drenagem de extravasamento na fenda com firmeza.
- Volte a colocar a bancada para chanfrar.

MONTAGEM DOS FERROLHOS

- Gire a capa protectora da serra para posicioná-la de forma invertida.
- Alinhe os orifícios dos parafusos dos ferrolhos com os orifícios dos parafusos situados na parte inferior da armação da serra.
- Introduza os parafusos e aperte-os bem.

ENCHIMENTO DO DEPÓSITO DE ÁGUA

Ver figura 11.

- Retire a bancada para chanfrar.
- Encha o depósito com água limpa da torneira para encher o tubo.
NOTA: A drenagem de extravasamento impede o enchimento excessivo.
- Volte a colocar a bancada para chanfrar.

MUDAR A ÁGUA DO DEPÓSITO

- Desligue a serra da tomada.
- Retire o tubo de drenagem para extravasamento e despeje-o para dentro de um balde, não deixe que a água salpique sobre o solo nem para junto da máquina.
- Deite fora as águas residuais em conformidade com as regulações locais.

ESPECIFICAÇÕES

⚠ AVISO

Não diminua a sua vigilância mesmo depois de se ter familiarizado com a ferramenta. Nunca se esqueça que basta um segundo de falta de atenção para se ferir gravemente.

⚠ AVISO

Use sempre óculos de segurança ou óculos de protecção munidos de resguardos laterais quando utilizar ferramentas. A falta de cumprimento desta instrução pode ocasionar a projecção de corpos estranhos para os olhos e provocar lesões oculares graves.

⚠ AVISO

Não utilize peças nem acessórios diferentes dos recomendados pelo fabricante para esta ferramenta. A utilização de peças ou acessórios não recomendados pode ocasionar riscos de ferimentos graves.

A TESTAR O RCD ANTES DA UTILIZAÇÃO

- Conecte o RCD à tomada eléctrica.
- Prima o botão reset. O indicador de corrente deve acender.
- Prima o botão de teste. O indicador de corrente deve desligar.
AVISO: Caso o RCD falhe o teste, não utilize a ferramenta. Consulte um electricista qualificado.
- Prima o botão reset para activar o RCD.

APLICAÇÕES

Deve utilizar esta ferramenta para os fins indicados a seguir:

Operações de corte em linha recta, como o corte transversal, a graminho, rasgado e biselado

NOTA: Esta serra foi concebida unicamente para cortar ladrilhos, produtos de pedra natural, produtos de azulejo de pedra e azulejos artificiais.

Interruptor desligado/ligado

Esta serra tem um interruptor de ignição (ON/OFF) de fácil acesso situado debaixo do carril frontal.

Apagar a serra:

Carregue no botão vermelho para apagar a ferramenta (O).

Acender a serra:

Carregue no botão verde para ligar a ferramenta (I).





Português

Bloquear a serra:

Com a serra apagada (OFF), desligue o cabo da fonte de alimentação.

⚠ AVISO

Assegure-se SEMPRE de que a sua peça de trabalho não esteja em contacto com a lâmina de corte antes de accionar o interruptor para ligar o aparelho. O não cumprimento desta advertência pode fazer com que a peça de trabalho seja projectada na direcção do operador e provoque lesões pessoais graves.

⚠ AVISO

Para reduzir o risco de um arranque accidental da ferramenta, certifique-se sempre de que o interruptor está na posição OFF (apagado) antes de ligar a ferramenta à fonte de alimentação. No caso de falhar a luz ou quando a ferramenta não estiver em uso, apague o interruptor e desligue a ferramenta da fonte de alimentação. Esta acção evitará que a ferramenta se acenda de forma accidental quando voltar a corrente/electricidade.

USO DA GUIA DE CORTE E O GRAMINHO

Ver figura 13.

A guia de corte/o graminho pode ser utilizado(a) a partir do lado esquerdo e do direito da lâmina de corte.

1. Gire a trave da guia de corte para o lado esquerdo se desejar soltá-la.
2. Ajuste a guia de corte/o graminho na posição desejada utilizando a escala de guia de corte/o graminho, situado(a) na parte da frente e de trás da bancada, para configurar a guia de corte/o graminho à largura de corte desejada.
3. Gire a trave para a direita para ajustar bem.

AJUSTE DE ÂNGULOS

Ajuste a guia de corte/o graminho na posição desejada e prenda-o(a) firmemente.

1. Deslize a guia de corte/o graminho na guia de corte a partir da parte frontal.
2. Ajuste ao ângulo desejado utilizando a escala de ângulo e aperte firmemente com a trave.

REALIZAÇÃO DE CORTES

Desenhe sempre a linha a ser cortada no ladrilho utilizando um marcador ou lápis de graxa. Caso o ladrilho seja brilhante e difícil de marcar, coloque fita adesiva sobre o ladrilho e faça a marcação sobre a fita.

Um problema comum ao cortar o ladrilho consiste em afastar-se da linha marcada. Uma vez que se tenha

afastado da marca, não pode forçar a lâmina a voltar à linha rodando o ladrilho. Em vez disso, recue e volte a cortar o ladrilho recortando uma pequena quantidade do ladrilho até que a lâmina se encontra de novo na linha certa.

Para evitar este problema, utilize a guia de corte/o graminho quando fizer cortes transversais, a guia de corte/o graminho para cortes a graminho e a bancada regulável do lado direito para efectuar cortes em bisel, sempre que for possível.

Para fazer um corte transversal

Ver figura 14.

Os cortes transversais com cortes rectos de 90°. O material é introduzido no corte num ângulo de 90° relativamente à lâmina e a lâmina deve estar na vertical.

1. Com ajuda de um marcador ou um lápis de cera, marque a área que pretende que seja cortada no material.
2. Ajuste a guia de corte/o graminho na posição desejada e prenda-o(a) firmemente.
3. Coloque o material sobre a bancada e segure-o firmemente contra a guia de corte.
4. Certifique-se de que o material esteja ao abrigo da lâmina de corte antes de acender a serra.
5. Acenda a serra.
6. Deixe que a lâmina de corte alcance a máxima velocidade e aguarde até a lâmina ficar embebida antes de mover o material até à lâmina.
7. Mantenha o material firmemente contra a guia de corte/o graminho e empurre o material até à lâmina de corte.
8. Assim que acabar de realizar um corte, apague a serra. Aguarde até que a lâmina de corte pare por completo antes de retirar qualquer parte do material.

Fazer um corte diagonal de 45°

Ver figura 15.

Os cortes diagonais de 45° são igualmente designados "cortes de ponto largo a ponto largo".

1. Com ajuda de um marcador ou um lápis de cera, marque a área que pretende que seja cortada no material.
2. Configure a guia de corte/o graminho à largura desejada e aperte a trave para a apoiar no seu lugar.
3. Deslize a guia de corte/o graminho na guia de corte a partir da parte frontal.
4. Ajuste a guia de corte/o graminho a 45° utilizando uma escala de ângulo e aperte firmemente com a trave.
5. Certifique-se de que o material esteja ao abrigo da lâmina de corte antes de acender a serra.
6. Acenda a serra.
7. Deixe que a lâmina de corte alcance a máxima velocidade e aguarde até a lâmina ficar embebida antes de mover o material até à lâmina.
8. Prenda firmemente o material contra a guia de corte/o





Português

graminho e deslize a guia de corte/o graminho pelo comprimento da guia de corte. Introduza o material na lâmina de corte.

- Assim que acabar de realizar um corte, apague a serra. Aguarde até que a lâmina de corte pare por completo antes de retirar qualquer parte do material.

Fazer um corte a graminho

Ver figura 16.

Os cortes a graminho são utilizados para cortar os cantos exteriores e interiores do material, lambrins/frisos decorativos, e molduras de bases a qualquer ângulo do material relativamente à da lâmina que não seja 90°. Os cortes a graminho tendem a "introduzir-se" durante o corte. Isto pode ser controlado agarrando a peça de trabalho firmemente contra a guia de corte/o graminho.

- Com ajuda de um marcador ou um lápis de cera, marque a área que pretende que seja cortada no material.
- Configure a guia de corte/o graminho à largura desejada e aperte a trave para a apoiar no seu lugar.
- Deslize a guia de corte/o graminho na guia de corte a partir da parte frontal.
- Ajuste a guia de corte/o graminho no ângulo desejado, utilizando a escala de ângulo, e aperte firmemente com a trave.
- Certifique-se de que o material esteja ao abrigo da lâmina de corte antes de acender a serra.
- Acenda a serra.
- Deixe que a lâmina de corte alcance a máxima velocidade e aguarde até a lâmina ficar embebida antes de mover o material até à lâmina.
- Prenda firmemente o material contra a guia de corte/o graminho e deslize a guia de corte/o graminho pelo comprimento da guia de corte. Introduza o material na lâmina de corte.
- Assim que acabar de realizar um corte, apague a serra. Aguarde até que a lâmina de corte pare por completo antes de retirar qualquer parte do material.

Fazer um corte em L

Ver figura 17.

Os cortes em L, os quais se realizam através de dois cortes diferentes, são cortes que permitem obter uma peça de azulejo que encaixe num canto, em volta de um armário, ou um pedaço de moldura.

NOTA: Repita a acção de corte várias vezes unicamente na parte inferior ou por debaixo de lado do material a cortar.

- Corte o material na largura desejada seguindo as indicações para o corte transversal.
- Ajuste a guia de corte/o graminho na posição desejada e prenda-o(a) firmemente.
- Coloque o material sobre a bancada e segure-o

firmemente contra a guia de corte.

- Certifique-se de que o material esteja ao abrigo da lâmina de corte antes de acender a serra.
- Acenda a serra.
- Deixe que a lâmina de corte alcance a máxima velocidade e aguarde até a lâmina ficar embebida antes de mover o material até à lâmina.
- Mantenha o material firmemente contra a guia de corte/o graminho e empurre o material até à lâmina de corte.
- Faça o corte a uma distância considerável no material sem repetir a acção de corte várias vezes.
- Apague a serra.
- Dê a volta ao material e faça um corte ao longo de uma das marcas. Desta vez, repita a acção de corte várias vezes na outra linha para que a peça cortada se separe do restante material.
- Acenda a serra.
- Deixe que a lâmina de corte alcance a máxima velocidade e aguarde até a lâmina ficar embebida antes de mover o material até à lâmina.
- Assim que acabar de realizar um corte, apague a serra. Aguarde até que a lâmina de corte pare por completo antes de retirar qualquer parte do material.

Fazer um corte em bisel

Ver figura 18-19.

É possível realizar cortes biselados de 22,5° e 45° usando a bancada para chanfrar.

- Com ajuda de um marcador ou um lápis de cera, marque a área que pretende que seja cortada no material.
- Incline a bancada para chanfrar.
- Na parte inferior da bancada para chanfrar, puxe para baixo as duas pernas da bancada em ângulo recto relativamente à placa.
- Utilize os primeiros encaixes das pernas para posicionar a placa num ângulo de 22,5°.
- Utilize o segundo conjunto de encaixes para configurar o ângulo da bancada de biselado no maior ângulo de 45°.

NOTA: Certifique-se de que a bancada para chanfrar está firmemente apoiada no seu lugar antes de proceder ao corte.

Desdobre as pernas e coloque a marca da bancada para biselado para um ângulo de 22,5° ou 45°.

- Acenda a serra.
- Deixe que a lâmina de corte alcance a máxima velocidade e aguarde até a lâmina ficar embebida antes de mover o material até à lâmina.
- Mantenha o material firmemente contra a bancada para chanfrar e empurre o material até à lâmina de corte.





Português

9. Assim que acabar de realizar um corte, apague a serra. Aguarde até que a lâmina de corte pare por completo antes de retirar qualquer parte do material.

MANUTENÇÃO

⚠ AVISO

Ao realizar a manutenção utilize apenas peças de substituição idênticas. O uso de quaisquer outras peças pode criar perigo ou causar danos ao aparelho.

⚠ AVISO

Use sempre óculos de protecção ou óculos de segurança com protecções laterais durante a operação da ferramenta eléctrica ou quando estiver a levantar poeira no ar. Caso a operação seja poeirenta, use também uma máscara contra o pó.

⚠ AVISO

Se o cabo de alimentação estiver danificado, deverá ser substituído unicamente pelo fabricante ou por um centro de serviço autorizado para evitar riscos.

⚠ AVISO

Para mais segurança e fiabilidade, todas as reparações devem ser feitas por um Centro de Serviço Autorizado Ryobi.

MANUTENÇÃO GERAL

Evite usar solventes ao limpar as peças de plástico. A maioria dos plásticos são susceptíveis a danos de vários tipos de solvente comerciais e podem ser danificados pela sua utilização. Use panos limpos para remover a sujidade, a poeira, o óleo, a gordura, etc.

⚠ AVISO

Os elementos de plástico nunca devem entrar em contacto com líquido de travões, gasolina, produtos à base de petróleo, óleos penetrantes, etc. Estes produtos químicos contêm substâncias que podem danificar, deteriorar ou destruir o plástico, o que poderia provocar ferimentos graves.

Lubrificação

Todos os rolamentos desta ferramenta estão lubrificados com um montante suficiente de lubrificante de elevado nível, de acordo com a duração de vida da unidade em condições normais de funcionamento.

Lâmina de corte de azulejos

Para um máximo rendimento e segurança, é recomendado utilizar a lâmina de corte de 178 mm incluída com a serra. Estão disponíveis lâminas adicionais de corte da mesma qualidade no seu distribuidor local.

⚠ AVISO

Não utilize lâminas de corte com potência inferior do que a velocidade sem carga desta ferramenta. A inobservância deste aviso pode resultar em graves ferimentos. Não utilize a lâmina com rachaduras, fendas ou dentes.

TROCAR A LÂMINA DE CORTE

Ver figura 20.

⚠ AVISO

Uma lâmina de corte para azulejos de 178 mm é a capacidade máxima da lâmina da serra. Nunca use uma lâmina que seja demasiado grossa para deixar que o rebordo da lâmina entre em contacto com as marcas do eixo. As lâminas mais largas entrarão em contacto com o protector da lâmina, ao passo que as lâminas mais grossas impedirão que o perno da lâmina bloqueie a lâmina no eixo. Qualquer destas situações pode resultar num acidente grave e causar lesões pessoais graves.

1. Desligue a serra.
2. Retire a bancada para chanfrar.
3. Deslize a chave hexagonal na porca do eixo da lâmina. Usando a outra mão, deslize a chave do eixo no eixo da lâmina.
4. Prensar a chave do eixo firmemente para evitar que a lâmina se mova. Gire a porca do eixo para o lado esquerdo se desejar soltá-la.
5. Remova a porca do eixo, o rebordo exterior da lâmina e a lâmina de corte.
6. Verta uma gota de óleo lubrificante no rebordo interior da lâmina onde faz contacto com a lâmina.

⚠ AVISO

Se o rebordo interior da lâmina tiver sido eliminado, troque-o antes de colocar a lâmina no eixo. O incumprimento desta instrução pode causar um acidente dado que a lâmina não ficará correctamente apertada. Nunca use lâminas que tenham aberturas, sulcos, ou dentes, nesta ferramenta.

7. Coloque a lâmina de corte no eixo com as flechas na lâmina de corte que gira em sentido contrário aos



Português

- ponteiros do relógio.
8. Volte a colocar o rebordo exterior da lâmina. As marcas em "D" das anilhas alinham-se com as marcas do eixo.
 9. Com uma chave de lâmina e a chave do eixo, aperte a porca do eixo de forma segura.
 10. Volte a colocar a bancada para chanfrar.

PROTECÇÃO DO AMBIENTE



Recicle os materiais em vez de pô-los directamente no lixo doméstico. Para proteger o ambiente, a ferramenta, os acessórios e as embalagens devem ser seleccionados.

SÍMBOLO



Alerta de Segurança



Conformidade CE



Conformidade GOST-R



Por favor, leia atentamente as instruções antes de acender o produto.



Use sempre protecção para os olhos.



Use protecção para os ouvidos



Use luvas de segurança



PERIGO! Lâmina afiada



Precaução, risco de corte



Não expor à chuva nem utilizar em locais húmidos.



Não expor à chuva nem utilizar em locais húmidos.



É necessário utilizar as máquinas com uma lâmina de corte de diamante de coroa contínua.



Sentido de rotação da lâmina



Lâmina de corte de diamante



Diâmetro da lâmina



Diâmetro da eixo da Lâmina



Peso líquido



Profundidade de corte (Máx.)



Largura de fresagem (Máx.)



Largura diagonal do corte (Máx.)



Reciclar



Os aparelhos eléctricos antigos não devem ser eliminados juntamente com o lixo doméstico. Recicle onde existem instalações para o efeito. Verifique com as suas Autoridades Locais ou revendedor para obter informações sobre reciclagem.



Dansk

BESKRIVELSE

1. Jordingsben
2. Elledning
3. Drypsløjfe
4. Flisesavklinge
5. Tænd/Sluk-kontakt
6. Parallelanslag
7. Geringsanslag
8. Max-fyldelinje
9. Overløbsafløb
10. Vandbeholder
11. Parallelanslagsskala
12. Stativ
13. Ledningsholder
14. Løft i håndtagene
15. Klingskærm
16. Smigbord
17. Flisesavshus
18. Sekskantnøgle
19. Spindelnøgle
20. Skruer
21. Klingskærmsbeslag
22. Sekskantmøtrik
23. Sekskantbolt
24. Stativben "A"
25. Stativben "B"
26. Benbolt(e)
27. Benmøtrik(ker)
28. Benafstiver(e)
29. Støttebeslag "A"
30. Støttebeslag "B"
31. Låsemekanismer
32. Trækafastning
33. Kant
34. Parallelanslagsknap
35. Bensamling "A"
36. Bensamling "B"
37. Geringsanslagsskala
38. Geringsanslagsknap
39. Smigbordsben
40. 22.5° smig-indstillingshak
41. 45° smig-indstillingshak
42. Spindel
43. Indvendig flange
44. Udvendig flange
45. Spindelmøtrik

ALMINDELIGE SIKKERHEDSREGLER

ADVARSEL

Ved brug af elværktøjer bør man altid følge de grundlæggende sikkerhedsregler for at reducere risikoen for brand, elektrisk stød og personskaade.

Læs hele brugsanvisningen, inden du forsøger at betjene dette produkt - og gem brugsanvisningen.

- **Bliv fortløbig med elværktøjet.** Læs brugsanvisningens omhyggeligt. Bliv bekendt med produktets anvendelsesområder og begrænsninger samt de specifikke potentielle faremomenter i forbindelse med produktet.
- **Beskyttelse mod elektrisk stød ved at forhindre kropskontakt med jordede overflader.** Fx rør, radiatorer, områder, køleskabsrum.
- **Skærmene skal altid være monteret og i god stand.**
- **Fjern svensknøgler og faste nøgler.** Gør det til en vane at kontrollere, at faste nøgler og svensknøgler er fjernet fra værktøjet, inden der tændes for det.
- **Hold arbejdsområdet rent og ryddeligt.** Rodede områder og borde inviterer til uheld. Læg ikke værktøj eller træstykker på saven, mens den kører.
- **Brug ikke udstyret i farlige omgivelser.** Elværktøjer må ikke bruges i fugtige eller våde omgivelser eller udsættes for regn. Arbejdsområdet skal være godt oplyst. Brug ikke værktøjet i nærheden af brændbare væsker eller gasser.
- **Hold børn og tilskuere på afstand.** Alle tilskuere bør bære sikkerhedsbriller og holde sig på sikker afstand af arbejdsområdet. Lad ikke tilskuere røre ved værktøj eller forlængerledning under arbejdet.
- **Værktøjet må ikke tvinges.** Produktet klarer opgaven bedre og sikrere med den hastighed, det er beregnet til.
- **Brug rigtigt værktøj.** Værktøj eller udstyr må ikke tvinges til arbejdsopgaver, de ikke er beregnet til. De må ikke bruges i strid med de tiltænkte anvendelsesformål.
- **Brug den rigtige forlængerledning.** Kontrollér, at forlængerledningen er i god stand. Brug kun en ledning, som er kraftig nok til at forsyne produktet med den nødvendige strøm. En underdimensioneret ledning vil bevirke et fald i ledningsspændingen med deraf følgende overophedning.
- **Vær ordentligt klædt på.** Bær ikke løstsiddende tøj, handsker, slips eller smykker. De kan hænge fast og trække dig ind i bevægelige dele. Gummihandsker og skridsikert fodtøj (støvler med gummisål) anbefales til arbejde udendørs. Brug også beskyttende håret eller





Dansk

lign. til sikring af langt hår.

- **Brug altid sikkerhedsbriller med sideskjolde.** Glas i almindelige briller er kun stødresistente; de er IKKE sikkerhedsbriller.
- **Fastgør emnet.** Brug spændemekanismer eller en skruestik til at fastholde emnet, hvis dette er praktisk muligt; det er sikrere end at bruge hænderne og frigør begge hænder til betjening af værktøjet.
- **Læn dig aldrig for langt frem.** Sørg for altid at have godt fodfæste og god balance.
- **Værktøjer skal vedligeholdes med omhu.** Værktøjerne skal holdes skarpe og rene for bedre og sikrere ydelse. Følg vejledningen for smøring og udskiftning af tilbehørsdele. Inspicér værktøjsledningerne regelmæssigt, og - hvis de beskadiges - få dem repareret på et autoriseret serviceværksted. Inspicér forlængerledningerne regelmæssigt, og udskift dem, hvis de beskadiges. Hold håndtagene tørre, rene og fri for olie og fedt.
- **Afbryd strømmen til værktøjerne.** Strømmen skal være afbrudt til værktøjet, når dette ikke anvendes, inden servicering, eller når der skiftes udstyr, klinger, bits, fræsere, osv. Træk stikket ud inden påbegyndelse af indstilling, servicering eller vedligeholdelse.
- **Undgå utilsigtet start.** Kontrollér, at kontakten er slukket, inden værktøjet sættes i kontakten.
- **Brug anbefalet tilbehør.** Se betjeningsvejledningen for anbefalede tilbehørsdele. Brug af ukorrekte tilbehørsdele kan medføre personskader.
- **Stå aldrig på værktøjet.** Der kan opstå alvorlige personskader, hvis værktøjet tipper, eller hvis skæreværktøjet berøres utilsigtet.
- **Kontrollér beskadigede dele.** Inden man fortsætter med at bruge produktet, skal en beskadiget skærm eller anden del undersøges omhyggeligt med henblik på, om den vil kunne fungere korrekt og opfylde det tiltænkte formål. Kontrollér, at de bevægelige dele er indjusteret korrekt, at de ikke binder; for brud på dele, montering samt enhver anden tilstand, der kan påvirke delenes funktion. En skærm eller enhver anden beskadiget del skal repareres ordentligt eller udskiftes på et autoriseret servicecenter for at undgå risiko for personskader.
- **Brug korrekt fremføringsretning.** Emnet må kun føres ind mod en klinge eller fræser imod klingens eller fræsersens rotationsretning.
- **Lad aldrig værktøjet køre uden opsyn. Sluk for strømmen.** Efterlad ikke værktøjet, før det er stoppet fuldstændigt.
- **Beskyt dine lunger.** Bær ansigts- eller støvmaske, hvis der arbejdes i støvede omgivelser.
- **Beskyt din hørelse.** Bær høreværn ved længere tids

brug.

- **Ledningen må ikke misbruges.** Ryk aldrig i ledningen for at få den fri af kontakten. Hold ledningen på afstand af varme, olie og skarpe kanter.
- **Klingskærmen skal altid være monteret og i god stand.**
- **Hold hænderne på afstand af skæreamrådet.** Hold hænderne på afstand af klingens. Ræk ikke hånden ind under emnet eller rundt om eller over klingens, mens klingens roterer. Forsøg ikke at fjerne afsavet materiale, mens klingens roterer.
- **Klingen fortsætter med at rotere, efter at den er slukket.**
- **Må aldrig bruges i eksplosiv atmosfære.** Normale motorgasser kan antænde dampe.
- **Inspicér værktøjsledningerne regelmæssigt.** Hvis produktet beskadiges, skal man få det repareret af en kvalificeret servicetekniker på et autoriseret serviceværksted.
- **Inspicér forlængerledningerne regelmæssigt, og udskift dem, hvis de beskadiges.**
- **Alle værktøjer skal jordes.** Hvis værktøjet har et trebensstik, skal det sættes i en lysnetkontakt med tre huller.
- **Få en autoriseret elektriker eller servicemontør til at kontrollere, om jordingsvejledningen er forstået til fulde, eller - i tvivlstilfælde - om produktet er korrekt jordet.**
- **Brug kun korrekt elektrisk udstyr:** 3-lederforlængerledninger med 3-benede jordstik, og 3-polede stikkontakter der passer til værktøjets hanstik.
- **Det leverede stik må ikke ændres.** Hvis stikket ikke passer til lysnetkontakten, skal man få en elektriker til at installere en passende kontakt. alle gældende lokale regler og forskrifter.
- **Hold produktet tørt, rent og fri for olie og fedt.** Brug altid en ren klud til rengøring. Brug aldrig bremsevæske, benzin, petroleumsbaserede produkter eller kraftige opløsningsmidler til rengøring af produktet.
- **Vær opmærksom og i kontrol.** Hold øje med, hvad du gør, og brug sund fornuft. Man må ikke betjene værktøjet, hvis man er trætt. Undlad at forhaste dig.
- **Brug ikke værktøjet, hvis Tænd/Sluk-kontakten ikke virker.** Få defekte kontakter udskiftet på et autoriseret servicecenter.
- **Brug kun korrekte klinger.** Brug ikke klinger med forkert hulstørrelse. Brug aldrig spændeskiver eller spindelmøtrikker, der er defekte eller forkerte. Savens maksimale klingekapacitet er 178 mm. Alle klinger skal





Dansk

være fremstillet i henhold til EN13236. Man må aldrig bruge en klinge med en lavere hastighedsnormering end værktøjets.

- **Inden der foretages et snit, skal man sikre sig, at alle indstillinger er spændt fast.**
- **Rør aldrig ved klingens eller andre bevægelige dele under brug.**
- **Man må aldrig starte et værktøj, så længe en roterende del er i kontakt med emnet.**
- **Man må ikke betjene værktøjet, hvis man er påvirket af narkotika, alkohol eller medikamenter.**
- **I forbindelse med servicearbejde må der kun bruges originale reservedele.** Brug af alternative dele kan forårsage farlige situationer eller ødelægge produktet.
- **Brug kun anbefalet tilbehør, som er anført i denne brugsanvisning eller i tillæg.** Brug af tilbehør, som ikke er anbefalet, kan medføre personskader. Vejledning til sikker brug af tilbehørsdele følger med dette tilbehør.
- **Dobbelttjek alle opsætninger.** Inden strømmen tilsluttes, kontrollerer man, at klingens er fastspændt og ikke kommer i kontakt med sav eller emne.

FLISESAV SIKKERHEDSADVARSLER

- Sørg altid for, at emnet ligger an mod parallelanslaget eller smigblokken.
- Man må aldrig stå i eller have en kropsdelt på linje med klingens skærebane.
- Forsøg aldrig at løsne en blokeret klinge uden først at slukke for saven og trække stikket ud af stikkontakten.
- Hvis strømforsyningskablet beskadiges, skal det udskiftes af producenten eller på et autoriseret servicecenter for at undgå risici.
- Undgå akavede operationer og håndstillinger, hvor en pludselig smutter kan bevirke, at hånden føres ind i det skærende værktøj.
- Inden arbejdet med saven påbegyndes, kontrolleres det, at arbejdsområdet er godt oplyst, så emnet er synligt, og at der ikke findes forhindringer, der kan forstyrre sikker betjening.
- Husk altid at slukke saven, inden strømmen afbrydes; herved forebygges utilsigtet start af saven, når strømmen tilsluttes igen.
- Dette værktøj skal have følgende mærker:
 - Benyt øjenværn.
 - Brug klingskærmen til alle de operationer, hvor den kan bruges.
 - Træk stikket ud af lysnetkontakten inden servicering af saven, skift af klinge og rengøring.

- Brug kun værktøjet sammen med klinger med glat kant, uden åbninger, kilespor og tænder.
 - Udskift beskadigede klinger inden ibrugtagning.
 - Fyld ikke vandbadet højere op end vandfyldelinjen.
- **Gem denne brugsanvisning.** Slå hyppigt op i den, og brug den til at instruere andre. Hvis man låner dette værktøj ud, skal brugsanvisningen følge med.

ELEKTRISK TILSLUTNING

Dette værktøj drives af en præcisionsbygget elmotor. Den må kun sluttes til en strømforsyningskilde på 220-240V, AC (normal husholdningsstrøm), 50 Hz. Dette produkt må ikke betjenes med jævnstrøm (DC). Et betydeligt spændingsfald vil bevirke effekttab og overophedning af motoren. Hvis saven ikke vil starte, når den er sluttet til en lysnetkontakt, skal man dobbelttjekke strømforsyningen.

HASTIGHED OG LEDNINGSFORBINDELSER

Dette værktøjs tomgangshastighed er ca. 2.900 o/min. Denne hastighed er ikke konstant og aftager under belastning eller ved lavere spænding. Mht. spænding er elledningerne i værktøjet lige så vigtige som motorens nominelle ydelse. En ledning, der kun er beregnet til forsyning af lamper, vil ikke kunne trække en elværktøjsmotor ordentligt. En ledning, som er kraftig nok over en kort afstand, vil være for spinkel over en større afstand. En ledning, der kan forsyne ét elektrisk værktøj, er ikke nødvendigvis i stand til at forsyne to eller tre værktøjer.

JORDINGSVEJLEDNING

Se figur 1.

Dette produkt skal jordes. I tilfælde af driftsforstyrrelser eller motorsammenbrud tilvejebringer jordingen en sti med mindst modstand for elektrisk strøm for at begrænse risikoen for elektrisk stød. Dette værktøj har en elledning med en apparat-jordleder og et jordstik. Stikket skal sættes i en passende lysnetkontakt, som er korrekt installeret og jordnet iht.

Det leverede stik må ikke ændres. Hvis stikket ikke passer til lysnetkontakten, skal man få en elektriker til at installere en passende kontakt. alle gældende lokale regler og forskrifter.

▲ ADVARSEL

Forkert tilslutning af jordstikket kan medføre fare for elektrisk stød. Hvis det bliver nødvendigt at reparere eller udskifte ledningen, må jordlederen ikke sluttes til fladstik (enkeltlederforbindelser). Ledningen med den grønne isolering (med eller uden gule striber) er jordledningen.





Dansk

Få en autoriseret elektriker eller servicemontør til at kontrollere, om jordingsvejledningen er forstået til fulde, eller - i tvivlstilfælde - om produktet er korrekt jordet.

En beskadiget eller slidt ledning skal repareres eller udskiftes omgående.

Hvis strømforsyningskablet beskadiges, skal det udskiftes af producenten eller på et autoriseret servicecenter for at undgå risici.

Produktet må kun sluttes til en lysnetkontakt med samme konfiguration som stikket. Dette produkt må ikke bruges med en adapter.

Af hensyn til brugersikkerheden og drifts- sikkerheden skal reparationer udføres på et autoriseret Ryobi serviceværksted.

Der bør etableres fejlstrømssikring (HFI) på det/de kredsløb eller den/de stikkontakt(er), der skal bruges til flisesaven. Stikkontakter fås med indbygget HFI-beskyttelse, som opfylder denne sikkerhedsstandard.

Hvis saven bruges med forlængerledning, skal man sikre sig, at forbindelsen mellem værktøjets elledning og forlængerledningen ikke ligger på jorden. Eksternt udstyr skal altid sluttes til lysnetkontakten og ikke til et stik på en forlængerledning og til elværktøjets elledning.

Hvis der ikke findes en beskyttet stikkontakt, må saven ikke bruges, før en stikkontakt kan ombygges, eller der kan tilvebringes beskyttelse på anden vis. Disse eksterne beskyttelsesanordninger fås hos din lokale forhandler.

FLISESAVENS POSITION

Se figur 2.

For at undgå, at værktøjets stik eller stikkontakten bliver våd, skal flisesaven anbringes på den ene side af vægkontakten for at forhindre, at der drypper vand på stikkontakt eller stik. Operatøren bør sørge for en "drypsløjfe" på den ledning, der forbinder saven med stikkontakten. "Drypsløjfen" er den del af ledningen, der er lavere end stikkontakten (eller stikforbindelsen hvis der bruges forlængerledning), som skal forhindre vand i at løbe langs ledningen og dermed komme i kontakt med stikkontakten.

Hvis stikket eller stikkontakten bliver våd, MÅ MAN IKKE trække ledningen ud. Afbryd sikringen eller hovedafbryderen, der forsyner værktøjet, og træk dernæst stikket ud af lysnetkontakten, og undersøg om der er vand i stikkontakten.

⚠ ADVARSEL

For at reducere faren for elektrisk stød skal alle stikforbindelser holdes tørre og borte fra jorden/gulvet. Rør ikke ved stikket med våde hænder.

SPECIFIKATIONER

Produktspecifikationer	
Spænding	220 - 240V
Effekt	500 W
Tomgangshastighed	2,900 rpm
Vægt	15,5 kg (N.W.)
Funktioner	
Bordstørrelse	381 mm x 502 mm
Bordhøjde fra skab til bord	181 mm
Materialespecifikationer	
Bordmateriale	Rustfrit stål
Stativ-materiale	Stålrør
Skæreværktøjer-kapacitet	
Klangediameter	178 mm
Klingetype	Diamant
Indvendig klangediameter	25,4 mm
Max snitdybde	33 mm
Målte værdier bestemmes i henhold til EN 61029	
A-vægtet lydtryksniveau	$L_{pA} = 61,0 \text{ dB(A)}$
Usikkerhed K	3 dB(A)
Målte værdier bestemmes i henhold til EN 61029	
A-vægtet lydeffektniveau	$L_{WA} = 77,0 \text{ dB(A)}$
Usikkerhed K	3 dB(A)

LÆR FLISESAVEN AT KENDE

178 mm flisesavklinge

- A 178 mm flisesavklinge følger ikke med saven.

Smigbord

- Skrånit 22,5° og 45° kan udføres med smigbordet.

Håndtag

- Saven har praktisk håndtag i venstre og højre side til løft og transport.

Geringsanslag

- Geringsanslaget er fuldt justerbart til diagonalsnit og geringsnit.

Motor

- Denne maskine har en kraftig motor med tilstrækkelig effekt til at klare hårde skæreopgaver.





Dansk

Parallellanslag

- Parallellanslaget er fuldt justerbart til udførelse af tværsnit og brug af geringsanslaget.

Flisesavsstativ

- Denne sav leveres med et stativ for at gøre den lettere at transportere og mere komfortabel.

Klingeskærm

- Klingeskærmen yder beskyttelse mod stænk og dug

MONTERING

MONTERING AF KLINGESKÆRMEN

Se figur 5-6.

1. Fjern smigbordet.
2. Installer det L-formede klingskærmsbeslag i kanten under bordet bag ved klingen.
3. Indsæt spændeskiverne og skrueerne i bordet og gennem klingskærmsbeslaget, og spænd dem godt til.
BEMÆRK: Kontrollér, at klingskærmsbeslaget flugter med savklingen, så det ikke kolliderer med emnematerialet.
4. Indfør skrueerne i bordet og gennem klingskærmsbeslaget, og spænd dem godt til.
BEMÆRK: Indstil altid klingskærmen horisontalt i forhold til bordet og en anelse over tykkelsen. Klingskærmen bør ikke røre ved fiisen.
5. Indsæt sekskantboltene gennem klingskærm og beslag.
6. Skru knappen på boltene, og spænd til den ønskede højde.
7. Genmonter smigbordet.
BEMÆRK: Klingskærmen er samlet i fabrikken. Produktet må ikke skilles ad i forbindelse med justering og vedligeholdelse.

MONTERING AF PARALLELANSLAGET

Se figur 7.

1. Knappen på parallellanslaget løsnes ved at dreje den mod uret.
2. Forskyd parallellanslaget mod siden af bordet.
3. Brug parallellanslagsskalaen foran og bag på bordet til indstilling af parallellanslaget i den ønskede skærebredde.
4. Spænd parallellanslagets knap til ved at dreje den med uret.

MONTERING AF GERINGSANSLAGET

Se figur 7.

1. Indstil parallellanslaget i den ønskede position, og spænd det fast.
2. Forskyd geringsanslaget ind mod parallellanslaget fra forsiden.
3. Indstil den ønskede vinkel ved hjælp af vinkelskalaen, og spænd knappen godt fast.

SAMLING AF STATIVET

Se figur 8-9.

Støttebeslagene og stativbenene har tilsvarende bogstaver for hurtig samling.

Påkrævet værktøj: Svensknøgle eller 13 mm-nøgler samt Phillips-skruetrækker.

1. Indsæt benene, med mærket "A", i støttebeslagets enderør med mærket "A". Stativbenenes vinklede ender skal vende bort fra hinanden, så de ligner et "V". Indjustér hullerne for hardware. Gentag proceduren med det andet sæt støttebeslag og ben mærket "B".
2. Indsæt bensamlingerne i afstiverne. Bensamlingen "B" hviler på indersiden af afstiverne. Bensamlingen "A" hviler på den udvendige side. Afpas hullerne i afstiverne og benene med hinanden. Installer hardware gennem hullerne.
3. Fastspænd hardwaren med en nøgle.
4. Anbring stativet på et plant underlag, og afpas kilesporene under flisesaven med beslagene på stativet. Anbring bordet på stativet.
5. Kontrollér inden ibrugtagning, at flisesaven står på et plant underlag, og at stativet er stabilt.

MONTERING AF OVERLØBSAFLØBET

Se figur 10.

1. Fjern smigbordet.
2. Find hullet i bunden af vandbeholderen.
3. Pres overløbsafløbet godt fast i hullet.
4. Genmonter smigbordet.

SAMLING AF SPÆNDEMEKANISMEN

1. Vend flisesavshuset på hovedet.
2. Indjustér skruehullerne på spændemekanismen i forhold til skruehullerne i bunden af flisesavshuset.
3. Indsæt skrueerne, og spænd dem godt til.

FYLDNING AF VANDBEHOLDEREN

Se figur 11.

1. Fjern smigbordet.
2. Fyld vandbeholderen op til fyldelinjen med rent postevand.
BEMÆRK: Overløbsafløbet forhindrer overfyldning.
3. Genmonter smigbordet.

UDSKIFTNING AF VANDET I BEHOLDEREN

1. Træk flisesavens stik ud af stikkontakten.
2. Fjern overløbsafløbet, og tøm det i en spand; sørg for, at der ikke kommer vand på gulvet omkring maskinen.
3. Spildevand skal bortskaffes iht. lokal lovgivning.





Dansk

BETJENING

⚠ ADVARSEL

Der skal stadig udvises forsigtighed, selv om man er blevet fortrolig med værktøjet. Glem aldrig, at man blot skal være uopmærksom en brøkdæl af et sekund for at komme alvorligt til skade.

⚠ ADVARSEL

Brug altid sikkerhedsbriller eller beskyttelsesbriller med sideafskærmning, når der arbejdes med redskaber og værktøj. Hvis denne regel ikke overholdes, kan man få slynget fremmedlegemer i øjnene og komme alvorligt til skade.

⚠ ADVARSEL

Brug ikke andre dele eller tilbehørsdele end dem, fabrikanten anbefaler til denne maskine. Hvis der anvendes ikke anbefalede dele eller tilbehørsdele, kan man komme alvorligt til skade.

TEST AF RCD INDEN BRUG

1. Sæt RCD i lysnetkontakten.
2. Tryk på Reset-knappen. Nu skal strøm-indikatoren lyse.
3. Tryk på Test-knappen. Nu skal strøm-indikatoren slukke.
ADVARSEL: Hvis RCD ikke består testen, må værktøjet ikke benyttes. Kontakt en autoriseret elektriker.
4. Tryk på Reset-knappen for at aktivere RCD.

ANVENDELSE

Man kan bruge dette værktøj til nedenstående anvendelsesformål:

Skæring efter en lige linje såsom tværskæring, geringsnsnit, længdeskæring og smigskæring

BEMÆRK: Denne sav er udelukkende beregnet til skæring af menneskeskabte fliser, klinker, naturstensprodukter og stenfliseprodukter.

Tænd/Sluk-kontakt

Denne sav har let adgang til kontakten ON/OFF (=TÆND/SLUK) under forskinnen.

Sådan slukkes saven:

Tryk på den røde knap for at slukke produktet (O).

Sådan tændes saven:

Tryk på den grønne knap for at tænde produktet (I).

Sådan låses saven:

Når saven er slukket, trækkes stikket ud af stikkontakten.

⚠ ADVARSEL

Inden man betjener værktøjets startknap, skal man ALTID sikre sig, at emnet ikke er i kontakt med klingen. Manglende iagttagelse af denne advarsel kan bevirke, at emnet slår tilbage mod operatøren og medføre alvorlige personskader.

⚠ ADVARSEL

For at reducere faren for utilsigtet start skal man altid huske at stille kontakten i pos.OFF (=SLUKKET), inden man trækker stikket ud af stikkontakten. I tilfælde af strømsvigt, eller når værktøjet ikke skal bruges, skal afbryderen stilles i pos.OFF (=SLUKKET) og stikket trækkes ud af lysnetkontakten. Herved forhindres det, at værktøjet starter utilsigtet, når strømmen vender tilbage.

BRUG AF PARALLELANSLAGET OG GERINGSANSLAGET

Se figur 13.

Parallelanslaget kan bruges fra både venstre og højre side af savklingen.

1. Knappen på parallelanslaget løsnes ved at dreje den mod uret.
2. Indstil parallelanslaget i den ønskede position ved hjælp af parallelanslagsskalaen foran og bag på bordet, så parallelanslaget indstilles til den ønskede skærebredde.
3. Drej knappen, med uret, og spænd den godt fast.

JUSTERING AF VINKLER

Indstil parallelanslaget i den ønskede position, og spænd det godt fast.

1. Forskyd geringsanslaget ind mod parallelanslaget fra forsiden.
2. Indstil den ønskede vinkel ved hjælp af vinkelskalaen, og spænd knappen godt fast.

FREMSTILLING AF SNIT

Tegn altid den linje, der skal skæres efter på flisen, med en tuschpen eller farveblyant. Hvis flisen er blank og svær at tegne på, anbringer man et stykke afdækningstape på flisen og tegner på tapen.

Et typisk problem under fliseskæring er, at savefugen kommer bort fra den optegnede linje. Er man først kommet bort fra den optegnede linje, er det ikke muligt at tvinge klingens tilbage til linjen ved at dreje flisen. I stedet trækker man savens baglæns og skærer flisen igen (så der afskives en lille smule flise), indtil klingens er tilbage i sporet.

For at undgå dette problem bruger man - så vidt muligt - parallelanslaget til fremstilling af tværnsnit, geringsanslaget til geringsnsnit og det justerbare højre sidebord til





Dansk

fremstilling af smignitsnit.

Til fremstilling af tværsnit

Se figur 14.

Tværsnit er lige 90° snit. Materialet føres ind i snittet i en vinkel på 90° til klingens, mens klingens er vertikal.

1. Brug en tuschpen eller farveblyant til at afmærke det område, der skal skæres ud af materialet.
2. Indstil parallelanslaget i den ønskede position, og spænd det godt fast.
3. Anbring materialet på bordet, så det ligger godt an mod parallelanslaget.
4. Inden man tænder for saven, skal man kontrollere, at materialet er fri af savklingen.
5. Tænd for strømmen.
6. Lad savklingen accelerere til tophastighed, og vent til klingens bliver våd, inden materialet føres frem mod klingens.
7. Hold materialet godt fast mod parallelanslaget, og fremfør materialet mod savklingen.
8. Når snittet er udført, skal savens slukkes. Vent med at fjerne dele af materialet, til savklingen er helt stoppet.

Til fremstilling af et 45° diagonalsnit

Se figur 15.

45° Diagonalsnit kaldes også "langpunkt-til-langpunkt-snit".

1. Brug en tuschpen eller farveblyant til at afmærke det område, der skal skæres ud af materialet.
2. Sæt parallelanslaget til den ønskede bredde, og spænd det fast med knappen.
3. Forskyd geringsanslaget ind mod parallelanslaget fra forsiden.
4. Indstil geringsanslaget til 45° ved hjælp af vinkelskalaen, og spænd knappen godt fast.
5. Inden man tænder for saven, skal man kontrollere, at materialet er fri af savklingen.
6. Tænd for strømmen.
7. Lad savklingen accelerere til tophastighed, og vent til klingens bliver våd, inden materialet føres frem mod klingens.
8. Hold materialet godt fast mod geringsanslaget, og forskyd geringsanslaget langs mod parallelanslaget. Før materialet ind mod savklingen.
9. Når snittet er udført, skal savens slukkes. Vent med at fjerne dele af materialet, til savklingen er helt stoppet.

Til fremstilling af et geringssnit

Se figur 16.

Geringssnit bruges til skæring af ud- og indvendige hjørner i materialer, dekorative dæklister og fodlister, hvor materialet er i en vinkel forskellig fra 90° i forhold til klingens. Geringssnit har en tendens til at "krybe" under

skæringen. Dette kan kontrolleres ved at holde emnet godt fast mod geringsanslaget.

1. Brug en tuschpen eller farveblyant til at afmærke det område, der skal skæres ud af materialet.
2. Sæt parallelanslaget til den ønskede bredde, og spænd det fast med knappen.
3. Forskyd geringsanslaget ind mod parallelanslaget fra forsiden.
4. Indstil geringsanslaget til den ønskede vinkel ved hjælp af vinkelskalaen, og spænd knappen godt fast.
5. Inden man tænder for saven, skal man kontrollere, at materialet er fri af savklingen.
6. Tænd for strømmen.
7. Lad savklingen accelerere til tophastighed, og vent til klingens bliver våd, inden materialet føres frem mod klingens.
8. Hold materialet godt fast mod geringsanslaget, og forskyd geringsanslaget langs mod parallelanslaget. Før materialet ind mod savklingen.
9. Når snittet er udført, skal savens slukkes. Vent med at fjerne dele af materialet, til savklingen er helt stoppet.

Til fremstilling af et L-snit

Se figur 17.

L-snit er snit, som fjerner et stykke af flisen, så den passer til et hjørne, omkring et skab eller et listestykke, og fremstilles via to separate snit.

BEMÆRK: Der må kun overskæres på bunden eller undersiden af emnematerialet.

1. Materialet skæres i den ønskede bredde som beskrevet for tværsnit.
2. Indstil parallelanslaget i den ønskede position, og spænd det godt fast.
3. Anbring materialet på bordet, så det ligger godt an mod parallelanslaget.
4. Inden man tænder for saven, skal man kontrollere, at materialet er fri af savklingen.
5. Tænd for strømmen.
6. Lad savklingen accelerere til tophastighed, og vent til klingens bliver våd, inden materialet føres frem mod klingens.
7. Hold materialet godt fast mod parallelanslaget, og fremfør materialet mod savklingen.
8. Lav snittet tilstrækkeligt langt ind i materialet uden at overskære.
9. Sluk for strømmen.
10. Vend materialet, og udfør snittet langs ét af mærkerne. Denne gang overskærer man den anden linje, hvorved den afskårne del vil løsne sig fra resten af materialet.
11. Tænd for strømmen.
12. Lad savklingen accelerere til tophastighed, og vent til klingens bliver våd, inden materialet føres frem mod klingens.





Dansk

13. Når snittet er udført, skal saven slukkes. Vent med at fjerne dele af materialet, til savklingen er helt stoppet.

Til fremstilling af et smigsnit

Se figur 18-19.

Skråsnit 22,5° og 45° kan udføres med smigbordet.

1. Brug en tuschpen eller farveblyant til at afmærke det område, der skal skæres ud af materialet.
2. Vip smigbordet op.
3. På undersiden af smigbordet trækker man de to bordben ned i rigtig vinkel i forhold til pladen.
4. Anbring pladen i benenes første indstillingshak i en vinkel på 22,5°.
5. Brug det andet sæt indstillingshak til indstilling af smigbordet i den højeste vinkel på 45°.

BEMÆRK: Kontrollér, at smigbordet er ordentligt fastlåst, inden skæring påbegyndes.

Fold benene ud, og læg smigbordet plant i en vinkel på 22,5° eller 45°.

6. Tænd for strømmen.
7. Lad savklingen accelerere til topstighed, og vent til klingen bliver våd, inden materialet føres frem mod klingens.
8. Hold materialet godt fast mod smigbordet, og fremfør materialet mod savklingen.
9. Når snittet er udført, skal saven slukkes. Vent med at fjerne dele af materialet, til savklingen er helt stoppet.

VEDLIGEHOLEDSE

⚠ ADVARSEL
I forbindelse med servicearbejde må der kun bruges originale reservedele. Brug af alternative dele kan forårsage farlige situationer eller ødelægge produktet.

⚠ ADVARSEL
Bær altid sikkerhedsbriller med sideskjolde under betjening af elværktøjet eller ved støv-ophvirvling. Hvis der ophvirvles støv under arbejdet, bæres også støvmaske.

⚠ ADVARSEL
Hvis strømforsyningskablet beskadiges, skal det udskiftes af producenten eller på et autoriseret servicecenter for at undgå risici.

⚠ ADVARSEL
Af hensyn til brugersikkerheden og drifts- sikkerheden skal reparationer udføres på et autoriseret Ryobi serviceværksted.

GENEREL VEDLIGEHOLEDSE

Undgå brug af opløsningsmidler til rengøring af plastdele. De fleste plastdele tåler ikke forskellige typer kommercielle opløsningsmidler og risikerer at blive ødelagt af disse. Snavs, støv, olie, fedt, mv., fjernes med rene klude.

⚠ ADVARSEL
Plastelementer må aldrig komme i berøring med bremsevæske, benzin, olie- eller petroleumsbaserede produkter, rusttøsnende olie o.l. Disse kemiske produkter indeholder stoffer, som kan beskadige, mørme eller ødelægge plastmaterialet, så man risikerer at komme alvorligt til skade.

Smøring

Alle lejerne i dette værktøj er smurt for produktets levetid under normale driftsbetingelser med en tilstrækkelig mængde højkvalitetssmøremiddel.

Flisesavklinge

For maksimal ydelse og sikkerhed anbefales det, at man bruger 178 mm-savklingen, der følger med saven. Ekstra savklinger af samme høje kvalitet fås hos din lokale forhandler.

⚠ ADVARSEL
Brug ikke klinger med lavere normering end dette værktøjs tomgangshastighed. Manglende iagttagelse af denne advarsel kan medføre personskader. Brug ikke klinger med revner, huller eller tænder.

UDSKIFTNING AF FLISESAVKLINGEN

Se figur 20.

⚠ ADVARSEL
A 178 mm flisesavklinge er savens maksimale klingekapacitet. Der må aldrig bruges en klinge, der er for tyk til, at klingeflansen kan gå i indgreb med den flade del af spindlen. Større klinger vil berøre klingskærmen, mens tykkere klinger vil forhindre klingebolten i at holde klingens ordentligt fast på spindlen. Enhver af disse situationer kan medføre alvorlige uheld og kan forårsage alvorlige personskader.

1. Træk savens stik ud af stikkontakten.
2. Fjern smigbordet.
3. Sæt sekskantnøglen på klingspindel møtrikken. Sæt spindelnøglen på klingspindlen med den anden hånd.
4. Hold spindelnøglen godt fast, så klingens ikke kan bevæge sig. Spindel møtrikken løsnes ved at dreje den mod uret.
5. Fjern spindel møtrikken, den udvendige klingeflange og savklingen.



Dansk

6. Kom en dråbe olie på klingens indvendige flange på det sted, hvor den rører ved klingens.

⚠ ADVARSEL

Hvis den indvendige klingeflange er blevet fjernet, skal den monteres igen, inden klingens sættes på spindlen. Gør man ikke det, er der fare for ulykker, da klingens ellers ikke kan spændes ordentligt fast. På dette værktøj må der aldrig bruges klinger med åbninger, kilespor eller tænder

7. Sæt savklingen på spindlen, så pilene på savklingen vender i retning mod uret.
 8. Genmonter den udvendige klingeflange. De dobbelte "D"-flader på klingeflangerne flugter med de flade dele på spindlen.
 9. Brug af klingeløglene og spindeløglene til at spænde spindlen ordentligt fast.
 10. Genmonter smigbordet.

MILJØBESKYTTELSE



Råmaterialerne skal genvindes og ikke bortkastes med almindeligt affald. Af hensyn til miljøet skal redskab, tilbehør og emballage sorteres.

SYMBOL



Sikkerheds Varsel



CE Overensstemmelse



GOST-R Overensstemmelse



Læs venligst vejledningen omhyggeligt inden start af produktet.



Brug altid øjenværn.



Benyt høreværn



Bær sikkerhedshandsker



FARE! Skarp klinge



Pas på, fare for snitsår



Må ikke udsættes for regn eller bruges i fugtige omgivelser.



Må ikke udsættes for regn eller bruges i fugtige omgivelser.



Maskiner skal bruges med en diamantklinge med kontinuerlig kant.



Klingens rotationsretning



Diamant-klinge



Klingediameter



Klingeholderdiameter



Nettovægt



Savedybde (max.)



Fræsebredde (max.)



Diagonal snitbredde (max.)



Genbrug



Elektriske affaldsprodukter bør ikke afskaffes sammen med husholdningsaffald. Genbrug venligst hvor faciliteterne tillader dette. Tjek med din lokale kommune eller forhandler for genbrugsråd.



Svenska

BESKRIVNING

1. Jordningskontakt
2. Strömssladd
3. Droppögla
4. Klinga för sågning i kakel
5. Av/på-knapp
6. Klyvguide
7. Geringsguide
8. Maximal fyllnadslinje
9. Överfyllningsdränering
10. Vattentank
11. Skala för klyvstöd
12. Stöd
13. Sladdhållare
14. Lyfthandtag
15. Klingskydd
16. Geringsbord
17. Kakelsägens chassi
18. Sexkantssnyckel
19. Dornnyckel
20. Skruvar
21. Fäste för klingskydd
22. Sexkantsmutter
23. Sexkantsbult
24. Stöd "A".
25. Stöd "B".
26. Stödbultar
27. Stödmutter
28. Stödfästen
29. Stödfäste "A".
30. Stödfäste "B".
31. Låshakar
32. Minskning av belastning
33. Ring
34. Vred för klyvguiden.
35. Stöd "A".
36. Stöd "B"
37. Skala för geringsguide
38. Vred för geringsguide
39. Stöd för geringsbord
40. 22.5° geringshack
41. 45° geringshack
42. Spindel
43. Inre fläns
44. Ytre fläns
45. Spindelmutter

ALLMÄNNA SÄKERHETSFÖRESKRIFTER

VARNING

Grundläggande säkerhetsåtgärder ska alltid följas för att minska risken för brand, elektrisk stöt och personskada när du använder elektriska verktyg.

Läs alla instruktioner innan du försöker använda den här produkten och spar instruktionerna för senare bruk.

- **Känn till ditt verktyg.** Läs användarmanualen ordentligt. Lär dig användningsområdena och begränsningarna hos produkten och de specifika risker som hör till.
- **Skydda dig mot elektrisk stöt genom att undvika kroppskontakt med jordade ytor.** Exempelvis rör, element, spisar, kylskåp.
- **Behåll skydden på plats och i gott skick.**
- **Ta bort justeringsnycklar och -verktyg.** Ta för vana att kontrollera att nycklar och justeringsverktyg är bortplockade från verktyget innan du startar det.
- **Håll arbetsområdet rent.** Belamrade områden och bänkar ökar risken för olyckor. Låt inte verktyg eller träbitar ligga på sågen när den används.
- **Använd inte i farliga områden.** Använd inte elverktyg i fuktiga eller blöta områden och utsätt de inte för regn. Håll arbetsområdet väl upplyst. Använd inte verktyget i närheten av brännbara vätskor eller gaser.
- **Håll barn och åskådare på avstånd.** Alla åskådare ska använda skyddsglasögon och hålla sig på ett säkert avstånd från arbetsområdet. Låt inte åskådare komma i kontakt med verktyget eller förlängningssladden när verktyget används.
- **Pressa inte verktyget.** Det kommer att ge det bästa resultatet om det får arbeta med den matningshastighet som det konstruerades för.
- **Använd rätt verktyg.** Försök inte utföra en arbetsuppgift som verktyget eller tillbehöret inte är avsedd för. Använd inte produkten i syften som den inte är avsedd för.
- **Använd lämplig förlängningssladd.** Försäkra dig om att förlängningssladden är i gott skick. Använd bara strömssladdar som är tillräckligt kraftiga för att överföra den ström som din produkt kräver. En underdimensionerad strömssladd orsakar spänningsfall vilket resulterar i effektbortfall och överhettning.
- **Klä dig korrekt.** Bär inte löst åtsittande kläder, handskar, slips eller smycken. De kan fastna och dras in i rörliga delar. Gummihandskar och skor med en sula som fäster bra (gummisula) rekommenderas när du arbetar utomhus. Använd även härskydd för att





Svenska

hålla ihop långt hår.

- **Bär alltid skyddsglasögon med sidoglas.** Vanliga glasögon har endast stöttåliga linser. Det är INTE säkerhetsglasögon.
- **Säkert arbets sätt.** Använd klämmor eller ett skruvståd för att hålla arbetsstycket när det är lämpligt; det är säkrare än att använda händerna och du får båda händerna fria till att kontrollera verktyget.
- **Sträck dig inte.** Ha alltid ett bra fotfäste och en god balans.
- **Underhåll verktyget försiktigt.** Håll verktyg vassa och rena för bästa och säkraste resultat. Följ instruktionerna för smörjning av, och byte av, tillbehör. Kontrollera strömsladdarna regelbundet och låt ett auktoriserat servicecenter reparera dem om de är trasiga. Kontrollera förlängningssladden regelbundet och byt ut om den är skadad. Håll handtag torra, rena och fria från olja och fett.
- **Koppla bort verktyg.** Alla verktyg ska kopplas bort innan du servar, byter tillbehör, blad, bits, klingor, etc. Koppla bort kontakten innan du utför några justeringar, service eller underhåll.
- **Undvik oavsiktlig start.** Kontrollera att strömbrytaren alltid är avstängd när du kopplar in verktyget.
- **Använd rekommenderade tillbehör.** Vänd dig till användarmanualen för en lista över rekommenderade tillbehör. Användning av felaktiga tillbehör kan orsaka material- och personskador.
- **Stå aldrig på verktyget.** Allvarlig skada kan uppstå om verktyget ramlar eller om du kommer i kontakt med klingan av misstag.
- **Kontrollera delarna för att upptäcka eventuella skador.** Innan ytterligare användning av verktyget sker ska en skyddsanordning eller ett skydd som är skadat noggrant kontrolleras för att avgöra om det kan fungera och fylla sin funktion fullt ut. Kontrollera att rörliga delar är justerade och kan röra sig obehindrat och att inga delar eller fästen är trasiga. Kontrollera även annat som kan påverka användningen. En skyddsanordning eller en del som är skadad måste repareras korrekt eller bytas ut av ett auktoriserat servicecenter för att undvika risk för personskador.
- **Använd rätt matningsriktning.** Mata endast in material i motsatt riktning till klingans rotation.
- **Lämna aldrig ett verktyg som är igång. Stäng av strömmen.** Lämna inte verktyget förrän det har stannat helt.
- **Skydda dina lungor.** Bär en ansiktsmask om det dammar mycket.
- **Skydda din hörsel.** Bär hörselskydd under längre exponeringar.
- **Misshandla inte strömsladden.** Ryck aldrig i

strömsladden för att koppla bort verktyget från eluttaget. Håll strömsladden borta från värme, olja och vassa kanter.

- **Ha alltid sägklingans skydd på plats och i fungerande skick.**
- **Håll händerna borta från skärområdet.** Håll händerna borta från sägklingan. Sträck dig inte över eller under klingan när den roterar. Försök inte ta bort sågmaterial när klingan roterar.
- **Klingan roterar fritt efter att sågen har stängts av.**
- **Använd aldrig i en explosiv atmosfär.** Normal gnistbildning från motorn kan antända ångor.
- **Kontrollera strömsladdarna regelbundet.** Låt en kvalificerad servicetekniker på ett auktoriserat servicecenter reparera verktyget om det är trasigt.
- **Kontrollera förlängningssladden regelbundet och byt ut om den är skadad.**
- **Jorda alla verktyg.** Om verktyget är utrustat med en 3-polig kontakt ska den kopplas in i ett 3-poligt uttag.
- **Rådfråga en behörig elektriker eller servicepersonal om du inte förstår anvisningarna gällande jordning eller om du är tveksam över om produkt har jordats på rätt sätt.**
- **Använd endast korrekta elanordningar:** Förlängningssladdar med 3 ledare, som har 3-poliga jordkontakter och 3-poliga uttag där verktygets kontakt passar.
- **Gör inga ändringar i den stickkontakt som sitter på produkten.** Om stickkontakten inte passar i vägguttaget måste den bytas ut mot en lämplig kontakt, bytet måste utföras av en behörig elektriker.
- **Håll verktyget torrt, rent och fritt från olja och fett.** Använd alltid en ren trasa vid rengöring. Använd aldrig bromsvätskor, bensin, petroleumbaserade produkter eller några lösningsmedel för att rengöra verktyget.
- **Var uppmärksam och ha alltid kontroll.** Se upp med vad du gör och använd sunt förnuft. Använd inte verktyget när du är trött. Stressa inte.
- **Använd inte verktyget om inte strömbrytaren stänger av och sätter på det.** Låt ett auktoriserat servicecenter byta ut trasiga strömbrytare.
- **Använd endast korrekt klinga.** Använd inte klingor som har fel hålstorlek. Använd aldrig brickor eller spindelmuttrar som är defekta eller felaktiga. Maximal klingkapacitet hos din såg är 178 mm. Alla blad som används måste ha tillverkatets för att uppfylla EN13236. Använd aldrig ett skärblad som är anpassat för en lägre hastighet än verktygets.
- **Kontrollera att alla justeringar är ordentligt åtdragna innan du börjar såga.**
- **Vidrör aldrig klingan eller någon annan roterande**





Svenska

del under användning.

- **Starta aldrig ett verktyg när någon roterande del är i kontakt med arbetsstycket.**
- **Använd inte ett verktyg när du är påverkad av droger, alkohol eller mediciner.**
- **Använd endast identiska originaldelar när du servar maskinen.** Användning av andra delar kan orsaka fara eller produktskada.
- **Använd endast de rekommenderade tillbehören som finns listade i denna manual eller i tillägg till manualen.** Användning av tillbehör som inte är uppräknade kan orsaka personsador. Instruktioner för hur tillbehör används säkert följer med tillbehören.
- **Dubbelkolla alla inställningar.** Kontrollera att klingan är ordentligt ådragen och inte ligger i kontakt med sågen eller arbetsstycket innan du ansluter sågen till elnätet.

KAKELSÄG SÄKERHETSFÖRESKRIFTER

- Sätt alltid fast arbetsstycket ordentligt mot klyvguiden eller geringslåset.
- Stå aldrig, eller ha någon kroppsdel, i linje med klingans rörelseväg.
- Försök aldrig att frigöra en klinga som har fastnat utan att först ha stängt av sågen och kopplat bort den från elnätet.
- För att minska risken får en skadad strömsladd endast repareras av tillverkaren eller ett auktoriserat servicecenter.
- Undvik märkliga användningssätt och handplaceringar där din hand kan hamna i vägen för klingan om du tappar greppet.
- Kontrollera, innan du använder sågen, att arbetsområdet har tillräcklig belysning så att du ser arbetsstycket och ser att inga hinder ligger i vägen för en säker användning.
- För att undvika oavsiktlig start vid återinkoppling ska du alltid stänga av sågen innan du kopplar bort den.
- Detta verktyg ska ha följande markeringar:
 - Använd skyddsglasögon.
 - Använd klingskyddet i alla situationer där det kan användas.
 - Koppla bort sågen innan du servar den, när du byter klinga och när du rengör den.
 - Använd endast skärklingor med jämn skärkant som inte har hål, fördjupningar eller tänder.
 - Byt ut skadade klingor innan användning.
 - Fyll inte vattenbadet över linjen.

- **Spara dessa anvisningar.** Titta i dem ofta och använd dem för att instruera andra. Om du lånar ut verktyget till någon ska du även låna ut instruktionerna.

ELEKTRISKA ANSLUTNINGAR

Detta verktyg använder en precisionsbyggd elektrisk motor. Det ska endast anslutas till en elförsörjning med spänning 220-240V AC, 50 Hz (normal hushållsel). Anslut inte den här produkten till likströmsnät (DC). Ett stort spänningsfall kan orsaka effektförlust och motorn kommer att överhettas. Kontrollera strömkällan om sågen inte fungerar trots att den är strömsatt från vägguttaget.

HASTIGHET OCH ELDRAGNING

Hastigheten utan belastning för det här verktyget är ungefär 2,900 RPM. Hastigheten är inte konstant och minskar under belastning eller vid låg spänning. När det gäller spänning är eldragningen lika viktig som motorns antal hästkrafter. En krets som är avsedd för endast belysning klarar inte av ett elverktyg. En strömsladd som är tillräcklig för en kort sträcka kommer att vara för klen för längre sträckor. En krets som kan driva ett elverktyg kan kanske inte driva ytterligare ett eller två elverktyg.

ANVISNINGAR FÖR JORDNING

Se bild 1.

Den här produkten måste jordas. I händelse av ett teknisk fel eller haveri fungerar jordningen som en ledare för elektrisk ström vilket minskar risken för elstöt. Detta verktyg är utrustat med en elektrisk strömsladd som har en jordningsledare och jordningskontakt. Stickkontakten måste stoppas in i ett vägguttag där den passar, vägguttaget måste vara korrekt installerat och jordat i enligt med lokala lagar och bestämmelser.

Gör inga ändringar i den stickkontakt som sitter på produkten. Om stickkontakten inte passar i vägguttaget måste den bytas ut mot en lämplig kontakt, bytet måste utföras av en behörig elektriker.

⚠ VARNING

Felaktig inkoppling av jordningskontakten kan resultera i elektrisk stöt. Koppla inte in jordningskabeln till de platta klingterminalerna när strömsladden behöver repareras eller bytas ut. Ledaren med grön isolering (med eller utan gula ränder) är jordkabeln.

Rådfråga en behörig elektriker eller servicepersonal om du inte förstår anvisningarna gällande jordning eller om du är tveksam över om produkt har jordats på rätt sätt.

Om elkabeln skadas måste den omedelbart repareras eller bytas ut.

För att minska risken får en skadad strömsladd





Svenska

endast repareras av tillverkaren eller ett auktoriserat servicecenter.

Anslut endast produkten till vägguttag där dess stickkontakt passar. Använd inte produkten med en adapter.

Av säkerhetsskäl är det viktigt att alla reparationer utförs på en serviceverkstad som godkänts av Ryobi.

Jordfelsbrytare ska användas tillsammans med kakelsågen. Eluttag med inbyggd jordfelsbrytare finns tillgängliga och kan användas för att få denna typ av säkerhet.

Om sågen används med en förlängningssladd måste du kontrollera att kopplingen mellan verktygets strömsladd och förlängningssladden inte ligger på marken. Tilläggsmaskiner ska alltid kopplas in i vägguttag och inte i samma uttag som huvudmaskinens strömsladd eller förlängningssladd.

Om ett skyddat eluttag inte kan användas ska du inte använda sågen innan ett sådant, eller andra skyddsåtgärder, finns på plats. Dessa extra skyddsanordningar finns hos din lokala återförsäljare.

POSITION HOS KAKELSÅGEN

Se bild 2.

Placera kakelsågen på ena sidan av ett eluttag för att undvika att vatten droppar ned på kontakten eller uttaget från verktyget. Du ska anordna en "droppögla" på strömsladden som används för att koppla in sågen till ett uttag. "Droppögla" är den del av strömsladden som hänger längre ned än uttaget, eller kontakten om en förlängningssladd används, för att förhindra att vatten kan rinna längs med sladden och in i uttaget.

TA INTE UR kontakten om den eller eluttaget blir blött. Koppla bort säkringen som strömförsörjer verktyget, koppla bort verktyget och undersök om det finns vatten i uttaget.

VARNING

För att minska risken för att få en elektrisk stöt, håll alltid alla kopplingar torra och borta från marken. Vidrör inte kontakten med våta händer.

SPECIFIKATIONER

Produktspecifikationer	
Spänning	220 - 240V
Ström	500 W
Tomgångshastighet	2,900 rpm
Vikt	15,5 kg (N.W.)

Funktioner	
Bordsstorlek	381 mm x 502 mm
Bordshöjd från kabinettet till bordet	181 mm
Materialspecifikationer	
Bordsmaterial	Rostfritt stål
Material i stativet	Stålrör
Skärverktyg/Kapacitet	
Klingdiameter	178 mm
Klingtyp	Diamant
Klingans inre diameter	25,4 mm
Maximalt snittdjup	33 mm
Värden uppmätta enligt EN 61029	
A-vägd ljudtrycksnivå	$L_{PA} = 61,0 \text{ dB(A)}$
Osäkerhet K	3 dB(A)
Värden uppmätta enligt EN 61029	
A-vägd ljudeffektsnivå	$L_{WA} = 77,0 \text{ dB(A)}$
Osäkerhet K	3 dB(A)

KÄNN TILL DIN KAKELSÅG.

178 mm kakelklinga

- En 178 mm sägklinga följer med din såg.

Geringsbord

- Geringsnitt i 22,5° och 45° vinkel kan göras genom att använda geringsbordet.

Handtag

- Sågen har bekväma handtag placerade på vänster och höger sida som används för att lyfta och bära sågen.

Geringsguide

- Geringsguiden är fullt justerbar vilket möjliggör diagonala snitt och geringsnitt.

Motor

- Den här maskinen har en stark motor med tillräckligt med kraft för att hantera krävande sågjobb.

Klyvguide

- Klyvguiden är fullt justerbar vilket gör det möjligt att göra tvärsnitt och använda geringsguiden.

Kakelsågens stöd

- Denna såg kommer med ett stöd som ökar portabiliteten och gör sågen smidigare att hantera.





Svenska

Klingskydd

- Klingskyddet erbjuder skydd mot sprutande vatten och mist

HOPSÄTTNING

SÄTT FAST KLINGSKYDDET

Se bild 5-6.

1. Ta bort geringsbordet.
2. Sätt i det L-formade klingskyddsfästet i ringen på undersidan av bordet bakom klingan.
3. Sätt i skruvarna i bordet och genom klingskyddfästet och dra åt ordentligt.

NOTERA: Kontrollera att klingskyddet ligger i linje med klingan så att inte det inte hindrar arbetsmaterialet.

4. Rikta in klingskyddet med klingan och skjut över. Lägg hålen i klingskyddet och urfräsningen i klingskyddsfästet i linje.

NOTERA: Justera alltid klingskyddet horisontellt mot bordet och något högre än kakelhöjden. Klingskyddet ska inte vidröra kakelplattan.

5. Sätt i sexkantsbulten genom klingskyddet och fästet.
6. Gånga fast vredet på bulten och dra åt till önskad höjd.
7. Sätt tillbaka geringsbordet.

NOTERA: Klingskyddet monteras från fabrik. Plocka inte isär verktyget när du justerar eller underhåller det.

SÄTT FAST KLYVGUIDEN

Se bild 7.

1. Vrid vredet på klyvguiden motsols för att lossa.
2. Skjut klyvguiden upp på sidan av bordet.
3. Använd skalan för klyvguiden, placerad i framkant och bakkant av bordet, för att sätta klyvguiden till önskad bredd.
4. Vrid vredet på klyvguiden medsols för att dra åt.

SÄTT FAST GERINGSGUIDEN

Se bild 7.

1. Justera klyvguiden till önskad position och dra åt.
2. Skjut geringsguiden upp på klyvguiden framifrån.
3. Justera till önskad vinkel genom att använda vinkelskalan och dra åt ordentligt med vredet.

MONTERA STÖDET

Se bild 8-9.

Stödfästena och stöden har bokstavsbezeichnungar för att göra monteringen enkel.

Verktyg som behövs vid monteringen: Justerbar skiftnyckel eller en 13mm stor skiftnyckel samt en skruvmejsel.

1. Sätt i stöden markerade med "A" i ändrören på stödfästet med märkningen "A". Vinklade delar av stöd ska vara riktade bort från varandra så att de liknar ett "V". Rikta in hålen för skruvar. Upprepa med andra

stödfästet och stöd markerade "B".

2. Sätt fast stöden i fästena. Stöd "B" vilar på insidan av fästena. Stöd "A" vilar på den yttre sidan. Lägg hålen i fästet och stöden i linje. Sätt i skruvar genom hålen.
3. Använd en skiftnyckel och dra åt.
4. Placera stöden på en plan yta och rikta in fördjupningarna under kakelsågen med fästena på stöden. Placera bordet på stöden.
5. Kontrollera att kakelsågen står på en plan yta och att stödet är stabilt innan du använder kakelsågen.

SÄTT FAST ÖVERFYLNINGSDRÄNERINGEN.

Se bild 10.

1. Ta bort geringsbordet.
2. Lokalisera hålet i botten på vattentanken.
3. Tryck in överfyllningsdräneringen i hålet ordentligt.
4. Sätt tillbaka geringsbordet.

MONTERA LÅSEN

1. Vänd kakelsågens chassi upp och ned.
2. Rikta in skruvhålen på låsen med skruvhålen på botten av kakelsågens chassi.
3. Sätt i skruvarna och dra åt ordentligt.

FYLL VATTENBADET

Se bild 11.

1. Ta bort geringsbordet.
 2. Fyll vattenbadet med rent kranvatten upp till fyllnadslinjen.
- NOTERA:** Överfyllningsdräneringen förebygger överfyllning.
3. Sätt tillbaka geringsbordet.

BYT UT VATTNET I VATTENBADET

1. Koppla bort kakelsågen.
2. Ta bort överfyllningsdräneringen och töm vattnet i en hink utan att spilla vatten på marken eller runt maskinen.
3. Gör dig av med avfallen enligt lokala bestämmelser.

ANVÄNDNING

⚠ VARNING

Fortsätt att vara på din vakt även när du blivit van vid ditt verktyg. Glöm inte att om du är ouppmärksam bara bråkdelarna av en sekund kan du skada dig allvarligt.





Svenska

⚠ VARNING

Använd alltid säkerhetsglasögon eller skyddsglasögon försedda med sidoskydd vid arbete med verktyg. Underlåtenhet att följa denna föreskrift kan leda till att främmande partiklar slungas mot ögonen och framkallar allvarliga ögonskador.

⚠ VARNING

Använd inga andra delar eller tillbehör än sådana som rekommenderas av tillverkaren för detta verktyg. Användning av icke rekommenderade delar eller tillbehör kan medföra risker för allvarliga skador.

SÅ HÄR TESTAR DU JORDFELSBRYTAREN INNAN ANVÄNDNING

1. Sätt in jordfelsbrytaren i uttaget.
2. Tryck på reset-knappen. Strömindikatorska tändas.
3. Tryck på testknappen. Strömindikatorska släckas.
VARNING: Använd inte verktyget om jordfelsbrytaren inte klarar testet. Rådgör med en kvalificerad elektriker.
4. Tryck på reset-knappen för att aktivera jordfelsbrytaren.

ANVÄNDNINGSSOMRÅDEN

Du får använda sågen till följande uppgifter:

Raka snitt såsom tvärsnitt, geringsnitt, klyvning och fasning

NOTERA: Denna såg är endast byggd för att såga i människotillverkat kakel, sten, naturstensprodukter och stenbaserade kakelprodukter.

Av/på-knapp

Denna såg har en lättåtkomlig PÅ/AV-knapp som är placerad under den främre skenan.

För att stänga av din såg:

Tryck ned den röda knappen för att stänga AV (O).

För att sätta på din såg:

Tryck ned den gröna knappen för att sätta PÅ (I).

För att låsa din såg:

Dra ut kontakten ur eluttaget när sågen är AVSTÄNGD.

⚠ VARNING

Kontrollera ALLTID att arbetsstycket inte är i kontakt med sågklingan innan du startar verktyget. Om du inte följer den här varningen kan arbetsstycket kastas bakåt mot dig och orsaka allvarlig skada.

⚠ VARNING

För att undvika oavsiktlig start, kontrollera alltid att strömbrytaren är i AV-läge innan du kopplar in verktyget i eluttaget. Stäng AV strömbrytaren om du råkar ut för ett strömavbrott eller om du inte ska använda verktyget längre och koppla bort kontakten. Detta agerande hindrar verktyget från att oavsiktligt starta när strömmen återkommer.

ANVÄND KLYV- OCH GERINGSGUIDEN.

Se bild 13.

Klyvguiden kan användas både från vänster och höger sida om klingan.

1. Vrid vredet på klyvguiden motsols för att lossa.
2. Justera klyvguiden till önskad position, genom att använda klyvguidens skala som är placerad i framkant och bakkant av bordet, för att ställa in önskad snittbredd.
3. Rotera vredet medsols för att dra åt ordentligt.

FÖR ATT JUSTERA VINKAR

Justera klyvguiden till önskad position och dra åt ordentligt.

1. Skjut geringsguiden upp på klyvguiden framifrån.
2. Justera till önskad vinkel genom att använda vinkelskalan och dra åt ordentligt med vredet.

GÖR SNITT

Dra alltid snittlinjen på kakelplattan med en markör eller vaxpenna. Placera maskeringstejp, och markera på tejp, om kakelplattan är blank och svår att rita på.

Vid sågning i kakel är det vanligt att glida ut från den markerade såglinjen. När du väl har kommit bort från markeringen kan du inte tvinga klingan tillbaka genom att vrida kakelplattan. Backa istället tillbaka och gör om snittet i kakelplattan så att du sågar av en liten bit tills klingan är tillbaka i spår.

För att undvika det här problemet, använd klyvguiden när du gör tvärsnitt, geringsguiden när du gör geringsnitt och den justerbara högersidan av bordet när du gör fasningsnitt närhelst det är möjligt.

För att göra ett tvärsnitt

Se bild 14.

Tvärsnitt är raka 90°-snitt. Materialet matas in mot klingan i 90° vinkel från klingan och klingan hålls vertikal.

1. Använd en markör eller vaxpenna för att markera området som ska sågas.
2. Justera klyvguiden till önskad position och dra åt ordentligt.
3. Placera materialet på bordet och tryck mot klyvguiden.
4. Kontrollera att materialet inte ligger emot klingan innan du slår på sågen.





Svenska

- Sätt på strömmen.
- Låt klingan nå maximal hastighet och vänta tills klingan är blöt innan du för materialet mot klingan.
- Håll materialet ordentligt mot klyvningsguiden och mata materialet mot klingan.
- Stäng AV sågen när snittet är klart. Vänta tills klingan har stannat helt innan du tar bort någon del av materialet.

För att göra ett 45°-diagonalsnitt

Se bild 15.

45° diagonala snitt kallas också "snitt från och till ändpunkter".

- Använd en markör eller vaxpenna för att markera området som ska sågas.
- Ställ in klyvguiden till önskad bredd och dra åt vredet ordentligt.
- Skjut geringsguiden upp på klyvguiden framifrån.
- Justera geringsguiden till 45° genom att använda vinkelskalan och dra åt ordentligt med vredet.
- Kontrollera att materialet inte ligger emot klingan innan du slår på sågen.
- Sätt på strömmen.
- Låt klingan nå maximal hastighet och vänta tills klingan är blöt innan du för materialet mot klingan.
- Håll materialet ordentligt mot geringsguiden och skjut geringsguiden längst klyvstödet. Mata materialet till klingan.
- Stäng AV sågen när snittet är klart. Vänta tills klingan har stannat helt innan du tar bort någon del av materialet.

För att göra ett geringsnitt

Se bild 16.

Geringsnitt används för att såga utsides och insides hörn i material, dekorativa stolshandtag och sockelgesims med materialet vid vilken vinkel som helst utom 90°. Geringsnitt tenderar att "krypa" under sågning. Detta kan kontrolleras genom att hålla arbetsstycket ordentligt mot geringsguiden.

- Använd en markör eller vaxpenna för att markera området som ska sågas.
- Ställ in klyvguiden till önskad bredd och dra åt vredet ordentligt.
- Skjut geringsguiden upp på klyvguiden framifrån.
- Justera geringsguiden till önskad vinkel genom att använda vinkelskalan och dra åt ordentligt med vredet.
- Kontrollera att materialet inte ligger emot klingan innan du slår på sågen.
- Sätt på strömmen.
- Låt klingan nå maximal hastighet och vänta tills klingan är blöt innan du för materialet mot klingan.
- Håll materialet ordentligt mot geringsguiden och skjut

geringsguiden längst klyvstödet. Mata materialet till klingan.

- Stäng AV sågen när snittet är klart. Vänta tills klingan har stannat helt innan du tar bort någon del av materialet.

För att göra ett L-snitt

Se bild 17.

L-snitt är snitt som tar bort en bit kakel så att det passar i ett hörn, runt ett skåp eller runt en gjutning och det utgörs av två separata snitt.

NOTERA: Såga endast uppifrån på undersidan av materialet som sågas.

- Kapa material till önskad bredd genom att använda instruktionerna för tvärsnitt.
- Justera klyvguiden till önskad position och dra åt ordentligt.
- Placera materialet på bordet och tryck mot klyvguiden.
- Kontrollera att materialet inte ligger emot klingan innan du slår på sågen.
- Sätt på strömmen.
- Låt klingan nå maximal hastighet och vänta tills klingan är blöt innan du för materialet mot klingan.
- Håll materialet ordentligt mot klyvningsguiden och mata materialet mot klingan.
- Gör snittet tillräckligt långt in i materialet utan att såga för långt.
- Stäng av strömmen.
- Vänd på materialet och gör snittet längst med markeringarna. Såga nu längst den andra linjen ovanifrån och delen separeras från resten av materialet.
- Sätt på strömmen.
- Låt klingan nå maximal hastighet och vänta tills klingan är blöt innan du för materialet mot klingan.
- Stäng AV sågen när snittet är klart. Vänta tills klingan har stannat helt innan du tar bort någon del av materialet.

För att göra ett fasningsnitt

Se bild 18-19.

Geringsnitt i 22,5° och 45° vinkel kan göras genom att använda geringsbordet.

- Använd en markör eller vaxpenna för att markera området som ska sågas.
- Fäll upp geringsbordet.
- På undersidan av geringsbordet, dra ner de två bordsbenen i räta vinklar mot plattan.
- Använd det första hacket i stödet för att låsa plattan i 22,5° vinkel.
- Använd det andra hacket för att låsa geringsbordet i den högsta vinkeln, 45°.

NOTERA: Kontrollera att geringsbordet är låst ordentligt innan du påbörjar snittet.





Svenska

Vik ut stöden och lägg geringsbordet plant för 22,5° eller 45° vinkel.

6. Sätt på strömmen.
7. Låt klingan nå maximal hastighet och vänta tills klingan är blöt innan du för materialet mot klingan.
8. Håll materialet ordentligt mot geringsbordet och mata materialet mot klingan.
9. Stäng AV sågen när snittet är klart. Vänta tills klingan har stannat helt innan du tar bort någon del av materialet.

UNDERHÅLL

VARNING

Använd endast identiska originaldelar när du servar maskinen. Användning av andra delar kan orsaka fara eller produktskada.

VARNING

Använd alltid skyddsglasögon när du använder verktyget eller när du blåser damm. Använd en ansiktsmask om det dammar mycket.

VARNING

För att minska risken får en skadad strömsladd endast repareras av tillverkaren eller ett auktoriserat servicecenter.

VARNING

Av säkerhetsskäl är det viktigt att alla reparationer utförs på en serviceverkstad som godkänts av Ryobi.

GENERELLT UNDERHÅLL

Undvik att använda lösningsmedel vid rengöring av plastdelar. De flesta plaster är känsliga för skador vid användning av olika typer av kommersiella lösningsmedel och kan skadas om du använder sådana. Använd en ren och torr trasa för att ta bort smuts, damm, olja, fett, osv.

VARNING

Se till att plastdelarna aldrig kommer i kontakt med bromsvätska, bensin, produkter med petroleumbas, penetrerande oljor, osv. Dessa kemiska produkter innehåller ämnen som kan skada, försvaga eller förstöra plasten, vilket kunde förorsaka allvarliga kroppsskador.

Smörjning

Alla lager i det här verktyget är smörjda med tillräckligt mycket högkvalitativt smörjmedel för att räckta under maskinens hela livslängd, vid en normal användning.

Klinga för sågning i kakel

Du rekommenderas att använda den 178 mm-klinga som medföljer din såg för att uppnå bästa resultat. Extra sågklingor med samma höga kvalitet finns att köpa hos din lokala återförsäljare.

VARNING

Använd inte klingor som inte klarar av minst den hastighet som verktyget framkallar utan belastning. Om du inte följer den här varningen kan resultatet bli allvarlig personskada. Använd inte klingor som har sprickor, hål eller tänder.

BYT UT KAKELKLINGAN

Se bild 20.

VARNING

178 mm är den största sågklingan sågen klarar av. Använd aldrig en klinga som är för tjock för att flänsarna ska komma i kontakt med spindeln. Större klingor kommer i kontakt med klingskyddet och tjockare klingor hindrar klingmuttern att ordentligt dra fast klingan på spindeln. Dessa situationer kan resultera i en allvarlig olycka och orsaka allvarliga personskador.

1. Koppla bort sågen.
2. Ta bort geringsbordet.
3. Skjut sexkantsskruvmejseln över klingans spindelmutter. Använd den andra handen för att skjuta på dornnyckeln på spindeln.
4. Håll dornnyckeln ordentligt för att hindra klingan från att röra sig. Vrid spindelmuttern motsols för att lossa.
5. Ta bort spindelmutter, yttre klingfläns och klingan.
6. Smeta ut en droppe olja på den inre klingflänsen där den kommer i kontakt med klingan.

VARNING

Om klingans inre fläns har tagits bort så måste den sättas tillbaka igen innan klingan placeras på spindeln. Om du inte gör det kan det resultera i en allvarlig olycka eftersom inte klingan kan dras åt ordentligt. Använd aldrig klingor som har öppningar, spår eller tänder tillsammans med det här verktyget.

7. Placera klingan på spindeln med pilarna på klingan riktade i motsols riktning.



Svenska

8. Sätt tillbaka yttre klingflänsen. De dubbla "D"-flänsarna på klingflänsen ligger i linje med hålen på spindeln.
9. Använd en klingnyckel och en domnyckel för att dra åt spindelmuttern ordentligt.
10. Sätt tillbaka geringsbordet.

MILJÖSKYDD



Råmaterialen bör återanvändas i stället för att kastas i hushållsavfallet. För att skona miljön ska verktyget, tillbehören och emballagen sorteras.

SYMBOL



Säkerhetsvarning



CE-konformitet



GOST-R-konformitet



Läs alla instruktioner noggrant innan du startar produkten.



Bär alltid ögonskydd.



Bär hörselskydd.



Använd skyddshandskar



FARA! Vass klinga



Varning, risk för sågskador



Får inte utsättas för regn eller användas i fuktiga miljöer.



Får inte utsättas för regn eller användas i fuktiga miljöer.



Maskiner måste använda diamantklingor med hel skärande del.



Riktning för bladrotation



Diamantkapskiva



Klingdiameter



Sågklingadiameter



Nettovikt



Djup (max.)



Fräsbredd (max.)



Diagonal skärbredd (max.)



Återvinning



Gamla elektroniska produkter ska inte kastas med hushållssoporna. Återvinn där sådana faciliteter finns. Kontrollera med din lokala myndighet eller säljaren för att få återvinningstips.



Suomi

KUVAUS

1. Maadoitustappi
2. Virtajohto
3. Valuntasilmukka
4. Tiilen leikkuuterä
5. Käynnistys/sammutuskytkin
6. Ohjauslaite
7. Viisteohjain
8. Täytön yläraja
9. Ylivuotoputki
10. Vesisäiliö
11. Ohjauslaitteen asteikko
12. Tuki
13. Johdon kotelo
14. Nostokahvat
15. Teränsuojus
16. Särnäpöytä
17. Tiilisahan kotelo
18. Kuusioavain
19. Karan avain
20. Ruuvit
21. Teränsuojuksen kiinnike
22. Kuusiomutteri
23. Kuusiopulltti
24. Tukijalat "A"
25. Tukijalat "B"
26. Jalan tuen pultit
27. Jalan tuen mutterit
28. Jalan tuen kiinnikkeet
29. Tukikiinnike "A"
30. Tukikiinnike "B"
31. Salvat
32. Jännityksen poisto
33. Kieleke
34. Ohjauslaitteen nuppi
35. Jalkakokoonpano "A"
36. Jalkakokoonpano "B"
37. Viisteohjaimen asteikko
38. Viisteohjaimen nuppi
39. Särnäpöydän jalka
40. 22.5° särmän lovi
41. 45° särmän lovi
42. Kara
43. Sisälaippa
44. Ulkolaippa
45. Karan mutteri

YLEISET TURVALLISUUSOHJEET

VAROITUS

Sähkötyökaluja käytettäessä on aina ryhdyttävä varotoimiin tulipalon, sähköiskun ja loukkaantumisen välttämiseksi.

Lue kaikki ohjeet ennen tuotteen käyttöä, ja säilytä nämä ohjeet.

- **Tunne sähkötyökalusi.** Lue käyttöohjeet huolella. Opi tuotteen käyttötarkoitukset ja rajoitukset sekä siihen liittyvät mahdolliset vaarat.
- **Suojaudu sähköiskulta olematta koskettamatta maadoitettuja pintoja.** Esimerkiksi putket, jäähdyttimet, hellat, pakastimen kotelot.
- **Pidä suojat paikoillaan ja hyvässä kunnossa.**
- **Poista säätöavaimet ja kiintoavaimet.** Opi tarkistamaan, että kaikki avaimet ja muut työkalut on poistettu laitteesta ennen sen käynnistämistä.
- **Pidä työalue siistinä.** Sotkuiset alueet ja pöydät voivat aiheuttaa onnettomuuden. Älä jätä työkaluja tai puunpaloja sahan päälle sen käytön aikana.
- **Älä käytä laitetta vaarallisessa ympäristössä.** Älä käytä sähkötyökaluja kosteissa tai märissä paikoissa tai jätä niitä sateeseen. Pidä työalue hyvin valaistuna. Älä käytä laitetta helposti syttyvien nesteiden tai kaasujen läheisyydessä.
- **Pidä lapset ja vieraat poissa laitteen lähetytyiltä.** Kaikkien vierailijoiden on käytettävä suojalaseja ja pysyttävä turvallisella etäisyydellä työalueesta. Älä anna sivullisten koskettaa laitetta tai jatkojohtoa käytön aikana.
- **Älä pakota laitetta.** Se toimii parhaiten ja turvallisimmin sille suunnitellulla syöttönopeudella.
- **Käytä oikeaa työkalua.** Älä pakota työkalua tai osaa toimimaan tavalla, johon sitä ei ole suunniteltu. Älä käytä sitä työssä, johon sitä ei ole tarkoitettu.
- **Käytä asianmukaista jatkojohtoa.** Älä yritä puhdistaa tai avata ruiskukärkeä sormella. Käytä ainoastaan sähköjohtoa, joka kestää tuotteen kuluttaman virran. Liian pieni johto pienentää jännitettä, mikä johtaa tehon vähenemiseen ja ylikuumentumiseen.
- **Pukeudu asianmukaisesti.** Älä käytä väliä vaatteita, käsineitä, solmioita tai koruja. Ne voivat tarttua ja kietoutua liikkuviin osiin. Ulkotöissä suosittellaan käytettävän kumikäsineitä ja luistamattomia suojakenkiä (kumipohjaisia saappaita). Jos sinulla on pitkät hiukset, pidä niitä päähineen sisällä.
- **Käytä aina suojalaseja, joissa on sivusuojaimet.** Tavallisten silmälasien linssit ovat ainoastaan iskunkestävät – ne EIVÄT ole suojalaseja.





- **Kiinnitä työkappale.** Kiinnitä työkappale paikoilleen puristimilla tai ruuvipenkillä, jos mahdollista – tämä on turvallisempaa kuin käsien käyttö ja vapauttaa molemmat kädet laitteeseen.
- **Älä kurkota liian kauas.** Säilytä aina kunnollinen jalansija ja tasapaino.
- **Huolla laite huolella.** Pidä työkalut terävinä ja puhtaina, jotta ne toimisivat paremmin ja turvallisemmin. Noudata voitelua ja lisävarusteiden vaihtoa koskevia ohjeita. Tarkista laitteen sähköjohdot säännöllisesti, ja jos ne ovat vioittuneet, korjauta ne valtuutetussa huoltopisteessä. Tarkista jatkojohto säännöllisesti ja vaihda se, jos se on vioittunut. Pidä kädensijat kuivina ja puhtaina liasta, öljystä ja rasvasta.
- **Irrota laitteet.** Kaikki laitteet tulee irrottaa pistorasiasta, kun niitä ei käytetä, ennen niiden huoltoa sekä ennen lisälaitteiden, terien, leikkurien tms. asentamista. Irrota pistoke ennen säätöjä, huoltoa ja ylläpitoa.
- **Vältä tahattomia käynnistyksiä.** Muista sammuttaa laitteita kytkettäessä.
- **Käytä suositeltuja lisälaitteita.** Käyttöohjeissa luetellaan suositellut lisälaitteet. Väärien lisälaitteiden käyttö voi aiheuttaa loukkaantumisaaraa.
- **Älä koskaan seisoi laitteen päällä.** Laitteen kaatumisesta ja leikkuulaitteen tahattomasta kosketuksesta voi aiheutua vakava vamma.
- **Tarkista vioittuneet osat.** Ennen kuin painepesurin käyttöä jatketaan, vioittuneiden osien suojat tulee tarkistaa huolella jotta voidaan olla varmoja, että ne toimivat kunnolla ja asianmukaisesti. Tarkista, että liikkuvat osat on kohdistettu oikein ja että ne liikkuvat kunnolla, että osia ei ole rikkoutunut, että osat on asennettu oikein ja että mikään muu seikka ei haittaa koneen toimintaa. Valtuutetun huoltopisteen on korjattava tai vaihdettava vioittunut suoja tai muu osa, jotta ei synny loukkaantumisen vaaraa.
- **Käytä oikeaa syöttösuuntaa.** Syötä työkappale terään tai leikkuriin vain vasten terän tai leikkurin pyörimissuuntaa.
- **Älä koskaan jätä käynnissä olevaa laitetta vartiomatta.** Kytke virta pois. Älä jätä laitetta yksin, ennen kuin se on sammunut täysin.
- **Suojele keuhkojasi.** Käytä kasvo- tai pölynaamaria, jos leikkuutyö on pölyistä.
- **Suojele kuuloasi.** Käytä pitkäaikaisessa käytössä kuulosuojaimia.
- **Älä käsittele johtoa väärin.** Älä koskaan irrota laitetta pistorasiasta vetämällä johdosta. Älä päästä johtoa koskettamaan kuumuuden lähteitä, öljyä tai teräviä reunoja.
- **Pidä teränsuojus aina paikoillaan ja kunnossa.**
- **Pidä kädet poissa leikkuualueelta.** Pidä kädet kaukana terästä. Älä kurota työkappaleen alle tai sivulle tai terän päälle terän pyöriessä. Älä yritä poistaa leikkumateriaalia terän liikkeessa.
- **Terä pysähtyy sammuttamisen jälkeen hitaasti.**
- **Älä koskaan käytä laitetta räjähdysalttiissa ympäristössä.** Moottorin normaali kipinäointi voisi sytyttää huuрут.
- **Tarkista laitteen sähköjohdot säännöllisesti.** Jos laite vioittuu, korjauta se pätevällä huoltomiehellä valtuutetussa huoltopisteessä.
- **Tarkista jatkojohto säännöllisesti ja vaihda se, jos se on vioittunut.**
- **Maadoita kaikki työkalut.** Jos laitteessa on kolmitappainen pistoke, se tulee kytkeä kolmireikäiseen pistorasiaan.
- **Jos et ymmärrä maadoitusohjeita täysin tai jos et ole varma, onko tuote maadoitettu asianmukaisesti, kysy neuvoa pätevältä sähköasentajalta tai huoltomieheltä.**
- **Käytä ainoastaan oikeita sähkölaitteita:** kolmihoitoisia sähköjohtoja, joissa on kolmihaarainen maadoituspistoke, sekä kolmireikäisiä pistorasioita, joihin laitteen pistoke sopii.
- **Älä tee muutoksia laitteen mukana tulleeseen pistokkeeseen.** Jos se ei mahdu pistorasiaan, pyydä pätevää sähköasentajaa asentamaan oikeanlainen pistorasia.
- **Pidä laite kuivana ja puhtaana liasta, öljystä ja rasvasta.** Käytä puhdistukseen aina puhdasta riepua. Älä puhdistista sitä koskaan jarrunesteellä, bensiinillä, öljypohjaisilla tuotteilla eikä liuottimilla.
- **Ole valpas ja pidä laite hallinnassa.** Katso mitä teet ja käytä maalaisjärkeä. Älä käytä konetta, jos olet väsynyt. Älä kiirehdi.
- **Älä käytä laitetta, jos se ei käynnisty ja sammu katkaisimesta.** Vaihdata vialliset katkaisimet valtuutetussa huoltopisteessä.
- **Käytä ainoastaan oikeita teriä.** Älä käytä terää, jossa on väärän kokoiset reiät. Älä koskaan käytä viallisia tai virheellisiä prikkajoja tai karan muttereita. 178 mm tiiliterä on suurin sahaan sopiva terä. Kaikkien terien tulee noudattaa standardia EN13236. Älä koskaan käytä terää, jonka nopeusluokitus on laitteen nopeusluokitusta pienempi.
- **Varmista ennen leikkaamista, että kaikki säätimet on kiristetty.**
- **Älä koskaan kosketa terää tai muuta liikkuvaa osaa käytön aikana.**
- **Älä koskaan käynnistä laitetta minkään pyöriävän osan ollessa kosketuksissa työkappaleeseen.**





Suomi

- **Älä käytä laitetta väsyneenä tai huumeiden, alkoholin tai lääkkeiden vaikutuksen alaisena.**
- **Huollossa tulee käyttää ainoastaan identtisiä varaosia.** Muunlaisten osien käyttö voi aiheuttaa vaaran tai vioittaa laitetta.
- **Käytä ainoastaan tässä käsikirjassa tai sen liitteissä suositeltuja lisälaitteita.** Muiden kuin luetteltujen lisälaitteiden käyttö voi aiheuttaa loukkaantumisaavaan. Ohjeet lisälaitteiden turvallisesta käytöstä tulevat lisälaitteiden kanssa.
- **Tarkista kaikki säädöt uudelleen.** Varmista, että terä on kireällä eikä kosketa sahaa eikä työkalupäätä ennen virran kytkemistä.

TIILISAHA TURVALLISUUSVAROITUKSET

- Kiinnitä työkalupäälle aina tukevasti ohjauslaitetta tai särmälohkoa vasten.
- Älä koskaan seiso tai pidä mitään ruumiinosaa samalla linjalla terän kanssa.
- Älä koskaan yritä vapauttaa jumittunutta terää sammuttamatta sahaa ensin ja irrottamalla sitä virtalähteestä.
- Jos virtajohto vioittuu, se on vaihdettava ainoastaan valmistajalla tai valtuutetussa huollossa, jotta välttyään vaaroilta.
- Vältä huteraa käyttöä ja käsien asentoja, joissa lipsahdus voisi saada käden osumaan leikkuuterään.
- Varmista ennen sahan käyttöä, että työalueen valaistus on riittävä, jotta näet työalueen, ja että mitkään esteet eivät heikennä työturvallisuutta.
- Sammuta saha aina ennen pistokkeen irrottamista, jotta se ei vahingossa käynnisty kun pistoke kytketään takaisin.
- Tässä laitteessa tulisi olla seuraavat merkinnät:
 - Käytä suojalaseja.
 - Käytä teränsuojusta kaikissa töissä, joissa sitä on mahdollista käyttää.
 - Irrota sahan pistoke ennen huoltoa, terää vaihdettaessa ja laitetta puhdistettaessa.
 - Käytä laitetta ainoastaan sellaisten tasareunaisten leikkuuterien kanssa, joissa ei ole aukkoja, uria eikä hampaita.
 - Vaihda vioittunut terä ennen käyttöä.
 - Älä täytä vedellä yli veden täyttörajan.
- **Säilytä nämä ohjeet.** Viittaa niihin säännöllisesti ja käytä niitä kouluttaessasi muita käyttäjiä. Jos lainaat laitteen, lainaa mukana myös ohjeet.

SÄHKÖLIITÄNNÄT

Tässä laitteessa on täsmätyönä valmistettu sähkömoottori. Sen saa kytkeä ainoastaan vaihtovirranlaitteeseen, jonka

jännite on 220-240V voltia ja taajuus 50 Hz (tavallinen kotitaloudessa käytettävä virta). Älä käytä tätä laitetta tasavirralla. Suuri jännitteen pudotus katkaisee virran, ja moottori ylikuumentee. Jos saha ei toimi kytkettynä pistorasiaan, tarkista virtalähde uudelleen.

NOPEUS JA KYTKENNÄT

Laitteen kuormaamaton nopeus on noin 2,900 kierr/min. Tämä nopeus ei ole vakio, vaan pienenee kuormituksessa ja jännitteen laskiessa. Jännitteen kannalta työpajan sähköjohdot ovat yhtä tärkeitä kuin moottorin teholuokitus. Ainoastaan valoilte tarkoitettu johto ei kestä sähkötyökalan moottoria. Lyhyet matkat kestävä sähköjohto on liian kevyt pitkille matkoille. Johto, joka tukee yhtä sähkötyökala, ei välttämättä tue kahta tai kolmea.

MAADOITUSOHJEET

Katso kuvaa 1.

Tämä tuote on maadoitettava. Jos siihen tulee vika tai se rikkoutuu, maadoitus tarjoaa sähkövirralle pienimmän vastuksen ja pienentää sähköiskun vaaraa. Tämän laitteen sähköjohdossa on laitteen maadoitusjohdin sekä maadoituspistoke. Pistoke on kytkettävä sitä vastaavaan pistorasiaan, joka on asennettu asianmukaisesti ja maadoitettu kaikkien paikallisten koodien ja säädösten mukaisesti.

Älä tee muutoksia laitteen mukana tulleeseen pistokkeeseen. Jos se ei mahdu pistorasiaan, pyydä pätevää sähköasentajaa asentamaan oikeanlainen pistorasia.

VAROITUS

Virheellinen maadoituspistokkeen asentaminen voi aiheuttaa sähköiskun vaaran. Jos johtoa on korjattava tai se on vaihdettava, älä kytkä maadoitusjohtoa muihin kuin maadoituspistokkeisiin. Maadoitusjohto on eristetty johto, jossa on vihreä eristys.

Jos et ymmärrä maadoitusohjeita täysin tai jos et ole varma, onko tuote maadoitettu asianmukaisesti, kysy neuvoa pätevältä sähköasentajalta tai huoltomieheltä.

Korjaa tai vaihda vioittunut tai kulunut johto välittömästi.

Jos virtajohto vioittuu, se on vaihdettava ainoastaan valmistajalla tai valtuutetussa huollossa, jotta välttyään vaaroilta.

Liitä tuote ainoastaan pistoketta vastaavaan pistorasiaan. Älä käytä tuotteen kanssa sovintia.

Lisäturvallisuuden ja luotettavuuden takaamiseksi kaikki korjaustyöt on annettava valtuutetun Ryobi-huoltokeskuksen tehtäväksi.

Niissä piireissä tai pistokkeissa, joiden kanssa tiilisaha käytetään, tulee olla jäännösvirtalaitte (RCD). RCD-suojattuja pistorasioita on tarjolla, ja niitä voidaan käyttää



Suomi

tähän tarkoitukseen.

Jos sahaa käytetään jatkojohdon kanssa, varmista että sähkötyökalun virtajohto ja jatkojohto eivät ole maassa. Lisälaitteet tulee aina kytkeä seinäpistorasiaan eikä jatkojohtoon, johon sähkötyökalu on kytketty.

Jos suojattua pistoketta ei ole käytettävissä, älä käytä sahaa ennen kuin pistoke on vaihdettu tai lisäsuojaus järjestetty. Nämä ylimääräiset suojalaitteet voidaan hankkia paikalliselta jälleenmyyjältä.

TIILISAHAN ASENTO

Katso kuvaa 2.

Jotta laitteen pistoke tai pistorasia ei pääsisi kastumaan, aseta tiilisaha seinäpistorasian viereen siten, että pistorasiaan tai pistokkeeseen ei pääse tippumaan vettä. Käyttäjän tulee järjestää sahan pistorasiaan kiinnittävään johtoon "valuntasilmukka". "Valuntasilmukka" on se osa sähköjohtoa, joka on pistorasian (tai jatkojohtoa käytettäessä liitännän) tason alapuolella, ja estää vettä valumasta pistorasiaan johtoa pitkin.

Jos pistoke tai pistorasia kastuu, ÄLÄ irrota johtoa. Irrota laitteeseen virtaa päästävää sulake tai sulje suojakatkaisin, irrota laite ja tarkista, onko päästöaukossa vettä.

⚠ VAROITUS

Pienennä sähköiskun vaaraa pitämällä liitännät kuivina ja irti maasta. Älä koske pistokkeeseen märin käsin.

TEKNISET TIEDOT

Tuotteen tekniset tiedot	
Jännite	220 - 240V
Teho	500 W
Tyhjäkäyntinopeus	2,900 rpm
Paino	15,5 kg (N.W.)
Ominaisuudet	
Pöydän koko	381 mm x 502 mm
Pöydän korkeus kaapista pöydälle	181 mm
Materiaalitiedot	
Pöytämateriaali	Ruostumaton teräs
Tukimateriaali	Teräsputki
Leikkaustyökalut/kapasiteetti	
Terän läpimitta	178 mm

Terän tyyppi	Timantti
Terän sisäläpimitta	25,4 mm
Leikkauksen maksimisivvyys	33 mm
Mitatut arvot määritetty EN 61029 -standardin mukaan A-painotettu äänenpainetaso Epätarkkuus K	$L_{pA} = 61,0 \text{ dB(A)}$ 3 dB(A)
Mitatut arvot määritetty EN 61029 -standardin mukaan A-painotettu äänenlehto Epätarkkuus K	$L_{WA} = 77,0 \text{ dB(A)}$ 3 dB(A)

TULLE TIILISAHASI

178 mm tiilenleikkuuterä

- Sahan mukana tulee 178 mm tiilerä.

Särmäpöytä

- Särmäpöydällä voidaan tehdä 22,5° ja 45° särmäleikkauksia.

Kädensijat

- Sahan vasemmalla ja oikealla puolella on kätevät nosto- ja kantokahvat.

Viisteohjain

- Viisteohjain on säädettävissä vinoihin ja viisteleikkauksiin.

Moottori

- Tässä laitteessa on tehokas moottori, joka pystyy käsittelemään vaikeita leikkukohtia.

Ohjuslaite

- Ohjuslaite on täysin säädettävissä katkaisuleikkauksiin ja viisteohjaimen käyttöön.

Tiilisahan tuki

- Tähän sahaan kuuluu tuki, joka parantaa liikuteltavuutta ja käyttömukavuutta.

Teränsuojus

- Teränsuojus suojaa ruiskutussumulta ja udulta

KOKOAMINEN

TERÄNSUOJUKSEN ASENTAMINEN

Katso kuvaa 5-6.

- Poista särmäpöytä.
- Asenna L:n muotoinen teränsuojuksen kiinnike pöydän alla, terän takana olevan kielekkeeseen.
- Asenna ruuvit pöytään teränsuojuksen kiinnikkeen läpi ja kiristä tiukalle.
HUOM: Varmista, että teränsuojuksen kiinnike on kohdistettu leikkuuterän kanssa siten, että se ei kosketa leikkattavaa materiaalia.
- Kohdista terän suojuksen terän kanssa ja työnnä se tuen

Suomi

päälle. Kohdista teränsuojuksen reiät teränsuojuksen kiinnikkeen loven kanssa.

HUOM: Säädä teränsuojus aina siten, että se on vaakasuorassa pöytään nähden ja hieman tiilen paksuutta korkeammalla. Teränsuojus ei saa koskettaa tiiltä.

- Asenna kuusiopultti teränsuojuksen ja kiinnikkeen läpi.
- Kierrä nappi pulttiin ja kiristä halutulle korkeudelle.
- Asenna särmäpöytä.

HUOM: Teränsuojus on koottu tehtaalla. Älä pura säädön tai huollon aikana.

OHJAUSLAITTEEN ASENTAMINEN

Katso kuvaa 7.

- Löysennä kääntämällä ohjauslaitteen nuppi vastapäivään.
- Työnnä ohjauslaite pöydän sivulle.
- Säädä ohjauslaite pöydän edessä ja takana olevien asteikkojen avulla haluamaasi asentoon, jotta leikkuuleveydestä tulee halutun mittainen.
- Kiristä ohjauslaite kiertämällä sen nuppi myötäpäivään.

VIISTEHOJAIMEN ASENTAMINEN

Katso kuvaa 7.

- Säädä ohjauslaite haluamaasi asentoon ja kiristä.
- Työnnä viistehojoin ohjauslaitteen päälle edestä päin.
- Säädä asteikon avulla haluamaasi kulmaan ja kiristä nuppi tiukasti.

ALUSTAN KOKOAMINEN

Katso kuvaa 8-9.

Tukiinnikkeissä ja tukijaloissa on kirjaimet, jotka helpottavat kokoamista.

Vaaditut työkalut: Jakoavain tai 13 mm avain ja ristipääruuviavain.

- Asenna tuen jalat (merkintä "A") tukikiinnikkeen päässä oleviin putkiin (merkintä "A"). Tukijalkojen kulmallisten päiden tulee olla toisiaan vastakkain siten, että ne muodostavat "V"-kirjaimen. Kohdista laitteen reiät. Toista toisen tukikiinnikkeen ja merkinnällä "B" varustettujen jalkojen kanssa.
- Asenna jalkakokoonpanot tukiin. Jalkakokoonpano "B" on kiinnikkeiden sisäpuolella. Jalkakokoonpano "A" asennetaan ulkopuolelle. Kohdista kiinnikkeiden ja jalkojen reiät. Asenna osat reikiin läpi.
- Kiristä laitteet avaimella.
- Aseta tuki tasaiselle alustalle ja kohdista tiilisahan alapuolen urat tuen kiinnikkeiden kanssa. Aseta pöytä tuen päälle.
- Varmista ennen käyttöä, että tiilisaha on tasapinnalla ja että tuki on tukeva.

YLIVUOTOPUTKEN ASENTAMINEN

Katso kuvaa 10.

- Poista särmäpöytä.
- Paikanna vesisäiliön pohjassa oleva reikä.
- Työnnä ylivirtausputki tukevasti reikään.
- Asenna särmäpöytä.

SALPOJEN KOKOAMINEN

- Käännä tiilisahan kotelo ylösalaisin.
- Kohdista salpojen ruuvinaukot tiilisahan kotelon pohjassa oleviin ruuvinaukokoihin.
- Kiinnitä ruuvit ja kiristä tiukalle.

TÄYTÄ VESISÄILIÖ

Katso kuvaa 11.

- Poista särmäpöytä.
- Täytä vesisäiliö puhtaalla raanavedellä täyttöviivaan saakka.

HUOM: Ylivuotoputki estää ylitäytön.

- Asenna särmäpöytä.

VEDEN VAIHTO

- Irrota tiilisaha sähköverkosta.
- Irrota ylivuotoputki ja tyhjennä sankoon; älä annan veden läikkyä maahan tai laitteen ympärille.
- Hävitä jätevesi paikallisten säästösten mukaisesti.

KÄYTTÖ**VAROITUS**

Älä unohda valppautta kun olet oppinut työkalun käytön. Muista aina, että hetken kestävä huolimattomuus voi johtaa vakavaan loukkaantumiseen.

VAROITUS

Käytä aina tavanomaisia tai sivusuojilla varustettuja suojalaseja, kun käytät työkaluja. Tämän ohjeen laiminlyönti voi aiheuttaa roskien sinkoutumista silmiin käytön aikana ja aiheuttaa täten vakavia silmävammoja.

VAROITUS

Älä käytä muita, kuin valmistajan tälle työkalulle suosittelemia varaosia ja lisävarusteita. Muiden, kuin suositeltujen varaosien ja lisävarusteiden käyttö voi aiheuttaa vakavaa loukkaantumisvaaraa.

JÄÄNNÖSVIRTALAITTEEN TESTAAMINEN ENNEN KÄYTTÖÄ

- Kytke jäännösvirtalaite pistorasiaan.

**Suomi**

2. Paina nollauspainiketta. Virran merkivalon tulisi syttyä.
3. Paina testipainiketta. Virran merkivalon tulisi sammua.
VAROITUS: Jos jännösvirtalaitte ei läpäise testiä, älä käytä laitetta. Pyydä neuvoa pätevältä sähköasentajalta.
4. Aktivoi jännösvirtalaitte painamalla nollauspainiketta.

KÄYTTÖKOHEET

Tätä laitetta saa käyttää alla lueteltuihin tarkoituksiin:

Suorat leikkaukset, kuten katkaisuleikkaukset, viisteleikkaukset, leikkaukset pitkästäisuuntaan ja särmäleikkaukset

HUOM: Tämä saha on tarkoitettu ainoastaan keinotekoisten tiilien, päällysteiden, luonnonkivituotteiden ja kiviitiilutuotteiden leikkaamiseen.

Käynnistys/sammutuskytkin

Tämän sahan etukiskon alapuolella on helppokäyttöinen virran ON/OFF-kytkin.

Sahan sammuttaminen:

Sammuta painamalla punainen painike OFF-asentoon (O).

Sahan käynnistäminen:

Käynnistä painamalla vihreä painike ON-asentoon (I).

Sahan lukitseminen:

Kun saha on OFF-asennossa, irrota pistoke virtalähteestä.

VAROITUS

Pidä AINA ennen käynnistyskytkimen käyttöä huoli siitä, että työkalu ei kosketa terää. Tämän varoituksen laiminlyönti voi saada työkaluun ponnahtamaan käyttäjää kohden ja aiheuttaa vakavan loukkaantumisen.

VAROITUS

Jotta laite ei käynnistyisi vahingossa, varmista aina, että kytkin on OFF-asennossa, ennen kuin kytket laitteen virtalähteeseen. Kytke kytkin OFF-asentoon ja irrota pistoke pistorasiasta sähkökatkoksen aikana ja työkalun ollessa poissa käytöstä. Tämä estää laitetta käynnistymästä vahingossa virran palatessa.

OHJAUSLAITTEEN JA VIISTEOHJAIMEN KÄYTTÖ

Katso kuvaa 13.

Ohjauslaitetta voidaan käyttää sekä terän vasemmalta että oikealta puolelta.

1. Löysennä kääntämällä ohjauslaitteen nuppia vastapäivään.
2. Säädä ohjauslaite pöydän edessä ja takana olevien asteikkojen avulla haluamaasi asentoon, jotta leikkauksevyydestä tulee halutun mittainen.
3. Kiristä nappi tiukasti kiertämällä sitä myötäpäivään.

KULMIEN SÄÄTÖ

Säädä ohjauslaite haluamaasi asentoon ja kiristä tiukasti.

1. Työnnä viisteohjain ohjauslaitteen päälle edestä päin.
2. Säädä asteikon avulla haluamaasi kulmaan ja kiristä nappi tiukasti.

LEIKKU

Piirrä tiileen aina viiva leikkuulinjaa pitkin huopakynällä tai tussilla. Jos tiili on kiiltävä tai vaikea merkitä, liimaa tiileen maalarinteippiä ja piirrä teippiin.

Yleinen ongelma tiilien leikkaamisessa on poikkeaminen merkitystä linjasta. Jos poikkeat linjasta, terää ei voi pakottaa takaisin linjalle kääntämällä tiiltä. Palaa sen sijaan takaisin päin ja leikkaa tiili uudelleen leikkaamalla sitä sen verran, että terä palaa taas linjalle.

Voit välttää tämän ongelman käyttämällä mahdollisuuksien mukaan katkaisuleikkauksissa ohjauslaitetta, viisteleikkauksissa viisteohjainta ja särmäleikkauksissa säädettävää, sopivan kokoista pöytää.

Katkaisuleikkaus

Katso kuvaa 14.

Katkaisuleikkaukset ovat suoria 90° leikkauksia. Materiaalit syötetään 90° terään nähden, ja terä on pystyasennossa.

1. Merkitse materiaaliin leikattava alue huopakynällä tai tussilla.
2. Säädä ohjauslaite haluamaasi asentoon ja kiristä tiukasti.
3. Aseta materiaali pöydälle, tukevasti ohjauslaitetta vasten.
4. Varmista ennen sahan käynnistämistä, että materiaali ei kosketa terään.
5. Kytke virta päälle.
6. Anna terän kiihtyä täyteen nopeuteen ja kastua, ennen kuin työnnät materiaalin terään.
7. Pitele materiaalia tukevasti ohjauslaitetta vasten ja syötä se leikkuuterään.
8. Kytke saha OFF-asentoon leikkaamisen päättyttyä. Anna leikkuuterän pysähtyä täysin ennen materiaalin minkään osan poistamista.

45° viisteleikkaus

Katso kuvaa 15.

45° viisteleikkaukset ovat myös pitkien kohtien välisiä leikkauksia.





Suomi

1. Merkitse materiaaliin leikattava alue huopakynällä tai tussilla.
2. Aseta ohjauslaite sopivalle etäisyydelle ja kiinnitä se paikoilleen kiristämällä nuppi.
3. Työnnä viisteohjain ohjauslaitteen päälle edestä päin.
4. Säädä viisteohjain asteikon avulla 45° kulmaan ja kiristä nuppi tiukasti.
5. Varmista ennen sahan käynnistämistä, että materiaali ei kosketa terään.
6. Kytke virta päälle.
7. Anna terän kiihtyä täyteen nopeuteen ja kastua, ennen kuin työnnät materiaalin terään.
8. Pitele materiaalia tukevasti viisteohjainta vasten ja vedä viisteohjainta ohjauslaitetta pitkin. Syötä materiaali terään.
9. Kytke saha OFF-asentoon leikkaamisen päätyttyä. Anna leikkuuterän pysähtyä täysin ennen materiaalin minkään osan poistamista.

Viisteleikkaus

Katso kuvaa 16.

Viisteleikkauksilla materiaaliin leikataan ulko- ja sisäkulmia, koristeuria ja reunuksia missä tahansa muussa kulmassa terään nähden kuin 90°. Viisteleikkauksilla on taipumus "ryömiä" leikkausta tehtäessä. Tätä voidaan ehkäistä pitelemällä työkappaletta tukevasti viisteohjainta vasten.

1. Merkitse materiaaliin leikattava alue huopakynällä tai tussilla.
2. Aseta ohjauslaite sopivalle etäisyydelle ja kiinnitä se paikoilleen kiristämällä nuppi.
3. Työnnä viisteohjain ohjauslaitteen päälle edestä päin.
4. Säädä viisteohjain asteikon avulla haluamaasi kulmaan ja kiristä nuppi tiukasti.
5. Varmista ennen sahan käynnistämistä, että materiaali ei kosketa terään.
6. Kytke virta päälle.
7. Anna terän kiihtyä täyteen nopeuteen ja kastua, ennen kuin työnnät materiaalin terään.
8. Pitele materiaalia tukevasti viisteohjainta vasten ja vedä viisteohjainta ohjauslaitetta pitkin. Syötä materiaali terään.
9. Kytke saha OFF-asentoon leikkaamisen päätyttyä. Anna leikkuuterän pysähtyä täysin ennen materiaalin minkään osan poistamista.

L-leikkaus

Katso kuvaa 17.

L-leikkauksella tiilestä poistetaan pala, jotta se sopisi nurkkaan tai reunuksen tai kaapin ympärille, ja se tehdään kahdella erillisellä leikkauksella.

HUOM: Leikkaa liian pitkälle ainoastaan leikattavan materiaalin pohja- tai alapinnalla.

1. Leikkaa materiaali halutun levyiseksi katkaisuleikkausohjeiden mukaisesti.
2. Säädä ohjauslaite haluamaasi asentoon ja kiristä tiukasti.
3. Aseta materiaali pöydälle, tukevasti ohjauslaitetta vasten.
4. Varmista ennen sahan käynnistämistä, että materiaali ei kosketa terään.
5. Kytke virta päälle.
6. Anna terän kiihtyä täyteen nopeuteen ja kastua, ennen kuin työnnät materiaalin terään.
7. Pitele materiaalia tukevasti ohjauslaitetta vasten ja syötä se leikkuuterään.
8. Leikkaa materiaalia riittävän kauas, mutta ei liian kauas.
9. Kytke virta pois.
10. Käännä materiaali ympäri ja leikkaa merkintää pitkin. Leikkaa tällä kertaa toinen leikkaus liian pitkäksi, jolloin leikatun palan tulisi irrota muusta osasta.
11. Kytke virta päälle.
12. Anna terän kiihtyä täyteen nopeuteen ja kastua, ennen kuin työnnät materiaalin terään.
13. Kytke saha OFF-asentoon leikkaamisen päätyttyä. Anna leikkuuterän pysähtyä täysin ennen materiaalin minkään osan poistamista.

Särmäleikkaus

Katso kuvaa 18-19.

Särmäpöydällä voidaan tehdä 22,5° ja 45° särmäleikkauksia.

1. Merkitse materiaaliin leikattava alue huopakynällä tai tussilla.
2. Kallista särmäpöytää.
3. Vedä särmäpöydän alla olevat kaksi jalkaa suoraan kulmaan levyyn nähden.
4. Aseta levy 22,5° kulmaan jalkojen ensimmäisillä lovilla.
5. Kallista särmäpöytä korkeimpaan 45° kulmaan toisilla lovilla.
HUOM: Varmista ennen leikkuuta, että särmäpöytä on lukittu kunnolla paikoilleen.
Avaa jalat ja aseta särmäsaha 22,5° tai 45° kulmaa varten.
6. Kytke virta päälle.
7. Anna terän kiihtyä täyteen nopeuteen ja kastua, ennen kuin työnnät materiaalin terään.
8. Pitele materiaalia tukevasti särmäpöytää vasten ja syötä se leikkuuterään.
9. Kytke saha OFF-asentoon leikkaamisen päätyttyä. Anna leikkuuterän pysähtyä täysin ennen materiaalin minkään osan poistamista.





Suomi

HUOLTO

⚠ VAROITUS

Huollossa tulee käyttää ainoastaan identtisiä varaosia. Muunlaisten osien käyttö voi aiheuttaa vaaran tai vioittaa laitetta.

⚠ VAROITUS

Käytä aina sähkölaitetta käyttäessäsi tai pölyä puhaltaessasi suojalaseja, joissa on sivusuojaimet. Käytä lisäksi pölynaamaria, jos työ on pölyistä.

⚠ VAROITUS

Jos virtajohto vioittuu, se on vaihdettava ainoastaan valmistajalla tai valtuutetussa huollossa, jotta vältytään vaaroilta.

⚠ VAROITUS

Lisäturvallisuuden ja luotettavuuden takaamiseksi kaikki korjaustyöt on annettava valtuutetun Ryöbi-huoltokeskuksen tehtäväksi.

YLEISHUOLTO

Älä puhdista muoviosia liuottimilla. Erilaiset kaupalliset liuottimet voivat vioittaa useimpia muovityyppejä. Poista lika, pöly, öljy, rasva tms. puhtailla rievuilla.

⚠ VAROITUS

Muoviosat eivät saa koskaan joutua kosketukseen jarrunesteeseen, bensiiniin, petrolijohdannaisten, ruosteenirrotusöljyn jne. kanssa. Nämä kemialliset tuotteet sisältävät aineita, jotka voivat vaurioittaa, heikentää tai tuhota muovin minkä seurauksena voi aiheutua vakavia ruumiinvammoja.

Voitelu

Kaikki laitteen laakerit on voideltu laitteen eliniäksi normaaliolosuhteissa riittävällä määrällä korkealaatuista voiteluainetta.

Tiilen leikkuuterä

Suorituskyvyn ja turvallisuuden kannalta suositellaan, että sahassa käytetään sen mukana tullutta 178 mm terää. Samaa hyvää laatua olevia teriä saa paikalliselta jälleenmyyjältä.

⚠ VAROITUS

Älä käytä leikkuuterää, jonka luokitus on vähemmän kuin laitteen kuormaton nopeus. Muutoin seurauksena voi olla vakava loukkaantuminen. Älä käytä teriä, joissa on halkeamia, lovia tai hampaita.

TIILITERÄN VAIHTO

Katso kuvaa 20.

⚠ VAROITUS

178 mm tiiliterä on suurin sahaan sopiva terä. Älä koskaan käytä terää, joka on niin paksu, että terän laippa ei pääse koskettamaan karan tasapintaa. Suuremmat terät koskettavat teränsuojusta, kun taas paksummat terät estävät terän pulttia kiinnittämästä terää karaan. Kummassakin tapauksessa seurauksena voi olla vakava onnettomuus ja vakava loukkaantuminen.

1. Irrota saha sähköverkosta.
2. Poista särmäpöytä.
3. Työnnä kuusioavain terän karan mutterin päälle. Työnnä karan avain terän karaan toisella kädellä.
4. Pitele karan avainta tukevasti siten, että terä ei pääse liikkumaan. Löysennä kiertämällä karan mutteria vastapäivään.
5. Irrota karan mutteri, terän ulkolaippa sekä leikkuuterä.
6. Pyyhi terän sisälaipan ja terän kosketuskohtaan tippa öljyä.

⚠ VAROITUS

Jos terän sisälaippa on irrotettu, asenna se paikoilleen ennen terän asettamista karalle. Muutoin laite voi aiheuttaa onnettomuuden, koska terä ei ole tarpeeksi kireällä. Älä koskaan käytä laitteessa teriä, joissa on aukkoja, uria tai hampaita.

7. Aseta leikkuuterä karaan siten, että terän nuolet osoittavat vastapäivään.
8. Asenna terän ulkolaippa. Terän laipan kaksi "D"-muotoista aluetta kohdistetaan karan alueiden kanssa.
9. Kiristä karan mutteri tiukalle terän ja karan avaimilla.
10. Asenna särmäpöytä.

YMPÄRISTÖNSUOJELU











Älä heitä raaka-aineita kotitalousjätteisiin, vaan vie ne kierrätykseen. Ympäristönsuojelun kannalta työkalu, lisäksi rasteet ja pakkausmateriaali on lajiteltava.



Suomi

SYMBOLI

-  Turvavaroitus
-  CE-vastaavuus
-  GOST-R-vastaavuus
-  Lue ohjeet huolella ennen laitteen käyttöä.
-  Käytä aina suojalaseja.
-  Käytä kuulosuojaimia
-  Käytä suojakäsineitä
-  VAARA! Terävä terä
-  Varoitus, leikkuuvaara
-  Älä jätä sateeseen tai kosteaan paikkaan.
-  Älä jätä sateeseen tai kosteaan paikkaan.
-  Laitteiden kanssa on käytettävä yhtäjaksoisella timanttiterällä.
-  Terän kiertosuunta
-  Timanttinen leikkuuterä

-  Terän läpimitta
-  Terän varsi
-  Kokonaispaino
-  Leikkuusyvyys (max.)
-  Jyrsintäleveys (max.)
-  Leikkauksen leveys (max.)
-  Kierrätä
-  Käytöstä poistettavia sähkölaitteita ei pidä hävittää talousjätteiden mukana. Ne on mahdollisuuksien mukaan pantava kiertoon. Kierrätysohjeita antavat kunnan viranomaiset ja vähittäiskauppiat.



Norsk

BESKRIVELSE

1. Jordingspinne
2. Elektrisk ledning
3. Dryppsløyfe
4. Fliskutterblad
5. Av/På-bryter
6. Parallellanlegg
7. Smygmål
8. Maks fyll-linje
9. Oversvømmingssluk
10. Vannreservoar
11. Måleskala for parallellanlegg
12. Stativ
13. Ledningsholder
14. Løftehåndtak
15. Bladskjerm
16. Plate for gjæringsnett
17. Fliskutterhus
18. Sekskantnøkkel
19. Spindelfastnøkkel
20. Skruer
21. Brakett for bladskjermen
22. Sekskantmutter
23. Sekskantbolt
24. Stativben "A"
25. Stativben "B"
26. Bolt(er) for stativbena
27. Mutter(e) for stativbena
28. Støtte(r) for stativbena
29. Støttebraketter "A"
30. Støttebraketter "B"
31. Låsehaker
32. Strekkavlastning
33. Leppe
34. Knott for parallellanlegget
35. Benmontering "A"
36. Benmontering "B"
37. Smygmålskala
38. Smygmålnott
39. Ben for plate for gjæringsnett
40. 22.5° skråkanthakk
41. 45° skråkanthakk
42. Spindel
43. Innvendig flens
44. Utvendig flens
45. Spindelmutter

ALMENNE SIKKERHETSFRSKRIFTER

ADVARSEL

Når du bruker elektrisk verktøy må visse grunnleggende forholdsregler alltid tas for å redusere risikoen for brann, elektrisk støt og personskaade.

Les alle instruksjonene før du gjør forsøk på å bruke produktet, og ta godt vare på disse instruksjonene.

- **Gjør deg kjent med verktøyet.** Les Brukermanualen nøye. Gjør deg kjent med tilpasningene og utstyrets begrensninger og de potensielle spesifikke farene som knytter seg til produktet.
- **Beskytt mot elektrisk støt ved å unngå at kroppen har kontakt med jordede overflater.** For eksempel rør, radiatorer, ovner, kjøleavlukker.
- **Hold beskyttelsesinnretninger på plass og i god stand.**
- **Fjern justeringsnøkler og fastnøkler.** Gjør det til en vane å kontrollere at justeringsnøkler er fjernet fra verktøyet før det startes.
- **Hold arbeidsområdet rent.** Rotete områder og arbeidsbenker inviterer til ulykker. Ikke etterlat verktøy eller trebiter på saken mens den er i bruk.
- **Ikke bruk i farlige miljøer.** Ikke bruk elektrisk verktøy i fuktige omgivelser eller la det utsettes for regn. Hold arbeidsområdet godt opplyst. Ikke bruk elektrisk verktøy på steder hvor det finnes brennbare væsker eller gass.
- **Hold barn og besøkende vekke.** Alle besøkende må bruke beskyttelsesbriller og holdes på trygg avstand fra arbeidsområdet. Ikke la besøkende berøre verktøyet eller skjøteledningen mens saken er i bruk.
- **Ikke press verktøyet.** Den vil gjøre jobben bedre og tryggere med den matehastigheten den var konstruert for.
- **Bruk riktig verktøy.** Ikke press verktøy eller utstyr til å gjøre en jobb det ikke var konstruert for. Ikke bruk det for oppgaver det ikke var ment for.
- **Bruk korrekt skjøteledning.** Påse at skjøteledningen du bruker er i god stand. Bruk bare en ledning som er sterk nok til å bære den strømmen verktøyet vil trekke. Alle ledninger med for lav kapasitet vil kunne gi spenningsfall med tilhørende tap av effekt og fare for overoppheting.
- **Kle deg riktig.** Ikke bruk løstsittende plagg og/eller løsthengende smykker, hansker eller slips. De kan fanges opp og trekke deg inn i bevegelige deler. Arbeidshansker av gummi og sklisikkert fottøy (støvler med gummisåler) anbefales når det arbeides utendørs. Bruk lue, hatt eller skaut til å dekke lang hår.





Norsk

- **Bruk alltid beskyttelsesbriller med sidebeskyttelse.** Vanlige briller motstår bare støt rett forfra; de har IKKE sikkerhetsglass.
- **Trygt arbeid.** Bruk en klemme eller tvinge til å holde arbeidsstykket på plass der det er praktisk mulig, det er tryggere enn å bruke hånden og frigjør begge hendene til å betjene verktøyet.
- **Ikke strekk deg.** Sørg for godt fotfeste og god balanse til enhver tid.
- **Vedlikehold verktøyet med omtanke.** Hold verktøyet skarpt og rent for bedre og tryggere ytelser. Følg instruksjonene for smøring og skifte av tilbehør. Inspiser verktøyets strømledning regelmessig og sørg for at den skiftes ved et autorisert servicesenter dersom den er skadet. Inspiser regelmessig eventuell skjøteledning og skift dersom den har skader. Hold håndtak tørre, rene og fri for olje og fett.
- **Frakoble verktøy.** Når verktøyet ikke er i bruk, før servicearbeider eller når det skiftes tilkoblet utstyr, blader, bits m.v., må alt verktøy være frakoblet. Ta støpslet ut av stikkkontakten før det foretas justeringer, service eller vedlikehold.
- **Unngå utilsiktet start.** Vær sikker på at verktøyet er slått av før det kobles til strømmettet.
- **Bruk sikkerhetsutstyr.** Se brukermanualen for anbefalt tilbehør. Bruken av ubeskyttede tilbehør kan føre til fare for personskade.
- **Stå aldri på verktøyet.** Alvorlig skade kan oppstå dersom verktøyet veltet eller man får kontakt med kutteverktøyet.
- **Se etter deler som er skadet.** Før ytterligere bruk av verktøyet må et deksel eller en annen del som er skadet undersøkes nøye for å avgjøre om det vil utføre sin tiltenkte oppgave på en tilfredsstillende måte. Kontroller innretningen av bevegelige deler, at alle bevegelige deler løper fritt, at alle deler er hele og riktig montert, og at det ikke finnes forhold som kan påvirke bruken av verktøyet. Et deksel eller annen del som er skadet må erstattes eller repareres på en tilfredsstillende måte av et autorisert servicesenter for å unngå fare for personskade.
- **Bruk korrekt retning på matingen.** Før arbeidsstykket mot kutterbladet kun mot bladets rotasjonsretning.
- **La aldri sagen gå uten betjening. Slå av strømmen.** Ikke forlat verktøyet før det har stoppet helt.
- **Beskytt lungene dine.** Bruk støvmaske dersom kuttingen medfører mye støv.
- **Beskytt hørselen din.** Bruk hørselsvern ved sammenhengende langvarig bruk.
- **Ikke misbruk den elektriske ledningen.** Trekk aldri i ledningen for å frigjøre støpslet fra kontakten. Hold ledningen vekke fra varme, olje og skarpe kanter.
- **Sørg alltid for at bladskjermen er på plass og i god stand.**
- **Hold ledningen vekke fra arbeidsområdet.** Hold hendene vekke fra bladet. Ikke ta under verktøyet eller rundt eller over bladet mens bladet roterer. Ikke gjør forsøk på å fjerne avkuttet materiale mens bladet fortsatt er i bevegelse.
- **Bladet fortsetter å bevege seg etter at motoren er slått av.**
- **Bruk aldri verktøyet i en eksplosiv atmosfære.** Normale gnistrer fra motoren kan antenne gasser.
- **Inspiser verktøyets strømledning regelmessig.** Hvis skadet, sørg for reparasjon av en kvalifisert servicetekniker ved et autorisert servicesenter.
- **Inspiser regelmessig eventuell skjøteledning og skift dersom den har skader.**
- **Sørg for at alt verktøy er jordet.** Hvis verktøyet er utstyrt med jordet støpsel skal det kobles til en jordet kontakt.
- **Spør en kvalifisert elektriker dersom jordingsinstruksjonene ikke er fullstendig forstått, eller dersom du er i tvil om hvorvidt verktøyet er tilfredsstillende jordet.**
- **Bruk bare korrekt elektrisk utstyr:** 3-ledet skjøteledning som har jordet støpsel og jordet kontakt som muliggjør tilkobling med verktøyets støpsel.
- **Ikke foreta endringer på det medfølgende støpslet.** Hvis støpslet ikke lar seg koble til kontakten, sørg for at et passende støpsel blir montert av en kvalifisert elektriker.
- **Hold verktøyet tørt, rent og fritt for olje og fett.** Bruk alltid en ren klut når det skal rengjøres. Bruk aldri bremsevæske, bensin, petroleumsbaserte produkter eller oppløsningsmidler for å rengjøre verktøyet.
- **Vær våken og behold kontrollen.** Se hva du gjør og bruk fornuft. Ikke bruk verktøyet når du er trett. Ikke forhast deg.
- **Ikke bruk verktøyet hvis bryteren ikke slår det på og av.** Sørg for at ødelagte brytere blir skiftet ved et autorisert servicesenter.
- **Bruk bare korrekte sagblader.** Ikke bruk blad med feil størrelse på senterhullet. Bruk aldri pakninger eller spindelmuttere som er ødelagte eller ukorrekte. Den maksimale bladkapasiteten på din sag er 178 mm. Alle blader som brukes må være produsert i henhold til EN13236. Bruk aldri et kappeblad med lavere hastighetsgradering enn det som angis for verktøyet.
- **Før kappingen begynner må det påses at alle innstillinger er sikret.**
- **Berør aldri bladet eller noe annen bevegelig del mens sagen er i bruk.**





Norsk

- **Start aldri sagen mens noen roterende komponenter har kontakt med arbeidsstykket.**
- **Ikke bruk verkstøyet hvis du er under påvirkning av narkotiske stoffer, alkohol eller medisin som på påvirke din balanse og/eller dømmekraft.**
- **For servicearbeider bruk kun originale reservedeler tilsvarende den som skiftes.** Bruk av andre deler kan skape fare eller føre til skade på produktet.
- **Bruk bare anbefalt tilbehør som er listet opp i denne manualen eller i tilleggene.** Bruk av tilbehør som ikke er listet opp kan føre til risiko for personskade. Instruksjoner for trygg bruk tilbehøret følger med tilbehøret.
- **Dobbeltsjekk alle innstillinger.** Påse at bladet er forsvarlig festet og at det ikke har kontakt med noen del av sagen eller arbeidsstykket før sagen kobles til strømmettet.

SIKKERHETSADVARSEL FLISSAG

- Sørg for at arbeidsstykket er godt presset mot parallellanlegget eller gjæringsblokken.
- Stå aldri eller ha noen del av kroppen på linje med bladets bane.
- Gjør aldri forsøk på å frigjøre et blokkert blad uten først å ha slått av sagen og trukket ut den elektriske ledningen.
- Hvis strømledningen skades må den kun erstattes av produsenten eller et autorisert servicesenter for å unngå risiko.
- Unngå ubekvemme operasjoner og håndstillinger hvor en uventet glipp kan føre til at hånden får kontakt med kutteverktøyet.
- Sørg for at arbeidsstedet er godt opplyst for å kunne se arbeidet og at ingen hindring vil kunne påvirke sikkerheten før det utføres noe arbeid med sagen.
- Skru alltid av sagen før den elektriske ledningen trekkes ut for å unngå utilsiktet start når det igjen settes strøm til sagen.
- Dette verktøyet skal ha følgende merker:
 - Bruk øyebeskyttelse.
 - Bruk bladskjermen for alle de arbeidsoperasjoner der den kan brukes.
 - Trekk ut strømkabelen før servicearbeider, når det skiftes kutteblader og ved rengjøring.
 - Bruk kun blader med jevne kanter, fri for åpninger, spor eller tenner.
 - Erstatt ødelagte blader før arbeidet påbegynnes.
 - Ikke fyll vannbadet over fyllelinjen for vann.
- **Ta vare på disse instruksjonene.** Les dem regelmessig og brukr for å instruere andre brukere. Hvis du låner noen dette verktøyet, la dem også få

låne brukermanualen.

ELEKTRISK FORB INDELSE

Dette produktet drives av en presisjonsbygget elektrisk motor. Den skal kobles til et strømuttak som har 220-240V (normal husholdningsstrøm), 50 Hz. Ikke bruk verktøyet med likestrøm (DC). Et betydelig spenningsstap vil føre til tap av effekt og at motoren overopphetes. Hvis produktet ikke virker når det kobles til strømmettet, dobbeltsjekk det elektriske anlegget.

HASTIGHET OG KABLING

Hastigheten uten belastning på sagen er ca.2.900 o/ min. Denne hastigheten er ikke konstant og vil synke ved belastning eller ved lavere spenning. Med hensyn til spenning er kabligen like viktig som motorens nominelle effekt. En strømkrets som kun er ment for lamper kan ikke bære et elektrisk verktøy på en tilfredsstillende måte. Ledning som har styrke nok for en kort avstand vil kunne være for svak for en lengre avstand. En krets som kan levere strøm til ett elektrisk verktøy vil ikke nødvendigvis kunne levere strøm til to eller tre verktøyer.

INSTRUKSJONER FOR JORDING

Se fig. 1.

Dette produktet må være jordet. Ved feilfunksjon eller sammenbrudd skaper jordingen en vei for strømmen som reduserer faren for elektrisk støt. Dette produktet er utstyrt med en elektrisk ledning som har jordingsforbindelse og jordingsplugg. Støpslet må være forbundet til en kontakt som er korrekt installert og jordet i henhold til alle lokale regler og forskrifter.

Ikke foreta endringer på det medfølgende støpslet. Hvis støpslet ikke lar seg koble til kontakten, sørg for at et passende støpsel blir montert av en kvalifi sert elektriker.

⚠ ADVARSEL

Feilaktig tilkobling av jordingsstøpslet kan føre til risiko for elektrisk støt. Når det er nødvendig å reparere eller skifte ledning må ikke jordingsledningen forbindes til noen av de strømførende terminalene. Ledningen med grønn isolasjon (med eller uten gule striper) er jordingsledningen.

Spør en kvalifi sert elektriker dersom jordingsinstruksjonene ikke er fullstendig forstått, eller dersom du er i tvil om hvorvidt verktøyet er tilfredsstillende jordet.

Reparer eller skift en skadet elektrisk ledning umiddelbart. Hvis strømledningen skades må den kun erstattes av produsenten eller et autorisert servicesenter for å unngå risiko.

Sett ledningen kun i en kontakt med samme konfi gurasjon



Norsk

som støpslet. Ikke bruk en strømadapter med dette produktet.

For større sikkerhet og pålitelighet skal alle reparasjoner foretas av et godkjent Ryobi serviceverksted.

Kretsen(e) eller kontakt(ene) som benyttes til sagen bør utstyres med beskyttelse mot reststrøm (RCD). Kontakter er tilgjengelige med innebygget jordfeilbryter og kan brukes for denne graden av sikkerhet.

Hvis sagen brukes med en skjøteledning, sørg for at støpslet fra sagen og kontakten til skjøteledningen ikke ligger på gulvet/bakken. Elektrisk verktøy skal alltid kobles rett i en veggkontakt og ikke via en skjøteledning.

Hvis en berøringssikker strømkontakt ikke er tilgjengelig, ikke bruk sagen før kontakten kan skiftes eller en midlertidig berøringssikring kan oppnås. Disse ekstra beskyttelsesinnretningene er tilgjengelig fra din lokale forhandler.

POSISJONEN TIL FLISKUTTEREN

Se fig. 2.

For å unngå at verktøystøpslet eller kontakten blir våt bør sagen plasseres til siden for den veggmonterte kontakten for å hindre at vann drypper på kontakten eller støpslet. Operatøren bør lage en dryppløkke på ledningen som forbinder sagen til det elektriske uttaket. "Dryppløkken" er en del av den elektriske ledningen under nivået for strømmuttaket, eller kontakten, dersom det brukes en skjøteledning, for å hindre at vannet følger ledningen og kommer i kontakt med strømmuttaket.

Hvis støpslet eller kontakten blir våt, IKKE trekk ut støpslet. Ta ut sikringen eller kretsbyteren som leverer strøm til verktøyet hvorefter støpslet trekkes ut og det undersøkes om det finnes vann i kontakten.

⚠ ADVARSEL

Sørg for at alle elektriske forbindelser er tørre og hevet opp fra gulvet eller bakken for å redusere risikoen for elektrisk støt. Ikke berør støpslet med våte hender.

SPESIFIKASJONER

Produktspesifikasjoner	
Spenning	220 - 240V
Effekt	500 W
Hastighet ubelastet	2,900 rpm
Vekt	15,5 kg (N.W.)
Funksjoner	
Bordstørrelse	381 mm x 502 mm

Bordhøyde fra skap til bord	181 mm
Materialspekifikasjoner	
Bordmateriale	Rustfritt stål
Stand-materiell	Stålrør
Kutteverktøy/Kapasitet	
Bladdiameter	178 mm
Bladtype	Diamond
Bladets innvendige diameter	25,4 mm
Maks kuttydbyde	33 mm
Målte verdier i samsvar med EN 61029	
A-vektet lydtryknivå Usikkerhet K	$L_{PA} = 61,0$ dB(A) 3 dB(A)
Målte verdier i samsvar med EN 61029	
A-vektet lydeffektnivå Usikkerhet K	$L_{WA} = 77,0$ dB(A) 3 dB(A)

GJØR DEG KJENT MED FLISKUTTEREN

178 mm blad for fliskapping

- Et 178 mm sagblad for fliskapping følger med sagen.

Plate for gjæringsssnitt

- Skråkutt 22,5° og 45° kan utføres ved hjelp av platen for gjæringskutt.

Håndtak

- Sagen har bekvemt plasserte håndtak på høyre og venstre side for løfting og bæring.

Smygmål

- Smygmålet for gjæring er fullt ut justerbart for alt fra diagonale kutt til gjæringskutt.

Motor

- Denne maskinen har en sterk motor med tilstrekkelig krefter til å håndtere krevende kuttejobber.

Parallellanlegg

- Parallellanlegget er fullt ut justerbart for å foreta krysskuttinger og bruk av smygmålet for gjæring.

Fliskutterstativ

- Denne sagen kommer med et stativ for økt flyttbarhet og bekvemmelighet.

Bladskjerm

- Bladskjermen gir beskyttelse mot vannsprut



Norsk

MONTERING

INSTALLERING AV BLADSKJERMEN

Se fig. 5-6.

1. Fjern platen for gjæringskutt.
2. Installer den L-formede bladskjermbraketten inn i leppen som befinner seg under bordet bak bladet.
3. Installer skruene i bordet og gjennom bladskjermbraketten og stram deretter forsvarlig til.
NB: Vær sikker på at braketten for bladskjermen er stilt inn slik at skjermen ikke kommer i berøring med materialet som kuttes.
4. Tilpass bladskjermen til bladet og braketten for bladskjermen. Juster hullene i bladskjermen med sporet i braketten for bladskjermen.
NB: Juster alltid bladskjermen horisontalt i forhold til arbeidsbordet og rett over tykkelsen på flisen som skal kuttes. Bladskjermen må ikke berøre flisen.
5. Installer sekskantbolten gjennom bladskjermen og braketten.
6. Skru knotten på bolten og stram til ønsket høyde.
7. Sett tilbake platen for gjæringskutt.
NB: Bladskjermen er satt sammen ved fabrikken. Ikke demonter deler i forbindelse med justering og vedlikehold.

INSTALLERING AV PARALLELLANLEGGET

Se fig. 7.

1. Drei knottene på parallellanlegget til venstre for å løsne.
2. Skyv parallellanlegget til siden av bordet.
3. Bruk parallellanlegget som finnes foran og bak på bordet for å stille inn bredden på kuttet.
4. Drei knottene til høyre for forsvarlig stramming.

INSTALLERING AV SMYGMÅLET FOR GJÆRING

Se fig. 7.

1. Juster parallellanlegg til ønsket posisjon og fest forsvarlig.
2. Skyv smygmålet for gjæring inn på parallellanlegget fra forsiden.
3. Juster til ønsket vinkel med vinkelskala og stram forsvarlig til med knotten.

MONTERING AV STATIVET

Se fig. 8-9.

Støttebrakettene og stativbena har korresponderende bokstaver for å forenkle monteringen.

Nødvendig verktøy: Skiftenøkkel eller 13 mm fastnøkkel og stjerneskrutrekker.

1. Sett stativbena merket "A" inn i røret på støttebraketten merket "A". Vinklede ender av stativbena skal vende

vekk fra hverandre slik at de minner om en "V". Innstill hullene for maskinen. Gjenta med den andre støttebraketten og ben merket "B".

2. Monter bensettene i holderne. Benmontering "B" hviler på innsiden av støttene. Benmontering "A" hviler på de utvendige sidene. Juster hullene i støttene og bena. Installer utstyr i hullene på verktøyet.
3. Bruk av fastnøkkel, tilstramming av utstyr.
4. Plasser stativet på en jevn flate og tilpass sporene under sagen med brakettene på stativet. Plasser bordet på stativet.
5. Vær sikker på at fliskutteren står på jevn grunn og at stativet står støtt før arbeidet påbegynnes.

INSTALLERING AV OVERSVØMMELSESSLUK

Se fig. 10.

1. Fjern platen for gjæringskutt.
2. Finn hullet på bunnen av vannreservoaret.
3. Trykk oversvømmelsesslukket fast inn i hullet.
4. Sett tilbake platen for gjæringskutt.

MONTERING AV LÅSEHAKENE

1. Snu saghuset opp/ned.
2. Tilpass skruhullene på låshakene med skruhullene på bunnen av saghuset.
3. Sett inn skruene og stram forsvarlig til.

FYLING AV VANNRESERVOARET

Se fig. 11.

1. Fjern platen for gjæringskutt.
2. Fyll vannreservoaret med rent vann fra kranen til fyllelinjen.
NB: Oversvømmingssluk hindrer overfylling.
3. Sett tilbake platen for gjæringskutt.

SKIFTING AV VANNET I RESERVOARET

1. Trekk ut fliskutterens støpsel.
2. Fjern oversvømmelsesslukket og tøm innholdet i en bøtte, ikke la vannet sprute ut over gulvet eller rundt maskinen.
3. Avhend avløpsvann i henhold til lokale forskrifter.

BRUK

ADVARSEL

Vær alltid like forsiktig, selv når du er blitt kjent med verktøyet. Husk at uforsiktighet i en brøkdell av et sekund er nok til at du kan skade deg selv alvorlig.





Norsk

⚠ ADVARSEL

Bruk alltid sikkerhetsbriller eller vernebriller med sidebeskyttelse når du bruker verktøy. Hvis denne forskriften ikke overholdes, kan det forårsake utslynging av fremmedlegemer i øynene dine og alvorlige øyenskader.

⚠ ADVARSEL

Bruk ikke andre deler eller tilbehør enn de som anbefales av fabrikanten til dette verktøyet. Bruken av deler eller tilbehør som ikke anbefales kan medføre fare for alvorlige personskader.

TESTING AV RCD FØR BRUK

1. Sett RCD inn i strømkontakten.
2. Trykk inn tilbakestillingsknappen. Strømindikatoren skal tennes.
3. Trykk inn testknappen. Strømindikatoren skal slukke.
ADVARSEL: Ikke benytt verktøyet dersom RCD ikke klarer testen. Konsulter en autorisert elektriker.
4. Trykk inn tilbakestillingsknappen for å aktivere RCD.

BRUK

Du kan bruke produktet til de oppgaver som er ført opp nedenfor:

Rettlinjet kutting som krysskutting, gjæring, ripping, og kutting av skråkant

NB: Denne sagen er kun beregnet på kutting av menneskelagde fliser, brostein, naturlige steinprodukter og steinflisprodukter.

Av/På-bryter

Denne sagen har Av/På-bryter bekvemt plassert under frontskinnen.

For å slå sagen av:

Trykk den røde knappen ned for å skru AV (O).

For å slå sagen på:

Trykk den grønne knappen ned for å skru PÅ (I).

For å låse sagen:

Med sagen slått av, trekk støpslet ut av stikkkontakten.

⚠ ADVARSEL

Sørg ALLTID for at arbeidsstykket ikke har kontakt med bladet når maskinen startes. Å ikke følge denne advarselen kan føre til at arbeidsstykket kastes tilbake mot operatøren og resultere i alvorlig personskade.

⚠ ADVARSEL

For å hindre utilsiktet start av sagen, påse alltid at bryteren er i posisjon AV før støpslet settes i stikkkontakten på strømuttaket. Ved et strømrødd eller når sagen ikke er i bruk må bryteren settes i posisjon OFF og støpslet trekkes ut av den elektriske kontakten. Dette tiltaket vil hindre at sagen utilsiktet starter når strømmen kommer tilbake.

BRUK AV PARALLELLANLEGG OG SMYGMÅL FOR GJÆRING

Se fig. 13.

Parallellanlegget kan brukes på både høyre og venstre side av kuttebladet.

1. Drei knottene på parallellanlegget til venstre for å løsne.
2. Juster parallellanlegget til ønsket posisjon med skalaen for parallellanlegget som finnes på begge sider av arbeidsplaten for å innstille ønsket skjærebredde.
3. Skru knotten mot høyre for å stramme forsvarlig.

FOR Å JUSTERE VINKELN

Juster parallellanlegg til ønsket posisjon og fest forsvarlig.

1. Skyv smygmålet for gjæring inn på parallellanlegget fra forsiden.
2. Juster til ønsket vinkel med vinkelskala og stram forsvarlig til med knotten.

SLIK FORETAS ET KUTT

Tegn alltid en linje med en tusj penn eller fettstift på flisen der det skal skjæres. Hvis flisen er blank og det er vanskelig å markere på den, fest maskeringstape på flisen og strek opp på tapen.

Et vanlig problem når det skjæres er å følge den opptegnede skjærelinjen. Dersom du har beveget deg vekk fra kuttlinjen kan du ikke tvinge bladet tilbake ved å vri flisen. Gå i stedet tilbake og skjær tynne biter av flisen inntil bladet er tilbake i sporet.

For å unngå dette problemet bruk parallellanlegget når du gjør krysskutt, smygmålet for gjæring ved gjæring og den justerbare platen på høyre side for å kutte skråkanter der det er mulig.

For å lage et krysskutt

Se fig. 14.

Krysskapping er rette 90° kutt. Materialet mates inn for et kutt på 90°s vinkel i forhold til bladet, og bladet står vertikalt.

1. Bruk en filtpenn eller fettstift til å markere hvor arbeidsstykket skal kuttes.
2. Juster parallellanlegg til ønsket posisjon og fest forsvarlig.





Norsk

3. Plasser arbeidsstykket på bordet og fast mot parallellanlegget.
4. Påse at arbeidsstykket ikke har kontakt med bladet før sagen settes på.
5. Slå på strømmen.
6. La kuttebladet bygge seg opp til full hastighet og vent til bladet er blitt vått før arbeidsstykket føres mot bladet.
7. Hold arbeidsstykket fast mot parallellanlegget og før arbeidsstykket mot kuttebladet.
8. Når kuttet er foretatt, slå maskinen til AV. Vent til kuttebladet har stoppet helt før noen del av arbeidsstykket fjernes.

For å lage et 45° diagonalkutt

Se fig. 15.

45° Diagonalkutt beskrives også som "long point to long point cuts".

1. Bruk en filtpenn eller fettstift til å markere hvor arbeidsstykket skal kuttes.
2. Still parallellanlegget til ønsket bredde og stram til knottene for å holde det på plass.
3. Skyv smyg målet for gjæring inn på parallellanlegget fra forsiden.
4. Juster smyg målet for gjæring til 45° med en vinkelskala og stram forsvarlig til med knotten.
5. Påse at arbeidsstykket ikke har kontakt med bladet før sagen settes på.
6. Slå på strømmen.
7. La kuttebladet bygge seg opp til full hastighet og vent til bladet er blitt vått før arbeidsstykket føres mot bladet.
8. Hold arbeidsstykket fast mot smyg målet for gjæring og skyv smyg målet langs parallellanlegget. Før materialet mot kuttebladet.
9. Når kuttet er foretatt, slå maskinen til AV. Vent til kuttebladet har stoppet helt før noen del av arbeidsstykket fjernes.

For å lage et gjæringkutt

Se fig. 16.

Gjæringskutt benyttes for kutting av innvendige og utvendige hjørner på arbeidsstykket, dekorative stillister og folister med arbeidsstykket i enhver vinkel i forhold til bladet unntatt 90°. Gjæringskutt har en tendens til å "krympe" under kuttingen. Dette kan kontrolleres ved å holde arbeidsstykket fast mot smyg målet for gjæring.

1. Bruk en filtpenn eller fettstift til å markere hvor arbeidsstykket skal kuttes.
2. Still parallellanlegget til ønsket bredde og stram til knottene for å holde det på plass.
3. Skyv smyg målet for gjæring inn på parallellanlegget fra forsiden.
4. Juster smyg målet for gjæring til ønsket vinkel med

vinkelskalaen og stram forsvarlig til med knotten.

5. Påse at arbeidsstykket ikke har kontakt med bladet før sagen settes på.
6. Slå på strømmen.
7. La kuttebladet bygge seg opp til full hastighet og vent til bladet er blitt vått før arbeidsstykket føres mot bladet.
8. Hold arbeidsstykket fast mot smyg målet for gjæring og skyv smyg målet langs parallellanlegget. Før materialet mot kuttebladet.
9. Når kuttet er foretatt, slå maskinen til AV. Vent til kuttebladet har stoppet helt før noen del av arbeidsstykket fjernes.

For å lage et L-kutt

Se fig. 17.

L-kutt er kutt som fjerner en del av flisen for at den skal kunne plasseres i et hjørne, rundt et skap eller en list og foretas med to separate kutt.

NB: Bare kutt gjennom fra bunnen eller undersiden av arbeidsstykket som skal kuttes.

1. Kutt materialet til ønsket bredde ved å bruke beskrivelsen for krysskutt.
2. Juster parallellanlegg til ønsket posisjon og fest forsvarlig.
3. Plasser arbeidsstykket på bordet og fast mot parallellanlegget.
4. Påse at arbeidsstykket ikke har kontakt med bladet før sagen settes på.
5. Slå på strømmen.
6. La kuttebladet bygge seg opp til full hastighet og vent til bladet er blitt vått før arbeidsstykket føres mot bladet.
7. Hold arbeidsstykket fast mot parallellanlegget og før arbeidsstykket mot kuttebladet.
8. Gjør kuttet langt nok inn i arbeidsstykket uten å kutte gjennom.
9. Slå av strømmen.
10. Snu arbeidsstykket og foreta et kutt langs en av merkene. Denne gangen følges den andre linjen og delen bør nå skilles fra resten av arbeidsstykket.
11. Slå på strømmen.
12. La kuttebladet bygge seg opp til full hastighet og vent til bladet er blitt vått før arbeidsstykket føres mot bladet.
13. Når kuttet er foretatt, slå maskinen til AV. Vent til kuttebladet har stoppet helt før noen del av arbeidsstykket fjernes.

For å lage et skråkantkutt

Se fig. 18-19.

Skråkutt 22,5° og 45° kan utføres ved hjelp av platen for gjæringskutt.

1. Bruk en filtpenn eller fettstift til å markere hvor arbeidsstykket skal kuttes.
2. Vipp opp platen for gjæringskutt.
3. Trekk ned de to bena på undersiden av platen for gjæringskutt til ønsket vinkel.





Norsk

4. Bruk det første hakket på bena for å legge platen i vinkelen 22,5°.
5. Bruk det andre settet av hakk til å vinkle platen for gjæringskutt til 45°.

NB: Påse at platen for gjæringskuttet er forsvarlig festet før du begynner å kutte.

Slå ut bena og legg platen for gjæringskutt for 22,5°, eller 45° vinkel.
6. Slå på strømmen.
7. La kuttebladet bygge seg opp til full hastighet og vent til bladet er blitt vått før arbeidsstykket føres mot bladet.
8. Hold arbeidsstykket fast mot platen for gjæringskutt og før arbeidsstykket mot kuttebladet.
9. Når kuttet er foretatt, slå maskinen til AV. Vent til kuttebladet har stoppet helt før noen del av arbeidsstykket fjernes.

VEDLIKEHOLD

⚠ ADVARSEL

For servicearbeider bruk kun originale reservedeler tilsvarende den som skiftes. Bruk av andre deler kan skape fare eller føre til skade på produktet.

⚠ ADVARSEL

Bruk alltid vernebriller eller sikkerhetsbriller med sidebeskyttelse ved bruk av elektrisk verktøy eller når det blåses støv. Hvis arbeidet utløser støv, bruk også en støvmaske.

⚠ ADVARSEL

Hvis strømedningen skades må den kun erstattes av produsenten eller et autorisert servicesenter for å unngå risiko.

⚠ ADVARSEL

For større sikkerhet og pålitelighet skal alle reparasjoner foretas av et godkjent Ryobi serviceverksted.

GENERELT VEDLIKEHOLD

Unngå bruk av løsemidler når du rengjør plastdelene. De fleste plasttyper er sårbare for forskjellige typer løsemidler i handelen og kan skades dersom de brukes. Bruk rene kluter til å fjerne skitt, støv, olje og fett etc.

⚠ ADVARSEL

Plastdeler må aldri komme i kontakt med bremsevæske, bensin, petroleumsholdige produkter, penetrerende oljer, osv. Slike kjemiske produkter inneholder stoffer som kan skade, svekke eller ødelegge platen, noe som kan medføre alvorlige kroppsskader.

Smøring

Alle lagere i verktøyet er smurt med en passende mengde høykvalitets smøring for maskinens levetid under normale driftsforhold.

Fliskutterblad

For maksimum ytelse og sikkerhet anbefales det at du bruker 178 mm kuttebladet som følger med sagen. Kutteblader av samme høye kvalitet er tilgjengelig hos din lokale forhandler.

⚠ ADVARSEL

Ikke bruk kutteblader som er beregnet for hastigheter mindre enn dette verktøyets ubelastede hastighet. Å ikke følge denne advarselen kan føre til personskade. Ikke bruk blader med sprekker, hull, eller tenner.

SKIFTING AV BLADET FOR FLISKAPPING

Se fig. 20.

⚠ ADVARSEL

Et 178 mm sagblad er den maksimale bladdimensjonen for sagen. Bruk aldri et kutteblad som er så tykt at den ytre pakningene ikke kan ligge flatt mot bladet etter at den er tredd inn på spindelen. Større blad kan komme i kontakt med bladskjermen, mens tykkere blader kan gjøre at bladbolten ikke kan stramme bladet forsvarlig på spindelen. Begge disse situasjonene kan føre til en alvorlig ulykke og kan resultere i alvorlig personskade.

1. Trekk ut sagens støpsel.
2. Fjern platen for gjæringskutt.
3. Skyv sekskantnøkkelen over spindelmutteren. Bruk den andre hånden, skyv spindelfastnøkkelen på spindelen.
4. Hold spindelnøkkelen fast for å hindre at bladet beveger seg. Skru spindelmutteren til venstre for å løsne.
5. Fjern spindelmutter, utvendig bladflens og kuttebladet.
6. Drypp en dråpe olje på den innvendige bladflensen der den har kontakt med bladet.



Norsk

⚠ ADVARSEL

Dersom innvendig bladpakning er tatt av, sørg for at den settes tilbake på plass før kuttebladet settes på spindelen. Å unngå å gjøre dette kan føre til en ulykke siden kuttebladet ikke vil kunne strammes forsvarlig. Bruk aldri blader som har åpninger, spor eller tenner på dette verktøyet.

7. Plasser kuttebladet på spindelen slik at bladet vil rotere mot venstre.
8. Sett utvendig bladflens tilbake. De doble "D"-flatene på bladflensene skal stå overfor flensene på spindelen.
9. Bruk av bladfastnøkkel og spindelnøkkel, forsvarlig tilstramming av spindelmutter.
10. Sett tilbake platen for gjæringskutt.

MILJØVERN



Resirkuler råmaterialer istedenfor å kaste dem i søppelen. Verktøyet, tilbehørene og emballasjen bør sorteres for miljøvennlig resirkulering.

SYMBOL



Sikkerhetsalarm



CE samsvar



GOST-R samsvar



Les instruksjonene nøye før apparatet tas i bruk.



Bruk alltid øyeskyttelse.



Bruk hørselsvern



Bruk sikkerhetshansker



FARE! Skarpt blad



Advarsel; fare for kuttskader



Utsett ikke for regn eller bruk på fuktige steder.



Utsett ikke for regn eller bruk på fuktige steder.



Maskinen er påkrevet brukt med et diamantblad med sammenhengende kant.



Retning på bladrotasjon



Diamant skjærebled



Bladdiameter



Bladakseldiameter



Nettvekt



Sagedybde (maks.)



Fresebredde (maks.)



Diagonal bredde på kappet (maks.)



Gjenvinne



Avfall fra elektriske produkter skal ikke kastes sammen med husholdningsavfall. Vennligst resikulervedeksisterende avfallsbehandlingssted. Undersøk hos dine lokale myndigheter eller forhandler for råd om resirkulering.

**ОПИСАНИЕ**

1. Контакт заземления
2. Кабель питания
3. Противоконденсатная петля
4. Диск для резки плитки
5. Выключатель
6. Направляющая резки
7. Наклонная направляющая
8. Отметка максимального заполнения
9. Дренаж со сливом
10. Резервуар с водой
11. Шкала направляющей планки
12. Подставка
13. Держатель кабеля
14. Ручки для переноски
15. Защитное устройство режущего диска
16. Наклонный стол
17. Корпус пилы для резки плитки
18. Шестигранный гаечный ключ
19. Гаечный ключ для вала
20. Винты
21. Скоба защитного устройства режущего диска
22. Шестигранная гайка
23. Шестигранный болт
24. Ножки подставки «А»
25. Ножки подставки «В»
26. Болт(ы) ножки подставки
27. Гайка (гайки) ножки подставки
28. Уголок (уголки) ножки подставки
29. Опорный кронштейн «А»
30. Опорный кронштейн «В»
31. Зашелки
32. Натяжение кабеля
33. Выступ
34. Ручка направляющей резки
35. Сборка ножки «А»
36. Сборка ножки «В»
37. Шкала наклонной направляющей
38. Ручка наклонной направляющей
39. Ножка наклонного стола
40. Выемка для регулировки наклона 22.5°
41. Выемка для регулировки наклона 45°
42. Вал
43. Внутренний фланец
44. Внешний фланец
45. Гайка вала

ОСНОВНЫЕ УКАЗАНИЯ ПО ТЕХНИКЕ БЕЗОПАСНОСТИ**⚠ ОСТОРОЖНО**

При использовании электрических инструментов следует соблюдать основные правила технической безопасности для снижения опасности возгорания, поражения электрическим током и получения травм.

Перед использованием инструмента прочитайте все инструкции и сохраните их для использования в будущем.

- **Ознакомьтесь с работой инструмента.** Внимательно прочтите руководство пользователя. Ознакомьтесь со всеми случаями применения изделия и ограничениями в его применении, а также со списком потенциально опасных ситуаций, которые могут возникнуть при работе с ним.
- **Исключите опасность поражения электрическим током, предотвратив контакт тела с заземленными поверхностями.** Например, труб, радиаторов, кухонных плит и корпусов холодильников.
- **Держите защитные приспособления под рукой и в рабочем состоянии.**
- **Удалите ключи для выполнения настройки и регулировки.** Возьмите за правило перед включением инструмента проверять, убраны ли с него гаечные ключи и другие принадлежности.
- **Поддерживайте чистоту на рабочем участке.** Загромождение различных участков и верстаков может стать причиной несчастного случая. Не оставляйте инструментов и кусков дерева около пилы во время ее работы.
- **Не используйте инструмент в опасных условиях эксплуатации.** Не используйте инструменты во влажных или сырых местах, а также под дождем. Позаботьтесь о хорошем освещении рабочего участка. Не пользуйтесь инструментом вблизи легковоспламеняющихся жидкостей и газов.
- **Не подпускайте детей и посторонних лиц.** Всем лицам, осматривающим устройство, необходимо надевать защитные очки и находиться на безопасном расстоянии от рабочего участка. Не позволяйте посторонним лицам касаться инструмента или удлинительного кабеля во время работы.
- **Не увеличивайте скорость работы инструмента.** Он поможет лучше и безопаснее выполнить работу именно на той скорости подачи, для работы с которой он разработан.





- **Используйте исправное и соответствующее устройство.** Не применяйте устройства и принадлежности для работ, к которым они не предназначены. Не используйте устройства в несоответствующих целях.
- **Используйте надлежащий удлинительный кабель.** Обеспечьте исправное состояние удлинительного кабеля. Используйте только кабель, который сможет выдержать ток нагрузки для данного устройства. При использовании кабеля меньшего сечения произойдет падение напряжения в цепи, что приведет к потере мощности и перегреву.
- **Одевайтесь соответствующим образом.** Не надевайте одежду свободного покроя, перчатки, галстуки и украшения. Они могут попасть между вращающимися деталями, и вас может затянуть в них. При работе на открытом воздухе рекомендуется надевать резиновые перчатки и нескользящую обувь (ботинки на резиновой подошве). Также необходимо надевать защитный головной убор, чтобы прикрыть длинные волосы.
- **Всегда надевайте защитные очки с боковыми щитками.** Линзы обычных очков могут быть ударопрочными, но такие очки НЕ являются защитными.
- **Зафиксируйте обрабатываемую заготовку.** Используйте зажимы или тиски для крепления обрабатываемой заготовки, если это возможно, поскольку это безопаснее, чем использовать для этой цели руку, тем более что в этом случае обе руки останутся свободными для обслуживания инструмента.
- **Не прикладывайте чрезмерных усилий.** Старайтесь сохранять устойчивость и подыскивайте твердую опору.
- **Заботливо обращайтесь с инструментами.** Содержите инструменты в чистом виде и вовремя производите их заточку, чтобы обеспечить качество и безопасность работы. Выполняйте инструкции по проведению смазки и замене принадлежностей. Регулярно осматривайте кабель инструмента, поврежденный кабель необходимо сдать в авторизованный сервисный центр на ремонт. Регулярно осматривайте удлинительные кабели и заменяйте поврежденные из них. Содержите ручки в сухом и чистом виде, очищайте их от масла и смазки.
- **Отключите инструменты.** Необходимо отсоединить все устройства, если они не используются, перед выполнением текущего ремонта или при замене приспособлений, режущих дисков, сверл, резачков и т.д. Перед выполнением каких-либо настроек, текущего ремонта или технического обслуживания удалите штепсельную вилку.
- **Не допускайте случайного запуска инструмента.** Подключая инструмент к розетке, убедитесь, что его выключатель установлен в положение «выкл.».
- **Используйте рекомендованные принадлежности.** Перечень рекомендуемых принадлежностей можно найти в руководстве по эксплуатации. Использование ненадлежащих приспособлений может привести к телесным повреждениям.
- **Никогда не вставайте на инструмент.** При касании инструмента или непреднамеренном контакте с режущим инструментом существует опасность серьезного травмирования.
- **Проверяйте поврежденные детали.** Перед дальнейшим использованием устройства тщательно проверьте правильность работы и функциональную работоспособность поврежденных защитных приспособлений и других компонентов. Проверьте регулировку и сочленение движущихся частей, целостность деталей, крепление, и другие факторы, которые могут отразиться на работе устройства. Во избежание возникновения опасности телесных повреждений, неисправные защитные приспособления или другие детали должны демонтироваться или заменяться в авторизованном сервисном центре.
- **Используйте надлежащее направление подачи.** Производите подачу обрабатываемой заготовки на режущий диск или резак только в направлении, противоположном направлению вращения режущего диска или резака.
- **Никогда не оставляйте инструмент работающим без присмотра. Выключите питание.** Не оставляйте инструмент до его полного останова.
- **Предохраняйте легкие.** Надевайте маску для защиты лица или пылезащитную маску при работе в условиях повышенной запыленности.
- **Предохраняйте органы слуха.** При длительной работе с устройством надевайте средства защиты органов слуха.
- **Не допускайте неправильного обращения с кабелем.** Запрещается дергать кабель, пытаться таким образом вынуть штепсельную вилку из розетки. Не раскладываете кабель вблизи источников тепла и острых предметов.
- **Всегда держите защитное приспособление режущего диска под рукой и в рабочем состоянии.**
- **Не допускайте попадания рук в область резки.** Не касайтесь режущего диска. Не допускайте попадания рук под обрабатываемую заготовкой, в





Русский

область над режущим диском или вокруг него во время вращения режущего диска. Не пытайтесь удалять материал во время его резки и вращения режущего диска.

- После отключения режущий диск продолжает по инерции вращаться.
- Запрещается работать во взрывоопасной среде. Обычное искрение двигателя может стать причиной воспламенения.
- Регулярно осматривайте кабель инструмента. Если он поврежден, отдайте его в уполномоченный сервисный центр для ремонта квалифицированным техническим специалистом.
- Регулярно осматривайте удлинительные кабели и заменяйте поврежденные из них.
- Заземлите все инструменты. Если инструмент имеет трехполюсную штепсельную вилку, ее необходимо вставить в трехполюсную электрическую розетку.
- Если указания по заземлению недостаточно ясны или имеются сомнения в правильности подключения устройства к заземлению, обратитесь к квалифицированному электрику или техническому специалисту.
- Используйте только надлежащие электрические устройства: трехжильный удлинитель с трехконтактной вилкой с заземлением и трехполюсной электрической розеткой, соответствующей вилке устройства.
- Не переделывайте вилку питания. Если вилка не подходит к розетке, обратитесь к квалифицированному электрику для установки подходящей розетки.
- Содержите устройство в сухом и чистом виде, очищайте его от масла и смазки. Для чистки устройства используйте протирочную тряпку. Запрещается использовать для чистки устройства тормозные жидкости, бензин, нефтепродукты и другие растворители.
- Соблюдайте осторожность и осуществляйте контроль. Будьте внимательны во время работы и руководствуйтесь здравым смыслом. Не пользуйтесь инструментом, если устали. Не торопитесь.
- Не пользуйтесь инструментом, если выключатель не функционирует. Замените неисправный выключатель в авторизованном сервисном центре.
- Используйте только надлежащий режущий диск. Не используйте режущие диски с несоответствующим диаметром отверстия. Запрещается использовать неисправные или неподходящие шайбы и гайки вала. Максимальная

скорость режущего диска пилы составляет 178 мм. Все режущие полотна должны соответствовать требованиям стандарта EN13236. Никогда не используйте режущее полотно, рассчитанное на скорость вращения ниже, чем у данного инструмента.

- Перед выполнением реза убедитесь, что все настройки выполнены правильно.
- Запрещается касаться режущего диска или других движущихся частей во время эксплуатации.
- Запрещается запускать инструмент, если какой-либо из его вращающихся компонентов касается заготовки.
- Не пользуйтесь инструментом, если устали, а также после принятия наркотиков, алкоголя или иных медицинских препаратов.
- При проведении текущего ремонта используйте только идентичные запчасти. Использование любых других запчастей может создать опасность или стать причиной выхода изделия из строя.
- Используйте только рекомендованные принадлежности, указанные в данном руководстве или приложениях. Использование принадлежностей, не указанных в списке, может стать причиной травмирования. Инструкции о безопасном использовании прилагаются к принадлежности.
- Дважды проверьте все выполненные настройки. Перед подключением к источнику питания убедитесь, что режущий диск затянут и не касается пилы и заготовки.

ПРЕДОСТЕРЕЖЕНИЯ ОБ ОПАСНОСТИ ПИЛА ДЛЯ РЕЗКИ ПЛИТКИ

- Надежно зафиксируйте обрабатываемую заготовку относительно направляющей резки или блока наклона.
- Никогда не стойте сами и не помещайте частей тела на траектории движения режущего диска.
- Для освобождения застрявшего режущего диска сначала обязательно отключите пилу, а затем отсоедините ее от источника питания.
- Если кабель питания поврежден, во избежание опасности его должен заменить либо сам производитель, либо специалист авторизованного сервисного центра.
- Избегайте неловких действий или положений руки, когда рука может случайно соскользнуть и попасть в работающий инструмент.
- Перед началом любых работ с использованием





Русский

пилы убедитесь, что рабочий участок хорошо освещен и обрабатываемая заготовка хорошо видна и что нет никаких препятствий для безопасной работы.

- Всегда выключайте пилу, прежде чем отсоединить кабель питания, чтобы исключить случайный запуск при повторном подсоединении кабеля.
- На данном устройстве должны быть установлены следующие знаки:
 - Применяйте средства защиты органов зрения.
 - Используйте защитное устройство режущего диска при выполнении каждой операции, где оно может быть применимо.
 - Перед выполнением текущего ремонта, заменой режущих дисков и чистой отключите пилу.
 - Используйте для инструмента только режущие диски с гладкими краями, без отверстий, канавок или шероховатостей.
 - Перед началом работы замените неисправный режущий диск.
 - Не заполняйте водяную ванну выше соответствующей отметки.
- **Сохраните данные инструкции.** Чаще обращайтесь к ним и используйте для инструктажа других пользователей. Если вы временно передаете кому-либо данный инструмент, передайте вместе с ним и данные инструкции.

ЭЛЕКТРИЧЕСКОЕ ПОДКЛЮЧЕНИЕ

Данный инструмент приводится в действие электродвигателем высокого качества сборки. Устройство следует подключать только к электрической сети переменного тока с напряжением 220-240 В, 50 Гц (стандартные параметры электросети для жилых помещений). Не используйте для питания данного устройства постоянный ток. Значительное падение напряжения на двигателе приведет к выделению мощности и перегреву двигателя. Если подключенная к розетке пила не работает, проверьте подачу питания.

СКОРОСТЬ И ПРОВОДКА

Скорость холостого хода данного инструмента составляет примерно 2,900 об/мин. Эта скорость непостоянная и уменьшается при изменении нагрузки или уменьшении напряжения. Что касается напряжения, проводка в цехе настолько же важна, как и потребляемая мощность двигателя. Линия, предназначенная для подсветки, не может обеспечить надлежащее питание двигателя инструмента. Провод, достаточный для короткого участка, может оказаться недостаточным для более протяженного участка. Линия, к которой может быть подключен один инструмент, может быть не рассчитана на подключение двух или трех инструментов.

УКАЗАНИЯ ПО ЗАЗЕМЛЕНИЮ

См. рис. 1.

Данное устройство должно быть заземлено. В случае неисправности или поломки устройства заземление обеспечит электрическому току для протекания путь наименьшего сопротивления и предотвратит опасность поражения электрическим током. Данный инструмент снабжен электрокабелем с заземляющим проводом для всего оборудования и вилкой с контактом заземления. Вилка должна подключаться к заземленной розетке, установленной в соответствии со всеми действующими в данном регионе нормами.

Не переделывайте вилку питания. Если вилка не подходит к розетке, обратитесь к квалифицированному электрику для установки подходящей розетки.

⚠ ОСТОРОЖНО

Неправильное подключение вилки с заземлением может стать причиной поражения электрическим током. Если кабель требует ремонта или замены, не подсоединяйте заземляющий провод к разъемам с плоским контактом. Провод в зеленой изоляции (с желтыми полосками или без них) является заземляющим проводом.

Если указания по заземлению недостаточно ясны или имеются сомнения в правильности подключения устройства к заземлению, обратитесь к квалифицированному электрику или техническому специалисту.

Сразу же ремонтируйте или заменяйте поврежденный или изношенный кабель.

Если кабель питания поврежден, во избежание опасности его должен заменить либо сам производитель, либо специалист авторизованного сервисного центра.

Подключайте устройство только к розетке, имеющей ту же конфигурацию, что и вилка. Не используйте переходники при работе с данным устройством.

Для большей безопасности и надежности, все ремонтные работы должны быть выполнены Ryobi авторизованным сервисным центром.

Цепи и розетки, используемые для пилы для резки плитки, необходимо оснастить устройством защитного отключения (RCD). Поставляются розетки со встроенным устройством защитного отключения, которые можно использовать в качестве такой меры безопасности.

Если пила используется с удлинительным кабелем, проследите, чтобы кабель питания инструмента и удлинительный кабель не были заземлены. Дополнительные устройства следует подключать





Русский

к сетевой розетке, а не к удлинителю или кабелю питания инструмента.

Если ни одной защищенной розетки нет, не пользуйтесь пилой до тех пор, пока не будет заменена розетка или не будет предусмотрена дополнительная защита. Эти дополнительные защитные устройства можно приобрести у местного розничного продавца.

ПОЛОЖЕНИЕ ПИЛЫ ДЛЯ РЕЗКИ ПЛИТКИ

См. рис. 2.

Чтобы избежать увлажнения штепсельной вилки или розетки инструмента, установите пилу для резки плитки с одной стороны настенной розетки для предотвращения попадания воды в розетку или вилку. Оператор должен сделать противоконденсатную петлю в кабеле, идущем от пилы к розетке. Противоконденсатная петля – это часть кабеля ниже уровня розетки или соединителя при использовании удлинительного кабеля, предотвращающая движение воды вдоль кабеля и ее попадание в розетку.

Если штепсельная вилка или розетка стали влажными, НЕ отсоединяйте кабель. Отключите плавкий предохранитель и автоматический выключатель, обеспечивающий питание инструмента, затем выньте вилку из розетки и осмотрите розетку на наличие воды.

⚠ ОСТОРОЖНО

Для снижения опасности поражения электрическим током содержите все соединения в сухом состоянии и не допускайте касания ими пола. Не касайтесь штепсельной вилки влажными руками.

ТЕХНИЧЕСКИЕ ХАРАКТЕРИСТИКИ

Характеристики изделия	
Напряжение	220 - 240V
Мощность	500 W
скорость на холостом ходу	2,900 rpm
Вес	15,5 kg (N.W.)
Функции	
Размер стола	381 mm x 502 mm
Высота стола от шкафа до стола	181 mm
Технические требования к материалам	
Материал стола	Нержавеющая сталь

Материал подставки	Стальной Трубопровод
Режущие инструменты/производительность	
Диаметр режущего диска	178 mm
Тип режущего диска	Алмаз
Внутренний диаметр режущего диска	25,4 mm
Максимальная глубина реза	33 mm
Из меренные значения определены в соответствии с EN 61029	$L_{PA} = 61,0 \text{ dB(A)}$ 3 dB(A)
Уровень A-взвешенного звукового давления	
Разброс K	
Измеренные значения определены в соответствии с EN 61029	$L_{WA} = 77,0 \text{ dB(A)}$ 3 dB(A)
Уровень A-взвешенной звуковой мощности	
Разброс K	

ОЗНАКОМЬТЕСЬ С РАБОТОЙ ПИЛЫ ДЛЯ РЕЗКИ ПЛИТКИ

Диск для резки плитки 178 мм

- Режущий диск 178 мм для резки плитки поставляется вместе с пилой.

Наклонный стол

- Резы под углом 22,5° и 45° можно выполнять с помощью наклонного стола.

Ручки

- У плиты есть удобные ручки для ее поднятия и переноски, которые расположены с левой и правой стороны.

Наклонная направляющая

- Наклонную направляющую можно отрегулировать для выполнения косых резов и резов под углом.

Двигатель

- В данном устройстве установлен сильный двигатель, мощности которого достаточно для выполнения резки при большой нагрузке.

Направляющая резки

- Направляющую резки можно отрегулировать для выполнения поперечных резов и использования наклонной направляющей.

Подставка пилы для резки плитки

- Настоящая пила поставляется в комплекте с подставкой, обеспечивающей ее мобильность и удобство в работе.





Защитное устройство режущего диска

- Защитное устройство режущего диска защищает от распыляемой воды и паров

СБОРКА

УСТАНОВКА ЗАЩИТНОГО УСТРОЙСТВА РЕЖУЩЕГО ДИСКА

См. рис. 5-6.

1. Удалите наклонный стол.
2. Вставьте скобу защитного устройства режущего диска в форме буквы L в выступ, расположенный под столом за режущим диском.
3. Вставьте винты в стол через скобу защитного устройства режущего диска и надежно затяните.

ПРИМЕЧАНИЕ: Проследите, чтобы скоба защитного устройства режущего диска была совмещена с самим режущим диском и не мешала резке материала.

4. Совместите защитное устройство режущего диска с самим режущим диском и надвиньте скобу. Совместите сквозные отверстия в защитном устройстве режущего диска с гнездом в скобе защитного устройства.

ПРИМЕЧАНИЕ: Защитное устройство режущего диска необходимо всегда устанавливать в горизонтальном положении относительно стола и немного выше верхней кромки плитки. Защитное устройство режущего диска не должно касаться плитки.

5. Вставьте шестигранный болт в защитное устройство режущего диска и скобу.
6. Наверните ручку на болт и затяните до нужной высоты.
7. Замените наклонный стол.

ПРИМЕЧАНИЕ: Крышка/защитное устройство режущего диска собирается на заводе. Не разбирайте их во время настройки и выполнения технического обслуживания.

УСТАНОВКА НАПРАВЛЯЮЩЕЙ РЕЗКИ

См. рис. 7.

1. Поверните ручку на направляющей резки против часовой стрелки, чтобы ослабить.
2. Сместите направляющую резки на сторону стола.
3. Используйте шкалу направляющей резки, расположенную с передней и задней стороны стола, для установки направляющей резки на нужную ширину резки.
4. Поверните ручку направляющей резки по часовой стрелке, чтобы надежно затянуть.

УСТАНОВКА НАКЛОННОЙ НАПРАВЛЯЮЩЕЙ

См. рис. 7.

1. Установите направляющую резки в нужное положение и закрепите.
2. Сместите наклонную направляющую с передней части к направляющей резки.
3. Установите нужный угол наклона с помощью угловой шкалы и надежно затяните с помощью ручки.

СБОРКА ПОДСТАВКИ

См. рис. 8-9.

На опорных кронштейнах и ножках подставки есть соответствующие буквы, облегчающие сборку.

Необходимые инструменты: Регулируемый ключ или гаечные ключи на 13 мм и отвертка Philips.

1. Установите ножки подставки, помеченные буквой «А», в конечные трубки опорного кронштейна, помеченные буквой «А». Загнутые части ножек подставки должны быть всегда направлены в сторону друг от друга, напоминая букву «V». Совместите отверстия для оборудования. Повторите эту операцию со вторым кронштейном и ножками, помеченными буквой «В».
2. Вставьте элементы ножки в уголки. Собранный ножка «В» остается с внутренней стороны уголков. Собранный ножка «А» остается с наружной стороны. Совместите отверстия в уголках и ножках. Вставьте оборудование в отверстия.
3. Зафиксируйте оборудование с помощью гаечного ключа.
4. Установите подставку на ровную поверхность и совместите канавки под пилой для резки плитки с кронштейнами подставки. Установите стол на подставку.
5. Убедитесь, что пила находится на уровне земли и подставка перед началом использования закреплена.

УСТАНОВКА ДРЕНАЖА СО СЛИВОМ ДЛЯ ПРЕДОТВРАЩЕНИЯ ПЕРЕПОЛНЕНИЯ

См. рис. 10.

1. Удалите наклонный стол.
2. Найдите отверстие в днище резервуара с водой.
3. Надежно установите дренаж со сливом в отверстие.
4. Замените наклонный стол.

УСТАНОВКА ЗАЩЕЛОК

1. Переверните корпус пилы для резки плитки.
2. Совместите отверстия под винты в защелках с отверстиями в днище корпуса пилы.





Русский

3. Вставьте винты и надежно затяните.

ЗАПОЛНЕНИЕ РЕЗЕРВУАРА ВОДОЙ

См. рис. 11.

1. Удалите наклонный стол.
2. Заполните резервуар чистой водопроводной водой до линии заполнения.

ПРИМЕЧАНИЕ: Дренаж со сливом позволяет предотвратить переполнение.

3. Замените наклонный стол.

ЗАМЕНА РЕЗЕРВУАРА С ВОДОЙ

1. Отключите пилу для резки плитки от электросети.
2. Удалите дренаж со сливом и слейте содержимое в ведро, не допускайте распыливания воды на пол или вокруг устройства.
3. Произведите сброс сточных вод в соответствии с местными предписаниями.

ЭКСПЛУАТАЦИЯ

⚠ ОСТОРОЖНО

Овладев инструментом, не теряйте бдительности. Помните, что достаточно секунды невнимания, чтобы получить тяжелую травму.

⚠ ОСТОРОЖНО

При работе всегда пользуйтесь защитными очками с боковыми протекторами. При несоблюдении этого правила техники безопасности посторонние предметы могут попасть в глаза и вызвать тяжелые глазные травмы.

⚠ ОСТОРОЖНО

Пользуйтесь только рекомендованными изготовителем деталями и аксессуарами. Использование других деталей и аксессуаров ведет к тяжелым травмам.

ТЕСТИРОВАНИЕ УСТРОЙСТВА ЗАЩИТНОГО ОТКЛЮЧЕНИЯ (RCD) ПЕРЕД ИСПОЛЬЗОВАНИЕМ

1. Подключите RCD к сетевой розетке.
2. Нажмите кнопку включения. Должен загореться индикатор питания.
3. Нажмите кнопку тестирования. Индикатор питания должен погаснуть.

ОСТОРОЖНО: Если результат тестирования RCD будет отрицательным, не используйте устройство. Обратитесь к квалифицированному электрику.

4. Нажмите кнопку включения для активации RCD.

ОБЛАСТЬ ПРИМЕНЕНИЯ

Данный инструмент можно использовать для перечисленных ниже целей:

прямолинейное резание, например, поперечное резание, резка под углом, продольная резка и скашивание кромок

ПРИМЕЧАНИЕ: Эта пила предназначена для резки только кафельной плитки из искусственных материалов, напольной плитки, материалов из натурального камня и изделий из каменной плитки.

Выключатель

На данной пиле установлен доступный для манипуляций выключатель включения и отключения подачи питания, расположенный под передней направляющей.

Для выключения пилы:

Для выключения нажмите красную кнопку (O).

Для включения пилы:

Для включения нажмите зеленую кнопку (I).

Для блокировки пилы:

Выключив пилу, выньте штепсельную вилку из источника питания.

⚠ ОСТОРОЖНО

Перед включением инструмента **ВСЕГДА** убедитесь, что режущий диск не касается заготовки. В случае игнорирования данного предупреждения заготовка может отскочить в сторону оператора и причинить ему травму.

⚠ ОСТОРОЖНО

Для снижения опасности случайного запуска убедитесь, что выключатель установлен в положение **ВЫКЛ.**, прежде чем подключить инструмент к источнику питания. В случае перебора в питании или в тот момент, когда инструмент не используется, выключите выключатель и выньте штепсельную вилку из источника питания. Это предотвратит случайный запуск инструмента при включении подачи питания.

ИСПОЛЬЗОВАНИЕ НАПРАВЛЯЮЩЕЙ РЕЗКИ И НАКЛОННОЙ НАПРАВЛЯЮЩЕЙ

См. рис. 13.

Направляющую резки можно использовать как с левой, так и с правой стороны от режущего диска.





1. Поверните ручку на направляющей резки против часовой стрелки, чтобы ослабить.
2. Установите направляющую резки в нужное положение с помощью шкалы направляющей резки, находящейся на передней и задней части стола, чтобы задать необходимую ширину для направляющей резки.
3. Поверните ручку по часовой стрелке, чтобы надежно закрепить.

ДЛЯ НАСТРОЙКИ УГЛОВ

Установите направляющую резки в нужное положение и надежно закрепите.

1. Сместите наклонную направляющую с передней части к направляющей резки.
2. Установите нужный угол наклона с помощью угловой шкалы и надежно затяните с помощью ручки.

РАЗРЕЗАНИЕ

Всегда наносите разметочную линию на разрезаемой плитке с помощью маркера или воскового карандаша. Если плитка отполирована и на ней трудно выполнить разметку, наклейте на плитку липкую ленту и сделайте отметки на ленте.

Общая проблема при резке плитки заключается в отклонении от разметочной линии. Если вы отклонились от разметочной линии, не следует пытаться силой вернуть режущий диск на линию, вращая плитку. Вместо этого вернитесь в прежнее положение и заново начните резку плитки, отрезая небольшие куски плитки, пока режущий диск не установится в положение разметки.

Во избежание таких ошибок используйте направляющую резки для выполнения поперечных резов, наклонную направляющую для выполнения резов под углом, а регулируемую правую сторону стола – для резки скосов, когда это возможно.

Для выполнения поперечной резки

См. рис. 14.

Поперечный разрезы – это разрезы под углом 90°. Материал подается на диск для резки под углом 90°, а сам диск находится в вертикальном положении.

1. С помощью маркера или воскового карандаша отметьте участок материала для резки.
2. Установите направляющую резки в нужное положение и надежно закрепите.
3. Положите материал на стол и крепко прижмите к направляющей резки.
4. Перед включением пилы убедитесь, что материал не касается режущего диска.
5. Включите питание.
6. Дайте режущему диску достичь максимальной

скорости и подождите, пока он не станет влажным, прежде чем подавать материал на него.

7. Крепко прижмите материал к направляющей планке и подайте на режущий диск.
8. После выполнения резки выключите пилу. Прежде чем удалить какую-либо часть материала, дождитесь полного останова режущего диска.

Для выполнения косого разреза под углом 45°

См. рис. 15.

Косая резка под углом 45° также называется резкой между двумя самыми удаленными точками.

1. С помощью маркера или воскового карандаша отметьте участок материала для резки.
2. Установите нужную ширину направляющей резки и затяните ручку для фиксации ее в этом положении.
3. Сместите наклонную направляющую с передней части к направляющей резки.
4. Отрегулируйте угол наклона наклонной направляющей 45° с помощью угловой шкалы и надежно затяните с помощью ручки.
5. Перед включением пилы убедитесь, что материал не касается режущего диска.
6. Включите питание.
7. Дайте режущему диску достичь максимальной скорости и подождите, пока он не станет влажным, прежде чем подавать материал на него.
8. Крепко прижмите материал к наклонной направляющей и сместите направляющую вдоль направляющей планки. Подайте материал на режущий диск.
9. После выполнения резки выключите пилу. Прежде чем удалить какую-либо часть материала, дождитесь полного останова режущего диска.

Для выполнения реза под углом

См. рис. 16.

Резка под углом используется для резки снаружи и внутри углов материала, изготовления декоративных реек для защиты стен от повреждения спинками стульев и молдинга основания под любым углом к диску, отличным от 90°. При выполнении реза под углом часто происходит смещение материала. Этого можно избежать, надежно прижимая заготовку к наклонной направляющей.

1. С помощью маркера или воскового карандаша отметьте участок материала для резки.
2. Установите нужную ширину направляющей резки и затяните ручку для фиксации ее в этом положении.
3. Сместите наклонную направляющую с передней части к направляющей резки.
4. Установите нужный угол наклона наклонной направляющей с помощью угловой шкалы и надежно затяните с помощью ручки.





Русский

5. Перед включением пилы убедитесь, что материал не касается режущего диска.
6. Включите питание.
7. Дайте режущему диску достичь максимальной скорости и подождите, пока он не станет влажным, прежде чем подавать материал на него.
8. Крепко прижмите материал к наклонной направляющей и сместите направляющую вдоль направляющей планки. Подайте материал на режущий диск.
9. После выполнения резки выключите пилу. Прежде чем удалить какую-либо часть материала, дождитесь полного останова режущего диска.

Для выполнения реза в форме буквы L

См. рис. 17.

При резке в форме буквы L из плитки вырезается часть, чтобы вставить ее в угол, выложить вокруг стола или куска молдинга; эта резка выполняется в ходе двух отдельных операций.

ПРИМЕЧАНИЕ: Производите перерезание разрезаемого материала только с нижней стороны.

1. Разрежьте материал на нужную ширину, пользуясь рекомендациями по поперечной резке.
2. Установите направляющую резки в нужное положение и надежно закрепите.
3. Положите материал на стол и крепко прижмите к направляющей резки.
4. Перед включением пилы убедитесь, что материал не касается режущего диска.
5. Включите питание.
6. Дайте режущему диску достичь максимальной скорости и подождите, пока он не станет влажным, прежде чем подавать материал на него.
7. Крепко прижмите материал к направляющей планке и подайте на режущий диск.
8. Выполните достаточно глубокий рез в материале, не допуская при этом его перерезания.
9. Выключите питание.
10. Переверните материал и выполните рез вдоль одной из меток. На этот раз сделайте рез по другой линии, при этом отрезанный кусок должен отделиться от остальной части материала.
11. Включите питание.
12. Дайте режущему диску достичь максимальной скорости и подождите, пока он не станет влажным, прежде чем подавать материал на него.
13. После выполнения резки выключите пилу. Прежде чем удалить какую-либо часть материала, дождитесь полного останова режущего диска.

Для выполнения резки скосов

См. рис. 18-19.

Резы под углом 22,5° и 45° можно выполнять с помощью наклонного стола.

1. С помощью маркера или воскового карандаша отметьте участок материала для резки.
2. Наклоните наклонный стол.
3. Опустите две ножки с нижней стороны наклонного стола в правые углы пластины.
4. Сначала используйте выемки в ножках для установки пластины под углом 22,5°.
5. Используйте набор выемок для установки наклонного стола под максимальным углом 45°.

ПРИМЕЧАНИЕ: Перед началом резки убедитесь, что наклонный стол прочно зафиксирован.

Разложите ножки, и установите наклонный стол под углом 22,5° или 45°.

6. Включите питание.
7. Дайте режущему диску достичь максимальной скорости и подождите, пока он не станет влажным, прежде чем подавать материал на него.
8. Крепко прижмите материал к наклонному столу и подайте на режущий диск.
9. После выполнения резки выключите пилу. Прежде чем удалить какую-либо часть материала, дождитесь полного останова режущего диска.

ТЕХНИЧЕСКОЕ ОБСЛУЖИВАНИЕ

⚠ ОСТОРОЖНО

При проведении текущего ремонта используйте только идентичные запчасти. Использование любых других запчастей может создать опасность или стать причиной выхода изделия из строя.

⚠ ОСТОРОЖНО

Всегда надевайте предохранительные или защитные очки с боковыми защитными экранами при работе с данным инструментом или сдувании пыли. Если во время работы образуется много пыли, также надевайте пылезащитную маску.

⚠ ОСТОРОЖНО

Если кабель питания поврежден, во избежание опасности его должен заменить либо сам производитель, либо специалист авторизованного сервисного центра.

⚠ ОСТОРОЖНО

Для большей безопасности и надежности, все ремонтные работы должны быть выполнены Ryobi авторизованный сервисный центр.





Русский

ОБЩЕЕ ТЕХНИЧЕСКОЕ ОБСЛУЖИВАНИЕ

При чистке пластмассовых деталей запрещается использовать растворители. Многие пластмассы под воздействием различных бытовых растворителей повреждаются и могут разрушиться. Для очистки от грязи, пыли, масла, смазки и т.п. используйте протирочную тряпку.

▲ ОСТОРОЖНО

Пластмассовые детали нельзя чистить тормозной жидкостью, бензином, нефтепродуктами, едкими маслами и т.д. Эти химикаты содержат вещества, которые могут испортить, ослабить или разрушить пластмассу. Это ведет к тяжелым травмам.

Смазка

Все трущиеся детали данного инструмента смазаны достаточным количеством высококачественной смазки на весь срок использования устройства при нормальных условиях эксплуатации.

Диск для резки плитки

Для обеспечения максимальной производительности и безопасности рекомендуется использовать режущий диск 178 мм, пришедший в комплекте с пилой. Дополнительные режущие диски такого же высокого качества можно приобрести у своего уполномоченного представителя компании.

▲ ОСТОРОЖНО

Не используйте режущие диски, номинальная скорость вращения которых меньше скорости холостого хода инструмента. Игнорирование данного предупреждения может привести к травмированию. Не используйте режущие диски с трещинами, сколами или зазубринами.

ЗАМЕНА РЕЖУЩЕГО ДИСКА

См. рис. 20.

▲ ОСТОРОЖНО

Максимальный размер режущего диска пилы для резки плитки составляет 178 мм. Никогда не используйте слишком толстый режущий диск, потому что он не даст установить фланец диска на фаски шпинделя. Более широкий режущий диск будет касаться защитного устройства, в то время как более толстый диск не даст болту надлежащим образом фиксировать его на шпинделе. Любая из этих ситуаций может стать причиной несчастного случая и в результате этого серьезного травмирования.

1. Отключите пилу от электросети.
2. Удалите наклонный стол.
3. Установите шестигранный гаечный ключ на гайку режущего диска. Другой рукой наденьте ключ для вала на вал режущего диска.
4. Крепко удерживайте гаечный ключ для вала, чтобы предотвратить вращение режущего диска. Поверните гайку вала против часовой стрелки, чтобы ослабить.
5. Удалите гайку вала, внешний фланец режущего диска и сам режущий диск.
6. Капните каплю масла на внутренний фланец режущего диска, где он касается диска.

▲ ОСТОРОЖНО

Если внутренний фланец режущего диска был снят, замените его перед установкой режущего диска на шпиндель. Несоблюдение данного указания может привести к несчастному случаю, так как режущий диск не будет затянут должным образом. Запрещается использовать режущие диски с отверстиями, канавками или шероховатостями.

7. Наденьте режущий диск на вал, при этом стрелки на диске должны быть направлены против часовой стрелки.
8. Замените внешний фланец режущего диска. Двойные фаски «D» на фланце режущего диска должны совпадать с фасками на шпинделе.
9. С помощью гаечного ключа для режущего диска или ключа для вала надежно затяните гайку вала.
10. Замените наклонный стол.

ЗАЩИТА ОКРУЖАЮЩЕЙ СРЕДЫ



Не выбрасывайте сырье. Сдавайте его в переработку. Машина, аксессуары и упаковка должны быть отсортированы.

СИМВОЛ



Внимание



Соответствие требованиям CE



Соответствие требованиям GOST-R



Русский



Внимательно прочтите данные инструкции перед использованием продукта.



Всегда надевайте защитные очки.



Применяйте средства защиты органов слуха



Надевайте защитные перчатки



ОПАСНО! Острый режущий диск



Внимание: опасность получения порезов



Не оставляйте под дождем или во влажных местах.



Не оставляйте под дождем или во влажных местах.



Для устройства необходимо использовать отрезной диск с алмазной режущей кромкой.



Направление вращения режущего лезвия



Отрезной диск с алмазной режущей кромкой



Диаметр режущего диска



Диаметр шпиндель режущего диска



вес нетто



Глубина резания (Макс.)



Ширина фрезеровки (Макс.)



Диагональная ширина разреза (Макс.)



Повторный цикл



Отработанная электротехническая продукция должна уничтожаться вместе с бытовыми отходами. Утилизируйте, если имеется специальное техническое оборудование. По вопросам утилизации проконсультируйтесь с местным органом власти или предприятием розничной торговли.



OPIS

1. Bolec uziemienia
2. Przewód zasilania
3. Pętla ściekowa
4. Tarcza tnąca do płytke
5. Przelącznik Wł-Wył
6. Prowadnica wzdużna
7. Prowadnica ukośna
8. Maksymalny poziom napętniania
9. Spust nadmiaru wody
10. Zbiornik wody
11. Miarka na osłonie wzdużnej
12. Stojak
13. Wspornik przewodu zasilania
14. Uchwyty do podnoszenia
15. Osłona tarczy tnącej
16. Stolik cięcia pod kątem
17. Korpus maszyny do cięcia płytek
18. Klucz do śrub sześciokątnych
19. Klucz do wrzeciona
20. Wkręty
21. Wspornik osłony tarczy tnącej
22. Nakrętka sześciokątna
23. Śruba z łbem sześciokątnym
24. Nogi stojaka "A"
25. Nogi stojaka "B"
26. Śruby nóg stojaka
27. Nakrętki nóg stojaka
28. Łączniki nóg stojaka
29. Wspornik "A"
30. Wspornik "B"
31. Zatrzaski
32. Usuwanie naprężenia
33. Szczelina
34. Pokrętko prowadnicy wzdużnej
35. Noga stojaka "A"
36. Noga stojaka "B"
37. Miarka prowadnicy ukośnej
38. Pokrętko prowadnicy ukośnej
39. Wspornik stolika cięcia pod kątem
40. Nacięcie do ustawiania stolika pod kątem 22.5°
41. Nacięcie do ustawiania stolika pod kątem 45°
42. Wrzeciono
43. Kołnierz wewnętrzny
44. Kołnierz zewnętrzny
45. Nakrętka wrzeciona

OGÓLNE WYMAGANIA BHP

⚠ OSTRZEŻENIE

Podczas używania jakichkolwiek urządzeń elektrycznych należy zachowywać podstawowe środki ostrożności. Pozwoli to uniknąć niebezpieczeństwa pożaru, porażenia prądem lub zranienia.

Przed rozpoczęciem pracy zapoznać się ze wszystkimi instrukcjami i zachować je do późniejszego użytku.

- **Zapoznać się z obsługiwany elektronarzędziem.** Przeczytać dokładnie podręcznik obsługi. Zapoznać się z przeznaczeniem i ograniczeniem zastosowania urządzenia oraz z zagrożeniami, jakie są związane z jego użytkowaniem.
- **Chronić się przed możliwością porażenia unikając kontaktu ciała z uziemionymi powierzchniami.** Na przykład rury, grzejniki, obudowy kuchenek lub chłodziarek.
- **Osłony bezpieczeństwa muszą być na swoim miejscu i w dobrym stanie technicznym.**
- **Usunąć z miejsca pracy wszelkie klucze i narzędzia.** Konieczne jest wypracowanie nawyku sprawdzania, czy wszystkie narzędzia użyte do montażu akcesoriów lub regulacji, zostały usunięte przed rozpoczęciem pracy.
- **Miejsce pracy utrzymywać w czystości.** Brak porządku w miejscu pracy to częsta przyczyna wypadków. Podczas użytkowania maszyny nie wolno trzymać w pobliżu innych narzędzi ani elementów drewnianych.
- **Nie używać tego urządzenia w warunkach niebezpiecznych.** Nie używać elektronarzędzi w miejscach mokrych lub wilgotnych ani wystawiać urządzenia na działanie deszczu. Miejsce pracy musi być dobrze oświetlone. Nie używać tego urządzenia w obecności palnych płynów lub gazów.
- **Dzieci i osoby postronne trzymać z daleka od miejsca pracy.** Osoby postronne powinny mieć założone okulary ochronne i zachowywać bezpieczną odległość do miejsca pracy. Żadnym osobom postronnym nie wolno dotykać tego urządzenia ani przewodu zasilania podczas pracy urządzenia.
- **Nie przeciążać urządzenia.** Najlepsze efekty pracy, przy zachowaniu pełnego bezpieczeństwa, zapewni używanie tego narzędzia w zakresie parametrów znamionowych i stosownie do jego przeznaczenia.
- **Używać odpowiednich narzędzi.** Nie należy przeciążać urządzenia lub przystawki w celu wykonania pracy, do której nie są one przeznaczone. Nie używać urządzenia w sposób niezgodny z jego przeznaczeniem.





- **Stosować odpowiednie przedłużacze.** Należy upewnić się, że stosowany przedłużacz jest w dobrym stanie technicznym. Stosować przewody zasilające o odpowiedniej obciążalności. Zbyt mały przekrój przewodu zasilania spowoduje spadek napięcia, utratę mocy i przegrzewanie się urządzenia.
- **Należy zakładać odpowiednią odzież ochronną.** Nie zakładać luźnego ubioru, rękawiczek, naszyjników ani biżuterii. Mogą zostać one wciągnięte przez ruchome elementy urządzenia. Podczas pracy na zewnątrz pomieszczeń zaleca się zakładać gumowe rękawice i obuwie z podeszwą antypoślizgową (gumową). Długie włosy należy zabezpieczyć odpowiednim nakryciem głowy.
- **Podczas pracy należy mieć założone okulary ochronne z osłonami bocznymi.** Zwykłe okulary nie zapewniają odpowiedniej ochrony, NIE są to okulary ochronne.
- **Zabezpieczyć obrabiany przedmiot.** Jeśli to możliwe i praktyczne, stosować uchwyt lub zaciski mocujące obrabiany element, bezpieczniej jest mieć obydwie ręce wolne do obsługi urządzenia.
- **Nie sięgać zbyt daleko.** Należy cały czas pewnie opierać stopy i utrzymywać równowagę.
- **Narzędzia konserwować z zachowaniem ostrożności.** Narzędzia muszą być ostre i czyste – gwarantuje to wydajną i bezpieczną pracę. Przestrzegać instrukcji smarowania i wymiany przystawek i akcesoriów. Systematycznie kontrolować stan przewodów zasilających, a w przypadku stwierdzenia ich uszkodzenia, niezwłocznie dokonać naprawy w autoryzowanym serwisie. Przedłużacze należy systematycznie kontrolować i wymieniać w przypadku uszkodzenia. Rękojeści utrzymywać w czystości. Muszą być zawsze suche, wolne od oleju i smarów.
- **Odłączyć nieużywane narzędzia.** Gdy urządzenia nie są używane, przed przystąpieniem do naprawy, przed zmianą przystawek lub akcesoriów, ostrzy, noży, osłon itp., należy je odłączyć od zasilania. Przed przystąpieniem do regulacji, serwisu lub konserwacji należy wyjąć wtyczkę z gniazda sieciowego.
- **Unikać możliwości przypadkowego uruchomienia urządzenia.** Przed podłączeniem urządzenia do prądu należy upewnić się, że wyłącznik znajduje się w położeniu wyłączonym.
- **Stosować wyłącznie akcesoria zalecane przez producenta.** Zapoznać się z podręcznikiem obsługi odnośnie zalecanych akcesoriów. Zastosowanie niewłaściwych akcesoriów grozi zranieniem.
- **Nie wolno stawać na maszynie.** Przewrócenie maszyny lub przypadkowy kontakt z tarczą grozi poważnym zranieniem.
- **Kontrolować stan techniczny poszczególnych elementów.** Przed użyciem narzędzia, osłony lub innego elementu, który został uszkodzony, należy mieć pewność, że jego zastosowanie nie zmniejszy poziomu bezpieczeństwa i że będzie on funkcjonować poprawnie. Sprawdzić wyrównanie elementów ruchomych, sprawdzić, czy wirują/poruszają się swobodnie, sprawdzić czy nie ma jakichkolwiek uszkodzeń, czy montaż jest poprawny. Należy uwzględnić wszystkie aspekty mające wpływ na bezpieczną pracę urządzenia. Uszkodzone elementy należy naprawić lub wymienić w autoryzowanym serwisie, o ile nie podano inaczej w tym podręczniku.
- **Zachowywać prawidłowy kierunek posuwu obrabianego elementu.** Dosunąć obrabiany element do tarczy tnącej w kierunku przeciwnym do obrotów tarczy tnącej.
- **Nie wolno zostawiać maszyny podczas pracy bez nadzoru. Wyłączyć zasilanie.** Nie zostawiać urządzenia bez nadzoru, aż do całkowitego zatrzymania ruchu tarczy tnącej.
- **Chronić układ oddechowy.** W przypadku występowania zapylenia podczas cięcia, zakładać maskę przeciwpyłową lub osłonę na twarz.
- **Chronić słuch.** W przypadku dłuższego czasu pracy, zakładać środki ochrony słuchu.
- **Nie uszkodzić przewodu zasilania.** Nie ciągnąć za przewód zasilania w celu wyjęcia wtyczki z gniazda sieciowego. Przewód zasilania trzymać z dala od oleju, źródeł ciepła i ostrych krawędzi.
- **Osłona tarczy tnącej powinna być zawsze na swoim miejscu, w dobrym stanie technicznym.**
- **Dłonie trzymać z dala od obszaru cięcia.** Trzymać dłonie z dala od tarczy tnącej. Nie wolno sięgać pod obrabiany przedmiot, obok tarczy tnącej lub ponad nią, gdy tarcza się obraca. Nie należy próbować usuwać odpadków powstających podczas cięcia, gdy tarcza tnąca się obraca.
- **Po wyłączeniu tarcza tnąca obraca się jeszcze przez pewien czas.**
- **Nie używać tego urządzenia w miejscach zagrożonych wybuchem.** Iskry wytwarzane podczas pracy sinika mogą spowodować wybuch.
- **Systematycznie kontrolować stan przewodów zasilających.** W przypadku stwierdzenia uszkodzenia, niezwłocznie dokonać naprawy w autoryzowanym serwisie.
- **Przedłużacze należy systematycznie kontrolować i wymieniać w przypadku uszkodzenia.**
- **Uziemić wszystkie narzędzia.** Jeśli maszyna jest wyposażona we wtyczkę z uziemieniem, należy ją podłączyć do gniazda z uziemieniem.





- **W razie wątpliwości odnośnie poprawności uzienienia lub trudności ze zrozumieniem instrukcji instalacji uzienienia należy skonsultować się z elektrykiem.**
- **Stosować odpowiednie urządzenia elektryczne:** trójżyłowe przedłużacze z wtyczką i gniazdem wyposażonymi w uzienienie, pasującymi do gniazda zasilania i wtyczki urządzenia.
- **Nie wolno modyfikować konstrukcji wtyczki.** Jeśli wtyczka nie pasuje do gniazda, należy wezwać elektryka w celu założenia właściwego gniazda.
- **Przechowywać urządzenie w stanie suchym, czystym, wolnym od oleju i smarów.** Do czyszczenia używać czystej szmatki. Do czyszczenia tego urządzenia nie używać płynów hamulcowych, benzyny, środków ropopochodnych ani rozpuszczalników.
- **Zachować ostrożność i nie dopuszczać do utraty kontroli nad urządzeniem.** Obserwować miejsce pracy i wykonywane czynności, zachować zdrowy rozsądek. Nie kontynuować pracy w przypadku zmęczenia. Nie należy się śpieszyć.
- **Nie używać tego urządzenia, jeśli wyłącznik zasilania nie działa poprawnie.** Uszkodzone wyłączniki wymieniać w autoryzowanym punkcie serwisowym.
- **Stosować odpowiednie tarcze tnące.** Nie używać tarcz tnących o niewłaściwej średnicy otworu montażowego. Nie używać uszkodzonych lub niewłaściwych podkładek ani nakrętek wrzeciona. Maksymalna zdolność cięcia tego urządzenia to 178 mm. Wszystkie tarcze tnące muszą być wyprodukowane zgodnie z normą EN13236. Nie używać tarczy tnących o niższej prędkości roboczej niż prędkość robocza tego urządzenia.
- **Przed rozpoczęciem cięcia upewnić się, że wszystkie nastawy są zabezpieczone.**
- **Podczas pracy nie wolno dotykać tarczy tnącej ani żadnego innego ruchomego elementu.**
- **Nie wolno uruchamiać urządzenia, gdy dowolny element obrotowy dotyka obrabianego elementu.**
- **Nie wolno używać tego narzędzia będąc pod wpływem lekarstw, alkoholu lub środków odurzających.**
- **Do napraw używać wyłącznie oryginalnych części zamiennych.** Stosowanie nieoryginalnych części zamiennych może stwarzać zagrożenie dla zdrowia użytkownika lub spowodować uszkodzenie urządzenia.
- **Stosować wyłącznie akcesoria wymienione w tym podręczniku lub dodatkowej dokumentacji.** Zastosowanie akcesoriów nie zatwierdzonych przez producenta grozi zranieniem. Instrukcje bezpiecznej obsługi akcesoriów są dołączone do tych akcesoriów.

- **Sprawdzić ponownie wszystkie nastawy.** Przed podłączeniem elektronarzędzia do zasilania należy upewnić się, że tarcza tnąca jest dobrze zamocowana a obrabiany element nie ma kontaktu z tarczą tnącą.

MASZYNA DO CIĘCIA PŁYTEK OSTRZEŻENIA DOTYCZĄCE BEZPIECZEŃSTWA

- Obrabiany element należy bezpiecznie docisnąć do prowadnicy wzdłużnej lub bloku cięcia pod kątem.
- Żadna część ciała nie może znaleźć się na linii pracy tarczy tnącej, nie wolno też stać na tej linii.
- Nie wolno próbować odblokować zakleszczonej tarczy tnącej przed wyłączeniem maszyny i odłączeniem jej od źródła zasilania.
- Uszkodzony przewód sieciowy powinien zostać wymieniony przez autoryzowany punkt serwisowy, samodzielna wymiana zagraża bezpieczeństwu użytkownika.
- Unikać wykonywania czynności nieporęcznych i ustawiania dłoni w miejscach, z których mogłyby się nagle ześliznąć w stronę tarczy tnącej.
- Przed przystąpieniem do użytkowania maszyny należy upewnić się, że w miejscu pracy zapewniono odpowiednie oświetlenie, pozwalające dobrze widzieć wykonywane czynności i że nie znajdują się tam żadne przeszkody, które mogłyby zakłócić bezpieczną obsługę maszyny.
- Przed odłączeniem od źródła zasilania należy zawsze wyłączyć urządzenie na wyłączniku, aby uniknąć przypadkowego uruchomienia po ponownym podłączeniu zasilania.
- Na urządzeniu powinny znajdować się następujące oznaczenia:
 - Stosować środki ochrony wzroku.
 - Stosować osłonę tarczy tnącej zawsze, jeżeli jest to możliwe.
 - Przed przystąpieniem do naprawy, wymiany tarczy tnącej lub czyszczenia maszyny, należy ją odłączyć od zasilania.
 - Stosować wyłącznie tarcze tnące o gładkich krawędziach, nie stosować tarcz posiadających otwory, rowki, wyszczerbionych lub zdeformowanych.
 - Uszkodzoną tarczę tnącą należy wymienić przed przystąpieniem do pracy.
 - Poziom wody w zbiorniku nie może przekraczać zaznaczonej linii.
- **Zachować ten podręcznik.** Należy do niego systematycznie powracać i używać go do przeszkolenia innych osób. Wypożyczając komuś narzędzie, należy dołączyć również ten podręcznik.



**ZASILANIE PRĄDEM ELEKTRYCZNYM**

Urządzenie jest wyposażone w precyzyjny silnik elektryczny. Urządzenie powinno być zasilane prądem przemianowym (AC) o napięciu 220-240 V, 50 Hz (typowe parametry domowych instalacji elektrycznych). Nie wolno podłączać urządzenia do źródła prądu stałego (DC). Znaczny spadek napięcia spowoduje utratę mocy i przegrzewanie się silnika. Jeśli maszyna nie działa po podłączeniu do gniazda zasilania, należy ponownie sprawdzić parametry źródła zasilania.

PRĘDKOŚĆ I PRZEWODY ZASILANIA

Prędkość obrotowa bez obciążenia wynosi około 2,900 obr./min. Prędkość nie jest stała i spada pod obciążeniem lub w przypadku spadku napięcia. Napięcie w instalacji elektrycznej warsztatu jest równie ważne jak moc silnika urządzenia. Linia przeznaczona wyłącznie do zasilania oświetlenia może być nieodpowiednia do zasilania silnika elektronarzędzia. Przewód o obciążalności wystarczającej na krótszym odcinku, może okazać się zbyt słaby w przypadku większej odległości. Linia o obciążalności wystarczającej dla jednego elektronarzędzia może nie mieć obciążalności wystarczającej dla dwóch lub trzech narzędzi.

SPOSÓB UZIEMIENIA

Zobacz rysunek 1.

Urządzenie musi być uziemione. W przypadku usterki lub uszkodzenia urządzenia, uziemienie zapewnia ścieżkę o najmniejszej rezystancji odprowadzającą prąd rzeźbica do ziemi, zmniejszając ryzyko porażenia prądem. Urządzenie jest wyposażone w przewód trójżyłowy z wtyczką z uziemieniem. Wtyczka musi być podłączona do odpowiedniego gniazda sieciowego, które zostało poprawnie zamontowane i uziemione zgodnie ze wszystkimi obowiązującymi przepisami lokalnymi.

Nie wolno modyfikować konstrukcji wtyczki. Jeśli wtyczka nie pasuje do gniazda, należy uziemienia powinien być założenia właściwego gniazda.

⚠ OSTRZEŻENIE

Nieprawidłowe podłączenie uziemienia grozi porażeniem prądem elektrycznym. W przypadku konieczności wymiany przewodu zasilania, nie wolno podłączać przewodu uziemienia do styku innego niż bolec uziemienia. Przewód uziemienia powinien być to przewód z izolacją w kolorze zielonym, (czasami z dodatkowymi paskami w kolorze żółtym).

W razie wątpliwości odnośnie poprawności uziemienia lub trudności ze zrozumieniem instrukcji instalacji uziemienia należy skonsultować się z elektrykiem.

W przypadku uszkodzenia przewodu zasilania, należy go niezwłocznie wymienić.

Uszkodzony przewód sieciowy powinien zostać wymieniony przez autoryzowany punkt serwisowy, samodzielna wymiana zagraża bezpieczeństwu użytkownika.

Wtyczkę należy podłączać wyłącznie do gniazda sieciowego o identycznej konfiguracji. Do podłączenia zasilania nie wolno stosować żadnych adapterów (przejściówek).

Dla większego bezpieczeństwa i lepszej pewności, wszystkie naprawy powinny być wykonywane w Autoryzowanym Punkcie Serwisowym Ryobi.

Do zabezpieczenia obwodów i gniazd zasilających urządzenie należy zastosować wyłącznik różnicowo-prądowy (RCD). Odpowiednie zabezpieczenie zapewniają dostępne w handlu gniazda z zabezpieczeniem RCD.

W przypadku stosowania przedłużacza, należy upewnić się, że miejsce połączenia przedłużacza z przewodem zasilania maszyny nie spoczywa na ziemi. Dodatkowe urządzenia należy podłączać do gniazd sieciowych ściennych, nie należy ich podłączać do przedłużaczy zasilających maszynę.

Jeśli nie jest dostępne gniazdo z uziemieniem, należy wstrzymać się z użytkowaniem maszyny do czasu wymiany gniazda lub zastosowania dodatkowych środków ochrony. Tego rodzaju elementy zabezpieczające są dostępne u przedstawicieli lokalnych.

UMIĘJSCOWIENIE MASZYNY

Zobacz rysunek 2.

Aby uniknąć ryzyka zawilgocenia wtyczki lub gniazda zasilania, maszynę do cięcia płytek należy ustawić z boku gniazda zasilania, nie dopuszczając do ściekania wody do gniazda lub wtyczki. Operator powinien wykonać "pętlę ściekową" na przewodzie zasilającym urządzenie z gniazda sieciowego. "Pętla ściekowa" to część przewodu poniżej poziomu gniazda ściennego lub gniazda przedłużacza, która zapobiega ściekaniu wody wzdłuż przewodu do gniazda zasilania.

W przypadku zawilgocenia wtyczki lub gniazda NIE WOLNO wyjmować wtyczki z gniazda. Wyjąć/wyłączyć bezpiecznik zabezpieczający obwód zasilania urządzenia, następnie odłączyć urządzenie i sprawdzić, czy gniazdo zasilania/wtyczka nie są zawilgocone.

⚠ OSTRZEŻENIE

Aby zmniejszyć ryzyko porażenia prądem elektrycznym, wszystkie połączenia muszą być suche i muszą znajdować się nad powierzchnią gruntu. Nie dotykaj wtyczki wilgotnymi rękoma.



PARAMETRY TECHNICZNE**Parametry techniczne**

Napięcie	220 - 240V
Moc	500 W
Prędkość bez obciążenia	2,900 rpm
Waga	15,5 kg (N.W.)

Cechy

Wymiary stołu	381 mm x 502 mm
Wysokość stołu od obudowy do stołu	181 mm

Specyfikacja obrabianego materiału

Materiał konstrukcyjny stołu	stal nierdzewna
Materiał konstrukcyjny stojaka	rurka stalowa

Przystawki do cięcia/zdolność cięcia

Średnica tarczy tnącej	178 mm
Typ tarczy	Diamant
Średnica wewnętrzna tarczy tnącej	25,4 mm
Maksymalna głębokość cięcia	33 mm
Zmierzone wartości określone wg EN 61029 A-ważony poziom ciśnienia hałasu	$L_{pA} = 61,0 \text{ dB(A)}$
Niepewność pomiaru K	
Zmierzone wartości określone wg EN 61029 A-ważony poziom natężenia hałasu	$L_{WA} = 77,0 \text{ dB(A)}$
Niepewność pomiaru K	

ZAPOZNAJ SIĘ Z TĄ MASZYNĄ DO CIĘCIA PŁYTEK**Tarcza do cięcia płytek 178 mm**

- Maszyna jest wyposażona w tarczę do przecinania płytek, o średnicy 178 mm.

Stolik cięcia pod kątem

- Cięcie pod kątem pionowym 22,5° i 45° wykonuje się przy użyciu stolika cięcia pod kątem.

Rękojeści

- Urządzenie jest wyposażone w wygodne uchwyty z lewej i prawej strony ułatwiające podnoszenie i przenoszenie.

Prowadnica ukośna

- Prowadnica ukośna jest w pełni regulowana, umożliwiając wykonywanie cięć po przekątnej i cięć ukośnych.

Silnik

- Urządzenie jest wyposażone w silnik o mocy wystarczającej do wykonywania najcięższych prac.

Prowadnica wzdłużna

- Prowadnica wzdłużna jest w pełni regulowana, umożliwiając wykonywanie cięć poprzecznych i używanie prowadnicy ukośnej.

Stojak maszyny do cięcia płytek

- Urządzenie jest dostarczane wraz ze stojakiem, dla zwiększenia jego poręczności i wygody obsługi.

Oslona tarczy tnącej

- Oslona tarczy tnącej zapobiega rozpryskiwaniu wody i tworzeniu się mgiełki

MONTAŻ**MONTAŻ OSŁONY ZABEZPIECZAJĄCEJ TARCZĘ**

Zobacz rysunek 5-6.

- Zdjąć stolik cięcia pod kątem.
- Założyć wspornik osłony tarczy tnącej w kształcie litery L w szczelinę pod stołem, za tarczą tnącą.
- Wkręcić wkręty w stół oraz przez wspornik osłony ostrza, a następnie dobrze je dokręcić.
UWAGA: Upewnić się, że wspornik osłony tarczy tnącej jest wyrównany względem tarczy tak, że nie koliduje z obrabianym elementem.
- Wyrównać osłonę tarczy z tarczą tnącą i przesunąć ją nad wspornikiem. Wyrównać otwory w osłonie tarczy z gniazdem wspornika osłony tarczy.
UWAGA: Osłonę tarczy tnącej należy ustawiać poziomo względem stołu i nieco powyżej grubości przecinanej płytki. Osłona tarczy tnącej nie powinna dotykać przecinanej płytki.
- Przełożyć śrubę z łbem sześciokątnym przez osłonę tarczy tnącej i wspornik.
- Wkręcić pokrętko w śrubę i dokręcić na żądanej wysokości.
- Założyć z powrotem stolik cięcia pod kątem.
UWAGA: Pokrywa/osłona tarczy jest montowana fabrycznie. Nie rozkręcać maszyny podczas regulacji i konserwacji.

MONTAŻ PROWADNICZY WZDŁUŻNEJ

Zobacz rysunek 7.

- Przekręcić pokrętko na prowadnicy wzdłużnej w lewo, aby ją poluzować.
- Przesunąć prowadnicę wzdłużną na kraj stołu.



Polski

3. Za pomocą miarki znajdującej się z przodu i z tyłu stołu ustawić prowadnicę wzdłużną na żądaną szerokość cięcia.
4. Dokręcić pokrętko prowadnicy wzdłużnej w prawo, aby zabezpieczyć prowadnicę na swoim miejscu.

MONTAŻ PROWADNICY UKOŚNEJ

Zobacz rysunek 7.

1. Ustawić prowadnicę wzdłużną w żądanym położeniu i zabezpieczyć.
2. Przesunąć prowadnicę ukośną na prowadnicę wzdłużną od przodu.
3. Ustawić żądaną wartość za pomocą miarki kątownej i dobrze dokręcić pokrętko zabezpieczające.

MONTAŻ STOJAKA

Zobacz rysunek 8-9.

Wsporniki i nogi stojaka mają przypisane odpowiednie symbole ułatwiające montaż.

Niezbędne narzędzia: Klucz nastawny lub klucze 13 mm i wkrętak krzyżowy.

1. Nogi stojaka, oznaczone symbolem "A" umieścić w końcówkach wspornika oznaczonych symbolem "A". Wygięte końce nóg stojaka powinny być skierowane w stronę od siebie tak, aby ich kształt przypominał literę "V". Wyrównać otwory na wkręty. Powtórzyć czynności dla drugiego wspornika i nóg oznaczonych symbolem "B".
2. Umieścić nogi stojaka w łącznikach. Noga stojaka "B" spoczywa wewnątrz wsporników. Noga stojaka "A" spoczywa po stronie zewnętrznej. Wyrównać otwory w łącznikach z otworami w nogach. Przełożyć wkręty przez otwory.
3. Za pomocą dołączonego klucza uniwersalnego dokręcić wkręty.
4. Ustawić stojak na równej powierzchni i wyrównać rowki pod maszyną ze wspornikami na stojaku. Ustawić stół na stojaku.
5. Przed rozpoczęciem użytkowania upewnić się, że maszyna ustawiona jest na równym podłożu a stojak jest stabilny.

MONTAŻ RURKI SPUSTU WODY

Zobacz rysunek 10.

1. Zdjąć stolik cięcia pod kątem.
2. Odszukać otwór w dnie zbiornika na wodę.
3. Wcisnąć dokładnie rurkę spustu wody w otwór.
4. Założyć z powrotem stolik cięcia pod kątem.

MONTAŻ ZATRZASKÓW

1. Obrócić maszynę „do góry nogami”.
2. Wyrównać otwory na śruby znajdujące się na zatrzaskach z otworami na śruby znajdującymi się w dolnej części obudowy maszyny.

3. Włożyć wkręty i dobrze dokręcić.

NAPEŁNIANIE ZBIORNIKA WODĄ

Zobacz rysunek 11.

1. Zdjąć stolik cięcia pod kątem.
2. Napełnić zbiornik czystą wodą z kranu do poziomu linii zaznaczenia.
UWAGA: Spust nadmiaru wody zapobiega przelaniu wody w zbiorniku.
3. Założyć z powrotem stolik cięcia pod kątem.

WYMIANA WODY W ZBIORNIKU

1. Odłączyć maszynę z gniazda sieciowego.
2. Odłączyć rurkę spustu i spuścić wodę do wiadra, nie dopuszczając do jej rozlania na podłogę lub maszynę.
3. Zużyta woda należy zutylizować zgodnie z przepisami lokalnymi.

OBSŁUGA

⚠ OSTRZEŻENIE

Nawet po zaznajomieniu się z waszym narzędziem, bądźcie ostrożni. Nigdy nie zapomnijcie, że wystarczy ułamek sekundy nieuwagi, aby doszło do poważnego zranienia.

⚠ OSTRZEŻENIE

Kiedy używacie narzędzi, zakładajcie zawsze okulary ochronne lub okulary zabezpieczające wyposażone w boczne osłony. W razie nie spełnienia tych wymagań może dojść do odrzutu obcego ciała do oczu, co grozi poważnym skaleczeniem oka.

⚠ OSTRZEŻENIE

Używajcie jedynie części i akcesoriów zalecanych przez producenta tego narzędzia. Używanie niezalecanych części i akcesoriów może pociągnąć za sobą ryzyko poważnych obrażeń ciała.

TESTOWANIE WYŁĄCZNIKA RÓŻNICOWO-PRĄDOWEGO RCD PRZED UŻYCIEM

1. Podłączyć wyłącznik RCD do gniazda zasilania.
2. Naciśnij przycisk resetowania. Kontrolka zasilania powinna się zaświecić.
3. Naciśnij przycisk testowania. Kontrolka zasilania powinna zgasnąć.
OSTRZEŻENIE: W przypadku niepowodzenia testowania wyłącznika RCD, urządzenia nie należy używać. Skonsultuj się z wykwalifikowanym elektrykiem.
4. Naciśnij przycisk resetowania, aby włączyć wyłącznik





różnicowo-prądowy RCD.

ZASTOSOWANIE

Dopuszcza się użytkowanie tego produktu w celach wymienionych poniżej:

Cięcie w linii prostej, np. cięcie poprzeczne, cięcie wzdłużne, cięcie ukośne, cięcie pod kątem

UWAGA: Urządzenie jest przeznaczone do wyłącznie do cięcia glazury, płyt chodnikowych, płyt i innych elementów z kamienia naturalnego.

Przełącznik WI-Wył

Maszyna jest wyposażona w łatwodostępny wyłącznik zasilania znajdujący się pod szyną przednią.

Aby wyłączyć maszynę:

Nacisnąć czerwony przycisk, aby WYŁĄCZYĆ urządzenie (O).

Aby włączyć maszynę:

Nacisnąć zielony przycisk, aby WŁĄCZYĆ urządzenie (I).

Sposób zablokowania maszyny do cięcia płytek:

Przy WYŁĄCZONEJ maszynie wyjąć wtyczkę z gniazda zasilania.

⚠ OSTRZEŻENIE

Przed włączeniem wyłącznika i uruchomieniem elektronarzędzia należy ZAWSZE upewnić się, że obrabiany element nie ma kontaktu z tarczą tnącą. W przeciwnym wypadku może dojść do odrzutu maszyny w kierunku operatora i w efekcie do poważnych obrażeń.

⚠ OSTRZEŻENIE

Aby zmniejszyć ryzyko przypadkowego uruchomienia urządzenia, należy pamiętać o przestawieniu wyłącznika w położenie WYŁĄCZONE przed odłączeniem maszyny od źródła zasilania. W przypadku przerwy w zasilaniu lub gdy urządzenie ma nie być używane, należy wyłączyć zasilanie na wyłączniku i wyjąć wtyczkę z gniazda sieciowego. Zapobiegnie to ryzyku przypadkowego uruchomienia urządzenia po przywróceniu zasilania.

UŻYWANIE PROWADNICY WZDŁUŻNEJ I PROWADNICY UKOŚNEJ

Zobacz rysunek 13.

Prowadnica wzdłużna może być stosowana zarówno z lewej jak i z prawej strony tarczy tnącej.

1. Przekręcić pokrętko na prowadnicy wzdłużnej w lewo, aby ją poluzować.

2. Ustawić prowadnicę wzdłużną na żądaną szerokość cięcia za pomocą miarki znajdującej się z tyłu stołu.
3. Dokręcić pokrętko w prawo, aby zabezpieczyć prowadnicę na swoim miejscu.

REGULACJA KĄTA

Ustawić prowadnicę wzdłużną w żądanym położeniu i dobrze zabezpieczyć.

1. Przesunąć prowadnicę ukośną na prowadnicę wzdłużną od przodu.
2. Ustawić żądaną wartość za pomocą miarki kątovej i dobrze dokręcić pokrętko zabezpieczające.

SPOSÓB CIĘCIA

Należy pamiętać o narysowaniu pisakiem lub ołówkiem linii cięcia na przecinanej płytce. W przypadku płytek o dużym połysku lub trudnych do zaznaczenia, na płytce należy nakleić taśmę malarską i na niej narysować linię.

Częstym problemem podczas cięcia płytek jest zbaczanie z wytyczonej linii cięcia. Po zejściu z wyznaczonej linii nie można wymuszać powrotu przez wywieranie siły bocznej na płytkę. Należy wycofać tarczę, i rozpocząć cięcie ponownie, odcinając mały fragment płytki, aż tarcza powróci na wytyczoną linię.

Aby uniknąć tego problemu, zawsze tam, gdzie to możliwe w przypadku cięcia poprzecznego stosować prowadnicę wzdłużną, do cięcia ukośnego stosować prowadnicę ukośną i regulowany stół z prawej strony do cięcia pod kątem.

Aby wykonać cięcie poprzeczne

Zobacz rysunek 14.

Cięcie poprzeczne to cięcie proste pod kątem 90°. Materiał jest podawany do cięcia pod kątem 90° w stosunku do płaszczyzny tarczy tnącej, tarcza jest ustawiona pionowo.

1. Odpowiednim pisakiem lub ołówkiem narysować linię cięcia na obrabianym elemencie.
2. Ustawić prowadnicę wzdłużną w żądanym położeniu i dobrze zabezpieczyć.
3. Umieścić obrabiany materiał na stole i dobrze docisnąć do prowadnicy wzdłużnej.
4. Przed włączeniem zasilania upewnić się, że tarcza tnąca nie dotyka obrabianego elementu.
5. Włączyć zasilanie.
6. Przed przysunięciem obrabianego elementu do tarczy tnącej odczekać, aż tarcza osiągnie pełną prędkość i zostanie zwilżona.
7. Dociskając obrabiany element do osłony wzdłużnej, dosunąć materiał do tarczy tnącej.
8. Na zakończenie operacji cięcia należy WYŁĄCZYĆ maszynę. Przed przystąpieniem do usuwania przeciętych elementów, odpadów itp. wyłączyć maszynę i odczekać, aż tarcza tnąca zatrzyma się całkowicie.





Aby wykonać cięcie po przekątnej, pod kątem 45°

Zobacz rysunek 15.

Cięcie po przekątnej 45°, inaczej nazywane "cięciem między najbardziej odległymi punktami".

1. Odpowiednim pisakiem lub ołówkiem narysować linię cięcia na obrabianym elemencie.
2. Ustawić prowadnicę wzdluzną na żądaną szerokość cięcia i dokręcić pokrętkę, aby zabezpieczyć prowadnicę na swoim miejscu.
3. Przesunąć prowadnicę ukośną na prowadnicę wzdluzną od przodu.
4. Ustawić prowadnicę ukośną na wartość 45° za pomocą miarki i dobrze dokręcić pokrętkę zabezpieczającą.
5. Przed włączeniem zasilania upewnić się, że tarcza tnąca nie dotyka obrabianego elementu.
6. Włączyć zasilanie.
7. Przed przysunięciem obrabianego elementu do tarczy tnącej odczekać, aż tarcza osiągnie pełną prędkość i zostanie zwilżona.
8. Dociskając obrabiany element do prowadnicy ukośnej, przesuwając materiał wzdluz osłony wzdluznej. Dosunąć obrabiany materiał do tarczy tnącej.
9. Na zakończenie operacji cięcia należy WYŁĄCZYĆ maszynę. Przed przystąpieniem do usuwania przeciętych elementów, odpadów itp. wyłączyć maszynę i odczekać, aż tarcza tnąca zatrzyma się całkowicie.

Aby wykonać cięcie ukośne

Zobacz rysunek 16.

Cięcia ukośne służą do dopasowania obrabianego materiału do naroży wewnętrznych i zewnętrznych oraz innych elementów, w przypadku gdy materiał ma być docięty względem tarczy tnącej pod kątem innym niż 90°. Linia cięcia ukośnego ma tendencję do zbaczania z wyznaczonego kierunku. Można to kontrolować dociskając w sposób pewny obrabiany przedmiot do prowadnicy ukośnej.

1. Odpowiednim pisakiem lub ołówkiem narysować linię cięcia na obrabianym elemencie.
2. Ustawić prowadnicę wzdluzną na żądaną szerokość cięcia i dokręcić pokrętkę, aby zabezpieczyć prowadnicę na swoim miejscu.
3. Przesunąć prowadnicę ukośną na prowadnicę wzdluzną od przodu.
4. Ustawić prowadnicę ukośną na żądaną wartość za pomocą miarki kątowej i dobrze dokręcić pokrętkę zabezpieczającą.
5. Przed włączeniem zasilania upewnić się, że tarcza tnąca nie dotyka obrabianego elementu.
6. Włączyć zasilanie.
7. Przed przysunięciem obrabianego elementu do tarczy tnącej odczekać, aż tarcza osiągnie pełną prędkość i zostanie zwilżona.
8. Dociskając obrabiany element do prowadnicy ukośnej,

przesuwając materiał wzdluz osłony wzdluznej. Dosunąć obrabiany materiał do tarczy tnącej.

9. Na zakończenie operacji cięcia należy WYŁĄCZYĆ maszynę. Przed przystąpieniem do usuwania przeciętych elementów, odpadów itp. wyłączyć maszynę i odczekać, aż tarcza tnąca zatrzyma się całkowicie.

Aby wykonać cięcie typu "L"

Zobacz rysunek 17.

Cięcia typu "L" to cięcia, w których wycina się fragment płytki w celu dopasowania jej do narożnika, szafki lub innego prostokątnego przedmiotu, wykonuje się je jako dwa niezależne cięcia.

UWAGA: Nadcinać wyłącznie materiał od spodu płytki.

1. Dociać obrabiany element do żądanej szerokości stosując instrukcję cięcia poprzecznego.
2. Ustawić prowadnicę wzdluzną w żądanym położeniu i dobrze zabezpieczyć.
3. Umieścić obrabiany materiał na stole i dobrze docisnąć do prowadnicy wzdluznej.
4. Przed włączeniem zasilania upewnić się, że tarcza tnąca nie dotyka obrabianego elementu.
5. Włączyć zasilanie.
6. Przed przysunięciem obrabianego elementu do tarczy tnącej odczekać, aż tarcza osiągnie pełną prędkość i zostanie zwilżona.
7. Dociskając obrabiany element do osłony wzdluznej, dosunąć materiał do tarczy tnącej.
8. Cięcia wykonywać odpowiednio głęboko, jednak nie nacinając płytki zbyt daleko.
9. Włączyć zasilanie.
10. Obrócić przecinany element i wykonać cięcie wzdluz jednego ze znaczników. Następnie naciąć drugą linię, żądana część płytki powinna zostać oddzielona od reszty.
11. Włączyć zasilanie.
12. Przed przysunięciem obrabianego elementu do tarczy tnącej odczekać, aż tarcza osiągnie pełną prędkość i zostanie zwilżona.
13. Na zakończenie operacji cięcia należy WYŁĄCZYĆ maszynę. Przed przystąpieniem do usuwania przeciętych elementów, odpadów itp. wyłączyć maszynę i odczekać, aż tarcza tnąca zatrzyma się całkowicie.

Aby wykonać cięcie pod kątem pionowym

Zobacz rysunek 18-19.

Cięcie pod kątem pionowym 22,5° i 45° wykonuje się przy użyciu stolika cięcia pod kątem.

1. Odpowiednim pisakiem lub ołówkiem narysować linię cięcia na obrabianym elemencie.
2. Odchylić stolik do cięcia pod kątem.
3. Od spodu stolika cięcia pod kątem rozłożyć dwa wsporniki stolika pod odpowiednim kątem.
4. Pierwsze nacięcia na wspornikach pozwalają ustawić



**Polski**

stolik pod kątem 22,5°.

5. Druga grupa nacięć na wspornikach pozwalają ustawić stolik pod kątem 45°.

UWAGA: Przed rozpoczęciem cięcia upewnić się, że stół cięcia pod kątem jest dobrze zablokowany.

Rozłożyć wsporniki i ustawić stolik do cięcia pod kątem pionowym do cięcia pod kątem 22,5°, lub 45°.

6. Włączyć zasilanie.
7. Przed przysunięciem obrabianego elementu do tarczy tnącej odczekać, aż tarcza osiągnie pełną prędkość i zostanie zwilżona.
8. Dociskając obrabiany element do stolika cięcia pod kątem, dosunąć materiał do tarczy tnącej.
9. Na zakończenie operacji cięcia należy **WYŁĄCZYĆ** maszynę. Przed przystąpieniem do usuwania przeciętych elementów, odpadów itp. wyłączyć maszynę i odczekać, aż tarcza tnąca zatrzyma się całkowicie.

KONSERWACJA**⚠ OSTRZEŻENIE**

Do napraw używać wyłącznie oryginalnych części zamiennych. Stosowanie nieoryginalnych części zamiennych może stwarzać zagrożenie dla zdrowia użytkownika lub spowodować uszkodzenie urządzenia.

⚠ OSTRZEŻENIE

Podczas użytkowania elektronarzędzi lub wydmuchiwania pyłu należy zawsze nosić okulary ochronne z osłonami bocznymi. Jeśli wykonywanej pracy towarzyszy powstawanie pyłu, należy również stosować maskę przeciwpyłową.

⚠ OSTRZEŻENIE

Uszkodzony przewód sieciowy powinien zostać wymieniony przez autoryzowany punkt serwisowy, samodzielna wymiana zagraża bezpieczeństwu użytkownika.

⚠ OSTRZEŻENIE

Dla większego bezpieczeństwa i lepszej pewności, wszystkie naprawy powinny być wykonywane w Autoryzowanym Punkcie Serwisowym Ryobi.

OGÓLNE CZYNNOŚCI KONSERWACYJNE

Nie stosować rozpuszczalników do czyszczenia elementów plastikowych. Większość plastików jest wrażliwa na rozmaite rozpuszczalniki dostępne w handlu i może ulec uszkodzeniu na skutek ich stosowania. Pył, kurz, środki smarujące, tłuszcz itd. powinny być usuwane za pomocą czystych szmatek.

⚠ OSTRZEŻENIE

Elementy plastikowe nigdy nie powinny być w kontakcie z płynem hamulcowym, benzyną, czy produktami na bazie ropy naftowej, przenikliwymi olejami itd. Te produkty chemiczne zawierają substancje, które mogłyby uszkodzić, osłabić lub zniszczyć plastik, co mogłoby spowodować poważne zranienie.

Smarowanie

Wszystkie łożyska urządzenia zostały nasmarowane odpowiednią ilością smaru o wysokiej jakości, który powinien zapewnić odpowiednie smarowanie tych części przez cały okres żywotności urządzenia.

Tarcza tnąca do płytek

Aby zapewnić najwyższą wydajność i bezpieczeństwo, zaleca się używać tarczy tnącej o średnicy 178 mm, takiej jak znajdująca się w zestawie. Dodatkowe tarcze tnące identycznej jakości są dostępne u sprzedawcy tego urządzenia.

⚠ OSTRZEŻENIE

Nie używać tarcz o niższej prędkości roboczej niż prędkość robocza tego urządzenia (bez obciążenia). W przeciwnym wypadku może dojść do poważnych obrażeń. Nie używać tarcz posiadających pęknięcia, wyszczerbionych lub zdeformowanych.

WYMIANA TARCZY TNĄCEJ DO PŁYTEK

Zobacz rysunek 20.

⚠ OSTRZEŻENIE

Maksymalna średnica tarczy tnącej stosowanej w tym urządzeniu to 178 mm. Nie wolno stosować zbyt grubych tarcz tnących, kołnierz tarczy musi mieścić się na spłaszczeniu wrzeciona. Większe tarcze tnące będą kolidować z osłoną tarczy, grubsze tarcze uniemożliwią prawidłowe zabezpieczenie tarczy na wrzecionie za pomocą śruby. Każda z tych sytuacji może doprowadzić do poważnego wypadku i spowodować poważne obrażenia.

1. Odłączyć maszynę z gniazda sieciowego.
2. Zdjąć stolik cięcia pod kątem.
3. Założyć klucz sześciokątny na nakrętkę wrzeciona tarczy tnącej. Drugą ręką założyć klucz na nakrętkę wrzeciona.
4. Przytrzymać dobrze klucz wrzeciona, aby nie dopuścić do obrotu tarczy tnącej. Przekręcić nakrętkę wrzeciona w lewo, aby ją poluzować.
5. Zdjąć nakrętkę wrzeciona, kołnierz zewnętrzny i tarczę tnącą.
6. Przetrzeć kołnierz wewnętrzny tarczy tnącej szmatką





Polski

z odrobina ą oleju w miejscu styku kołnierza z tarczą.

⚠ OSTRZEŻENIE

Jeśli podkładka wewnętrzna tarczy tnącej była zdejmowana, należy ją założyć przed założeniem tarczy tnącej. W przeciwnym wypadku tarcza nie będzie prawidłowo zamocowana, co grozi wypadkiem. Nie używać tarcz posiadających otwory, rowki, wyszczerbionych lub zdeformowanych.

7. Założyć tarczę tnącą na wrzeciono tak, aby strzałki na tarczy skierowane były w lewo.
8. Założyć z powrotem zewnętrzny kołnierz tarczy tnącej. Podwójne spłaszczenia "D" na kołnierzu tarczy tnącej muszą być wyrównane ze spłaszczeniami na wrzecionie.
9. Stosując klucz do tarczy i klucz do wrzeciona dobrze dokręcić nakrętkę wrzeciona.
10. Założyć z powrotem stolik cięcia pod kątem.

OCHRONA ŚRODOWISKA



Surowce należy oddawać do recyklingu zamiast wyrzucać je na śmieci. Z myślą o ochronie środowiska, narzędzie, akcesoria i opakowania powinny być sortowane.

SYMBOL



Alarm bezpieczeństwa



Zgodność CE



Zgodność GOST-R



Przed uruchomieniem produktu należy dokładnie przeczytać te instrukcje.



Zawsze nosić okulary ochronne.



Stosować środki ochrony słuchu



Zakładać rękawice ochronne



NIEBEZPIECZEŃSTWO! Tarcza tnąca powinna być ostra



Uwaga! Ryzyko przecięcia



Nie wystawiać urządzenia na działanie deszczu ani nie używać go w miejscach o dużej wilgotności.



Nie wystawiać urządzenia na działanie deszczu ani nie używać go w miejscach o dużej wilgotności.



Maszyna przeznaczona jest do pracy z tarczą diamentową o pełnym obwodzie.



Kierunek obrotów ostrza



Diamantowa tarcza tnąca



Średnica tarczy tnącej



Średnica trzpień tarczy tnącej



Masa netto



Głębokość cięcia (Maks.)



Szerokość frezowania (Maks.)



Szerokość skośna cięcia (Maks.)



Oddać do recyklingu



Zużyte produkty elektryczne nie powinny być utylizowane z odpadami domowymi. Prosimy poddawać recyklingowi w odpowiednich miejscach. Informacje o właściwych metodach recyklingu można uzyskać u władz lokalnych lub sprzedawcy.





Čeština

POPIS

1. Zemní kolík
2. Napájecí kabel
3. Smyčka proti vniknutí vody
4. Řezací kotouč dlaždic
5. Spínač On/Off (Zapnuto/Vypnuto)
6. Sundavací doraz
7. Pokosové pravítko
8. Max. hladina plnění
9. Odtok při přeplnění
10. Nádrž pro vodu
11. Stupnice sundavacího dorazu
12. Podstavec
13. Přidržovač kabelu
14. Zvedněte rukojeti
15. Kryt kotouče
16. Pokosový stůl
17. Pouzdro pily pro řezání dlaždic
18. Klíč pro šestihřanné šrouby a matice
19. Klíč trnu
20. Šrouby
21. Konzola krytu kotouče
22. Šestihřanná matice
23. Šroub se šestihřannou hlavou
24. Nohy podstavce "A"
25. Nohy podstavce "B"
26. Šroub(y) nohy podstavce
27. Matice(jedna nebo více) nohy podstavce
28. Opěra(y) nohy podstavce
29. Podpůrná konzola "A"
30. Podpůrná konzola "B"
31. Blokovací západka
32. Snižování náběhu
33. Výřez
34. Regulátor řezací šablony
35. Montáž nohy "A"
36. Montáž nohy "B"
37. Stupnice pokosového pravítka
38. Šroub pokosového pravítka
39. Noha pokosového stolu
40. 22.5° pokosová drážka
41. 45° pokosová drážka
42. Trn
43. Vnitřní příruba
44. Vnější příruba
45. Matice trnu

VŠEOBECNÉ BEZPEČNOSTNÍ POKYNY

⚠ VAROVÁNÍ

Pokud používáte elektrické nástroje, měly by být dodržovány základní bezpečnostní předpisy za účelem snížení nebezpečí požáru, elektrického úrazu a osobní újmy.

Dříve než výrobek poprvé použijete, důkladně si přečtěte tyto pokyny a poté je uschovejte.

- **Seznamte se důkladně se svým nářadím.** Řádně si prostudujte návod k použití. Důkladně si přečtěte informace týkající se používání přístroje, jeho omezení a seznamte se s možným nebezpečím, kterého je nutné se vyvarovat.
- **Ochrana proti úrazu elektrinou předjetím kontaktu se zemnými plochami.** Například trubky, radiátory, ohřívače, dveře lednic.
- **Mějte chrániče na svém místě a udržujte je v dobrém provozuschopném stavu.**
- **Odstraňte seřizovací klíče a nástroje.** Zvykněte si, abyste vždy pohledem zkontrolovali, zda jsou z přístroje před jeho zapnutím odstraněny všechny klíče a seřizovací klíče.
- **Udržujte pracovníště čisté.** Zaházené oblasti a ponky vedou k nehodám. Nenechávejte nástroje nebo kusy dřeva na pile během její funkce.
- **Nepoužívejte v nebezpečných prostředích.** Nepoužívejte elektrické nástroje v dešti nebo ve vlhkých nebo mokřích prostředích. Mějte pracovníště dobře osvětlené. Nepoužívejte elektricky poháněné nástroje v přítomnosti hořlavých kapalin nebo plynů.
- **Udržujte děti a přihlížející v povzdálí.** Všichni přihlížející musí mít nasazeny bezpečnostní brýle a musí dodržovat bezpečnou vzdálenost od místa výkonu práce. Nenechte přihlížející se dotýkat nástroje nebo prodlužovacího kabelu během funkce.
- **Netlačte na nástroj.** Nástroj bude svou práci provádět lépe a bezpečněji při určeném přísunu materiálu, pro který byl navržen.
- **Používejte správný nástroj.** Nepoužívejte nadměrnou sílu na nástroj nebo příslušenství, abyste provedli práci, nebyli pro to vyrobeni. Nepoužívejte k účelům, pro které nebyl přístroj navržen.
- **Používejte pouze vhodný prodlužovací kabel.** Ujistěte se, že je váš prodlužovací kabel v dobrém stavu. Ujistěte se, že je kabel dimenzován pro proud vašeho výrobku. Poddimenzovaný napájecí kabel způsobuje pokles napětí ve vedení s následkem ztráty výkonu a přehřátí.
- **Správně se oblékejte.** Nenoste volný oděv, rukavice, náhrdelníky nebo šperky. Mohou se zachytit a vtáhnout





Čeština

do pohyblivých částí. Pryžové rukavice a neklouzavá bezpečnostní obuv (boty s pryžovou podrážkou) je doporučena pro venkovní práce. Máte-li dlouhé vlasy, noste pokrývku hlavy.

- **Vždy noste bezpečnostní brýle s postranními štítky.** Dioptrické brýle jsou pouze tvrzené; NENAHRADÍ bezpečnostní brýle.
- **Bezpečná práce.** Kdykoliv to bude možné, tak opracovávaný předmět zajistěte pomocí svorek nebo svěráku, je to bezpečnější, než použít ruku a budete mít obě ruce volné, abyste mohli ovládat výkonný přístroj.
- **Nepřeceňujte se.** Udržujte řádné postavení a rovnováhu po celou dobu práce.
- **Přístroje pečlivě udržujte.** Nástroje udržujte ostré a čisté, abyste dosáhli lepšího a bezpečnějšího výkonu. Postupujte dle pokynů pro mazání a výměnu příslušenství. Pravidelně kontrolujte kabely přístroje, a pokud jsou poškozeny, nechte je vyměnit v autorizovaném servisu. Pravidelně prohlížejte napájecí kabel a vyměňujte jej, pokud je poškozený. Udržujte rukojeti suché, čisté a bez mastnot a oleje.
- **Odpojte nástroje.** Před servisem, při nepoužívání nebo při výměně kotoučů, doplňků, nástrojů, nožů, atd. se musí všechny nástroje odpojovat. Odstraňte napájecí zástrčku ze zásuvky, než provedete jakákoliv nastavení, opravy nebo údržbu.
- **Vyhnete se náhodnému spuštění.** Přesvědčte se, že je spínač vypnut, když nástroj zapínáte.
- **Používejte pouze doporučená příslušenství.** Prostudujte návod k použití pro doporučené příslušenství. Použití nesprávného příslušenství může způsobit nebezpečí poranění.
- **Na nástroji nikdy nestůjte.** Nebezpečí poranění, pokud si stoupnete na nástroj nebo pokud je nástroj neúmyslně kontaktován.
- **Zkontrolujte, zda nejsou nějaké díly poškozeny.** Než budete pokračovat v práci, zkontrolujte, zda je poškozený díl nařadí nebo kryt provozuschopný a plně funkční. Zkontrolujte seřízení pohyblivých částí, spojení pohyblivých částí, rozbité části upevňovačů a další jiné podmínky, které mohou ovlivnit funkci nástroje. Pokud je kryt nebo nějaká část poškozena, musí se řádně opravit nebo vyměnit servisním střediskem, aby se zabránilo nebezpečí poranění.
- **Používejte správný směr vkládání.** Nasouvejte obrobek do kotouče nebo frézy pouze proti směru otáčení nože nebo frézy.
- **Nikdy nenechávejte činný nástroj bez dozoru. Vypněte napájení.** Neodcházejte od nástroje, dokud se zcela nezastaví.
- **Chraňte Vaše plíce.** Při práci používejte obličejový štít nebo protiprašný respirátor, pokud při řezání vzniká

prach.

- **Chraňte svůj sluch.** V průběhu dlouhodobého používání se doporučuje ochrana sluchu.
- **Nepoškozujte vodič.** Nikdy netahejte za vodič, abyste přístroj odpojili. Udržujte kabel mimo horké plochy, olej a ostré hrany.
- **Vždy udržujte kryt kotouče na svém místě a v provozním stavu.**
- **Ruce udržujte mimo oblast řezání.** Udržujte ruce mimo kotouč. Nedotýkejte se spodní části obrobku nebo okolo či nad kotoučem, když rotuje. Nezkoušejte odstranit řezaný materiál, když se kotouč pohybuje.
- **Po vypnutí kotouč dobihá.**
- **Nikdy nepoužívejte ve výbušném ovzduší.** Běžné jiskření motoru by mohlo zapálit výpary.
- **Pravidelně kontrolujte kabely nástroje.** Opravy musí vykonávat pouze kvalifikovaný servisní technik v pověřeném servisu.
- **Pravidelně prohlížejte napájecí kabel a vyměňujte jej, pokud je poškozený.**
- **Uzemněte všechny nástroje.** Pokud je nástroj vybaven tříkolíkovou zástrčkou musí se zapojovat do třídrátkové elektrické zásuvky.
- **Požádejte o pomoc kvalifikovaného elektrikáře nebo servisního technika, pokud jste zcela nepochopili pokyny k zemnění, nebo pokud jste na pochybách, zda je spotřebič řádně uzemněn.**
- **Použijte pouze správná elektrická zařízení:** 3-vodičové napájecí kabely, které mají 3 kolíky a 3 zdílkky, které souhlasí se zástrčkou výrobku.
- **Neupravujte dodanou zástrčku.** Pokud se neshoduje se zásuvkou, požádejte kvalifikovaného elektrikáře o instalaci správné zásuvky.
- **Udržujte nástroj čistý a bez mastnot a oleje.** Pro čištění používejte vždy čistý hadřík. Nikdy nepoužívejte brzdovou kapalinu, benzín, ropné výrobky ani rozpouštědla pro čištění nástroje.
- **Budte ostražití a obezřetí.** Sledujte to, co děláte a používejte citi. Nepoužívejte nástroj, když jste unaveni. Nespěchejte.
- **Nepoužívejte nástroj, pokud nelze zapnout a vypnout spínač napájení.** Poškozené spínače smí vyměnit pouze pověřené servisní středisko.
- **Použijte pouze správné kotouče.** Nepoužívejte kotouč s nesprávnými rozměry otvoru. Nikdy nepoužívejte vadné nebo poškozené podložky nebo matice trnu. Maximální kapacita kotouče vaší pily je 178 mm. Všechny používané nože musí být vyrobeny v souladu s EN13236. Nepoužívejte řezné kotouče, které jsou dimenzovány na menší otáčky, než jsou otáčky tohoto nástroje.





Čeština

- Ujistěte se, že jsou všechna seřízení bezpečná před samotným řezáním.
- Nikdy se během používání nedotýkejte kotouče nebo jiných rotujících částí.
- Nikdy nástroj nespouštějte, když je rotační díl v kontaktu s obrobkem.
- Zařízení nepoužívejte, pokud jste unaveni nebo pod vlivem drog, alkoholu nebo léků.
- Při údržbě používejte pouze stejné náhradní díly. Použití jakýchkoliv jiných dílů může vytvořit nebezpečí nebo způsobit poškození výrobku.
- Používejte pouze příslušenství uvedené v tomto návodu nebo dodatcích. Použití nesprávného příslušenství může způsobit nebezpečí poranění. Pokyny pro bezpečné používání doplňků jsou přibaleny k příslušenství.
- Zkontrolujte všechna nastavení. Ujistěte se, že je kotouč utažen a nedotýká se pily nebo obrobku před zapojením nástroje.

BEZPEČNOSTNÍ VAROVÁNÍ DLAŽDICOVÁ PILA

- Vždy obrobek zajišťujte proti řezací šabloně nebo pokosové kostce.
- Nikdy nestůjte ani nemějte žádnou část těla v linii dráhy kotouče.
- Nikdy se nepokoušejte uvolňovat zaseklý kotouč před vypnutím a odpojením pily od napájení.
- Pokud je napájecí kabel poškozen, musí být nahrazen pouze výrobcem nebo pověřeným servisním střediskem za účelem odstranění nebezpečí.
- Vyhněte se nesprávné obsluze a pozicím rukou, kde mohou náhle sklouznout a vniknout do řezacího nástroje.
- Zajistěte, aby bylo zajištěno dostatečné osvětlení při řezání obrobku a žádné překážky nenarušovaly bezpečný provoz před prováděním práce pilou.
- Vždy pilu vypněte před jejím odpojením, zabráníte náhodnému spuštění při dalším připojení k napájení.
- Tento nástroj musí mít následující značky:
 - Noste ochranu očí.
 - Používejte kryt kotouče pro každou operaci, pro kterou se má použít.
 - Před servisem, při výměně řezacích kotoučů a čištěním odpojte pilu.
 - Nepoužívejte kotouč s prasklinami, drážkami, mezerami, otvory nebo zuby, musí mít hladké okraje.
 - Před provozem vyměňte poškozený řezací kotouč.
 - Nalijte vodu nad čáru maximálního plnění.
- Uchovejte si tyto pokyny. Přečtěte si pokyny uvedené v části o používání nářadí, ve které jsou uvedeny informace o způsobech zamezení zpětného vrhu a

prevence úrazů. Ušchovejte si tento návod, abyste se k němu mohli v budoucnosti vrátit.

ELEKTRICKÉ PŘIPOJENÍ

Tento výrobek je poháněn přesně zkonstruovaným elektrickým motorem. Musí být připojen pouze k elektrické síti s napětím 220-240V, AC (běžný proud v zásuvkách domácností), 50 Hz. Neprovazujte tento výrobek na stejnosměrném proudu (DC). Velký pokles napětí způsobí ztrátu výkonu a motor se přehřeje. Pokud pila nefunguje po zapojení do zásuvky, překontrolujte napájení.

RYCHLOST A ZAPOJENÍ

Rychlost naprázdno nástroje je cca 2,900 ot./min. Tato rychlost není konstantní a snižuje se při zátěži či poklesu napětí. Pro napětí je zapojení stejně důležité jako jmenovitý výkon motoru. Vedení určené pro napájení světel nemůže správně napájet motor nástroje. Drát, který je dostatečně těžký pro krátkou vzdálenost, bude lehký pro větší vzdálenost. Vedení, které podporuje jeden elektrický nástroj nemusí podporovat dva nebo tři nástroje.

POKYNY K UZEMNĚNÍ

Viz obrázek 1.

Tento výrobek je nutné uzemnit. V případě selhání nebo havárie poskytuje uzemnění cestu nejmenšího odporu pro elektrický proud pro snížení poranění elektrickým proudem. Toto zařízení je vybaveno elektrickým kabelem se zemnicím vodičem a uzemněnou zástrčkou. Zástrčka se smí zasouvat pouze do zásuvky, která je správně nainstalována a uzemněna v souladu se všemi místními zákony a pravidly.

Neupravujte dodanou zástrčku. Pokud se neshoduje se zásuvkou, požádejte kvalifikovaného elektrikáře o instalaci správné zásuvky.

⚠ VAROVÁNÍ

Nesprávně zapojený zemnicí kolík může způsobit nebezpečí elektrického úrazu. Když opravujete nebo vyměňujete kabel, nepřipojujte zemnicí vodič ani k jednomu plochému vývodu. Zemnicí vodič je vodič má barvu izolace zelenou (s nebo bez žlutých proužků).

Požádejte o pomoc kvalifikovaného elektrikáře nebo servisního technika, pokud jste zcela nepochopili pokyny k zemnění, nebo pokud jste na pochybách, zda je spotřebič řádně uzemněn.

Okamžitě opravujte nebo vyměňujte poškozený nebo opotřebovaný kabel.

Pokud je napájecí kabel poškozen, musí být nahrazen pouze výrobcem nebo pověřeným servisním střediskem za účelem odstranění nebezpečí.



Čeština

Výrobek připojujete pouze k zásuvce o stejné konfi guraci jako je zástrčka. Nepoužívejte s tímto přístrojem adaptér.

Z bezpečnostních důvodů a pro zajištění spolehlivosti nářadí musí být veškeré opravy prováděny v autorizované servisní opravně výrobků Ryobi.

Proudový chránič (PCH) je třeba umístit na okruh(y) nebo zásuvku(y), kde se bude používat pila. Zásuvky jsou dostupné s vestavěným proudovým chráničem PCH a lze je použít jako opatření bezpečnosti.

Pokud se pila používá s prodlužovacím kabelem, zajistěte, aby spojení prodlužovacího a napájecího kabelu neleželo na zemi. Doplnující zařízení se musí vždy připojovat do elektrické zásuvky a ne k prodlužovacímu kabelu a napájecímu kabelu nástroje.

Není-li k dispozici chráněná zásuvka, nepoužívejte pilu, dokud zásuvka nebude vyměněna nebo se neposkytne doplňující ochrana. Tato doplňková ochranná zařízení jsou k dispozici u vašeho místního prodejce.

POLOHA PILY PRO ŘEZÁNÍ DLAŽDIC

Viz obrázek 2.

Aby se zamezilo omokření zástrčky nebo zásuvky, umístěte pilu pro řezání dlaždic na jednu stranu elektrické zásuvky, aby se zabránilo vniknutí vody do zásuvky nebo zástrčky. Obsluha musí nastavit "smyčku proti vniknutí vody" při připojování pily do zásuvky. "Smyčka proti vniknutí vody" je část kabelu pod úrovní zásuvky, nebo konektoru v případě prodlužovačky, pro ochranu vniknutí vody po kabelu do zásuvky.

Pokud zástrčka nebo zásuvka zvlhne, NEODPOJUJTE kabel. Deaktivujte pojistku nebo jistič, kterým se dodává napětí nástroji, pak odpojte a zkontrolujte přítomnost vody v zásuvce.

⚠ VAROVÁNÍ

Pro snížení nebezpečí smrtelného poranění elektřinou udržíte všechny konektory suché a mimo podlahu. Na zástrčku nesahejte mokřkýma rukama.

TECHNICKÉ ÚDAJE

Technické údaje produktu

Elektrické napětí	220 - 240V
Výkon	500 W
Otáčky naprázdno	2,900 rpm
Hmotnost	15,5 kg (N.W.)
Vlastnosti	
Rozměr stolu	381 mm x 502 mm

Výška stolu ze skříně ke stolu	181 mm
Specifikace materiálu	
Materiál stolu	Nerezová ocel
Materiál podstavce	Ocelové potrubí
Řezací nástroje/kapacita	
Průměr kotouče	178 mm
Typ kotouče	Diamant
Vnitřní průměr kotouče	25,4 mm
Maximální záběr nože	33 mm
Naměřené hodnoty zjištěné dle EN 61029 Hladina akustického tlaku vážená funkcí A Nejistota K	$L_{pA} = 61,0 \text{ dB(A)}$ 3 dB(A)
Naměřené hodnoty zjištěné dle EN 61029 Hladina akustického výkonu vážená funkcí A Nejistota K	$L_{WA} = 77,0 \text{ dB(A)}$ 3 dB(A)

POZNEJTE SVOU PILU PRO ŘEZÁNÍ DLAŽDIC

178 mm řezací kotouč dlaždic

- 178 mm řezací kotouč dlaždic je přibalen k vaší pile.

Pokosový stůl

- Pokosové 22,5° a 45° lze provádět pomocí pokosového stolu.

Rukojeti

- Pila má umístěny pohodlné rukojetě na levé a pravé straně pro zvedání a obsluhu.

Pokosové pravítko

- Pokosový doraz je plně nastavitelný pro provádění diagonálních a pokosových řezů.

Motor

- Stroj je vybaven silným motorem s dostatečným výkonem pro provádění obtížných prací.

Sundavací doraz

- Řezací šablona je plně nastavitelná pro provádění příčných řezů a používání pokosového pravítka.

Podstavec pily pro řezání dlaždic

- Pila se dodává se stojanem pro lepší přenosnost a pohodlí.

Kryt kotouče

- Kryt kotouče poskytuje ochranu před stříkáním a mlhou.

**MONTÁŽ****INSTALACE KRYTU KOTOUČE**

Viz obrázek 5-6.

1. Sundejte pokosový stůl.
2. Nainstalujte do L-tvarovanou konzolu krytu kotouče do výřezu umístěném pod stolem za kotoučem.
3. Vložte šrouby do stolu a do konzole krytu kotouče a pak pevně utáhněte.

POZNÁMKA: Ujistěte se, že je konzola krytu kotouče srovnána s řezacím nožem tak, že nezasahuje do materiálu, který se má řezat.

4. Srovnajte kryt kotouče s nožem a nasuňte přes konzolu. Srovnajte otvory v krytu kotouče s otvorem v konzole krytu kotouče.

POZNÁMKA: Vždy nastavujte kryt kotouče vodorovně ke stolu a lehce nad tloušťku dlaždice. Kryt kotouče se nesmí dotýkat dlaždice.

5. Nainstalujte šroub se šestihlannou hlavou přes kryt kotouče a konstrukci.
6. Našroubujte regulátor na šroub a utáhněte v požadované výšce.
7. Vratte pokosový stůl.

POZNÁMKA: Kryt/chránič kotouče se sestavuje ve výrobě. Nerozebírejte během seřizování a údržby.

INSTALACE ŘEZACÍ ŠABLONY

Viz obrázek 7.

1. Otáčejte regulátorem na řezací šabloně pro uvolnění proti smyslu hodinových ručiček.
2. Nasuňte řezací šablonu na bok stolu.
3. Používejte stupnici řezací šablony, umístěnou vepředu a vzadu stolu pro nastavení řezací šablony do požadované šířky řezu.
4. Otáčejte regulátorem řezací šablony ve smyslu otáčení hodinových ručiček pro bezpečné utažení.

INSTALACE POKOSOVÉHO PRAVÍTKA

Viz obrázek 7.

1. Nastavte řezací šablonu do požadované polohy a zajistěte.
2. Nasuňte pokosové pravítko na řezací šablonu zepředu.
3. Seřídte na požadovaný úhel pomocí úhlové stupnice a bezpečně utáhněte šroubem.

MONTÁŽ STOJANU

Viz obrázek 8-9.

Podpůrné konzole a nohy podstavce mají odpovídající znaky pro snadnou montáž.

Potřebné nářadí: Nastavitelné klíče nebo 13 mm klíče a Philips šroubovák.

1. Zasuňte nohy podstavce označené "A", do konců trubek

podpůrné konstrukce označené "A". Zešíkmené konce noh podstavce musí směřovat čelem, takže se podobají "V". Srovnajte otvory pro výstroj. Opakujte s druhou podpůrnou konzolou a nohami označenými "B".

2. Upevněte sestavy noh do podpěr. Montáž nohy "B" se umísťuje na vnitřní stranu opěr. Montáž nohy "A" se umísťuje na vnější stranu. Srovnajte otvory v podpěrách a nohách. Nainstalujte výstroj otvory.
3. Pomocí klíče upevněte výstroj.
4. Umístěte podstavec rovnou podlahu a srovnajte drážky pod pilou s konzolami na podstavci. Poloha stolu na podstavci.
5. Zajistěte umístění pily pro řezání dlaždic na rovném povrchu a pevném stojanu.

INSTALACE ODTOKU PŘI PŘEPLNĚNÍ

Viz obrázek 10.

1. Sundejte pokosový stůl.
2. Umístěte otvor do spodní nádrže pro vodu.
3. Pevně zatlačte odtok při přeplnění do otvoru.
4. Vratte pokosový stůl.

MONTÁŽ ZÁPADEK

1. Otočte pouzdro pily horní stranou dolů.
2. Srovnajte otvory pro šrouby na západkách s otvory pro šrouby na spodní straně řezací pily pro řezání dlaždic.
3. Vložte šrouby a dobře utáhněte.

PLNĚNÍ NÁDRŽE PRO VODU

Viz obrázek 11.

1. Sundejte pokosový stůl.
 2. Naplňte nádrž pro vodu pitnou vodou po čáru plnění.
- POZNÁMKA:** Odtok při přeplnění chrání před přeplněním.
3. Vratte pokosový stůl.

VÝMĚNA NÁDRŽE PRO VODU

1. Odpojte pilu pro řezání dlaždic.
2. Vyjměte odtok při přeplnění a vyprázdněte do nádoby, nenechejte vodu stříkat na stroj a okolí.
3. Nakládejte s odpadní vodou v souladu s vašimi místními nařízeními.

OBSLUHA**VAROVÁNÍ**

I když se dobře seznámíte se strojem, nikdy nepřestávejte být opatrní. Nezapomeňte, že i pouhý okamžik nepozornosti může být příčinou závažného úrazu.





Čeština

VAROVÁNÍ

Z bezpečnostních důvodů používejte při práci uzavřené ochranné brýle (s boční ochranou). Nedodržení tohoto bezpečnostního pokynu může způsobit vniknutí cizích těles do očí a vážné poškození zraku.

VAROVÁNÍ

Používejte pouze náhradní díly a příslušenství doporučené výrobcem. Používání jiných než doporučených dílů a příslušenství může být příčinou zranění.

TEST PROUDOVÉHO CHRÁNIČE (RCD) PŘED POUŽITÍM

1. Zapojte proudový chránič (RCD) do síťové zásuvky.
2. Stiskněte tlačítko reset. Rozsvítí se ukazatel zapnutí napájení.
3. Stiskněte testovací tlačítko. Ukazatel zapnutí napájení zhasne.

VAROVÁNÍ: Selže-li proudový chránič (RCD) při testu, nástroj nepoužívejte. Poradte se s kvalifikovaným elektrikářem.

4. Stiskněte tlačítko reset pro aktivaci proudového chrániče (RCD).

POUŽITÍ

Výrobek lze používat pro níže uvedené účely:

Přímé řezy jako příčné, pokosové, štípací nebo zešíkmené

POZNÁMKA: Pila je navržena pouze pro řezání ručně vyrobených, dlažebních kostek, výrobků z přírodních kamenů a dlaždic z kamene.

Spínač On/Off (Zapnuto/Vypnuto)

Pila má snadno dostupný spínač ON/OFF umístěný pod přední lištou.

Vypnutí napájení pily:

Pro vypnutí stiskněte červené tlačítko OFF (O).

Zapnutí napájení pily:

Pro zapnutí stiskněte zelené tlačítko ON (I).

Pro uzamčení pily:

Při VYPNUTÉ pile vytáhněte zástrčku ze zásuvky.

VAROVÁNÍ

VŽDY se ujistěte, že se výrobek nedotýká řezacího kotouče před zapnutím nástroje. Pochybení tak může způsobit odražení obrobku směrem, k obsluze a následně vážné osobní poranění.

VAROVÁNÍ

Pro snížení nebezpečí náhodného spuštění vždy zkontrolujte, že je před zapojením nástroje do síťové zásuvky spínač v poloze OFF (VYPNUTO). V případě selhání napájení, nebo pokud nástroj nepoužíváte, VYPNĚTE vypínač a odpojte od elektrické zásuvky. Toto preventivní opatření snižují riziko náhodného spuštění elektrického nástroje.

POMOCÍ ŘEZACÍ ŠABLONY A POKOSOVÉHO DORAZU

Viz obrázek 13.

Řezací šablonu z lze použít jak na levé tak pravé straně řezacího kotouče.

1. Otáčejte regulátorem na řezací šabloně pro uvolnění proti směru hodinových ručiček.
2. Seřídte řezací šablonu do požadované polohy pomocí stupnice řezací šablony, umístěné na předním a zadním stole pro nastavení požadované šířky řezu.
3. Otáčejte regulátorem, ve směru otáčení hodinových ručiček, a dobře utáhněte.

PRO SEŘÍZENÍ ÚHLŮ

Nastavte řezací šablonu do požadované polohy a zajistěte utažením.

1. Nasuňte pokosové pravítko na řezací šablonu zepředu.
2. Seřídte na požadovaný úhel pomocí úhlové stupnice a bezpečně utáhněte šroubem.

PROVÁDĚNÍ ŘEZŮ

Vždy kreslete čáru, která se má řezat na dlaždici pomocí fixy nebo voskovky. Je-li dlaždice lesklá a obtížné se na ni kreslí, umístěte na ni lepicí pásku a označte pásku.

Běžným problémem při řezání dlaždice je odbočení z vyznačené čáry. Jakmile odbočíte z čáry, nemůžete tlačít kotouč zpět na čáru natáčením dlaždice. Místo toho se vraťte zpět a začněte znovu řezat dlaždici odřezáním malého kousku dlaždice, až se kotouč vrátí zpět na čáru.

Abyste se vyhnuli tomuto problému, používejte řezací šablonu, když provádíte příčné řezy, pokosový doraz pro pokosové řezy a seřizovatelnou pravou stranu stolu pro šikmé řezy kdykoliv je to možné.

Pro řezání příčných řezů

Viz obrázek 14.

Příčné řezy jsou rovné t 90° řezy. Materiál se dopravuje do řezání pod úhlem 90° vůči kotouči a kotouč je svise.

1. Vždy kreslete čáru, která se má řezat na dlaždici, pomocí fixy nebo voskovky.
2. Nastavte řezací šablonu do požadované polohy a





Čeština

zajistěte utažením.

- Umístěte materiál na stůl a připevněte vůči řezací šabloně.
- Přesvědčte se, že je materiál vzdálen od řezacího kotouče před zapnutím pily.
- Zapněte napájení.
- Uvedte řezací kotouč do plné rychlosti a počkejte, až se navlhčí před přisunem materiálu ke kotouči.
- Držte materiál pevně proti řezací šabloně a nasunujte materiál do řezacího kotouče.
- Pokud je řez hotov, VYPNĚTE pilu. Počkejte, až se řezný kotouč zcela zastaví, pak můžete odstraňovat jakýkoliv materiál z pracovní oblasti.

Pro řezání 45° diagonálních řezů

Viz obrázek 15.

45° Diagonální řezy se též nazývají "řezy dlouhý bod na dlouhý bod".

- Vždy kreslete čáru, která se má řezat na dlaždici, pomocí fixy nebo voskovky.
- Nastavte řezací šablonu na požadovanou šířku a regulátor na daném místě utáhněte.
- Nasuňte pokosové pravítko na řezací šablonu zepředu.
- Seřídte pokosové pravítko na 45° pomocí úhlové stupnice a bezpečně utáhněte šroubem.
- Přesvědčte se, že je materiál vzdálen od řezacího kotouče před zapnutím pily.
- Zapněte napájení.
- Uvedte řezací kotouč do plné rychlosti a počkejte, až se navlhčí před přisunem materiálu ke kotouči.
- Držte materiál pevně proti pokosovému pravítku a nasunujte pokosové pravítko podél sundavacího dorazu. Přisunujte materiál do řezacího kotouče.
- Pokud je řez hotov, VYPNĚTE pilu. Počkejte, až se řezný kotouč zcela zastaví, pak můžete odstraňovat jakýkoliv materiál z pracovní oblasti.

Pro řezání pokosových řezů

Viz obrázek 16.

Pokosové řezy se používají pro řezání vnějších a vnitřních materiálů, dekorativních příček židlí a základní tvarování materiálu pod jakýmkoliv jiným úhlem kotouče než 90°. Pokosové řezy inklinují k "prokluzování" během řezání. Tomu lze zabránit držením obrobku pevně proti pokosovému pravítku.

- Vždy kreslete čáru, která se má řezat na dlaždici, pomocí fixy nebo voskovky.
- Nastavte řezací šablonu na požadovanou šířku a regulátor na daném místě utáhněte.
- Nasuňte pokosové pravítko na řezací šablonu zepředu.
- Seřídte pokosové pravítko na požadovaný úhel pomocí úhlové stupnice a bezpečně utáhněte šroubem.

- Přesvědčte se, že je materiál vzdálen od řezacího kotouče před zapnutím pily.
- Zapněte napájení.
- Uvedte řezací kotouč do plné rychlosti a počkejte, až se navlhčí před přisunem materiálu ke kotouči.
- Držte materiál pevně proti pokosovému pravítku a nasunujte pokosové pravítko podél sundavacího dorazu. Přisunujte materiál do řezacího kotouče.
- Pokud je řez hotov, VYPNĚTE pilu. Počkejte, až se řezný kotouč zcela zastaví, pak můžete odstraňovat jakýkoliv materiál z pracovní oblasti.

Pro řezání L- řezů

Viz obrázek 17.

L-řezy jsou řezy které odstraní kus dlaždice pro umístování do rohu, okolo skříní nebo říms a vytváří se pomocí dvou jednotlivých řezů.

POZNÁMKA: Před řezáním materiálu na něm provedte horní nebo spodní zářez.

- Řežte materiál na požadovanou šířku pomocí pokynů pro příčný řez.
- Nastavte řezací šablonu do požadované polohy a zajistěte utažením.
- Umístěte materiál na stůl a připevněte vůči řezací šabloně.
- Přesvědčte se, že je materiál vzdálen od řezacího kotouče před zapnutím pily.
- Zapněte napájení.
- Uvedte řezací kotouč do plné rychlosti a počkejte, až se navlhčí před přisunem materiálu ke kotouči.
- Držte materiál pevně proti řezací šabloně a nasunujte materiál do řezacího kotouče.
- Zajistěte dostatečně blízký řez do materiálu bez přeřezání.
- Vypněte napájení.
- Přetočte materiál a proveďte řez podél jedné ze značek. Nyní nařežte další linii a řezaný kus by se měl oddělit od zbytku materiálu.
- Zapněte napájení.
- Uvedte řezací kotouč do plné rychlosti a počkejte, až se navlhčí před přisunem materiálu ke kotouči.
- Pokud je řez hotov, VYPNĚTE pilu. Počkejte, až se řezný kotouč zcela zastaví, pak můžete odstraňovat jakýkoliv materiál z pracovní oblasti.

Pro řezání šikmých řezů

Viz obrázek 18-19.

Pokosové 22,5° a 45° lze provádět pomocí pokosového stolu

- Vždy kreslete čáru, která se má řezat na dlaždici, pomocí fixy nebo voskovky.
- Překlopte pokosový stůl.
- Na spodní straně pokosového stolu stáhněte dvě nohy stolu do pravých úhlů desky.
- Použijte první drážky v nohách pro zbývající desku do úhlu 22,5°.





Čeština

- Použijte druhou sadu drážek úhel zešikmení desky do úhlu 45°.
POZNÁMKA: Zajistěte aby byl pokosový stůl na připevněn ve své poloze před řezáním.
Rozložte nohy a položte pokosový plochou ve směru 22,5° nebo 45° stupňů.
- Zapněte napájení.
- Uvedte řezací kotouč do plné rychlosti a počkejte, až se navlhčí před přisunem materiálu ke kotouči.
- Držte materiál pevně proti pokosovému stolu a nasunujte materiál do řezacího kotouče.
- Pokud je řez hotov, VYPNĚTE pilu. Počkejte, až se řezný kotouč zcela zastaví, pak můžete odstraňovat jakýkoliv materiál z pracovní oblasti.

ÚDRŽBA

VAROVÁNÍ

Při údržbě používejte pouze stejné náhradní díly. Použití jakýchkoliv jiných dílů může vytvořit nebezpečí nebo způsobit poškození výrobku.

VAROVÁNÍ

Vždy noste bezpečnostní brýle nebo bezpečnostní brýle s postranními štítky, když obsluhujete elektricky poháněný nástroj nebo při rozdmýchávání (tvorbě) prachu. Pokud pracujete v prachu, noste také respirátor.

VAROVÁNÍ

Pokud je napájecí kabel poškozen, musí být nahrazen pouze výrobcem nebo pověřeným servisním střediskem za účelem odstranění nebezpečí.

VAROVÁNÍ

Z bezpečnostních důvodů a pro zajištění spolehlivosti nářadí musí být veškeré opravy prováděny v autorizované servisní opravě výrobků Ryobi.

OBECNÁ ÚDRŽBA

Vyhnete se používání rozpouštědel, když čistíte plastové díly. Mnoho plastů je citlivých na poškození různými typy komerčních rozpouštědel a tyto plasty se pak mohou poškodit při jejich použití. Používejte čisté utěrky pro odstranění nečistot, prachu, oleje, mastnoty, atd.

VAROVÁNÍ

Plastové části nářadí nesmí nikdy přijít do styku brzdovou kapalinou, benzínem, produkty na bázi ropy, regenerovanými maznými oleji apod. Tyto výrobky obsahují chemikálie, které mohou poškodit, oslabit nebo zničit plastové části, případně snížit jejich životnost a být příčinou úrazu.

Mazání

Veškerá ložiska nářadí byla výrobcem namazána dostatečným množstvím vysoce účinného maziva, které stačí na celou dobu životnosti nářadí při normálních podmínkách používání.

Řezací kotouč dlaždic

Pro maximální výkon a bezpečnost se doporučuje používat 178 mm řezací kotouče dodané s vaší pilou. Doplňkové řezací kotouče stejné vysoké kvality jsou k dispozici u prodejce.

VAROVÁNÍ

Nepoužívejte řezné kotouče, které jsou dimenzovány na menší otáčky, než jsou volnoběžné otáčky tohoto nástroje. Nedodržení tohoto varování by mohlo způsobit vážné osobní poranění. Nepoužívejte kotouč s prasklinami, mezerami nebo zuby.

VÝMĚNA ŘEZACÍHO KOTOUČE DLAŽDIC

Viz obrázek 20.

VAROVÁNÍ

178 mm řezací kotouč pro dlaždice je maximální kapacita pro osazení pily kotoučem. Nikdy nepoužívejte řezný kotouč, který je příliš silný, příruba kotouče by jej pak nezajistila k ploše vřeten. Větší kotouče by přišly do kontaktu s krytem kotouče, zatímco silnější kotouče budou bránit šroubu kotouče v zajištění kotouče na vřeten. Kterákoliv událost by mohla vést k vážné nehodě a může způsobit vážný úraz.

- Odpojte pilu.
- Sundejte pokosový stůl.
- Nasuňte šestihranný klíč na matici trnu kotouče. Pomocí druhé ruky nasuňte klíč trnu na trn kotouče.
- Držte klíčem trn, aby se kotouč neotáčel. Otáčejte maticí trnu pro uvolnění proti smyslu hodinových ručiček.
- Sundejte maticí trnu, vnější přírubu kotouče a řezací kotouč.
- Vetřete kapku oleje na vnitřní přírubu kotouče, kde kontaktují kotouč.



Čeština

VAROVÁNÍ

Pokud se vnitřní příruba kotouče sundá, vraťte ji před nasunutím kotouče na vřeteno. Při nedodržení tohoto požadavku byste mohli zapříčinit havárii kotoučem, který není dobře utažen. Nepoužívejte kotouč s prasklinami, drážkami, mezerami, otvory nebo zuby.

7. Umístěte řezací kotouč na trn se šipkami směřujícími ve směru otáčení hodinových ručiček.
8. Vraťte vnější přírubu kotouče. Dvojitě "D" plochy na přírubě kotouče srovnajte s plochami na vřetenu.
9. Pomocí klíče pro kotouč a trn bezpečně utáhněte matici.
10. Vraťte pokosový stůl.

OCHRANA ŽIVOTNÍHO PROSTŘEDÍ



V rámci možností neodhazujte vysloužilý výrobek nebo jeho části do domovního odpadu a snažte se o jejich recyklaci. V souladu s předpisy na ochranu životního prostředí odkládejte vysloužilé nářadí, příslušenství i obalový materiál do tříděného odpadu.

SYMBOL



Bezpečnostní výstraha



Shoda CE



Shoda GOST-R



Před použitím přístroje si prosím řádně přečtěte tyto pokyny.



Vždy noste ochranu očí.



Noste ochranu sluchu



Požívejte ochranné rukavice



NEBEZPEČÍ! Ostrý kotouč



Varování, nebezpečí požezání



Nevystavujte desti nebo nepoužívejte ve vlhkých místech.



Nevystavujte desti nebo nepoužívejte ve vlhkých místech.



Stroj vyžaduje pro používání kotouč se souvisejícím diamantovým lemováním.



Směr otáčení nože



Diamantový řezací kotouč



Průměr kotouče



Průměr hřidel kotouče



čistá hmotnost



Hloubka řezu (max.)



Šířka frézování (max.)



Diagonální šířka řezu (max.)



Recyklace



Odpad elektrických výrobků se nesmí likvidovat v domovním odpadu. Recyklujte prosím na sběrných místech. Ptejte se u místních úřadů nebo prodejce na postup při



Magyar

LEÍRÁS

1. Földelő érintkező
2. Tápkábel
3. Csepphurok
4. Csempevágó tárcsa
5. Be/ki kapcsoló
6. Párhuzamvezető
7. Gérvetető
8. Max. feltöltés vonala
9. Túlfolyócső
10. Víztartály
11. Párhuzamvezető skálája
12. Állvány
13. Kábeltartó
14. Emelőfogantyú
15. Tárcsavédő
16. Ferdevágó asztal
17. Csempevágó burkolata
18. Imbuszkulcs
19. Tengelykulcs
20. Csavarok
21. Tárcsavédő keret
22. Hatlapfejű anya
23. Hatlapfejű csavar
24. „A” állványlábak
25. „B” állványlábak
26. Állványláb csavar(ok)
27. Állványláb csavaranyá(k)
28. Állványláb merevítő(k)
29. „A” támasztókeret
30. „B” támasztókeret
31. Rögzítőfülek
32. Feszültségmentesítő
33. Vájjat
34. Párhuzamvezető gomb
35. „A” láb szerelvény
36. „B” láb szerelvény
37. Gérvetető skála
38. Gérvetető gombja
39. Ferdevágó asztal lába
40. 22.5°-os ferdevágás
41. 45°-os ferdevágás
42. Tengely
43. Belső perem
44. Külső perem
45. Tengely csavaranya

ÁLTALÁNOS BIZTONSÁGI ELŐÍRÁSOK

FIGYELEM

Elektromos szerszámgépek használatakor a tűz, elektromos áramütés és a személyi sérülés veszélyének csökkentése érdekében az alapvető biztonsági óvintézkedéseket mindig be kell tartani.

Mielőtt a termék használatával próbálkozik, olvassa el az összes utasítást, és őrizze meg a későbbi használatra.

- **Ismerje meg a gépet.** Figyelmesen olvassa el a kezelői kézikönyvet. Ismerje meg a termék alkalmazási módjait és korlátait, valamint a termékkel kapcsolatos specifikus potenciális veszélyeket is.
- **Védekezzen az áramütés ellen úgy, hogy meggátolja testrészei érintkezését a földelt felületekkel.** Például csövek, radiátorok és hűtők burkolata.
- **A védőberendezések legyenek a helyükön, jól működő állapotban.**
- **Távolítsa el a beállító kulcsokat és csavarkulcsokat.** Bekapcsolás előtt szokásszerűen ellenőrizze, hogy a csavarkulcsokat és a beállító kulcsokat eltávolította a gépről.
- **Tartsa tisztán a munkaterületet.** A rendetlen területek és munkapadok vonzzák a baleseteket. Ne hagyjon szerszámokat vagy fadarabokat a vágón működés közben.
- **Ne használja veszélyes környezetben.** Ne használja a szerszámgépeket nedves vagy nyirkos helyeken, és ne tegye ki esőnek. Jól világítsa meg a munkaterületet. Gyúlékony folyadékok vagy gázok jelenlétében ne használja a gépet.
- **Tartsa távol a gyerekeket és a látogatókat.** Minden látogatónak védőszemüveget kell viselnie, és biztonságos távolságba kell tartózkodnia a munkaterülettől. Ne hagyja, hogy a látogatók működés közben megérintsék a gépet vagy a hosszabbító kábelt.
- **Ne erőltesse a gépet.** A gép jobban teljesít és biztonságosabban dolgozik olyan munkadarab-adagolási sebesség használatkor, amilyenre azt tervezték.
- **A megfelelő szerszámot használja.** Ne erőltesse a szerszámmal való munkát abban az esetben, ha az arra nem való. Csak a rendeltetésének megfelelően használja.
- **Megfelelő hosszabbító kábelt használjon.** Ügyeljen arra, hogy a hosszabbító kábel jó állapotban legyen. Olyan kábelt használjon, amely terhelhető a termék





Magyar

működéséhez szükséges áramerősséggel. Az alumiéretezett kábel feszültségését eredményez, ami teljesítményvesztést és túlmelegedést okoz.

- **Viseljen megfelelő ruházatot.** Ne vegyen fel laza ruhát, kesztyűt, nyakkendőt vagy ékszereket. Beakadhatnak vagy feltekeredhetnek a mozgó alkatrészekbe. Szabadban végzett munkához gumikesztyű és csúszásmentes lábbeli (gumibevonátú cipő) viselete ajánlott. Viseljen hajvédőt is, ha hosszú haja van.
- **Mindig viseljen oldalellenzővel rendelkező védősisakot.** Az egyszerű szemüvegeknek csak ütészálló lencséjük van, ezek azonban NEM védőszemüvegek.
- **Rögzítse a munkadarabot.** Ha praktikus, használjon szorítókat vagy satút a munkadarab rögzítéséhez, ez biztonságosabb, mintha a kezeit használná, és felszabadítja a kezét a gép használatakor.
- **Ne hajoljon ki túlságosan.** Mindig tartson megfelelő testtartást és egyensúlyt.
- **A szerszámok karbantartását kellő alaposággal végezze.** A szerszámokat tartsa élesen és tisztán, hogy teljesítményük jobb és biztonságosabb legyen. Tartozékcsere és kenés esetén kövesse az utasításokat. Rendszeresen ellenőrizze a gép kábeleit, és sérülés esetén egy hivatalos szervizközpontban javíttassa meg. Rendszeresen ellenőrizze a hosszabbító kábelt, és cserélje ki, ha sérült. A fogantyúkat tartsa szárazon, tisztán, olajtól és kenőzsírtól mentesen.
- **Csatlakoztassa le a gépeket a hálózathól.** Használaton kívül, szervizelés vagy tartozékok, kések, bitek, vágótárcsák stb. cseréje előtt minden gépet ki kell húzni a hálózati aljzathól. Bármilyen beállítás, szervizelés vagy karbantartás előtt húzza ki a dugaszt a hálózathól.
- **Kerülje a véletlen indítást.** Ügyeljen arra, hogy bármilyen szerszám hálózathoz való csatlakoztatása előtt a kapcsoló ki legyen kapcsolva.
- **A javasolt tartozékokat, kiegészítőket használja.** Tekintse át a kezelői kézikönyvet a javasolt tartozékokkal kapcsolatban. Nem megfelelő kiegészítők használata sérülést okozhat.
- **Soha ne álljon a gépre.** Súlyos sérülést okozhat, ha a gép átfordul vagy ha véletlenül megérinti a vágószerszámot.
- **Ellenőrizze a sérült alkatrészeket.** A szerszám további használata előtt minden sérült alkatrészt vagy védőburkolatot figyelmesen át kell vizsgálni, és ellenőrizni, hogy megfelelően működik és ellátja a funkcióját. Ellenőrizze a mozgó alkatrészek elrendezését, összekapcsolódását, az alkatrészek törését, rögzítését és minden más körülményt, ami

hatással lehet a működésre. A személyi sérülések elkerülése érdekében a sérült védőburkolatot vagy más alkatrészt megfelelően módon meg kell javíttatni, vagy ki kell cseréltetni egy hivatalos szervizközpontban.

- **A megfelelő irányból adagolja a munkadarabot.** A munkadarabot a tárcsa vagy vágókés felé csak a vágótárcsa forgásirányával szemben mozgassa.
- **Soha ne hagyja felügyelet nélkül a működő gépet. Kapcsolja ki a gépet.** Ne hagyja ott a gépet, amíg az teljesen meg nem állt.
- **Védje a tüdejét.** Poros vágás végzésekor viseljen arcvédőt vagy pormaszkot.
- **Védje a hallását.** Hosszabb idejű használat közben viseljen fülvédőt.
- **Ne rongálja meg a kábelt.** Ne rántsa meg a kábelt a hálózathól való lecsatlakoztatáskor. Tartsa távol a kábelt hőforrásoktól, olajtól és az éles szélektől.
- **A tárcsavédőt mindig tartsa a helyén, működőképes állapotban.**
- **Tartsa távol a kezeit a vágási területtől.** Tartsa a kezeit távol a vágótárcsától. Ne hajoljon a munkadarab alá, vagy mellé, illetve a tárcsa fölé, ha a tárcsa forog. Ne próbálja meg eltávolítani a levágott darabot, amikor a tárcsa még forog.
- **A tárcsa a gép kikapcsolása után forog.**
- **Soha ne használja robbanásveszélyes környezetben.** A motor szikrázása begyűjthatja a gőzöket.
- **Rendszeresen ellenőrizze a gép kábeleit.** Sérülés esetén a gépet szakképzet szakemberrel kell javíttatni egy hivatalos szervizközpontban.
- **Rendszeresen ellenőrizze a hosszabbító kábelt, és cserélje ki, ha sérült.**
- **Földelje le az összes gépet.** Ha a szerszám háromvillás dugasszal van felszerelve, azt háromérintkezős elektromos aljzatba kell bedugni.
- **Egy szakképzet villanyszerelővel vagy szervizszakemberrel ellenőriztesse a bekötést, hogy ha a földelésre vonatkozó útmutató nem teljesen világos, vagy nem biztos benne, hogy a termék megfelelően van földelve.**
- **Csak megfelelő elektromos eszközöket használjon:** 3 vezetőes hosszabbító kábelt használjon, amely 3 villás földelt dugasszal és 3 pólusú aljzattal van felszerelve, amibe csatlakoztatható a szerszám dugasza.
- **Ne módosítsa a készülékhez adott dugaszt.** Ha nem illeszkedik az aljzatba, akkor szereltesen fel egy megfelelő aljzatot egy szakképzet villanyszerelővel.
- **A szerszámot tartsa szárazon, tisztán, olajtól és kenőzsírtól mentesen.** Tisztításhoz mindig egy tiszta





Magyar

törlőruhát használjon. Ne használjon fékfolyadékot, benzint, petróleum-alapú termékeket vagy bármilyen oldószert a szerszám tisztításához.

- **Legyen éber és gyakorolja az irányítást.** Figyeljen arra, amit csinál, és használja az összes érzékszervét. Ne használja a gépet, ha fáradt. Ne siessen.
- **Ne használja a gépet, ha a kapcsoló nem kapcsolja be és ki.** A hibás kapcsolókat egy hivatalos szervizközpontban ki kell cseréltetni.
- **Csak megfelelő vágótárcsát használjon.** Ne használjon nem megfelelő méretű furattal rendelkező tárcsát. Ne használjon sérült vagy hibás alátétkarikákat vagy tengely csavaranyákat. A vágóba helyezhető maximális átmérőjű tárcsa 178 mm-es. A géppel kizárólag az EN13236 előírásaival összhangban előállított tárcsákat szabad használni. Ne használjon olyan vágótárcsát, melynek névleges fordulatszám-besorolása alacsonyabb a gépen feltüntetett értéknél.
- **Vágás megkezdése előtt ellenőrizze, hogy a gép minden állítható eleme rögzítve van.**
- **Soha ne érintse meg a tárcsát vagy a gép más forgó alkatrészét használat közben.**
- **Ne indítsa be a gépet, ha bármelyik forgórész érintkezik a munkadarabbal.**
- **Ne működtesse a gépet alkohol, gyógyszer vagy más tudatmódosító szerek hatása alatt.**
- **Szervizeléskor csak azonos cserealkatrészeket használjon.** Bármilyen más alkatrész használata veszélyt vagy a termék károsodását okozhatja.
- **Csak a kézikönyvben vagy a függelékben felsorolt tartozékokat, kiegészítőket használja.** Fel nem sorolt kiegészítők használata súlyos személyi sérüléssel járhat. A kiegészítő biztonságos használatára vonatkozó utasítás a kiegészítőhöz van mellékelve.
- **Duplán ellenőrizzen minden beállítást.** Ügyeljen arra, hogy a vágótárcsa erősen meg legyen húzva, és semmi ne érintkezzen a tárcsával vagy a munkadarabbal a hálózatba való csatlakoztatás előtt.

CSEMPEVÁGÓ BIZTONSÁGI FIGYELMEZTETÉSEK

- Mindig rögzítse a munkadarabot a párhuzamvezetőhöz vagy a ferdevágó tömbhöz.
- Ne álljon, és egyik testrésze se legyen egy vonalban a tárcsa útvonalával.
- Soha ne próbálja meg kiszabadítani a beszorult tárcsát úgy, hogy nem kapcsolja ki a vágót és nem húzza ki a hálózatból.
- Ha a tápkábel sérült, azt a veszélyek elkerülése érdekében csak a gyártó vagy annak hivatalos

szervizközpontja cserélheti ki.

- Kerülje a veszélyes műveleteket és az olyan kézpozíciókat, ahol keze egy hirtelen megcsúszás után érintkezhet a vágószerszámmal.
- Mielőtt bármilyen munkát végezne a vágóval, győződjön meg róla, hogy a munkaterület megfelelő megvilágítással rendelkezik, a munkadarab jól látható és nem akadályozza semmi a biztonságos használatot.
- Mindig kapcsolja ki a vágót a hálózatról való lecsatlakoztatása előtt, hogy elkerülje a véletlen beindulását, amikor újra csatlakoztatja a hálózathoz.
- A gépen a következő jelöléseknek kell lenniük:
 - Viseljen szemvédőt.
 - A tárcsavédőt minden művelethez használja, amihez lehet.
 - Szervizelés előtt, a vágótárcsa cseréjekor és tisztításkor csatlakoztassa le a vágót a hálózatról.
 - A szerszámot csak finom szélű, lyukaktól, vajatoktól és hiányzó részekről mentes vágótárcsával használja.
 - Használat előtt cserélje ki a sérült vágótárcsát.
 - Ne töltsse a vízbetöltési vonal fölé a vizet.
- **Őrizze meg ezt az útmutatót.** Időnként olvassa el és használja más felhasználók betanításakor. Ha kölcsönadja valakinek a gépet, adja hozzá a használati utasítást is.

ELEKTROMOS CSATLAKOZÁS

A gépet precíziós elektromos motor működteti. Csak 220-240 V 50 Hz-es váltakozó áramú (AC) elektromos hálózathoz (normál háztartási áram) csatlakoztatható. Ne működtesse a terméket egyenáramról (DC). Egy nagyobb feszültségingadozás teljesítményvesztést és a motor túlmelegedését okozza. Ha a vágó nem működik az aljzathoz való csatlakoztatás után, ellenőrizze újra az áramellátást.

SEBESSÉG ÉS VEZETÉKEZÉS

A szerszám üresjáratú fordulatszáma körülbelül 2,900 ford./perc. Ez a fordulatszám nem állandó, terhelés alatt vagy kisebb feszültségek esetén csökken. Feszültség szempontjából a műhelyben levő vezetékek legalább annyira fontosak, mint a motor teljesítmény-besorolása. Egy fényforrásokhoz való vezeték nem képes megfelelően meghajtani egy szerszámgép motorját. A rövid távolságra elég erős vezeték nagy távolságokon túl gyenge is lehet. Az a vezeték, ami elbír egy szerszámgépet, nem biztos, hogy elbír két vagy három szerszámgépet.





Magyar

FÖLDELÉSI ÚTMUTATÓ

Lásd 1. ábrát.

A terméket földelni kell. Meghibásodás vagy üzemzavar esetén a földelés biztosítja a legalacsonyabb ellenállású útvonalat az elektromos áramnak, így csökkenti az áramütés kockázatát. A gép olyan elektromos kábellel van felszerelve, ami földelő vezetékkel és földelt csatlakozóval van ellátva. A dugaszt egy megfelelően felszerelt és földelt aljzathoz kell csatlakoztatni, a helyi előírásokat és rendeleteket szem előtt tartva.

Ne módosítsa a készülékhez adott dugaszt. Ha nem illeszkedik az aljzatba, akkor szereltesen fel egy megfelelő aljzatot egy szakképzett villanyszerelővel.

▲ FIGYELEM

A földelt dugasz helytelen felszerelése áramütést eredményezhet. A kábel cseréjének vagy javításának szükségessége esetén ne csatlakoztassa a földelő vezetőket a lapos érintkezőkhöz. A zöld színű szigeteléssel ellátott vezeték (sárga csíkkal vagy anélkül) a földelő vezeték.

Egy szakképzett villanyszerelővel vagy szervizszakemberrel ellenőriztesse a bekötést, hogy ha a földelésre vonatkozó útmutató nem teljesen világos, vagy nem biztos benne, hogy a termék megfelelően van földelve.

A sérült vagy elhasznált kábelt azonnal meg kell javíttatni vagy ki kell cserélni.

Ha a tápkábel sérült, azt a veszélyek elkerülése érdekében csak a gyártó vagy annak hivatalos szervizközpontja cserélheti ki.

Csak a dugaszhoz illeszkedő kialakítású aljzathoz csatlakoztassa a terméket. Ne használjon adaptert a termékkel.

A biztonság és a megbízhatóság érdekében, minden javítási munkát egy Ryobi Szerviz Központban végeztessen el.

A csempevágót áramellátását biztosító áramkör(öke)t vagy aljzat(oka)t áram-védőkapcsolóval (RCD) kell felszerelni. Az aljzatnak beépített RCD-védelemmel kell rendelkeznie, és az ilyen biztonsági funkcióra alkalmasnak kell lennie.

Ha a vágót hosszabbító kábellel használja, biztosítsa, hogy a gép tápkábelének és a hosszabbító kábelnek a csatlakozása ne a földön legyen. A kisegítő berendezéseket mindig a fali aljzathoz kell csatlakoztatni, nem pedig a hosszabbító kábel végére, ahová a szerszám gép tápkábele is csatlakozik.

Ha egy védett aljzat nem érhető el, ne használja addig a vágót, amíg az aljzat nincs kicserélve vagy nem

biztosítható valamilyen kisegítő védelem. Ezek a külső védelmi eszközök a helyi forgalmazónál szerezhetők be.

A CSEMPEVÁGÓ ELHELYEZÉSE

Lásd 2. ábrát.

A szerszám dugaszának vagy aljzat vízessé válását elkerülendő a csempevágót úgy helyezze a fali aljzat mellé, hogy a víz ne csepegessen a dugaszra vagy az aljzatra. A kezelőnek be kell illesztenie egy „csepphurkot” a vágót a hálózati aljzattal összekötő kábelbe. A „csepphurok” a kábelnek az aljzat vagy - hosszabbító használata esetén - a csatlakozó alatti része, amely megakadályozza a víz továbbfolyását a kábelben és az aljzattal való érintkezést.

Ha a dugasz vagy az aljzat nedves lett, NE húzza ki a kábelt. Kapcsolja le a gép áramellátását biztosító biztosítékot vagy áramkör-megszakítót, majd húzza ki a dugaszt, és vizsgálja meg, hogy nincs-e víz az aljzatban.

▲ FIGYELEM

Az áramütés kockázatának csökkentése érdekében az összes csatlakozót tartsa szárazon és a talajtól távol. Ne érintse meg nedves kézzel a dugaszt.

MŰSZAKI ADATOK

Termék műszaki adatai	
Feszültség	220 - 240V
Teljesítmény	500 W
Üresjárat fordulatszám	2,900 rpm
Tömeg	15,5 kg (N.W.)
Funkció	
Asztal mérete	381 mm x 502 mm
Asztal magassága szekrényről az asztalig	181 mm
Anyag specifikációk	
Asztal anyaga	Rozsdamentes acél
Állvány anyaga	Acél csőszerkezet
Vágószerszámok/teljesítmény	
Tárcsa átmérője	178 mm
Tárcsa típusa	Gyémánt
Tárcsa belső átmérője	25,4mm
Maximális vágási mélység	33 mm





Magyar

A mért értékek meghatározása az EN 61029 szerint történt A-súlyozott hangnyomásszint Bizonytalanság K	$L_{pA} = 61,0 \text{ dB(A)}$ 3 dB(A)
A mért értékek meghatározása az EN 61029 szerint történt A-súlyozott hangteljesítményszint Bizonytalanság K	$L_{WA} = 77,0 \text{ dB(A)}$ 3 dB(A)

ISMERJE MEG A CSEMPEVÁGÓT

178 mm-es csempevágó tárcsa

- A vágóhoz egy 178 mm-es csempevágó tárcsa is mellékelve van.

Ferdevágó asztal

- A ferdevágó asztallal 22,5°-os és 45°-os vágások végezhetők.

Fogantyúk

- A vágó felemeléséhez és szállításához a gép jobb és bal oldalán kényelmes fogantyúk találhatóak.

Gérvezető

- A gérvezető teljes mértékben állítható átlós- és gérvágásokhoz.

Motor

- A gép erős motorral van felszerelve, ami elegendő teljesítménnyel rendelkezik a nehezebb vágási munkák elvégzéséhez is.

Párhuzamvezető

- A párhuzamvezető teljes mértékben állítható keresztvágásokhoz és a gérvezető használatához.

Csempevágó állvány

- A vágó hordozhatóságot és a kényelmes használatot segítő állvánnyal kerül kiszállításra.

Tárcsavédő

- A tárcsavédő védelmet nyújt a vízpermet és kifröccsenő víz ellen

ÖSSZESZERELÉS

A TÁRCSAVÉDŐ FELSZERELÉSE

Lásd 5-6. ábrá.

1. Távolítsa el a ferdeasztalt.
2. Helyezze az L-alakú tárcsavédő keretet az asztal alatti vajatba, a tárcsa mögé.
3. Helyezze a csavarokat az asztalba, és dugja át a tárcsavédő keretén, majd erősen húzza meg.

MEGJEGYZÉS: Ügyeljen arra, hogy a tárcsavédő kerete úgy legyen a vágótárcsához igazítva, hogy nem érintkezik a vágandó munkadarabbal.

4. Igazítsa a tárcsavédőt a tárcsához, majd hajtsa rá a keretre. Igazítsa egymáshoz a tárcsavédő furatait és a tárcsavédő keretének nyílását.

MEGJEGYZÉS: Mindig az asztalhoz képest vízszintesben állítsa be a tárcsavédőt, kissé a csempe vastagsága felé. A tárcsavédő nem érintkezhet a csempevel.

5. Helyezze a hatlapfejű csavart a tárcsavédőbe és a keretbe.
6. Csavarja rá a gombot a csavarra, és húzza be a kívánt magasságon.
7. Helyezze vissza a ferdeasztalt.

MEGJEGYZÉS: A tárcsavédő/burkolat gyárilag össze van szerelve. Ne szedje szét a gépet beállítás és karbantartás közben.

A PÁRHUZAMVEZETŐ FELSZERELÉSE

Lásd 7. ábrá.

1. Forgassa a gombot az óramutató járásával ellentétes irányba a párhuzamvezetőn a meglazításhoz.
2. A párhuzamvezetőt csúsztassa rá az asztal oldalára.
3. Használja az asztal elején és hátulján található párhuzamvezető skálát a párhuzamvezető beállításához a kívánt vágásszélességhez.
4. Forgassa az óramutató járásának irányába a párhuzamvezető gombját a meghúzáshoz.

A GÉRVEZETŐ FELSZERELÉSE

Lásd 7. ábrá.

1. Állítsa be a párhuzamvezetőt a kívánt helyzetbe, és rögzítse.
2. Az elejéről tolja rá a gérvezetőt a párhuzamvezetőre.
3. A szögskála segítségével állítsa be a kívánt szöveget, és erősen húzza meg a gombot.

AZ ÁLLVÁNY ÖSSZESZERELÉSE

Lásd 8-9. ábrá.

A támasztókeretek és az állványlábak egyforma betűkkel vannak ellátva a könnyebb összeszereléshez.

Szükséges szerszámok: Állítható csavarkulcs vagy 13 mm-es csavarkulcs és Philips csavarhúzó.

1. Illesse az „A” jelzésű állványlábakat a támasztókeret „A” jelzésű csöveibe. Az állvány lábainak ferde végei egymással ellentétes irányba nézzenek úgy, hogy egy „V”-t alkotssanak. Igazítsa egymáshoz a kötőelemek furatait. Ismétlje meg az eljárást a második támasztókerettel és a „B” jelzésű lábakkal.
2. Illesse a lábszerelvényeket a merevítőkbé. A „B” láb szerelvény a merevítők belső részén fekszik. Az „A” láb szerelvény a külső oldalra kerül. Állítsa egy vonalba a merevítők és a lábak furatait. Dugja át a kötőelemeket a furatokon.
3. Egy kulccsal húzza meg a kötőelemeket.
4. Helyezze az állványt vízszintes talajra, és állítsa egy vonalba a rovátkákat a csempevágó alatt és az állványon lévő kereten. Helyezze az asztalt az állványra.





Magyar

5. Használat előtt ellenőrizze, hogy a csempevágó vízszintes talajon van és az állvány stabilan áll.

A TÚLFOLYÓCSŐ FELSZERELÉSE

Lásd 10. ábrát.

1. Távolítsa el a ferdeasztalt.
2. Keresse meg a nyílást a víztartály alján.
3. Nyomja be erősen a túlfolyócsövet a nyílásba.
4. Helyezze vissza a ferdeasztalt.

A RETESZEK ÖSSZESZERELÉSE

1. Fordítsa fejjel lefelé a csempevágó burkolatát.
2. Igazítsa a reteszek csavarfuratait a csempevágó burkolatának alján található csavarfuratokhoz.
3. Helyezze be a csavarokat, és erősen húzza meg.

A VÍZTARTÁLY FELTÖLTÉSE

Lásd 11. ábrát.

1. Távolítsa el a ferdeasztalt.
2. Töltse fel a víztartályt tiszta csapvízzel a feltöltési vonalig.
MEGJEGYZÉS: A túlfolyócső megakadályozza a túltöltést.
3. Helyezze vissza a ferdeasztalt.

A VÍZ CSERÉJE A TARTÁLYBAN

1. Húzza ki a csempevágót az elektromos hálózathoz.
2. Távolítsa el a túlfolyócsövet, és ürítse a tartalmát egy vödörbe. Ne hagyja, hogy a víz ráfröccsenjen a gépre vagy a talajra.
3. A szennyvizet a helyi szabályozásnak megfelelően semmisítse meg.

HASZNÁLAT

▲ FIGYELEM

A szerszám kiismerése ne készítse figyelmének csökkentésére. Soha ne feledje, hogy egy pillanatnyi figyelmetlenség is elegendő ahhoz, hogy súlyosan megsérüljön.

▲ FIGYELEM

Viseljen mindig biztonsági szemüveget vagy oldallappal ellátott védőszemüveget, amikor valamilyen szerszámot használ. Ennek az előírásnak a be nem tartása által a felhasználó szemébe idegen test kerülhet és ez súlyos zemsérülést okozhat.

▲ FIGYELEM

Kizárólag a gyártó által ezen szerszámmal előírt alkatelmekeket és tartozékokat használjon. A nem előírt alkatelmekek és tartozékok használata súlyos sérülésekkel járó baleseteket idézhet elő.

AZ RCD ELLENŐRZÉSE A HASZNÁLAT MEGKEZDÉSE ELŐTT

1. Dugja be az RCD-t egy elektromos aljzatba.
2. Nyomja meg a visszaállítás gombot. A bekapcsolásjelzőnek ki kell gyulladnia.
3. Nyomja meg a teszt gombot. A bekapcsolásjelzőnek ki kell aludnia.
FIGYELEM: Ha az RCD nem felel meg az ellenőrzésen, ne használja a gépet. Kérjen tanácsot egy képzett villanyszerelőtől.
4. Nyomja meg a visszaállítás gombot az RCD aktiválásához.

MŰVELETEK

A gépet az alábbi listában felsorolt műveletek végzésére használhatja:

Egyenes vonalú vágási műveletek, például keresztvágás, gérvágás, hasítás és ferdevágás

MEGJEGYZÉS: A vágó csak csempék, burkolókövek, természetes kőből készült termékek és kőcsempék vágására alkalmas.

Be/ki kapcsoló

A vágó egy könnyen hozzáférhető BE/KI kapcsolóval van felszerelve az elülső vezetősin alatt.

A vágó kikapcsolása:

Nyomja le a piros gombot a Kikapcsoláshoz (O).

A vágó bekapcsolása:

Nyomja le a zöld gombot a BEkapcsoláshoz (I).

A vágó rögzítése:

A vágó Kikapcsolt állapotában húzza ki a dugaszt az áramforrásból.

▲ FIGYELEM

MINDIG ellenőrizze, hogy a munkadarab nem érintkezik a vágótárcsával, mielőtt a kapcsolóval beindítja a gépet. Ezen figyelmeztetés figyelmen kívül hagyása a munkadarabnak a kezelő felé történő kidobódását okozhatja, és súlyos személyi sérülést eredményezhet.





Magyar

▲ FIGYELEM

A véletlen beindítás veszélyének elkerüléséhez a gép hálózatra való bedugása előtt mindig ellenőrizze, hogy a kapcsoló KI állásban van. Áramellátás megszakadása esetén, vagy ha a gép használaton kívül van, kapcsolja KI állásba a kapcsolót, és húzza ki a dugaszt a hálózati aljzathoz. Ez a művelet megakadályozza a gép véletlen beindulását az áramellátás visszatérésekor.

A PÁRHUZAMVEZETŐ ÉS A GÉRVEZETŐ HASZNÁLATA

Lásd 13. ábrát.

A párhuzamvezető a vágótárcsa bal és jobb oldalán egyaránt használható.

1. Forgassa a gombot az óramutató járásával ellentétes irányba a párhuzamvezetőn a meglazításhoz.
2. Az asztal elején és hátulján található párhuzamvezető skálával állítsa be a párhuzamvezetőt a kívánt vágásszélességnek megfelelő pozícióba.
3. Forgassa el a gombot az óramutató járásának irányába a meghúzáshoz.

A SZÖGKÉ BEÁLLÍTÁSÁHOZ

Állítsa be a párhuzamvezetőt a kívánt helyzetbe, és erősen húzza meg.

1. Az elejéről tolja rá a gérvezetőt a párhuzamvezetőre.
2. A szögskála segítségével állítsa be a kívánt szöveget, és erősen húzza meg a gombot.

VÁGÁS

Egy jelölő vagy zsríkréta segítségével mindig rajzolja fel a vágási vonalat. Ha a csempe fényes vagy nehezen jelölhető, helyezzen egy szalagot a csempére, és azt jelölje meg.

Csempevágáskor általános probléma, hogy eltérnek a megjelölt vonaltól. Ha eltért a vonaltól, ne a csempe elforgatásával próbálja visszatérni a tárcsához a vonalra. Ehelyett menjen vissza és vágja újra a csempét egy kis darabot levágva, amíg vissza nem tér a kijelölt vonalra.

A probléma elkerülésére használja a párhuzamvezetőt keresztvágásokhoz, a gérvezetőt gérvágásokhoz és az állítható jobb oldali asztalt ferdevágásokhoz, ha lehetséges.

Keresztvágáshoz

Lásd 14. ábrát.

A keresztvágások egyenes 90°-os vágások. A munkadarab mozgatása a vágáshoz a tárcsához képest 90°-os szögben történik, miközben a tárcsa függőleges.

1. Egy jelölő vagy zsríkréta segítségével jelölje meg a vágandó területet a munkadarabon.
2. Állítsa be a párhuzamvezetőt a kívánt helyzetbe, és erősen húzza meg.

3. Helyezze a munkadarabot az asztalra, és erősen nyomja a párhuzamvezetőnek.
4. A vágó bekapcsolása előtt győződjön meg róla, hogy a munkadarab távol van a vágótárcsától.
5. Kapcsolja be a gépet.
6. Hagyja, hogy a vágótárcsa felgyorsuljon teljes fordulatszámra, és várja meg, hogy nedves legyen, mielőtt mozgatni kezdi a munkadarabot a tárcsa felé.
7. Erősen nyomja a munkadarabot a párhuzamvezetőnek, és mozgassa a vágótárcsa felé.
8. A vágás elvégzése után kapcsolja KI a vágót. Várja meg, hogy a vágótárcsa teljesen megálljon, mielőtt eltávolítaná a munkadarab bármelyik részét.

45°-os átlós vágáshoz

Lásd 15. ábrát.

A 45°-os átlós vágások másik neve „távoli pontból a távoli pontba vágás”.

1. Egy jelölő vagy zsríkréta segítségével jelölje meg a vágandó területet a munkadarabon.
2. Állítsa be a párhuzamvezetőt a kívánt szélességre, és erősen húzza be a gombot a rögzítéshez.
3. Az elejéről tolja rá a gérvezetőt a párhuzamvezetőre.
4. A szögskála segítségével állítsa be a gérvezetőt 45°-ba, és erősen húzza meg a gombot.
5. A vágó bekapcsolása előtt győződjön meg róla, hogy a munkadarab távol van a vágótárcsától.
6. Kapcsolja be a gépet.
7. Hagyja, hogy a vágótárcsa felgyorsuljon teljes fordulatszámra, és várja meg, hogy nedves legyen, mielőtt mozgatni kezdi a munkadarabot a tárcsa felé.
8. Erősen nyomja a munkadarabot a gérvezetőnek, és csúsztassa a gérvezetőt a párhuzamvezető mentén. Adagolja az munkadarabot a vágótárcsa felé.
9. A vágás elvégzése után kapcsolja KI a vágót. Várja meg, hogy a vágótárcsa teljesen megálljon, mielőtt eltávolítaná a munkadarab bármelyik részét.

Gérvágáshoz

Lásd 16. ábrát.

Gérvágásokkal a munkadarab külső és belső sarkai, díszítő szegőlécek alakíthatók ki, valamint a munkadarab alakításához használhatók bármilyen, akár 90°-tól eltérő szögben is. A gérvágások vágás közben „csúszhatnak”. Ez a munkadarabot erősen a gérvezetőhöz szorítva szabályozható.

1. Egy jelölő vagy zsríkréta segítségével jelölje meg a vágandó területet a munkadarabon.
2. Állítsa be a párhuzamvezetőt a kívánt szélességre, és erősen húzza be a gombot a rögzítéshez.
3. Az elejéről tolja rá a gérvezetőt a párhuzamvezetőre.
4. A szögskála segítségével állítsa be a gérvezetőt a kívánt szögbe, és erősen húzza meg a gombot.





Magyar

- A vágó bekapcsolása előtt győződjön meg róla, hogy a munkadarab távol van a vágótárcsától.
- Kapcsolja be a gépet.
- Hagyja, hogy a vágótárcsa felgyorsuljon teljes fordulatszámra, és várja meg, hogy nedves legyen, mielőtt mozgatni kezdi a munkadarabot a tárcsa felé.
- Erősen nyomja a munkadarabot a gérvezetőnek, és csúsztassa a gérvezetőt a párhuzamvezető mentén. Adagolja az munkadarabot a vágótárcsa felé.
- A vágás elvégzése után kapcsolja KI a vágót. Várja meg, hogy a vágótárcsa teljesen megálljon, mielőtt eltávolítaná a munkadarab bármelyik részét.

L-vágáshoz

Lásd 17. ábrá.

Az L-vágások azok a vágások, amelyek úgy távolítanak el egy darabot a csempéből, hogy az egy sarok, egy szekrény vagy egy burkolat sarka elé helyezhető; a vágáshoz két külön vágás szükséges.

MEGJEGYZÉS: Csak a munkadarab alatt vagy alján vágjon túl.

- Vágja az munkadarabot a kívánt szélességre a keresztvágásokra vonatkozó utasítások alapján.
- Állítsa be a párhuzamvezetőt a kívánt helyzetbe, és erősen húzza meg.
- Helyezze a munkadarabot az asztalra, és erősen nyomja a párhuzamvezetőnek.
- A vágó bekapcsolása előtt győződjön meg róla, hogy a munkadarab távol van a vágótárcsától.
- Kapcsolja be a gépet.
- Hagyja, hogy a vágótárcsa felgyorsuljon teljes fordulatszámra, és várja meg, hogy nedves legyen, mielőtt mozgatni kezdi a munkadarabot a tárcsa felé.
- Erősen nyomja a munkadarabot a párhuzamvezetőnek, és mozgassa a vágótárcsa felé.
- Elég mélyen vágjon be a munkadarabba, de ne vágjon tovább a szükséges mélységnél.
- Kapcsolja ki a gépet.
- Fordítsa át a munkadarabot, és készítse el a vágást az egyik jelölés mentén. Most vágjon túl a másik vonalon, és a levágott darabot különítse el a munkadarab többi részétől.
- Kapcsolja be a gépet.
- Hagyja, hogy a vágótárcsa felgyorsuljon teljes fordulatszámra, és várja meg, hogy nedves legyen, mielőtt mozgatni kezdi a munkadarabot a tárcsa felé.
- A vágás elvégzése után kapcsolja KI a vágót. Várja meg, hogy a vágótárcsa teljesen megálljon, mielőtt eltávolítaná a munkadarab bármelyik részét.

Ferdevágáshoz

Lásd 18-19. ábrá.

A ferdevágó asztallal 22,5°-os és 45°-os vágások

végezhetők.

- Egy jelölő vagy zsírkréta segítségével jelölje meg a vágandó területet a munkadarabon.
 - Fordítsa fel a ferdeasztalt.
 - A ferdeasztal alján húzza ki a két lábat és állítsa az asztalra merőlegesen.
 - Használja a lábakon levő első bevágást az asztal 22,5°-os szögbe való lefektetéséhez.
 - Használja a második bevágást a ferdeasztal 45°-os szögének beállításához.
- MEGJEGYZÉS:** A vágás megkezdése előtt ellenőrizze, hogy a ferdeasztal a helyére van rögzítve. Hajtsa ki a lábakat, és fektesse le a ferdeasztalt a 22,5°-os vagy a 45°-os szöghöz.
- Kapcsolja be a gépet.
 - Hagyja, hogy a vágótárcsa felgyorsuljon teljes fordulatszámra, és várja meg, hogy nedves legyen, mielőtt mozgatni kezdi a munkadarabot a tárcsa felé.
 - Erősen nyomja a munkadarabot a ferdevágó asztalra, és mozgassa a vágótárcsa felé.
 - A vágás elvégzése után kapcsolja KI a vágót. Várja meg, hogy a vágótárcsa teljesen megálljon, mielőtt eltávolítaná a munkadarab bármelyik részét.

KARBANTARTÁS

▲ FIGYELEM

Szervizelőskor csak azonos cserealkatrészeket használjon. Bármilyen más alkatrész használata veszélyt vagy a termék károsodását okozhatja.

▲ FIGYELEM

Elektromos szerszámgépek használatakor vagy a por kifúvásakor mindig viseljen védőszemüveget vagy oldalellenzővel rendelkező védősisakot. Ha a használat poros környezetben történik, vegyen fel egy pormaszkot is.

▲ FIGYELEM

Ha a tápkábel sérült, azt a veszélyek elkerülése érdekében csak a gyártó vagy annak hivatalos szervizközpontja cserélheti ki.

▲ FIGYELEM

A biztonság és a megbízhatóság érdekében, minden javítási munkálatot egy Ryobi Szerviz Központban végeztessen el.





Magyar

ÁLTALÁNOS KARBANTARTÁS

A műanyag részek tisztításakor tartózkodjon a tisztítószeres használatától. A legtöbb műanyag érzékeny a különböző típusú kereskedelmi oldószerekre és azok használata esetén károsodhat. Egy tiszta ruhát használjon a kosz, por, olaj, kenőzsír, stb. eltávolítására.

FIGYELEM

Óvja a műanyagból készült részeket fékolajtól, benzintől, és minden egyéb, kőolaj alapú terméktől. Ezek a vegyszerek olyan vegyületeket tartalmaznak, melyek megromlíthatják, meglágyíthatják vagy lebonthatják a műanyagból készült részeket, ami súlyos testi sérüléseket is okozhat.

Kenés

A szerszámban lévő összes csapágy a gép teljes élettartamára elegendő kenőanyaggal van feltöltve, normál körülmények közötti használat esetén.

Csapevágó tárcsa

A maximális teljesítmény és biztonság érdekében javasolt a vágóhoz mellékelt 178 mm-es vágótárcsa használata. További ugyanilyen kiváló minőségű vágótárcsák kaphatók a helyi forgalmazónál.

FIGYELEM

Ne használjon nem a géphez méretezett fordulatszámú tárcsát. Ezen figyelmeztetés figyelmen kívül hagyása személyi sérülést eredményezhet. Ne használjon repedezett, hézagos vagy fogazott tárcsákat.

A CSEPEVÁGÓ TÁRCSA CSERÉJE

Lásd 20. ábrát.

FIGYELEM

A 178 mm-es csapevágó tárcsa a legnagyobb átmérőjű tárcsa, ami még a vágóba helyezhető. Ne használjon olyan tárcsát, amelyik túl vastag ahhoz, hogy az illesztőperem beakadjon a tengely lapos részébe. A nagyobb méretű tárcsák hozzáérhetnek a tárcsavédőhöz, míg a vastagabb tárcsák megakadályozzák, hogy a tárcsarögzítő csavar megfelelően rögzítse a tárcsát a tengelyen. Ezen szituációk bármelyike súlyos balesetet eredményezhet, és súlyos személyi sérülést okozhat.

1. Húzza ki a vágót az elektromos hálózathoz.
2. Távolítsa el a ferdeasztalt.
3. Csúsztassa az imbuszkulcsot a tárcsa tengelyének csavaranyájára. A másik kezével csúsztassa rá a

tengelykulcsot a tárcsa tengelyére.

4. Tartsa erősen a tengelykulcsot, hogy megakadályozza a tárcsa forgását. Forgassa az óramutató járásával ellentétes irányba a tengely csavaranyáját a meglazításhoz.
5. Távolítsa el a tengely anyacsavarját, a külső illesztőperemet és a vágótárcsát.
6. Kenje egy csepp olajat a belső illesztőperemre, ahol az a vágótárcsával érintkezik.

FIGYELEM

Ha a belső tárcsaillesztő peremet eltávolították, a tárcsa tengelyre való visszahelyezése előtt tegye vissza azt. Ennek elmulasztása balesetet okozhat, mivel a tárcsa nem lesz megfelelően meghúzva. Ne használjon olyan tárcsákat a gépen, amelyen nyílások, vajatok vagy fogak találhatók.

7. Helyezze a vágótárcsát a tengelyre úgy, hogy a vágótárcsán levő nyilak az óramutató járásával ellentétes irányba nézzenek.
8. Helyezze vissza a külső illesztőperemet. A kettős „D” profilú lapos részeket az illesztőperemen a tengely lapos részeihez kell igazítani.
9. A tárcsakulcs és a tengelykulcs használatával húzza meg a tengely csavaranyáját.
10. Helyezze vissza a ferdeasztalt.

KÖRNYEZETVÉDELME

Segítse elő az alapanyagok újrahasznosítását azzal, hogy nem helyezi el őket a háztartási szemétben. Környezetvédelmi megfontolásból a kiszolgált berendezést, tartozékokat és csomagolóanyagokat szelektív módon kell elhelyezni.



SZIMBÓLUM



Biztonsági figyelmeztetés



CE megfeleléség



GOST-R megfeleléség



Magyar



Kérjük, olvassa át gondosan ezt az útmutatót a termék beindítása előtt.



Mindig viseljen védőszemüveget.



Viseljen fülvédőt



Viseljen védőkesztyűt



VESZÉLY! Éles fűrészlap



Figyelem, vágásveszély



Ne tegye ki esőnek és ne használja nedves környezetben.



Ne tegye ki esőnek és ne használja nedves környezetben.



A gépet egy folyamatosan permetezett gyémánt vágótárcsával kell használni.



Kés forgásiránya



Gyémánt vágótárcsa



Tárcsa átmérője



Fűrészlap furata átmérője



nettó tömeg



Vágás mélység (max.)



Marási szélesség (max.)



Vágás átlós szélessége (max.)



Hasznosítsa újra



A kiselejtezett elektromos termékeket nem szabad a háztartási hulladékkal együtt kidobni. Ezeket újra kell hasznosítani, ha van rá lehetőség. Az újrahasznosítással kapcsolatban érdeklődjön a helyi önkormányzatnál vagy a termék forgalmazójánál.



Română

DESCRIERE

1. Bolț de împământare
2. Cordon de alimentare
3. Bucălă în coborâre
4. Lamă diamantată
5. Întrerupător pornire/oprire
6. Ghidaj de tăiere
7. Ghidaj în unghi
8. Linie de umplere maximă
9. Scurgere de supraplin
10. Rezervor de apă
11. Riglă de ghidare a tăierii
12. Suport
13. Opritor cordon
14. Mânere de ridicare
15. Protecție lamă
16. Masă profilată
17. Carcasă ferăstrău cu lamă diamantată
18. Cheie hexagonală
19. Cheie arbore
20. Șuruburi
21. Consolă protecție lamă
22. Piulițe hexagonale
23. Bolțuri hexagonale
24. Picioare suport "A"
25. Picioare suport "B"
26. Bolț(uri) suport picior
27. Piuliță(e) suport picior
28. Scoabă(e) suport picior
29. Consolă de suport "A"
30. Consolă de suport "B"
31. Clicheți
32. Eliberare tensiune
33. Muchie
34. Buton ghidaj de tăiere
35. Ansamblu picior "A"
36. Ansamblu picior "A"
37. Scală ghidaj în unghi
38. Buton ghidaj în unghi
39. Picior masă profilată
40. creștătură de reglare de 22.5°
41. creștătură de reglare de 45°
42. Arbore
43. Flanșa interioară
44. Flanșa exterioară
45. Piuliță arbore

MĂSURI DE SIGURANȚĂ GENERALE

AVERTISMENT

Atunci când utilizați unelte electrice, întotdeauna trebuie luate minime măsuri de siguranță pentru a reduce riscul producerii de incendii, șocuri electrice sau leziuni.

Citiți toate instrucțiunile înainte de a încerca să operați produsul și păstrați aceste instrucțiuni.

- **Familiarizați-vă cu scula dumneavoastră electrică.** Citiți cu atenție manualul de utilizare. Învățați utilizările și limitările, precum și riscurile potențiale specifice legate de acest produs.
- **Protejați împotriva șocurilor electrice prin prevenirea contactului corpului cu suprafețele împământate.** De exemplu, incinte de conducte, radiatoare, mașini de gătit, frigider.
- **Păstrați elementele de protecție în poziție și în bună stare de funcționare.**
- **Îndepărtați cheile de reglare.** Formați-vă obiceiul ca înainte de pomiere aparatului să verificați ca toate cheile de reglare să fie îndepărtate de pe acesta.
- **Păstrați zona de lucru curată.** Zonele și bancurile dezordonate facilitează accidentele. NU lăsați uneltele sau piesele de lemn pe ferăstrău în timp ce acesta este în funcțiune.
- **Nu utilizați în medii periculoase.** Nu utilizați scula electrică în medii ce prezintă umezeală și nu-l expuneți la ploaie. Păstrați spațiul de lucru bine luminat. Nu utilizați uneltele electrice în prezența lichidelor sau a gazelor inflamabile.
- **Țineți copiii și vizitatorii la distanță.** Toți vizitatorii trebuie să poarte ochelari de protecție și să fie ținuți la o distanță sigură de spațiul de lucru. Nu permiteți vizitatorilor să ia contact cu unealta sau cu cablul de racord în timpul operării.
- **Nu forțați unealta electrică.** Va realiza operația mai bine și mai sigur la rata de alimentare pentru care a fost proiectat.
- **Utilizați unealta potrivită.** Nu forțați produsul sau accesoriul să facă un lucru pentru care nu a fost prevăzut. Nu-l utilizați pentru un scop pentru care nu a fost prevăzut.
- **Utilizați cordonul de racord adecvat.** Asigurați-vă de starea bună de funcționare a cablului de racord. Utilizați numai un cordon suficient de rezistent pentru a suporta curentul necesar pentru produsul dumneavoastră. Un cordon cu o dimensiune inferioară poate conduce la o cădere de tensiune, rezultând în supraîncălzirea dispozitivului și pierderea de energie.
- **Îmbrăcați-vă corespunzător.** Nu purtați haine largi,





Română

mănuși, cravate sau bijuterii. Acestea pot fi agățate și vă pot trage înspre părțile mobile. Mănușile de cauciuc și încălțăminte aderentă (cizme cu talpa din cauciuc) sunt recomandate atunci când lucrați afară. De asemenea, în cazul în care aveți părul lung, purtați o plasă de păr de protecție, care să îl acopere.

- **Întotdeauna purtați ochelari de protecție cu apărători laterale.** Ochelarii obișnuiți dispun doar de lentile rezistente la impact; aceștia NU sunt ochelari de protecție.
- **Securizați lucrarea.** Utilizați cleme sau o menghină pentru a ține lucrarea, atunci când este practic. Este mai sigur decât folosirea mâinii și lasă libere ambele mâini pentru a opera unealta.
- **Nu vă întindeți excesiv.** În timpul operării dispozitivului, păstrați-vă în permanență echilibrul și stabilitatea.
- **Întrețineți unealta cu grijă.** Păstrați instrumentele ascuțite și curate pentru o performanță mai bună și mai sigură. Respectați instrucțiunile de lubrifiere și pentru schimbarea accesoriilor. Inspectați cordoanele de racord în mod periodic și dacă sunt deteriorate, dispuneți repararea lor de către un centru de service autorizat. Inspectați cordoanele de racord în mod periodic și înlocuiți-le dacă sunt deteriorate. Păstrați mânerul uscat, curat și fără uleiuri sau grăsimi.
- **Deconectați uneltele.** Atunci când nu se află în uz, înaintea efectuării operațiunilor de service sau când sunt înlocuite accesoriile, lame, burghie, tăietoare etc., toate uneltele trebuie deconectate. Îndepărtați fișa înainte de a efectua orice fel de operațiuni de reglare, service sau întreținere.
- **Evitați pornirea accidentală a sculei.** Asigurați-vă că comutatorul este în poziția oprit atunci când conectați orice sculă.
- **Utilizați accesoriile recomandate.** Consultați manualul de utilizare pentru accesoriile recomandate. Utilizarea unor accesorii necorespunzătoare poate conduce la apariția riscului unor răni.
- **Nu stați niciodată pe unealtă.** Dacă unealta de tăiere este înclinată sau dacă este atinsă accidental, ar putea interveni rănirea gravă.
- **Verificați părțile deteriorate.** Înainte de a continua utilizarea aparatului, un element de protecție sau o altă componentă care este avariată trebuie să fie verificate cu atenție pentru a determina dacă acestea vor funcționa corespunzător și vor îndeplini funcțiile pentru care sunt prevăzute. Verificați alinierea părților mobile, înțepenirea acestora, defectarea unor piese, montajul și orice alte condiții care ar putea afecta operarea aparatului. Un element de protecție sau altă componentă care este avariată trebuie să fie reparate sau înlocuite în mod corespunzător de către un centru

de reparații autorizat pentru a evita riscul unor răni.

- **Utilizați direcția de alimentare corectă.** Alimentați materialul de lucru către lamă sau tăietor numai în direcția opusă direcției de rotire a lamei sau a tăietorului.
- **Nu lăsați niciodată unealta să funcționeze nesupravegheată. Opriti alimentarea.** Nu vă îndepărtați de unealtă decât după ce aceasta s-a oprit complet.
- **Protejați-vă plămânilor.** Purtați o mască pentru față sau împotriva prafului dacă operația de tăiere generează praf.
- **Protejați-vă auzul.** Purtați antifoane atunci când operați produsul pe perioade lungi de timp.
- **Nu forțați cordonul.** Nu trageți niciodată brusc de cordon pentru a-l deconecta de la priză. Țineți cordonul la distanță de căldură, ulei și muchii ascuțite.
- **Păstrați întotdeauna protecția lamei în poziție și în bună stare de funcționare.**
- **Țineți mâinile la distanță de zona de tăiere.** Țineți mâinile departe de lamă. Nu atingeți lucrarea de sub, din jurul sau de deasupra lamei în timp ce aceasta se rotește. Nu încercați să îndepărtați materialul tăiat atunci când lama este în mișcare.
- **Lama coboară după ce este oprită.**
- **Nu utilizați niciodată în atmosfere ce prezintă risc de explozie.** Scănteierea obișnuită a motorului ar putea aprinde vaporii.
- **Inspectați periodic cordoanele uneltei.** Dacă s-a avariata, dispuneți repararea de către un tehnician de service calificat la un centru de service autorizat.
- **Inspectați cordoanele de racord în mod periodic și înlocuiți-le dacă sunt deteriorate.**
- **Împământați toate uneltele.** Dacă unealta este prevăzută cu o fișă cu trei știfturi, aceasta trebuie conectată la o priză electrică cu trei găuri.
- **Consultați un electrician calificat sau personalul de service, în cazul în care instrucțiunile de împământare nu sunt complet înțelese sau dacă există nedumeriri privind împământarea adecvată a produsului.**
- **Utilizați doar dispozitivele electrice corecte:** cabluri de racord cu 3 fire care dispun de fișe cu împământare cu 3 știfturi și prize de curent cu 3 poli care acceptă fișa produsului.
- **Nu modificați fișa furnizată.** În cazul în care nu se potrivește în priză, asigurați-vă că priza este instalată de către un electrician calificat.
- **Păstrați aparatul uscat, curat și fără urme de uleiuri și grăsimi.** Întotdeauna utilizați o cârpă uscată atunci când curățați. Nu utilizați niciodată lichid de





Română

frână, benzină, produse petroliere sau orice fel de solvenți pentru a curăța aparatul.

- **Fiți vigilenți și mențineți controlul.** Fiți atenți la ceea ce faceți și folosiți-vă simțul practic. Nu operați unealta atunci când sunteți obosit. Nu vă grăbiți.
- **Nu utilizați scula dacă întrerupătorul nu funcționează.** Dispuneți înlocuirea întrerupătoarelor defecte de către un centru de service autorizat.
- **Utilizați doar lama corectă.** Nu utilizați lame cu găuri cu dimensiunile incorecte. Nu utilizați niciodată șaibe sau piulițe de arbore care sunt defecte sau incorecte. Capacitatea maximă a a lamei ferăstrăului dumneavoastră este de 178 mm. Toate lamele utilizate trebuie să fie fabricate în conformitate cu EN13236. Nu utilizați niciodată o lamă de tăiere cu o valoare a vitezei mai mică decât cea a unelei.
- **Înainte de a face o tăiere, asigurați-vă că toate reglajele sunt securizate.**
- **Nu atingeți niciodată lama sau alte părți mobile în timpul utilizării.**
- **Nu porniți niciodată o unealtă atunci când orice componentă rotativă este în contact cu piesa de lucru.**
- **Nu utilizați unealta atunci când vă aflați sub influența narcoticelor, a alcoolului sau a medicamentelor.**
- **În cadrul lucrărilor de reparație, utilizați doar piese de schimb de același tip.** Utilizarea oricărui alt tip de piese poate genera o situație de pericol sau poate deteriora produsul.
- **Utilizați doar accesoriile recomandate listate în acest manual sau în anexe.** Utilizarea unor accesorii care nu sunt enumerate poate cauza riscul unor răni. Instrucțiuni pentru utilizarea în siguranță a accesoriilor sunt incluse împreună cu accesoriul.
- **Verificați de două ori toate configurările.** Asigurați-vă că lama este fixată bine și că nu intră în contact cu ferăstrăul sau cu piesa de lucru înainte de conectarea la alimentarea electrică.

AVERTIZĂRI DE SIGURANȚĂ FERĂSTRĂUL CU LAMĂ DIAMANTATĂ

- Întotdeauna securizați lucrarea pe ghidajul de tăiere sau blocul în unghi.
- Nu stați niciodată și nu lăsați ca nicio parte a corpului dumneavoastră să fie în linie cu calea lamei.
- Nu încercați niciodată să eliberați o lamă blocată fără a opri mai întâi ferăstrăul și a-l deconecta de la sursa de alimentare electrică.
- Dacă cordonul de alimentare electrică este deteriorat, acesta trebuie înlocuit de către producător sau de

către un centru de service autorizat pentru a evita riscurile.

- Evitați operațiile improprie și pozițiile mâinilor în care o alunecare bruscă să provoace intrarea mâinii dumneavoastră în unealta de tăiat.
- Înainte de a efectua orice fel de lucrare utilizând ferăstrăul, asigurați-vă că zona de lucru dispune de o iluminare puternică pentru a vedea lucrarea și că niciun fel de impedimente nu interferează cu operarea în siguranță.
- Oprii întotdeauna ferăstrăul înainte de a-l deconecta pentru a evita pornirea accidentală la reconectarea la alimentarea electrică.
- Această unealtă trebuie să prezinte următoarele marcaje:
 - Purtați echipamente de protecție a vederii.
 - Utilizați protecția lamei pentru fiecare dintre operațiile la care poate fi utilizată.
 - Deconectați ferăstrăul înainte de efectuarea operațiilor de service, când schimbați lamele de tăiere și când îl curățați.
 - Utilizați unele cu lame diamantate cu tășuri netede ce nu prezintă deschizături, caneluri sau zimți.
 - Înlocuiți lama avariata înainte de operare.
 - Nu umpleți baia de apă peste linia de umplere cu apă.
- **Păstrați aceste instrucțiuni.** Consultați-le frecvent și folosiți-le pentru a instrui alți utilizatori. Dacă împrumutați această sculă unei alte persoane, împrumutați-i de asemenea și aceste instrucțiuni.

CONEXIUNEA ELECTRICĂ

Această unealtă are încorporat un motor electric de precizie. Trebuie conectat doar la o sursă de alimentare de 220-240V, c.a. (curentul menajer obișnuit), 50 Hz. Nu utilizați acest produs la curent continuu (c.c.). O cădere substanțială de tensiune va conduce la o pierdere de putere, iar motorul se va supraîncălzi. Dacă ferăstrăul nu funcționează când este conectat la priză, verificați încă o dată sursa de alimentare.

VITEZĂ ȘI CABLAJ

Viteza la funcționare în gol a unelei este de aproximativ 2,900 rpm. Această viteză nu este constantă și se micșorează în prezența unei sarcini sau a unei tensiuni mai reduse. Pentru tensiune, cablajul într-un atelier este la fel de important ca puterea nominală a motorului. O linie destinată exclusiv iluminatului nu poate suporta în mod corespunzător motorul unei scule electrice. Firului care este suficient de rezistent pentru o distanță scurtă îi va lipsi rezistența pentru o distanță mai lungă. Este posibil ca o linie ce suportă o sculă electrică să nu suporte două sau trei scule.



INSTRUCȚIUNI PRIVIND ÎMPĂMÂNTAREA

A se vedea figura 1.

Acest produs trebuie împământat. În cazul unei defecțiuni sau avarii, împământarea asigură o cale rezistență minimă pentru curentul electric, reducând astfel riscul producerii de șocuri electrice. Această unealtă este echipată cu un cordon electric care dispune de un conductor împământat și o fișă de legare la masă. Fișa trebuie conectată la o priză corespunzătoare care trebuie să fi e instalată și împământată conform codurilor și ordonanțelor locale.

Nu modifi cați fi șa furnizată. În cazul în care nu se potrivește în priză, asigurați-vă că priza este instalată de către un electrician califi cat.

⚠ AVERTISMENT

Instalarea incorectă a fișei de împământare poate conduce la riscul de șocuri electrice. Atunci când este necesară repararea sau înlocuirea cablului, nu conectați firul de împământare la niciunul dintre bornele plate ale lamei. Firul cu o izolație verde (cu sau fără benzi galbene) este firul de împământare.

Consultați un electrician califi cat sau personalul de service, în cazul în care instrucțiunile de împământare nu sunt complet înțelese sau dacă există nedumeriri privind împământarea adecvată a produsului.

Reparați sau înlocuiți imediat un cablu deteriorat sau uzat. Dacă cordonul de alimentare electrică este deteriorat, acesta trebuie înlocuit de către producător sau de către un centru de service autorizat pentru a evita riscurile.

Conectați produsul numai la o priză care prezintă aceeași confi gurare cu a fi șei. Nu utilizați un adaptor împreună cu acest produs.

Pentru mai multă siguranță și fiabilitate, toate reparațiile trebuie efectuate de către un Centru Service Acreditat Ryobi. Protecția cu dispozitiv de curent rezidual (RCD) trebuie prevăzută pe circuitul(ele) sau priza(ele) ce urmează să fie utilizate pentru ferăstrău. Prizele sunt disponibile având o protecție RCD încorporată și pot fi utilizate pentru această măsură de siguranță.

Dacă ferăstrăul este utilizat cu un cablu de racord, asigurați-vă că conexiunea dintre cablu de alimentare al uneltei și cablu de racord nu se află la sol. Dispozitivele auxiliare trebuie să fie întotdeauna conectate la priza de perete și nu la conexiunea unui cablu de racord și la cablu de alimentare a uneltei electrice.

În cazul în care o priză cu protecție nu este disponibilă, nu utilizați ferăstrăul până ce o priză poate fi schimbată sau o protecție auxiliară poate fi obținută. Aceste dispozitive auxiliare de protecție sunt disponibile la distribuitorul dumneavoastră local.

POZIȚIA FERĂSTRĂULUI

A se vedea figura 2.

Pentru a evita posibilitatea ca fișa uneltei sau priza să se ude, poziționați ferăstrăul cu lamă diamantată pe laterala prizei montate în perete, pentru a preveni ajungerea apei la priză sau fișă. Operatorul trebuie să aranjeze o "buclă în coborâre" a cordonului ce conectează ferăstrăul la priză. "Buclă în coborâre" este acea parte a cordonului de sub nivelul prizei sau a conectorului, în cazul în care este utilizat un cordon de racord, utilizată pentru a preveni deplasarea apei de-a lungul cordonului și intrarea în în contact cu priza.

Dacă fișa sau priza se umezesc, NU deconectați cordonul. Deconectați siguranța sau întrerupătorul circuitului care alimentează cu energie unealta, apoi deconectați și verificați pentru prezența apei în priză.

⚠ AVERTISMENT

Pentru a reduce riscul de electrocutare, păstrați toate conexiunile uscate și la distanță de pământ. Nu atingeți fișa cu mâinile ude.

SPECIFICAȚII**Specificațiile produsului**

Tensiune	220 - 240V
Alimentare	500 W
Viteză în gol	2,900 rpm
Greutate	15,5 kg (N.W.)

Funcții

Mărime masă	381 mm x 502 mm
Înălțime masă de la tablou la masă	181 mm

Specificațiile materialelor

Material masă	Oțel inoxidabil
Material suport	Tubulatură din oțel

Unelte de tăiat/Capacitate

Diametru lamă	178 mm
Tip de lamă	Diamant
Diametru interior al lamei	25,4 mm
Adâncime maximă a tăierii	33 mm



Română

Valori măsurate determinate în conformitate cu EN 61029 Nivel de presiune acustică ponderată A	$L_{pA} = 61,0 \text{ dB(A)}$
Incertitudine K	3 dB(A)
Valori măsurate determinate în conformitate cu EN 61029 Nivel de putere acustică ponderată A	$L_{WA} = 77,0 \text{ dB(A)}$
Incertitudine K	3 dB(A)

FAMILIARIZAȚI-VĂ CU FERESTRĂUL DUMNEAVOASTRĂ CU LAMĂ DIAMANTATĂ

lamă diamantată de 178 mm

- O lamă diamantată de 178 mm este inclusă împreună cu ferăstrăul dumneavoastră.

Masă profilată

- Tăieturile în unghi de 22,5° și de 45° pot fi executate utilizând masa profilată.

Mânere

- Ferăstrăul dispune de mânere comode situate pe părțile stângă și dreaptă pentru ridicare și transport.

Ghidaj în unghi

- Ghidajul în unghi este complet reglabil pentru tăieturile oblice și tăieturile în unghi.

Motor

- Această unealtă are un motor puternic cu o putere suficientă pentru a manipula sarcini de tăiere grele.

Ghidaj de tăiere

- Ghidajul de tăiere este complet reglabil pentru efectuarea tăieturilor în cruce și utilizarea ghidului în unghi.

Suport ferăstrău cu lamă diamantată

- Acest ferăstrău este distribuit împreună cu un suport pentru o portabilitate și o comoditate crescute.

Protecție lamă

- Protecția lamei asigură o protecție împotriva pulverizării excesive și vaporilor

ASAMBLAREA

INSTALAREA PROTECȚIEI LAMEI

A se vedea figura 5-6.

1. Îndepărtați masa profilată.
2. Instalați consola în L- a protecției lamei pe muchia situată sub masă în spatele lamei.
3. Instalați șuruburile în masă și prin consola protecției lamei, iar apoi fixați-le.

NOTĂ: Asigurați-vă că consola protecției lamei este aliniat cu lama de tăiere astfel încât să nu interfereze cu materialul ce este tăiat.

4. Aliniați protecția lamei cu lama și glisați peste consolă. Aliniați găurile din protecția lamei cu fanta din consola protecției lamei.

NOTĂ: Reglați întotdeauna protecția lamei orizontal față de masă și ușor deasupra grosimii plăcii. Protecția lamei nu trebuie să atingă placa.

5. Introduceți bolțul hexagonal prin protecția lamei și consolă.
6. Strângeți butonul pe bolț și fixați la înălțimea dorită.
7. Înlocuiți masa profilată.

NOTĂ: Protecția/capacul lamei este asamblat(ă) în fabrică. NU dezasmblați în timpul efectuării reglărilor și a întreținerii.

INSTALAREA GHIDAJULUI DE TĂIERE

A se vedea figura 7.

1. Răsuciți butonul de pe ghidajul de tăiere în sens contrar acelor de ceasornic pentru a desface.
2. Glisați ghidajul de tăiere pe laterala mesei.
3. Utilizați rigla ghidajului de tăiere, situată pe părțile din față și din spate ale mesei, pentru a seta ghidajul de tăiere la lățimea de tăiere dorită.
4. Răsuciți butonul ghidajului de tăiere în sensul acelor de ceasornic pentru a-l strânge în mod securizat.

INSTALAREA GHIDAJULUI ÎN UNGHI

A se vedea figura 7.

1. Reglați ghidajul de tăiere în poziția dorită și fixați-l.
2. Glisați ghidajul în unghi deasupra ghidajului de tăiere din partea frontală.
3. Reglați la unghiul dorit utilizând scala de unghi și fixați cu ajutorul butonului.

ASAMBLAREA SUPORTULUI

A se vedea figura 8-9.

Consolele de suport și picioarele suportului au litere corespondente pentru fiecare ansamblu.

Uneltele necesare: Cheie reglabilă sau chei de 13 mm și șurubelniță Philips.

1. Inserați picioarele suportului, marcate cu "A" în tuburile terminale ale consolei suportului marcate cu "A". Capetele în unghi ale picioarelor suportului trebuie să fie în direcția opusă unuia altuia astfel încât să semene cu un "V". Aliniați găurile pentru utilaj. Repetați pentru a doua consolă de suport și picioarele etichetate cu "B".
2. Potrivii ansamblurile picioarelor în scoabe. Ansamblul piciorului "B" rămâne pe partea interioară a scoabelor. Ansamblul piciorului "A" rămâne pe partea exterioară. Aliniați găurile din scoabe cu cele din picioare. Instalați echipamentul prin găuri.





Română

3. Fixați echipamentul folosind o cheie reglabilă.
4. Amplasați suportul pe o suprafață uniformă cu canelurile de sub ferăstrău cu consolele de pe suport. Poziționați masa pe suport.
5. Înainte de utilizare, asigurați-vă că ferăstrăul cu lamă diamantată este plasat pe o suprafață uniformă și că suportul este rigid.

INSTALAREA SCURGERII DE PREAPLIN

A se vedea figura 10.

1. Îndepărtați masa profilată.
2. Localizați gaura de pe fundul rezervorului de apă.
3. Împingeți scurgerea de preaplin ferm în gaură.
4. Înlocuiți masa profilată.

ASAMBLAREA ELEMENTELOR DE BLOCARE

1. Întoarceți invers carcasa ferăstrăului cu lamă diamantată.
2. Aliniați găurile de elementele de blocare cu găurile de șurub de la baza carcasei ferăstrăului.
3. Introduceți șuruburile și strângeți-le bine.

UMPLEREA REZERVORULUI DE APĂ

A se vedea figura 11.

1. Îndepărtați masa profilată.
2. Umpleți rezervorul de apă cu apă curată până la linia de umplere.
NOTĂ: Scurgerea de supraplin previne umplerea excesivă.
3. Înlocuiți masa profilată.

SCHIMBAREA APEI DIN REZERVOR

1. Deconectați ferăstrăul cu lamă diamantată.
2. Îndepărtați scurgerea de preaplin și goliți într-o găleată. Nu permiteți apei să se împrăștie pe jos și în jurul mașinii.
3. Eliminați apa reziduală în conformitate cu reglementările locale.

OPERAREA

A AVERTISMENT

Nu slăbiți vigilența odată ce vă simțiți familiarizat cu mașina. Nu uitați, niciodată, că o secundă de neatenție este suficientă pentru a vă răni foarte grav.

A AVERTISMENT

Purtați întotdeauna ochelari de siguranță sau ochelari de protecție cu ecrane laterale atunci când utilizați mașini electrice. Nerespectarea acestei reguli poate antrena proiectarea de corpuri străine în ochi și poate provoca răniri oculare grave.

A AVERTISMENT

Nu utilizați alte piese sau accesorii decât cele recomandate de către producătorul acestei mașini. Utilizarea de piese sau accesorii nerecomandate poate prezenta riscuri de răniri grave.

TESTAREA RCD ÎNAINTE DE UTILIZARE

1. Conectați RCD la priza de perete.
2. Apăsăți butonul de resetare. Indicatorul de alimentare trebuie să se aprindă.
3. Apăsăți butonul de testare. Indicatorul de alimentare trebuie să se stingă.
AVERTISMENT: Dacă RCD nu trece testul, nu utilizați unealta. Consultați un electrician calificat.
4. Apăsăți butonul de resetare pentru a activa RCD.

APLICAȚII

Puteți utiliza această unealtă în scopurile descrise mai jos:
Operații de tăiere în linie dreaptă cu ar fi tăierile în cruce, despicarea și profilarea

NOTĂ: Acest ferăstrău este proiectat să taie doar plăci făcute manual, pavele, produse din piatră naturală și produse din plăci de piatră.

Înterupător pornire/oprire

Acest ferăstrău dispune de un comutator de pornire/oprire (ON/OFF) ușor de accesat sub șina din față.

Pentru a vă opri ferăstrăul:

Apăsăți pe butonul roșu pentru a opri (O).

Pentru a vă porni ferăstrăul:

Apăsăți pe butonul verde pentru a porni (I).

Pentru a vă bloca ferăstrăul:

Ferăstrăul fiind oprit, trageți fișa afară din sursa de alimentare cu energie electrică.





Română

⚠️ AVERTISMENT

Asigurați-vă ÎNTOTDEAUNA că piesa de lucru nu este în contact cu lama înainte de acționarea comutatorului pentru a porni scula. Nerespectarea acestui avertisment poate face ca piesa de lucru să fie aruncată înapoi spre operator și poate provoca rănirea gravă.

⚠️ AVERTISMENT

Pentru a reduce riscul pornirii accidentale, asigurați-vă întotdeauna că comutatorul este în poziția oprit (OFF) înainte de conectarea unelei la sursa de alimentare electrică. În situația unei pene de curent sau atunci când unealta nu este folosită, închideți întrerupătorul și scoateți fișa de la sursa de alimentare electrică. Această acțiune va preveni pornirea accidentală a unelei atunci când alimentarea electrică este reluată.

UTILIZAREA GHIDAJULUI DE TĂIERE ȘI A GHIDAJULUI ÎN UNGHI

A se vedea figura 13.

Ghidajul de tăiere poate fi utilizat atât de pe partea stângă, cât și de pe partea dreaptă a lamei de tăiere.

1. Răsuciți butonul de pe ghidajul de tăiere în sens contrar acelor de ceasornic pentru a desface.
2. Reglați ghidajul de tăiere în poziția dorită utilizând scala ghidajului de tăiere, situată pe părțile din față și din spate ale mesei, pentru a seta ghidajul de tăiere pentru lățimea de tăiere dorită.
3. Răsuciți butonul în sensul acelor de ceasornic pentru a strânge în mod securizat.

PENTRU AJUSTAREA UNGHIURILOR

Reglați ghidajul de tăiere în poziția dorită și fixați-l în mod sigur.

1. Glisați ghidajul în unghi deasupra ghidajului de tăiere din partea frontală.
2. Reglați la unghiul dorit utilizând scala de unghi și fixați cu ajutorul butonului.

EFACTUAREA TĂIETURILOR

Trasați întotdeauna linia pe care va fi făcută tăietura utilizând un marker sau un creion. Dacă placa este lucioasă și greu de marcat, plasați o bandă de acoperire pe placă și marcați banda.

O problemă des întâlnită atunci când sunt tăiate plăci o constituie abaterea de la linia marcată. Dacă v-ați abătut de la marcaj, nu puteți forța lama înapoi pe linie prin răsucirea plăcii. În schimb, reluați și tăiați din nou placa îndepărtând partea mică a plăcii până când lama revine pe linia dorită.

Pentru a evita această problemă, utilizați ghidul de tăiere atunci când efectuați tăieturi în cruce, ghidajul în unghi pentru tăieturile în unghi și partea dreaptă reglabilă a mesei pentru efectuarea tăieturilor profilate, ori de câte ori este posibil.

Pentru a face o tăietură în cruce

A se vedea figura 14.

Tăieturile în cruce sunt tăieturi în unghi de 90°. Materialul este alimentat pentru tăiere la un unghi de 90° față de lamă, iar lama este verticală.

1. Utilizând un marker sau un creion cu grăsimă, marcați zona ce urmează să fie tăiată pe material.
2. Reglați ghidajul de tăiere în poziția dorită și fixați-l în mod sigur.
3. Plasați materialul pe masă și ferm pe ghidajul de tăiere.
4. Asigurați-vă că materialul este îndepărtat de pe lama de tăiere înainte de a porni ferăstrăul.
5. Porniți alimentarea.
6. Permiteți lamei de tăiere să atingă viteza maximă și așteptați ca lama să fie umezită înainte de a împinge materialul către lamă.
7. Țineți materialul ferm pe ghidajul de tăiere și alimentați-l înspre lama de tăiere.
8. După efectuarea tăierii, opriți ferăstrăul. Așteptați ca lama să se oprească complet înainte de a îndepărta orice rest de material.

Pentru a face o tăietură obligă în unghi de 45°

A se vedea figura 15.

Tăieturile oblice de 45° sunt de asemenea denumite "tăieturi de la punctul lung la punctul lung".

1. Utilizând un marker sau un creion cu grăsimă, marcați zona ce urmează să fie tăiată pe material.
2. Setați ghidajul de tăiere la lățimea dorită și strângeți butonul pentru a securiza în poziție.
3. Glisați ghidajul în unghi deasupra ghidajului de tăiere din partea frontală.
4. Reglați ghidajul în unghi la 45° utilizând scala de unghi și fixați-l cu ajutorul butonului.
5. Asigurați-vă că materialul este îndepărtat de pe lama de tăiere înainte de a porni ferăstrăul.
6. Porniți alimentarea.
7. Permiteți lamei de tăiere să atingă viteza maximă și așteptați ca lama să fie umezită înainte de a împinge materialul către lamă.
8. Țineți materialul ferm pe ghidajul în unghi și glisați ghidajul de-a lungul înspre rigla de tăiere. Alimentați materialul către lama de tăiere.
9. După efectuarea tăierii, opriți ferăstrăul. Așteptați ca lama să se oprească complet înainte de a îndepărta orice rest de material.





Română

Pentru a face o tăietură profilată

A se vedea figura 16.

Tăieturile în unghi sunt utilizate pentru tăierea de colțuri interioare și exterioare în material, rial, de șine decorative pe scaune și de cornișe de bază, cu materialul în orice alt unghi față de lamă decât 90°. Tăieturile în unghi tind să "cedeze" în timpul tăierii. Aceasta poate fi controlată prin menținerea piesei de lucru securizată pe ghidajul în unghi.

1. Utilizând un marker sau un creion cu grăsime, marcați zona ce urmează să fie tăiată pe material.
2. Setati ghidajul de tăiere la lățimea dorită și strângeți butonul pentru a securiza în poziție.
3. Glisați ghidajul în unghi deasupra ghidajului de tăiere din partea frontală.
4. Reglați ghidajul în unghi la unghiul dorit utilizând scala de unghi și fixați-l cu ajutorul butonului.
5. Asigurați-vă că materialul este îndepărtat de pe lama de tăiere înainte de a porni ferăstrăul.
6. Porniți alimentarea.
7. Permiteți lamei de tăiere să atingă viteza maximă și așteptați ca lama să fie umezită înainte de a împinge materialul către lamă.
8. Țineți materialul ferm pe ghidajul în unghi și glisați ghidajul de-a lungul înspre rigla de tăiere. Alimentați materialul către lama de tăiere.
9. După efectuarea tăierii, opriți ferăstrăul. Așteptați ca lama să se oprească complet înainte de a îndepărta orice rest de material.

Pentru a face o tăietură în L

A se vedea figura 17.

Tăieturile în L- sunt tăieturi care înlătură o parte a plăcii pentru a se potrivi într-un colț, în jurul unui dulap sau a unei cornișe și sunt executate prin două tăieturi separate.

NOTĂ: Tăiați excesiv doar în partea de jos și dedesubtul materialului ce este tăiat.

1. Tăiați materialul la lățimea dorită utilizând indicațiile pentru tăierea în cruce.
2. Reglați ghidajul de tăiere în poziția dorită și fixați-l în mod sigur.
3. Plasați materialul pe masă și ferm pe ghidajul de tăiere.
4. Asigurați-vă că materialul este îndepărtat de pe lama de tăiere înainte de a porni ferăstrăul.
5. Porniți alimentarea.
6. Permiteți lamei de tăiere să atingă viteza maximă și așteptați ca lama să fie umezită înainte de a împinge materialul către lamă.
7. Țineți materialul ferm pe ghidajul de tăiere și alimentați-l înspre lama de tăiere.
8. Efectuați tăietura destul de adânc în material, fără a tăia excesiv.
9. Opriți alimentarea.

10. Răsuciți materialul și efectuați o tăietură de-a lungul uneia dintre marcaje. De această dată, tăiați excesiv cealaltă linie, iar piesa de tăiere ar trebui să se separe de restul materialului.

11. Porniți alimentarea.
12. Permiteți lamei de tăiere să atingă viteza maximă și așteptați ca lama să fie umezită înainte de a împinge materialul către lamă.
13. După efectuarea tăierii, opriți ferăstrăul. Așteptați ca lama să se oprească complet înainte de a îndepărta orice rest de material.

Pentru a face o tăietură profilată

A se vedea figura 18-19.

Tăieturile în unghi de 22,5° și de 45° pot fi executate utilizând masa profilată.

1. Utilizând un marker sau un creion cu grăsime, marcați zona ce urmează să fie tăiată pe material.
 2. Înclinați în sus masa profilată.
 3. Dedesubtul mesei profilate, trageți cele două picioare ale mesei în unghiurile drepte ale plăcii.
 4. Utilizați primele creștături de pe picioare pentru a așeza placa într-un unghi de 22,5°.
 5. Utilizați al doilea set de creștături pentru a plasa masa profilată în cel mai înalt unghi de 45°.
- NOTĂ:** Asigurați-vă că masa profilată este blocată ferm în poziție înainte de tăiere.
- Desfaceți picioarele și întindeți masa profilată în unghiuri de 22,5° sau de 45°.

6. Porniți alimentarea.
7. Permiteți lamei de tăiere să atingă viteza maximă și așteptați ca lama să fie umezită înainte de a împinge materialul către lamă.
8. Țineți materialul ferm pe masa profilată și alimentați-l înspre lama de tăiere.
9. După efectuarea tăierii, opriți ferăstrăul. Așteptați ca lama să se oprească complet înainte de a îndepărta orice rest de material.

ÎNȚEȚINEREA

⚠ AVERTISMENT

În cadrul lucrărilor de reparație, utilizați doar piese de schimb de același tip. Utilizarea oricărui alt tip de piese poate genera o situație de pericol sau poate deteriora produsul.





Română

⚠ AVERTISMENT

Atunci când operați scula electrică sau când îndepărtați praful, purtați întotdeauna ochelari de protecție sau ochelari de protecție cu apărători laterale. Dacă mediu de lucru este plin de praf, purtați întotdeauna o mască împotriva prafului.

⚠ AVERTISMENT

Dacă cordonul de alimentare electrică este deteriorat, acesta trebuie înlocuit de către producător sau de către un centru de service autorizat pentru a evita riscurile.

⚠ AVERTISMENT

Pentru mai multă siguranță și fiabilitate, toate reparațiile trebuie efectuate de către un Centru Service Agreat Ryobi.

ÎNȚREȚINERE GENERALĂ

Evitați utilizarea solvenților atunci când curățați piesele din plastic. Majoritatea materialelor plastice pot fi deteriorate de diferite tipuri de solvenți comerciali și pot fi deteriorate de utilizarea acestora. Utilizați materiale textile curate pentru a îndepărta murdăria, praful, uleiul, grăsimea etc.

⚠ AVERTISMENT

Elementele din plastic nu trebuie să intre niciodată în contact cu lichid de frână, benzină, produse petroliere, uleiuri etc. Aceste produse chimice conțin substanțe care pot distruge, fragiliza sau deteriora plasticul.

Lubrifierea

Toate componentele acestei unelte sunt lubrificate cu o cantitate suficientă de lubrifiant de înaltă calitate ce vizează durata de viață a unității în condiții de operare obișnuite.

Lamă diamantată

Pentru o performanță și o siguranță maxime, se recomandă să utilizați lama de 178 mm furnizată împreună cu ferestrăul dumneavoastră. Lame adiționale de aceeași calitate sunt disponibile la distribuitorul dumneavoastră local.

⚠ AVERTISMENT

Nu utilizați lame de tăiere evaluate ca având o valoare mai mică decât turația la mers în gol a acestei unelte. Nerespectarea acestui avertisment poate conduce la rănirea personală. Nu utilizați lame cu crăpături, goluri sau zimiți.

SCHIMBAREA LAMEI DIAMANTATE

A se vedea figura 20.

⚠ AVERTISMENT

Lama diamantată de 178 mm reprezintă capacitatea maximă privind lama a ferestrăului. Nu utilizați niciodată o lamă care este prea groasă pentru a putea permite flanșei lamei să se cupleze cu suprafețele plane ale axului. Lamele de dimensiuni mai mari vor intra în contact cu protecția lamei, în timp ce lamele mai groase vor împiedica bolțul lamei să fixeze în mod securizat lama pe ax. Oricare dintre aceste situații poate conduce la un accident grav și poate provoca rănirea gravă.

1. Deconectați ferestrăul.
2. Îndepărtați masa profilată.
3. Glisați cheia hexagonală peste piulița arborelui lamei. Utilizând cealaltă mână, glisați cheia arborelui pe arborele lamei.
4. Țineți ferm cheia arborelui pentru a preveni mișcarea lamei. Răsuciți piulița arborelui în sens contrar acelor de ceasornic pentru a o desface.
5. Îndepărtați piulița arborelui, flanșa exterioră a lamei și lama de tăiere.
6. Ștergeți o scurgere de ulei pe flanșa internă a lamei acolo unde intră în contact cu lama.

⚠ AVERTISMENT

Dacă flanșa interioară a lamei a fost îndepărtată, înlocuiți-o înainte de a fixa lama pe ax. Nerespectarea acestui lucru poate conduce la accidente, deoarece lama nu va fi fixată corespunzător. Nu utilizați niciodată lame care au deschizături, caneluri sau zimiți pe această unealtă.

7. Plasați lama de tăiere pe arbore cu săgețile de pe lamă în direcție contrară acelor de ceasornic.
8. Înlocuiți flanșa exterioră a lamei. Banda dublă marcată cu "D" de pe flanșa lamei se aliniază cu banda de pe ax.
9. Utilizând cheia lamei și cheia arborelui, fixați în mod securizat piulița arborelui.
10. Înlocuiți masa profilată.



Română

PROTECȚIA MEDIULUI ÎNCONJURĂTOR



Reciclați materiile prime în loc să le aruncați la gunoi, împreună cu deșeurile menajere. Pentru a proteja mediul înconjurător, mașina, accesoriile acesteia și ambalajele trebuie triate.

SIMBOL



Avertizare de siguranță



Conform CE



Conform GOST-R



Citiți instrucțiunile cu atenție înainte de pornirea produsului.



Purtați întotdeauna ochelari de protecție.



Purtați echipamente de protecție a auzului



Purtați mănuși de protecție



PERICOL! Pânză ascuțită



Atenție, risc de tăiere



Nu expuneți la ploaie sau la medii încărcate de umezeală.



Nu expuneți la ploaie sau la medii încărcate de umezeală.



Sculele trebuie să fie utilizate cu o lamă de tăiere diamantată fără asperități.



Direcția de rotire a lamei



Lamă de tăiere diamantată



Diametru lamă



Diametru ax lamă



greutate netă



Adâncime de tăiere (Max.)



Lățime de frezare (Max.)



Lățime diagonală a tăierii (Max.)



Reciclare



Deșeurile produselor electrice nu trebuie să fie eliminate împreună cu deșeurile casnice. Vă rugăm să reciclați acolo unde există facilități. Verificați la autoritatea dvs. locală sau la vânzător pentru sfaturi privind reciclarea.



Latviski

APRAKSTS

1. Zemējuma kontakts
2. Strāvas vads
3. Pilēšanas cilpa
4. Flīžu griezējasmens
5. Ieslēgšanas/izslēgšanas slēdzis
6. Garengriezuma vadošā detaļa
7. 45° leņķa vadošā detaļa
8. Maksimālās uzpildes līnija
9. Pārplūdes drena
10. Ūdens rezervuārs
11. Garengriezuma barjeras skala
12. Statīvs
13. Vada aizturis
14. Paceliet rokturus
15. Asmens aizsargs
16. Slīpā griezuma galds
17. Flīžu zaģa korpus
18. Sešstūrveida uzgriežņu atslēga
19. Ass uzgriežņu atslēga
20. Skrūves
21. Asmens aizsarga kronšteins
22. Sešstūrveida uzgrieznis
23. Sešstūrveida skrūve
24. Statīva kājas "A"
25. Statīva kājas "B"
26. Kāju statīva skrūve(s)
27. Kāju statīva uzgrieznis(žņi)
28. Kāju statīva savienojums(i)
29. Atbalsta kronšteins "A"
30. Btbalsta kronšteins "B"
31. Fiksācijas mēlītes
32. Nospriegojuma atlaišana
33. Mala
34. Garengriezuma vadošās detaļas poga
35. Kāju montāža "A"
36. Kāju montāža "B"
37. 45° leņķa vadošās detaļas skala
38. 45° leņķa vadošās detaļas poga
39. Slīpā griezuma galds kāja
40. 22.5° konusveida ierobs
41. 45° konusveida ierobs
42. Ass
43. Iekšējais atloks
44. Ārējais atloks
45. Ass uzgrieznis

VISPĀRĒJIE DROŠĪBAS NOTEIKUMI

BRĪDINĀJUMS

Izmantojot elektroinstrumentus, vienmēr jāievēro drošības vienmēr, lai samazinātu aizdegšanās, elektriskās strāvas trieciena un personiskās traumas risku.

Pirms mēģināt izmantot šo produktu, izlasiet un saglabājiet šos norādījumus.

- **Iepazīstiet savu elektroinstrumentu.** Uzmanīgi izlasiet īpašnieka lietošanas instrukciju. Noskaidrojiet produkta lietošanas veidus un ierobežojumus, kā arī ar to saistīto specifisko potenciālo risku.
- **Aizsargājiet no elektrošoka, novēršot korpusa saskari ar iezemētām virsmām.** Piemēram, caurules, radiatori, aptveres, ledusskapju korpusi.
- **Aizsargiem ir jābūt vietā un labā darba kārtībā.**
- **Noņemiet regulācijas atslēgas un uzgriežņu atslēgas.** Pirms instrumenta ieslēgšanas vienmēr pārbaudiet, vai no tā ir noņemtas atslēgas un regulēšanas uzgriežņu atslēgas.
- **Darba vietai jābūt tīrai.** Nekārtīgas darba zonas un darbgaldi var būt negadījuma iemesls. Zaģa ekspluatācijas laikā uz tā neatstājiet instrumentus vai koka gabalus.
- **Neizmantojiet bīstamā vidē.** Nelietojiet elektroinstrumentus mitrās vai slapjās vietās vietās un neļaujiet tiem saļīt. Darba vietai jābūt ļoti apgaismotai. Neizmantojiet instrumentu ugunsnedrošu šķidrums vai gāzu klātbūtnē.
- **Bērniem un apmeklētājiem ir jāatrodas pietiekamā atstatumā.** Visiem apmeklētājiem ir jāuzliek aizsargbrilles un jāatrodas drošā attālumā no darba zonas. Ekspluatācijas laikā neļaujiet apmeklētājiem aizskart instrumentu vai pagarinājuma kabeli.
- **Nespiediet instrumentu ar spēku.** Tādējādi darbs tiek paveikts labāk un drošāk tam paredzētajā padeves ātrumā.
- **Izmantojiet pareizo instrumentu.** Neizmantojiet instrumentu vai piederumu tāda darba veikšanai, kuram tas nav paredzēts. Neizmantojiet to neparedzētiem nolūkiem.
- **Izmantojiet pareizu pagarinājūkabeli.** Pārļiecinieties, vai pagarinājuma vads ir labā stāvoklī. Izmantojiet vadu ar nominālu, kas ir pietiekams, lai nodrošinātu produktam nepieciešamo strāvu. Nepietiekama nomināla vads izraisīs līnijas sprieguma kritumu, kas radīs jaudas zudumu un pārkaršanu.
- **Apģērbieties pareizi.** Nenesājiet vaļģu apģērbu, cimdus, kaklasaites un rotaslietas. Tie var ieķerties





Latviski

un ievilkat jūs kustīgajās daļās. Strādājot ārā, ieteicams izmantot gumijas cimdus un neslīdošus apavus (zābakus ar gumijas zoli). Garu matu saturēšanai izmantojiet arī aizsargājošu galvassegu.

- **Vienmēr nēsājiet aizsargbrilles ar sānu aizsargiem.** Ikdienā izmantojamām brillēm ir tikai triecienuizturīgas lēcas; tās NAV aizsargbrilles.
- **Strādājiet droši.** Kad tas ir praktiski iespējams, darba saturēšanai izmantojiet skavas vai skrūvspīles, jo tas ir drošāk nekā turēšana ar roku, turklāt abas rokas tiek atbrīvotas instrumenta izmantošanai.
- **Nesniedzieties tam pāri.** Visu laiku stāviet stingri un stabili.
- **Rūpīgi veiciet instrumentu apkopi.** Lai darbs būtu labāks un drošāks, instrumentiem jābūt asiem un tīriem. Izpildiet eļļošanas un piederumu maiņas norādījumus. Regulāri pārbaudiet instrumentu vadus un bojājumu gadījumā lieciet tos salabot pilnvarotā servisa iestādē. Regulāri pārbaudiet un bojājumu gadījumā nomainiet pagarinājuma kabeljus. Rokturiem ir jābūt sausiem un tīriem, bez eļļas un smērvielām.
- **Atvienojiet instrumentus.** Ja instruments netiek lietots, pirms apkopes veikšanas vai mainot piederumus, asmeņus, urbjus, griezējus u.c. visi instrumenti ir jāatvieno. Pirms regulācijas, apkopes un uzturēšanas darbu veikšanas atvienojiet spraudni.
- **Izvairieties no nejaušas iedarbināšanas.** Pievienojot jebkuru instrumentu, pārliecinieties, vai slēdzis ir izslēgts.
- **Izmantojiet ieteiktos piederumus.** Ieteicamos piederumus skatiet operatora rokasgrāmatā. Nepareizu piederumu izmantošana var izraisīt traumu risku.
- **Nekad nestāviet uz instrumenta.** Instrumenta sašķiešanās vai nejaušas saskares ar griežamo instrumentu gadījumā var rasties nopietna trauma.
- **Pārbaudiet bojātās daļas.** Pirms turpmākas instrumenta lietošanas aizsargs vai cita bojātā daļa ir rūpīgi jāpārbauda, lai konstatētu, vai tā darbojas pareizi un izpilda paredzēto funkciju. Pārbaudiet, vai kustīgās daļas ir salāgotas un sasaistītas, vai daļām nav lūzumus, kā arī montāžas un citus apstākļus, kas var ietekmēt tā darbību. Lai izvairītos no traumu riska, aizsargs vai cita bojātā daļa ir pareizi jāsalabo vai jāaizstāj, izmantojot pilnvarota apkopes centra pakalpojumus.
- **Izmantojiet padeves pareizo virzienu.** Padodiet apstrādājamo materiālu uz asmeni vai griezējinstrumentu tikai pretēji asmens vai griezējinstrumenta griešanās virzienam.
- **Nekad neatstājiet darbojošos instrumentu bez uzraudzības. Izslēdziet barošanu.** Neatstājiet instrumentu, pirms tas ir pilnīgi apstājies.

- **Aizsargājiet plaušas.** Ja griešanas darbība ir saistīta ar putekļu veidošanos, uzlieciet sejas vai putekļu masku.
- **Aizsargājiet dzirdi.** Ilgāku darbības periodu laikā izmantojiet dzirdes aizsargaprīkojumu.
- **Vadu izmantojiet pareizi.** Nekad neraujiet vadu, lai to atvienotu no kontaktlīdzdas. Vadam jāatrodas pietiekamā atstatumā no siltumavotiem, eļļas un asām malām.
- **Aizsargiem vienmēr ir jābūt vietā un darba kārtībā.**
- **Rokas nedrīkst atrasties griešanas zonā.** Neturiet rokas asmens tuvumā. Asmens griešanās laikā nesniedzieties zem darba vietas vai arī ap asmeni vai vīrs tā. Asmens kustības laikā nemēģiniet noņemt griežamo materiālu.
- **Asmens nolaižas pēc izslēgšanas.**
- **Nekad neizmantojiet sprādzienbīstamā atmosfērā.** Parasta motora dzirksteļošana var aizdedzināt garaiņus.
- **Regulāri pārbaudiet instrumenta vadus.** Bojājumu gadījumā remonts jāveic kvalificētam apkopes speciālistam pilnvarotā apkopes iestādē.
- **Regulāri pārbaudiet un bojājumu gadījumā nomainiet pagarinājuma kabeljus.**
- **Iezemējiet visus instrumentus.** Ja instruments ir aprīkots ar trīszaru spraudni, tas jāpieslēdz trīs atveru elektriskajai kontaktlīdzdai.
- **Sazinieties ar kvalificētu elektriķi vai apkopes personālu, ja zemējuma instrukcijas nav pilnībā izprastas vai rodas šaubas, vai izstrādājums ir pareizi iezemēts.**
- **Izmantojiet tikai pareizas elektroierīces:** 3 vadu pagarinājuma kabeli ar 3 zaru zemēšanas spraudņiem un 3 polu rozetes, kurām var pieslēgt instrumenta spraudni.
- **Nemodifi cējiet komplektācijas kontaktspraudni.** Ja ligzda neatbilst spraudnim, kvalificētam elektriķim jāuzstāda pareiza ligzda.
- **Uzglabājiet instrumentu sausu un tīru, bez eļļas un smērvielām.** Tīrīšanai vienmēr izmantojiet tīru drāniņu. Instrumenta tīrīšanai nekad nelietojiet bremžu šķidrumus, benzīnu, produktus uz naftas bāzes vai šķīdinātājus.
- **Saglabājiet modrību un kontroli.** Vērojiet savu darbu un rīkojieties saskaņā ar veselo saprātu. Neizmantojiet instrumentu, ja esat noguris. Nestsiedzieties.
- **Neizmantojiet instrumentu, ja to nevar ieslēgt un izslēgt ar slēdzi.** Nomainiet bojātus slēdzus pilnvarotā servisa centrā.
- **Izmantojiet tikai pareizo asmeni.** Neizmantojiet asmeni, kuram ir nepareiza lieluma atveres. Nekad





Latviski

neizmantojiet bojātas vai nepareizas paplāksnes vai ass uzgriežņus. Zāga maksimālais asmens izmērs ir 178 mm. Visiem izmantojamiem asmeņiem ir jābūt izgatavotiem atbilstoši EN13236. Nekad neizmantojiet griešanas asmeni ar zemāku ātruma kategoriju kā instrumentam.

- **Pirms griešanas pārliecinieties, vai visi noregulējumi ir droši.**
- **Nekad lietošanas laikā neaizskariet asmeni vai citas kustīgās daļas.**
- **Nekad neiedarbiniet instrumentu, ja kāda no rotējošām daļām saskaras ar detaļu.**
- **Neizmantojiet instrumentu, ja esat narkotiku, alkohola vai medikamentu iedarbības ietekmē.**
- **Apkopi izmantojiet tikai identiskas rezerves daļas.** Jebkādi citu detaļu izmantošana var izraisīt bīstamību vai produkta bojājumus.
- **Izmantojiet tikai ieteicamos piederumus, kas norādīti šajā rokasgrāmatā vai pielikumos.** Nenorādītu piederumu izmantošana var izraisīt personiskas traumas risku. Piederumu komplektā ir iekļauti norādījumi par drošu piederumu izmantošanu.
- **Divreiz pārbaudiet visus uzstādījumus.** Pirms strāvas padeves pievienošanas pārliecinieties, vai asmens stāv stingri un nesaskaras ar zāģi vai detaļu.

FLIŽU ZĀĢIS DROŠĪBAS BRĪDINĀJUMI

- Apstrādājamo detaļu vienmēr stingri nostipriniet pret garengriezuma vadošo detaļu vai konusveida bloku.
- Nekad nestāviet asmens ceļā un nepieļaujiet, lai tam tuvotos kāda no ķermeņa daļām.
- Nekad nemēģiniet atbrīvot apstājušos asmeni, vispirms neizslēdzot zāģi un to neatvienojot no barošanas avota.
- Ja bojāts strāvas padeves vads, lai izvairītos no riska, to drīkst nomainīt tikai ražotājs vai pilnvarotā apkopes centrs.
- Izvairieties no neērtām darbībām un roku pozīcijām, lai roka, pēkšņi paslīdot, neieklejūtu griešanas instrumentā.
- Pirms darba ar zāģi pārliecinieties, vai darba zona ir pietiekami apgaismota, lai redzētu darbu, un vai nekādi šķēršļi netraucēs droši veikt darbu.
- Zāģi pirms atvienošanas vienmēr izslēdziet, lai, atkārtoti pieslēdzot strāvas padevei, izvairītos no nejaušas iedarbināšanas.
- Šim instrumentam vajadzētu būt šādiem marķējumiem:
 - Valkājiet acu aizsarglīdzekļus.
 - Katrai darbībai izmantojiet asmens aizsargu (ja vien tas ir iespējams).
 - Pirms apkopes, griezējasmaņu maiņas un tīrīšanas atvienojiet zāģi.

- Izmantojiet instrumentu tikai ar griezējasmaņiem, kuriem ir gludas malas un nav spraugu, rievu un rubu.
- Pirms ekspluatācijas nomainiet bojātu griezējasmēni.
- Neuzpildiet ūdens tvertni virs ūdens uzpildes līnijas.
- **Saglabājiet šīs instrukcijas.** Bieži pārlasiet šos norādījumus un izmantojiet tos citu lietotāju instruēšanai. Ja kādam aizdodat šo instrumentu, aizdodiet arī šos norādījumus.

ELEKTRISKAIS PIESLĒGUMS

Šī instrumenta barošanu nodrošina precīzi izstrādāts elektromotors. To vajadzētu pievienot tikai 220~240 V maiņstrāvas barošanas padevei (parastā sadzīvē izmantojamā strāva), 50 Hz. Nelietojiet šo produktu ar līdzstrāvu (DC). Ievērojams sprieguma kritums izraisīs jaudas zudumu, un motors pārkarīs. Ja rozetei pieslēgts zāģis nedarbojas, vēlreiz pārbaudiet strāvas padevi.

ĀTRUMS UN VADOJUMS

Šī instrumenta bezslodzes ātrums ir aptuveni 2,900 apgr./min. Šis ātrums nav konstants un samazinās slodzes vai zemāka sprieguma ietekmē. Sprieguma ziņā darbnīcas vadojums ir tikpat svarīgs kā motora nomināls zirgspēkos. Tikai apgaismes ķermeņiem paredzētā līnija nevar pareizi nodrošināt elektroinstrumenta motoru. Vads, kura nomināls ir piemērots nelielam attālumam, būs nepietiekams lielākam attālumam. Līnija, kas var nodrošināt atbalstu vienam elektroinstrumentam, iespējams, nevar atbalstīt divus vai trīs instrumentus.

ZEMĒJUMA INSTRUKCIJAS

Skatiet 1. attēlu.

Šim izstrādājumam jābūt saņemtam. Darbības traucējuma vai salūšanas gadījumā zemējums nodrošina mazākās pretestības ceļu elektriskajai izlādei, lai mazinātu elektriskā trieciena risku. Šis instruments ir aprīkots ar elektrības vadu, kuram ir aprīkojuma zemējuma vadītājs un zemējuma spraudnis. Kontaktspraudni jāpieslēdz piemērotai ligzdai, kas ir pareizi instalēta un zemēta atbilstoši visiem vietējiem noteikumiem.

Nemodifi cējiet komplektācijas kontaktspraudni. Ja ligzda neatbilst spraudnim, kvalifi cētam elektriķim jāuzstāda pareiza ligzda.





Latviski

▲ BRĪDINĀJUMS

Nepareizi uzstādot zemējuma spraudni, var izraisīt elektrošoka risku. Ja nepieciešams vada remonts vai nomaiņa, nepievienojiet zemējuma vadu pie plakanā asmens spailēm. Zemējuma vadam ir zaļa izolācija (ar dzeltenām svītrām vai bez tām).

Sazinieties ar kvalifi cētu elektriķi vai apkopes personālu, ja zemējuma instrukcijas nav pilnībā izprastas vai rodas šaubas, vai izstrādājums ir pareizi iezemēts.

Nekavējoties salabojiet vai nomainiet bojātu vai nodilušu vadu.

Ja bojāts strāvas padeves vads, lai izvairītos no riska, to drīkst nomainīt tikai ražotājs vai pilnvarotā apkopes centrā.

Pieslēdziet izstrādājumu kontaktligzdai, kuras konfi gurācija ir tāda pati kā kontaktspraudnim. Neizmantojiet ar šo izstrādājumu adapteri.

Lai nodrošinātu drošību un uzticamību, visi remontdarbi jāveic PILNVAROTĀ SERVISĀ CENTRĀ vai citā KVALIFICĒTĀ SERVISĀ ORGANIZĀCIJĀ.

Ar flīžu zāģi izmantojamai(ām) shēmai(ām) vai izejai(ām) vajadzētu nodrošināt pārpalikušās strāvas ierīci (RCD). Ir pieejamas izejas ar iebūvētu RCD aizsardzību, un tās var izmantot kā drošības līdzekli.

Ja zāģis tiek izmantots ar pagarinājuma kabeli, pārliecinieties, vai instrumenta strāvas vada un pagarinājuma kabeļa savienojums neatrodas uz zemes. Palīgierīcēm vienmēr vajadzētu būt pieslēgtām sienas rozetei, nevis savienotām ar pagarinājuma kabeli un elektroinstrumentu barošanas vadu.

Ja nav pieejama aizsargāta rozete, nelietojiet zāģi līdz rozetes nomaiņai vai papildu aizsardzības nodrošināšanai. Šīs aizsardzības papildierīces ir pieejamas no vietējā mazumtirgotāja.

POZĪCIJA UZ FLĪŽU ZĀĢA

Skatiet 2. attēlu.

Lai izvairītos no instrumenta spraudņa vai izejas samirkšanas iespējas, novietojiet flīžu zāģi sienas montāžas izejas vienā pusē, novēršot ūdens pilēšanu uz izejas vai spraudņa. Operatoram vajadzētu izveidot zāģa un izejas savienotājvada "pilēšanas cilpu". "Pilēšanas cilpa" ir vada daļa zem izejas līmeņa vai savienotāja, ja tiek izmantots pagarinātājkaбелиs, lai novērstu ūdens pārvietošanos gar vadu un nonākšanu saskarē ar izeju.

Ja spraudnis nav rozete samirkst, NEATSLĒDZIET vadu. Atvienojiet drošinātāju vai slēgiekārtu, kas piegādā strāvu instrumentam, pēc tam atslēdziet un pārbaudiet, vai rozetē nav ūdens.

▲ BRĪDINĀJUMS

Lai samazinātu nāvējoša elektrošoka risku, visiem savienojumiem ir jābūt sausiem un tie nedrīkst atrasties uz zemes. Neaizskariet spraudni ar mitrām rokām.

SPECIFIKĀCIJAS

Produkta specifikācijas

Spriegums	220 ~ 240 V
Strāva	500 W
Apgrīezieni bez slodzes	2,900 rpm
Svars	15,5 kg (N.W.)

Funkcijas

Galda lielums	381 mm x 502 mm
Galda augstums no korpusa uz galdu	181 mm

Materiāla specifikācijas

Galda materiāls	Nerūsējošais tērauds
Statīva materiāls	Tērauda caurules

Griezējinstrumenti/jauda

Asmens diametrs	178 mm
Asmens veids	Rombs
Asmens iekšējais diametrs	25,4 mm
Maksimālais griezuma dziļums	33 mm

Izmēritās vērtības saskaņā ar EN 61029	
A-līmeņa skaņas spiediena līmenis	$L_{PA} = 61,0 \text{ dB(A)}$
Kļūdas vērtība K	3 dB(A)

Izmēritās vērtības saskaņā ar EN 61029	
A-līmeņa skaņas jaudas līmenis	$L_{WA} = 77,0 \text{ dB(A)}$
Kļūdas vērtība K	3 dB(A)

IEPAZĪSTIET SAVU FLĪŽU ZĀĢI

178 mm flīžu griezējams

- Zāģa komplektā ietilpst 178 mm flīžu griezējams.





Latviski

Slīpā griezuma galds

- Griezumus 22,5° un 45° leņķī var veikt, izmantojot slīpā griezuma galdu.

Rokturi

- Zāga celšanai un pārnešanai ir paredzēti ērti rokturi, kas atrodas kreisajā un labajā pusē.

45° leņķa vadošā detaļa

- 45° leņķa vadošā detaļa ir pilnībā noregulējama diagonāliem griezumiem un 45° leņķa griezumiem.

Motors

- Šai iekārtai ir spēcīgs motors ar pietiekamu jaudu smagu griešanas darbu veikšanai.

Garengriezuma vadošā detaļa

- Garengriezuma vadošā detaļa ir pilnīgi noregulējama šķērsgriezumu veikšanai un 45° leņķa vadošās detaļas izmantošanai.

Flīžu zāga statīvs

- Šī zāga komplektācijā ietilpst statīvs, lai uzlabotu tā pārvietojamību un atvieglotu darbu.

Asmens aizsargs

- Asmens aizsargs nodrošina aizsardzību pret pārsmidzināšanu un dūmaku

MONTĀŽA

ASMENS AIZSARGA UZSTĀDĪŠANA

Skatiet 5-6. attēlu.

1. Noņemiet slīpā griezuma galdu.
2. L-veida asmens aizsarga kronšteinu uzstādiet malā, kas atrodas zem galda, aiz asmens.
3. Galdā un caur asmens aizsarga kronšteinu uzstādiet skrūves, pēc tam tās stingri pievelciet.
PIEZĪME: Pārliedzinieties, vai asmens aizsarga kronšteins ir salāgots ar griezējasmēni, lai tas netraucētu griežamajam materiālam.
4. Asmens aizsargu salāgojiet ar asmeni un pārbīdiet pār kronšteinu. Salāgojiet atveres asmens aizsargā ar spraugu asmens aizsarga kronšteinā.
PIEZĪME: Asmens aizsargu vienmēr noregulējiet horizontāli pret galdu un nedaudz virs flīzes biežuma. Asmens aizsarga nevajadzētu pieskarties pie flīzes.
5. Caur asmens aizsargu un kronšteinu uzstādiet sešstūrveida skrūvi.
6. Pogu uzskrūvējiet uz skrūves un pievelciet līdz nepieciešamajam augstumam.
7. Nomainiet slīpā griezuma galdu.
PIEZĪME: Asmens pārsegs/aizsargs ir samontēts rūpnīcā. Regulācijas un apkopes laikā neveiciet demontāžu.

GARENGRIEZUMA VADOŠĀS DETALĀS UZSTĀDĪŠANA

Skatiet 7. attēlu.

1. Lai atlaistu, pagrieziet garengriezuma vadošo detaļu pretēji pulksteņrādītāju kustības virzienam.
2. Garengriezuma vadošo detaļu uzbīdīet uz galda malas.
3. Lai garengriezuma vadošo detaļu iestafītu uz nepieciešamo griezuma platumu, izmantojiet garengriezuma vadošā elementa skalu, kas atrodas galda priekšpusē un aizmugurē.
4. Lai cieši pievilktu, pagrieziet garengriezuma vadošās detaļas pogu pulksteņrādītāju kustības virzienā.

45° LEŅĶA VADOŠĀS DETALĀS UZSTĀDĪŠANA

Skatiet 7. attēlu.

1. Noregulējiet garengriezuma vadošo detaļu nepieciešamajā pozīcijā un nostipriniet.
2. 45° leņķa vadošo detaļu uzbīdīet uz garengriezuma vadošās detaļas no priekšpusēs.
3. Noregulējiet nepieciešamajā leņķī, izmantojot leņķa skalu, un cieši pievelciet ar pogu.

STATĪVA MONTĀŽA

Skatiet 8-9. attēlu.

Lai atvieglotu montāžu, atbalsta kronšteini un statīva kājas ir apzīmētas ar atbilstīgiem burtiem.

Nepieciešamie instrumenti: Noregulējama uzgriežņu atslēga vai 13 mm uzgriežņu atslēgas un Philips skrūvgriezis.

1. Statīva kājas ar marķējumu "A" ievietojiet atbalsta kronšteina gala caurulēs ar marķējumu "A". Statīva kāju leņķveida galiem vajadzētu būt vēršiem projām vienam no otra, lai tie atgādīnātu burtu "V". Salāgojiet aparatūras atveres. Atkārtojiet ar otru atbalsta kronšteinu un kājām, kuru marķējums ir "B".
2. Kāju montāžas iestipriniet savienojumos. Kāju montāža "B" balstās uz savienojumu iekšpusēs. Kāju montāža "A" balstās uz ārējās puses. Salāgojiet savienojumu un kāju atveres. Caur atverēm uzstādiet aparatūru.
3. Pievelciet aparatūru, izmantojot uzgriežņu atslēgu.
4. Novietojiet statīvu uz līdzena pamata un salāgojiet gropes zem flīzes ar statīva kronšteinu. Novietojiet galdu uz statīva.
5. Pirms lietošanas pārliedzinieties, vai flīžu zāģis atrodas uz līdzena pamata un vai statīvs ir stingrs.

PĀRPLŪDES DRENĀS UZSTĀDĪŠANA

Skatiet 10. attēlu.

1. Noņemiet slīpā griezuma galdu.
2. Atrodiet atveri ūdens rezervuāra apakšdaļā.





Latviski

3. Pārplūdes drenu stingri iespiediet atverē.
4. Nomainiet slīpā griezuma galdū.

AIZTURU MONTĀŽA

1. Flīžu zāģa korpusu apgrieziet ar augšpusi uz leju.
2. Aizturu skrūvju atveres salāgojiet ar flīžu zāģa korpusa apakšdaļas skrūvju atverēm.
3. Ievietojiet un stingri pievelciet skrūvēs.

ŪDENS REZERVUĀRA UZPILDĪŠANA

Skatiet 11. attēlu.

1. Noņemiet slīpā griezuma galdū.
2. Uzpildiet ūdens tvertni ar tīru krāna ūdeni, lai piepildītu līniju.
PIEZĪME: Pārplūdes дрена novērs pārplūdi.
3. Nomainiet slīpā griezuma galdū.

REZERVUĀRA ŪDENS MAIŅA

1. Atslēdziet flīžu zāģi.
2. Noņemiet pārplūdes drenu un iztukšojiet to spainī; neļaujiet ūdenim izšļakstīties uz zemes vai ap iekārtu.
3. Notekūdeņus utilizējiet atbilstoši vietējiem noteikumiem.

EKSPLUATĀCIJA

⚠ BRĪDINĀJUMS

Neļaujiet tam, ka esat iepazinies ar produktiem, padarīt jūs bezrūpīgu. Atcerieties, ka bezrūpīga sekundes daļa ir pietiekama, lai izraisītu nopietnas traumas.

⚠ BRĪDINĀJUMS

Strādājot ar produktiem, vienmēr valkājiet drošības brilles vai aizsargbrilles ar sānu aizsargiem. Ja tas netiek ievērots, jūsu acis var lidot objekti, rezultātā nodarot nopietnas traumas

⚠ BRĪDINĀJUMS

Nelietojiet nekādas papildierīces vai aksesuārus, ko nav rekomendējis šī produkta ražotājs. Ja tiek lietotas papildierīces vai aksesuāri, ko nav ieteicis ražotājs, tas var novest pie nopietnām traumām.

STR VAS NOPLŪDES AUTOM TSLĒDŽA P RBAUDE PIRMS LIETOŠANAS

1. Pievienojiet strāvas noplūdes automātslēdzi galvenajam strāvas avotam.
2. Piespiediet atiestates pogu. Barošanas indikatoram jāiedegas.
3. Piespiediet pārbaudes pogu. Barošanas indikatoram

jānodzied.

BRĪDINĀJUMS: Ja strāvas noplūdes automātslēdzis neiztur pārbaudi, nelietojiet darbarīku. Sazinieties ar kvalificētu elektriķi.

4. Piespiediet atiestates pogu, lai ieslēgtu strāvas noplūdes automātslēdzi.

PIELIETOJUMS

Šo instrumentu var izmantot šeit norādītajiem mērķiem:

Taisnas līnijas griešanas darbības, piemēram, šķērs griešana, griešana 45° leņķī, gareniskā griešana un slīpais griezums

PIEZĪME: Šis zāģis ir paredzēts tikai maksīgi izgatavotu flīžu, ceļa seguma plātņu, dabiskā akmens produktu un akmens flīžu produktu griešanai.

Ieslēgšanas/izslēgšanas slēdzis

Šim zāģim ir vienkārša piekļuve ieslēgšanas/izslēgšanas slēdzim, kas atrodas zem priekšējās slīdes.

Lai izslēgtu zāģi:

Lai izslēgtu (O), nospiediet sarkano pogu.

Lai ieslēgtu zāģi:

Lai ieslēgtu (I), nospiediet zaļo pogu.

Lai bloķētu zāģi:

Kad zāģis ir izslēgts, atvienojiet spraudni no strāvas avota.

⚠ BRĪDINĀJUMS

Pirms ieslēgt instrumenta iedarbināšanas slēdzi, VIENMĒR pārliecinieties, vai detaļa nesaskaras ar griezējasmēni. Šī brīdinājuma neievērošanas gadījumā detaļa var tikt atmetta operatora virzienā un izraisīt nopietnu traumu.

⚠ BRĪDINĀJUMS

Lai samazinātu nejaūšas iedarbināšanas risku, pirms instrumenta pieslēgšanas strāvas avotam vienmēr pārliecinieties, vai slēdzis ir izslēgšanas pozīcijā. Strāvas trūkuma gadījumā vai instrumenta neizmantošanas gadījumā izslēdziet slēdzi un atslēdziet spraudni no strāvas avota. Ar šādu darbību tiek novērsta nejaūša instrumenta iedarbināšana strāvas atjaunošanas gadījumā.

GARENGRIEZUMA VADOŠĀS DETALĀS UN 45° LEŅĶA VADOŠĀS DETALĀS IZMANTOŠANA

Skatiet 13. attēlu.

Garengriezuma vadošo detaļu var izmantot no griezējasmens kreisās un labās puses.





Latviski

1. Lai atlaistu, pagrieziet garengriezuma vadošo detaļu pretēji pulksteņrādītāju kustības virzienam.
2. Noregulējiet garengriezuma vadošo detaļu nepieciešamajā pozīcijā, izmantojot garengriezuma vadošās detaļas skalu, kas atrodas galda priekšā un aizmugurē, lai garengriezuma vadošo detaļu iestatītu uz nepieciešamo griezumam platumu.
3. Lai stingri pievilktu, pagrieziet pogu pulksteņrādītāju kustības virzienā.

LAI NOREGULĒTU LEŅĶUS

Noregulējiet garengriezuma vadošo detaļu nepieciešamajā pozīcijā un cieši nostipriniet.

1. 45° leņķa vadošo detaļu uzbīdīet uz garengriezuma vadošās detaļas no priekšpusēs.
2. Noregulējiet nepieciešamajā leņķī, izmantojot leņķa skalu, un cieši pievelciet ar pogu.

GRIEZUMU VEIKŠANA

Vienmēr uz flīzes uzzīmējiet griešanas līniju, izmantojot marķieri vai smērvielas zīmuli. Ja flīze ir spīdīga un grūti marķējama, pielīmējiet pie flīzes līmlenti un veidojiet uz tās marķējumu.

Vispārēja problēma, kad griezamā flīze novirzās no atzīmētās līnijas. Ja notikusi novirzīšanās no atzīmes, nedrīkst ar spēku spiest atpakaļ asmeni, pagriežot flīzi. Tā vietā atbalstiet un vēlreiz nogrieziet flīzi, nogriežot to tikai nedaudz, līdz asmens atkal atrodas vietā.

Lai izvairītos no šīs problēmas, ja iespējams, izmantojiet garengriezuma vadošo detaļu, veicot šķērsgriezumus, 45° leņķa vadošo detaļu — 45° leņķa griezumiem un noregulējamu labās puses galdu, lai veiktu slīpos griezumus.

Lai veiktu šķērsgriezumus

Skatiet 14. attēlu.

Šķērsgriezumam ir taisnie 90° griezumam. Materiāls uz asmeni griezumā tiek padots 90° leņķī, un asmens ir vertikāls.

1. Lai uz materiāla atzīmētu griežamo zonu, izmantojiet marķieri vai smērvielas zīmuli.
2. Noregulējiet garengriezuma vadošo detaļu nepieciešamajā pozīcijā un cieši nostipriniet.
3. Materiālu novietojiet uz galda stingri pret garengriezuma vadošo detaļu.
4. Pirms zāģa ieslēgšanas pārliecinieties, vai pie griezējasmens nav materiāla.
5. Ieslēdziet barošanu.
6. Pirms materiālu pārvietot uz asmeni, ļaujiet griezējasmenim uzņemt pilnu ātrumu un pagaidiet, līdz asmens ir samircis.
7. Turiet materiālu stingri pret garengriezuma vadošo detaļu un padodiet materiālu uz griezējasmeni.
8. Pēc griezumam veikšanas izslēdziet zāģi. Pirms noņemt

kādu materiāla daļu, pagaidiet, līdz griezējasmens ir pilnīgi apstājies.

Lai veiktu 45° diagonālo griezumam

Skatiet 15. attēlu.

45° Diagonālos griezumam sauc arī par "griezumam no garā punkta līdz garajam punktam".

1. Lai uz materiāla atzīmētu griežamo zonu, izmantojiet marķieri vai smērvielas zīmuli.
2. Garengriezuma vadošo detaļu iestatiet nepieciešamajā platumā un, lai nostiprinātu, pievelciet pogu.
3. 45° leņķa vadošo detaļu uzbīdīet uz garengriezuma vadošās detaļas no priekšpusēs.
4. Noregulējiet 45° leņķa vadošo detaļu uz 45°, izmantojot leņķa skalu, un cieši pievelciet ar pogu.
5. Pirms zāģa ieslēgšanas pārliecinieties, vai pie griezējasmens nav materiāla.
6. Ieslēdziet barošanu.
7. Pirms materiālu pārvietot uz asmeni, ļaujiet griezējasmenim uzņemt pilnu ātrumu un pagaidiet, līdz asmens ir samircis.
8. Turiet materiālu stingri pret 45° leņķa vadošo detaļu un bīdīet 45° leņķa vadošo detaļu gar garengriezuma barjeru. Padodiet materiālu uz griezējasmeni.
9. Pēc griezumam veikšanas izslēdziet zāģi. Pirms noņemt kādu materiāla daļu, pagaidiet, līdz griezējasmens ir pilnīgi apstājies.

Lai veiktu griezumam 45° leņķī

Skatiet 16. attēlu.

45° griezumam izmanto materiāla ārējo un iekšējo stūru, krēslu dekoratīvo šķērskoku un pamata veidnes griešanai, kad materiāls ir jebkurā citā leņķī, izņemot 90°. 45° griezumam griešanas laikā ir "šļūdes" tendence. To var kontrolēt, detaļu stingri noturot pret 45° leņķa vadošo detaļu.

1. Lai uz materiāla atzīmētu griežamo zonu, izmantojiet marķieri vai smērvielas zīmuli.
2. Garengriezuma vadošo detaļu iestatiet nepieciešamajā platumā un, lai nostiprinātu, pievelciet pogu.
3. 45° leņķa vadošo detaļu uzbīdīet uz garengriezuma vadošās detaļas no priekšpusēs.
4. Noregulējiet vadošo detaļu nepieciešamajā leņķī, izmantojot leņķa skalu, un cieši pievelciet ar pogu.
5. Pirms zāģa ieslēgšanas pārliecinieties, vai pie griezējasmens nav materiāla.
6. Ieslēdziet barošanu.
7. Pirms materiālu pārvietot uz asmeni, ļaujiet griezējasmenim uzņemt pilnu ātrumu un pagaidiet, līdz asmens ir samircis.
8. Turiet materiālu stingri pret 45° leņķa vadošo detaļu un bīdīet 45° leņķa vadošo detaļu gar garengriezuma barjeru. Padodiet materiālu uz griezējasmeni.





Latviski

9. Pēc griezuma veikšanas izslēdziet zāģi. Pirms noņemt kādu materiāla daļu, pagaidiet, līdz griezējasmens ir pilnīgi apstājies.

Lai veiktu L-veida griezumus

Skatiet 17. attēlu.

L-veida griezumi ir griezumi, ar kuru palīdzību tiek nogriezts flīzes stūris, lai to ievietotu stūrī, ap nodalījumu, vai veidnē, un to izdara ar diviem atsevišķiem griezumiem.

PIEZĪME: Vienkārši pārgrieziet griežamā materiāla apakšu vai apakšējo daļu.

1. Sagrieziet materiālu nepieciešamajā platumā, izmantojot šķērgriešanas norādījumus.
2. Noregulējiet garengriezuma vadošo detaļu nepieciešamajā pozīcijā un cieši nostipriniet.
3. Materiālu novietojiet uz galda stingri pret garengriezuma vadošo detaļu.
4. Pirms zāģa ieslēgšanas pārliecinieties, vai pie griezējasmens nav materiāla.
5. Ieslēdziet barošanu.
6. Pirms materiālu pārvietot uz asmeni, ļaujiet griezējasmenim uzņemt pilnu ātrumu un pagaidiet, līdz asmens ir samircis.
7. Turiet materiālu stingri pret garengriezuma vadošo detaļu un padodiet materiālu uz griezējasmeni.
8. Iegrieziet materiālā pietiekami dziļi, tomēr to nepārgriežot.
9. Izslēdziet barošanu.
10. Apgrieziet materiālu otrādi un veiciet griezumus gar vienu no atzīmēm. Šajā reizē pārgrieziet pa citu līniju, un nogriežamo fragmentu vajadzētu atdalīt no pārējā materiāla.
11. Ieslēdziet barošanu.
12. Pirms materiālu pārvietot uz asmeni, ļaujiet griezējasmenim uzņemt pilnu ātrumu un pagaidiet, līdz asmens ir samircis.
13. Pēc griezuma veikšanas izslēdziet zāģi. Pirms noņemt kādu materiāla daļu, pagaidiet, līdz griezējasmens ir pilnīgi apstājies.

Lai veiktu slīpo griezumus

Skatiet 18-19. attēlu.

Griezumus 22,5° un 45° leņķī var veikt, izmantojot slīpā griezuma galdus.

1. Lai uz materiāla atzīmētu griežamo zonu, izmantojiet marķieri vai smērvielas zīmuli.
2. Sasveriet augšup slīpā griezuma galdus.
3. Slīpā griezuma galda apakšpusē izvelciet divas galda kājas pareizajos galda leņķos.
4. Lai plāksni atbalstītu 22,5° leņķī, izmantojiet kāju pirmos ierobus.
5. Lai slīpā griezuma galdus savērtu augstākajā 45° leņķī, izmantojiet ierobu otro grupu.

PIEZĪME: Pirms sākt griešanu, pārliecinieties, vai slīpā griezuma galds ir stingri bloķēts.

Atlieciet kājas un slīpā griezuma plāksni novietojiet līdzeni 22,5° vai 45° leņķī.

6. Ieslēdziet barošanu.
7. Pirms materiālu pārvietot uz asmeni, ļaujiet griezējasmenim uzņemt pilnu ātrumu un pagaidiet, līdz asmens ir samircis.
8. Turiet materiālu stingri pret slīpā griezuma galdus un padodiet materiālu uz griezējasmeni.
9. Pēc griezuma veikšanas izslēdziet zāģi. Pirms noņemt kādu materiāla daļu, pagaidiet, līdz griezējasmens ir pilnīgi apstājies.

APKOPE

⚠ BRĪDINĀJUMS

Apkopei izmantojiet tikai identiskas rezerves daļas. Jebkādi citu detaļu izmantošana var izraisīt bīstamību vai produkta bojājumus.

⚠ BRĪDINĀJUMS

Elektroinstrumenta darbības vai putekļu pūšanas laikā vienmēr izmantojiet aizsargbrilles vai drošības brilles ar sānu aizsargiem. Ja darbība ir saistīta ar putekļu rašanos, uzlieciet arī putekļu masku.

⚠ BRĪDINĀJUMS

Ja bojāts strāvas padeves vads, lai izvairītos no riska, to drīkst nomainīt tikai ražotājs vai pilnvarotā apkopes centrā.

⚠ BRĪDINĀJUMS

Lai nodrošinātu drošību un uzticamību, visi remontdarbi jāveic PILNVAROTĀ SERVISA CENTRĀ vai citā KVALIFICĒTĀ SERVISA ORGANIZĀCIJĀ.

VISPĀRĒJĀ APKOPE

Tīrot plastmasas daļas, izvairieties no šķīdinātāju lietošanas. Vairums plastmasu bojājas no pārdošanā pieejamo šķīdinātāju iedarbības. Izmantojiet tīru drānu, lai notīrītu netīrumus, putekļus, eļļu, zieļvielas utt.





Latviski

BRĪDINĀJUMS

Neļaujiet jebkurā laikā bremžu šķidrums, gazolīnam, naftas produktiem, asām eļļām utt. nonākt saskarē ar plastmasas daļām. Ķīmikālijas var sabojāt, novājināt vai iznīcināt plastmasu, kas var izraisīt nopietnas personīgās traumas.

Eljošana

Visi gultņi šajā instrumentā tiek eļļoti ar pietiekamu daudzumu augstas kvalitātes smērvielas, lai ierīce normālas lietošanas režīmā kalpotu visu darbmužu.

Flīžu griezējamens

Lai nodrošinātu maksimālu veikspēju un drošību, ieteicams izmantot zāģa komplektā iekļauto 178 mm griezējamenu. Tikpat augstas kvalitātes papildu griezējamenu ir pieejami no vietējā dīlera.

BRĪDINĀJUMS

Neizmantojiet griezējamenu, kuru nomināls ir mazāks par šī instrumenta bezslodzes ātrumu. Šī brīdinājuma neievērošanas gadījumā var rasties personiska trauma. Neizmantojiet asmeni, kuram ir plaisas, spraugas vai robi.

FLĪZES GRIEZĒJASMENS NOMAIŅA

Skatiet 20. attēlu.

BRĪDINĀJUMS

178 mm flīžu griezējamens ir maksimālas jaudas zāģa asmens. Nekad nelietojiet asmeni, kas ir pārāk biezs, lai asmens atloks nonāktu kontaktā ar vārpstas plakanajām daļām. Lielāki asmeņi saskarsies ar asmeņu aizsargu, bet biežāki asmeņi neļaus asmeņu skrūvei nostiprināt asmeni uz ass. Jebkurā no šīm situācijām var notikt nopietns negadījums un rasties nopietna personiskā trauma.

1. Atslēdziet zāģi.
2. Noņemiet slīpā griezuma galdū.
3. Sešstūrveida uzgriežņu atslēgu uzbīdīet pār asmens ass uzgriezni. Izmantojot otru roku, uzbīdīet ass uzgriežņu atslēgu uz asmens ass.
4. Stingri turiet ass uzgriežņu atslēgu, lai novērstu asmens kustības. Lai atbrīvotu, pagrieziet ass uzgriezni pretēji pulksteņrādītāju kustības virzienam.
5. Noņemiet ass uzgriezni, ārējo asmens atloku un griezējamenu.
6. Noslaukiet eļļas pilienu uz iekšējā asmens atloka vietā, kur tas saskaras ar asmeni.

BRĪDINĀJUMS

Ja jānoņem iekšējais asmens atloks, uzlieciet to pirms asmens novietošanas uz vārpstas. Pretējā gadījumā var notikt negadījums, jo asmens netiks pareizi pievilkt. Nekad ar šo instrumentu neizmantojiet asmeņus, kuriem ir caurumi, gropes vai robi.

7. Griezējamenu novietojiet uz ass ar bultiņām uz griezējamens pretēji pulksteņrādītāju kustības virzienam.
8. Nomainiet ārējo asmens atloku. Dubultās "D" montāžas plāksnītes uz asmens atloka sakrīt ar ass montāžas plāksnītēm.
9. Stingri pievelciet ass uzgriezni, izmantojot asmens uzgriežņu atslēgu un ass uzgriežņu atslēgu.
10. Nomainiet slīpā griezuma galdū.

VIDES AIZSARDZĪBA



Tā vietā, lai materiālus izmestu, nododiet tos atkārtotai realizācijai. Mašīna, aksesuāri un iepakojums ir jāsašķiro un jānodod videi draudzīgā atkārtotas pārstrādes vietā.

SIMBOLS



Drošības brīdinājums



CE atbilstība



GOST-R atbilstība



Pirms iedarbināt izstrādājumu, lūdz, uzmanīgi izlasiet norādījumus.



Vienmēr lietojiet aizsargbrilles.



Lietojiet dzirdes aizsargus



Valkājiet aizsargcimdus





Latviski



BĪSTAMI! Ass asmens



Uzmanību, sagriešanās risks



Sargājiet no lietus un nelietojiet mitrās vietās.



Sargājiet no lietus un nelietojiet mitrās vietās.



Iekārtas ir jāizmanto ar pastāvīgu malas romba griešanas asmeni.



Asmens rotācijas virziens



Dimanta griešanas asmens



Asmens diametrs



Asmens ass diametrs



svars neto



Griezuma dziļums (maks.)



Griezuma platums (maks.)



Griezuma diagonāles platums (maks.)



Pārstrādāt



Izlietotie elektroprodukti nedrīkst tikt izmesti kopā ar mājāsaimniecības atkritumiem. Lūdzu, nododiet tos attiecīgajās atkār tās izmantošanas vietās. Sazinieties ar savu vietējo varas pārstāvi vai izplatītāju, lai noskaidrotu, kur iespējama atkārtota pārstrāde.





Lietuviškai

APRAŠYMAS

1. Įžeminimo kaištelis
2. Maitinimo laidas
3. Laido nuleidimas
4. Plytelių pjovimo diskas
5. Įjungimo/išjungimo mygtukas
6. Pjovimo užtvartos kreiptuvas
7. Nuožambaus pjovimo kreiptuvas
8. Maks. pripildymo linija
9. Pertekliaus nuleidimo vamzdelis
10. Vandens talpa
11. Pjovimo užtvartos kampainis
12. Stovas
13. Laido fiksatorius
14. Pakelkite rankenas
15. Pjovimo disko apsauginis gaubtas
16. Istrižinio pjovimo stalas
17. Plytelių pjovimo staklių korpusas
18. Šešiakampis veržliaraktis
19. Ašies veržliaraktis
20. Varžtai
21. Pjovimo disko apsauginio gaubto laikiklis
22. Šešiakampė veržlė
23. Šešiakampis varžtas
24. Stovo kojos "A"
25. Stovo kojos "B"
26. Kojos stovo varžtas (-ai)
27. Kojos stovo veržlė (-s)
28. Kojos stovo laikiklis (-iai)
29. Atraminis laikiklis "A"
30. Btraminis laikiklis "B"
31. Fiksatoriai
32. Įtempimo sumažinimo įtaisas
33. Briaunelė
34. Įpjovos kreiptuvo rankenėlė
35. Koją "A"
36. Koją "B"
37. Nuožambaus pjovimo kreiptuvo kampainis
38. Nuožambaus pjovimo kreiptuvo rankenėlė
39. Istrižinio pjovimo stalas
40. 22.5° kampainio griovelis
41. 45° kampainio griovelis
42. Ašis
43. Vidinė jungė
44. Išorinė jungė
45. Ašies veržlė

BENDROSIOS SAUGOS TAISYKLĖS

⚠ ĮSPĖJIMAS

Naudojant elektrinius įrankius būtina atsižvelgti į elementarias saugumo priemones, kad sumažintumėte gaisro, elektros smūgio ar sužeidimų riziką.

Prieš naudodami šį įrankį, perskaitykite visas instrukcijas bei jas išsaugokite.

- **Pažinkite savo elektrinį įrankį.** Atidžiai perskaitykite vartotojo instrukciją. Susipažinkite su įrankio naudojimo paskirtimis ir apribojimais, o taip pat ir su įrankiu susijusiais specialiais galimais pavojais.
- **Nuo elektros smūgio galite apsaugoti, jei nesiliesite kūnu prie įžemintų paviršių.** Pvz. vamzdžiai, radiatoriai, viryklių ir šaldytuvų detalij.
- **Apsauginiai gaubtai turi būti savo vietoje ir gerai veikti.**
- **Pašalinkite iš įrankio reguliavimo raktus ir veržliaraktčius.** Įpraskite prieš įjungdami plautuvą patikrinti, ar iš plautuvo pašalinti raktai ir veržliaraktčiai.
- **Darbo vieta turi būti švari.** Netvarkinga aplinka ar darbo vieta skatina nelaimingus atsitikimus. Pjovimo staklėms veikiant, jose nepalikite medienos atraižų ar kitų įrankių.
- **Prietaiso nenaudokite pavojingoje aplinkoje.** Nenaudokite elektrinių įrankių drėgnose arba šlapiose vietose, saugokite įrankį nuo lietaus poveikio. Darbo vieta turi būti gerai apšviesta. Nenaudokite įrankių, jei šalia yra degūs skysčiai ar dujos.
- **Vaikai ir žiūrovai turi būti kuo toliau nuo darbo zonos.** Visi žiūrovai privalo naudoti apsauginius akinius ir atsitraukti saugiu atstumu nuo darbo vietos. Kai įrankis veikia, žiūrovams neleiskite liesti pjovimo staklių ar ilginamojo laido.
- **Nenaudokite per didelės jėgos.** Naudodami pagal paskirtį pagamintą tinkamą įrankį, darbą atlikite geriau ir saugiau.
- **Naudokite tinkamą įrankį.** Nenaudokite darbui įrankio arba papildomo įtaiso, kuris netinkamas šiam darbui. Nenaudokite prietaiso ne pagal paskirtį.
- **Naudokite tik tinkamus ilginamuosius laidus.** Patikrinkite, ar ilginamasis laidas yra geros būklės. Naudokite tik pakankamos klasės laidą, kad jis galėtų atlaikyti jūsų prietaiso naudojamą elektros srovę. Dėl mažesnio ilginamojo laido įtampa elektros grandinėje gali sumažėti ir dėl to variklis gali perkaisti, o galia bus prarasta.
- **Dėvėkite tik darbu tinkamus drabužius.** Nedėvėkite laisvų, neprigludusių drabužių, pirštinių, kaklaraiščių ir juvelyrinių dirbinių. Juos gali pagauti judančios dalys





Lietuviškai

ir jus įtraukti. Dirbant lauke rekomenduojama mėvėti gumines pirštines ir avėti batus neslystančiais padais (batus guminiiais padais). Jei turite ilgus plaukus, dėvėkite apsauginį galvos apdangalą.

- **Visada dėvėkite apsauginius akinius su šonine apsauga.** Kasdieniniuose akinuose yra tik smūgiui atsparūs lęšiai, šie akiniai NĖRA apsauginiai akiniai.
- **Ruošinį prirtvirtinkite.** Jei praktiška, ruošinį prispauskite spaustuvais ar gnybtais, nes tai yra saugiau, nei jį prispaudžiant rankomis, o taip pat rankos lieka laisvos darbui įrankiu atlikti.
- **Nesiekite per toli.** Visada tvirtai stovėkite ir išlaikykite pusiausvyrą.
- **Įrankius prižiūrėkite rūpestingai.** Siekiant geresnių rezultatų ir kad darbas būtų atliktas saugiai, įrankiai turi būti aštrūs ir švarūs. Laikykites tepimo ir papildomų detalių keitimo instrukcijų. Reguliariai patikrinkite įrankio laidus, jei jie apgadinti, juos remontuoti pristatykite tik įgaliotą techninės priežiūros centrą. Pastoviai patikrinkite ilginamuosius laidus ir pakeiskite juos, jei jie pažeisti. Rankenas reikia visada sausai nuvalyti, kad jos nebūtų suteptos alyva ir tepalais.
- **Atjunkite įrankius nuo maitinimo šaltinio.** Kai įrankis nenaudojamas ar prieš atliekant techninę priežiūrą, keičiant priedus, pjovimo diskus, antgalius, pjoviklius ir t. t., visus įrankius būtina atjungti nuo maitinimo šaltinio. Prieš reguliuodami įrankį, atlikdami techninės priežiūros darbus visada ištraukite kištuką iš maitinimo lizdo.
- **Saugokitės, kad įrankis atsitiktinai neįsijungtų.** Prieš prijungdami bet kokį įrankį prie maitinimo šaltinio, visada patikrinkite, ar jungiklis yra išjungtas (OFF padėtyje).
- **Naudokite rekomenduojamus priedus.** Informacijos dėl rekomenduojamų priedų ieškokite vartotojo instrukcijoje. Netinkamų papildomų detalių naudojimas gali sukelti sužeidimų pavojų.
- **Niekada nelipkite ant prietaiso.** Prie pjovimo įrankio prisilietus arba netyčia jį prilietus galima sunkiai susižeisti.
- **Patikrinkite, ar nėra pažeistų detalių.** Prieš pradėdami naudoti įrankį, apžiūrėkite, ar nėra sugadintų detalių. Jei detalė šiek tiek sugadinta, atsargiai nustatykite, ar prietaisas tinkamai veiks ir atliks numatytą darbą. Patikrinkite judančių detalių centravimą, sukibimą, sulūžusias detales, sumontavimą ir kita, kas galėtų turėti neigiamos įtakos darbui. Siekiant išvengti sužeidimų, pažeistus apsauginius įtaisus arba kitas prietaiso detales prieš pradėdami darbą reikia suremontuoti arba pakeisti įgaliotoje techninės priežiūros įmonėje.
- **Ruošinį stumkite tik teisinga kryptimi.** Ruošinį stumkite link pjovimo disko tik prieš disko ar pjoviklio

sukimosi kryptį.

- **Niekada nepalikite veikiančio įrankio be priežiūros. Išjunkite įrankį.** Neatsitraukite nuo įrankio, kol jis visiškai nesustoja.
- **Saugokite plaučius.** Dėvėkite veido kaukę arba kaukę nuo dulkių, jei tektų dirbti ten, kur išsiskiria dulksės.
- **Saugokite klausą.** Dirbdami ilgesnį laiką, dėvėkite klausos apsaugos priemones.
- **Laidą naudokite pagal jo paskirtį.** Niekada netraukite už laido, norėdami atjungti įrankį nuo maitinimo šaltinio. Saugokite maitinimo laidą nuo karščio, tepalų ir aštrių kampų.
- **Pjovimo disko apsauginis gaubtas visada turi būti prirtvirtintas ir gerai veikiantis.**
- **Rankas laikykite toliau nuo pjovimo zonos.** Rankas laikykite toliau nuo pjovimo disko. Kai pjovimo diskas sukasi, nesiekite po ruošiniu ar aplink jį, o taip pat virš pjovimo disko. Pjovimo diskui judant ruošinio nebandykite ištraukti.
- **Stakles išjungus, pjovimo diskas lengvai sukasi.**
- **Niekada nedirbkite aplinkoje, kurioje gresia sprogdimo pavojus.** Įprastinis variklio kibirkščiavimas gali uždegti degius garus.
- **Pastoviai tikrinkite įrankio laidus.** Jei pažeistas, jį turi suremontuoti kvalifikuotas technikas įgaliotame techninės priežiūros centre.
- **Pastoviai patikrinkite ilginamuosius laidus ir pakeiskite juos, jei jie pažeisti.**
- **Įžeminkite visus įrankius.** Jei įrankis yra su trijų smaigalių kištuku, jį būtina prijungti prie trijų skylių elektros maitinimo šaltinio.
- **Jei įžeminimo instrukcijas nevisiškai suprantate arba jei kyla abejonių, ar produktas tinkamai įžemintas, pagalbos kreipkitės pas kvalifi kuotą elektriką ar paslaugas teikiančius darbuotojus.**
- **Naudokite tik tinkamus elektrinius įtaisus:** naudokite tik 3-ų laidų ilginamuosius laidus su 3 įžeminimo kištuko smaigaliais ir 3 polių patronus, kuriems tinkamas įrankio kištukas.
- **Pridedamo kištuko nekeiskite.** Jei kištukas lizdui netinka, kvalifi kuotas elektrikas turi įrengti tinkamą kištukinį lizdą.
- **Pasirūpinkite, kad įrankis būtų sausas, švarus nuvalykite nuo jo alyvos arba tepalo pėdsakus.** Prietaisą visada valykite švaria šluoste. Prietaiso niekada nevalykite stabdžių skysčiu, benzinu, naftos produktais ar kitais tirpikliais.
- **Būkite budrūs ir kontroliuokite situaciją.** Stebėkite, ką darote ir vadovaukitės sveika nuovoka. N nedirbkite įrankiu, kai esate pavargę. Nesukubėkite.



Lietuviškai

- **Nenaudokite įrankio, jei jungiklio negalite įjungti ir išjungti.** Sugedusius jungiklius gali pakeisti tik įgalioti techninės priežiūros darbuotojai.
- **Naudokite tik tinkamus pjovimo diskus.** Nenaudokite pjovimo diskų su netinkamo dydžio angomis. Niekada nenaudokite pažeistų ar neteisingų poveržlių ar ašies veržlių. Jūsų pjovimo staklių didžiausias naudojamas pjovimo diskas yra 178 mm. Visos naudojamos geležtės turi būti gaminamos pagal EN13236. Niekada nenaudokite pjovimo disko, kurio greičio duomenys yra mažesni nei įrankio.
- **Prieš pradėdami pjovimą, patikrinkite, ar visi nustatymai yra saugiai pritvirtinti.**
- **Dirbdami, niekada nelieskite pjovimo disko ar kitų judančių dalių.**
- **Niekada neįjunkite įrankio, kai jo judanti dalis liečiasi su ruošiniu.**
- **Nenaudokite įrankio paveikti kvaišalų, alkoholio ar vaistų.**
- **Sugedusias detales keiskite tik originaliomis atsarginėmis detalėmis.** Kitų detalių naudojimas gali sukelti pavojų ar sugadinti įrankį.
- **Naudokite tik šios instrukcijos ar jos pataisymų sąrašė rekomenduojamus priedus.** Sąrašė nenurodytų priedų naudojimas gali sukelti sužeidimų pavojų. Saugaus priedų naudojimo instrukcijos yra pridėdamos prie priedo.
- **Dar kartą patikrinkite visus nustatymus.** Prieš prijungdami įrankį prie maitinimo šaltinio, patikrinkite, ar pjovimo diskas yra tvirtas ir nesiliečia į stakles ar ruošinį.

**PLYTELIŲ PJOVIMO STAKLĖS SAUGOS
ĮSPĖJIMAI**

- Ruošinį visada tvirtai pritvirtinkite prie įpjovos kreiptuvo arba įstrižio fiksatoriaus
- Niekada nestovėkite ir stebėkite, kad nei viena jūsų kūno dalis nebūtų vienoje linijoje su pjovimo disku.
- Niekada nebandykite atlaisvinti užstrigusio pjovimo disko prieš tai neišjungę pjovimo staklių ir jų neatjungę nuo maitinimo šaltinio.
- Jeigu maitinimo laidas pažeistas, jį turi pakeisti tik gamintojas arba įgaliota techninės priežiūros įmonė, kad būtų išvengta pavojaus.
- Venkite neįprastų veiksmų bei nedėkite rankų ten, kur jos gali staiga nuslysti link pjovimo staklių.
- Prieš pradėdami bet kokį darbą pjovimo staklėmis, patikrinkite, ar darbo vieta gerai apšviesta, kad gerai matytumėte pjaunamą ruošinį, ir ar nėra jokių kliūčių saugiai atlikti darbą.
- Prieš atjungdami įrankį nuo maitinimo šaltinio, visada

pirmiausia išjunkite pjovimo stakles, kad išvengtumėte atsitiktinio užsivedimo pjovimo stakles vėl prijungus prie maitinimo šaltinio.

- Šis įrankis turi būti pažymėtas šiomis žymomis:
 - Dėvėkite akių apsaugos priemones.
 - Pjovimo disko apsauginį gaubtą naudokite kiekvienam darbui atlikti, kuriam tik jį įmanoma naudoti.
 - Prieš atlikdami remonto darbus, keisdami pjovimo diskus ir valydami pjovimo stakles, jas atjunkite nuo maitinimo šaltinio.
 - Įrankį naudokite tik su lygių kraštų pjovimo diskais be plyšių, griovelių ir dantukų.
 - Prieš darbą pakeiskite pažeistą pjovimo diską.
 - Nepilkite vandens virš pripildymo linijos.
- **Išsaugokite šias instrukcijas.** Dažnai perskaitykite instrukciją, panaudokite instrukciją kitiems operatoriams apmokyti. Jeigu kam nors paskolinatė šį įrankį, tai kartu perduokite ir vartotojo instrukciją.

**PRIJUNGIMAS PRIE ELEKTROS ENERGIJOS
ŠALTINIO**

Šiame produkte yra preciziškai sumontuotas elektrinis variklis. Prietaisą reikia prijungti tik prie 220-240V, kintamosios srovės (įprasta srovė gyvenamuosiuose namuose) ir 50 Hz maitinimo šaltinio tinklo. Šio įrankio nenaudokite, jį prijungę prie nuolatinės srovės šaltinio. Dėl žymaus įtampos sumažėjimo dingsta elektra ir prietaisas perkaista. Jei pjūklas neveikia jį įjungus į kištukinį lizdą, dar kartą patikrinkite energijos tiekimą.

GREITIS IR LAIDŲ IŠVEDŽIOJIMAS

Šio įrankio apytikslis variklio be apkrovos greitis yra 2,900 aps./min. Toks greitis nėra pastovus ir jis sumažėja esant apkrovai ar mažesnei įtampai. Įtampos atžvilgiu, laidų išvedžiojimas dirbtuvėse yra tiek pat svarbus, kaip ir variklio arklio jėgos. Laidas, skirtas tik šviesai, negali tinkamai atlaikyti elektrinio įrankio variklio. Laidas, kuris pakankamai sunkus trumpam atstumui, bus per lengvas didesniam atstumui. Laidas, pakankamas vienam elektriniam įrankiui, gali būti nepakankamas dviems ar trimis įrankiams.

ĮŽEMINIMO INSTRUKCIJOS

Žr. 1 pav.

Šį produktą būtina įžeminti. Jei prietaisas blogai veikia ar sugenda, įžeminimas elektros srovei suteikia mažiausią varžą, taip sumažinant elektros smūgio pavojų. Šiame prietaise yra įmontuotas elektros laidas, kuriame yra įrangos įžeminimo konduktorius ir įžeminimo kištukas. Kištuką reikia įkišti į jį atitinkantį lizdą, kuris būtų tinkamai instaliuotas ir įžemintas pagal vietos kodus ir tvarką.

Lietuviškai

Pridedamo kištuko nekeiskite. Jei kištukas lizdai netinka, kvalifi kuotas elektrikas turi įrengti tinkamą kištukinį lizdą.

⚠ ĮSPĖJIMAS

Netinkamas įžeminimo kištuko prijungimas gali sukelti elektros smūgio pavojų. Jei būtina remontuoti ar pakeisti laidą, įžeminimo laido neprijunkite prie jokių plokščių gnybtų. Laidas su žalios spalvos izoliacija (su ar be geltonų juostų) yra įžeminimo laidas.

Jei įžeminimo instrukcijas nevisiškai suprantate arba jei kyla abejonų, ar produktas tinkamai įžemintas, pagalbos kreipkitės pas kvalifi kuotą elektriką ar paslaugas teikiančius darbuotojus.

Nedelsdami pažeistą ar nusidėvėjusį laidą suremontuokite ar pakeiskite.

Jeigu maitinimo laidas pažeistas, jį turi pakeisti tik gamintojas arba įgaliota techninės priežiūros įmonė, kad būtų išvengta pavojaus.

Produktą prijunkite tik prie tokios konfi gūracijos kištukinio lizdo, kaip ir kištukas. Su šiuo produktu nenaudokite adapterio.

Siekiant užtikrinti saugumą ir įrankio patikimumą, visi remonto darbai turi būti atliekami ĮGALIOTAME TECHNINĖS PRIEŽIŪROS CENTRE ar kitoje KVALIFIKUOTOJE TECHNINĖS PRIEŽIŪROS ĮMONĖJE.

Likutinės srovės įtaiso (RCD) apsauga būtina naudoti elektros grandinei (-ėms) ar kištukiniam lizdai (-ams), naudojamam su plytelių pjovimo staklėmis. Yra kištukinių lizdų su įrengta likutinės srovės įtaiso (RCD) apsauga ir juos galima naudoti kaip saugumo priemonę.

Jei pjovimo staklės naudojamos su ilginamuoju laidu, patikrinkite, ar įrankio maitinimo laido prijungimas prie ilginamojo laido nėra ant žemės. Papildomus įtaisus visada būtina jungti prie maitinimo šaltinio sienoje, o ne prie ilginamojo laido, prie kurio prijungtas elektrinių įrankio maitinimo laidas.

Jei apsaugoto kištukinio lizdo nėra, pjovimo staklių nenaudokite tol, kol lizdas nepakeistas ar nėra papildomos apsaugos. Šiuos papildomus apsaugos įtaisus galima įsigyti pas vietos pardavimo atstovą.

PLYTELĪŲ PJOVIMO STAKLIŲ PADĖTIS

Žr. 2 pav.

Kad įrankio kištukas ar kištukinis lizdas nesušlapų, plytelių pjovimo stakles pastatykite prie vienos sienoje įmontuoto kištukinio lizdo pusės, kad vanduo nevarvėtų ant kištukinio lizdo ar kištuko. Operatorius turi nuleisti laidą, kurio pjovimo staklės yra prijungiamos prie kištukinio lizdo. Laido nuleidimas – tai laido dalis žemiau kištukinio lizdo lygio ar jungiamoji dalis, jei naudojamas ilginamasis laidas, siekiant išvengti, kad vanduo nekeliuotų laidu ir

nepatektų į kištukinį lizdą.

Kištukui ar lizdai sušlapus, laido NEATJUNKITE. Atjunkite saugiklį ar skirstomosios dėžės jungiklį, kurie tiekia energiją į įrankį, po to atjunkite įrankį ir patikrinkite, ar kištukiniame lizde nėra vandens likučių.

⚠ ĮSPĖJIMAS

Siekiant sumažinti žūties nuo elektros smūgio pavojų, visi sujungimai turi būti sausi ir nelaidomi ant žemės. Nelieskite kištuko drėgnomis rankomis.

TECHNINIAI REIKALAVIMAI

Gaminio techninės savybės

Įtampa	220 - 240V
Galia	500 W
Greitis be apkrovimo	2,900 rpm
Svoris	15,5 kg (N.W.)

Savybės

Stalo dydis:	381 mm x 502 mm
Stalo aukštis nuo spintelės prie stalo	181 mm

Ruošinio techniniai duomenys

Stalo ruošinys	Nerūdijantis plienas
Stovo sudėtinė medžiaga	Plieniniai vamzdeliai

Pjovimo instrumentai/galia

Pjovimo disko skersmuo	178 mm
Pjovimo disko tipas	Deimantinis
Pjovimo disko vidinis skersmuo	25,4 mm
Didžiausias pjovimo gylis	33 mm
Išmatuotosios vertės nustatytos pagal EN 61029	
A svertinis garso slėgio lygis Nepastovumas K	$L_{pA} = 61,0 \text{ dB(A)}$ 3 dB(A)
Išmatuotosios vertės nustatytos pagal EN 61029	
A svertinis garso galios lygis Nepastovumas K	$L_{WA} = 77,0 \text{ dB(A)}$ 3 dB(A)

PAŽINKITE SAVO PLYTELĪŲ PJOVIMO STAKLES

178 mm plytelių pjovimo diskas

- A 178 mm prie šių plytelių pjovimo staklių pridamas pjovimo diskas.



Lietuviškai

Istrižinio pjovimo stalas

- Istrižinio pjovimo stalu galima atlikti 22,5° ir 45° nuožambius pjovimus.

Rankenos

- Pjovimo staklėse kairėje ir dešinėje pusėse yra pritvirtintos patogios rankenos staklės pakelti ir nešti.

Nuožambaus pjovimo kreiptuvas

- Nuožambaus pjovimo kreiptuvas yra visiškai reguliuojamas atliekant istrižinius pjovimus ir nuožambius pjovimus.

Variklis

- Šiame įrankyje yra įrengtas galingas variklis, turintis pakankamai galios atlikti sunkius pjovimo darbus.

Pjovimo užtvaros kreiptuvas

- Pjovimo užtvaros kreiptuvas yra visiškai reguliuojamas atliekant kryžminius pjovimus ir naudojant nuožambaus pjovimo kreiptuvą.

Plytelių pjovimo staklių stovas

- Pjovimo staklės tiekiamos su stovu, kad jas būtų galima nešioti bei patogiau jomis dirbti.

Pjovimo disko apsauginis gaubtas

- Pjovimo disko apsauginis gaubtas apsaugo nuo per didelio purškimo ir dūmų

MONTAVIMAS

PJOVIMO DISKO APSAUGINIO GAUBTO TVIRTINIMAS

Žr. 5-6 pav.

1. Nuimkite istrižinio pjovimo stalą.
2. Pritvirtinkite L-formos pjovimo disko apsauginio gaubto laikiklį prie briaunelės, esančios po stalu už pjovimo disko.
3. Į stalą į per pjovimo disko ašmenų apsauginį laikiklį įsukite varžtus ir juos tvirtai priveržkite.

PASTABA: Patikrinkite, ar pjovimo disko apsauginio gaubto laikiklis yra sulygintas su pjovimo disku, kad jis nesiliestų į pjaunamą ruošinį.

4. Pjovimo disko apsauginį gaubtą sulyginkite su disku ir stumkite virš laikiklio. Sulyginkite pro pjovimo disko apsauginio gaubto angas su disko apsauginio gaubto laikiklio grioveliumi.

PASTABA: Pjovimo disko apsauginį gaubtą visada nustatykite horizontaliai stalo atžvilgiu ir truputį virš plytelės storio. Pjovimo disko apsauginis gaubtas neturi liestis į plytelę.

5. Šešiakampį varžtą pritvirtinkite pro pjovimo disko apsauginį gaubtą ir laikiklį.
6. Įsukite rankenėlę ant varžto ir priveržkite iki reikiamo aukščio.

7. Uždėkite istrižinio pjovimo stalą.

PASTABA: Pjovimo disko dangtelis/apsauginis gaubtas yra tvirtinamas gamykloje. Neišmontuokite įrankio jį nustatant ar atliekant jo priežiūros darbus.

ĮPJOVOS KREIPTUVO TVIRTINIMAS

Žr. 7 pav.

1. Rankenėlę ant įpjovos kreiptuvo pasukite prieš laikrodžio rodyklę atlaisvinti.
2. Įpjovos kreiptuvą stumkite ant stalo šono.
3. Naudokite įpjovos kreiptuvo kampainį, esantį stalo priekinėje ir užpakalinėje dalyje, norėdami nustatyti įpjovos kreiptuvą reikiamam pjūvio pločiui atlikti.
4. Įpjovos kreiptuvo rankenėlę pasukite pagal laikrodžio rodyklę, kad saugiai priveržtumėte.

NUOŽAMBAUS PJOVIMO KREIPTUVO TVIRTINIMAS

Žr. 7 pav.

1. Nustatykite įpjovos kreiptuvą iki reikiamos padėties ir priveržkite.
2. Nuožambaus pjovimo kreiptuvą stumkite ant įpjovos kreiptuvo iš priekio.
3. Nustatykite iki reikiamo kampo, naudodamiesi kampainiu, ir tvirtai priveržkite rankenėlę.

STOVO MONTAVIMAS

Žr. 8-9 pav.

Ant atraminių laikiklių ir stovo kojų yra pažymėtos atitinkamos raidės, kad montavimas būtų lengvesnis.

Būtinai įrankiai: Reguluojamas veržliaraktis arba 13 mm veržliarakčiai arba „Philips“ atsuktukas.

1. Įkiškite stovo kojas, pažymėtas „A“, į atraminio laikiklio vamzdžių galus, pažymėtus „A“. Stovo kojų išlenktieji galai turi būti nukreipti vienas nuo kito, kad būtų panašiu į „V“ formą. Sulyginkite stovo kojų griovelius. Pakartokite veiksmus su antru atraminiu laikikliu ir kojomis, pažymėtomis „B“.
2. Kojas įkiškite į laikiklius. Koją „B“ atremiama į laikiklių vidinę pusę. Koją „A“ atremiama į išorinę pusę. Sulyginkite angas laikikliuose ir kojose. Per skylės pritvirtinkite kojas.
3. Veržliarakčiu priveržkite kojas.
4. Stovą pastatykite ant lygaus žemės paviršiaus ir plytelių pjovimo staklių apačioje esančius griovelius sulyginkite su stovo laikikliais. Stalą uždėkite ant stovo.
5. Prieš naudojimą patikrinkite, ar pjovimo staklės yra ant žemės, o stovas stovi tvirtai.





Lietuviškai

PERTEKLIUS NULEIDIMO VAMZDELIO TVIRTINIMAS

Žr. 10 pav.

1. Nuimkite įstrižinio pjovimo stalą.
2. Suraskite angą vandens talpos apačioje.
3. Pertekliaus nuleidimo vamzdelį tvirtai stumkite į griovelį.
4. Uždėkite įstrižinio pjovimo stalą.

FIKSATORIŲ TVIRTINIMAS

1. Plytelių pjovimo staklių korpusą apverskite aukštyn kojomis.
2. Sulyginkite fikساتorių varžtų griovelius su varžtų grioveliais plytelių pjovimo staklių korpuso apačioje.
3. Įkiškite varžtus ir juos saugiai priveržkite.

VANDENS TALPOS PILDYMAS

Žr. 11 pav.

1. Nuimkite įstrižinio pjovimo stalą.
2. Vandens talpą pripildykite švariu vandeniu iš čiaupo iki pripildymo linijos.
PASTABA: Pertekliaus nuleidimo vamzdelis apsaugo nuo per didelio vandens kiekio išsiliejimo.
3. Uždėkite įstrižinio pjovimo stalą.

VANDENS TALPOS KEITIMAS

1. Atjunkite plytelių pjovimo staklės iš maitinimo šaltinio.
2. Nuimkite pertekliaus nuleidimo vamzdelį ir jį išpilkite į kibirą, bet atsargiai, kad vanduo neprisitaškytų ant žemės ar aplink stakles.
3. Panaudotą nereikalingą vandenį išpilkite pagal vietinių taisyklių reikalavimus.

VEIKIMAS

⚠ ĮSPĖJIMAS

Būkite atsargūs, net jei puikiai pažįstate įrankį. Prisiminkite, kad dėl sekundės neatsargumo galite patirti sunkių sužalojimų.

⚠ ĮSPĖJIMAS

Visada užsidėkite apsauginius akinius arba akinius su šoniniais skydais, kai dirbate su šiuo įrankiu. Neužsidėjus, į jūsų akis gali patekti nuolaužų, kurios gali rimtai sužaloti.

⚠ ĮSPĖJIMAS

Nenaudokite jokių papildomų įtaisų ar priedų, kurių nerekomenduoja šio prietaiso gamintojas. Naudojant nerekomenduojamus papildomus įtaisus ar priedus, galima rimtai susižaloti.

LIKUTINĖS SROVĖS ĮTAISO (RCD) PATIKRINIMAS PRIĖŠ NAUDOJIMĄ

1. Likutinės srovės įtaisą (RCD) prijunkite prie maitinimo šaltinio.
2. Nuspauskite atstatymo mygtuką. Maitinimo tiekimo lemputė turi pradėti šviesti.
3. Nuspauskite patikrinimo mygtuką. Maitinimo tiekimo lemputė turi išsijungti.
ĮSPĖJIMAS: Jei likutinės srovės įtaiso (RCD) patikrinimas nesėkmingas, įrankio nenaudokite. Pasitarkite su kvalifikuotu elektriku.
4. Jei norite įjungti likutinės srovės įtaisą (RCD), nuspauskite atstatymo mygtuką.

TAIKYMO SRITYS

Šį įrankį galima naudoti šiems tikslams:
Pjovimas tiesia linija, pvz. kryžminis pjovimas, nuožambus pjovimas, įpjovimas ir įstrižinis pjovimas

PASTABA: Šios pjovimo staklės yra skirtos tik pjauti plyteles, grindinio plyteles, natūralaus akmens gaminius, akmens masės plyteles.

Įjungimo/išjungimo mygtukas

Šiose pjovimo staklėse yra įrengtas lengvai pasiekiamas įjungimo/išjungimo (ON/OFF) mygtukas, esantis žemiau priekinio strypo.

Pjovimo staklės išjungti:
Nuspauskite raudoną mygtuką įrankį išjungti (OFF) (O).

Pjovimo staklės įjungti:
Nuspauskite žalią mygtuką įrankį įjungti (ON) (I).

Pjovimo staklių užblokovimas:
Kai pjovimo staklės išjungtos (OFF), kištuką ištraukite iš maitinimo lizdo.

⚠ ĮSPĖJIMAS

Prieš nuspausdami jungiklį įrankį įjungti, VISADA patikrinkite, ar roošinys nesiliečia prie pjovimo disko. Nesilaikant šių nurodymų, roošinys gali būti nusviestas link operatoriaus ir jį sunkiai sužeisti.



**Lietuviškai****▲ ĮSPĖJIMAS**

Prieš prijungdami įrankį prie maitinimo šaltinio visada patikrinkite, ar jungiklis yra išjungtoje (OFF) padėtyje, kad sumažintumėte atsitiktinio užsivedimo pavojų. Nutrūkus elektros energijos tiekimui ar kai įrankis nenaudojamas, jungiklį išjunkite (OFF) ir kištuką ištraukite iš maitinimo šaltinio. Tokiu būdu įrankis apsaugomas nuo atsitiktinio užsivedimo, kai elektros energijos tiekimas atnaujinamas.

ĮPJOVOS KREIPTUVO IR NUOŽAMBAUS PJOVIMO KREIPTUVO NAUDOJIMAS

Žr. 13 pav.

Įpjovos kreiptuvą galima naudoti tiek iš kairės, tiek iš dešinės pjovimo disko pusės.

1. Rankenėlę ant įpjovos kreiptuvo pasukite prieš laikrodžio rodyklę atlaisvinti.
2. Stalo priekinėje ir užpakalinėje dalyje esančiu įpjovos kreiptuvo kampainiu nustatykite įpjovos kreiptuvą iki reikiamos padėties, kad jis būtų paruoštas tinkamam pjovimo pločiui.
3. Pasukite rankenėlę pagal laikrodžio rodyklę, kad saugiai priveržtumėte.

KAMPŲ NUSTATYMAS

Nustatykite įpjovos kreiptuvą iki reikiamos padėties ir tvirtai priveržkite.

1. Nuožambaus pjovimo kreiptuvą stumkite ant įpjovos kreiptuvo iš priekio.
2. Nustatykite iki reikiamo kampo, naudodamiesi kampainiu, ir tvirtai priveržkite rankenėle.

PJOVIMŲ ATLIKIMAS

Žymekliu ar riebaliniu pieštuku nubrėžkite ant plytelės liniją, pagal kurią atliksite pjovimą. Jei plytelė blizgi ir ją sunku pažymėti, ant jos užklijuokite maskavimo juostą ir liniją nubrėžkite ant jos.

Dažna problema pjaunant plyteles yra nukrypimas nuo pažymėtos linijos. Nuo žymos nukrypus, disko jėga negalima grąžinti į pjovimo liniją pasukant plytelę. Vietoj to, stumkite pjūklą atbuline eiga ir plytelę pjaukite iš naujo, pašalindami tą mažą plytelės dalelę tol, kol diskas grįžta į pjovimo liniją.

Siekiant šios problemos išvengti, atlikdami kryžminį pjovimą naudokite įpjovos kreiptuvą, atlikdami nuožambų pjovimą, naudokite nuožambaus pjovimo kreiptuvą, atliekant įstrižus pjovimus, naudokite reguliuojamą dešinę stalo pusę, jei tik įmanoma.

Atlikti kryžminį pjovimą

Žr. 14 pav.

Kryžminiai pjovimai yra tiesūs 90° pjovimai. Ruošinys stumiamas į diską 90° kampu, o pjovimo diskas yra vertikalus.

1. Žymekliu ar riebaliniu pieštuku ant ruošinio pažymėkite reikiamą pjauti vietą.
2. Nustatykite įpjovos kreiptuvą iki reikiamos padėties ir tvirtai priveržkite.
3. Uždėkite ruošinį ant stalo ir tvirtai prispauskite prie įpjovimo kreiptuvo.
4. Prieš įjungdami įrankį, patikrinkite, ar prie pjovimo disko nėra plytelių.
5. Įjunkite įrankį.
6. Palaukite, kol pjovimo diskas išvystys visą greitį, ir leiskite diskui sušlapti ir tik po to ruošinį stumkite link pjovimo disko.
7. Ruošinį laikykite tvirtai atremtą į pjovimo užtvaramą ir stumkite ruošinį link pjovimo disko.
8. Pjovimą atlikus, pjovimo stakles išjunkite (OFF). Prieš nuimdami bet kokią ruošinio dalį, palaukite, kol pjovimo diskas visiškai sustos.

Atlikti 45° įstrižinį pjovimą

Žr. 15 pav.

45° įstriži pjūviai taip pat dar vadinami „pjūviai nuo ilgo taško iki ilgo taško“.

1. Žymekliu ar riebaliniu pieštuku ant ruošinio pažymėkite reikiamą pjauti vietą.
2. Įpjovos kreiptuvą nustatykite reikiamam aukščiui ir priveržkite rankenėlę, kad jis saugiai būtų laikomas vietoje.
3. Nuožambaus pjovimo kreiptuvą stumkite ant įpjovos kreiptuvo iš priekio.
4. Nuožambaus pjovimo kreiptuvą nustatykite ties 45°, naudodamiesi kampainiu, ir tvirtai priveržkite rankenėle.
5. Prieš įjungdami įrankį, patikrinkite, ar prie pjovimo disko nėra plytelių.
6. Įjunkite įrankį.
7. Palaukite, kol pjovimo diskas išvystys visą greitį, ir leiskite diskui sušlapti ir tik po to ruošinį stumkite link pjovimo disko.
8. Ruošinį laikykite tvirtai atremtą į nuožambaus pjovimo kreiptuvą ir stumkite šį kreiptuvą pagal pjovimo užtvaramą. Ruošinį stumkite link pjovimo disko.
9. Pjovimą atlikus, pjovimo stakles išjunkite (OFF). Prieš nuimdami bet kokią ruošinio dalį, palaukite, kol pjovimo diskas visiškai sustos.





Lietuviškai

Atlikti nuožambų pjovimą

Žr. 16 pav.

Nuožambūs pjovimai atliekami pjauti ruošinio išorinius ir vidinius kampus, dekoratyvinius kėdės skersinius ir pagrindo formas, kai ruošinys yra bet kokių kampų pjovimo disko atžvilgiu nei 90°. Atliekant nuožambius pjovimus, jie gali būti ne tokie tiesūs. Tai galima kontroliuoti laikant ruošinį saugiai atremtą į nuožambaus pjovimo kreiptuvą.

1. Žymekliu ar riebaliniu pieštuku ant ruošinio pažymėkite reikiamą pjauti vietą.
2. Įpjovos kreiptuvą nustatykite reikiamam aukščiui ir priveržkite rankenėlę, kad jis saugiai būtų laikomas vietoje.
3. Nuožambaus pjovimo kreiptuvą stumkite ant įpjovos kreiptuvo iš priekio.
4. Nuožambaus pjovimo kreiptuvą nustatykite iki reikiamo kampo, naudodamiesi kampiniu, ir tvirtai priveržkite rankenėlę.
5. Prieš įjungdami įrankį, patikrinkite, ar prie pjovimo disko nėra plytelių.
6. Įjunkite įrankį.
7. Palaukite, kol pjovimo diskas išvystys visą greitį, ir leiskite diskui sušlapti ir tik po to ruošinį stumkite link pjovimo disko.
8. Ruošinį laikykite tvirtai atremtą į nuožambaus pjovimo kreiptuvą ir stumkite šį kreiptuvą pagal pjovimo užtvaramą. Ruošinį stumkite link pjovimo disko.
9. Pjovimą atlikus, pjovimo stakles išjunkite (OFF). Prieš nuimdami bet kokią ruošinio dalį, palaukite, kol pjovimo diskas visiškai sustos.

Atlikti L- formos pjovimą

Žr. 17 pav.

L-pjūviai yra tokie pjūviai, kurių metu pašalinama plytelės dalis, kad ji tilptų į kampa, pagal spintelę ar kitą formą, ir atliekama dviem pjovimais.

PASTABA: Perpjaukite tik plytelės apatinės pusės ar po pjaunama plytele.

1. Pjaukite plytelę iki reikiamo pločio, naudodami kryžminio pjovimo kryptis.
2. Nustatykite įpjovos kreiptuvą iki reikiamos padėties ir tvirtai priveržkite.
3. Uždėkite ruošinį ant stalo ir tvirtai prispauskite prie įpjovimo kreiptuvo.
4. Prieš įjungdami įrankį, patikrinkite, ar prie pjovimo disko nėra plytelių.
5. Įjunkite įrankį.
6. Palaukite, kol pjovimo diskas išvystys visą greitį, ir leiskite diskui sušlapti ir tik po to ruošinį stumkite link pjovimo disko.
7. Ruošinį laikykite tvirtai atremtą į pjovimo užtvaramą ir stumkite ruošinį link pjovimo disko.

8. Plytelę įpjaukite gana giliai, bet nepjaukite per toli.
9. Išjunkite įrankį.
10. Ruošinį apverskite ir atlikite pjovimą pagal vieną iš žymų. Šiuo metu perpjaukite kitą liniją ir pjaunamas gabalas turėtų atsiskirti nuo viso ruošinio.
11. Įjunkite įrankį.
12. Palaukite, kol pjovimo diskas išvystys visą greitį, ir leiskite diskui sušlapti ir tik po to ruošinį stumkite link pjovimo disko.
13. Pjovimą atlikus, pjovimo stakles išjunkite (OFF). Prieš nuimdami bet kokią ruošinio dalį, palaukite, kol pjovimo diskas visiškai sustos.

Atlikti įstrižinį pjovimą

Žr. 18-19 pav.

Įstrižinio pjovimo stalu galima atlikti 22,5° ir 45° nuožambius pjovimus.

1. Žymekliu ar riebaliniu pieštuku ant ruošinio pažymėkite reikiamą pjauti vietą.
2. Apverskite įstrižinio pjovimo stalą.
3. Įstrižinio pjovimo stalo apačioje, šone žemyn patraukite kojas į plokštumos dešinę kampa.
4. Pirmus kojų griovelius naudokite plokštelėms atremti 22,5° kampu.
5. Antrais grioveliais įstrižinio pjovimo stalo kampa nustatykite į aukščiausią 45° kampa.
PASTABA: Prieš pradėdami pjauti, patikrinkite, ar įstrižinio pjovimo stalas yra saugiai pritvirtintas. Išskleiskite kojas ir įstrižinio pjovimo stalą padėkite horizontaliai 22,5° arba 45° kampo pjovimui.
6. Įjunkite įrankį.
7. Palaukite, kol pjovimo diskas išvystys visą greitį, ir leiskite diskui sušlapti ir tik po to ruošinį stumkite link pjovimo disko.
8. Ruošinį laikykite tvirtai ant įstrižinio pjovimo stalo ir stumkite ruošinį link pjovimo disko.
9. Pjovimą atlikus, pjovimo stakles išjunkite (OFF). Prieš nuimdami bet kokią ruošinio dalį, palaukite, kol pjovimo diskas visiškai sustos.

PRIEŽIŪRA

ĮSPĖJIMAS

Sugedusias detales keiskite tik originaliomis atsarginėmis detalėmis. Kitų detalių naudojimas gali sukelti pavojų ar sugadinti įrankį.



Lietuviškai**▲ ĮSPĖJIMAS**

Dirbdami su elektriniu įrankiu ar kai pučiamos dulkės, visada dėvėkite apsauginius akinius ar akinius su šonine apsauga. Jei darbo metu kyla dulkės, taip pat dėvėkite kaukę nuo dulkių.

▲ ĮSPĖJIMAS

Jeigu maitinimo laidas pažeistas, jį turi pakeisti tik gamintojas arba įgaliota techninės priežiūros įmonė, kad būtų išvengta pavojaus.

▲ ĮSPĖJIMAS

Siekiant užtikrinti saugumą ir įrankio patikimumą, visi remonto darbai turi būti atliekami GALIOTAME TECHNINĖS PRIEŽIŪROS CENTRE ar kitoje KVALIFIKUOTOJE TECHNINĖS PRIEŽIŪROS ĮMONĖJE.

BENDRA PRIEŽIŪRA

Valydami plastikines detales, nenaudokite tirpiklių. Komerčiaiai tirpikliai lengvai pažeidžia daugelį plastikinių detalių ir juos naudojant galima pažeisti plastikines detales. Valydami purvą, dulkes, tepalus, alyvas ir t. t., naudokite švarias šluostes.

▲ ĮSPĖJIMAS

Būkite atsargūs, kad ant plastikinių detalių nepatektų stabdžių skysčio, benzino, naftos turinčių produktų, tepalo ir pan. Juose yra chemikalų, kurie gali sugadinti, pažeisti arba susilpninti plastiką.

Sutepimas

Kad įrankis ilgai veiktų normaliomis darbo sąlygomis, visi šio įrankio guoliai tepami užpilant pakankamą kiekį aukštos kokybės tepalo.

Plytelių pjovimo diskas

Siekiant užtikrinti geriausias rezultatus ir didžiausią saugumą, rekomenduojama naudoti 178 mm pjovimo diską, kuris tiekiamas su šiomis pjovimo staklėmis. Tokios pat aukštos kokybės pjovimo diskus galima įsigyti pas vietos pardavimo atstovus.

▲ ĮSPĖJIMAS

Nenaudokite pjovimo diskų, kurių duomenys yra mažesni nei šio įrankio duomenys veikiant be apkrovos. Nepaisydami šių įspėjimų, galite sunkiai susižeisti. Nenaudokite įtrūkusių diskų ar diskų su plyšiais, dantukais.

PLYTELĪŲ PJOVIMO DISKO KEITIMAS

Žr. 20 pav.

▲ ĮSPĖJIMAS

A 178 mm plytelių pjovimo diskas yra didžiausias tinkamas diskas šioms pjovimo staklėms. Niekada nenaudokite per storo pjovimo disko, dėl kurio išorinė disko jungė negali sukibti su ašies plokštumomis. Didesni pjovimo diskai liečiasi į disko apsauginį gaubtą, o storesni pjovimo diskai neleidžia jo varžtui tvirtai priveržti disko ant ašies. Bet kuri iš šių situacijų gali sukelti nelaimingą atsitikimą bei jus sunkiai sužeisti.

1. Atjunkite pjovimo stakles iš maitinimo šaltinio.
2. Nuimkite įstrižinio pjovimo stalą.
3. Šešiakampį veržliaraktį uždėkite ant pjovimo disko ašies veržės. Kita ranka ašies veržliaraktį uždėkite ant pjovimo disko ašies.
4. Ašies veržliaraktį laikykite tvirtai, kad pjovimo diskas nesisuktų. Ašies veržlę pasukite prieš laikrodžio rodyklę jį atlaisvinti.
5. Nuimkite ašies veržlę, išorinę disko jungę ir pjovimo diską.
6. Užlašinkite lašelį alyvos ant vidinės pjovimo disko jungės, kur ji liečiasi į diską.

▲ ĮSPĖJIMAS

Jei vidinė disko jungė nuimta, prieš dėdami diską atgal ant ašies, ją pritvirtinkite. To nepadaryę galite sunkiai susižeisti, nes pjovimo diskas nebus tvirtai priveržtas. Niekada su šiuo įrankiu nenaudokite pjovimo diskų su plyšiais, grioveliais ar dantukais.

7. Pjovimo diską uždėkite ant ašies taip, kad disko rodyklės būtų prieš laikrodžio rodyklės kryptį.
8. Uždėkite išorines disko junges. Dvigubos "D" plokštumos ant disko jungės sulyginamos su ašies plokštumomis.
9. Pjovimo disko veržliaraktį ir ašies veržliaraktį tvirtai priveržkite ašies veržlę.
10. Uždėkite įstrižinio pjovimo stalą.

Lietuviškai

APLINKOS APSAUGA



Žaliavines medžiagas perdirbkite pakartotinai, o ne išmeskite kaip atliekas. Mechanizmas, priedai ir pakuotės turi būti laikomi pakartotinai perdirbti aplinkai nekenksmingu būdu.

SIMBOLIAI



Pranešimas apie saugumą



CE suderinimas



GOST-R suderinimas



Prieš pradėdami naudoti šį prietaisą, prašome atidžiai perskaityti šias instrukcijas.



Visada dėvėkite akių apsaugos priemones.



Dėvėkite klausos apsaugos priemones



Mūvėkite apsaugines pirštines



PAVOJUS! Aštri geležtė



Atsargiai: įpjovimo pavojus



Nenaudoti lyjant ar drėgnose vietose.



Nenaudoti lyjant ar drėgnose vietose.



Prietaisus būtina visada naudoti su dantytu deimantiniu pjovimo disku.



Ašmenų sukimosi kryptis



Deimantinis pjovimo diskas



Pjovimo disko skersmuo



Geležtės ašis skersmuo



neto svoris



Pjovimo gylis (maks.)



Pjovimo plotis (maks.)



Įstrižinio pjovimo plotis (maks.)



Perdirbkite



Elektrinių produktų atliekos neturi būti metamos kartu su namų ūkio atliekomis. Prašome perdirbkite jas ten, kur yra tokios perdirbimo bazės. Dėl perdirbimo patarimo kreipkitės į savo vietinę savivaldybę ar pardavėją.



Eesti

KIRJELDUS

1. Pistiku maanduskontakt
2. Toitejuhe
3. Veenina
4. Plaadiõikeketas
5. „Sisse/välja” - lüliti
6. Ristlõike juhik
7. Kaldlõike juhik
8. Maksimaalse täite kõrguse joon
9. Ülevooludreen
10. Veepaak
11. Ristlõike juhiku skaala
12. Alus
13. Juhtmekinniti
14. Tõstesangad
15. Saeketta kaitse
16. Kallutatav töölaud
17. Plaadisae korpus
18. Kuuskantvõti
19. Võlli mutrivõti
20. Poldid
21. Saeketta kaitse toend
22. Kuuskantmutter
23. Kuuskantpolt
24. Aluse jalad "A"
25. Bluse jalad "B"
26. Jalgade tugipolt (poldid)
27. Jalgade tugimutter (mutrid)
28. Jalgade tugiklambrid (klambrid)
29. Tugiklambrid "A"
30. Tugiklambrid "B"
31. Lukustid
32. Pingeabasti
33. Soon
34. Ristlõike juhiku nupp
35. Jalgade "A" paigaldamine
36. Jalgade "B" paigaldamine
37. Kaldlõike juhiku skaala
38. Kaldlõike juhiku nupp
39. Kallutatava töölaua tugijalg
40. 22.5° kaldasendi sälk
41. 45° kaldasendi sälk
42. Võlli
43. Seesmine äärik
44. Välimine äärik
45. Võlli mutter

ÜLDISED OHUTUSREEGLID

HOIATUS

Elektritööriistade kasutamisel tuleb alati järgida üldisi ohutusnõudeid, et vähendada tulekahjust ja elektrilöögist tingitud ohtu ning vältida kehavigastusi.

Lugege enne toote kasutama hakkamist kõik juhised läbi ja hoidke need alles.

- **Õppige oma tööriista tundma.** Lugege kasutusjuhend tähelepanelikult läbi. Õppige tundma seadme kasutusalasid ja piiranguid ning nendega seotud eriohtusid.
- **Vältige elektrilööki, hoidudes kehalisest kontaktist maandatud pindadega.** Näiteks torustikud, radiaatorid, pliidid, külmikute korpused.
- **Hoidke kaitsekatted oma kohtadel ja nõutavas korras.**
- **Kõrvaldage reguleerimisrakised ja mutrivõtmed.** Kujundage endas harjumus enne sae käivitamist kontrollida, et kõik reguleerimiseseadised ja mutrivõtmed on eemaldatud.
- **Hoidke töökoht puhas.** Korratu ümbrus ja tööpink kutsuvad esile õnnetusi. Ärge hoidke tööriista või materjalitükke sae peal sel ajal kui ketas pöörleb.
- **Ärge töötage ohtlikes keskkondades.** Ärge jätke seadet niiskesse või märga kohta ega vihma kätte. Hoidke töökoht hästi valgustatud. Ärge kasutage tööriista kohtades, kus on kergsüttivaid vedelikke või gaase.
- **Hoidke lapsed ja kõrvaltvaatajad töötamise ajal eemal.** Kõik kõrvalseisjad peavad kandma turvapille ja asuma tööalast ohutul kaugusel. Ärge lubage kõrvalistel isikudel puudutada tööriista või pikendusjuhet töötamise ajal.
- **Ärge koormake saagi üle.** Õigesti valitud tööriist töötab paremini ja ohutumalt selle etteandega, millele on see ette nähtud.
- **Kasutage tööks sobivat tööriista.** Ärge püüdke kasutada seadet või tarvikut, mis ei ole sellele töö jaoks ette nähtud. Ärge kasutage seadet mitteettenähtud otstarbeks.
- **Kasutage nõuetekohaseid pikendusjuhtmeid.** Veenduge, et pikendusjuhe on heas töökorras. Kasutage ainult piisavalt suure ristlõikega toitejuhet, mis on võimeline taluma selle seadme töövoolu. Alamõduline juhe põhjustab ahelas pingelangust, mis tingib võimsuskadu ja ülekuumenemist.
- **Kandke tööks sobivat riietust.** Ärge kandke lõtvu riideid, kindaid, kaelasid ega ehteid. Need võivad haakuda ja tõmmata teid liikuvatesse osadesse. Väljas





Eesti

- töötamise ajal on soovitatav kanda kummikindaid ja libisemiskindlaid jalatseid (kummitallaga saapaid). Kandke peakatet, mis hoiab pikad juuksed kinni.
- **Kasutage alati kaitseprille, mis kaitsevad silmi ka külgedelt.** Tavaprillidel on vaid loogikindlad klaasid – need EI OLE kaitseprillid.
 - **Kinnitage toorik.** Kasutage klambreid või kinnitusrakist, sest see on ohutum, kui käega kinnihoidmine ja võimaldab tööriistaga töötada mõlemat kätt kasutades.
 - **Ärge küünitage end töötamise liigselt välja.** Hoidke end pidevalt jalgadel ja tasakaalus.
 - **Hooldage tööriistu hoolikalt.** Ohutuks töötamiseks hoidke löikeketas terava ja puhtana. Järgige määrimise ja tarvikute juhiseid. Kontrollige tööriista toitejuhe perioodiliselt üle ja kui avastate selle vigastuse, siis laske see pädevas hooldusasutuses ära parandada. Kontrollige pikendusjuhtmed perioodiliselt üle ja asendage kui need on vigastatud. Hoidke tööriista kaetpidemed kuivana, puhtana ja ärge laske neile säetuda õli või mäaret.
 - **Ühendage tööriistad lahti.** Mittekasutamise ajal, enne teenindamise alustamist või tarvikute, löikeketaste, otsakute, lõikurite jne vahetamist peab seade olema toitevõrgust lahti ühendatud. Enne reguleerimist, hooldamist, teenindamist või hooldamist tõmmake pistik välja.
 - **Vältige tahmatut käivitumist.** Veenduge, et tööriist on enne pistikupespa ühendamist välja lülitatud.
 - **Kasutage soovitatud tarvikuid.** Soovitatud tarvikud on esitatud käesolevas kasutusjuhendis. Ebasobivate tarvikute kasutamine võib põhjustada kehavigastuse ohtu.
 - **Ärge mingil juhul astuge tööriista peale.** Kui tööriist läheb ümber või satute tööriistaga kontakti, siis võite saada raske kehavigastuse.
 - **Kontrollige vigastatud osad üle.** Enne vigastatud osaga seadme edasist kasutamist tuleb see osa hoolikalt üle kontrollida ja kindlaks teha, kas osa töötab õigesti ning täidab ettenähtud funktsiooni. Kontrollige liikuvate osade tsentreeritust, vaba liikumist, vigastusi, paigaldust ja muid tingimusi, mis võivad seadme tööd mõjutada. Vigastatud kaitsekate või muud osad tuleb nõuetekohaselt parandada või lasta pädeval hooldajal parandada või asendada, et vältida kehavigastuse ohtu.
 - **Kasutage õiget etteande suunda.** Andke toorik lõiketerale või freesile ette vastu lõiketera või freesi pöörlemissuunda.
 - **Ärge jätke masinat pöörlema järeilvalveta. Lülitage toide välja.** Ärge lahkuge tööriista juurest enne kui see on täielikult seiskunud.
 - **Kaitske oma hingamisorganeid.** Tolmuste tööoperatsioonide tegemisel kandke näomaski või respiraatorit.
 - **Kaitske oma kuulmist.** Pikaajalisel töötamisel kasutage kuulmiskaitsevahendeid.
 - **Ärge kasutage toitejuhet mittesihipäraselt.** Ärge mingil juhul kasutage toitejuhet pistiku pesast väljatõmbamiseks. Hoidke toitejuhe eemale küttekehadedest, õilist ja teravatest servadest.
 - **Hoidke kettakaitse ettenähtud kohal ja töökorras.**
 - **Hoidke käed löikeketta tööpiirkonnast eemal.** Hoidke käed löikeketast eemal. Ärge küünitage end üle tooriku, selle kõrvale ega taha sel ajal kui saeketas pöörleb. Ärge püüdke eemaldada materjali siis, kui löikeketas pöörleb.
 - **Saeketas jääb pärast väljalülitamist vabakäigul pöörlema.**
 - **Ärge kunagi kasutage seadet plahvatusohtlikus keskkonnas.** Mootori tavatöös tekkivad sädemed võivad gaase süüdata.
 - **Kontrollige tööriista juhtmeid perioodiliselt.** Kui seade on vigastatud, siis laske see remontida volitatud hoolduskeskuses.
 - **Kontrollige pikendusjuhtmed perioodiliselt üle ja asendage kui need on vigastatud.**
 - **Kõik tööriistad tuleb maandada.** Kui tööriistal on kolmesooneline pistik, tuleb see ühendada kolmekontaktilisse pistikupespa.
 - **Kui maandamisjuhised ei ole täielikult arusaadavad või on kahtlusi seadme maandamise nõuetele vastavuse kohta, siis pöörduge pädeva elektriku või hooldustöötaja poole.**
 - **Kasutage ainult ettenähtud elektriseadmeid:** 3-soonelised pikendusjuhtmed, millel on 3-kontaktiline pesa ja 3-kontaktiline pistik.
 - **Pistiku ümbertegemine on keelatud.** Kui pistikupespa nõuetele ei vasta, siis laske paigaldada pädeval elektrikul sobiv pistikupespa.
 - **Hoidke masin kuiv ning puhas õlist ja määrdet.** Kasutage seadme puhastamiseks riidelappi. Ärge mingil juhul kasutage seadme puhastamiseks pidurivedelikke, bensiini, naftasaaduste-põhiseid puhastusvahendeid ega mingeid lahusteid.
 - **Olge tähelepanelik ja hoidke seadet kontrolli all.** Jälgige mida teete ja kasutage tervet mõistust. Ärge kasutage saagi siis, kui te olete väsinud. Ärge liigselt kiirustage.
 - **Ärge kasutage masinat siis, kui lüliti ei lülita seda sisse ja välja.** Laske rikkis lülitiid asendada volitatud teeninduskeskuses.
 - **Kasutage ainult ettenähtud löikeketast.** Ärge





Eesti

kasutage saeketast, mille siseava ei ole õige läbimõõduga. Ärge mingil juhul kasutage äärikuid või völliimetreid, mis on vigastatud või valede mõõtmetega. Lõikeketta maksimaalne lõikesügavus on 178 mm. Kõik lõikekettad peavad olema toodetud vastavalt standardile EN13236. Ärge kasutage mingil juhul lõikeketast, mis on ette nähtud madalamale kiirusele kui tööriistale ette nähtud.

- **Enne lõikamist veenduge, et juhikud on kindlalt kinni keeratud.**
- **Ärge mingil juhul puudutage töötamise ajal lõikeketast või muid liikuvaid osi.**
- **Ärge mingil juhul käivitage tööriista, kui mõni osa on kontaktis toorikuga.**
- **Ärge kasutage saagi, kui olete uimastite, alkoholi või ravimite mõju all.**
- **Kasutage teenindamisel ainult täpselt sobivaid varuosi.** Muude osade kasutamine võib tekitada ohuolukorra ja põhjustada seadme vigastumise.
- **Kasutage ainult käesolevas kasutusjuhendis või lisas loetletud tarvikuid.** Selliste lisatarvikute kasutamine, mida ei ole siin mainitud, võib põhjustada kehavigastuse. Tarvikute ohutusjuhised on tarvikutega kaasa antud.
- **Kontrollige kõik seadistused üle.** Veenduge enne toitepinge sisselülitamist, et lõikeketta kinnitus on pingutatud ja ei ole kontaktis saelaua või toorikuga.

PLAADILÕIKESAAG OHUHOIATUSED

- Hoidke lõigatav plaat pidevas kontaktis läbilõikejuhiku või nurkhoidikuga.
- Ärge kunagi seiske ega hoidke mõnd kehaosa ketta lõikejoonel.
- Ärge kunagi püüdke vabastada seisvat lõikeketast ilma, et saag on välja lülitatud ja toiteallikast lahti ühendatud.
- Kui toitejuhe on vigastatud, siis tuleb see lasta asendada tootja või klienditeenindaja poolt, et ohtusid vältida.
- Vältige ohtlikke töövõtteid ja käeasendeid, mille puhul ootamatu libisemine võib põhjustada käe sattumise lõikekettale.
- Enne mistahes lõikeoperatsiooni tegemist saega tagage töökohal piisav valgustus, et näha toorikut ja takistused ei piira ohutut töötamist.
- Enne lahtiühendamist lülitage saag kindlasti välja, et vältida selle ootamatut käivitumist sae uuesti ühendamisel.
- Tööriistal on järgmised markeeringud:
 - Kandke silmade kaitsevahendeid.
 - Kasutage masinat ainult selleks ettenähtud

eesmärgil.

- Enne hooldamise, lõikeketta vahetamise ja puhastamise alustamist ühendage saag toitevõrgust lahti.
- Kasutage tööriista vaid saekettaga, millel ei ole avasid, sooni või hambaid.
- Enne töö alustamist asendage vigastatud saeketas.
- Ärge täitke paaki veega üle täitejoone.

- **Hoidke käesolev juhend alles.** Lugege juhend aeg-ajalt uuesti läbi ja kasutage seda teiste kasutajate juhendamiseks. Kui tööriista välja laenate, siis andke käesolev kasutusjuhend kaasa.

ELEKTRILINE ÜHENDAMINE

Tööriistal on täppiskonstruktsiooniga elektrimootor. Seda tohib ühendada vaid toitevõrku 220-240 V, AC (tavaline tavavooluvõrgu ping), 50 Hz. Ärge ühendage seda seadet alalisvooluvõrku (DC). Kui pinge tundub langed, siis see võib põhjustada võimsuskadu ja mootori ülekuumenemise. Kui saag pistikupessa ühendamisel tööle ei hakka, siis kontrollige vooluvõrk üle.

PÖÖRLEMISKIIRUS JA JUHTMESTIK

Selle tööriista pöörlemiskiirus on ligikaudu 2,900 p/min. See kiirus ei ole muutumatu ja langeb koormuse tõstmisel või pinge langemisel. Töökoha toiteahela ping mõjutab oluliselt mootori võimsust. Toiteliin, mis on ette nähtud vaid valgusti jaoks, ei ole piisava ristlõikega elektrilise tööriista mootori jaoks. Toitejuhe, mis on piisav lühikesel vahemaa kasutamiseks ei pruugi olla piisav pikemal kaugusel kasutamiseks. Toiteliini ristlõige, mis rahuldab ühe elektrilise tööriista vajadused, ei pruugi olla piisav kahe või kolme tööriista jaoks.

MAANDAMISJUHISED

Vaata joonist 1.

Seade peab olema maandatud. Rikke või vigastuse korral loob maandussüsteem voolule väikese takistusega ahela, et sellega vähendada elektrilöögi ohtu. Tööriista toitekaabli on maandussoon ja maanduskontaktiga pistik. Pistikut tohib ühendada sobivasse pistikupessa, mis on õigesti paigaldatud ja maandatud ning vastab siseriiklikele seadustele ja määrustele.

Pistiku ümbertegemine on keelatud. Kui pistikupessa nõuetele ei vasta, siis laske paigaldada pädeval elektrikul sobiv pistikupesa.





Eesti

⚠ HOIATUS

Maanduse vale ühendamine võib tekitada elektrilöögi ohu. Kui juhett parandate või asendate, siis ärge ühendage maandussuont ühegi lapiku kontakti klemmi külge. Juhe, mis on rohelist värvi isolatsioon (kollase triibuga või ilma selleta) on maandusjuhe.

Kui maandamisjuhised ei ole täielikult arusaadavad või on kahtlusi seadme maandamise nõuetele vastavuse kohta, siis pöörduge pädeva elektriiku või hooldustöötaja poole.

Kui juhe on vigastatud või kulunud, siis tuleb see kohe vahetada.

Kui toitejuhe on vigastatud, siis tuleb see lasta asendada tootja või klienditeenindaja poolt, et ohtusid vältida.

Seadet tohib ühendada vaid pistikupessa, mis vastab pistikule. Ärge kasutage selle toote ühendamisel vaheliitmikke.

Ohutuse ja töökindluse tagamiseks tuleb parandustööd lasta teha VOLITATUD HOOLDUSKESKUSES või MUUS PÄDEVAS HOOLDUSETTEVÕTTES.

Plaadisae kasutamisel peab toiteahelas või pistikupesal olema rikkevoolukaitse (RCD). Selle ohutusmeetme rakendamiseks võib kasutada pistikupesi, millesse on sisse ehitatud rikkevoolukaitse (RCD).

Kui saagi kasutatakse pikendusjuhtmega, siis veenduge, et tööriista toitejuhe ja pikendusjuhe ei ole maapinnal. Lisaseadmed peavad olema alati ühendatud seinakontaktile otse, mitte elektrilise tööriista pikendusjuhtmele.

Kui maanduskontaktiga pistikupesa puudub, siis ärge saagi enne kasutama hakake, kui pistikupesa on vahetatud või on võetud täiendavaid kaitsemeetmeid. Need lisakaitsemeetmed on hangitavad kohaliku edasimüüja käest.

PLAADISAE PAIGUTUS

Vaata joonist 2.

Selleks, et vältida tööriista pistiku märjaks saamist, paigutage plaadisaaq ühe küljega seinakontakti poole, et vältida vee sattumist pistikupessa või pistikule. Operaator peab tekitama saagi ja pistikupesa ühendaval juhtmel "veenina". "Veenina" on juhtme osa, mis asetseb allpool pistikupesa tasapinda või liitmikku – juhul kui kasutatakse pikendusjuhet –, et vältida vee liikumist piki juhett ja sattumist pistikupessa.

Kui pistik või pistikupesa saab märjaks, siis ÄRGE VÕTKE toitejuhet välja. Keerake välja kaitsekork või kaitseüliti, mis on tööriista toiteahelas ning võtke pistik pistikupesast välja ja vaadake järele, kas pistikupesast on vett.

⚠ HOIATUS

Elektrilöögi vältimiseks hoidke kõik liitmikud kuivad ja maapinnast eemal. Ärge puudutage pistikut niiskete kätega.

TEHNILISED ANDMED

Toote tehnilised andmed

Pinge	220 - 240V
Võimsus	500 W
Kiirus ilma koormuseta	2,900 rpm
Mass	15,5 kg (N.W.)

Funktsioonid

Töölaua mõõt	381 mm x 502 mm
Töölaua kõrgus kastist töölauani	181 mm

Materjalide andmed

Töölaua materjal	Roostevaba teras
Aluse materjal	Terastoru

Lõikekettad/Lõikesügavus

Saeketta läbimõõt	178 mm
Saeketta tüüp	Teemantketas
Saeketta siseava läbimõõt	25,4 mm
Maksimaalne lõikesügavus	33 mm
Mõõteväärtused on kindlaks määratud vastavalt standardile EN 61029 A-kaalutud helirõhu tase Mõõtemääramatus K	$L_{pA} = 61,0 \text{ dB(A)}$ 3 dB(A)
Mõõteväärtused on kindlaks määratud vastavalt standardile EN 61029 A-kaalutud helivõimsuse tase Mõõtemääramatus K	$L_{WA} = 77,0 \text{ dB(A)}$ 3 dB(A)

ÕPPIGE OMA PLAADISAAGI TUNDMA

178 mm plaadilõikeketas

- Sae kompleksis on plaadilõikeketas 178 mm.

Kallutatav töölaud

- Kallutatava töölauaga saab teha kaldlõikeid nurkade 22,5° ja 45° all.





Eesti

Käepidemed

- Sae vasakul ja paremal küljel on mugavad kandesangad.

Kaldlõike juhik

- Ristlõike juhik on täies ulatuses seadistatav diagonaal- ja kaldlõigete tegemiseks.

Mootor

- Masinal on mootor, mille võimsus on piisavalt võimas, et teha raske koormusega lõikamistöid.

Ristlõike juhik

- Ristlõike juhik on seadistatav ristlõigete tegemiseks või kasutatav kaldlõike juhikuna.

Plaadisae alus

- Saag tarnitakse eraldi alusega, mis annab selle teistsaldatavuse ja kasutusmugavuse.

Saeketta kaitse

- Lõikeketta kate kaitseb pritsmete ja veepihu eest

KOKKUPANEK

LÕIKEKETTA KAITSEKATTE PAIGALDAMINE

Vaata joonist 5-6.

1. Võtke kallutatav töölaud maha.
2. Pange L-kujuline kaitsekatte toend soonde, mis asub laua all lõikeketta taga.
3. Pange poldid laua sisse ja läbi lõikeketta kaitsekatte toendi ning keerake tugevasti kinni.

MÄRKUS: Veenduge, et kettakaitse toend on ühitatud lõikekettaga nii, et see ei puuduta lõigatavat materjali.

4. Ühitage kettakaitse kettaga ja lükake toendi peale. Ühitage lõikeketta kaitsekatte läbivad avad kaitsekatte soonega toendil.

MÄRKUS: Seadke kettakaitse töölauga horisontaalseks ja veidi kõrgemale kui on plaadi paksus. Saeketta kaitse ei tohi plaati puudutada.

5. Pange kuuskantpolt läbi plaadi kaitsekatte ja toendi.
6. Keerake nupp poldi sisse ja pingutage soovitud kõrgusele.
7. Pange kohale tagasi kallutatav töölaud.

MÄRKUS: Lõikeketta kaitse/kate on tehases paigaldatud. Ärge võtke seadme osi seadistamise või hooldamise ajal lahti.

LÄBILÕIKEJUHIKU PAIGALDAMINE

Vaata joonist 7.

1. Lõdvendamiseks keerake ristlõikejuhiku nuppu vastupäeva.
2. Lükake ristlõikejuhik laua küljele.
3. Kasutage läbilõikejuhiku skaalat, mis asuvad laua ees ja taga, et seada ristlõikejuhik soovitud laiusele.
4. Kinnikeeramiseks pöörake ristlõikejuhiku nuppu päripäeva.

KALDLÕIKE JUHIKU PAIGALDAMINE

Vaata joonist 7.

1. Seadke läbilõikejuhik soovitud asendisse ja keerake kinni.
2. Lükake kaldlõikejuhik ristlõikejuhikule eestpoolt peale.
3. Seadistage soovitud nurk nurgaskaalat kasutades ja keerake nupp kinni.

ALUSE PAIGALDAMINE

Vaata joonist 8-9.

Tugiklambritele ja tugijalgadele on koostamise hõlbustamiseks markeeritud tähed.

Vajatavad tööriistad: Reguleeritav võti või mutrivõti 13 mm ja Philips-kruvikeeraja.

1. Sisestage aluse jalad, millel on kleebis "A", kleebisega "A" tähistatud klambri torudesse. Aluse jalad peavad olema üksteisest nii eemale lükatud, et nad moodustavad tähe "V". Ühitage kinnitite avad. Korra sama teise tugiklambri ja jalgadega, millel on kleebis "B".
2. Seadke jalad klambrite külge. Seespool klambreid asuvate jalgade "B" paigaldamine. Väljaspool klambreid asuvate jalgade "A" paigaldamine. Ühitage klambrite ja jalgade avad. Pange kinnitid läbi avade.
3. Keerake kinnitid mutrivõtmega kinni.
4. Seadke alus horisontaalsele pinnale ja ühitage sae all olevad sooned alusel olevate klambritega. Paigaldage sae töölaud alusele.
5. Enne kasutamise alustamist veenduge, et plaadisaag on tasasel pinnal ja seisab kindlalt.

ÜLEVOOLU DREENI PAIGALDAMINE

Vaata joonist 10.

1. Võtke kallutatav töölaud maha.
2. Otsige üles ava veepaagi põhjas.
3. Suruge ülevooldureen tugevasti avasse sisse.
4. Pange kohale tagasi kallutatav töölaud.

LUKUSTITE PAIGALDAMINE

1. Pöörake plaadisaag tagurpidi.
2. Ühitage lukustitel olevad poldiavad plaadisaie korpuse all olevate kruviavadega.
3. Pange sisse poldid ja keerake tugevasti kinni.

VEEPAAGI TÄITMINE

Vaata joonist 11.

1. Võtke kallutatav töölaud maha.
 2. Täitke paak puhta kraaniveega kuni täitejooneni.
- MÄRKUS:** Ülevooldureen kaitseb ületäitmise eest.
3. Pange kohale tagasi kallutatav töölaud.

VEEPAAGI VAHETAMINE

1. Võtke plaadisaie pistik välja.
2. Eemaldage äravooludreen ja laske vesi ämbrisse, ärge laske seda maapinnale või masina ümbrusesse.





Eesti

3. Käidgelge heitvett vastavuses kohalikele eeskirjadele.

KASUTAMINE

⚠ HOIATUS

Ärge lubage sellel, et tunnete seda toodet, muuta teid hooletuks. Pidage meeles, et hetkeline hooletus, võib olla piisav tõsise vigastuse tekitamiseks.

⚠ HOIATUS

Kandke toodet kasutades küljekaitsetega ohutusvõi kaitseprille. Selle eiramine võib tähendada, et võõrkehad võivad sattuda teile silma põhjustades võimalikku tõsist vigastust.

⚠ HOIATUS

Ärge kasutage lisaseadmeid ega lisandeid, mida pole selle toote tootja soovitanud. Soovitamata lisaseadmete ja lisandite kasutamine võib põhjustada tõsist enese vigastamist.

RCD TESTIMINE ENNE KASUTAMIST

1. Ühendage RCD toitevõrgu pistikupesasse.
2. Vajutage lähtestusnupule. Toite märgutuli peab süttima.
3. Vajutage testimisnupule. Toite märgutuli peab kustuma.
HOIATUS: Kui RCD testi ei läbi, siis ärge tööriista kasutama hakake. Pidage nõu pädeva elektrikuga.
4. RCD tagastamiseks vajutage lähtestusnupule.

KASUTUSOTSTARVE

Seda seadet tohib kasutada järgmisteks otstarveteks:

Sirglõike operatsioonid, näiteks läbilõiked, nurklõiked, ristlõiked ja kaldlõiked

MÄRKUS: See saag on ette nähtud ainult kasutamiseks kunstkivist plaatide ja tänavakivide ning naturaalsete kivitoodete ning tellistoodete lõikamiseks.

„Sisse/välja” - lüliti

Sael on lihtsalt ligipääsetav toite SISSE/VÄLJA lülitamise lüliti, mis asetseb eesmise ääris all.

Sae väljalülitamiseks tehke järgmist:

Vajutage punane nupp sisse, asendisse VÄLJAS (O).

Sae sisselülitamiseks tehke järgmist:

Vajutage roheline nupp sisse, asendisse (I).

Sae lukustamiseks tehke järgmist:

Lülitage saag asendisse VÄLJAS ja ühendage pistik toiteallikalt lahti.

⚠ HOIATUS

ALATI veenduge, et toorik ei ole enne plaadisae käivitamist lõikekettaga kontaktis. Selle hoiatuse eiramisel võib toorik tagasilöögist lennata töötaja suunas ja põhjustada raske kehavigastuse.

⚠ HOIATUS

Ootamatu käivitumise riski alandamiseks seadke lüliti asendisse VÄLJAS, enne kui ühendate tööriista toiteallikale. Toiterikke korral või siis, kui tööriista ei kasutata, lülitage lüliti asendisse OFF ja tõmmake pistik pistikupesast välja. See toiming väldib tööriista tahtmatu käivitumise kui toitepinge taastub.

RISTLÕIKEJUHIKU JA NURKLÕIKEJUHIKU KASUTAMINE

Vaata joonist 13.

Ristlõikejuhiikut saab kasutada lõikeketta vasakul või paremal poolel.

1. Lõdvendamiseks keerake ristlõikejuhiiku nuppu vastupäeva.
2. Läbilõikelaiuse seadistamiseks seadke läbilõikejuhiik soovitud asendisse skaalade abil, mis asuvad laua ees ja taga.
3. Kinnikeeramiseks pöörake nuppu päripäeva.

NURKADE REGULEERIMINE

Seadke läbilõikejuhiik soovitud asendisse ja keerake tugevasti kinni.

1. Lükake kaldlõikejuhiik ristlõikejuhiikule eestpoolt peale.
2. Seadistage soovitud nurk nurgaskaalat kasutades ja keerake nupp kinni.

LÕIGETE TEGEMINE

Tõmmake plaadile marker- või rasvapliiatsiga lõikejoon. Kui plaat on läikiva pinnaga ja seetõttu on seda raske märgistada, katke see teibiga ja tõmmake märkejoon teibile.

Plaadi lõikamisel on põhiliseks probleemiks kõrvalekalduvuse märkejoonest. Kui olete märgistatud lõikejoonelt kõrvale kaldunud, võib olla mitte võimalik seada lõikeketast tagasi lõikejoonele plaadi pööramisega. Selle asemel võtke tagasi ja lõigake plaat uuesti nihutades seda veidi väljapoole kuni saeketas on lõikejoonel tagasi.

Selle probleemi vältimiseks kasutage võimaluse korral ristlõigete tegemiseks ristlõikejuhiikut, nurklõigete tegemiseks nurklõikejuhiikut ja kaldlõigete tegemisel kaldlõikelauda.





Eesti

Ristlõike tegemine

Vaata joonist 14.

Ristlõiked on nurga all 90°. Materjal antakse kettale ette 90°-se nurga all ja lõikeketas on vertikaalne.

1. Markeerige äralõigatav materjal kasutades markerit või rasvapliiatsit.
2. Seadke läbilõikejuhik soovitud asendisse ja keerake tugevasti kinni.
3. Asetage materjal töölauale ja suruge tugevasti vastu ristlõike juhikut.
4. Veenduge, et materjal on enne sae sisselülitamist lõikekettast eemal.
5. Lülitage toide sisse.
6. Enne materjali etteandmist lõikekettale oodake, et lõikeketta kiirus tõuseb täiskirusele.
7. Hoidke materjali kindlalt vastu läbilõikejuhikut ja andke materjal saekettale ette.
8. Kui lõige on tehtud, lülitage saag asendisse VÄLJAS. Enne materjalitükkide eemaldamist oodake, kuni kõik liikuvad osad on lõplikult seiskunud.

Diagonaallõike 45° tegemine

Vaata joonist 15.

45° Diagonaallõiked on suhtes "pikk punkt lühikese punkti lõigetele".

1. Markeerige äralõigatav materjal kasutades markerit või rasvapliiatsit.
2. Seadke ristlõikejuhik soovitud laiuzele ja keerake nupp kinni, et fikseerida juhik oma kohale.
3. Lükake kaldlõikejuhik ristlõikejuhikule eestpoolt peale.
4. Seadke kaldlõikejuhik nurgale 45° nurkskaalat kasutades ja keerake nupp tugevasti kinni.
5. Veenduge, et materjal on enne sae sisselülitamist lõikekettast eemal.
6. Lülitage toide sisse.
7. Enne materjali etteandmist lõikekettale oodake, et lõikeketta kiirus tõuseb täiskirusele.
8. Hoidke materjali kindlalt vastu nurkjuhikut ja nihutage nurkjuhikut piki läbilõike piirajat. Andke materjali vastu lõikeketast ette.
9. Kui lõige on tehtud, lülitage saag asendisse VÄLJAS. Enne materjalitükkide eemaldamist oodake, kuni kõik liikuvad osad on lõplikult seiskunud.

Nurklõike tegemine

Vaata joonist 16.

Kaldlõikeid kasutatakse materjalile välis- ja sisenurkade ning tõkkeliistude lõikamiseks, põrandaliistude kujundamiseks iga nurga all, mis on erinev 90°-st. Kaldlõike tegemisel võib esineda kõrvalekaldumist lõikejoonest. Seda saab vältida tooriku kindla hoidmisega vastu kaldlõikejuhikut.

1. Markeerige äralõigatav materjal kasutades markerit või rasvapliiatsit.

2. Seadke ristlõikejuhik soovitud laiuzele ja keerake nupp kinni, et fikseerida juhik oma kohale.
3. Lükake kaldlõikejuhik ristlõikejuhikule eestpoolt peale.
4. Seadke kaldlõikejuhik soovitud nurgale nurkskaalat kasutades ja keerake nupp tugevasti kinni.
5. Veenduge, et materjal on enne sae sisselülitamist lõikekettast eemal.
6. Lülitage toide sisse.
7. Enne materjali etteandmist lõikekettale oodake, et lõikeketta kiirus tõuseb täiskirusele.
8. Hoidke materjali kindlalt vastu nurkjuhikut ja nihutage nurkjuhikut piki läbilõike piirajat. Andke materjali vastu lõikeketast ette.
9. Kui lõige on tehtud, lülitage saag asendisse VÄLJAS. Enne materjalitükkide eemaldamist oodake, kuni kõik liikuvad osad on lõplikult seiskunud.

L-kujulise lõike tegemine

Vaata joonist 17.

L-kujulised lõiked on vajalikud plaaditüki väljalõikamiseks nurka või kapi ümber paigaldatavalt plaadilt ning liistutükiks ja need tehakse kahe eraldi lõikega.

MÄRKUS: Tehke ülekatelõige lõigatava materjali all või alumisel küljel.

1. Lõigake materjal soovitud mõõtmetesse kasutades saagimist erinevates suundades.
2. Seadke läbilõikejuhik soovitud asendisse ja keerake tugevasti kinni.
3. Asetage materjal töölauale ja suruge tugevasti vastu ristlõike juhikut.
4. Veenduge, et materjal on enne sae sisselülitamist lõikekettast eemal.
5. Lülitage toide sisse.
6. Enne materjali etteandmist lõikekettale oodake, et lõikeketta kiirus tõuseb täiskirusele.
7. Hoidke materjali kindlalt vastu läbilõikejuhikut ja andke materjal saekettale ette.
8. Tehke lõige materjali sisse piisava pikkusega, ilma ülekateta.
9. Lülitage toide välja.
10. Pöörake materjal ümber ja tehke lõige piki märgistust. Sel korral tehke ülekatelõige teisel suunal ja äralõigatav tükk peab eralduma ülejäänud materjalist.
11. Lülitage toide sisse.
12. Enne materjali etteandmist lõikekettale oodake, et lõikeketta kiirus tõuseb täiskirusele.
13. Kui lõige on tehtud, lülitage saag asendisse VÄLJAS. Enne materjalitükkide eemaldamist oodake, kuni kõik liikuvad osad on lõplikult seiskunud.

Kaldlõike tegemine

Vaata joonist 18-19.

Kallutatava töölauga saab teha kaldlõikeid nurkade 22,5° ja 45° all.





Eesti

1. Markeerige äraldõigatav materjal kasutades markerit või rasvapliiatsit.
2. Tõstke üles kaldlõikelaud.
3. Tõmmake kaldlõike töölauda all olevad kaks tugijalga plaadiga risti.
4. Töölauda nurgale 22,5° seadmiseks kasutage esimest sätku.
5. Töölauda kaldlõikenurgale 45° seadmiseks kasutage teist sätku.
MÄRKUS: Enne lõikamise alustamist veenduge, et kaldlõike laud on kindlalt kohale lukustatud.
Võltige jalad lahti ja seadke kaldlõikelaud nurga alla 22,5° või 45°.
6. Lülitage toide sisse.
7. Enne materjali etteandmist lõikekettale oodake, et lõikeketta kiirus tõuseb täiskiirusele.
8. Hoidke materjali kindlalt vastu nurgalauda ja andke materjal saekettale ette.
9. Kui lõige on tehtud, lülitage saag asendisse VÄLJAS. Enne materjalitükkide eemaldamist oodake, kuni kõik liikuvad osad on lõplikult seiskunud.

HOOLDUS

⚠ HOIATUS

Kasutage teenindamisel ainult täpselt sobivaid varuosi. Muude osade kasutamine võib tekitada ohuolukorra ja põhjustada seadme vigastumise.

⚠ HOIATUS

Töötamisel ja tolmü ärapuhumisel kandke alati silmamaski või küljekaitsetega kaitseprille. Kui töötlemine on tolmune, siis kandke tolmumaski.

⚠ HOIATUS

Kui toitejuhe on vigastatud, siis tuleb see lasta asendada tootja või klienditeenindaja poolt, et ohtusid vältida.

⚠ HOIATUS

Ohutuse ja töökindluse tagamiseks tuleb parandustööd lasta teha VOLITATUD HOOLDUSKESKUSES või MUUS PÄDEVAS HOOLDUSETTEVÕTTES.

ÜLDINE HOOLDUS

Vältige plastosade puhastamisel lahustite kasutamist. Enamik plaste on tundlikud erinevate kaubandusvõrgust saadaolevate lahustite suhtes ja võivad nende mõjul oma omadusi kaotada. Mustusest, tolmust, õlist, määrdest jne

puhastamiseks kasutage puhast riidelappi.

⚠ HOIATUS

Ärge lubage mitte kunagi pidurivedelikel, bensiinil, petrooleumist valmistatud toodetel, immutusõlidel jne puutuda kokku plastikosadega. Kemikaalid võivad kahjustada, nõrgendada või hävitada plastiku, mis võib omakorda põhjustada vigastusi kasutajale.

Määrimine

Kõik selle tööriista laagrid on tehases täidetud piisava hulga kvaliteetse määrdega, mis tagab tavatingimustes nende tööväime kogu kasutusea jooksul.

Plaadilõikeketas

Parima tootluse ja ohutuse tagamiseks soovitatakse kasutada saeketast läbimõelduga 178 mm, mis on sae komplektis. Sama läbimõeldu ja kvaliteediga lõikekettad on saadaval kohaliku edasimüüja käest.

⚠ HOIATUS

Ärge kasutage lõikeketast, mille nimikiirus on madalam kui selle sae pöörlemiskiirus koormuse all. Selle hoiatuse eiramine võib põhjustada raske kehavigastuse. Ärge lõigake pragunenud, astmelist või hammastega plaati.

PLAADISAEKETTA VAHETAMINE

Vaata joonist 20.

⚠ HOIATUS

Selle saega tohib kasutada lõikeketast maksimaalse läbimõelduga 178 mm. Ärge mingil juhul kasutage lõikeketast, mis on liiga paks, et seda saaks spindli kinnitusaärrike vahele kinnitada. Suurema läbimõelduga saekettad satuvad kokkupuutesse kettakaitsega ja paksemad saekettad ei võimalda kinnitamist saeketta kinnituspoldiga. Mõlemad nendest olukordadest võivad põhjustada raske õnnetuse ja põhjustada raske kehavigastuse.

1. Võtke sae pistik välja.
2. Võtke kallutatav töölaud maha.
3. Pange silmusvõti ümber lõikeketta võlli mutri. Kasutades teist kätt, pange võllivõti lõikeketta võllile.
4. Hoidke võllivõtmest kindlalt, et vältida saeketta liikumahakkamist. Lõdvendamiseks keerake võllimutrit vastupäeva.
5. Keerake võllimutter maha, eemaldage väline äärik ja lõikeketas.



Eesti

6. Määrige lapiga tilk õli seesmise ääriku kontaktpinnale.

⚠ HOIATUS

Kui siseava äärik on eemaldatud, siis pange see enne saeketta paigaldamist tagasi. Muidu võib juhtuda õnnetus, sest ketas ei ole piisavalt pingutatud. Ärge kunagi kasutage löikeketaid, milles on avasid, sooni või hambaid.

7. Paigaldage löikeketas völliile nii, et löikeketta nooled liiguks vastupäeva.

8. Pange kohale välisäärik. Pinnad "D" kettaääriku tuleb ühitada spindli vastaspindadega.

9. Kasutades löikeketta võtit ja völli võtit, keerake völli mutter kinni.

10. Pange kohale tagasi kallutatav töölaud.

KESKKONNAKAITSE



Toormaterjalid utiliseerige jäätmetega koos. Masin, selle lisaseadmed ja pakend tuleb jäätmekäitluseks keskkonnasõbralikult sorteerida.

SÜMBOL



Ohutusalane teave



CE vastavus



GOST-R vastavus



Lugege enne masina kasutamist juhised hoolikalt läbi.



Kandke alati silmakaitsevahendeid.



Kandke kuulmise kaitsevahendeid



Kandke turvakindaid



OHT! Terav löikeketas



Ettevaatust, sisselõikamisohu



Ärge jätke vihma kätte või kasutage niisketes kohtades.



Ärge jätke vihma kätte või kasutage niisketes kohtades.



Masinal tohib kasutada ainult katkematu teemant-lõikeservaga löikeketaid.



Tera pöörlemissuund



Teemant-lõikeketas



Saeketta läbimõõt



Lõikekrae läbimõõt



netomass



Lõikesügavus (Maks.)



Lõikelaius (Maks.)



Lõike diagonaalsuunaline laius (Maks.)



Taaskäitlus



Mittekasutatavaid elektritooteid ei tohi visata olmejäätmete hulka. Vaid tuleb viia vastavasse kogumispunkti. Vajadusel küsige sellekohast nõu oma edasimüüjalt või vastavalt kohaliku omavalitsuse institutsioonilt.



Hrvatski

OPIS

1. Zatik uzemljenja
2. Kabel za napajanje
3. Sigurnosni prsten protiv kapanja
4. Rezna ploča za rezanje pločica
5. Sklopka za Ukj./isklj.(ON/OFF)
6. Letva za uzdužno rezanje
7. Kutna vodilica
8. Crta maksimalne napunjenosti
9. Odvod preteka
10. Spremnik za vodu
11. Skala rezne letve za uzdužno rezanje
12. Postolja
13. Držač kabela
14. Podignite ručke
15. Štitnik rezne ploče
16. Nagibna ploča
17. Kućište pile za rezanje pločica
18. Ključ sa šesterokutnom glavom
19. Ključ za vratilo
20. Vijci
21. Nosač štitnika rezne ploče
22. Šesterokutna matica
23. Svornjak sa šesterokutnom glavom
24. Nožice postolja „A“
25. Nožice postolja „B“
26. Vijak nožice postolja
27. Matica(-e) nožice postolja
28. Vijak nosača nožice postolja
29. Nosač za podršku „A“
30. Nosač za podršku „B“
31. Jezičci
32. Otpuštanje lazure
33. Izdanak
34. Gumb letve za uzdužno rezanje
35. Sklop nožice „A“
36. Sklop nožice „B“
37. Skala kutne vodilice
38. Gumb kutne vodilice
39. Nožica nagibne ploče
40. 22.5° nagibni urez
41. 45° nagibni urez
42. Vratilo
43. Unutarnja prirubnica
44. Vanjska prirubnica
45. Matica vratila

OPĆA SIGURNOSNA PRAVILA

UPOZORENJE

Kako biste smanjili opasnost od požara, strujnog udara i osobnih ozljeda prilikom korištenja električnih alata, uvijek se valja pridržavati osnovnih mjera opreza.

Prije pokušaja korištenja ovog uređaja pročitajte i spremite sve upute.

- **Upoznajte svoj električni alat.** Pažljivo pročitajte priručnik za vlasnika. Saznajte primjenu i ograničenja uređaja kao i određene potencijalne opasnosti vezane za ovaj uređaj.
- **Zaštitite se od električnog udara na način da spriječite dodir tijela s uzemljenim površinama.** Na primjer, cijevi, radijatori, štednjaci i kućišta hladnjaka.
- **Držite štitnike na mjestu i ispravne za rad.**
- **Uklonite ključeve za ugađanje i ključeve.** Zbog navike provjeravanja pogledajte da li su ključevi i ključevi za ugađanje uklonjeni s alata prije nego što ga uključite.
- **Održavajte radno područje čistim.** Zatrpna radna područja i stolovi dovode do nesreće. Nemojte ostavljati alate ili dijelove drva na pili dok je u radu.
- **Nemojte koristiti u opasnim okruženjima.** Električni alat nemojte koristiti u vlažnim ili mokrim mjestima ili izlagati na kiši. Držite radni prostor dobro osvijetljen. Nemojte koristiti alat u prisutnosti zapaljivih tekućina ili plinova.
- **Djecu i posjetitelje držite podalje.** Svi posjetitelji trebaju nositi zaštitne naočale i biti na sigurnoj udaljenosti od radnog područja. Nemojte dopuštati posjetiteljima dodir s alatom ili produžnim kabelom tijekom rada.
- **Nemojte alat koristiti iznad njegovih mogućnosti.** Uređaj će bolje i sigurnije raditi na brzini obrade za koju je konstruiran.
- **Koristite pravu alatku.** Ne silite uređaj ili priključak za posao za koji nije namijenjen. Nemojte ga koristiti za svrhu za koju nije namijenjen.
- **Koristite pravilan produžni kabel.** Osigurajte da vam je produžni kabel u dobrom stanju. Koristite produžni kabel koji može podnijeti struju koju vaš alat izvlači. Kabel manje veličine uzrokovat će pad napona u vodu, što dovodi do gubitka snage i pregrijavanja.
- **Pravilno se odjenite.** Nemojte nositi široku odjeću, rukavice, kravate ili nakit. Oni se mogu zahvatiti i uvući vas u pokretne dijelove. Preporuča se da prilikom rada na otvorenom nosite gumene rukavice i obuću sa zaštitom od klizanja (cipele postavljene s gumom). Također nosite i zaštitu za kosu kako biste pokrili dugu





Hrvatski

kosu.

- **Uvijek nosite zaštitne naočale s bočnim štitnicima.** Svakodnevne naočale imaju samo leće otporne na udar; one nisu sigurnosne naočale.
- **Siguran rad.** Kada je praktično koristite spojnice ili škrip za držanje materijala, sigurnije je nego koristiti ruke, te su vam ruke slobodne za rad s alatom.
- **Nemojte se naginjati preko rubova.** Cijelo vrijeme držite pravilno uporište i ravnotežu.
- **Pažljivo održavajte alat.** Držite alat naoštrenim i čistim radi boljeg i sigurnijeg rada. Slijedite upute za podmazivanje i promjenu dodatnog pribora. Povremeno provjerite kabele alata i ako su oštećeni neka ih popravi ovlašteni servisni centar. Povremeno provjerite i zamijenite produžne kabele ako su oštećeni. Održavajte ručke suhim, čistim i da na njima nema ulja i masti.
- **Isključite alate.** Kada nije u upotrebi, prije servisiranja ili kada mijenjate priključke, rezne ploče, svrdla, rezače idr., svi alati trebaju biti iskopčani. Prije izvođenja podešavanja, servisiranja ili održavanja uklonite utikač.
- **Izbjegavajte slučajno pokretanje.** Provjerite da li je prekidač isključen kada priključujete bilo koji alat.
- **Koristite preporučeni dodatni pribor.** Pogledajte upute za uporabu radi preporučenog dodatnog pribora. Korištenje neprikladnih dodatnih pribora može dovesti do opasnosti od ozljede.
- **Nikada nemojte stajati na alatu.** Može doći do ozbiljnih ozljeda ako se alat prevrne ili se alat za reznje slučajno dotakne.
- **Zamijenite oštećene dijelove.** Prije naredne uporabe alata, štitnici ili drugi dijelovi koji su oštećeni trebaju se pažljivo provjeriti da se odredi da li će pravilno raditi i izvoditi njihovu namjensku funkciju. Provjerite spojeve pokretnih dijelova, povezanost pokretnih dijelova, puknuća dijelova, montiranost i bilo koje druge uvjete koji mogu utjecati na njihov rad. Kako bi se izbjegle osobne ozljede, štitnik ili drugi dio koji je oštećen mora se pravilno popraviti ili zamijeniti od strane ovlaštenog servisnog centra.
- **Koristite pravilan smjer umetanja.** Umetnite izradak u reznu ploču ili nasuprot smjera okretanja rezne ploče ili samo rezača.
- **Nikada ne ostavljajte alat da radi bez nadzora. Isključite napajanje.** Ne ostavljajte alat dok se potpuno ne zaustavi.
- **Zaštitite svoja pluća.** Ako radite u prašini nosite masku za lice ili protiv prašine.
- **Zaštitite svoj sluh.** Tijekom produljenih razdoblja rada nosite zaštitu za sluh.
- **Nemojte zlorabiti kabel.** Nikada ne povlačite kabel

za isključivanje iz utičnice. Držite kabel podalje od topline, ulja i oštih rubova.

- **Uvijek držite štitnike za reznu ploču na mjestu i ispravne za rad.**
- **Držite ručke podalje od područja rezanja.** Držite ruke dalje od rezne ploče. Nemojte dohvaćati izradak ispod ili okolo, ili preko rezne ploče dok se okreće. Nemojte pokušavati ukloniti odrezani materijal dok se rezna ploča okreće.
- **Nakon isključivanja rezna ploča se nastavlja okretati.**
- **Nikada nemojte koristiti u eksplozivnoj atmosferi.** Uobičajeno iskrenje motora može upaliti pare.
- **Povremeno provjerite kabele alata.** Ako je oštećen, neka popravak izvrši kvalificirani servisni tehničar u ovlaštenom servisnom centru.
- **Povremeno provjerite i zamijenite produžne kabele ako su oštećeni.**
- **Uzemljite sve alate.** Ako je alat opremljen s trofaznim utikačem, treba ga uključiti u odgovarajuću trofaznu utičnicu.
- **Ako vam upute o uzemljenju nisu potpuno jasne provjerite s kvalifi ciranim električarom ili servisrom ili ako sumnjate je li proizvod pravilno uzemljen.**
- **Koristite samo točne električne uređaje:** 3-žilni produžni kabeli koji imaju 3 šiljka na utikaču uzemljenja i 3 priključka koji prihvaćaju utikač uređaja.
- **Nemojte modifi cirati isporučeni utikač.** Ako ne odgovara utičnica, neka pravilnu utičnicu instalira kvalifi cirani električar.
- **Održavajte alat suhim i čistim od ulja i masti.** Prilikom čišćenja uvijek koristite čistu krpu. Nikada ne koristite tekućine za kočnice, benzin, proizvode na bazi benzina ili neka druga otapala za čišćenje uređaja.
- **Budite na oprezu i imajte kontrolu nad alatom.** Gledajte to što radite i pri radu s alatom koristite zdrav razum. Nemojte raditi s alatom kad ste umorni. Nemojte žuriti.
- **Nemojte koristiti alat ako se sklopka ne prebacuje u položaj uključeno i isključeno.** Sklopku u kvaru zamijenite u ovlaštenom servisnom centru.
- **Koristite samo točnu reznu ploču.** Nemojte koristiti rezne ploče s netočnim veličinama otvora. Nikada nemojte koristiti podloške ili matice vratila koje su oštećene ili nevaljale. Maksimalni kapacitet vaše pile je 178 mm. Sve oštrice koje se koriste moraju biti proizvedene u skladu s EN13236. Nikada ne koristite oštricu za rezanje s manjom brzinom od one koja je označena za taj alat.





Hrvatski

- **Prije rezanja osigurajte da su sva podešenja osigurana.**
- **Nikada ne dodirujte reznu ploču ili bilo koji drugi pokretni dio tijekom uporabe.**
- **Nikada ne pokrećite alat ako je bilo koja rotirajuća komponenta u dodiru s izratkom.**
- **Nikada ne radite s alatom dok ste pod utjecajem droge, alkohola ili nekih lijekova.**
- **Prilikom servisiranja koristite samo identične zamjenske dijelove.** Korištenje nekih drugih dijelova može dovesti do opasnosti ili uzrokovati oštećenje uređaja.
- **Koristite samo preporučeni dodatni pribor naveden u ovom priručniku ili dopunama.** Korištenje pribora koji nije na popisu može dovesti do opasnosti od osobnih ozljeda. Upute za sigurno korištenje dodatnog pribora uključene su s dodatnim priborom.
- **Dva puta provjerite sva podešenja.** Prije nego priključite u izvor napajanja uvjerite se da je rezna ploča pritegnuta i da ne ostvaruje kontakt s pilom ili izratkom.

SIGURNOSNA UPOZORENJA PILA ZA REZANJE PLOČICA

- Uvijek učvrstite izradak prema letve za uzdužno rezanje i bloku nagiba.
- Nikada nemojte stajati niti imati neki dio tijela u liniji puta rezne ploče.
- Nikada nemojte pokušavati osloboditi zaglavljenu reznu ploču a da najprije niste isključili pilu i odspojili je iz izvora napajanja.
- Ako je kabel za napajanje oštećen, mora ga zamijeniti samo proizvođač ili ovalšteni servisni centar kako bi se izbjegla opasnost.
- Izbjegavajte nespretne radnje i položaje ruku gdje iznenadno klizanje može uzrokovati da se vaše ruke pomaknu na alat za rezanje.
- Prije izvođenja bilo kakvog rada s pilom osigurajte da radno područje ima dovoljno svjetla da vidite raditi i da nikakve prepreke neće ometati siguran rad.
- Kako biste izbjegli slučajno pokretanje prilikom ponovnog priključivanja na izvor napajanja, prije iskapčanja pile uvijek je isključite.
- Ovaj alat treba imati sljedeće oznake:
 - Nosite zaštitu za vid.
 - Koristite štitičnik rezne ploče za svaki rad i kojem se koristite.
 - Prije servisiranja, prilikom promjene rezne ploče i čišćenja isključite pilu.
 - Koristite alat samo s glatkim rubovima rezne ploče bez otvora, utora i zuba.

- Prije početka rada zamijenite oštećenu reznu ploču.
- Nemojte puniti spremnik s vodom iznad linije za punjene vode.
- **Sačuvajte ove upute.** Često ih pogledajte i koristite ih da obučite druge korisnike. Ako neke posudite ovaj alat, posudite mu isto tako i ove upute.

ELEKTRIČNI PRIKLJUČAK

Ovaj alat pogonjen je ugrađenim preciznim električnim motorom. Treba biti priključen na napajanje koje je od 220-240V, samo AC (uobičajena struja u kućanstvu), 50 Hz. Ne radite s ovim uređajem na istosmjernoj struji (DC). Značajni pad napona uzrokuje gubitak snage i pregrijavanje motora. Ako pila ne radi kad je uključena u utičnicu, provjerite napajanje.

BRZINA I OŽIČENJE

Brzina bez opterećenja ovog alata je približno 2,900 o/min. Ova brzina nije konstantna i smanjuje se pod opterećenjem ili uz smanjenje napona. Za napon, ožičenje u trgovini je važno radi konjskih snaga motora. Vod namijenjen samo za rasvjetu ne može pravilno nositi motor električnog alata. Žica koja je dovoljno teška za kratku udaljenost bit će prelagana za veće udaljenosti. Vod koji podržava jedan električni alat možda ne bude u mogućnosti podržati dva ili tri alata.

UPUTE ZA UZEMLJENJE

Pogledajte sliku 1.

Ovaj uređaj mora biti uzemljen. U slučaju kvara ili pada napona uzemljenje omogućuje put zadnjeg otpora električne struje radi smanjenja opasnosti od strujnog udara. Ovaj proizvod opremljen je s električnim kabelom koji ima u opremi vodič za uzemljenje i utikač za uzemljenje. Utikač mora biti umetnut u odgovarajuću utičnicu koja je pravilno instalirana i uzemljena u skladu s lokalnim propisima i uredbama.

Nemojte modifi cirati isporučeni utikač. Ako ne odgovara utičnica, neka pravilnu utičnicu instalira kvalifi cirani električar.

⚠ UPOZORENJE

Nepravilni priključak utikača uzemljenja može dovesti do opasnosti od električnog udara. Kada je potreban popravak ili zamjena kabla nemojte priključivati žicu uzemljenja na ravni oštri priključak. Žica koja ima izolaciju zelene boje (sa ili bez žute trake) je žica uzemljenja.

Ako vam upute o uzemljenju nisu potpuno jasne provjerite s kvalifi ciranim električarom ili serviserom ili ako sumnjate



Hrvatski

je li proizvod pravilno uzemljen.

Odmah popravite ili zamijenite oštećeni ili istrošeni kabel.

Ako je kabel za napajanje oštećen, mora ga zamijeniti samo proizvođač ili ovalšteni servisni centar kako bi se izbjegla opasnost.

Ovaj proizvod priključite samo na utičnicu koja ima istu konfi guraciju kao utikač. Nemojte koristiti adapter s ovim uređajem.

Za maksimalnu sigurnost i pouzdanost, sve popravke treba obaviti u ovlaštenom Ryobi servisu.

Zaštita FID sklopkom (RCD) treba biti omogućena na krugu(ovima) ili utičnici(cama) koje se koriste za pilu za rezanje pločica Izlazi su na raspolaganju s ugrađenom RCD zaštitom i mogu se koristiti za ovo mjerenje sigurnosti.

Ako se pila koristi uz produžni kabel, osigurajte da spoj kabela napajanja alata i produžnog kabela nije na zemlji. Pomoćni uređaji uvijek trebaju biti uključeni u zidnu utičnicu, a ne u priključak produžnog kabela i kabel za napajanje električnog alata.

Ako zaštićena utičnica nije na raspolaganju, nemojte koristiti pilu sve dok se utičnica ne zamijeni ili se ne osigura dodatna zaštita. Ovaj pomoćni zaštitni uređaj je dostupan kod vašeg lokalnog dobavljača.

POSTAVITE PILU ZA REZANJE PLOČICA

Pogledajte sliku 2.

Za izbjegavanje mogućnosti da utikač alata ili utičnica postanu vlažni, postavite pilu na jednu stranu zidne utičnice kako biste spriječili kapanje vode na utičnicu ili utikač. Rukovatelj treba postaviti sigurnosni prsten protiv kapanja prilikom priključivanja kabela pile u utičnicu. „Sigurnosni prsten protiv kapanja“ je dio kabela ispod razine utičnice ili priključka ako se koristi produžni kabel, za sprečavanje prolaska vode preko kabela i dolazak u dodir s utičnicom.

Ako se utikač ili utičnica ovlaže, NEMOJTE isključivati kabel. Isključite osigurač ili prekidač strujnog kruga koji napaja alat, potom isključite i pregledajte utičnicu na prisutnost vode.

⚠ UPOZORENJE

Radi smanjenja opasnosti od strujnog udara sve priključke održavajte suhima i iznad tla. Ne dodirujte utikač vlažnim rukama.

SPECIFIKACIJE

Specifikacije proizvoda	
Napon	220 - 240V
Napajanje	500 W
Brzina bez opterećenja	2,900 rpm
Težina	15,5 kg (N.W.)
Značajke	
Tablica veličina	381 mm x 502 mm
Tablica visina od kućišta do ploče	181 mm
Specifikacije materijala	
Tablica materijala	Nehrđajući čelik
Materijal za postolje	Čelična cijev
Rezni alati/kapacitet	
Promjer rezne ploče	178 mm
Vrsta rezne ploče	Dijamant
Unutarnji promjer rezne ploče	25,4mm
Maksimalna dubina rezanja	33 mm
Mjerene vrijednosti određene su prema EN 61029	
Ponderirana razina tlaka zvuka Neodređenost K	$L_{pA} = 61,0 \text{ dB(A)}$ 3 dB(A)
Mjerene vrijednosti određene su prema EN 61029	
Ponderirana razina zvučne snage Neodređenost K	$L_{WA} = 77,0 \text{ dB(A)}$ 3 dB(A)

UPOZNAJTE SVOJU PILU ZA PLOČICE

178 mm rezna ploča za rezanje pločica

- Rezna ploča za rezanje pločica od 178 mm isporučuje se s pilom.

Nagibna ploča

- Nagnuti rezovi od 22,5° i 45° mogu se izvršiti pomoću nagibne ploče.

Ručke

- Pila ima pogodne ručke koje se nalaze na lijevoj i desnoj strani radi podizanja i nošenja.

Kutna vodilica

- Kutna vodilica je potpuno podesiva za dijagonalne rezove i kutne rezove.



Hrvatski

Motor

- Ovaj uređaj ima jaki motor s dovoljno snage za vršenje zadataka teškog rezanja.

Letva za uzdužno rezanje

- Letva za uzdužno rezanje je potpuno podesiva radi izvođenja poprečnih rezova i korištenja kutne vodilice.

Postolje pile za rezanje pločica

- Ova pila dolazi sa stalkom radi poboljšanja prenosivosti i praktičnosti.

Štitnik rezne ploče

- Štitnik rezne ploče omogućuje zaštitu od raspršivanja i maglice

SASTAVLJANJE

INSTALIRANJE ŠTITNIKA REZNE PLOČE

Pogledajte sliku 5-6.

1. Uklonite nagibnu ploču.
2. Instalirajte nosač štitnika rezne ploče u obliku slova L-na izdanak ispod ploče iza rezne ploče.
3. Instalirajte vijke na ploču i kroz nosač štitnika rezne ploče, te potom čvrsto pritegnite.

NAPOMENA: Provjerite da li je nosač štitnika rezne ploče poravnat s reznom pločom tako da ga ne ometa materijal koje se reže.

4. Poravnajte štitnik rezne ploče s pločom i umetnite preko nosača. Poravnajte otvore u štitniku nosača s otvorom u nosaču štitnika rezne ploče.

NAPOMENA: Uvijek poravnajte štitnik za reznu ploču vodoravno prema ploči i neznatno iznad debljine pločice. Nosač rezne ploče ne smije dodirivati pločicu.

5. Umetnite vijak sa šestostranom glavom kroz štitnik rezne ploče i nosač.
6. Navrnite gumb na vijak i pritegnite na željenu visinu.
7. Zamijenite nagibnu ploču.

NAPOMENA: Pokrov/štitnik rezne ploče sklopljen je u tvornici. Nemojte rastavljati tijekom podešavanja i održavanja.

INSTALIRANJE LETVE ZA UZDUŽNO REZANJE

Pogledajte sliku 7.

1. Za otpuštanje zakrenite gumb na letvi za uzdužno rezanje u smjeru suprotnom od kazaljki na satu.
2. Pomaknite letvu za uzdužno rezanje na stranu ploče.
3. Koristite skalnu letvu za uzdužno rezanje koja se nalazi na prednjoj i stražnjoj ploči kako biste postavili letvu za rezanje na željenu širinu rezanja.
4. Za čvrsto pritezanje zakrenite gumb letve za uzdužno rezanje u smjeru kazaljki na satu.

INSTALIRANJE KUTNE VODILICE

Pogledajte sliku 7.

1. Podesite letvu za uzdužno rezanje u željeni položaj i pritegnite.
2. Pomaknite kutnu vodilicu na letvu za uzdužno rezanje s prednje strane.
3. Podesite željeni kut korištenjem skale za kut i čvrsto pritegnite s gumbom.

SKLAPANJE POSTOLJA

Pogledajte sliku 8-9.

Nosači za podršku i nožice postolja imaju odgovarajuća slova radi lakšeg sklapanja.

Potrebni alati: Podesivi ključ ili ključ od 13 mm i Philipsov odvijač.

1. Umetnite nožice postolja označene s „A“, u kraj cijevi nosača za podršku označenog „A“. Nožice postolja s rubovima pod kutem trebaju biti okrenute jedne od drugih tako da sliču slovu „V“. Poravnajte otvore za pričvršne elemente. Ponovite s drugim nosačem i nožicama označenim „B“.
2. Učvrstite nožicu sklopa u držače. Sklop nožice „A“ postavljen na unutarnjem nosaču. Sklop nožice „A“ postavljen na vanjskoj strani. Poravnajte otvore u nosačima i nožicama. Umetnite pričvršne elemente kroz otvore.
3. Korištenje ključa za pritezanje pričvršnih elemenata.
4. Postavite postolje na ravnu površinu i podignite otvore ispod pile za rezanje pločica s nosačima na postolju. Postavite ploču na postolje.
5. Prije korištenja provjerite da li je pila za pločice na ravnoj površini i da je stalak čvrst.

INSTALIRANJE ODVODA PRETEKA VODE

Pogledajte sliku 10.

1. Uklonite nagibnu ploču.
2. Pronađite otvor na dnu spremnika s vodom.
3. Čvrsto gurnite odvod preteka u otvor.
4. Zamijenite nagibnu ploču.

SKLAPANJE JEZIČAKA

1. Okrenite kućište pile naopako.
2. Poravnajte otvore vijka na jezičcima s otvorima za vijke na dnu kućišta pile za pločice.
3. Umetnite vijke i čvrsto pritegnite.

PUNJENJE SPREMNIKA ZA VODU

Pogledajte sliku 11.

1. Uklonite nagibnu ploču.
2. Napunite spremnik za vodu s čistom vodom iz slavine do linije za punjenje.

NAPOMENA: Odvod preteka sprječava prepunijvanje.





Hrvatski

3. Zamijenite nagibnu ploču.

PROMJENA SPREMNIKA S VODOM

1. Odspojite pilu za rezanje pločica.
2. Uklonite odvod preteka i ispraznite u kantu, nemojte dopustiti da voda prska na tlo ili oko uređaja.
3. Ispustite otpadnu vodu u skladu s lokalnim propisima.

RAD

⚠ UPOZORENJE

Neka vam koncentracija pri radu ne popusti ni kad upoznate kako radi vaš alat. Uvijek imajte na umu da je dovoljna samo jedna sekunda nepažnje kako biste se teško ozlijedili.

⚠ UPOZORENJE

Dok upotrebljavate uređaj uvijek nosite sigurnosne naočale ili zaštitne naočale opremljene bočnim štitičnicima. Nepoštivanje ovog upozorenja može dovesti do prskanja stranih tijela u vaše oči i prouzročiti teške ozljede oka.

⚠ UPOZORENJE

Upotrebljavajte samo dijelove alata i dodatnu opremu koje je preporučio proizvođač. Uporaba dijelova i dodatne opreme koje nije preporučio proizvođač može dovesti do teških ozljeda.

TESTIRAJTE RCD PRIJE UPORABE

1. Uključite RCD u glavnu utičnicu.
2. Pritisnite tipku za resetiranje. Treba se uključiti pokazivač napajanja.
3. Pritisnite tipku za testiranje. Pokazivač napajanja se treba isključiti.

UPOZORENJE: Ako RCD ne prođe test, nemojte koristiti alat. Obratite se pouzdanom električaru.

4. Pritisnite gumba za resetiranje kako biste uključili RCD.

PRIMJENE

Ovaj alat možete koristiti za svrhe koje su navedene u nastavku:

Radovi rezanja ravne crte kao što su poprečna rezanja, kutna, uzdužna i rezanja pod nagibom

NAPOMENA: Ova pila namijenjena je samo za rezanje ručno izrađenih pločica, proizvoda prirodnog kamena i kamenih pločica.

Sklopka za Ukl./isklj.(ON/OFF)

Ova pila ima jednostavan pristup prekidaču za UKLJUČENJE/ISKLUČENJE napajanja koji se nalazi ispod prednje vodilice.

Za isključivanje pile:

Pritisnite crveni gumb za ISKLJUČIVANJE (O).

Za uključivanje pile:

Pritisnite zeleni gumb za UKLJUČIVANJE (I).

Za zaključavanje vaše pile:

Kada je pila ISKLJUČENA, izvucite utikač iz izvora napajanja.

⚠ UPOZORENJE

UVIJEK provjerite prije uključivanja alata da vaš izradak nije u kontaktu s reznom pločom. Nepoštivanje ovog upozorenja može uzrokovati da izradak bude izbačen unatrag prema rukovatelju i dovesti do ozbiljnih osobnih ozljeda.

⚠ UPOZORENJE

Za smanjenje opasnosti od slučajnog pokretanja, uvijek provjerite da li je prekidač u položaju ISKLJUČENO prije uključivanja alata u izvor napajanja. U slučaju gubitka napajanja ili kada se alat ne koristi, okrenite prekidač u položaj ISKLJUČENO i izvucite utikač iz izvora napajanja. Ova radnja spriječit će alat od slučajnog pokretanja prilikom povratka napajanja.

KORIŠTENJE LETVE ZA REZANJE I KUTNE VODILICE

Pogledajte sliku 13.

Letva za uzdužno rezanje može se koristiti i s lijeve i s desne strane rezne ploče.

1. Za otpuštanje zakrenite gumb na letvi za uzdužno rezanje u smjeru suprotnom od kazaljki na satu.
2. Za postavljanje letve za uzdužno rezanje u željenu širinu rezanja podesite letvu u željeni položaj korištenjem skale letve za uzdužno rezanje, koja se nalazi na prednjem i stražnjem dijelu ploče.
3. Zakrenite gumb, u smjeru kazaljki an satu, potom čvrsto pritegnite.

ZA PODEŠAVANJE KUTOVA

Podesite letvu za uzdužno rezanje u željeni položaj i čvrsto pritegnite.

1. Pomaknite kutnu vodilicu na letvu za uzdužno rezanje s prednje strane.
2. Podesite željeni kut korištenjem skale za kut i čvrsto pritegnite s gumbom.





Hrvatski

REZANJE

Pomoću markera ili obične olovke uvijek na pločici nacrtajte liniju koja će se rezati. Ako je pločica sjajna i teško se označava, postavite markirajuću traku na pločicu i označite traku.

Najčešći problem prilikom rezanja pločice je držanje označene linije. Kad jednom skrenete s linije, ne možete siliti reznu ploču natrag na liniju na način da uvijate pločicu. Umjesto toga, vratite se i ponovno režite pločicu odrezujući malu količinu pločice sve dok se pila ne vrati na liniju.

Za izbjegavanje ovog problema kad got je to moguće koristite letvu za uzdužno rezanje kada radite poprečne rezove, kutnu vodilicu za kutne rezove i podesivu desnu stranu ploče za nagibne rezove.

Za poprečni izrez

Pogledajte sliku 14.

Poprečni rezovi su ravni rezovi pod 90°. Materijal se umeće za rezanje pod kutom od 90° na reznu ploču, a rezna ploča je okomita.

1. Korištenje markera ili masne olovke radi označavanja područja koje se reže na materijalu.
2. Podesite letvu za uzdužno rezanje u željeni položaj i čvrsto pritegnite.
3. Postavite materijal na ploču i čvrsto pritegnite uz letvu za uzdužno rezanje.
4. Prije nego uključite pilu osigurajte da je materijal rezne ploče čist.
5. Uključite napajanje.
6. Pustite da rezna ploča ubrza do pune brzine i pričekajte da se rezna ploča navlaži prije pomicanja materijala na reznu ploču.
7. Čvrsto držite materijal prema letvi za uzdužno rezanje i umetnite materijal na reznu ploču.
8. Po završetku rezanja ISKLJUČITE pilu. Prije uklanjanja bilo kojeg dijela materijala pričekajte da se rezna ploča potpuno zaustavi.

Za dijagonalni izrez od 45°

Pogledajte sliku 15.

45° dijagonalno rezanje odnosi se i na „rezove između dviju najudaljenijih točki“.

1. Korištenje markera ili masne olovke radi označavanja područja koje se reže na materijalu.
2. Postavite letvu za uzdužno rezanje na željenu širinu i pritegnite gumb kako biste je osigurali na mjestu.
3. Pomaknite kutnu vodilicu na letvu za uzdužno rezanje s prednje strane.
4. Podesite kutnu vodilicu na 45° korištenjem skale za kut i čvrsto pritegnite s gumbom.
5. Prije nego uključite pilu osigurajte da je materijal rezne ploče čist.

6. Uključite napajanje.
7. Pustite da rezna ploča ubrza do pune brzine i pričekajte da se rezna ploča navlaži prije pomicanja materijala na reznu ploču.
8. Čvrsto držite materijal prema kutnoj vodilici i umetnite vodilicu uzduž rezne letve za uzdužno rezanje. Umetnite materijal u reznu ploču.
9. Po završetku rezanja ISKLJUČITE pilu. Prije uklanjanja bilo kojeg dijela materijala pričekajte da se rezna ploča potpuno zaustavi.

Za izradu kutnog izreza

Pogledajte sliku 16.

Kutne rezove koristite se za rezanja vanjskih i unutarnjih kutova na materijalu, ukrasnim okvirima i preklapanja baze s materijalom pod bilo kojim drugim kutom u odnosu na reznu ploču od 90°. Kutni rezovi tijekom rezanja se „polako kreću“. Ovo se može kontrolirati čvrstim držanjem izratka uz kutnu vodilicu.

1. Korištenje markera ili masne olovke radi označavanja područja koje se reže na materijalu.
2. Postavite letvu za uzdužno rezanje na željenu širinu i pritegnite gumb kako biste je osigurali na mjestu.
3. Pomaknite kutnu vodilicu na letvu za uzdužno rezanje s prednje strane.
4. Podesite kutnu vodilicu na željeni kut korištenjem skale za kut i čvrsto pritegnite s gumbom.
5. Prije nego uključite pilu osigurajte da je materijal rezne ploče čist.
6. Uključite napajanje.
7. Pustite da rezna ploča ubrza do pune brzine i pričekajte da se rezna ploča navlaži prije pomicanja materijala na reznu ploču.
8. Čvrsto držite materijal prema kutnoj vodilici i umetnite vodilicu uzduž rezne letve za uzdužno rezanje. Umetnite materijal u reznu ploču.
9. Po završetku rezanja ISKLJUČITE pilu. Prije uklanjanja bilo kojeg dijela materijala pričekajte da se rezna ploča potpuno zaustavi.

Za izvršiti L-izrez

Pogledajte sliku 17.

L-rezovi su rezovi koji uklanjaju komad pločice kako bi ogovarala kutu, oko kućišta ili kao komad za preklapanje i izrađen je od dva odvojena izreza.

NAPOMENA: Samo prerezi donjeg dijela ili donje strane materijala su rezovi.

1. Rezanje materijala na željenu širinu korištenjem smjerova za poprečni rez.
2. Podesite letvu za uzdužno rezanje u željeni položaj i čvrsto pritegnite.
3. Postavite materijal na ploču i čvrsto pritegnite uz letvu za uzdužno rezanje.



**Hrvatski**

4. Prije nego uključite pilu osigurajte da je materijal rezne ploče čist.
5. Uključite napajanje.
6. Pustite da rezna ploča ubrza do pune brzine i pričekajte da se rezna ploča navlaži prije pomicanja materijala na reznu ploču.
7. Čvrsto držite materijal prema letvi za udzdužno rezanje i umetnite materijal na reznu ploču.
8. Izvršite dovoljno dubok rez da na morate vršiti ponovno rezanje.
9. Isključite napajanje.
10. Okrenite materijal naopako i izvršite rez uzduž jedne od oznaka. Ovaj put izrez druge linije i odrezani komad trebaju se odvojiti od ostataka materijala.
11. Uključite napajanje.
12. Pustite da rezna ploča ubrza do pune brzine i pričekajte da se rezna ploča navlaži prije pomicanja materijala na reznu ploču.
13. Po završetku rezanja ISKLJUČITE pilu. Prije uklanjanja bilo kojeg dijela materijala pričekajte da se rezna ploča potpuno zaustavi.

Za izrez pod nagibom

Pogledajte sliku 18-19.

Nagnuti rezovi od 22,5° i 45° mogu se izvršiti pomoću nagibne ploče.

1. Korištenje markera ili masne olovke radi označavanja područja koje se reže na materijalu.
2. Podignite nagibnu ploču.
3. Na donjoj strani nagibne ploče povucite prema dolje dvije nožice ploče u desne kutove ploče.
4. Koristite prvi urez u nožicama za postavljanje ploče pod kutem od 22,5°.
5. Koristite drugi komplet ureza za nagninjanje ploče pod kutom većim od 45°.

NAPOMENA: Prije rezanja uvjerite se da je nagibna ploča čvrsto postavljena.

Rasklopite nožice i polehните nagibnu ploču na ravno za 22,5° ili pod kutem od 45°.

6. Uključite napajanje.
7. Pustite da rezna ploča ubrza do pune brzine i pričekajte da se rezna ploča navlaži prije pomicanja materijala na reznu ploču.
8. Čvrsto držite materijal prema nagibnoj ploči i umetnite materijal u reznu ploču.
9. Po završetku rezanja ISKLJUČITE pilu. Prije uklanjanja bilo kojeg dijela materijala pričekajte da se rezna ploča potpuno zaustavi.

ODRŽAVANJE**⚠ UPOZORENJE**

Prilikom servisiranja koristite samo identične zamjenske dijelove. Korištenje nekih drugih dijelova može dovesti do opasnosti ili uzrokovati oštećenje uređaja.

⚠ UPOZORENJE

Uvijek tijekom rada s električnim alatom ili prilikom ispuhivanja prašine nosite zaštitne naočale i zaštitne naočale s bočnim štitičnicima. Ako radite u prašini nosite i masku za zaštitu od prašine.

⚠ UPOZORENJE

Ako je kabel za napajanje oštećen, mora ga zamijeniti samo proizvođač ili ovalšteni servisni centar kako bi se izbjegla opasnost.

⚠ UPOZORENJE

Za maksimalnu sigurnost i pouzdanost, sve popravke treba obaviti u ovlaštenom Ryobi servisu.

OPĆE ODRŽAVANJE

Prilikom čišćenja plastičnih dijelova izbjegavajte koristiti kemijska sredstva. Većina plastika je podložna oštećenju od različitih vrsta komercijalnih kemijskih sredstava za čišćenje i mogu se oštetiti prilikom njihovog korištenja. Za uklanjanje prljavštine, prašine, ulja, masnoće itd., koristite čistu krpu.

⚠ UPOZORENJE

Nikada ne dopustite kontakt plastičnih dijelova s tekućinom za kočnice, benzinom, proizvodima na bazi benzina, sredstvima za odmaščivanje, idr. Kemikalije mogu oštetiti, oslabiti ili uništiti plastiku što može dovesti do ozbiljnih osobnih ozljeda.

Podmazivanje

Svi ležajevi u ovom alatu podmazani su s dovoljnom količinom visokokvalitetnog sredstva za podmazivanje za životni vijek uređaja u normalnim radnim uvjetima.

Rezna ploča za rezanje pločica

Radi maksimalne učinkovitosti i sigurnosti preporučujemo da koristite reznu ploču od 178 mm isporučenu s pilom. Dodatne rezne ploče iste visoke kvalitete na raspolaganju su kod vašeg dobavljača.



Hrvatski

⚠ UPOZORENJE

Nemojte koristiti rezne ploče označene manje od brzine bez opterećenja ovog alata. Nepoštivanje ovog upozorenja može dovesti do osobnih ozljeda. Nemojte koristiti rezne ploče s puknućima, razmacima ili zubima.

PROMJENA REZNE PLOČE ZA REZANJE PLOČICE

Pogledajte sliku 20.

⚠ UPOZORENJE

Rezna ploča za rezanje pločica od 178 mm je ploča za maksimalni kapacitet rezanja pile. Nikada nemojte koristiti reznu ploču koja je predebela kako bi se omogućilo da se prirubnica rezne ploče aretira sa zaravnanjem na osovini. Velike rezne ploče doći će u dodir sa štitnikom rezne ploče, dok će deblje rezne ploče spriječiti vijak rezne ploče da čvrsto pritegne reznu ploču na vratilo. Svaka od ovih situacija dovodi do ozbiljnih nesreća i mogu uzrokovati ozbiljne osobne ozljede.

1. Odspojite pilu.
2. Uklonite nagibnu ploču.
3. Pomaknite ključ sa šestostranom glavom preko matice vretena rezne ploče. Korištenjem druge ruke pomaknite ključ vratila na vratilo rezne ploče.
4. Držite čvrsto vratilo ključa kako biste spriječili pokretanje rezne ploče. Za otpuštanje zakrenite maticu vretena u smjeru suprotnom od kazaljki na satu.
5. Uklonite maticu vratila, vanjsku prirubnicu rezne ploče i reznu ploču.
6. Obrišite iskapano ulje na unutarnjoj prirubnici rezne ploče gdje je u dodiru s reznom pločom.

⚠ UPOZORENJE

Ako je unutarnja prirubnica rezne ploče uklonjena, ponovno je postavite prije postavljanja rezne ploče na osovinu. Nepridržavanje ove upute može dovesti do nesreće budući da rezna ploča nije pravilno pritegnuta. Nikada na ovom alatu nemojte koristiti reznu ploču koja ima otvore, utore ili zub.

7. Postavite reznu ploču na vratilo sa strelicama na reznjoj ploči u smjeru suprotnom od kretanja kazaljki na satu.
8. Zamijenite vanjsku prirubnicu rezne ploče. Dvostruko „D“ na ravnom prirubnici rezne ploče poravnajte s ravninom na osovini.
9. Korištenje ključa za reznju ploču i vratilo radi sigurnosnog pritezanja matice vratila.
10. Zamijenite nagibnu ploču.

ZAŠTITA OKOLIŠA

Sirovine reciklirajte, umjesto da ih bacate među kućni otpad. Kako biste zaštitili okoliš, alat, dodatke i ambalažu treba odvojeno bacati u otpad.

SIMBOL

Sigurnosno upozorenje



Sukladno CE



Sukladno GOST-R



Molimo vas da prije pokretanja uređaja pažljivo pročitate upute.



Uvijek nosite zaštitna sredstva za oči.



Nosite zaštitu za sluh



Nosite zaštitne rukavice



OPASNOST! Oštra oštrica



Oprez, opasnost od porezotina



Nemojte izlagati kiši ili koristiti na vlažnim lokacijama.



Nemojte izlagati kiši ili koristiti na vlažnim lokacijama.



Uređaje je potrebno upotrebljavati s kružnom dijamentnom reznom pločom.

Hrvatski



Smjer okretanja oštice



Dijamanthna rezna ploča



Promjer rezne ploče



Promjer rezna ploča



neto težina



Dubina rezanja (maks.)



Širina glodanja (maks.)



Dijagonalna širina reza (maks.)



Recikliranje



Otpadni električni proizvodi ne treba da se odlažu s otpadom iz domaćinstva. Molimo da reciklirate gdje je to moguće. Potražite savjet od lokalnih vlasti ili prodavca kako reciklirati.

**OPIS**

1. Ozemljitveni zatič
2. Napajalni kabel
3. Zanka za kapljanje
4. Rezilo za keramiko
5. Stikalo za vklop/izklop
6. Vzdolžno vodilo
7. Kotno vodilo
8. Oznaka največje količine
9. Drenaža v primeru prekomernega nalitja
10. Rezervoar za vodo
11. Merilo vzdolžne letve
12. Stojalo
13. Držalo kabla
14. Dvignite ročaje
15. Zaščita rezila
16. Poševna miza
17. Ohišje žage za keramiko
18. Šestrobi ključ
19. Ključ osi
20. Vijaki
21. Nosilec zaščite rezila
22. Šestroba matica
23. Šestrobi vijak
24. Noge stojala "A"
25. Noge stojala "B"
26. Vijaki(i) podpornih nog
27. Matica(e) podpornih nog
28. Opornik(i) podpornih nog
29. Podporni nosilec "A"
30. Podporni nosilec "B"
31. Zaklepi
32. Zmanjšanje napetosti kabla
33. Ustje
34. Gumb vzdolžnega vodila
35. Sestav nog "A"
36. Sestav nog "B"
37. Merilo kotnega vodila
38. Gumb kotne vodila
39. Noga poševne mize
40. 22.5° poševna zarez
41. 45° poševna zarez
42. Os
43. Notranja prirobnica
44. Zunanja prirobnica
45. Matica osi

SPLOŠNA VARNOSTNA NAVODILA**⚠ OPOZORILO**

Pri uporabi električnih orodij morate vedno upoštevati osnovna varnostna opozorila, saj le tako lahko zmanjšate nevarnost požara, električnega udara ali telesnih poškodb.

Pred uporabo tega izdelka preberite vsa navodila in shranite priročnik.

- **Spoznajte svoje električno orodje.** Pozorno preberite priročnik z navodili za uporabo. Poučite se o uporabi in omejitvah izdelka, pa tudi o specifičnih potencialnih nevarnostih, ki so povezane z uporabo.
- **Varujte pred električnim udarom, in sicer tako, da preprečite telesni stik z ozemljenimi površinami.** Na primer cevi, radiatorji, kuhalniki in hladilniki.
- **Vse zaščitite naj bodo na mestu in v dobrem stanju.**
- **Ostranite nastavljive ključne in zatiče.** Pred vklopom naprave preverite da so zatiči in nastavljivi ključji odstranjeni iz orodja.
- **Delovno območje naj bo vedno čisto.** Neurejeni prostori in delovne mize kar kličejo nezgodo. Med delovanjem v žagi ne puščajte drugih orodij ali delcev lesa ipd.
- **Izdelka ne uporabljajte v nevarnem okolju.** Ne uporabljajte električnih orodij v vlažnem ali mokrem prostoru in jih ne izpostavlajte dežju. Delovno območje naj bo vedno dobro osvetljeno. Nikoli ne uporabljajte orodja blizu vnetljivih tekočin ali plinov.
- **Otroci in opazovalci naj ne bodo v bližini.** Vsi opazovalci morajo nositi zaščitna očala in stati na varnostni razdalji od delovnega območja. Ne pustite, da bi med delovanjem kdorkoli prišel v stik z orodjem ali podaljškom.
- **Orodja ne preobremenjujte.** Nalogo bo opravil bolje in varneje pri nazivnem dovodu, za katerega je bil zasnovan.
- **Uporabljajte pravo napravo.** Naprave ali priključka ne uporabljajte na silo za delo, za katero ni namenjeno. Ne uporabljajte v namene, ki za napravo niso določeni.
- **Uporabite ustrezen podaljšek.** Prepričajte se, da je vaš podaljšek v dobrem stanju. Uporabite kabel, ki je dovolj močan za prenašanje toka, ki ga izdelek potrebuje. Prešibak kabel bo povzročil upad napetosti, posledično pa izgubo moči in pregrevanje.
- **Bodite primerno oblečeni.** Ne nosite ohlapnih oblačil, rokavic, kravata ali nakita. Lahko se ujamejo in vas povlečejo med premikajoče se dele. Pri delih zunaj priporočamo uporabo gumijastih rokavic in nedrseče obutve (z gumijastim podplatom). Nosite tudi zaščitno





Slovensko

pokrivalo, če imate dolge lase.

- **Vedno nosite zaščitna očala s stranskimi ščitniki.** Vsakdanja očala imajo samo leče, ki so odporne na udarce; takšna očala NISO zaščitna očala.
- **Varno delo.** Kadar je izvedljivo, uporabite prižeme za držanje materiala, saj je to za vas varneje, obenem pa vam tudi omogoči upravljanje orodja z obema rokama.
- **Ne segajte preko dosega.** Pazite, da stojite stabilno in da imate ravnotežje.
- **Orodja vzdržujte nežno.** Za boljšo in bolj varno delovanje naj bodo orodja nabrušena in čista. Sledite navodilom za mazanje in menjavo dodatkov. Redno preverjajte napajalne kable orodja in jih v primeru poškodb dajte na popravilo pooblaščenemu servisu. Redno preverjajte podaljške in jih v primeru poškodb zamenjajte z novimi. Ročaji naj bodo suhi, čisti in brez madežev olja ali masti.
- **Odklopite orodja.** Kadar orodja ne uporabljate oz. pred servisiranjem in med menjavo dodatkov, rezil, delov ipd., izključite vsa orodja. Odstranite vtičač, preden se lotite kakršnega koli prilagajanja, servisiranja ali vzdrževanja naprave.
- **Pazite, da ne pride do nenamernega zagona.** Pred priklopom napajanje se prepričajte, da je stikalo izključeno.
- **Uporabljajte priporočene dodatke.** Glede priporočene dodatne opreme glejte uporabniški priročnik. Uporaba neustreznih dodatkov lahko povzroči poškodbe.
- **Nikoli ne stojte na napravi.** Če se orodje prevrne ali če nenamerno pridete v stik z orodjem, lahko pride do hudih poškodb.
- **Preverite, ali so kje poškodovani deli.** Pred nadaljnjo uporabo naprave pazljivo preverite, ali so varovala ali drugi deli naprave morebiti poškodovani, da zagotovite pravilno delovanje naprave in izvajanje predvidenih funkcij. Preverite postavitve gibljivih delov in vezi med njimi, morebitne razpoke delov, nastavitve ali kakršna koli druga stanja, ki bi utegnila vplivati na delovanje naprave. Da bi se izognili tveganju poškodb, mora varovalo ali drug poškodovan del pravilno popraviti ali zamenjati pooblaščen servisni center.
- **Material dovajajte v pravi smeri.** Material v rezilo dovajajte samo proti smeri vrtenja rezila.
- **Orodje nikoli ne pustite teči brez nadzora. Izklopite napajanje.** Izdelka ne zapustite, dokler se ta popolnoma ne ustavi.
- **Zaščitite pljuča.** Če je delovno območje prašno, nosite zaščito za obraz oz. protiprašno masko.
- **Zaščitite sluh.** Med dolgotrajno uporabo nosite zaščito za sluh.
- **Z napajalnim kablom ravnajte, kot je predpisano.**

Nikoli ne povlecite za kabel, kadar izklapljate vtičač iz vtičnice. Kabel imejte proč od vročine, olja in ostrih robov.

- **Zaščita rezila naj bo vedno nameščena in v dobrem stanju.**
- **Pazite, da roke niso v območju rezanja.** Držite roke proč od rezila. Med vrtenjem rezila ne segajte pod, okoli ali nad njegovo delovno območje. Ne poskušajte odstraniti materiala medtem, ko se rezilo premika.
- **Rezilo se po izklopu naprave še nekaj časa vrti.**
- **Nikoli ne uporabljajte v eksplozivnem ozračju.** Običajno iskrenje motorja lahko vname pline.
- **Redno preverjajte napajalne kable orodja.** V primeru poškodb naj popravilo izvede usposobljeni servisni tehnik na pooblaščenem servisu.
- **Redno preverjajte podaljške in jih v primeru poškodb zamenjajte z novimi.**
- **Ozemljite vsa orodja.** Če je orodje opremljeno s tropolnim vtičačem, ga priključite samo v tropolno električno vtičnico.
- **Če navodil za ozemljitev ne razumete v celoti ali če niste prepričani, če je naprava ustrezno ozemljena, se posvetujte s kvalifi ciranim električarjem ali serviserjem.**
- **Uporabljajte samo ustrezne električne naprave:** tropolni podaljški z enofaznimi tropolnimi ozemljenimi vtičači in tropolnimi vtičnicami, ki se ujemajo z vtičačem orodja.
- **Ne spreminjajte dobavljenega vtiča.** Če se ne bo prilegal vtičnici, naj vam ustrezno vtičnico namesti kvalifi cirani električar.
- **Izdelek naj bo suh, čist in brez madežev olja ter masti.** Pri čiščenju vedno uporabite čisto krpo. Za čiščenje nikoli ne uporabljajte zavornih tekočin, bencina, izdelkov na osnovi petroleja ali katerih koli topil.
- **Bodite pozorni in imejte nadzor.** Bodite pozorni kaj delate in uporabljajte občutek. Ne upravljajte z orodjem, ko ste utrujeni. Ne delajte z naglico.
- **Orodja ne uporabljajte, če ga stikalo ne vklopi ali izklopi pravilno.** Okvarjena stikala mora zamenjati pooblaščen servisni center.
- **Uporabljajte samo ustrezno rezilo.** Ne uporabljajte rezil z neustreznimi luknjami. Nikoli ne uporabljajte podložk ali matic osi, ki so poškodovane ali neustrezne. Največja velikost rezila za žago je 178 mm. Vsa uporabljena rezila morajo biti proizvedena tako, da so skladna z EN12326. Nikoli ne uporabljajte rezila z navedbo hitrosti, ki je nižja od hitrosti orodja.
- **Pred rezanjem se prepričajte, da so vse nastavitve varno pričvrščene.**





Slovensko

- Med uporabo se nikoli ne dotikajte rezila ali drugih gibljivih delov.
- Nikoli ne zaganjajte orodja, če je kateri koli vrtljivi del v stiku z delovnim materialom.
- Orodja ne uporabljajte, če ste pod vplivom mamil, alkohola ali zdravil.
- Pri servisiranju uporabljajte le identične nadomestne dele. Uporaba drugih delov je tvegana in lahko povzroči škodo na izdelku.
- Uporabljajte samo priporočene dodatke, ki so navedeni v tem priročniku ali prilogah. Uporaba dodatkov, ki niso navedeni, lahko povzroči telesne poškodbe. Navodila za varno uporabo dodatkov so priložena dodatku samemu.
- Dvakrat preverite vse nastavitve. Pred priklopom na napajanje se prepričajte, da je rezilo dobro pričvrščeno in da ni v stiku z materialom.

VARNOSTNA OPOZORILO ŽAGA ZA KERAMIKO

- Ploščico vedno dobro pritisnite ob vzdolžna vodila in zagotovite, da se ne bo nenadzorovano premikala.
- Nikoli ne stojte, niti ne imejte nobenega dela telesa v dosegu rezila.
- Nikoli ne poskušajte pognati zagozdenega rezila, brez da bi prej izključili žago in jo odklopili iz vira napajanja.
- Če je napajalni kabel poškodovan, ga mora zaradi izogibanja tveganja zamenjati proizvajalec ali pooblaščen servis.
- Izogibajte se nerodnim položajem, pri katerih bi lahko nenaden zdrs povzročil premik vaše roke oz. dela telesa v stik z rezilom.
- Pred uporabo žage se prepričajte, da je delovni prostor dobro osvetljen in da ni predmetov, ki bi ovirali varno delo.
- Preden izklopite napajanje vedno z gumbom zaustavite žago ter tako preprečite, da bi se žaga nenamerno zagnala ob vklopu napajanja.
- Orodje mora imeti naslednje oznake:
 - Nosite zaščito za oči.
 - Zaščito za rezilo uporabljajte vsakič, ko je to mogoče.
 - Pred servisiranjem, menjavo rezil ali čiščenjem izklopite žago.
 - Na orodju uporabljajte samo rezila z gladkim robom, ki nima odprtih, utorov in zobovja.
 - Pred uporabo zamenjajte poškodovano rezilo.
 - Na nalivajte vode preko oznake.
- **Shranite ta navodila.** Redno se sklicujte na njih in jih uporabljajte pri proučevanju drugih uporabnikov. Če napravo komu posodite, priložite zraven tudi ta navodila.

ELEKTRIČNA POVEZAVA

Orodje poganja natančno izdelan električni motor. Priključite ga lahko samo na 220-240V napajanje, dvosmerni (AC) tok (običajni gospodinjinski tok), 50 Hz. Izdelka ne uporabljajte z enosmernim tokom (DC). Znaten padec napetosti bo povzročil izgubo moči, motor pa se bo pregrel. Če žaga po vklopu v vtičnico ne deluje, še enkrat preverite električno napajanje.

HITROST IN NAPELJAVA

Hitrost orodja brez obremenitve je približno 2.900 vrt/min. Hitrost ni stalna in se ob obremenitvi ali pri nižji napetosti zniža. Napetost napeljave v delavnici je ravno tako pomembna kot nazivna moč motorja. Kabel, ki je namenjen razsvetljavi, običajno ni sposoben napajati motor električnega orodja. Kabel, ki je dovolj močan na kratke razdalje, bo prešibak na daljše razdalje. Kabel, ki lahko podpira eno električno orodje, morda ni sposoben podpirati dveh ali treh.

NAVODILA ZA OZEMLJITEV

Glejte sliko 1.

Ta izdelek je treba ozemljiti. Če bi naprava neprimerno delovala ali se okvarila, ozemljitev nudi pot z najmanj upora za električni tok in tako zmanjša možnost električnega udara. To orodje je opremljeno z električnim kablom, ki ima ozemljitveni prevodnik in ozemljitveni vtičak. Vtič morate vstaviti v ustrezno vtičnico, ki je primerno nameščena in ozemljena v skladu z lokalnimi predpisi.

Ne spreminjajte dobavljenega vtiča. Če se ne bo prilegal vtičnici, naj vam ustrezno vtičnico namesti kvalifi cirani električar.

⚠ OPOZORILO

Nepravilna namestitvev ozemljitvenega vtičaka lahko povzroči električni udar. Če je potrebno popravilo ali zamenjava kabla, ne priključite ozemljitvene žice na ploske terminale. Žica z zeleno izolacijo (z ali brez rumenih črt) je ozemljitvena žica.

Če navodil za ozemljitev ne razumete v celoti ali če niste prepričani, če je naprava ustrezno ozemljena, se posvetujte s kvalifi ciranim električarjem ali serviserjem.

Poškodovan ali obrabljen kabel takoj zamenjajte.

Če je napajalni kabel poškodovan, ga mora zaradi izogibanja tveganja zamenjati proizvajalec ali pooblaščen servis.

Napravo priključite le v vtičnico z enako konfi guracijo, kot jo ima vtič. S tem izdelkom ne uporabljajte adapterja.

Za večjo varnost in zanesljivost morajo vsa popravila izvajati v pooblaščenem servisnem centru Ryobi.



Slovensko

Na tokokrogih oz. vtičnicah, kamor boste priključili žago, uporabljajte zaščito stikal na diferenčni tok (RCD). Na voljo so tudi vtičnice z vgrajenimi zaščitami stikal na diferenčni tok (RCD) in se lahko uporabljajo kot to varnostno merilo.

Če žago uporabljate s podaljškom, zagotovite, da napajalni kabel orodja in kabel podaljša nista na tleh. Pomožne naprave vedno priključite v stensko vtičnico in ne v povezavo podaljška in napajalnega kabla orodja.

Če zaščitena vtičnica ni na voljo, ne uporabljajte žage, dokler ne zamenjate vtičnice ali dokler ni na voljo pomožna zaščita. Te pomožne zaščitne naprave so na voljo pri lokalnem trgovcu.

POLOŽAJ ŽAGE ZA KERAMIKO

Glejte sliko 2.

Če se želite izogniti možnosti, da bi se vtičnik ali vtičnica zmočila, postavite žago na eno stran stenske vtičnice in preprečite, da bi voda kapljala na vtičnico ali vtičnik. Upravitelj naj pri kablu, s katerim je žaga priključena na vtičnico, poskrbi za "zanko za kapljanje". "Zanka za kapljanje" je del kabla, ki je pod višino vtičnice ali priključka (če uporabljate podaljšek), ki preprečuje, da bi voda, ki potuje po kablu, prišla v stik z vtičnico.

Če je vtičnik ali vtičnica moker/ra, NE ODKLAPLJAJTE kabla. Odklopite varovalko ali prekinjalo tokokroga, ki napaja orodje, nato pa odklopite napajalni kabel in preverite, ali je v vtičnici prisotna voda.

⚠ OPOZORILO

Za zmanjšanje tveganja smrti zaradi električnega udara naj bodo vsi priključki suhi in dvignjeni s tal. Vtiča se ne dotikajte z mokrimi rokami.

SPECIFIKACIJE

Specifikacije izdelka	
Napetost	220 - 240V
Napajanje	500 W
Hitrost brez obremenitve	2,900 rpm
Teža	15,5 kg (N.W.)
Lastnosti	
Velikost mize	381 mm x 502 mm
Višina mize od ohišja do mize	181 mm
Specifikacije materiala	
Material mize	Nerjaveče jeklo

Material za stojalo	Jeklene cevi
Orodja za rezanje/kapaciteta	
Premer rezila	178 mm
Vrsta rezila	Diamant
Notranji premer rezila	25,4 mm
Največja globina reza	33 mm
Izmerjene vrednosti določene v skladu s standardom EN 61029 A-izmerjena raven zvočnega tlaka	$L_{PA} = 61,0 \text{ dB(A)}$
Nedoloč. K	3 dB(A)
Izmerjene vrednosti določene v skladu s standardom EN 61029 A-izmerjena raven zvočne moči	$L_{WA} = 77,0 \text{ dB(A)}$
Nedoloč. K	3 dB(A)

SPOZNAJTE SVOJO ŽAGO ZA KERAMIKO

178 mm rezilo za keramiko

- A 178 mm rezilo za keramiko je priloženo žagi.

Poševna miza

- S pomočjo poševne mize je mogoče opravljati reze pod kotom 22,5° in 45°.

Ročaji

- Žaga ima priročna ročaja, ki se nahajata na levi in desni strani in sta namenjena dviganju in prenašanju.

Kotno vodilo

- Kotno vodilo je v celoti nastavljivo za diagonalne in kotne reze.

Motor

- Naprava ima močan motor, ki ima dovolj moči za zahtevnejša rezanja.

Vzdolžno vodilo

- Vzdlžno vodilo je popolnoma nastavljivo in omogoča križne reze ter uporabo kotnega vodila.

Stojalo žage za keramiko

- Žago dobite skupaj s stojalom za boljšo prenosljivost in priročnost.

Zaščita rezila

- Zaščita rezila štiti pred škropljenjem in pršenjem

MONTAŽA

NAMEŠČANJE ZAŠČITE REZILA

Glejte sliko 5-6.

1. Odstranite poševno mizo.
2. Vstavite nosilec zaščite rezila v obliki črke L v ustje, ki se nahaja pod mizo in za rezilom.



Slovensko

- Vijake vstavite v mizo in skozi nosilec zaščitite rezila, nato pa dobro privijte.
OPOMBA: Prepričajte se, da je nosilec zaščitite rezila poravnano z rezilom in ne ovira materiala, ki ga režete.
- Poravnajte zaščitno rezila z rezilom in položite preko nosilca. Poravnajte luknje v zaščiti rezila z utori v nosilcu zaščitne rezila.
OPOMBA: Zaščitno rezila vedno nastavite vodoravno glede na mizo in rahlo nad debelino ploščice. Zaščitna rezila naj se ne dotika ploščice.
- Vstavite šestrobi vijak skozi zaščitno rezila in nosilec.
- Navijte gumb na vijak in privijte do zelene višine.
- Ponovno namestite poševno mizo.
OPOMBA: Pokrov/zaščitna rezila je sestavljena v tovarni. Med nastavljanjem in vzdrževanjem ne razstavljajte orodja.

NAMEŠČANJE VZDOLŽNEGA VODILA

Glejte sliko 7.

- Zavrtite gumb na vzdolžnem vodilu v nasprotni smeri urinega kazalca in ga odvijte.
- Podrsajte vzdolžno vodilo na stranico mize.
- Za nastavljanje širine reza uporabljajte merilno lestvico vzdolžnega vodila, ki se nahaja na sprednji in zadnji strani mize.
- Zavrtite gumb vodila v smeri urinega kazalca in ga dobro privijte.

NAMEŠČANJE KOTNEGA VODILA

Glejte sliko 7.

- Nastavite vzdolžno vodilo v zeleni položaj in pričvrstite.
- Podrsajte kotno vodilo na vzdolžno vodilo s sprednje strani.
- S pomočjo kotomera nastavite želeni kot in dobro pričvrstite z gumbom.

SESTAVLJANJE STOJALA

Glejte sliko 8-9.

Podporni nosilci in nosilne noge imajo za lažje sestavljanje ujemajoče črke.

Potrebna orodja: Prilagodljivi ključ ali 13 mm ključ ter izvijač Philips.

- Vstavite podporne noge z oznako "A" v cevi podpornega nosilca z oznako "A". Robovi podpornih nog naj gledajo proč od drugega, tako da so v bistvu v obliki črke "V". Poravnajte luknje za opremo. Ponovite z drugim podpornim nosilec in nogami z oznako "B".
- Namestite noge v opornike. Sestav nog "B" naj bo na notranji strani opornikov. Sestav nog "A" naj bo na zunanji strani. Poravnajte luknje v opornikih z nogami. Opremo namestite s pomočjo lukenj.
- S pomočjo ključa dobro privijte opremo.

- Stojalo namestite na ravna tla in poravnajte utore pod žago z nosilci na stojalu. Položite mizo na stojalo.
- Pred uporabo se prepričajte, da je žaga na ravni površini in da je podlaga čvrsta.

NAMEŠČANJE DRENAŽE V PRIMERU PREKOMERNEGA NALITJA

Glejte sliko 10.

- Odstranite poševno mizo.
- Poiščite luknjico na spodnji strani rezervoarja.
- Drenažo dobro potisnite v luknjo.
- Ponovno namestite poševno mizo.

SESTAVLJANJE ZAPAHOV

- Obrnite ohišje žage z glavo navzdol.
- Poravnajte luknje za vijake na zarezah luknjami za vijake na spodnji strani ohišja žage.
- Vstavite vijake in dobro privijte.

POLNENJE VODNEGA REZERVOARJA

Glejte sliko 11.

- Odstranite poševno mizo.
- Napolnite vodni rezervoar s čisto vodo do oznake.
OPOMBA: Drenaža preprečuje prekomerno nalivanje.
- Ponovno namestite poševno mizo.

ZAMENJAVA REZERVOARJA Z VODO

- Izklopite žago za keramiko.
- Odstranite drenažo in izpraznite v vedro; pazite, da voda ne pljuska na tla ali okoli naprave.
- Odpadno vodo odstranite skladno z lokalnimi predpisi.

DELOVANJE

OPOZORILO

Ne dovolite si, da bi bili zaradi dobrega poznavanja naprave nepazljivi. Zapomnite si, da lahko že trenutek nepazljivosti povzroči težko poškodbo.

OPOZORILO

Pri delu z napravo vedno uporabljajte varovalne naočnike ali varnostna očala s stranskimi ščitniki. Če tega ne storite, vam lahko v oko prileti predmet in povzroči resno poškodbo.

OPOZORILO

Ne uporabljajte sestavnih delov ali pribora, ki ga ne priporoča proizvajalec te naprave. Uporaba nepriljubljenih sestavnih delov ali pribora lahko povzroči težke telesne poškodbe.



**TESTIRANJE RCD PRED UPORABO**

1. RCD priključite v električno vtičnico.
2. Pritisnite gumb za ponastavitev. Indikator napajanja mora zasvetiti.
3. Pritisnite gumb za test. Indikator napajanja se mora ugasniti.
OPOZORILO: Če RCD testa ne opravi uspešno, orodja ne uporabljajte. Posvetujte se s kvalificiranim električarjem.
4. Za aktivacijo RCD pritisnite gumb za ponastavitev.

UPORABA

To orodje lahko uporabljate za spodaj navedene namene:
Rezanje v ravni črti, kot npr. križno rezanje, rezanje pod kotom, poševno rezanje ipd

OPOMBA: Žaga je namenjena samo rezanju keramičnih ploščic, tlakovcev, izdelkov in naravnega kamna in kamnitih ploščic.

Stikalo za vklop/izklop

Žaga ima enostavno stikalo za VKLOP/IZKLOP, ki se nahaja pod sprednjim vodilom.

Izklop žage:

Pritisnite rdeči gumb za IZKLOP (O).

Vklop žage:

Pritisnite zeleni gumb za VKLOP (I).

Zaklepanje žage:

Ko je žaga IZKLOPLJENA, izvlecite vtičač iz vira napajanja.

⚠ OPOZORILO

VEDNO se pred zagonom orodja prepričajte, da ploščica ni v stiku z rezilom. Če tega opozorila ne upoštevate, lahko delovni material sunkovito poleti proti upravitelju in povzroči hude telesne poškodbe.

⚠ OPOZORILO

Če želite zmanjšati tveganje za nenamerni zagon, se pred priklopom orodja na vir napajanja vedno prepričajte, da je stikalo v položaju za IZKLOP. V primeru izpada elektrike ali če orodja ne uporabljate, obrnite stikalo v položaj za izklop in izvlecite vtičač iz električnega napajanja. To dejanje bo preprečilo nenamerni zagon orodja ob vrnitvi električne energije.

UPORABA VZDOLŽNEGA IN KOTNEGA VODILA

Glejte sliko 13.

Vzdolžno vodilo lahko uporabljate tako z leve kot z desne strani rezila.

1. Zavrtite gumb na vzdolžnem vodilu v nasprotni smeri urinega kazalca in ga odvijte.
2. S pomočjo merilne lestvice na sprednji in zadnji strani mize nastavite vzdolžno vodilo v zeleni položaj in tako nastavite zeleno širino reza.
3. Zavrtite gumb v smeri urinega kazalca in dobro pričvrstite.

PRILAGAJANJE KOTOV

Nastavite vzdolžno vodilo v zeleni položaj in dobro pričvrstite.

1. Podrsajte kotno vodilo na vzdolžno vodilo s sprednje strani.
2. S pomočjo kotomera nastavite zeleni kot in dobro pričvrstite z gumbom.

REZANJE

S flomastrom ali debelim svinčnikom na ploščico vedno narišite črto, kjer bo potekal rez. Če ima ploščica sijaj in je ni lahko označiti, nanjo namestite lepilni trak in črto narišite na trak.

Običajna težava pri rezanju je, da ploščica uide iz začrtane črte. Če se to zgodi, rezila ne morete več prisiliti nazaj na črto z obračanjem ploščice. Namesto tega povlecite žago nazaj in ploščico ponovno odrežite, tako da odrežete majhen del ploščice, dokler ni rezilo zopet v pravi liniji.

Če se želite izogniti tej težavi, uporabite vzdolžno vodilo za križne reze, kotno vodilo za kotne reze in prilagodljivo desno strani mize za poševne reze, kadar koli je mogoče.

Križni rez

Glejte sliko 14.

Križni rezi so ravni, 90° rezi. Material se dovaja pod kotom 90° glede na rezilo, le-to pa je navpično.

1. S pomočjo flomastra ali debelega svinčnika označite zeleni potek reza na materialu.
2. Nastavite vzdolžno vodilo v zeleni položaj in dobro pričvrstite.
3. Postavite material na mizo in čvrsto ob vzdolžno vodilo.
4. Pred vklopom žage se prepričajte, da se material ne dotika rezila.
5. Vklpite napajanje.
6. Preden pomaknete material v rezilo, počakajte, da leto pridobi polno hitrost in da postane mokro.
7. Čvrsto držite material ob vzdolžnem vodilu in ga dovajajte v rezilo.
8. Ko je rez končan, IZKLOPITE žago. Pred odstranjevanjem katerega koli dela materiala počakajte, da se rezilo popolnoma zaustavi.





Slovensko

Diagonalni rez pod kotom 45°

Glejte sliko 15.

45° Diagonalnim rezom pravimo tudi "rezi od ene do druge najbolj oddaljene točke".

1. S pomočjo flomastra ali debelega svinčnika označite zeleni potek reza na materialu.
2. Nastavite vzdolžno vodilo na želeno širino in ga pričvrstite s pomočjo gumba.
3. Podrsajte kotno vodilo na vzdolžno vodilo s sprednje strani.
4. S pomočjo kotomera nastavite kotno vodilo na 45° in dobro pričvrstite z gumbom.
5. Pred vklopom žage se pripravite, da se material ne dotika rezila.
6. Vključite napajanje.
7. Preden pomaknete material v rezilo, počakajte, da leto pridobi polno hitrost in da postane mokro.
8. Čvrsto držite material ob kotnem vodilu in vodilo pomaknite ob vzdolžni letvi. Dovajajte material v rezilo.
9. Ko je rez končan, IZKLOPITE žago. Pred odstranjevanjem katerega koli dela materiala počakajte, da se rezilo popolnoma zaustavi.

Kotni rez

Glejte sliko 16.

Kotni rezi se uporabljajo za rezanje zunanjih in notranjih kotov, dekorativnih obrob za stole ter osnovno modeliranje, pri katerem je material glede na rezilo pod katerim koli kotom, razen 90°. Pri kotnih rezih material pogosto "drhti". To lahko nadzirate tako, da delovni material držite čvrsto ob kotnem vodilu.

1. S pomočjo flomastra ali debelega svinčnika označite zeleni potek reza na materialu.
2. Nastavite vzdolžno vodilo na želeno širino in ga pričvrstite s pomočjo gumba.
3. Podrsajte kotno vodilo na vzdolžno vodilo s sprednje strani.
4. S pomočjo kotomera nastavite kotno vodilo na zeleni kot in dobro pričvrstite z gumbom.
5. Pred vklopom žage se pripravite, da se material ne dotika rezila.
6. Vključite napajanje.
7. Preden pomaknete material v rezilo, počakajte, da leto pridobi polno hitrost in da postane mokro.
8. Čvrsto držite material ob kotnem vodilu in vodilo pomaknite ob vzdolžni letvi. Dovajajte material v rezilo.
9. Ko je rez končan, IZKLOPITE žago. Pred odstranjevanjem katerega koli dela materiala počakajte, da se rezilo popolnoma zaustavi.

Rez v obliki črke L

Glejte sliko 17.

Rezi v obliki črke L so rezi, s katerimi odstranimo del

ploščice in jo tako prilagodimo za uporabo v kotu, okoli omarice ipd, opravimo pa ga z dvema ločenima rezoma.

OPOMBA: Rezanje pod prevelikim kotom je dovoljeno samo na spodnji strani materiala.

1. Razrežite material do zelene širine s pomočjo navodil za križno rezanje.
2. Nastavite vzdolžno vodilo v zeleni položaj in dobro pričvrstite.
3. Postavite material na mizo in čvrsto ob vzdolžno vodilo.
4. Pred vklopom žage se pripravite, da se material ne dotika rezila.
5. Vključite napajanje.
6. Preden pomaknete material v rezilo, počakajte, da leto pridobi polno hitrost in da postane mokro.
7. Čvrsto držite material ob vzdolžnem vodilu in ga dovajajte v rezilo.
8. V material zarezite dovolj daleč, vendar pazite, da ne režete prehitro.
9. Izključite napajanje.
10. Obrnite material in opravite rez po eni izmed oznak. Tokrat zarezite drugo črto in odrezan kos ločite od odpadnega materiala.
11. Vključite napajanje.
12. Preden pomaknete material v rezilo, počakajte, da leto pridobi polno hitrost in da postane mokro.
13. Ko je rez končan, IZKLOPITE žago. Pred odstranjevanjem katerega koli dela materiala počakajte, da se rezilo popolnoma zaustavi.

Poševni rez

Glejte sliko 18-19.

S pomočjo poševne mize je mogoče opravljati reze pod kotom 22,5° in 45°.

1. S pomočjo flomastra ali debelega svinčnika označite zeleni potek reza na materialu.
 2. Privzdignite poševno mizo.
 3. Na spodnji strani poševne mize povlecite obe nogi mize do pravega kota.
 4. Če želite ploščo nastaviti na kot 22,5°, uporabite prve zarez v nogah.
 5. Če želite poševno ploščo nastaviti na kot 45°, uporabite drugi set zarez v nogah.
- OPOMBA:** Pred rezanjem se pripravite, da je poševna miza dobro pritrjena in na mestu. Odprite podporne noge in položite poševno mizo pod kot 22,5° ali 45°.
6. Vključite napajanje.
 7. Preden pomaknete material v rezilo, počakajte, da leto pridobi polno hitrost in da postane mokro.
 8. Čvrsto držite material ob poševni mizi in ga dovajajte v rezilo.



Slovensko

9. Ko je rez končan, IZKLOPITE žago. Pred odstranjevanjem katerega koli dela materiala počakajte, da se rezilo popolnoma zaustavi.

VZDRŽEVANJE**⚠ OPOZORILO**

Pri servisiranju uporabljajte le identične nadomestne dele. Uporaba drugih delov je tvegana in lahko povzroči škodo na izdelku.

⚠ OPOZORILO

Vedno nosite zaščitna očala s stranskimi ščitniki, ko uporabljate električna orodja ali ko spihujete prah. Če pri delu nastaja prah, nosite tudi zaščitno masko proti prahu.

⚠ OPOZORILO

Če je napajalni kabel poškodovan, ga mora zaradi izogibanja tveganja zamenjati proizvajalec ali pooblaščen servis.

⚠ OPOZORILO

Za večjo varnost in zanesljivost morajo vsa popravila izvajati v pooblaščenem servisnem centru Ryobi.

SPLOŠNO VZDRŽEVANJE

Pri čiščenju plastičnih delov se izogibajte topilom. Večina vrst plastike se poškoduje, če uporabljate različne vrste komercialnih topil. Za odstranjevanje prahu, umazanije, olja, masti itd. uporabite čiste krpe.

⚠ OPOZORILO

Pazite, da zavorne tekočine, bencin, izdelki na petrolejski osnovi, olja za penetriranje, ipd. nikoli ne pridejo v stik z plastičnimi deli. Kemikalije lahko poškodujejo, oslabijo ali uničijo plastiko, kar lahko ima za posledico tudi resne telesne poškodbe.

Mazanje

Vsi ležaji na tej napravi so namazani z dovolj kakovostnega maziva, tako da mazanje do konca življenjske dobe naprave ni več potrebno, če le-to normalno uporabljate.

Rezilo za keramiko

Za čim večjo učinkovitost in varnost priporočamo, da uporabljate 178 mm rezilo, ki je priloženo žagi. Dodatna rezila enako visoke kakovosti lahko dobite pri lokalnem trgovcu.

⚠ OPOZORILO

Ne uporabljajte rezil ki so manjše nazivne vrednosti kot je št. vrtljajev brez obremenitve pri tem orodju. Če tega opozorila ne upoštevate, lahko pride do telesnih poškodb. Ne uporabljajte počenih ali deformiranih rezil.

ZAMENJAVA REZILA ZA KERAMIKO

Glejte sliko 20.

⚠ OPOZORILO

A 178 mm rezilo za keramiko je hkrati največje možno rezilo za žago. Nikoli ne uporabljajte rezila, ki je predebela, da bi se prirobnica ujela s površinami na vretenu. Večja rezila bodo prihajala v stik z zaščito rezila, medtem ko bodo debelejša rezila preprečevala varno pričvrstitev rezila na vreteno s pomočjo vijaka. Katera koli izmed teh situacij se lahko nesrečno konča in povzroči hude telesne poškodbe.

1. Izklopite žago.
2. Odstranite poševno mizo.
3. Pomaknite šestrobi ključ preko matice osi rezila. Uporabite drugo roko in pomaknite ključ osi na os rezila.
4. Čvrsto držite ključ osi in preprečite premikanje rezila. Zavrtite matico osi v nasprotni smeri urinega kazalca in jo odvijte.
5. Odstranite matico osi, zunanjo prirobnico in rezilo.
6. Kanite kapljico olja na notranjo prirobnico rezila, kjer pride v stik z rezilom.

⚠ OPOZORILO

Če je bila notranja prirobnica rezila odstranjena, jo nadomestite, preden rezilo namestite na vreteno. Če tega ne upoštevate, lahko pride do nesreče, saj rezilo ne bo pravilno pritrjeno. Na tem orodju nikoli ne uporabljajte rezil, ki imajo odprtine, zareze ali zobove.

7. Postavite rezilo na os tako, da puščice na rezilu kažejo v nasprotno smer urinega kazalca.
8. Ponovno namestite zunanjo prirobnico vodila. Dvojne "D" površine na prirobnici rezila so poravnane s površinami na vretenu.

Slovensko

9. S pomočjo ključa za rezilo in ključa za matico dobro privijte matico osi.
 10. Ponovno namestite poševno mizo.

ZAŠČITA OKOLJA



Namesto, da napravo zavržete, reciklirajte surovine. Napravo, pribor in embalažo je treba sortirati za okolju prijazno recikliranje.

SIMBOL



Varnostni alarm



Skladnost CE



Skladnost GOST-R



Pred zagonom naprave pozorno preberite navodila.



Vedno nosite zaščito za oči.



Nosite zaščito za ušesa



Nosite zaščitne rokavice



NEVARNOST! Ostro rezilo



Pozor, možnost uresnin



Ne izpostavljajte dežju in ne uporabljajte na vlažnih mestih.



Ne izpostavljajte dežju in ne uporabljajte na vlažnih mestih.



Naprave so zasnovane za uporabo z rezila z neskončnim diamantnim robom.



Smer vrtenja rezila



Diamantno rezilo



Premer rezila



Premer os rezila



neto teža



Globina reza (maks.)



Širina reza (maks.)



Diagonalna širina rezanja (maks.)



Reciklaža



Odpadne električne izdelke odlagajte skupaj z ostalimi gospodinjstvi odpadki. Reciklažo opravljajte na predpisanih mestih. Za reciklažni nasvet se obrnite na lokalne oblasti.

**Slovenčina****POPIS**

1. Uzemňovací kolík
2. Napájací kábel
3. Odkvapkávacia slučka
4. Ostrie na pílenie dlaždíc
5. Spínač vyp/zap
6. Vodidlo zlomu
7. Vodidlo sklonu
8. Maximálna čiara plnenia
9. Odtok proti pretečeniu
10. Zásobník na vodu
11. Stupnica bariéry zlomu
12. Stojan
13. Držiak kábla
14. Zdvíhacie rukoväte
15. Kryt ostria
16. Úkosný stôl
17. Kryt píly na dlaždice
18. Šesťhranný kľúč
19. Kľúč na hriadeľ
20. Skrutky
21. Konzola krytu ostria
22. Šesťhranná matica
23. Skrutka so šesťhrannou hlavou
24. Nohy stojana „A“
25. Nohy stojana „B“
26. Maticové skrutky nôh stojana
27. Matice nôh stojana
28. Podpery nôh stojana
29. Podporná konzola „A“
30. Podporná konzola „B“
31. Západky
32. Odľahčenie prutia
33. Obruba
34. Gombík vodidla zlomu
35. Súprava nôh „A“
36. Súprava nôh „B“
37. Stupnica vodidla sklonu
38. Tlačidlo vodidla sklonu
39. Noha úkosného stola
40. Drážka skosenia 22,5°
41. Drážka skosenia 45°
42. Hriadeľ
43. Vnútorňá prírubá
44. Vonkajšia prírubá
45. Matica hriadeľa

VŠEOBECNÉ BEZPEČNOSTNÉ PRAVIDLÁ**⚠ VAROVANIE**

Pri používaní elektrických nástrojov je potrebné dodržiavať základné predbežné opatrenia, aby sa znížilo riziko požiaru, úrazu elektrickým prúdom a poranenia osôb.

Pred prácou s produktom si prečítajte všetky pokyny a odložte si tento návod.

- **Oboznámte sa s vaším elektrickým nástrojom.** Pozorne si prečítajte návod na obsluhu. Naučte sa použitia a obmedzenia produktu, ako aj špecifické potenciálne riziká s ním spojené.
- **Chráňte sa pred úderom elektrickým prúdom – nedovoľte, aby došlo ku kontaktu tela s uzemnenými povrchmi.** Napríklad rúrky, radiátory, sporáky, skrine chladničiek.
- **Kryty nechávajte na svojom mieste a udržiavajte ich v dobrom prevádzkovom stave.**
- **Odstráňte nastavovacie klíny a kľúče.** Zvyknite si vždy pred zapnutím zariadenia skontrolovať, či sú klíny a nastavovacie kľúče odstránené zo zariadenia.
- **Pracovisko udržiavajte v čistote.** Prepchané plochy a pracovné stoly zvyšujú pravdepodobnosť nehôd. Nenechávajte nástroje alebo kusy dreva na pile, keď je spustená.
- **Nepoužívajte v nebezpečných prostrediach.** Elektrické nástroje nepoužívajte vo vlhkom alebo mokrom prostredí, ani ich nevystavujte dažďu. Pracovisko musí byť dostatočne osvetlené. Nástroj nepoužívajte v blízkosti horľavých tekutín alebo plynov.
- **Nedovoľte sa približovať deťom a okolostojacim osobám.** Všetky iné osoby by mali mať ochranné okuliare a stáť v dostatočnej vzdialenosti od pracoviska. Nedovoľte, aby sa okolostojace osoby počas práce dotýkali nástroja alebo predlžovacieho kábla.
- **Nepoužívajte nadmernú silu.** Svoju úlohu splní lepšie a bezpečnejšie, keď s ním budete pracovať pri rýchlosti, pre ktorú je určený.
- **Použite správny nástroj.** Nevytvárajte na nástroj alebo nadstavec silu, nie je na to určený. Nepoužívajte ho na účel, na ktorý nie je určený.
- **Používajte správny predlžovací kábel.** Ubezpečte sa, či je predlžovací kábel v dobrom stave. Používajte len kábel dostatočnej kapacity na vedenie prúdu, ktorý bude nástroj odoberať. Poddimenzovaný kábel spôsobí pokles napätia a následné prerušenie napájania a prehriatie.





Slovenčina

- **Primerane sa oblečte.** Nenoste voľný odev, rukavice, viazanky ani šperky. Môžu sa zachytiť a viahnuť vás do pohyblivých sa častí. Pri práci v exteriéri sa odporúča používať gumené rukavice a protišmykovú obuv (gumou podbité topánky). Na zakrytie dlhých vlasov používajte ochrannú pokrývku vlasov.
- **Vždy noste bezpečnostné okuliare s bočnými chráničmi.** Okuliare na denné nosenie majú sklá, ktoré sú odolné len nárazu; NIE sú to bezpečnostné okuliare.
- **Zabezpečte obrobok.** Kde je to praktické, upnite obrobok pomocou svoriek alebo zveráka – je to bezpečnejšie ako používať na to ruku a budete mať obe ruky voľné na obsluhu nástroja.
- **Nesiahajte príliš ďaleko.** Neustále zachovávajúce pevnú oporu nôh a rovnováhu.
- **Údržbu nástrojov vykonávajte opatrne.** Nástroje udržiavajte ostré a v čistote, dosiahnete tak výkonnejšiu a bezpečnejšiu prevádzku. Dodržiavajte pokyny na mazanie a výmenu príslušenstva. Pravidelne kontrolujte káble nástroja a v prípade ich poškodenia ho nechajte opraviť v autorizovanom servisnom stredisku. Pravidelne kontrolujte predlžovacie káble v prípade ich poškodenia ich vymeňte. Rukoväte udržiavajte suché a čisté, bez zvyškov oleja či maziva.
- **Odpojte nástroje.** Keď sa nástroje nepoužívajú, pred servisom alebo pri výmene nástavcov, ostrí, vrtákov, nožov a pod., musia sa odpojiť. Pred vykonaním akýchkoľvek úprav, servisu alebo údržby odpojte zástrčku.
- **Dbajte na to, aby nedochádzalo k neúmyselnému spusteniu.** Pred pripojením ľubovoľného nástroja skontrolujte, či je spínač vypnutý.
- **Používajte odporúčané príslušenstvo.** Odporúčané príslušenstvo sa dozviete v návode na obsluhu. Použitie nesprávneho príslušenstva môže spôsobiť riziko zranenia.
- **Na nástroji nikdy nestojte.** Pri prevrhnutí stroja alebo neúmyselnom kontakte s ním môže dôjsť k vážnemu poraneniu.
- **Skontrolujte všetky poškodené časti.** Pred ďalším použitím nástroja by sa mali všetky diely, ktoré sú poškodené dokonale skontrolovať, aby sa určilo, či budú pracovať správne a vykonávať funkciu, na ktorú sú určené. Skontrolujte, či sú pohyblivé časti vyrovnané, či sú pripevnené, či nie sú zlomené, či sú správne namontované a tiež skontrolujte iné okolnosti, ktoré môžu ovplyvniť prevádzku. Chránič, alebo iné diely, ktoré sú poškodené, by sa mali správne opraviť alebo vymeniť v autorizovanom servisnom centre, aby ste sa vyhlili riziku zranenia osôb.
- **Podávanie vykonávajte v správnom smere.** Obrobok podávajte do ostria alebo noža len proti smeru otáčania ostria alebo noža.
- **Stroj nikdy nenechávajte spustený bez dozoru. Vypnite napájanie.** Neodchádzajte od zariadenia, kým sa úplne nezastaví.
- **Chráňte si pľúca.** Ak pri rezaní vzniká prach, používajte tvárovú alebo protiprachovú masku.
- **Chráňte si sluch.** Pri dlhších obdobiach používania používajte chrániče sluchu.
- **Kábel nenamáhajte.** Kábel nikdy neodpájajte zo zásuvky šklbnutím. Kábel nedávajte do blízkosti tepla, oleja alebo ostrých hrán.
- **Kryt ostria vždy nechávajte na svojom mieste a v prevádzkovom stave.**
- **Ruky udržiavajte mimo dosahu priestoru rezania.** Ruky nedávajte do blízkosti ostria. Nesiahajte pod obrobok ani do blízkosti či nad ostrie, kým sa ostrie otáča. Nepokúšajte sa odstrániť rezaný materiál, kým sa ostrie pohybuje.
- **Ostrie po vypnutí beží na voľnobeh.**
- **Nikdy nepracujte vo výbušnej atmosfére.** Prírodné iskrenie motora by mohlo zapáliť výpary.
- **Pravidelne kontrolujte káble nástroja.** V prípade poškodenia zabezpečte ochranu kvalifikovaným servisným technikom v autorizovanom servisnom stredisku.
- **Pravidelne kontrolujte predlžovacie káble v prípade ich poškodenia ich vymeňte.**
- **Všetky stroje uzemnite.** Ak je nástroj vybavený 3-vidlicovou zástrčkou, musí sa zapájať do elektrickej zásuvky s tromi otvormi.
- **Kontrolu prenechajte na profesionálneho elektrikára alebo pracovníka servisu, ak úplne nechápate pokyny k uzemneniu alebo ak ste na pochybách, či je zariadenie správne uzemnené.**
- **Používajte len správne elektrické zariadenia:** 3-žilový predlžovací kábel s 3-vidlicovými zástrčkami s uzemnením a 3-pólovými koncovkami, ktoré sú vhodné pre zástrčku nástroja.
- **Zástrčku neupravujte.** Ak sa nebude hodiť do zásuvky, nechajte si profesionálnym elektrikárom namontovať vhodnú zásuvku.
- **Nástroj udržiavajte suchý, čistý, nezaolejovaný a nezamastený.** Na čistenie vždy používajte čistú utierku. Nikdy nepoužívajte brzdový kvapalinu, benzín, ropné produkty alebo silné rozpúšťadlá na čistenie nástroja.
- **Buďte ostražití a vykonávajte kontrolu.** Sledujte, čo robíte a používajte zdravý rozum. Nepoužívajte zariadenie, keď ste unavení. Neponáhľajte sa.
- **Nástroj nepoužívajte, ak spínač nezapína a**





Slovenčina

ne vypína nástroj. Nechajte si chybné spínače vymeniť v autorizovanom servisnom stredisku.

- **Používajte len správne ostrie.** Nepoužívajte ostrie s otvorní nesprávnej veľkosti. Nikdy nepoužívajte podložky alebo matice hriadeľa, ktoré sú chybné alebo nesprávne. Maximálna kapacita ostria píly je 178 mm. Všetky používané ostria musia byť vyrobené v súlade s normou EN13236. Nikdy nepoužívajte rezné ostrie s nižšou menovitou rýchlosťou ako je menovitá rýchlosť nástroja.
- **Pred začatím rezania skontrolujte, či sú všetky nastavenia bezpečné.**
- **Počas práce sa nikdy nedotýkajte ostria ani iných pohybových častí.**
- **Nikdy nespúšťajte nástroj, keď je rotujúci komponent v kontakte s obrobkom.**
- **S nástrojom nepracujte pod vplyvom drog, alkoholu alebo akýchkoľvek liekov.**
- **Pri servise používajte len identické náhradné diely.** Použitím iných dielov riskujete poškodenie zariadenia.
- **Používajte len odporúčané príslušenstvo uvedené v tomto návode alebo prílohách.** Pri použití príslušenstva, ktoré tu nie je uvedené, môže vzniknúť riziko poranenia osôb. Pokyny na používanie príslušenstva sú priložené k príslušenstvu.
- **Dvakrát skontrolujte všetky nastavenia.** Pred pripojením do elektrickej siete skontrolujte, či je ostrie utiahnuté a nie je v kontakte s pilou alebo obrobkom.

PÍLA NA DLAŽDICE – BEZPEČNOSTNÉ VÝSTRAHY

- Obrobok vždy zaistite k vodidlu zlomu alebo úkosnému bloku.
- Nikdy sa nestavajte ani nedávajte žiadnu časť tela do línie trasy ostria.
- Nikdy sa nepokúšajte uvoľniť zaseknuté ostrie, kým pílu nevypnete a neodpojíte ju z elektrickej siete.
- Ak dôjde k poškodeniu napájacieho kábla, aby nedošlo k ohrozeniu, musí ho vymeniť výrobca alebo autorizované servisné stredisko.
- Dbajte na to, aby nedochádzalo k nepohodlným operáciám a takým polohám rúk, kde by náhle pokľznutie mohlo spôsobiť vsunutie ruky do rezného nástroja.
- Pred vykonaním akejkoľvek činnosti s pilou skontrolujte, či pracovisko má dostatočné osvetlenie, aby ste videli na prácu a či žiadna prekážka nebráni bezpečnej prevádzke.
- Pred odpojením pílu vždy vypnite, aby pri jej opätovnom pripojení do siete nedošlo k neúmyselnému spusteniu.

- Tento nástroj by mal mať nasledujúce označenia:
 - Noste ochranu zraku.
 - Kryt ostria používajte pri každej operácii, pre ktorú je ho možné použiť.
 - Pres vykonávaním servisu, pri výmene rezných ostří a pri čistení odpojte pílu.
 - Nástroj používajte len s reznými ostriami s hladkými okrajom, ktoré nemajú otvory, drážky ani zuby.
 - Pred prácou vymeňte poškodené rezné ostrie.
 - Vodný kúpeľ nenapĺňujte nad čiaru plnenia vody.
- **Ušchovajte si tieto inštrukcie.** Často do neho nahliadajte a používajte ho na poučenie ostatných užívateľov. Ak niekomu nástroj požičiate, priložte k nemu aj tento návod.

ELEKTRICKÁ PŘÍPOJKA

Tento nástroj je napájaný presným vstavaným elektrickým motorom. Musí sa pripájať výhradne do zdroja napájania striedavého prúdu 220-240V, 50Hz (bežný rozvod domácnosti). Nikdy nepoužívajte zariadenie zapojené do jednosmerného prúdu. Výrazný pokles napätia zapríčiňuje pokles výkonu a motor sa bude prehrievať. Ak píla nefunguje pri zapojení do zásuvky, znova skontrolujte napájajúcu sieť.

RÝCHLOSŤ A ELEKTRICKÉ VEDENIE

Voľnobežná rýchlosť nástroja je približne 2,900 ot./min. Táto rýchlosť nie je konštantná a pri záťaži alebo nižšom napätí klesá. Pre napätie je elektrické vedenie v dielni rovnako dôležité ako menovitý výkon motora. Vedenie určené len pre svetlá nedokáže správne utiahnuť motor elektrického nástroja. Vodič, ktorý je dostatočne dimenzovaný na krátke vzdialenosti, bude nedostatočný na dlhšie vzdialenosti. Vedenie, ktoré postačuje na jeden elektrický nástroj, nemusí byť dostatočné pre dva alebo tri nástroje.

POKYNY K UZEMNENIU

Pozrite si obrázok 1.

Tento produkt musí byť uzemnený. V prípade nefunkčnosti alebo poruchy uzemnenie poskytuje dráha pre najmenší odpor pre elektrický prúd, čím sa zníži riziko zasiahnutia elektrickým prúdom. Tento nástroj je vybavený elektrickým káblom, ktorá má zemniaci vodič a zemniacu zástrčku. Zástrčka sa musí zapojiť do vhodnej zásuvky, ktoré je správne namontovaná a uzemnená v súlade s miestnymi kódmi a nariadeniami.

Zástrčku neupravujte. Ak sa nebude hodiť do zásuvky, nechajte si profesionálnym elektrikárom namontovať vhodnú zásuvku.



Slovenčina

VAROVANIE

Nesprávna inštalácia zástrčky s uzemnením by mohla spôsobiť nebezpečenstvo úderu elektrickým prúdom. Keď je potrebná oprava alebo výmena kábla, nepripájajte zemniami vodič k plochým lopatkovým terminálom. Vodič s izoláciou zelenej farby (so žltými pásmi alebo bez nich) je zemniami vodič.

Kontrolu prenechajte na profesionálneho elektrikára alebo pracovníka servisu, ak úplne nechápete pokyny k uzemneniu alebo ak ste na pochybách, či je zariadenie správne uzemnené.

Poškodenú alebo opotrebovanú šnúru ihneď opravte alebo vymeňte.

Ak dôjde k poškodeniu napájacieho kábla, aby nedošlo k ohrozeniu, musí ho vymeniť výrobca alebo autorizované servisné stredisko.

Len zapojte produkt do zásuvky, ktorá má rovnakú konfi guráciu ako zástrčka. S týmto produktom nepoužívajte adaptér.

Na zaistenie bezpečnosti a spoľahlivosti musí všetky opravy vykonávať AUTORIZOVANÉ SERVISNÉ STREDISKO alebo KVALIFIKOVANÁ SERVISNÁ ORGANIZÁCIA.

Na obvodoch a zástrčkách, ktoré sa budú používať pre pílu na dlaždice, je potrebné zabezpečiť ochranu zariadením pre zvyškový prúd (RCD). K dispozícii sú zásuvky so zabudovanou ochranou RCD a možno ich používať na zaistenie tejto ochrany.

Ak sa píla používa s predlžovacím káblom, zaistíte, aby pripojenie napájacieho kábla a predlžovacieho kábla nebolo na zemi. Pomocné zariadenia sa musia vždy zapájať do nástennej elektrickej zásuvky a nie do pripojenia na predlžovacom kábli na napájacom kábli elektrického nástroja.

Ak nie je k dispozícii chránená zásuvka, nepoužívajte pílu, kým zásuvku nebude možné vymeniť alebo zabezpečiť prídavnú ochranu. Tieto pomocné ochranné zariadenia sú dostupné u vášho miestneho dodávateľa.

POLOHA PÍLY NA DLAŽDICE

Pozrite si obrázok 2.

Aby nevznikla možnosť, že dôjde k namočeniu zástrčky alebo zásuvky nástroja, umiestnite pílu na dlaždice na jednu stranu nástennej zásuvky, aby nedošlo ku kvapkaniu vody na zásuvku alebo zástrčku. Obsluhujúca osoba musí na kábli pripájajúcom pílu k zásuvke vytvoriť „odvapkávaciu slučku“. „Odvapkávacia slučka“ je časť kábla pod úrovňou zásuvky alebo konektora – v prípade použitia predlžovacieho kábla, ktorá zabraňuje pretekaniu vody po kábli a jej kontaktu so zásuvkou.

Ak sa zástrčka alebo zásuvka namočia, NEODPÁJAJTE kábel. Odpojte poistku alebo istič, ktorý privádza napájanie do nástroja a potom odpojte a skontrolujte, či sa v zásuvke nenachádza voda.

VAROVANIE

Ak chcete znížiť riziko usmrtenia elektrickým prúdom, všetky pripojenia udržiavajte suché a mimo zeme. Nezapájajte zástrčku mokrymi rukami.

TECHNICKÉ ÚDAJE**Špecifikácie produktu**

Napätie	220 - 240V
Napájanie	500 W
Rýchlosť bez záťaž	2,900 rpm
Hmotnosť	15,5 kg (N.W.)

Funkcie

Veľkosť stola	381 mm x 502 mm
Výška stola od skrinky po stôl	181 mm

Špecifikácie materiálu

Materiál stola	Nehrdzavejúca oceľ
Materiál stojanu	Oceľová rúrka

Rezné nástroje/kapacita

Priemer ostria	178 mm
Typ ostria	Diamant
Vnútrotný priemer ostria	25,4 mm
Maximálna hĺbka rezu	33 mm
Namerané hodnoty určené podľa EN 61029 Vážená A hladina akustického tlaku Odchýlka K	$L_{PA} = 61,0 \text{ dB(A)}$ 3 dB(A)
Namerané hodnoty určené podľa EN 61029 Vážená A hladina akustického tlaku Odchýlka K	$L_{WA} = 77,0 \text{ dB(A)}$ 3 dB(A)

OBOZNÁMTE SA S VAŠOU PÍLOU NA DLAŽDICE**178 mm ostrie na pílenie dlaždíc**

- 178 mm ostrie na pílenie dlaždíc sa dodáva spolu s pílou.

Úkosný stôl

- Pomocou úkosného stola možno vykonávať



Slovenčina

skosené rezy 22,5° a 45°.

Rukoväte

- Píla má praktické rukoväte na dvíhanie a prenášanie umiestnené na pravej a ľavej strane.

Vodidlo sklonu

- Vodidlo sklonu je plne nastaviteľné pre diagonálne rezy a šikmé rezy.

Motor

- Tento stroj má silný motor s dostatočným výkonom na ťažké rezné úkony.

Vodidlo zlomu

- Vodidlo zlomu je plne nastaviteľné na vykonávanie krížových rezov a používanie vodidla sklonu.

Stojan píly na dlaždice

- Táto píla sa dodáva so stojanom, čo zvyšuje jej prenosnosť a praktické využitie.

Kryt ostria

- Kryt ostria poskytuje ochranu pred prestreknutím a zarosením

MONTÁŽ

MONTÁŽ KRYTU OSTRIA

Pozrite si obrázok 5-6.

1. Odstráňte úkosný stôl.
2. Namontujte konzolu krytu ostria v tvare L na obrubu umiestnenú pod stolom za ostrím.
3. Namontujte skrutky do stola a cez konzolu krytu ostria, potom pevne utiahnite.

POZNÁMKA: Dbajte na to, aby konzola krytu ostria bola zarovnaná s rezným ostrím, aby nezasahovala do rezaného materiálu.

4. Kryt ostria zarovnajete s ostrím a nasuňte nad konzolu. Zarovnajete priechodné otvory v kryte ostria so štrbinou v konzole krytu ostria.

POZNÁMKA: Kryt ostria vždy nastavte horizontálne voči stolu a nepatrne nad hrúbku dlaždice. Kryt ostria by sa nemal dotýkať dlaždice.

5. Namontujte skrutku so šesťhrannou hlavou cez kryt ostria a konzolu.
6. Naskrutkujte gombík na maticovú skrutku a utiahnite na požadovanú výšku.
7. Znova nasadíte úkosný stôl.

POZNÁMKA: Kryt ostria sa montuje pri výrobe. Nerozoberajte počas nastavovania a údržby.

MONTÁŽ VODIDLA ZLOMU

Pozrite si obrázok 7.

1. Uvoľnite otáčaním gombíka na vodidle zlomu proti smeru pohybu hodinových ručičiek.
2. Nasuňte vodidlo zlomu na bok stola.
3. Pomocou stupnice vodidla zlomu, ktorá sa nachádza na prednej a zadnej časti stola, nastavte vodidlo zlomu

na požadovanú šírku rezu.

4. Bezpečne utiahnite otáčaním gombíka vodidla zlomu v smere pohybu hodinových ručičiek.

MONTÁŽ VODIDLA SKLONU

Pozrite si obrázok 7.

1. Nastavte vodidlo zlomu do požadovanej pozície a utiahnite.
2. Spredu nasuňte vodidlo sklonu na vodidlo zlomu.
3. Nastavte na požadovaný uhol pomocou uhlovej stupnice a bezpečne utiahnite gombíkom.

MONTÁŽ STOJANA

Pozrite si obrázok 8-9.

Podporné konzoly a nohy stojana sú označené zodpovedajúcimi písmenami pre jednoduchú montáž.

Potrebné nástroje: Nastaviteľný kľúč alebo 13 mm kľúče a krížového skrutkovača.

1. Vložte nohy stojana označené ako „A“ do koncových rúrok podpornej konzoly označenej ako „A“. Ohnuté konce nôh stojana by mali smerovať navzájom od seba, aby pripomínali písmeno „V“. Zarovnajete otvory pre hardvér. Zopakujte s druhou podpornou konzolou a nohami označenými ako „B“.
2. Nasadíte súpravy nôh do podpier. Súprava nôh „B“ sa nachádza na vnútornej strane podpier. Súprava nôh „A“ sa nachádza na vonkajšej strane. Zarovnajete otvory v podperách a nohách. Namontujte hardvér cez otvory.
3. Pomocou kľúča utiahnite hardvér.
4. Postavte stojan na rovnú podložku a zarovnajete drážky pod pílu na dlaždice s konzolami na stojane. Umiestnite stôl na stojan.
5. Pred použitím dbajte to, aby píla na dlaždice bola na rovnom podklade a stojan stál pevne.

MONTÁŽ ODTOKU PREPLNENIA

Pozrite si obrázok 10.

1. Odstráňte úkosný stôl.
2. Nájdite otvor v spodnej časti zásobníka vody.
3. Pevne zatlačte odtok proti pretečeniu do otvoru.
4. Znova nasadíte úkosný stôl.

MONTÁŽ ZÁPADIEK

1. Prevráťte kryt píly na dlaždice hore nohami.
2. Zarovnajete otvory na skrutky na západkách s otvormi na skrutku na spodnej časti krytu píly.
3. Vložte skrutky a pevne utiahnite.

PLNENIE ZÁSOBNÍKA NA VODU

Pozrite si obrázok 11.

1. Odstráňte úkosný stôl.
2. Zásobník na vodu naplňte čistou vodou z vodovodu po čiaru plnenia.





Slovenčina

POZNÁMKA: Odtok proti pretečeniu zabraňuje pretečeniu.

3. Znova nasadíte úkosný stôl.

VÝMENA ZÁSOBNÍKA VODY

1. Odpojte pílu na dlaždice.
2. Odstráňte odtok proti pretečeniu a vyprázdňte ho do kanvy, pričom dbajte na to, aby voda nevyšplechla na zem alebo do okolia nástroja.
3. Odpadovú vodu likvidujte podľa miestnych predpisov.

PREVÁDZKA

VAROVANIE

Zoznámte sa s výrobkami a používajte ich opatrne. Zapamätajte si, že sekunda nepozornosti môže spôsobiť vážne zranenie.

VAROVANIE

Pri práci s výrobkami vždy noste bezpečnostnú okuliare s bočnými chráničmi. Ak tak neurobíte, môže to spôsobiť, že úlomky odletia do vašich očí, čo môže spôsobiť vážne zranenie.

VAROVANIE

Nepoužívajte žiadne príslušenstvo, ktoré nie je odporúčané výrobcom tohto produktu. Použitie príslušenstva, ktoré neodporúča výrobca môže spôsobiť vážne osobné zranenie.

TESTOVANIE ZARIADENIA RCD PRED POUŽITÍM

1. Zapojte zariadenie RCD do elektrickej zásuvky.
2. Stlačte tlačidlo nulovania. Indikátor napájania by sa mal rozsvietiť.
3. Stlačte tlačidlo testovania. Indikátor napájania by mal zhasnúť.

VAROVANIE: Ak je test RCD neúspešný, nepoužívajte tento nástroj. Poradte sa s kvalifikovaným elektrikárom.

4. Stlačením tlačidla nulovania aktivujete zariadenie RCD.

APLIKÁCIE

Tento nástroj môžete používať na tieto uvedené účely:

Rezanie v rovnej línii ako pílenie, úkosné pílenie, pozdĺžne rezanie a šikmé rezanie

POZNÁMKA: Táto píla je určená výlučne na rezanie ručne vyrobených obkladačiek, dlaždíc, produktov z prírodného kameňa a kamenných obkladov.

Spínač vyp/zap

Táto píla má ľahko prístupný hlavný spínač umiestnený pod prednou koľajnicou.

Vypnutie píly:

Stlačením červeného tlačidla vypnete zariadenie (O).

Zapnutie píly:

Stlačením zeleného tlačidla zapnete zariadenie (I).

Uzamknutie píly:

Keď je píla vypnutá, odpojte zástrčku z elektrickej siete.

VAROVANIE

Predtým, ako spínačom spustíte nástroj, VŽDY dbajte na to, aby obrobok nebol v kontakte s rezným ostrím. Pri nedodržaní tejto výstrahy by mohlo dôjsť k vypoknutiu obrobku smerom k obsluhujúcej osobe a následnému poraneniu osôb.

VAROVANIE

Ak chcete znížiť riziko neúmyselného spustenia, pred pripojením nástroja do elektrickej siete vždy skontrolujte, či je spínač vo vypnutej polohe. Pri výpadku napájania alebo keď sa nástroj nepoužíva, vypnite spínač a odpojte zástrčku z elektrickej siete. Týmto zabránite neúmyselnému spusteniu nástroja po obnovení napájania.

POUŽITIE VODIDLA ZLOMU A VODIDLA SKLONU

Pozrite si obrázok 13.

Vodidlo zlomu možno používať na ľavej aj pravej strane rezného ostria.

1. Uvoľnite otáčaním gombíka na vodidle zlomu proti smeru pohybu hodinových ručičiek.
2. Nastavte vodidlo zlomu do požadovanej pozície pomocou mierky vodidla zlomu, ktoré sa nachádza na prednom a zadnom stole, čím nastavíte vodidlo zlomu na požadovanú šírku rezu.
3. Pevne utiahnite otáčaním gombíka v smere pohybu hodinových ručičiek.

NASTAVENIE UHLOV

Nastavte vodidlo zlomu do požadovanej pozície a bezpečne utiahnite.

1. Spredu nasuňte vodidlo sklonu na vodidlo zlomu.
2. Nastavte na požadovaný uhol pomocou uhlovej stupnice a bezpečne utiahnite gombíkom.

REZANIE

Na rezanú dlaždicu vždy pomocou značkovača alebo masťnej ceruzky nakreslite čiaru, ktorá sa má rezať. Ak je dlaždica leštená a ťažko sa vyznačuje, nalepte na ňu maskovaciu lepiacu pásku a vyznačujte na páске.

Bežným problémom pri pílení dlaždíc je odbiehanie od vyznačenej línie. Keď odbehnete od značky, môžete ostrie





Slovenčina

naviesť späť na čiaru skrútením dlaždice. Namiesto toho ustúpte a znova odrežte dlaždicu ukrojovaním malého množstva dlaždice, kým sa ostrie nedostane znova na stopu. Aby nevznikol tento problém, v prípadoch, kde je to možné pri vykonávaní krížových rezov, používajte vodidlo zlomu, pri vykonávaní skosených rezov používajte vodidlo sklonu a pri vykonávaní šikmých rezov používajte nastaviteľný pravostranný stôl.

Vykonanie krížového rezu

Pozrite si obrázok 14.

Križové rezy sú rovné 90° rezy. Materiál sa podáva do rezu v 90° uhle k ostriu a ostrie je zvislé.

1. Pomocou značkovača alebo mastnej ceruzky vyznačte oblasť rezania na materiáli.
2. Nastavte vodidlo zlomu do požadovanej pozície a bezpečne utiahnite.
3. Položte materiál na stôl pevne oproti vodidlu zlomu.
4. Pred zapnutím píly skontrolujte, či sa rezné ostrie nedotýka materiálu.
5. Zapnite napájanie.
6. Nechajte rezné ostrie nabrúť plnú rýchlosť a predtým, ako vsuniete materiál do ostria, počkajte, kým sa ostrie nenamočí.
7. Držte materiál pevne oproti bariére zlomu a posúvajte ho do rezného ostria.
8. Po dokončení rezania vypnite pílu. Predtým, ako odstránite akúkoľvek časť materiálu, počkajte, kým sa rezné ostrie úplne nezastaví.

Vykonanie 45° diagonálneho rezu

Pozrite si obrázok 15.

45° diagonálne rezy sa niekedy nazývajú aj „dlhé rezy z bodu do bodu“.

1. Pomocou značkovača alebo mastnej ceruzky vyznačte oblasť rezania na materiáli.
2. Nastavte vodidlo zlomu do požadovanej šírky a zaistite na mieste utiahnutím gombíka.
3. Spredu nasuňte vodidlo sklonu na vodidlo zlomu.
4. Nastavte vodidlo sklonu 45° pomocou uhlovej stupnice a bezpečne utiahnite gombíkom.
5. Pred zapnutím píly skontrolujte, či sa rezné ostrie nedotýka materiálu.
6. Zapnite napájanie.
7. Nechajte rezné ostrie nabrúť plnú rýchlosť a predtým, ako vsuniete materiál do ostria, počkajte, kým sa ostrie nenamočí.
8. Držte materiál pevne oproti vodidlu a posúvajte vodidlo sklonu pozdĺž bariéry zlomu. Posúvajte materiál do rezného ostria.
9. Po dokončení rezania vypnite pílu. Predtým, ako odstránite akúkoľvek časť materiálu, počkajte, kým sa rezné ostrie úplne nezastaví.

Vykonanie šikmého rezu

Pozrite si obrázok 16.

Skosené rezy sa používajú na rezanie vonkajších a vnútorných rohov na materiáli, dekoratívnych zábradlí kresiel a podložných líšt s materiálom v ľubovoľnom uhle k ostriu inom ako 90°. Skosené rezy zvyknú pri rezaní „skĺzavať“. To môžete ovládať pevným držaním obrobku oproti vodidlu sklonu.

1. Pomocou značkovača alebo mastnej ceruzky vyznačte oblasť rezania na materiáli.
2. Nastavte vodidlo zlomu do požadovanej šírky a zaistite na mieste utiahnutím gombíka.
3. Spredu nasuňte vodidlo sklonu na vodidlo zlomu.
4. Nastavte vodidlo sklonu pomocou uhlovej stupnice na požadovaný uhol a bezpečne utiahnite gombíkom.
5. Pred zapnutím píly skontrolujte, či sa rezné ostrie nedotýka materiálu.
6. Zapnite napájanie.
7. Nechajte rezné ostrie nabrúť plnú rýchlosť a predtým, ako vsuniete materiál do ostria, počkajte, kým sa ostrie nenamočí.
8. Držte materiál pevne oproti vodidlu a posúvajte vodidlo sklonu pozdĺž bariéry zlomu. Posúvajte materiál do rezného ostria.
9. Po dokončení rezania vypnite pílu. Predtým, ako odstránite akúkoľvek časť materiálu, počkajte, kým sa rezné ostrie úplne nezastaví.

Vykonanie rezu v tvare L

Pozrite si obrázok 17.

Rezy v tvare L sú rezy, ktoré odstránia kus dlaždice, aby sa dala použiť v rohu, okolo skrinky alebo kusu lišty a vykonáva sa dvoma samostatnými rezmi.

POZNÁMKA: Úplne prežehzte len spodnú alebo vrchnú stranu rezaného materiálu.

1. Materiál odrežte do požadovanej šírky pomocou pokynov pre krížový rez.
2. Nastavte vodidlo zlomu do požadovanej pozície a bezpečne utiahnite.
3. Položte materiál na stôl pevne oproti vodidlu zlomu.
4. Pred zapnutím píly skontrolujte, či sa rezné ostrie nedotýka materiálu.
5. Zapnite napájanie.
6. Nechajte rezné ostrie nabrúť plnú rýchlosť a predtým, ako vsuniete materiál do ostria, počkajte, kým sa ostrie nenamočí.
7. Držte materiál pevne oproti bariére zlomu a posúvajte ho do rezného ostria.
8. Rez vykonajte dostatočne hlboko do materiálu bez nadmerného prerezania.
9. Vypnite napájanie.
10. Prevráťte materiál a reže pozdĺž jednej zo značiek. Tentokrát prežehzte druhú čiaru a odrezaný kus by sa





Slovenčina

mal oddeliť od zvyšku materiálu.

- Zapnite napájanie.
- Nechajte rezné ostrie nabrat' plnú rýchlosť a predtým, ako vsuniete materiál do ostria, počkajte, kým sa ostrie nenamočí.
- Po dokončení rezania vypnite pílu. Predtým, ako odstránite akúkoľvek časť materiálu, počkajte, kým sa rezné ostrie úplne nezastaví.

Vykonanie skoseného rezu

Pozrite si obrázok 18-19.

Pomocou úkosného stola možno vykonávať skosené rezy 22,5° a 45°.

- Pomocou značkovača alebo mastnej ceruzky vyznačte oblasť rezania na materiáli.
- Preklopte úkosný stôl.
- Na spodnej strane úkosného stola potiahnite dve nohy stola do pravých uhlov voči stolu.
- Na nastavenie dosky do uhla 22,5° použite prvé zarážky.
- Pomocou druhej sady zarážiek nastavíte uhol úkosného stola na najvyšší 45° uhol.

POZNÁMKA: Pred začatím rezania skontrolujte, či je úkosný stôl pevne zaistený na mieste.

Pri uhle 22,5° alebo 45° rozložte nohy a rozprestrite úkosný stôl naplocho.

- Zapnite napájanie.
- Nechajte rezné ostrie nabrat' plnú rýchlosť a predtým, ako vsuniete materiál do ostria, počkajte, kým sa ostrie nenamočí.
- Držte materiál pevne oproti úkosnému stolu a posúvajte ho do rezného ostria.
- Po dokončení rezania vypnite pílu. Predtým, ako odstránite akúkoľvek časť materiálu, počkajte, kým sa rezné ostrie úplne nezastaví.

ÚDRŽBA

VAROVANIE

Pri servise používajte len identické náhradné diely. Použitím iných dielov riskujete poškodenie zariadenia.

VAROVANIE

Pri práci s mechanickým nástrojom alebo ofukovaní prachu vždy používajte ochranné okuliare alebo ochranné okuliare s bočnými chráničmi. Ak pri práci vzniká prach, používajte aj protiprachovú masku.

VAROVANIE

Ak dôjde k poškodeniu napájacieho kábla, aby nedošlo k ohrozeniu, musí ho vymeniť výrobca alebo autorizované servisné stredisko.

VAROVANIE

Na zaistenie bezpečnosti a spoľahlivosti musí všetky opravy vykonávať AUTORIZOVANÉ SERVISNÉ STREDISKO alebo KVALIFIKOVANÁ SERVISNÁ ORGANIZÁCIA.

VŠEOBECNÁ ÚDRŽBA

Vyhýbajte sa použitiu rozpúšťadiel pri čistení plastových častí. Väčšina plastov je citlivá na poškodenie rôznymi typmi komerčných rozpúšťadiel a môžu sa poškodiť ich použitím. Na odstránenie nečistoty, prachu, oleja, mazadla atď. použite čistú handričku.

VAROVANIE

Nikdy nedovoľte kontaktu plastových dielov s brzdovou kvapalinou, benzínom, minerálnym olejom, agresívnym mazivami atď. Chemikálie môžu poškodiť, oslabiť, alebo zničiť plastové časti a tak spôsobiť vážne zranenie.

Mazanie

Všetky ložiská v nástroji sa mažu dostatočným množstvom mazadla s vysokou kvalitou, kvôli dlhej životnosti jednotky za normálnych prevádzkových podmienok.

Ostrie na pílenie dlaždíc

Na dosiahnutie maximálneho výkonu a bezpečnosti sa odporúča používať 178 mm rezné ostrie dodávané s pilou. Ďalšie rezné ostrie rovnakej vysokej kvality sú dostupné u vášho predajcu.

VAROVANIE

Nepoužívajte rezné ostria dimenzované na nižšiu záťažovú rýchlosť, ako je určená pre tento nástroj. Pri nerespektovaní tejto výstrahy by mohlo dôjsť k poraneniu osôb. Nepoužívajte ostrie, ktoré má praskliny, trhliny alebo zuby.

VÝMENA OSTRIA NA PÍLENIE DLAŽDÍC

Pozrite si obrázok 20.

VAROVANIE

178 mm ostrie na pílenie dlaždíc je ostrie maximálnej kapacity píly. Nikdy nepoužívajte ostrie, ktoré je príliš hrubé a mohlo by umožniť prírube ostria zachytiť sa o plošky na vretene. Väčšie ostria sa dostanú do kontaktu s krytom ostria, zatiaľ čo hrubšie ostria zabránia maticovej skrutke ostria zaistiť ostrie na vretene. Každá z týchto operácií by mohla mať za následok vážnu nehodu a mohla zapríčiniť poranenie osôb.



Slovenčina

1. Odpojte pílu.
2. Odstráňte úkosný stôl.
3. Nasuňte šesťhranný kľúč na maticu hriadeľa ostria. Kľúč na hriadeľ nasuňte druhou rukou na hriadeľ ostria.
4. Kľúč na hriadeľ držte pevne, aby nedošlo k pohybu ostria. Uvoľnite otáčaním matice hriadeľa proti smeru pohybu hodinových ručičiek.
5. Odstráňte maticu hriadeľa, vonkajšiu prírubu ostria a reznú ostriu.
6. Utrite kvapku oleja na vnútornú prírubu ostria na mieste, kde sa dotýka ostria.

⚠ VAROVANIE

Ak dôjde k odstráneniu príruby ostria, pred umiestnením ostria na vreteno ju vymeňte. V opačnom prípade by mohlo dôjsť k nehode, lebo ostrie nebude správne upevnené. Na tomto nástroji nikdy nepoužívajte ostria, ktoré majú otvory, ryhy alebo zuby.

7. Šostré smerovali proti smeru pohybu hodinových ručičiek.
8. Znova nasadte vonkajšiu prírubu ostria. Plôšky v tvare dvojitého „D“ na prírubu ostria sú zarovnané s plôškami na vretene.
9. Pomocou kľúča na ostrie a kľúča na hriadeľ bezpečne utiahnite maticu hriadeľa.
10. Znova nasadte úkosný stôl.

OCHRANA ŽIVOTNÉHO PROSTREDIA



Surové materiály recyklujte, namiesto toho, aby ste ich zlikvidovali ako odpad. Stroj, príslušenstvo a obaly by sa mali triedene recyklovať spôsobom šetrným k životnému prostrediu.

ZNAČKY



Výstražná značka



CE konformita



GOST-R konformita



Pred spustením zariadenia si pozorne prečítajte tento návod.



Vždy používajte chrániče zraku.



Noste ochranu sluchu



Používajte ochranné rukavice



NEBEZPEČENSTVO! Ostré čepele



Pozor, riziko porezania



Nevystavujte dažďu ani nepoužívajte vo vlhkom prostredí.



Nevystavujte dažďu ani nepoužívajte vo vlhkom prostredí.



Stroje sa musia používať s diamantovým upichovacím ostrím so spojitým lemom.



Smer otáčania ostria



Diamantová rezacia čepeľ



Premer pílového kotúča



Premer vretena



netto hmotnosť



Hĺbka rezu (Max.)



Šírka rezu (Max.)



Diagonálna šírka rezu (Max.)



Recyklujte



Opatrebované elektrické zariadenia by ste nemali odhadzovať do domového odpadu. Prosíme o recykláciu ak je možné. Kontaktujte miestne úrady, alebo predajcu pre viac informácií o ekologickom spracovaní.



Ελληνικά

ΠΕΡΙΓΡΑΦΗ

1. Πείρος γείωσης
2. Καλώδιο ισχύος
3. Βρόγχος στάλαξης
4. Λεπίδα κοπής πλακιδίων
5. Διακόπτης ενεργοποίησης/απενεργοποίησης
6. Οδηγός απόσχισης
7. Οδηγός λοξότμησης
8. Γραμμή μέγιστης πλήρωσης
9. Οπή υπερχειλίσης
10. Ρεζερβουάρ νερού
11. Κλίμακα προστατευτικού απόσχισης
12. Βάση
13. Θήκη καλωδίου
14. Λαβές ανύψωσης
15. Προστατευτικό λεπίδας
16. Πάγκος λοξότμησης/φαλτσογωνίας
17. Περιβλήμα κόπτη πλακιδίων
18. Εξαγωνικό κλειδί
19. Κλειδί ατράκτου
20. Βίδες
21. Βραχίονας προστατευτικού λεπίδας
22. Εξαγωνικό παξιμάδι
23. Εξαγωνικό μπουλόνι
24. Πόδια βάσης "Α"
25. Πόδια βάσης "Β"
26. Μπουλόνι(-α) βάσης ποδιών
27. Παξιμάδι(-α) βάσης ποδιών
28. Σφικτήρας(-ες) βάσης ποδιών
29. Σφικτήρας στήριξης "Α"
30. Σφικτήρας στήριξης "Β"
31. Αγκιστρα
32. Ανακούφιση πίεσης
33. Χείλος
34. Σφαιρικό κουμπί οδηγού απόσχισης
35. Διάταξη ποδιών "Α"
36. Διάταξη ποδιών "Β"
37. Κλίμακα οδηγού λοξότμησης
38. Σφαιρικό κουμπί οδηγού λοξότμησης
39. Πόδι πάγκου λοξότμησης/φαλτσογωνίας
40. 22.5° εγκοπή φαλτσογωνίας
41. 45° εγκοπή φαλτσογωνίας
42. Ατρακτος
43. Εσωτερική φλάντζα
44. Εξωτερική φλάντζα
45. Παξιμάδι ατράκτου

ΓΕΝΙΚΕΣ ΣΥΣΤΑΣΕΙΣ ΑΣΦΑΛΕΙΑΣ

ΠΡΟΕΙΔΟΠΟΙΗΣΗ

Όταν χρησιμοποιείτε ηλεκτρικά εργαλεία, θα πρέπει να τηρούνται πάντα βασικές προφυλάξεις για μείωση του κινδύνου φωτιάς, ηλεκτροπληξίας και τραυματισμού.

Διαβάστε όλες τις οδηγίες πριν χρησιμοποιήσετε το προϊόν και φυλάξτε τις.

- **Εξοικειωθείτε με το μηχανοκίνητο εργαλείο σας.** Διαβάστε προσεκτικά το εγχειρίδιο χρήσης. Μάθετε τις εφαρμογές και τους περιορισμούς του προϊόντος, καθώς και τους πιθανούς κινδύνους που σχετίζονται με τη χρήση του.
- **Προστατευτείτε από τον κίνδυνο ηλεκτροπληξίας, αποφεύγοντας την επαφή με γειωμένες επιφάνειες.** Για παράδειγμα, σωλήνες, καλοριφέρ, διατάξεις, ψυγεία.
- **Διατηρείτε τα προστατευτικά στη θέση τους και σε καλή κατάσταση.**
- **Αφαιρέστε κλειδιά προσαρμογής και άλλα κλειδιά.** Ελέγχετε τακτικά για να βεβαιωθείτε μήπως έχουν αφαιρεθεί κλειδιά και κλειδιά προσαρμογής από το εργαλείο πριν το ενεργοποιήσετε.
- **Διατηρείτε τον χώρο εργασίας καθαρό.** Οι χώροι και πάγκοι με συνωστισμό δημιουργούν ιδανικές συνθήκες για ατυχήματα. Μην αφήνετε εργαλεία ή κομμάτια ξύλου στον κόπτη όσο αυτός λειτουργεί.
- **Μην χρησιμοποιείτε το εργαλείο σε επικίνδυνο περιβάλλον.** Μην χρησιμοποιείτε μηχανοκίνητα υγρασία σε συνθήκες υγρασίας ή σε έκθεση σε βροχή. Διατηρείτε καλό φωτισμό στον χώρο εργασίας. Μην χρησιμοποιείτε το εργαλείο στην παρουσία εύφλεκτων υγρών ή αερίων.
- **Διατηρείτε παιδιά και επισκέπτες μακριά.** Όλοι οι παριστάμενοι πρέπει να φορούν γυαλιά ασφαλείας και να διατηρούνται σε ασφαλή απόσταση από τον χώρο εργασίας. Μην αφήνετε παριστάμενους να έρχονται σε επαφή με το εργαλείο ή το καλώδιο προέκτασης όσο λειτουργούν.
- **Μην πιέζετε υπερβολικά το εργαλείο.** Το σωστό εργαλείο εκτελεί τις εργασίες για τις οποίες σχεδιάστηκε καλύτερα και ασφαλέστερα με την ταχύτητα τροφοδότησης για την οποία σχεδιάστηκε.
- **Χρησιμοποιείτε το σωστό εργαλείο.** Μην χρησιμοποιείτε ένα εργαλείο για τις οποίες δεν είναι σχεδιασμένο. Μην το χρησιμοποιείτε για σκοπούς για τους οποίους δεν προορίζεται.
- **Χρησιμοποιείτε το κατάλληλο καλώδιο προέκτασης.** Βεβαιωθείτε ότι το καλώδιο προέκτασής σας είναι σε καλή κατάσταση. Χρησιμοποιείτε μόνο





Ελληνικά

καλώδιο αρκετά βαρύ για να αντέχει το ρεύμα που θα αντλεί το προϊόν. Καλώδιο με εσφαλισμένο μέγεθος προκαλεί πτώσεις στην τάση γραμμής, οδηγώντας σε υπερθέρμανση και απώλεια ισχύος.

- **Ντυθείτε κατάλληλα.** Μην φοράτε χαλαρά ρούχα, γάντια, γραβάτες ή κοσμήματα. Μπορούν να πιαστούν και να σας τραβήξουν στα κινούμενα εξαρτήματα. Προτείνεται η χρήση λαστιχένιων γαντιών και αντιολισθητικών υποδημάτων (μπότες με λαστιχένια σόλα) όταν εργάζεστε σε εξωτερικό χώρο. Φοράτε επίσης προστατευτικά μαλλιών για να καλύψετε μακριά μαλλιά.
- **Φοράτε πάντα προστατευτικά γυαλιά με πλευρική προστασία.** Τα καθημερινά γυαλιά έχουν φακούς που προστατεύουν μόνο από την πρόσκρουση. Δεν είναι γυαλιά ασφαλείας.
- **Ασφαλής εργασία.** Χρησιμοποιήστε σφιγκτήρες ή μέγνη για να συγκρατήσετε το τεμάχιο εργασίας όπου είναι δυνατό, καθώς είναι ασφαλέστερο από το να χρησιμοποιείτε τα χέρια σας και σας επιτρέπει να χειρίζεστε καλύτερα το εργαλείο.
- **Μην τεντώνεστε.** Διατηρείτε σταθερό πάτημα και ισορροπία συνεχώς.
- **Συντηρείτε προσεκτικά τα εργαλεία.** Διατηρείτε τα εργαλεία αιχμηρά και καθαρά, για καλύτερη και ασφαλέστερη απόδοση. Ακολουθήστε τις οδηγίες λίπανσης και αλλαγής εξαρτημάτων. Ελέγχετε τακτικά τα καλώδια εργαλείων και σε περίπτωση φθοράς, πηγαίνετε τα για επισκευή σε εξουσιοδοτημένη εγκατάσταση σέρβις. Ελέγχετε τακτικά τα καλώδια προέκτασης και προχωρήστε σε αντικαταστάσεις εάν έχουν φθαρεί. Διατηρείτε τις λαβές στεγνές, καθαρές και χωρίς λάδια και γράσο.
- **Αποσυνδέστε τα εργαλεία.** Όταν δεν χρησιμοποιούνται, πριν το σέρβις ή κατά την αλλαγή εξαρτημάτων, λεπίδων, μικρούλικών, υλικών κοπής κλπ. όλα τα εργαλεία πρέπει να αποσυνδεδόνται. Αφαιρέστε το βύσμα πριν κάνετε οποιαδήποτε προσαρμογή, εργασία σέρβις ή συντήρηση.
- **Αποφεύγετε τις τυχαίες εκκινήσεις του εργαλείου.** Βεβαιωθείτε ότι έχετε απενεργοποιημένο κάθε εργαλείο όταν το συνδέετε στο ρεύμα.
- **Χρησιμοποιείτε προτεινόμενα εξαρτήματα.** Συμβουλευτείτε το εγχειρίδιο λειτουργίας για προτεινόμενα εξαρτήματα. Η χρήση ακατάλληλων εξαρτημάτων μπορεί να προκαλέσει τραυματισμό.
- **Μην στέκεστε ποτέ πάνω στο εργαλείο.** Υπάρχει κίνδυνος σοβαρού τραυματισμού αν το εργαλείο πέσει ή έρθετε σε τυχαία επαφή με το εργαλείο κοπής.
- **Ελέγξτε για φθαρμένα εξαρτήματα.** Πριν την περαιτέρω χρήση του εργαλείου, μια ασφάλεια ή ένα άλλο μέρος που έχει φθαρεί θα πρέπει να ελεγχθεί προσεκτικά για να καθορισθεί εάν θα λειτουργήσει

σωστά και θα πραγματοποιήσει την επιδιωκόμενη λειτουργία του. Ελέγξτε για ευθυγράμμιση των κινούμενων μερών, την σύνδεση κινούμενων μερών, τα στασμένα εξαρτήματα, την έδραση και οποιοδήποτε άλλες καταστάσεις που μπορεί να επηρεάσουν την λειτουργία του. Μια ασφάλεια ή οποιοδήποτε άλλο εξάρτημα που έχει φθαρεί πρέπει να επισκευαστεί σωστά ή να αντικατασταθεί από ένα εξουσιοδοτημένο συνεργείο ώστε να αποφευχθεί ο κίνδυνος τραυματισμού.

- **Χρησιμοποιήστε τη σωστή κατεύθυνση τροφοδοσίας.** Τροφοδοτήστε το τεμάχιο εργασίας σε λεπίδα ή κόπτη, κόντρα στην κατεύθυνση περιστροφής της λεπίδας ή του κόπτη μόνο.
- **Μην αφήνετε ποτέ το εργαλείο να λειτουργεί χωρίς την επίβλεψή σας. Απενεργοποιήστε τη συσκευή.** Μην αφήνετε το εργαλείο έως ότου σταματήσει τελείως.
- **Προστατεύστε τους πνεύμονές σας.** Φοράτε μάσκα προσώπου ή κατά της σκόνης, όταν η εργασία σας παράγει σκόνη.
- **Προστατεύστε την ακοή σας.** Φοράτε προστατευτικά αυτιών σε περιόδους παρατεταμένης χρήσης.
- **Προσέχετε στη χρήση του καλώδιου.** Μην τραβάτε ποτέ δυνατά το καλώδιο για να το αποσυνδέσετε από την πρίζα. Διατηρείτε το καλώδιο μακριά από θερμότητα, λάδι και αιχμηρές γωνίες.
- **Διατηρείτε πάντα το προστατευτικό λεπίδας στη θέση του και σε καλή κατάσταση.**
- **Διατηρείτε τα χέρια σας μακριά από την περιοχική κοπής.** Διατηρείτε τα χέρια σας μακριά από την λεπίδα. Μην απλώνετε τα χέρια σας κάτω από το κομμάτι εργασίας ή γύρω ή πάνω από τη λεπίδα όσο η λεπίδα περιστρέφεται. Μην προσπαθείτε να αφαιρέσετε κομμένο υλικό ενώ λειτουργεί η λεπίδα.
- **Η λεπίδα μετακινείται μετά την απενεργοποίηση.**
- **Μην χρησιμοποιείτε το εργαλείο σε εκρηκτικές ατμόσφαιρες.** Οι φυσιολογικοί σπινθήρες του κινητήρα μπορεί να προκαλέσουν ανάφλεξη σε αναθυμιάσεις.
- **Ελέγχετε τακτικά τα καλώδια εργαλείων.** Σε περίπτωση φθοράς, το εργαλείο πρέπει να επισκευάζεται από ειδικευμένο τεχνικό σέρβις, σε εξουσιοδοτημένη εγκατάσταση σέρβις.
- **Ελέγχετε τακτικά τα καλώδια προέκτασης και προχωρήστε σε αντικαταστάσεις εάν έχουν φθαρεί.**
- **Γειώστε όλα τα εργαλεία.** Αν το εργαλείο διαθέτει βύσμα με τρεις περόνες, πρέπει να συνδέεται σε ηλεκτρική πρίζα τριών οπών.
- **Αν δεν καταλαβαίνετε απόλυτα τις οδηγίες γείωσης ή δεν είστε βέβαιοι ότι το προϊόν είναι κατάλληλα γειωμένο, επικοινωνήστε με έναν ειδικευμένο ηλεκτρολόγο ή τεχνικό σέρβις.**
- **Χρησιμοποιείτε μόνο σωστές ηλεκτρικές συσκευές:**





Ελληνικά

καλώδια προέκτασης με 3 σύρματα που έχουν βύσματα γείωσης με 3 περόνες και υποδοχές 3 πόλων που δέχονται το βύσμα του εργαλείου.

- **Μην τροποποιείτε το παρεχόμενο βύσμα.** Αν δεν ταιριάζει στην πρίζα, φροντίστε για την τοποθέτηση κατάλληλης από ειδικευμένο ηλεκτρολόγο.
- **Κρατήστε το εργαλείο στεγνό, καθαρό και χωρίς λάδια ή γράσα.** Χρησιμοποιείτε πάντα ένα καθαρό πανί όταν το καθαρίζετε. Μην χρησιμοποιείτε ποτέ υγρά φρένων, βενζίνη, προϊόντα με βάση το πετρέλαιο ή οποιαδήποτε άλλα διαλυτικά για τον καθαρισμό του εργαλείου.
- **Παραμείνετε σε εγρήγορση και διατηρείτε τον έλεγχο.** Προσέχετε τι κάνετε και χρησιμοποιείτε την κοινή λογική. Μην χρησιμοποιείτε το εργαλείο αν είστε κουρασμένοι. Μην βιάζεστε.
- **Μην χρησιμοποιείτε το προϊόν αν ο διακόπτης του δεν το ενεργοποιεί και απενεργοποιεί.** Αντικαταστήστε αμέσως τους ελαττωματικούς διακόπτες σε ένα εξουσιοδοτημένο συνεργείο.
- **Χρησιμοποιείτε μόνο σωστές λεπίδες.** Μην χρησιμοποιείτε λεπίδες με οπές εσφαλμένου μεγέθους. Μην χρησιμοποιείτε ποτέ ροδέλες ή παξιμάδια ατράκτου ελαττωματικά ή εσφαλμένα. Η μέγιστη δυναμικότητα λεπίδας του κόπτη σας είναι 178 mm. Όλες οι λεπίδες που χρησιμοποιούνται πρέπει να κατασκευάζονται σε συμμόρφωση με το EN13236. Ποτέ μη χρησιμοποιείτε μια λεπίδα κοπής με μια χαμηλότερη αξιολόγηση ταχύτητας από αυτή του εργαλείου.
- **Πριν κάνετε μία κοπή, βεβαιωθείτε ότι όλες οι προσαρμογές είναι ασφαλείς.**
- **Μην αγγίζετε ποτέ τη λεπίδα ή άλλα κινούμενα εξαρτήματα κατά τη χρήση.**
- **Μην ξεκινάτε ποτέ το εργαλείο όταν οποιοδήποτε περιστρεφόμενο τμήμα του είναι σε επαφή με το τεμάχιο εργασίας.**
- **Μην χρησιμοποιείτε το εργαλείο υπό την επήρεια ναρκωτικών, αλκοόλ ή φαρμάκων.**
- **Κατά τις επιδιορθώσεις, χρησιμοποιείτε μόνο πανομοιότυπα ανταλλακτικά.** Η χρήση άλλων εξαρτημάτων μπορεί να προκαλέσει κίνδυνο ή ζημιά στο προϊόν.
- **Χρησιμοποιείτε μόνο τα προτεινόμενα εξαρτήματα που αναγράφονται στο εγχειρίδιο ή τα παραρτήματα.** Η χρήση εξαρτημάτων που δεν αναγράφονται μπορεί να προκαλέσει κίνδυνο τραυματισμού. Οδηγίες για ασφαλή χρήση εξαρτημάτων συμπεριλαμβάνονται με το εξάρτημα.
- **Διπλοελέγχετε όλες τις ρυθμίσεις/εγκαταστάσεις.** Βεβαιωθείτε ότι η λεπίδα είναι ασφαλισμένη και δεν έρχεται σε επαφή με τον κόπτη ή το τεμάχιο εργασίας πριν συνδέσετε τη συσκευή στο ρεύμα.

ΠΡΟΕΙΔΟΠΟΙΗΣΕΙΣ ΑΣΦΑΛΕΙΑΣ ΚΟΠΤΗΣ ΠΛΑΚΙΔΙΩΝ

- Ασφαλίστε πάντα καλά το τεμάχιο εργασίας κόντρα στον οδηγό απόσχισης ή το κομμάτι φαλτσογωνιάς.
- Μην στέκεστε ποτέ και μην αφήνετε ποτέ κανένα μέρος του σώματός σας ευθυγραμμισμένο με τη διαδρομή της λεπίδας.
- Μην προσπαθήτε ποτέ να ελευθερώσετε λεπίδες που έχουν κολλήσει αν δεν απενεργοποιήσετε πρώτα τον κόπτη και δεν τον αποσυνδέσετε από το ρεύμα.
- Αν το καλώδιο παροχής ρεύματος φθαρεί, πρέπει να αντικατασταθεί μόνο από τον παρασκευαστή ή εξουσιοδοτημένο κέντρο σέρβις για αποφυγή κινδύνων.
- Αποφεύγετε αδέξιες λειτουργίες και θέσεις χεριών όπου μια ξαφνική ολίσθηση θα μπορούσε να προκαλέσει "πίσισμο" του χεριού σας από το εργαλείο κοπής.
- Βεβαιωθείτε ότι ο χώρος εργασίας έχει επαρκή φωτισμό ώστε να βλέπετε το τεμάχιο εργασίας και ότι δεν υπάρχουν εμπόδια στην ασφαλή χρήση, προτού εκτελέσετε οποιαδήποτε εργασία με τον κόπτη.
- Απενεργοποιείτε πάντα τον κόπτη πριν τον αποσυνδέσετε, για να αποφευχθεί τυχαία εκκίνηση κατά την επανασύνδεση στην παροχή ρεύματος.
- Το εργαλείο πρέπει να έχει τις παρακάτω σημάνσεις:
 - Φοράτε προστατευτικά ματιών.
 - Χρησιμοποιήστε το προστατευτικό λεπίδας σε κάθε λειτουργία που μπορεί να χρησιμοποιηθεί.
 - Αποσυνδέτε τον πάγκο πριν το σέρβις, όταν αλλάξετε λεπίδες κοπής και κατά τον καθαρισμό.
 - Χρησιμοποιείτε το εργαλείο μόνο με λεπίδες κοπής με λεία άκρα, χωρίς ανοίγματα, αυλάκια και δόντια.
 - Αντικαταστήστε φθαρμένες λεπίδες κοπής πριν τη λειτουργία.
 - Μην γεμίζετε νερό πάνω από τη γραμμή πλήρωσης.
- **Φυλάξτε αυτες τις οδηγίες.** Συμβουλευτείτε συχνά τις οδηγίες και χρησιμοποιήστε τις για να ενημερώσετε άλλους χρήστες. Αν δανείσετε σε κάποιον το εργαλείο, δώστε μαζί και αυτές τις οδηγίες.

ΗΛΕΚΤΡΟΛΟΓΙΚΗ ΣΥΝΔΕΞΗ

Το προϊόν τροφοδοτείται από ηλεκτρικό κινητήρα ακριβείας. Θα πρέπει να συνδέεται σε παροχή ρεύματος 220-240 V, μόνο AC (κανονικό οικιακό ρεύμα), 50 Hz. Μην χρησιμοποιείτε το προϊόν με συνεχές ρεύμα (DC). Μια σημαντική πτώση τάσης θα προκαλέσει απώλεια ισχύος και υπερθέρμανση του κινητήρα. Αν ο κόπτης δεν λειτουργεί ενώ τον έχετε συνδέσει στην πρίζα, ελέγξτε ξανά την παροχή ρεύματος.

ΤΑΧΥΤΗΤΑ ΚΑΙ ΚΑΛΩΔΙΩΣΗ

Η ταχύτητα του εργαλείου χωρίς φορτίο είναι κατά προσέγγιση 2.900 rpm. Αυτή η ταχύτητα δεν είναι σταθερή





Ελληνικά

και μειώνεται με την ύπαρξη φορτίου ή με χαμηλότερη τάση. Για τάση, η καλωδίωση στο κατάστημα είναι εξίσου σημαντική με τη βαθμονόμηση ισχύος ή πτεπων του κινητήρα. Γραμμή που διατίθεται μόνο για φωτισμό δεν μπορεί να λειτουργήσει σωστά με κινητήρα μηχανοκίνητου εργαλείου. Σύρμα που είναι αρκετά βαρύ για μικρή απόσταση, είναι υπερβολικά ελαφρύ για μεγαλύτερες αποστάσεις. Μια γραμμή που μπορεί να υποστηρίξει ένα μηχανοκίνητο εργαλείο, μπορεί να μην είναι σε θέση να υποστηρίξει δύο ή τρία.

ΟΔΗΓΙΕΣ ΓΕΙΩΣΗΣ

Βλ. Σχήμα 1.

Το προϊόν πρέπει να γειωθεί. Σε περίπτωση δυσλειτουργίας ή προβλήματος, η γείωση αποτελεί την τελευταία αντίσταση στο ηλεκτρικό ρεύμα, μειώνοντας τον κίνδυνο ηλεκτροπληξίας. Το εργαλείο είναι εξοπλισμένο με ηλεκτρικό καλώδιο που διαθέτει αγωγό γείωσης εξοπλισμού και βύσμα γείωσης. Το βύσμα πρέπει να συνδεθεί σε αντίστοιχη πρίζα που είναι σωστά εγκατεστημένη και γειωμένη, σύμφωνα με τους τοπικούς κώδικες και κανόνες.

Μην τροποποιείτε το παρεχόμενο βύσμα. Αν δεν ταιριάζει στην πρίζα, φροντίστε για την τοποθέτηση κατάλληλης από ειδικευμένο ηλεκτρολόγο.

⚠ ΠΡΟΕΙΔΟΠΟΙΗΣΗ

Η εσφαλμένη σύνδεση του βύσματος γείωσης μπορεί να προκαλέσει κίνδυνο ηλεκτροπληξίας. Όταν απαιτείται επισκευή ή αντικατάσταση του καλωδίου, μη συνδέετε το σύρμα γείωσης σε οποιοδήποτε από τα επίπεδα τερματικά. Το σύρμα με την πράσινη μόνωση (με ή χωρίς κίτρινες λωρίδες) είναι το σύρμα γείωσης.

Αν δεν καταλαβαίνετε απόλυτα τις οδηγίες γείωσης ή δεν είστε βέβαιοι ότι το προϊόν είναι κατάλληλα γειωμένο, επικοινωνήστε με έναν ειδικευμένο ηλεκτρολόγο ή τεχνικό σέρβις.

Επισκευάστε ή αντικαθίστε τα κατεστραμμένα ή φθαρμένα καλώδια αμέσως.

Αν το καλώδιο παροχής ρεύματος φθαρεί, πρέπει να αντικατασταθεί μόνο από τον παρασκευαστή ή εξουσιοδοτημένο κέντρο σέρβις για αποφυγή κινδύνων.

Συνδέετε το προϊόν μόνο σε πρίζα που έχει την ίδια ρύθμιση με το βύσμα. Μην χρησιμοποιείτε αντάπτορα με το προϊόν.

Για μεγαλύτερη ασφάλεια και αξιοπιστία, όλες οι επιδιορθώσεις πρέπει να πραγματοποιούνται από εγκεκριμένο Κέντρο Τεχνικής Εξυπηρέτησης Ryobi.

Η προστασία συσκευής ρεύματος διαροής (RCD) πρέπει να παρέχεται πάντα στο κύκλωμα(-τα) ή την πρίζα(-ες) που θα χρησιμοποιηθούν για τον κόπτη πλακιδίων. Υπάρχουν διαθέσιμες πρίζες με ενσωματωμένη προστασία RCD που μπορούν να χρησιμοποιηθούν για αυτό το μέτρο ασφάλειας.

Αν ο κόπτης χρησιμοποιείται με καλώδιο προέκτασης, βεβαιωθείτε ότι η σύνδεση του καλωδίου ισχύος του εργαλείου και του καλωδίου προέκτασης δεν είναι στο δάπεδο. Οι βοηθητικές συσκευές πρέπει να συνδέονται πάντα στην πρίζα του τοίχου και όχι στη σύνδεση καλωδίου προέκτασης ή στο καλώδιο ισχύος των μηχανοκίνητων εργαλείων.

Αν δεν διαθέτετε προστατευμένη πρίζα, μην χρησιμοποιείτε τον πάγκο μέχρι την αλλαγή της πρίζας ή την λήψη συμπληρωματικής προστασίας. Αυτές οι βοηθητικές συσκευές προστασίας είναι διαθέσιμες στον τοπικό πωλητή σας.

ΘΕΣΗ ΚΟΠΤΗ ΠΛΑΚΙΔΙΩΝ

Βλ. Σχήμα 2.

Για να αποφύγετε τη πιθανότητα να βραχεί το βύσμα εργαλείου ή η πρίζα, τοποθετήστε τον κόπτη πλακιδίων σε μία πλευρά πρίζας τοποθετημένης στον τοίχο, ώστε να μη στάζει νερό στην πρίζα ή το βύσμα. Ο χειριστής θα πρέπει να ρυθμίσει έναν "βρόγχο στάλαξης" στο καλώδιο που συνδέει τον κόπτη στην πρίζα. Ο "βρόγχος στάλαξης" είναι το τμήμα του καλωδίου κάτω από το επίπεδο της πρίζας ή ο σύνδεσμος αν χρησιμοποιείται καλώδιο προέκτασης, που αποτρέπει την μεταφορά νερού κατά μήκος του καλωδίου που θα μπορούσε να έρθει σε επαφή με τηνπρίζα.

Αν το βύσμα ή η πρίζα βραχούν, ΜΗΝ αφαιρείτε το καλώδιο από το ρεύμα. Αποσυνδέετε την ασφάλεια ή τον αποζεύκτη που παρέχει ισχύ στο εργαλείο και στη συνέχεια αφαιρέστε το βύσμα και ελέγξτε για την παρουσία νερού στην έξοδο.

⚠ ΠΡΟΕΙΔΟΠΟΙΗΣΗ

Για να μειώσετε τον κίνδυνο ηλεκτροπληξίας, διατηρείτε όλες τις συνδέσεις στεγνές και όχι στο πάτωμα. Μην αγγίζετε το βύσμα με υγρά χέρια.

ΠΡΟΔΙΑΓΡΑΦΕΣ

Προδιαγραφές Προϊόντος

Τάση	220 - 240V
Ισχύς	500 W
Ταύτητα στ κεν	2,900 rpm
Βάρος	15,5 kg (N.W.)

Χαρακτηριστικά

Μέγεθος πάγκου	381 mm x 502 mm
Ύψος πάγκου από ντουλάπι σε πάγκο	181 mm

Προδιαγραφές Υλικών

Υλικό πάγκου	ανοξείδωτο ασάλι
Υλικό βάσης	ασαλένιοι αγωγοί





Ελληνικά

Εργαλεία Κοπής/Δυναμικότητα	
Διάμετρος λεπίδας	178 mm
Τύπος λεπίδας	Διαμάντι
Εσωτερική διάμετρος λεπίδας	25,4 mm
Μέγιστο βάθος κοπής	33 mm
Οι υπολογισμένες τιμές καθορίστηκαν σύμφωνα με το EN 61029 Α-σταθμισμένο επίπεδο πίεσης ήχου Οδχήλκα Κ	$L_{PA} = 61,0 \text{ dB(A)}$ 3 dB(A)
Οι υπολογισμένες τιμές καθορίστηκαν σύμφωνα με το EN 61029 Α-σταθμισμένο επίπεδο έντασης ήχου Οδχήλκα Κ	$L_{WA} = 77,0 \text{ dB(A)}$ 3 dB(A)

ΕΞΟΙΚΕΙΩΘΕΙΤΕ ΜΕ ΤΟΝ ΚΟΠΤΗ ΠΛΑΚΙΔΙΩΝ ΣΑΣ

178 mm λεπίδα κοπής πλακιδίων

- Μία λεπίδα κοπής πλακιδίων 178 mm συνοδεύει τον κόπτη σας.

Πάγκος λοξότμησης/φαλτσογωνίας

- Κοπές φαλτσογωνίας 22,5° και 45° μπορούν να γίνουν με χρήση του πάγκου λοξότμησης/φαλτσογωνίας.

Λαβές

- Ο πάγκος διαθέτει πρακτικές λαβές στην αριστερή και δεξιά όψη του, για ανύψωση και μεταφορά.

Οδηγός λοξότμησης

- Ο οδηγός λοξοτομής είναι πλήρως ρυθμιζόμενος για διαγωνίες κοπές και κοπές λοξοτομής.

Κινητήρας

- Η συσκευή διαθέτει ισχυρό κινητήρα με επαρκή ισχύ για χειρισμό δύσκολων εργασιών κοπής.

Οδηγός απόσχισης

- Ο οδηγός απόσχισης ρυθμίζεται πλήρως για την διεξαγωγή σταυρωτών κοπών και τη χρήση του οδηγού λοξοτομής.

Βάση κόπτη πλακιδίων

- Ο κόπτης συνοδεύεται από βάση για μεγαλύτερη φορητότητα και πρακτικότητα.

Προστατευτικό λεπίδας

- Το προστατευτικό λεπίδας παρέχει προστασία από ψεκάσμο

ΣΥΝΑΡΜΟΛΟΓΗΣΗ

ΤΟΠΟΘΕΤΗΣΗ ΠΡΟΣΤΑΤΕΥΤΙΚΟΥ ΛΕΠΙΔΑΣ

Βλ. Σχήμα 5-6.

1. Αφαιρέστε τον πάγκο λοξότμησης/φαλτσογωνίας.

2. Τοποθετήστε τον βραχίονα προστατευτικού λεπίδας σχήματος L-στο χείλος που βρίσκεται κάτω από τον πάγκο, πίσω από τη λεπίδα.

3. Τοποθετήστε βίδες στον πάγκο και μέσα από τον βραχίονα προστατευτικού λεπίδας και σφίξτε καλά.

ΣΗΜΕΙΩΣΗ: Βεβαιωθείτε ότι ο βραχίονας προστατευτικού λεπίδας είναι ευθυγραμμισμένος με τη λεπίδα κοπής, ώστε να μην εμποδίζει το υλικό που κόβεται.

4. Ευθυγραμμίστε το προστατευτικό της λεπίδας με τη λεπίδα και περάστε από πάνω τον βραχίονα. Ευθυγραμμίστε μέσω των οπών στο προστατευτικό λεπίδας με την υποδοχή στον σφινγκτήρα προστατευτικού λεπίδας.

ΣΗΜΕΙΩΣΗ: Ρυθμίζετε πάντα το προστατευτικό λεπίδας οριζόντια με τον πάγκο και ελαφρά πάνω από το πάχος του πλακιδίου. Το προστατευτικό λεπίδας δεν πρέπει να εφάπτεται στο πλακίδιο.

5. Τοποθετήστε το εξαγωνικό μπουλόνι μέσα από το προστατευτικό λεπίδας και τον βραχίονα.

6. Περάστε το σφαιρικό κουμπί στο μπουλόνι και σφίξτε στο επιθυμητό ύψος.

7. Τοποθετήστε ξανά τον πάγκο λοξότμησης/φαλτσογωνίας.

ΣΗΜΕΙΩΣΗ: Το κάλυμμα/προστατευτικό λεπίδας συναρμολογείται στο εργοστάσιο. Μην εκτελείτε αποσυναρμολόγηση κατά τη διάρκεια προσαρμογών και συντήρησης.

ΤΟΠΟΘΕΤΗΣΗ ΟΔΗΓΟΥ ΑΠΟΣΧΙΣΗΣ

Βλ. Σχήμα 7.

1. Γυρίστε το σφαιρικό κουμπί στον οδηγό απόσχισης αριστερόστροφα για να χαλαρώσει.

2. Περάστε τον οδηγό απόσχισης στο πλάι του πάγκου.

3. Χρησιμοποιείτε την κλίμακα οδηγού απόσχισης, που βρίσκεται μπροστά και πίσω στον πάγκο, για να ορίσετε τον οδηγό απόσχισης στο επιθυμητό πλάτος κοπής.

4. Γυρίστε το σφαιρικό κουμπί οδηγού απόσχισης δεξιόστροφα για να σφίξει καλά.

ΤΟΠΟΘΕΤΗΣΗ ΟΔΗΓΟΥ ΛΟΞΟΤΜΗΣΗΣ

Βλ. Σχήμα 7.

1. Προσαρμόστε τον οδηγό απόσχισης στην επιθυμητή θέση και ασφαλίστε.

2. Περάστε τον οδηγό λοξοτομής στον οδηγό απόσχισης από μπροστά.

3. Προσαρμόστε στην επιθυμητή γωνία, χρησιμοποιώντας την κλίμακα γωνίας και σφίξτε καλά με το σφαιρικό κουμπί.

ΣΥΝΑΡΜΟΛΟΓΗΣΗ ΒΑΣΗΣ

Βλ. Σχήμα 8-9.

Οι σφινγκήρες υποστήριξης και τα πόδια βάσης έχουν





Ελληνικά

αντίστοιχα γράμματα για εύκολη συναρμολόγηση.

Απαραίτητα εργαλεία: Ρυθμιζόμενο κλειδί ή κλειδιά 13 mm και κατασβίδι Philips.

1. Εισάγετε τα πόδια της βάσης, με σήμανση "Α", στους τελικούς σωλήνες του βραχίονα στήριξης με σήμανση "Α". Οι άκρες με κλίση των ποδιών της βάσης θα πρέπει να κοιτάνε αντίθετα η μία προς την άλλη, ώστε να αναπαριστούν το σχήμα του γράμματος "V". Ευθυγραμμίστε τις σπές για το υλικό. Επαναλάβετε με τον δεύτερο σφικτήρα υποστήριξης και τα πόδια με σήμανση "B".
2. Προσαρμόστε τις διατάξεις ποδιών στους σφικτήρες. Η διάταξη ποδιών "B" βρίσκεται στο εσωτερικό των σφικτήρων. Η διάταξη ποδιών "A" βρίσκεται στην εξωτερική πλευρά. Ευθυγραμμίστε τις σπές σε σφικτήρες και πόδια. Εγκαταστήστε το υλικό μέσω των οπών.
3. Χρησιμοποιώντας ένα κλειδί, σφίξτε το υλικό.
4. Τοποθετήστε τη βάση σε ίσιο δάπεδο και ευθυγραμμίστε τα αυλάκια κάτω από τον κόπτη πλακιδίων με τους σφικτήρες στη βάση. Τοποθετήστε τον πάγκο στη βάση.
5. Βεβαιωθείτε ότι ο κόπτης πλακιδίων βρίσκεται τοποθετημένος σε ίσιο δάπεδο και ότι η βάση είναι σταθερή πριν τον χρησιμοποιήσετε.

ΤΟΠΟΘΕΤΗΣΗ ΟΠΗΣ ΥΠΕΡΧΕΙΛΙΣΗΣ

Βλ. Σχήμα 10.

1. Αφαιρέστε τον πάγκο λοξότμησης/φαλτσογωνίας.
2. Εντοπίστε την οπή στη βάση του ρεζερβουάρ νερού.
3. Σπρώξτε καλά την οπή υπερχείλισης στην τρύπα.
4. Τοποθετήστε ξανά τον πάγκο λοξότμησης/φαλτσογωνίας.

ΣΥΝΑΡΜΟΛΟΓΗΣΗ ΑΓΚΙΣΤΡΩΝ

1. Γυρίστε το περίβλημα κόπτη πλακιδίων ανάποδα.
2. Ευθυγραμμίστε τις σπές βιδών στα άγκιστρα με τις σπές βιδών στη βάση του περιβλήματος του κόπτη πλακιδίων.
3. Εισάγετε τις βίδες και σφίξτε καλά.

ΓΕΜΙΣΜΑ ΡΕΖΕΡΒΟΥΑΡ ΝΕΡΟΥ

Βλ. Σχήμα 11.

1. Αφαιρέστε τον πάγκο λοξότμησης/φαλτσογωνίας.
2. Γεμίστε το ρεζερβουάρ νερού με καθαρό νερό βρύσης έως τη γραμμή πλήρωσης.

ΣΗΜΕΙΩΣΗ: Η οπή υπερχείλισης προλαβαίνει την υπερπλήρωση.

3. Τοποθετήστε ξανά τον πάγκο λοξότμησης/φαλτσογωνίας.

ΑΛΛΑΓΗ ΝΕΡΟΥ ΡΕΖΕΡΒΟΥΑΡ

1. Αποσυνδέστε από το ρεύμα τον κόπτη πλακιδίων.
2. Αφαιρέστε την οπή υπερχείλισης και αδειάστε την σε

έναν κάδο. Μην αφήσετε το νερό να χυθεί στο πάτωμα ή δίπλα στη συσκευή.

3. Απορρίπτετε το απόβλητο νερό σύμφωνα με τους τοπικούς κανονισμούς.

ΛΕΙΤΟΥΡΓΙΑ

⚠ ΠΡΟΕΙΔΟΠΟΙΗΣΗ

Μην χαλαρώσετε την προσοχή σας αφού εξοικειωθείτε με το εργαλείο σας. Μην ξεχνάτε ποτέ πως ένα δευτερόλεπτο απροσεξίας αρκεί για να τραυματιστείτε σοβαρά.

⚠ ΠΡΟΕΙΔΟΠΟΙΗΣΗ

Φοράτε πάντα γυαλιά ασφαλείας ή προστατευτικά γυαλιά με πλαϊνά ελάσματα όταν χρησιμοποιείτε εργαλεία. Η μη τήρηση της σύστασης αυτής μπορεί να προκαλέσει την προβολή ξένων σωμάτων στα μάτια σας επιφέροντας σοβαρές οφθαλμικές βλάβες.

⚠ ΠΡΟΕΙΔΟΠΟΙΗΣΗ

Μην χρησιμοποιείτε άλλα ανταλλακτικά ή εξαρτήματα εκτός από αυτά που συνιστά ο κατασκευαστής για το εργαλείο αυτό. Η χρήση μη συνιστώμενων ανταλλακτικών ή εξαρτημάτων μπορεί να επιφέρει ικανό σοβαρό τραυματισμού.

ΕΛΕΓΧΟΣ RCD ΠΡΙΝ ΤΗ ΧΡΗΣΗ

1. Συνδέστε το RCD στο ρεύμα.
2. Πατήστε το κουμπί επανεκκίνησης. Ανάβει η ένδειξη ενεργοποίησης.
3. Πατήστε το κουμπί δοκιμής. Σβήνει η ένδειξη ενεργοποίησης.
ΠΡΟΕΙΔΟΠΟΙΗΣΗ: Αν το RCD δεν ολοκληρώσει με επιτυχία την δοκιμή, μην χρησιμοποιείτε το εργαλείο. Συμβουλευτείτε ηλεκτρολόγο.
4. Πατήστε το κουμπί επανεκκίνησης για να ενεργοποιήσετε το RCD.

ΕΛΕΓΧΟΣ RCD ΠΡΙΝ ΤΗ ΧΡΗΣΗ

1. Συνδέστε το RCD στο ρεύμα.
2. Πατήστε το κουμπί επανεκκίνησης. Ανάβει η ένδειξη ενεργοποίησης.
3. Πατήστε το κουμπί δοκιμής. Σβήνει η ένδειξη ενεργοποίησης.
ΠΡΟΕΙΔΟΠΟΙΗΣΗ: Αν το RCD δεν ολοκληρώσει με επιτυχία την δοκιμή, μην χρησιμοποιείτε το εργαλείο. Συμβουλευτείτε ηλεκτρολόγο.
4. Πατήστε το κουμπί επανεκκίνησης για να ενεργοποιήσετε το RCD.





Ελληνικά

ΕΦΑΡΜΟΓΕΣ

Μπορείτε να χρησιμοποιήσετε το προϊόν για τους παρακάτω σκοπούς:

Λειτουργίες κοπής σε ευθεία γραμμή όπως σταυρωτές κοπές, λοξοτομές, αποσχίσεις και φαλτσγωνίες

ΣΗΜΕΙΩΣΗ: Ο κόπτης είναι σχεδιασμένος για την κοπή πλακιδίων, πλακόστρωτου, φυσικών προϊόντων πέτρας και πέτρινων πλακιδίων μόνο.

Διακόπτης ενεργοποίησης/απενεργοποίησης

Ο κόπτης έχει διακόπτη ON/OFF εύκολης πρόσβασης κάτω από το μπροστινό κάγκελο.

Για να απενεργοποιήσετε τον κόπτη:

Πιέστε το κόκκινο κουμπί προς τα κάτω για απενεργοποίηση (OFF) (O).

Για να ενεργοποιήσετε τον κόπτη:

Πιέστε το πράσινο κουμπί προς τα κάτω για ενεργοποίηση (ON) (I).

Για να κλειδώσετε τον κόπτη:

Με τον κόπτη απενεργοποιημένο (OFF), αφαιρέστε το βύσμα από την παροχή ρεύματος.

⚠ ΠΡΟΕΙΔΟΠΟΙΗΣΗ

Να είστε ΠΑΝΤΑ βέβαιοι ότι το τεμάχιο εργασίας δεν έρχεται σε επαφή με τη λεπίδα κοπής πριν πατήσετε τον διακόπτη για να ξεκινήσετε το εργαλείο. Αν δεν τηρηθεί αυτή η προειδοποίηση, μπορεί να προκληθεί επιστροφή του τεμαχίου εργασίας προς τον χειριστή, οδηγώντας σε σοβαρό τραυματισμό.

⚠ ΠΡΟΕΙΔΟΠΟΙΗΣΗ

Για να μειώσετε τον κίνδυνο τυχαίας εκκίνησης, βεβαιωθείτε ότι ο διακόπτης βρίσκεται στη θέση OFF πριν συνδέσετε το εργαλείο στην παροχή ρεύματος. Σε περίπτωση διακοπής ρεύματος ή όταν το εργαλείο δεν χρησιμοποιείται, αποσυνδέστε τον διακόπτη (OFF) και αφαιρέστε το βύσμα από την παροχή ρεύματος. Έτσι αποτρέπεται η τυχαία έναρξη του εργαλείου όταν αποκατασταθεί το ρεύμα.

ΧΡΗΣΗ ΟΔΗΓΟΥ ΑΠΟΣΧΙΣΗΣ ΚΑΙ ΟΔΗΓΟΥ ΛΟΞΟΤΟΜΗΣ

Βλ. Σχήμα 13.

Ο οδηγός απόσχισης μπορεί να χρησιμοποιηθεί από την αριστερή και τη δεξιά πλευρά της λεπίδας κοπής.

1. Γυρίστε το σφαιρικό κουμπί στον οδηγό απόσχισης αριστερόστροφα για να χαλαρώσει.

2. Προσαρμόστε τον οδηγό απόσχισης στην επιθυμητή θέση, χρησιμοποιώντας την κλίμακα οδηγού απόσχισης που βρίσκεται στην μπροστινή και πίσω όψη του πάγκου, για να ρυθμίσετε τον οδηγό απόσχισης στο επιθυμητό πλάτος κοπής.
3. Περιστρέψτε το σφαιρικό κουμπί δεξιόστροφα για να σφίξετε καλά.

ΓΙΑ ΠΡΟΣΑΡΜΟΓΗ ΤΩΝ ΓΩΝΙΩΝ

Προσαρμόστε τον οδηγό απόσχισης στην επιθυμητή θέση και ασφαλίστε καλά.

1. Περάστε τον οδηγό λοξοτομής στον οδηγό απόσχισης από μπροστά.
2. Προσαρμόστε στην επιθυμητή γωνία, χρησιμοποιώντας την κλίμακα γωνίας και σφίξτε καλά με το σφαιρικό κουμπί.

ΚΟΠΕΣ

Σχεδιάζετε πάντα τη γραμμή που θα κόψετε πάνω στο πλακίδιο με έναν μαρκαδόρο ή μολύβι γράσου. Αν το πλακάκι είναι πολύ γυαλιστερό και μαρκάρεται δύσκολα, τοποθετήστε ταινία πάνω του και μαρκάρετε την ταινία.

Ένα συνηθισμένο πρόβλημα στην κοπή πλακιδίων είναι όταν ξεφεύγουμε από τη μαρκαρισμένη γραμμή. Αν ξεφύγετε από τη γραμμή, δεν μπορείτε να πιέσετε τη λεπίδα να επιστρέψει σε αυτήν γυρίζοντας το πλακίδιο. Αντίθετα, κάντε πίσω και ξανακόψτε το πλακίδιο αφαιρώντας μια μικρή ποσότητα του, μέχρι η λεπίδα να επιστρέψει στη σωστή θέση.

Για να αποφύγετε αυτό το πρόβλημα, χρησιμοποιείτε τον οδηγό απόσχισης όταν κάνετε σταυρωτές κοπές, τον οδηγό λοξοτομής για κοπές λοξοτομής και τον ρυθμιζόμενο δεξιά πάγκο για φαλτσγωνίες, όπου είναι δυνατό.

Για να κάνετε εγκάρσια κοπή

Βλ. Σχήμα 14.

Οι σταυρωτές κοπές είναι ευθείες κοπές σε γωνία 90°. Το υλικό τροφοδοτείται στην κοπή με γωνία 90° στην λεπίδα και η λεπίδα είναι κάθετη.

1. Χρησιμοποιώντας ένα μαρκαδόρο ή μολύβι γράσου, μαρκάρετε την περιοχή που θα κοπεί στο υλικό.
2. Προσαρμόστε τον οδηγό απόσχισης στην επιθυμητή θέση και ασφαλίστε καλά.
3. Τοποθετήστε το υλικό στον πάγκο και σταθερά κόντρα στον οδηγό απόσχισης.
4. Βεβαιωθείτε ότι το εργαλείο είναι μακριά από τη λεπίδα κοπής πριν ενεργοποιήσετε τον κόπτη.
5. Ενεργοποιήστε τη συσκευή.
6. Αφήστε τη λεπίδα κοπής να αναπτύξει πλήρη ταχύτητα και περιμένετε να βραχεί πριν μεταφέρετε το υλικό στη λεπίδα.
7. Κρατήστε το υλικό σταθερά κόντρα στον οδηγό απόσχισης και τροφοδοτήστε το υλικό στη λεπίδα κοπής.
8. Όταν ολοκληρωθεί η κοπή, απενεργοποιήστε (OFF)





Ελληνικά

τον κόπτη. Περιμένετε να σταματήσει τελείως η λεπίδα κοπής πριν αφαιρέσετε οποιοδήποτε μέρος του υλικού.

Για να κάνετε διαγώνια κοπή 45°

Βλ. Σχήμα 15.

45° Οι διαγώνιες κοπές αναφέρονται και ως "κοπές από μακρύ σε μακρύ σημείο".

- Χρησιμοποιώντας ένα μαρκαδόρο ή μολύβι γράσου, μαρκάρετε την περιοχή που θα κοπεί στο υλικό.
- Ρυθμίστε τον οδηγό απόσχισης στο επιθυμητό πλάτος και σφίξτε το σφαιρικό κουμπί για να ασφαλιστεί στη θέση του.
- Περάστε τον οδηγό λοξοτομής στον οδηγό απόσχισης από μπροστά.
- Προσαρμόστε τον οδηγό λοξοτομής στις 45° χρησιμοποιώντας την κλίμακα γωνίας και σφίξτε καλά με το σφαιρικό κουμπί.
- Βεβαιωθείτε ότι το εργαλείο είναι μακριά από τη λεπίδα κοπής πριν ενεργοποιήσετε τον κόπτη.
- Ενεργοποιήστε τη συσκευή.
- Αφήστε τη λεπίδα κοπής να αναπτύξει πλήρη ταχύτητα και περιμένετε να βραχεί πριν μεταφέρετε το υλικό στη λεπίδα.
- Κρατήστε το υλικό σταθερά κόντρα στον οδηγό λοξοτομής και περάστε τον οδηγό λοξοτομής κατά μήκος του προστατευτικού απόσχισης. Τροφοδοτήστε το υλικό στην λεπίδα κοπής.
- Όταν ολοκληρωθεί η κοπή, απενεργοποιήστε (OFF) τον κόπτη. Περιμένετε να σταματήσει τελείως η λεπίδα κοπής πριν αφαιρέσετε οποιοδήποτε μέρος του υλικού.

Για να κάνετε κοπή λοξοτομής

Βλ. Σχήμα 16.

Οι κοπές λοξότμησης χρησιμοποιούνται για κοπή εξωτερικών και εσωτερικών γωνιών στο υλικό, διακοσμητικά χερούλια καρέκλας και γύψους βάσεις με το υλικό σε οποιαδήποτε γωνία με τη λεπίδα εκτός των 90°. Οι κοπές λοξότμησης τείνουν να "σύρονται" κατά την κοπή. Για να το ελέγξετε αυτό, κρατήστε το τεμάχιο εργασίας σταθερά κόντρα στον οδηγό λοξοτομής.

- Χρησιμοποιώντας ένα μαρκαδόρο ή μολύβι γράσου, μαρκάρετε την περιοχή που θα κοπεί στο υλικό.
- Ρυθμίστε τον οδηγό απόσχισης στο επιθυμητό πλάτος και σφίξτε το σφαιρικό κουμπί για να ασφαλιστεί στη θέση του.
- Περάστε τον οδηγό λοξοτομής στον οδηγό απόσχισης από μπροστά.
- Προσαρμόστε τον οδηγό λοξοτομής στην επιθυμητή γωνία, χρησιμοποιώντας την κλίμακα γωνίας και σφίξτε καλά με το σφαιρικό κουμπί.
- Βεβαιωθείτε ότι το εργαλείο είναι μακριά από τη λεπίδα κοπής πριν ενεργοποιήσετε τον κόπτη.
- Ενεργοποιήστε τη συσκευή.
- Αφήστε τη λεπίδα κοπής να αναπτύξει πλήρη ταχύτητα και περιμένετε να βραχεί πριν μεταφέρετε το υλικό στη

λεπίδα.

- Κρατήστε το υλικό σταθερά κόντρα στον οδηγό λοξοτομής και περάστε τον οδηγό λοξοτομής κατά μήκος του προστατευτικού απόσχισης. Τροφοδοτήστε το υλικό στην λεπίδα κοπής.
- Όταν ολοκληρωθεί η κοπή, απενεργοποιήστε (OFF) τον κόπτη. Περιμένετε να σταματήσει τελείως η λεπίδα κοπής πριν αφαιρέσετε οποιοδήποτε μέρος του υλικού.

Για να κάνετε κοπή L

Βλ. Σχήμα 17.

Οι κοπές L- είναι κοπές που αφαιρούν ένα κομμάτι πλακιδίου για να τοποθετηθεί σε γωνία, γύρω από ντουλάπι ή κομμάτι γύψου και δημιουργούνται με δύο ξεχωριστές κοπές.

ΣΗΜΕΙΩΣΗ: Κόβετε υπερβολικά μόνο στη βάση ή την κάτω πλευρά του υλικού που κόβεται.

- Κόψτε το υλικό στο επιθυμητό πλάτος, ακολουθώντας τις οδηγίες για σταυρωτή κοπή.
- Προσαρμόστε τον οδηγό απόσχισης στην επιθυμητή θέση και ασφαλίστε καλά.
- Τοποθετήστε το υλικό στον πάγκο και σταθερά κόντρα στον οδηγό απόσχισης.
- Βεβαιωθείτε ότι το εργαλείο είναι μακριά από τη λεπίδα κοπής πριν ενεργοποιήσετε τον κόπτη.
- Ενεργοποιήστε τη συσκευή.
- Αφήστε τη λεπίδα κοπής να αναπτύξει πλήρη ταχύτητα και περιμένετε να βραχεί πριν μεταφέρετε το υλικό στη λεπίδα.
- Κρατήστε το υλικό σταθερά κόντρα στον οδηγό απόσχισης και τροφοδοτήστε το υλικό στη λεπίδα κοπής.
- Κάντε την κοπή αρκετά βαθιά στο υλικό χωρίς να το παρακάνετε.
- Απενεργοποιήστε τη συσκευή.
- Αναποδογυρίστε το υλικό και κάντε την κοπή κατά μήκος ενός από τα μαρκαρίσματα. Αυτή τη φορά κόψτε την άλλη γραμμή και το τεμάχιο κοπής θα πρέπει να διαχωριστεί από το υπόλοιπο υλικό.
- Ενεργοποιήστε τη συσκευή.
- Αφήστε τη λεπίδα κοπής να αναπτύξει πλήρη ταχύτητα και περιμένετε να βραχεί πριν μεταφέρετε το υλικό στη λεπίδα.
- Όταν ολοκληρωθεί η κοπή, απενεργοποιήστε (OFF) τον κόπτη. Περιμένετε να σταματήσει τελείως η λεπίδα κοπής πριν αφαιρέσετε οποιοδήποτε μέρος του υλικού.

Για να κάνετε φάλτσογωνία

Βλ. Σχήμα 18-19.

Κοπές φάλτσογωνίας 22,5° και 45° μπορούν να γίνουν με χρήση του πάγκου λοξότμησης/φάλτσογωνίας.

- Χρησιμοποιώντας ένα μαρκαδόρο ή μολύβι γράσου, μαρκάρετε την περιοχή που θα κοπεί στο υλικό.
- Ανασκόπστε τον πάγκο λοξότμησης/φάλτσογωνίας.
- Στην κάτω πλευρά του πάγκου λοξότμησης/φάλτσογωνίας, τραβήξτε προς τα κάτω τα δύο πόδια





Ελληνικά

του πάγκου σε ορθές γωνίες με την πλακέτα.

- Χρησιμοποιήστε τις πρώτες εγκοπές στα πόδια για να ακουμπήσετε την πλακέτα σε γωνία 22,5°.
 - Χρησιμοποιείτε τη δεύτερη ομάδα εγκοπών για να τοποθετήσετε τον πάγκο λοξότμησης/φαλτσογωνίας στην υψηλότερη γωνία 45°.
- ΣΗΜΕΙΩΣΗ:** Βεβαιωθείτε ότι ο πάγκος λοξοτομής/φαλτσογωνίας είναι καλά κλειδωμένος στη θέση του πριν ξεκινήσετε την κοπή.
- Ξεδιπλώστε τα πόδια και ακουμπήστε τον πάγκο λοξότμησης/φαλτσογωνίας επίπεδο για γωνία 22,5°, ή 45°.
- Ενεργοποιήστε τη συσκευή.
 - Αφήστε τη λεπίδα κοπής να αναπτύξει πλήρη ταχύτητα και περιμένετε να βραχεί πριν μεταφέρετε το υλικό στη λεπίδα.
 - Κρατήστε το υλικό σταθερά κόντρα στον πάγκο λοξότμησης/φαλτσογωνίας και τροφοδοτήστε το υλικό στη λεπίδα κοπής.
 - Όταν ολοκληρωθεί η κοπή, απενεργοποιήστε (OFF) τον κόπτη. Περιμένετε να σταματήσει τελείως η λεπίδα κοπής πριν αφαιρέσετε οποιοδήποτε μέρος του υλικού.

ΣΥΝΤΗΡΗΣΗ

⚠ ΠΡΟΕΙΔΟΠΟΙΗΣΗ

Κατά τις επιδιορθώσεις, χρησιμοποιείτε μόνο πανομοιότυπα ανταλλακτικά. Η χρήση άλλων εξαρτημάτων μπορεί να προκαλέσει κίνδυνο ή ζημιά στο προϊόν.

⚠ ΠΡΟΕΙΔΟΠΟΙΗΣΗ

Φοράτε πάντα προστατευτικά γυαλιά ή γυαλιά ασφαλείας με πλαϊνές ασπίδες κατά τον χειρισμό μηχανοκίνητων εργαλείων ή σε εργασίες με σκόνη. Αν η εργασία προκαλεί σκόνη, φοράτε και ειδική μάσκα.

⚠ ΠΡΟΕΙΔΟΠΟΙΗΣΗ

Αν το καλώδιο παροχής ρεύματος φθαρεί, πρέπει να αντικατασταθεί μόνο από τον παρασκευαστή ή εξουσιοδοτημένο κέντρο σέρβις για αποφυγή κινδύνων.

⚠ ΠΡΟΕΙΔΟΠΟΙΗΣΗ

Για μεγαλύτερη ασφάλεια και αξιοπιστία, όλες οι επιδιορθώσεις πρέπει να πραγματοποιούνται από εγκεκριμένο Κέντρο Τεχνικής Εξυπηρέτησης Ryobi.

ΓΕΝΙΚΗ ΣΥΝΤΗΡΗΣΗ

Αποφύγετε τη χρήση διαλυτών κατά τον καθαρισμό πλαστικών εξαρτημάτων. Τα περισσότερα πλαστικά είναι

επιπρεπή σε φθορές από τους διάφορους τύπους διαλυτών που είναι διαθέσιμοι στο εμπόριο και μπορεί να καταστραφούν από τη χρήση τους. Χρησιμοποιήστε ένα καθαρό πανί για να αφαιρέσετε βρωμιά, σκόνη, λάδια, γράσο κ.λπ.

⚠ ΠΡΟΕΙΔΟΠΟΙΗΣΗ

Μην αφήνετε ποτέ υγρά φρένων, βενζίνη, προϊόντα με βάση το πετρέλαιο, διεισδυτικά έλαια, κλπ να έρθουν σε επαφή με τα πλαστικά τμήματα. Αυτά τα χημικά προϊόντα περιέχουν ουσίες οι οποίες μπορούν να προξενήσουν ζημιά, να μειώσουν ή να καταστρέψουν το πλαστικό.

Λιπανση

Όλα τα έδρανα στο εργαλείο έχουν λιπανθεί με επαρκή ποσότητα λιπαντικού υψηλού τύπου που αρκεί για τη διάρκεια ζωής της μονάδας σε συνθήκες κανονικής χρήσης.

Λεπίδα κοπής πλακιδίων

Για μέγιστη απόδοση και ασφάλεια, προτείνεται να χρησιμοποιείτε τη λεπίδα κοπής 178 mm που συνοδεύει τον κόπτη σας. Επιπρόσθετες λεπίδες κοπής με την ίδια υψηλή ποιότητα είναι διαθέσιμες από τον τοπικό πωλητή σας.

⚠ ΠΡΟΕΙΔΟΠΟΙΗΣΗ

Μην χρησιμοποιείτε λεπίδες κοπής με βαθμονόμηση μικρότερη από την ταχύτητα του εργαλείου χωρίς φορτίο. Διαφορετικά μπορεί να προκληθεί τραυματισμός. Μην χρησιμοποιείτε λεπίδες με ρωγμές, κενά ή δόντια.

ΑΛΛΑΓΗ ΛΕΠΙΔΑΣ ΚΟΠΗΣ ΠΛΑΚΙΔΙΩΝ

Βλ. Σχήμα 20.

⚠ ΠΡΟΕΙΔΟΠΟΙΗΣΗ

Μία λεπίδα κοπής πλακιδίων 178 mm είναι η μέγιστη δυναμικότητα λεπίδας του κόπτη. Μην χρησιμοποιείτε ποτέ υπερβολικά παχιές λεπίδες που δεν επιτρέπουν στη φλόγα τους να εμπλακεί με τα επίπεδα σημεία της ατράκτου. Μεγαλύτερες λεπίδες έρχονται σε επαφή με το προστατευτικό, ενώ πιο χοντρές λεπίδες εμποδίζουν το μπουλόνι λεπίδας να ασφαλίσει τη λεπίδα στην άτρακτο. Όλες αυτές οι καταστάσεις μπορούν να προκαλέσουν σοβαρά ατυχήματα και τραυματισμούς.

- Αποσυνδέστε από το ρεύμα τον κόπτη.
- Αφαιρέστε τον πάγκο λοξότμησης/φαλτσογωνίας.
- Περάστε το εξαγωνικό κλειδί πάνω από το παξιμάδι ατράκτου λεπίδας. Χρησιμοποιώντας το άλλο σας χέρι, περάστε το κλειδί ατράκτου στην άτρακτο λεπίδας.
- Κρατήστε το κλειδί ατράκτου σταθερά για να μη μετακινείται η λεπίδα. Γυρίστε το παξιμάδι ατράκτου αριστερόστροφα για να χαλαρώσει.



Ελληνικά

5. Αφαιρέστε το παξιμάδι ατράκτου, την εξωτερική φλάντζα λεπίδας και τη λεπίδα κοπής.
6. Σκουπίστε μια σταγόνα λάδι στην εσωτερική φλάντζα λεπίδας στο σημείο που έρχεται σε επαφή με τη λεπίδα.

⚠ ΠΡΟΕΙΔΟΠΟΙΗΣΗ

Αν η φλάντζα της εσωτερικής λεπίδας έχει αφαιρεθεί, τοποθετήστε την πριν τοποθετήσετε τη λεπίδα στην άτρακτο. Διαφορετικά μπορεί να προκληθεί ατύχημα αφού η λεπίδα δεν θα σφίγγει σωστά. Μην χρησιμοποιείτε ποτέ λεπίδες με ανοίγματα, αυλάκια ή δόντια στο εργαλείο.

7. Τοποθετήστε τη λεπίδα κοπής στην άτρακτο με τα βέλη πάνω της να ακολουθούν αριστερόστροφη κατεύθυνση.
8. Τοποθετήστε ξανά την εξωτερική φλάντζα λεπίδας. Τα διπλά επίπεδα μέρη "D" στη φλάντζα της λεπίδας, ευθυγραμμίζονται με τα επίπεδα μέρη της ατράκτου.
9. Χρησιμοποιώντας το κλειδί λεπίδας και το κλειδί ατράκτου, σφίξτε καλά το παξιμάδι ατράκτου.
10. Τοποθετήστε ξανά τον πάγκο λοξότμησης/φαλτσογωνίας.

ΠΡΟΣΤΑΣΙΑ ΤΟΥ ΠΕΡΙΒΑΛΛΟΝΤΟΣ



Ανακυκλώνετε τις πρώτες ύλες αντί να τις πετάτε στον κάδο οικιακών απορριμμάτων. Για την προστασία του περιβάλλοντος, πρέπει να γίνεται η διαλογή του εργαλείου, των εξαρτημάτων και των συσκευασιών του.

ΠΣΥΜΒΟΛΟ



Προειδοποίηση ασφάλειας



Συμμόρφωση CE



Συμμόρφωση GOST-R



Παρακαλούμε διαβάστε προσεκτικά τις οδηγίες πριν χρησιμοποιήσετε το προϊόν.



Φοράτε πάντα προστατευτικά ματιών.



Φοράτε προστατευτικά αυτιών



Φοράτε γάντια ασφαλείας



ΚΙΝΔΥΝΟΣ! Αιχμηρή λεπίδα



Προσοχή, κίνδυνος ατυχήματος κοπής



Να μην εκτίθεται σε βροχή και να μην χρησιμοποιείται σε τοποθεσίες με υγρασία.



Να μην εκτίθεται σε βροχή και να μην χρησιμοποιείται σε τοποθεσίες με υγρασία.



Οι μηχανές απαιτείται να χρησιμοποιούνται με συνεχόμενη λεπίδα αποκοπής διαμαντιού περιστομίου.



Κατεύθυνση περιστροφής λεπίδας



Λεπίδα αποκοπής με διαμάντι



Διάμετρος λεπίδας



Διάμετρος άξονας λεπίδας



καθαρό βάρος



Βάθος κοπής (μέγ.)



Πλάτος φρεζαρίσματος (μέγ.)



Διαγώνιο πλάτος κοπής (μέγ.)



Ανακυκλώνετε



Τα ηλεκτρικά προϊόντα προς απόρριψη δεν θα πρέπει να απορρίπτονται μαζί με τα οικιακά απόβλητα. Παρακαλούμε ανακυκλώστε όπου υπάρχουν οι αντίστοιχες εγκαταστάσεις. Μιλήστε με τις τοπικές αρχές ή τον πωλητή για να σας ενημερώσουν σχετικά με τα προγράμματα ανακύκλωσης.



Türkçe

AÇIKLAMA

1. Topraklama ucu
2. Güç kablosu
3. Damla halkası
4. Fayans kesme bıçağı
5. Açma-kapama düğmesi
6. Kesme kılavuzu
7. Gönnye kılavuzu
8. Maksimum dolum çizgisi
9. Taşma borusu
10. Su deposu
11. Kesme bariyeri ölçeği
12. Stant
13. Kablo tutucu
14. Kaldırma tutamakları
15. Bıçak muhafazası
16. Eğitim tablası
17. Fayans testeresi gövdesi
18. Altıgen anahtar
19. Mil anahtarı
20. Vidalar
21. Bıçak muhafazası bağlantı parçası
22. Altıgen somun
23. Altıgen başlı civata
24. Stant ayakları "A"
25. Stant ayakları "B"
26. Ayak standı civatası (civataları)
27. Ayak standı somunu (somunları)
28. Ayak standı köşebendi (köşebentleri)
29. Destek bağlantı parçası "A"
30. Destek bağlantı parçası "B"
31. Mandallar
32. Gerilim azaltma
33. Ağız
34. Kesme kılavuzu topuzu
35. Ayak düzeneği "A"
36. Ayak düzeneği "B"
37. Gönnye kılavuzu ölçeği
38. Gönnye kılavuzu topuzu
39. Eğitim tablası ayağı
40. 22.5° eğim dişi
41. 45° eğim dişi
42. Mil
43. İç flanş
44. Dış flanş
45. Mil somunu

GENEL GÜVENLİK TALİMATLARI

⚠ UYARI

Elektrikli aletleri kullanırken, yangın, elektrik çarpması, yanma ve diğer yaralanma risklerini azaltmak için bazı temel güvenlik tedbirleri dikkate alınmalıdır.

Ürünü çalıştırmayı denemeden önce tüm talimatları okuyun ve saklayın.

- **Elektrikli aletinizi tanıyın.** Kullanım kılavuzunu dikkatle okuyun. Ürünün uygulamalarını ve sınırlamalarını ve buna ilave olarak bunlara ilişkin belirli olası tehlikeleri öğrenin.
- **Topraklanmış yüzeylerle teması önleyerek elektrik çarpmalarına karşı korunun.** Örneğin, borular, radyatörler, alanlar, buzdolabı duvarları.
- **Muhafazaların yerinde ve iyi görev yapar durumda olmasını sağlayın.**
- **Ayarlama anahtarlarını ve somun anahtarlarını çıkarın.** Aleti açmadan önce anahtarın ve ayarlama anahtarlarının aletten çıkarılıp çıkarılmadığını görmek için kontrol etmeyi alışkanlık haline getirin.
- **Çalışma alanını temiz tutun.** Karışık alanlar ve tezgahlar kazaları davet eder. Çalışır durumdayken testerenin üzerinde aletler veya ahşap parçaları bırakmayın.
- **Tehlikeli ortamlarda kullanmayın.** Elektrikli aleti nemli veya ıslak yerlerde kullanmayın, yağmura maruz bırakmayın. Çalışma alanını iyi ışıklandırın. Yanıcı sıvıların veya gazların olması halinde aleti kullanmayın.
- **Çocukları ve seyredenleri uzak tutun.** Tüm konuklar koruyucu gözlük takmalı ve çalışma alanına güvenli bir mesafede durmalıdır. Çalışır durumdayken seyredenlerin alete veya uzatma kablosuna dokunmalarına izin vermeyin.
- **Alete güç uygulamayın.** Alet tasarlanmış olduğu ilerleme hızında işi daha iyi ve güvenli bir şekilde yapacaktır.
- **Doğru aleti kullanın.** Aleti veya aksesuarı, yapması için tasarlandığı işin dışında bir işi yapması için zorlamayın. Kullanım amacının dışında kullanmayın.
- **Uygun uzatma kablosu kullanın.** Uzatma kablounuzun iyi durumda olduğundan emin olun. Sadece ürününüzün çektiği akımı taşıyacak kadar ağır bir kablo kullanın. Zayıf kablo, güç kaybına ve aşırı ısınmaya neden olan hat geriliminde düşüşlere neden olur.
- **Uygun giysiler giyin.** Bol giysiler, eldivenler giymeyin ve boyun bağı ya da takı takmayın. Hareketli parçalar tarafından yakalanabilir ve sizi bu parçalara doğru





Türkçe

çekebilirler. Dışarıda çalışma esnasında lastik eldivenler ve kaymayan ayakkabı (lastik tabanlı botlar) önerilir. Aynı zamanda uzun saçlarınızı tutması için koruyucu saç örtüleri kullanın.

- **Daima yan siperlere sahip koruyucu gözlükler kullanın.** Basit gözlükler sadece darbeye dayanıklı camlara sahiptir; koruyucu gözlük DEĞİLLERDİR.
- **İşi emniyete alın.** Kullanışlı olduğunda iş parçasını tutmak için kelepçeler veya bir mengene kullanın, bunu yapmak elinizi kullanmaktan daha güvenlidir ve aleti kullanmak üzere her iki elinizi de serbest bırakır.
- **Aşırı derecede uzanmayın.** Her zaman güvenli ve dengede durun.
- **Aletlere özenle bakım yapın.** Daha iyi ve daha güvenli performans için aletleri keskin ve temiz tutun. Aksesuarların yağlanması ve değiştirilmesi talimatlarını takip edin. Aletin kablosunu düzenli aralıklarla kontrol edin hasar görmüşse yetkili bir servis merkezi tarafından değiştirilmesini sağlayın. Uzatma kablosunu düzenli aralıklarla kontrol edin ve hasar görmüşse değiştirin. Tutamakları kuru, temiz, yağdan ve gresten uzak olarak muhafaza edin.
- **Aletlerin fişini çekin.** Kullanılmıyorken, bakım yapmadan önce veya aksesuar, bıçak, uç, kesici vb. değiştirmeden önce tüm aletler çıkarılmalıdır. Herhangi bir ayarlama, tamir veya bakım gerçekleştirmeden önce fişi prizden çekin.
- **Yanlışlıkla çalıştırmaları engelleyin.** Tüm elektrikli aletleri fişe takmadan önce düğmelerinin kapalı konumunda olduğundan emin olun.
- **Önerilen aksesuarları kullanın.** Önerilen aksesuarlar için kullanıcı kılavuzuna bakın. Uygun olmayan aksesuarların kullanılması yaralanmalara neden olabilir.
- **Asla alete dayanmayın.** Alet devrilirse veya kesme aletine yanlışlıkla dokunulursa ciddi yaralanmalar meydana gelebilir.
- **Hasarlı parçalara karşı kontrol edin.** Cihazı daha fazla kullanmadan önce, hasar görmüş bir muhafazanın veya başka bir parçanın doğru olarak çalışacağını ve tasarlanan işlevini gerçekleştireceğini saptamak üzere dikkatli bir şekilde kontrol edilmelidir. Hareketli parçaların yerleşimini, bağlantısını, parçaların kırık olup olmadığını, parçaların takılmış olduğunu ve makinenin çalışmasını etkileyecek diğer durumları kontrol edin. Kişisel yaralanmaları önlemek için hasarlı bir koruyucu veya diğer parça veya yetkili bir servis merkezi tarafından tam olarak onarılmalı veya değiştirilmelidir.
- **Doğru iletme yönünü kullanın.** İş parçasını, bir bıçağa veya kesiciye sadece bıçağın veya kesicinin dönüş yönüne doğru iletin.
- **Aleti asla çalışır durumdayken gözetimsiz**

birakmayın. Testereyi kapatın. Tamamen durana kadar aletin yanından ayrılmayın.

- **Akciğerlerinizi koruyun.** Kesme işlemi tozluysa bir yüzü veya toz maskesi takın.
- **Kulaklarınızı koruyun.** Uzun süreli işlemler esnasında kulak koruyucu kullanın.
- **Elektrik kablosunu hor kullanmayın.** Prizden çıkarmak için asla kablodan çekmeyin. Kabloyu ısıdan, yağdan ve keskin kenarlardan uzak tutun.
- **Bıçak muhafazasının her zaman yerinde ve görev yapar durumda olmasını sağlayın.**
- **Ellerinizi kesme bölgesinden uzak tutun.** Ellerinizi bıçaktan uzak tutun. Bıçak hala dönyorken işin altından veya bıçağın etrafından ya da üzerinden uzanmayın. Bıçak hareket ediyorken kesim malzemesini çıkarmayı denemeyin.
- **Alet kapandıktan sonra bıçak boşa dönmeye devam eder.**
- **Asla patlayıcı bir ortamda kullanmayın.** Motorun normal kıvılcımlanması dumanları tutuşturabilir.
- **Aletin kablolarını düzenli aralıklarla kontrol edin.** Hasar görmüşse yetkili bir serviste uzman bir servis teknisyeni tarafından değiştirilmesini sağlayın.
- **Uzatma kablosunu düzenli aralıklarla kontrol edin ve hasar görmüşse değiştirin.**
- **Tüm aletleri topraklayın.** Alette üç uçlu priz bulunuyorsa üç delikli bir elektrik prizine takılmalıdır.
- **Topraklama talimatları tam olarak anlaşılmasa veya cihaz doğru olarak topraklanmasına rağmen bir kuşku varsa uzman bir elektrik teknisyeni veya servis elemanı ile birlikte kontrol edin.**
- **Sadece doğru elektrikli cihazları kullanın:** 3 uçlu topraklı fişe ve aletin fişine uygun 3 kutuplu prizlere sahip 3 telli uzatma kablolarını kullanın.
- **Ürünle birlikte verilen fiş üzerinde değişiklik yapmayın.** Fiş prize uymazsa uzman bir elektrik teknisyenine uygun bir fiş taktırın.
- **Aleti kuru, temiz, yağdan ve gresten uzak olarak muhafaza edin.** Temizlik işlemi için daima temiz bir bez kullanın. Aleti temizlemek için asla fren hidrolik yağı, benzin, petrol bazlı ürünler veya diğer güçlü solventleri kullanmayın.
- **Tetikte olun ve kontrol alıştırıcıları yapın.** Ne yaptığınızı dikkat edin ve sağduyunuzu kullanın. Yorgunken aleti kullanmayın. Acele etmeyin.
- **Düğme aleti açmıyor ve kapatmıyorsa o aleti kullanmayın.** Arızalı düğmenin yetkili bir servis merkezi tarafından değiştirilmesini sağlayın.
- **Sadece doğru bıçak kullanın.** Doğru büyüklükteki deliklere sahip olmayan bıçakları kullanmayın. Kusurlu veya doğru olmayan pulları ya da mil somunlarını asla





Türkçe

kullanmayın. Testerenizin maksimum bıçak kapasitesi 178 mm'dir. Kullanılan bıçakların tümü EN13236'e uygun olarak üretilmelidir. Asla cihazın hız değerinden daha düşük bir hız değerine sahip kesici bıçak kullanmayın.

- **Bir kesim gerçekleştirmeden önce tüm ayarları yapıldığından emin olun.**
- **Kullanım esnasında asla bıçağa veya diğer hareketli parçalara dokunmayın.**
- **Herhangi bir dönen parça iş parçasıyla temas halindeyse aleti asla çalıştırmayın.**
- **Bir ilacın, alkolün veya herhangi bir ilaç tedavisinin etkisi altındayken aleti kullanmayın.**
- **Servis hizmetinde sadece aynı yedek parçaları kullanın.** Başka parça kullanmak tehlike yaratabilir ya da hasara neden olabilir.
- **Sadece bu kılavuzda listelenmiş olan önerilen aksesuarları veya ilaveleri kullanın.** Listelenmemiş aksesuarların kullanılması kişisel yaralanma tehlikesine yol açabilir. Aksesuarların güvenli kullanımına yönelik talimatlar aksesuarlara dahildir.
- **Tüm ayarları iki kez kontrol edin.** Bıçağın sıkılış olmasını ve aleti elektriğe bağlamadan önce testereyle veya iş parçasıyla temas halinde olmamasını sağlayın.

FAYANS TESTERESİ GÜVENLİK UYARILARI

- İşinizi daima kesme kılavuzuna veya eğitim bölüme dayayarak sağlama alın.
- Asla bıçağın kesme yoluyla aynı hızda durmayın veya vücudunuzun herhangi bir uzvunu burada tutmayın.
- Hızı kesilen bir bıçağı ilk önce testereyi kapatmadan ve testerenin fişini prizden çekmeden önce asla gözetimsiz bırakmayın.
- Elektrik kablosu hasar görmüşse tehlikeyi önlemek için sadece üretici veya yetkili bir servis merkezi tarafından değiştirilmelidir.
- Ani bir kaymanın elinizin kesici alete hareket etmesini neden olabileceği bir yerde uygunsuz işletimleri ve elinizin konumunu önleyin.
- Yaptığınız işi görmek için çalışma alanının bol aydınlatmaya sahip olmasını ve testereyi kullanarak herhangi bir çalışma gerçekleştirmeden önce güvenli çalışmayı aksatacak engellerin olmaması sağlayın.
- Testereyi güç kaynağına tekrar taktığınızda yanlışlıkla çalışmasını önlemek için güç kaynağından çekmeden önce testereyi daima kapatın.
- Bu aletle aşağıdaki işaretler bulunmalıdır:
 - Koruyucu gözlük kullanın.
 - Kullanılabilecek her işlem için bıçak muhafazasını kullanın.

- Servis işleminden önce, kesme bıçaklarını değiştirirken ve temizlik işlemi esnasında testerenin fişini çekin.
- Sadece açıklıkları, kanalları ve dişleri olmayan pürüzsüz kenarlı kesme bıçaklarını kullanın.
- Çalıştırmadan önce hasarlı kesme bıçağını değiştirin.
- Su deposunu doldum çizgisinin altında doldurmayın.
- **Bu talimatı saklayın.** Sık aralıklarla talimatlara bakın ve diğer kullanıcıları bilgilendirmek için kullanın. Bu cihazı birisine ödünç olarak vererseniz aynı zamanda bu talimatları da kendisine verin.

ELEKTRİK BAĞLANTISI

Bu alet hassasiyetle entegre edilmiş elektrik motorundan güç alır. Cihaz 220-240 V, sadece AC (evlerdeki mevcut normal akım), 50 Hz olan bir güç kaynağına bağlanmalıdır. Bu cihaz doğru akımda (DC) çalıştırmayın. Önemli bir voltaj düşmesi güç kaybına neden olur ve motor aşırı ısınır. Bir prize taktığınızda testere çalışmıyorsa güç kaynağını iki kez kontrol edin.

HIZ VE KABLO SİSTEMİ

Bu aletin yüksüz hızı yaklaşık 2,900 dev./dak.'dır. Bu hız sabit değildir ve yük veya düşük gerilim altında düşer. Gerilim için, kablo sisteminin bir atölyede yapılması motorun beygir gücü derecelendirmesi kadar önemlidir. Sadece aydınlatma için tasarlanmış bir hat bir elektrikli aletin motorunu tam olarak taşıyamaz. Kısa bir mesafe için yeterli kadar ağır olan kablo dada uzun bir mesafe için hafif olacaktır. Bir elektrikli aleti destekleyebilen bir hat iki veya üç elektrikli aleti destekleyemeyebilir.

TOPRAKLAMA TALİMATLARI

Şekle bakınız 1.

Bu cihazın topraklanması gerekmektedir. Bir aksaklık veya arıza durumunda topraklama sistemi elektrik çarpması riskini azaltmak amaçlı elektrik akımı için minimum direnç yolunu sağlar. Bu aletle, cihaz topraklama kablosuna ve topraklama fişine sahip bir elektrik kablosu bulunmaktadır. Fiş, tüm yerel kurallara ve yasalara uygun doğru olarak takılmış ve topraklanmış uygun bir prize takılmalıdır.

Ürünle birlikte verilen fiş üzerinde değişiklik yapmayın. Fiş prize uymazsa uzman bir elektrik teknisyenine uygun bir fiş taktırın.

A UYARI

Topraklama fişinin yanlış bağlanması elektrik çarpması riskine neden olabilir. Kablonun onarılması veya değiştirilmesi gerektiğinde topraklama kablosunu düz erkeğe bağlamayın. Yeşil renkli izoleye sahip tel (sarı çizgili veya çizgisiz) topraklama telidir.





Türkçe

Topraklama talimatları tam olarak anlaşılılmazsa veya cihaz doğru olarak topraklanmasına rağmen bir kuşku varsa uzman bir elektrik teknisyeni veya servis elemanıyla birlikte kontrol edin.

Hasar görmüş veya eskimiş kabloyu hemen onarın ya da değiştirin.

Elektrik kablosu hasar görmüşse tehlikeyi önlemek için sadece üretici veya yetkili bir servis merkezi tarafından değiştirilmelidir.

Ürünü sadece fişle aynı yapılandırmaya sahip bir prize takın. Bu ürünle birlikte adaptör kullanmayın.

Daha fazla güvenlik için, tüm onarımlar Ryobi Yetkili Servis Merkezinde gerçekleştirilmelidir.

Fayans testeresinde kullanmak üzere devre (devreler) ya da priz (prizler) üzerinde artık akım cihazı (AAC) koruması sağlanmalıdır. Dahili AAC korumaya sahip prizler bulunmaktadır ve bu güvenlik tedbiri için kullanılabilir.

Testere bir uzatma kablosuyla kullanılıyorsa aletin elektrik kablosu bağlantısının ve uzatma kablosunun zemin üzerinde olmamasını sağlayın. Yardımcı cihazlar daima bir duvar prizine takılmalıdır, bir uzatma kablosunun bağlantısında ve elektrikli aletin elektrik kablosunda takılı olmamalıdır.

Korumalı bir priz mevcut değilse bir priz değiştirilebilir veya yardımcı bir koruma sağlanana kadar testereyi kullanmayın. Bu yardımcı koruma cihazlarını yerel satıcınızda bulabilirsiniz.

FAYANS TESTERESİNİN KONUMLANDIRILMASI

Şekle bakınız 2.

Alet fişinin veya prizlin ıslanma olasılığını önlemek üzere, suyun prizlin veya fişin üzerine damlamasını önlemek için fayans testeresini duvara monte bir prizlin bir tarafına yerleştirin. Kullanıcı, testereyi prize bağlayan kabloda bir "damla halkası" oluşturmalıdır. Suyun kablo boyunca hareket ederek prize temas etmesini önlemek üzere "damla halkası" priz veya bir uzatma kablosu kullanılıyorsa konektör seviyesinin altındaki kablo bölümüdür.

Fiş veya priz ıslanmışsa elektrik kablosunu ÇEKMEYİN. Alete güç sağlayan sigortayı veya şalteri çıkarın ardından fişi çekin ve prizlin içinde su olup olmadığını inceleyin.

⚠ UYARI

Elektrik çarpması tehlikesini azaltmak için tüm bağlantıları kuru ve zeminden uzak tutun. Islak elle elektrik fişine dokunmayın.

ÖZELLİKLER

Ürün Özellikleri

Gerilim	220 - 240 V
Güç	500 W
Bota hız	2,900 rpm
Ağırlık	15,5 kg (N.W.)

Özellikler

Tabla ebadı	381 mm x 502 mm
Tabla yüksekliği kabinden masaya	181 mm

Malzeme Özellikleri

Tabla malzemesi	Paslanmaz çelik
Stant malzemesi	Çelik boru

Kesici Aletler/Kapasite

Bıçak çapı	178 mm
Bıçak türü	Elmas
Bıçak iç çapı	25,4 mm
Maksimum kesim derinliği	33 mm
EN 61029 ile uyumlu olarak belirlenen ölçülen değerler A ağırlıklı ses basınç seviyesi Belirsizlik K	$L_{pA} = 61,0 \text{ dB(A)}$ 3 dB(A)
EN 61029 ile uyumlu olarak belirlenen ölçülen değerler A ağırlıklı ses gücü seviyesi Belirsizlik K	$L_{WA} = 77,0 \text{ dB(A)}$ 3 dB(A)

FAYANS TESTERENİZİ TANIYIN

178 mm fayans kesme bıçağı

- Testerenizin teslimatına bir adet 178 mm fayans kesme bıçağı da dahildir.

Eğim tablası

- Eğim tablası kullanılarak 22,5° ve 45° eğimli kesimler yapılabilir.

Tutamaklar

- Kaldırma ve taşıma işlemleri için sağ ve sol taraflarda testere kullanışlı tutamaklara sahiptir.

Gönye kılavuzu

- Gönye kılavuzu, çapraz kesimler ve gönye kesimler için tamamen ayarlanabilir.

Motor

- Bu makinede zorlu kesme işlemlerinin üstesinden





Türkçe

gelmek için yeterli güve sahip bir motor bulunmaktadır.

Kesme kılavuzu

- Kesme kılavuzu, boydan boya kesimler yapmak için ve gönye kılavuzu kullanılarak tam olarak ayarlanabilir.

Fayans testeresi standı

- Bu testere, artırılmış portatiflik ve kullanılabilirlik için bir stantla birlikte teslim edilir.

Bıçak muhafazası

- Bıçak muhafazası sıçramalara ve dumana karşı koruma sağlar

MONTAJ

BİÇAK MUHAFAZASININ TAKILMASI

Şekle bakınız 5-6.

1. Eğitim tablasını çıkarın.
2. L şekilli bıçak muhafazası bağlantı parçasını tablanın altında bıçağın arkasında bulunan ağza takın.
3. Vidaları tablaya ve bıçak muhafazası bağlantı parçasının içinden takın ardından iyice sıkın.
NOT: Bıçak muhafazası bağlantı parçasının kesme bıçağıyla hizalanmasını sağlayın böylece kesilecek malzemeye engel olmaz.
4. Bıçak muhafazasını bıçakla hizalayın ve bağlantının üzerine kaydırın. Bıçak muhafazasındaki delikleri bıçak muhafazası bağlantı parçasındaki yuvayla hizalayın.
NOT: Bıçak muhafazasını daima tablaya yatay olarak ve fayans kalınlığının biraz üstüne ayarlayın. Bıçak muhafazası fayansa dokunmamalıdır.
5. Altıgen civatayı bıçak muhafazasından ve bağlantı parçasından geçirerek takın.
6. Topuzu somuna geçirin ve istediğiniz yükseklikte sıkın.
7. Eğitim tablasını yerine takın.
NOT: Bıçak kapağı/muhafazası fabrikada takılır. Ayar ve bakım işlemi esnasında sökmeyin.

KESME KILAVUZUNUN TAKILMASI

Şekle bakınız 7.

1. Gevşetmek için kesme kılavuzu üzerinde bulunan topuzu saat yönünün tersinde çevirin.
2. Kesme kılavuzunu tabla kenarının üzerine kaydırın.
3. Kesme kılavuzunu istediğiniz kesim genişliğine ayarlamak için tablanın önünde ve arkasında bulunan kesme kılavuzu ölçeğini kullanın.
4. İyice sıkmak için kesme kılavuzu topunuzu saat yönünde çevirin.

GÖNYE KILAVUZUNUN TAKILMASI

Şekle bakınız 7.

1. Kesme kılavuzunu istenen konuma ayarlayın ve sıkın.
2. Gönye kılavuzunu ön taraftan kesme kılavuzunun

üzerine kaydırın.

3. Açılı ölçeğini kullanarak istenen açığa ayarlayın ve topuz yardımıyla iyice sıkın.

STANDIN MONTAJI

Şekle bakınız 8-9.

Destek bağlantı parçaları ve stant ayakları, kolay montaj için ilgili harflere sahiptir.

Gerekli aletler: İngiliz anahtarı veya 13 mm anahtar ve yıldız tornavida.

1. "A" harfiyle işaretlenmiş stant ayaklarını "A" harfiyle işaretlenmiş destek bağlantı parçasının uç borularının içine takın. Stant ayaklarının açılı uçları bir "V" harfine benzeyecek şekilde birbirinden uzak olmalıdır. Delikleri teçhizat için hizalayın. İkinci destek bağlantı parçasıyla ve "B" harfiyle işaretli ayaklarla tekrar edin.
2. Ayak düzeneğini köşebentlere takın. Ayak düzeneği "B" köşebentlerin içine dayanır. Ayak düzeneği "A" dış tarafa dayanır. Köşebentlerdeki ve ayaklardaki delikleri hizalayın. Donanımı deliklerin içinden takın.
3. Bir somun anahtarı kullanarak donanımı sıkın.
4. Standı düz bir zemine yerleştirin ve fayans testeresinin altında bulunan kanalları stant üzerinde bulunan köşebentlerle hizalayın. Tablayı stant üzerine koyun.
5. Kullanmadan önce fayans testeresinin düz bir zemin üzerinde ve standın sağlam olduğundan emin olun.

TAŞMA BORUSUNUN TAKILMASI

Şekle bakınız 10.

1. Eğitim tablasını çıkarın.
2. Su deposunun üzerinde bulunan deliğe yerleştirin.
3. Taşma borusunu deliğe sıkıca bastırın.
4. Eğitim tablasını yerine takın.

MANDALLARIN MONTAJI

1. Fayans testeresi gövdesini ters çevirin.
2. Vida deliklerini fayans testeresi gövdesinin alt tarafında bulunan vida delikleriyle hizalayın.
3. Vidaları takın ve iyice sıkın.

SU DEPOSUNUN DOLDURULMASI

Şekle bakınız 11.

1. Eğitim tablasını çıkarın.
2. Su deposunu temiz musluk suyuyla doldurma çizgisine kadar doldurun.
NOT: Taşma borusu fazla doldurmayı önler.
3. Eğitim tablasını yerine takın.

DEPO SUYUNUN DEĞİŞTİRİLMESİ

1. Fayans testeresinin fişini çekin.
2. Taşma borusunu çıkarın ve bir kovanın içine boşaltın, suyun zemine veya makinenin etrafına sıçramasına izin vermeyin.



Türkçe

3. Atık suyu yerel kanunlara uygun olarak atın.

ÇALIŞTIRMA

⚠ UYARI

Aletinize alışmış olsanız dahi dikkatinizi elden bırakmayın. Ciddi şekilde yaralanmanız için bir saniyelik dikkatsizliğin bile yeterli olduğunu asla unutmayın.

⚠ UYARI

Aletler kullanırken daima güvenlik gözlükleri veya yan ekranlı koruma gözlükleri kullanın. Bu talimata uyulmaması gözlerinizin içine yabancı cisimlerin kaçmasına ve ciddi göz lezyonlarına yol açabilir.

⚠ UYARI

Üreticinin bu alet için tavsiye ettikleri dışında parça veya aksesuarlar kullanmayın. Tavsiye edilmeyen parça veya aksesuarların kullanılması ciddi yaralanma risklerine yol açabilir.

KULLANIM ÖNCESİ RCD'NİN TEST EDİLMESİ

1. RCD'yi prize takın.
2. Sıfırlama düğmesine basın. Güç göstergesi yanmalıdır.
3. Test düğmesine basın. Güç göstergesi sönmelidir.
UYARI: RCD testi başarısız olursa, aleti kullanmayın. Uzman bir elektrik teknisyenine danışın.
4. RCD'yi etkinleştirmek için sıfırlama düğmesine basın.

UYGULAMALAR

Bu aleti aşağıda listelenen amaçlar için kullanabilirsiniz:

Boydan boya kesme, gönyeleme, yarma ve eğim verme gibi düz hat kesim işlemleri

NOT: Bu testere, sadece insan yapımı fayans, tuğla, doğal taş ürünleri ve taş fayansları kesmek üzere tasarlanmıştır.

Açma-kapama düğmesi

Bu testere, ön ray altında kolay ulaşılabilir güç AÇMA/KAPAMA düğmesine sahiptir.

Testerenizi kapatmak için:

KAPATMAK için kırmızı düğmeyi aşağıya bastırın (O).

Testerenizi açmak için:

AÇMAK için yeşil düğmeyi aşağıya bastırın (I).

Testerenizi kilitlemek için:

Kapatılmış testerenin fişini güç kaynağından çekin.

⚠ UYARI

Aleti çalıştırmak için anahtarı açmadan önce DAİMA iş parçanızın kesme bıçağıyla temas etmemesini sağlayın. Bu uyarıyı önemsememek iş parçasının operatöre doğru fırlatılmasına ve ciddi kişisel yaralanmalara neden olabilir.

⚠ UYARI

Yanlışlıkla çalıştırma tehlikesini azaltmak için aletin fişini prize takmadan önce daima düğmesinin OFF (KAPALI) konumda olmasını sağlayın. Elektrik kesintisi durumunda veya alet kullanımında değışken anahtarı OFF (KAPALI) konumuna alın ve fişini prizden çekin. Bu işlem, elektrik geri geldiği zaman yanlışlıkla çalışmayı önler.

KESME KILAVUZUNUN VE GÖNYE KILAVUZUNUN KULLANILMASI

Şekle bakınız 13.

Kesme kılavuzu, kesme bıçağının hem sol tarafından hem de sağ tarafından kullanılabilir.

1. Gevşetmek için kesme kılavuzu üzerinde bulunan topuzu saat yönünün tersinde çevirin.
2. Kesme kılavuzunu istenen kesim genişliğine ayarlamak için tablanın ön ve arka kısmında bulunan kesme kılavuzu ölççeğini kullanarak kesme kılavuzunu istenen konuma ayarlayın.
3. İyice sıkarak için topuzu saat yönünde çevirin.

AÇILARI AYARLAMAK İÇİN

Kesme kılavuzunu istenen konuma ayarlayın ve iyice sıkın.

1. Gönye kılavuzunu ön taraftan kesme kılavuzunun üzerine kaydırın.
2. Açı ölççeğini kullanarak istenen açığa ayarlayın ve topuz yardımıyla iyice sıkın.

KESİM YAPMAK

Bir işaret veya yağlı boya kalemli kullanarak kesilecek olan fayans üzerine daima bir çizgi çizin. Fayans parlak ve işaret konulması zorsa fayans üzerine bir maskeleyen bantı yapıştırın ve bu bantı işaretleyin.

Fayans kesme esnasındaki genel sorun işaretlenen çizgiden uzaklaşmaktır. İşaretten uzaklaştığınızda fayansı çevirerek bıçağın çizgiye geri dönmesine zorlayamazsınız. Bunun yerine, bıçak çizgiye oturana kadar fayansın küçük bir miktarını destekleyin ve yeniden kesin.

Bu sorunu önlemek için mümkün olduğu her an boydan boya kesim yaparken kesme kılavuzunu, gönye kesimler için gönye kılavuzunu ve eğimli kesimler için ayarlanabilir sağ tabla tarafını kullanın.



Türkçe

Boydan boya kesim yapmak için

Şekle bakınız 14.

Boydan boya kesimler düz 90° kesimlerdir. Malzeme kesim için bıçağa 90°'lik bir açıyla iletirilir ve bıçak dikey konumdadır.

1. Bir işaret veya yağlı boya kullanarak kesilecek alanı malzeme üzerinde işaretleyin.
2. Kesme kılavuzunu istenen konuma ayarlayın ve iyice sıkın.
3. Malzemeyi tablanın üzerine ve kesme kılavuzuna dayalı olarak sıkıca koyun.
4. Testereyi açmadan önce kesilecek malzemenin kesme bıçağından uzak olmasını sağlayın.
5. Testereyi açın.
6. Kesme bıçağının tam hızına ulaşmasını izin verin ve kesilecek malzemeyi bıçağa doğru hareket ettirmeden önce bıçağın ıslanmasını bekleyin.
7. Malzemeyi kesme kılavuzuna dayalı olarak sıkıca tutun ve kesme bıçağına doğru iletin.
8. Kesim yapıldığında testereyi KAPATIN. Malzemenin herhangi bir parçasını çıkarmadan önce kesme bıçağının tamamen durmasını bekleyin.

45° çapraz kesim yapmak için

Şekle bakınız 15.

45° çapraz kesimler aynı zamanda "uzak noktadan uzak noktaya kesimler" olarak da adlandırılır.

1. Bir işaret veya yağlı boya kullanarak kesilecek alanı malzeme üzerinde işaretleyin.
2. Kesme kılavuzunu istediğiniz genişliğe ayarlayın ve yerinde sağlamlaştırmak için topuzu sıkın.
3. Gönye kılavuzunu ön taraftan kesme kılavuzunun üzerine kaydırın.
4. Açı ölçüğünü kullanarak gönye kılavuzunu 45°'ye ayarlayın ve topuz yardımıyla iyice sıkın.
5. Testereyi açmadan önce kesilecek malzemenin kesme bıçağından uzak olmasını sağlayın.
6. Testereyi açın.
7. Kesme bıçağının tam hızına ulaşmasını izin verin ve kesilecek malzemeyi bıçağa doğru hareket ettirmeden önce bıçağın ıslanmasını bekleyin.
8. Malzemeyi gönye kılavuzuna dayalı olarak sıkıca tutun ve gönye kılavuzunu kesme bariyeri boyunca kaydırın. Malzemeyi kesme bıçağına iletin.
9. Kesim yapıldığında testereyi KAPATIN. Malzemenin herhangi bir parçasını çıkarmadan önce kesme bıçağının tamamen durmasını bekleyin.

Bir gönye kesim yapmak için

Şekle bakınız 16.

Gönye kesimler, bıçağa 90°'den başka herhangi bir açıdaki malzemeye sahip malzeme, dekoratif sandalyelik ve süpürgelik üzerinde dış ve iç köşeler kesmek için kullanılır.

Gönye kesimler, kesme işlemi esnasında "kayma" eğilimi gösterir. Bu durum, iş parçası gönye kılavuzuna tam olarak dayatılmasıyla kontrol edilebilir.

1. Bir işaret veya yağlı boya kullanarak kesilecek alanı malzeme üzerinde işaretleyin.
2. Kesme kılavuzunu istediğiniz genişliğe ayarlayın ve yerinde sağlamlaştırmak için topuzu sıkın.
3. Gönye kılavuzunu ön taraftan kesme kılavuzunun üzerine kaydırın.
4. Açı ölçüğünü kullanarak gönye kılavuzunu istenen açıya ayarlayın ve topuz yardımıyla iyice sıkın.
5. Testereyi açmadan önce kesilecek malzemenin kesme bıçağından uzak olmasını sağlayın.
6. Testereyi açın.
7. Kesme bıçağının tam hızına ulaşmasını izin verin ve kesilecek malzemeyi bıçağa doğru hareket ettirmeden önce bıçağın ıslanmasını bekleyin.
8. Malzemeyi gönye kılavuzuna dayalı olarak sıkıca tutun ve gönye kılavuzunu kesme bariyeri boyunca kaydırın. Malzemeyi kesme bıçağına iletin.
9. Kesim yapıldığında testereyi KAPATIN. Malzemenin herhangi bir parçasını çıkarmadan önce kesme bıçağının tamamen durmasını bekleyin.

L şekilli kesim yapmak için

Şekle bakınız 17.

L şeklinde kesimler, bir köşeye, bir dolap ya da pervaz etrafına oturması için fayansın bir parçasını çıkaran kesimlerdir ve iki ayrı kesim işlemiyle gerçekleştirilir.

NOT: Sadece kesilecek malzemenin altında veya alt kısmında üst kesik yapın.

1. Boydan boya kesim yönlerini kullanarak malzemeyi istediğiniz genişlikte kesin.
2. Kesme kılavuzunu istenen konuma ayarlayın ve iyice sıkın.
3. Malzemeyi tablanın üzerine ve kesme kılavuzuna dayalı olarak sıkıca koyun.
4. Testereyi açmadan önce kesilecek malzemenin kesme bıçağından uzak olmasını sağlayın.
5. Testereyi açın.
6. Kesme bıçağının tam hızına ulaşmasını izin verin ve kesilecek malzemeyi bıçağa doğru hareket ettirmeden önce bıçağın ıslanmasını bekleyin.
7. Malzemeyi kesme kılavuzuna dayalı olarak sıkıca tutun ve kesme bıçağına doğru iletin.
8. Kesim işlemi, malzeme içinde aşırı kesim olmadan yeteri kadar uzak yapın.
9. Testereyi kapatın.
10. Malzemeyi çevirin ve işaretlerin bir tanesi boyunca kesin. Bu sefer diğer hattı üstten kesin ve kesim parçası malzemenin diğer tarafından ayrılmalıdır.
11. Testereyi açın.
12. Kesme bıçağının tam hızına ulaşmasını izin verin ve



Türkçe

kesilecek malzemeyi bıçağa doğru hareket ettirmeden önce bıçağın ıslanmasını bekleyin.

13. Kesim yapıldığında testereyi KAPATIN. Malzemenin herhangi bir parçasını çıkarmadan önce kesme bıçağının tamamen durmasını bekleyin.

Eğimli bir kesim yapmak için

Şekle bakınız 18-19.

Eğim tablası kullanılarak 22,5° ve 45° eğimli kesimler yapılabilir.

1. Bir işaret veya yağlı boya kullanarak kesilecek alanı malzeme üzerinde işaretleyin.
2. Eğim tablasını yukarı kaldırın.
3. Eğim tablasının alt tarafında iki tabla ayağını plakanın doğru açısına aşağıya çekin.
4. Plakayı 22,5° açığa dayamak için ayaklardaki ilk çentikleri kullanın.
5. Eğim tablasını en yüksek 45° açığa ayarlamak için ikinci çentik setini kullanın.
NOT: Kesme işlemine başlamadan önce eğim tablasının iyice yerine kilitlemiş olduğundan emin olun.
Ayakları katlayın ve eğim tablası düzlemini 22,5° veya 45° açığa yatırın.
6. Testereyi açın.
7. Kesme bıçağının tam hızına ulaşmasını izin verin ve kesilecek malzemeyi bıçağa doğru hareket ettirmeden önce bıçağın ıslanmasını bekleyin.
8. Malzemeyi eğim tablasına dayalı olarak sıkıca tutun ve kesme bıçağına doğru ilerletin.
9. Kesim yapıldığında testereyi KAPATIN. Malzemenin herhangi bir parçasını çıkarmadan önce kesme bıçağının tamamen durmasını bekleyin.

BAKIM**⚠ UYARI**

Servis hizmetinde sadece aynı yedek parçaları kullanın. Başka parça kullanmak tehlike yaratabilir ya da hasara neden olabilir.

⚠ UYARI

Elektrikli aletlerle çalışma veya toz üfleme işlemi esnasında daima yan siperlikleri bulunan koruyucu gözlükler kullanın. İşlem tozlu olacaksa aynı zamanda bir toz maskesi de kullanın.

⚠ UYARI

Elektrik kablosu hasar görmüşse tehlikeyi önlemek için sadece üretici veya yetkili bir servis merkezi tarafından değiştirilmelidir.

⚠ UYARI

Daha fazla güvenlik için, tüm onarımlar Ryobi Yetkili Servis Merkezinde gerçekleştirilmelidir.

GENEL BAKIM

Plastik parçaları temizlerken çözeltileri kullanmaktan kaçının. Çoğu plastik, piyasada bulunan çözeltiler çeşitlerine karşı hassastır ve bu çözeltilerin kullanılmasından dolayı hasar görebilirler. Kir, tozu, yağ ve gres yağını temizlemek için temiz bir bez kullanın.

⚠ UYARI

Fren yağlarını, benzini, petrol esaslı ürünleri, delici yağları, vb plastik parçalara temas edecek şekilde bırakmayınız. Bu kimyasal ürünler plastik parçaları zara verebilir; kırabilir ya da bozabilir.

Yağlama

Normal işleme koşulları için, cihazın tüm yuvaları yüksek kalite yağlarla ömür boyu yağlanmıştır.

Fayans kesme bıçağı

Maksimum performans ve güvenlik için, testereyle birlikte verilen 178 mm kesme bıçağını kullanmanız önerilir. Aynı yüksek kalitedeki ilave kesme bıçaklarını yerel satıcınızdan sağlayabilirsiniz.

⚠ UYARI

Bu aletin yüksüz hızından daha az olarak sınıflandırılmış kesme bıçaklarını kullanmayın. Bu uyarıyı önemsememek kişisel yaralanmalara neden olabilir. Çatlak, yarık veya dişli bıçaklar kullanmayın.

FAYANS KESME BİÇAĞININ DEĞİŞTİRİLMESİ

Şekle bakınız 20.

⚠ UYARI

178 mm fayans kesme bıçağı testerenin maksimum bıçak kapasitesidir. Bıçak flanşının mil üzerindeki başlıklara oturmasına olanak sağlamak için asla çok kalın bıçaklar kullanmayın. İnce bıçaklar, bıçak somununun bıçağın mil üzerinde sıkılmasını önlerken büyük bıçaklar bıçak muhafazasına temas ederler. Bu her iki durum da ciddi kazalara ve ciddi kişisel yaralanmalara neden olabilirler.

1. Testerenin fişini çekin.
2. Eğim tablasını çıkarın.
3. Altıgen anahtar bıçak mili somunu üzerine kaydırın. Diğer elinizi kullanarak mil anahtarını bıçak mili üzerine yerleştirin.

Türkçe

4. Bıçağın oynamasını önlemek için mil anahtarını sıkıca tutun. Gevşetmek için mil somununu saat yönünün tersinde çevirin.
5. Mil somununu, dış bıçak flanşını ve kesme bıçağını çıkarın.
6. Bıçakla temas edeceği yerlerde iç bıçak flanşının üzerine damlayan yağı silin.

⚠ UYARI

İç bıçak flanşı çıkarılmışsa mile bıçak takmadan önce flanşı yerine takın. Bu kurula uymamak, bıçak iyice sıkılmayacağı için bir kazaya yol açabilir olabilir. Bu alet üzerinde asla açıklıkları, kanalları veya dişleri olan bıçakları kullanmayın.

7. Kesme bıçağı üzerindeki oklar saat yönünün tersinde gidecek şekilde kesme bıçağını milin üzerine yerleştirin.
8. Dış bıçak flanşını yerine takın. Bıçak flanşı üzerinde bulunan çift "D" başlıklar mil üzerindeki başlıklarla hizalanır.
9. Bıçak anahtarını ve mil anahtarını kullanarak mil somununu iyice sıkın.
10. Eğim tablasını yerine takın.

ÇEVRENİN KORUNMASI

Ham maddeleri ev çöpleri ile birlikte atmak yerine geri dönüştürün. Çevreyi korumak için, alet, aksesuarlar ve ambalajlar tasnif edilmelidir.

SEMBOL

Güvenlik Uyarısı



CE Uygunluğu



GOST-R Uygunluğu



Ürünü çalıştırmadan önce, lütfen aşağıdaki talimatları dikkatlice okuyun.



Her zaman koruyucu gözlük kullanın.



Koruyucu kulaklık kullanın



Emniyet eldivenleri giyin



TEHLİKE! Keskin bıçak



Uyarı, kesme tehlikesi



Yağmura maruz bırakmayın veya nemli yerlerde kullanmayın.



Yağmura maruz bırakmayın veya nemli yerlerde kullanmayın.



Makinelere sürekli kenarlı elmas kesme bıçaklarının kullanılması gerekir.



Bıçağın dönüş yönü



Elmas kesme bıçağı



Bıçak çapı



Bıçak Mili çapı



net ağırlık



Kesim derinliği (maks.)



İşleme genişliği (maks.)



Çapraz kesim genişliği (maks.)



Geri dönüşüm



Atık elektrikli ürünler evsel atıklarla birlikte atılmamalıdır. Tesis bulunuyorsa lütfen geri dönüşüme verin. Geri dönüşümle ilgili tavsiye için Yerel Makamlarla veya bayi ile irtibat kurun.

EN GUARANTEE

In addition to any statutory rights resulting from the purchase, this product is covered by a guarantee as stated below.

1. The guarantee period is 24 months for consumers and commences on the date when the product was purchased. This date has to be documented by an invoice or other proof of purchase. The product is designed and dedicated to consumer and private use only. So there is no guarantee provided in case of professional or commercial use.
2. There is, in some cases (i.e. promotion, range of tools), a possibility to extend the warranty period over the period described above using the registration on the www.ryobitools.eu website. The eligibility of the tool is clearly displayed in stores and/or on packaging. The end user needs to register his/her newly-acquired tools online within 8 days of the date of purchase. The end user may register for the extended warranty in his country of residence if listed on the online registration form where this option is valid. Furthermore, end users must give their consent to the storage of the data which are required to enter online and they have to accept the terms and conditions. The registration confirmation receipt, which is sent out by e-mail, and the original invoice showing the date of purchase will serve as proof of the extended warranty. Your statutory rights remain unaffected.
3. The guarantee covers all defects of the product during the warranty period due to defaults in workmanship or material at the purchase date. The guarantee is limited to repair and/or replacement and does not include any other obligations including but not limited to incidental or consequential damages. The warranty is not valid if the product has been misused, used contrary to the instruction manual, or being incorrectly connected. This guarantee does not apply to:
 - any damage to the product that is the result of improper maintenance
 - any product that has been altered or modified
 - any product where original identification (trade mark, serial number) markings have been defaced, altered or removed
 - any damage caused by non-observance of the instruction manual
 - any non CE product
 - any product which has been attempted to be repaired by a non-qualified professional or without prior authorization by Techtronic Industries
 - any product connected to improper power supply (amps, voltage, frequency)
 - any damage caused by external influences (chemical, physical, shocks) or foreign substances
 - normal wear and tear of spare parts
 - inappropriate use, overloading of the tool
 - use of non-approved accessories or parts
 - carburettor after 6 months, carburettor adjustments after 6 months
 - power tool accessories provided with tool or purchased separately. Such exclusions include but is not limited to screw driver bits, drill bits, abrasive discs, sand paper and blades, lateral guide
 - components (parts and accessories) subject to natural wear and tear, including but not limited to carbon brushes, chuck, power cord, auxiliary handle, sanding plate, dust bag, dust exhaust tube
4. For servicing, the product must be sent or presented to an RYOBI authorized service station listed for each country in the following list of service station addresses. In some countries your local RYOBI dealer undertakes to send the product to the RYOBI service organisation. When sending a product to an RYOBI service station, the product should be safely packed without any dangerous contents such as petrol, marked with sender's address and accompanied by a short description of the fault.
5. A repair/replacement under this guarantee is free of charge. It does not constitute an extension or a new start of the guarantee period. Exchanged parts or tools become our property. In some countries delivery charges or postage will have to be paid by the sender.
6. This guarantee is valid in the European Community, Switzerland, Iceland, Norway, Liechtenstein, Turkey and Russia. Outside these areas, please contact your authorized RYOBI dealer to determine if another warranty applies.

AUTHORISED SERVICE CENTRE

To find an authorised service centre near you, visit <http://uk.ryobitools.eu/service-agents-ryobi.htm>.

FR GARANTIE

En plus des droits statutaires liés à l'achat, ce produit est couvert par une garantie telle que décrite ci-dessous.

1. La durée de la garantie accordée au consommateur est de 24 mois à partir de la date d'achat. Cette date doit être authentifiée par une facture ou tout autre preuve d'achat. Le produit a été conçu en vue d'une utilisation strictement privée. Aucune garantie ne s'applique donc en cas d'utilisation professionnelle ou commerciale.
2. Il existe, dans certains cas (par exemple promotion, gamme d'outils), une possibilité d'étendre la période de garantie au-delà de la période précédemment décrite en utilisant le formulaire d'enregistrement présent sur le site Internet www.ryobitools.eu. L'éligibilité d'un outil est clairement affichée dans les points de vente et/ou sur l'emballage. L'utilisateur final doit enregistrer son/ses outil(s) nouvellement acheté(s) en ligne dans les 8 jours qui suivent la date d'achat. L'utilisateur a la possibilité de s'enregistrer pour l'extension de garantie dans son pays de résidence si celui-ci est listé dans le formulaire d'enregistrement en ligne ou cette option est valide. L'utilisateur final doit donner son consentement pour l'enregistrement des données requises pour accéder au site et doit accepter les termes et conditions. La confirmation d'enregistrement, envoyée par courrier électronique, ainsi que la facture originale mentionnant la date d'achat serviront de preuve de l'extension de garantie. Vos droits statutaires restent inchangés.
3. La garantie couvre les défauts des pièces et de main d'oeuvre du produit pendant la période de garantie à partir de la date d'achat. La garantie n'inclut aucune autre obligation, tel que, mais sans s'y limiter, les dommages accessoires ou indirects. La garantie est non valable en cas de mauvaise utilisation du produit, d'utilisation contraire aux instructions du mode d'emploi, ou en cas de branchement incorrect. Cette garantie ne s'applique pas pour :
 - tout dommage au produit résultant d'un mauvais entretien
 - tout produit ayant été altéré ou modifié
 - tout produit dont les marquages originaux d'identification (marque, numéro de série) ont été dégradés, altérés ou retirés
 - tout dommage causé par le non-respect des instructions du mode d'emploi
 - tout produit non CE
 - tout produit ayant subi une tentative de réparation par du personnel non qualifié ou sans autorisation préalable de Techtronic Industries
 - tout produit raccordé à une alimentation secteur non conforme (ampérage, voltage, fréquence)
 - tout dommage causé par des influences extérieures (chimiques, physiques, chocs) ou par des substances étrangères
 - l'usure normale des pièces consommables
 - une utilisation inappropriée, une surcharge de l'outil
 - l'utilisation de pièces ou accessoires non agréés
 - carburateurs âgés de plus de 6 mois, réglages du carburateur après 6 mois
 - accessoires d'outil à moteur fournis avec l'outil ou achetés séparément. De telles exclusions incluent de façon non exhaustive les embouts de vissage, les forets, les disques de ponçage, le papier de verre et les lames, les guides latéraux
 - composants (pièces et accessoires) sujets à une usure naturelle, incluant de façon non exhaustive les charbons, les mandrins, les câbles secteur, les poignées auxiliaires, les semelles de ponçage, les sacs à poussières, les tubes d'extraction de la poussière
4. Si le produit doit être réparé, envoyez-le à un service après-vente agréé RYOBI dont vous trouverez ci-dessous la liste pour chaque pays. Dans certains pays, votre revendeur RYOBI se chargera d'envoyer le produit à un centre de réparation RYOBI. Lorsque vous envoyez un produit à un service après-vente RYOBI, celui-ci doit être correctement emballé, sans contenir aucun produit dangereux tel que de l'essence, et vous devez indiquer votre adresse ainsi qu'une courte description du problème.
5. Une réparation / un remplacement sous garantie est gratuit(e). Ceci ne constituera pas une extension de garantie ni un nouveau départ de la période de garantie. Les pièces ou les outils remplacés deviennent notre propriété. Dans certains pays, les frais de port devront être assumés par l'expéditeur.
6. Cette garantie est valable au sein de l'Europe, de la Suisse, de l'Islande, de la Norvège, du Liechtenstein, de la Turquie, de la Russie. En dehors de ces zones, veuillez contacter votre distributeur agréé RYOBI pour déterminer si une autre garantie s'applique.

SERVICE APRÈS-VENTE AGRÉÉ

Pour trouver le service après-vente agréé le plus proche, rendez-vous sur <http://uk.ryobitools.eu/service-agents-ryobi.htm>.

DE GARANTIE

Zusätzlich zu den aufgrund des Kaufs entstehenden gesetzlichen Rechten, ist dieses Produkt von der unten aufgeführten Garantie abgedeckt.

- Die Garantiezeit für Endverbraucher beträgt 24 Monate für und beginnt ab dem Kaufdatum des Produktes. Dieses Datum muss durch eine Rechnung oder einen anderen Kaufbeleg dokumentiert sein. Das Produkt ist ausschließlich für den Privatgebrauch entwickelt und bestimmt. Deshalb wird keine Garantie im Fall von professionellem oder kommerziellem Einsatz angeboten.
- In einigen Fällen (z.B. Promotion, auf eine bestimmte Produktpalette oder auf bestimmte Produkte begrenzt) besteht die Möglichkeit die Garantiezeit über den oben genannten Zeitraum, durch Registrierung auf der Webseite www.ryobitools.eu, zu verlängern. Der verlängerte Garantieanspruch für ein bestimmtes Produkt wird deutlich in den Geschäften und/oder auf der Verpackung des Produktes gezeigt. Der Endverbraucher muss seine neu gekauften Produkte innerhalb von 8 Tagen ab Kaufdatum registrieren. Der Endverbraucher kann sich für die erweiterte Garantie im Land seines permanenten Wohnsitzes registrieren, wenn diese Möglichkeit in dem Online-Formular gegeben ist. Des weiteren müssen die Endverbraucher ihr Einverständnis zur Speicherung der online angegebenen Daten geben und die Geschäftsbedingungen annehmen. Die per E-Mail versendete Bestätigung der Registrierung und die Originalrechnung mit Kaufdatum dienen als Nachweis für die verlängerte Garantie. Ihre gesetzlichen Rechte bleiben unangetastet.
- Die Garantie deckt während der Garantiezeit ab Kaufdatum alle Produktmängel aufgrund von Material- oder Herstellungsmängeln ab. Diese Garantie ist auf Reparatur und/oder Ersatz beschränkt und enthält keine weiter Verpflichtungen einschließlich aber nicht beschränkt auf laufende oder resultierende Schäden. Die Garantie ist nicht gültig, wenn das Produkt missbräuchlich oder entgegen der Bedienungsanleitung benutzt, oder falsch angeschlossen wurde. Diese Garantie gilt nicht für:
 - Jegliche Schäden die an dem Produkt aufgrund falscher Wartung entstehen.
 - Jedes Produkt das verändert oder modifiziert wurde.
 - Jedes Produkt an dem die originale Identifizierung (Markenzeichen, Seriennummer) verunstaltet, verändert oder entfernt wurden.
 - Jede Beschädigung die durch Nichtbeachtung der Bedienungsanleitung verursacht wurde.
 - Jedes Produkt ohne CE Zeichen.
 - Jedes Produkt das von einer unqualifizierten Person oder ohne vorherige Genehmigung von Techronic Industries versucht wurde zu reparieren.
 - Jedes Produkt das an eine falsche Stromversorgung (Ampere, Spannung, Frequenz) angeschlossen wurde.
 - Jede Beschädigung die von äußeren Einflüssen (chemisch, physisch, Stöße) oder fremden Substanzen verursacht wurde.
 - Normaler Verschleiß und Abnutzung von Ersatzteilen.
 - Zweckwidrige Benutzung, Überlastung des Werkzeugs.
 - Benutzung von nicht zugelassenem Zubehör oder Teilen.
 - Den Vergaser nach 6 Monaten, die Vergasereinstellung nach 6 Monaten.
 - Mit dem Werkzeug gelieferte oder separat erhältliches Zubehör. Diese Ausnahmen sind einschließlich aber nicht beschränkt auf Schraubsätze, Bohrer, Schleifscheiben, Sandpapier und Klinge, seitliche Führungen.
 - Komponenten (Teile und Zubehör) die normalem Verschleiß unterliegen, einschließlich aber nicht beschränkt auf Kohlebürsten, Spannfutter, Netzkabel, Zusatzhandgriffe, Schleiﬂplatten, Staubbeutel, Staubabzugschläuche
- Zur Wartung muss das Produkt eingeschickt werden oder einem für jedes Land in der folgenden Liste aufgeführten autorisierten RYOBI Kundendienst gebracht werden. In einigen Ländern schickt Ihr örtlicher RYOBI Händler das Produkt an den RYOBI Kundendienst. Wenn ein Produkt an den RYOBI Kundendienst geschickt wird, sollte es sicher verpackt werden, ohne gefährlichen Inhalt, wie Treibstoff, mit der Absenderadresse versehen sein und eine kurze Beschreibung des Fehlers enthalten.
- Reparatur/Ersatz unter dieser Garantie sind kostenfrei. Das stellt keine Verlängerung oder Neustart der Garantiezeit dar. Ausgewechselte Teile oder Werkzeuge treten in unseren Besitz über. In einigen Ländern müssen Lieferkosten oder Postgebühren von dem Absender getragen werden.
- Diese Garantie gilt in der Europäische Gemeinschaft, Schweiz, Island, Norwegen, Liechtenstein, Türkei und Russland. Bitte kontaktieren Sie Ihren autorisierten RYOBI-Händler, um herauszufinden ob eine andere Gewährleistung außerhalb dieser Gebiete gültig ist.

AUTORISIERTER KUNDENDIENST

Besuchen Sie <http://uk.ryobitools.eu/service-agents-ryobi.htm>, um einen autorisierten Kundendienst in Ihrer Nähe zu finden.

ES GARANTÍA

Además de cualquier derecho estatutario derivado de la compra, este producto está cubierto con la siguiente garantía.

- El periodo de garantía es de 24 meses para los consumidores y comienza a partir de la fecha de compra del producto. Esta fecha debe demostrarse con una factura u otra prueba de compra. El producto está diseñado y destinado al consumidor y únicamente para uso privado. Por tanto, no se ofrece ninguna garantía en caso de uso profesional o comercial.
- En algunos casos (como promociones o un conjunto de herramientas) existe la posibilidad de ampliar el periodo de garantía hasta el periodo descrito anteriormente mediante el registro en el sitio web www.ryobitools.eu. La elegibilidad de la herramienta se muestra claramente en las tiendas o en el embalaje. El usuario final debe registrar sus herramientas recién adquiridas en línea en los 8 días siguientes a la fecha de compra. El usuario final podrá registrarse para ampliar la garantía en su país de residencia si éste aparece en el formulario de registro en línea en que esta opción es válida. Además, los usuarios finales deben dar su consentimiento para que se guarden los datos que se solicitan para entrar en línea y aceptar los términos y condiciones. El recibo de la confirmación de registro, que se enviará por correo electrónico, y la factura original que muestre la fecha de compra servirán como prueba de la ampliación de la garantía. Sus derechos estatutarios permanecerán intactos.
- La garantía cubre, durante el periodo de garantía, todos los defectos del producto que se deban a fallos de la mano de obra o a fallos del material en la fecha de compra. La garantía tiene un límite de reparación o sustitución y no incluye ninguna otra obligación se deba a, aunque sin limitarse a ello, daños accidentales o incidentales. La garantía no es válida si se ha hecho un uso inadecuado del producto, si no se ha usado siguiendo el manual de instrucciones o si se ha conectado incorrectamente. Esta garantía no se aplica a:
 - cualquier daño del producto derivado de un mantenimiento inadecuado
 - cualquier producto que haya sido alterado o modificado
 - cualquier producto en el que las marcas de identificación originales (marca comercial, número de serie) hayan sido borradas, modificadas o eliminadas
 - cualquier daño causado por el incumplimiento del manual de instrucciones
 - cualquier producto que no sea CE
 - cualquier producto que haya intentado reparar un profesional no cualificado o sin una autorización previa de Techronic Industries
 - cualquier producto conectado a un suministro eléctrico inadecuado (amperios, tensión, frecuencia)
 - cualquier daño causado por influencias externas (de productos químicos, daños físicos, descarga eléctrica) o sustancias extrañas
 - desgaste o rotura normal de las piezas de repuesto
 - uso inadecuado, sobrecarga de la herramienta
 - uso de accesorios o piezas no homologados
 - carburador después de 6 meses, ajustes del carburador después de 6 meses
 - accesorios de las herramientas eléctricas suministrados con la herramienta o adquiridos por separado. Dichas exclusiones incluyen, aunque sin limitarse a ello, puntas de destornilladores, brocas, discos abrasivos, lijas de papel y cuchillas, gila lateral
 - componentes (piezas y accesorios) sujetos a desgaste y rotura natural, incluyendo, pero sin limitarse a ello, escobillas de carbón, portabrocas, cable de alimentación, mango auxiliar, bolsa para el polvo, tubo de salida del polvo
- Para el servicio, el producto debe enviarse o entregarse en un punto de servicio técnico autorizado RYOBI enumerado para cada país en la siguiente lista de direcciones de servicio técnico. En algunos países su distribuidor local RYOBI se encarga de enviar el producto a la organización del servicio de RYOBI. Al enviar un producto a un punto de servicio técnico RYOBI, el producto debe embalarse de forma segura sin que contenga ninguna sustancia peligrosa como petróleo, debe llevar la dirección del remitente e ir acompañado de una breve descripción del fallo.
- Una reparación/sustitución dentro de esta garantía se realiza de forma gratuita. No constituye una ampliación ni un reinicio del periodo de garantía. Las piezas o herramientas que se cambian pasan a ser de nuestra propiedad. En algunos países los gastos de envío o del franqueo deberá pagarlos el remitente.
- Esta garantía es válida en la Comunidad Europea, Suiza, Islandia, Noruega, Liechtenstein, Turquía y Rusia. Fuera de estas zonas, póngase en contacto con su distribuidor autorizado RYOBI para determinar si se aplica otra garantía.

SERVICIO TÉCNICO AUTORIZADO

Para encontrar el servicio técnico autorizado más cercano, visite <http://uk.ryobitools.eu/service-agents-ryobi.htm>.

IT GARANZIA

Oltre ai legittimi diritti derivanti dall'acquisto del prodotto, quest'ultimo è coperto da garanzia come indicato nei seguenti punti.

1. Il periodo di garanzia per il consumatore è di 24 mesi ed ha inizio dalla data in cui il prodotto è stato acquistato. Questa data deve essere documentata da una ricevuta o da altra prova d'acquisto. Il prodotto è stato disegnato e progettato solo per l'utilizzo privato del consumatore. La garanzia viene invalidata in caso di utilizzo professionale o commerciale.
2. In alcuni casi (per esempio promozioni e gamme di prodotti) esiste la possibilità di estendere il periodo di garanzia oltre il periodo indicato sopra registrandosi sul sito web www.ryobitools.eu. L'idoneità del prodotto a ricevere tale estensione viene indicata chiaramente nei punti vendita e/o sull'imballo. L'utente finale deve registrare il suo prodotto appena acquistato online entro 8 giorni dalla data d'acquisto. L'utente finale può accedere all'offerta nel suo paese quando la stessa è valida e qualora si sia registrato online. Inoltre, gli utenti finali devono dare il proprio consenso all'archiviazione dei dati che si inseriscono online indicando che i termini e le condizioni sono stati accettati. La ricevuta della conferma della registrazione verrà inviata via email e la fattura originale indicante la data d'acquisto verrà utilizzata come prova della garanzia estesa. I diritti legittimi dell'utente rimarranno invariati.
3. La garanzia copre tutti i difetti di fabbricazione del prodotto durante il periodo di garanzia a causa di guasti di fabbricazione o di materiale alla data di acquisto. La garanzia è limitata alla riparazione e/o alla sostituzione e non include altri obblighi compreso ma non limitato a danni incidentali o consequenziali. La garanzia non è valida se il prodotto non è stato utilizzato come indicato nel manuale di istruzioni o se è stato collegato in maniera non corretta. La garanzia non si applica a:
 - qualsiasi danno al prodotto che sia il risultato di una scorretta manutenzione
 - qualsiasi prodotto che sia stato alterato o modificato
 - qualsiasi prodotto sul quale l'identificazione originale (marchio registrato, numero di serie) sia stata resa illeggibile, sia stata danneggiata o alterata
 - qualsiasi danno causato dalla non osservanza del manuale d'istruzioni
 - qualsiasi prodotto non contrassegnato con il marchio CE
 - qualsiasi prodotto che una persona non qualificata abbia tentato di riparare o che si è tentato di riparare senza l'autorizzazione delle Techntronisnoci Industries
 - qualsiasi prodotto collegato a un'alimentazione non corretta (per amp, voltaggio, frequenza)
 - qualsiasi danno causato da agenti esterni (chimici, fisici o shock) o da sostanze estranee
 - normale usura di parti di ricambio
 - utilizzo non appropriato, sovraccaricamento di utensili
 - utilizzo non approvato di accessori o parti
 - carburatore dopo 6 mesi, regolazioni al carburatore dopo 6 mesi
 - elettro utensili forniti con l'utensile o separatamente. Tali esclusioni comprendono ma non sono limitate a punte per giraviti, punte per trapani, dischi abrasivi, carta vetrata e lame, guida laterale
 - componenti (parti e accessori) soggetti a naturale usura, compreso ma non limitatamente a spazzole al carbonio, mandrino, cavo dell'alimentazione, manico ausiliario, piastra di levigazione, sacchetto per la polvere, tubo di scarico polvere
4. Per servizi di manutenzione, il prodotto dovrà essere mandato o presentato presso un punto di servizio clienti autorizzato RYOBI indicato nella seguente lista. In alcune nazioni il rivenditore RYOBI si occuperà di inviare il prodotto al più vicino servizio clienti Ryobi. Quando si invia un prodotto a un servizio clienti RYOBI, il prodotto dovrà essere correttamente imballato senza eventuali contenuti pericolosi quali carburanti, e contrassegnato con l'indirizzo della persona che lo ha inviato e accompagnato da una breve descrizione del problema riscontrato.
5. Si garantisce una riparazione/sostituzione gratuita quando il prodotto è coperto da garanzia. Questa sostituzione o riparazione non costituisce una estensione o un nuovo inizio di un periodo di garanzia. Le parti o l'utensile cambiati sono di proprietà della ditta. In alcune nazioni i costi di consegna o invio dovranno essere pagati dalla persona che spedisce.
6. Questa garanzia è valida all'interno della Comunità Europea, in Svizzera, Islanda, Norvegia, Liechtenstein, Turchia e Russia. Al di fuori di queste aree, si prega di contattare il proprio gestore autorizzato RYOBI per determinare se si applica un'altra garanzia.

CENTRO SERVIZI AUTORIZZATO

Per individuare il più vicino centro servizi autorizzato, visitare il sito <http://uk.ryobitools.eu/service-agents-ryobi.htm>.

NL GARANTIE

Bovenop de statutaire rechten als gevolg van de aankoop, wordt dit product gedekt door een garantie, zoals deze hieronder wordt beschreven.

1. De garantieperiode bedraagt 24 maanden voor consumenten en begint vanaf de datum waarop het product werd aangekocht. Deze datum moet worden gedocumenteerd door een factuur of ander aankoopbewijs. Het product is uitsluitend ontworpen en bedoeld voor particuliere gebruikers. De garantie vervalt bij professioneel of commercieel gebruik.
2. In enkele gevallen (vb. promotie, gereedschapsaanbod) bestaat er een mogelijkheid om de garantieperiode te verlengen met dezelfde periode als deze hierboven beschreven met behulp van de registratie op de website www.ryobitools.eu. Of het product al of niet in aanmerking komt, is duidelijk aangegeven in winkels en/of de verpakking. De eindgebruiker dient zijn/haar nieuw werktuig binnen de 8 dagen na de aankoopdatum online registreren. De eindgebruiker kan zich aanmelden voor de uitgebreide garantie in zijn verblijfsland als dit op het online registratieformulier is opgenomen wanneer deze optie geldig is. Bovendien moet de eindgebruiker zijn toestemming geven om informatie te gebruiken die nodig is om toegang te krijgen tot de website en dient de algemene voorwaarden te accepteren. Het ontvangstbewijs van dit registratieformulier, dat via e-mail wordt verzonden, en de originele factuur die de aankoopdatum vermeldt dienen als bewijs van de uitgebreide garantie. Uw statutaire rechten blijven onveranderd.
3. De garantie dekt alle defecten van het product gedurende de garantieperiode als gevolg van fouten in het werk of materiaal op de aankoopdatum. De garantie is beperkt tot de reparatie en/of vervanging en omvat geen andere verplichtingen waaronder, maar niet beperkt tot, incidentele of tegenschade. De garantie is niet geldig als het product werd misbruikt, in tegenpraak met de gebruiksaanwijzing werd gebruikt of foutief werd verbonden. Deze garantie geldt niet voor:
 - schade aan het product als gevolg van foutief onderhoud
 - als het product op enigerlei wijze werd gewijzigd
 - als originele markeringen ter identificatie (handelsmerk, serienummer) van het product werden verwijderd of gewijzigd
 - voor schade als gevolg van het niet in acht nemen van deze gebruiksaanwijzing
 - een niet EC-product
 - een product, waaraan een niet-gekwalificeerde vakman reparaties uitvoerde of waaraan reparaties werden uitgevoerd zonder voorafgaande toestemming van Techntron Industries
 - een product dat werd aangesloten aan een foutieve krachtbron (amps, spanning, frequentie)
 - schade veroorzaakt door externe invloeden (chemische, fysieke schokken) of vreemde stoffen
 - normale slijtage van reserve-onderdelen
 - foutief gebruik, overbelasting van het werktuig
 - gebruik van niet-goedgekeurde accessoires of onderdelen
 - de carburator na 6 maanden, carburatorafstellingen na 6 maanden
 - gereedschapsaccessoires die met het werktuig worden meegeleverd of afzonderlijk worden aangekocht. Deze uitsluitingen omvatten, maar zijn niet beperkt tot schroevendraaiers, boorslijten, slijpschijven, schuurpapier en -bladen, laterale geleiders
 - componenten (onderdelen en accessoires) die onderhevig zijn aan natuurlijke slijtage met inbegrip van, maar niet beperkt tot, koolborsten, boorhouders, stroom snoeren, bijkomende handvatten, schuurplaten, stofzakken, stofafzuibuisen
4. Voor onderhoud moet het product naar een geautoriseerde RYOBI-onderhoudsstation worden gestuurd of gebracht. Een lijst met de adressen van deze stations per land is hier opgenomen. In bepaalde landen verzendt uw plaatselijke RYOBI-verdeler het product naar de RYOBI-onderhoudsorganisatie. Als een product naar een RYOBI-onderhoudsstation wordt gezonden, moet het product veilig zijn verpakt zonder gevaarlijke inhoud, zoals benzine, met aanduiding van het adres van de verzender en met inbegrip van een korte beschrijving van de fout.
5. Een reparatie/vervangende onder deze garantie is gratis. Dit heeft geen gevolgen voor de duur van deze garantie of betekent niet dat de garantie wordt verlengd of opnieuw begint. Vervangen onderdelen of werktuigen worden onze eigendom. In bepaalde landen moeten verzendings- of leveringskosten door de verzender worden betaald.
6. Deze garantie is geldig in de Europese Unie, Zwitserland, IJsland, Noorwegen, Liechtenstein, Turkije en Rusland. Buiten deze landen neemt u contact op met uw geautoriseerde RYOBI-verdeler om te bepalen of er een andere garantie geldig is.

GEAUTORISEERD ONDERHOUDSCENTRUM

Om een geautoriseerd onderhoudscentrum in uw buurt te vinden, surf u naar <http://uk.ryobitools.eu/service-agents-ryobi.htm>.

PT GARANTIA

Além de qualquer direito estatutário derivado da compra, este produto está coberto com a seguinte garantia.

1. O período de garantia é de 24 meses para os consumidores e começa a partir da data de compra do produto. Esta data deve ser comprovada com uma factura ou outra prova de compra. O produto foi desenhado e destinado ao consumidor e apenas para uso privado. Portanto, não se oferece qualquer garantia em caso de uso profissional ou comercial.
2. Em alguns casos (como promoções ou um conjunto de ferramentas) existe a possibilidade de ampliar o período de garantia até ao período descrito anteriormente através do registo no website www.ryobitools.eu. A elegibilidade da ferramenta mostra-se claramente nas lojas ou na embalagem. O utilizador final deve registar as suas ferramentas recém-adquiridas on-line nos 8 dias seguintes à data de compra. O utilizador final poderá registar-se para ampliar a garantia no seu país de residência se este aparecer no formulário de registo on-line em que esta opção é válida. Além disso, os utilizadores finais devem dar o seu consentimento para se guardarem os dados que se solicitam para entrar on-line e aceitar os termos e condições. A confirmação de registo, que será enviada por correio electrónico, e a factura original que mostre a data de compra servirão como prova da ampliação da garantia. Os seus direitos estatutários permanecerão intactos.
3. A garantia cobre, durante o período de garantia, todos os defeitos do produto que se devam a falhas da mão-de-obra ou a falhas do material na data de compra. A garantia tem um limite de reparação ou substituição e não inclui qualquer outra obrigação que se deva a, embora sem se limitar a tal, danos accidentais ou incidentais. A garantia não é válida se se fez um uso inadequado do produto, se não se usou seguindo o manual de instruções ou se foi ligado incorrectamente. Esta garantia não se aplica a:
 - qualquer dado do produto derivado de uma manutenção inadequada
 - qualquer produto que tenha sido alterado ou modificado
 - qualquer produto em que as marcas de identificação originais (marca comercial, número de série) tenham sido apagadas, modificadas ou eliminadas
 - qualquer dano causado por incumprimento do manual de instruções
 - qualquer produto que não seja CE
 - qualquer produto que um profissional não qualificado tenha tentado reparar ou sem uma autorização prévia de Technonic Industries
 - qualquer produto ligado a um fornecimento eléctrico inadequado (ampéris, tensão, frequência)
 - qualquer dano causado por influências externas (de produtos químicos, danos físicos, descarga eléctrica) ou substâncias estranhas
 - desgaste ou ruptura normal das peças de substituição
 - uso inadequado, sobrecarga da ferramenta
 - uso de acessórios ou peças não homologadas
 - carburador após 6 meses, ajustes do carburador após 6 meses
 - acessórios das ferramentas eléctricas fornecidos com a ferramenta ou adquiridos em separado. Ditas exclusões incluem, embora sem se limitarem a tal, pontas de chave de fendas, brocas, discos abrasivos, lixas de papel e lâminas, guia lateral
 - componentes (peças e acessórios) sujeitos a desgaste e ruptura natural, incluindo, mas sem limitar a eles, escovas de carvão, portabrocas, cabo de alimentação, mangueira auxiliar, bolsa para o pó, tubo de saída do pó
4. Para o serviço, o produto deve ser enviado ou entregue num ponto de serviço técnico autorizado RYOBI enumerado para cada país na seguinte lista de moradas de serviço técnico. Em alguns países o seu distribuidor local RYOBI encarrega-se de enviar o produto para a organização do serviço de RYOBI. Ao enviar um produto a um ponto de serviço técnico RYOBI, o produto deve ser embalado de forma segura sem que contenha qualquer substância perigosa como petróleo, deve levar a morada do remetente e ir acompanhado de uma breve descrição da falha.
5. Uma reparação/substituição dentro desta garantia realiza-se de forma gratuita. Não constitui uma ampliação nem um reinício do período de garantia. As peças e ferramentas que se alterem passam a ser da nossa propriedade. Em alguns países os gastos de envio ou da franquia deverá pagá-los o remetente.
6. Esta garantia é válida na Comunidade Europeia, Suíça, Islândia, Noruega, Liechtenstein, Turquia e Rússia. Fora destas zonas, entre em contacto com o seu distribuidor autorizado RYOBI para determinar se se aplica outra garantia.

CENTRO DE ASSISTÊNCIA AUTORIZADO

Para encontrar um centro de assistência autorizado próximo de si, visite <http://uk.ryobitools.eu/service-agents-ryobi.htm>.

DA GARANTI

Ud over de lovbestemte rettigheder ved køb, er dette produkt dækket af en garanti som angivet nedenfor.

1. Garantien er 24 måneder for forbrugerne og træder i kraft den dato, hvor produktet bliver købt. Denne dato skal dokumenteres af en faktura eller andet købsbevis. Produktet er designet og beregnet til privat brug. Så der er ingen garanti i tilfælde af erhvervsæssig brug.
2. Der er i visse tilfælde (f.eks. kampagner eller udvalgt produkter) mulighed for at forlænge garantien i perioden beskrevet ovenfor ved at registrere produktet på www.ryobitools.dk. Bretteklisen af produktet vises tydeligt i butikker og / eller på emballagen. Slutbrugeren skal registrere hans/hendes nyhvervede produkter online indenfor 8 dage fra købsdatoen. Slutbrugeren kan tilmede sig den udvidede garanti i sit bopælsland, hvis det er opført på den online tilmeldingsformular. Desuden skal slutbrugere give deres samtykke til lagring af de data, der er nødvendige for at komme ind på nettet, og de er nødt til at acceptere vilkår og betingelser. Kvitringen på modtagelsen af registreringen, som udsendes via e-mail, og den originale faktura, der angiver købsdatoen, fungerer som bevis på den udvidede garanti. Dine lovbestemte rettigheder forblive uændret.
3. Garantien dækker alle fejl ved produktet i løbet af garantiperioden, som kan føres tilbage til fabrikkens- eller materialefejl på købsdatoen. Garantien begrænser sig til reparation og/eller udskiftning og omfatter ikke andre forpligtelser inklusiv, men ikke begrænset til, skader eller følgeskader. Garantien er ikke gyldig, hvis produktet har været udsat for misbrug, anvendelse i strid med brugsanvisningen eller har været tilsluttet forkert. Denne garanti dækker ikke:
 - Enhver skade på produktet som følge af ukorrekt vedligeholdelse
 - Ethvert produkt, som er blevet ændret eller modificeret
 - Ethvert produkt, hvor de originale identifikationsmærker (varemærke, serienummer) er blevet ødelagt, ændret eller fjernet
 - Enhver skade, der skyldes manglende overholdelse af brugsanvisningen
 - Ethvert produkt uden CE-mærkning
 - Ethvert produkt, som har været udsat for forsøg på reparation af en uautoriseret fagmand eller uden accept fra Technonic Industries
 - Ethvert produkt, der har været tilsluttet til forkert strømforsyning (ampere, spænding, frekvens)
 - Enhver skade, der skyldes udefra kommende påvirkninger (kemisk, fysisk, stød) eller fremmedlegemer
 - normal slitage på reservedele
 - Forkert anvendelse, overbelastning af produktet
 - Brug af ikke-godkendt tilbehør eller (reserve)dele
 - Karburator efter 6 måneder, karburatorjusteringer efter 6 måneder
 - Tilbehør til elprodukter, der er forsynet med værktøj eller købt separat. Sådanne undtagelser inkluderer, men er ikke begrænset til, skruetrækkerbites, borebites, silbeskiver, sandpapir og knive, sideføring
 - komponenter (dele og tilbehør), der udsættes for naturlig slitage, inklusive, men ikke begrænset til, kulbørster, spændepatron, strømforsyningskabel, hjælpehåndtag, silbeplade, støvsugerpose, støvudsugningsrør
4. Til servicering skal produktet indleveres til eller forevises et autoriseret RYOBI serviceværksted for det pågældende land. I nogle lande vil din lokale RYOBI-forhandler sende produktet til RYOBI's serviceorganisation. Når et produkt indleveres til et RYOBI serviceværksted, skal det emballeres forsvarligt uden farligt indhold (som f.eks. benzin), være forsynet med afsenderadresse og ledsaget af en kort beskrivelse af fejlen.
5. Reparation/udskiftning i henhold til denne garanti er gratis. Den medfører ikke forlængelse eller ny start af garantiperioden. Udskiftede dele eller værktøjer overgår til vores ejendom. I nogle lande skal leveringsomkostninger eller porto betales af afsenderen.
6. Denne garanti er gyldig i EU, Schweiz, Island, Norge, Liechtenstein, Tyrkiet og Rusland. Uden for disse områder bedes man venligst kontakte sin autoriserede RYOBI-forhandler for at få opklaret, om evt. andre garantier er gældende.

AUTORISEREDE SERVICEVERKSTEDER

Find nærmeste autoriserede serviceværksted på <http://uk.ryobitools.eu/service-agents-ryobi.htm>.



Förutom de lagstadgade rättigheter som följer köpet omfattas denna produkt av en garanti som anges nedan.

- Garantitiden är 24 månader för konsumenter och börjar den dag då produkten köptes. Detta datum måste kunna dokumenteras av en faktura eller annat inköpsbevis. Produkten är utformad och avsedd för konsumenter och ska endast användas för privat bruk. Det innebär att ingen garanti lämnas vid yrkesmässig eller kommersiell användning.
- I vissa fall (t.ex. marknadsföring, sortiment av verktyg), finns det en möjlighet att förlänga garantitiden under den period som beskrivs ovan genom registrering på hemsidan www.ryobitools.eu. De verktyg det gäller för framgår tydligt i butiker och/eller på förpackningen. Slut användaren måste registrera sitt nyinköpta verktyg på nätet inom 8 dagar från inköpsdatum. Slut användaren kan registrera sig för den utökade garantitiden i sitt hemland om det framgår på registreringsformuläret online där detta alternativ är giltigt. Dessutom måste slut användarna ge sitt samtycke till lagring av de uppgifter som krävs för att komma in på nätet och de måste godkänna villkoren. Registreringens mottagningsbevis som skickas ut via e-post och den ursprungliga fakturan som visar inköpsdatum fungerar som bevis på förlängd garanti. Dina lagstadgade rättigheter påverkas inte.
- Garantin täcker alla fel på produkten under garantitiden som beror på fel i utförande eller material vid inköpsdatumet. Garanti är begränsad till reparation och/eller utbyte och inkluderar inte några andra åtaganden, inklusive men inte begränsat till oförutsedda skador eller följskador. Garantin gäller inte om produkten har använts på fel sätt, använts på ett sätt som inte följer användarhandboken eller som har anslutits på ett felaktigt sätt. Denna garanti gäller inte för:
 - skador på produkten som beror på felaktigt underhåll
 - om produkten har ändrats eller modifierats
 - en produkt där den ursprungliga identifieringen (varumärke, serienummer) har förstörts, ändrats eller tagits bort
 - skador som orsakas av att användarhandboken inte har följts
 - alla produkter som inte följer CE-bestämmelser
 - en produkt som en icke-kvalificerad yrkesperson eller en person som inte har behörighet från Techntron Industries har försökt att reparera
 - en produkt som ansluts till eluttaget (ampere, spänning, frekvens) på fel sätt
 - skador som orsakas av yttre påverkan (kemiska, fysikaliska, stötar) eller främmande ämnen
 - normalt slitage av reservdelar
 - felaktig användning, överbelastning av verktyget
 - användning av icke-godkända tillbehör eller delar
 - förgasare efter 6 månader, justering av förgasare efter 6 månader
 - elverktygstillbehör som medföljer verktyget eller köps separat. Sådana undantag inkluderar men är inte begränsat till skruvmejseldelar, bormejlar, slipskivor, sandpapper och blad, sidostyrning
 - komponenter (delar och tillbehör) med förbehåll för normalt slitage, inklusive men inte begränsat till kolborstar, chuck, nätkabel, extrahandtag, slingsningsplåt, dammpåse, dammrör
- För service, måste produkten skickas eller presenteras till en RYOBI-godkänd servicestation som anges för varje land i följande lista med adresser. I vissa länder ombesörjer den lokala RYOBI-återförsäljaren att skicka produkten till RYOBI-serviceorganisationen. När en produkt skickas till en RYOBI-servicestation, ska produkten förpackas på ett säkert sätt utan farligt innehåll som bensin, märkt med avsändarens adress tillsammans med en kort som beskriver felet.
- En reparation/utbyte som sker under denna garanti är gratis. Den utgör inte en förlängning eller en ny start på garantitiden. Utbyts delar eller verktyg blir vår egendom. I vissa länder måste leveranskostnader eller porto betalas av avsändaren.
- Denna garanti gäller i EU, Schweiz, Island, Norge, Liechtenstein, Turkiet och Ryssland. Utanför dessa områden ska du kontakta din auktoriserade RYOBI-återförsäljare för att avgöra om en annan garanti gäller.

AUKTORISERAT SERVICECENTER

Du hittar närmaste auktoriserade servicecenter genom att gå till <http://uk.ryobitools.eu/service-agents-ryobi.htm>.



Hankinnasta koituvien laillisten oikeuksien lisäksi tätä tuotetta hallitsee alla kuvattu takuu.

- Takuukausi on 24 kuukautta kuluttajille ja alkaa tuotteen ostopäivästä. Tämän päivän on oltava merkitty kuittiin tai muuhun todisteseen hankinnasta. Tämä tuote on suunniteltu ja tarkoitettu ainoastaan kuluttajien yksityiskäyttöön. Ammatti- ja kaupalliseen käyttöön ei näin ollen ole takuuta.
- Joissain tapauksissa (kuten tarjoukset, laitesarjat) takuukaudesta voidaan pidentää kuvattua kautta pidemmäksi rekisteröimällä tuote osoitteessa www.ryobitools.eu. Takuun pidentämisvahdolisuuksia ilmoitetaan selkeästi kaupassa ja/tai pakkauksesta. Loppukäyttäjän on rekisteröitävä uusi laitteensa online 8 päivän sisällä sen hankkimisesta. Loppukäyttäjän voi rekisteröityä saadakseen jatkettua takuun asuinmaassaan, jos se määritetään online-rekisteröintilomakkeessa. Lisäksi, loppukäyttäjän on annettava suostumuksensa tallentaa syötetyt tiedot online, ja hänen on hyväksyttävä ehdot. Sähköpostitse lähetettävä rekisteröintivahvistus ja alkuperäinen kuitti, jossa ilmenee hankintapäivä, toimivat todistena takuun jatkamisesta. Lailliset oikeudet eivät muutu.
- Takuu kattaa takuukaikana kaikki tuotteen viat, jotka johtuvat valmistus- tai materiaaliavista hankintapäivänä. Takuu rajoittuu korjaukseen ja/tai vaihtoon eikä sisällä mitään muita velvoitteita, mukaan lukien mm. satunnaisesti ja seuraamusellisesti vaurioit. Takuu ei ole voimassa, jos tuotetta on väärinkäytetty tai käytyt käyttööppään vastaisesti tai se on kytketty virheellisesti. Takuu ei kata seuraavia:
 - tuotteelle koituneet vahingot, jotka johtuvat virheellisestä ylläpidosta
 - tuote, jota on muunneltu
 - tuote, jossa alkuperäiset tunnukset (tavaramerkki, sarjanumero) ovat turmeluneet tai niitä on muutettu tai ne on poistettu
 - käyttööppään laiminlyönnistä johtuvat vauriot
 - ei-EC-tuotteet
 - tuotteet, joita on yrittänyt korjata ei-pätevä asentaja tai jonka korjaukselle ei ole saatu Techntron Industriesiltä hyväksyntää etukäteen
 - tuotteet, jotka on kytketty vääränlaisen virtalähteeseen (virta, jännite, taajuus)
 - vauriot, jotka johtuvat ulkoisista syistä (kemikaalit, fyysiset tekijät, iskut) tai vieraista aineista
 - normaali varaosien kuluminen
 - virheellinen käyttö, laitteen ylikuormitus
 - muiden kuin hyväksytyjen lisävarusteiden ja osien käyttö
 - kaasutin 6 kuukauden jälkeen, kaasuttimen säätö 6 kuukauden jälkeen
 - laitteen mukana tulleet tai erikseen hankitut sähkölaitteiden lisävarusteet. Tällaiset poisjätöt sisältävät mm. ruuvivääntimet terät, poranterät, hiontakiekot, hiekkapaperi ja terät, sivuohjain
 - komponentit (osat ja lisävarusteet), joihin kohdistuu luonnollista kulumista, mukaan lukien mm. hiiliharjat, istukka, virtajohto, lisäkahva, hiontalevy, pölypusitt, pölyn poistoputki
- Huollon saaminen edellyttää, että tämä tuote lähetetään tai viedään RYOBI:n valtuuttamaan huoltoon, jonka luetaan mallittain seuraavassa huoltojen osoiteluettelossa. Joissain maissa paikallinen RYOBI-jälleenmyyjä hoitaa tuotteen lähettämisen RYOBI-huoltoon. Kun tuote lähetetään RYOBI-huoltoon, se on pakattava turvallisesti ilman mitään vaarallista sisältöä, kuten bensiniä, siihen on merkittävä lähetäjän osoite ja sen mukana on lähetettävä vian kuvaus.
- Tämän takuun puitteissa tapahtuva korjaaminen/vaihto on ilmaista. Se ei merkitse takuujakson jatkamista tai uuden kauden alkua. Vaihdeutista osista ja laitteista tulee meidän omaisuuttamme. Joissain maissa lähetäjän on maksettava toimituskulut tai postimaksu.
- Tämä takuu on voimassa Euroopan Yhteisössä, Sveitsissä, Islannissa, Norjassa, Liechtensteinissa, Turkissa ja Venäjällä. Jos olet näiden alueiden ulkopuolella, ota yhteys valtuutettuun RYOBI-jälleenmyyjään, joka voi kertoa, onko joku muu takuu voimassa.

VALTUUTETTU HUOLTO

Voit etsiä lähimmän valtuutetun huollon sivulta <http://uk.ryobitools.eu/service-agents-ryobi.htm>.

NO GARANTI

I tillegg til enhver lovbestemt rettighet som følge av dette kjøpet er dette produktet dekket av en garanti som beskrevet nedenfor.

- Garantitiden er 24 måneder for forbrukere, og starter på produktets kjøpsdato. Denne datoen må dokumenteres av faktura eller annet kjøpsbevis. Produktet er konstruert og beregnet på forbrukere og kun privat bruk. Det gis ingen garanti ved profesjonell eller kommersiell bruk.
- Det er, i noen tilfeller, (dvs. markedsføring, serie av verktøy), mulig å utvide garantitiden ut over den perioden som er nevnt ovenfor ved bruk av registrering på nettstedet www.ryobitools.eu/VerktoyGarantiBerettigelse vises klart i butikkene og/eller på emballasjen. Slutbruker må registrere sitt nylig innkjøpte verktøy på nettet innen 8 dager etter kjøpsdatoen. Slutbruker kan registrere seg for utvidet garanti i det landet hvor vedkommende bor hvis dette landet er ført opp på nettregistreringsskjemaet hvor dette alternativet er gyldig. Slutbruker må også gi sin tillatelse til lagring av de data som er påkrevd å registrere på nettet, og må akseptere vilkår og betingelser. Registreringsbekreftelsen, som sendes som epost, og den originale kvitteringen som viser kjøpsdatoen, vil gjelde som bevis på den utvidede garantien. Dine lovbestemte rettigheter vil fortsatt gjelde.
- Garantien gjelder alle defekter på produktet i garantitiden som følge av feil på arbeid eller materialer på kjøpsdatoen. Garantien er begrenset til reparasjon og/eller utskifting av produktet, og inkluderer ingen annen forpliktelse, inklusive men ikke begrenset til tilfældige eller direkte eller indirekte følgeskader. Garantien gjelder ikke dersom produktet er misbrukt, brukt i strid med brukermanualens instruksjoner eller vært feilaktig tilkoblet. Denne garantien gjelder ikke:
 - enhver skade på produktet som følge av utilskkelig vedlikehold
 - et produkt som er endret eller modifisert
 - ethvert produkt hvor original identifikasjonsmerke (varemerke, serienummer) er tildekket, endret eller fjernet
 - enhver skade som følge av at instruksjoner i brukermanualen ikke er fulgt
 - ethvert ikke-CE-produkt
 - ethvert produkt som er forsøkt reparert av en ukvalifisert person, eller uten forutgående tillatelse av Technonic Industries
 - ethvert produkt som er tilkoblet uriktig strømkilde (ampere, spenning, frekvens)
 - enhver skade forårsaket av eksterne påvirkninger (kjemiske, fysiske eller slag) eller fremmede substanser
 - normal slitasje på reservedeler
 - feilaktig bruk, overbelastning av verktøyet
 - bruk av ikke godkjent tilbehør eller reservedeler
 - forgasser etter 6 måneder, forgasserjusteringer etter 6 måneder
 - tilbehør til elektrisk verktøy, enten levert med verktøyet eller kjøpt separat. Slike unntak inkluderer men er ikke begrenset til skrutrekkerbits, bor, slipeskiver, sandpapir, og blader, sidestyre
 - komponenter (deler og tilbehør) gjenstand for normal slitasje, inklusive, men ikke begrenset til karbonbørster, chuck, elektrisk ledning, hjelpehåndtak, slipeskiver, støvpose, støvuttrekkslange
- For ettersyn og reparasjoner må produktet leveres til et RYOBI-autorisert servicecenter ført opp for det enkelte land i følgende liste av servicestasjonsadresser. I noen land vil din lokale RYOBI-forhandler sørge for å sende produktet til RYOBI's serviceorganisasjon. Når et produkt sendes til en RYOBI servicestasjon må produktet være forsvarlig emballert uten fælig innhold som bensin, merket med senders navn og adresse og medsendt en kort beskrivelse av feilen.
- En reparasjon/utskifting i henhold til denne garantien er gratis. Den representerer ikke en forlengelse av garantiperioden eller en ny start på garantiperioden. Utskiftede deler eller verktøy blir vår eiendom. I noen land vil leveringskostnader eller porto måtte betales av sender.
- Denne garantien er gyldig i EU, Sveits, Island, Norge, Liechtenstein, Tyrkia og Russland. Utendfor disse områdene ber vi om at du kontakter en autorisert Ryobi-forhandler for å finne ut om en annen garanti gjelder.

AUTORISERT SERVICECENTER

For å finne et autorisert servicecenter i nærheten, gå til <http://uk.ryobitools.eu/service-agents-ryobi.htm>.

RU ГАРАНТИЯ

В дополнение к законным правам, вытекающим из факта покупки, на данный продукт распространяются следующие гарантийные обязательства.

- Гарантийный период составляет 24 месяца для покупателей и начинается с даты приобретения продукта. Дата приобретения подтверждается документально товарным чеком или другим доказательством покупки. Данный продукт предназначен для использования только в личных целях. Гарантия не предоставляется в случае профессионального или коммерческого использования данного продукта.
- В некоторых случаях (например, при продвижении продукта, приобретении некоторых видов инструментов) возможно продление гарантийного срока при регистрации продукта на веб-сайте www.ryobitools.eu. Применимость продукта разъясняется в магазинах при продаже или на упаковке продукта. Конечному пользователю следует зарегистрировать вновь приобретенный инструмент через Интернет в течение 8 дней с даты покупки. Конечный пользователь может зарегистрировать продукт для получения расширенной гарантии в стране проживания, если данная возможность предоставляется интернет-формой регистрации. Также, конечный пользователь должен дать свое согласие на хранение данных, требуемых при заполнении формы через Интернет, и принять условия соглашения. Уведомление о подтверждении регистрации, отправляемое по электронной почте, и оригинальный товарный чек с датой покупки служат доказательством расширенной гарантии. Законные права потребителя при этом остаются в силе.
- Данная гарантия распространяется на все дефекты продукта, связанные с производственным браком или браком материалов в момент приобретения, в течение гарантийного периода. Данная гарантия ограничивается ремонтом или заменой и не включает другие обязательства, в том числе, связанные с побочным или косвенным ущербом. Гарантия недействительна в случае ненадлежащего использования, использования с нарушением инструкций руководства по эксплуатации или неправильного подключения продукта. Гарантия недействительна, если:
 - повреждение продукта вызвано ненадлежащим техническим обслуживанием
 - продукт подвергся изменениям или был модифицирован
 - оригинальная маркировка (товарный знак, заводской номер) неудобночитаема, изменена или удалена
 - повреждение вызвано несоблюдением инструкций данного руководства
 - отсутствовал маркировка CE
 - была попытка отремонтировать продукт неквалифицированным лицом или без предварительного согласования с компанией Technonic Industries
 - продукт подключался к ненадлежащему источнику питания (ненадлежащая сила тока, напряжение, частота)
 - повреждение вызвано внешним воздействием (химические, физические, удары) или посторонними веществами
 - это связано с нормальным износом заменяемых деталей
 - это связано с ненадлежащим использованием, перегрузкой инструмента
 - это связано с использованием нерекommendованных принадлежностей или деталей
 - карбюратор использовался свыше 6 месяцев, регулировка карбюратора после 6 месяцев
 - принадлежности для инструмента, поставляемые с инструментом или приобретаемые отдельно. В том числе, отверточные насадки, сверла, абразивные круги, наждачная бумага и шлифовальные полотна, боковая направляющая
 - компоненты (детали и принадлежности) подверженные естественному износу, в том числе, угольные щетки, зажимной патрон, кабель питания, дополнительная ручка, шлифовальная пластина, пылесборник, трубка отвода пыли
- Для проведения технического обслуживания продукт следует представить в официальный центр технического обслуживания компании RYOBI в соответствии со списком по каждой стране. В некоторых странах дилерам компании RYOBI потребуется переслать продукта в соответствующий сервисный центр компании RYOBI. При отправке продукта в центр технического обслуживания RYOBI, продукт следует упаковать надлежащим образом без содержания любых опасных веществ (таких как бензин) с указанием адреса отправителя и кратким описанием неисправности.
- Ремонт/замена продукта по условиям данной гарантии осуществляются бесплатно. В данном случае не предусмотрено продление срока гарантии или начало нового гарантийного периода. Заменяемые детали или инструмент становятся собственностью компании. В некоторых странах оплата доставки и почтовые расходы ложатся на отправителя.
- Данная гарантия действительна в странах ЕС, Швейцария, Исландия, Норвегия, Лихтенштейн, Турция и Россия. Для получения информации о применении данной гарантии в других регионах обращайтесь к официальному дилеру компании RYOBI.

УПОЛНОМОЧЕННЫЙ СЕРВИСНЫЙ ЦЕНТР

Чтобы найти ближайший уполномоченный сервисный центр, обратитесь к веб-сайту <http://uk.ryobitools.eu/service-agents-ryobi.htm>.

PL GWARANCJA

Opócz wszelkich praw ustawowych wynikających z zakupu, ten produkt jest objęty gwarancją jak podano poniżej.

- Okres gwarancji wynosi 24 miesiące dla konsumentów i rozpoczyna się w dniu, w którym produkt został zakupiony. Ta data musi być udokumentowana przez fakturę lub inny dowód zakupu. Produkt został zaprojektowany i jest przeznaczony wyłącznie do użytku konsumenckiego i prywatnego. W związku z tym gwarancja nie jest udzielana w przypadku zastosowań profesjonalnych i komercyjnych.
- Nie ma, w niektórych przypadkach (promocja tj. zakres narzędzi), możliwość przedłużenia okresu gwarancji w okresie opisanym powyżej przy rejestracji na stronie internetowej www.ryobitools.eu. Kwalifikowalność narzędzia jest wyraźnie określona w sklepach oraz/lub na opakowaniu. Użytkownik końcowy musi zarejestrować swoje nowo zakupione narzędzia online w ciągu 8 dni od daty zakupu. Użytkownik końcowy może zarejestrować się w celu rozszerzenia gwarancji w swoim kraju zamieszkania, jeśli jest on wymieniony w formularzu rejestracji online, kiedy ta opcja jest ważna. Ponadto użytkownicy końcowi muszą wyrazić zgodę na przetwarzanie danych, które są wymagane do zalogowania online oraz muszą zaakceptować regulamin. Otrzymanie potwierdzenia rejestracji, które jest wysyłane na adres e-mail oraz oryginalna faktura z podaną datą zakupu będą służyć jako dowód przedłużonej gwarancji. Twoje prawa ustawowe pozostają nienaruszone.
- Gwarancja obejmuje wszystkie wady produktu w okresie gwarancyjnym, spowodowane usterekami w wykonaniu lub materiale w chwili nabycia. Gwarancja jest ograniczona do naprawy oraz/lub wymiany i nie obejmuje żadnych innych obowiązków w tym m.in. odpowiedzialności za szkody przypadkowe lub wtórne. Gwarancja nie jest ważna, jeśli produkt był używany w niewłaściwy sposób, był wykorzystywane w sposób niezgodny z instrukcją obsługi lub był nieprawidłowo podłączony. Ta gwarancja nie obejmuje:
 - uszkodzenia produktu, które jest wynikiem nieprawidłowej konserwacji
 - produktu, który został przerobiony lub zmodyfikowany
 - produktu, w którym znieskształcono, zmieniono lub usunęto oryginalne oznaczenia (nazwę handlową, numer seryjny)
 - uszkodzeń spowodowanych nieprzestrzeganiem instrukcji obsługi
 - produktu bez certyfikatu CE
 - produktu, który był naprawiany przez niewykwalifikowaną osobę lub bez uprzedniej autoryzacji firmy Technronic Industries
 - produktu podłączonego do nieprawidłowego źródła zasilania (natężenie, napięcie, częstotliwość)
 - uszkodzeń spowodowanych przez czynniki zewnętrzne (chemiczne, fizyczne, uderzenia) lub obce substancje
 - normalnego zużycia części zamiennych
 - niewłaściwego użytkowania, przecięcia narzędzia
 - stosowania niezatwierdzonych akcesoriów lub części
 - gaźnika po 6 miesiącach, regulacji gaźnika po 6 miesiącach
 - akcesoriów do elektronarzędzi dostarczonych z narzędziem lub zakupionych osobno. Takie wyłączenia obejmują m.in. bity śrubokręta, wiertła, tarcze ściernie, papier ścierny i ostrza, prowadnicę ukośną
 - elementów (części i akcesoriów) podlegających naturalnemu zużyciu, w tym m.in. szczotki, uchwyty, przewodu zasilającego, dodatkowego uchwytu, tarczy ściernej, torby na pyl, przewodu wyrzutu pyłu
- W celu serwisowania produkt należy wystać lub okazać w autoryzowanym centrum serwisowym RYOBI wymienionym dla każdego kraju na poniższej liście adresów stacji serwisowych. W niektórych krajach lokalny dealer firmy RYOBI zobowiązuje się wystać produkt do centrum serwisowego firmy RYOBI. W przypadku wysyłki produktu do centrum serwisowego RYOBI, produkt należy dobrze zapakować, bez umieszczania żadnych niebezpiecznych rzeczy, tj. paliwa i oznaczyć adresem nadawcy oraz krótkim opisem usterek.
- Naprawa/wymiana w ramach tej gwarancji jest bezpłatna. Nie stanowi to przedłużenia lub nowego rozpoczęcia okresu gwarancji. Wymieniane części lub narzędzia stają się naszą własnością. W niektórych krajach koszty wysyłki lub pocztowe będą musiały być opłacone przez nadawcę.
- Ta gwarancja obowiązuje na terytorium Wspólnoty Europejskiej, Szwajcarii, Islandii, Norwegii, Liechtenstein, Turcji i Rosji. Poza tymi obszarami należy skontaktować się z autoryzowanym dealerm RYOBI aby sprawdzić, czy dostępna jest jeszcze inna gwarancja

AUTORYZOWANY PUNKT SERWISOWY

Najbliższy autoryzowany punkt serwisowy można wyszukać w witrynie internetowej <http://uk.ryobitools.eu/service-agents-ryobi.htm>.

CS ZÁRUKA

Navíc k zákonným právam, ktoré vznikajú nákupem, je k výrobku poskytovaná záruka.

- Záruka je obdobi 24 mesícov pre spotrebiteľa a začína bežet dňom nákupu produktu. Toto datum musí byť zadokumentovaný faktúrou alebo iným dokazom o kúpe. Tento výrobek je určen a vyhranzen je pro domáci a soukromé používání. Záruka se tedy neposkytuje pro profesionální ani komerční používání.
- Existuje, v některých případech (tj. propagace, určité nástroje), možnost prodloužení doby záruky nad výše uvedené období pomocí registrace na stránkách www.ryobitools.eu. Vhodnost nástroje je jasně vyobrazena v prodejních a/nebo na obalu. Koncový uživatel musí zaregistrovat své nové pořízené nástroje online během 8 dní od data nákupu. Koncový uživatel se může zaregistrovat k prodloužení doby záruky v zemi jeho trvalého bydliště, pokud je uvedeno v online registračním formuláři, kde je tato možnost platná. Navíc musí koncový uživatel poskytnout souhlas s uchováním údajů. Přijetí jsou zapotřebí do online registru a musí přijmout podmínky smlouvy. Přijetí potvrzení o registraci, odeslané e-mailem, a originální faktura udávající datum nákupu slouží jako důkaz prodloužené záruky. Vaše zákonná práva zůstávají nedotčena.
- Záruka pokrývá veškeré vady produktu během záruky způsobené vadami při zpracování nebo v materiálu v době nákupu. Záruka se omezuje na opravu a/nebo výměnu a nezahnuje žádné jiné závazky včetně, ale ne omezené na související nebo následné škody. Záruka neplatí, pokud, pokud se produkt nesprávně používal, používal v rozporu s návodem nebo byl nesprávně zapojen. Záruku nelze uplatnit v následujících případech:
 - jakkoliv škoda na výrobku v důsledku nesprávné údržby
 - jakýkoliv výrobek byl pozměněn či modifikován
 - jakýkoliv výrobek, kde byly původní identifikační značky (obchodní značka, výrobní číslo) odstraněny, pozměněny či modifikovány
 - jakkoliv škoda způsobená nedodržováním návodu k obsluze
 - výrobek nemá značku CE
 - každý výrobek, kde došlo k pokusu jej opravit nekvalifikovanou osobou nebo bez předchozího souhlasu společnosti Technronic Industries
 - každý výrobek byl připojen nesprávnému napájení (proud, napětí, frekvence)
 - každý výrobek, který se používal s nesprávnou palivovou směsí (palivo, olej, podíl oleje)
 - běžné opotřebení a spotřebení náhradní díly
 - nevhodné používání, přetěžování nástroje
 - použití neschválených doplňků nebo dílů
 - karburátor po 6 měsících, seřízení karburátoru po 6 měsících
 - doplňky elektrických nástrojů dodaných s nástrojem či zakoupených zvlášť. Takové výjimky, včetně, ale ne omezených na, nástavce šroubováku, vrtáky, brusné kotouče, brusný papír a nože, pílňné vedení
 - komponty (díly a doplňky) podléhající běžnému opotřebení a spotřebě, včetně, ale ne omezené, uhlikových kartáčů, sklíčidla, síťového kabelu, doplňkové rukojeti, brusné desky, vaku pro prach, odsávací trubky prachu
- Pro servis výrobku je třeba zaslat nebo předložit pověřenému servisnímu středisku RYOBI dle seznamu adres servisních středisek. V některých zemích váš místní prodejce RYOBI provádí odeslání výrobku servisní organizaci RYOBI. Při zasílání výrobku servisnímu středisku RYOBI by se měl výrobek bezpečně zabalit bez nebezpečného obsahu jako benzín, označit adresu odesílatele a přiložit list krátkým popisem vady.
- Oprava/výměna během záruky je bezplatná. Neznamená prodloužení ani začátek nového záručního období. Vyměněné díly či nástroje se stávají našim vlastnictvím. V některých zemích doručení či poštovné platí odesílatelem.
- Záruka je platná v Evropské unii, Švýcarsku, Islandu, Norsku, Lichtenštejnsku, Turecku a Rusku. U ostatních oblastí prosím kontaktujte pověřeného prodejce RYOBI pro upřesnění, zda platí jiná záruka.

POVĚŘENÉ SERVISNÍ STŘEDISKO

Pro nalezení nejbližšího pověřeného servisního střediska navštivte <http://uk.ryobitools.eu/service-agents-ryobi.htm>.

HU GARANȚIA

A vásárlással összefüggő esetleges törvény adta jogok mellett a termékre az alábbiakban részletezett garancia vonatkozik.

1. A garancia időtartama a fogyasztók számára 24 hónap, ami a termék megvásárlásának napjától számítódik. Ezt a dátumot számlával vagy a vásárlást igazoló más dokumentummal kell igazolni. A termék kizárólag a bevált általi, személyes célokra való használatra tervezett és készítették. Ezért a garancia nem vonatkozik a profik általi vagy üzleti célokra való használatra.
2. Egyes esetekben (pl. promóció, bizonyos termékcsoportok) lehetőség van a garancia időtartamának a fent leírt garanciaperióduson túli meghosszabbítására a www.ryobitools.eu webhelyen történő regisztrációval. Az, hogy egy adott gép jogosult-e erre, egyértelműen fel van tüntetve a boltokban és/vagy a csomagoláson. A végfelhasználónak a vásárlás napjától számított 8 napon belül regisztrálnia kell az újonnan beszerzett gépet. A végfelhasználó a kiterjesztett garanciáért a lakóhelye szerinti országban regisztrálhat, ha az szerepel az online regisztrációs úrlapon. Emellett a végfelhasználónak hozzá kell járulnia az online belépéshez szükséges adatai tárolásához és el kell fogadnia a szerződési feltételeket. A regisztráció e-mailben küldött visszaigazolás, valamint a vásárlást igazoló eredeti számlának a kiterjesztett garancia érvényesítésére. A törvény adta jogai nem sérülnek.
3. A garancia a garancia időtartama alatt a termék összes olyan hibájára kiterjed, amelyek a vásárlás napján is fennálló gátlási vagy anyaghiba miatt következnek be. A garancia javításra és/vagy cserére korlátozódik, és nem tartalmaz további kötelezettséget, beleértve, de nem kizárólag a véletlenszerű vagy következetes károkra vonatkozó kötelezettségeket sem. A garancia nem érvényes a termék helytelen használatára, a használati utasításban leírtakkal ellentétes használatára vagy hibás csatlakoztatása esetén. A garancia nem vonatkozik a következőkre:
 - a termék helytelen karbantartásból eredő esetleges károsodásokra
 - átalakított vagy módosított termékekre
 - olyan termékre, melyen az eredeti azonosító jelöléseket (végjegy, sorozatszám) megromlították, átalakították vagy eltávolították
 - a használati utasítás be nem tartásával összefüggő károkra
 - a CE minősítéssel nem rendelkező termékre
 - a nem képzett szakember által vagy a Techtron Industries előzetes jóváhagyása nélkül javított termékre
 - a nem megfelelő tápforrásokhoz (áramerősség, feszültség, frekvencia) csatlakoztatott termékre
 - külső hatások (vegyi, fizikai, ütés) vagy idegen anyagok által okozott károsodásokra
 - a cserealkatrészek normál kopására és elhasználódására
 - helytelen használatra, a szerszám túllérelésére
 - nem jóváhagyott tartozékok vagy alkatrészek használatára
 - a karburátorra 6 hónap elteltével, a karburátor beállításaira 6 hónap elteltével
 - a szerszámgéphez mellékelt vagy külön megvásárolt szerszámgép tartozékokra. A kizárások közé tartoznak meg, de nem kizárólag, a csavarhúzó bitek, fűrőbitek, csiszolókorongok, csiszolópapírok és korongok, oldalsó vezetők
 - természetes elhasználódásnak és kopásnak kitétt összetevőkre (alkatrészek és tartozékok), beleértve, de nem kizárólag a szénkeféket, tokmányokat, tápkabeleket, kisegítő fogantyúkat, csiszolólapokat, porzsákokat, porkifűző csöveket.
4. A szervizeléshez a terméket el kell küldeni vagy be kell mutatni valamelyik hivatalos RYOBI szervizközpontban, melyek elérhetősége az egyes országokban az alábbiakban van megadva. Egyes országokban a RYOBI kereskedő vállalja, hogy elküldi a terméket a RYOBI szervizbe. A terméknek a RYOBI szervizelőmásra való küldésekor a terméket biztonságosan be kell csomagolni, mindenféle veszélyes anyagot, pl. üzemenyagot el kell távolítani belőle, meg kell adni a feladó címét és a hiba rövid leírását.
5. A garancia keretében végzett javítás/cseréje ingyenes. Ugyanakkor ez nem jelenti a garancia időtartamának kiterjesztését vagy új garanciaperiódus kezdetét. A kicserélt alkatrészek vagy szerszámgépek a mi tulajdonunkban maradnak. Egyes országokban a szállítási vagy a postaköltségeket a feladó fizeti.
6. Ez a garancia az Európai Közösségekben, Svájcban, Izlandon, Norvégiában, Liechtensteinben, Törökországban és Oroszországban érvényes. Ezen területeken kívül az érvényes garancia-feltételeket illetően lépjen kapcsolatba a hivatalos RYOBI forgalmazóval.

HIVATALOS SZERVIZKÖZPONT

A legközelebbi hivatalos szervizközpont megtalálásához látogasson el a <http://uk.ryobitools.eu/service-agents-ryobi.htm> webhelyre.

RO GARANȚIE

În plus față de alte drepturi stabilite prin lege, produsul este acoperit de o garanție ca cea menționată mai jos.

1. Perioada de garanție este de 24 de luni pentru consumatori și începe de la data la care produsul a fost achiziționat. Această dată trebuie să fie dovădită de o factură sau altă dovădă de cumpărare. Produsul este proiectat și dedicat pentru consumator și doar pentru uz privat. Ca urmare nu există nicio garanție asigurată în caz de folosire profesională sau comercială.
2. Există, în anumite cazuri (de ex. promoții, game de produse) o posibilitate de a prelungi perioada de garanție peste perioada descrisă mai sus folosind înregistrarea pe site-ul www.ryobitools.eu. Eligibilitatea aparatului este afișată clar în magazine și/sau ambalaj. Utilizatorul final se poate înregistra pentru o garanție extinsă în țara sa de reședință dacă e listată pe formularul de înregistrare online acolo unde opțiunea este validă. Mai mult, utilizatorul final trebuie să și dea consimțământul cu privire la păstrarea datelor ce sunt cerute a fi introduse online și trebuie să accepte termenii și condițiile. Notificarea de confirmare a înregistrării, ce este trimisă prin email, și factura originală ce arată data achiziționării vor servi ca dovădă a garanției extinse. Drepturile dvs stabilite prin lege rămân neafectate.
3. Garanția acoperă toate defectele produsului în timpul perioadei de garanție cauzate de defecte din procesul de producție sau ale materialului la data achiziționării. Garanția este limitată la reparații și/sau înlocuire în nu include alte obligații incluzând dar nelimitându-se la pagube incidentale sau secundare. Garanția nu este validă dacă produsul a fost folosit greșit, folosit contrar instrucțiunilor din manual sau a fost conectat incorect. Această garanție nu se aplică la:
 - orice defecțiune a produsului ca rezultat a întreținerii necorespunzătoare
 - orice produs ce a fost schimbat sau modificat
 - orice produs unde marcajul original de identificare (marcă comercială, număr serie) a fost deteriorat, schimbat sau modificat
 - orice defecțiune cauzată de nerespectarea manualului de instrucțiuni
 - orice produs non CE
 - orice produs care a fost încercat să fie reparat de către o persoană necalificată sau fără autorizare în prealabil de către Techtron Industries
 - orice produs conectat necorespunzător la sursa de curent (amperi, voltaj, frecvență)
 - orice defecțiune cauzată de influențe externe (chimice, fizice, șocuri) sau substanțe străine
 - uzura normală a pieselor de schimb
 - folosire necorespunzătoare, suprasolicitate a sculei
 - folosire de accesorii și părți neaprobate
 - carburator după 6 luni, reglări ale carburatorului după 6 luni
 - accesorii ale sculelor de putere furnizate cu scula sau achiziționate separat. Asemenea excluderi includ dar nu se limitează la capace de șurubelniță, burghie, discuri abrazive, șmirgheluri, discuri de șlefuit, lubrificali
 - componente (părți și accesorii) subiect a uzurii naturale, incluzând dar nelimitându-se la perii de carbon, mandrine, cablu electric, mâner auxiliar, placă de șlefuit, sac pentru praf, tub de evacuare praf
4. Pentru servicii, produsul trebuie să fie trimis sau prezentat la un punct service RYOBI autorizat listat pentru fiecare țară în următoarea listă cu adrese ale punctelor service. În anumite țări reprezentantul dvs local RYOBI se angajează să trimită produsul la un punct de service RYOBI. Atunci când se trimite un produs la un punct service RYOBI, produsul trebuie să fie împachetat cu grijă într-o container produsă periculoasă precum benzină, marcat cu adresa expeditorului și însoțit de o scurtă descriere a defecțiunii.
5. Repararea/nlocuirea în timpul garanției este fără niciun cost. Nu constituie o prelungire sau un nou început a perioadei de garanție. Nu constituie aparatele schimbate devin proprietatea noastră. În anumite țări taxele de expediere trebuie să fie plătite de către expeditor.
6. Garanția este valabilă în Uniunea Europeană, Elveția, Islanda, Norvegia, Liechtenstein, Turcia și Rusia. În afara acestor zone, vă rugăm contactați reprezentantul dvs local autorizat RYOBI pentru a determina dacă se aplică altă garanție.

CENTRU DE SERVICE AUTORIZAT

Pentru a găsi un centru de service autorizat lângă dvs., vizitați <http://uk.ryobitools.eu/service-agents-ryobi.htm>.

LV GARANTĪJA

Papildus visām likumā paredzētajām tiesībām saistībā ar iegādi šim izstrādājumam ir turpinājuma izstrādātāja garantija.

- Garantijas periods patērētājiem ir 24 mēneši, un tas sākas izstrādājuma iegādes dienā. Šim datumam ir jābūt dokumentētām rēķinā vai citā iegādi apliecinošā dokumentā. Šis izstrādājums ir izgatavots un paredzēts vienīgi patērētājam un privātai lietošanai. Profesionālais vai komerciālais lietošanas gadījumā garantija nav spēkā.
- Atsevišķos gadījumos (piem., akcija, vairāki instrumenti) pastāv iespēja pagarināt garantijas periodu virs šeit minētā perioda, reģistrējot to www.ryobitools.eu vietnē. Instrumenta pielietojums ir skaidri norādīts veikalos un/vai uz iepakojuma. Lietotājiem ir jāreģistrē savai jauniegūtie instrumenti tiešsaistē 8 dienu laikā no iegādes datuma. Lietotājs var reģistrēties pagarinātajai garantijai savā dzīvesvietas valstī, ja tā ir norādīta tiešsaistes reģistrācijas veidlapā, kur pieejama šī iespēja. Turklāt lietotājiem ir jāievada dati tiešsaistē, jānodrošina šo datu uzglabāšanai un jāpiekriņķ noteikumiem. Saņemtais reģistrācijas apliecinājums, kas izsūtīts pa e-pastu, un rēķina oriģināls, kurā redzams iegādes datums, ir pagarinātās garantijas pierādījums. Jūsu likumā paredzētās tiesības netiek ietekmētas.
- Garantija attiecas uz visiem izstrādājuma bojājumiem, kas radušies garantijas perioda laikā iegādes dienā esošo izgatavošanas vai materiāla defektu dēļ. Garantija ir ierobežota līdz remontam un/vai nomaīpai un neietver citus pienākumus, ieskaitot, bet neaprobežojoties ar nejausiem vai netiesiem zaudējumiem. Garantija nav spēkā, ja izstrādājums ir liets nepareizi vai neievērojot rokasgrāmatas norādījumus vai tīcis nepareizi savienots. Garantija netiecas uz:
 - izstrādājuma bojājumiem, kas radušies nepareizas apkopes dēļ;
 - izstrādājumiem, kas tikuši pielāgoti vai pārveidoti;
 - izstrādājumiem, kuru oriģinālais identifikācijas marķējums (preču zīme, sērijas numurs) tīcis sabojāts, pārveidots vai noņemts;
 - bojājumiem, kurus izraisījis rokasgrāmatas norādījumu neievērošana;
 - izstrādājumiem bez CE marķējuma;
 - izstrādājumiem, kuru ir mēģinājis remontēt nekvalificēts speciālists vai kuri remontēti bez Techronic Industries atļaujas;
 - izstrādājumiem, kas tikuši pievienoti neatbilstoši energopadevei (apmēri, spriegums, frekvence);
 - bojājumiem, kurus izraisījis ārēja iedarbība (ķīmiska, fiziska, triecieni) vai svešas vielas;
 - normālu detaļu nolietojumu un nodilumu;
 - instrumentu nepareizu lietošanu, pārslodzi;
 - neapstrīnātu detaļu un piederumu lietošanu;
 - karburatoru pēc 6 mēnešiem, karburatora regulējumiem pēc 6 mēnešiem;
 - elektroinstrumenta piederumiem, kas piegādāti kopā ar instrumentu vai iegādāti atsevišķi. Šie izņēmumi ietver, bet neaprobežojas ar skrūvriežu uzgāļiem, urbiņa uzgāļiem, abrazīvajiem diskkiem, smilšpapīru, asmeņiem un sānu vadotni;
 - komponentiem (detaļām un piederumiem), kas ir pakļauti dabiskam nodilumam un nolietojumam, ietverot, bet neaprobežojoties ar oglekļa sukām, patronu, elektrības vadu, palīgrokturi, slīpēšanas loksni, putekļu maisu un putekļu izvades cauruli.
- Ja nepieciešams veikt remontu, izstrādājums jānosūta vai jānodod RYOBI pilnvarotam servisā centram, kas norādīts pie attiecīgās valsts servisā centru adresē sarakstā. Atsevišķās valstīs vietējais RYOBI dīleris uzņemas nosūtīt izstrādājumu RYOBI servisā organizācijai. Nosūtīt izstrādājumu RYOBI servisā centram, izstrādājumam jābūt droši iepakotam bez bīstama satura, piemēram, degvielas, marķētam ar sūtītāja adresi un kopā ar tsu aprakstu par defektu.
- Remonts/nomaīpa šīs garantijas ietvaros ir bez maksas. Tas nepagarina un neuzsāk jaunu garantijas periodu. Nomaīnātās detaļas un instrumenti nonāk mūsu īpašumā. Atsevišķās valstīs piegādes maksa un pasta izdevumi jāsedz sūtītājam.
- Šī garantija ir derīga Eiropas Kopienā, Šveicē, Islandē, Norvēģijā, Līhtenšteinā, Turcijā un Krievijā. Ārpus šiem reģioniem, lūdzu, sazinieties ar savu pilnvaroto RYOBI dīleri, lai noskaidrotu, vai ir spēkā cita garantija.

AUTORIZĒTS APKALPOŠANAS CENTRS

Lai atrastu tuvāko autorizēto apkalpošanas centru, apmeklējiet <http://uk.ryobitools.eu/service-agents-ryobi.htm>.

LT GARANTĪJA

Be įstatymais nustatytų teisių, įgyjamų nusipirkus šį produktą, produktui taikoma toliau nurodyta garantija.

- Pirkejams galiojantis garantinis periodas yra 24 mėnesiai ir prasideda nuo produkto pirkimo datos. Data turi būti nurodyta sąskaitoje-faktūroje arba kitame pirkimą įrodančiame dokumente. Produkta sukurtas ir skirtas tik naudotojui ir tik asmeniniam naudojimui. Todėl garantija netaikoma produktą naudojančioms profesionaliai ar komerciniais tikslais.
- Kai kuriais atvejais yra galimybė pratęsti garantinį laikotarpį iki toliau nurodyto laikotarpio, prieš tai užsiregistravus www.ryobitools.eu svetainėje. Įrankio tinkamumo aiškiai parodytas parduotuvėse ir (arba) ant pakuočių. Galutinis naudotojas turi užregistruoti savo naujai įsigytus įrankius internetu per 8 dienas nuo jų pirkimo datos. Galutinis naudotojas gali užsiregistruoti dėl garantijos pratęsimo savo šalyje, jei ši pateikta registracijos internetu formoje, kurioje galimas šis pasirinkimas. Be to, galutiniai naudotojai privalo duoti savo sutikimą laikyti duomenis, kuriuos reikia įvesti internete, ir jie turi sutikti su sąlygomis ir nuostatomis, Registracijos patvirtinimo pranešimas, išsiunčiamas el. paštu, ir originali sąskaita faktūra, kurioje nurodyta pirkimo data, įrodo pratęstą garantiją. Jūsų įstatymuose nustatytoms teisėms nebus pakenkta.
- Garantiui laikotarpiu garantija taikoma visiems produkto trūkumams, atsiradusiems dėl prastos darbo kokybės arba prastų produkto medžiagų pirkimo dieną. Garantija taikoma tik taisymui ir (arba) pakeitimui ir joje nenumatyti jokie tik įsipareigojimai, įskaitant, bet neapsiribojant atsitiktine ar susijusia žala. Garantija negalioja produktą netinkamai naudojant, priešingai vadove nurodytoms instrukcijoms, arba netinkamai prijungus. Garantija netaikoma šiais atvejais:
 - produktui padarytai žalai netinkamai atliekant produkto techninę priežiūrą;
 - pakeistam arba modifikuotam produktui;
 - bet kokiems produktams, kurių originalios identifikacijos (prekės ženklas, serijos numeris) žymės buvo sugadintos, pakeistos ar pašalintos;
 - bet kokiai žalai, patirtai nesilaikant naudojimo vadovo;
 - bet kokiam CE nepaženkintam produktui;
 - bet kokiems produktui, kurį bandė taisyti nekvalifikuotas specialistas, arba iš anksto negavus „Techronic Industries“ leidimo;
 - bet kokiame produktui, įjungtam į netinkamą maitinimo tinklą (amperai, įtampa, dažnis);
 - bet kokiai žalai, kilusiai dėl išorinio poveikio (cheminis, fizinis poveikis, smūgiai) arba pašaliniių medžiagų;
 - įprastam atsarginių dalių dėvėjimuisi;
 - produktą netinkamai naudojant arba jį perkrovus;
 - naudojant nepatvirtintus priedus arba dalis;
 - karbiuratoriu po 6 mėnesių, karbiuratoriaus reguliavimui po 6 mėnesių;
 - elektrinio įrankio priedams, pateiktiems kartu su įrankiu ar pirktiems atskirai: Prie tokių išimčių priskaitomi, neapsiribojant, atsuktuo antgaliai, gražto antgaliai, abrazyviniai diskai, švitrinis popierius ir asmenys, šoninis kreiptuvas;
 - komponentai (dalyis ir priedai), kurie dėvėsi savaime, įskaitant, bet neapsiribojant anglies šepetėliais, griebtuvu, maitinimo laidu, papildoma rankena, šlifavimo plokštė, dulkių maišeliu, dulkių išmetimo vamzdeliu.
- Norint atlikti techninio aptarnavimą, produktą reikia nusiųsti arba pristatyti į vieną iš RYOBI įgaliotų techninio aptarnavimo punktų, esančių kiekvienoje šalyje toliau pateikiamo aptarnavimo punktų adresų sąrašė. Kai kuriose šalyse jūsų vietinis RYOBI pardavėjas gali nusiųsti produktą į RYOBI techninio aptarnavimo punktą. Siunčiant produktą į RYOBI techninio aptarnavimo punktą, produktą reikia saugiai supakuoti, prieš tai iš jo pašalinus pavojingas medžiagas, pavyzdžiui, benzina, nurodyti siuntėjo adresą ir pridėti trumpą gedimo aprašymą.
- Pagal šią garantiją taisymo ar keitimo darbai atliekami nemokamai. Garantijoje nenumatytas garantijos pratęsimas ar naujo garantinio laikotarpio pradėjimas. Pakeistos dalys arba įrankiai tampa mūsų nuosavybe. Kai kuriose šalyse pristatymo ar siuntimo paštu išlaidas turi padengti siuntėjas.
- Ši garantija taikoma Europos bendrijoje, Šveicarijoje, Islandijoje, Norvegijoje, Lichtenšteine, Turkiijoje ir Rusijoje. Kitose šalyse kreipkitės į savo įgaliotą RYOBI pardavėją, norėdami sužinoti, ar taikoma kita garantija.

ĮGALIOTOS TECHNINĖS PRIEŽIŪROS CENTRAS

Jei norite surasti įgaliotą techninės priežiūros centrą netoli Jūsų, apsilankykite interneto svetainėje <http://uk.ryobitools.eu/service-agents-ryobi.htm>.

Lisaks ostu puhul kaasnevate seadusjärgsetele õigustele kehtib tootele allpool esitatud tingimustega garanti.

- Ostja poolt ostetud tootele on kehtestatud garantiiperiood 24 kuud ja see hakkab kehtima toote ostmise kuupäeval. See kuupäev on märgitud arvele või muule ostu tõendavale dokumendile. Toode on ette nähtud ostjale ainult isiklikuks kasutamiseks. Kui toodet kasutatakse ametialastel või ärilistel eesmärkidel, siis garanti ei kehti.
- Mõnel juhul (nt reklaam, seadmete seeria) on võimalik pikendada garantiiperioodi pikemaks ajaks kui ülal mainitud, kui kasutatakse registreerimist veebisaidil www.ryobitools.eu kaudu. Registreerimise tingimused on välja pandud kauplustesse ja/või on pakendil. Lõppkasutaja peab oma uued tõõriistad veebis registreerima 8 päeva jooksul alates ostukuupäevast. Lõppkasutaja võib registreerida end pikendatud garantiiks oma asukohamaal, kui see on esitatud veebis registreerimise loendil, seal kus see vaik on leemas. Peate selle, lõppkasutajad peavad andma nõusoleku enda andmete salvestamiseks, mida vajatakse veebi siseneamiseks ja nõustuma esitatud tingimustega. Pikendatud garantiid kehtivust tõendab e-postiga saadetud registreerimise kinnitusteade ja algupärane arve, millel on ostukuupäev. Teie seadusjärgsed õigused jäävad mõjutamata.
- Garanti kehtib kõikide ostukuupäevast kehtima hakkaval garantiiperioodil ilmnunud rikete suhtes, mis on tingitud töötlemis- või materjalvigadest. Garantii on piiratud remondi ja/või asendamisega ja ei sisalda muid kohustusi, kuid mitte ainult, kaasneva või tuleneva kahju eest. Garanti ei kehti, kui toodet on väärkasutatud, kasutusjuhendis nimetatud otstarbele mittevastavalt kasutatud või toode on ebaõigesti ühendatud. See garanti ei rakendu järgmistel juhtudel:
 - tootel on mingi vigastus, mis on põhjustatud ebaõigest kasutamisest,
 - toodet on mingil viisil ümber ehitatud või muudetud,
 - toote algupärane tuvastusmärking (kaubamärk, seerianumber) on kahjustatud, ümber tehtud või eemaldatud,
 - tootel on mingi vigastus, mis on tingitud kasutusjuhendi mittejäljmisest,
 - toode ei ole CE-märgisega,
 - toodet on püüdnud parandada ebapädev spetsialist või seda on tehtud ilma Techronic Industries volitusteta,
 - toode on ühendatud selleks mitteettenähtud elektritoitevõrguga (väär voltage tugevus, pinge või sagedus),
 - tootel on vigastus välismõjudest (keemilised või füüsilised mõjud või löögid),
 - toote varuosadel ilmneb tavapärase kulumine,
 - toodet on ebaõigesti kasutatud või üle koormatud,
 - tootel on kasutatud mitteettenähtud tarvikuid või osi,
 - toote karburaator pärast 6 kuu möödumist, toote karburaatori sätteid pärast 6 kuu möödumist,
 - ajamiga tööriista tarvikud, mis tarnitakse koos tööriistaga või on ostetud eraldi. See välistus hõlmab, kuid mitte ainult, kruvikeeraja otsakuid, puure, abrasiivlõikeketaid, lihvpaberit, lihvkettaid ja lõikeketaid, küljjuhiikut,
 - toote koostesadel (osad ja tarvikud) ilmneb tavapärase kulumine järgmistel detailidel (kuid mitte ainult): süsinikhärjad, puuripadrun, tõiujeh, lisakõpede, lihvlaat, tolmuikott, tolmü ärastamistoru.
- Hooldamiseks tuleb toode saata või tuua mõnda RYOBI volitatud hoolduspunkti, mis on esitatud loendis iga riigi jaoks ja millel on hoolduspunkti aadressid. Mõnes riigis kohustub RYOBI edasimüüja saama toote RYOBI hooldusasutusse. Kui toode saadetakse RYOBI hooldusasutusse, tuleb toode turvaliselt ära pakendada ilma, et sellesse jääks ohtlikku sisu, näiteks bensiini ja pakendile tuleb märkida saatja aadress ja riike lähikirjeldus.
- Selle garanti alusel tehit remont/asendus on tasuta. Sellega ei kaasne garantiiperioodi piketamine või uue garantiiperioodi algus. Asendatud osad ja tööriistad jäävad teie omandusse. Mõnes riigis tuleb saate- või postikulud tasuda saatja poolt.
- See garanti kehtib Euroopa Liidus, Šveitsis, Islandil, Norras, Liechtensteinis, Türgis ja Venemaal. Väljaspool neid riike võtke ühendust Ryobi volitatud edasimüüjaga, et teada saada teistsuguste garantiide kehtivus.

VOLITATUD HOOLDUSKESKUS

Oma volitatud hoolduskeskuse leiate veebisaidil <http://uk.ryobitools.eu/service-agents-ryobi.htm>.

U dodatku svih zakonskih prava koja proizlaze kao rezultat kupnje, ova proizvod pokriven je jamstvom kao što je utvrđeno u nastavku.

- Jamstveno razdoblje je 24 mjeseca za korisnike, a započinje na datum kupnje proizvoda. Ovaj datum treba biti dokumentiran računom ili nekim drugim dokazom o kupnji. Proizvod je dizajniran i namijenjen samo za korisnike i osobno korištenje. Stoga nema omogućenog jamstava u slučaju profesionalnog ili komercijalnog korištenja.
- U nekim slučajevima (primjerice promocije, paleta alata) postoji mogućnost produženog jamstvenog razdoblja preko gore navedenog razdoblja korištenjem registracije na web mjestu www.ryobitools.eu. Sukladnost alata jesno je prikazana u trgovini i/vili na pakiranju. Krajnji korisnik treba registrirati svoje novo pribavljene alate na mreži unutar 8 dana od datuma kupnje. Krajnji korisnik može se registrirati za produženo trajanje jamstva u svojoj zemlji stanovanja ako je navedena na mrežnom obrascu za registraciju gdje je u ova opcija valjana. Nadalje, krajnji korisnici moraju dati svoje odobrenje za spremanje podataka koji su potrebni za unos na mreži i moraju prihvatiti uvjete i odredbe. Primatka potvrde o registraciji, koja se šalje e-poštom i originalni račun koji prikazuje datum kupnje služe kao dokaz produženog jamstva. Vaša zakonska prava ostaju nepromijenjena.
- Jamstvo pokriva sve kvarove proizvoda tijekom jamstvenog razdoblja zbog pogreški u izradi ili materijalu na datum kupnje. Jamstvo je ograničeno na popravak ili zamjenu i ne uključuje nikakve druge obveze uključujući no ne ograničavajući se na slučajne ili posljednje štete. Jamstvo nije valjano ako je proizvod pogrešno korišten, korišten suprotno od korisničkog priručnika ili je nepravilno priključen. Ovo jamstvo se ne primjenjuje na:
 - svako oštećenje proizvoda koje je rezultat nepravilnog održavanja
 - svaki proizvod koji je izmijenjen ili modificiran
 - svaki proizvod gdje su originalne identifikacijske oznake (zaštitni znak, serijski broj) izbrisane, zamijenjene ili uklonjene
 - svako oštećenje uzrokovano neprimrdžavanjem korisničkog priručnika
 - svaki proizvod koji nije CE
 - svaki proizvod koji je pokušao popraviti nekvalificirani profesionalac ili bez prethodnog odobrenja od strane Techronic Industries
 - svaki proizvod priključen na nepravilno napajanje energijom (amperi, napon, frekvencija)
 - svako oštećenje uzrokovano vanjskim utjecajima (kemijsko, fiziko, udar) ili stranim stvarima
 - normalno trošenje i habanje rezervnih dijelova
 - nepravilno korištenje, preopterećenje alata
 - korištenje neodobrenog dodatnog pribora ili dijelova
 - rasplinjača nakon 6 mjeseci, podešavanje rasplinjača nakon 6 mjeseci
 - Dodatni pribor aku-alata koji je omogućen s alatom ili kupljen zasebno. Ovakva izuzeća uključuju u ne ograničavajući se na svrila za odvijać, svrta za brušenje, brusne disкове, ploču za brušenje i oštrice, poprečne vodilice
 - Komponente (dijelovi i dodatni pribor) koji su predmet prirodnog trošenja i habanja, uključujući no ne ograničavajući se na ugljene četke, glave, kabel za napajanje, pomoćnu ručku, ploču za brušenje, vrecicu za prašinu, oijev za izbacivanje prašine
- Za servisiranje, proizvod se mora poslati ili predati ovlaštenoj stanici za servis tvrtke RYOBI navedenoj za svaku zemlju u sljedećem popisu adresa stanica za servis. U nekim zemljama vaš lokalni RYOBI zastupnik obvezan je poslati proizvod u servisnu organizaciju tvrtke RYOBI. Prilikom slanja proizvoda u stanicu za servis tvrtke RYOBI, proizvod treba biti sigurno pakiran bez ikakvog opasnog sadržaja poput benzina, s označenom adresom pošiljatelja i pripadajućim kratkim pisom pogreške.
- Popravak/zamjena pod ovim jamstvom se ne naplaćuje. Ne produljuje zakonsko ili ne započinje novo jamstveno razdoblje. Zamijenjeni dijelovi ili alati postaju naše vlasništvo. U nekim zemljama pošiljatelj plaća poštarinu.
- Ovo jamstvo je valjano u Europskoj zajednici, Švicarskoj, Islandu, Norveškoj, Lihtenštajnu, Turskoj i Rusiji. Izvan ovih područja molimo vas da kontaktirate vašeg ovlaštenog zastupnika tvrtke RYOBI kako biste odredili ako se primjenjuju druga jamstva.

OVLAŠTENI SERVISNI CENTAR

Za pronalaženje ovlaštenog servisnog centra pored vas posjetite <http://uk.ryobitools.eu/service-agents-ryobi.htm>.

SL GARANCIJA

Poleg kakršnih koli zakonskih pravic, ki jih pridobite z nakupom, za ta izdelek velja tudi garancija, kot je opisano spodaj.

- Garancijsko obdobje je 24 mesecev za potrošnike in se začne z datumom nakupa. Ta datum mora biti dokumentiran z računom ali drugim dokazilom o nakupu. Izdelek je namenjen in posvečen le potrošniški in zasebni uporabi. Zato garancija ne velja za profesionalno ali komercialno uporabo.
- V nekaterih primerih (npr. promocija, obseg orodij) obstaja možnost podaljšanja garancijskega obdobja prek zgoraj opisanega obdobja, kar je mogoče storiti z registracijo na spletnem mestu www.ryobitools.eu. Namen orodja je jasno označen v trgovinah in/ali na embalaži. Končni uporabnik mora svoje novo orodje registrirati prek spleta v 8 dneh od datuma nakupa. Končni uporabnik se lahko registrira za podaljšano garancijo v svoji državi, kjer ima stalno prebivališče, če je država vključena na seznam in obrazcu za registracijo, kjer je ta možnost veljavna. Poleg tega mora končni uporabnik odobriti shranjevanje podatkov, ki so potrebni za spletni vstop, in morajo sprejeti pogoje in določila. Potrdilo o registraciji, ki se pošlje po e-pošti, ter originalni račun, na katerem je naveden datum nakupa, veljata kot dokazilo o podaljšani garanciji. Vaše zakonske pravice ostanejo nespremenjene. Garancija krije vse okvare izdelka med garancijskim obdobjem zaradi napak v izdelavi ali materialu na datum nakupa. Garancija je omejena na popravilo/zamenjavo in ne vključuje drugih obveznosti, med drugim ne vključuje obveznosti zaradi nenamerne ali posledične škode. Garancija ni veljavna, če je bil izdelek zlorabljen, uporabljen v nasprotju z navodili za uporabo ali nepravilno priključen. Garancija ne velja:
 - za kakršno koli poškodbo izdelka, ki je posledica neprimernega vzdrževanja,
 - če je bil izdelek spremenjen ali modificiran,
 - če so originalne identifikacijske oznake (glavovna znamka, serijska številka) na izdelku poškodovane, spremenjene ali odstranjene,
 - če je do poškodbe prišlo zaradi neupoštevanja navodil za uporabo,
 - za katere koli izdelke, ki niso skladni z oznako CE,
 - če je izdelek poskusil opraviti neupošabljen strokovnjak ali brez predhodne odobritve družbe Technronic Industries,
 - če je bil izdelek priključen na neustrezno električno omrežje (jakost, napetost, frekvenca),
 - če je do poškodbe prišlo zaradi zunanjih vplivov (kemični, fizični, udarci) ali tujih snovi,
 - za normalno obrabo nadomestnih delov,
 - neustrezne uporabe, preobremenitve orodja,
 - uporabe neodobrenih dodatkov ali delov,
 - za uplinjačo po 6 mesecih, prilagoditve uplinjača po 6 mesecih,
 - za dodatke električnega orodja, priložene orodju ali na prodaj ločeno – takšne omejitve med drugim vključujejo nastavke za vijčenje, vrtalne svredle, abrazivne diske, brusni papir in rezila, bočna vodila,
 - za sestavne dele (dele in dodatke), ki so podvrženi normalni obrabi, med drugim za karbonske krtačke, vpenjalno glavo, električni kabel, dodatni ročaj, brusno ploščo, vrečo za prah, cev za odvod prahu.
- Za servisiranje je treba izdelek poslati ali prinesiti v pooblaščen servisni center RYOBI, ki je za vsako državo naveden na naslednjem seznamu z naslovi servisnih centrov. V nekaterih državah pošiljane izdelke izdelka servisnemu centru RYOBI prevzame lokalni trgovec z izdelki RYOBI. Za pošiljanje servisnemu centru RYOBI mora biti izdelek varno zapakiran, brez kakršnih koli nevarnih snovi, npr. gorivo, označen z naslovom pošiljatelja, priložen pa mora biti kratek opis napake.
- Popravilo/nadomestilo v sklopu te garancije je brezplačno. Ne pomeni podaljšanja ali novega začetka garancijskega obdobja. Zamenjani deli ali dostave poravnati pošiljatelj.
- Ta garancija je veljavna v Evropski skupnosti, Švici, na Islandiji, Norveškem, v Lichtensteinu, Turčiji in Rusiji. Izven teh področij stopite v stik s pooblaščenim trgovcem RYOBI, da ugotovite, ali velja katera druga garancija.

POOBLAŠČEN SERVISNI CENTER

Pooblaščen servisni center blizu vas poiščite na <http://uk.ryobitools.eu/service-agents-ryobi.htm>.

SK ZÁRUKA

Okrem zakónnych práv vyplývajúch zo zakúpenia je tento produkt pokrytý zárukou, ako je uvedené nižšie.

- Záručná doba pre spotrebiteľov je 24 mesiacov a začína dňom zakúpenia produktu. Tento dátum musí byť zdokumentovaný faktúrou alebo iným dokladom o kúpe. Tento produkt je navrhnutý a určený len na spotrebiteľné a osobné použitie. Takže v prípade profesionálneho alebo komerčného použitia neplatí žiadna záruka.
- V niektorých prípadoch (napr. reklamná akcia, rad produktov) existuje možnosť predĺženia záručnej doby nad dobu uvedenú vyššie pomocou registrácie na webovej stránke www.ryobitools.eu. Spôsobilosť nástroja je zreteľne zobrazená v obchodoch a ha obale. Koncový používateľ si musí zaregistrovať svoje novonadobudnuté nástroje online do 8 dní odo dňa zakúpenia. Koncový používateľ sa môže zaregistrovať za účelom získania predĺženej záruky vo svojej krajine, ak je uvedená v online registračnom formulári, kde je táto možnosť platná. Okrem toho musia koncoví používatelia poskytnúť súhlas k uloženiu údajov, ktoré sa zadávajú online a musia súhlasiť so zmluvnými podmienkami. Doklad s potvrdením o registrácii, ktorý posielame prostredníctvom e-mailu a originál faktúry s uvedeným dátumom zakúpenia slúžia ako dôkaz predĺženej záruky. Vaše zákonné práva ostávajú nedotknuté.
- Táto záruka pokrýva všetky poruchy produktu počas záručnej doby, ktoré vzniknú následkom nedostatkov vo vypracovaní alebo materiáli v deň zakúpenia. Táto záruka je obmedzená na opravu alebo výmenu a nezahŕňa ďalšie povinnosti, napríklad vedľajšie alebo následné škody. Táto záruka je neplatná, ak bol produkt požívaný nesprávne, používaný v rozpore s návodom na použitie alebo nesprávne pojený. Táto záruka sa nevzťahuje na:
 - akékoľvek poškodenie produktu, ku ktorému došlo následkom nesprávnej údržby
 - akýkoľvek produkt, ktorý bol pozmenený alebo upravený
 - akýkoľvek produkt, na ktorom boli poškodené pozmenené alebo odstránené originálne identifikačné znaky (obchodná známka, sériové číslo)
 - akékoľvek poškodenie spôsobené následkom nedodržania návodu na použitie
 - akýkoľvek produkt iný ako CE
 - akýkoľvek produkt, o ktorého opravu sa pokúšal nekvalifikovaný odborník alebo v prípade opravy bez predchádzajúceho oprávnenia od spoločnosti Technronic Industries
 - akýkoľvek produkt pripojený k nesprávnejmu napájaciemu zdroju (prúd, napätie, frekvencia)
 - akékoľvek poškodenie spôsobené vonkajšími vplyvmi (chemické, fyzické, nárazy) alebo cudzími látkami
 - bežné opotrebenie náhradných dielov
 - nesprávne používanie a preťažovanie nástroja
 - používanie neschváleného príslušenstva alebo dielov
 - karburátor po 6 mesiacoch, úpravy karburátora po 6 mesiacoch
 - príslušenstvo pre elektrické nástroje dodané s nástrojom alebo zakúpené samostatne. Takého výnimky sa vzťahujú napríklad na hroty skrutkovačov, vrtáky, brúsne kotúče, brúsne papiere a ostria a bočné vedenie
 - komponenty (diely a príslušenstvo), ktoré podliehajú prirodzenému opotrebeniu, napríklad uhľikové kefy, skľučovadlo, napájací kábel, pomocná rukoväť, leštiaca doska, vrecko na prach, rúrka na vyfukovanie prachu
- Na servis sa musí produkt odoslať alebo predložiť autorizovanému servisnému centru RYOBI uvedenému pre každú krajinu v nasledujúcom zozname adres servisných staníc. V niektorých krajinách pošle produkt do servisnej organizácie RYOBI váš miestny predajca produktov RYOBI. Pri odosielaní produktu do servisnej stanice RYOBI musí byť produkt bezpečne zabalený bez akéhokoľvek nebezpečného obsahu, napríklad paliva, označený adresou odosielateľa a musí byť k nemu priložený krátky popis poruchy.
- Oprava či výmena v rámci tejto záruky je bezplatná. Nevplyva z nej predĺženie či nový začiatok záručnej doby. Vymenené diely alebo nástroje sa stávajú našim majetkom. V niektorých krajinách doručovací poplatok alebo poštovné platí odosielateľ.
- Táto záruka je platná v Európskej únii, Švajčiarsku, na Islande, v Nórsku, Lichtenštajnsku, Turecku a Rusku. Mimo týchto oblastí kontaktujte autorizovaného predajcu spoločnosti Ryobi, u ktorého zistíte, či platí nejaká iná záruka.

AUTORIZOVANÉ SERVISNÉ CENTRUM

Ak chcete nájsť najbližšie autorizované servisné centrum, navštívte stránku <http://uk.ryobitools.eu/service-agents-ryobi.htm>.

EL ΕΓΓΥΗΣΗ

Επιπροσθέτως τυχόν νομικών δικαιωμάτων του προκύπτουν από την αγορά, το προϊόν καλύπτεται από εγγύηση όπως αναφέρεται παρακάτω.

1. Η περίοδος εγγύησης είναι 24 μήνες για τους καταναλωτές και τίθεται σε ισχύ από την ημερομηνία αγοράς του προϊόντος. Η ημερομηνία αυτή πρέπει να τεκμηριώνεται από τιμολόγιο ή άλλη αποδεικτική αγοράς. Το προϊόν είναι σχεδιασμένο μόνο για καταναλωτική και ιδιωτική χρήση. Η εγγύηση δεν ισχύει σε περίπτωση επαγγελματικής ή εμπορικής χρήσης.
2. Σε ορισμένες περιπτώσεις (όπλ. προώθηση, σειρά εργαλείων) υπάρχει η δυνατότητα παράτασης της περιόδου εγγύησης πέραν της αναφερόμενης περιόδου παραπάνω, μέσω εγγραφής στην ιστοσελίδα www.robotools.eu. Η δυνατότητα συμμετοχής του εκάστοτε εργαλείου δηλώνεται σαφώς στα καταστήματα καλή τη συσκευασία του. Ο τελικός χρήστης πρέπει να εγγραφεί αναφέροντας τα στοιχεία του εργαλείου online εντός 8 ημερών από την ημερομηνία αγοράς. Ο τελικός χρήστης μπορεί να εγγραφεί για την παρατεταμένη εγγύηση στη χώρα κατοικίας του αν περιχέεται στην online φόρμα εγγραφής, όπου ισχύει αυτή η επιλογή. Επιπλέον, οι τελικοί χρήστες πρέπει να δώσουν τη συγκατάθεσή τους για την αποθήκευση των δεδομένων του συλλεγόμενου online και πρέπει να δεχτούν τους όρους και τις διατάξεις. Η αποδειξη επιβεβαίωσης εγγραφής, που αποστέλλεται μέσω e-mail και το πρωτότυπο τιμολόγιο που φέρει την ημερομηνία αγοράς, λειτουργούν ως αποδεικτικά στοιχεία για την παρατεταμένη περίοδο εγγύησης. Τα νομικά δικαιώματά σας δεν επηρεάζονται.
3. Η εγγύηση καλύπτει κάθε τυχόν απελαία του προϊόντος στη διάρκεια ισχύος της, εξαιτίας κατασκευαστικών ατελειών ή ατελειών του υλικού κατά την ημερομηνία αγοράς. Η εγγύηση περιορίζεται στην επισκευή καλή αντικατάσταση και δεν περιλαμβάνει άλλες υποχρεώσεις, συμπεριλαμβανόμενες μεταξύ άλλων βελτίες ή αποθετικές ζημιές. Η εγγύηση δεν ισχύει αν το προϊόν έχει χρησιμοποιηθεί με εσφαλμένο τρόπο, αντίθετα με τις οδηγίες του χειριριδιου χρήσης ή έχει συνδεθεί εσφαλμένα. Η εγγύηση δεν ισχύει στα κάτωθι:
 - οποιαδήποτε βλάβη στο προϊόν ως συνέπεια εσφαλμένης συντήρησης
 - οποιαδήποτε τροποποίηση ή παραλλαγή του προϊόντος
 - προϊόντα ή αρχική ταυτοποίηση των οποίων (όχημα κατατεθέν, σειριακός αριθμός) έχει αλλοιωθεί, αλλάξει ή αφαιρεθεί
 - οποιαδήποτε βλάβη προκαλείται από μη τήρηση των οδηγιών στο χειριριδιο λειτουργίας
 - οποιαδήποτε μη CE προϊόν
 - οποιαδήποτε προϊόν στο οποίο έχει γίνει απόπειρα επισκευής από μη ειδικευμένο επαγγελματία ή χωρίς προηγούμενη εξουσιοδότηση της Techtronic Industries
 - οποιαδήποτε προϊόν συνδεθεί σε ακατάλληλη παροχή ρεύματος (αμπερ, τάση, συχνότητα)
 - οποιαδήποτε βλάβη προκληθεί από εξωτερικές επιρροές (χημικές, φυσικές, κραδασμούς) ή ξένες ουσίες
 - φυσική φθορά των ανταλλακτικών
 - ανόμοστη χρήση, υπερφόρτωση του εργαλείου
 - χρήση μη εγκεκριμένων εξαρτημάτων ή ανταλλακτικών
 - καρμπιρατέρ μετά από 6 μήνες, προσαρμογές καρμπιρατέρ μετά από 6 μήνες
 - εξαρτήματα εργαλείου που παρέχονται με το εργαλείο ή αγοράστηκαν ξεχωριστά. Οι εξαιρέσεις αυτές περιλαμβάνουν μεταξύ άλλων εξαρτήματα κατασβιδιών, εξαρτήματα τρυπανιών, λειαντικούς δίσκους, γυαλοχαρτο και λεπίδες, πλευρικό οδηγό
 - ενόπλητες (εξαρτήματα και ανταλλακτικά) που υπόκεινται σε φυσική φθορά, συμπεριλαμβανομένων μεταξύ άλλων ψικτρών, τοοκ, καλωδίων ρεύματος, βοηθητικών λαβών, πλακετών λείανσης, σκαουλών σκόνης, συλλήνων εξάτμισης σκόνης
4. Για αιτήματα σέρβις, το προϊόν πρέπει να σταλεί ή παραδοθεί σε εξουσιοδοτημένο σταθμό σέρβις της RYOBI, όπως αναγράφονται για κάθε χώρα στην παρακάτω λίστα. Σε ορισμένες χώρες, ο τοπικός αντιπρόσωπος της RYOBI αναλαμβάνει την αποστολή του προϊόντος στον οργανισμό σέρβις RYOBI. Όταν στέλετε ένα προϊόν σε σταθμό σέρβις της RYOBI, το προϊόν θα πρέπει να είναι συσκευασμένο με ασφάλεια, χωρίς επικίνδυνα περιεχόμενα όπως βενζίνη και με αναφορά της διεύθυνσης του αποστολέα, ενώ θα πρέπει να συνοδεύεται και από σύντομη περιγραφή του προβλήματος.
5. Επισκευές / αντικαταστάσεις στα πλαίσια της εγγύησης παρέχονται δωρεάν. Δεν παρέχεται παράταση ή επανεκκίνηση της περιόδου εγγύησης. Τα εξαρτήματα ή εργαλεία που αντικαθίστανται, περιέρχονται στην ιδιοκτησία μας. Σε ορισμένες χώρες, ισχύουν χρεώσεις παράδοσης ή ταχυδρομικά τέλη που καταβάλλονται από τον αποστολέα.
6. Η εγγύηση ισχύει στην Ευρωπαϊκή Κοινότητα, την Ελβετία, την Ισπανία, τη Νορβηγία, το Λιχτενστάιν, την Τουρκία και τη Ρωσία. Εκτός αυτών των περιοχών, παρακαλούμε επικοινωνήστε με τον εξουσιοδοτημένο αντιπρόσωπο της RYOBI για να εξακριβώσετε εάν ισχύουν άλλες εγγυήσεις.

ΕΞΟΥΣΙΟΔΟΤΗΜΕΝΟ ΚΕΝΤΡΟ ΣΕΡΒΙΣ

Για να εντοπίσετε ένα εξουσιοδοτημένο κέντρο σέρβις στην περιοχή σας, επισκεφτείτε τη σελίδα <http://uk.robotools.eu/service-agents-ryobi.htm>.

TR GARANTİ

Bu satın alma işleminin doğan tüm yasal haklara ek olarak, bu ürün aşağıda açıklanan garanti kapsamındadır.

1. Garanti süresi tüketiciler için 24 aydır ve bu süre ürünün satın alınması ile başlar. Bu tarih fatura veya başka bir satın alma belgesi ile kanıtlanmalıdır. Ürün sadece tüketici ve bireysel kullanım için tasarlanmıştır ve sunulmuştur. Profesyonel veya ticari amaçla kullanılmaları garanti verilemez.
2. Bazı durumlarda (örn. tanıtım, aletlerin düzenlenmesi), yukarıda belirtilen garanti süresi uzatılabilir. Bunun için www.robotools.eu Internet sitesindeki kaydı yapmak gerekir. Aletin nitelikleri mağazalarda veya ambalaj üzerinde açıkça belirtilmiştir. Son kullanıcı, aleti satın aldıktan sonra en geç 8 gün içinde aletin kaydını çözümler için olarak yapmalıdır. Son kullanıcı, garanti uzatma seçeneğinin geçerli olduğu ülkelerde bindeyse kayıt yaptırmak bu firsattan yararlanabilir. Ayrıca, son kullanıcılar kayıt girişi yapmak için gerekli olan verileri saklanmasına izin vermemeli, şartlar ve koşulları kabul etmelidir. E-posta ile gönderilen kayıt onay belgesi ve satın alma tarihini belgeleyen orijinal fatura garantinin uzatılmasını sağlamak için kanıt niteliği taşımaktadır. Yasal haklarınızı aynı kalacaktır.
3. Garanti, ürünün satın alınm tarihindeki tüm işçilik ve malzeme kusurlarından kaynaklanan tüm sorunları garanti süresi içinde kapsamaktadır. Garanti onanım ve/veya değişim ile sınırlıdır ve sadece istenmeyen arızalar, vb. durumlarda herhangi bir sorumluluk kabul edilmez. Ürünün yanlış kullanılması, kullanım kılavuzuna uygun kullanılmaması veya yanlış bağlantı kurulumunda durumdur garanti geçerliliğini yitirir. Garanti kapsamı dışındaki durmlar:
 - bakımın yanlış yapılmasından kaynaklanan tüm hasarlar
 - ürünün değiştirilmesi veya düzenlenmesi
 - ürünün orijinal teşhis (ticari sembol, seri numarası) işaretlerinin tahrip olması, değiştirilmesi veya çıkarılması
 - kullanım kılavuzunun dikkate alınmaması nedeniyle oluşan tüm hasarlar
 - ürünün AB ürün olmaması
 - ürünün kalifiye olmayan bir kişi tarafından veya Techtronic Industries'in izni olmadan onarılması yapılması
 - ürünün yanlış gücü desteğine (amper, voltaj, frekans) bağlanması
 - dış etkenler (kimyasal, fiziksel, darbeler) veya yabancı cisimlerden kaynaklanan arızalar
 - yedek parçaların normal aşınması ve yıpranması
 - yanlış kullanım, aletin fazla yüklenmesi
 - onaylanmayan aksesuarların veya parçaların kullanılması
 - karbüratör/ü sistemlerde karbüratör ayarlarının 6 ayın ardından yapılması
 - elektronik alet aksesuarlarının alet ile birlikte veya ayrı olarak satın alınması. Aklılı vidalama uçları, matkap uçları, aydınlatıcı diskler, zimpara kağıdı ve bıçakları, yatay kılavuz gibi parçaların dahil olduğu, ancak bu parçaların sınırlı olmayan istisnalar
 - karbon fırçalar, kovan, elektrik kablosu, yardımcı kol, kumlamla plakası, toz torbası, toz egzoz borusu gibi parçaların bulunduğu, ancak bu parçaların sınırlı olmayan doğal aşınma ve yıpranmaya maruz kalan bileşenler
4. Tamir işlemleri için ürünün, her ülke için listelenmiş alan aşağıdaki servis istasyonuna adreslerinde bulunan bir RYOBI yetkili servis istasyonuna gönderilmesi veya verilmesi gerekir. Bazı ülkelerde yerel RYOBI satıcınız, ürünün RYOBI servis istasyonuna gönderme işlemini üstlenir. RYOBI servis istasyonuna gönderilen ürün, içinde petrol gibi tehlikeli maddeler olmadan emniyetli bir şekilde paketlenmeli, gönderenin adresine ve sorunun kısa bir açıklamasını içermelidir.
5. Bu garanti kapsamında gerçekleştirilen bir onarım/değişim ücretsizdir. Bu tarz işlemler garanti süresini uzatmaz veya yeniden başlatmaz. Değiştirilen parçalar veya aletler firmamız ait olur. Bazı ülkelerde teslimat masrafları veya posta ücreti gönderici tarafından ödenmelidir.
6. Bu garanti Avrupa Birliği, İsviçre, İzlanda, Norveç, Lihtenştayn, Türkiye ve Rusya'da geçerlidir. Bu bölgelerin dışında yer alan müşterilerin diğer garanti seçenekleri için yetkili RYOBI satıcısına danışmaları gerekir.

YETKİLİ SERVİS MERKEZİ

En yakın yetkili servis merkezini öğrenmek için <http://uk.robotools.eu/service-agents-ryobi.htm> sitesine girin.



EN EC DECLARATION OF CONFORMITY

Techtronic Industries GmbH
Max-Eyth-Straße 10, 71364 Winnenden, Germany

Herewith we declare that the product

Tile saw with folding stand
Model number: WS721S
Serial number range: 44416701000001 - 44416701999999

is in conformity with the following European Directives and harmonised standards

2006/42/EC, 2004/108/EC, 2011/65/EU,
EN61029-1:2009+A11:2010; EN55014-1:2006+A1:2009+A2:2011;
EN55014-2:1997+A1:2001+A2:2008; EN61000-3-2:2006+A1:2009+A2:2009;
EN61000-3-3:2008

Andrew John Eyre (BEng, CEng, MIET)
Vice President, Regulatory & Safety
Winnenden, Apr. 30, 2013

Authorised to compile the technical file:

Alexander Krug, Managing Director
Techtronic Industries GmbH
Max-Eyth-Straße 10, 71364 Winnenden, Germany

ES DECLARACIÓN EC DE CONFORMIDAD

Techtronic Industries GmbH
Max-Eyth-Straße 10, 71364 Winnenden, Germany

Por la presente declaramos que los productos

Sierra para cortar azulejos con soporte plegable
Número de modelo: WS721S
Intervalo del número de serie: 44416701000001 - 44416701999999

se encuentra en conformidad con las siguientes Directivas Europeas y normas armonizadas

2006/42/EC, 2004/108/EC, 2011/65/EU,
EN61029-1:2009+A11:2010; EN55014-1:2006+A1:2009+A2:2011;
EN55014-2:1997+A1:2001+A2:2008; EN61000-3-2:2006+A1:2009+A2:2009;
EN61000-3-3:2008

Andrew John Eyre (BEng, CEng, MIET)
Vicepresidente, Director General de Normativa y Seguridad
Winnenden, Apr. 30, 2013

Autorizado para elaborar la ficha técnica:

Alexander Krug, Administrador Ejecutivo
Techtronic Industries GmbH
Max-Eyth-Straße 10, 71364 Winnenden, Germany

FR DÉCLARATION DE CONFORMITÉ EC

Techtronic Industries GmbH
Max-Eyth-Straße 10, 71364 Winnenden, Germany

Déclarons par la présente que le produit

Coupe-carrelage avec pieds repliables
Numéro de modèle: WS721S
Étendue des numéros de série: 44416701000001 - 44416701999999

est conforme aux Directives Européennes et Normes Harmonisées suivantes

2006/42/EC, 2004/108/EC, 2011/65/EU,
EN61029-1:2009+A11:2010; EN55014-1:2006+A1:2009+A2:2011;
EN55014-2:1997+A1:2001+A2:2008; EN61000-3-2:2006+A1:2009+A2:2009;
EN61000-3-3:2008

Andrew John Eyre (BEng, CEng, MIET)
Vice-Président, Réglementation & Sécurité
Winnenden, Apr. 30, 2013

Autorisé à rédiger le dossier technique:

Alexander Krug, Directeur Général
Techtronic Industries GmbH
Max-Eyth-Straße 10, 71364 Winnenden, Germany

IT DICHIARAZIONE DI CONFORMITÀ EC

Techtronic Industries GmbH
Max-Eyth-Straße 10, 71364 Winnenden, Germany

Si dichiara con la presente che il prodotto

Sega tagliapiastrelle con supporto pieghevole
Numero modello: WS721S
Gamma numero seriale: 44416701000001 - 44416701999999

è conforme alle seguenti Direttive Europee e ai seguenti standard armonizzati

2006/42/EC, 2004/108/EC, 2011/65/EU,
EN61029-1:2009+A11:2010; EN55014-1:2006+A1:2009+A2:2011;
EN55014-2:1997+A1:2001+A2:2008; EN61000-3-2:2006+A1:2009+A2:2009;
EN61000-3-3:2008

Andrew John Eyre (BEng, CEng, MIET)
Vice-Presidente, Dipartimento Regolazioni & Sicurezza
Winnenden, Apr. 30, 2013

Autorizzato per compilare il file tecnico:

Alexander Krug, Direttore Amministrativo
Techtronic Industries GmbH
Max-Eyth-Straße 10, 71364 Winnenden, Germany

DE EC KONFORMITÄTSEKLRÄUNG

Techtronic Industries GmbH
Max-Eyth-Straße 10, 71364 Winnenden, Germany

Hiermit erklären wir, dass die Produkte

Fliesenschneider mit einklappbarem tisch
Modellnummer: WS721S
Seriennummernbereich: 44416701000001 - 44416701999999

den folgenden europäischen Richtlinien und harmonisierten Normen entspricht

2006/42/EC, 2004/108/EC, 2011/65/EU,
EN61029-1:2009+A11:2010; EN55014-1:2006+A1:2009+A2:2011;
EN55014-2:1997+A1:2001+A2:2008; EN61000-3-2:2006+A1:2009+A2:2009;
EN61000-3-3:2008

Andrew John Eyre (BEng, CEng, MIET)
Vizepräsident, Vorschriften und Sicherheit
Winnenden, Apr. 30, 2013

Autorisiert die technische Datei zu erstellen:

Alexander Krug, Geschäftsführer
Techtronic Industries GmbH
Max-Eyth-Straße 10, 71364 Winnenden, Germany

NL EC CONFORMITEITSVERKLARING

Techtronic Industries GmbH
Max-Eyth-Straße 10, 71364 Winnenden, Germany

Hierbij verklaren wij dat het product

Tegelzaagmachine met opvouwbare stand
Modelnummer: WS721S
Seriennummernbereik: 44416701000001 - 44416701999999

is in overeenstemming met de volgende Europese Richtlijnen en geharmoniseerde normen

2006/42/EC, 2004/108/EC, 2011/65/EU,
EN61029-1:2009+A11:2010; EN55014-1:2006+A1:2009+A2:2011;
EN55014-2:1997+A1:2001+A2:2008; EN61000-3-2:2006+A1:2009+A2:2009;
EN61000-3-3:2008

Andrew John Eyre (BEng, CEng, MIET)
Vice-president, Regelgeving en Veiligheid
Winnenden, Apr. 30, 2013

Afgevaardigde voor het samenstellen van de technische fiche:

Alexander Krug, Directeur
Techtronic Industries GmbH
Max-Eyth-Straße 10, 71364 Winnenden, Germany





(PT) DECLARAÇÃO EC DE CONFORMIDADE

Techtronic Industries GmbH
Max-Eyth-Straße 10, 71364 Winnenden, Germany

Pelo presente declaramos que os produtos
Serra para cortar azulejos com suporte desdobrável
Número do modelo: WS721S
Intervalo do número de série: 44416701000001 - 44416701999999

se encontra em conformidade com as seguintes Directivas Europeias e normas harmonizadas

2006/42/EC, 2004/108/EC, 2011/65/EU,
EN61029-1:2009+A11:2010; EN55014-1:2006+A1:2009+A2:2011;
EN55014-2:1997+A1:2001+A2:2008; EN61000-3-2:2006+A1:2009+A2:2009;
EN61000-3-3:2008

Andrew John Eyre (BEng, CEng, MIET)
Vice-Presidente, Regulação & Segurança
Winnenden, Apr. 30, 2013

Autorizado para compilar o ficheiro técnico:
Alexander Krug, Administrador Executivo
Techtronic Industries GmbH
Max-Eyth-Straße 10, 71364 Winnenden, Germany

CE

(FI) EC-SÄÄNNÖSTEN NOUDATTAMINEN

Techtronic Industries GmbH
Max-Eyth-Straße 10, 71364 Winnenden, Germany

Ilmoitamme täten, että tuotteet
Tiilisaha kokoon taitettavalla alustalla
Mallinumero: WS721S
Sarjanumeroalue: 44416701000001 - 44416701999999

noudattaa seuraavia EU-direktiivejä ja harmonoituja standardeja
2006/42/EC, 2004/108/EC, 2011/65/EU,
EN61029-1:2009+A11:2010; EN55014-1:2006+A1:2009+A2:2011;
EN55014-2:1997+A1:2001+A2:2008; EN61000-3-2:2006+A1:2009+A2:2009;
EN61000-3-3:2008

Andrew John Eyre (BEng, CEng, MIET)
Varatoimitusjohtaja, Sääöstönmukaisuus ja Turvallisuus
Winnenden, Apr. 30, 2013

Valtuutettu kokoamaan tekninen tiedosto:
Alexander Krug, Toimitusjohtaja
Techtronic Industries GmbH
Max-Eyth-Straße 10, 71364 Winnenden, Germany

CE

(DA) EC OVERENSSTEMMELSEERKLÆRING

Techtronic Industries GmbH
Max-Eyth-Straße 10, 71364 Winnenden, Germany

Vi erklærer hermed, at produktet
Flisesav med foldestativ
Modelnummer: WS721S
Serienummerområde: 44416701000001 - 44416701999999

er i overensstemmelse med følgende EU-direktiver og harmoniserede standarder
2006/42/EC, 2004/108/EC, 2011/65/EU,
EN61029-1:2009+A11:2010; EN55014-1:2006+A1:2009+A2:2011;
EN55014-2:1997+A1:2001+A2:2008; EN61000-3-2:2006+A1:2009+A2:2009;
EN61000-3-3:2008

Andrew John Eyre (BEng, CEng, MIET)
Vicepræsident, Regler og Sikkerhed
Winnenden, Apr. 30, 2013

Bemyndiget til at udarbejde det tekniske kartotek:
Alexander Krug, Administrerende Direktør
Techtronic Industries GmbH
Max-Eyth-Straße 10, 71364 Winnenden, Germany

CE

(NO) EC-SAMSVARERKLÆRING

Techtronic Industries GmbH
Max-Eyth-Straße 10, 71364 Winnenden, Germany

Herved erklærer vi at produktet
Flissag med sammenleggbart stativ
Modellnummer: WS721S
Serienummerserie: 44416701000001 - 44416701999999

er i samsvar med følgende europeiske direktiver og harmoniserte standarder
2006/42/EC, 2004/108/EC, 2011/65/EU,
EN61029-1:2009+A11:2010; EN55014-1:2006+A1:2009+A2:2011;
EN55014-2:1997+A1:2001+A2:2008; EN61000-3-2:2006+A1:2009+A2:2009;
EN61000-3-3:2008

Andrew John Eyre (BEng, CEng, MIET)
Visepresident, Forskrifter og Sikkerhet
Winnenden, Apr. 30, 2013

Autorisert til å sette sammen den tekniske filen:
Alexander Krug, Administrerende Direktør
Techtronic Industries GmbH
Max-Eyth-Straße 10, 71364 Winnenden, Germany

CE

(SV) EC-KONFORMITETSDEKLARATION

Techtronic Industries GmbH
Max-Eyth-Straße 10, 71364 Winnenden, Germany

Härmed deklarerar vi att produkterna
Kakelsåg med vikbart stöd
Modellnummer: WS721S
Serienummerintervall: 44416701000001 - 44416701999999

är i enlighet med följande EU-direktiv och harmoniserade standarder
2006/42/EC, 2004/108/EC, 2011/65/EU,
EN61029-1:2009+A11:2010; EN55014-1:2006+A1:2009+A2:2011;
EN55014-2:1997+A1:2001+A2:2008; EN61000-3-2:2006+A1:2009+A2:2009;
EN61000-3-3:2008

Andrew John Eyre (BEng, CEng, MIET)
Vice President, Regelverk och Säkerhet
Winnenden, Apr. 30, 2013

Godkänd att sammanställa den tekniska filen:
Alexander Krug, VD
Techtronic Industries GmbH
Max-Eyth-Straße 10, 71364 Winnenden, Germany

CE

(RU) ЗАЯВЛЕНИЕ О СООТВЕТСТВИИ ТРЕБОВАНИЯМ ЕС

Techtronic Industries GmbH
Max-Eyth-Straße 10, 71364 Winnenden, Germany

Настоящим мы заявляем, что данный продукт
Пила для резки плитки со складывающейся подставкой
Номер модели: WS721S
Диапазон заводских номеров: 44416701000001 - 44416701999999

соответствует требованиям следующих Директив ЕС и согласованных стандартов
2006/42/EC, 2004/108/EC, 2011/65/EU,
EN61029-1:2009+A11:2010; EN55014-1:2006+A1:2009+A2:2011;
EN55014-2:1997+A1:2001+A2:2008; EN61000-3-2:2006+A1:2009+A2:2009;
EN61000-3-3:2008

Andrew John Eyre (BEng, CEng, MIET)
Вице-Президент По Технике Безопасности И Стандартам
Winnenden, Apr. 30, 2013

Лицо, ответственное за подготовку технической документации:
Alexander Krug, Директор
Techtronic Industries GmbH
Max-Eyth-Straße 10, 71364 Winnenden, Germany

CE





PL DEKLARACJA ZGODNOŚCI EC

Technronic Industries GmbH
Max-Eyth-Straße 10, 71364 Winnenden, Germany

Niniejszym deklarujemy, że produkty

Maszyna do cięcia płytek ze składanym stojakiem
Numer modelu: WS721S
Zakres numerów seryjnych: 44416701000001 - 44416701999999

jest zgodny z następującymi dyrektywami europejskimi i zharmonizowanymi normami

2006/42/EC, 2004/108/EC, 2011/65/EU,
EN61029-1:2009+A11:2010; EN55014-1:2006+A1:2009+A2:2011;
EN55014-2:1997+A1:2001+A2:2008; EN61000-3-2:2006+A1:2009+A2:2009;
EN61000-3-3:2008

Andrew John Eyre (BEng, CEEng, MIET)
Wiceprezes ds. Zgodności Prawnej i Bezpieczeństwa
Winnenden, Apr. 30, 2013

Osoba upoważniona do sporządzenia dokumentu technicznego:
Alexander Krug, Dyrektor Zarządzający
Technronic Industries GmbH
Max-Eyth-Straße 10, 71364 Winnenden, Germany

RO DECLARAȚIE DE CONFORMITATE EC

Technronic Industries GmbH
Max-Eyth-Straße 10, 71364 Winnenden, Germany

Prin prezenta, declarăm că produsele

Ferăstrău cu lamă diamantată cu suport pliabil
Număr serie: WS721S
Gamă număr serie: 44416701000001 - 44416701999999

este în conformitate cu următoarele Directive Europene și standarde armonizate
2006/42/EC, 2004/108/EC, 2011/65/EU,
EN61029-1:2009+A11:2010; EN55014-1:2006+A1:2009+A2:2011;
EN55014-2:1997+A1:2001+A2:2008; EN61000-3-2:2006+A1:2009+A2:2009;
EN61000-3-3:2008

Andrew John Eyre (BEng, CEEng, MIET)
Vicepreședinte, Reglementare & Siguranță
Winnenden, Apr. 30, 2013

Autorizat să completeze fișa tehnică:
Alexander Krug, Director General
Technronic Industries GmbH
Max-Eyth-Straße 10, 71364 Winnenden, Germany

CS PROHLÁŠENÍ O SHODĚ EC

Technronic Industries GmbH
Max-Eyth-Straße 10, 71364 Winnenden, Germany

Tímto prohlašujeme, že výrobky

Dlaždicová pila se skládacím stojanem
Číslo modelu: WS721S
Rozsah sériových čísel: 44416701000001 - 44416701999999

že tento výrobek je v souladu s evropskými a harmonizovanými standardy

2006/42/EC, 2004/108/EC, 2011/65/EU,
EN61029-1:2009+A11:2010; EN55014-1:2006+A1:2009+A2:2011;
EN55014-2:1997+A1:2001+A2:2008; EN61000-3-2:2006+A1:2009+A2:2009;
EN61000-3-3:2008.

Andrew John Eyre (BEng, CEEng, MIET)
Viceprezident, Normy a Bezpečnost
Winnenden, Apr. 30, 2013

Pověření ke kompilaci technického souboru:
Alexander Krug, Generální Ředitel
Technronic Industries GmbH
Max-Eyth-Straße 10, 71364 Winnenden, Germany

LV EC ATBILSTĪBAS DEKLARĀCIJA

Technronic Industries GmbH
Max-Eyth-Straße 10, 71364 Winnenden, Germany

Ar šo paziņojam, ka produkti

Flīžu zāģis ar noliecamu statīvu
Modeļa numurs: WS721S
Sērijas numura intervāls: 44416701000001 - 44416701999999

atbilst šādām Eiropas direktīvām un saskaņotajiem standartiem

2006/42/EC, 2004/108/EC, 2011/65/EU,
EN61029-1:2009+A11:2010; EN55014-1:2006+A1:2009+A2:2011;
EN55014-2:1997+A1:2001+A2:2008; EN61000-3-2:2006+A1:2009+A2:2009;
EN61000-3-3:2008

Andrew John Eyre (BEng, CEEng, MIET)
Viceprezidents, Darba Drošības Noteikumi
Winnenden, Apr. 30, 2013

Plinvarots sastādīt tehnisko failu:
Alexander Krug, Izpilddirektors
Technronic Industries GmbH
Max-Eyth-Straße 10, 71364 Winnenden, Germany

HU EC MEGFELELŐSÉGI NYILATKOZAT

Technronic Industries GmbH
Max-Eyth-Straße 10, 71364 Winnenden, Germany

Ezúton kijelentjük, hogy a termék

Csempevágó összehajtható állványval
Típusszám: WS721S
Sorozatszám tartomány: 44416701000001 - 44416701999999

megfelel az alábbi Európai Irányelvek és harmonizált szabványok vonatkozó rendelkezéseinek

2006/42/EC, 2004/108/EC, 2011/65/EU,
EN61029-1:2009+A11:2010; EN55014-1:2006+A1:2009+A2:2011;
EN55014-2:1997+A1:2001+A2:2008; EN61000-3-2:2006+A1:2009+A2:2009;
EN61000-3-3:2008

Andrew John Eyre (BEng, CEEng, MIET)
Alelnök, Megfelelőségi és Biztonsági Területek
Winnenden, Apr. 30, 2013

A műszaki dokumentáció összeállítására felhatalmazott:
Alexander Krug, Ügyvezető Igazgató
Technronic Industries GmbH
Max-Eyth-Straße 10, 71364 Winnenden, Germany

LT EC ATITIKTIES PAREIŠKIMAS

Technronic Industries GmbH
Max-Eyth-Straße 10, 71364 Winnenden, Germany

Mes pareiškiame, kad šie produktai

Plytelių pjovimo staklės su sulankstomu stovu
Modelio numeris: WS721S
Serijinio numerio diapazonas: 44416701000001 - 44416701999999

pagamintas laikantis toliau nurodytųjų Europos Direktyvų ir darniųjų standartų

2006/42/EC, 2004/108/EC, 2011/65/EU,
EN61029-1:2009+A11:2010; EN55014-1:2006+A1:2009+A2:2011;
EN55014-2:1997+A1:2001+A2:2008; EN61000-3-2:2006+A1:2009+A2:2009;
EN61000-3-3:2008

Andrew John Eyre (BEng, CEEng, MIET)
Kontrolės Ir Saugos Viceprezidentas
Winnenden, Apr. 30, 2013

Igaliautas sudaryti techninį failą:
Alexander Krug, Generalinis Direktorius
Technronic Industries GmbH
Max-Eyth-Straße 10, 71364 Winnenden, Germany



**ET EC VASTAVUSDEKLARATSIOON**

Techtronic Industries GmbH
Max-Eyth-Straße 10, 71364 Winnenden, Germany

Kinnitame, et see toode

Plaadiõikesaag kokkuvolditava alusega
Mudel number: WS721S
Seeriaumbri vahemik: 44416701000001 - 44416701999999

vastab järgmistele Euroopa direktiividele ja harmoniseeritud standarditele
2006/42/EC, 2004/108/EC, 2011/65/EU,
EN61029-1:2009+A11:2010; EN55014-1:2006+A1:2009+A2:2011;
EN55014-2:1997+A1:2001+A2:2008; EN61000-3-2:2006+A1:2009+A2:2009;
EN61000-3-3:2008

Andrew John Eyre (BEng, CEEng, MIET)
Asepresident Standardiseerimise Ja Ohutuse Alal
Winnenden, Apr. 30, 2013

Tehnilise faili koostamiseks volitatud isik:
Alexander Krug, Tegevdirektor
Techtronic Industries GmbH
Max-Eyth-Straße 10, 71364 Winnenden, Germany

**SK PREHLÁSENIE O ZHODE EC**

Techtronic Industries GmbH
Max-Eyth-Straße 10, 71364 Winnenden, Germany

Týmto vyhlasujeme, že výrobok

Píla na diaždice so skladačim stojanom
Číslo modelu: WS721S
Rozsah sériových čísel: 44416701000001 - 44416701999999

je v súlade s nasledujúcimi Európskymi smernicami a harmonizovanými normami
2006/42/EC, 2004/108/EC, 2011/65/EU,
EN61029-1:2009+A11:2010; EN55014-1:2006+A1:2009+A2:2011;
EN55014-2:1997+A1:2001+A2:2008; EN61000-3-2:2006+A1:2009+A2:2009;
EN61000-3-3:2008

Andrew John Eyre (BEng, CEEng, MIET)
Viceprezident, Regulácia a Bezpečnosť
Winnenden, Apr. 30, 2013

Oprávnená osoba na zostavenie technického súboru:
Alexander Krug, Generálny Riaditeľ
Techtronic Industries GmbH
Max-Eyth-Straße 10, 71364 Winnenden, Germany

**HR EC IZJAVA O USKLADENOSTI**

Techtronic Industries GmbH
Max-Eyth-Straße 10, 71364 Winnenden, Germany

Ovime izjavljujemo da su proizvodi

Píla za rezanje pločica s preklopnim postoljem
Broj modela: WS721S
Raspon serijskog broja: 44416701000001 - 44416701999999

usklađeni sa sljedećim Europskim Direktivama i usklađenim normama
2006/42/EC, 2004/108/EC, 2011/65/EU,
EN61029-1:2009+A11:2010; EN55014-1:2006+A1:2009+A2:2011;
EN55014-2:1997+A1:2001+A2:2008; EN61000-3-2:2006+A1:2009+A2:2009;
EN61000-3-3:2008

Andrew John Eyre (BEng, CEEng, MIET)
Potpredsjednik za Pravila i Sigurnost
Winnenden, Apr. 30, 2013

Ovlašten da sastavi tehničku datoteku:
Alexander Krug, Direktor Upravljanja
Techtronic Industries GmbH
Max-Eyth-Straße 10, 71364 Winnenden, Germany

**EL ΕΚ ΔΗΛΩΣΗ ΣΥΜΜΟΡΦΩΣΗΣ**

Techtronic Industries GmbH
Max-Eyth-Straße 10, 71364 Winnenden, Germany

Δια του παρόντος δηλώνουμε ότι το προϊόν

Κοπτήρα πλακιδίων με βάση που διπλώνει
Αριθμός μοντέλου: WS721S
Εύρος σειριακών αριθμών: 44416701000001 - 44416701999999

είναι σύμφωνο με τις παρακάτω Ευρωπαϊκές Οδηγίες και εναρμονισμένα πρότυπα
2006/42/EC, 2004/108/EC, 2011/65/EU,
EN61029-1:2009+A11:2010; EN55014-1:2006+A1:2009+A2:2011;
EN55014-2:1997+A1:2001+A2:2008; EN61000-3-2:2006+A1:2009+A2:2009;
EN61000-3-3:2008

Andrew John Eyre (BEng, CEEng, MIET)
Αντιπρόεδρος, Τμήμα Ρυθμίσεων & Ασφάλειας
Winnenden, Apr. 30, 2013

Εξουσιοδοτημένο άτομο για σύνταξη τεχνικού αρχείου:
Alexander Krug, Διευθύνων Σύμβουλος
Techtronic Industries GmbH
Max-Eyth-Straße 10, 71364 Winnenden, Germany

**SL IZJAVA EC O SKLADNOSTI**

Techtronic Industries GmbH
Max-Eyth-Straße 10, 71364 Winnenden, Germany

Izjavljamo, da je izdelek

Žaga za keramiko z zlozljivim stojalom
Številka modela: WS721S
Razpon serijskih števil: 44416701000001 - 44416701999999

v skladu s sledečimi evropskimi direktivami in harmoniziranimi standardi
2006/42/EC, 2004/108/EC, 2011/65/EU,
EN61029-1:2009+A11:2010; EN55014-1:2006+A1:2009+A2:2011;
EN55014-2:1997+A1:2001+A2:2008; EN61000-3-2:2006+A1:2009+A2:2009;
EN61000-3-3:2008

Andrew John Eyre (BEng, CEEng, MIET)
Podpredsednik, Zakonodajne In Varnostne Zadeve
Winnenden, Apr. 30, 2013

Pooblaščená osoba za sestavo tehnične dokumentacije:
Alexander Krug, Izvršni Direktor
Techtronic Industries GmbH
Max-Eyth-Straße 10, 71364 Winnenden, Germany

**TR EC UYGUNLUK BEYANI**

Techtronic Industries GmbH
Max-Eyth-Straße 10, 71364 Winnenden, Germany

Böylelikle beyan ederiz ki; ürün

Katlanır standlı fayans testeresi
Model numarası: WS721S
Seri numarası aralığı: 44416701000001 - 44416701999999

aşağıdaki Avrupa Direktifleri ve uyumlaştırılmış standartlara uygundur
2006/42/EC, 2004/108/EC, 2011/65/EU,
EN61029-1:2009+A11:2010; EN55014-1:2006+A1:2009+A2:2011;
EN55014-2:1997+A1:2001+A2:2008; EN61000-3-2:2006+A1:2009+A2:2009;
EN61000-3-3:2008

Andrew John Eyre (BEng, CEEng, MIET)
Başkan Vekili, Düzenleme ve Güvenlik
Winnenden, Apr. 30, 2013

Teknik dosyası hazırlamaya yetkilidir:
Alexander Krug, Genel Müdür
Techtronic Industries GmbH
Max-Eyth-Straße 10, 71364 Winnenden, Germany





RYOBI®

ОФИЦИАЛЬНЫЙ ДИЛЕР В УКРАИНЕ:

storgom.ua

ГРАФИК РАБОТЫ:

Пн. – Пт.: с 8:30 по 18:30

Сб.: с 09:00 по 16:00

Вс.: с 10:00 по 16:00

КОНТАКТЫ:

+38 (044) 360-46-77

+38 (066) 77-395-77

+38 (097) 77-236-77

+38 (093) 360-46-77

Детальное описание товара:

<https://storgom.ua/product/plitkorez-ryobi-ws721s-mokryy-rez-5133002020.html>

Другие товары: <https://storgom.ua/elektricheskie-plitkorezy.html>