

# RYOBI®

## EMS254L

### ORIGINAL INSTRUCTIONS

TRADUCTION DES INSTRUCTIONS ORIGINALES  
ÜBERSETZUNG DER ORIGINALANLEITUNG  
TRADUCCIÓN DE LAS INSTRUCCIONES ORIGINALES  
TRADUZIONE DELLE ISTRUZIONI ORIGINALI  
VERTALING VAN DE ORIGINELE INSTRUCTIES  
TRADUÇÃO DAS INSTRUÇÕES ORIGINAIS  
OVERSÆTTELSE AF DE ORIGINALE INSTRUKTIONER  
ÖVERSÄTTNING AV DE URSPRUNGLIGA INSTRUKTIONERNA  
ALKUPERÄISTEN OHJEIDEN SUOMENNOS  
OVERSETTELSE AV DE ORIGINALE INSTRUKSJONENE  
ИНСТРУКЦИЯ ПО ЭКСПЛУАТАЦИИ  
TŁUMACZENIE INSTRUKCJI ORYGINALNEJ  
PŘEKLAD ORIGINÁLNÍCH POKYNŮ  
AZ EREDETI ÚTMUTATÓ FORDÍTÁSA  
TRADUCEREA INSTRUCȚIUNILOR ORIGINALE  
TULKOTS NO ORIGINĀLĀS INSTRUKCIJAS  
ORIGINALIŲ INSTRUKCIJŲ VERTIMAS  
ORIGINAALJUHENDI TÖLGE  
PRIJEVOD ORIGINALNIH UPUTA  
PREVOD ORIGINALNIH NAVODIL  
PREKLAD ORIGINÁLNYCH POKYNOV  
ΜΕΤΑΦΡΑΣΗ ΤΩΝ ΠΡΩΤΟΤΥΠΩΝ ΟΔΗΓΙΩΝ  
ORIJINAL TALIMATLARIN TERCÜMESİ

EN

FR

DE

ES

IT

NL

PT

DA

SV

FI

NO

RU

PL

CS

HU

RO

LV

LT

ET

HR

SL

SK

EL

TR





<b>Important!</b>	It is essential that you read the instructions in this manual before assembling, maintaining and operating the product.
<b>Attention!</b>	Il est essentiel que vous lisiez les instructions contenues dans ce manuel avant d'assembler, d'entretenir et d'utiliser le produit.
<b>Achtung!</b>	Es ist wichtig, dass Sie vor Zusammenbau, Wartung und Benutzung des Produktes die Anweisungen in dieser Anleitung lesen.
<b>¡Atención!</b>	Resulta fundamental que lea este manual de instrucciones antes de realizar el montaje, el mantenimiento y de utilizar este producto
<b>Attenzione!</b>	E' importante leggere le istruzioni contenute nel presente manuale prima di montare il prodotto, svolgere le operazioni di manutenzione sullo stesso e metterlo in funzione.
<b>Let op!</b>	Het is van essentieel belang dat u de instructies in deze gebruiksaanwijzing leest voor u het product monteert, onderhoudt en gebruikt.
<b>Atenção!</b>	É fundamental que leia as instruções deste manual antes da montagem, manutenção e operação do aparelho.
<b>OBS!</b>	Det er vigtigt, at man læser instrukserne i denne brugsanvisning, inden man samler, vedligeholder og betjener produktet.
<b>Observera!</b>	Det är viktigt att du läser instruktionerna i manualen före montering, användning och underhåll av produkten.
<b>Huomio!</b>	On tärkeää, että luet tämän käsikirjan ohjeet ennen tuotteen kokoamista, huoltoa ja käyttöä.
<b>Advarsel!</b>	Det er viktig at du leser instruksjonene i denne manualen før sammensetning, vedlikehold og bruk av produktet
<b>Внимание!</b>	Необходимо прочитать инструкции в данном руководстве перед сборкой, обслуживанием и эксплуатацией этого изделия.
<b>Uwaga!</b>	Koniecznienależyprzezczytaćinstrukcjezawartewtym podręczniku przed montażem, obsługą oraz konserwacją produktu.
<b>Důležitost upozornění!</b>	Neinstalujte, neprovádějte údržbu ani nepoužívejte tento výrobek dříve, než si přečtete pokyny uvedené v tomto návodu.
<b>Figyelem!</b>	Fontos, hogy a termék összeszerelése, karbantartása és használata előtt elolvassa a kézikönyvben található utasításokat.
<b>Atenție!</b>	Este esențial să citiți instrucțiunile din acest manual înainte de asamblare, efectuarea întreinerii și operarea produsului.
<b>Uzmanību!</b>	Ir svarīgi izlasīt šīs rokasgrāmatas instrukcijas pirms uzstādīšanas, apkopes un precas darbināšanas.
<b>Dėmesio!</b>	Prieš surenkant, prižiūrint ir naudojant gaminį, būtina perskaityti šiam vadove pateiktus nurodymus.
<b>Tähtis!</b>	Enne masina kokkupanekut, hooldamist ja kasutama hakkamist tuleb käesolevas juhendis esitatud juhised kindlasti läbi lugeda.
<b>Upozorenje!</b>	Vrlo je važno da ste prije sklapanja, održavanja i rada s ovim proizvodom pročitali upute u ovom priručniku.
<b>Pomembno!</b>	Pomembno je da pred montažo vzdrževanjem in uporabo tega izdelka preberete navodila v tem priročniku.
<b>Upzornenie!</b>	Je dôležité, aby ste si pred montážou, údržbou a obsluhou produktu prečítali pokyny v tomto návode.
<b>Προσοχή!</b>	Είναι πολύ σημαντικό να διαβάσετε τις οδηγίες στο παρόν εγχειρίδιο πριν συναρμολογήσετε, συντηρήσετε ή λειτουργήσετε το προϊόν.
<b>Dikkat!</b>	Ürünün montajını, bakımını yapmadan ve ürünü çalıştırmadan önce bu kılavuzda yer alan talimatları okumanız önemlidir.

Subject to technical modification | Sous réserve de modifications techniques | Technische Änderungen vorbehalten | Bajo reserva de modificaciones técnicas | Con riserva di eventuali modifiche tecniche | Technische wijzigingen voorbehouden | Com reserva de modificações técnicas | Med forbehold for tekniske ændringer | Med förbehåll för tekniska ändringar | Tekniset muutokset varataan | Med forbehold om tekniske ændringer | могут быть внесены технические изменения | Z zastrzeżeniem modyfikacji technicznych | Změny technických údajů vyhrazeny | A műszaki módosítás jogát fenntartjuk | Sub rezerva modifițiilor tehnice | Paturam tiesības mainīt tehniskos raksturlielumus | Pasiliekat teisę daryti techninius pakeitimus | Tehnilised muudatused võimalikud | Podloženo tehničkim promjenama | Tehnične spremembe dopuščene | Právo na technické zmeny je vyhradené | Υπό την επιφύλαξη τεχνικών τροποποιήσεων | Teknik değışiklik hakkı saklıdır





Safety, performance, and dependability have been given top priority in the design of your mitre saw.

### INTENDED USE

The product is intended for sawing solid wood, bonded wood, glued veneer, materials similar to wood, and plastics. Do not use the product in any way other than those stated for intended use.

### GENERAL SAFETY WARNINGS

#### WARNING

When using electric tools, basic safety precautions should always be followed to reduce the risk of fire, electric shock and personal injury. Read all these instructions before attempting to operate this product and save these instructions.

- **Keep work area clear.** Cluttered areas and benches invite injuries.
- **Consider work area environment.** Do not expose tools to rain. Do not use tools in damp or wet locations. Keep work area well lit. Do not use tools in the presence of flammable liquids or gases.
- **Guard against electric shock.** Avoid body contact with earthed or grounded surfaces (e.g., pipes, radiators, ranges, refrigerators).
- **Keep other persons away.** Do not let persons, especially children, be involved in the work, touch the tool or the extension cord, and keep them away from the work area.
- **Store idle tools.** When not in use, tools should be stored in a dry locked-up place, out of reach of children.
- **Do not force the tool.** It will do the job better and safer at the rate for which it was intended.
- **Use the right tool.** Do not force small tools to do the job of a heavy duty tool. Do not use tools for purposes not intended, for example, do not use circular saws to cut tree limbs or logs.
- **Dress properly.** Do not wear loose clothing or jewellery, they can be caught in moving parts. Non-skid footwear is recommended when working outdoors. Wear protective hair covering to contain long hair.
- **Use protective equipment.** Use safety glasses. Use face or dust mask if working operations create dust.
- **Connect dust extraction equipment.** If the tool is provided for the connection of dust extraction and collecting equipment, ensure these are connected and properly used.
- **Do not abuse the cord.** Never yank the cord to disconnect it from the socket. Keep the cord away from heat, oil and sharp edges.
- **Secure work.** Where possible, use clamps or a vice to

hold the work. It is safer than using your hand.

- **Do not overreach.** Keep proper footing and balance at all times.
- **Maintain tools with care.** Keep cutting tools sharp and clean for better and safer performance. Follow instruction for lubricating and changing accessories. Inspect tool cords periodically and if damaged, have them repaired by an authorized service facility. Inspect extension cords periodically and replace if damaged. Keep handles dry, clean and free from oil and grease.
- **Disconnect tools.** When not in use, before servicing and when changing accessories such as blades, bits and cutters, disconnect tools from the power supply.
- **Remove adjusting keys and wrenches.** Form the habit of checking to see that keys and adjusting wrenches are removed from the tool before turning it on.
- **Avoid unintentional starting.** Ensure switch is in "off" position when plugging in.
- **Use outdoor extension leads.** When the tool is used outdoors, use only extension cords intended for outdoor use and so marked.
- **Stay alert.** Watch what you are doing, use common sense and do not operate the tool when you are tired.
- **Check damaged parts.** Before further use of tool, it should be carefully checked to determine that it will operate properly and perform its intended function. Check for alignment of moving parts, binding of moving parts, breakage of parts, mounting and any other conditions that may affect its operation. A guard or other part that is damaged should be properly repaired or replaced by an authorized service centre unless otherwise indicated in this instruction manual. Have defective switches replaced by an authorized service centre. Do not use the tool if the switch does not turn it on and off.
- **Warning.** The use of any accessory or attachment other than the one recommended in this instruction manual may present a risk of personal injury.
- **Have your tool repaired by a qualified person.** This electric tool complies with the relevant safety rules. Repairs should only be carried out by qualified persons using original spare parts otherwise this may result in considerable danger to the user.

### MITRE SAW SAFETY WARNINGS

- Always clamp the workpiece safely.
- Wear ear protectors. Exposure to noise can cause hearing loss.
- Appliances used at many different locations including open air must be connected via a current surge preventing switch.
- Always wear goggles when using the machine. It is recommended to wear gloves, sturdy non slipping shoes and apron.





- Always disconnect the plug from the socket before carrying out any work on the machine.
- Only plug-in when machine is switched off.
- Keep mains lead clear from working range of the machine. Always lead the cable away behind you.
- Sawdust and splinters must not be removed while the machine is running.
- Never reach into the danger area of the plane when it is running.
- Before use, check machine, cable, and plug for any damages or material fatigue. Repairs should only be carried out by authorised service agents.
- Always use the protective shields on the machine.
- Do not clamp the protective swing guard.
- Do not use saw blades which are damaged or deformed.
- Replace the table insert when worn.
- Do not use saw blades not corresponding to the key data given in these instructions for use.
- The protective cover should only open when the machine is lowered to the workpiece.
- Do not use saw blades made of high-speed steel.
- Before work, make a dummy cut without the motor turned on so the position of the blade, operation of the guards with respect to other machine parts and work piece may be checked.
- When performing mitre, bevel or compound mitre cuts, adjust the sliding fence to ensure the correct clearance from the blade.
- Any faults with the machine, including any related to the safeguard or the saw blades, must be reported to the persons in charge of safety as soon as the faults are discovered.
- It is necessary to select a saw blade which is suitable for the material being cut.
- Never use the mitre saw to cut materials other than those specified in the instruction manual.
- The handle lock must always be engaged when transporting the mitre saw.
- Only use the saw with guards in good working order and properly maintained, and in position.
- Keep the floor area free of loose material e.g. chips and cut-offs.
- Only use saw blades which have been properly sharpened. It is essential to adhere to the maximum speed specified on the saw blade.
- Do not use any flanges other than those supplied or indicated in the instruction manual to secure the saw blade.
- Refrain from removing any cut-offs or other parts of the workpiece from the cutting area whilst the machine is running and the saw head is not in the rest position.
- Ensure that the machine is always stable and secure (e.g. fixed to a bench).
- Long workpieces must be adequately supported.
- Do not use cracked or distorted saw blades.
- Before using the tool please read the instructions. If possible have the tool demonstrated.
- The dust produced when using this tool may be harmful to health. Use a dust absorption system and wear a suitable dust protection mask. Remove deposited dust thoroughly, e.g. with a vacuum cleaner.
- Stock having a round or irregular cross section (such as firewood) must not be cut, as it cannot be securely held during cutting. When sawing thin stock layered on edge, a suitable auxiliary fence must be used for firm support.
- The unit should be connected to a circuit protection device (fuse or circuit breaker).
- Always wear safety goggles or safety glasses with side shields during power tool operation or when blowing dust. If operation is dusty, also wear a dust mask.
- Take care when trenching.
- Always use blades with correct size and shape of arbour holes. Blades that do not match the mounting hardware of the saw will run eccentrically, causing loss of control.
- Use only blades specified in this manual, complying with EN 847-1.
- Do not replace the laser or LED with a different type. Any repairs must only be carried out by the manufacturer or authorised service agent.
- A power spike causes voltage fluctuations and may affect other electrical products in the same power line. Connect the product to a power supply with an impedance equal to 0.180  $\Omega$  to minimize voltage fluctuations. Contact your electric power supplier for further clarification.

## SAFETY INSTRUCTIONS FOR WOOD CUTTING BLADE

- Please read the manual and instructions carefully before using the saw blade and the machine.
- The machine must be in good condition, the spindle without deformation and vibration.
- Do not use the saw without the guards in position, keep guards in good working order and properly maintained.
- Ensure the operator is adequately trained in safety precautions, adjustment and operation of the machine.
- Always wear goggles and ear protection when using the machine. It is recommended to wear gloves, sturdy non slipping shoes and apron.
- Before using any accessory, consult the instruction manual. The improper use of an accessory can cause damage and increase the potential for injury.
- Use only blades specified in this manual, complying with EN 847-1.
- Observe the maximum speed marked on the saw





blade. Ensure the speed marked on the saw blade is at least equal to the speed marked on the saw.

- Always use blades with correct size and shape of arbour holes. Blades that do not match the mounting hardware of the saw will run eccentrically, causing loss of control.
- Do not use blades of larger or smaller diameter than recommended. Do not use any spacers to make the blade fit onto the spindle.
- Check the tips of the saw blade for damage or abnormal appearance before each use. Tips that are damaged or loose can become flying objects in use and increase the chance of personal injury.
- Do not use cracked or distorted saw blades. Do not use saw blades that are damaged or deformed
- Scrap the saw blade if damaged, deformed, distorted or cracked, repairing is not permitted.
- Do not use HSS blades
- Ensure the saw blade is mounted correctly, tighten the arbor nut securely before use (tightening torque approx. 12-15 Nm).
- Fastening screw and nuts shall be tightened using the appropriate spanner, etc.
- Extension of the spanner or tightening using hammer blows is not permitted.
- Make sure the blade and flanges are clean and the recessed sides of the collar are against the blade.
- Make sure the blade rotates in the correct direction.
- Before work, make a dummy cut without the motor turned on so the position of the blade, operation of the guards with respect to other machine parts and work piece may be checked.
- Never leave the machine unattended.
- Do not apply lubricants on the blade when it is running.
- Never perform any cleaning or maintenance work when the machine is still running and the head is not in the rest position.
- Never attempt to stop a machine in motion rapidly by jamming a tool or other means against the blade, serious accidents can be caused unintentionally in this way.
- Disconnect the saw from the mains supply before changing blades or carrying out maintenance.
- Pay attention to blade packing and unpacking, it is easy to be injured by the sharp blade tips.
- Use a blade holder or wear gloves when handling a saw blade.
- Keep and store the blade in original packaging or other suitable packaging, keep in dry conditions and away from chemicals which may damage the blade.

## LASER SAFETY RULES

- The laser radiation used in this saw is Class 2 with maximum  $\leq 1\text{mW}$  and 650nm wavelengths. Do not stare into the laser beam. Failure to comply with the rules could result in serious personal injury.



We have supplied you with an adhesive label in your language and now request that you please apply this over the top of the existing English language label that is located on the side of the tool prior to first commissioning the machine.

- Do not stare into beam during operation.
- Do not project the laser beam directly into the eyes of others. Serious eye injury could result.
- Do not place the laser in a position that may cause anyone to stare into the laser beam intentionally or unintentionally.
- Do not use optical tools to view the laser beam.
- Do not operate the laser around children or allow children to operate the laser.
- Do not attempt to repair the laser device by yourself.
- Do not attempt to change any parts of the laser device by yourself.
- Any repairs must only be carried out by the laser manufacturer or authorized service agent.
- Do not replace the laser with a different type.

## RESIDUAL RISKS

Even when the machine is used as prescribed, it is still impossible to completely eliminate certain residual risk factors. The following hazards may arise in use and the operator should pay special attention to avoid the following:

- Risk of contact with uncovered parts of the rotating saw blade.
- Kick-back of work pieces and parts of work pieces due to improper adjustment or handling.
- Catapulting of faulty carbide tips from the saw blade.
- Damage to respiratory system if effective dust mask is not worn.
- Damage to hearing if effective hearing protection is not worn.

## MAINTENANCE

- Do not make any adjustments while the motor is in motion.
- Always make sure the machines plug has been removed from the mains power source before changing brushes, lubricating or when doing any works or maintenance on



the machine.

- After each use, check your machine for damage or broken parts and keep it in top working condition by repairing or replacing parts immediately.
- The blade being hot after use, keep the alertness during maintenance or cleaning procedures.
- Clean out accumulated dust.
- To assure safety and reliability, all repairs with the exception of externally accessible brushes should be performed by an authorised service centre.
- Faults in the machine, including guards or saw blades, should be reported as soon as they are discovered.
- If the power supply cord is damaged, it must be replaced only by the manufacturer or by an authorized service center to avoid risk. Contact authorized service center.

**⚠ WARNING**

For greater safety and reliability, all repairs should be performed by an Authorised Ryobi Service Centre.

**ENVIRONMENTAL PROTECTION**



Recycle raw materials instead of disposing of as waste. The machine, accessories and packaging should be sorted for environmental-friendly recycling.

**SYMBOL**



Safety alert



CE conformity



EurAsian conformity mark



Please read the instructions carefully before starting the machine.



Class II tool, double insulation



Wear ear protection



Always wear eye protection.



Danger! Sharp blade.



Wear safety gloves



Blade rotation direction (shown on saw blade)



Blade width of cut (Kerf)



Number of teeth on this saw blade



For cutting wood and analogous material



Not for cutting metals



Do not stare into beam.



Laser radiation.  
Class 2 laser product  
 $\lambda$ : 650nm;  $P \leq 1mW$   
EN 60825-1:2007



Waste electrical products should not be disposed of with household waste. Please recycle where facilities exist. Check with your Local Authority or retailer for recycling advice.

**SYMBOLS IN THIS MANUAL**



Plug in the product.



Unplug the product.



EN
FR
DE
ES
IT
NL
PT
DA
SV
FI
NO
RU
PL
CS
HU
RO
LV
LT
ET
HR
SL
SK
EL
TR



Lock



Unlock



A sound is heard



Waiting time



Parts or accessories sold separately



Note



Warning



La plus grande priorité a été donnée à la sécurité, aux performances et à la fiabilité de votre scie à onglet lors de sa conception.

### UTILISATION PRÉVUE

Ce produit est destiné à la coupe du bois plein, de l'aggloméré, des placages collés, des matériaux similaires au bois, et des plastiques.

Comme déjà indiqué, cette machine n'est conçue que pour être utilisée conformément aux prescriptions.

### AVERTISSEMENTS GÉNÉRAUX DE SÉCURITÉ

#### ⚠ AVERTISSEMENT

Lors de l'utilisation d'appareils électriques, il convient de respecter certaines précautions de sécurité de base afin de réduire les risques d'incendie, de décharge électrique et de blessure. Lisez toutes ces instructions avant de tenter d'utiliser ce produit et conservez ce manuel.

- **Gardez la zone de travail propre.** Les établis et les zones de travail encombrés sont propices aux blessures.
- **Prenez en considération l'environnement de travail.** N'exposez pas les outils à la pluie. N'utilisez pas d'outils en environnement humide ou mouillé. Gardez la zone de travail bien éclairée. N'utilisez pas d'outils en présence de gaz ou de liquides inflammables.
- **Protégez-vous des chocs électriques.** Évitez que votre corps entre en contact avec des surfaces reliées à la terre (par ex. tuyaux, radiateurs, cuisinières, réfrigérateurs).
- **Eloignez les autres personnes.** Ne laissez pas d'autres personnes, en particuliers des enfants, intervenir dans votre travail ou toucher l'outil ou son câble d'alimentation, et éloignez-les de la zone de travail.
- **Rangez les outils inutilisés.** Les outils non utilisés doivent être rangés en un endroit sec, verrouillé et hors de portée des enfants.
- **Ne faites pas forcer l'outil.** Il effectuera un meilleur travail dans de meilleures conditions de sécurité s'il est utilisé dans les limites de ses capacités.
- **Utilisez un outil approprié.** Ne forcez pas sur un petit outil dans le but de lui faire effectuer un travail pour lequel un outil de plus grande puissance serait mieux adapté. N'utilisez pas un outil pour un usage pour lequel il n'a pas été conçu, par exemple, ne tentez pas de couper des branches ou des bûches à l'aide d'une scie circulaire.
- **Habilitez-vous correctement.** Ne portez pas de vêtements ou de bijoux amples, ils pourraient être happés par des pièces en mouvement. Il est recommandé de porter des chaussures antidérapantes lorsque vous travaillez à l'extérieur. Contenez également les cheveux longs.
- **Utilisez des équipements de protection.** Portez des lunettes de sécurité. Portez un masque facial ou un masque anti poussières si l'opération produit de la poussière.
- **Connectez un dispositif d'aspiration des poussières.** Si un outil est prévu pour être relié à un dispositif d'aspiration et de collecte des poussières, assurez-vous que ce dispositif est en place et qu'il est utilisé de façon correcte.
- **Ne maltraitez pas le câble d'alimentation.** Ne tirez jamais sur le câble d'alimentation pour le débrancher du secteur. Tenez le câble d'alimentation éloigné de la chaleur, des graisses et des bords coupants.
- **Sécurisez le travail.** Lorsque cela est possible, bloquez la pièce à travailler dans un étau ou avec des serre-joints. Ceci est plus sûr que d'utiliser votre main.
- **Ne travaillez pas en extension.** Gardez un bon appui et un bon équilibre en toute circonstance.
- **Entretenez soigneusement les outils.** Gardez les outils de coupe propres et bien affûtés pour de meilleures performances et une sécurité accrue. Suivez les instructions concernant la lubrification et le changement d'accessoires. Vérifiez périodiquement les câbles d'alimentation des outils et faites-les remplacer par un service après-vente agréé en cas de dommage. Vérifiez régulièrement les rallonges électriques et remplacez-les en cas de dommage. Gardez les poignées propres, sèches, et exemptes d'huile et de graisse.
- **Débranchez les outils.** Débranchez les outils du secteur lorsque vous ne les utilisez pas, avant de les entretenir et lorsque vous en changez des accessoires tels que lames, forets et accessoires de coupe.
- **Retirez les clés et outils de réglage.** Prenez l'habitude de vérifier que les clés et outils de réglage ont été retirés de l'outil avant de le mettre en marche.
- **Prévenez les mises en marche accidentelles.** Assurez-vous que l'interrupteur est en position "off" (arrêt) avant de brancher l'outil.
- **Utilisez des rallonges prévues pour un usage extérieur.** Lorsque vous utilisez un outil à l'extérieur, n'utilisez que des rallonges prévues pour être utilisées à l'extérieur et marquées comme telles.
- **Restez vigilant.** Regardez ce que vous faites, faites preuve de bon sens et n'utilisez pas l'outil lorsque vous êtes fatigué.
- **Vérifiez qu'aucune pièce n'est endommagée.** Avant de continuer à utiliser l'outil, vérifiez-le avec soin pour vous assurer qu'il peut fonctionner correctement et remplir sa fonction initiale. Vérifiez que les pièces en mouvement sont bien alignées et non tordues, qu'aucune pièce n'est cassée ou mal montée, et qu'aucun autre problème n'est susceptible d'affecter le bon fonctionnement de l'appareil. Une protection ou



toute autre pièce endommagée doit être correctement remplacée ou réparée par un service après-vente agréé sauf avis contraire dans ce manuel utilisateur. Faites remplacer les interrupteurs défectueux par un service après-vente agréé. N'utilisez pas l'outil si son interrupteur marche/arrêt est inopérant.

- **Avertissement.** L'utilisation d'accessoires ou d'additifs autres que ceux recommandés dans ce manuel peut entraîner un risque de blessures.
- **Faites réparer votre outil par du personnel qualifié.** Cet outil électrique est conforme aux règles de sécurité le concernant. Les réparations ne doivent être effectuées que par du personnel qualifié utilisant des pièces de rechange d'origine; dans le cas contraire, l'utilisateur s'exposerait à de graves dangers.

#### AVERTISSEMENTS DE SÉCURITÉ DE LA SCIE À ONGLET

- Fixez toujours la pièce à usiner de façon sûre.
- Portez une protection acoustique. L'influence du bruit peut provoquer la surdité.
- Les appareils utilisés en de multiples endroits, y-compris à l'extérieur, doivent être alimentés par l'intermédiaire d'un disjoncteur anti-surcharges.
- Toujours porter des lunettes protectrices en travaillant avec la machine. Des gants de sécurité, des chaussures solides et à semelles antidérapantes et un tablier sont recommandés.
- Avant tous travaux sur la machine extraire la fiche de la prise de courant.
- Ne raccorder la machine au réseau que si l'interrupteur est en position arrêt.
- Le câble d'alimentation doit toujours se trouver en dehors du champ d'action de la machine. Faites toujours cheminer le câble derrière vous.
- Ne jamais enlever les copeaux ni les éclats lorsque la machine est en marche.
- Ne jamais intervenir dans la zone dangereuse lorsque la machine est en marche.
- Avant toute utilisation, vérifier que la machine, le câble d'alimentation, le câble de rallonge et la fiche ne sont pas endommagés ni usés. Les réparations ne doivent être effectuées que par un service après-vente agréé.
- Il est absolument impératif d'utiliser le dispositif protecteur de la machine.
- Ne pas bloquer le carter de protection.
- Ne pas utiliser de lames de scie qui sont endommagées ou déformées.
- Remplacer la garniture de table si elle est usée.
- Ne pas utiliser de lames de scie qui ne correspondent pas aux caractéristiques indiquées dans ces instructions d'utilisation.
- Le capot de protection pendulaire ne doit s'ouvrir automatiquement que lorsqu'on abaisse la scie.
- Ne pas utiliser de lame de scie fabriquées en acier à coupe rapide.
- Avant de travailler, faites une coupe à blanc moteur arrêté afin de pouvoir vérifier la position de la lame, le fonctionnement des protections par rapport aux autres éléments de la machine ainsi que la pièce à couper.
- Lors d'une coupe d'onglet, en biseau, ou combinée, réglez le guide longitudinal de façon à laisser assez de jeu pour ne pas gêner l'opération.
- Les défauts dans la machine, y compris le dispositif de protection ou les lames de scie, doivent être signalés à la personne responsable de la sécurité dès qu'ils sont constatés.
- Choisir une lame de scie qui convient au matériau à couper.
- Ne jamais utiliser la scie pour sectionner des matériaux autres que ceux qui sont indiqués dans le mode d'emploi.
- Transporter la scie uniquement si le dispositif de sécurité pour le transport est enclenché sur la poignée.
- N'utilisez la scie qu'avec ses protections en bon état de fonctionnement, bien entretenues, et en place.
- Veiller à ce que le fond reste exempt des restes de matériaux, par ex. des copeaux et des débris de sciage.
- Utiliser uniquement des lames de scie affûtées en bonne et due forme. La vitesse de rotation maximale indiquée sur la lame de scie doit être respectée.
- Utiliser uniquement les brides ci-jointes et représentées dans le mode d'emploi pour fixer la lame de scie.
- Ne pas enlever des restes de sciage ou d'autres parties de pièces à oeuvrer de la zone de sciage lorsque la machine tourne et que la tête de sciage n'est pas dans la position de repos.
- S'assurer que la machine présente toujours une bonne stabilité (par ex. par une fixation sur l'établi).
- Les longues pièces à oeuvrer doivent être soutenues de manière appropriée.
- Ne pas utiliser de lames de scie fissurées ou déformées.
- Veuillez lire les instructions avant d'utiliser l'outil. Si possible, faites vous expliquer le fonctionnement de l'outil.
- La poussière générée par l'utilisation de cet outil peut être préjudiciable à votre santé. Utiliser un dispositif d'aspiration de poussières et porter en plus un masque de protection approprié. Éliminer soigneusement les dépôts de poussières, p. ex. en les aspirant au moyen d'un système d'aspiration de copeaux.
- Il est interdit de scier des pièces à oeuvrer dont la section transversale est ronde ou irrégulière (par ex. le bois de chauffe) car elles ne sont pas maintenues sûrement pendant le sciage. Il convient d'utiliser une butée auxiliaire appropriée pour assurer le guidage lors du sciage sur chant des pièces à oeuvrer plates.
- La machine doit être alimentée par l'intermédiaire d'un dispositif de protection (fusible ou disjoncteur).



- Portez toujours un masque oculaire ou des lunettes de protection à volets latéraux lorsque vous utilisez l'outil électrique ou lorsque vous soufflez de la poussière. Si l'opération génère des poussières, portez également un masque anti-poussières.
- Faites attention lorsque vous taillez des encoches.
- Utilisez toujours des lames dont la taille et la forme sont adaptées à l'alésage de l'arbre. Des lames non adaptées à l'arbre sur lequel elles doivent être montées ne tourneront pas correctement et peuvent vous faire perdre de contrôle de l'outil.
- N'utilisez que les lames spécifiées dans ce manuel, répondant à la norme EN 847-1.
- Ne remplacez pas le laser ou LED par un modèle d'un autre type. Les réparations ne doivent être effectuées que par le fabricant du laser ou par un réparateur agréé.
- Une surconsommation temporaire provoque des variations de tension susceptibles d'affecter les autres appareils électriques branchés sur la même ligne d'alimentation. Branchez le produit sur une source d'alimentation électrique dont l'impédance est égale à 0.180  $\Omega$  afin de minimiser les variations de tension. Contactez votre compagnie de distribution d'électricité pour de plus amples informations.

## INSTRUCTIONS DE SÉCURITÉ CONCERNANT LA LAME DE COUPE DU BOIS

- Lisez les instructions de ce manuel avant d'utiliser l'appareil.
- La machine doit être en bon état, son axe de broche non déformé et sans vibrations.
- N'utilisez pas la scie sans que ses protections ne soient en place, en particulier après un changement de mode. Gardez les protections en bon état de fonctionnement et bien entretenues.
- Assurez-vous que l'opérateur est suffisamment familiarisé avec les précautions de sécurité, ainsi qu'avec les réglages et l'utilisation de la machine.
- Portez toujours des lunettes de sécurité avec écrans de protection latéraux, ainsi qu'une protection auditive. Des gants de sécurité, des chaussures solides et à semelles antidérapantes et un tablier sont recommandés.
- Avant toute utilisation d'un accessoire, consultez le manuel utilisateur. L'utilisation incorrecte d'un accessoire peut entraîner des dommages.
- N'utilisez que les lames spécifiées dans ce manuel, répondant à la norme EN 847-1.
- Respectez la vitesse maximale de rotation indiquée sur la lame. Assurez-vous que la vitesse marquée sur la lame de scie est au moins égale à la vitesse marquée sur la scie.
- Utilisez toujours des lames dont la taille et la forme sont adaptées à l'alésage de l'arbre. Des lames non adaptées à l'arbre sur lequel elles doivent être montées ne tourneront pas correctement et peuvent vous faire perdre de contrôle de l'outil.
- N'utilisez pas de lames d'un diamètre supérieur ou inférieur à celui recommandé. N'utilisez pas de rondelles ou d'entretoises pour adapter la lame à la broche.
- Avant chaque utilisation, vérifiez que les dents de la lame de scie ne sont pas abîmées et qu'elles n'ont pas une apparence anormale. Des dents abîmées ou mal fixées peuvent se transformer en objets projetés en cours d'utilisation et augmenter les risques de blessures.
- Ne pas utiliser de lames de scie fissurées ou déformées. Ne pas utiliser de lames de scie qui sont endommagées ou déformées.
- N'utilisez jamais une lame endommagée ou déformée. Les réparations ne sont pas permises.
- N'utilisez pas de lames HSS.
- Assurez-vous que la lame de scie est montée de façon correcte avant utilisation. Avant toute utilisation, serrez fermement l'écrou de l'arbre. (Couple: 12-15 Nm)
- Les vis et écrous de serrage doivent être serrés avec une clé appropriée.
- Il n'est pas permis d'utiliser une rallonge de clé ou de donner des coups de marteau sur la clé pour le serrage.
- Assurez-vous que toutes les lames et tous les flasques sont propres et que les parties épaulées des colliers sont orientés vers la lame.
- Assurez-vous que la lame tourne dans le bon sens.
- Avant de travailler, faites une coupe à blanc moteur arrêté afin de pouvoir vérifier la position de la lame, le fonctionnement des protections par rapport aux autres éléments de la machine ainsi que la pièce à couper.
- Ne laissez jamais la machine sans surveillance.
- N'appliquez pas de lubrifiant sur la lame lorsqu'elle est en rotation.
- N'effectuez jamais aucune opération de nettoyage ou d'entretien lorsque la machine est toujours en mouvement et que la tête n'est pas en position de repos.
- Ne tentez jamais d'arrêter rapidement une machine en rotation en coinçant un outil ou autre élément contre la lame, vous risqueriez de provoquer de graves accidents.
- Débranchez la scie du secteur avant de l'entretenir ou d'en changer la lame.
- Prenez garde lors de l'emballage et du déballage de la lame, il est facile de se blesser avec les dents affûtées.
- Utilisez un porte-lame ou portez des gants lorsque vous manipulez une lame de scie.
- Conservez et stockez la lame dans son emballage d'origine ou autre emballage adapté, au sec et à l'abri des produits chimiques susceptibles de l'endommager.





## SÉCURITÉ RELATIVE AU LASER

- Le rayonnement du guide laser utilisé par cette scie est de type Classe 2 avec une puissance maximale  $\leq 1\text{mW}$  et une longueur d'onde de 650nm. Ne regardez pas directement le rayon laser. Le non-respect des règles pourrait entraîner de graves blessures.

LASER RADIATION  
DO NOT STARE INTO BEAM  
CLASS 2 LASER PRODUCT  
 $\lambda$ : 650nm; P51mW  
EN 60825-1:2007

Un autocollant dans votre langue vous a été fourni, nous vous demandons de le coller par dessus le texte en anglais de l'étiquette d'avertissement (warning) avant la première mise en service de la machine.

- Ne regardez pas le rayon au cours de l'opération.
- Ne projetez pas le rayon laser directement vers les yeux d'autrui. De graves blessures oculaires pourraient en résulter.
- Ne placez pas le laser de telle façon que quiconque puisse diriger son regard vers le rayon laser, que ce soit intentionnellement ou pas.
- N'utilisez pas d'outils optiques pour voir le rayon laser.
- N'utilisez pas le laser en présence d'enfants et ne laissez pas les enfants l'utiliser.
- Ne tentez pas de réparer le laser par vous-même.
- Ne tentez de changer aucune pièce du laser par vous-même.
- Les réparations ne doivent être effectuées que par le fabricant du laser ou par un réparateur agréé.
- Ne remplacez pas le laser par un modèle d'un autre type.

## RISQUES RÉSIDUELS

Même lorsque la machine est utilisée selon les prescriptions, il reste impossible d'éliminer totalement certains facteurs de risque résiduels. Les dangers suivants risquent de se présenter en cours d'utilisation et l'utilisateur doit prêter particulièrement garde aux points suivants :

- Risque d'entrée en contact avec les parties non couvertes de la lame en rotation.
- Rebond des pièces à couper et de fragments des pièces à couper du à un mauvais réglage ou à une mauvaise manipulation.
- Projection de plaquettes au carbure défectueuses de la lame de scie.
- Atteinte au système respiratoire en cas de non-port d'un masque anti-poussières.
- Atteinte à l'audition en cas de non-port d'une protection auditive.

## ENTRETIEN

- N'effectuez aucun réglage lorsque le moteur est en marche.
- Assurez-vous toujours que la prise a été débranchée du secteur avant de changer les charbons, de lubrifier ou d'effectuer toute opération ou toute réparation sur la machine.
- Après chaque utilisation, vérifiez qu'aucune pièce n'est cassée et que la machine est en bon état, et maintenez-la en parfait état de fonctionnement en effectuant les réparations immédiatement.
- La lame étant chaude après utilisation, restez vigilant pendant les opérations de nettoyage ou d'entretien.
- Retirez la sciure accumulée.
- Pour assurer fiabilité et sécurité, toutes les réparations (à l'exception des charbons accessibles de l'extérieur) doivent être effectuées par un service après-vente agréé.
- Les défauts de la machine, y-compris les protections et lames de scie, doivent être signalées dès leur découverte.
- Si le câble d'alimentation est endommagé, il ne doit être remplacé que par le fabricant ou par un service après-vente agréé, pour éviter tout danger. Contactez un service après-vente agréé.

## ⚠ AVERTISSEMENT

Pour plus de sécurité et de fiabilité, toutes les réparations doivent être effectuées par un Centre Service Agréé Ryobi.

## PROTECTION DE L'ENVIRONNEMENT



Recyclez les matières premières au lieu de les jeter aux ordures ménagères. Pour protéger l'environnement, l'outil, les accessoires et les emballages doivent être triés.

## SYMBOLE



Alerte de Sécurité



Conformité CE



Marque de qualité EurAsian



Veillez lire attentivement les instructions avant de mettre l'appareil en marche.



Équipement à isolation de Classe II, double isolation



Portez une protection auditive



Portez toujours une protection oculaire.



DANGER! Lame Coupante.



Portez des gants de sécurité.



Sens de rotation de la lame (indiqué sur la lame de scie)



Largeur de coupe de la lame (trait de coupe)



Nombre de dents de cette lame de scie



Pour la coupe du bois et des matériaux semblables



Ne convient pas à la coupe des métaux



Ne regardez pas directement le rayon laser.



Radiation laser.  
Laser de classe 2  
 $\lambda$ : 650nm;  $P \leq 1\text{mW}$   
EN 60825-1:2007



Les produits électriques hors d'usage ne doivent pas être jetés avec les ordures ménagères. Recyclez-les par l'intermédiaire des structures disponibles. Contactez les autorités locales pour vous renseigner sur les conditions de recyclage.

**SYMBOLS IN THIS MANUAL**



Branchez le produit.



Débranchez le produit.



Verrouillage



Déverrouillage



Un son se fait entendre



Temps d'attente



Pièces détachées et accessoires vendus séparément



Note:



AVERTISSEMENT



Sicherheit, Leistung und Zuverlässigkeit hatten oberste Priorität bei der Entwicklung Ihrer Gehrungssäge.

### VORGESEHENE VERWENDUNG

Das Produkt ist zum Sägen von Massivholz, verklebtem Holz, verklebten Furnieren, holzähnlichen Materialien und Kunststoff vorgesehen.

Dieses Gerät darf nur wie angegeben bestimmungsgemäß verwendet werden.

### ALLGEMEINE SICHERHEITSWARNUNGEN

#### WARNUNG

Bei der Verwendung elektrischer Werkzeuge sollten immer einige grundlegende Sicherheitsvorkehrungen getroffen werden, um die Gefahr von Feuer, Stromschlag und Verletzungen zu verringern. Lesen Sie alle diese Anweisungen, bevor Sie versuchen dieses Produkt zu bedienen, und heben Sie diese Anweisungen auf.

- **Halten Sie den Arbeitsbereich in Ordnung.** Unordentliche Bereiche und Werkbänke können zu Unfällen führen.
- **Beachten Sie die Arbeitsumgebung.** Setzen Sie Werkzeuge nicht dem Regen aus. Verwenden Sie Werkzeuge nicht an feuchten oder nassen Orten. Beleuchten Sie den Arbeitsbereich gut. Benutzen Sie Werkzeuge nicht in der Nähe von brennbaren Flüssigkeiten oder Gasen.
- **Schutz vor Stromschlag.** Vermeiden Sie Körperkontakt mit geerdeten Oberflächen (z.B. Rohre, Heizkörper, Herde, Kühlschränke).
- **Halten Sie andere Personen fern.** Lassen Sie keine anderen Personen, insbesondere Kinder, sich an der Arbeit beteiligen, das Werkzeug oder Verlängerungskabel berühren, und halten Sie sie von dem Arbeitsbereich fern.
- **Aufbewahrung unbenutzter Werkzeuge.** Das Werkzeug sollte an einem trockenen und verschlossenen Ort außerhalb der Reichweite von Kindern aufbewahrt werden, wenn es nicht benutzt wird.
- **Überlasten Sie Ihr Elektrowerkzeug nicht.** Es wird die Arbeit mit der Geschwindigkeit, für die es ausgelegt wurde, besser und sicherer erledigen.
- **Benutzen Sie das richtige Werkzeug.** Verwenden Sie keine kleinen Werkzeuge mit Gewalt um Arbeiten auszuführen, für die ein leistungsstärkeres Werkzeug besser geeignet wäre. Verwenden Sie Werkzeuge nicht für Zwecke, für die sie nicht vorgesehen sind, zum Beispiel, benutzen Sie Handkreissägen nicht um Äste oder Baumstämme zu sägen.
- **Kleiden Sie sich den Umständen entsprechend!** Tragen Sie keine lockere Kleidung oder Schmuck; diese könnten sich in beweglichen Teilen verfangen.
- Rutschfestes Schuhwerk wird für die Arbeit im Freien empfohlen. Tragen Sie außerdem eine schützende Haarbedeckung zum Zurückhalten langer Haare.
- **Benutzen Sie Schutzausrüstung.** Benutzen Sie eine Schutzbrille. Benutzen Sie eine Sicherheits- oder Staubmaske, wenn die Arbeitsbedingungen Staub erzeugen.
- **Schließen Sie ein Gerät zur Staubabsaugung an.** Wenn das Werkzeug über einen Anschluss zu Geräten zur Staubabsaugung und -sammlung verfügt, stellen Sie sicher, dass diese Geräte angeschlossen sind und ordentlich eingesetzt werden.
- **Das Stromkabel nicht überstrapazieren.** Ziehen Sie niemals am Kabel um den Stecker aus der Steckdose zu ziehen. Halten Sie das Kabel fern von Hitze, Öl, und scharfen Kanten.
- **Sichern Sie das Werkstück.** Benutzen Sie wenn möglich Klemmen oder einen Schraubstock um das Werkstück zu halten. Es ist damit sicherer gehalten als mit Ihrer Hand.
- **Vermeiden Sie abnormale Körperhaltung.** Sorgen Sie jederzeit für einen festen Stand und ein gutes Gleichgewicht.
- **Pflegen Sie Werkzeuge.** Halten Sie Schneidwerkzeuge für eine bessere und sicherere Leistung scharf und sauber. Befolgen Sie die Anweisungen zum Ölen und dem Austausch von Zubehörteilen. Überprüfen Sie die Anschlußleitung regelmäßig und lassen es bei Beschädigung von einem autorisierten Kundendienst reparieren. Überprüfen Sie Verlängerungskabel regelmäßig und tauschen Sie sie bei Beschädigung aus. Halten Sie die Griffe trocken, sauber und frei von Öl und Schmierstoffen.
- **Trennen Sie die Werkzeuge von der Stromquelle.** Trennen Sie Elektrowerkzeuge vom Stromnetz, wenn sie nicht benutzt werden, vor der Wartung und beim Wechsel von Werkzeugen wie z.B. Sägeblatt, Bohrer, Fräser.
- **Entfernen Sie Einstellhilfen und Schraubenschlüssel.** Machen Sie es sich zur Gewohnheit, vor Einschalten des Geräts zu prüfen, ob alle Einstellhilfen und Schraubenschlüssel etc. von dem Werkzeug entfernt wurden.
- **Vermeiden Sie unabsichtliches Starten.** Vergewissern Sie sich vor dem Einstecken des Steckers, das der Schalter in der "Aus" Position ist.
- **Benutzen Sie Verlängerungskabel, die zur Benutzung im Freien geeignet sind.** Verwenden Sie bei der Arbeit mit diesem Werkzeug im Freien nur Verlängerungskabel, die auch zum Gebrauch im Freien geeignet und entsprechend gekennzeichnet sind.
- **Blieben Sie wachsam.** Achten Sie auf das, was sie tun, setzen Sie Ihren gesunden Menschenverstand ein und bedienen das Werkzeug nicht, wenn Sie unkonzentriert sind.
- **Überprüfen Sie das Elektrowerkzeug auf eventuelle Beschädigungen.** Vor weiterem Gebrauch des





Elektrowerkzeuge müssen Schutzvorrichtungen oder leicht beschädigte Teile sorgfältig auf ihre einwandfreie und bestimmungsgemäße Funktion untersucht werden. Überprüfen Sie, ob bewegliche Teile einwandfrei funktionieren und nicht klemmen oder ob Teile beschädigt sind. Sämtliche Teile müssen richtig montiert sein und alle Bedingungen erfüllen, um den einwandfreien Betrieb des Elektrowerkzeuges zu gewährleisten. Eine Schutzvorrichtung oder ein anderes Teil, das beschädigt ist, muss, sofern in dieser Gebrauchsanweisung nichts anderes angegeben ist, durch den autorisierten Kundendienst ordnungsgemäß repariert oder ausgetauscht werden. Lassen Sie defekte Schalter durch einen autorisierten Kundendienst austauschen. Verwenden Sie das Produkt nicht, falls es sich durch den Schalter nicht ein- und ausschalten lässt.

- **Warnung.** Die Verwendung von anderen als den in diesen Anweisungen empfohlenen Zubehörteilen kann eine Gefahr von Körperverletzungen bedeuten.
- **Lassen Sie Ihr Werkzeug von einer qualifizierten Person reparieren.** Dieses Elektrowerkzeug erfüllt die entsprechenden Sicherheitsregeln. Reparaturen dürfen nur von qualifizierten Personen mit Originalersatzteilen durchgeführt werden, sonst können beträchtliche Gefahren für den Benutzer entstehen.

#### GEHRUNGSSÄGE SICHERHEITSWARNUNGEN

- Klemmen Sie das Werkstück immer sicher fest.
- Tragen Sie Gehörschutz. Die Einwirkung von Lärm kann Gehörverlust bewirken.
- Steckdosen in vielen verschiedenen Bereichen, einschließlich Außenbereichen, müssen an Fehlerstrom-Schutzschaltern angeschlossen sein.
- Beim Arbeiten mit der Maschine stets Schutzbrille tragen. Schutzhandschuhe, festes und rutschsicheres Schuhwerk und Schürze werden empfohlen.
- Vor allen Arbeiten an der Maschine Stecker aus der Steckdose ziehen.
- Maschine nur ausgeschaltet an die Steckdose anschließen.
- Anschlusskabel stets vom Wirkungsbereich der Maschine fernhalten. Führen Sie das Kabel immer hinter Ihnen.
- Sägemehl oder Späne dürfen bei laufender Maschine nicht entfernt werden.
- Nicht in den Gefahrenbereich der laufenden Maschine greifen.
- Vor jedem Gebrauch Gerät, Anschlusskabel, Verlängerungskabel und Stecker auf Beschädigung und Alterung kontrollieren. Reparaturen dürfen nur von dem autorisierten Kundendienst durchgeführt werden.
- Schutzeinrichtung der Maschine unbedingt verwenden.
- Die Pendelschutzhaube darf im geöffneten Zustand nicht festgeklemmt werden.

- Keine Sägeblätter benutzen die beschädigt oder verformt sind.
- Abgenutzte Tischeinlage ersetzen.
- Sägeblätter, die nicht den Kenndaten in dieser Gebrauchsanweisung entsprechen, dürfen nicht verwendet werden.
- Die Pendelschutzhaube darf sich nur automatisch beim Herabschwenken der Säge öffnen.
- Keine aus Schnellarbeitsstahl gefertigten Sägeblätter verwenden.
- Machen Sie einen Testdurchlauf ohne angeschalteten Motor, bevor Sie mit der Arbeit beginnen, um die Position des Sägeblattes, Funktion der Schutzvorrichtungen und das Werkstück zu überprüfen.
- Stellen Sie den verschiebbaren Anschlag für Gehrungsschnitte, Schrägschnitte oder doppelte Gehrungsschnitte, auf den richtigen Abstand von dem Sägeblatt ein.
- Fehler in der Maschine, einschließlich der Schutzeinrichtung oder der Sägeblätter, sind, so bald sie entdeckt werden, der für die Sicherheit verantwortlichen Person zu melden.
- Ein für den zu schneidenden Werkstoff geeignetes Sägeblatt auswählen.
- Die Kappsäge niemals zum Schneiden anderer als in der Bedienungsanleitung angegebenen Werkstoffe verwenden.
- Die Kappsäge nur mit eingerasteter Transportsicherung am Handgriff transportieren.
- Benutzen Sie die Säge nur mit funktionierenden, ordentlich gewarteten und angebauten Schutzabdeckungen.
- Den Boden von Materialresten z.B. Späne und Sägereste freihalten.
- Nur ordnungsgemäß geschärfte Sägeblätter verwenden. Die auf dem Sägeblatt angegebene Höchstzahl ist einzuhalten.
- Nur die beigelegten und in der Bedienungsanleitung abgebildeten Flansche zum Befestigen des Sägeblattes verwenden.
- Keine Sägereste oder andere Teile von Werkstücken aus dem Sägebereich entfernen wenn die Maschine läuft und der Sägekopf nicht in der Ruhestellung ist.
- Sicherstellen, dass die Maschine stets einen sicheren Stand hat (z.B. befestigen an der Werkbank).
- Lange Werkstück sind geeignet abzustützen.
- Rissige Sägeblätter oder solche, die ihre Form verändert haben, dürfen nicht verwendet werden!
- Lesen Sie bitte die Bedienungsanleitung vor der Benutzung des Werkzeugs. Falls möglich, lassen Sie sich das Werkzeug vorführen.
- Der bei der Benutzung entstehende Staub kann gesundheitsschädlich sein. Staubabsaugung verwenden und zusätzlich geeignete Staubschutzmaske





tragen. Abgelagerten Staub gründlich entfernen, z.B. Aufsaugen.

- Werkstücke mit rundem oder unregelmäßigem Querschnitt (z.B. Brennholz) dürfen nicht gesägt werden, da diese beim Sägen nicht sicher gehalten werden. Beim Hochkantsägen von flachen Werkstücken muss ein geeigneter Hilfsanschlag zur sicheren Führung verwendet werden.
- Die Maschine muss an eine Schaltungsschutzeinrichtung (Sicherung oder Leistungsschalter) angeschlossen sein.
- Tragen Sie beim Arbeiten mit motorbetriebenen Werkzeugen oder beim Wegblasen von Staub immer eine Schutzbrille mit Seitenschutz. Tragen Sie außerdem bei staubigen Arbeiten eine Atemschutzmaske.
- Seien Sie vorsichtig beim Sägen von Schlitzen.
- Verwenden Sie immer Sägeblätter in der richtigen Größe und passend zur Form des Aufnahmeflansches. Sägeblätter, die nicht zu den Montageteilen der Säge passen, laufen unrund und führen zum Verlust der Kontrolle.
- Benutzen Sie nur in dieser Bedienungsanleitung angegebene Sägeblätter die EN 847-1 erfüllen.
- Ersetzen Sie den Laser oder LED nicht mit einem anderen Typ. Alle Reparaturen dürfen nur von dem Hersteller oder einem autorisierten Kundendienst durchgeführt werden.
- Eine Spannungsspitze kann Spannungsschwankungen verursachen und andere elektrische Produkte an der selben Stromleitung beeinflussen. Schließen Sie das Produkt an eine Stromversorgung mit einer Impedanz von 0.180 Ω an, um die Spannungsschwankungen zu minimieren. Kontaktieren Sie Ihren Stromlieferanten für weitere Erklärungen.

#### SICHERHEITSANWEISUNGEN FÜR DAS HOLZSÄGEBLATT

- Lesen Sie vor dem Gebrauch dieser Maschine die Anweisungen in dieser Gebrauchsanweisung sorgfältig durch.
- Die Maschine muss in gutem Zustand sein, die Spindel ohne Verformung und Vibrationen.
- Benutzen Sie die Säge nicht ohne montierte Schutzvorrichtungen. Halten Sie die Schutzvorrichtungen in gutem Zustand und ordentlich gewartet.
- Stellen Sie sicher, dass der Benutzer ausreichend in Sicherheitsvorkehrungen, Einstellung und Betrieb der Maschine geschult ist.
- Tragen Sie immer einen Augenschutz mit Seitenklappen sowie Gehörschutz. Schutzhandschuhe, festes und rutschsicheres Schuhwerk und Schürze werden empfohlen.
- Lesen Sie immer die Bedienungsanleitung, bevor Sie ein Zubehörteil benutzen. Die falsche Benutzung von Zubehör kann zu Schäden führen und die Gefahr von Verletzungen erhöhen.
- Benutzen Sie nur in dieser Bedienungsanleitung angegebene Sägeblätter die EN 847-1 erfüllen.
- Beachten Sie die auf dem Sägeblatt angegebene maximale Drehzahl. Stellen Sie sicher, dass die auf dem Sägeblatt angegebene Drehzahl mindestens der auf der Säge angegebene Drehzahl entspricht.
- Verwenden Sie immer Sägeblätter in der richtigen Größe und passend zur Form des Aufnahmeflansches. Sägeblätter, die nicht zu den Montageteilen der Säge passen, laufen unrund und führen zum Verlust der Kontrolle.
- Benutzen Sie keine Sägeblätter mit größeren oder kleineren Durchmesser als empfohlen. Benutzen Sie keine Ausgleichsscheiben oder -Ringe um das Sägeblatt an die Spindel anzupassen.
- Überprüfen Sie die Zähne des Sägeblattes vor jeder Benutzung auf Beschädigung oder ungewöhnliches Aussehen. Beschädigte oder lockere Zähne können beim Einsatz geschleudert werden und die Verletzungsgefahr erhöhen.
- Rissige Sägeblätter oder solche, die ihre Form verändert haben, dürfen nicht verwendet werden! Keine Sägeblätter benutzen die beschädigt oder verformt sind.
- Entsorgen Sie Sägeblätter die beschädigt oder verformt sind. Reparatur ist nicht gestattet.
- Verwenden Sie keine HSS Sägeblätter.
- Stellen Sie vor dem Einsatz sicher, dass das Sägeblatt richtig montiert ist. Ziehen Sie die Spindelmutter fest vor dem Gebrauch. (Drehmoment: 12-15 Nm)
- Befestigungsschrauben und Muttern müssen mit dem geeigneten Schlüssel angezogen werden.
- Verlängerung des Schlüssels oder festziehen mit Hammerschlägen ist nicht gestattet.
- Stellen Sie sicher, dass Sägeblatt und Flansche sauber sind und die Aussparung des Flansches zum Sägeblatt zeigt.
- Stellen Sie sicher, dass das Sägeblatt sich in die richtige Richtung dreht.
- Machen Sie einen Testdurchlauf ohne angeschalteten Motor, bevor Sie mit der Arbeit beginnen, um die Position des Sägeblattes, Funktion der Schutzvorrichtungen und das Werkstück zu überprüfen.
- Lassen Sie die Maschine niemals unbeaufsichtigt.
- Tragen Sie keine Schmiermittel auf das laufende Sägeblatt auf.
- Niemals Reinigungsarbeiten oder Wartungsarbeiten an der laufenden Maschine durchführen, und wenn der Kopf nicht in Ruheposition ist.
- Versuchen Sie niemals die Maschine anzuhalten, indem Sie ein Werkzeug oder einen anderen Gegenstand gegen das Sägeblatt klemmen, schwere Unfälle können so versehentlich verursacht werden.
- Trennen Sie die Säge vom Stromnetz, bevor Sie





das Sägeblatt wechseln oder Wartungsarbeiten durchführen.

- Seien Sie beim Ver- und Entpacken des Sägeblattes vorsichtig, Verletzungen durch die scharfen Zähne sind schnell passiert.
- Benutzen Sie eine Sägeblatthalterung oder tragen Sie Handschuhe, wenn Sie das Sägeblatt handhaben.
- Bewahren und lagern Sie das Sägeblatt in der Originalverpackung oder einer anderen geeigneten Verpackung, bewahren Sie es in trockener Umgebung und fern von Chemikalien, die das Sägeblatt beschädigen können, auf.

### SICHERHEITSHINWEISE LASER

- Die in der Säge verwendete Laserführung besteht aus einem Klasse 2 Laser mit maximal  $\leq 1\text{mW}$  und  $650\text{nm}$  Wellenlänge. Nicht in den Strahl blicken. Nichteinhaltung dieser Sicherheitshinweise können zu ersten Verletzungen führen.



Überkleben Sie den englischen Text auf dem Warnhinweis vor der ersten Inbetriebnahme mit dem mitgelieferten Aufkleber in Ihrer Landessprache.

- Laserstrahlung nicht in den Strahl blicken.
- Richten Sie den Laserstrahl nicht in die Augen von anderen Personen. Dies kann zu schweren Augenverletzungen führen.
- Bringen Sie den Laser nicht in eine Position, die dazu führen könnte, dass eine Person absichtlich, oder unbeabsichtigt in den Laserstrahl schaut.
- Benutzen Sie keine optischen Geräte um den Laserstrahl zu betrachten.
- Benutzen Sie den Laser nicht in der Nähe von Kindern und erlauben Sie Kindern nicht, den Laser zu benutzen.
- Versuchen Sie nicht den Laser selber zu reparieren.
- Versuchen Sie nicht, irgendein Teil des Lasergerätes selber zu wechseln.
- Alle Reparaturen dürfen nur von dem Hersteller des Lasers oder einem autorisierten Kundendienst durchgeführt werden.
- Ersetzen Sie den Laser nicht mit einem anderen Typ.

### RESTRISIKEN

Sogar wenn die Maschine wie vorgeschrieben benutzt wird, ist es unmöglich ein gewisses Restrisiko vollständig zu beseitigen. Die folgenden Gefahren können bei der Benutzung entstehen, und der Benutzer sollte besonders auf folgende Punkte achten:

- Gefahr von Kontakt mit freiliegenden Teilen des sich drehenden Sägeblattes.

- Rückschlag vor Werkstücken und Teilen von Werkstücken aufgrund falscher Einstellungen oder Benutzung.
- Schleudern von fehlerhaften Hartmetallspitzen von dem Sägeblatt.
- Verletzung des Atemsystems, wenn eine wirksame Staubmaske nicht getragen wird.
- Schäden am Gehör, wenn ein wirksamer Gehörschutz nicht getragen wird.

### WARTUNG UND PFLEGE

- Nehmen sie keine Einstellung vor, während der Motor in Betrieb ist.
- Stellen Sie sicher, dass der Stecker der Maschine aus der Steckdose gezogen ist, bevor Sie die Bürsten wechseln, schmieren oder andere Wartungsarbeiten an der Maschine durchführen.
- Überprüfen Sie die Maschine nach jedem Einsatz auf Schäden oder beschädigte Teile und halten Sie die Maschine in erstklassigem Zustand, indem Sie Reparaturen oder den Austausch von Teilen sofort ausführen.
- Das Sägeblatt wird durch die Benutzung heiß, bleiben Sie während der Wartung oder Reinigung aufmerksam.
- Entfernen Sie angesammelten Staub.
- Um die Sicherheit und Zuverlässigkeit zu gewährleisten müssen alle Reparaturen, mit Ausnahme der von außen zugänglichen Bürsten, von einem autorisierten Kundendienst durchgeführt werden.
- Fehler der Maschine, einschließlich Schutzabdeckungen oder Sägeblätter, müssen sofort nach der Entdeckung gemeldet werden.
- Falls das Stromkabel beschädigt sein sollte, darf es, um jegliche Risiken zu vermeiden, ausschließlich durch den Hersteller oder ein autorisiertes Kundendienstzentrum ausgetauscht werden. Kontaktieren Sie Ihren autorisierten Kundendienst.

### ⚠ WARNUNG

Für eine höhere Sicherheit und Zuverlässigkeit müssen alle Reparaturen von einem autorisierten Ryobi-Kundendienst durchgeführt werden.

### UMWELTSCHUTZ



Recyceln Sie die Rohstoffe anstatt sie in die Haushaltsabfälle zu geben. Zum Schutz der Umwelt müssen das Gerät, die Zubehörteile und die Verpackungen getrennt entsorgt werden.





**SYMBOL**



Sicherheitswarnung



CE-Konformität



EurAsian Konformitätszeichen.



Bitte lesen Sie die Anweisungen sorgfältig durch, bevor Sie das Produkt einschalten.



Klasse II Gerät, doppelisolation



Gehörschutz tragen



Tragen Sie immer Augenschutz!



GEFAHR! Scharfes Sägeblatt.



Tragen Sie Sicherheitshandschuhe



Drehrichtung des Sägeblattes (auf Sägeblattschutz gezeigt)



Schneidbreite (Kerbe)



Anzahl der Zähne an diesem Sägeblatt



Zum Sägen von Holz und ähnlichem Material



Nicht zum Sägen von Metallen



Blicken Sie nicht in den Laserstrahl.



Laserstrahlung.  
Klasse 2 Laserprodukt  
 $\lambda$ : 650nm;  $P \leq 1mW$   
EN 60825-1:2007



Elektrische Geräte sollten nicht mit dem übrigen Müll entsorgt werden. Bitte entsorgen Sie diese an den entsprechenden Entsorgungsstellen. Wenden Sie sich an die örtliche Behörde oder Ihren Händler, um Auskunft über die Entsorgung zu erhalten.

**SYMBOLE IN DER BEDIENUNGSANLEITUNG**



Verbinden Sie das Produkt mit dem Stromnetz.



Stecken Sie das Produkt aus.



Sperren



Öffnen



Ein Ton ist zu hören



Wartezeit



Teile oder Zubehör getrennt erhältlich



Bitte beachten:



WARNUNG



Seguridad, desempeño y fiabilidad han sido las prioridades en el diseño de su ingletadora.

## USO PREVISTO

El producto está diseñado para aserrar madera maciza, aglomerado, chapas encoladas, materiales similares a madera y plástico.

No utilice este producto para ninguna otra aplicación que no sea su uso normal.

## ALERTA DE SEGURIDAD GENERAL

### ⚠ ADVERTENCIA

Cuando use herramientas eléctricas, siempre deben seguirse las precauciones básicas de seguridad para reducir el riesgo de incendio, descarga eléctrica y lesiones personales. Lea todas las instrucciones antes de utilizar el producto y guarde estas instrucciones.

- **Mantenga el área de trabajo limpia.** Las áreas y los bancos de trabajo desordenados propician los daños corporales.
- **Tenga en cuenta el entorno del área de trabajo.** No exponga las herramientas a la lluvia. No utilice herramientas en lugares húmedos o mojados. Mantenga limpia el área de trabajo. No utilice las herramientas en presencia de líquidos o gases inflamables.
- **Protección contra descargas eléctricas.** Evite el contacto corporal con superficies conectadas a tierra (por ejemplo, tuberías, radiadores, estufas y refrigeradores).
- **Mantenga a otras personas alejadas.** No deje que otras personas, especialmente niños, participen en el trabajo, toquen la herramienta o el alargador, y manténgalos alejados del área de trabajo.
- **Guarde las herramientas inactivas.** Cuando no esté en uso, la herramienta debe guardarse en un lugar seco, bajo llave, fuera del alcance de los niños.
- **No fuerce la herramienta.** Realizará un trabajo mejor y más seguro a la velocidad para la que ha sido diseñada.
- **Utilice la herramienta adecuada.** No utilice herramientas pequeñas para realizar el trabajo de una grande. No utilice las herramientas para otros fines distintos de los previstos, por ejemplo, no utilice sierras circulares para cortar ramas o troncos de árboles.
- **Vístase adecuadamente.** No utilice ropa holgada o joyas, ya que pueden quedar atrapados en las piezas móviles. Para trabajos exteriores se recomienda calzado antideslizante. Utilice también un gorro protector para sujetar el cabello largo.
- **Utilice un equipo de protección.** Utilice gafas de seguridad. Utilice una mascarilla para la cara o contra el polvo en caso de que el trabajo origine polvo.
- **Conecte el equipo aspirador de polvo.** Si existe una herramienta para la conexión de accesorios de recogida y extracción de polvo, asegúrese de que está conectada y que se utilizan adecuadamente.
- **No haga un mal uso del cable.** Nunca tire del cable para desenchufarlo. Mantenga el cable lejos de fuentes de calor, aceite y bordes afilados.
- **Fije la pieza de trabajo.** Si es posible, utilice abrazaderas o un torno de banco para sujetar el trabajo. Es más seguro que utilizar la mano.
- **No realice sobreesfuerzos.** Mantenga un equilibrio adecuado en todo momento.
- **Utilice las herramientas con cuidado.** Mantenga las herramientas de corte afiladas y limpias para que realicen un trabajo mejor y más seguro. Siga las instrucciones de lubricación y cambio de accesorios. Inspeccione periódicamente los cables y si están dañados llévelos a un centro de servicio autorizado. Revise las prolongaciones periódicamente y sustitúyalas si están dañadas. Mantenga las asas secas, limpias y libres de aceite y grasa.
- **Desconecte las herramientas.** Desenchufe las herramientas cuando no se encuentren en uso, antes de realizar cualquier reparación y cuando cambie accesorios como hojas, puntas y cuchillas.
- **Retire las llaves de ajuste.** Compruebe siempre que las llaves de ajuste no se encuentran en la herramienta antes de encenderla.
- **Evite el arranque accidental de la herramienta.** Asegúrese de que el interruptor se encuentra en la posición "off" cuando enchufe la herramienta.
- **Utilice alargadores para exterior.** Cuando utilice una herramienta al aire libre, utilice únicamente cables de extensión que estén destinados para uso en exteriores y que así lo indiquen.
- **Manténgase alerta.** Tenga cuidado con lo que hace, utilice el sentido común y no utilice la herramienta cuando esté cansado.
- **Compruebe que no haya piezas dañadas.** Antes de seguir utilizando la herramienta, esta deberá ser minuciosamente comprobada para determinar si va a funcionar adecuadamente y realizar su función prevista. Compruebe la alineación y el acoplamiento de las piezas móviles, la rotura de piezas, el montaje y cualquier otro problema que pueda afectar a su funcionamiento. Una protección u otra parte que esté dañada debería ser debidamente reparada o sustituida en el centro de servicio autorizado a menos que se indique lo contrario en este manual de instrucciones. Los enchufes defectuosos deben ser sustituidos por un centro de reparación autorizado. No utilice la herramienta si el interruptor no enciende ni apaga.
- **Advertencia.** El uso de cualquier accesorio o complemento no recomendado en este manual de instrucciones puede suponer un riesgo de lesión personal.
- **La herramienta deberá ser reparada por personal cualificado.** Esta herramienta eléctrica cumple con las normas de seguridad correspondientes. Las reparaciones



sólo deberán ser realizadas por personal cualificado y utilizando recambios originales, en caso contrario podría producirse un grave peligro para el usuario.

### ADVERTENCIAS DE SEGURIDAD DE LA INGLETADORA

- Amarre siempre la pieza de trabajo de forma segura.
- Utilice protección auditiva! La exposición a niveles de ruido excesivos puede causar pérdida de audición.
- Los aparatos utilizados en muchos lugares diferentes, incluidos lugares al aire libre, deben conectarse a través de un disyuntor que prevenga los picos de corriente.
- Utilice siempre gafas de protección al usar la máquina. Se recomienda utilizar guantes, calzado pesado antideslizante y delantal.
- Desconecte siempre el enchufe antes de llevar a cabo cualquier trabajo en la máquina.
- Enchufar la máquina a la red solamente en posición desconectada.
- Mantener siempre el cable separado del radio de acción de la máquina. Coloque el cable de modo que quede detrás de Ud.
- Nunca se debe intentar limpiar el polvo o viruta procedente del taladrado con la máquina en funcionamiento.
- No manipular en el rodillo ni en las cuchillas con la máquina conectada.
- Antes de empezar a trabajar compruebe si está dañada la máquina, el cable o el enchufe. Las reparaciones sólo se llevarán a cabo por Agentes de Servicio autorizados.
- Usar siempre las piezas de protección de la máquina.
- No bloquear la protección automática del disco.
- No use hojas de sierra dañadas o deformadas.
- Sustituya la pieza de refuerzo de mesa desgastada.
- No se pueden emplear hojas de sierra cuyos datos codificados no corresponden a estas instrucciones de manejo.
- La protección de seguridad sólo debe abrirse automáticamente cuando el disco esté apoyado contra la pieza de trabajo.
- No emplear hojas de sierra elaboradas de acero de corte rápido.
- Antes de empezar a trabajar, haga un corte de prueba con el motor apagado para comprobar la posición de la lámina, el funcionamiento de las protecciones con respecto a otras piezas de la máquina y la pieza de trabajo.
- Al realizar recortes de inglete, en bisel o inglete compuesto, ajuste la guía deslizante para asegurar la holganza correcta de la hoja.
- En el momento de detectar fallas en la máquina, incl. en el dispositivo de seguridad o en las hojas de la sierra, deberán comunicarse las mismas inmediatamente a la persona responsable de la seguridad.
- Elegir la hoja de sierra adecuada para el material a cortar.
- No emplear jamás la sierra retestadora para cortar materiales que no estén indicados en las instrucciones de empleo.
- Transportar la sierra retestadora únicamente con el protector de transporte en el tomadero engatillado.
- Utilice la sierra únicamente con una cubierta protectora que funcione de forma segura y con un mantenimiento adecuado y en posición.
- Mantenga la superficie libre de restos de material como p. ej. virutas y restos de aserrado.
- Emplear únicamente hojas de sierra correctamente afiladas. Deberá observarse siempre el número de revoluciones máximo indicado en la hoja de la sierra.
- Utilizar solamente las bridas adjuntas y representadas en las instrucciones de empleo para la fijación de la hoja de sierra.
- No quitar restos de aserrado u otras partes de piezas de trabajo del área de aserrado al estar la máquina en funcionamiento y si la cabeza de la sierra no se encuentra en posición inactiva.
- Asegúrese de que la máquina se encuentre siempre en una posición segura (p. ej. sujetarla en el banco de trabajo).
- Las piezas de trabajo largas deben estar correctamente apoyadas.
- No usar seguetas rajadas o torcidas.
- Antes de usar la herramienta, por favor lea las instrucciones. Si es posible, pida que le hagan una demostración de la máquina.
- El polvo que se produce cuando se usa esta herramienta puede ser perjudicial para la salud. Use un sistema de absorción de polvo y utilice una máscara adecuada de protección contra el polvo. Limpie el polvo depositado, por ejemplo con un aspirador.
- No deberán cortarse con la sierra piezas de trabajo con perfil redondo o irregular (p. ej. leña), dado que no se pueden sujetar de manera segura. Al cortar de canto con la sierra piezas planas, deberá utilizarse un tope auxiliar adecuado para una guía segura.
- La máquina estará conectada a un dispositivo de protección del circuito (fusible o interruptor automático).
- Siempre use gafas de seguridad o gafas de seguridad con protección lateral durante el funcionamiento de la herramienta eléctrica o cuando ésta desprenda polvo. Si la superficie de trabajo es polvorienta, use también una careta específica.
- Tenga cuidado cuando haga ranuras.
- Utilice hojas de tamaño y forma adecuados al diámetro interior del eje. Unas hojas que no se adaptan al eje en el que se deben montar no girarán correctamente y provocarán una pérdida de control.
- Use solamente hojas especificadas en este manual, según EN 847-1.
- No cambie el láser o LED por otro de distinto tipo. Las reparaciones sólo deben ser realizadas por el fabricante del láser o un agente de servicio autorizado.
- Un pico de tensión causa variaciones de voltaje y puede afectar a otros aparatos eléctricos de la misma línea eléctrica. Enchufe el dispositivo a la toma de electricidad con una impedancia de 0.180 Ω para minimizar las fluctuaciones de voltaje. Contacte con su proveedor de energía eléctrica para obtener más aclaraciones.



## ADVERTENCIAS DE SEGURIDAD PARA HOJA DE SIERRA DE MADERA

- Lea las instrucciones de este manual antes de utilizar la máquina.
- La máquina debe estar en buenas condiciones, sin deformaciones ni vibraciones en el perno.
- Não utilize a serra sem as guardas na posição correta, especialmente depois de alterar o modo. Conserve as guardas em bom estado de funcionamento e manutenção.
- Asegúrese de que el operario ha recibido la formación adecuada en cuanto a precauciones de seguridad, ajustes y funcionamiento de la máquina.
- Utilice siempre gafas de protección con protección lateral, junto con dispositivos de protección para los oídos. Se recomienda utilizar guantes, calzado pesado antideslizante y delantal.
- Antes de utilizar cualquier accesorio, consulte el manual de instrucciones. El uso inadecuado de un accesorio puede causar daños.
- Use solamente hojas especificadas en este manual, según EN 847-1.
- Observe la velocidad máxima marcada en la lámina de la sierra. Asegure que a velocidade indicada no disco da serra é pelo menos igual à velocidade indicada na serra.
- Utilice hojas de tamaño y forma adecuados al diámetro interior del eje. Unas hojas que no se adaptan al eje en el que se deben montar no girarán correctamente y provocarán una pérdida de control.
- No utilice láminas de diámetro mayor o más pequeño que el recomendado. No utilice ningún espaciador para encajar la lámina en el eje.
- Compruebe que las puntas de la hoja no están dañadas ni tienen un aspecto anómalo antes de utilizarla. Las puntas dañadas o sueltas se pueden convertir en proyectiles durante la utilización y aumentan el riesgo de lesiones.
- No usar discos de corte rotos o defectuosos. No use hojas de sierra dañadas o deformadas.
- No use una hoja de sierra que está dañada o deformada. No está permitida su reparación.
- No utilice láminas HSS.
- Verifique que la lámina de la sierra está correctamente montada antes utilizarla. Antes de cada uso, apriete la tuerca de apriete firmemente. (Par: 12-15 Nm)
- Los tornillos y tuercas siempre deben apretarse utilizando la llave adecuada.
- No utilizar una prolongación de llave ni apretar dando golpes con un martillo.
- Compruebe que la lámina y las bridas están limpias y los lados encajados del aro están contra la lámina.
- Compruebe que la lámina gira en la dirección correcta.
- Antes de empezar a trabajar, haga un corte de prueba

con el motor apagado para comprobar la posición de la lámina, el funcionamiento de las protecciones con respecto a otras piezas de la máquina y la pieza de trabajo.

- No deje nunca la máquina sin vigilar.
- No aplique lubricantes en la hoja cuando esté en funcionamiento.
- Nunca realice ningún trabajo de limpieza o de mantenimiento cuando la máquina se encuentra aún en funcionamiento y si la cabeza no está en la posición de descanso.
- Nunca intente parar una máquina en movimiento repentinamente enclavando una herramienta u otros medios contra la lámina pues de este modo podrá causar accidentes graves sin intención.
- Desconecte la sierra de la red de suministro antes de cambiar las hojas o realizar operaciones de mantenimiento.
- Tenga cuidado a la hora de embalar y desembalar la hoja: es fácil lesionarse con sus afiladas puntas.
- Utilice un porta-hojas o póngase guantes para manipular la hoja de sierra.
- Guarde y almacene la hoja en su embalaje original o en otro adecuado. Consérvelo en un lugar seco y alejado de productos químicos que puedan dañar la hoja.

## SEGURIDAD DEL LÁSER

- La radiación de la guía láser utilizada en esta sierra es de clase 2 con longitudes de onda máximas de  $\leq 1\text{mW}$  and  $650\text{nm}$ . No mire directamente al láser. El incumplimiento de estas normas puede resultar en lesiones graves.

LASER RADIATION  
DO NOT STARE INTO BEAM  
CLASS 2 LASER PRODUCT  
λ: 650nm; P≤1mW  
EN 60825-1:2007

Le hemos suministrado una etiqueta adhesiva en su idioma y le pedimos que la coloque en el lugar del texto en inglés, en la etiqueta de advertencia, antes de poner en funcionamiento la máquina por primera vez.

- No proyecte el rayo láser directamente a los ojos de los demás. Podría provocar lesiones graves en los ojos.
- No coloque el láser en una posición que puede causar que alguien mire al rayo láser de manera intencional o no.
- No utilice herramientas ópticas para ver el rayo láser.
- No trabaje con el láser cerca de los niños ni permita que los niños manejen el láser.
- No intente reparar el dispositivo láser usted mismo.
- No intente cambiar ninguna pieza del dispositivo láser usted mismo.
- Las reparaciones sólo deben ser realizadas por el fabricante del láser o un agente de servicio autorizado.
- No cambie el láser por otro de distinto tipo.

**RIESGOS RESIDUALES**

Incluso cuando la máquina se usa conforme se indica, sigue siendo imposible eliminar completamente ciertos factores de riesgo residual. Pueden surgir los siguientes riesgos durante el uso y el operador debe prestar especial atención para evitar lo siguiente:

- Riesgo de contacto con las piezas descubiertas de la lámina circular giratoria.
- Rebote de las piezas de trabajo y partes de las piezas de trabajo debido a un ajuste o una manipulación incorrectos.
- Puntas de carburo defectuosas salen disparadas de la hoja de la sierra.
- Existe el riesgo de lesiones en el sistema respiratorio en caso de que no se utilice una mascarilla antipolvo eficaz.
- Daños auditivos si no se utiliza una protección auditiva eficaz.

**MANTENIMIENTO**

- No haga ningún ajuste cuando el motor esté en marcha.
- Asegúrese siempre de que se ha retirado el enchufe de la máquina de la toma de corriente antes de cambiar cepillos, lucirla o realizar cualquier operación o mantenimiento a la máquina.
- Tras cada uso, compruebe si la máquina tiene alguna pieza dañada o rota y manténgala en buenas condiciones de funcionamiento reparando o sustituyendo las piezas inmediatamente.
- Después de usarla, la lámina está caliente; tenga cuidado mientras realiza los procedimientos de mantenimiento o limpieza.
- Retire el polvo acumulado.
- Para asegurar su seguridad y fiabilidad, todas las reparaciones, a excepción de los cepillos con acceso externo, deben ser realizadas por un centro de servicio autorizado.
- Debe informar sobre las anomalías en la máquina, incluyendo las protecciones y las hojas de la sierra, tan pronto las descubra.
- Si el cable de alimentación está dañado, debería ser reemplazado únicamente por el fabricante o por un centro de servicio autorizado para evitar riesgos. Contacto Centro de Servicio Autorizado.

**⚠ ADVERTENCIA**

Para más seguridad y fiabilidad, todas las reparaciones deben ser efectuadas por un Centro de Servicio Habilitado Ryobi.

**PROTECCIÓN DEL MEDIO AMBIENTE**

Recicle las materias primas en lugar de tirarlas a la basura doméstica. Para proteger el medio ambiente, debe separar la herramienta, los accesorios y los embalajes.

**SÍMBOLO**

Atención



Conformidad con CE



Certificado EAC de conformidad



Por favor, lea atentamente las instrucciones antes de encender el producto.



Equipamiento de Clase II, doble aislamiento



Utilice dispositivos de protección para los oídos



Utilice siempre gafas de protección.



PELIGRO! Cuchilla afilada.



Use guantes de protección.



Dirección de rotación de la hoja (exhibido en la hoja de la sierra)



Longitud del corte de la hoja (canal)



Número de dientes en la hoja de la sierra



Para cortar madera y material análogo



No se aplica a metales de corte



No mire directamente al rayo.



Radiación láser.  
Producto láser de clase 2  
 $\lambda$ : 650nm;  $P \leq 1\text{mW}$   
EN 60825-1:2007



Los productos eléctricos de desperdicio no deben desecharse con desperdicios caseros. Por favor recíclelos donde existan dichas instalaciones. Compruebe con su autoridad local o minorista para reciclar.

## SÍMBOLOS EN ESTE MANUAL



Enchufe el producto.



Desenchufe el producto.



Bloquear



Desbloquear



Se escucha un sonido



Tiempo de espera



Las piezas o accesorios se venden por separado



Nota:



ADVERTENCIA





E' stata data massima priorità a sicurezza, prestazioni e affidabilità nel design di questa sega per tagli obliqui

### UTILIZZO

Prodotto destinato a tagliare legno solido, legno incollato, impiallacciatura, materiali simili al legno e materiali plastici.

Utilizzare il prodotto solo per l'uso per cui è previsto.

### AVVERTENZE GENERALI DI SICUREZZA

#### ▲ AVVERTENZE

Quando si utilizzano elettrodomestici, si dovranno sempre seguire precauzioni di base di sicurezza per ridurre il rischio di incendi, scosse elettriche e lesioni personali. Leggere tutte le istruzioni prima di tentare di mettere in funzione il prodotto e salvare queste istruzioni.

- **Tenere l'area di lavoro libera.** Zone e banchi di lavoro in disordine possono causare incidenti.
- **Tenere in considerazione l'area di lavoro.** Non esporre gli utensili a pioggia. Non utilizzare gli utensili in luoghi umidi o bagnati. Mantenere l'area di lavoro ben illuminata. Non utilizzare in presenza di liquidi infiammabili o gas.
- **Dispositivo contro scosse elettriche.** Evitare il contatto del corpo con superfici con messa a terra (per esempio, tubi, radiatori, stufe, refrigeratori).
- **Tenere lontane tutte le altre persone.** Tenere eventuali osservatori, soprattutto bambini a distanza di sicurezza, evitare che tocchino l'utensile o la prolunga e tenerli lontani dall'area di lavoro.
- **Riporre gli utensili che non vengono utilizzati.** Quando non si utilizza l'utensile, riporlo in un luogo chiuso e asciutto, lontano dalla portata dei bambini.
- **Non forzare l'utensile.** Svolgerà il lavoro per il quale è stato progettato in maniera migliore e più sicura.
- **Utilizzare l'utensile adatto.** Non utilizzare piccoli attrezzi per lavori pesanti. Non utilizzare gli utensili per scopi per i quali non sono stati progettati, per esempio non utilizzare le motoseghe circolari per tagliare rami o tronchi.
- **Vestirsi adeguatamente.** Non indossare abiti con parti svolazzanti o gioielli che potrebbero rimanere impigliati nelle parti in movimento. Si raccomanda di indossare calzature anti-scivolo quando si lavora all'esterno. Indossare inoltre una rete protettiva per proteggere i capelli lunghi.
- **Utilizzare attrezzatura di protezione.** Utilizzare occhiali di sicurezza. Utilizzare una maschera antipolvere per il viso se si lavora in ambienti polverosi.
- **Collegare l'attrezzatura per estrarre polvere.** Se l'utensile viene fornito con l'accessorio per l'estrazione e la raccolta della polvere, assicurarsi che tali accessori siano correttamente collegati e utilizzati.
- **Non sottoporre il cavo a stress.** Non tirare mai il cavo per scollegarlo dalla presa. Tenere il cavo lontano da calore, olio e parti affilate.
- **Assicurare il pezzo sul quale si sta lavorando.** Ove possibile utilizzare staffe o morsetti per reggere il pezzo sul quale si sta lavorando. È più sicuro che utilizzare le proprie mani.
- **Non protendersi.** Mantenere sempre l'equilibrio e un punto di appoggio sicuro.
- **Svolgere sempre le dovute manutenzioni sull'utensile.** Tenere le lame affilate e pulite per garantire prestazioni migliori e sicure. Seguire le istruzioni per lubrificare e cambiare gli accessori. Ispezionare i cavi dell'utensile periodicamente e, se danneggiati, farli riparare da un centro servizi autorizzato. Ispezionare periodicamente la prolunga e sostituirla se danneggiata. Tenere i manici asciutti e puliti e rimuovere dagli stessi eventuali tracce di sporco e olio.
- **Scollegare gli utensili.** Quando non si utilizza l'utensile, prima di svolgere eventuale manutenzione e quando si cambiano accessori come lame, punte e dispositivi di taglio, scollegare gli utensili dall'alimentazione.
- **Rimuovere tutte le chiavi di regolazione.** Controllare sempre che le chiavi e i dispositivi di regolazione siano stati rimossi dall'utensile prima di avviarlo.
- **Evitare l'avvio accidentale.** Assicurarsi che l'interruttore si trovi su "off" (spento) prima di collegare l'utensile.
- **Utilizzare prolunghe per esterni.** Quando si utilizza l'utensile all'interno, utilizzare solo prolunghe adatte a tale utilizzo e contrassegnate come tali.
- **Conservare sempre la massima attenzione.** Esercitare sempre la massima attenzione in quello che si sta facendo e non mettere in funzione l'utensile se si è stanchi.
- **Controllare eventuali parti danneggiate.** Prima di utilizzare ulteriormente l'utensile, controllarlo attentamente per capire se funzionerà correttamente e svolgerà le funzioni per le quali è stato progettato. Controllare l'allineamento delle parti in movimento, l'eventuale blocco delle parti, le eventuali parti rotte, il montaggio ed altre condizioni che potranno influenzare le operazioni. Un paralume o un'altra parte danneggiata deve essere riparata o sostituita da un centro servizi autorizzato a meno che non sia indicato diversamente sul manuale d'istruzioni. Far sostituire gli interruttori difettosi da un centro servizi autorizzato. Non utilizzare l'utensile se non si accende o spegne.
- **Avvertenze.** L'utilizzo di qualsiasi accessorio o dispositivo diverso da quelli raccomandati nel manuale d'istruzioni potrà causare rischi di gravi lesioni personali.
- **Far riparare l'utensile da personale qualificato.** Questo utensile elettrico rispetta le norme di sicurezza corrispondenti. Le riparazioni dovranno essere svolte da persone qualificate utilizzando le parti originali altrimenti ciò potrà causare gravi lesioni all'utente.

**AVVERTENZE DI SICUREZZA SEGA PER TAGLI OBLIQUI**

- Assicurare sempre a un tavolo il pezzo sul quale si sta lavorando.
- Indossare protezioni acustiche adeguate. L'esposizione prolungata al rumore senza protezione può causare danni all'udito.
- Gli apparecchi mobili usati all'aperto devono essere collegati interponendo un interruttore di sicurezza per guasti di corrente.
- Durante l'uso dell'apparecchio utilizzare sempre gli occhiali di protezione. Inoltre si consiglia di indossare guanti, calzature resistenti antiscivolo e un grembiule.
- Prima di effettuare qualsiasi lavoro sulla macchina togliere la spina dalla presa di corrente.
- Inserire la spina solo con interruttore su posizione "OFF".
- Tenere sempre lontano il cavo di collegamento dall'area di lavoro dell'attrezzo. Il cavo dovrà essere sempre situato dietro l'operatore.
- Non rimuovere trucioli o schegge mentre l'utensile è in funzione.
- Non entrare nel raggio d'azione dell'utensile mentre è in funzione.
- Prima di ogni utilizzo controllare che il cavo di alimentazione, eventuali prolunghe e la spina siano integri e senza danni. Eventualmente parti danneggiate devono essere controllate e riparate da un tecnico.
- Usare sempre il dispositivo di protezione dell'apparecchio.
- Non bloccare la calotta di protezione.
- Non usare lame danneggiate o deformate.
- Sostituire inserti da banco consumati.
- Non utilizzare lame non corrispondenti alle specifiche riportate in queste istruzioni d'uso.
- La calotta di protezione si deve aprire automaticamente a seconda dell'orientamento della sega.
- Non utilizzare lame di sega fatte in acciaio rapido.
- Prima di avviare le operazioni di lavoro, fare un taglio di prova senza accendere il motore in modo da poter controllare la posizione delle lame, il funzionamento del paralame rispetto alle altre parti delle macchine e i pezzi sui quali si dovrà lavorare.
- Per tagli obliqui, smussature o tagli obliqui composti, regolare il paralame a scorrimento per assicurarsi una corretta distanza dalla lama.
- Guasti della macchina, inclusi quelli del dispositivo di protezione o delle lame della sega, devono essere segnalati alla persona responsabile della sicurezza, non appena vengono individuati.
- Scegliere una lama di sega adatta al materiale da tagliare.
- Non utilizzare mai la sega troncatrice per tagliare materiali diversi da quelli indicati nelle istruzioni per l'uso.
- Trasportare la sega troncatrice solo con sicura di

trasporto chiusa sul manico.

- Usare la troncatrice soltanto con coperchio di protezione ben funzionante e installato in posizione corretta.
- Tenere il pavimento libero da residui di materiali, ad es. trucioli e residui di taglio.
- Usare solo lame di sega debitamente affilate. Il numero massimo di giri indicato sulla lama della sega deve essere rispettato.
- Per fissare la lama della sega usare solo le flange illustrate nelle istruzioni per l'uso e quelle allegate.
- Non rimuovere dalla zona di lavorazione i residui di taglio o altre porzioni dei pezzi in lavorazione se la macchina è in funzione e la testa segatrice non si trova in posizione di riposo.
- Accertarsi che la macchina sia sempre stabile (ad esempio fissandola sul banco di lavoro).
- Pezzi lunghi devono essere supportati adeguatamente.
- Non devono essere utilizzate nè lame incrinata nè lame la cui forma abbia subito alterazioni.
- Vi consigliamo caldamente di leggere attentamente le istruzioni per l'uso prima di utilizzare l'apparecchio. Se possibile seguire una dimostrazione sull'utilizzo dell'utensile.
- La polvere provocata durante la lavorazione con questo utensile può essere dannosa alla salute. Usare un sistema d'aspirazione polvere e indossare una maschera di protezione dalla polvere. Rimuovere i depositi di polvere, per esempio con un aspiratore.
- Non è ammessa segare pezzi a sezione rotonda o irregolare (ad es. legno da ardere) visto che non possono essere serrati in sicurezza durante la fase di segatura. Se si desiderano segare pezzi piani appoggiati sul loro lato stretto occorre utilizzare un'ideale battuta ausiliaria per una guida sicura.
- La macchina sarà collegata a un dispositivo di protezione del circuito (fusibile o interruttore differenziale).
- Indossare sempre occhiali di sicurezza o occhiali di sicurezza con schermi laterali durante le operazioni con l'elettrotrusente o quando si aspira della polvere. Nel caso in cui si preveda che le operazioni di lavoro causeranno polvere, indossare sempre una maschera anti-polvere.
- Prestare attenzione quando si esegue una scanalatura.
- Utilizzare sempre lame di dimensioni e forma idonee all'alesaggio dell'albero. Una lama non idonea all'albero sul quale deve essere montata non è in grado di girare correttamente e potrebbe causare una perdita del controllo dell'apparecchio.
- Utilizzare solo lame specificate con questo manuale, rispettando lo standard EN 847-1.
- Non sostituire il laser o LED con un tipo di laser diverso. Tutte le riparazioni dovranno essere svolte dalla ditta produttrice del laser o da un agente autorizzato.
- Sovratensioni potrebbero influenzare altri prodotti elettrici collegati alla stessa presa. Collegare il prodotto a una presa dell'alimentazione con una impedenza pari a 0.180 Ω per minimizzare le fluttuazioni di voltaggio.



Contattare il proprio fornitore elettrico per avere maggiori chiarificazioni.

### ISTRUZIONI DI SICUREZZA PER LA LAMA PER LEGNO

- Leggere le istruzioni nel presente manuale prima di mettere in funzione l'utensile.
- L'utensile deve essere in ottime condizioni, l'albero non deve essere deformato nè vibrare.
- Non utilizzare la motosega senza aver prima montato gli schermi, soprattutto dopo un eventuale cambio di modalità. Mantenere gli schermi in ottime condizioni per garantire un corretto funzionamento.
- Assicurarsi che l'operatore conosca le istruzioni riguardanti le precauzioni di sicurezza, le regolazioni e il funzionamento dell'utensile.
- Indossare sempre cuffie ed occhiali di protezione con schermi laterali. Inoltre si consiglia di indossare guanti, calzature resistenti antiscivolo e un grembiule.
- Prima di utilizzare un qualsiasi accessorio, consultare il manuale d'istruzioni. L'utilizzo scorretto di un accessorio potrà causare danni.
- Utilizzare solo lame specificate con questo manuale, rispettando lo standard EN 847-1.
- Rispettare la velocità massima indicata sulla motosega. Assicurarsi che la velocità indicata sulla lama della motosega sia uguale a quella indicata sulla motosega.
- Utilizzare sempre lame di dimensioni e forma idonee all'alesaggio dell'albero. Una lama non idonea all'albero sul quale deve essere montata non è in grado di girare correttamente e potrebbe causare una perdita del controllo dell'apparecchio.
- Non utilizzare lame di un diametro più grande o più piccolo di quello raccomandato. Non utilizzare distanziatori per inserire la lama nell'albero.
- Verificare eventuali danni sulle punte delle lame o un eventuale aspetto non normale delle stesse prima di ogni utilizzo. Le punte danneggiate o allentate potranno essere scagliate durante l'utilizzo dell'utensile aumentando la possibilità di riportare lesioni personali.
- Non devono essere utilizzate nè lame incrinata nè lame la cui forma abbia subito alterazioni. Non usare lame danneggiate o deformate.
- Non utilizzare mai una lama danneggiata o deformata. Riparazioni non permesse.
- Non utilizzare lame HSS.
- Assicurarsi che la lama sia stata montata correttamente prima dell'utilizzo. Prima di ogni uso, erare correttamente il dado dell'albero. (Coppia: 12-15 Nm)
- Le viti e I dadi di ancoraggio verranno serrati utilizzando la chiave corretta.
- Non è permesso espandere o serrare il lavoro della chiave utilizzando un martello.
- Assicurarsi che tutte le flange e le lame siano pulite

e che le parti interne del colletto siano posizionate accanto alla lama.

- Assicurarsi che la lama ruoti nella direzione corretta.
- Prima di avviare le operazioni di lavoro, fare un taglio di prova senza accendere il motore in modo da poter controllare la posizione delle lame, il funzionamento dei paralame rispetto alle altre parti delle macchine e i pezzi sui quali si dovrà lavorare.
- Non lasciare mai l'utensile non supervisionato.
- Non applicare lubrificanti sulla lama quando non è in funzione.
- Non svolgere mai operazioni di pulizia o manutenzione se la macchina è in funzione e la testa di taglio non è in posizione di riposo.
- Non tentare mai di bloccare una macchina in funzione rapidamente incastrando un utensile o altre parti contro la lama, in caso contrario si potranno verificare accidentalmente gravi incidenti.
- Scollegare la motosega dall'alimentazione principale prima di cambiare le lame o svolgere le operazioni di manutenzione.
- Fare attenzione quando si rimuove dall'imballo o si ripone nello stesso la lama, dal momento che si può rimanere facilmente feriti da lame affilate.
- Utilizzare un reggilama o indossare guanti quando si maneggia una lama.
- Riporre la lama nell'involucro originale o altro involucro adatto e tenere sempre in luoghi asciutti e lontano da agenti chimici che potranno danneggiare la lama.

### LASER DI SICUREZZA

- Le radiazioni della guida al raggio laser utilizzate nella motosega sono di Classe 2 con lunghezze d'onda massima di  $\leq 1\text{mW}$  e 650nm. Non fissare direttamente il raggio laser. La mancata osservanza delle regole potrà causare gravi lesioni alla persona.

LASER RADIATION  
DO NOT STARE INTO BEAM  
CLASS 2 LASER PRODUCT  
λ: 650nm; P: 1mW  
EN 60825-1:2007

L'utensile viene venduto con una etichetta adesiva nella propria lingua applicabile sull'etichetta con le avvertenze in inglese prima di iniziare a utilizzare l'utensile.

- Non fissare il raggio durante le operazioni.
- Non proiettare il raggio laser direttamente negli occhi degli altri. Si potranno riportare gravi lesioni personali.
- Non mettere il laser in una posizione che potrà costringere a fissare intenzionalmente o non intenzionalmente il raggio laser.
- Non utilizzare utensili ottici per visualizzare il raggio laser.
- Non mettere in funzione il laser accanto a bambini né permettere a bambini di mettere in funzione il laser.
- Non tentare di svolgere riparazioni al dispositivo laser da soli.



- Non tentare di modificare da soli alcuna parte del dispositivo.
- Tutte le riparazioni dovranno essere svolte dalla ditta produttrice del laser o da un agente autorizzato.
- Non sostituire il laser con un tipo di laser diverso.

### RISCHI RESIDUI

Anche quando la macchina viene utilizzata come indicato, sarà ancora impossibile eliminare alcuni fattori di rischio residuo. Si potranno verificare i seguenti rischi e l'operatore dovrà prestare particolare attenzione per evitare quanto segue:

- Rischio di contatto con le parti scoperte delle lame rotanti.
- Rimbalzo delle parti sulle quali si sta lavorando e delle parti di lavoro a causa di regolazione o gestione scorretta.
- Rimbalzo di punte al carburo fallate dalla motosega.
- Danni al sistema respiratorio nel caso in cui non si indosserà una maschera per la polvere.
- Danni all'udito nel caso in cui non si indossino cuffie.

### MANUTENZIONE

- Non effettuare alcun tipo di regolazione quando il motore è in funzione.
- Assicurarsi che la spina dell'utensile sia stata scollegata dall'alimentazione principale prima di cambiare le spazzole, di svolgere le operazioni di lubrificazione o quando si svolgono operazioni di lavoro o manutenzione sulla macchina.
- Dopo ciascun utilizzo, controllare che la macchina non abbia riportato danni, né presenti parti danneggiate e mantenerla sempre in condizioni di funzionamento ottimali riparando o sostituendo immediatamente le parti.
- La lama si surriscalda dopo l'utilizzo, fare sempre attenzione durante le fasi di manutenzione e pulizia.
- Rimuovere l'eventuale polvere accumulata.
- Per assicurare sempre sicurezza e affidabilità, tutte le riparazioni dovranno essere svolte da un centro servizi autorizzato, ad eccezione delle riparazioni da svolgere sulle spazzole accessibili esternamente.
- Guasti alla macchina, ai paralame o alle lame, dovranno essere segnalati non appena vengono riscontrati.
- Se il cavo di alimentazione è danneggiato deve essere sostituito solo dalla ditta produttrice o dal centro servizi autorizzato per evitare eventuali rischi. Contattare il centro servizi autorizzato.

### ⚠ AVVERTENZE

Per maggiore sicurezza ed affidabilità, effettuare tutte le riparazioni presso un Centro di Assistenza Autorizzato Ryobi.

### TUTELA DELL'AMBIENTE



Riciclare le materie prime anziché gettarle tra i rifiuti domestici. Per tutelare l'ambiente, l'apparecchio, gli accessori e gli imballaggi devono essere smaltiti separatamente.

### SIMBOLO



Allarme di sicurezza



Conformità CE



Marchio di conformità EurAsian



Leggere attentamente le istruzioni prima di utilizzare il prodotto.



Utensile di Classe II, doppio isolamento



Indossare cuffie di protezione



Indossare sempre occhiali di protezione.



PERICOLO! Lama affilata.



Indossare guanti di sicurezza.



direzione rotazione lame (indicato sulla lama)



Ampiezza lama di taglio (intaccatura)



Numero di denti su questa motosega



Per tagliare legno e altri materiali simili



Inadeguato per tagliare metalli



Non fissare il raggio.



Radiazioni laser.  
Prodotto al laser di Classe 2  
 $\lambda$ : 650nm;  $P \leq 1\text{mW}$   
EN 60825-1:2007



I prodotti elettrici non devono essere smaltiti con i rifiuti domestici. Vi sono strutture per smaltire tali prodotti. Informarsi presso il proprio Comune o rivenditore di sicurezza per smaltire adeguatamente tali rifiuti.

## SIMBOLI NEL MANUALE



Collegare il prodotto.



Scollegare il prodotto.



Blocco



Sblocco



Si sente un suono



Tempo di attesa



Parti o accessori venduti separatamente



Note:



AVVERTENZE



Veiligheid, prestaties en betrouwbaarheid kregen topprioriteit in het ontwerp van uw verstekzaag

### BEOOGD GEBRUIK

Het product is bedoeld voor het zagen van vast hout, samengeperst hout, gelijmd fineerhout en materialen die gelijkaardig zijn aan hout en kunststoffen.

Dit apparaat uitsluitend gebruiken voor normaal gebruik, zoals aangegeven.

### ALGEMENE VEILIGHEIDSWAARSCHUWINGEN

#### ⚠ WAARSCHUWING

Wanneer u elektrisch gereedschap gebruikt, moeten de basisveiligheidsvoorzieningen altijd worden gevolgd om het risico op brand, elektrische schokken en letsels te verminderen. Lees al deze instructies voor u dit product probeert te gebruiken en bewaar ze.

- **Misbruik het snoer niet.** Trek nooit aan het snoer om het uit de contactdoos te trekken. Houd het snoer weg van hitte, olie en scherpe randen.
- **Maak het werkstuk vast.** Gebruik klemmen of een bankschroef om het werkstuk vast te houden. Het is veiliger dan uw hand te gebruiken.
- **Overrek u niet.** Houd steeds een goed evenwicht en sta stevig met beide voeten op de grond.
- **Onderhoud de werktuigen met zorg.** Houd snijgereedschap scherp en schoon voor betere en veiligere prestaties. Volg de instructies voor het smeren en vervangen van accessoires. Inspecteer regelmatig de gereedschapsnoeren en laat deze, indien beschadigd, door een geautoriseerde onderhoudsdienst repareren. Inspecteer de verlengsnoeren regelmatig en vervang deze indien beschadigd. Houd de handvatten droog, schoon en vrij van olie en vet.
- **Ontkoppel de werktuigen.** Ontkoppel het gereedschap van het stroomnet wanneer u accessoires, zoals maaibladen, boorstiften en snijders niet gebruikt, onderhoudt of vervangt.
- **Verwijder sleutels.** Maak er een gewoonte van om te controleren of sleutels van het gereedschap zijn voor u het inschakelt.
- **Vermijd ongewild starten.** Zorg ervoor dat de schakelaar in de uit-stand (off) staat wanneer u het met het stroomnet verbindt.
- **Verlengsnoeren voor buitenshuis gebruik.** Wanneer het gereedschap buitenshuis wordt gebruikt, gebruik dan uitsluitend verlengsnoeren die geschikt en gemarkeerd zijn voor buitenshuis gebruik.
- **Blijf alert.** Kijk naar wat u doet, gebruik uw gezond verstand en gebruik het werktuig niet wanneer u moe bent.
- **Controleer beschadigde onderdelen.** Voor u het werktuig verder gebruikt, moet u grondig controleren om te zien dat het goed zal functioneren en volgens het voorgeschreven gebruik zal werken. Controleer de lijning van de bewegende delen, controleer of bewegende delen niet verstrikt zijn geraakt, controleer of defecte onderdelen, bevestigingsbeugels of andere delen die de werking in gevaar kunnen brengen. Ieder onderdeel dat is beschadigd, moet correct worden gerepareerd of vervangen door een geautoriseerd onderhoudscentrum, tenzij in de gebruiksaanwijzing anders is vermeld. Laat defecte schakelaars door een geautoriseerd onderhoudscentrum vervangen. Gebruik het gereedschap niet als de aan-/uitschakelaar het gereedschap niet aan of uit schakelt.
- **Waarschuwing.** Het gebruik van een andere accessoire of hulpstuk dan in deze handleiding beschreven, kan risico inhouden voor persoonlijk letsel.
- **Laat uw gereedschap door een gekwalificeerd persoon repareren.** Deze elektrische machine is gefabriceerd volgens de geldende veiligheidsregels. Reparaties mogen alleen door een gekwalificeerd persoon met originele vervangonderdelen worden uitgevoerd. Anders kan dit leiden tot aanzienlijk gevaar voor de gebruiker.
- **Houd het werkgebied schoon.** Rommelige ruimtes en werkbanken kunnen tot ongevallen leiden.
- **Houd rekening met het werkgebied.** Stel het gereedschap niet bloot aan regen. Gebruik het gereedschap niet in vochtige of natte plaatsen. Houd de werkplaats goed verlicht. Gebruik het gereedschap niet in de aanwezigheid van ontvlambare stoffen of gassen.
- **Bescherming tegen elektrische schokken.** Vermijd lichaamscontact met geaarde oppervlakken (b.v. buizen, radiatoren, kookfornuizen, koelkasten).
- **Houd andere personen weg.** Betrek geen andere personen, in het bijzonder kinderen, bij het werk, laat hen de machine of het verlengsnoer niet aanraken en houd hen weg van het werkgebied.
- **Berg niet-gebruikte werktuigen op.** Wanneer u het gereedschap niet gebruikt, moeten deze op een droge, afgesloten plaats worden bewaard, buiten het bereik van kinderen.
- **Forceer de machine niet.** Het zal de taak beter en veiliger uitvoeren bij het tempo waarvoor het werd ontworpen.
- **Gebruik het juiste gereedschap.** Forceer licht gereedschap niet om taken van zwaar gereedschap uit te voeren. Gebruik het gereedschap niet voor doeleinden waarvoor het niet is bedoeld; gebruik bijvoorbeeld geen cirkelzaagmachines om boomtakken of houtblokken te zagen.
- **Draag aangepaste kleding.** Draag geen loszittende kleding of juwelen, zij kunnen in de bewegende delen vaststraken. Antislipschoenen zijn aangewezen voor werk buitenhuis. Draag haarbescherming om lang haar samen te houden.
- **Gebruik beschermuitrusting.** Gebruik een veiligheidsbril. Gebruik een gezichts- of stofmasker als de werkomstandigheden stof veroorzaken.
- **Verbind de stofafzuiginstallatie.** Als gereedschap van stofafzuiging- en opvanginstallatie is voorzien, zorg er dan voor dat deze zijn verbonden en goed worden gebruikt.



**VEILIGHEIDSWAARSCHUWINGEN VERSTEKZAAG**

- Klem het werkstuk altijd veilig vast.
- Draag oorbeschermers. Blootstelling aan geluid kan het gehoor beschadigen.
- Apparaten die op veel verschillende plaatsen, waaronder in open lucht, worden gebruikt, moeten aan een aardlekschakelaar worden aangesloten.
- Bij het werken met de machine altijd een veiligheidsbril dragen. Het is aangewezen om handschoenen, stevige en antislipschoenen en een schort te dragen.
- Voor alle werkzaamheden aan de machine de stekker uit de kontaktdoos trekken.
- Machine alleen uitgeschakeld aan het net aansluiten.
- Snoer altijd buiten werkbereik van de machine houden. Leid de kabel altijd achter u.
- Spanen of splinters mogen bij draaiende machine niet worden verwijderd.
- Reik nooit in de gevarenszone van het vliegtuig wanneer het werkt.
- Voor gebruik controleert u de machine, kabel en stekker op schade of slijtage. Herstellingen mogen uitsluitend door een geautoriseerde onderhoudsagent worden uitgevoerd.
- Bescherminrichting van de machine beslist gebruiken.
- Pendelbeschermerkap niet vastklemmen.
- Gebruik geen zaagbladen die beschadigd of vervormd zijn.
- Vervang een versleten tafelelement.
- Zaagbladen, waarvan de gegevens niet overeenkomen welke in de gebruiksaanwijzing staan, mogen niet gebruikt worden.
- De pendelbeschermerkap opent zich automatisch bij het naar beneden bewegen van de zaagmachine; dus niet forceren.
- Gebruik geen zaagbladen van sneldraaistaal.
- Voor u begint te werken, maakt u een testsnede zonder dat de motor is ingeschakeld zodat de positie van het zaagblad, de werking van de beschermers m.b.t. andere machine-onderdelen en het werkstuk kunnen worden gecontroleerd.
- Wanneer u verstek-, schuine of samengestelde verstekzaagsnedes maakt, stelt u de verschuifbaar schot af om de juiste afstand van het zaagblad aan te houden.
- Defecten aan/storingen van de machine, de veiligheidsinrichting of de zaagbladen dienen – zodra zij geconstateerd worden – bij de voor de veiligheid verantwoordelijke persoon gemeld te worden.
- Kies een geschikt zaagblad voor het te zagen materiaal.
- Gebruik de kapzaag nooit voor het zagen van andere materialen dan in de gebruiksaanwijzing vermeld staan.
- Transporteer de kapzaag alleen met geactiveerde transportbeveiliging aan de handgreep.
- Gebruik de zaagmachine alléén met correct functionerende en goed onderhouden veiligheidskappen.
- Houd de vloer vrij van materiaalresten bijv. spaanders en zaagresten.
- Gebruik alleen correct gescherpte zaagbladen. Zorg dat het op het zaagblad aangegeven toerental niet wordt overschreden.
- Gebruik alleen de bijgeleverde en in de gebruiksaanwijzing afgebeelde flens voor de bevestiging van het zaagblad.
- Verwijder geen zaagresten of andere delen van werkstukken uit het zaagbereik wanneer de machine in bedrijf is en de zaagkop zich niet in de ruststand bevindt.
- Waarborg dat de machine altijd veilig staat (bijv. op de werkbank bevestigen).
- Lange werkstukken moeten goed gesteund worden.
- Gescheurde zaagbladen of welke van vorm veranderd zijn, mogen niet gebruikt worden.
- Voordat u de machine de eerste keer gaat gebruiken, dient u de gebruiksaanwijzing te lezen. Laat indien mogelijk iemand u de werking van de machine demonstreren.
- Stof dat vrijkomt tijdens het werken vormt vaak een gevaar voor de gezondheid. Machines met stofafzuiging gebruiken en tevens geschikte stofmaskers dragen. Vrijgekomen stof grondig verwijderen resp. opzuigen.
- Werkstukken met een ronde of onregelmatige doorsnee (bijv. brandhout) mogen niet gezaagd worden, omdat deze bij het zagen niet veilig kunnen worden vastgehouden. Bij het verticaal zagen van platte werkstukken moet een geschikte hulpaanslag worden gebruikt voor een veilige geleiding.
- De machine zal met een circuitbeschermtoestel (zekering of stroomonderbreker) worden verbonden.
- Draag altijd een veiligheidsbril of gezichtsbescherming met zijdelingse bescherming terwijl u het werktuig gebruikt of wanneer u stof blaast. Als de werking stof veroorzaakt, draag dan ook een stofmasker.
- Voorzichtigheid geboden bij het trekken van sleuven.
- Gebruik altijd zaagbladen waarvan de grootte en de vorm geschikt zijn voor de dikte van de as. Zaagbladen die niet geschikt zijn voor de as waarop ze moeten worden gemonteerd zullen niet op de juiste manier ronddraaien en kunnen u de macht over de machine doen verliezen.
- Gebruik uitsluitend zaagbladen die in deze gebruiksaanwijzing worden gespecificeerd en die overeenstemmen met EN 847 - 1.
- Vervang de laser of LED niet door een ander type. Alle reparaties mogen uitsluitend door de laserfabrikant of een geautoriseerde onderhoudsagent worden uitgevoerd.
- Een stroomstoot veroorzaakt stroomschommelingen die andere elektrische producten op dezelfde stroomtoevoer kunnen beïnvloeden. Verbind het product met een stroombron waarvan de impedantie gelijk is aan 0.180 Ω om de spanningsschommelingen te minimaliseren. Neem contact op met uw energieleverancier voor meer informatie.



## VEILIGHEIDSLINSTRUCTIES VOOR HOUTZAAGBLAD

- Lees de instructies in deze gebruiksaanwijzing voor u de machine gebruikt.
- De machine moet zich in een goede staat bevinden, de as mag niet zijn vervormd of trillen.
- De zaag niet gebruiken zonder dat de bescherming geplaatst is, met name na een verandering van modus. Zorg dat de bescherming goed blijft werken en goed onderhouden blijft.
- Zorg ervoor dat de bediener goed is opgeleid inzake veiligheidsvoorzieningen, het afstellen en bedienen van de machine
- Draag altijd gezichtsbescherming met zijdelingse beschermers en gehoorbescherming. Het is aangewezen om handschoenen, stevige en antislipschoenen en een schort te dragen.
- Voor u een accessoire gebruikt, raadpleegt u de gebruiksaanwijzing. Het oneigenlijk gebruik van een accessoire kan schade veroorzaken.
- Gebruik uitsluitend zaagbladen die in deze gebruiksaanwijzing worden gespecificeerd en die overeenstemmen met EN 847 - 1.
- Houd rekening met de maximumsnelheid die op het zaagblad is aangeduid. Controleer of de snelheid die op het zaagblad staat vermeld ten minste gelijk is aan de snelheid die op de zaag staat vermeld.
- Gebruik altijd zaagbladen waarvan de grootte en de vorm geschikt zijn voor de dikte van de as. Zaagbladen die niet geschikt zijn voor de as waarop ze moeten worden gemonteerd zullen niet op de juiste manier ronddraaien en kunnen u de macht over de machine doen verliezen.
- Gebruik geen zaagbladen met een grotere of kleinere diameter dan aangewezen. Gebruik geen afstandhouders om het zaagblad op de as te doen passen.
- Controleer de punten van het zaagblad op schade of abnormaliteiten voor gebruik. Beschadigde of losse punten kunnen bij gebruik rondvliegende voorwerpen worden en de kans op verwondingen vergroten.
- Gescheurde zaagbladen of welke van vorm veranderd zijn, mogen niet gebruikt worden. Gebruik geen zaagbladen die beschadigd of vervormd zijn.
- Gebruik nooit een zaagblad dat is beschadigd of vervormd. Reparaties niet toegelaten.
- Gebruik geen HSS-zaagbladen.
- Zorg ervoor dat het zaagblad correct is gemonteerd voor u het gebruikt. Maak de borgmoer stevig vast voor elk gebruik. (Koppel: 12-15 Nm)
- Stelschroeven en -bouten moeten met de geschikte sleutel worden aangespannen.
- De sleutel mag niet met behulp van de hamer worden uitgerekt of aangespannen
- Zorg ervoor dat alle zaagbladen en flensen schoon zijn en de inspringzijden van de kraag zich tegen het zaagblad bevinden.

- Zorg ervoor dat het zaagblad in de juiste richting draait.
- Voor u begint te werken, maakt u een testsnede zonder dat de motor is ingeschakeld zodat de positie van het zaagblad, de werking van de beschermers m.b.t. andere machine-onderdelen en het werkstuk kunnen worden gecontroleerd.
- Laat de machine nooit onbeheerd achter.
- Gebruik geen smeermiddelen op het zaagblad wanneer dit draait.
- Voer nooit reinigings- of onderhoudswerken uit wanneer de machine nog draait en de kop zich niet in de rustpositie bevindt.
- Probeer de machine nooit te stoppen als die in beweging is door een werktuig of een ander voorwerp tegen het zaagblad te klemmen aangezien dit ernstige ongevallen kan veroorzaken.
- Ontkoppel de zaagmachine van de stroomvoorziening voor u de zaagbladen vervangt of onderhoudswerken uitvoert.
- Wees voorzichtig bij in- en uitpakken van de zaagbladen, de scherpe bladpunten kunnen makkelijk tot verwondingen leiden.
- Gebruik de zaagbladhouder of draag handschoenen bij het manipuleren van zaagbladen.
- Bewaar en berg het zaagblad in zijn originele verpakking of een andere geschikte verpakking op, bewaar in droge omstandigheden en houd weg van chemische stoffen die de zaagbladen kunnen beschadigen.

## LASERVEILIGHEID

- De lasergeleiderstraling die in deze zaagmachine wordt gebruikt is klasse 2 met maximum  $\leq 1\text{mW}$  en 650nm golflengtes. Staar niet rechtstreeks in de laserstraal. Het niet voldoen aan de regels kan ernstig persoonlijk letsel tot gevolg hebben.



We hebben een zelfklevend etiket in uw taal voorzien en vragen dat u dit boven de Engelse tekst op het waarschuwingsetiket aanbrengt voor u de machine in gebruik neemt.

- Staar niet in de laserstraal tijdens de werking.
- Projecteer de laserstraal niet rechtstreeks in de ogen van anderen. Ernstige oogletsels kunnen ontstaan.
- Plaats de laser niet in een positie die ertoe kan leiden dat iemand opzettelijk of per ongeluk in de laserstraal kijkt.
- Gebruik geen optische hulpmiddelen om de laserstraal te zien.
- Gebruik de laser niet in de buurt van kinderen of laat kinderen de laser niet bedienen.
- Probeer reparaties aan de laser niet zelf uit te voeren.
- Probeer nooit onderdelen van het lasertoestel zelf te vervangen.



- Alle reparaties mogen uitsluitend door de laserfabrikant of een geautoriseerd onderhoudsagent worden uitgevoerd.
- Vervang de laser niet door een ander type.

**RESTRISICO'S**

Zelfs wanneer de machine zoals voorgeschreven wordt gebruikt, is het onmogelijk om elk restrisiko uit te sluiten. De volgende gevaren kunnen optreden bij gebruik en de gebruiker dient speciaal op te letten om het volgende te voorkomen:

- Risico op contact met onbedekte onderdelen van het draaiende zaagblad.
- Terugslag van werkstukken en onderdelen van werkstukken door foutieve afstellingen of foutief manipuleren.
- Catapulteren van defecte carbidetips van het zaagblad.
- Schade aan de luchtwegen als er geen effectief mondmasker wordt gedragen.
- Gehoorschade bij het niet dragen van een efficiënte gehoorbescherming.

**ONDERHOUD**

- Probeer niet om een afstelling te wijzigen als de motor draait.
- Zorg er altijd voor dat de stekker van de machine uit de stroomvoorziening is getrokken voor u borstels vervangt, de machine smeert of werken of onderhoud aan de machine uitvoert.
- Na elk gebruik moet u de machine controleren op schade of gebroken onderdelen en deze in de beste conditie houden door onderdelen onmiddellijk te repareren of vervangen.
- Aangezien het zaagblad na gebruik warm is, dient u alert te blijven tijdens onderhouds- of reinigingswerken.
- Ruim opgehoopt stof op.
- Om de veiligheid en betrouwbaarheid van de machine te verzekeren, dienen alle reparaties met uitzondering van extern toegankelijke borstels door een geautoriseerd onderhoudscentrum worden uitgevoerd.
- Fouten in de machine, waaronder beschermvoorzieningen of zaagbladen, moeten van zodra ze worden opgemerkt worden gemeld.
- Als het stroomsnoer beschadigd is, mag deze uitsluitend worden vervangen door de fabrikant of door een geautoriseerd onderhoudscentrum om risico te voorkomen. Neem contact op met een Geautoriseerd Onderhoudscentrum.

**⚠ WAARSCHUWING**

Alle reparaties moeten worden uitgevoerd door een Erkend Ryobi Servicecentrum teneinde de veilige en betrouwbare werking van de machine te garanderen.

**MILIEUBESCHERMING**

Zorg dat grondstoffen worden gerecycled in plaats van weggegooid als afval. Om het milieu te beschermen moeten de machine, de accessoires en de verpakking gesorteerd bij een erkend recyclingcentrum worden aangeleverd.

**SYMBOOL**

Veiligheidswaarschuwing



EU-conformiteit



EurAsian-symbool van overeenstemming.



Lees zorgvuldig de instructies voor u het product start.



Klasse II-apparaat, dubbele isolatie



Draag gehoorbescherming



Draag altijd gezichtsbescherming.



GEVAAR! Scherp zaagblad.



Draag veiligheidshandschoenen



Zaagbladrotatierichting (op het zaagblad weergegeven)



Zaagbladbreedte van de zaagsnede



Aantal tanden op dit zaagblad



Voor het zagen van hout en analogo materiaal



Niet voor het zagen van metaal



Staar niet in de laserstraal.



Laserstraling.  
Klasse 2 laserproduct  
 $\lambda$ : 650nm;  $P \leq 1\text{mW}$   
EN 60825-1:2007



Elektrisch afval mag niet samen met ander huishoudafval worden weggegooid. Gelieve te recycleren indien de mogelijkheid bestaat. Neem contact op met uw gemeente of handelaar om advies te krijgen over recyclage.

### SYMBOLEN IN DE GEBRUIKSAANWIJZING



Verbind de product met de wandcontactdoos.



Trek de product uit de contactdoos.



Vergrendeling



Ontgrendeling



Er weerklinkt een geluid



Wachttijd



Onderdelen of accessoires afzonderlijk gekocht



Opmerking:



WAARSCHUWING



Segurança, desempenho e fiabilidade foram as prioridades na concepção da sua serra de esquadria.

### UTILIZAÇÃO PREVISTA

O produto foi concebido para serrar madeira maciça, aglomerado, chapas coladas, materiais similares a madeira e plástico.

Não use este produto de outra maneira sem ser a normal para o qual foi concebido.

### AVISOS GERAIS DE SEGURANÇA

#### AVISO

Ao utilizar ferramentas eléctricas, devem seguir-se sempre precauções básicas de segurança para minimizar o risco de incêndio, choque eléctrico e lesões. Leia todas as instruções antes de tentar operar este produto e guarde-as.

- **Mantenha a área de trabalho limpa.** As áreas e os bancos de trabalho desordenados são mais susceptíveis de causar ferimentos.
- **Tenha em atenção o ambiente da área de trabalho.** Não exponha ferramentas à chuva. Não use as ferramentas em locais húmidos ou molhados. Mantenha a área de trabalho adequadamente limpa. Mantenha as ferramentas ao abrigo de líquidos ou gases inflamáveis.
- **Proteja contra choques eléctricos.** Evite o contacto do corpo com superfícies com ligação terra ou enterradas (tais como tubos, radiadores, fogões e frigoríficos).
- **Mantenha as outras pessoas afastadas.** Não deixe que as pessoas, especialmente crianças, sejam envolvidas no trabalho, toquem na ferramenta ou no cabo de extensão, e mantenha-as afastadas da área de trabalho.
- **Guarde as ferramentas inactivas.** Quando não estiver em uso, as ferramentas devem ser guardadas num local seco, com chave, fora do alcance de crianças.
- **Não force a ferramenta.** Realizará um trabalho melhor e mais seguro à velocidade para a qual foi destinada.
- **Utilize a ferramenta adequada.** Não force as ferramentas de pequeno porte a realizarem o trabalho de uma ferramenta de trabalho pesado. Não use ferramentas para finalidades às quais não se destina, por exemplo, não use serras circulares para cortar ramos de árvores ou troncos.
- **Vista-se adequadamente.** Não use roupas largas ou jóias; podem ficar presas nas partes móveis. Recomenda-se a utilização de calçado anti-deslizante ao trabalhar em exteriores. Use também uma cobertura protectora para o cabelo para recolher o cabelo comprido.
- **Use equipamento de protecção.** Use óculos de segurança. Use uma máscara de rosto para se proteger do pó caso trabalhe em operações que criem pó.
- **Conecte o equipamento de extracção de pó.** Se é fornecida a ferramenta para a ligação de espaços de

extracção e recolha de pó, assegure-se de que estes se encontram conectados e usados correctamente.

- **Não dê um uso inadequado ao cabo.** Nunca puxe o cabo para o desconectar da tomada. Mantenha o cabo afastado do calor, óleo e pontas afiadas.
- **Fixe a peça de trabalho.** Quando possível, use braçadeiras ou um torno para fixar o trabalho. É mais seguro do que utilizar a sua mão.
- **Não se aproxime em demasia.** Mantenha sempre o equilíbrio e a posição dos pés adequada.
- **Utilize as ferramentas com cuidado.** Mantenha as ferramentas de corte afiadas e limpas para que realizem um trabalho melhor e mais seguro. Siga as instruções de lubrificação e mudança de acessórios. Inspeccione periodicamente os cabos e, se estiverem danificados, leve-os a um centro de assistência autorizado. Inspeccione os cabos de extensão periodicamente e substitua-os, se danificados. Mantenha os manipuladores secos, limpos e livres de óleo e graxa.
- **Desligue as ferramentas.** Quando não estiver em utilização, antes de realizar a manutenção e ao mudar os acessórios tais como as lâminas, brocas e cortadores, desconecte as ferramentas da fonte de alimentação.
- **Retire as chaves de porcas.** Habitue-se a verificar se as chaves de ajuste e as chaves inglesas foram retiradas da ferramenta antes de a ligar.
- **Evite o arranque involuntário.** Certifique-se de que o interruptor se encontra na posição "off" ao ligar a ficha.
- **Use cabos de extensão no exterior.** Quando uma ferramenta é usada no exterior, use apenas cabos de extensão que se destinem a ser utilizados ao ar livre e estejam assim assinalados.
- **Mantenha-se alerta.** Observe aquilo que está a fazer, use o senso comum e não opere a ferramenta quando estiver cansado.
- **Verifique se existem peças danificadas.** Antes de mais qualquer utilização da ferramenta, esta deve ser verificada cuidadosamente para determinar se funcionará adequadamente e realizará a função a que se destina. Confirme o alinhamento das peças móveis, a união das peças móveis, a ruptura de peças, montagem e quaisquer outras condições que possam afectar o funcionamento. Uma protecção ou outra peça que esteja danificada deve ser adequadamente reparada ou substituída por um centro de assistência autorizado salvo indicação contrária neste manual de instruções. Leve os interruptores defeituosos para serem substituídos num centro de assistência autorizado. Não use a ferramenta caso o interruptor não a ligue ou desligue.
- **Aviso.** O uso de qualquer acessório ou extra para além dos recomendados neste manual de instruções pode implicar um risco de lesão pessoal.
- **Leve a sua ferramenta para ser reparado por uma pessoa qualificada.** Esta ferramenta eléctrica cumpre com as normas de segurança relevantes. As reparações só devem ser realizadas por pessoas qualificadas utilizando peças de substituição originais, caso contrário poderá resultar em perigo considerável para o utilizador.



### AVISOS DE SEGURANÇA SERRA DE ESQUADRIA

- Fixe sempre a peça a trabalhar com segurança.
- Sempre use a protecção dos ouvidos. A influência de ruídos pode causar surdez.
- Os aparelhos utilizados em muitos locais diferentes, incluindo ao ar livre, têm que ser conectados através de disjuntor que previna picos de corrente.
- Usar sempre óculos de protecção ao trabalhar com a máquina. Recomenda-se a utilização de luvas de protecção, calçado pesado anti-deslizante e avental.
- Antes de efectuar qualquer intervenção na máquina, tirar a ficha da tomada.
- Ao ligar à rede, a máquina deve estar desligada.
- Manter sempre o cabo de ligação fora da zona de acção da máquina. Direcione sempre o cabo de forma a ficar atrás de si.
- Não remover aparas ou lascas enquanto a máquina trabalha.
- Não introduza as mãos na área perigosa, estando a máquina em funcionamento.
- Antes de cada utilização inspecionar a máquina, o cabo de ligação a extensão e quanto a danos e desgaste. A máquina só deve ser reparada por um técnico especializado.
- Nunca utilizar a máquina sem dispositivo de protecção.
- Não bloquear a cobertura de protecção giratória.
- Não use folhas de serra danificadas ou deformadas.
- Substitua a inserção de mesa desgastada.
- É inadmissível a utilização de discos de serra que não correspondam às características especificadas nestas instruções de serviço.
- Resguardo de protecção só deve ser aberto quando a máquina estiver encostada à peça de trabalho.
- Não utilize folhas de serra fabricadas de aço rápido.
- Antes de proceder ao trabalho, faça um corte de teste sem o motor ligado de modo a verificar a posição da lâmina, a operação das proteções relativamente a outras peças da máquina e a peça a trabalhar.
- Ao realizar cortes de esquadria, cónicos ou mitra composto, ajuste a cerca de correr para garantir a correta folga da lâmina.
- Erros na máquina, inclusive do dispositivo de protecção ou das folhas de serra deverão ser comunicadas à pessoa responsável pela segurança, logo que forem detectados.
- Seleccione uma folha de serra apropriada para o material a cortar.
- Nunca utilize a serra de corte para cortar materiais não indicados no manual de instruções.
- Só transporte a serra de corte com dispositivo de transporte engatado no punho.
- Só use a serra com as proteções em boa forma de funcionamento e a manutenção adequada, e em posição.
- Mantenha o piso livre de resíduos de material, por

exemplo aparas ou resíduos de serração.

- Só utilize folhas de serra correctamente afiadas. Observe o número de rotações máximo, indicado na folha de serra.
- Só utilize os flanges juntados e representados no manual de instruções para fixar a folha de serra.
- Não remova os resíduos de serração e outras partes de materiais da área de serração quando a máquina estiver a operar e a cabeça de serra não estiver na posição de repouso.
- Assegure-se que a máquina sempre esteja numa posição segura (por exemplo fixação na bancada de trabalho).
- Materiais compridos deverão ser suportados apropriadamente.
- Não utilizar lâminas de corte fissuradas ou deformadas.
- Recomenda-se a leitura atenta das instruções de serviço da máquina antes da primeira utilização. Se possível, solicite uma demonstração da ferramenta.
- A poeira gerada ao utilizar esta ferramenta pode ser perigosa para a saúde. Utilize um sistema de absorção de poeiras e use uma máscara de protecção. Retire completamente a poeira depositada, por exemplo com um aspirador.
- Materiais com secção transversal redonda ou irregular (por exemplo lenha) não devem ser serrados, pois não é possível segurá-los seguramente na serração. Na serração de canto de materiais planos, um encosto auxiliar apropriado deve ser usado para guiar o material seguramente.
- A máquina estará ligada a um dispositivo de protecção do circuito (fusível ou interruptor automático).
- Use sempre óculos de protecção ou óculos de segurança com proteções laterais durante a operação da ferramenta eléctrica ou quando estiver a levantar poeira no ar. Caso a operação seja poeirenta, use também uma máscara contra o pó.
- Tenha cuidado quando fizer rasgos.
- Utilize sempre lâminas de tamanho e de forma adaptadas ao furo do eixo. Lâminas não adaptadas ao eixo onde elas devem ser montadas não trabalharão correctamente e provocarão uma perda de controlo da ferramenta.
- Use lâminas apenas especificadas neste manual, em conformidade com EN 847-1.
- Não substitua o laser ou LED por outro de tipo diferente. Qualquer reparação deve ser executada pelo fabricante de laser ou um agente de assistência autorizado.
- Um pico de corrente causa variações de voltagem e pode afectar outros aparelhos eléctricos na mesma linha eléctrica. Ligue o dispositivo à tomada eléctrica com uma impedância de 0.180  $\Omega$  para minimizar as flutuações de voltagem. Contacte o seu fornecedor de energia eléctrica para mais esclarecimentos.

**INSTRUÇÕES DE SEGURANÇA PARA A LÂMINA DE CORTE DE MADEIRA**

- Leia as instruções deste manual antes de utilizar a máquina.
- A máquina tem que estar em boas condições, o eixo sem deformações e vibrações.
- Não utilize a serra sem as guardas na posição correta, especialmente depois de alterar o modo. Conserve as guardas em bom estado de funcionamento e manutenção.
- Certifique-se de que o operador está devidamente formado quanto às precauções de segurança, ajustes e funcionamento da máquina.
- Use sempre protecção para os olhos com escudos laterais, bem como protecção auditiva. Recomenda-se a utilização de luvas de protecção, calçado pesado anti-deslizante e avental.
- Antes de utilizar qualquer acessório, consulte o manual de instruções. O uso inadequado de um acessório pode causar danos.
- Use lâminas apenas especificadas neste manual, em conformidade com EN 847-1.
- Observe a velocidade máxima marcada na lâmina da serra. Assegure que a velocidade indicada no disco da serra é pelo menos igual à velocidade indicada na serra.
- Utilize sempre lâminas de tamanho e de forma adaptadas ao furo do eixo. Lâminas não adaptadas ao eixo onde elas devem ser montadas não trabalharão correctamente e provocarão uma perda de controlo da ferramenta.
- Não utilize lâminas de diâmetro maior ou mais pequeno que o recomendado. Não utilize qualquer espaçador para encaixar a lâmina no eixo.
- Inspeccione as pontas da lâmina da serra quanto a danos ou uma aparência anormal antes de cada utilização. As pontas que estão danificadas ou soltas podem ser projetadas durante a utilização e aumentam o risco de lesões pessoais.
- Não utilizar lâminas de corte fissuradas ou deformadas. Não use folhas de serra danificadas ou deformadas.
- Nunca utilize uma lâmina de serra danificada ou deformada. A reparação não é permitida.
- Não utilize lâminas HSS.
- Certifique-se que a lâmina da serra está correctamente montada antes de a utilizar. Aperte a porca de aperto firmemente antes de cada utilização. (Torque: 12-15 Nm)
- O aperto dos parafusos e porcas deve ser realizado com a chave apropriada.
- Uma extensão de chave ou o aperto usando impactos de martelo não é permitido.
- Certifique-se que a lâmina e as flanges estão limpas e os lados encaixados do aro estão contra a lâmina.
- Certifique-se que a lâmina gira na direcção correcta.

- Antes de proceder ao trabalho, faça um corte de teste sem o motor ligado de modo a verificar a posição da lâmina, a operação das protecções relativamente a outras peças da máquina e a peça a trabalhar.
- Nunca deixe a máquina sem vigilância.
- Não aplique lubrificantes na lâmina quando estiver em funcionamento.
- Nunca realize qualquer trabalho de limpeza ou manutenção quando a máquina ainda se encontra em funcionamento e a cabeça não estiver na posição de descanso.
- Nunca tente parar uma máquina em movimento repentinamente encravando uma ferramenta ou outros meios contra a lâmina pois deste modo poderá causar acidentes graves sem intenção.
- Desligue a serra da fonte de alimentação antes de substituir as lâminas ou realizar qualquer manutenção.
- Tenha cuidado com a embalagem da lâmina e ao desembalar a mesma, é fácil lesionar-se com as pontas afiadas da lâmina.
- Use um porta-lâminas ou use luvas protetoras ao manipular uma lâmina de serra.
- Guarde e armazene a lâmina na embalagem original ou outra embalagem apropriada, mantenha-a em condições secas e afastada de produtos químicos que possam danificar a lâmina.

**SEGURANÇA LASER**

- A radiação do guia laser utilizada nesta serra é de Classe 2 com comprimentos de onda máximos de  $\leq 1\text{mW}$  e 650nm. Não olhe directamente para o feixe laser. O não cumprimento destas regras pode resultar em graves lesões físicas.



Fornecemos uma etiqueta adesiva na sua língua e pedimos que a coloque no local do texto em inglês, na etiqueta de aviso, antes de colocar a máquina em funcionamento pela primeira vez.

- Não olhe para o feixe durante o funcionamento.
- Não projecta o feixe laser directamente para os olhos de outras pessoas. Poderão ocorrer graves lesões nos olhos.
- Não coloque o laser numa posição que possa fazer com que alguém olhe fixamente no feixe laser intencionalmente ou sem intenção.
- Não utilize ferramentas ópticas para ver o feixe laser.
- Não opere o laser perto de crianças ou não deixe crianças operar o laser.
- Não tente reparar o dispositivo laser por si próprio.
- Não tente substituir sozinho(a) qualquer peça do aparelho laser.
- Qualquer reparação deve ser executada pelo fabricante de laser ou um agente de assistência autorizado.





- Não substitua o laser por outro de tipo diferente.

## RISCOS RESIDUAIS

Mesmo quando a máquina é utilizada conforme prescrito, continua a ser impossível eliminar totalmente determinados factores de risco residual. Podem surgir os seguintes riscos durante o uso e o operador deve prestar especial atenção para evitar o seguinte:

- Risco de contacto com peças não cobertas da lâmina circular rotativa.
- Ressalto das peças de trabalho e de partes das peças de trabalho devido a um ajuste ou manuseamento incorrecto.
- Catapultamento de pontas de carboneto defeituosas da lâmina da serra.
- Existe o risco de lesões para o sistema respiratório caso não se use uma máscara contra o pó eficaz.
- Danos para a audição caso não se utilize protecção auditiva eficaz.

## MANUTENÇÃO

- Nunca efectue nenhum ajuste quando o motor está em funcionamento.
- Certifique-se sempre que a ficha da máquina foi retirada da tomada eléctrica antes de mudar escovas, lubrificar ou quando realiza quaisquer trabalhos ou manutenção na máquina.
- Após cada utilização, inspecione a sua máquina para verificar se existem danos ou peças partidas e mantenha-a em óptima condição de funcionamento reparando ou substituindo as peças de imediato.
- A lâmina fica quente após a utilização; mantenha-se atento durante as operações de limpeza e de manutenção.
- Limpe o pó acumulado.
- Para garantir segurança e fiabilidade, todas as reparações, com excepção das escovas às quais se pode aceder externamente, devem ser realizadas por um centro de assistência autorizado.
- As anomalias na máquina, incluindo protecções e lâminas da serra, devem ser reportadas assim que sejam detectadas.
- Se o cabo de alimentação estiver danificado, deverá ser substituído unicamente pelo fabricante ou por um centro de serviço autorizado para evitar riscos. Contacte o Centro de Serviço Autorizado.

## ⚠ AVISO

Para mais segurança e fiabilidade, todas as reparações devem ser feitas por um Centro de Serviço Autorizado Ryobi.

## PROTECÇÃO DO AMBIENTE



Recicle os materiais em vez de pô-los directamente no lixo doméstico. Para proteger o ambiente, a ferramenta, os acessórios e as embalagens devem ser seleccionados.

## SÍMBOLO



Alerta de Segurança



Conformidade CE



Marca de conformidade EurAsian.



Por favor, leia atentamente as instruções antes de acender o produto.



Equipamento de Classe II, isolamento duplo



Use protecção para os ouvidos



Use sempre protecção para os olhos.



PERIGO! Lâmina afiada.



Use luvas de protecção.



Direção de rotação da lâmina (apresentado na lâmina da serra)



Comprimento do corte da lâmina (canal)



Número de dentes na lâmina da serra



Para cortar madeira e material análogo



Não se aplica a metais de corte



Não olhe directamente para o feixe.



Radiação do laser.  
Produto laser de Classe 2  
 $\lambda$ : 650nm;  $P \leq 1\text{mW}$   
EN 60825-1:2007



Os aparelhos eléctricos antigos não devem ser eliminados juntamente com o lixo doméstico. Recicle onde existem instalações para o efeito. Verifique com as suas Autoridades Locais ou revendedor para obter informações sobre reciclagem.

### SÍMBOLOS NESTE MANUAL



Ligue a ficha da produto à tomada.



Desligue o produto.



Bloqueio



Abrir



Ouve-se um som



Tempo de espera



As peças ou acessórios vendem-se separadamente



Nota:



AVISO



Sikkerhed, ydelse og driftssikkerhed har fået topprioritet i designet af din kap- & geringsssav.

#### TILTÆNKT ANVENDELSESFORMÅL

Produktet er beregnet til savning af massivt træ, limtræ, krydsfiner, træ-lignende materialer samt plast.

Produktet må ikke anvendes på anden måde og til andre formål end foreskrevet.

#### GENERELLE SIKKERHEDSADVARSLER

##### ⚠ ADVARSEL

Ved brug af elværktøjer bør man altid følge de grundlæggende sikkerhedsregler for at reducere risikoen for brand, elektrisk stød og personskade. Læs hele brugsanvisningen, inden du forsøger at betjene dette produkt, og gem brugsanvisningen.

- **Hold arbejdsområdet rent og ryddeligt.** Rodede områder og borde inviterer til personskader.
- **Vær opmærksom på miljøet i arbejdsområdet.** Undgå at udsætte værktøjer for regn. Brug ikke værktøjer på fugtige eller våde steder. Arbejdsområdet skal være godt oplyst. Brug ikke værktøjer i nærheden af brændbare væsker eller gasser.
- **Beskyt dig mod elektrisk stød.** Undgå kropskontakt med jordede eller stelforbundne overflader (fx rør, radiatorer, komfurer og køleskabe).
- **Hold andre personer på afstand.** Lad ikke personer, især børn, deltage i arbejdet, røre ved værktøjet eller forlængerledningen, og sørg for at holde dem ude af arbejdsområdet.
- **Opbevar ubenyttede værktøjer.** Når værktøjer ikke bruges, skal de opbevares på et tørt, aflåst sted utilgængeligt for børn.
- **Værktøjet må ikke tvinges.** Produktet klarer opgaven bedre og sikrere med den hastighed, det er beregnet til.
- **Brug det rigtige værktøj.** Undlad at tvinge mindre værktøjer til at udføre arbejdsopgaver, der kræver værktøjer. Undlad at bruge værktøj til ikke-formålsbestemte opgaver; brug fx ikke en rundsav til at skære i grene eller træstammer.
- **Vær ordentligt klædt på.** Undlad at bære løstsiddende tøj eller smykker; sådanne kan hænge fast i bevægelige maskindele. Ved arbejde udendørs anbefales brug af skridsikkert fodtøj. Brug også beskyttende håret eller lign. til sikring af langt hår.
- **Brug værnemidler.** Brug sikkerhedsbriller. Brug ansigts- eller støvmaske, hvis arbejdsopgaven genererer støv.
- **Tilslut støvudsugningsudstyr.** Hvis værktøjet er beregnet til tilslutning af støvudsugnings- og -opsamlingsudstyr, skal dette tilsluttes og anvendes korrekt.
- **Ledningen må ikke misbruges.** Træk aldrig stikket ud af stikkontakten ved at rykke i ledningen. Hold ledningen på afstand af varme, olie og skarpe kanter.
- **Fastgør emnet.** Brug så vidt muligt skruetvinge eller skruestik til fastholdning af emnet. Det er sikrere end at bruge hånden.
- **Læn dig aldrig for langt frem.** Sørg for altid at have godt fodfæste og god balance.
- **Værktøjer skal vedligeholdes med omhu.** Skæreværktøjerne skal holdes skarpe og rene for bedre og sikrere ydelse. Følg vejledningen for smøring og udskiftning af tilbehørsdele. Inspicér værktøjsledningerne regelmæssigt, og - hvis de beskadiges - få dem repareret på et autoriseret serviceværksted. Inspicér forlængerledningerne regelmæssigt, og udskift dem, hvis de beskadiges. Hold håndtagene tørre, rene og fri for olie og fedt.
- **Afbryd strømmen til værktøjerne.** Når værktøjet ikke bruges, inden det serviceres, og når der skiftes tilbehør som fx knive, bits og fræsere, skal strømforsyningen afbrydes til værktøjet.
- **Fjern svensknøgler og faste nøgler.** Gør det til en vane at kontrollere, at faste nøgler og svensknøgler er fjernet fra værktøjet, inden der tændes for det.
- **Undgå utilsigtet start.** Kontrollér, at kontakten er i pos."off" (=slukket), inden stikket sættes i kontakten.
- **Brug udendørs forlængerledninger.** Når værktøjet bruges udendørs, må der kun bruges forlængerledninger, der er beregnet (og mærket) til udendørs brug.
- **Vær agtpågivende.** Vær opmærksom på, hvad du gør, brug sund fornuft, og anvend ikke værktøjet, hvis du er træt.
- **Kontrollér beskadigede dele.** Inden værktøjet tages i brug, skal man undersøge det nøje for at sikre sig, at det fungerer korrekt og er i stand til at opfylde den tiltænkte funktion. Kontrollér, at de bevægelige dele er indjusteret korrekt, at de ikke binder; for brud på dele, montering samt enhver anden tilstand, der kan påvirke delenes funktion. En beskadiget skærm eller anden del skal repareret ordentligt eller udskiftes på et autoriseret servicecenter, med mindre andet fremgår af denne brugsanvisning. Få defekte kontakter udskiftet på et autoriseret servicecenter. Værktøjet må ikke tages i brug, hvis T/END/SLUK-kontakten ikke virker.
- **Advarsel.** Brug af udstyr eller tilbehør, som ikke er anbefalet i denne brugsanvisning, kan medføre fare for personskader.
- **Få kun værktøjet repareret af en kvalificeret person.** Dette elværktøj opfylder alle relevante sikkerhedsregler. Reparationer må kun udføres af kvalificerede personer og med originale reservedele; ellers kan der opstå betydelige risici for brugeren.

#### GERINGSSAV SIKKERHEDSADVARSLER

- Sørg altid for at fastspænde emnet sikkert.



- Bær høreværn. Støjpåvirkning kan bevirke tab af hørelse.
- Udstyr, der bruges mange forskellige steder, herunder udendørs, skal tilsluttes via en fejlstrømsafbryder.
- Når der arbejdes med maskinen, skal man have beskyttelsesbriller på. Beskyttelseshandsker, skridsikre sko, høreværn og forklæde anbefales.
- Før ethvert arbejde ved maskinen skal stikket tages ud af stikkåsen.
- Maskinen må kun sluttes til stikkontakten i slukket tilstand.
- Tilslutningskablet holdes hele tiden væk fra maskinens arbejdsområde. Træk altid kablet bort bag dig.
- Spåner eller splinter må ikke fjernes, medens maskinen kører.
- Ræk aldrig hånden ind i farezonen, mens maskinen kører.
- Kontroller hvergang, før laderen anvendes, at tilslutningskabel, forlængerledning og stik er i orden. Dele der er beskadiget bør kun repareres hos et autoriseret værksted.
- Maskinens sikkerhedsindretning bør ubetinget benyttes.
- Den mobile beskyttelseskærm må ikke blokeres i åbnet tilstand.
- Benyt ikke savblade, der er beskadiget eller deformeret.
- Udskift en slidt bordindsats.
- Savklinger, som ikke svarer til data i denne brugsanvisning, må ikke anvendes.
- Pendulbeskyttelseskappen må kun åbne sig automatisk, når saven svinges nedad.
- Brug ikke savklinger, som er fremstillet af high-speed stål.
- Inden påbegyndelse af arbejdet skal man foretage et prøvesnit uden tændt motor, så man kontrollerer klingens position og skærmenes funktionsmåde i forhold til maskindelen og emnet.
- Under udførelse af gerings-, smig- eller kap- og geringsnit skal det glidende geringsanslag indstilles, så der er korrekt frigang til klingens.
- Fejl i maskinen, inklusiv beskyttelsesanordning eller savklinger, skal straks meddeles den sikkerhedsansvarlige.
- Vælg en savklinge, som passer til det emne, der skal skæres over.
- Anvend ikke kapsaven til overskæring af emner, som ikke står nævnt i betjeningsvejledningen.
- Tag fat i håndtaget, når du transporterer kapsaven - transportsikringen skal være i indgreb.
- Benyt kun saven med påmonterede skærme, som er i god stand og korrekt vedligeholdt.
- Hold bunden fri for materialerester f.eks. spåner og rester fra savningen.
- Brug kun savklinger, som er ordentligt skærpede. Det maksimale omdrejningstal, som står angivet på savklingen, må ikke overskrides.
- Brug den medfølgende flange (afbildet i betjeningsvejledningen) til at fastgøre savklingen med.
- Fjern ikke træaffald eller andre dele af arbejdsemner fra saveområdet, når maskinen kører og savhovedet ikke er i hvilestilling.
- Sørg for, at maskinen altid står stabilt (fastgør den f.eks. på arbejdsbænken).
- Lange emner skal støttes af på passende måde.
- Ridsede savklinger eller sådanne, som har ændret form, må ikke bruges.
- Læs brugsanvisningen, inden værktøjet tages i brug. Få om muligt demonstreret, hvordan værktøjet virker.
- Støv, som opstår i forbindelse med brug af dette værktøj, kan være sundhedsfarligt. Brug en støvsuger og bær egnet støvbeskyttelsesmaske. Fjern grundigt aflejret støv (f.eks. ved opugning).
- Arbejdsemner med rundt eller uregelmæssigt tværnsnit (f.eks. brænde) må ikke saves, da sådanne emner ikke kan holdes sikkert under savningen. Ved savning på højkant af flade arbejdsemner skal der benyttes et egnet hjælpeanslag for sikker føring.
- Maskinen skal sluttes til en kredsløbsbeskyttelsesanordning (sikring eller HFI-relæ).
- Bær altid sikkerhedsbriller med sideskjolde under betjening af elværktøjet eller ved støv-ophvirvling. Hvis der ophvirvles støv under arbejdet, bæres også støvmaske.
- Pas på ved savning af spor.
- Brug altid klinger med en størrelse og facon, der passer til akselboringen. Klinger, som ikke passer til akslen, de skal monteres på, vil ikke dreje ordentligt rundt og kan bevirke, at man mister kontrollen over værktøjet.
- Brug kun klinger, som er specificeret i denne brugsanvisning, og som overholder EN 847-1.
- Udskift ikke laseren eller LED med en anden type. Reparation må kun udføres af laserproducenten eller en autoriseret servicerepræsentant.
- En strømspids forårsager spændingssvingninger og kan påvirke andre elektriske produkter tilsluttet samme strømforsyningslinje. Produktet skal sluttes til en strømforsyning med en impedans svarende til 0.180 Ω for at minimere spændingssvingninger. Kontakt dit elseskab for nærmere oplysninger.

#### SIKKERHEDSREGLER FOR TRÆSKÆREKLINGER

- Læs anvisningerne i denne brugsanvisning, inden maskinen tages i brug.
- Maskinen skal være i god stand, og spindlen må ikke være deformeret eller vibrere.
- Undgå at bruge saven uden påmonterede



afskærmninger, især efter driftsmådeskift. Hold afskærmningerne i god stand, og sørg for at vedligeholde dem.

- Sørg for, at operatøren har sat sig tilstrækkeligt ind i sikkerhedsregler, justering og betjening af maskinen.
- Brug altid øjenværn med sideskjolde samt høreværn. Beskyttelseshandsker, skridsikre sko, høreværn og forklæde anbefales.
- Konsulter brugsanvisningen inden brug af ekstraudstyr/tilbehør. Ukorrekt brug af en tilbehørsdel (ekstraudstyr) kan forårsage skader.
- Brug kun klinger, som er specificeret i denne brugsanvisning, og som overholder EN 847-1.
- Overhold den maksimale hastighed, der er markeret på savklingen. Kontrollér, at den hastighed, der er anført på savklingen, som minimum svarer til den hastighed, der er anført på saven.
- Brug altid klinger med en størrelse og facon, der passer til akselboringen. Klinger, som ikke passer til akslen, de skal monteres på, vil ikke dreje ordentligt rundt og kan bevirke, at man mister kontrollen over værktøjet.
- Undlad brug af klinger med større eller mindre diameter end anbefalet. Undlad brug af mellemstykker for at få klingen til at passe til spindlen.
- Kontrollér inden brug, at savklingens tænder ikke er beskadiget eller unormale. Tænder, som er beskadiget eller løse, kan blive til flyvende genstande og øge faren for personskader.
- Ridsede savklinger eller sådanne, som har ændret form, må ikke bruges. Benyt ikke savblade, der er beskadiget eller deformeret.
- Brug aldrig en savklinge, der er beskadiget eller deformeret. Reparation er ikke tilladt.
- Undlad brug af HHS-klinger.
- Sørg for, at savklingen er monteret korrekt inden ibrugtagning. Spænd spindel møtrikken godt til inden brug. (Drejningsmoment: 12-15 Nm)
- Fastgørelsesskruer og -møtrikker skal spændes fast med den tilhørende skruenøgle.
- Det er ikke tilladt at udvide skruenøglen eller at foretage fastspændingen med hammerslag.
- Sørg for, at alle klinger og flanger er rene, og at manchettens forsænkede sider ligger an mod klingen.
- Kontrollér, at klingen roterer i den rigtige retning.
- Inden påbegyndelse af arbejdet skal man foretage et prøvesnit uden tændt motor, så man kontrollerer klingens position og skærmenes funktionsmåde i forhold til maskindelen og emnet.
- Forlad aldrig maskinen uden opsyn.
- Undlad at påføre smøremidler på klingen, mens denne kører.
- Der må aldrig udføres rengøring eller vedligeholdelsesarbejde, mens maskinen kører og skærehovedet ikke er i hvileposition.

- Forsøg aldrig at stoppe en maskine i bevægelse på en hurtig måde ved at presse et værktøj eller andre genstande ind mod klingen; dette kan resultere i alvorlige ulykker.
- Afbryd saven fra lysnettet inden klingskift eller udførelse af vedligeholdelsesarbejde.
- Vær forsigtig ved ind- og udpakning af klingen - man kan nemt komme til skade på de skarpe klingetænder.
- Brug en klingeholder, eller bær handsker, under håndtering af savklinger.
- Klingen skal opbevares i den oprindelige emballage eller anden passende emballage, opbevares tørt og ikke i nærheden af kemikalier, som kan ødelægge klingen.

### LASERSIKKERHED

- Laserstrålestrålen i saven er klasse 2 med max  $\leq 1\text{mW}$  og 650 nm bølglængder. Undlad at se direkte ind i laserstrålen. Manglende overholdelse af disse regler kan medføre alvorlig personskade.



Vi har medsendt en selvklebende mærkat på dit sprog og beder dig nu om at påsætte denne i stedet for den engelske tekst oven på advarselmærkaten, inden maskinen tages i brug første gang.

- Undlad at se ind i strålen under arbejdet.
- Ret ikke laserstrålen direkte mod øjnene på andre personer. Fare for alvorlige øjenskader.
- Anbring ikke laseren i en position, der kan bevirke, at andre bevidst eller ubevidst stirrer ind i laserstrålen.
- Undlad at bruge optiske værktøjer til visning af laserstrålen.
- Brug ikke laseren i nærheden af børn, og lad ikke børn bruge laseren.
- Forsøg ikke selv at reparere laseranordningen.
- Forsøg ikke selv at skifte nogen dele af laseranordningen.
- Reparation må kun udføres af laserproducenten eller en autoriseret servicerepræsentant.
- Udskift ikke laseren med en anden type.

### UUNDGÅELIGE RISICI

Selv om maskinen anvendes som foreskrevet, er det stadig umuligt at eliminere visse uundgåelige risikofaktorer fuldstændigt. Følgende risici kan opstå under brug, og operatøren bør være særligt opmærksom for at undgå følgende:

- Fare for kontakt med uafskærmede dele af den roterende savklinge.
- Tilbageslag ('kick-back') af emner og dele heraf pga.



ukorrekt indstilling eller håndtering.

- Udslyngning af defekte hårdmetalspidser fra savklingen.
- Skader på åndedrætssystem ved manglende brug af effektiv støvmaske.
- Skader på hørelse ved manglende brug af effektivt høreværn.

### VEDLIGEHOLDELSE

- Der må aldrig foretages justeringer med motoren gående.
- Sørg altid for, at maskinens stik er trukket ud af lysnetkontakten, inden der skiftes børster, foretages smøring eller andet arbejde, herunder vedligeholdelse, på maskinen.
- Efter hver brug skal maskinen kontrolleres for skader eller knækkede dele og holdes i perfekt arbejdstilstand ved straks at reparere eller udskifte evt. defekte dele.
- I forbindelse med vedligeholdelses- eller rengøringsarbejde skal man være opmærksom på, at klingens er varm efter brug.
- Fjern ophobet støv.
- Af hensyn til sikkerhed og pålidelighed skal alt reparationsarbejde (med undtagelse af udefra tilgængelige børster) udføres på et autoriseret servicecenter.
- Fejl ved maskinen, herunder skærme eller savklinger, skal rapporteres, så snart de konstateres.
- Hvis strømforsyningskablet beskadiges, skal det udskiftes af producenten eller på et autoriseret servicecenter for at undgå risici. Kontakt autoriseret servicecenter.

### ⚠ ADVARSEL

Af hensyn til brugersikkerheden og drifts- sikkerheden skal reparationer udføres på et autoriseret Ryobi serviceværksted.

### MILJØBESKYTTELSE



Råmaterialerne skal genvindes og ikke bortkastes med almindeligt affald. Af hensyn til miljøet skal redskab, tilbehør og emballage sorteres.

### SYMBOL



Sikkerheds Varsel



CE Overensstemmelse



EurAsian-overensstemmelsesmærke



Læs venligst vejledningen omhyggeligt inden start af produktet.



Klasse II-udstyr, dobbelt-isolering



Benyt høreværn



Brug altid øjenværn.



FARE! Skarp klinge.



Brug sikkerhedshandsker.



Klingens omløbsretning (vist på savklinge)



skærebredde (snitfuge)



Antal tænder på denne savklinge



Til skæring af træ eller lignende materiale



Ikke beregnet til skæring af metal



Se aldrig direkte ind i strålen.



Laserstråling.  
Klasse 2-laserprodukt  
λ: 650nm; P≤1mW  
EN 60825-1:2007



Elektriske affaldsprodukter bør ikke afskaffes sammen med husholdningsaffald. Genbrug venligst hvor faciliteterne tillader dette. Tjek med din lokale kommune eller forhandler for genbrugsråd.



## SYMBOLER I BRUGSANVISNINGEN



Tilslut produktet til lysnetkontakten.



Træk produktet stik ud af stikkontakten.



Lås



Oplås



Der høres en lyd



Ventetid



Dele eller tilbehør, der sælges separat



Bemærk:



ADVARSEL





Säkerhet, prestanda och pålitlighet har varit högsta prioritet vid design av din gerningsåg.

### ANVÄNDNINGSMÅL

Produkten är avsedd för att såga solitt trä, laminerat trä, träliknande material och plast.

Maskinen får endast användas för angiven tillämpning.

### ALLMÄNNA SÄKERHETSFORESKRIFTER

#### VARNING

Grundläggande säkerhetsåtgärder ska alltid följas för att minska risken för brand, elektrisk stöt och personskada när du använder elektriska verktyg. Läs alla dessa anvisningar noggrant innan du använder den här produkten för första gången och spara dessa anvisningar för framtida användning.

- **Se till att arbetsplatsen är ren och välstädd.** Röriga och smutsiga arbetsplatser och arbetsbord utgör en risk för personskador.
- **Besiktiga arbetsplatsen.** Utsätt inte verktygen för regn. Använd inte verktygen på fuktiga eller blöta platser. Håll arbetsområdet väl upplyst. Använd inte verktygen i närheten av brännbara vätskor eller gaser.
- **Skydda dig mot elektriska stötar.** Undvik kroppskontakt med jordade ytor (så som rör, element, spisar och kylskåp).
- **Se till att andra personer håller sig på behörigt avstånd.** Låt inte andra personer, i synnerhet barn, utföra någon del av arbetet eller röra verktyget eller förlängningssladden; se också till att de håller sig på behörigt avstånd från arbetsplatsen.
- **Förvara verktyg avstängda.** När verktygen inte används ska de förvaras på en torr plats med lås där inte barn kan komma åt dem.
- **Pressa inte verktyget.** Verktyget fungerar bäst och mest effektivt om du jobbar i den takt som det är avsett för.
- **Använd korrekt verktyg.** Försök inte göra jobb som bäst utförs med stora och kraftigt verktyg med små verktyg. Använd endast verktygen för de ändamål som de är avsedda för; försök till exempel inte kapa kvistar eller stockar med en cirkelsåg.
- **Klä dig korrekt.** Bär inga löst åtsittande kläder eller smycken som kan fastna i rörliga delar. Användning av skor med halkskydd rekommenderas vid arbete utomhus. Använd även hårskydd för att hålla ihop långt hår.
- **Använd skyddsutrustning.** Använd skyddsglasögon. Använd en ansikts- eller dammask om arbetsuppgiften producerar mycket damm.
- **Anslut utrustning för dammsugning.** Om tillbehör för dammsug och dammupsamling finns tillgängliga för verktyget, kontrollera att dessa är monterade korrekt

och används på rätt sätt.

- **Misshandla inte strömsladden.** Dra i kontakten när du drar ut elsladden ur vägguttaget, aldrig i själva sladden. Håll sladden borta från värme och vassa kanter.
- **Säkert arbetssätt.** När det är möjligt, använd alltid klämmor eller skruvståd för att hålla fast arbetsstycket. Det är säkrare än att använda händerna.
- **Sträck dig inte.** Ha alltid ett bra fotfäste och en god balans.
- **Underhåll verktyget försiktigt.** Se till att hålla skärverktyget vasst och verktyget rent för ett bättre och säkrare arbete. Följ instruktionerna för smörjning och byte av tillbehör. Besiktiga verktygens elsladdar regelbundet och lämna in dem för reparation hos ett auktoriserat servicecenter om du upptäcker skador på dem. Kontrollera förlängningssladden regelbundet och byt ut om den är skadad. Håll handtagen torra, rena och fria från olja och fett.
- **Koppla bort verktyg.** Alla verktyg ska slås av och deras elsladdar dras ut ur vägguttagen när de inte används, innan service eller när någon del ska bytas ut, t.ex. tillbehör, kapskiva, bits, skärarnordningar.
- **Ta bort justeringsnycklar och -verktyg.** Ta för vana att kontrollera att nycklar och skiftnycklar är bortplockade från verktyget innan det startas.
- **Undvik oavsiktlig start.** Försäkra dig om att huvudströmbrytaren står i läget "off" (av) när du sätter i kontakten.
- **Använd endast förlängningssladdar som har godkänts för utomhusbruk.** När verktyget används utomhus ska endast förlängningssladdar som är anpassade och märkta för utomhusbruk användas.
- **Var på din vakt.** Tänk hela tiden på vad du gör, använd sunt förnuft och använd inte verktyget när du är trött.
- **Kontrollera delarna för att upptäcka eventuella skador.** Innan ytterligare användning av verktyget sker ska det noggrant kontrolleras för att avgöra om det kan fungera och fylla sin funktion fullt ut. Kontrollera att rörliga delar sitter som de ska och kan röra sig obehindrat och att inga delar eller fästen är trasiga; kontrollera även andra saker som kan påverka användningen. Ett skydd eller en annan del som är skadad måste repareras ordentligt eller bytas ut av ett auktoriserat servicecenter om ingenting annat anges i den här handboken. Låt ett auktoriserat servicecenter byta ut trasiga strömbrytare. Använd inte verktyget om du inte kan stänga av och sätta på det med strömbrytaren.
- **Varning.** Användning av några andra typer av tillbehör än de som rekommenderas i denna användarhandbok kan innebära risk för personskador.
- **Om verktyget måste repareras bör detta göras av en kvalificerad person.** Detta elverktyg uppfyller alla viktiga säkerhetsbestämmelser. Reparationer får endast utföras av kvalificerad personal som använder originalreservdelar; i annat fall kan användaren utsättas för stora risker.

**GERINGSSÅG SÄKERHETSFÖRESKRIFTER**

- Kläm alltid fast arbetsstycket ordentligt.
- Bär hörselskydd. Bullerbelastning kan orsaka hörselskador.
- Verktyg som används på flera platser, inklusive utomhus, måste anslutas med en jordfelsbrytare.
- Använd alltid skyddsglasögon när du använder maskinen. Det är rekommenderat att använda handskar, kraftiga skor med halkskydd och ett förkläde.
- Drag alltid ur kontakten när du utför arbeten på maskinen.
- Maskinen skall vara fränkopplad innan den anslutes till väggurtag.
- Nätkabeln skall alltid hållas ifrån arbetsområdet. Lägg kabeln bakåt i förhållande till arbetsriktningen.
- Avlägsna aldrig spån eller flisor när maskinen är igång.
- Sträck dig aldrig in i riskzonen när planet är igång.
- Innan användning, kontrollera maskinen, kablarna och tändstiften så att de inte är skadade eller utslitna. Reparationer ska endast utföras av auktoriserade servicetekniker.
- Använd alltid maskinens skyddsanordningar.
- Sågens pendelskyddskåpa får ej fastlåsas.
- Använd inga sågblad som har tagit skada eller är defomrerade.
- Byt ut bordsinlägget om det är slitet.
- Sägklinga, vars värden inte överensstämmer med data i denna bruksanvisning, får ej användas.
- Pendelskyddskåpan får endast öppnas automatiskt vid nedsvängning av sågen.
- Använd inga sågklingor som är tillverkade av highspeed stål.
- Före arbete bör du göra en provkapning utan motorn påslagen så att läget för bladet och skydden i förhållande till andra maskiner och arbeten kan kontrolleras.
- Κατά την εκτέλεση κοπών φαλτογωνίας, λοξότμησης ή σύνθετες κοπές φαλτογωνίας, προσαρμόστε το συρταρωτό προστατευτικό για να εξασφαλίσετε την κατάλληλη προστασία από τη λειψίδα.
- Fel på maskinen, inklusive sådana som hör till skyddsanordningen eller sågbladen, ska omgående meddelas säkerhetsansvarig.
- Välj en sågklinga som lämpar sig för materialet som ska sågas.
- Använd sågen aldrig för andra material än de som anges i bruksanvisningen.
- Transportera kapsågen endast med hjälp av handtaget - transportsäkring måste ha gått i lås.
- Använd sågen endast om skydden fungerar felfritt, sitter på plats och om de har skötts på föreskrivet sätt.
- Se till att golvet alltid är fritt från materialrester t.ex. spån och sågrester.
- Använd endast sågklingor som har skärpts på föreskrivet sätt. Det maximala varvtalet som står på sågklingan får inte överskridas.
- Använd endast de flansar som bifogas och som visas i bruksanvisningen för att fästa sågklingan.
- Avlägsna ej några sågningsrester eller andra delar av arbetsstycket från sågens arbetsområde, när maskinen är i gång och såghuvudet inte är i sitt ursprungsläge.
- Se till att maskinen alltid står stadigt (t.ex. genom att fästa den på arbetsbänken).
- Stötta långa arbetsstycken på lämpligt sätt.
- Spruckna sågklingor eller sådana som förändrat form får ej användas!
- Läs avvisningarna innan du använder verktyget. Låt någon demonstrera verktyget för dig om det är möjligt.
- Dammet som uppkommer vid arbeten med det här verktyget kan vara skadligt för hälsan. Använd ett utsugningssystem och bär skyddsmask. Avlägsna kvarblivande damm med t.ex. en dammsugare.
- Arbetsstycken med runt eller oregelbundet tvärsnitt (t ex ved) får ej sågas, eftersom dessa inte kan fixeras på ett säkert sätt. För att såga plana arbetsstycken vertikalt, skall användas lämpligt stödanslag för säker styrning av arbetsstycket.
- Maskinen ska vara ansluten till en jordfelsbrytare (såkring eller strömbrytare).
- Använd alltid skyddsglasögon när du använder verktyget eller när du blåser damm. Använd en ansiktsmask om det dammar mycket.
- Var försiktig vid spårsågning.
- Använd alltid sågklingor vars storlek och form är anpassade till axelns fästhål. Sågklingor som inte är anpassade till axeln på vilken de ska monteras roterar inte normalt och leder till att man förlorar kontrollen.
- Använd endast klingor som specificerats i denna manual, enligt EN 847-1.
- Byt inte ut lasern eller LED mot någon annan typ. Reparationer får endast utföras av lasertillverkaren eller en auktoriserad serviceagent.
- Spänningstopp ger spänningsvariationer och kan påverka andra elektriska produkter anslutna till samma källa. Anslut produkten till en strömkälla med impedans motvarande 0.180 Ω för att minimera svängningar. Kontakta din elleverantör för ytterligare klargöranden.

**SÄKERHETSINSTRUKTIONER FÖR TRÅSÅGKLINGA**

- Läs alla instruktioner i den här manualen innan du använder maskinen.
- Maskinen ska vara i gott skick, spindeln ska vara utan deformation och utan vibrationer.
- Använd inte sågen utan skydden på plats, var extra noga efter ändring av läge. Underhåll och sköt skydden så att de hålls i bra skick.
- Se till att användaren har lämplig utbildning i



säkerhetsåtgärder, inställning och användning av maskinen.

- Bär alltid skyddsglasögon med sidoskärmar och hörselskydd. Det är rekommenderat att använda handskar, kraftiga skor med halkskydd och ett förkläde.
- Läs alltid bruksanvisningen innan ett tillbehör skall användas. Orikigt hantering av ett tillbehör kan vålla skada.
- Använd endast klingor som specificerats i denna manual, enligt EN 847-1.
- Observera den maximala hastigheten som finns angiven på sågklingan. Kontrollera att hastigheten som anges på sågklingan är minst lika hög som den som anges på sågen.
- Använd alltid sågklingor vars storlek och form är anpassade till axelns fästhål. Sågklingor som inte är anpassade till axeln på vilken de ska monteras roterar inte normalt och leder till att man förlorar kontrollen.
- Använd inte klingor av större eller mindre diameter än vad som rekommenderas. Använd inte brickor för att få klingan att passa på tappen.
- Kontrollera spetsar på sågklingan så att de inte är skadade eller ser konstiga ut före användning. Spetsar som är skadade eller lösa kan flyga iväg och innebära risk för personskador.
- Spruckna sågklingor eller sådana som förändrat form får ej användas! Använd inga sågblad som har tagit skada eller är defomerade.
- Använd aldrig en sågklinga som är skadad eller deformerad. Reparation tillåts inte.
- Använd inte HSS-klingor.
- Säkerställ att klingan är korrekt monterad innan den används. Dra åt spindelmuttern ordentligt innan varje användning. (Vridmoment: 12-15 Nm)
- Fästskruvar och -muttrar ska dras åt med lämpligt spännverktyg.
- Förlängning av spännverktyg eller åtdragning med hammarslag tillåts inte.
- Se till att alla klingor och glansar är rena och de ingröpta sidorna av kragen är vända mot klingan.
- Kontrollera att klingan roterar i rätt riktning.
- Före arbete bör du göra en provkapning utan motorn påslagen så att läget för bladet och skydden i förhållande till andra maskiner och arbeten kan kontrolleras.
- Lämna aldrig maskinen utan tillsyn.
- Applicera en smörjmedel på bladet när det är igång.
- Utför aldrig rengöring eller underhållsarbete medan maskinen är igång och huvudet inte är i läge.
- Försök aldrig stoppa maskinen snabbt genom att använda ett verktyg eller på annat sätt mot klingan, oavsiktliga allvarliga olyckor kan orsakas på det här sättet.
- Koppla ur sågen från huvudströmmen innan byte av blad eller underhållsarbete utförs.

- Var noga vid packning och upppackning av klingan, man kan lätt skadas av de vassa spetsarna.
- Använd hållare eller skyddshandskar när du hanterar sågklingor.
- Förvara klingan i sin originalförpackning eller annan lämplig förpackning, se till att den förvaras torr och inte i närheten av kemikalier som kan skada klingan.

## LASER SÄKERHET

- Strålningen från laserstrålen som används i sågen är av Klass 2 med maximalt  $\leq 1\text{mW}$  och 650 nm våglängd. Titta inte rakt in i laserstrålen. Om inte riktlinjerna följs kan det leda till allvarlig personskada.



- Det medföljer en klisteretikett på ditt språk och vi ber dig att sätta den på plats i stället för den engelska texten på varningsetiketten före första användning av maskinen.
- Titta inte in i laserstrålen under användning.
- Rikta inte laserstrålen direkt mot andra personers ögon. Allvarlig ögonskada kan uppstå.
- Placera inte lasern i ett läge där någon kan titta in i laserstrålen medvetet eller av misstag.
- Använd inga optiska instrument för att titta på laserstrålen.
- Använd inte lasern i närheten av barn och låt inte heller barn använda lasern.
- Försök inte att laga laserenheten själv.
- Försök inte själv utföra ändringar på laserapparaten.
- Reparationer får endast utföras av lasertillverkaren eller en auktoriserad serviceagent.
- Byt inte ut lasern mot någon annan typ.

## RESIDUALRISK

Även om maskinen används enligt föreskrift så är det omöjligt att helt eliminera vissa residualriskfaktorer. Följande risker kan uppstå vid användning och operatören ska vara extra uppmärksam för att undvika följande:

- Risk för kontakt med oskyddade delar av det roterande sågbladet.
- Kickback på arbetsstycken och delar av arbetsstycken på grund av felaktig justering eller hantering.
- Felaktiga hårdmetallskär kan skjutas ut från sågklingan.
- Skador på andningsvägarna om inte dammskydd för ansiktet används.
- Skada på hörseln om ett effektivt hörselskydd inte används.

## UNDERHÅLL

- Utför ingen inställning medan motorn är i gång.



- Kontrollera alltid att maskinens kontakt har tagits ur eluttaget innan du byter ut borstar, smörjer eller utför underhåll på maskinen.
- Kontrollera din maskin efter varje användning så att det inte finns några skadade eller trasiga delar och håll maskinen i toppskick genom att reparera eller byta ut delar omedelbart.
- Bladet är hett efter användning så var uppmärksam vid underhåll och rengöring.
- Ta bort uppsamlat damm.
- För att säkerställa säkerhet och pålitlighet ska alla reparationer, förutom på de borstar som kan komma åt utifrån, utföras av ett auktoriserat servicecenter.
- Fel i maskinen, inklusive fel på skydd eller sågklingor, ska rapporteras så fort de upptäcks.
- För att minska risken får en skadad strömssladd endast repareras av tillverkaren eller ett auktoriserat servicecenter. Kontakta ett auktoriserat servicecenter.

**⚠ VARNING**

Av säkerhetsskäl är det viktigt att alla reparationer utförs på en serviceverkstad som godkänns av Ryobi.

**MILJÖSKYDD**

Råmaterialen bör återanvändas i stället för att kastas i hushållsavfallet. För att skona miljön ska verktyget, tillbehören och emballagen sorteras.

**SYMBOL**

Säkerhetsvarning



CE-konformitet



EurAsian överensstämmelsesymbol.



Läs alla instruktioner noggrant innan du startar produkten.



Klass II-utrustning, dubbelisolering



Bär hörselskydd.



Bär alltid ögonskydd.



FARA! Vass klinga.



Använd skyddshandskar.



Klingans rotationsriktning (visas på sågklingan)



Sågsnittets bredd



Antal tänder på sågklingan



För att kapa trä och liknande material



Inte för att kapa metall



Titta inte direkt mot strålen.



Laserstrålning.  
Laserprodukt av Klass 2  
λ: 650nm; P≤1mW  
EN 60825-1:2007



Gamla elektroniska produkter ska inte kastas med hushållssoporna. Återvinn där sådana faciliteter finns. Kontrollera med din lokala myndighet eller säljaren för att få återvinningstips.

**SYMBOLER I MANUALEN**

Sätt in produkten stickkontakt i vägguttaget.



Koppla bort produkten från eluttaget.



Lås



Läs upp



Ett ljud hörs



Väntetid



Delar och utrustning säljs separat



Notera:



WARNING



Viistesahan suunnittelussa on pidetty etusijalla turvallisuutta, suorituskykyä ja luotettavuutta.

### KÄYTTÖTARKOITUS

Tuote on suunniteltu umpipuun, liimatun puun, vanerin, puun kaltaisten materiaalien ja muovien sahaamiseen.

Älä käytä tuotetta ohjeiden vastaisesti.

### YLEISET TURVALLISUUSVAROITUKSET

#### VAROITUS

Sähkötyökaluja käytettäessä on aina ryhdyttävä varotoimiin tulipalon, sähköiskun ja loukkaantumisen välttämiseksi. Lue kaikki nämä ohjeet ennen tuotteen käyttöä, ja säilytä nämä ohjeet.

- **Pidä työalue esteettömänä.** Sotkuiset alueet ja pöydät voivat aiheuttaa loukkaantumisen.
- **Ota työalue huomioon.** Älä jätä työkaluja sateeseen. Älä käytä laitetta kosteassa tai märässä paikassa. Pidä työalue valoisana. Älä käytä laitetta helposti syttyvien nesteiden tai kaasujen läheisyydessä.
- **Suojaudu sähköiskulta.** Älä kosketa maadoitettuihin pintoihin (kuten putkiin, lämpöpattereihin, helloihin tai jääkaappeihin).
- **Pidä sivulliset etäällä.** Älä anna ulkopuolisten, erityisesti lasten, osallistua työhön tai kosketa laitetta tai jatkojohtoa, ja pidä heidät poissa työalueelta.
- **Varastoi käyttämättömät työkalut.** Käyttämättömän laitteen tulee olla varastoitu kuivaan paikkaan ja pois lasten ulottuvilta.
- **Älä pakota laitetta.** Se hoitaa työt paremmin ja turvallisemmin sillä vauhdilla, jota varten se on tarkoitettu.
- **Käytä oikeaa työkalua.** Älä pakota pientä työkalua tekemään järeää työkalua vaativaa työtä. Älä käytä laitetta muuhun kuin sille tarkoitettuun käyttöön; esimerkiksi, älä sahaa pyörösahalla oksia tai tukkeja.
- **Pukeudu asianmukaisesti.** Älä käytä löysiä vaatteita tai koruja, sillä ne voivat tarttua liikkuviin osiin. Ulkotöissä suositellaan käytettävän luistamattomia suojakenkiä. Jos sinulla on pitkät hiukset, pidä niitä päähineen sisällä.
- **Käytä suojavälineitä.** Käytä suojalaseja. Käytä kasvo-tai pölysuojainta tehdesäsi pölyistä työtä.
- **Kytke pölynimuri.** Jos laitetta varten on pölynpoisto- ja keräyslaite, kytke se asianmukaisesti ja käytä sitä oikein.
- **Älä käsittele johtoa väärin.** Älä koskaan irrota laitetta pistorasiasta vetämällä johdosta. Älä päästä johtoa koskettamaan kuumuuden lähteitä, öljyä tai teräviä reunoja.
- **Kiinnitä työkappale.** Kiinnitä työkappale puristimilla

tai ruuvipenkillä aina, kun mahdollista. Se on turvallisempaa kuin käden käyttö.

- **Älä kurkota liian kauas.** Säilytä aina kunnollinen jalansija ja tasapaino.
- **Huolla laite huolella.** Pidä leikkuutyökalut terävinä ja puhtaina, jotta ne toimisivat paremmin ja turvallisemmin. Noudata voitelua ja lisävarusteiden vaihtoa koskevia ohjeita. Tarkista laitteen sähköjohdot säännöllisesti, ja jos ne ovat vioittuneet, korjauta ne valtuutetussa huoltopisteessä. Tarkista jatkojohto säännöllisesti ja vaihda se, jos se on vioittunut. Pidä kädensijat kuivina ja puhtaina liasta, öljystä ja rasvasta.
- **Irrota laitteet.** Irrota pistoke, kun laitetta ei käytetä, ennen huoltoa ja vaihtaessasi lisävarusteita, kuten teriä ja leikkureita.
- **Poista säätöavaimet ja kiintoavaimet.** Opi tarkistamaan, että kaikki avaimet ja muut työkalut on poistettu laitteesta ennen sen käynnistämistä.
- **Älä anna koneen käynnistyä vahingossa.** Tarkista laitetta pistorasiaan kytkiessäsi, että se on "off"-asennossa.
- **Käytä ulkokäyttöön tarkoitettuja jatkojohtoja.** Kun laitetta käytetään ulkona, käytä sen kanssa ainoastaan jatkojohtoja, jotka on tarkoitettu ulkokäyttöön ja jotka on niin merkitty.
- **Ole valpas.** Katso mitä teet, käytä tervettä järkeä äläkä käytä laitetta, kun olet väsynyt.
- **Tarkista vioittuneet osat.** Ennen kuin painepesurin käyttöä jatketaan, se tulee tarkistaa huolella jotta voidaan olla varmoja, että ne toimivat kunnolla ja asianmukaisesti. Tarkista, että liikkuvat osat on kohdistettu oikein ja että ne liikkuvat kunnolla, että osia ei ole rikkoutunut, että osat on asennettu oikein ja että mikään muu seikka ei haittaa koneen toimintaa. Valtuutetun huoltopisteen on korjattava tai vaihdettava vioittunut suoja tai muu osa, ellei näissä käyttöohjeissa toisin mainita. Vaihdata vialliset katkaisimet valtuutetussa huoltopisteessä. Älä käytä laitetta, jos se ei käynnisty ja sammu katkaisimesta.
- **Varoitus.** Muun kuin tässä käsikirjassa suositellun lisälaitteen tai lisäruusteen käyttäminen voi aiheuttaa loukkaantumisvaaran.
- **Anna laite pätevän henkilön korjattavaksi.** Tämä sähkölaite noudattaa asianmukaisia turvallisuussääädöksiä. Laitteen saa korjata vain pätevä henkilö käyttäen alkuperäisiä varaosia; muutoin korjauksesta voi aiheutua huomattava vaara käyttäjälle.

### VIISTESAHA TURVALLISUUSVAROITUKSET

- Kiinnitä työkappale aina tiukasti puristimella.
- Käytä korvasuojia. Altistuminen melulle voi vahingoittaa kuuloa.
- Ulkona käytettävät laitteet on kytkettävä virtasäätökyntä estävän kytkimen kautta.
- Käytä laitteella työskennellessäsi aina suojalaseja. Suojakäsineiden, turvallisten ja tukevapohjaisten



kenkien, kuulosuojainten ja suojaesiliinan käyttöä suositellaan.

- Irrota aina pistotulppa seinäkoskettimesta ennen koneeseen tehtäviä toimempiteitä.
- Varmista, että kone on sammutettu ennen kytkemistä sähköverkkoon.
- Pidä sähköjohto poissa koneen käyttöalueelta. Siirrä se aina taaksei.
- Lastuja tai puruja ei saa poistaa koneen käydessä.
- Älä tartu käynnistetytyn laitteen työskentelyalueelle.
- Tarkista ennen jokaista käyttökertaa, ettei laitteessa, liitäntäjohdossa, jatkojohdossa ja pistotulpassa ole vaurioita eikä niissä ole tapahtunut muutoksia. Laitteen saa korjauttaa vain valtuutetussa huollossa.
- Laitteen suojarusteita on ehdottomasti käytettävä.
- Liikkuvan teränsuojaa ei saa kiinnittää puristimella.
- Älä käytä sahanteriä, jotka ovat vahingoittuneet tai vääntyneet.
- Vaihda loppuun kulunut pöydän sisäke uuteen.
- Sahanteriä, joiden tunnus tiedot eriyvät tästä käyttöohjeesta, ei saa käyttää.
- Teränsuojus saa aueta vasta, kun kone asetetaan työkappaletta vasten.
- Ei saa käyttää pikateräksestä valmistettuja sahanteriä.
- Tee ennen työn aloittamista koeleikkaus moottori päällä, jotta voit tarkistaa terän sijainnin ja suojien toiminnan laitteen osiin ja työkappaleeseen nähden.
- Kun leikkaat viiste-, särmä- tai yhdistelmäviisteleikkauksia, säädä liukuva viisteohjain siten, että etäisyys terään on asianmukainen.
- Koneessa, mukaanluettuna suojarusteissa tai sahanterissä, ilmenevät viat tulee ilmoittaa heti niiden havaitsemisen jälkeen koneen turvallisesta käytöstä vastuulliselle henkilölle.
- Valitse sahattavalle materiaalille sopiva sahanteriä.
- Älä koskaan käytä katkaisusahaa muiden kuin käyttöohjeessa lueteltujen materiaalien leikkaamiseen.
- Kuljeta katkaisusahaa vain kahvasta kantaen ja kuljetusvarmistuksen ollessa lukittuna.
- Käytä sahaa vain kunnossa olevien, asianmukaisesti huolletujen ja oikein asennettujen suojien kanssa.
- Pidä lattia puhtaana materiaali-jätteistä, esim. purusta ja sahausjätteistä.
- Käytä vain asianmukaisesti teroitettuja sahanteriä. Sahanterään merkittyä suurinta kierroslukua ei saa ylittää.
- Käytä ainoastaan mukana toimitettuja ja käyttöohjeessa kuvattuja laippoja sahanterän kiinnittämiseen.
- Älä poista sahausaluetta tai muita työkappaleiden paloja sahausalueelta, kun kone käy eikä sahan pää ole lepoasennossa.
- Varmista, että kone seisoo aina tukevasti paikallaan (esim. kiinnittämällä se ruuvipenkkiin).

- Pitkiä työstökappaleita tulee tukea sopivin toimin.
- Rikkinäisiä sahanteriä tai sellaisia, jotka ovat muuttaneet muotoaan ei saa käyttää!
- Lue ohjeet ennen laitteen käyttöä. Pyydä näkemään laitteen esittely, jos mahdollista.
- Laitteen synnyttämä pöly saattaa olla terveydelle vahingollista. Liitä kone kohdeimujärjestelmään ja käytä sopivaa pölysuojaa kasvoilla. Poista laskeutunut pöly huolellisesti esimerkiksi pölynimurilla.
- Työkappaleita, joiden halkaisija on pyöreä tai epäsäännöllinen (esim. polttopuita), ei saa sahata, koska niitä ei voida pitää tukevasti paikallaan sahaamisen aikana. Sahattaessa laakeita työkappaleita pystyasennossa tulee käyttää sopivaa tukivastetta niiden turvallisista kuljettamista varten.
- Kone on kytkettävä sähköpiiriä suojaavaan laitteeseen (sulakkeeseen tai katkaisimeen).
- Käytä aina sähkölaitetta käyttäessäsi tai pölyä puhaltaessasi suojaaseja, joissa on sivusuojaimet. Käytä lisäksi pölynaamarina, jos työ on pölyistä.
- Ole varovainen tehdessäsi lovia.
- Käytä aina akselille sopivia teräkökoja ja -muotoja. Akselille sopimattomat terät eivät pyöri oikealla tavalla ja voivat aiheuttaa työkalun hallinnan menettämisen.
- Käytä ainoastaan tämän käyttöoppaan mukaisia teriä, jotka noudattavat EN 847-1 -standardia.
- Älä vaihda laseria tai Merkkivalo toisen tyyppiin. Korjaustyöt on aina jätettävä laserin valmistajan tai valtuutetun huoltomiehen tehtäväksi.
- Virtapiikki aiheuttaa jännitteen heilahtelua ja voi vaikuttaa muihin samaan syöttöverkkoon kytkettyihin tuotteisiin. Minimoidaksesi jänniteheilahtelun kytke tuote pistorasiaan, jonka impedanssi on 0.180 Ω. Lisätietoja saa sähkötyhtiöltä.

#### PUUTERÄN TURVALLISUUSOHJEET

- Lue tämän käsikirjan ennen tämän laitteen käyttöä.
- Laitteen on oltava hyvässä kunnossa eikä karassa saa olla vääristymiä eikä sen saa täräistä.
- Älä käytä sahaa ilman suojuksia, erityisesti tilan vaihdon jälkeen. Pidä suojuukset hyvässä kunnossa ja huolla niitä asianmukaisesti.
- Käyttäjällä on oltava riittävä koulutus laitteen varoitoimissa, säädöissä ja käytössä.
- Käytä aina sivulta suojaavia suojaaseja sekä kuulosuojaimia. Suojakäsineiden, turvallisten ja tukevapohjaisten kenkien, kuulosuojainten ja suojaesiliinan käyttöä suositellaan.
- Tutustu käyttöoppaaseen ennen lisälaitteiden käyttöä. Lisälaitteen virhekäyttö voi aiheuttaa vaurioita.
- Käytä ainoastaan tämän käyttöoppaan mukaisia teriä, jotka noudattavat EN 847-1 -standardia.
- Noudata terään merkittyä maksiminopeutta. Varmista, että sahanterään merkitty nopeus on vähintään yhtä







suuri kuin sahaan merkitty nopeus.

- Käytä aina akselille sopivia teräkokoja ja -muotoja. Akselille sopimattomat terät eivät pyöri oikealla tavalla ja voivat aiheuttaa työkalun hallinnan menettämisen.
- Älä käytä suositeltua suurempia tai pienempiä teriä. Älä käytä välilevyjä sovittaessasi terää karaan.
- Tarkista terän kärjet vaurioiden ja epätavallisen ulkonäön varalta ennen jokaista käyttökertaa. Vioittuneet tai irralliset kärjet voivat sinkoutua käytössä ja lisätä loukkaantumisen riskiä.
- Rikkinäisiä sahanteriä tai sellaisia, jotka ovat muuttaneet muotoaan ei saa käyttää! Älä käytä sahanteriä, jotka ovat vahingoittuneet tai vääntyneet.
- Älä koskaan käytä vioittunutta tai vääristynyttä sahanteriä. Korjausta ei sallita.
- Älä käytä pikateräksisiä teriä.
- Tarkista ennen käyttöä, että sahanteri on asennettu oikein. Kiristä karan mutteri tiukalle ennen käyttöä. (Vääntömomentti: 12-15 Nm)
- Kiinnitysruuvit ja mutterit on kiristettävä asianmukaisella avaimella.
- Avainta ei saa pidentää eikä kiristyksessä saa käyttää vasaraa.
- Varmista, että terä ja laipat ovat puhtaat ja että holkin uralliset sivut ovat terää vasten.
- Tarkista, että terä pyörii oikeaan suuntaan.
- Tee ennen työn aloittamista koeleikkaus moottori päällä, jotta voit tarkistaa terän sijainnin ja suojuen toiminnan laitteen osiin ja työkalupaleeseen nähden.
- Älä koskaan jätä laitetta valvomatta,
- Älä voitele terää sen pyöriessä.
- Älä koskaan puhdista tai huolla konetta sen käydessä ja pään ollessa poissa lepoasennosta.
- Älä koskaan yritä pysäyttää liikkuvaa laitetta nopeasti työntämällä työkalua tms. terää vasten; tämä voisi aiheuttaa vakavan onnettomuuden.
- Irrota laite pistorasiasta ennen terän vaihtoa samoin kuin ennen huoltoa.
- Ole tarkkana pakatessasi terää ja ottaessasi sitä pakkauksesta; terän terävät kärjet aiheuttavat helposti loukkaantumisen.
- Käytä sahanteriä käsitellessäsi telinettä tai käsiineitä.
- Säilytä terää alkuperäisessä tai muussa sopivassa pakkauksessa, kuivassa ympäristössä ja kaukana kemikaaleista, jotka voisivat vioittaa terää.

### LASERIN TURVALLISUUSOHJEET

- Sahan laserohjaimen säteily on luokkaa 2, enimmäisteho  $\leq 1\text{mW}$  ja aallonpituus 650 nm. Älä katso lasersädettä suoraan. Säätöjen laiminlyönti voi johtaa vakavaan loukkaantumiseen.

LASER RADIATION  
DO NOT STARE INTO BEAM  
CLASS 2 LASER PRODUCT  
A: 650nm; P<1mW  
EN 60825-1:2007

- Olemme lähettäneet sinulle tarran sinun kielelläsi ja pyydämme nyt, että liimaat sen englanninkielisen varoitustarran tilalle ennen koneen ensimmäistä käyttöä.
- Älä katso sädettä käytön aikana.
- Älä suuntaa lasersädettä suoraan muiden silmiin. Tästä voisi koitua vakava silmävamma.
- Älä aseta laseria siten, että kukaan voisi katsoa lasersädettä tahallaan tai vahingossa.
- Älä katso lasersädettä optisilla laitteilla.
- Älä käytä laseria lasten lähellä äläkä anna lasten käyttää sitä.
- Älä yritä korjata laserlaitetta itse.
- Älä yritä vaihtaa mitään laserlaitteen osia itse.
- Korjaustyöt on aina jätettävä laserin valmistajan tai valtuutetun huoltomiehen tehtäväksi.
- Älä vaihda laseria toisen tyyppiseen.

### KÄYTÖN RISKIT

Vaikka laitetta käytettäisiin ohjeiden mukaisesti, ei ole mahdollista täysin eliminoida tiettyjä käyttöön liittyviä riskitekijöitä. Käytössä voi aiheutua seuraavia vaaroja, ja käyttäjän tulee kiinnittää erityistä huomiota niiden välttämiseen:

- Pyörivän sahanterän suojaamattomien osien kosketusvaara.
- Työkappaleen ja sen osien potkaisuvirheellisen säädön tai käsittelyn takia.
- Viallisten karbidikärkien sinkoaminen sahanterästä.
- Hengitystiehyevauriot, jos ei käytetä tehokasta pölysuojainta.
- Kuulovamma, jos ei käytetä tehokkaita kuulosuojaimia.

### HUOLTO

- Älä tee säätöjä moottorin käydessä.
- Varmista aina, että laitteen pistoke on irrotettu pistorasiasta, ennen kuin vaihdat harjoja, voitelet laitetta tai teet muuta työtä laitteen kimpussa tai huollat sitä.
- Tarkista laite kunkin käyttökerran jälkeen vaurioiden ja vioittuneiden osien varalta ja pidä se hyvässä työkunnossa korjaamalla tai vaihtamalla vioittuneet osat välittömästi.
- Terä on kuuma käytön jälkeen, joten ole varovainen huollon ja puhdistuksen aikana.
- Siivoa kerääntynyt pöly.



- Jotta laite toimisi turvallisesti ja luotettavasti, kaikki korjaukset, paitsi ulkoa päin vaihdettavat harjat, tulee antaa valtuutetun huoltopisteen hoidettavaksi.
- Viat koneessa, mukaan lukien suojissa ja sahanterissä, tulee ilmoittaa heti kun ne huomataan.
- Jos virtajohto vioittuu, se on vaihdettava ainoastaan valmistajalla tai valtuutetussa huollossa, jotta vältetään vaaroilta. Ota yhteys valtuutettuun huoltoon.

**VAROITUS**

Lisäturvallisuuden ja luotettavuuden takaamiseksi kaikki korjaustyöt on annettava valtuutetun Ryobi-huoltokeskuksen tehtäväksi.

**YMPÄRISTÖNSUOJELU**

Älä heitä raaka-aineita kotitalousjätteisiin, vaan vie ne kierrätykseen. Ympäristönsuojelun kannalta työkalu, lisävara-usteet ja pakkausmateriaali on lajiteltava.

**SYMBOLI**

Turvavaroitus



CE-vastaavuus



EurAsian-vaatimustenmukaisuusmerkki.



Lue ohjeet huolella ennen laitteen käyttöä.



Luokan II laite, kaksoiseristys



Käytä kuulosuojaimia



Käytä aina suojalaseja.



VAARA! Terävä terä.



Käytä suojakäsineitä.



Terän pyörintäsuunta (ilmoitetaan sahanterässä)



Terän leikkuuleveys (uurre)



Tämän sahanterän hampaiden määrä



Puun ja vastaavan materiaalin leikkaamiseen



Ei metallin leikkaamiseen



Älä katso sädettä.



Laser-säteilyä.  
luokan laser-tuote  
λ: 650nm; P≤1mW  
EN 60825-1:2007



Käytöstä poistettavia sähkölaitteita ei pidä hävittää talousjätteiden mukana. Ne on mahdollisuuksien mukaan pantava kiertoon. Kierrätysohjeita antavat kunnan viranomaiset ja vähittäiskauppiat.

**KÄSIKIRJAN SYMBOLIT**

Kytke tuotetta pistoke pistorasiaan.



Irrota tuotetta sähköverkosta.



Lukko



Avaa



Kuuluu ääni



Odotusaika



Osat ja lisävarusteet on hankittava erikseen



Huom:



VAROITUS



Sikkerhet, ytelse og pålitelighet er gitt høyeste prioritet ved konstruksjonen av din gjæresag.

### TILTENKT BRUK

Produktet er tiltenkt saging i heltre, limtre, limt finér, materialer som ligner på tre og plast.

Dette apparatet må kun brukes til de oppgitte formål.

### GENERELLE SIKKERHETSADVARSLER

#### ⚠ ADVARSEL

Når du bruker elektrisk verktøy må visse grunnleggende forholdsregler alltid tas for å redusere risikoen for brann, elektrisk støt og personskade. Les alle instruksjonene før du gjør forsøk på å bruke produktet, og ta godt vare på disse instruksjonene.

- **Hold arbeidsområdet rent.** Rotete områder og arbeidsbenker inviterer til ulykker.
- **Vurder det fysiske arbeidsmiljøet.** Ikke utsett verktøyet for regn. Ikke bruk utstyret på fuktige eller våte steder. Hold arbeidsområdet godt opplyst. Ikke bruk elektrisk verktøy på steder hvor det finnes brennbare væsker eller gass.
- **Beskytt deg mot elektriske støt.** Unngå kroppskontakt med jordede overflater (som vannrør, radiatorer, kokeapparater og kjøleaggregater).
- **Hold andre personer vekke.** Ikke la personer, og spesielt barn, ta del i arbeidet, berøre verktøyet eller en skjøteledning, og hold dem vekke fra arbeidsområdet.
- **Lagre verktøy som ikke brukes.** Når det ikke er i bruk må verktøyet oppbevares tørt og innelåst slik at det er utlignelig for barn.
- **Ikke press verktøyet.** Det vil gjøre jobben bedre og tryggere med den hastigheten det var konstruert for.
- **Bruk det rette verktøyet.** Ikke tving et lite verktøy til å utføre en oppgave som var tiltenkt et større og kraftigere verktøy. Ikke bruk verktøy for oppgaver det ikke var tiltenkt, bruk for eksempel ikke en sirkelsag til å kappe grener eller trestammer.
- **Kle deg riktig.** Bruk ikke løstsittende klær eller smykker, de kan hekte seg fast i bevegelige deler på verktøyet. Sklisikkert fotføy anbefales ved arbeid utendørs. Bruk lue, hatt eller skaut til å dekke langt hår.
- **Bruk verneutstyr.** Bruk vernebriller. Bruk ansikts- eller støvmaske dersom arbeidet skaper støv.
- **Tilkobl støvavsugsutstyr.** Hvis det finnes tilkoblingsmuligheter for oppsugnings- og oppsamlingsutstyr for støv, sørg for at dette blir tilkoblet og brukt på riktig måte.
- **Ikke misbruk den elektriske ledningen.** Trekk aldri i den elektriske ledningen for å frigjøre støpslet fra stikkkontakten. Hold ledningen vekke fra varme, olje og skarpe kanter.

- **Trygt arbeid.** Der det er mulig, bruk klemmer eller tvinger til å holde fast arbeidsstykket. Det er tryggere enn å bruke hånden din.
- **Ikke strekk deg.** Sørg for godt fotfeste og god balanse til enhver tid.
- **Vedlikehold verktøyet med omtanke.** Hold verktøyet skarpt og rent for å oppnå bedre og tryggere ytelse. Følg instruksjonene for smøring og skifte av tilbehør. Inspiser verktøyets strømledning regelmessig og sørg for at den skiftes ved et autorisert servicecenter dersom den er skadet. Inspiser regelmessig eventuell skjøteledning og skift dersom den har skader. Hold håndtak tørre, rene og fri for olje og fett.
- **Frakoble verktøy.** Når verktøyet ikke er i bruk, før servicearbeider og i forbindelse med skifting av tilbehør som blader, bits og skjæutstyr må verktøyet frakobles den elektriske kontakten.
- **Fjern justeringsnøkler og fastnøkler.** Gjør det til en vane å kontrollere at justeringsnøkler er fjernet fra verktøyet før det startes.
- **Unngå utilsiktet start.** Påse at bryteren er i posisjon "off" når verktøyets støpsel settes inn i en stikkontakt.
- **Bruk kun utendørs skjøteledning.** Når verktøyet brukes, bruk bare skjøteledning som er ment for utendørs bruk og merket tilsvarende.
- **Vær våken.** Se hva du gjør, bruk fornuft og bruk ikke verktøyet når du er trett eller sliten.
- **Se etter deler som er skadet.** Før ytterligere bruk av verktøyet må det undersøkes nøye for å kunne fastslå at det vil virke tilfredsstillende og utføre sin tiltenkte funksjon. Sjekk tilpasningen av bevegelige deler, kontakt mellom bevegelige deler og om alle deler er korrekt montert og enhver annen tilstand som kan påvirke bruken av verktøyet. Et deksel eller en annen del som er skadet må repareres forskriftmessig eller skiftes av et autorisert serviceverksted dersom ikke annet er angitt i denne Brukermanualen. Sørg for at ødelagte brytere skiftes av et autorisert servicecenter. Ikke bruk produktet hvis bryteren ikke slår det på og av.
- **Advarsel.** Bruk av andre tilkoblinger eller annet tilbehør enn det som anbefales i denne brukermanualen kan føre til personskade.
- **Sørg for at verktøyet repareres av en kvalifisert person.** Dette elektriske verktøyet innfrir relevante sikkerhetsforskrifter. Reparasjoner må bare utføres av kvalifiserte personer som bruker originale reservedeler, i motsatt fall kan brukeren bli utsatt for betydelig fare.

### SIKKERHETSADVARSEL GJÆRSAG

- Sørg alltid for å trygg sikring av arbeidsstykket med tvinge.
- Bruk hørselsvern. Støy kan føre til tap av hørselen.
- Utstyr som brukes på mange steder, inkludert utendørs, må være tilkoblet via en overbelastningsbryter
- Bruk alltid vernebrille når du arbeider med maskinen. Det anbefales å bruke arbeidshansker, faste og





- sklisikre sko og forkle.
- Trekk støpslet ut av stikkkontakten før du begynner arbeider på maskinen.
  - Maskinen må være slått av når den koples til stikkkontakten.
  - Hold ledningen alltid vekk fra maskinens virkeområde. Før ledningen alltid bakover fra maskinen.
  - Spon eller fliser må ikke fjernes mens maskinen er i gang.
  - Ikke grip inn i fareområdet mens maskinen er i gang.
  - Kontroller apparat, tilkopplingsledning, skjøteledning og støpsel for skader og aldri før bruk. La en fagmann reparere skadete deler.
  - Bruk alltid maskinens beskyttelsesinnretninger.
  - Det bevegelige vernehekset må ikke klemmes fast i åpent tilstand.
  - Ikke bruk sageblader som er skadet eller deformerte.
  - Skift bordinnlegg når de er slitte.
  - Ikke bruk sagblader som ikke stemmer med nøkkeldata oppgitt for bruk i disse instruksjonene.
  - Pendel-vernehekset skal bare åpnes automatisk når saken senkes ned mot arbeidsemnet.
  - Bruk ingen sageblad laget av hurtigstål.
  - Før du starter arbeidet, gjør et liksomkutt uten at motoren er på for å se at bladet er posisjonert riktig, beskyttelsene er på i forhold til andre maskindeler og sjekk også selve emne.
  - Når man utfører kapp-, gjærings- og sammensatte gjæringskutt, juster gliderbeskyttelsen for å sikre riktig klaring fra bladet.
  - Feil i maskinen, også innebefattet verneinnretningen eller sagebladene, skal med en gang de oppdages, meldes til personen som er ansvarlig for sikkerheten.
  - Bruk sagblad som er egnet for materialet som skal sages.
  - Bruk kappsagen aldri for saging av andre materialer enn de som er oppgitt i bruksanvisningen.
  - Transporter kappsagen bare når transportsikringen på håndtaket griper riktig inn i sikringen.
  - Bruk bare saken med godt funksjonerende sikkerhetsutstyr som er godt vedlikeholdt og i riktig posisjon.
  - Gulver skal være fritt for spon og sagerester.
  - Bruk bare korrekt slipte sageblad. Det på sagebladet angitte maksimum omdreiningstallet må overholdes.
  - Bruk bare de vedlagte flensene og de flensene som det er bilde av i bruksanvisningen for å feste sagebladet.
  - Ikke fjern sagerester eller andre deler av arbeidsstykker fra sagens område mens maskinen går og sagehode ikke befinner seg i hvilestilling.
  - Kontroller at maskinen alltid står stabil (f. eks at den er festet på arbeidsbenken.
  - Langt materiale skal støttet på egnet måte.
  - Sagblad som har sprekker eller som har endret form må ikke brukes!
  - Les instruksjonene før verktøyet tas i bruk. Hvis mulig, få verktøyet demonstrert.
  - Støv som oppstår under arbeidet kan være helsefarlig. Bruk støvavsug og i tillegg egnede støvbeskyttelsesmaske. Fjern oppsamlet støv grundig, f.eks. oppsuging.
  - Arbeidsstykker med runde eller uregelmessig tverrsnitt (f.eks ved) skal ikke sages, fordi disse ikke kan holdes sikkert ved sagingen. Ved saging av flate arbeidsstykker på høykant skal det brukes et egnet hjelperedskap for sikker føring av arbeidsstykket.
  - Maskinen skal være forbundet til en kretsbeskyttelsesinnretning (sikring eller kretsbyrter).
  - Bruk alltid vernebriller eller sikkerhetsbriller med sidebeskyttelse ved bruk av elektrisk verktøy eller når det blåses støv. Hvis arbeidet utløser støv, bruk også en støvmaske.
  - Vis varsomhet ved dykksaging.
  - Bruk alltid et blad som har en størrelse og en form som passer til spindelens diameter. Et blad som ikke passer til spindelen som det skal monteres på vil ikke gå rundt riktig og kan få deg til å miste kontroll over verktøyet.
  - Bruk bare sagblader som er spesifisert i denne manualen og er i henhold til EN 847-1.
  - Ikke skift ut laseren eller LED med en annen type. Enhver reparasjon må bare utføres av laserprodusenten eller et autorisert laserverksted.
  - Strømstans skaper spenningsvariasjoner og kan påvirke andre elektriske apparater på den samme kursen. Koble produktet til en strømforsyning med en impedans lik 0,180 Ω for å minimere spenningsvingninger. Kontakt det lokale energiverket for å få en ytterligere klargjøring.

#### SIKKERHETSANVISNINGER FOR TREKUTTEBLADER

- Les instruksjonene i denne manualen før du bruker verktøyet.
- Maskinen må være i god stand, akselen må ikke være bøyd eller vibrere.
- Ikke bruk saken uten at beskyttelsen er satt på, spesielt etter en modusendring. Hold beskyttelsen i god stand og vedlikehold regelmessig.
- Påse at brukeren har fått riktig opplæring i sikkerhetsbestemmelser, justering og bruk av maskinen.
- Bruk alltid øyebeskyttelse med sidevern og hørselsvern. Det anbefales å bruke arbeidshansker, faste og sklisikre sko og forkle.
- Før det benyttes noen form for tilbehør, se brukermanualen. Feilaktig bruk av tilbehør kan føre til ulykker.
- Bruk bare sagblader som er spesifisert i denne





manualen og er i henhold til EN 847-1.

- Observer maksimumshastigheten som er angitt på sagbladet. Påse at hastigheten som er merket av på sagbladet er minst lik hastigheten merket av på selve sagen.
- Bruk alltid et blad som har en størrelse og en form som passer til spindelens diameter. Et blad som ikke passer til spindelen som det skal monteres på vil ikke gå rundt riktig og kan få deg til å miste kontroll over verktøyet.
- Ikke bruk blader med større eller mindre diameter enn anbefalt. Ikke bruk avstandsstykker for å få bladet til å passe på spindelen.
- Kontroller tennene på sagbladet for skader eller unormalt utseende før hver bruk. Tenner som er ødelagt eller løse kan bli slengt ut ved bruk og øker faren for personskade.
- Sagblad som har sprekker eller som har endret form må ikke brukes! Ikke bruk sageblader som er skadet eller deformerte.
- Bruk aldri et sagblad som er skadet eller deformert. Reparasjon er ikke tillatt.
- Ikke bruk HSS-blader.
- Påse at sagbladet er korrekt montert før sagen tas i bruk. Stram spindelmutteren forsvarlig før hver gangs bruk. (Moment: 12-15 Nm)
- Festskruer og mutter skal strammes ved hjelp av passende nøkkel.
- Å forlenge nøkkelen eller stramme ved hjelp av en hammer er forbudt.
- Påse at bladet og flensene er rene og at de forskenede sidene av kragen er mot sagbladet.
- Påse at sagbladet roterer i korrekt retning.
- Før du starter arbeidet, gjør et liksmokutt uten at motoren er på for å se at bladet er posisjonert riktig, beskyttelsene er på i forhold til andre maskindeler og sjekk også selve emne.
- La aldri maskinen stå uten tilsyn.
- Ikke påfør smøremidler på sagbladet mens det er i bevegelse.
- Foreta aldri rengjøring eller vedlikehold på sagen mens sagbladet fortsatt er i bevegelse og hodet ikke er i hvileposisjon.
- Gjør aldri forsøk på å stanse en bevegelse brått ved å sette et verktøy eller annen gjenstand mot sagbladet, alvorlige skader kan oppstå som følge av dette.
- Trekk ut strømkontakten før det skiftes sagblad eller utføres noen form for vedlikehold på sagen.
- Vær oppmerksom på inn- og utpakking av bladene, det er lett å kutte seg på de skarpe bladtuppene.
- Bruk en bladholder eller vernehansker når du skal håndtere sagbladet.
- Bladene oppbevares og lagres i originalforpakningen eller en annen passende beholder. Bladene skal stå tørt og unna kjemiske stoffer som kan skade bladet.

## LASERSIKKERHET

- Laserstrålen som brukes i sagen er Class 2, med maksimum  $\leq 1\text{mW}$  og 650 nm bølglengde. Ikke stirr direkte inn i laserstrålen. Å unnlate å følge reglene vil kunne føre til alvorlig personskade.



Vi har levert deg en selvklebende etikett på ditt språk og ber deg nå erstatte etiketten med engelsk tekst med denne advarseletiketten før du tar maskinen i bruk.

- Ikke se inn i laserstrålen under arbeid.
- Ikke rett laserstrålen direkte inn i øynene på andre. Alvorlig øyeskade kan oppstå som resultat.
- Ikke plasser laseren i en posisjon som kan føre til at noen bevisst eller ubevisst vil kunne stirre direkte inn i laserstrålen.
- Ikke bruk optisk verktøy for å se laserstrålen.
- Ikke bruk laseren når det er barn til stede eller la barn få bruke laseren.
- Ikke gjør forsøk på å reparere laserutstyret selv.
- Ikke gjør forsøk på å skifte noen del av laserutstyret selv.
- Enhver reparasjon må bare utføres av laserprodusenten eller et autorisert laserverksted.
- Ikke skift ut laseren med en annen type.

## GJENVÆRENDE RISIKO

Selv når maskinen brukes fullt ut i henhold til instruksene er det umulig å oppnå en fullstendig eliminering av gjenværende risikomomenter. Følgende farer kan oppstå ved bruk og operatøren bør være spesielt oppmerksom på å unngå/sikre følgende:

- Fare for kontakt med utildekkede deler på det roterende sagbladet.
- Emne eller deler av det kan sprette unna på grunn av feil justering eller feil håndtering.
- Utkastelse av karbidtupper fra sagbladet.
- Fare for skade på pusteorganene dersom man ikke bruker en adekvat støvmaske.
- Skader på hørselen dersom ikke effektivt hørselsvern brukes.

## VEDLIKEHOLD

- Det skal ikke foretas noen innstilling mens motoren går.
- Sørg alltid for at maskinens støpsel er trukket ut av strømkontakten før det skiftes børster, smøres eller foretas annet vedlikeholdsarbeid på maskinen.
- Etter hver gangs bruk må maskinen undersøkes for skader eller ødelagte deler og det må sørges for at



maskinen holdes i god stand ved å reparere eller skifte deler umiddelbart etter at en skade er oppdaget.

- Bladet er varmt etter bruk, så være forsiktig ved vedlikeholds- eller rengjøringsarbeider.
- Fjern oppsamlet støv.
- For å sørge for sikkerhet og driftssikkerhet må alle reparasjoner med unntak av eksternt tilgjengelige børster utføres ved et autorisert servicesenter.
- Feil på maskinen, inklusive verneutstyr og sagblader, må rapporteres umiddelbart etter at feilen er oppdaget.
- Hvis strømledningen skades må den kun erstattes av produsenten eller et autorisert servicesenter for å unngå risiko. Kontakt et autorisert servicesenter.

### ⚠ ADVARSEL

For større sikkerhet og pålitelighet skal alle reparasjoner foretas av et godkjent Ryobi serviceverksted.

### MILJØVERN



Resirkuler råmaterialer istedenfor å kaste dem i søppelen. Verktøyet, tilbehørene og emballasjen bør sorteres for miljøvennlig resirkulering.

### SYMBOL



Sikkerhetsalarm



CE samsvar



EurAsian Konformitetstegn.



Les instruksjonene nøye før apparatet tas i bruk.



Class II-utstyr, dobbel isolering



Bruk hørselsvern



Bruk alltid øyeskyttelse.



FARE! Skarpt blad.



Bruk vernehansker.



Rotasjonsretning for blad (vist på sagblad)



Bladbredde på kutt (sagsnitt)



Antall tagger på dette sagbladet



For kutting av tre og lignende materiale



Ikke for kutting av metaller



Ikke stirr inn i laserstrålen.



Laserstråling.  
Class 2 laserprodukt  
 $\lambda$ : 650nm;  $P \leq 1\text{mW}$   
EN 60825-1:2007



Avfall fra elektriske produkter skal ikke kastes sammen med husholdningsavfall. Vennligst resikulervedeeksisterende avfallsbehandlingssted. Undersøk hos dine lokale myndigheter eller forhandler for råd om resirkulering.

### SYMBOLER I MANUALEN



Sett produktet støpsel i strømkontakten.



Trekk ut produktet støpsel.



Lås





- EN
- FR
- DE
- ES
- IT
- NL
- PT
- DA
- SV
- FI
- NO**
- RU
- PL
- CS
- HU
- RO
- LV
- LT
- ET
- HR
- SL
- SK
- EL
- TR



Låse opp



En lyd høres



Ventetid



Deler eller tilbehør solgt separat



Nb:



ADVARSEL



При разработке этой торцовочной пилы особое внимание уделялось безопасности, производительности и надежности.

### НАЗНАЧЕНИЕ

Изделие предназначено для пиления цельной древесины, клееной древесины, фанеры, материалов, напоминающих дерево, и пластмасс.

Не пользуйтесь данным инструментом способом, отличным от указанного для нормального применения.

### ОБЩИЕ ПРАВИЛА БЕЗОПАСНОСТИ

#### **▲ ОСТОРОЖНО**

При использовании электрических инструментов следует соблюдать основные правила технической безопасности для снижения опасности возгорания, поражения электрическим током и получения травм. Перед использованием инструмента прочтите данные указания и сохраните их для последующего использования.

- **Содержите рабочую зону в чистоте.** Загромождение рабочей зоны может привести к телесным повреждениям.
- **Принимайте во внимание условия работы.** Не пользуйтесь инструментом под дождем. Не пользуйтесь инструментом в условиях повышенной влажности. Работайте при хорошем освещении. Не пользуйтесь инструментом в присутствии огнеопасных жидкостей или газов.
- **Защита от поражения электрическим током.** Избегайте контакта с заземленными поверхностями (трубами, батареями отопления, кухонными плитами, холодильниками).
- **Не допускайте в рабочую зону посторонних лиц.** Не допускайте к работе посторонних лиц, особенно детей, не позволяйте им касаться инструмента или кабеля питания, не допускайте их в рабочую зону.
- **Неиспользуемые инструменты убирайте на хранение.** Неиспользуемый инструмент следует хранить в сухом защищенном месте, недоступном для детей.
- **Не увеличивайте скорость работы инструмента.** Это позволит выполнить работу лучше и безопаснее с номинальной скоростью.
- **Используйте надлежащий инструмент.** Не пользуйтесь небольшим инструментом для выполнения трудоемких операций. Не используйте инструмент для непредназначенных для него целей, например, не используйте циркулярную пилу для обрезки ветвей деревьев или бревен.
- **Одевайтесь соответствующим образом.** Не надевайте свободную одежду или украшения, так как они могут попасть в движущиеся части.

При наружных работах рекомендуется надевать нескользящую обувь. Также необходимо надевать защитный головной убор, чтобы прикрыть длинные волосы.

- **Используйте средства защиты.** Пользуйтесь защитными очками. Если при работе образуется пыль, надевайте пылезащитную маску.
- **Используйте устройство удаления пыли.** Если инструмент предусматривает использование устройства сбора и удаления пыли, обязательно его используйте.
- **Не допускайте неправильного обращения с кабелем.** Не дергайте кабель питания для отключения его от сети. Предохраняйте кабель питания от источников повышенного тепловыделения, масляных участков и острых предметов.
- **Зафиксируйте обрабатываемую заготовку.** При возможности всегда используйте зажимы или тиски для крепления заготовки. Это безопаснее, чем пользоваться руками.
- **Не прикладывайте чрезмерных усилий.** Старайтесь сохранять устойчивость и подыскивайте твердую опору.
- **Заботливо обращайтесь с инструментами.** Для лучшего и безопасного применения поддерживайте режущий элемент в чистоте и наточенном состоянии. При смазке и замене принадлежностей следуйте инструкциям. Регулярно проверяйте исправность кабелей, при их повреждении обращайтесь для ремонта в специализированный сервисный центр. Регулярно осматривайте удлинительные кабели и заменяйте поврежденные из них. Содержите ручки в сухом и чистом виде, очищайте их от масла и смазки.
- **Отключите инструменты.** Перед операциями технического обслуживания, замене принадлежностей (режущие полотна, насадки, резак) отключите инструмент от сети питания.
- **Удалите ключи для выполнения настройки и регулировки.** Возьмите себе за правило проверять перед включением инструмента отсутствие на нем гаечных и регулировочных ключей.
- **Не допускайте непреднамеренного запуска.** При подключении к сети питания убедитесь, что выключатель находится в положении «выключено».
- **При наружных работах используйте электроудлинитель.** При наружных работах используйте электрический удлинитель, предназначенный для наружного использования.
- **Будьте внимательны.** Сохраняйте внимание при работе, пользуйтесь здравым смыслом и не работайте при испытании усталости.
- **Проверяйте поврежденные детали.** Перед дальнейшим использованием инструмента тщательно проверьте его надлежащую работу и выполнение предназначенных ему функций.



Проверьте регулировку движущихся частей, их соединение, отсутствие повреждений, надежность крепления и другие условия, которые могут повлиять на работу инструмента. Поврежденное защитное устройство или другую деталь следует отремонтировать или заменить в сервисном центре, если иное не указано в данном руководстве по эксплуатации. Неисправные выключатели заменяйте в специализированном центре обслуживания. Не пользуйтесь инструментом с неисправным выключателем питания.

- **Осторожно.** Использование любых других принадлежностей, кроме рекомендованных в данных инструкциях, может привести к телесным повреждениям.
- **Для ремонта инструмента обращайтесь к квалифицированному специалисту.** Данный электроинструмент соответствует основным требованиям техники безопасности. Во избежание угроз здоровью ремонт инструмента следует поручать только квалифицированным специалистам с использованием оригинальных запасных деталей.

#### ПРЕДОСТЕРЕЖЕНИЯ ОБ ОПАСНОСТИ ТОРЦОВО-УСОВОЧНАЯ ПИЛА

- Всегда надежно закрепляйте обрабатываемую деталь.
- Используйте наушники! Воздействие шума может привести к потере слуха.
- Устройства, используемые в различных условиях, включая места на открытом воздухе, следует подключать с использованием переключателей с защитой от бросков тока.
- При работе с инструментом всегда надевайте защитные очки. Рекомендуется надевать перчатки, прочные нескользящие ботинки и фартук.
- Перед выполнением каких-либо работ по обслуживанию инструмента всегда вынимайте вилку из розетки.
- Вставляйте вилку в розетку только при выключенном инструменте.
- Держите силовой провод вне рабочей зоны инструмента. Всегда прокладывайте кабель за спиной.
- Не убирайте опилки и обломки при включенном инструменте.
- Никогда не касайтесь опасной режущей зоны в момент работы.
- Перед включением проверьте инструмент, кабель и вилку на предмет повреждений или усталости материала. Ремонт может производиться только уполномоченными Сервисными Организациями.
- Всегда пользуйтесь защитной крышкой на инструменте.
- Не фиксируйте поворотное защитное ограждение.

- Не используйте поврежденные или деформированные пыльные полотна.
- Заменяйте изношенные прокладки, укладываемые на стол.
- Не применяйте диски, не соответствующие параметрам, приведенным в настоящей инструкции по эксплуатации.
- Защитный кожух должен открываться только когда инструмент опускается на обрабатываемую деталь.
- Не применяйте какие-либо пыльные диски из быстрорежущей стали.
- Перед работой выполните имитирующий рез с выключенным двигателем, чтобы проверить положение лезвия, функционирование защитных приспособлений по отношению к другим деталям устройства и заготовке.
- При выполнении распила под углом, косо распила или распила в двух плоскостях отрегулируйте направляющую, чтобы обеспечить правильный зазор с лезвием.
- В случае обнаружения дефектов в станке, включая защитное устройство или пыльные полотна, сообщите об этом немедленно ответственному лицу.
- Выберите пригодное для разрезаемого материала пыльное полотно.
- Никогда не используйте торцовую пилу для резания иного материала, чем указанного в инструкции по эксплуатации.
- Торцовую пилу транспортируйте только с фиксированным транспортным предохранителем на ручке.
- Пилу используйте только с установленными защитными приспособлениями в хорошем рабочем состоянии.
- Удаляйте с пола остатки материала, например, опилки и стружку.
- Применяйте только пыльные полотна, заточенные надлежащим образом. Соблюдайте максимальное число оборотов, указанное на пыльном полотне.
- Применяйте только фланец для крепления пыльного полотна, изображенный в инструкции по эксплуатации.
- Не удаляйте остатки стружки или иные части заготовок из области распиловки, если машина работает, а планшайба круглой пилы не находится в нейтральном положении.
- Удостоверьтесь в том, что машина всегда имеет надежное положение (например, закреплена на верстаке).
- Длинные заготовки соответственно подоприте.
- Не используйте треснувшие или погнутые полотна пилы.
- Прежде чем пользоваться инструментом, пожалуйста, прочтите инструкцию. Если возможно



попросите продемонстрировать, как работать с инструментом.

- Пыль, образующаяся при работе с данным инструментом, может быть вредна для здоровья (напр. при работе с дубом или буком, камнями, краской, которая может содержать свинец или другие вредные химикаты) и попасть на тело. Пользуйтесь системой пылеудаления и надевайте подходящую защитную маску. Тщательно убирайте скапливающуюся пыль (напр. пылесосом).
- Распиловка заготовок с круглым или неправильным поперечным сечением (напр., дров) запрещена, так как при распиловке их нельзя надежно удерживать. При распиловке плоских заготовок по ребру для надежного направления следует использовать подходящий дополнительный упор.
- Агрегат подключается к защитному устройству цепи (предохранителю или автоматическому выключателю).
- Всегда надевайте предохранительные или защитные очки с боковыми защитными экранами при работе с данным инструментом или сдувании пыли. Если во время работы образуется много пыли, также надевайте пылезащитную маску.
- Будьте осторожны при принятии паз.
- Всегда используйте пыльные диски правильного размера и формы, с соответствующим диаметром посадочного отверстия. Диски с посадочным отверстием не соответствующим диаметру шпинделя пилы будут работать с биением, что может привести к потере контроля над инструментом.
- Используйте только режущие диски, указанные в данном руководстве и удовлетворяющие требованиям стандарта EN 847-1.
- Не заменяйте лазер лазером или Индикатор другого типа. Любой ремонт должен выполняться только изготовителем лазера или уполномоченным сервисным агентом.
- Резкое увеличение нагрузки приводит к флуктуации напряжения, что может повлиять на работу других электроприборов, подключенных к данной линии питания. Подключите устройство к источнику питания с полным сопротивлением, равным 0.180  $\Omega$ , для минимизации колебаний напряжения. За подробными разъяснениями обращайтесь к поставщику электроэнергии.

#### **ИНСТРУКЦИИ ПО ТЕХНИКЕ БЕЗОПАСНОСТИ ДЛЯ ПИЛЬНОГО ДИСКА ПО ДЕРЕВУ**

- Перед началом эксплуатации этого устройства прочитайте все инструкции в данном руководстве.
- Устройство должно быть в исправном состоянии, шпиндель без деформации и вибрации.
- Не используйте пилу без защитных приспособлений, особенно после изменения режима. Защитные приспособления должны поддерживаться в хорошем рабочем состоянии и надлежащим образом обслуживаться.
- Убедитесь, что оператор прошел надлежащую подготовку по технике безопасности, регулировке и эксплуатации устройства.
- Помимо использования средств защиты органов слуха всегда надевайте защитные очки с боковыми щитками. Рекомендуется надевать перчатки, прочные нескользящие ботинки и фартук.
- Перед использованием принадлежностей обязательно прочитайте информацию о них в руководстве по эксплуатации. В результате неправильного использования принадлежностей может произойти их повреждение.
- Используйте только режущие диски, указанные в данном руководстве и удовлетворяющие требованиям стандарта EN 847-1.
- Во время работы не допускайте превышения максимальной скорости вращения, указанной на режущем диске. Убедитесь, что скорость, указанная на пыльном диске, больше или равна скорости, указанной на пиле.
- Всегда используйте пыльные диски правильного размера и формы, с соответствующим диаметром посадочного отверстия. Диски с посадочным отверстием не соответствующим диаметру шпинделя пилы будут работать с биением, что может привести к потере контроля над инструментом.
- Используйте режущие диски только предписанного диаметра! Не используйте прокладки для закрепления режущего диска в шпинделе.
- Проверьте края пыльного диска на наличие повреждений и иных дефектов перед каждым использованием. Поврежденные или слабо держащиеся края могут стать летающими объектами во время эксплуатации и повысить вероятность получения травмы.
- Не используйте треснувшие или погнутые полотна пилы. Не используйте поврежденные или деформированные пыльные полотна.
- Ни в коем случае не используйте поврежденный или деформированный режущий диск. Ремонт не допускается.
- Не пользуйтесь режущими дисками из быстрорежущей стали.
- Перед работой проверьте, правильно ли установлен режущий диск пилы. Надежно затяните гайку оправки режущего диска перед каждым использованием. (Крутящий момент: 12-15 Nm)
- Крепежные винты и гайки должны быть затянуты с помощью соответствующего ключа.
- Удлинение гаечного ключа или затяжка с использованием молотка не допускается.
- Следите за чистотой дисков и фланцев, проследите также, чтобы углубленные стороны втулки



прилегали к режущему диску.

- Убедитесь в том, что режущий диск вращается в нужном направлении.
- Перед работой выполните имитирующий рез с выключенным двигателем, чтобы проверить положение лезвия, функционирование защитных приспособлений по отношению к другим деталям устройства и заготовке.
- Никогда не оставляйте устройство без присмотра.
- Не пытайтесь смазать маслом режущий диск во время его работы.
- Запрещается проводить работы по техническому обслуживанию и очистке, если устройство все еще работает, а его головная часть не вернулась в исходное положение.
- Никогда не пытайтесь остановить работающее устройство путем заклинивания инструмента или прикладывания предметов к режущему диску. Это может привести к серьезным травмам.
- Перед заменой режущего диска или проведением работ по техническому обслуживанию отключите устройство от питающей сети.
- Будьте внимательны при упаковке и распаковке пыльных дисков, об острые концы можно легко обрезать.
- Переносите пыльный диск с использованием специального держателя или в перчатках.
- Храните пыльный диск в оригинальной упаковке или иной подходящей упаковке в сухости вдали от химических веществ, которые могут повредить диск.

### ПРАВИЛА ТЕХНИКИ БЕЗОПАСНОСТИ ПРИ РАБОТЕ С ЛАЗЕРОМ

- Излучение лазерного указателя, используемое в данном инструменте, соответствует классу 2 с мощностью излучения не более  $\leq 1\text{mW}$  и длиной волны 650 нм. Не смотрите прямо на лазерный луч. Несоблюдение правил может привести к серьезным травмам.

LASER RADIATION  
DO NOT STARE INTO BEAM  
CLASS 2 LASER PRODUCT  
 $\lambda: 650\text{nm}; P51\text{mW}$   
EN 60825-1:2007

В комплект поставки входит наклейка на вашем языке. Необходимо, чтобы вы наклеили ее на предупредительную надпись на английском языке перед началом эксплуатации устройства.

- Не смотрите на лазерный луч во время работы.
- Не направляйте лазерный луч в глаза других лиц. Это может привести к тяжелым нарушениям зрения.
- Не устанавливайте лазер в такое положение, чтобы кто-либо мог намеренно или случайно посмотреть прямо на лазерный луч.
- Не используйте оптических инструментов для

рассматривания лазерного луча.

- Не используйте лазер в присутствии детей и не разрешайте им пользоваться лазером.
- Не пытайтесь самостоятельно отремонтировать лазерное устройство.
- Не пытайтесь самостоятельно заменить какие-либо части лазерного устройства.
- Любой ремонт должен выполняться только изготовителем лазера или уполномоченным сервисным агентом.
- Не заменяйте лазер лазером другого типа.

### ОСТАТОЧНЫЕ РИСКИ

Даже если станок используется в соответствии с предписаниями, все равно невозможно полностью устранить определенные факторы остаточных рисков. Следующие опасности могут возникнуть во время его использования, и во избежание их рабочий должен обратить особое внимание на следующее:

- Опасность контакта с незакрытыми частями вращающегося пыльного диска.
- Отдача от деталей и частей деталей из-за неправильной регулировки или неверного обращения.
- Отбрасывание поврежденных твердосплавных пластин с режущего полотна пилы.
- Возможно повреждение дыхательных путей, если не используется эффективный респиратор.
- Травмирование органов слуха вследствие игнорирования соответствующих средств защиты.

### ТЕХНИЧЕСКОЕ ОБСЛУЖИВАНИЕ

- Не следует вносить корректировки в то время как двигатель находится в движении.
- Перед заменой щеток, смазкой, выполнением каких-либо работ на станке или его техническим обслуживанием всегда вынимайте вилку кабеля питания станка из розетки сети питания.
- После каждого использования проверяйте станок на наличие повреждений или вышедших из строя деталей и незамедлительно производите их ремонт и замену, чтобы обеспечить наилучшее рабочее состояние станка.
- Так как лезвие сильно нагревается после использования, соблюдайте осторожность во время технического обслуживания или процедур очистки.
- Удалите скопившуюся пыль.
- В целях обеспечения безопасности и надежности все ремонтные работы, за исключением работы со щетками, к которым возможен доступ снаружи, должны производиться специалистами авторизованного сервисного центра.
- О неисправностях станка, включая неисправность



защитных приспособлений и режущих полотен пилы, необходимо сообщать сразу же после их обнаружения.

- Если кабель питания поврежден, во избежание опасности его должен заменить либо сам производитель, либо специалист авторизованного сервисного центра. Обратитесь в авторизованный сервисный центр.

### ⚠ ОСТОРОЖНО

Для большей безопасности и надежности, все ремонтные работы должны быть выполнены Ryobi авторизованным сервисным центром.

### ЗАЩИТА ОКРУЖАЮЩЕЙ СРЕДЫ



Не выбрасывайте сырье. Сдавайте его в переработку. Машина, аксессуары и упаковка должны быть отсортированы.

### СИМВОЛ



Внимание



Соответствие требованиям CE



Знак Евразийского Соответствия



Внимательно прочтите данные инструкции перед использованием продукта.



Оборудование класса II, двойная изоляция



Применяйте средства защиты органов слуха



Всегда надевайте защитные очки.



ОПАСНО! Острый режущий диск!



Носите защитные перчатки.



Направление вращения диска (показано на пильном диске)



Ширина пропила пильного диска



Количество зубьев на этом пильном диске



Предназначен для распила древесины и аналогичных материалов



Нельзя использовать для резки металлов



Не смотрите на луч лазера.



Лазерное излучение.  
Лазерное изделие класса 2  
 $\lambda$ : 650nm;  $P \leq 1$ mW  
EN 60825-1:2007



Отработанная электротехническая продукция должна уничтожаться вместе с бытовыми отходами. Утилизируйте, если имеется специальное техническое оборудование. По вопросам утилизации проконсультируйтесь с местным органом власти или предприятием розничной торговли.

### ОБОЗНАЧЕНИЯ В РУКОВОДСТВЕ



Подключите изделие к электросети.



Отключите изделие от электросети.



Зафиксировать



Расцепить



Звуковой сигнал



Необходимо подождать



Детали или принадлежности,  
приобретаемые отдельно



Примечание:



ОСТОРОЖНО





W przypadku tej grzbietnicy zwrócono szczególną uwagę na zapewnienie bezpieczeństwa, wysokiej wydajności oraz niezawodności.

### PRZEZNACZENIE

Produkt jest przeznaczony do piłowania twardego drewna, sklejki, fornirow, materiałów drewnopodobnych oraz tworzywa sztucznych.

Produkt można użytkować wyłącznie zgodnie z jego normalnym przeznaczeniem.

### OGÓLNE OSTRZEŻENIA DOTYCZĄCE BEZPIECZEŃSTWA

#### OSTRZEŻENIE

Podczas używania jakichkolwiek urządzeń elektrycznych należy zachowywać podstawowe środki ostrożności. Pozwoli to uniknąć niebezpieczeństwa pożaru, porażenia prądem lub zranienia. Przed rozpoczęciem pracy zapoznać się ze wszystkimi instrukcjami i zachować je do późniejszego użytku.

- **Miejsce pracy utrzymywać w czystości.** Zagracone miejsce pracy lub warsztat to częsta przyczyna zranień.
- **Ocenić warunki panujące w miejscu pracy.** Nie wolno wystawiać tego urządzenia na działanie deszczu. Nie wolno używać narzędzi w warunkach mokrych lub wilgotnych. Miejsce pracy musi być dobrze oświetlone. Nie używać narzędzi w obecności palnych płynów lub gazów.
- **Chronić się przed ryzykiem porażenia prądem elektrycznym.** Unikać kontaktu ciała z ziemią lub uziemionymi powierzchniami (rury, instalacje grzewcze i chłodnicze).
- **Osoby postronne utrzymywać z dala od miejsca pracy.** Nie dopuszczać do miejsca pracy innych osób, szczególnie dzieci ani nie zezwalać na dotykanie narzędzia lub przedłużacza lub na wykonywanie prac za pomocą narzędzia.
- **Nieużywane narzędzia należy odpowiednio przechowywać.** Nieużywane narzędzia należy przechowywać w suchym, zamkniętym miejscu, niedostępnym dla dzieci.
- **Nie przeciążać urządzenia.** Najlepsze efekty pracy, przy zachowaniu pełnego bezpieczeństwa, zapewni używanie tego narzędzia w zakresie parametrów znamionowych i stosownie do jego przeznaczenia.
- **Używać odpowiednich narzędzi.** Nie stosować niewielkich narzędzi do wykonywania prac odpowiednich dla narzędzi przystosowanych do pracy przy dużych obciążeniach. Nie wolno używać żadnych narzędzi do celów, do których nie są przeznaczone: np. pił tarczowych do odcinania gałęzi lub cięcia kłody drewna.
- **Należy zakładać odpowiednią odzież ochronną.** Nie wolno zakładać luźnej biżuterii ani ubrań - mogą zostać wciągnięte przez ruchome elementy urządzenia. Podczas pracy na zewnątrz zaleca się zakładać obuwie antypoślizgowe. Długie włosy należy zabezpieczyć odpowiednim nakryciem głowy.
- **Stosować środki ochrony osobistej.** Zakładać okulary ochronne. Zastosuj maskę na twarz lub maskę przeciwpyłową w przypadku wykonywania prac, podczas których powstaje dużo pyłu.
- **Stosować urządzenia wyciągowe.** Jeśli używane narzędzie posiada przyłącze do wyciągu i gromadzenia kurzu, należy go stosować.
- **Nie uszkodzić przewodu zasilania.** Nie ciągnąć za przewód w celu wyjęcia wtyczki z gniazda sieciowego. Przewód zasilania trzymać z dala od źródeł ciepła, oleju i ostrych krawędzi.
- **Zabezpieczyć obrabiany przedmiot.** Obrabiany przedmiot zabezpieczyć w zacisku lub imadle, o ile to możliwe. Jest to bardziej bezpieczne niż używanie dłoni.
- **Nie sięgać zbyt daleko.** Należy cały czas pewnie opierać stopy i utrzymywać równowagę.
- **Narzędzia konserwować z zachowaniem ostrożności.** Utrzymywać narzędzia tnące w czystości i naostrzone, co umożliwi uzyskanie lepszej wydajności i większego bezpieczeństwa. Przestrzegać instrukcji smarowania i wymiany przystawek i akcesoriów. Systematycznie kontrolować stan przewodów zasilających, a w przypadku stwierdzenia ich uszkodzenia, niezwłocznie dokonać naprawy w autoryzowanym serwisie. Przedłużacze należy systematycznie kontrolować i wymieniać w przypadku uszkodzenia. Rękojeści utrzymywać w czystości, muszą być zawsze suche, wolne od oleju i smarów.
- **Odłączać nieużywane narzędzia.** Gdy narzędzie nie jest używane, ma być serwisowane, przed zmianą przystawek lub akcesoriów, takich jak ostrza, noże, osłony itp., należy je odłączyć od zasilania.
- **Usunąć z miejsca pracy wszelkie klucze i narzędzia.** Konieczne jest wypracowanie nawyku sprawdzania, czy wszystkie narzędzia użyte do montażu akcesoriów lub regulacji, zostały usunięte przed rozpoczęciem pracy.
- **Unikać możliwości przypadkowego uruchomienia urządzenia.** Przed podłączeniem urządzenia do prądu należy upewnić się, że wyłącznik jest w pozycji wyłączonej.
- **Używać przedłużaczy przeznaczonych do użytku na zewnątrz pomieszczeń.** W przypadku używania urządzenia na zewnątrz, ewentualne przedłużacze muszą być do tego przystosowane i odpowiednio oznaczone.
- **Zachować ostrożność i przytomność umysłu.** Obserwować wykonywane czynności, używać zdrowego rozsądku, nie używać narzędzia będąc w stanie zmęczenia.
- **Kontrolować stan techniczny poszczególnych**



**elementów.** Przed dalszym użyciem urządzenia należy je dokładnie sprawdzić, upewniając się, że działa prawidłowo i zgodnie z przeznaczeniem. Sprawdzić wyrównanie elementów ruchomych, sprawdzić, czy wirują/poruszają się swobodnie, sprawdzić czy nie ma jakichkolwiek uszkodzeń, czy montaż jest poprawny, należy uwzględnić wszystkie aspekty mające wpływ na bezpieczną pracę urządzenia. Uszkodzone elementy należy naprawić lub wymienić w autoryzowanym serwisie, o ile nie podano inaczej w tej instrukcji. Wymienić uszkodzone wyłączniki w autoryzowanym punkcie serwisowym. Nie wolno używać tego urządzenia, jeśli wyłącznik nie pracuje poprawnie.

- **Ostrzeżenie.** Stosowanie jakichkolwiek przystawek, akcesoriów lub innych elementów, które nie zostały wymienione w tej instrukcji grozi wypadkiem.
- **Narzędzia muszą być naprawiane przez wykwalifikowany personel.** Elektronarzędzie, którego dotyczy ta instrukcja, spełnia odpowiednie wymogi w zakresie bezpieczeństwa. Naprawy mogą być przeprowadzane wyłącznie przez wykwalifikowany personel, z użyciem oryginalnych części zamiennych, w przeciwnym wypadku może dojść do zagrożenia bezpieczeństwa użytkownika urządzenia.

#### PILARKA UKOSOWA OSTRZEŻENIA DOTYCZĄCE BEZPIECZEŃSTWA

- Zawsze należy solidnie mocować obrabiany materiał.
- Stosować środki ochrony słuchu! Narażenie na hałas może spowodować utratę słuchu.
- Urządzenia pracujące w wielu różnych miejscach, w tym poza pomieszczeniami zamkniętymi, należy podłączać poprzez wyłącznik różnicowo-prądowy.
- Podczas pracy należy zawsze nosić okulary ochronne. Zalecane jest także noszenie rękawic, mocnego, nie ślizgającego się obuwia oraz ubrania roboczego.
- Przed przystąpieniem do jakichkolwiek prac związanych z elektronarzędziem należy wyjąć wtyczkę z gniazdka.
- Elektronarzędzie można podłączać do gniazdka sieciowego tylko wtedy, kiedy jest wyłączone.
- Kabel zasilający nie może znajdować się w obszarze roboczym elektronarzędzia. Powinien on się zawsze znajdować się za operatorem.
- Podczas pracy maszyny nie wolno usuwać trocin ani drzazg.
- Podczas pracy strugarki nie zbliżać się do strefy niebezpiecznej.
- Przed każdym użyciem należy sprawdzić, czy nie występują oznaki uszkodzeń lub zmęczenia materiału na elektronarzędziu, kablu i wtyczce. Naprawę uszkodzonych części zlecać upoważnionym Przedstawicielom Serwisu.
- Zawsze stosować osłony ochronne na elektronarzędziu.
- Nie zaciskać obrotowej osłony zabezpieczającej.
- Nie używać brzeszczotów/tarcz, które są zniekształcone

lub uszkodzone.

- Wymieniac zużytą wkładkę stołu.
- Nie używać ostrzy nie odpowiadających głównym parametrom podanym w instrukcji obsługi.
- Pokrywa zabezpieczająca może się otworzyć dopiero po przybliżeniu elektronarzędzia do obrabianego przedmiotu.
- Nie używać brzeszczotów wykonanych ze stali szybkotnącej.
- Przed pracą należy wykonać próbną cięcie przy włączonym silniku w celu sprawdzenia położenia ostrza, działania osłon w stosunku do innych części maszyny oraz obrabianego elementu.
- W przypadku wykonywania cięć skośnych, grzbietowych lub złożonych, należy ustawić płótek ślizgowy, aby zapewnić odpowiedni odstęp od ostrza.
- Usterki maszyny, włączając w to urządzenie ochronne lub brzeszczoty, należy natychmiast po wykryciu zgłosić osobie odpowiedzialnej za bezpieczeństwo.
- Brzeszczot należy dobrać odpowiednio do ciętego materiału.
- Tarczówki nigdy nie używać do cięcia materiałów innych niż podane w instrukcji obsługi.
- Tarczówkę transportować tylko z zamkniętym na zatrzask zabezpieczeniem transportowym na rękojeści.
- Piłę należy używać wyłącznie, jeżeli jej osłony bezpieczeństwa są w dobrym stanie technicznym, są prawidłowo konserwowane i znajdują się na swoim miejscu.
- Usuwać resztki materiału z podłogi np. wióry i odcięte kawałki drewna.
- Stosować tylko prawidłowo wyostrzone brzeszczoty. Należy zachowywać maksymalne obroty podane na brzeszczocie.
- Do mocowania brzeszczotu stosować tylko załączone kołnierze, pokazane w instrukcji obsługi.
- Nie wolno usuwać żadnych pozostałości po cięciu lub innych części przedmiotów obrabianych gdy maszyna pracuje a głowica piły nie znajduje się w położeniu spoczynkowym.
- Upewnić się, czy maszyna jest zawsze pewnie osadzona (np. zamocowana na stole warsztatowym).
- Długie przedmioty obrabiane należy odpowiednio podeprzeć.
- Nie używać pękniętych lub zniekształconych brzeszczotów!
- Przed rozpoczęciem użytkowania elektronarzędzia należy przeczytać instrukcję obsługi. O ile to możliwe, należy poprosić o zademonstrowanie pracy narzędzia.
- Pył wydzielający się podczas pracy tego narzędzia może być szkodliwy dla zdrowia. Stosować układ pochłaniania pyłu i nosić odpowiednią maskę ochronną. Dokładnie usunąć nagromadzony pył np. przy pomocy odkurzacza.
- Nie wolno ciąć przedmiotów obrabianych o przekroju





okrągłym lub nieregularnym (np. drewno kominkowe, ponieważ nie są one pewnie zamocowane podczas cięcia. Podczas cięcia pionowego przedmiotów płaskich należy stosować oparcie pomocnicze do pewnego przewodzenia.

- Urządzenie musi być podłączone do zabezpieczenia obwodu elektrycznego (bezpiecznika lub rozłącznika).
  - Podczas użytkowania elektronarzędzi lub wydmuchiwania pyłu należy zawsze nosić okulary ochronne z osłonami bocznymi. Jeśli wykonywanej pracy towarzyszy powstawanie pyłu, należy również stosować maskę przeciwpyłową.
  - Uważaj przy podejmowaniu rowka.
  - Używajcie zawsze tarcz o wymiarze i kształcie dostosowanym do otworu mocującego wrzeciona. Tarcze tnące nie dostosowane do wrzeciona, na którym mają być zamontowane nie będą się nalezyście obracały i mogą spowodować utratę kontroli nad narzędziem.
  - Stosować wyłącznie ostrza wyszczególnione w tym materiale, zgodne z EN 847-1.
  - Nie wymieniać lasera lub LED na innego typu. Naprawy należy powierzyć wyspecjalizowanemu serwisowi lub producentowi lasera.
  - Impuls elektryczny powoduje wahania napięcia i może wpływać na pracę innych urządzeń elektrycznych podłączonych do tej samej linii zasilającej. Podłącz produkt do źródła zasilania o impedancji wynoszącej 0,180 Ω, aby ograniczyć wahania napięcia. Skontaktuj się z dostawcą energii elektrycznej, aby uzyskać szczegółowe informacje.
- INSTRUKCJE BEZPIECZEŃSTWA DOTYCZĄCE OSTRZA DO DREWNA**
- Przed rozpoczęciem użytkowania urządzenia, należy zapoznać się z niniejszym podręcznikiem.
  - Maszyna musi być w dobrym stanie, wrzeciono nie może być odkształcone ani nie może wibrować.
  - Nie używać piły bez zamontowanych osłon, szczególnie po zmianie trybu pracy. Należy zadbać o prawidłowe konserwowanie i działanie osłon.
  - Operator musi być odpowiednio przeszkolony w zakresie zasad bezpieczeństwa, regulacji i obsługi maszyny.
  - Zawsze należy nosić okulary ochronne z bocznymi osłonami oraz zatyczki ochronne do uszu. Zalecane jest także noszenie rękawic, mocnego, nie ślizgającego się obuwia oraz ubrania roboczego.
  - Przed użyciem jakichkolwiek akcesoriów należy zapoznać się z instrukcją obsługi. Nieprawidłowe użycie akcesoriów może spowodować uszkodzenie.
  - Stosować wyłącznie ostrza wyszczególnione w tym materiale, zgodne z EN 847-1.
  - Należy przestrzegać ograniczenia maksymalnej prędkości dot. ostrza piły. Należy upewnić się, że prędkość podana na ostrzu piły jest przynajmniej taka sama jak prędkość podana na pile.
  - Używajcie zawsze tarcz o wymiarze i kształcie dostosowanym do otworu mocującego wrzeciona. Tarcze tnące nie dostosowane do wrzeciona, na którym mają być zamontowane nie będą się nalezyście obracały i mogą spowodować utratę kontroli nad narzędziem.
  - Nie używać ostrzy o większej lub mniejszej średnicy od zalecanej średnicy ostrza. Nie stosować żadnych przekładek/podkładek, aby umożliwić dopasowanie wrzeciona.
  - Przed każdym użyciem należy sprawdzić zęby pilarki stołowej w zakresie uszkodzenia lub nieprawidłowego wyglądu. Uszkodzone lub poluzowane zęby mogą oderwać się od urządzenia i spowodować obrażenia ciała.
  - Nie używać pękniętych lub zniekształconych brzeszczotów! Nie używać brzeszczotów/tarcz, które są zniekształcone lub uszkodzone.
  - Nie używać zdeformowanych lub uszkodzonych tarcz tnących. Nie wolno naprawiać urządzenia.
  - Nie stosować ostrzy HSS.
  - Przed użyciem należy upewnić się, czy ostrze piły jest dobrze zamontowane. Przed każdym użyciem należy, dokręcić mocno nakrętkę oprawki. (Moment obrotowy: 12-15 Nm)
  - Śruby i nakrętki mocujące należy dokręcać odpowiednim kluczem.
  - Stosowanie przedłużki klucza lub młotka do dokręcania jest niedozwolone.
  - Wszystkie ostrza i krawędzie maszyny muszą być czyste, a wypuszczone strony kołnierza muszą być skierowane w stronę ostrza.
  - Sprawdzić, czy ostrza obracając się w odpowiednim kierunku.
  - Przed pracą należy wykonać próbne cięcie przy włączonym silniku w celu sprawdzenia położenia ostrza, działania osłon w stosunku do innych części maszyny oraz obrabianego elementu.
  - Nigdy nie należy pozostawiać maszyny bez nadzoru.
  - Nie aplikować smarów na obracające się ostrze.
  - Nie wolno wykonywać czyszczenia ani konserwacji, gdy maszyny nadal działa, a głowica nie znajduje się w położeniu spoczynkowym.
  - Nie próbować zatrzymać maszyny będącej w ruchu, poprzez przykładanie narzędzia lub innego przedmiotu do ostrza; w ten sposób może dojść do poważnych obrażeń ciała.
  - Odłączyć pilarkę od źródła zasilania przed wymianą ostrzy lub przed przeprowadzeniem czynności konserwacyjnych.
  - Należy zachować ostrożność podczas pakowania i rozpakowywania ostrza. Ostrze zęby ostrza mogą spowodować obrażenia ciała.
  - Podczas obsługi ostrza należy stosować uchwyt lub nosić rękawice ochronne.
  - Ostrze należy przechowywać w oryginalnym





opakowaniu lub innym odpowiednim opakowaniu, przechowywać w suchych warunkach oraz z dala od środków chemicznych, które mogą spowodować uszkodzenie ostrza.

## BEZPIECZEŃSTWO DOTYCZĄCE LASERA

- Zastosowany w urządzeniu laser to urządzenie klasy II o mocy  $\leq 1\text{mW}$  i długości fali 650 nm. Nie wolno patrzeć bezpośrednio w wiązkę lasera. Nieprzestrzeganie zasad może spowodować poważne obrażenia ciała.



Dostarczyliśmy Tobie samoprzylepną etykietę w Twoim języku: przed pierwszym uruchomieniem maszyny przyklej tę etykietę w miejscu tekstu ostrzeżenia po angielsku.

- Nie patrzeć bezpośrednio w wiązkę lasera podczas pracy.
- Nie kierować lasera w stronę oczu osób postronnych. Groziłoby to poważnym uszkodzeniem wzroku.
- Nie umieszczać lasera w sposób pozwalający na świadome lub nieświadome skierowanie wzroku bezpośrednio na promień lasera.
- Nie używać przyrządów optycznych w celu podglądu wiązki lasera.
- Nie używać lasera w pobliżu dzieci ani nie zezwalać dzieciom na jego używanie.
- Nie wolno próbować samodzielnie naprawiać lasera.
- Nie próbować samodzielnie zmieniać żadnych części urządzenia laserowego.
- Naprawy należy powierzyć wyspecjalizowanemu serwisowi lub producentowi lasera.
- Nie wymieniać lasera na laser innego typu.

## RYZIKO ZWIĄZANE Z UŻYTKOWANIEM

Nawet w przypadku użytkowania urządzenia zgodnie z przeznaczeniem, nie jest możliwe całkowite wyeliminowanie określonych zagrożeń. Następujące zagrożenia mogą wystąpić podczas używania urządzenia i operator powinien zwracać szczególną uwagę na poniższe punkty:

- Występuje ryzyko kontaktu z nieosłoniętymi częściami obracającego się ostrza piły.
- Odrzut obrabianego elementu oraz części elementów na skutek nieprawidłowego ustawienia lub obsługi.
- Odrzut z dużą siłą odłamków węglkowych z tarczy tnącej.
- Uszkodzenie układu oddechowego w przypadku braku maski przeciwpyłowej.
- Uszkodzenie słuchu w przypadku braku odpowiednich

środków ochrony słuchu.

## KONSERWACJA

- Kiedy silnik jest w trakcie działania nie wolno wykonywać żadnych regulacji.
- Przed przystąpieniem do wymiany szczotek, smarowania lub wykonywania dowolnych innych prac przy urządzeniu, upewnij się, że wtyczka zasilania została wyjęta z gniazda sieciowego.
- Po każdym użyciu sprawdź, czy urządzenie nie ma uszkodzonych lub zużytych elementów i utrzymuj je w dobrym stanie technicznym, wymieniając lub naprawiając niezwłocznie wszystkie wymagające tego elementy.
- Ostrze jest gorące po użyciu. Należy zachować ostrożność podczas pracy konserwacyjnych lub czyszczenia.
- Usuwać nagromadzony pył.
- Aby zapewnić bezpieczeństwo użytkowania urządzenia i jego niezawodność, wszystkie naprawy z wyjątkiem dostępnych z zewnątrz szczotek powinny być przeprowadzane przez autoryzowany punkt serwisowy.
- Usterki urządzenia, w tym usterki osłon i ostrzy tnących powinny być zgłaszane niezwłocznie po ich stwierdzeniu.
- Uszkodzony przewód sieciowy powinien zostać wymieniony przez autoryzowany punkt serwisowy, samodzielna wymiana zagraża bezpieczeństwu użytkownika. Uszkodzony przewód sieciowy powinien zostać wymieniony przez autoryzowany punkt serwisowy, samodzielna wymiana zagraża bezpieczeństwu użytkownika.

## ⚠ OSTRZEŻENIE

Dla większego bezpieczeństwa i lepszej pewności, wszystkie naprawy powinny być wykonywane w Autoryzowanym Punkcie Serwisowym Ryobi.

## OCHRONA ŚRODOWISKA



Surowce należy oddawać do recyklingu zamiast wyrzucać je na śmieci. Z myślą o ochronie środowiska, narzędzie, akcesoria i opakowania powinny być sortowane.

## SYMBOL



Alarm bezpieczeństwa



Zgodność CE



Znak zgodności EurAsian



Przed uruchomieniem produktu należy dokładnie przeczytać te instrukcje.



Urządzenie II klasy, podwójna izolacja



Stosować środki ochrony słuchu



Zawsze nosić okulary ochronne.

**NIEBEZPIECZEŃSTWO!** Tarcza tnąca powinna być ostra.

Nosić rękawice ochronne.



Kierunek obrotu ostrza (przedstawione na ostrzu pilarki)



Szerokość cięcia ostrza (rzaz)



Liczba zębów tego ostrza pilarki



Do cięcia drewna i materiałów drewnopochodnych



Nie do cięcia metali



Nie patrzeć bezpośrednio w wiązkę lasera.

Promieniowanie lasera.  
Urządzenie laserowe klasy 2  
 $\lambda$ : 650nm;  $P \leq 1$ mW  
EN 60825-1:2007

Zużyte produkty elektryczne nie powinny być utylizowane z odpadami domowymi. Prosimy poddawać recyklingowi w odpowiednich miejscach. Informacje o właściwych metodach recyklingu można uzyskać u władz lokalnych lub sprzedawcy.

**SYMBOLE W INSTRUKCJI**

Podłączyć produktu do prądu.



Odłączyć produktu z gniazda sieciowego.



Blokada



Odkręcenie uchwytu



Słychać dźwięk



Czas oczekiwania



Części lub akcesoria sprzedawane oddzielnie



Uwaga:

**OSTRZEŻENIE**



Bezpečnost, výkon a spolehlivost byli hlavní prioritou při návrhu vaší pokosové pily.

### ZAMÝŠLENÉ POUŽITÍ

Produkt je určen pro řezání masivního dřeva, lepeného dřeva, lepené dýhy, materiálu s vlastnostmi dřeva a plastů.

Toto zařízení lze používat jen pro uvedený účel.

### VŠEOBECNÁ BEZPEČNOSTNÍ VAROVÁNÍ

#### ⚠ VAROVÁNÍ

Pokud používáte elektrické nástroje, měly by být dodržovány základní bezpečnostní předpisy za účelem snížení nebezpečí požáru, elektrického úrazu a osobní újmy. Dříve než výrobek poprvé použijete, důkladně si přečtěte všechny pokyny a poté je uschovejte.

- **Udržujte pracoviště čisté.** Zaházené oblasti a ponky vedou k poraněním.
- **Berte ohled na pracovní oblast.** Chraňte nástroje před deštěm. Nástroj nepoužívejte ve vlhkých ani mokrych prostředích. Mějte pracoviště dobře osvětleno. Nepoužívejte nástroje v přítomnosti hořlavých kapalin nebo plynů.
- **Chraňte se před zásahem elektrickým proudem.** Předcházejte tělesnému kontaktu s uzemněnými nebo zemněnými povrchy (například trubky, radiátory, sporáky, lednice).
- **Udržujte ostatní přihlížející v povzdálí.** Nenechte osoby, obzvláště děti, aby se zapojovaly do práce, dotýkat se nástroje nebo prodlužovacího kabelu a udržujte je mimo pracovní oblast.
- **Ukládejte nevyužívané nástroje.** Nástroj vždy po použití skladujte na suchém místě a mimo dosah dětí.
- **Netlačte na nástroj.** Nástroj bude svou práci provádět lépe a bezpečněji při určeném přísunu materiálu, pro který byl navržen.
- **Používejte správný nástroj.** Nepoužívejte nadměrnou sílu na malé nástroje, abyste vykonali práci jako se silnějším nástrojem. Nepoužívejte nástroj pro práce, pro které není určen, například nepoužívejte rotační pilu pro řezání větví stromu nebo kmenů.
- **Správně se oblékejte.** Nenoste volné oblečení nebo šperky, mohou se zachytit do pohyblivých částí přístroje. Noste neklouzavou obuv, která je doporučena pro venkovní práce. Máte-li dlouhé vlasy, noste pokrývku hlavy.
- **Používejte ochrannou výbavu.** Používejte bezpečnostní brýle. Při práci používejte obličejový štít nebo protiprašný respirátor, pokud při práci vzniká prach.
- **Připojte příslušenství pro odsávání prachu.** Pokud je nástroj vybaven přípojkou pro odsávání prachu a sběrným zařízením, ujistěte se, že jsou zařízení

správně připojena k nástroji, a že se správně používají.

- **Nepoškoďte vodič.** Nikdy nevytrhávejte kabel ze zásuvky. Udržujte kabel mimo horké plochy, olej a ostré hrany.
- **Bezpečná práce.** Používejte svorky nebo svěrák pro přidržení obrobku. Je to bezpečnější než použití vašich rukou.
- **Nepřeceňujte se.** Udržujte řádné postavení a rovnováhu po celou dobu práce.
- **Přístroje pečlivě udržujte.** Řezací nástroje udržujte ostré a čisté, abyste dosáhli lepšího a bezpečnějšího výkonu. Postupujte dle pokynů pro mazání a výměnu příslušenství. Pravidelně kontrolujte kabely přístroje, a pokud jsou poškozeny, nechte je vyměnit v autorizovaném servisu. Pravidelně prohlížejte napájecí kabel a vyměňujte jej, pokud je poškozený. Udržujte rukojeti suché, čisté a bez mastnot a oleje.
- **Odpojte nástroje.** Před servisem, při nepoužívání nebo při výměně příslušenství, jako kotoučů, nástrojů, nožů, se musí nástroje odpojovat ze sítě.
- **Odstraňte seřizovací klíče a nástroje.** Zvykněte si, abyste vždy pohledem zkontrolovali, zda jsou z přístroje před jeho zapnutím odstraněny všechny klíče a seřizovací klíče.
- **Zabraňte náhodnému spuštění.** Zkontrolujte, zda je před zapojením do zásuvky spínač napájení v poloze „off“ (vypnuto).
- **Používejte prodlužovací kabely pro venkovní prostředí.** Pokud používáte nástroje venku, používejte správné prodlužovací kabely určené pro použití venku a také tak označené.
- **Budte ve střehu.** Budte ve střehu, hlídejte, co děláte a používejte zdravý rozum a neprovazujte nástroj, pokud jste unaveni.
- **Zkontrolujte, zda nejsou nějaké díly poškozeny.** Před dalším použitím přístroje je potřeba jej pozorně zkontrolovat, abyste určili, zda bude správně fungovat a vykonávat činnost, na kterou je určen. Zkontrolujte seřízení pohyblivých částí, spojení pohyblivých částí, rozbité části upevňovačů a další jiné podmínky, které mohou ovlivnit chod nástroje. Kryt nebo jiný díl, který se poškodí, je potřeba správně opravit nebo vyměnit v autorizovaném servisním opravě, pokud to není určeno jinak v tomto návodu k obsluze. Poškozené spínače smí vyměnit pouze pověřené servisní středisko. Nástroj nepoužívejte, pokud přepínač nezapíná nebo nevypíná.
- **Varování.** Používání jiného než doporučeného příslušenství nebo doplňků v této příručce může vést k poranění osob.
- **Nástroj nechávejte opravit u kvalifikované osoby.** Tento elektrický nástroj je v souladu s příslušnými bezpečnostními předpisy. Je potřeba, aby opravy vykonávali jen kvalifikované osoby pomocí originálních náhradních dílů, nedodržení pokynu může způsobit značné ohrožení uživatele.



**BEZPEČNOSTNÍ VAROVÁNÍ POKOSOVÁ PILA**

- Obrobek vždy bezpečně upínejte.
- Použijte chrániče sluchu. Působením hluku může dojít k poškození sluchu.
- Přístroje používané v mnoha prostředích včetně venkovních prostředí musí být připojeny na proudový chrániče.
- Při práci se strojem neustále nosit ochranné brýle. Doporučuje se používat ochranné rukavice, pevnou protiskluzovou obuv a zástěru.
- Před zahájením veškerých prací na stroji vytáhnout síťovou zástrčku ze zásuvky.
- Stroj zapínat do zásuvky pouze když je vypnutý.
- Neustále dbát na to, aby byl kabel pro připojení k elektrické síti mimo dosah stroje. Kabel vést vždy směrem dozadu od vás.
- Pokud stroj běží, nesmí být odstraňovány třísky nebo prach.
- Nesahejte do nebezpečného prostoru běžícího stroje.
- Před každým použitím nabíječky přezkontrolujte přívodní kabel, prodlužovací kabel a zástrčku zda nejsou poškozeny a nebo zestárlé. Poškozené díly nechte opravit odborníky.
- Bezpodmínečně používat ochranné štíty na stroji.
- Pohyblivé ochranné prvky se nesmí aretovat v otevřené pozici.
- Nepoužívejte poškozené nebo deformované pilové listy.
- Vyměňte opotřebovanou stolní vložku.
- Pilové kotouče, které neodpovídají požadavkům podle tohoto návodu se nesmí používat.
- Kynvý kryt se smí automaticky otevřít jen při pohybu pily do řezu.
- Nepoužívejte pilové listy vyrobené z rychlořezné oceli.
- Před prací proveďte zkušební řez bez zapnutého motoru tak, aby se dala zkontrolovat poloha nože, funkčnost krytů s ohledem na ostatní části stroje a obrobek.
- Při provádění zkosení, zešíkmení nebo pokosových řezů, nastavte posuvný doraz (vodítko) tak, aby se zajistila správná vzdálenost od kotouče.
- Závady na stroji, ochranném zařízení nebo pilových listech musí být ihned po zjištění nahlášeny osobě zodpovědné za bezpečnost.
- Vyberte pilový list vhodný k řezání vybraného materiálu.
- Kapovací pilu nikdy nepoužívejte k řezání jiných než v návodu k obsluze uvedených materiálů.
- Kapovací pilu přepravujte vždy jen s aretovanou přepravní pojistkou v ruce.
- Pilu používejte jen s bezpečně fungujícími a dobře udržovanými ochrannými kryty.
- Udržujte čistotu a pravidelně zametejte piliny a odřezky.

- Používejte vždy jen řádně naostřené pilové listy. Dodržujte maximální počet otáček uvedený na pilovém listu.
- K upnutí pilového listu používejte výhradně příruby zobrazené v návodu k obsluze.
- Neodstraňujte odřezky a jiné zbytky materiálu z řezného prostoru dokud pila běží a řezná hlava je v pohybu.
- Zajistěte stabilní polohu stroje (například upevněním na pracovní stůl).
- Dlouhé obrobky vhodným způsobem podepřete.
- Nepoužívejte prasklé nebo polámané pilové kotouče.
- Před použitím stroje pečlivě pročtěte návod k používání. Seznamte se s praktickou obsluhou.
- Prach vznikající při práci s nástrojem bývá zdraví škodlivý. Používejte odsávání prachu a navíc se chráňte vhodnou ochrannou maskou. Usazený prach dobře odstraňte, např. odsátím.
- Řezivo s kruhovým nebo nepravidelným průřezem (např. palivové dříví) se nesmí řezat, protože je nelze bezpečně fixovat. Při řezání plochého materiálu na výšku se k bezpečnému vedení musí používat vhodná pomocná zarážka.
- Stroj lze připojit k jistěnému okruhu (pojistkou či jističem).
- Vždy noste bezpečnostní brýle nebo bezpečnostní brýle s postranními štítky, když obsluhujete elektricky poháněný nástroj nebo při rozmýchávání (tvorbě) prachu. Pokud pracujete v prachu, noste také respirátor.
- Opatrně při obražení.
- Vždy používejte kotouč odpovídající velikosti a tvaru s vhodným upínacím průměrem. Pilové kotouče s nesprávným upínacím průměrem se nebudou správně otáčet na hřídeli. Navíc existuje riziko, že ztratíte kontrolu nad nářadím.
- Používejte pouze kotouče určené manuálem, dle EN 847-1.
- Neměňte laser nebo LED za jiný typ. Opravy smí být prováděny jen kvalifikovaným výrobcem laseru nebo pověřeným pracovníkem.
- Výkonové špičky způsobují napětovou fluktuaci a mohou ovlivnit ostatní elektrické přístroje na stejném napájecím okruhu. Připojte výrobek ke zdroji napájení s impedancí rovné 0.180 Ω pro minimalizaci napětové fluktuace. Více informací vám poskytne váš dodavatel elektrické energie.

**BEZPEČNOSTNÍ POKYNY ŘEZNÝ KOTOUČ PRO DŘEVO**

- Nepoužívejte stroj aniž byste si přečetli tento návod.
- Stroj musí být v dobrém stavu, včetně bez deformací a vibrací.
- Nepoužívejte pilu bez namontovaných krytů, zejména po změně režimu. Udržujte kryty v provozuschopném stavu a řádně je udržujte.





- Zajistěte odpovídající školení obsluhy o bezpečnosti, seřízení a obsluze stroje.
- Během údržby noste vždy ochranu sluchu a oči s bočními štíty. Doporučuje se používat ochranné rukavice, pevnou protiskluzovou obuv a zástěru.
- Před použitím doplňku pečlivě pročtete návod k používání. Použití nevhodného doplňku může mít za následek poškození zařízení.
- Používejte pouze kotouče určené manuálem, dle EN 847-1.
- Sledujte maximální rychlost kotouče, vyznačenou na pilovém kotouči. Ujistěte se, že je rychlostní značení pilového kotouče alespoň stejné jako rychlostní značení na pile.
- Vždy používejte kotouč odpovídající velikosti a tvaru s vhodným upínacím průměrem. Pilové kotouče s nesprávným upínacím průměrem se nebudou správně otáčet na hřídeli. Navíc existuje riziko, že ztratíte kontrolu nad nářadím.
- Nepoužívejte kotouče o menším či větším průměru, než doporučeném. Nepoužívejte distanční vložky pro upevnění kotouče na vřeteno.
- Kontrolujte před každým použitím zuby kotouče na poškození či neobvyklý vzhled. Poškozené či uvolněné zuby mohou během používání odlétávat a zvýšit riziko poranění osob.
- Nepoužívejte prasklé nebo polámané pilové kotouče. Nepoužívejte poškozené nebo deformované pilové listy.
- Nikdy nepoužívejte kotouč pily, který je poškozen či deformován. Opravy nejsou přípustné.
- Nepoužívejte HSS kotouče.
- Ujistěte se, že je pilový kotouč před použitím správně namontován. Bezpečně utáhněte matici vřetena před každým použitím. (Točivý moment: 12-15 Nm)
- Upevňovací šrouby a matice je nutné utahovat vhodným klíčem.
- Utahování údery kladivem či prodlužování páky není povoleno.
- Zajistěte, aby všechny kotouče a příruby byly čisté a zahloubené strany objímek byly proti kotouči.
- Ujistěte se, že se pilový kotouč otáčí ve správném směru.
- Před prací proveďte zkušební řez bez zapnutého motoru tak, aby se dala zkontrolovat poloha nože, funkčnost krytů s ohledem na ostatní části stroje a obrobek.
- Přístroj nikdy nenechávejte bez dozoru.
- Nemažte kotouč, když běží.
- Nikdy nečistěte či neudržujte, když stroj ještě běží nebo hlava není v klidové poloze.
- Nikdy se stroj nepokoušejte ihned zastavit zablokováním nástroje, můžete se těžce poranit.
- Odpojte stroj z napájecí zásuvky před prováděním

údržbářských prací, nebo když měníte kotouč.

- Při balení či rozbalování kotouče se lze snadno poranit ostrými zuby kotouče.
- Používejte držák kotouče či při manipulaci s kotoučem noste rukavice.
- Uchovávejte a skladujte kotouč v originálním obalu či jiném vhodném obalu, uchovávejte v suchu a mimo působení chemikálií poškozujících kotouč.

## LASEROVÁ BEZPEČNOST

- Průvodní laserové vodiče vyzařování použité v pile je třídy 2 s maximem  $\leq 1\text{mW}$  a vlnovými délkami 650 nm. Nikdy se nedívejte přímo do laserového paprsku. Nedodržení pravidel může způsobit vážné osobní poranění.



Dodaly jsme vám rovněž štítek ve vašem jazyce a nyní vás prosím žádáme, abyste jej nalepili na anglický text varovného štítku před prvním uvedením stroje do provozu.

- Nedívejte se do paprsku během práce.
- Nemiřte přímo laserový paprsek do očí ostatních. Následkem může být vážné zranění oka.
- Neumísťujte laser do polohy, která může způsobit, že se jiné osoba (y) dívají ať už náhodně nebo úmyslně do laserového paprsku.
- Nepoužívejte optické nástroje pro sledování laserového paprsku.
- Nepoužívejte laser blízko dětí nebo nenechte děti pracovat s tímto laserem.
- Nepokoušejte se sami laserové zařízení opravovat.
- Nezkoušejte sami měnit jakoukoliv část laserového zařízení.
- Opravy smí být prováděny jen kvalifikovaným výrobcem laseru nebo pověřeným pracovníkem.
- Neměňte laser za jiný typ.

## ZBYTKOVÁ RIZIKA

Dokonce, i když se zařízení provozuje jak je předepsáno, je stále nemožné zcela eliminovat veškeré zbytkové rizikové faktory. Následující nebezpečí mohou nastat při používání; vyhybte se:

- Nebezpečí kontaktu s nezakrytými částmi rotujícího kotouče.
- Zpětný vrh obrobku a částí obrobku při nesprávné obsluze.
- Vymrštění ulomených zubů pilového kotouče.
- Poškození plic, pokud se nenosí účinný respirátor.
- Poškození sluchu, pokud se nenosí účinná ochrana



sluchu.

### ÚDRŽBA

- Neprovádějte žádná seřizování, pokud je motor v provozu.
- Vždy zajistěte, aby byla zástrčka stroje odpojena od zdroje napájení před výměnou kartáčů, maziva nebo když provádíte jakékoliv práce či údržbu na stroji.
- Po každém použití zkontrolujte svůj stroj na poškozené či poničené díly a udržujte jej v bezchybném provozním stavu okamžitou výměnou či opravou dílů.
- Kotouč se používáním zahřívá, pozor tedy při údržbě či čištění.
- Vyčistěte nanesený prach.
- Pro zajištění bezpečnosti a spolehlivosti musí provádět všechny opravy autorizované servisní středisko mimo externě přístupných kartáčů.
- Selhání na stroji, včetně chráničů nebo pilových kotoučů je třeba ihned nahlásit, jakmile se zjistí.
- Pokud je napájecí kabel poškozen, musí být nahrazen pouze výrobcem nebo pověřeným servisním střediskem za účelem odstranění nebezpečí. Kontaktujte pověřené servisní středisko.

### VAROVÁNÍ

Z bezpečnostních důvodů a pro zajištění spolehlivosti nářadí musí být veškeré opravy prováděny v autorizované servisní opravě výrobků Ryobi.

### OCHRANA ŽIVOTNÍHO PROSTŘEDÍ



V rámci možností neodhazujte vysloužilý výrobek nebo jeho části do domovního odpadu a snažte se o jejich recyklaci. V souladu s předpisy na ochranu životního prostředí odkládejte vysloužilé nářadí, příslušenství i obalový materiál do tříděného odpadu.

### SYMBOL



Bezpečnostní výstraha



Shoda CE



Euroasijská značka shody



Před použitím přístroje si prosím řádně přečtěte tyto pokyny.



Zařízení třídy II, dvojitá izolace



Noste ochranu sluchu



Vždy noste ochranu očí



NEBEZPEČÍ! Ostrý kotouč



Noste bezpečnostní rukavice.



Směr otáčení kotouče (uvedeno na pilovém kotouči)



Šířka řezu kotouče (zářez)



Počet zubů na pilový kotouč



Pro řezání dřeva a podobných materiálů



Nevhodné pro řezání kovu



Nedívejte se do paprsku.



Laserové záření.  
Laserový výrobek třídy 2  
λ: 650nm; P≤1mW  
EN 60825-1:2007



Odpad elektrických výrobků se nesmí likvidovat v domovním odpadu. Recyklujte prosím na sběrných místech. Ptejte se u místních úřadů nebo prodejce na postup při recyklaci.

### SYMBOLY POUŽITÉ V NÁVODU



Zapojte do výrobek.



Odpojte výrobek.



Zamknuto



Odemknuto



Zní zvuk



Čekací doba



Díly nebo příslušenství jsou v prodeji samostatně



Poznámka:



VAROVÁNÍ



A gérvágó fűrész tervezésekor a biztonság, a teljesítmény és a megbízhatóság voltak a legfontosabb szempontok.

### RENDELTETTÉSZERŰ HASZNÁLAT

A termék tömör fa, ragasztott fa, furnér, fához hasonló anyagok és műanyagok vágására használható.

A készüléket kizárólag az alábbiakban leírtaknak megfelelően szabad használni.

### ÁLTALÁNOS BIZTONSÁGI FIGYELMEZTETÉSEK

#### ▲ FIGYELEM

Elektromos szerszámok használatakor a tűz, elektromos áramütés és a személyi sérülés veszélyének csökkentése érdekében az alapvető biztonsági óvintézkedéseket mindig be kell tartani. Mielőtt a terméket használni kezdi, olvassa el az összes utasítást, és őrizze meg a későbbi használatra.

- **Tartsa tisztán a munkaterületet.** A rendetlen területek és munkapadok vonzzák a sérüléseket.
- **Vizsgálja át a munkaterületet.** Ne tegye ki a gépeket esőnek. Nedves vagy vizes területeken ne használja a gépeket. Jól világítsa meg a munkaterületet. Gyűlékony folyadékok vagy gázok jelenlétében ne használja a gépeket.
- **Védekezzen az áramütés ellen.** Kerülje a testi érintkezést földelt felületekkel (pl. csövekkel, radiátorokkal, hűtőkkel).
- **Tartson távol másokat a munkaterülettől.** Ne hagyja, hogy más személyek, különösen gyerekek részt vegyenek a munkában, megérintsék a szerszámot vagy a hosszabbító kábelt, és tartsa távol őket a munkaterülettől.
- **Tegye el a gépet, ha nem használja.** Használaton kívül a szerszámok legyenek valamilyen száraz, zárt helyen, gyerekektől elzárva kell tárolni.
- **Ne erőltesse a gépet.** A gép jobban teljesít és biztonságosabban dolgozik olyan sebességgel használatakor, amilyenre azt tervezték.
- **A megfelelő szerszámot használja.** Ne erőltesse a kisméretű géppel való munkát olyan esetekben, ahol a feladatot egy nagyobb szerszámmal könnyebb elvégezni. Ne használja a rendeltetésének nem megfelelő célra a gépeket: ne használja például a körfűrészeket faágak vagy rönkök vágására.
- **Viseljen megfelelő ruházatot.** Ne viseljen laza ruházatot vagy ékszereket, amelyek beakadhatnak a mozgó alkatrészekbe. Kültéri munkához csúszásmentes lábbeli viselete javasolt. Viseljen hajvédőt is, ha hosszú haja van.
- **Használjon védelmi berendezést.** Viseljen védőszemüveget. Viseljen arcvédőt vagy pormaszkot, ha a munka során por keletkezik.
- **Csatlakoztassa a porkivező berendezést.** Ha a gép el van látva porkivező vagy gyűjtő berendezésekhez

való csatlakozási lehetőséggel, akkor ügyeljen arra, hogy ezeket csatlakoztassák és megfelelően használják.

- **Ne rongálja meg a kábelt.** Ne rántsa meg a kábelt a hálózathoz való lecsatlakoztatáskor. Hőtől, olajtól és éles szélektől tartsa távol a kábelt.
- **Rögzítse a munkadarabot.** Ahol lehetséges, használjon szorítókat vagy satút a munkadarab rögzítésére. Biztonságosabb, mintha a kezét használná.
- **Ne hajoljon ki túlságosan.** Mindig tartson megfelelő testtartást és egyensúlyt.
- **A szerszámok karbantartását kellő alaposággal végezze.** A vágószerszámokat tartsa élesen és tisztán, hogy teljesítményük jobb és biztonságosabb legyen. Tartozékcseréje és kenés esetén kövesse az útmutatóban leírtakat. Rendszeresen ellenőrizze a hosszabbító kábelt, és cserélje ki, ha sérült. A fogantyúkat tartsa szárazon, tisztán, olajtól és kenőzsírtól mentesen.
- **Csatlakoztassa le a gépeket a hálózathoz.** Használaton kívül, szervizelés előtt, valamint a tartozékok, például kések, bitek és vágók cseréjekor csatlakoztassa le a gépet az elektromos hálózatról.
- **Távolítsa el a beállító kulcsokat és csavar kulcsokat.** Bekapcsolás előtt szokásszerűen ellenőrizze, hogy a csavar kulcsokat és a beállító kulcsokat eltávolította a gépről.
- **Kerülje el a véletlen bekapcsolást.** A hálózathoz való csatlakoztatáskor ellenőrizze, hogy a kapcsoló "ki" állásban van.
- **Kültéri használatra való kábeleket használjon.** A szerszám kültéri használata során csak kültéri használatra is alkalmas és így is jelölt hosszabbító kábeleket használjon.
- **Legyen mindig éber.** Figyeljen arra, amit csinál, használja az összes érzékszervét, és ne használja a szerszám gépet, ha fáradt.
- **Ellenőrizze a sérült alkatrészeket.** A készüléket a további használata előtt ellenőrizni kell, hogy képes megfelelően működni és ellátni a funkcióját. Ellenőrizze a mozgó alkatrészek elrendezését, összekapcsolódását, az alkatrészek törését, rögzítését és minden más körülményt, ami hatással lehet a működésre. Ha egy védőlemez vagy más alkatrész megsérült, azt egy hivatalos szervizközpontban kell megjavíttatni vagy kicseréltetni, hacsak a kezelői útmutató másként nem rendel. A hibás kapcsolókat egy hivatalos szervizközpontban ki kell cseréltetni. Ne használja a gépet, ha a kapcsoló nem kapcsolja be vagy ki.
- **Figyelem.** A használati utasításban nem javasolt tartozékok vagy kiegészítők használata személyi sérülés veszélyét jelentheti.
- **A gépet képzett szakemberrel kell megjavíttatni.** Ez az elektromos szerszám gép megfelel a vonatkozó biztonsági szabályoknak. A javításokat csak képzett szakember végezheti el eredeti cserealkatrészek használatával, máskülönben ez jelentős veszélyt eredményezhet a felhasználó számára.



## GÉRVÁGÓ FŰRÉSZ BIZTONSÁGI FIGYELMEZTETÉSEK

- Mindig biztonságosan rögzítse a munkadarabot.
- Viseljen hallásvédőt. A zajhatás a hallás elvesztését eredményezheti.
- A számos különböző helyen, többek között a szabadban is használt készülékeket hibaáram-védőkapcsolóval kell ellátni.
- Munkavégzés közben ajánlatos védőszemüveget viselni. Védőkesztyű, zárt és csúszásmentes cipő, valamint védőkötény használata szintén javasolt.
- Bármilyen jellegű karbantartás vagy javítás előtt a készüléket áramtalanítani kell.
- Csak a készülék kikapcsolt állapotában dugja be.
- Munka közben a hálózati csatlakozókábelt a sérülés elkerülése érdekében a munkaterülettől, illetve a készüléktől távol kell tartani. Mindig maga mögött vezesse el a kábelt.
- A munka közben keletkezett forgácsokat, szilkánkokat, törmeléket, stb. csak a készülék teljes leállása után szabad a munkaterületről eltávolítani.
- A működő készülék munkaterületére nyúlni balesetveszélyes és tilos.
- Használat előtt vizsgálja meg a készüléket, a hálózati csatlakozókábelt, valamint a csatlakozódugót sérülés és esetleges elhasználódás tekintetében. A készülék javítását csak hivatalos szervizképviselet végezheti.
- A készülék biztonságtechnikai felszereléseit feltétlenül használni kell.
- Ne szorítsa be a forgórészt védő csappantyút.
- Ne használjon sérült vagy deformálódott vágólapot.
- Az elhasználódott asztalbetétet ki kell cserélni.
- Ne használjon olyan fűrészlapot, ami nem egyezik meg a használati útmutatóban feltüntetettekkel.
- A védőborításnak csak akkor szabad felnylnia, ha a a gép csappantyúja a munkadarabhoz ér.
- Ne használjanak gyorsacélból készült fűrészlapokat!
- A munka megkezdése előtt bekapcsolt motor nélkül végezzen egy próbavágást a vágótárcsa helyzete, a védőberendezések működése, a gép más részei és a munkadarab helyzete ellenőrzése céljából.
- Gérvágás, ferdevágás vagy kombinált gérvágások végrehajtásakor állítsa be a vezetősínt, hogy biztosítsa a megfelelő hégagot a fűrészlap számára.
- A gépben, a védőberendezésben vagy a fűrészlapokon jelentkező hibákat észlelésük után azonnal jelenteni kell a biztonságért felelős személynek.
- Válasszanak a vágni kívánt anyagnak megfelelő fűrészlapot!
- A darabolófűrész nem szabad más anyagok vágására használni, mint ami a kezelési útmutatóban szerepel!
- A darabolófűrész a fogantyúján rögzített szállításbiztosítóval kell szállítani!
- A fűrész csak biztonságosan működő és jól karbantartott, a helyére felszerelt védőburkolattal szabad használni.
- A padlót anyagmaradványoktól, pl. forgácstól és fűrészelési maradványoktól tisztán kell tartani.
- Csak előírászerűen megélesített fűrészlapokat szabad használni! Be kell tartani a fűrészlapon feltüntetett maximális fordulatszámot!
- A fűrészlap rögzítéséhez csak a mellékelt és a kezelési útmutatóban ábrázolt karimát szabad használni!
- Ha a gép jár és a fűrészfej nincs nyugalmi állapotban, nem szabad eltávolítani fűrészelési maradványokat vagy más munkadarabrészeket a fűrészelési tartományból.
- Biztosítani kell, hogy a gép helyzete állandóan biztonság legyen (pl. rögzítve legyen a munkapadon).
- A hosszú munkadarabokat alkalmas módon meg kell támasztani.
- Tilos repedt vagy deformált fűrészlapot használni!
- A készülék használata előtt olvassa el az útmutatót. Ha lehet, a gyakorlatban is sajátítsa el a készülék használatát.
- A munkavégzőkor keletkező por ártalmas lehet. Ilyen esetben ajánlatos a megfelelő elszívó berendezés és a védőmaszk használata. A munkaterületen lerakódott port alaposan el kell takarítani.
- Nem szabad kör-, vagy szabálytalan keresztmetszetű munkadarabokat (pl. tűzifa) fűrészelni, mivel a fűrészlécnek nem lehet ezeket biztosan rögzíteni. Az élére állított lapos munkadarabok fűrészelésénél a biztos megvezetéshez egy megfelelő segédütközőt kell használni.
- A gépet egy áramkörvédő eszközhöz kell csatlakoztatni (biztosíték vagy megszakító).
- Elektromos szerszámgépek használatakor vagy a por kifúvásakor mindig viseljen védőszemüveget vagy oldalellenzővel rendelkező védősisakot. Ha a használat poros környezetben történik, vegyen fel egy pormaszkot is.
- Vigyázz, ha így egy barázdá.
- Kizárólag olyan tárcsákat használjon, melyek mérete és formája megfelel a tengely furatátmérőjének. Egy, a hajtótengelynek nem megfelelő fűrészártácsa nem fog megfelelőképp forogni, és így ahhoz vezethet, hogy elveszíti uralmát a gép felett.
- Csak az útmutatóban meghatározott fűrészlapot használjon, amely megfelel az EN 847-1 előírásainak.
- Ne cserélje ki a lézert vagy LED más típusúra. A javításokat csak a lézer gyártója vagy a hivatalos szervize végezheti el.
- A pillanatnyi áramfelvétel kiugrások feszültségingadozást okozhatnak és ez az azonos áramkörbe kapcsolt más elektromos termékek működésére is hatással lehet. A feszültségfluktuációk minimalizálása érdekében a terméket olyan áramforráshoz csatlakoztassa, amelynek impedanciája 0.180 Ω. További információkért forduljon az áramszolgáltatóhoz.



**BIZTONSÁGI ÚTMUTATÓ FAVÁGÓ LAPOKHOZ**

- A gép használata előtt olvassa el az utasításokat a kézikönyvben.
- A gépnek jó állapotban kell lennie, az orsó nem lehet deformált és nem rezeghet.
- Ne használja a fűrész, ha a védőburkolatok nincsenek a helyükön, különösen üzemmódváltás után. A védőberendezések legyenek működőképes, megfelelően karbantartott állapotban.
- Ügyeljen arra, hogy a kezelő ismerje a biztonsági óvintézkedéseket, és a gép beállításának és működtetésének módját.
- Mindig viseljen oldalellenzős szemvédőt, valamint fülvédőt is. Védőkesztyű, zárt és csúszásmentes cipő, valamint védőkötény használata szintén javasolt.
- Bármilyen tartozék használata előtt olvassa el a használati útmutatót. Egy kiegészítő nem megfelelő használata sérülést okozhat.
- Csak az útmutatóban meghatározott fűrészlapot használjon, amely megfelel az EN 847-1 előírásainak.
- Ügyeljen a fűrészlapon látható maximális fordulatszámra. Ügyeljen arra, hogy a fűrészlap oldalán megadott fordulatszámérték legalább annyi legyen, mint a fűrészben megadott.
- Kizárólag olyan tárcsákat használjon, melyek mérete és formája megfelel a tengely furatátmérőjének. Egy, a hajtótengelynek nem megfelelő fűrész tárcsa nem fog megfelelőképp fogorni, és így ahhoz vezethet, hogy elveszíti uralmát a gép felett.
- Ne használjon az ajánltnál nagyobb vagy kisebb átmérőjű fűrészlapokat. Ne használjon távtartókat ahhoz, hogy a fűrészlap illeszkedjen az orsóra.
- Minden használat előtt ellenőrizze a fűrészlap élet sérülések vagy látható elváltozások tekintetében. A sérült vagy rosszul rögzített élek használat közben kirepülhetnek, ami személyi sérülést okozhat.
- Tilos repedt vagy deformált fűrészlapot használni! Ne használjon sérült vagy deformálódott vágólapot.
- Ne használja a fűrészlapot, ha megsérült vagy deformálódott. A javítás nem engedélyezett.
- Ne használjon HSS fűrészlapokat.
- Használat előtt győződjön meg róla, hogy a fűrészlap megfelelően rögzítve van. Használat előtt erősen húzza meg a tengelyen levő csavaranyát. (Nyomaték: 12-15 Nm)
- A rögzítősavarokat és -anyákat a megfelelő kulccsal meg kell húzni.
- Kulcsoshosszabbító használata vagy behúzás a kulcs szárának kalapáccsal való ütésével nem engedélyezett.
- Ellenőrizze, hogy a teljes fűrészlap és peremek tiszták, és a gallér rovátkás oldala van a fűrészlapon.
- Ellenőrizze, hogy a fűrészlap a megfelelő irányba forog.
- A munka megkezdése előtt bekapcsolt motor nélkül végezzen egy próbavágást a vágótárcsa helyzete, a védőberendezések működése, a gép más részei és a

munkadarab helyzete ellenőrzése céljából.

- Soha ne hagyja a gépet felügyelet nélkül.
- Ne vigyen fel kenőanyagot a fűrészlapra, ha forog.
- Ne hajtson végre semmilyen tisztítási vagy karbantartási műveletet, ha a gép még forog és a fej nincs nyugalmi pozícióban.
- Ne próbálja hirtelen megállítani a gépet, ha mozgásban van, úgy, hogy beakaszt egy szerszámot vagy más tárgyat a fűrészlapba, mert ez súlyos balesetet okozhat.
- Válassza le a fűrész a hálózatról a fűrészlapok cseréje vagy karbantartás végrehajtása előtt.
- Figyeljen oda a fűrészlap ki- és becsomagolásakor, könnyen megsérülhet az éles élek miatt.
- Használjon tartót vagy viseljen kesztyűt a fűrészlap kezelésekor.
- A fűrészlapot az eredeti csomagolásban vagy más erre alkalmas tartóban tárolja, száraz helyen és a fűrészlapot esetleg károsító vegyszerektől távol.

**A LÉZER BIZTONSÁGOS HASZNÁLATA**

- A fűrészben használt lézersugár besorolása: Class 2, legfeljebb  $\leq 1\text{mW}$  teljesítménnyel és 650 nm hullámhosszal. Ne nézzen közvetlenül a lézersugárba. A szabályok mellőzése súlyos személyi sérülést eredményezhet.



Egy az Ön nyelvén írt szöveget tartalmazó öntapadó címkét adtuk Önnek, és arra kérjük, hogy cserélje le erre az angol nyelvű figyelmeztető címkét a gép első átvétele előtt.

- Ne nézzen a sugárba a gép használata közben.
- Ne irányítsa a lézersugarat mások szemébe. Ez komoly szemsérülést eredményezhet.
- Ne tegye le a lézert olyan helyzetben, hogy valaki szándékosan vagy véletlenül a lézersugár útjába kerülhessen.
- Ne használjon optikai eszközöket a lézersugár láthatóvá tételére.
- Ne használja a lézert gyerekek mellett, és ne engedje, hogy azt gyerekek használják.
- Ne próbálja egyedül megjavítani a lézerberendezést.
- Ne próbálja meg önmaga kicserélni a lézerkészülék egyik alkatrészét sem.
- A javításokat csak a lézer gyártója vagy a hivatalos szervize végezheti el.
- Ne cserélje ki a lézert más típusúra.

**VISSZAMARADÓ KOCKÁZATOK**

Bizonyos visszamaradó kockázati tényezőket a gép előírások szerinti használatakor sem lehet teljesen kiküszöbölni. A gép használata során a következő



veszélyek merülhetnek fel, és a kezelőnek különösen oda kell figyelnie az alábbiak elkerülésére:

- Érintkezésveszély a forgó fűrészlap nem védett részeivel.
- A munkadarab és a munkadarab részeinek visszarúgása helytelen beállítás vagy kezelés következtében.
- Hibás karbid élek letörése a fűrészlapról.
- A légzőrendszer károsodása léphet fel, ha nem viselnek hatékony pormaszkot.
- Halláskárosodás a fül viseletének elmulasztása miatt.

### KARBANTARTÁS

- Semmilyen beállítást ne végezzen a készüléken, ha a motor üzemben van.
- A kefék cseréjekor, a gép kenésekor, vagy más munkák és karbantartás végzése esetén ügyeljen arra, hogy a gép ki legyen húzva az elektromos hálózatról.
- Minden használat után ellenőrizze a gépet sérült vagy törött alkatrészek tekintetében, és a hibás darabok azonnali javítása vagy cseréje révén biztosítsa a gép működőképességét.
- A fűrészlap a használat után forró, elővigyázatosan járjon el a karbantartási vagy tisztítási művelet során.
- Tisztítsa meg a felgyülemlett portól.
- A biztonság és a megbízható működés érdekében minden javítást - kivéve a kívülről is elérhető kefék cseréjét - a hivatalos szervizközpontban kell elvégezni.
- A gép meghibásodását, beleértve a védőburkolatok vagy a fűrészlapok meghibásodását is, az észlelést követően a lehető leghamarabb be kell jelenteni.
- Ha a tápkábel sérült, azt a veszélyek elkerülése érdekében csak a gyártó vagy annak hivatalos szervizközpontja cserélheti ki. Lépjen kapcsolatba egy hivatalos szervizközponttal.

### ▲ FIGYELEM

A biztonság és a megbízhatóság érdekében, minden javítási munkát elgy Ryobi Szerviz Központban végeztesse el.

### KÖRNYEZETVÉDELLEM



Segítse elő az alapanyagok újrahasznosítását azzal, hogy nem helyezi el őket a háztartási szemétkben. Környezetvédelmi megfontolásból a kiszolgált berendezést, tartozékokat és csomagolóanyagokat szelektív módon kell elhelyezni.

### SZIMBÓLUM



Biztonsági figyelmeztetés



CE megfelelés



Eurázsiai megfelelési jelzés.



Kérjük, olvassa át gondosan ezt az útmutatót a termék beindítása előtt.



II. osztályú berendezés, kettős szigetelés



Viseljen fülvédőt



Mindig viseljen védőszemüveget.



VESZÉLY! Éles fűrészlap.



Viseljen védőkesztyűt.



A fűrészlap forgásiránya (a fűrészlapon látható)



Fűrészlap vágásszélessége (fűrészjárat)



A fűrészlap fogainak száma



Fa és azzal analóg anyagok vágására alkalmas



Nem alkalmas fémek vágására



Ne nézzen a lézersugárba.



Lézersugárzás.  
osztályú lézeres termék  
λ: 650nm; P≤1mW  
EN 60825-1:2007





A kiselejtezett elektromos termékeket nem szabad a háztartási hulladékkal együtt kidobni. Ezeket újra kell hasznosítani, ha van rá lehetőség. Az újrahasznosítással kapcsolatban érdeklődjön a helyi önkormányzatnál vagy a termék forgalmazójánál.

## A KÉZIKÖNYVBEN HASZNÁLT SZIMBÓLUMOK



Dugja be a terméket a hálózatba.



Húzza ki a terméket az elektromos hálózatból.



Retesz



Szétnyitás



Egy hang hallható



Várakozási idő



Külön értékesített alkatrészek és kiegészítők



Megjegyzés:



FIGYELEM



Au fost acordate priorități maxime siguranței, performanței și fiabilității în proiectarea ferăstrăului dvs. pentru tăieri înclinate

### DOMENIU DE APLICAȚII

Acest produs este destinat pentru tăierea lemnului solid, plăcilor din lemn aglomerat, plăcilor de furnir, a materialelor asemănătoare din lemn și a plasticului.

Nu utilizați acest produs în alt mod decât cel stabilit pentru utilizare normală.

### AVERTISMENTE GENERALE PRIVIND SIGURANȚA

#### ⚠️ AVERTISMENT

Atunci când utilizați unelte electrice, întotdeauna trebuie luate măsuri de siguranță pentru a reduce riscul producerii de incendii, șocuri electrice sau leziuni. Citiți aceste instrucțiuni înainte de a încerca să utilizați acest produs și păstrați instrucțiunile.

- **Păstrați curățenia la locul de muncă.** Zonele și bancurile de lucru dezordonate favorizează accidentele.
- **Țineți cont de mediul de lucru.** Nu expuneți uneltele în locuri umede sau cu apă. Păstrați spațiul de lucru bine luminat. Nu utilizați uneltele în prezența lichidelor sau a gazelor inflamabile.
- **Protecție împotriva electrocutării.** Evitați contactul corpului cu suprafețele conectate la pământ sau la masă (de ex. conducte, radiatoare, mașini de gătit, frigider).
- **Nu lăsați alte persoane să se apropie.** Nu lăsați persoanele, în special copiii, să se implice în lucrare, să atingă unealta sau cablul prelungitor și nu le permiteți să se apropie de zona de lucru.
- **Depozitați uneltele inactive.** Când nu este utilizată, unealta trebuie depozitată într-un loc uscat prevăzut cu încuietore și nu trebuie lăsată la îndemâna copiilor.
- **Nu forțați unealta electrică.** Acesta va realiza operația mai bine și mai sigur, la viteză pentru care a fost conceput.
- **Utilizați unealta potrivit.** Nu utilizați uneltele cu capacitate mică pentru lucrări destinate uneltelor cu capacitate mare. Nu utilizați unelte pentru alte scopuri decât cele destinate, de exemplu, nu utilizați ferăstrăul circular pentru a tăia crengi sau trunchiuri de copac.
- **Îmbrăcați-vă corespunzător.** Nu purtați haine prea largi sau bijuterii, acestea pot fi prinse în piesele mobile. Când lucrați afară este recomandată încălțăminte anti-alunecare. De asemenea, în cazul în care aveți părul lung, purtați o plasă de păr de protecție, care să îl acopere.
- **Utilizați echipament de protecție.** Utilizați ochelari de protecție. Utilizați o mască de gaze sau o mască antipraf, dacă se creează praf în timpul lucrărilor.
- **Conectați echipamentul de extracție a prafului.** Dacă unealta este prevăzută pentru conectarea echipamentului de extracție și de colectare a prafului, asigurați-vă că acestea sunt conectate și utilizate corect.
- **Nu forțați cordonul.** Nu trageți niciodată de cablu pentru a-l deconecta de la priză. Țineți cablul la distanță de căldură, ulei și muchiile ascuțite.
- **Securizați lucrarea.** Când este posibil, utilizați dispozitive de fixare sau o menghină pentru a fixa piesa de lucru. Este mai sigur decât să vă utilizați mâinile.
- **Nu vă întindeți excesiv.** În timpul operării dispozitivului, păstrați-vă în permanență echilibrul și stabilitatea.
- **Întrețineți unealta cu grijă.** Păstrați uneltele de tăiere ascuțite și curate, pentru performanță mai bună și mai sigură. Urmați instrucțiunile pentru lubrifierea și schimbarea accesoriilor. Verificați cablurile unei perioade și, dacă sunt deteriorate, acestea trebuie reparate de un centru de service autorizat. Inspectați cordonul de racord în mod periodic și înlocuiți-le dacă sunt deteriorate. Păstrați mânerul uscat, curat și fără pete de ulei și vaselină.
- **Deconectați uneltele.** Când nu sunt utilizate, înainte de revizie și când schimbați accesoriile, precum lame, burghie și cuțite, deconectați uneltele de la alimentarea electrică.
- **Îndepărtați cheile de reglare.** Formați-vă obiceiul de a verifica dacă ați scos toate cheile și duliile de reglare din unealtă înainte de pornirea acesteia.
- **Evitați pornirea accidentală.** Asigurați-vă că comutatorul este în poziția "off" (oprit) la conectarea la priza electrică.
- **Utilizați cabluri prelungitoare pentru exterior.** Când unealta este utilizată în exterior, utilizați doar cabluri de prelungire destinate pentru exterior și marcate corespunzător.
- **Fiți vigilenți.** Fiți atenți la ceea ce faceți, acționați cu simț practic și nu folosiți uneltele atunci când sunteți obosiți.
- **Verificați părțile deteriorate.** Înainte de utilizarea unei unealte, aceasta trebuie verificată cu atenție, pentru a determina dacă va funcționa corect și dacă își va îndeplini funcția destinată. Verificați alinierea pieselor mobile, lipirea pieselor mobile, spargerea pieselor, montarea și orice alte stări care pot afecta funcționarea acestora. O protecție sau altă piesă care este deteriorată trebuie reparată sau înlocuită în mod corect de un centru de service autorizat, dacă nu se indică altfel în acest manual de instrucțiuni. Comutatoarele defecte trebuie înlocuite de un centru de service autorizat. Nu utilizați unealta, în cazul în care comutatorul nu o poate porni și opri.
- **Avvertisment.** Utilizarea oricărui accesoriu sau dispozitiv atașabil, cu excepția celor care sunt recomandate de acest manual de instrucțiuni poate prezenta risc de vătămare corporală.
- **Unealta trebuie reparată de o persoană calificată.** Această unealtă electrică respectă regulile de siguranță relevante. Reparațiile trebuie efectuate doar de persoane calificate, utilizând piese de schimb originale, în caz contrar există pericole considerabile pentru utilizator.

**AVERTIZĂRI DE SIGURANȚĂ FERĂSTRĂU  
UNGHILUAR**

- Prindeți întotdeauna piesa de lucru în condiții de siguranță.
- Purtați aparatoare de urechi. Expunerea la zgomot poate produce pierderea auzului.
- Aparatele utilizate în multe locații diferite inclusiv în aer liber trebuie conectate printr-un disjunctoare care previne comutarea.
- Purtați întotdeauna ochelari de protecție atunci când utilizați mașina. Se recomandă purtarea mănușilor, a încălțăminte solide nealunecoase și a șorțului de protecție.
- Întotdeauna scoateți stecarul din priză înainte de a efectua intervenții la mașină.
- Conectați la rețea numai când mașina este oprită.
- Păstrați cablul de alimentare la distanță de aria de lucru a mașinii. Întotdeauna țineți cablul în spatele dvs.
- Rumegeșul și spanul nu trebuie îndepărtate în timpul funcționării mașinii.
- Nu intrați niciodată în zona de pericol a plăcii când este în mișcare.
- Înainte de utilizare, verificați mașina, cablul și ștecărul pentru orice defecțiuni sau uzură a materialului. Reparațiile vor fi efectuate numai de către agenții de service autorizați.
- Întotdeauna utilizați ecranele de protecție ale mașinii.
- Nu fixați apărătoarea rabatabilă.
- Nu folosiți pânze de circular deteriorate ori deformat.
- Înlocuiți inserția uzată a mesei.
- Nu utilizați lamele care nu corespund datelor oferite în prezentele Instrucțiuni de utilizare.
- Capacul de protecție trebuie deschis numai când mașina este coborâtă spre piesă.
- Nu folosiți pânze de ferăstrău din oțel rapid.
- Înainte de lucru, faceți o tăiere de probă fără a avea motorul pornit în așa fel încât poziția discului, funcționarea apărătorilor față de alte părți ale aparatului și a piesei de lucru să poată fi verificate.
- Când efectuați tăieri în unghi, tăieri oblice sau tăieri în unghi compuse, reglați rigla de ghidare glisantă pentru a asigura spațiul liber potrivit față de discul de tăiere.
- Eventualele defecțiuni ale mașinii, inclusiv cele la instalația de protecție respectiv la pânzele de ferăstrău, trebuie comunicate fără întârziere persoanei responsabile pentru siguranță, imediat după descoperirea defecțiunii.
- Folosiți pânza de ferăstrău potrivită pentru materialul care urmează a fi tăiat.
- Nu folosiți ferăstrăul de spintecat niciodată pentru tăierea altor materiale decât cele indicate în instrucțiunile de utilizare.
- Transportați ferăstrăul de spintecat numai cu siguranța de transport de la mânerul de transport blocată.
- Ferăstrăul de retezat va fi folosit doar cu învelitoare de protecție bine întreținută, a cărei funcțiune este sigură și care este în poziție.
- Păstrați podeaua liberă de resturi de material, de ex. așchii și resturi de la tăiatul lemnului.
- Folosiți numai pânze de ferăstrău ascuțite regulamente. Respectați turația maximă indicată pe pânza de ferăstrău.
- Folosiți pentru fixarea pânzei de ferăstrău numai flanșele furnizate cu mașina și reprezentate în imaginea din instrucțiunile de utilizare .
- Nu îndepărtați resturi de tăiere sau alte părți de piesă din zona de tăiere atâta timp cât mașina se află în mișcare, iar capul ferăstrăului nu a ajuns în poziția de repaus.
- Aveți în vedere ca mașina să aibe mereu o poziție sigură (de ex. fixați-o la bancul de montaj).
- Piese lungi se vor sprijini în mod corespunzător.
- Nu folosiți lame de ferăstrău crăpate sau deformat.
- Înainte de utilizarea sculei, vă rugăm citiți instrucțiunile. Se prezintă scula, dacă este posibil .
- Praful care apare când se lucrează cu această sculă poate fi dăunător sănătății. Utilizați un sistem de absorbție a prafului și purtați o mască de protecție împotriva prafului. Îndepărtați cu grijă praful depozitat, de ex. cu un aspirator.
- Nu este permis ca piesele cu secțiune circulară sau neregulată (de ex. lemne de foc) să fie tăiate la fierăstrău, întrucât în timpul tăierii ele nu sunt fixate în condiții de siguranță. La tăierea pieselor plane în poziție verticală trebuie utilizat un opritor auxiliar adecvat în vederea asigurării unei ghidări sigure.
- Mașina trebuie să fie conectată la un dispozitiv de protecție a circuitului (siguranță sau disjunctoare).
- Atunci când operați scula electrică sau când îndepărtați praful, purtați întotdeauna ochelari de protecție sau ochelari de protecție cu apărători laterale. Dacă mediu de lucru este plin de praf, purtați întotdeauna o mască împotriva prafului.
- Aveți grijă atunci când faceți un șanț.
- Utilizați întotdeauna lame de mărimea și forma adaptate la diametrul axului. Lamele neadaptate la axul pe care trebuie să fie montate nu se vor roti corect și pot conduce la o pierdere a controlului asupra aparatului.
- Folosiți numai pânze specifice în acest manual, în conformitate cu EN 847-1.
- Nu înlocuiți laserul sau LED cu un alt laser sau LED , de alt tip. Orice reparații trebuie să fie efectuate numai de către producătorul laserului sau de către agent de service autorizat.
- O cădere a tensiunii cauzează fluctuații ale voltajului și poate afecta alte produse electrice de la aceeași sursă de curent. Conectați produsul la o sursă de curent cu o impedanță egală cu 0.180 Ω pentru a reduce fluctuațiile de voltaj. Contactați furnizorul dvs de energie electrică pentru clarificări ulterioare.

**INSTRUCȚIUNI DE SIGURANȚĂ ALE DISCULUI DE  
ȚĂIAT LEHM.**

- Citiți instrucțiunile din acest manual înainte de operarea uneltei.
- Aparatul trebuie să fie într-o stare bună, fusul să fie nedeforimat și să nu aibă vibrații.
- Nu folosiți ferăstrăul fără a avea apărătorile la locul lor, în special după schimbarea modului. Țineți apărătorile în stare bună de funcționare și întreținute corespunzător.
- Asigurați-vă că operatorul este instruit corespunzător privind precauțiile de siguranță, reglarea și operarea aparatului.
- Purtați întotdeauna ochelari de protecție cu apărători laterale, împreună cu protecție auditivă. Se recomandă purtarea mănușilor, a încălțămintei solide nealunecoase și a șorțului de protecție.
- Înainte de a utiliza orice accesoriu, consultați manualul de instrucțiuni. Folosirea incorectă a unui accesoriu poate provoca daune.
- Folosiți numai pânze specificate în acest manual, în conformitate cu EN 847-1.
- Respectați turația maximă marcată pe pânza de ferăstrău. Asigurați-vă că viteza marcată pe discul ferăstrăului este cel puțin egală cu viteza marcată pe ferăstrău.
- Utilizați întotdeauna lame de mărimea și forma adaptate la diametrul axului. Lamele neadaptate la axul pe care trebuie să fie montate nu se vor roti corect și pot conduce la o pierdere a controlului asupra aparatului.
- Nu folosiți pânze cu diametrul mai mare sau mai mic decât cel recomandat. Nu utilizați distanțiere pentru a fixa pânza pe ax.
- Verificați vârful discului să nu fie deteriorate sau să nu aibă un aspect anormal după fiecare folosire. Vârful discului ce sunt deteriorate sau slăbite pot deveni obiecte aruncate în timpul folosirii și cresc șansele de vătămare personală.
- Nu folosiți lame de ferăstrău crăpate sau deformate. Nu folosiți pânze de circular deteriorate ori deformate.
- Nu folosiți niciodată o pânză de ferăstrău deteriorată sau deformată. Nu este permisă repararea.
- Nu utilizați pânze din oțel rapid (HSS).
- Asigurați-vă că pânza de ferăstrău este montată corect înainte de utilizare. Strângeți complet piulița axului înainte de fiecare utilizare. (Cuplu: 12-15 Nm)
- Strângerea șuruburilor și piulițelor trebuie să fie făcută folosind o cheie de piulițe corespunzătoare.
- Folosirea de prelungire la cheia de piulițe sau strângerea folosind lovituri de ciocan nu este permisă.
- Asigurați-vă că toate pânzele și flanșele sunt curate și laturile încastrate ale manșonului se sprijină pe pânză.
- Asigurați-vă că pânza se rotește în direcția corectă.
- Înainte de lucru, faceți o tăiere de probă fără a

avea motorul pornit în așa fel încât poziția discului, funcționarea apărătorilor față de alte părți ale aparatului și a piesei de lucru să poată fi verificate.

- Nu lăsați niciodată aparatul nesupravegheat
- Nu aplicați lubrifianți pe pânză atunci când aceasta este în funcțiune.
- Nu efectuați niciodată orice lucrare de întreținere sau de curățare atunci când aparatul este încă în funcțiune, iar capul nu este în poziția de repaus.
- Nu încercați niciodată să opriți rapid un aparat în mișcare prin blocarea cu o unealtă sau cu alte mijloace a pânzei, accidente grave pot fi cauzate neintenționat în acest fel.
- Deconectați ferăstrăul de la sursa de alimentare înainte de a schimba pânzele sau de a efectua întreținerea.
- Fiți atent la împachetarea și despachetarea discului, este foarte ușor să fiți rănit de vârful ascuțite ale discului.
- Folosiți o sculă de prindere a discului sau purtați mănuși când manipulați un disc.
- Păstrați și depozitați discul în ambalajul original sau alte ambalaje potrivite, păstrați în condiții uscate și ferit de substanțe chimice ce pot deteriora discul.

**SIGURANȚĂ LASER**

- A fűrészbén használt lézersugár besorolása: Class 2, legfeljebb  $\leq 1\text{mW}$  teljesítménnyel és 650 nm hullámhosszal. Nu priviți direct în raza laser. Neurmarea acestor reguli poate rezulta în vătămare personală gravă.



V-am furnizat o etichetă autocolantă în limba dumneavoastră și vă cerem să o așezați în locul etichetei de avertizare în engleză înainte de a opera aparatul.

- Nu priviți în rază în timpul funcționării.
- Nu proiectați raza laser direct în ochii altor persoane. Pot rezulta leziuni oculare grave.
- Nu amplasați laserul într-o poziție în care se poate privi în fascicul intenționat sau neintenționat.
- Nu utilizați instrumente optice pentru a vizualiza raza laser.
- Nu folosiți laserul în preajma copiilor și nu permiteți copiilor să opereze cu laserul.
- Nu încercați să reparați dispozitiv cu laser de unul singur.
- Nu încercați să schimbați nicio piesă a dispozitivului laser.
- Orice reparații trebuie să fie efectuate numai de către producătorul laserului sau de către agent de service autorizat.
- Nu înlocuiți laserul cu un alt laser, de alt tip.

**RISCURI REZIDUALE**

Chiar și atunci când unealta este folosită conform instrucțiunilor, eliminarea completă a anumitor factori de risc rezidual este, totuși, imposibilă. Următoarele pericole ar putea apărea în timpul folosirii iar operatorul trebuie să acorde o atenție specială pentru a evita următoarele:

- Risc de contact cu părți neacoperite ale discului de tăiere în rotire.
- Recul a pieselor de lucru și a părților pieselor de lucru datorită reglării și manipulării incorecte.
- Catapultarea vârfurilor de carbură defecte ale pânzei de ferăstrău.
- Dăunare a sistemului respirator dacă nu se poartă mască împotriva prafului.
- Afecțiuni ale auzului, dacă nu este purtată protecție pentru auz.

**ÎNTREȚINEREA**

- Nu efectuați nici un reglaj când motorul este în mișcare.
- Asigurați-vă întotdeauna că ștecherul utilajului a fost scos din priză de perete înainte de a schimba perii, a lubrifia sau când efectuați orice lucrări de întreținere pe unealtă.
- După fiecare utilizare, verificați dacă unealta este deteriorată sau are piese defecte și păstrați-o în cea mai bună stare de funcționare prin repararea sau înlocuirea pieselor imediat.
- Discul este fierbinte după folosire, fiți atent în timpul procedurilor de întreținere și curățare.
- Curățați praful acumulat.
- Pentru a asigura siguranța și fiabilitatea, toate reparațiile cu excepția celor la perile externe accesibile trebuie să fie efectuate de către un centru de service autorizat.
- Defecțiunile uneltei, inclusiv ale protecțiilor sau ale pânzelor de ferăstrău, trebui să fie raportate de îndată ce sunt descoperite.
- Dacă cordonul de alimentare electrică este deteriorat, acesta trebuie înlocuit de către producător sau de către un centru de service autorizat pentru a evita riscurile. Contactați Centrul de service autorizat.

**⚠ AVERTISMENT**

Pentru mai multă siguranță și fiabilitate, toate reparațiile trebuie efectuate de către un Centru Service Agreat Ryobi.

**PROTECȚIA MEDIULUI ÎNCONJURĂTOR**

Reciclați materiile prime în loc să le aruncați la gunoi, împreună cu deșeurile menajere. Pentru a proteja mediul înconjurător, mașina, accesoriile acesteia și ambalajele trebuie triate.

**SIMBOL**

Avertizare de siguranță



Conform CE



Marcaj de conformitate EurAsian.



Citiți instrucțiunile cu atenție înainte de pornirea produsului.



Echipament clasa a II-a, izolarea dublă



Purtați echipamente de protecție a auzului



Purtați întotdeauna ochelari de protecție.



PERICOL! Pânză ascuțită.



Purtați mănuși de protecție.



Direcția de rotire a discului (arătat pe discul ferăstrăului)



Lățimea de tăiere a discului



Număr de dinți pe acest disc al ferăstrăului



Pentru a tăia material lemnos și materiale similare



Nu este pentru a tăia metale



Nu priviți direct în rază.



Radiație laser.  
Produs cu laser clasa 2  
 $\lambda$ : 650nm;  $P \leq 1\text{mW}$   
EN 60825-1:2007



Deșeurile produselor electrice nu trebuie să  
înlăturate împreună cu deșeurile casnice.  
Vă rugăm reciclați acolo unde există  
facilități. Verificați la autoritatea dvs locală  
sau la vânzător pentru sfaturi privind  
reciclarea.

### SIMBOLURILE DIN MANUAL



Conectați produsul.



Deconectați produsul.



Piedică



Deblocare



Se aude un sunet



Timp de așteptare



Piese sau accesorii vândute separat



Notă:



AVERTISMENT



Drošība, sniegums un uzticamība ir augstākā prioritāte jūsu leņķzāģī.

### PAREDZĒTĀ LIETOŠANA

Ierīce paredzēta cietas koksnes, savienotas koksnes un līmēta finiera, kā arī materiālu, kas līdzīgi kokam un plastmasai zāģēšanai.

Neizmantojiet šo izstrādājumu veidā, kas atšķiras no norādītās lietošanas.

### VISPĀRĪGIE DROŠĪBAS BRĪDINĀJUMI

#### ▲ BRĪDINĀJUMS

Izmantojot elektroinstrumentus, vienmēr jāievēro drošības vienmēr, lai samazinātu aizdegšanās, elektriskās strāvas trieciena un personiskās traumas risku. Pirms mēģināt izmantot šo produktu, izlasiet un saglabājiet visus šos norādījumus.

- **Darba vietai jābūt tīrai.** Nekārtīgas darba zonas un darbgaldi var būt traumu iemesls.
- **Pārdomājiet darba zonas vidi.** Nepakļaujiet instrumentus lietus iedarbībai. Nelietojiet instrumentus mitrās vietās. Darba vietai jābūt labi apgaismotai. Neizmantojiet instrumentus ugunsnedrošu šķidrumu vai gāzu klātbūtnē.
- **Sargieties no elektriskās strāvas trieciena.** Ķermenis nedrīkst pieskarties zemētām virsmām (piemēram, caurulēm, radiatoriem, plītim, ledusskapjiem).
- **Citām personām ir jāatrodas pietiekamā atstumā.** Nelaujiet nepiederošām personām, it īpaši bērniem, iesaistīties darbā, pieskarties instrumentam vai pagarinātājkabeļim un atrasties darba zonā.
- **Glabājiet nelietojamus instrumentus.** Kad instrumenti netiek lietoti, tie jāglabā sausā, slēgtā, bērniem nepieejamā vietā.
- **Nespiediet instrumentu ar spēku.** Tas darbosies labāk un drošāk ar paredzētajiem apgrīzieniem.
- **Izmantojiet pareizo instrumentu.** Nelieciet maziem instrumentiem veikt spēcīgu instrumentu darbu. Neizmantojiet instrumentus citiem nolūkiem, izņemot paredzētos, piemēram, nelietojiet ripzāģus koku zaru vai balķu griešanai.
- **Apģērbieties pareizi.** Nevalkājiet vaļīgas drēbes vai brīvi krītošas rotaslietas, jo tās var aizķerties aiz kustīgajām daļām. Strādājot ārā, ieteicams izmantot neslīdošus apavus. Garu matu saturēšanai izmantojiet arī aizsargājošu galvassegu.
- **Izmantojiet aizsargaprīkojumu.** Izmantojiet aizsargbrilles. Ja darba laikā rodas putekļi, izmantojiet sejas vai putekļu masku.
- **Pievienojiet putekļu ekstrakcijas aprīkojumu.** Ja instrumentam var pievienot putekļu nosūkšanas un savākšanas ierīces, tās jāpievieno un pareizi jālieto.

- **Vadu izmantojiet pareizi.** Nekādā gadījumā nevelciet aiz vada, lai atvienotu no kontaktligzdas. Turiet vadu atstatu no karstuma, eļļas un asām malām.
- **Strādājiet droši.** Ja iespējams, darba saturēšanai izmantojiet skavas vai skrūvspīles. Tas ir drošāk nekā manuāli.
- **Nesniedzieties tam pāri.** Visu laiku stāviet stingri un stabili.
- **Rūpīgi veiciet instrumentu apkopi.** Lai darbs būtu labāks un drošāks, griezējinstrumentiem jābūt asiem un tīriem. Izpildiet eļļošanas un piederumu maiņas norādījumus. Regulāri pārbaudiet instrumenta vadus un bojājumu gadījumā lieciet tos salabot pilnvarotā servisa iestādē. Regulāri pārbaudiet un bojājumu gadījumā nomainiet pagarinājuma kabeļus. Rokturim ir jābūt sausiem un tīriem, bez eļļas un smērvielām.
- **Atvienojiet instrumentus.** Kad instrumenti netiek lietoti, pirms apkopes un piederumu, piemēram, asmeņu, urbju un griezņu maiņas, atvienojiet instrumentus no barošanas padeves.
- **Noņemiet regulācijas atslēgas un uzgriezņu atslēgas.** Pirms instrumenta ieslēgšanas vienmēr pārbaudiet, vai no tā ir noņemtas atslēgas un regulēšanas uzgriezņu atslēgas.
- **Nepieļaujiet nejašu iedarbināšanu.** Pieslēdzot pārliecinieties, vai slēdzis ir izslēgšanas pozīcijā.
- **Izmantojiet āra pagarinātājkabeļus.** Kad instruments tiek lietots ārā, izmantojiet tikai pagarinātājus, kas ir paredzēti lietošanai ārā un ir atbilstoši marķēti.
- **Esiet uzmanīgs.** Vērojiet, ko darāt, izmantojiet veselo saprātu un nelietojiet instrumentu, ja esat noguris.
- **Pārbaudiet bojātās daļas.** Pirms instrumenta lietošanas tas ir uzmanīgi jāpārbauda, lai konstatētu, vai tas darbojas pareizi un veic paredzēto funkciju. Pārbaudiet kustīgo daļu iestāpījumu, vai tās neķeras, vai daļas nav salūzušas, stiprinājumus un visus citus apstākļus, kas var ietekmēt darbību. Bojāts aizsargs vai cita daļa pareizi jāsamontē vai jānomaina pilnvarotā servisa centrā, ja šajā instrukciju rokasgrāmatā nav norādīts citādi. Nomainiet bojātus slēdzus pilnvarotā servisa centrā. Neizmantojiet instrumentu, ja nedarbojas slēdzis.
- **Brīdinājums.** Ja tiek izmantots cits piederums vai pierīce, izņemot instrukcijā norādīto, tas var izraisīt personiskas traumas risku.
- **Instruments ir jāremontē kvalificētam speciālistam.** Šis elektroinstruments atbilst attiecīgajiem drošības noteikumiem. Remontu drīkst veikt tikai kvalificēti speciālisti, izmantojot oriģinālās rezerves daļas, citādi lietotājs var gūt nopietnas traumas.

### LEŅĶZĀĢIS DROŠĪBAS BRĪDINĀJUMI

- Vienmēr droši iespīlējiet apstrādājamo detaļu.
- Lietojiet dzirdes aizsargus. Asu pakļaušana trokšņam iedarbībai var izraisīt dzirdes traucējumus.
- Ierīces, kas tiek lietotas dažādās vietās, tai skaitā





atklātā gaisā, jāpievieno, izmantojot pārslodzes strāvas aizsardzības slēdzi.

- Lietojot ierīci, vienmēr valkājiet aizsargbrilles. Ieteicams valkāt cimdus, smagnējus, neslīdošus apavus un priekšautu.
- Vienmēr atvienojiet kontaktdakšu no kontaktligzdas, pirms veicat jebkādas darbus ar ierīci.
- Iespaužot ierīces kontaktdakšu, ierīcei jābūt izslēgtai.
- Neturiet elektrības vadu ierīces darba zonā. Vienmēr turiet vadu prom aiz sevis.
- Nevāciet zāga skaidas un šķembas ierīces darbības laikā.
- Nekādā gadījumā neejiet ēveles bīstamajā zonā, kad tā darbojas.
- Pirms lietot ierīci, pārbaudiet, vai ierīcei, kabelim un kontaktdakšai nav bojājumu vai materiālu defektu. Remontdarbus drīkst veikt tikai pilnvaroti servisa speciālisti.
- Vienmēr lietojiet ierīces aizsargu.
- Nenobloķējiet kustīgo aizsargu.
- Neizmantojiet bojātus vai deformētus zāga asmeņus.
- Nomainiet galda starpliku, kad tā ir nodilusi.
- Neizmantojiet zāga asmeņus, kas neatbilst šajos lietošanas norādījumos sniegtajiem datiem.
- Aizsargpārsegu drīkst atvērt tikai tad, kad ierīce ir atbilstīgi pret apstrādājamo materiālu.
- Neizmantojiet zāga asmeņus, kas izgatavoti no ātrgriezējtērauda.
- Pirms darba, veiciet izmēģinājuma zāgējumu, ar izslēgtu motoru, lai pārbaudītu asmens stāvokli, aizsargu darbību attiecībā pret pārējām iekārtas daļām un darba materiālu.
- Veicot slīpus, mainīga leņķa un sarežģītus griezumus, regulējiet bīdāmo aizsargu tā, lai līdz asmenim būtu pareizs attālums.
- Par visiem ierīces bojājumiem, ieskaitot jebkādas, kas saistīti ar zāga asmeņu aizsargierīci, ir jāziņo personām, kas atbildīgas par drošību, tiklīdz bojājumi tiek pamanīti.
- Nepieciešams izvēlēties zāga asmeni, kas ir piemērots griežamajam materiālam.
- Nekādā gadījumā neizmantojiet leņķzāģi, lai grieztu materiālus, kas nav norādīti lietošanas rokasgrāmatā.
- Transportējot leņķzāģi, vienmēr nofiksējiet ruktura fiksatoru.
- Lietojiet zāģi tikai ar darba kārtībā esošiem, pareizi apkoptiem un uzstādītiem aizsargiem.
- Uzturiet grīdu tīru no materiālu atlikumiem, piem. skaidām un atgriezumiem.
- Izmantojiet tikai kārtīgi uzasinātus zāga asmeņus. Ir svarīgi stingri ievērot zāga asmenim noteikto maksimālo ātrumu.
- Zāga asmens nostiprināšanai izmantojiet tikai komplektācijā esošos vai lietošanas rokasgrāmatā

norādītos atlokus.

- Neņemiet atgriezumus vai citas daļas no apstrādājamā materiāla griešanas zonā, kad ierīce darbojas un zāga galva nav izslēgtā pozīcijā.
- Vienmēr nodrošiniet ierīces stabilitāti un drošību (t.i., nostipriniet uz darbgalda).
- Gari apstrādājamo materiālu atbilstoši jāatbalsta.
- Neizmantojiet ielaisājušus vai izkropļotus zāga asmeņus.
- Pirms lietojot darbarīku, lūdzu, izlasiet norādījumus. Ja iespējams, apskatiet darbarīka demonstrāciju.
- Putekļi, kas radušies šī darbarīka lietošanas rezultātā, var būt kaitīgi veselībai. Izmantojiet putekļu savākšanas sistēmu un valkājiet piemērotu putekļu aizsargmasku. Rūpīgi savāciet nosēdušos putekļus ar putekļsūcēja palīdzību.
- Nedrīkst griezt materiālu ar apaļu vai nevienmērīgu šķērsgrizumu (piemēram, malku), jo to nav iespējams droši noturēt griešanas laikā. Griežot materiālu, kas kārtās salikts uz malas, nepieciešams lietot piemērotu palīgbalstu stingram atbalstam.
- Mehānisms jāpieslēdz ķēdes aizsardzības ierīcei (drošinātājam vai jaudas slēdzim).
- Elektrofona darbības vai putekļu pūšanas laikā vienmēr izmantojiet aizsargbrilles vai drošības brilles ar sānu aizsargiem. Ja darbība ir saistīta ar putekļu rašanos, uzlieciet arī putekļu masku.
- Rūpējieties, veicot rievu.
- Obligāti izmantojiet pareiza izmēra un formas zobus. Ripas, kuru forma neatbilst zāga stiprināšanas ietaisēm, kustēsies ekscentriski, kas mazina kontroli pār zāģi.
- Izmantojiet tikai šajā rokasgrāmatā norādītās ripas atbilstoši EN 847-1.
- Neaizstājiet ar cita veida lāzeru vai LED indikatoru. Visus remontdarbus drīkst veikt tikai lāzera ražotājs vai pilnvarots servisa speciālists.
- Elektrības kāpumi izraisa sprieguma svārstības un var ietekmēt citas elektroierīces tajā pašā elektrības slēgumā. Lai mazinātu sprieguma svārstības, pievienojiet izstrādājumu strāvas padevei, kuras pretestība ir vienāda ar 0.180 Ω. Sazinieties ar savu elektroenerģijas piegādātāju, lai saņemtu plašāku informāciju.

#### KOKA ZĀGA ASMENS DROŠĪBAS INSTRUKCIJAS

- Pirms iekārtas izmantošanas izlasiet šajā rokasgrāmatā ietvertos norādījumus.
- Iekārtai ir jābūt labā stāvoklī, vārpsta nedrīkst būt deformēta un vibrēt.
- Nelietojiet zāģi bez aizsargiem pareizajās vietās, it īpaši pēc režīma maiņas. Uzturiet aizsargus labā darba kārtībā un kārtīgi apkoptus.
- Nodrošiniet, ka operators ir pareizi apmācīts un zina drošības pasākumus, pielāgojumus un māc darboties





ar iekārtu.

- Vienmēr izmantojiet acu aizsargus ar sānu vairogiem un ausu aizsargus. Ieteicams valkāt cimdus, smagnējus, neslīdošus apavus un priekšautu.
- Pirms jebkura piederuma lietošanas skatiet informāciju lietošanas pamācībā. Nepareizi izmantojot piederumus, var izraisīt bojājumus.
- Izmantojiet tikai šajā rokasgrāmatā norādītās ripas atbilstoši EN 847-1.
- Ievērojiet uz zāģa ripas norādīto maksimālo ātrumu. Pārļiecinieties, ka uz zāģa plātnes norādītais ātrums, ir vismaz vienāds ar ātrumu, kas norādīts uz zāģa.
- Obligāti izmantojiet pareiza izmēra un formas (rombveida vai trīsstūrveida zobu) zobus. Ripas, kuru forma neatbilst zāģa stiprināšanas ietaisēm, kustēsies ekscentriski, kas mazina kontroli pār zāģi.
- Neizmantojiet ripas, kuru diametrs ir lielāks vai mazāks par ieteicamo. Ripas uzstādīšanai uz ass neizmantojiet nekādas starplikas.
- Pirms katras lietošanas pārbaudiet vai asmens plāksnei nav bojājumu vai neparasts izskats. Plāksnes, kas ir bojātas vai vajļgas, lietošanas laikā var kļūt par lidojošiem objektiem un palielināt personisko ievainojumu risku.
- Neizmantojiet ieplaisājušus vai izkropļotus zāģa asmeņus. Neizmantojiet bojātus vai deformētus zāģa asmeņus.
- Nekad neizmantojiet bojātu vai deformētu zāģa asmeni. Labošana nav atļauta.
- Neizmantojiet HSS ripas.
- Pirms lietošanas pārļiecinieties, vai zāģa ripa ir uzstādīta pareizi. Pirms katras lietošanas stingri pievelciet ass uzgriezni. (Griezes moments: 12-15 Nm)
- Skrūves un uzgriežņi jānostiprina izmantojot piemērotu uzgriežņu atslēgu.
- Nav pieļaujama uzgriežņu atslēgas paplašināšana vai nostiprināšana, izmantojot sitienus ar āmuru.
- Pārļiecinieties, vai visi asmeņi un atloki ir tīri un ieliktna atvirzītās malas atrodas pret asmeni.
- Pārļiecinieties, vai ripa griežas pareizajā virzienā.
- Pirms darba, veiciet izmēģinājuma zāģējumu, ar izslēgtu motoru, lai pārbaudītu asmens stāvokli, aizsargu darbību attiecībā pret pārējām iekārtas daļām un darba materiālu.
- Nekad nestājiet iekārtu bez uzraudzības.
- Neelļojiet ripu tās ekspluatācijas laikā.
- Nekad neveiciet nekādus tīrīšanas vai apkopes darbus, ja mašīna joprojām darbojas un tās galva nav miera pozīcijā.
- Nekad nemēģiniet ātri apturēt kustībā esošu iekārtu, spiežot darba rīku vai kādu citu priekšmetu pret ripu, jo šādi var nejauši izraisīt nopietnus negadījumus.
- Pirms ripu maiņas un apkopes darbu veikšanas atslēdziet zāģi no elektrotīkla.

- Pievērsiet uzmanību asmens iepakojšanai un izpakošanai, asās asmens plāksnes viegli var radīt ievainojumus.
- Darbojoties ar zāģa asmeni velciet cimdus vai izmantojiet asmens turētāju.
- Turiet un glabājiet asmeni tā oriģinālajā iepakojumā vai citā atbilstošā iepakojumā, glabājiet to sausumā un prom no ķīmikālijām, kas var bojāt asmeni.

## LĀZERA DROŠĪBA

- Zāģu lāzera rādītāja starojums atbilst 2 klasei ar maksimālo jaudu  $\leq 1\text{mW}$  jaudu un  $650\text{ nm}$  viļņa garumu. Neskatieties tieši lāzera starā. Noteikumu neievērošanas rezultātā var rasties nopietni miesas bojājumi.



Komplektācijā ietilpst līmējama etiķete jūsu valodā, tāpēc, lūdzu, pielīmējiet to angļu valodas teksta vietā uz brīdinājuma etiķetes pirms iekārtas pirmās lietošanas reizes.

- Darba laikā neskatieties lāzera starā.
- Nevirziet lāzera staru tieši apkārtējo acīs. Var rasties nopietnas acu traumas.
- Nenovietojiet lāzeru vietā, kurā apkārtējie varētu tīši vai netīši skatīties lāzera starā.
- Neizmantojiet optiskos instrumentus, lai skatītos lāzera starā.
- Nelietojiet lāzeru bērnu tuvumā un neļaujiet bērniem darbināt lāzeru.
- Nemēģiniet pašrocīgi veikt lāzērierīces remontu.
- Nemēģiniet pats mainīt lāzērierīces daļas.
- Visus remontdarbus drīkst veikt tikai lāzera ražotājs vai pilnvarots servisa speciālists.
- Neaizstājiet ar cita veida lāzeru.

## PALIEKOŠIE RISKI

Arī tad, ja mehānisms tiek izmantots paredzētajā veidā, nav iespējams pilnīgi izslēgt noteiktus paliekošos riska faktorus. Lietošanas laikā var rasties šādas briesmas un strādniekam īpaša uzmanība jāpievērš šim:

- Pastāv savainojumu risks, ja rotējošs zāģis saskaras ar nenosegtu miesu.
- Atlecošas materiāla daļiņas un daļas, kas rodas neatbilstošas pielāgošanas vai apiešanās rezultātā.
- Bojātu karbīda gabalu izvietošana no zāģa asmens.
- Bojājumi elpošanas sistēmai, ja netiek valkāta putekļu aizsardzības maska.
- Dzirdes bojājums, ja nelietojat efektīvu dzirdes aizsargu.



**APKOPE**

- Neveiciet nekādus regulēšanas darbus, kamēr motors kustās.
- Pirms suku maiņas, eļļošanas vai jebkuru mehānisma tehniskās apkopes darbu veikšanas vienmēr pārļiecinieties, ka mehānisma kontaktdakša ir atvienota no barošanas avota.
- Pēc katras mehānisma lietošanas pārbaudiet, vai nav bojājumu vai salūzušu detaļu un vienmēr turiet mehānismu labā darba kārtībā, nekavējoties remontējiet un nomainiet salūzušās detaļas.
- Asmens pēc izmantošanas ir karsts, apkopes vai tīrīšanas laikā esiet modrs.
- Izīrīet uzkrājušos putekļus.
- Lai nodrošinātu drošu darbību, visus remontdarbus, izņemot no ārpusē pieejamām sukām, uzticiet veikt licencētam apkopes centram.
- Par mehānisma bojājumiem, ieskaitot aizsargu vai zāģu asmeņu bojājumus, ziņojiet tūlīt pēc to atklāšanas.
- Ja bojāts strāvas padeves vads, lai izvairītos no riska, to drīkst nomainīt tikai ražotājs vai pilnvarotā apkopes centrā. Sazinieties ar pilnvarotu servisa centru.

**▲ BRĪDINĀJUMS**

Lai nodrošinātu drošību un uzticamību, visi remontdarbi jāveic pilnvarotā servisa centrā vai citā kvalificētā servisa organizācijā.

**VIDES AIZSARDZĪBA**

Tā vietā, lai materiālus izmestu, nododiet tos atkārtotai realizācijai. Mašīna, aksesuāri un iepakojums ir jāsašķiro un jānodod videi draudzīgā atkārtotas pārstrādes vietā.

**SIMBOLS**

Drošības brīdinājums



CE atbilstība



EurAsian atbilstības marķējums.



Pirms iedarbināt izstrādājumu, lūdzu, uzmanīgi izlasiet norādījumus.



II klases aprīkojums, dubultā izolācija



Lietojiet dzirdes aizsargus



Vienmēr lietojiet aizsargbrilles.



**BĪSTAMI!** Ass asmens.



Nēsājiet aizsargcimdus.



Ripas griešanās virziens (parādīts uz zāģa ripas)



Ripas griezuma (iegriezuma) platums



Šīs zāģa ripas zobu skaits



Koka un analogu materiālu griešanai



Nav paredzēts metālu griešanai



Neskatieties staru kūlī.



Lāzera starojums.  
2. klases lāzera produkts  
λ: 650nm; P≤1mW  
EN 60825-1:2007



Izlietotie elektroprodukti nedrīkst tikt izmesti kopā ar māsaimniecības atkritumiem. Lūdzu, nododiet tos attiecīgajās atkār tolas izmantošanas vietās. Sazinieties ar savu vietējo varas pārstāvi vai izplatītāju, lai noskaidrotu, kur iespējama atkārtota pārstrāde.



## SIMBOLI ROKASGRĀMATĀ



Pieslēdziet produktu.



Atslēdziet produktu.



Bloķētājs



Atbloķēt



Ir dzirdama skaņa



Gaidīšanas laiks



Atsevišķi nopērkamās daļas vai piederumi



Piezīme:



BRĪDINĀJUMS



Projektuojant nuožambiu kampu pjaunantį pjūklą, didžiausias prioritetas suteiktas saugai, eksploatacinėms savybėms ir patikimumui.

### NAUDOJIMO PASKIRTIS

Gaminys skirtas pjauti medžio masyvą, klijuotą medieną, klijuotą fanerą, į medieną panašias medžiagas ir plastiką.

Šio gaminio nenaudokite jokia kitu būdu, tik įprastam naudojimui, kaip nurodyta.

### BENDRIEJI SAUGOS ĮSPĖJIMAI

#### ▲ ĮSPĖJIMAS

Naudojant elektrinius įrankius būtina atsižvelgti į elementarias saugumo priemones, kad sumažintumėte gaisro, elektros smūgio ar sužeidimų riziką. Prieš naudodami šį įrankį, perskaitykite visas instrukcijas bei jas išsaugokite.

- **Darbo vieta turi būti švari.** Netvarkinga aplinka ar darbo vieta skatina nelaimingus atsitikimus.
- **Atsižvelkite į darbo vietos aplinką.** Saugokite įrankius nuo lietaus. Nenaudokite įrankių drėgnoje arba šlapioje vietoje. Darbo vieta turi būti gerai apšviesta. Nenaudokite įrankių, jei šalia yra degūs skysčiai ar dujos.
- **Saugokitės elektros smūgių.** Stenkitės nesiliesti prie įžemintų ar įžeminimo paviršių (pvz. vamzdžių, radiatorių, grandinių/viryklių, šaldytuvų).
- **Pašaliniai asmenys turi būti toliau nuo darbo vietos.** Neleiskite kitiems asmenims, ypač vaikams, dalyvauti atliekant darbą, liesti įrankį ar ilginamąjį laidą bei stebėkite, kad jie būtų toliau nuo darbo zonos.
- **Nenaudojamus įrankius saugokite.** Nenaudojamus įrankius reikia laikyti sausoje, užrakintoje ir vaikams nepasiekiamoje vietoje.
- **Nenaudokite per didelės jėgos.** Naudodami pagal paskirtį pagamintą tinkamą įrankį, darbą atlikite geriau ir saugiau.
- **Naudokite tinkamą atliekamam darbui įrankį.** Nenaudokite mažų įrankių, norėdami atlikti darbą, kuriam reikia galingesnio įrankio. Nenaudokite įrankių ne pagal jų paskirtį, pavyzdžiui, nenaudokite diskinių pjūklų pjauti medžių šakų ar rąstų.
- **Dėvėkite tik darbui tinkamus drabužius.** Nedėvėkite laisvų neprigludusių drabužių ir juvelyrinių dirbinių, kurie gali įsipainioti į judančias prietaiso detales. Dirbant lauke rekomenduojama avėti avalynę neslidžiais padais. Jei turite ilgus plaukus, dėvėkite apsauginį galvos apdangalą.
- **Naudokite apsaugos įrangą.** Dėvėkite apsauginius akinius. Dėvėkite veido kaukę ar kaukę nuo dulkių, jei pjovimo metu išsiskiria dulky.
- **Prijunkite dulkių surinkimo įrangą.** Jei įrankis skirtas

prijungti prie dulkių ištraukimo ir surinkimo įrenginių, įsitikinkite, kad jie prijungti ir naudojami tinkamai.

- **Laidą naudokite pagal jo paskirtį.** Niekada netraukite už laido, norėdami atjungti įrankį nuo maitinimo šaltinio. Laidą laikykite toliau nuo įkaitusių vietų, tepalų ir aštrių briaunų.
- **Ruošinį pritvirtinkite.** Jei įmanoma, ruošinį prispauskite gnybtais ar spaustuvu. Tai saugiau nei laikyti ranka.
- **Nesiekite per toli.** Visada tvirtai stovėkite ir išlaikykite pusiausvyrą.
- **Įrankius prižiūrėkite rūpestingai.** Siekiant geresnių rezultatų ir kad darbas būtų atliktas saugiai, pjovimo įrankiai turi būti aštrūs ir švarūs. Laikykites tepimo ir papildomų detalių keitimo instrukcijas. Reguliariai patikrinkite įrankio laidas, jei jie apgadinti, juos remontuoti pristatykite tik įgaliotą techninės priežiūros centrą. Pastoviai patikrinkite ilginamuosius laisus ir pakeiskite juos, jei jie pažeisti. Rankenas reikia visada sausai nuvalyti, kad jos nebūtų suteptos alyva ir tepalais.
- **Atjunkite įrankius nuo maitinimo šaltinio.** Kai įrankiai nenaudojami, prieš atliekant techninės priežiūros darbus, keičiant jų priedus, pvz. geležtis, antgalius ir pjoviklius, juos būtina atjungti nuo maitinimo šaltinio.
- **Pašalinkite iš įrankio reguliavimo raktus ir veržliarakčius.** Įpraskite prieš įjungdami įrankį patikrinti, ar iš jo pašalinti raktai ir veržliarakčiai.
- **Saugokitės, kad įrankis netyčia neužsivestų.** Prieš prijungdami įrankį prie maitinimo šaltinio, patikrinkite, ar jo jungiklis yra „OFF“ (išjungtoje) padėtyje.
- **Naudokite darbui lauke skirtus ilginamuosius laisus.** Kai įrankiu dirbate lauke, naudokite tik ilginamuosius laisus, skirtus bei paženklintus darbui lauke.
- **Būkite budrus.** Stebėkite, ką darote, vadovaukitės sveika nuovoka ir įrankio nenaudokite, jei esate pavargę.
- **Patikrinkite, ar nėra pažeistų detalių.** Prieš toliau naudojant įrankį, būtina atidžiai patikrinti, ar jis tinkamai veiks ir atliks reikiamą darbą. Patikrinkite judančių dalių centravimą, sukibimą, sulūžusias dalis, sumontavimą ir kita, kas galėtų turėti neigiamos įtakos darbui. Jei apsauginis įrenginys ar kita detalė yra pažeista, ją pakeisti ar sutaisyti privalo tik įgaliotas techninės priežiūros centras, nebent šioje instrukcijoje nurodyta kitaip. Sugedusius jungiklius gali pakeisti tik įgalioti techninės priežiūros centro darbuotojai. Jei jungiklis blogai veikia, prietaiso nenaudokite.
- **Įspėjimas.** Kitų, šiame naudojimo vadove nerekomenduojamų priedų ar papildomų detalių naudojimas gali kelti sužalojimų pavojų.
- **Įrankį turi remontuoti tik kvalifikuotas specialistas.** Šis elektrinis įrankis atitinka susijusius saugos reikalavimus. Įrankį remontuoti turi tik kvalifikuotas asmuo, naudojantis originalias atsargines dalis; priešingu atveju, įrankis jį naudojančiam asmeniui gali



kelti didelį pavojų.

## SKERSINIS PJŪKLAS SAUGOS ĮSPĖJIMAI

- Visada saugiai suspauskite ruošinį.
- Naudokite ausų apsaugos priemones. Jei ausų neapsaugosite, galite prarasti klausą.
- Prietaisus, naudojamus skirtingose vietose, įskaitant atvirame ore, būtina prijungti naudojant nuo srovės viršįtampio apsaugantį jungiklį.
- Naudodami šį prietaisą visada dėvėkite apsauginius akinius. Rekomenduojama mėvėti pirštines, stabilius batus neslystančiais padais bei prijuostę.
- Prieš atlikdami bet kokį darbą su prietaisu visada ištraukite kištuką iš elektros maitinimo lizdo.
- Kištuką į elektros maitinimo lizdą įkiškite tik tada, kai įrankis yra išjungtas.
- Maitinimo laidą laikykite toliau nuo prietaiso darbo zonos. Laidą visada tieskite tolyn už savęs.
- Drožlių ir skeveldrų nevalykite, kai įrankis veikia.
- Kai pjūklas yra įjungtas, niekada nesiekite pavojingos pjovimo plokštumos zonos.
- Prieš naudojimą patikrinkite patį prietaisą, laidą ir kištuką, ar jie nepažeisti ir nenusidėvėję. Remontą turi atlikti tik įgaliotas techninės priežiūros atstovas.
- Visada naudokite apsauginius įrenginio gaubtus.
- Nesuspauskite apsauginio sparnuotojo gaubto.
- Nenaudokite pažeistų ar įtrūkusių pjūklo geležčių.
- Nusidėvėjusį stalo tarpiklį pakeiskite.
- Nenaudokite pjūklo geležčių, kurios neatitinka pagrindinių šios naudojimo instrukcijose pateiktų duomenų.
- Apsauginis dangtis turi atsідaryti tik tuomet, kai įrankis yra nuleistas ant ruošinio.
- Nenaudokite pjūklo geležčių, pagamintų iš didelio greičio plieno.
- Prieš pradėdami darbą, atlikite tuščiaieigį pjūvį esant išjungtam varikliui, kad patikrintumėte geležtės padėtį bei tai, kaip veikia apsauginiai įrenginiai kitų staklių dalių bei ruošinio atžvilgiu.
- Atliekant nuožambius, nuožulnius ar mišrius pjūvius, reikia nustatyti slankųjį kreiptuvą, kad tarpas nuo geležtės būtų tinkamas.
- Apie bet kokius prietaiso gedimus, įskaitant gedimus susijusius su sauga ar pjūklo geležtėmis, būtina pranešti už saugą atsakingiems asmenims iš karto gedimo nustačius.
- Būtina pasirinkti pjūklo geležtę, kuri yra tinkama pjaunamai medžiagai.
- Pjūklo su kreiptuvu niekada nenaudokite pjauti medžiagų, kurios nėra nurodytos instrukcijų vadove.
- Gabenant pjūklą su kreiptuvu visada įjunkite rankinį užraktą.
- Pjūklą naudokite tik su tinkamai veikiančiais, gerai prižiūrimais ir pritvirtintais apsauginiais gaubtais.
- Ant grindų neturi būti palaidų darbo medžiagų, pvz. drožlių ir nuopjovų.
- Naudokite tik gerai pagალąstas pjūklo geležtes. Būtina laikytis didžiausio greičio, nurodyto ant pjūklo geležtės.
- Pjūklo geležtei pritvirtinti naudokite tik pridėdamas junges arba tas, kurios yra nurodytos instrukcijų vadove.
- Kai pjūklas dar įjungtas ir jo galvutė sukasi, iš pjovimo zonos nevalykite ruošinio nuopjovų ar kitų objektų.
- Patikrinkite, ar prietaisas visada yra stabilus ir saugus (pvz., pritvirtintas prie darbo stalo).
- Ilgus ruošinius būtina atitinkamai paremti.
- Nenaudokite įskilusių ar deformuotų geležčių.
- Prieš naudodami įrankį būtinai perskaitykite instrukcijas. Jei įmanoma, turi būti parodyta, kaip įrankiu dirbti.
- Šio įrankio naudojimo metu sukeltos dulkės gali būti žalingos jūsų sveikatai. Naudokite dulkių absoravimo sistemą ir dėvėkite atitinkamą apsauginę kaukę nuo dulkių. Kruopščiai pašalinkite susikaupusias drožles, pvz. naudojant dulkių siurbį.
- Ruošinių su apvalia ar netaisyklinga skersine dalimi (pvz. malkų) pjauti negalima, nes pjovimo metu jų neįmanoma saugiai laikyti. Pjaunant ploną ruošinį ant krašto, būtina naudoti tinkamą pagalbinę užtvarką, kaip tvirtą atramą.
- Prietaisą reikia prijungti prie apsauginio grandinės įtaiso (saugiklio arba srovės pertraukiklio).
- Dirbdami su elektriniu įrankiu ar kai pučiamos dulkės, visada dėvėkite apsauginius akinius ar akinius su šonine apsauga. Jei darbo metu kyla dulkės, taip pat dėvėkite kaukę nuo dulkių.
- Rūpintis grioveliu.
- Visada naudokite veleno angų geležtes tinkamo dydžio ir formos. Geležtės, nepritaikytos pagal pjūklo montavimo detales, suksis ekscentriškai, dėl to pjūklo nesuvaldysite.
- Naudokite tik šioje instrukcijoje nurodytas geležtes, atitinkančias standartą EN 847-1.
- Lazerio ar LED lemputė nekeiskite kitokios rūšies lazeriu ar LED lempute. Bet kokius remonto darbus gali atlikti tik lazerio gamintojas ar įgaliotas techninės priežiūros atstovas.
- Dėl srovės pertūkio įtampa pradeda svyruoti bei gali turėti įtakos kitiems prie tos pačios energijos grandinės prijungtiems elektros prietaisams. Kad sumažintumėte įtampos svyravimus, gaminįjunkite į maitinimo tinklą, kurio tariamoji varža yra 0.180 Ω. Dėl išsamesnės informacijos kreipkitės į elektros energijos tiekėją.



## MEDIENOS PJOVIMO GELEŽTĖS SAUGOS NURODYMAI

- Prieš naudodami šį prietaisą, perskaitykite šio vartotojo vadovo instrukcijas.
- Staklės turi būti geros būklės, suklys – nedeformuotas ir ne vibruojantis.
- Nenaudokite pjūklo be apsauginių įrenginių, ypač po režimo pakeitimo. Apsauginiai įrenginiai turi būti geros darbo būklės ir tinkamai prižiūrimi.
- Staklės naudojantis asmuo turi būti tinkamai parengtas: jis privalo žinoti saugos atsargumo priemones, mokėti reguliuoti ir naudoti bei valdyti stakles.
- Visada dėvėkite apsauginius akinius su šonine apsauga bei klausos apsaugos priemones. Rekomenduojama mėvėti pirštines, stabilius batus neslystančiais padais bei prijuostę.
- Prieš naudojant bet kokį priedą susipažinkite su jo naudojimo instrukcijomis. Netinkamas priedo naudojimas gali įrankį sugadinti.
- Naudokite tik šioje instrukcijoje nurodytas geležtes, atitinkančias standartą EN 847-1.
- Atkreipkite dėmesį į didžiausią leistiną greitį, pažymėtą ant pjūklo geležtės. Pasirūpinkite, kad greitis, nurodytas ant pjūklo geležtės, mažiausiai atitiktų greitį, nurodytą ant pjūklo.
- Visada naudokite veleno angų geležtes tinkamo dydžio ir formos (rombo formos, o ne apvalųjį). Geležtės, nepritaikytos pagal pjūklo montavimo detales, suksis ekscentriškai, dėl to pjūklo nesuvaldysite.
- Nenaudokite didesnio ar mažesnio skersmens geležčių nei rekomenduojama. Nenaudokite jokių tarpiklių, norėdami geležtę pritaikyti taip, kad ji atitiktų ašį.
- Kiekvieną kartą prieš naudodami stakles, patikrinkite, ar pjūklo atgaliai nepažeisti ir nėra neįprastos išvaizdos. Pažeisti ar atspalaidavę atgaliai gali nuskrieti ir taip padidinti susižalojimo grėsmę.
- Nenaudokite įskilusių ar deformuotų geležčių. Nenaudokite pažeistų ar įtrūkusių pjūklo geležčių.
- Niekada nenaudokite pjūklo geležtės, kuri yra pažeista ar deformuota. Taisyti draudžiama.
- Nenaudokite didelio greičio plieno (HSS) geležčių.
- Prieš naudojimą patikrinkite, ar pjūklo geležtė yra tinkamai pritvirtinta. Prieš naudojimą saugiai užveržkite ašies varželę. (Sukimo momentas: 12-15 Nm)
- Varžtus ir varžles reikia tvirtinti atitinkamu varžliarakčiu.
- Draudžiama tvirtinti apspaudimo įrankiais ar kalant plaktuku.
- Užtikrinkite, kad visos geležtės ir jungės būtų švarios ir movos pusės su grioveliais būtų nustatytos prie disko.
- Užtikrinkite, kad geležtė suktųsi teisinga kryptimi.
- Prieš pradėdami darbą, atlikite tuščiaiegių pjūvį esant išjungtam varikliui, kad patikrintumėte geležtės padėtį bei tai, kaip veikia apsauginiai įrenginiai kitų staklių dalių bei ruošinio atžvilgiu.

- Jokiū būdu nepalikite staklių be priežiūros.
- Geležtei sukantis jos netepkite alyva.
- Niekada neatlikite jokių valymo ar techninės priežiūros darbų, kai įrenginys yra įjungtas ir veikiantis bei diskas sukasi.
- Veikiančio įrenginio niekada nbandykite sustabdyti staiga prie disko užkišdami kokį įrankį ar kitą daiktą, nes tokiu būdu netyčia galite sukelti nelaimingą atsitikimą.
- Prieš keičiant geležtes ar atliekant techninės priežiūros darbus atjunkite pjūklą nuo maitinimo šaltinio.
- Būkite atsargūs supakuodami ir išpakuodami geležtę: aštriais geležtės antgaliais galima nesunkiai susižaloti.
- Pjūklo geležtę galima liesti tik įdėtą į laikiklį arba mėvint pirštines.
- Geležtę laikykite originalioje ar kitoje tinkamoje pakuotėje; laikykite sausomis sąlygomis ir atokiai nuo chemikalų, kurie gali ją pakenkti.

## SAUGA DIRBANT SU LAZERIU

- Šio pjūklo lazerio kreiptuvo spinduliai yra 2 klasės max  $\leq 1\text{mW}$  ir 650 nm bangų ilgio. Nežiūrėkite tiesiai į lazerio spindulį. Jei nesilaikysite taisyklių, galite rimtai susižaloti.



- Komplekte yra lipnioji etiketė jūsų kalba. Prašome, kad ją užklijuotumėte ant angliško įspėjamosios etiketės teksto prieš pradėdami eksploatuoti mechanizmą.
- Darbo metu nežiūrėkite į spindulį.
- Lazerio spindulio nenukreipkite tiesiai į kitų asmenų akis. Tai gali sunkiai sužeisti akis.
- Lazerio nelaikykite tokioje padėtyje, kad kiti asmenys būtų priversti tyčia ar netyčia žiūrėti į lazerio spindulius.
- Nenaudokite optinių įrankių siekiant žiūrėti į lazerio spindulį.
- Lazerio nenaudokite vaikams esant šalia, taip pat neleiskite vaikams juo naudotis.
- Nbandykite remontuoti lazerio įtaiso patys.
- Nbandykite patys pakeisti jokių lazerio detalių.
- Bet kokius remonto darbus gali atlikti tik lazerio gamintojas ar įgaliotas techninės priežiūros atstovas.
- Lazerio nekeiskite kitokios rūšies lazeriu.

## ŠALUTINIS PAVOJUS

Netgi prietaisą naudojant pagal jo paskirtį visų šalutinių rizikos veiksnių visiškai pašalinti neįmanoma. Būkite budrus atliksdami priežiūros ar valymo darbus: po įrankio naudojimo geležtę kurį laiką išlieka įkaitusi.

- Kad išvengtumėte stroboskopinių efektų ir pavojų, parūpinkite tinkamą bendrą ar vietinį apšvietimą.





- u 44
- Sviedžiamos karbido dalelės nuo pjovimo disko.
- Nedėvint veiksmingos priešdulkinės puskaukės, pakenkiama kvėpavimo sistema.
- Jei nedėvima tinkama ausų apsauga – pakenkimas klausai.

**PRIEŽIŪRA**

- Kai variklis įjungtas, įrankio jokiais būdais nereguliuokite.
- Prieš keisdami šepetėlius, sutepdami ar atlikdami kitus prietaiso techninės priežiūros darbus, visų pirma visada patikrinkite, ar prietaiso kištukas yra ištrauktas iš maitinimo lizdo.
- Po kiekvieno naudojimo patikrinkite, ar prietaisas nepažeistas, ar nėra sulūžusių detalių; prietaisą išlaikykite geriausios darbinės būklės reikiamas dalis nedelsiant suremontuodami arba pakeisdami.
- Būkite budrūs atlikdami priežiūros ar valymo darbus: po įrankio naudojimo geležtė kurį laiką išlieka įkaitusi.
- Nuvalykite susikaupusias dulkes.
- Siekiant užtikrinti saugumą ir patikimumą, visus remonto darbus, išskyrus iš išorės pasiekiamus šepetėlius, privalo atlikti įgaliotos techninės priežiūros centras.
- Jei pastebėjote įrankio gedimus, o taip pat apsauginių gaubtų ir pjovimo disko gedimus, būtina apie juos nedelsiant pranešti.
- Jeigu maitinimo laidas pažeistas, jį turi pakeisti tik gamintojas arba įgaliota techninės priežiūros įmonė, kad būtų išvengta pavojaus. Kreipkitės į įgaliotą techninės priežiūros centrą.

**⚠️ ĮSPĖJIMAS**

Siekiant užtikrinti saugumą ir įrankio patikimumą, visi remonto darbai turi būti atliekami įgaliotame techninės priežiūros centre ar kitoje kvalifikuotoje techninės priežiūros įmonėje.

**APLINKOS APSAUGA**

Žaliavines medžiagas perdirbkite pakartotinai, o ne išmeskite kaip atliekas. Mechanizmas, priedai ir pakuotės turi būti laikomi pakartotinai perdirbti aplinkai nekenksmingu būdu.

**SIMBOLIAI**

Pranešimas apie saugumą



CE suderinimas



„EurAsian“ atitikties ženklas.



Prieš pradėdami naudoti šį prietaisą, prašome atidžiai perskaityti šias instrukcijas.



II klasės įrenginys, dviguba izoliacija



Dėvėkite klausos apsaugos priemones



Visada dėvėkite akių apsaugos priemones.



PAVOJUS! Aštri geležtė.



Mūvėkite apsaugines pirštines.



Ašmenų sukimosi kryptis (nurodyta ant pjūklo ašmenų)



Ašmenų pjūvio (įpjovos) plotis



Dantų ant šių pjūklo ašmenų skaičius



Medienai ir analogiškomis medžiagoms pjauti



Neskirta metalams pjauti



Nežiūrėkite tiesiai į spindulį.



Lazerio spindulio radiacija.  
2 klasės lazerio gaminys  
λ: 650nm; P≤1mW  
EN 60825-1:2007



Elektrinių produktų atliekos neturi būti metamos kartu su namų ūkio atliekomis. Prašome perdirbkite jas ten, kur yra tokios perdirbimo bazės. Dėl perdirbimo patarimo kreipkitės į savo vietinę savivaldybę ar pardavėją.



**SIMBOLIAI VADOVE**



Prijunkite gaminio prie maitinimo šaltinio.



Atjunkite gaminio nuo maitinimo šaltinio.



Bloķētājs



Atrakinti



Girdimas garsas



Laukimo laikas



Detalės arba priedai yra parduodami atskirai



Pastaba:



ĮSPĖJIMAS



Nurgalõikesae konstrueerimisel on peaeesmärgiks olnud toote ohutus, tootlikkus ja töökindlus.

### OTSTARBEKOHANE KASUTAMINE

Saag on ette nähtud täispuidu, liimpuidu, vineeri ja puidusarnaste materjalide ning plastide saagimiseks.

Ärge kasutage seda seadet mingil muul viisil kui juhendis mainitud tavakasutuseks.

### OHUTUSE ÜLDEESKIRJAD

#### HOIATUS

Elektritööriistade kasutamisel tuleb alati järgida üldisi ohutusnõudeid, et vähendada tulekahjust ja elektrilõõgist tingitud ohtu ning vältida kehavigastusi. Lugege enne toote kasutama hakkamist kõik juhised läbi ja hoidke need alles.

- **Hoidke töökoht puhas.** Korratu ümbrus ja tööpink tingivad õnnetusi.
- **Võtke arvesse töökeskkonda.** Ärge jätke elektrilisi tööriistu vihma kätte. Ärge kasutage elektrilisi tööriistu vihma käes või niiskes kohas. Hoidke töökoht hästi valgustatud. Ärge kasutage tööriista kohtades, kus on kergsüttivaid vedelikke või gaase.
- **Kaitske end elektrilõõgi eest.** Töötamisel hoiduge kehalisest kontaktist maandatud pindadega (näiteks torude, radiaatorite, elektriliitide ja külmikutega).
- **Hoidke kõrvalised isikud eemal.** Ärge laske teistel, eriti lastel, kes on töösse kaasatud, tööriista või pikendusjuhet puudutada ja hoidke nad tööpiirkonnast eemal.
- **Hoidke mittekasutatavaid tööriistu hoiukohas.** Kui tööriista ei kasutata, siis tuleb seda hoida kuivas, lukustatud ruumis, lastele kättesaamatus kohas.
- **Ärge koormake saagi üle.** Õigesti valitud tööriist töötab paremini ja ohutumalt selles võimsuspiirkonnas, millele on see ette nähtud.
- **Kasutage õigeid lõikeriistu.** Ärge kasutage väiketööriistu tööks, mis nõuavad tugevdatud konstruktsiooniga tööriistu. Ärge kasutage muudeks otstarveteks, kui see on ette nähtud, näiteks ärge kasutage ketassaagi puuokste või ümarpuidu saagimiseks.
- **Kandke tööks sobivat riietust.** Ärge kandke lõtvu riietusesemed või ehteid, sest need võivad haakuda liikuvate osade külge. Väljas töötades on soovitatav kanda libisemiskindlaid jalatseid. Kandke peakatet, mis hoiab pikad juuksed kinni.
- **Kasutage isikukaitsevahendeid.** Kandke kaitseprille. Kui saagimisoperatsioonil eraldub tolmu, siis kandke näo- või tolmu maski.
- **Ühendage tolmuärastamise süsteem.** Kui tööriistal tuleb kasutada tolmu eraldamis- või kogumisseadisi, siis veenduge, et need on ühendatud ja nõuetekohases

kasutuses.

- **Ärge kasutage toitejuhet mittesihipäraselt.** Ärge mingil juhul kasutage toitejuhet pistiku pesast väljatõmbamiseks. Hoidke toitejuhe eemale kuumusest, õlist ja teravatest servadest.
- **Kinnitage toorik.** Kui võimalik, kinnitage toorik pitskruvidega või kruustangide vahele. See on ohutum kui käte kasutamine.
- **Ärge küünitage end töötamisel liigselt välja.** Hoidke end pidevalt jalgedel ja tasakaalus.
- **Hooldage tööriistu hoolikalt.** Ohutuks töötamiseks hoidke lõikeketas terava ja puhtana. Järgige määrimise ja tarvikute vahetamise juhiseid. Kontrollige tööriista toitejuhe perioodiliselt üle ja kui avastate selle vigastuse, siis laske see pädevas hooldusasutuses ära parandada. Kontrollige pikendusjuhtmed perioodiliselt üle ja asendage kui need on vigastatud. Hoidke tööriista käepidemed kuivana, puhtana ja ärge laske neile sattuda õli või määret.
- **Ühendage tööriistad lahti.** Kui tööriista ei kasutata, enne kui seda hakatakse teenindama või tarvikuid näiteks lõiketerasid, otsakuid ja freese vahetama, ühendage seadme toide välja.
- **Kõrvaldage reguleerimisrakised ja mutrivõtmed.** Kujundage endas harjumus enne sae käivitamist kontrollida, et kõik reguleerimisseadised ja mutrivõtmed on eemaldatud.
- **Vältige tahtmatut käivitumist.** Veenduge, et lüliti on enne pistikupessa ühendamist väljalülitatud asendis.
- **Kasutage välistingimusteks ettenähtud pikendusjuhtmeid.** Kasutage vaid välistingimustes kasutamiseks lubatud ja vastavalt markeeritud pikendusjuhtmeid.
- **Olge töötamisel tähelepanelik.** Vaadake ette mida teete, kasutage sealjuures tervet mõistust ja ärge kasutage tööriista kui olete väsinud.
- **Kontrollige vigastatud osad üle.** Enne vigastatud osaga tööriista edasist kasutamist tuleb see hoolikalt üle kontrollida ja kindlaks teha, kas see töötab õigesti ning täidab ettenähtud funktsiooni. Kontrollige liikuvate osade tsentreeritust, vaba liikumist, vigastusi, kinnituskohi ja muud, mis võivad tööd mõjustada. Vigastatud kaitseadised ja osad tuleb lasta parandada või asendada pädeval hooldajal, kui kasutusjuhendis ei ole teisiti mainitud. Laske rikkis lülid asendada volitatud teeninduskeskuses. Ärge kasutage seadet, kui lüliti ei lülita seda sisse ja välja.
- **Hoiatus.** Kasutusjuhendis soovimatata tarvikute või lisaseadmete kasutamine võib põhjustada tõsise kehavigastuse ohtu.
- **Laske oma tööriist parandada pädeval töötajal.** See elektritööriist vastab asjassepuutuvatele ohutusreeglitele. Remonttööd tohib teha ainult kvalifitseeritud isik, kasutades sealjuures originaalvaruosi, vastasel juhul võib ilmnedu kasutajale märkimisväärne oht.

**MIIUSAAG OHUHOIATUSED**

- Kinnitage toorik alati piisavalt.
- Kasutage kuulmiskaitsevahendeid. Tugev müra võib põhjustada kuulmiskaotuse.
- Need seadmed, mida kasutatakse erinevates kohtades, kaasa arvatud õues, tuleb lülitada võrku, milles on liigvoolu kaitseüliliit.
- Masinaga töötamisel kandke alati kaitseprille. Soovitatakse kanda kaitsekindaid, tugevaid mittelibisevaid jalanõusid ja kaitsepõlle.
- Enne ükskõik millise töö tegemisel masinal võtke pistik pistikupesast välja.
- Pistiku tohib pistikupesast välja võtta alles pärast masina väljalülitamist.
- Hoidke toitejuhtmed masina tööpiirkonnast väljapoole. Juhtige kaabel alati enda selja taha.
- Saepuru ja puutükke ei tohi eemaldada sel ajal kui masin töötab.
- Ärge viibige sae töötamise ajal selle ohupiirkonnas.
- Enne kasutamist tuleb masin, kaabel ja pistik üle kontrollida vigastuste ja materjaliväsimuse suhtes. Remonti tohivad teha ainult pädevad remonditöökojad.
- Masinaga töötamisel peavad selle kaitsekatted olema oma kohtadel.
- Ärge kinnitage pöörduvat kettakaitset avatud asendisse.
- Ärge kasutage saekettaid, mis on vigastatud või deformeerunud.
- Asendage töölaua vahetükk, mis on kulunud.
- Ärge kasutage saekettaid, mille kinnitusava ei ole sama, mis on kasutusjuhendis mainitud.
- Kaitsekate tohib olla avatud ainult siis, kui saepea on toorikule langetatud.
- Ärge kasutage kiirlõiketerasest saekettaid.
- Enne töö alustamist tehke lõiget imiteeriv liigutus mootorit käivitamata, et kontrollida lõikeketta asendit ja kaitsekatte liikumist teiste masinaosade ning tooriku suhtes.
- Kaldlõike, püstkaldelõike või liitkaldega lõike saagimisel reguleerige välja nihutatav kaitsekate, et tagada saagimisel saekettast õige ohutusvahemik.
- Igast masinal ilmnevast veast, kaasa arvatud neist, mis on seotud turvakaitsetega või lõikeketastega, tuleb ohutusala eest vastutatavat isikut teavitada niipea kui need ilmnevad.
- Valida tuleb saeketas, mis sobib lõigatava materjali jaoks.
- Ärge kasutage miiusaagi muude materjalide saagimiseks kui need, millele see on ette nähtud.
- Miiusae transportimise ajal peab selle käepideme lukusti olema rakendatud.
- Saega tohib töötada vaid siis, kui see on nõutavas töökorras ja õigesti hooldatud ning paikne.
- Hoidke pörand jäätmetest, nt. saepurust ja jääkidest puhas.
- Kasutage vaid neid saekettaid, mis on nõetekohaselt teritatud. Tähtis on kinni pidada saeketta lubatud maksimaalkiirusest.
- Ärge kasutage saeketta kinnitamiseks mingeid teisi kinnitusaarikuid kui neid, mis on kasutusjuhendis lubatud.
- Hoiduge masina töötamise ajal ja saepea langetatud asendis jääkide ja toorikulõigete eemaldamisest saagimispiirkonnast.
- Veenduge, et masin on alati stabiilne ja ohutu (nt. kinnitatud töölauale).
- Pikkasid toorikuid tuleb nõuetekohaselt toetada.
- Ärge kasutage pragunenud ega auklikku saeketast.
- Enne masina kasutamahakkamist lugege selle kasutusjuhend läbi. Võimaluse korral laske masina tööd demonstreerida.
- Selle masinaga töötamisel tekkiv tolm võib olla tervisele ohtlik. Kandke tolmueraldussüsteemi ja kandke sobivat tolmu maski. Eemaldage tekkiv tolm täielikult, nt tolmuimejaga.
- Ümara või ebaühtlase ristlõikega saematerjali (nt. küttepuud) saagimine ei ole lubatud, sest seda ei ole võimalik saagimise ajal ohutult kinni hoida. Kui saete õhukese kandiga ääristatud materjali, tuleb kasutada toetamiseks lisatuge.
- Seade tuleb lülitada kaitseseadmega (sulavkaitse või kaitseüliliit) toitevõrku.
- Töötamisel ja tolmu ärapuhumisel kandke alati silmamaski või küljekaitsetega kaitseprille. Kui töötlemine on tolmune, siis kandke tolmu maski.
- Hoolditsetegemisel soones.
- Kasutage ainult õiget mõõtu ja õige völliavaga saeketast. Sae kinnitustdetailidega mittesobivad saekettad pöörlevad ekstsentriliselt ja põhjustavad sellega kontrolli kadumist sae üle.
- Kasutage ainult kasutusjuhendis ettenähtud saekettaid, mis vastavad standardile EN 847-1.
- Ärge varustage seda laserjuhikut või LED muud tüüpi laseriga või LED. Remonti tohib teha vaid laseri tootja või tema volitatud agent.
- Voolutõuked põhjustavad pingekõikumisi ja võivad mõjutada samasse toiteahelasse ühendatud elektriseadmete tööd. Ühendage seade toitevõrku, mille näivtakistus on 0,180 Ω, et pingekõikumisi minimeerida. Lisateabe saamiseks võtke ühendust oma elektritarbijaga.

**PUIDU SAEKETTA OHUTUSJUHISED**

- Enne masina käivitamist lugege kasutusjuhend läbi.
- Saepink peab olema heas töökorras ja spindel ilma deformatsioonideta ning ei tohi vibreerida.
- Ärge kasutage saagi ilma, et kaitseid on oma





kohtadel, eriti tähelepanelik tuleb olla pärast töörežiimi vahetamist. Hoidke kaitse töökorras ja nõuetekohaselt hooldatud olekus.

- Veenduge, et töötaja on masinaga töötamiseks nõuetekohaselt välja õppinud.
- Kasutage hooldamise ajal alati kaitseprille, mis kaitsevad silmi ka külgedelt. Soovitakse kanda kaitsekindaid, tugevaid mittelibisevaid jalanõusid ja kaitsepõlle.
- Enne ükskõik millise tarviku kasutamist tutvuge kasutusjuhendi vastavate nõuetega. Tarvikute ebaõige kasutamine võib põhjustada vigastuse.
- Kasutage ainult kasutusjuhendis ettenähtud saekettaid, mis vastavad standardile EN 847-1.
- Pidage kinni saekettale märgitud maksimaalkiirusest. Veenduge, et saekettal märgitud pöörlemiskiirus on sael märgitud pöörlemiskiirusega vähemalt võrdne.
- Kasutage ainult õiget mõõtu ja õige (saeketta mitte teemantketta) völliavaga saeketast. Sae kinnitusdetailidega mittesobivad saekettad pöörlevad ekstsentriliselt ja põhjustavad sellega kontrolli kadumist sae üle.
- Ärge kasutage saekettaid, mille läbimõõt on suurem või väiksem kui soovitatud. Ärge kasutage saeketta sobitamiseks mingeid vaheseibe.
- Enne saeketta kasutamise alustamist kontrollige selle hambad üle vigastuste ja ebahariliku väljanägemise suhtes. Vigastatud ja lõdvdad saehambad võivad välja paiskuda ning seetõttu põhjustada kehavigastuse.
- Ärge kasutage pragunenud ega auklikku saeketast. Ärge kasutage saekettaid, mis on vigastatud või deformeerunud.
- Ärge kunagi kasutage saeketast kui see on vigastatud või deformeerunud. Remontimine ei ole lubatud.
- Ärge kasutage kiirlõiketerasest saekettaid.
- Enne kasutamist veenduge, et saeketas on nõuetekohaselt paigaldatud. Enne töö alustamist keerake völli mutter kindlalt kinni. (Pöördemoment: 12-15 Nm)
- Kinnituskruvisid ja mutreid tohib pingutada vaid selleks ette nähtud mutrivõtmeaga.
- Pingutamisel ei ole lubatud mutrivõtme õla pikendamine ja haamri kasutamine.
- Veenduge, et saekettad ja äärikud on puhtad ja ääriku tugipinnad on vastu saeketta pinda.
- Kontrollige, kas saetera pöörlemissuund on õige.
- Enne töö alustamist tehke lõiget imiteeriv liigutus mootorit käivitamata, et kontrollida lõikeketta asendit ja kaitsekatte liikumist teiste masinaosade ning tooriku suhtes.
- Ärge jätke töötava mootoriga masinat järelevalveta.
- Ärge kandke töötamise ajal saekettale määrdeaineid.
- Ärge hakake tegema mingeid puhastus- või hooldustöid seni, kui masin pöörleb ja saepea ei ole liikumatus

olekus.

- Ärge kunagi püüdke masina pöörlemist järsult peatada saeketta tõkestamisega või muul viisil, sest see võib põhjustada raske õnnetuse.
- Enne saeketta vahetamist või hooldamist ühendage saag toitevõrgust lahti.
- Olge saeketta pakkimisel ja lahtipakkimisel ettevaatlik, sest teravad hambad võivad põhjustada vigastusi.
- Kasutage saeketaste teisaldamisel katet või kandke kindaid.
- Hoidke saeketast originaalpakendis või muus sobivas pakendis, kuivas kohas, kus pole kahjustavaid kemikaale.

### LASERI OHUTUS

- Sael kasutatava laseri kiirgus kuulub klassi 2, mille võimsus on  $\leq 1\text{mW}$  ja lainepikkus 650 nm. Ärge vaadake laserikiirele otse vastu. Kasutusreeglite eiramine võib põhjustada tõsiseid kehavigastusi.



Enne seadme kasutamata hakkamist kleepige komplektis olev kleebis olemasoleva ingliskeelse hoiatussildi peale.

- Ärge vaadake laserikiirele töö ajal otse vastu.
- Ärge suunake laserikiirt kõrvalolijatele silma. See võib põhjustada raskeid silmavigastusi.
- Ärge paigutage seadet asendisse, mille puhul võib laserikiir tahtmatult või tahtlikult kellegi silma tabada.
- Ärge kasutage laserikiire vaatamiseks mingit optilist seadet.
- Ärge kasutage laserjuhikut laste juures ega laske lastel seda kasutada.
- Ärge püüdke laserjuhikut ise parandada.
- Ärge püüdke ise muuta ühegi laserjuhiku osa konstruktsiooni.
- Remonti tohib teha vaid laseri tootja või tema volitatud agent.
- Ärge varustage seda laserjuhikut muud tüüpi laseriga.

### JÄÄKRISKID

Isegi siis, kui masinat kasutatakse kirjeldatud viisil, ei ole võimalik kõrvaldada kõiki jääkriskide mõjureid. Töötamise ajal võivad tekkida järgmised ohud, millele operaator peab pöörama erilist tähelepanu.

- Õnnetuse tekkimise risk, mis on põhjustatud mittekäetud pöörlevast saekettast.
- Toorikute ja toorikutükkide tagasilöökk, mis on tingitud valest reguleerimisest või valedest töövõtetest.
- Saeketta kõvamsulamist hambaotsakute väljapaikumine.



- Hingamisteede kahjustused, kui ei kanta nõutava kaitsevõimega tolmumaski.
- Kuulmiskahjustused, kui ei kanta nõutava kaitsevõimega kuulmiskaitset.

**HOOLDUS**

- Ärge püüdke teha mingeid reguleertoiminguid sel ajal, kui mootor töötab.
- Enne harjade puhastamise, määrimistööde või muude masina hooldustööde alustamist veenduge, et pistik on pistikupesast välja võetud.
- Pärast iga kasutuskorda kontrollige, et masinal ei ole purunenud osi ja vajaduse korral tehke kohe remonttööd või asendage osad.
- Ketas on pärast kasutamist kuum, seega olge hooldamisel ja puhastamisel ettevaatlik.
- Pühkige ära kogunenud tolm.
- Kõik remonttööd, välja arvatud väljaspool kättesaadavatel harjadel, tuleb lasta teha volitatud hoolduskeskuses, et tagada masina ohutus ja töövoime.
- Teavitage masinariketest, kaasa arvatud kaitseosade ja saeketaste riketest kohe pärast nende avastamist.
- Kui toitejuhe on vigastatud, siis tuleb see lasta asendada tootja või klienditeenindaja poolt, et ohtusid vältida. Pöörduge volitatud hoolduskeskusesse.

**⚠ HOIATUS**

Ohutuse ja töökindluse tagamiseks tuleb parandustööd lasta teha volitatud hoolduskeskuses või muus pädevas hooldusettevõttes.

**KESKKONNAKAITSE**

Toormaterjalid utiliseerige jäätmetega koos. Masin, selle lisaseadmed ja pakend tuleb jäätmekäitluseks keskkonnasõbralikult sorteerida.

**SÜMBOL**

Ohutusala teave



CE vastavus



Euraasia vastavusmärk.



Lugege enne masina kasutamist juhised hoolikalt läbi.



II klassi seade, topeltisolatsioon



Kandke kuulmise kaitsevahendeid



Kandke alati silmakaitsevahendeid.



OHT! Terav lõikeketas.



Kandke turvakindaid.



Lõikeketera pöörlemissuund (näidatud lõikekettal)



Lõikeketta lõikelaius (saetee)



Lõikeketta hammaste arv



Puidu ja puidusarnaste materjalide lõikamiseks



Metalli lõikamiseks ei ole kasutatav



Ärge vaadake laserikiirele otse vastu.



Laserkiirgus.  
klassi laserseade  
λ: 650nm; P≤1mW  
EN 60825-1:2007



Mittekasutatavaid elektritooteid ei tohi visata olmejäätmete hulka. Vaid tuleb viia vastavasse kogumispunkti. Vajadusel küsige sellekohast nõu oma edasimüüjalt või vastavalt kohaliku omavalitsuse institutsioonilt.



### KASUTUSJUHENDIS KASUTATUD SÜMBOLID



Pange toitejuhtme pistik pistikupesasa.



Tõmmake pistik pistikupesast välja.



Lukk



Lahtikeeramine



On kuulda heli



Ooteaeg



Eraldi ostetavad osad või tarvikud



Märkus:



HOIATUS





U razvoju ove kutne pile dati su maksimalni prioriteti sigurnosti, performansama i pouzdanosti.

### NAMJENA

Proizvod je namijenjen za rezanje punog drveta, prešanog drveta, furnira, materijala sličnih drvetu i plastike.

Nemojte koristiti ovaj alat ni na koji drugi način od uobičajenog.

### OPĆA SIGURNOSNA PRAVILA

#### ⚠ UPOZORENJE

Kako biste smanjili opasnost od požara, strujnog udara i osobnih ozljeda prilikom korištenja električnih alata, uvijek se valja pridržavati osnovnih mjera opreza. Prije pokušaja korištenja ovog uređaja pročitajte i spremite sve upute.

- **Održavajte radno područje čistim.** Zatrpna radna područja i stolovi dovode do ozljeda.
- **Uzmite u obzir radno okruženje.** Alat nemojte izlagati kiši. Nemojte koristiti alate u vlažnim ili mokrim mjestima. Držite radni prostor dobro osvijetljen. Nemojte koristiti alate u prisutnosti zapaljivih tekućina ili plinova.
- **Zaštitite se od strujnog udara.** Izbjegavajte kontakt tjela s uzemljenim površinama (poput cijevi, radijatora, štednjaka i hladnjaka).
- **Držite podalje ostale osobe.** Nemojte dopustiti osobama, posebice djeci, da se uključe u rad, dodiruju alat ili produžni kabel, te ih držite dalje od područja rada.
- **Skladištite prazne alate.** Kada se ne koristi, alat treba skladištiti na suhom i zaključanom mjestu izvan dosega djece.
- **Nemojte alat koristiti iznad njegovih mogućnosti.** Uređaj će bolje i sigurnije raditi na brzini za koju je konstruiran.
- **Koristite pravi alat.** Nemojte forsirati male alate da rade poslove teških alata za rad. Nemojte koristiti alate za svrhe za koje nisu namijenjeni, primjerice, nemojte koristiti cirkularnu pilu za rezanje grana balvana ili trupaca.
- **Pravilno se odjenite.** Nemojte nositi široku odjeću ili nakit; mogu biti zahvaćeni pokretnim dijelovima. Preporuča se da prilikom rada na otvorenom nosite obuću sa zaštitom od klizanja. Također nosite i zaštitu za kosu kako biste pokrili dugu kosu.
- **Koristite zaštitnu opremu.** Koristite zaštitne naočale. Ako rad stvara prašinu koristite zaštitnu masku za lice.
- **Priključite sustav za izbacivanje prašine.** Ako su alati opremljeni s priključkom aparata za odvajanje i prikupljanje prašine, osigurajte da su oni priključeni i pravilno korišteni.
- **Nemojte zlorabiti kabel.** Nikada ne povlačite kabel za isključivanje iz utičnice. Držite kabel podalje od topline, ulja i oštih rubova.
- **Siguran rad.** Kad je moguće, koristite spojnice ili škrip za držanje izratka. Sigurnije je nego korištenje vaše ruke.
- **Nemojte se naginjati preko rubova.** Cijelo vrijeme držite pravilno uporište i ravnotežu.
- **Pažljivo održavajte alat.** Držite alat za rezanje naoštrenim i čistim radi boljeg i sigurnijeg rada. Slijedite upute za podmazivanje i promjenu dodatnog pribora. Povremeno provjerite kabele alata i ako su oštećeni neka ih popravi ovlašteni servisni centar. Povremeno provjerite i zamijenite produžne kabele ako su oštećeni. Održavajte ručke suhim, čistim i da na njima nema ulja i masti.
- **Isključite alate.** Kada nije u upotrebi, prije servisiranja ili kada mijenjate priključke poput oštrica, svrdla i rezača, isključite alate iz napajanja.
- **Uklonite ključeve za ugađanje i ključeve.** Zbog navike provjeravanja pogledajte da li su ključevi i ključevi za ugađanje uklonjeni s alata prije nego što ga uključite.
- **Izbjegavajte slučajno pokretanje.** Provjerite je li prekidač u položaju "off" (isključeno) prilikom uključivanja.
- **Koristite produžne kabele za korištenje na otvorenom.** Prilikom korištenja alata na otvorenom, rabite samo produžne kabele koji su namijenjeni za korištenje na otvorenom i tako su označeni.
- **Budite na oprezu.** Gledajte to što radite, pri radu s električnim alatom koristite zdrav razum i ne radite s alatom kad ste umorni.
- **Zamijenite oštećene dijelove.** Prije daljnjeg korištenja alata treba se pažljivo provjeriti da se odredi da li će pravilno raditi i izvoditi njihovu namjensku funkciju. Provjerite spojeve pokretnih dijelova, povezanost pokretnih dijelova, puknuća dijelova, montiranost i bilo koje druge uvjete koji mogu utjecati na njihov rad. Štitnik ili drugi dio koji je oštećen treba pravilno popraviti ili zamijeniti od strane ovlaštenog servisnog centra osim ako drugačije nije naznačeno u ovim uputama za rukovanje. Sklopku u kvaru zamijenite u ovlaštenom servisnom centru. Nemojte koristiti alat ako ga sklopka pravilno ne uključuje i isključuje.
- **Upozorenje.** Korištenje bilo kakvog dodatnog pribora ili priključka osim preporučenih u ovim uputama za upotrebu može dovesti do opasnosti od osobnih ozljeda.
- **Neka vaš alat servisira kvalificirana osoba.** Ovaj električni alat u skladu je s relevantnim pravilima o sigurnosti. opravke treba izvoditi samo ovlašteni serviser korištenjem originalnih rezervnih dijelova, u suprotnom ovo može rezultirati zabrinjavajućom opasnošću po korisnika.

**SIGURNOSNA UPOZORENJA KUTNA PILA**

- Uvijek stegnite čvrsto izradak.
- Nosite štitnike za uši. Izlaganje buci može izazvati gubitak sluha.
- Uređaji korišteni na mnogim različitim lokacijama uključujući na otvorenom moraju se povezati preko sigurnosnog prekidača strujnog kruga.
- Uvijek nosite zaštitne naočale kad koristite stroj. Preporuča se nošenje rukavica, čvrstih cipela koje se ne klizu i pregaču.
- Uvijek isključite utikač iz utičnice prije izvođenja bilo kakvih radova na stroju.
- Utaknite utikač samo kad je uređaj isključen.
- Držite glavni kabel dalje od radnog područja stroja. Uvijek provedite kabel dalje iza vas.
- Uređaj za ispuhivanje prašine i odlomljivači ne smiju se uklanjati dok stroj radi.
- Nikada ne posežite u opasno područje pogona kad je pokrenut.
- Prije korištenja provjerite stroj, kabel i utikač za bilo kakva oštećenja ili zamor materijala. Popravke treba izvoditi samo ovlašteni serviser.
- Uvijek koristite štitnike za zaštitu na stroju.
- Ne savijajte zaštitni štitnik.
- Nemojte koristiti oštrice pile koje su oštećene ili deformirane.
- Zamijenite umetnutu tablu kad se ugrije.
- Nemojte koristiti oštrice pile koje ne odgovaraju podatkovnom ključu datom u ovim uputama za korištenje.
- Zaštitni poklopac smije se otvoriti samo kad je stroj spušten na izradak.
- Nemojte koristiti oštrice pile izrađene od čelika za velike brzine.
- prije rada, izvršite probni rez bez uključenog motora kako biste pozicionirali oštricu, rad štitnika u odnosu na druge dijelove uređaja i izradak mogu se također provjeriti.
- Prilikom izvođenja kutnih, nagibnih ili sklopnih kutnih rezova, podesite pomičnu letvu pile kako biste osigurali točan zazor za oštricu.
- Svaki kvar sa strojem, uključujući sve vezano za štitnike ili oštrice pile, mora se prijaviti osobi odgovornoj za sigurnost čim se kvar otkrije.
- Potrebno je odabrati oštricu pile koja je prikladna za materijal koji se reže.
- Nikada nemojte koristiti kutnu pilu za rezanje drugih materijala osim navedenih u uputama za korištenje.
- Brava ručke uvijek mora biti aktivirana tijekom transporta kutne pile.
- Koristite samo pilu sa štitnicima koji su u dobrom stanju i pravilno održavani i postavljeni.

- Održavajte pod područja bez odbačenih materijala, npr. strugotina i odrezaka.
- Koristite samo oštricu pile koja je pravilno naoštrena. Od osobe je važnosti postizanje maksimalne brzine naznačene na oštrici pile.
- Za osiguranje oštrice pile nemojte koristiti nikakve pribornice osim onih koje su isporučene ili naznačene u uputama za korištenje.
- Pazite se od pomicanja bilo kojih odrezaka ili drugih dijelova izratka iz područja rezanja dok je stroj u radu, a glava pile nije u položaju mirovanja.
- Osigurajte da je stroj uvijek stabilan i siguran (npr. učvršćen na radni stol).
- Dugi izratci trebaju biti adekvatno poduprijeti.
- Nemojte koristiti slomljene ili iskorištene oštrice pile.
- Prije korištenja alata molimo pročitajte sve upute. Po mogućnosti imajte predodčen alat.
- Prašina proizvedena tijekom korištenja ovog alata može biti štetna za zdravlje. Koristite sustav za sakupljanje prašine i nosite prikladnu zaštitnu masku za prašinu. Temeljito uklonite nakupine prašine, npr. pomoću usisavača.
- Naslagana drva ili nepravilni promjeri (poput drva za potpalu) na smiju se rezati budući da se ne mogu čvrsto držati tijekom rezanja. Kad pilite tanko drvo položeno na rub, radi čvrstog oslonca mora se koristiti pomoćna letva.
- Uređaj treba priključiti na uređaj za zaštitu strujnog kruga (osigurač ili prekidač strujnog kruga).
- Uvijek tijekom rada s električnim alatom ili prilikom ispuhivanja prašine nosite zaštitne naočale i zaštitne naočale s bočnim štitnicima. Ako radite u prašini nosite i masku za zaštitu od prašine.
- Budite oprezni prilikom izrade utora.
- Oštrice koje nisu prilagođene osovini na koju se postavljaju neće se ispravno okretati te može doći do gubitka kontrole nad alatom. Nikad ne upotrebljavajte vijke i podložne pločice koji su oštećeni ili neprilagođeni.
- Koristite samo oštricu navedenu u ovim uputama koja je u skladu s EN 847-1.
- Ne zamjenjujte laser s drugačijom vrstom. Sve popravke mora izvršiti samo proizvođač lasera ili ovlašteni zastupnik.
- Vršna struja uzrokuje fluktuacije napona i može utjecati na druge električne proizvode na istoj liniji napajanja. priključite uređaj na napajanje s impedancijom jednakom 0.180 Ω za minimiziranje fluktuacije napona. Obratite se dobavljaču električne energije za daljnje informacije.

**SIGURNOSNE UPUTE ZA OŠTRICU ZA REZANJE DRVETA**

- Prije rada s uređajem pročitajte upute u ovom priručniku.





- Uređaj mora biti u dobrom stanju, osovina bez deformacija i vibracija.
- Nemojte koristiti pilu bez postavljenog štitnika, posebice nakon promjene načina rada. Držite štitnike u dobrom stanju i pravilno održavanjem.
- Osigurajte da je rukovatelj adekvatno obučen u mjerama predostrožnosti, podešavanjima i radu s uređajem.
- Uvijek nosite zaštitna sredstva za oči s bočnim štitnicima, zajedno s zaštitom za sluh. Preporuča se nošenje rukavica, čvrstih cipela koje se ne klišu i pregaču.
- Prije korištenja bilo kakvog dodatnog pribora pogledajte upute za uporabu. Nepravilna uporaba dodatnog pribora može dovesti do oštećenja.
- Koristite samo oštricu navedenu u ovim uputama koja je u skladu s EN 847-1.
- Održavajte maksimalnu brzinu naznačenu na listu pile. Provjerite je li brzina označena na oštrici noža približno jednaka brzini označenoj na pili.
- Oštrice koje nisu prilagođene osovini na koju se postavljaju neće se ispravno okretati te može doći do gubitka kontrole nad alatom. Nikad ne upotrebljavajte vijke i podložne pločice koji su oštećeni ili neprilagođeni.
- Nemojte koristiti oštrice većeg ili manjeg promjera od preporučenog. Nemojte koristiti nikakve razmačnike kako biste priključili oštricu na osovinu.
- Provjerite vrhove oštrica pile na oštećenja ili abnormalna izgled prije korištenja. Vrhovi koji su oštećeni ili labavi mogu postati leteći predmeti prilikom korištenja i povećati šansu za osobne ozljede.
- Nemojte koristiti slomljene ili iskorištene oštrice pile. Nemojte koristiti oštrice pile koje su oštećene ili deformirane.
- Nikada ne koristite oštricu pile koja je oštećena ili deformirana. Popravak nije dopušten.
- Nemojte koristiti HSS oštrice.
- Prije korištenja osigurajte da je list pile točno montiran. Prije korištenja čvrsto pritegnite maticu vratila. (Zakretni moment: 12-15 Nm)
- Pričvrstne vijke treba pritegnuti korištenjem odgovarajućeg natezača.
- Produljivanje nateznika ili pritezanjem korištenjem udaraca čekića nije dopušteno.
- Osigurajte da su sve oštrice i pribor čiste i da su upuštene strane spojnice prema oštrici.
- Osigurajte da su rotirajuće oštrice u točnom smjeru.
- prije rada, izvršite probni rez bez uključenog motora kako biste pozicionirali oštricu, rad štitnika u odnosu na druge dijelove uređaja i izradak mogu se također provjeriti.
- Nikada ne ostavljajte uređaj bez nadzora.
- Ne podmazujte list pile kad je pokrenut.
- Nikad ne vršite čišćenje ili održavanje kad je uređaj još

pokrenut i njegova glava nije u stanju mirovanja.

- Nikad ne pokušavajte zaustaviti uređaj u brzom kretanju zaglavljivanjem alata ili drugim načinom prema oštrici, može doći do ozbiljne nesreće izazvane s namjerom.
- Iskopčajte pilu iz glavnog napajanja prije promjene lista pile ili izvođenja održavanja.
- Obratite pozornost na pakiranje i raspakiranje, vrlo lako se može ozlijediti na oštar vrh.
- Koristite držač oštrice ili nosite rukavice prilikom rukovanja s listom pile.
- Održavajte i čuvajte oštricu u originalnom pakiranju ili drugom prikladnom pakiranju, čuvajte u suhim uvjetima i dalje od kemikalija koje mogu oštetiti oštricu.

## SIGURNOST LASERA

- Zračenje laserskog vodiča koji je korišten u ovoj pili je Klasa 2 s maksimalnim valnim duljinama  $\leq 1\text{mW}$  i  $650\text{ nm}$ . Nemojte gledati izravno u lasersku zraku. Nepoštovanje ovih pravila može rezultirati ozbiljnim osobnim ozljedama.



Isporučit ćemo vam naljepnicu na vašem jeziku i zahtjevamo da naljepite umjetno engleskog teksta na naljepnici o upozorenju prije puštanja u rad uređaja.

- Nemojte gledati u zraku tijekom rada.
- Ne usmjerujte lasersku zraku izravno u oči drugih. Može doći do ozbiljnih povreda.
- Nemojte postavljati laseru položaj koji može prouzročiti da bilo tko namjerno ili nenamjerno gleda u lasersku zraku.
- Nemojte koristiti optičke alate za gledanje laserske zrake.
- Nemojte raditi s laserom oko djece ili dopustiti djeci da rade s laserom.
- Ne pokušavajte samostalno popraviti laserski uređaj.
- Ne pokušavajte samostalno promijeniti nijedan dio laserskog uređaja.
- Sve popravke mora izvršiti samo proizvođač lasera ili ovlašteni zastupnik.
- Ne zamjenjujte laser s drugačijom vrstom.

## PREOSTALE OPASNOSTI

Čak i kad je uređaj korišten kao što je prethodno opisano, još uvijek nije moguće potpuno isključiti ostale čimbenike opasnosti. Može doći do sljedećih opasnosti prilikom korištenja i operater mora obratiti posebnu pozornost kako bi izbjegao sljedeće:

- Postoji opasnost od kontakata s nepokrivnim rotirajućim dijelovima pile.





- Povratni udar izratka i dijelova izratka zbog nepravilnog podešavanja ili rukovanja.
- Izbacivanje karbidnih tipli iz lista pile.
- Oštećenja na respiratornim organima ako se ne nosi učinkovita zaštitna maska.
- Oštećenja na sluhu ako se ne nosi učinkovita zaštita za sluh.

**ODRŽAVANJE**

- Dok motor radi, ne obavljajte nikakva podešavanja.
- Uvijek provjerite da li je utikač uređaja uklonjen iz izvora glavnog napajanja prije promjene četke, podmazivanja ili kod bilo kakvog rada ili održavanja na uređaju.
- Nakon svake uporabe provjerite uređaj radi oštećenja ili slomljenih dijelova i održavajte ga u vrhunskim uvjetima za rad na način da odmah popravite ili zamijenite dijelove.
- Oštrica je vruća nakon korištenja, budite pažljivi tijekom postupaka održavanja ili čišćenja.
- Očistite nakupljenu prašinu.
- Za osiguranje sigurnosti i pouzdanosti sve popravke s izuzetkom vanjskih četki koje su pristupačne treba izvoditi ovlašteni servisni centar.
- Kvar u uređaju, uključujući štitnike ili oštice pile treba odmah prijaviti po njihovom otkrivanju.
- Ako je kabel za napajanje oštećen, mora ga zamijeniti samo proizvođač ili ovalšteni servisni centar kako bi se izbjegla opasnost. Obratite se ovlaštenom servisnom centru.

**⚠ UPOZORENJE**

Za maksimalnu sigurnost i pouzdanost, sve popravke treba obaviti u ovlaštenom Ryobi servisu.

**ZAŠTITA OKOLIŠA**

Sirovine reciklirajte, umjesto da ih bacate među kućni otpad. Kako biste zaštitili okoliš, alat, dodatke i ambalažu treba odvojeno bacati u otpad.

**SIMBOL**

Sigurnosno upozorenje



Sukladno CE



EurAsian znak konformnosti.



Molimo vas da prije pokretanja uređaja pažljivo pročitate upute.



Oprema klase II, dvostruka izolacija



Nosite zaštitu za sluh



Uvijek nosite zaštitna sredstva za oči.



OPASNOST! Oštra oštrica.



Nosite zaštitne rukavice.



Smjer rotacije oštrice (prikazano na listu pile)



Širina reza oštrice (usjek)



Broj zubiju na ovom listu pile



Za rezanje drveta i sličnih materijala



Nije za rezanje metala



Nemojte gledati u zraku.



Radijacija lasera.  
Proizvod 2 laserskog razreda  
 $\lambda$ : 650nm;  $P \leq 1\text{mW}$   
EN 60825-1:2007



Otpadni električni proizvodi ne treba da se odlažu s otpadom iz domaćinstva. Molimo da reciklirate gdje je to moguće. Potražite savjet od lokalnih vlasti ili prodavca kako reciklirati.



**SIMBOLI U PRIRUČNIKU**



Uključite proizvod.



Odspojite proizvod.



Brava



Otključavanje



Čuje se zvuk



Vrijeme čekanja



Dijelovi ili pribor prodan odvojeno



Napomena:



UPOZORENJE



Varnost, učinkovitost in zanesljivost so bile pri načrtovanju vaše zajeralne žage ključnega pomena.

### NAMEN UPORABE

Izdelek lahko uporabljate za žaganje trdnega lesa, vezanega lesa, furnirja, lesu podobnih materialov in plastike.

Tega izdelka ne uporabljajte za namene, ki se razlikujejo od običajne uporabe.

### SPLOŠNA VARNOSTNA OPOZORILA

#### OPOZORILO

Pri uporabi električnih orodij morate vedno upoštevati osnovna varnostna opozorila, saj le tako lahko zmanjšate nevarnost požara, električnega udara ali telesnih poškodb. Pred uporabo tega izdelka preberite vsa navodila in shranite priročnik.

- **Delovno območje naj bo vedno čisto.** Neurejeni prostori in delovne mize privabljajo nesreče.
- **Preglejte delovno območje.** Orodja ne izpostavljajte dežju. Orodja ne uporabljajte v mokrih ali vlažnih okoljih. Delovno območje naj bo vedno dobro osvetljeno. Nikoli ne uporabljajte orodja blizu vnetljivih tekočin ali plinov.
- **Zaščita pred električnim udarom.** Izogibajte se telesnemu stiku z ozemljenimi površinami, kot so cevi, radiatorji, kuhalniki in hladilniki.
- **Drugih oseb ne spuščajte zraven.** Tretje osebe, predvsem otroci, orodja ne smejo uporabljati in se orodja ter podaljševalnega kabla ne smejo dotikati; zadrževati se morajo zunaj delovnega območja.
- **Orodja, ki jih ne uporabljajte, shranite.** Ko orodja ne uporabljate, ga shranite na suho mesto in zaklenite, da otroci ne bodo imeli dostopa.
- **Orodja ne preobremenjujte.** Nalogo bo opravilo bolje in varneje, če ga uporabite za namen, za katerega je namenjen.
- **Uporabljajte ustrezno orodje.** Z malimi orodji orodji ne opravljajte del, ki so predvidena za večja orodja. Orodja ne uporabljajte za dela, za katera ni namenjeno – krožnih žag na primer ne uporabljajte za rezanje vej in debel.
- **Bodite primerno oblečeni.** Ne nosite ohlapnih oblačil ali nakita; saj bi se lahko zagodili v premikajoče se dele orodja. Pri delu na prostem je priporočljiva uporaba nedrsečih čevljev. Če imate dolge lase, nosite tudi zaščitno pokrivalo.
- **Uporabljajte zaščitno opremo.** Uporabljajte zaščitna očala. Če pri delu nastaja prah, nosite obrazne maske ali maske proti prahu.
- **Priključite opremo za sesanje prahu.** Če je orodje namenjeno priključitvi na opremo za sesanje in zbiranje prahu, se prepričajte, da so ti priključeni in ustrezno uporabljeni.

- **Kabla ne uporabljajte za neustrezne namene.** Nikoli ne povlecite za kabel, kadar izklapljate vtičač iz vtičnice. Kabel držite proč od vročine, olja ali ostrih robov.
- **Varno delo.** Kjer je to mogoče, uporabljajte sponko ali primež. To je varneje kot uporaba rok.
- **Ne segajte preko dosega.** Pazite, da stojite stabilno in da imate ravnotežje.
- **Orodja vzdržujte nežno.** Za boljše in varnejše delovanje naj bodo rezalna orodja nabrušena in čista. Sledite navodilom za mazanje in menjavo dodatkov. Redno preverjajte napajalne kable orodja in jih v primeru poškodb dajte v popravilo pooblaščenemu servisu. Redno preverjajte podaljške in jih v primeru poškodb zamenjajte z novimi. Ročaji naj bodo suhi, čisti in brez madežev olja ali masti.
- **Odklopite orodja.** Kadar orodja ne uporabljate oz. pred servisiranjem in med menjavo dodatkov (kot so rezila, svedri ipd.), orodja odklopite iz napajanja.
- **Ostranite nastavljive ključne in zatiče.** Pred vklopom orodja preverite, da so zatiči in nastavljivi ključki odstranjeni iz orodja.
- **Preprečite nehoten zagon.** Ko orodje priklapljate na električno omrežje, mora biti stikalo v položaju za izklop (off).
- **Uporabljajte podaljške za zunanjo uporabo.** Kadar orodje uporabljate zunaj, uporabljajte le podaljške za zunanjo uporabo.
- **Bodite pozorni.** Spremljajte potek dela, uporabljajte zdrav razum in orodja ne uporabljajte, če ste utrujeni.
- **Preverite, ali so kje poškodovani deli.** Pred nadaljnjo uporabo pazorno preglejte orodje in zagotovite, da orodje pravilno in ustrezno deluje. Preverite nastavitve premikajočih se delov, njihove povezave, morebitne lome, namestitev in druge pogoje, ki bi lahko vplivali na delovanje naprave. Varovalo ali drug poškodovan del morate ustrezno popraviti ali zamenjati pri pooblaščenem serviserju, razen če ni drugače navedeno v navodilih za uporabo. Orodja ne uporabljajte, če ga stikalo ne vklopi ali izklopi pravilno.
- **Opozorilo.** Uporaba katerih koli dodatkov ali priključkov, ki niso priporočeni v teh navodilih za uporabo, lahko predstavljajo tveganje za osebne poškodbe.
- **Orodje naj popravi pooblaščen oseba.** To električno orodje izpolnjuje ustrezne varnostne kriterije. Popravila lahko izvaja le pooblaščen oseba, ki uporablja originalne rezervne dele; v nasprotnem primeru bi bil uporabnik lahko v nevarnosti.

### VARNOSTNA OPOZORILA ZAJERALNA ŽAGA

- Verno varno namestite obdelovanec.
- Nosite ščitnike za ušesa. Izpostavljenost hrupu lahko povzroči izgubo sluha.
- Naprave, ki se uporabljajo na različnih mestih (tudi na prostem), morajo biti povezane s stikalom, ki ščiti pred udarnim tokom.



- Pri uporabi stroja vedno nosite očala. Priporočljivo je, da nosite rokavice, masivne čevlje, v katerih ne drsi, in predpasnik.
- Preden izvajate kakršnakoli opravila na stroju, slednjega vedno odklopite z napajanja.
- Vklomite le, ko je stroj izključen.
- Omrežna napeljava naj bo zunaj delovnega območja stroja. Kabel vedno speljite proč za vami.
- Žagovine in trsk ne smete odstranjevati, medtem ko stroj teče.
- Nikoli ne segajte v območje nevarnosti ravni, ko ta deluje.
- Pred uporabo spregledajte stroj, kable in vtiči, če morda niso poškodovani. Popravila lahko izvaja le pooblaščen servisier.
- Na stroju vedno uporabljajte zaščito.
- Ne ukleščite nihajnega varovala.
- Nikoli ne uporabljajte poškodovanih ali deformiranih rezil.
- Vložek mize zamenjajte, ko je ta obrabljen.
- Ne uporabljajte rezil, ki ne ustrezajo ključnim podatkom, navedenim v teh navodilih za uporabo.
- Zaščitni pokrov smete odpreti le, ko se žaga spusti do obdelovanca.
- Ne uporabljajte rezil iz hitroreznega jekla.
- Pred začetkom dela najprej naredite „slepi“ rez brez vključenega motorja, da preverite položaj rezila in delovanje zaščite glede na druge dele stroja ter glede na obdelovanec.
- Pri zajeralnih, poševnih ali kombiniranih zajeralnih rezih drsno ograjo nastavite tako, da je zagotovljena ustrezna razdalja od rezila.
- Če odkrijete napake na stroju, vključno z napakami, povezanimi z zaščito rezila, je treba to čim prej sporočiti osebam, ki so odgovorne za varnost.
- Pomembno je, da izberete rezilo, ki je primerno za material, ki ga režete.
- Zajeralne žage nikoli ne uporabljajte za rezanje tistih materialov, ki niso določeni v navodilih za uporabo.
- Zaklep ročaja mora biti med prevažanjem zajeralne žage vedno aktiviran.
- Žago uporabljajte le z dobro vzdrževanimi varovali, ki so v dobrem delovnem stanju in na svojih položajih.
- Pazite, da na tleh ne bodo predmeti in smeti, npr. odkruški in odrezki.
- Uporabljajte le rezila, ki so ustrezno nabrušena. Ključnega pomena je, da upoštevate najvišjo hitrost, navedeno na rezilu.
- Za zaščito rezila ne uporabljajte prirobnic, ki niso priložene ali ki niso navedene v navodilih za uporabo.
- Z območja rezanja ne odstranjujte odrezkov ali ostalih delov, ko stroj teče in ko glava žage ni v položaju mirovanja.
- Zagotovite, da je stroj vedno stabilen in zavarovan (npr. pritrtjen na mizo).
- Dolge obdelovance je treba ustrezno podpreti.
- Ne uporabljajte zviti ali počeni rezil.
- Pred uporabo orodja pazorno preberite navodila. Če je možno, naj vam delo z orodjem predstavijo.
- Prah, ki nastane ob uporabi tega orodja, lahko škoduje zdravju. Uporabljajte sistem odsesavanja prahu in nosite ustrezno masko za zaščito proti prahu. Odstranite nakopičeni prah, npr. s sesalnikom.
- Ne smete rezati lesa z okroglim ali neenakomernim premerom (kot so npr. drva), ker ga med rezanjem ne morete varno držati. Kadar žagate kup tankih obdelovancev, zloženih na robu, je treba za dobro podporo uporabiti ustrezno pomožno ograjo.
- Stroj bo priključen na napravo za zaščito pred kratkim stikom (varovalka ali avtomatsko stikalo).
- Vedno nosite zaščitna očala s stranskimi ščitniki, ko uporabljate električna orodja ali ko spihujete prah. Če pri delu nastaja prah, nosite tudi zaščitno masko proti prahu.
- Bodite previdni pri žlebov.
- Vedno uporabljajte rezila s pravilno velikostjo in obliko odprtine za vpenjanje. Če se rezila ne ujemajo z montažnimi elementi žage, je njihovo vrtenje ekscentrično, kar povzroči izgubo nadzora.
- Uporabljajte le rezila, ki so določena v teh navodilih in so v skladu z EN 847-1.
- Laserja ne menjajte z laserjem druge vrste. Popravila lahko izvaja le proizvajalec laserja ali pooblaščen servisier.
- Tokovna konica povzroči fluktuacije napetosti in lahko vpliva na druge električne izdelke na istem električnem vodu. Izdelek priključite na napajanje z impedanco 0.180 Ω, da čim bolj zmanjšate napetostna nihanja. Za nadaljnja pojasnila se obrnite na svojega dobavitelja električne energije.

#### VARNOSTNA NAVODILA ZA REZILLO ZA LES

- Pred uporabo naprave preberite navodila v tem priročniku.
- Stroj mora biti v dobrem stanju, vreteno ne sme biti deformirano ali vibrirati.
- Žage ne uporabljajte, če varovala niso nameščena, še posebej po zamenjavi načina. varovala morajo biti v dobrem delovnem stanju in ustrezno vzdrževana.
- Upravljavca mora biti ustrezno usposobljen za varno uporabo, nastavitve in upravljanje stroja.
- Skupaj z zaščito za sluh vedno nosite zaščito za oči, ki ima varovanje tudi s strani. Priporočljivo je, da nosite rokavice, masivne čevlje, v katerih ne drsi, in predpasnik.
- Preden uporabite kateri koli dodatek, preverite navodila za uporabo. Nepravilna uporaba dodatka lahko







povzročijo okvaro.

- Uporabljajte le rezila, ki so določena v teh navodilih in so v skladu z EN 847-1.
- Upoštevajte maksimalno hitrost, ki je označena na rezilu. Prepričajte se, da je hitrost, označena na rezilu, vsaj enaka hitrosti, označeni na žagi.
- Vedno uporabljajte rezila s pravilno velikostjo in obliko (trikotno ali okroglo) odprtine za vpenjanje. Če se rezila ne ujemajo z montažnimi elementi žage, je njihovo vrtenje ekscentrično, kar povzroči izgubo nadzora.
- Ne uporabljajte rezil večjega ali manjšega premera, kot je priporočen. Ne uporabljajte distančnikov, da bi namestili rezilo na vreteno.
- Pred vsako uporabo preverite, ali so konice rezil poškodovane oz. videti neobičajno. Konice, ki so poškodovane ali razrahljane, lahko med uporabo odletijo in povzročijo telesne poškodbe.
- Ne uporabljajte zviti ali počenih rezil. Nikoli ne uporabljajte poškodovanih ali deformiranih rezil.
- Žage nikoli ne uporabljajte s poškodovanim ali deformiranim rezilom. Popravljanje ni dovoljeno.
- Ne uporabljajte rezil HSS.
- Pred uporabo zagotovite, da je rezilo pravilno nameščeno. Pred vsako uporabo čvrsto pritrdite matico osi. (Navor: 12-15 Nm)
- Pritrdilne vijake in matice je treba priviti z ustreznim ključem za vijake.
- Ključa za vijake ne smete podaljšati in za privijanje ne smete uporabiti kladiva.
- Prepričajte se, da so vsa rezila in prirobnice čisti ter da so utori prirobnice usmerjeni proti rezilu.
- Prepričajte se, da se rezilo vrti v pravo smer.
- Pred začetkom dela najprej naredite "slepi" rez brez vključenega motorja, da preverite položaj rezila in delovanje zaščit glede na druge dele stroja ter glede na obdelovanec.
- Stroja nikoli ne puščajte brez nadzora.
- Ne mažite rezila, ko se rezilo vrti.
- Stroja nikoli ne čistite ali vzdržujte, ko stroj teče in glava ni v položaju mirovanja.
- Nikoli ne poskušajte stroja med delovanjem ustaviti na hitro tako, da rezilo blokirate z drugim pripomočkom ali sredstvom, saj lahko pride do hudih nesreč.
- Žago odklopite od napajanja pred menjavanjem rezil ali vzdrževalnimi deli.
- Ko rezilo pakirate in odpirate, bodite previdni, saj se lahko hitro poškodujete z ostrimi konicami rezila.
- Pri rokovanju z rezilom uporabite držalo za rezilo ali pa nosite rokavice.
- Rezilo hranite v originalni ali drugi primerni embalaži, hranite v suhih pogojih in proč od kemikalij, ki lahko poškodujejo rezilo.

## LASERSKA VARNOST

- Sevanje laserskega vodila, uporabljenega v žagi, je razreda 2, in sicer z močjo  $\leq 1\text{mW}$  in valovno dolžino 650 nm. Ne glejte neposredno v laserski žarek. Neupoštevanje pravil lahko povzroči resne telesne poškodbe.



Prejeli ste nalepko v svojem jeziku, zato vas prosimo, da jo pritrdite na mesto angleškega besedila na opozorilni oznaki, preden stroj prvič uporabite.

- Med delovanjem ne glejte v laserski žarek.
- Laserskega žarka ne usmerjajte neposredno v oči drugih oseb. To lahko povzroči resno poškodbo oči.
- Laserja ne postavljajte tako, da bi lahko kdor koli namerno ali nenamerno pogledal neposredno v laserski žarek.
- Ne glejte laserskega žarka z optičnimi pripomočki.
- Laserja ne uporabljajte v bližini otrok in ne dovolite otrokom, da bi ga uporabljali.
- Laserske naprave nikoli ne poskušajte popravljati sami.
- Ne poskušajte spreminjati delov laserske naprave sami.
- Popravila lahko izvaja le proizvajalec laserja ali pooblaščen servisier.
- Laserja ne menjajte z laserjem druge vrste.

## PREOSTALA TVEGANJA

Tudi če napravo uporabljate tako, kot je predpisano, ni mogoče popolnoma odpraviti določenih preostalih dejavnikov tveganja. Med uporabo se lahko pojavijo nekatere nevarnosti, upravljavec pa naj bo pozoren na naslednje:

- Nevarnost stika z odkritimi deli vrtečega se rezila.
- Nevarnost povratnih sunkov obdelovancev in njihovih delov zaradi neustrezne nastavitve ali uporabe.
- Katapultiranje poškodovanih karbidnih konic z rezila.
- Nevarnost poškodb pljuč, če ne nosite maske proti prahu.
- Okvare sluha, če ne nosite učinkovite zaščite za sluh.

## VZDRŽEVANJE

- Ne spreminjajte nobenih nastavitvev, ko motor deluje.
- Pred menjavo ščetk, pred mazanjem ali vzdrževanjem stroja se vedno prepričajte, da je vtič stroja odstranjen iz električne vtičnice.
- Po vsaki uporabi preverite, ali je stroj poškodovan in ali ima zlomljene dele ter ga vzdržujte v dobrem delovnem stanju s tem, ko takoj zamenjate ali popravite poškodovane dele.



- Ker je rezilo po uporabi vroče, bodite pazljivi pri vzdrževanju in čiščenju.
- Počistite nakopičeni prah.
- Da bi zagotovili varnost in zanesljivost, mora vsa popravila stroja opraviti pooblaščen servisni center (z izjemo z zunanje strani dostopnih ščetk).
- O okvarah stroja, vključno z varovali in rezili, morate poročati takoj, ko jih odkrijete.
- Če je napajalni kabel poškodovan, ga mora zaradi izogibanja tveganja zamenjati proizvajalec ali pooblaščen servis. Obrnite se na pooblaščen servisni center.

**⚠ OPOZORILO**

Za večjo varnost in zanesljivost morajo vsa popravila izvajati v pooblaščenem servisnem centru Ryobi.

**ZAŠČITA OKOLJA**

Namesto, da napravo zavržete, reciklirajte surovine. Napravo, pribor in embalažo je treba sortirati za okolju prijazno recikliranje.

**SIMBOL**

Varnostni alarm



Skladnost CE



EurAsian oznaka o skladnosti.



Pred zagonom naprave pozorno preberite navodila.



Oprema razreda II, dvojna izolacija



Nosite zaščito za ušesa



Vedno nosite zaščito za oči.



**NEVARNOST!** Ostro rezilo.



Nosite zaščitne rokavice.



Smer vrtenja rezila (prikazano na žaginem listu)



Širina zareze rezila



Število zob na žaginem listu



Za rezanje lesa in podobnega materiala



Ni za primerno rezanje kovin



Ne glejte v žarek.



Lasersko sevanje.  
Laserski izdelek 2. razreda  
 $\lambda$ : 650nm;  $P \leq 1\text{mW}$   
EN 60825-1:2007



Odpadne električne izdelke odlagajte skupaj z ostalimi gospodinjskimi odpadki. Reciklažo opravljajte na predpisanih mestih. Za reciklažni nasvet se obrnite na lokalne oblasti.

**SIMBOLI V PRIROČNIKU**

Priključite izdelka.



Izklopite izdelka.



Zaklenjeno



Odklenjeno



Slišen zvok



Čas čakanja



Deli ali dodatki so na prodaj ločeno



Opomba:



OPOZORILO



Pri navrhovaní tejto rozrusovačky boli najvyššou prioritou bezpečnosť, výkon a spoľahlivosť.

### ÚČEL POUŽITIA

Tento produkt je určený na pílenie pevného dreva, lepeného dreva, glejených dých, materiálov podobných drevu a plastov.

Nepoužívajte tento produkt žiadnym iným spôsobom okrem spôsobu uvedeného na bežné použitie.

### VŠEOBECNÉ BEZPEČNOSTNÉ VÝSTRAHY

#### ⚠ VAROVANIE

Pri používaní elektrických nástrojov je potrebné dodržiavať základné bezpečnostné opatrenia, aby sa znížilo riziko požiaru, úrazu elektrickým prúdom a poranenia osôb. Pred prácou s produktom si prečítajte všetky tieto pokyny a odložte si tento návod.

- **Pracovisko udrzte v čistote.** Zaprášané plochy a stoly priťahujú poranenia.
- **Dbajte na vaše pracovné prostredie.** Nevystavujte nástroje dažďu. Nepoužívajte nástroje vo vlhkom alebo mokrom prostredí. Dbajte, aby bolo pracovisko dobre osvetlené. Nástroje nepoužívajte v blízkosti horľavých kvapalín ani plynov.
- **Chráňte sa pred úrazom elektrickým prúdom.** Vyhýbajte sa telesnému kontaktu s uzemnenými povrchmi (napríklad rúrami, radiátormi, sporákmi, chladničkami).
- **Nedovoľte, aby sa približovali iné osoby.** Nedovoľte iným osobám, najmä deťom, aby pracovali s nástrojom, dotýkali sa nástroja alebo predžvociaceho kábla a nedovoľte, aby vstupovali do pracovného prostredia.
- **Nástroje odkladajte mimo dosahu detí a iných nezaškolených osôb.** Keď sa nástroje nepoužívajú, odložte ich na suché uzamknuté miesto mimo dosahu detí.
- **Na nástroj nevyvíjajte silu.** Vykoná svoju prácu lepšie a bezpečnejšie pri určenom zatažení.
- **Používajte správny nástroj.** Nepoužívajte malé nástroje nasilu na prácu určenú pre nástroje s veľkým zatažením. Nepoužívajte nástroje na iné ako určené účely, napríklad kotúčové píly na odvetvovávajúce alebo pílenie polien.
- **Primerane sa oblečte.** Nenoste voľný odev ani šperky – môžu sa zachytiť do pohybujúcich sa dielov. Pri práci v exteriéri sa odporúča používať protišmykovú obuv. Ak máte dlhé vlasy, noste ochrannú pokrývku vlasov.
- **Používajte ochranné pomôcky.** Používajte ochranné okuliare. Ak pri práci vzniká prach, použite tvárovú alebo protiprachovú masku.
- **Používajte zariadenie na odsávanie prachu.** Ak je nástroj vybavený pripojením na prostriedky na odsávanie a zber prachu, zaistíte, aby boli správne pripojené a primerane sa používali.
- **Kábel nenamáhajte.** Kábel zo zásuvky neodpájajte trhnutím. Kábel nedávajte do blízkosti tepla, oleja alebo ostrých okrajov.
- **Zabezpečte obrobok.** Na pridržanie obrobku použite podľa možnosti svorky alebo zverák. Je to bezpečnejšie, ako použiť ruku.
- **Nesiahajte príliš ďaleko.** Neustále zachovávajte pevnú oporu nôh a rovnováhu.
- **Údržbu nástrojov vykonávajte opatrne.** Udržujte rezné nástroje ostré a čisté pre lepšiu a bezpečnejšiu výkon. Dodržiavajte pokyny na mazanie a výmenu príslušenstva. Pravidelne kontrolujte káble nástroja a v prípade ich poškodenia ho nechajte opraviť v autorizovanom servisnom stredisku. Pravidelne kontrolujte predžvociacie káble v prípade ich poškodenia ich vymeňte. Rukoväte udržiavajte suché a čisté, bez zvyškov oleja či maziva.
- **Odpojte nástroje.** Keď sa nástroj nepoužíva, pred servisom a pri výmene príslušenstva, napríklad ostří, vrtákov a nožov, odpojte nástroj od elektrickej siete.
- **Odstráňte nastavovacie klíny a kľúče.** Vytvorte si návyk vizuálnej kontroly odstránenia nastavovacích kľúčov z nástroja pred jeho zapnutím.
- **Dbajte na to, aby nedochádzalo k neúmyselnému spusteniu.** Pri zapájaní nástroja skontrolujte, či je spínač vo vypnutej polohe.
- **Používajte predžvociacie káble určené pre exteriéry.** Keď sa nástroj používa, používajte len predžvociacie káble určené pre exteriéry s príslušným označením.
- **Buďte opatrní.** Sledujte, čo robíte, používajte zdravý rozum a nepracujte s nástrojom, keď ste unavení.
- **Skontrolujte všetky poškodené časti.** Pred ďalším použitím tohto nástroja je nevyhnutné dôkladne skontrolovať, či funguje správne a vykonáva funkciu, na ktorú je určený. Skontrolujte zarovnanie pohyblivých dielov, zaseknutie pohyblivých dielov, poškodenie dielov, montáž a akékoľvek iné podmienky, ktoré by mohli ovplyvniť prevádzku nástroja. Ochranný kryt alebo iné poškodené diely treba riadne opraviť alebo vymeniť v autorizovanom servisnom stredisku, pokiaľ nie je v návode uvedené inak. Chybné spínače sa musia vymeniť v autorizovanom servisnom centre. Nástroj nepoužívajte, ak spínač nezapína a nevypína nástroj.
- **Varovanie.** Používanie akéhokoľvek príslušenstva alebo doplnku, ktorý nie je odporúčaný v tomto návode na použitie, môže predstavovať riziko osobného poranenia.
- **Opravu nástroja zverte kvalifikovanej osobe.** Tento elektrický nástroj spĺňa platné bezpečnostné pravidlá. Opravy môžu vykonávať len kvalifikované osoby pomocou originálnych náhradných dielov, inak by mohlo vzniknúť značné riziko pre používateľa.

**ROZBRUSOVAČKA – BEZPEČNOSTNÉ VÝSTRAHY**

- Obrobok vždy bezpečne upnite.
- Používajte chrániče sluchu. Vystavovanie hluku môže spôsobiť stratu sluchu.
- Zariadenie používané na veľkom počte rôznych miest vrátane vonkajších priestorov musia byť pripojené cez ochranný spínač pred prúdovými nárazmi.
- Pri práci so zariadením vždy používajte okuliare. Odporúča sa používať rukavice, pevne nešmyklavé topánky a zásteru.
- Pred vykonaním akýchkoľvek prác na zariadení vždy odpojte zástrčku zo zásuvky.
- Zapájajte len pri vypnutom zariadení.
- Napájacie vedenie nedávajte do blízkosti pracovného dosahu zariadenia. Kábel vždy vedte za vami.
- Piliny a triesky sa nesmú odstraňovať, kým je zariadenie spustené.
- Nikdy nesiahajte do nebezpečného priestoru roviny počas činnosti.
- Pred použitím skontrolujte zariadenie, kábel a zástrčku, či nie sú poškodené alebo nedošlo k únave materiálu. Opravy môžu vykonávať len autorizovaní servisní zástupcovia.
- Vždy používajte ochranné kryty na zariadení.
- Ochranný otočný kryt neupínajte.
- Nepoužívajte poškodené alebo deformované pilové kotúče.
- Opotrebovanú vložku taniera vymeňte.
- Nepoužívajte pilové kotúče, ktoré nezodpovedajú kľúčovým údajom uvedeným v tomto návode na použitie.
- Ochranný kryt smie byť otvorený len vtedy, keď je zariadenie spustené na obrobku.
- Nepoužívajte pilové kotúče vyrobené z vysokorýchlostnej ocele.
- Pred započatím práce vykonajte skúšobný rez so zapnutým motorom, na kontrolu polohy ostria, funkčnosti ochranných krytov vzhľadom na ostatné súčasti stroja a obrobku.
- Pri vykonávaní rozbrusovaní, úkosnom rezaní alebo zloženom zrezávaní nastavte posuvnú bariéru rozbrusovania tak, aby bola zabezpečená správna vzdialenosť od ostria.
- Akékoľvek závady na zariadení, vrátane závad týkajúcich sa ochrany pilových ostří, sa musia ihneď po zistení nahlásiť osobám zodpovedným za bezpečnosť.
- Je nevyhnutné vybrať taký pilový kotúč, ktorý je vhodný pre rezaný materiál.
- Nikdy nepoužívajte rozbrusovačku na rezanie materiálov iných, ako sú uvedené v návode na použitie.
- Pri preprave rozbrusovačky musí byť vždy aktivované blokovanie rukoväte.
- Kotúče používajte len s krytmi v dobrom prevádzkovom stave, správne udržiavané a v správnej polohe.
- Z podlahy odstraňujte uvoľnený materiál, napr. triesky a odrezky.
- Kotúče používajte len s krytmi v dobrom prevádzkovom stave, správne udržiavané a v správnej polohe. Zásadne je dodržiavať maximálnu rýchlosť uvedenú na pilovom ostří.
- Na zaistenie pilového kotúča nepoužívajte žiadne iné príruby okrem dodaných alebo uvedených v návode.
- Neodstraňujte žiadne odrezky ani iné časti obrobku z oblasti rezania, kým je zariadenie spustené a hlava píly nie je v pokojovej polohe.
- Zabezpečte, aby bolo zariadenie vždy stabilné a zaistené (napr. upevnené k stolu).
- Dlhé obrobky musia byť vhodné podoprené.
- Nepoužívajte prasknuté alebo porušené pilové kotúče.
- Pred použitím nástroja si prečítajte návod. Je možné nechať si zariadenie previesť.
- Pri vytváraní pri práci s týmto nástrojom môže byť zdraviu škodlivý. Používajte systém na pohlcovanie prachu a nosťe vhodnú masku na ochranu pred prachom. Dôkladne odstráňte usadený prach, napr. pomocou vysávača.
- Materiál s okrúhlym alebo nepravidelným prierezom (napríklad palivové drevo) sa nesmie píliť, lebo sa počas pílenia sa nedá bezpečne uchytiť. Pri pílení tenkého materiálu navrstveného na okraji je potrebné na bezpečnú podporu použiť vhodné pomocné ochranné zariadenie.
- Toto zariadenie musí byť pripojené k zariadeniu na ochranu okruhu (poistka alebo istič).
- Pri práci s mechanickým nástrojom alebo ofukovaní prachu vždy používajte ochranné okuliare alebo ochranné okuliare s bočnými chráničmi. Ak pri práci vzniká prach, používajte aj protiprachovú masku.
- Opatrne pri obrázaní.
- Vždy používajte ostria s otvormi na hriadeľ správnej veľkosti a tvaru. Ostria, ktoré nie sú kompatibilné s montážnym technickým vybavením píly, budú bežať excentricky a spôsobia stratu kontroly.
- Používajte len ostria špecifikované v tomto návode, ktoré spĺňajú normu EN 847-1.
- Nevymieňajte laser za iný typ. Akékoľvek opravy môže vykonávať len výrobca lasera alebo autorizovaný servisný pracovník.
- Napájacia špička spôsobí fluktuácie napätia a môže mať vplyv na ostatné elektrické zariadenia na rovnakom elektrickom vedení. Produkt pripojte do elektrickej siete s impedanciou 0.180 Ω, minimalizujete tak fluktuácie napätia. Bližšie vysvetlenie žiadajte od vášho dodávateľa elektrickej energie.

**BEZPEČNOSTNÉ POKYNY PRE OSTRIE NA REZANIE DREVA**

- Pred prácou s nástrojom si prečítajte tento návod.
- Zariadenie musí byť v dobrom stave, vreteno bez deformácií a vibrácií.
- Nepoužívajte pílu bez krytov v príslušnej polohe, najmä po zmene režimu. Ochranné kryty udržiavajte v dobrom prevádzkovom stave a správne udržiavané.
- Dbajte na to, aby bola obsluhujúca osoba primerane oboznámená s bezpečnostnými opatreniami, nastavením a obsluhou zariadenia.
- Vždy používajte chrániče zraku s bočnými štítlami spolu s chráničmi sluchu. Odporúča sa používať rukavice, pevné nešmyklivé topánky a zásteru.
- Pred použitím akéhokoľvek príslušenstva si pozrite návod na použitie. Pri nesprávnom používaní príslušenstva môže dôjsť k poškodeniu.
- Používajte len ostria špecifikované v tomto návode, ktoré spĺňajú normu EN 847-1.
- Dodržiavajte označenie maximálnej rýchlosti na pilovom ostrí. Skontrolujte, či rýchlosť vyznačená na pilovom ostrí je minimálne rovná rýchlosti vyznačenej na pile.
- Vždy používajte ostria s otvormi na hriadeľ správnej veľkosti a tvaru (kosoštvorcové alebo okrúhle). Ostria, ktoré nie sú kompatibilné s montážnym technickým vybavením píly, budú bežať excentricky a spôsobia stratu kontroly.
- Nepoužívajte ostria väčšieho alebo menšieho priemeru ako odporúčané. Nepoužívajte žiadne rozpiery umožňujúce prispôbenie ostria do vretena.
- Pred každým použitím skontrolujte hrotky pilového ostria, či nie sú poškodené alebo nemajú nevšedný vzhľad. Poškodené alebo voľné hrotky sa môžu stať odletujúcimi predmetmi a zväčšujú riziko poranenia osôb.
- Nepoužívajte prasknuté alebo porušené pilové kotúče. Nepoužívajte poškodené alebo deformované pilové kotúče.
- Nikdy nepoužívajte pilové ostrie, ktoré je poškodené alebo zdeformované. Nie je povolené vykonávať opravy.
- Nepoužívajte ostria HSS.
- Pred použitím skontrolujte, či je pilové ostrie namontované správne. Pred každým použitím bezpečne utiahnite maticu hriadeľa. (Krútiaci moment: 12-15 Nm)
- Upínacie skrutky a matice sa musia uťahovať pomocou príslušného skrutkového kľúča.
- Rozťahovanie skrutkového kľúča alebo uťahovanie pomocou úderov kladiva nie je povolené.
- Dbajte na to, aby všetky ostria a príruby boli čisté a zapustené strany objímky boli oproti ostriu.
- Skontrolujte, či sa ostrie otáča v správnom smere.

- Pred započatím práce vykonajte skúšobný rez so zapnutým motorom, na kontrolu polohy ostria, funkčnosti ochranných krytov vzhľadom na ostatné súčasti stroja a obrobku.
- Zariadenie nikdy nenechávajte bez dozoru.
- Na ostrie nenanášajte mazivá počas behu.
- Nikdy nevykonávajte čistenie alebo údržbu, keď je stroj ešte spustený a hlava nie je v pokojovej polohe.
- Nikdy sa nepokúšajte rýchlo zastaviť stroj v pohybe tak, že zaseknete nástroj či iný predmet do ostria – takýmto spôsobom môže neúmyselne dôjsť k závažným poraneniam.
- Pred výmenou ostri alebo vykonaním údržby odpojte pílu od elektrickej siete.
- Pri rozbaľovaní a balení ostria buďte opatrní, môžete sa ľahko poraniť ostrými hrotmi ostria.
- Pri manipulácii s pilovým ostrím používajte držiak ostria alebo rukavice.
- Ostrie uchovávajte a skladujte v pôvodnom balení či inom vhodnom obale, skladujte ho v suchom prostredí a mimo chemikálií, ktoré ho mohli poškodiť.

**BEZPEČNOSŤ PRI PRÁCI S LASEROM**

- Vyžarovanie laserového navádzania použitého v pile je Trieda 2 s maximálnym výkonom  $\leq 1\text{mW}$  a vlnovou dĺžkou 650 nm. Nepozerajte priamo do laserového lúča. Pri nedodržaní týchto pravidiel by mohlo dôjsť k vážnemu poraneniu osôb.
- |  |
|--|
| LASER RADIATION<br>DO NOT STARE INTO BEAM<br>CLASS 2 LASER PRODUCT<br>A: 650nm; P:1mW<br>EN 60825-1:2007 |
|--|
- Dodali sme vám lepiaci štítok vo vašom jazyku a teraz odporúčame, aby ste ho pred prvým uvedením zariadenia do prevádzky nalepili namiesto anglického textu na výstražný štítok.
- Počas činnosti nepozerajte do lúča.
- Nesviette laserovým lúčom priamo do očí iných osôb. Mohlo by dôjsť k vážnemu poraneniu očí.
- Nepracujte s laserom v polohe, pri ktorej by sa mohol niekto, či už úmyselne alebo neúmyselne, pozrieť do laserového lúča.
- Nepoužívajte optické nástroje na zobrazenie laserového lúča.
- Nepoužívajte laser v blízkosti detí ani nedovoľte deťom pracovať s laserom.
- Nepokúšajte sa opravovať laserové zariadenie sami.
- Nepokúšajte sa sami vymieňať žiadne diely laserového zariadenia.
- Akékoľvek opravy môže vykonávať len výrobca lasera alebo autorizovaný servisný pracovník.
- Nevymieňajte laser za iný typ.

**ZVYŠKOVÁ RIZIKOVOSŤ**

Aj keď sa nástroj používa podľa predpisu, nie je možné eliminovať určité zvyškové rizikové faktory. Pri použití vznikajú nasledujúce riziká a obsluhujúca osoba musí venovať zvláštnu pozornosť, aby nedošlo k nasledovnému:

- Riziko kontaktu následkom nezakrytých častí rotujúceho pilového ostria.
- Spätňý náraz obrobkov a častí obrobkov v dôsledku nesprávneho nastavenia alebo manipulácie.
- Vymrštenie úlomkov chybného karbidu z pilového ostria.
- Poškodenie respiračného systému pri nepoužívaní účinnej protiprachovej masky.
- Poškodenie sluchu pri nepoužívaní účinnej ochrany sluchu.

**ÚDRŽBA**

- Kým sa motor pohybuje, nevykonávajte žiadne nastavenia.
- Pred výmenou kefiiek, mazaním alebo vykonaním akýchkoľvek prác alebo údržby na zariadení vždy skontrolujte, či bola zástrčka zariadenia odpojená z elektrickej zásuvky.
- Po každom použití skontrolujte na zariadení poruchy alebo poškodené diely a udržiavajte ho špičkovom prevádzkovom stave – príslušné diely opravte alebo vymeňte bezodkladne.
- Keďže ostrie býva po použití horúce, pri údržbe alebo čistení buďte opatrní.
- Odstráňte nahromadený prach.
- Na zabezpečenie bezpečnosti a spoľahlivosti musí všetky opravy, s výnimkou externe dostupných kefiiek, vykonávať autorizované servisné centrum.
- Poruchy na nástroji, vrátane ochranných krytov alebo pilových ostri, sa musia nahlásiť ihneď po ich zistení.
- Ak dôjde k poškodeniu napájacieho kábla, aby nedošlo k ohrozeniu, musí ho vymeniť výrobca alebo autorizované servisné stredisko. Kontaktujte autorizované servisné centrum.

**VAROVANIE**

Na zaistenie bezpečnosti a spoľahlivosti musí všetky opravy vykonávať autorizované servisné stredisko alebo kvalifikovaná servisná organizácia.

**OCHRANA ŽIVOTNÉHO PROSTREDIA**

Surové materiály recyklujte, namiesto toho, aby ste ich zlikvidovali ako odpad. Stroj, príslušenstvo a obaly by sa mali triedene recyklovať spôsobom šetrným k životnému prostrediu.

**ZNAČKY**

Výstražná značka



CE konformita



Euroázijská značka zhody



Pred spustením zariadenia si pozorne prečítajte tento návod.



Zariadenie triedy II, dvojité izolácia



Noste ochranu sluchu



Vždy používajte chrániče zraku.



NEBEZPEČENSTVO! Ostré čepele.



Používajte ochranné rukavice.



Smer otáčania ostria (vyobrazené na pilovom ostri)



Šírka ostria v reze (záreze)



Počet zubov na tomto pilovom ostri



Na rezanie dreva a podobných materiálov



Nie je určené na rezanie kovov



Nepozerajte priamo do lúča.



Laserové vyžarovanie.  
Laserový produkt Triedy 2  
 $\lambda$ : 650nm;  $P \leq 1\text{mW}$   
EN 60825-1:2007



Opatrebované elektrické zariadenia by ste nemali odhadzovať do domového odpadu. Prosíme o recykláciu ak je možné. Kontaktujte miestne úrady, alebo predajcu pre viac informácií ohľadom ekologického spracovania.





**SYMBOLY V NÁVODE**



Pripojte produkt.



Produkt odpojte zo zásuvky.



Zamknuté



Odomknuté



Počuť nejaký zvuk



Doba čakania



Diely alebo príslušenstvo predávané samostatne



Poznámka:



**VAROVANIE**



Στον σχεδιασμό του κόφτη φαλτσωνιάς έχει δοθεί μέγιστη προτεραιότητα στην ασφάλεια, την απόδοση και την αξιοπιστία του.

### ΠΡΟΟΡΙΖΟΜΕΝΗ ΧΡΗΣΗ

Το προϊόν παρέχεται για κοπή συμπαγούς ξύλου, δεμένου ξύλου, κολλημένου ξυλόφυλλου, υλικών παρόμοιων με το ξύλο και πλαστικών.

Αυτή η συσκευή επιτρέπεται να χρησιμοποιηθεί μόνο σύμφωνα με τον αναφερόμενο σκοπό προορισμού.

### ΓΕΝΙΚΕΣ ΠΡΟΕΙΔΟΠΟΙΗΣΕΙΣ ΑΣΦΑΛΕΙΑΣ

#### ⚠ ΠΡΟΕΙΔΟΠΟΙΗΣΗ

Όταν χρησιμοποιείτε ηλεκτρικά εργαλεία, θα πρέπει να τηρούνται πάντα βασικές προφυλάξεις για μείωση του κινδύνου φωτιάς, ηλεκτροπληξίας και τραυματισμού. Διαβάστε όλες τις οδηγίες πριν προσπαθήσετε να χρησιμοποιήσετε το προϊόν και φυλάξτε τις.

- Διατηρείτε καθαρό τον χώρο εργασίας. Οι ακατάστατοι χώροι και πάγκοι εργασίας προκαλούν ατυχήματα.
- Εξετάστε τον χώρο εργασίας. Μην εκθέτετε τα εργαλεία σε βροχή. Μην χρησιμοποιείτε τα εργαλεία σε βρεγμένο χώρο ή σε συνθήκες υγρασίας. Να δουλεύετε σε καλά φωτισμένη περιοχή. Μην χρησιμοποιείτε τα εργαλεία όταν υπάρχουν εύφλεκτα υγρά ή αέρια.
- Προστατευτικό από ηλεκτροπληξία. Αποφύγετε την επαφή με γειωμένες επιφάνειες (π.χ. σωλήνες, καλοριφέρ, εστίες, ψυγεία).
- Διατηρείτε μακριά τους παριστάμενους. Μην αφήνετε άλλα άτομα και ιδιαίτερα παιδιά να εμπλέκονται στην εργασία, να αγγίζουν το εργαλείο ή την προέκταση και διατηρείτε τους παριστάμενους μακριά από τον χώρο εργασίας σας.
- Φυλάσσετε τα εργαλεία που δεν χρησιμοποιείτε. Όταν δεν χρησιμοποιούνται, τα εργαλεία πρέπει να φυλάσσονται σε στεγνό και κλειδωμένο χώρο, μακριά από παιδιά.
- Μην πιέζετε υπερβολικά το εργαλείο. Η δουλειά θα γίνει καλύτερα και ασφαλέστερα με τον ρυθμό για τον οποίο προορίζεται.
- Χρησιμοποιείτε το σωστό εργαλείο. Μην πιέζετε μικρά εργαλεία να κάνουν τη δουλειά εργαλείων βαριάς χρήσης. Μην χρησιμοποιείτε εργαλεία για μη επιθυμητούς σκοπούς, π.χ. μην χρησιμοποιείτε κυκλικούς κόττες για να κόψετε κλαδιά δέντρων ή κούτσουρα.
- Ντυθείτε κατάλληλα. Μην φοράτε χαλαρά ρούχα ή κοσμήματα γιατί μπορεί να πιαστούν στα κινούμενα εξαρτήματα. Προτείνονται αντολισθητικά υποδήματα όταν εργάζεστε σε εξωτερικούς χώρους. Φοράτε επίσης

προστατευτικά μαλλιών για να καλύψετε μακριά μαλλιά.

- Χρησιμοποιείτε προστατευτικό εξοπλισμό. Χρησιμοποιείτε γυαλιά ασφαλείας. Χρησιμοποιείτε μάσκα προσώπου ή κατά της σκόνης όταν οι εργασίες παράγουν σκόνη / πριονίδια.
- Συνδέστε τον εξοπλισμό απομάκρυνσης σκόνης / πριονιδιού. Αν το εργαλείο διαθέτει σύνδεση απομάκρυνσης σκόνης / πριονιδιού και εξοπλισμό συλλογής, βεβαιωθείτε ότι έχουν συνδεθεί και χρησιμοποιούνται σωστά.
- Προσέχετε στη χρήση του καλωδίου. Μην τραβάτε ποτέ το καλώδιο για να το αποσυνδέσετε από την πρίζα. Διατηρείτε το καλώδιο μακριά από θερμότητα, λάδι και αιχμηρές γωνίες.
- Ασφαλής εργασία. Όταν είναι δυνατό, χρησιμοποιήστε σφικτήρες ή μέγγεννη για να συγκρατήσετε το τεμάχιο εργασίας. Είναι ασφαλέστερο από το να χρησιμοποιείτε το χέρι σας.
- Μην τεντώνετε. Διατηρείτε σταθερό πάτημα και ισορροπία συνεχώς.
- Συντηρείτε προσεκτικά τα εργαλεία. Διατηρείτε τα εργαλεία κοπής αιχμηρά και καθαρά για καλύτερη και ασφαλέστερη απόδοση. Ακολουθήστε τις οδηγίες για τη λίπανση και αλλαγή εξαρτημάτων. Ελέγχετε τακτικά τα καλώδια του εργαλείου και αν έχουν φθαρεί, επισκευάστε τα πηγαίνοντάς τα σε εξουσιοδοτημένη εγκατάσταση σέρβις. Ελέγχετε τακτικά τα καλώδια προέκτασης και προχωρήστε σε αντικαταστάσεις εάν έχουν φθαρεί. Διατηρείτε τις λαβές στεγνές, καθαρές και χωρίς λάδι και γράσο.
- Αποσυνδέστε τα εργαλεία. Όταν δεν χρησιμοποιούνται, πριν το σέρβις και κατά την αλλαγή εξαρτημάτων όπως λεπίδες, μικρά εξαρτήματα και κόττες, αποσυνδέετε τα εργαλεία από το ρεύμα.
- Αφαιρέστε κλειδιά προσαρμογής και άλλα κλειδιά. Ελέγχετε πάντα ότι τα κλειδιά και τα κλειδιά προσαρμογής έχουν αφαιρεθεί από το εργαλείο πριν το ενεργοποιήσετε.
- Αποφύγετε τις τυχαίες εκκινήσεις. Βεβαιωθείτε ότι ο διακόπτης βρίσκεται στη θέση "off" όταν συνδέετε το εργαλείο.
- Χρησιμοποιείτε προεκτάσεις καλωδίων για εξωτερικούς χώρους. Όταν το εργαλείο χρησιμοποιείται σε εξωτερικό χώρο, χρησιμοποιείτε μόνο καλώδια προέκτασης κατάλληλα για εξωτερική χρήση και με την αντίστοιχη σήμανση.
- Παραμείνετε σε εγρήγορση. Προσέχετε τι κάνετε, χρησιμοποιείτε κοινή λογική και μην χρησιμοποιείτε το εργαλείο αν είστε κουρασμένοι.
- Ελέγξτε για φθαμένα εξαρτήματα. Πριν χρησιμοποιήσετε άλλο το εργαλείο, θα πρέπει να ελεγχθεί προσεκτικά για να βεβαιωθεί ότι λειτουργεί σωστά και εκτελεί την επιθυμητή λειτουργία. Ελέγξτε την ευθυγράμμιση των κινούμενων εξαρτημάτων, τυχόν πάσιμο αυτών, σπασίματα, στερéωση και άλλες καταστάσεις που μπορεί να επηρεάζουν τη λειτουργία του εργαλείου. Προστατευτικά ή άλλα εξαρτήματα που



έχουν φθαρεί θα πρέπει να συντηρούνται κατάλληλα ή να αντικαθίστανται από εξουσιοδοτημένο κέντρο σέρβις, εκτός αν αναφέρεται άλλως στο παρόν εγχειρίδιο χρήσης. Επισκευάζετε τους ελαττωματικούς διακόπτες σε εξουσιοδοτημένο κέντρο σέρβις. Μην χρησιμοποιείτε το εργαλείο αν δεν ενεργοποιείται και απενεργοποιείται.

- **Προειδοποίηση.** Η χρήση οποιουδήποτε εξαρτήματος ή προσαρτήματος εκτός του προτεινόμενου σε αυτές τις οδηγίες, μπορεί να αποτελέσει κίνδυνο τραυματισμού.
- **Επισκευάζετε το εργαλείο πηγαίνοντάς το σε ειδικευμένους τεχνικούς.** Το παρόν ηλεκτρικό εργαλείο συμμορφώνεται με τους σχετικούς κανόνες ασφάλειας. Οι επισκευές θα πρέπει να διενεργούνται μόνο από ειδικευμένα άτομα με χρήση αυθεντικών ανταλλακτικών, διαφορετικά μπορεί να προκύψει σημαντικός κίνδυνος για τον χρήστη.

#### ΠΡΟΕΙΔΟΠΟΙΗΣΕΙΣ ΑΣΦΑΛΕΙΑΣ ΚΟΠΤΗΣ ΓΙΑ ΦΑΛΤΣΟΓΩΝΙΕΣ

- Πιάνετε πάντα καλά το τεμάχιο στο οποίο εργάζεστε.
- Φοράτε ωτοασπίδες. Η επίδραση θορύβου μπορεί να προκαλέσει απώλεια ακοής.
- Οι συσκευές που χρησιμοποιούνται σε διάφορες τοποθεσίες και σε ανοιχτό χώρο πρέπει να συνδέονται με διακόπτη πρόληψης ρεύματος υπέρτασης.
- Στις εργασίες με τη μηχανή φοράτε πάντοτε προστατευτικά γυαλιά. Συνίστανται τα προστατευτικά γάντια, τα σταθερά και αντιολισθητικά παπούτσια και η ποδιά.
- Πριν από κάθε εργασία στη μηχανή τραβάτε το φως από την πρίζα.
- Συνδέετε τη μηχανή στην πρίζα μόνο, εφόσον βρίσκεται απενεργοποιημένη.
- Κρατάτε το καλώδιο σύνδεσης πάντοτε μακριά από την περιοχή δράσης της μηχανής. Περνάτε το καλώδιο πάντοτε πίσω από τη μηχανή.
- Τα γρέζια ή οι σκλήθρες δεν επιτρέπεται να απομακρύνονται με κινούμενη μηχανή.
- Μην απλώνετε τα χέρια σας στην επικίνδυνη περιοχή της κινούμενης μηχανής.
- Πριν από κάθε χρήση ελέγχετε τη συσκευή, το καλώδιο σύνδεσης, το καλώδιο επέκτασης (μπαλαντζά), το πακέτο των μπαταριών και το φως για τυχόν ζημιά και γήρανση. Αναθέστε την επισκευή των κατεστραμμένων εξαρτημάτων μόνο σ' έναν ειδικευμένο τεχνίτη.
- Χρησιμοποιείτε οπωσδήποτε τη διάταξη προστασίας της μηχανής.
- Το κινητό προστατευτικό κάλυμμα δεν επιτρέπεται να ασφαλιστεί στην ανοιχτή κατάσταση.
- Μην χρησιμοποιείτε ελαττωματικές ή στρεβλωμένες πριονολάμες.
- Να αντικαθίσταται το φαρμάκιο ένθετο του πάγκου.
- Οι λεπίδες πριονιού, που δεν αντιστοιχούν με τα χαρακτηριστικά στοιχεία σε αυτές τις οδηγίες χρήσης, δεν επιτρέπεται να χρησιμοποιηθούν.
- Το αιωρούμενο προστατευτικό κάλυμμα επιτρέπεται να ανοίγει μόνο αυτόματα κατά τη στροφή του πριονιού προς τα κάτω.
- Δεν χρησιμοποιείτε πριονοδίσκους κατασκευασμένους από ταχυχάλυβα.
- Πριν ξεκινήσετε, κάντε μια πρόχειρη κοπή χωρίς να είναι ενεργοποιημένος ο κινητήρας, ώστε να ελέγξετε τη θέση της λεπίδας, τη λειτουργία των προστατευτικών σε σχέση με τα άλλα εξαρτήματα του μηχανήματος και το τεμάχιο εργασίας.
- Κατά την εκτέλεση κοπών φалτσογωνίας, λοξότμησης ή σύνθετες κοπές φалтσογωνίας, προσαρμόστε το συρταρωτό προστατευτικό για να εξασφαλίσετε την κατάλληλη προστασία από τη λεπίδα.
- Σφάλματα στη μηχανή, συμπεριλαμβανομένης της προστατευτικής διάταξης ή των πριονοδίσκων, πρέπει μόλις γίνουν αυτά αντιληπτά, να δηλωθούν στον υπεύθυνο ασφαλείας.
- Επιλέγεται ένα κατάλληλο πριονοδίσκο για το υλικό που θέλετε να κόψετε.
- Δεν χρησιμοποιείτε το φалтσοπρίονο για την κοπή διαφορετικών υλικών, από αυτά που αναφέρονται στις οδηγίες χειρισμού.
- Εκτελείτε τη μεταφορά του φалтσοπρίονου μόνο με τοποθετημένη την ασφάλεια μεταφοράς στη χειρολαβή.
- Να χρησιμοποιείτε το φалтσοπρίονο μόνο με καλά λειτουργούν και καλά συντηρημένο προστατευτικό κάλυμμα.
- Το προστατευτικό κάλυμμα πρέπει να πηγαίνει αυτόματα προς τα πίσω.
- Το δάπεδο να διατηρείται ελεύθερο από κατάλοιπα υλικών, π.χ. ροκανίδια κλπ. Χρησιμοποιείτε μόνο κανονικά ακονισμένους πριονοδίσκους.
- Πρέπει να τηρείται ο αναφερόμενος επάνω στον πριονοδίσκο αριθμός στροφών.
- Χρησιμοποιείτε μόνο τις εμπιερχόμενες και τις απεικονιζόμενες στις οδηγίες χειρισμού φλάντζες για τη στερέωση του πριονοδίσκου.
- Μην απομακρύνετε υπολείμματα πριονίσματος ή άλλα τμήματα του κατεργασθέντος αντικειμένου από την περιοχή πριονίσματος όταν λειτουργεί η μηχανή και δεν έχει ακινητοποιηθεί η κεφαλή του πριονιού.
- Να σιγουρεύετε πως η μηχανή είναι σταθερή (π.χ. στερέωση στον πάγκο εργασίας).
- Τεμάχια κατεργασίας μεγάλου μήκους πρέπει να στηρίζονται κατάλληλα.
- Οι ραγισμένοι πριονολάμες (πριονοδίσκοι) ή αυτές που έχουν παραμορφωθεί δεν επιτρέπεται να χρησιμοποιηθούν! Πριν τη χρήση της συσκευής για πρώτη φορά συνίσταται να διαβάσετε προσεκτικά τις οδηγίες χρήσης και να εξοικειωθείτε με τον πρακτικό χειρισμό της συσκευής.
- Η δημιουργούμενη κατά την εργασία σκόνη είναι συχνά επιβλαβής για την υγεία (π.χ. κατά την επεξεργασία



ξύλου δρυός και οξιάς, πετρωμάτων, χρωμάτων που μπορεί να εμπεριέχουν μόλυβδο ή άλλες βλαβερές ουσίες) και δεν πρέπει να έρχεται σε επαφή με το σώμα. Χρησιμοποιείτε μια διάταξη αναρρόφησης της σκόνης και φοράτε επιπλέον μια κατάλληλη προσωπίδα προστασίας από τη σκόνη. Απομακρύνετε εντελώς τη μαζεμένη σκόνη, π.χ. με αναρρόφηση.

- Δεν επιτρέπεται το κόψιμο αντικειμένων με στρογγυλή ή όχι ομοιόμορφη διατομή (π.χ. καυσόξυλα), διότι δεν συγκρατούνται καλά κατά το πριόνισμα. Όταν κόβετε όρθια αντικείμενα που είναι σχετικά λεπτά, να υπάρχει βοηθητικός οδηγός για ασφαλή καθοδήγηση.
- Το μηχάνημα θα συνδέεται σε συσκευή προστασίας κυκλώματος (ασφάλεια ή αποζεύκτη).
- Φοράτε πάντα προστατευτικά γυαλιά ή γυαλιά ασφαλείας με πλαϊνές ασπίδες κατά τον χειρισμό μηχανοκίνητων εργαλείων ή σε εργασίες με σκόνη. Αν η εργασία προκαλεί σκόνη, φοράτε και ειδική μάσκα.
- Προσέχετε όταν κάνετε εγχοπές.
- Οι ακατάλληλοι για τον άξονα στον οποίο θα τοποθετηθούν δίσκοι δεν θα περιστραφούν σωστά και μπορούν να σας κάνουν να χάσετε τον έλεγχο του εργαλείου. Μη χρησιμοποιείτε ποτέ ελαττωματικές ή ακατάλληλες βίδες ή φλάντζες δίσκου.
- Χρησιμοποιείτε μόνο λεπίδες που ορίζονται στο παρόν εγχειρίδιο, σύμφωνα με το EN 847-1.
- Μην αντικαθιστάτε το λέιζερ με άλλο διαφορετικού τύπου. Οι επισκευές θα πρέπει να εκτελούνται μόνο από τον κατασκευαστή του λέιζερ ή εξουσιοδοτημένο αντιπρόσωπο.
- Τα υπερρεύματα προκαλούν διακυμάνσεις στην τάση και μπορεί να επηρεάζουν άλλα ηλεκτρικά προϊόντα στην ίδια γραμμή. Συνδέστε το προϊόν σε παροχή ρεύματος με σύνθετη αντίσταση 0.180 Ω για να ελαχιστοποιηθούν οι διακυμάνσεις τάσης. Επικοινωνήστε με την εταιρεία παροχής ηλεκτρικού ρεύματος για περισσότερες διευκρινίσεις.

#### ΟΔΗΓΙΕΣ ΑΣΦΑΛΕΙΑΣ ΓΙΑ ΛΕΠΙΔΑ ΚΟΠΗΣ ΞΥΛΟΥ

- Διαβάστε τις οδηγίες του εγχειριδίου πριν χρησιμοποιήσετε τη συσκευή.
  - Το μηχάνημα πρέπει να είναι σε καλή κατάσταση και η άτρακτος να μην έχει παραμορφώσεις και κραδασμούς.
  - Μην χρησιμοποιείτε τον κόπτη χωρίς τα προστατευτικά, ιδιαίτερα μετά την αλλαγή τρόπου λειτουργίας. Διατηρείτε τα προστατευτικά σε καλή κατάσταση και συντηρείτε τα.
  - Βεβαιωθείτε ότι ο χειριστής έχει επαρκή εκπαίδευση σε θέματα ασφαλείας, προσαρμογής και λειτουργίας του μηχανήματος.
  - Φοράτε πάντα προστατευτικά ματιών με πλαϊνές ασπίδες καθώς και προστατευτικά ακοής. Συνιστανται τα προστατευτικά γάντια, τα σταθερά και αντιολισθητικά παπούτσια και η ποδιά.
  - Πριν χρησιμοποιήσετε οποιοδήποτε εξάρτημα,
- συμβουλευτείτε το εγχειρίδιο χρήσης. Ανάρμοστη χρήση των εξαρτημάτων μπορεί να προκαλέσει ζημιές.
  - Χρησιμοποιείτε μόνο λεπίδες που ορίζονται στο παρόν εγχειρίδιο, σύμφωνα με το EN 847-1.
  - Τηρείτε τη μέγιστη ταχύτητα που ενδείκνυται στην λεπίδα κόπτη. Βεβαιωθείτε ότι η ταχύτητα που αναγράφεται στην λεπίδα κόπτη είναι τουλάχιστον ίση με την ταχύτητα που αναγράφεται στον κόπτη.
  - Οι ακατάλληλοι για τον άξονα στον οποίο θα τοποθετηθούν δίσκοι δεν θα περιστραφούν σωστά και μπορούν να σας κάνουν να χάσετε τον έλεγχο του εργαλείου. Μη χρησιμοποιείτε ποτέ ελαττωματικές ή ακατάλληλες βίδες ή φλάντζες δίσκου.
  - Μην χρησιμοποιείτε λεπίδες μεγαλύτερης ή μικρότερης διαμέτρου από το προτεινόμενο. Μην χρησιμοποιείτε σφήνες για να κάνετε τη λεπίδα να εφαρμόσει στην άτρακτο.
  - Ελέγξτε τις άκρες της λεπίδας κοπής για φθορές ή μη κανονική εμφάνιση πριν από κάθε χρήση. Άκρες που είναι φθαρμένες ή χαλαρές μπορούν να εκτιναχθούν κατά τη χρήση, αυξάνοντας τις πιθανότητες τραυματισμού.
  - Τεμάχια κατεργασίας μεγάλου μήκους πρέπει να στηρίζονται κατάλληλα. Μην χρησιμοποιείτε ελαττωματικές ή στρεβλωμένες πριονολάμες.
  - Μην χρησιμοποιείτε ποτέ λεπίδα που έχει φθαρεί ή παραμορφωθεί. Δεν επιτρέπονται επισκευές.
  - Μην χρησιμοποιείτε λεπίδες HSS.
  - Βεβαιωθείτε ότι η λεπίδα του κόπτη είναι σωστά τοποθετημένη πριν τη χρήση. Σφίξτε το παξιμάδι ατράκτου καλά πριν από κάθε χρήση. (Ροπή: 12-15 Nm)
  - Οι βίδες και τα παξιμάδια στερέωσης πρέπει να σφικτούν χρησιμοποιώντας το κατάλληλο κλειδί.
  - Επεκτάσεις του κλειδιού ή του σφιγματος με τη χρήση χτυπημάτων σφυριού δεν επιτρέπονται.
  - Βεβαιωθείτε ότι όλες οι λεπίδες και οι φλάντζες είναι καθαρές και ότι οι πλευρές του περιαιχνίου με εσοχές είναι κόντρα στην λεπίδα.
  - Βεβαιωθείτε ότι η λεπίδα περιστρέφεται προς τη σωστή κατεύθυνση.
  - Πριν ξεκινήσετε, κάντε μια πρόχειρη κοπή χωρίς να είναι ενεργοποιημένος ο κινητήρας, ώστε να ελέγξετε τη θέση της λεπίδας, τη λειτουργία των προστατευτικών σε σχέση με τα άλλα εξαρτήματα του μηχανήματος και το τεμάχιο εργασίας.
  - Μην αφήνετε ποτέ το μηχάνημα χωρίς επίβλεψη.
  - Μην τοποθετείτε λιπαντικά στην λεπίδα όσο λειτουργεί.
  - Μην εκτελείτε ποτέ εργασίες καθαρισμού ή συντήρησης όταν το μηχάνημα λειτουργεί ακόμα και η κεφαλή δεν βρίσκεται στην θέση αναμονής.
  - Μην προσπαθείτε να σταματήσετε ένα μηχάνημα που κινείται γρήγορα χτυπώντας εργαλεία ή άλλα μέσα πάνω στη λεπίδα - υπάρχει κίνδυνος πρόκλησης σοβαρών ατυχημάτων.





- Αποσυνδέετε τον κόπτη από το ρεύμα πριν αλλάξετε λεπίδες ή εκτελέσετε εργασίες συντήρησης.
- Προσέχετε κατά το άνοιγμα και κλείσιμο συσκευασίας της λεπίδας καθώς είναι πιθανό να τραυματιστείτε από τις αιχμηρές άκρες.
- Χρησιμοποιήστε ειδική λαβή λεπίδας ή φοράτε γάντια όταν τη χειρίζεστε.
- Διατηρείτε τη λεπίδα στην αρχική συσκευασία της ή άλλη κατάλληλη συσκευασία και σε στεγνό χώρο, μακριά από χημικά που μπορεί να τη φθείρουν.

### ΑΣΦΑΛΕΙΑ ΚΑΙ ΣΥΣΚΕΥΕΣ ΜΕ ΛΕΙΖΕΡ

- Η ακτινοβολία του οδηγού λέιζερ που χρησιμοποιείται στον κόπτη είναι Κατηγορίας 2 με μέγιστο μήκη κύματος  $\leq 1\text{mW}$  και 650nm. Μην κοιτάζετε απευθείας στην ακτίνα λέιζερ. Η μη τήρηση των κανόνων μπορεί να προκαλέσει σοβαρό τραυματισμό.



Παρέχεται αυτοκόλλητη ετικέτα στη γλώσσα σας. Παρακαλούμε κολλήστε την στη θέση του αγγλικού κειμένου στην προειδοποιητική ετικέτα πριν χρησιμοποιήσετε για πρώτη φορά το μηχάνημα.

- Μην κοιτάζετε στην ακτίνα κατά τη λειτουργία.
- Μην προβάλλετε την ακτίνα λέιζερ απευθείας στα μάτια των άλλων. Υπάρχει κίνδυνος σοβαρού οφθαλμολογικού τραυματισμού.
- Μην τοποθετείτε το λέιζερ σε θέση που μπορεί να προκαλέσει την άμεση οπτική επαφή με αυτό, σκόπιμα ή όχι.
- Μην χρησιμοποιείτε οπτικά εργαλεία για να δείτε την ακτίνα λέιζερ.
- Μην χρησιμοποιείτε το λέιζερ κοντά σε παιδιά και μην αφήνετε παιδιά να το χρησιμοποιούν.
- Μην προσπαθήσετε να επισκευάσετε τη συσκευή λέιζερ μόνοι σας.
- Μην προσπαθήσετε να αντικαταστήσετε οποιοδήποτε εξάρτημα της συσκευής λέιζερ μόνοι σας.
- Οι επισκευές θα πρέπει να εκτελούνται μόνο από τον κατασκευαστή του λέιζερ ή εξουσιοδοτημένο αντιπρόσωπο.
- Μην αντικαθιστάτε το λέιζερ με άλλο διαφορετικού τύπου.

### ΆΛΛΟΙ ΚΙΝΔΥΝΟΙ

Ακόμη και όταν το μηχάνημα χρησιμοποιείται σύμφωνα με τις οδηγίες, είναι αδύνατο να εξαλειφθούν απόλυτα ορισμένοι άλλοι κίνδυνοι. Κατά τη χρήση μπορεί να προκύψουν οι ακόλουθοι κίνδυνοι και ο χειριστής πρέπει να δίδει ιδιαίτερη προσοχή προς αποφυγή των εξής:

- Κίνδυνος επαφής με ακάλυπτα εξαρτήματα της περιστρεφόμενης λεπίδας.
- Επιστροφή τεμαχίων εργασίας και εξαρτημάτων τους λόγω εσφαλμένης προσαρμογής ή χειρισμού.
- Εκτίναξη ελαττωματικών άκρων καρβιδίου από τη λεπίδα κόπτη.
- Βλάβες στο αναπνευστικό σύστημα όταν δεν χρησιμοποιούνται αποτελεσματικά μάσκες προστασίας από τα πριονίδια.
- Βλάβες στην ακοή αν δεν χρησιμοποιούνται αποτελεσματικά προστατευτικά ακοής.

### ΣΥΝΤΗΡΗΣΗ

- Μην πραγματοποιείτε καμία ρυθμίση όταν ο κινητήρας βρίσκεται σε λειτουργία.
- Φροντίστε πάντα το βύσμα του μηχανήματος να έχει αφαιρεθεί από την παροχή ρεύματος πριν αλλάξετε βούρτσες, προσθέσετε λιπαντικό ή εκτελέσετε εργασίες συντήρησης.
- Μετά από κάθε χρήση, ελέγξτε το μηχανήμα σας για ζημιές ή φθαρμένα εξαρτήματα και διατηρείτε το πάντα σε άριστη κατάσταση επισκευάζοντας ή αντικαθιστώντας τα εξαρτήματα αμέσως μόλις χρειαστεί.
- Η λεπίδα είναι θερμή μετά τη χρήση – προσέχετε στη διάκριση συντήρησης ή καθαρισμού.
- Καθαρίστε πριονίδια που έχουν μαζευτεί.
- Για σίγουρη ασφάλεια και αξιοπιστία, όλες οι επισκευές - εκτός των εξωτερικά προσβάσιμων βουρτσών - θα πρέπει να εκτελούνται από εξουσιοδοτημένο κέντρο σέρβις.
- Προβλήματα στο μηχάνημα, συμπεριλαμβανοντας τα προστατευτικά ή τις λεπίδες κόπτη, θα πρέπει να αναφέρονται αμέσως μόλις διαπιστώνονται.
- Αν το καλώδιο παροχής ρεύματος φθαρεί, πρέπει να αντικατασταθεί μόνο από τον παρασκευαστή ή εξουσιοδοτημένο κέντρο σέρβις για αποφυγή κινδύνων. Επικοινωνήστε με ένα Εξουσιοδοτημένο Κέντρο Επισκευής.

### ΠΡΟΕΙΔΟΠΟΙΗΣΗ

Για μεγαλύτερη ασφάλεια και αξιοπιστία, όλες οι επιδιορθώσεις πρέπει να πραγματοποιούνται από εγκεκριμένο Κέντρο Τεχνικής Εξυπηρέτησης Ryobi.

### ΠΡΟΣΤΑΣΙΑ ΤΟΥ ΠΕΡΙΒΑΛΛΟΝΤΟΣ



Ανακυκλώνετε τις πρώτες ύλες αντί να τις πετάτε στον κάδο οικιακών απορριμμάτων. Για την προστασία του περιβάλλοντος, πρέπει να γίνεται διαλογή του εργαλείου, των εξαρτημάτων και των συσκευασιών του.





## ΠΣΥΜΒΟΛΟ



Προειδοποίηση ασφάλειας



Συμμόρφωση CE



EurAsian σήμα πιστότητας.



Παρακαλούμε διαβάστε προσεκτικά τις οδηγίες πριν χρησιμοποιήσετε το προϊόν.



Оборудване от клас II, двойна изолация



Φοράτε προστατευτικά αυτιών



Φοράτε πάντα προστατευτικά ματιών.



ΚΙΝΔΥΝΟΣ! Αιχμηρή λεπίδα.



Φοράτε γάντια ασφάλειας.



Φορά περιστροφής λεπίδας (εμφανίζεται στη λεπίδα προιονιού)



Πλάτος κοπής λεπίδας (αρμός)



Αριθμός δοντιών στην λεπίδα κοπής



Για κοπή ξύλου και παρόμοιου υλικού



Όχι για κοπή μετάλλου



Μην κοιτάζετε απευθείας στην ακτίνα.

Ακτινοβολία λέιζερ.  
Προϊόν λέιζερ κλάσης 2  
λ: 650nm; P≤1mW  
EN 60825-1:2007

Τα ηλεκτρικά προϊόντα προς απόρριψη δεν θα πρέπει να απορρίπτονται μαζί με τα οικιακά απόβλητα. Παρακαλούμε ανακυκλώστε όπου υπάρχουν οι αντίστοιχες εγκαταστάσεις. Μιλήστε με τις τοπικές αρχές ή τον πωλητή για να σας ενημερώσουν σχετικά με τα προγράμματα ανακύκλωσης.

## ΣΥΜΒΟΛΑ ΣΤΟ ΕΓΧΕΙΡΙΔΙΟ



Συνδέστε το προϊόν στο ρεύμα.



Αποσυνδέστε από το ρεύμα το προϊόν.



Κλειδωμα



Ξεκλειδωμα



Ακούγεται ήχος



Χρόνος αναμονής



Ανταλλακτικά και εξαρτήματα πωλούνται χωριστά



Σημείωση:



ΠΡΟΕΙΔΟΠΟΙΗΣΗ



your mitre saw tasarlanırken temel öncelik güvenlik, performans ve güvenilirlik özelliklerine verilmiştir.

### KULLANIM AMACI

Ürün masif ahşap, sıkıştırılmış odun, tutkallı kaplama tahtası, odun benzeri malzemeler ve plastik kesmek için üretilmiştir.

Bu ürünü belirtilen normal kullanım koşullarının dışında kesinlikle kullanmayın.

### GENEL EMNİYET UYARILARI

#### ⚠ UYARI

Elektrikli aletleri kullanırken, yangın, elektrik çarpması, yanma ve diğer yaralanma risklerini azaltmak için bazı temel güvenlik tedbirleri dikkate alınmalıdır. Bu ürünü çalıştırmadan önce mutlaka bu talimatları okuyun ve bir yerde saklayın.

- **Çalışma alanını temiz tutun.** Karmaşık alanlar ve tezgahlar, yaralanmalara davetiye çıkarır.
- **Çalışma ortamını inceleyin.** Aletleri yağmura maruz bırakmayın. Aletleri ıslak ya da nemli ortamlarda kullanmayın. Çalışma alanını iyi ışıklandırın. Aleti, yanıcı sıvıların veya gazların bulunduğu ortamda kullanmayın.
- **Elektrik çarpmasına karşı koruma sağlayın.** Şaşılmalı veya topraklanmış yüzeylere temas etmekten kaçının (borular, radyatörler, ocaklar, buzdolapları vs.).
- **Başka insanları yaklaştırmayın.** İnsanların, özellikle de çocukların işe müdahil olmasına, alete veya uzatma kablosuna dokunmasına asla müsaade etmeyin; çalışma alanından uzak tutun.
- **Boşta duran aletler.** Kullanılmadıkları zamanlarda, aletleri kuru, kilitli ve çocukların ulaşamayacağı bir yerde saklayın.
- **Alete güç uygulamayın.** İşin, amacına uygun seviyede kaliteli ve emniyetli yapılmasını sağlayacaktır.
- **Doğru cihaz kullanın.** Küçük aletleri, ağır iş aletleriyle yapılması gereken zorlu işlerde kullanmayın. Aletleri kullanım amaçlarının dışında kullanmayın; örneğin, yuvralık testereleri ağaç dallarını veya kütükleri kesmede kullanmayın.
- **Uygun giysiler giyin.** Bol kıyafet giymeyin, ziynet eşyası takmayın; hareketli parçalara kapılabilir. Açık mekanlarda çalışırken kaymaz ayakkabı giymeniz tavsiye edilir. Aynı zamanda uzun saçlarınızı tutması için koruyucu saç örtüleri kullanın.
- **Koruyucu ekipman kullanın.** Emniyet gözlükleri takın. Çalışma ortamında toz çıkıyorsa, yüz veya toz maskesi takın.
- **Toz çekme ekipmanını bağlayın.** Toz atma ya da toplama ekipmanı bağlantısı da aletle kullanılıyorsa,

bu onların doğru bağlandığından ve kullanıldığından emin olun.

- **Elektrik kablosunu hor kullanmayın.** Kabloyu soketten çıkarmak için asla sertçe çekmeyin. Kabloyu ısıdan, yağdan ve keskin nesnelere uzak tutun.
- **İş emniyete alın.** Mümkünse, çalışmaya ara verdiğinizde kelepçe veya menengeyle sabitleme yapın. Ellerinizi kullanmaktan daha güvenlidir.
- **Aşırı derecede uzanmayın.** Her zaman güvenli ve dengede durun.
- **Aletlere özenle bakım yapın.** Daha iyi performans ve daha yüksek güvenlik için, kesme aletlerini keskin ve temiz tutun. Aksesuar yağlama ve aksesuar değiştirme için, mutlaka talimatlara uyun. Alet kablolarını periyodik olarak kontrol edin, hasarlı olanların yetkili serviste onarılmasını sağlayın. Uzatma kablosunu düzenli aralıklarla kontrol edin ve hasar görmüşse değiştirin. Kolların kuru, temiz ve yağdan/gresten arınmış olmasına özen gösterin.
- **Aletlerin fişini çekin.** Kullanılmadıkları zamanlarda, bıçaklar, matkap uçları ve kesiciler gibi aletlere bakım yapmadan veya değiştirmeden önce, mutlaka aletlerin fişini çekin.
- **Ayarlama anahtarlarını ve somun anahtarlarını çıkarın.** Aleti çalıştırmadan önce anahtarların ve ayar anahtarlarının aletten çıkarıldığını kontrol etmeyi alışkanlık haline getirin.
- **İstemsiz çalıştırmalardan kaçının.** Aletin fişini takarken, düğmenin "off (kapalı)" konumunda olduğundan emin olun.
- **Açık mekan için uygun uzatma uçları kullanın.** Alet dış mekanda kullanılıyorsa, sadece dış mekan için üretilmiş ve bu özelliği üzerinde belirtilmiş uzatma kablolarını kullanın.
- **Her zaman tetikte olun.** Yaptığınız işi izleyin, dıyarl olun ve yorulduğunuz zaman aleti kullanmaya ara verin.
- **Hasarlı parçalara karşı kontrol edin.** Aleti kullanmaya devam etmeden önce, doğru ve amacına uygun bir şekilde kullanılıp kullanılmayacağını dikkatlice kontrol edin. Hareketli parçaların hizalamasını, yüzeye yapışıp yapışmadığını, parçalarda kırılma olup olmadığını, montaj konumunu ve aletin çalışmasını etkileyebilecek diğer koşulların bulunup bulunmadığını kontrol edin. Hasar gören bir koruma ya da başka bir parça, aksi bu kullanım kılavuzunda belirtilmedikçe yetkili servis merkezi tarafından onarılmalı ya da değiştirilmelidir. Anzalı anahtarlar yetkili servis tarafından değiştirilmelidir. Alt düğmeyle açılıp kapatılamıyorsa, aleti kullanmayın.
- **Uyari.** Bu kullanım kılavuzunda tavsiye edilenlerin dışında aksesuar veya ataşman kullanılması, kişisel yaralanma riskine neden olur.
- **Alet mutlaka yetkili teknisyen tarafından onarılmalıdır.** Bu elektrikli alet, yürürlükteki emniyet normlarına uygundur. Onarım işleri, sadece orijinal parçaları kullanan kalifiye teknisyenler tarafından yapılmalıdır; aksi takdirde kullanıcı ciddi biçimde zarar





görebilir.

### GÖNYE TESTERESİ GÜVENLİK UYARILARI

- İşlenecek parçayı mutlaka güvenli bir şekilde mengeneyle sabitleyin.
- Kulak koruyucu kullanın. Gürültüye maruz kalmak işitme kaybına neden olabilir.
- Açık hava dahil olmak üzere birçok farklı yerde kullanılan aletler akım dalgalanmalarını engelleyen bir anahtar üzerinden bağlı olmalıdır.
- Makineyi kullanırken gözlük takınız. Makineyi kullanırken eldiven, kaymayan ayakkabı ve önlük giymeniz önerilir.
- Makineyi dışarıda çalışmak isterseniz taşıma esnasında fiş soketinden çıkarınız.
- Sadece alet kapalı iken prize takın.
- Elektrik kablosunu makinenin çalışma alanından uzak tutun. Kabloyu daima arkanızda tutun.
- Makine çalışırken talaş ve parçalar kaldırılmamalıdır.
- Makine çalışırken tehlikeli yerlere dokunmayınız.
- Kullanmadan önce makineyi, kabloyu ve fişi herhangi bir hasar ya da malzeme yorgunluğu bakımından kontrol edin. Onarımlar sadece yetkili servisi tarafından yapılmalıdır.
- Daima makine üzerinde koruyucu kalkanlar kullanın.
- Sallanmayı önleyici başlığı sıkılaştırınız.
- Arızalı ya da deforme olmuş testere kullanmayınız.
- Aşınmış talaş emniyetini değiştirin.
- Talimatlarla ve işe uygun olmayan testere kullanmayınız.
- Koruyucu kapak, siperlik makine kesilecek parçaya yakınlaştığında açılmalıdır.
- Yüksek hız çeliğinden yapılmış testere bıçaklarını kullanmayın.
- Çalışmadan önce motoru açmadan yapay bir kesim yaparak bıçak pozisyonunu, koruyucuların diğer makine parçalarına göre nasıl çalıştığını ve çalışma parçasını kontrol edin.
- Gönyeli, eğri ve bileşik gönyeli kesim yaparken bıçağa uzaklığın doğru olması için sürgülü çitayı ayarlayın.
- Makinedeki herhangi bir hata, koruyucu siperlik ya da testere aksamiyla ilgili herhangi bir hata görüldüğünde mutlaka yetkili servis ile irtibata geçin.
- Makine de kesilecek malzemeye uygun testere kullanınız.
- Makinede kullanma kılavuzunda belirtilenlerin haricinde malzeme kesmeyiniz.
- Gönye testeresi taşınırken kol kilidi daima kilitti olmalıdır.
- Koruyucu başlıklar çalışır durumda ve yerinde iken testereyi kullanın.
- Yerde gevşek malzeme, örneğin talaş ve kesik parçalar bulundurmayın.

- Testerenin dişlerini düzenli olarak bilenmesi gerekir. Testerenin üzerinde yazılı maksimum hızda kullanmaya çalışın.
- Testerenin güvenli şekilde monte edilmesi için kullanma kılavuzundaki belirtilen ya da üzerindeki flanşın dışında başka bir flanş kullanmayınız.
- Makine çalışırken ve testere gövdesi aşağıda iken tabla üzerinde herhangi bir temizlik yapmayınız.
- Tezgâhta kullanılacaksa makinenin düzgün, güvenli ve sağlam bir şekilde monte edildiğini kontrol edin.
- Uzun malzemeler yeterince desteklenmelidir.
- Çatlamış ya da eğri, düzgün olmayan testere kullanmayınız.
- Aleti kullanmadan önce talimatları okuyun. Mümkünse alet kullanımının gösterilmesini sağlayın.
- Bu aletin kullanımı sırasında meydana çıkan toz sağlığa zararlı olabilir. Bir toz emme sistemi kullanın ve uygun bir toz maskesi takın. Oluşan tozu, örneğin bir elektrik süpürgesi ile iyice temizleyin.
- Kesim sırasında güvenli bir şekilde tutulmadığı için kesiti yuvarlak veya düzensiz olan malzemeleri (odun gibi) kesmeyin. İnce malzemenin kenarını keserken, destek için uygun bir yardımcı çit kullanılmalıdır.
- Makinenin deve koruyucu bir alete (sigorta veya devre şalteri) bağlanması gereklidir.
- Elektrikli aletlerle çalışma veya toz üfleme işlemi esnasında daima yan siperlikleri bulunan koruyucu gözlükler kullanın. İşlem tozlu olacağı aynı zamanda bir toz maskesi de kullanın.
- Oluk yaparken dikkat edin.
- Dingilin niteliğine uygun olmayan bıçaklar düzgün olarak dönmeyecekler ve aletin kontrolünün kaybedilmesine neden olacaktırlar. Asla defolu yada uygun olmayan vida ve bıçak kenedi kullanmayınız.
- Sadece bu kılavuzda açıklanan EN 847-1'e uygun bıçaklar kullanın.
- Lazeri farklı tipte bir lazerle değiştirmeyin. Her türlü onarım işlemleri sadece lazer üreticisi ya da yetkili bir servis tarafından gerçekleştirilmelidir.
- Ani bir voltaj yükselmesi, voltaj dalgalanmalarına neden olur ve bu durum aynı güç hattındaki diğer elektronik ürünlere zarar verebilir. Voltaj dalgalanmalarını en aza indirmek için ürünü 0.180 Ω değerinde empedansa sahip bir güç kaynağına bağlayın. Daha fazla bilgi almak için elektrik gücü tedarikçiniz ile iletişime geçin.

### ODUN KESME BİÇAĞI İÇİN GÜVENLİK TALIMATLARI

- Makineyi çalıştırmadan önce bu kılavuzda bulunan tüm talimatları okuyun.
- Makine iyi durumda olmalı, milin şekli düz olmalı ve titrememelidir.
- Özellikle bir mod değişiminden sonra koruyucular takılmamışsa testereyi kullanmayın. Koruyucuların iyi çalışır durumda olmasını ve düzgün olarak bakımının





yapılmasını sağlayın.

- Operatörün; güvenlik önlemleri, makine ayarı ve kullanımı hakkında yeterli bilgiye sahip olduğundan emin olun.
- Her zaman kulak koruyucuyla birlikte yan siperlikli koruyucu gözlük kullanın. Makineyi kullanırken eldiven, kaymayan ayakkabı ve önlük giymeniz önerilir.
- Herhangi bir aksesuar kullanmadan önce kullanım kılavuzuna başvurun. Bir aksesuarın hatalı kullanılması hasara neden olabilir.
- Sadece bu kılavuzda açıklanan EN 847-1'e uygun bıçaklar kullanın.
- Testere bıçağında belirtilen maksimum hızı asla aşmayın. Testere bıçağında belirtilen hızın en az testere üzerindeki hıza eşit olduğundan emin olun.
- Dingilin niteliğine uygun olmayan bıçaklar düzgün olarak dönmeyecekler ve aletin kontrolünün kaybedilmesine neden olacaklardır. Asla defolu yada uygun olmayan vida ve bıçak kenedi kullanmayınız.
- Tavsiye edilenden daha büyük veya küçük çapta bıçaklar kullanmayın. Bıçağı mile oturtmak amacıyla ara parçalar kullanmayın.
- Her kullanımdan önce testere bıçağının uçlarını hasara veya anormal bir değişikliğe karşı kontrol edin. Hasar gören veya gevşeyen uçlar kullanım sırasında parçalar fırlatarak yaralanma riski yaratırlar.
- Çatlamış ya da eğri, düzgün olmayan testere kullanmayınız. Arızalı ya da deforme olmuş testere kullanmayınız.
- Asla hasarlı veya şekli bozulmuş testere bıçağını kullanmayın. Onarmak yasaktır.
- HSS bıçaklar kullanmayın.
- Kullanmadan önce, testere bıçağının doğru monte edildiğinden emin olun. Her kullanımdan önce mil somununu iyice sıkın. (Tork: 12-15 Nm)
- Tespit vidası ve somunlar uygun bir anahtarla sıkılmalıdır.
- Anahtar uzantısı kullanmak veya çekiçle vurarak sıkılmak yasaktır.
- Tüm bıçak ve flanşların temiz olduğundan ve burcun oluklu kenarlarının bıçağa baktığından emin olun.
- Bıçağın doğru yönde döndüğünden emin olun.
- Çalışmadan önce motoru açmadan yapay bir kesim yaparak bıçak pozisyonunu, koruyucuların diğer makine parçalarına göre nasıl çalıştığını ve çalışma parçasını kontrol edin.
- Makineyi asla başıboş bırakmayın.
- Çalıştığı sırada bıçağa yağlama yağı sürmeyin.
- Makine çalışırken ve makine kafası hareketliyken asla makine üzerinde temizlik ya da bakım işi yapmayın.
- Makine hareket halindeyken asla bıçağa karşı bir sıkıştırma aleti vs. koyarak makineyi durdurmaya çalışmayın; çok ciddi kazalar meydana gelebilir.
- Bakım uygulamadan veya bıçak değişimi yapmadan

önce, testereyi elektrik prizinden mutlaka çıkarın.

- Bıçağı paketlerken ve paketten çıkarırken dikkatli olun, keskin bıçak uçları yaralanmanıza neden olabilir.
- Bir testere bıçağı kullanırken bir bıçak tutucu kullanın veya iş eldiveni takın.
- Bıçağı orijinal paketinde veya uygun başka bir pakette, kuru ve bıçağa zarar verebilecek kimyasal maddelerden uzak bir ortamda saklayın.

### LAZER GÜVENLİĞİ

- Testerede kullanılan lazer kılavuz ışması, maksimum  $\leq 1\text{mW}$  ve 650 nm dalga boyuna sahip Sınıf 2'dir. Doğrudan lazer ışınına bakmayın. Kurallara uymamak insanların ciddi bir biçimde yaralanmalarına neden olabilir.



Lütfen kendi dilinizdeki bu yapışkanlı etiketi makineyi ilk kez kullanmadan önce uyarı etiketi üzerindeki İngilizce metnin yerine yapıştırın.

- Kullanım esnasında lazer ışınına bakmayın.
- Lazer ışınını başkalarının gözlerine yöneltmeyin. Ciddi göz yaralanmaları meydana gelebilir.
- Lazeri insanların lazer ışınına kasıtlı veya kazayla bakmasına neden olacak bir pozisyonda koymayın.
- Lazer ışınına bakmak için hiç bir optik araç kullanmayın.
- Lazeri çocukların bulunduğu yerde çalıştırmayın veya çocukların lazeri çalıştırmasına izin vermeyin.
- Lazer cihazını kendiniz onarmaya çalışmayın.
- Lazer cihazının hiçbir parçasını kendiniz değiştirmeye çalışmayın.
- Her türlü onarım, sadece lazer üreticisi veya yetkili servis acentesi tarafından yapılmalıdır.
- Lazeri farklı tipte bir lazerle değiştirmeyin.

### ARDIL RİSKLER

Makine talimatlara uygun bir şekilde kullanılsa bile, bazı ardıl risklerin tamamen ortadan kaldırılması imkânsızdır. Kullanım sırasında aşağıdaki tehlikeler ortaya çıkabilir ve operatör bunlardan kaçınmak için özellikle dikkat etmelidir:

- Döner testere bıçağının korumasız parçalarına temas etme tehlikesi bulunmaktadır.
- Yanlış ayar veya kullanım çalışma parçasının ya da çalışma parçası bileşenlerinin geri tepmesine neden olur.
- Testere bıçağından karbür ucu parçalarının fırlaması.
- Etkili bir toz maskesi kullanılmazsa solunum sistemi zarar görebilir.
- Uygun tipte kulak koruyucusu kullanılmadığında işitme duyusunun zarar görmesi.



### BAKIM

- Motor çalıştığında hiçbir ayarlama gerçekleştirmeyin.
- Fırçaları değiştirmeden, yağlama yapmadan ya da makine üzerinde bakım yapmadan önce mutlaka makinenin fişini elektrik prizinden çekin.
- Her kullanımdan sonra makinenizi hasara veya kırılan parçalara karşı kontrol edin, sorunlu parçaları onararak veya değiştirerek her zaman iyi durumda olmalarını sağlayın.
- Kullanılan bıçak sıcak olur. Bakım ve temizlik yaparken buna dikkat edin.
- Biriken tozu temizleyin.
- Kendi güvenliğiniz ve makinenin güvenilirliği için, dışarıdan erişilebilen fırçalar haricindeki tüm parçaları mutlaka yetkili servis merkezine onartın.
- Koruyucular ve testere bıçakları dahil makededeki tüm arızalar, tespit edildikleri anda bildirilmelidir.
- Elektrik kablosu hasar görmüşse tehlikeyi önlemek için sadece üretici veya yetkili bir servis merkezi tarafından değiştirilmelidir. Yetkili servise başvurun.

### ⚠ UYARI

Daha fazla güvenlik için, tüm onarımlar Ryobi Yetkili Servis Merkezinde gerçekleştirilmelidir.

### ÇEVRENİN KORUNMASI



Ham maddeleri ev çöpleri ile birlikte atmak yerine geri dönüştürün. Çevreyi korumak için, alet, aksesuarlar ve ambalajlar tasnif edilmelidir.

### SEMBOL



Güvenlik Uyarısı



CE Uygunluğu



EurAsian Uyumluluk işareti



Ürünü çalıştırmadan önce, lütfen aşağıdaki talimatları dikkatlice okuyun.



Sınıf II ekipmanı  
Çift yalıtım



Koruyucu kulaklık kullanın



Her zaman koruyucu gözlük kullanın.



TEHLİKE! Keskin bıçak.



İş eldiveni kullanın.



Bıçak dönüş yönü (testere bıçağı üzerinde gösterilmiştir)



Bıçak kesim genişliği (çentik)



Bu testere bıçağı üzerindeki diş sayısı



Odun ve benzer malzemeleri kesmek için



Metal kesmeye uygun değildir



Lazer ışınına doğrudan bakmayın.



Lazer radyasyonu.  
Sınıf 2 lazer ürünü  
λ: 650nm; P≤1mW  
EN 60825-1:2007



Atık elektrikli ürünler evsel atıklarla birlikte atılmamalıdır. Tesis bulunuyorsa lütfen geri dönüşüme verin. Geri dönüşümle ilgili tavsiye için Yerel Makamlarla veya bayi ile irtibat kurun.

### KITAPÇIKTAKI SEMBOLLER



Makineyi prize takın.



Aletin fişini prizden çekin.



Kilit



Kilidi açma



Bir ses geliyor



Bekleme süresi



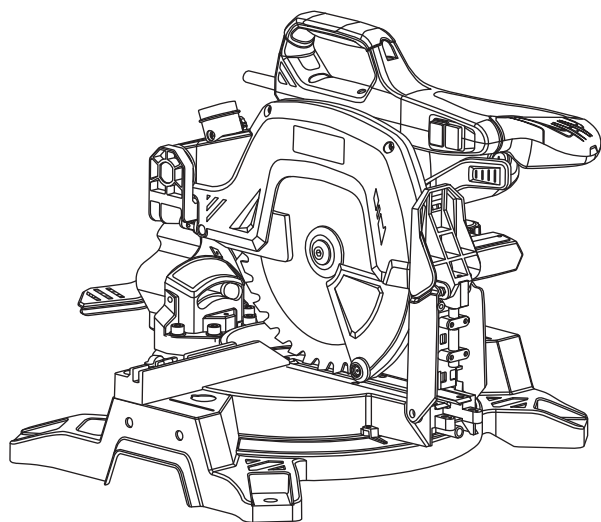
Parçalar ya da aksesuarlar ayrı olarak satılır.



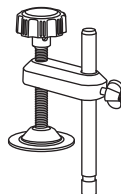
Not:



UYARI



**x 1**



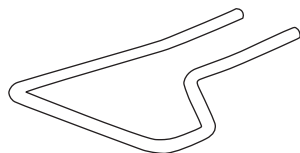
**x 1**



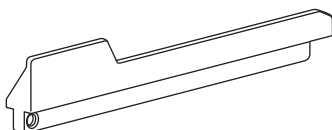
**x 1**



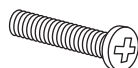
**x 1**



**x 2**



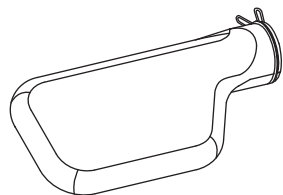
**x 1**



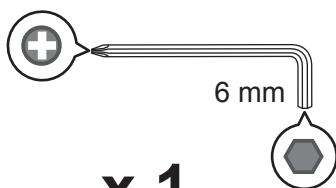
**x 2**



**x 2**



**x 1**



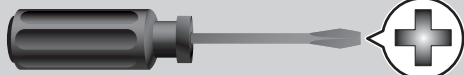
**x 1**



**x 2**



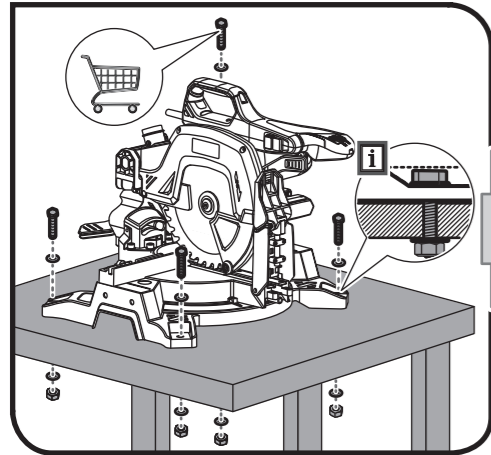
**x 2**



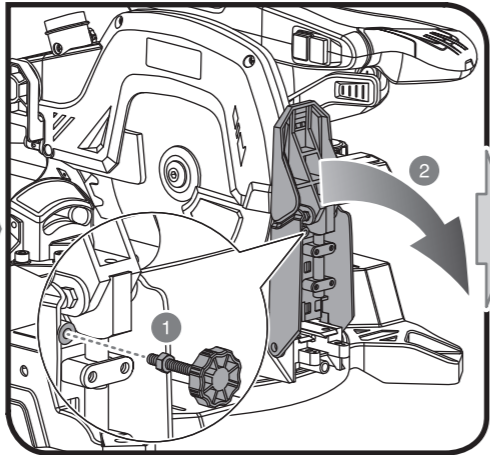
4 mm



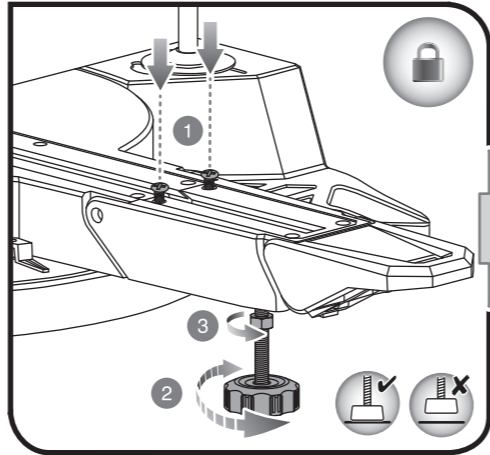
1



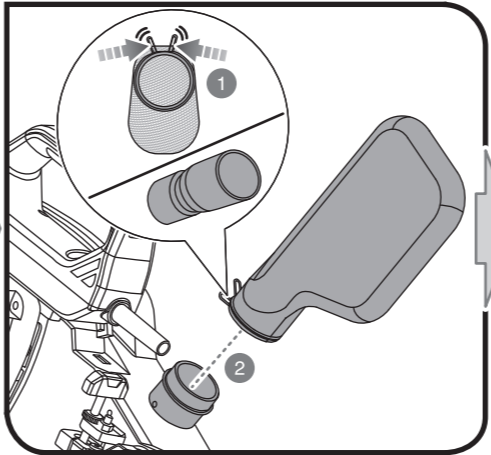
2



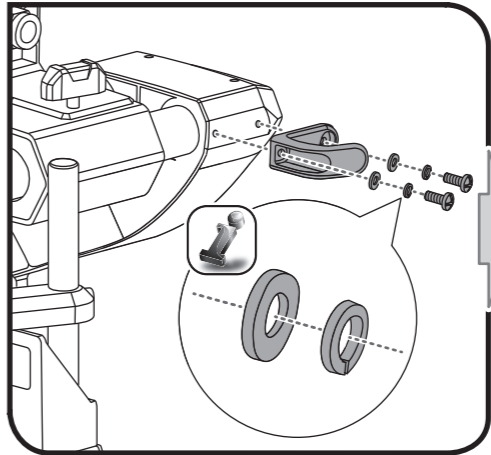
3



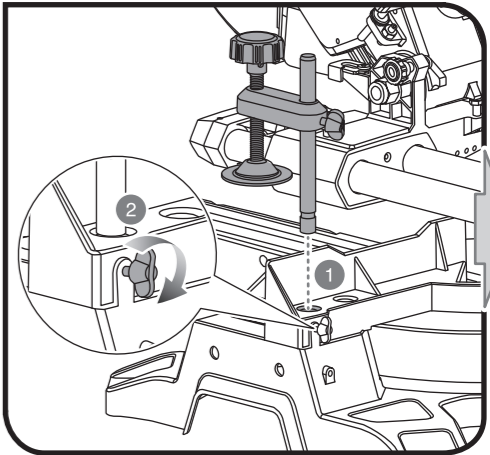
4



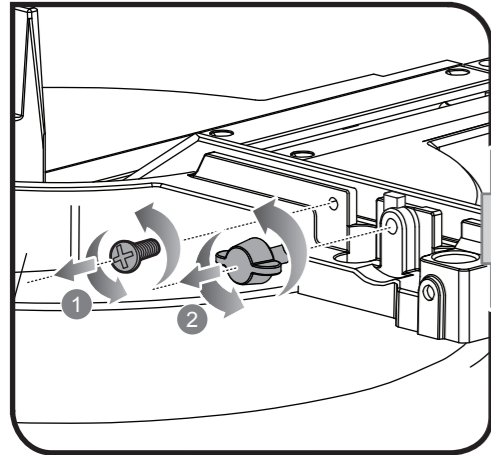
5



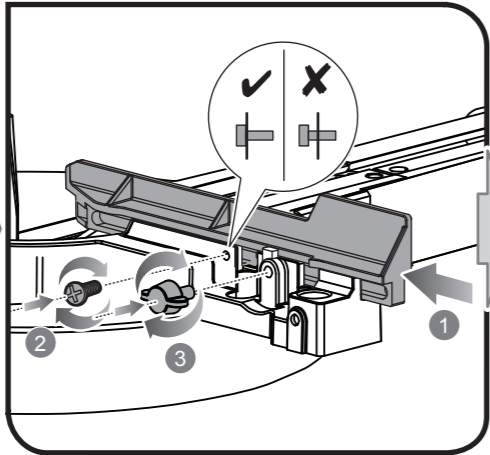
6



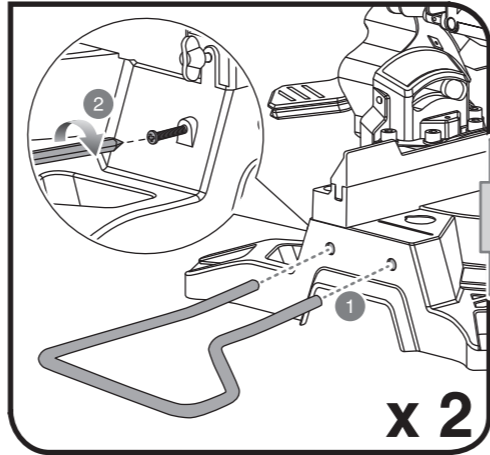
7



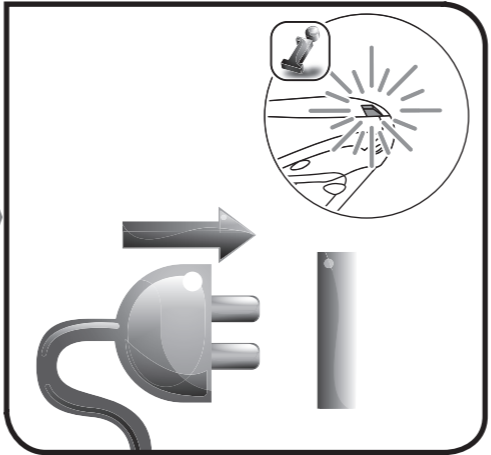
8



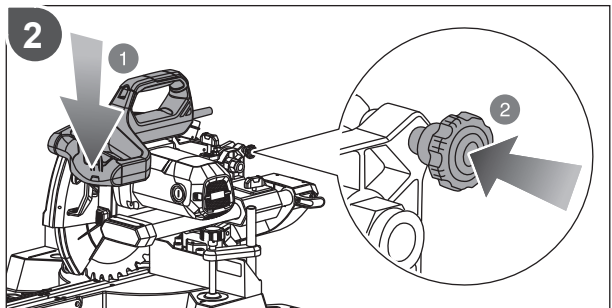
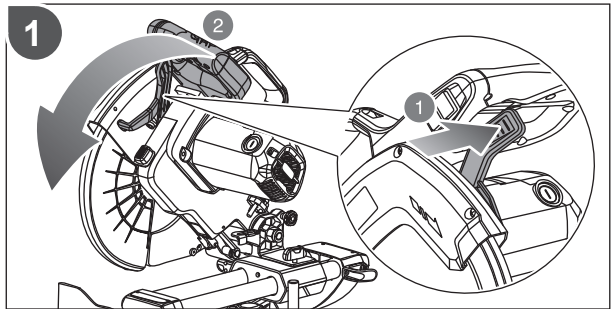
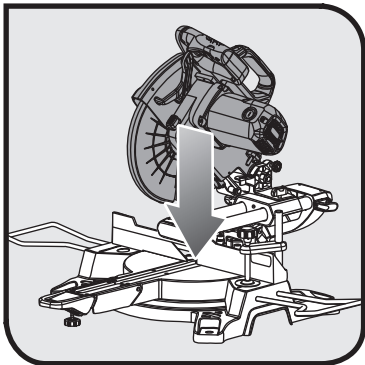
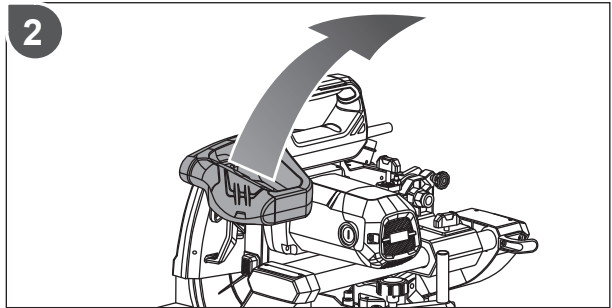
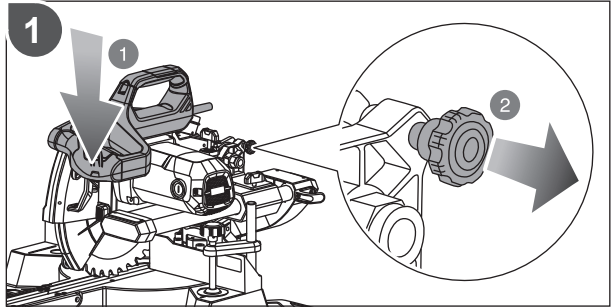
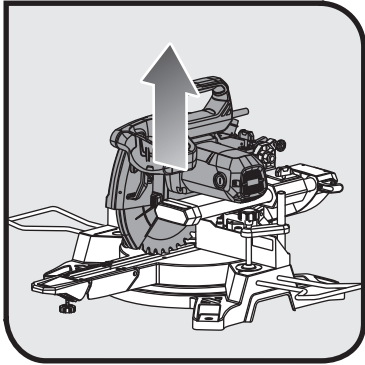
9

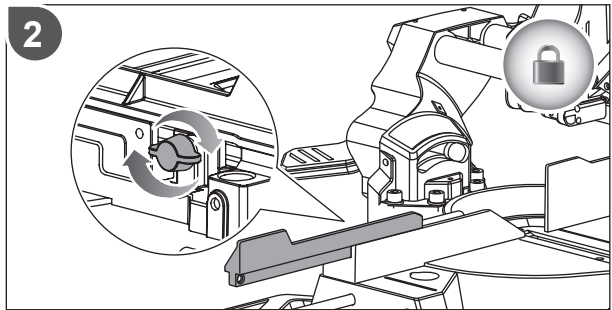
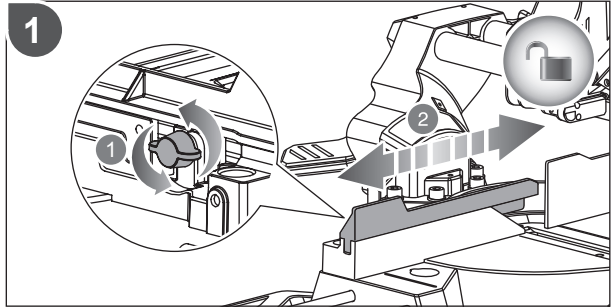
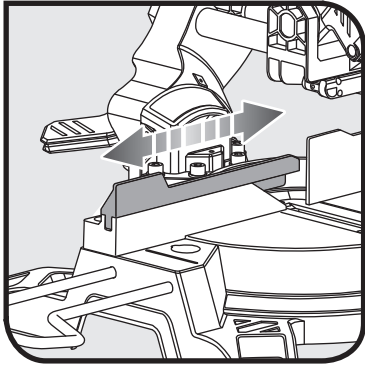


10

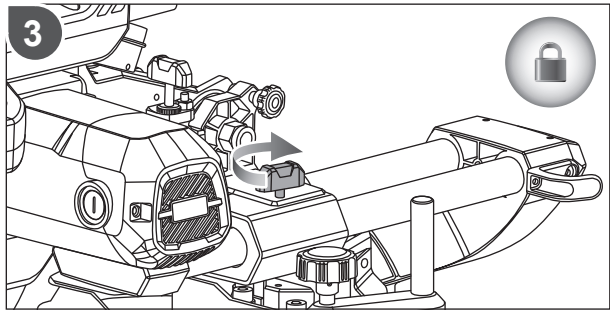
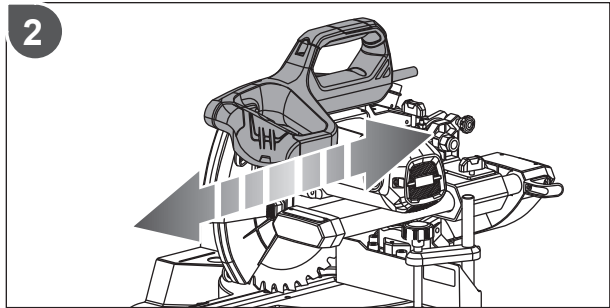
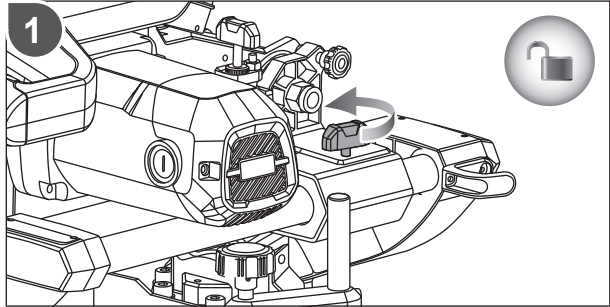
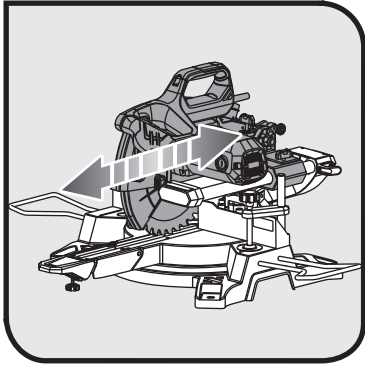


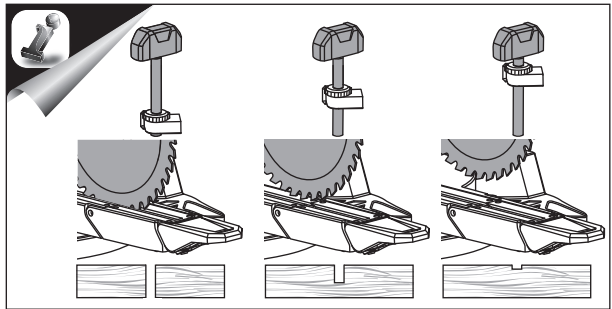
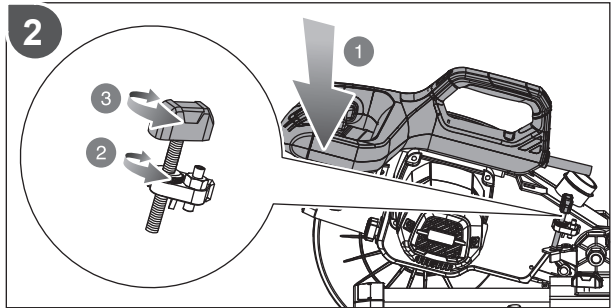
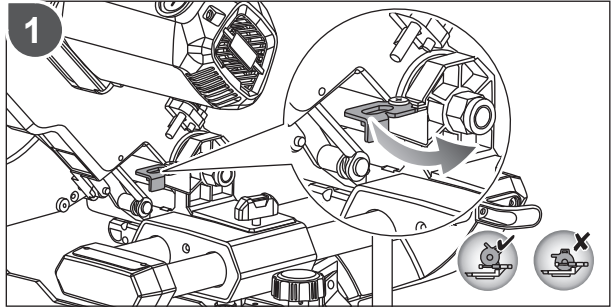
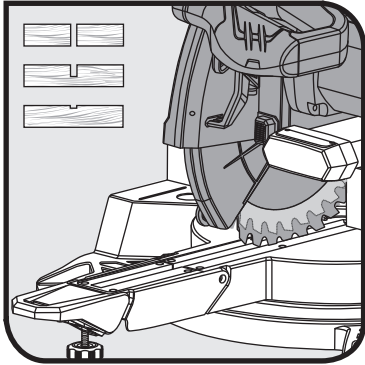


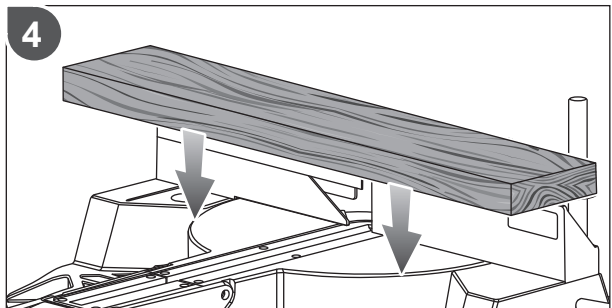
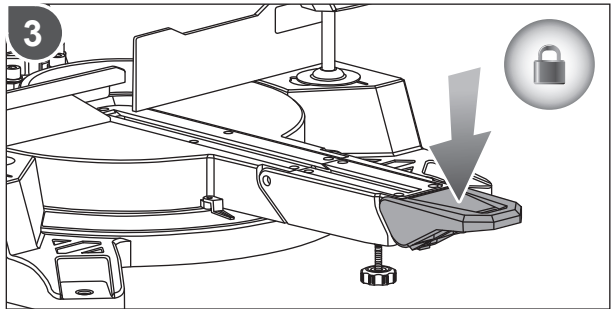
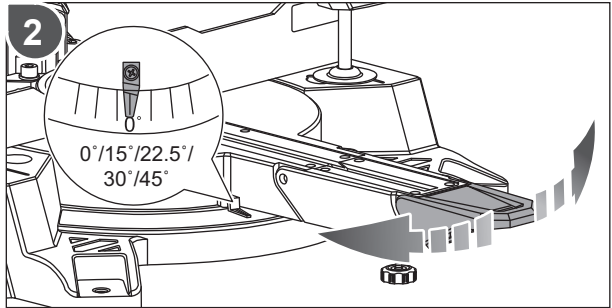
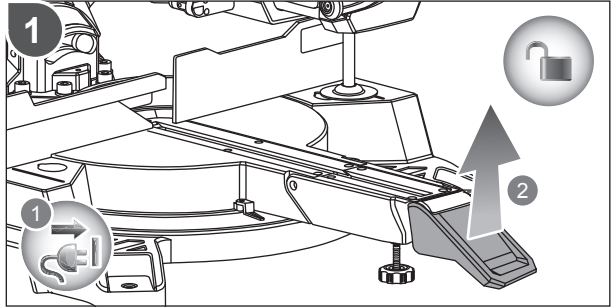
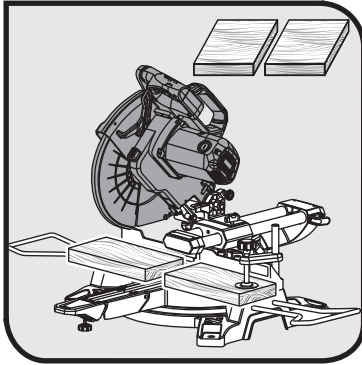


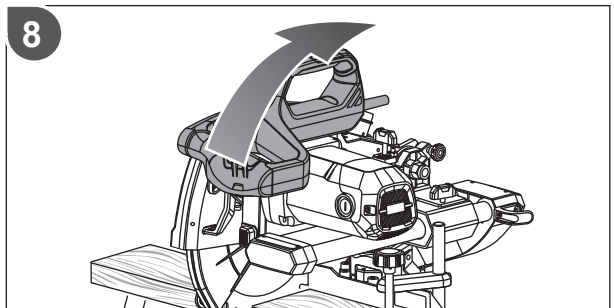
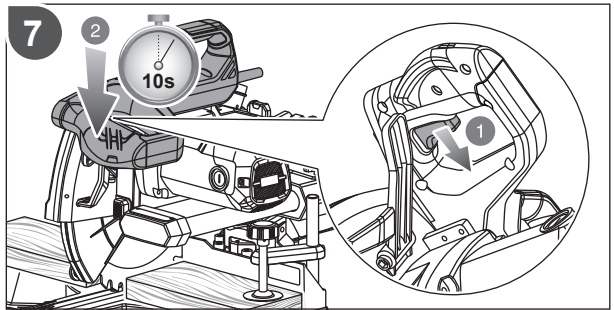
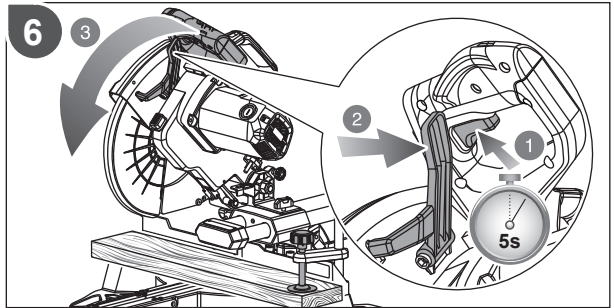
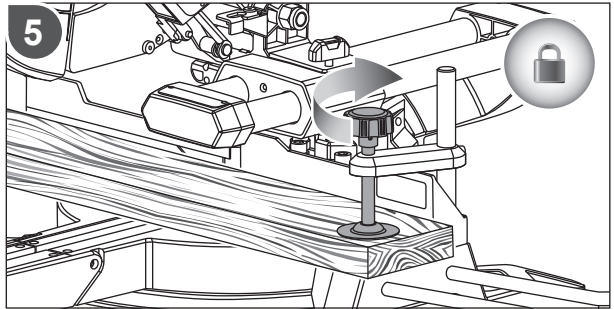


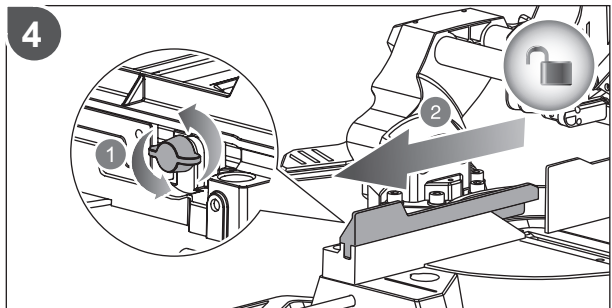
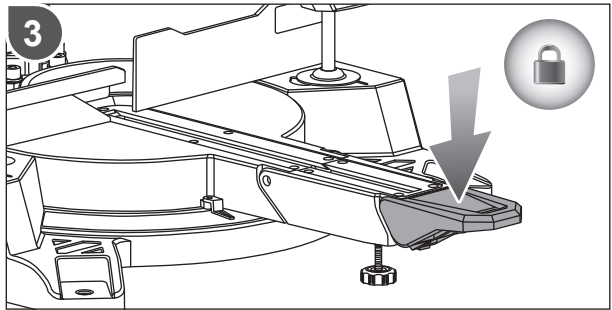
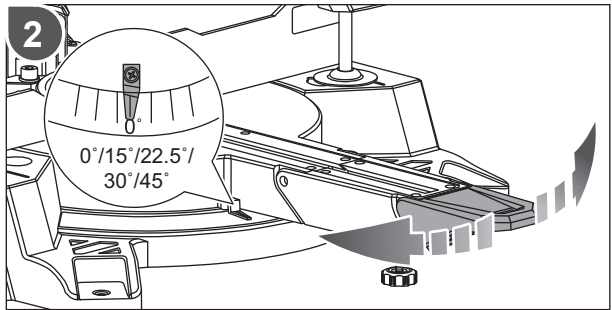
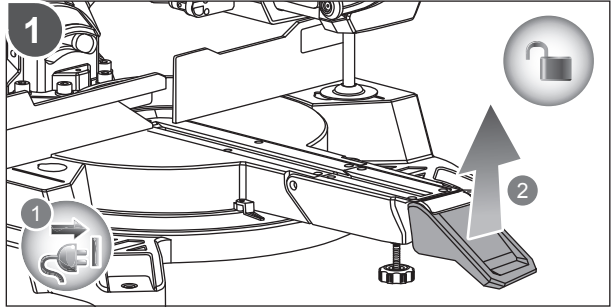
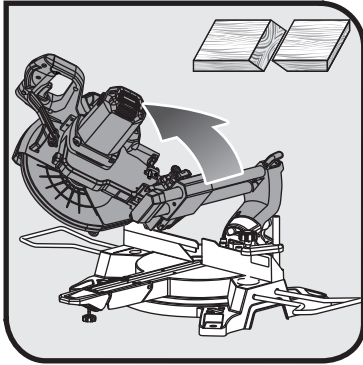


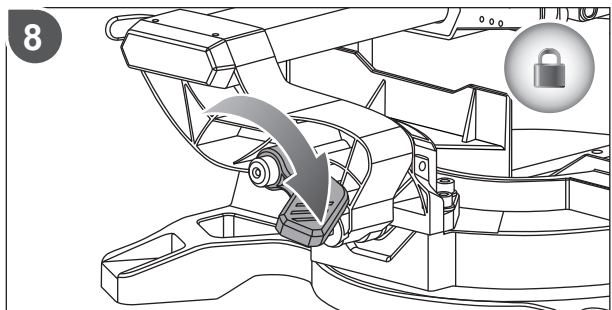
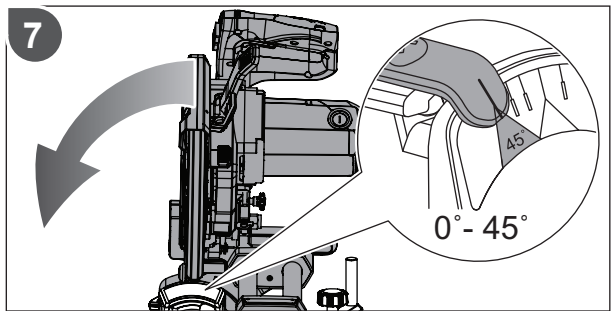
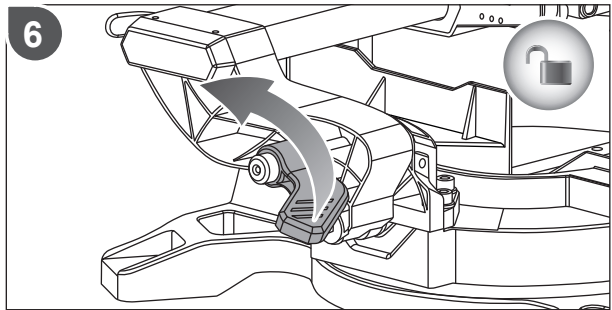
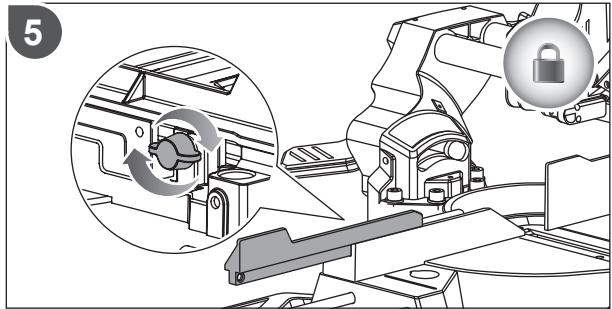


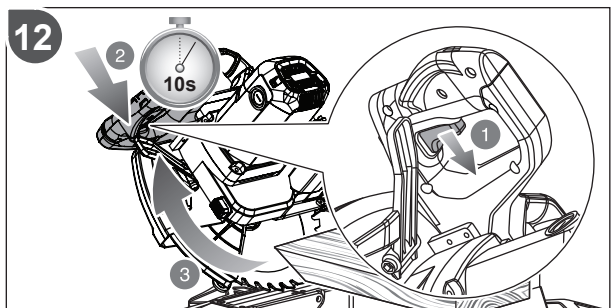
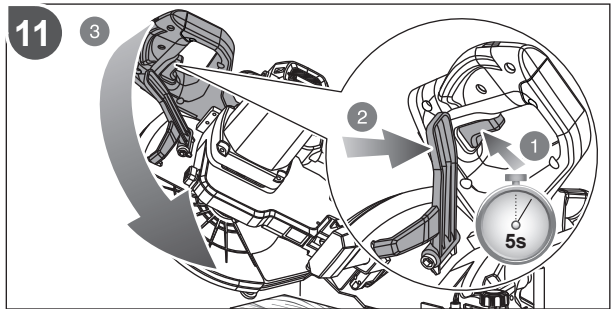
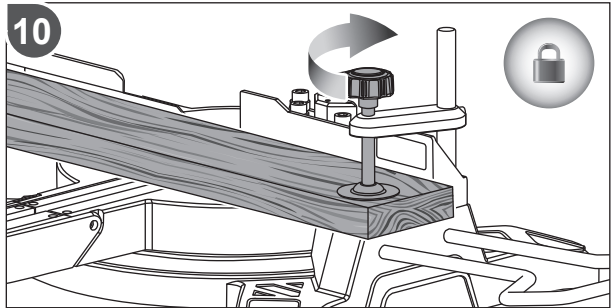
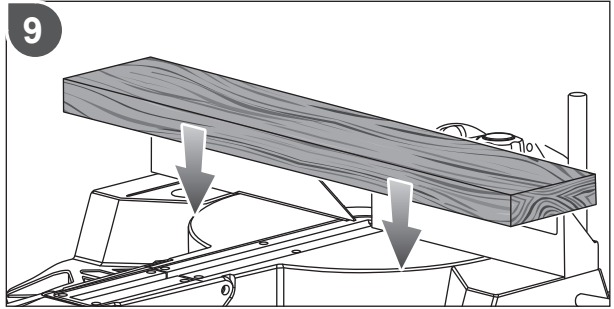


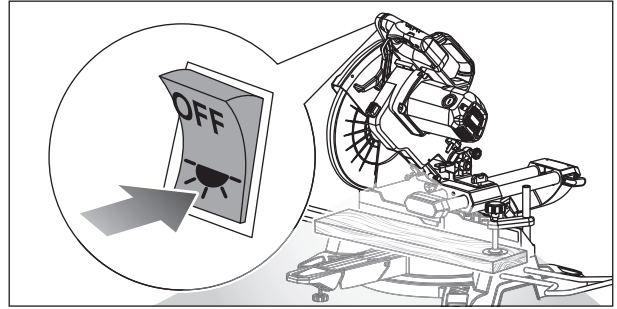
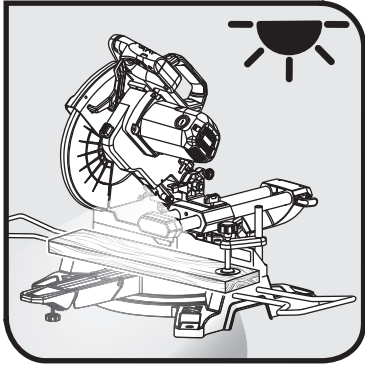




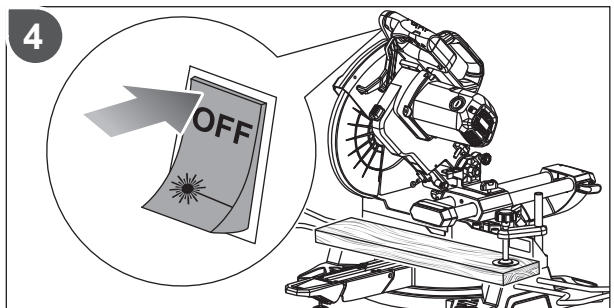
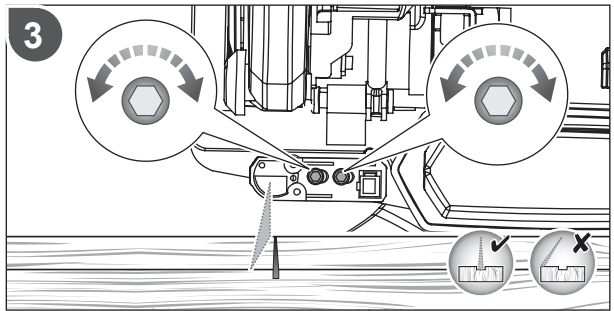
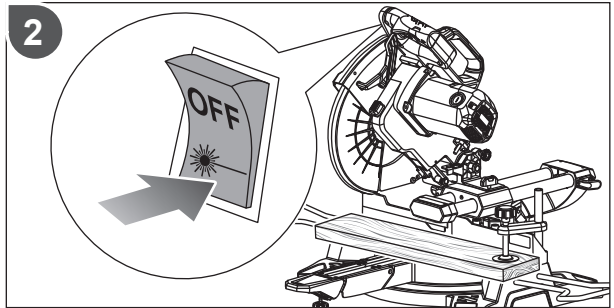
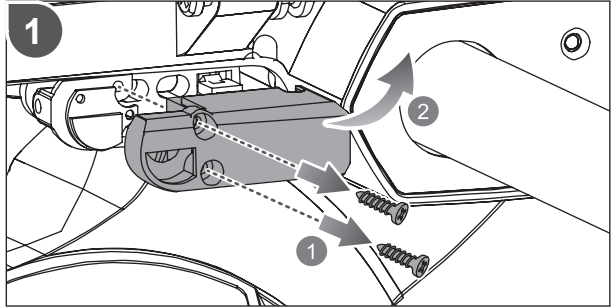
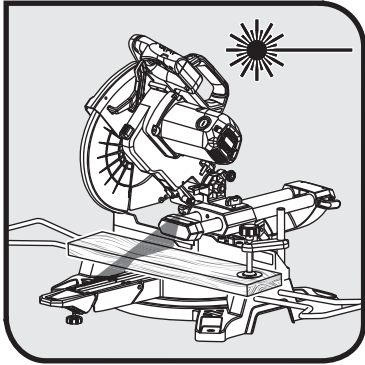


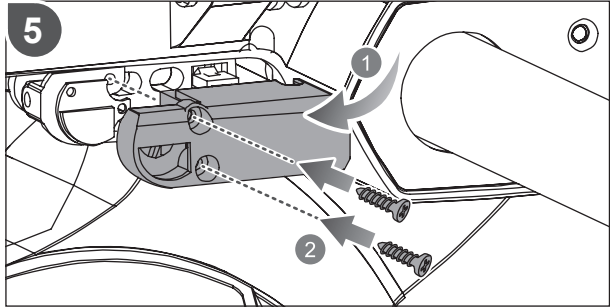


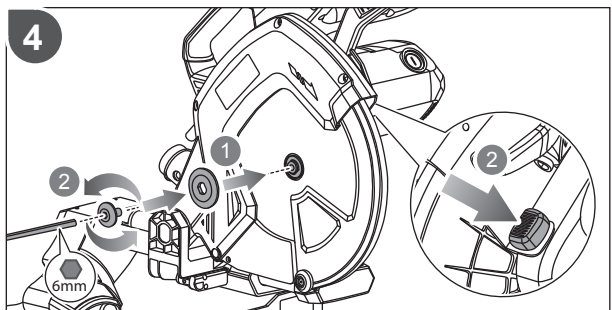
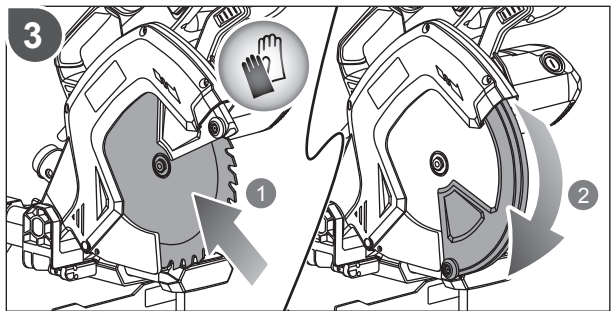
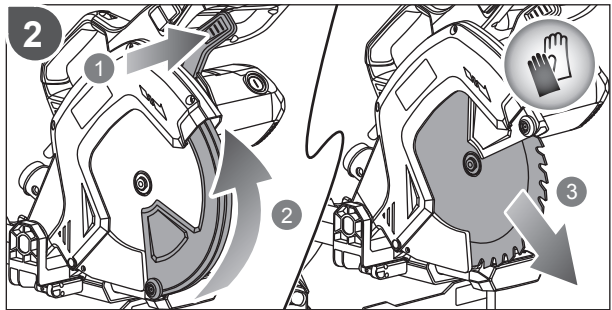
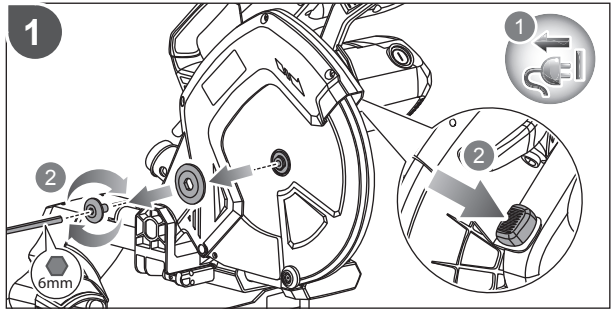
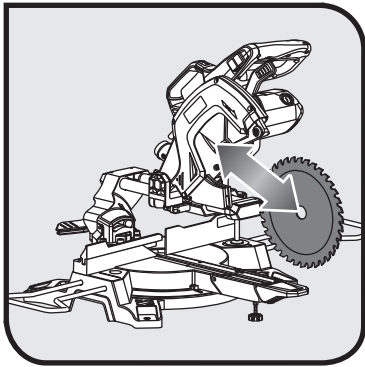


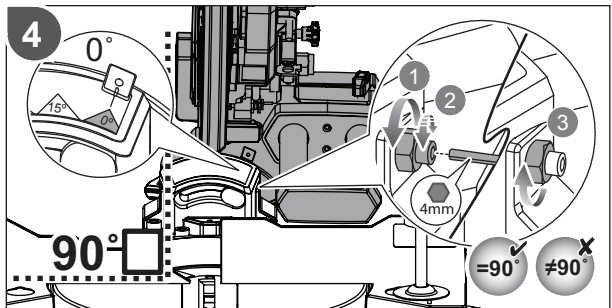
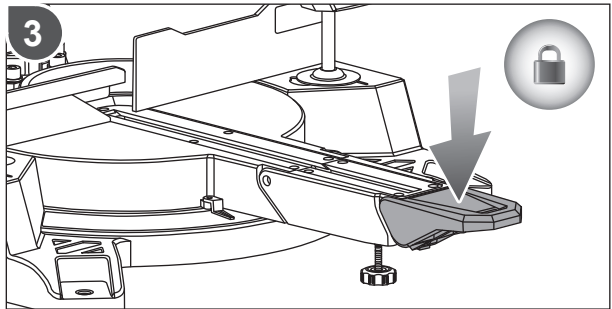
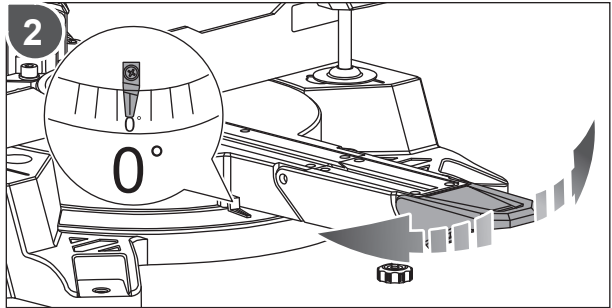
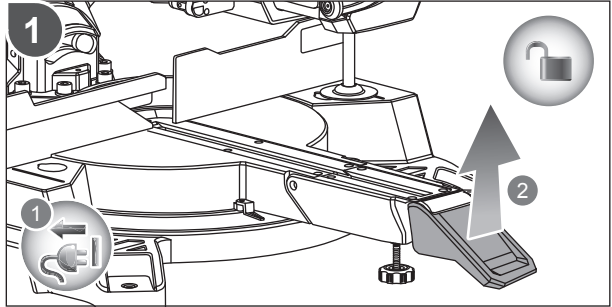
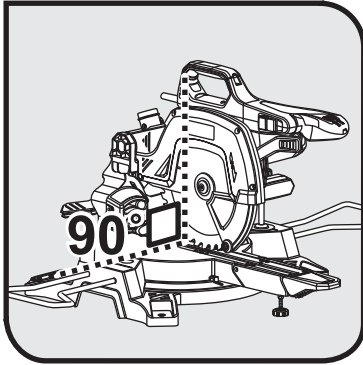


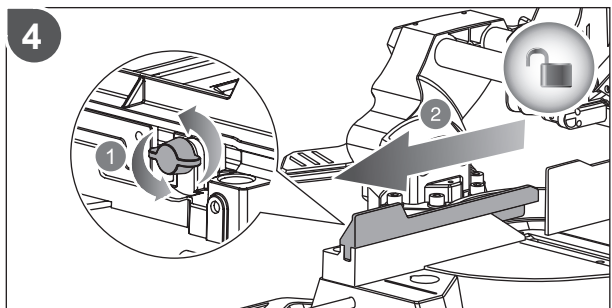
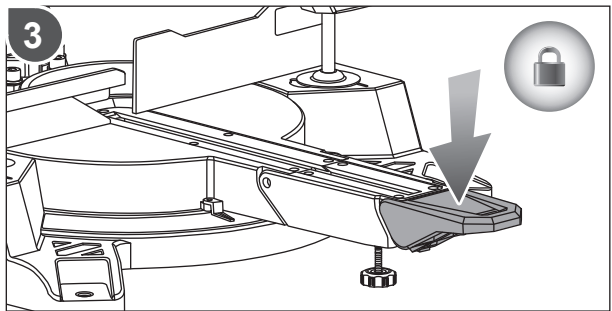
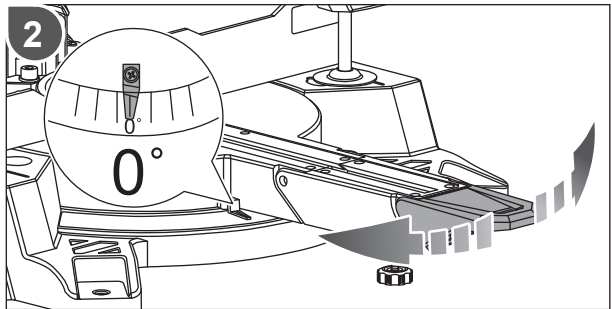
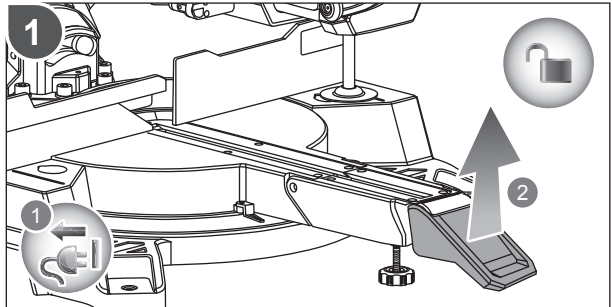
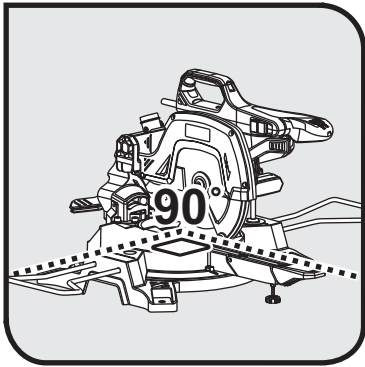


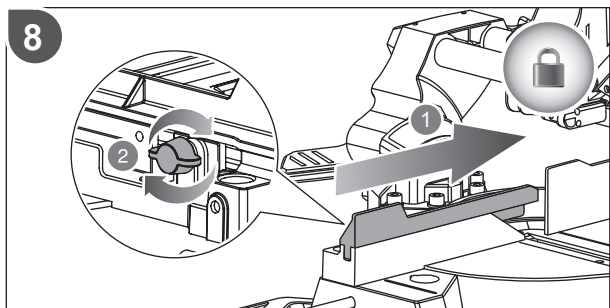
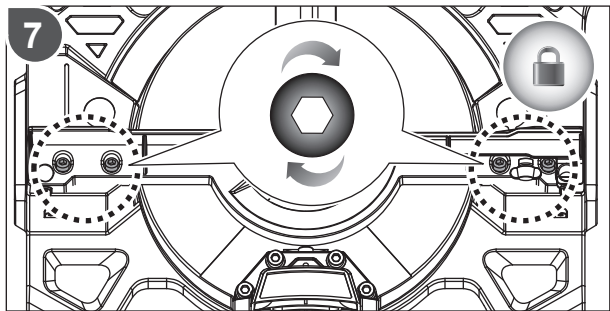
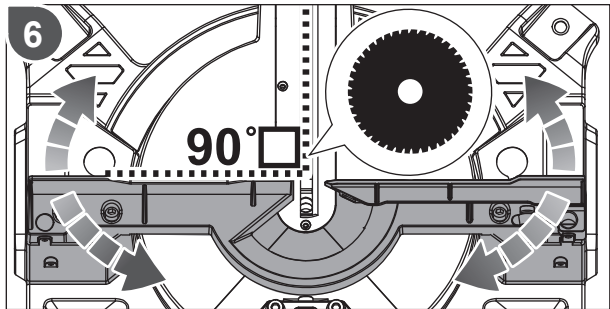
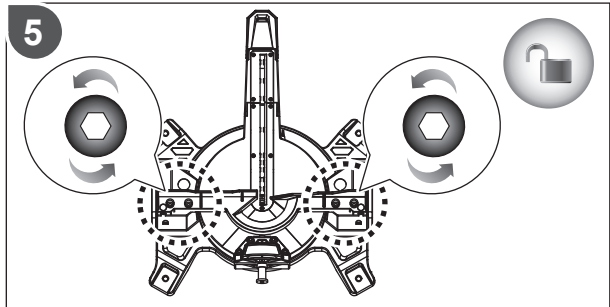


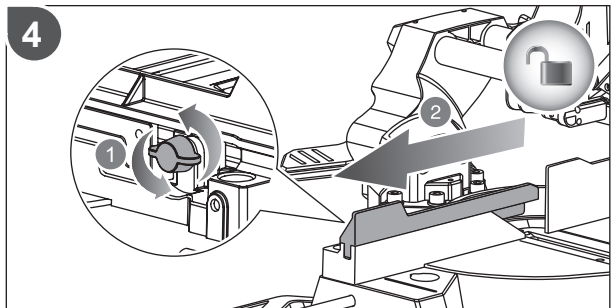
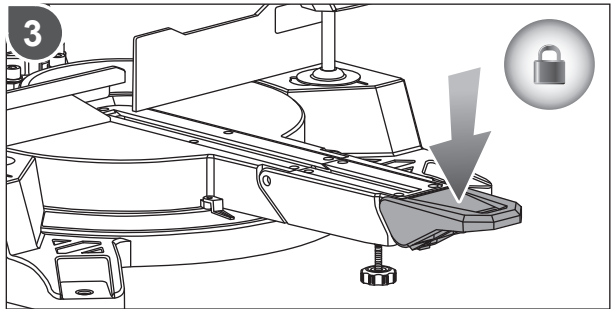
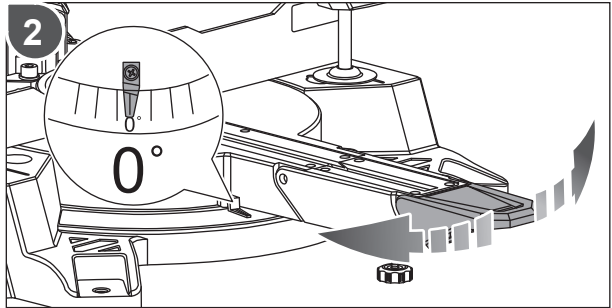
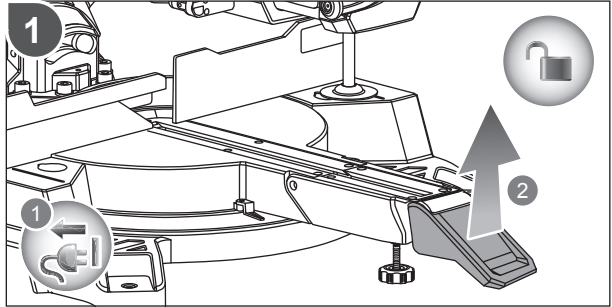
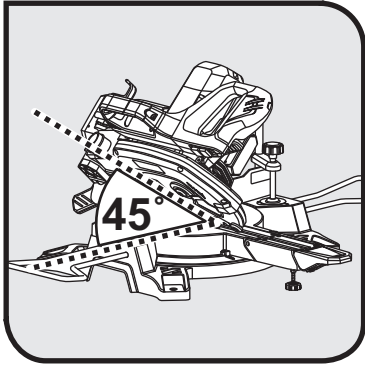


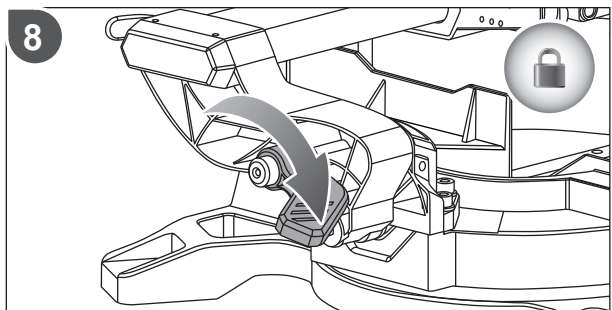
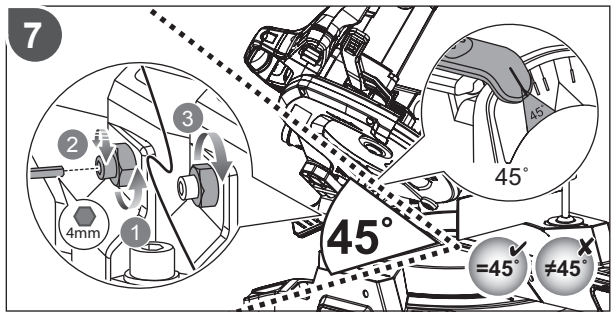
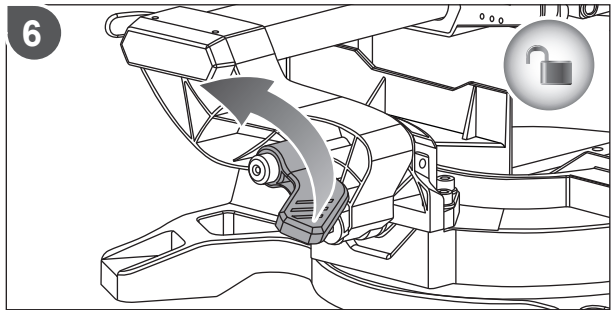
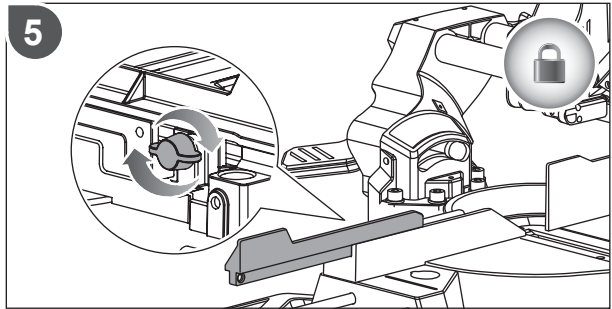




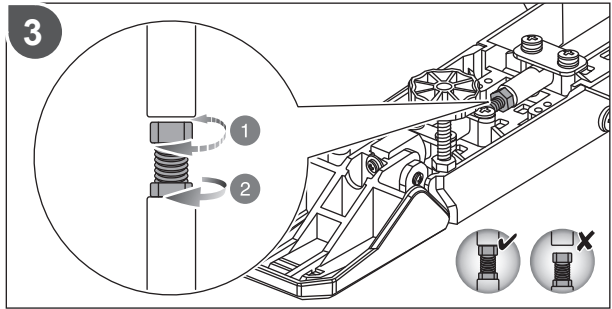
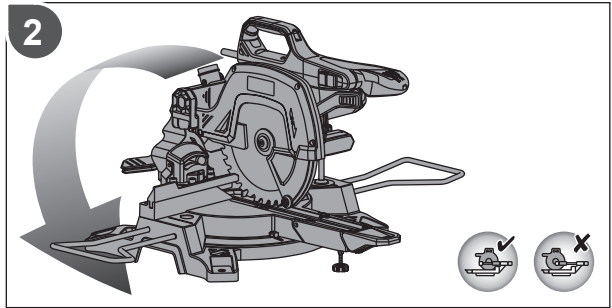
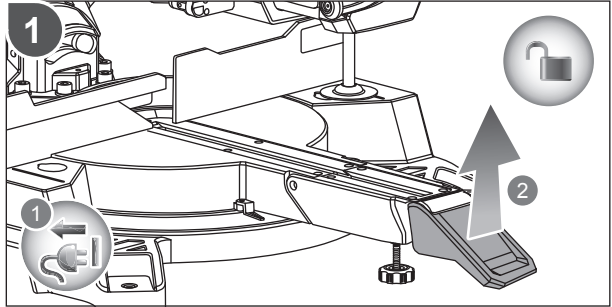
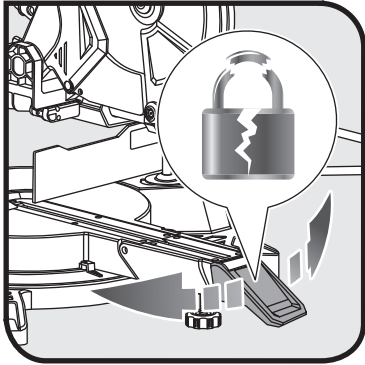


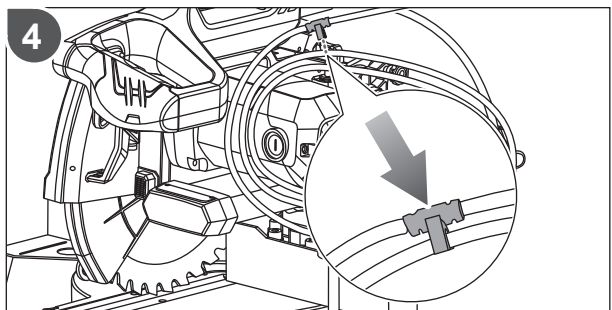
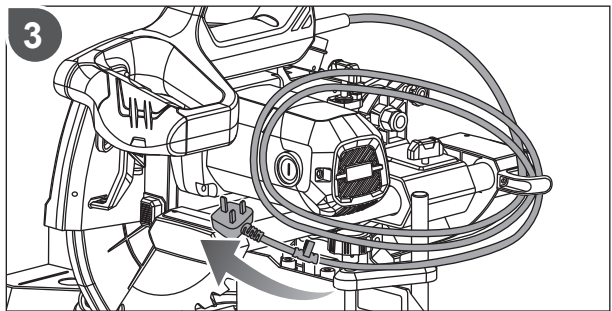
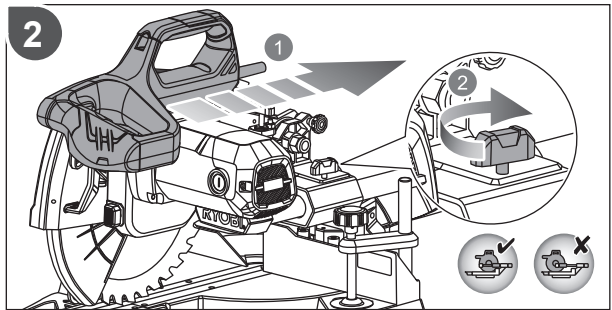
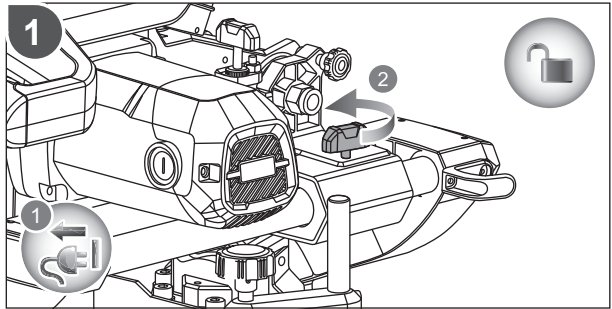
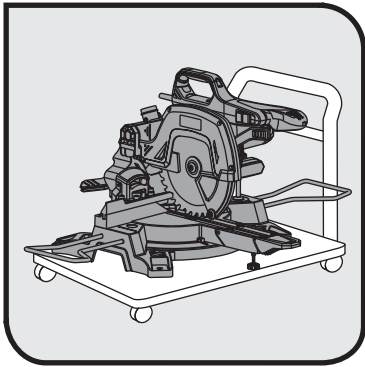


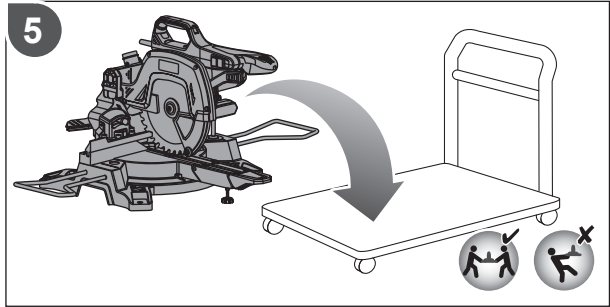














English	Français	Deutsch	Español	Italiano	Nederlands
Product specifications	Caractéristiques de l'appareil	Produkt-Spezifikationen	Especificaciones del producto	Specifiche prodotto	Productspecificaties
Mitre saw	Scie à onglet	Gehrungssäge	Ingletadora	Sega per tagli obliqui	Verstekzaag
Model	Modèle	Modell	Modelo	Modello	Model
Net weight	Poids net	Nettogewicht	Peso neto	Peso netto	Nettogewicht
Blade diameter	Diamètre du disque de coupe	Sägeblattdurchmesser	Diámetro de la hoja	Diametro lama	Zaagbladdiameter
Arbor hole	Trou de broche	Mittelloch	Hueco del eje	Foro dell'albero	Asgat
Blade teeth	Nombre de dents	Sägezähne	Dientes de la hoja	Denti lame	Zaagbladanden
Width of cut	Largeur de coupe	Breite des Schnitts	Ancho del corte	Ampiezza di taglio	Maalbreedte
No-load speed r/min. (RPM)	Vitesse à vide tr/min. (tr.min <sup>-1</sup> )	Leeraufdrehzahl U/min	Velocidad sin carga r/min. (RPM)	Velocità a vuoto r/min. (RPM)	Onbelast toerental U/min. (TPM)
Input	Alimentation	Spannung	Cargador	Alimentazione	Input
Power	Puissance	Leistung	Potencia	Alimentazione	Vermogen
Laser safety class:	Classe de sécurité de laser:	Laser Sicherheitsklasse:	Tipo de seguridad láser:	Classe di sicurezza laser:	Laserveiligheidsklasse:
Cutting capacity	Capacité de coupe	Schnittleistung	Capacidad de corte	Capacità di taglio	Zaagcapaciteit
0° x 0°	0° x 0°	0° x 0°	0° x 0°	0° x 0°	0° x 0°
0° x 45°	0° x 45°	0° x 45°	0° x 45°	0° x 45°	0° x 45°
45°(L) x 0°	45°(G) x 0°	45°(L) x 0°	45°(L) x 0°	45°(L) x 0°	45°(L) x 0°
45°(R) x 0°	45°(D) x 0°	45°(R) x 0°	45°(R) x 0°	45°(R) x 0°	45°(R) x 0°
45°(L) x 45°	45°(G) x 45°	45°(L) x 45°	45°(L) x 45°	45°(L) x 45°	45°(L) x 45°
45°(R) x 45°	45°(D) x 45°	45°(R) x 45°	45°(R) x 45°	45°(R) x 45°	45°(R) x 45°
Min. workpiece dimensions	Les dimensions min. de la pièce dépendent	Min. Werkstückabmessungen	Dimensiones min. de la pieza de trabajo	Min. misurazione massima dei pezzi	Min. werkstukafmeting
Measured values determined according to EN 61029 A-weighted sound pressure level	Valeurs mesurées obtenues selon EN 61029 Niveau de pression sonore pondéré-A	Gemäß EN 61029 gemessene Werte A-bewerteter Schalldruckpegel	Valores medidos determinados de acuerdo con EN 61029 Nivel de presión acústica ponderada en A	Valori misurati determinati in accordo con lo standard EN 61029 Livello di pressione sonora pesato A	Valeurs mesurées obtenues selon EN 61029 A-gewogen geluidsdrumniveau
Uncertainty K	Incertitude K	Unsicherheit K	Incertidumbre K	Incertezza K	Onzekerheid K
Measured values determined according to EN 61029 A-weighted sound power level	Valeurs mesurées obtenues selon EN 61029 Niveau de puissance sonore pondéré-A	Gemäß EN 61029 gemessene Werte A-bewerteter Schalleistungspegel	Valores medidos determinados de acuerdo con EN 61029 Nivel de potencia acústica ponderada en A	Valori misurati determinati in accordo con lo standard EN 61029 Livello di potenza sonora pesato A	Valeurs mesurées obtenues selon EN 61029 A-gewogen geluidsniveau
Uncertainty K	Incertitude K	Unsicherheit K	Incertidumbre K	Incertezza K	Onzekerheid K
The vibration total values (triaxial vector sum) determined according to EN 61029 Vibration emission value	La valeur totale des vibrations (somme vectorielle triaxiale) a été déterminée selon EN 61029 Valeur d'émission de vibrations	Die Vibrationsgesamtwerte (dreiaxiale Vektorsumme) wurden nach EN 61029 Vibrationsemissionswert	Los valores totales de vibración (Suma vectorial triaxial) se han determinado según la norma EN 61029 Valor de emisión de vibraciones	I valori di vibrazione totali (somma vettore triassiale) sono determinati secondo gli standard EN 61029 Valore delle emissioni vibrazioni	De totale trillingswaarden (triaxiale vectorsom) werden vastgesteld in overeenstemming met EN 61029 Trillingsemissiewaarde
Uncertainty K	Incertitude K	Unsicherheit K	Incertidumbre K	Incertezza K	Onzekerheid K
Replacement parts:	Pièces de Rechange:	Ersatzteile:	Piezas de repuesto:	Parti di ricambio:	Vervangonderdelen:
Saw blade	Lame de scie	Sägeblatt	Cuchilla de la sierra	Lama sega	Zaagblad





Português	Dansk	Svenska	Suomi	Norsk	Русский	
Especificações do produto	Produktspecifikationer	Produktspecifikationer	Tuotteen tekniset tiedot	Produktspesifikasjoner	Характеристики изделия	
Serra de esquadria	Geringssav	Geringssåg	Vistesaha	Gjærsag	Торцово-усовочная пила	
Modelo	Model	Modell	Malli	Modell	Модель	EMS254L
Peso líquido	Nettovægt	Nettovikt	Kokonaispaino	Nettovekt	Вес нетто	17,6 kg
Diâmetro da lâmina	Klingediameter	Klingdiameter	Terän läpimitta	Bladdiameter	Диаметр режущего диска	254 mm
Orifício do eixo	Spindelhul	Spindelhål	Karan reikä	Spindelhull	Рабочее отверстие	30 mm
Dentes da lâmina	Klingetænder	Sågtand	Terän hampaat	Bladenner	Число зубьев	48
Largura do corte	Snitbredde	Skärbredd	Leikkauksen leveys	Bredde på kappet	Ширина разреза	2,6 mm
Velocidade em vazio (r/min. (RPM)	Tomgangshastighed omr./min. (RPM)	Tomgångshastighet v/min (varv per minut)	Tyhjäkäyntinopeus kierr/min (RPM)	Hastighet ubelastet o/min. (RPM)	Скорость на холостом ходу об/мин	4,800
Admissão	Strømforsyning	Matningsspänning	Virrankulutus	Input	Питание	220V - 240V ~ 50 Hz
Potência	Effekt	Ström	Teho	Effekt	Мощность	2,000 W
Classe de segurança Laser:	Lasersikkerhedsklasse:	Säkerhetsklassad laser:	Laserin turvallisuusluokitus:	Laser sikkerhetsklasse:	Класс соответствия лазерной безопасности:	II
Capacidade de corte	Sævekapaçitet	Skärkapacitet	Leikkuukapasiteetti	Sagekapaçitet	Режущая способность	
0° x 0°	0° x 0°	0° x 0°	0° x 0°	0° x 0°	0° x 0°	90 mm x 300 mm
0° x 45°	0° x 45°	0° x 45°	0° x 45°	0° x 45°	0° x 45°	58 mm x 300 mm
45°(L) x 0°	45°(G) x 0°	45°(L) x 0°	45°(L) x 0°	45°(L) x 0°	45°(влево) x 0°	90 mm x 200 mm
45°(R) x 0°	45°(D) x 0°	45°(R) x 0°	45°(R) x 0°	45°(R) x 0°	45°(вправо) x 0°	90 mm x 200 mm
45°(L) x 45°	45°(G) x 45°	45°(L) x 45°	45°(L) x 45°	45°(L) x 45°	45°(влево) x 45°	58 mm x 200 mm
45°(R) x 45°	45°(D) x 45°	45°(R) x 45°	45°(R) x 45°	45°(R) x 45°	45°(вправо) x 45°	58 mm x 200 mm
Dimensões min. da peça de trabalho	Min. mål på arbejdssemner	Min. avmätning av arbetsstycket	Työkappaleen mini-maalinen	Min. verketymå	Минимальный размеры	130 mm x 35 mm x 2,5 mm
Valores medidos calculados de acordo com EN 61029 Nível de pressão sonora ponderada A	Målte værdier bestemmes i henhold til EN 61029 A-vægtet lydtrykniveau	Värden uppmätta enligt EN 61029 A-vägd ljudtrycksnivå	Mitatut arvot määritetty EN 61029 -standardin mukaan A-painolettua äänenpainetaso	Målte verdier i samsvar med EN 61029 A-vektet lydtryknivå	Измеренные значения определены в соответствии с EN 61029 Уровень A-взвешенного звукового давления	$L_{pA} = 96,5 \text{ dB(A)}$
Incerteza K	Usikkerhed K	Osäkerhet K	Epätarkuus K	Usikkerhet K	Разброс K	3 dB
Valores medidos calculados de acordo com EN 61029 Nível de potência sonora ponderada A	Målte værdier bestemmes i henhold til EN 61029 A-vægtet lydeffektniveau	Värden uppmätta enligt EN 61029 A-vägd ljudeffektsnivå	Mitatut arvot määritetty EN 61029 -standardin mukaan A-painolettua äänenhento	Målte verdier i samsvar med EN 61029 A-vektet lydeffektnivå	Измеренные значения определены в соответствии с EN 61029 Уровень A-взвешенной звуковой мощности	$L_{WA} = 110,5 \text{ dB(A)}$
Incerteza K	Usikkerhed K	Osäkerhet K	Epätarkuus K	Usikkerhet K	Разброс K	3 dB
Os valores totais de vibração (Soma vectorial triaxial) foram determinados de acordo com a norma EN 61029 Valor de emissão de vibrações	De totale vibrationsværdier (triaksial vektorsum) er bestemt i henhold til EN 61029 Vibrationsemissionsværdi	De totala vibrationsvärdena (triaksial vektorsumma) bestäms enligt EN 61029 Vibrationsvärde	Tärinän kokonaisarvot (kolmiakselinen vektorisumma) määritettyä standardien EN 61029 mukaisesti Tärinäarvo	De totale vibrasjonsverdiene (treakset vektorsum) er i henhold til EN 61029 Verdier for vibrasjonsutslipp	Суммарное значение вибрации (сумма векторов по трем координатным осям) определено в соответствии со стандартом EN 61029 Значение вибрации	$a_1 = 1,4 \text{ m/s}^2$
Incerteza K	Usikkerhed K	Osäkerhet K	Epätarkuus K	Usikkerhet K	Разброс K	1,5 m/s <sup>2</sup>
Peças de substituição:	Reserve dele:	Utbytesdelar:	Varaosat:	Reservedeler:	Запасные части:	
Lâmina da serra	Savklinge	Sågblad	Sahanterä	Sagblad	Пильное полотно	SB216T48A1





Polski	Čeština	Magyar	Română	Latviski	Lietuviškai
Parametry techniczne	Technické údaje produktu	Termék műszaki adatai	Specificațiile produsului	Produkta specifikācijas	Gaminio techninės savybės
Pilarka ukosowa	Pokosová píla	Gérvágó fűrész	Ferăstrău unghiular	Leņķzāģis	Skersinis pjūklas
Model	Model	Tipus	Model	Modelis	Modelis
Masa netto	Čistá hmotnost	Nettó tömeg	Greutate netă	Svars neto	Neto svoris
Średnica tarczy tnącej	Průměr kotouče	Tárcsa átmérője	Diametru lamă	Asmens diametrs	Pļavimo disko skersmuo
Otwór trzypienia	Otvor hřídele	Tengelyfurat	Orificiu arbore	Vārpstas atvere	Āšies anga
Liczba zębów tarczy	Zub kotouče	Fűrészlap fogai	Dinte lamă	Asmens zobi	Geležėtis dantukų skaičius
Szerokość cięcia	Šifka řezu	Vágás szélessége	Látjme a táierii	Griezuma platumš	Pļavimo plotis
Prędkość bez obciążenia obr./min. (RPM)	Otáčky naprázdno ol./min. (RPM)	Üresjárati fordulatszám ford./perc (RPM)	Viteză în gol rot./min. (RPM)	Apgrīzieni bez slodzes apgr./min. (RPM)	Greitis be apkrovimo aps./min. (apsukų per minutę)
Zasilanie	Vstup	Bemenet	Intrare	Ieeja	Ivestis
Moc	Výkon	Teljesítmény	Alimentare	Strāva	Gala
Klasa bezpieczeństwa lasera:	Třída laserové bezpečnosti:	Lézer biztonsági osztály:	Clasă de siguranță laser:	Lāzera drošības klase:	Lazerio saugos klasė:
Zakres możliwości cięcia	Maximální prořez	Vágásteljesítmény	Capacitate de tăiere	Zāģēšanas ražība	Pļavimo talpa
0° x 0°	0° x 0°	0° x 0°	0° x 0°	0° x 0°	0° x 0°
0° x 45°	0° x 45°	0° x 45°	0° x 45°	0° x 45°	0° x 45°
45°(L) x 0°	45°(G) x 0°	45°(L) x 0°	45°(L) x 0°	45°(L) x 0°	45°(L) x 0°
45°(R) x 0°	45°(D) x 0°	45°(R) x 0°	45°(R) x 0°	45°(R) x 0°	45°(R) x 0°
45°(L) x 45°	45°(G) x 45°	45°(L) x 45°	45°(L) x 45°	45°(L) x 45°	45°(L) x 45°
45°(R) x 45°	45°(D) x 45°	45°(R) x 45°	45°(R) x 45°	45°(R) x 45°	45°(R) x 45°
Min. wymiary przedmiotu obrabianego	Min. rozméry obrobku	Min. munkadarab méretek	Dimensiunile minimă ale piesei de prelucrat	Min. . aprādājāmās detaļas izmērs	Min. apdorojamus detales matmenys
Zmierzone wartości określone wg EN 61029 A-ważony poziom ciśnienia hałasu	Naměřené hodnoty zjištěné dle EN 61029 Hladina akustického tlaku vážená funkcí A	A mért értékek meghatározása az EN 61029 szerint történt A-súlyozott hangnyomásszint	Valori măsurate determinate în conformitate cu EN 61029 Nivel de presiune acustică ponderată A	Izmērītās vērtības saskaņā ar EN 61029 A-līmeņa skaņas spiediena līmenis	Išmatuotosis vertis nustatyto pagal EN 61029 A svertinis garso slėgio lygis
Niepewność pomiaru K	Nejistota K	Bizonytalanság K	Incertitudine K	Kļūdas vērtība K	Nepastovumas K
Zmierzone wartości określone wg EN 61029 A-ważony poziom natężenia hałasu	Naměřené hodnoty zjištěné dle EN 61029 Hladina akustického výkonu vážená funkcí A	A mért értékek meghatározása az EN 61029 szerint történt A-súlyozott hangteljesítményszint	Valori măsurate determinate în conformitate cu EN 61029 Nivel de putere acustică ponderată A	Izmērītās vērtības saskaņā ar EN 61029 A-līmeņa skaņas jaudas līmenis	Išmatuotosis vertis nustatyto pagal EN 61029 A svertinis garso galios lygis
Niepewność pomiaru K	Nejistota K	Bizonytalanság K	Incertitudine K	Kļūdas vērtība K	Nepastovumas K
Wartości sumaryczne drgań (suma wektora trójosiowego) określone zgodnie z normą EN 61029	Celkové hodnoty vibrací (Trojsoj vektorový součet) určené v souladu s EN 61029	A vibráció teljes értékei (háromtengelyű vektorösszeg), az EN 61029 szerint meghatározva.	Valorile totale ale vibrațiilor (sumă vector triaxială) au fost determinate în conformitate cu EN 61029	Vibrācijas kopējās vērtības (triaksiālā vektoru summa) ir noteiktas atbilstoši EN 61029	Bendros vibrācijas vertis (trīšio vektoriaus suma) nustatomos pagal EN 61029
Poziom drgań	Úroveň emisii vibrací	Vibráció-kibocsátás értéke	Valoarea emisiilor de vibrații	Vibrāciju emisijas vērtība	Vibrācijas emisijos vertė
Niepewność pomiaru K	Nejistota K	Bizonytalanság K	Incertitudine K	Kļūdas vērtība K	Nepastovumas K
Części zamienne:	Náhradní díly:	Cserealkatrészek:	Piese de schimb:	Rezerves daļas:	Atsarginės detalės:
Tarcza tnąca	Pilový kotouč	Fűrészlap	Lama ferăstrăului	Zāģa asmens	Pjūklų geležėtė





Eesti	Hrvatski	Slovensko	Slovenčina	Ελληνικά	Türkçe	
Toote tehnilised andmed	Spetsifikacije proizvoda	Spetsifikacije izdelka	Špetsifikácia	Προδιαγραφές Προϊόντος	Ürün Özellikleri	
Miisaag	Kutna pila	Zajeralna žaga	Rozbrusovačka	Κόπτης για φαλτασιγωνίες	Gönye testeresi	
Mudeli tähis	Model	Model	Model	Μοντέλο	Model	EMS254L
Peso líquido	Nettovægt	Nettovikt	Kokonaispaino	Nettovækt	Вес нетто	17,2 kg
Saeketta läbimõõt	Promjer rezne ploče	Premer rezila	Priemer kolüča	Διάμετρος λεπίδας	Biçak çapı	254 mm
Võlliava	Otvor za vratilo	Izvrtna vretena	Otvor hriadefla	Οπή άξονα	Mil deliği	30 mm
Lõiketera hammas	Zubi pile	Zobje rezila	Zúbky čepele	Δόντια λεπίδας	Biçak dişleri	48
Lõikelaius	Širina reza	Širina rezanja	Širka rezu	Πλάτος κοπής	Kesim genişliği	2,6 mm
Kiirus ilma koormuseta p/min. (p/min)	Brizna bez opterećenja o/min (OKR/MIN)	Hitrost brez obremenitve vrt./min (RPM)	Rýchlosť bez záťaže o./min.	Ταχύτητα στ κεν r/min. (RPM)	Bota hız d/daq. (DDS)	4,800
Vooluvõrk	Uljaz	Vhod	Vstup	Είσοδος ρεύματος	Giriş	220V - 240V ~ 50 Hz
Võimsus	Napajanje	Napajanje	Napájanie	Ισχύς	Güç	2,000 W
Laseri ohutusklass:	Sigurnosno staklo lasera:	Varnostni razred laserja:	Bezpečnostná trieda lasera:	Κατηγορία ασφαλείας λέιζερ:	Lazer emiyet sınıfı:	II
Lõikesügavus	Kapacitet rezanja	Zmogljivost rezanja	Kapacita rezania	Ικανότητα κοπής	Kesim kapasitesi	
0° x 0°	0° x 0°	0° x 0°	0° x 0°	0° x 0°	0° x 0°	90 mm x 300 mm
0° x 45°	0° x 45°	0° x 45°	0° x 45°	0° x 45°	0° x 45°	58 mm x 300 mm
45°(L) x 0°	45°(G) x 0°	45°(L) x 0°	45°(L) x 0°	45°(L) x 0°	45°(εναπο) x 0°	90 mm x 200 mm
45°(R) x 0°	45°(D) x 0°	45°(R) x 0°	45°(R) x 0°	45°(R) x 0°	45°(εναπο) x 0°	90 mm x 200 mm
45°(L) x 45°	45°(G) x 45°	45°(L) x 45°	45°(L) x 45°	45°(L) x 45°	45°(εναπο) x 45°	58 mm x 200 mm
45°(R) x 45°	45°(D) x 45°	45°(R) x 45°	45°(R) x 45°	45°(R) x 45°	45°(εναπο) x 45°	58 mm x 200 mm
Min. tooriku mõõtmed	Minimalna dimenzije radnog predmeta	Minimalna izmere obdelovalnega kosa	Min. rozmyeri obrabku	Ελάχιστες διαστάσεις τεμαχίου	Minimum iş parçısı boyutu	130 mm x 35 mm x 2,5 mm
Mõõteväärtused on kindlaks määratud vastavalt standardile EN 61029 A-kaalutud helirõhu tase	Mjerenje vrijednosti određene su prema EN 61029 Ponderirana razina tlaka zvuka	Izmerjene vrednosti določene v skladu s standardom EN 61029 A-izmerjena raven zvočnega tlaka	Namerané hodnoty určené podľa EN 61029 Vážená A hladina akustického tlaku	Οι υπολογισμένες τιμές καθορίστηκαν σύμφωνα με το EN 61029 Α-σταθμισμένο επίπεδο πίεσης ήχου	EN 61029 ile uyumlu olarak belirlenen ölçülen değerler A ağırlıklı ses basıncı seviyesi	$L_{pA} = 96,5 \text{ dB(A)}$
Mõõtemääramatus K	Neodređenost K	Nedoloč. K	Odhýlka K	Αβεβαιότητα K	Belirsizlik K	3 dB
Mõõteväärtused on kindlaks määratud vastavalt standardile EN 61029 A-kaalutud helivõimsuse tase	Mjerenje vrijednosti određene su prema EN 61029 Ponderirana razina zvučne snage	Izmerjene vrednosti določene v skladu s standardom EN 61029 A-izmerjena raven zvočne moči	Namerané hodnoty určené podľa EN 61029 Vážená A hladina akustického tlaku	Οι υπολογισμένες τιμές καθορίστηκαν σύμφωνα με το EN 61029 Α-σταθμισμένο επίπεδο έντασης ήχου	EN 61029 ile uyumlu olarak belirlenen ölçülen değerler A ağırlıklı ses gücü seviyesi	$L_{WA} = 110,5 \text{ dB(A)}$
Mõõtemääramatus K	Neodređenost K	Nedoloč. K	Odhýlka K	Αβεβαιότητα K	Belirsizlik K	3 dB
Vibratsiooni üldväärtus (kolme suuna vektorsumma) on kindlaks määratud vastavalt standarditele EN 61029 Vibratsiooniemissiooni väärtus	Ükupne vrijednosti vibracija (troosovinski vektorski zbroj) određuje se u skladu s EN 61029 Vrijednost emisija vibracije	Efektivna vrednost vibracij (triaksialna vektorska vsota) določena v skladu z EN 61029 Vrednost emisij vibracij	Celkové hodnoty vibrácií (priestorový vektorový súčet) stanovené podľa noriem EN 61029 Hodnota emisij vibrácií	Οι συνολικές τιμές κραδασμών (τριαξονικό διανυσματικό άθροισμα) καθορίστηκαν σύμφωνα με τα EN 61029 Τιμή εκπομπών κραδασμών	Titreşim toplam değerleri (üçeksenli vektör toplamı) EN 61029 standartlarına göre belirlenmiştir. Titreşim emisyon değeri	$a_n = 1,4 \text{ m/s}^2$
Mõõtemääramatus K	Neodređenost K	Nedoloč. K	Odhýlka K	Αβεβαιότητα K	Belirsizlik K	1,5 m/s <sup>2</sup>
Asendusosad:	Zamjena dijelova:	Nadomestni deli:	Náhradné diely:	Ανταλλακτικά:	Yedek parçalar:	
Saeleht	List pile	Rezilo žage	Čerpef pilý	Λεπίδα κόπτη	Testere bıçağı	SR216748A1





## EN GARANTÉE

In addition to any statutory rights resulting from the purchase, this product is covered by a guarantee as stated below.

- The guarantee period is 24 months for consumers and commences on the date when the product was purchased. This date has to be documented by an invoice or other proof of purchase. The product is designed and dedicated to consumer and private use only. So there is no guarantee provided in case of professional or commercial use.
- There is, in some cases (i.e. promotion, range of tools), a possibility to extend the warranty period over the period described above using the registration on the [www.ryobitools.eu](http://www.ryobitools.eu) website. The eligibility of the tool is clearly displayed in stores and/or on packaging. The end user needs to register his/her newly-acquired tools online within 8 days from the date of purchase. The end user may register for the extended warranty in his country of residence if listed on the online registration form where this option is valid. Furthermore, end users must give their consent to the storage of the data which are required to enter online and they have to accept the terms and conditions. The registration confirmation receipt, which is sent out by e-mail, and the original invoice showing the date of purchase will serve as proof of the extended warranty. Your statutory rights remain unaffected.
- The guarantee covers all defects of the product during the warranty period due to defaults in workmanship or material at the purchase date. The guarantee is limited to repair and/or replacement and does not include any other obligations including but not limited to incidental or consequential damages. The warranty is not valid if the product has been misused, used contrary to the instruction manual, or being incorrectly connected. This guarantee does not apply to:
  - any damage to the product that is the result of improper maintenance
  - any product that has been altered or modified
  - any product where original identification (trade mark, serial number) markings have been defaced, altered or removed
  - any damage caused by non-observance of the instruction manual
  - any non CE product
  - any product which has been attempted to be repaired by a non-qualified professional or without prior authorization by Techtronic Industries
  - any product connected to improper power supply (amps, voltage, frequency)
  - any damage caused by external influences (chemical, physical, shocks) or foreign substances
  - normal wear and tear of spare parts
  - inappropriate use, overloading of the tool
  - use of non-approved accessories or parts
  - carburettor after 6 months, carburettor adjustments after 6 months
  - power tool accessories provided with tool or purchased separately. Such exclusions include but is not limited to screw driver bits, drill bits, abrasive discs, sand paper and blades, lateral guide
  - components (parts and accessories) subject to natural wear and tear, including but not limited to carbon brushes, chuck, power cord, auxiliary handle, sanding plate, dust bag, dust exhaust tube
- For servicing, the product must be sent or presented to a RYOBI authorized service station listed for each country in the following list of service station addresses. In some countries your local RYOBI dealer undertakes to send the product to the RYOBI service organisation. When sending a product to a RYOBI service station, the product should be safely packed without any dangerous contents such as petrol, marked with sender's address and accompanied by a short description of the fault.
- A repair/replacement under this guarantee is free of charge. It does not constitute an extension or a new start of the guarantee period. Exchanged parts or tools become our property. In some countries delivery charges or postage will have to be paid by the sender.
- This guarantee is valid in the European Community, Switzerland, Iceland, Norway, Liechtenstein, Turkey and Russia. Outside these areas, please contact your authorized RYOBI dealer to determine if another warranty applies.

### AUTHORISED SERVICE CENTRE

To find an authorised service centre near you, visit <http://uk.ryobitools.eu/header/service-and-support/service-agents>.

## FR GARANTIE

En plus des droits statutaires liés à l'achat, ce produit est couvert par une garantie telle que décrite ci-dessous.

- La durée de la garantie accordée au consommateur est de 24 mois à partir de la date d'achat. Cette date doit être authentifiée par une facture ou tout autre preuve d'achat. Le produit a été conçu en vue d'une utilisation strictement privée. Aucune garantie ne s'applique donc en cas d'utilisation professionnelle ou commerciale.
- Il existe, dans certains cas (par exemple promotion, gamme d'outils), une possibilité d'étendre la période de garantie au-delà de la période précédemment décrite en utilisant le formulaire d'enregistrement présent sur le site Internet [www.ryobitools.eu](http://www.ryobitools.eu). L'éligibilité d'un outil est clairement affichée dans les points de vente et/ou sur l'emballage. L'utilisateur final doit enregistrer son/ses outil(s) nouvellement acheté(s) en ligne dans les 8 jours qui suivent la date d'achat. L'utilisateur a la possibilité de s'enregistrer pour l'extension de garantie dans son pays de résidence si celui-ci est listé dans le formulaire d'enregistrement en ligne où cette option est valide. L'utilisateur final doit donner son consentement pour l'enregistrement des données requises pour accéder au site et doit accepter les termes et conditions. La confirmation d'enregistrement, envoyée par courrier électronique, ainsi que la facture originale mentionnant la date d'achat serviront de preuve de l'extension de garantie. Vos droits statutaires restent inchangés.
- La garantie couvre les défauts des pièces et de main d'oeuvre du produit pendant la période de garantie à partir de la date d'achat. La garantie n'inclut aucune autre obligation, tel que, mais sans s'y limiter, les dommages accessoires ou indirects. La garantie est non valable en cas de mauvaise utilisation du produit, d'utilisation contraire aux instructions du mode d'emploi, ou en cas de branchement incorrect. Cette garantie ne s'applique pas pour :
  - tout dommage au produit résultant d'un mauvais entretien
  - tout produit ayant été altéré ou modifié
  - tout produit dont les marquages originaux d'identification (marque, numéro de série) ont été dégradés, altérés ou retirés
  - tout dommage causé par le non-respect des instructions du mode d'emploi
  - tout produit non CE
  - tout produit ayant subi une tentative de réparation par du personnel non qualifié ou sans autorisation préalable de Techtronic Industries
  - tout produit raccordé à une alimentation secteur non conforme (ampérage, voltage, fréquence)
  - tout dommage causé par des influences extérieures (chimiques, physiques, chocs) ou par des substances étrangères
  - l'usure normale des pièces consommables
  - une utilisation inappropriée, une surcharge de l'outil
  - l'utilisation de pièces ou accessoires non agréés
  - carburateurs âgés de plus de 6 mois, réglages du carburateur après 6 mois
  - accessoires d'outil à moteur fournis avec l'outil ou achetés séparément. De telles exclusions incluent de façon non exhaustive les embouts de vissage, les forets, les disques de ponçage, le papier de verre et les lames, les guides latéraux
  - composants (pièces et accessoires) sujets à une usure naturelle, incluant de façon non exhaustive les charbons, les mandrins, les câbles secteur, les poignées auxiliaires, les semelles de ponçage, les sacs à poussières, les tubes d'extraction de la poussière
- Si le produit doit être réparé, envoyez-le à un service après-vente agréé RYOBI dont vous trouverez ci-dessous la liste pour chaque pays. Dans certains pays, votre revendeur RYOBI se chargera d'envoyer le produit à un centre de réparation RYOBI. Lorsque vous envoyez un produit à un service après-vente RYOBI, celui-ci doit être correctement emballé, sans contenir aucun produit dangereux tel que de l'essence, et vous devez indiquer votre adresse ainsi qu'une courte description du problème.
- Une réparation / un remplacement sous garantie est gratuit(e). Ceci ne constituera pas une extension de garantie ni un nouveau départ de la période de garantie. Les pièces ou les outils remplacés deviennent notre propriété. Dans certains pays, les frais de port devront être assumés par l'expéditeur.
- Cette garantie est valable au sein de l'Europe, de la Suisse, de l'Islande, de la Norvège, du Liechtenstein, de la Turquie, de la Russie. En dehors de ces zones, veuillez contacter votre distributeur agréé RYOBI pour déterminer si une autre garantie s'applique.

### SERVICE APRÈS-VENTE AGRÉÉ

Pour trouver le service après-vente agréé le plus proche, rendez-vous sur <http://fr.ryobitools.eu/header/service-and-support/service-agents>.





## DE GARANTIE

Zusätzlich zu den aufgrund des Kaufs entstehenden gesetzlichen Rechten, ist dieses Produkt von der unten aufgeführten Garantie abgedeckt.

- Die Garantiezeit für Endverbraucher beträgt 24 Monate für und beginnt ab dem Kaufdatum des Produktes. Dieses Datum muss durch eine Rechnung oder einen anderen Kaufbeleg dokumentiert sein. Das Produkt ist ausschließlich für den Privatgebrauch entwickelt und bestimmt. Deshalb wird keine Garantie im Fall von professionellem oder kommerziellem Einsatz angeboten.
- In einigen Fällen (z.B. Promotion, auf eine bestimmte Produktpalette oder auf bestimmte Produkte begrenzt) besteht die Möglichkeit die Garantiezeit über den oben genannten Zeitraum, durch Registrierung auf der Webseite [www.ryobitools.eu](http://www.ryobitools.eu), zu verlängern. Der verlängerte Garantieanspruch für ein bestimmtes Produkt wird deutlich in den Geschäften und/oder auf der Verpackung des Produktes gezeigt. Der Endverbraucher muss seine neu gekauften Produkte innerhalb von 8 Tagen ab Kaufdatum registrieren. Der Endverbraucher kann sich für die erweiterte Garantie im Land seines permanenten Wohnsitzes registrieren, wenn diese Möglichkeit in dem Online-Formular gegeben ist. Des weiteren müssen die Endverbraucher ihr Einverständnis zur Speicherung der online angegebenen Daten geben und die Geschäftsbedingungen annehmen. Die per E-Mail verschickte Bestätigung der Registrierung und die Originalrechnung mit Kaufdatum dienen als Nachweis für die verlängerte Garantie. Ihre gesetzlichen Rechte bleiben unangetastet.
- Die Garantie deckt während der Garantiezeit ab Kaufdatum alle Produktmängel aufgrund von Material- oder Herstellungsmängeln ab. Diese Garantie ist auf Reparatur und/oder Ersatz beschränkt und enthält keine weiteren Verpflichtungen einschließlich aber nicht beschränkt auf beiläufige oder resultierende Schäden. Die Garantie ist nicht gültig, wenn das Produkt missbräuchlich oder entgegen der Bedienungsanleitung benutzt, oder falsch angeschlossen wurde. Diese Garantie gilt nicht für:
  - Jegliche Schäden die an dem Produkt aufgrund falscher Wartung entstehen.
  - Jedes Produkt das verändert oder modifiziert wurde.
  - Jedes Produkt an dem die originale Identifizierung (Markenzeichen, Seriennummer) verunstaltet, verändert oder entfernt wurden.
  - Jede Beschädigung die durch Nichtbeachtung der Bedienungsanleitung verursacht wurde.
  - Jedes Produkt ohne CE Zeichen.
  - Jedes Produkt das von einer unqualifizierten Person oder ohne vorherige Genehmigung von Techntronic Industries versucht wurde zu reparieren.
  - Jedes Produkt das an eine falsche Stromversorgung (Ampere, Spannung, Frequenz) angeschlossen wurde.
  - Jede Beschädigung die von äußeren Einflüssen (chemisch, physisch, Stöße) oder fremden Substanzen verursacht wurde.
  - Normaler Verschleiß und Abnutzung von Ersatzteilen.
  - Zweckwidrige Benutzung, Überlastung des Werkzeugs.
  - Benutzung von nicht zugelassenem Zubehör oder Teilen.
  - Den Vergaser nach 6 Monaten, die Vergasereinstellung nach 6 Monaten.
  - Mit dem Werkzeug gelieferte oder separat erhältliches Zubehör. Diese Ausnahmen sind einschließlich aber nicht beschränkt auf Schraubeinsätze, Bohrer, Schleifscheiben, Sandpapier und Klingen, seitliche Führungen.
  - Komponenten (Teile und Zubehör) die normalem Verschleiß unterliegen, einschließlich aber nicht beschränkt auf Kohlebürsten, Spannfutter, Netzkabel, Zusatzhandgriffe, Schleifplatten, Staubbeutel, Staubabzugschläuche
- Zur Wartung muss das Produkt eingeschickt werden oder einem für jedes Land in der folgenden Liste aufgeführten autorisierten RYOBI Kundendienst gebracht werden. In einigen Ländern schickt Ihr örtlicher RYOBI Händler das Produkt an den RYOBI Kundendienst. Wenn ein Produkt an den RYOBI Kundendienst geschickt wird, sollte es sicher verpackt werden, ohne gefährlichen Inhalt, wie Treibstoff, mit der Absenderadresse versehen sein und eine kurze Beschreibung des Fehlers enthalten.
- Reparatur/Ersatz unter dieser Garantie sind kostenfrei. Das stellt keine Verlängerung oder Neustart der Garantiezeit dar. Ausgewechselte Teile oder Werkzeuge treten in unseren Besitz über. In einigen Ländern müssen Lieferkosten oder Postgebühren von dem Absender getragen werden.
- Diese Garantie gilt in der Europäische Gemeinschaft, Schweiz, Island, Norwegen, Liechtenstein, Türkei und Russland. Bitte kontaktieren Sie Ihren autorisierten RYOBI-Händler, um herauszufinden ob eine andere Gewährleistung außerhalb dieser Gebiete gültig ist.

### AUTORISIERTER KUNDENDIENST

Besuchen Sie <http://de.ryobitools.eu/header/service-and-support/service-agents>, um einen autorisierten Kundendienst in Ihrer Nähe zu finden.

## ES GARANTÍA

Además de cualquier derecho estatutario derivado de la compra, este producto está cubierto por la siguiente garantía.

- El periodo de garantía es de 24 meses para los consumidores y comienza a partir de la fecha de compra del producto. Esta fecha debe demostrarse con una factura u otra prueba de compra. El producto está diseñado y destinado al consumidor y únicamente para uso privado. Por tanto, no se ofrece ninguna garantía en caso de uso profesional o comercial.
- En algunos casos (como promociones o un conjunto de herramientas) existe la posibilidad de ampliar el periodo de garantía hasta el periodo descrito anteriormente mediante el registro en el sitio web [www.ryobitools.eu](http://www.ryobitools.eu). La elegibilidad de la herramienta se muestra claramente en las tiendas o en el embalaje. El usuario final debe registrar sus herramientas recién adquiridas en línea en los 8 días siguientes a la fecha de compra. El usuario final podrá registrarse para ampliar la garantía en su país de residencia si éste aparece en el formulario de registro en línea en que esta opción es válida. Además, los usuarios finales deben dar su consentimiento para que se guarden los datos que se solicitan para entrar en línea y aceptar los términos y condiciones. El recibo de la confirmación de registro, que se enviará por correo electrónico, y la factura original que muestre la fecha de compra servirán como prueba de la ampliación de la garantía. Sus derechos estatutarios permanecerán intactos.
- La garantía cubre, durante el periodo de garantía, todos los defectos del producto que se deban a fallos de la mano de obra o a fallos del material en la fecha de compra. La garantía tiene un límite de reparación o sustitución y no incluye ninguna otra obligación se deba a, aunque sin limitarse a ello, daños accidentales o incidentales. La garantía no es válida si se ha hecho un uso inadecuado del producto, si no se ha usado siguiendo el manual de instrucciones o si se ha conectado incorrectamente. Esta garantía no se aplica a:
  - cualquier daño del producto derivado de un mantenimiento inadecuado
  - cualquier producto que haya sido alterado o modificado
  - cualquier producto en el que las marcas de identificación originales (marca comercial, número de serie) hayan sido borradas, modificadas o eliminadas
  - cualquier daño causado por el incumplimiento del manual de instrucciones
  - cualquier producto que no sea CE
  - cualquier producto que haya intentado reparar un profesional no cualificado o sin una autorización previa de Techntronic Industries
  - cualquier producto conectado a un suministro eléctrico inadecuado (amperios, tensión, frecuencia)
  - cualquier daño causado por influencias externas (de productos químicos, daños físicos, descarga eléctrica) o sustancias extrañas
  - desgaste o rotura normal de las piezas de repuesto
  - uso inadecuado, sobrecarga de la herramienta
  - uso de accesorios o piezas no homologados
  - carburador después de 6 meses, ajustes del carburador después de 6 meses
  - accesorios de las herramientas eléctricas suministrados con la herramienta o adquiridos por separado. Dichas exclusiones incluyen, aunque sin limitarse a ello, puntas de destornilladores, brocas, discos abrasivos, lijas de papel y cuchillas, guía lateral
  - componentes (piezas y accesorios) sujetos a desgaste y rotura natural, incluyendo, pero sin limitarse a ellos, escobillas de carbón, portabrocas, cable de alimentación, mango auxiliar, bolsa para el polvo, tubo de salida del polvo
- Para el servicio, el producto debe enviarse o entregarse en un punto de servicio técnico autorizado RYOBI enumerado para cada país en la siguiente lista de direcciones de servicio técnico. En algunos países su distribuidor local RYOBI se encarga de enviar el producto a la organización del servicio de RYOBI. Al enviar un producto a un punto de servicio técnico RYOBI, el producto debe embalarse de forma segura sin que contenga ninguna sustancia peligrosa como petróleo, debe llevar la dirección del remitente e ir acompañado de una breve descripción del fallo.
- Una reparación/sustitución dentro de esta garantía se realiza de forma gratuita. No constituye una ampliación ni un reinicio del periodo de garantía. Las piezas o herramientas que se cambian pasan a ser de nuestra propiedad. En algunos países los gastos de envío o del franqueo deberá pagarlos el remitente.
- Esta garantía es válida en la Comunidad Europea, Suiza, Islandia, Noruega, Liechtenstein, Turquía y Rusia. Fuera de estas zonas, póngase en contacto con su distribuidor autorizado RYOBI para determinar si se aplica otra garantía.

### SERVICIO TÉCNICO AUTORIZADO

Para encontrar el servicio técnico autorizado más cercano, visite <http://uk.ryobitools.eu/header/service-and-support/service-agents>.

## IT GARANZIA

Oltre ai legittimi diritti derivanti dall'acquisto del prodotto, quest'ultimo è coperto da garanzia come indicato nei seguenti punti.

1. Il periodo di garanzia per il consumatore è di 24 mesi ed ha inizio dalla data in cui il prodotto è stato acquistato. Questa data deve essere documentata da una ricevuta o da altra prova d'acquisto. Il prodotto è stato disegnato e progettato solo per l'utilizzo privato del consumatore. La garanzia viene invalidata in caso di utilizzo professionale o commerciale.
2. In alcuni casi (per esempio promozioni e gamme di prodotti) esiste la possibilità di estendere il periodo di garanzia oltre il periodo indicato sopra registrandosi sul sito web [www.ryobitools.eu](http://www.ryobitools.eu). L'ideoneità del prodotto a rievitare tale estensione viene indicata chiaramente nei punti vendita e/o sull'imballo. L'utente finale deve registrare il suo prodotto appena acquistato online entro 8 giorni dalla data d'acquisto. L'utente finale può accedere all'offerta nel suo paese quando la stessa è valida e qualora si sia registrato online. Inoltre, gli utenti finali devono dare il proprio consenso all'archiviazione dei dati che si inseriscono online indicando che i termini e le condizioni sono stati accettati. La ricevuta della conferma della registrazione verrà inviata via email e la fattura originale indicante la data d'acquisto verrà utilizzata come prova della garanzia estesa. I diritti legittimi dell'utente rimarranno invariati.
3. La garanzia copre tutti i difetti di fabbricazione del prodotto durante il periodo di garanzia a causa di guasti di fabbricazione o di materiale alla data di acquisto. La garanzia è limitata alla riparazione e/o alla sostituzione e non include altri obblighi compreso ma non limitato a danni incidentali o consequenziali. La garanzia non è valida se il prodotto non è stato utilizzato come indicato nel manuale di istruzioni o se è stato collegato in maniera non corretta. La garanzia non si applica a:
  - qualsiasi danno al prodotto che sia il risultato di una scorretta manutenzione
  - qualsiasi prodotto che sia stato alterato o modificato
  - qualsiasi prodotto sul quale l'identificazione originale (marchio registrato, numero di serie) sia stata resa illeggibile, sia stata danneggiata o alterata
  - qualsiasi danno causato dalla non osservanza del manuale d'istruzioni
  - qualsiasi prodotto non contrassegnato con il marchio CE
  - qualsiasi prodotto che una persona non qualificata abbia tentato di riparare o che si è tentato di riparare senza l'autorizzazione delle Techntronisanooc Industries
  - qualsiasi prodotto collegato a un'alimentazione non corretta (per amp, voltaggio, frequenza)
  - qualsiasi danno causato da agenti esterni (chimici, fisici o shock) o da sostanze estranee
  - normale usura di parti di ricambio
  - utilizzo non appropriato, sovraccaricamento di utensili
  - utilizzo non approvato di accessori o parti
  - carburatore dopo 6 mesi, regolazioni al carburatore dopo 6 mesi
  - elettrotensili forniti con l'utensile o separatamente. Tali esclusioni comprendono ma non sono limitate a punte per giraviti, punte per trapani, dischi abrasivi, carta vetrata e lame, guida laterale
  - componenti (parti e accessori) soggetti a naturale usura, compreso ma non limitatamente a spazzole al carbonio, mandrino, cavo dell'alimentazione, manico ausiliario, piastra di levigazione, sacchetto per la polvere, tubo di scarico polvere
4. Per servizi di manutenzione, il prodotto dovrà essere mandato o presentato presso un punto di servizio clienti autorizzato RYOBI indicato nella seguente lista. In alcune nazioni il rivenditore RYOBI si occuperà di inviare il prodotto al più vicino servizio clienti Ryobi. Quando si invia un prodotto a un servizio clienti RYOBI, il prodotto dovrà essere correttamente imballato senza eventuali contenuti pericolosi quali carburanti, e contrassegnato con l'indirizzo della persona che lo ha inviato e accompagnato da una breve descrizione del problema riscontrato.
5. Si garantisce una riparazione/sostituzione gratuita quando il prodotto è coperto da garanzia. Questa sostituzione o riparazione non costituisce una estensione o un nuovo inizio di un periodo di garanzia. Le parti o l'utensile cambiati sono di proprietà della ditta. In alcune nazioni i costi di consegna o invio dovranno essere pagati dalla persona che spedisce.
6. Questa garanzia è valida all'interno della Comunità Europea, in Svizzera, Islanda, Norvegia, Liechtenstein, Turchia e Russia. Al di fuori di queste aree, si prega di contattare il proprio gestore autorizzato RYOBI per determinare se si applica un'altra garanzia.

### CENTRO SERVIZI AUTORIZZATO

Per individuare il più vicino centro servizi autorizzato, visitare il sito <http://uk.ryobitools.eu/header/service-and-support/service-agents>.

## NL GARANTIE

Bovenop de statutaire rechten als gevolg van de aankoop, wordt dit product gedekt door een garantie, zoals deze hieronder wordt beschreven.

1. De garantieperiode bedraagt 24 maanden voor consumenten en begint vanaf de datum waarop het product werd aangekocht. Deze datum moet worden gedocumenteerd door een factuur of ander aankoopbewijs. Het product is uitsluitend ontworpen en bedoeld voor particuliere gebruikers. De garantie vervalt bij professioneel of commercieel gebruik.
2. In enkele gevallen (vb. promotie, gereedschapsaanbod) bestaat er een mogelijkheid om de garantieperiode te verlengen met dezelfde periode als deze hierboven beschreven met behulp van de registratie op de website [www.ryobitools.eu](http://www.ryobitools.eu). Of het product al of niet in aanmerking komt, is duidelijk aangegeven in winkels en/of de verpakking. De eindgebruiker dient zijn/haar nieuw werktuig binnen de 8 dagen na de aankoopdatum online registreren. De eindgebruiker kan zich aanmelden voor de uitgebreide garantie in zijn verblijfsland als dit op het online registratieformulier is opgenomen wanneer deze optie geldig is. Bovendien moet de eindgebruiker zijn toestemming geven om informatie te gebruiken die nodig is om toegang te krijgen tot de website en dient de algemene voorwaarden te accepteren. Het ontvangstbewijs van dit registratieformulier, dat via e-mail wordt verzonden, en de originele factuur die de aankoopdatum vermeldt dienen als bewijs van de uitgebreide garantie. Uw statutaire rechten blijven onveranderd.
3. De garantie dekt alle defecten van het product gedurende de garantieperiode als gevolg van fouten in het werk of materiaal op de aankoopdatum. De garantie is beperkt tot de reparatie en/of vervanging en omvat geen andere verplichtingen waaronder, maar niet beperkt tot, incidentele of gevolgschade. De garantie is niet geldig als het product werd misbruikt, in tegenspraak met de gebruiksaanwijzing werd gebruikt of foutief werd verbonden. Deze garantie geldt niet voor:
  - schade aan het product als gevolg van foutief onderhoud
  - als het product op enigerlei wijze werd gewijzigd
  - als originele markeringen ter identificatie (handelsmerk, serienummer) van het product werden verwijderd of gewijzigd
  - voor schade als gevolg van het niet in acht nemen van deze gebruiksaanwijzing
  - een niet-EC-product
  - een product, waaraan een niet-gekwalificeerde vakman reparaties uitvoerde of waaraan reparaties werden uitgevoerd zonder voorafgaande toestemming van Techntronisanooc Industries
  - een product dat werd aangesloten aan een foutieve krachtbron (amps, spanning, frequentie)
  - schade veroorzaakt door externe invloeden (chemische, fysieke schokken) of vreemde stoffen
  - normale slijtage van reserve-onderdelen
  - foutief gebruik, overbelasting van het werktuig
  - gebruik van niet-goedgekeurde accessoires of onderdelen
  - de carburator na 6 maanden, carburatorafstellingen na 6 maanden
  - gereedschapsaccessoires die met het werktuig worden meegeleverd of afzonderlijk worden aangekocht. Deze uitsluitingen omvatten, maar zijn niet beperkt tot schroevendraaiers, boorstiften, slijpschijven, schuurpapier en -bladen, laterale geleiders
  - componenten (onderdelen en accessoires) die onderhevig zijn aan natuurlijke slijtage met inbegrip van, maar niet beperkt tot, koolborstels, boorhouders, stroom snoeren, bijkomende handvatten, schuurplaten, stofzakken, stofuitlaatbuizen
4. Voor onderhoud moet het product naar een geautoriseerd RYOBI-onderhoudsstation worden gestuurd of gebracht. Een lijst met de adressen van deze stations per land is hier opgenomen. In bepaalde landen verzendt uw plaatselijke RYOBI-verdeler het product naar de RYOBI-onderhoudsorganisatie. Als een product naar een RYOBI-onderhoudsstation wordt gezonden, moet het product veilig zijn verpakt zonder gevaarlijke inhoud, zoals benzine, met aanduiding van het adres van de verzender en met inbegrip van een korte beschrijving van de fout.
5. Een reparatie/vervanging onder deze garantie is gratis. Dit heeft geen gevolgen voor de duur van deze garantie of betekent niet dat de garantie wordt verlengd of opnieuw begint. Vervangen onderdelen of werktuigen worden onze eigendom. In bepaalde landen moeten verzendings- of leveringskosten door de verzender worden betaald.
6. Deze garantie is geldig in de Europese Unie, Zwitserland, IJsland, Noorwegen, Liechtenstein, Turkije en Rusland. Buiten deze landen neemt u contact op met uw geautoriseerde RYOBI-verdeler om te bepalen of er een andere garantie geldig is.

### GEAUTORISEERD ONDERHOUDSCENTRUM

Om een geautoriseerd onderhoudscentrum in uw buurt te vinden, surf u naar <http://uk.ryobitools.eu/header/service-and-support/service-agents>.

## PT GARANTIA

Além de qualquer direito estatutário derivado da compra, este produto está coberto com a seguinte garantia.

1. O período de garantia é de 24 meses para os consumidores e começa a partir da data de compra do produto. Esta data deve ser comprovada com uma factura ou outra prova de compra. O produto foi desenhado e destinado ao consumidor e apenas para uso privado. Portanto, não se oferece qualquer garantia em caso de uso profissional ou comercial.
2. Em alguns casos (como promoções ou um conjunto de ferramentas) existe a possibilidade de ampliar o período de garantia até ao período descrito anteriormente através do registo no website [www.ryobitools.eu](http://www.ryobitools.eu). A elegibilidade da ferramenta mostra-se claramente nas lojas ou na embalagem. O utilizador final deve registar as suas ferramentas recém-adquiridas on-line nos 8 dias seguintes à data de compra. O utilizador final poderá registar-se para ampliar a garantia no seu país de residência se este aparecer no formulário de registo on-line em que esta opção é válida. Além disso, os utilizadores finais devem dar o seu consentimento para se guardarem os dados que se solicitam para entrar on-line e aceitar os termos e condições. A confirmação de registo, que será enviada por correio electrónico, e a factura original que mostre a data de compra servirão como prova da ampliação da garantia. Os seus direitos estatutários permanecerão intactos.
3. A garantia cobre, durante o período de garantia, todos os defeitos do produto que se devam a falhas da mão-de-obra ou a falhas do material na data de compra. A garantia tem um limite de reparação ou substituição e não inclui qualquer outra obrigação que se deva a, embora sem se limitar a tal, danos accidentais ou incidentais. A garantia não é válida se se fez um uso inadequado do produto, se não se usou seguindo o manual de instruções ou se foi ligado incorrectamente. Esta garantia não se aplica a:
  - qualquer dado do produto derivado de uma manutenção inadequada
  - qualquer produto que tenha sido alterado ou modificado
  - qualquer produto em que as marcas de identificação originais (marca comercial, número de série) tenham sido apagadas, modificadas ou eliminadas
  - qualquer dano causado por incumprimento do manual de instruções
  - qualquer produto que não seja CE
  - qualquer produto que um profissional não qualificado tenha tentado reparar ou sem uma autorização prévia de Techtronic Industries
  - qualquer produto ligado a um fornecimento eléctrico inadequado (ampérios, tensão, frequência)
  - qualquer dano causado por influências externas (de produtos químicos, danos físicos, descarga eléctrica) ou substâncias estranhas
  - desgaste ou ruptura normal das peças de substituição
  - uso inadequado, sobrecarga da ferramenta
  - uso de acessórios ou peças não homologadas
  - carburador após 6 meses, ajustes do carburador após 6 meses
  - acessórios das ferramentas eléctricas fornecidos com a ferramenta ou adquiridos em separado. Ditas exclusões incluem, embora sem se limitarem a tal, pontas de chave de fendas, brocas, discos abrasivos, lixas de papel e lâminas, guia lateral
  - componentes (peças e acessórios) sujeitos a desgaste e ruptura natural, incluindo, mas sem limitar a eles, escovas de carvão, portabrocas, cabo de alimentação, mangueira auxiliar, bolsa para o pó, tubo de saída do pó
4. Para o serviço, o produto deve ser enviado ou entregue num ponto de serviço técnico autorizado RYOBI enumerado para cada país na seguinte lista de moradas de serviço técnico. Em alguns países o seu distribuidor local RYOBI encarrega-se de enviar o produto para a organização do serviço de RYOBI. Ao enviar um produto a um ponto de serviço técnico RYOBI, o produto deve ser embalado de forma segura sem que contenha qualquer substância perigosa como petróleo, deve levar a morada do remetente e ir acompanhado de uma breve descrição da falha.
5. Uma reparação/substituição dentro desta garantia realiza-se de forma gratuita. Não constitui uma ampliação nem um reinício do período de garantia. As peças e ferramentas que se alterem passam a ser da nossa propriedade. Em alguns países os gastos de envio ou da franquia deverá pagá-los o remetente.
6. Esta garantia é válida na Comunidade Europeia, Suíça, Islândia, Noruega, Liechtenstein, Turquia e Rússia. Fora destas zonas, entre em contacto com o seu distribuidor autorizado RYOBI para determinar se se aplica outra garantia.

### CENTRO DE ASSISTÊNCIA AUTORIZADO

Para encontrar um centro de assistência autorizado próximo de si, visite <http://uk.ryobitools.eu/header/service-and-support/service-agents>.

## DA GARANTI

Ud over de lovbestemte rettigheder ved køb, er dette produkt dækket af en garanti som angivet nedenfor.

1. Garantien er 24 måneder for forbrugere og træder i kraft den dato, hvor produktet bliver købt. Denne dato skal dokumenteres af en faktura eller andet købsbevis. Produktet er designet og beregnet til privat brug. Så der er ingen garanti i tilfælde af erhvervs-mæssig brug.
2. Der er i visse tilfælde (f.eks. kampagner eller udvalgt produkter) mulighed for at forlænge garantien i perioden beskrevet ovenfor ved at registrere produktet på [www.ryobitools.dk](http://www.ryobitools.dk). Beregningen af produktet vises tydeligt i butikker og / eller på emballagen. Slutbrugeren skal registrere hans/hendes ny erhvervede produkter online indenfor 8 dage fra købsdatoen. Slutbrugeren kan tilmelde sig den udvidede garanti i sit bopælsland, hvis det er opført på den online tilmeldingsformular. Desuden skal slutbrugere give deres samtykke til lagring af de data, der er nødvendige for at komme ind på nettet, og de er nødt til at acceptere vilkår og betingelser. Kvitteringen på modtagelsen af registreringerne, som udsendes via e-mail, og den originale faktura, der angiver købsdatoen, fungerer som bevis på den udvidede garanti. Dine lovbestemte rettigheder forbliver uændret.
3. Garantien dækker alle fejl ved produktet i løbet af garantiperioden, som kan føres tilbage til fabrikkations- eller materialefejl på købsdatoen. Garantien begrænser sig til reparation og/eller udskiiftning og omfatter ikke andre forpligtelser inklusiv, men ikke begrænset til, skader eller følgeskader. Garantien er ikke gyldig, hvis produktet har været udsat for misbrug, anvendelse i strid med brugsanvisningen eller har været tilsluttet forkert. Denne garanti dækker ikke:
  - Enhver skade på produktet som følge af ukorrekt vedligeholdelse
  - Ethvert produkt, som er blevet ændret eller modificeret
  - Ethvert produkt, hvor de originale identifikationsmærker (varemærke, serienummer) er blevet ødelagt, ændret eller fjernet
  - Enhver skade, der skyldes manglende overholdelse af brugsanvisningen
  - Ethvert produkt uden CE-mærkning
  - Ethvert produkt, som har været udsat for forsøg på reparation af en uautoriseret fagmand eller uden accept fra Techtronic Industries
  - Ethvert produkt, der har været sluttet til forkert strømforsyning (ampere, spænding, frekvens)
  - Enhver skade, der skyldes udefra kommende påvirkninger (kemisk, fysisk, stød) eller fremmedlegemer
  - normal slitage på reservedele
  - Forkert anvendelse, overbelastning af produktet
  - Brug af ikke-godkendt tilbehør eller (reserve)dele
  - Karburator efter 6 måneder, karburatorjusteringer efter 6 måneder
  - Tilbehør til elprodukter, der er forsynet med værktøj eller købt separat. Sådanne undtagelser inkluderer, men er ikke begrænset til, skruetrækkerbits, borebits, silbeskiver, sandpapir og knive, sideføring
  - komponenter (dele og tilbehør), der udsættes for naturlig slitage, inklusive, men ikke begrænset til, kulbørster, spændepatron, strømforsyningskabel, hjælpéhåndtag, silbeplade, støvsugerpose, støvsugningsrør
4. Til servicering skal produktet indleveres til eller forevise et autoriseret RYOBI serviceværksted for det pågældende land. I nogle lande vil din lokale RYOBI-forhandler sende produktet til RYOBI's serviceorganisation. Når et produkt indleveres til et RYOBI serviceværksted, skal det emballeres forsvarligt uden farligt indhold (som f.eks. benzin), være forsynet med afsenderadresse og ledsaget af en kort beskrivelse af fejlen.
5. Reparation/udskiftning i henhold til denne garanti er gratis. Den medfører ikke forlængelse eller ny start af garantiperioden. Udskiiftede dele eller værktøjer overgår til vores ejendom. I nogle lande skal leveringsomkostninger eller porto betales af afsenderen.
6. Denne garanti er gyldig i EU, Schweiz, Island, Norge, Liechtenstein, Tyrkiet og Rusland. Uden for disse områder bedes man venligst kontakte sin autoriserede RYOBI-forhandler for at få opklaret, om evt. andre garantier er gældende.

### AUTORISEREDE SERVICEVÆRKSTEDER

Find nærmeste autoriserede serviceværksted på <http://dk.ryobitools.eu/header/service-and-support/service-agents>.

## SV GARANTI

Förutom de lagstadgade rättigheter som följer köpet omfattas denna produkt av en garanti som anges nedan.

- Garantitiden är 24 månader för konsumenter och börjar den dag då produkten köptes. Detta datum måste kunna dokumenteras av en faktura eller annat inköpsbevis. Produkten är utformad och avsedd för konsumenter och ska endast användas för privat bruk. Det innebär att ingen garanti lämnas vid yrkesmässig eller kommersiell användning.
- I vissa fall (t.ex. marknadsföring, soriment av verktyg), finns det en möjlighet att förlänga garantitiden under den period som beskrivs ovan genom registrering på hemsidan [www.ryobitools.eu](http://www.ryobitools.eu). De verktyg det gäller för framgår tydligt i butiker och/eller på förpackningen. Slut användaren måste registrera sitt nyinköpta verktyg på nätet inom 8 dagar från inköpsdatum. Slut användaren kan registrera sig för den utökade garantitiden i sitt hemland om det framgår på registreringsformuläret online där detta alternativ är giltigt. Dessutom måste slut användarna ge sitt samtycke till lagring av de uppgifter som krävs för att komma in på nätet och de måste godkänna villkoren. Registrerings bevis som skickas ut via e-post och den ursprungliga fakturan som visar inköpsdatum fungerar som bevis på förlängd garanti. Dina lagstadgade rättigheter påverkas inte.
- Garantin täcker alla fel på produkten under garantitiden som beror på fel i utförande eller material vid inköpsdatumet. Garantin är begränsad till reparation och/eller utbyte och inkluderar inte några andra åtaganden, inklusive men inte begränsat till oförutsedda skador eller följdskador. Garantin gäller inte om produkten har använts på fel sätt, använts på ett sätt som inte följer användarhandboken eller som har anslutits på ett felaktigt sätt. Denna garanti gäller inte för:
  - skador på produkten som beror på felaktigt underhåll
  - om produkten har ändrats eller modifierats
  - en produkt där den ursprungliga identifieringen (varumärke, serienummer) har förstörts, ändrats eller tagits bort
  - skador som orsakas av att användarhandboken inte har följts
  - alla produkter som inte följer CE-bestämmelser
  - en produkt som är icke-kvalificerad yrkesperson eller en person som inte har behörighet från Techntron Industries har försökt att reparera
  - en produkt som ansluts till elluttaget (ampere, spänning, frekvens) på fel sätt
  - skador som orsakas av yttre påverkan (kemiska, fysikaliska, stötar) eller främmande ämnen
  - normalt slitage av reservdelar
  - felaktig användning, överbelastning av verktyget
  - användning av icke-godkända tillbehör eller delar
  - förgasare efter 6 månader, justering av förgasare efter 6 månader
  - elverktygstillbehör som medföljer verktyget eller köps separat. Sådana undantag inkluderar men är inte begränsat till skruvmejseldelar, bormejslar, slipskivor, sandpapper och blad, sidostyrning
  - komponenter (delar och tillbehör) med förbehåll för normalt slitage, inklusive men inte begränsat till kolborstar, chuck, nätkabel, extrahandtag, slipningsplåt, dammpåse, dammrör
- För service, måste produkten skickas eller presenteras till en RYOBI-godkänd servicestation som anges för varje land i följande lista med adresser. I vissa länder ombesörjer den lokala RYOBI-återförsäljaren att skicka produkten till RYOBI-serviceorganisationen. När en produkt skickas till en RYOBI-servicestation, ska produkten förpackas på ett säkert sätt utan farligt innehåll som bensin, märkt med avsändarens adress tillsammans med en kort som beskriver felet.
- En reparation/utbyte som sker under denna garanti är gratis. Den utgör inte en förlängning eller en ny start på garantitiden. Utbyts delar eller verktyg blir vår egendom. I vissa länder måste leveranskostnader eller porto betalas av avsändaren.
- Denna garanti gäller i EU, Schweiz, Island, Norge, Liechtenstein, Turkiet och Ryssland. Utanför dessa områden ska du kontakta din auktoriserade RYOBI-återförsäljare för att avgöra om en annan garanti gäller.

## AUKTORISERAT SERVICECENTER

Du hittar närmaste auktoriserade servicecenter genom att gå till <http://uk.ryobitools.eu/header/service-and-support/service-agents>.

## FI TAKUUS

Hankinnasta koituvien laillisten oikeuksien lisäksi tätä tuotetta hallitsee alla kuvattu takuu.

- Takuukausi on 24 kuukautta kuluttajille ja alkaa tuotteen ostopäivästä. Tämän päivän on oltava merkitty kuittiin tai muuhun todisteseen hankinnasta. Tämä tuote on suunniteltu ja tarkoitettu ainoastaan kuluttajien yksityiskäyttöön. Ammatti- ja kaupalliseen käyttöön ei näin ollen ole takuuta.
- Joissain tapauksissa (kuten tarjous, laitesarjat) takuukausta voidaan pidentää kuvattua kautta pidemmäksi rekisteröimällä tuote osoitteessa [www.ryobitools.eu](http://www.ryobitools.eu). Takuun pidentämissähdollisuus ilmoitetaan selkeästi kaupassa ja/tai pakkauksessa. Loppukäyttäjän on rekisteröitävä uusi laitteensa online 8 päivän sisällä sen hankkimisesta. Loppukäyttäjän voi rekisteröityä saadakseen jatkettua takuun asuinmaassaan, jos se mainitaan online-rekisteröintilomakkeessa. Lisäksi, loppukäyttäjän on annettava suostumuksensa tallentaa syötetyt tiedot online, ja hänen on hyväksyttävä ehdot. Sähköpostitse lähetettävä rekisteröintivahvistus ja alkuperäinen kuitti, josta ilmenee hankintapäivä, toimivat todistena takuun jatkamisesta. Lailliset oikeutesi eivät muutu.
- Takuu kattaa takuuaikana kaikki tuotteen viat, jotka johtuvat valmistus- tai materiaaliavista hankintapäivänä. Takuu rajoittuu korjaukseen ja/ tai vaihtoon eikä sisällä mitään muita velvoitteita, mukaan lukien mm. satunnaiset ja seuraamukselliset vauriot. Takuu ei ole voimassa, jos tuotetta on vääринkäytetty tai käytetty käyttööppaan vastaisesti tai se on kytketty virheellisesti. Takuu ei kata seuraavia:
  - tuotteelle koituneet vahingot, jotka johtuvat virheellisestä ylläpidosta
  - tuote, jota on muunneltu
  - tuote, jossa alkuperäiset tunnisteen (tavaramerkki, sarjanumero) ovat turmeltuneet tai niitä on muutettu tai ne on poistettu
  - käyttöoppaan laiminlyönnistä johtuvat vauriot
  - ei-EC-tuotteet
  - tuotteet, joita on yrittänyt korjata ei-pätevä asentaja tai jonka korjaukselle ei ole saatu Techntron Industriesiltä hyväksyntää etukäteen
  - tuotteet, jotka on kytketty vääринläiseen virtalähteeseen (virta, jännite, taajuus)
  - vauriot, jotka johtuvat ulkoisista syistä (kemikaalit, fyysiset tekijät, iskut) tai vieraista aineista
  - virheellinen käyttö, laitteen ylikuormitus
  - muiden kuin hyväksytytjen lisävarusteiden ja osien käyttö
  - kaasutin 6 kuukauden jälkeen, kaasuttimen säätö 6 kuukauden jälkeen
  - laitteen mukana tulleet tai erikseen hankitut sähkölaitteiden lisävarusteet. Tällaiset poisjätöt sisältävät mm. ruuvinvääntimet terät, poranterät, hiontakiekot, hiekkapaperi ja terät, sivuohjain
  - komponentit (osat ja lisävarusteet), joihin kohdistuu luonnollista kulumista, mukaan lukien mm. hiiliharjat, istukka, virtajohto, lisäkahva, hiontalevy, pölypussit, pölyn poistoputki
- Huollon saaminen edellyttää, että tämä tuote lähetetään tai viedään RYOBI:n valtuuttamassa huoltoon, jotka luetaan maittain seuraavassa huoltojen osoiteluettelossa. Joissain maissa paikallinen RYOBI-jälleenmyyjä hoitaa tuotteen lähettämisen RYOBI-huoltoon. Kun tuote lähetetään RYOBI-huoltoon, se on pakattava turvallisesti ilman mitään vaarallista sisältöä, kuten bensiiniä, siihen on merkittävä lähettäjän osoite ja sen mukana on lähetettävä vian kuvaus.
- Tämän takuun puitteissa tapahtuva korjaaminen/vaihto on ilmaista. Se ei merkitse takuujakson jatkamista tai uuden kauden alkua. Vaihdetuista osista ja laitteista tulee meidän omaisuuttamme. Joissain maissa lähettäjän on maksettava toimituskulut tai postimaksu.
- Tämä takuu on voimassa Euroopan Yhteisössä, Sveitsissä, Islannissa, Norjassa, Liechtensteinissa, Turkissa ja Venäjällä. Jos olet näiden alueiden ulkopuolella, ota yhteys valtuutettuun RYOBI-jälleenmyyjään, joka voi kertoa, onko joku muu takuu voimassa.

## VALTUUTETTU HUOLTO

Voit etsiä lähimmän valtuutetun huollon sivulta <http://fi.ryobitools.eu/header/service-and-support/service-agents>.

## NO GARANTI

I tillegg til enhver lovbestemt rettighet som følge av dette kjøpet er dette produktet dekket av en garanti som beskrevet nedenfor.

- Garantitiden er 24 måneder for forbrukere, og starter fra produktets kjøpsdato. Denne datoen må dokumenteres av faktura eller annet kjøpsbevis. Produktet er konstruert og beregnet på forbrukere og kun privat bruk. Det gis ingen garanti ved profesjonell eller kommersiell bruk.
- Det er, i noen tilfeller, (dvs. markedsføring, serie av verktøy), mulig å utvide garantitiden ut over den perioden som er nevnt ovenfor ved bruk av registrering på nettstedet [www.ryobitools.eu](http://www.ryobitools.eu). Verktøyets garantiberegning vises klart i butikkene og/eller på emballasjen. Sluttbruker må registrere sitt nylig innkjøpte verktøy på nettet innen 8 dager etter kjøpsdatoen. Sluttbruker kan registrere seg for utvidet garanti i det landet hvor vedkommende bor hvis dette landet er ført opp på nettregistreringsskjemaet hvor dette alternativet er gyldig. Sluttbruker må også gi sin tillatelse til lagring av de data som er påkrevet å registrere på nettet, og må akseptere vilkår og betingelser. Registreringsbekreftelsen, som sendes som epost, og den originale kvitteringen som viser kjøpsdatoen, vil gjelde som bevis på den utvidede garantien. Dine lovbestemte rettigheter vil fortsatt gjelde.
- Garantien gjelder alle defekter på produktet i garantitiden som følge av feil på arbeid eller materialer på kjøpsdatoen. Garantien er begrenset til reparasjon og/eller utskifting av produktet, og inkluderer ingen annen forpliktelse, inklusive men ikke begrenset til tilfældige eller direkte eller indirekte følgeskader. Garantien gjelder ikke dersom produktet er misbrukt, brukt i strid med brukermanualens instruksjoner eller vært feilaktig tilkoblet. Denne garantien gjelder ikke:
  - enhver skade på produktet som følge av utilstrekkelig vedlikehold
  - et produkt som er endret eller modifisert
  - ethvert produkt hvor original identifikasjonsmerke (varemerke, serienummer) er tildekket, endret eller fjernet
  - enhver skade som følge av at instruksjoner i brukermanualen ikke er fulgt
  - ethvert ikke-CE-produkt
  - ethvert produkt som er forsøkt reparert av en ukvalifisert person, eller uten forutgående tillatelse av Techtronic Industries
  - ethvert produkt som er tilkoblet uriktig strømkilde (ampere, spenning, frekvens)
  - enhver skade forårsaket av eksterne påvirkninger (kjemiske, fysiske eller slag) eller fremmede substanser
  - normal slitasje på reservedeler
  - feilaktig bruk, overbelastning av verktøyet
  - bruk av ikke godkjent tilbehør eller reservedeler
  - forgasser etter 6 måneder, forgasserjusteringer etter 6 måneder
  - tilbehør til elektrisk verktøy, enten levert med verktøyet eller kjøpt separat. Slike unntak inkluderer men er ikke begrenset til skrutrekkerbits, bor, slipeskiver, sandpapir, og blader, sidestyre
  - komponenter (deler og tilbehør) gjenstand for normal slitasje, inklusive, men ikke begrenset til karbonborster, chuck, elektrisk ledning, hjelpehåndtak, slipeskiver, støvpose, støvuttrekkslange
- For ettersyn og reparasjoner må produktet leveres til et RYOBI- autorisert servicesenter ført opp for det enkelte land i følgende liste av servicestasjonadresser. I noen land vil din lokale RYOBI-forhandler sørge for å sende produktet til RYOBI's serviceorganisasjon. Når et produkt sendes til en RYOBI servicestasjon må produktet være forsvarlig emballert uten farlig innhold som bensin, merket med senders navn og adresse og medsendt en kort beskrivelse av feilen.
- En reparasjon/utskifting i henhold til denne garantien er gratis. Den representerer ikke en forlengelse av garantiperioden eller en ny start på garantiperioden. Utskiftede deler eller verktøy blir vår eiendom. I noen land vil leveringskostnader eller porto måtte betales av sender.
- Denne garantien er gyldig i EU, Sveits, Island, Norge, Liechtenstein, Tyrkia og Russland. Utenfor disse områdene ber vi om at du kontakter en autorisert Ryobi-forhandler for å finne ut om en annen garanti gjelder.

### AUTORISERT SERVICESENTER

For å finne et autorisert servicesenter i nærheten, gå til <http://no.ryobitools.eu/header/service-and-support/service-agents>.

## RU ГАРАНТИЯ

В дополнение к законным правам, вытекающим из факта покупки, на данный продукт распространяются следующие гарантийные обязательства.

- Гарантийный период составляет 24 месяца для покупателей и начинается с даты приобретения продукта. Дата приобретения подтверждается документально товарным чеком или другим доказательством покупки. Данный продукт предназначен для использования только в личных целях. Гарантия не предоставляется в случае профессионального или коммерческого использования данного продукта.
- В некоторых случаях (например, при продвижении продукта, приобретении некоторых видов инструментов) возможно продление гарантийного срока при регистрации продукта на веб-сайте [www.ryobitools.eu](http://www.ryobitools.eu). Применимость продукта разъясняется в магазинах при продаже и/или на упаковке продукта. Конечному пользователю следует зарегистрировать вновь приобретенный инструмент через Интернет в течение 8 дней с даты покупки. Конечный пользователь может зарегистрировать продукт для получения расширенной гарантии в стране проживания, если данная возможность предоставляется интернет-формой регистрации. Также, конечный пользователь должен дать свое согласие на хранение данных, требуемых при заполнении формы через Интернет, и принять условия соглашения. Уведомление о подтверждении регистрации, отправляемое по электронной почте, и оригинальный товарный чек с датой покупки служат доказательством расширенной гарантии. Законные права потребителя при этом остаются в силе.
- Данная гарантия распространяется на все дефекты продукта, связанные с производственным браком или браком материалов в момент приобретения, в течение гарантийного периода. Данная гарантия ограничивается ремонтом и/или заменой и не включает другие обязательства, в том числе, связанные с побочным или косвенным ущербом. Гарантия недействительна в случае ненадлежащего использования, использования с нарушением инструкций руководства по эксплуатации или неправильного подключения продукта. Гарантия недействительна, если:
  - повреждение продукта вызвано ненадлежащим техническим обслуживанием
  - продукт подвергся изменениям или был модифицирован
  - оригинальная маркировка (товарный знак, заводской номер) необработана, изменена или удалена
  - повреждение вызвано несоблюдением инструкций данного руководства
  - отсутствует маркировка CE
  - была попытка отремонтировать продукт неквалифицированным лицом или без предварительного согласования с компанией Techtronic Industries
  - продукт подключался к ненадлежащему источнику питания (неадекватная сила тока, напряжение, частота)
  - повреждение вызвано внешним воздействием (химические, физические, удары) или посторонними веществами
  - это связано с нормальным износом заменяемых деталей
  - это связано с ненадлежащим использованием, перегрузкой инструмента
  - это связано с использованием нерекондованных принадлежностей или деталей
  - карбюратор использовался свыше 6 месяцев, регулировка карбюратора после 6 месяцев
  - принадлежности для инструмента, поставляемые с инструментом или приобретаемые отдельно. В том числе, отверточные насадки, сверла, абразивные круги, наждачная бумага и шлифовальные полотна, боковая направляющая
  - компоненты (детали и принадлежности) подверженные естественному износу, в том числе, угольные щетки, зажимной патрон, кабель питания, дополнительная ручка, шлифовальная пластина, пылесборник, трубка отвода пыли
- Для проведения технического обслуживания продукт следует представить в официальный центр технического обслуживания компании RYOBI в соответствии со списком по каждой стране. В некоторых странах дилерам компании RYOBI потребуются пересылка продукта в соответствующий сервисный центр компании RYOBI. При отправке продукта в центр технического обслуживания RYOBI, продукт следует упаковать надлежащим образом без содержания любых опасных веществ (таких как бензин) с указанием адреса отправителя и кратким описанием неисправности.
- Ремонт/замена продукта по условиям данной гарантии осуществляются бесплатно. В данном случае не предусмотрено продление срока гарантии или начало нового гарантийного периода. Заменяемые детали или инструмент становятся собственностью компании. В некоторых странах оплата доставки и почтовые расходы ложатся на отправителя.
- Данная гарантия действительна в странах ЕС, Швейцарии, Исландии, Норвегии, Лихтенштейне, Турции и России. Для получения информации о применении данной гарантии в других регионах обращайтесь к официальному дилеру компании RYOBI.

### УПОЛНОМОЧЕННЫЙ СЕРВИСНЫЙ ЦЕНТР

Чтобы найти ближайший уполномоченный сервисный центр, обратитесь к веб-сайту <http://uk.ryobitools.eu/header/service-and-support/service-agents>



## PL GWARANCJA

Oprócz wszelkich praw ustawowych wynikających z zakupu, ten produkt jest objęty gwarancją jak podano poniżej.

- Okres gwarancji wynosi 24 miesiące dla konsumentów i rozpoczyna się w dniu, w którym produkt został zakupiony. Ta data musi być udokumentowana przez fakturę lub inny dowód zakupu. Produkt został zaprojektowany i jest przeznaczony wyłącznie do użytku konsumenckiego i prywatnego. W związku z tym gwarancja nie jest udzielana w przypadku zastosowań profesjonalnych i komercyjnych.
- Nie ma, w niektórych przypadkach (promocja tj. zakres narzędzi), możliwości przedłużenia okresu gwarancji w okresie opisanym powyżej przy rejestracji na stronie internetowej [www.ryobitools.eu](http://www.ryobitools.eu). Kwalifikowalność narzędzia jest wyraźnie określona w sklepach oraz/lub na opakowaniu. Użytkownik końcowy musi zarejestrować swoje nowe zakupione narzędzia online w ciągu 8 dni od daty zakupu. Użytkownik końcowy może zarejestrować się w celu rozszerzenia gwarancji w swoim kraju zamieszkania, jeśli jest on wymieniony w formularzu rejestracji online, kiedy ta opcja jest ważna. Ponadto użytkownicy końcowi muszą wyrazić zgodę na przechowywanie danych, które są wymagane do zalogowania online oraz muszą zaakceptować regulamin. Otrzymanie potwierdzenia rejestracji, które jest wysyłane na adres e-mail oraz oryginalna faktura z podaną datą zakupu będą służyć jako dowód przedłużonej gwarancji. Twoje prawa ustawowe pozostają nienaruszone.
- Gwarancja obejmuje wszystkie wady produktu w okresie gwarancyjnym, spowodowane usterekami w wykonaniu lub materiale w chwili nabycia. Gwarancja jest ograniczona do naprawy oraz/lub wymiany i nie obejmuje żadnych innych obowiązków w tym m.in. odpowiedzialności za szkody przypadkowe lub wtórne. Gwarancja nie jest ważna, jeśli produkt był użytkowany w niewłaściwy sposób, był wykorzystywany w sposób niezgodny z instrukcją obsługi lub był nieprawidłowo podłączony. Ta gwarancja nie obejmuje:
  - uszkodzenia produktu, które jest wynikiem nieprawidłowej konserwacji produktu, który został przerobiony lub zmodyfikowany
  - produktu, w którym znieskształcono, zmieniono lub usunięto oryginalne oznaczenia (nazwę handlową, numer seryjny)
  - uszkodzeń spowodowanych nieprzestrzeganiem instrukcji obsługi produktu bez certyfikatu CE
  - produktu, który był naprawiany przez niewykwalifikowaną osobę lub bez uprzedniej autoryzacji firmy Technronic Industries
  - produktu podłączonego do nieprawidłowego źródła zasilania (napięcie, napięcie, częstotliwość)
  - uszkodzeń spowodowanych przez czynniki zewnętrzne (chemiczne, fizyczne, uderzenia) lub obce substancje
  - normalnego zużycia części zamiennych
  - niewłaściwego użytkowania, przeciążenia narzędzia
  - stosowania niezatwierdzonych akcesoriów lub części
  - gaźnika po 6 miesiącach, regulacji gaźnika po 6 miesiącach
  - akcesoriów do elektronarzędzi dostarczonych z narzędziem lub zakupionych osobno. Takie wykluczenia obejmują m.in. bity śrubokręta, wiertła, tarce ściernie, papier ścierny i ostrza, przewodnicę ukośną
  - elementów (części i akcesoriów) podlegających naturalnemu zużyciu, w tym m.in. szczerok, uchwyty, przewodu zasilającego, dodatkowego uchwyty, tarcze ściernie, torby na pył, przewodu wyrzutu pyłu
- W celu serwisowania produkt należy wysłać lub okazać w autoryzowanym centrum serwisowym RYOBI wymienionym dla każdego kraju na poniższej liście adresów stacji serwisowych. W niektórych krajach lokalny dealer firmy RYOBI zobowiązuje się wysłać produkt do centrum serwisowego RYOBI. W przypadku wysyłki produktu do centrum serwisowego RYOBI, produkt należy dobrze zapakować, bez umieszczenia żadnych niebezpiecznych rzeczy, tj. paliwa i oznaczyć adresem nadawcy oraz krótkim opisem usterek.
- Naprawa/wymiana w ramach tej gwarancji jest bezpłatna. Nie stanowi to przedłużenia lub nowego rozpoczęcia okresu gwarancji. Wymieniane części lub narzędzia stają się naszą własnością. W niektórych krajach koszty wysyłki lub pocztowe będą musiały być opłacone przez nadawcę.
- Ta gwarancja obowiązuje na terytorium Wspólnoty Europejskiej, Szwajcarii, Islandii, Norwegii, Liechtenstein, Turcji i Rosji. Poza tymi obszarami należy kontaktować się z autoryzowanym dealerm RYOBI aby sprawdzić, czy dostępna jest jeszcze inna gwarancja

## AUTORYZOWANY PUNKT SERWISOWY

Najbliższy autoryzowany punkt serwisowy można wyszukać w witrynie internetowej <http://uk.ryobitools.eu/header/service-and-support/service-agents>.

## CS ZÁRUKA

Navíc k zákonným právům, které vznikají nákupem, je k výrobku poskytována záruka.

- Záruka je období 24 měsíců pro spotřebitele a začíná běžet datem nákupu produktu. Toto datum musí být zadokumentováno fakturou nebo jiným důkazem o koupi. Tento výrobek je určen a vyhrazen jen pro domácí a soukromé používání. Záruka se tedy neposkytuje pro profesionální ani komerční používání.
- Existuje, v některých případech (tj. propagace, určité nástroje), možnost prodloužení doby záruky nad výše uvedené období pomocí registrace na stránkách [www.ryobitools.eu](http://www.ryobitools.eu). Vhodnost nástroje je jasně vyobrazena v prodejních a/nebo na obalu. Koncový uživatel musí zaregistrovat své nové pořízené nástroje online během 8 dní od data nákupu. Koncový uživatel se může zaregistrovat k prodloužení doby záruky v zemi jeho trvalého bydliště, pokud je uvedeno v online registračním formuláři, kde je tato možnost platná. Navíc musí koncový uživatel poskytnout souhlas s uchováním údajů, které jsou zapotřebí do online registru a musí přijmout podmínky smlouvy. Přijetí potvrzení o registraci, odesílané e-mailem, a originální faktura udávající datum nákupu slouží jako důkaz prodloužené záruky. Vaše zákonná práva zůstávají nedotčena.
- Záruka pokrývá veškeré vady produktu během záruky způsobené vadami při zpracování nebo v materiálu v době nákupu. Záruka se omezuje na opravu a/nebo výměnu a nezahnuje žádné jiné závazky včetně, ale ne omezeně na související nebo následné škody. Záruka neplatí, pokud, pokud se produkt nesprávně používal, používal v rozporu s návodem nebo byl nesprávně zapojen. Záruku nelze uplatnit v následujících případech:
  - jakákoliv škoda na výrobku v důsledku nesprávné údržby
  - jákykoliv výrobek byl pozmeněn či modifikován
  - jákykoliv výrobek, kde byly původní identifikační značky (obchodní značka, výrobní číslo) odstraněny, pozmeněny či modifikovány
  - jakákoliv škoda způsobená nedodržením návodu k obsluze
  - výrobek nemá značku CE
  - každý výrobek, kde došlo k pokusu jej opravit nekvalifikovanou osobou nebo bez předchozího souhlasu společnosti Technronic Industries
  - každý výrobek při připojení nesprávnému napájení (proud, napětí, frekvence)
  - každý výrobek, který se používal s nesprávnou palivovou směsí (palivo, olej, podíl oleje)
  - běžné opotřebení a spotřební náhradní díly
  - nehodné používání, přetěžování nástroje
  - použití neschválených doplňků nebo dílů
  - karburátor po 6 měsících, seřízení karburátoru po 6 měsících
  - doplňky elektrických nástrojů dodaných s nástrojem či zakoupených zvlášť. Takové výjimky, včetně, ale ne omezených na, nástavce šroubováku, vrtáky, brusné kotouče, brusný papír a nože, příčné vedení
  - komponenty (díly a doplňky) podléhající běžnému opotřebení a spotřebě, včetně, ale ne omezeně, uhlikových kartáčů, skřídla, síťového kabelu, doplňkové rukojeti, brusné desky, vaku pro prach, odsávací trubky prachu
- Pro servis výrobku je třeba zaslat nebo předložit pověřenému servisnímu středisku RYOBI dle seznamu adres servisních středisek. V některých zemích váš místní prodejce RYOBI provádí odesílání výrobku servisní organizaci RYOBI. Při zaslání výrobku servisnímu středisku RYOBI by se měl výrobek bezpečně zabalit bez nebezpečného obsahu jako benzín, označit adresou odesílatele a přiložit list krátkým popisem vady.
- Oprava/výměna během záruky je bezplatná. Neznamená prodloužení ani začátek nového záručního období. Vyměněné díly či nástroje se stávají našim vlastnictvím. V některých zemích doručení či poštovné platí odesílatele.
- Záruka je platná v Evropské unii, Švýcarsku, Islandu, Norsku, Lichtenštejnsku, Turecku a Rusku. U ostatních oblastí prosím kontaktujte pověřeného prodejce RYOBI pro upřesnění, zda platí jiná záruka.

## POVĚŘENÉ SERVISNÍ STŘEDISKO

Pro nalezení nejbližšího pověřeného servisního střediska navštivte <http://uk.ryobitools.eu/header/service-and-support/service-agents>.

## **HU** GARANCIA

A vásárlással összefüggő esetleges törvényi adta jogok mellett a termékre az alábbiakban részletezett garancia vonatkozik.

1. A garancia időtartama a fogyasztók számára 24 hónap, ami a termék megvásárlásának napjától számítódik. Ezt a dátumot számlával vagy a vásárlást igazoló más dokumentummal kell igazolni. A terméket kizárólag a vevő állíti, személyes célokra való használatra tervezték és készítették. Ezért a garancia nem vonatkozik a profik állíttai vagy üzleti célokra való használatra.
2. Egyes esetekben (pl. promóció, bizonyos termékcsaládok) lehetőség van a garancia időtartamának a fent leírt garanciaperióduson túli meghosszabbítására a [www.ryobitools.eu](http://www.ryobitools.eu) webhelyen történő regisztrációval. Az, hogy egy adott gép jogosult-e erre, egyértelműen fel van tüntetve a boltokban és/vagy a csomagoláson. A végfelhasználónak a vásárlás napjától számított 8 napon belül regisztrálnia kell az újonnan beszerzett gépet. A végfelhasználó a kiterjesztett garanciáért a lakóhelye szerinti országban regisztrálhat, ha az szerepel az online regisztrációs űrlapon. Emellett a végfelhasználónak hozzá kell járulnia az online belépéshez szükséges adatai tárolásához és el kell fogadnia a szerződési feltételeket. A regisztráció e-mailben küldött visszaigazolása, valamint a vásárlást igazoló eredeti számla szolgálnak a kiterjesztett garancia érvényesítésére. A törvényi adta jogai nem sérülnek.
3. A garancia a garancia időtartama alatt a termék összes olyan hibájára kiterjed, amelyek a vásárlás napján is fennálló gyártási vagy anyaghiba miatt következnek be. A garancia javításra és/vagy cserére korlátozódik, és nem tartalmaz további kötelezettséget, beleértve, de nem kizárólag a véletlenszerű vagy következetes károknak vonatkozó kötelezettségeket sem. A garancia nem érvényes a termék helytelen használatára, a használati utasításban leírtakkal ellentétben használatra vagy hibás csatlakoztatásra esetén. A garancia nem vonatkozik a következőkre:
  - a termék helytelen karbantartásából eredő esetleges károsodásokra
  - átalakított vagy módosított termékekre
  - olyan termékre, melyen az eredeti azonosító jelöléseket (védjegy, sorozatszám) megrongálták, átalakították vagy eltávolították
  - a használati utasítás be nem tartásával összefüggő károknak
  - a CE minősítéssel nem rendelkező termékekre
  - a nem képzett szakember által vagy a Techtronic Industries előzetes jóváhagyása nélkül javított termékekre
  - a nem megfelelő tápforrásokhoz (áramerősség, feszültség, frekvencia) csatlakoztatott termékekre
  - külső hatások (vegyi, fizikai, ütés) vagy idegen anyagok által okozott károsodásokra
  - a cserealkatrészek normál kopására és elhasználódására
  - helytelen használatra, a szerszám túlterhelésére
  - nem jóváhagyott tartozékok vagy alkatrészek használatára
  - a karburátorra 6 hónap elteltével, a karburátor beállítására 6 hónap elteltével
  - a szerszámegphez mellékelt vagy külön megvásárolt szerszámegpé tartozékokra. A kizárások közé tartoznak még, de nem kizárólag a csavarhúzó bitek, fűrészékek, csiszolókorongok, csiszolópapírok és korongok, oldalsó vezetők
  - természetesen elhasználódásnak és kopásnak kitett összetevőkre (alkatrészek és tartozékok), beleértve, de nem kizárólag a szénkéféket, tokmányokat, tápkábeleket, kiegészítő fogantyúkat, csiszolólapokat, porzsákokat, porkifúvó csöveket.
4. A szervizeléshez a terméket el kell küldeni vagy be kell mutatni valamelyik hivatalos RYOBI szervizközpontban, melyek elérhetősége az egyes országokban az alábbiakban van megadva. Egyes országokban a RYOBI kereskedő vállalja, hogy elküldi a terméket a RYOBI szervizbe. A terméknek a RYOBI szervizállomásra való küldésekor a terméket biztonságosan be kell csomagolni, mindenféle veszélyes anyagot, pl. üzemanyagot el kell távolítani belőle, meg kell adni a feladó címét és a hiba rövid leírását.
5. A garancia keretében végzett javítás/cseréje ingyenes. Ugyanakkor ez nem jelenti a garancia időtartamának kiterjesztését vagy új garanciaperiódus kezdetét. A kicserélt alkatrészek vagy szerszámegpék a mi tulajdonunkban maradnak. Egyes országokban a szállítási vagy a postaköltségeket a feladó fizeti.
6. Ez a garancia az Európai Közösségben, Svájcban, Izlandon, Norvégiaiban, Liechtensteinben, Törökországban és Oroszországban érvényes. Ezen területeken kívül az érvényes garancia-feltételeket illetően lépjen kapcsolatba a hivatalos RYOBI forgalmazóval.

### HIVATALOS SZERVIZKÖZPONT

A legközelebbi hivatalos szervizközpont megtalálásához látogasson el a <http://uk.ryobitools.eu/header/service-and-support/service-agents>.

## **RO** GARANȚIE

În plus față de alte drepturi statutare rezultând din achiziție, produsul este acoperit de o garanție ca cea menționată mai jos.

1. Perioada de garanție este de 24 de luni pentru consumatori și începe de la data la care produsul a fost achiziționat. Această dată trebuie să fie dovădită de o factură sau altă dovadă de cumpărare. Produsul este proiectat și dedicat pentru consumatori și doar pentru uz privat. Ca urmare nu există nicio garanție asigurată în caz de folosire profesională sau comercială.
2. Există, în anumite cazuri (de ex. promoții, game de produse) o posibilitate de a prelungi perioada de garanție peste perioada descrisă mai sus folosind înregistrarea pe site-ul [www.ryobitools.eu](http://www.ryobitools.eu). Eligibilitatea aparatului este afișată clar în magazine și/sau ambalaj. Utilizatorul final se poate înregistra pentru o garanție extinsă în țara sa de reședință dacă e listată pe formularul de înregistrare online acolo unde opțiunea este validă. Mai mult, utilizatorii finali trebuie să și dea consimțământul cu privire la păstrarea datelor ce sunt cerute a fi introduse online și trebuie să accepte termenii și condițiile. Notificarea de confirmare a înregistrării, ce este trimisă prin email, și factura originală ce arată data achiziționării vor servi ca dovadă a garanției extinse. Drepturile dvs statutare rămând neafectate.
3. Garanția acoperă toate defectele produsului în timpul perioadei de garanție cauzate de defecte din procesul de producție sau ale materialului la data achiziționării. Garanția este limitată la reparație și/sau înlocuire și nu include alte obligații incluzând dar nelimitându-se la pagube accidentale sau secundare. Garanția nu este validă dacă produsul a fost folosit greșit, folosit contrar instrucțiunilor din manual sau a fost conectat incorect. Această garanție nu se aplică la:
  - orice defecțiune a produsului ca rezultat a întreținerii necorespunzătoare
  - orice produs ce a fost schimbat sau modificat
  - orice produs unde marcajul original de identificare (marcă comercială, număr serie) a fost deteriorat, schimbat sau modificat
  - orice defecțiune cauzată de nerespectarea manualului de instrucțiuni
  - orice produs non CE
  - orice produs care a fost încercat să fie reparat de către o persoană necalificată sau fără autorizare în prealabil de către Techtronic Industries
  - orice produs conectat necorespunzător la sursa de curent (amperi, voltaj, frecvență)
  - orice defecțiune cauzată de influențe externe (chimice, fizice, șocuri) sau substanțe străine
  - uzura normală a pieselor de schimb
  - folosire necorespunzătoare, suprasolicitare a sculei
  - folosire de accesorii și părți neaprobate
  - carburator după 6 luni, reglări ale carburatorului după 6 luni
  - accesoriile sculelor de putere furnizate cu scula sau achiziționate separat. Asemenea excluderi includ dar nu se limitează la capete de surubelniță, burghie, discuri abrazive, smirgheluri, discuri de șlefuit, ghid lateral
  - componente (părți și accesorii) subiect a uzurii naturale, incluzând dar nelimitându-se la perii de carbon, mandrine, cablu electric, mâner auxiliar, placă de șlefuit, sac pentru praf, tub de evacuare praf
4. Pentru servicii, produsul trebuie să fie trimis sau prezentat la un punct de service RYOBI autorizat listat pentru fiecare țară în următoarea listă cu adrese ale punctelor de service. În anumite țări reprezentantul dvs local RYOBI se angajează să trimită produsul la un punct de service RYOBI. Atunci când se trimite un produs la un punct de service RYOBI, produsul trebuie să fie împachetat cu grijă fără a conține produse periculoase precum benzină, marcat cu adresa expeditorului și însoțit de o scurtă descriere a defecțiunii.
5. Repararea/înlocuirea în timpul garanției este fără niciun cost. Nu constituie o prelungire sau un nou început a perioadei de garanție. Părțile sau aparatele schimbate devin proprietatea noastră. În anumite țări taxele de expediere trebuie să fie plătite de către expeditor.
6. Garanția este valabilă în Uniunea Europeană, Elveția, Islanda, Norvegia, Liechtenstein, Turcia și Rusia. În afara acestor zone, vă rugăm contactați reprezentantul dvs local autorizat RYOBI pentru a determina dacă se aplică altă garanție.

### CENTRU DE SERVICE AUTORIZAT

Pentru a găsi un centru de service autorizat lângă dvs., vizitați <http://uk.ryobitools.eu/header/service-and-support/service-agents>.

## LV GARANTĪJA

Papildus visām likumā paredzētajām tiesībām saistībā ar iegādi šim izstrādājumam ir turpinājumā izklāstītā garantija.

1. Garantijas periods patērētājiem ir 24 mēneši, un tas sākas izstrādājuma iegādes dienā. Šim datumam ir jābūt dokumentētam rēķinā vai citā iegādā noteiktosā dokumentā. Šis izstrādājums ir izgatavots un paredzēts vienīgi patērētājam un privātai lietošanai. Profesionālas vai komerciālas lietošanas gadījumā garantija nav spēkā.
2. Atsevišķos gadījumos (piem., akcija, vairāki instrumenti) pastāv iespēja pagarināt garantijas periodu virs šeit minētā perioda, reģistrējot to [www.ryobitools.eu](http://www.ryobitools.eu) vietnē. Instrumenta pielietojums ir skaidri norādīts veikalos un/vai uz iepakojuma. Lietotājiem ir jāreģistrē savi jauniegūtie instrumenti tiešsaistē 8 dienu laikā no iegādes datuma. Lietotājs var reģistrēties pagarinātajai garantijai savā dzīvesvietas valstī, ja tā ir norādīta tiešsaistes reģistrācijas veidlapā, kur pieejama šī iespēja. Turklāt lietotājiem ir jāievada dati tiešsaistē, jādod piekrišana šo datu uzglabāšanai un jāpiekrīt noteikumiem. Saņemtais reģistrācijas apstiprinājums, kas izsūtīts pa e-pastu, un rēķina oriģināls, kurā redzams iegādes datums, ir pagarinātās garantijas pierādījums. Jūsu likumā paredzētās tiesības netiek ietekmētas.
3. Garantija attiecas uz visiem izstrādājuma bojājumiem, kas radušies garantijas perioda laikā iegādes dienā esošo izgatavošanas vai materiāla defektu dēļ. Garantija ir ierobežota līdz remontam un/vai nomaigai un neietver citus pienākumus, ieskaitot, bet neaprobežojoties ar nejausiem vai netiešiem zaudējumiem. Garantija nav spēkā, ja izstrādājums ir liets nepareizi vai neievērojot rokasgrāmatas norādījumus vai ticis nepareizi savienots. Garantija netiecas uz:
  - izstrādājuma bojājumiem, kas radušies nepareizas apkopes dēļ;
  - izstrādājumiem, kas tikusi pielāgoti vai pārveidoti;
  - izstrādājumiem, kuru oriģinālais identifikācijas marķējums (preču zīme, sērijas numurs) ticis sabojāts, pārveidots vai noņemts;
  - bojājumiem, kurus izraisījis rokasgrāmatas norādījumu neievērošana;
  - izstrādājumiem bez CE marķējuma;
  - izstrādājumiem, kurus ir mēģinājis remontēt nekvalificēts speciālists vai kuri remontēti bez Techronic Industries atļaujas;
  - izstrādājumiem, kas tikusi pievienoti neatbilstoši energopadevei (apmēri, spriegums, frekvence);
  - bojājumiem, kurus izraisījis ārēja iedarbība (ķīmiska, fiziska, triecieni) vai svešas vielas;
  - normālu detaļu nolietojumu un nodilumu;
  - instrumenta nepareizu lietošanu, pārslozdi;
  - neapstiprinātu detaļu un piederumu lietošanu;
  - karburatoru pēc 6 mēnešiem, karburatoru regulējumiem pēc 6 mēnešiem;
  - elektroinstrumenta piederumiem, kas piegādāti kopā ar instrumentu vai iegādāti atsevišķi. Šie izņēmumi ietver, bet neaprobežojas ar skrūvgriežu uzgaliem, urbja uzgaliem, abrazīvajiem diskkiem, smilšpapīru, asmeņiem un sānu vadotni;
  - komponentiem (detaļām un piederumiem), kas ir pakļauti dabiskam nodilumam un nolietojumam, ietverot, bet neaprobežojoties ar oglekļa sukām, patronu, elektrības vadu, palīgrokturi, slīpēšanas loksni, putekļu maisu un putekļu izvades cauruli.
4. Ja nepieciešams veikt remontu, izstrādājums jānosūta vai jānodod RYOBI pilnvarotam servisa centram, kas norādīts pie attiecīgās valsts servisa centru adresu sarakstā. Atsevišķs valstis vietējais RYOBI dīleris uzņemas nosūtīt izstrādājumu RYOBI servisa organizācijai. Nosūtīt izstrādājumu RYOBI servisa centram, izstrādājumam jābūt droši iepakotam bez bīstama satura, piemēram, degvielas, marķētam ar sūtītāja adresi un kopā ar īsu aprakstu par defektu.
5. Remonts/nomaiga šīs garantijas ietvaros ir bez maksas. Tas nepagarina un neuzsāk jaunu garantijas periodu. Nomainītās detaļas un instrumenti nonāk mūsu īpašumā. Atsevišķs valstis piegādes maksa un pasta izdevumi jāsedz sūtītājam.
6. Šī garantija ir derīga Eiropas Kopienā, Šveicē, Islandē, Norvēģijā, Līhtenšteinā, Turcijā un Krievijā. Ārpus šiem reģioniem, lūdzu, sazinieties ar savu pilnvaroto RYOBI dīleri, lai noskaidrotu, vai ir spēkā cita garantija.

### AUTORIZĒTS APKALPOŠANAS CENTRS

Lai atrastu tuvāko autorizēto apkalpošanas centru, apmeklējiet <http://uk.ryobitools.eu/header/service-and-support/service-agents>.

## LT GARANTĪJA

Be įstatymais nustatyti teisių, įgyjamų nusipirkus šį produktą, produktui taikoma toliau nurodyta garantija.

1. Pirkėjams galiojantis garantinis periodas yra 24 mėnesiai ir prasideda nuo produkto pirkimo datos. Data turi būti nurodyta sąskaitoje-faktūroje arba kitame pirkimą įrodančiame dokumente. Produkta sukurtas ir skirtas tik naudojimui ir tik asmeniniam naudojimui. Todėl garantija netaikoma produktą naudojan profesionaliai ar komerciniams tikslais.
2. Kai kuriais atvejais yra galimybė pratęsti garantinį laikotarpį iki toliau nurodyto laikotarpio, prieš tai užsiregistravus [www.ryobitools.eu](http://www.ryobitools.eu) svetainėje. Įrankio tinkamumo aiškiai parodytas parduotuvsė ir (arba) ant pakuočės. Galutinis naudotojas turi užregistruoti savo naujai įsigytus įrankius internetu per 8 dienas nuo jų pirkimo datos. Galutinis naudotojas gali užsiregistruoti dėl garantijos pratęsimo savo šalyje, jei ši pateikta registracijos internetu formoje, kurioje galimas šis pasirinkimas. Be to, galutiniai naudotojai privalo duoti savo sutikimą laikyti duomenis, kuriuos reikia įvesti internete, ir jie turi sutikti su sąlygomis ir nuostatomis. Registracijos patvirtinimo pranešimas, išsiunčiamas el. paštu, ir originali sąskaita faktūra, kurioje nurodyta pirkimo data, įrodo pratęstą garantiją. Jūsų įstatymuose nustatytioms teisėms nebūs pakenkta.
3. Garantinių laikotarpiu garantija taikoma visiems produkto trūkumams, atsiradusiems dėl prastos darbo kokybės arba prastų produkto medžiagų pirkimo diena. Garantija taikoma tik taisymui ir (arba) pakeitimui ir joje nenumatyti jokie kiti įsipareigojimai, įskaitant, bet neapsiribojant atsitiktine ar susijusia žala. Garantija negalioja produktą netinkamai naudojan, priešingai vadove nurodytoms instrukcijoms, arba netinkamai prijungus. Garantija netaikoma šiais atvejais:
  - produktui padarytai žalai netinkamai atliekant produkto techninę priežiūrą;
  - pakeistam arba modifikuotam produktui;
  - bet kokiems produktams, kurių originalios identifikacijos (prekės ženklas, serijos numeris) žymės buvo sugadintos, pakeistos ar pašalintos;
  - bet kokiai žalai, patirtai nesilaikant naudojimo vadovo;
  - bet kokiam CE nepaženklintam produktui;
  - bet kokiam produktui, kurį bandė taisyti nekvalifikuotas specialistas, arba iš anksto negavus „Techronic Industries“ leidimo;
  - bet kokiam produktui, įjungtam į netinkamą maitinimo tinklą (amperai, įtampa, dažnis);
  - bet kokiai žalai, kilusiai dėl išorinio poveikio (cheminis, fizinis poveikis, smūgiai) arba pašalinių medžiagų;
  - įprastam atsarginių dalių dėvėjimuisi;
  - produktą netinkamai naudojan arba jį perkrovus;
  - naudojant nepatvirtintus priedus arba dalis;
  - karbiuratoriu po 6 mėnesių, karbiuratoriaus reguliavimui po 6 mėnesių;
  - elektrinio įrankio priedams, pateiktiems kartu su įrankiu ar pirktiems atskirai; Prie tokių išimčių priskaitomi, neapsiribojant, atsuktuvo antgaliai, gražto antgaliai, abraziviniai diskai, švitiniais popierius ir asmenys, šoninis kreiptuvas;
  - komponentai (dalis ir priedai), kurie dėvisi savaime, įskaitant, bet neapsiribojant anglies šepetėliais, griebtuvu, maitinimo laidu, papildoma rankena, šlifavimo plokštė, dulkių maišeliu, dulkių išmetimo vamzdeliu.
4. Norint atlikti techninį aptarnavimą, produktą reikia nusiųsti arba pristatyti į vieną iš RYOBI įgaliotų techninio aptarnavimo punktų, esančių kiekvienoje šalyje toliau pateiktame aptarnavimo punktų adresu sąrašė. Kai kuriose šalyse jūsų vietinis RYOBI pardavėjas gali nusiųsti produktą į RYOBI techninio aptarnavimo punktą. Siunčiant produktą į RYOBI techninio aptarnavimo punktą, produktą reikia saugiai supakuoti, prieš tai iš jo pašalinus pavojingas medžiagas, pavyzdžiui, benzina, nurodyti siuntėjo adresą ir pridėti trumpą gedimo aprašymą.
5. Pagal šią garantiją taisymo ar keitimo darbai atliekami nemokamai. Garantijoje nenumatytas garantijos pratęsimas ar naujo garantinio laikotarpio pradėjimas. Pakeistos dalys arba įrankiai tampa mūsų nuosavybe. Kai kuriose šalyse pristatymo ar siuntimo paštu išlaidas turi padengti siuntėjas.
6. Ši garantija taikoma Europos bendrijoje, Šveicarijoje, Islandijoje, Norvegijoje, Lichtenšteine, Turkiijoje ir Rusijoje. Kitose šalyse kreipkitės į savo įgaliotą RYOBI pardavėją, norėdami sužinoti, ar taikoma kita garantija.

### ĮGALIOTAS TECHNINĖS PRIEŽIŪROS CENTRAS

Jei norite surasti įgaliotą techninės priežiūros centrą netoli Jūsų, apsilankykite interneto svetainėje <http://uk.ryobitools.eu/header/service-and-support/service-agents>.



## ET GARANTII

Lisaks ostu puhul kaasnevate seadusjärgsetele õigustele kehtib tootele allpool esitatud tingimustega garantiid.

1. Ostja poolt ostetud tootele on kehtestatud garantiiperiood 24 kuud ja see hakkab kehtima toote ostmise kumpäeval. See kupaäev on märgitud arvele või muule ostu tõendavale dokumendile. Toode on ette nähtud ostjale ainult isiklikuks kasutamiseks. Kui toodet kasutatakse ametialastel või ärilistel eesmärkidel, siis garantiid ei kehti.
2. Mõnel juhul (nt reklaam, seadmete seeria) on võimalik pikendada garantiiperioodi pikemaks ajaks kui ülal mainitud, kui kasutatakse registreerimist veebisaidil [www.ryobitools.eu](http://www.ryobitools.eu) kaudu. Registreerimise tingimused on välja pandud kauplustesse ja/või on pakendil. Lõppkasutaja peab oma uued tööriistad veebis registreerima 8 päeva jooksul alates ostukuupäevast. Lõppkasutaja võib registreerida end pikendatud garantiiks oma asukohamaal, kui see on esitatud veebis registreerimise loendil, seal kus see valik on olemas. Peale selle, lõppkasutajad peavad andma nõusoleku enda andmete salvestamiseks, mida vajatakse veebi siseneamiseks ja nõustuma esitatud tingimustega. Pikendatud garantiid kehtivust tõendab e-postiga saadetud registreerimise kinnitusteade ja algupärane arve, millel on ostukuupäev. Teie seadusjärgsed õigused jäävad mõjutamata.
3. Garantii kehtib kõikide ostukuupäevast kehtima hakkaval garantiiperioodil ilmnend rike teatud, mis on tingitud töötlemis- või materjalvigadest. Garantii on piiratud remondi ja/või asendamise ja ei sisalda muid kohustusi, kuid mitte ainult, kaasnega või tuleneva kahju eest. Garantii ei kehti, kui toodet on väärasutatud, kasutusjuhendis nimetatud otstarbele mittevastavalt kasutatud või toode on ebaõigesti ühendatud. See garantiid ei rakendu järgmistel juhtudel:
  - tootel on mingi vigastus, mis on põhjustatud ebaõigest kasutamisest,
  - toodet on mingil viisil ümber ehitatud või muudetud,
  - toote algupärane tuvastusmarkeerimine (kaubamärk, seerianumber) on kahjustatud, ümber tehtud või eemaldatud,
  - tootel on mingi vigastus, mis on tingitud kasutusjuhendi mittejälgimisest,
  - toode ei ole CE-märgisega,
  - toodet on püüdnud parandada ebapädev spetsialist või seda on tehtud ilma Technronic Industries volitusteta,
  - toode on ühendatud selleks mitteettnähtud elektritoitevõrguga (väär voolu tugevus, pinge või sagedus),
  - tootel on vigastus välismõjudest (keemilised või füüsilised mõjud või löögid),
  - toote varuosadel ilmneb tavapärase kulumine,
  - toodet on ebaõigesti kasutatud või üle koormatud,
  - tootel on kasutatud mitteettnähtud tarvikuid või osi,
  - toote karburaator pärast 6 kuu möödumist, toote karburaatori sätteid pärast 6 kuu möödumist,
  - ajamiga tööriista tarvikud, mis tarnitakse koos tööriistaga või on ostetud eraldi. See välistab hõlmab, kuid mitte ainult, kruvikeeraja otsakuid, puure, abrasiivõikeketaid, lihvpaberit, lihvkettaid ja lõikeketaid, küljühikut,
  - toote koostesadel (osad ja tarvikud) ilmneb tavapärase kulumine järgmistel detailidel (kuid mitte ainult): süsinikharjad, puuripadrud, toitejuhe, lisakäepide, lihvplaat, tolmukott, tolmuaerastamistoru.
4. Hooldamiseks tuleb toode saata või tuua mõnda RYOBI volitatud hoolduspunkti, mis on esitatud loendis iga riigi jaoks ja milles on hoolduspunkti aadressid. Mõnes riigis kohustub RYOBI edasimüüja saatma toote RYOBI hooldusasutusse. Kui toode saadetakse RYOBI hooldusasutusse, tuleb toode turvaliselt ära pakkida ilma, et sellesse jääks ohtlikku sisu, näiteks bensiini ja pakendile tuleb märkida saatja aadress ja rikke lühikirjeldus.
5. Selle garantiid alusel tehtud remont/asendus on tasuta. Sellega ei kaasne garantiiperioodi pikendamine või uue garantiiperioodi algus. Asendatud osad ja tööriistad jäävad meie omandusse. Mõnes riigis tuleb saate- või postikulud tasuda saatja poolt.
6. See garantiid kehtib Euroopa Liidus, Šveitsis, Islandil, Norras, Liechtensteinis, Türgis ja Venemaal. Väljaspool neid riike võtke ühendust Ryobi volitatud edasimüüjaga, et teada saada teistsuguste garantiide kehtivus.

## VOLITATUD HOOLDUSKESKUS

Oma volitatud hoolduskeskuse leiate veebisaidil <http://uk.ryobitools.eu/header/service-and-support/service-agents>.

## HR JAMSTVO

U dodatu svih zakonskih prava koja proizlaze kao rezultat kupnje, ova proizvod pokriven je jamstvom kao što je utvrđeno u nastavku.

1. Jamstveno razdoblje je 24 mjeseca za korisnike, a započinje na datum kupnje proizvoda. Ovaj datum treba biti dokumentiran računom ili nekim drugim dokazom o kupnji. Proizvod je dizajniran i namijenjen samo za korisnike i osobno korištenje. Stoga nema omogućenog jamstava u slučaju profesionalnog ili komercijalnog korištenja.
2. U nekim slučajevima (primjerice promocije, paleta alata) postoji mogućnost produženog jamstvenog razdoblja preko gore navedenog razdoblja korištenjem registracije na web mjestu [www.ryobitools.eu](http://www.ryobitools.eu). Sukladnost alata jesno je prikazana u trgovini i/ili na pakiranju. Krajnji korisnik treba registrirati svoje novo pribavljene alate na mreži unutar 8 dana od datuma kupnje. Krajnji korisnik može se registrirati za produženo trajanje jamstva u svojoj zemlji stanovanja ako je navedena na mrežnom obrascu za registraciju gdje je ova opcija valjana. Nadalje, krajnji korisnici moraju dati svoje odobrenje za spremanje podatka koji su potrebni za unos na mreži i moraju prihvatiti uvjete i odredbe. Primitak potvrde o registraciji, koja se šalje e-poštom i originalni račun koji prikazuje datum kupnje služe kao dokaz produženog jamstva. Vaša zakonska prava ostaju nepromijenjena.
3. Jamstvo pokriva sve kvarove proizvoda tijekom jamstvenog razdoblja zbog pogreški u izradi ili materijalu na datum kupnje. Jamstvo je ograničeno na popravak i/ili zamjenu i ne uključuje nikakve druge obveze uključujući no ne ograničavajući se na slučajne ili posljedične štete. Jamstvo nije valjano ako je proizvod pogrešno korišten, korišten suprotno od korisničkog priručnika ili je nepravilno priključen. Ovo jamstvo se ne primjenjuje na:
  - svako oštećenje proizvoda koje je rezultat nepravilnog održavanja
  - svaki proizvod koji je izmijenjen ili modificiran
  - svaki proizvod gdje su originalne identifikacijske oznake (zaštitni znak, serijski broj) izbrisane, zamijenjene ili uklonjene
  - svako oštećenje uzrokovano neprikladnim korištenjem korisničkog priručnika
  - svaki proizvod koji nije CE
  - svaki proizvod koji je pokušao popraviti neovlašten profesionalac ili bez prethodnog odobrenja od strane Technronic Industries
  - svaki proizvod priključen na nepravilno napajanje energijom (amperi, napon, frekvencija)
  - svako oštećenje uzrokovano vanjskim utjecajima (kemijsko, fiziko, udar) ili stranim stvarima
  - normalno trošenje i habanje rezervnih dijelova
  - nepravilno korištenje, preopterećenje alata
  - korištenje neodobrenog dodatnog pribora ili dijelova
  - rasplinjača nakon 6 mjeseci, podešavanje rasplinjača nakon 6 mjeseci
  - Dodatni pribor aku-alata koji je omogućen s alatom ili kupljen zasebno. Ovakva izuzeća uključuju no ne ograničavaju se na svrdla za odvijanje, svrdla za bušenje, brusne diskove, papir za brušenje i oštrice, poprečne vodilice
  - Komponente (dijelovi i dodatni pribor) koji su predmet prirodnog trošenja i habanja, uključujući no ne ograničavajući se na ugljične četke, glave, kabel za napajanje, pomoćnu ruku, ploču za brušenje, vrećicu za prašinu, cijev za izbacivanje prašine
4. Za servisiranje, proizvod se mora poslati ili predati ovlaštenoj stanici za servis tvrtke RYOBI navedenoj za svaku zemlju u sljedećem popisu adresa stanica za servis. U nekim zemljama vaš lokalni RYOBI zastupnik obvezan je poslati proizvod u servisnu organizaciju tvrtke RYOBI. Priilikom slanja proizvoda u stanicu za servis tvrtke RYOBI, proizvod treba biti sigurno pakiran bez ikakvog opasnog sadržaja poput benzina, s označenom adresom pošiljatelja i pripadajućim kratkim opisom pogreške.
5. Popravak/zamjena pod ovim jamstvom se ne naplaćuje. Ne produžuje zakonsko ili ne započinje novo jamstveno razdoblje. Zamijenjeni dijelovi ili alati postaju naše vlasništvo. U nekim zemljama pošiljatelj plaća poštarinu.
6. Ovo jamstvo je valjano u Europskoj zajednici, Švicarskoj, Islandu, Norveškoj, Lihtenštajnu, Turskoj i Rusiji. Izvan ovih područja molimo vas da kontaktirate vašeg ovlaštenog zastupnika tvrtke RYOBI kako biste odredili ako se primjenjuje druga jamstva.

## OVLAŠTENI SERVISNI CENTAR

Za pronalazjenje ovlaštenog servisnog centra pored vas posjetite <http://uk.ryobitools.eu/header/service-and-support/service-agents>.

## SL GARANCIJA

Poleg kakršnih koli zakonskih pravic, ki jih pridobite z nakupom, za ta izdelek velja tudi garancija, kot je opisano spodaj.

- Garancijsko obdobje je 24 mesecev za potrošnike in se začne z datumom nakupa. Ta datum mora biti dokumentiran z računom ali drugim dokazilom o nakupu. Izdelek je namenjen in posvečen le potrošniški in zasebni uporabi. Zato garancija ne velja za profesionalno ali komercialno uporabo.
- V nekaterih primerih (npr. promocija, obseg orodij) obstaja možnost podaljšanja garancijskega obdobja prek zgoraj opisanega obdobja, kar je mogoče storiti z registracijo na spletnem mestu [www.ryobitools.eu](http://www.ryobitools.eu). Namen orodja je jasno označen v trgovinah in/ali na embalaži. Končni uporabnik mora svoje novo orodje registrirati prek spleta v 8 dneh od datuma nakupa. Končni uporabnik se lahko registrira za podaljšano garancijo v svoji državi, kjer ima stalno prebivališče, če je država vključena na seznam v obrazcu za registracijo, kjer je ta možnost veljavna. Poleg tega mora končni uporabnik odobriti shranjevanje podatkov, ki so potrebni za spletni vstop, in morajo sprejeti pogoje in določila. Potrdilo o registraciji, ki se pošlje po e-pošti, ter originalni račun, na katerem je naveden datum nakupa, veljata kot dokazilo o podaljšani garanciji. Vaše zakonske pravice ostanejo nespremenjene.
- Garancija krije vse okvare izdelka med garancijskim obdobjem zaradi napak v izdelavi ali materialu na datum nakupa. Garancija je omejena na popravilo/zamenjavo in ne vključuje drugih obveznosti, med drugim ne vključuje obveznosti zaradi nenamene ali posledične škode. Garancija ni veljavna, če je bil izdelek zloražen, uporabljen v nasprotju z navodili za uporabo ali nepravilno priključen. Garancija ne velja:
  - za kakršno koli poškodbo izdelka, ki je posledica neprimerne vzdrževanja,
  - če je bil izdelek spremenjen ali modificiran,
  - če so originalne identifikacijske oznake (blagovna znamka, serijska številka) na izdelku poškodovane, spremenjene ali odstranjene,
  - če je do poškodbe prišlo zaradi neupoštevanja navodil za uporabo,
  - za katera koli izdelke, ki niso skladni z oznako CE,
  - če je izdelek poskusil opraviti neusposobljen strokovnjak ali brez predhodne odobritve družbe Techntron Industries,
  - če je bil izdelek priključen na neustrezno električno omrežje (jakost, napetost, frekvenca),
  - če je do poškodbe prišlo zaradi zunanjih vplivov (kemični, fizični, udarci) ali tujih snovi,
  - za normalno obrabo nadomestnih delov,
  - neustrezne uporabe, preobremenitve orodja,
  - uporabe neodobrenih dodatkov ali delov,
  - za uplinjač po 6 mesecih, prilagoditve uplinjača po 6 mesecih,
  - za dodatke električnega orodja, priložene orodju ali na prodaj ločeno – takšne omejitve med drugim vključujejo nastavke za vijačenje, vrtnale svedre, abrazivne diske, brusni papir in rezila, bočna vodila,
  - za sestavne dele (dele in dodatke), ki so podvrženi normalni obrabi, med drugim za karbonske krtačke, vpenjalno glavo, električni kabele, dodatni ročaj, brusno ploščo, vrečo za prah, cev za odvod prahu.
- Za servisiranje je treba izdelek poslati ali prinesiti v pooblaščen servisni center RYOBI, ki je za vsako državo naveden na naslednjem seznamu z naslovi servisnih centrov. V nekaterih državah pošiljanje izdelka servisnemu centru RYOBI prevzame lokalni trgovec z izdelki RYOBI. Za pošiljanje servisnemu centru RYOBI mora biti izdelek varno zapakiran, brez kakršnih koli nevarnih snovi, npr. gorivo, označen z naslovom pošiljatelja, priložen pa mora biti kratek opis napake.
- Popravilo/nadomestilo v sklopu te garancije je brezplačno. Ne pomeni podaljšanja ali novega začetka garancijskega obdobja. Zamenjani deli ali orodja postanejo naša last. V nekaterih državah mora stroške pošiljanja ali dostave poravnati pošiljatelj.
- Ta garancija je veljavna v Evropski skupnosti, Švici, na Islandiji, Norveškem, v Lichtenšteinu, Turčiji in Rusiji. Izven teh področij stopite v stik s pooblaščenim trgovcem RYOBI, da ugotovite, ali velja katera druga garancija.

### POOBLAŠČEN SERVISNI CENTER

Pooblaščen servisni center blizu vas poiščite na <http://uk.ryobitools.eu/header/service-and-support/service-agents>.

## SK ZÁRUKA

Okrem zakónnych práv vyplývajúcich zo zakúpenia je tento produkt pokrytý zárukou, ako je uvedené nižšie.

- Záručná doba pre spotrebiteľov je 24 mesiacov a začína dňom zakúpenia produktu. Tento dátum musí byť zdokumentovaný faktúrou alebo iným dokladom o kúpe. Tento produkt je navrhnutý a určený len na spotrebné a osobné použitie. Takže v prípade profesionálneho alebo komerčného použitia neplatí žiadna záruka.
- V niektorých prípadoch (napr. reklamná akcia, rad produktov) existuje možnosť predĺženia záručnej doby nad dobu uvedenú vyššie pomocou registrácie na webovej stránke [www.ryobitools.eu](http://www.ryobitools.eu). Spôsobilosť nástroja je zreteľne zobrazená v obchodoch a ha obale. Koncový používateľ si musí zaregistrovať svoje novonadobudnuté nástroje online do 8 dní odo dňa zakúpenia. Koncový používateľ sa môže zaregistrovať za účelom získania predĺženej záruky vo svojej krajine, ak je uvedená v online registračnom formulári, kde je táto možnosť platná. Okrem toho musia koncoví používatelia poskytnúť súhlas k uloženiu údajov, ktoré sa zadávajú online a musia súhlasiť so zmluvnými podmienkami. Doklad s potvrdením o registrácii, ktorý posielame prostredníctvom e-mailu a originál faktúry s uvedeným dátumom zakúpenia slúžia ako dôkaz predĺženej záruky. Vaše zákonné práva ostávajú nedotknuté.
- Táto záruka pokrýva všetky poruchy produktu počas záručnej doby, ktoré vznikli následkom nedostatkov vo vypracovaní alebo materiáli v deň zakúpenia. Táto záruka je omezená na opravu alebo výmenu a nezahŕňa ďalšie výmeny, napríklad vedľajšie alebo následné škody. Táto záruka je neplatná, ak bol produkt poživývaný nesprávne, používaný v rozpore s návodom na použitie alebo nesprávne pripojený. Táto záruka sa nevzťahuje na:
  - akékoľvek poškodenie produktu, ku ktorému došlo následkom nesprávnej údržby
  - akýkoľvek produkt, ktorý bol pozmenený alebo upravený
  - akýkoľvek produkt, na ktorom boli poškodené pozmenené alebo odstránené originálne identifikačné znaky (obchodná známka, sériové číslo)
  - akékoľvek poškodenie spôsobené následkom nedodržania návodu na použitie
  - akýkoľvek produkt iný ako CE
  - akýkoľvek produkt, o ktorého opravu sa pokúšal nekvalifikovaný odborník alebo v prípade opravy bez predchádzajúceho oprávnenia od spoločnosti Techntron Industries
  - akýkoľvek produkt pripojený k nesprávnejmu napájaciemu zdroju (prúd, napätie, frekvencia)
  - akékoľvek poškodenie spôsobené vonkajšími vplyvmi (chemické, fyzické, nárazy) alebo cudzími látkami
  - bežné opotrebenie náhradných dielov
  - nesprávne používanie a preťažovanie nástroja
  - používanie neschváleného príslušenstva alebo dielov
  - karburátor po 6 mesiacoch, úpravy karburátora po 6 mesiacoch
  - príslušenstvo pre elektrické nástroje dodané s nástrojom alebo zakúpené samostatne. Takého výnimky sa vzťahujú napríklad na hroty skrutkovačov, vrtáky, brusné kotúče, brusné papiere a ostria a bočné vedenie
  - komponenty (diely a príslušenstvo), ktoré podliehajú prirodzenému opotrebeniu, napríklad uhlíkové kefy, skľučovadlo, napájaci kábel, pomocná rukoväť, leštiaca doska, vrečko na prach, rúrka na vyfukovanie prachu
- Na servis sa musí produkt odoslať alebo predložiť autorizovanému servisnému centru RYOBI uvedenému pre každú krajinu v nasledujúcom zozname adres servisných staníc. V niektorých krajinách pošle produkt do servisnej organizácie RYOBI váš miestny predajca produktov RYOBI. Pri odosielaní produktu do servisnej stanice RYOBI musí byť produkt bezpečne zabalený bez akéhokoľvek nebezpečného obsahu, napríklad paliva, označený adresou odosielateľa a musí byť k nemu priložený krátky popis poruchy.
- Oprava či výmena v rámci tejto záruky je bezplatná. Nevyplýva z nej predĺženie či nový začiatok záručnej doby. Vymenené diely alebo nástroje sa stávajú našim majetkom. V niektorých krajinách doručovací poplatok alebo poštovné platí odosielateľ.
- Táto záruka je platná v Európskej únii, Švajčiarsku, v Nórsku, Lichtenštajnsku, Turecku a Rusku. Mimo týchto oblastí kontaktujte autorizovaného predajcu spoločnosti Ryobi, u ktorého zistíte, či platí nejaká iná záruka.

### AUTORIZOVANÉ SERVISNÉ CENTRUM

Ak chcete nájsť najbližšie autorizované servisné centrum, navštívte stránku <http://uk.ryobitools.eu/header/service-and-support/service-agents>.

## EL ΕΓΓΥΗΣΗ

Επιπροσθέτως τυχόν νομικών δικαιωμάτων που προκύπτουν από την αγορά, το προϊόν καλύπτεται από εγγύηση όπως αναφέρεται παρακάτω.

- Η περίοδος εγγύησης είναι 24 μήνες για τους καταναλωτές και τίθεται σε ισχύ από την ημερομηνία αγοράς του προϊόντος. Η ημερομηνία αυτή πρέπει να τεκμηριώνεται από τιμολόγιο ή άλλη απόδειξη αγοράς. Το προϊόν είναι σχεδιασμένο μόνο για καταναλωτική και ιδιωτική χρήση. Η εγγύηση δεν ισχύει σε περίπτωση επαγγελματικής ή εμπορικής χρήσης.
- Σε ορισμένες περιπτώσεις (δηλ. προώθηση, σειρά εργαλείων) υπάρχει η δυνατότητα παράτασης της περιόδου εγγύησης πέραν της αναφερόμενης περιόδου παραπάνω, μέσω εγγραφής στην ιστοσελίδα [www.ryobitools.eu](http://www.ryobitools.eu). Η δυνατότητα συμμετοχής του εκάστοτε εργαλείου δηλώνεται σαφώς στα καταστήματα και/ή τη συσκευασία του. Ο τελικός χρήστης πρέπει να εγγραφεί αναφέροντας τα στοιχεία του εργαλείου online εντός 8 ημερών από την ημερομηνία αγοράς. Ο τελικός χρήστης μπορεί να εγγραφεί για την παρατεταμένη εγγύηση στη χώρα κατοικίας του αν περιέχεται στην online φόρμα εγγραφής, όπου ισχύει αυτή η επιλογή. Επιπλέον, οι τελικοί χρήστες πρέπει να δώσουν τη συγκατάθεσή τους για την αποθήκευση των δεδομένων που συλλέγονται online και πρέπει να δεχθούν τους όρους και τις διατάξεις. Η απόδειξη επιβεβαίωσης εγγραφής, που αποστέλλεται μέσω e-mail και το πρωτότυπο τιμολόγιο που φέρει την ημερομηνία αγοράς, λειτουργούν ως αποδεικτικά στοιχεία για την παρατεταμένη περίοδο εγγύησης. Τα νομικά δικαιώματά σας δεν επηρεάζονται.
- Η εγγύηση καλύπτει κάθε τυχόν ατέλεια του προϊόντος στη διάρκεια ισχύος της, εξαιτίας κατασκευαστικών ατελειών ή ατελειών του υλικού κατά την ημερομηνία αγοράς. Η εγγύηση περιορίζεται στην επισκευή και/ή αντικατάσταση και δεν περιλαμβάνει άλλες υποχρεώσεις, συμπεριλαμβανόμενες μεταξύ άλλων θετικής ή αποθετικής ζημίας. Η εγγύηση δεν ισχύει αν το προϊόν έχει χρησιμοποιηθεί με εσφαλμένο τρόπο, ανιχνεί με τις οδηγίες του χειριδιού χρήσης ή έχει συνδεθεί εσφαλμένα. Η εγγύηση δεν ισχύει στα κάτωθι:
  - οποιαδήποτε βλάβη στο προϊόν ως συνέπεια εσφαλμένης συντήρησης
  - οποιαδήποτε τροποποίηση ή παραλλαγή του προϊόντος
  - προϊόντα ή αρχική ταυτοποίηση των οποίων (σήμα κατατεθέν, σειριακός αριθμός) έχει αλλοιωθεί, αλλάξει ή αφαιρεθεί
  - οποιαδήποτε βλάβη προκληθεί από μη τήρηση των οδηγιών στο χειρίδιο λειτουργίας
  - οποιαδήποτε μη CE προϊόν
  - οποιαδήποτε προϊόν στο οποίο έχει γίνει απόπειρα επισκευής από μη εγκεκριμένο επαγγελματία ή χωρίς προηγούμενη εξουσιοδότηση της Techtronic Industries
  - οποιαδήποτε προϊόν συνδέσει σε ακατάλληλη παροχή ρεύματος (αμπερ, τάση, συχνότητα)
  - οποιαδήποτε βλάβη προκληθεί από εξωτερικές επιρροές (χημικές, φυσικές, κρούσιμους) ή ξένες ουσίες
  - φυσική φθορά των ανταλλακτικών
  - ανάρροστη χρήση, υπερφόρτωση του εργαλείου
  - χρήση μη εγκεκριμένων εξαρτημάτων ή ανταλλακτικών
  - καρμπιρατέρ μετά από 6 μήνες, προσαρμογές καρμπιρατέρ μετά από 6 μήνες
  - εξαρτήματα εργαλείου που παρέχονται με το εργαλείο ή αγοράστηκαν ξεχωριστά. Οι εξαιρέσεις αυτές περιλαμβάνουν μεταξύ άλλων εξαρτήματα καταβιδιών, εξαρτήματα τρυπανιών, λειαντικούς δίσκους, γυαλόχαρτο και λεπίδες, πλεουρικό οδηγό
  - ενότητες (εξαρτήματα και ανταλλακτικά) που υπόκεινται σε φυσική φθορά, συμπεριλαμβανομένων μεταξύ άλλων ψεκτρών, τσοκ, καλωδίων ρεύματος, βοηθητικών λαβών, πλακετών λείανσης, σκαουλών σκόνης, σωλήνων εξάτμισης σκόνης
- Για αιτήματα σέρβις, το προϊόν πρέπει να σταλεί ή παραδοθεί σε εξουσιοδοτημένο σταθμό σέρβις της RYOBI, όπως αναγράφονται για κάθε χώρα στην παρακάτω λίστα. Σε ορισμένες χώρες, ο τοπικός αντιπρόσωπος της RYOBI αναλαμβάνει την αποστολή του προϊόντος στον οργανισμό σέρβις RYOBI. Όταν στέλνεται ένα προϊόν σε σταθμό σέρβις της RYOBI, το προϊόν θα πρέπει να είναι συσκευασμένο με ασφάλεια, χωρίς επικίνδυνα περιεχόμενα όπως βενζίνη ή με αναφορά της διεύθυνσης του αποστολέα, ενώ θα πρέπει να συνοδεύεται και από σύντομη περιγραφή του προβλήματος.
- Επισκευές / αντικαταστάσεις στα πλαίσια της εγγύησης παρέχονται δωρεάν. Δεν παρέχεται παράταση ή επανεκκίνηση της περιόδου εγγύησης. Τα εξαρτήματα ή εργαλεία που αντικαθίστανται, περιέρχονται στην ιδιοκτησία μας. Σε ορισμένες χώρες, ισχύουν χρεώσεις παράδοσης ή ταχυδρομικά τέλη που καταβάλλονται από τον αποστολέα.
- Η εγγύηση ισχύει στην Ευρωπαϊκή Κοινότητα, την Ελλάδα, την Ισπανία, τη Νορβηγία, το Λιχτενστάιν, την Τουρκία και τη Ρωσία. Εκτός αυτών των περιοχών, παρακαλούμε επικοινωνήστε με τον εξουσιοδοτημένο αντιπρόσωπο της RYOBI για να εξεκριθείτε εάν ισχύουν άλλες εγγυήσεις.

## ΕΞΟΥΣΙΟΔΟΤΗΜΕΝΟ ΚΕΝΤΡΟ ΣΕΡΒΙΣ

Για να εντοπίσετε ένα εξουσιοδοτημένο κέντρο σέρβις στην περιοχή σας, επισκεφτείτε τη σελίδα <http://uk.ryobitools.eu/header/service-and-support/service-agents>.

## TR GARANTİ

Bu satın alma işleminden doğan tüm yasal haklara ek olarak, bu ürün aşağıda açıklanan garanti kapsamındadır.

- Garanti süresi tüketiciler için 24 aydır ve bu süre ürünün satın alınması ile başlar. Bu tarih fatura veya başka bir satın alma belgesi ile kanıtlanmalıdır. Ürün sadece tüketici ve bireysel kullanım için tasarlanmıştır ve sunulmuştur. Profesyonel veya ticari amaçlı kullanımlarda garanti verilmaz.
- Bazı durumlarda (örn. tanıtım, aletlerin düzenlenmesi), yukarıda belirtilen garanti süresi uzatılabilir. Bunun için [www.ryobitools.eu](http://www.ryobitools.eu) Internet sitesindeki kaydı yapmak gerekir. Aletin nitelikleri mağazalarda ve/veya ambalaj üzerinde açıkça belirtilmiştir. Son kullanıcı, aleti satın aldıktan sonra en geç 8 gün içinde aletin kaydını çevrim içi olarak yapmalıdır. Son kullanıcı, garanti uzatma seçeneğinin geçerli olduğu ülkelerden birindeyse kayıt yaptırarak bu fırsattan yararlanabilir. Ayrıca, son kullanıcılar çevrim içi giriş yapmak için gerekli olan verilerin saklanması için izni verilmeli, şartlar ve koşulları kabul etmelidir. E-posta ile gönderilen kayıt onay belgesi ve satın alma tarihini belgeleyen orijinal fatura garantinin uzatılmasını sağlamak için kanıt niteliği taşımaktadır. Yasal haklarını aynı kalacaktır.
- Garanti, ürünün satın alın tarihindeki tüm işçilik ve malzeme kusurlarından kaynaklanan tüm sorunları garanti süresi içinde kapsamaktadır. Garanti onarım ve/veya değiştirilme işi sınırlıdır ve sadece istenmeyen arızalar, vb. durumlarda herhangi bir sorumluk kabul edilmez. Ürünün yanlış kullanılması, kullanım kılavuzuna uygun kullanılmaması veya yanlış bağlanmış kurulumunda garanti geçerliliğini yitirir. Garanti kapsamı dışındaki durumlar:
  - bakımın yanlış yapılmasından kaynaklanan tüm hasarlar
  - ürünün değiştirilmesi veya düzenlenmesi
  - ürünün orijinal teşhis (ticari sembol, seri numarası) işaretlerinin tahrip olması, değiştirilmesi veya çıkarılması
  - kullanım kılavuzunun dikkate alınmaması nedeniyle oluşan tüm hasarlar
  - ürünün AB ürünü olmaması
  - ürünün kalifiye olmayan bir kişi tarafından veya Techtronic Industries'in izni olmadan onarılmaya çalışılması
  - ürünün yanlış güç desteğine (amper, voltaj, frekans) bağlanması
  - dış etkenler (kimyasal, fiziksel, darbeler) veya yabancı cisimlerden kaynaklanan arızalar
  - yedek parçaların normal aşınması ve yıpranması
  - yanlış kullanım, aletin fazla yüklenmesi
  - onaylanmayan aksesuarların veya parçaların kullanılması
  - karbüratörü sistemlerde karbüratör ayarlarının 6 ayın ardından yapılması
  - elektronik alet aksesuarlarının alet ile birlikte veya ayrı olarak satın alınması. Akülü vidalama aletleri, matkap uçları, aşındırıcı diskler, zımpara kağıdı ve bıçaklar, yatay kılavuz gibi parçaların dahil olduğu, ancak bu parçalarla sınırlı olmayan istisnalar
  - karbon fırıncılar, kovan, elektrik kablo, yardımcı kol, kumlama plakası, toz torbası, toz egzoz borusu gibi parçaların bulunduğu, ancak bu parçalarla sınırlı olmayan doğal aşınma ve yıpranmaya maruz kalan bileşenler
- Tamir işlemi için ürünün, her ülke için listelenmiş olan aşağıdaki servis istasyonu adreslerinde bulunan bir RYOBI yetkili servis istasyonuna gönderilmesi veya verilmesi gerekir. Bazı ülkelerde yerel RYOBI satıcınız ürünü RYOBI servis istasyonuna gönderme işlemi üstlenir. RYOBI servis istasyonuna gönderilen ürün; içinde petrol gibi tehlikeli maddeler olmadan emniyetli bir şekilde paketlenmeli, gönderilen adresini ve sorunun kısa bir açıklamasını içermelidir.
- Bu garanti kapsamında gerçekleşen bir onarım/değişim ücretsizdir. Bu tarz işlemler garanti süresini uzatmaz veya yeniden başlatmaz. Değiştirilen parçalar veya aletler firmamıza ait olur. Bazı ülkelerde teslimat masrafları veya posta ücreti gönderici tarafından ödenmelidir.
- Bu garanti Avrupa Birliği, İsviçre, İzlanda, Norveç, Lihtenştayn, Türkiye ve Rusya'da geçerlidir. Bu bölgelerin dışında yer alan müşterilerin diğer garanti seçenekleri için yetkili RYOBI satıcısına danışmaları gerekir.

## YETKİLİ SERVİS MERKEZİ

En yakın yetkili servis merkezini öğrenmek için <http://uk.ryobitools.eu/header/service-and-support/service-agents> sitesine girin.



**(EN) EC DECLARATION OF CONFORMITY**

Technronic Industries GmbH  
Max-Eyth-Straße 10, 71364 Winnenden, Germany

Herewith we declare that the product

Mitre Saw  
Brand: Ryobi  
Model number: EMS254L  
Serial number range: 44443201000001 - 44443201999999

is in conformity with the following European Directives and harmonised standards  
2006/42/EC, 2004/108/EC (until 19 Apr. 2016), 2014/30/EU (from 20 Apr. 2016),  
2011/65/EU  
EN55014-1:2006+A1:2009+A2:2011; EN55014-2:1997+A1:2001+A2:2008;  
EN61000-3-2:2006+A1:2009+A2:2009; EN61000-3-11:2000;  
EN 61029-1:2009+A11:2010; EN 61029-2-9:2012+A11:2013  
RoHS documentation is compiled according to EN 50581:2012

Andrew John Eyre (BEng, CEng, MIET)  
Vice President, Regulatory & Safety  
Winnenden, May 20, 2015



Authorised to compile the technical file:  
Alexander Krug, Managing Director  
Technronic Industries GmbH  
Max-Eyth-Straße 10, 71364 Winnenden, Germany

**(FR) DÉCLARATION DE CONFORMITÉ EC**

Technronic Industries GmbH  
Max-Eyth-Straße 10, 71364 Winnenden, Germany

Déclarons par la présente que le produit

Scie à onglet  
Marque: Ryobi  
Numéro de modèle: EMS254L  
Étendue des numéros de série: 44443201000001 - 44443201999999

est conforme aux Directives Européennes et Normes Harmonisées suivantes  
2006/42/EC, 2004/108/EC (jusqu'au 19 Avril 2016), 2014/30/EU (à partir du 20  
Avril 2016), 2011/65/EU  
EN55014-1:2006+A1:2009+A2:2011; EN55014-2:1997+A1:2001+A2:2008;  
EN61000-3-2:2006+A1:2009+A2:2009; EN61000-3-11:2000;  
EN 61029-1:2009+A11:2010; EN 61029-2-9:2012+A11:2013  
La documentation RoHS a été dressée d'après EN 50581:2012

Andrew John Eyre (BEng, CEng, MIET)  
Vice-Président, Réglementation & Sécurité  
Winnenden, May 20, 2015



Autorisé à rédiger le dossier technique:  
Alexander Krug, Directeur Général  
Technronic Industries GmbH  
Max-Eyth-Straße 10, 71364 Winnenden, Germany

**(DE) EC KONFORMITÄTSERKLÄRUNG**

Technronic Industries GmbH  
Max-Eyth-Straße 10, 71364 Winnenden, Germany

Hiermit erklären wir, dass die Produkte

Gehrungssäge  
Marke: Ryobi  
Modellnummer: EMS254L  
Seriennummernbereich: 44443201000001 - 44443201999999

den folgenden europäischen Richtlinien und harmonisierten Normen entspricht  
2006/42/EC, 2004/108/EC (bis 19 April 2016), 2014/30/EU (ab 20 April 2016),  
2011/65/EU  
EN55014-1:2006+A1:2009+A2:2011; EN55014-2:1997+A1:2001+A2:2008;  
EN61000-3-2:2006+A1:2009+A2:2009; EN61000-3-11:2000;  
EN 61029-1:2009+A11:2010; EN 61029-2-9:2012+A11:2013  
RoHS Dokumentation ist gemäß EN 50581:2012 zusammengestellt

Andrew John Eyre (BEng, CEng, MIET)  
Vizepräsident, Vorschriften und Sicherheit  
Winnenden, May 20, 2015



Autorisiert die technische Datei zu erstellen:  
Alexander Krug, Geschäftsführer  
Technronic Industries GmbH  
Max-Eyth-Straße 10, 71364 Winnenden, Germany

**(ES) DECLARACIÓN EC DE CONFORMIDAD**

Technronic Industries GmbH  
Max-Eyth-Straße 10, 71364 Winnenden, Germany

Por la presente declaramos que los productos

Ingletadora  
Marca: Ryobi  
Número de modelo: EMS254L  
Intervalo del número de serie: 44443201000001 - 44443201999999

se encuentra en conformidad con las siguientes Directivas Europeas y normas armonizadas  
2006/42/EC, 2004/108/EC (hasta 19 Abril 2016), 2014/30/EU (desde 20 Abril  
2016), 2011/65/EU  
EN55014-1:2006+A1:2009+A2:2011; EN55014-2:1997+A1:2001+A2:2008;  
EN61000-3-2:2006+A1:2009+A2:2009; EN61000-3-11:2000;  
EN 61029-1:2009+A11:2010; EN 61029-2-9:2012+A11:2013  
Documentación sobre restricción de sustancias peligrosas (RoHS) recopilada según la  
norma EN 50581:2012

Andrew John Eyre (BEng, CEng, MIET)  
Vicepresidente, Director General de Normativa y Seguridad  
Winnenden, May 20, 2015



Autorizado para elaborar la ficha técnica:  
Alexander Krug, Administrador Ejecutivo  
Technronic Industries GmbH  
Max-Eyth-Straße 10, 71364 Winnenden, Germany

**(IT) DICHIARAZIONE DI CONFORMITÀ EC**

Technronic Industries GmbH  
Max-Eyth-Straße 10, 71364 Winnenden, Germany

Si dichiara con la presente che il prodotto

Sega per tagli obliqui  
Marca: Ryobi  
Numero modello: EMS254L  
Gamma numero seriale: 44443201000001 - 44443201999999

è conforme alle seguenti Direttive Europee e ai seguenti standard armonizzati  
2006/42/EC, 2004/108/EC (fino a 19 Aprile 2016), 2014/30/EU (fino a 20 Aprile  
2016), 2011/65/EU  
EN55014-1:2006+A1:2009+A2:2011; EN55014-2:1997+A1:2001+A2:2008;  
EN61000-3-2:2006+A1:2009+A2:2009; EN61000-3-11:2000;  
EN 61029-1:2009+A11:2010; EN 61029-2-9:2012+A11:2013  
La documentazione RoHS è stata compilata come indicato dalle norme EN 50581:2012

Andrew John Eyre (BEng, CEng, MIET)  
Vice-Presidente, Dipartimento Regolazioni & Sicurezza  
Winnenden, May 20, 2015



Autorizzato per compilare il file tecnico:  
Alexander Krug, Direttore Amministrativo  
Technronic Industries GmbH  
Max-Eyth-Straße 10, 71364 Winnenden, Germany

**(NL) EC CONFORMITEITSVERKLARING**

Technronic Industries GmbH  
Max-Eyth-Straße 10, 71364 Winnenden, Germany

Hierbij verklaren wij dat het product

Verstekzaag  
Merk: Ryobi  
Modelnummer: EMS254L  
Serienumbereik: 44443201000001 - 44443201999999

is in overeenstemming met de volgende Europese Richtlijnen en geharmoniseerde  
normen  
2006/42/EC, 2004/108/EC (tot 19 April 2016), 2014/30/EU (vanaf 20 April 2016),  
2011/65/EU  
EN55014-1:2006+A1:2009+A2:2011; EN55014-2:1997+A1:2001+A2:2008;  
EN61000-3-2:2006+A1:2009+A2:2009; EN61000-3-11:2000;  
EN 61029-1:2009+A11:2010; EN 61029-2-9:2012+A11:2013  
RoHS-documentatie is samengesteld in overeenstemming met EN 50581:2012

Andrew John Eyre (BEng, CEng, MIET)  
Vice-president, Regelgeving en Veiligheid  
Winnenden, May 20, 2015



Afgevaardigde voor het samenstellen van de technische fiche:  
Alexander Krug, Directeur  
Technronic Industries GmbH  
Max-Eyth-Straße 10, 71364 Winnenden, Germany



**PT** DECLARAÇÃO EC DE CONFORMIDADE

Techtronic Industries GmbH  
Max-Eyth-Straße 10, 71364 Winnenden, Germany

*Pelo presente declaramos que os produtos*

Serra de esquadria  
Marca: Ryobi  
Número do modelo: EMS254L  
Intervalo do número de série: 44443201000001 - 44443201999999

*se encontra em conformidade com as seguintes Directivas Europeias e normas harmozadas*

2006/42/EC, 2004/108/EC (até 19 Abril 2016), 2014/30/EU (desde 20 Abril 2016),  
2011/65/EU  
EN55014-1:2006+A1:2009+A2:2011; EN55014-2:1997+A1:2001+A2:2008;  
EN61000-3-2:2006+A1:2009+A2:2009; EN61000-3-11:2000;  
EN 61029-1:2009+A11:2010; EN 61029-2-9:2012+A11:2013

*Documentação sobre restrição de substâncias perigosas (RoHS) compilada segundo a norma EN 50581:2012*

Andrew John Eyre (BEng, CEng, MIET)  
Vice-Presidente, Regulação e Segurança  
Winnenden, May 20, 2015

Autorizado para compilar o ficheiro técnico:

Alexander Krug, Administrator Executivo  
Techtronic Industries GmbH  
Max-Eyth-Straße 10, 71364 Winnenden, Germany

**DA** EC OVERENSSTEMMELSESEKSLÆRING

Techtronic Industries GmbH  
Max-Eyth-Straße 10, 71364 Winnenden, Germany

*Vi erklærer hermed, at produktet*

Geringssav  
Brand: Ryobi  
Modelnummer: EMS254L  
Serienummerområde: 44443201000001 - 44443201999999

*er i overensstemmelse med følgende EU-direktiver og harmoniserede standarder*

2006/42/EC, 2004/108/EC (indtil 19 April 2016), 2014/30/EU (fra 20 April 2016),  
2011/65/EU  
EN55014-1:2006+A1:2009+A2:2011; EN55014-2:1997+A1:2001+A2:2008;  
EN61000-3-2:2006+A1:2009+A2:2009; EN61000-3-11:2000;  
EN 61029-1:2009+A11:2010; EN 61029-2-9:2012+A11:2013

*RoHS-dokumentationen er udarbejdet i henhold til EN 50581:2012*

Andrew John Eyre (BEng, CEng, MIET)  
Vicepresident, Regler og Sikkerhed  
Winnenden, May 20, 2015

Bemyndiget til at udarbejde det tekniske kartotte:

Alexander Krug, Administrerende Direktør  
Techtronic Industries GmbH  
Max-Eyth-Straße 10, 71364 Winnenden, Germany

**SV** EC-KONFORMITETSDEKLARATION

Techtronic Industries GmbH  
Max-Eyth-Straße 10, 71364 Winnenden, Germany

*Härmed deklarerar vi att produkterna*

Geringssåg  
Märke: Ryobi  
Modellnummer: EMS254L  
Serienummerintervall: 44443201000001 - 44443201999999

*är i enlighet med följande EU-direktiv och harmoniserade standarder*

2006/42/EC, 2004/108/EC (till och med 19 April 2016), 2014/30/EU (från och med  
20 April 2016), 2011/65/EU  
EN55014-1:2006+A1:2009+A2:2011; EN55014-2:1997+A1:2001+A2:2008;  
EN61000-3-2:2006+A1:2009+A2:2009; EN61000-3-11:2000;  
EN 61029-1:2009+A11:2010; EN 61029-2-9:2012+A11:2013

*RoHS-dokumentation sammanställd enligt EN 50581:2012*

Andrew John Eyre (BEng, CEng, MIET)  
Vice President, Regelverk och Säkerhet  
Winnenden, May 20, 2015

Godkänd att sammanställa den tekniska filen:

Alexander Krug, VD  
Techtronic Industries GmbH  
Max-Eyth-Straße 10, 71364 Winnenden, Germany

**FI** EC-SÄÄNNÖSTEN NOUDATTAMINEN

Techtronic Industries GmbH  
Max-Eyth-Straße 10, 71364 Winnenden, Germany

*Ilmoittamme täten, että tuotteet*

Viistesaha  
Tuotemerkki: Ryobi  
Mallinumero: EMS254L  
Sarjanumeroalue: 44443201000001 - 44443201999999

*noudattaa seuraavia EU-direktiivejä ja harmonoituja standardeja*

2006/42/EC, 2004/108/EC (19 April 2016 saakka), 2014/30/EU (20 April 2016  
alkaen), 2011/65/EU  
EN55014-1:2006+A1:2009+A2:2011; EN55014-2:1997+A1:2001+A2:2008;  
EN61000-3-2:2006+A1:2009+A2:2009; EN61000-3-11:2000;  
EN 61029-1:2009+A11:2010; EN 61029-2-9:2012+A11:2013

*RoHS-dokumentaatio on koottu standardin EN 50581:2012 mukaisesti*

Andrew John Eyre (BEng, CEng, MIET)  
Varatoimitusjohtaja, Säädöstenmukaisuus ja Turvallisuus  
Winnenden, May 20, 2015

Valtuutettu kokoamaan tekninen tiedosto:

Alexander Krug, Toimitusjohtaja  
Techtronic Industries GmbH  
Max-Eyth-Straße 10, 71364 Winnenden, Germany

**NO** EC-SAMSVARSEKSLÆRING

Techtronic Industries GmbH  
Max-Eyth-Straße 10, 71364 Winnenden, Germany

*Herved erklærer vi at produktet*

Gjærsag  
Merke: Ryobi  
Modellnummer: EMS254L  
Serienummerserie: 44443201000001 - 44443201999999

*er i samsvar med følgende europeiske direktiver og harmoniserte standarder*

2006/42/EC, 2004/108/EC (til 19 April 2016), 2014/30/EU (fra 20 April 2016),  
2011/65/EU  
EN55014-1:2006+A1:2009+A2:2011; EN55014-2:1997+A1:2001+A2:2008;  
EN61000-3-2:2006+A1:2009+A2:2009; EN61000-3-11:2000;  
EN 61029-1:2009+A11:2010; EN 61029-2-9:2012+A11:2013

*RoHS dokumentasjonen er skrevet i samsvar med EN 50581:2012*

Andrew John Eyre (BEng, CEng, MIET)  
Visepresident, Forskifter og Sikkerhet  
Winnenden, May 20, 2015

Autorisert til å sette sammen den tekniske filen:

Alexander Krug, Administrerende Direktør  
Techtronic Industries GmbH  
Max-Eyth-Straße 10, 71364 Winnenden, Germany

**RU** ЗАЯВЛЕНИЕ О СООТВЕТСТВИИ ТРЕБОВАНИЯМ ЕС

Techtronic Industries GmbH  
Max-Eyth-Straße 10, 71364 Winnenden, Germany

*Настоящим мы заявляем, что данный продукт*

Торцово-усовочная пила  
Марка: Ryobi  
Номер модели: EMS254L  
Диапазон заводских номеров: 44443201000001 - 44443201999999

*соответствует требованиям следующих Директив ЕС и согласованных стандартов*

2006/42/EC, 2004/108/EC (до 19 апреля 2016), 2014/30/EU (с 20 April 2016),  
2011/65/EU  
EN55014-1:2006+A1:2009+A2:2011; EN55014-2:1997+A1:2001+A2:2008;  
EN61000-3-2:2006+A1:2009+A2:2009; EN61000-3-11:2000;  
EN 61029-1:2009+A11:2010; EN 61029-2-9:2012+A11:2013

*Документация RoHS соответствует стандарту EN 50581:2012*

Andrew John Eyre (BEng, CEng, MIET)  
Вице-Президент По Технике Безопасности И Стандартам  
Winnenden, May 20, 2015

Лицо, ответственное за подготовку технической документации:

Alexander Krug, Директор  
Techtronic Industries GmbH  
Max-Eyth-Straße 10, 71364 Winnenden, Germany



## PL DEKLARACJA ZGODNOŚCI EC

Techtronic Industries GmbH  
Max-Eyth-Straße 10, 71364 Winnenden, Germany

*Niniejszym deklarujemy, że produkty*

Pilarka ukosowa  
Marka: Ryobi  
Numer modelu: EMS254L  
Zakres numerów seryjnych: 44443201000001 - 44443201999999

jest zgodny z następującymi dyrektywami europejskimi i zharmonizowanymi normami  
2006/42/EC, 2004/108/EC (do 19 April 2016), 2014/30/EU (od 19 April 2016),  
2011/65/EU  
EN55014-1:2006+A1:2009+A2:2011; EN55014-2:1997+A1:2001+A2:2008;  
EN61000-3-2:2006+A1:2009+A2:2009; EN61000-3-11:2000;  
EN 61029-1:2009+A11:2010; EN 61029-2-9:2012+A11:2013

Dokumentacja RoHS została opracowana zgodnie z normą EN 50581:2012

Andrew John Eyre (BEng, CEng, MIET)  
Wiceprezes ds. Zgodności Prawnej i Bezpieczeństwa  
Winnenden, May 20, 2015



Osoba upoważniona do sporządzenia dokumentu technicznego:

Alexander Krug, Dyrektor Zarządzający  
Techtronic Industries GmbH  
Max-Eyth-Straße 10, 71364 Winnenden, Germany

## CS PROHLÁŠENÍ O SHODĚ EC

Techtronic Industries GmbH  
Max-Eyth-Straße 10, 71364 Winnenden, Germany

*Tímto prohlašujeme, že výrobky*

Pokosová píla  
Značka: Ryobi  
Číslo modelu: EMS254L  
Rozsah sériových čísel: 44443201000001 - 44443201999999

že tento výrobek je v souladu s evropskými a harmonizovanými standardy  
2006/42/EC, 2004/108/EC (do 19 April 2016), 2014/30/EU (od 20 April 2016),  
2011/65/EU  
EN55014-1:2006+A1:2009+A2:2011; EN55014-2:1997+A1:2001+A2:2008;  
EN61000-3-2:2006+A1:2009+A2:2009; EN61000-3-11:2000;  
EN 61029-1:2009+A11:2010; EN 61029-2-9:2012+A11:2013

RoHS dokumentace sestavena dle EN 50581:2012

Andrew John Eyre (BEng, CEng, MIET)  
Viceprezident, Normy a Bezpečnost  
Winnenden, May 20, 2015



Pověření ke kompilaci technického souboru:

Alexander Krug, Generální ředitel  
Techtronic Industries GmbH  
Max-Eyth-Straße 10, 71364 Winnenden, Germany

## HU EC MEGFELELŐSÉGI NYILATKOZAT

Techtronic Industries GmbH  
Max-Eyth-Straße 10, 71364 Winnenden, Germany

*Ezúton kijelentjük, hogy a termék*

Gérvágó fűrész  
Márka: Ryobi  
Típuszám: EMS254L  
Sorozatszám tartomány: 44443201000001 - 44443201999999

megfelel az alábbi Európai Irányelvek és harmonizált szabványok vonatkozó rendelkezésének

2006/42/EC, 2004/108/EC (2016 April 19-ig), 2014/30/EU (2016 April 19-től),  
2011/65/EU  
EN55014-1:2006+A1:2009+A2:2011; EN55014-2:1997+A1:2001+A2:2008;  
EN61000-3-2:2006+A1:2009+A2:2009; EN61000-3-11:2000;  
EN 61029-1:2009+A11:2010; EN 61029-2-9:2012+A11:2013

A RoHS dokumentáció összeállítására az EN 50581:2012 szerint történt

Andrew John Eyre (BEng, CEng, MIET)  
Alelnök, Megfelelőségi és Biztonsági Területek  
Winnenden, May 20, 2015



A műszaki dokumentáció összeállítására felhatalmazott:

Alexander Krug, Ügyvezető Igazgató  
Techtronic Industries GmbH  
Max-Eyth-Straße 10, 71364 Winnenden, Germany

## RO DECLARAȚIE DE CONFORMITATE EC

Techtronic Industries GmbH  
Max-Eyth-Straße 10, 71364 Winnenden, Germany

*Prin prezenta, declarăm că produsele*

Ferăstrău unghiular  
Marcă: Ryobi  
Număr serie: EMS254L  
Gamă număr serie: 44443201000001 - 44443201999999

este în conformitate cu următoarele Directive Europene și standarde armonizate  
2006/42/EC, 2004/108/EC (până la 19 April 2016), 2014/30/EU (de la 20 April  
2016), 2011/65/EU  
EN55014-1:2006+A1:2009+A2:2011; EN55014-2:1997+A1:2001+A2:2008;  
EN61000-3-2:2006+A1:2009+A2:2009; EN61000-3-11:2000;  
EN 61029-1:2009+A11:2010; EN 61029-2-9:2012+A11:2013

Documentația RoHS este întocmită în conformitate cu EN 50581:2012

Andrew John Eyre (BEng, CEng, MIET)  
Vicepreședinte, Reglementare & Siguranță  
Winnenden, May 20, 2015



Autorizat să completeze fișa tehnică:

Alexander Krug, Director General  
Techtronic Industries GmbH  
Max-Eyth-Straße 10, 71364 Winnenden, Germany

## LV EC ATBILSTĪBAS DEKLARĀCIJA

Techtronic Industries GmbH  
Max-Eyth-Straße 10, 71364 Winnenden, Germany

*Ar šo paziņojam, ka produkti*

Leņķzāģis  
Zīmols: Ryobi  
Modeļa numurs: EMS254L  
Sērijas numura intervāls: 44443201000001 - 44443201999999

atbilst šādām Eiropas direktīvām un saskaņotajiem standartiem  
2006/42/EC, 2004/108/EC (līdz 19 April 2016), 2014/30/EU (no 20 April 2016),  
2011/65/EU  
EN55014-1:2006+A1:2009+A2:2011; EN55014-2:1997+A1:2001+A2:2008;  
EN61000-3-2:2006+A1:2009+A2:2009; EN61000-3-11:2000;  
EN 61029-1:2009+A11:2010; EN 61029-2-9:2012+A11:2013

RoHS dokumentācija ir izstrādāta saskaņā ar EN 50581:2012

Andrew John Eyre (BEng, CEng, MIET)  
Viceprezidents, Darba Drošības Noteikumi  
Winnenden, May 20, 2015



Pilnvarots sastādīt tehnisko failu:

Alexander Krug, Izpilddirektors  
Techtronic Industries GmbH  
Max-Eyth-Straße 10, 71364 Winnenden, Germany

## LT EC ATITIKTIES PAREIŠKIMAS

Techtronic Industries GmbH  
Max-Eyth-Straße 10, 71364 Winnenden, Germany

*Mes pareiškiame, kad šie produktai*

Skersinis pjūklas  
Prekės ženklas: Ryobi  
Modelio numeris: EMS254L  
Serijinio numerio diapazonas: 44443201000001 - 44443201999999

pagamintas laikantis toliau nurodytųjų Europos Direktyvų ir darniųjų standartų  
2006/42/EC, 2004/108/EC (iki 2016 m. April 19 d.), 2014/30/EU (nuo 2016 m. April  
20 d.), 2011/65/EU

EN55014-1:2006+A1:2009+A2:2011; EN55014-2:1997+A1:2001+A2:2008;  
EN61000-3-2:2006+A1:2009+A2:2009; EN61000-3-11:2000;  
EN 61029-1:2009+A11:2010; EN 61029-2-9:2012+A11:2013

Tam tikrų pavojingų medžiagų naudojimo elektros ir elektroninėje įrangoje apri bojimo dokumentai sudaryti pagal standartą EN 50581:2012

Andrew John Eyre (BEng, CEng, MIET)  
Kontrolės Ir Saugos Viceprezidentas  
Winnenden, May 20, 2015



Igaliotas sudaryti techninį failą:

Alexander Krug, Generalinis Direktorius  
Techtronic Industries GmbH  
Max-Eyth-Straße 10, 71364 Winnenden, Germany





**ET** EC VASTAVUSDEKLARATSIOON

Techtronic Industries GmbH  
Max-Eyth-Straße 10, 71364 Winnenden, Germany

**Kinnitame, et see toode**

Miilusaag  
Mark: Ryobi  
Mudelil number: EMS254L  
Seerianumbri vahemik: 44443201000001 - 44443201999999

vastab järgmistele Euroopa direktiividele ja harmoniseeritud standarditele  
2006/42/EC, 2004/108/EC (kuni 19 April 2016), 2014/30/EU (alates 19 April 2016),  
2011/65/EU  
EN55014-1:2006+A1:2009+A2:2011; EN55014-2:1997+A1:2001+A2:2008;  
EN61000-3-2:2006+A1:2009+A2:2009; EN61000-3-11:2000;  
EN 61029-1:2009+A11:2010; EN 61029-2-9:2012+A11:2013

RoHS dokumentid on koostatud vastavuses standardi EN 50581:2012 nõuetele.

Andrew John Eyre (BEng, CEng, MIET)  
Asepresident Standardiseerimise Ja Ohutuse Alal  
Winnenden, May 20, 2015

**Tehnilise faili koostamiseks volitud isik:**

Alexander Krug, Tegevdirektor  
Techtronic Industries GmbH  
Max-Eyth-Straße 10, 71364 Winnenden, Germany

CE

**SK** PREHLÁSENIE O ZHODE EC

Techtronic Industries GmbH  
Max-Eyth-Straße 10, 71364 Winnenden, Germany

**Týmto vyhlasujeme, že výrobok**

Rozbrusovačka  
Značka: Ryobi  
Číslo modelu: EMS254L  
Rozsah sériových čísiel: 44443201000001 - 44443201999999

je v súlade s nasledujúcimi Európskymi smernicami a harmonizovanými normami  
2006/42/EC, 2004/108/EC (do 19 April 2016), 2014/30/EU (od 20 April 2016),  
2011/65/EU  
EN55014-1:2006+A1:2009+A2:2011; EN55014-2:1997+A1:2001+A2:2008;  
EN61000-3-2:2006+A1:2009+A2:2009; EN61000-3-11:2000;  
EN 61029-1:2009+A11:2010; EN 61029-2-9:2012+A11:2013  
Dokumentácia RoHS je zostavená podľa EN 50581:2012

Andrew John Eyre (BEng, CEng, MIET)  
Viceprezident, Regulácia a Bezpečnosť  
Winnenden, May 20, 2015

**Oprávnená osoba na zostavenie technického súboru:**

Alexander Krug, Generálny Riaditeľ  
Techtronic Industries GmbH  
Max-Eyth-Straße 10, 71364 Winnenden, Germany

CE

**HR** EC IZJAVA O USKLADENOSTI

Techtronic Industries GmbH  
Max-Eyth-Straße 10, 71364 Winnenden, Germany

**Ovime izjavljujemo da su proizvodi**

Kutna pila  
Marka: Ryobi  
Broj modela: EMS254L  
Raspon serijskog broja: 44443201000001 - 44443201999999

usklađen sa sljedećim Europskim Direktivama i usklađenim normama  
2006/42/EC, 2004/108/EC (do 19 April 2016), 2014/30/EU (da 20 April 2016),  
2011/65/EU  
EN55014-1:2006+A1:2009+A2:2011; EN55014-2:1997+A1:2001+A2:2008;  
EN61000-3-2:2006+A1:2009+A2:2009; EN61000-3-11:2000;  
EN 61029-1:2009+A11:2010; EN 61029-2-9:2012+A11:2013  
RoHS dokumentacija sukladna je EN 50581:2012

Andrew John Eyre (BEng, CEng, MIET)  
Potpredsjednik za Pravila i Sigurnost  
Winnenden, May 20, 2015

**Ovlašten da sastavi tehničku datoteku:**

Alexander Krug, Direktor Upravljanja  
Techtronic Industries GmbH  
Max-Eyth-Straße 10, 71364 Winnenden, Germany

CE

**EL** ΕΚ ΔΗΛΩΣΗ ΣΥΜΜΟΡΦΩΣΗΣ

Techtronic Industries GmbH  
Max-Eyth-Straße 10, 71364 Winnenden, Germany

**Δια του παρόντος δηλώνουμε ότι το προϊόν**

Κόπτης για φαίτοσγωνίες  
Μάρκα: Ryobi  
Αριθμός μοντέλου: EMS254L  
Εύρος σειριακών αριθμών: 44443201000001 - 44443201999999

είναι σύμφωνο με τις παρακάτω Ευρωπαϊκές Οδηγίες και εναρμονισμένα πρότυπα  
2006/42/EC, 2004/108/EC (έως 19 April 2016), 2014/30/EU (από 20 April 2016),  
2011/65/EU  
EN55014-1:2006+A1:2009+A2:2011; EN55014-2:1997+A1:2001+A2:2008;  
EN61000-3-2:2006+A1:2009+A2:2009; EN61000-3-11:2000;  
EN 61029-1:2009+A11:2010; EN 61029-2-9:2012+A11:2013  
Τα έγγραφα RoHS συντάσσονται σύμφωνα με το EN50581:2012

Andrew John Eyre (BEng, CEng, MIET)  
Αντιπρόεδρος, Τμήμα Ρυθμίσεων & Ασφάλειας  
Winnenden, May 20, 2015

**Εξουσιοδοτημένο άτομο για σύνταξη τεχνικού αρχείου:**

Alexander Krug, Διευθυντής Σύμβουλος  
Techtronic Industries GmbH  
Max-Eyth-Straße 10, 71364 Winnenden, Germany

CE

**SL** IZJAVA EC O SKLADNOSTI

Techtronic Industries GmbH  
Max-Eyth-Straße 10, 71364 Winnenden, Germany

**Izjavljamo, da je izdelek**

Zajeralna žaga  
Znamka: Ryobi  
Številka modela: EMS254L  
Razpon serijskih števil: 44443201000001 - 44443201999999

v skladu s sledečimi evropskimi direktivami in harmoniziranimi standardi  
2006/42/EC, 2004/108/EC (do 19 April 2016), 2014/30/EU (od 20 April 2016),  
2011/65/EU  
EN55014-1:2006+A1:2009+A2:2011; EN55014-2:1997+A1:2001+A2:2008;  
EN61000-3-2:2006+A1:2009+A2:2009; EN61000-3-11:2000;  
EN 61029-1:2009+A11:2010; EN 61029-2-9:2012+A11:2013  
Dokumentacija RoHS je sestavljena skladno s standardom EN 50581:2012

Andrew John Eyre (BEng, CEng, MIET)  
Podpredsednik, Zakonodajne In Varnostne Zadeve  
Winnenden, May 20, 2015

**Poolbaščena oseba za sestavo tehnične dokumentacije:**

Alexander Krug, Izvršni Direktor  
Techtronic Industries GmbH  
Max-Eyth-Straße 10, 71364 Winnenden, Germany

CE

**TR** EC UYGUNLUK BEYANI

Techtronic Industries GmbH  
Max-Eyth-Straße 10, 71364 Winnenden, Germany

**Böylelikle beyan ederiz ki; ürün**

Gönye testeresi  
Marka: Ryobi  
Model numarası: EMS254L  
Seri numarası aralığı: 44443201000001 - 44443201999999

aşağıdaki Avrupa Direktifleri ve uyumlaştırılmış standartlara uygundur  
2006/42/EC, 2004/108/EC (19 Nisan 2016'ya kadar), 2014/30/EU (20 Nisan  
2016'dan), 2011/65/EU  
EN55014-1:2006+A1:2009+A2:2011; EN55014-2:1997+A1:2001+A2:2008;  
EN61000-3-2:2006+A1:2009+A2:2009; EN61000-3-11:2000;  
EN 61029-1:2009+A11:2010; EN 61029-2-9:2012+A11:2013  
RoHS belgeleri EN 50581:2012 uyarınca derlenmiştir

Andrew John Eyre (BEng, CEng, MIET)  
Başkan Vekili, Düzenleme ve Güvenlik  
Winnenden, May 20, 2015

**Teknik dosya hazırlamaya yetkilidir:**

Alexander Krug, Genel Müdür  
Techtronic Industries GmbH  
Max-Eyth-Straße 10, 71364 Winnenden, Germany

CE



**Techtronic Industries GmbH**  
Max-Eyth-Straße 10,  
71364 Winnenden, Germany



## **ОФИЦИАЛЬНЫЙ ДИЛЕР В УКРАИНЕ:**

[storgom.ua](http://storgom.ua)

## **ГРАФИК РАБОТЫ:**

Пн. – Пт.: с 8:30 по 18:30

Сб.: с 09:00 по 16:00

Вс.: с 10:00 по 16:00

## **КОНТАКТЫ:**

+38 (044) 360-46-77

+38 (066) 77-395-77

+38 (097) 77-236-77

+38 (093) 360-46-77

Детальное описание товара:

<https://storgom.ua/product/pila-torcovohnaya-ryobi-ems254l-s-protyazhkoy-5133001202.html>

Другие товары: <https://storgom.ua/setevye-torcovohnye-pily.html>