

DEWALT®

www.DeWALT.com

DWE4997

ENGLISH

English (*original instructions*) 3

Русский (*перевод с оригинала инструкции*) 11

Türkçe (*orijinal talimatlardan çevrilmiştir*) 23

Англійська (*оригінальні інструкції*) 33

Fig. A

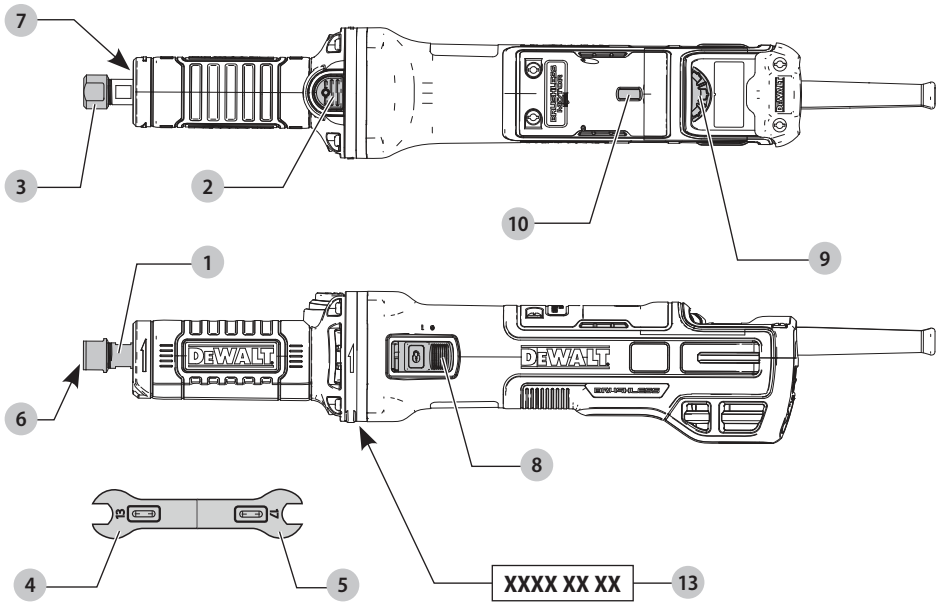


Fig. B

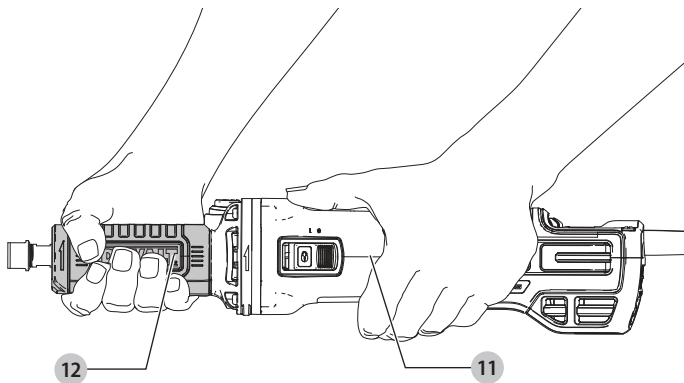


Fig. C

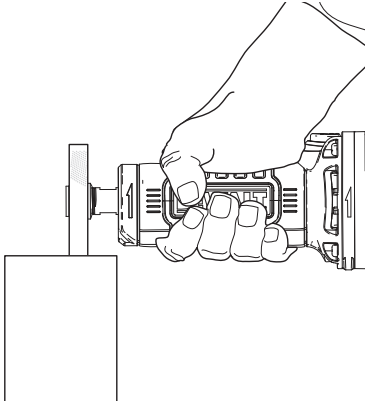
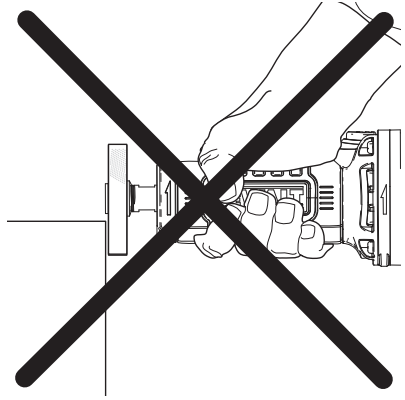


Fig. D



VARIABLE SPEED SLIDER SWITCH DIE GRINDER

DWE4997

Congratulations!

You have chosen a DEWALT tool. Years of experience, thorough product development and innovation make DEWALT one of the most reliable partners for professional power tool users.

Technical Data

		DWE4997	
Voltage	V_{AC}		230
Type			1
Power output	W		1300
No load speed	min^{-1}		25000
Maximum wheel diameter	mm		50
Collet size	mm		6
Weight	kg		2.4
Noise values and/or vibration values (triaux vector sum) according to EN62841-2-23:			
L_{pA} (emission sound pressure level)	dB(A)		79
L_{WA} (sound power level)	dB(A)		90
K (uncertainty for the given sound level)	dB(A)		3
Vibration emission value \varnothing 50 mm; $U_M = 14.4$ gmm	m/s^2		17.0
Vibration emission value \varnothing 25 mm; $U_M = 3.6$ gmm	m/s^2		7.0
Uncertainty K =	m/s^2		2.1

The vibration and/or noise emission level given in this information sheet has been measured in accordance with a standardised test given in EN62841 and may be used to compare one tool with another. It may be used for a preliminary assessment of exposure.

! **WARNING:** The declared vibration and/or noise emission level represents the main applications of the tool. However if the tool is used for different applications, with different accessories or poorly maintained, the vibration and/or noise emission may differ. This may significantly increase the exposure level over the total working period.

An estimation of the level of exposure to vibration and/or noise should also take into account the times when the tool is switched off or when it is running but not actually doing the job. This may significantly reduce the exposure level over the total working period.

Identify additional safety measures to protect the operator from the effects of vibration and/or noise such as: maintain the tool and the accessories, keep the hands warm (relevant for vibration), organisation of work patterns.

EC-Declaration of Conformity

Machinery Directive



Variable Speed Slider Switch Die Grinder DWE4997

DEWALT declares that these products described under **Technical Data** are in compliance with:

2006/42/EC, EN60745-1:2009+A11:2010, EN60745-2-23:2013.

These products also comply with Directive 2014/30/EU and 2011/65/EU. For more information, please contact DEWALT at the following address or refer to the back of the manual.

The undersigned is responsible for compilation of the technical file and makes this declaration on behalf of DEWALT.

Markus Rompel

Vice-President Engineering, PTE-Europe
DEWALT, Richard-Klinger-Straße 11,
D-65510, Idstein, Germany
30.08.2019



WARNING: To reduce the risk of injury, read the instruction manual.

Definitions: Safety Guidelines

The definitions below describe the level of severity for each signal word. Please read the manual and pay attention to these symbols.



DANGER: Indicates an imminently hazardous situation which, if not avoided, **will** result in **death or serious injury**.



WARNING: Indicates a potentially hazardous situation which, if not avoided, **could** result in **death or serious injury**.



CAUTION: Indicates a potentially hazardous situation which, if not avoided, **may** result in **minor or moderate injury**.

NOTICE: Indicates a practice **not related to personal injury** which, if not avoided, **may** result in **property damage**.



Denotes risk of electric shock.



Denotes risk of fire.

GENERAL POWER TOOL SAFETY WARNINGS



WARNING: Read all safety warnings, instructions, illustrations and specifications provided with this power tool. Failure to follow all instructions listed below may result in electric shock, fire and/or serious injury.

SAVE ALL WARNINGS AND INSTRUCTIONS FOR FUTURE REFERENCE

The term "power tool" in the warnings refers to your mains-operated (corded) power tool or battery-operated (cordless) power tool.

1) Work Area Safety

- Keep work area clean and well lit.** Cluttered or dark areas invite accidents.
- Do not operate power tools in explosive atmospheres, such as in the presence of flammable liquids, gases or dust.** Power tools create sparks which may ignite the dust or fumes.
- Keep children and bystanders away while operating a power tool.** Distractions can cause you to lose control.

2) Electrical Safety

- Power tool plugs must match the outlet. Never modify the plug in any way. Do not use any adapter plugs with earthed (grounded) power tools.** Unmodified plugs and matching outlets will reduce risk of electric shock.
- Avoid body contact with earthed or grounded surfaces, such as pipes, radiators, ranges and refrigerators.** There is an increased risk of electric shock if your body is earthed or grounded.
- Do not expose power tools to rain or wet conditions.** Water entering a power tool will increase the risk of electric shock.
- Do not abuse the cord. Never use the cord for carrying, pulling or unplugging the power tool. Keep cord away from heat, oil, sharp edges or moving parts.** Damaged or entangled cords increase the risk of electric shock.
- When operating a power tool outdoors, use an extension cord suitable for outdoor use.** Use of a cord suitable for outdoor use reduces the risk of electric shock.
- If operating a power tool in a damp location is unavoidable, use a residual current device (RCD) protected supply.** Use of an RCD reduces the risk of electric shock.

3) Personal Safety

- Stay alert, watch what you are doing and use common sense when operating a power tool. Do not use a power tool while you are tired or under the influence of drugs, alcohol or medication.** A moment of inattention while operating power tools may result in serious personal injury.
- Use personal protective equipment. Always wear eye protection.** Protective equipment such as a dust mask, non-skid safety shoes, hard hat or hearing protection used for appropriate conditions will reduce personal injuries.

- Prevent unintentional starting. Ensure the switch is in the off-position before connecting to power source and/or battery pack, picking up or carrying the tool.** Carrying power tools with your finger on the switch or energising power tools that have the switch on invites accidents.
- Remove any adjusting key or wrench before turning the power tool on.** A wrench or a key left attached to a rotating part of the power tool may result in personal injury.
- Do not overreach. Keep proper footing and balance at all times.** This enables better control of the power tool in unexpected situations.
- Dress properly. Do not wear loose clothing or jewellery. Keep your hair and clothing away from moving parts.** Loose clothes, jewellery or long hair can be caught in moving parts.
- If devices are provided for the connection of dust extraction and collection facilities, ensure these are connected and properly used.** Use of dust collection can reduce dust-related hazards.
- Do not let familiarity gained from frequent use of tools allow you to become complacent and ignore tool safety principles.** A careless action can cause severe injury within a fraction of a second.

4) Power Tool Use and Care

- Do not force the power tool. Use the correct power tool for your application.** The correct power tool will do the job better and safer at the rate for which it was designed.
- Do not use the power tool if the switch does not turn it on and off.** Any power tool that cannot be controlled with the switch is dangerous and must be repaired.
- Disconnect the plug from the power source and/or remove the battery pack, if detachable, from the power tool before making any adjustments, changing accessories, or storing power tools.** Such preventive safety measures reduce the risk of starting the power tool accidentally.
- Store idle power tools out of the reach of children and do not allow persons unfamiliar with the power tool or these instructions to operate the power tool.** Power tools are dangerous in the hands of untrained users.
- Maintain power tools and accessories. Check for misalignment or binding of moving parts, breakage of parts and any other condition that may affect the power tool's operation. If damaged, have the power tool repaired before use.** Many accidents are caused by poorly maintained power tools.
- Keep cutting tools sharp and clean.** Properly maintained cutting tools with sharp cutting edges are less likely to bind and are easier to control.
- Use the power tool, accessories and tool bits etc. in accordance with these instructions, taking into account the working conditions and the work to be performed.** Use of the power tool for operations different from those intended could result in a hazardous situation.

- h) **Keep handles and grasping surfaces dry, clean and free from oil and grease.** Slippery handles and grasping surfaces do not allow for safe handling and control of the tool in unexpected situations.

5) Service

- a) **Have your power tool serviced by a qualified repair person using only identical replacement parts.** This will ensure that the safety of the power tool is maintained.

ADDITIONAL SPECIFIC SAFETY RULES

Safety Warnings Common for Grinding

- a) **This power tool is intended to function as a grinder. Read all safety warnings, instructions, illustrations and specifications provided with this power tool.** Failure to follow all instructions listed below may result in electric shock, fire and/or serious injury.
- b) **Operations such as sanding, wire brushing, polishing and cutting-off are not recommended to be performed with this power tool.** Operations for which the power tool was not designed may create a hazard and cause personal injury.
- c) **Do not use accessories which are not specifically designed and recommended by the tool manufacturer.** Just because the accessory can be attached to your power tool, it does not assure safe operation.
- d) **The rated speed of the accessory must be at least equal to the maximum speed marked on the power tool.** Accessories running faster than their rated speed can break and fly apart.
- e) **The outside diameter and the thickness of your accessory must be within the capacity rating of your power tool.** Incorrectly sized accessories can not be adequately guarded or controlled.
- f) **The arbour size of wheels, flanges, backing pads or any other accessory must properly fit the spindle of the power tool.** Accessories with arbour holes that do not match the mounting hardware of the power tool will run out of balance, vibrate excessively and may cause loss of control.
- g) **Mandrel mounted wheels or other accessories must be fully inserted into the collet or chuck.** If the mandrel is insufficiently held and/or the overhang of the wheel is too long, the mounted wheel may become loose and be ejected at high velocity.
- h) **Do not use a damaged accessory. Before each use inspect the accessory such as abrasive wheel for chips and cracks, backing pad for cracks, tear or excess wear, wire brush for loose or cracked wires. If power tool or accessory is dropped, inspect for damage or install an undamaged accessory. After inspecting and installing an accessory, position yourself and bystanders away from the plane of the rotating accessory and run the power tool at maximum no-load speed for one minute.** Damaged accessories will normally break apart during this test time.
- i) **Wear personal protective equipment. Depending on application, use face shield, safety goggles or safety glasses. As appropriate, wear dust mask, hearing protectors, gloves and workshop apron capable of stopping small abrasive or workpiece fragments.** The eye protection must be capable of stopping flying debris generated by various operations. The dust mask or respirator must be capable of filtering particles generated by your operation. Prolonged exposure to high intensity noise may cause hearing loss.
- j) **Keep bystanders a safe distance away from work area. Anyone entering the work area must wear personal protective equipment.** Fragments of workpiece or of a broken accessory may fly away and cause injury beyond immediate area of operation.
- k) **Hold the power tool by insulated gripping surfaces only, when performing an operation where the cutting tool may contact hidden wiring.** Contact with a "live" wire will also make exposed metal parts of the power tool "live" and could give the operator an electric shock.
- l) **Always hold the tool firmly in your hand(s) during start up.** The reaction torque of the motor, as it accelerates to full speed, can cause the tool to twist.
- m) **Use clamps to support workpiece whenever practical. Never hold a small workpiece in one hand and the tool in the other while in use.** Clamping a small workpiece allows you to use your hand(s) to control the tool. Round material such as dowel rods, pipes or tubing have a tendency to roll while being cut, and may cause the bit to bind or jump toward you.
- n) **Never lay the power tool down until the accessory has come to a complete stop.** The spinning accessory may grab the surface and pull the power tool out of your control.
- o) **After changing bits or making any adjustments, make sure the collet nut, chuck or any other adjustment devices are securely tightened.** Loose adjustment devices can unexpectedly shift, causing loss of control, loose rotation components will be violently thrown.
- p) **Do not run the power tool while carrying it at your side.** Accidental contact with the spinning accessory could snag your clothing, pulling the accessory into your body.
- q) **Regularly clean the power tool's air vents.** The motor's fan will draw the dust inside the housing and excessive accumulation of powdered metal may cause electrical hazards.
- r) **Do not operate the power tool near flammable materials.** Sparks could ignite these materials.
- s) **Do not use accessories that require liquid coolants.** Using water or other liquid coolants may result in electrocution or shock.

FURTHER SAFETY INSTRUCTIONS FOR ALL OPERATIONS

Causes and Operator Prevention of Kickback

Kickback is a sudden reaction to a pinched or snagged rotating wheel, backing pad, brush or any other accessory. Pinching or snagging causes rapid stalling of the rotating accessory which in turn causes the uncontrolled power tool to be forced in the direction opposite of the accessory's rotation at the point of the binding.

For example, if an abrasive wheel is snagged or pinched by the workpiece, the edge of the wheel that is entering into the pinch point can dig into the surface of the material causing the wheel to climb out or kick out. The wheel may either jump toward or away from the operator, depending on direction of the wheel's movement at the point of pinching. Abrasive wheels may also break under these conditions.

Kickback is the result of tool misuse and/or incorrect operating procedures or conditions and can be avoided by taking proper precautions as given below:

- a) **Maintain a firm grip on the power tool and position your body and arm to allow you to resist kickback forces. Always use auxiliary handle, if provided, for maximum control over kickback or torque reaction during start up.** The operator can control torque reaction or kickback forces, if proper precautions are taken.
- b) **Use special care when working corners, sharp edges etc. Avoid bouncing and snagging the accessory.** Corners, sharp edges or bouncing have a tendency to snag the rotating accessory and cause loss of control or kickback.
- c) **Do not attach a saw chain woodcarving blade or toothed saw blade.** Such blades create frequent kickback and loss of control.
- d) **Always feed the bit into the material in the same direction as the cutting edge is exiting from the material (which is the same direction as the chips are thrown).** Feeding the tool in the wrong direction causes the cutting edge of the bit to climb out of the work and pull the tool in the direction of this feed.
- e) **When using rotary files, cut off wheels, high-speed cutters or tungsten carbide cutters, always have the work securely clamped.** These wheels will grab if they become slightly canted in the groove, and can kickback. When a cut-off wheel grabs, the wheel itself usually breaks. When a rotary file, high speed cutter or tungsten carbide cutter grabs, it may jump from the groove and you could lose control of the tool.

Safety Warnings Specific for Grinding and Cutting-Off Operations

- a) **Use only wheel types that are recommended for your power tool and only for recommended applications. For example: Do not grind with the side of a cut-off**

wheel. Abrasive cut-off wheels are intended for peripheral grinding, side forces applied to these wheels may cause them to shatter.

- b) **For threaded abrasive cones and plugs use only undamaged wheel mandrels with an unrelieved shoulder flange that are of a correct size and length.** Proper mandrels will reduce the possibility of breakage.
- c) **Do not "jam" a cut-off wheel or apply excessive pressure. Do not attempt to make an excessive depth of cut.** Overstressing the wheel increases the loading and susceptibility to twisting or snapping of the wheel in the cut and the possibility of kickback or wheel breakage.
- d) **Do not position your hand in line with or behind a rotating wheel.** When the wheel, at the point of operation, is moving away from your hand, the possible kickback may propel the wheel and the power tool directly at you.
- e) **When wheel is pinched, snagged or when interrupting a cut for any reason, switch off the power tool and hold the power tool motionless until the wheel comes to a complete stop. Never attempt to remove the cut-off wheel from the cut while the wheel is in motion otherwise kickback may occur.** Investigate and take corrective action to eliminate the cause of wheel pinching or snagging.
- f) **Do not restart the cutting operation in the workpiece. Let the wheel reach full speed and carefully re-enter the cut.** The wheel may bind, walk up or kickback if the power tool is restarted in the workpiece.
- g) **Support panels or any oversized workpiece to minimize the risk of wheel pinching and kickback.** Large workpieces tend to sag under their own weight. Supports must be placed under the workpiece near the line of the cut and the edge of the workpiece on both sides of the wheel.
- h) **Use extra caution when making a "pocket cut" into existing walls or other blind areas.** The protruding wheel may cut gas or water pipes, electrical wiring or objects that can cause kickback.



WARNING: We recommend the use of a residual current device with a residual current rating of 30mA or less.

Residual Risks

In spite of the application of the relevant safety regulations and the implementation of safety devices, certain residual risks cannot be avoided. These are:

- Impairment of hearing.
- Risk of personal injury due to flying particles.
- Risk of burns due to accessories becoming hot during operation.
- Risk of personal injury due to prolonged use.

SAVE THESE INSTRUCTIONS

Electrical Safety

The electric motor has been designed for one voltage only. Always check that the power supply corresponds to the voltage on the rating plate.



Your DEWALT tool is double insulated in accordance with EN62841; therefore no earth wire is required.

If the supply cord is damaged, it must be replaced only by DEWALT or an authorised service organisation.

Mains Plug Replacement (U.K. & Ireland Only)

If a new mains plug needs to be fitted:

- Safely dispose of the old plug.
- Connect the brown lead to the live terminal in the plug.
- Connect the blue lead to the neutral terminal.



WARNING: No connection is to be made to the earth terminal.

Follow the fitting instructions supplied with good quality plugs. Recommended fuse: 13 A.

Using an Extension Cable

If an extension cable is required, use an approved 3-core extension cable suitable for the power input of this tool (see **Technical Data**). The minimum conductor size is 1.5 mm²; the maximum length is 30 m.

When using a cable reel, always unwind the cable completely.

Package Contents

The package contains:

- 1 Die grinder
- 1 Wrench
- 1 Instruction manual
- Check for damage to the tool, parts or accessories which may have occurred during transport.
- Take the time to thoroughly read and understand this manual prior to operation.

Markings on Tool

The following pictograms are shown on the tool:



Read instruction manual before use.



Wear ear protection.



Wear eye protection.



Visible radiation. Do not stare into light.

Date Code Position (Fig. A)

The date code **13**, which also includes the year of manufacture, is printed into the housing.

Example:

2019 XX XX

Year of Manufacture

Description (Fig. A)



WARNING: Never modify the power tool or any part of it. Damage or personal injury could result.

- | | |
|-------------------------|-----------------------|
| 1 Spindle | 6 Collet 6 mm |
| 2 Spindle lock button | 7 LED worklight |
| 3 Collet nut | 8 Slider switch |
| 4 Small spanner (13 mm) | 9 Variable Speed Dial |
| 5 Large spanner (17 mm) | 10 LED indicator |

Intended Use

Your die grinder has been designed for professional grinding applications. The tool can be used with the complete range of commercial grinding accessories with a maximum diameter of 50 mm and approved minimum speed of 25000/min.

DO NOT use under wet conditions or in the presence of flammable liquids or gases.

This die grinder is a professional power tool.

DO NOT let children come into contact with the tool.

Supervision is required when inexperienced operators use this tool.

- **Young children and the infirm.** This appliance is not intended for use by young children or infirm persons without supervision.
- This product is not intended for use by persons (including children) suffering from diminished physical, sensory or mental abilities; lack of experience, knowledge or skills unless they are supervised by a person responsible for their safety. Children should never be left alone with this product.

Features

No-volt Protection

The ON/OFF switch has a no-volt release function. In the event of a power outage or other unexpected shut down, the switch will need to be cycled (turned on and off) to restart tool.

E-Clutch

This unit is equipped with an E-Clutch (Electronic Clutch), which in the event of a stall or wheel pinch, the unit will be shut off to reduce the reaction torque to the user. The switch needs to be cycled (turned on and off) to restart tool.

Brake


When the trigger switch is released the motor immediately turns off and electronically brakes, stopping the accessory quickly to prevent accidental contact and improve productivity.

Constant Clutch

When overloaded or stalled the motor torque is reduced to allow the user to maintain control of the tool. If load is reduced the torque and RPM will increase. If the tool is stalled for an

extended amount of time it will shut-off and require the switch to cycle to restart. This feature mimics a mechanical clutch without the associated component wear.

Variable Speed Dial (Fig. A)

-  **WARNING:** Regardless of the speed setting, the rated speed of the accessory must be at least equal to the maximum speed marked on the power tool.


The variable speed dial offers added tool control and enables the tool to be used at optimum conditions to suit the accessory and material.

- Turn the dial **9** to the desired level. Turn the dial upward for higher speed and downwards for lower speed.



LED Indicator (Fig. A)

The LED indicator **10** will remain lit green during normal activity, or blink in a pattern of red light to alert you a tool protection feature has been activated. Refer to the **LED Guide** at the back of this manual for explanations of blink patterns.

ASSEMBLY AND ADJUSTMENTS

-  **WARNING:** To reduce the risk of serious personal injury, turn tool off and disconnect tool from power source before making any adjustments or removing/installing attachments or accessories. An accidental start-up can cause injury.

Mounting an Accessory (Fig. A)

-  **WARNING:** Accessories must be rated at least equal to the maximum speed marked on the tool. Accessories running faster than their rated speed can break and fly apart.
-  **WARNING:** Accessories must be within the capacity rating marked on the tool. Incorrectly sized accessories cannot be adequately controlled.
-  **WARNING:** Do not use accessories with a mandrel length exceeding 40 mm. Ensure that the exposed mandrel length is no more than 10 mm after inserting accessory into collet.
-  **WARNING: Projectile hazard. Only use accessories with shanks that match the installed collet.** Smaller shanks will not be secure and could become loose during operation.
-  **CAUTION:** Never tighten the collet without first installing an accessory in it. Tightening an empty collet, even by hand, can damage the collet.

1. Hold the spindle **1** using the spindle lock button **2**.
2. Loosen the collet nut **3** by turning it counterclockwise.
3. Insert the shank of the accessory into the collet **6**.
4. Securely tighten the collet using the larger spanner **5** provided.



To remove the accessory, proceed in reverse order.

OPERATION

Instructions for Use



-  **WARNING:** Always observe the safety instructions and applicable regulations.
-  **WARNING:** To reduce the risk of serious personal injury, turn tool off and disconnect tool from power source before making any adjustments or removing/installing attachments or accessories. An accidental start-up can cause injury.

Proper Hand Position (Fig. D)

-  **WARNING:** To reduce the risk of serious personal injury, ALWAYS use proper hand position as shown.
-  **WARNING:** To reduce the risk of serious personal injury, ALWAYS hold securely in anticipation of a sudden reaction.

Proper hand position requires one hand on the tool body **11**, with the other hand on the neck of the die grinder **12** as shown in Figure D.

Instructions for Use (Fig. C, D)

-  **WARNING:**
 - Ensure all materials to be ground or cut are secured in place.
 - Use clamps or a vice to hold and support the workpiece to a stable platform. It is important to clamp and support the workpiece securely to prevent the movement of the workpiece and loss of control. Movement of the workpiece or loss of control may create a hazard and cause personal injury.
 - Secure the workpiece. A workpiece clamped with clamping devices or in a vice is held more secure than by hand.
 - Support panels or any oversized workpiece to minimize the risk of wheel pinching and kickback. Large workpieces tend to sag under their own weight. Supports must be placed under the workpiece near the line of cut and near the edge of the workpiece on both sides of the wheel.
 - Always wear regular working gloves while operating this tool.
 - The gear case becomes very hot during use.
 - Apply only a gentle pressure to the tool. Do not exert side pressure on the disc.
 - Avoid overloading. Should the tool become hot, let it run a few minutes under no load condition.
 - The best grinding results are achieved when setting the machine at an angle of 90°. Move the machine back and forth with moderate pressure. In this manner, the workpiece will not become too hot, does not discolour and no grooves are formed.
-  **WARNING:** Grasp tool firmly with both hands to maintain control of the tool at start up and during use and until the

wheel or accessory stops rotating. Make sure the accessory has come to a complete stop before laying the tool down.

Put the work in a vise or clamp it securely. Use a face mask over the nose and mouth if the operation raises dust. Treat the wheel with respect. Do not jam the wheel into the work or use unnecessary pressure. Grind only on the face of the wheel unless you have a special wheel specifically made to permit grinding on the side of the wheel.

Slider Switch (Fig. A)



CAUTION: Hold the neck and body of the tool firmly to maintain control of the tool at start up and during use and until the wheel or accessory stops rotating. Make sure the wheel or accessory has come to a complete stop before laying the tool down.

NOTE: To reduce unexpected tool movement, do not switch the tool on or off while under load conditions. Allow the grinder to run up to full speed before touching the work surface. Lift the tool from the surface before turning the tool off. Allow the tool to stop rotating before putting it down.



WARNING: Before connecting the tool to a power supply, be sure the slider switch is in the off position by pressing the rear part of the switch and releasing. Ensure the slider switch is in the off position as described above after any interruption in power supply to the tool, such as the activation of a ground fault interrupter, throwing of a circuit breaker, accidental unplugging, or power failure. If the slider switch is locked on when the power is connected, the tool will start unexpectedly.

To start the tool, slide the ON/OFF slider switch **8** toward the front of the tool. To stop the tool, release the ON/OFF slider switch.

For continuous operation, slide the switch toward the front of the tool and press the forward part of the switch inward. To stop the tool while operating in continuous mode, press the rear part of the slider switch and release.

LED Worklight (Fig. A)



CAUTION: Do not stare into worklight. Serious eye injury could result.

The worklight **7** located around the collet is activated as soon as the tool is powered. The worklight will stay illuminated as long as the tool is powered.

NOTE: The worklight is for lighting the immediate work surface and is not intended to be used as a flashlight.

Spindle Lock (Fig. A)

The spindle lock **2** is provided to prevent the spindle from rotating when installing or removing accessories. Operate the spindle lock only when the tool is turned off, unplugged from the power supply, and has come to a complete stop.

NOTICE: To reduce the risk of damage to the tool, do not engage the spindle lock while the tool is operating. Damage to the tool will result and attached accessory may spin off possibly resulting in injury.

To engage the lock, depress the spindle lock button and rotate the spindle by hand until you are unable to rotate the spindle further.

Precautions To Take When Working on a Painted Workpiece

1. Sanding or wire brushing of lead based paint is NOT RECOMMENDED due to the difficulty of controlling the contaminated dust. The greatest danger of lead poisoning is to children and pregnant women.
2. Since it is difficult to identify whether or not a paint contains lead without a chemical analysis, we recommend the following precautions when sanding any paint:

Personal Safety

1. No children or pregnant women should enter the work area where the paint sanding or wire brushing is being done until all clean up is completed.
2. A dust mask or respirator should be worn by all persons entering the work area. The filter should be replaced daily or whenever the wearer has difficulty breathing.

NOTE: Only those dust masks suitable for working with lead paint dust and fumes should be used. Ordinary painting masks do not offer this protection. See your local hardware dealer for the proper N.I.O.S.H. approved mask.
3. NO EATING, DRINKING or SMOKING should be done in the work area to prevent ingesting contaminated paint particles. Workers should wash and clean up BEFORE eating, drinking or smoking. Articles of food, drink, or smoking should not be left in the work area where dust would settle on them.

Environmental Safety

1. Paint should be removed in such a manner as to minimize the amount of dust generated.
2. Areas where paint removal is occurring should be sealed with plastic sheeting of 4 mils thickness.
3. Sanding should be done in a manner to reduce tracking of paint dust outside the work area.

Cleaning and Disposal

1. All surfaces in the work area should be vacuumed and thoroughly cleaned daily for the duration of the sanding project. Vacuum filter bags should be changed frequently.
2. Plastic drop cloths should be gathered up and disposed of along with any dust chips or other removal debris. They should be placed in sealed refuse receptacles and disposed of through regular trash pick-up procedures. During clean up, children and pregnant women should be kept away from the immediate work area.
3. All toys, washable furniture and utensils used by children should be washed thoroughly before being used again.

ПРЯМОШЛИФОВАЛЬНАЯ МАШИНА С РЕГУЛИРОВКОЙ СКОРОСТИ

DWE4997

Поздравляем!

Вы приобрели инструмент DEWALT. Многолетний опыт, тщательная разработка изделий и инновации делают компанию DEWALT одним из самых надежных партнеров для пользователей профессионального электроинструмента.

Технические характеристики

		DWE4997
Напряжение	В <small>по мере тока</small>	230
Тип		1
Выходная мощность	Вт	1300
Частота вращения без нагрузки	мин ⁻¹	25000
Максимальный диаметр круга	мм	50
Размер цанги	мм	6
Вес	кг	2,4

Значения шума и/или вибрации (сумма векторов в трех плоскостях) в соответствии с EN62841-2-23:

L_{pa} (уровень звукового давления)	дБ(A)	79
L_{wa} (уровень акустической мощности)	дБ(A)	90
K (погрешность для заданного уровня мощности)	дБ(A)	3

Значения вибрационного воздействия \varnothing 50 мм; U_m	m/c^2	17,0
= 14,4 гмм		
Значения вибрационного воздействия \varnothing 25 мм; U_m	m/c^2	7,0
= 3,6 гмм		
Погрешность K =	m/c^2	2,1

Значение шумовой эмиссии и/или эмиссии вибрации, указанное в данном справочном листке, было получено в соответствии со стандартным тестом, приведенным в EN62841, и может использоваться для сравнения инструментов. Кроме того, оно может использоваться для предварительной оценки воздействия вибрации.

⚠ ОСТОРОЖНО! Заявленное значение шумовой эмиссии и/или эмиссии вибрации относится к основным областям применения инструмента. Однако, если инструмент используется для различных целей, с различными дополнительными принадлежностями или при ненадлежащем уходе, то уровень шума и/или вибрации может измениться. Это может привести к значительному увеличению уровня воздействия вибрации в течение всего рабочего периода.

При расчете приблизительного значения уровня воздействия шума и/или вибрации также необходимо учитывать время, когда инструмент

выключен или то время, когда он работает на холостом ходу. Это может привести к значительному снижению уровня воздействия вибрации в течение всего рабочего периода.

Определите дополнительные меры техники безопасности для защиты оператора от воздействия шума и/или вибрации, а именно: поддержание инструмента и дополнительных принадлежностей в рабочем состоянии, создание комфортных условий работы (соответствующих вибрации), хорошая организация рабочего места.

Декларация о соответствии нормам ЕС Директива по механическому оборудованию



Прямошлифовальная машина с регулировкой скорости DWE4997

DEWALT заявляет, что продукция, описанная в **Технические характеристики**, соответствует:

2006/42/EC, EN60745-1:2009+A11:2010, EN60745-2-23:2013.

Эти продукты также соответствуют Директиве 2014/30/EU и 2011/65/EU. За дополнительной информацией обращайтесь в компанию DEWALT по адресу, указанному ниже или приведенному на задней стороне обложки руководства.

Нижеподписавшийся несет ответственность за составление технической документации и составил данную декларацию по поручению компании DEWALT.


Маркус Ромпель
Вице-президент отдела по разработке и производству,
PTE-Europe
DEWALT, Richard-Klinger-Straße 11,
D-65510, Idstein, Германия
30.08.2019





ВНИМАНИЕ: Во избежание риска получения травм ознакомьтесь с инструкцией.

Обозначения: правила техники безопасности

Ниже описывается уровень опасности, обозначаемый каждым из предупреждений. Прочитайте руководство и обратите внимание на данные символы.

 **ОПАСНО:** Обозначает опасную ситуацию, которая неизбежно приведет к **серьезной травме или смертельному исходу**, в случае несоблюдения соответствующих мер безопасности.

 **ВНИМАНИЕ:** Указывает на потенциально опасную ситуацию, которая, в случае несоблюдения соответствующих мер безопасности, может привести к **серьезной травме или смертельному исходу**.


 **ПРЕДУПРЕЖДЕНИЕ:** Указывает на потенциально опасную ситуацию, которая, в случае несоблюдения соответствующих мер безопасности **может** стать причиной травм **средней или легкой степени тяжести**.

ПОЯСНЕНИЕ: Указывает на практики, использование которых не связано с получением травмы, но если ими пренебречь, могут привести к **порче имущества**.

 Указывает на риск поражения электрическим током.

 Указывает на риск возгорания.

ОБЩИЕ ПРАВИЛА ТЕХНИКИ БЕЗОПАСНОСТИ ПРИ ИСПОЛЬЗОВАНИИ ЭЛЕКТРОИНСТРУМЕНТОВ

 **ВНИМАНИЕ:** Прочитайте и просмотрите все предупреждения, инструкции, иллюстрации и спецификации по данному электроинструменту. Несоблюдение всех приведенных ниже инструкций может стать причиной поражения электрическим током, возгорания и/или тяжелой травмы.

СОХРАНИТЕ ВСЕ ИНСТРУКЦИИ ДЛЯ ПОСЛЕДУЮЩЕГО ИСПОЛЬЗОВАНИЯ

Термин «электроинструмент» в предупреждениях относится к работающим от сети (проводным) электроинструментам или работающим от аккумуляторной батареи (беспроводным) электроинструментам.

1) Безопасность на рабочем месте

- Следите за чистой и хорошим освещением на рабочем месте.** Захламленное или плохо освещенное рабочее место может стать причиной несчастного случая.
- Запрещается работать с электроинструментами во взрывоопасных местах, например, вблизи легковоспламеняющихся жидкостей, газов и пыли.** Искры, которые появляются при работе электроинструментов могут привести к воспламенению пыли или паров.
- Следите за тем, чтобы во время работы с электроинструментом в зоне работы не было посторонних и детей.** Отвлекаясь

от работы вы можете потерять контроль над инструментом.

2) Электробезопасность

- Штепсельная вилка электроинструмента должна соответствовать розетке. Никогда не меняйте вилку инструмента. Запрещается использовать переходники к вилкам для электроинструментов с заземлением.** Использование оригинальных штепсельных вилок, соответствующих типу сетевой розетки снижает риск поражения электрическим током.
- Избегайте контакта с заземленными поверхностями, такими как трубы, радиаторы и холодильники.** Если вы будете заземлены, увеличивается риск поражения электрическим током.
- Запрещается оставлять электроинструмент под дождем и в местах повышенной влажности.** При попадании воды в электроинструмент риск поражения электротоком возрастает.
- Берегите кабель от повреждений. Никогда не используйте кабель для переноски инструмента, не тяните за него, пытаясь отключить инструмент от сети. Держите кабель подальше от источников тепла, масла, острых углов или движущихся предметов.** Поврежденный или запутанный кабель питания повышает риск поражения электрическим током.
- При работе с электроинструментом на открытом воздухе используйте удлинитель, подходящий для использования на улице.** Использование кабеля питания, предназначенного для использования вне помещения, снижает риск поражения электрическим током.
- Если использование электроинструмента в условиях повышенной влажности неизбежно, используйте устройство защитного отключения (УЗО) для защиты сети.** Использование УЗО сокращает риск поражения электрическим током.

3) Обеспечение индивидуальной безопасности

- Будьте внимательны, смотрите, что делаете и не забывайте о здравом смысле при работе с электроинструментом. Запрещается работать с электроинструментом в состоянии усталости, наркотического, алкогольного опьянения или под воздействием лекарственных препаратов.** Невнимательность при работе с электроинструментом может привести к серьезным телесным повреждениям.
- Используйте индивидуальные средства защиты. Всегда используйте защитные очки.** Средства защиты, такие как пылезащитная маска, обувь с нескользящей подошвой, каска и защитные наушники, используемые при работе, уменьшают риск получения травм.

- c) **Примите меры для предотвращения случайного включения. Перед тем как подключить электроинструмент к сети и/или аккумуляторной батарее, взять инструмент или перенести его на другое место, убедитесь в том, что выключатель находится в положении «Выкл.».** Если при переносе электроинструмента он подключен к сети, и при этом ваш палец находится на выключателе, это может стать причиной несчастных случаев.
- d) **Уберите все регулировочные или гаечные ключи перед включением электроинструмента.** Ключ, оставленный на вращающейся части электроинструмента, может привести к травме.
- e) **Не пытайтесь дотянуться до слишком удаленных поверхностей. Обувь должна быть удобной, чтобы вы всегда могли сохранять равновесие.** Это позволит лучше контролировать электроинструмент в непредвиденных ситуациях.
- f) **Одевайтесь соответствующим образом. Избегайте носить свободную одежду и ювелирные украшения. Следите за тем, чтобы волосы и одежда не попадали под движущиеся детали.** Возможно наматывание свободной одежды, ювелирных изделий и длинных волос на движущиеся детали.
- g) **При наличии устройств для подключения оборудования для удаления и сбора пыли необходимо обеспечить правильность их подключения и эксплуатации.** Использование устройства для пылеудаления сокращает риски, связанные с пылью.
- h) **Не позволяйте хорошему знанию от частого использования инструментов стать причиной самонадеянности и игнорирования правил техники безопасности.** Небрежное действие может повлечь серьезные травмы за долю секунды.

4) Эксплуатация электроинструмента и уход за ним

- a) **Избегайте чрезмерной нагрузки электроинструмента. Используйте электроинструмент в соответствии с назначением.** Правильно подобранный электроинструмент выполнит работу более эффективно и безопасно при стандартной нагрузке.
- b) **Не пользуйтесь инструментом, если не работает выключатель.** Любой инструмент, управлять выключением и включением которого невозможно, опасен, и его необходимо отремонтировать.
- c) **Перед выполнением любых настроек, сменной аксессуаров или прежде чем убрать инструмент на хранение, отключите его от сети и/или снимите с него аккумуляторную батарею, если ее можно снять.** Такие превентивные меры безопасности сокращают риск случайного включения электроинструмента.

- d) **Храните электроинструмент в недоступном для детей месте и не позволяйте работать с инструментом людям, не имеющим соответствующих навыков работы с такого рода инструментами.** Электроинструмент представляет опасность в руках неопытных пользователей.
- e) **Поддерживайте электроинструмент и принадлежности в исправном состоянии. Проверьте, не нарушена ли центровка или не заклинены ли движущиеся детали, нет ли повреждений или иных неисправностей, которые могли бы повлиять на работу электроинструмента. В случае обнаружения повреждений, прежде чем приступит к эксплуатации электроинструмента, его нужно отремонтировать.** Большинство несчастных случаев происходит из-за электроинструментов, которые не обслуживаются должным образом.
- f) **Содержите режущий инструмент в остро заточенном и чистом состоянии.** Вероятность заклинивания инструмента, за которым следят должным образом и который хорошо заточен, значительно меньше, а работать с ним легче.
- g) **Используйте электроинструменты, принадлежности и насадки в соответствии с данными инструкциями, принимая во внимание условия работы и характер выполняемой работы.** Использование электроинструмента для выполнения операций, для которых он не предназначен, может привести к созданию опасных ситуаций.
- h) **Все рукоятки и поверхности захватывания должны быть сухими и без следов смазки.** Скользкие рукоятки и поверхности захватывания не позволяют обеспечить безопасность работы и управления инструментом в непредвиденных ситуациях.

5) Обслуживание

- a) **Обслуживание электроинструмента должен проводить квалифицированный специалист с использованием только оригинальных запасных частей.** Это позволит обеспечить безопасность обслуживаемого электрифицированного инструмента.

ДОПОЛНИТЕЛЬНЫЕ СПЕЦИАЛЬНЫЕ ИНСТРУКЦИИ ПО ТЕХНИКЕ БЕЗОПАСНОСТИ

Меры безопасности при шлифовке

- a) **Данный инструмент предназначен для шлифовки. Прочитайте и просмотрите все предупреждения, инструкции, иллюстрации и спецификации по данному электроинструменту.** Несоблюдение всех приведенных ниже инструкций может стать

причиной поражения электрическим током, возгорания и/или тяжелой травмы.

- b) **Не рекомендуется выполнять с помощью данного инструмента такие работы, как заточку, крацевание, полирование и отрезание.** Выполнение операций, не предусмотренных для данного инструмента, представляет опасность и может привести к травме.
- c) **Не используйте дополнительные принадлежности, которые не рекомендованы производителем инструмента и не предназначены для него специально.** Возможность установки принадлежности на электроинструмент не обеспечивает безопасности при ее использовании.
- d) **Номинальная скорость принадлежности должна, как минимум, равняться максимальной скорости, указанной на электроинструменте.** Принадлежность, которая вращается со скоростью, превышающей ее номинальную скорость вращения, может разрушиться и отлететь в сторону.
- e) **Внешний диаметр и толщина принадлежности должны соответствовать диапазону мощности электроинструмента.** Принадлежности неправильно подобранного размера не закрываются защитным кожухом и не обеспечивают надлежащего контроля управления.
- f) **Размер оси кругов, фланцев, дисков-подшви и любых принадлежностей должен точно соответствовать шпинделю электроинструмента.** Принадлежности с ромбовидными отверстиями, которые не подходят к монтажной арматуре электроинструмента, работают несбалансировано, слишком сильно вибрируют и могут привести к потере управления.
- g) **Установленные посредством оправки круги или другие принадлежности необходимо полностью вставлять в цангу или патрон.** Если оправка недостаточно плотно удерживается и/или выступ круга слишком длинный, установленный круг может отсоединиться и вылететь на большой скорости.
- h) **Не используйте поврежденные принадлежности. Перед каждым использованием проверяйте оснастку, например, абразивные круги, на наличие сколов и трещин, проставки – на наличие надрывов и трещин, проволочные щетки – на наличие ослабленной или сломанной проволоки.** В случае падения электроинструмента или принадлежности проверьте наличие повреждений или установите неповрежденную принадлежность. После проверки и установки принадлежности оператор и посторонние лица не должны находиться на одной плоскости с вращающейся принадлежностью. Запустите

электроинструмент на максимальной скорости без нагрузки и дайте ему поработать одну минуту. Поврежденные принадлежности, как правило, ломаются в течение этого тестового периода.

- i) **Используйте средства индивидуальной защиты. В зависимости от типа выполняемых работ надевайте щиток для защиты лица или защитные очки. В соответствии с необходимостью надевайте респиратор, защитные наушники, перчатки и рабочий фартук, способный защитить от мелких абразивных частиц и фрагментов обрабатываемой детали.** Средства защиты для глаз должны останавливать частицы, вылетающие при выполнении различных видов работ. Пылезащитная маска или респиратор должны обеспечивать фильтрацию твердых частиц, образующихся при выполнении работ. Длительное воздействие шума высокой мощности может привести к нарушениям слуха.
- j) **Не подпускайте посторонних лиц близко к рабочей зоне. Любое лицо, входящее в рабочую зону, должно использовать средства индивидуальной защиты.** Фрагменты обрабатываемой детали или разрушенной оснастки могут отлететь в сторону и стать причиной травмы даже за пределами рабочей зоны.
- k) **Удерживайте инструменты только за изолированные ручки при выполнении работ, во время которых имеется вероятность контакта инструмента со скрытой электропроводкой.** Контакт с проводом под напряжением приводит к подаче напряжения на соприкасающиеся с ним металлические детали электроинструмента и к поражению оператора электрическим током.
- l) **Всегда крепко держите инструмент рукой (руками) при запуске.** Реактивный момент двигателя во время его ускорения может вызвать вращение инструмента.
- m) **Используйте зажимы, чтобы поддерживать заготовку по мере целесообразности. Во время работы ни в коем случае не удерживайте маленькую заготовку одной рукой, а инструмент – другой рукой.** Зажим небольшой заготовки позволяет освободить руки для управления инструментом. Круглые материалы, такие как штыри и различные трубы могут откатываться при резке, в результате насадка может заклинить или отскочить в вашу сторону.
- n) **Никогда не кладите электроинструмент до тех пор, пока он полностью не остановится.** Вращающаяся принадлежность может задеть за поверхность, из-за чего электроинструмент может вырваться из рук.

- o) **После смены насадок или выполнения регулировки убедитесь, что гайка цангового патрона, патрон или любые другие регулировочные устройства полностью затянуты.** Ослабленные регулировочные устройства могут внезапно сместиться и привести к потере управления, отсоединенные вращающиеся компоненты будут отброшены со значительной силой.
- p) **Не включайте электроинструмент, если принадлежность направлена на вас.** Случайный контакт с вращающейся принадлежностью может привести к наматыванию одежды и контакту принадлежности с вашим телом.
- q) **Регулярно очищайте вентиляционные отверстия электроинструмента.** Вентилятор электродвигателя затягивает пыль внутрь корпуса, а скопление большого количества пыли на металлических частях электродвигателя повышает риск поражения электротоком.
- r) **Не используйте электроинструмент рядом с горючими материалами.** Искры могут привести к их воспламенению.
- s) **Не используйте принадлежности, требующие жидкостного охлаждения.** Использование воды или других жидких охлаждающих средств может привести к поражению электрическим током вплоть до смертельного исхода.

ДОПОЛНИТЕЛЬНЫЕ ИНСТРУКЦИИ ПО ТЕХНИКЕ БЕЗОПАСНОСТИ ДЛЯ ВСЕХ ВИДОВ РАБОТ

Причины возникновения отдачи и способы ее предупреждения

Обратный удар представляет собой внезапную реакцию в результате заклинивания или деформации вращающегося круга, круга-подшвы, щетки или любых других насадок. Заклинивание или деформация вызывают мгновенную остановку вращающейся насадки, что, в свою очередь, приводит к потере управления инструментом и его резкого смещения в сторону, противоположную направлению вращения насадки в точке заклинивания.

Например, в случае заклинивания или деформации абразивного круга в обрабатываемой детали, заклинивающий край круга может врезаться в поверхность материала, что приводит к поднятию или выталкиванию круга. Круг может отскочить в сторону оператора или в другом направлении, в зависимости от направления вращения круга в точке заклинивания. Это может также привести к поломке абразивных кругов.

Отдача является результатом неправильного использования инструмента и/или использованием неправильных методов или режимов работы; избежать

этого явления можно путем выполнения указанных далее мер предосторожности:

- a) **Прочно удерживайте электроинструмент обеими руками и располагайтесь таким образом, чтобы иметь возможность погасить энергию отдачи.** Для эффективного управления инструментом в случае возникновения отдачи или реактивного крутящего момента во время запуска всегда пользуйтесь вспомогательной рукояткой (при наличии). Оператор может контролировать энергию крутящего момента или отдачи при соблюдении надлежащих мер предосторожности.
- b) **Соблюдайте особую осторожность при обработке углов, острых кромок и т. д. Избегайте дрожания и заклинивания принадлежности.** Углы, острые кромки или дрожание могут вызвать заклинивание насадки в заготовке и привести к потере управления в случае возникновения отдачи.
- c) **Не устанавливайте на инструмент диск для резбы по дереву или зубчатый пильный диск.** Такие диски часто вызывают отдачу и потерю контроля над инструментом.
- d) **Всегда подавайте насадку в материал в том же направлении, в котором режущая кромка выходит из материала (направление, в котором отбрасывается стружка).** Подача инструмента в неправильном направлении приведет к выходу режущей кромки из обработки и затягиванию инструмента в направлении подачи.
- e) **При использовании зачистных кругов, режущих кругов, высокоскоростных резчиков или карбидовольфрамовых резцов всегда надежно зажимайте обрабатываемый участок.** Круги могут зацепиться, слегка наклонившись в канавку, что приведет к отдаче. Если режущий круг зацепляется, он, как правило, ломается. При зацеплении зачистного круга, высокоскоростного резчика или карбидовольфрамового резчика он может выскочить из канавки, что приведет к потере управления инструментом.

Меры предосторожности при шлифовке и резке

- a) **Используйте только такие типы кругов, которые рекомендованы для данного электроинструмента, а также только в рекомендованных целях.** Например: **Не выполняйте шлифование боковой поверхностью отрезного круга.** Абразивные отрезные круги предназначены для работы периферией круга; боковая нагрузка, прилагаемая к таким кругам, может привести к их разрушению.
- b) **Для резбовых абразивных конусов и вилок используйте только исправные оправки**

с необлегченным выступающим фланцем правильного размера и длины. Правильная оправка снижает вероятность поломки.

- c) **Избегайте застревания отрезного круга и не прилагайте чрезмерных усилий. Не пытайтесь выполнять разрез слишком большой глубины.**

Слишком сильное нажатие на круг увеличивает нагрузку и возможность его деформации или заклинивания в заготовке, а также возможность возникновения отдачи или поломки круга.

- d) **Не держите руку на одной линии с вращающимся кругом и позади него.** Если круг вращается в противоположном от руки направлении, то в случае отдачи, вращающийся круг и инструмент будут направлены непосредственно на вас.

- e) **В случае защемления, заклинивания круга или прекращения резки по какой-либо причине выключите электроинструмент и удерживайте его в неподвижном состоянии до полной остановки. Никогда не пытайтесь извлечь отрезной круг из разреза, когда он находится в движении. В противном случае, это может привести к возникновению отдачи.**

Выясните причину и примите надлежащие меры по устранению причины защемления или заклинивания круга.

- f) **Не возобновляйте работу, когда круг находится внутри заготовки. Дождитесь, пока круг наберет полные обороты, и осторожно поместите его в начатый разрез.**

В случае заклинивания, круг может подскочить вверх из заготовки или привести к отдаче при повторном запуске.

- g) **Для снижения риска заклинивания круга и отдачи обеспечьте надлежащую опору для длинных панелей или прочих заготовок большого размера.** Заготовки большого размера могут провисать под собственным весом. Опоры необходимо поместить под заготовку возле линии распила и возле края заготовки по обеим сторонам круга.

- h) **Соблюдайте повышенную осторожность при выполнении врезного пиления стен или в других слепых зонах.** Выступающий диск может врезаться в газовую или водопроводную трубу, электропроводку или в объекты, вызывающие обратный удар.



ОСТОРОЖНО! Рекомендуется использовать устройство защитного отключения (УЗО) с током утечки до 30 мА.

Остаточные риски

Несмотря на соблюдение соответствующих инструкций по технике безопасности и использование предохранительных

устройств, некоторые остаточные риски невозможно полностью исключить. А именно:

- ухудшение слуха;
- риск травм от разлетающихся частиц;
- риск получения ожогов в результате нагревания инструмента в процессе работы;
- риск получения травмы в результате продолжительной работы.

СОХРАНИТЕ НАСТОЯЩЕ РУКОВОДСТВО

Электробезопасность

Электродвигатель рассчитан на работу только при одном напряжении сети. Необходимо обязательно убедиться в том, что напряжение источника питания соответствует указанному на шильдике устройства. Необходимо также убедиться в том, что напряжение работы зарядного устройства соответствует напряжению в сети.



Зарядное устройство DEWALT оснащено двойной изоляцией в соответствии с требованиями EN62841; поэтому провод заземления не требуется.

В случае повреждения кабеля питания его необходимо заменить специально подготовленным кабелем, который можно приобрести в сервисных центрах DEWALT.

Использование удлинительного кабеля

Используйте удлинитель только в случаях крайней необходимости. Используйте только утвержденные удлинители промышленного изготовления, рассчитанные на мощность не меньшую, чем потребляемая мощность зарядного устройства (см. **Технические характеристики**). Минимальное поперечное сечение провода электрического кабеля должно составлять 1 мм²; максимальная длина 30 м. При использовании кабельного барабана всегда полностью разматывайте кабель.

Комплектация поставки

В комплектацию входит:

- 1 Прямошлифовальная машина
 - 1 Гаечный ключ
 - 1 Руководство по эксплуатации
- Проверьте инструмент, детали и дополнительные приспособления на наличие повреждений, которые могли произойти во время транспортировки.
 - Перед началом работы необходимо внимательно прочитать настоящее руководство и принять к сведению содержащуюся в нем информацию.

Маркировка на инструменте

На инструмент нанесены следующие обозначения:



Перед началом работы прочтите руководство по эксплуатации.



Используйте защитные наушники.



Используйте защитные очки.



Видимое излучение. Не направляйте луч в глаза.

Место положения кода даты (Рис. [Fig.] А)

Код даты **13**, который также включает в себя год изготовления, отштампован на поверхности корпуса инструмента.

Пример:

2019 XX XX
Год изготовления

Описание (Рис. А)



ОСТОРОЖНО: *Никогда не вносите изменения в конструкцию электроинструмента или какой-либо его части. Это может привести к повреждению или травме.*

- | | |
|------------------------------|------------------------------------|
| 1 Шпиндель | 6 Цанговый патрон 6 мм |
| 2 Кнопка блокировки шпинделя | 7 Светодиодная подсветка |
| 3 Гайка цангового патрона | 8 Передвижной пусковой выключатель |
| 4 Малый ключ (13 мм) | 9 Дисковый регулятор скорости |
| 5 Большой ключ (17 мм) | 10 Светодиодный индикатор |

Сфера применения

Ваша прямошлифовальная машина предназначена для профессиональных работ по шлифовке. Данный инструмент может использоваться с широким спектром шлифовальных насадок, имеющих в продаже, с максимальным диаметром 50 мм и разрешенной минимальной скоростью 25000 об/мин.

НЕ используйте в условиях повышенной влажности или вблизи от легковоспламеняющихся жидкостей или газов.

Данная прямошлифовальная машина является профессиональным электроинструментом.

НЕ РАЗРЕШАЙТЕ детям прикасаться к инструменту.

Использование инструмента неопытными пользователями должно происходить под контролем опытного лица.

- Данный инструмент не предназначен для использования лицами (включая детей) с ограниченными физическими, психическими и умственными возможностями, не имеющими опыта, знаний или навыков работы с ним, если они не находятся под наблюдением лица, ответственного за их безопасность. Никогда не оставляйте детей без присмотра с этим инструментом.

Особенности

Защита от отключения при падении напряжения

Пусковой выключатель оснащен функцией автоматического отключения при отсутствии напряжения. При отключении электропитания или в случае других неожиданных

отключений, следует перезапустить инструмент (включив и выключив его при помощи пускового выключателя).

Электронная муфта

Данный инструмент оснащен электронной муфтой (E-Clutch), которая останавливает инструмент в случае заклинивания или защемления, чтобы уменьшить крутящий момент, передаваемый на руки оператора. Для повторного запуска инструмента переключатель необходимо перевести в выключенное, затем во включенное положение.

Тормоз

При отпускании пускового выключателя электродвигатель немедленно останавливается, а электронный тормоз быстро останавливает принадлежность, защищая оператора от случайного соприкосновения и улучшая эффективность работ.

Муфта постоянного момента

В случае перегрузки или остановки электродвигателя крутящий момент автоматически снижается, благодаря чему оператору легче удерживать инструмент в руках. При уменьшении нагрузки крутящий момент и обороты увеличатся. Если останов инструмента продлился длительное время, инструмент отключится и для включения его необходимо перезапустить, выключив и включив при помощи пускового выключателя. Данная функция представляет собой аналог механической муфты, с тем отличием, что не изнашивается в ходе эксплуатации.

Дисковый регулятор скорости (Рис. А)



ОСТОРОЖНО: *Вне зависимости от настройки скорости, номинальная скорость принадлежности должна, как минимум, равняться максимальной скорости, указанной на электроинструменте.*

Дисковый регулятор скорости обеспечивает точное управление и позволяет использовать инструмент в оптимальных условиях в соответствии с принадлежностью и материалом.

- Поверните регулятор **9** в нужное положение. Для установки высокой скорости поверните регулятор вверх, для установки низкой скорости, поверните регулятор вниз.

Светодиодный индикатор (Рис. А)

В ходе нормальной эксплуатации инструмента светодиодный индикатор **10** будет гореть зеленым цветом, а в случае задействования какой-либо защитной функции он будет мигать красным цветом с определенной последовательностью. См. подробное описание в разделе **«Режимы горения светодиодного индикатора»** в конце данного руководства.

СБОРКА И РЕГУЛИРОВКА



ВНИМАНИЕ: *Чтобы снизить риск получения серьезных травм, выключайте инструмент и отключайте его от сети перед тем, как выполнять какие-либо настройки или снимать/устанавливать насадки или*

принадлежности. Случайный запуск может привести к травме.

Монтаж принадлежности (Рис. А)

! **ОСТОРОЖНО:** Принадлежности должны как минимум соответствовать максимальной скорости, указанной на инструменте. Принадлежность, которая вращается со скоростью, превышающей ее номинальную скорость вращения, может разрушиться и отлететь в сторону.

! **ОСТОРОЖНО:** Принадлежности должны находиться в диапазоне мощности, указанном на инструменте. Принадлежности неправильно подобранного размера не обеспечивают надлежащего контроля управления.

! **ОСТОРОЖНО:** Не используйте принадлежности, длина оправки которых превышает 40 мм. Убедитесь, что длина выступающей оправки после установки принадлежности в цангу не превышает 10 мм.

! **ОСТОРОЖНО:** Риск вылетания. Используйте только принадлежности с хвостовиками, соответствующими установленному цанговому патрону. Хвостовики меньшего размера не будут стабильны и могут отсоединиться во время работы.

! **ВНИМАНИЕ:** Не затягивайте цанговый патрон, не установив в него принадлежность. Затягивание пустого цангового патрона, даже рукой, может повредить его.

1. Заблокируйте шпиндель **1** при помощи кнопки блокировки шпинделя **2**.
2. Ослабьте гайку цангового патрона **3**, поворачивая ее против часовой стрелки.
3. Вставьте хвостовик принадлежности в цанговый патрон **6**.
4. Надежно затяните цанговый патрон большим ключом **5**, входящим в комплект поставки.

Для удаления принадлежности действуйте в обратном порядке.

ЭКСПЛУАТАЦИЯ

Инструкции по использованию

! **ВНИМАНИЕ:** Всегда следуйте указаниям действующих норм и правил безопасности.

! **ВНИМАНИЕ:** Чтобы снизить риск получения серьезных травм, выключайте инструмент и отключайте его от сети перед тем, как выполнять какие-либо настройки или снимать/устанавливать насадки или принадлежности. Случайный запуск может привести к травме.

Правильное положение рук во время работы (Рис. D)

! **ВНИМАНИЕ:** Для уменьшения риска получения тяжелой травмы, **ВСЕГДА** правильно удерживайте инструмент, как показано на рисунке.

! **ВНИМАНИЕ:** Для уменьшения риска получения тяжелой травмы, **ВСЕГДА** надёжно удерживайте инструмент, предупреждая внезапные сбои в работе.

Правильное положение рук подразумевает, что одна рука лежит на корпусе инструмента **11**, а другая – на горловине шлифовальной машины **12**, как показано на Рисунке D.

Инструкции по эксплуатации (Рис. C, D)

- !** **ОСТОРОЖНО:**
- Обязательно закрепляйте материалы, которые собираетесь шлифовать или резать.
 - Используйте зажимы или тиски для фиксации заготовки на устойчивой опоре. Надежная фиксация заготовки предотвращает ее непреднамеренное смещение и потерю управления. Смещение заготовки и потеря управления создают опасность получения травм.
 - Надежно крепите заготовку. Заготовка, зафиксированная зажимами или в тисках, удерживается более надежно, чем руками.
 - Для снижения риска заклинивания круга и отдачи обеспечьте надлежащую опору для длинных панелей или прочих заготовок большого размера. Заготовки большого размера могут провисать под собственным весом. Опоры необходимо поместить под панель возле линии распила и возле края панели по обеим сторонам круга.
 - При работе с инструментом надевайте защитные перчатки.
 - Во время работы корпус редуктора сильно нагревается.
 - Прилагайте к инструменту только легкое усилие. Не подвергайте диск боковому грузам.
 - Избегайте перегрузок. При сильном нагреве инструмента позвольте ему поработать несколько минут без нагрузки.
 - Наилучшие результаты шлифовки достигаются при установке машины под углом от 90°. Перемещайте инструмент назад и вперед, прилагая умеренное усилие. Таким образом заготовка не будет сильно нагреваться, не будет обесцвечена, а ее поверхность останется ровной.
 - !** **ОСТОРОЖНО:** Прочно удерживайте инструмент для обеспечения контроля над ним при запуске и при останове, пока круг или принадлежность

не прекратит вращаться. Убедитесь в том, что круг полностью остановился, прежде чем положить инструмент.

Надежно зафиксируйте заготовку тисками или зажимами. Используйте защитную маску, закрывающую нос и рот, если при работе разлетается пыль. Аккуратно обращайтесь с кругом. Не зажимайте круг в заготовке и не прикладываете избыточное давление. Выполняйте шлифование только на лицевой поверхности круга, если это не специальный круг, подходящий для шлифования на боковой поверхности.

Передвижной пусковой выключатель (Рис. А)

⚠ ВНИМАНИЕ: Прочно удерживайте горловину и корпус инструмента для обеспечения контроля над инструментом при запуске и при останове, пока принадлежность не прекратит вращаться. Убедитесь в том, что круг полностью остановился, прежде чем положить инструмент.

ПРИМЕЧАНИЕ: Во избежание непредсказуемого перемещения инструмента не включайте и не выключайте его в условиях нагрузки. Перед тем как прикоснуться кругом к заготовке дождитесь, пока он разгонится до максимальной скорости. Поднимите инструмент от обрабатываемой поверхности перед его выключением. Прежде чем положить инструмент, дождитесь его остановки.

⚠ ОСТОРОЖНО: Перед тем как подключить инструмент к сети, убедитесь в том, что передвижной пусковой выключатель находится в положении выключения, нажав и отпустив его заднюю часть. Убедитесь в том, что передвижной пусковой выключатель находится в выключенном положении как описано выше, после любого перебоя в сетевом питании, таком как срабатывание УЗО, автомата защиты, случайное отключение от сети или перебой в электроснабжении. Если передвижной пусковой выключатель включен при подключенном питании, то инструмент может начать работу неожиданно.

Для запуска инструмента переместите передвижной пусковой выключатель **8** в направлении передней части инструмента. Чтобы остановить работу инструмента, отпустите передвижной пусковой выключатель.

Для непрерывной работы переместите передвижной пусковой выключатель в направлении передней части инструмента и нажмите на его переднюю часть. Чтобы остановить инструмент во время непрерывного режима работы, нажмите на заднюю часть передвижного пускового выключателя и отпустите его.

Светодиодная подсветка (Рис. А)

⚠ ВНИМАНИЕ: Не направляйте свет в глаза. Это может привести к серьезным повреждениям глаз.

Подсветка **7** расположена вокруг цангового патрона и включается при включении инструмента. Подсветка будет гореть все время, пока включен инструмент.

ПРИМЕЧАНИЕ: Подсветка предназначена для освещения рабочей поверхности и не может использоваться в качестве фонаря.

Блокировка шпинделя (Рис. А)

Блокировка шпинделя **2** используется для предотвращения вращения шпинделя во время установки или снятия принадлежностей. Используйте блокировку шпинделя только после выключения инструмента, отключения питания и полной остановки.

ПРЕДУПРЕЖДЕНИЕ: Для предотвращения риска повреждения инструмента не используйте блокировку шпинделя при работающем инструменте. Это приведет к повреждению инструмента, а установленная принадлежность может слететь и нанести травму.

Для блокировки, нажмите на кнопку блокировки шпинделя и вручную вращайте шпиндель до тех пор, пока он не зафиксируется и вы не сможете его более повернуть.

Меры предосторожности при обработке окрашенных заготовок

1. Шлифование и зачистка с помощью проволочной щетки заготовок, покрашенных краской на основе свинца, НЕ РЕКОМЕНДУЕТСЯ из-за образующейся вредной пыли. Наибольшую опасность отравление свинцом представляет для детей и беременных женщин.
2. Поскольку без химического анализа невозможно определить, содержит ли краска свинец, при шлифовании любой краски мы рекомендуем принять следующие меры предосторожности:

Обеспечение индивидуальной безопасности

1. В рабочей зоне, где производится шлифовка или зачистка окрашенной поверхности с помощью проволочной щетки, не должны находиться дети и беременные женщины, пока место проведения работ не будет полностью очищено.
2. Все лица, входящие в место проведения работ, должны надевать пылезащитную маску или респиратор. Фильтр следует заменять ежедневно или всякий раз, когда у пользователя возникают трудности с дыханием. **ПРИМЕЧАНИЕ:** Допускается использование только тех пылезащитных масок, которые подходят для работы с пылью и парами свинцовой краски. Стандартные маски для работы с краской не предлагают эту защиту. Обратитесь к местному дилеру для приобретения соответствующей маски, одобренной НИОТ.
3. Чтобы предотвратить попадание загрязненных частиц краски в организм, запрещается ЕСТЬ, ПИТЬ и КУРИТЬ в месте проведения работ. ПЕРЕД тем как поесть, попить или покурить, рабочие должны тщательно смыть с себя пыль. Запрещается оставлять продукты питания, питьевые жидкости и сигареты в мешках, где на них может осесть пыль.

Экологическая безопасность

1. Краску следует удалять таким образом, чтобы свести к минимуму количество образуемой пыли.
2. Рабочая зона, в которой происходит удаление краски, должна быть запечатана пластиковой пленкой толщиной не менее 4 мил.
3. Шлифование следует проводить таким образом, чтобы пыль краски не покидала зону проведения работ.

Очистка и утилизация

1. Все поверхности в рабочей зоне должны быть тщательно очищены и пропылесосены на протяжении проведения работ. Заменяйте пылесборники как можно чаще.
2. Пленку необходимо собирать и утилизировать вместе с пылевой стружкой и другим мусором. Они должны быть помещены в герметичные мешки для мусора и утилизированы в рамках стандартной процедуры сбора мусора. Во время выполнения работ по очистке детям и беременным женщинам запрещается входить в место проведения работ.
3. Все игрушки, моющаяся мебель и посуда, используемые детьми, должны быть тщательно вымыты перед использованием.

ТЕХНИЧЕСКОЕ ОБСЛУЖИВАНИЕ

Электроинструмент DEWALT имеет длительный срок эксплуатации и требует минимальных затрат на техобслуживание. Для длительной безотказной работы необходимо обеспечить правильный уход за инструментом и его регулярную очистку.



ВНИМАНИЕ: Чтобы снизить риск получения серьезных травм, выключайте инструмент и отключайте его от сети перед тем, как выполнять какие-либо настройки или снимать/устанавливать насадки или принадлежности. Убедитесь, что курковый переключатель находится в положении ВЫКЛ. Непреднамеренный запуск инструмента может привести к получению травмы.



Смазка

Ваш электроинструмент не требует дополнительной смазки.



Чистка



ВНИМАНИЕ: Выдувайте грязь и пыль из корпуса сухим сжатым воздухом по мере видимого скопления грязи внутри и вокруг вентиляционных отверстий. Выполняйте очистку, надев средство защиты глаз и респиратор утвержденного типа.



ВНИМАНИЕ: Никогда не используйте растворители или другие агрессивные химические средства для очистки неметаллических деталей инструмента.

Эти химикаты могут ухудшить свойства материалов, примененных в данных деталях. Используйте ткань, смоченную в воде с мягким мылом. Не допускайте попадания какой-либо жидкости внутрь инструмента; ни в коем случае не погружайте какую-либо часть инструмента в жидкость.

Дополнительные принадлежности



ВНИМАНИЕ: Поскольку принадлежности, отличные от тех, которые предлагает DEWALT, не проходили тесты на данном изделии, то использование этих принадлежностей может привести к опасной ситуации. Во избежание риска получения травмы, с данным продуктом должны использоваться только рекомендованные DEWALT дополнительные принадлежности.

По вопросу приобретения дополнительных принадлежностей обращайтесь к Вашему дилеру.

Защита окружающей среды



Отдельная утилизация. Изделия с данным символом на маркировке запрещается утилизировать с обычными бытовыми отходами.

Изделия содержат материалы, которые могут быть извлечены или переработаны, снижая потребность в исходном сырье. Пожалуйста, утилизируйте электрические изделия в соответствии с местными нормами. Дополнительная информация доступна по адресу www.2helpU.com.

Режимы горения светодиодного

индикатора

В данном разделе приводится список возможных режимов горения светодиодного индикатора, их причин и решений по устранению проблемы. Некоторые исправления могут выполняться пользователем или обслуживающим персоналом, а другие могут потребовать помощи квалифицированного специалиста DEWALT или вашего продавца.



Защита от отключения при падении напряжения

Неисправность

Пусковой выключатель находится в положении «вкл.» и было подано питание. Инструмент не работает.

Решение

Перезапустите инструмент, выключив и включив его при помощи пускового выключателя.



Тормозная система при обратном ударе

Неисправность

Инструмент почувствовал защемление, и активировалась тормозная система при обратном ударе.

Решение

Проверьте принадлежность на предмет повреждений вследствие защемления, при необходимости замените. Если нужно, отрегулируйте положение заготовки и инструмента и перезапустите инструмент, выключив и включив его при помощи пускового выключателя.



Защита от перегрева

Неисправность

Инструмент автоматически выключился в целях предотвращения необратимых повреждений вследствие перегрева.

Решение

Убедитесь, что впускные и выпускные воздуховоды не перекрыты руками оператора, одеждой или мусором. Уменьшите частоту включения/выключения инструмента и перезапустите инструмент при помощи выключателя и/или вынув и повторно вставив вилку кабеля в электрическую розетку.



Защита от заклинивания/перегрузки

Неисправность

Инструмент длительное время находился в заклиненном состоянии и выключился.

Решение

Удалите с инструмента нагрузку и перезапустите инструмент, выключив и включив его при помощи пускового выключателя.



Проблемы электросети

Неисправность

Инструмент работает от источника питания низкого качества, такого, например, как низкокачественный генератор. Такое питание может повредить инструмент.

Решение

Попробуйте использовать другой источник питания, менее длинный удлинитель или уменьшите количество оборудования, подключенного к источнику питания в один момент времени.



Приложение к руководству по эксплуатации электрооборудования для определения месяца производства по номеру текущей календарной недели года

Электрооборудование торговых марок "Dewalt", "Stanley", "Stanley FatMAX", "BLACK+DECKER".

Директивы 2014/30/EU ЕВРОПЕЙСКОГО ПАРЛАМЕНТА И СОВЕТА от 26 февраля 2014 г. "О гармонизации законодательств Государств-членов ЕС в области электромагнитной совместимости", 2006/42/ЕС ЕВРОПЕЙСКОГО ПАРЛАМЕНТА И СОВЕТА от 17 мая 2006 г. "О машинах и оборудовании"; 2014/35/EU ЕВРОПЕЙСКОГО ПАРЛАМЕНТА И СОВЕТА от 26 февраля 2014 г. "О гармонизации законодательств государств-членов в области размещения на рынке электрооборудования, предназначенного для использования в определенных пределах напряжения". Серийный выпуск.

ТОВАР СЕРТИФИЦИРОВАН

Орган по сертификации "РОСТЕСТ- Москва", Адрес: 119049, г. Москва, улица Житная, д. 14, стр. 1; 117418, Москва, Нахимовский просп., 31 (фактический), Телефон: (499) 1292311, (495) 6682893, Факс: (495) 6682893, E-mail: office@rostest.ru
 Изготовитель: Изготовитель: Блэк энд Декер Холдингс ГмБХ, Германия, 65510, Идштайн, ул. Блэк энд Декер, 40, тел. +496126212790.

Уполномоченное изготовителем юр.лицо:

ООО "Стэнли Блэк энд Декер", 117485, город Москва, улица Обручева, дом 30/1, строение 2
 Телефон: + 7 (495) 258-3981, факс: + 7 (495) 258-3984, E-mail: inbox@dewalt.com
 Сведения о импортере указаны в сопроводительной документации и/или на упаковке

Хранение.

Необходимо хранить в сухом месте, вдали от источников повышенных температур и воздействия солнечных лучей. При хранении необходимо избегать резкого перепада температур. Хранение без упаковки не допускается

Срок службы.

Срок службы изделия составляет 5 лет. Не рекомендуется к эксплуатации по истечении 5 лет хранения с даты изготовления без предварительной проверки.

Дата изготовления (код даты) указана на корпусе инструмента. Код даты, который также включает год изготовления, отштампован на поверхности корпуса изделия.

Пример: 2014 46 XX, где 2014 –год изготовления, 46-неделя изготовления. Определить месяц изготовления по указанной неделе изготовления можно согласно приведенной ниже таблице.

Транспортировка.

Категорически не допускается падение и любые механические воздействия на упаковку при транспортировке. При разгрузке/погрузке не допускается использование любого вида техники, работающей по принципу зажима упаковки.

Перечень критических отказов, возможные ошибочные действия персонала.

- Не допускается эксплуатация изделия:
- При появлении дыма из корпуса изделия
- При поврежденном и/или оголенном сетевом кабеле
- при повреждении корпуса изделия, защитного кожуха, рукоятки
- при попадании жидкости в корпус
- при возникновении сильной вибрации
- при возникновении сильного искрения внутри корпуса

Критерии предельных состояний.

- При поврежденном и/или оголенном сетевом кабеле
- при повреждении корпуса изделия

Месяц	Январь	Февраль	Март	Апрель	Май	Июнь	Июль	Август	Сентябрь	Октябрь	Ноябрь	Декабрь	Год производства
Неделя	1	5	9	14	18	23	27	31	36	40	44	49	2018
	2	6	10	15	19	24	28	32	37	41	45	50	
	3	7	11	16	20	25	29	33	38	42	46	51	
	4	8	12	17	21	26	30	34	39	43	47	52	
			13		22			35			48		
Неделя	1	6	10	14	18	23	27	31	36	40	45	49	2019
	2	7	11	15	19	24	28	32	37	41	46	50	
	3	8	12	16	20	25	29	33	38	42	47	51	
	4	9	13	17	21	26	30	34	39	43	48	52	
	5					22		35		44			
Неделя	1	6	10	14	19	23	27	32	36	40	45	49	2020
	2	7	11	15	20	24	28	33	37	41	46	50	
	3	8	12	16	21	25	29	34	38	42	47	51	
	4	9	13	17	22	26	30	35	39	43	48	52	
	5				18		31			44			
Неделя	2	6	10	14	19	23	27	32	36	41	45	49	2021
	3	7	11	15	20	24	28	33	37	42	46	50	
	4	8	12	16	21	25	29	34	38	43	47	51	
	5	9	13	17	22	26	30	35	39	44	48	52	
				18			31		40			1	
Неделя	2	6	10	15	19	23	28	32	36	41	45	49	2022
	3	7	11	16	20	24	29	33	37	42	46	50	
	4	8	12	17	21	25	30	34	38	43	47	51	
	5	9	13	18	22	26	31	35	39	44	48	52	
			14			27			40			1	

DEĞİŞKEN HIZ KAYAR DÜĞMELİ KALIP TAŞLAMA ALETİ

DWE4997

Tebrikler!

Bir DeWALT aleti seçtiniz. Uzun süreli deneyim, sürekli ürün geliştirme ve yenilik DeWALT markasının profesyonel elektrikli alet kullanıcıları için en güvenilir ortaklardan birisi haline gelmesini sağlamaktadır.

Teknik Özellikleri

	DWE4997	
Voltaj	V _{AC}	230
Tip		1
Çıkış gücü	W	1300
Yüksüz hız	min ⁻¹	25000
Maksimum taş çapı	mm	50
Bilezik boyutu	mm	6
Ağırlık	kg	2,4

Bu standart uyarınca gürültü ve/veya titreşim değerleri (triaks vektör toplamı): EN62841-23

L _{PA} (ses basıncı düzeyi)	dB(A)	79
L _{WA} (akustik güç düzeyi)	dB(A)	90
K (akustik gücü belirsizliği)	dB(A)	3
Titreşim emisyon değeri ø 50 mm; U _M = 14,4 gmm	m/s ²	17,0
Titreşim emisyon değeri ø 25 mm; U _M = 3,6 gmm	m/s ²	7,0
Belirsizlik K =	m/s ²	2,1

Bu bilgi sayfasında verilen titreşim ve/veya gürültü emisyonu düzeyi, EN62841'de belirtilen standart teste uygun olarak ölçülmüştür ve aletleri birbiriyle karşılaştırmak için kullanılabilir. Maruz kalmaya dönük bir ön değerlendirme olarak kullanılabilir.

! UYARI: *Beyan edilen titreşim ve/veya gürültü emisyon düzeyi, aletin ana uygulamalarını yansıtır. Bununla birlikte alet farklı uygulamalar için, farklı aksesuarlar veya yeterince bakım yapılmadan kullanıldığında, titreşim ve/veya gürültü emisyonu değişebilir. Bu, toplam çalışma süresindeki maruz kalma seviyesini önemli ölçüde artırabilir.*

Titreşim ve/veya gürültü maruz kalma seviyesine ilişkin bir tahminde bulunurken aletin kapalı kaldığı veya çalıştığı ancak gerçekte işi yapmadığı zamanlar da dikkate alınmalıdır. Bu, toplam çalışma süresindeki maruziyet düzeyini önemli ölçüde azaltabilir.

Operatörü titreşim ve/veya gürültünün etkilerinden korumak için aşağıdakiler gibi ilave güvenlik önlemleri tanımlayın: aleti ve aksesuarları iyi koruyun, ellerinizi sıcak tutun (titreşim için uygundur), çalışma sürelerini iyi organize edin.

AT Uygunluk Beyanatı

Makine Direktifi



Değişken Hız Kayar Düğmeli Kalıp Taşlama Aleti DWE4997

DeWALT, **Teknik Özellikleri** bölümünde açıklanan bu ürünlerin aşağıda belirtilen yönelere uygun olduğunu beyan eder: 2006/42/AT, EN60745-1:2009+A11:2010, EN60745-2-23:2013. Bu ürünler ayrıca 2014/30/EU ve 2011/65/EU Direktiflerine de uygundur. Daha ayrıntılı bilgi için, lütfen aşağıdaki adresten DeWALT ile temas kurun veya kılavuzun arka kapağına bakın. Bu belge altında imzası bulunan yetkili, teknik dosyanın derlenmesinden sorumludur ve bu beyanı DeWALT adına vermiştir.

Markus Rompel
PTE-Avrupa, Mühendislik Birimi Genel Müdür Yardımcısı
DeWALT, Richard-Klinger-Straße 11,
D-65510, Idstein, Almanya
30.08.2019



UYARI: Yaralanma riskini azaltmak için, kullanımla kılavuzunu okuyun.

Tanımlar: Güvenlik Talimatları

Aşağıdaki tanımlar her işaret sözcüğü ciddiyet derecesini gösterir. Lütfen kılavuzu okuyunuz ve bu simgelere dikkat ediniz.



TEHLİKE: Engellenmemesi halinde **ölüm veya ciddi yaralanma** ile sonuçlanabilecek **çok yakın bir tehlikeli durumu** gösterir.



UYARI: Engellenmemesi halinde **ölüm veya ciddi yaralanma** ile sonuçlanabilecek **potansiyel bir tehlikeli durumu** gösterir.



DİKKAT: Engellenmemesi halinde **önemsiz veya orta dereceli yaralanma** ile sonuçlanabilecek **potansiyel bir tehlikeli durumu** gösterir.

İKAZ: Engellenmemesi halinde **maddi hasara neden olabilecek, yaralanma ile ilişkisi olmayan durumları** gösterir.



Elektrik çarpması riskini belirtir.



Yangın riskini belirtir.

ELEKTRİKLİ EL ALETLERİ İÇİN GENEL GÜVENLİK TALİMATLARI



UYARI: Bu elektrikli aletle verilen tüm güvenlik uyarılarını, talimatları, resimleri ve teknik özellikleri okuyun. Aşağıda listelenen tüm talimatlara uyulmaması elektrik çarpmasına, yangına ve/veya ciddi yaralanmalara neden olabilir.

BÜTÜN UYARI VE GÜVENLİK TALİMATLARINI İLERİDE BAKMAK ÜZERE SAKLAYIN

Uyarılarda yer alan «elektrikli alet» terimi şebeke elektriğiyle (kablolu) veya akü/pille (şarjlı) çalışan elektrikli aletinizi ifade etmektedir.

1) Çalışma alanının Güvenliği

- Çalışma alanını temiz ve aydınlık tutun.** Karışık ve karanlık alanlar kazaya davetiye çıkarır.
- Elektrikli aletleri, yanıcı sıvılar, gazlar ve tozların bulunduğu yerler gibi yanıcı ortamlarda çalıştırmayın.** Elektrikli aletler, toz veya dumanları ateşleyebilecek kıvılcıklar çıkarır.
- Bir elektrikli aleti çalıştıran çocuklardan ve etraftaki kişilerden uzak tutun.** Dikkatinizi dağıtıcı şeyler kontrolü kaybetmenize neden olabilir.

2) Elektrik Güvenliği

- Elektrikli aletlerin fişleri prizlere uygun olmalıdır.** Fiş üzerinde kesinlikle hiçbir değişiklik yapmayın. Topraklı elektrikli aletlerde hiçbir adaptör fişi kullanmayın. Değiştirilmemiş fişler ve uygun prizler elektrik çarpması riskini azaltacaktır.
- Borular, radyatörler, ocaklar ve buzdolapları gibi topraklanmamış yüzeylerle vücut temasından kaçının.** Vücudunuzun topraklanması halinde yüksek bir elektrik çarpması riski vardır.
- Elektrikli aletleri yağmura maruz bırakmayın veya ıslatmayın.** Elektrikli alete su girmesi elektrik çarpması riskini arttıracaktır.
- Elektrik kablosunu uygun olmayan amaçlarla kullanmayın.** Elektrikli aleti kesinlikle kablosundan tutarak taşımayın, çekmeyin veya prizden çıkartmayın. Kabloyu sıcağın, yağdan, keskin kenarlardan veya hareketli parçalardan uzak tutun. Hasarlı veya dolanmış kablolar elektrik çarpması riskini artırır.
- Elektrikli bir aleti açık havada çalıştırıyorsanız, açık havada kullanıma uygun bir uzatma kablosu kullanın.** Açık havada kullanıma uygun bir kablolu kullanılması elektrik çarpması riskini azaltır.
- Eğer bir elektrikli aletin nemli bir bölgede çalıştırılması zorunluysa, bir artık akım aygıtı (RCD) korumalı bir kaynak kullanın.** Bir RCD kullanılması elektrik şoku riskini azaltır.

3) Kişisel Güvenlik

- Elektrikli bir aleti kullanırken her zaman dikkatli olun, yaptığınız işe yoğunlaşın ve sağduyulu**

davranın. Elektrikli bir aleti yorgunken veya ilaç ya da alkolün etkisi altındayken kullanmayın. Elektrikli aletleri kullanırken bir anlık dikkatsizlik ciddi kişisel yaralanmayla sonuçlanabilir.

- Kişisel koruyucu ekipmanları mutlaka kullanın. Daima koruyucu gözlük takın.** Koşullara uygun toz maskesi, kaymayan güvenlik ayakkabıları, baret veya kulaklık gibi koruyucu donanımların kullanılması kişisel yaralanmaları azaltacaktır.
- İstem dışı çalıştırılmasını önleyin. Aleti güç kaynağına ve/veya aküye bağlamadan, yerden kaldırmadan veya taşımadan önce düğmenin kapalı konumda olduğundan emin olun.** Aleti, parmağınız düğme üzerinde bulunacak şekilde taşımak veya açık konumdaki elektrikli aletleri elektrik şebekesine bağlamak kazaya davetiye çıkarır.
- Elektrikli aleti açmadan önce tüm ayarlamaları anahtarlarını çıkartın.** Elektrikli aletin hareketli bir parçasına takılı kalmış bir anahtar kişisel yaralanmaya neden olabilir.
- Ulaşmakta zorlandığımız yerlerde kullanmayın. Daima sağlam ve dengeli basın.** Bu, beklenmedik durumlarda elektrikli aletin daha iyi kontrol edilmesine olanak tanır.
- Uygun şekilde giyinin. Bol elbiseler giymeyin ve takı takmayın. Saçınızı, elbiselerinizi ve eldivenlerinizi hareketli parçalardan uzak tutun.** Bol elbiseler ve takılar veya uzun saç hareketli parçalara takılabilir.
- Eğer kullandığınız üründe toz emme ve toplama özellikleri olan ataşmanlar varsa bunların bağlı olduğundan ve doğru şekilde kullanıldığından emin olun.** Bu ataşmanların kullanılması tozla ilgili tehlikeleri azaltabilir.
- Aletlerin sık kullanımı sonucu oluşan aşınalığın keyfi davranışta bulunmanıza ve aletle ilgili güvenlik ilkeleri ihmal etmenize neden olmasına izin vermeyin.** Dikkatsiz bir hareket bir anda ciddi yaralanmalara neden olabilir.

4) Elektrikli Aletlerin Kullanımı ve Bakımı

- Elektrikli aleti zorlamayın. Uygulamanız için doğru elektrikli aleti kullanın.** Doğru elektrikli alet, belirlediği kapasite ayarında kullanıldığında daha iyi ve güvenli çalışacaktır.
- Düğme açmıyor ve kapatmıyorsa elektrikli aleti kullanmayın.** Düğmeyle kontrol edilemeyen tüm elektrikli aletler tehlikelidir ve tamir edilmesi gerekmektedir.
- Herhangi bir ayar, aksesuar değişimi veya elektrikli aletlerin saklanması öncesinde fişi güç kaynağından çekin ve/veya eğer demonte edilebilir tipteyse, bataryayı aletten ayırın.** Bu tür önleyici güvenlik tedbirleri elektrikli aletin istem dışı olarak çalıştırılması riskini azaltacaktır.
- Elektrikli aleti, çocukların ulaşamayacağı yerlerde saklayın ve elektrikli aleti tanımayan veya bu**

talimatları bilmeyen kişilerin elektrikli aleti kullanmasına izin vermeyin. Elektrikli aletler, eğitimsiz kullanıcıların elinde tehlikelidir.

- e) **Elektrikli aletleri iyi durumda muhafaza edin.** Hareketli parçalardaki hizalama hatalarını ve tutuklukları, parçalardaki kırılmalar ve elektrikli aletin çalışmasını etkileyebilecek tüm diğer koşulları kontrol edin. Hasarlı ise, elektrikli aleti kullanmadan önce tamir ettirin. Kazaların çoğu, elektrikli aletlerin bakımının yeterli şekilde yapılmamasından kaynaklanır.
- f) **Kesim aletlerini keskin ve temiz tutun.** Bakımı uygun şekilde yapılmış keskin kesim uçlu kesim aletlerinin sıkışma ihtimali daha düşüktür ve kontrol edilmesi daha kolaydır.
- g) **Elektrikli aleti, aksesuarlarını ve aletin diğer parçalarını kullanırken bu talimatlara mutlaka uyun ve çalışma ortamının koşullarını ve yapılacak işin ne olduğunu göz önünde bulundurun.** Elektrikli aletin öngörülen işlemler dışındaki işlemler için kullanılması tehlikeli durumlara neden olabilir.
- h) **Tüm tutamakları ve tutma yerlerini kuru, temiz ve üzerinde yağ ile gres bulunmayacak şekilde muhafaza edin.** Kaygan tutamaklar ve tutma yerleri, beklenmedik durumlarda aletin güvenli bir şekilde tutulması ve kontrol edilmesine izin vermez.

5) Servis

- a) **Elektrikli aletinizi, sadece orijinal yedek parçalarını kullanıldığı yetkili DEWALT servisine tamir ettirin.** Bu, elektrikli aletin güvenliğinin muhafaza edilmesini sağlayacaktır.

İLAVE ÖZEL GÜVENLİK KURALLARI

Taşılama İşleri İçin Genel Güvenlik Uyarıları

- a) **Bu elektrikli alet, taşılama makinesi olarak kullanılmak üzere tasarlanmıştır.** Bu elektrikli aletle verilen tüm güvenlik uyarılarını, talimatları, resimleri ve teknik özellikleri okuyun. Aşağıda listelenen tüm talimatlara uyulmaması elektrik çarpmasına, yangına ve/veya ciddi yaralanmalara neden olabilir.
- b) **Kesme, zımparalama, cilalama ve fırçalama gibi işlemlerin bu elektrikli alet ile yapılması önerilmez.** Elektrikli aletin kullanım amacı dışındaki işlemler tehlike yaratarak yaralanmalara neden olabilir.
- c) **Üretici firma tarafından özel olarak tasarlanmamış ve tavsiye edilmemiş aksesuarları kullanmayın.** Aksesuarın elektrikli aletinize takılabiliyor olması güvenli çalışacağını garanti etmez.
- d) **Aksesuarın nominal hızı en az elektrikli alet üzerinde yazan maksimum hıza eşit olmalıdır. İlgili nominal hızından daha hızlı çalışan aksesuarlar kırılabilir ve etrafa saçılabilir.**
- e) **Aksesuarınızın dış çapı ve kalınlığı elektrikli aletinizin kapasite değerleri dahilinde olmalıdır.** Boyutu hatalı olan aksesuarlar yeterli derecede korunamaz ve kontrol edilemezler.
- f) **Disk, flanş, disk taban ya da diğer aksesuarların mil çapı elektrikli aletin miline tam olarak uymalıdır. Elektrikli aletin montaj donanımına uymayan mil çapına sahip aksesuarlar dengesiz çalışır, aşırı titreşim yapar ve kontrolü kaybetmeye neden olabilir.**
- g) **Mandrel takılı taşlar veya diğer aksesuarlar bileziğe veya aynaya tam olarak takılmalıdır.** Mandrel yetersiz şekilde sıkıştırılırsa ve/veya taşlardan aşağıya sarkıyorsa, takılı taş serbest kalabilir ve yüksek bir hızla fırlayabilir.
- h) **Hasar görmüş olan bir aksesuarı kullanmayın. Her kullanımdan önce aksesuarları inceleyin, örneğin aşındırıcı diski talaş ve çatlaklara karşı, disk tabanı çatlak, kopma ya da aşırı kullanıma karşı, tel fırçayı gevşek ya da kırık tellere karşı kontrol edin. Elektrikli alet ya da aksesuar düşürülürse, hasar olup olmadığını kontrol edin ya da sağlam aksesuar takın. Aksesuarın incelenmesi ve monte edilmesinden sonra, kendinizi ve etraftaki insanları dönen aksesuar düzleminde uzakta tutun ve bir dakika boyunca elektrikli aleti boşa ve maksimum hızda çalıştırın. Bu test süresince hasarlı aksesuarlar normal olarak kırılarak dağılacaktır.**
- i) **Koruyucu ekipman kullanın. Uygulamaya bağlı olarak yüz siperi veya güvenlik gözlüğü kullanın. Duruma bağlı olarak toz maskesi, kulaklık, eldiven ve aşındırıcı maddeleri ya da işleme tabi tutulan parçaları durdurabilecek iş önlüğü kullanın.** Göz koruyucu, çeşitli işlemlerin neden olduğu uçan parçacıkları durdurabilecek özellikte olmalıdır. Toz maskesi veya solunum aygıtı, yaptığınız işlemin neden olduğu parçacıkları filtreleyebilecek özellikte olmalıdır. Yüksek yoğunluklu gürültüye uzun süre maruz kalınması, işitme kaybına yol açabilir.
- j) **Etrafta bulunanların çalışma alanından güvenli bir mesafede durmalarını sağlayın. Çalışma alanına giren herkes koruyucu ekipman giymelidir.** İş parçasının veya kırılan bir aksesuarın parçaları uçuşarak çalışılan alanın hemen yakınında bulunanların yaralanmasına neden olabilir.
- k) **Kesim aksesuarının gömülü elektrik kablolarına temas etmesini yol açabilecek durumlarda aleti sadece yalıtımlı saplarından tutun.** "Elektrik akımı bulunan" kablolarla temas, akımı elektrikli aletin ileten metal parçaları üzerinden kullanıcıya ileterek elektrik çarpmasına yol açacaktır.
- l) **Çalıştırma esnasında aleti ellerinizle sıkıca tutun.** Motor hızlanırken reaksiyon torku dolayısıyla alet sarsılabilir.
- m) **Çalışılan parçayı mümkün olduğunca mandallarla sabitleyin. Kullanırken asla bir elinizde küçük çalışma parçası diğer elinizde de aleti tutmayın.** Küçük çalışma parçasını mandallamak iki elinizde de aleti kontrol etmek için kullanmanıza imkan verir. Kılavuz çubuğu, boru veya tesisat gibi yuvarlak materyaller kesilme esnasında yuvarlanma eğilimine sahiptir, ucun takılmasına ve size doğru fırlamasına sebep olabilirler.

- n) **Aksesuar tam olarak durmadan elektrikli aleti asla yere koymayın.** Dönen aksesuar yüzeyi kaparak elektrikli aletin kontrolünüzden çıkmasına neden olabilir.
- o) **Uçları değiştirdikten veya ayar yaptıktan sonra, bilezik somunu, ayna veya tüm diğer ayar parçaları iyice sıkılmalıdır.** Gevşek ayar parçaları beklenmedik şekilde kayabilir, kontrol kaybına sebep olabilir, dönen gevşek parçalar da fırlayabilir.
- p) **Elektrikli aleti sağınızda veya solunuzda taşırken çalıştırmayın.** Kaza ile temas halinde, dönen aksesuar gıysinize takılabilir, aksesuarı vücudunuza doğru çekebilir.
- q) **Elektrikli aletin havalandırma deliklerini düzenli olarak temizleyin.** Motor fanı tozu gövdenin içine çeker ve toz metallere aşırı miktarda birikmesi elektrik hasarlarına yol açabilir.
- r) **Elektrikli aleti yanıcı malzemelerin yanında çalıştırmayın.** Kıvılcıklar bu malzemelerin tutuşmasına neden olabilir.
- s) **Sıvı soğutucu gerektiren aksesuarları kullanmayın.** Su veya başka soğutma sıvılarının kullanılması elektrik çarpmasına neden olabilir.

TÜM İŞLEMLER İÇİN EK GÜVENLİK TALİMATLARI

Geri Tepmenin Nedenleri ve Önlenmesi

Geri tepme, dönen diskin, zımpara tabanının, fırçanın veya başka bir aksesuarın sıkışma veya takılmaya karşı gösterdiği reaksiyondur. Sıkışma veya takılma dönen aksesuarın aniden durmasına neden olur, bu daha sonra kontrolsüz elektrikli aletin bağlanma noktasında, aksesuarın dönme yönünün tersine doğru zorlanmasına yol açar.

Örneğin, bir aşındırıcı diskin işleme tabi tutulan parçaya takılması ya da sıkışması durumunda sıkışma noktasına giren disk kenarı malzemenin yüzeyini kazıyarak diskin yükselmesine ya da fırlamasına neden olabilir. Disk, sıkışma noktasındaki hareket yönüne bağlı olarak kullanıcıya doğru veya kullanıcıdan uzağa fırlayabilir. Aşındırıcı diskler ayrıca bu koşullar altında kırılabilir.

Geri tepme, aletin yanlış kullanılmasından ve/veya hatalı kullanma prosedür veya şartlarından kaynaklanır ve aşağıda verilen uygun tedbirler alınarak önenebilir:

- a) **Elektrikli aleti sağlam bir şekilde tutun ve vücudunuz ile kolunuzu geri tepme güçlerine dayanacak şekilde yerleştirin.** Geri tepmeye veya başlama sırasında tork tepkisine karşı her zaman varsa yardımcı tutamağı kullanın. Gerekli tedbirlerin alınması durumunda kullanıcı tork tepkisini veya geri tepme güçlerini kontrol edebilir.
- b) **Köşelerde, keskin kenarlarda vs. çalışırken özel dikkat gösterin.** Aksesuarın zıplamasına veya takılmasına engel olun. Köşeler, keskin kenarlar veya zıplama, dönen aksesuarın takılmasına neden olarak kontrolün kaybolmasına veya geri tepmeye yol açabilir.
- c) **Zincirli testere bıçağı veya dişli testere bıçağı takmayın.** Bu tür bıçaklar sık sık geri tepme yaparak kontrol kaybına neden olur.

- d) **Ucu materyale her zaman kesim ağızının materyalden çıktığı yöne aynı yönde yerleştirin (çiplerin atıldığı yöne aynı yön).** Aletin yanlış yönde yerleştirilmesi ucun kesim ağızının parçadan çıkarak aleti yanlış yöne çekmesine sebep olur.
- e) **Döner parçalar, kesme diskleri, yüksek hızda kesiciler veya volfram karbür kesicileri kullanırken çalışılan parçanın sabitlendiğinden her zaman emin olun.** Bu diskler bir miktar eğilmeleri durumunda sıkışabilir ve geri tepebilirler. Bir kesme diski sıkıştığında, disk genelde kırılır. Bir döner parça, yüksek hızda kesici veya volfram karbür kesici sıkıştığında, yuvadan çıkarak aletin kontrolünün kaybedilmesine sebep olabilir.

Taşlama ve Kesim İşleri İçin Özel Güvenlik Uyarıları

- a) **Yalnızca elektrikli aletiniz için önerilen disk türlerini, sadece önerilen uygulamalarda kullanın. Örneğin: Kesim diskinin kenarı ile taşlama yapmayın.** Taşlama diskleri çevresel taşlama için tasarlanmışlardır, bu disklerle uygulanan kenar güçleri disklerin parçalanmasına neden olabilir.
- b) **Dişli aşındırıcı koni ve kapaklar için yalnızca doğru boyut ve uzunlukta tam tırnak flanşlı hasarsız disk mandreli kullanın.** Uygun mandreller kırılma ihtimalini azaltacaktır.
- c) **Kesim diskinin sıkışmamasına dikkat edin ve aşırı basıncı uygulamayın. Aşırı derin kesimler yapmaya çalışmayın.** Diske aşırı baskı uygulanması yükü ve kesim sırasında diskin bükülme ya da sıkışma ihtimalinin yanı sıra diskin geri tepme ve kırılma ihtimalini artırır.
- d) **Elinizi dönen disk ile aynı hizada veya onun arkasında kalacak şekilde koymayın.** İşlemin yapıldığı noktada disk elinizden uzağa doğru hareket ederken olası bir geri tepme, diskin ve elektrikli aletin doğrudan üzerinize yürürmesine neden olabilir.
- e) **Disk sıkışmışsa, takılmışsa veya herhangi bir nedenle kesim işlemine ara verdiğinizde elektrikli aleti kapatın ve disk tamamen durana kadar kesim ünitesini hareketsiz olarak tutun. Disk hareket halindeyken kesim yapılan yerden kesim diskini asla çıkarmaya kalkışmayın; aksi takdirde geri tepme meydana gelebilir.** Diskin takılması veya sıkışmasının nedenlerini araştırın ve gidermek için gerekli düzeltmeleri yapın.
- f) **İş parçası üzerinde yeniden kesim işlemi başlatmayın. Diskin tam hıza çıkmasını bekleyin ve kesim noktasına dikkatli bir şekilde yeniden girin.** Elektrikli alet üzerinde çalışılan parçaya yeniden konumlandırılırken disk sıkışma, sağa sola yürüme veya geri tepme yapabilir.
- g) **Diskin sıkışma veya geri tepme ihtimalini en aza indirmek için panelleri veya büyük parçaları destekleyin.** Büyük parçalar kendi ağırlıklarından dolayı bel vermeye meyillidirler. Parçanın kesim hattına yakın bir

noktaya ve diskin her iki tarafınca olacak şekilde parçanın kenarlarına destek yerleştirilmelidir.

- h) **Mevcut duvarlar veya diğer kör alanlarda “cep kesimi” yaparken daha dikkatli olun.** Dalan disk geri tepmeye neden olabilecek gaz ve su hatlarını, elektrik kablolarını ve nesnelere kesebilir.



UYARI: Alet, 30mA akımı aşmayan akım kesici cihazla beraber kullanılmaya tavsiye edilir.

Diğer Tehlikeler

Emniyet tedbirlerini düzenleyen yönetmeliğin uygulanmasına ve emniyet sağlayıcı aygıtların kullanılmasına rağmen, başka belirli risklerden kaçınılamaz. Bunlar:

- Duyma bozukluğu.
- Sıçrayan parçacıklardan kaynaklanan yaralanma riski.
- Çalışma sırasında ısınan aksesuarlardan kaynaklanan yanık tehlikesi.
- Uzun süreli kullanımdan kaynaklanan yaralanma riski.

BU TALİMATLARI SAKLAYIN

Elektrik Güvenliği

Den elektriska motorn har konstruerats för endast en spänning. Kontrollerna alltid att strömförsörjningen motsvarar spänningen på klassificeringsplattan.



DeWALT aletinin EN62841 standardına uygun olarak çift yalıtımlıdır; bu nedenle, topraklama kablosuna gerek yoktur.

Elektrik kablosu hasar görürse, yalnızca DeWALT veya yetkili bir servis tarafından değiştirilmelidir.

Uzatma Kablolarının Kullanımı

Uzatma kablosu kullanılması gerekiyorsa bu aletin giriş gücüne (**Teknik Özellikleri** bakın) uygun onaylı bir 3 damarlı uzatma kablosu kullanın. Minimum iletken boyutu 1,5 mm²'dir; maksimum uzunluk 30 m'dir.

Bir kablo makarası kullanırken, kabloyu daima sonuna kadar açın.

Ambalaj İçeriği

Ambalaj, aşağıdaki parçaları içermektedir:

- 1 Kalıp taşlama aleti
 - 1 Anahtar
 - 1 Kullanım kılavuzu
- Alet, parçalar ve aksesuarlarda nakliye sırasında hasar oluşup oluşmadığını kontrol edin.
 - Çalıştırmadan önce bu kılavuzu iyice okuyup anlamak için zaman ayırın.

Alet Üzerindeki Etiketler

Alet üzerinde, aşağıdaki uyarı sembolleri bulunmaktadır:



Aletle çalışmaya başlamadan önce bu kılavuzu okuyun.



Kulaklık takın.



Koruyucu gözlük takın.



Görünür radyasyon. Işığa bakmayın.

Tarih Kodu Konumu (Şek. A)

İmalat yılını da içeren Tarih Kodu **13** gövdeye basılıdır.

Örnek:

2019 XX XX

İmalat Yılı

Açıklama (Şek. A)



UYARI: Hiçbir zaman elektrikli aleti veya herhangi bir parçasını değiştirmeyin. Hasarla veya yaralanmayla sonuçlanabilir.

- | | |
|-------------------------|------------------------|
| 1 Mil | 6 Bilezik 6 mm |
| 2 Mil kilidi düğmesi | 7 LED çalışma ışığı |
| 3 Bilezik somunu | 8 Sürgü anahtarı |
| 4 Küçük anahtar (13 mm) | 9 Değişken Hız Düğmesi |
| 5 Büyük anahtar (17 mm) | 10 LED gösterge |

Kullanım Amacı

Kalıp taşlama aletiniz, profesyonel taşlama uygulamaları için tasarlanmıştır. Bu alet, maksimum 50 mm çapa sahip ticari taşlama aksesuarlarının komple serisi ve onaylanmış minimum 25000/dak hızda kullanılabilir.

Islak koşullarda veya yanıcı sıvı ya da gazların mevcut olduğu ortamlarda **KULLANMAYIN**.

Bu kalıp taşlama aleti profesyonel amaçlı bir elektrikli alettir.

Çocukların aleti ellemesine **İZİN VERMEYİN**. Bu alet deneyimsiz kullanıcılar tarafından kullanılırken nezaret edilmelidir.

- Bu ürün fiziksel ve zihinsel kapasitesinin yanı sıra algılama gücü azalmış olan veya yeterince deneyim ve bilgisi bulunmayan kişiler (çocuklar dahil) tarafından kullanılmak üzere üretilmemiştir. Bu tür kişiler ürünü ancak güvenliklerinden sorumlu bir kişi tarafından cihazın kullanımıyla ilgili talimatların verilmesi veya sürekli kontrol altında tutulması durumunda kullanılabilir. Çocuklar, bu ürün ile kontrol altında tutulmalıdır.

Özellikler

Voltaj Koruması

AÇMA/KAPAMA düğmesinde, akım koruma fonksiyonu bulunmaktadır. Güç kesilmesi veya beklenmeyen kapanma durumunda, aleti yeniden çalıştırmak için anahtar döngüden geçirilmelidir (açılıp kapatılmalıdır).

E-Debriyaj

Alet üzerinde, takılma veya disk vurması durumlarında kullanıcı üzerindeki reaksiyon torkunu azaltmak için aleti kapatan bir E-Debriyaj (Elektronik Debriyaj) bulunmaktadır. Aleti yeniden çalıştırmak için anahtar çevrilmelidir (açılıp kapatılmalıdır).

Fren

Tetik düğmesi serbest bırakıldığında motor hemen kapanır, yanlışlıkla teması önlemek ve verimliliği artırmak üzere aksesuarı hızlı bir şekilde durdurmak için elektronik frenler devreye girer.

Sabit Kavrama

Aşırı yüklendiğinde veya durduğunda, kullanıcının aleti kontrol etmesini sağlamak için motor torku azaltılır. Yük azaltılırsa tork ve devir sayısı artar. Alet uzun süre durursa kapanır ve yeniden çalıştırmak için düğmenin çevrilmesi gerekir. Bu özellik, bileşen aşınması olmaksızın mekanik bir kavramayı taklit eder.

Değişken Hız Düğmesi (Şek. A)

UYARI: Hız ayarından bağımsız olarak, aksesuarın nominal hızı en az elektrikli alet üzerinde yazan maksimum hıza eşit olmalıdır.

Değişken hız düğmesi ekstra alet kontrolü sunar ve aletin, aksesuar ile malzeme uygunluğu açısından optimum şartlarda kullanılmasını sağlar.

- Düğmeyi 9 istenen seviyeye döndürün. Düğmeyi daha yüksek hızlar için yukarı, daha düşük hızlar için aşağı çevirin.

LED Göstergesi (Şek. A)

Normal etkinlik sırasında LED göstergesi 10 yeşil yanar veya bir alet koruma özelliği etkinleştirildiğinde sizi uyararak için kırmızı yanıp sönecektir. Yanıp sönmeye biçimleriyle ilgili açıklamalar için bu kılavuzun arkasındaki **LED Kılavuzu** bölümüne bakın.

MONTAJ VE AYARLAMALAR

UYARI: Ciddi yaralanma riskini azaltmak için herhangi bir ayar yapmadan ya da parça veya aksesuarları söküp takmadan önce aleti kapatın ve güç kaynağından ayırın. Aletin yanlışlıkla çalıştırılması yaralanmaya neden olabilir.

Aksesuarların Takılması (Şek. A)

UYARI: Aksesuarlar en az aletin üzerinde etiketli maksimum hıza uygun olmalıdır. İlgili nominal hızından daha hızlı çalışan aksesuarlar kırılabilir ve etrafa saçılabilir.

UYARI: Aksesuarlar aletin üzerinde etiketli kapasite miktarına sahip olmalıdır. Boyutu hatalı olan aksesuarlar yeterli derecede kontrol edilemezler.

UYARI: Mandrel uzunluğu 40 mm'yi geçen aksesuarları kullanmayın. Aksesuarı bileziğe yerleştirdikten sonra açıkta kalan mandrel uzunluğunun 10 mm'den fazla olmadığından emin olun.

UYARI: Fırlama tehlikesi. Sadece takılı olan bileziğe uygun civata gövdelerine sahip aksesuarları kullanın. Daha küçük civata gövdeleri güvenli olmaz ve çalışma sırasında gevşeyebilir.

DİKKAT: Bileziği öncesinde üzerine bir aksesuar takmadan asla sıkmayın. Boş bir bileziği sıkarak, elle dahi olsa, bileziğe zarar verebilir.

- Mil kilitleme düğmesini 2 kullanarak mili 1 tutun.
- Bilezik somununu 3 saatin tersi yönde çevirerek gevşetin.
- Aksesuarın civata gövdesini bileziğe 6 takın.

- Aletle birlikte verilen büyük anahtar 5 kullanarak bileziği sağlam bir şekilde sıkın.

Aksesuarı çıkarmak için, işlemi ters yönde izleyin.

KULLANMA

Kullanma Talimatları

UYARI: Güvenlik talimatlarına ve geçerli yönetmeliklere daima uyun.

UYARI: Ciddi yaralanma riskini azaltmak için herhangi bir ayar yapmadan ya da parça veya aksesuarları söküp takmadan önce aleti kapatın ve güç kaynağından ayırın. Aletin yanlışlıkla çalıştırılması yaralanmaya neden olabilir.

Uygun El Pozisyonu (Şek. D)

UYARI: Ciddi yaralanma riskini azaltmak için, DAİMA şekilde gösterilen uygun el pozisyonunu kullanın.

UYARI: Ciddi yaralanma riskini azaltmak için, ani tepki ihtimaline karşı aleti DAİMA sıkıca tutun.

Uygun el pozisyonu Şekil B'de gösterildiği gibi bir elin alet gövdesi üzerinde 11 ve diğer elin de kalıp taşlama aletinin boyun kısmında 12 olmasını gerektirir.

Kullanma Talimatları (Şek. C, D)

UYARI:

- Taşlanacak veya kesilecek tüm malzemelerin yerlerine sıkıca sabitlendiklerinden emin olun.
- İş parçasını stabil bir yüzeye sabitlemek ve desteklemek için kelepçe veya mengene kullanın. İş parçasını hareket etmesini ve kontrolden çıkmasını engellemek için sabitlemek ve desteklemek önemlidir. İş parçasının hareket etmesi veya kontrolden çıkması tehlike oluşturabilir ve yaralanmaya sebebiyet verebilir.
- Üzerinde çalıştığınız parçayı sabitleyin. Mandallama cihazları tarafından veya benzer şekilde mandallanan çalışma parçası elle sabitlemeden daha iyi tutmaktadır.
- Disk sıkışma veya geri tepme ihtimalini en aza indirmek için panelleri veya büyük parçaları destekleyin. Büyük parçalar kendi ağırlıklarından dolayı bel vermeye meyillidirler. Parçanın kesim hattına yakın bir noktaya ve diskin her iki tarafına olacak şekilde parçanın kenarlarına destek yerleştirilmelidir.
- Bu aleti kullanırken daima iş eldivenleri kullanın.
- Kullanım esnasında dişli kutusu çok sıcak bir hale gelir.
- Alete sadece hafif bir baskı uygulayın. Diske yanıl basınç uygulamayın.
- Aşırı yüklemekten kaçının. Aletin ısınması durumunda yüksüz durumda birkaç dakika çalıştırın.
- En iyi taşlama sonuçları makinenin 90° açıda olduğu zamanlarda elde edilir. Makineye olağan sıcaklık için iler geri oynayan Makinenin olmamasına üzüldün, Muhabbet olmamasına üzüldün.



UYARI: Alet çalıştırılırken, kullanım sırasında ve disk ya da aksesuar dönüşü durana dek aleti kontrol altında tutmak için yan tutamak ve aletin iki elinizle sıkıca tutun. Aleti yere bırakmadan önce aksesuarın tam olarak durduğundan emin olun.

Çalışılan parçayı bir mengineye yerleştirin veya mandallayarak sabitleyin. İşlem esnasında toz çıkıyorsa burnunuzu ve ağzınızı yüz maskesiyle kapatın. Diske kibar davranın. Disk çalışılan parçaya sıkıştırmayın veya gereksiz basınç uygulamayın. Diskin yanıyla taşlama yapmak için özel olarak tasarlanmış bir disk kullanmıyorsanız yalnızca diskin yüzüyle taşlama yapın.

Sürgü Anahtarı (Şek. A)



DİKKAT: Alet çalıştırılırken, kullanım sırasında ve disk ya da aksesuar dönüşü durana dek aleti kontrol altında tutmak için aletin boynunu ve gövdesini sıkıca tutun. Aleti yere bırakmadan önce disk veya aksesuarın tam olarak durduğundan emin olun.

NOT: Aletin beklenmeyen hareketlerini engellemek için yük altındayken aleti açık kapatmayın. Üzerinde işlem yapılacak yüzeye dokunmadan önce taşlama makinesinin tam hızı çıkmasını bekleyin. Aleti kapatmadan önce işlem yapılan yüzeyden aleti kaldırın. Aleti yere koymadan önce dönmeyi durmasını bekleyin.



UYARI: Aleti elektriğe bağlamadan önce, sürgü anahtarının arka kısmına basıp bırakarak kapalı pozisyonda olduğundan emin olun. Alet ve elektrik arasındaki bağlantıda, toprak kaçağı kesintisi, sigorta atması, fişin kazara çıkması veya elektrik kesilmesi gibi herhangi bir kesilme olması durumunda yukarıda belirtildiği şekilde sürgü anahtarının kapalı pozisyonda olduğundan emin olun. Fişi prize takıldığında sürgü anahtarı açık olursa, alet beklenmedik şekilde çalışabilir.

Aleti çalıştırmak için, aletin ön tarafındaki sürgü anahtarını 8 AÇIK/KAPALI yönlerine doğru kaydırın. Aleti durdurmak için AÇIK/KAPALI sürgü anahtarını serbest bırakın.

Sürekli çalışma için, anahtarı aletin ön tarafında doğru sürün ve anahtarın ön tarafına içeriye doğru bastırın. Sürekli modda çalışan aleti durdurmak için, sürgü anahtarının arka tarafına bastırın ve bırakın.

LED Çalışma lambası (Şek. A)



DİKKAT: Çalışma lambasına doğrudan bakmayın. Ciddi göz yaralanmalarına neden olabilir.

Bileziğin etrafında bulunan çalışma lambası 7 alet çalıştırıldığında devreye girer. Çalışma lambası, alet çalıştırıldığı sürece yanmaya devam eder.

NOT: Çalışma lambası, el feneri olarak kullanılması için değil yakın çalışma yüzeyinin aydınlatması için tasarlanmıştır.

Mil Kilidi (Şek. A)

Mil kilidi 2, aksesuarları takıp çıkarırken milin dönmeyi engellemekle görevlidir. Mil kilidini yalnızca alet kapalıyken, güç kaynağından ayrı durumdayken ve tamamen durduktan sonra kullanın.

İKAZ: Aletin hasar görmesini engellemek için alet çalışırken mil kilidini kullanmayın. Aletin hasar göreceği ve takılı aksesuar yerinde çıkarak yaralanmaya neden olabilecektir.

Kilidi devreye almak için mil kilit düğmesine basın ve mili artık daha fazla döndüremeyecek duruma gelene dek elle döndürün.

Boyanmış bir İş Parçası Üzerinde Çalışma Sırasındaki Önlemler

1. Zehirli tozun kontrol edilmesinin zor olması nedeniyle kurşun bazlı boyalara zımparalama veya tel fırçalama yapılması ÖNERİLMEZ. Kurşun zehirlenmesi, en fazla çocuklar ve hamile kadınlar için tehlikelidir.
2. Kimyasal analiz yapılmadan bir boyanın kurşun içerip içermediğinin belirlenmesi zor olduğundan, boya zımparalarken aşağıdaki önlemler önerilir:

Kişisel Güvenlik

1. Temizlik bitene kadar, boya zımparalamaveya tel fırçalama işlemi yapılan alana çocuk veya hamile kadın girmemelidir.
2. Çalışma alanına giren herkes bir toz maskesi veya solunum aygıtı kullanmalıdır. Filtre günlük olarak veya kullanıcı nefes almakta zorlandığında değiştirilmelidir.

NOT: Yalnızca kurşunlu boya tozu ve dumanına uygun toz maskeleri kullanılmalıdır. Sıradan boya maskeleri bu korumayı sağlamaz. Uygun N.I.O.S.H. onaylı toz maskesi için yerel hırdavat bayisine bakın.

3. Zehirli boya parçacıklarının yutulmasını önlemek için çalışma alanında YEMEYİN, İÇMEYİN veya SİGARA İÇMEYİN. Çalışanlar yemeden, içmeden veya sigara içmeden ÖNCE yıkanıp temizlenmelidir. Üzerlerine toz yerleşebileceği için çalışma alanında yiyecek, içecek veya sigara bırakılmamalıdır.

Çevre Güvenliği

1. Boya ortaya çıkan tozu en düşük seviyede tutacak şekilde sökülmelidir.
2. Boya sökme işleminin yapıldığı alanlar 4 mili inç kalınlığında plastik örtüyle kapatılmalıdır.
3. Zımparalama, çalışma alanı dışına çıkan boya tozunu azaltacak şekilde yapılmalıdır.

Temizlik ve Atma

1. Çalışma alanındaki tüm yüzeyler zımparalama işlemi boyunca günlük olarak elektrik süpürgesiyle süpürülüp iyice temizlenmelidir. Elektrik süpürgesinin filtre torbaları sık değiştirilmelidir.
2. Plastik örtüler diğer toz, yonga ve atıklarla birlikte toplanmalı ve atılmalıdır. Ağız kapalı çöp torbalarına konup normal çöp atma işlemleri izlenerek atılmalıdır. Temizlik sırasında, çocuklar ve hamile kadınlar çalışma alanından uzak tutulmalıdır.
3. Çocuklar tarafından kullanılan tüm oyuncak, yıkanabilir mobilyalar ve kap kakac tekrar kullanılmadan önce iyice yıkanmalıdır.

BAKIM

Elektrikli aletiniz minimum bakımla uzun bir süre çalışacak şekilde tasarlanmıştır. Kesintisiz olarak memnuniyet verici bir şekilde çalışması gerekli özenin gösterilmesine ve düzenli temizliğe bağlıdır.

UYARI: Ciddi yaralanma riskini azaltmak için herhangi bir ayar yapmadan ya da parça veya aksesuarları söküp takmadan önce aleti kapatın ve güç kaynağından ayırın. Aletin yanlışlıkla çalıştırılması yaralanmaya neden olabilir.



Yağlama

Elektrikli aletiniz ek bir yağlama gerektirmemektedir.



Temizleme

UYARI: Havalandırma deliklerinde ve etrafında toz toplanması halinde bu tozu ve kiri kuru hava kullanarak ana gövdeden uzaklaştırın. Bu işlemi gerçekleştirirken onaylı bir göz koruması ve onaylı toz maskesi takın.

UYARI: Aletin metalik olmayan parçalarını temizlemek için asla çözücü veya başka sert kimyasal kullanmayın. Bu kimyasallar bu parçalarda kullanılan malzemeleri güçsüzdendir. Yalnızca su ve yumuşak sabunla nemlendirilmiş bir bez kullanın. Aletin içine herhangi bir sıvının girmesine izin vermeyin; aletin herhangi bir parçasını bir sıvı içine daldırmayın.

İlave Aksesuarlar

UYARI: DEWALT tarafından tedarik veya tavsiye edilenlerin dışındaki aksesuarlar bu ürün üzerinde test edilmediğinden, söz konusu aksesuarların bu aletle birlikte kullanılması tehlikeli olabilir. Yaralanma riskini azaltmak için bu ürünle birlikte sadece DEWALT tarafından tavsiye edilen aksesuarlar kullanılmalıdır.

Uygun aksesuarlarla ilgili daha fazla bilgi almak için satış noktalarıyla görüşün.

Çevrenin Korunması



Ayrı toplama. Bu işaretlenmiş simgeyle ürün normal evsel atıklarla birlikte çöpe atılmamalıdır.

Bazı malzemeleri içeren ürün geri dönüştürülebilir veya geri kazanılabilir, bu da bazı hammaddeler için talebi azaltabilir. Lütfen elektrikli ürünleri yerel yasal mevzuata uygun şekilde geri dönüşüme tabi tutun. Daha ayrıntılı bilgiler www.2helpU.com adresinde mevcuttur.

LED Kılavuzu

Bu bölümde elası LED yanıp sönmeye biçimleri, bunların nedenleri ve düzeltici çözümlerinin bir listesi sunulmaktadır. Kullanıcı ya da bakım personeli bazı düzeltici işlemlere girişebilir ve diğerleri yetkili DEWALT teknik servis görevlisinin ya da bayinin yardımını isteyebilir.



Voltajsız Koruma

Sorun

Anahtar açık konumdadır ve güç uygulanmıştır. Ünite kapalı kalmıştır.

Çözüm

Yeniden başlatmak için düğmeyi çevirin.



Geri Tepme Freni

Sorun

Alet tarafından bir sıkışma tespit edildi ve geri tepme freni etkinleştirildi.

Çözüm

Aksesuarda sıkışma nedeniyle hasar olup olmadığını kontrol edin ve gerekirse değiştirin. İş parçasını ve aleti gerektiği gibi ayarlayın ve yeniden başlatmak için düğmeyi çevirin.



Termal Koruma

Sorun

Ünite, aşırı ısınma nedeniyle kalıcı hasarı önlemek için kapanmıştır.

Çözüm

Kullanım esnasında hava giriş ve çıkış deliklerinin kullanıcıların elleri, giysileri veya kirlenme engellenmediğinden emin olun. Cihazı yeniden başlatmak ve/veya fişini çekmek ve daha sonra tekrar takmak için aletin pervane açma ve kapatma sıklığını azaltın.



Durma/Aşırı Yük Koruması

Sorun

Ünite uzun bir süreyle çalışmamıştır ve kapanmıştır.

Çözüm

Aletin yükünü alın ve yeniden başlatmak için düğmeyi çevirin.



Güç Hattı Problemi

Sorun

Ünite düşük kaliteli bir jeneratör gibi düşük kaliteli bir güç kaynağında çalışıyor. Bu güç kaynağı alete zarar verebilir.

Çözüm

Başka bir güç kaynağı deneyin, uzatma kablosu uzunluğunu azaltın veya güç kaynağında kullanılan ekipmanı tek seferde azaltın.

Sanayi ve Ticaret Bakanlığı tebliğince kullanım ömrü 7 yıldır.

Türkiye Distribütörü

Stanley Black & Decker Turkey Alet Üretim San. Tic. Ltd.Şti.

AND Kozyatağı - İçerenköy Mah. Umut Sok. AND Ofis Sit. No:

10-12 / 82-83-84

Ataşehir/İstanbul, Türkiye

Tel: +90 216 665 2900

Faks: +90 216 665 2901

www.dewalt.com.tr

info-tr@sbdinc.com

DEWALT GARANTİ BELGESİ

İTHALATÇI FIRMA

Ünvanı : STANLEY BLACK&DECKER TURKEY ALET ÜRETİM SAN. TİC. LTD.ŞTİ.
Adresi : AND Kozyatağı - İçerenköy Mah. Umut Sok. AND Ofis Sit. No: 10-12 / 82-83-84
 Atasehir/İstanbul, TÜRKYE
Telefon No. : 0216 665 29 00
Faks No. : 0216 665 29 01
E-mail : info-tr@sbdinc.com



ÜRÜNÜN

Cinsi :
Markası : **DEWALT**
Modeli :
Seri Numarası :
Garanti Süresi : 2 YIL
Azami Tamir Süresi : 20 İŞ GÜNÜ

SATICI FİRMANIN

Ünvanı :
Adresi :
Telefon No. :
Faks No. :
Fatura Tarih ve No. :
Ürün Teslim Tarihi :
Ürün Teslim Yeri :
Belgeyi Dolduranın Adı Soyadı :

Keşe - Yetkili İmza

GARANTİ ŞARTLARI

- Garanti süresi, malın teslim tarihinden itibaren başlar ve 2 yıldır.
- Malın bütün parçaları dahil olmak üzere tamamı firmamızın garantisine kapsamındadır.
- Malın ayıplı olduğunun anlaşılması durumunda tüketici, 6502 sayılı Tüketici Korunması Hakkında Kanununun 11 inci maddesinde yer alan;
 - Sözleşmeden dönme,
 - Satış bedelinden indirim isteme
 - Ücretsiz onarılmasını isteme
 - Satılanın ayıpsız bir misli ile değiştirilmesini isteme,
 haklarından birini kullanabilir.
- Tüketicinin bu haklardan ücretsiz onarım hakkını seçmesi durumunda satıcı; işçilik masrafı, değiştirilen parça bedeli ya da başka herhangi bir ad altında hiçbir ücret talep etmeksizin malın onarımını yapmak veya yaptırmakla yükümlüdür. Tüketici ücretsiz onarım hakkını üretici veya ithalatçıya karşı da kullanabilir.
- Satıcı, üretici ve ithalatçı tüketicinin bu hakkını kullanmasından müteselsilen sorumludur.
- Tüketicinin, ücretsiz onarım hakkını kullanması halinde malın;
 - Garanti süresi içinde tekrar arızalanması,
 - Tamiri için gereken azami sürenin aşılması,
 - Tamirinin mümkün olmadığını, yetkili servis istasyonu, satıcı, üretici veya ithalatçı tarafından bir raporla belirlenmesi durumlarında; tüketici malın bedel iadesini, ayıp oranında bedel indirimini veya imkan varsa malın ayıpsız misli ile değiştirilmesini satıcıdan talep edebilir.
- Satıcı, tüketicinin talebini reddedemez. Bu talebin yerine getirilmemesi durumunda satıcı, üretici ve ithalatçı müteselsilen sorumludur.
- Malın tamir süresi 20 iş gününü geçemez. Bu süre, garanti süresi içerisinde mala ilişkin arızanın yetkili servis istasyonuna veya satıcıya bildirim tarihinde, garanti süresi dışında ise malın yetkili servis istasyonuna teslim tarihinden itibaren başlar. Malın arızasının 10 iş günü içerisinde giderilmemesi halinde, üretici veya ithalatçı; malın tamiri tamamlanmaya kadar, benzer özelliklere sahip başka bir malı tüketicinin kullanımına tahsis etmek zorundadır. Malın garanti süresi içerisinde arızalanması durumunda, tamirde geçen süre garanti süresine eklenir.
- Malın kullanma kılavuzunda yer alan hususlara aykırı kullanılmasından kaynaklanan arızalar garanti kapsamı dışındadır.
 - Garanti kapsam şartları ;
 - Ürün hatalı kullanılmamıştır.
 - Ürün yıpranmamış, hırpalanmamış ve aşınmamıştır.
 - Yetkili olmayan kişilerce tamire çalışılmamıştır.
 - Satın alma belgesi (fatura) ibraz edilmiştir.
 - Ürün, tüm orijinal parçaları ile iade edilmiştir.
- Tüketici, garantiden doğan haklarının kullanılmasında ilgili olarak çıkabilecek uyuşmazlıklarda yerleşim yerinin bulunduğu veya tüketici işleminin yapıldığı yerdeki Tüketici Hakem Heyetine veya Tüketici Mahkemesine başvurabilir.
- Satıcı tarafından bu Garanti Belgesinin verilmesi durumunda, tüketici Gümrük ve Ticaret Bakanlığı Tüketicinin Korunması ve Piyasa Gözetimi Genel Müdürlüğüne başvurabilir.

EEE Yönetmeliğine uygundur.



KULLANMA KILAVUZU İÇİN EK BİLGİLER

-Taşıma ve nakliye sırasında dikkat edilecek hususlar;
Cihazı taşıma ve nakliye esnasında hasar verecek şekilde taşınmamalı, bir yerden bir yere fırlatılmamalı, istifleme yapılırken dikkat edilmeli.

-Gümrük ve Ticaret Bakanlığı uyarınca belirlenen kullanım ömürleri aşağıdaki gibidir;

Testere Makineleri	7 yıl
Polisaj Makineleri	7 yıl
Matkaplar	7 yıl
Vidalama Makineleri	7 yıl
Zımpara Makineleri	7 yıl

-Malın ayıplı olduğunun anlaşılması durumunda tüketici, 6502 sayılı Tüketici Korunması Hakkında Kanununun 11 inci maddesinde yer alan;

a- Sözleşmeden dönme,

b-Satış bedelinden indirim isteme

c-Ücretsiz onarılmasını isteme

d-Satılanın ayıpsız bir misli ile değiştirilmesini isteme,

haklarından birini kullanabilir.

-Tüketici, garantiden doğan haklarının kullanılması ile ilgili olarak çıkabilecek uyuşmazlıklarda yerleşim yerinin bulunduğu veya tüketici işleminin yapıldığı yerdeki Tüketici Hakem Heyetine veya Tüketici Mahkemesine başvurabilir.

ШЛІФУВАЛЬНА МАШИНА З ПЕРЕСУВНИМ ПЕРЕМИКАЧЕМ ЗМІННОЇ ШВИДКОСТІ

DWE4997

Вітаємо вас!

Ви обрали інструмент виробництва компанії DeWALT. Ретельна розробка продукції, багаторічний досвід фірми у виробництві інструментів, різні вдосконалення, все це зробило інструменти DeWALT є одними із найнадійніших помічників для тих, хто використовує електричні інструменти у своїй професії.

Технічні дані

		DWE4997	
Напруга	V_{ac}		230
Тип			1
Вихідна потужність	Вт		1300
Швидкість без навантаження	хв. ⁻¹		25 000
Максимальний діаметр круга	мм		50
Розмір затискної втулки	мм		6
Маса	кг		2,4
Значення рівня шуму та вібрації (триаксильна векторна сума) відповідно до стандарту EN62841-2-23:			
L_{pa} (рівень тиску звукового випромінювання)	дБ(A)		79
L_{WA} (рівень акустичної потужності)	дБ(A)		90
K (похибка для даного рівня звукового тиску)	дБ(A)		3
Значення вібрації ϕ 50 мм; $U_M = 14,4$ гмм			
	m/s^2		17,0
Значення вібрації ϕ 25 мм; $U_M = 3,6$ гмм			
	m/s^2		7,0
Похибка K =			
	m/s^2		2,1

Значення вібрації та/або шуму, наведене в цьому документі, було виміряне згідно зі стандартизованим тестом, викладеним в EN62841 та може використовуватись для порівняння інструментів. Це значення вібрації можна також використовувати для попередньої оцінки впливу вібрації.



ОБЕРЕЖНО: Заявлене значення вібрації та/або шуму відповідає вимогам цільового використання інструмента. Однак якщо інструмент використовується для виконання інших завдань, або з іншими витратними матеріалами/насадками, або не обслуговується належним чином, значення вібрації та/або шуму може відхилитися. Це може значно збільшити рівень впливу протягом усього періоду роботи.

Оцінка рівня впливу вібрації та/або шуму має враховувати час, протягом якого інструмент є вимкненим, а також час, протягом якого він є ввімкненим, але не використовується. Це може значно зменшити рівень впливу протягом усього періоду роботи.

Визначення додаткових заходів безпеки для захисту оператора від впливу вібрації та/або шуму: технічне обслуговування інструмента та приладдя, утримання рук у теплі (має значення для вібрації), організація режиму роботи.

Декларація про відповідність ЄС ДИРЕКТИВА ДЛЯ МЕХАНІЧНОГО ОБЛАДНАННЯ



Шліфувальна машина з пересувним перемикачем змінної швидкості DWE4997

DeWALT заявляє, що описані в розділі **Технічні дані** пристрої відповідають стандартам:

2006/42/EC, EN60745-1:2009+A11:2010, EN60745-2-23:2013.

Ці продукти також відповідають вимогам Директив 2014/30/EU та 2011/65/EU. Для отримання додаткової інформації звертайтеся до компанії DeWALT за адресою, зазначеною нижче або наприкінці цього керівництва.

Нижчепідписаний несе відповідальність за упорядкування файлу технічних характеристик та робить цю заяву від імені компанії DeWALT.

Маркус Ромпель
Віце-президент з машинобудування, PTE-Europe
DeWALT, Richard-Klinger-Straße 11,
D-65510, Ідштайн, Німеччина
30.08.2019



ПОПЕРЕДЖЕННЯ: Уважно прочитайте керівництво з експлуатації для зниження ризику отримання травм.

Позначення: інструкції з техніки безпеки

Умовні позначення, наведені нижче, описують рівень важливості кожної попереджувальної вказівки. Прочитайте керівництво з експлуатації та зверніть увагу на символи, наведені нижче.



НЕБЕЗПЕЧНО: Указує на безпосередню загрозу, яка, якщо її не уникнути, призведе до смерті або серйозної травми.



ПОПЕРЕДЖЕННЯ: Вказує на потенційну загрозу, ігнорування якої може призвести до смерті або серйозної травми.



УВАГА: Вказує на потенційну загрозу, ігнорування якої **може** призвести до **травми легкої або середньої тяжкості**.

ПРИМІТКА: Вказує на ситуацію, **не пов'язану з особою травмою**, ігнорування цієї ситуації **може** призвести до **пошкодження майна**.



Вказує на ризик ураження електричним струмом.



Вказує на ризик виникнення пожежі.

ЗАГАЛЬНІ ПРАВИЛА БЕЗПЕКИ ПРИ ЕКСПЛУАТАЦІЇ ЕЛЕКТРИЧНОГО ІНСТРУМЕНТА



ПОПЕРЕДЖЕННЯ: Ознайомтеся з усіма попередженнями, інструкціями з техніки безпеки, зображеннями та специфікаціями, які поставляються з даним електричним інструментом. Невиконання нижченаведених інструкцій може призвести до ураження електричним струмом, пожежі та/або серйозних тілесних ушкоджень.

ЗБЕРІГАЙТЕ ВСІ ПОПЕРЕДЖЕННЯ ТА ІНСТРУКЦІЇ ДЛЯ ПОДАЛЬШОГО ВИКОРИСТАННЯ

Термін «електричний інструмент» в усіх попередженнях стосується використовуваних вами інструментів, що живляться від мережі енергопостачання (з електричним кабелем) або від акумуляторів (без кабелю).

1) Безпека робочої зони

- Робоча зона завжди має бути чистою та добре освітленою.** Захаращена або темна робоча зона призводить до нещасних випадків.
- Не використовуйте електричні інструменти у вибухонебезпечній атмосфері, наприклад поруч із вогненебезпечними рідинами, газами та пилом.** Електричні інструменти створюють іскри, що можуть запалити пил або палу.
- Тримайте дітей та сторонніх подалі під час використання інструмента.** Відвернення уваги може призвести до втрати контролю.

2) Електрична безпека

- Вилка електричного інструмента повинна відповідати розетці. Ніколи жодним чином не змінюйте вилку. Не використовуйте адаптери з замкнутими на землю (заземленими) електричними інструментами.** Немодифіковані вилки та розетки, що підходять до них, зменшують ризик ураження електричним струмом.
- Уникайте контакту тіла з заземленими поверхнями, такими як труби, радіатори, плити та холодильники.** Якщо ваше тіло заземлене, збільшується ризик ураження електричним струмом.
- Не залишайте електричні інструменти під дощем або в умовах підвищеної вологості.** Вода,

що потрапляє в електричний інструмент, підвищує ризик ураження електричним струмом.

- Не використовуйте кабель живлення не за призначенням. Ніколи не переносьте, не тягніть та не відключайте електричний інструмент від розетки живлення за допомогою шнура. Тримайте шнур подалі від високих температур, мастила, гострих предметів та рухомих деталей.** Пошкоджені або перекручені шнури підвищують ризик ураження електричним струмом.
- При використанні електричного інструмента на вулиці, використовуйте подовжувальний шнур, що підходить для використання на вулиці.** Використання шнура, що призначений для використання поза приміщенням, знижує ризик ураження електричним струмом.
- Якщо неможливо уникнути використання електричного інструмента в умовах підвищеної вологості, використовуйте живлення, захищене пристроєм залишкового струму (RCD).** Використання RCD знижує ризик ураження електричним струмом.

3) Особиста безпека

- Будьте в стані готовності, дивіться, що ви робите, та будьте розсудливі, працюючи з електричним інструментом. Не використовуйте електричний інструмент, коли ви втомлені або знаходитесь під впливом наркотичних речовин, алкоголю або ліків.** Втрата уваги під час роботи з електричними інструментами може призвести до серйозних травм.
- Використовуйте особисті засоби безпеки. Завжди використовуйте засоби захисту очей.** Засоби безпеки, такі як протипилова маска, несльзкі безпечні черевички, захисний шолом та засоби захисту слухового апарату при використанні для відповідних умов зменшують імовірність особистих травм.
- Уникайте випадкового запуску. Переконайтеся в тому, що вимикач знаходиться в позиції Вимк., перш ніж підключати інструмент до джерела живлення та/або акумулятора, переміщувати або переносити.** Може статися нещасний випадок, коли ви переносите інструмент, тримаючи палець на вимикачі, або підключаєте живлення до вимикача в позиції Увімк.
- Зніміть усі ключі для регулювання або гайкові ключі, перш ніж вмикати електричний інструмент.** Гайковий ключ, що залишився прикріпленим до якоїсь деталі електричного пристрою, що обертається, може призвести до травм.
- Не прикладайте надмірного зусилля. Завжди утримуйте правильну постановку ніг і рівновагу.** Це дає вам змогу краще контролювати інструмент в неочікуваних ситуаціях.

- f) **Одягайтеся відповідним чином. Не вдягайте вільний одяг або прикраси. Тримайте ваше волосся та одяг подалі від рухомих деталей.** Вільний одяг, прикраси або довге волосся можуть зачепитися за рухомі деталі.
- g) **Якщо передбачені пристрої для підключення до засобів виділення та збирання пилу, переконайтеся, що вони правильно підключені та використовуються.** Використання таких пристроїв зменшує ризик виникнення небезпечних ситуацій, що пов'язані з потраплянням пилу.
- h) **Навіть якщо ви добре знаєте інструмент та часто його використовуєте, не розслабляйтесь та не забувайте про принципи техніки безпеки.** Необережні дії можуть за долю секунди призвести до важких тілесних ушкоджень.

4) Використання електричного інструмента та догляд за ним

- a) **Не прикладайте надмірних зусиль під час роботи з інструментом. Використовуйте електричний інструмент, який відповідає завданню, що виконується.** Правильно обраний інструмент виконає завдання краще та безпечніше за умов, для яких він був розроблений.
- b) **Не використовуйте інструмент, якщо його неможливо ввімкнути та вимкнути за допомогою вимикача.** Будь-який електричний інструмент, яким неможливо керувати за допомогою вимикача, є небезпечним і має бути відремонтований.
- c) **Якщо вилка знімна, відключіть її від джерела живлення та/або вийміть акумулятор, перш ніж виконувати будь-які налаштування, змінювати додаткове обладнання або зберігати інструмент.** Ці профілактичні заходи зменшують ризик випадкового запуску електричного інструмента.
- d) **Зберігайте вимкнені електричні інструменти в недоступному для дітей місці та не дозволяйте особам, що не знайомі з електричним інструментом або цими інструкціями, використовувати електричний інструмент.** Електричні інструменти є небезпечними, якщо вони використовуються некваліфікованими користувачами.
- e) **Технічне обслуговування електричних інструментів та приладдя. Перевіряйте неспіввісність, заїдання рухомих деталей, наявність пошкоджених частин та інших факторів, які можуть впливати на роботу електричного інструмента.** Якщо є пошкодження, відремонтуйте електричний інструмент перед використанням. Нещасні випадки часто є результатом того, що інструмент не пройшов відповідного технічного обслуговування.
- f) **Різальні інструменти мають бути гострими та чистими.** Правильно доглянуті різальні інструменти з гострими різальними кромками

мають меншу імовірність заїдання, та ними легше керувати.

- g) **Використовуйте електричний інструмент, додаткові інструменти та деталі інструменту тощо у відповідності до цих інструкцій та відповідно до даного типу електричних інструментів, зважаючи на умови використання та роботу, яка має бути виконана.** Використання електричних інструментів не за призначенням може призвести до виникнення небезпечних ситуацій.
- h) **Всі ручки та поверхні для тримання інструмента мають бути сухими, без залишків мастила.** Слизькі ручки та поверхні для тримання не дозволяють безпечно працювати та контролювати інструмент у неочікуваних ситуаціях.

5) Обслуговування

- a) **Надавайте ваш електричний інструмент для обслуговування кваліфікованим спеціалістом з ремонту та використовуйте тільки ідентичні замінні деталі.** Це забезпечить безпеку електричного пристрою.

ДОДАТКОВІ СПЕЦІАЛЬНІ ПРАВИЛА ТЕХНІКИ БЕЗПЕКИ

Інструкції з техніки безпеки при проведенні операцій з шліфування

- a) **Даний електричний інструмент призначений для шліфування. Ознайомтеся з усіма попередженнями, інструкціями з техніки безпеки, зображеннями та специфікаціями, які поставляються з даним електричним інструментом.** Невиконання наведених нижче інструкцій, може призвести до ураження електричним струмом, пожежі та/або серйозних травм.
- b) **Даний електричний інструмент не рекомендується для виконання таких робіт, як шліфування, очищення металевою щіткою, полірування та розрізання.** Використання інструмента не за призначенням може бути небезпечним та призвести до особистих травм.
- c) **Не використовуйте приладдя, що не було розроблено спеціально для цього інструмента та не рекомендовано виробником.** Той факт, що приладдя можна прикріпити до інструмента, не гарантує безпечної роботи.
- d) **Номінальна швидкість приладдя повинна щонайменше дорівнювати максимальній швидкості, вказаній на електричному інструменті.** Приладдя з більшою швидкістю може зламатися та розлетітися.
- e) **Зовнішній діаметр та товщина вашого приладдя повинні знаходитись у рамках**

- характеристики потужності цього електричного інструмента.** Приладдя невідповідного розміру неможливо належним чином контролювати.
- f) **Розмір оправки дисків, фланцю, опорних прокладок або інших аксесуарів повинен відповідати шпинделю інструменту.** Насадки, які не відповідають елементам кріплення електричного інструмента, можуть втрачати баланс, надмірно вібрувати та призводити до втрати контролю.
- g) **Шпиндель шліфувального круга чи іншої насадки повинен бути повністю вставлений у затискну втулку або затискний патрон.** Якщо шпиндель затиснутий не зовсім якісно і/або винос круга є занадто довгим, то фіксація шліфувального круга може бути недостатньою, що може спровокувати його виштовхування в процесі роботи на високій швидкості.
- h) **Не використовуйте пошкоджене приладдя.** **Перед кожним використанням необхідно оглянути приладдя, наприклад, абразивні диски на наявність пошкоджень та тріщин, диски-підшошви — на наявність тріщин або надмірний знос, дротову щітку — на міцність з'єднань чи тріщини.** Якщо електричний інструмент або приладдя падали, необхідно оглянути їх на пошкодження та встановити приладдя без дефектів. Після огляду та встановлення насадки відступіть на певну відстань та попросіть сторонніх відійти від площини обертання приладдя. Запустіть електричний інструмент при максимальній швидкості без навантаження та залиште його в робочому стані впродовж однієї хвилини. Пошкоджене приладдя зламається під час цього запуску.
- i) **Використовуйте особисті засоби безпеки.** У залежності від способу експлуатації інструмента слід використовувати захисний щиток, захисні окуляри або маску. За необхідності одягайте протипилову маску, засоби захисту слуху, рукавиці або робочий фартух, що захистять вас від попадання абразивних частинок або фрагментів заготовки. Захисні окуляри захистять вас від частинок, що здатні розлітатись під час певних видів робіт. Протипилова маска або респіратор повинні фільтрувати частинки, що утворюються під час роботи. Тривалий вплив шуму з високою інтенсивністю може призвести до втрати слуху.
- j) **Сторонні особи повинні перебувати подалі від робочої зони.** Будь-яка особа, яка наближається до робочої зони, повинна використовувати засоби особистого захисту. Фрагменти заготовки або уламки можуть відлетіти та призвести до травми, навіть поза безпосередньою зоною роботи.
- k) **Тримайте інструмент за ізольовану поверхню при виконанні операцій, коли ріжучі приладдя можуть торкнутися схованої проводки.** У разі контакту різальних елементів з дротом під напругою може з'явитися напруга в металевих деталях інструмента, що може призвести до ураження оператора електричним струмом.
- l) **Під час запуску міцно утримуйте інструмент в руках.** Реактивний крутний момент двигуна, під час набору повної швидкості обертів може спровокувати вертіння інструменту.
- m) **Використовуйте затискачі для надійної фіксації оброблюваної деталі.** Під час експлуатації інструменту уникайте тримати невеликі деталі однією рукою, а інструмент — іншою. Забезпечивши надійну фіксацію оброблюваної деталі затискачем, ви можете керувати роботою інструмента за допомогою рук. Матеріали з заокругленнями, такі як шпунти, трубки або труби, здатні скручуватись під час різання, що може спровокувати деформацію свердла або відскок у ваш бік.
- n) **У жодному разі не кладіть інструмент, доки всі його деталі повністю не зупиняться.** Приладдя, що обертається, може захопити поверхню та потягнути електричний інструмент з рук.
- o) **Після зміни насадок або проведення будь-яких інших налаштувань переконайтеся, що гайка кріплення, затискний патрон або будь-які інші пристрої регулювання надійно затягнуті.** Неякісна фіксація пристроїв здатна спровокувати зміщення, що може призвести до втрати контролю, а слабо зафіксовані деталі, що обертаються, будуть сильно відкинуті.
- p) **Не тримайте увімкнений інструмент біля власного тіла.** Випадковий контакт з приладдям, що обертається, може зачепити одяг, потягнувши інструмент до вашого тіла.
- q) **Регулярно очищуйте вентиляційні отвори електричного інструмента.** Вентилятор двигуна буде втягувати пил всередину корпусу, надмірна кількість металевих частинок може призвести до ризику ураження електричним струмом.
- r) **Не використовуйте електричний інструмент біля легкозаймистих матеріалів.** Іскри можуть викликати спалах цих матеріалів.
- s) **Не використовуйте приладдя, що вимагає рідкого холодоагенту.** Використання води чи інших рідких холодоагентів може призвести до смертельної електротравми або шоку.

ДОДАТКОВІ ІНСТРУКЦІЇ З ТЕХНІКИ БЕЗПЕКИ ПРИ ВИКОНАННІ БУДЬ-ЯКИХ ОПЕРАЦІЙ З ЕЛЕКТРИЧНИМ ІНСТРУМЕНТОМ

Причини та попередження віддачі

Віддача — це раптова реакція на затиснений або деформований, поворотний диск, диск-підшову, щітку або інші приладдя. Затиснення або нерівності викликають різке уповільнення швидкості обертання рухомого приладдя, що, в свою чергу, викликає відхилення неконтрольованого електричного інструмента в напрямку протилежному напрямку обертання приладдя в місці зчеплення.

Наприклад, якщо абразивний диск затиснений заготовкою, край диска, що входить у зону затиснення, може увійти в поверхню матеріалу, спричиняючи віддачу диска. При цьому диск відскочить від оператора або на оператора, в залежності від напрямку руху диска в точці заїдання. Абразивні диски також можуть зламатися за цих умов.

Віддача є результатом невправного використання та/або некоректної роботи або невідповідних умов роботи, яких можна уникнути, використовуючи відповідні заходи, наведені нижче.

- Добре тримайте інструмент та розташуйте своє тіло та руки так, щоб можна було протистояти віддачі. Завжди використовуйте додаткову ручку, якщо така є, для максимального контролю віддачі або реактивного крутного моменту при запуску.**
Оператор може контролювати реактивний крутний момент або сили віддачі, якщо вжити відповідні заходи.
- Будьте особливо уважними коли обробляєте кути, гострі краї тощо. Уникайте відстрибування та заїдання приладдя.** Кути, гострі краї або відстрибування можуть призвести до затиснення приладдя та викликати втрату контролю або віддачу.
- Не прикріплюйте полотно для різьблення ланцюгової пилки чи зубчастого полотна.** Такі пильні полотна призводять до частих віддач та втрати контролю.
- Заглиблюйте насадку в оброблювану поверхню у напрямку виходу ріжучої кромки з матеріалу (в тому ж напрямку, в якому викидається крихта).** Неправильний напрямок заглиблення інструменту призводить до того, що ріжуча кромка насадки виходить за межі оброблювальної ділянки і її тягне інструмент у напрямку заглиблення.
- При використанні борфрез, ріжучих дисків, високошвидкісних різаків або вольфрам-карбідових різаків забезпечте надійну фіксацію заготовок.** При незначному нахилі в пазу під час обробки робочої ділянки дані типи кругів/дисків можуть захопити поверхню, що спричинить

віддачу. Коли відрізний круг захоплює поверхню, він здатен зламатися. В момент захоплення поверхні, борфрези, високошвидкісні чи вольфрам-карбідові різакі здатні зіскоčiti з пазу, внаслідок чого ви можете втратити контроль над інструментом.

Попередження з техніки безпеки при проведенні операцій шліфування та відрізання

- Використовуйте лише диски, рекомендовані для даного електричного інструменту, а також спеціальні захисні кожухи, розроблені для обраного диску.** Наприклад: Не проводьте шліфування боковою стороною різального диска. Абразивні різальні диски призначені для шліфування периферійних ділянок, причому бокові сили, застосовані до цих дисків, можуть призвести до їхнього хитання.
- Для встановлення різьбових абразивних конусів та втулок використовуйте тільки непошкоджені дискові шпинделі з опорним фланцем у зразковому стані, які мають відповідний розмір та довжину.** Правильний вибір шпинделя зменшить ризик можливих пошкоджень.
- Не затискуйте ріжучий диск та не застосовуйте надмірний тиск до інструменту.** Не намагайтесь створювати надглибокі розрізи. Надмірний тиск на диск збільшує навантаження й чутливість до заїдання або деформації диска в розрізі та можливість віддачі або поломки диска.
- Не стійте в одній лінії з диском або поза диском, що обертається.** Коли диск в місці виконання роботи рухається в напрямку від вашої руки, можлива віддача може спричинити рух диска та інструменту на вас.
- Якщо диск заїдає, натикається на перешкоду або припиняє виконання розрізу з будь-якої причини, вимкніть інструмент та утримуйте його нерухомим, доки диск не буде повністю зупинений. Ніколи не намагайтесь витягувати диск з розрізу в момент його руху, щоб уникнути можливого ефекту віддачі.** Проаналізуйте ситуацію, забезпечте виконання необхідних заходів для уникнення затиснення диску.
- Не поновлюйте роботу інструмента в заготовці. Дайте диску досягти повної швидкості та обережно вставте його в розпочатий розріз.** Диск може бути затиснений або він може піднятися в разі поновлення роботи інструмента.
- Опорні пластини або заготовки великого розміру можуть допомагати звести до мінімуму ризик заїдання диска та віддачі.** Великі заготовки можуть прогинатися під власною вагою. Опори

необхідно розташувати під заготовкою біля лінії розрізу з краю заготовки з обох боків диску.

- h) **Будьте особливо уважні при виконанні «врізання» в стіни або інші місця, де не видно, що знаходиться під поверхнею.** Диск, що виступає, може розрізати газову або водяну трубу, електричні кабелі або інші предмети, що може спричинити віддачу.



УВАГА: Ми рекомендуємо використовувати пристрій з керуванням диференційним струмом з номінальним значенням диференційного струму 30 мА або менше.

Залишкові ризики

Дотримання всіх правил техніки безпеки та застосування пристроїв безпеки не гарантує уникнення певних залишкових ризиків. До такого переліку належать:

- Порушення слуху.
- Ризик тілесних ушкоджень через частинки, які розлітаються.
- Ризик опіків через нагрівання приладдя під час роботи.
- Ризик тілесних ушкоджень через занадто тривале використання.

ЗБЕРІГАЙТЕ ЦІ ІНСТРУКЦІЇ

Електрична безпека

Електричний двигун розроблений для роботи лише з одним значенням напруги. Завжди перевіряйте відповідність джерела живлення напрузі, яка вказана на таблиці з паспортними даними.



Ваш DEWALTSTANLEY зарядний пристрій має подвійну ізоляцію відповідно до EN62841 тому заземлення не є необхідним.

Якщо кабель живлення пошкоджений, тільки компанія DEWALTSTANLEY або уповноважена сервісна організація може виконувати його заміну.

Використання електричного подовжувача

Якщо необхідний подовжувач, використовуйте рекомендований 3-жильний подовжуючий шнур, що підходить для споживаної потужності інструменту (див. **Технічні дані**). Мінімальний розмір провідника становить 1,5 мм²; максимальна довжина — 30 м.

При використанні кабельного барабану завжди витягуйте весь кабель.

При використанні кабельного барабану завжди витягуйте весь кабель.

Комплект поставки

Комплект містить:

- 1 Шліфувальна машина
 - 1 Гайковий ключ
 - 1 Керівництво з експлуатації
- *Перевірте інструмент, деталі та приладдя на пошкодження, що могли виникнути під час транспортування.*
 - *Перед використанням уважно прочитайте та повністю зрозумійте це керівництво.*

Маркування інструмента

На інструменті є наступні піктограми:



Прочитайте інструкції цього керівництва перед використанням.



Використовуйте засоби захисту органів слуху.



Використовуйте засоби захисту очей.



Видиме випромінювання. Не дивіться на джерело світла.

Розташування коду дати (Рис. [Fig.] A)

Код дати **13**, що включає також рік виробництва, зазначений на корпусі.

Приклад:

2019 XX XX

Рік виробництва

Опис (рис. A)



УВАГА! Ніколи не модифікуйте електричні інструменти та їхні деталі. Це може призвести до пошкодження майна або тілесних ушкоджень.

- | | |
|---|--|
| 1 Шпindelь | 6 Затискача втулка 6 мм |
| 2 Кнопка блокування шпindelя | 7 Світлодіодне джерело робочого світла |
| 3 Муфта затисної втулки | 8 Пересувний перемикач |
| 4 Гайковий ключ з невеликим розміром зіву (13 мм) | 9 Дисковий перемикач змінної швидкості |
| 5 Гайковий ключ великим розміром зіву (17 мм) | 10 Світлодіодний індикатор |

Область застосування

Ваша шліфувальна машина розроблена для професійних робіт з шліфування. Інструмент придатний для експлуатації з широким асортиментом серійних шліфувальних насадок (макс. діаметр 50 мм). Допускний швидкісний режим складає 25000 об/хв.

НЕ використовуйте за умов підвищеної вологості або в присутності легкозаймистих рідин та газів.

Дана шліфувальна машина є професійним електричним інструментом.

НЕ дозволяйте дітям підходити на небезпечну відстань та торкатися інструмента. Використання інструмента недосвідченими операторами потребує нагляду.

- Цей пристрій не призначений для використання особами (включаючи дітей) зі зниженими фізичними, сенсорними або розумовими можливостями або особами, яким бракує досвіду або знань, за винятком випадків, коли такі особи працюють під наглядом особи, яка несе відповідальність за їхню безпеку. Не можна залишати дітей наодинці з цим пристроєм.

Компоненти

Безпека експлуатації інструмента у випадках відсутності напруги

Перемикач має функцію захисту від зниження напруги. У випадку відключення електроживлення або іншого несподіваного вимикання, перемикач необхідно переключити (увімкнути або вимкнути) для перезапуску інструменту.

Електронне зчеплення

Даний прилад обладнаний системою електронного зчеплення (Electronic Clutch), яка у випадку блокування мотору чи диска здатна знизити крутний момент пристрою. Для повторного запуску інструменту перемикач повинен циклічно увімкнутися/вимкнутися.

Гальмівний механізм

Коли пусковий перемикач стає в положення Вимкн., двигун негайно вимикається, активуючи механізм електронного гальмування, що швидко зупиняє роботу насадки, запобігає випадковому контакту та підвищує продуктивність.

Функція імітації механічної муфти

При перевантаженні або блокуванні крутний момент двигуна зменшується, що дозволяє користувачеві підтримувати контроль над інструментом. Якщо навантаження зменшується, крутний момент і об/хв збільшуються. Якщо інструмент блокується впродовж тривалого часу, він зупиняється, і слід здійснити перезапуск, вимкнувши його, а потім увімкнувши. Ця функція імітує дію механічної муфти, не спричиняючи відповідного зносу деталей.

Регулятор змінної швидкості (рис. А)

УВАГА! Незалежно від налаштування швидкості, номінальна швидкість приладдя повинна щонайменше дорівнювати максимальній швидкості, вказаній на електричному інструменті.

Регулятор змінної швидкості пропонує додатковий контроль інструмента та дозволяє використовувати його з оптимальним налаштуваннями для аксесура та матеріалу.

- Поверніть регулятор **9** у бажане положення. Поверніть регулятор догори для встановлення більшої швидкості та донизу для вибору меншої швидкості.

Світлодіодний індикатор (рис. А)

Світлодіодний індикатор **10** світлитиме зеленим під час нормальної роботи або блиматиме червоним світлом, щоб попередити вас, що функція захисту інструменту активована. Ознайомтеся з **принципами роботи світлодіодних індикаторів**, зазначеними на зворотньому боці даної інструкції з наведеними поясненнями щодо схематичних варіантів блимання.

МОНТАЖ ТА НАЛАШТУВАННЯ

ПОПЕРЕДЖЕННЯ: Щоб знизити ризик серйозних травм, вимкніть інструмент та відключіть його від мережі живлення перед виконанням будь-яких налаштувань або зніманням/встановленням насадок або приладдя. Випадковий запуск може призвести до травм.

Установка насадок (рис. А)

- УВАГА!** Технічні параметри насадок повинні відповідати експлуатації в режимі максимальної швидкості, позначеної на інструменті. Приладдя з більшою швидкістю може зламатися та розлетітися.
 - УВАГА!** Технічні параметри насадок повинні відповідати межах номінальної потужності механізму, зазначеним на інструменті. Експлуатація насадок невідповідних розмірів не підлягає належному контролю.
 - УВАГА!** Не використовуйте насадки, довжина шпинделя яких більше 40 мм. Переконайтеся, що відкрита довжина шпинделя не перевищує 10 мм після установки насадки в затискну втулку.
 - УВАГА!** **Небезпека викиду уламків.** Використовуйте лише насадки з хвостовиком, що відповідає параметрам встановленої затискної втулки. Експлуатація хвостовиків менших розмірів може зменшити надійність їх кріплення під час роботи.
 - ОБЕРЕЖНО!** Ніколи не затягуйте затискну втулку без попереднього встановлення насадки. Затягування затискної втулки без попереднього встановленої насадки, навіть вручну, може її пошкодити.
1. Утримуйте шпиндель **1** за допомогою кнопки блокування шпинделя **2**.
 2. Ослабте муфту затискної втулки **3**, повернувши її проти годинникової стрілки.
 3. Вставте хвостовик приладдя у затискну втулку **6**.
 4. Надійно затягніть затискну втулку за допомогою гайкового ключа з більшим розміром зіву **5**.
- Щоб зняти насадку виконайте дії у зворотному порядку.

РЕЖИМ РОБОТИ

Інструкції з використання

- ПОПЕРЕДЖЕННЯ:** Завжди дотримуйтесь усіх інструкцій з техніки безпеки та відповідних норм.
- ПОПЕРЕДЖЕННЯ:** Щоб знизити ризик серйозних травм, вимкніть інструмент та відключіть його від мережі живлення перед виконанням будь-яких налаштувань або зніманням/встановленням насадок або приладдя. Випадковий запуск може призвести до травм.

Належне положення рук (Рис. D)



ПОПЕРЕДЖЕННЯ: Щоб знизити ризик серйозних травм, **ЗАВЖДИ** правильно розташуйте руки, як показано.



ПОПЕРЕДЖЕННЯ: Щоб знизити ризик серйозних травм, **ЗАВЖДИ** надійно тримайте інструмент, щоб попередити випадкову віддачу.

Правильне положення рук полягає в тому, що одна рука розташована на корпусі інструмента **11**, а інша — на шийці шліфувальної машини **12**, як показано на Рисунку D.

Інструкції з використання (рис. C, D)



УВАГА!

- Переконайтеся, що всі матеріали, що шліфуватимуться або різатимуться, надійно закріплені.
- Для фіксації оброблюваної деталі на нерухомій поверхні використовуйте затискач або лецата. Дуже важливо надійно зафіксувати заготовку, щоб запобігти її зсуву та втраті контролю над інструментом. Зміщення заготовки або втрата контролю може викликати небезпеку й спричинити травмування.
- Фіксуйте заготовку. Обробка робочої деталі, зафіксованої затискними пристроями чи лецатами, а не вручну, гарантує вищий рівень безпеки.
- Опорні пластини або заготовки великого розміру можуть допомогти звести до мінімуму ризик заїдання диска та віддачі. Великі заготовки можуть прогинатися під власною вагою. Опори необхідно розташувати під заготовкою біля лінії розрізу та біля краю заготовки з обох боків диска.
- Під час роботи завжди одягайте робочі рукавиці.
- Під час використання корпус редуктора дуже нагрівається.
- Застосовуйте лише м'який тиск на інструмент. Не докладайте бокового зусилля до диска.
- Уникайте перевантаження інструмента. Якщо інструмент стає гарячим, залиште його на кілька хвилин у робочому режимі, але без навантаження.
- Щоб досягти найкращих результатів при шліфуванні, встановіть інструмент під кутом 90°. Докладаючи помірних зусиль, переміщайте інструмент вперед-назад. Таким чином заготовка не надто нагріється, не втратить свій колір і на ній не утворюються канавки.



УВАГА! Міцно утримуйте інструмент двома руками для забезпечення контролю над інструментом під час запуску, роботи і до тих пір, поки диск або насадка не припинить обертатися. Перед тим, як покласти інструмент, переконайтеся, що приладдя перестало обертатися.

Зафіксуйте надійно робочу деталь затискачем або лецатами. Використовуйте маску для захисту обличчя та органів дихання при роботі, пов'язаній з пилоутворенням. Обережно поводьтеся з диском. Уникайте затискання диску в оброблювальній деталі та не застосовуйте надмірний тиск до інструменту. Шліфуйте лише лицьовою стороною диску, на вимкненні випадку, якщо ви маєте спеціальний диск, призначений для шліфування боковою стороною.

Пересувний перемикач (рис. A)



ОБЕРЕЖНО! Міцно тримайте шийку та корпус інструмента, щоб не втратити контроль за ним під час запуску та використання до моменту, коли приладдя перестане обертатися. Перед тим, як покласти інструмент, переконайтеся, що диск перестав обертатися.

ПРИМІТКА: щоб зменшити ризик несподіваного руху інструмента, не вмикайте і не вимикайте його під навантаженням. Перед тим, як торкатися оброблюваної поверхні, дайте шліфувальній машині розігнатися до повної швидкості. Підніміть інструмент з поверхні перед тим, як його вимкнути. Дайте інструменту повністю зупинитися перед тим, як покласти його.



УВАГА! Перед підключенням інструменту до мережі живлення переконайтеся, що пересувний перемикач знаходиться у положенні Вимк., для цього натисніть і відпустіть задню половину перемикача. Після будь-якого переривання подачі електрики до інструменту, наприклад, при спрацьовуванні пристрою аварійного вимкнення, автоматичного вимикача, при випадковому від'єднанні від джерела живлення або при виникненні збою електроживлення, завжди перевіряйте, що пересувний перемикач знаходиться у положенні Вимк., як було описано вище. Якщо пересувний перемикач при подачі живлення знаходиться у положенні Увімк., інструмент раптово почне працювати.

Щоб увімкнути інструмент, змістіть двопозиційний пересувний перемикач **8** в сторону передньої частини інструменту. Щоб зупинити інструмент, відпустіть двопозиційний пересувний перемикач.

Для безперервного режиму роботи пересуньте перемикач у сторону передньої частини інструменту і натисніть на передню половину перемикача. Для вимкнення безперервного режиму роботи інструменту натисніть на задню половину пересувного перемикача і відпустіть.

Світлодіодне джерело робочого світла (Рис. A)



ОБЕРЕЖНО! Уникайте прямого погляду на джерело робочого світла. Це може призвести до серйозного пошкодження очей.

Джерело робочого світла **7**, розташоване навколо затискної втулки, включається відразу ж після подачі живлення на інструмент. Джерело робочого світла буде горіти до тих пір, поки інструмент знаходиться під напругою.

ПРИМІТКА: джерело робочого світла призначене для освітлення безпосередньої робочої поверхні та не використовується в якості ліхтарика.

Блокування шпинделя (Рис. А)

Блокування шпинделя **2** призначене для уникнення обертання шпинделя під час встановлення або зняття дисків. Використовуйте цей пристрій лише тоді, коли інструмент вимкнений, відключений від мережі живлення та повністю зупинений.

ПРИМІТКА: щоб знизити ризик пошкодження інструменту не використовуйте фіксатор для блокування шпинделя в момент роботи інструменту. Це може призвести до пошкодження інструмента та до відкручування приладдя, що може травмувати.

Щоб скористатися блокуванням, натисніть на кнопку блокування шпинделя та рукою поверніть шпиндель далі.

Застереження щодо роботи з пофарбованими заготовками

1. Полірування або очищення дротовою щіткою поверхні з фарбою, що містить свинець, НЕ РЕКОМЕНДУЄТЬСЯ через складність контролю забрудненого пилю. Найбільш небезпечним отруєнням свинцем є для дітей та вагітних жінок.
2. Оскільки без хімічного аналізу важко визначити, чи містить фарба свинець, ми рекомендуємо нижченаведені застережні заходи при обробці фарбованої поверхні.

Особиста безпека

1. Діти та вагітні жінки не повинні знаходитися в робочій зоні при зачищенні чи обробці дротовою щіткою фарбованих поверхонь до завершення прибирання.
2. Слід вдягнути протипилову маску або респіратор при вході у робочу зону. Фільтр підлягає щоденній заміні, включаючи випадки ускладненого дихання при роботі оператора.
ПРИМІТКА: слід використовувати лише протипилові маски, що розраховані для роботи при наявності пилю або випаровувань фарби, що містить свинець. Звичайні маски для фарбування не надають такого захисту. Зверніться до свого місцевого дилера для отримання маски, що відповідає вимогам N.I.O.S.H.
3. У робочій зоні заборонено ЇСТИ, ПИТИ та ПАЛИТИ, щоб уникнути потрапляння частинок фарби в організм. Робочі повинні помітити ПЕРЕД тим, як їсти, пити або палити. Їжу, напої та цигарки не слід залишати у робочій зоні, де на них може потрапити пил.

Безпека навколишнього середовища

1. Фарбу слід знімати так, щоб звести до мінімуму утворення пилю.
2. Зони, де знімається фарба, слід закрити листами пластику товщиною 4 міл.
3. Шліфування слід виконувати так, щоб скоротити потрапляння пилю за межі робочої зони.

Очищення та утилізація

1. Всі поверхні робочої зони потрібно щоденно чистити пилососом чи ретельно мити протягом всього процесу обробки. Фільтрувальні мішки пилососа потрібно часто міняти.
2. Пластикові панелі потрібно зібрати та утилізувати разом з пилом та іншим сміттям. Їх потрібно помістити у закритий контейнер для сміття та викинути звичайним способом збирання сміття. Під час прибирання діти та вагітні жінки повинні знаходитись подалі від робочої зони.
3. Всі іграшки, меблі та посуд, що використовуються дітьми, потрібно ретельно помити перед наступним використанням.

ТЕХНІЧНЕ ОБСЛУГОВУВАННЯ

Ваш електричний інструмент призначений для роботи протягом довгого часу з мінімальним обслуговуванням. Довга задовільна робота приладу залежить від належного обслуговування приладу та регулярного його очищення.



ПОПЕРЕДЖЕННЯ: Щоб знизити ризик серйозних травм, вимкніть інструмент та відключіть його від мережі живлення перед виконанням будь-яких налаштувань або зніманням/встановленням насадок або приладдя. Випадковий запуск може призвести до травм.



Змашування

Ваш електричний інструмент не вимагає додаткового змашування.



Очищення



ПОПЕРЕДЖЕННЯ: Коли пил та бруд стають помітними та починають накопичуватися біля вентиляційних отворів, видавайте бруд та пил зсередини основного корпусу за допомогою сухого повітря. Використовуйте рекомендовані засоби захисту органів зору та рекомендовану протипилову маску при виконанні цієї операції.



ПОПЕРЕДЖЕННЯ: Ніколи не використовуйте розчинники та інші агресивні хімічні засоби для очищення неметалевих деталей інструмента. Такі хімічні речовини можуть нанести шкоду матеріалам, що використовуються в цих деталях. Використовуйте вологу ганчірку, змочену лише водою з м'яким милом. Не дозволяйте рідині потрапляти всередину інструмента та ніколи не занурюйте деталі інструмента в рідину.

Додаткові аксесуари



ПОПЕРЕДЖЕННЯ: Оскільки інше приладдя, що не зазначене виробником DEWALT, не перевірялося з цим пристроєм, його використання з інструментом може бути небезпечним. Необхідно використовувати лише рекомендовані DEWALT приладдя з цим пристроєм, щоб знизити ризик отримання травми.

Зверніться до свого дилера для отримання подальшої інформації щодо відповідного приладдя.

Захист навколишнього середовища



Роздільний збір. Пристрої позначені цим символом, не можна викидати зі звичайним побутовим сміттям.

Пристрої містять матеріали, які можна відновити та переробити, що зменшить потребу у сировині.

Утилізуйте електротехнічну продукцію відповідно до місцевих положень. Більш детальну інформацію можна отримати на сайті www.2helpU.com.

Принципи роботи світлодіодних індикаторів

У розділі наведено перелік можливих стандартів сигнального мигання світлодіодів, їх причин та коригувальних рішень. Користувач або персонал, який забезпечує технічне обслуговування, можуть самостійно виконати деякі коригувальні дії. Для вирішення більш складних сервісних питань, ви можете звернутися до кваліфікованого технічного спеціаліста DEWALT або вашого дилера.



Безпека експлуатації інструмента у випадках відсутності напруги

Проблема

Перемикач знаходиться в положенні «увімкнено» і на інструмент подається живлення. Пристрій вимкнувся.

Рішення

Перезапустіть пристрій (вимкніть/увімкніть).



Гальмування для амортизації віддачі

Проблема

При надмірному тиску на інструмент активувався режим гальмування для амортизації віддачі.

Рішення

Перевірте насадку на пошкодження в результаті надмірного тиску та замініть її при необхідності. Відрегулюйте положення інструменту відносно оброблюваної поверхні (за необхідністю). Перезапустіть пристрій (вимкніть/увімкніть).



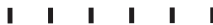
Тепловий захист

Проблема

Пристрій вимкнено, щоб запобігти пошкодженню внаслідок перегріву.

Рішення

Переконайтеся, що вхідні та вихідні вентиляційні отвори не заблоковані руками, одягом або сміттям під час використання. Зменшіть частоту перемикання інструменту на перезапуск та/або вимкніть пристрій, а потім перезапустіть його.



Захист від затиснення/перенавантаження

Проблема

Пристрій тривалий час працював у затримуваному режимі, внаслідок чого вимкнувся.

Рішення

Зніміть навантаження з інструмента, перемикайте перемикач для перезавантаження.



Проблема лінії електроживлення

Проблема

Пристрій працює від лінії електроживлення низької якості, такої як низькоякісний генератор. Такий тип живлення може пошкодити інструмент.

Рішення

Спробуйте використати інше джерело живлення. Зменшіть довжину кабелю подовження або зменшіть кількість обладнання, що одночасно використовується на даному джерелі живлення.



Виробник:
"Stanley Black & Decker Deutschland GmbH" Black-&-Decker Str.40, D-65510 Idstein, Німеччина







ОФИЦИАЛЬНЫЙ ДИЛЕР В УКРАИНЕ:

storgom.ua

ГРАФИК РАБОТЫ:

Пн. – Пт.: с 8:30 по 18:30

Сб.: с 09:00 по 16:00

Вс.: с 10:00 по 16:00

КОНТАКТЫ:

+38 (044) 360-46-77

+38 (066) 77-395-77

+38 (097) 77-236-77

+38 (093) 360-46-77

Детальное описание товара:

<https://storgom.ua/product/pryamoshlifovalnaya-mashina-setevaya-beshchychotchnaya-dewalt-dwe4997.html>

Другие товары: <https://storgom.ua/pryamy-shlifovalnye-mashiny.html>