

DEWALT®

WWW.DEWALT.COM

DWS727

English (original instructions)	8
Русский (<i>перевод с оригинала инструкции</i>)	20
Українська (<i>переклад з оригінальної інструкції</i>)	35

Fig. A1

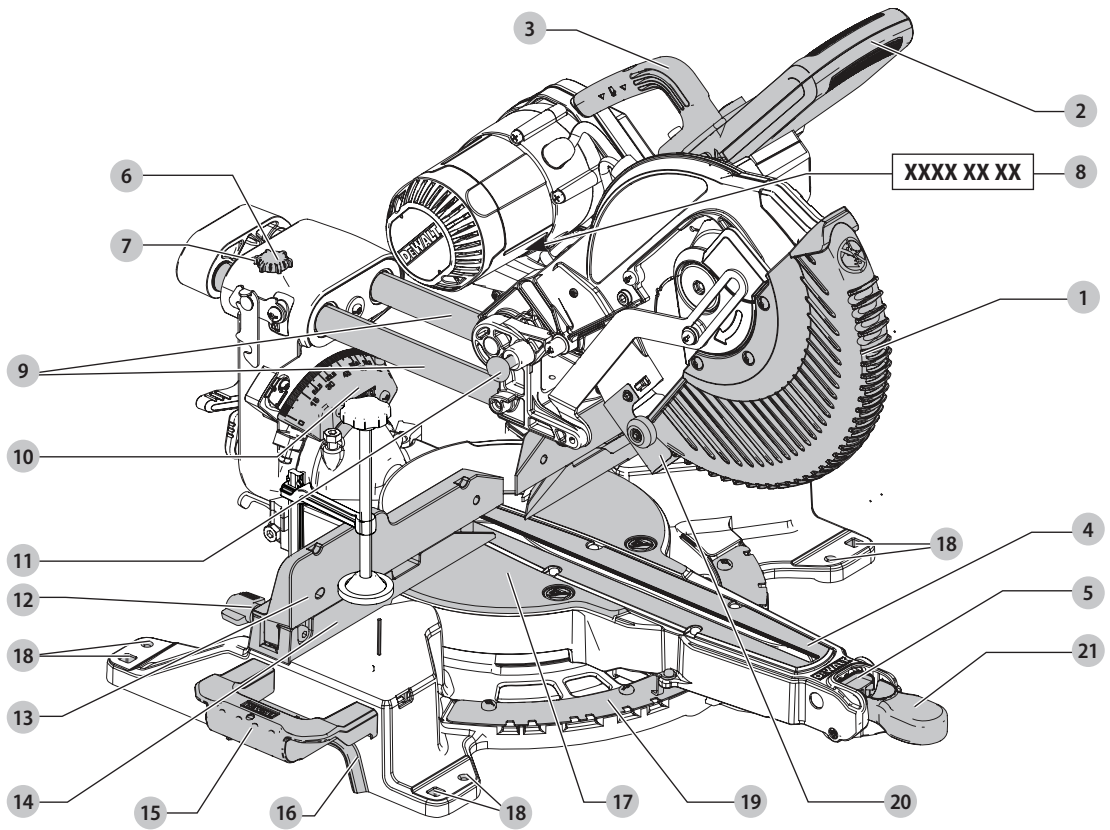


Fig. A2

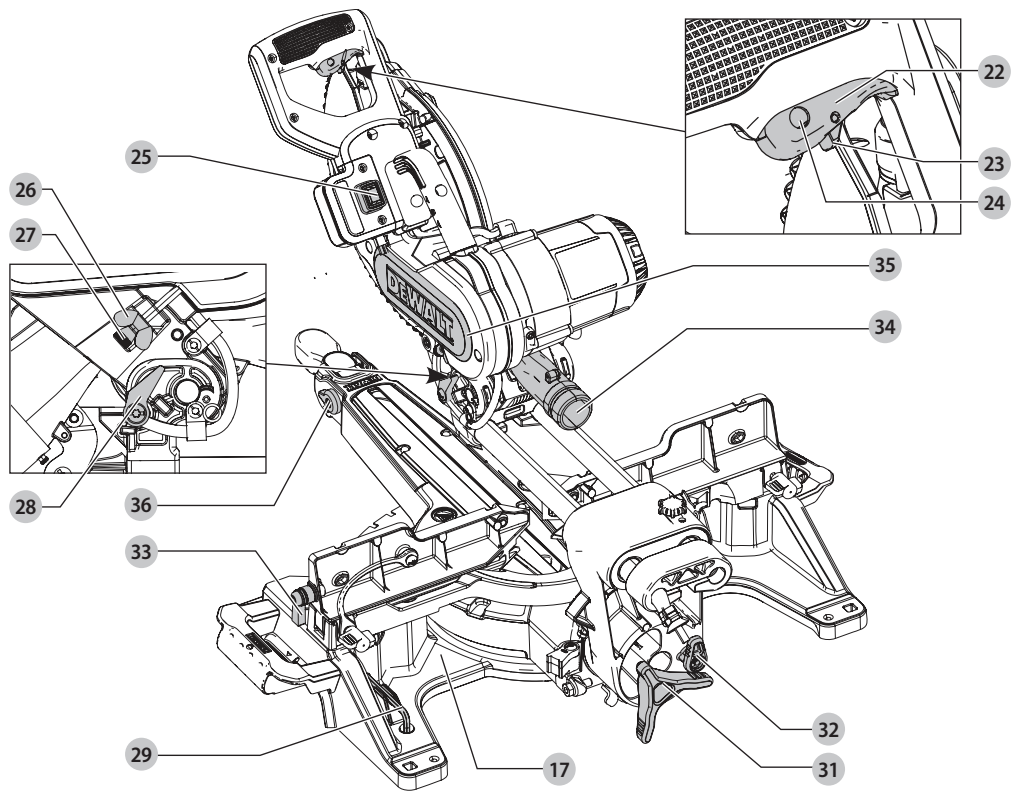


Fig. B

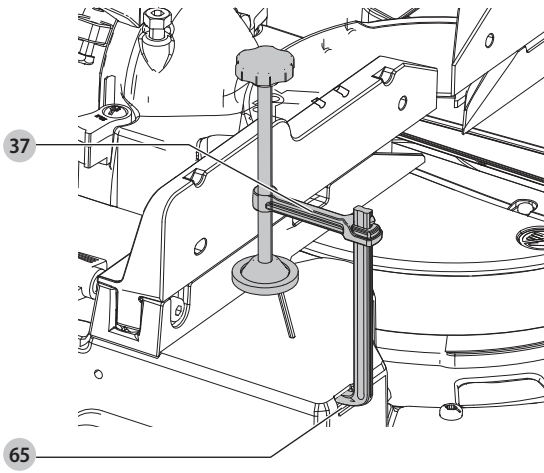


Fig. C

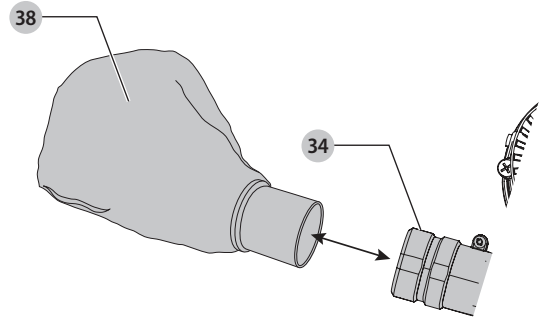


Fig. D

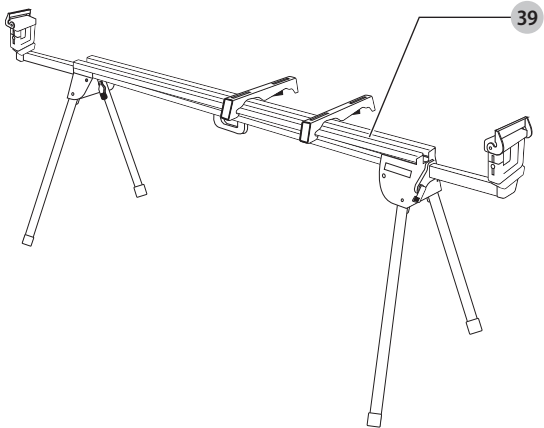


Fig. E

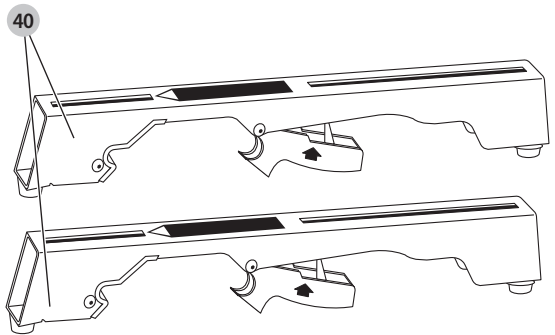


Fig. F

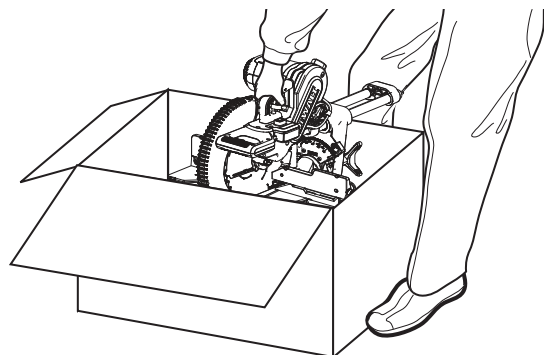


Fig. G1

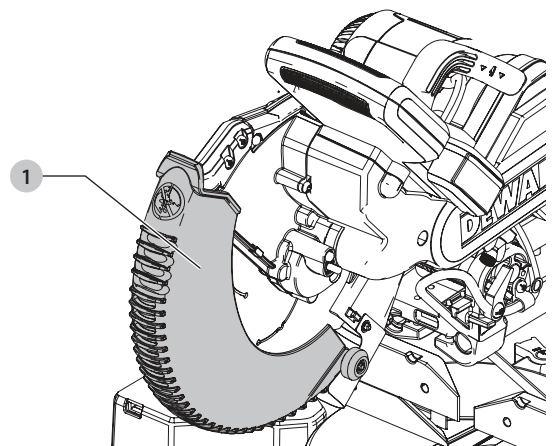


Fig. G2

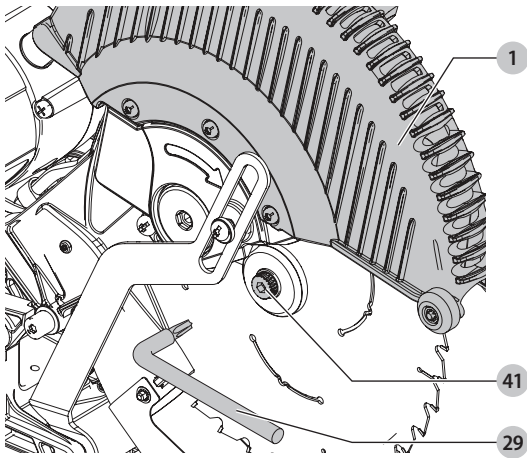


Fig. G3

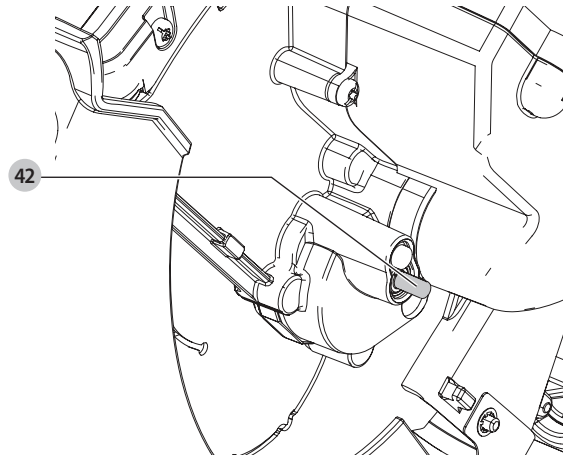


Fig. G4

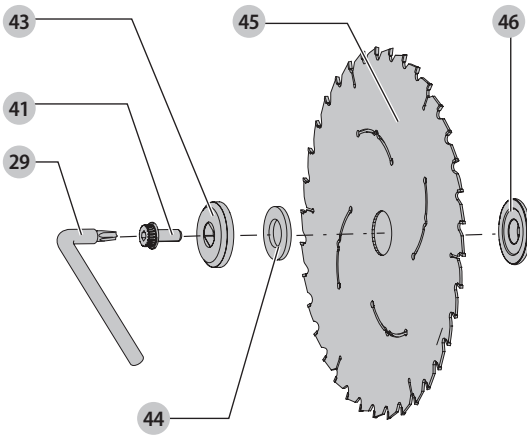


Fig. H

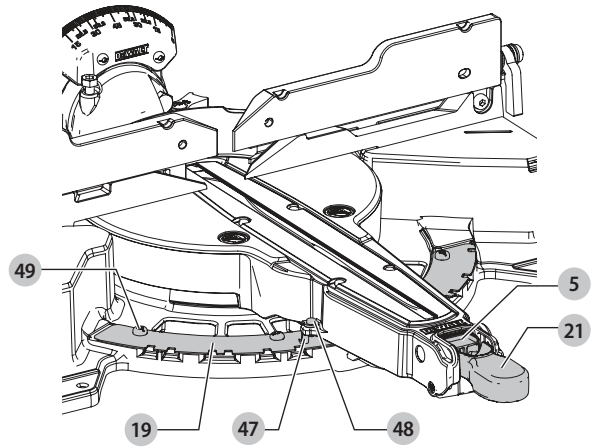


Fig. I

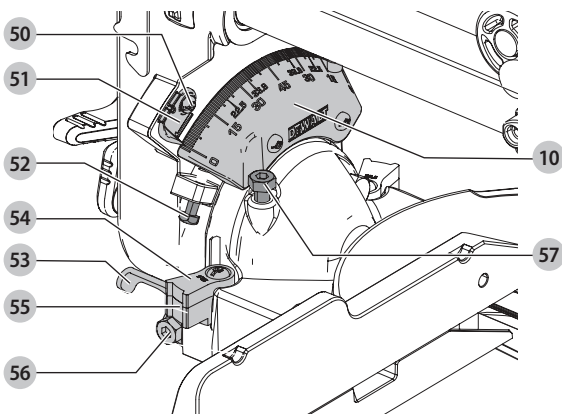


Fig. J

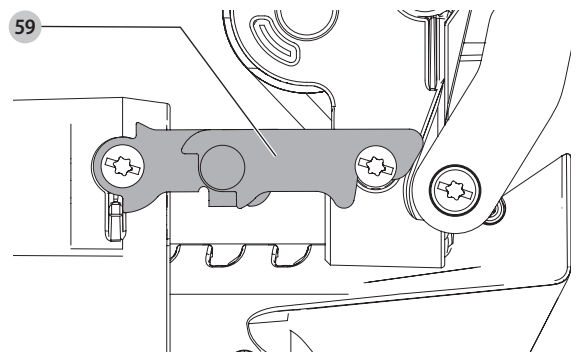


Fig. K

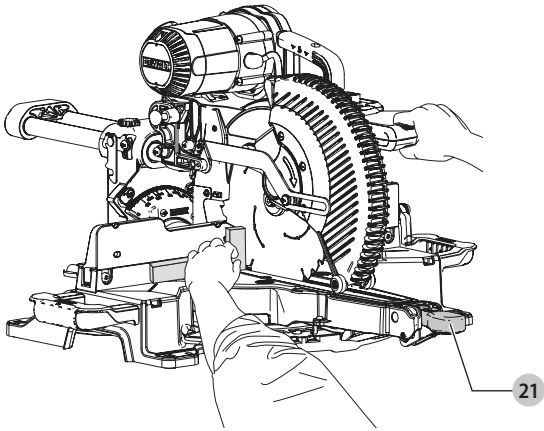


Fig. L

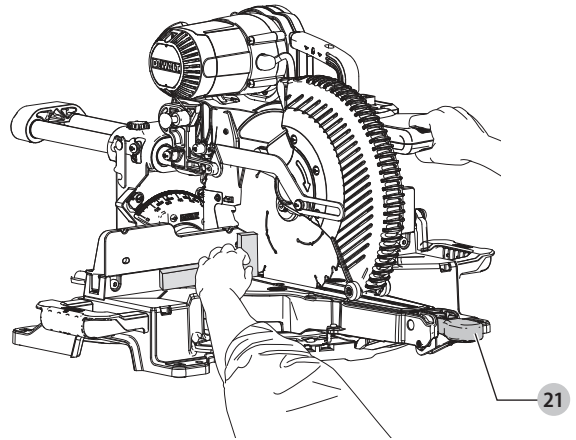


Fig. M

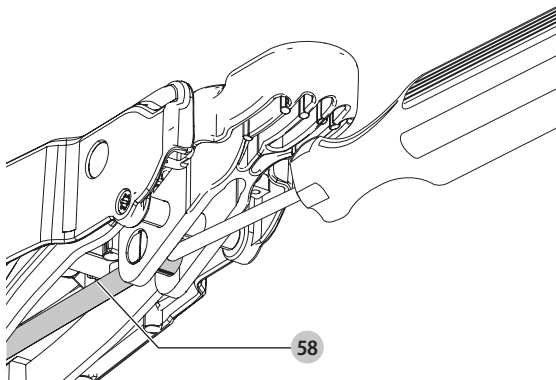


Fig. N1

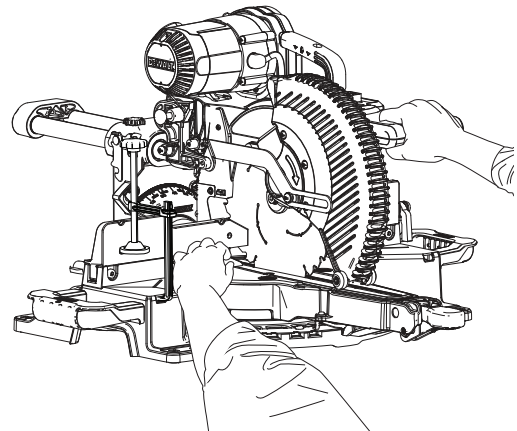


Fig. N2

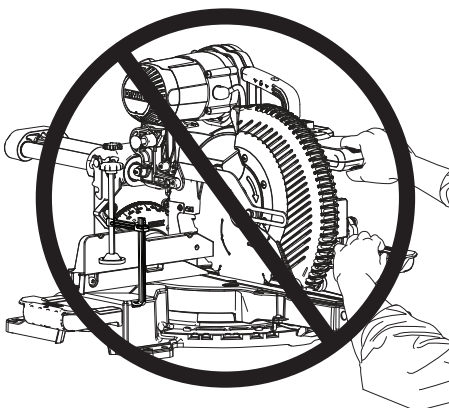


Fig. O

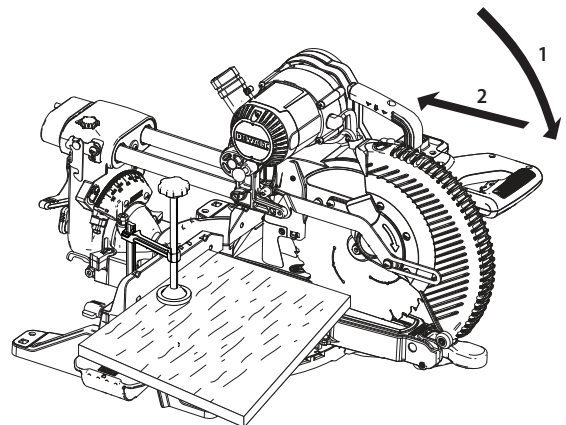


Fig. P

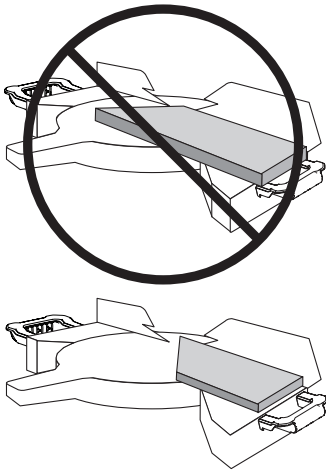


Fig. Q

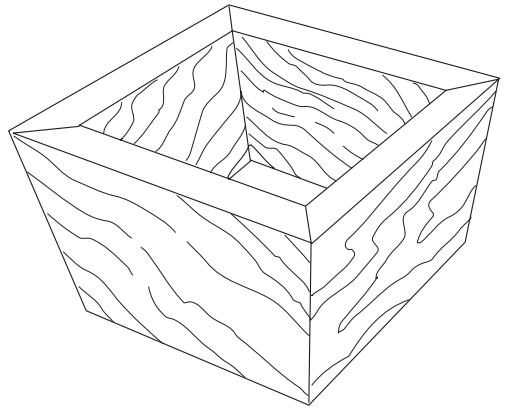


Fig. R

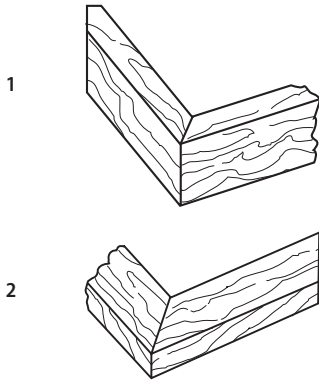


Fig. S

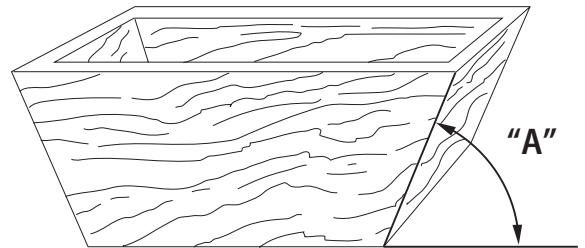


Fig. T

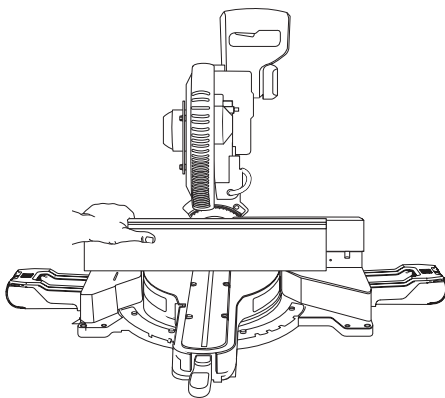


Fig. U1

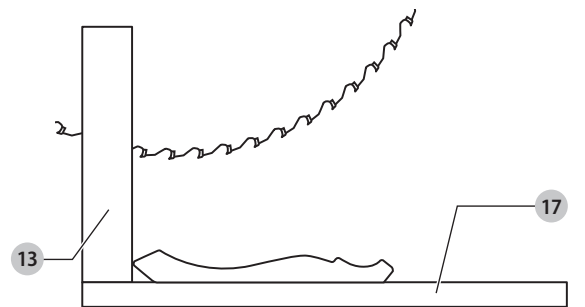


Fig. U2

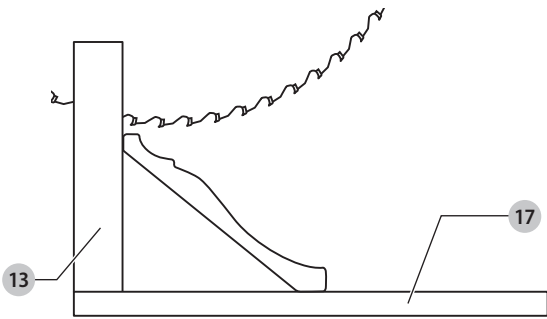


Fig. V1

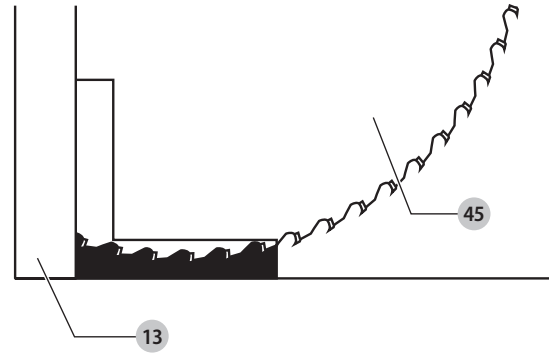


Fig. V2

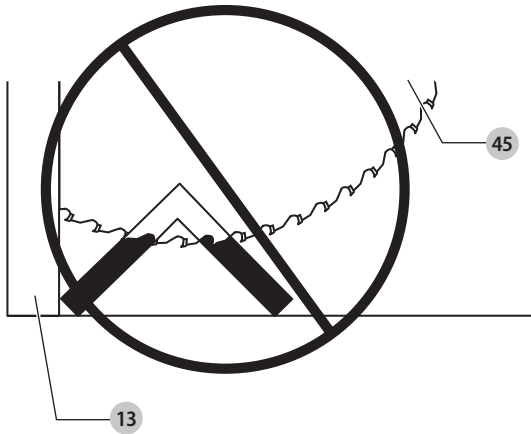


Fig. W1

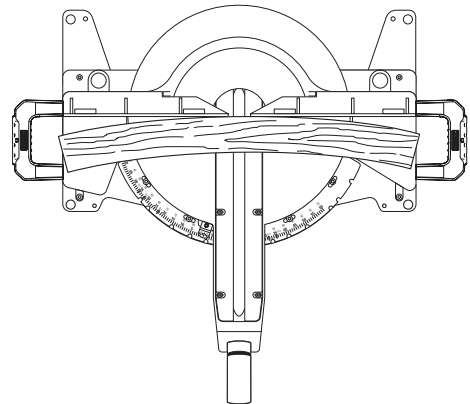


Fig. W2

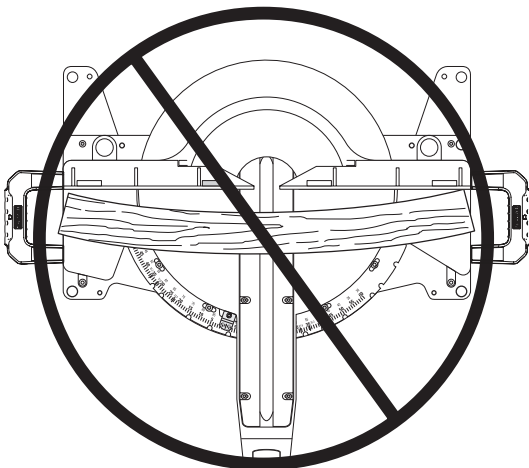


Fig. X

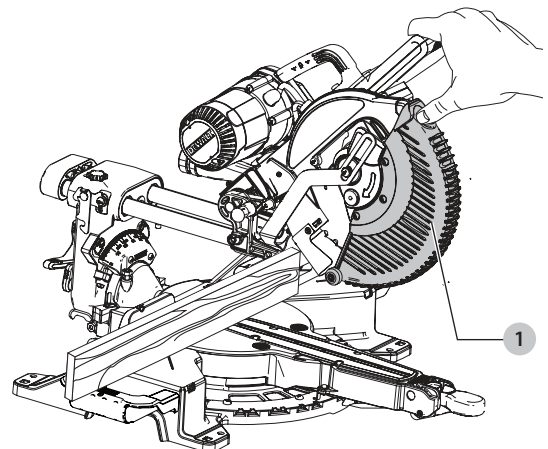


Fig. Y

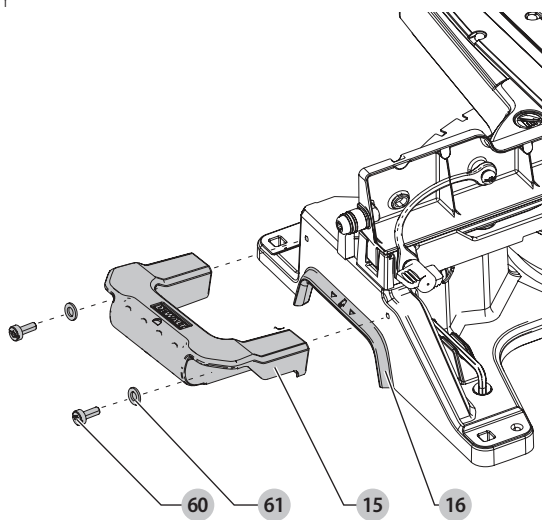
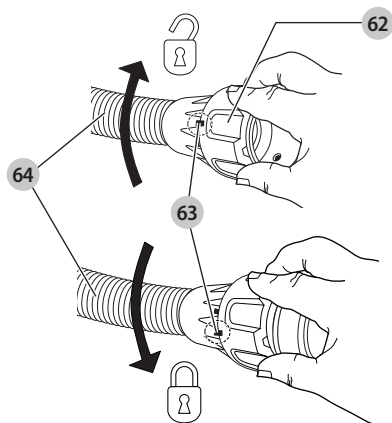


Fig. Z



MITRE SAW

DWS727


Congratulations!

You have chosen a DEWALT tool. Years of experience, thorough product development and innovation make DEWALT one of the most reliable partners for professional power tool users.

Technical Data

		DWS727
Voltage	V _{AC}	230
UK & Ireland	V _{AC}	115
Type		1
Power input	W	1675
Blade diameter	mm	250
Blade bore	mm	30
Blade body thickness	mm	1.75
Max. kerf of the blade	mm	3.0
Max. blade speed	min ⁻¹	4000
Max. cross-cut capacity 90°	mm	305
Max. mitre capacity 45°	mm	215
Max. depth of cut 90°	mm	90
Max. depth of bevel cross-cut 45°	mm	50
Mitre (max. positions)	left	50°
	right	60°
Bevel (max. positions)	left	49°
	right	49°
0° mitre		
Baseboard max. height 150 mm	mm	28
Resulting width at max. height 90 mm	mm	290
Resulting height at max. width 305 mm	mm	77
45° mitre left		
Resulting width at max. height 90 mm	mm	200
Resulting height at max. width 210 mm	mm	77
45° mitre right		
Resulting width at max. height 90 mm	mm	200
Resulting height at max. width 210 mm	mm	77
45° bevel left		
Resulting width at max. height 60 mm	mm	290
Resulting height at max. width 305 mm	mm	50
45° bevel right		
Resulting width at max. height 28 mm	mm	290
Resulting height at max. width 305 mm	mm	20
Automatic blade brake time	s	< 10
Weight	kg	22
Noise values and/or vibration values (tri-ax vector sum) according to EN62841-3-9:		
L _{PA} (emission sound pressure level)	dB(A)	92.7
L _{WA} (sound power level)	dB(A)	106.3
K (uncertainty for the given sound level)	dB(A)	3

The vibration and/or noise emission level given in this information sheet has been measured in accordance with a standardised test given in EN62841 and may be used to compare one tool with another. It may be used for a preliminary assessment of exposure.

 **WARNING:** The declared vibration and/or noise emission level represents the main applications of the tool. However if the tool is used for different applications, with different accessories or poorly

maintained, the vibration and/or noise emission may differ. This may significantly increase the exposure level over the total working period. An estimation of the level of exposure to vibration and/or noise should also take into account the times when the tool is switched off or when it is running but not actually doing the job. This may significantly reduce the exposure level over the total working period.

Identify additional safety measures to protect the operator from the effects of vibration and/or noise such as: maintain the tool and the accessories, keep the hands warm (relevant for vibration), organisation of work patterns.

EC-Declaration of Conformity

Machinery Directive



Mitre Saw DWS727

DEWALT declares that these products described under **Technical Data** are in compliance with:

2006/42/EC, EN62841-1:2015/AC:2015; EN62841-3-9:2015 + AC:2016 + A11:2017.

These products also comply with Directive 2014/30/EU and 2011/65/EU. For more information, please contact DEWALT at the following address or refer to the back of the manual.

The undersigned is responsible for compilation of the technical file and makes this declaration on behalf of DEWALT.


Markus Rompel
Vice-President Engineering, PTE-Europa
DEWALT, Richard-Klinger-Straße 11,
D-65510, Idstein, Germany
31.05.2019





WARNING: To reduce the risk of injury, read the instruction manual.

Definitions: Safety Guidelines

The definitions below describe the level of severity for each signal word. Please read the manual and pay attention to these symbols.

 **DANGER:** Indicates an imminently hazardous situation which, if not avoided, **will** result in **death or serious injury**.

 **WARNING:** Indicates a potentially hazardous situation which, if not avoided, **could** result in **death or serious injury**.

 **CAUTION:** Indicates a potentially hazardous situation which, if not avoided, **may** result in **minor or moderate injury**.

NOTICE: Indicates a practice **not related to personal injury** which, if not avoided, **may** result in **property damage**.




Denotes risk of electric shock.



Denotes risk of fire.

GENERAL POWER TOOL SAFETY WARNINGS

 **WARNING:** Read all safety warnings, instructions, illustrations and specifications provided with this power tool. Failure to follow all instructions listed below may result in electric shock, fire and/or serious injury.

SAVE ALL WARNINGS AND INSTRUCTIONS FOR FUTURE REFERENCE

The term "power tool" in the warnings refers to your mains-operated (corded) power tool or battery-operated (cordless) power tool.

1) Work Area Safety

- Keep work area clean and well lit.** Cluttered or dark areas invite accidents.
- Do not operate power tools in explosive atmospheres, such as in the presence of flammable liquids, gases or dust.** Power tools create sparks which may ignite the dust or fumes.
- Keep children and bystanders away while operating a power tool.** Distractions can cause you to lose control.

2) Electrical Safety

- Power tool plugs must match the outlet. Never modify the plug in any way. Do not use any adapter plugs with earthed (grounded) power tools.** Unmodified plugs and matching outlets will reduce risk of electric shock.
- Avoid body contact with earthed or grounded surfaces, such as pipes, radiators, ranges and refrigerators.** There is an increased risk of electric shock if your body is earthed or grounded.
- Do not expose power tools to rain or wet conditions.** Water entering a power tool will increase the risk of electric shock.
- Do not abuse the cord. Never use the cord for carrying, pulling or unplugging the power tool. Keep cord away from heat, oil, sharp edges or moving parts.** Damaged or entangled cords increase the risk of electric shock.
- When operating a power tool outdoors, use an extension cord suitable for outdoor use.** Use of a cord suitable for outdoor use reduces the risk of electric shock.
- If operating a power tool in a damp location is unavoidable, use a residual current device (RCD) protected supply.** Use of an RCD reduces the risk of electric shock.

3) Personal Safety

- Stay alert, watch what you are doing and use common sense when operating a power tool. Do not use a power tool while you are tired or under the influence of drugs, alcohol or medication.** A moment of inattention while operating power tools may result in serious personal injury.
- Use personal protective equipment. Always wear eye protection.** Protective equipment such as a dust mask, non-skid safety shoes, hard hat or hearing protection used for appropriate conditions will reduce personal injuries.
- Prevent unintentional starting. Ensure the switch is in the off-position before connecting to power source and/or battery pack, picking up or carrying the tool.** Carrying power tools with your finger on the switch or energising power tools that have the switch on invites accidents.
- Remove any adjusting key or wrench before turning the power tool on.** A wrench or a key left attached to a rotating part of the power tool may result in personal injury.
- Do not overreach. Keep proper footing and balance at all times.** This enables better control of the power tool in unexpected situations.
- Dress properly. Do not wear loose clothing or jewellery. Keep your hair and clothing away from moving parts.** Loose clothes, jewellery or long hair can be caught in moving parts.
- If devices are provided for the connection of dust extraction and collection facilities, ensure these are connected and properly used.** Use of dust collection can reduce dust-related hazards.
- Do not let familiarity gained from frequent use of tools allow you to become complacent and ignore tool safety principles.** A careless action can cause severe injury within a fraction of a second.

4) Power Tool Use and Care

- Do not force the power tool. Use the correct power tool for your application.** The correct power tool will do the job better and safer at the rate for which it was designed.
- Do not use the power tool if the switch does not turn it on and off.** Any power tool that cannot be controlled with the switch is dangerous and must be repaired.
- Disconnect the plug from the power source and/or remove the battery pack, if detachable, from the power tool before making any adjustments, changing accessories, or storing power tools.** Such preventive safety measures reduce the risk of starting the power tool accidentally.
- Store idle power tools out of the reach of children and do not allow persons unfamiliar with the power tool or these instructions to operate the power tool.** Power tools are dangerous in the hands of untrained users.
- Maintain power tools and accessories. Check for misalignment or binding of moving parts, breakage of parts and any other condition that may affect the power tool's operation. If damaged, have the power tool repaired before use.** Many accidents are caused by poorly maintained power tools.
- Keep cutting tools sharp and clean.** Properly maintained cutting tools with sharp cutting edges are less likely to bind and are easier to control.
- Use the power tool, accessories and tool bits etc. in accordance with these instructions, taking into account the working conditions and the work to be performed.** Use of the power tool for operations different from those intended could result in a hazardous situation.
- Keep handles and grasping surfaces dry, clean and free from oil and grease.** Slippery handles and grasping surfaces do not allow for safe handling and control of the tool in unexpected situations.

5) Service

- Have your power tool serviced by a qualified repair person using only identical replacement parts.** This will ensure that the safety of the power tool is maintained.

Safety Instructions for Mitre Saws


- Mitre saws are intended to cut wood or wood-like products, they cannot be used with abrasive cut-off wheels for cutting ferrous material such as bars, rods, studs, etc.** Abrasive dust causes moving parts such as the lower guard to jam. Sparks from abrasive cutting will burn the lower guard, the kerf insert and other plastic parts.
- Use clamps to support the workpiece whenever possible. If supporting the workpiece by hand, you must always keep your hand at least 100 mm from either side of the saw blade. Do not use this saw to cut pieces that are too small to be securely clamped or held by hand.** If your hand is placed too close to the saw blade, there is an increased risk of injury from blade contact.
- The workpiece must be stationary and clamped or held against both the fence and the table. Do not feed the workpiece into the blade or cut "freehand" in any way.** Unrestrained or moving workpieces could be thrown at high speeds, causing injury.
- Push the saw through the workpiece. Do not pull the saw through the workpiece. To make a cut, raise the saw head and pull it out over the workpiece without cutting, start the motor, press the saw head down and push the saw through the workpiece.** Cutting on the pull stroke is likely to cause the saw blade to climb on top of the workpiece and violently throw the blade assembly towards the operator.
- Never cross your hand over the intended line of cutting either in front or behind the saw blade.** Supporting the workpiece "cross handed" i.e. holding the workpiece to the right of the saw blade with your left hand or vice versa is very dangerous.


- f) **Do not reach behind the fence with either hand closer than 100 mm from either side of the saw blade, to remove wood scraps, or for any other reason while the blade is spinning.** The proximity of the spinning saw blade to your hand may not be obvious and you may be seriously injured.
- g) **Inspect your workpiece before cutting. If the workpiece is bowed or warped, clamp it with the outside bowed face toward the fence. Always make certain that there is no gap between the workpiece, fence and table along the line of the cut.** Bent or warped workpieces can twist or shift and may cause binding on the spinning saw blade while cutting. There should be no nails or foreign objects in the workpiece.
- h) **Do not use the saw until the table is clear of all tools, wood scraps, etc., except for the workpiece.** Small debris or loose pieces of wood or other objects that contact the revolving blade can be thrown with high speed.
- i) **Cut only one workpiece at a time.** Stacked multiple workpieces cannot be adequately clamped or braced and may bind on the blade or shift during cutting.
- j) **Ensure the mitre saw is mounted or placed on a level, firm work surface before use.** A level and firm work surface reduces the risk of the mitre saw becoming unstable.
- k) **Plan your work. Every time you change the bevel or mitre angle setting, make sure the adjustable fence is set correctly to support the workpiece and will not interfere with the blade or the guarding system.** Without turning the tool "ON" and with no workpiece on the table, move the saw blade through a complete simulated cut to assure there will be no interference or danger of cutting the fence.
- l) **Provide adequate support such as table extensions, saw horses, etc. for a workpiece that is wider or longer than the table top.** Workpieces longer or wider than the mitre saw table can tip if not securely supported. If the cut-off piece or workpiece tips, it can lift the lower guard or be thrown by the spinning blade.
- m) **Do not use another person as a substitute for a table extension or as additional support.** Unstable support for the workpiece can cause the blade to bind or the workpiece to shift during the cutting operation pulling you and the helper into the spinning blade.
- n) **The cut-off piece must not be jammed or pressed by any means against the spinning saw blade.** If confined, i.e. using length stops, the cut-off piece could get wedged against the blade and thrown violently.
- o) **Always use a clamp or a fixture designed to properly support round material such as rods or tubing.** Rods have a tendency to roll while being cut, causing the blade to "bite" and pull the work with your hand into the blade.
- p) **Let the blade reach full speed before contacting the workpiece.** This will reduce the risk of the workpiece being thrown.
- q) **If the workpiece or blade becomes jammed, turn the mitre saw off. Wait for all moving parts to stop and disconnect the plug from the power source and/or remove the battery pack. Then work to free the jammed material.** Continued sawing with a jammed workpiece could cause loss of control or damage to the mitre saw.
- r) **After finishing the cut, release the switch, hold the saw head down and wait for the blade to stop before removing the cut-off piece.** Reaching with your hand near the coasting blade is dangerous.
- s) **Hold the handle firmly when making an incomplete cut or when releasing the switch before the saw head is completely in the down position.** The braking action of the saw may cause the saw head to be suddenly pulled downward, causing a risk of injury.

Additional Safety Rules for Mitre Saws


- ⚠ WARNING:** Do not connect to the mains power supply into the unit until complete instructions are read and understood.
- **DO NOT OPERATE THIS MACHINE** until it is completely assembled and installed according to the instructions. A machine incorrectly assembled can cause serious injury.
 - **OBTAIN ADVICE** from your supervisor, instructor, or another qualified person if you are not thoroughly familiar with the operation of this machine. Knowledge is safety.
 - **MAKE CERTAIN** the blade rotates in the correct direction. The teeth on the blade should point in the direction of rotation as marked on the saw.
 - **TIGHTEN ALL CLAMP HANDLES**, knobs and levers prior to operation. Loose clamps can cause parts or the workpiece to be thrown at high speeds.
 - **BE SURE** all blade and blade clamps are clean, recessed sides of blade clamps are against blade and arbour screw is tightened securely. Loose or improper blade clamping may result in damage to the saw and possible personal injury.
 - **DO NOT OPERATE ON ANYTHING OTHER THAN THE DESIGNATED VOLTAGE** for the saw. Overheating, damage to the tool and personal injury may occur.
 - **DO NOT WEDGE ANYTHING AGAINST THE FAN** to hold the motor shaft. Damage to tool and possible personal injury may occur.
 - **NEVER CUT METALS** or masonry. Either of these can cause the carbide tips to fly off the blade at high speeds causing serious injury.
 - **NEVER HAVE ANY PART OF YOUR BODY IN LINE WITH THE PATH OF THE SAW BLADE.** Personal injury will occur.
 - **NEVER APPLY BLADE LUBRICANT TO A RUNNING BLADE.** Applying lubricant could cause your hand to move into the blade resulting in serious injury.
 - **DO NOT** place either hand in the blade area when the saw is connected to the power source. Inadvertent blade activation may result in serious injury.
 - **NEVER REACH AROUND OR BEHIND THE SAW BLADE.** A blade can cause serious injury.
 - **DO NOT REACH UNDERNEATH THE SAW** unless it is unplugged and turned off. Contact with saw blade may cause personal injury.
 - **SECURE THE MACHINE TO A STABLE SUPPORTING SURFACE.** Vibration can possibly cause the machine to slide, walk, or tip over, causing serious injury.
 - **USE ONLY CROSSCUT SAW BLADES** recommended for mitre saws. For best results, do not use carbide tipped blades with hook angles in excess of 7 degrees. Do not use blades with deep gullets. These can deflect and contact the guard, and can cause damage to the machine and/or serious injury.
 - **USE ONLY BLADES OF THE CORRECT SIZE AND TYPE** specified for this tool to prevent damage to the machine and/or serious injury (complying with EN847-1).
 - **INSPECT BLADE FOR CRACKS** or other damage prior to operation. A cracked or damaged blade can come apart and pieces can be thrown at high speeds, causing serious injury. Replace cracked or damaged blades immediately. Observe the maximum speed marked on the saw blade.
 - **THE MAXIMUM SPEED OF THE SAW BLADE** shall always be greater than or at least equal to the speed marked on the rating plate of the tool.
 - **THE SAW BLADE DIAMETER** must be in accordance with the markings on rating plate of the tool.
 - **CLEAN THE BLADE AND BLADE CLAMPS** prior to operation. Cleaning the blade and blade clamps allows you to check for any damage to the blade or blade clamps. A cracked or damaged blade or blade clamp can come apart and pieces can be thrown at high speeds, causing serious injury.


- **DO NOT USE WARPED BLADES.** Check to see if the blade runs true and is free from vibration. A vibrating blade can cause damage to the machine and/or serious injury.
- **DO NOT** use lubricants or cleaners (particularly spray or aerosol) in the vicinity of the plastic guard. The polycarbonate material used in the guard is subject to attack by certain chemicals.
- **KEEP GUARD IN PLACE** and in working order.
- **ALWAYS USE THE KERF PLATE AND REPLACE THIS PLATE WHEN DAMAGED.** Small chip accumulation under the saw may interfere with the saw blade or may cause instability of workpiece when cutting.
- **USE ONLY BLADE CLAMPS SPECIFIED FOR THIS TOOL** to prevent damage to the machine and/or serious injury.
- **MAKE SURE** to use the correct saw blade for the material to be cut.
- **CLEAN THE MOTOR AIR SLOTS** of chips and sawdust. Clogged motor air slots can cause the machine to overheat, damaging the machine and possibly causing a short which could cause serious injury.
- **NEVER LOCK THE SWITCH IN THE "ON" POSITION.** Severe personal injury may result.
- **NEVER STAND ON TOOL.** Serious injury could occur if the tool is tipped or if the cutting tool is unintentionally contacted.


 **WARNING:** Cutting plastics, sap coated wood, and other materials may cause melted material to accumulate on the blade tips and the body of the saw blade, increasing the risk of blade overheating and binding while cutting.

 **WARNING:** Always wear proper personal hearing protection. Under some conditions and duration of use, noise from this product may contribute to hearing loss. Be aware of the following factors influencing exposure to noise:

- Use saw blades designed to reduce the emitted noise,
- Use only well sharpened saw blades, and
- Use specifically designed noise-reduction saw blades.

 **WARNING:** ALWAYS use safety glasses. Everyday eyeglasses are NOT safety glasses. Also use face or dust mask if cutting operation is dusty.


 **WARNING:** Use of this tool can generate and/or disperse dust, which may cause serious and permanent respiratory or other injury.


 **WARNING:** Some dust created by power sanding, sawing, grinding, drilling, and other construction activities contains chemicals known to cause cancer, birth defects or other reproductive harm. Some examples of these chemicals are:

- lead from lead-based paints,
- crystalline silica from bricks and cement and other masonry products, and
- arsenic and chromium from chemically-treated lumber.

Your risk from these exposures varies, depending on how often you do this type of work. To reduce your exposure to these chemicals: work in a well ventilated area, and work with approved safety equipment, such as those dust masks that are specially designed to filter out microscopic particles.

- **Avoid prolonged contact with dust from power sanding, sawing, grinding, drilling, and other construction activities.** Wear protective clothing and wash exposed areas with soap and water. Allowing dust to get into your mouth, eyes, or lay on the skin may promote absorption of harmful chemicals.

 **WARNING:** Use of this tool can generate and/or disperse dust, which may cause serious and permanent respiratory or other injury. Always use approved respiratory protection appropriate for the dust exposure.

 **WARNING:** We recommend the use of a residual current device with a residual current rating of 30mA or less.

Residual Risks

The following risks are inherent to the use of saws:

- Injuries caused by touching the rotating parts.

In spite of the application of the relevant safety regulations and the implementation of safety devices, certain residual risks cannot be avoided. These are:

- Impairment of hearing.
- Risk of accidents caused by the uncovered parts of the rotating saw blade.
- Risk of injury when changing the blade.
- Risk of squeezing fingers when opening the guards.
- Health hazards caused by breathing dust developed when sawing wood, especially oak, beech and MDF.

The following factors increase the risk of breathing problems:

- No dust extractor connected when sawing wood.
- Insufficient dust extraction caused by uncleaned exhaust filters.


SAVE THESE INSTRUCTIONS

Electrical Safety

The electric motor has been designed for one voltage only. Always check that the power supply corresponds to the voltage on the rating plate.



Your DEWALT tool is double insulated in accordance with EN62841; therefore no earth wire is required.

 **WARNING:** 115 V units have to be operated via a fail-safe isolating transformer with an earth screen between the primary and secondary winding.

If the supply cord is damaged, it must be replaced only by DEWALT or an authorised service organisation.

Mains Plug Replacement (U.K. & Ireland Only)

If a new mains plug needs to be fitted:

- Safely dispose of the old plug.
- Connect the brown lead to the live terminal in the plug.
- Connect the blue lead to the neutral terminal.

 **WARNING:** No connection is to be made to the earth terminal.

Follow the fitting instructions supplied with good quality plugs. Recommended fuse: 13 A.

Using an Extension Cable

If an extension cable is required, use an approved 3-core extension cable suitable for the power input of this tool (see **Technical Data**). The minimum conductor size is 1.5 mm²; the maximum length is 30 m.

When using a cable reel, always unwind the cable completely.

Package Contents

The package contains:

- 1 Assembled mitre saw
 - 1 Blade wrench (assembled on the saw)
 - 1 Saw blade (assembled on the saw)
 - 1 Material clamp
 - 2 Base extensions
 - 2 Screws
 - 2 Washers
 - 1 Instruction manual
- Check for damage to the tool, parts or accessories which may have occurred during transport.
 - Take the time to thoroughly read and understand this manual prior to operation.

Markings on Tool

The following pictograms are shown on the tool:



Read instruction manual before use.



Wear ear protection.



Wear eye protection.



Keep hands away from blade.



Visible radiation. Do not stare into light.

Date Code Position (Fig. A)

The date code **8**, which also includes the year of manufacture, is printed into the housing.

Example:

2019 XX XX
Year of Manufacture

Description (Fig. A1–E)



WARNING: Never modify the power tool or any part of it. Damage or personal injury could result.

Fig. A1

- 1 Lower guard
- 2 Operating handle
- 3 Carrying handle
- 4 Kerf plate
- 5 Mitre latch button
- 6 Rail lock knob
- 7 Rail set screw adjustment
- 8 Date code
- 9 Rails
- 10 Bevel scale
- 11 Lock down pin
- 12 Fence adjustment knob
- 13 Sliding fence
- 14 Base fence
- 15 Base extension/carry handle
- 16 Hand indentation
- 17 Table
- 18 Bench mounting holes
- 19 Mitre scale
- 20 Dust duct inlet
- 21 Mitre lock handle

Fig. A2

- 22 Trigger switch

- 23 Lock-off lever
- 24 Padlock hole
- 25 XPS™ on/off switch
- 26 Wing nut
- 27 Depth adjustment screw
- 28 Grooving stop
- 29 Blade wrench
- 30 Base
- 31 Bevel lock knob
- 32 0° bevel stop
- 33 Right-hand flip down stop
- 34 Dust port
- 35 Belt cover
- 36 Mitre detent override

Optional accessories

- Fig. B
- 37 DWS5026-XJ Workpiece clamp

Fig. C

- 38 DW7053-QZ Dustbag

Fig. D

- 39 DE7023-XJ / DE7033-XJ Leg stand

Fig. E

- 40 DE7025-XJ Clamp brackets

Intended Use

Your DEWALT DWS727 mitre saw has been designed for professional cutting of wood, wood products and plastics. When using the appropriate saw blades, sawing aluminium is also possible. It performs the sawing operations of cross-cutting, bevelling and mitring easily, accurately and safely.

DO NOT use under wet conditions or in the presence of flammable liquids or gases.

This mitre saw is a professional power tool.

DO NOT let children come into contact with the tool. Supervision is required when inexperienced operators use this tool.

- **Young children and the infirm.** This appliance is not intended for use by young children or infirm persons without supervision.
- This product is not intended for use by persons (including children) suffering from diminished physical, sensory or mental abilities; lack of experience, knowledge or skills unless they are supervised by a person responsible for their safety. Children should never be left alone with this product.

ASSEMBLY AND ADJUSTMENTS



WARNING: To reduce the risk of serious personal injury, turn tool off and disconnect tool from power source before making any adjustments or removing/installing attachments or accessories. An accidental start-up can cause injury.



WARNING: Use only DEWALT battery packs and chargers.

Unpacking (Fig. A1, F)

1. Open the box and lift the saw out by the convenient carrying handle **3**, as shown in Figure F.
2. Place the saw on a smooth, flat surface.
3. Release the rail lock knob **6**, and push the saw head back to lock it in the rear position.
4. Press down lightly on the operating handle **2** and pull out the lock down pin **11**.
5. Gently release the downward pressure and hold the operating handle, allowing it to rise to its full height.

Bench Mounting (Fig. A1)

Holes **18** are provided in all four feet to facilitate bench mounting. Two different-sized holes are provided to accommodate different sizes of screws. Use either hole; it is not necessary to use both.

Always mount your saw firmly to a stable surface to prevent movement. To enhance the tool's portability, it can be mounted to a piece of 12.7 mm or thicker plywood which can then be clamped to your work support or moved to other job sites and reclamped.

NOTE: If you elect to mount your saw to a piece of plywood, make sure that the mounting screws don't protrude from the bottom of the wood. The plywood must sit flush on the work support. When clamping the saw to any work surface, clamp only on the clamping bosses where the mounting screw holes are located. Clamping at any other point will interfere with the proper operation of the saw.



CAUTION: To prevent binding and inaccuracy, be sure the mounting surface is not warped or otherwise uneven. If the saw rocks on the surface, place a thin piece of material under one saw foot until the saw sits firmly on the mounting surface.

Assembling the Base Extensions (Fig. Y)



WARNING: Base extensions must be assembled to both sides of the saw's base before using the saw.



WARNING: Be sure to adjust the base extensions using the mounting slots so they are level with the saw's base.

1. Locate the holes above the hand indentations **16** on the side of the base.
2. Using the supplied wrench or a T30 wrench, attach the screw **60** through the washer **61**, through the base extension **15**, and into the holes on the base.
3. Ensure the extension is secure by pulling on the extension to verify no movement.
4. Repeat steps 1 through 3 on the other side.

Changing or Installing a New Saw Blade

Removing the Blade (Fig. G1–G4)



WARNING: To reduce the risk of injury, wear gloves when handling the saw blade.

⚠ WARNING: To reduce the risk of injury, turn unit off and disconnect machine from power source before installing and removing accessories, before adjusting or changing set-ups or when making repairs. Be sure the trigger switch is in the OFF position. An accidental start-up can cause injury.

- Never depress the spindle lock button while the blade is under power or coasting.
- Do not cut light alloy and ferrous metal (containing iron or steel) or masonry or fibre cement product with this mitre saw.

1. Unplug the saw.
2. Raise the arm to the upper position and raise the lower guard 11 as far as possible.
3. Depress the spindle lock button 42 while carefully rotating the saw blade by hand until the lock engages.
4. Keeping the button depressed, use the other hand and the wrench provided 29 to loosen the blade screw 41. (Turn clockwise, left-hand threads.)
5. Remove the blade screw 41, outer clamp washer 43 and blade 45. The inner washer 46 may be left on the spindle.
6. Remove and retain the adaptor ring 44 from the old blade in case it is needed when installing a new blade.

Installing a Blade (Fig. G1–G4)

1. Unplug the saw.
2. Snap the ring adaptor ring 44 into the hole of the new saw blade if necessary.
3. With the arm raised and the lower guard 11 held open, mount the blade onto the shoulder of the inner washer 46, making sure the teeth at the bottom of the blade point toward the back of the saw.
4. Assemble the outer clamp washer onto the spindle.
5. Install the blade screw and, engaging the spindle lock, tighten the screw firmly with wrench provided (turn counterclockwise, left-hand threads).

⚠ WARNING! Be aware the saw blade shall be replaced in the described way only. Only use saw blades as specified under **Technical Data**; Cat. no.: DT4260 is suggested.

Transporting the Saw (Fig. A1, A2)

⚠ WARNING: To reduce the risk of serious personal injury, ALWAYS lock the rail lock knob, mitre lock handle, bevel lock handle, lock down pin and fence adjustment knobs before transporting saw. Never use guards for transporting or lifting up.

In order to conveniently carry the mitre saw, a carrying handle 3 has been included on the top of the saw arm.

- To transport the saw, lower the head and depress the lock down pin 11.
- Lock the rail lock knob with the saw head in the front position, lock the mitre arm in the full left mitre angle, slide the fence 13 completely inward and lock the bevel lock knob 31 with the saw head in the vertical position to make the tool as compact as possible.
- Always use the carrying handle 3 or the base extensions 15.

Features and Controls

⚠ WARNING: To reduce the risk of injury, turn unit off and disconnect machine from power source before installing and removing accessories, before adjusting or changing set-ups or when making repairs. Be sure the trigger switch is in the OFF position. An accidental start-up can cause injury.

Mitre Control (Fig. A1, H)

The mitre lock handle 21 and mitre latch button 5 allow you to mitre your saw to 60° right and 50° left. To mitre the saw, lift the mitre lock handle, push the mitre latch button and set the mitre angle desired on the mitre scale 19. Push down on the mitre lock handle to lock the mitre angle.

Override the mitre latch button by unlocking the mitre lock knob and pushing the mitre detent override 36 downward. To exit the override, push the mitre detent override upward.

Bevel Lock Knob (Fig. A2)

The bevel lock allows you to bevel the saw 49° left or right. To adjust the bevel setting, turn the bevel lock knob 31 counterclockwise. The saw head bevels easily to the left or to the right once the 0° bevel override knob is pulled. To tighten, turn the bevel lock knob clockwise.

0° Bevel Override (Fig. A2)

The 0° bevel stop 32 override allows you to bevel the saw to the right past the 0° mark.

When engaged, the saw will automatically stop at 0° when brought up from the left. To temporarily move past 0° to the right, pull the bevel lock knob 31. Once the knob is released, the override will be reengaged. The bevel lock knob can be locked out by twisting the knob 180°.

When at 0°, the override locks in place. To operate the override, bevel the saw slightly to the left.

45° Bevel Stop Override (Fig. I)

There are two bevel stop override levers, one on each side of the saw. To bevel the saw, left or right, past 45°, push the 45° bevel override lever 53 rearward. When in the rearward position, the saw can bevel past these stops. When the 45° stops are needed, pull the 45° bevel override lever forward.

Crown Bevel Pawls (Fig. I)

When cutting crown molding laying flat, your saw is equipped to accurately and rapidly set a crown stop, left or right (refer to **Instructions for Cutting Crown Molding Laying Flat and Using the Compound Features**)

The crown bevel pawl 55 can be rotated to contact the crown adjustment screw.

To reverse the crown bevel pawl, remove the retaining screw, the 22.5° bevel pawl 54 and the 30° crown bevel pawl 55. Flip the crown bevel pawl 55 so the 30° text is facing up. Reattach the screw to secure the 22.5° bevel pawl and the crown bevel pawl. The accuracy setting will not be affected.

22.5° Bevel Pawls (Fig. I)

Your saw is equipped to rapidly and accurately set a 22.5° bevel, left or right. The 22.5° bevel pawl 54 can be rotated to contact the crown adjustment screw 52.

Rail Lock Knob (Fig. A1)

The rail lock knob 6 allows you to lock the saw head firmly to keep it from sliding on the rails 9. This is necessary when making certain cuts or when transporting the saw.

Grooving Stop (Fig. A2)

The grooving stop 28 allows the depth of cut of the blade to be limited. The stop is useful for applications such as grooving and tall vertical cuts. Rotate the grooving stop forward and adjust the depth adjustment screw 27 to set the desired depth of cut. To secure the adjustment, tighten the wing nut 26. Rotating the grooving stop to the rear of the saw will bypass the grooving stop feature. If the depth adjustment screw is too tight to loosen by hand, the provided blade wrench 29 can be used to loosen the screw.

Lock Down Pin (Fig. A1)

⚠ WARNING: The lock down pin should be used only when carrying or storing the saw. NEVER use the lock down pin for any cutting operation.

To lock the saw head in the down position, push the saw head down, push the lock down pin 11 in and release the saw head. This will hold the saw head safely down for moving the saw from place to place. To release, press the saw head down and pull the pin out.

Slide Lock Lever (Fig. J, T)

The slide lock lever **59** places the saw in a position to maximize cutting of base moulding when cut vertically as shown in Figure T.

Right-Hand Flip Down Stop (Fig. A1, A2)

The right-hand flip down stop **33** is mounted on the sliding fence **13** and can be rotated backward when not needed. When cutting multiple pieces at the same width, rotate the right-hand flip down stop forward, move out the sliding fence to the required distance from the blade (to be measured by a ruler) and with the wood board facing against the stop make the cut.

Adjustment

Your mitre saw is fully and accurately adjusted at the factory at the time of manufacture. If readjustment due to shipping and handling or any other reason is required, follow the instructions below to adjust your saw. Once made, these adjustments should remain accurate.

Mitre Scale Adjustment (Fig. H, K)

1. Unlock the mitre lock handle **21** and swing the mitre arm until the mitre latch button **5** locks it at the 0° mitre position. Do not lock the mitre lock handle.
2. Place a square against the saw's fence and blade, as shown. (Do not touch the tips of the blade teeth with the square. To do so will cause an inaccurate measurement.)
3. If the saw blade is not exactly perpendicular to the fence, loosen the four screws **49** that hold the mitre scale **19** and move the mitre lock handle and the scale left or right until the blade is perpendicular to the fence, as measured with the square.
4. Retighten the four screws. Pay no attention to the reading of the mitre pointer **47** at this time.

Mitre Pointer Adjustment (Fig. H)

1. Unlock the mitre lock handle **21** to move the mitre arm to the zero position.
2. With the mitre lock handle unlocked, allow the mitre latch to snap into place as you rotate the mitre arm to zero.
3. Observe the mitre pointer **47** and mitre scale **19** shown in Figure H. If the pointer does not indicate exactly zero, loosen the mitre pointer screw **48** holding the pointer in place, reposition the pointer and tighten the screw.

Bevel Square to Table Adjustment (Fig. A1, A2, I, L)

1. To align the blade square to the table, lock the arm in the down position with the lock down pin **11**.
2. Place a square against the blade, ensuring the square is not on top of a tooth (Fig. L).
3. Loosen the bevel lock knob **31** and ensure the arm is firmly against the 0° bevel stop.
4. Rotate the 0° bevel adjustment screw (**57** Fig. I) with the 6 mm blade wrench **29** as necessary so that the blade is at 0° bevel to the table.

Bevel Pointer Adjustment (Fig. I)

If the bevel pointers **51** do not indicate zero, loosen each screw **50** that holds each bevel pointer in place and move them as necessary. Ensure the 0° bevel is correct and the bevel pointers are set before adjusting any other bevel angle screws.

Bevel Stop 45° Right and Left Adjustment (Fig. A2, I)

To adjust the right 45° bevel stop:

1. Slide the fence **13** to the full out position before beveling the saw.
2. Loosen the bevel lock knob **31** and pull the 0° bevel stop **32** to override the 0° bevel stop.
3. When the saw is fully to the right, if the bevel pointer **51** does not indicate exactly 45°, turn the left 45° bevel adjustment screw **56** with the 6 mm blade wrench **29** until the bevel pointer indicates 45°.

To adjust the left 45° bevel stop:

1. Slide the fence **13** to the full out position before beveling the saw.
2. Loosen the bevel lock knob and tilt the head to the left.
3. If the bevel pointer does not indicate exactly 45°, turn the right 45° bevel adjustment screw until the bevel pointer reads 45°.

Adjusting the Bevel Stop to 22.5° (or 30°) (Fig. A2, I)

NOTE: Adjust the bevel angles only after performing the 0° bevel angle and bevel pointer adjustment. Slide the sliding fences to the full out position before starting the 22.5° or 30° bevel adjustment.

To set the left 22.5° bevel angle, flip out the left 22.5° bevel pawl **54**.

Loosen the bevel lock knob **31** and tilt the head fully to the left. If the bevel pointer **51** does not indicate exactly 22.5°, turn the crown adjustment screw **52** contacting the pawl with a 10 mm wrench until the bevel pointer reads 22.5°.

To adjust the right 22.5° bevel angle, flip out the right 22.5° bevel pawl. Loosen the bevel lock knob and pull the 0° bevel stop **32** to override the 0° bevel stop. When the saw is fully to the right, if the bevel pointer does not indicate exactly 22.5°, turn the crown adjustment screw **52** contacting the pawl with a 10 mm wrench until the bevel pointer indicates exactly 22.5°.

Fence Adjustment (Fig. A1)

The upper part of the fence can be adjusted to provide clearance, allowing the saw to bevel to a full 49° both left and right.

1. To adjust each fence **13**, loosen the fence adjustment knob **12** and slide the fence outward.
2. Make a dry run with the saw turned off and check for clearance.
3. Adjust the fence to be as close to the blade as practical to provide maximum workpiece support, without interfering with arm up and down movement.
4. Tighten the fence adjustment knob securely.
5. When the bevel operations are complete, relocate the fence.

NOTE: The tracks of the fences can become clogged with sawdust. Use a brush or some low pressure air to clear the guide grooves.

Guard Actuation and Visibility (Fig. X)

The lower guard **1** on your saw has been designed to automatically uncover the blade when the arm is brought down and to cover the blade when the arm is raised.

The guard can be raised by hand when installing or removing saw blades or for inspection of the saw. NEVER RAISE THE lower GUARD MANUALLY UNLESS THE BLADE IS STOPPED.

Rail Guide Adjustment (Fig. A1)

Regularly check the rails **9** for play or clearance.

The left rail can be adjusted with the set screw **7**. To reduce clearance, use a 4 mm hex wrench and rotate the set screw clockwise gradually while sliding the saw head back and forth.

Mitre Lock Adjustment (Fig. A1, M)

The mitre lock rod **58** should be adjusted if the table of the saw can be moved when the mitre lock handle is locked (down).

1. Put the mitre lock handle **21** in the unlocked (up) position.
2. Using a slotted screwdriver, tighten the mitre lock rod by turning it clockwise as shown in Figure M. Turn the lock rod until it is snug, then turn counterclockwise one turn.
3. Re-lock the mitre lock to a non-detented measurement on the mitre scale – for example, 34° – and make sure the table will not rotate.


Prior to Operation

- Install the appropriate saw blade. Do not use excessively worn blades. The maximum rotation speed of the tool must not exceed that of the saw blade. Do not use any abrasive blades.
- Check protective belt cover **35** for damage and proper functioning of lower guard **1**.

- Install the table extensions to both sides of the saw's base. Refer to **Assembling the Table Extensions** section.
- Do not attempt to cut excessively small pieces.
- Allow the blade to cut freely. Do not force.
- Allow the motor to reach full speed before cutting.
- Make sure all locking knobs and clamp handles are tight.
- Secure the workpiece.
- Although this saw will cut wood and many nonferrous materials, these operating instructions refer to the cutting of wood only. The same guidelines apply to the other materials. Do not cut ferrous (iron and steel) materials, fibre cement or masonry with this saw!
- Make sure to use the kerf plate. Do not operate the machine if the kerf slot is wider than 12 mm.
- Connect saw to external dust extractor.

OPERATION

Instructions for Use

 **WARNING:** Always observe the safety instructions and applicable regulations.


 **WARNING:** To reduce the risk of serious personal injury, turn tool off and disconnect tool from power source before making any adjustments or removing/installing attachments or accessories. An accidental start-up can cause injury.


Refer to **Saw Blades** under **Optional Accessories** to select the blade that best fits your needs.

Ensure the machine is placed to satisfy your ergonomic conditions in terms of table height and stability. The machine site shall be chosen so that the operator has a good overview and enough free surrounding space around the machine that allows handling of the workpiece without any restrictions. To reduce effects of vibration make sure the environment temperature is not too cold, the machine and accessories are well maintained and the workpiece size is suitable for this machine.

Plug the saw into any household 50 Hz power source. Refer to the nameplate for voltage. Be sure the cord will not interfere with your work.

Proper Body and Hand Position (Fig. N1, N2)

 **WARNING:** To reduce the risk of serious personal injury, ALWAYS use proper hand position as shown in Figure N1.

 **WARNING:** To reduce the risk of serious personal injury, ALWAYS hold securely in anticipation of a sudden reaction.

- Never place hands near cutting area. Place hands no closer than 100 mm from the blade.
- Hold the workpiece tightly to the table and the fence when cutting. Keep hands in position until the trigger has been released and the blade has completely stopped.
- ALWAYS MAKE DRY RUNS (UNPOWERED) BEFORE FINISH CUTS SO THAT YOU CAN CHECK THE PATH OF THE BLADE. DO NOT CROSS HANDS, AS SHOWN IN FIGURE N2.
- Keep both feet firmly on the floor and maintain proper balance. As you move the mitre arm left and right, follow it and stand slightly to the side of the saw blade.
- Sight through the guard louvers when following a pencil line.

Trigger Switch (Fig. A2)


To turn the saw on, push the lock-off lever **23** to the left, then depress the trigger switch **22**. The saw will run while the switch is depressed. Allow the blade to spin up to full operating speed before making the cut. To turn the saw off, release the switch. Allow the blade to stop before raising the saw head. There is no provision for locking the switch on. A hole **24** is provided in the trigger for insertion of a padlock to lock the switch off.


Your saw is not equipped with an automatic electric blade brake, but the saw blade should stop within 10 seconds of trigger release. This is not

adjustable. If the stop time repeatedly exceeds 10 seconds, have the tool serviced by an authorised DeWALT service centre.


Always be sure the blade has stopped before removing it from the kerf.

Dust Extraction (Fig. A2, C, Z)


 **WARNING:** To reduce the risk of serious personal injury, turn tool off and disconnect tool from power source before making any adjustments or removing/installing attachments or accessories. An accidental start-up can cause injury.

 **WARNING:** Certain dust, such as oak or beech dust, is considered carcinogenic, especially in connection with wood-treatment additives.

- Always use dust extraction.
- Provide for good ventilation of the work space.
- It is recommended to wear an appropriate respirator.

 **CAUTION:** Never operate this saw unless the dust bag or DeWALT dust extractor is in place. Wood dust may create a breathing hazard.

 **CAUTION:** Check and clean the dust bag each time after using.

 **WARNING:** When sawing aluminium, remove the dust bag, or disconnect the dust extractor to avoid the risk of fire.

Your mitre saw has a built-in dust port **34** that allows connection to either the dust bag **38**, 33 mm nozzles or direct attachment to the DeWALT AirLock (DWV9000-XJ).

Observe the relevant regulations in your country for the materials to be worked.

To Attach the Dust Bag (Fig. C)

1. Fit the dust bag **38** to the dust port **34** as shown in Figure C.

To Empty the Dust Bag (Fig. C)

1. Remove dust bag **38** from the saw and gently shake or tap the dust bag to empty.
2. Reattach the dust bag back onto the dust port **34**.

You may notice that all the dust will not come free from the bag. This will not affect cutting performance but will reduce the saw's dust collection efficiency. To restore your saw's dust collection efficiency, depress the spring inside the dust bag when you are emptying it and tap it on the side of the trash can or dust receptacle.

External Dust Extraction (Fig. Z)

When vacuuming dry dust that is especially detrimental to health or carcinogenic, use a special dust Class M vacuum cleaner.

Connecting to an AirLock Compatible Dust Extractor (Fig. Z)

The dust port **34** on your mitre saw is compatible with the DeWALT AirLock connection system. The AirLock allows for a fast, secure connection between the dust extractor hose **64** and the mitre saw.

1. Ensure the collar on the AirLock connector **62** is in the unlock position. Align notches **63** on collar and AirLock connector as shown for unlock and lock positions.
2. Push the AirLock connector onto the dust port **34**.
3. Rotate the collar to the locked position.

NOTE: The ball bearings inside collar lock into slot and secure the connection. The mitre saw is now securely connected to the dust extractor.

Use of XPST[™] LED Worklight System (Fig. A1, A2)

NOTE: The mitre saw must be connected to a power source.

The XPS[™] LED Worklight System is equipped with an on/off switch **25**. The XPS[™] LED Worklight System is independent of the mitre saw's trigger switch. The light does not need to be on in order to operate the saw.

To cut through an existing pencil line on a piece of wood:

1. Turn on the XPS[™] system, then pull down on the operating handle **2** to bring the saw blade close to the wood. The shadow of the blade will appear on the wood.

- Align the pencil line with the edge of the blade's shadow. You may have to adjust the mitre or bevel angles in order to match the pencil line exactly.

Through-Cutting Operations (Fig. A1, A2, O, P)

If the slide feature is not used, ensure the saw head is pushed back as far as possible and the rail lock knob **6** is tightened. This will prevent the saw from sliding along its rails as the workpiece is engaged.

Cutting of multiple pieces is not recommended but can be done safely by ensuring that each piece is held firmly against the table and fence.

Straight Vertical Crosscut

- Set and lock the mitre arm at zero, and hold the wood firmly on the table **17** and against the fence **13**.
- With the rail lock knob **6** tightened, turn on the saw by pushing the lock-off lever **23** and squeezing the trigger switch **22**.
- When the saw comes up to speed, lower the arm smoothly and slowly to cut through the wood. Let the blade come to a full stop before raising arm.

Sliding Crosscut (Fig. O)

When cutting anything larger than a 51 x 115 mm (51 x 82 mm at 45° mitre) workpiece, use an out-down-back motion with the rail lock knob **6** loosened.

Pull the saw out toward you, lower the saw head down toward the workpiece, and slowly push the saw back to complete the cut.

Do not allow the saw to contact the top of the workpiece while pulling out. The saw may run toward you, possibly causing personal injury or damage to the workpiece.

Mitre Crosscut (Fig. P)

The mitre angle is often 45° for making corners, but can be set anywhere from zero to 50° left or 60° right. Proceed as for a straight vertical crosscut.

When performing a mitre cut on workpieces wider than 51 x 105 mm that are shorter in length, always place the longer side against the fence.

Bevel Cut (Fig. A1, A2)

Bevel angles can be set from 49° right to 49° left and can be cut with the mitre arm set between 50° left or 60° right. Refer to the **Features and Controls** section for detailed instructions on the bevel system.

- Loosen the bevel lock **31**, and move the saw to the left or right as desired. It is necessary to move the fence **13** to allow clearance. Tighten the fence adjustment knob **12** after positioning the fences.
- Tighten the bevel lock firmly.


At some extreme angles, the right side fence might have to be removed. Refer to **Fence Adjustment** in the **Adjustments** section for important information on adjusting the fences for certain bevel cuts.

To remove the right fence, unscrew the fence adjustment knob **12** several turns and slide the fence out. The right fence is secured to the base with a lanyard to prevent it from being lost.

Quality of Cut

The smoothness of any cut depends on a number of variables, such as the material being cut, blade type, blade sharpness and rate of cut.

When smoothest cuts are desired for molding and other precision work, a sharp (60 tooth carbide) blade and a slower, even cutting rate will produce the desired results.

 **WARNING:** Ensure that the material does not move or creep while cutting; clamp it securely in place. Always let the blade come to a full stop before raising arm. If small fibres of wood still split out at the rear of the workpiece, stick a piece of masking tape on the wood where the cut will be made. Saw through the tape and carefully remove tape when finished.

Non-Through-Cutting (Grooving and Rabbeting) (Fig. A2)


Your saw is equipped with a grooving stop **28**, depth adjustment screw **27** and wing nut **26** to allow for groove cutting. Instructions in the **Crosscuts, Bevel Cuts** and **Cutting Compound Mitres** sections are for cuts made through the full thickness of the material. The saw can also perform non-through cuts to form grooves or rabbets in the material.


Grooving (Fig. A1, A2)


Refer to **Grooving Stop** for detailed instructions for setting depth of cut. A piece of scrap wood should be used to verify the desired depth of cut.

- Hold the wood firmly on the table and against the fence **13**. Align the cut area underneath the blade. Position the saw arm fully forward, with blade in down position. Turn on the saw by pushing the lock-off lever **23** and squeezing the trigger switch **22**. Smoothly, push saw arm rearward to cut a groove through the workpiece.
- Release the trigger switch with the saw arm down. When saw blade has completely stopped, raise the saw arm. Always let the blade come to a full stop before raising the arm.
- To widen the groove, repeat steps 1–2 until the desired width is obtained.

Clamping the Workpiece (Fig. B)

 **WARNING:** A workpiece that is clamped, balanced and secure before a cut may become unbalanced after a cut is completed. An unbalanced load may tip the saw or anything the saw is attached to, such as a table or workbench. When making a cut that may become unbalanced, properly support the workpiece and ensure the saw is firmly bolted to a stable surface. Personal injury may occur.

 **WARNING:** The clamp foot must remain clamped above the base of the saw whenever the clamp is used. Always clamp the workpiece to the base of the saw – not to any other part of the work area. Ensure the clamp foot is not clamped on the edge of the base of the saw.

 **CAUTION:** Always use a work clamp to maintain control and reduce the risk of personal injury and workpiece damage.

Use the material clamp **37** provided with your saw. The left or right fence will slide from side to side to aid in clamping. Other aids such as spring clamps, bar clamps or C-clamps may be appropriate for certain sizes and shapes of material.

To Install Clamp

- There are four rectangular clamp mounting holes **65** in the base, two in the front and two on the back of the saw under the base fence. Insert the clamp **37** into one of the four holes.
NOTE: When assembling the clamp on the back side of the saw, the arm of the clamp will need to be at the highest position so that clamp post can be slid into the mounting hole as the clamp passes over the fence.
- Loosen the knob to adjust the clamp up or down, tighten the knob to firmly clamp the workpiece.

NOTE: Place the clamp on the opposite side of the base when beveling. ALWAYS MAKE DRY RUNS (UNPOWERED) BEFORE FINISH CUTS TO CHECK THE PATH OF THE BLADE. ENSURE THE CLAMP DOES NOT INTERFERE WITH THE ACTION OF THE SAW OR GUARDS.

Support for Long Pieces (Fig. D)

ALWAYS SUPPORT LONG PIECES.

For best results, use the DE7023-XJ or DE7033 leg stands **39** to extend the table width of your saw. Support long workpieces using any convenient means such as sawhorses or similar devices to keep the ends from dropping.

Cutting Picture Frames, Shadow Boxes And Other Four-Sided Projects (Fig. Q, R)

Try a few simple projects using scrap wood until you develop a “feel” for your saw. Your saw is the perfect tool for mitring corners like the one shown in Figure Q.

Sketch 1 in Figure R shows a joint made with the bevel adjustment method. The joint shown can be made using either method.

- Using bevel adjustment:
 - The bevel for the two boards is adjusted to 45° each, producing a 90° corner.
 - The mitre arm is locked in the zero position and the bevel adjustment is locked at 45°.
 - The wood is positioned with the broad flat side against the table and the narrow edge against the fence.
- Using mitre adjustment:
 - The same cut can be made by mitring right and left with the broad surface against the fence.

Cutting Trim Molding and Other Frames (Fig. R)

Sketch 2 in Figure R shows a joint made by setting the mitre arm at 45° to mitre the two boards to form a 90° corner. To make this type of joint, set the bevel adjustment to zero and the mitre arm to 45°. Once again, position the wood with the broad flat side on the table and the narrow edge against the fence.

The two sketches in Figure R are for four-sided objects only. As the number of sides changes, so do the mitre and bevel angles. The chart below gives the proper angles for a variety of shapes, assuming that all sides are of equal length.

NUMBER OF SIDES	MITRE OR BEVEL ANGLE
4	45°
5	36°
6	30°
7	25.7°
8	22.5°
9	20°
10	18°

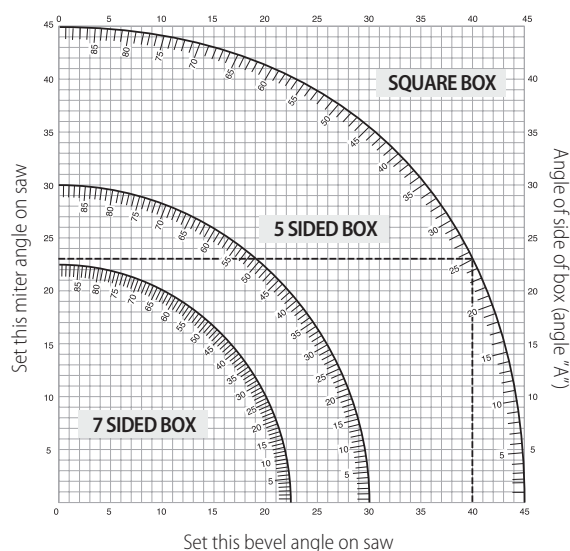
For a shape that is not shown in the chart, use the following formula: 180° divided by the number of sides equals the mitre (if the material is cut vertically) or bevel angle (if the material is cut laying flat).

Cutting Compound Mitres (Fig. S)

A compound mitre is a cut made using a mitre angle and a bevel angle at the same time. This is the type of cut used to make frames or boxes with slanting sides like the one shown in Figure S.

WARNING: If the cutting angle varies from cut to cut, check that the bevel lock knob and the mitre lock handle are securely locked. These must be locked after making any changes in bevel or mitre.

The chart shown below will assist you in selecting the proper bevel and mitre settings for common compound mitre cuts.



- Select the desired angle A (Fig. S) of your project and locate that angle on the appropriate arc in the chart.
- From that point follow the chart straight down to find the correct bevel angle and straight across to find the correct mitre angle.
- Set your saw to the prescribed angles and make a few trial cuts. Practise fitting the cut pieces together.

EXAMPLE: To make a 4-sided box with 26° exterior angles (Angle A, Fig. S), use the upper right arc. Find 26° on the arc scale. Follow the horizontal intersecting line to either side to get mitre angle setting on saw (42°). Likewise, follow the vertical intersecting line to the top or bottom to get the bevel angle setting on the saw (18°). Always try cuts on a few scrap pieces of wood to verify the settings on the saw.

Cutting Base Moulding (Fig. J, T)

To complete straight 90° cuts, position the wood against the fence and hold it in place as shown in Figure T. Turn on the saw, allow the blade to reach full speed and lower the arm smoothly through the cut.

Cutting Base Moulding from 70 mm up to 150 mm High Vertically Against the Fence (Fig. J, T)

NOTE: Use the slide lock lever 59, shown in Figure J, when cutting base moulding measuring from 70 mm to 150 mm high vertically against the fence.

Position material as shown in Figure T.

All cuts should be made with the back of the moulding against the fence and with the bottom of the moulding against the table.

	Inside Corner	Outside Corner
Left side	Mitre left 45° Save left side of cut	Mitre right 45° Save left side of cut
Right side	Mitre right 45° Save right side of cut	Mitre left 45° Save right side of cut

Material up to 150 mm can be cut as described above.

Cutting Crown Moulding (Fig. A1, U1, U2)

Your mitre saw is well suited to the task of cutting crown moulding. In order to fit properly, crown moulding must be compound mitred with extreme accuracy.

Your mitre saw has special pre-set mitre latch points at 22.5°, 31.6° and 35.3° left and right for cutting crown moulding at the proper angle and bevel stop pawls at 22.5° and 30° left and right. There is also a mark on

the bevel scale **10** at 33.9°. The chart below gives the proper settings for cutting crown moulding.

NOTE: Pretesting with scrap material is extremely important!

Instructions for Cutting Crown Moulding Laying Flat and Using the Compound Features (Fig. U1)

- Moulding should lay flat with the broad back surface down on the saw table **17**.
- Place the top of the moulding against the fence **13**.
- The settings below are for 45° sprung crown moulding.

	Inside Corner	Outside Corner
Left side	Bevel left 30° Mitre table set at right 35.26° Save left end of cut	Bevel right 30° Mitre table set at left 35.26° Save left end of cut
Right side	Bevel right 30° Mitre table set at left 35.26° Save right end of cut	Bevel left 30° Mitre table set at right 35.26° Save right end of cut

- The settings below are for crown moulding with 52° angles at the top and 38° angles at the bottom.

	Inside Corner	Outside Corner
Left side	Bevel left 33.9° Mitre table set at right 31.62° Save left end of cut	Bevel right 33.9° Mitre table set at left 31.62° Save left end of cut
Right side	Bevel right 33.9° Mitre table set at left 31.62° Save right end of cut	Bevel left 33.9° Mitre table set at right 31.62° Save right end of cut

Alternative Method for Cutting Crown Moulding

Cutting crown moulding using this method does not require a bevel cut. Minute changes in the mitre angle can be made without affecting the bevel angle. When corners other than 90° are encountered, the saw can be quickly and easily adjusted for them.

Instructions for Cutting Crown Moulding Angled Between the Fence and Base of the Saw for All Cuts (Fig. U2)

- Angle the moulding so the bottom of the moulding (the part which goes against the wall when installed) is against the fence **13** and the top of the moulding is resting on the saw table **17**.
- The angled “flats” on the back of the moulding must rest squarely on the fence and saw table.

	Inside Corner	Outside Corner
Left side	Mitre right at 45° Save right side of cut	Mitre left at 45° Save right side of cut
Right side	Mitre left at 45° Save left side of cut	Mitre right at 45° Save left side of cut

Special Cuts

! WARNING: Never make any cut unless the material is secured on the table and against the fence.

Aluminum Cutting (Fig. V1, V2)

ALWAYS USE THE APPROPRIATE SAW BLADE MADE ESPECIALLY FOR CUTTING ALUMINUM.

Certain workpieces may require the use of a clamp or fixture to prevent movement during the cut. Position the material so that you will be cutting the thinnest cross section, as shown in Figure V1. Figure V2 illustrates the wrong way to cut these extrusions.

Use a stick wax cutting lubricant when cutting aluminum. Apply the stick wax directly to the saw blade **45** before cutting. Never apply stick wax to a moving blade. The wax provides proper lubrication and keeps chips from adhering to the blade.

Bowed Material (Fig. W1, W2)

When cutting bowed material always position it as shown in Figure W1 and never like that shown in Figure W2. Positioning the material incorrectly will cause it to pinch the blade.

Cutting Plastic Pipe or Other Round Material

Plastic pipe can be easily cut with your saw. It should be cut just like wood and **CLAMPED OR HELD FIRMLY TO THE FENCE TO KEEP IT FROM ROLLING**. This is extremely important when making angle cuts.

Cutting Large Material (Fig. X)

Occasionally you will encounter a piece of wood a little too large to fit beneath the lower guard. If this occurs, place your right thumb on the upper side of the guard **1** and roll the guard up just enough to clear the workpiece, as shown in Figure X. Avoid doing this as much as possible, but if need be, the saw will operate properly and make the bigger cut. NEVER TIE, TAPE, OR OTHERWISE HOLD THE GUARD OPEN WHEN OPERATING THIS SAW.

MAINTENANCE

Your power tool has been designed to operate over a long period of time with a minimum of maintenance. Continuous satisfactory operation depends upon proper tool care and regular cleaning.

! WARNING: To reduce the risk of serious personal injury, turn tool off and disconnect tool from power source before making any adjustments or removing/installing attachments or accessories. An accidental start-up can cause injury.



Lubrication

Your power tool requires no additional lubrication.



Cleaning

! WARNING: Blow dirt and dust out of the main housing with dry air as often as dirt is seen collecting in and around the air vents. Wear approved eye protection and approved dust mask when performing this procedure.

! WARNING: Never use solvents or other harsh chemicals for cleaning the non-metallic parts of the tool. These chemicals may weaken the materials used in these parts. Use a cloth dampened only with water and mild soap. Never let any liquid get inside the tool; never immerse any part of the tool into a liquid.

Before use, carefully check the upper guard, lower guard and dust duct to determine that they will operate properly. Ensure that chips, dust or workpiece particles do not block one of the functions.

In case of workpiece fragments jammed between the saw blade and guards, disconnect the machine from the power supply and follow the instructions given in **Changing or Installing a New Saw Blade**. Remove the jammed parts and reassemble the saw blade.

Periodically clean all dust and wood chips from around AND UNDER the base and the rotary table.

Worklight Cleaning

- Carefully clean sawdust and debris from worklight lens with a cotton swab. Dust build-up can block the worklight and prevent it from accurately indicating the line of cut.
- DO NOT use solvents of any kind; they may damage the lens.
- With blade removed from saw, clean pitch and build-up from blade.

Dust Duct Cleaning

With the saw unplugged and the saw head raised fully, low pressure air or a large diameter dowel rod can be used to clear the dust out of the dust duct.

Optional Accessories



WARNING: Since accessories, other than those offered by DEWALT, have not been tested with this product, use of such accessories with this tool could be hazardous. To reduce the risk of injury, only DEWALT recommended accessories should be used with this product.

Consult your dealer for further information on the appropriate accessories.

Clamp: DW7090-XJ (Fig. B)

The clamp **37** is used for firmly clamping workpiece to the saw table.

Quick Release Clamps: DWS5026-XJ

Dust Bag: DW7053-QZ (Fig. C)

Equipped with a zipper for easy emptying, the dust bag **38** will capture the majority of the sawdust produced.

Leg Stands: DE7023-XJ, DE7033-XJ (Fig. D)

The leg stand **39** is used to extend the table width of the saw.

Clamp Brackets: DE7025-XJ (Fig. E)

The clamp brackets **40** are used for mounting the saw to a stand.

SAW BLADES: ALWAYS USE 250 mm SAW BLADES WITH 30 mm ARBOUR HOLES. SPEED RATING MUST BE AT LEAST 4000 RPM. Never use a smaller diameter blade. It will not be guarded properly. Use crosscut blades only! Do not use blades designed for ripping, combination blades or blades with hook angles in excess of 5°.

BLADE DESCRIPTIONS

APPLICATION	DIAMETER	TEETH
Construction Saw Blades (thin kerf with anti-stick rim)		
General Purpose	250 mm	40
Fine Crosscuts	250 mm	60
Woodworking Saw Blades (provide smooth, clean cuts)		
Fine crosscuts	250 mm	80
Non-ferrous metals	250 mm	96

Protecting the Environment



Separate collection. Products marked with this symbol must not be disposed of with normal household waste.

Products contain materials that can be recovered or recycled reducing the demand for raw materials. Please recycle electrical products according to local provisions. Further information is available at www.2helpU.com.

ТОРЦОВОЧНАЯ ПИЛА DWS727

Поздравляем!

Вы приобрели инструмент DEWALT. Многолетний опыт, тщательная разработка изделий и инновации делают компанию DEWALT одним из самых надёжных партнеров для пользователей профессионального электроинструмента.

Технические характеристики

		DWS727
Напряжение	V	230
Великобритания и Ирландия	V	115
Тип		1
Потребляемая мощность	Вт	1675
Диаметр диска	мм	250
Диаметр посадочного отверстия	мм	30
Толщина диска	мм	1,75
Макс. толщина пропила	мм	3,0
Макс. скорость вращения диска	мин ⁻¹	4000
Макс. длина поперечного распила 90°	мм	305
Макс. длина распила со скосом 45°	мм	215
Макс. глубина распила 90°	мм	90
Макс. глубина поперечного реза с наклоном 45°	мм	50
Скос (макс. положения)	влево	50°
	вправо	60°
Наклон (макс. положения)	влево	49°
	вправо	49°
0° скос		
Макс. высота основания 150 мм	мм	28
Фактическая ширина при макс. высоте 90 мм	мм	290
Фактическая высота при макс. ширине 305 мм	мм	77
45° скос влево		
Фактическая ширина при макс. высоте 90 мм	мм	200
Фактическая высота при макс. ширине 210 мм	мм	77
45° скос вправо		
Фактическая ширина при макс. высоте 90 мм	мм	200
Фактическая высота при макс. ширине 210 мм	мм	77
45° наклон влево		
Фактическая ширина при макс. высоте 60 мм	мм	290
Фактическая высота при макс. ширине 305 мм	мм	50
45° наклон вправо		
Фактическая ширина при макс. высоте 28 мм	мм	290
Фактическая высота при макс. ширине 305 мм	мм	20
Время автоматического торможения диска	с	< 10
Вес	кг	22
Значения шума и/или вибрации (сумма векторов в трех плоскостях) в соответствии с EN62841-3-9:		
L _{PA} (уровень звукового давления)	дБ(А)	92,7
L _{WA} (уровень акустической мощности)	дБ(А)	106,3
K (погрешность для заданного уровня мощности)	дБ(А)	3

Значение шумовой эмиссии и/или эмиссии вибрации, указанное в данном справочном листке, было получено в соответствии со стандартным тестом, приведенным в EN62841, и может использоваться для сравнения инструментов. Кроме того, оно может использоваться для предварительной оценки воздействия вибрации.



ОСТОРОЖНО! Заявленное значение шумовой эмиссии и/или эмиссии вибрации относится к основным областям применения инструмента. Однако, если инструмент используется для различных целей, с различными дополнительными принадлежностями или при ненадлежащем уходе, то уровень шума и/или вибрации может измениться. Это может привести к значительному увеличению уровня воздействия вибрации в течение всего рабочего периода.

При расчете приблизительного значения уровня воздействия шума и/или вибрации также необходимо учитывать время, когда инструмент выключен или то время, когда он работает на холостом ходу. Это может привести к значительному снижению уровня воздействия вибрации в течение всего рабочего периода.

Определите дополнительные меры техники безопасности для защиты оператора от воздействия шума и/или вибрации, а именно: поддержание инструмента и дополнительных принадлежностей в рабочем состоянии, создание комфортных условий работы (соответствующих вибрации), хорошая организация рабочего места.

Декларация о соответствии нормам ЕС

Директива по механическому оборудованию



Торцовочная пила DWS727

DeWALT заявляет, что продукция, описанная в **Технические характеристики**, соответствует: 2006/42/EC, EN62841-1:2015/AC:2015; EN62841-3-9:2015 + AC:2016 + A11:2017.

Эти продукты также соответствуют Директиве 2014/30/EU и 2011/65/EU. За дополнительной информацией обращайтесь в компанию DEWALT по адресу, указанному ниже или приведенному на задней стороне обложки руководства.

Нижеподписавшийся несет ответственность за составление технической документации и составил данную декларацию по поручению компании DEWALT.

Маркус Ромпель
Вице-президент отдела по разработке и производству,
PTE-Europe
DEWALT, Richard-Klinger-Straße 11,
D-65510, Idstein, Германия
31.05.2019



ВНИМАНИЕ: Во избежание риска получения травм ознакомьтесь с инструкцией.

Обозначения: правила техники безопасности

Ниже описывается уровень опасности, обозначаемый каждым из предупреждений. Прочитайте руководство и обратите внимание на данные символы.



ОПАСНО: Обозначает опасную ситуацию, которая **неизбежно** приведет к **серьезной травме или смертельному исходу**, в случае несоблюдения соответствующих мер безопасности.



ВНИМАНИЕ: Указывает на потенциально опасную ситуацию, которая, в случае несоблюдения соответствующих мер безопасности, **может** привести к **серьезной травме или смертельному исходу**.



ПРЕДУПРЕЖДЕНИЕ: Указывает на потенциально опасную ситуацию, которая, в случае несоблюдения соответствующих мер безопасности **может** стать причиной травм **средней или легкой степени тяжести**.

ПОЯСНЕНИЕ: Указывает на практики, **использование которых не связано с получением травмы**, но если ими пренебречь, **могут** привести к **порче имущества**.



Указывает на риск поражения электрическим током.



Указывает на риск возгорания.

ОБЩИЕ ПРАВИЛА ТЕХНИКИ БЕЗОПАСНОСТИ ПРИ ИСПОЛЬЗОВАНИИ ЭЛЕКТРОИНСТРУМЕНТОВ



ВНИМАНИЕ: Прочитайте и просмотрите все предупреждения, инструкции, иллюстрации и спецификации по данному электроинструменту.

Несоблюдение всех приведенных ниже инструкций может стать причиной поражения электрическим током, возгорания и/или тяжелой травмы.

СОХРАНИТЕ ВСЕ ИНСТРУКЦИИ ДЛЯ ПОСЛЕДУЮЩЕГО ИСПОЛЬЗОВАНИЯ

Термин «электроинструмент» в предупреждениях относится к работающим от сети (проводным) электроинструментам или работающим от аккумуляторной батареи (беспроводным) электроинструментам.

1) Безопасность на рабочем месте

- Следите за чистотой и хорошим освещением на рабочем месте.** Захламленное или плохо освещенное рабочее место может стать причиной несчастного случая.
- Запрещается работать с электроинструментами во взрывоопасных местах, например, вблизи легковоспламеняющихся жидкостей, газов и пыли.** Искры, которые появляются при работе электроинструментов могут привести к воспламенению пыли или паров.
- Следите за тем, чтобы во время работы с электроинструментом в зоне работы не было посторонних и детей.** Отвлекаясь от работы вы можете потерять контроль над инструментом.

2) Электробезопасность

- Штепсельная вилка электроинструмента должна соответствовать розетке. Никогда не меняйте вилку инструмента. Запрещается использовать переходники к вилкам для электроинструментов с заземлением.** Использование оригинальных штепсельных вилок, соответствующих типу сетевой розетки снижает риск поражения электрическим током.
- Избегайте контакта с заземленными поверхностями, такими как трубы, радиаторы и холодильники.** Если вы будете заземлены, увеличивается риск поражения электрическим током.
- Запрещается оставлять электроинструмент под дождем и в местах повышенной влажности.** При попадании воды в электроинструмент риск поражения электротоком возрастает.
- Берегите кабель от повреждений. Никогда не используйте кабель для переноски инструмента, не тяните за него, пытайтесь отключить инструмент от сети. Держите кабель подальше от источников тепла, масла, острых углов или движущихся предметов.**

Поврежденный или запутанный кабель питания повышает риск поражения электрическим током.

- При работе с электроинструментом на открытом воздухе используйте удлинитель, подходящий для использования на улице.** Использование кабеля питания, предназначенного для использования вне помещения, снижает риск поражения электрическим током.
- Если использование электроинструмента в условиях повышенной влажности неизбежно, используйте устройства защитного отключения (УЗО) для защиты сети.** Использование УЗО сокращает риск поражения электрическим током.

3) Обеспечение индивидуальной безопасности

- Будьте внимательны, смотрите, что делаете и не забывайте о здравом смысле при работе с электроинструментом. Запрещается работать с электроинструментом в состоянии усталости, наркотического, алкогольного опьянения или под воздействием лекарственных препаратов.** Невнимательность при работе с электроинструментом может привести к серьезным телесным повреждениям.
- Используйте индивидуальные средства защиты. Всегда используйте защитные очки.** Средства защиты, такие как пылезастыжная маска, обувь с нескользящей подошвой, каска и защитные наушники, используемые при работе, уменьшают риск получения травм.
- Примите меры для предотвращения случайного включения. Перед тем как подключить электроинструмент к сети и/или аккумуляторной батарее, возьмите инструмент или перенесите его на другое место, убедитесь в том, что выключатель находится в положении «Выкл.».** Если при переноске электроинструмента он подключен к сети, и при этом ваш палец находится на выключателе, это может стать причиной несчастных случаев.
- Уберите все регулировочные или гаечные ключи перед включением электроинструмента.** Ключ, оставленный на вращающейся части электроинструмента, может привести к травме.
- Не пытайтесь дотянуться до слишком удаленных поверхностей. Обувь должна быть удобной, чтобы вы всегда могли сохранять равновесие.** Это позволит лучше контролировать электроинструмент в непредвиденных ситуациях.
- Одевайтесь соответствующим образом. Избегайте носить свободную одежду и ювелирные украшения. Следите за тем, чтобы волосы и одежда не попадали под движущиеся детали.** Возможно наматывание свободной одежды, ювелирных изделий и длинных волос на движущиеся детали.
- При наличии устройств для подключения оборудования для удаления и сбора пыли необходимо обеспечить правильность их подключения и эксплуатации.** Использование устройства для пылеудаления сокращает риски, связанные с пылью.
- Не позволяйте хорошему знанию от частого использования инструментов стать причиной самонадеянности и игнорирования правил техники безопасности.** Небрежное действие может повлечь серьезные травмы за долю секунды.

4) Эксплуатация электроинструмента и уход за ним

- Избегайте чрезмерной нагрузки электроинструмента. Используйте электроинструмент в соответствии с назначением.** Правильно подобранный электроинструмент выполнит работу более эффективно и безопасно при стандартной нагрузке.

- b) **Не пользуйтесь инструментом, если не работает выключатель.** Любой инструмент, управлять выключением и включением которого невозможно, опасен, и его необходимо отремонтировать.
- c) **Перед выполнением любых настроек, сменой аксессуаров или прежде чем убрать инструмент на хранение, отключите его от сети и/или снимите с него аккумуляторную батарею, если ее можно снять.** Такие превентивные меры безопасности сокращают риск случайного включения электроинструмента.
- d) **Храните электроинструмент в недоступном для детей месте и не позволяйте работать с инструментом людям, не имеющим соответствующих навыков работы с такого рода инструментами.** Электроинструмент представляет опасность в руках неопытных пользователей.
- e) **Поддерживайте электроинструмент и принадлежности в исправном состоянии. Проверьте, не нарушена ли центровка или не заклинены ли движущиеся детали, нет ли повреждений или иных неисправностей, которые могли бы повлиять на работу электроинструмента. В случае обнаружения повреждений, прежде чем приступить к эксплуатации электроинструмента, его нужно отремонтировать.** Большинство несчастных случаев происходит из-за электроинструментов, которые не обслуживаются должным образом.
- f) **Содержите режущий инструмент в остро заточенном и чистом состоянии.** Вероятность заклинивания инструмента, за которым следят должным образом и который хорошо заточен, значительно меньше, а работать с ним легче.
- g) **Используйте электроинструменты, принадлежности и насадки в соответствии с данными инструкциями, принимая во внимание условия работы и характер выполняемой работы.** Использование электроинструмента для выполнения операций, для которых он не предназначен, может привести к созданию опасных ситуаций.
- h) **Все рукоятки и поверхности захватывания должны быть сухими и без следов смазки.** Скользкие рукоятки и поверхности захватывания не позволяют обеспечить безопасность работы и управления инструментом в непредвиденных ситуациях.

5) Обслуживание

- a) **Обслуживание электроинструмента должен проводить квалифицированный специалист с использованием только оригинальных запасных частей.** Это позволит обеспечить безопасность обслуживаемого электрифицированного инструмента.

Инструкции по технике безопасности для торцовочных пил

- a) **Торцовочные пилы предназначены для распиловки древесины или изделий из дерева; их нельзя использовать с абразивными отрезными кругами для резки материалов, содержащих черные металлы, таких как болванки, прутья, заклепки и пр.** Абразивная пыль приводит к заклиниванию движущихся частей наподобие нижнего защитного кожуха. Искры от абразивной резки сожгут нижний защитный кожух, пластину для пропила и другие детали из пластмассы.
- b) **По мере возможности используйте зажимы, чтобы поддерживать заготовку. При поддержке заготовки рукой, всегда держите руку на расстоянии в по крайней мере 100 мм от обеих сторон пильного диска. Не используйте эту пилу для резки заготовок, которые слишком малы, чтобы их надежно зафиксировать или удержать рукой. Если ваша рука расположена слишком близко**

к пильному диску, то это создает повышенные риск получения травмы от контакта с диском.

- c) **Заготовка должна быть неподвижной и зафиксированной по отношению к направляющей и столу. Никогда не подавайте под движущийся пильный диск и не выполняйте распил «от руки».** Незафиксированные или подвижные заготовки могут быть выброшены с высокой скоростью, что может повлечь за собой травмы.
- d) **Толкайте пилу от себя по заготовке. Не тяните пилу через заготовку на себя. Чтобы выполнить распил, поднимите головку пилы и вытяните ее над заготовкой без распила, запустите электродвигатель, опустите головку пилы и толкайте пилу от себя по заготовке.** Попытка выполнить распил во время вытягивания с большой вероятностью приведет к тому, что пильный диск выскочит вверх из заготовки, а узел диска будет резко отброшен в сторону оператора.
- e) **Ни в коем случае не пересекайте линию предполагаемого реза рукой перед или за пильным диском.** Удерживание заготовки «крест-накрест», т. е. удерживая заготовку справа от пильного диска левой рукой или наоборот, является очень опасным.
- f) **Не пытайтесь дотянуться до задней стороны направляющей и не подносите руки на расстояние ближе 100 мм от каждой стороны пильного диска, чтобы удалить обрезки древесины или по какой-либо другой причине, пока диск вращается.** Расстояние до пильного диска может быть меньше, чем кажется, в результате чего создается риск тяжелых травм.
- g) **Проверяйте свои заготовки перед распиловкой. Если заготовка искривлена или изогнута, зафиксируйте ее внешней изогнутой стороной лицом к направляющей. Всегда проверяйте отсутствие зазора между заготовкой, направляющей и столом по линии реза.** Погнутые или искривленные заготовки могут перекосяться или сместиться, что может заклинить пильный диск во время резки. В заготовке не должно быть гвоздей или посторонних предметов.
- h) **Не используйте пилу, пока не очистите стол от всех инструментов, обрезков и всего прочего, кроме заготовки.** Мелкий мусор или куски древесины или другие предметы, касающиеся вращающегося диска, могут быть отброшены с высокой скоростью.
- i) **Распиливайте по одной заготовке за раз.** Уложенные рядом несколько заготовок невозможно зафиксировать или закрепить, что может привести к заклиниванию диска или смещению во время распиловки.
- j) **Убедитесь, что торцовочная пила расположена на ровной, твердой рабочей поверхности во время использования.** Ровная и твердая рабочая поверхность снижает риск неустойчивости торцовочной пилы.
- k) **Планируйте свою работу. При каждом изменении настроек угла наклона или скоса, убедитесь, что регулируемая направляющая правильно установлена, чтобы поддерживать заготовку и не мешать диску или системе защитных кожухов.** Не включая инструмент и без заготовки на столе, приведите пильный диск по воображаемой линии реза, чтобы убедиться в отсутствии помех или риска разрезать направляющую.
- l) **Обеспечьте достаточную опору с помощью удлинений стола, пильных козлов и т. п. для заготовок, которые шире или длиннее столешницы.** Не поддерживаемые должным образом заготовки, длина или ширина которых больше распиловочного стола, во время пиления могут подняться или наклониться. Приподнявшаяся заготовка или

отрезная часть заготовки может поднять нижний защитный кожух или может быть отброшена в сторону вращающимся пильным диском.

- m) **Не используйте других лиц в качестве замены удлинения стола или в качестве дополнительной опоры.** Неустойчивая опора для заготовки может привести к заклиниванию диска или к смещению заготовки во время распиловки, что может затянуть и вас, и помощника под вращающийся диск.
- n) **Обрезки не следует зажимать или прижимать каким-либо образом к вращающемуся пильному диску.** Если зажать отрезной конец, например, ограничителями длины, он может попасть под диск и быть резко отброшен в сторону.
- o) **Всегда используйте соответствующие зажимы или фиксаторы для надлежащей поддержки круглых материалов, таких как брусья или трубы.** Брусья имеют свойство катиться при распиловке, что приводит к заклиниванию диска внутри и втягиванию заготовки вместе с вашей рукой под диск.
- p) **Перед подачей заготовки дождитесь, пока двигатель наберет полные обороты.** Это снизит риск отбрасывания заготовки.
- q) **Если заготовка или диск застряли, выключите торцовочную пилу. Дождитесь останова всех движущихся частей, отсоедините вилку от источника питания и/или извлеките батарею. Затем высвободите застрявший материал.** Продолжение распиловки с застрявшей заготовкой может привести к потере контроля или повреждению торцовочной пилы.
- r) **По завершении распиловки, отпустите выключатель, удерживайте головку пилы в опущенном положении и дождитесь останова диска, прежде чем начать уборку обрезков.** Не держите руку рядом с диском во время выбега, так как это представляет опасность.
- s) **Крепко удерживайте рукоятку при выполнении неполного реза или при отпуске выключателя до того, как головка пилы будет в полностью опущенном положении.** Торможение пилы может привести к резкому затягиванию головки пилы вниз, что создает риск получения травмы.

Дополнительные правила техники безопасности для торцовочных пил



ВНИМАНИЕ: Не подключайте инструмент к источнику питания до полного прочтения и понимания инструкций.

- **НЕ ИСПОЛЬЗУЙТЕ ДАННЫЙ ИНСТРУМЕНТ** до завершения сборки и установки в соответствии с инструкциями. Неправильная сборка устройства может стать причиной серьезной травмы.
- **ПОЛУЧИТЕ КОНСУЛЬТАЦИЮ** опытного оператора, инструктора или другого квалифицированного лица, если у вас недостаточно опыта для работы с данным инструментом. Знание есть безопасность.
- **УБЕДИТЕСЬ, ЧТО** диск вращается в правильном направлении. Зубья на диске должны быть направлены в сторону направления вращения, как указано на пиле.
- **ЗАТЯНИТЕ ВСЕ РУКОЯТКИ ЗАЖИМОВ**, ручки и рычаги перед работой. Ослабевшие зажимы могут привести к выбросу частей заготовки на высокой скорости.
- **УБЕДИТЕСЬ, ЧТО** все диски и зажимы дисков чисты, утопленные стороны зажимов диска прижаты к диску, а распорный винт надежно затянут. Слабое или неправильное затяжение диска может повлечь за собой повреждение пилы и нанести травмы.
- **НЕ РАБОТАЙТЕ С НАПРЯЖЕНИЕМ, ОТЛИЧНЫМ ОТ УКАЗАННОГО** для пилы. Это может привести к перегреву, повреждению инструмента и травмам.

- **НЕ ЗАКЛИНИВАЙТЕ КАКИМИ-ЛИБО ПРЕДМЕТАМИ КРЫЛЬЧАТКУ ВЕНТИЛЯТОРА** для удерживания вала двигателя. Это может привести к повреждению инструмента и травмам.
- **НИ В КОЕМ СЛУЧАЕ НЕ РАЗРЕЗАЙТЕ МЕТАЛЛЫ** или каменную кладку. Распиловка этих материалов может привести к вылету твердосплавных наконечников с диска с высокой скоростью и серьезным травмам.
- **НИКОГДА НЕ ДОПУСКАЙТЕ НАХОЖДЕНИЯ КАКОЙ-ЛИБО ЧАСТИ ТЕЛА В ОДНОЙ ПЛОСКОСТИ С ДИСКОМ.** Это может привести к травмам.
- **НИКОГДА НЕ НАНОСИТЕ СМАЗКУ НА ДВИЖУЩИЙСЯ ДИСК.** Нанесение смазки может затянуть вашу руку в диск, что приведет к серьезным травмам.
- **НЕ ДЕРЖИТЕ** руки рядом с диском в то время, когда пила подключена к источнику питания. Случайный запуск диска может привести к серьезным травмам.
- **НИКОГДА НЕ ДЕРЖИТЕ РУКИ РЯДОМ ИЛИ ЗА ПИЛЬНЫМ ДИСКОМ.** Диск может стать причиной серьезных травм.
- **НЕ ДЕРЖИТЕ РУКИ ПОД ПИЛОЙ, ЕСЛИ ОНА НЕ ВЫКЛЮЧЕНА И НЕ ОТСОЕДИНЕНА** от источника питания. Соприкосновение с диском может привести к травме.
- **ЗАКРЕПИТЕ ИНСТРУМЕНТ НА УСТОЙЧИВОЙ ОПОРНОЙ ПОВЕРХНОСТИ.** Вибрация может привести к скольжению, смещению или опрокидыванию устройства, что может привести к серьезным травмам.
- **ИСПОЛЬЗУЙТЕ ТОЛЬКО ПИЛЬНЫЕ ДИСКИ ДЛЯ ПОПЕРЕЧНЫХ РАСПИЛОВ**, рекомендованные для торцовочных пил. Для достижения наилучших результатов не используйте пильные диски с твердосплавными напайками, угол зубьев которых превышает 7 градусов. Не используйте диски с глубокими впадинами между зубьями. Они могут отскочить и соприкоснуться с защитным кожухом и привести к повреждению инструмента и/или серьезным травмам.
- **ИСПОЛЬЗУЙТЕ ТОЛЬКО ДИСКИ ПРАВИЛЬНОГО РАЗМЕРА И ТИПА**, указанного для данного инструмента, чтобы предотвратить повреждение устройства и/или серьезные травмы (согласно EN847-1).
- **ПРОВЕРЯЙТЕ ДИСКИ НА НАЛИЧИЕ ТРЕЩИН** или других повреждений перед работой. Треснувший или поврежденный диск может разрушиться с выбросом фрагментов с высокой скоростью, что может привести к серьезным травмам. Немедленно заменяйте треснувшие и поврежденные диски. Соблюдайте максимальную скорость, указанную на пильном диске.
- **МАКСИМАЛЬНАЯ УКАЗАННАЯ СКОРОСТЬ ДИСКА** всегда должна быть больше или хотя бы равной скорости, указанной на паспортной табличке инструмента.
- **ДИАМЕТР ПИЛЬНОГО ДИСКА** должен соответствовать обозначениям на паспортной табличке инструмента.
- **ОЧИЩАЙТЕ ДИСКИ И ЗАЖИМЫ ДИСКА** перед эксплуатацией. Очистка диска и зажимов диска позволяет вам проверять наличие повреждений диска или зажимов диска. Треснувший или поврежденный диск или зажим диска могут разрушиться с выбросом фрагментов с высокой скоростью, что может привести к серьезным травмам.
- **НЕ ИСПОЛЬЗУЙТЕ ИСКРИВЛЕННЫЕ ДИСКИ.** Убедитесь, что диск вращается плавно и без вибраций. Вибрирующий диск может привести к повреждению устройства и/или серьезным травмам.
- **НЕ ИСПОЛЬЗУЙТЕ** смазочные или чистящие вещества (в частности, спрей или аэрозоль) в непосредственной близости от пластикового защитного кожуха. Поликарбонат, используемый в материале защитного кожуха, может повредиться под воздействием некоторых химических веществ.
- **СЛЕДИТЕ, ЧТОБЫ ЗАЩИТНЫЙ КОЖУХ ВСЕГДА БЫЛ УСТАНОВЛЕН НА ИНСТРУМЕНТ** и находился в хорошем рабочем состоянии.

- **ВСЕГДА ИСПОЛЬЗУЙТЕ ПЛАСТИНУ ДЛЯ ПРОПИЛА И ЗАМЕНЯЙТЕ ЕЕ ПРИ НАЛИЧИИ ПОВРЕЖДЕНИЙ.** Скопление мелкой щепы под пилой может помешать работе пильного диска или нарушить устойчивость заготовки во время распиловки.
- **ИСПОЛЬЗУЙТЕ ТОЛЬКО ЗАЖИМЫ ДИСКА, ПРЕДНАЗНАЧЕННЫЕ ДЛЯ ДАННОГО ИНСТРУМЕНТА,** чтобы предотвратить повреждение инструмента и/или серьезные травмы.
- **УБЕДИТЕСЬ,** что перед началом работы подобрали правильный диск в соответствии с материалом.
- **ОЧИЩАЙТЕ ВЕНТИЛЯЦИОННЫЕ ОТВЕРСТИЯ ДВИГАТЕЛЯ** от щепы и пыли. Забитые вентиляционные отверстия могут привести к перегреву устройства, что может повлечь за собой повреждение устройства и привести к короткому замыканию, которое может привести к серьезным травмам.
- **НИКОГДА НЕ ФИКСИРУЙТЕ ВЫКЛЮЧАТЕЛЬ В ПОЛОЖЕНИИ ВКЛЮЧЕНИЯ.** Это может привести к серьезной травме.
- **НИКОГДА НЕ ВСТАВАЙТЕ НА ИНСТРУМЕНТ.** Если вы перевернете инструмент или если случайно соприкоснетесь с режущим инструментом, это может привести к серьезным травмам.

! **ВНИМАНИЕ:** Резка пластмассы, пропитанной древесиной и других материалов может привести к накоплению расплавленного материала на краях диска и корпусе пильного диска, что увеличивает риск перегрева и заклинивания во время резки.

! **ВНИМАНИЕ:** Всегда надевайте защитные наушники. В некоторых условиях и во время использования шум данного инструмента может стать причиной нарушения слуха. Учитывайте следующие факторы, влияющие на уровень шума:

- Используйте пильные диски с пониженным шумовыделением,
- Используйте только хорошо заточенные диски, и
- Используйте специальные шумоподавляющие пильные диски.

! **ВНИМАНИЕ: ВСЕГДА** надевайте защитные очки. Обычные очки НЕ ЯВЛЯЮТСЯ защитными очками. Также используйте пылезащитную маску, если распиловка создает большое количество пыли.

! **ВНИМАНИЕ:** Использование этого инструмента может создавать и/или выделять пыль, которая может вызвать серьезные и безвозвратные повреждения дыхательных путей и других органов.

! **ВНИМАНИЕ:** Некоторая пыль, создаваемая в результате шлифования, распиловки, сверления и других строительных работ, содержит химические вещества, известные как канцерогенные, а также вызывающие врожденные дефекты или наносящие вред репродуктивным системам. Некоторые примеры этих химических веществ:

- свинец из свинцовых красок,
- кристаллический диоксид кремния из кирпичей, бетона и других элементов кладки, и
- мышьяк и хром из химически обработанной древесины.

Опасность контакта зависит от частоты выполнения подобных типов работ. Чтобы снизить риск контакта с данными химическими веществами: оператор и присутствующие должны работать в хорошо вентилируемом месте с использованием соответствующего защитного снаряжения, такого как респиратор для фильтрации микроскопических частиц.

- **Избегайте длительного контакта с пылью при шлифовании, распиловке, сверлении и других строительных работах.** Носите защитную одежду и промойте открытые участки тела водой с мылом. Попадание пыли в рот, глаза или на кожу может привести к поглощению вредных химических веществ.

! **ВНИМАНИЕ:** Использование этого инструмента может создавать и/или выделять пыль, которая может вызвать серьезные и безвозвратные повреждения дыхательных путей и других органов. Всегда используйте соответствующие средства защиты органов дыхания, подходящие для работы в условиях запыленности.

! **ВНИМАНИЕ:** Рекомендуется использовать устройство защитного отключения (УЗО) с током утечки до 30 мА.

Остаточные риски

При использовании пилы присутствуют следующие риски:

- Травмы, полученные в результате касания вращающихся частей.
- Несмотря на соблюдение соответствующих инструкций по технике безопасности и использование предохранительных устройств, некоторые остаточные риски невозможно полностью исключить. А именно:
- Ухудшение слуха.
 - Несчастные случаи, происходящие в результате контакта с открытым движущимся диском пилы.
 - Риск получения травмы пальцев при смене диска.
 - Риск защемления пальцев при снятии защитного кожуха.
 - Ущерб здоровью в результате вдыхания пыли от распила древесины, в особенности, дуба, бука и ДВП.


Следующие факторы увеличивают риск нарушения дыхания:

- При обработке древесины не используется пылеудаляющее устройство.
- Неудовлетворительное пылеудаление по причине засорившихся выхлопных фильтров.

СОХРАНИТЕ НАСТОЯЩЕЕ РУКОВОДСТВО

Электробезопасность

Электродвигатель рассчитан на работу только при одном напряжении сети. Необходимо обязательно убедиться в том, что напряжение источника питания соответствует указанному на шильдике устройства. Необходимо также убедиться в том, что напряжение работы зарядного устройства соответствует напряжению в сети.

 Зарядное устройство DEWALT оснащено двойной изоляцией в соответствии с требованиями EN60745; поэтому провод заземления не требуется.

В случае повреждения кабеля питания его необходимо заменить специально подготовленным кабелем, который можно приобрести в сервисных центрах DEWALT.

Использование удлинительного кабеля

Используйте удлинитель только в случаях крайней необходимости. Используйте только утвержденные удлинители промышленного изготовления, рассчитанные на мощность не меньшую, чем потребляемая мощность зарядного устройства (см. **Технические характеристики**). Минимальное поперечное сечение провода электрического кабеля должно составлять 1 мм²; максимальная длина 30 м.

При использовании кабельного барабана всегда полностью разматывайте кабель.

Комплектация поставки

В комплектацию входит:

- 1 Собранная торцовочная пила
- 1 Ключ диска (собиран на пиле)
- 1 Пильный диск (собиран на пиле)
- 1 Зажим для заготовки
- 2 Удлинения основания
- 2 Винта
- 2 Шайбы

- 1 Руководство по эксплуатации
- Проверьте инструмент, детали и дополнительные принадлежности на наличие повреждений, которые могли произойти во время транспортировки.
 - Перед началом работы необходимо внимательно прочитать настоящее руководство и принять к сведению содержащуюся в нем информацию.

Маркировка инструмента

На инструмент нанесены следующие обозначения:



Перед началом работы прочтите руководство по эксплуатации.



Используйте защитные наушники.



Используйте защитные очки.



Держите руки подальше от диска.



Видимое излучение. Не направляйте луч в глаза.

Место положения кода даты (Рис. [Fig.] A)

Код даты **8**, который также включает в себя год изготовления, отштампован на поверхности корпуса инструмента.

Пример:

2019 XX XX
Год изготовления

Описание (Рис. A1–E)



ВНИМАНИЕ: Никогда не вносите изменения в конструкцию электроинструмента или какой-либо его части. Это может привести к повреждению или травме.

Рис. A1

- 1 Нижний защитный кожух
- 2 Рабочая рукоятка
- 3 Ручка для переноски
- 4 Пластина для пропила
- 5 Кнопка-защелка угла скоса
- 6 Ручка фиксатора рельсовой направляющей
- 7 Регулировочный винт рельсовой направляющей
- 8 Код даты
- 9 Рельсовые направляющие
- 10 Градуированная шкала угла наклона
- 11 Фиксирующий штифт
- 12 Ручка регулировки направляющей
- 13 Подвижная направляющая
- 14 Направляющая основания
- 15 Удлинение основания/ручка для переноски
- 16 Углубление для захвата рукой
- 17 Распиловочный стол

- 18 Монтажные отверстия для крепления на верстаке
- 19 Градуированная шкала угла скоса
- 20 Вход пылеуловителя
- 21 Ручка регулировки угла скоса

Рис. A2

- 22 Курковый пусковой выключатель
- 23 Рычаг блокировки пускового выключателя
- 24 Отверстие для висячего замка
- 25 XRPTM выключатель
- 26 Барашковая гайка
- 27 Винт регулировки глубины
- 28 Упор для вырезания канавок
- 29 Ключ диска
- 30 Основание
- 31 Зажимная рукоятка установки угла наклона
- 32 0° упор угла наклона
- 33 Правосторонний откидной упор
- 34 Отверстие пылеотвода

35 Крышка приводного ремня

36 Фиксатор угла скоса с превышением

Дополнительные принадлежности

Рис. В

37 Зажим заготовки DWS5026-XJ

Рис. С

Назначение

Торцовочная пила DeWALT DWS727 была разработана для профессионального использования: распиловки дерева, деревянных изделий и пластмасс. При использовании соответствующих пильных дисков возможна распиловка алюминиевых профилей. Она позволяет легко, точно и безопасно выполнять поперечные распилы,резы со скосом и наклоном.

НЕ ИСПОЛЬЗУЙТЕ в условиях повышенной влажности или поблизости от легковоспламеняющихся жидкостей или газов.

Данная торцовочная пила является профессиональным электроинструментом.

НЕ РАЗРЕШАЙТЕ детям прикасаться к инструменту. Использование инструмента неопытными пользователями должно происходить под контролем опытного лица.

- Данный инструмент не предназначен для использования лицами (включая детей) с ограниченными физическими, психическими и умственными возможностями, не имеющими опыта, знаний или навыков работы с ним, если они не находятся под наблюдением лица, ответственного за их безопасность. Никогда не оставляйте детей без присмотра с этим инструментом.

СБОРКА И РЕГУЛИРОВКА



ВНИМАНИЕ: Чтобы снизить риск получения серьезной травмы, необходимо выключить инструмент и отсоединить батарею, прежде чем выполнять какую-либо регулировку либо удалять/устанавливать какие-либо насадки или дополнительные принадлежности.

Случайный запуск может привести к травме.

Распаковка (Рис. A1, F)

1. Откройте коробку и извлеките пилу с помощью рукоятки для переноски **3**, как показано на Рисунке F.
2. Установите пилу на плоскую и ровную поверхность.
3. Отпустите ручку фиксатора рельсовой направляющей **6** и передвиньте головку пилы назад, чтобы заблокировать ее в заднем положении.
4. Опустите вниз рабочую рукоятку **2** и вытяните фиксирующий штифт **11**.
5. Аккуратно ослабьте нажим и дайте рукоятке подняться в самое верхнее положение.


Установка на верстаке (Рис. A1)

На всех четырех лапах предусмотрены монтажные отверстия **18** для установки на верстак. Под винты разных размеров предназначены отверстия двух разных диаметров. Вы можете использовать любые отверстия; нет необходимости использовать все одновременно.


Во избежание смещения пилы надежно закрепляйте ее на подходящей поверхности. Для удобства, инструмент можно установить на листе фанеры толщиной 12,7 мм или более, который затем крепится на поверхность основания или может быть перенесен в другое место, а затем закреплен.


ПРИМЕЧАНИЕ: При установке пилы на лист фанеры проследите за тем, чтобы монтажные винты не выступали снизу. Фанерная панель должна ровно лежать на опоре. Во время крепления пилы к какой-либо рабочей поверхности, ее следует крепить только за выступы, на

которых находятся монтажные отверстия. Крепление в любой другой точке помогает нормальной работе пилы.

-  **ПРЕДУПРЕЖДЕНИЕ:** Во избежание заклинивания и неточной работы, проследите за тем, чтобы монтажная поверхность была ровной. Если пила качается на поверхности, поместите тонкий кусок материала под одну из лап, так, чтобы пила была плотно закреплена на монтажной поверхности.

Сборка удлинений основания (Рис. Y)



-  **ВНИМАНИЕ:** Удлинения основания должны быть собраны с обеих сторон основания пилы перед ее использованием.

-  **ВНИМАНИЕ:** Отрегулируйте удлинения основания с помощью установочных пазов так, чтобы они были ровны с основанием пилы.

1. Найдите отверстия над выемками для рук **16** сбоку основания.
2. С помощью входящего в комплект ключа или ключа Т30, вкрутите винт **60** в шайбу **61** через основание **15** и в отверстия в основании.
3. Убедитесь, что удлинение надежно закреплено, потянув за него. Оно не должно при этом двигаться.
4. Повторите этапы с 1 по 3 с другой стороны.

Замена и установка нового пильного диска

Снятие диска (Рис. G1–G4)

-  **ВНИМАНИЕ:** Для снижения риска получения травмы при работе с пильными дисками надевайте защитные перчатки.
-  **ВНИМАНИЕ:** Чтобы снизить риск получения травмы, выключите инструмент и отключите его от источника питания перед установкой и удалением дополнительных приспособлений, а также перед регулировочными или ремонтными работами. Убедитесь в том, что пусковой выключатель находится в положении «ВЫКЛ». Случайный запуск может привести к травме.


- Никогда не нажимайте кнопку блокировки шпинделя во время работы или инерционного движения диска.
- Не режьте легкие сплавы и черные металлы (с содержанием чугуна или стали), каменную кладку или продукты из волокнистого цемента с помощью этой торцовочной пилы.

1. Отключите пилу от сети.
2. Поднимите пильную головку в верхнее положение и поднимите нижний защитный кожух **1** на максимально возможную высоту.
3. Нажмите на кнопку блокировки шпинделя **42** и осторожно поворачивайте пильный диск рукой, чтобы была задействована блокировка.
4. Удерживая кнопку нажатой, другой рукой с помощью ключа **29**, входящего в комплект поставки, ослабьте винт крепления диска **41**. (Поворачивайте по часовой стрелке, левая резьба.)
5. Удалите винт диска **41**, наружную зажимную шайбу **43** и диск **45**. Внутреннюю шайбу **46** можно оставить на шпинделе.
6. Снимите и сохраните установочное кольцо **44** со старого диска - оно может понадобиться при установке нового диска.


Установка диска (Рис. G1–G4)

1. Отключите пилу от сети.
2. Если необходимо, вставьте установочное кольцо **44** в отверстие на новом диске.
3. Когда рама поднята, а нижний защитный кожух **1** находится в открытом положении, установите диск на выступ внутренней шайбы **46**, чтобы зубья в нижней части диска были направлены в сторону задней части пилы.
4. Установите наружную зажимную шайбу на шпиндель.

5. Вставьте винт крепления диска, и, задействовав блокировку шпинделя, надежно затяните винт с помощью ключа (поворачивайте против часовой стрелки, левая резьба).

-  **ВНИМАНИЕ!** Следите за тем, чтобы диск пилы был установлен так, как описано выше. Используйте только те пильные диски, что указаны в разделе «Технические характеристики»; № по каталогу: Рекомендуется DT4260.


Транспортировка пилы (Рис. A1, A2)

-  **ВНИМАНИЕ:** В целях снижения риска перед транспортировкой **ОБЯЗАТЕЛЬНО** заблокируйте ручку фиксатора рельсовой направляющей, зажимную рукоятку угла скоса, зажимную рукоятку угла наклона, фиксирующий штифт и рукоятки направляющей. Никогда не поднимайте и не переносите пилу за защитные кожухи.

Для удобства переноски торцовочной пилы, в верхней части пильной головки расположена ручка для переноски **3**.

- Для переноски пилы опустите головку и нажмите на фиксирующий штифт **11**.
- Закрепите ручку фиксатора направляющей в переднем положении, заблокируйте рычаг установки угла скоса в положении крайнего левого угла, сдвиньте направляющую **13** полностью внутрь и зафиксируйте зажимную рукоятку угла наклона **31** при вертикальном положении головки, чтобы обеспечить максимальную компактность инструмента.
- Используйте только ручку для переноски **3** или удлинения основания **15**.

Особенности и элементы управления

-  **ВНИМАНИЕ:** Чтобы снизить риск получения травмы, выключите инструмент и отключите его от источника питания перед установкой и удалением дополнительных приспособлений, а также перед регулировочными или ремонтными работами. Убедитесь в том, что пусковой выключатель находится в положении «ВЫКЛ». Случайный запуск может привести к травме.

Регулировка скоса (Рис. A1, H)

Зажимная рукоятка угла скоса **21** и кнопка-защелка угла скоса **5** позволяют выполнять распил под углом 60° вправо и 50° влево. Для установки угла скоса, поднимите зажимную рукоятку угла скоса, нажмите на кнопку-защелку угла скоса и выставьте необходимый угол по шкале угла скоса **19**. Опустите зажимную рукоятку угла скоса.

Скорректируйте кнопку-защелку скоса, разблокировав ручку защелки скоса и нажав на фиксатор угла скоса с превышением **36** по направлению вниз. Чтобы прекратить корректировку, переведите фиксатор угла скоса с превышением вверх.

Зажимная рукоятка установки угла наклона (Рис. A2)

Зажимная рукоятка позволяет выставлять угол 49° влево или вправо. Для регулировки угла наклона, поверните зажимную рукоятку угла наклона **31** против часовой стрелки. Пильная головка будет легко поворачиваться влево или вправо, если рукоятку переопределителя угла наклона оттянуть на отметке 0°. Для затягивания поверните зажимную рукоятку угла наклона по часовой стрелке.

Переопределение угла наклона 0° (Рис. A2)

Переопределение угла наклона 0° **32** позволяет установить на вашей пиле угол наклона справа от отметки 0°.

При нажатии пила автоматически остановится на углу 0° при перемещении слева. Для временного перемещения дальше 0° вправо, потяните зажимную рукоятку угла наклона **31**. При отпускании рукоятки переопределение будет выполнено. Для блокировки зажимной рукоятки угла наклона поверните рукоятку на 180°.

При достижении 0° переопределитель блокируется. Для применения переопределителя наклоните пилу слегка влево.

Переопределение угла наклона 45° (Рис. I)

С каждой стороны пилы имеется по рычагу переопределителя блокировки. Для наклона влево или вправо с преодолением угла 45°, нажмите на рычаг преодоления блокировки угла 45° **53** назад. Когда он находится в заднем положении, можно выполнятьрезы с наклоном за пределом данных ограничений. Для использования ограничений 45° переведите рычаг преодоления блокировки угла 45° вперед.

Запоры угла наклона при распиливании карнизов (Рис. I)

При резке карнизов, уложенных плашмя, пила оборудована упорами для карнизов, как слева так и справа (см. раздел «**Инструкции по распиловке карнизов, уложенных плашмя, а также особенности комбинированных распилов**»)

Запор угла наклона при распиливании карнизов **55** можно повернуть таким образом, чтобы он соприкасался с винтом регулировки угла распила карниза.

Чтобы вернуть угол обратно, выверните удерживающий винт, запор угла наклона 22,5° **54** и запор угла наклона 30° **55**. Переверните запор угла наклона при распиливании карнизов **55** таким образом, чтобы текст 30° находился сверху. Установите винт, чтобы закрепить запор угла наклона 22,5° и запоры угла наклона при распиле карнизов. Это не повлияет на точность.

Запоры угла наклона 22,5° (Рис. I)

Оборудование настоящей пилы позволяет быстро и точно устанавливать угол наклона 22,5° как влево, так и вправо. Запор угла наклона 22,5° **54** можно повернуть таким образом, чтобы он соприкасался с винтом регулировки угла распила карниза **52**.

Ручка фиксатора рельсовой направляющей (Рис. A1)

Ручка фиксатора рельсовой направляющей **6** позволяет зафиксировать головку во избежание ее сдвига вдоль направляющих **9**. Это необходимо при выполнении определенного типа разрезов или при транспортировке пилы.

Упор для вырезания канавок (Рис. A2)

Упор для вырезания канавок **28** позволяет регулировать глубину пиления диска. Данный упор будет полезен при выпиливании канавок, а также для выполнения высоких вертикальных распилов. Поверните упор для вырезания канавок вперед и отрегулируйте винт регулировки глубины **27**, чтобы установить подходящую глубину распила. Чтобы закрепить регулировку, затяните барашковую гайку **26**. Поворачивание упора для вырезания канавок в сторону задней части пилы приведет к игнорированию функции ограничения глубины вырезания канавок. Если винт регулировки глубины затянут слишком сильно, для его ослабления можно воспользоваться ключом диска **29**.

Фиксирующий штифт (Рис. A1)



ВНИМАНИЕ: Фиксирующий штифт необходимо использовать только при транспортировке или хранении пилы.

ЗАПРЕЩАЕТСЯ использовать фиксирующий штифт для какого-либо распила.

Чтобы зафиксировать голову пилы в нижнем положении, опустите ее вниз, втолкните фиксирующий штифт **11** внутрь и отпустите головку пилы. Это поможет зафиксировать головку и предотвратить ее смещение. Чтобы освободить головку, надавите на головку и извлеките штифт.

Рычаг фиксации направляющей (Рис. J, T)

Рычаг фиксации направляющей **59** устанавливает пилу в положение, обеспечивающее максимальный вертикальный распил профиля плинтуса, как показано на Рисунке T.

Правосторонний откидной упор (Рис. A1, A2)

Правосторонний откидной упор **33** установлен на подвижной направляющей **13** и может быть повернут назад, когда не используется. При разрезании нескольких заготовок на одинаковой ширине, поверните правосторонний откидной упор вперед, сдвиньте

подвижную направляющую на нужное расстояние от диска (измеряйте линейкой) и выполните разрез, когда заготовка обращена к упору.

Регулировка

Ваша торцовочная пила в полной мере отрегулирована на заводе во время производства. Если в результате транспортировки, разгрузки или по другим причинам требуется повторная регулировка, следуйте приведенным ниже указаниям. После того, как это будет сделано, настройки будут точными.

Регулировка шкалы угла скоса (Рис. H, K)

1. Разблокируйте зажимную рукоятку угла скоса **21** и поверните раму пилы таким образом, чтобы кнопка-защелка угла скоса **5** зафиксировалась в положении угла скоса 0°. Не блокируйте зажимную рукоятку угла скоса.
2. Приложите угольник к направляющей и диску пилу, как показано на рисунке. (Не касайтесь угольником зубьев диска. Это приведет к неточному измерению.)
3. Если пильный диск не находится под прямым углом по отношению к направляющей, ослабьте четыре винта **49**, удерживающих шкалу угла скоса **19**, и переместите зажимную рукоятку угла скоса и шкалу влево или вправо, пока диск не будет расположен перпендикулярно направляющей, согласно измерению угольником.
4. Затяните четыре винта. На данном этапе не обращайте внимание на показания указателя угла скоса **47**.

Регулировка указателя шкалы скоса (Рис. H)

1. Разблокируйте зажимную рукоятку угла скоса **21**, чтобы установить раму в положение нулевого угла.
2. При ослабленной зажимной рукоятке угла скоса дайте фиксатору угла скоса встать на место, двигая для этого зажимную рукоятку угла скоса в положение больше нуля.
3. Следите за указателем угла скоса **47** и шкалой угла скоса **19**, как указано на Рисунке H. Если указатель не показывает ровно на ноль, ослабьте винт указателя скоса **48**, удерживая указатель, затем расположите указатель в нужном месте и затяните винт.

Регулировка прямого угла по отношению к столу (Рис. A1, A2, I, L)

1. Для выравнивания пильного диска перпендикулярно распиловочному столу заблокируйте консоль в нижнем положении, задействовав фиксирующий штифт **11**.
2. Приложите угольник к пильному диску, но следите за тем, чтобы он не был приложен к зубу (Рис. L).
3. Ослабьте зажимную рукоятку установки угла наклона **31** и убедитесь, что пильная головка плотно прилегает к упору 0°.
4. Поворачивайте винт регулировки угла наклона 0° (**57** Рис. I) 6 мм ключом для диска **29**, чтобы наклон диска составлял 0° по отношению к столу.

Регулировка указателя угла наклона (Рис. I)

Если указатели угла наклона **51** не указывают на ноль, ослабьте каждый винт **50**, удерживающий указатель угла наклона, и переместите в нужное положение. Перед тем как отрегулировать другие винты угла наклона убедитесь, что угол наклона 0° правилен.

Регулировка упора 45° угла наклона вправо и влево (Рис. A2, I)

Регулировка правого упора 45° угла наклона:

1. Сдвиньте направляющую **13** в предельно дальнее положение перед проведением регулировки.
2. Ослабьте зажимную рукоятку установки угла наклона **31** и потяните упор 0° угла наклона **32**, чтобы преодолеть упор 0° угла наклона.
3. Если указатель угла наклона **51** не показывает ровно на 45°, когда пила находится в крайнем правом положении, поворачивайте

левый винт регулировки угла наклона 45° **56** 6 мм ключом диска **29**, пока указатель угла наклона не будет показывать на 45°.

Регулировка левого упора 45° угла наклона:

1. Сдвиньте направляющую **13** в предельно дальнее положение перед проведением регулировки.
2. Ослабьте зажимную рукоятку установки угла наклона и сдвиньте пильную головку влево.
3. Если указатель угла наклона не указывает ровно 45°, поворачивайте правый винт регулировки угла наклона 45°, пока указатель угла наклона не будет показывать 45°.

Регулировка упора угла наклона 22,5° (или 30°) (Рис. А2, I)

ПРИМЕЧАНИЕ: Перед тем как выполнить регулировку угла наклона, выполните регулировку указателя угла наклона на 0°. Сдвиньте подвижные направляющие в предельно дальнее положение перед проведением регулировки 22,5° или 30°.

Чтобы установить угол наклона 22,5° влево, откиньте левый запор угла наклона 22,5° **54**. Ослабьте зажимную рукоятку установки угла наклона **31** и сдвиньте пильную головку до конца влево. Если указатель угла наклона **51** не указывает ровно 22,5°, поворачивайте винт регулировки угла распила карниза **52**, соприкасающийся с запором, 10 мм ключом, пока указатель угла наклона не будет показывать 22,5°.

Чтобы установить угол наклона 22,5° вправо, откиньте правый запор угла наклона 22,5°. Ослабьте зажимную рукоятку установки угла наклона и потяните упор 0° угла наклона **32**, чтобы преодолеть упор 0° угла наклона. Если указатель угла наклона не указывает ровно 22,5°, когда пила находится в крайнем правом положении, поворачивайте винт регулировки угла распила карниза **52**, соприкасающийся с запором, 10 мм ключом, пока указатель угла наклона не будет показывать ровно 22,5°.

Регулировка направляющей (Рис. А1)

Верхнюю часть направляющей можно отрегулировать так, чтоб сделать зазор, который позволяет пиле отклоняться на все 49° как влево, так и вправо.

1. Для регулировки направляющей **13**, ослабьте рукоятку регулировки направляющей **12** и сместите направляющую наружу.
2. Выполните холостой проход при выключенной пиле и проверьте зазор.
3. Отрегулируйте направляющую, чтобы она располагалась как можно ближе к диску и обеспечивала максимальную поддержку для обрабатываемой детали, не препятствуя перемещению головки вверх и вниз.
4. Надежно затяните рукоятку регулировки направляющей.
5. После завершения реза с наклоном установите направляющую.

ПРИМЕЧАНИЕ: Со временем направляющие могут быть засорены опилками. Используйте щетку или сжатый воздух для очистки направляющих.

Приведение в действие защитного кожуха и видимость (Рис. X)

Нижний защитный кожух **1** пилы автоматически поднимается при опускании рамы, и опускается при ее поднятии.

Защитный кожух можно поднять вручную при установке или снятии дисков или при проверке пилы. НИКОГДА НЕ ПОДНИМАЙТЕ НИЖНИЙ ЗАЩИТНЫЙ КОЖУХ ВРУЧНУЮ, НЕ ВЫКЛЮЧИВ ПРЕДВАРИТЕЛЬНО ПИЛУ.

Регулировка рельсовой направляющей (Рис. А1)

Регулярно проверяйте направляющие **9** на наличие люфта или зазора. Левая направляющая регулируется с помощью винта регулировки направляющих **7**. Для уменьшения зазора, медленно поворачивайте винт 4 мм шестигранным ключом по часовой стрелке, перемещая головку пилы вперед-назад.

Регулировка блокировки угла скоса (Рис. А1, М)

Если стол пилы перемещается, когда зажимная рукоятка угла скоса зафиксирована (в нижнем положении), необходимо отрегулировать стержень регулировки угла скоса **58**.

1. Установите зажимную рукоятку угла скоса **21** в разблокированное (верхнее) положение.
2. С помощью шлицевой отвертки затяните стержень регулировки угла скоса, поворачивая его по часовой стрелке, как показано на Рисунке М. Прочно затяните стержень регулировки угла скоса, затем поверните на один оборот против часовой стрелки.
3. Снова заблокируйте инструмент в нефиксированном положении угла скоса, например, под углом 34°, и убедитесь, что стол не поворачивается.

Подготовка к эксплуатации

- Используйте пильный диск соответствующего типа. Не используйте изношенные диски. Максимальная скорость вращения инструмента не должна превышать скорость вращения пильного диска. Не используйте абразивные диски.
- Проверьте крышку приводного ремня **35** на предмет повреждений, а нижний защитный кожух **1** – на предмет надлежащего функционирования
- Установите удлинения стола с обеих сторон основания пилы. См. раздел **«Сборка удлинений стола»**.
- Не пытайтесь распиливать очень мелкие детали.
- Не пытайтесь ускорить работу пильного диска. Не прилагайте чрезмерных усилий.
- Перед началом резки дождитесь, пока двигатель наберет полные обороты.
- Убедитесь в том, что все фиксаторы и зажимы надежно закреплены.
- Надежно крепите заготовку.
- Несмотря на то, что данная пила может использоваться для распиловки древесины и большинства цветных металлов, в этой инструкции по эксплуатации рассматривается распиловка только древесины. Эти же правила распространяются на другие материалы. Не используйте эту пилу для резки черных металлов (чугун и сталь), волокнистого цемента или камня!
- Всегда используйте пластину для пропила. Не используйте станок, если щель пропила превышает 12 мм.
- Подключайте пилу к внешнему пылеуловителю.

ЭКСПЛУАТАЦИЯ

Инструкции по использованию



ВНИМАНИЕ: Всегда следуйте указаниям действующих норм и правил безопасности.



ВНИМАНИЕ: Чтобы снизить риск получения серьезных травм, выключайте инструмент и отключайте его от сети перед тем, как выполнять какие-либо настройки или снимать/устанавливать насадки или принадлежности. Случайный запуск может привести к травме.



См. подраздел **«Пильные диски»** в разделе **«Дополнительные принадлежности»**, чтобы выбрать соответствующий для выполняемых работ пильный диск.

Убедитесь в том, что инструмент расположен оптимально с точки зрения эргономики, на столе соответствующей высоты и в устойчивом положении. Местоположение станка должно быть выбрано так, чтобы у оператора был хороший обзор и вокруг было достаточно места, которое позволило бы удобно работать с обрабатываемой деталью.

Чтобы уменьшить эффект вибрации, убедитесь в том, что температура окружающей среды не была слишком низкой, за инструментом

и принадлежностями был надлежащий уход, а размер заготовки соответствовал инструменту.
Подсоедините пилу к любой стандартной сети 50 Гц. Напряжение см. на заводской табличке. Убедитесь, что кабель не мешает при работе.

Положение тела и рук (Рис. N1, N2)




-  **ВНИМАНИЕ:** Во избежание риска получения серьезных травм **ВСЕГДА** используйте правильное положение рук как показано на рисунке N1.
-  **ВНИМАНИЕ:** Во избежание риска получения серьезных травм **ВСЕГДА** крепко держите инструмент, предупреждая внезапную резкую отдачу.
- Никогда не держите руки возле режущего элемента. Не подносите руки к режущему диску ближе, чем на 100 мм.
- Прижимайте заготовку к столу и направляющей во время распиловки. Держите руки в этом положении до тех пор, пока не отпустите выключатель и диск полностью не остановится.
- **ВСЕГДА** ВЫПОЛНЯЙТЕ ПРОБНЫЕ ПРОГОНЫ (БЕЗ НАГРУЗКИ) ДО ТОГО, КАК ВЫПОЛНИТЬ РАСПИЛ, ЧТОБЫ ПРОВЕРИТЬ ХОД ПИЛЬНОГО ДИСКА. ЗАПРЕЩАЕТСЯ СКРЕЩИВАТЬ РУКИ, КАК ПОКАЗАНО НА РИСУНКЕ N2.
- Твердо упирайтесь обеими ногами в пол, чтобы сохранять надлежащий баланс. По мере перемещения рукоятки установки угла скоса вправо или влево, следуйте за ним, держа в стороне от режущего диска.
- Следуя линии, проведенной карандашом, смотрите через прорези защитного кожуха.

Пусковой выключатель (Рис. A2)



Чтобы включить пилу, передвиньте рычаг блокировки пускового выключателя **23** влево и нажмите на курковый пусковой выключатель **22**. Пила будет работать, пока нажат выключатель. Перед тем, как начать распил, дождитесь, пока пильный диск не разгонится до максимальной скорости. Чтобы выключить пилу, отпустите выключатель. Позвольте диску остановиться перед тем, как поднять головку пилы. Зафиксировать выключатель во включенном положении невозможно. В выключателе имеется отверстие **24**, позволяющее с помощью навесного замка блокировать выключатель в выключенном положении.

Данная пила не оборудована автоматическим электрическим тормозом диска, но пильный диск должен остановиться в течение 10 секунд после отпускания выключателя. Это не подлежит регулировке. Если время остановки превышает 10 секунд, доставьте инструмент в авторизованный сервисный центр DEWALT для техобслуживания. Всегда дожидайтесь полной остановки диска перед его извлечением из пластины для пропила.

Удаление пыли (Рис. A2, C, Z)

-  **ВНИМАНИЕ:** Для снижения риска получения тяжелых травм отключайте инструмент и отсоединяйте его от источника питания перед проведением любой регулировки или снятием/установкой дополнительных принадлежностей или насадок. Случайный запуск может привести к травме.
-  **ВНИМАНИЕ:** Некоторые виды древесной пыли, например, дуба или бука, являются канцерогенными, особенно в сочетании с добавками для пропитки древесины.
 - Всегда используйте систему пылеудаления.
 - Обеспечьте хорошую вентиляцию рабочего пространства.
 - Рекомендуется носить респиратор соответствующего типа.
-  **ПРЕДУПРЕЖДЕНИЕ:** Никогда не работайте данной пилой без установленного пылесборника или подсоединенного

устройства пылеудаления DEWALT. Древесная пыль может представлять опасность для органов дыхания.

-  **ПРЕДУПРЕЖДЕНИЕ:** Проверьте и очистите мешок для сбора пыли после каждого использования.
-  **ВНИМАНИЕ:** При распиловке алюминия, снимайте мешок для сбора или отсоединяйте систему удаления пыли во избежание риска воспламенения.

Ваша торцовочная пила оборудована встроенным отверстием пылеотвода **34**, позволяющим подсоединять мешок для сбора пыли **38**, 33 мм форсунки или напрямую подсоединяться к AirLock DEWALT (DWV9000-XJ).

Соблюдайте соответствующие законодательные нормы, принятые в стране эксплуатации, при выборе рабочих материалов.

Установка мешка для сбора пыли (Рис. C)

1. Установите мешок для сбора пыли **38** на отверстие пылеотвода **34**, как показано на Рисунке C.

Опорожнение мешка для сбора пыли (Рис. C)

1. Снимите мешок для сбора пыли **38** с пилы и аккуратно встряхните или постучите по нему, чтобы опорожнить его.
2. Снова установите мешок для сбора пыли на отверстие выхода для удаления пыли **34**.

Вы можете заметить, что при опорожнении из пылесборника выходит не вся пыль. Это никак не повлияет на режущую производительность пилы, но значительно снизит эффективность сбора пыли. Чтобы пылеудаление стало вновь эффективным, при опорожнении нажмите на пружину внутри пылесборника и постучите им о край мусорного контейнера.

Внешняя система пылеудаления (Рис. Z)

Сбор сухой пыли может быть особенно вредным для здоровья и иметь канцерогенное действие, поэтому необходимо использовать специальный пылесос класса M.

Подсоединение к пылеуловителю, совместимому с AirLock (Рис. Z)

Отверстие пылеотвода **34** на вашей торцовочной пиле совместимо с соединительной системой DEWALT AirLock. Система AirLock обеспечивает быстрое и надежное соединение между шлангом пылеуловителя **64** и торцовочной пилой.

1. Убедитесь в том, что муфта штуцера AirLock **62** находится в положении разблокировки. Совместите метки **63** на муфте и штуцере AirLock как показано для положений блокировки и разблокировки.
 2. Вставьте соединитель AirLock в отверстие пылеотвода **34**.
 3. Поверните муфту в положение блокировки.
- ПРИМЕЧАНИЕ:** Шарикоподшипники внутри муфты фиксируются в прорези, обеспечивая плотность соединения. Теперь электроинструмент надежно подсоединен к пылеуловителю.

Эксплуатация системы светодиодной подсветки XPST™ (Рис. A1, A2)

ПРИМЕЧАНИЕ: Торцовочную пилу необходимо подключить к источнику питания.

Система светодиодной подсветки XPST™ оснащена выключателем **25**. Система светодиодной подсветки XPST™ работает независимо от пускового переключателя торцовочной пилы. Работа подсветки для работы пилы необязательна.

Для резки по карандашной отметке на деревянной заготовке:

1. Включите систему XPST™, затем потяните рабочую рукоятку вниз **2**, чтобы переместить пильный диск ближе к деревянной заготовке. На заготовке будет видна тень от режущего диска.
2. Совместите карандашную линию к с кромкой тени диска. Для идеального совмещения с карандашной линией может понадобиться регулировка угла торцевания или скоса кромок.

Сквозная распиловка (Рис. А1, А2, О, Р)

Если во время распила скольжение рамы не используется, убедитесь, что рама пилы смещена в крайнее заднее положение, а ручка фиксатора рельсовой направляющей **6** зафиксирована. Это предотвратит смещение пилы вдоль направляющих при соприкосновении пильного диска с заготовкой.

Одновременное разрезание нескольких заготовок не рекомендуется, однако допустимо при условии, что каждая заготовка надежно удерживается столом и направляющей.

Вертикальный поперечный разрез под прямым углом

1. Установите рукоятку установки угла скоса на ноль и крепко прижмите заготовку к столу **17** и направляющей **13**.
2. Затянув ручку фиксатора рельсовой направляющей **6**, включите пилу, передвинув рычаг блокировки пускового выключателя **23** и нажав на курковый пусковой выключатель **22**.
3. Когда пильный диск разгонится до необходимой скорости, медленно опустите рычаг вниз, прорезая заготовку. Прежде чем поднять рычаг, всегда следите за тем, чтобы диск полностью остановился.

Поступательный разрез (Рис. О)

При распиле любой заготовки, размер которой превышает 51 на 115 мм (51 на 82 мм при распиле под углом 45°), применяйте поступательное движение, разблокировав ручку фиксатора рельсовой направляющей **6**.

Потяните пилу на себя, опустите головку пилы на заготовку и медленно толкайте пилу обратно от себя, чтобы завершить распил.

Следите за тем, чтобы пила не соприкоснулась с верхней частью заготовки при вытягивании на себя. Пила может резко отскочить в вашу сторону, что создаст риск получения травмы и повреждения заготовки.

Поперечный распил со скосом (Рис. Р)

Наиболее часто используется угол распила 45° для создания углов на заготовках, однако можно выставить любой угол в диапазоне от 50° влево или 60° вправо. Действуйте так же, как для поперечного разреза под прямым углом.

Выполняя распил со скосом на заготовках, размер которых превышает 51 на 105 мм и которые не имеют большой длины, прижимайте длинную сторону к направляющей.

Распил с наклоном (Рис. А1, А2)

Угол наклона может устанавливаться от 49° вправо до 49° влево; работа может выполняться при установке рукоятки установки угла скоса в положение под углом от 50° влево до 60° вправо. См. в разделе «**Особенности и элементы управления**» дополнительную информацию о системе распила с наклоном.

1. Ослабьте зажимную рукоятку установки угла наклона **31** и сдвиньте пилу влево или вправо в нужное положение. Сместите направляющую **13** таким образом, чтобы образовался зазор. Расположите направляющие, затем затяните рукоятку регулировки направляющей **12**.
2. Надежно затяните рукоятку установки угла наклона.

При пилении с большим наклоном правая направляющая должна сниматься с инструмента. См. подраздел «**Регулировка направляющей**» в разделе «**Регулировка**» для получения важной информации о расположении направляющей для выполнения определенных распилов с наклоном.

Чтобы снять правую направляющую, ослабьте зажимную рукоятку направляющей **12** на несколько оборотов и, сдвигая направляющую, снимите ее. Правая направляющая закреплена на основании шнуром, чтобы не потерять ее.

Качество реза

Чистота любого реза зависит от множества факторов, таких как материал резки, тип диска, острота диска и скорость резания.

Когда необходимо получить более чистый срез для особо точной работы, необходимо использовать острый режущий диск (с 60 твердосплавными зубьями) и применять более медленную подачу при резании.



ВНИМАНИЕ: Убедитесь в том, что материал не смещается во время резки; надежно закрепите деталь на месте. Прежде, чем поднять пильную головку, всегда следите за тем, чтобы диск полностью остановился. Если на задней части разрезаемой заготовки остаются торчать маленькие волокна древесины, наклейте на заготовку клейкую ленту. Режьте в том месте, где наклеена лента, и тщательно удалите ленту, когда распил завершен.

Несквозная распиловка (вырезание канавок и фальцовка) (Рис. А2)

Данная пила оборудована упором для вырезания канавок **28**, винтом регулировки глубины **27** и барашковой гайкой **26**, что позволяет выполнять выпиливание канавок. Инструкции в разделах **поперечного распила, резов с наклоном и комбинированного угла скоса** предоставлены для разрезов по всей толщине материала. Пила также может выполнять несквозные разрезы для формирования канавок или фальцовки в материале.

Вырезание канавок (Рис. А1, А2)

См. раздел «**Упор для вырезания канавок**» за подробными инструкциями по установке глубины пиления. Для проверки нужной глубины пиления следует использовать кусок ненужной древесины.

1. Положите заготовку на поверхность стола и крепко прижмите к направляющей **13**. Выровняйте разрезаемый участок под диском. Переведите рычаг пилы полностью вперед, опустив диск. Включите пилу, передвинув рычаг блокировки пускового выключателя **23** и нажав на курковый пусковой выключатель **22**. Плавно отводите рычаг пилы назад, чтобы вырезать канавку в заготовке.
2. Отпустите пусковой выключатель при опущенном вниз рычаге пилы. Когда пильный диск полностью остановится, поднимите рычаг пилы вверх. Прежде, чем поднять пильную головку, всегда следите за тем, чтобы диск полностью остановился.
3. Чтобы расширить канавку, повторяйте этапы 1-2 до достижения нужной ширины.

Зажим заготовки (Рис. В)



ВНИМАНИЕ: Закрепленная и выравненная заготовка после распила может потерять устойчивость. А нагрузка, приложенная к неустойчивой детали может перевернуть пилу или то, на что она установлена, например, стол или верстак. Если есть вероятность того, что заготовка в ходе распила может потерять устойчивость, хорошо закрепите заготовку и убедитесь в том, что пила хорошо закреплена болтами на устойчивой поверхности. Опасность травм.



ВНИМАНИЕ: Каждый раз при использовании зажима ножка зажима всегда должна упираться в основание пилы. Всегда прижимайте заготовку к основанию пилы, а не к другим ее частям. Убедитесь, что ножка зажима не упирается в край основания пилы.



ПРЕДУПРЕЖДЕНИЕ: Всегда используйте зажим для заготовок для контроля над деталью и уменьшения риска получения травмы и повреждения детали.

Используйте зажим для заготовок **37**, входящий в комплектацию пилы. Левая или правая направляющая может сдвигаться из стороны в сторону для закрепления. В зависимости от размера и формы заготовки можно также использовать вспомогательные средства, такие как пружинные струбины, брусковые зажимы или зажимные скобы.

Установка зажимов

1. В основании пилы расположены четыре прямоугольных монтажных отверстия для зажимов **65**, два спереди и два сзади, под направляющей на основании. Вставьте зажим **37** в одно из четырех отверстий.

ПРИМЕЧАНИЕ: При сборке зажима на задней части пилы, рычаг зажима должен быть в максимально поднятом положении, чтобы задвинуть штырь зажима в монтажное отверстие когда зажим проходит над направляющей.

2. Ослабьте ручку для регулировки зажима вверх или вниз, затем затяните ручку, чтобы хорошо закрепить деталь.

ПРИМЕЧАНИЕ: При выполнении резов с наклоном устанавливайте зажим на противоположной стороне основания. ВСЕГДА ВЫПОЛНЯЙТЕ ПРОБНЫЕ ПРОГОНЫ (БЕЗ НАГРУЗКИ) ДО ТОГО, КАК ВЫПОЛНИТЬ РАЗРЕЗ, ЧТОБЫ ПРОВЕРИТЬ ХОД ПИЛЬНОГО ДИСКА. УБЕДИТЕСЬ В ТОМ, ЧТО ЗАЖИМ НЕ МЕШАЕТ РАБОТЕ ПИЛЫ ИЛИ ЗАЩИТНОГО КОЖУХА.

Опора для длинных заготовок (Рис. D)

ВСЕГДА ИСПОЛЬЗУЙТЕ ОПОРУ ДЛЯ ДЛИННЫХ ЗАГОТОВОК.

Для достижения наилучших результатов используйте рабочие столы DE7023-XJ и DE7033 **39**, чтобы увеличить ширину стола. Для поддержки длинных заготовок используйте любые удобные приспособления, такие как пильные козлы или подобные им устройства, препятствующие выступу длинных концов.

Выпиливание рам для картин, закрытых полок или других четырехсторонних предметов (Рис. Q, R)

Потренируйтесь делать несколько простых разрезов на отходах древесины, чтобы привыкнуть к инструменту. Данная пила представляет собой отличный инструмент для обработки уголков, таких, как показано на Рисунке Q.

На 1 чертеже Рисунка R показано соединение, выполненное с помощью метода регулировки угла наклона. Соединения, показанные на рисунке, могут быть сделаны, с помощью любого подхода.

- Регулировка угла наклона:
 - Для двух досок устанавливается угол среза 45°, при соединении образующий угол 90°.
 - Рукоятка установки угла скоса установлена в положение нулевого угла, а винт регулировки угла наклона установлен на угол 45°.
 - Доска располагается так, что плоская сторона панели лежит на столе, а узкий край расположен вплотную направляющей.
- Регулировка угла скоса:
 - Этот же распил может быть выполнен с помощью угла скоса вправо и влево, прижимая широкую поверхность заготовки к направляющей.

Пиление профилей плинтусов и прочих рам (Рис. R)

На 2 чертеже Рисунка R показано соединение, выполненное путем установки рукоятки установки угла скоса под углом 45° для выполнения резки двух досок, в результате чего при соединении получается угол 90°. Для выполнения данного типа соединения установите рукоятку угла наклона на ноль, а рукоятку угла скоса – на 45°. Расположите деревянную заготовку широкой стороной на плоскости стола и узкой стороной вплотную к направляющей.

Две приведенные на Рисунке R схемы действительны только для четырехсторонних предметов. При изменении числа сторон, угол скоса и угол наклона также изменяется. В таблице ниже предлагаются нужные углы для разных форм, при условии, что все стороны равной длины.

КОЛИЧЕСТВО СТОРОН	УГОЛ СКОСА ИЛИ НАКЛОНА
4	45°
5	36°
6	30°
7	25,7°
8	22,5°
9	20°
10	18°

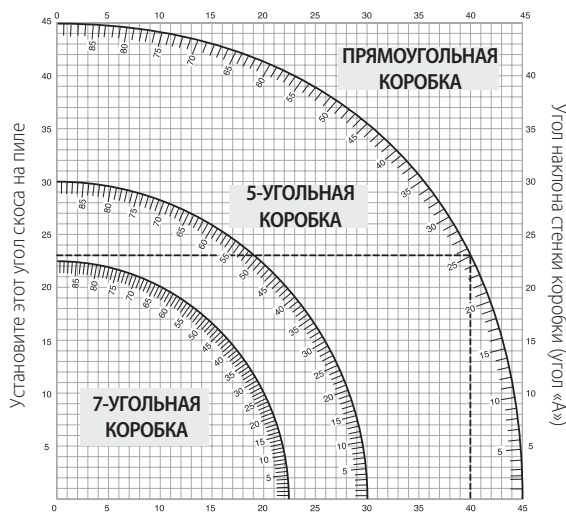
Если необходимая вам конфигурация не приведена в таблице, используйте следующую формулу: разделите 180° на количество сторон, чтобы получить угол скоса (если материал установлен вертикально) или угол наклона (если установлен горизонтально).

Комбинированные распилы со скосом (Рис. S)

Комбинированный распил со скосом выполняется с использованием угла скоса и угла наклона. Этот тип резки используется для изготовления рам или коробок с наклонными сторонами наподобие той, что изображена на Рисунке S.

ВНИМАНИЕ: Если угол наклона изменяется от разреза к разрезу, проверьте надежность затяжки зажимных рукояток угла скоса и угла наклона. Их необходимо фиксировать после выполнения любых изменений угла наклона или скоса.

Приведенная ниже диаграмма поможет вам при выборе правильных настроек угла скоса и наклона для выполнения стандартного комбинированного распила под косым углом.



Установите этот угол наклона на пиле

- Выберите нужный угол «А» (Рис. S) своего проекта и установите этот угол в соответствующую дугу в таблице.
- Из этой точки опустите вниз перпендикулярную линию для определения правильного угла наклона и горизонтальную линию для определения правильного угла скоса.
- Установите на пиле указанные углы и выполните несколько пробных разрезов. Попробуйте совместить отрезанные компоненты.

ПРИМЕР: Чтобы сделать ящик с 4 сторонами с внешними углами в 26° (угол А, Рис. S), используйте верхнюю правую дугу. Найдите метку 26° на кривой диаграммы. Проведите горизонтальную линию до любой из сторон для определения угла скоса, который следует установить на пиле (42°). Таким же образом проведите вертикальную линию до нижнего или верхнего края для определения угла наклона, который следует установить на пиле (18°). Всегда выполняйте пробные разрезы на нескольких обрезках дерева для проверки настроек пилы.

Пиление профилей плинтусов (Рис. J, T)

Чтобы выполнить прямые распилы под углом 90°, приложите заготовку к направляющей и удерживайте, как показано на Рисунке T. Включите пилу, дождитесь, пока диск разгонится до максимальной скорости и медленно опустите раму, выполняя распил.

Распил плинтусов от 70 мм до 150 мм, вертикально расположенных вплотную к направляющей (Рис. J, T)

ПРИМЕЧАНИЕ: Для выполнения вертикального распила профиля плинтуса от 70 мм до 150 мм, вертикально расположенного вплотную к направляющей, используйте рычаг фиксации направляющей **59**, как показано на Рисунке J.

Расположите материал, как показано на Рисунке T.

Все распилы следует выполнить задней частью плинтуса к направляющей, а нижней частью плинтуса – к столу.

	Внутренний угол	Наружный угол
Левая сторона	Скос 45° влево	Скос 45° вправо
	Сохранить левый конец разреза	Сохранить левый конец разреза
Правая сторона	Скос 45° вправо	Скос 45° влево
	Сохранить правый конец разреза	Сохранить правый конец разреза

Для заготовки, размер которой не превышает 150 мм, распил осуществляется так, как описано выше.

Пиление карнизов (Рис. A1, U1, U2)

Настоящая торцовочная пила идеально подходит для пиления карнизов. Для создания соединений карниз необходимо распилить с идеальной точностью.

Данная торцовочная пила оборудована заранее выставленными позициями угла скоса 22,5°, 31,6° и 35,3° влево и вправо для пиления карнизов под правильным углом, а также запорами угла наклона 22,5° и 30° влево и вправо. Также на градуированной шкале угла наклона **10** имеется отметка 33,9°. Приведенная ниже таблица содержит правильные установки для пиления карнизов.

ПРИМЕЧАНИЕ: Очень важно произвести пробные резы на обрезках материала!

Инструкции по распиловке карнизов, уложенных плашмя, а также особенности комбинированных распилов (Рис. U1)

1. Расположите карниз плашмя на столе пилы **17** плоской поверхностью вниз.
2. Прижмите верхнюю часть профиля к направляющей **13**.
3. Приведенные ниже настройки подходят для пиления карнизов под углом 45°.

	Внутренний угол	Наружный угол
Левая сторона	Наклон 30° влево	Наклон 30° вправо
	Скос 35,26° вправо	Скос 35,26° влево
	Сохранить левый конец разреза	Сохранить левый конец разреза
Правая сторона	Наклон 30° вправо	Наклон 30° влево
	Скос 35,26° влево	Скос 35,26° вправо
	Сохранить правый конец разреза	Сохранить правый конец разреза

4. Эти настройки для стандартного карниза с углом в 52° сверху и 38° внизу.

	Внутренний угол	Наружный угол
Левая сторона	Наклон 33,9° влево	Наклон 33,9° вправо
	Скос 31,62° вправо	Скос 31,62° влево
	Сохранить левый конец разреза	Сохранить левый конец разреза
Правая сторона	Наклон 33,9° вправо	Наклон 33,9° влево
	Скос 31,62° влево	Скос 31,62° вправо
	Сохранить правый конец разреза	Сохранить правый конец разреза

Альтернативный способ резки карнизов

Пиление карнизов данным способом не требует выполнение резов с наклоном. Небольшие изменения угла скоса могут выполняться без воздействия на угол наклона. Если необходимо использование углов, которые не соответствуют 90°, пилу можно легко и быстро настроить для такого применения.

Инструкции пиления карнизов, расположенных под углом по отношению к направляющей и основанию пилы для всех распилов (Рис. U2)

1. Расположите карниз таким образом, чтобы его нижняя часть (которая впоследствии прижимается к стене) уперлась в направляющую **13**, а верхняя часть располагалась на основании пилы **17**.
2. Находящиеся под углом плоские поверхности должны плотно и под прямым углом прилегать к направляющей и столу.

	Внутренний угол	Наружный угол
Левая сторона	Скос 45° вправо	Скос 45° влево
	Сохранить правый конец разреза	Сохранить правый конец разреза
Правая сторона	Скос 45° влево	Скос 45° вправо
	Сохранить левый конец разреза	Сохранить левый конец разреза

Специальные резы

⚠ ВНИМАНИЕ: Никогда не производите пиление, если материал не закреплен на столе и не прижат вплотную к направляющей.

Резка алюминия (Рис. V1, V2)

ОБЯЗАТЕЛЬНО ИСПОЛЬЗУЙТЕ ПОДХОДЯЩИЙ ДИСК, СПЕЦИАЛЬНО ПРЕДНАЗНАЧЕННЫЙ ДЛЯ РЕЗКИ АЛЮМИНИЯ.

Некоторые заготовки необходимо плотно прижать с помощью зажимов, чтобы избежать смещения во время разреза. Расположите материал таким образом, чтобы пиление происходило в месте наиболее тонкого поперечного сечения, как показано на Рисунке V1. На Рисунке V2 показано, как не надо выполнять распилы.

При пилении алюминиевых заготовок обязательно используйте смазочный воск. Перед тем как начать распил обязательно нанесите смазочный воск непосредственно на пильный диск **45**. Категорически запрещается наносить смазочный воск на движущийся пильный диск. Смазочный воск обеспечивает смазку, а также препятствует налипанию стружки на пильный диск.

Изогнутый материал (Рис. W1, W2)

При пилении изогнутых материалов располагайте заготовки так, как показано на Рисунке W1, и ни при каких обстоятельствах не располагайте их так, как показано на Рисунке W2. Неправильное расположение материала приведет к защемлению пильного диска.

Распил пластиковых труб и других круглых материалов

С помощью данной пилы можно с легкостью разрезать пластиковые трубы. Процесс распиливания осуществляется так же, как и для древесины, а материал должен быть **ЗАФИКСИРОВАН ИЛИ ПЛОТНО ПРИЖАТ К НАПРАВЛЯЮЩЕЙ ВО ИЗБЕЖАНИЕ ЕГО СКАТЫВАНИЯ**. Это очень важно иметь в виду при выполнении разрезов под углом.

Распиловка длинных заготовок (Рис. X)

Иногда деревянная заготовка может быть слишком длинной для того, чтобы поместиться под нижним защитным кожухом. Если это произойдет, положите большой палец правой руки на верхнюю часть защитного кожуха **1** и потяните его вверх, чтобы создалось достаточное пространство для заготовки, как показано на Рисунке X. По возможности старайтесь этого не делать, но если это необходимо, пила будет работать в штатном режиме и выполнит более длинный распил. НИКОГДА НЕ ПРИВЯЗЫВАЙТЕ, НЕ ЗАКЛЕИВАЙТЕ ЛИПКОЙ ЛЕНТОЙ И НЕ

УДЕРЖИВАЙТЕ КАКИМ-ЛИБО ДРУГИМ СПОСОБОМ ЗАЩИТНЫЙ КОЖУХ ОТКРЫТЫМ ВО ВРЕМЯ РАБОТЫ ПИЛЫ.

ТЕХНИЧЕСКОЕ ОБСЛУЖИВАНИЕ

Электроинструмент имеет длительный срок эксплуатации и требует минимальных затрат на техобслуживание. Для длительной безотказной работы необходимо обеспечить правильный уход за инструментом и его регулярную очистку.



ВНИМАНИЕ: Чтобы снизить риск получения серьезных травм, выключайте инструмент и отключайте его от сети перед тем, как выполнять какие-либо настройки или снимать/устанавливать насадки или принадлежности. Убедитесь, что курковый переключатель находится в положении ВЫКЛ. Непреднамеренный запуск инструмента может привести к получению травмы.



Смазка

Ваш электроинструмент не требует дополнительной смазки.



Чистка



ВНИМАНИЕ: Выдувайте грязь и пыль из корпуса сухим сжатым воздухом по мере видимого скопления грязи внутри и вокруг вентиляционных отверстий. Выполняйте очистку, надев средство защиты глаз и респиратор утвержденного типа.



ВНИМАНИЕ: Никогда не используйте растворители или другие агрессивные химические средства для очистки неметаллических деталей инструмента. Эти химикаты могут ухудшить свойства материалов, примененных в данных деталях. Используйте ткань, смоченную в воде с мягким мылом. Не допускайте попадания какой-либо жидкости внутрь инструмента; ни в коем случае не погружайте какую-либо часть инструмента в жидкость.

Перед использованием тщательно проверьте верхний защитный кожух, нижний защитный кожух, а также выход пылеуловителя, чтобы убедиться в том, что все работает нормально. Следите за тем, чтобы стружка, пыль или частицы обрабатываемых деталей не привели к засорению инструмента.

Если частицы заготовки зажаты между диском и защитным кожухом, отключите инструмент от источника питания и следуйте инструкциям, изложенным в разделе «Замена и установка нового пильного диска». Удалите застрявшие частицы и установите на место пильный диск.

Время от времени вычищайте пыль вокруг И ПОД основанием пильного диска.

Чистка рабочей подсветки

- Аккуратно удаляйте опилки и мусор с линзы подсветки ватным тампоном. Сильное загрязнение может блокировать подсветку и стать причиной неаккуратного обозначения линии реза.
- НЕ ИСПОЛЬЗУЙТЕ какие-либо растворители, так как они могут повредить линзу.
- Для очистки пильного диска от посторонних материалов, снимите его с пилы.

Очистка выхода пылеуловителя

Для удаления пыли из выхода пылеуловителя, отключите сетевой источник питания, затем поднимите раму в крайнее верхнее положение и воспользуйтесь сжатым воздухом под низким давлением или штырем с большим диаметром.

Дополнительные принадлежности



ВНИМАНИЕ: Поскольку принадлежности, отличные от тех, которые предлагает DEWALT, не проходили тесты на данном изделии, то использование этих принадлежностей может привести к опасной ситуации. Во избежание риска получения травмы, с данным продуктом должны использоваться только рекомендованные DEWALT дополнительные принадлежности.

По вопросу приобретения дополнительных принадлежностей обращайтесь к Вашему дилеру.

Зажим: DW7090-XJ (Рис. В)

Зажим **37** используется для надежной фиксации заготовки на столе пилы.

Быстросъемный зажим: DWS5026-XJ

Мешок для сбора пыли: DW7053-QZ (Рис. С)

Мешок для сбора пыли **38** собирает большую часть производимой во время пиления пыли и оснащен застёжкой-молнией для удобного опорожнения.

Рабочие столы: DE7023-XJ, DE7033-XJ (Рис. D)

Рабочий стол **39** используется для расширения стола пилы.

Струбцины: DE7025-XJ (Рис. E)

Струбцины **40** используются для крепления пилы к столу.

ПИЛЬНЫЕ ДИСКИ: ВСЕГДА ИСПОЛЬЗУЙТЕ ТОЛЬКО ПИЛЬНЫЕ ДИСКИ ДИАМЕТРОМ 250 мм И С ПОСАДОЧНЫМ ОТВЕРСТИЕМ ДИАМЕТРОМ 30 мм. СКОРОСТЬ ВРАЩЕНИЯ ДИСКА ДОЛЖНА БЫТЬ НЕ МЕНЕЕ 4000 ОБ/МИН. Никогда не используйте диски меньшего диаметра. Они не будут надежно закрываться защитным кожухом. Используйте только пильные диски для поперечного распила! Не используйте пильные диски, предназначенные для продольной распиловки, комбинированные диски или диски, угол зубьев которых превышает 5°.

ТИПЫ ПИЛЬНЫХ ДИСКОВ

ПРИМЕНЕНИЕ	ДИАМЕТР	ЗУБЬЯ
Пильные диски для строительных материалов (сверхтонкие с антипригарной крошкой)		
Универсальное применение	250 мм	40
Точные поперечные распилы	250 мм	60
Пильные диски по дереву (для выполнения гладких, чистых распилов)		
Точные поперечные распилы	250 мм	80
Цветные металлы	250 мм	96

Защита окружающей среды



Отдельная утилизация. Изделия с данным символом на маркировке запрещается утилизировать с обычными бытовыми отходами.

Изделия содержат материалы, которые могут быть извлечены или переработаны, снижая потребность в исходном сырье. Пожалуйста, утилизируйте электрические изделия в соответствии с местными нормами. Дополнительная информация доступна по адресу www.2helpU.com.



Приложение к руководству по эксплуатации электрооборудования для определения месяца производства по номеру текущей календарной недели года

Электрооборудование торговых марок "Dewalt", "Stanley", "Stanley FatMAX", "BLACK+DECKER".

Директивы 2014/30/EU ЕВРОПЕЙСКОГО ПАРЛАМЕНТА И СОВЕТА от 26 февраля 2014 г. "О гармонизации законодательств Государств-членов ЕС в области электромагнитной совместимости", 2006/42/ЕС ЕВРОПЕЙСКОГО ПАРЛАМЕНТА И СОВЕТА от 17 мая 2006 г. "О машинах и оборудовании"; 2014/35/EU ЕВРОПЕЙСКОГО ПАРЛАМЕНТА И СОВЕТА от 26 февраля 2014 г. "О гармонизации законодательств государств-членов в области размещения на рынке электрооборудования, предназначенного для использования в определенных пределах напряжения".
Серийный выпуск.

ТОВАР СЕРТИФИЦИРОВАН

Орган по сертификации "РОСТЕСТ- Москва", Адрес: 119049, г. Москва, улица Житная, д. 14, стр. 1; 117418, Москва, Нахимовский просп., 31 (фактический), Телефон: (499) 1292311, (495) 6682893, Факс: (495) 6682893, E-mail: office@rostest.ru
Изготовитель: Изготовитель: Блэк энд Деккер Холдингс ГмбХ, Германия, 65510, Идштайн, ул. Блэк энд Деккер, 40, тел. +496126212790.

Уполномоченное изготовителем юр.лицо:

ООО "Стэнли Блэк энд Деккер", 117485, город Москва, улица Обручева, дом 30/1, строение 2
Телефон: + 7 (495) 258-3981, факс: + 7 (495) 258-3984, E-mail: inboc@dewalt.com
Сведения о импортере указаны в сопроводительной документации и/или на упаковке

Хранение.

Необходимо хранить в сухом месте, вдали от источников повышенных температур и воздействия солнечных лучей. При хранении необходимо избегать резкого перепада температур. Хранение без упаковки не допускается

Срок службы.

Срок службы изделия составляет 5 лет. Не рекомендуется к эксплуатации по истечении 5 лет хранения с даты изготовления без предварительной проверки.

Дата изготовления (код даты) указана на корпусе инструмента.

Код даты, который также включает год изготовления, отштампован на поверхности корпуса изделия.

Пример:

2014 46 XX, где 2014 –год изготовления, 46-неделя изготовления.

Определить месяц изготовления по указанной неделе изготовления можно согласно приведенной ниже таблице.

Транспортировка.

Категорически не допускается падение и любые механические воздействия на упаковку при транспортировке.

При разгрузке/погрузке не допускается использование любого вида техники, работающей по принципу зажима упаковки.

Перечень критических отказов, возможные ошибочные действия персонала.

Не допускается эксплуатация изделия:

-При появлении дыма из корпуса изделия

-При поврежденном и/или оголенном сетевом кабеле

-при повреждении корпуса изделия, защитного кожуха, рукоятки

-при попадании жидкости в корпус

-при возникновении сильной вибрации

-при возникновении сильного искрения внутри корпуса

Критерии предельных состояний.

-При поврежденном и/или оголенном сетевом кабеле

-при повреждении корпуса изделия

Месяц	Январь	Февраль	Март	Апрель	Май	Июнь	Июль	Август	Сентябрь	Октябрь	Ноябрь	Декабрь	Год производства
Неделя	1	5	9	14	18	23	27	31	36	40	44	49	2018
	2	6	10	15	19	24	28	32	37	41	45	50	
	3	7	11	16	20	25	29	33	38	42	46	51	
	4	8	12	17	21	26	30	34	39	43	47	52	
Неделя			13		22			35			48		2019
	1	6	10	14	18	23	27	31	36	40	45	49	
	2	7	11	15	19	24	28	32	37	41	46	50	
	3	8	12	16	20	25	29	33	38	42	47	51	
	4	9	13	17	21	26	30	34	39	43	48	52	
Неделя					22			35		44			2020
	1	6	10	14	19	23	27	32	36	40	45	49	
	2	7	11	15	20	24	28	33	37	41	46	50	
	3	8	12	16	21	25	29	34	38	42	47	51	
	4	9	13	17	22	26	30	35	39	43	48	52	
Неделя				18			31		44				2021
	2	6	10	14	19	23	27	32	36	41	45	49	
	3	7	11	15	20	24	28	33	37	42	46	50	
	4	8	12	16	21	25	29	34	38	43	47	51	
	5	9	13	17	22	26	30	35	39	44	48	52	
Неделя					18		31		40			1	2022
	2	6	10	15	19	23	28	32	36	41	45	49	
	3	7	11	16	20	24	29	33	37	42	46	50	
	4	8	12	17	21	25	30	34	38	43	47	51	
	5	9	13	18	22	26	31	35	39	44	48	52	
Неделя			14				27		40			1	2022

ПИЛКА ТОРЦЮВАЛЬНА DWS727

Вітаємо вас!

Ви обрали інструмент виробництва компанії DeWALT. Ретельна розробка продукції, багаторічний досвід фірми у виробництві інструментів, різні вдосконалення, все це зробило інструменти DeWALT є одними із найнадійніших помічників для тих, хто використовує електричні інструменти у своїй професії.

Технічні дані

		DWS727	
Напруга	V_{AC}		230
Великобританія та Ірландія		V_{AC}	115
Тип			1
Вхідна потужність	P_t		1675
Діаметр пильного диска	мм		250
Діаметр отвору диска	мм		30
Товщина диска	мм		1,75
Макс. розріз диску	мм		3,0
Макс. число обертів диску	хв. ⁻¹		4000
Макс. ширина брусу при торцюванні під кутом 90°	мм		305
Макс. висота брусу при скосі 45°	мм		215
Макс. глибина розрізу при 90°	мм		90
Макс. глибина поперечного розрізу з нахилом 45°	мм		50
Макс. кут скосу	вліво		50°
	вправо		60°
Макс. кут нахилу	вліво		49°
	вправо		49°
0° скіс			
Максимальна висота плінтуса 150 мм	мм		28
Ширина брусу при різанні на макс. висоту 90 мм	мм		290
Висота брусу при різанні на макс. ширину 305 мм	мм		77
45° скіс зліва			
Ширина брусу при різанні на макс. висоту 90 мм	мм		200
Висота брусу при різанні на макс. ширину 210 мм	мм		77
45° скіс справа			
Ширина брусу при різанні на макс. висоту 90 мм	мм		200
Висота брусу при різанні на макс. ширину 210 мм	мм		77
45° нахил зліва			
Ширина брусу при різанні на макс. висоту 60 мм	мм		290
Висота брусу при різанні на макс. ширину 305 мм	мм		50
45° нахил справа			
Ширина брусу при різанні на макс. висоту 28 мм	мм		290
Висота брусу при різанні на макс. ширину 305 мм	мм		20
Автоматичне відключення обертання диску	с		< 10
Маса	кг		22
Значення рівня шуму та вібрації (триаксимальна векторна сума) відповідно до стандарту EN62841-3-9:			
L_{PA} (рівень тиску звукового випромінювання)	дБ(А)		92,7
L_{WA} (рівень звукового тиску)	дБ(А)		106,3
K (похибка для даного рівня звукового тиску)	дБ(А)		3

Значення вібрації та/або шуму, наведене в цьому документі, було виміряне згідно зі стандартизованим тестом, викладеним в EN62841 та може використовуватись для порівняння інструментів. Це значення

вібрації можна також використовувати для попередньої оцінки впливу вібрації.



ПОПЕРЕДЖЕННЯ: Заявлене значення вібрації та/або шуму відповідає вимогам цільового використання інструмента. Однак якщо інструмент використовується для виконання інших завдань, або з іншими витратними матеріалами/насадками, або не обслуговується належним чином, значення вібрації та/або шуму може відхилитися. Це може значно збільшити рівень впливу протягом усього періоду роботи.

Оцінка рівня впливу вібрації та/або шуму має враховувати час, протягом якого інструмент є вимкненим, а також час, протягом якого він є ввімкненим, але не використовується. Це може значно зменшити рівень впливу протягом усього періоду роботи.

Визначення додаткових заходів безпеки для захисту оператора від впливу вібрації та/або шуму: технічне обслуговування інструмента та приладдя, утримання рук у теплі (має значення для вібрації), організація режиму роботи.

Декларація про відповідність ЄС ДИРЕКТИВА ДЛЯ МЕХАНІЧНОГО ОБЛАДНАННЯ



Пилка торцювальна DWS727

DeWALT заявляє, що описані в розділі **Технічні дані** пристрої відповідають стандартам: 2006/42/EC, EN62841-1:2015/AC:2015; EN62841-3-9:2015 + AC:2016 + A11:2017.

Ці продукти також відповідають вимогам Директив 2014/30/EU та 2011/65/EU. Для отримання додаткової інформації звертайтеся до компанії DeWALT за адресою, зазначеною нижче або наприкінці цього керівництва.

Нижчепідписаний несе відповідальність за упорядкування файлу технічних характеристик та робить цю заяву від імені компанії DeWALT.

Маркус Ромпель
Віце-президент з машинобудування, PTE-Europe
DeWALT, Richard-Klinger-Straße 11,
D-65510, Ідштайн, Німеччина
31.05.2019



ПОПЕРЕДЖЕННЯ: Уважно прочитайте керівництво з експлуатації для зниження ризику отримання травм.

Позначення: інструкції з техніки безпеки

Умовні позначення, наведені нижче, описують рівень важливості кожної попереджувальної вказівки. Прочитайте керівництво з експлуатації та зверніть увагу на символи, наведені нижче.



НЕБЕЗПЕЧНО: Указує на безпосередню загрозу, яка, якщо її не уникнути, призведе до смерті або серйозної травми.



ПОПЕРЕДЖЕННЯ: Вказує на потенційну загрозу, ігнорування якої може призвести до смерті або серйозної травми.



УВАГА: Вказує на потенційну загрозу, ігнорування якої може призвести до травми легкої або середньої тяжкості.

ПРИМІТКА: Вказує на ситуацію, **не пов'язану з особистою травмою**, ігнорування цієї ситуації **може призвести до пошкодження майна**.



Вказує на ризик ураження електричним струмом.



Вказує на ризик виникнення пожежі.

ЗАГАЛЬНІ ПРАВИЛА БЕЗПЕКИ ПРИ ЕКСПЛУАТАЦІЇ ЕЛЕКТРИЧНОГО ІНСТРУМЕНТА



ПОПЕРЕДЖЕННЯ: Ознайомтеся з усіма попередженнями, інструкціями з техніки безпеки, зображеннями та специфікаціями, які поставляються з даним електричним інструментом. Невиконання нижченаведених інструкцій може призвести до ураження електричним струмом, пожежі та/або серйозних тілесних ушкоджень.

ЗБЕРІГАЙТЕ ВСІ ПОПЕРЕДЖЕННЯ ТА ІНСТРУКЦІЇ ДЛЯ ПОДАЛЬШОГО ВИКОРИСТАННЯ

Термін «електричний інструмент» в усіх попередженнях стосується використовуваних вами інструментів, що живляться від мережі енергопостачання (з електричним кабелем) або від акумуляторів (без кабелю).

1) Безпека робочої зони

- Робоча зона завжди має бути чистою та добре освітленою.** Захарашена або темна робоча зона призводить до нещасних випадків.
- Не використовуйте електричні інструменти у вибухонебезпечній атмосфері, наприклад поруч із вогнебезпечними рідинами, газами та пилом.** Електричні інструменти створюють іскри, що можуть запалити пил або пару.
- Тримайте дітей та сторонніх подалі під час використання інструмента.** Відвернення уваги може призвести до втрати контролю.

2) Електрична безпека

- Вилка електричного інструмента повинна відповідати розетці. Ніколи жодним чином не змінюйте вилку. Не використовуйте адаптери з замкнутими на землю (заземленими) електричними інструментами.** Немодифіковані вилки та розетки, що підходять до них, зменшують ризик ураження електричним струмом.
- Уникайте контакту тіла з заземленими поверхнями, такими як труби, радіатори, плити та холодильники.** Якщо ваше тіло заземлене, збільшується ризик ураження електричним струмом.
- Не залишайте електричні інструменти під дощем або в умовах підвищеної вологості.** Вода, що потрапляє в електричний інструмент, підвищує ризик ураження електричним струмом.
- Не використовуйте кабель живлення не за призначенням. Ніколи не переносьте, не тягніть та не відключайте електричний інструмент від розетки живлення за допомогою шнура. Тримайте шнур подалі від високих температур, мастила, гострих предметів та рухомих деталей.** Пошкоджені або перекручені шнури підвищують ризик ураження електричним струмом.
- При використанні електричного інструмента на вулиці, використовуйте подовжувальний шнур, що підходить для використання на вулиці.** Використання шнура, що призначений для використання поза приміщенням, знижує ризик ураження електричним струмом.
- Якщо неможливо уникнути використання електричного інструмента в умовах підвищеної вологості, використовуйте живлення, захищене пристроєм**

залишкового струму (RCD). Використання RCD знижує ризик ураження електричним струмом.

3) Особиста безпека

- Будьте в стані готовності, дивіться, що ви робите, та будьте розсудливі, працюючи з електричним інструментом. Не використовуйте електричний інструмент, коли ви втомлені або знаходитесь під впливом наркотичних речовин, алкоголю або ліків.** Втрата уваги під час роботи з електричним інструментами може призвести до серйозних травм.
 - Використовуйте особисті засоби безпеки. Завжди використовуйте засоби захисту очей.** Засоби безпеки, такі як протипилова маска, неслизькі безпечні черевички, захисний шолом та засоби захисту слухового апарату при використанні для відповідних умов зменшують імовірність особистих травм.
 - Уникайте випадкового запуску. Переконайтеся в тому, що вимикач знаходиться в позиції Вимк., перш ніж підключати інструмент до джерела живлення та/або акумулятора, переміщувати або переносити.** Може статися нещасний випадок, коли ви переносите інструмент, тримаючи палець на вимикачі, або підключаєте живлення до вимикача в позиції Увімк.
 - Зніміть усі ключі для регулювання або гайкові ключі, перш ніж вмикати електричний інструмент.** Гайковий ключ, що залишився прикріпленим до якоїсь деталі електричного пристрою, що обертається, може призвести до травм.
 - Не прикладайте надмірного зусилля. Завжди утримуйте правильну постановку ніг і рівновагу.** Це дає вам змогу краще контролювати інструмент в неочікуваних ситуаціях.
 - Одягайтеся відповідним чином. Не вдягайте вільний одяг або прикраси. Тримайте ваше волосся та одяг подалі від рухомих деталей.** Вільний одяг, прикраси або довге волосся можуть зачепитися за рухомі деталі.
 - Якщо передбачені пристрої для підключення до засобів виділення та збирання пилу, переконайтеся, що вони правильно підключені та використовуються.** Використання таких пристроїв зменшує ризик виникнення небезпечних ситуацій, що пов'язані з потраплянням пилу.
 - Навіть якщо ви добре знаєте інструмент та часто його використовуйте, не розслабляйтесь та не забувайте про принципи техніки безпеки.** Необережні дії можуть за долю секунди призвести до важких тілесних ушкоджень.
- #### 4) Використання електричного інструмента та догляд за ним
- Не прикладайте надмірних зусиль під час роботи з інструментом. Використовуйте електричний інструмент, який відповідає завданню, що виконується.** Правильно обраний інструмент виконає завдання краще та безпечніше за умов, для яких він був розроблений.
 - Не використовуйте інструмент, якщо його неможливо ввімкнути та вимкнути за допомогою вимикача.** Будь-який електричний інструмент, яким неможливо керувати за допомогою вимикача, є небезпечним і має бути відремонтований.
 - Якщо вилка знімна, відключіть її від джерела живлення та/або вийміть акумулятор, перш ніж виконувати будь-які налаштування, змінювати додаткове обладнання або зберігати інструмент.** Ці профілактичні заходи зменшують ризик випадкового запуску електричного інструмента.
 - Зберігайте вимкнені електричні інструменти в недоступному для дітей місці та не дозволяйте особам, що не знайомі з електричним інструментом або цими інструкціями, використовувати електричний інструмент.** Електричні інструменти є небезпечними, якщо вони використовуються некваліфікованими користувачами.

- e) **Технічне обслуговування електричних інструментів та приладдя. Перевіряйте неспіввсісність, заїдання рухомих деталей, наявність пошкоджених частин та інших факторів, які можуть впливати на роботу електричного інструмента. Якщо є пошкодження, відремонтуйте електричний інструмент перед використанням.** Нещасні випадки часто є результатом того, що інструмент не пройшов відповідного технічного обслуговування.
- f) **Різальні інструменти мають бути гострими та чистими.** Правильно доглянуті різальні інструменти з гострими різальними кромками мають меншу імовірність заїдання, та ними легше керувати.
- g) **Використовуйте електричний інструмент, додаткові інструменти та деталі інструменту тощо у відповідності до цих інструкцій та відповідно до даного типу електричних інструментів, зважаючи на умови використання та роботу, яка має бути виконана.** Використання електричних інструментів не за призначенням може призвести до виникнення небезпечних ситуацій.
- h) **Всі ручки та поверхні для тримання інструмента мають бути сухими, без залишків мастила.** Слизькі ручки та поверхні для тримання не дозволяють безпечно працювати та контролювати інструмент у неочікуваних ситуаціях.

5) Обслуговування

- a) **Надавайте ваш електричний інструмент для обслуговування кваліфікованим спеціалістом з ремонту та використовуйте тільки ідентичні замінні деталі.** Це забезпечить безпеку електричного пристрою.


Інструкції з техніки безпеки для торцювальних пилок

- a) **Торцювальні пилки призначені для різання деревини або подібних їй виробів, їх не можна використовувати з абразивними відрізними кругами для різання чорних матеріалів, наприклад, брусків, стрижнів, шпів тощо.** Абразивний пил приводить до заїдання рухомих частин, таких як нижній захисний кожух. Іскри від абразивного різання можуть спалити нижній кожух, вставку для прорізу та інші пластикові деталі.
- b) **Використовуйте затискачі для надійної фіксації заготовки, коли це можливо. Якщо заготовка утримується рукою, завжди тримайте руку на відстані якнайменше 100 мм по обидва боки від пильного диска. Не використовуйте цю пилку для різання занадто маленьких деталей, які неможливо надійно затиснути або тримати вручну.** Якщо рука знаходиться занадто близько до пильного диска, виникає підвищений ризик травмування в результаті контакту з ним.
- c) **Заготовку слід нерухомо затискати або утримувати на напрямній та на столі. Забороняється подавати заготовку на диск або розрізати з «вільними руками».** Заготовки, що не утримуються або рухаються, можуть бути викинуті з високою швидкістю, що може спричинити травму.
- d) **Проштовхніть пилку через заготовку. Не тягніть пилку через заготовку. Щоб виконати різання, підійміть ріжучу голівку і витягніть її над заготовкою без різання, запустіть двигун, натисніть на ріжучу голівку і проштовхніть пилку через заготовку.** Різка на хід пилки може призвести до того, що пильний диск залізе на заготовку і різко перекине вузол пилки в бік оператора.
- e) **Ніколи не перетинайте рукою лінію розпилу ані спереду, ані ззаду пильного диска.** Утримання заготовки «навхрест», тобто утримання заготовки праворуч від пильного диска лівою рукою або навпаки є дуже небезпечним.
- f) **Під час обертання пильного диска не наближайтеся до напрямної жодної рукою ближче, ніж на 100 мм по обидва боки пильного диска, щоб видалити тирсу або з будь-якої іншої причини.** Близькість пильного диска під час обертання до руки може бути не очевидною і призвести до серйозних травм.
- g) **Перед виконанням різання огляньте заготовку. Якщо заготовка зігнута або викривлена, затисніть її зовнішньої зігнутою стороною до напрямної. Завжди стежте за тим, щоб між заготовкою, напрямною і столом не було зазору по лінії розрізу.** Вигнуті або викривлені заготовки можуть скручуватися або зміщуватися і при різанні можуть стати причиною заїдання на пильному диску, що обертається. В заготовці не повинно бути цвяхів або сторонніх предметів.
- h) **Не використовуйте пилку, поки не очистите стіл від усіх інструментів, тирси тощо, окрім заготовки.** Невеликі уламки, вільні шматки дерева або інші предмети, що потрапляють на диск, що обертається, можуть бути викинуті з високою швидкістю.
- i) **Розпилюйте одну заготовку за раз.** Неможливо належним чином затиснути або закріпити кілька покладених в штабель заготовок, вони можуть зачепитися за диск або зрушитись під час різання.
- j) **Перед використанням переконайтеся, що торцювальна пилка змонтована або встановлена на рівній та міцній робочій поверхні.** Рівна і міцна робоча поверхня знижує ризик нестійкості торцювальної пилки.
- k) **Плануйте свою роботу. Кожного разу, коли ви змінюєте кут нахилу або скоусу, переконайтеся, що регульована напрямна встановлена правильно для утримування заготовки, і не заважатиме диску та системі захисних елементів.** Не включаючи інструмент і без заготовки на столі зробіть повну імітацію різання пильним диском, щоб переконатися у відсутності перешкод або небезпеки порізів напрямною.
- l) **Для заготовки, ширина або довжина якої більше, ніж стіл, забезпечте відповідну опору, таку як висувні столи, пильні козли тощо.** Заготовки, які довше або ширше, ніж стіл для торцювальної пилки, можуть перекидатися, якщо не забезпечена надійна опора. Якщо відрізна частина або заготовка перекидається, вона може підняти нижній кожух або бути викинута пильним диском під час обертання.
- m) **Забороняється використовувати іншу особу замість висувного стола або в якості додаткової опори.** Нестабільна опора заготовки може призвести до заїдання диска або зміщення заготовки під час операції різання, втягуючи вас і помічника до диска, що обертається.
- n) **Забороняється притискати відрізану частину до пильного диска, що обертається, або затискати її будь-яким способом.** При обмеженні, тобто при використанні обмежувачів довжини, відрізна частина може заклинюватися на лезі і бути відкинута із силою.
- o) **Завжди використовуйте затискач або кріплення, призначене для правильного утримування круглих матеріалів, таких як стрижні або труби.** Стрижні мають схильність котитися під час різання, що призводить до того, що диск «кусається» і затягує до себе вашу руку.
- p) **Дайте диску досягти повної швидкості перед контактом із заготовкою.** Це зменшить ризик викидання заготовки.
- q) **Якщо заготовку або диск заклинило, вимкніть пилку. Зачекайте, доки всі рухомі частини зупиняться і від'єднайте штекер від джерела живлення та/або вийміть акумуляторну батарею. Потім звільніть**

матеріал, що застряг. Продовження різання із затиснутою заготовкою може призвести до втрати контролю або пошкодження торцювальної пилки.

- г) **Після завершення різання відпустіть перемикач, тримайте ріжучу голівку вниз і дочекайтеся зупинки пильного диска перед витяганням відрізаної частини.** Небезпечно дотикатися рукою до диска, який рухається за інерцією.
- с) **При неповному розпилі або при відпусканні перемикача міцно тримайтеся за ручку увесь час до повного досягнення ріжучою голівкою нижнього положення.** Гальмування пилки може призвести до раптового втягування ріжучої головки донизу, що може спричинити травму.


Додаткові правила безпеки при роботі з торцювальними пилками


 **ПОПЕРЕДЖЕННЯ!** Не підключайте пристрій до мережі живлення, поки не прочитаете та не засвоїте інструкції в повному обсязі.

- **НЕ ЕКСПЛУАТУЙТЕ ЦЮ МАШИНУ,** поки вона не буде повністю зібрана та встановлена відповідно до інструкцій. Невірно зібрана машина може призвести до серйозних травм.
- **ОТРИМАЙТЕ ПОРАДУ** від свого керівника, інструктора або іншої кваліфікованої особи, якщо ви не досконало знайомі з експлуатацією машини. Знання – це безпека.
- **ПЕРЕКОНАЙТЕСЬ,** що пильний диск обертається у потрібному напрямку. Зубці на диску повинні бути спрямовані в напрямку обертання, як зазначено на пилці.
- **ЗАТЯГНІТЬ УСІ ЗАТИСКНІ РУКОЯТКИ,** ручки та важелі перед початком роботи. Вільні затискачі можуть спричинити викидання деталей або заготовок на високій швидкості.
- **ПЕРЕКОНАЙТЕСЬ,** що всі диски та затискачі дисків чисті, заглиблені сторони затискачів дисків знаходяться на диску, а гвинт валу надійно затягнутий. Вільне або неправильне затискання диска може призвести до пошкодження пилки та травм.
- **НЕ ВИКОРИСТОВУЙТЕ ІНШОГО НАПРУЖЕННЯ, КРИМ ПОЗНАЧЕНОГО** для пилки. Це може призвести до перегрівання, ушкодження інструменту та травм.
- **НІКОЛИ НіЧОГО НЕ ВСТАВЛЯЙТЕ МІЖ ЛОПАТКАМИ ВЕНТИЛЯТОРА,** щоб зупинити вал двигуна. Це може призвести до ушкодження інструменту та травм.
- **НІКОЛИ НЕ РОЗРІЗУЙТЕ МЕТАЛИ** та цеглу. Будь-яка з цих ситуацій може призвести до злітання з диска твердосплавних кінчиків на великій швидкості, спричиняючи серйозні травми.
- **НІКОЛИ НЕ РОЗТАШОВУЙТЕ БУДЬ-ЯКІ ЧАСТИНИ СВОГО ТІЛА НА ШЛЯХУ ДИСКА ПИЛКИ.** Це приведе до травм.
- **НІКОЛИ НЕ НАНОСІТЬ МАСТИЛО НА РУХОМИЙ ДИСК.** Застосування мастила може призвести до потраплення вашої руки на диск, що приведе до серйозних травм.
- **НЕ** тримайте руки на шляху пильного диску, коли пилка підключена до електричної мережі. Ненавмисне ввімкнення диска може призвести до серйозних травм.
- **НІКОЛИ НЕ ТЯГНІТЬСЯ ПОБЛИЗУ АБО ПОЗАДУ ПИЛЬНОГО ДИСКА.** Диск може спричинити серйозні травми.
- **НЕ ТЯГНІТЬСЯ ПІД ПИЛКОЮ,** якщо вона не відключена та не вимкнена. Контакт з диском пилки може призвести до травм.
- **ЗАКРІПІТЬ МАШИНУ НА СТІЙКІЙ ОПОРНІЙ ПОВЕРХНІ.** Вібрація може призвести до ковзання, переміщення або перекидання машини, що може спричинити серйозні травми.
- **ВИКОРИСТОВУЙТЕ ТОРЦЮВАЛЬНІ ПИЛЬНІ ДИСКИ ТІЛЬКИ** рекомендовані для торцювальних пилко. Для отримання найкращих результатів не використовуйте диски з

твердосплавними кінчиками із переднім кутом, що перевищує 7 градусів. Не використовуйте диски з глибокими жолобами. Вони можуть відхилитися та зачепити кожух, що може призвести до пошкодження машини та/або серйозних травм.

- **ВИКОРИСТОВУЙТЕ ДИСКИ ТІЛЬКИ ПРАВИЛЬНОГО РОЗМІРУ ТА ТИПУ,** що визначені для цього інструменту, щоб запобігти пошкодження машини та/або серйозних травм (відповідно до EN847-1).
- **ПЕРЕВІРЬТЕ ДИСК НА ПРЕДМЕТ ТРИЩИН** або інших пошкоджень перед початком роботи. Потрісканий або пошкоджений диск може розпастися, а шматки відлетіти на великій швидкості, спричинивши серйозні травми. Негайно замінійте потрісканий або пошкоджений ніж. Дотримуйтесь максимальної швидкості, відміченої на диску пилки.
- **МАКСИМАЛЬНА ШВИДКІСТЬ ПИЛЬНОГО ДИСКА** завжди повинна перевищувати або, принаймні, дорівнювати швидкості, вказаній на паспортній табличці інструмента.
- **ДІАМЕТР ПИЛЬНОГО ДИСКА** повинен відповідати маркуванню на паспортній табличці інструмента.
- **ОЧИЩУЙТЕ ДИСК ТА ЗАТИСКАЧ ДИСКА** перед початком роботи. Очищення диска та затискачів диска дозволяє перевірити їх на предмет наявності пошкоджень диска або затискачів диска. Потрісканий або пошкоджений диск або затискач диска може розпастися, а шматки відлетіти на великій швидкості, спричинивши серйозні травми.
- **НЕ ВИКОРИСТОВУЙТЕ ВИКРИВЛЕНІ ДИСКИ.** Перевірте, чи обертається диск без биття і чи немає вібрації. Диск, що вібрує, може призвести до пошкодження машини та/або серйозних травм.
- **НЕ** використовуйте мастила та очищувачі (особливо спрей або аерозоль) поблизу пластикового кожуха. Полікарбонатний матеріал, що використовується в кожусі, піддається впливу певних хімічних речовин.
- **ТРИМАЙТЕ КОЖУХ НА МІСЦІ** та в справному стані.
- **ЗАВЖДИ ВИКОРИСТОВУЙТЕ ПЛИТУ ДЛЯ ЗАРУБОК ТА ЗАМІНЮЙТЕ ЦЮ ПЛИТУ У ВИПАДКУ ПОШКОДЖЕННЯ.** Невелике скупчення стружки під пилкою може заважати пильному диску або призвести до нестійкості заготовки при різанні.
- Щоб запобігти пошкодженню машини та/або серйозних травм, **ВИКОРИСТОВУЙТЕ ТІЛЬКИ ТІ ЗАТИСКАЧІ ДИСКА, ЩО ЗАЗНАЧЕНІ ДЛЯ ЦЬОГО ІНСТРУМЕНТУ.**
- **ОБОВ'ЯЗКОВО** використовуйте правильний пильний диск для різання матеріалу.
- **ОЧИЩУЙТЕ ПОВІТРЯНІ ЗАЗОРИ ДВИГУНА** від стружки та тирси. Забиті повітряні зазори двигуна можуть призвести до перегрівання або пошкодження машини та спричинити серйозних травм.
- **НІКОЛИ НЕ ФІКСУЙТЕ ВИМИКАЧ У ПОЛОЖЕННІ «УВІМК».** Через це можна отримати серйозну травму.
- **НІКОЛИ НЕ СТАВЛЯЙТЕ НА ІНСТРУМЕНТ.** У разі перекидання або ненавмисного дотику до ріжучого інструменту можливі важкі травми.

 **ПОПЕРЕДЖЕННЯ!** Різання пластмаси, заболони деревини з покриттям та інших матеріалів може призвести до накопичення розплавленого матеріалу на кінчиках пильного диска і його корпусі, збільшуючи ризик перегрівання і заїдання диска при різанні.

 **ПОПЕРЕДЖЕННЯ!** Завжди надягайте засоби індивідуального захисту для органів слуху. За певних умов та тривалості використання шум від цього виробу може сприяти втраті слуху. Пам'ятайте про наступні фактори, що впливають на інтенсивність шуму:

- Використовуйте пильні диски, розроблені для зменшення рівня шуму,

- Використовуйте тільки добре заточені пильні диски, і
- Використовуйте спеціально розроблені нешумні пильні диски.

ПОПЕРЕДЖЕННЯ! ЗАВЖДИ використовуйте захисні окуляри. Окуляри для повсякденного використання НЕ є захисними окулярами. Якщо під час операцій різання виникає пил, також використовуйте захисну протипилову маску для обличчя.

ПОПЕРЕДЖЕННЯ! використання цього інструменту може спричинити утворення та/або виділення пилу, що може призвести до серйозних і постійних проблем дихальної системи або інших травм.

ПОПЕРЕДЖЕННЯ! Пил, що утворюється при механічному шліфуванні, розпилюванні, заточуванні, свердлінні та інших діях на будівництві, містить хімікати, що викликають рак, вроджені вади та інші проблеми репродуктивної системи. Приклади таких хімічних речовин:

- свинець зі свинцевих фарб,
- кристалічний кремнезем з цегли, цементу та інших матеріалів для кладки і
- миш'як і хром з деревини, що піддавалась хімічній обробці.

Ризик виникнення проблем через вплив цих речовин варіюється в залежності від того, як часто користувач виконує цей вид роботи. Щоб зменшити вплив цих хімічних речовин, працюйте у добре вентильованому приміщенні, а також використовуйте відповідні засоби безпеки, такі як протипилові маски, які здатні фільтрувати мікроскопічні частинки.

• **Уникайте тривалого контакту з пилом, що утворюється при потужному шліфуванні, розпилюванні, заточуванні, свердління та інших будівельних роботах.** Носіть захисний одяг і мийте відкриті ділянки тіла милом і водою. Потрапляння пилу в рот, очі або на шкіру може сприяти всмоктуванню шкідливих хімічних речовин.

ПОПЕРЕДЖЕННЯ! використання цього інструменту може спричинити утворення та/або виділення пилу, що може призвести до серйозних і постійних проблем дихальної системи або інших травм. Для контакту з пилом завжди використовуйте відповідні засоби захисту органів дихання.

ВНИМАНИЕ: Рекомендується использовать устройство защитного отключения (УЗО) с током утечки до 30 мА.

Остаточные риски

При использовании пилы присутствуют следующие риски:

- Травмы, полученные в результате касания вращающихся частей.
- Несмотря на соблюдение соответствующих инструкций по технике безопасности и использование предохранительных устройств, некоторые остаточные риски невозможно полностью исключить. А именно:
- Ухудшение слуха.
 - Несчастные случаи, происходящие в результате контакта с открытым движущимся диском пилы.
 - Риск получения травмы пальцев при смене диска.
 - Риск защемления пальцев при снятии защитного кожуха.
 - Ущерб здоровью в результате вдыхания пыли от распила древесины, в особенности, дуба, бука и ДВП.

Следующие факторы увеличивают риск нарушения дыхания:

- При обработке древесины не используется пылеудаляющее устройство.
- Неудовлетворительное пылеудаление по причине засорившихся выхлопных фильтров.

СОХРАНИТЕ НАСТОЯЩЕЕ РУКОВОДСТВО

Електрична безпека

Електричний двигун розроблений для роботи лише з одним значенням напруги. Завжди перевіряйте відповідність джерела живлення напруги, яка вказана на табличці з паспортними даними.



Ваш DeWALT зарядний пристрій має подвійну ізоляцію відповідно до EN62841 тому заземлення не є необхідним.



ПОПЕРЕДЖЕННЯ. Пристрої напругою 115 В підлягають контролю із використанням якісного розділового трансформатора, оснащеного екраном заземлення між первинною та вторинною обмотками.

Якщо кабель живлення пошкоджений, тільки компанія DeWALT або уповноважена сервісна організація може виконувати його заміну.

Використання електричного подовжувача

Якщо необхідний подовжувач, використовуйте рекомендований 3-жильний подовжуючий шнур, що підходить для споживаної потужності інструменту (див. **Технічні дані**). Мінімальний розмір провідника становить 1,5 мм²; максимальна довжина — 30 м.

При використанні кабельного барабану завжди витягуйте весь кабель.

Комплект поставки

До комплекту входить:

- 1 Пилка торцювальна в зборі
- 1 Гайковий ключ (змонтований на пилці)
- 1 Пильний диск (змонтований на пилці)
- 1 Затиск для матеріалів
- 2 Подовжувачі підставки
- 2 Гвинти
- 2 Шайби
- 1 Посібник з експлуатації

- Перевірте інструмент, деталі та приладдя на пошкодження, що могли виникнути під час транспортування.
- Перед використанням уважно прочитайте та повністю зрозумійте цей посібник.

Маркування на інструменті

На інструменті є наступні піктограми:



Прочитайте інструкції цього керівництва перед використанням.



Використовуйте засоби захисту слуху.



Використовуйте засоби захисту очей.



Тримайте руки подалі від диска



Видиме випромінювання. Не дивіться на джерело світла.

Розташування коду дати (Рис. [Fig.] A)

Код дати **8**, що включає також рік виробництва, зазначений на корпусі.

Приклад:

2019 XX XX

Рік виробництва

Опис (рис. А1–Е)

⚠ УВАГА! Ніколи не модифікуйте електричні інструменти та їхні деталі. Це може призвести до пошкодження майна або тілесних ушкоджень.

Рис. А1

- | | |
|---|-------------------------------|
| 1 Нижній захисний кожух | 22 Тригерний перемикач |
| 2 Ручка управління | 23 Важіль блокування. |
| 3 Ручка для перенесення | 24 Отвір замка |
| 4 Накладка із прорізом | 25 Вимикач ХРS™ |
| 5 Засувка фіксації скосу | 26 Смушкова гайка |
| 6 Ручка фіксації рейки | 27 Гвинт налаштування глибини |
| 7 Гвинт регулювання рейки | 28 Упор для вирізання канавок |
| 8 Код дати | 29 Гайковий ключ |
| 9 Рейки | 30 Основа |
| 10 Шкала кута косої заточки | 31 Ручка фіксації кута нахилу |
| 11 Штифт блокування у транспортному положенні | 32 Упор кута нахилу 0° |
| 12 Ручка регулювання напрямної | 33 Правий відкидний упор |
| 13 Ковзаюча напрямна | 34 Отвір для пиловідведення. |
| 14 Напрямна стола | 35 Кожух ременя |
| 15 Подовжувач підставки/ручка для перенесення | 36 Ручний фіксатор повороту |
| 16 Поглиблення для тримання рукою при транспортуванні | |
| 17 Стіл | |
| 18 Монтажні отвори для кріплення на верстак | |
| 19 Шкала кута скосу | |
| 20 Вхідний отвір пиლოსоса | |
| 21 Ручка фіксації кута скосу | |

Рис. А2

Область застосування

Ваша торцювальна пилка DeWALT DWS727 призначена для професійного розпилювання деревини, виробів з дерева та пластмас. При використанні відповідних пильних дисків можливе також розпилювання алюмінію. За допомогою цієї пилки можна легко, точно і безпечно виконувати поперечне різання, різання з нахилом та різання під кутом.

НЕ використовуйте за умов підвищеної вологості або в присутності легкозаймистих рідин та газів.

Ця торцювальна пилка є професійним електричним інструментом.

НЕ дозволяйте дітям торкатися інструмента. Використання інструмента недосвідченими операторами потребує нагляду.

- Цей пристрій не призначений для використання особами (включаючи дітей) із зниженими фізичними, сенсорними або розумовими можливостями або особами, яким бракує досвіду або знань за винятком випадків, коли такі особи працюють під наглядом особи, яка несе відповідальність за їх безпеку. Не можна залишати дітей наодинці з цим приладом.

МОНТАЖ ТА НАЛАШТУВАННЯ

⚠ ПОПЕРЕДЖЕННЯ! Щоб знизити ризик серйозних тілесних ушкоджень, вимкніть інструмент та відключіть акумулятор перед виконанням будь-яких налаштувань або зніманням/встановленням додаткового обладнання або приладдя. Випадковий запуск може призвести до травм.

Розпакування (рис. А1, F)

1. Відкрийте коробку і підніміть пилку за зручну ручку для перенесення 3, як показано на рисунку F.
2. Розташуйте пилку на рівній гладкій поверхні.

3. Відпустіть ручку фіксації рейки 6 і відсуньте ріжучу головку назад, щоб зафіксувати її в задньому положенні.
4. Злегка натисніть на ручку керування 2 та витягніть штифт блокування 11.
5. Плавню зменшіть тиск донизу та і тримайте ручку керування, дозволяючи їй повністю піднятися.

Кріплення до верстаку (рис. А1)

Для кріплення до верстаку на кожній з чотирьох опор основи є отвори 18. Вони мають різний діаметр, щоб можна було використовувати гвинти різного розміру. Скористайтесь будь-яким отвором; не обов'язково використовувати обидва отвори.

Завжди добре закріплюйте інструмент на стабільній поверхні, щоб він не рухався. Для зручності, можна спочатку прикріпити пилку до листа фанери товщиною не менше 12,7 мм, після чого лист кріпиться до верстаку та інструмент разом із основою можна легко перенести в інше місце.

ПРИМІТКА. Якщо пилка кріпиться до листа фанери, переконайтесь, що кріпильні болти не виступають знизу деревини. Лист повинен бути рівень із робочою опорою. Коли ви прикріплюєте пилку до будь-якої поверхні, фіксуйте її лише в тих місцях, де розташовані кріпильні отвори. Кріплення в інших точках буде заважати роботі.

⚠ УВАГА! Щоб уникнути заїдання і неточностей обробки, кріпильна поверхня повинна бути рівною та плоскою. Якщо пилка хитається на поверхні, підкладіть під її опору тонку дощечку, щоб вирівняти пристрій на поверхні.

Установка подовжувачів підставки (рис. Y)

⚠ ПОПЕРЕДЖЕННЯ! Перед використанням пилки необхідно встановити подовжувачі підставки з обох сторін.

⚠ ПОПЕРЕДЖЕННЯ! Переконайтесь в тому, що подовжувачі підставки відрегульовані за допомогою монтажних отворів так, щоб вони були на одному рівні з підставою пилки.

1. Знайдіть отвори над поглибленнями для тримання рукою при транспортуванні 16 збоку підставки.
2. За допомогою гайкового ключа з комплекту поставки або гайкового ключа T30 встановіть гвинт 60 через шайбу 61, через подовжувач підставки 15 і в отвори на підставці.
3. Потягнувши за подовжувач, переконайтесь, що він надійно закріплений і не зрушується з місця.
4. Повторіть кроки 1–3 для кожної сторони.

Зміна або встановлення нового пильного диска

Зняття пильного диска (рис. G1–G4)

⚠ ПОПЕРЕДЖЕННЯ! Для зниження ризику травмування одягайте рукавиці під час роботи з пильним диском.

⚠ ПОПЕРЕДЖЕННЯ! Щоб знизити ризик виникнення травми, вимкніть інструмент та відключіть його від мережі живлення перед встановленням та зніманням аксесуарів, перед виконанням налаштувань або заміною приладдя, а також перед ремонтом. Переконайтесь, що вимикач знаходиться в положенні Вимк. Випадковий запуск може призвести до травм.

- Ніколи не відтискайте кнопку фіксації шпинделя, коли пильний диск знаходиться під напругою або рухається за інерцією.
- Забороняється різати легкосплавний і чорний метал (такий, що містить залізо або сталь), цеглу або фіброцемент за допомогою цієї торцювальної пилки.

1. Відключіть пилку від мережі.
2. Підніміть важіль в верхнє положення і підніміть нижній захисний кожух 1 якомога вище.

3. Натисніть кнопку фіксації шпінделя **42**, обережно повертаючи пильний диск рукою, поки він не зафіксується.
4. Тримаючи кнопку натиснутою, ослабте гвинт диска **41** іншою рукою та шестигранним гайковим ключем **29** з комплекту постачання. (Ліве різьблення, повертайте за годинниковою стрілкою.)
5. Зніміть гвинт диска **41**, затискач зовнішньої шайби **43** та диск **45**. Затискач внутрішньої шайби **46** можна залишити на шпінделі.
6. Зніміть і закріпіть адапторне кільце **44** зі старого диска на випадок, якщо воно знадобиться при встановленні нового диска.

Встановлення пильного диска (рис. G1–G4)

1. Відключіть пилку від мережі.
2. При необхідності вставте адапторне кільце **44** в отвір нового пильного диска.
3. При піднятому важелі і відкритому нижньому захисному кожусі **1** встановіть диск на плече внутрішньої шайби **46**, стежачи за тим, щоб зубці в нижній частині диска були спрямовані в бік задньої частини пилки.
4. Встановіть затискач зовнішньої шайби на шпіндель.
5. Встановіть гвинт диска і, зафіксувавши фіксатор шпінделя, міцно затягніть його за допомогою гайкового ключа (поверніть ліве різьблення проти годинникової стрілки).



ПОПЕРЕДЖЕННЯ! Пам'ятайте, що пильний диск можна замінювати лише описаним способом. Використовуйте лише пильні диски, вказані в розділі «Технічні характеристики»; № кат.: Рекомендується DT4260.

Транспортування пилки (рис. A1, A2)



ПОПЕРЕДЖЕННЯ! Щоб знизити ризик серйозного травмування перед транспортуванням пилки **ЗАВЖДИ** фіксуйте ручку фіксації рейки, ручку фіксації кута нахилу, ручку фіксації кута скосу, штифт блокування і ручки регулювання напрямної. Ніколи не використовуйте захисні кожухи для транспортування або підняття.

Для зручності перенесення торцювальної пилки використовуйте ручку **3**, що знаходиться на верхній частині пилки.

- Для транспортування пилки опустіть голівку і натисніть штифт блокування донизу **11**.
- Зафіксуйте ручку фіксації рейки з ріжучою головкою в передньому положенні, зафіксуйте важіль скосу в крайньому лівому куті скосу, повністю посуňte напрямну **13** всередину і ручку фіксації кута нахилу **31** з ріжучою головкою в вертикальному положенні, щоб зробити інструмент якомога більш компактним.
- Завжди використовуйте ручку для перенесення **3** або подовжувачі підставки **15**.

Функції та елементи керування



ПОПЕРЕДЖЕННЯ! Щоб знизити ризик виникнення травми, вимкніть інструмент та відключіть його від мережі живлення перед встановленням та зніманням аксесуарів, перед виконанням налаштувань або заміною приладдя, а також перед ремонтом. Переконайтеся, що вимкач знаходиться в положенні Вимк. Випадковий запуск може призвести до травм.

Елемент керування поворотом (рис. A1, H)

Ручка фіксації скосу **21** та засувка фіксації скосу **5** дозволяють повертати пилку на 60° вправо та на 50° вліво. Щоб повернути пилку, підійміть ручку фіксації скосу, натисніть засувку фіксації скосу і встановіть потрібний кут скосу на шкалі кута скосу **19**. Натисніть на ручку фіксації скосу, щоб зафіксувати кут скосу.

Переведіть в ручний режим засувку фіксації скосу, розблокувавши ручку фіксації скосу та натиснувши вниз ручний фіксатор скосу **36**. Щоб вийти з ручного режиму, натисніть ручний фіксатор скосу вгору.

Ручка фіксації кута нахилу (рис. A2)

Ручка фіксації кута нахилу дозволяє нахилити пилку на 49° вліво або вправо. Для налаштування кута нахилу поверніть ручку фіксації кута нахилу **31** проти годинникової стрілки. Ріжуча головка легко нахилиється вліво або вправо після витягування ручки ручного керування кутом нахилу 0°. Щоб затягнути, поверніть ручку фіксації кута нахилу за годинниковою стрілкою.

Ручне керування кутом нахилу 0° (рис. A2)

Перемикач ручного керування нахилом 0° **32** дозволяє нахилити пилу вправо від позначки 0°.

При увімкненні пилка автоматично зупинятиметься на 0°, коли піднімається зліва. Щоб тимчасово переміститися на 0° праворуч, потягніть ручку фіксації кута нахилу **31**. Як тільки ручка буде відпущена, ручне керування буде відновлено. Ручку фіксації кута нахилу можна зафіксувати, повернувши її на 180°.

При 0°, ручне керування блокується на місці. Щоб здійснити ручне керування, трохи нахиліть пилку вліво.

Стопорний перемикач ручного керування нахилом 45° (рис. I)

З кожного боку пилки є два стопорних важеля ручного керування нахилом. Щоб нахилити пилу вліво або вправо на 45°, натисніть важіль ручного керування нахилом 45° **53** у зворотньому положенні. У зворотньому положенні пилка може нахилитись повз ці упори. Якщо потрібні упори під кутом 45°, потягніть важіль ручного керування нахилом 45° вперед.

Затиски нахилу карнизу (рис. I)

Коли форма для різання карнизів лежить на пласкій поверхні, ваша пила оснащена для точного та швидкого встановлення зліва чи справа упору для карнизу (див. **Інструкція з різання карнизів при укладанні на пласку поверхню і використання властивостей комбінунання**) Затиск нахилу карнизу **55** можна повернути, щоб отримати доступ до гвинта налаштування карнизу.

Щоб перевернути затиск нахилу карнизу, кріпильний гвинт, затиск нахилу 22,5° **54** і затиск нахилу карнизу 30° **55**. Переверніть затиск нахилу карнизу **55**, щоб текст 30° був спрямований вгору. Встановіть гвинт на місце, щоб закріпити затиск нахилу 22,5° та затиск нахилу карнизу. На налаштування точності це не вплине.

Затиски нахилу 22,5° (рис. I)

Ваша пила має функцію швидкого і точного налаштування нахилу 22,5° зліва або справа. Затиск нахилу 22,5° **54** можна повернути, щоб отримати доступ до гвинта налаштування карнизу **52**.

Ручка фіксації рейки (рис. A1)

Ручка фіксації рейки **6** дозволяє надійно зафіксувати ріжучу головку, щоб вона не ковзала по рейках **9**. Це необхідно при виконанні певних розрізів або при транспортуванні пилки.

Упор для вирізання канавок (рис. A2)

Упор для вирізання канавок **28** дозволяє обмежити глибину різання диска. Упор корисний для таких застосувань, як вирізання канавок і високі вертикальні розрізи. Поверніть упор для вирізання канавок вперед і відрегулюйте гвинт регулювання глибини **27**, щоб встановити бажану глибину різання. Щоб зафіксувати регулювання, затягніть смушкову гайку **26**. Обертання упора для вирізання канавок в задній частині пилки дозволяє обійти функцію упора. Якщо гвинт регулювання глибини занадто туго затягнутий, щоб його можна було відкрутити вручну, то для його відкручування можна використовувати гайковий ключ **29** з комплекту постачання.

Штифт блокування (рис. A1)



ПОПЕРЕДЖЕННЯ! Стопорний штифт слід використовувати тільки при перенесенні або зберіганні пилки. **НІКОЛИ** не використовуйте стопорний штифт для будь-яких операцій різання.

Щоб зафіксувати ріжучу головку в нижньому положенні, опустіть ріжучу головку вниз, вставте стопорний штифт **11** і відпустіть ріжучу головку. Це дозволить безпечно утримувати ріжучу головку внизу при переміщенні пилки з місця на місце. Щоб відпустити, натисніть на ріжучу головку вниз і витягніть штифт.

Важіль блокування засувки (рис. J, T)

Важіль блокування засувки **59** приводить пилку в положення, що дозволяє максимізувати розпилювання форми при вертикальному розрізанні, як показано на рис. T.

Правий відкидний упор (рис. A1, A2)

Правий відкидний упор **33** встановлюється на ковзаючій напрямній **13** і може бути повернений назад, коли в ньому немає необхідності. При розрізуванні декількох заготовок на однакову ширину, поверніть правий відкидний упор вперед, відсуньте ковзаючу напрямну на необхідну відстань від диска (вимірюється лінійкою) і з дерев'яною дошкою, поверненою до упору, зробіть розріз.

Регулювання

Ваша торцювальна пилка повністю і точно регулюється на заводі в процесі виробництва. Якщо змінилися налаштування при перевезенні або з будь-якої іншої причини, для настройки пилки скористайтесь наведеними нижче інструкціями. Виконані один раз, ці налаштування повинні служити протягом тривалого часу.

Регулювання шкали скосу (рис. H, K)

1. Розблокуйте ручку фіксації кута повороту **21** та повертайте кут повороту консолі, доки засувка фіксації скосу **5** не заблокує її в положенні скосу 0°. Не блокуйте ручку фіксації кута скосу.
2. Прикладіть косинець до напрямної пилки та до диска, як показано на рисунку. (Не торкайтесь краю зубців пильного полотна косинцем. Це призведе до неточності вимірювання.)
3. Якщо диск пилки не точно перпендикулярний до напрямної, ослабте чотири гвинти **49**, які утримують шкалу скосу **19** на столі, і переміщуйте ручку фіксації кута скосу та шкалу вліво або вправо, доки диск не стане перпендикулярним до напрямної, що вимірюється косинцем.
4. Знов закріпіть чотири гвинти. На цьому етапі не звертайте увагу на стрілку кута скосу **47**.

Налаштування стрілки кута скосу (рис. H)

1. Розблокуйте ручку фіксації кута скосу **21** для переміщення важеля скосу в нульове положення.
2. Коли ручка фіксації кута скосу не закріплена, дозвольте засувці фіксації скосу встати на місце, обертаючи важеля скосу до нуля.
3. Зверніть увагу на стрілку **47** та шкалу кута скосу **19**, показані на рисунку H. Якщо стрілка не вказує точно на нуль, ослабте гвинт стрілки **48**, та утримуючи стрілку на місці, встановіть її на місце і затягніть гвинт.

Регулювання куту нахилу відносно столу (рис. A1, A2, I, L)

1. Щоб вирівняти кут нахилу диска відносно столу, зафіксуйте важіль в нижньому положенні за допомогою стопорного штифта **11**.
2. Прикладіть косинець до диска, переконавшись, що він не знаходиться на верхівці зубця (рис. L).
3. Відпустіть ручку фіксації кута нахилу **31** і переконайтесь, що важіль щільно прилягає до упору кута нахилу 0°.
4. Поверніть гвинт регулювання кута нахилу 0° (**57** рис. I) за допомогою гайкового ключа на 6 мм **29** так, щоб диск був нахилений на 0° відносно столу.

Регулювання стрілки нахилу (рис. I)

Якщо стрілки нахилу **51** не вказують на нуль, ослабте кожний гвинт **50**, який тримає кожну стрілку на місці, і перемістіть їх як необхідно. Переконайтесь в правильності кута нахилу 0°, а також в тому, що стрілки кута нахилу встановлені перед тим, як регулювати будь-які інші гвинти кутів нахилу.

Регулювання упорів кута нахилу 45° зліва та справа (рис. A2, I)

Регулювання упору кута нахилу 45° справа:

1. Посуньте напрямну **13** у крайнє положення перед нахилом пилки.
2. Відпустіть ручку фіксації кута нахилу **31** і потягніть упор кута нахилу 0° **32** для ручного керування упором кута нахилу 0°.
3. При крайньому правому положенні пилки, якщо стрілка кута нахилу **51** не вказує точно на 45°, повертайте лівий гвинт регулювання нахилу 45° **56** гайковим ключем на 6 мм **29** до тих пір, поки стрілка кута нахилу буде вказувати на 45°.

Регулювання упору кута нахилу 45° зліва:

1. Посуньте напрямну **13** у крайнє положення перед нахилом пилки.
2. Ослабте ручку фіксації кута нахилу і нахиліть голівку вліво.
3. Якщо стрілка нахилу не вказує точно на 45°, повертайте правий гвинт регулювання нахилу 45° до тих пір, поки стрілка кута нахилу не вкаже на 45°.

Регулювання упору кута нахилу 22,5° (або 30°) (рис. A2, I)

ПРИМІТКА. Відрегулюйте кути нахилу лише після встановлення кута нахилу 0° та регулювання стрілки кута нахилу. Перед початком регулювання кута нахилу 22,5° або 30° посуньте ковзаючі напрямні в крайнє положення.

Щоб встановити кут нахилу 22,5° зліва, відкиньте лівий затиск нахилу 22,5° **54**. Послабте ручку фіксації кута нахилу **31** і нахиліть голівку вліво. Якщо стрілка кута нахилу **51** не вказує точно 22,5°, повертайте гвинт регулювання карниза **52** за допомогою гайкового ключа на 10 мм до тих пір, поки стрілка не вкаже на 22,5°.

Щоб відрегулювати кут нахилу 22,5° справа, відкиньте правий затиск нахилу 22,5°. Відпустіть ручку фіксації кута нахилу і потягніть упор кута нахилу 0° **32** для ручного керування упором кута нахилу 0°. При крайньому правому положенні пилки, якщо стрілка кута нахилу не вказує точно на 22,5°, повертайте гвинт регулювання карнизу **52** гайковим ключем на 10 мм до тих пір, поки стрілка кута нахилу буде точно вказувати на 22,5°.

Регулювання напрямної (рис. A1)

Верхню частину направляючої можна відрегулювати так, щоб забезпечити зазор для різання під кутом нахилу до 49° вліво та вправо.

1. Щоб відрегулювати кожну напрямну **13**, ослабте ручку регулювання напрямної **12** та просуньте напрямну назовні.
2. Виконайте імітацію різання, не вмикаючи двигун, і перевірте зазор.
3. Встановіть направляючу якомога ближче до диска, щоб забезпечити максимальний упор для заготовки, але щоб вона не заважала переміщенню консолі вгору та вниз.
4. Надійно затягніть ручку регулювання напрямної.
5. Після завершення операцій з нахилом перенесіть напрямну.

ПРИМІТКА. Колії напрямних можуть забруднитися. Очистіть її за допомогою щітки або стисненого повітря.

Використання захисного кожуха та видимість (рис. X)

Нижній захисний кожух **1** на пилці призначений для автоматичного відкриття диска при опусканні важеля і для закривання диска при піднятті важеля.

Кожух можна підняти вручну для заміни дисків або для огляду пилки. **НІКОЛИ НЕ ПІДНІМАЙТЕ НИЖНІЙ КОЖУХ ВРУЧНУ ДО ЗУПИНКИ ДИСКА.**

Регулювання напрямних рейок (рис. A1)

Регулярно перевіряйте рейки **9** на наявність люфту або зазору.

Ліву рейку можна відрегулювати за допомогою гвинта регулювання **7**. Для зменшення зазору використовуйте шестигранний ключ на 4 мм і поступово повертайте гвинт регулювання за годинниковою стрілкою, одночасно зсуваючи ріжучу головку вперед-назад.

Регулювання ручки фіксації кута скосу (рис. A1, M)

Шток ручки фіксації кута скосу **58** необхідно відрегулювати, якщо при заблокованій (вниз) ручці фіксації кута скосу стіл пили можна перемістити.

1. Потягніть ручку фіксації кута скосу **21** у розблокованому (верхньому) положенні.
2. За допомогою щільної викрутки затягніть шток ручки фіксації кута скосу, повертаючи його за годинниковою стрілкою, як показано на рисунку M. Поверніть шток до упору, а потім поверніть проти годинникової стрілки на один оберт.
3. Повторно заблокуйте ручку фіксації кута скосу в нефіксованому положенні на шкалі скосу – наприклад, 34° – і переконайтеся, що стіл не повертається.

Перед експлуатацією

- Встановіть відповідне пильне полотно. Не використовуйте пильні диски, які занадто зношені. Максимальна допустима швидкість обертання, що вказана на пильному диску, повинна бути не меншою за максимальну швидкість обертання шпінделю торцювальної пилки. Не використовуйте абразивні леза.
- Переверте кожух захисного ремня **35** на наявність пошкоджень і правильну роботу нижнього захисного кожуха **1**.
- Встановіть висувні столи з обох сторін підставки пилки. Див. розділ «Встановлення висувних столів».
- Не намагайтесь розпилювати занадто малі заготовки.
- Дозвольте пильному диску вільно різати. Не прикладайте силу.
- Не починайте роботу, доки двигун не набере обертів.
- Переконайтесь, що всі поворотні рукоятки та фіксатори затягнені.
- Зафіксуйте заготовку.
- Хоча ця пилка може працювати з деревиною та багатьма кольоровими металами, ці інструкції з використання стосуються лише роботи з деревом. Такі самі інструкції підходять і для інших матеріалів. Не розрізайте чорні метали (залізо або сталь), фіброцемент, а також цеглу цією пилкою!
- Обов'язково використовуйте накладку із прорізом. Не використовуйте інструмент, якщо розріз накладки перевищує 12 мм в ширину.
- Підключіть пилку до зовнішнього пилососа.

РЕЖИМ РОБОТИ

Інструкції з використання

! **ПОПЕРЕДЖЕННЯ:** Завжди дотримуйтесь усіх інструкцій з техніки безпеки та відповідних норм.

! **ПОПЕРЕДЖЕННЯ:** Щоб знизити ризик серйозних травм, вимкніть інструмент та відключіть його від мережі живлення перед виконанням будь-яких налаштувань або зніманням/встановленням насадок або приладдя. Випадковий запуск може призвести до травм.

Див. Пильні диски в розділі «Додаткові аксесуари», щоб вибрати лезо, яке найкраще відповідає вашим потребам.

Переконайтесь, що інструмент встановлений за ергономічних умов з точки зору висоти столу та стійкості. Місце розташування пристрою повинно бути таким, щоб оператор мав добрий огляд та достатньо вільного місця навколо пристрою, щоб можна було працювати без обмежень.

Щоб зменшити вплив вібрації переконайтесь, що температура навколишнього середовища не є занадто низькою, пристрій та аксесуари в доброму стані, а розмір заготовки підходить для обробки даним пристроєм.

Підключіть пилку до будь-якого побутового джерела живлення 50 Гц. Напруга живлення зазначена на табличці з технічними даними. Переконайтесь, що шнур не буде заважати вашій роботі.

Правильне положення тіла та рук (рис. N1, N2)

! **ПОПЕРЕДЖЕННЯ!** Щоб знизити ризик серйозних травм, **ЗАВЖДИ** правильно розташуйте руки, як показано на рис. N1.

! **ПОПЕРЕДЖЕННЯ!** Щоб знизити ризик серйозних травм, **ЗАВЖДИ** надійно тримайте інструмент, щоб попередити випадкову віддачу.

- Ніколи не розташуйте руки біля ріжучих поверхонь. Не розташуйте руки ближче ніж 100 мм від пильного полотна.
- Добре притискайте заготовку до столу та напрямної при розрізанні. Утримуйте руки в тому ж положенні до відпускання вимикача та повної зупинки пильного диска.
- **ЗАВЖДИ ВИКОНУЙТЕ ІМІТАЦІЮ РІЗАННЯ (БЕЗ ЖИВЛЕННЯ) ПЕРЕД ПОЧАТКОМ РОЗРІЗУ, ЩОБ ВИ МОГЛИ ПОБАЧИТИ ШЛЯХ ПИЛЬНОГО ДИСКА. НЕ СХРЕЩУЙТЕ РУКИ, ЯК ПОКАЗАНО НА РИСУНКУ N2.**
- Утримуйте обидві ноги на підлозі та утримуйте рівновагу. При пересуванні важеля скосу вліво та вправо стежте за ним та стійте трошки в стороні від пильного диска.
- При русі по накресленій лінії дивіться крізь захисні жалюзі.

Тригерний перемикач (рис. A2)

Щоб увімкнути пилку, натисніть важіль блокування **23** вліво, а потім натисніть тригерний перемикач **22**. Пилка працюватиме, доки перемикач буде залишатись натисненим. Дозвольте інструменту досягти повної робочої швидкості до того, як зробити розріз. Щоб вимкнути пилку, відпустіть тригерний перемикач. Перш ніж підняти голівку пилки, дайте пилці зупинитися. Блокування включення не передбачене. Тригер має отвір **24**, що дозволяє повісити замок та заблокувати вимикач.

Ваша пилка не оснащена автоматичним електричним гальмом, проте пильний диск зупиняється за 10 секунд після відпускання вимикача. Час гальмування неможливо налаштувати. Якщо час зупинки неодноразово перевищує 10 секунд, зверніться до авторизованого сервісного центру DEWALT для обслуговування інструменту.

Завжди слідкуйте за тим, щоб пильний диск зупинився перед витягуванням його з розрізу.

Видалення пилу (рис. A2, C, Z)

! **ПОПЕРЕДЖЕННЯ:** Для зниження ризику отримання серйозної травми вимкніть інструмент та відключіть його від джерела живлення перед виконанням будь-яких регулювань або демонтажу/встановлення приладдя або насадок. Випадковий запуск може призвести до травм.

! **ПОПЕРЕДЖЕННЯ!** Певні види пилу, такі як дубовий або буковий пил, вважаються канцерогенними, особливо у поєднанні з добавками для обробки деревини.

- Завжди видаляйте пил.
- Забезпечте гарну вентиляцію робочого простору.
- Рекомендується носити відповідний респіратор.

! **УВАГА!** Ніколи не працюйте з цією пилкою без пилососа або пилососа DEWALT. Деревний пил може представляти небезпеку для дихання.

! **УВАГА!** Перевіряйте і очищуйте пилосос кожного разу після використання.

! **ПОПЕРЕДЖЕННЯ!** При різанні алюмінію витягуйте пилососник або відключайте пилосос, щоб уникнути небезпеки займання.

Ваша торцювальна пилка має вбудований порт для видалення пилу **34**, який дозволяє підключати пилососник **38**, 33 мм форсунки або пряме підключення до DEWALT AirLock (DWW9000-XJ).

При роботі з матеріалами дотримуйтесь правил, що діють у вашій країні.

Прикріплення пилососника (рис. C)

1. Прикріпіть пилососник **38** до порту для видалення пилу **34**, як зображено на рис. C.

Випорожнення пилозбірника (рис. С)

1. Зніміть пилозбірник **38** з пилки. Щоб випорожнити пилозбірник, акуратно потрусіть або постукайте по ньому.
2. Прикріпіть пилозбірник назад до порту для видалення пилу **34**.

Ви можете помітити, що не весь пил вдалося усунути з пилозбірника. Це не вплине на ефективність різання, але призведе до зниження коефіцієнту пилоуловлювання пилки. Щоб відновити коефіцієнт пилоуловлювання пилки, під час випорожнення пилозбірника натискайте на пружину всередині нього та стукайте ним по краю баку для сміття або контейнеру для пилу.

Зовнішнє видалення пилу (рис. Z)

При сухому прибиранні пиломососом, особливо шкідливого для здоров'я або канцерогенного пилу, використовуйте спеціальний пиломосос класу М.

Підключення до пиломоса, сумісного з AirLock (рис. Z)

Порт для видалення пилу **34** на вашій торцювальній пилці сумісний з системою підключення DeWALT AirLock. Роз'єм AirLock забезпечує швидке і надійне з'єднання між шлангом пиломоса **64** і торцювальною пилкою.

1. Переконайтеся, що манжета на роз'ємі AirLock **62** знаходиться в розблокованому положенні. Зіставте виїмки **63** на манжеті і роз'ємі AirLock, як показано для положень розблокування і блокування.
2. Вставте роз'єм AirLock в порт для видалення пилу **34**.
3. Поверніть манжету в заблоковане положення.

ПРИМІТКА. Кулькопідшипники всередині манжети входять в паз і фіксують з'єднання. Тепер торцювальна пилка надійно підключена до пиломоса.

Використання світлодіодної системи робочого освітлення XPST™ (рис. A1, A2)

ПРИМІТКА. Торцювальна пилка має бути підключена до джерела живлення.

Світлодіодна система робочого освітлення XPS™ оснащена вимикачем **25**. Світлодіодна система робочого освітлення XPS™ не залежить від вимикача торцювальної пилки. Для роботи пилки не потрібно вмикати світло.

Щоб прорізати існуючу накреслену лінію на шматку дерева:

1. Увімкніть світлодіодну систему робочого освітлення XPS™, потім потягніть вниз ручку керування **2**, щоб підвести пильний диск до деревини. На деревині з'явиться тінь від диска.
2. Вирівняйте накреслену лінію уздовж тіні диска. Можливо, вам доведеться відрегулювати кут скосу або нахилу, щоб точно відповідати накресленій лінії.

Наскрізні операції (рис. A1, A2, O, P)

Якщо повзунок не використовується, переконайтеся, що ріжуча головка відсунута якнайдалі назад і ручка фіксації рейки **6** затягнута. Це запобіжить ковзанню пилки по рейках при фіксації заготовки.

Не рекомендується різання декількох заготовок, але воно може бути виконане безпечно, якщо переконатися, що кожна заготовка міцно прикріплена до столу і напрямної.

Прямий вертикальний розріз

1. Встановіть і заблокуйте важіль скосу на нуль, міцно притисніть деревину до столу **17** і напрямної **13**.
2. Затягнувши ручку фіксації рейки **6**, включіть пилку, натиснувши важіль блокування **23** і натиснувши на вимикач **22**.
3. Коли пилка набере швидкість, плавно і повільно опустіть важіль для розпилу деревини. Перед тим як підняти ріжучу голівку, дайте диску повністю зупинитися.

Ковзаючий розріз (рис. O)

При різанні заготовок розміром понад 51 x 115 мм (51 x 82 мм при куті скосу на 45°) використовуйте рух назад при ослабленій ручці фіксації рейки **6**.

Потягніть пилку на себе, опустіть ріжучу головку вниз до заготовки і повільно штовхайте пилку назад, щоб завершити різання.

Не допускайте контакту пилки з верхньою частиною заготовки при витягуванні. Пилку може відкинути до вас, що може призвести до тілесних ушкоджень або пошкодження заготовки.

Косий розріз (рис. P)

Часто цей кут скосу складає 45° для створення кутів, але може бути встановлений в діапазоні від нуля до 50° або 60° вліво або вправо. Виконайте звичайний прямий вертикальний розріз.

При виконанні косоного розрізу на заготовках ширше 51 x 105 мм, які коротше по довжині, завжди розташовуйте довшу сторону до напрямної.

Різнання фасок (рис. A1, A2)

Кут нахилу може змінюватися від 49° вправо до 49° вліво, при цьому кут повороту консолі можна встановити між 50° та 60° вліво або вправо. Докладні вказівки щодо системи зняття фасок див. у розділі **Функції та елементи керування**.

1. Відкрутіть ручку фіксації кута нахилу **31** і перемістіть пилку вліво або вправо за бажанням. Необхідно перемістити напрямну **13**, щоб залишити вільний простір. Затягніть ручку регулювання напрямної **12** після розміщення напрямних.
2. Міцно затягніть ручку фіксації кута нахилу.

При деяких екстремальних кутах, можливо, доведеться зняти праву бокову напрямну. Для отримання важливої інформації щодо регулювання напрямних для певних фасок див. **Регулювання напрямної** у розділі **Регулювання**.

Щоб зняти праву напрямну, відкрутіть ручку регулювання напрямної **12** декількома обертами та просуньте напрямну назовні. Права напрямна кріпиться до підставки ремінцем, щоб запобігти її втраті.

Якість розрізу

Гладкість будь-якого розрізу залежить від ряду змінних, таких як тип матеріалу, що розрізається, тип леза, гострота леза і швидкість різання.

Якщо необхідні особливо гладкі зрізи, наприклад, при виготовленні плінтусів або іншої точній роботі, потрібно використовувати добре заточений (60 зубців, твердосплавний) диск при дуже малій, рівномірній швидкості різання.

⚠ ПЕРЕПРЕДЖЕННЯ: Добре закріплюйте заготовку; при різанні заготовка не повинна рухатись або переміщатися. Перед тим як підняти ріжучу голівку, завжди давайте диску повністю зупинитися. Якщо відколюються маленькі тріски із задньої сторони розрізу, можна приклеїти в місці пропилу смужку клейкої стрічки. Ріжте разом зі стрічкою, потім обережно зніміть стрічку.

Ненаскрізне різання (вирізнання канавок та шпунтів) (рис. A2)

Ваша пилка оснащена упором для вирізнання канавок **28**, гвинтом регулювання глибини **27** і смушковою гайкою **26**, що дозволяють вирізати канавки. Інструкції **Розрізи, різання фасок та Комбіноване різання** призначені для розрізів, що виконуються по всій товщині матеріалу. Крім того, пилка може виконувати ненаскрізні розрізи, утворюючи в матеріалі канавки або шпунти.

Вирізнання канавок (рис. A1, A2)

Див. **Упор для вирізнання канавок** для отримання детальних інструкцій зі встановлення глибини різання. Для перевірки необхідної глибини різання слід використовувати обрізки деревини.

- Тримайте деревину міцно на столі і притисніть до напрямної планки **13**. Вирівняйте область зрізу під лезом. Перемістіть пильну раму пили повністю вперед лезом вниз. Увімкніть пилку, натиснувши на важіль блокування **23** і натиснувши на тригерний перемикач **22**. Плавно штовхайте пильну раму назад, щоб прорізати канавку у заготовці.
- Відпустіть тригерний перемикач з опущеною пильною рамою. Після повної зупинки пильного диска підніміть пильну раму. Перед тим як підняти ріжучу голівку, завжди давайте диску повністю зупинитися.
- Щоб розширити канавку, повторюйте кроки 1–2, поки не буде отримана потрібна ширина.

Закріплення заготовки (рис. В)



ПОПЕРЕДЖЕННЯ! Затиснута, збалансована і надійно закріплена перед різанням заготовка може стати незбалансованою після завершення різання. Незбалансоване навантаження може привести до перекидання пилки або всього, до чого вона кріпиться, наприклад, столу або верстака. При виконанні розрізу, який може стати незбалансованим, правильно утримуйте заготовку і стежте за тим, щоб пилка була міцно закріплена болтами на стійкій поверхні. Можуть виникнути травми.



ПОПЕРЕДЖЕННЯ! При використанні затиску лапка затиску повинна залишатися закріпленою над підставкою пилки. Завжди закріплюйте заготовку на підставці пилки, а не на будь-якій іншій частині робочої зони. Переконайтеся, що лапка затиску не затиснута на краю підставки пилки.



УВАГА! Завжди використовуйте затиск заготовки для підтримання контролю і зниження ризику отримання травм і пошкодження заготовки.

Скористайтеся затиском для матеріалу **37** з комплекту постачання вашої пилки. Ліва або права напрямна буде ковзати з одного боку в інший для полегшення затиску. Інші пристосування, такі як пружинні, брускі або С-образні затиски, можуть підходити для певних розмірів і форм матеріалу.

Встановлення затиску

- В підставці є чотири прямокутних монтажних отвори для затиску **65**, два спереду і два ззаду пилки під напрямною стола. Вставте затиск **37** в один з чотирьох отворів.
ПРИМІТКА. При встановленні затиску на задній стороні пилки важіль затиску повинен знаходитися в самому верхньому положенні, щоб затиску стійку можна було вставляти в монтажний отвір по мірі того, як затиск буде проходити через напрямну.
- Ослабте ручку, щоб відрегулювати затиск вгору або вниз, а потім міцно затягніть ручку для затиску заготовки.

ПРИМІТКА. Помістіть затиск на протилежному боці підставки при нахилі. **ЗАВЖДИ ВИКОНУЙТЕ ІМІТАЦІЮ РІЗАННЯ (БЕЗ ЖИВЛЕННЯ) ПЕРЕД ПОЧАТКОМ РОЗРІЗУ, ЩОБ ПОБАЧИТИ ШЛЯХ ПИЛЬНОГО ДИСКА. ПЕРЕКОНАЙТЕСЯ, ЩО ЗАТИСК НЕ ЗАВАЖАЄ РОБОТІ ПИЛКИ АБО ЗАХИСНИХ ПРИСТОСУВАНЬ.**

Підтримка довгих заготовок (рис. D)

ЗАВЖДИ ДОБРЕ ФІКСУЙТЕ ДОВГІ ЗАГОТОВКИ.

Для досягнення найкращих результатів використовуйте стійки DE7023-XJ або DE7033 **39**, щоб збільшити ширину столу вашої пилки. Підтримуйте довгі заготовки, використовуючи будь-які звичайні засоби, як пильні козли або аналогічні пристрої для підтримки кінців заготовки.

Виготовлення картинних рам, невеликих ящиків та інших виробів з чотирма сторонами (рис. Q, R)

зробіть кілька простих виробів, використовуючи обрізки деревини, щоб відчути, як працює пилка. Ваша пилка – це ідеальний інструмент для скошування кутів, як показано на рис. Q

На ескізі 1 малюнка R показано з'єднання, виконане способом регулювання кута нахилу. Показане з'єднання може бути виконано будь-яким з цих способів.

- Різнання з нахилом:
 - Якщо обрізати дві дошки під кутом нахилу 45°, з них можна отримати кут 90°.
 - Важіль скосу блокується в нульовому положенні, а регулювання кута нахилу – на 45°.
 - Дошку необхідно розмістити на столі пилки плоским боком до столу та вузькою стороною до направляючої.
- Різнання під кутом:
 - Той самий результат можна отримати, змінюючи кут різання вправо або вліво, при цьому широка поверхня дошки повинна бути направлена до направляючої.

Різнання профілів та інших рам (рис. R)

На ескізі 2 рисунку R показано з'єднання, виконане шляхом установки важеля скосу на 45°, щоб з'єднати дві дошки під кутом 90°. Для виконання цього типу з'єднання встановіть кут нахилу на нуль, а важіль скосу – на 45°. Знову розмістіть дошку на столі плоским боком до столу та вузькою стороною до напрямної.

Два ескізи на рисунку R вірні лише для виробів з чотирма сторонами. При змін кількості сторін, потрібно змінювати кут скосу або нахилу. В таблиці нижче наведені відповідні кути для різних рівносторонніх багатокутників.

КІЛЬКІСТЬ СТОРІН	КУТ СКОСУ АБО НАХИЛУ
4	45°
5	36°
6	30°
7	25,7°
8	22,5°
9	20°
10	18°

Для фігур, не показаних в таблиці, використовуйте наступну формулу: 180° поділене на кількість сторін дорівнює куту скосу (якщо матеріал розрізаний вертикально) або нахилу (якщо матеріал розрізаний, лежачи на поверхні плоско).

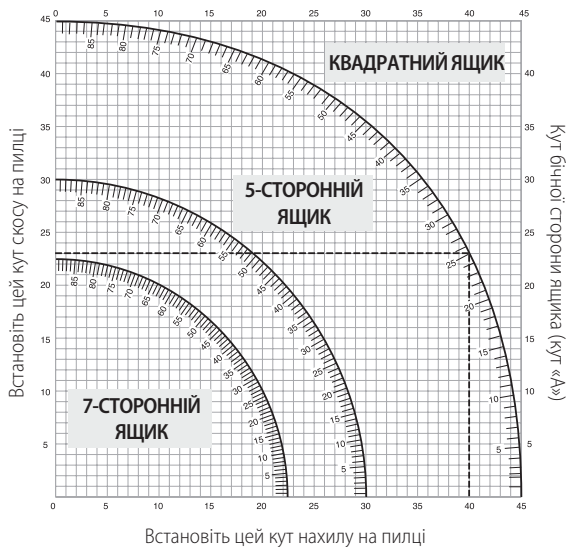
Комбіноване різання (рис. S)

Комбіноване різання – це коли і кут скосу, і кут нахилу не дорівнюють нулю. Такі розрізи потрібно виконувати при виготовленні рам або ящиків з похилими стінками, як показано на рисунку S.



ПОПЕРЕДЖЕННЯ! Якщо при роботі потрібно змінювати кути скосу і нахилу постійно, перевірте, щоб перед включенням пилки були надійно зафіксовані обидві фіксуючі ручки. Тобто потрібно надійно затягувати фіксуючі ручки після кожної зміни кута скосу або нахилу.

Діаграма, наведена нижче, допоможе обрати потрібні кути нахилу і різання, для найбільш розповсюджених виробів.



- Потрібно спочатку визначити потрібний кут «А» (рис. S) і відкласти на відповідній дузі діаграми.
- Від цієї точки необхідно провести пряму донизу, щоб отримати кут нахилу, і горизонтальну пряму, щоб отримати кут скосу.
- Встановіть отримані кути на пилці і зробіть кілька пробних відрізів. Перевірте результат, складаючи заготовки разом.

ПРИКЛАД: Щоб зробити 4-сторонній ящик з кутами нахилу сторін 26° (кут «А») (рис. S), використовуйте крайню праву дугу. Знайдіть 26° на шкалі дуги. Відкладіть горизонтальну пряму до будь-якої вертикальної осі і отримайте кут скосу пилки (42°). Аналогічно проведіть вертикальну пряму донизу або догори і отримайте кут нахилу пилки 18° . Завжди потрібно виконувати кілька пробних розрізів, щоб перевірити установки пилки.

Різання плінтусів (рис. J, T)

Щоб виконати прямі розрізи на 90° , розмістіть дерев'яну заготовку на напрямній і утримуйте її на місці, як показано на Рисунок Т. Увімкніть пилку, дайте їй набрати повну швидкість і плавно опустіть ріжучу головку в розріз.

Різання плінтусів висотою від 70 до 150 мм вертикально до напрямної (рис. J, T)

ПРИМІТКА. При вертикальному різанні плінтусів висотою від 70 до 150 мм до напрямної скористайтесь важелем блокування засувки **59**, як показано на рис. J.

Розмістіть матеріал, як показано на рисунку Т.

Всі розрізи слід виконувати з задньої сторони плінтуса до напрямної і з нижньої сторони плінтуса до столу.

	Внутрішній кут	Зовнішній кут
Ліва сторона	Скіс зліва 45° Збережіть ліву сторону розрізу	Скіс справа 45° Збережіть ліву сторону розрізу
Права сторона	Скіс справа 45° Збережіть праву сторону розрізу	Скіс зліва 45° Збережіть праву сторону розрізу

Матеріал до 150 мм можна різати, як описано вище.

Вирізання карнизів (рис. A1, U1, U2)

Ваша торцювальна пилка добре підходить для різання карнизів. Для того, щоб правильно підігнати карниз, необхідно виконати комбінування з високою точністю.

Ваша торцювальна пилка має спеціальні встановлені точки фіксації під кутом $22,5^\circ$, $31,6^\circ$ та $35,3^\circ$ зліва і справа для різання карнизів під потрібним кутом та затиски для фіксації нахилу під кутом $22,5^\circ$ та 30°

зліва і справа. На шкалі нахилу також є відмітка **10** $33,9^\circ$. На наведеній нижче таблиці показані правильні налаштування для різання карнизів.

ПРИМІТКА. Дуже важливо провести попереднє тестування з використанням відходів!

Інструкція з різання карнизів при укладанні на плоску поверхню і використання властивостей комбінування (рис. U1)

1. Форма має лежати плоско, широкою задньою поверхнею вниз на пильному столі **17**.
2. Розташуйте верх форми до напрямної **13**.
3. Нижче наведені налаштування для вирізання карнизів під кутом 45° .

	Внутрішній кут	Зовнішній кут
Ліва сторона	Нахил зліва 30° Стіл скосу встановити справа на $35,26^\circ$ Збережіть лівий кінець розрізу	Нахил справа 30° Стіл скосу встановити зліва на $35,26^\circ$ Збережіть лівий кінець розрізу
Права сторона	Нахил справа 30° Стіл скосу встановити зліва на $35,26^\circ$ Збережіть правий кінець розрізу	Нахил зліва 30° Стіл скосу встановити справа на $35,26^\circ$ Збережіть правий кінець розрізу

4. Налаштування нижче призначені для карнизів із верхніми кутами 52° і нижніми – 38° .

	Внутрішній кут	Зовнішній кут
Ліва сторона	Нахил зліва $33,9^\circ$ Стіл скосу встановити справа на $31,62^\circ$ Збережіть лівий кінець розрізу	Нахил справа $33,9^\circ$ Стіл скосу встановити зліва на $31,62^\circ$ Збережіть лівий кінець розрізу
Права сторона	Нахил справа $33,9^\circ$ Стіл скосу встановити зліва на $31,62^\circ$ Збережіть правий кінець розрізу	Нахил зліва $33,9^\circ$ Стіл скосу встановити справа на $31,62^\circ$ Збережіть правий кінець розрізу

Альтернативний метод різання карнизів

Різання карнизів цим методом не вимагає різання фасок. Незначні зміни кута скосу можна виконувати без впливу на кут нахилу. При виявленні кутів, відмінних від 90° , пилку можна швидко і легко підігнати під них

Інструкція з різання карнизів під кутом між напрямною і столом пилки для всіх розрізів (рис. U2)

1. Нахиліть форму так, щоб нижня частина форми (частина якої спрямована до стіни при установці) була спрямована до напрямної **13**, а верхня частина – спиралася на стіл пилки **17**.
2. Похилі «площини» на задній стороні форми мають бути розташовані прямо на напрямній і столі пилки.

	Внутрішній кут	Зовнішній кут
Ліва сторона	Скіс справа 45° Збережіть праву сторону розрізу	Скіс зліва 45° Збережіть праву сторону розрізу
Права сторона	Скіс зліва 45° Збережіть ліву сторону розрізу	Скіс справа 45° Збережіть ліву сторону розрізу

Спеціальні розрізи

ПОПЕРЕДЖЕННЯ! Ніколи не розрізуйте матеріал, не виконавши фіксацію матеріалу до столу та до напрямної.

Різання алюмінію (рис. V1, V2)

ЗАВЖДИ ВИКОРИСТОВУЙТЕ ВІДПОВІДНИЙ ДИСК ПИЛКИ, ВИГОТОВЛЕНИЙ СПЕЦІАЛЬНО ДЛЯ РІЗАННЯ АЛЮМІНІЮ.

Для деяких заготовок може знадобитись використання затиску або пристосування для запобігання переміщенню під час різання. Розташуйте матеріал так, щоб розрізати найтонший поперечний перетин, як показано на рисунку V1. На рисунку V2 показаний неправильний спосіб розрізання цих профілів.

При різанні алюмінію використовуйте воскову мастильно-охолоджуючу рідину. Нанесіть віск безпосередньо на пильний диск **45** перед початком різання. Ніколи не наносіть віск на лезо під час обертання.

Віск забезпечує належне змащення і запобігає прилипанню стружки до леза.

Зігнутий матеріал (рис. W1, W2)

При різанні зігнутого матеріалу завжди розташуйте його так, як показано на рисунку W1, а не так, як показано на рисунку W2. Неправильне розташування матеріалу може призвести до заїдання диска.

Розрізання пластикових труб або інших круглих матеріалів

Пластикові труби можна легко розрізати вашою пилкою. Їх слід різати так само, як дерево, і **МІЦНО ПРИТІСКАТИ АБО ЗАКРІПЛЮВАТИ ДО НАПРЯМНОЇ, ЩОБ ЗАПОБІГТИ ЇХ СКОЧУВАННЮ**. Це особливо важливо при виконанні розрізів під кутом.

Різання великого матеріалу (рис. X)

Час від часу вам може попасти шматок дерева, занадто великий, щоб розташувати його під нижнім захисним кожухом. В цьому випадку помістіть великий палець правої руки на верхню сторону кожуха 1 і поверніть його вгору, щоб очистити заготовку, як показано на рисунку X. Уникайте цього наскільки це можливо, але при необхідності пилка працюватиме належним чином і виконає більший розріз. **НІКОЛИ НЕ ПРИВ'ЯЗУЙТЕ, НЕ ПРИКЛЕЙТЕ ТА НЕ ФІКСУЙТЕ ЗАХИСНИЙ КОЖУХ ІНШИМ ЧИНОМ ПРИ РОБОТІ З ПИЛКОЮ.**

ТЕХНІЧНЕ ОБСЛУГОВУВАННЯ

Ваш електричний інструмент призначений для роботи протягом довгого часу з мінімальним обслуговуванням. Довга задовільна робота приладу залежить від належного обслуговування приладу та регулярного його очищення.



ПОПЕРЕДЖЕННЯ: Щоб знизити ризик серйозних травм, вимкніть інструмент та відключіть його від мережі живлення перед виконанням будь-яких налаштувань або зніманням/встановленням насадок або приладдя. Випадковий запуск може призвести до травм.



Змащування

Ваш електричний інструмент не вимагає додаткового змащування.



Очищення



ПОПЕРЕДЖЕННЯ: Коли пил та бруд стають помітними та починають накопичуватися біля вентиляційних отворів, видавайте бруд та пил зсередини основного корпусу за допомогою сухого повітря. Використовуйте рекомендовані засоби захисту органів зору та рекомендовану протипилову маску при виконанні цієї операції.



ПОПЕРЕДЖЕННЯ: Ніколи не використовуйте розчинники та інші агресивні хімічні засоби для очищення неметалевих деталей інструмента. Такі хімічні речовини можуть нанести шкоду матеріалам, що використовуються в цих деталях. Використовуйте вологу ганчірку, змочену лише водою з м'яким милом. Не дозволяйте рідині потрапляти всередину інструмента та ніколи не занурюйте деталі інструмента в рідину.

Перед використанням ретельно перевірте верхній кожух, нижній кожух і отвір пилососа, щоб переконатися, що вони будуть працювати правильно. Переконайтесь, що стружки, пил та частинки заготовки не призведуть до погіршення роботи пилки.

Якщо фрагменти заготовки (обрізки) потрапляють між пильним диском та захисним кожухом, відключіть пристрій від мережі живлення та виконайте інструкції, наведені в розділі **Зміна або встановлення**

нового пильного диска. Видаліть фрагменти та знов встановіть пильний диск.

Періодично очищайте весь пил та деревну стружку навколо та ПІД основним столом та роторним столом.

Очищення робочого освітлення

- Ретельно очистіть лінзи робочого освітлення від тирси і сміття за допомогою ватного тампона. Скупчення пилу може заблокувати робоче освітлення і перешкоджати точному відображенню лінії розрізу.
- НЕ використовуйте розчинники будь-якого типу; вони можуть пошкодити лінзу.
- Зніміть з пилки диск та очистіть його від смоли і налипання.

Очищення отвору пилососа

Після відключення пилки від мережі і повного підняття ріжучої головки для видалення пилу з отвору пилососа можна використовувати повітря під низьким тиском або штифт великого діаметру.

Додаткові аксесуари



ПОПЕРЕДЖЕННЯ: Оскільки інше приладдя, що не зазначене виробником DEWALT, не перевірялося з цим пристроєм, його використання з інструментом може бути небезпечним. Необхідно використовувати лише рекомендовані DEWALT приладдя з цим пристроєм, щоб знизити ризик отримання травми.

Зверніться до свого дилера для отримання подальшої інформації щодо відповідного приладдя.

Струбцина: DW7090-XJ (рис. B)

Струбцина 37 використовується для міцного затиснення заготовки до столу пилки.

Струбцини швидкого відпускання: DWS5026-XJ

Пилозбірник: DW7053-QZ (рис. C)

Пилозбірник 38 збирає більшість тирси, що утворюється у процесі різання, та має застібку блискавку для спорожнення.

Ніжки: DE7023-XJ, DE7033-XJ (рис. D)

Ніжки 39 використовуються для збільшення ширини столу пилки.

Кронштейни струбцини: DE7025-XJ (рис. E)

Кронштейни струбцини: 40 використовуються для монтажу пилки на підставці.

ПИЛЬНІ ДИСКИ: СЛІД ВИКОРИСТОВУВАТИ ПИЛЬНІ ДИСКИ ДІАМЕТРОМ 250 мм З ОТВОРОМ ДЛЯ ВАЛУ 30 мм. ДОПУСТИМА ШВИДКІСТЬ ОБЕРТАННЯ ДИСКУ МАЄ СТАНОВИТИ НЕ МЕНШ 4000 ОБ/ХВ. Використання дисків меншого діаметру заборонено. Захисний кожух пилки не забезпечує належний захист для менших дисків. Слід використовувати лише диски для поперечного різання! Забороняється застосовувати диски для поздовжнього різання, комбіновані диски та диски с переднім кутом зубів більше 5°.

ПАРАМЕТРИ ДИСКІВ

ЗАСТОСУВАННЯ	ДІАМЕТР	КІЛЬКІСТЬ ЗУБІВ
Диски для будівельних робіт (тонкий проріз за антипригарним ободом)		
Загального використання	250 мм	40
Для тонкого відрізу	250 мм	60
Диски для столярних робіт (забезпечують рівний та гладкий відріз)		
Для тонкого відрізу	250 мм	80
Для кольорових металів	250 мм	96

Захист навколишнього середовища



Роздільний збір. Пристрої позначені цим символом, не можна викидати зі звичайним побутовим сміттям.

Пристрої містять матеріали, які можна відновити та переробити, що зменшить потребу у сировині. Утилізуйте електротехнічну продукцію відповідно до місцевих положень. Більш детальну інформацію можна отримати на сайті www.2helpU.com.



Виробник:
"Stanley Black & Decker Deutschland
GmbH" Black-&-Decker Str.40, D-65510
Idstein, Німеччина

ОФИЦИАЛЬНЫЙ ДИЛЕР В УКРАИНЕ:

storgom.ua

ГРАФИК РАБОТЫ:

Пн. – Пт.: с 8:30 по 18:30

Сб.: с 09:00 по 16:00

Вс.: с 10:00 по 16:00

КОНТАКТЫ:

+38 (044) 360-46-77

+38 (066) 77-395-77

+38 (097) 77-236-77

+38 (093) 360-46-77

Детальное описание товара:

<https://storgom.ua/product/pila-torcovohnaya-setevaya-dewalt-dws727.html>

Другие товары: <https://storgom.ua/setevye-torcovohnye-pily.html>