

DEWALT®

XR LI-ION

www.DEWALT.com

DCS571

ENGLISH

English (*original instructions*) 4

Русский (*перевод с оригинала инструкции*) 15

Українська (*переклад з оригінальної інструкції*) 31

Fig. A

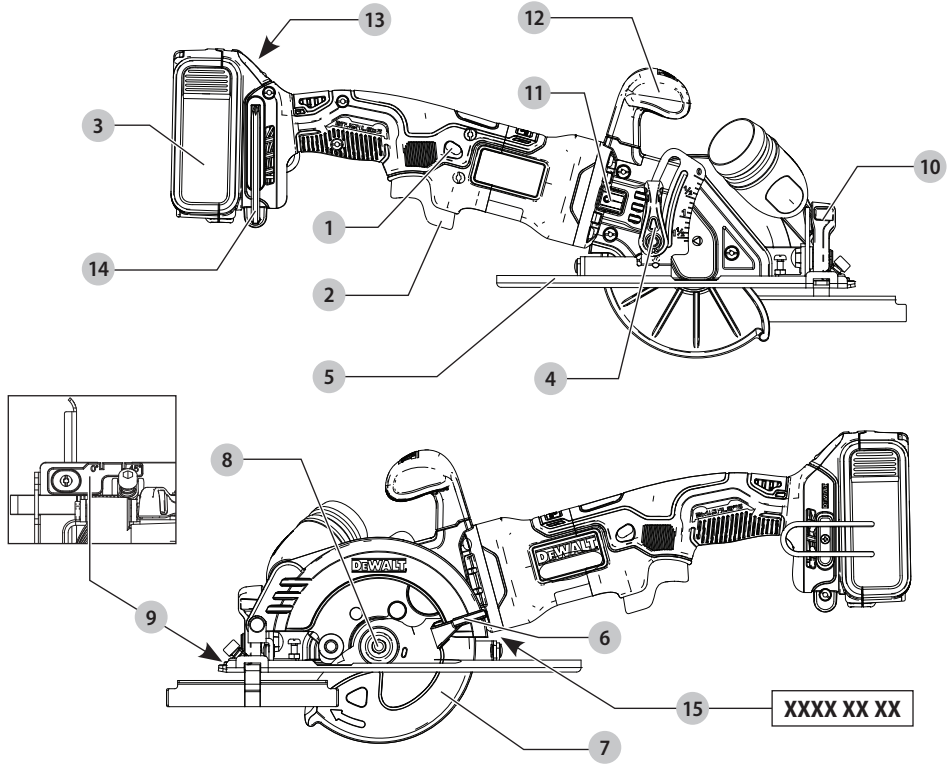


Fig. B

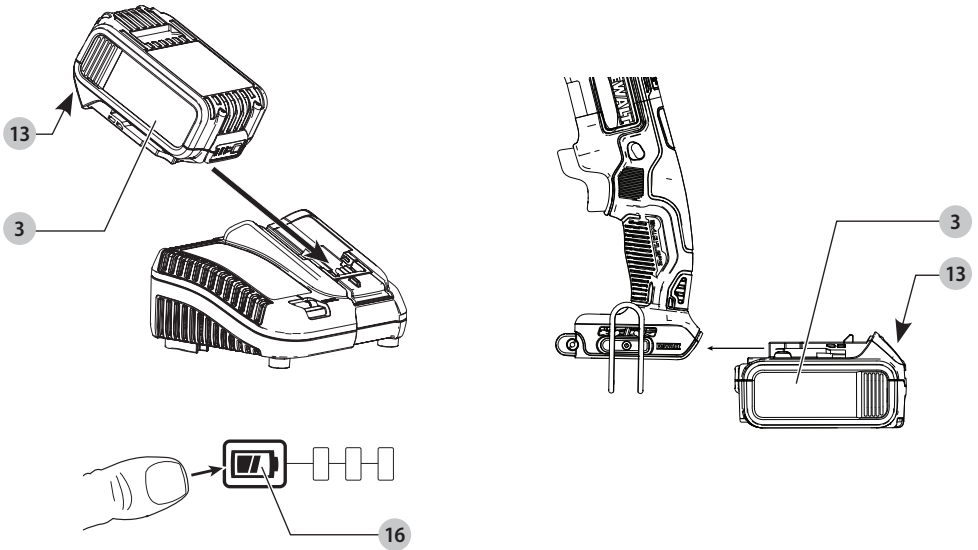


Fig. C

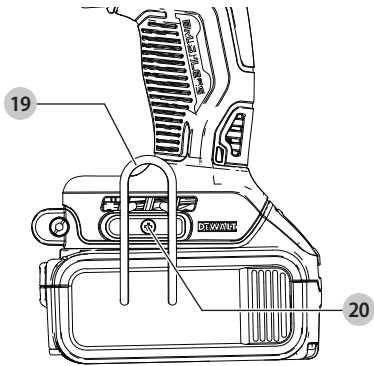


Fig. D

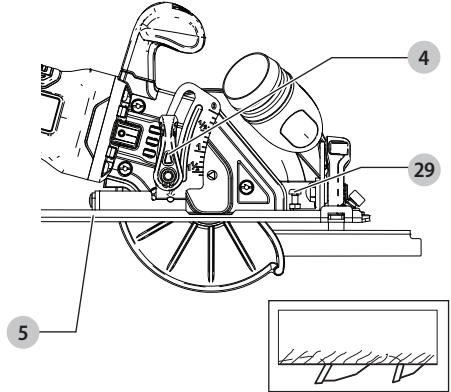


Fig. E

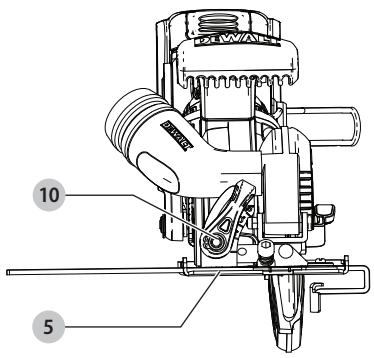


Fig. F

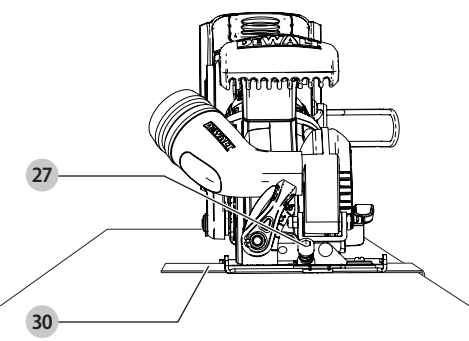


Fig. G

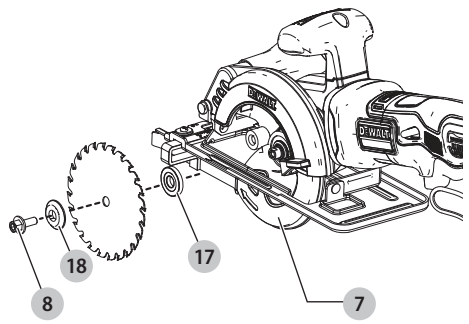


Fig. H

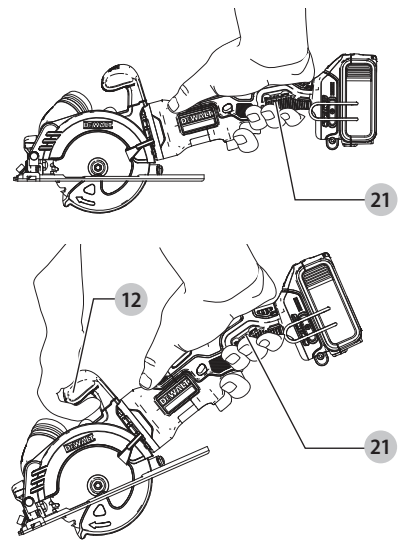


Fig. I

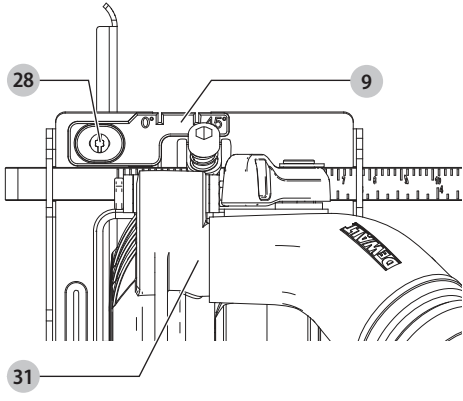


Fig. J

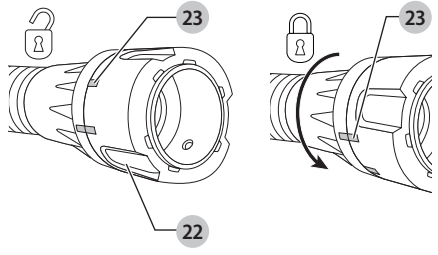


Fig. K

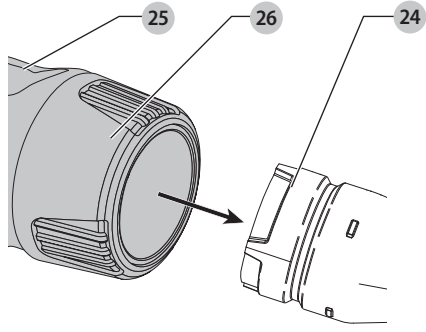


Fig. L

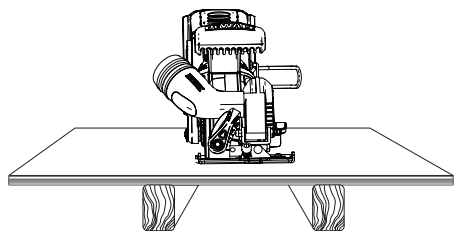
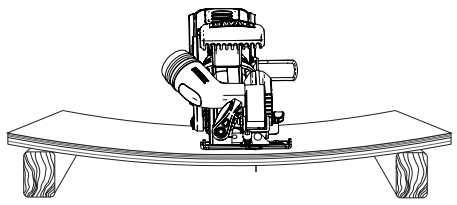


Fig. M



115 mm CIRCULAR SAW

DCS571

Congratulations!

You have chosen a DEWALT tool. Years of experience, thorough product development and innovation make DEWALT one of the most reliable partners for professional power tool users.

Technical Data

| DCS571 | | |
|--|-------------------|--------|
| Voltage | V_{DC} | 18 |
| Type | | 1 |
| Battery type | | Li-Ion |
| No-load speed | min^{-1} | 4500 |
| Blade diameter | mm | 115 |
| Maximum depth of cut | mm | 39.5 |
| Blade bore | mm | 9.5 |
| Bevel angle adjustment | | 0°–45° |
| Weight (without battery pack) | kg | 2.5 |
| Noise values and/or vibration values (tri-ax vector sum) according to EN62841-2-5: | | |
| L_{PA} (emission sound pressure level) | dB(A) | 91 |
| L_{WA} (sound power level) | dB(A) | 102 |
| K (uncertainty for the given sound level) | dB(A) | 3 |
| Vibration emission value a_{H1} = | m/s^2 | < 2.5 |
| Uncertainty K = | m/s^2 | 1.5 |

The vibration and/or noise emission level given in this information sheet has been measured in accordance with a standardised test given in EN62841 and may be used to compare one tool with another. It may be used for a preliminary assessment of exposure.



WARNING: The declared vibration and/or noise emission level represents the main applications of the tool. However if the tool is used for different applications, with different accessories or poorly maintained, the vibration and/or noise emission may differ. This may significantly increase the exposure level over the total working period.

An estimation of the level of exposure to vibration and/or noise should also take into account the times when the tool is switched off or when it is running but not actually doing the job. This may significantly reduce the exposure level over the total working period.

Identify additional safety measures to protect the operator from the effects of vibration and/or noise such as: maintain the tool and the accessories, keep the hands warm (relevant for vibration), organisation of work patterns.

EC-Declaration of Conformity

Machinery Directive



115 mm Circular Saw DCS571

DEWALT declares that these products described under **Technical Data** are in compliance with: 2006/42/EC, EN62841-1:2015, EN62841-2-5:2014.

These products also comply with Directive 2014/30/EU and 2011/65/EU. For more information, please contact DEWALT at the following address or refer to the back of the manual.

The undersigned is responsible for compilation of the technical file and makes this declaration on behalf of DEWALT.

Markus Rompel

Vice-President Engineering, PTE-Europe
DEWALT, Richard-Klinger-Straße 11,
D-65510, Idstein, Germany
25.10.2019



WARNING: To reduce the risk of injury, read the instruction manual.

Definitions: Safety Guidelines

The definitions below describe the level of severity for each signal word. Please read the manual and pay attention to these symbols.



DANGER: Indicates an imminently hazardous situation which, if not avoided, **will** result in **death or serious injury**.



WARNING: Indicates a potentially hazardous situation which, if not avoided, **could** result in **death or serious injury**.



CAUTION: Indicates a potentially hazardous situation which, if not avoided, **may** result in **minor or moderate injury**.

NOTICE: Indicates a practice **not related to personal injury** which, if not avoided, **may** result in **property damage**.



Denotes risk of electric shock.



Denotes risk of fire.

| Batteries | | | | Chargers/Charge Times (Minutes) | | | | | | | |
|-----------|-----------------|----------|-------------|---------------------------------|--------|--------|--------|--------|---------|--------|--------|
| Cat # | V _{DC} | Ah | Weight (kg) | DCB104 | DCB107 | DCB112 | DCB113 | DCB115 | DCB118 | DCB132 | DCB119 |
| DCB546 | 18/54 | 6.0/2.0 | 1.05 | 60 | 270 | 170 | 140 | 90 | 60 | 90 | X |
| DCB547 | 18/54 | 9.0/3.0 | 1.46 | 75* | 420 | 270 | 220 | 135* | 75* | 135* | X |
| DCB548 | 18/54 | 12.0/4.0 | 1.44 | 120 | 540 | 350 | 300 | 180 | 120 | 180 | X |
| DCB181 | 18 | 1.5 | 0.35 | 22 | 70 | 45 | 35 | 22 | 22 | 22 | 45 |
| DCB182 | 18 | 4.0 | 0.61 | 60/40** | 185 | 120 | 100 | 60 | 60/40** | 60 | 120 |
| DCB183/B | 18 | 2.0 | 0.40 | 30 | 90 | 60 | 50 | 30 | 30 | 30 | 60 |
| DCB184/B | 18 | 5.0 | 0.62 | 75/50** | 240 | 150 | 120 | 75 | 75/50** | 75 | 150 |
| DCB185 | 18 | 1.3 | 0.35 | 22 | 60 | 40 | 30 | 22 | 22 | 22 | X |
| DCB187 | 18 | 3.0 | 0.54 | 45 | 140 | 90 | 70 | 45 | 45 | 45 | 90 |
| DCB189 | 18 | 4.0 | 0.54 | 60 | 185 | 120 | 100 | 60 | 60 | 60 | 120 |

*Date code 201811475B or later

**Date code 201536 or later

GENERAL POWER TOOL SAFETY WARNINGS



WARNING: Read all safety warnings, instructions, illustrations and specifications provided with this power tool. Failure to follow all instructions listed below may result in electric shock, fire and/or serious injury.

SAVE ALL WARNINGS AND INSTRUCTIONS FOR FUTURE REFERENCE

The term "power tool" in the warnings refers to your mains-operated (corded) power tool or battery-operated (cordless) power tool.

1) Work Area Safety

- Keep work area clean and well lit.** Cluttered or dark areas invite accidents.
- Do not operate power tools in explosive atmospheres, such as in the presence of flammable liquids, gases or dust.** Power tools create sparks which may ignite the dust or fumes.
- Keep children and bystanders away while operating a power tool.** Distractions can cause you to lose control.

2) Electrical Safety

- Power tool plugs must match the outlet. Never modify the plug in any way. Do not use any adapter plugs with earthed (grounded) power tools.** Unmodified plugs and matching outlets will reduce risk of electric shock.
- Avoid body contact with earthed or grounded surfaces, such as pipes, radiators, ranges and refrigerators.** There is an increased risk of electric shock if your body is earthed or grounded.
- Do not expose power tools to rain or wet conditions.** Water entering a power tool will increase the risk of electric shock.
- Do not abuse the cord. Never use the cord for carrying, pulling or unplugging the power tool. Keep cord away from heat, oil, sharp edges or moving parts.** Damaged or entangled cords increase the risk of electric shock.

- When operating a power tool outdoors, use an extension cord suitable for outdoor use.** Use of a cord suitable for outdoor use reduces the risk of electric shock.
- If operating a power tool in a damp location is unavoidable, use a residual current device (RCD) protected supply.** Use of an RCD reduces the risk of electric shock.

3) Personal Safety

- Stay alert, watch what you are doing and use common sense when operating a power tool. Do not use a power tool while you are tired or under the influence of drugs, alcohol or medication.** A moment of inattention while operating power tools may result in serious personal injury.
- Use personal protective equipment. Always wear eye protection.** Protective equipment such as a dust mask, non-skid safety shoes, hard hat or hearing protection used for appropriate conditions will reduce personal injuries.
- Prevent unintentional starting. Ensure the switch is in the off-position before connecting to power source and/or battery pack, picking up or carrying the tool.** Carrying power tools with your finger on the switch or energising power tools that have the switch on invites accidents.
- Remove any adjusting key or wrench before turning the power tool on.** A wrench or a key left attached to a rotating part of the power tool may result in personal injury.
- Do not overreach. Keep proper footing and balance at all times.** This enables better control of the power tool in unexpected situations.
- Dress properly. Do not wear loose clothing or jewellery. Keep your hair and clothing away from moving parts.** Loose clothes, jewellery or long hair can be caught in moving parts.
- If devices are provided for the connection of dust extraction and collection facilities, ensure these are connected and properly used.** Use of dust collection can reduce dust-related hazards.

- h) **Do not let familiarity gained from frequent use of tools allow you to become complacent and ignore tool safety principles.** A careless action can cause severe injury within a fraction of a second.

4) Power Tool Use and Care

- a) **Do not force the power tool. Use the correct power tool for your application.** The correct power tool will do the job better and safer at the rate for which it was designed.
- b) **Do not use the power tool if the switch does not turn it on and off.** Any power tool that cannot be controlled with the switch is dangerous and must be repaired.
- c) **Disconnect the plug from the power source and/or remove the battery pack, if detachable, from the power tool before making any adjustments, changing accessories, or storing power tools.** Such preventive safety measures reduce the risk of starting the power tool accidentally.
- d) **Store idle power tools out of the reach of children and do not allow persons unfamiliar with the power tool or these instructions to operate the power tool.** Power tools are dangerous in the hands of untrained users.
- e) **Maintain power tools and accessories. Check for misalignment or binding of moving parts, breakage of parts and any other condition that may affect the power tool's operation. If damaged, have the power tool repaired before use.** Many accidents are caused by poorly maintained power tools.
- f) **Keep cutting tools sharp and clean.** Properly maintained cutting tools with sharp cutting edges are less likely to bind and are easier to control.
- g) **Use the power tool, accessories and tool bits etc. in accordance with these instructions, taking into account the working conditions and the work to be performed.** Use of the power tool for operations different from those intended could result in a hazardous situation.
- h) **Keep handles and grasping surfaces dry, clean and free from oil and grease.** Slippery handles and grasping surfaces do not allow for safe handling and control of the tool in unexpected situations.

5) Battery Tool Use and Care

- a) **Recharge only with the charger specified by the manufacturer.** A charger that is suitable for one type of battery pack may create a risk of fire when used with another battery pack.
- b) **Use power tools only with specifically designated battery packs.** Use of any other battery packs may create a risk of injury and fire.
- c) **When battery pack is not in use, keep it away from other metal objects, like paper clips, coins, keys, nails, screws or other small metal objects, that can make a connection from one terminal to another.** Shorting the battery terminals together may cause burns or a fire.
- d) **Under abusive conditions, liquid may be ejected from the battery; avoid contact. If contact accidentally occurs, flush with water. If liquid**

contacts eyes, additionally seek medical help. Liquid ejected from the battery may cause irritation or burns.

- e) **Do not use a battery pack or tool that is damaged or modified.** Damaged or modified batteries may exhibit unpredictable behaviour resulting in fire, explosion or risk of injury.
- f) **Do not expose a battery pack or tool to fire or excessive temperature.** Exposure to fire or temperature above 130 °C may cause explosion.
- g) **Follow all charging instructions and do not charge the battery pack or tool outside the temperature range specified in the instructions.** Charging improperly or at temperatures outside the specified range may damage the battery and increase the risk of fire.

6) Service

- a) **Have your power tool serviced by a qualified repair person using only identical replacement parts.** This will ensure that the safety of the power tool is maintained.
- b) **Never service damaged battery packs.** Service of battery packs should only be performed by the manufacturer or authorized service providers.

Safety Instructions for All Saws

Cutting Procedures

- a) **⚠ DANGER: Keep hands away from cutting area and the blade. Keep your second hand on auxiliary handle, or motor housing.** If both hands are holding the saw, they cannot be cut by the blade.
- b) **Do not reach underneath the workpiece.** The guard cannot protect you from the blade below the workpiece.
- c) **Adjust the cutting depth to the thickness of the workpiece.** Less than a full tooth of the blade teeth should be visible below the workpiece.
- d) **Never hold the workpiece in your hands or across your leg while cutting. Secure the workpiece to a stable platform.** It is important to support the work properly to minimise body exposure, blade binding, or loss of control.
- e) **Hold the power tool by insulated gripping surfaces, when performing an operation where the cutting tool may contact hidden wiring.** Contact with a "live" wire will also make exposed metal parts of the power tool "live" and could give the operator an electric shock.
- f) **When ripping always use a rip fence or straight edge guide.** This improves the accuracy of cut and reduces the chance of blade binding.
- g) **Always use blades with correct size and shape (diamond versus round) of arbour holes.** Blades that do not match the mounting hardware of the saw will run eccentrically, causing loss of control.
- h) **Never use damaged or incorrect blade washers or bolt.** The blade washers and bolt were specially designed for your saw, for optimum performance and safety of operation.

FURTHER SAFETY INSTRUCTIONS FOR ALL SAWS

Kickback Causes and Related Warnings

- *Kickback is a sudden reaction to a pinched, jammed or misaligned saw blade, causing an uncontrolled saw to lift up and out of the workpiece toward the operator;*
- *When the blade is pinched or jammed tightly by the kerf closing down, the blade stalls and the motor reaction drives the unit rapidly back toward the operator;*
- *If the blade becomes twisted or misaligned in the cut, the teeth at the back edge of the blade can dig into the top surface of the wood causing the blade to climb out of the kerf and jump back toward the operator.*

Kickback is the result of saw misuse and/or incorrect operating procedures or conditions and can be avoided by taking proper precautions as given below:

- Maintain a firm grip with both hands on the saw and position your arms to resist kickback forces. Position your body to either side of the blade, but not in line with the blade.** *Kickback could cause the saw to jump backwards, but kickback forces can be controlled by the operator, if proper precautions are taken.*
- When blade is binding, or when interrupting a cut for any reason, release the trigger and hold the saw motionless in the material until the blade comes to a complete stop. Never attempt to remove the saw from the work or pull the saw backward while the blade is in motion or kickback may occur.** *Investigate and take corrective actions to eliminate the cause of blade binding.*
- When restarting a saw in the workpiece, centre the saw blade in the kerf so that the saw teeth are not engaged into the material.** *If saw blade binds, it may walk up or kickback from the workpiece as the saw is restarted.*
- Support large panels to minimise the risk of blade pinching and kickback. Large panels tend to sag under their own weight.** *Supports must be placed under the panel on both sides, near the line of cut and near the edge of the panel.*
- Do not use dull or damaged blades.** *Unsharpened or improperly set blades produce narrow kerf causing excessive friction, blade binding and kickback.*
- Blade depth and bevel adjusting locking levers must be tight and secure before making cut.** *If blade adjustment shifts while cutting, it may cause binding and kickback.*
- Use extra caution when sawing into existing walls or other blind areas.** *The protruding blade may cut objects that can cause kickback.*

SAFETY INSTRUCTIONS FOR SAWS WITH A PENDULUM BLADE GUARD

Lower Guard Function

- Check the lower guard for proper closing before each use. Do not operate the saw if the lower guard does not move freely and close instantly. Never clamp or tie the lower guard into the open position. If the saw is accidentally dropped, the lower guard may be bent.** *Raise the lower guard with the retracting handle and make sure it moves freely and does not touch the blade or any other part, in all angles and depths of cut.*
- Check the operation of the lower guard spring. If the guard and the spring are not operating properly, they must be serviced before use.** *Lower guard may operate sluggishly due to damaged parts, gummy deposits, or a build-up of debris.*
- The lower guard may be retracted manually only for special cuts such as "plunge cuts" and "compound cuts". Raise the lower guard by retracting handle and as soon as blade enters the material, the lower guard must be released.** *For all other sawing, the lower guard should operate automatically.*
- Always observe that the lower guard is covering the blade before placing the saw down on bench or floor. An unprotected, coasting blade will cause the saw to walk backwards, cutting whatever is in its path.** *Be aware of the time it takes for the blade to stop after switch is released.*

Additional Safety Instructions for Circular Saws

- **Wear ear protectors.** *Exposure to noise can cause hearing loss.*
- **Wear a dust mask.** *Exposure to dust particles can cause breathing difficulty and possible injury.*
- **Do not use blades of larger or smaller diameter than recommended.** *For the proper blade rating refer to the Technical Data. Use only the blades specified in this manual, complying with EN 847-1.*
- **Use only saw blades that are marked with a speed equal or higher than the speed marked on the tool.**
- **Avoid overheating of blade tips.**
- **Install the dust extraction port onto the saw before use.**
- **Never use abrasive cut-off wheels.**
- **Do not use water feed attachments.**
- **Use clamps or another practical way to secure and support the workpiece to a stable platform.** *Holding the work by hand or against your body leaves it unstable and may lead to loss of control.*

Residual Risks

In spite of the application of the relevant safety regulations and the implementation of safety devices, certain residual risks cannot be avoided. These are:

- Impairment of hearing.
- Risk of personal injury due to flying particles.
- Risk of burns due to accessories becoming hot during operation.
- Risk of personal injury due to prolonged use.

SAVE THESE INSTRUCTIONS

Chargers

DEWALT chargers require no adjustment and are designed to be as easy as possible to operate.

Electrical Safety

The electric motor has been designed for one voltage only. Always check that the battery pack voltage corresponds to the voltage on the rating plate. Also make sure that the voltage of your charger corresponds to that of your mains.



Your DEWALT charger is double insulated in accordance with EN60335; therefore no earth wire is required.

If the supply cord is damaged, it must be replaced by a specially prepared cord available through the DEWALT service organisation.

Mains Plug Replacement (U.K. & Ireland Only)

If a new mains plug needs to be fitted:

- Safely dispose of the old plug.
- Connect the brown lead to the live terminal in the plug.
- Connect the blue lead to the neutral terminal.



WARNING: No connection is to be made to the earth terminal.

Follow the fitting instructions supplied with good quality plugs. Recommended fuse: 3 A.

Using an Extension Cable

An extension cord should not be used unless absolutely necessary. Use an approved extension cable suitable for the power input of your charger (see **Technical Data**). The minimum conductor size is 1 mm²; the maximum length is 30 m.

When using a cable reel, always unwind the cable completely.

Important Safety Instructions for All Battery Chargers

SAVE THESE INSTRUCTIONS: This manual contains important safety and operating instructions for compatible battery chargers (refer to **Technical Data**).

- Before using charger, read all instructions and cautionary markings on charger, battery pack, and product using battery pack.



WARNING: Shock hazard. Do not allow any liquid to get inside charger. Electric shock may result.



WARNING: We recommend the use of a residual current device with a residual current rating of 30mA or less.



CAUTION: Burn hazard. To reduce the risk of injury, charge only DEWALT rechargeable batteries. Other types of batteries may burst causing personal injury and damage.



CAUTION: Children should be supervised to ensure that they do not play with the appliance.

NOTICE: Under certain conditions, with the charger plugged into the power supply, the exposed charging contacts inside the charger can be shorted by foreign material. Foreign materials of a conductive nature such as, but not limited to, steel wool, aluminum foil or any buildup of metallic particles should be kept away from charger cavities. Always unplug the charger from the power supply when there is no battery pack in the cavity. Unplug charger before attempting to clean.

- **DO NOT attempt to charge the battery pack with any chargers other than the ones in this manual.** The charger and battery pack are specifically designed to work together.
- **These chargers are not intended for any uses other than charging DEWALT rechargeable batteries.** Any other uses may result in risk of fire, electric shock or electrocution.
- **Do not expose charger to rain or snow.**
- **Pull by plug rather than cord when disconnecting charger.** This will reduce risk of damage to electric plug and cord.
- **Make sure that cord is located so that it will not be stepped on, tripped over, or otherwise subjected to damage or stress.**
- **Do not use an extension cord unless it is absolutely necessary.** Use of improper extension cord could result in risk of fire, electric shock, or electrocution.
- **Do not place any object on top of charger or place the charger on a soft surface that might block the ventilation slots and result in excessive internal heat.** Place the charger in a position away from any heat source. The charger is ventilated through slots in the top and the bottom of the housing.
- **Do not operate charger with damaged cord or plug—** have them replaced immediately.
- **Do not operate charger if it has received a sharp blow, been dropped, or otherwise damaged in any way.** Take it to an authorised service centre.
- **Do not disassemble charger; take it to an authorised service centre when service or repair is required.** Incorrect reassembly may result in a risk of electric shock, electrocution or fire.
- **In case of damaged power supply cord, the supply cord must be replaced immediately by the manufacturer, its service agent or similar qualified person to prevent any hazard.**
- **Disconnect the charger from the outlet before attempting any cleaning. This will reduce the risk of electric shock.** Removing the battery pack will not reduce this risk.
- **NEVER attempt to connect two chargers together.**

- **The charger is designed to operate on standard 230V household electrical power. Do not attempt to use it on any other voltage.** This does not apply to the vehicular charger.







Charging a Battery (Fig. B)

1. Plug the charger into an appropriate outlet before inserting battery pack.
2. Insert the battery pack **3** into the charger, making sure the battery pack is fully seated in the charger. The red (charging) light will blink repeatedly indicating that the charging process has started.
3. The completion of charge will be indicated by the red light remaining ON continuously. The battery pack is fully charged and may be used at this time or left in the charger. To remove the battery pack from the charger, push the battery release button **13** on the battery pack.

NOTE: To ensure maximum performance and life of lithium-ion battery packs, charge the battery pack fully before first use.

Charger Operation

Refer to the indicators below for the charge status of the battery pack.

| Charge Indicators | |
|--|---|
|  Charging |  |
|  Fully Charged |  |
|  Hot/Cold Pack Delay* |  |

*The red light will continue to blink, but a yellow indicator light will be illuminated during this operation. Once the battery pack has reached an appropriate temperature, the yellow light will turn off and the charger will resume the charging procedure.

The compatible charger(s) will not charge a faulty battery pack. The charger will indicate faulty battery by refusing to light.

NOTE: This could also mean a problem with a charger.

If the charger indicates a problem, take the charger and battery pack to be tested at an authorised service centre.

Hot/Cold Pack Delay

When the charger detects a battery pack that is too hot or too cold, it automatically starts a Hot/Cold Pack Delay, suspending charging until the battery pack has reached an appropriate temperature. The charger then automatically switches to the pack charging mode. This feature ensures maximum battery pack life.

A cold battery pack will charge at a slower rate than a warm battery pack. The battery pack will charge at that slower rate throughout the entire charging cycle and will not return to maximum charge rate even if the battery pack warms.

Electronic Protection System

XR Li-Ion tools are designed with an Electronic Protection System that will protect the battery pack against overloading, overheating or deep discharge.

The tool will automatically turn off if the Electronic Protection System engages. If this occurs, place the lithium-ion battery pack on the charger until it is fully charged.

Wall Mounting

These chargers are designed to be wall mountable or to sit upright on a table or work surface. If wall mounting, locate the charger within reach of an electrical outlet, and away from a corner or other obstructions which may impede air flow. Use the back of the charger as a template for the location of the mounting screws on the wall. Mount the charger securely using drywall screws (purchased separately) at least 25.4 mm long with a screw head diameter of 7–9 mm, screwed into wood to an optimal depth leaving approximately 5.5 mm of the screw exposed. Align the slots on the back of the charger with the exposed screws and fully engage them in the slots.

Charger Cleaning Instructions



WARNING: Shock hazard. Disconnect the charger from the AC outlet before cleaning. Dirt and grease may be removed from the exterior of the charger using a cloth or soft non-metallic brush. Do not use water or any cleaning solutions. Never let any liquid get inside the tool; never immerse any part of the tool into a liquid.

Battery Packs

Important Safety Instructions for All Battery Packs

When ordering replacement battery packs, be sure to include catalogue number and voltage.

The battery pack is not fully charged out of the carton. Before using the battery pack and charger, read the safety instructions below. Then follow charging procedures outlined.

READ ALL INSTRUCTIONS

- **Do not charge or use battery in explosive atmospheres, such as in the presence of flammable liquids, gases or dust.** Inserting or removing the battery from the charger may ignite the dust or fumes.
- **Never force battery pack into charger. Do not modify battery pack in any way to fit into a non-compatible charger as battery pack may rupture causing serious personal injury.**
- Charge the battery packs only in DEWALT chargers.
- **DO NOT splash or immerse in water or other liquids.**
- **Do not store or use the tool and battery pack in locations where the temperature may fall below 4 °C (34 °F) (such as outside sheds or metal buildings in winter), or reach or exceed 40 °C (104 °F) (such as outside sheds or metal buildings in summer).**
- **Do not incinerate the battery pack even if it is severely damaged or is completely worn out.** The battery pack can explode in a fire. Toxic fumes and materials are created when lithium-ion battery packs are burned.
- **If battery contents come into contact with the skin, immediately wash area with mild soap and water.** If battery liquid gets into the eye, rinse water over the open eye

for 15 minutes or until irritation ceases. If medical attention is needed, the battery electrolyte is composed of a mixture of liquid organic carbonates and lithium salts.

- **Contents of opened battery cells may cause respiratory irritation.** Provide fresh air. If symptoms persists, seek medical attention.



WARNING: Burn hazard. Battery liquid may be flammable if exposed to spark or flame.



WARNING: Never attempt to open the battery pack for any reason. If battery pack case is cracked or damaged, do not insert into charger. Do not crush, drop or damage battery pack. Do not use a battery pack or charger that has received a sharp blow, been dropped, run over or damaged in any way (i.e., pierced with a nail, hit with a hammer, stepped on). Electric shock or electrocution may result. Damaged battery packs should be returned to service centre for recycling.



WARNING: Fire hazard. Do not store or carry the battery pack so that metal objects can contact exposed battery terminals. For example, do not place the battery pack in aprons, pockets, tool boxes, product kit boxes, drawers, etc., with loose nails, screws, keys, etc.



CAUTION: When not in use, place tool on its side on a stable surface where it will not cause a tripping or falling hazard. Some tools with large battery packs will stand upright on the battery pack but may be easily knocked over.

Transportation



WARNING: Fire hazard. Transporting batteries can possibly cause fire if the battery terminals inadvertently come in contact with conductive materials. When transporting batteries, make sure that the battery terminals are protected and well insulated from materials that could contact them and cause a short circuit. **NOTE:** Lithium-ion batteries should not be put in checked baggage.

DEWALT batteries comply with all applicable shipping regulations as prescribed by industry and legal standards which include UN Recommendations on the Transport of Dangerous Goods; International Air Transport Association (IATA) Dangerous Goods Regulations, International Maritime Dangerous Goods (IMDG) Regulations, and the European Agreement Concerning The International Carriage of Dangerous Goods by Road (ADR). Lithium-ion cells and batteries have been tested to section 38.3 of the UN Recommendations on the Transport of Dangerous Goods Manual of Tests and Criteria.

In most instances, shipping a DEWALT battery pack will be excepted from being classified as a fully regulated Class 9 Hazardous Material. In general, only shipments containing a lithium-ion battery with an energy rating greater than 100 Watt Hours (Wh) will require being shipped as fully regulated Class 9. All lithium-ion batteries have the Watt Hour rating marked on the pack. Furthermore, due to regulation complexities, DEWALT does not recommend air shipping lithium-ion battery packs alone regardless of Watt Hour rating. Shipments of tools with

batteries (combo kits) can be air shipped as excepted if the Watt Hour rating of the battery pack is no greater than 100 Wh.

Regardless of whether a shipment is considered excepted or fully regulated, it is the shipper's responsibility to consult the latest regulations for packaging, labeling/marketing and documentation requirements.

The information provided in this section of the manual is provided in good faith and believed to be accurate at the time the document was created. However, no warranty, expressed or implied, is given. It is the buyer's responsibility to ensure that its activities comply with the applicable regulations.

Storage Recommendations

1. The best storage place is one that is cool and dry away from direct sunlight and excess heat or cold. For optimum battery performance and life, store battery packs at room temperature when not in use.
2. For long storage, it is recommended to store a fully charged battery pack in a cool, dry place out of the charger for optimal results.

NOTE: Battery packs should not be stored completely depleted of charge. The battery pack will need to be recharged before use.

Labels on Charger and Battery Pack

In addition to the pictographs used in this manual, the labels on the charger and the battery pack may show the following pictographs:



Read instruction manual before use.



See **Technical Data** for charging time.



Do not probe with conductive objects.



Do not charge damaged battery packs.



Do not expose to water.



Have defective cords replaced immediately.



Charge only between 4 °C and 40 °C.



Only for indoor use.



Discard the battery pack with due care for the environment.

LI-ION



Charge DEWALT battery packs only with designated DEWALT chargers. Charging battery packs other than the designated DEWALT batteries with a DEWALT charger may make them burst or lead to other dangerous situations.



Do not incinerate the battery pack.

Battery Type

The following SKU(s) operate on a 18 volt battery pack: DCS571
These battery packs may be used: DCB181, DCB182, DCB183, DCB183B, DCB184, DCB184B, DCB185, DCB187, DCB189. Refer to **Technical Data** for more information.

Package Contents

The package contains:

- 1 Cordless circular saw
- 1 24-tooth blade
- 1 Hex key
- 1 Rip guide
- 1 Dust extraction port
- 1 Li-Ion battery pack (C1, D1, L1, M1, P1, S1, T1, X1, Y1 models)
- 2 Li-Ion battery packs (C2, D2, L2, M2, P2, S2, T2, X2, Y2 models)
- 3 Li-Ion battery packs (C3, D3, L3, M3, P3, S3, T3, X3, Y3 models)
- 1 Instruction manual

NOTE: Battery packs, chargers and kitboxes are not included with N models. Battery packs and chargers are not included with NT models. B models include Bluetooth® battery packs.

NOTE: The Bluetooth® word mark and logos are registered trademarks owned by the Bluetooth®, SIG, Inc. and any use of such marks by DEWALT is under license. Other trademarks and trade names are those of their respective owners.

- Check for damage to the tool, parts or accessories which may have occurred during transport.
- Take the time to thoroughly read and understand this manual prior to operation.

Markings on Tool

The following pictograms are shown on the tool:



Read instruction manual before use.



Wear ear protection.



Wear eye protection.

Date Code Position (Fig. A)

The date code **15**, which also includes the year of manufacture, is printed into the housing.

Example:

2020 XX XX
Year of Manufacture

Description (Fig. A)



WARNING: Never modify the power tool or any part of it. Damage or personal injury could result.

- | | |
|--------------------------------------|---------------------------|
| 1 Trigger switch lock-off button | 7 Lower blade guard |
| 2 Trigger switch | 8 Blade clamping screw |
| 3 Battery pack | 9 Kerf indicator |
| 4 Depth adjustment lever | 10 Bevel adjustment knob |
| 5 Shoe | 11 Blade lock button |
| 6 Lower blade guard retracting lever | 12 Auxiliary handle |
| | 13 Battery release button |
| | 14 Hex key |

Intended Use

Your cordless circular saw has been designed for professional wood sawing applications.

Do not use under wet conditions or in the presence of flammable liquids or gases.

This circular saw is a professional power tool.

Do not let children come into contact with the tool. Supervision is required when inexperienced operators use this tool.

- Young children and the infirm. This appliance is not intended for use by young children or infirm persons without supervision.
- This product is not intended for use by persons (including children) suffering from diminished physical, sensory or mental abilities; lack of experience, knowledge or skills unless they are supervised by a person responsible for their safety. Children should never be left alone with this product.

ASSEMBLY AND ADJUSTMENTS



WARNING: To reduce the risk of serious personal injury, turn tool off and disconnect battery pack before making any adjustments or removing/installing attachments or accessories. An accidental start-up can cause injury.



WARNING: Use only DEWALT battery packs and chargers.

Inserting and Removing the Battery Pack from the Tool (Fig. B)

NOTE: Make sure your battery pack **3** is fully charged.

To Install the Battery Pack into the Tool Handle

1. Align the battery pack **3** with the rails inside the tool's handle (Fig. B).
2. Slide it into the handle until the battery pack is firmly seated in the tool and ensure that you hear the lock snap into place.

To Remove the Battery Pack from the Tool

1. Press the release button **13** and firmly pull the battery pack out of the tool handle.
2. Insert battery pack into the charger as described in the charger section of this manual.

Fuel Gauge Battery Packs (Fig. B)

Some DEWALT battery packs include a fuel gauge which consists of three green LED lights that indicate the level of charge remaining in the battery pack.

To actuate the fuel gauge, press and hold the fuel gauge button **16**. A combination of the three green LED lights will illuminate designating the level of charge left. When the level of charge in the battery is below the usable limit, the fuel gauge will not illuminate and the battery will need to be recharged.

NOTE: The fuel gauge is only an indication of the charge left on the battery pack. It does not indicate tool functionality and is subject to variation based on product components, temperature and end-user application.

Installing the Belt Hook (Fig. C)



WARNING: To reduce the risk of serious personal injury, **ONLY** use the tool's belt hook to hang the tool from a work belt. **DO NOT** use the belt hook for tethering or securing the tool to a person or object during use. **DO NOT** suspend tool overhead or suspend objects from the belt hook.



WARNING: To reduce the risk of serious personal injury, ensure the screw holding the belt hook is secure.

IMPORTANT: When attaching or replacing the belt hook **19**, use only the screw **20** that is provided. Be sure to securely tighten the screw.

If the hook is not desired at all, it can be removed from the tool.

Trigger Switch (Fig. A)



WARNING: This tool has no provision to lock the trigger switch in the ON position and should never be locked ON by any other means.

Release the trigger switch lock-off button **1** by pressing the button. Pull the trigger switch **2** to turn the motor on. Releasing the trigger switch turns the motor off.

Depth of Cut Adjustment (Fig. D)

1. Loosen the depth adjustment lever **4**.
2. Move the shoe **5** to obtain the correct depth of cut.
3. Tighten the depth adjustment lever **4**.
4. For the most efficient cutting action using a carbide tipped saw blade, set the depth adjustment so that about one half of a tooth projects below the surface of the wood to be cut.

NOTE: A method of checking for the correct cutting depth is shown in the inset in Figure D. Lay a piece of the material you plan to cut along the side of the blade and observe how much tooth projects beyond the material.

Bevel Adjustment (Fig. E)

The bevel angle can be adjusted between 0° and 45°.

1. Loosen the bevel adjustment knob **10**.
2. Set the bevel angle by tilting the saw shoe **5** until the mark indicates the desired angle on the scale.
3. Tighten the bevel adjustment knob **10**.

Shoe Adjustment for 90° Cuts (Fig. A, D, E)

1. Adjust the saw to 0° bevel.
2. Retract the blade guard using the lever **6** and place the saw on the blade side.
3. Loosen the bevel adjustment knob **10**.
4. Place a square against the blade and shoe to adjust the 90° setting.
5. Turn the calibration screw **29** so that the shoe will stop at the proper angle.
6. Confirm the accuracy of the setting by checking the squareness of an actual cut on a scrap piece of material.

Rip Guide Installation and Usage (Fig. A, F)

Ripping is the process of cutting wider boards into narrow strips, cutting the grain lengthways. Hand guiding is more difficult for this type of sawing and the use of the rip guide is recommended.



WARNING: For your own safety, read the instruction manual before using any accessory. Failure to heed these warnings may result in personal injury and serious damage to the saw and accessory. When servicing this tool, only use identical replacements.

Assembly

1. Loosen the rip fence guide locking screw **27** with the hex key **14**.
2. Insert the rip guide **30** as shown in Figure F.
3. Tighten the rip fence guide locking screw **27** securely.

Use the supplied rip guide only with the DCS571 circular saw. Use of this rip guide with other saws may increase the risk of kickback and injury.

Before making a cut, ensure the rip fence is securely fastened to the tool.

After installing the rip guide on the saw or after moving the guide to change the rip width setting, check the operation of the lower guard before starting the saw and making a cut to make sure that the rip guide does not affect proper guard operation.

Replacing the Saw Blade (Fig. A, G)

1. Engage the blade lock button **11** and unscrew the blade clamping screw **8** by turning clockwise using the hex key supplied with the tool.
2. Retract the lower blade guard **7** using the lever **6** and replace the blade. Reinstall the washers (**17**, **18**) in the correct position.
3. Check the direction of rotation of the blade.
4. Thread on the blade clamping screw **8** by hand to hold the washer in position. Turn counterclockwise.
5. Press the blade lock button **11** while turning the spindle until the blade stops rotating.
6. Tighten the blade clamping screw firmly using the hex key.

Blades

! **WARNING:** To minimize the risk of eye injury, always use eye protection. Carbide is a hard but brittle material. Foreign objects in the workpiece such as wire or nails can cause tips to crack or break. Only operate saw when proper saw blade guard is in place. Mount blade securely in proper rotation before using, and always use a clean, sharp blade.

! **WARNING:** Do not cut ferrous metals (steel), masonry, glass, masonry-type planking, cement board or tile with this saw.

Do not use abrasive wheels or blades. A dull blade will cause slow inefficient cutting, overload on the saw motor, excessive splintering, and could increase the possibility of kickback.

If you need assistance regarding blades, please contact your local service center listed on the back of the manual.

| Blade | Diameter | Teeth | Application |
|-----------|----------|-------|----------------------|
| DWA412TCT | 115 mm | 24 | Wood cutting |
| DWA412PCD | 115 mm | 4 | Fibre cement cutting |

Prior to Operation

- Make sure your battery pack is (fully) charged.
- Make sure the guards have been mounted correctly. The saw blade guard must be in closed position.
- Make sure the saw blade rotates in the direction of the arrow on the blade.
- Do not use excessively worn saw blades.

OPERATION

Instructions for Use

! **WARNING:** Always observe the safety instructions and applicable regulations.

! **WARNING:** To reduce the risk of serious personal injury, turn tool off and disconnect battery pack before making any adjustments or removing/installing attachments or accessories. An accidental start-up can cause injury.

! **WARNING:** Always wear proper personal hearing protection. Under some conditions and duration of use, noise from this product may contribute to hearing loss.

Instructions for Use

- !** **WARNING:**
- Ensure the material to be sawn is secured in place.
 - Apply only a gentle pressure to the tool and do not exert side pressure on the saw blade. If possible, work with the saw shoe pressed against the workpiece. This prevents damage to the blade and stops the tool from jerking and vibrating.
 - Avoid overloading.
 - Let the blade run freely for a few seconds before starting the cut.

Proper Hand Position (Fig. H)

! **WARNING:** To reduce the risk of serious personal injury, ALWAYS use proper hand position as shown.

! **WARNING:** To reduce the risk of serious personal injury, ALWAYS hold securely in anticipation of a sudden reaction.

or, if the auxiliary handle is attached, one hand on the main handle **21** and one hand on the auxiliary handle **12**.

Switching On and Off (Fig. A)

For safety reasons the trigger switch **2** of your tool is equipped with a lock-off button **1**.

Press the lock-off button to unlock the tool.

To run the tool, press the trigger switch **2**. As soon as the trigger switch is released the lock-off switch is automatically activated to prevent unintended starting of the machine.

NOTICE: Do not switch the tool ON or OFF when the saw blade touches the workpiece or other materials.

Guiding the Tool (Fig. A, I)

- For optimum results, clamp the workpiece bottom up.
- Use the kerf indicator **9** to follow the line drawn on the workpiece. The kerf indicator lines up with the left side of the saw blade when set to 45° bevel. The kerf indicator lines up with the right side of the saw blade when set to 0° bevel.
- To adjust the kerf indicator **9**, loosen the kerf indicator screw **28** with the hex key **14** and move the indicator left or right as needed. Tighten screw when finished adjusting the indicator.

Dust Extraction (Fig. I–K)

! **WARNING:** Risk of dust inhalation. To reduce the risk of personal injury, ALWAYS wear an approved dust mask.

! **WARNING:** ALWAYS use a dust class M vacuum extractor designed in compliance with the applicable directives regarding dust emission when cutting hazardous dust.

The dust extraction port **24** allows you to connect the tool to an external dust extractor, either using the AirLock system, or a standard 35 mm dust extractor fitment. The AirLock connector **22** connects directly to DeWALT compatible tools and extractors.

Attach the dust extraction port **24** to the saw by sliding it onto the dust extraction mounting port **31** using a twisting motion until secure. The dust collection port is adjustable through 180 degrees.

1. Ensure the collar on the AirLock connector is in the unlock position. (Refer to Figure J.) Align notches **23** on collar and AirLock connector as shown for unlock and lock positions.
2. Push the AirLock connector onto the dust extraction port **24**.
3. Rotate the collar to the locked position.

NOTE: The ball bearings inside collar lock into slot and secure the connection. The power tool is now securely connected to the dust extractor.

To Attach the Dust Bag (Fig. K)

1. While holding the saw, fit the dust bag collar **26** to the dust extraction port **24** as shown in Figure K.
2. Turn the collar **26** clockwise to lock the dust bag **25** in place.

To Empty the Dust Bag (Fig. K)

1. While holding the saw, turn the collar **26** counterclockwise to unlock the dust bag **25**.
2. Remove dust bag from the saw and gently shake or tap the dust bag to empty.
3. Reattach the dust bag back onto the dust extraction port and lock into place by turning the dust bag collar clockwise.

You may notice that all the dust will not come free from the bag. This will not affect sanding performance but will reduce the saw's dust collection efficiency. To restore your saw's dust collection efficiency, depress the spring inside the dust bag when you are emptying it and tap it on the side of the trash can or dust receptacle.

Workpiece Support (Fig. L, M)

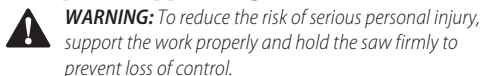
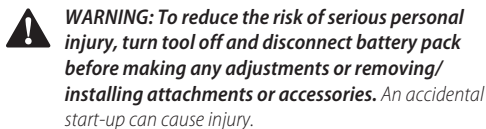


Figure L shows proper sawing position. Figure M shows an unsafe condition. Hands should be kept away from cutting area. To avoid kickback, ALWAYS support board or panel NEAR the cut. DON'T support board or panel away from the cut. ALWAYS DISCONNECT SAW BEFORE MAKING ANY ADJUSTMENTS! Place the work with its "good" side—the one on which appearance is most important—down. The saw cuts upward, so any splintering will be on the work face that is up when you saw it.

MAINTENANCE

Your power tool has been designed to operate over a long period of time with a minimum of maintenance. Continuous satisfactory operation depends upon proper tool care and regular cleaning.



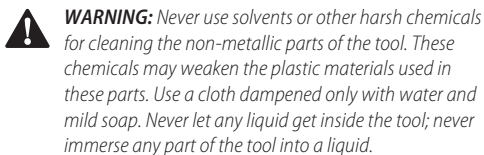
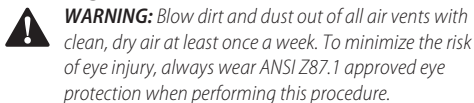
The charger and battery pack are not serviceable.



Lubrication

Your power tool requires no additional lubrication.

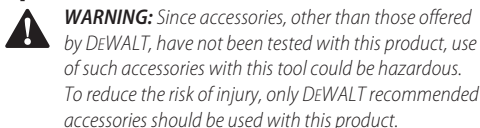
Cleaning



Lower Guard

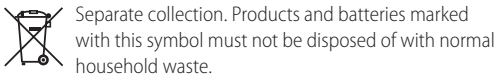
The lower guard should always rotate and close freely from a fully open to fully closed position. Always check for correct operation before cutting by fully opening the guard and letting it close. If the guard closes slowly or not completely, it will need cleaning or servicing. Do not use the saw until it functions correctly. To clean the guard, use dry air or a soft brush to remove all accumulated sawdust or debris from the path of the guard and from around the guard spring. Should this not correct the problem, it will need to be serviced by an authorized service center.

Optional Accessories



Consult your dealer for further information on the appropriate accessories.

Protecting the Environment



Products and batteries contain materials that can be recovered or recycled reducing the demand for raw materials. Please recycle electrical products and batteries according to local provisions. Further information is available at www.2helpU.com.

Rechargeable Battery Pack

This long life battery pack must be recharged when it fails to produce sufficient power on jobs which were easily done before. At the end of its technical life, discard it with due care for our environment:

- Run the battery pack down completely, then remove it from the tool.
- Li-Ion cells are recyclable. Take them to your dealer or a local recycling station. The collected battery packs will be recycled or disposed of properly.

115 мм ЦИРКУЛЯРНАЯ ПИЛА DCS571

Поздравляем!

Вы приобрели инструмент. Многолетний опыт, тщательная разработка изделий и инновации делают компанию одним из самых надёжных партнеров для пользователей профессионального электроинструмента.

Технические характеристики

| | | DCS571 |
|----------------------------------|-------------------------|----------------|
| Напряжение | $V_{\text{пост. тока}}$ | 18 |
| Тип | | 1 |
| Тип батареи | | Ионно-литиевая |
| Скорость без нагрузки | мин. ⁻¹ | 4500 |
| Диаметр диска | мм | 115 |
| Максимальная глубина распила | мм | 39,5 |
| Диаметр посадочного отверстия | мм | 9,5 |
| Регулировка угла скоса кромки | | 0°–45° |
| Вес (без аккумуляторной батареи) | кг | 2,5 |

Значения шума и/или вибрации (сумма векторов в трех плоскостях) в соответствии с EN62841-2-5:

| | | |
|---|------------------|-------|
| L_{pa} (уровень звукового давления) | дБ(А) | 91 |
| L_{WA} (уровень акустической мощности) | дБ(А) | 102 |
| K (погрешность для заданного уровня мощности) | дБ(А) | 3 |
| Значение вибрационного воздействия $a_h =$ | м/с ² | < 2,5 |
| Погрешность K = | м/с ² | 1,5 |

Значение шумовой эмиссии и/или эмиссии вибрации, указанное в данном справочном листке, было получено в соответствии со стандартным тестом, приведенным в EN62841, и может использоваться для сравнения инструментов. Кроме того, оно может использоваться для предварительной оценки воздействия вибрации.



ОСТОРОЖНО! Заявленное значение шумовой эмиссии и/или эмиссии вибрации относится к основным областям применения инструмента. Однако, если инструмент используется для различных целей, с различными дополнительными принадлежностями или при ненадлежащем уходе, то уровень шума и/или вибрации может измениться. Это может привести к значительному увеличению уровня воздействия вибрации в течение всего рабочего периода.

При расчете приблизительного значения уровня воздействия шума и/или вибрации также необходимо учитывать время, когда инструмент выключен или то время, когда он работает на холостом ходу. Это может привести к

значительному снижению уровня воздействия вибрации в течение всего рабочего периода.

Определите дополнительные меры техники безопасности для защиты оператора от воздействия шума и/или вибрации, а именно: поддержание инструмента и дополнительных принадлежностей в рабочем состоянии, создание комфортных условий работы (соответствующих вибрации), хорошая организация рабочего места.

Декларация о соответствии нормам ЕС

Директива по механическому оборудованию



Циркулярная пила 115 мм DCS571

DeWALT заявляет, что продукция, описанная в разделе «Технические характеристики» соответствует: 2006/42/EC, EN62841-1:2015, EN62841-2-5:2014.

Эти продукты также соответствуют Директиве 2014/30/EU и 2011/65/EU. Для получения дополнительной информации обратитесь в компанию DeWALT по адресу, указанному ниже или приведенному на задней стороне обложки руководства. Нижеподписавшийся несет ответственность за составление технической документации и составил данную декларацию по поручению компании DeWALT.

Маркус Ромпель
Вице-президент по инженерным разработкам, PTE-Europe
DeWALT, Richard-Klinger-Straße 11,
D-65510, Idstein, Germany
25.10.2019



ВНИМАНИЕ: Во избежание риска получения травм ознакомьтесь с инструкцией.

Обозначения: правила техники безопасности

Ниже описывается уровень опасности, обозначаемый каждым из предупреждений. Прочитайте руководство и обратите внимание на данные символы.



ОПАСНО: Обозначает опасную ситуацию, которая неизбежно приведет к серьезной травме или смертельному исходу, в случае несоблюдения соответствующих мер безопасности.



ВНИМАНИЕ: Указывает на потенциально опасную ситуацию, которая, в случае несоблюдения соответствующих мер безопасности,

| Батареи | | | | Зарядные устройства/время зарядки (мин) | | | | | | | |
|----------|-------------------------|----------|----------|---|--------|--------|--------|--------|---------|--------|--------|
| Кат. № | V _{пост. тока} | Ah | Вес (kg) | DCB104 | DCB107 | DCB112 | DCB113 | DCB115 | DCB118 | DCB132 | DCB119 |
| DCB546 | 18/54 | 6.0/2.0 | 1.05 | 60 | 270 | 170 | 140 | 90 | 60 | 90 | X |
| DCB547 | 18/54 | 9.0/3.0 | 1.46 | 75* | 420 | 270 | 220 | 135* | 75* | 135* | X |
| DCB548 | 18/54 | 12.0/4.0 | 1.44 | 120 | 540 | 350 | 300 | 180 | 120 | 180 | X |
| DCB181 | 18 | 1.5 | 0.35 | 22 | 70 | 45 | 35 | 22 | 22 | 22 | 45 |
| DCB182 | 18 | 4.0 | 0.61 | 60/40** | 185 | 120 | 100 | 60 | 60/40** | 60 | 120 |
| DCB183/B | 18 | 2.0 | 0.40 | 30 | 90 | 60 | 50 | 30 | 30 | 30 | 60 |
| DCB184/B | 18 | 5.0 | 0.62 | 75/50** | 240 | 150 | 120 | 75 | 75/50** | 75 | 150 |
| DCB185 | 18 | 1.3 | 0.35 | 22 | 60 | 40 | 30 | 22 | 22 | 22 | X |
| DCB187 | 18 | 3.0 | 0.54 | 45 | 140 | 90 | 70 | 45 | 45 | 45 | 90 |
| DCB189 | 18 | 4.0 | 0.54 | 60 | 185 | 120 | 100 | 60 | 60 | 60 | 120 |

*Код даты 201811475В или новее

**Код даты 201536 или новее

может привести к **серьезной травме или смертельному исходу**.



ПРЕДУПРЕЖДЕНИЕ: Указывает на потенциально опасную ситуацию, которая, в случае несоблюдения соответствующих мер безопасности **может** стать причиной травм **средней или легкой степени тяжести**.

ПОЯСНЕНИЕ: Указывает на практики, использование которых не связано с получением травмы, но если ими пренебречь, могут привести к **порче имущества**.



Указывает на риск поражения электрическим током.



Указывает на риск возгорания.

ОБЩИЕ ПРАВИЛА ТЕХНИКИ БЕЗОПАСНОСТИ ПРИ ИСПОЛЬЗОВАНИИ ЭЛЕКТРОИНСТРУМЕНТОВ



ВНИМАНИЕ: Прочитайте и просмотрите все предупреждения, инструкции, иллюстрации и спецификации по данному электроинструменту. Несоблюдение всех приведенных ниже инструкций может стать причиной поражения электрическим током, возгорания и/или тяжелой травмы.

СОХРАНИТЕ ВСЕ ИНСТРУКЦИИ ДЛЯ ПОСЛЕДУЮЩЕГО ИСПОЛЬЗОВАНИЯ

Термин «электроинструмент» в предупреждениях относится к работающим от сети (проводным) электроинструментам или работающим от аккумуляторной батареи (беспроводным) электроинструментам.

1) Безопасность на рабочем месте

- Следите за чистотой и хорошим освещением на рабочем месте.** Захламленное или плохо освещенное рабочее место может стать причиной несчастного случая.

- Запрещается работать с электроинструментами во взрывоопасных местах, например, вблизи легковоспламеняющихся жидкостей, газов и пыли.** Искры, которые появляются при работе электроинструментов могут привести к воспламенению пыли или паров.
- Следите за тем, чтобы во время работы с электроинструментом в зоне работы не было посторонних и детей.** Отвлекаясь от работы вы можете потерять контроль над инструментом.

2) Электробезопасность

- Штепсельная вилка электроинструмента должна соответствовать розетке. Никогда не меняйте вилку инструмента. Запрещается использовать переходники к вилкам для электроинструментов с заземлением.**
Использование оригинальных штепсельных вилок, соответствующих типу сетевой розетки снижает риск поражения электрическим током.
- Избегайте контакта с заземленными поверхностями, такими как трубы, радиаторы и холодильники.** Если вы будете заземлены, увеличивается риск поражения электрическим током.
- Запрещается оставлять электроинструмент под дождем и в местах повышенной влажности.** При попадании воды в электроинструмент риск поражения электротоком возрастает.
- Берегите кабель от повреждений. Никогда не используйте кабель для переноски инструмента, не тяните за него, пытайтесь отключить инструмент от сети. Держите кабель подальше от источников тепла, масла, острых углов или движущихся предметов.** Поврежденный или запутанный кабель питания повышает риск поражения электрическим током.
- При работе с электроинструментом на открытом воздухе используйте удлинитель,**

подходящий для использования на улице.

Использование кабеля питания, предназначенного для использования вне помещения, снижает риск поражения электрическим током.

- f) **Если использование электроинструмента в условиях повышенной влажности неизбежно, используйте устройства защитного отключения (УЗО) для защиты сети.**

Использование УЗО сокращает риск поражения электрическим током.

3) Обеспечение индивидуальной безопасности

- a) **Будьте внимательны, смотрите, что делаете и не забывайте о здравом смысле при работе с электроинструментом. Запрещается работать с электроинструментом в состоянии усталости, наркотического, алкогольного опьянения или под воздействием лекарственных препаратов.** Невнимательность при работе с электроинструментом может привести к серьезным телесным повреждениям.
- b) **Используйте индивидуальные средства защиты. Всегда используйте защитные очки.** Средства защиты, такие как пылезащитная маска, обувь с нескользящей подошвой, каска и защитные наушники, используемые при работе, уменьшают риск получения травм.
- c) **Примите меры для предотвращения случайного включения. Перед тем как подключить электроинструмент к сети и/или аккумуляторной батарее, взять инструмент или перенести его на другое место, убедитесь в том, что выключатель находится в положении «Выкл.».** Если при переноске электроинструмента он подключен к сети, и при этом ваш палец находится на выключателе, это может стать причиной несчастных случаев.
- d) **Уберите все регулировочные или гаечные ключи перед включением электроинструмента.** Ключ, оставленный на вращающейся части электроинструмента, может привести к травме.
- e) **Не пытайтесь дотянуться до слишком удаленных поверхностей. Обувь должна быть удобной, чтобы вы всегда могли сохранять равновесие.** Это позволит лучше контролировать электроинструмент в непредвиденных ситуациях.
- f) **Одевайтесь соответствующим образом. Избегайте носить свободную одежду и ювелирные украшения. Следите за тем, чтобы волосы и одежда не попадали под движущиеся детали.** Возможно наматывание свободной одежды, ювелирных изделий и длинных волос на движущиеся детали.
- g) **При наличии устройств для подключения оборудования для удаления и сбора пыли необходимо обеспечить правильность их подключения и эксплуатации.** Использование

устройства для пылеудаления сокращает риски, связанные с пылью.

- h) **Не позволяйте хорошему знанию от частого использования инструментов стать причиной самонадеянности и игнорирования правил техники безопасности.** Небрежное действие может повлечь серьезные травмы за долю секунды.

4) Эксплуатация электроинструмента и уход за ним

- a) **Избегайте чрезмерной нагрузки электроинструмента. Используйте электроинструмент в соответствии с назначением.** Правильно подобранный электроинструмент выполнит работу более эффективно и безопасно при стандартной нагрузке.
- b) **Не пользуйтесь инструментом, если не работает выключатель.** Любой инструмент, управлять выключением и включением которого невозможно, опасен, и его необходимо отремонтировать.
- c) **Перед выполнением любых настроек, сменой аксессуаров или прежде чем убрать инструмент на хранение, отключите его от сети и/или снимите с него аккумуляторную батарею, если ее можно снять.** Такие превентивные меры безопасности сокращают риск случайного включения электроинструмента.
- d) **Храните электроинструмент в недоступном для детей месте и не позволяйте работать с инструментом людям, не имеющим соответствующих навыков работы с такого рода инструментами.** Электроинструмент представляет опасность в руках неопытных пользователей.
- e) **Поддерживайте электроинструмент и принадлежности в исправном состоянии. Проверьте, не нарушена ли центровка или не заклинены ли движущиеся детали, нет ли повреждений или иных неисправностей, которые могли бы повлиять на работу электроинструмента. В случае обнаружения повреждений, прежде чем приступить к эксплуатации электроинструмента, его нужно отремонтировать.** Большинство несчастных случаев происходит из-за электроинструментов, которые не обслуживаются должным образом.
- f) **Содержите режущий инструмент в остро заточенном и чистом состоянии.** Вероятность заклинивания инструмента, за которым следят должным образом и который хорошо заточен, значительно меньше, а работать с ним легче.
- g) **Используйте электроинструменты, принадлежности и насадки в соответствии с данными инструкциями, принимая во внимание условия работы и характер выполняемой работы.** Использование

электроинструмента для выполнения операций, для которых он не предназначен, может привести к созданию опасных ситуаций.

- h) **Все рукоятки и поверхности захватывания должны быть сухими и без следов смазки.** Скользкие рукоятки и поверхности захватывания не позволяют обеспечить безопасность работы и управления инструментом в непредвиденных ситуациях.

5) Использование аккумуляторных электроинструментов и уход за ними

- a) **Используйте для зарядки аккумуляторной батареи только указанное производителем зарядное устройство.** Использование зарядного устройства определенного типа для зарядки других батарей может привести к возгоранию.
- b) **Используйте для электроинструмента только батареи указанного типа.** Использование других аккумуляторных батарей может стать причиной травмы и пожара.
- c) **Оберегайте батарею от попадания в нее скрепок, монет, ключей, гвоздей, болтов или других мелких металлических предметов, которые могут вызывать замыкание контактов.** Короткое замыкание контактов аккумуляторной батареи может привести к пожару или получению ожогов.
- d) **При повреждении батареи, из нее может вытечь электролит. Не прикасайтесь к нему. При случайном контакте с электролитом смойте его водой. При попадании электролита в глаза обратитесь за медицинской помощью.** Жидкость, находящаяся внутри батареи, может вызвать раздражение или ожоги.
- e) **Не используйте поврежденные или измененные аккумуляторные батареи или инструменты.** Поврежденные или измененные аккумуляторные батареи могут работать непредсказуемо, что может привести к возгоранию, взрыву или риску получения травм.
- f) **Не подвергайте аккумуляторные батареи или инструмент воздействию огня или повышенной температуры.** Открытый огонь или воздействие высокой температуры выше 130 °C может привести к взрыву.
- g) **Следуйте всем инструкциям по зарядке и не заряжайте аккумуляторную батарею или инструмент вне температурного диапазона, указанного в инструкции.** Неправильная зарядка или зарядка вне указанного температурного диапазона может привести к повреждению батареи и увеличить риск возгорания.

6) Обслуживание

- a) **Обслуживание электроинструмента должен проводить квалифицированный специалист с использованием только оригинальных запасных частей.** Это позволит

обеспечить безопасность обслуживаемого электрифицированного инструмента.

- b) **Не выполняйте обслуживание поврежденных аккумуляторных батарей.** Обслуживание аккумуляторных батарей должно выполняться только производителем или авторизованными поставщиками услуг.

Инструкции по технике безопасности для всех типов пил

Порядокраспиливания

- a) **▲ ОПАСНО: Держите руки на расстоянии от области распила и полотна. Держите вторую руку на дополнительной рукоятке или на корпусе двигателя.** Если пила удерживается обеими руками, вероятность их пореза полотном исключается.
- b) **Не держите руки под заготовкой.** Ограждение не защищает руки от касания полотна под заготовкой.
- c) **Отрегулируйте глубину резания в соответствии с толщиной заготовки.** Под заготовкой должно быть видно менее полной высоты зубца полотна.
- d) **Никогда не удерживайте заготовку в руках или прижав ее к ноге во время резки. Зафиксируйте заготовку на неподвижной опоре.** Необходимо надлежащим образом закрепить обрабатываемую деталь для снижения риска получения травмы, заклинивания полотна или потери контроля.
- e) **Удерживайте электроинструмент за изолированные ручки при выполнении работ, во время которых имеется вероятность контакта режущего инструмента со скрытой электропроводкой.** Контакт с проводом под напряжением приводит к подаче напряжения на соприкасающиеся с ним металлические детали электроинструмента и к поражению оператора электрическим током.
- f) **Во время продольной распиловки всегда используйте направляющую планку или направитель детали.** Это повышает точность распила и снижает вероятность заклинивания полотна.
- g) **Всегда используйте диски с посадочными отверстиями соответствующего размера и формы (ромбовидные или круглые).** Полотно, которые не соответствуют крепежным приспособлениям пилы, будут вращаться несимметрично относительно центра, что может привести к потере управления.
- h) **Ни в коем случае не используйте поврежденные или несоответствующие зажимные кольца или болты для полотна.** Зажимные кольца и болты для полотна были разработаны специально для данной пилы с целью обеспечения оптимальной

производительности и безопасности во время работы.

ИНСТРУКЦИИ ПО ТЕХНИКЕ БЕЗОПАСНОСТИ ДЛЯ ВСЕХ ПИЛ

Причины обратного удара и меры по его предотвращению

- Отдача представляет собой внезапную реакцию на защемление, застревание или смещение пильного полотна, что приводит к неконтролируемому подъему пилы из заготовки в направлении оператора;
- Если полотно зажимается или застревает в пропиле, оно останавливается, а реакция электродвигателя приводит к тому, что устройство быстро смещается в направлении оператора;
- Если полотно перекашивается или смещается в пропиле, зубья на его задней кромке могут войти в верхнюю часть деревянной детали, что приведет к выходу полотна из пропила и его скачку в направлении оператора.

Отдача является результатом неправильного использования пилы и/или использования неправильных методов или режима; избежать этого явления можно путем выполнения указанных далее мер предосторожности:

- a) **Прочно удерживайте пилу обеими руками таким образом, чтобы иметь возможность погасить энергию отдачи. Ваше тело должно находиться сбоку от пильного полотна, а не на одной прямой с ним.** Отдача может при вести к скачку пилы назад, но оператор может гасить его энергию, при условии соблюдения надлежащих мер.
- b) **В случае заклинивания полотна или в случае прекращения распиловки по любой причине, отпустите пусковой выключатель и удерживайте пилу неподвижно в заготовке до полной остановки полотна. Никогда не пытайтесь вытащить пилу из обрабатываемой детали или потянуть пилу назад во время вращения полотна, это может привести к отдаче.** Выясните причину и примите надлежащие меры по устранению причины заклинивания полотна.
- c) **При перезапуске пилы в детали отцентрируйте пильное полотно в пропиле и убедитесь в том, что зубья пилы не касаются материала.** Если полотно заклинило, оно может подскочить вверх или ударить назад при повторном запуске пилы.
- d) **Поддерживайте большие панели для снижения риска защемления или заклинивания полотна. Большие заготовки имеют тенденцию прогибаться под тяжестью собственного веса.** Опору нужно поставить под обе стороны панели, около линии разреза и около края панели.

- e) **Не используйте тупые или поврежденные полотна.** Тупые или неправильно разведенные полотна образуют узкий пропил, что приводит к повышенному трению, заклиниванию полотна и образованию отдачи.
- f) **Рычаги настройки глубины пропила и угла резки на конус перед началом работы должны быть затянуты и зафиксированы.** В случае сбоя регулировки полотна во время работы может произойти заклинивание и отдача.
- g) **Соблюдайте повышенную осторожность при выполнении врезного пиления стен или в других слепых зонах.** Выступающее полотно может встречаться с предметами, которые могут привести к образованию отдачи.

ИНСТРУКЦИИ ПО ТЕХНИКЕ БЕЗОПАСНОСТИ ДЛЯ ПИЛ С МАЯТНИКОВЫМ ОГРАЖДЕНИЕМ ПОЛОТНА

Эксплуатация нижнего ограждения

- a) **Перед каждым использованием проверяйте, правильно ли закрыто нижнее ограждение. Не используйте пилу, если нижнее ограждение не перемещается свободно и не закрывает полотно постоянно. Никогда не зажимайте и не связывайте нижнее ограждение полотна в открытом положении. Если пила случайно упадет, ограждение может погнуться.** Поднимите нижнее ограждение при помощи втягивающей рукоятки и убедитесь в том, что ограждение перемещается свободно и не соприкасается с полотном или другими деталями при любых углах и глубине распила.
- b) **Проверьте функционирование и состояние возвратной пружины нижнего ограждения. Если ограждение и пружина не работают должным образом, перед использованием пилы необходимо устранить неисправности. Нижнее ограждение может перемещаться замедленно из-за повреждения деталей, отложения клейких веществ или скопления мусора.**
- c) **Нижнее ограждение следует втягивать вручную только при выполнении специальных разрезов, например, для врезных и комбинированных распилов. Поднимите нижнее ограждение при помощи втягивающей рукоятки, а когда полотно соприкоснется с материалом, опустите нижнее ограждение.** Для всех других типов распила нижнее ограждение должно работать в автоматическом режиме.
- d) **Всегда следите за тем, чтобы нижнее ограждение закрывало полотно, прежде чем класть пилу на верстак или на пол. Незащищенное полотно во время выбега приведет к смещению пилы назад и пиленю**

всех находящихся на траектории движения предметов. Помните, что после отпускания выключателя требуется некоторое время для полной остановки полотна.

Дополнительные инструкции по технике безопасности для циркулярных пил

- *Используйте защитные наушники. Шум может стать причиной снижения слуха.*
- *Надевайте респиратор. Вдыхание пыли может привести к нарушению функций дыхания и, возможно, к развитию заболеваний.*
- *Не используйте полотна меньшего или большего диаметра по сравнению с рекомендованными. Размеры пыльных полотен см. в разделе «Технические характеристики». Используйте только пыльные полотна, указанные в данном руководстве и соответствующие стандарту EN 847-1.*
- *Используйте только пыльные полотна с указанной скоростью, равной или превышающей скорость, указанную на инструменте.*
- *Избегайте перегрева краев пыльного полотна.*
- *Установите выход для удаления пыли на пилу перед использованием.*
- *Никогда не используйте абразивные отрезные круги.*
- *Не используйте водопитательные принадлежности.*
- *Используйте зажимы или другие уместные средства фиксации заготовки на стабильной опоре. Держать заготовку на весу или в руках перед собой неудобно и это может привести к потере контроля над инструментом.*

Остаточные риски

Несмотря на соблюдение соответствующих инструкций по технике безопасности и использование предохранительных устройств, некоторые остаточные риски невозможно полностью исключить. А именно:

- *ухудшение слуха;*
- *риск травм от разлетающихся частиц;*
- *риск получения ожогов в результате нагревания инструмента в процессе работы;*
- *риск получения травмы в результате продолжительной работы.*

СОХРАНИТЕ НАСТОЯЩЕЕ РУКОВОДСТВО

Зарядные устройства

Зарядные устройства DeWALT не требуют регулировки и максимально просты в использовании.

Электробезопасность

Электродвигатель рассчитан на работу только при одном напряжении сети. Необходимо обязательно убедиться в том, что напряжение источника питания соответствует

указанному на шильдике устройства. Необходимо также убедиться в том, что напряжение работы зарядного устройства соответствует напряжению в сети.



Зарядное устройство DeWALT оснащено двойной изоляцией в соответствии с требованиями EN60335; поэтому провод заземления не требуется.

В случае повреждения кабеля питания его необходимо заменить специально подготовленным кабелем, который можно приобрести в сервисных центрах DeWALT.

Использование удлинительного кабеля

Используйте удлинитель только в случаях крайней необходимости. Используйте только утвержденные удлинители промышленного изготовления, рассчитанные на мощность не меньшую, чем потребляемая мощность зарядного устройства (см. **Технические характеристики**). Минимальное поперечное сечение провода электрического кабеля должно составлять 1 мм²; максимальная длина 30 м. При использовании кабельного барабана всегда полностью разматывайте кабель.

Важные инструкции по технике безопасности для всех зарядных устройств

СОХРАНИТЕ НАСТОЯЩЕЕ РУКОВОДСТВО. В данном руководстве содержатся важные инструкции по технике безопасности для совместимых зарядных устройств (см. **Технические характеристики**).

- *Перед тем как использовать зарядное устройство, внимательно изучите все инструкции и предупреждающие этикетки на зарядном устройстве, батарее и инструменте, для которого используется батарея.*



ВНИМАНИЕ: Опасность поражения электрическим током. Не допускайте попадания жидкости в зарядное устройство. Это может привести к поражению электрическим током.



ВНИМАНИЕ: Рекомендуется использовать устройство защитного отключения (УЗО) с током утечки до 30 мА.



ВНИМАНИЕ: Опасность ожога. Во избежание травм, следует использовать только аккумуляторные батареи производства DeWALT. Использование батарей другого типа может привести к взрыву, травмам и повреждениям.



ПРЕДУПРЕЖДЕНИЕ: Не позволяйте детям играть с данным устройством.

ПОЯСНЕНИЕ: В определенных условиях, при подключении зарядного устройства к источнику питания, может произойти короткое замыкание контактов внутри зарядного устройства посторонними материалами. Не допускайте попадания в полости зарядного устройства таких токопроводящих материалов, как стальная стружка, алюминиевая фольга или другие металлические частицы и т. п. Всегда отключайте зарядное устройство от источника питания, если в нем нет аккумуляторной батареи. Всегда

отключайте зарядное устройство от сети перед тем, как приступить к очистке инструмента

- **НЕ ПЫТАЙТЕСЬ** заряжать батареи с помощью каких-либо других зарядных устройств, кроме тех, которые указаны в данном руководстве. Зарядное устройство и батареи предназначены для совместного использования.
- Эти зарядные устройства не предназначены ни для какого другого использования, помимо зарядки аккумуляторных батарей DEWALT. Использование любых других батарей может привести к возгоранию, поражению электротоком или гибели от электрического шока.
- Не подвержайте зарядное устройство воздействию снега или дождя.
- При отключении зарядного устройства от сети всегда тяните за штепсельную вилку, а не за кабель. Это поможет избежать повреждения штепсельной вилки и розетки.
- Убедитесь в том, что кабель расположен таким образом, чтобы на него не наступили, не споткнулись об него, а также в том, что он не натянут и не может быть поврежден.
- Не используйте удлинительный кабель без крайней необходимости. Использование удлинительного кабеля неподходящего типа может привести к пожару или поражению электрическим током.
- Не ставьте на зарядное устройство никакие предметы и не устанавливайте зарядное устройство на мягкую поверхность, которая может закрыть вентиляционные отверстия и привести к перегреву. Не размещайте зарядное устройство поблизости от источников тепла. Вентиляция зарядного устройства происходит с помощью отверстий в верхней и нижней части корпуса.
- Не используйте зарядное устройство при наличии поврежденной кабеля или штепсельной вилки – в этом случае необходимо немедленно их заменить.
- Не используйте зарядное устройство, если его роняли, либо если оно подвергалось сильным ударам или было повреждено каким-либо иным образом. Обратитесь в авторизованный сервисный центр.
- Не разбирайте зарядное устройство. При необходимости обратитесь в специализированный сервисный центр, если нужно провести обслуживание или ремонт инструмента. Неправильная сборка может стать причиной пожара или поражения электрическим током.
- В случае повреждения кабеля питания его необходимо немедленно заменить у производителя, в его сервисном центре или с привлечением другого специалиста аналогичной квалификации для предотвращения несчастного случая.

- **Перед очисткой отключите зарядное устройство от сети. В противном случае, это может привести к поражению электрическим током.** Извлечение аккумуляторной батареи не приведет к снижению степени этого риска.
- **НИКОГДА** не подключайте два зарядных устройства вместе.
- **Зарядное устройство предназначено для работы при стандартном напряжении сети в 230 В. Не пытайтесь использовать его при каком-либо ином напряжении.** Это не относится к автомобильному зарядному устройству.


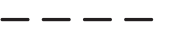




Зарядка батареи (Рис. [Fig.] В)

1. Перед установкой батареи подключите зарядное устройство к соответствующей сетевой розетке.
2. Вставьте аккумуляторную батарею **3** в зарядное устройство, убедившись в том, что она хорошо установлена. Красный индикатор зарядки начнет мигать. Это означает, что процесс зарядки начался.
3. По окончании зарядки красный индикатор будет гореть непрерывно, не мигая. Теперь батарея полностью заряжена, и ее можно использовать или оставить в зарядном устройстве. Чтобы извлечь аккумуляторную батарею из зарядного устройства, нажмите кнопку фиксатора батареи **13** и извлеките батарею.

ПРИМЕЧАНИЕ: Чтобы обеспечить максимальную производительность и срок службы литий-ионных батарей, перед первым использованием полностью зарядите аккумуляторную батарею.

Работа с зарядным устройством

См. состояние зарядки аккумуляторной батареи на приведенных ниже индикаторах.

| Индикаторы зарядки | | |
|---|-------------------------|--|
|  | Зарядка |  |
|  | Полностью заряжен |  |
|  | Температурная задержка* |  |

*В это время красный индикатор продолжит мигать, а когда начнется зарядка, загорится желтый. После того, как батарея достигнет рабочей температуры, желтый индикатор погаснет, и зарядка продолжится.

Зарядное(-ые) устройство(-а) не может(-гут) полностью зарядить неисправную аккумуляторную батарею. При неисправной аккумуляторной батарее, индикатор на зарядном устройстве не загорится.

ПРИМЕЧАНИЕ: Также это может указывать на проблему с зарядным устройством.

Если зарядное устройство указывает на наличие проблемы, проверьте аккумулятор и зарядное устройство в специализированном сервисном центре.

Температурная задержка

Если температура батареи слишком низкая или слишком высокая, зарядное устройство автоматически переходит в режим температурной задержки; при этом зарядка не начинается до тех пор, пока батарея не достигнет нужной температуры. После того, как нужный уровень температуры будет достигнут, устройство перейдет в режим зарядки. Данная функция обеспечивает максимальный срок эксплуатации батареи.

Зарядка холодной батареи занимает больше времени, чем теплой. Аккумуляторная батарея заряжается медленнее во время цикла зарядки и максимального заряда не удастся добиться даже после того, как аккумуляторная батарея будет теплой.

Система электронной защиты

Литий-ионные аккумуляторные батареи XR оснащены системой электронной защиты, которая защищает аккумуляторную батарею от перегрузки, перегрева или глубокой разрядки.

При срабатывании системы электронной защиты инструмент автоматически отключается. В этом случае поставьте литий-ионную батарею на зарядку до тех пор, пока она полностью не зарядится.

Крепление на стену

Данные зарядные устройства могут крепиться на стены или устанавливаться на стол или рабочую поверхность. При креплении на стену расположите зарядное устройство в пределах досягаемости розетки и подальше от углов и других препятствий, которые могут помешать потоку воздуха. Используйте заднюю часть зарядного устройства в качестве образца для положения монтажных болтов на стене. Надежно закрепите зарядное устройство при помощи саморезов (приобретаются отдельно) длиной минимум в 25,4 мм с диаметром шляпки самореза в 7–9 мм, вкрученных в дерево до оптимальной глубины, оставляющей на поверхности примерно 5,5 мм самореза. Совместите отверстия на задней стороне зарядного устройства с выступающими саморезами и полностью вставьте их в отверстия.

Инструкции по очистке зарядного устройства



ВНИМАНИЕ: Опасность поражения электрическим током. Перед чисткой отключите зарядное устройство от сети питания. Грязь и жир можно удалить с наружной поверхности зарядного устройства с помощью тряпки или мягкой неметаллической щетки. Не используйте воду или чистящие растворы. Не допускайте попадания жидкости внутрь инструмента; никогда не погружайте никакие из деталей инструмента в жидкость.

Аккумуляторные батареи

Важные инструкции по технике безопасности для всех батарей

При заказе запасных батарей не забудьте указать номер по

каталогу и напряжение.

При покупке батареи заряжена не полностью. Перед тем, как использовать батарею и зарядное устройство, прочтите следующие инструкции по технике безопасности. Затем выполните необходимые действия для зарядки.

ВНИМАТЕЛЬНО ПРОЧИТЕ ВСЕ ИНСТРУКЦИИ

- **Не заряжайте и не используйте батарею во взрывоопасной атмосфере, например, при наличии горючих жидкостей, газов или пыли.** Установка или удаление батареи из зарядного устройства может привести к воспламенению пыли или газов.
- **Никогда не прилагайте больших усилий, вставляя батарею в зарядное устройство. Не вносите изменения в конструкцию батарей с целью установить их в зарядное устройство, к которому они не подходят. Это может привести к серьезным травмам.**
- Заряжайте батареи только с помощью зарядных устройств DEWALT.
- **НЕ ПРОЛИВАЙТЕ** на них и не погружайте их в воду или другие жидкости.
- **Не храните и не используйте данное устройство и батарею при температуре выше 40 °C (например, на внешних пристройках или на металлических поверхностях зданий в летнее время).**
- **Не сжигайте батареи, даже поврежденные или полностью отработавшие.** При попадании в огонь батареи могут взорваться. При сжигании литий-ионных батарей образуются токсичные вещества и газы.
- **При попадании содержимого батареи на кожу, немедленно промойте это место водой с мылом.** При попадании содержимого батареи в глаза, необходимо промыть открытые глаза проточной водой в течение 15 минут или до тех пор, пока не пройдет раздражение. При необходимости обращения к врачу, может пригодиться следующая информация: электролит представляет собой смесь жидких органических углекислых и литиевых солей.
- **При вскрытии батареи, ее содержимое может вызвать раздражение дыхательных путей.** Обеспечьте наличие свежего воздуха. Если симптомы сохраняются, обратитесь к врачу.



ВНИМАНИЕ: Опасность ожога. Содержимое батареи может воспламениться при попадании искр или огня.



ВНИМАНИЕ: Ни в коем случае не разбирайте батарею. При наличии трещин или других повреждений батареи, не устанавливайте ее в зарядное устройство. Не роняйте батарею и не подвергайте ее ударам или другим повреждениям. Не используйте батарею или зарядное устройство после удара, падения или получения каких-либо других повреждений (например, после того, как

ее проткнули гвоздем, ударили молотком или наступили на нее). Это может привести к удару или поражению электрическим током. Поврежденные батареи необходимо вернуть в сервисный центр для повторной переработки.



ВНИМАНИЕ: Риск воспламенения. Избегайте замыкания выводов батарей металлическими предметами во время хранения или переноски.

Например, не кладите аккумуляторные батареи в передники, карманы, ящики для инструментов, выдвижные ящики и т. п. с гвоздями, гайками, ключами и т. п.



ПРЕДУПРЕЖДЕНИЕ: Когда устройство не используется, кладите его на бок на устойчивую поверхность в таком месте, где оно не может упасть и об него нельзя споткнуться. Некоторые устройства с батареями большого размера, стоят сверху на батарее, и могут легко упасть.

Транспортировка



ВНИМАНИЕ: Риск воспламенения. При транспортировке аккумуляторных батарей может произойти возгорание, если терминалы аккумуляторных батарей случайно будут замкнуты электропроводящими материалами. При транспортировке аккумуляторных батарей убедитесь в том, что терминалы защищены и хорошо изолированы от материалов, контакт с которыми может привести к короткому замыканию.

ПРИМЕЧАНИЕ: Литий-ионные аккумуляторные батареи запрещается сдавать в багаж.

Батареи DeWALT соответствуют всем применимым правилам транспортировки, как предусмотрено промышленными и юридическими стандартами, включая рекомендации ООН по транспортировке опасных грузов; Ассоциация международных авиаперевозчиков (IATA) правила перевозки опасных грузов, Международные правила перевозки опасных грузов морским путем (IMDG), и европейское соглашение о международной дорожной перевозке опасных грузов (ADR). Литий-ионные элементы и аккумуляторные батареи были протестированы в соответствии с разделом 38.3 Рекомендаций ООН по транспортировке опасных грузов руководства по тестам и критериям.

В большинстве случаев транспортировка аккумуляторных батарей DeWALT не попадает под классификацию, поскольку они не являются опасными материалами Класса 9. В целом, полностью под правила Класса 9 подпадают только перевозки литий-ионных батарей с энергоемкостью выше 100 Ватт час (Вт ч). Энергоемкость всех литий-ионных аккумуляторных батарей в Ватт-часах указана на упаковке. Кроме того, из-за сложности правил, DeWALT не рекомендует перевозку литий-ионных батарей по воздуху вне зависимости от их энергоемкости. Поставки инструментов с батареями (комбинированные наборы) могут перевозиться

по воздуху согласно исключениям, если энергоемкость батареи не превышает 100 Вт ч.

Независимо от того, является ли перевозка исключением или выполняется по правилам, перевозчик должен уточнить последние требования к упаковке, маркировке и оформлению документации.

Информация, изложенная в данном руководстве обоснована и на момент создания данного документа может считаться точной. Но эта гарантия не является ни выраженной, ни подразумеваемой. Покупатель должен обеспечить то, что бы его деятельность соответствовала всем применимым законам.

Рекомендации по хранению

1. Лучшим местом для хранения является прохладное и сухое место, защищенное от прямых солнечных лучей, высокой или низкой температуры. Для оптимальной работы и продолжительного срока службы, храните неиспользуемые аккумуляторные батареи при комнатной температуре.
2. Для достижения максимальных результатов при продолжительном хранении рекомендуется полностью зарядить батарейный комплект и хранить его в прохладном сухом месте вне зарядного устройства.

ПРИМЕЧАНИЕ: Аккумуляторные батареи не должны храниться в полностью разряженном состоянии. Перед использованием аккумуляторная батарея требует повторной зарядки.

Маркировка на зарядном устройстве и аккумуляторной батарее

Помимо пиктограмм, используемых в данном руководстве, на зарядном устройстве и батарее имеются следующие обозначения:



Перед началом работы прочтите руководство по эксплуатации.



Чтобы узнать время зарядки, см. **Технические характеристики**.



Не касайтесь токопроводящими предметами контактов батареи и зарядного устройства.



Не пытайтесь заряжать поврежденную батарею.



Не подвергайте электроинструмент или его элементы воздействию влаги.



Немедленно заменяйте поврежденный кабель питания.



Зарядку осуществляйте только при температуре от 4 °C до 40 °C.



Для использования внутри помещений.



Утилизируйте отработанные батареи безопасным для окружающей среды способом.

Заряжайте аккумуляторные батареи DEWALT только с помощью соответствующих зарядных устройств DEWALT. Зарядка иных аккумуляторных батарей, кроме DEWALT на зарядных устройствах DEWALT может привести к возгоранию аккумуляторных батарей и возникновению других опасных ситуаций.



Не сжигайте аккумуляторную батарею.

Тип батареи

DCS571 работает от аккумуляторной батареи напряжением 18 В.

Могут применяться следующие типы батарей: DCB181, DCB182, DCB183, DCB183B, DCB184, DCB184B, DCB185, DCB187, DCB189. Подробную информацию см.

в **Технических характеристиках**.

Комплектация поставки

В комплектацию входит:

- 1 Беспроводная циркулярная пила
- 1 Пильный диск с 24 зубьями
- 1 Шестигранный ключ
- 1 Направляющая продольной распиловки
- 1 Выход для удаления пыли
- 1 Ионно-литиевая аккумуляторная батарея (модели C1, D1, L1, M1, P1, S1, T1, X1, Y1)
- 2 Ионно-литиевые аккумуляторные батареи (модели C2, D2, L2, M2, P2, S2, T2, X2, Y2)
- 3 Ионно-литиевые аккумуляторные батареи (модели C3, D3, L3, M3, P3, S3, T3, X3, Y3)
- 1 Руководство по эксплуатации

ПРИМЕЧАНИЕ: Аккумуляторные батареи, зарядные устройства и инструментальные ящики не входят в комплект поставки для моделей N. Аккумуляторные батареи и зарядные устройства не входят в комплект поставки для моделей NT. Модели V оснащены аккумуляторной батареей Bluetooth®.

ПРИМЕЧАНИЕ: Словесный товарный знак и логотип Bluetooth® являются зарегистрированными товарными знаками Bluetooth®, SIG, Inc. любое использование этих знаков DEWALT осуществляется на основании лицензии. Другие торговые марки и названия принадлежат их владельцам.

- Проверьте прибор, детали и дополнительные принадлежности на наличие повреждений, которые могли произойти во время транспортировки.
- Перед началом работы необходимо внимательно прочитать настоящее руководство и принять к сведению содержащуюся в нем информацию.

Маркировка на инструменте

На инструмент нанесены следующие обозначения:



Перед началом работы прочтите руководство по эксплуатации.



Используйте защитные наушники.



Используйте защитные очки.

Место положения кода даты (Рис. А)

Код даты **15**, который также включает в себя год изготовления, отштампован на поверхности корпуса инструмента.

Пример:

2020 XX XX
Год изготовления

Описание (Рис. А)



ВНИМАНИЕ: Никогда не вносите изменения в конструкцию электроприбора или какой-либо его части. Это может привести к повреждению или травме.

- | | |
|---|------------------------------|
| 1 Кнопка блокировки пускового выключателя | 8 Зажимной винт полотна |
| 2 Курковый пусковой выключатель | 9 Индикатор пропила |
| 3 Аккумуляторная батарея | 10 Регулятор скоса |
| 4 Рычаг регулировки глубины | 11 Кнопка блокировки полотна |
| 5 Подошва | 12 Дополнительная рукоятка |
| 6 Рычаг смещения нижнего ограждения | 13 Отпирающая кнопка батареи |
| 7 Нижнее ограждение диска | 14 Шестигранный ключ |

Назначение

Беспроводная циркулярная пила предназначена для профессиональной распиловки дерева.

Не используйте в условиях повышенной влажности или поблизости от легковоспламеняющихся жидкостей или газов.

Данная циркулярная пила является профессиональным электроинструментом.

Не допускайте детей к прибору. Использование прибора неопытными пользователями должно происходить под контролем опытного лица.

- Данный прибор не предназначен для использования лицами (включая детей) с ограниченными физическими, психическими и умственными возможностями, не имеющими опыта, знаний или навыков работы с ним, если они не находятся под наблюдением лица, ответственного за их безопасность. Никогда не оставляйте детей без присмотра с этим прибором.

СБОРКА И РЕГУЛИРОВКА

! **ВНИМАНИЕ:** Чтобы снизить риск получения серьезной травмы, необходимо выключить инструмент и отсоединить батарею, прежде чем выполнять какую-либо регулировку либо удалять/устанавливать какие-либо насадки или дополнительные принадлежности.

Случайный запуск может привести к травме.

! **ВНИМАНИЕ:** Используйте только зарядные устройства и аккумуляторные батареи марки DEWALT.

Установка и извлечение аккумуляторной батареи из инструмента (Рис. В)

ПРИМЕЧАНИЕ: Убедитесь, что аккумуляторная батарея **3** полностью заряжена.

Установка батареи в рукоятку инструмента

1. Совместите аккумуляторную батарею **3** с выемкой на внутренней стороне рукоятки (Рис. В).
2. Задвиньте ее в рукоятку так, чтобы аккумуляторная батарея плотно встала на место и убедитесь, что услышали щелчок от вставшего на место замка.

Извлечение батареи из инструмента

1. Нажмите кнопку фиксатора батареи **13** и вытащите батарею из рукоятки.
2. Вставьте батарею в зарядное устройство, как указано в разделе данного руководства, посвященном зарядному устройству.

Датчик уровня заряда аккумуляторной батареи (Рис. В)

В некоторых аккумуляторных батареях DEWALT есть датчик заряда, который включает три зеленых светодиодных индикатора, показывающих уровень оставшегося заряда аккумуляторной батареи.

Для включения датчика заряда, нажмите и удерживайте кнопку датчика заряда **16**. Загорятся три зеленых светодиода, показывая уровень оставшегося заряда. Когда уровень заряда аккумуляторной батареи будет ниже уровня, необходимого для использования, светодиоды перестанут гореть и аккумуляторную батарею следует зарядить.

ПРИМЕЧАНИЕ: Датчик заряда аккумуляторной батареи показывает уровень оставшегося заряда. Он не показывает работоспособность устройства и его показания могут меняться в зависимости от компонентов продукта, температуры и сфер применения.

Установка крюка для ремня (рис. С)

! **ВНИМАНИЕ:** Чтобы снизить риск серьезного травмирования, используйте **ТОЛЬКО** крюк для ремня для подвешивания инструмента на рабочий ремень. **ЗАПРЕЩАЕТСЯ** использовать крюк для ремня для крепления инструмента во время эксплуатации. **НЕ** подвешивайте

инструмент над головой и не прицепляйте другие объекты к крюку для ремня.

! **ВНИМАНИЕ:** Во избежание получения серьезной травмы убедитесь в том, что винт крепления крюка для ремня хорошо затянут.

ВАЖНО: Прикрепляя или меняя крюк для ремня **19**, используйте только винт **20**, входящий в комплект поставки. Убедитесь в надежности затяжки винта.

Если крюк не нужен, его можно снять с инструмента.

Пусковой выключатель (рис. А)

! **ВНИМАНИЕ:** Этот инструмент не оснащен приспособлением для удержания пускового выключателя во включенном положении и фиксация его в положении ВКЛ при помощи каких-либо других средств запрещена.

Отпустите кнопку блокировки пускового выключателя **1**, нажав кнопку. Нажмите на пусковой выключатель **2**, чтобы запустить двигатель. Отпускание пускового переключателя приводит к выключению двигателя.

Настройка глубины распила (Рис. D)

1. Ослабьте рычаг регулировки глубины распила **4**.
2. Для установки нужной глубины распила установите подошву **5** в нужное положение.
3. Затяните рычаг регулировки глубины **4**.
4. Для наиболее эффективной распиловки с использованием карбидного пильного полотна, отрегулируйте глубину так, чтобы примерно половина зубца выступала книзу от разрезаемой деревянной поверхности.

ПРИМЕЧАНИЕ: На рис. D приведен метод проверки правильности глубины распила. Положите вдоль полотна кусок материала, который хотите распилить, и посмотрите, насколько зубец выступает за пределы материала.

Регулировка скоса (рис. Е)

Угол наклона диска можно регулировать от 0° до 45°.

1. Ослабьте регулятор скоса **10**.
2. Установите угол наклона диска путем наклона подошвы пилы **5** таким образом, чтобы метка указывала нужный угол на шкале.
3. Затяните регулятор скоса **10**.

Регулировка подошвы для распиловки под углом 90° (рис. А, D, Е)

1. Отрегулируйте пилу под углом скоса 0°.
2. Уберите ограждение полотна с помощью рычага **6** и установите пилу на сторону с полотном.
3. Ослабьте регулятор скоса **10**.
4. Приложите угольник к полотну и подошве и отрегулируйте угол до 90° градусов.
5. Поверните винт калибровки **29**, чтобы подошва была размещена под правильным углом.

6. Проверьте правильность угла, выполнив распил черного материала.

Порядок установки и эксплуатации направляющей продольной распиловки (рис. А, F)

Продольная распиловка — это процесс распиловки широких досок на более узкие вдоль волокон. При такой распиловке направление полотна рукой представляет трудности, поэтому рекомендуется использовать направляющую продольной распиловки.

ВНИМАНИЕ: В целях безопасности, перед использованием каких-либо дополнительных приспособлений внимательно прочтите руководство по эксплуатации. Невыполнение этих инструкций может привести к травме и серьезным повреждениям пилы и ее принадлежности. При проведении технического обслуживания инструмента используйте только идентичные запасные части.

Сборка

1. Ослабьте крепежный винт направляющей планки продольной распиловки **27** с помощью шестигранного ключа **14**.
2. Установите направляющую продольной распиловки **30**, как показано на рис. F.
3. Надежно затяните крепежный винт направляющую продольной распиловки **27**.

Используйте предоставленную направляющую продольной распиловки только с циркулярной пилой DCS571. Использование данной направляющей продольной распиловки с другими пилами увеличивает риск отдачи и травм.

Перед выполнением распиловки убедитесь, что направляющая продольной распиловки надежно установлена на инструмент.

После установки направляющей продольной распиловки на пилу, а также после перемещения направляющей для изменения ширины продольной распиловки, перед запуском пилы и выполнением распила проверьте работу нижнего ограждения и убедитесь, что направляющая продольной распиловки не мешает работе ограждения.

Замена пыльного полотна (рис. А, G)

1. Нажмите кнопку блокировки полотна **11** и выверните зажимной винт полотна **8**, поворачивая его по часовой стрелке с помощью поставленного в комплекте шестигранного ключа.
2. Уберите нижнее ограждение полотна **7** с помощью рычага **6** и замените диск. Установите шайбы (**17**, **18**) необходимым образом.
3. Проверьте направление вращения диска.
4. Чтобы прижать шайбу, затяните зажимной винт полотна **8** вручную. Поверните против часовой стрелки.

5. Удерживайте кнопку блокировки диска **11** и поворачивайте шпиндель до тех пор, пока диск не перестанет вращаться.
6. Затяните зажимной винт с помощью шестигранного ключа.

Пильные полотна

ВНИМАНИЕ: Для минимизации риска травмирования глаз, всегда носите защитные очки. Карбид является твердым, но хрупким материалом. Посторонние предметы в заготовке наподобие проводов или гвоздей могут привести к трещинам и поломкам кончиков. Работайте с пилой, только если соответствующее ограждение находится на месте. Надежно устанавливайте полотно в правильном направлении вращения перед использованием и всегда используйте чистое и острое полотно.

ВНИМАНИЕ: Запрещается использовать данную пилу для распиловки черных металлов (стали), кирпичной кладки, стекла, кирпичной плитки, цементных плит и плитки.

Не используйте абразивные отрезные круги или полотна. Изношенное полотно приводит к медленному и неэффективному распилу, перегрузке электродвигателя пилы, чрезмерному расщеплению и повышенному риску отдачи.

Если вам необходима помощь с подбором полотен, обратитесь в ближайший сервисный центр, указанный в конце руководства.

| Пильное полотно | Диаметр | Зубья | Применение |
|-----------------|---------|-------|---------------------------------|
| DWA412TCT | 115 мм | 24 | Распиловка древесины |
| DWA412PCD | 115 мм | 4 | Распиловка волокнистого цемента |

Подготовка к эксплуатации

- Убедитесь, что аккумуляторная батарея (полностью) заряжена.
- Убедитесь в том, что ограждения установлены правильно. Ограждение пыльного полотна должно закрывать полотно.
- Убедитесь в том, что пыльное полотно вращается в направлении, обозначенном стрелкой на полотне.
- Не используйте крайне изношенные пыльные полотна.


ЭКСПЛУАТАЦИЯ

Инструкции по использованию


ВНИМАНИЕ: Всегда следуйте указаниям действующих норм и правил безопасности.

ВНИМАНИЕ: Чтобы снизить риск получения серьезной травмы, необходимо выключить инструмент и отсоединить батарею, прежде чем выполнять какую-либо регулировку либо удалять/устанавливать какие-либо насадки



*или дополнительные принадлежности.
Случайный запуск может привести к травме.*

-  **ВНИМАНИЕ:** Всегда надевайте защитные наушники. В некоторых условиях и во время использования шум данного инструмента может стать причиной нарушения слуха.

Инструкции по эксплуатации

-  **ВНИМАНИЕ:**
 - Убедитесь, что обрабатываемая заготовка надежно закреплена на месте.
 - Не оказывайте повышенное давление на инструмент и не прилагайте боковое усилие к пильному полотну. По возможности, прижимайте подошву пилы к поверхности заготовки. Это позволяет избежать повреждения полотна и не позволяет инструменту дергаться и вибрировать.
 - Избегайте перегрузок.
 - Прежде чем приступить к резке, дайте пиле поработать несколько секунд без нагрузки.

Правильное положение рук во время работы (Рис. Н)

-  **ВНИМАНИЕ:** Для уменьшения риска получения тяжёлой травмы, **ВСЕГДА** правильно удерживайте инструмент, если показано на рисунке.
-  **ВНИМАНИЕ:** Для уменьшения риска получения тяжёлой травмы, **ВСЕГДА** надёжно удерживайте инструмент, предупреждая внезапные сбои в работе.

или при наличии дополнительной рукоятки одна рука находится на основной рукоятке **21**, а другая на дополнительной рукоятке **12**.

Включение и выключение (рис. А)

Для обеспечения безопасности пусковой выключатель **2** инструмента оснащается кнопкой блокировки **1**.

Нажмите кнопку блокировки для разблокирования инструмента.

Для включения инструмента нажмите на пусковой выключатель **2**. После отпускания пускового выключателя, кнопка блокировки автоматически активируется для предотвращения случайного запуска устройства.

ПРИМЕЧАНИЕ: Не включайте и не выключайте инструмент, если пильное полотно прикасается к заготовке или другим материалам.



Направление инструмента (рис. А, I)

- Для обеспечения оптимального результата, закрепите заготовку нижней частью вверх.
- Используйте индикатор пропила **9** для следования начерченной на заготовке линии. Если индикатор пропила установлен под углом 45°, он совпадает с левой стороной пильного полотна. Если индикатор

пропила установлен под углом 0°, он совпадает с правой стороной пильного полотна.

- Для настройки индикатора пропила **9**, ослабьте винт индикатора пропила **28** шестигранным ключом **14** и передвиньте индикатор влево или вправо по необходимости. Затяните винт после завершения настройки индикатора.

Удаление пыли (Рис. I–K)

-  **ВНИМАНИЕ:** Риск вдыхания пыли. Во избежание риска получения травм, **ВСЕГДА** надевайте респиратор утвержденного типа.
-  **ВНИМАНИЕ:** **ВСЕГДА** используйте пылеуловитель класса M, конструкция которого соответствует действующим директивам по выбросу пыли при разрезе материалов с опасной пылью.

Выход для удаления пыли **24** позволяет подключить к инструменту внешнее устройство удаления пыли с помощью системы AirLock или стандартного 35 мм соединения пылеуловителя. Соединитель AirLock **22** подключается к совместимым инструментам и пылеуловителям DeWALT.

Закрепите выход для удаления пыли **24** на пиле, надвинув его на крепежное отверстие для удаления пыли **31**, поворачивая его до надежного закрепления. Направление выхода для сбора пыли можно регулировать на 180 градусов.

1. Убедитесь в том, что муфта соединителя AirLock находится в положении разблокировки. (См. рис. J.) Совместите кнопки **23** на муфте с соединителем AirLock, как показано на рисунке с изображением блокировки и разблокировки.
2. Вставьте соединитель AirLock в выход для удаления пыли **24**.
3. Поверните муфту в положение блокировки.

ПРИМЕЧАНИЕ: Шарикоподшипники внутри муфты фиксируются в прорези, обеспечивая плотность соединения. Теперь электроинструмент надежно подсоединен к пылеуловителю.

Установка мешка для сбора пыли (рис. К)

1. Удерживая пилу, установите манжету мешка для сбора пыли **26** на выход удаления пыли **24**, как показано на рисунке К.
2. Поверните манжету **26** по часовой стрелке, чтобы зафиксировать мешок для сбора пыли **25** на месте.

Опорожнение мешка для сбора пыли (рис. К)

1. Удерживая пилу, поверните манжету **26** против часовой стрелки, чтобы отсоединить мешок для сбора пыли **25**.
2. Снимите мешок для сбора пыли с пилы и аккуратно встряхните или постучите по нему, чтобы опорожнить его.
3. Снова установите мешок для сбора пыли в отверстие для удаления пыли и зафиксируйте, повернув манжету по часовой стрелке.

Вы можете заметить, что при опорожнении из пылесборника выходит не вся пыль. Это никак не повлияет

на эффективность шлифования, но значительно снизит эффективность сбора пыли пилой. Чтобы пылеудаление стало вновь эффективным, при опорожнении нажмите на пружину внутри пылесборника и постучите им о край мусорного контейнера.

Опора заготовки (рис. L, M)

⚠ ВНИМАНИЕ: Для снижения риска получения серьезных травм, обеспечьте заготовке надежную опору и крепко удерживайте пилу, чтобы предотвратить потерю управления.

На рисунке L показано правильное положение для распиловки. На рисунке M показано небезопасное положение. Руки следует держать вдали от области распила. Для предотвращения отдачи, ВСЕГДА располагайте опору доски или панели РЯДОМ с распилом. НЕ располагайте опору доски или панели вдали от распила. ВСЕГДА ОТКЛЮЧАЙТЕ ПИЛУ ОТ ПИТАНИЯ ПЕРЕД ВЫПОЛНЕНИЕМ КАКОЙ-ЛИБО РЕГУЛИРОВКИ! Располагайте заготовку «лицевой» стороной – той, внешний вид которой более важен – вниз. Пила пилит вверх, поэтому расщепление во время распила будет происходить на верхней стороне заготовки.

ТЕХНИЧЕСКОЕ ОБСЛУЖИВАНИЕ

Электроинструмент имеет длительный срок эксплуатации и требует минимальных затрат на техобслуживание. Для длительной безотказной работы необходимо обеспечить правильный уход за инструментом и его регулярную очистку.

⚠ ВНИМАНИЕ: Чтобы снизить риск получения серьезной травмы, необходимо выключить инструмент и отсоединить батарею, прежде чем выполнять какую-либо регулировку либо удалять/устанавливать какие-либо насадки или дополнительные принадлежности. Случайный запуск может привести к травме.

Зарядное устройство и аккумуляторные батареи неремонтопригодны.



Смазка

Ваш электроинструмент не требует дополнительной смазки.



Чистка

⚠ ВНИМАНИЕ: Выдувайте грязь и пыль из корпуса сухим сжатым воздухом по мере видимого скопления грязи внутри и вокруг вентиляционных отверстий. Выполняйте очистку, надев средство защиты глаз и респиратор утвержденного типа.

⚠ ВНИМАНИЕ: Никогда не используйте растворители или другие агрессивные химические средства для очистки неметаллических деталей инструмента. Эти химикаты могут ухудшить свойства

материалов, примененных в данных деталях. Используйте ткань, смоченную в воде с мягким мылом. Не допускайте попадания какой-либо жидкости внутрь инструмента; ни в коем случае не погружайте какую-либо часть инструмента в жидкость.

НИЖНЕЕ ОГРАЖДЕНИЕ

Нижнее ограждение должно всегда свободно вращаться и закрываться из полностью открытого в полностью закрытое положение. Всегда проверяйте правильную работу ограждения перед распилом, полностью открывая заграждения и давая ему закрыться. Если ограждение закрывается медленно или не полностью, то ему потребуется чистка или обслуживание. Не используйте пилу до тех пор, пока она не будет исправно функционировать. При очистке ограждения используйте сухой воздух или мягкую щетку, чтобы очистить путь движения ограждения и область вокруг его пружины от набившихся опилок или грязи. Если это не исправит проблему, то инструмент следует отправить в авторизованный сервисный центр.

Дополнительные принадлежности

⚠ ВНИМАНИЕ: Поскольку принадлежности, отличные от тех, которые предлагает DEWALT, не проходили тесты на данном изделии, то использование этих принадлежностей может привести к опасной ситуации. Во избежание риска получения травмы, с данным продуктом должны использоваться только рекомендованные DEWALT дополнительные принадлежности.

По вопросу приобретения дополнительных принадлежностей обращайтесь к Вашему дилеру.

Защита окружающей среды



Отдельная утилизация. Изделия и аккумуляторные батареи с данным символом на маркировке запрещается утилизировать с обычными бытовыми отходами.

Изделия и аккумуляторные батареи содержат материалы, которые могут быть извлечены или переработаны, снижая потребность в исходном сырье. Пожалуйста, утилизируйте электрические изделия и аккумуляторные батареи в соответствии с местными нормами. Дополнительная информация доступна по адресу www.2helpU.com.

Аккумуляторная батарея

Данную аккумуляторную батарею с длительным сроком эксплуатации необходимо перезаряжать, когда она перестает обеспечивать питание, необходимое для выполнения определенных работ. По окончании срока эксплуатации ее следует утилизировать, соблюдая при этом необходимые меры по защите окружающей среды:

- полностью разрядите батарею до конца и извлеките ее из инструмента.

- литий-ионные аккумуляторные батареи подлежат вторичной переработке. Сдайте их нашему дилеру или в местный центр вторичной переработки. В этих пунктах батареи будут подвергнуты повторной переработке или правильной утилизации.



Приложение к руководству по эксплуатации электрооборудования для определения месяца производства по номеру текущей календарной недели года

Электрооборудование торговых марок "Dewalt", "Stanley", "Stanley FatMAX", "BLACK+DECKER".

Директивы 2014/30/EU ЕВРОПЕЙСКОГО ПАРЛАМЕНТА И СОВЕТА от 26 февраля 2014 г. "О гармонизации законодательств Государств-членов ЕС в области электромагнитной совместимости", 2006/42/ЕС ЕВРОПЕЙСКОГО ПАРЛАМЕНТА И СОВЕТА от 17 мая 2006 г. "О машинах и оборудовании"; 2014/35/EU ЕВРОПЕЙСКОГО ПАРЛАМЕНТА И СОВЕТА от 26 февраля 2014 г. "О гармонизации законодательств государств-членов в области размещения на рынке электрооборудования, предназначенного для использования в определенных пределах напряжения". Серийный выпуск.

ТОВАР СЕРТИФИЦИРОВАН

Орган по сертификации "РОСТЕСТ-Москва", Адрес: 119049, г. Москва, улица Житная, д. 14, стр. 1; 117418, Москва, Нахимовский просп., 31 (фактический), Телефон: (499) 1292311, (495) 6682893, Факс: (495) 6682893, E-mail: office@rostest.ru
 Изготовитель: Изготовитель: Блэк энд Деккер Холдингс ГмБХ, Германия, 65510, Идштайн, ул. Блэк энд Деккер, 40, тел. +496126212790.

Уполномоченное изготовителем юр.лицо:

ООО "Стэнли Блэк энд Деккер", 117485, город Москва, улица Обручева, дом 30/1, строение 2
 Телефон: + 7 (495) 258-3981, факс: + 7 (495) 258-3984, E-mail: info@dewalt.com
 Сведения о импортере указаны в сопроводительной документации и/или на упаковке

Хранение.

Необходимо хранить в сухом месте, вдали от источников повышенных температур и воздействия солнечных лучей. При хранении необходимо избегать резкого перепада температур. Хранение без упаковки не допускается

Срок службы.

Срок службы изделия составляет 5 лет. Не рекомендуется к эксплуатации по истечении 5 лет хранения с даты изготовления без предварительной проверки.

Дата изготовления (код даты) указана на корпусе инструмента. Код даты, который также включает год изготовления, отштампован на поверхности корпуса изделия.

Пример:

2014 46 XX, где 2014 –год изготовления, 46-неделя изготовления. Определить месяц изготовления по указанной неделе изготовления можно согласно приведенной ниже таблице.

Транспортировка.

Категорически не допускается падение и любые механические воздействия на упаковку при транспортировке. При разгрузке/погрузке не допускается использование любого вида техники, работающей по принципу зажима упаковки.

Перечень критических отказов, возможные ошибочные действия персонала.

Не допускается эксплуатация изделия:

- При появлении дыма из корпуса изделия
- При поврежденном и/или оголенном сетевом кабеле
- при повреждении корпуса изделия, защитного кожуха, рукоятки
- при попадании жидкости в корпус
- при возникновении сильной вибрации
- при возникновении сильного искрения внутри корпуса

Критерии предельных состояний.

- При поврежденном и/или оголенном сетевом кабеле
- при повреждении корпуса изделия

| Месяц | Январь | Февраль | Март | Апрель | Май | Июнь | Июль | Август | Сентябрь | Октябрь | Ноябрь | Декабрь | Год производства |
|--------|--------|---------|------|--------|-----|------|------|--------|----------|---------|--------|---------|------------------|
| Неделя | 1 | 5 | 9 | 14 | 18 | 23 | 27 | 31 | 36 | 40 | 44 | 49 | 2018 |
| | 2 | 6 | 10 | 15 | 19 | 24 | 28 | 32 | 37 | 41 | 45 | 50 | |
| | 3 | 7 | 11 | 16 | 20 | 25 | 29 | 33 | 38 | 42 | 46 | 51 | |
| | 4 | 8 | 12 | 17 | 21 | 26 | 30 | 34 | 39 | 43 | 47 | 52 | |
| | | | 13 | | 22 | | | 35 | | | 48 | | |
| Неделя | 1 | 6 | 10 | 14 | 18 | 23 | 27 | 31 | 36 | 40 | 45 | 49 | 2019 |
| | 2 | 7 | 11 | 15 | 19 | 24 | 28 | 32 | 37 | 41 | 46 | 50 | |
| | 3 | 8 | 12 | 16 | 20 | 25 | 29 | 33 | 38 | 42 | 47 | 51 | |
| | 4 | 9 | 13 | 17 | 21 | 26 | 30 | 34 | 39 | 43 | 48 | 52 | |
| | 5 | | | | | 22 | | | 35 | | 44 | | |
| Неделя | 1 | 6 | 10 | 14 | 19 | 23 | 27 | 32 | 36 | 40 | 45 | 49 | 2020 |
| | 2 | 7 | 11 | 15 | 20 | 24 | 28 | 33 | 37 | 41 | 46 | 50 | |
| | 3 | 8 | 12 | 16 | 21 | 25 | 29 | 34 | 38 | 42 | 47 | 51 | |
| | 4 | 9 | 13 | 17 | 22 | 26 | 30 | 35 | 39 | 43 | 48 | 52 | |
| | 5 | | | | 18 | | 31 | | | 44 | | | |
| Неделя | 2 | 6 | 10 | 14 | 19 | 23 | 27 | 32 | 36 | 41 | 45 | 49 | 2021 |
| | 3 | 7 | 11 | 15 | 20 | 24 | 28 | 33 | 37 | 42 | 46 | 50 | |
| | 4 | 8 | 12 | 16 | 21 | 25 | 29 | 34 | 38 | 43 | 47 | 51 | |
| | 5 | 9 | 13 | 17 | 22 | 26 | 30 | 35 | 39 | 44 | 48 | 52 | |
| | | | | 18 | | | 31 | | 40 | | | 1 | |
| Неделя | 2 | 6 | 10 | 15 | 19 | 23 | 28 | 32 | 36 | 41 | 45 | 49 | 2022 |
| | 3 | 7 | 11 | 16 | 20 | 24 | 29 | 33 | 37 | 42 | 46 | 50 | |
| | 4 | 8 | 12 | 17 | 21 | 25 | 30 | 34 | 38 | 43 | 47 | 51 | |
| | 5 | 9 | 13 | 18 | 22 | 26 | 31 | 35 | 39 | 44 | 48 | 52 | |
| | | | 14 | | | 27 | | | 40 | | | 1 | |

ДИСКОВА ПИЛКА 115 ММ DCS571

Вітаємо вас!

Ви обрали інструмент виробництва компанії DeWALT. Ретельна розробка продукції, багаторічний досвід фірми у виробництві інструментів, різні вдосконалення, все це зробило інструменти DeWALT є одними із найнадійніших помічників для тих, хто використовує електричні інструменти у своїй професії.

Технічні дані

| | | DCS571 |
|--|---------------------------|--------------|
| Напруга | В _{пост. струму} | 18 |
| Тип | | 1 |
| Тип акумулятора | | Літій-іонний |
| Швидкість без навантаження | хв. ⁻¹ | 4500 |
| Діаметр пильного диска | мм | 115 |
| Мінімальна глибина розрізу | мм | 39,5 |
| Діаметр отвору диска | мм | 9,5 |
| Регулювання кута нахилу | | 0°–45° |
| Маса (без акумулятора) | кг | 2,5 |
| Значення рівня шуму та/або вібрації (триаксильна векторна сума) відповідно до стандарту EN62841-2-5: | | |
| L _{ра} (рівень тиску звукового випромінювання) | дБ(A) | 91 |
| L _{ва} (рівень акустичної потужності) | дБ(A) | 102 |
| K (похибка для даного рівня гучності) | дБ(A) | 3 |
| Значення вібрації ah = | | |
| | м/с ² | < 2,5 |
| Похибка K = | | |
| | м/с ² | 1,5 |

Значення вібрації та/або шуму, наведене в цьому документі, було виміряне згідно зі стандартизованим тестом, викладеним в EN62841 та може використовуватись для порівняння інструментів. Це значення вібрації можна також використовувати для попередньої оцінки впливу вібрації.

⚠ ПОПЕРЕДЖЕННЯ: Заявлене значення вібрації та/або шуму відповідає вимогам цільового використання інструмента. Однак якщо інструмент використовується для виконання інших завдань, або з іншими витратними матеріалами/насадками, або не обслуговується належним чином, значення вібрації та/або шуму може відхилитися. Це може значно збільшити рівень впливу протягом усього періоду роботи.

Оцінка рівня впливу вібрації та/або шуму має враховувати час, протягом якого інструмент є вимкненим, а також час, протягом якого він є ввімкненим, але не використовується. Це може значно зменшити рівень впливу протягом усього періоду роботи.

Визначення додаткових заходів безпеки для захисту оператора від впливу вібрації та/або шуму: технічне обслуговування інструмента та приладдя, утримання рук у теплі (має значення для вібрації), організація режиму роботи.

Декларація про відповідність ЄС ДИРЕКТИВА ДЛЯ МЕХАНІЧНОГО ОБЛАДНАННЯ



Дискова пилка 115 мм DCS571

DeWALT заявляє, що ці продукти, описані в розділі **Технічні дані**, відповідають наступним вимогам: 2006/42/EC, EN62841-1:2015, EN62841-2-5:2014.

Ці продукти також відповідають вимогам Директив 2014/30/EU та 2011/65/EU. Для отримання додаткової інформації, будь ласка, звертайтеся до компанії DeWALT за зазначеною нижче адресою або на зворотному боці цього посібника.

Нижче підписаний несе відповідальність за упорядкування файлу технічних характеристик та робить цю заяву від імені компанії DeWALT.

Маркус Ромпель
Віце-президент з інженерно-технічного забезпечення, PTE-Europe
DeWALT, Richard-Klinger-Straße 11,
D-65510, Idstein, Німеччина
25.10.2019



ПОПЕРЕДЖЕННЯ: Уважно прочитайте керівництво з експлуатації для зменшення ризику отримання травм.

Позначення: інструкції з техніки безпеки

Умовні позначення, наведені нижче, описують рівень важливості кожної попереджувальної вказівки. Прочитайте керівництво з експлуатації та зверніть увагу на символи, наведені нижче.



НЕБЕЗПЕЧНО: Указує на безпосередню загрозу, яка, якщо її не уникнути, призведе до смерті або серйозної травми.



ПОПЕРЕДЖЕННЯ: Вказує на потенційну загрозу, ігнорування якої може призвести до смерті або серйозної травми.



УВАГА: Вказує на потенційну загрозу, ігнорування якої може призвести до травми легкої або середньої тяжкості.

| Батареї | | | | Зарядні пристрої/час зарядки (у хвилиналих) | | | | | | | |
|----------|-----------------|----------|-----------|---|--------|--------|--------|--------|---------|--------|--------|
| Кат. № | V _{bc} | Ah | Маса (kg) | DCB104 | DCB107 | DCB112 | DCB113 | DCB115 | DCB118 | DCB132 | DCB119 |
| DCB546 | 18/54 | 6.0/2.0 | 1.05 | 60 | 270 | 170 | 140 | 90 | 60 | 90 | X |
| DCB547 | 18/54 | 9.0/3.0 | 1.46 | 75* | 420 | 270 | 220 | 135* | 75* | 135* | X |
| DCB548 | 18/54 | 12.0/4.0 | 1.44 | 120 | 540 | 350 | 300 | 180 | 120 | 180 | X |
| DCB181 | 18 | 1.5 | 0.35 | 22 | 70 | 45 | 35 | 22 | 22 | 22 | 45 |
| DCB182 | 18 | 4.0 | 0.61 | 60/40** | 185 | 120 | 100 | 60 | 60/40** | 60 | 120 |
| DCB183/B | 18 | 2.0 | 0.40 | 30 | 90 | 60 | 50 | 30 | 30 | 30 | 60 |
| DCB184/B | 18 | 5.0 | 0.62 | 75/50** | 240 | 150 | 120 | 75 | 75/50** | 75 | 150 |
| DCB185 | 18 | 1.3 | 0.35 | 22 | 60 | 40 | 30 | 22 | 22 | 22 | X |
| DCB187 | 18 | 3.0 | 0.54 | 45 | 140 | 90 | 70 | 45 | 45 | 45 | 90 |
| DCB189 | 18 | 4.0 | 0.54 | 60 | 185 | 120 | 100 | 60 | 60 | 60 | 120 |

*Код дати 201811475В або пізніше

**Код дати 201536 або пізніше

ПРИМІТКА: Вказує на ситуацію, **не пов'язану з особою травмою**, ігнорування цієї ситуації може призвести до **пошкодження майна**.



Вказує на ризик ураження електричним струмом.



Вказує на ризик виникнення пожежі.

ЗАГАЛЬНІ ПРАВИЛА БЕЗПЕКИ ПРИ ЕКСПЛУАТАЦІЇ ЕЛЕКТРИЧНОГО ІНСТРУМЕНТА



ПОПЕРЕДЖЕННЯ: Ознайомтеся з усіма попередженнями, інструкціями з техніки безпеки, зображеннями та специфікаціями, які поставляються з даним електричним інструментом. Невиконання нижченаведених інструкцій може призвести до ураження електричним струмом, пожежі та/або серйозних тілесних ушкоджень.

ЗБЕРІГАЙТЕ ВСІ ПОПЕРЕДЖЕННЯ ТА ІНСТРУКЦІЇ ДЛЯ ПОДАЛЬШОГО ВИКОРИСТАННЯ

Термін «електричний інструмент» в усіх попередженнях стосується використовуваних вами інструментів, що живляться від мережі енергопостачання (з електричним кабелем) або від акумуляторів (без кабелю).

1) Безпека робочої зони

- Робоча зона завжди має бути чистою та добре освітленою.** Захаращена або темна робоча зона призводить до нещасних випадків.
- Не використовуйте електричні інструменти у вибухонебезпечній атмосфері, наприклад поруч із вогнебезпечними рідинами, газами та пилом.** Електричні інструменти створюють іскри, що можуть запалити пил або пару.
- Тримайте дітей та сторонніх подалі під час використання інструмента.** Відвернення уваги може призвести до втрати контролю.

2) Електрична безпека

- Вилка електричного інструмента повинна відповідати розетці. Ніколи жодним чином не змінюйте вилку. Не використовуйте адаптери з замкнутими на землю (заземленими) електричними інструментами.** Немодифіковані вилки та розетки, що підходять до них, зменшують ризик ураження електричним струмом.
- Уникайте контакту тіла з заземленими поверхнями, такими як труби, радіатори, плити та холодильники.** Якщо ваше тіло заземлене, збільшується ризик ураження електричним струмом.
- Не залишайте електричні інструменти під дощем або в умовах підвищеної вологості.** Вода, що потрапляє в електричний інструмент, підвищує ризик ураження електричним струмом.
- Не використовуйте кабель живлення не за призначенням. Ніколи не переносьте, не тягніть та не відключайте електричний інструмент від розетки живлення за допомогою шнура.** Тримайте шнур подалі від високих температур, мастила, гострих предметів та рухомих деталей. Пошкоджені або перекручені шнури підвищують ризик ураження електричним струмом.
- При використанні електричного інструмента на вулиці, використовуйте подовжувальний шнур, що підходить для використання на вулиці.** Використання шнура, що призначений для використання поза приміщенням, знижує ризик ураження електричним струмом.
- Якщо неможливо уникнути використання електричного інструмента в умовах підвищеної вологості, використовуйте живлення, захищене пристроєм залишкового струму (RCD).** Використання RCD знижує ризик ураження електричним струмом.

3) Особиста безпека

- Будьте в стані готовності, дивіться, що ви робите, та будьте розсудливі,**

працюючи з електричним інструментом. Не використовуйте електричний інструмент, коли ви втомлені або знаходитесь під впливом наркотичних речовин, алкоголю або ліків. Втрата уваги під час роботи з електричним інструментами може призвести до серйозних травм.

- b) **Використовуйте особисті засоби безпеки. Завжди використовуйте засоби захисту очей.** Засоби безпеки, такі як протипилова маска, неслизькі безпечні черевики, захисний шолом та засоби захисту слухового апарату при використанні для відповідних умов зменшують імовірність особистих травм.
- c) **Уникайте випадкового запуску. Переконайтесь в тому, що вимикач знаходиться в позиції Вимк., перш ніж підключати інструмент до джерела живлення та/або акумулятора, переміщувати або переносити.** Може статися нещасний випадок, коли ви переносите інструмент, тримаючи палець на вимикачі, або підключаєте живлення до вимикача в позиції Увімк.
- d) **Зніміть усі ключі для регулювання або гайкові ключі, перш ніж вмикати електричний інструмент.** Гайковий ключ, що залишився прикріпленим до якоїсь деталі електричного пристрою, що обертається, може призвести до травм.
- e) **Не прикладайте надмірного зусилля. Завжди утримуйте правильну постановку ніг і рівновагу.** Це дає вам змогу краще контролювати інструмент в неочікуваних ситуаціях.
- f) **Одягайтеся відповідним чином. Не вдягайте вільний одяг або прикраси. Тримайте ваше волосся та одяг подалі від рухомих деталей.** Вільний одяг, прикраси або довге волосся можуть зачепитися за рухомі деталі.
- g) **Якщо передбачені пристрої для підключення до засобів виділення та збирання пилу, переконайтесь, що вони правильно підключені та використовуються.** Використання таких пристроїв зменшує ризик виникнення небезпечних ситуацій, що пов'язані з потраплянням пилу.
- h) **Навіть якщо ви добре знаєте інструмент та часто його використовуєте, не розслабляйтесь та не забувайте про принципи техніки безпеки.** Необережні дії можуть за долю секунди призвести до важких тілесних ушкоджень.

4) Використання електричного інструмента та догляд за ним

- a) **Не прикладайте надмірних зусиль під час роботи з інструментом. Використовуйте електричний інструмент, який відповідає завданню, що виконується.** Правильно обраний інструмент виконає завдання краще та безпечніше за умов, для яких він був розроблений.
- b) **Не використовуйте інструмент, якщо його неможливо ввімкнути та вимкнути за**

допомогою вимикача. Будь-який електричний інструмент, яким неможливо керувати за допомогою вимикача, є небезпечним і має бути відремонтований.

- c) **Якщо вилка знімна, відключіть її від джерела живлення та/або вийміть акумулятор, перш ніж виконувати будь-які налаштування, змінювати додаткове обладнання або зберігати інструмент.** Ці профілактичні заходи зменшують ризик випадкового запуску електричного інструмента.
 - d) **Зберігайте вимкнені електричні інструменти в недоступному для дітей місці та не дозволяйте особам, що не знайомі з електричним інструментом або цими інструкціями, використовувати електричний інструмент.** Електричні інструменти є небезпечними, якщо вони використовуються некваліфікованими користувачами.
 - e) **Технічне обслуговування електричних інструментів та приладдя. Перевіряйте неспіввісність, заїдання рухомих деталей, наявність пошкоджених частин та інших факторів, які можуть впливати на роботу електричного інструмента.** Якщо є пошкодження, відремонтуйте електричний інструмент перед використанням. Нещасні випадки часто є результатом того, що інструмент не пройшов відповідного технічного обслуговування.
 - f) **Різальні інструменти мають бути гострими та чистими.** Правильно доглянуті різальні інструменти з гострими різальними кромками мають меншу імовірність заїдання, та ними легше керувати.
 - g) **Використовуйте електричний інструмент, додаткові інструменти та деталі інструменту тощо у відповідності до цих інструкцій та відповідно до даного типу електричних інструментів, зважаючи на умови використання та роботу, яка має бути виконана.** Використання електричних інструментів не за призначенням може призвести до виникнення небезпечних ситуацій.
 - h) **Всі ручки та поверхні для тримання інструмента мають бути сухими, без залишків мастила.** Слизькі ручки та поверхні для тримання не дозволяють безпечно працювати та контролювати інструмент у неочікуваних ситуаціях.
- #### 5) Використання та догляд за інструментом, що живиться від акумулятора
- a) **Заряджайте інструмент лише за допомогою зарядного пристрою, вказаного виробником.** Зарядний пристрій, що підходить до одного типу акумуляторів, може призвести до пожежі в разі використання з іншим акумулятором.
 - b) **Використовуйте електричні інструменти лише за призначеннями для них акумуляторами.**

Використання інших акумуляторів може призвести до травм або пожежі.

- c) **Коли акумулятори не використовуються, зберігайте їх подалі від металевих предметів, як скріпки, монети, ключі, цвяхи, гвинти або інші невеликі предмети, що можуть призвести до замикання двох контактів.** Коротке замикання клем акумулятора може призвести до вибуху або пожежі.
- d) **За невідповідних умов використання рідина може витекти з акумулятора; уникайте контакту з цією рідиною. Якщо контакт таки стався, промийте забруднену ділянку водою. Якщо рідина потрапила в очі, промийте водою та зверніться до лікаря.** Рідина, що витікає з акумулятора, може призвести до подразнень та опіків.
- e) **Не використовуйте пошкоджені або модифіковані акумулятор або інструмент.** Пошкоджені або модифіковані акумулятори можуть поводити себе непередбачуваним чином, призводячи до пожежі, вибуху або тілесним ушкодженням.
- f) **Не надавайте акумулятор та інструмент дії вогню та надмірних температур.** Дія вогню або температури вище 130 °C може спричинити вибух.
- g) Виконуйте всі інструкції щодо зарядки; **заряджайте акумулятор та інструмент тільки в межах температурного діапазону, вказаного в інструкціях.** Неналежна зарядка або зарядка поза межами вказаного температурного діапазону може пошкодити акумулятор та підвищити ризик пожежі.

6) Обслуговування

- a) **Надавайте ваш електричний інструмент для обслуговування кваліфікованим спеціалістом з ремонту та використовуйте тільки ідентичні замінні деталі.** Це забезпечить безпеку електричного пристрою.
- b) **Ніколи не обслуговуйте пошкоджені акумулятори самостійно.** Обслуговування акумуляторів мають виконувати представники виробника або працівники офіційного сервісного центру.

Інструкції з техніки безпеки для всіх пилок

Процедури різання

- a) **⚠ НЕБЕЗПЕЧНО! Тримайте руки подалі від зони різання та пильного диска. Тримайте другу руку на додатковій ручці або корпусі електродвигуна.** Якщо обидві руки тримають пилку, ви не поріжете диск.
- b) **Не підставляйте руку під заготовку.** Захисний кожух не зможе захистити ваші руки від диска, якщо вони знаходяться під заготовкою.
- c) **Налаштуйте глибину розрізу відповідно до товщини заготовки.** Необхідно, щоб частина

зубця диска, яка виступає з-під заготовки, була меншою за його повну висоту.

- d) **Ніколи не тримайте заготовку в руках або на нозі під час різання. Закріпіть заготовку на стійкій платформі.** Необхідно добре закріпити заготовку, щоб звести до мінімуму можливість контакту з тілом, заїдання леза або втрати контролю.
- e) **Тримайте інструмент за ізольовану поверхню при виконанні операцій, коли ріжучі приладдя можуть торкнутися схованої проводки.** У разі контакту різальних елементів з дротом під напругою може з'явитися напруга в металевих деталях інструмента, що може призвести до ураження оператора електричним струмом.
- f) **Під час поздовжнього розпилювання використовуйте поздовжній шаблон або напрямну кромку.** Це дасть можливість підвищити точність розрізу та зменшити можливість заїдання диска.
- g) **Завжди використовуйте пильні диски відповідного розміру та з правильною формою отворів управління (ромбоподібні або круглі).** Пильні диски, що не відповідають кріпильним пристосуванням пилки, обертатимуться несиметрично відносно центру, що може призвести до втрати контролю.
- h) **Ніколи не використовуйте пошкоджені або невідповідні шайби та болти для кріплення пильного диска.** Шайби та болти пильного диска були розроблені спеціально для вашої пилки для оптимальної та безпечної роботи.

ДОДАТКОВІ ІНСТРУКЦІЇ З ТЕХНІКИ БЕЗПЕКИ ДЛЯ ВСІХ ПИЛОК

Причини віддачі та відповідні попередження

- Віддача – це раптова реакція на затискання, заклинювання або розрегулювання пильного диска, що спричиняє рух неконтрольованої пилки вгору в напрямку від заготовки до оператора;
- Якщо пильний диск зайло або заклинило під час розрізання, він зупиняється, а електродвигун спричиняє швидкий рух пристрою назад на оператора;
- Якщо пильний диск викривлюється або займає неправильне положення в розрізі, зубці на задньому кінці диска можуть вийти з пропилу на поверхню заготовки, що призведе до підстрибування пильного диска в напрямку до оператора.

Віддача є результатом невірної використання та/або некоректної роботи або невідповідних умов роботи, яких можна уникнути, уживаючи відповідних заходів, наведених нижче:

- a) **Тримайте пилку міцно обома руками та розташуйте руки так, щоб можна було**

створити опір силам віддачі. Розташуйте тіло з одного боку диска, але не на одній лінії з диском. Віддача може призвести до відстрибування пилки назад, але сили віддачі можуть бути під контролем оператора, якщо будуть вжиті відповідні заходи.

- b) **Якщо пильний диск затиснений або необхідно перервати розпилювання за якоїсь причини, відпустіть вмикач та утримуйте ножівку нерухомо, доки пильний диск повністю не зупиниться. Ніколи не намагайтесь витягнути пилку з пропилу або потягти на себе, коли пильний диск рухається, тому що може виникнути віддача.** Проаналізуйте та вживайте необхідних заходів для уникнення затиснення диска.
- c) **Під час поновлення розпилювання заготовки вирівняйте пильний диск у пропилі та переконайтесь в тому, що зубці не входять у зчеплення з матеріалом.** Якщо пильний диск затиснений, він може піднятися та може виникнути віддача під час поновлення роботи пилки.
- d) **Закріплюйте великі панелі для зменшення ризику затиснення диска та віддачі. Великі панелі можуть прозинатися під власною вагою.** Опори необхідно розташувати під панеллю з обох боків, біля лінії розтину та біля краю панелі.
- e) **Не використовуйте тупі та пошкоджені пильні диски.** Незагострені та невірно встановлені пильні диски утворюють вузький пропили, що призводить до надмірного тертя, затиснення диска та віддачі.
- f) **Перед розпилюванням необхідно міцно та надійно зафіксувати стопорні важелі глибини розрізання та кута нахилу диска.** Якщо налаштування пильного полотна зсуваються під час розпилювання, може виникнути затиснення або віддача.
- g) **Будьте особливо уважні при виконанні розрізів несучих стін або інших місць, де не видно, що знаходиться під поверхнею.** Пильний диск може натрапити на предмет, що спричинить віддачу.

рухається і не торкається пильного диска та інших деталей в жодному з напрямків та за будь-якої глибини розпилювання.

- b) **Перевірте роботу пружини нижнього захисного кожуха. Якщо захисний кожух або пружина працюють невірно, то перед використанням їх необхідно відремонтувати.** Нижній захисний кожух може працювати повільно через пошкоджені деталі, залишки гуми або іншого сміття.
- c) **Можна відвести нижній захисний кожух вручну лише для спеціальних розрізів, наприклад для «врізання» та «складених розрізів».** Підніміть нижній захисний кожух за допомогою ручки для відведення, а тільки диск ввійде в матеріал, нижній захисний кожух необхідно відпустити. Для всіх інших видів розпилювання нижній захисний кожух працює автоматично.
- d) **Не забувайте стежити за тим, щоб нижній захисний кожух накривав пильний диск перед тим, як покласти пилку на верстак або підлогу.** Незахищений диск може рухатись за інерцією у зворотному напрямку та порізати будь-що на своєму шляху. Пам'ятайте про час, необхідний для зупинки пильного диска після відпускання перемикача.

Додаткові інструкції з техніки безпеки для дискових пилок

- **Використовуйте засоби захисту слуху.** Шум може викликати втрату слуху.
- **Використовуйте респіратор.** Вплив пилових частинок може призвести до утруднення дихання та можливості травм.
- **Не використовуйте пильні диски більшого або меншого діаметру, ніж рекомендовано.** Щоб дізнатися, який диск вам потрібен, зверніться до технічних даних. Використовуйте лише диски, що вказані в цьому посібнику та відповідають стандарту EN 847-1.
- **Використовуйте лише пильні диски, швидкість яких дорівнює або перевищує швидкість, зазначену на інструменті.**
- **Уникайте перегріву ріжучої кромки диска.**
- **Перед використанням вставте пилку в порт для видалення пилу.**
- **Ніколи не використовуйте абразивні ріжучі колеса.**
- **Не використовуйте насадки з подачею води.**
- **Використовуйте затискач або інший спосіб закріплення деталі, що оброблюється, на стабільній платформі.** Утримування деталі в руці та притискання її до тіла робить її нестабільною та може призвести до втрати контролю.

ІНСТРУКЦІЇ З ТЕХНІКИ БЕЗПЕКИ ДЛЯ ПИЛОК З МАЯТНИКОВИМ ЗАХИСНИМ КОЖУХОМ ДИСКА

Функція нижнього захисного кожуха

- a) **Перед використанням перевірте, щоб нижня захисний кожух був зафіксований відповідним чином. Не використовуйте пилку, якщо нижній захисний кожух не рухається вільно та не фіксується відразу ж. Ніколи не затискайте та не підв'язуйте нижній захисний кожух у відкритому положенні. Якщо пилка випадково впаде, нижній захисний кожух може погнутися.** Підніміть нижній захисний кожух за допомогою зворотної ручки та переконайтесь, що він вільно

Залишкові ризики

Дотримання всіх правил техніки безпеки та застосування пристроїв безпеки не гарантує уникнення певних залишкових ризиків. До такого переліку належать:

- *Порушення слуху.*
- *Ризик тілесних ушкоджень через частинки, які розлітаються.*
- *Ризик опіків через нагрівання приладдя під час роботи.*
- *Ризик тілесних ушкоджень через занадто тривале використання.*

ЗБЕРІГАЙТЕ ЦІ ІНСТРУКЦІЇ

Зарядні пристрої

DEWALT не вимагають налаштувань і розроблені для максимально простого використання.

Електрична безпека

Електричний двигун розроблений для роботи лише з одним значенням напруги. Завжди перевіряйте, що напруга акумулятора відповідає напрузі, що вказана в технічних даних. Також переконайтесь, що напруга зарядного пристрою відповідає напрузі мережі живлення.



Ваш DEWALT Ваш зарядний пристрій виробництва компанії DEWALT має подвійну ізоляцію відповідно до EN60335; тому заземлення не є необхідним.

Якщо кабель живлення пошкоджений, його необхідно замінити на спеціальний кабель, який можна замовити в офіційних сервісних центрах DEWALT. організація обслуговування.

Використання електричного подовжувача

Використовуйте подовжувальний шнур лише за абсолютної необхідності. Використовуйте лише рекомендований подовжувальний шнур, що відповідає споживаній потужності вашого зарядного пристрою (див. **Технічні дані**). Мінімальний розмір січення провідника становить 1 мм²; максимальна довжина — 30 м.

При використанні кабельного барабану завжди витягуйте весь кабель.

Важливі інструкції з техніки безпеки для всіх зарядних пристроїв

ЗБЕРІГАЙТЕ ЦІ ІНСТРУКЦІЇ: У цьому керівництві містяться важливі інструкції з техніки безпеки та використання для сумісних зарядних пристроїв (див. «**Технічні дані**»).

- *Перед використанням зарядного пристрою прочитайте всі інструкції та попередження на зарядному пристрої, акумуляторах та продукті, для якого ці акумулятори використовуються.*



ПОПЕРЕДЖЕННЯ: Небезпека ураження електричним струмом. Не допускайте потрапляння рідини в зарядний пристрій. Це може призвести до ураження електричним струмом.



ПОПЕРЕДЖЕННЯ: Ми рекомендуємо використовувати пристрій з керуванням

диференційним струмом з номінальним значенням диференційного струму 30 мА або менше.



УВАГА: Небезпека опіку. Для зниження ризику виникнення травми заряджайте лише акумулятори DEWALT. акумуляторні батареї. Інші типи акумуляторів можуть вибухнути, спричинивши тілесні ушкодження та пошкодження майна.



УВАГА: Уважно слідкуйте за тим, щоб діти не гралися з пристроєм.

ПРИМІТКА: За певних умов, коли зарядний пристрій підключений до мережі живлення, незахищені контакти всередині зарядного пристрою можуть замкнутися будь-яким стороннім предметом. Сторонні предмети, що проводять струм, наприклад металева стружка, алюмінієва фольга або будь-які металеві деталі, необхідно зберігати подалі від зарядного пристрою. Завжди відключайте зарядний пристрій від розетки, коли батарея не встановлена в зарядний пристрій. Відключіть зарядний пристрій від мережі живлення перед його очищенням

- **НЕ намагайтеся заряджати акумулятор зарядними пристроями, що не вказані в цьому керівництві.** Зарядний пристрій та акумулятори даної моделі розроблені для сумісної експлуатації.
- **Ці зарядні пристрої не призначені ні для чого іншого, крім зарядки акумуляторів DEWALT акумуляторні батареї.** Використання з іншими акумуляторами може призвести до виникнення пожежі або ураження електричним струмом.
- **Не піддавайте зарядний пристрій впливу дощу або снігу.**
- **При відключенні зарядного пристрою від мережі живлення тягніть за вилку, а не за кабель.** Це зменшить ризик пошкодження вилки та кабелю.
- **Переконайтесь, що кабель розміщений так, щоб на нього не наступали, не ходили по ньому та не піддавали його іншим фізичним впливам.**
- **Не використовуйте подовжувальний шнур окрім випадків, коли це абсолютно необхідно.** Використання невідповідних подовжувальних шнурів може призвести до пожежі або ураження електричним струмом.
- **Не кладіть будь-які предмети на зарядний пристрій та не залишайте зарядний пристрій на м'якій поверхні, що може заблокувати вентиляційні отвори та призвести до надмірного нагрівання.** Розташуйте зарядний пристрій подалі від джерел тепла. Зарядний пристрій вентилюється крізь отвори у верхній та нижній частинах корпусу.
- **Не використовуйте зарядний пристрій із пошкодженням кабелем або вилкою — їх потрібно негайно замінити.**
- **Не використовуйте зарядний пристрій, якщо той отримав різкий удар, впав або був пошкоджений**

іншим чином. Віднесіть його до авторизованого сервісного центру.

- **Якщо зарядний пристрій вимагає технічного обслуговування або ремонту, не розбирайте його самотужки, а віднесіть до авторизованого сервісного центру.** Невідповідні способи використання можуть призвести до виникнення пожежі або ураження електричним струмом.
- Якщо кабель живлення пошкоджено, для уникнення небезпеки його необхідно негайно замінити, звернувшись до виробника, спеціаліста сервісного центру або іншого кваліфікованого спеціаліста.
- **Відключайте зарядний пристрій від розетки перед його очищенням. Це дозволяє знизити ризик ураження електричним струмом.** Видалення акумулятора не знижує ризик.
- **НИКОЛИ не намагайтесь з'єднати два зарядні пристрої.**
- **Цей зарядний пристрій розрахований на роботу зі стандартною напругою побутової електромережі 230 В. Не намагайтесь використовувати його з іншою напругою.** Це не стосується автомобільних зарядних пристроїв.






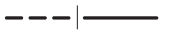
Зарядка акумулятора (Рис. [Fig.] В)

1. Підключіть зарядний пристрій до відповідної розетки перед встановленням акумулятора.
2. Вставте акумулятор **3** у зарядний пристрій до упору. Червоний індикатор («зарядка») буде блимати, вказуючи на початок процесу зарядки.
3. Коли зарядку завершено, червоний індикатор горить, не блимаючи. Це означає, що акумулятор повністю заряджений та може використовуватися одразу або залишатися в зарядному пристрої. Щоб витягнути акумулятор із зарядного пристрою, натисніть кнопку деблокування **13** на акумуляторі.

ПРИМІТКА: щоб забезпечити максимальну продуктивність та тривалість роботи літій-іонного акумулятора, повністю зарядіть його перед першим використанням.

Робота зарядного пристрою

Нижче описані індикатори стану зарядки акумулятора.

| Індикатори зарядки | |
|--|---|
|  Заряджається |  |
|  Повністю заряджений |  |
|  Затримка через надмірно високу/низьку температуру акумулятора* |  |

*Червоний індикатор буде продовжувати миготіти, а жовтий індикатор буде горіти під час виконання цього завдання. Коли акумулятор досягне прийнятної температури, жовтий індикатор згасне, а зарядний пристрій відновить процес зарядки.

Сумісний зарядний пристрій не буде заряджати несправний акумулятор. Зарядний пристрій розпізнає несправну батарею та не ввімкне світловий індикатор.

ПРИМІТКА: Це також може свідчити про проблему з зарядним пристроєм.

Якщо виявлено проблему із зарядним пристроєм, віднесіть зарядний пристрій та акумулятор для перевірки в авторизований сервісний центр.

Затримка через надмірно високу/низьку температуру акумулятора

Якщо зарядний пристрій визначає, що акумулятор є надмірно гарячим або холодним, він автоматично вмикає режим температурної затримки, припиняючи процес зарядки, доки акумулятор не досягне відповідної температури. Після досягнення прийнятної температури зарядний пристрій автоматично перемикається в режим зарядки акумулятора. Ця функція забезпечує максимальний термін служби акумулятора.

Холодний акумулятор буде заряджатися повільніше порівняно з теплим акумулятором. Такий акумулятор буде заряджатися повільніше протягом всього циклу зарядки та не повернеться до максимального значення зарядки, навіть якщо нагріється.

Електронна система захисту

Інструменти з літій-іонними акумуляторами XR розроблені з використанням електронної системи захисту, яка захищає акумулятор від перевантаження, перегрівання або глибокої розрядки.

Пристрій автоматично вимикається, якщо спрацює електронна система захисту. Якщо це сталося, встановіть літій-іонний акумулятор в зарядний пристрій до повної зарядки.

Кріплення на стіну

Ці зарядні пристрої можна закріпити на стіні, чи поставити на стіл або іншу робочу поверхню. При кріпленні на стіну розташуйте зарядний пристрій недалеко від електричної розетки, а також подалі від кутів та інших перешкод, що заважають повітряному потоку. Скористайтеся задньою частиною зарядного пристрою в якості шаблону для розташування кріпильних гвинтів на стіні. Надійно зафіксуйте зарядний пристрій за допомогою шурупів (потрібно придбати окремо) довжиною приблизно 25,4 мм з голівкою діаметром 7–9 мм, що закручуються в дерев'яну поверхню до оптимальної глибини, щоб залишилося приблизно 5,5 мм. Вирівняйте отвори на задній поверхні зарядного пристрою з виступаючими шурупами, після чого повністю вставте шурупи в отвори.

Інструкції з очищення зарядного пристрою



ПОПЕРЕДЖЕННЯ: Небезпека ураження електричним струмом. Відключіть зарядний пристрій від розетки змінного струму перед його очищенням. Бруд та жир можна видалити з поверхні зарядного пристрою за допомогою ганчірки або м'якої неметалевої щітки. Не використовуйте воду та мийні розчини. Не дозволяйте рідини

потрапляти всередину інструмента та ніколи не занурюйте деталі інструмента в рідину.

Акумулятор

Важливі інструкції з техніки безпеки для різних типів акумуляторів

При замовленні змінних акумуляторів не забудьте вказати номер за каталогом та напругу.

Новий акумулятор заряджений не повністю. Перед використанням акумулятора та зарядного пристрою прочитайте всі нижче наведені інструкції з техніки безпеки. Після цього виконайте всі вказані пункти процедури зарядки.

ПРОЧИТАЙТЕ ВСІ ІНСТРУКЦІЇ

- **Не заряджайте та не використовуйте акумулятор у вибухонебезпечних умовах, наприклад в присутності легкозаймистих рідин, газів або пилу.** Під час встановлення або виймання батареї з зарядного пристрою може спалахнути пил або пара.
- **На прикладайте зусилля, вставляючи акумулятор в зарядний пристрій. Жодним чином не модифікуйте акумулятор, або встановити його в несумісний зарядний пристрій, адже акумулятор може розірватися та спричинити серйозні травми.**
- Використовуйте тільки зарядні пристрої DEWALT для зарядження акумуляторів.
- **НЕ занурюйте акумулятор у воду та інші рідини та не бризкайте на нього.**
- **Не зберігайте та не використовуйте інструмент та акумулятор у місцях, де температура може сягати або перевищувати 40 °C (104 °F) (наприклад, біля гаражів або металевих будівель влітку).**
- **Не спалюйте акумулятор, навіть якщо він сильно пошкоджений або повністю зношений.** Акумулятор може вибухнути у вогні. Коли літій-іонні акумулятори горять, утворюються токсичні випаровування та речовини.
- **Якщо вміст акумулятора потрапив на шкіру, негайно промийте це місце м'яким милом та водою.** Якщо рідина з акумулятора потрапила в очі, промийте відкрите око протягом 15 хвилин або доки подразнення не зникне. Якщо необхідно звернутися до лікаря, акумуляторний електроліт складається з суміші рідких органічних вуглекислих солей та солей літію.
- **Вміст відкритого акумулятора може спричинити подразнення дихальних шляхів.** Вийдіть на свіже повітря. Якщо симптоми не зникнуть, зверніться до лікаря.



ПОПЕРЕДЖЕННЯ: Небезпека опіку. Рідина з акумулятора може спалахнути, якщо на неї потрапить іскра або полум'я.



ПОПЕРЕДЖЕННЯ: За жодних умов не намагайтесь відкрити акумулятор. За будь-якого пошкодження акумулятора не встановлюйте його у зарядний пристрій. Не бийте, не кидайте та не пошкоджуйте

акумулятор. Не використовуйте акумулятор та зарядний пристрій, якщо ті отримали різкий удар, впали або були пошкоджені іншим чином (наприклад, були проколоті цвяхом, вдарені молотком, на них наступили). Це може призвести до ураження електричним струмом. Пошкоджені акумулятори необхідно повернути до сервісного центру ля переробки.



ПОПЕРЕДЖЕННЯ: Небезпека виникнення пожежі. Зберігайте та переносьте акумулятор так, щоб металеві предмети не торкалися його відкритих контактів. Наприклад, не кладіть акумулятор у фартух, кишені, ящики з інструментами, коробки з наборами приладдя, шухляди тощо, де можуть бути цвяхи, гвинти, ключі тощо.



УВАГА: Коли інструмент не використовується, залишайте його на боці на стабільній поверхні в такому місці, де через нього не можна перечепитися та впасти. Деякі інструменти з великими акумуляторами можуть стояти на батареї, але їх можна легко перекинути.

Транспортування



ПОПЕРЕДЖЕННЯ: Небезпека виникнення пожежі. Під час перевезення акумуляторів може виникнути пожежа, якщо контакти акумулятора випадково вийдуть в контакт з електропровідним матеріалом. Під час перевезення акумуляторів переконайтесь, що їхні контакти захищені та добре ізольовані від матеріалів, які можуть увійти з ними в контакт та викликати коротке замикання.
ПРИМІТКА: При перевезенні літій-іонних акумуляторів не можна здавати їх в багаж.

Акумулятори DEWALT відповідають всім нормам перевезення, описаним у галузевих та законодавчих положеннях, включно з рекомендаціями ООН про перевезення небезпечних вантажів, правилами перевезення небезпечних вантажів Міжнародної організації повітряного транспорту (IATA), міжнародними правилами перевезення небезпечних вантажів водним транспортом (IMDG) та Європейській угоді про міжнародне дорожнє перевезення небезпечних вантажів (ADR). Літій-іонні елементи живлення та акумулятори були перевірені відповідно до розділу 38.3 керівництва з тестів та критеріїв щодо перевезення небезпечних вантажів Рекомендацій ООН.

У більшості випадків перевезення акумуляторів DEWALT може бути класифіковано як перевезення небезпечних речовин, що повністю підпадають під клас 9. Загалом тільки вантажі, що містять літій-іонні акумулятори ємністю більше за 100 ват-годин (Вт-год.), вимагають транспортування відповідно до норм перевезення небезпечних речовин, що повністю підпадають під Клас 9. На всі літій-іонні акумулятори нанесено значення ват-годин. Крім того, через складності законодавчих норм компанія DEWALT не рекомендує транспортування окремо літій-іонних акумуляторів повітряним транспортом, незалежно

від показника ват-годин. Перевезення інструментів з акумуляторами (у комплекті) можна виконувати повітряним транспортом, якщо значення ват-годин не перевищує 100 Вт-год.

Незалежно від того, чи вантаж вважається виключеним або повністю регламентованим, вантажовідправник несе відповідальність за відповідність останнім нормам щодо вимог до упаковки, етикеток/маркування та документації.

Інформація, що наводиться у цьому розділі керівництва, сумлінно перевірена та вважається дійсною на момент складання документації. Проте чинні нормативи можуть підлягати змінам. Покупець несе відповідальність за те, щоб його дії відповідали певним нормам.

Рекомендації щодо зберігання

1. Найкращим місцем для зберігання інструмента є прохолодне сухе місце, куди не потрапляють прямі сонячні промені та немає доступу тепла та холоду. Для оптимальної продуктивності та терміну служби батарей зберігайте їх за кімнатної температури, коли вони не використовуються.
2. При тривалому зберіганні для оптимального результату рекомендується помістити повністю заряджений акумулятор у сухе прохолодне місце поза зарядним пристроєм.

ПРИМІТКА: Не рекомендується зберігати акумулятор повністю розрядженим. Акумулятор потрібно перезарядити перед використанням.

Етикетки на зарядному пристрої та акумуляторі

Крім символів, що використовуються у цьому керівництві, етикетки на зарядному пристрої та акумуляторі можуть містити наведені нижче позначки.



Прочитайте інструкції цього керівництва перед використанням.



Див. розділ «Технічні дані» щодо часу зарядки.



Не торкайтеся електропровідними предметами.



Не заряджайте пошкоджені акумулятори.



Не піддавайте впливу води.



Негайно замінійте пошкоджений дріт живлення.



Заряджайте акумулятор за температури 4–40 °C.



Лише для використання в приміщенні.



Утилізуйте акумулятори з належною турботою про навколишнє середовище.

Заряджайте акумулятори DEWALT лише за допомогою спеціальних зарядних пристроїв DEWALT. Зарядка інших акумуляторних батарей, ніж призначені DEWALT, у зарядному пристрої DEWALT може призвести до їх вибуху або інших небезпечних ситуацій.



Не спалюйте акумулятори.

Тип акумулятора

Пристрій DCSS571 працює від акумулятора потужністю 18 вольт.

Для експлуатації придатні акумулятори наступних моделей: DCB181, DCB182, DCB183, DCB183B, DCB184, DCB184B, DCB185, DCB187, DCB189. Див. додаткову інформацію у розділі **Технічні дані**.

Комплект поставки

До комплекту входить:

- 1 Бездротова дискова пила
- 1 Пильний диск 24 зубці
- 1 Шестигранний ключ.
- 1 Поздовжня напрямна
- 1 Порт для видалення пилу
- 1 Літій-іонний акумулятор (моделі C1, D1, L1, M1, P1, S1, T1, X1, Y1)
- 2 Літій-іонні акумулятори (моделі C2, D2, L2, M2, P2, S2, T2, X2, Y2)
- 3 Літій-іонні акумулятори (моделі C3, D3, L3, M3, P3, S3, T3, X3, Y3)
- 1 Посібник з експлуатації

ПРИМІТКА. Акумулятори, зарядні пристрої та коробки для зберігання не входять до комплекту моделей N. Акумулятори та зарядні пристрої не входять до комплекту моделей NT. Моделі V включають акумулятори для приладів з підтримкою Bluetooth®.

ПРИМІТКА. Текстовий знак та логотипи Bluetooth® є зареєстрованими торговими знаками, що належать компанії Bluetooth®, SIG, Inc. Будь-яке використання таких знаків компанією DEWALT здійснюється згідно з ліцензією. Інші торгові марки й торгові назви належать відповідним власникам.

- Перевірте інструмент, деталі та приладдя на пошкодження, що могли виникнути під час транспортування.
- Перед використанням уважно прочитайте та повністю зрозумійте цей посібник.

Маркування інструмента

На інструменті є наступні піктограми:



Прочитайте інструкції цього керівництва перед використанням.



Використовуйте засоби захисту органів слуху.



Використовуйте засоби захисту очей.

Розташування коду дати (Рис. А)

Код дати **15**, що включає також рік виробництва, зазначений на корпусі.

Приклад:

2020 XX XX
Рік виробництва

Опис (рис. А)



УВАГА! Ніколи не модифікуйте електричні інструменти та їхні деталі. Це може призвести до пошкодження майна або тілесних ушкоджень.

- | | |
|---|-------------------------------------|
| 1 Кнопка блокування тригерного перемикача | 8 Затискиний гвинт диска |
| 2 Тригерний перемикач | 9 Індикатор ширини розрізу |
| 3 Акумулятор | 10 Ручка регулювання кута нахилу |
| 4 Важіль налаштування глибини | 11 Кнопка блокування полотна |
| 5 Підшова | 12 Допоміжна ручка |
| 6 Важіль фіксації нижнього захисного кожуха диска | 13 Кнопка розблокування акумулятора |
| 7 Захисний кожух диска | 14 Шестигранний ключ. |

Область застосування

Ваша бездротова дискова пила призначена для професійного різання деревини.

Не використовуйте за умов підвищеної вологості або в присутності легкозаймистих рідин та газів.

Ця дискова пила є професійним електричним інструментом.

Не дозволяйте дітям підходити на небезпечну відстань та торкатися інструмента. Використання інструмента недосвідченими операторами потребує нагляду.

- Цей пристрій не призначений для використання особами (включаючи дітей) із зниженими фізичними, сенсорними або розумовими можливостями або особами, яким бракує досвіду або знань за винятком випадків, коли такі особи працюють під наглядом особи, яка несе відповідальність за їх безпеку. Не можна залишати дітей наодинці з цим приладом.

МОНТАЖ ТА НАЛАШТУВАННЯ



ПОПЕРЕДЖЕННЯ: Щоб знизити ризик серйозних тілесних ушкоджень, вимкніть інструмент та відключіть акумулятор перед виконанням будь-яких налаштувань або зніманням/встановленням додаткового обладнання або приладдя. Випадковий запуск може призвести до травм.



ПОПЕРЕДЖЕННЯ: Використовуйте тільки DEWALT акумулятори та зарядні пристрої.

Установка акумулятора в інструмент та його виймання (Рис. В)

ПРИМІТКА. Переконайтесь, що ваш акумулятор **3** повністю заряджений.

Для встановлення акумулятора у ручку інструмента

- Вирівняйте акумулятор **3** по напрямних у ручці інструменту (Рис. В).
- Вставте акумулятор у ручку до упору та переконайтесь, що ви почули звук клацання акумулятора, що став на місце.

Виймання акумулятора з інструмента

- Натисніть кнопку розблокування **13** та витягніть акумулятор з ручки інструмента.
- Вставте акумулятор у зарядний пристрій, як описано у розділі щодо зарядного пристрою цього керівництва.

Акумулятори з індикатором рівня заряду (Рис. В)

Деякі акумулятори DEWALT оснащені індикатором заряду з трьох зелених світлодіодів, що вказують рівень заряду акумулятора, що залишився.

Щоб увімкнути індикатор заряду, натисніть та утримуйте кнопку індикатора заряду **16**. Три зелені світлодіоди будуть горіти відповідним чином, відображуючи рівень зарядки акумулятора. Коли рівень заряду акумулятора нижче відповідного ліміту, індикатор рівня заряду не горить, а акумулятор потрібно зарядити.

ПРИМІТКА: Індикатор рівня зарядки показує лише рівень зарядки, що залишився в акумуляторі. Він не показує функціональність інструмента, а його показники можуть змінюватись відповідно до комплектності інструмента, температури та способу застосування.

Встановлення поясного гаку (рис. С)



УВАГА: Для зменшення ризику травматизму використовуйте поясний гак **ЛИШЕ** для підвішування інструменту на робочому поясі. **НЕ** використовуйте поясний гак для підвішування або фіксації інструмента, який працює, на тілі людини або іншому предметі. **НЕ** підвішуйте інструмент догори ногами та не вішайте предмети на поясний гак.

⚠ УВАГА! щоб знизити ризик отримання важких травм, переконайтеся у надійній фіксації гвинта, який утримує кріплення для ремня.

ВАЖЛИВО! Для встановлення або заміни поясного гака **19** використовуйте лише гвинт **20**, який йде в комплекті. Переконайтеся, що гвинт надійно затягнутий. Якщо гак непотрібний взагалі, його можна зняти з інструмента.

Тригерний перемикач (рис. А)

⚠ УВАГА! В цьому інструменті не передбачено блокування тригерного перемикача в увімкненому положенні і його не можна блокувати будь-якими іншими засобами.

Відпустіть кнопку блокування тригерного перемикача **1** натисканням кнопки. Потягніть тригерний перемикач **2** для увімкнення двигуна. При відпусканні тригерного перемикача двигун вимикається.

Регулювання глибини різання (Рис. D)

1. Послабте важіль налаштування глибини **4**.
2. Перемістіть основу пилки **5** для отримання відповідної глибини розрізу.
3. Затягніть важіль налаштування глибини **4**.
4. Для найбільш ефективного різання за допомогою твердосплавного пильного диска відрегулюйте глибину так, щоб приблизно половина зубця виступала нижче поверхні деревини, що розпилюється.

ПРИМІТКА: Метод перевірки правильної глибини різання показаний на вставці на рис. D. Покладіть шматок матеріалу, який ви плануєте різати вздовж боку диска, і подивіться, наскільки зубці виступають за матеріал.

Регулювання нахилу (Рис. E)

Кут нахилу можна відрегулювати в межах: 0° - 45°.

1. Послабте ручку регулювання кута нахилу **10**.
2. Встановіть кут нахилу, нахилиючи основу пилки **5** до помітки, яка вказує на бажане значення куту на шкалі.
3. Затягніть ручку регулювання кута нахилу **10**.

Регулювання основи для різання під кутом 90° (рис. А, D, E)

1. Налаштуйте кут нахилу на 0°.
2. Відтягніть запобіжник пильного диска, використовуючи важіль **6**, та встановіть пилку на бік диска.
3. Послабте ручку регулювання кута нахилу **10**.
4. Встановіть косинець між пильним диском та основою пилки, щоб відрегулювати налаштування на 90°.
5. Поверніть гвинт налаштування **29** так, щоб основа зупинилася під потрібним кутом.
6. Підтвердіть точність налаштування, перевіривши прямокутність фактичного розрізу на шматку матеріалу.

Встановлення і використання поздовжньої напрямної (рис. А, F)

Поздовжнє розпилювання – це процес різання більш широких дощок на вузькі смужки, розрізання вздовж волокон. Для цього типу різання ручне спрямування є більш складним, і рекомендується використовувати поздовжню напрямну.

⚠ УВАГА! У цілях безпеки перед використанням будь-якого додаткового приладдя прочитайте керівництво з експлуатації. Недотримання правил техніки безпеки може призвести до отримання травми і серйозного пошкодження пилки та додаткового приладдя. При технічному обслуговуванні даного пристрою використовуйте тільки ідентичні запасні деталі.

Монтаж

1. Послабте стопорний гвинт поздовжньої напрямної **27** шестигранним ключем **14**.
2. Вставте поздовжню напрямну **30**, як показано на рис. F.
3. Надійно затягніть стопорний гвинт поздовжньої напрямної **27**.

Використовуйте поздовжню напрямну з комплекту поставки тільки з дисковою пилкою DCS571. Використання цієї поздовжньої напрямної разом з іншими пилками може збільшити ризик віддачі і травмування.

Перед виконанням розрізу переконайтеся в тому, що поздовжня напрямна надійно закріплена на інструменті.

Після встановлення напрямної на пилку або після переміщення напрямної для зміни значення ширини поздовжнього різання перед запуском пилки і виконанням різання перевірте роботу нижнього кожуха, щоб переконаватися в тому, що напрямна не впливає на правильну роботу кожуха.

Заміна пильного диска (рис. А, B)

1. Натисніть на кнопку блокування диска **11** та відкрутіть затискний гвинт диска **8**, повертаючи його за годинниковою стрілкою за допомогою шестигранного ключа з комплекту поставки.
2. Відтягніть нижній кожух пильного диска **7** за допомогою важеля **6** та замініть пильний диск. Встановіть шайби (**17**, **18**) у відповідне положення.
3. Перевірте напрямок обертання пильного диска.
4. Наживіть затискний гвинт диска **8** вручну, щоб утримати шайбу. Поверніть проти годинникової стрілки.
5. Натисніть на кнопку блокування пильного диска **11**, повертаючи шпindel до того моменту, коли пильний диск припинить обертання.
6. Добре затягніть затискний гвинт пильного диска за допомогою шестигранного ключа.

Диски

⚠ УВАГА! Для зменшення ризику отримання травми очей завжди використовуйте засоби захисту

очей. Твердий сплав – твердий, але крихкий матеріал. Сторонні предмети на заготовці, такі як дріт або цвяхи, можуть призвести до тріщин або поломок ріжучої кромки. Працюйте з пилкою тільки при встановленому належному захисному кожусі пильного диска. Перед використанням надійно закріпіть диск в правильному положенні обертання. Завжди використовуйте чистий і гострий пильний диск.



УВАГА! Не ріжте цією пилкою чорні метали (сталь), цегляну кладку, скло, опалубку цегельного типу, цементну плиту або плитку.

Не використовуйте абразивні колеса або диски. Тулий диск призведе до повільного неефективного різання, перевантаження двигуна пилки, надмірного утворення сколів, а також може збільшити ймовірність віддачі.

Якщо вам потрібна допомога щодо пильних дисків, зверніться до місцевого сервісного центру зі списку, наведеного на зворотному боці керівництва.

| Пильний диск | Діаметр | Кількість зубів | Застосування |
|--------------|---------|-----------------|----------------------|
| DWA412TCT | 115 мм | 24 | Різання деревини |
| DWA412PCD | 115 мм | 4 | Різання фіброцементу |

Перед експлуатацією

- Переконайтесь, що ваш акумулятор повністю заряджений.
- Переконайтесь, що запобіжники встановлені вірно. Запобіжник пильного полотна повинен бути в закритому положенні.
- Переконайтесь, що пильний диск обертається у напрямку, вказаному стрілкою на диску.
- Не використовуйте занадто зношені пильні диски.

РЕЖИМ РОБОТИ

Інструкції з використання



ПОПЕРЕДЖЕННЯ: Завжди дотримуйтесь усіх інструкцій з техніки безпеки та відповідних норм.



ПОПЕРЕДЖЕННЯ: Щоб знизити ризик серйозних тілесних ушкоджень, вимкніть інструмент та відключіть акумулятор перед виконанням будь-яких налаштувань або змінням/встановленням додаткового обладнання або приладдя. Випадковий запуск може призвести до травм.



УВАГА! Завжди надягайте засоби індивідуального захисту для органів слуху. За певних умов та тривалості використання шум від цього виробу може сприяти втраті слуху.

Інструкції з використання



УВАГА!

- Переконайтесь у тому, що матеріал, який ви будете розпилювати, добре зафіксовано.

- Застосовуйте лише незначний тиск до інструмента та не застосовуйте боковий тиск до пильного диска. За можливості притискайте опору пилки до поверхні заготовки. Це зменшує вірогідність пошкодження диска та зменшує ривки та вібрацію.
- Уникайте перевантаження інструменту.
- Диск має спочатку просто попрацювати перед початком різання.

Належне положення рук (Рис. Н)



ПОПЕРЕДЖЕННЯ: Щоб знизити ризик серйозних травм, **ЗАВЖДИ** правильно розташовуйте руки, як показано.



ПОПЕРЕДЖЕННЯ: Щоб знизити ризик серйозних травм, **ЗАВЖДИ** надійно тримайте інструмент, щоб попередити випадкову віддачу.

або, якщо встановлена допоміжна ручка, тримайте одну руку за головній ручці **21** і одну руку на допоміжній **12**.

Увімкнення/вимкнення (Рис. А)

Для підвищення безпеки тригерний перемикач **2** вашого інструмента оснащений кнопкою блокування **1**.

Натисніть кнопку блокування, щоб розблокувати інструмент. Щоб увімкнути інструмент, натисніть тригерний перемикач **2**. Коли ви відпускате тригерний перемикач, автоматично активується кнопка блокування для уникнення випадкового запуску інструмента.

ПРИМІТКА: Не вмикайте/вимикайте інструмент, коли пильний диск торкається заготовки або матеріалу.

Спрямування інструменту (рис. А, І)

- Для отримання оптимальних результатів фікуйте заготовку догори ногами.
- Використовуйте індикатор ширини розрізу **9**, щоб розпилювати по лінії, нанесеної на заготовку. Індикатор ширини розрізу вирівнюється по лівій стороні пильного диска, коли кут нахилу встановлений на 45°. Індикатор ширини розрізу вирівнюється по правій стороні пильного диска, коли кут нахилу встановлений на 0°.
- Для регулювання індикатора ширини розрізу **9** відкрутіть гвинт індикатора ширини розрізу **28** шестигранним ключем **14** та, при необхідності, перемістіть індикатор вліво або вправо. Після завершення регулювання індикатора затягніть гвинт.

Видалення пилу (рис. І–К)



УВАГА! Ризик вдихання пилу. Для зниження ризику отримання травм **ЗАВЖДИ** використовуйте схвалену пилозахисну маску.



УВАГА! ЗАВЖДИ використовуйте пиლოსос класу М, розроблений відповідно до застосованих директив щодо викиду пилу при різанні небезпечного пилу.

Порт для видалення пилу **24** дозволяє підключити інструмент до зовнішнього пиლოსоса, використовуючи

систему AirLock або стандартний пристрій для видалення пилу 35 мм. Роз'єм AirLock **22** підключається безпосередньо до сумісних інструментів та пилососів DeWALT.

Підключіть порт для видалення пилу **24** до пилки, зсунувши її у монтажний отвір для видалення пилу **31** і зафіксуйте поворотним рухом. Порт для збору пилу регулюється на 180 градусів.

1. Переконайтеся, що манжета на роз'ємі AirLock знаходиться в розблокованому положенні. (Див. рис. J.) Зіставте виймки **23** на манжеті і роз'ємі AirLock, як показано для положень розблокування і блокування.
2. Вставте роз'єм AirLock в порт для видалення пилу **24**.
3. Поверніть манжету в заблоковане положення.

ПРИМІТКА. Кулькопідшипники всередині манжети входять в паз і фіксують з'єднання. Тепер електричний інструмент надійно підключений до пилососа.

Прикріплення пилозбірника (рис. К)

1. Притримуючи пилку, прикріпіть манжету пилозбірника **26** до порту для видалення пилу **24**, як зображено на Рис. К.
2. Поверніть манжету **26** за годинниковою стрілкою і щільно зафіксуйте пилозбірник **25**.

Випорожнення пилозбірника (Рис. К)

1. Щоб відкріпити пилозбірник **25** притримуйте пилку та поверніть манжету **26** проти годинникової стрілки.
2. Зніміть пилозбірник з пилки. Щоб випорожнити пилозбірник, акуратно потрусіть або постукайте по ньому.
3. Знову прикріпіть пилозбірник до порту для видалення пилу та зафіксуйте його, повернувши манжету пилозбірника за годинниковою стрілкою.

Ви можете помітити, що не весь пил вдалося усунути з пилозбірника. Це не вплине на ефективність шліфування, але призведе до зниження коефіцієнту пилоуловлювання пилки. Щоб відновити коефіцієнт пилоуловлювання пилки, під час випорожнення пилозбірника натискайте на пружину всередині нього та стукайте ним по краю баку для сміття або контейнеру для пилу.

Закріплення заготовки (рис. L, M)

УВАГА! Щоб зменшити ризик отримання важких травм, належним чином підтримуйте заготовку і міцно тримайте пилку, щоб запобігти втраті контролю.

На рис. L зображено правильне положення пилки. На рис. M зображено небезпечний стан. Руки слід тримати подалі від зони різання.

Щоб уникнути віддачі, ЗАВЖДИ підтримуйте дошку або панель БІЛЯ місця різання. Не підтримуйте дошку або панель далеко від місця різання.

ПЕРЕД ВИКОНАННЯМ РЕГУЛЮВАНЬ ЗАВЖДИ ВІДКЛЮЧАЙТЕ ПИЛКУ! Помістіть заготовку з її «хорошою» стороною – тією, зовнішній вигляд якої найбільш важливий – донизу. Пилка ріже вгору, тому при різанні будь-коли будуть на верхній робочій поверхні.

ТЕХНІЧНЕ ОБСЛУГОВУВАННЯ

Ваш електричний інструмент призначений для роботи протягом довгого часу з мінімальним обслуговуванням. Довга задовільна робота приладу залежить від належного обслуговування приладу та регулярного його очищення.

ПОПЕРЕДЖЕННЯ: Щоб знизити ризик серйозних тілесних ушкоджень, вимкніть інструмент та відключіть акумулятор перед виконанням будь-яких налаштувань або змінанням/встановленням додаткового обладнання або приладдя. Випадковий запуск може призвести до травм.

Зарядний пристрій та акумулятор не підлягають обслуговуванню.



Змащування

Ваш електричний інструмент не вимагає додаткового змащування.



Очищення

ПОПЕРЕДЖЕННЯ: Коли пил та бруд стають помітними та починають накопичуватися біля вентиляційних отворів, видавайте бруд та пил зсередини основного корпусу за допомогою сухого повітря. Використовуйте рекомендовані засоби захисту органів зору та рекомендовану протипилову маску при виконанні цієї операції.

ПОПЕРЕДЖЕННЯ: Ніколи не використовуйте розчинники та інші агресивні хімічні засоби для очищення неметалевих деталей інструмента. Такі хімічні речовини можуть нанести шкоду матеріалам, що використовуються в цих деталях. Використовуйте вологу ганчірку, змочену лише водою з м'яким милом. Не дозволяйте рідині потрапляти всередину інструмента та ніколи не занурюйте деталі інструмента в рідину.

Нижній захисний кожух

Нижній захисний кожух завжди повинен вільно обертатися і закриватися від повністю відкритого до повністю закритого положення. Перед різанням завжди перевіряйте правильність роботи, повністю відкриваючи захисний кожух і даючи йому закритися. Якщо кожух закривається повільно або не повністю, його потрібно почистити або відремонтувати. Не використовуйте пилку, поки кожух не буде правильно працювати. Для очищення кожуха використовуйте сухе повітря або м'яку щітку, щоб видалити всі накопичення тирси або сміття зі шляху кожуха і навколо нього. Якщо все ще виникають проблеми, кожух підлягає обслуговуванню в авторизованому сервісному центрі.

Додаткові аксесуари



ПОПЕРЕДЖЕННЯ: Оскільки інше приладдя, що не зазначене виробником DEWALT, не перевірялося з цим пристроєм, його використання з інструментом може бути небезпечним. Необхідно використовувати лише рекомендовані DEWALT приладдя з цим пристроєм, щоб знизити ризик отримання травми.

Зверніться до свого дилера для отримання подальшої інформації щодо відповідного приладдя.

Захист навколишнього середовища



Роздільний збір. Пристрої і акумулятори позначені цим символом, не можна викидати зі звичайним побутовим сміттям.

Пристрої і акумулятори містять матеріали, які можна відновити та переробити, що зменшить потребу у сировині. Утилізуйте електротехнічну продукцію і акумулятори відповідно до місцевих положень. Більш детальну інформацію можна отримати на сайті www.2helpU.com.

Придатність акумулятора для

перезарядки

Дана модель акумулятора підлягає перезарядці у випадку зниження його потужності при виконанні завдань, що попередньо не вимагали особливих зусиль. Наприкінці терміну служби акумулятора утилізуйте його у спосіб, безпечний для навколишнього середовища.

- Повністю розрядіть акумулятор, потім витягніть його з інструменту.
- Літій-іонні акумулятори можна повторно переробляти. Відправте їх до свого дилера або на місцеву переробну станцію. Там зібрані акумулятори будуть перероблені або знищені належним чином.



060

Виробник:
"Stanley Black & Decker Deutschland
GmbH" Black-&-Decker Str.40, D-65510
Idstein, Німеччина



ОФИЦИАЛЬНЫЙ ДИЛЕР В УКРАИНЕ:

storgom.ua

ГРАФИК РАБОТЫ:

Пн. – Пт.: с 8:30 по 18:30

Сб.: с 09:00 по 16:00

Вс.: с 10:00 по 16:00

КОНТАКТЫ:

+38 (044) 360-46-77

+38 (066) 77-395-77

+38 (097) 77-236-77

+38 (093) 360-46-77

Детальное описание товара:

<https://storgom.ua/product/pila-diskovaya-akkumulyatornaya-besshchyotochnaya-kompaktnaya-dewalt-dcs571p2.html>

Другие товары: <https://storgom.ua/akkumulyatornye-diskovye-pily.html>