

# AEG

## POWERTOOLS

**WS 9-100, WS 9-115, WS 9-125,  
WS 11-115, WS 11-125**

Original instructions

Originalbetriebsanleitung

Notice originale

Istruzioni originali

Manual original

Manual original

Oorspronkelijke

gebruiksaanwijzing

Original brugsanvisning

Original bruksanvisning

Bruksanvisning i original

Alkuperäiset ohjeet

Πρωτότυπο οδηγιών χρήσης

Orijinal ipletme talimatı

Původním návodem k používání

Pôvodný návod na použitie

Instrukcja oryginalna

Eredeti használati utasítás

Izvirna navodila

Originalne pogonske upute

Instrukcijâm oriĕinâlvalodâ

Originali instrukcija

Algupärane kasutusjuhend

Оригинальное руководство по эксплуатации

Оригинално ръководство за експлоатация

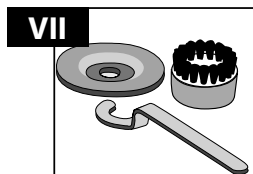
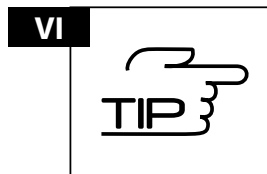
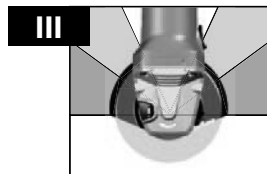
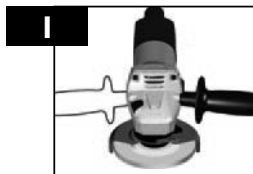
nstrucțiuni de folosire originale

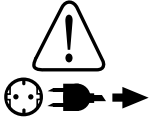
Оригинален прирачник за работа

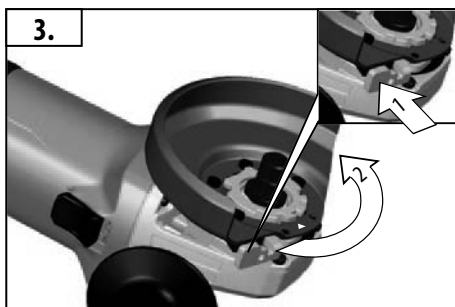
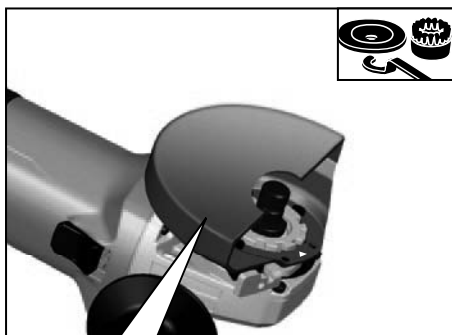
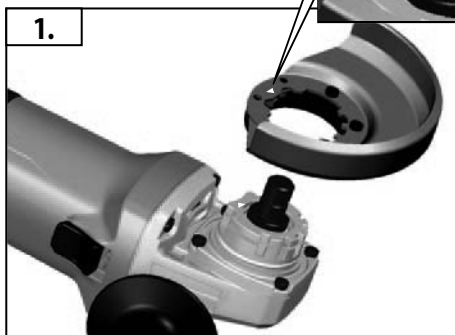
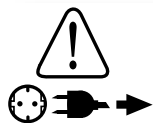
原始的指南

Technical Data, Safety Instructions, Specified Conditions of Use, EC-Declaration of Conformity, Mains connection, Maintenance, Symbols	Please read and save these instructions!	<b>English</b>	<b>11</b>
Technische Daten, Sicherheitshinweise, Bestimmungsgemäße Verwendung, CE-Konformitätserklärung, Netzanschluss, Wartung, Symbole	Bitte lesen und aufbewahren!	<b>Deutsch</b>	<b>15</b>
Caractéristiques techniques, Instructions de sécurité, Utilisation conforme aux prescriptions, Déclaration CE de Conformité, Branchement secteur, Entretien, Symboles	Prière de lire et de conserver!	<b>Français</b>	<b>19</b>
Dati tecnici, Norme di sicurezza, Utilizzo conforme, Dichiarazione di Conformità CE, Collegamento alla rete, Manutenzione, Simboli	Si prega di leggere le istruzioni e di conservarle!	<b>Italiano</b>	<b>23</b>
Datos técnicos, Instrucciones de seguridad, Aplicación de acuerdo a la finalidad, Declaración de Conformidad CE, Conexión eléctrica, Mantenimiento, Símbolos	Lea y conserve estas instrucciones por favor!	<b>Español</b>	<b>27</b>
Características técnicas, Instruções de segurança, Utilização autorizada, Declaração de Conformidade CE, Ligação à rede, Manutenção, Símbolos	Por favor leia e conserve em seu poder!	<b>Português</b>	<b>31</b>
Technische gegevens, Veiligheidsadviezen, Voorgeschreven gebruik van het systeem, EC-Konformiteitsverklaring, Netaansluiting, Onderhoud, Symbolen	Lees en let goed op deze adviezen!	<b>Nederlands</b>	<b>35</b>
Tekniske data, Sikkerhedshenvisninger, Tiltaent formål, CE-Konformitetserklæring, Nettetilslutning, Vedligeholdelse, Symboler	Vær venlig at læse og opbevare!	<b>Dansk</b>	<b>39</b>
Tekniske data, Spesielle sikkerhetshenvisninger, Formålmessig bruk, CE-Samsvarserklæring, Netttilkopling, Vedlikehold, Symboler	Vennligst les og oppbevare!	<b>Norsk</b>	<b>43</b>
Tekniska data, Säkerhetsutrustning, Använd maskinen Enligt anvisningarna, CEFörsäkran, Nätanslutning, Skötsel, Symboler	Var god läs och tag tillvara dessa instruktioner!	<b>Svenska</b>	<b>47</b>
Tekniset arvot, Turvallisuusohjeet, Tarkoituksenmukainen käyttö, Todistus CE-standardinmukaisuudesta, Verkkoliitäntä, Huolto, Symbolit	Lue ja säilytä!	<b>Suomi</b>	<b>51</b>
Τεχνικά στοιχεία, Ειδικές υποδείξεις ασφάλειας, Χρήση σύμφωνα με το σκοπό προορισμού, Δήλωση πιστότητας ΕΚ, Μπαταρίες, Χαρακτηριστικά, Συντήρηση, Σύμβολα.	Παρακαλώ διαβάστε τις και φυλάξτε τις!	<b>Ελληνικά</b>	<b>55</b>
Teknik veriler, Güvenliğinizi için talimatlar, Kullanım, CE uygunluk beyanince, Şebeke bağlantısı, Bakım, Semboller	Lütfen okuyun ve saklayın	<b>TÜRKÇE</b>	<b>59</b>
Technická data, Speciální bezpečnostní upozornění, Oblast využití, Ce-prohlášení o shodě, Připojení na síť, Údržba, Symboly	Po přečtení uschovejte	<b>Česky</b>	<b>63</b>
Technické údaje, Špeciálne bezpečnostné pokyny, Použitie podľa predpisov, CE-Vyhlasenie konformity, Sieťová pripojka, Údržba, Symboly	Prosím prečítať a uschovať!	<b>Slovensky</b>	<b>67</b>
Dane techniczne, Specjalne zalecenia dotyczace bezpiecze' nstwa, Uzytkowanie zgodne z przeznaczeniem, Świadczenie zgodności ce, Podłączenie do sieci, Gwarancja, Symboly	Prosimy o uważne przeczytanie i przetrzymanie zaleceń zamie szczonych w tej instrukcji.	<b>Polski</b>	<b>71</b>
Műszaki adatok, Különleges biztonsági tudnivalók, Rendeltetészerű használat, Ce-azonossági nyilatkozat, Hálózati csatlakoztatás, Karbantartás, Szimbólumok	Prosimo preberite in shranite!	<b>Magyar</b>	<b>75</b>
Tehnični podatki, Specialni varnostni napotki, Uporaba v skladu z namembnostjo, Ce-izjava o konformnosti, Omrežni priključek, Vzdrževanje, Simboli	Prosimo preberite in shranite!	<b>Slovensko</b>	<b>79</b>
Tehnički podaci, Specijalne sigurnosne upute, Propisna upotreba, CE-Izjava konformnosti, Priključak na mrežu, Održavanje, Simboli	Molimo pročitali i sačuvati!	<b>Hrvatski</b>	<b>83</b>
Tehniske dati, Speciālie drošības noteikumi, Noteikumiem atbilstošs izmantojums, Atbilstība CE normām, Tīkla pieslēgums, Apkope, Simboli	Pielikums lietošanas pamācībai	<b>Latviski</b>	<b>87</b>
Techniniai duomenys, Ypatingos saugumo nuorodos, Naudojimas pagal paskirtį, CE Atitikties pareiškinimas, Elektros tinklo jungtis, Techninis aptarnavimas, Simboliai	Prašome perskaityti ir neišmesti!	<b>LIETUVIŠKAI</b>	<b>91</b>
Tehnilised andmed, Spetsiaalsed turvajuhised, Kasutamise vastavalt otstarbele, EÜ Vastavusavaldus, Võrku ühendamine, Hooldus, Sümbolid	Palun lugege läbi ja hoidke alal!	<b>Eesti</b>	<b>95</b>
Технические данные, Рекомендации по технике безопасности, Использо- вание, Подключение к электросети, Обслуживание, Символы	Пожалуйста, прочтите и сохраните настоящую! инструкцию	<b>По-русски</b>	<b>99</b>
Технически данни, Специални указания за безопасност, Използване по предназначение, CE-Декларация за съответствие, Съвръзване към мрежата, Поддръжка, Символи	Моля прочетете и запазете!	<b>БЪЛГАРСКИ</b>	<b>103</b>
Технички Податоци, Упатство За Употреба, Специфицирани Услови На Употреба, Еу-декларација За Сообразност, Главни Врски, Одржување, Символи	Ве молиме прочитајте го и чувајте го ова упатство!	<b>МАКЕДОНСКИ</b>	<b>107</b>
Date tehnice, Instrucțiuni de securitate, Condiții de utilizare speci.cate, Declarație de conformitate, Alimentare de la rețea, Intreținere, Simboluri	Va rugăm citiți și păstrați aceste instrucțiuni	<b>ROMÂNIA</b>	<b>111</b>
技术数据, 特殊安全指示, 正确地使用机器, 欧洲安全规定说明, 电源插头, 维修, 符号	请详细阅读并妥善保存!	<b>中文</b>	<b>115</b>





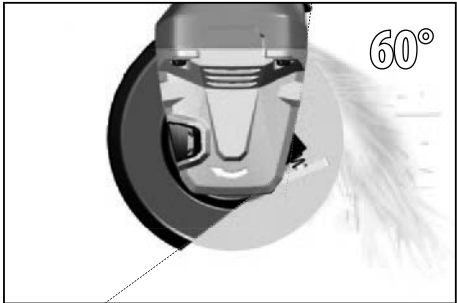
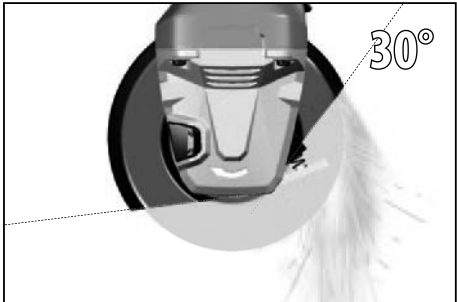
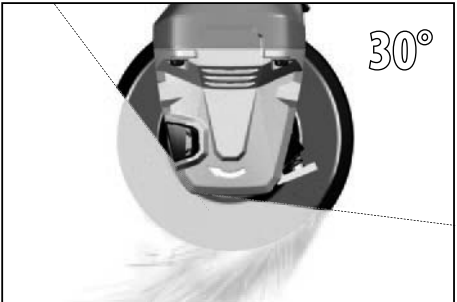
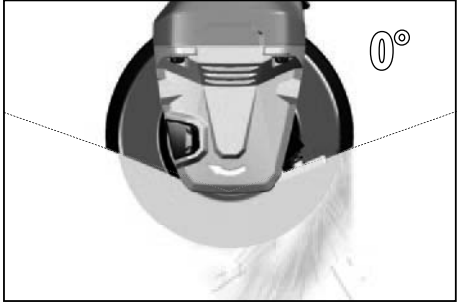
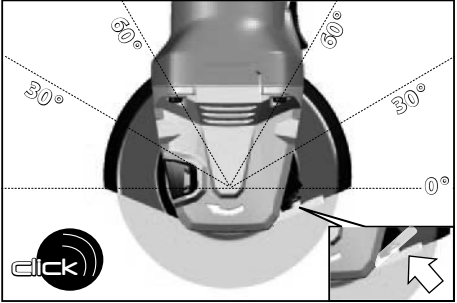
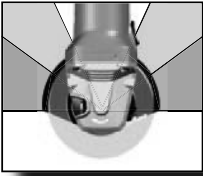


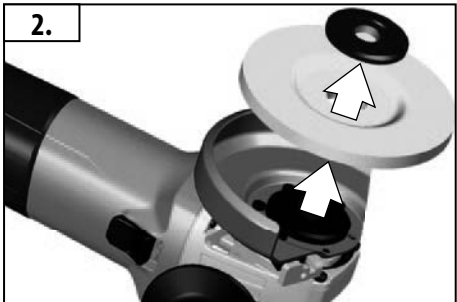
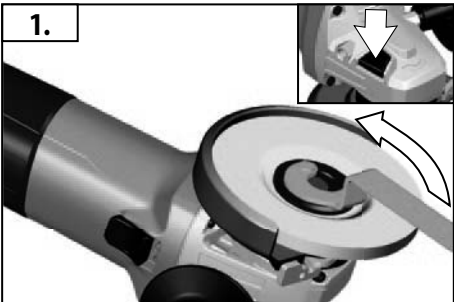
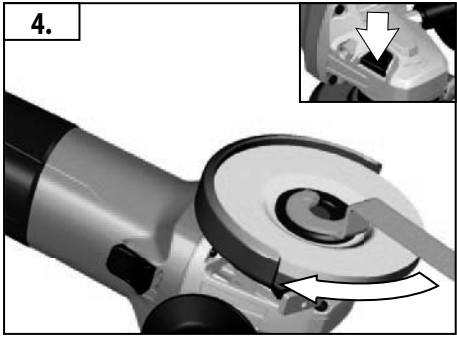
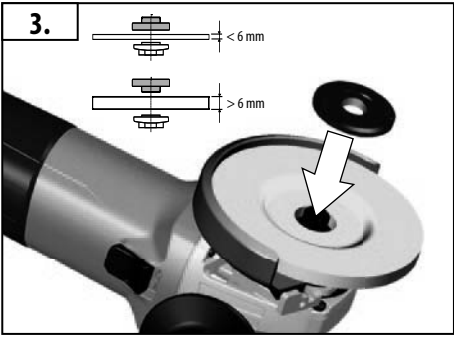
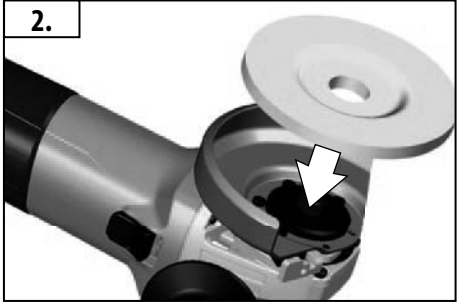
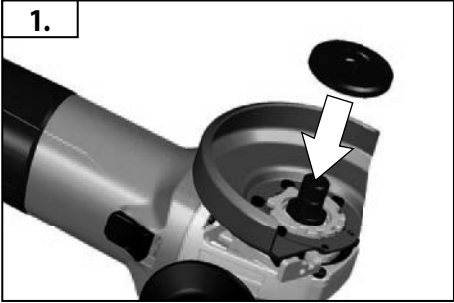


For cutting-off operations!  
Für Trennarbeiten!  
Pour les travaux de tronçonnage!  
Per lavori di separazione!  
¡Para trabajos de tronzado!  
Para trabalhos de corte!  
Voor doorslijpwerkzaamheden!  
Til skærearbejder!  
For kutting!  
För kapningsarbeten!  
Katkaisutöihin!  
Για εργασίες κοπής!  
Ayrıca işleri için!

Pro řezací práce!  
Pre rezacie práce!  
Do robót związanych z rozcinaniem!  
Vágási munkálatokhoz!  
Za razdvajalna dela!  
Za odvajačke radove!  
Griešanai!  
Pjovimo darbams!  
Löiketöödeks!  
Для работ по разделению!  
За рязане (разделяне)!  
Pentru lucrări de retezare!  
За работи со делење!  
为了切割工作！



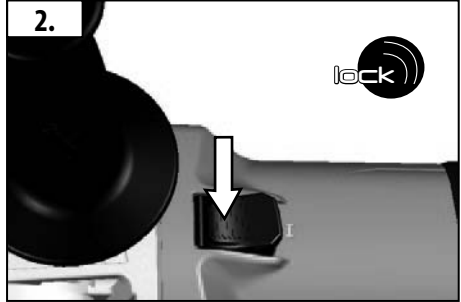
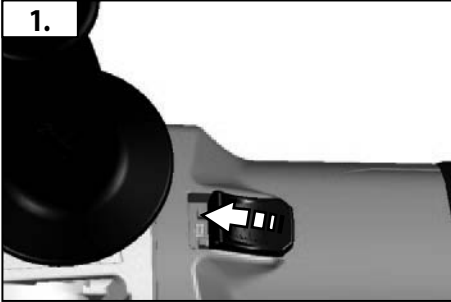




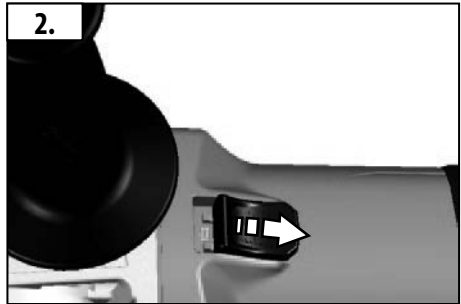


### Start

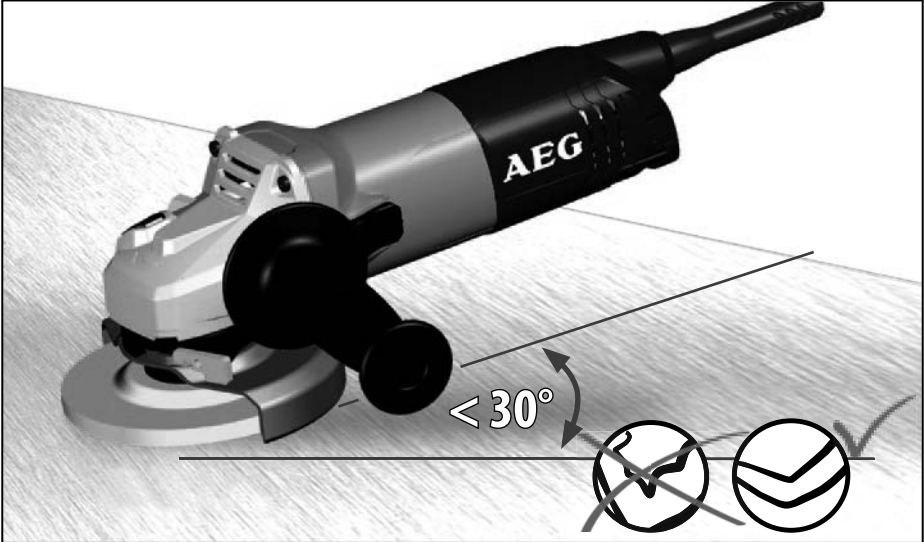
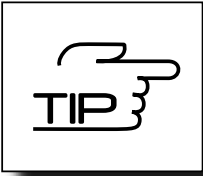
START  
STOP  
▽

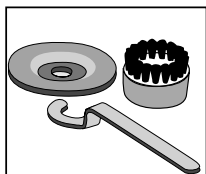


### Stop







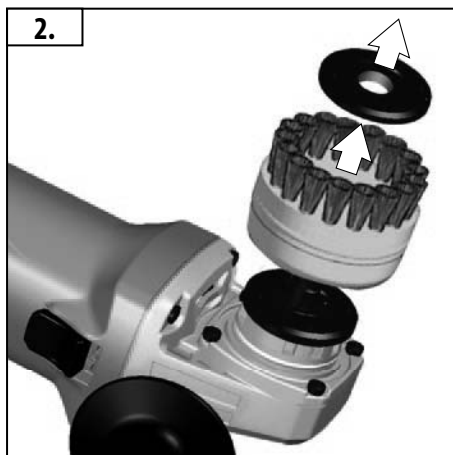
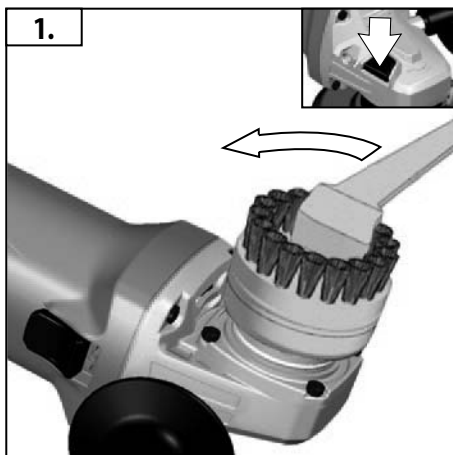
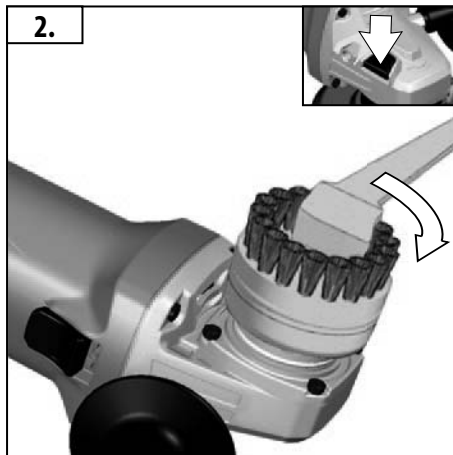
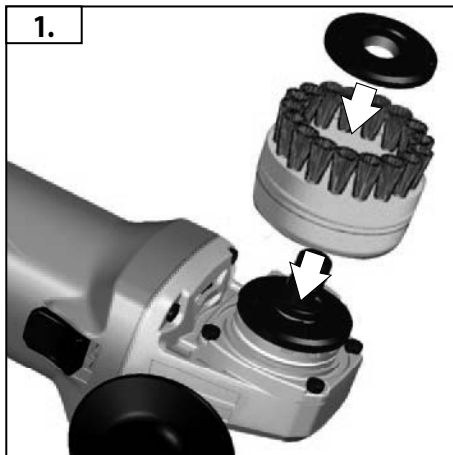


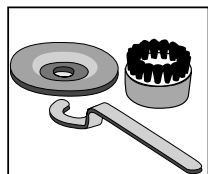
Accessory  
Zubehör  
Accessoire  
Accessorio  
Accessorio  
Accessório  
Toebehoren  
Tilbehør

Tilbehør  
Tillbehör  
Lisälaite  
Εξαρτήματα  
Aksesuar  
Příslušenství  
Příslušenstvo  
Element

wyposażenia  
dodatkowego  
Tartozék  
Oprema  
Pribor  
Papildus  
aprīkojums  
Priedas

Tarvikud  
Дополнитель  
Аксесоар  
Ассесории  
Додатоци  
配件



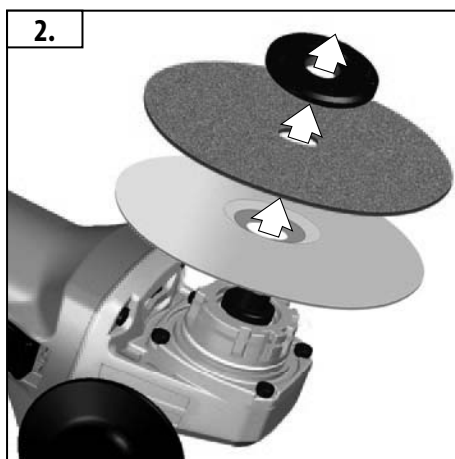
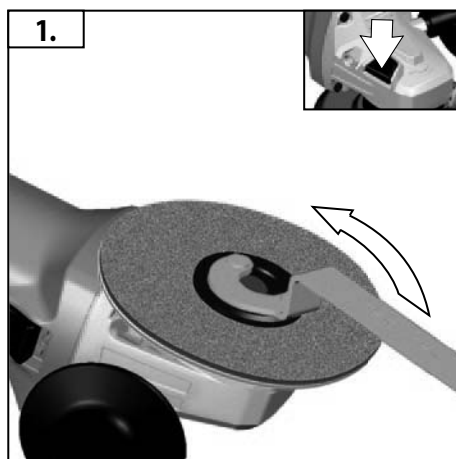
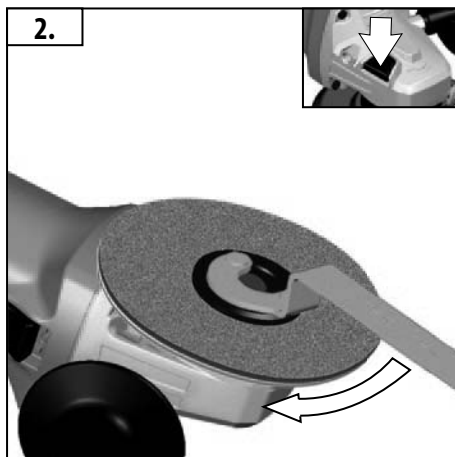
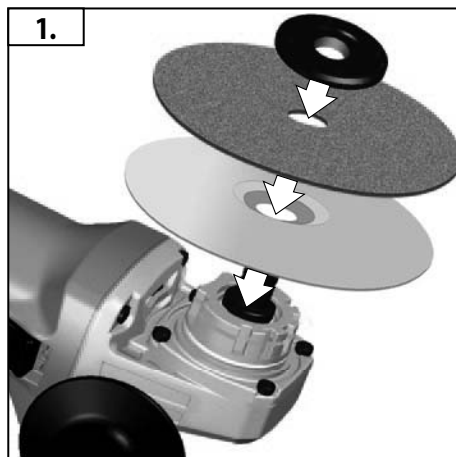
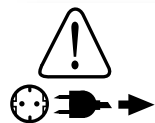


Accessory  
Zubehör  
Accessoire  
Accessorio  
Accessório  
Toebehoren  
Tilbehør

Tilbehør  
Tilbehör  
Lisälaite  
Εξαρτήματα  
Aksesuar  
Příslušenství  
Příslušenstvo  
Element

wyposażenia  
dodatkowego  
Tartozék  
Oprema  
Pribor  
Papildus  
aprīkojums  
Priedas

Tarvikud  
Дополнитель  
Аксессуар  
Accesorii  
Додатоци  
配件



	WS 9-100	WS9-115	WS9-125
Rated input .....	900 W	900 W	900 W
Rated speed .....	11000 min <sup>-1</sup>	11000 min <sup>-1</sup>	11000 min <sup>-1</sup>
Grinding disk diameter.....	100 mm	115 mm	125 mm
Thread of work spindle.....	M 10	M 14	M 14
Weight according EPTA-Procedure 01/2003 .....	2,0 kg	2,0 kg	2,0 kg

**Noise/Vibration Information**

Measured values determined according to EN 60 745.

Typically, the A-weighted noise levels of the tool are:

Sound pressure level (K=3 dB(A)) .....	90,5 dB (A)	90,5 dB (A)	90,5 dB (A)
Sound power level(K=3 dB(A)) .....	101,5 dB (A)	101,5 dB (A)	101,5 dB (A)

**Wear ear protectors!**

Total vibration values (vector sum in the three axes) determined according to EN 60745.

Surface grinding: vibration emission value a <sub>h</sub> .....	5,8 m/s <sup>2</sup>	5,8 m/s <sup>2</sup>	5,8 m/s <sup>2</sup>
Uncertainty K .....	1,5 m/s <sup>2</sup>	1,5 m/s <sup>2</sup>	1,5 m/s <sup>2</sup>
Disk sanding: vibration emission level a <sub>h</sub> .....	1,9 m/s <sup>2</sup>	1,9 m/s <sup>2</sup>	1,9 m/s <sup>2</sup>
Uncertainty K .....	1,5 m/s <sup>2</sup>	1,5 m/s <sup>2</sup>	1,5 m/s <sup>2</sup>

	WS 11-115	WS 11-125
Rated input .....	1100 W	1100 W
Rated speed .....	11000 min <sup>-1</sup>	11000 min <sup>-1</sup>
Grinding disk diameter.....	115 mm	125 mm
Thread of work spindle.....	M 14	M 14
Weight according EPTA-Procedure 01/2003 .....	2,3 kg	2,3 kg

**Noise/Vibration Information**

Measured values determined according to EN 60 745.

Typically, the A-weighted noise levels of the tool are:

Sound pressure level (K=3 dB(A)) .....	90,5 dB (A)	90,5 dB (A)
Sound power level(K=3 dB(A)) .....	101,5 dB (A)	101,5 dB (A)

**Wear ear protectors!**

Total vibration values (vector sum in the three axes) determined according to EN 60745.

Surface grinding: vibration emission value a <sub>h</sub> .....	5,8 m/s <sup>2</sup>	5,8 m/s <sup>2</sup>
Uncertainty K .....	1,5 m/s <sup>2</sup>	1,5 m/s <sup>2</sup>
Disk sanding: vibration emission level a <sub>h</sub> .....	1,9 m/s <sup>2</sup>	1,9 m/s <sup>2</sup>
Uncertainty K .....	1,5 m/s <sup>2</sup>	1,5 m/s <sup>2</sup>

For other applications, e.g. Abrasive Cutting-Off Operations or Wire Brushing other vibration values could occur.

**WARNING**

The vibration emission level given in this information sheet has been measured in accordance with a standardised test given in EN 60745 and may be used to compare one tool with another. It may be used for a preliminary assessment of exposure.

The declared vibration emission level represents the main applications of the tool. However if the tool is used for different applications, with different accessories or poorly maintained, the vibration emission may differ. This may significantly increase the exposure level over the total working period.

An estimation of the level of exposure to vibration should also take into account the times when the tool is switched off or when it is running but not actually doing the job. This may significantly reduce the exposure level over the total working period.

Identify additional safety measures to protect the operator from the effects of vibration such as: maintain the tool and the accessories, keep the hands warm, organisation of work patterns.



## WARNING!

Read all safety warnings and all instructions, including those given in the accompanying brochure. Failure to follow the warnings and instructions may result in electric shock, fire and/or serious injury.

Save all warnings and instructions for future reference.

### SAFETY INSTRUCTIONS

#### Safety Warnings Common for Grinding, Sanding, Wire Brushing or Abrasive Cutting-Off Operations:

**a) This power tool is intended to function as a grinder, sander, wire brush, or cut-off tool. Read all safety warnings, instructions, illustrations and specifications provided with this power tool.** Failure to follow all instructions listed below may result in electric shock, fire and/or serious injury.

**b) Operations such as polishing are not recommended to be performed with this power tool.** Operations for which the power tool was not designed may create a hazard and cause personal injury.

**c) Do not use accessories which are not specifically designed and recommended by the tool manufacturer.** Just because the accessory can be attached to your power tool, it does not assure safe operation.

**d) The rated speed of the accessory must be at least equal to the maximum speed marked on the power tool.** Accessories running faster than their rated speed can break and fly apart.

**e) The outside diameter and the thickness of your accessory must be within the capacity rating of your power tool.** Incorrectly sized accessories cannot be adequately guarded or controlled.

**f) The arbour size of wheels, flanges, backing pads or any other accessory must properly fit the spindle of the power tool.** Accessories with arbour holes that do not match the mounting hardware of the power tool will run out of balance, vibrate excessively and may cause loss of control.

**g) Do not use a damaged accessory. Before each use inspect the accessory such as abrasive wheels for chips and cracks, backing pad for cracks, tear or excess wear, wire brush for loose or cracked wires. If power tool or accessory is dropped, inspect for damage or install an undamaged accessory. After inspecting and installing an accessory, position yourself and bystanders away from the plane of the rotating accessory and run the power tool at maximum no-load speed for one minute.** Damaged accessories will normally break apart during this test time.

**h) Wear personal protective equipment. Depending on application, use face shield, safety goggles or safety glasses. As appropriate, wear dust mask, hearing protectors, gloves and shop apron capable of stopping small abrasive or workpiece fragments.** The eye protection must be capable of stopping flying debris generated by various operations. The dust mask or respirator must be capable of filtering particles generated by your operation. Prolonged exposure to high intensity noise may cause hearing loss.

**i) Keep bystanders a safe distance away from work area.**

**Anyone entering the work area must wear personal protective equipment.** Fragments of workpiece or of a broken accessory may fly away and cause injury beyond immediate area of operation.

**j) Hold power tool by insulated gripping surfaces, when performing an operation where the cutting accessory may contact hidden wiring or its own cord.** Cutting accessory contacting a „live“ wire may make exposed metal parts of the power tool „live“ and could give the operator an electric shock.

**k) Position the cord clear of the spinning accessory.** If you lose control, the cord may be cut or snagged and your hand or arm may be pulled into the spinning accessory.

**l) Never lay the power tool down until the accessory has come to a complete stop.** The spinning accessory may grab the surface and pull the power tool out of your control.

**m) Do not run the power tool while carrying it at your side.**

Accidental contact with the spinning accessory could snag your clothing, pulling the accessory into your body.

**n) Regularly clean the power tool's air vents.** The motor's fan will draw the dust inside the housing and excessive accumulation of powdered metal may cause electrical hazards.

**o) Do not operate the power tool near flammable materials.** Sparks could ignite these materials.

**p) Do not use accessories that require liquid coolants.** Using water or other liquid coolants may result in electrocution or shock.

#### Kickback and related warnings

Kickback is a sudden reaction to a pinched or snagged rotating wheel. Pinching or snagging causes rapid stalling of the rotating wheel which in turn causes the uncontrolled power tool to be forced in the direction opposite of the wheel's rotation at the point of the binding.

For example, if an abrasive wheel is snagged or pinched by the workpiece, the edge of the wheel that is entering into the pinch point can dig into the surface of the material causing the wheel to climb out or kick out. The wheel may either jump toward or away from the operator, depending on direction of the wheel's movement at the point of pinching. Abrasive wheels may also break under these conditions.

Kickback is the result of saw misuse and/or incorrect operating procedures or conditions and can be avoided by taking proper precautions as given below.

**a) Maintain a firm grip on the power tool and position your body and arm to allow you to resist kickback forces. Always use auxiliary handle, if provided, for maximum control over kickback or torque reaction during start-up.** The operator can control torque reactions or kickback forces, if proper precautions are taken.

**b) Never place your hand near the rotating accessory.** Accessory may kickback over your hand.

**c) Do not position your body in the area where power tool will move if kickback occurs.** Kickback will propel the tool in direction opposite to the wheel's movement at the point of snagging.

**d) Use special care when working corners, sharp edges, etc. Avoid bouncing and snagging the accessory.** Corners, sharp edges or bouncing have a tendency to snag the rotating accessory and cause loss of control or kickback.

**e) Do not attach a saw chain, woodcarving blade or toothed saw blade.** Such blades create frequent kickback and loss of control.

#### **Safety Warnings Specific for Grinding and Abrasive Cutting-Off Operations:**

**a) Use only wheel types that are recommended for your power tool and the specific guard designed for the selected wheel.** Wheels for which the power tool was not designed cannot be adequately guarded and are unsafe.

**b) The guard must be securely attached to the power tool and positioned for maximum safety, so the least amount of wheel is exposed towards the operator.** The guard helps to protect operator from broken wheel fragments and accidental contact with wheel.

**c) Wheels must be used only for recommended applications. For example: do not grind with the side of cut-off wheel.** Abrasive cut-off wheels are intended for peripheral grinding, side forces applied to these wheels may cause them to shatter.

**d) Always use undamaged wheel flanges that are of correct size and shape for your selected wheel.** Proper wheel flanges support the wheel thus reducing the possibility of wheel breakage. Flanges for cut-off wheels may be different from grinding wheel flanges.

**e) Do not use worn down wheels from larger power tools.** Wheel intended for larger power tool is not suitable for the higher speed of a smaller tool and may burst.

#### **Additional Safety Warnings Specific for Abrasive Cutting-Off Operations:**

**a) Do not “jam” the cut-off wheel or apply excessive pressure. Do not attempt to make an excessive depth of cut.** Overstressing the wheel increases the loading and susceptibility to twisting or binding of the wheel in the cut and the possibility of kickback or wheel breakage.

**b) Do not position your body in line with and behind the rotating wheel.** When the wheel, at the point of operation, is moving away from your body, the possible kickback may propel the spinning wheel and the power tool directly at you.

**c) When wheel is binding or when interrupting a cut for any reason, switch off the power tool and hold the power tool motionless until the wheel comes to a complete stop. Never attempt to remove the cut-off wheel from the cut while the wheel is in motion otherwise kickback may occur.** Investigate and take corrective action to eliminate the cause of wheel binding.

**d) Do not restart the cutting operation in the workpiece. Let the wheel reach full speed and carefully reenter the cut.** The wheel may bind, walk up or kickback if the power tool is restarted in the workpiece.

**e) Support panels or any oversized workpiece to minimize the risk of wheel pinching and kickback.** Large workpieces tend to sag under their own weight. Supports must be placed under the workpiece near the line of cut and near the edge of the workpiece on both sides of the wheel.

**f) Use extra caution when making a “pocket cut” into existing walls or other blind areas.** The protruding wheel may cut gas or water pipes, electrical wiring or objects that can cause kickback.

#### **Safety Warnings Specific for Sanding Operations:**

**a) Do not use excessively oversized sanding disc paper. Follow manufacturers recommendations, when selecting sanding paper.** Larger sanding paper extending beyond the sanding pad presents a laceration hazard and may cause snagging, tearing of the disc or kickback.

#### **Safety Warnings Specific for Wire Brushing Operations:**

**a) Be aware that wire bristles are thrown by the brush even during ordinary operation. Do not overstress the wires by applying excessive load to the brush.** The wire bristles can easily penetrate light clothing and/or skin.

**b) If the use of a guard is recommended for wire brushing, do not allow any interference of the wire wheel or brush with the guard.** Wire wheel or brush may expand in diameter due to work load and centrifugal forces.

Appliances used at many different locations including open air should be connected via a residual current device (FI, RCD, PRCD) of 30mA or less.

Sawdust and splinters must not be removed while the machine is running.

Only plug-in when machine is switched off.

Never reach into the danger area of the plane when it is running.

Always use the auxiliary handle.

Always use the protecting cap when roughing-down and separating.

Immediately switch off the machine in case of considerable vibrations or if other malfunctions occur. Check the machine in order to find out the cause.

Always use and store the grinding disks according to the manufacturer's instructions.

When grinding metal, flying sparks are produced. Take care that no persons are endangered. Because of the danger of fire, no combustible materials should be located in the vicinity (spark flight zone). Do not use dust extraction.

Due care should be taken that no sparks or sanding dust flying from the workpiece come into contact with you.

When separating stone the guide shoe must be used!

The adjusting nut must be tightened before starting to work with the machine.

The workpiece must be fixed if it is not heavy enough to be steady.



Never lead the workpiece to the grinding disk with your hand.

Under extreme conditions (e.g. smooth-grinding metals with the arbour and vulcanized fibre grinding wheel), significant contamination can build up on the inside of the angle grinder. For safety reasons, in such conditions the inside should be cleaned thoroughly of metal deposits and a motor circuit-breaker must be connected in series. If the motor circuit-breaker trips the machine must be sent for repair.

For accessories intended to be fitted with threaded hole wheel, ensure that the thread in the wheel is long enough to accept the spindle length.


Use the safety guard from the accessories range when performing out cutting work.

#### SPECIFIED CONDITIONS OF USE

The angle grinder may be used for cutting, grinding, sanding and wire brushing a wide range of materials, such as metal or stone. If you have any doubts, please refer to the instructions supplied by the accessory manufacturer.

Do not use this product in any other way as stated for normal use.

#### MAINS CONNECTION

 Connect only to single-phase AC current and only to the system voltage indicated on the rating plate. It is also possible to connect to sockets without an earthing contact as the design conforms to safety class II.

#### EC-DECLARATION OF CONFORMITY

We declare under our sole responsibility that this product is in conformity with the following standards or standardized documents. EN 60745, EN 55014-1, EN 55014-2, EN 61000-3-2, EN 61000-3-3, in accordance with the regulations 2006/42/EC, 2004/108/EC



Winnenden, 2010-11-17

Rainer Kumpf  
Manager Product Development  
Authorized to compile the technical file

#### MAINTENANCE

The ventilation slots of the machine must be kept clear at all times.

Do not let any metal parts enter the airing slots - danger of short circuit!

Use only AEG accessories and spare parts. Should components need to be replaced which have not been described, please contact one of our AEG service agents (see our list of guarantee/service addresses).

If needed, an exploded view of the tool can be ordered. Please state the Article No. as well as the machine type printed on the label and order the drawing at your local service agents or directly at: AEG Elektrowerkzeuge, Max-Eyth-Straße 10, D-71364 Winnenden, Germany.

#### SYMBOLS



Please read the instructions carefully before starting the machine.



CAUTION! WARNING! DANGER!



Always wear goggles when using the machine.



Always disconnect the plug from the socket before carrying out any work on the machine.



Accessory - Not included in standard equipment, available as an accessory.



Do not dispose of electric tools together with household waste material! In observance of European Directive 2002/96/EC on waste electrical and electronic equipment and its implementation in accordance with national law, electric tools that have reached the end of their life must be collected separately and returned to an environmentally compatible recycling facility.

	WS 9-100	WS9-115	WS9-125
Nennaufnahmeleistung .....	900 W	900 W	900 W
Nenn Drehzahl .....	11000 min <sup>-1</sup>	11000 min <sup>-1</sup>	11000 min <sup>-1</sup>
Schleifscheiben- $\emptyset$ .....	100 mm	115 mm	125 mm
Spindelgewinde .....	M 10	M 14	M 14
Gewicht nach EPTA-Prozedur 01/2003 .....	2,0 kg	2,0 kg	2,0 kg

**Geräusch/Vibrationsinformation**

Messwerte ermittelt entsprechend EN 60 745.

Der A-bewertete Geräuschpegel des Gerätes beträgt typischerweise:

Schalldruckpegel (K=3 dB(A)) .....	90,5 dB (A)	90,5 dB (A)	90,5 dB (A)
Schallleistungspegel(K=3 dB(A)) .....	101,5 dB (A)	101,5 dB (A)	101,5 dB (A)

**Gehörschutz tragen!**

Schwingungsgesamtwerte (Vektorsumme dreier Richtungen) ermittelt entsprechend EN 60745.

Schruppschleifen: Schwingungsemissionswert $a_h$ .....	5,8 m/s <sup>2</sup>	5,8 m/s <sup>2</sup>	5,8 m/s <sup>2</sup>
Unsicherheit K .....	1,5 m/s <sup>2</sup>	1,5 m/s <sup>2</sup>	1,5 m/s <sup>2</sup>
Sandpapierschleifen: Schwingungsemissionswert $a_h$ .....	1,9 m/s <sup>2</sup>	1,9 m/s <sup>2</sup>	1,9 m/s <sup>2</sup>
Unsicherheit K .....	1,5 m/s <sup>2</sup>	1,5 m/s <sup>2</sup>	1,5 m/s <sup>2</sup>

	WS 11-115	WS 11-125
Nennaufnahmeleistung .....	1100 W	1100 W
Nenn Drehzahl .....	11000 min <sup>-1</sup>	11000 min <sup>-1</sup>
Schleifscheiben- $\emptyset$ .....	115 mm	125 mm
Spindelgewinde .....	M 14	M 14
Gewicht nach EPTA-Prozedur 01/2003 .....	2,3 kg	2,3 kg

**Geräusch/Vibrationsinformation**

Messwerte ermittelt entsprechend EN 60 745.

Der A-bewertete Geräuschpegel des Gerätes beträgt typischerweise:

Schalldruckpegel (K=3 dB(A)) .....	90,5 dB (A)	90,5 dB (A)
Schallleistungspegel(K=3 dB(A)) .....	101,5 dB (A)	101,5 dB (A)

**Gehörschutz tragen!**

Schwingungsgesamtwerte (Vektorsumme dreier Richtungen) ermittelt entsprechend EN 60745.

Schruppschleifen: Schwingungsemissionswert $a_h$ .....	5,8 m/s <sup>2</sup>	5,8 m/s <sup>2</sup>
Unsicherheit K .....	1,5 m/s <sup>2</sup>	1,5 m/s <sup>2</sup>
Sandpapierschleifen: Schwingungsemissionswert $a_h$ .....	1,9 m/s <sup>2</sup>	1,9 m/s <sup>2</sup>
Unsicherheit K .....	1,5 m/s <sup>2</sup>	1,5 m/s <sup>2</sup>

Bei anderen Anwendungen, wie z.B. Trennschleifen oder Schleifen mit der Stahldrahtbürste können sich andere Vibrationswerte ergeben!

**WARNUNG**

Der in diesen Anweisungen angegebene Schwingungspegel ist entsprechend einem in EN 60745 genormten Messverfahren gemessen worden und kann für den Vergleich von Elektrowerkzeugen miteinander verwendet werden. Er eignet sich auch für eine vorläufige Einschätzung der Schwingungsbelastung.

Der angegebene Schwingungspegel repräsentiert die hauptsächlichlichen Anwendungen des Elektrowerkzeugs. Wenn allerdings das Elektrowerkzeug für andere Anwendungen, mit abweichenden Einsatzwerkzeugen oder ungenügender Wartung eingesetzt wird, kann der Schwingungspegel abweichen. Dies kann die Schwingungsbelastung über den gesamten Arbeitszeitraum deutlich erhöhen.

Für eine genaue Abschätzung der Schwingungsbelastung sollten auch die Zeiten berücksichtigt werden, in denen das Gerät abgeschaltet ist oder zwar läuft, aber nicht tatsächlich im Einsatz ist. Dies kann die Schwingungsbelastung über den gesamten Arbeitszeitraum deutlich reduzieren.

Legen Sie zusätzliche Sicherheitsmaßnahmen zum Schutz des Bedieners vor der Wirkung von Schwingungen fest wie zum Beispiel: Wartung von Elektrowerkzeug und Einsatzwerkzeugen, Warmhalten der Hände, Organisation der Arbeitsabläufe.







## WARNUNG!

Lesen Sie alle Sicherheitshinweise und Anweisungen, auch die in der beiliegenden Broschüre. Versäumnisse bei der Einhaltung der Sicherheitshinweise und Anweisungen können elektrischen Schlag, Brand und/oder schwere Verletzungen verursachen.

Bewahren Sie alle Sicherheitshinweise und Anweisungen für die Zukunft auf.

### SPEZIELLE SICHERHEITSHINWEISE

**Gemeinsame Sicherheitshinweise zum Schleifen, Sandpapierschleifen, Arbeiten mit Drahtbürsten und Trennschleifern**

**a) Dieses Elektrowerkzeug ist zu verwenden als Schleifer, Sandpapierschleifer, Drahtbürste und Trennschleifmaschine.**

Beachten Sie alle Sicherheitshinweise, Anweisungen, Darstellungen und Daten, die Sie mit dem Elektrowerkzeug erhalten. Wenn Sie die folgenden Anweisungen nicht beachten, kann es zu elektrischem Schlag, Feuer und/oder schweren Verletzungen kommen.

**b) Dieses Elektrowerkzeug ist nicht geeignet zum Polieren.** Verwendungen, für die das Elektrowerkzeug nicht vorgesehen ist, können Gefährdungen und Verletzungen verursachen.

**c) Verwenden Sie kein Zubehör, das vom Hersteller nicht speziell für dieses Elektrowerkzeug vorgesehen und empfohlen wurde.** Nur weil Sie das Zubehör an Ihrem Elektrowerkzeug befestigen können, garantiert das keine sichere Verwendung.

**d) Die zulässige Drehzahl des Einsatzwerkzeugs muss mindestens so hoch sein wie die auf dem Elektrowerkzeug angegebene Höchstdrehzahl.** Zubehör, das sich schneller als zulässig dreht, kann zerbrechen und umherfliegen.

**e) Außendurchmesser und Dicke des Einsatzwerkzeugs müssen den Maßangaben Ihres Elektrowerkzeugs entsprechen.** Falsch bemessene Einsatzwerkzeuge können nicht ausreichend abgeschirmt oder kontrolliert werden.

**f) Schleifscheiben, Flansche, Schleifteller oder anderes Zubehör müssen genau auf die Schleifspindel Ihres Elektrowerkzeugs passen.** Einsatzwerkzeuge, die nicht genau auf die Schleifspindel des Elektrowerkzeugs passen, drehen sich ungleichmäßig, vibrieren sehr stark und können zum Verlust der Kontrolle führen.

**g) Verwenden Sie keine beschädigten Einsatzwerkzeuge. Kontrollieren Sie vor jeder Verwendung Einsatzwerkzeuge wie Schleifscheiben auf Absplinterungen und Risse, Schleifteller auf Risse, Verschleiß oder starke Abnutzung, Drahtbürsten auf lose oder gebrochene Drähte. Wenn das Elektrowerkzeug oder das Einsatzwerkzeug herunterfällt, überprüfen Sie, ob es beschädigt ist, oder verwenden Sie ein unbeschädigtes Einsatzwerkzeug. Wenn Sie das Einsatzwerkzeug kontrolliert und eingesetzt haben, halten Sie und in der Nähe befindliche Personen sich außerhalb der Ebene des rotierenden Einsatzwerkzeugs auf und lassen Sie das Elektrowerkzeug eine Minute lang mit Höchstdrehzahl laufen.** Beschädigte Einsatzwerkzeuge brechen meist in dieser Testzeit.

**h) Tragen Sie persönliche Schutzausrüstung. Verwenden Sie**

**je nach Anwendung Vollgesichtsschutz, Augenschutz oder Schutzbrille. Soweit angemessen, tragen Sie Staubmaske, Gehörschutz, Schutzhandschuhe oder Spezialschürze, die kleine Schleif- und Materialpartikel von Ihnen fernhält.**

Die Augen sollen vor herumfliegenden Fremdkörpern geschützt werden, die bei verschiedenen Anwendungen entstehen. Staub oder Atemschutzmaske müssen den bei der Anwendung entstehenden Staub filtern. Wenn Sie lange lautem Lärm ausgesetzt sind, können Sie einen Hörverlust erleiden.

**i) Achten Sie bei anderen Personen auf sicheren Abstand zu Ihrem Arbeitsbereich. Jeder, der den Arbeitsbereich betritt, muss persönliche Schutzausrüstung tragen.** Bruchstücke des Werkstücks oder gebrochener Einsatzwerkzeuge können wegfliegen und Verletzungen auch außerhalb des direkten Arbeitsbereichs verursachen.

**j) Halten Sie das Gerät nur an den isolierten Griffflächen, wenn Sie Arbeiten ausführen, bei denen das Einsatzwerkzeug verborgene Stromleitungen oder das eigene Kabel treffen kann.** Der Kontakt des Schneidwerkzeugs mit einer spannungsführenden Leitung kann metallene Geräteteile unter Spannung setzen und zu einem elektrischen Schlag führen.

**k) Halten Sie das Netzkabel von sich drehenden Einsatzwerkzeugen fern.** Wenn Sie die Kontrolle über das Elektrowerkzeug verlieren, kann das Netzkabel durchtrennt oder erfasst werden und Ihre Hand oder Ihr Arm in das sich drehende Einsatzwerkzeug geraten.

**l) Legen Sie das Elektrowerkzeug niemals ab, bevor das Einsatzwerkzeug völlig zum Stillstand gekommen ist.** Das sich drehende Einsatzwerkzeug kann in Kontakt mit der Ablagefläche geraten, wodurch Sie die Kontrolle über das Elektrowerkzeug verlieren können.

**m) Lassen Sie das Elektrowerkzeug nicht laufen, während Sie es tragen.** Ihre Kleidung kann durch zufälligen Kontakt mit dem sich drehenden Einsatzwerkzeug erfasst werden, und das Einsatzwerkzeug sich in Ihren Körper bohren.

**n) Reinigen Sie regelmäßig die Lüftungsschlitze Ihres Elektrowerkzeugs.** Das Motorgebläse zieht Staub in das Gehäuse, und eine starke Ansammlung von Metallstaub kann elektrische Gefahren verursachen.

**o) Verwenden Sie das Elektrowerkzeug nicht in der Nähe brennbarer Materialien.** Funken können diese Materialien entzünden.

**p) Verwenden Sie keine Einsatzwerkzeuge, die flüssige Kühlmittel erfordern.** Die Verwendung von Wasser oder anderen flüssigen Kühlmitteln kann zu einem elektrischen Schlag führen.

### Rückschlag und entsprechende Sicherheitshinweise

Rückschlag ist die plötzliche Reaktion infolge eines hakenden oder blockierten drehenden Einsatzwerkzeugs, wie Schleifscheibe, Schleifteller, Drahtbürste usw. Verhaken oder Blockieren führt zu einem abrupten Stopp des rotierenden Einsatzwerkzeugs. Dadurch wird ein unkontrolliertes Elektrowerkzeug gegen die Drehrichtung des Einsatzwerkzeugs an der Blockierstelle beschleunigt.

Wenn z. B. eine Schleifscheibe im Werkstück hakt oder blockiert, kann sich die Kante der Schleifscheibe, die in das Werkstück eintaucht, verfangen und dadurch die Schleifscheibe ausbrechen oder einen



Rückschlag verursachen. Die Schleifscheibe bewegt sich dann auf die Bedienperson zu oder von ihr weg, je nach Drehrichtung der Scheibe an der Blockierstelle. Hierbei können Schleifscheiben auch brechen.

Ein Rückschlag ist die Folge eines falschen oder fehlerhaften Gebrauchs der Säge. Er kann durch geeignete Vorsichtsmaßnahmen, wie nachfolgend beschrieben, verhindert werden.

**a) Halten Sie das Elektrowerkzeug gut fest und bringen Sie Ihren Körper und Ihre Arme in eine Position, in der Sie die Rückschlagkräfte abfangen können. Verwenden Sie immer den Zusatzgriff, falls vorhanden, um die größtmögliche Kontrolle über Rückschlagkräfte oder Reaktionsmomente beim Hochlauf zu haben.** Die Bedienperson kann durch geeignete Vorsichtsmaßnahmen die Rückschlag- und Reaktionskräfte beherrschen.

**b) Bringen Sie Ihre Hand nie in die Nähe sich drehender Einsatzwerkzeuge.** Das Einsatzwerkzeug kann sich beim Rückschlag über Ihre Hand bewegen.

**c) Meiden Sie mit Ihrem Körper den Bereich, in den das Elektrowerkzeug bei einem Rückschlag bewegt wird.** Der Rückschlag treibt das Elektrowerkzeug in die Richtung entgegengesetzt zur Bewegung der Schleifscheibe an der Blockierstelle.

**d) Arbeiten Sie besonders vorsichtig im Bereich von Ecken, scharfen Kanten usw. Verhindern Sie, dass Einsatzwerkzeuge vom Werkstück zurückprallen und verklemmen.** Das rotierende Einsatzwerkzeug neigt bei Ecken, scharfen Kanten oder wenn es abprallt, dazu, sich zu verklemmen. Dies verursacht einen Kontrollverlust oder Rückschlag.

**e) Verwenden Sie kein Ketten- oder gezähntes Sägeblatt.** Solche Einsatzwerkzeuge verursachen häufig einen Rückschlag oder den Verlust der Kontrolle über das Elektrowerkzeug.

#### **Besondere Sicherheitshinweise zum Schleifen und Trennschleifen**

**a) Verwenden Sie ausschließlich die für Ihr Elektrowerkzeug zugelassenen Schleifkörper und die für diese Schleifkörper vorgesehene Schutzhaube.** Schleifkörper, die nicht für das Elektrowerkzeug vorgesehen sind, können nicht ausreichend abgeschirmt werden und sind unsicher.

**b) Die Schutzhaube muss sicher am Elektrowerkzeug angebracht und so eingestellt sein, dass ein Höchstmaß an Sicherheit erreicht wird, d. h. der kleinstmögliche Teil des Schleifkörpers zeigt offen zur Bedienperson.** Die Schutzhaube soll die Bedienperson vor Bruchstücken und zufälligem Kontakt mit dem Schleifkörper schützen.

**c) Schleifkörper dürfen nur für die empfohlenen Einsatzmöglichkeiten verwendet werden. Z.B.: Schleifen Sie nie mit der Seitenfläche einer Trennscheibe.** Trennscheiben sind zum Materialabtrag mit der Kante der Scheibe bestimmt. Seitliche Krafteinwirkung auf diese Schleifkörper kann sie zerbrechen.

**d) Verwenden Sie immer unbeschädigte Spannflansche in der richtigen Größe und Form für die von Ihnen gewählte Schleifscheibe.** Geeignete Flansche stützen die Schleifscheibe und verringern so die Gefahr eines Schleifscheibenbruchs. Flansche für Trennscheiben können sich von den Flanschen für andere Schleifscheiben unterscheiden.

**e) Verwenden Sie keine abgenutzten Schleifscheiben von größeren Elektrowerkzeugen.** Schleifscheiben für größere Elektrowerkzeuge sind nicht für die höheren Drehzahlen von kleineren Elektrowerkzeugen ausgelegt und können brechen.

#### **Weitere besondere Sicherheitshinweise zum Trennschleifen**

**a) Vermeiden Sie ein Blockieren der Trennscheibe oder zu hohen Anpressdruck. Führen Sie keine übermäßig tiefen Schnitte aus.** Eine Überlastung der Trennscheibe erhöht deren Beanspruchung und die Anfälligkeit zum Verkanten oder Blockieren und damit die Möglichkeit eines Rückschlags oder Schleifkörperbruchs.

**b) Meiden Sie den Bereich vor und hinter der rotierenden Trennscheibe.** Wenn Sie die Trennscheibe im Werkstück von sich wegbewegen, kann im Falle eines Rückschlags das Elektrowerkzeug mit der sich drehenden Scheibe direkt auf Sie zugeschleudert werden.

**c) Falls die Trennscheibe verklemmt oder Sie die Arbeit unterbrechen, schalten Sie das Gerät aus und halten Sie es ruhig, bis die Scheibe zum Stillstand gekommen ist. Versuchen Sie nie, die noch laufende Trennscheibe aus dem Schnitt zu ziehen, sonst kann ein Rückschlag erfolgen.** Ermitteln und beheben Sie die Ursache für das Verklemmen.

**d) Schalten Sie das Elektrowerkzeug nicht wieder ein, solange es sich im Werkstück befindet. Lassen Sie die Trennscheibe erst ihre volle Drehzahl erreichen, bevor Sie den Schnitt vorsichtig fortsetzen.** Anderenfalls kann die Scheibe verhaken, aus dem Werkstück springen oder einen Rückschlag verursachen.

**e) Stützen Sie Platten oder große Werkstücke ab, um das Risiko eines Rückschlags durch eine eingeklemmte Trennscheibe zu vermindern.** Große Werkstücke können sich unter ihrem eigenen Gewicht durchbiegen. Das Werkstück muss auf beiden Seiten abgestützt werden, und zwar sowohl in der Nähe des Trennschnitts als auch an der Kante.

**f) Seien Sie besonders vorsichtig bei „Taschenschnitten“ in bestehende Wände oder andere nicht einsehbare Bereiche.** Die eintauchende Trennscheibe kann beim Schneiden in Gas- oder Wasserleitungen, elektrische Leitungen oder andere Objekte einen Rückschlag verursachen.

#### **Besondere Sicherheitshinweise zum Sandpapierschleifen**

**a) Benutzen Sie keine überdimensionierten Schleifblätter, sondern befolgen Sie die Herstellerangaben zur Schleifblattgröße.** Schleifblätter, die über den Schleifteller hinausragen, können Verletzungen verursachen sowie zum Blockieren, Zerreißen der Schleifblätter oder zum Rückschlag führen.

#### **Besondere Sicherheitshinweise zum Arbeiten mit Drahtbürsten**

**a) Beachten Sie, dass die Drahtbürste auch während des üblichen Gebrauchs Drahtstücke verliert. Überlasten Sie die Drähte nicht durch zu hohen Anpressdruck.** Wegfliegende Drahtstücke können sehr leicht durch dünne Kleidung und/oder die Haut dringen.

**b) Wird eine Schutzhaube empfohlen, verhindern Sie, dass sich Schutzhaube und Drahtbürste berühren können.** Teller und Topfbürsten können durch Anpressdruck und Zentrifugalkräfte ihren Durchmesser vergrößern.



Steckdosen in Außenbereichen müssen mit Fehlerstrom-Schutzschaltern (FI, RCD, PRCD) ausgerüstet sein. Das verlangt die Installationsvorschrift für Ihre Elektroanlage. Bitte beachten Sie das bei der Verwendung unseres Gerätes.

Späne oder Splitter dürfen bei laufender Maschine nicht entfernt werden.

Maschine nur ausgeschaltet an die Steckdose anschließen.

Nicht in den Gefahrenbereich der laufenden Maschine greifen.

Stets den Zusatzhandgriff verwenden.

Beim Schruppen und Trennen immer mit Schutzhaube arbeiten.

Gerät sofort ausschalten, wenn beträchtliche Schwingungen auftreten oder andere Mängel festgestellt werden. Überprüfen Sie die Maschine, um die Ursache festzustellen.

Schleifscheiben stets gemäß den Angaben des Herstellers verwenden und aufbewahren.

Beim Schleifen von Metallen entsteht Funkenflug. Darauf achten, dass keine Personen gefährdet werden. Wegen der Brandgefahr dürfen sich keine brennbaren Materialien in der Nähe (Funkenflugbereich) befinden. Keine Staubabsaugung verwenden. Gerät immer so halten, dass Funken oder Schleifstaub vom Körper wegfiegen.

Zum Trennen von Stein ist der Führungsschlitten Vorschrift.

Die Flanscmutter muss vor Inbetriebnahme der Maschine angezogen sein.

Das zu bearbeitende Werkstück muss festgespannt werden, sofern es nicht durch sein Eigengewicht hält. Niemals Werkstück mit der Hand gegen die Scheibe führen.

Bei extremen Einsatzbedingungen (z. B. beim Glattschleifen von Metallen mit dem Stützteller und Vulkanfieber-Schleifscheiben) kann sich eine starke Verschmutzung im Inneren des Winkelschleifers aufbauen. Bei solchen Einsatzbedingungen ist aus Sicherheitsgründen eine gründliche Reinigung im Inneren von Metallablagerungen und zwingend das Vorschalten eines Fehlerstrom- (FI) Schutzschalters erforderlich. Nach Ansprechen des FI-Schutzschalters muss die Maschine zur Reparatur eingesandt werden.

Vergewissern Sie sich bei Schleifwerkzeugen mit Gewindeeinsatz, dass das Gewinde lang genug ist, um die Spindellänge aufzunehmen.

Für Trennarbeiten geschlossene Schutzhaube aus dem Zubehörprogramm verwenden.

### BESTIMMUNGSGEMÄSSE VERWENDUNG

Der Winkelschleifer ist einsetzbar zum Schleifen, Trennschleifen, Sandpapierschleifen und Drahtbürsten von vielen Materialien, wie z. B. Metall oder Stein. Beachten Sie im Zweifelsfall die Hinweise der Zubehörhersteller.

Dieses Gerät darf nur wie angegeben bestimmungsgemäß verwendet werden.

### NETZANSCHLUSS



Nur an Einphasen-Wechselstrom und nur an die auf dem Leistungsschild angegebene Netzspannung anschließen. Anschluss ist auch an Steckdosen ohne Schutzkontakt möglich, da ein Aufbau der Schutzklasse II vorliegt.

### CE-KONFORMITÄTSERKLÄRUNG

Wir erklären in alleiniger Verantwortung, dass dieses Produkt mit den folgenden Normen oder normativen Dokumenten übereinstimmt. EN 60745, EN 55014-1, EN 55014-2, EN 61000-3-2, EN 61000-3-3, gemäß den Bestimmungen der Richtlinien 2006/42/EG, 2004/108/EG.



Winnenden, 2010-11-17

Rainer Kumpf  
Manager Product Development  
Bevollmächtigt die technischen Unterlagen  
zusammenzustellen.

### WARTUNG

Stets die Lüftungsschlitze der Maschine sauber halten.

Wegen Kurzschlussgefahr dürfen Metallteile nicht in die Lüftungsschlitze gelangen.

Nur AEG Zubehör und Ersatzteile verwenden. Bauteile, deren Austausch nicht beschrieben wurde, bei einer AEG Kundendienststelle auswechseln lassen (Broschüre Garantie/Kundendienstadressen beachten).

Bei Bedarf kann eine Explosionszeichnung des Gerätes unter Angabe der Maschinen Type und der zehnstelligen Nummer auf dem Leistungsschild bei Ihrer Kundendienststelle oder direkt bei AEG Elektrowerzeuge, Max-Eyth-Straße 10, D-71364 Winnenden, Germany angefordert werden.

### SYMBOLE



Bitte lesen Sie die Gebrauchsanweisung vor Inbetriebnahme sorgfältig durch.



ACHTUNG! WARNUNG! GEFAHR!



Beim Arbeiten mit der Maschine stets Schutzbrille tragen.



Vor allen Arbeiten an der Maschine Stecker aus der Steckdose ziehen.



Zubehör - Im Lieferumfang nicht enthalten, empfohlene Ergänzung aus dem Zubehörprogramm.



Werfen Sie Elektrowerzeuge nicht in den Hausmüll! Gemäss Europäischer Richtlinie 2002/96/EG über Elektro- und Elektronik- Altgeräte und Umsetzung in nationales Recht müssen verbrauchte Elektrowerzeuge getrennt gesammelt und einer umweltgerechten Wiederverwertung zugeführt werden.

	WS 9-100	WS9-115	WS9-125
Puissance nominale de réception.....	900 W	900 W	900 W
Vitesse de rotation nominale.....	11000 min <sup>-1</sup>	11000 min <sup>-1</sup>	11000 min <sup>-1</sup>
Diamètre de meule.....	100 mm	115 mm	125 mm
Filetage de l'arbre.....	M 10	M 14	M 14
Poids suivant EPTA-Procédure 01/2003.....	2,0 kg	2,0 kg	2,0 kg

**Informations sur le bruit et les vibrations**

Valeurs de mesure obtenues conformément à la EN 60 745.

Les mesures réelles (des niveaux acoustiques de l'appareil sont :

Niveau de pression acoustique (K=3 dB(A)).....	90,5 dB (A)	90,5 dB (A)	90,5 dB (A)
Niveau d'intensité acoustique(K=3 dB(A)).....	101,5 dB (A)	101,5 dB (A)	101,5 dB (A)

**Toujours porter une protection acoustique!**

Valeurs totales des vibrations (somme vectorielle de trois sens) établies conformément à EN 60745.

Tronçonnage à la meule et de dégrossissage: valeur d'émission d'oscillations a <sub>h</sub> .....	5,8 m/s <sup>2</sup>	5,8 m/s <sup>2</sup>	5,8 m/s <sup>2</sup>
Incertitude K.....	1,5 m/s <sup>2</sup>	1,5 m/s <sup>2</sup>	1,5 m/s <sup>2</sup>
Rectification avec disque de rectification en matière plastique:			
valeur d'émission d'oscillations a <sub>h</sub> .....	1,9 m/s <sup>2</sup>	1,9 m/s <sup>2</sup>	1,9 m/s <sup>2</sup>
Incertitude K.....	1,5 m/s <sup>2</sup>	1,5 m/s <sup>2</sup>	1,5 m/s <sup>2</sup>

	WS 11-115	WS 11-125
Puissance nominale de réception.....	1100 W	1100 W
Vitesse de rotation nominale.....	11000 min <sup>-1</sup>	11000 min <sup>-1</sup>
Diamètre de meule.....	115 mm	125 mm
Filetage de l'arbre.....	M 14	M 14
Poids suivant EPTA-Procédure 01/2003.....	2,3 kg	2,3 kg

**Informations sur le bruit et les vibrations**

Valeurs de mesure obtenues conformément à la EN 60 745.

Les mesures réelles (des niveaux acoustiques de l'appareil sont :

Niveau de pression acoustique (K=3 dB(A)).....	90,5 dB (A)	90,5 dB (A)
Niveau d'intensité acoustique(K=3 dB(A)).....	101,5 dB (A)	101,5 dB (A)

**Toujours porter une protection acoustique!**

Valeurs totales des vibrations (somme vectorielle de trois sens) établies conformément à EN 60745.

Tronçonnage à la meule et de dégrossissage: valeur d'émission d'oscillations a <sub>h</sub> .....	5,8 m/s <sup>2</sup>	5,8 m/s <sup>2</sup>
Incertitude K.....	1,5 m/s <sup>2</sup>	1,5 m/s <sup>2</sup>
Rectification avec disque de rectification en matière plastique: valeur d'émission d'oscillations a <sub>h</sub> .....	1,9 m/s <sup>2</sup>	1,9 m/s <sup>2</sup>
Incertitude K.....	1,5 m/s <sup>2</sup>	1,5 m/s <sup>2</sup>

Des valeurs de vibration différentes peuvent se présenter pendant d'autres applications, comme par exemple le tronçonnage ou le polissage avec la brosse à fils métalliques !

**AVERTISSEMENT**

Le niveau vibratoire indiqué dans ces instructions a été mesuré selon un procédé de mesure normalisé dans la norme EN 60745 et peut être utilisé pour comparer des outils électriques entre eux. Il convient aussi à une estimation provisoire de la sollicitation par les vibrations.

Le niveau vibratoire indiqué représente les applications principales de l'outil électrique. Toutefois, si l'outil électrique est utilisé pour d'autres applications, avec des outils rapportés qui diffèrent ou une maintenance insuffisante, il se peut que le niveau vibratoire diverge. Cela peut augmenter nettement la sollicitation par les vibrations sur tout l'intervalle de temps du travail.

Pour une estimation précise de la sollicitation par les vibrations, on devrait également tenir compte des temps pendant lesquels l'appareil n'est pas en marche ou tourne sans être réellement en service. Cela peut réduire nettement la sollicitation par les vibrations sur tout l'intervalle de temps du travail.

Définissez des mesures de sécurité supplémentaires pour protéger l'utilisateur contre l'influence des vibrations, comme par exemple : la maintenance de l'outil électrique et des outils rapportés, le maintien au chaud des mains, l'organisation des déroulements de travail.





## AVERTISSEMENT!

Lisez toutes les consignes de sécurité et les instructions, même celles qui se trouvent dans la brochure ci-jointe. Le non-respect des avertissements et instructions indiqués ci après peut entraîner un choc électrique, un incendie et/ou de graves blessures sur les personnes.

**Bien garder tous les avertissements et instructions.**

### INSTRUCTIONS DE SÉCURITÉ PARTICULIÈRES

**Avertissements communs pour le meulage, le ponçage au papier de verre, les travaux avec brosses métalliques, le polissage et le tronçonnage :**

**a) Cet outil électrique doit être utilisé comme meuleuse, brosse en métal et tronçonneuse. Veuillez observer toutes les consignes de sécurité, instructions, représentations et données que vous recevez avec l'outil électrique.** Le fait de ne pas respecter les instructions ci-après peut occasionner une décharge électrique, un incendie et/ou de graves blessures.

**b) Cet outil électrique ne convient pas la toile émeri et au polissage.** Les cas d'utilisation pour lesquels l'outil électrique n'est pas prévu peuvent présenter des mises en danger et être à l'origine de blessures.

**c) Ne pas utiliser d'accessoires non conçus spécifiquement et recommandés par le fabricant d'outils.** Le simple fait que l'accessoire puisse être fixé à votre outil électrique ne garantit pas un fonctionnement en toute sécurité.

**d) La vitesse assignée de l'accessoire doit être au moins égale à la vitesse maximale indiquée sur l'outil électrique.** Les accessoires fonctionnant plus vite que leur vitesse assignée peuvent se rompre et voler en éclat.

**e) Le diamètre extérieur et l'épaisseur de votre accessoire doivent se situer dans le cadre des caractéristiques de capacité de votre outil électrique.** Les accessoires dimensionnés de façon incorrecte ne peuvent pas être protégés ou commandés de manière appropriée.

**f) La taille de mandrin des meules, flasques, patins d'appui ou tout autre accessoire doit s'adapter correctement à l'arbre de l'outil électrique.** Les accessoires avec alésages centraux ne correspondant pas aux éléments de montage de l'outil électrique seront en déséquilibre, vibreront excessivement, et pourront provoquer une perte de contrôle.

**g) Ne pas utiliser d'accessoire endommagé. Avant chaque utilisation examiner les accessoires comme les meules abrasives pour détecter la présence éventuelle de copeaux et fissures, les patins d'appui pour détecter des traces éventuelles de fissures, de déchirure ou d'usure excessive, ainsi que les brosses métalliques pour détecter des fils desserrés ou fissurés. Si l'outil électrique ou l'accessoire a subi une chute, examiner les dommages éventuels ou installer un accessoire non endommagé. Après examen et installation d'un accessoire, placez-vous ainsi que les personnes présentes à distance du plan de l'accessoire rotatif et faire marcher l'outil électrique à vitesse maximale à vide pendant 1 min.** Les accessoires endommagés seront normalement détruits pendant cette période d'essai.

**h) Porter un équipement de protection individuelle. En fonction de l'application, utiliser un écran facial, des lunettes de sécurité ou des verres de sécurité. Le cas échéant, utiliser**

**un masque antipoussières, des protections auditives, des gants et un tablier capables d'arrêter les petits fragments abrasifs ou des pièces à usiner.** La protection oculaire doit être capable d'arrêter les débris volants produits par les diverses opérations. Le masque antipoussières ou le respirateur doit être capable de filtrer les particules produites par vos travaux. L'exposition prolongée aux bruits de forte intensité peut provoquer une perte de l'audition.

**i) Maintenir les personnes présentes à une distance de sécurité par rapport à la zone de travail. Toute personne entrant dans la zone de travail doit porter un équipement de protection individuelle.** Des fragments de pièce à usiner ou d'un accessoire cassé peuvent être projetés et provoquer des blessures en dehors de la zone immédiate d'opération.

**j) Maintenez l'appareil par les surfaces de poignée isolées lorsque vous exécutez des travaux pendant lesquels l'outil de coupe peut toucher des lignes électriques dissimulées ou le propre câble.** Le contact de l'outil de coupe avec un câble qui conduit la tension peut mettre les pièces métalliques de l'appareil sous tension et mener à une décharge électrique.

**k) Placer le câble éloigné de l'accessoire de rotation.** Si vous perdez le contrôle, le câble peut être coupé ou subir un accroç et votre main ou votre bras peut être tiré dans l'accessoire de rotation.

**l) Ne jamais reposer l'outil électrique avant que l'accessoire n'ait atteint un arrêt complet.** L'accessoire de rotation peut agripper la surface et arracher l'outil électrique hors de votre contrôle.

**m) Ne pas faire fonctionner l'outil électrique en le portant sur le côté.** Un contact accidentel avec l'accessoire de rotation pourrait accrocher vos vêtements et attirer l'accessoire sur vous.

**n) Nettoyer régulièrement les fentes de ventilation de l'outil électrique.** La soufflante du moteur attire la poussière dans le carter et un dépôt important de poussière métallique peut occasionner des risques de nature électrique.

**o) Ne pas utiliser l'outil électrique à proximité de matériaux inflammables.** Des étincelles sont susceptibles d'enflammer ces matériaux.

**p) Ne pas utiliser d'outils rapportés qui nécessitent des agents réfrigérants liquides.** L'utilisation d'eau ou d'autres agents réfrigérants liquides risque de provoquer une électrocution.

### Contrecoup et consignes de sécurité correspondantes

Le contrecoup est une réaction soudaine qui fait suite à l'accrochage ou au blocage d'un outil rapporté tel qu'une meule de tronçonnage, une meule de douçage, une brosse métallique, etc. L'accrochage ou le blocage entraînent un arrêt abrupt de l'outil rapporté en rotation. De ce fait, l'outil électrique est projeté dans la direction opposée à la rotation de l'outil rapporté au point de blocage.

Par exemple, si une meule abrasive est accrochée ou pincée par la pièce à usiner, le bord de la meule qui entre dans le point de pincement peut creuser la surface du matériau, provoquant des sauts ou l'expulsion de la meule. La meule peut sauter en direction de l'opérateur ou encore en s'en éloignant, selon le sens du mouvement de la meule au point de pincement. Les meules abrasives peuvent également se rompre dans ces conditions.

Un contrecoup est la suite d'une mauvaise utilisation ou une utilisation incorrecte de la scie. Il peut être évité en prenant les mesures de précaution comme elles sont décrites ci-dessous.



**a) Maintenez fermement l'outil électrique et placez votre corps et vos bras dans une position dans laquelle vous êtes en mesure d'absorber les forces de contrecoup. Utilisez systématiquement la poignée supplémentaire, s'il y en a une, pour contrôler au maximum les forces de contrecoup ou le couple de réaction au démarrage.** Les forces de contrecoup ou le couple de réaction peuvent être amortis par l'opérateur si les précautions adéquates sont observées.

**b) Ne placez jamais votre main à proximité de l'outil rapporté en rotation.** Lors d'un contrecoup, l'outil rapporté risque de rebondir sur votre main.

**c) Ne restez pas dans la zone de contrecoup possible de l'outil électrique.** Le contrecoup entraîne l'outil électrique dans la direction opposée au mouvement de la meule au point de blocage.

**d) Soyez extrêmement vigilant lors du travail des coins, arêtes coupantes, etc. Évitez que l'outil rapporté rebondisse contre la pièce à usiner et qu'il se coince.** L'accessoire en rotation a tendance à accrocher au niveau des coins, des arêtes coupantes ou lorsqu'il rebondit. Ceci provoque une perte de contrôle ou un contrecoup.

**e) Ne pas utiliser de lame de scie à chaîne ou dentées.** De tels ustensiles occasionnent fréquemment un contrecoup ou la perte du contrôle sur l'outil électrique.

#### Mises en garde de sécurité spécifiques aux opérations de meulage et de tronçonnage abrasif :

**a) Le protecteur doit être solidement fixé à l'outil électrique et placé en vue d'une sécurité maximale, de sorte que l'opérateur soit exposé le moins possible à la meule.** Le protecteur permet de protéger l'opérateur des fragments de meule cassée et d'un contact accidentel avec la meule.

**b) Toujours utiliser le capot de protection. Le capot de protection doit être monté sûrement sur l'outil électrique et être ajusté de manière à procurer un maximum de sécurité, c'est-à-dire le plus petit composant possible du disque de tronçonnage montre vers l'utilisateur.** Le capot de protection doit protéger l'utilisateur contre les éclats et le contact par inadvertance avec la meule.

**c) Les meules doivent être utilisées uniquement pour les applications recommandées.** Par exemple : ne pas meuler avec le côté de la meule à tronçonner. Les meules à tronçonner abrasives sont destinées au meulage périphérique, l'application de forces latérales à ces meules peut les briser en éclats.

**d) Toujours utiliser des flasques de meule non endommagés qui sont de taille et de forme correctes pour la meule que vous avez choisie.** Des flasques de meule appropriés supportent la meule réduisant ainsi la possibilité de rupture de la meule. Les flasques pour les meules à tronçonner peuvent être différents des autres flasques de meule.

**e) Ne pas utiliser de meules usées d'outils électriques plus grands.** La meule destinée à un outil électrique plus grand n'est pas appropriée pour la vitesse plus élevée d'un outil plus petit et elle peut éclater.

#### Mises en garde de sécurité additionnelles spécifiques aux opérations de tronçonnage abrasif

**a) Évitez de coincer le disque à tronçonner ou d'appliquer une pression excessive. N'essayez pas de réaliser des coupes trop profondes.** Une surcharge du disque à tronçonner en augmente la sollicitation et donc les risques de torsion ou de blocage, ce qui entraînerait un contrecoup ou la destruction de la meule.

**b) Ne pas vous placer dans l'alignement de la meule en rotation ni derrière celle-ci.** Lorsque la meule, au point de fonctionnement, s'éloigne de votre corps, le rebond éventuel peut propulser la meule en rotation et l'outil électrique directement sur vous.

**c) Lorsque la meule se bloque ou que vous interrompez votre travail, éteignez l'appareil puis immobilisez-le jusqu'à ce que la meule soit entièrement à l'arrêt. Ne tentez jamais de sortir du matériau la meule de tronçonnage encore en rotation, ce qui serait susceptible de provoquer un contrecoup.** Recherchez la cause du blocage et prenez les mesures nécessaires pour y remédier.

**d) Ne pas enclencher à nouveau l'outil électrique tant qu'il se trouve dans la pièce à usiner. Permettre tout d'abord au disque de tronçonnage d'atteindre sa vitesse de rotation maximale avant de continuer la coupe avec précaution.** Dans le cas contraire, il se peut que le disque se coince, saute en dehors de la pièce à usiner ou occasionne un contrecoup.

**e) Utilisez des supports pour les panneaux ou toute pièce à usiner de grandes dimensions, afin de réduire le risque de contrecoup dû à un blocage de la meule de tronçonnage.**

Les pièces de grandes dimensions ont tendance à s'arquer sous leur propre poids. La pièce à usiner doit être soutenue sur les deux côtés, et ce aussi bien près de la ligne de coupe que près du bord de la pièce.

**f) Redoublez de prudence lorsque vous effectuez une „coupe traversante“ dans des murs existants ou autres parois aveugles.** La meule de tronçonnage est susceptible de sectionner des canalisations de gaz ou d'eau, des câbles électriques ou des objets pouvant causer un contrecoup.

#### Mises en garde de sécurité spécifiques aux opérations de ponçage

**a) Ne pas utiliser de papier abrasif trop surdimensionné pour les disques de ponçage.** Suivre les recommandations des fabricants, lors du choix du papier abrasif. Un papier abrasif plus grand s'étendant au-delà du patin de ponçage présente un danger de lacération et peut provoquer un accrochage, une déchirure du disque ou un rebond.

#### Mises en garde de sécurité spécifiques aux opérations de brossage métallique

**a) Garder à l'esprit que des brins métalliques sont rejetés par la brosse même au cours d'une opération ordinaire. Ne pas soumettre à une trop grande contrainte les fils métalliques en appliquant une charge excessive à la brosse.** Les brins métalliques peuvent aisément pénétrer dans des vêtements légers et/ou la peau.

**b) Si l'utilisation d'un protecteur est recommandée pour le brossage métallique, ne permettre aucune gêne du touret ou de la brosse métallique au protecteur.** Le touret ou la brosse métallique peut se dilater en diamètre en raison de la charge de travail et des forces centrifuges.



Les prises de courant se trouvant à l'extérieur doivent être équipées de disjoncteurs différentiel (FI, RCD, PRCD) conformément aux prescriptions de mise en place de votre installation électrique. Veuillez en tenir compte lors de l'utilisation de notre appareil. Ne jamais enlever les copeaux ni les éclats lorsque la machine est en marche. Ne raccorder la machine au réseau que si l'interrupteur est en position arrêt. Ne jamais intervenir dans la zone dangereuse lorsque la machine est en marche.

Utiliser toujours la poignée supplémentaire.

Arrêter la machine tout de suite lorsqu'il y a des vibrations importantes ou que d'autres défauts surgissent. Contrôler la machine afin d'en trouver les causes.

Toujours utiliser et conserver les meules conformément aux indications du fabricant.

L'usinage des métaux génère des étincelles. Veiller à ce que personne ne soit exposé à un danger. En raison du risque d'incendie, aucune matière inflammable ou combustible ne doit se trouver dans la zone de projection des étincelles. Ne pas utiliser d'aspirateur de poussières.

Toujours maintenir la machine de façon à ce que étincelles et poussières soient projetées dans la direction opposée au corps.

Le chariot de guidage est obligatoire pour des travaux de tronçonnage de la pierre.

L'écrou du flasque doit être serré avant de mettre en marche la machine.

La pièce à travailler doit être fortement serrée lorsque son propre poids ne suffit pas à la maintenir. Ne jamais guider la pièce à travailler à la main vers la meule.

Dans le cas de conditions d'utilisation extrêmes (par exemple, pendant le polissage à la meule des métaux avec le plateau d'appui et les disques de rectification aux fibres vulcanisées), un encrassement important peut se former à l'intérieur de la meuleuse d'angle. Dans de telles conditions d'utilisation, il est nécessaire pour des raisons de sécurité de procéder à un nettoyage minutieux à l'intérieur pour éliminer les dépôts métalliques et de monter absolument un interrupteur de protection contre les courants de court-circuit en amont. La machine doit nous être expédiée pour une réparation si cet interrupteur de protection se déclenche.

Sur les machines prévues pour les outils abrasifs à orifice fileté, vérifiez que la profondeur du filetage est suffisante pour la longueur de la broche.

Utiliser un capot de protection fermé contenu dans le programme d'accessoires pour les travaux de tronçonnage.

## UTILISATION CONFORME AUX PRESCRIPTIONS

La meuleuse d'angle peut être utilisée pour meuler, tronçonner, meuler à la toile émeri et pour le broissage métallique de nombreux matériaux, tels que par exemple le métal et la pierre. En cas de doute, il convient d'observer les remarques du fabricant.

Comme déjà indiqué, cette machine n'est conçue que pour être utilisée conformément aux prescriptions.

## BRANCHEMENT SECTEUR

Raccorder uniquement à un courant électrique monophasé et uniquement à la tension secteur indiquée sur la plaque signalétique. Le raccordement à des prises de courant sans contact de protection est également possible car la classe de protection II est donnée.

## DECLARATION CE DE CONFORMITE

Nous déclarons sous notre responsabilité que ce produit est en conformité avec les normes ou documents normalisés suivants EN 60745, EN 55014-1, EN 55014-2, EN 61000-3-2, EN 61000-3-3, conformément aux réglementations 2006/42/CE, 2004/108/CE



Winnenden, 2010-11-17

Rainer Kumpf  
Manager Product Development

Autorisé à compiler la documentation technique.

## ENTRETIEN

Tenir toujours propres les orifices de ventilation de la machine.

En raison de risques de court-circuit, veiller à ce qu'aucune pièce métallique ne pénètre dans les ouïes de ventilation.

N'utiliser que des pièces et accessoires AEG. Pour des pièces dont l'échange n'est pas décrit, s'adresser de préférence aux stations de service après-vente AEG (voir brochure Garantie/Adresses des stations de service après-vente).

Si besoin est, une vue éclatée de l'appareil peut être fournie.

S'adresser, en indiquant bien le numéro à dix chiffres porté sur la plaque signalétique, à votre station de service après-vente (voir liste jointe) ou directement à AEG Elektrowerkzeuge, Max-Eyth-Straße 10, D-71364 Winnenden, Germany.

## SYMBOLES



Veillez lire avec soin le mode d'emploi avant la mise en service



ATTENTION! AVERTISSEMENT! DANGER!



Toujours porter des lunettes protectrices en travaillant avec la machine.



Avant tous travaux sur la machine extraire la fiche de la prise de courant.



Accessoires - Ces pièces ne font pas partie de la livraison. Il s'agit là de compléments recommandés pour votre machine et énumérés dans le catalogue des accessoires.



Ne pas jeter les appareils électriques dans les ordures ménagères ! Conformément à la directive européenne 2002/96/EG relative aux déchets d'équipements électriques ou électroniques (DEE, et à sa transposition dans la législation nationale, les appareils électriques doivent être collectés à part et être soumis à un recyclage respectueux de l'environnement.

	WS 9-100	WS9-115	WS9-125
Potenza assorbita nominale .....	900 W	900 W	900 W
Numero giri nominale .....	11000 min <sup>-1</sup>	11000 min <sup>-1</sup>	11000 min <sup>-1</sup>
Ø disco abrasivo .....	100 mm	115 mm	125 mm
Passo attacco codolo .....	M 10	M 14	M 14
Peso secondo la procedura EPTA 01/2003 .....	2,0 kg	2,0 kg	2,0 kg

#### Informazioni sulla rumorosità/sulle vibrazioni

Valori misurati conformemente alla norma EN 60 745.

La misurazione A del livello di pressione acustica dell'utensile è di solito di:

Livello di rumorosità (K=3 dB(A)) .....	90,5 dB (A)	90,5 dB (A)	90,5 dB (A)
Potenza della rumorosità(K=3 dB(A)) .....	101,5 dB (A)	101,5 dB (A)	101,5 dB (A)

#### Utilizzare le protezioni per l'udito!

Valori totali delle oscillazioni (somma di vettori in tre direzioni) misurati conformemente alla norma EN 60745

Rettifica di asportazione e di sgrossatura: valore di emissione oscillazioni a <sub>h</sub> .....	5,8 m/s <sup>2</sup>	5,8 m/s <sup>2</sup>	5,8 m/s <sup>2</sup>
Incertezza della misura K .....	1,5 m/s <sup>2</sup>	1,5 m/s <sup>2</sup>	1,5 m/s <sup>2</sup>
Rettifica con disco smerigliatore di plastica: valore di emissione oscillazioni a <sub>h</sub> .....	1,9 m/s <sup>2</sup>	1,9 m/s <sup>2</sup>	1,9 m/s <sup>2</sup>
Incertezza della misura K .....	1,5 m/s <sup>2</sup>	1,5 m/s <sup>2</sup>	1,5 m/s <sup>2</sup>

	WS 11-115	WS 11-125
Potenza assorbita nominale .....	1100 W	1100 W
Numero giri nominale .....	11000 min <sup>-1</sup>	11000 min <sup>-1</sup>
Ø disco abrasivo .....	115 mm	125 mm
Passo attacco codolo .....	M 14	M 14
Peso secondo la procedura EPTA 01/2003 .....	2,3 kg	2,3 kg

#### Informazioni sulla rumorosità/sulle vibrazioni

Valori misurati conformemente alla norma EN 60 745.

La misurazione A del livello di pressione acustica dell'utensile è di solito di:

Livello di rumorosità (K=3 dB(A)) .....	90,5 dB (A)	90,5 dB (A)
Potenza della rumorosità(K=3 dB(A)) .....	101,5 dB (A)	101,5 dB (A)

#### Utilizzare le protezioni per l'udito!

Valori totali delle oscillazioni (somma di vettori in tre direzioni) misurati conformemente alla norma EN 60745

Rettifica di asportazione e di sgrossatura: valore di emissione oscillazioni a <sub>h</sub> .....	5,8 m/s <sup>2</sup>	5,8 m/s <sup>2</sup>
Incertezza della misura K .....	1,5 m/s <sup>2</sup>	1,5 m/s <sup>2</sup>
Rettifica con disco smerigliatore di plastica: valore di emissione oscillazioni a <sub>h</sub> .....	1,9 m/s <sup>2</sup>	1,9 m/s <sup>2</sup>
Incertezza della misura K .....	1,5 m/s <sup>2</sup>	1,5 m/s <sup>2</sup>

Per altre applicazioni, come ad esempio troncatura alla mola o la molatura con spazzola d'acciaio, possono essere prodotti altri livelli di vibrazione!

#### AVVERTENZA

Il livello di vibrazioni indicato nelle presenti istruzioni è stato misurato in conformità con un procedimento di misurazione codificato nella EN 60745 e può essere utilizzato per un confronto tra attrezzi elettrici. Inoltre si può anche utilizzare per una valutazione preliminare della sollecitazione da vibrazioni.

Il livello di vibrazioni indicato rappresenta le applicazioni principali dell'attrezzo elettrico. Se viceversa si utilizza l'attrezzo elettrico per altri scopi, con accessori differenti o con una manutenzione insufficiente, il livello di vibrazioni può risultare diverso. E questo può aumentare decisamente la sollecitazione da vibrazioni lungo l'intero periodo di lavorazione.

Ai fini di una valutazione precisa della sollecitazione da vibrazioni si dovrebbero tenere presente anche i periodi in cui l'apparecchio rimane spento oppure, anche se acceso, non viene effettivamente utilizzato. Ciò può ridurre notevolmente la sollecitazione da vibrazioni lungo l'intero periodo di lavorazione.

Stabilite misure di sicurezza supplementari per la tutela dell'operatore dall'effetto delle vibrazioni, come ad esempio: manutenzione dell'attrezzo elettrico e degli accessori, riscaldamento delle mani, organizzazione dei processi di lavoro.





## AVVERTENZA!

È necessario leggere tutte le indicazioni di sicurezza e le istruzioni, anche quelle contenute nella brochure allegata. In caso di mancato rispetto delle avvertenze di pericolo e delle istruzioni operative si potrà creare il pericolo di scosse elettriche, incendi e/o incidenti gravi.

**Conservare tutte le avvertenze di pericolo e le istruzioni operative per ogni esigenza futura.**

### NORME DI SICUREZZA

Istruzioni di sicurezza generali per lavori di levigatura, levigatura con carta vetrata, lavori con spazzole metalliche, lucidatura e troncatura:

**a) Questo attrezzo elettrico va utilizzato come rettificatrice, spazzola metallica e apparecchio troncatore. Rispettate tutte le avvertenze sulla sicurezza, le istruzioni, immagini e tutti i dati che vi vengono forniti con l'attrezzo elettrico.** Se non si rispettano le istruzioni riportate qui di seguito si potrebbero verificare scosse elettriche, incendio e/o gravi lesioni.

**b) Questo attrezzo elettrico non è idoneo per la lucidatura.** Qualsiasi utilizzo non previsto con il presente attrezzo elettrico può causare pericolo e lesioni.

**c) Non utilizzare nessun accessorio che la casa costruttrice non abbia esplicitamente previsto e raccomandato per questo elettroutensile.** Il semplice fatto che un accessorio possa essere fissato al Vostro elettroutensile non è una garanzia per un impiego sicuro.

**d) Il numero di giri ammesso dell'accessorio impiegato deve essere almeno tanto alto quanto il numero massimo di giri riportato sull'elettroutensile.** Un accessorio che gira più rapidamente di quanto consentito può rompersi in vari pezzi e venir lanciato intorno.

**e) Il diametro esterno e lo spessore dell'accessorio montato devono corrispondere ai dati delle dimensioni dell'elettroutensile in dotazione.** In caso di utilizzo di portautensili e di accessori di dimensioni sbagliate non sarà possibile schermanli oppure controllarli a sufficienza.

**f) Dischi abrasivi, flange, platorelli oppure altri portautensili ed accessori devono adattarsi perfettamente al mandrino portamolà dell'elettroutensile in dotazione.** Portautensili ed accessori che non si adattino perfettamente al mandrino portamolà dell'elettroutensile non ruotano in modo uniforme, vibrano molto forte e possono provocare la perdita del controllo.

**g) Non utilizzare mai portautensili od accessori danneggiati.** Prima di ogni utilizzo controllare i portautensili e gli accessori ed accertarsi che sui dischi abrasivi non vi siano scheggiature o crepature, che il platorello non sia soggetto ad incrinature, crepature o forte usura e che le spazzole metalliche non abbiano fili metallici allentati oppure rotti. Se l'elettroutensile oppure l'accessorio impiegato dovesse sfuggire dalla mano e cadere, accertarsi che questo non abbia subito nessun danno oppure utilizzare un accessorio intatto. Una volta controllato e montato il portautensile o accessorio, far funzionare l'elettroutensile per la durata di un minuto con il numero massimo di giri avendo cura di tenersi lontani e di impedire anche ad altre persone presenti di avvicinarsi ai portautensili o accessorio in rotazione. Nella maggior parte dei casi i portautensili o accessori danneggiati si rompono nel corso di questo periodo di prova.

**h) Indossare abbigliamento di protezione. A seconda dell'applicazione in corso utilizzare una visiera completa,**

**maschera di protezione per gli occhi oppure occhiali di sicurezza. Per quanto necessario, portare maschere per polveri, protezione acustica, guanti di protezione oppure un grembiule speciale in grado di proteggervi da piccole particelle di levigatura o di materiale.** Gli occhi dovrebbero essere protetti da corpi estranei espulsi in aria nel corso di diverse applicazioni. La maschera antipolvere e la maschera respiratoria devono essere in grado di filtrare la polvere provocata durante l'applicazione. Esponendosi per lungo tempo ad un rumore troppo forte vi è il pericolo di perdere l'udito.

**i) Avere cura di evitare che altre persone possano avvicinarsi alla zona in cui si sta lavorando. Ogni persona che entra nella zona di operazione deve indossare un abbigliamento protettivo personale.** Frammenti del pezzo in lavorazione oppure utensili rotti possono volar via oppure provocare incidenti anche al di fuori della zona diretta di lavoro.

**j) Impugnare l'apparecchio sulle superfici di tenuta isolate mentre si eseguono lavori durante i quali l'utensile da taglio potrebbe entrare in contatto con cavi di corrente o con il proprio cavo d'alimentazione.** L'eventuale contatto dell'utensile da taglio con un cavo sotto tensione potrebbe mettere sotto tensione le parti metalliche dell'apparecchio e provocare una folgorazione.

**k) Tenere il cavo di collegamento elettrico sempre lontano da portautensili o accessori in rotazione.** Se si perde il controllo sull'elettroutensile vi è il pericolo di troncare o di colpire il cavo di collegamento elettrico e la Vostra mano o braccio può arrivare a toccare il portautensile o accessorio in rotazione.

**l) Mai poggiare l'elettroutensile prima che il portautensile o l'accessorio impiegato non si sia fermato completamente.** L'utensile in rotazione può entrare in contatto con la superficie di appoggio facendovi perdere il controllo sulla macchina pneumatica.

**m) Mai trasportare l'elettroutensile mentre questo dovesse essere ancora in funzione.** Attraverso un contatto casuale l'utensile in rotazione potrebbe fare presa sugli indumenti oppure sui capelli dell'operatore e potrebbe arrivare a ferire seriamente il corpo dell'operatore.

**n) Pulite periodicamente le fessure di ventilazione del vostro attrezzo elettrico.** Il soffiante del motore attira polvere nell'alloggiamento, e il forte accumulo di polveri metalliche può causare pericoli di natura elettrica.

**o) Mai utilizzare l'utensile elettrico nelle vicinanze di materiali infiammabili, in quanto scintille potrebbero incendiare il materiale.**

**p) Non utilizzare mai utensili elettrici che richiedono refrigeranti liquidi.** L'uso di acqua od altri refrigeranti liquidi possono causare scosse elettriche.

### Contraccolpo e avvertenze sulla sicurezza in merito

Il contraccolpo è la reazione improvvisa in seguito ad un utensile agganciato, bloccato o rotante, come il disco per la mola, il piatto per la molla, la spazzola metallica ecc. L'agganciamento oppure il bloccaggio comporta lo stop improvviso dell'utensile rotante, accelerando in questo modo un utensile elettrico non controllato, contro la direzione della rotazione dell'inserto, al punto del bloccaggio.

Se p. es. un disco abrasivo resta agganciato o bloccato nel pezzo in lavorazione, il bordo del disco abrasivo che si abbassa nel pezzo in lavorazione può rimanere impigliato provocando in questo modo una rottura oppure un contraccolpo del disco abrasivo. Il disco abrasivo si avvicina o si allontana dall'operatore a seconda della direzione di rotazione che ha nel momento in cui si blocca. In tali situazioni è possibile che le mole abrasive possano anche rompersi.

Un contraccolpo è la conseguenza di un utilizzo non appropriato oppure non corretto della sega. Esso può essere evitato soltanto prendendo misure adatte di sicurezza come dalla descrizione che segue.

**a) Tenere saldamente l'utensile elettrico e portare il corpo ed il braccio in una posizione adatta per trattenere le forze del contraccolpo. A tale scopo utilizzare sempre – se presente - la maniglia aggiuntiva, in modo da avere il miglior controllo possibile sulle forze del contraccolpo e sulla coppia di reazione al momento del runup.** In questo modo, con i provvedimenti adeguati l'operatore può dominare le forze del contraccolpo e quelle di reazione.

**b) Non portare mai la mano nelle vicinanze degli utensili rotanti.** Nel contraccolpo l'utensile può saltare sulla la mano.

**c) Evitare di spostare il corpo nella zona, nella quale l'utensile si muove durante il contraccolpo.** Il contraccolpo spinge l'utensile elettrico della direzione opposta al movimento della mola, al punto del bloccaggio.

**d) Lavorare con particolare attenzione nella zona degli angoli, di spigoli taglienti ecc. Evitare che gli utensili elettrici possano rimbalzare oppure incastrarsi.** In caso di angoli, spigoli taglienti oppure di rimbalzo, l'utensile rotante tende ad incastrarsi, causando la perdita del controllo dell'apparecchio oppure un contraccolpo.

**e) Non utilizzate lame a catena o dentate.** Simili accessori provocano spesso un contraccolpo oppure la perdita del controllo sull'attrezzo elettrico.

#### **Particolari avvertenze di pericolo per operazioni di levigatura e di troncatura**

**a) Utilizzare esclusivamente utensili abrasivi che siano esplicitamente ammessi per l'elettrotensile in dotazione e sempre in combinazione con la cuffia di protezione prevista per ogni utensile abrasivo.** Utensili abrasivi che non sono previsti per l'elettrotensile non possono essere sufficientemente schermati e sono insicuri.

**b) Utilizzate sempre la cappa di protezione. La cappa di protezione deve essere applicata saldamente all'attrezzo elettrico e deve essere regolata in modo tale che sia garantito il massimo della sicurezza, vale a dire che una parte minima del disco troncante sia apertamente rivolta verso l'operatore.** La cappa di protezione deve proteggere l'operatore da frammenti e contatto involontario con l'abrasivo.

**c) Utensili abrasivi possono essere utilizzati esclusivamente per le possibilità applicative esplicitamente raccomandate.** P. es.: Mai eseguire lavori di levigatura con la superficie laterale di un disco abrasivo da taglio diritto. Mole abrasive da taglio diritto sono previste per l'asportazione di materiale con il bordo del disco. Esercitando dei carichi laterali su questi utensili abrasivi vi è il pericolo di romperli.

**d) Per la mola abrasiva selezionata, utilizzare sempre flange di serraggio che siano in perfetto stato e che siano della corretta dimensione e forma.** Flange adatte hanno una funzione di corretto supporto della mola abrasiva riducendo il più possibile il pericolo di una rottura della mola abrasiva. È possibile che vi sia una differenza tra flange per mole abrasive da taglio diritto e flange per mole abrasive di altro tipo.

**e) Non utilizzare mai mole abrasive usurate previste per elettrotensili più grandi.** Mole abrasive previste per elettrotensili più grandi non sono concepite per le maggiori velocità di elettrotensili più piccoli e possono rompersi.

#### **Ulteriori avvertenze di pericolo specifiche per lavori di troncatura**

**a) Evitare il blocco del disco troncante come pure una pressione troppo elevata. Non eseguire tagli troppo profondi.** Un sovraccarico del disco troncante aumenta lo sforzo dello stesso ed il pericolo che possa colpire gli angoli oppure bloccarsi, aumentando in questo modo anche la possibilità di un contraccolpo oppure di una rottura del corpo abrasivo.

**b) Evitare di avvicinarsi alla zona anteriore o posteriore al disco abrasivo da taglio in rotazione.** Quando l'operatore manovra la mola da taglio diritto nel pezzo in lavorazione in direzione opposta a quella della propria persona, può capitare che in caso di un contraccolpo il disco in rotazione faccia rimbalzare con violenza l'elettrotensile verso l'operatore.

**c) Se il disco troncante si incastra oppure in caso di un'interruzione della lavorazione, spegnere la macchina e tenerla ferma, fino a quando non si è fermato completamente il disco. Non tentare mai di estrarre il disco ancora in movimento dai tagli, altrimenti si può verificare un contraccolpo.** Individuare ed eliminare la causa del blocco.

**d) Non riaccendete l'attrezzo elettrico finché si trova inserito nel pezzo da lavorare. Aspettate che il disco troncante raggiunga la piena velocità prima di continuare il taglio con delicatezza.** In caso contrario il disco potrebbe incagliarsi, saltare fuori dall'attrezzo o provocare un contraccolpo.

**e) Grandi pannelli oppure pezzi da lavorare devono essere supportati, onde evitare il rischio del contraccolpo a causa di un disco troncante incastrato.** I grandi pezzi possono piegarsi sotto il proprio peso. Il pezzo da lavorare deve essere supportato da entrambe le parte, sia nelle vicinanze del taglio sia sullo spigolo.

**f) Procedere con cautela particolare per i tagli a tasca, in pareti erette oppure altre zone non visibili.** Il disco troncante che entra nel pezzo potrebbe causare contraccolpi quando incontra tubazioni di gas od acqua, fili elettrici oppure altri oggetti.

#### **Avvertenze di pericolo specifiche per lavori di levigatura con carta vetro**

**a) Non utilizzare mai fogli abrasivi troppo grandi ma attenersi alle indicazioni del rispettivo produttore relative alle dimensioni dei fogli abrasivi.** Fogli abrasivi che dovessero sporgere oltre il platorello possono provocare incidenti oppure blocchi, strappi dei fogli abrasivi oppure contraccolpi.

#### **Avvertenze di pericolo specifiche per lavori con spazzole metalliche**

**a) Tenere presente che la spazzola metallica perde pezzi di fil di ferro anche durante il comune impiego. Non sottoporre i fili metallici a carico troppo elevato esercitando una pressione troppo alta.** Pezzi di fil di ferro espulsi in aria possono penetrare molto facilmente attraverso indumenti sottili e/o la pelle.

**b) Impiegando una cuffia di protezione si impedisce che la cuffia di protezione e la spazzola metallica possano toccarsi.** I diametri delle spazzole a disco e delle spazzola a tazza possono essere aumentati attraverso forze di pressione e tramite l'azione di forze centrifugali.



Gli apparecchi mobili usati all'aperto devono essere collegati interponendo un interruttore di sicurezza (FI, RCD, PRCD) per guasti di corrente.

Non rimuovere trucioli o schegge mentre l'utensile è in funzione.

Inserire la spina solo con interruttore su posizione "OFF".

Non entrare nel raggio d'azione dell'utensile mentre è in funzione.

Utilizzare sempre l'impugnatura laterale.

Disinserire immediatamente la macchina in caso che si verificano delle forti oscillazioni oppure se si riscontrano altri difetti.

Controllare la macchina per cercare di identificarne le cause.

Utilizzare e conservare le mole abrasive conformemente alle indicazioni della casa costruttrice.

Smerigliando metalli si producono scintille. Attenzione a non mettere in pericolo l'incolumità di persone. Per via del pericolo di incendio, nessun tipo di materiale infiammabile può trovarsi nelle vicinanze (potenziale raggio delle scintille). Non utilizzare aspirapolveri.

Tenere sempre l'utensile in modo tale che le scintille e polveri di molatura volino lontano dal corpo.

La slitta di guida è prescritta per la taglio della pietra.

Il dado flangiato deve essere serrato prima dell'utilizzo della macchina.

Il pezzo in lavorazione deve essere ben bloccato in posizione a meno che non resti stabile per via del proprio peso. Mai applicare a mano sulla mola il pezzo in lavorazione.

In condizioni di utilizzo estreme (ad es. nella rettifica liscia di metalli con il piatto di appoggio e dischi smerigliatori in fibra vulcanizzata) si può accumulare molta sporcizia all'interno della smerigliatrice angolare. Con simili condizioni di utilizzo, per motivi di sicurezza, è necessaria una pulizia a fondo all'interno per eliminare i depositi di metallo ed è assolutamente indispensabile inserire un interruttore di sicurezza per corrente di guasto a monte. Quando scatta l'interruttore di sicurezza la macchina va spedita alla riparazione.

Per gli utensili previsti per il montaggio con mola con foro filettato, verificare che la filettatura della mola sia sufficientemente lunga da consentire l'inserimento del mandrino.


Per i lavori di separazione utilizzare la cappa di protezione chiusa dal programma accessori.

## UTILIZZO CONFORME

La smerigliatrice angolare può essere utilizzata per l'asportazione e la rettifica di sgrossatura di molti materiali, ad es. metallo o pietra, nonché per la rettifica con dischi smerigliatori di plastica e per lavorare con la spazzola di acciaio. In caso di dubbi vanno rispettate le indicazioni dei produttori degli accessori.

Utilizzare il prodotto solo per l'uso per cui è previsto.

## COLLEGAMENTO ALLA RETE

 Connettere solo corrente alternata mono fase e solo al sistema di voltaggio indicato sulla piastra. È possibile anche connettere la presa senza un contatto di messa a terra così come prevede lo schema conforme alle norme di sicurezza di classe II.

## DICHIARAZIONE DI CONFORMITÀ CE

Dichiariamo, assumendo la piena responsabilità di tale dichiarazione, che il prodotto è conforme alla seguenti normative e ai relativi documenti: EN 60745, EN 55014-1, EN 55014-2, EN 61000-3-2, EN 61000-3-3, in base alle prescrizioni delle direttive CE 2006/42, CE 2004/108



Winnenden, 2010-11-17

Rainer Kumpf  
Manager Product Development  
Autorizzato alla preparazione della  
documentazione tecnica

## MANUTENZIONE

Tener sempre ben pulite le fessure di ventilazione dell'apparecchio.

Non lasciare che nessuna parte metallica venga a contatto con l'apertura dell'areazione - pericolo di corto circuito

Utilizzare esclusivamente accessori e pezzi di ricambio AEG.

L'installazione di pezzi di ricambio non specificamente prescritti dall'AEG va preferibilmente effettuata dal servizio di assistenza clienti AEG (ved. opuscolo Garanzia/Indirizzi Assistenza tecnica).

In caso di mancanza del disegno esploso, può essere richiesto al seguente indirizzo: AEG Elektrowerkzeuge, Max-Eyth-Straße 10, D-71364 Winnenden, Germany.

## SIMBOLI



Leggere attentamente le istruzioni per l'uso prima di mettere in funzione l'elettrodomestico.



ATTENZIONE! AVVERTENZA! PERICOLO!



Durante l'uso dell'apparecchio utilizzare sempre gli occhiali di protezione.



Prima di effettuare qualsiasi lavoro sulla macchina togliere la spina dalla presa di corrente.



Accessorio - Non incluso nella dotazione standard, disponibile a parte come accessorio.



Non gettare le apparecchiature elettriche tra i rifiuti domestici. Secondo la Direttiva Europea 2002/96/CE sui rifiuti di apparecchiature elettriche ed elettroniche e la sua attuazione in conformità alle norme nazionali, le apparecchiature elettriche esauste devono essere accolte separatamente, al fine di essere reimpiagate in modo eco-compatibile.

	WS 9-100	WS9-115	WS9-125
Potencia de salida nominal .....	900 W	900 W	900 W
Revoluciones nominales .....	11000 min <sup>-1</sup>	11000 min <sup>-1</sup>	11000 min <sup>-1</sup>
Diám. disco de amolado .....	100 mm	115 mm	125 mm
Rosca de eje de trabajo .....	M 10	M 14	M 14
Peso de acuerdo con el procedimiento EPTA 01/2003 .....	2,0 kg	2,0 kg	2,0 kg

**Información sobre ruidos / vibraciones**

Determinación de los valores de medición según norma EN 60 745.

El nivel de ruido típico del aparato determinado con un filtro A corresponde a:

Presión acústica (K=3 dB(A)) .....	90,5 dB (A)	90,5 dB (A)	90,5 dB (A)
Resonancia acústica(K=3 dB(A)) .....	101,5 dB (A)	101,5 dB (A)	101,5 dB (A)

**Usar protectores auditivos!**

Nivel total de vibraciones (suma vectorial de tres direcciones) determinado según EN 60745.

Tronzado y rectificado de desbaste: valor emisiones de vibración a <sub>h</sub> .....	5,8 m/s <sup>2</sup>	5,8 m/s <sup>2</sup>	5,8 m/s <sup>2</sup>
Tolerancia K .....	1,5 m/s <sup>2</sup>	1,5 m/s <sup>2</sup>	1,5 m/s <sup>2</sup>
Rectificar con plato de rectificado de plástico: valor emisiones de vibración a <sub>h</sub> .....	1,9 m/s <sup>2</sup>	1,9 m/s <sup>2</sup>	1,9 m/s <sup>2</sup>
Tolerancia K .....	1,5 m/s <sup>2</sup>	1,5 m/s <sup>2</sup>	1,5 m/s <sup>2</sup>

	WS 11-115	WS 11-125
Potencia de salida nominal .....	1100 W	1100 W
Revoluciones nominales .....	11000 min <sup>-1</sup>	11000 min <sup>-1</sup>
Diám. disco de amolado .....	115 mm	125 mm
Rosca de eje de trabajo .....	M 14	M 14
Peso de acuerdo con el procedimiento EPTA 01/2003 .....	2,3 kg	2,3 kg

**Información sobre ruidos / vibraciones**

Determinación de los valores de medición según norma EN 60 745.

El nivel de ruido típico del aparato determinado con un filtro A corresponde a:

Presión acústica (K=3 dB(A)) .....	90,5 dB (A)	90,5 dB (A)
Resonancia acústica(K=3 dB(A)) .....	101,5 dB (A)	101,5 dB (A)

**Usar protectores auditivos!**

Nivel total de vibraciones (suma vectorial de tres direcciones) determinado según EN 60745.

Tronzado y rectificado de desbaste: valor emisiones de vibración a <sub>h</sub> .....	5,8 m/s <sup>2</sup>	5,8 m/s <sup>2</sup>
Tolerancia K .....	1,5 m/s <sup>2</sup>	1,5 m/s <sup>2</sup>
Rectificar con plato de rectificado de plástico: valor emisiones de vibración a <sub>h</sub> .....	1,9 m/s <sup>2</sup>	1,9 m/s <sup>2</sup>
Tolerancia K .....	1,5 m/s <sup>2</sup>	1,5 m/s <sup>2</sup>

En el caso de otras aplicaciones, como p. ej. el tronzamiento con la muela o el esmerilado con cepillo de alambre de acero pueden resultar otros valores de vibración.

**ADVERTENCIA**

El nivel vibratorio indicado en estas instrucciones ha sido medido conforme a un método de medición estandarizado en la norma EN 60745, y puede utilizarse para la comparación entre herramientas eléctricas. También es apropiado para una estimación provisional de la carga de vibración.

El nivel vibratorio indicado representa las aplicaciones principales de la herramienta eléctrica. Si, pese a ello, se utiliza la herramienta eléctrica para otras aplicaciones, con útiles adaptables diferentes o con un mantenimiento insuficiente, el nivel vibratorio puede diferir. Esto puede incrementar sensiblemente la carga de vibración durante todo el periodo de trabajo.

Para una estimación exacta de la carga de vibración deberían tenerse en cuenta también los tiempos durante los que el aparato está apagado o, pese a estar en funcionamiento, no está siendo realmente utilizado. Esto puede reducir sustancialmente la carga de vibración durante todo el periodo de trabajo.

Adopte medidas de seguridad adicionales para la protección del operador frente al efecto de las vibraciones, como por ejemplo: mantenimiento de la herramienta eléctrica y de los útiles adaptables, mantener las manos calientes, organización de los procesos de trabajo.



**⚠ ADVERTENCIA!** Rogamos leer las indicaciones de seguridad y las instrucciones, también las que contiene el folleto adjunto. En caso de no atenderse a las advertencias de peligro e instrucciones siguientes, ello puede ocasionar una descarga eléctrica, un incendio y/o lesión grave.

Guardar todas las advertencias de peligro e instrucciones para futuras consultas.

## INSTRUCCIONES DE SEGURIDAD

Advertencias de peligro generales al realizar trabajos de amolado, lijado, con cepillos de alambre, pulido y tronzado:

**a) Esta herramienta eléctrica se emplea como rectificadora, cepillo de alambre y tronzadora a muela. Observe cada una de las indicaciones de seguridad, instrucciones, descripciones y datos que vienen con la herramienta eléctrica.** Si no tiene en cuenta las siguientes instrucciones puede tener como consecuencia una descarga eléctrica, un incendio y/o graves heridas.

**b) Esta herramienta eléctrica no es adecuada para pulir.** El uso de la herramienta para un fin no previsto puede conllevar riesgos y causar heridas.

**c) No emplee accesorios diferentes de aquellos que el fabricante haya previsto o recomendado especialmente para esta herramienta eléctrica.** El mero hecho de que sea acoplable un accesorio a su herramienta eléctrica no implica que su utilización resulte segura.

**d) Las revoluciones admisibles del útil deberán ser como mínimo iguales a las revoluciones máximas indicadas en la herramienta eléctrica.** Aquellos accesorios que giren a unas revoluciones mayores a las admisibles pueden llegar a romperse y salir despedidos.

**e) El diámetro exterior y el grosor del útil deberán corresponder con las medidas indicadas para su herramienta eléctrica.** Los útiles de dimensiones incorrectas no pueden protegerse ni controlarse con suficiente seguridad.

**f) Los orificios de los discos amoladores, bridas, platos lijadores u otros útiles deberán alojar exactamente sobre el husillo de su herramienta eléctrica.** Los útiles que no ajusten correctamente sobre el husillo de la herramienta eléctrica, al girar descentrados, generan unas vibraciones excesivas y pueden hacerle perder el control sobre el aparato.

**g) No use útiles dañados. Antes de cada uso inspeccione el estado de los útiles con el fin de detectar, p. ej., si están desportillados o fisurados los útiles de amolar, si está agrietado o muy desgastado el plato lijador, o si las púas de los cepillos de alambre están flojas o rotas. Si se le cae la herramienta eléctrica o el útil, inspeccione si han sufrido algún daño o monte otro útil en correctas condiciones. Una vez controlado y montado el útil sitúese Vd. y las personas circundantes fuera del plano de rotación del útil y deje funcionar la herramienta eléctrica en vacío, a las revoluciones máximas, durante un minuto.** Por lo regular, aquellos útiles que estén dañados suelen romperse al realizar esta comprobación.

**h) Utilice un equipo de protección personal. Dependiendo del trabajo a realizar use una careta, una protección para los ojos, o unas gafas de protección.** Si procede, emplee una mascarilla antipolvo, protectores auditivos, guantes de protección o un mandil especial adecuado para protegerle de los pequeños fragmentos que pudieran salir proyectados al desprenderse del útil o pieza. Las gafas de protección deberán ser indicadas para protegerle de los fragmentos que pudieran salir despedidos al trabajar. La mascarilla antipolvo o respiratoria deberá ser apta para filtrar las partículas producidas al trabajar. La exposición prolongada al ruido puede provocar sordera.

**i) Cuide que las personas en las inmediaciones se mantengan a suficiente distancia de la zona de trabajo. Toda persona que acceda a la zona de trabajo deberá utilizar un equipo de protección personal.** Podrían ser lesionadas, incluso fuera del área de trabajo inmediato, al salir proyectados fragmentos de la pieza de trabajo o del útil.

**j) Sujete el aparato de las superficies aisladas de agarre al efectuar trabajos en los cuales la perforadora de percusión pueda entrar en contacto con conductores de corriente ocultos o con el propio cable.** El contacto de la perforadora de percusión con un conducto con energía aplicada también podrá poner bajo tensión partes metálicas del aparato y causar un choque eléctrico.

**k) Mantenga el cable de red alejado del útil en funcionamiento.** En caso de que Vd. pierda el control sobre la herramienta eléctrica puede llegar a cortarse o enredarse el cable de red con el útil y lesionarle su mano o brazo.

**l) Jamás deposite la herramienta eléctrica antes de que el útil se haya detenido por completo.** El útil en funcionamiento puede llegar a tocar la base de apoyo y hacerle perder el control sobre la herramienta eléctrica.

**m) No deje funcionar la herramienta eléctrica mientras la transporta.** El útil en funcionamiento podría lesionarle al engancharse accidentalmente con su vestimenta.

**n) Limpie periódicamente las ranuras de ventilación de su herramienta eléctrica.** El ventilador del motor introduce polvo en la carcasa, y una gran acumulación de polvo metálico puede causar peligros eléctricos.

**o) No use la herramienta eléctrica en las cercanías de materiales inflamables.** Las chipas pueden encender estos materiales.

**p) No use herramientas intercambiables que requieran de líquidos refrigerantes.** El uso de agua o de otros líquidos refrigerantes pueden llevar a una electrocución.

## Contragolpe y las correspondientes indicaciones de seguridad

El contragolpe es la reacción repentina de una herramienta intercambiable enganchada o bloqueada, tal como la muela abrasiva, el disco abrasivo, el cepillo de alambre, etc. El enganche o el bloqueo llevan a una detención abrupta de la pieza intercambiable que gira. Con ello se acelera una herramienta eléctrica no controlada contra la dirección de la herramienta intercambiable en el punto de bloqueo.

En el caso, p. ej., de que un disco amolador se atasque o bloquee en la pieza de trabajo, puede suceder que el canto del útil que penetra en el material se enganche, provocando la rotura del útil o el rechazo del aparato. Según el sentido de giro y la posición del útil en el momento de bloquearse puede que éste resulte despedido hacia, o en sentido opuesto al usuario. En estos casos puede suceder que el útil incluso llegue a romperse.

El rechazo se debe a la utilización inadecuada y/o procedimientos o condiciones de trabajo incorrectos y puede evitarse tomando las precauciones que se detallan a continuación.

**a) Sujete fuertemente la herramienta eléctrica y ponga su cuerpo y sus brazos en una posición que le permita resistir las fuerzas del contragolpe. Use siempre la empuñadura adicional, en caso de que exista, par tener el mejor control posible sobre las fuerzas de contragolpe o de los momentos de reacción al funcionar la máquina con la velocidad más alta.** El operario puede dominar las fuerzas de contragolpe y de reacción mediante las medidas de prevención apropiadas.

**b) No lleve jamás su mano cerca de la herramienta intercambiable al estar ésta girando.** La herramienta intercambiable puede desplazarse sobre su mano en el momento del contragolpe.

**c) Evite estar con su cuerpo en el campo en el que la herramienta eléctrica se mueva en un caso de contragolpe.** El contragolpe desplaza la herramienta eléctrica en sentido contrario al movimiento de muela abrasiva en el punto de bloqueo.

**d) Trabaje con especial cuidado en el campo de las esquinas, cantos filudos, etc. Impida que las herramientas intercambiables reboten o se atasquen en la pieza por trabajar.** La herramienta intercambiable que está girando tiende a atascarse en las esquinas, en los cantos filudos o cuando rebota. Esto genera una pérdida del control o un contragolpe.

**e) No utilice ninguna hoja de sierra dentada o de cadena.** Este tipo de útiles suelen causar frecuentemente un contragolpe o la pérdida del control sobre la herramienta eléctrica.

### Instrucciones de seguridad específicas para operaciones de amolado y tronzado

**a) Use exclusivamente útiles homologados para su herramienta eléctrica, en combinación con la caperuza protectora prevista para estos útiles.** Los útiles que no fueron diseñados para su uso en esta herramienta eléctrica pueden quedar insuficientemente protegidos y suponen un riesgo.

**b) Utilice siempre la cubierta protectora. La cubierta protectora debe estar montada de forma segura en la herramienta eléctrica y ajustada de manera que se alcance el máximo grado de seguridad, es decir, la mínima parte posible del disco de corte debe quedar al descubierto dirigida hacia el usuario.** La cubierta protectora debe proteger al usuario contra los fragmentos y el contacto accidental con la muela abrasiva.

**c) Solamente emplee el útil para aquellos trabajos para los que fue concebido.** Por ejemplo, no emplee las caras de los discos tronzadores para amolar. En los útiles de tronzar, el arranque de material se lleva a cabo con los bordes del disco. Si estos útiles son sometidos a un esfuerzo lateral, ello puede provocar su rotura.

**d) Siempre use para el útil seleccionado una brida en perfecto estado con las dimensiones y forma correctas.** Una brida adecuada soporta convenientemente el útil reduciendo así el peligro de rotura. Las bridas para discos tronzadores pueden ser diferentes de aquellas para otros discos de amolar.

**e) No intente aprovechar los discos amoladores de otras herramientas eléctricas más grandes, aunque su diámetro exterior se haya reducido suficientemente por el desgaste.** Los discos amoladores destinados para herramientas eléctricas grandes no son aptos para soportar las velocidades periféricas más altas a las que trabajan las herramientas eléctricas más pequeñas, y pueden llegar a romperse.

### Instrucciones de seguridad adicionales específicas para el tronzado

**a) Evite el bloqueo del disco de tronzado o una presión de aprieta demasiado alta. No efectúe cortes extremadamente profundos.** Una sobrecarga del disco de tronzado aumenta su esfuerzo y la predisposición para el atascamiento o bloqueo y con ello, la posibilidad de un contragolpe o de la rotura de la muela abrasiva.

**b) No se coloque delante o detrás del disco tronzador en funcionamiento, alineado con la trayectoria del corte.** Mientras que al cortar, el disco tronzador es guiado en sentido opuesto a su cuerpo, en caso de un rechazo el disco tronzador y la herramienta eléctrica son impulsados directamente contra Vd.

**c) En caso de que el disco de tronzado se atasque o que usted interrumpa el trabajo, desconecte la máquina y manténgala tranquilamente hasta que el disco se pare. No trate jamás de retirar el disco de tronzado que aún gira, puesto que ello puede tener un contragolpe como resultado.** Averigüe y elimine la causa del atascamiento.

**d) No vuelva a conectar la herramienta eléctrica, mientras se encuentre dentro de la pieza de trabajo. Deje que el disco de corte alcance su plena velocidad, antes de continuar con cuidado el corte.** En caso contrario, el disco puede agarrotarse, saltar fuera de la pieza de trabajo o causar un contragolpe.

**e) Apoye las planchas o las piezas por trabajar grandes para reducir el riesgo de un contragolpe debido a un disco de tronzado atascado.** Las piezas más grandes por trabajar pueden combarse por su propio peso. La pieza por trabajar tiene que estar apoyada en ambos lados, a saber, tanto cerca del corte como también en el canto.

**f) Sea especialmente cuidadoso en los „cortes de bolsas“ en paredes existentes o en otros campos no visibles.** La penetración del disco de tronzado al cortar en tuberías de gas o agua, en líneas eléctrica u otros objetos, puede generar un contragolpe.

### Instrucciones de seguridad específicas para trabajos con hojas lijadoras

**a) No use hojas lijadoras más grandes que el soporte, ateniéndose para ello a las dimensiones que el fabricante recomienda.** Las hojas lijadoras de un diámetro mayor que el plato lijador pueden provocar un accidente, fisurarse, o provocar un rechazo.

### Instrucciones de seguridad específicas para el trabajo con cepillos de alambre

**a) Considere que las púas de los cepillos de alambre pueden desprenderse también durante un uso normal. No fuerce las púas ejerciendo una fuerza de aplicación excesiva.** Las púas desprendidas pueden traspasar muy fácilmente tela delgada y/o la piel.

**b) En caso de recomendarse el uso de una caperuza protectora, evite que el cepillo de alambre alcance a rozar contra la caperuza protectora.** Los cepillos de plato y de vaso pueden aumentar su diámetro por efecto de la presión de aplicación y de la fuerza centrífuga.

Conecte siempre la máquina a una red protegida por interruptor diferencial y magnetotérmico (FI, RCD, PRCD), para su seguridad personal, según normas establecidas para instalaciones eléctricas de baja tensión.

Nunca se debe intentar limpiar el polvo o viruta procedente del taladrado con la máquina en funcionamiento.

Enchufar la máquina a la red solamente en posición desconectada.

No manipular en el rodillo ni en las cuchillas con la máquina conectada.

Emplear siempre el asidero adicional.

Desconectar inmediatamente el aparato al presentarse vibraciones fuertes u otras anomalías. Examine la máquina para determinar las posibles causas.

Utilice y guarde siempre los discos de amolar según las indicaciones del fabricante.

Al amolar metales se proyectan chispas. Cuidar de no poner en peligro a personas. Debido al peligro de incendio no deben encontrarse cerca (en el área de alcance de las chispas) materiales inflamables. No utilice extracción de polvo en este caso.

Tenga cuidado para que no le salten chispas ni virutas de la pieza de trabajo.



E

¡Cuando corte piedra deberá usar el patín de guía!

La tuerca de apriete se debe asegurar antes de comenzar a trabajar con la máquina.

La pieza de trabajo debe fijarse adecuadamente, a no ser que se mantenga bien fija por su propio peso. Jamás aproxime una pieza al disco, sujetándola con la mano.

En caso de condiciones de funcionamiento extremas (p. ej. pulido de metales con el plato soporte y discos abrasivos de fibra vulcanizada) se puede acumular mucha suciedad en el interior de la amoladora angular. En estas condiciones es necesario realizar, por motivos de seguridad, una limpieza profunda de las acumulaciones metálicas en el interior y debe conectarse obligatoriamente un interruptor de protección de corriente diferencial (FI). Si salta el interruptor de protección FI debe enviarse la máquina para su reparación.

En las herramientas que llevan una muela con agujero roscado, cerciórese de que la rosca en la muela es lo suficientemente larga para aceptar la longitud del vástago.


Para trabajos de tronzado, utilizar la cubierta protectora cerrada del programa de accesorios.

### APLICACIÓN DE ACUERDO A LA FINALIDAD

La amoladora puede utilizarse para separar y desbastar muchos materiales, como p. ej. metal y piedra, así como para rectificar con el plato de rectificado de plástico y para trabajar con el cepillo de alambre de acero. En caso de dudas, observar las indicaciones de los fabricantes de los accesorios.

No utilice este producto para ninguna otra aplicación que no sea su uso normal.

### CONEXIÓN ELÉCTRICA

 Conectar solamente a corriente AC monofásica y sólo al voltaje indicado en la placa de características. También es posible la conexión a enchufes sin toma a tierra, dado que es conforme a la Clase de Seguridad II.

### DECLARACION DE CONFORMIDAD CE

Declaramos bajo nuestra sola responsabilidad que este producto está en conformidad con las normas o documentos normalizados siguientes. EN 60745, EN 55014-1, EN 55014-2, EN 61000-3-2, EN 61000-3-3, de acuerdo con las regulaciones 2006/42/CE, 2004/108/CE



Winnenden, 2010-11-17

Rainer Kumpf

Manager Product Development

Autorizado para la redacción de los documentos técnicos.

## MANTENIMIENTO

Las ranuras de ventilación de la máquina deben estar despejadas en todo momento.

Evite que cualquier pieza metálica alcance las ranuras de ventilación - ¡peligro de cortocircuito!

Solo se deben utilizar accesorios y piezas de repuestos AEG. Piezas cuyo recambio no está descrito en las instrucciones de uso, deben sustituirse en un centro de asistencia técnica AEG (Consulte el folleto Garantía/Direcciones de Centros de Asistencia Técnica).

En caso necesario, puede solicitar un despiece de la herramienta. Por favor indique el número de impreso de diez dígitos que hay en la etiqueta y pida el despiece a la siguiente dirección: AEG Elektrowerzeuge, Max-Eyth-Straße 10, D-71364 Winnenden, Germany.

## SÍMBOLOS



Lea las instrucciones detenidamente antes de conectar la herramienta



¡ATENCIÓN! ¡ADVERTENCIA! ¡PELIGRO!



Para trabajar con la máquina, utilizar siempre gafas de protección.



Desconecte siempre el enchufe antes de llevar a cabo cualquier trabajo en la máquina.



Accesorio - No incluido en el equipo estándar, disponible en la gama de accesorios.



¡No deseche los aparatos eléctricos junto con los residuos domésticos! De conformidad con la Directiva Europea 2002/96/CE sobre residuos de aparatos eléctricos y electrónicos y su aplicación de acuerdo con la legislación nacional, las herramientas eléctricas cuya vida útil haya llegado a su fin se deberán recoger por separado y trasladar a una planta de reciclaje que cumpla con las exigencias ecológicas.

	WS 9-100	WS9-115	WS9-125
Potência absorvida nominal.....	900 W	900 W	900 W
Número de rotações nominal .....	11000 min <sup>-1</sup>	11000 min <sup>-1</sup>	11000 min <sup>-1</sup>
Diâmetro do disco .....	100 mm	115 mm	125 mm
Rosca do veio de trabalho .....	M 10	M 14	M 14
Peso nos termos do procedimento-EPTA 01/2003.....	2,0 kg	2,0 kg	2,0 kg

**Informações sobre ruído/vibração**

Valores de medida de acordo com EN 60 745.

O nível de ruído avaliado A do aparelho é tipicamente:

Nível da pressão de ruído (K=3 dB(A)).....	90,5 dB (A)	90,5 dB (A)	90,5 dB (A)
Nível da potência de ruído(K=3 dB(A)) .....	101,5 dB (A)	101,5 dB (A)	101,5 dB (A)

**Use protectores auriculares!**

Valores totais de vibração (soma dos vectores das três direcções) determinadas conforme EN 60745.

Rectificação de corte e desbaste: Valor de emissão da vibração a <sub>h</sub> .....	5,8 m/s <sup>2</sup>	5,8 m/s <sup>2</sup>	5,8 m/s <sup>2</sup>
Incerteza K .....	1,5 m/s <sup>2</sup>	1,5 m/s <sup>2</sup>	1,5 m/s <sup>2</sup>
Desbaste com disco de desbaste em plástico: Valor de emissão da vibração a <sub>h</sub> .....	1,9 m/s <sup>2</sup>	1,9 m/s <sup>2</sup>	1,9 m/s <sup>2</sup>
Incerteza K .....	1,5 m/s <sup>2</sup>	1,5 m/s <sup>2</sup>	1,5 m/s <sup>2</sup>

	WS 11-115	WS 11-125
Potência absorvida nominal.....	1100 W	1100 W
Número de rotações nominal .....	11000 min <sup>-1</sup>	11000 min <sup>-1</sup>
Diâmetro do disco .....	115 mm	125 mm
Rosca do veio de trabalho .....	M 14	M 14
Peso nos termos do procedimento-EPTA 01/2003 .....	2,3 kg	2,3 kg

**Informações sobre ruído/vibração**

Valores de medida de acordo com EN 60 745.

O nível de ruído avaliado A do aparelho é tipicamente:

Nível da pressão de ruído (K=3 dB(A)).....	90,5 dB (A)	90,5 dB (A)
Nível da potência de ruído(K=3 dB(A)) .....	101,5 dB (A)	101,5 dB (A)

**Use protectores auriculares!**

Valores totais de vibração (soma dos vectores das três direcções) determinadas conforme EN 60745.

Rectificação de corte e desbaste: Valor de emissão da vibração a <sub>h</sub> .....	5,8 m/s <sup>2</sup>	5,8 m/s <sup>2</sup>
Incerteza K .....	1,5 m/s <sup>2</sup>	1,5 m/s <sup>2</sup>
Desbaste com disco de desbaste em plástico: Valor de emissão da vibração a <sub>h</sub> .....	1,9 m/s <sup>2</sup>	1,9 m/s <sup>2</sup>
Incerteza K .....	1,5 m/s <sup>2</sup>	1,5 m/s <sup>2</sup>

Em caso de outras aplicações, como p.ex. separar por rectificação ou lixar com escova de arame, podem resultar outros valores de vibração!

**ATENÇÃO**

O nível vibratório indicado nestas instruções foi medido em conformidade com um procedimento de medição normalizado na EN 60745 e pode ser utilizado para comparar entre si ferramentas eléctricas. O mesmo é também adequado para avaliar provisoriamente o esforço vibratório.

O nível vibratório indicado representa as principais aplicações da ferramenta eléctrica. Se, no entanto, a ferramenta eléctrica for utilizada para outras aplicações, com outras ferramentas adaptadas ou uma manutenção insuficiente, o nível vibratório poderá divergir. Isto pode aumentar consideravelmente o esforço vibratório ao longo de todo o período do trabalho.

Para uma avaliação exacta do esforço vibratório devem também ser considerados os tempos durante os quais o aparelho está desligado ou está a funcionar, mas não está efectivamente a ser utilizado. Isto pode reduzir consideravelmente o esforço vibratório ao longo de todo o período do trabalho.

Defina medidas de segurança suplementares para proteger o operador do efeito das vibrações, como por exemplo: manutenção da ferramenta eléctrica e das ferramentas adaptadas, manter as mãos quentes, organização das sequências de trabalho.





## ATENÇÃO!

**Leia todas as instruções de segurança e todas as instruções, também aquelas que constam na brochura juntada.** O desrespeito das advertências e instruções apresentadas abaixo pode causar choque eléctrico, incêndio e/ou graves lesões.

**Guarde bem todas as advertências e instruções para futura referência.**

### INSTRUÇÕES DE SEGURANÇA

**Indicações de aviso gerais para lixar, lixar com lixa de papel, trabalhar com escovas de arame, polir e separar por rectificação:**

**a) Esta ferramenta eléctrica é para ser utilizada como rebarbadora, escova de arame e máquina de corte.** Observe todas as instruções de segurança, indicações, ilustrações e dados, que recebeu com a ferramenta eléctrica. Se não forem observadas as indicações

**b) Esta ferramenta eléctrica não é adequada para polir.** Utilizações, para as quais a máquina não tenha sido prevista, podem causar perigos e ferimentos.

**c) Não utilizar acessórios, que não foram especialmente previstos e recomendados pelo fabricante para serem utilizados com esta ferramenta eléctrica.** O facto de poder fixar o acessório a esta ferramenta eléctrica, não garante uma aplicação segura.

**d) O número de rotação admissível da ferramenta de trabalho deve ser no mínimo tão alto quanto o máximo número de rotação indicado na ferramenta eléctrica.** Acessórios que girem mais rápido do que permitido, podem quebrar e serem atirados para longe.

**e) O diâmetro exterior e a espessura da ferramenta de trabalho devem corresponder às indicações de medida da sua ferramenta eléctrica.** Ferramentas de trabalho incorretamente medidas podem não ser suficientemente blindadas nem controladas.

**f) Discos abrasivos, flanges, pratos abrasivos ou outros acessórios devem caber exactamente no veio de rectificação da sua ferramenta eléctrica.** Ferramentas de trabalho, que não cabem exactamente no veio de rectificação da ferramenta eléctrica, giram irregularmente, vibram fortemente e podem levar à perda de controlo.

**g) Não utilizar ferramentas de trabalho danificadas. Antes de cada utilização deverá controlar as ferramentas de trabalho, e verificar se por exemplo os discos abrasivos apresentam fissuras e estilhaços, se pratos abrasivos apresentam fissuras, se há desgaste ou forte atrição, se as escovas de arame apresentam arames soltos ou quebrados. Se a ferramenta eléctrica ou a ferramenta de trabalho caírem, deverá verificar se sofreram danos, ou trocar por uma ferramenta de trabalho intacta. Após ter controlado e introduzido a ferramenta de trabalho, deverá manter-se, e as pessoas que se encontrem nas proximidades, fora do nível de rotação da ferramenta de trabalho e permitir que a ferramenta eléctrica funcione durante um minuto com o máximo número de rotação.** A maioria das ferramentas de trabalho danificadas quebram durante este período de teste.

**h) Utilizar um equipamento de protecção pessoal. De acordo com a aplicação, deverá utilizar uma protecção para todo o rosto, protecção para os olhos ou um óculos protector.** Se for necessário, deverá utilizar uma máscara contra pó, protecção auricular, luvas de protecção ou um avental especial, para proteger-se de pequenas partículas de amoladura e de material. Os olhos devem

ser protegidos contra partículas a voar, produzidas durante as diversas aplicações. A máscara contra pó ou a máscara de respiração deve ser capaz de filtrar o pó produzido durante a respectiva aplicação. Se for sujeito durante longo tempo a fortes ruídos, poderá sofrer a perda da capacidade auditiva.

**i) Observe que as outras pessoas mantenham uma distância segura em relação ao seu local de trabalho. Cada pessoa que entrar na área de trabalho, deverá usar um equipamento de protecção pessoal.** Estilhaços da peça a ser trabalhada ou ferramentas de trabalho quebradas podem voar e causar lesões fora da área imediata de trabalho.

**j) Segure o aparelho nas superfícies de punho isoladas se estiver a executar trabalhos, nos quais a ferramenta de corte pode tocar em linhas eléctricas escondidas ou no próprio cabo.** O contacto da ferramenta de corte com uma linha sob tensão também pode colocar peças metálicas do aparelho sob tensão e levar a um choque eléctrico.

**k) Manter o cabo de rede afastado de ferramentas de trabalho em rotação.** Se perder o controlo sobre a ferramenta eléctrica, é possível que o cabo de rede seja cortado ou enganchado e a sua mão ou braço sejam puxados contra a ferramenta de trabalho em rotação.

**l) Jamais depositar a ferramenta eléctrica, antes que a ferramenta de trabalho esteja completamente parada.** A ferramenta de trabalho em rotação pode entrar em contacto com a superfície de apoio, provocando uma perda de controlo da ferramenta eléctrica.

**m) Não permitir que a ferramenta eléctrica funcione enquanto estiver a transportá-la.** A sua roupa pode ser agarrada devido a um contacto accidental com a ferramenta de trabalho em rotação, de modo que a ferramenta de trabalho possa ferir o seu corpo.

**n) Limpe regularmente as ranhuras de ventilação da sua ferramenta eléctrica.** A ventoinha do motor aspira pó para dentro do corpo da ferramenta, e uma grande acumulação de pó metálico pode originar perigos eléctricos.

**o) Não utilize a ferramenta eléctrica perto de materiais inflamáveis.** As faíscas podem inflamar estes materiais.

**p) Não utilize ferramentas de trabalho que precisam de líquidos de refrigeração líquidos.** A utilização de água ou outros líquidos de refrigeração líquidos pode provocar um choque eléctrico.

### Repercussão e respectivas indicações de segurança

Repercussão é a reacção súbita devido a uma ferramenta de trabalho rotativa que prende ou que bloqueia como disco abrasivo, prato de lixar, escova de arame, etc. Prender ou bloquear leva a uma paragem abrupta da ferramenta de trabalho rotativa. Desse modo, é acelerada uma ferramenta eléctrica não controlada contra o sentido rotativo da ferramenta de trabalho no local de bloqueio.

Se por exemplo um disco abrasivo travar ou bloquear numa peça a ser trabalhada, o canto do disco abrasivo pode mergulhar na peça a ser trabalhada e encravar-se, quebrando o disco abrasivo ou causando um contra-golpe. O disco abrasivo se movimentar então no sentido do operador ou para longe deste, dependendo do sentido de rotação do disco no local do bloqueio. Sob estas condições os discos abrasivos também podem partir-se.

Um contra-golpe é o resultado de uma utilização errada ou incorrecta da serra. Ele pode ser evitado com apropriadas medidas de precaução, como descrito a seguir.

**a) Segure bem a ferramenta eléctrica e coloque o seu corpo e os seus braços numa posição em que pode interceptar forças de repercussão. Utilize sempre a pega adicional, caso exista, para manter o maior controlo possível sobre forças de repercussão ou momentos de reacção no arranque.** O utilizador pode dominar as forças de repercussão e reacção através de medidas de precaução adequadas.

**b) Nunca coloque a sua mão perto de ferramentas de trabalho rotativas.** A ferramenta de trabalho pode deslocar-se por cima da sua mão na repercussão.

**c) Com o seu corpo evite a área em que a ferramenta de trabalho é movida em caso de repercussão.** A repercussão move a ferramenta de trabalho no sentido contrário ao do movimento do disco abrasivo no local de bloqueio.

**d) Trabalhe com especial cuidado na área de esquinas, cantos afiados, etc. Evite que as ferramentas de trabalho se desloquem para trás violentamente e fiquem presas.** A ferramenta de trabalho rotativa tem tendência para ficar presa nas esquinas, cantos afiados ou quando ressalta. Isso provoca uma perda de controlo ou repercussão.

**e) Não utilize correntes nem serras com dentes.** Estas ferramentas acessórias provocam muitas vezes um contragolpe ou a perda do controlo sobre a ferramenta eléctrica.

#### Instruções especiais de segurança específicas para lixar e separar por rectificação

**a) Utilizar exclusivamente os corpos abrasivos homologados para a sua ferramenta eléctrica e a capa de protecção prevista para estes corpos abrasivos.** Corpos abrasivos não previstos para a ferramenta eléctrica, não podem ser suficientemente protegidos e portanto não são seguros.

**b) Utilize sempre a tampa de protecção. A tampa de protecção deve estar colocada na ferramenta eléctrica e encontrar-se ajustada de forma a oferecer a maior segurança, ou seja, deixando exposto para o utilizador a menor parte do disco de corte possível.** A tampa de protecção deve proteger o utilizador de fragmentos e de um contacto accidental com o disco.

**c) Os corpos abrasivos só devem ser utilizados para as aplicações recomendadas.** P. ex.: Jamais lixar com a superfície lateral de um disco de corte. Disco de corte são destinados para o desbaste de material com o canto do disco. Uma força lateral sobre estes corpos abrasivos pode quebrá-los.

**d) Sempre utilizar flanges de aperto intactos de tamanho e forma correctos para o disco abrasivo seleccionado.** Flanges apropriados apoiam o disco abrasivo e reduzem assim o perigo de uma ruptura do disco abrasivo. Flanges para discos de corte podem diferenciar-se de flanges para outros discos abrasivos.

**e) Não utilizar discos abrasivos gastos de outras ferramentas eléctricas maiores.** Discos abrasivos para ferramentas eléctricas maiores não são apropriados para os números de rotação mais altos de ferramentas eléctricas menores e podem quebrar.

#### Outras advertências especiais de segurança para separar por rectificação

**a) Evite o bloqueio do disco de corte ou a pressão demasiado elevada. Não efectue cortes demasiado profundos.** A sobrecarga do disco de corte aumenta a sua utilização e a tendência para empenar ou bloquear e deste modo a possibilidade de uma repercussão ou quebra do corpo de lixar.

**b) Evitar a área que se encontra na frente ou atrás do disco de corte em rotação.** Se o disco de corte for conduzido na peça a ser trabalhada, para frente, afastando-se do corpo, é possível que no caso de um contra-golpe a ferramenta eléctrica, junto com o disco em rotação, seja atirada directamente na direcção da pessoa a operar o aparelho.

**c) Se o disco de corte ficar preso ou interromper o trabalho, desligue o aparelho e mantenha-o calmo, até o disco ter parado. Nunca tente retirar o disco de corte ainda a funcionar do corte; caso contrário, pode dar-se uma repercussão.** Determine e elimine a causa para o encravar.

**d) Não volte a ligar a ferramenta eléctrica enquanto ela ainda estiver no material. Deixe que o disco atinja a rotação máxima antes de prosseguir cuidadosamente com o corte.** Caso contrário, o disco poderá ficar preso, saltar do material ou provocar um contragolpe.

**e) Apoie as placas ou grandes peças a trabalhar para reduzir o risco de uma repercussão devido a um disco de corte preso.** As grandes peças a trabalhar podem dobrar-se por baixo do seu próprio peso. A peça a trabalhar deve ser apoiada em ambos os lados, tanto perto do corte de separação como também no canto.

**f) Tenha especial cuidado nos „cortes de bolso“ em paredes existentes ou outras áreas não visíveis.** O disco de corte de imersão pode provocar uma repercussão ao cortar em tubos de gás ou água, cabos eléctricos ou outros objectos.

#### Advertências especiais de segurança específicas para lixar com lixa de papel

**a) Não utilizar lixas de papel demasiado grandes, mas sempre seguir as indicações do fabricante sobre o tamanho correcto das lixas de papel.** Lixas de papel, que sobressaem dos cantos do prato abrasivo, podem causar lesões, assim como bloquear e rasgar as lixas de papel ou levar a um contra-golpe.

#### Advertências especiais de segurança específicas para trabalhar com escovas de arame

**a) Esteja ciente de que a escova de arame também perde pedaços de arame durante a utilização normal. Não sobrecarregue os arames exercendo uma força de pressão demasiada.** Pedaços de arame a voar, podem penetrar facilmente em roupas finas e/ou na pele.

**b) Se for recomendável uma capa de protecção, deverá evitar que a escova de arame entre em contacto com a capa de protecção.** O diâmetro das escovas em forma de prato ou de tacho pode aumentar devido à força de pressão e às forças centrífugas.

Aparelhos não estacionários, utilizados ao ar livre, devem ser protegidos por um disjuntor de corrente de defeito (FI,RCD,PRCD).

Não remover aparas ou lascas enquanto a máquina trabalha.

Ao ligar à rede, a máquina deve estar desligada.

Não introduza as mãos na área perigosa, estando a máquina em funcionamento.

Utilizar sempre o punho lateral.

Desligar imediatamente o aparelho, se ocorrerem grandes oscilações ou se forem observadas outras avarias. Controlar a máquina para determinar a causa.

Sempre utilizar e guardar os discos abrasivos, de acordo com as indicações do fabricante.

Ao lixar metais, voam fâscas. Observe que ninguém seja posto em perigo. Devido ao perigo de incêndio não devem encontrar-se materiais inflamáveis nas proximidades (área de voo de fâscas). Não utilize sistema de extracção de poeiras.



Por

Tome atenção que nem as faíscas nem as poeiras da lixagem geradas na peça de trabalho devem entrar em contacto consigo.

Quando estiver a desmontar pedra deve usar a guia.

A porca de ajuste deve ser apertada antes de iniciar o trabalho com a máquina.

A peça a ser trabalhada deve ser fixa, caso não esteja firme devido ao seu peso próprio. Jamais conduzir a peça a ser trabalhada em direcção do disco com as mãos.

Em caso de condições extremas de utilização (por ex., ao polir metais com o prato de apoio e rebolos de fibra vulcanizada) pode formar-se uma forte sujidade no interior da lixadora de detalhes. Por motivos de segurança, quando tais condições de utilização se verificarem, é necessário limpar o interior de deposições metálicas e ligar em série um disjuntor de corrente de falha (FI). Depois da reacção do disjuntor-FI, a máquina tem de ser enviada para reparação.

Para as ferramentas a serem montadas com a roda de orifício roscado, certifique-se de que a rosca na roda é suficientemente longa para receber o fuso em todo o seu comprimento.

Para trabalhos de corte deve utilizar-se uma cobertura de protecção fechada, disponível no programa de acessórios.



### UTILIZAÇÃO AUTORIZADA

A afi adora angular pode ser utilizada para a rectificação de corte e desbaste de diversos materiais, como por ex. metal ou pedra, bem como para o desbaste com discos de desbaste em plástico e para trabalhos com a escova de fi o de aço. Em caso de dúvida, observe as indicações do fabricante dos acessórios.

Não use este produto de outra maneira sem ser a normal para o qual foi concebido.

### LIGAÇÃO À REDE



Só conectar à corrente alternada monofásica e só à tensão de rede indicada na placa de potência. A conexão às tomadas de rede sem contacto de segurança também é possível, pois trata-se duma construção da classe de protecção II.

### DECLARAÇÃO DE CONFORMIDADE CE

Declaramos, sob nossa exclusiva responsabilidade, que este produto cumpre as seguintes normas ou documentos normativos: EN 60745, EN 55014-1, EN 55014-2, EN 61000-3-2, EN 61000-3-3, conforme as disposições das directivas 2006/42/CE, 2004/108/CE



Winnenden, 2010-11-17

Rainer Kumpf  
Manager Product Development  
Autorizado a reunir a documentação técnica.

### MANUTENÇÃO

Manter desobstruídos os rasgos de ventilação na carcaça da máquina. Não deixe que peças metálicas toquem nas fendas de circulação de ar - perigo de curto-circuitos.

Utilizar unicamente acessórios e peças sobressalentes da AEG. Sempre que a substituição de um componente não tenha sido descrita nas instruções, será de toda a conveniência mandar executar esse trabalho a um Serviço de Assistência AEG (veja o folheto Garantia/Endereços de Serviços de Assistência).

A pedido e mediante indicação da referência de dez números que consta da chapa de características da máquina, pode requerer-se um desenho explosivo da ferramenta eléctrica a: AEG Elektrowerkzeuge, Max-Eyth-Straße 10, D-71364 Winnenden, Germany.

### SYMBOLE



Leia atentamente o manual de instruções antes de colocar a máquina em funcionamento.



ATENÇÃO! PERIGO!



Usar sempre óculos de protecção ao trabalhar com a máquina.



Antes de efectuar qualquer intervenção na máquina, tirar a ficha da tomada.



Acessório - Não incluído no equipamento normal, disponível como acessório.



Não deite ferramentas eléctricas no lixo doméstico! De acordo com a directiva europeia 2002/96/CE sobre ferramentas eléctricas electrónicas usadas e a transposição para as leis nacionais, as ferramentas eléctricas usadas devem ser recolhidas em separado e encaminhadas a uma instalação de reciclagem dos materiais ecológica.

	WS 9-100	WS9-115	WS9-125
Nominaal afgegeven vermogen .....	900 W	900 W	900 W
Nominaal toerental .....	11000 min <sup>-1</sup>	11000 min <sup>-1</sup>	11000 min <sup>-1</sup>
Slijpschijf-Ø .....	100 mm	115 mm	125 mm
Asaansluiting .....	M 10	M 14	M 14
Gewicht volgens de EPTA-procedure 01/2003 .....	2,0 kg	2,0 kg	2,0 kg

**Geluids-/trillingsinformatie**

Meetwaarden vastgesteld volgens EN 60 745.

Het kenmerkende A-gewogen geluidsniveau van de machine bedraagt:

Geluidsdrukkniveau (K=3 dB(A)) .....	90,5 dB (A)	90,5 dB (A)	90,5 dB (A)
Geluidsvermogniveau (K=3 dB(A)) .....	101,5 dB (A)	101,5 dB (A)	101,5 dB (A)

**Draag oorbeschermers!**

Totale trillingswaarden (vectorsom van drie richtingen) bepaald volgens EN 60745.

Doorslijpen en voorbereiden: trillingsemisiewaarde $a_h$ .....	5,8 m/s <sup>2</sup>	5,8 m/s <sup>2</sup>	5,8 m/s <sup>2</sup>
Onzekerheid K .....	1,5 m/s <sup>2</sup>	1,5 m/s <sup>2</sup>	1,5 m/s <sup>2</sup>
Slijpen met kunststof slijpschijf: trillingsemisiewaarde $a_h$ .....	1,9 m/s <sup>2</sup>	1,9 m/s <sup>2</sup>	1,9 m/s <sup>2</sup>
Onzekerheid K .....	1,5 m/s <sup>2</sup>	1,5 m/s <sup>2</sup>	1,5 m/s <sup>2</sup>

	WS 11-115	WS 11-125
Nominaal afgegeven vermogen .....	1100 W	1100 W
Nominaal toerental .....	11000 min <sup>-1</sup>	11000 min <sup>-1</sup>
Slijpschijf-Ø .....	115 mm	125 mm
Asaansluiting .....	M 14	M 14
Gewicht volgens de EPTA-procedure 01/2003 .....	2,3 kg	2,3 kg

**Geluids-/trillingsinformatie**

Meetwaarden vastgesteld volgens EN 60 745.

Het kenmerkende A-gewogen geluidsniveau van de machine bedraagt:

Geluidsdrukkniveau (K=3 dB(A)) .....	90,5 dB (A)	90,5 dB (A)
Geluidsvermogniveau (K=3 dB(A)) .....	101,5 dB (A)	101,5 dB (A)

**Draag oorbeschermers!**

Totale trillingswaarden (vectorsom van drie richtingen) bepaald volgens EN 60745.

Doorslijpen en voorbereiden: trillingsemisiewaarde $a_h$ .....	5,8 m/s <sup>2</sup>	5,8 m/s <sup>2</sup>
Onzekerheid K .....	1,5 m/s <sup>2</sup>	1,5 m/s <sup>2</sup>
Slijpen met kunststof slijpschijf: trillingsemisiewaarde $a_h$ .....	1,9 m/s <sup>2</sup>	1,9 m/s <sup>2</sup>
Onzekerheid K .....	1,5 m/s <sup>2</sup>	1,5 m/s <sup>2</sup>

Bij andere toepassingen zoals bijv. doorslijpen of schuren met de staalborstel, kunnen andere trilwaarden ontstaan!

**WAARSCHUWING**

De in deze aanwijzingen vermelde trillingsdruk is gemeten volgens een in EN 60745 genormeerde meetmethode en kan worden gebruikt voor de onderlinge vergelijking van apparaten. Hij is ook geschikt voor een voorlopige inschatting van de trillingsbelasting.

De aangegeven trillingsdruk geldt voor de meest gebruikelijke toepassingen van het elektrische apparaat. Wanneer het elektrische gereedschap echter voor andere doeleinden, met andere dan de voorgeschreven hulpstukken gebruikt of niet naar behoren onderhouden wordt, kan de trillingsdruk afwijken. Dit kan de waarde van de trillingsdruk over de hele werkperiode aanzienlijk verhogen.

Voor een nauwkeurige inschatting van de trillingsdruk moeten ook de tijden in aanmerking worden genomen dat het apparaat uitgeschakeld is of weliswaar loopt, maar niet werkelijk in gebruik is. Dit kan de waarde van de trillingsdruk over de hele werkperiode aanzienlijk verminderen.

Bepaal extra veiligheidsmaatregelen ter bescherming van de bediener tegen de inwerking van trillingen, bijvoorbeeld: onderhoud van elektrische gereedschappen en apparaten, warmhouden van de handen, organisatie van de werkprocessen.



## WAARSCHUWING!

Lees alle veiligheidsinstructies en aanwijzingen door - ook die in de bijgeleverde brochure. Als de waarschuwingen en voorschriften niet worden opgevolgd, kan dit een elektrische schok, brand of ernstig letsel tot gevolg hebben.

**Bewaar alle waarschuwingen en voorschriften voor toekomstig gebruik.**

## VEILIGHEIDSADVIEZEN

**Algemene waarschuwingen voor slijpen, schuren, borstelen, polijsten en doorslijpen:**

**a) Dit elektrische gereedschap kan worden gebruikt als slijpmachine, draadborstel en doorslijpmachine. Neem alle veiligheidsinstructies, aanwijzingen, afbeeldingen en gegevens in acht die samen met het elektrische gereedschap worden geleverd.** Wanneer u de volgende aanwijzingen negeert, bestaat gevaar voor elektrische schokken, brand en/of ernstig letsel.

**b) Dit elektrische gereedschap is niet geschikt voor het polijsten.** Ondoelmatig gebruik van dit elektrische gereedschap kan leiden tot gevaren en persoonlijk letsel.

**c) Gebruik uitsluitend toebehoren dat door de fabrikant speciaal voor dit elektrische gereedschap is voorzien en geadviseerd.** Het feit dat u het toebehoren aan het elektrische gereedschap kunt bevestigen, waarborgt nog geen veilig gebruik.

**d) Het toegestane toerental van het inzetgereedschap moet minstens even hoog zijn als het maximale toerental dat op het elektrische gereedschap vermeld staat.** Toebehoren dat sneller draait dan toegestaan, kan breken en wegvliegen.

**e) De buitendiameter en de dikte van het inzetgereedschap moeten overeenkomen met de maatgegevens van het elektrische gereedschap.** Inzetgereedschappen met onjuiste afmetingen kunnen niet voldoende afgeschermd of gecontroleerd worden.

**f) Slijpschijven, flenzen, steunschijven en ander toebehoren moeten nauwkeurig op de uitgaande as van het elektrische gereedschap passen.** Inzetgereedschappen die niet nauwkeurig op de uitgaande as van het elektrische gereedschap passen, draaien ongelijkmatig, trillen sterk en kunnen tot het verlies van de controle leiden.

**g) Gebruik geen beschadigde inzetgereedschappen. Controleer voor het gebruik altijd inzetgereedschappen zoals slijpschijven op afsplinteringen en scheuren, steunschijven op scheuren of sterke slijtage en draadborstels op losse of gebroken draden. Als het elektrische gereedschap of het inzetgereedschap valt, dient u te controleren of het beschadigd is, of gebruik een onbeschadigd inzetgereedschap.** Als u het inzetgereedschap hebt gecontroleerd en ingezet, laat u het elektrische gereedschap een minuut lang met het maximale toerental lopen. Daarbij dient u en dienen andere personen uit de buurt van het ronddraaiende inzetgereedschap te blijven. Beschadigde inzetgereedschappen breken meestal gedurende deze testtijd.

**h) Draag persoonlijke beschermende uitrusting. Gebruik afhankelijk van de toepassing een volledig gezichtsbescherming, oogbescherming of veiligheidsbril.** Draag voor zover van toepassing een stofmasker, een gehoorbescherming, werkhandschoenen of een speciaal schort dat kleine slijp- en materiaaldeeltjes tegenhoudt. Uw ogen moeten worden beschermd tegen wegvliegende deeltjes die bij verschillende toepassingen ontstaan. Een stof- of adembeschermingsmasker moet het bij de toepassing ontstaande stof filteren. Als u lang wordt blootgesteld aan luid lawaai, kan uw gehoor worden beschadigd.

**i) Let erop dat andere personen zich op een veilige afstand bevinden van de plaats waar u werkt. Iedereen die de werkomgeving betreedt, moet persoonlijke beschermende uitrusting dragen.** Brokstukken van het werkstuk of gebroken inzetgereedschappen kunnen wegvliegen en verwondingen veroorzaken, ook buiten de directe werkomgeving.

**j) Houd het apparaat alléén aan de geïsoleerde grijpvlakken vast, wanneer u werkzaamheden uitvoert waarbij het snijgereedschap verborgen stroomleidingen of de eigen apparaatkabel zou kunnen raken.** Het contact van het snijgereedschap met een spanningvoerende leiding kan de metalen apparaatdelen onder spanning zetten en zo tot een elektrische schok leiden.

**k) Houd de stroomkabel uit de buurt van draaiende inzetgereedschappen.** Als u de controle over het elektrische gereedschap verliest, kan de stroomkabel worden doorgesneden of meegenomen en uw hand of arm kan in het ronddraaiende inzetgereedschap terecht komen.

**l) Leg het elektrische gereedschap nooit neer voordat het inzetgereedschap volledig tot stand is gekomen.** Het draaiende inzetgereedschap kan in contact komen met het oppervlak, waardoor u de controle over het elektrische gereedschap kunt verliezen.

**m) Laat het elektrische gereedschap niet lopen terwijl u het draagt.** Uw kleding kan door toevallig contact met het draaiende inzetgereedschap worden meegenomen en het inzetgereedschap kan zich in uw lichaam boren.

**n) Reinig regelmatig de luchtopeningen van het elektrische apparaat.** De motorventilator trekt stof in de behuizing en een opeenhoping van metaalstof kan elektrotechnisch gezien gevaar veroorzaken.

**o) Gebruik het elektrische gereedschap niet in de buurt van brandbare materialen.** Vonken kunnen deze materialen doen ontvlammen.

**p) Gebruik geen inzetstukken waarvoor vloeibaar koelmiddel nodig is.** Het gebruik van water of andere vloeibare koelmiddelen kan elektrische schokken veroorzaken.

## Terugslag en bijbehorende veiligheidsinstructies

De terugslag is de plotselinge reactie op een klemmend of geblokkeerd draaiend inzetstuk zoals bijv. een slijpschijf, slijpplaat of draadborstel. Het klemmen of blokkeren zorgt ervoor dat het draaiende inzetstuk abrupt stopt. Daardoor wordt een ongecontroleerd elektrisch gereedschap tegen de draairichting van het inzetstuk vanaf de plaats van de blokkering weggeslingerd.

Als bijvoorbeeld een slijpschijf in het werkstuk vasthaakt of blokkeert, kan de rand van de slijpschijf die in het werkstuk invalt, zich vastgrijpen. Daardoor kan de slijpschijf uitbreken of een terugslag veroorzaken. De slijpschijf beweegt zich vervolgens naar de bediener toe of van de bediener weg, afhankelijk van de draairichting van de schijf op de plaats van de blokkering. Hierbij kunnen slijpschijven ook breken.

Een terugslag is het gevolg van het verkeerd gebruik of onjuiste gebruiksomstandigheden van de zaagmachine. Terugslag kan worden voorkomen door geschikte voorzorgsmaatregelen, zoals hieronder beschreven.

**a) Hou het elektrische gereedschap goed vast en hou uw lichaam en armen zo, dat u de terugslagkrachten kunt opvangen. Gebruik altijd de extra greep als die voorhanden is, op dat u terugslagkrachten of reactiemomenten bij het opstarten maximaal onder controle kunt houden.** Met gepaste voorzorgsmaatregelen kan de gebruiker terugslag- en reactiekrachten beheersen.

**b) Hou uw hand niet in de buurt van het draaiende inzetstuk.** Bij een terugslag kan het werktuig zich over uw hand bewegen.

**c) Vermijd met uw lichaam het bereik waarin het elektrische gereedschap bij een terugslag wordt bewogen.** De terugslag slingert het elektrische gereedschap in de richting die tegengesteld is aan de draairichting van de slijpschijf op de plaats van de blokkering.

**d) Ga voorzichtig te werk in de buurt van hoeken, scherpe kanten enz. Voorkom dat het inzetstuk van het werkstuk terugstuit en klem raakt.** Bij hoeken, scherpe kanten of terugstuitingen heeft het draaiende inzetstuk de neiging om klem te raken. Dat veroorzaakt controleverlies of terugslag.

**e) Gebruik géén kettingzaagblad of getand zaagblad.** Dergelijke apparaten veroorzaken vaak een terugslag, hetgeen tot controleverlies over het elektrische apparaat kan leiden.

### Bijzondere waarschuwingen voor slijp- en doorslijpwerkzaamheden

**a) Gebruik uitsluitend het voor het elektrische gereedschap toegestane slijptoebehoren en de voor dit slijptoebehoren voorziene beschermkap.** Slijptoebehoren dat niet voor het elektrische gereedschap is voorzien, kan niet voldoende worden afgeschermd en is niet veilig.

**b) Gebruik altijd een veiligheidskap. De kap moet veilig aan het elektrische apparaat bevestigd en zodanig ingesteld zijn dat een maximum aan veiligheid wordt bereikt, d.w.z. het kleinste mogelijke deel van het slijpgereedschap wijst open naar de gebruiker.** De veiligheidskap moet de gebruiker tegen afgebroken stukken en toevallig contact met het slijpgereedschap beschermen.

**c) Slijptoebehoren mag alleen worden gebruikt voor de geadviseerde toepassingsmogelijkheden.** Bijvoorbeeld: slijp nooit met het zijvlak van een doorslijpschijf. Doorslijpschijven zijn bestemd voor materiaalafname met de rand van de schijf. Een zijwaartse krachtoefening op dit slijptoebehoren kan het toebehoren breken.

**d) Gebruik altijd onbeschadigde spanflenzen in de juiste maat en vorm voor de door u gekozen slijpschijf.** Geschikte flenzen steunen de slijpschijf en verminderen zo het gevaar van een slijpschijfbreuk. Flenzen voor doorslijpschijven kunnen verschillen van de flenzen voor andere slijpschijven.

**e) Gebruik geen versleten slijpschijven van grotere elektrische gereedschappen.** Slijpschijven voor grotere elektrische gereedschappen zijn niet geconstrueerd voor de hogere toerentallen van kleinere elektrische gereedschappen en kunnen breken.

### Overige bijzondere waarschuwingen voor doorslijpwerkzaamheden

**a) Voorkom dat de doorslijpschijf blokkeert of te sterk wordt aangedrukt. Maak geen overdreven diepe insnijdingen.** Te hoge druk op de doorslijpschijf verhoogt de belasting en het risico op kantelen of blokkeren en dus ook op terugslag of breken.

**b) Mijd de omgeving voor en achter de ronddraaiende doorslijpschijf.** Als u de doorslijpschijf in het werkstuk van u weg beweegt, kan in het geval van een terugslag het elektrische gereedschap met de draaiende schijf rechtstreeks naar u toe worden geslingerd.

**c) Als de doorslijpschijf geklemd is of u uw werkzaamheden onderbreekt, schakel dan het apparaat uit en hou het stil tot de schijf tot stilstand is gekomen. Probeer niet een nog draaiende doorslijpschijf uit de insnijding te trekken, want dat kan een terugslag veroorzaken.** Zoek en verhelp de oorzaak van de klemming.

**d) Schakel het elektrische apparaat niet opnieuw in zolang de doorslijpschijf nog in het werkstuk steekt. Laat de doorslijpschijf eerst op vol toerental komen voordat u voorzichtig doorgaat met het doorslijpen.** Als dat niet gebeurt, kan de schijf klem raken, uit het werkstuk springen of een terugslag veroorzaken.

**e) Ondersteun platen of grote werkstukken, om het risico op terugslag door een klemmende doorslijpschijf te beperken.** Grote werkstukken kunnen onder invloed van hun eigen gewicht doorbuigen. Het werkstuk dient aan beide kanten te worden ondersteund en dat zowel in de buurt van de insnijding als aan de randen.

**f) Wees bijzonder voorzichtig met insnijdingen in bestaande wanden of andere niet-zichtbare gedeelten.** Als de doorslijpschijf in een gas-, water- of elektrische leiding snijdt of tegen een ander voorwerp stoot, kan dat een terugslag veroorzaken.

### Bijzondere waarschuwingen voor schuurwerkzaamheden

**a) Gebruik geen schuurbladen met te grote afmetingen, maar houd u aan de voorschriften van de fabrikant voor de maten van schuurbladen.** Schuurbladen die over de rand van de steunschijf uitsteken, kunnen verwondingen veroorzaken en kunnen tot blokkeren, scheuren van de schuurbladen of terugslag leiden.

### Bijzondere waarschuwingen voor werkzaamheden met draadborstels

**a) Hou er rekening mee dat de draadborstel ook tijdens het normale gebruik draadstukken verliest. Overbelast de draden niet door een te hoge aandrukkracht.** Wegvliegende draadstukken kunnen gemakkelijk door dunne kleding en/of de huid dringen.

**b) Als het gebruik van een beschermkap wordt geadviseerd, dient u te voorkomen dat beschermkap en draadborstel elkaar kunnen raken.** Vlakstaal- en komstaalborstels kunnen door aandrukkracht en centrifugaalkrachten hun diameter vergroten.

Verplaatsbaar gereedschap moet bij het gebruik buiten aan een aardlekschakelaar (FI, RCD, PRCD) aangesloten worden.

Spanen of splinters mogen bij draaiende machine niet worden verwijderd.

Machine alleen uitgeschakeld aan het net aansluiten.

Niet aan de draaiende delen komen.

Altijd de zijhandgreep gebruiken.

Machine onmiddellijk controleren als sterke trillingen optreden of andere gebreken worden vastgesteld. Controleer de machine om de oorzaak vast te stellen.

Slijpschijven altijd volgens de voorschriften van de fabrikant gebruiken en bewaren.

Bij het schuren van metalen ontstaan vonken. Er op letten dat er geen personen in gevaar worden gebracht. In verband met het brandgevaar mogen zich geen brandbare materialen in de buurt (gebied waar de vonken vallen) bevinden. Geen stofafzuiging gebruiken

Machine altijd zo vasthouden dat vonken of slijpstof van het lichaam zijn af gericht.

Voor het doorslijpen van steen is de geleideslede voorschrift.

De flensmoer moet vóór de ingebruikname van de machine aangetrokken zijn.

Het te bewerken werkstuk moet vast worden ingespannen als het niet door het eigen gewicht stabiel ligt. Nooit het werkstuk met de hand tegen de schijf houden.



Bij extreme gebruiksvoorwaarden (bijv. gladlijpen van metaal met de steun en de vulkaanfiber-slijpschijven) kan in het inwendige van de haakse slijper ernstige verontreiniging ontstaan. Bij dergelijke werkzaamheden is om veiligheidsredenen een grondige reiniging van de binnenzijde (verwijdering van metaalslijpsel) en tevens de voorschakeling van een lekstroomschakelaar (FI) vereist. Na het aanspreken van de lekstroomschakelaar moet de machine ter reparatie worden opgestuurd.

Bij gebruik van gereedschappen die bedoeld zijn voor wielen met schroefgaten, dient men te controleren dat de schroefdraad in het wiel lang

Voor doorslijpwerkzaamheden gesloten beschermkap uit het toebehorenprogramma gebruiken.

### VOORGESCHREVEN GEBRUIK VAN HET SYSTEEM

De haakse slijpmachine is geschikt voor het doorslijpen en voorbewerken van allerlei materialen, bijvoorbeeld metaal of steen, voor het slijpen met een kunststof slijpschijf en voor het werken met een staalborstel. Neem in twijfelgevallen de aanwijzingen van de toebehorenfabrikant in acht.

Dit apparaat uitsluitend gebruiken voor normaal gebruik, zoals aangegeven.

### NETAANSLUITING

Uitsluitend op éénfase-wisselstroom en uitsluitend op de op het typeplaatje aangegeven netspanning aansluiten. Aansluiting is ook mogelijk op een stekerdoos zonder aardcontact mogelijk, omdat het is ontwerpen volgens veiligheidsklasse II.

### EC - VERKLARING VAN OVEREENSTEMMING

Wij verklaren dat dit produkt voldoet aan de volgende normen of normatieve documenten: EN 60745, EN 55014-1, EN 55014-2, EN 61000-3-2, EN 61000-3-3, overeenkomstig de bepalingen van de richtlijnen 2006/42/EG, 2004/108/EG



Winnenden, 2010-11-17

Rainer Kumpf  
Manager Product Development  
Gemachtigd voor samenstelling van de technische documenten

### ONDERHOUD

Altijd de luchtspleten van de machine schoonhouden.

Vanwege kortsluitingsgevaar mogen metaaldeeltjes niet in de luchtschachten terecht komen.

Alleen AEG toebehoren en onderdelen gebruiken. Onderdelen welke niet vermeld worden, kunnen het beste door de AEG servicedienst vervisseld worden (zie Serviceadressen).

Onder vermelding van het tiencijferige nummer op het machineplaatje is desgewenst een doorsnedetekening van de machine verkrijgbaar bij: AEG Elektrowerkzeuge, Max-Eyth-Straße 10, D-71364 Winnenden, Germany.

### SYMBOLEN



Graag instructies zorgvuldig doorlezen vóórdat u de machine in gebruik neemt.



OPGELET! WAARSCHUWING! GEVAAR!



Bij het werken met de machine altijd een veiligheidsbril dragen.



Voor alle werkzaamheden aan de machine de stekker uit de kontaktdoos trekken.



Toebehoren - Wordt niet meegeleverd. Is apart leverbaar. Zie hiervoor het toebehorenprogramma.



Geef elektrisch gereedschap niet met het huisvuil mee! Volgens de Europese richtlijn 2002/96/EG inzake oude elektrische en elektronische apparaten en de toepassing daarvan binnen de nationale wetgeving, dient gebruikt elektrisch gereedschap gescheiden te worden ingezameld en te worden afgevoerd naar een recycle bedrijf dat voldoet aan de geldende milieu-eisen.

	WS 9-100	WS9-115	WS9-125
Nominel optagen effekt.....	900 W	900 W	900 W
Nominelt omdrejningstal.....	11000 min <sup>-1</sup>	11000 min <sup>-1</sup>	11000 min <sup>-1</sup>
Slibeskive-Ø.....	100 mm	115 mm	125 mm
Spindelgevind.....	M 10	M 14	M 14
Vægt svarer til EPTA-procedure 01/2003.....	2,0 kg	2,0 kg	2,0 kg

**Støj/Vibrationsinformation**

Måleværdier beregnes iht. EN 60 745.

Værktøjets A-vurderede støjniveau er typisk:

Lydtrykniveau (K=3 dB(A)).....	90,5 dB(A)	90,5 dB(A)	90,5 dB(A)
Lydeffekt niveau(K=3 dB(A)).....	101,5 dB(A)	101,5 dB(A)	101,5 dB(A)

**Brug høreværn!**

Samlede vibrationsværdier (værdisum for tre retninger) beregnet iht. EN 60745.

Skære- og skrubslibning: Svingningsemissionstal $a_h$ .....	5,8 m/s <sup>2</sup>	5,8 m/s <sup>2</sup>	5,8 m/s <sup>2</sup>
Usikkerhed K.....	1,5 m/s <sup>2</sup>	1,5 m/s <sup>2</sup>	1,5 m/s <sup>2</sup>
Slibning med tallerkenslibeskive af kunststof: Svingningsemissionstal $a_h$ .....	1,9 m/s <sup>2</sup>	1,9 m/s <sup>2</sup>	1,9 m/s <sup>2</sup>
Usikkerhed K.....	1,5 m/s <sup>2</sup>	1,5 m/s <sup>2</sup>	1,5 m/s <sup>2</sup>

	WS 11-115	WS 11-125
Nominel optagen effekt.....	1100 W	1100 W
Nominelt omdrejningstal.....	11000 min <sup>-1</sup>	11000 min <sup>-1</sup>
Slibeskive-Ø.....	115 mm	125 mm
Spindelgevind.....	M 14	M 14
Vægt svarer til EPTA-procedure 01/2003.....	2,3 kg	2,3 kg

**Støj/Vibrationsinformation**

Måleværdier beregnes iht. EN 60 745.

Værktøjets A-vurderede støjniveau er typisk:

Lydtrykniveau (K=3 dB(A)).....	90,5 dB(A)	90,5 dB(A)
Lydeffekt niveau(K=3 dB(A)).....	101,5 dB(A)	101,5 dB(A)

**Brug høreværn!**

Samlede vibrationsværdier (værdisum for tre retninger) beregnet iht. EN 60745.

Skære- og skrubslibning: Svingningsemissionstal $a_h$ .....	5,8 m/s <sup>2</sup>	5,8 m/s <sup>2</sup>
Usikkerhed K.....	1,5 m/s <sup>2</sup>	1,5 m/s <sup>2</sup>
Slibning med tallerkenslibeskive af kunststof: Svingningsemissionstal $a_h$ .....	1,9 m/s <sup>2</sup>	1,9 m/s <sup>2</sup>
Usikkerhed K.....	1,5 m/s <sup>2</sup>	1,5 m/s <sup>2</sup>

Ved anden anvendelse, f.eks. kapskæring eller slibning med ståltrådsbørste, kan andre vibrationsværdier forekomme!

**ADVARSEL**

Svingningsniveauet, som er angivet i disse anvisninger, er målt i henhold til standardiseret måleprocedure ifølge EN 60745 og kan anvendes til indbyrdes sammenligning mellem el-værktøjer. Svingningsniveauet er ligeledes egnet som foreløbigt skøn over svingningsbelastningen.

Det angivne svingningsniveau er baseret på el-værktøjets primære anvendelsesformål. Hvis el-værktøjet benyttes til andre formål, med andet indsatsværktøj eller ikke vedligeholdes tilstrækkeligt, kan svingningsniveauet afvige. Dette kan øge svingningsbelastningen over den samlede arbejdsperiode betydeligt.

For en nøjagtig vurdering af svingningsbelastningen skal der også tages højde for de tidsperioder, hvor apparatet er slukket, eller hvor apparatet kører, men uden at være i anvendelse. Dette kan reducere svingningsbelastningen over den samlede arbejdsperiode betydeligt.

Supplerende sikkerhedsforanstaltninger til beskyttelse af brugeren mod påvirkninger fra svingninger skal iværksættes, f.eks.: Vedligeholdelse af el-værktøj og indsatsværktøj, varmholdelse af hænder, organisering af arbejdsprocesser.







## ADVARSEL!

Læs alle sikkerhedsanvisninger og øvrige vejledninger, også i den vedlagte brochure. I tilfælde af manglende overholdelse af advarselshenvisningerne og instrukserne er der risiko for elektrisk stød, brand og/eller alvorlige kvæstelser.

**Opbevar alle advarselshenvisninger og instrukser til senere brug.**

## SIKKERHEDSHENVISNINGER

Fælles advarselshenvisninger til slibning, sandpapirslibning, arbejde med trådbørster, polering og skærearbejde:

**a) Dette el-værktøj skal anvendes som sliber, trådbørste og overskæringsslibemaskine.** Alle sikkerhedsanvisninger og øvrige anvisninger samt illustrationer og data, som følger med el-værktøjet, skal tages til følge. Hvis de følgende anvisninger tilsidesættes, kan det føre til elektrisk stød, ildebrand og/eller svære kvæstelser.

**b) Dette el-værktøj er ikke egnet til polering.** Anvendes el-værktøjet til formål, det ikke er beregnet til, kan der opstå farlige situationer, som kan medføre kvæstelser.

**c) Anvend kun tilbehør, hvis det er beregnet til dette elværktøj og anbefalet af fabrikanten.** En mulig fastgørelse af tilbehøret til elværktøjet sikrer ikke en sikker anvendelse.

**d) Den tilladte hastighed for indsatsværktøjet skal mindst være så høj som den max. hastighed, der er angivet på el-værktøjet.** Tilbehør, der drejer hurtigere end tilladt, kan blive ødelagt eller flygte omkring.

**e) Indsatsværktøjets udvendige diameter og tykkelse skal svare til målene på dit elværktøj.** Forkert målt indsatsværktøj kan ikke afskærmes eller kontrolleres tilstrækkeligt.

**f) Slibeskiver, flanger, slibebagskiver eller andet tilbehør skal passe nøjagtigt til slibespindlen på dit elværktøj.** Indsatsværktøj, der ikke passer nøjagtigt på elværktøjets slibespindel, drejer ujævnt, vibrerer meget stærkt og kan medføre, at man taber kontrollen.

**g) Brug ikke el-værktøjet, hvis det er beskadiget. Kontrollér altid før brug indsatsværktøj som f.eks. slibeskiver for afsplintninger og revner, slibebagskiver for revner, slid eller stærkt slid, trådbørster for løse eller brækkede tråde.** Tabes el-værktøjet eller indsatsværktøjet på jorden, skal du kontrollere, om det er beskadiget; anvend evt. et ubeskadiget indsatsværktøj. Når indsatsværktøjet er kontrolleret og indsat, skal du holde dig selv og personer, der befinder sig i nærheden, uden for det niveau, hvor indsatsværktøjet roterer, og lad el-værktøjet køre i et minut ved højeste hastighed. Beskadiget indsatsværktøj brækker for det meste i denne testtid.

**h) Brug personligt beskyttelsesudstyr. Brug helmaske til ansigtet, øjenvern eller beskyttelsesbriller, afhængigt af det udførte arbejde.** Brug afhængigt af arbejdet art støvmaske, hørevern, beskyttelsehandsker eller specialforklæde, der beskytter dig mod små slibe- og materialepartikler. Øjenene skal beskyttes mod fremmede genstande, der flyver rundt i luften og som opstår i forbindelse med forskelligt arbejde. Støv- eller åndedrætsmaske skal filtrere det støv, der opstår under arbejdet. Udsættes du for høj støj i længere tid, kan du lide høretab.

**i) Sørg for tilstrækkelig afstand til andre personer under arbejdet. Enhver, der betragter arbejdsområdet, skal bruge personligt beskyttelsesudstyr.** Brudstykker fra emnet eller brækket indsatsværktøj kan flyve væk og føre til kvæstelser også uden for det direkte arbejdsområde.

**j) Hold maskinen fast i de isolerede gribeblader, når du udfører arbejde, hvor der er risiko for, at skæreværktøjet kan ramme skjulte strømledninger eller værktøjets egen ledning.** Kommer skæreværktøjet i kontakt med en strømførende ledning, kan maskinens metaldele komme under spænding og give elektrisk stød.

**k) Hold netkablet væk fra roterende indsatsværktøj.** Taber du kontrollen over elværktøjet, kan netkablet skæres over eller rammes, og din hånd eller din arm kan trækkes ind i det roterende indsatsværktøj.

**l) Læg aldrig elværktøjet til side, før indsatsværktøjet står helt stille.** Det roterende indsatsværktøj kan komme i kontakt med fralægningsfladen, hvorved du kan tabe kontrollen over elværktøjet.

**m) Lad ikke elværktøjet køre, mens det bæres.** Dit tøj kan blive fanget ved en tilfældig kontakt med det roterende indsatsværktøj, hvorved indsatsværktøjet kan bore sig ind i din krop.

**n) Rengør jævnligt el-værktøjets ventilationsprækker.** Motorblæseren trækker støv ind i huset og en kraftig opbobling af metalstøv kan udgøre en elektrisk risiko.

**o) Anvend ikke elektroværktøjet i nærheden af brændbare materialer.** Gnister kan antænde disse materialer.

**p) Brug ikke indsatsværktøj, der kræver flydende kølemidler.** Anvendelsen af vand eller andre flydende kølemidler kan føre til elektrisk stød.

## Tilbageslag og tilsvarende sikkerhedsanvisninger

Tilbageslag er en pludselig reaktion, der skyldes at et roterende indsatsværktøj - som f.eks. en slibeskive, slibetallerken, trådbørste osv. - har sat sig fast eller er blokeret. Denne fastsættelse eller blokering fører til et pludseligt stop af det roterende indsatsværktøj. Herved accelererer det ukontrollerede elektroværktøj modsat indsatsværktøjets drejretning på blokeringsstedet.

Sidder f.eks. en slibeskive fast eller blokerer i et emne, kan kanten på slibeskiven, der dykker ned i emnet, blive siddende, hvorved slibeskiven brækker af eller fører til et tilbageslag. Slibeskiven bevæger sig så hen imod eller væk fra betjeningspersonen, afhængigt af skivens drejretning på blokeringsstedet. Derved kan slibeskiver også brække.

Et kast (kickbac) opstår som følge af forkert brug eller misbrug af maskinen. Det kan undgås ved at tage nedenstående forholdsregler.

**a) Hold godt fast i elektroværktøjet og sørg for at bringe din krop og dine arme i en position, hvor du kan modstå tilbageslagskræfterne. Brug altid det ekstra håndtag, såfremt et sådan findes, for at opnå den størst mulige kontrol over tilbageslagskræfterne eller reaktionsmomenterne under opstarten.** Betjeningspersonen kan kontrollere tilbageslags- og reaktionskræfterne ved at træffe egnede forsigtighedsforanstaltninger.

**b) Sørg for at din hånd aldrig kommer i nærheden af det roterende indsatsværktøj.** Indsatsværktøjet kan bevæge sig hen over din hånd ved et tilbageslag.

**c) Sørg for at din krop ikke befinder sig i det område, hvor elektroværktøjet bevæger sig ved et tilbageslag.** Tilbageslaget driver elektroværktøjet frem i den modsatte retning af slibeskivens bevægelse på blokeringsstedet.

**d) Vær særlig forsigtig, når du arbejder i områder med hjørner, skarpe kanter osv. Undgå at indsatsværktøjet slås tilbage fra emnet og sætter sig fast.** Det roterende indsatsværktøj er tilbøjeligt til at sætte sig fast, når det bruges i hjørner, ved skarpe kanter eller hvis det springer tilbage. Dette fører til at man mister kontrollen eller til et tilbageslag.



Dan

**e) Brug ikke kæde- eller tandklinger.** Sådanne indsatsværktøjer forårsager ofte rekylslag eller tab af kontrol over el-værktøjet.

#### Særlige advarselshenvisninger til slibning og skærearbejde

**a) Brug udelukkende slibeskiver/slibestifter, der er godkendt til dit elværktøj, og den beskyttelseskappe, der er beregnet til disse slibeskiver/slibestifter.** Slibeskiver/slibestifter, der ikke er beregnet til el-værktøjet, kan ikke beskyttes tilstrækkeligt og er usikre.

**b) Brug altid beskyttelseskappen.** Beskyttelseskappen skal være anbragt sikkert på el-værktøjet og være således indstillet, at der opnås et højestemål af sikkerhed, dvs. den mindst mulige del af kapskiven vender åbent mod brugeren. Beskyttelseskappen skal beskytte brugeren mod brudstykker og vilkårlig kontakt med slibeskiven.

**c) Slibeskiver/slibestifter må kun anvendes til de anbefalede formål.** F.eks.: Slib aldrig med sidefladen på en skæreskive.

Skæreskiver er bestemt til materialeafslibning med kanten på skiven. Udsættes disse slibeskiver/slibestifter for sidevendt kraftpåvirkning, kan de ødelægges.

**d) Anvend altid ubeskadigede spændeflanger i den rigtige størrelse og form, der passer til den valgte slibeskive.** Egnede flanger støtter slibeskiven og forringer således faren for brud på slibeskiven. Flanger til skæreskiver kan være forskellige fra flanger for andre slibeskiver.

**e) Brug ikke slidte slibeskiver, der passer til større elværktøj.** Slibeskiver til større elværktøj kan brække, da de ikke er egnet til de højere omdrejningstal, som småt elværktøj arbejder med.

#### Yderligere særlige advarselshenvisninger til skærearbejde

**a) Undgå en blokering af skæreskiven eller et for højt tryk. Forsøg ikke at foretage meget dybe snit.** En overbelastning af skæreskiven forøger belastningen af denne og dens tilbøjelighed til at sætte sig fast eller blokere. Dette fører igen til en større mulighed for et tilbageslag eller brud på slibeskiven.

**b) Undgå området for og bag ved den roterende skæreskive.** Bevæger du skæreskiven i emnet væk fra dig selv, kan elværktøjets roterende skive slynges direkte ind mod dig i tilfælde af et tilbageslag.

**c) Hvis skæreskiven sidder i klemme eller du afbryder arbejdet, så sluk for elektroværktøjet og hold det roligt, indtil skiven er stoppet. Forsøg aldrig at trække den stadig roterende skæreskive ud af snittet, da dette kan føre til et tilbageslag.** Find frem til årsagen til at skæreskiven er klemt fast og afhjælp denne.

**d) Tænd ikke el-værktøjet igen, mens det stadig befinder sig i arbejdsområdet. Lad kapskiven nå op på sit fulde omdrejningstal, inden du forsigtigt fortsætter snittet.** Ellers kan skiven sætte sig fast, hoppe ud af arbejdsområdet eller forårsage returslag.

**e) Understøt plader eller store emner for at reducere risikoen for et tilbageslag som følge af en fastklemt skæreskive.** Store emner kan bøje sig under deres egen vægt. Emnet skal understøttes på begge sider, altså både i nærheden af snittet og ved kanten.

**f) Vær særlig forsigtig ved „lommensnit“ i eksisterende vægge eller andre områder, som man ikke kan se ind i.** Den neddykkende skæreskive kan forårsage et tilbageslag, når der skæres i gas- eller vandledninger, elektriske ledninger eller andre genstande.

#### Særlige advarselshenvisninger til sandpapirslibning

**a) Anvend ikke overdimensioneret slibepapir, men læs og overhold fabrikantens forskrifter mht. slibepapirets størrelse.** Slibepapirer, der rager ud over slibebagskiven, kan føre til kvæstelser eller blokering eller iturivning af slibepapirerne eller til tilbageslag.

#### Særlige advarselshenvisninger i forbindelse med arbejde med trådbørster

**a) Vær opmærksom på, at trådbørsten også taber trådstykker under almindelig brug. Overbelast ikke trådene med et for stort tryk.** Vækflyvende trådstykker kan meget hurtigt trænge ind under tyndt tøj og/eller huden.

**b) Anbefales det at bruge en beskyttelseskappe, skal du forhindre, at beskyttelseskappe og trådbørste kan berøre hinanden.** Tallerken- og kopbørster kan øge deres diameter med tryk og centrifugalkraft.

Stikdåser udenørs skal være forsynet med fejlstrømssikringskontakter (FI, RCD, PRCD). Det forlanger installationsforskriften for Deres elektroanlæg. Overhold dette, når De bruger vores maskiner.

Spåner eller splinter må ikke fjernes, medens maskinen kører.

Maskinen slutes kun udkoblet til stikdåsen.

Pas på ikke at få hånden ind i maskinen.

Brug altid støttegrebet.

Sluk straks for værktøjet, hvis der opstår betydelige svingninger eller der konstateres andre mangler. Kontrollér værktøjet og find frem til årsagen.

Benyt og opbevar kun slibeskiver iht. fabrikantens angivelser.

Gnistregn opstår ved slibning af metal. Vær opmærksom på, at personer ikke kommer til skade. På grund af brandfare må brandbare materialer ikke opbevares i nærheden (gnistregnområde). Brug ikke støvsuger.

Maskinen skal altid håndteres således, at gnister og slibestøv slynges væk fra kroppen.

Til deling af sten er foringsslæden foreskrevet.

Flangemøtrikken skal spændes inden maskinen tages i brug.

Det arbejdsområde, som skal bearbejdes, fastspændes, medmindre det holdes på plads af arbejdsområdets egenvægt. For aldrig emnet mod skiven med hånden.

Under ekstreme anvendelsesbetingelser (f.eks. glatlibning af metaller med støtteskive og vulkulfiber-slibeskiver) kan det indvendige af vinkelsliberen blive meget snavset. I sådanne tilfælde er det af sikkerhedsgrunde nødvendigt at foretage grundig rengøring af indvendige metalaflejringer, ligesom det er absolut nødvendigt at installere et fejlstrøms- (HFI) relæ. Hvis HFI-relæet aktiveres, skal maskinen indsendes til reparation.

For værktøjt hovpår der skal monteres hjul med gevindskåret hul, skal De sikre, at gevindet i hjulet er langt nok til at rumme aksellængden.

Til skærearbejder skal benyttes lukket beskyttelseskappe fra tilbehørsprogrammet.



## TILTÆNKT FORMÅL

Vinkelsliberen kan anvendes til overskæring og skrubslibning af mange materialer, som f.eks. metal eller sten, samt til slibning med kunststof-tallerkenslibeskive og til arbejder med ståltrådsbørste. Er du i tvivl, så læs vejledningen fra producenten af tilbehøret.

Produktet må ikke anvendes på anden måde og til andre formål end foreskrevet.

## NETTILSLUTNING

 Tilslutning må kun foretages til enfaset vekselstrøm og kun til en netspænding, som er i overensstemmelse med angivelsen på mærkepladen. Tilslutning kan også ske til stikdåser uden beskyttelseskontakt, da kapslingsklasse II foreligger.

## CE-KONFORMITETSERKLÆRING

Vi erklærer under almindeligt ansvar, at dette produkt er i overensstemmelse med følgende normer eller norma-tive dokumenter. EN 60745, EN 55014-1, EN 55014-2, EN 61000-3-2, EN 61000-3-3, i henhold til bestemmelserne i direktiverne 2006/42/EF, 2004/108/EF



Winnenden, 2010-11-17

Rainer Kumpf  
Manager Product Development  
Autoriseret til at udarbejde de tekniske dokumenter.

## VEDLIGEHOJDELSE

Hold altid maskinens ventilationsåbninger rene.

Metaldele må ikke trænge ind i ventilationsåbningerne, da dette kan føre til kortslutning

Brug kun AEG tilbehør og reservedele. Lad de komponenter, hvis udskiftning ikke er blevet beskrevet, udskifte hos Atlas Copco service (se kundeserviceadresser).

Ved opgivelse af type nr. der er angivet på maskinens effektskilt, kan De rekvirere en reservedelstegning, ved henvendelse til: AEG Elektrowerkzeuge, Max-Eyth-Straße 10, D-71364 Winnenden, Germany.

## SYMBOLER



Læs brugsanvisningen nøje før ibrugtagning.



VIGTIGT! ADVARSEL! FARE!



Når der arbejdes med maskinen, skal man have beskyttelsesbriller på.



Før ethvert arbejde ved maskinen skal stikket tages ud af stikdåsen.



Tilbehør - Ikke inkluderet i leveringsomfanget, køb købes som tilbehør.



Elværktøj må ikke bortskaffes som almindeligt affald! I henhold til det europæiske direktiv 2002/96/EF om bortskaffelse af elektriske og elektroniske produkter og gældende national lovgivning skal brugt værktøj indsamles separat og bortskaffes på en måde, der skåner miljøet mest muligt.

	WS 9-100	WS9-115	WS9-125
Nominell inngangseffekt .....	900 W	900 W	900 W
Nominelt turtall .....	11000 min <sup>-1</sup>	11000 min <sup>-1</sup>	11000 min <sup>-1</sup>
slipeskive-Ø .....	100 mm	115 mm	125 mm
Spindelgjenge .....	M 10	M 14	M 14
Vekt i henhold til EPTA-Prosedyren 01/2003 .....	2,0 kg	2,0 kg	2,0 kg

**Støy/Vibrasjonsinformasjon**

Måleverdier fastslått i samsvar med EN 60 745.

Det typiske A-bedømte støynivået for maskinen er:

Lydtrykknivå (K=3 dB(A)) .....	90,5 dB (A)	90,5 dB (A)	90,5 dB (A)
Lydeffektnivå (K=3 dB(A)) .....	101,5 dB (A)	101,5 dB (A)	101,5 dB (A)

**Bruk hørselsvern!**

Totale svingningsverdier (vektorsum fra tre retninger) beregnet jf. EN 60745.

Kutting og polering/rensing: svingningens emisjonsverdi $a_w$ .....	5,8 m/s <sup>2</sup>	5,8 m/s <sup>2</sup>	5,8 m/s <sup>2</sup>
Usikkerhet K .....	1,5 m/s <sup>2</sup>	1,5 m/s <sup>2</sup>	1,5 m/s <sup>2</sup>
Sliping med kunststoffskeive: svingningens emisjonsverdi $a_w$ .....	1,9 m/s <sup>2</sup>	1,9 m/s <sup>2</sup>	1,9 m/s <sup>2</sup>
Usikkerhet K .....	1,5 m/s <sup>2</sup>	1,5 m/s <sup>2</sup>	1,5 m/s <sup>2</sup>

	WS 11-115	WS 11-125
Nominell inngangseffekt .....	1100 W	1100 W
Nominelt turtall .....	11000 min <sup>-1</sup>	11000 min <sup>-1</sup>
slipeskive-Ø .....	115 mm	125 mm
Spindelgjenge .....	M 14	M 14
Vekt i henhold til EPTA-Prosedyren 01/2003 .....	2,3 kg	2,3 kg

**Støy/Vibrasjonsinformasjon**

Måleverdier fastslått i samsvar med EN 60 745.

Det typiske A-bedømte støynivået for maskinen er:

Lydtrykknivå (K=3 dB(A)) .....	90,5 dB (A)	90,5 dB (A)
Lydeffektnivå (K=3 dB(A)) .....	101,5 dB (A)	101,5 dB (A)

**Bruk hørselsvern!**

Totale svingningsverdier (vektorsum fra tre retninger) beregnet jf. EN 60745.

Kutting og polering/rensing: svingningens emisjonsverdi $a_w$ .....	5,8 m/s <sup>2</sup>	5,8 m/s <sup>2</sup>
Usikkerhet K .....	1,5 m/s <sup>2</sup>	1,5 m/s <sup>2</sup>
Sliping med kunststoffskeive: svingningens emisjonsverdi $a_w$ .....	1,9 m/s <sup>2</sup>	1,9 m/s <sup>2</sup>
Usikkerhet K .....	1,5 m/s <sup>2</sup>	1,5 m/s <sup>2</sup>

Ved andre anvendelser, som f.eks. kutting eller sliping med stålbørste, kan andre vibrasjonsverdier oppstås!

**ADVARSEL**

Svingningsnivået som er angitt i denne instruksjonen er målt i overensstemmelse med målemetoden normert i direktiv EN 60745 og kan brukes til å sammenligne elektromaskiner med hverandre. Den egner seg også for en foreløbig vurdering av svingningsbelastningen.

Det angitte svingningsnivået representerer de hovedsaklige bruk av elektroverktøyet. Men anvendes elektroverktøyet for andre bruk med avvikende utskiftbare verktøy eller vedlikeholdet er utilstrekkelig, kan svingningsnivået være avvikende.

Dette kan forhøye svingningsbelastning betydelig over hele arbeidsperioden. For en nøyaktig vurdering av svingningsbelastningen må også det tas hensyn til tiden apparatet er avslått eller står på, men ikke er i bruk. Dette kan redusere svingningsbelastningen betydelig over hele arbeidsperioden.

Innfør også ekstra sikkerhetstiltak for å beskytte bruker mot utvirkningen av svingningene. Disse kan f.eks. være: vedlikehold av elektroverktøyet og det utskiftbare verktøyet, holde hendene varme, organisasjon av arbeidsforløpet.





## ADVARSEL!

Les alle sikkerhetsinstruksjoner og bruksanvisninger, også de i den vedlagte brosjyren. Feil ved overholdelsen av advarslene og nedenstående anvisninger kan medføre elektriske støt, brann og/eller alvorlige skader.

Ta godt vare på alle advarslene og informasjonene.

### SPEISIELLE SIKKERHETSHENVISNINGER

Felles advarsler om sliping, sandpapirsliping, arbeid med stålborster, polering og kapping:

**a) Dette elektroverktøyet kan brukes som sliper, stålborste og kappemaskin. Vær oppmerksom på alle sikkerhetsinstruksjoner, anvisninger, beskrivelser og data som er vedlagt elektroverktøyet.** Dersom anvisningene ikke blir tatt hensyn til, kan dette føre til

**b) Dette elektroverktøyet er ikke egnet til å polering.** Bruk som elektroverktøyet.

**c) Ikke bruk tilbehør som ikke er spesielt beregnet og anbefalt av produsenten for dette elektroverktøyet.** Selv om du kan feste tilbehøret på elektroverktøyet ditt, garanterer dette ingen sikker bruk.

**d) Det godkjente turtallet til innsatsverktøyet må være minst like høyt som det maksimale turtallet som er angitt på elektroverktøyet.** Tilbehør som dreies hurtigere enn godkjent, kan brette og slynges rundt.

**e) Utvendig diameter og tykkelse på innsatsverktøyet må tilsvare målene for elektroverktøyet.** Gale innsatsverktøy kan ikke sikres eller kontrolleres tilstrekkelig.

**f) Slipeskiver, flenser, slipetallerkener eller annet tilbehør må passe nøyaktig på slipespindelen til elektroverktøyet.** Innsatsverktøy som ikke passer nøyaktig på slipespindelen til elektroverktøyet, roterer uregelmessig, vibrerer svært sterkt og kan føre til at du mister kontrollen.

**g) Ikke bruk skadede innsatsverktøy. Sjekk før hver bruk om innsatsverktøy slik som slipeskiver er splintret eller revnet, om slipetallerkener er revnet eller svært slitt, om stålborster har løse eller har brukkede tråder. Hvis elektroverktøyet eller innsatsverktøyet faller ned, må du kontrollere om det er skadet eller bruk er ikke skadet innsatsverktøy. Når du har kontrollert og satt inn innsatsverktøyet, må du holde personer som oppholder seg i nærheten unna det roterende innsatsverktøyet og la elektroverktøyet gå i ett minutt med maksimalt turtall. Som regel brette skadede innsatsverktøy i løpet av denne testtiden.**

**h) Bruk personlig beskyttelsesutstyr. Avhengig av typen bruk må du bruke visir, øyebeskyttelse eller vernebriller.** Om nødvendig må du bruke støvmaske, hørseilvern, vernehansker eller spesialforkle som holder små slipe- og materialpartikler unna kroppen din. Øynene bør beskyttes mot fremmedlegemer som kan fly rundt ved visse typer bruk. Støv- eller pustevernmasker må filtrere den typen støv som oppstår ved denne bruken. Hvis du er utsatt for sterk støv over lengre tid, kan du miste hørselen.

**i) Pass på at andre personer holder tilstrekkelig avstand til arbeidsområdet ditt. Alle som går inn i arbeidsområdet må bruke personlig verneutstyr.** Brukne deler til verktøyet eller brukne innsatsverktøy kan slynges ut og derfor også forårsake skader utenfor det direkte arbeidsområdet.

**j) Hold apparatet i de isolerte holdeflatene, når det arbeides på steder hvor elektroverktøyet kan treffe skjulte strømledninger eller verktøyet egen kabel.** Kontakt med

en ledning som er under spenning, kan også sette metalldele til apparatet under spenning og føre til et elektrisk slag.

**k) Hold strømledningen unna roterende innsatsverktøy.**

Hvis du mister kontrollen over elektroverktøyet kan strømledningen kappes eller komme inn i verktøyet, og hånden eller armen din kan komme inn i det roterende innsatsverktøyet.

**l) Legg aldri elektroverktøyet ned før innsatsverktøyet er stanset helt.** Det roterende innsatsverktøyet kan komme i kontakt med overflaten der maskinen legges ned, slik at du kan miste kontrollen over elektroverktøyet.

**m) La aldri elektroverktøyet være innkoblet mens du bærer det.** Tøyet ditt kan komme inn i det roterende innsatsverktøyet hvis det tilfeldigvis kommer i kontakt med verktøyet og innsatsverktøyet kan da bore seg inn i kroppen din.

**n) Rens regelmessig luftåpningene til elektroverktøyet.**

Motorviften trekker støv inni kassen og en stor ansamling av metallstøv kan forårsake elektrisk fare.

**o) Ikke benytt elektroverktøyet i nærheten av brennbare materialer.** Gnister kan antenne disse materialene.

**p) Ikke bruk verktøy som krever flytende kjølemidler.** Bruk av vann eller andre flytende kjølemidler kan medføre elektrisk støt.

### Tilbakeslag og respektive sikkerhetsinstruksjoner:

Tilbakeslag er den plutselige reaksjonen ved festhaking eller blokkering av det roterende verktøyet, som slipeskive, slipetallerken, stålborste osv. Festhaking eller blokkering medfører at det roterende verktøyet stanser umiddelbart. Dermed slynges et ukontrollert elektroverktøy mot verktøyet's rotasjonsretning i retning blokkeringsstedet.

Hvis f. eks. en slipeskive henger seg opp eller blokkerer i arbeidsstykket, kan kanten på slipeskiven som dykker inn i arbeidsstykket, henge seg opp og slik brette slipeskiven eller forårsaker et tilbakeslag. Slipeskiven beveger seg da mot eller bort fra brukeren, avhengig av skivens dreieretning på blokkeringsstedet. Slik kan slipeskiver også brette.

Et tilbakeslag er resultat av en gal eller feilaktig bruk av sagen. Det kan unngås ved å følge egnede sikkerhetstiltak som beskrevet nedenstående.

**a) Hold elektroverktøyet godt fast og hold kroppen og armene dine i en slik posisjon at du kan fange opp tilbakeslagskreftene. Bruk alltid tilleggsgrep, hvis det finnes, for å ha størst mulig kontroll over tilbakeslagskreftene eller reaksjonsmomentene ved oppstart.** Ved egnede forsiktighetstiltak kan operatøren beherske tilbakeslags- og reaksjonskreftene.

**b) Hold aldri hånden i nærheten av elektroverktøy som roterer.** Verktøyet kan bevege seg over hånden din ved tilbakeslag.

**c) Unngå at kroppen din befinner seg i det området hvor elektroverktøyet bevegtes i tilfelle tilbakeslag.** Tilbakeslaget driver elektroverktøyet i motsatt retning av bevegelsen til slipeskiven på blokkeringsstedet.

**d) Arbeid spesielt forsiktig i områder som hjørner, skarpe kanter osv. Unngå at verktøy slås tilbake fra arbeidsstykket og klemmes fast.** Det roterende verktøyet har tendens til å klemme seg fast ved hjørner, skarpe kanter eller når det preller av. Dette medfører at man kan miste kontrollen eller det oppstår tilbakeslag.

**e) Bruk ikke sagblad med kjede eller tanning.** Slike elektroverktøy forårsaker ofte et tilbakeslag eller tap av kontrollen over elektroverktøyet.



### Spesielle advarsler om sliping og kapping

**a) Bruk kun slipeskiver som er godkjent for dette elektroverktøyet og et vernedeksel som er konstruert for denne typen slipeskive.** Slipeskiver som ikke ble konstruert for dette elektroverktøyet, kan ikke beskyttes tilsvarende og er ikke sikre.

**b) Bruk alltid vernehetten. Den skal være festet sikkert på elektroverktøyet og innstilt slik at maksimal sikkerhet blir nådd, dvs. at bare en minst mulig del av skiven er synlig for bruker.** Vernehetten skal beskytte bruker mot bruddstykker og tilfeldig kontakt med slipeelementet.

**c) Slipeskiver må kun brukes til anbefalt type bruk.** F. eks.: Ikke slip med sideflaten til en kappeskive. Kappeskiver er beregnet til materialfjerning med kanten på skiven. Innvirkning av krefter fra siden kan føre til at slipeskivene brekker.

**d) Bruk alltid uskadede spennflenser i riktig størrelse og form for den slipeskiven du har valgt.** Egnede flenser støtter slipeskiven og reduserer slik faren for at slipeskiven brekker. Flenser for kappeskiver kan være annerledes enn flenser for andre slipeskiver.

**e) Ikke bruk slitte slipeskiver fra større elektroverktøy.** Slipeskiver for større elektroverktøy er ikke beregnet til de høyere turtall på mindre elektroverktøy og kan brekke.

### Ytterligere spesielle advarsler for kappesliping

**a) Unngå at kappeskiven blokkeres eller for høyt presstrykk. Ikke skjær for dype kutt.** Overbelastning av kappeskiven øker slitasjen og øker risikoen for fastklemming eller blokkering og dermed muligheten for et tilbakeslag eller brudd på slipelegemet.

**b) Unngå området foran og bak den roterende kappeskiven.** Hvis kappeskiven beveger seg bort fra deg i arbeidsstykket, kan elektroverktøyet med den roterende skiven ved tilbakeslag slynge direkte mot kroppen din.

**c) Hvis kappeskiven er fastklemt eller du avbryter arbeidet, må du slå av apparatet og holde det rolig til skiven har stanset helt. Forsøk aldri å trekke kappeskiven av en snittet.** Det vil kan medføre tilbakeslag. Finn og utbedre årsaken til at fastklemmingen oppsto.

**d) Ikke slå på elektroverktøyet igjen så lenge det befinner i arbeidsstykket. La skilleskiven nå sitt maksimale omdreiningstall før snittet forsiktig blir fortsatt.** Ellers kan skiven hekte seg fast, hoppe ut av arbeidsstykke eller forårsake et tilbakeslag.

**e) Støtt platene eller større arbeidsstykker, for å redusere risikoen for et tilbakeslag grunnet en innklemt kappeskive.** Store arbeidsstykker kan bøye seg under sine egen vekt. Arbeidsstykket må støttes på begge sider, både nær kappesnippet og på kanten.

**f) Vær spesielt forsiktig ved „lommesnitt“ i bestående vegger eller andre områder som ikke er synlige.** Hvis kappeskiven trenger inn i gass- eller vannledninger, elektriske ledninger eller andre objekter kan medføre et tilbakeslag.

### Spesielle advarsler om sandpapisliping

**a) Ikke bruk overdimensjonerte slipeskiver, følg produsentens informasjoner om slipepapir-størrelsen.** Slipeskiver som peker ut over slipetallerkenen kan forårsake skader og føre til at slipeskivene blokkerer eller revner eller til at det oppstår tilbakeslag.

### Spesielle advarsler for arbeid med stålborster

**a) Husk på at stålborsten mister stålbiten i løpet av vanlig bruk. Ikke overbelast ståldelelen med for sterkt presstrykk.** Ståldeler som slynnes bort kan lett trenge inn gjennom tynt tøy og/eller hud.

**b) Hvis det anbefales å bruke et verne deksel, må du forhindre at verne dekslet og stålborsten kan berøre hverandre.** Tallerken- og koppborster kan få større diameter med presstrykk og sentrifugalkrefter.

Stikkontakter utendørs må være utstyrt med feilstrøm-sikkerhetsbryter (FI, RCD, PRCD). Dette forlanges av installasjonsforskriften for elektroanlegg. Vennligst følg dette når du bruker vårt apparat.

Spon eller fliser må ikke fjernes mens maskinen er i gang. Maskinen må være slått av når den koples til stikkontakten.

Ikke grip inn i fareområdet mens maskinen er i gang. Bruk alltid ekstrahåndtaket.

Slå straks av apparat når det oppstår store svingninger eller du fastslår andre mangler. Kontroller maskinen for å fastslå årsaken.

Bruk og oppbevar slipeskiver alltid i henhold til produsentens anvisninger.

Ved sliping av metall flyr det gnister. Pass på at ingen personer blir utsatt for fare. På grunn av brannfaren må det ikke finnes noen brennbare materialer i nærheten (gnistområdet). Ikke bruk støvavsug.

Hold apparatet alltid slik at gnister eller slipestøv flyr vekk fra kroppen.

Føringsleiden er forskrift ved kapping av stein.

Flensmutteren må være trukket til før maskinen startes.

Det emnet som skal bearbeides må være fastspent, hvis det ikke blir holdt av sin egen vekt. Før aldri emnet med hånden mot skiven.

Under ekstreme bruksforhold (f.eks. ved glattsliping av metall med støtteskive og vulkanfiber-slipeskiver) kan det legges seg mye skitt inne i vinkelsliperen. Ved slike bruksforhold er det av sikkerhetsgrunner nødvendig med innvendig rengjøring for å fjerne metallrester, det er dessuten tvingende nødvendig å montere en jordfeil- (FI) bryter. Hvis FI-bryteren reagerer må maskinen innsendes til reparasjon.

For verktøy som skal tilpasses hjul med gjengete hull, påse at gjenget i hjulet er langt nok til spindellengden.

For kutting bruk lukket beskyttelseshetten fra tilbehørdelene.

### FORMÅLSMESSIG BRUK

Vinkelsliperen kan brukes til kutting og polering/rensing av mange materialer, som f.eks. metall eller stein. Den kan også brukes til sliping med kunststoffsletter og til arbeid med stålborste. I tvilstilfeller ta hensyn til instruksjonene til produsenten av tilbehøret. Dette apparatet må kun brukes til de oppgitte formål.

### NETTILKOPLING

Skal bare tilsluttes enfasevekselstrøm og bare til den på skilket angitte nettspenning. Tilslutning til stikkontakter uten jordet kontakt er mulig fordi beskyttelse beskyttelsesklasse II er forhanden.



## CE-SAMSVARERKLÆRING

Vi erklærer på eget ansvar at dette produktet stemmer overens med de følgende normer eller normative dokumenter. EN 60745, EN 55014-1, EN 55014-2, EN 61000-3-2, EN 61000-3-3, i henhold til bestemmelsene i direktivene 2006/42/EF, 2004/108/EF



Winnenden, 2010-11-17

Rainer Kumpf  
Manager Product Development  
Autorisert til å utarbeide den tekniske dokumentasjonen

## VEDLIKEHOLD

Hold alltid luftenåpningene på maskinen rene.

På grunn av kortslutningsfare må metalleder ikke komme inn i luftenåpningene.

Bruk kun AEG tilbehør og reservedeler. Komponenter der utskiftning ikke er beskrevet skal skiftes ut hos AEG kundeservice (se brosjyre garanti/kundeserviceadresser).

Ved behov kan du be om en eksplosjonstegning av apparatet hos din kundeservice eller direkte hos AEG Elektrowerkezeuge, Max-Eyth-Straße 10, D-71364 Winnenden, Germany. Oppgi maskintype og det tilsifrete nummeret på typeskiltet.



Nor

## SYMBOLER



Les nøye gjennom bruksanvisningen før maskinen tas i bruk.



OBS! ADVARSEL! FARE!



Bruk alltid vernebrille når du arbeider med maskinen.



Trekk støpslet ut av stikkkontakten før du begynner arbeider på maskinen.



Tilbehør - inngår ikke i leveransen, anbefalt komplettering fra tilbehørsprogrammet.



Kast aldri elektroverktøy i husholdningsavfallet! I henhold til EU-direktiv 2002/96/EF om kasserte elektriske og elektroniske produkter og direktivets iverksetting i nasjonal rett, må elektroverktøy som ikke lenger skal brukes, samles separat og returneres til et miljøvennlig gjenvinningsanlegg.

	WS 9-100	WS9-115	WS9-125
Nominell upptagen effekt.....	900 W	900 W	900 W
Märkvarvtal.....	11000 min <sup>-1</sup>	11000 min <sup>-1</sup>	11000 min <sup>-1</sup>
Slipskivor- $\emptyset$ .....	100 mm	115 mm	125 mm
Spindelgänga.....	M 10	M 14	M 14
Vikt enligt EPTA 01/2003.....	2,0 kg	2,0 kg	2,0 kg

**Buller-/vibrationsinformation**

Mätvärdena har tagits fram baserade på EN 60 745.

A-värdet av maskinens ljudnivå utgör:

Ljudtrycksnivå (K=3 dB(A)) .....	90,5 dB(A)	90,5 dB(A)	90,5 dB(A)
Ljudeffektsnivå(K=3 dB(A)) .....	101,5 dB(A)	101,5 dB(A)	101,5 dB(A)

**Använd hörselskydd!**

Totala vibrationsvärden (vektorsumma ur tre riktningar) framtaget enligt EN 60745.

Kapning och slipning: svängningsemissionsvärde $a_h$ .....	5,8 m/s <sup>2</sup>	5,8 m/s <sup>2</sup>	5,8 m/s <sup>2</sup>
Onoggrannhet K.....	1,5 m/s <sup>2</sup>	1,5 m/s <sup>2</sup>	1,5 m/s <sup>2</sup>
Slipning med plastsliptallrik: svängningsemissionsvärde $a_h$ .....	1,9 m/s <sup>2</sup>	1,9 m/s <sup>2</sup>	1,9 m/s <sup>2</sup>
Onoggrannhet K.....	1,5 m/s <sup>2</sup>	1,5 m/s <sup>2</sup>	1,5 m/s <sup>2</sup>

	WS 11-115	WS 11-125
Nominell upptagen effekt.....	1100 W	1100 W
Märkvarvtal.....	11000 min <sup>-1</sup>	11000 min <sup>-1</sup>
Slipskivor- $\emptyset$ .....	115 mm	125 mm
Spindelgänga.....	M 14	M 14
Vikt enligt EPTA 01/2003.....	2,3 kg	2,3 kg

**Buller-/vibrationsinformation**

Mätvärdena har tagits fram baserade på EN 60 745.

A-värdet av maskinens ljudnivå utgör:

Ljudtrycksnivå (K=3 dB(A)) .....	90,5 dB(A)	90,5 dB(A)
Ljudeffektsnivå(K=3 dB(A)) .....	101,5 dB(A)	101,5 dB(A)

**Använd hörselskydd!**

Totala vibrationsvärden (vektorsumma ur tre riktningar) framtaget enligt EN 60745.

Kapning och slipning: svängningsemissionsvärde $a_h$ .....	5,8 m/s <sup>2</sup>	5,8 m/s <sup>2</sup>
Onoggrannhet K.....	1,5 m/s <sup>2</sup>	1,5 m/s <sup>2</sup>
Slipning med plastsliptallrik: svängningsemissionsvärde $a_h$ .....	1,9 m/s <sup>2</sup>	1,9 m/s <sup>2</sup>
Onoggrannhet K.....	1,5 m/s <sup>2</sup>	1,5 m/s <sup>2</sup>

Om man använder verktyget för andra ändamål, t ex för kapning eller slipning med stålborste, kan man få andra vibrationsvärden!

**VARNING**

Den i de här anvisningarna angivna vibrationsnivån har uppmätts enligt ett i EN 60745 normerat mätförfarande och kan användas vid jämförelse mellan olika elverktyg. Nivån är även lämplig att använda vid en preliminär bedömning av vibrationsbelastningen.

Den angivna vibrationsnivån representerar den huvudsakliga användningen av det aktuella elverktyget. Men om elverktyget ska användas i andra användningsområden, tillsammans med avvikande insatsverktyg eller efter otillräckligt underhåll, kan vibrationsnivån skilja sig. Det kan öka vibrationsbelastningen betydligt under hela arbetstiden.

För att få en exaktare bedömning av vibrationsbelastningen ska även den tid beaktas, under vilken elverktyget är avstängt eller är påslaget, utan att det verkligen används. Det kan reducera vibrationsbelastningen betydligt under hela arbetstiden.

Lägg som skydd för användaren fast extra säkerhetsåtgärder mot vibrationernas verkan, som till exempel: underhåll av elverktyg och insatsverktyg, varmhållning av händer och organisering av arbetsförlopp.







## WARNING!

Läs alla säkerhetsanvisningar och andra tillhörande anvisningar, även de i den medföljande broschyren. Fel som uppstår till följd av att anvisningarna nedan inte följts kan orsaka elstöt, brand och/eller allvarliga kroppsskador.

Förvara alla varningar och anvisningar för framtida bruk.

## SÄKERHETSUTRUSTNING

Gemensamma säkerhetsanvisningar för slipning, sandpappersslipning, arbeten med stålborste, polering och kapslipning:

a) Den här maskinen kan användas som slipmaskin, trådborste och kapmaskin. Följ alla säkerhetsanvisningar, anvisningar, bilder och uppgifter som du får tillsammans med maskinen. Följ du inte de nedanstående anvisningarna, kan det inträffa elstöt, brand och/eller svåra personskador.

b) Den här maskinen är inte avsedd för polering. Tillämpningar som maskinen inte är avsedd för kan förorsaka faror och personskador.

c) Använd inte tillbehör som tillverkaren inte uttryckligen godkänt och rekommenderat för detta elverktyg. Även om tillbehör kan fästas på elverktyget finns det ingen garanti för en säker användning.

d) **Insatsverktygets tillåtna varvtal måste åtminstone motsvara det på elverktyget angivna högsta varvtalet.** Tillbehör med en högre rotationshastighet kan brista och slungas ut.

e) **Insatsverktygets yttre diameter och tjocklek måste motsvara elverktygets dimensioner.** Feldimensionerade insatsverktyg kan inte på betryggande sätt avskäras och kontrolleras.

f) **Slipskivor, flänsar, sliprondeller och annat tillbehör måste passa exakt på elverktygets slippindel.** Insatsverktyg som inte exakt passar till elverktygets slippindel roterar ojämnt, vibrerar kraftigt och kan leda till att du förlorar kontrollen över verktyget.

g) **Använd aldrig skadade insatsverktyg. Kontrollera före varje användning insatsverktygen som t. ex. slipskivor avseende splitterskador och sprickor, sliprondeller avseende sprickor repor eller kraftigt nedslitning, stålborstar avseende lösa eller brustna trådar. Om elverktyget eller insatsverktyget skulle falla ned kontrollera om skada uppstått eller montera ett oskadat insatsverktyg. Du och andra personer i närheten ska efter kontroll och montering av insatsverktyg ställa er utanför insatsverktygets rotationsradie och sedan låta elverktyget rotera en minut med högsta varvtal. Skadade insatsverktyg går i de flesta fall sönder vid denna provkörning.**

h) **Använd personlig skyddsutrustning. Använd alltefter avsett arbete ansiktsskärm, ögonskydd eller skyddsglasögon.** Om så behövs, använd dammfiltermask, hörselskydd, skyddshandskar eller skyddsförkläde som skyddar mot små utslungade slip- och materialpartiklar. Ögonen ska skyddas mot utslungade främmande partiklar som kan uppstå under arbetet. Damm- och andningsskydd måste kunna filtrera bort det damm som eventuellt uppstår under arbetet. Risk finns för hörselskada under en längre tids kraftigt buller.

i) **Se till att obehöriga personer hålls på betryggande avstånd från arbetsområdet. Alla som rör sig inom arbetsområdet måste använda personlig skyddsutrustning. Brottstycken från arbetsstycket eller insatsverktygen kan slungas ut och orsaka personskada även utanför arbetsområdet.**

j) **Håll fast apparaten med hjälp av de isolerade greppytorna när du utför arbeten där arbetsverktyget skulle kunna träffa på dolda elledningar eller kablar.** Om man kommer i kontakt med en spänningsförande ledning, så kan även de delar på verktyget som är av metall bli spänningsförande och leda till att man får en elektrisk stöt.

k) **Håll nätsladden på avstånd från roterande insatsverktyg.** Om du förlorar kontrollen över elverktyget kan nätsladden kapas eller dras in varvid risk finns för att din hand eller arm dras mot det roterande insatsverktyget.

l) **Lägg aldrig bort elverktyget innan insatsverktyget stannat fullständigt.** Det roterande insatsverktyget kan komma i beröring med underlaget varvid risk finns för att du förlorar kontrollen över verktyget.

m) **Elverktyget får inte rotera när det bärs.** Kläder kan vid tillfällig kontakt med det roterande insatsverktyget dras in varvid insatsverktyget dras mot din kropp.

n) **Rengör maskinens ventilationsöppningar regelbundet.** Motorfläkten drar in damm i höjlet, vilket leder till en kraftig ansamling av metalldamm som i sin tur kan förorsaka elektriska faror.

o) **Använd aldrig elverktyget i närheten av brännbara material.** Gnistor kan antända detta material.

p) **Använd inte insatsverktyg som kräver kylvätska.** Användningen av vatten eller andra flytande kylmedel kan leda till elektriska stötar.

## Bakslag och motsvarande säkerhetsanvisningar

Bakslag är den plötsliga reaktion som uppstår när ett roterande insatsverktyg, som t.ex. slipskiva, sliptallrik, stålborste osv., hakar fast eller blockerar. Fasthåningen eller blockeringen leder till ett abrupt stopp av det roterande insatsverktyget. Det okontrollerade elverktyget slungas då mot rotationsriktningen för insatsverktyget vid blockeringsstället.

Om t. ex. en slipskiva hakar upp sig eller blockerar i arbetsstycket kan slipskivans kant i arbetsstycket klämmas fast varvid slipskivan bryts sönder eller orsakar bakslag. Slipskivan rör sig nu mot eller bort från användaren beroende på skivans rotationsriktning vid inklämningsstället. Härvid kan slivskivor även brista.

Bakslag uppstår till följd av missbruk eller felaktig hantering av sägen. Detta kan undvikas genom skyddsåtgärder som beskrivs nedan.

a) **Håll elverktyget ordentligt fast och håll din kropp och dina armar i en position så att du kan fånga upp bakslagskraften. Använd alltid extrahandtaget, om det är monterat, för att få så stor kontroll över bakslagskraften och reaktionsmoment som möjligt när varvtalet ökar.** Användaren kan behärska bakslags- och reaktionskrafter med lämpliga försiktighetsåtgärder.

b) **Placera aldrig handen i närheten av det roterande insatsverktyget.** Insatsverktyget kan röra sig över din hand vid bakslag.

c) **Stå inte i det område där elverktyget kan röra sig vid ett bakslag.** Bakslaget driver elverktyget i en riktning som är motsatt slipskivans rörelse vid blockeringsstället.

d) **Arbeta särskilt försiktigt vid hörn, skapa kanter osv. Se till att insatsverktyget inte studsar tillbaka från arbetsstycket och fastnar.** Det roterande insatsverktyget tenderar att fastna vid hörn, skarpa kanter eller när det studsar tillbaka. Detta gör att du förlorar kontrollen eller leder till ett bakslag.

e) **Använd inga kedjesågblad eller tandade sågblad.** Den typen av verktyg förorsakar ofta en rekyll eller att man förlorar kontrollen över maskinen.



Sve

### Speciella varningar för slipning och kapslipning

**a) Använd endast slipkroppar som godkänts för aktuellt elverktyg och de sprängskydd som är avsedda för dessa slipkroppar.** Slipkroppar som inte är avsedda för aktuellt tryckluftverktyg kan inte på betryggande sätt skyddas och är därför farliga.

**b) Använd alltid skyddskåpan. Skyddskåpan måste sitta fast ordentligt på maskinen och vara inställd så att en så hög säkerhet som möjligt uppnås, det vill säga att en så liten del som möjligt av kapskivan ligger öppen mot användaren.** Skyddskåpan ska skydda användaren mot lossade bitar och eventuell kontakt med slipskivan.

**c) Slipkroppar får användas endast för rekommenderade arbeten.** T. ex.: Slipa aldrig med kapskivans sidoyta. Kapskivor är avsedda för materialavverkning med skivans kant. Om tryck från sidan utövas mot slipkroppen kan den spricka.

**d) För vald slipskiva ska alltid oskadade spännflansar i korrekt storlek och form användas.** Lämpliga flansar stöder slipskivan och reducerar sålunda risken för slipskivbrott. Flansar för kapskivor och andra slipskivor kan ha olika utseende och form.

**e) Använd inte nedslitna slipskivor från större elverktyg.** Slipskivor för större elverktyg är inte konstruerade för de mindre elverktygens högre varvtal och kan därför spricka.

### Andra speciella säkerhetsanvisningar för kapslipning

**a) Se till att inte blockera kapskivan eller att använda för högt presstryck. Skär inte för djupa snitt.** En överbelastning av kapskivan höjer påfrestningarna och ökar tendensen till lutning eller blockering och därmed möjligheten till bakslag eller brott på slipskivan.

**b) Vidvik området framför och bakom den roterande kapskivan.** Om du för kapskivan i arbetsstycket bort från kroppen kan i händelse av ett bakslag elverktyget med roterande skiva slungas mot din kropp.

**c) Om kapskivan fastnar eller du avbryter arbetet, slå från verktyget och håll det stilla tills skivan är helt stillastående. Försök aldrig att dra ut den ännu roterande skivan från snittet, eftersom detta kan leda till bakslag.** Tag reda på och orsaken till fastklämningen och åtgärda felet.

**d) Slå inte på maskinen igen, om kapskivan sitter fast i arbetsstycket. Låt kapskivan nå sitt fulla varvtal, innan du fortsätter att skära.** I annat fall kan kapskivan fastna, hoppa ut ur arbetsstycket eller förorsaka en rekyl.

**e) Stöd skivor eller stora arbetsstycken för att minska risken för ett bakslag till följd av fastklämd kapskiva.** Stora arbetsstycken kan böja sig av sin egen vikt. Arbetsstycket måste stötts på båda sidorna, närmare bestämt både i närheten av snittet och vid kanten.

**f) Var särskilt försiktig vid „ficksnitt“ i befintliga väggar eller andra områden utan insyn.** Den inskränande kapskivan kan stöta emot gas- eller vattenledningar, elledningar eller andra objekt och orsaka ett bakslag.

### Speciella säkerhetsanvisningar för sandpappersslipning

**a) Använd inte för stora slippapper, se tillverkarens uppgifter om slippapperets storlek.** Slippapper som står ut över sliprondellen kan leda till personskada, blockera, rivas sönder eller också orsaka bakslag.

### Speciella säkerhetsanvisningar för arbetet med trädborstar

**a) Observera att trädborstar även under normal användning förlorar trådbitar. Överbelasta inte stålborsten med för högt anliggningsstryck.** Utslungade trådbitar kan lätt tränga in genom kläder och/eller i huden.

**b) När sprängskydd används bör man se till att sprängskyddet och trädborsten inte berör varandra.** Tallriks- och koppborstarnas diameter kan till följd av anliggningsstryck och centrifugalkrafter öka.

Anslut alltid verktyget till via en felströmbrytare (FI, RCD, PRCD) vid användning utomhus.

Avlägsna aldrig spån eller flisor när maskinen är igång.

Maskinen skall vara fränkopplad innan den anslutes till väggurtag.

Lakttag största försiktighet när maskinen är igång.

Använd alltid stödhandtag.

Fränkoppla maskinen omedelbart om kraftiga vibrationer uppstår eller andra felfunktioner registreras. Kontrollera maskinen för lokalisering av orsak.

Använd och uppehåll alltid slipskivorna enligt tillverkarens anvisningar.

Vid slipning av metall uppstår gnistor. Se till att personer inte skadas. Pga brandrisken får inga brännbara material finnas i närheten (inom gnistområdet). Använd inte dammsugning!

Håll alltid maskinen så, att gnistor och slipdamm flyger i riktning från kroppen.

För kapning av sten måste styrläde användas.

Flänsmuttern skall vara åtdragen innan start av maskinen.

Spänn fast arbetsstycket om det inte ligger stadigt till följd av egen vikt. För aldrig arbetsstycket för hand mot slipskivan.

Vid extrema användningsvillkor (till exempel vid planslipning av metaller med stödtallrik och slipskivor av vulkanfiber) kan det bildas mycket smuts på insidan av vinkelslipmaskinen. Vid sådana tillfällen krävs det av säkerhetsskäl såväl en grundlig rengöring från metallavlagringar på insidan som en förkoppling av en jordfelsbrytare. Om jordfelsbrytaren skulle löser ut, så måste vinkelslipmaskinen skickas på reparation.

För verktyg avsedda att förses med skivor med gängat håll, bör man kontrollera att skivans gängning är tillräckligt lång att hantera spindelns


Använd den slutna skyddshuvan från tillbehörsprogrammet vid kaparbeten.

### ANVÄND MASKINEN ENLIGT ANVISNINGARNA

Vinkelslipen är användbar för kapning och slipning av många material, som till exempel metall och sten, för slipning med plastslip-tallrik och för bearbetning med stålborste. Följ vid tvetsamma fall anvisningarna från tillverkaren av tillbehöret. Maskinen får endast användas för angiven tillämpning.



## NÄTANSLUTNING

 Får endast anslutas till 1-fas växelström och till den spänning som anges på dataskylten. Anslutning kan även ske till eluttag utan skyddskontakt, eftersom konstruktionen motsvarar skyddsklass II.

## CE-FÖRSÄKRAN

Vi intygar och ansvarar för, att denna produkt överensstämmer med följande norm och dokument EN 60745, EN 55014-1, EN 55014-2, EN 61000-3-2, EN 61000-3-3, enl. bestämmelser och riktlinjerna 2006/42/EG, 2004/108/EG



Winnenden, 2010-11-17

Rainer Kumpf  
Manager Product Development  
Befullmäktigad att sammanställa teknisk dokumentation.

## SKÖTSEL

Se till att motorhöljets luftslitsar är rena.

**OBS!** Undvik att metalldelar hamnar i luftslitsarna - risk för kortslutning!

Använd endast AEG tillbehör och reservdelar. Reservdelar vars utbyte ej beskrivs byts bäst av AEG auktoriserad serviceverkstad (se broschyr Garanti/Kundtjänstadresser).

Vid behov av sprängskiss, kan en sådan, genom att uppge maskinens art. nr. (som finns på typskylten) erhållas från: AEG Elektrowerkzeuge, Max-Eyth-Strasse 10, D-71364 Winnenden, Germany.

## SYMBOLER



Läs instruktionen noga innan du startar maskinen.



**OBSERVERA! VARNING! FARA!**



Använd alltid skyddsglasögon.



Drag alltid ur kontakten när du utför arbeten på maskinen.



Tillbehör - Ingår ej i leveransomfånget, erhålles som tillbehör.



Elektriska verktyg får inte kastas i hushållsoporna! Enligt direktivet 2002/96/EG som avser äldre elektrisk och elektronisk utrustning och dess tillämpning enligt nationell lagstiftning ska uttjänta elektriska verktyg sorteras separat och lämnas till miljövänlig återvinning.

	WS 9-100	WS9-115	WS9-125
Nimellinen teho .....	900 W	900 W	900 W
Nimellinen kierrosluku .....	11000 min <sup>-1</sup>	11000 min <sup>-1</sup>	11000 min <sup>-1</sup>
Hiomalaikan Ø .....	100 mm	115 mm	125 mm
Karan kierre .....	M 10	M 14	M 14
Paino EPTA-menetelyn 01/2003 mukaan .....	2,0 kg	2,0 kg	2,0 kg

**Melunpäästö-/tärinätiedot**

Mitta-arvot määritetty EN 60745 mukaan.

Koneen tyypillinen A-luokitettu melutaso:

Melutaso (K=3 dB(A)) .....	90,5 dB(A)	90,5 dB(A)	90,5 dB(A)
Äänenvoimakkuus(K=3 dB(A)) .....	101,5 dB(A)	101,5 dB(A)	101,5 dB(A)

**Käytä kuulosuojaimia!**

Värähtelyn yhteisarvot (kolmen suunnan vektorisummitattuna EN 60745 mukaan).

Katkaisu- ja karkeahiontalaiikat: värähtelyn päästöarvo $a_h$ .....	5,8 m/s <sup>2</sup>	5,8 m/s <sup>2</sup>	5,8 m/s <sup>2</sup>
Epävarmuus K .....	1,5 m/s <sup>2</sup>	1,5 m/s <sup>2</sup>	1,5 m/s <sup>2</sup>
Hionta muovihiomalautasta käyttäen: värähtelyn päästöarvo $a_h$ .....	1,9 m/s <sup>2</sup>	1,9 m/s <sup>2</sup>	1,9 m/s <sup>2</sup>
Epävarmuus K .....	1,5 m/s <sup>2</sup>	1,5 m/s <sup>2</sup>	1,5 m/s <sup>2</sup>

	WS 11-115	WS 11-125
Nimellinen teho .....	1100 W	1100 W
Nimellinen kierrosluku .....	11000 min <sup>-1</sup>	11000 min <sup>-1</sup>
Hiomalaikan Ø .....	115 mm	125 mm
Karan kierre .....	M 14	M 14
Paino EPTA-menetelyn 01/2003 mukaan .....	2,3 kg	2,3 kg

**Melunpäästö-/tärinätiedot**

Mitta-arvot määritetty EN 60745 mukaan.

Koneen tyypillinen A-luokitettu melutaso:

Melutaso (K=3 dB(A)) .....	90,5 dB(A)	90,5 dB(A)
Äänenvoimakkuus(K=3 dB(A)) .....	101,5 dB(A)	101,5 dB(A)

**Käytä kuulosuojaimia!**

Värähtelyn yhteisarvot (kolmen suunnan vektorisummitattuna EN 60745 mukaan).

Katkaisu- ja karkeahiontalaiikat: värähtelyn päästöarvo $a_h$ .....	5,8 m/s <sup>2</sup>	5,8 m/s <sup>2</sup>
Epävarmuus K .....	1,5 m/s <sup>2</sup>	1,5 m/s <sup>2</sup>
Hionta muovihiomalautasta käyttäen: värähtelyn päästöarvo $a_h$ .....	1,9 m/s <sup>2</sup>	1,9 m/s <sup>2</sup>
Epävarmuus K .....	1,5 m/s <sup>2</sup>	1,5 m/s <sup>2</sup>

Muilla käyttötavoilla, esim. katkaisussa tai teräslankaharjalla hiottaessa, saattaa esiintyä muunlaisia tärinäarvoja!

**VAROITUS**

Näissä ohjeissa mainittu värähtelytaso on mitattu EN 60745 -standardin mukaisella mittausmenetelmällä ja sitä voidaan käyttää sähkötyökalujen vertaamiseen. Sitä voidaan käyttää myös värähtelyrasituksen väliaikaiseen arviointiin.

Mainittu värähtelytaso edustaa sähkötyökalun pääasiallista käyttöä. Jos sähkötyökalua kuitenkin käytetään muihin tehtäviin, poikkeavin työkaluin tai riittämättömästi huoltaen, värähtelytaso voi olla erilainen. Se voi korottaa värähtelyrasitusta koko työajan osalta.

Tarkan värähtelyrasituksen toteamiseen tulee ottaa huomioon aika, jona laite on kytketty pois tai on kylläkin päällä, mutta ei käytössä. Se voi pienentää värähtelyrasitusta koko työajan osalta.

Määrittele lisäturvatoimenpiteitä käyttäjän suojaamiseksi värinöiden vaikutukselta, kuten esimerkiksi: sähkötyökalujen ja käyttötyökalujen huolto, käsien lämpimänä pitäminen, työväheiden organisaatio.



Suomenkielinen varoitusmerkki.

## VAROITUS!

Lue kaikki, myös oheistetussa esitteessä annetut turvallisuusmääräykset ja käyttöohjeet. Turvallisuusohjeiden noudattamisen laiminlyönti saattaa johtaa sähköiskun, tulipaloon ja/tai vakavaan loukkaantumiseen.

Säilytä kaikki turvallisuus- ja muut ohjeet tulevaisuutta varten.

## TURVALLISUUSOHJEET

Yhteiset turvallisuusohjeet hiomista, hiekkaperihiomista, työskentelyä teräsharjan kanssa, kiillotusta ja katkaisuhiontaa varten:

**a) Tätä sähkötyökäluä voi käyttää hiomakoneena, lankaharjana ja katkaisuhiomakoneena. Noudatta kaikkia turvallisuusmääräyksiä, ohjeita, kuvauksia ja tietoja, jotka saat sähkötyökäluen mukana. Jos et noudata seuraavia ohjeita, niin tästä saattaa aiheutua sääh**

**b) Tämä sähkötyökälu ei sovellu kiillottamiseen. Sellainen käyttö, jota varten sähkötyökäluä ei ole tehty, saattaa aiheuttaa vaarallilanteita ja vammoja.**

**c) Älä käytä mitään lisälaitteita, joita ei valmistaja ole tarkoittanut tai suositellut nimenomaan tälle sähkötyökäluulle. Vain se, että pystyt kiinnittämään laitetta sähkötyökäluusi ei takaa sen turvallista käyttöä.**

**d) Vaihdotyökäluen sallitun kierrosluvun tulee olla vähintään yhtä suuri, kuin sähkötyökäluussa mainittu suurin kierrosluku. Lisätarvike, joka pyörii sallitulla nopeudella, saattaa murtua ja sinkoutua ympäristöön.**

**e) Vaihdotyökäluen ulkohalkaisijan ja paksuuden tulee vastata sähkötyökäluen mittatietoja. Väärin mitoitettuja vaihdotyökäluja ei voida suojata tai hallita riittävästi.**

**f) Hiomalaiikkojen, laippojen, hiomalautasten ja muitten tarkkiveiden tulee sopia tarkasti sähkötyökäluasi hiomakaraan. Vaihdotyökäluat, jotka eivät sovi tarkkaan sähkötyökäluen hiomakaraan pyöriävät epätasaisesti, tärisevät voimakkaasti ja saattavat johtaa työkalun hallinnan menettämiseen.**

**g) Älä käytä vaurioituneita vaihdotyökäluja. Tarkista ennen jokaista käyttöä, ettei vaihdotyökäluussa, kuten hiomalaikoissa ole pirstoutumia tai halkemia, hiomalautasessa halkeamia tai voimakasta kulumista, teräsharjassa irtonaisia tai katkenneita lankoja. Jos sähkötyökälu tai vaihdotyökälu putoaa, tulee tarkistaa, että se on kunnossa tai sitten käyttää ehjää vaihdotyökäluä. Kun olet tarkistanut ja asentanut vaihdotyökäluen, pidä itsesi ja lähistöllä olevat henkilöt loitolla pyöriävän vaihdotyökäluen tasosta ja anna sähkötyökäluen käydä minuutti täydellä kierrosluvulla. Vaurioituneet vaihdotyökäluat menevät yleensä rikki tässä ajassa.**

**h) Käytä henkilökohtaisia suojavarusteita. Käytä käytöstä riippuen kokokasvonaamiota, silmäsuojusta tai suojalaseja. Jos mahdollista, käytä pölynaamaaria, kuulonsuojainta, suojäkäsineitä tai erikoissuojavaatetta, joka suojaaa sinut pieniltä hioma- ja materiaalihiuksilta. Silmät tulee suojata lenteleviltä vierailta esineiltä, jotka saattavat syntyä erilaisessa käytössä. Pöly- tai hengityssuojanaamareiden täytyy suodattaa pois työstössä syntyvä pöly. Jos olet pitkään alttiina voimakkaalle melulle, saattaa se vaikuttaa heikentävästi kuuloon.**

**i) Varmista, että muut henkilöt pysyvät turvallisella etäisyydellä työalueeltasi. Jokaisella, joka tulee työalueelle, tulee olla henkilökohtaiset suojavarusteet. Työkappaleen tai murtuneen vaihdotyökäluen osia saattavat sinkoutua kauemmas ja vahingoittaa ihmisiä myös varsinaisen työalueen ulkopuolella.**

**j) Pitele laitteita vain eristetyistä tarttumapinnoista, kun suoritat sellaisia töitä, joissa leikkaustyökälu saattaa osua piilossa oleviin sähköjohtoihin tai omaan liitäntäjohtoon. Leikkaustyökäluen yhteys jännitteelliseen johtoon saattaa tehdä laitteen metalliset osat jännitteellisiksi ja aiheuttaa sähköiskun.**

**k) Pidä verkkojohto poissa pyöriivästä vaihdotyökäluista. Jos menetät sähkötyökäluen hallinnan, saattaa verkkojohto tulla katkaistuksi tai tarttua kiinni ja vetää kätesi tai käsivartesi kiinni pyöriivään vaihdotyökäluun.**

**l) Älä aseta sähkötyökäluä pois, ennen kuin vaihdotyökälu on pysähtynyt kokonaan. Pyöriivä vaihdotyökälu saattaa koskettaa lepopintaa ja voit menettää sähkötyökäluasi hallinnan.**

**m) Älä koskaan pidä sähkötyökäluä käynnissä sitä kantaessasi. Vaatteesi voi hetkellisen kosketuksen seurauksena tarttua kiinni pyöriivään vaihdotyökäluun, joka saattaa porautua kehoosi.**

**n) Puhdista sähkötyökäluasi tuuletusraot säännöllisin väliajoin. Moottorin puhallin vetää pölyä kuoren sisälle, ja runsaast metallipölykertymät saattavat aiheuttaa sähkövaaroja.**

**o) Älä käytä sähkötyökäluä helposti palavien materiaalien läheisyydessä. Kipinät voivat sytyttää nämä materiaalit.**

**p) Älä ota käyttöön työkaluja, jotka vaativat nestemäisiä jäähdytysaineita. Veden tai muiden nestemäisten jäähdytysaineiden käytöstä voi olla seurauksena sähköiskua.**

## Takaisku ja vastaavat turvaohjeet

Takaisku on äkillinen reaktio kiinni jäävästä tai lukkiutuneesta pyöriivästä käyttötyökäluista, kuten hiomalaiikka, lautaslaikka, teräsharja jne. Kiinni jääminen tai lukkiutuminen johtaa pyöriivän käyttötyökäluen yhtäkkiiseen pysähtymiseen. Tämän seurauksena hallitsematon sähkötyökälu kiintyy lukkiutumiskohdassa käyttötyökäluen pyörimissuuntaa vastaan.

Jos esim. hiomalaiikka tarttuu tai joutuu puristukseen työkappaleeseen, saattaa hiomalaikan reuna, joka on opponnut työkappaleeseen, juuttua kiinni aiheuttaen hiomalaikan ponnahdusosan ulos työkappaleesta tai aiheuttaa takaiskun. Hiomalaiikka liikkuu silloin käyttävää henkilöä vasten tai pois päin hänestä, riippuen laikan kiertosuunnasta tarttumakohdassa. Tällöin hiomalaikka voi myös murtua.

Takaisku johtuu sahan vääriinkäytöstä tai sahan käytöstä vääriään tarkoitukseen tai vääriissä olosuhteissa. Se voidaan estää sopivin varotoimin, joita selostetaan seuraavassa.

**a) Pidä sähkötyökäluista lujusti kiinni ja vie kehosi käsivartesi asentoon, jossa pystyt vaimentamaan takaiskuvoimat. Käytä aina lisäkäsivä, jos sellainen on olemassa, voidaksesi parhaalla mahdollisella tavalla kontrolloida takaiskuvoimia tai reaktiomomenteja ryntökäynnin aikana. Käyttäjähenkilö pystyy sopivilla varotoimintepiteillä hallitsemaan takaisku- ja reaktiovoimat.**

**b) Älä koskaan vie kättäsi pyöriivien käyttötyökälujen läheisyyteen. Käyttötyökälu voi takaiskun aikana liikkua kätesi yli.**

**c) Vältä kehollasi aluetta, jossa sähkötyökälu liikkuu takaiskun sattuessa. Takaisku vie sähkötyökäluen suuntaan, joka on päinvastainen kuin hiomalaikan liike lukkiutumiskohdassa.**

**d) Työskentele erityisen varovasti kulmien, terävien reunojen jne. alueilla. Estä käyttötökalujen takaisin kiimoaminen ja kiinni juuttuminen työkaluun nähden.** Pyörivä käyttötökalu saattaa kulmissa, terävissä reunoissa tai takaisin kiinnittäessään helposti juuttua kiinni. Tämä aiheuttaa kontrollin menetyksen tai takaiskun.

**e) Älä käytä ketju- tai hammastettua sahanterää.** Tällaiset työvälineet aiheuttavat usein takapotkun tai sähkötyökalun hallinnan menettämisen.

#### **Erityiset varoohjeet hiontaan ja katkaisuhiontaan**

**a) Käytä yksinomaan sähkötyökalullesi sallittuja hiomatyökaluja ja näitä hiomatyökaluja varten tarkoitettuja suojuksia.** Hiomatyökaluja, jotka eivät ole tarkoitettuja sähkötyökalun kanssa käytettäviksi ei voida suojata riittävästi ja ne ovat turvattomia.

**b) Käytä aina suojakupua. Suojakupu täytyy asentaa sähkötyökaluun pitävästi ja säätää siten, että sen avulla saavutetaan mahdollisimman suuri turvallisuusaste, ts. vain pienin mahdollinen katkaisulaikan osa näyttää avoimesti käyttäjään päin.** Suojakuvun tarkoitus on suojata käyttäjää hiomavälineestä irronneilta paloilta sekä sen tahattomalta koskettamiselta.

**c) Hiomatyökaluja saa käyttää ainoastaan siihen käyttöön mihin niitä suositellaan.** Esim.: Älä koskaan hio hiomalaikan sivupintaa käyttäen. Hiomalaikat on tarkoitettu hiontaan laikan ulkokehällä. Sivuttain kohdistuva voima saattaa murtaa hiomalaikan.

**d) Käytä aina virheetöntä, oikean kokoista ja muotoista kiinnityslaippaa valitsemallesi hiomalaikalle.** Sopivat laipat tukevat hiomalaikkaa ja vähentävät näin hiomalaikan murtumisriskiä. Katkaisulaikkojen laipat saattavat poiketa muitten hiomalaikkojen laipoista.

**e) Älä käytä isompiin sähkötyökaluihin kuuluneita kuluneita hiomalaikkoja.** Suurempien sähkötyökalujen hiomalaikat eivät sovellu pienempien sähkötyökalujen suuremmille kierrosluvuille, ja ne voivat murtaa.

#### **Muita katkaisuhiontaan liittyviä erityisvaro-ohjeita**

**a) Vältä katkaisulaikan lukkiutumista tai liian korkeaa puristuspainetta. Älä tee kovin syviä leikkauksia.** Katkaisulaikan ylikuormitus lisää sen rasitusta ja alttiutta kallistumaan tai lukkiutumiseen ja niin ollen takaiskun tai hiomakappalemurtuman mahdollisuutta.

**b) Vältä aluetta pyörivän katkaisulaikan edessä ja takana.** Jos katkaisulaikka liikkuu työkaluun sinusta pois, saattaa sähkötyökalu takaiskun sattuessa singota suoraan sinua kohti pyörivällä laikalla.

**c) Jos katkaisulaikka on juuttunut tai jos keskeytät työn, sammuta laite ja pidä sitä paikallaan, kunnes laikka on pysähdyksissä. Älä koskaan yritä vetää vielä pyörivää katkaisulaikkaa leikkauksesta, muuten seurauksena voi olla takaisku.** Etsi ja poista juuttumisen syy.

**d) Älä käynnistä sähkötyökalua uudelleen niin kauan kuin se on vielä työkaluunsa. Anna katkaisulaikan saavuttaa täysi kierroslukunsa, ennen kuin jatkat leikkausta varovasti.** Muussa tapauksessa laikka saattaa koukata kiinni, sinkoutua työkaluun pois tai aiheuttaa takapotkun.

**e) Levyt tai isot työstökappaleet täytyy tukea, jotta vähennettäisiin kiinni juuttuneen katkaisulaikan aiheuttaman takaiskun riskiä.** Suuret työstökappaleet voivat taipua oman painonsa alla. Työstökappale on tuettava molemmin puolin, sekä katkaisuleikkauksen läheltä että reunasta.

**f) Ole erityisen varovainen tehdessäsi „taskuleikkauksia“ valmiisiin seinisiin tai muille alueille, joiden sisälle ei pysty näkemään.** Sisään uppoava katkaisulaikka voi kaasu- tai vesijohtoja, sähköjohtoja tai muita kohteita leikatessaan aiheuttaa takaiskun.

#### **Erityiset varoohjeet hiekkapaperihiontaan**

**a) Älä käytä ylisuuria hiomapyöröjä, vaan noudata valmistajan ohjeita hiomapyöröjen koosta.** Hiomapyöröt jotka ulottuvat hiomalautasen ulkopuolelle, saattavat aiheuttaa loukkaantumista tai johtaa kiinnijuttumiseen, hiomapyörön repeytymiseen tai takaiskuun.

#### **Erityiset varo-ohjeet työskentelyn teräsharjan kanssa**

**a) Ota huomioon, että teräsharjasta irtoaa lankoja myös normaalikäytössä. Älä ylikuormita lankoja käyttämällä liian suurta painetta työkaluun vasten.** Irsti sinkoutuvat langan kappaleet voivat helposti tunkeutua ohuen vaarteen tai ihon läpi.

**b) Jos suojusta suositellaan, tulee sinun varmistaa, ettei suojus ja teräsharja voi koskettaa toisiaan.** Lautas- ja kuppiharjojen halkaisijat voivat laajeta puristuspaineen ja keskipakovoiman johdosta.

Ulkokäytössä olevat pistorasiat on varustettava vikavirta-suojakytkimillä (FI, RCD PRCD) sähkölaiteistosi asennusmääräyksen mukaisesti. Muista tarkistaa, että laite liitetään ulkokäytössä ulkopistorasiaan ja neuvottele asiasta sähköasentajasi kanssa.

Lastuja tai puruja ei saa poistaa koneen käydessä.

Varmista, että kone on sammutettu ennen kytkemistä sähköverkkoon.

Älä tartu käynnistetytyn laitteen työskentelyalueelle.

Käytä aina lisäkädensijaa.

Pysäytä laite välittömästi jos siinä esiintyy huomattavaa värähtelyä tai huomaat muuta puutetta. Tarkista kone vain aiheuttajan määrittämiseksi.

Käytä ja säilytä aina hiomalaikat valmistajan ohjeiden mukaan.

Metallien hionnassa syntyy kipinointia. Tarkista, ettei kenellekään aiheuteta vaaraa. Tulipalovaaran takia ei lähistöllä saa olla mitään palavia aineita (kipinäätäsyydyttäjä). Pölynpoistoa ei käytetä.

Käytä konetta siten, että lastut ja kipinät lentävät itsestäsi pois päin.

Kivenkatkaisussa on käytettävä ohjaukselkkaa.

Laippamutterin on oltava kunnolla kiristetty ennen koneen käyttöönottoa.

Työstettävä kappale on kiinnitettävä, ellei se omapainonsa vuoksi pysy paikallaan. Älä koskaan vie työkaluunsa kädessä hiomalaikkaa vasten.

Äärimmäisen vaikeissa käyttöolosuhteissa (esim. kiilloittaessa metalleja tukilautasella ja vulkaanikuitu-hiomalaikoilla) saattaa kulumahiomalaitteen sisäpuolelle kertyä runsaasti likaa. Tällaisissa käyttöolosuhteissa on turvallisuusyhtä tarpeen puhdistaa metallikermyt laitteen sisäosista perusteellisesti ja lisäksi tulee ehdottomasti kytkä laitteen eteen vuotovirtavaroike (FI-katkaisin). Kun FI-katkaisin on lauennut, tulee kone lähettää korjattavaksi.

Varmista sellaisissa työkaluissa, joihin on tarkoitus kiinnittää kierteisreikäinen laikka, että laikan kierre on riittävä pitkä sopimaan karan pituuteen.

Käytä katkaisuleikkauksessa lisävarusteohjelman kuuluvaa suljettua suojakupua.




**Suo**

## TARKOITUKSEN MUKAINEN KÄYTTÖ

Kulmahiomakonetta voidaan käyttää monien materiaalien, kuten esim. metallin tai kiven, katkaisuleikkaukseen ja karkeaan hiontaan, sekä hiontaan muovihiomalautasta käyttäen ja työskentelyyn teräslankaharjan kanssa. Epäselvissä tapauksissa noudata lisävarusteiden valmistajien antamia ohjeita.

Älä käytä tuotetta ohjeiden vastaisesti.

## VERKKOLIITÄNTÄ

 Yhdistä ainoastaan yksivaiheiseen vaihtovirtaan, jonka verkkojännite on sama kuin tyyppikilvessä ilmoitettu. Myös liittäminen maadoittamattomiin pistorasioihin on mahdollista, sillä rakenne vastaa turvallisuusluokkaa II.

## TODISTUS CE-STANDARDIN MUKAISUUDESTA

Todistamme täten ja vastaamme yksin siitä, että tämä tuote on alluuteltujen standardien ja standardoimisasiakirjojen vaatimusten mukainen. EN 60745, EN 55014-1, EN 55014-2, EN 61000-3-2, EN 61000-3-3, seuraavien sääntöjen mukaisesti: 2006/42/EY, 2004/108/EY



Winnenden, 2010-11-17

Rainer Kumpf

Manager Product Development

Valtuutettu kokoamaan tekniset dokumentit.

## SYMBOLIT



Lue käyttöohjeet huolellisesti, ennen koneen käynnistämistä.



HUOMIO! VAROITUS! VAARA!



Käytä laitteella työskennellessäsi aina suojalaseja.



Irrota aina pistotulppa seinäkoskettimesta ennen koneeseen tehtäviä toimempiteitä.



Lisälaitte - Ei sisälly vakiovarustukseen, saatavana lisäeriverkkeena.



Älä hävitä sähköjätettä tavallisen kotitalousjätteen mukana! Vanhoja sähkö- ja elektroniikkalaitteita koskevan EU-direktiivin 2002/96/EY ja sen maakohtaisten sovellusten mukaisesti käytetyt sähköjätteen on toimitettava ongelmajätteen keräyspisteeseen ja ohjattava ympäristöstävälliseen kierrätykseen.

## HUOLTO

Pidä moottorin ilmanottoaukot puhtaina.

Älä päästä metalliesineitä tuuletusaukkoihin - oikosulkuvaara

Käytä vain AEG:n lisälaitteita ja varaosia. Käytä ammattitaitoisten AEG-huoltosopimusliikkeiden palveluja muiden kuin käyttöohjeessa kuvattujen osien vaihdossa. (esite takuu/huoltoliikeluettelo).

Tarpeen vaatiessa voit pyytää lähettämään laitteen kokoonpanopiirustuksen ilmoittamalla arvokilven kymmennumeroisen numeron seuraavasta osoitteesta: AEG Elektrowerzeuge, Max-Eyth-Straße 10, D-71364 Winnenden, Germany.

	WS9-100	WS9-115	WS9-125
Ονομαστική ισχύς.....	900 W	900 W	900 W
Ονομαστικός αριθμός στροφών .....	11000 min <sup>-1</sup>	11000 min <sup>-1</sup>	11000 min <sup>-1</sup>
Μέγιστη ψ δίσκου λείανσης.....	100 mm	115 mm	125 mm
Σπείρωμα ατράκτου .....	M 10	M 14	M 14
Βάρος σύμφωνα με τη διαδικασία EPTA 01/2003.....	2,0 kg	2,0 kg	2,0 kg

**Πληροφορίες θορύβου/δονήσεων**

Τιμές μέτρησης εξακριβωμένες κατά EN 60 745.

Η σύμφωνα με την καμπύλη A εκτιμηθείσα στάθμη θορύβου του μηχανήματος αναφέρεται σε:

Στάθμη ηχητικής πίεσης (Λ=3 dB(A))..... 90,5 dB (A) ..... 90,5 dB (A) ..... 90,5 dB (A)

Στάθμη ηχητικής ισχύος (Λ=3 dB(A))..... 101,5 dB (A) ..... 101,5 dB (A) ..... 101,5 dB (A)

**Φοράτε προστασία ακοής (ωασιπίδες)!**

Υλικές τιμές κραδασμών (άθροισμα διανυσμάτων τριών διευθύνσεων) εξακριβώθηκαν σύμφωνα με τα πρότυπα EN 60745.

Κόψιμο και ξεχόνδρισμα: Τιμή εκπομπής δονήσεων a<sub>h</sub>..... 5,8 m/s<sup>2</sup>..... 5,8 m/s<sup>2</sup>..... 5,8 m/s<sup>2</sup>

Ανασφάλεια K..... 1,5 m/s<sup>2</sup>..... 1,5 m/s<sup>2</sup>..... 1,5 m/s<sup>2</sup>

Λείανση με συνθετικό δίσκο λείανσης: Τιμή εκπομπής δονήσεων a<sub>h</sub>..... 1,9 m/s<sup>2</sup>..... 1,9 m/s<sup>2</sup>..... 1,9 m/s<sup>2</sup>

Ανασφάλεια K..... 1,5 m/s<sup>2</sup>..... 1,5 m/s<sup>2</sup>..... 1,5 m/s<sup>2</sup>



	WS11-115	WS11-125
Ονομαστική ισχύς.....	1100 W	1100 W
Ονομαστικός αριθμός στροφών .....	12100 min <sup>-1</sup>	12100 min <sup>-1</sup>
Μέγιστη ψ δίσκου λείανσης.....	11000 min <sup>-1</sup>	11000 min <sup>-1</sup>
Σπείρωμα ατράκτου .....	M 14	M 14
Βάρος σύμφωνα με τη διαδικασία EPTA 01/2003.....	2,3 kg	2,3 kg

**Πληροφορίες θορύβου/δονήσεων**

Τιμές μέτρησης εξακριβωμένες κατά EN 60 745.

Η σύμφωνα με την καμπύλη A εκτιμηθείσα στάθμη θορύβου του μηχανήματος αναφέρεται σε:

Στάθμη ηχητικής πίεσης (K=3 dB(A))..... 90,5 dB (A) ..... 90,5 dB (A)

Στάθμη ηχητικής ισχύος (K=3 dB(A))..... 101,5 dB (A) ..... 101,5 dB (A)

**Φοράτε προστασία ακοής (ωασιπίδες)!**

Υλικές τιμές κραδασμών (άθροισμα διανυσμάτων τριών διευθύνσεων) εξακριβώθηκαν σύμφωνα με τα πρότυπα EN 60745.

Κόψιμο και ξεχόνδρισμα: Τιμή εκπομπής δονήσεων a<sub>h</sub>..... 5,8 m/s<sup>2</sup>..... 5,8 m/s<sup>2</sup>

Ανασφάλεια K..... 1,5 m/s<sup>2</sup>..... 1,5 m/s<sup>2</sup>

Λείανση με συνθετικό δίσκο λείανσης: Τιμή εκπομπής δονήσεων a<sub>h</sub>..... 1,9 m/s<sup>2</sup>..... 1,9 m/s<sup>2</sup>

Ανασφάλεια K..... 1,5 m/s<sup>2</sup>..... 1,5 m/s<sup>2</sup>

Σε άλλες εφαρμογές, όπως π.χ. διαχωριστική λείανση ή λείανση με τη συμπατόβουρτσα μπορεί να προταλάντωσεων!

**ΠΡΟΕΙΔΟΠΟΙΗΣΗ**

Το αναφερόμενο σ' αυτές τις οδηγίες επίπεδο δονήσεων έχει μετρηθεί με μια τυποποιημένη σύμφωνα με το EN 60745 μέθοδο μέτρησης και μπορεί να χρησιμοποιηθεί για τη σύγκριση των ηλεκτρικών εργαλείων μεταξύ τους. Αυτό είναι επίσης κατάλληλο για μια προσωρινή εκτίμηση της επιβάρυνση των δονήσεων.

Το αναφερόμενο επίπεδο δονήσεων αντιπροσωπεύει τις κύριες χρήσεις του ηλεκτρικού εργαλείου. Εάν όμως το ηλεκτρικό χρησιμοποιείται σε άλλες χρήσεις, με διαφορετικά εργαλεία εφαρμογής ή ανεπαρκή συντήρηση, μπορεί να υπάρξει απόκλιση του επιπέδου δονήσεων. Αυτό μπορεί να αυξήσει σημαντικά την επιβάρυνση των δονήσεων για τη συνολική διάρκεια της εργασίας.

Για μια ακριβή εκτίμηση της επιβάρυνσης των δονήσεων οφείλουν επίσης να λαμβάνονται υπόψη οι χρόνοι, στους οποίους η συσκευή είναι απενεργοποιημένη ή είναι μεν ενεργοποιημένη αλλά δεν χρησιμοποιείται πραγματικά. Αυτό μπορεί να μειώσει σημαντικά την επιβάρυνση των δονήσεων για τη συνολική διάρκεια της εργασίας. Καθορίστε πρόθετα μέτρα ασφαλείας για την προστασία του χειριστή από την επίδραση των δονήσεων όπως για παράδειγμα: Συντήρηση του ηλεκτρικού εργαλείου και των εργαλείων εφαρμογής, διατηρείτε ζεστά τα χέρια, οργάνωση των διαδικασιών εργασίας.





## ΠΡΟΕΙΔΟΠΟΙΗΣΗ

**Διαβάστε όλες τις Υποδείξεις ασφαλείας και τις Οδηγίες, και αυτές στο επισυναπτόμενο φυλλάδιο.** Αμέλειες κατά την τήρηση των προειδοποιητικών υποδείξεων μπορεί να προκαλέσουν ηλεκτροπληξία, κίνδυνο πυρκαγιάς ή/και σοβαρούς τραυματισμούς.

**Φυλάξτε όλες τις προειδοποιητικές υποδείξεις και οδηγίες για κάθε μελλοντική χρήση.**

## ΕΙΔΙΚΕΣ ΥΠΟΔΕΙΞΕΙΣ ΑΣΦΑΛΕΙΑΣ

Κοινές προειδοποιητικές αποδείξεις, για λείανση και λείανση με σμιροδόχαρτο, για εργασίες με σурματόβουρτσες και για εργασίες κοπής:

**α) Αυτό το ηλεκτρικό εργαλείο χρησιμοποιείται ως λειαντήρας, μεταλλική βούρτσα και μηχανή κοπής. Προσέχετε όλες τις υποδείξεις ασφαλείας, τις οδηγίες, τις απεικονίσεις και τα χαρακτηριστικά, τα οποία λαμβάνετε μαζί με το ηλεκτρικό εργαλείο. Εάν δεν τηρείτε τις ακόλουθες οδηγίες, μπορεί να προκληθούν ηλεκτροπληξία, πυρκαγιά και/ή σοβαροί τραυματισμοί.**

**β) Αυτό το ηλεκτρικό εργαλείο δεν είναι κατάλληλο για γυάλισμα. Χρήσεις, οι οποίες δεν προβλέπονται για το ηλεκτρικό εργαλείο μπορούν να οδηγήσουν σε κινδύνους και να προκαλέσουν τραυματισμούς.**

**γ) Μη χρησιμοποιήσετε ποτέ εξαρτήματα που δεν προβλέπονται και δεν προτάθηκαν από τον κατασκευαστή ειδικά γι' αυτό το ηλεκτρικό εργαλείο. Μόνο η διαπίστωση ότι μπορείτε να στερεώσετε ένα εξάρτημα στο ηλεκτρικό εργαλείο σας δεν εγγυάται την ασφαλή χρήση του.**

**δ) Ο μέγιστος επιτρεπτός αριθμός στροφών του εργαλείου που χρησιμοποιείτε πρέπει να είναι τουλάχιστον τόσο υψηλός όσο ο μέγιστος αριθμός στροφών που αναφέρεται επάνω στο ηλεκτρικό εργαλείο. Εξαρτήματα που περιστρέφονται με ταχύτητα μεγαλύτερη από την επιτρεπτή μπορεί να καταστραφούν.**

**ε) Η εξωτερική διάμετρος και το πάχος του εργαλείου που χρησιμοποιείτε πρέπει να ανταποκρίνονται πλήρως στις αντίστοιχες διαστάσεις του ηλεκτρικού εργαλείου σας. Εργαλεία με εσφαλμένες διαστάσεις δεν μπορούν να καλυφθούν ή να ελεγχθούν ασφαλώς.**

**στ) Οι δίσκοι κοπής, οι φλάντζες, οι δίσκοι λείανσης ή άλλα εξαρτήματα πρέπει να ταιριάζουν ακριβώς επάνω στον άξονα του ηλεκτρικού εργαλείου σας. Εργαλεία που δεν ταιριάζουν ακριβώς επάνω στον άξονα περιστρέφονται ανομοιόμορφα, τραντάζονται πολύ ισχυρά και μπορεί να οδηγήσουν σε απώλεια του ελέγχου του ηλεκτρικού εργαλείου.**

**ζ) Μη χρησιμοποιείτε χαλασμένα εργαλεία. Να ελέγχετε πάντοτε τα εργαλεία που πρόκειται να χρησιμοποιήσετε, π. χ. τους δίσκους κοπής για σπασίματα και ρωγμές, του δίσκους λείανσης για ρωγμές, φθορές ή ξεφτίσματα και τις σурματόβουρτσες για χαλαρά ή σπασμένα σύρματα. Σε περίπτωση που το ηλεκτρικό εργαλείο ή κάποιο χρησιμοποιούμενο εργαλείο πέσει κάτω, τότε ελέγξτε το εργαλείο μήπως έχει υποστεί κάποια βλάβη ή χρησιμοποιήστε ένα άλλο, άψογο εργαλείο. Μετά τον έλεγχο και την τοποθέτηση του εργαλείου που πρόκειται να χρησιμοποιήσετε πρέπει να απομακρύνετε τυχόν παρευρισκόμενα πρόσωπα από το επίπεδο περιστροφής του εργαλείου, κι ακολούθως ν' αφήσετε το ηλεκτρικό εργαλείο να εργαστεί ένα λεπτό υπό το μέγιστο αριθμό στροφών χωρίς φορτίο. Τυχόν χαλασμένα εργαλεία σπάνε ως επί το πλείστον κατά τη διάρκεια αυτού του χρόνου δοκιμής.**

**η) Να φοράτε πάντοτε τη δική σας, ατομική προστατευτική ενδυμασία. Να χρησιμοποιείτε επίσης, ανάλογα με την εκάστοτε εργασία που εκτελείτε, προστατευτικές μάσκες, προστατευτικές διατάξεις ματιών ή προστατευτικά γυαλιά. Αν χρειαστεί, φορέστε και μάσκα προστασίας από σκόνη, ιαπωνίτιδες προστατευτικά γάντια ή μια ειδική προστατευτική ποδιά, που θα σας προστατέψει από τυχόν εκσφενδονιζόμενα λειαντικά σωματίδια ή θραύσματα**

υλικού. Τα μάτια πρέπει να προστατεύονται από τυχόν αιωρούμενα σωματίδια που μπορεί δημιουργηθούν κατά την εκτέλεση των διάφορων εργασιών. Οι αναπνευστικές και οι προστατευτικές μάσκες πρέπει να φιλτράρουν τον αέρα και να συγκρατούν τη σκόνη που δημιουργείται κατά την εργασία. Σε περίπτωση που εκτεθείτε για πολύ χρόνο σε ισχυρό θόρυβο μπορεί να απωλέσετε την ακοή σας.

**ια) Φροντίστε, τυχόν παρευρισκόμενα άτομα να βρίσκονται πάντοτε σε ασφαλή απόσταση από τον τομέα που εργάζεστε. Κάθε άτομο που μπαίνει στον τομέα που εργάζεστε πρέπει να φορά προστατευτική ενδυμασία. Θραύσματα του υπό κατεργασία τεμαχίου ή σπασμένων εργαλείων μπορεί να εκσφενδονιστούν και να προκαλέσουν τραυματισμούς ακόμη κι εκτός του άμεσου τομέα εργασίας.**

**ιβ) Να πιάνετε τη συσκευή στις μωνόμενες χειρολαβές όταν εκτελείτε εργασίες κατά τις οποίες τα κοπτικά εργαλεία θα μπορούσαν να πέσουν επάνω σε κρυμμένα καλώδια ρεύματος ή στο δικό της καλώδιο. Η επαφή των κοπτικών εργαλείων με αγωγό τροφοδοσίας τάσης μπορεί να θέσει τα μεταλλικά τμήματα της συσκευής υπό τάση και να προκαλέσει ηλεκτροπληξία.**

**ιγ) Να κρατάτε και να οδηγείτε το ηλεκτρικό καλώδιο σε ασφαλή απόσταση από τα περιστρεφόμενα εργαλεία. Σε περίπτωση που χάσετε τον έλεγχο του ηλεκτρικού εργαλείου το ηλεκτρικό καλώδιο μπορεί να κοπεί ή να περιπλεγεί και το χέρι σας ή το μπράτσο σας να τραβηχτεί επάνω στο περιστρεφόμενο εργαλείο.**

**ιδ) Μη αποθέσετε ποτέ το ηλεκτρικό εργαλείο πριν το τοποθετημένο εργαλείο πάψει εντελώς να κινείται. Το περιστρεφόμενο εργαλείο μπορεί να έρθει σε επαφή με την επιφάνεια στην οποία ακουμπήσατε το ηλεκτρικό εργαλείο κι έτσι να χάσετε τον έλεγχο του.**

**ιε) Μη αφήσετε ο ηλεκτρικό εργαλείο να εργάζεται όταν το μεταφέρετε. Τα ρούχα σας μπορεί να τυλιχτούν τυχαίως στο περιστρεφόμενο εργαλείο κι αυτό να τρυπήσει το σώμα σας.**

**ις) Καθαρίστε τακτικά τα ανοίγματα αερισμού του ηλεκτρικού σας εργαλείου. Ο ανεμιστήρας μοτέρ τραβεί σκόνη στο περίβλημα και μια υψηλή συγκέντρωση μεταλλικής σκόνης μπορεί να προκαλέσει ηλεκτρικούς κινδύνους.**

**ιζ) Μη χρησιμοποιείτε το ηλεκτρικό εργαλείο κοντά σε εύφλεκτα υλικά. Τυχόν σπινθήκες ενδέχεται να προκαλέσουν την ανάφλεξη των υλικών αυτών.**

**ιθ) Μη χρησιμοποιείτε ανταλλακτικά εξαρτήματα τα οποία απαιτούν ψυκτικά υγρά. Η χρήση νερού ή άλλων ψυκτικών υγρών μπορεί να προκαλέσει ηλεκτροπληξία.**

## Κλότσημα και σχετικές υποδείξεις ασφαλείας

Το κλότσημα είναι μια απροσδόκητη ανώμαλη απόσταση στον περιστρεφόμενο εργαλείο, π.χ. ο δίσκος λείανσης, το πιάτο λείανσης, ή σурματόβουρτσα κτλ., σφηνώσει ή μπλοκάρει. Το σφηνωμα ή το μπλοκάρισμα έχει ως αποτέλεσμα την απότομη διακοπή της περιστροφής του ανταλλακτικού εξαρτήματος. Έτσι, ένα τυχόν μη υπό έλεγχο ευρισκόμενο ηλεκτρικό εργαλείο επιταχύνεται σε κατεύθυνση αντίθετη από τη φορά περιστροφής του ανταλλακτικού εξαρτήματος στο σημείο εμπλοκής.

Όταν π.χ. ένας δίσκος κοπής σφηνώσει ή μπλοκάρει μέσα στο υπό κατεργασία υλικό, τότε η ακμή του δίσκου που βυθίζεται μέσα στο υλικό μπορεί να στρεβλώσει και ακολούθως ο δίσκος κοπής να πιταχτεί με ορμή και ανεξέλεγκτα από το υλικό ή να προκαλέσει κλότσημα. Όταν συμβεί αυτό ο δίσκος κοπής κινείται με κατεύθυνση προς το χειριστή/τη χειρίστρια ή και αντίθετα, ανάλογα με τη φορά περιστροφής στο σημείο μπλοκάριαματος. Σε τέτοιες περιπτώσεις δεν αποκλείεται ακόμη και το σπάσιμο των δίσκων κοπής.

Το κλότσημα αποτελεί συνέπεια ενός εσφαλμένου ή ελλιπούς χειρισμού του προιονού. Μπορεί να αποφευχθεί με κατάλληλα προληπτικά μέτρα, όπως αυτά που περιγράφονται παρακάτω.

**α) Κρατάτε το ηλεκτρικό εργαλείο πάντοτε καλά και φέρετε το σώμα και τα χέρια σας σε τέτοια θέση, ώστε να μπορείτε να αντισταθείτε στις δυνάμεις ανάδρασης (κλότσηματος).**

Χρησιμοποιείτε πάντοτε την πρόσθετη λαβή, εάν υπάρχει, για να εξασφαλίσετε έτσι το μέγιστο δυνατό έλεγχο της ανάδρασης ή της αντίθετης ροπής κατά την εκκίνηση. Οι αντίθετες ροπές ή οι δυναμικές ανάδρασης μπορούν να θεθούν υπό τον έλεγχο του χειριστή, εάν ληφθούν τα σωστά προληπτικά μέτρα.

**β) Μην πληκάζετε ποτέ το χέρι σας στα περιεργαζόμενα ανταλλακτικά εξαρτήματα.** Σε περίπτωση κλοστήματος το εργαλείο μπορεί να περάσει πάνω από το χέρι σας.

**γ) Μην τοποθετείτε το σώμα σας στην περιοχή στην οποία το ηλεκτρικό εργαλείο μπορεί να κινήσει σε περίπτωση κλοστήματος.** Κατά το κλότσημα το ηλεκτρικό εργαλείο κινείται με κατευθυνση αντίθετη από τη φορά περιστροφής του δίσκου λείανσης στο σημείο εμπλοκής.

**δ) Εργάζεστε με ιδιαίτερη προσοχή σε γυνίες, κοφτερές ακμές κτλ.** Φροντίζετε τα ανταλλακτικά εξαρτήματα να μην απωθηθούν από το υπό κατεργασία τεμάχιο με αποτέλεσμα να σφηνώσουν. Τα περιεργαζόμενα ανταλλακτικά εξαρτήματα έχουν την τάση να σφηνώνουν κατά την εργασία σε γυνίες και κοφτερές ακμές ή σε περίπτωση που απωθηθούν. Αυτό προκαλεί απώλεια ελέγχου ή κλότσημα.

**ε) Μη χρησιμοποιείτε πριονοδίσκο οδοντωτό ή με αλυσίδα.** Τέτοια εργαλεία εφαρμογής προκαλούν συχνά αναπήδηση ή οδηγούν στην απώλεια ελέγχου επάνω στο ηλεκτρικό εργαλείο.

**Ιδιαίτερες προειδοποιητικές υποδείξεις για λείανση και κοπή**

**α) Να χρησιμοποιείτε αποκλειστικά λειαντικά σώματα που είναι κατάλληλα για το ηλεκτρικό εργαλείο σας και μόνο προφυλακτρες που προβλέπονται γι' αυτά τα λειαντικά σώματα.** Λειαντικά σώματα που δεν προβλέπονται για το ηλεκτρικό εργαλείο δεν μπορούν να καλυφτούν επαρκώς και γι' αυτό είναι ανασφαλή.

**β) Χρησιμοποιείτε πάντα τον προφυλακτήρα. Ο προφυλακτήρας πρέπει να είναι πάντα τοποθετημένος με ασφάλεια στο ηλεκτρικό εργαλείο και έτσι ρυθμισμένος, ώστε να επιτυγχάνεται ο μέγιστος βαθμός σε ασφάλεια, δηλαδή το μικρότερο δυνατό τμήμα του δίσκου κοπής είναι ανοιχτό προς το χειριστή.** Ο προφυλακτήρας οφείλει να προστατεύει το χειριστή από θραύσματα και από την τυχαία επαφή με το λειαντικό σώμα.

**γ) Τα λειαντικά σώματα πρέπει να χρησιμοποιούνται μόνο για τις εργασίες που αυτά προβλέπονται.**  
>Π. χ.: Μην λειανείτε ποτέ με την πλευρική επιφάνεια ενός δίσκου κοπής. Οι δίσκοι κοπής προορίζονται για αφαιρέση υλικού μόνο με την ακμή τους. Αυτά τα λειαντικά σώματα μπορεί να σπάσουν όταν υποστούν πίεση από τα πλάγια.

**δ) Να χρησιμοποιείτε πάντοτε άψογες φλάντζες σύσφιξης με το σωστό μέγεθος και τη σωστή μορφή, ανάλογα με το δίσκο λείανσης που επιλέξατε.** Οι κατάλληλες φλάντζες σφρίζουν το δίσκο λείανσης και μειώνουν έτσι τον κίνδυνο του σπασίματος των. Οι φλάντζες για δίσκους κοπής μπορεί να διασφραγίσουν από τις φλάντζες για άλλους δίσκους λείανσης.

**ε) Να μη χρησιμοποιείτε μεταχειρισμένους δίσκους λείανσης από μεγαλύτερα ηλεκτρικά εργαλεία.** Δίσκοι λείανσης για μεγαλύτερα λειαντικά εργαλεία δεν είναι κατάλληλα για τους υψηλότερους αριθμούς στροφών των μικρότερων ηλεκτρικών εργαλείων και γι' αυτό μπορεί να σπάσουν.

**Συμπληρωματικές προειδοποιητικές υποδείξεις για δίσκους κοπής**

**α) Αποφεινέτε το μπλοκάρωμα του δίσκου κοπής ή την εφαρμογή πολύ μεγάλης πίεσης. Μην κάνετε τομές υπερβολικού βάθους.** Η υπερβολική επιβάρυνση του δίσκου κοπής αυξάνει την καταπόνηση του και τον κίνδυνο μαγκώματος ή μπλοκαρίσματος κι έτσι και τις πιθανότερες κλοστήματος ή σπασίματος του λειαντικού σώματος.

**β) Να αποφεινέτε την περιοχή μπροστά και πίσω από τον περιεργαζόμενο δίσκο κοπής.** Όταν σπινθρίζετε το δίσκο κοπής μέσα στο υπό κατεργασία τεμάχιο τότε, σε περίπτωση κλοστήματος, το ηλεκτρικό εργαλείο με τον περιεργαζόμενο δίσκο μπορεί να εκσφενδονιστεί κατευθείαν επάνω σας.

**γ) Σε περίπτωση που ο δίσκος κοπής μπλοκάρει ή εάν διακόψετε την εργασία σας, απενεργοποιήστε το ηλεκτρικό εργαλείο και κρατήστε το ακίνητο έως ότου ο δίσκος να σταματήσει εντελώς να κινείται. Μην προσπαθείτε ποτέ να αφαιρέσετε το δίσκο κοπής από την τομή όσο αυτός κινείται ακόμη, διαφορετικά υπάρχει κίνδυνος κλοστήματος.** Εξακριβώστε κι αντιμετώπιστε την αιτία του μπλοκαρίσματος.

**δ) Μην ενεργοποιείτε πάλι το ηλεκτρικό εργαλείο, για όσο διάστημα βρίσκεται στο τεμάχιο κατεργασίας. Αφήνετε το δίσκο κοπής να ανεβάζει τον πλήρη αριθμό στροφών, πριν συνεχίσετε με προσοχή την κοπή.** Σε διαφορετική περίπτωση ο δίσκος μπορεί να μπλοκάρει, να ξεφύγει από το τεμάχιο κατεργασίας ή να προκαλέσει αναπήδηση.

**ε) Πλάκες ή άλλα μεγάλα υπό κατεργασία τεμάχια πρέπει να αντιστηρίζονται για να ελαττωθεί ο κίνδυνος κλοστήματος από έναν τυχόν μπλοκαρισμένο δίσκο κοπής.** Μεγάλο υπό κατεργασία τεμάχιο μπορεί να λυγίσουν κάτω από το ίδιο τους το βάρος. Το υπό κατεργασία τεμάχιο πρέπει να αντιστηριχτεί και στις δυο πλευρές του, δηλαδή αφενός κοντά στην γραμμή κοπής και αφετέρου στην ακμή του.

**ζ) Προσέχετε ιδιαίτερα, όταν διεξάγετε «κοπές βύθισης» σε τοίχους ή σε άλλες τυφλές περιοχές.** Ο βυθιζόμενος δίσκος κοπής μπορεί να κόψει αγλυούς φυσικού αερίου ή νερού, ηλεκτρικούς αγωγούς ή άλλα αντικείμενα, προκαλώντας κλότσημα.

**Ιδιαίτερες προειδοποιητικές υποδείξεις για εργασίες λείανσης με σμυριδόχαρτο**

**α)** Μη χρησιμοποιείτε υπερμεγέθη σμυριδόφυλλα αλλά τηρείτε τις συστάσεις του κατασκευαστή για το μέγεθος των σμυριδόφυλλων. Σμυριδόφυλλα που προεξέχουν από το δίσκο λείανσης μπορεί να προκαλέσουν τραυματισμούς, να οδηγήσουν σε μπλοκάρωμα, να σχιστούν ή να προκαλέσουν κλότσημα.

**Ιδιαίτερες προειδοποιητικές υποδείξεις για εργασίες με συρματόβουρτσες**

**α) Να λαμβάνετε πάντοτε υπόψη σας ότι οι συρματόβουρτσες γάνουν σύρματα κατά τη διάρκεια της κανονικής τους χρήσης.** Να μην ασκείτε υπερβολική πίεση για να μην επιβραδύνονται υπερβολικά τα σύρματα. Τυχόν εκσφενδονιζόμενα τεμάχια συρμάτων μπορεί να διατρυπήσουν όχι μόνο λεπτά ρούχα αλλά και/ή το δέρμα σας.

**β) Όταν προτείνεται η χρήση προφυλακτράρα πρέπει να φροντίσετε, τα σύρματα της βούρτσας να μην εγείνουν τον προφυλακτήρα.** Η διάμετρος των δισκοειδών και των ποτηροειδών βουρτσών μπορεί να μεγαλώσει εξαιτίας της ασκούμενης πίεσης και της ανάπτυξης κεντρικών δυνάμεων.

Οι μπρίζες στους εξωτερικούς χώρους πρέπει να είναι εξοπλισμένες με μικροαυτόματους διακόπτες προστασίας (Ζ1, ΣΓΔ, ΠΣΓΔ). Αυτό απαιτεί ο σχετικός κανονισμός από την ηλεκτρική σας εγκατάσταση. Προσέξτε παρακαλώ αυτό το σημείο κατά τη χρήση της συσκευής μας.

Τα γρέδια ή τα σκλήθρες δεν επιτρέπεται να απομακρύνονται με κινούμενη τη μηχανή.

Συνδέστε τη μηχανή στην πρίζα μόνο, εφόσον βρίσκεται απενεργοποιημένη.

Μην απλώνετε τα χέρια σας στην επικίνδυνη περιοχή της κινούμενης μηχανής.

Χρησιμοποιείτε πάντοτε την πρόσθετη χειρολαβή.

Θέστε τη συσκευή αμέσως εκτός λειτουργίας, όταν παρουσιαστούν σημαντικοί κραδασμοί ή διαπιστωθούν άλλα ελαττώματα. Ελέγξτε τη μηχανή, για να διαπιστώσετε την αιτία. Χρησιμοποιείτε και φυλάγετε τους δίσκους λείανσης πάντοτε σύμφωνα με τα στοιχεία του κατασκευαστή.

Κατά την λείανση/τρίχισμα των μετάλλων δημιουργούνται σπινθήρες. Προσέξτε, να μην θεθεί σε κίνδυνο κανένα άτομο. Λόγω του κινδύνου πυρκαγιάς δεν επιτρέπεται να βρίσκονται κοντά εύφλεκα υλικά (περιοχή εκτόξευσης των σπινθήρων). Μη χρησιμοποιείτε καμία διάταξη αναρρόφηση σκόνης.



Κρατάτε τη συσκευή πάντοτε έτσι, ώστε οι σπινθήρες ή τα ριζήματα τροχίσματος να απομακρύνονται από το σώμα σας.

Για το κόψιμο πέτρας είναι υποχρεωτική η χρήση του πέλματος οδηγησης.

Το φλαντζωτό παζμίδι πρέπει να έχει σφικτεί πριν τη θέση σε λειτουργία της μηχανής.

Το προς επεξεργασία κομμάτι πρέπει να σφικτεί καλά, όταν δεν μπορεί να κρατηθεί με το ίδιο του το βάρος. Μην κρατάτε ποτέ το επεξεργαζόμενο κομμάτι με το χέρι ενάντια στο δίσκο.

Σε ακραίες συνθήκες χρήσης (π. χ. ξεχόνδρισμα μετάλλων με τον ελαστικό δίσκο και τα λειαντικά φίμπερ) μπορεί να αναπτυχθεί πολύ βρομιά στο εσωτερικό του γωνιακού τροχού. Σε τέτοιες συνθήκες χρήσης απαιτείται για λόγους ασφαλείας ένας επιμελής καθαρισμός στο εσωτερικό από τις εναποθέσεις μετάλλου και οπωσδήποτε η σύνδεση σ' ένα διακόπτη προστασίας σφάλματος γείωσης (HZFI). Μετά από μια ενεργοποίηση του διακόπτη προστασίας σφάλματος γείωσης (HZFI) πρέπει το εργαλείο να αποσταλεί για επισκευή.

Για εργαλεία στα οποία προσαρμόζεται τροχός με σπειρωτή οπή, βεβαιωθείτε ότι το σπείρωμα στον τροχό έχει αρκετό μήκος ώστε να ανταποκρίνεται στο μήκος του άξονα.

Για εργασίες κοπής χρησιμοποιείτε κλειστό προφυλακτήρα από το πρόγραμμα πρόσθετων εξαρτημάτων.

## ΧΡΗΣΗ ΣΥΜΦΩΝΑ ΜΕ ΤΟ ΕΚΟΠΟ ΠΡΟΟΡΙΣΜΟΥ

Ο γωνιακός τροχός μπορεί να χρησιμοποιηθεί για το κόψιμο και το ξεχόνδρισμα πολλών υλικών, όπως π. χ. μέταλλο ή πέτρα, καθώς επίσης για τη λείανση με συνθετικό δίσκο λείανσης και για εργασίες με βούρτσα από αιολόσυρμα. Σε περίπτωση αμφιβολιών προσέχετε τις υποδείξεις του κατασκευαστή των πρόσθετων εξαρτημάτων.

Αυτή η συσκευή επιτρέπεται να χρησιμοποιηθεί μόνο σύμφωνα με τον αναφερόμενο σκοπό προορισμού.

## ΔΗΛΩΣΗ ΣΥΜΜΟΡΦΩΣΗΣ CE

Δηλώνουμε με αποκλειστική μας ευθύνη, ότι αυτό το προϊόν ανταποκρίνεται στα ακόλουθα πρότυπα ή έγγραφα τυποποίησης, EN 60745, EN 55014-1, EN 55014-2, EN 61000-3-2, EN 61000-3-3, σύμφωνα με τις διατάξεις των οδηγιών 2006/42/ΑΕ 2004/108/ΑΕ



*Rainer Kumpf*

Rainer Kumpf  
Manager Product Development

Winnenden, 2010-11-17

Εξουσιοδοτημένος να συντάξει τον τεχνικό φάκελο.

## ΣΥΝΔΕΗ ΣΤΟ ΗΛΕΚΤΡΙΚΟ ΔΙΚΤΥΟ



Συνδέετε μόνο σε μονοφασικό εναλλασσόμενο ρεύμα και μόνο σε τάση δικτύου όπως αναφέρεται στην πινακίδα τεχνικών χαρακτηριστικών. Η σύνδεση είναι επίσης εφικτή σε πρίζες χωρίς προστασία επαφής, διότι υπάρχει μια δομή της κατηγορίας προστασίας II.

## ΣΥΝΤΗΡΗΣΗ

Διατηρείτε πάντοτε τις σχισμές εξαερισμού στη μηχανή καθαρές.

Λόγω του κινδύνου βραχυκυκλώματος δεν επιτρέπεται να φθάνουν μεταλλικά αντικείμενα στις σχισμές εξαερισμού.

Χρησιμοποιείτε μόνο πρόσθ. εξαρτήματα AEG και ανταλλακτικά AEH. Κατασκ. τμήματα, που η αλλαγή τους δεν περιγράφεται, αντικαθιστώνται σε μια τεχνική υποστήριξη της AEG (βλέπε φυλλάδιο εγγύηση/ διευθύνσεις τεχνικής υποστήριξης).

Όταν χρειάζεται, μπορείτε να ζητήσετε ένα σχέδιο συναρμολόγησης της συσκευής, δίνοντας τον τύπο της μηχανής και το δεκαψήφιο αριθμό στην πινακίδα ισχύος, από το κέντρο σέρβις ή απευθείας από τη firma AEG Elektrowerkzeuge, Max-Eyth-Straße 10, D-71364 Winnenden, Germany.

## ΣΥΜΒΟΛΑ



Παρακαλώ διαβάστε σχολαστικά τις οδηγίες χρήσης πριν από την έναρξη λειτουργίας.



ΠΡΟΣΟΧΗ! ΠΡΟΕΙΔΟΠΟΙΗΣΗ! ΚΙΝΔΥΝΟΣ!



Στις εργασίες με τη μηχανή φοράτε πάντοτε προστατευτικά γυαλιά.



Πριν από κάθε εργασία στη μηχανή τραβάτε το φως από την πρίζα.



Εξαρτήματα - Δεν περιλαμβάνονται στα υλικά παράδοσης, συνιστούμενη προσθήκη από το πρόγραμμα εξαρτημάτων.



Μην πετάτε τα ηλεκτρικά εργαλεία στον κάδο οικιακών απορριμμάτων! Σύμφωνα με την ευρωπαϊκή οδηγία 2002/96/ΕΚ περί ηλεκτρικών και ηλεκτρονικών συσκευών και την ενσωμάτωσή της στο εθνικό δίκαιο, τα ηλεκτρικά εργαλεία πρέπει να συλλέγονται ξεχωριστά και να πιστρέφονται για ανακύκλωση με τρόπο φιλικό προς το περιβάλλον.

Ελληνικά

	WS 9-100	WS9-115	WS9-125
Giriş gücü .....	900 W	900 W	900 W
Devir says .....	11000 min <sup>-1</sup>	11000 min <sup>-1</sup>	11000 min <sup>-1</sup>
taşlama diski çapı .....	100 mm	115 mm	125 mm
Mil dişi .....	M 10	M 14	M 14
Ağırlığı ise EPTA-üretici 01/2003'e göre.....	2,0 kg	2,0 kg	2,0 kg

**Gürültü/Vibrasyon bilgileri**

Ölçüm değerleri EN 60 745 e göre belirlenmektedir.

Aletin, frekansa bağımlı uluslararası ses basıncı seviyesi değerlendirme eğrisi

A'ya göre tipik gürültü seviyesi:

Ses basıncı seviyesi (K=3 dB(A)) .....	90,5 dB (A)	90,5 dB (A)	90,5 dB (A)
Akustik kapasite seviyesi(K=3 dB(A)) .....	101,5 dB (A)	101,5 dB (A)	101,5 dB (A)

**Koruyucu kulaklık kullanın!**

Toplam titreşim değeri (üç yönün vektör toplamı) EN 60745'e göre belirlenmektedir:

Ayrırma ve kaba taşlama:Esname emisyon değeri $a_h$ .....	5,8 m/s <sup>2</sup>	5,8 m/s <sup>2</sup>	5,8 m/s <sup>2</sup>
Tolerans K .....	1,5 m/s <sup>2</sup>	1,5 m/s <sup>2</sup>	1,5 m/s <sup>2</sup>
Plastik taşlama tabağı ile taşlama: Esname emisyon değeri $a_h$ .....	1,9 m/s <sup>2</sup>	1,9 m/s <sup>2</sup>	1,9 m/s <sup>2</sup>
Tolerans K .....	1,5 m/s <sup>2</sup>	1,5 m/s <sup>2</sup>	1,5 m/s <sup>2</sup>

	WS 11-115	WS 11-125
Giriş gücü .....	1100 W	1100 W
Devir says .....	11000 min <sup>-1</sup>	11000 min <sup>-1</sup>
taşlama diski çapı .....	115 mm	125 mm
Mil dişi .....	M 14	M 14
Ağırlığı ise EPTA-üretici 01/2003'e göre.....	2,3 kg	2,3 kg

**Gürültü/Vibrasyon bilgileri**

Ölçüm değerleri EN 60 745 e göre belirlenmektedir.

Aletin, frekansa bağımlı uluslararası ses basıncı seviyesi değerlendirme eğrisi

A'ya göre tipik gürültü seviyesi:

Ses basıncı seviyesi (K=3 dB(A)) .....	90,5 dB (A)	90,5 dB (A)
Akustik kapasite seviyesi(K=3 dB(A)) .....	101,5 dB (A)	101,5 dB (A)

**Koruyucu kulaklık kullanın!**

Toplam titreşim değeri (üç yönün vektör toplamı) EN 60745'e göre belirlenmektedir:

Ayrırma ve kaba taşlama:Esname emisyon değeri $a_h$ .....	5,8 m/s <sup>2</sup>	5,8 m/s <sup>2</sup>
Tolerans K .....	1,5 m/s <sup>2</sup>	1,5 m/s <sup>2</sup>
Plastik taşlama tabağı ile taşlama: Esname emisyon değeri $a_h$ .....	1,9 m/s <sup>2</sup>	1,9 m/s <sup>2</sup>
Tolerans K .....	1,5 m/s <sup>2</sup>	1,5 m/s <sup>2</sup>

Diğer uygulamalarda, örneğin çelik tel fırça ile ayırarak taşlama veya taşlama işleminde başka vibrasyon değerleri ortaya çıkabilir!

**UYARI**

Bu talimatlarda belirtilen titreşim seviyesi, EN 60745 standardına uygun bir ölçme metodu ile ölçülmüştür ve elektrikli el aletleri birbirleriyle karşılaştırmak için kullanılabilir. Ölçüm sonuçları ayrıca titreşim yükünün geçici değerlendirmesi için de uygundur.

Belirtilen titreşim seviyesi, elektrikli el aletinin genel uygulamaları için geçerlidir. Ancak elektrikli el aleti başka uygulamalar için, farklı eklenti parçalarıyla ya da yetersiz bakım koşullarında kullanılırsa, titreşim seviyesi farklılık gösterebilir. Bu durumda, titreşim yükü toplam çalışma zaman aralığı içerisinde belirgin ölçüde yükselebilir.

Titreşim yükünün tam bir değerlendirmesi için ayrıca cihazın kapalı olduğu süreler ve cihazın çalışır durumda olduğu, ancak gerçek kullanımında bulunmadığı süreler de dikkate alınmalıdır. Böylelikle, toplam çalışma zamanı aralığı boyunca meydana gelen titreşim yükü belirgin ölçüde azaltılabilir.

Kullanıcıyı titreşimlerin etkisinden korumak üzere, örneğin elektrikli el aletlerinin ve eklenti parçalarının bakımı, ellerin sıcak tutulması ve iş akışlarının organizasyonu gibi ek güvenlik tedbirleri belirleyiniz.

**Tür**



## UYARI!

Güvenlikle ilgili bütün açıklamaları, talimatları ve ilişikteki broşüre yazılı bulunan hususları okuyunuz. Açıklanan uyarılara ve talimat hükümlerine uyulmadığı takdirde elektrik çarpmalarına, yangınlara ve/veya ağır yaralanmalara neden olunabilir.

**Bütün uyarıları ve talimat hükümlerini ilerde kullanmak üzere saklayın.**

## GÜVENLİĞİNİZ İÇİN TALİMATLAR

**Taşlama, kumlu zımpara kağıdı ile zımparalama, tel fırça ile taşlama, polisaj ve kesici taşlama işleri için müşterek uyarılar:**

**a) Bu elektrikli alet taşıyıcı, tel fırça ve ayırma taşlama makinesi olarak kullanılacaktır. Elektrikli aletle birlikte size verilen bütün güvenlik açıklamalarını, talimatları, anlatımları ve bilgileri dikkate alınız.** Talimatları dikkate almadığınız takdirde elektrik tepmesi, yangın ve/veya ağır yaralanmalar olabilir.

**b) Bu elektrikli el aleti polisaj yapmaya uygun değildir.** Elektrikli alet için öngörülmemen kullanımlar risklere ve yaralanmalara sebebiyet verebilir.

**c) Üretici tarafından özel olarak bu alet öngörülmemen ve tavsiye edilmeyen aksesuar kullanmayın.** Bir aksesuarı elektrikli el aletinize takabiliyor olmanız güvenli kullanımı garanti etmez.

**d) Kullanılan ucun müsaade edilen devir sayısı en azından elektrikli el aletin tip etiketinde belirtilen devir sayısı kadar olmalıdır.** Müsaade edilenden hızlı dönen aksesuar kırılabilir ve etrafa yayılabilir.

**e) Kullanılan ucun dış çapı ve kalınlığı elektrikli el aletinizin ölçülerine uymalıdır.** Ölçüsü uygun olmayan uçlar yeterli derecede kapatılamaz veya kontrol edilemez.

**f) Taşlama diskleri, flanşlar, zımpara tablaları veya diğer aksesuar elektrikli el aletinizin taşlama miline tam olarak uymalıdır.** Elektrikli el aletinizin taşlama miline tam olarak uymayan uçlar düzensiz döner, aşırı titreşim yapar ve aletin kontrolünün kaybedilmesine neden olabilir.

**g) Hasarlı uçları kullanmayın. Her kullanımdan önce taşlama disklerinde çatlak ve çizik olup olmadığını, zımpara tablalarında çizik ve aşınma olup olmadığını, tel fırçalarda gevşeme veya kırık teller olup olmadığını kontrol edin. Elektrikli el aleti veya uç yere düşecek olursa hasar görüp görmediklerini kontrol edin, gerekirse hasar görmemiş başka bir uç kullanın. Kullanacağınız ucu kontrol edip taktıktan sonra ucun dönme alanı yakınında bulunan kişileri uzaklaştırın ve elektrikli el aletini bir dakika en yüksek devir sayısında çalıştırın.** Hasarlı uçlar çoğu zaman bu test süresinde kırılır.

**h) Kişisel koruyucu donanım kullanın. Yaptığımız işe göre tam yüz siperliği, göz koruma donanımı veya koruyucu gözlük kullanın.** Eğer uygunsuz küçük taşlama ve malzeme parçacıklarına karşı koruma sağlayan toz maskesi, koruyucu kulaklık, koruyucu iş eldivenleri veya özel iş önlüğü kullanın. Gözler çeşitli uygulamalarda etrafa savrulan parçacıklardan korunmalıdır. Toz veya solunma maskesi çalışma sırasında ortaya çıkan tozları filtre eder. Uzun süre yüksek gürültü altında çalışırsanız işitme kaybına uğrayabilirsiniz.

**i) Başkalarının çalıştığınız yerden güvenli uzaklıkta olmasına dikkat edin. Çalışma alanınıza girmek zorunda olan herkes koruyucu donanım kullanmalıdır.** İş parçasının veya ucun kırılması sonucu ortaya çıkan parçacıklar etrafa savrulurken çalışma alanınızın dışındaki kişileri de yaralayabilir.

**j) Kesme aletinin eğrilmis elektrikli kabloları veya kendi kablosuna isabet eden çalışmalar yapılırken cihaz izole edilmiş kollarından tutun.** Kesme aletinin içinden elektrik akımı geçen kablo ile temas etmesi durumunda elektrik akımı cihazın metal kısımlarına geçer ve elektrik çarpmasına sebebiyet verebilir.

**k) Şebeke bağlantı kablosunu dönen uçlardan uzak tutun.** Elektrikli el aletinin kontrolünü kaybederseniz, şebeke bağlantı kablosu ayrılabilir veya uç tarafından tutulabilir ve el veya kollarınız dönmeğe olan uca temas edebilir.

**l) Uç tam olarak durmadan elektrikli el aletini elinizden bırakmayın.** Dönmeğe olan uç aleti bırakacağız yüzeye temas edebilir ve elektrikli el aletinin kontrolünü kaybedebilirsiniz.

**m) Elektrikli el aletini çalışır durumda taşımayın.** Giysilerinizin rastlantı sonucu dönmeğe olan uç tarafından tutulabilir ve uç bedeninizde temas edebilir.

**n) Elektrikli aletinizin havalandırma oluğunu düzenli bir şekilde temizleyiniz.** Motor körüğünü muhafaza kutusuna tozu çeker ve metal tozlarının fazla bir şekilde birikmesi elektrik risklerine sebebiyet verebilir.

**o) Elektrikli cihazı asla yanıcı malzemelerin yanında kullanmayınız.** Kıvılcıklar bu malzemeleri tutuşturabilir.

**p) Sıvı soğutma maddeleri gerektiren takımlar kullanmayınız.** Su veya sıvı başka soğutma maddelerinin kullanılması elektrik çarpmasına yol açabilir.

## Geri tepme ve ilgili emniyet bilgileri

Geri tepme, zımpara taşı, zımpara tablası, tel fırça vb. gibi dönen takımın takılması veya bloke olması sonucu oluşan ani reaksiyondur. Takılma veya blokaj dönen takımın aniden durmasına neden olur. Bu yüzden kontrolsüz bir elektrikli cihaz, blokaj yerinde takımın dönüş yönünün tersine ivmelenir.

Örneğin bir taşlama diski iş parçası içinde takılır veya bloke olursa, taşlama diskinin içine giren kenarı tutulur ve disk kırılır veya geri tepme kuvvetini ortaya çıkmasına neden olur. Bu durumda taşlama diski blokaj yerinden, diskin dönme yönüne bağlı olarak kullanıcıya doğru veya kullanıcının tersine hareket eder. Bu gibi durumlarda taşlama disklerinin kırılma olasılığı da vardır.

Bir geri tepme kuvveti, testereyi yanlış veya hatalı kullanımı sonucu ortaya çıkar. Geri tepme kuvvetleri aşağıda açıklanan uygun önlemlerle önlenebilir.

**a) Elektrikli cihazı sıkıca tutunuz ve vücudunuzu ve kollarınızı geri tepme kuvvetlerini karşılayabileceğiniz bir pozisyona getiriniz. İlk çalışma sırasında geri tepme kuvvetlerini veya reaksiyon momentlerini azami ölçüde kontrol altında tutabilmek için varsa eğer ek tutamağı daima kullanınız.** Kullanılan kişi uygun tedbirler olarak geri tepme ve reaksiyon kuvvetlerine hakim olabilir.

**b) Ellerinizi asla dönen takıma yaklaştırmayınız.** Geri tepme halinde takım ellerinizin üstüne hareket edebilir.

**c) Vücudunuzu elektrikli cihazın geri tepme sahasından uzak tutunuz.** Geri tepme sonucu elektrikli cihaz blokaj yerinde zımpara taşının dönüş yönünün tersine hareket eder.

**d) Köşe, keskin kenar vb. sahalarda özellikle dikkatli çalışınız. Takımları iş parçasında sektirmekten ve sıkıştırmaktan kaçınınız.** Dönen takım köşelerde, keskin kenarlarda veya sektirdiğinde sıkışma eğilimi gösterir. Bu kontrolün kaybedilmesine veya geri tepmeye neden olur.

**e) Zincir veya dişli testere levhaları kullanmayın.** Bu tür kullanılan aletler sık sık geri tepme yapar veya elektrikli aletin kontrol edilmesine kaybına sebebiyet verir.



Tür

## Taşlama ve kesici taşlama için özel uyarılar

**a) Sadece elektrikli el aletiniz için müsaade edilen taşlama uçlarını ve bu uçlar için öngörülen koruyucu kapağı kullanın.**

Bu elektrikli el aleti için öngörülmeyen taşlama uçları yeterli ölçüde kapatılmazlar ve güvenli değildirler.

**b) Koruma başlığını her zaman kullanın. Koruma başlığı güvenli bir şekilde elektrikli alete takılmalı ve maksimum güvenlik ölçüsü elde edilecek bir şekilde ayar edilmelidir, yani ayırma levhasının en küçük parçası kullanan şahıs tarafından açık bir şekilde görülür.** Kullanan şahıs koruma başlığını kesiklerden ve taşlama malzemesi ile tesadüfen temas etmesinden korumalıdır.

**c) Taşlama uçları sadece tavsiye edilen uygulamalarda kullanılabilir.** Örneğin: Bir kesme diskinin kenarı ile hiçbir zaman taşlama yapmayın. Kesici taşlama diskleri uçları ile malzeme kazıma için geliştirilmiştir. Bu uçlara yandan baskı uygulandığında kırılabilirler.

**d) Seçtiğiniz taşlama diski için daima hasar görmemiş doğru büyüklük ve biçimde germe flanşı kullanın.** Uygun flanşlar taşlama disklerini destekler ve kırılma tehlikesini önlerler. Kesici taşlama diskleri için öngörülen flanşlar diğer uçlara ait flanşlardan farklı olabilir.

**e) Büyük elektrikli el aletlerini ait yıpranmış taşlama disklerini kullanmayın.** Büyük elektrikli el aletlerinde kullanılan taşlama diskleri yüksek devirli küçük el aletlerinde kullanılmaya elverişli değildirler ve kırılabilirler.

## Kesici taşlama için diğer özel uyarılar

**a) Kesme taşının bloke olmasını veya aşırı baskı uygulanmasını önleyiniz. Gereğinden fazla derin kesimler yapmayınız.** Kesme taşına aşırı yüklenilmesi yıpranmayı ve sıkışma veya bloke olma olasılığını ve bu yüzden geri tepme veya zımpara taşı kırılması olasılığını da artırır.

**b) Dönmekte olan kesici taşlama diskinin ön ve arka alanına yaklaşmayın.** Kesici taşlama diskinin iş parçasından dışarı çıkarsanız bir geri tepme kuvveti oluştuğunda dönen disk size doğru savrulabilir.

**c) Kesme taşı sıkıştığında veya çalışmaya ara verdiğinizde cihazı kapatınız ve taş durana kadar sakince tutunuz. Hala dönen kesme taşı kesim yerinden çıkarmaya çalışmayınız, aksi takdirde geri tepebilir.** Sıkışmanın nedenini saptayınız ve gideriniz.

**d) Tezgahın içinde bulunduğu süre elektrikli aleti tekrar çalıştırmayın. Dikkatli bir şekilde kesime devam etmeden önce ayırma levhasının tam devir sayısına ulaşmasını sağlayın.** Aksi takdirde levha çengeller, tezgahtan çıkar veya geri tepmeye neden olur.

**e) Sıkışan bir kesme taşı nedeniyle oluşacak geri tepme riskini azaltmak için plakaları veya büyük iş parçalarını destekleyiniz.** Büyük iş parçaları kendi ağırlıkları nedeniyle bükülebilir. İş parçası hem kesim yerinin yakınından hem de kenardan olmak üzere iki taraftan desteklenmelidir.

**f) Varolan duvarlarda veya içi görülemeyen başka bölümlerde „cep şeklinde kesim“ yaparken özellikle dikkat ediniz.** Malzeme içine dalan kesme taşı, gaz, su veya elektrik tesisatlarında ya da başka nesnelere kesim yaparken geri tepmeye neden olabilir.

## Zımpara kağıtları ile çalışmaya ait özel uyarılar

**a) Boyutları yüksek zımpara kağıtlarını kullanmayın, zımpara kağıtları için üreticinin verilerine uyun.** Zımpara tablasından dışarı çıkıntı yapan zımpara kağıtları yaralanmalara neden olabilirler, blokaja neden olabilirler, kırtıllabilir veya geri tepme kuvvetlerinin oluşmasına neden olabilirler.

## Tel fırça ile çalışmaya ait özel uyarılar

**a) Tel fırçanın normal kullanım koşullarında da tellerini kaybettiğini dikkate alın. Fazla bastırma kuvveti uygulayarak telleri zorlamayın.** Kopan ve fırlayan tel parçaları rahatlıkla giysi veya derinizden içeri girebilir.

**b) Koruyucu kapak kullanırken koruyucu kapakla tel fırçanın birbirine temas etmesini önleyin.** Tabla veya çanak biçimli fırçalar bastırma ve merkezkaç kuvvetleri nedeniyle çaplarını büyütülebilir.

Açık havadaki prizler hatalı akım koruma şalteri (FI, RCD, PRCD) ile donatılmış olmalıdır. Bu, elektrik tesisatındaki bir zorunluluktur. Lütfen aletimizi kullanırken bu hususa dikkat edin.

Alet çalışır durumda iken talaş ve kırıntılar temizlemeye çalışmayın.

Aleti sadece kapalı iken prize takın.

Aletin tehlikeli olabilecek bölümlerini tutmayın.

Daima ilave sapı kullanın.

Hissedilir ölçüde titreşim oluşmaya başlarsa veya normal olmayan başka aksaklıklar ortaya çıkarsa aleti hemen kapatın. Bu aksaklıkların nedenini belirlemek için aleti kontrol edin.

Taşlama disklerini daima üreticinin talimatına uygun olarak kullanın ve saklayın.

Taşlama işlemi sırasında ortaya çıkan kıvılcıklara dikkat edin, yanıcı malzemeler tutuşabilir.

Aleti daima, kıvılcıklar veya taşlama tozu bedeninizden uzaklaşacak biçimde tutun.

Taşları keserken kılavuz kazağın kullanılması zorunludur.

Flanş somunu aleti işleme almadan önce iyice sıkın.

Kendi ağırlığı ile güvenli biçimde durmuyorsa iş parçasının uygun bir tertibatla sıkıca tespit edilmesi gerekir. İş parçasını hiçbir zaman elinizle diske doğru tutmayın.

Aşırı kullanım koşullarında (örneğin destek levhali metallerin ve volkan ateşli taşlama levhalarının düz olarak taşlanması) açılı taşlamasının iç kısmında kuvvetli bir kirlenme oluşabilir. Böyle kullanım koşullarında güvenlik sebeplerinden dolayı iç bölüm metal çöküntülerinden esaslı bir şekilde temizlenmeli ve hatalı elektrik akımı (FI) koruyucu şalterin zorunlu olarak deneme devresine sokulması gerekir. FI koruyucu şalteri okutturulduktan sonra makinenin tamir edilmek üzere gönderilmesi gerekir.

Klavuz delikli teker takılacak olan aletlerde, tekerdeki klavuzun mil uzunluğunu kabul edecek kadar uzun olmasına dikkat edin.

Ayırma işleri için aksam programından kapalı koruma şapkası kullanın.



Tür

## KULLANIM

Açı taşlama aleti pek çok malzemenin ayırma ve kaba taşlama işlerinde kullanılır, örneğin metal veya taş ve plastik taşlama tabağı ile taşlama ve çelik tel fırça ile çalışırken.

Bu alet sadece belirtildiği gibi ve usulüne uygun olarak kullanılabilir.

## ŞEBEKE BAĞLANTISI

Aleti sadece tek fazlı alternatif akıma ve tip etiketi üzerinde belirtilen şebeke gerilimine bağlayın. yapısı Koruma sınıfı II'ye girdiğinden alet koruyucu kontaklı prize de bağlanabilir.

## CE UYGUNLUK BEYANI

Tek sorumlu olarak bu ürünün 2006/42/EC, 2004/108/EC yönetmelik hükümleri uyarınca aşağıdaki normlara ve norm dokümanlarına uygunluğunu beyan ederiz: EN 60745, EN 55014-1, EN 55014-2, EN 61000-3-2, EN 61000-3-3.



Winnenden, 2010-11-17

Rainer Kumpf  
Manager Product Development

Teknik evrakları hazırlamakla görevlendirilmiştir.

## SEMBOLLER



Lütfen aleti çalıştırmadan önce kullanma kılavuzunu dikkatli biçimde okuyun.



**DIKKAT! UYARI! TEHLİKE!**



Aletle çalışırken daima koruyucu gözlük kullanın.



Aletin kendinde bir çalışma yapmadan önce fişi prizden çekin.



Aksesuar - Teslimat kapsamında değildir, önerilen tamamlamalar aksesuar programında.



Elektrikli el aletlerini evdeki çöp kutusuna atmayınız! Kullanılmış elektrikli aletleri, elektrik ve elektronik eski cihazlar hakkındaki 2002/96/EC Avrupa yönergelerine göre ve bu yönergeler ulusal hukuk kurallarına göre uyarlanarak, ayrı olarak toplanmalı ve çevre şartlarına uygun bir şekilde tekrar değerlendirmeye gönderilmelidir.

## BAKIM

Aletin havalandırma aralıklarını daima temiz tutun.

Kısa devre tehlikesi ortaya çıkacağından metal parçaların havalandırma aralıklarına girmemesi gerekir.

Sadece AEG aksesuarını ve yedek parçalarını kullanın. Değiştirilmesi açıklanmamış olan parçaları bir AEG müşteri servisinde değiştirin (Garanti broşürüne ve müşteri servisi adreslerine dikkat edin).

Gerektiği takdirde aletin dağıtım görünüş şeması, alet tipinin ve tip etiketi üzerindeki on hanelik sayının bildirilmesi koşuluyla müşteri servisinden veya doğrudan AEG Elektrowerkzeuge, Max-Eyth-Straße 10, D-71364 Winnenden, Germany adresinden istenebilir.

	WS 9-100	WS9-115	WS9-125
Jmenovitý příkon .....	900 W	900 W	900 W
Jmenovité otáčky .....	11000 min <sup>-1</sup>	11000 min <sup>-1</sup>	11000 min <sup>-1</sup>
Průměr brusného kotouče .....	100 mm	115 mm	125 mm
Závít vřetene .....	M 10	M 14	M 14
Hmotnost podle prováděcího předpisu EPTA 01/2003 .....	2,0 kg	2,0 kg	2,0 kg

### Informace o hluku / vibracích

Naměřené hodnoty odpovídají EN 60 745.

V třídě A posuzovaná hladina hluku přístroje činí typicky:

Hladina akustického tlaku (K=3 dB(A)) .....	90,5 dB (A)	90,5 dB (A)	90,5 dB (A)
Hladina akustického výkonu (K=3 dB(A)) .....	101,5 dB (A)	101,5 dB (A)	101,5 dB (A)

### Použijte chrániče sluchu !

Čelkové hodnoty vibrací (vektorový součet tří směrů) zjištěnéve smyslu EN 60745.

Řezání a hrubování brusným kotoučem: hodnota vibračních emisí $a_h$ .....	5,8 m/s <sup>2</sup>	5,8 m/s <sup>2</sup>	5,8 m/s <sup>2</sup>
Kolísavost K .....	1,5 m/s <sup>2</sup>	1,5 m/s <sup>2</sup>	1,5 m/s <sup>2</sup>
Broušení plastovým brusným kotoučem: hodnota vibračních emisí $a_h$ .....	1,9 m/s <sup>2</sup>	1,9 m/s <sup>2</sup>	1,9 m/s <sup>2</sup>
Kolísavost K .....	1,5 m/s <sup>2</sup>	1,5 m/s <sup>2</sup>	1,5 m/s <sup>2</sup>

	WS 11-115	WS 11-125
Jmenovitý příkon .....	1100 W	1100 W
Jmenovité otáčky .....	11000 min <sup>-1</sup>	11000 min <sup>-1</sup>
Průměr brusného kotouče .....	115 mm	125 mm
Závít vřetene .....	M 14	M 14
Hmotnost podle prováděcího předpisu EPTA 01/2003 .....	2,3 kg	2,3 kg

### Informace o hluku / vibracích

Naměřené hodnoty odpovídají EN 60 745.

V třídě A posuzovaná hladina hluku přístroje činí typicky:

Hladina akustického tlaku (K=3 dB(A)) .....	90,5 dB (A)	90,5 dB (A)
Hladina akustického výkonu (K=3 dB(A)) .....	101,5 dB (A)	101,5 dB (A)

### Použijte chrániče sluchu !

Čelkové hodnoty vibrací (vektorový součet tří směrů) zjištěnéve smyslu EN 60745.

Řezání a hrubování brusným kotoučem: hodnota vibračních emisí $a_h$ .....	5,8 m/s <sup>2</sup>	5,8 m/s <sup>2</sup>
Kolísavost K .....	1,5 m/s <sup>2</sup>	1,5 m/s <sup>2</sup>
Broušení plastovým brusným kotoučem: hodnota vibračních emisí $a_h$ .....	1,9 m/s <sup>2</sup>	1,9 m/s <sup>2</sup>
Kolísavost K .....	1,5 m/s <sup>2</sup>	1,5 m/s <sup>2</sup>

U jiných aplikací, např. při rozbrušování nebo broušení ocelovým drátěným kartáčem mohou vznikat vibrace jiných hodnot!

## VAROVÁN

Úroveň chvění uvedená v tomto návodu byla naměřena podle metody měření stanovené normou EN 60745 a může být použita pro porovnání elektrického nářadí. Hodí se také pro průběžný odhad zatížení chvěním.

Uvedená úroveň chvění představuje hlavní účely použití elektrického nářadí. Jestliže se ale elektrické nářadí používá pro jiné účely, s odlišnými nástroji nebo s nedostatečnou údržbou, může se úroveň chvění odlišovat. To může značně zvýšit zatížení chvěním během celé pracovní doby.

Pro přesný odhad zatížení chvěním se musí také zohlednit časy, během kterých je přístroj vypnutý nebo kdy je sice v chodu, ale skutečně se s ním nepracuje. To může zatížení chvěním během celé pracovní doby značně snížit.

Stanovte doplňková bezpečnostní opatření pro ochranu obsluhy před účinky chvění jako například: technická údržba elektrického nářadí a nástrojů, udržování teploty rukou, organizace pracovních procesů.







## VAROVÁNÍ!

Seznamte se se všemi bezpečnostními pokyny a sice i s pokyny v příloženém brožuru. Zanedbání při dodržování varovných upozornění a pokynů mohou mít za následek úder elektrickým proudem, požár a/nebo těžká poranění.

Všechna varovná upozornění a pokyny do budoucna uschovejte.

## SPECIÁLNÍ BEZPEČNOSTNÍ UPOZORNĚNÍ

Společná varovná upozornění k broušení, smirkování, práci s drátěnými kartáči, leštění a dělení:

**a) Toto elektrické nářadí se používá jako bruska, drátěný kartáč a rozbřušovačka. Dbejte prosím všech bezpečnostních pokynů, instrukcí, popisů a dat, která obdržíte spolu s nářadím.** Nebudete-li dbát následujících pokynů, vystavujete se nebezpečí úrazu elektrickým proudem, vzniku požáru a/nebo nebezpečí těžkého poranění.

**b) Toto elektrické nářadí není vhodné k leštění.** Použití tohoto elektrického nářadí k jiným než určeným účelům může vést k ohrožení zdraví a ke zranění.

**c) Nepoužívejte žádné příslušenství, které není výrobcem speciálně pro toto elektronářadí určeno a doporučeno.** Pouze to, že můžete příslušenství na Vaše elektronářadí upevnit, nezaručuje bezpečné použití.

**d) Dovolенý počet otáček nasazovacího nástroje musí být minimálně tak vysoký, jako na elektronářadí uvedený nejvyšší počet otáček.** Příslušenství, jež se otáčí rychleji než je dovoleno, se může rozlomit a rozletět.

**e) Vnější rozměr a tloušťka nasazovacího nástroje musí odpovídat rozměrovým údajům Vašeho elektronářadí.** Špatně dimenzované nasazovací nástroje nemohou být dostatečně stíněny nebo kontrolovány.

**f) Brusné kotočce, přírubu, brusné talíře nebo jiné příslušenství musí přesně lícovat na brusné vřeteno Vašeho elektronářadí.** Nasazovací nástroje, které přesně nelicují na brusné vřeteno elektronářadí, se nerovnoměrně točí, velmi silně vibrují a mohou vést ke ztrátě kontroly.

**g) Nepoužívejte žádné poškozené nasazovací nástroje. Zkontrolujte před každým použitím nasazovací nástroje jako brusné kotočce na odstěpky a trhliny, brusné talíře na trhliny, otěr nebo silné opotřebení, drátěné kartáče na uvolněné nebo zlomené dráty. Spadne-li elektronářadí nebo nasazovací nástroj z výšky, zkontrolujte zda není poškozený nebo použijte nepoškozený nasazovací nástroj. Pokud jste nasazovací nástroj zkontrolovali a nasadili, držte se Vy a v blízkosti nacházející se osoby mimo rovinu rotujícího nasazovacího nástroje a nechte stroj běžet jednu minutu s nejvyššími otáčkami.** Poškozené nasazovací nástroje většinou v této době testování prasknou.

**h) Noste osobní ochranné vybavení. Podle aplikace použijte ochranu celého obličeje, ochranu očí nebo ochranné brýle.** Taktéž adekvátně noste ochrannou masku proti prachu, ochranu sluchu, ochranné rukavice nebo speciální zástěru, jež Vás ochrání před malými částicemi brusiva a materiálu. Oči mají být chráněny před odletujícími cizími tělisky, jež vznikají při různých aplikacích. Protiprachová maska či respirátor musejí při používání vznikající prach odfiltrovat. Pokud jste dlouho vystaveni silnému hluku, můžete utrpět ztrátu sluchu.

**i) Dbejte u ostatních osob na bezpečnou vzdálenost k Vaší pracovní oblasti. Každý, kdo vstoupí do této pracovní oblasti, musí nosit osobní ochranné vybavení.** Úlomky obrobku nebo ulomených nasazovacích nástrojů mohou odletnout a způsobit poranění i mimo přímou pracovní oblast.

**j) Při provádění prací, při kterých nástroj může narazit na skryta elektrická vedení nebo na vlastní kabel, držte přístroj za izolované přidržovací plošky.** Kontakt řezného nástroje s vedením pod napětím může vést k přenosu napětí na kovové části přístroje a k úrazu elektrickým proudem.

**k) Držte síťový kabel daleko od otáčejících se nasazovacích nástrojů.** Když ztratíte kontrolu nad strojem, může být přerušen nebo zachycen síťový kabel a Vaše ruka nebo paže se může dostat do otáčejícího se nasazovacího nástroje.

**l) Nikdy neodkládejte elektronářadí dříve, než se nasazovací nástroj dostal zcela do stavu klidu.** Otáčející se nasazovací nástroj se může dostat do kontaktu s odkládací plochou, čímž můžete ztratit kontrolu nad elektronářadím.

**m) Nechte elektronářadí běžet po dobu, co je nesete.** Váš oděv může být náhodným kontaktem s otáčejícím se nasazovacím nástrojem zachycen a nasazovací nástroj se může zavrtat do Vašeho těla.

**n) Větrací otvory na elektrickém přístroji pravidelně čistěte.** Ventilátor motoru nasává prach do tělesa a silné nánosy kovového prachu mohou vyvolat nebezpečné situace.

**o) Elektrický přístroj nepoužívejte v blízkosti hořlavých materiálů.** Jiskry mohou tyto materiály zapálit.

**p) Nepoužívejte vkládané nástroje, které vyžadují tekutá chladiva.** Použití vody nebo jiných tekutých chladiv může způsobit zásah elektrickým proudem.

## Zpětný ráz a odpovídající bezpečnostní pokyny

Zpětný ráz je náhlá reakce v důsledku zaseknutého oder zablokovaného otáčejícího se vloženého nástroje, jako je brusný kotočec, brusný talír, drátěný kartáč atd. Zaseknutí nebo zablokování vede k náhlému zastavení rotujícího vloženého nástroje. Tím dojde k tomu, že se nekontrolovaný elektrický přístroj v místě blokáce zrychlí proti směru otáčení vloženého nástroje.

Pokud se např. zpříčí nebo zablokuje brusný kotočec v obrobku, může se hrana brusného kotočce, která se zanořuje do obrobku, zakousnout a tím brusný kotočec vyломit nebo způsobit zpětný ráz. Brusný kotočec se potom pohybuje k nebo od obsluhující osoby, podle směru otáčení kotočce na místě zablokování. Při tom mohou brusné kotočce i prasknout.

Zpětný ráz je důsledek špatného nebo chybného použití pily. Lze mu vhodnými preventivními opatřeními, jak je následovně popsáno, zabránit.

**a) Držte elektrický přístroj pořádně pevně a zaujměte svým tělem a pažemi takovou polohu, ve které dokážete síly zpětného rázu vyrovnat. Vždy používejte dodatečné držadlo, je-li zde přítomno, abyste tak měli co možná největší kontrolu nad silami zpětného rázu nebo reakčními momenty při rozběhu.** Obsluhující osoba může zvládnout síly zpětného rázu a reakční síly díky vhodným preventivním opatřením.

**b) Nikdy nepřibližujte svou ruku k otáčejícím se vloženým nástrojům.** Vložený nástroj se může při zpětném rázu pohybovat přes vaši ruku.

**c) Nezdružujte se v oblasti, do které se dostane elektrický přístroj při zpětném rázu.** Zpětný ráz odhodí elektrický přístroj ve směru opačném k pohybu brusného kotočce na místě, kde došlo k zablokování.



**d) Obzvláště opatrně pracujte v oblastech rohů, ostrých hran atd. Zabraňte, aby se vložené nástroje odrážely od obrobku a aby se zasekávaly. Rotující vložený nástroj je v rozích, na ostrých hranách nebo při odrazu náchylný k zasekávání. Toto způsobuje ztrátu kontroly nebo zpětný ráz.**

**e) Nepoužívejte řetězový nebo ozubený pilový list.** Takové nástroje způsobují často zpětný ráz nebo ztrátu kontroly nad elektrickým nástrojem.

#### Zvláštní varovná upozornění k broušení a dělení

**a) Používejte výhradně pro Vaše elektronářadí schválená brusná tělesa a pro tato brusná tělesa určený ochranný kryt.** Brusná tělesa, která nejsou určena pro toto elektronářadí, nemohou být dostatečně stíněna a jsou nespolehlivá.

**b) Používejte vždy ochranný kryt. Ochranný kryt musí být na elektrickém nástroji bezpečně připevněn a nastaven tak, aby zajišťoval maximální míru bezpečnosti, tzn. aby co nejmenší část rozbrušovacího kotouče byla směrem k obsluze nekryta.** Ochranný kryt má chránit obsluhu před úlomky a případným kontaktem s brusným tělesem.

**c) Brusná tělesa směji být použita pouze pro doporučené možnosti nasazení.** Např.: nikdy nebruste boční plochou děličícího kotouče. Děličící kotouče jsou určeny k úběru materiálu hranou kotouče. Boční působení síly na tato brusná tělesa je může rozlámat.

**d) Používejte vždy nepoškozené upínací přírby ve správné velikosti a tvaru pro Vámi zvolený brusný kotouč.** Vhodné přírby podírají brusný kotouč a zmiňují tak nebezpečí prasknutí brusného kotouče. Přírby pro děličící kotouče se mohou odlišovat od přírub pro jiné brusné kotouče.

**e) Nepoužívejte žádné opotřebované brusné kotouče od většího elektronářadí.** Brusné kotouče pro větší elektronářadí nejsou dimenzovány pro vyšší otáčky menších elektronářadí a mohou prasknout.

#### Další zvláštní varovná upozornění k dělení

**a) Zabraňte zablokování řezného kotouče nebo příliš vysokému přítlačnému tlaku. Neprovádějte nadměrně hluboké řezy.** Přetížení řezného kotouče zvyšuje jeho namáhání a náchylnost ke vzpříčení nebo zablokování, a tím i možnost zpětného rázu nebo rozbití brusných těles.

**b) Vyhýbejte se oblasti před a za rotujícím děličícím kotoučem.** Pokud pohybujete děličícím kotoučem v obrobku pryč od sebe, může být v případě zpětného rázu elektronářadí s otáčejícím se kotoučem vymřístěno přímo na Vás.

**c) Jestliže se řezný kotouč zasekne nebo jestliže přerušíte práci, vypněte přístroj a udržujte ho v klidu, dokud se kotouč nezastaví. Nikdy se nepokoušejte z řezu vytáhnout ještě se pohybující řezný kotouč, protože může dojít ke zpětnému rázu.** Zjistěte příčinu zaseknutí a odstraňte ji.

**d) Elektrický přístroj nikdy znovu nespouštějte, dokud se nachází v obrobku. Nejprve nechte rozbrušovací kotouč roztočit na plné otáčky, až pak pokračujte opatrně v práci.** Jinak se může kotouč zaseknout, z obrobku vyskočit a způsobit zpětný ráz.

**e) Desky nebo velké obrobky podepřete, abyste snížili riziko zpětného rázu v důsledku zaseknutého řezného kotouče.** Velké obrobky se mohou prohýbat pod vlastní vahou. Obrobek musí být podepřen na obou stranách, a sice v blízkosti děličícího řezu a také na okraji.

**f) Budte obzvláště opatrní u „kapsových řezů“ do stávajících stěn nebo jiných skrytých oblastí.** Zasouvání řezný kotouč může při říznutí do plynového nebo vodovodního potrubí, elektrických vodičů nebo jiných objektů způsobit zpětný ráz.

#### Zvláštní varovná upozornění ke smrkování

**a) Nepoužívejte žádné předimenzované brusné listy, ale dodržujte údaje výrobce k velikosti brusných listů.** Brusné listy, které vyčnívají přes brusný talíř, mohou způsobit poranění a též věz k zablokování, roztržení brusných listů nebo ke zpětnému rázu.

#### Zvláštní varovná upozornění k práci s drátěnými kartáči

**a) Dbejte na to, že drátěný kartáč i během běžného používání ztrácí kousky drátu. Nepřetěžujte dráty příliš vysokým přítlakem.** Odletající kousky drátu mohou velmi lehce proniknout skrz tenký oděv a/nebo pokožku.

**b) Je-li doporučen ochranný kryt, zabraňte, aby se ochranný kryt a drátěný kartáč mohly dotýkat.** Talířové a hrcové kartáče mohou díky přítlaku a odstředivým silám zvětšit svůj průměr.

Ve venkovním prostředí musí být zásuvky vybaveny proudovým chráničem (FI, RCD, PRCD). Je to vyžadováno instalačním předpisem pro toto el.zařízení. Dodržujte ho při používání tohoto nářadí, prosím. Pokud stroj běží, nesmí být odstraňovány třísky nebo odštěpky.

Stroj zapínat do zásuvky pouze když je vypnutý.

Nesahejte do nebezpečného prostoru běžícího stroje.

Vždy používejte doplňkové madlo.

Stroj okamžitě vypněte, zjistíte-li neobvyklé vibrace nebo jiné problémy. Stroj přezkoušejte, abyste zjistili příčinu problémů.

Kotouče používejte a skladujte podle doporučení výrobce.

Při broušení kovů odletují jiskry. Dbejte, aby nedošlo k poškození osob. V blízkosti (kam zaletují jiskry) se nesmí nacházet žádné hořlavé látky - nebezpečí požáru. Nepoužívejte odsavač prachu.

Stroj držte při práci tak, aby jiskry a brusný prach odletovaly od těla.

Při řezání kamene je předepsáno použití vodičích saní.

Upínací matice kotouče musí být před spuštěním stroje utažená.

Obráběný kus musí být řadně upnut, není-li dostatečně těžký.

Při extrémních pracovních podmínkách (např. při hladkém vybrušování kovů opěrným kotoučem a brusným kotoučem z vulkánfibru) se uvnitř ruční brusky mohou nahromadit nečistoty. Za těchto pracovních podmínek je bezpodmínečně nutné důkladně vyčistit vnitřní prostor a zbavit jej kovových usazenin a zařadit před brusku automatický spínač v obvodu diferenciální ochrany. Po aktivaci tohoto spínače se musí úhlová bruska zaslat k opravě servisnímu středisku.

U brusiva vybaveného podložkou se závitem zajistit, aby byl závit dostatečně dlouhý pro hřídel.


Pro řezací práce použijte uzavřený ochranný kryt z programu příslušenství.



## OBLAST VYUŽITÍ

Úhlová bruska je použitelná k dělení a hrubování brusným kotoučem u mnohých materiálů jako například kovů nebo kamene a také k broušení plastovým brusným kotoučem ap ráci s ocelovým drátěným kartáčem. Ve sporném případě se řiďte pokyny výrobce příslušenství. Toto zařízení lze používat jen pro uvedený účel.

## PŘIPOJENÍ NA SÍŤ

 Připojit pouze do jednofázové střídavé sítě o napětí uvedeném na štítku. Lze připojit i do zásuvky bez ochranného kontaktu neboť spotřebič je třídy II.

## CE-PROHLÁŠENÍ O SHODĚ

Se vši zodpovědností prohlašujeme, že tento výrobek odpovídá následujícím normám a normativním dokumentům: EN 60745, EN 55014-1, EN 55014-2, EN 61000-3-2, EN 61000-3-3, v souladu se směrnicemi EHS č. 2006/42/EG, 2004/108/EG



Winnenden, 2010-11-17

Rainer Kumpf

Manager Product Development

Zplnomocněn k sestavování technických podkladů.

## ÚDRŽBA

Větrací štěrbinu nářadí udržujeme stále čisté.

Vzhledem k nebezpečí zkratu se nesmí dostat do odvětrávací mezery kovy.

Používejte výhradně náhradní díly a příslušenství AEG. Díly, jejichž výměna nebyla popsána, nechávejte vyměnit v odborném servisu AEG. (Viz záruční list.)

Při potřebě podrobného rozkresu konstrukce, oslovte informaci o typu a desetimístním objednacím čísle přímo servis nebo výrobce, AEG Elektrowerkzeuge, Max-Eyth-Straße 10, D-71364 Winnenden, Germany.

## SYMBOLY



Před spuštěním stroje si pečlivě přečtěte návod k používání.



POZOR! VAROVÁNÍ! NEBEZPEČÍ!



Při práci se strojem neustále nosit ochranné brýle.



Před zahájením veškerých prací na vrtacím klavíru vytáhnout síťovou zástrčku ze zásuvky.



Příslušenství není součástí dodávky, viz program příslušenství.



Elektrické nářadí nevyhazujte do komunálního odpadu! Podle evropské směrnice 2002/96/EC o nakládání s použitými elektrickými a elektronickými zařízeními a odpovídajících ustanovení právních předpisů jednotlivých zemí se použitá elektrická nářadí musí sbírat odděleně od ostatního odpadu a podrobit ekologicky šetrnému recyklování.

	WS 9-100	WS9-115	WS9-125
Menovitý príkon.....	900 W	900 W	900 W
Menovitý počet obrátok.....	11000 min <sup>-1</sup>	11000 min <sup>-1</sup>	11000 min <sup>-1</sup>
Priemer brúsneho kotúča.....	100 mm	115 mm	125 mm
Závit vretena.....	M 10	M 14	M 14
Hmotnosť podľa vykonávacieho predpisu EPTA 01/2003.....	2,0 kg	2,0 kg	2,0 kg

**Informácia o hluku / vibráciách**

Namerané hodnoty určené v súlade s EN 60 745.

V triede A posudzovaná hladina hluku prístroja číni typicky:

Hladina akustického tlaku (K=3 dB(A)).....	90,5 dB (A)	90,5 dB (A)	90,5 dB (A)
Hladina akustického výkonu(K=3 dB(A)).....	101,5 dB (A)	101,5 dB (A)	101,5 dB (A)

**Používajte ochranu sluchu!**

Celkové hodnoty vibrácií (vektorový súčet troch smerov) zistených zmysle EN 60745.

Rezanie a hrubovanie brúsnym kotúčom: hodnota vibračných emisií $a_h$ .....	5,8 m/s <sup>2</sup>	5,8 m/s <sup>2</sup>	5,8 m/s <sup>2</sup>
Kolíisavosť K.....	1,5 m/s <sup>2</sup>	1,5 m/s <sup>2</sup>	1,5 m/s <sup>2</sup>
Brúsenie s plastovým brúsnym kotúčom: hodnota vibračných emisií $a_h$ .....	1,9 m/s <sup>2</sup>	1,9 m/s <sup>2</sup>	1,9 m/s <sup>2</sup>
Kolíisavosť K.....	1,5 m/s <sup>2</sup>	1,5 m/s <sup>2</sup>	1,5 m/s <sup>2</sup>

	WS 11-115	WS 11-125
Menovitý príkon.....	1100 W	1100 W
Menovitý počet obrátok.....	11000 min <sup>-1</sup>	11000 min <sup>-1</sup>
Priemer brúsneho kotúča.....	115 mm	125 mm
Závit vretena.....	M 14	M 14
Hmotnosť podľa vykonávacieho predpisu EPTA 01/2003.....	2,3 kg	2,3 kg

**Informácia o hluku / vibráciách**

Namerané hodnoty určené v súlade s EN 60 745.

V triede A posudzovaná hladina hluku prístroja číni typicky:

Hladina akustického tlaku (K=3 dB(A)).....	90,5 dB (A)	90,5 dB (A)
Hladina akustického výkonu(K=3 dB(A)).....	101,5 dB (A)	101,5 dB (A)

**Používajte ochranu sluchu!**

Celkové hodnoty vibrácií (vektorový súčet troch smerov) zistených zmysle EN 60745.

Rezanie a hrubovanie brúsnym kotúčom: hodnota vibračných emisií $a_h$ .....	5,8 m/s <sup>2</sup>	5,8 m/s <sup>2</sup>
Kolíisavosť K.....	1,5 m/s <sup>2</sup>	1,5 m/s <sup>2</sup>
Brúsenie s plastovým brúsnym kotúčom: hodnota vibračných emisií $a_h$ .....	1,9 m/s <sup>2</sup>	1,9 m/s <sup>2</sup>
Kolíisavosť K.....	1,5 m/s <sup>2</sup>	1,5 m/s <sup>2</sup>

U iných aplikácií, napr. pri rozbrusovaní alebo brúsení ocelovou drôtenou kefou môžu vzniknúť vibrácie iných hodnôt!

**POZOR**

Úroveň vibrácií uvedená v týchto pokynoch bola nameraná meracou metódou, ktorú stanovuje norma EN 60745 a je možné ju použiť na vzájomné porovnanie elektrického náradia. Hodí sa aj na predbežné posúdenie kmitavého namáhania.

Uvedená úroveň vibrácií reprezentuje hlavné aplikácie elektrického náradia. Ak sa však elektrické náradie používa pre iné aplikácie, s odlišnými vloženými nástrojmi alebo s nedostatočnou údržbou, môže sa úroveň vibrácií líšiť. Toto môže kmitavé namáhanie v priebehu celej pracovnej doby podstatne zvýšiť.

Pre presný odhad kmitavého namáhania by sa mali tiež zohľadniť doby, v ktorých je náradie vypnuté alebo je síce v chode, ale v skutočnosti sa nepoužíva. Toto môže kmitavé namáhanie v priebehu celej pracovnej doby zreteľne redukovať.

Stanovte dodatočné bezpečnostné opatrenia pre ochranu obsluhy pred účinkami vibrácií, ako napríklad: údržba elektrického náradia a vložených nástrojov, udržiavanie teploty rúk, organizácia pracovných postupov.





## POZOR!

Zoznámte sa so všetkými bezpečnostnými pokynmi a síce aj s pokynmi v príložennej brožúre. Zanedbanie dodržiavania Vysťahražných upozornení a pokynov uvedených v nasledujúcom texte môže mať za následok zásah elektrickým prúdom, spôsobiť požiar a/alebo ťažké poranenie.

Tieto Vysťahražené upozornenia a bezpečnostné pokyny starostlivo uschovajte na budúce použitie.

### ŠPECIÁLNE BEZPEČNOSTNÉ POKYNY

Bezpečnostné pokyny pre brúsenie, brúsenie brúsnym papierom, pre prácu s drôtenou kefou, leštenie a rezanie:

a) Toto elektrické náradie sa používa ako brúska, drôtená kefa a rozbrusovačka. Dbajte prosím na všetky bezpečnostné pokyny, inštrukcie, popisy a dáta, ktoré obdržíte spolu s náradím. Ak nebudete dbať na nasledujúce pokyny, vystavujete sa nebezpečenstvu úrazu elektrickým prúdom, vzniku požiaru a/alebo nebezpečenstvu ťažkého poranenia.

b) Toto elektrické náradie nie je vhodné k lešteniu. Použitie tohto elektrického náradia k iným než určeným účelom môže viesť k ohrozeniu zdravia a k zraneniu.

c) Nepoužívajte žiadne také príslušenstvo, ktoré nebolo výrobcom určené a odporúčané špeciálne pre toto ručné elektrické náradie. Okolnosť, že príslušenstvo sa dá na ručné elektrické náradie upraviť, ešte neznamená, že to zaručuje jeho bezpečné používanie.

d) Prípustný počet obrátok pracovného nástroja musí byť minimálne taký vysoký ako maximálny počet obrátok uvedený na ručnom elektrickom náradí. Príslušenstvo, ktoré sa otáča rýchlejšie, ako je prípustné, by sa mohlo rozlámať a rozletieť po celom priestore pracoviska.

e) Vonkajší priemer a hrúbka pracovného nástroja musia zodpovedať rozmerovým údajom uvedeným na ručnom elektrickom náradí. Nesprávne dimenzované pracovné nástroje nemôžu byť dostatočne odložené a kontrolované.

f) Brúsne kotúče, príruby, brúsne taniere alebo iné príslušenstvo musia presne pasovať na brúsne vreteno Vášho ručného elektrického náradia. Pracovné nástroje, ktoré presne nepasujú na brúsne vreteno ručného elektrického náradia, sa otáčajú nerovnomerne a intenzívne vibrujú, čo môže mať za následok stratu kontroly nad náradím.

g) Nepoužívajte žiadne poškodené pracovné nástroje. Pred každým použitím tohto ručného elektrického náradia skontrolujte, či nie sú pracovné nástroje, ako napr. brúsne kotúče, vyštrbené alebo vylomené, či nemajú brúsne taniere vylomené miesta, trhliny alebo miesta intenzívneho opotrebovania, či nie sú na drôtených kefách uvoľnené alebo polámané drôty. Keď ručné elektrické náradie alebo pracovný nástroj spadli na zem, prekontrolujte, či nie sú poškodené, alebo použite nepoškodený pracovný nástroj. Keď ste prekontrolovali a upli pracovný nástroj, zabezpečte, aby ste neboli v rovine rotujúceho nástroja, a aby sa tam ani nenachádzali žiadne iné osoby, ktoré sú v blízkosti Vášho pracoviska, a nechajte ručné elektrické náradie bežať jednu minútu na maximálne obrátky. Poškodené pracovné nástroje sa obvyčajne počas tejto doby testovania zlomia.

h) Používajte osobné ochranné prostriedky. Podľa druhu použitia náradia používajte ochranný štít na celú tvár, štít na oči alebo ochranné okuliare. Pokiaľ je to primerané, používajte ochrannú dýchaciu masku, chrániče sluchu, pracovné rukavice alebo špeciálnu zásteru, ktorá Vás ochráni pred odletujúcimi drobnými

častočkami brusiva a obrábaného materiálu. Predovšetkým oči treba chrániť pred odletujúcimi cudzími teleskami, ktoré vznikajú pri rôznom spôsobe používania náradia. Ochrana proti prachu alebo ochranná dýchacia maska musia predovšetkým odfiltrovať konkrétne druhy prachu, ktorý vzniká pri danom druhu použitia náradia. Keď je človek dlhšiu dobu vystavený hlasnému hluku, môže utrieť stratu sluchu.

i) Zabezpečte, aby sa iné osoby nachádzali v bezpečnej vzdialenosti od Vášho pracoviska. Každá osoba, ktorá vstupí do pracovného dosahu náradia, musí byť vybavená osobnými ochrannými pomôckami. Úlomky obrobru alebo zlomený pracovný nástroj môžu odletieť a spôsobiť poranenie osôb aj mimo priameho pracoviska.

j) Pri realizovaní prác, pri ktorých nástroj môže naraziť na skryté elektrické vedenia alebo na vlastný kábel, držte prístroj za izolované pridržiavacie plošky. Kontakt rezného nástroja s vedením pod napätím môže viesť k prenosu napätia na kovové časti prístroja a k úrazu elektrickým prúdom.

k) Zabezpečte, aby sa prívodná šnúra nenachádzala v blízkosti rotujúcich pracovných nástrojov náradia. Ak stratíte kontrolu nad ručným elektrickým náradím, môže sa prerušiť alebo zachytiť prívodná šnúra a Vaša ruka a Vaše predknieť sa môžu dostať do rotujúceho pracovného nástroja.

l) Nikdy neodkladajte ručné elektrické náradie skôr, ako sa pracovný nástroj úplne zastaví. Rotujúci pracovný nástroj sa môže dostať do kontaktu s odkladacou plochou, následkom čoho by ste mohli stratiť kontrolu nad ručným elektrickým náradím.

m) Nikdy nemajte ručné elektrické náradie zapnuté vtedy, keď ho prenášate na iné miesto. Náhodným kontaktom Vašich vlasov alebo Vášho oblečenia s rotujúcim pracovným nástrojom by sa Vám pracovný nástroj mohol zavrieť do tela.

n) Vetracie otvory na elektrickom prístroji pravidelne čistite. Ventilátor motora nasáva prach do telesa a silné nánosy kovového prachu môžu vyvolať nebezpečné situácie.

o) Elektrické náradie nepoužívajte v blízkosti horľavých materiálov. Iskry môžu tieto materiály zapáliť.

p) Nepoužívajte žiadne pracovné nástroje, ktoré vyžadujú kvapalnú chladiacu prostriedky. Použitie vody alebo iných kvapalných chladiacich prostriedkov môže viesť k zásahu elektrickým prúdom.

### Spätný raz a príslušné bezpečnostné pokyny

Spätný raz je náhla reakcia následkom zaseknutého alebo zablokovaného otáčajúceho sa pracovného nástroja, ako je brúsny kotúč, brúsny tanier, drôtená kefa atď. Zaseknutie alebo zablokovanie vedie k náhlemu zastaveniu rotujúceho pracovného nástroja. Elektrické náradie sa tým zrýchli proti smeru otáčania pracovného nástroja na blokovanom mieste.

Keď sa napríklad brúsny kotúč vzpriechi alebo zablokuje v obrobru, môže sa hrana brúsneho kotúča, ktorá je zapichnutá do obrobru, zachytiť v materiáli a tým sa vylomiť z brúsneho taniera, alebo spôsobiť spätý ráz náradia. Brúsny kotúč sa potom pohybuje smerom k osobe alebo smerom preč od nej podľa toho, aký bol smer otáčania kotúča na mieste zablokovania. Brúsne kotúče sa môžu v takomto prípade aj rozlomiť.

Spätný ráz je následkom nesprávneho a chybného používania píly. Vhodnými preventívnymi opatrenia, ktoré popisujeme v nasledujúcom texte, mu možno zabrániť.



Slov

**a) Elektrické náradie držte pevne a svoje telo a ruky uveďte do polohy, v ktorej môžete spätné sily zachytiť. Vždy používajte prídavnú rukoväť, pokiaľ je k dispozícii, aby ste mali čo najväčšiu kontrolu nad spätnými silami alebo reakčnými momentmi pri rozbehu.** Obsluhujúca osoba môže spätné a reakčné sily zvládnuť prostredníctvom vhodných bezpečnostných opatrení.

**b) Nikdy nedávajte svoje ruky do blízkosti otáčajúcich sa pracovných nástrojov.** Pracovný nástroj sa môže pri spätnom ráze pohybovať cez vaše ruky.

**c) Svojím telom sa vyhnite oblastí, v ktorej sa elektrické náradie pohybuje pri spätnom ráze.** Spätňý ráz poženie elektrické náradie opačným smerom k pohybu brúsneho kotúča na blokovanom mieste.

**d) Pracujte obzvlášť opatrne v oblasti rohov, ostrých hrán atď. Zamedzte, aby sa pracovné nástroje odrazili od obrobku a vzpriečili sa.** Rotujúci pracovný nástroj má v prípade rohov, ostrých hrán alebo ak sa odrazi, sklony k tomu, aby sa vzpriečil. To spôsobuje stratu kontroly alebo spätný ráz.

**e) Nepoužívajte reťazový alebo ozubený pílový list.** Takéto nástroje spôsobujú často spätný ráz alebo stratu kontroly nad elektrickým nástrojom.

### Osobitné bezpečnostné predpisy pre brúsenie a rezanie

**a) Používajte výlučne brúsne telesá schválené pre Vaše ručné elektrické náradie a ochranný kryt určený pre konkrétne zvolené brúsne teleso.** Brúsne telesá, ktoré neboli schválené pre dané ručné elektrické náradie, nemôžu byť dostatočne odčlenené a nie sú bezpečné.

**b) Používajte vždy ochranný kryt. Ochranný kryt musí byť na elektrickom nástroji bezpečne pripevnený a nastavený tak, aby zaisťoval maximálnu mieru bezpečnosti, tzn. aby čo najmenšia časť rozbrusovacieho kotúča bola smerom k obsluhu nekrytá. Ochranný kryt má chrániť obsluhu pred úlomkami a prípadným kontaktom s brúsnym telesom.**

**c) Brúsne telesá sa smú používať len pre príslušnú odporúčanú oblasť používania.** Napr.: Nikdy nesmiete brúsiť bočnou plochou rezacieho kotúča. Rezacie kotúče sú určené na uberanie materiálu hranou kotúča. Pôsobenie bočnej sily na tento kotúč môže spôsobiť jeho zlomenie.

**d) Vždy používajte pre vybraný typ brúsneho kotúča nepoškodenú upinaciu prírubu správneho rozmeru a tvaru.** Vhodná príruha podopiera brúsný kotúč a znižuje nebezpečenstvo zlomenia brúsneho kotúča. Prírubby pre rezacie kotúče sa môžu odlišovať od prírub pre ostatné brúsne kotúče.

**e) Nepoužívajte žiadne opotrebované brúsne kotúče z väčšieho ručného elektrického náradia.** Brúsne kotúče pre väčšie ručné elektrické náradie nie sú dimenzované pre vyššie obrátky menších ručných elektrických náradí a môžu sa rozlomiť.

### Ďalšie osobitné výstražné upozornenia k rezacím kotúčom

**a) Zamedzte zablokovanie rezného kotúča alebo príliš vysokú prítlačnú silu. Nevykonávajte žiadne nadmerne hlboké rezy.** Pretázenie rezného kotúča zvyšuje jeho namáhanie a náchylnosť k skríženiu alebo zablokovaniu a tým možnosti spätného rázu alebo zlomenia brúsneho kotúča.

**b) Vyhýbajte sa priestoru pred rotujúcim rezacím kotúčom a za ním.** Keď pohybné rezacie kotúče v obrobku smerom od seba, v prípade spätného rázu môže byť ručné elektrické náradie vymrštené rotujúcim kotúčom priamo na Vás.

**c) Ak sa rezný kotúč zasekne alebo prerušíte prácu, prístroj vypnite a držte ho pokojne, kým sa kotúč nezastaví. Nikdy sa nepokúšajte, otáčajúci sa rezný kotúč vytiahnuť z rezu, v opačnom prípade môže nasledovať spätný ráz.** Zistite a odstráňte príčinu pre vzpriečenie.

**d) Elektrický prístroj nikdy nespúšťajte, kým sa nachádza v obrobku. Najprv nechajte rozbrusovací kotúč roztočiť na plné otáčky, až potom pokračujte opatrne v práci.** Inak sa môže kotúč zaseknúť, z obrobku vyskočiť a spôsobiť spätný ráz.

**e) Platne alebo veľké obrobky podoprite, aby ste znížili riziko spätného rázu vplyvom prívretého rezného kotúča.** Veľké obrobky sa môžu vplyvom vlastnej hmotnosti prehnúť. Obrobkomusi byť na oboch stranách podporený, a síce nielen v blízkosti deliaceho rezu, ale aj na hrane.

**f) Buďte obzvlášť opatrní pri „miskovitých rezoč“ do existujúcich stien alebo iných oblastí bez možnosti nahliadnutia.** Ponárajúci sa rezný kotúč môže pri rezaní do plynových alebo vodovodných potrubí, elektrických vedení alebo iných objektov, spôsobiť spätný ráz.

### Osobitné bezpečnostné pokyny pre brúsenie brúsnym papierom

**a) Nepoužívajte žiadne nadrozmerné brúsne listy, ale dodržiavajte údaje výrobcu o rozmeroch brúsnych listov.** Brúsne listy, ktoré presahujú okraj brúsneho taniera, môžu spôsobiť poranenie a viesť k zablokovaniu, alebo k roztrhnutiu brúsnych listov alebo k spätnému rázu.

### Osobitné bezpečnostné pokyny pre prácu s drôtenými kefami

**a) Všimajte si, či z drôtenej kefy nevypadávajú počas obvyklého používania kúsky drôtu. Drôtenú kefu preto nepretáčajte priveľkým prítlačkom.** Odlietavajúce kúsky drôtu môžu ľahko preniknúť tenkým odevom a/alebo vniknúť do kože.

**b) Ak sa odporúča používanie ochranného krytu, zabráňte tomu, aby sa ochranný kryt a drôtená kefa mohli dotýkať.** Tanierové a miskovité drôtené kefy môžu následkom prítlačania a odstreďujúcich síl zväčšiť svoj priemer.

Zásuvky vo vonkajšom prostredí musia byť vybavené ochranným spínačom proti prudovému nárazom (FI, RCD, PRCD). Toto je inštalácia predpis na Vaše elektrické zariadenie. Venujte prosím tomuto pozornosť pri používaní nášho prístroja.

Triesky alebo úlomky sa nesmú odstraňovať za chodu stroja.

Len vypnutý stroj pripájajte do zásuvky.

Nesiahať do nebezpečnej oblasti bežiacieho stroja.

používať vždy prídavnú rukoväť.

Ak za chodu prístroja dôjde k výraznému kmitaniu alebo sa vyskytnú iné nedostatky, okamžite ho vypnite. Stroj skontrolujte, aby ste zistili príčinu.

Brúsný kotúč používať a uskladňovať vždy podľa návodu výrobcu.

Pri brúsení kovov dochádza k lietaniu iskier. Dávajte pozor, aby neboli ohrozené žiadne osoby. Z dôvodu nebezpečia požiaru nesmú byť v blízkosti (oblast' lietania iskier) žiadne horľavé materiály. Nepoužívať odsávač prachu.

Prístroj držať vždy tak, aby iskry a brúsný prach lietali smerom od tela.

Na rezanie kameňa sú vodiace sane predpisom.

Pred uvedením stroja do prevádzky musí byť prírubová matica dotiahnutá.



Slov

Operovaný obrobok musí byť pevne upnutý, pokiaľ nedrží vlastnou váhou. Nikdy nevedte obrobok rukou proti kotúčom.

Pri extrémnych pracovných podmienkach (napr. pri hľadkom vybrusovaní kovov operným kotúčom a brusným kotúčom z vulkánfibru) sa vnútri ručnej uhlovej brúsky môžu nahromadiť nečistoty. Za týchto pracovných podmienok je bezpodmienečne nutné dôkladne vyčistiť vnútorný priestor a zbaviť ho kovových usadenín a zaradiť pred brúsku automatický spínač v obvode diferenciálnej ochrany. Po aktivovaní tohto spínača sa musí uhlová brúska zaslať do servisu na opravu.

Pri brúsných materiáloch, ktoré majú byť vybavené kotúčom so závitom, je potrebné sa uistiť, či dĺžka závitov pre vreteno je dostatočná.

Pre rezacie práce použite uzatvorený ochranný kryt z programu príslušenstva.

### POUŽITIE PODĽA PREDPISOV

Uhlová brúska je použiteľná na delenie a hrubovanie brusným kotúčom u mnohých materiálov, ako napr. kovov alebo kameňa, ako aj k brúseniu s plastovým brusným kotúčom a k práci s oceľovou drôtenou kefou. V spornom prípade sa riadte pokynmi výrobcov príslušenstva.

Tento prístroj sa smie používať len v súlade s uvedenými predpismi.

### SIETOVÁ PŘÍPOJKA

Pripájať len na jednofázový striedavý prúd a na sieťové napätie uvedené na štítku. Pripojenie je možné aj do zásuviek bez ochranného kontaktu, pretože ide o konštrukciu ochrannej triedy II.

### CE - VYHLÁSENIE KONFORMITY

Vyhlasujeme v našej výhradnej zodpovednosti, že tento produkt zodpovedá nasledovným normám alebo normatívnym dokumentom. EN 60745, EN 55014-1, EN 55014-2, EN 61000-3-2, EN 61000-3-3, podľa predpisov smerníc 2006/42/EC, 2004/108/EC.



Winnenden, 2010-11-17

Rainer Kumpf  
Manager Product Development  
Splnomocnený zostaviť technické podklady.

### ÚDRZBA

Vetracie otvory udržiavať stále v čistote.

Z dôvodu nebezpečia skratu sa do vetracích otvorov nesmú dostať kovové predmety.

Používať len AEG príslušenstvo a náhradné diely. Súčiastky bez návodu na výmenu treba dať vymeniť v jednom z AEG zákazníckych centier (viď brožúru Záruka/Adresy zákazníckych centier).

Pri udaní typu stroja a desaťmiestneho čísla nachádzajúceho sa na štítku dá sa v prípade potreby vyžiadať explozívna schéma prístroja od Vášho zákazníckeho centra alebo priamo v AEG Elektrowerkzeuge, Max-Eyth-Strasse 10, D-71364 Winnenden, Germany.

### SYMBOLY



Pred prvým použitím prístroja si pozorne prečítajte návod na obsluhu.



POZOR! NEBEZPEČENSTVO!



Pri práci so strojom vždy noste ochranné okuliare.



Pred každou prácou na stroji vytiahnuť zástrčku zo zásuvky.



Príslušenstvo - nie je súčasťou štandardnej výbavy, odporúčané doplnenie z programu príslušenstva.



Elektrické náradie nevyhadzujte do komunálneho odpadu! Podľa európskej smernice 2002/96/ES o nakladaní s použitými elektrickými a elektronickými zariadeniami a zodpovedajúcich ustanovení právnych predpisov jednotlivých krajín sa použité elektrické náradie musí zbierať oddelene od ostatného odpadu a podrobiť ekologicky šetrnej recyklácii.

	WS 9-100	WS9-115	WS9-125
Znamionowa moc wyjściowa .....	900 W	900 W	900 W
Znamionowa prędkość obrotowa .....	11000 min <sup>-1</sup>	11000 min <sup>-1</sup>	11000 min <sup>-1</sup>
Średnica tarczy ścierniej .....	100 mm	115 mm	125 mm
Gwint wrzeciona roboczego .....	M 10	M 14	M 14
Ciężar wg procedury EPTA 01/2003 .....	2,0 kg	2,0 kg	2,0 kg

**Informacja dotycząca szumów/wibracji**

Zmierzone wartości wyznaczone zgodnie z normą EN 60 745.

Poziom szumów urządzenia oszacowany jako A wynosi typowo:

Poziom ciśnienia akustycznego (K=3 dB(A)) .....	90,5 dB (A)	90,5 dB (A)	90,5 dB (A)
Poziom mocy akustycznej(K=3 dB(A)) .....	101,5 dB (A)	101,5 dB (A)	101,5 dB (A)

**Należy używać ochroniaczy uszu!**

Wartości łączne drgań (suma wektorowa trzech kierunków)

wyznaczone zgodnie z normą EN 60745

Rozcinanie i szlifowanie zgrubne: wartość emisji drgań $a_h$ .....	5,8 m/s <sup>2</sup>	5,8 m/s <sup>2</sup>	5,8 m/s <sup>2</sup>
Niepewność K .....	1,5 m/s <sup>2</sup>	1,5 m/s <sup>2</sup>	1,5 m/s <sup>2</sup>
Szlifowanie za pomocą tarczy szlifierskiej z tworzywa sztucznego:			
wartość emisji drgań $a_h$ .....	1,9 m/s <sup>2</sup>	1,9 m/s <sup>2</sup>	1,9 m/s <sup>2</sup>
Niepewność K .....	1,5 m/s <sup>2</sup>	1,5 m/s <sup>2</sup>	1,5 m/s <sup>2</sup>

	WS 11-115	WS 11-125
Znamionowa moc wyjściowa .....	1100 W	1100 W
Znamionowa prędkość obrotowa .....	11000 min <sup>-1</sup>	11000 min <sup>-1</sup>
Średnica tarczy ścierniej .....	115 mm	125 mm
Gwint wrzeciona roboczego .....	M 14	M 14
Ciężar wg procedury EPTA 01/2003 .....	2,3 kg	2,3 kg

**Informacja dotycząca szumów/wibracji**

Zmierzone wartości wyznaczone zgodnie z normą EN 60 745.

Poziom szumów urządzenia oszacowany jako A wynosi typowo:

Poziom ciśnienia akustycznego (K=3 dB(A)) .....	90,5 dB (A)	90,5 dB (A)
Poziom mocy akustycznej(K=3 dB(A)) .....	101,5 dB (A)	101,5 dB (A)

**Należy używać ochroniaczy uszu!**

Wartości łączne drgań (suma wektorowa trzech kierunków) wyznaczone zgodnie z normą EN 60745

Rozcinanie i szlifowanie zgrubne: wartość emisji drgań $a_h$ .....	5,8 m/s <sup>2</sup>	5,8 m/s <sup>2</sup>
Niepewność K .....	1,5 m/s <sup>2</sup>	1,5 m/s <sup>2</sup>
Szlifowanie za pomocą tarczy szlifierskiej z tworzywa sztucznego: wartość emisji drgań $a_h$ .....		
.....	1,9 m/s <sup>2</sup>	1,9 m/s <sup>2</sup>
Niepewność K .....	1,5 m/s <sup>2</sup>	1,5 m/s <sup>2</sup>

W przypadku innych zastosowań, takich jak na przykład przecinanie ściernicą lub szlifowanie za pomocą szczotki z drutu stalowego, mogą wynikać inne wartości wibracji!

**OSTRZEŻENIE**

Podany w niniejszych instrukcjach poziom drgań został zmierzony za pomocą metody pomiarowej zgodnej z normą EN 60745 i może być użyty do porównania ze sobą elektronarzędzi. Nadaje się on również do tymczasowej oceny obciążenia wibracyjnego.

Podany poziom drgań reprezentuje główne zastosowania elektronarzędzia. Jeśli jednakże elektronarzędzie użyte zostanie do innych celów z innym narzędziami roboczymi lub nie jest dostatecznie konserwowane, wtedy poziom drgań może wykazywać odchylenia. Może to wyraźnie zwiększyć obciążenie wibracjami przez cały okres pracy.

Dla dokładnego określenia obciążenia wibracjami należy uwzględnić również czas, w których urządzenie jest wyłączone względnie jest włączone, lecz w rzeczywistości nie pracuje. Może to spowodować wyraźną redukcję obciążenia wibracyjnego w całym okresie pracy.

Należy wprowadzić dodatkowe środki zapobiegawcze celem ochrony obsługującego przed oddziaływaniem drgań, jak na przykład: konserwacja narzędzi roboczych i elektronarzędzi, nagrzanie rąk, organizacja przebiegu pracy.





## OSTRZEŻENIE!

Prosimy o przeczytanie wskazówek bezpieczeństwa i zaleceń, również tych, które zawarte są w załączonej broszurze.

Błędy w przestrzeganiu poniższych wskazówek mogą spowodować porażenie prądem, pożar i/lub ciężkie obrażenia ciała.

Należy starannie przechowywać wszystkie przepisy i wskazówki bezpieczeństwa dla dalszego zastosowania.

### INSTRUKCJE DOTYCZĄCE BEZPIECZEŃSTWA

Wspólne wskazówki ostrzegawcze dotyczące szlifownia, szlifowania okładziną ścierną, prac z użyciem szczonek drucianych, polerowania i przecinania ściernicą:

a) Niniejsze narzędzie elektryczne należy stosować jako szlifierkę, szczonek drucianą i szlifierkę-przecinarkę.

Przestrzegaj wszelkich wskazówek dotyczących bezpieczeństwa, instrukcji, prezentacji i danych, które otrzymasz wraz z narzędziem elektrycznym. Jeżeli nie będziesz przestrzegał następujących instrukcji, to może dojść do porażenia prądem elektrycznym, pożaru i/lub ciężkich obrażeń ciała.

b) Niniejsze narzędzie elektryczne nie nadaje się do polerowania. Zastosowanie narzędzia elektrycznego do celów, do których nie jest ono przewidziane, może spowodować zagrożenia i obrażenia ciała.

c) Nie należy używać osprzętu, który nie jest przewidziany i polecany przez producenta specjalnie do tego urządzenia. Fakt, że osprzęt daje się zamontować do elektronarzędzia, nie jest gwarantem bezpiecznego użycia.

d) Dopuszczalna prędkość obrotowa stosowanego narzędzia roboczego nie może być mniejsza niż podana na elektronarzędziu maksymalna prędkość obrotowa. Narzędzie robocze, obracające się z szybszą niż dopuszczalna prędkością, może się zламać, a jego części odprysnąć.

e) Średnica zewnętrzna i grubość narzędzia roboczego muszą odpowiadać wymiarom elektronarzędzia. Narzędzia robocze o niewłaściwych wymiarach nie mogą być wystarczająco osłonięte lub kontrolowane.

f) Ściernice, podkładki, kołnierze, talerze szlifierskie oraz inny osprzęt muszą dokładnie pasować do wrzeciona ściernicy elektronarzędzia. Narzędzia robocze, które nie pasują dokładnie do wrzeciona ściernicy elektronarzędzia, obracają się nierównomiernie, bardzo mocno wibrują i mogą spowodować utratę kontroli nad elektronarzędziem.

g) W żadnym wypadku nie należy używać uszkodzonych narzędzi roboczych. Przed każdym użyciem należy skontrolować oprzyrządowanie, np. ściernice pod kątem odprysków i pęknięć, talerz szlifierskie pod kątem pęknięć, starcia lub silnego zużycia, szczonek druciane pod kątem luźnych lub złamanych drutów. W razie upadku elektronarzędzia lub narzędzia roboczego, należy sprawdzić, czy nie uległo ono uszkodzeniu, lub użyć innego, nieszkodzonego narzędzia. Jeśli narzędzie zostało sprawdzone i umocowane, elektronarzędzie należy włączyć na minutę na najwyższe obroty, zwracając przy tym uwagę, by osoba obsługująca i osoby postronne znajdujące się w pobliżu, znalazły się poza strefą obracającego się narzędzia. Uszkodzone narzędzia łamią się najczęściej w tym czasie próbnym.

h) Należy nosić osobiste wyposażenie ochronne. W zależności od rodzaju pracy, należy nosić maskę ochronną pokrywającą całą twarz, ochronę oczu lub okulary ochronne. W razie potrzeby należy użyć maski przeciwpyłowej, ochrony słuchu, rękawic ochronnych lub specjalnego fartucha, chroniącego przed małymi

cząstkami ściieranego i obrabianego materiału. Należy chronić oczy przed unoszącymi się w powietrzu ciałami obcymi, powstałymi w czasie pracy. Maski przeciwpyłowa i ochronna dróg oddechowych muszą filtrować powstające podczas pracy pyły. Oddziaływanie hałasu przez dłuższy okres czasu, może doprowadzić do utraty słuchu.

i) Należy uważać, by osoby postronne znajdowały się w bezpiecznej odległości od strefy zasięgu elektronarzędzia. Każdy, kto znajduje się w pobliżu pracującego elektronarzędzia, musi używać osobistego wyposażenia ochronnego. Odłamki obrabianego przedmiotu lub pęknięte narzędzia robocze mogą odpryskiwać i spowodować obrażenia również poza bezpośrednią strefą zasięgu.

j) Trzymaj urządzenie za izolowane powierzchnie chwytne gdy wykonujesz roboty, w trakcie których narzędzie skrawające może natrafić na ukryte przewody prądowe lub na własny kabel. Styczność narzędzia skrawającego z będącym pod napięciem przewodem może spowodować podłączenie części metalowych urządzenia do napięcia i prowadzić do porażenia prądem elektrycznym.

k) Przewód sieciowy należy trzymać z dala od obracających się narzędzi roboczych. W przypadku utraty kontroli nad narzędziem, przewód sieciowy może zostać przecięty lub wciągnięty, a dłoń lub cała ręka mogą dostać się w obracające się narzędzie robocze.

l) Nigdy nie wolno odkładać elektronarzędzia przed całkowitym zatrzymaniem się narzędzia roboczego. Obracając się narzędzie może wejść w kontakt z powierzchnią, na którą jest odłożone, przez co można stracić kontrolę nad elektronarzędziem.

m) Nie wolno przenosić elektronarzędzia, znajdującego się w ruchu. Przewodkowy kontakt ubrania z obracającym się narzędziem roboczym może spowodować jego wciągnięcie i wwiercenie się narzędzia roboczego w ciało osoby obsługującej.

n) Regularnie czyść szczeliny wentylacyjne elektronarzędzia. Wentylator silnika zasysa pył do wnętrza budowy, a silne nagromadzenie się pyłu metalowego może spowodować zagrożenie porażenia prądem elektrycznym.

o) Nie korzystaj z urządzenia elektrycznego w pobliżu materiałów palnych. Iskry mogłyby bowiem doprowadzić do ich zapalenia się.

p) Nie korzystaj z osprzętu wymagającego użycia płynnych czynników chłodzących. Korzystanie z wody lub innych płynnych czynników chłodzących może prowadzić do porażenia prądem.

### Odrzut i związane z nim wskazówki bezpieczeństwa

Odrzut jest nagłą reakcją urządzenia wywołaną przez zacinające się lub zablokowane narzędzie obrotowe takie jak np. tarcza czy talerz szlifierski, szczonek druciana itp. Zacinanie się lub zablokowanie się narzędzia obrotowego prowadzi do jego nagłego zatrzymania, na skutek czego urządzenie elektryczne niekontrolowanie przemieszcza się od miejsca natrafienia na przeszkodę w kierunku przeciwnym do kierunku obracania się narzędzia.

Gdy, np. ściernica zatnie się lub zakleszczy w obrabianym przedmiocie, zanurzona w materiale krawędź ściernicy, może się zablokować i spowodować jej wypadnięcie lub odrzut. Ruch ściernicy (w kierunku osoby obsługującej lub od niej niezależny) jest wtedy od kierunku ruchu ściernicy w miejscu zablokowania. Oprócz tego ściernice mogą się również zламać.

Odbicie zwrotne jest następstwem nieprawidłowego lub błędnego używania piły. Można mu zapobiec stosując odpowiednie środki ostrożności, tak jak opisano niżej.



a) Mocno trzymać urządzenie elektryczne i ustawić się w pozycji umożliwiającej odparcie siły odrzutu. Jeśli urządzenie posiada dodatkowy uchwyt, należy zawsze z niego korzystać tak, aby uzyskać możliwie największą kontrolę nad siłami odrzutu lub urządzeniem na wysokich obrotach. Operator urządzenia może uniknąć odrzutu i zapanować nad reakcjami urządzenia zachowując odpowiednie środki ostrożności.

b) Dłonie trzymać z dala od obracających się narzędzi. W przypadku odrzutu narzędzie mogłoby zranić rękę operatora.

c) Unikać obszaru, w kierunku którego urządzenie mogłoby się przemieścić na skutek odrzutu. Odrzut powoduje przemieszczenie się urządzenia elektrycznego od miejsca natrafienia na przeszkodę w kierunku przeciwnym do kierunku obrotów tarczy.

d) Zachować szczególną ostrożność podczas obróbki rogów i ostrych krawędzi itp. Podczas obróbki należy unikać sytuacji, w których osprzęt tnący mógłby się zaciąć lub zostać odrzucony od obrabianego materiału. Obracający się osprzęt tnący ma skłonność do zacinania się podczas obróbki rogów, ostrych krawędzi lub gdy zostaje on odrzucony od obrabianego materiału. Zablokowanie się osprzętu tnącego może prowadzić do utraty kontroli nad urządzeniem oraz do wystąpienia odrzutu.

e) Nie należy stosować żadnych tarcz łańcuchowych lub pił tnących. Takie narzędzia robocze powodują często odrzut i utratę panowania nad elektronarzędziem.

#### Szczególne wskazówki bezpieczeństwa dla szlifowania i przecinania ściernicą

a) Należy używać wyłącznie ściernicy przeznaczonej dla danego elektronarzędzia i osłony przeznaczonej dla danej ściernicy. Ściernice nie będące oprzyrządowaniem danego elektronarzędzia nie mogą być wystarczająco osłonięte i nie są wystarczająco bezpieczne.

b) Zawsze stosować osłony. Osłona winna być zawsze pewnie zamocowana na elektronarzędziu i tak ustawiona, aby można było zapewnić maksymalne bezpieczeństwo, tzn. aby możliwie jak najmniejsza część tarczy tnącej była odsłonięta od strony obsługującego. Osłona winna chronić obsługującego przed odłamkami i przed przypadkowym zetknięciem się ze ściernicą.

c) Ściernicę można używać tylko do prac dla nich przewidzianych. Nie należy np. nigdy szlifować boczną powierzchnią ściernicy tarczowej do cięcia. Tarczowe ściernice tnące przeznaczone są do usuwania materiału krawędzią tarczy. Wpływ sił bocznych na te ściernice może je złamać.

d) Do wybranej ściernicy należy używać zawsze nieszkodzonych kołnierzy mocujących o prawidłowej wielkości i kształcie. Odpowiednie kołnierze podpierają ściernicę i zmniejszają tym samym niebezpieczeństwo jej złamania się. Kołnierze do ściernic tnących mogą różnić się od kołnierzy przeznaczonych do innych ściernic.

e) Nie należy używać zużytych ściernic z większych elektronarzędzi. Ściernice do większych elektronarzędzi nie są zaprojektowane dla wyższej liczby obrotów, która jest charakterystyką mniejszych elektronarzędzi i mogą się dlatego złamać.

#### Dodatkowe szczególne wskazówki bezpieczeństwa dla przecinania ściernicą

a) Unikać blokowania się tarczy tnącej oraz zbyt silnego nacisku na tarczę. Nie wykonywać zbyt głębokich nacięć. Zbyt duże obciążenie tarczy przyspiesza proces jej zużycia i zwiększa podatność tarczy na wyginanie i blokowanie, a co za tym idzie możliwość pęknięcia tarczy lub wystąpienia odrzutu.

b) Należy unikać obszaru przed i za obracającą się tarczą tnącą. Przesuwanie tarczy tnącej w obrabianym przedmiocie w kierunku od siebie, może spowodować, iż w razie odrzutu, elektronarzędzie odskoczy wraz z obracającą się tarczą bezpośrednio w kierunku użytkownika.

c) W przypadku zakleszczenia się tarczy tnącej w obrabianym materiale lub przerwy w obróbce należy wyłączyć urządzenie i nie odkładać go dopóki tarcza całkowicie się nie zatrzyma. Nie wolno nigdy próbować usunąć obracającej się tarczy z materiału poddawanego obróbce, gdyż mogłoby to prowadzić do wystąpienia odrzutu. Ustalić i usunąć przyczynę zakleszczenia się tarczy.

d) Nie włączać nigdy z powrotem narzędzia dopóki tarcza tnąca znajduje się w materiale. Najpierw odczekać aż tarcza tnąca osiągnie pełną liczbę obrotów i dopiero wtedy kontynuować cięcie. W przeciwnym razie tarcza tnąca może się zakleszczyć, wyskoczyć z przecinanego przedmiotu i spowodować odrzut.

e) W celu zmniejszenia ryzyka wystąpienia odrzutu spowodowanego przez zakleszczoną tarczę należy podeprzeć płyty lub duże przedmioty do obróbki. Duże przedmioty poddawane obróbce mogą ugiąć się pod własnym ciężarem. Z tego względu należy podeprzeć obrabiane przedmioty z obu stron, zarówno w pobliżu cięcia, jak i na brzegach.

f) Zachować szczególną ostrożność podczas wykonywania cięć wklęsłych w ścianach lub innych obszarach o ograniczonym wglądzie. Zanurzając się w materiale tarcza może w przypadku natrafienia na rury doprowadzające wodę lub gaz, przewody elektryczne lub inne obiekty spowodować wystąpienie odrzutu.

#### Szczególne wskazówki bezpieczeństwa dla szlifowania papierem ściernym

a) Nie należy stosować zbyt wielkich arkuszy papieru ściernego. Przy wyborze wielkości papieru ściernego, należy kierować się zaleceniami producenta. Wystający poza płytę szlifierską papier ścierny może spowodować obrażenia, a także doprowadzić do zablokowania lub rozdarcia papieru lub do odrzutu.

#### Szczególne wskazówki bezpieczeństwa dla pracy z użyciem szcetek drucianych

a) Należy wziąć pod uwagę, że nawet przy normalnym użytkowaniu dochodzi do utraty kawałeczków druta przez szcetkę. Nie należy przeciągać drutów przez zbyt silny nacisk. Unoszące się w powietrzu kawałki drutów mogą z łatwością przebić się przez cienkie ubranie i/lub skórę.

b) Jeżeli zalecane jest użycie osłony, należy zapobiec kontaktowi szczotki z osłoną. Średnica szczotek do talerzy i garnków może się zwiększyć przez siłę nacisku i siły odśrodkowe.

Urządzenia pracujące w wielu różnych miejscach, w tym poza pomieszczeniami zamkniętymi, należy podłączyć poprzez ochronny (FI, RCD, PRCD) wyłącznik udarowy.

Podczas pracy elektronarzędzia nie wolno usuwać trocin ani drzazg. Elektronarzędzie można podłączyć do gniazdka sieciowego tylko wtedy, kiedy jest wyłączone.



Podczas pracy strugarki nie zbliżać się do strefy niebezpiecznej. Posługiwać się zawsze uchwytem dodatkowym.

Natychmiast wyłączyć elektronarzędzie w przypadku wystąpienia znacznych drgań lub w przypadku stwierdzenia innych usterek. Sprawdzić urządzenie w celu ustalenia przyczyny.

Tarcze szlifierskie stosować i przechowywać zgodnie z zaleceniami producenta.

Przy szlifowaniu metali powstają iskry. Nie narażać na niebezpieczeństwo żadnych osób. Ze względu na zagrożenie pożarowe w pobliżu miejsca pracy (w strefie wyrzucania iskierek) nie powinny się znajdować materiały palne. Nie stosować odpylaczy.

Elektronarzędzie trzymać zawsze w taki sposób, aby iskry i pył z przedmiotu obrabianego nie były wyrzucane na operatora.

Do przecinania kamienia wskazane jest użycie stopy prowadzącej!

Przed uruchomieniem urządzenia należy dokręcić nakrętkę regulacyjną.

Jeśli ciężar własny części obrabianej nie pozwala na utrzymanie jej równowagi, to należy ją mocno umocować. W żadnym wypadku nie wolno prowadzić części ręką.

W przypadku ekstremalnych warunków zastosowania (na przykład przy szlifowaniu do gładkości metali za pomocą talerzy oporowych oraz krążków ściernych z fibry) może dojść do silnego zanieczyszczenia wnętrza szlifierki ręcznej z końcówką kątową. W takich warunkach zastosowania konieczne jest pilnie dokładne oczyszczenie wnętrza z osadów metalu oraz dołączenie wyłącznika ochronnego prądu uszkodzeniowego (FI). Po zadziałaniu wyłącznika ochronnego FI maszyna musi zostać odesłana do naprawy.

W przypadku elektronarzędzi, które mają współpracować z tarczą z otworem gwintowanym należy sprawdzić czy długość gwintu w tarczy odpowiada długości wrzeciona.


Do robót związanych z rozcinaniem należy stosować kołpak ochronny zamknięty z programu osprzętu.

## WARUNKI UŻYTKOWANIA

Szlifi erka kątowna nadaje się do rozcinania i szlifowania zgrubnego wielu materiałów, takich jak na przykład: metal lub kamień oraz do szlifowania za pomocą tarczy szlifi erskiej z tworzywa sztucznego i do robót za pomocą szczotki drucianej stalowej. W razie wątpliwości przestrzegać wskazówek producenta osprzętu.

Produkt można użytkować wyłącznie zgodnie z jego normalnym przeznaczeniem.

## PODŁĄCZENIE DO SIECI

 Podłączyć tylko do źródła zasilania prądem zmiennym jednofazowym i wyłącznie o napięciu podanym na tabliczce znamionowej. Możliwe jest również podłączenie do gniazdka bez uziemienia, ponieważ konstrukcja odpowiada II klasie bezpieczeństwa.

## DEKLARACJA ZGODNOŚCI CE

Oświadczamy z pełną odpowiedzialnością, że produkt ten odpowiada wymaganiom następujących norm i dokumentów normatywnych EN 60745, EN 55014-1, EN 55014-2, EN 61000-3-2, EN 61000-3-3, i jest zgodny z wymaganiami dyrektywy 2006/42/WE, 2004/108/WE



Winnenden, 2010-11-17

Rainer Kumpf  
Manager Product Development  
Upewnomocniony do zestawienia danych technicznych

## UTRZYMANIE I KONSERWACJA

Otwory wentylacyjne elektronarzędzia muszą być zawsze drożne.

Nie dopuszczać do przedostawania się części metalowych do szczelin powietrznych - niebezpieczeństwo zwarcia!

Należy stosować wyłącznie wyposażenie dodatkowe i części zamienne AEG. W przypadku konieczności wymiany części, dla których nie podano opisu, należy skontaktować się z przedstawicielami serwisu AEG (patrz lista punktów obsługi gwarancyjnej/serwisowej).

Na życzenie można otrzymać rysunek widoku zespołu rozebranego. Przy zamawianiu należy podać dziesięciocyfrowy numer oraz typ elektronarzędzia umieszczony na tabliczce znamionowej. Zamówienia można dokonać albo u lokalnych przedstawicieli serwisu, albo bezpośrednio w AEG Elektrowerkzeuge, Max-Eyth-Straße 10, D-71364 Winnenden, Germany.

## SYMBOLE



Przed uruchomieniem elektronarzędzia zapoznać się uważnie z treścią instrukcji.



**UWAGA! OSTRZEŻENIE! NIEBEZPIECZEŃSTWO!**



Podczas pracy należy zawsze nosić okulary ochronne.



Przed przystąpieniem do jakichkolwiek prac przy elektronarzędziu należy wyjąć wtyczkę z kontaktu.



Wyposażenie dodatkowe dostępne osobno.



Nie wyrzucaj elektronarzędzi wraz z odpadami z gospodarstwa domowego! Zgodnie z Europejską Dyrektywą 2002/96/WE w sprawie zużytego sprzętu elektrotechnicznego i elektronicznego oraz dostosowaniem jej do prawa krajowego, zużyte elektronarzędzia należy posegregować i zutylizować w sposób przyjazny dla środowiska.

	WS 9-100	WS9-115	WS9-125
Névleges teljesítményfelvétel .....	900 W	900 W	900 W
Névleges fordulatszám .....	11000 min <sup>-1</sup>	11000 min <sup>-1</sup>	11000 min <sup>-1</sup>
Csiszolótárcsa- $\emptyset$ .....	100 mm	115 mm	125 mm
Tengelymenet .....	M 10	M 14	M 14
Súly a 01/2003 EPTA-eljárás szerint .....	2,0 kg	2,0 kg	2,0 kg

**Zaj/Vibráció-információ**

A közölt értékek megfelelnek az EN 60 745 szabványnak.

A készülék munkahelyi zajszintje tipikusan:

Hangnyomás szint (K=3 dB(A)) .....	90,5 dB(A)	90,5 dB(A)	90,5 dB(A)
Hangteljesítmény szint(K=3 dB(A)) .....	101,5 dB(A)	101,5 dB(A)	101,5 dB(A)

**Hallásvédő eszköz használata ajánlott!**

Összesített rezgésértékek (három irány vektorális összeg az EN 60745-nek megfelelően meghatározva.

Vágó- és nagyoló korongok: $a_h$ rezgésemisszió érték .....	5,8 m/s <sup>2</sup>	5,8 m/s <sup>2</sup>	5,8 m/s <sup>2</sup>
K bizonytalanság .....	1,5 m/s <sup>2</sup>	1,5 m/s <sup>2</sup>	1,5 m/s <sup>2</sup>
Csiszolás műanyag csiszolótányérral: $a_h$ rezgésemisszió érték .....	1,9 m/s <sup>2</sup>	1,9 m/s <sup>2</sup>	1,9 m/s <sup>2</sup>
K bizonytalanság .....	1,5 m/s <sup>2</sup>	1,5 m/s <sup>2</sup>	1,5 m/s <sup>2</sup>

	WS 11-115	WS 11-125
Névleges teljesítményfelvétel .....	1100 W	1100 W
Névleges fordulatszám .....	11000 min <sup>-1</sup>	11000 min <sup>-1</sup>
Csiszolótárcsa- $\emptyset$ .....	115 mm	125 mm
Tengelymenet .....	M 14	M 14
Súly a 01/2003 EPTA-eljárás szerint .....	2,3 kg	2,3 kg

**Zaj/Vibráció-információ**

A közölt értékek megfelelnek az EN 60 745 szabványnak.

A készülék munkahelyi zajszintje tipikusan:

Hangnyomás szint (K=3 dB(A)) .....	90,5 dB(A)	90,5 dB(A)
Hangteljesítmény szint(K=3 dB(A)) .....	101,5 dB(A)	101,5 dB(A)

**Hallásvédő eszköz használata ajánlott!**

Összesített rezgésértékek (három irány vektorális összeg az EN 60745-nek megfelelően meghatározva.

Vágó- és nagyoló korongok: $a_h$ rezgésemisszió érték .....	5,8 m/s <sup>2</sup>	5,8 m/s <sup>2</sup>
K bizonytalanság .....	1,5 m/s <sup>2</sup>	1,5 m/s <sup>2</sup>
Csiszolás műanyag csiszolótányérral: $a_h$ rezgésemisszió érték .....	1,9 m/s <sup>2</sup>	1,9 m/s <sup>2</sup>
K bizonytalanság .....	1,5 m/s <sup>2</sup>	1,5 m/s <sup>2</sup>

Más alkalmazás, pl. darabolás vagy az acél drótkéffel végzett csiszolás esetén más vibrációs értékek adódhatnak!

**FIGYELMEZTÉS**

A jelen utasításokban megadott rezgésszint értéke az EN 60745-ben szabályozott mérési eljárásnak megfelelően került leírásra, és használható elektromos szerszámokkal történő összehasonlításhoz. Az érték alkalmas a rezgésterhelés előzetes megbecslésére is.

A megadott rezgésszint-érték az elektromos szerszám legfőbb alkalmazásait reprezentálja. Ha az elektromos szerszámot azonban más alkalmazásokhoz, eltérő használt szerszámokkal vagy nem elegendő karbantartással használják, a rezgésszint értéke eltérő lehet. Ez jelentősen megnövelheti a rezgésterhelést a munkavégzés teljes időtartama alatt.

A rezgésterhelés pontos megbecsléséhez azokat az időket is figyelembe kell venni, melyekben a készülék lekapcsolódik, vagy ugyan működik, azonban ténylegesen nincs használatban. Ez jelentősen csökkentheti a rezgésterhelést a munkavégzés teljes időtartama alatt.

Határozzon meg további biztonsági intézkedéseket a kezelő védelmére a rezgések hatása ellen, például: az elektromos és a használt szerszámok karbantartásával, a kezek melegen tartásával, a munkafolyamatok megszerzésével.



## FIGYELMEZTETÉS!

Olvasson el minden biztonsági útmutatást és utasítást, a mellékelt brosúrában találhatóakat is. A következőkben leírt előírások betartásának elmulasztása áramütésekhez, tűzhöz és/vagy súlyos testi sérülésekhez vezethet. **Kérjük a későbbi használatra gondosan őrizze meg ezeket az előírásokat.**

### KÜLÖNLEGES BIZTONSÁGI TUDNIVALÓK

**Közös figyelmeztető tájékoztató a csiszoláshoz, csiszolópapírral végzett csiszoláshoz, a drótkéfével végzett munkákhoz, polírozáshoz és daraboláshoz:**

**a) Ezt az elektromos szerszámot csiszolóként, drótkéféként és sarokcsiszoló gépként kell használni.** Vegye figyelembe az elektromos szerszámmal együtt megkapott összes biztonsági útmutatást, utasítást, ábrát és adatot. Ha nem tartja be a következő utasításokat, akkor ennek elektromos áramütés, tűz és/vagy súlyos sérülések lehetnek a következményei.

**b) Ez az elektromos szerszám nem alkalmas polírozáshoz.** Az elektromos szerszám olyan használata, amely nem felel meg a rendeltetésének, veszélyeket és sérüléseket okozhat.

**c) Ne használjon olyan tartozékokat, amelyeket a gyártó ehhez az elektromos kéziszerszámmal nem irányzott elő és nem javasolt.** Az a tény, hogy a tartozékok rögzíteni tudja az elektromos kéziszerszámmra, nem garantálja annak biztonságos alkalmazását.

**d) A betétszerszám megengedett fordulatszámának legalább akkorának kell lennie, mint az elektromos kéziszerszám megadott legnagyobb fordulatszám.** A megengedettnél gyorsabban forgó tartozékok szétterhetnek és kirepülhetnek.

**e) A betétszerszám külső átmérőjének és vastagságának meg kell felelnie az Ön elektromos kéziszerszámmal megadott méreteknél.** A hibásan méretezett betétszerszámokat nem lehet megfelelően eltakarni, vagy irányítani.

**f) A csiszolókorongoknak, karimáknak, csiszoló tányérokknak vagy más tartozékoknak pontosan rá kell illeszkedniük az Ön elektromos kéziszerszámmal a csiszolótengelyére.** Az olyan betétszerszámok, amelyek nem illeszkednek pontosan az elektromos kéziszerszám csiszolótengelyéhez, egyenletlenül forgognak, erősen berezegnek és a készülék feletti uralom megszűnéséhez vezethetnek.

**g) Ne használjon megrongálódott betétszerszámokat.**

Vizsgálja meg minden egyes használat előtt a betétszerszámokat: ellenőrizze, nem pattogzott-e le és nem repedt-e meg a csiszolókorong, nincs-e eltörve, megrepedve, vagy nagy mértékben elhasználódva a csiszoló tányér, nincsenek-e a drótkéfében kilazult, vagy eltörtött drótok.

Ha az elektromos kéziszerszám vagy a betétszerszám leesik, vizsgálja felül, nem rongálódott-e meg, vagy használjon egy hibátlan betétszerszámot. Miután ellenőrizte, majd behelyezte a készülékbe a betétszerszámot, tartózkodjon Ön saját maga és minden más a közelben található személy is a forgó betétszerszám síkján kívül és járassa egy percig az elektromos kéziszerszámot a legnagyobb fordulatszámmal. A megrongálódott betétszerszámok ezalatt a próbaidő alatt általában már szétfórnak.

**h) Viseljen személyi védőfelszerelést. Használjon az alkalmazásnak megfelelő teljes védőálcot, szemvédőt vagy védőszemüveget.** Amennyiben célszerű, viseljen porvédő álcot, zajtompító fülvédőt, védő kesztyűt vagy különleges kötenyt, amely távol tartja a csiszolószerszám- és anyagrészecskéket. Mindenképpen védje meg a szemét a kirepülő idegen anyagoktól, amelyek a különböző alkalmazások során keletkeznek. A por- vagy védőálcárnak meg kell szűrnie a használat során keletkező port. Ha hosszú ideje ki van téve az erős zaj hatásának, elvesztheti a hallását.

**i) Ügyeljen arra, hogy a többi személy biztonságos távolságban maradjon az Ön munkaterületétől. Minden olyan személynek, aki belép a munkaterületre, személyi védőfelszerelést kell viselnie.** A munkadarab letört részei vagy a széttrött betétszerszámok kirepülhetnek és a közvetlen munkaterületen kívül és személyi sérülést okozhatnak.

**j) A készüléket a szigetelt markolatfelületeket fogva tartsa, ha olyan munkákat végez, melyeknél a vágószerszám rejtett elektromos vezetékekbe vagy saját vezetékeibe ütközhet.** A vágószerszám feszültségvezető vezetékkel való érintkezésekor a készülék fém részei is feszültség alá kerülhetnek, és elektromos áramütés következhet be.

**k) Tartsa távol a hálózati csatlakozó kábelt a forgó betétszerszámoktól.** Ha elveszti az uralmát az elektromos kéziszerszám felett, az átvághatja, vagy bekaphatja a hálózati csatlakozó kábelt és az Ön keze vagy karja is a forgó betétszerszámhoz érhet.

**l) Sohase tegye le az elektromos kéziszerszámot, mielőtt a betétszerszám teljesen leállna.** A forgásban lévő betétszerszám megérintheti a támasztó felületet, és Ön ennek következtében könnyen elvesztheti az uralmát az elektromos kéziszerszám felett.

**m) Ne járassa az elektromos kéziszerszámot, miközben azt a kezében tartja.** A forgó betétszerszám egy véletlen érintkezés során bekaphatja a ruháját és a betétszerszám befúródhat a testébe.

**n) Rendszeresen tisztítsa ki az elektromos szerszám szellőzőréseit.** A motoros kompresszor port szív a házba, és a jelentős mennyiségű felgyülemlett fémpor elektromos veszélyt okozhat.

**o) Ne használja az elektromos szerszámot gyúlékony anyagok közelében.** A szikráktól meggyulladhatnak ezek az anyagok.

**p) Ne használjon olyan szerszámalkatrészeket, melyekhez folyékony hűtőközeg szükséges.** A víz vagy más folyékony hűtőközeg használata áramütést okozhat.

### Visszacapodás és a rávonatkozó biztonsági előírások

A visszacsapodás egy hirtelen reakció, ami akkor lép fel, ha egy forgó szerszámrész – pl. csiszolókorong, csiszolófórgó, drótkéfe, stb. – elakad vagy leblokkol. Az elakadás vagy a leblokkolás a forgó szerszámrész hirtelen leállításához vezet. Ez a kontrollálhatatlanná vált elektromos szerszámot a mozgó szerszámrész forgási irányával ellenkező irányba tolja a blokkolási helyen.

Ha például egy csiszolókorong beékelődik, vagy leblokkol a megmunkálásra kerülő munkadarabban, a csiszolókorongnak a munkadarabba bemerülő éle leáll és így a csiszolókorong kiugorhat vagy egy visszarugást okozhat. A csiszolókorong ekkor a korongnak a leblokkolási pontban fennálló forgásiirányától függően a kezelő személy felé, vagy attól távolodva mozog. A csiszolókorongok ilyenkor el is törhetnek.

Egy visszarugás mindig a fűrész hibás vagy helytelen használatának következménye. Ezt az alábbiakban leírásra kerülő megfelelő óvatossági intézkedésekkel meg lehet gátolni.

**a) Tartsa erősen és biztosan az elektromos szerszámot, vegyen fel egy olyan testhelyzetet, és tartsa úgy a karjait, hogy a visszacsapóerővel szemben kellő ellenerőt tudjon kifejteni.** Használja mindig a kiegészítő markolatot is – amennyiben rendelkezésre áll – annak érdekében, hogy a lehető legjobban kontrollálni tudja a visszacsapóerőt és a visszaható nyomatókat teljes teljesítménynél. Megfelelő óvintézkedések esetén a kezelő személy számára kontrollálhatóvá válik a fellépő visszacsapóerő és a visszaható nyomatók.

**b) Ügyeljen arra, hogy keze soha ne kerüljön a forgó szerszámrész közelébe.** Ennek a szerszámrésznek visszacsapódásnál a keze felett kell mozognia.



Mag

**c) Ügyeljen arra, hogy ne kerüljön testével az elektromos szerszám visszacsapódási tartományába.** Visszacsapódáskor az elektromos szerszám a csiszolókorong mozgásával ellenkező irányba mozdul el a blokkolás helyén.

**d) Különösen óvatosan kell végezni a munkát a sarkoknál, éles széléknél stb.** Akadályozza meg, hogy a szerszám részei visszapattanjanak a munkadarabról, vagy elakadjanak. A forgó szerszámrés hajlamos arra, hogy elakadjon a sarkoknál, éles széléknél, vagy ha visszapattan. Ez kontrollálhatatlanná teszi, vagy visszacsapódást okoz.

**e) Nem szabad láncos vagy fogazott fűrészlapot használni.** Az ilyen használt szerszámok gyakran visszarúgást okoznak, vagy az elektromos szerszám feletti ellenőrzés elvesztéséhez vezetnek.

### **Külön figyelemztetések és tájékoztató a csiszoláshoz és daraboláshoz**

**a) Kizárólag az Ön elektromos kéziszerszámához engedélyezett csiszolótesteket és az ezen csiszolótestekhez előirányzott védőbúrákat használja.** A nem az elektromos kéziszerszámhoz szolgáló csiszolótesteket nem lehet kielégítő módon letakarni és ezért ezek nem biztonságosak.

**b) Mindig használja a védőburkolatot. A védőburkolatot fel kell szerelni az elektromos szerszámrá, és úgy kell beállítani, hogy maximális biztonság legyen elérhető, azaz a vágókorong lehető legkisebb része mutasson burkolatlanul a kezelőszemély felé.** A védőburkolatnak meg kell védenie a kezelőszemélyt a letört daraboktól vagy a csiszolótesttel történő véletlen érintkezéstől.

**c) A csiszolótesteket csak az azok számára javasolt célokra szabad használni.** Például: Sohasé csiszoljon egy hasítókorong oldalsó felületével. A hasítókorongok arra vannak méretezve, hogy az anyagot a korong élével munkálják le. Az ilyen csiszolótestekre ható oldalirányú erő a csiszolást töréséhez vezethet.

**d) Használjon mindig hibátlan, az Ön által választott csiszolókorongnak megfelelő méretű és alakú befogókarimát.** A megfelelő karimák megtámasztják a csiszolókorongot és így csökkentik a csiszolókorong eltörésének veszélyét. A hasítókorongokhoz szolgáló karimák különbözhetnek a csiszolókorongok számára szolgáló karimáktól.

**e) Ne használjon nagyobb elektromos kéziszerszámokhoz szolgáló elhasznált csiszolótesteket.** A nagyobb elektromos kéziszerszámokhoz szolgáló csiszolókorongok nincsenek a kisebb elektromos kéziszerszámok magasabb fordulatszámára méretezve és szétteríthetnek.

### **További különleges figyelemztető tájékoztató a daraboláshoz**

**a) Ügyeljen arra, hogy ne blokkoljon le a vágókorong, és ne legyen túl nagy a felületi nyomás. Ne végezzen túlságosan mély vágásokat.** A vágókorong túlterhelése növeli az igénybevételt és az elakadás, blokkolás esélyét, és ezzel a visszacsapódás vagy a csiszolást eltörésének lehetőségét.

**b) Kerülje el a forgó hasítókorong előtti és mögötti tartományt.** Ha a hasítókorongot a munkadarabban magától eltávolodva mozgattja, akkor az elektromos kéziszerszám a forgó koronggal visszarúgás esetén közvetlenül Ön felé pattan.

**c) Ha elakad a vágókorong, vagy Ön megszakítja a munkát, kapcsolja ki a készüléket, és tartsa addig nyugodtan, amíg nem szűnik meg teljesen a tárcsa mozgása. Ne próbálja meg soha kihúzni a még mozgó vágókorongot a vágatból, mert ez visszacsapódáshoz vezethet.** Derítse ki az elakadás okát, és hárítsa el a hibát.

**d) Addig ne kapcsolja be újra az elektromos szerszámot, amíg az a munkadarabban található. A vágás óvatos folytatása előtt először hagyja a vágókorongot teljes fordulatszámát elérni.** Ellenkező esetben a korong megakadhat, kiugorhat a munkadarabbról vagy visszarúgást okozhat.

**e) A lemezeket vagy nagyobb munkadarabokat alá kell támasztani, ezzel csökken a visszacsapódás kockázata illetve, hogy elakad a vágókorong.** A nagyobb munkadarabok a saját súlyuknál fogva meghajolhatnak. A munkadarabot mindkét oldalon alá kell támasztani, mégpedig a vágásvonal közelében és a szélénél.

**f) Járjon el különösen óvatosan úgynevezett „bemetszetésnél” már meglévő falazatba vagy nem belátható helyeken.** A becsúszó vágókorong visszacsapódhat, ha belevág a gáz-, vagy vízvezetékbe, villamos vezetékbe vagy egyéb installációba.

### **Külön figyelemztetések és tájékoztató a csiszolópapír alkalmazásával történő csiszoláshoz**

**a) Ne használjon túl nagy csiszolólapokat, hanem kizárólag a gyártó által előírt méretet.** A csiszoló tányéron túl kilógó csiszolólapok személyi sérülést okozhatnak, valamint a csiszolólapok leblokkolásához, széttépedéséhez, vagy visszarúgáshoz vezethetnek.

### **Külön figyelemztetések és tájékoztató a drótkéfével végzett munkákhoz**

**a) Vegye tekintetbe, hogy a drótkéféből a normális használat közben is kirepülnek egyes drótdarabok. Ne terhelje túl a berendezésre gyakorolt túl nagy nyomással a drótokat.**

A kirepülő drótdarabok igen könnyen áthatolhatnak a vékonyabb ruhadarabokon vagy az emberi bőrön.

**b) Ha egy védőbúrával célszerű alkalmazni, akadályozza meg, hogy a védőbúra és a drótkéfe megérintse egymást. A tányér- és csészealakú kéfék átmérője a berendezésre gyakorolt nyomás és a centrifugális erők hatására megnövekedhet.**

Szabadban a dugulját hibaáram-védőkapcsolóval kell ellátni. Az elektromos készülékek üzembehelyezési útmutatása ezt kötelezően előírja (FI, RCD, PRCD). Ügyeljen erre az elektromos kéziszerszámok használatakor is.

A munka közben keletkezett forgácsokat, szilánkokat, törmelékét, stb. csak a készülék teljes leállása után szabad a munkaterületről eltávolítani.

A készüléket csak kikapcsolt állapotban szabad ismét áram alá helyezni.

A működő készülék munkaterületére nyúlani balesetveszélyes és tilos.

A készüléket a segédfogantyúval együtt kell használni.

A készüléket azonnal ki kell kapcsolni, ha szokatlanul erős rezgés vagy más, hibára utaló jelenség lépne fel. Vizsgálja meg a készüléket, hogy mi lehet a helytelen működés oka.

A csiszoló tárcsát mindig a gyártó útmutatásainak megfelelően kell használni és tárolni.

Fémek csiszolásakor szikra keletkezhet. Ügyeljen a közelben tartózkodó személyek testi épségére, illetve a gyúlékony anyagokat távolítsa el a munkaterületről. Ne használjon porszívót.

A készüléket mindig úgy kell tartani, hogy a keletkező szikra, illetve a por ne a munkavégzőre szálljon.

Közetek vágásához mindig használjon vezetősínt.

A készülék használata előtt vizsgálja meg, hogy a szorítóanya megfelelően meg van-e húzva.

A munkadarabot rögzíteni kell, mennyiben saját súlya nem tartja meg biztonságosan. A munkadarabot nem szabad kézzel vezetni a tárcsa irányába.



Rendkívüli körülmények közötti használat esetén (pl. fémek támasztó tányérral és vulkánfibr-csiszolókoronggal történő simára csiszolásakor) erős szennyeződés keletkezhet a sarokcsiszoló belsejében. Ilyen használati feltételek esetén biztonsági okokból alaposan meg kell tisztítani a sarokcsiszoló belsejét a fémlerakódásoktól, és feltétlenül hibaáram védőkapcsolót (FI-relé) kell a készülék elé kapcsolni. A FI-védőkapcsoló működésbe lépése után a gépet be kell küldeni javításra.

Azoknál a szerszámoknál amelyeket menetes csiszolókkal kíván használni, győződjön meg róla, hogy a csiszoló elég hosszú ahhoz, hogy elfogadja a tengely hosszát.


Vágási munkálatokhoz a tartozékok közül a zárt védőburkolatot kell használni.

## RENDELTETTÉSSZERŰ HASZNÁLAT

A sarokcsiszoló sok anyag vágására és nagyoló csiszolására használható, pl. fémhez vagy kőhöz, valamint műanyag csiszolóanyagokkal való csiszoláshoz. A készülék acél drótkéfével is használható. Készség esetén fi gyelembe kell venni a tartozék gyártójának útmutatásait.

A készüléket kizárólag az alábbiakban leírtaknak megfelelően szabad használni.

## HÁLÓZATI CSATLAKOZTATÁS

 A készüléket csak egyfázisú váltóáramra és a teljesítménytáblán megadott hálózati feszültségre csatlakoztassa. A csatlakoztatás védőérintkező nélküli dugaszolóaljzatokra is lehetséges, mivel a készülék felépítése II. védettségi osztályú.

## CE-AZONOSSÁGI NYILATKOZAT

Teljes felelősségünk tudatában kijelentjük, hogy jelen termék megfelel a következő szabványoknak vagy szabványossági dokumentumoknak: EN 60745, EN 55014-1, EN 55014-2, EN 61000-3-2, EN 61000-3-3, a 2006/42/EK, 2004/108/EK irányelvek határozataival egyetértésben.



Winnenden, 2010-11-17

Rainer Kumpf  
Manager Product Development  
Műszaki dokumentáció összeállításra  
felhatalmazva

## KARBANTARTÁS

A készülék szellőzőnyílásait mindig tisztán kell tartani.

Rövidzárlat veszélye miatt a szellőzőnyílásokba nem kerülhetnek fémdarabkák.

Javításhoz, karbantartáshoz kizárólag AEG alkatrészeket és tartozékokat szabad használni. A készülék azon részeinek cseréjét, amit a kezelési útmutató nem engedélyez, kizárólag a javításra feljogosított márkaszervíz végezheti. (Lásd a szervízlistát)

Szükség esetén a készülékek robbantott ábráját - a készülék típusa és tízjegyű azonosító száma alapján a területileg illetékes AEG márkaszerviztől vagy közvetlenül a gyártótól (AEG Elektrowerkzeuge, Max-Eyth-Straße 10, D-71364 Winnenden, Germany) lehet kérni.

## SZIMBÓLUMOK



Kérjük alaposan olvassa el a tájékoztatót mielőtt a gépet használja.



FIGYELEM! FIGYELMEZTETÉS! VESZÉLY!



Munkavégzés közben ajánlatos védőszemüveget viselni.



Karbantartás, javítás, tisztítás, stb. előtt előtt a készüléket áramtalanítani kell.



Azokat a tartozékokat, amelyek gyárilag nincsenek a készülékhez mellékelve, külön lehet megrendelni.



Az elektromos kéziszerszámokat ne dobja a háztartási szemétkel! A használt villamos és elektronikai készülékekről szóló 2002/96/EK irányelv és annak a nemzeti jogba való átültetése szerint az elhasznált elektromos kéziszerszámokat külön kell gyűjteni, és környezetbarát módon újra kell hasznosítani.

	WS 9-100	WS9-115	WS9-125
Nazivna sprejemna moč.....	900 W	900 W	900 W
Nazivno število vrtljajev.....	11000 min <sup>-1</sup>	11000 min <sup>-1</sup>	11000 min <sup>-1</sup>
Brusilne plošče ø.....	100 mm	115 mm	125 mm
Vretenasti navoj.....	M 10	M 14	M 14
Teža po EPTA-proceduri 01/2003.....	2,0 kg	2,0 kg	2,0 kg

**Informacije o hrupnosti/vibracijah**

Vrednosti merjenja ugotovljene ustrezno z EN 60 745.

Raven hrupnosti naprave ovrednotena z A, znaša tipično:

Nivo zvočnega tlaka (K=3 dB(A)).....	90,5 dB (A)	90,5 dB (A)	90,5 dB (A)
Višina zvočnega tlaka(K=3 dB(A)).....	101,5 dB (A)	101,5 dB (A)	101,5 dB (A)

**Nosite zaščito za sluh!**

Skupna vibracijska vrednost (Vektorska vsota treh smeri) določena ustrezno EN 60745.

Razdvajanje in grobo brušenje: Vibracijska vrednost emisij a <sub>h</sub> .....	5,8 m/s <sup>2</sup>	5,8 m/s <sup>2</sup>	5,8 m/s <sup>2</sup>
Nevarnost K.....	1,5 m/s <sup>2</sup>	1,5 m/s <sup>2</sup>	1,5 m/s <sup>2</sup>
Brušenje s ploščo iz umetne mase: Vibracijska vrednost emisij a <sub>h</sub> .....	1,9 m/s <sup>2</sup>	1,9 m/s <sup>2</sup>	1,9 m/s <sup>2</sup>
Nevarnost K.....	1,5 m/s <sup>2</sup>	1,5 m/s <sup>2</sup>	1,5 m/s <sup>2</sup>

	WS 11-115	WS 11-125
Nazivna sprejemna moč.....	1100 W	1100 W
Nazivno število vrtljajev.....	11000 min <sup>-1</sup>	11000 min <sup>-1</sup>
Brusilne plošče ø.....	115 mm	125 mm
Vretenasti navoj.....	M 14	M 14
Teža po EPTA-proceduri 01/2003.....	2,3 kg	2,3 kg

**Informacije o hrupnosti/vibracijah**

Vrednosti merjenja ugotovljene ustrezno z EN 60 745.

Raven hrupnosti naprave ovrednotena z A, znaša tipično:

Nivo zvočnega tlaka (K=3 dB(A)).....	90,5 dB (A)	90,5 dB (A)
Višina zvočnega tlaka(K=3 dB(A)).....	101,5 dB (A)	101,5 dB (A)

**Nosite zaščito za sluh!**

Skupna vibracijska vrednost (Vektorska vsota treh smeri) določena ustrezno EN 60745.

Razdvajanje in grobo brušenje: Vibracijska vrednost emisij a <sub>h</sub> .....	5,8 m/s <sup>2</sup>	5,8 m/s <sup>2</sup>
Nevarnost K.....	1,5 m/s <sup>2</sup>	1,5 m/s <sup>2</sup>
Brušenje s ploščo iz umetne mase: Vibracijska vrednost emisij a <sub>h</sub> .....	1,9 m/s <sup>2</sup>	1,9 m/s <sup>2</sup>
Nevarnost K.....	1,5 m/s <sup>2</sup>	1,5 m/s <sup>2</sup>

Pri uporabi za druge namene, kot npr. rezanje ali brušenje z jeklenožično krtačo, se lahko izkažejo drugačne vibracijske vrednosti!

**OPOZORILO**

V teh navodilih navedena raven tresljajev je bila izmerjena po EN60745 normiranem merilnem postopku in lahko služi medsebojni primerjavi električnih orodij. Prav tako je primeren za predhodno oceno obremenitve s tresljaji.

Navedena raven tresljajev navaja najpomembnejše vrste rabe električnega orodja. Kadar se električno orodje uporablja za drugačne namene, z odstopajočimi orodji ali pa z nezadostnim vzdrževanjem, lahko raven tresljajev tudi odstopa. Le to lahko čez celoten delovni čas znatno zviša obremenitev s tresenjem.

Za natančno oceno obremenitve s tresljaji naj bi se upošteval tudi čas v katerem je naprava izklopljena ali sicer teče, vendar dejansko ni v rabi. Le to lahko obremenitev s tresljaji čez celoten delovni čas znatno zmanjša.

Za zaščito upravljalca pred učinkom tresljajev uvedite dodatne zaščitne ukrepe npr.: Vzdrževanje električnega orodja in orodja, delo s toplimi rokami, organizacija delovnih potekov.







## OPOZORILO!

Preberite vsa varnostna opozorila in navodila, tudi tista v priloženi brošuri. Napake zaradi neupoštevanja spodaj navedenih opozoril in napotil lahko povzročijo električni udar, požar in/ali težke telesne poškodbe.

Vsa opozorila in napotila shranite, ker jih boste v prihodnje še potrebovali.

### SPECIALNI VARNOSTNI NAPOTKI

Skupna opozorila za brušenje, brušenje z brusnim papirjem, delo z žičnimi ščetkami, poliranje in rezanje:

**a) To električno orodje se uporablja kot brusilka, žična krtača in rezalni stroj. Upoštevajte vsa varnostna opozorila, navodila, prikaze in podatke, ki ste jih prejeli z električnim orodjem.** V kolikor sledečih navodil ne upoštevate, lahko pride do električnega udara, ognja in/ali težkih poškodb.

**b) To električno orodje ni primerno za poliranje.** Uporaba za katero stroj ni predviden, lahko povzroči nevarnosti in poškodbe.

**c) Ne uporabljajte pribora, ki ga proizvajalec za to orodje ni specialno predvidel in katerega uporabe ne priporoča.** Zgolj dejstvo, da lahko nek pribor pritrđite na Vaše električno orodje, še ne zagotavlja varne uporabe.

**d) Dovoljeno število vrtljajev vsadnega orodja mora biti najmanj tako visoko kot maksimalno število vrtljajev, ki je navedeno na električnem orodju.** Pribor, ki se vrti hitreje kot je dovoljeno, se lahko zlomi in leti naokrog.

**e) Zunanji premer in debelina vsadnega orodja morata ustrezati meram Vašega električnega orodja.** Napačno dimenzioniranih vsadnih orodij ne boste mogli dovolj dobro zavarovati ali nadzorovati.

**f) Brusilni koluti, prirobnice, brusilni krožniki in drug pribor se morajo natančno prilegati na brusilno vreteno Vašega električnega orodja.** Vsadna orodja, ki se natančno ne prilegajo brusilnemu vretenu električnega orodja, se vrtijo neenakomerno, zelo močno vibrirajo in lahko povzročijo izgubo nadzora nad napravo.

**g) Ne uporabljajte poškodovanih vsadnih orodij. Pred vsako uporabo preglejte brusilne kolute, če se ne luščijo oziroma če nimajo razpok, brusilne krožnike, če nimajo razpok oziroma če niso močno obrabljeni ali izrabljeni, žične ščetke pa, če nimajo zrahljanih ali odlomljenih žic.** Če pade električno orodje ali vsadno orodje na tla, pogledjte, če ni poškodovano in uporabljajte samo nepoškodovana vsadna orodja. Po kontroli in vstavljanju vsadnega orodja se ne zadržujte v ravnini vrtečega se vsadnega orodja, kar velja tudi za druge osebe v bližini. Električno orodje naj eno minuto deluje z najvišjim številom vrtljajev. Poškodovana vsadna orodja se največkrat zlomijo med tem preizkusnim časom.

**h) Uporabljajte osebno zaščitno opremo. Odvisno od vrste uporabe si nataknite zaščitno masko čez cel obraz, zaščitno za oči ali zaščitna očala.** Če je potrebno, nosite zaščitno masko proti prahu, zaščitne glušnike, zaščitne rokavice ali specialni predpasnik, ki Vas bo zavaroval pred manjšimi delci materiala, ki nastajajo pri brušenju. Oči je treba zavarovati pred tujki, ki nastajajo pri različnih vrstah uporabe naprave in letijo naokrog. Zaščitna maska proti prahu ali dihalna maska morata filtrirati prah, ki nastaja pri uporabi. Predolgo izpostavljanje glasnemu hrupu ima lahko za posledico izgubo sluha.

**i) Pazite, da bodo druge osebe varno oddaljene od Vašega delovnega območja.** Vsak, ki stopi na delovno območje, mora nositi osebno zaščitno opremo. Odlomljeni delci obdelovanca ali zlomljena vsadna orodja lahko odletijo stran in povzročijo telesne poškodbe, tudi izven neposrednega delovnega območja.

**j) Kadar izvajate dela pri katerih lahko orodje zadane prikrito električno napeljavo ali lasten vodnik, je napravo potrebno držati za izolirane prijemalne površine.** Stik rezalnega orodja z napetostnim vodnikom napeljave lahko privede kovinske dele naprave pod napetost in vodi do električnega udara.

**k) Omrežnega kabla ne približujte vrtečemu se vsadnemu orodju.** Če izgubite nadzor nad električnim orodjem, lahko orodje prereže ali zagrabi kabel, Vaša roka pa zaide v vrteče se vsadno orodje.

**l) Ne odlagajte električnega orodja, dokler se vsadno orodje popolnoma ne ustavi.** Vrteče se vsadno orodje lahko pride v stik z odlagalno površino, zaradi česar lahko izgubite nadzor nad električnim orodjem.

**m) Električno orodje naj medtem, ko ga prenašate naokrog, ne deluje.** Vrteče se vsadno orodje lahko zaradi naključnega kontakta zagrabi Vaše oblačilo in se zavrti v Vaše telo.

**n) Redno čistite prezačevalne reže vašega električnega orodja.** Ventilator motorja sesa v obliše prah in nabran kovinski prah lahko povzroča električne nevarnosti.

**o) Ne uporabljajte električno napravo v bližini vnetljivih materialov.** Iskre lahko vnamejo te materijale.

**p) Ne uporabljajte delovno orodje katere zahteva tekoča sredstva hlajenja.** Uporaba vode ali ostalih tekočih sredstev hlajenja lahko vodijo do električnega udara.

### Povratni udarec in odgovarjajoča varnostna navodila

Povratni udarec je nenadna reakcija zaradi zataknejenega ali blokiranega delovnega orodja kod so brusilna plošča, brusilni krožnik, žična krtača itd. Zataknitev ali blokiranje vodi do nenadnega štopa rotiranega orodja. S tem pospeši nekontroliran-a električna naprava proti smeri vitja orodja na mestu blokade.

Če se na primer brusilni kolut zatakne ali zablokira v obdelovancu, se lahko rob brusilnega koluta, ki je potopljen v obdelovanec, zaplete vanj in brusilni kolut se odloimi ali povzroči povratni udarec. Brusilni kolut se nato premakne proti uporabniku ali proč od njega, odvisno od smeri vrtenja brusilnega koluta na mestu blokiranja. Blokirni koluti se lahko pri tem tudi zlomijo.

Povratni udarec je posledica napačne uporabe žage. Preprečite ga lahko s primernimi previdnostnimi ukrepi, ki so opisani v nadaljevanju besedila.

**a) Držite električno napravo močno in postavite Vaše telo in roke v položaj tako, da boste povratno silo prestregli. Smeraj uporabljajte dodatni ročaj, če je prisoten, za boste lahko imeli največ možno kontrolo nad povratni silo ali reakcijo pri zagonu.** Oseba ki upravlja lahko obvlada z ustreznimi previdnimi merami povratne in reakcijske sile.

**b) Nikoli ne prinesite Vašo roko v bližino vrtečega delovnega orodja.** Delovno orodje se lahko pri povratnem udarcu premakne čez Vašo roko.

**c) Z telesom se izogibajte področja v katerem se pomika električna naprava pri povratnem udarcu.** Povratni udarec na mestu blokade poganja električno napravo v nasprotni smeri vitja brusilne plošče.

**d) Preprečujte, da delovno orodje odskoči od obdelovanca in da se zatakne. Rotirajoče delovno orodje nagiba pri kotih, ostrih robov če se odbije, da se zatakne.** To povzroči povratni udarec ali izgubo kontrole.

**e) Ne uporabljajte verižnega ali zobatega žaginega lista.** Tovrstna orodja pogosto povzročajo povraten udar ali izgubo nadzora nad električnim orodjem.



Slo

### Posebna opozorila za brušenje in rezanje

**a) Uporabljajte samo brusila, ki so atestirana za Vaše električno orodje in zaščitni pokrov, predviden za ta brusila.**

Brusil, ki niso predvidena za Vaše električno orodje, ne boste mogli dobro zavarovati in so zato nevarna.

**b) Zmeraj uporabljajte varovalni ščit. Varovalni ščit mora biti na električnem orodju varnonameščen in tako nastavljen, da je dosežena najvišja stopnja zaščite, t.j. najmanjši del rezalne plošče kaže prosto v smeri proti uporabniku.** Varovalni ščit naj bi uporabnika ščitil pred drobcii in naključnem stiku z brusilnim telesom.

**c) Brusila lahko uporabljate samo za vrste uporabe, ki jih priporoča proizvajalec. Na primer: Nikoli ne brusite s stransko ploskvijo rezalne plošče.** Rezalne plošče so namenjene odstranjevanju materiala z robom plošče. Brusilo se lahko zaradi bočnega delovanja sile zlomi.

**d) Za izbrani brusilni kolut vedno uporabljajte nepoškodovane vpenjalne prirobnice pravilne velikosti in oblike.** Ustrezne prirobnice podpirajo brusilni kolut in tako zmanjšujejo nevarnost, da bi se kolut zlomil. Prirobnice za rezalne plošče se lahko razlikujejo od prirobnic za druge brusilne kolute.

**e) Ne uporabljajte obrabljenih brusilnih kolutov večjih električnih orodij.** Brusilni koluti za večja električna orodja niso konstruirana za višje število vrtljajev, s katerimi delujejo manjša električna orodja in se lahko zato zlomijo.

### Ostala posebna opozorila za rezanje

**a) Izogibajte se blokade rezalne plošče ali visokega pritiska. Ne delajte nobenih prekomernih globokih rezov.**

Prebremenjenost rezalne plošče zveča obremenitev in neopornost zataknitve in blokiranja in s tem možnost povratnega udarca oziroma loma brusila.

**b) Izogibajte se področja pred in za vrtečo se rezalno ploščo.** Če boste rezalno ploščo, ki je v obdelovancu, potisnili stran od sebe, lahko električno orodje v primeru povratnega udarca skupaj z vrtečim se kolutom odleti naravnost v Vas.

**c) Če se rezalna plošča zatakne ali če prenehate z delom izklopite napravo in jo držite mirno dokler se ne umiri. Ne poskušajte izvleči tekočo rezalno ploščo iz reza ker lahko pride do povratnega udarca.** Ugotovite in odpravite vzrok zatika.

**d) Električnega orodja ponovno ne vklaplajte, dokler se nahaja v obdelovancu. Pustite naj rezalna plošča sprva doseže svoje polno število vrtljajev, preden z rezom previdno nadaljujete.** V nasprotnem primeru se ploča lahko zaskoči, skoči iz obdelovanca ali povzroči povratni udarec.

**e) Opirajte plošče ali obdelovance kako bi se izognili povratnega udarca oziroma zataknitve rezalne plošče.** Veliki obdelovanci se lahko z svojo lastno težo upognijo. Obdelovavec se mora na obeh straneh pritrditi in ravno tako v bližini ločilnega reza kot tudi na robu.

**f) Bodite posebno previdni pri „žepnih rezih“ pri obstoječih zidih oziroma nevidnih področjih.** Vstop rezalne plošče lahko pri rezanju v steklo ali vodne cevi, električnih vodov oziroma drugih objektov povzroči povratni udarec.

### Posebna opozorila za brušenje z brusnim papirjem

**a) Ne uporabljajte predimenzioniranih brusilnih listov, temveč upoštevajte podatke proizvajalca o velikosti žaginega lista.** Brusilni listi, ki gledajo čez brusilni krožnik, lahko povzročijo telesne poškodbe ali pa blokiranje in trganje žaginega lista oziroma povratni udarec.

### Posebna opozorila za delo z žičnimi ščetkami

**a) Upoštevajte dejstvo, da žična ščetka tudi med običajno uporabo izgublja kosčke žice. Žic zato ne preobremenjujte s premočnim pritiskanjem na ščetko.** Kosčki žice, ki letijo stran, lahko zelo hitro predroje skozi tanko oblačilo in/ali kožo.

**b) Če je za delo priporočljiva uporaba zaščitnega pokrova, preprečite, da bi se zaščitni pokrov in žična ščetka dotikala.** Premer diskastih in lončastih žičnih ščetek se lahko zaradi pritiskanja nanje in zaradi delovanja centrifugalnih sil poveča.

Vtičnice v zunanem področju morajo biti opremljene z zaščitnimi stikali za okvorni tok (FI, RCD, PRCD). To zahteva instalacijski predpis za vašo električno napravo. Prosimo, da to pri uporabi naše naprave upoštevate.

Trske ali iveri se pri tekočem stroju ne smejo odstranjevati.

Stroj priklopite na vtičnico samo v izklopljenem stanju.

Ne segajte na področje nevarnosti tekočega stroja.

Vedno uporabljajte dodatni ročaj.

Napravo takoj izklopite, če nastopijo znatne vibracije ali če ugotovite drugačne pomanjkljivosti. Preverite stroj, da ugotovite vzrok.

Brusilne plošče vedno uporabljate in shranjujete v skladu z navedbami proizvajalca.

Pri brušenju kovin nastaja iskrenje. Pazite na to, da ne ogrožate nobenih oseb. Zaradi nevarnosti požara se v bližini (na področju iskrenja) ne smejo nahajati nobeni gorljivi materiali. Ne uporabljajte odsesavanja prahu.

Aparat vedno držite tako, da iskre ali brusilni prah letijo vstran od telesa.

Za rezanje kamna so obvezne vodilne sani.

Matica prirobnice mora biti pred zagonom stroja zategnjena.

Kos, ki ga želite obdelovati, mora biti trdno vpet, če ne drži že zaradi lastne teže. Nikoli obdelovalnega kosa ne vodite z roko proti plošči.

Pri ekstremnih pogojih uporabe (npr. obrusu kovin z opornim krožnikom in vulkan-fiber brusilnimi ploščami) se lahko v notranjosti kotne brusilke naberejo nečistoče. Pri tovrstnih pogojih uporabe je iz varnostnih razlogov potrebno temeljito čiščenje kovinskih oblog v notranjosti in obvezen predklop varovalnega (FI) stikala. V primeru sprožitve FI-varovalnega stikala je potrebno stroj dati v popravilo.

Pri brusilnih sredstvih, ki so opremljeni s ploščico z navojem se prepričajte, da je navoj v ploščici dovolj dolg za vreteno.

Za razdvajalna dela uporabljajte zaprto zaščitno masko iz programa pribora.

### UPORABA V SKLADU Z NAMEMBOSTJO

Kotna brusilka je uporabna za razdvajanje in grobo brušenje mnogih materialov, kot npr. kovin ali kamna, kakor tudi za brušenje s ploščo iz umetne mase in za delo z jeklenožično krtačo. Kadar ste v dvomu upoštevajte navodila proizvajalca pribora.

Ta naprava se sme uporabiti samo v skladu z namembnostjo uporabiti samo za navede namene.

### OMREŽNI PRIKLJUČEK

Priključite samo na enofazni izmenični tok in samo na omrežno napetost, ki je označena na tipski ploščici. Priključitev je možna tudi na vtičnice brez zaščitnega kontakta, ker obstaja nadgradnja zaščitnega razreda.



## CE-IZJAVA O KONFORMNOSTI

Z lastno odgovornostjo izjavljamo, da je ta produkt skladen z naslednjimi normami ali normativnimi dokumenti. EN 60745, EN 55014-1, EN 55014-2, EN 61000-3-2, EN 61000-3-3, v skladu z določili smernic 2006/42/EC, 2004/108/EC.



Winnenden, 2010-11-17

Rainer Kumpf  
Manager Product Development  
Pooblaščen za izdelavo spisov tehnične dokumentacije.

## VZDRŽEVANJE

Pazite na to, da so prezačevalne reže stroja vedno čiste.

Zaradi nevarnosti kratkega stika kovinski deli ne smejo zaiti v špranje za prezačevanje.

Uporabljajte samo AEG pribor in nadomestne dele. Poskrbite, da sestavne dele, katerih zamenjava ni opisana, zamenjajo v AEG servisni službi (upoštevajte brošuro Garancija/Naslovi servisnih služ.

Po potrebi se lahko pri vaši servisni službi ali direktno pri AEG Elektrowerkzeuge naroči eksplozijska risba naprave ob navedbi tipa stroja in desetmestne številke s tipske ploščice AEG Elektrowerkzeuge, Max-Eyth-Straße 10, D-71364 Winnenden, Germany.

## SIMBOLI



Prosimo, da pred uporabo pozorno preberete to navodilo za uporabo.



**POZOR! OPOZORILO! NEVARNO!**



Pri delu s strojem vedno nosite zaščitna očala.



Pred vsemi deli na stroju izvlcite vtikač iz vtičnice.



Oprema – ni vsebovana v obsegu dobave, priporočeno dopolnilo iz programa opreme.



Elektricnega orodja ne odstranjujte s hišnimi odpadki! V skladu z Evropsko direktivo 2002/96/EC o odpadni elektrini in elektronski opremi in z njenim izvajanjem v nacionalni zakonodaji je treba elektricna orodja ob koncu njihove življenjske dobe loceno zbirati in jih predati v postopek okolju prijaznega recikliranja.

	WS 9-100	WS9-115	WS9-125
Snaga nominalnog prijema.....	900 W	900 W	900 W
Nazivni broj okretaja.....	11000 min <sup>-1</sup>	11000 min <sup>-1</sup>	11000 min <sup>-1</sup>
Brusne ploče- $\phi$ .....	100 mm	115 mm	125 mm
Navoj vretena.....	M 10	M 14	M 14
Težina po EPTA-proceduri 01/2003.....	2,0 kg	2,0 kg	2,0 kg

**Informacije o buci/vibracijama**

Mjerne vrijednosti utvrđene odgovarajuće EN 60 745.

A-ocijenjeni nivo buke aparata iznosi tipično:

nivo pritiska zvuka (K=3 dB(A)).....	90,5 dB(A)	90,5 dB(A)	90,5 dB(A)
nivo učinka zvuka(K=3 dB(A)).....	101,5 dB(A)	101,5 dB(A)	101,5 dB(A)

**Nositi zaštitu sluha!**

Ukupne vrijednosti vibracije (Vektor suma tri smjersu odmjerene odgovarajuće EN 60745)

Odvajako i grubo brušenje: Vrijednost emisije vibracija $a_h$ .....	5,8 m/s <sup>2</sup>	5,8 m/s <sup>2</sup>	5,8 m/s <sup>2</sup>
Nesigurnost K.....	1,5 m/s <sup>2</sup>	1,5 m/s <sup>2</sup>	1,5 m/s <sup>2</sup>
Brušenje sa plastičnim brusnim diskom: Vrijednost emisije vibracije $a_h$ .....	1,9 m/s <sup>2</sup>	1,9 m/s <sup>2</sup>	1,9 m/s <sup>2</sup>
Nesigurnost K.....	1,5 m/s <sup>2</sup>	1,5 m/s <sup>2</sup>	1,5 m/s <sup>2</sup>

	WS 11-115	WS 11-125
Snaga nominalnog prijema.....	1100 W	1100 W
Nazivni broj okretaja.....	11000 min <sup>-1</sup>	11000 min <sup>-1</sup>
Brusne ploče- $\phi$ .....	115 mm	125 mm
Navoj vretena.....	M 14	M 14
Težina po EPTA-proceduri 01/2003.....	2,3 kg	2,3 kg

**Informacije o buci/vibracijama**

Mjerne vrijednosti utvrđene odgovarajuće EN 60 745.

A-ocijenjeni nivo buke aparata iznosi tipično:

nivo pritiska zvuka (K=3 dB(A)).....	90,5 dB(A)	90,5 dB(A)
nivo učinka zvuka(K=3 dB(A)).....	101,5 dB(A)	101,5 dB(A)

**Nositi zaštitu sluha!**

Ukupne vrijednosti vibracije (Vektor suma tri smjersu odmjerene odgovarajuće EN 60745)

Odvajako i grubo brušenje: Vrijednost emisije vibracija $a_h$ .....	5,8 m/s <sup>2</sup>	5,8 m/s <sup>2</sup>
Nesigurnost K.....	1,5 m/s <sup>2</sup>	1,5 m/s <sup>2</sup>
Brušenje sa plastičnim brusnim diskom: Vrijednost emisije vibracije $a_h$ .....	1,9 m/s <sup>2</sup>	1,9 m/s <sup>2</sup>
Nesigurnost K.....	1,5 m/s <sup>2</sup>	1,5 m/s <sup>2</sup>

Kod drugih primjena kao npr. brušenje presjecanjem ili brušenje sa četkom od čeličnih žica mogu nastati druge vibracijske vrijednosti!

**UPOZORENJE**

Ova u ovim uputama navedena razina titranja je bila izmjerena odgovarajuće jednom u EN 60745 normiranom mjernom postupku i može se upotrijebiti za usporedbu električnog alata međusobno. Ona je prikladna i za privremenu procjenu titrajnog opterećenja.

Navedena razina titranja reprezentira glavne primjene električnog alata. Ukoliko se električni alat upotrebljava u druge svrhe sa odstupajućim primijenjenim alatima ili nedovoljnim održavanjem, onda razina titranja može odstupati. To može titrajno opterećenje kroz cijeli period rada bitno povisiti.

Za točnu procjenu titrajnog opterećenja se moraju uzeti u obzir i vremena u kojima je uređaj isključen ili u kojima doduše radi, ali nije i stvarno u upotrebi. To može titrajno opterećenje bitno smanjiti za vrijeme cijelog radnog perioda.

Utvrđite dodatne sigurnosne mjere za zaštitu poslužioaca protiv djelovanja titranja kao npr.: Održavanje električnih alata i upotrebljenih alata, održavanje topline ruku, organizacija i radne postupke.



**⚠ UPOZORENIE!** Pročitajte sigurnosne upute i uputnice, isto i one iz priložene brošure. Ako se ne bi poštivale napomene o sigurnosti i upute to bi moglo uzrokovati strujni udar, požar i/ili teške ozljede.

Sačuvajte sve napomene o sigurnosti i upute za buduću primjenu.

### SPECIJALNE SIGURNOSNE UPUTE

Zajedničke upute s upozorenjima za brušenje, brušenje brusnim papirom, radove s žičanim četkama, poliranje i rezanje brušenjem:

**a) Ovaj električni alat se primjenjuje kao brusna, žičana četka i odrezna brusilica. Poštujte sve sigurnosne upute, napomene, prikaze i podatke, koje dobijete skupa sa električnim alatom.** Ako se slijedeći uputa ne pridržavate, može doći do električnog udara, vatre i/ili teških povreda.

**b) Ovaj električni alat nije prikladan za poliranje.** Primjene, za koje električni alat nije predviđen, mogu prouzročiti ugrožavanje i povrede.

**c) Ne koristite pribor koji proizvođač nije posebno predvidio i preporučio za ovaj električni alat.** Sama činjenica da se pribor može pričvrstiti na vaš električni alat, ne jamči sigurnu primjenu.

**d) Dopušteni broj okretaja električnog alata mora biti barem toliko visok kao maksimalni broj okretaja naveden na električnom alatu.** Pribor koji se vrti brže nego što je do dopušteno, mogao bi se polomiti i razletjeti.

**e) Vanjski promjer i debljina radnog alata moraju odgovarati dimenzijama vašeg električnog alata.** Pogrešno dimenzionirani električni alati ne mogu se dovoljno zaštititi ili kontrolirati.

**f) Brusne ploče, prirubnice, brusni tanjuri ili ostali pribor moraju biti točno prilagođeni brusnom vretenu vašeg električnog alata.** Radni alati koji ne odgovaraju točno brusnom vretenu električnog alata, okreću se nejednolično, vrlo jako vibriraju i mogu dovesti do gubitka kontrole nad električnim alatom.

**g) Ne koristite oštećene radne alate. Prije svake primjene kontrolirajte radne alate, kao što su brusne ploče na odlamanje komadića i pukotine, brusne tanjure na pukotine, trošenje ili veću istrošenost, čelične četke na oslobođene ili odlomljene žice. Ako bi električni alat ili radni alat pao, provjerite da li je oštećen ili koristite neoštećeni radni alat. Kada koristite ili kontrolirate radni alat, osobe koje se nalaze blizu držite izvan ravnine rotirajućeg radnog alata i ostavite električni alat da se jednu minutu vrti sa maksimalnim brojem okretaja. Oštećeni radni alati najčešće se lome u vrijeme ovakvih ispitivanja.**

**h) Nosite osobnu zaštitnu opremu. Ovisno od primjene koristite masku za zaštitu lica i zaštitne naočale.** Ukoliko je to potrebno, nosite masku za zaštitu od prašine, štitičke za sluh, zaštitne rukavice ili specijalne pregače, koje će vas zaštititi od sitnih čestica od brušenja i materijala. Oči treba zaštititi od letećih stranih tijela koja nastaju kod različitih primjena. Zaštitne maske protiv prašine ili za disanje moraju filtrirati prašinu nastalu kod primjene. Ako ste dulje vrijeme izloženi buci, mogao bi vam se pogoršati sluh.

**i) Ako radite sa drugim osobama, pazite na siguran razmak do njihovog radnog područja. Svatko tko stupi u radno područje mora nositi osobnu zaštitnu opremu.** Odlomljeni komadići izratka ili odlomljeni radni alati mogu odletjeti i uzrokovati ozljede i izvan neposrednog radnog područja.

**j) Držite spravu na izoliranim držačkim površinama kada izvodite radove kod kojih rezački alat može pogoditi skrivene vodove struje ili osobni kabel.** Kontakt rezačkog alata sa vodovima koji sprovode naponom može metalne dijelove sprave dovesti pod napon i tako dovesti do električnog udara.

**k) Priključni kabel držite dalje od rotirajućeg radnog alata.** Ako bi izgubili kontrolu nad električnim alatom, mogao bi se odrezati ili zahvatiti priključni kabel, a mogao bi zahvatiti i vaše ruke i šake.

**l) Električni alat nikada ne odlažite prije nego što se radni alat potpuno zaustavi.** Rotirajući radni alat mogao bi dodirnuti površinu odlaganja, zbog čega bi mogli izgubiti kontrolu nad električnim alatom.

**m) Ne dopustite da električni alat radi dok ga nosite.** Rotirajući radni alat bi slučajnim kontaktom mogao zahvatiti vašu odjeću, a radni alat bi vas mogao ozlijediti.

**n) Čistite redovno prozore provjetravanja vašeg električnog alata.** Motorni ventilator uvlači prašinu u kućište, a velika nakupina metalne prašine može prouzročiti električne opasnosti.

**o) Ne koristite električni stroj u blizini eksplozivnih tvari.** Iskre mogu zapaliti ove materijale.

**p) Ne koristite alat, koji se mora hladiti tekućinama.** Upotreba vode ili drugih tekućina za hlađenje mogu izazvati kratki spoj.

### „Trzaj“ stroja i odgovarajuće sigurnosne upute

„Trzaj“ je nenadana reakcija stroja prouzročena zapetim ili blokiranim alatom koji se vrti, na pr. brusna ploča, brusni disk, željezna četka i t.d. Zapanjanje ili blokiranje prouzroči nenadano zaustavljanje alata koji se vrti. Na ovaj način se na mjestu blokiranja stroj ne kontrolirano ubrzava u suprotnom smjeru okretanja alata.

Ako bi se npr. brusna ploča zaglavila ili blokirala u izratku, tada rub brusne ploče koja je zarezala u izradak može odlomiti brusnu ploču ili uzrokovati povratni udar. Brusna ploča se kod toga pomiče prema osobi koja rukuje električnim alatom ili od nje, ovisno od smjera rotacije brusne ploče na mjestu blokiranja. Kod toga se brusne ploče mogu i odlomiti.

Povratni udar je posljedica pogrešne ili neispravne uporabe pile. On se može spriječiti prikladnim mjerama opreza, koje su opisane u daljnjem tekstu.

**a) Stroj uhvatite čvrsto te postavite svoje tijelo i ruke u takav položaj, da možete izdržati silu „trzaja“.** Uvijek koristite dodatnu ručicu, ukoliko postoji, da bi imali najveći mogući nadzor na silu „trzanja“ ili na trenutak reakcije. Putev prikladnih sigurnosnih mjera može posluživno osoblje savladati silu „trzaja“ i reakcije.

**b) Nikako ne približavajte svoje ruke do alata koji se vrti.** Prilikom „trzanja“ se lako alat koji se vrti nade na Vašim rukama.

**c) Pazite da Vaše tijelo ostane udaljeno od zone, u kojoj se lako postavi stroj prilikom „trzanja“.** „Trzanje“ pomjera stroj na mjestu blokiranja u suprotnom smjeru kretanja brusne ploče.

**d) Budite posebno pažljivi tamo, gdje su kuti, oštri rubovi i.t.d. Ne dozvolite da alat odskoči od obrađivanog predmeta te da se zape.** Kod kutova, oštrih predmeta ili prilikom odsakanja, se okretni alat često zape. To prouzročava gubitak kontrole ili „trzanje“.

**e) Nemojte upotrebljavati lančani ili nazubljeni list pile.** Ovakvi radni alati često uzrokuju povratni udar i gubitak kontrole nad električnim alatom.



## Posebne upute upozorenja za brušenje i rezanje brusnom pločom

**a) Koristite isključivo brusna tijela odobrena za električni alat i štitičnik predviđen za ova brusna tijela.** Brusna tijela koja nisu predviđena za ovaj električni alat ne mogu se dovoljno zaštititi i nesigurna su.

**b) Koristite uvijek zaštitnu haubu. Zaštitna hauba mora na siguran način biti postavljena na električnom alatu i biti tako podešena, da se postigne najveća mjera sigurnosti, t.j. najmanji mogući dio rezne ploče pokazuje otvoreno prema poslužiocu.** Zaštitna hauba treba poslužiocu štiti protiv lomivih komada i protiv slučajnog kontakta sa brusnim tijelom.

**c) Brusna tijela se smiju koristiti samo za preporučene mogućnosti primjene.** Npr.: ne brusite nikada sa bočnom površinom brusne ploče za rezanje. Brusne ploče za rezanje predviđene su za rezanje materijala sa rubom ploče. Bočnim djelovanjem na ova brusna tijela one se mogu polomiti.

**d) Za brusne ploče koje ste odabrali koristite uvijek neoštećene stezne pribornice odgovarajuće veličine i oblika. Prikladne pribornice služe za stezanje brusnih ploča i tako smanjuju opasnost od loma brusnih ploča.** Pribornice za brusne ploče za rezanje mogu se razlikovati od pribornica za ostale brusne ploče.

**e) Ne koristite istrošene brusne ploče velikih električnih alata.** Brusne ploče za velike električne alate nisu predviđene za veće brojeve okretaja manjih električnih alata i mogu puknuti.

## Ostale upute upozorenja za brusne ploče za rezanje

**a) Ne dozvoljavajte blokiranje ili premoćno pritiskanje rezne ploče. Ne činite previše dubokih rezova.** Preopterećivanje rezne ploče povećava sile, koje utječu na ploču, a sa time i mogućnost zataicanja i blokiranja, što prouzročava „trzanje“ ili lomljenje brusnog tijela.

**b) Izbjegavajte područja ispred i iza rotirajuće brusne ploče.** Ako brusnu ploču za rezanje u izratku pomičete dalje od sebe, u slučaju povratnog udara električni alat sa rotirajućom pločom bi se mogao izravno odbaciti na vas.

**c) Ukoliko se rezni disk zape ili hoćete prekinuti rad, stroj isključite te ga mirno držite, dok se ploča prestane vrtjeti. Nikako ne pokušavajte izvaditi rezni disk sa reza, dok se disk vrti, u suprotnom će slediti „trzanje“.** Utvrdite i uklonite uzrok za zapinjanje.

**d) Ne uključujte ponovno električni alat sve dok se brusna ploča za rezanje nalazi zarezana u izratku. Prije nego što oprezno nastavite sa rezanjem, ostavite da brusna ploča za rezanje prvo postigne svoj puni broj okretaja.** Inače bi se brusna ploča mogla zaglaviti, odskočiti iz izratka ili uzrokovati povratni udar.

**e) Ukoliko režete drvenu ploču ili veće obrađivane predmete, morate njih nasloniti, da bi izbjegli „trzanje“ prilikom zapinjanje rezne ploče.** Veliki obrađivani predmeti se mogu saviti zbog svoje vlastite težine. obrađivani predmet mora biti naslonjen na dva mjesta, i to do reza i na kraju predmeta.

**f) Budite posebno pažljivi prilikom rezanja otvora u postojeće zidove ili u druge zone gdje je vidljivost mala.** Prilikom presijecanja plinovoda i vodovoda, električnog napajanja i drugih objekta, može rezni disk izazvati „trzanje“.

## Posebne upute upozorenja za brušenje brusnim papirom

**a) Ne koristite predimenzionirane brusne listove, nego se pridržavajte podataka proizvođača za veličine brusnih listova.** Brusni listovi koji strše izvan brusnih tanjura mogu uzrokovati ozljede i dovesti do blokiranja, trganja brusnih listova ili do povratnog udara.

## Posebne upute upozorenja za radove sa čeličnim četkama

**a) Obratite pozornost da čelične četke i tijekom uobičajene uporabe gube komadiće žica. Ne preopterećujte ove žice prekomjernim pritiskanjem.** Odletjeli komadići žica mogu vrlo lako probiti tanku odjeću u/ili kožu.

**b) Kada se preporučuje korištenje štitičnika, treba spriječiti dodirivanje štitičnika i čelične četke.** Tanjuraste i lončaste četke mogu zbog pritiska i centrifugalne sile povećati svoj promjer.

Utičnice na vanjskom području moraju biti opremljene zaštitnim prekidačima za pogrešnu struju (FI, RCD, PRCD). To zahtjeva instalacijski propis za električne uređaje. Molimo da ovo poštujuete prilikom upotrebe našeg aparata.

Piljevina ili iverje se za vrijeme rada stroja ne smiju odstranjivati. Samo isključeni stroj priključiti na utičnicu.

Ne sezati u područje opasnosti radećeg stroja.

Uvijek primijeniti dodatnu ručicu.

Aparat odmah isključiti, ako dođe do bitnih titranja, ili ako se utvrde drugi nedostaci. Provjerite stroj, kako bi utvrdili uzrok.

Brusne ploče upotrijebiti i čuvati uvijek po podacima proizvođača.

Kod brušenja metala dolazi do iskrenja. Obratiti pažnju, da se ne ugrožavaju osobe. Zbog opasnosti od požara u blizini se ne smiju nalaziti gorivi materijali (područje leta iskri). Ne primijeniti usisavanje prašine.

Aparat uvijek držati tako, da iskre i prašina od brušenja lete u suprotnom smjeru od tijela.

Za prosjecanje kamena je vodeća klizaljka propis.

Matica pribornice mora prije puštanja stroja u rad biti zategnuta.

Radni predmet koji se obrađuje mora biti čvrsto stegnut, ako se ne drži svojom osobnom težinom. Radni predmet ne nikada voditi rukom prema ploči.

Kod ekstremnih uslova radova (npr. kod glatkog brušenja metala sa potporim tanjурom i diskovima od vulkaniziranog vlakna za brušenje) se može naložiti jaki talog prljavštine u unutrašnjosti kutnog brusnača. Pod ovakvim radnim uvjetima je iz sigurnosnih razloga potrebno temeljno čišćenje naslaga metala u unutrašnjosti i u svakom slučaju je potrebno preduključenje zaštitnog prekidača struje kvara (FI). Poslije odgovora FI- zaštitnog prekidača se stroj mora poslati na popravak.

Kod brusnih sredstava, koja bi trebala biti opremljeni pločom sa navojem, utvrditi, da li je navoj u ploči dovoljno dug za vreteno.

Kod odvajčkih brusova upotrijebiti zatvorene zaštitne haube iz programa pribora




## PROPISNJA UPOTREBA

Kutni brusac se može upotrijebiti za razdvajanje i za grubo brušenje mnogih materijala, kao npr. metala i kamena, kao i za brušenje sa plastičnim brusnim diskovima i za radove sa čeličnim četkama. U nedoumici poštivati upute proizvođača pribora.

Ovaj aparat se smije upotrijebiti samo u određene svrhe kao što je navedeno.

## PRIKLJUČAK NA MREŽU

 Priključiti samo na jednofaznu naizmjeničnu struju i samo na napon struje, naveden na pločici snage. Priključak je moguć i na utičnice bez zaštitnog kontakta, jer postoji dogradnja zaštitne klase II.

## CE-IZJAVA KONFORMNOSTI

Izjavljujemo na osobnu odgovornost, da se ovaj proizvod slaže sa slijedećim normama ili normativnim dokumentima. EN 60745, EN 55014-1, EN 55014-2, EN 61000-3-2, EN 61000-3-3, po odredbama smjernica 2006/42/EC, 2004/108/EC.



Winnenden, 2010-11-17

Rainer Kumpf  
Manager Product Development

Ovlašten za formiranje tehničke dokumentacije.

## ODRŽAVANJE

Proreze za prozračivanje stroja uvijek držati čistima.

Zbog opasnosti od kratkog spoja metalni dijelovi ne smiju dospijeti u otvore za prozračivanje.

Primijeniti samo AEG opremu i rezervne dijelove. Sastavne dijelove, čija zamjena nije opisana, dati zamijeniti kod jedne od AEG servisnih službi (poštivati brošuru Garancija/Adrese servisa).

Po potrebi se može zatražiti crtež eksplozije aparata uz davanje podataka o tipu stroja i desetoznamenastog broja na pločici snage kod Vaše servisne službe ili direktno kod AEG Elektrowerkzeuge, Max-Eyth-Straße 10, D-71364 Winnenden, Germany.

## SIMBOLI



Molimo da pažljivo pročitate uputu o upotrebi prije puštanja u rad.



PAŽNJA! UPOZORENJE! OPASNOST!



Kod radova na stroju uvijek nositi zaštitne naočale.



Prije svih radova na stroju utikač izvući iz utičnice.



Oprema - u opsegu isporuke nije sadržana, preporučena dopuna iz promgrama opreme.



Elektricne alate ne odlažite u kućne otpatke! Prema Europskoj direktivi 2002/96/EC o starim električnim i elektroničkim strojevima ipreuzimanju u nacionalno pravo moraju se istrošeni električni alati sakupljati odvojeno i odvesti u pogon za reciklažu.

	WS 9-100	WS9-115	WS9-125
Nominālā atdotā jauda .....	900 W	900 W	900 W
Nominālais griešanās ātrums .....	11000 min <sup>-1</sup>	11000 min <sup>-1</sup>	11000 min <sup>-1</sup>
Slīpdisks ar diametru.....	100 mm	115 mm	125 mm
Vārpstas vijums .....	M 10	M 14	M 14
Svars atbilstoši EPTA -Procedure 01/2003.....	2,0 kg	2,0 kg	2,0 kg

**Trokšņu un vibrāciju informācija**

Vērtības, kas noteiktas saskaņā ar EN 60 745.

A novērtētās aparatūras skaņas līmenis ir:

trokšņa spiediena līmenis (K=3 dB(A)) .....	90,5 dB (A)	90,5 dB (A)	90,5 dB (A)
trokšņa jaudas līmenis(K=3 dB(A)) .....	101,5 dB (A)	101,5 dB (A)	101,5 dB (A)

**Nesāt trokšņa slāpētāju!**

Svārstību kopējā vērtība (Trīs virzienu vektoru summtiek noteikta atbilstoši EN 60745).

Slīpmašīna: svārstību emisiju vērtība $a_h$ .....	5,8 m/s <sup>2</sup>	5,8 m/s <sup>2</sup>	5,8 m/s <sup>2</sup>
Nedrošība K .....	1,5 m/s <sup>2</sup>	1,5 m/s <sup>2</sup>	1,5 m/s <sup>2</sup>
Slīpēt ar plastmasas slīpešanas ripu: svārstību emisiju vērtība $a_h$ .....	1,9 m/s <sup>2</sup>	1,9 m/s <sup>2</sup>	1,9 m/s <sup>2</sup>
Nedrošība K .....	1,5 m/s <sup>2</sup>	1,5 m/s <sup>2</sup>	1,5 m/s <sup>2</sup>

	WS 11-115	WS 11-125
Nominālā atdotā jauda .....	1100 W	1100 W
Nominālais griešanās ātrums .....	11000 min <sup>-1</sup>	11000 min <sup>-1</sup>
Slīpdisks ar diametru.....	115 mm	125 mm
Vārpstas vijums .....	M 14	M 14
Svars atbilstoši EPTA -Procedure 01/2003.....	2,3 kg	2,3 kg

**Trokšņu un vibrāciju informācija**

Vērtības, kas noteiktas saskaņā ar EN 60 745.

A novērtētās aparatūras skaņas līmenis ir:

trokšņa spiediena līmenis (K=3 dB(A)) .....	90,5 dB (A)	90,5 dB (A)
trokšņa jaudas līmenis(K=3 dB(A)) .....	101,5 dB (A)	101,5 dB (A)

**Nesāt trokšņa slāpētāju!**

Svārstību kopējā vērtība (Trīs virzienu vektoru summtiek noteikta atbilstoši EN 60745).

Slīpmašīna: svārstību emisiju vērtība $a_h$ .....	5,8 m/s <sup>2</sup>	5,8 m/s <sup>2</sup>
Nedrošība K .....	1,5 m/s <sup>2</sup>	1,5 m/s <sup>2</sup>
Slīpēt ar plastmasas slīpešanas ripu: svārstību emisiju vērtība $a_h$ .....	1,9 m/s <sup>2</sup>	1,9 m/s <sup>2</sup>
Nedrošība K .....	1,5 m/s <sup>2</sup>	1,5 m/s <sup>2</sup>

Izmantojot citur, piem., veicot abrazīvo griešanu vai slīpējot ar tērauda birsti, vibrācijas lielumi var būt citādi!

**UZMANĪBU**

Instrukcijā norādītā svārstību robežvērtība ir izmērīta mērījumu procesā, kas veikts atbilstoši standartam EN 60745, un to var izmantot elektroinstrumentu savstarpējai salīdzināšanai. Tā ir piemērota arī svārstību noslogojuma pagaidu izvērtēšanai.

Norādītā svārstību robežvērtība ir reprezentatīva elektroinstrumenta pamata pielietojuma jomām. Tomēr, ja elektroinstrumenti tiek pielietoti citās jomās, papildus izmantojot neatbilstošus elektroinstrumentus vai pēc nepietiekamas tehniskās apkopes, tad svārstību robežvērtība var atšķirties. Tas var ievērojami palielināt svārstību noslogojumu visa darba laikā.

Precīzai svārstību noslogojuma noteikšanai, ir jāņem vērā arī laiks, kad ierīces ir izslēgta vai arī ir ieslēgta, tomēr faktiski netiek lietota. Tas var ievērojami samazināt svārstību noslogojumu visa darba laikā.

Integrējiet papildus drošības pasākumus pret svārstību ietekmi lietotājam, piemēram: elektroinstrumentu un darba instrumentu tehniskā apkope, roku siltuma uzturēšana, darba procesu organizācija.



Lat



## UZMANĪBU!

Izlasiet visu drošības instrukciju un lietošanas pamācību klāt pievienotajā bukletā. Ēit sniegto drošības noteikumu un norādījumu neievērošana var izraisīt aizdegšanos un būt par cēloni elektriskajam triecienam vai nopietnam savainojumam. Pēc izlasīšanas uzglabājiet šos noteikumus turpmākai izmantošanai.

### SPECIĀLIE DROŠĪBAS NOTEIKUMI

**Kopējie drošības noteikumi slīpēšanai, slīpēšanai ar smilšpapīra loksni, darbam ar stieplu suku, pulēšanai un griešanai:**

**a) Šī elektroierīce izmantojama kā slīpmašīna, metāla birste un grozāmā diska slīpmašīna. Ievērojiet visus drošības norādījumus, instrukcijas, aprakstus un datus, kuri saņemti kopā ar elektrisko darbarīku. Minētās instrukcijas neievērojot, var rasties elektriskās strāvas trieciens, izcelties ugunsgrēks un/vai varat gūt smagus savainojumus.**

**b) Šis elektroinstruments nav piemērots pulēšanai. Šīs ierīces izmantošana mērķiem, kuriem tā nav paredzēta, var to sabojāt.**

**c) Neizmantojiet piederumus, kuras ražotājs nav paredzējis šim elektroinstrumentam un ieteikusi lietošanai kopā ar to. Iespēja nostiprināt piederumu uz elektroinstrumenta vēl negarantē tā drošu lietošanu.**

**d) Iestiprināmā darbinstrumenta pieļaujamajam griešanās ātrumam jābūt ne mazākam par elektroinstrumenta lielāko norādīto griešanās ātrumu. Piederums, kas griežas ātrāk, nekā pieļaujams, var salūzt un tikt mests prom.**

**e) Darbinstrumentu ārējam diametram un biežumam jāatbilst elektroinstrumenta konstrukcijai un izmēriem. Ja darbinstrumenta izmēri ir izvēlēti nepareizi, tas pilnībā nenovietojas zem aizsarga un darba laikā aprūtinā instrumenta vadību.**

**f) Slīpēšanas diskam, balstapļakšnei, slīpēšanas pamatnei vai citiem piederumiem precīzi jānovietojas uz elektroinstrumenta darbvārpstas. Nomaināmie darbinstrumenti, kas precīzi neatbilst elektroinstrumenta darbvārpstas konstrukcijai, nevienmērīgi griežas, ļoti spēcīgi vibrē un var būt par cēloni kontroles zaudēšanai pār instrumentu.**

**g) Neizmantojiet bojātus darbinstrumentus. Ik reizi pirms darbinstrumentu lietošanas pārbaudiet, vai tie nav bojāti, piemēram, vai slīpēšanas diski nav atslāpojušies vai ielaišauši, vai slīpēšanas pamatnē nav vērojamas plaisas un vai stieplu suku veidojošās stieples nav vaļīgas vai atlūzušas. Ja elektroinstruments vai darbinstruments ir kritis no zināma augstuma, pārbaudiet, vai tas nav bojāts, vai arī izmantojiet darbam nebojātu darbinstrumentu. Pēc darbinstrumenta apskates un iestiprināšanas ļaujiet elektroinstrumentam darboties ar maksimālo griešanās ātrumu vienu minūti ilgi, turot rotējošo darbinstrumentu drošā attālumā no sevis un citām tuvumā esošajām personām. Bojātie darbinstrumenti šādas pārbaudes laikā parasti salūst.**

**h) Lietojiet individuālos darba aizsardzības līdzekļus. Atkarībā no veicamā darba rakstura izvēlieties pilnu sejas aizsargu, noslēdzošas aizsargbrilles vai parastās aizsargbrilles. Lai aizsargātos no lidojošajām slīpēšanas darbinstrumenta un apstrādājamā materiāla daļiņām, pēc vajadzības lietojiet putekļu aizsargmasku, ausu aizsargus un aizsargcimdus vai arī īpašu priekšautu. Lietotāja acis jāpasargā no lidojošajiem svešķermeņiem, kas dažkārt rodas darba gaitā. Putekļu aizsargmaskai vai respiratoram jāpasargā lietotāja elpošanas ceļi no putekļiem, kas veidojas darba laikā. Ilgstoši atrodoties stipra trokšņa iespaidā, var rasties paliesto dzirdes traucējumi.**

**i) Sekojiet, lai citas personas atrastos drošā attālumā no darba vietas. Ikvienam, kas atrodas darba vietas tuvumā, jālieto individuālie darba aizsardzības līdzekļi. Apstrādājamā priekšmeta atlūzas vai salūzušas darbinstrumenta daļas var lidot ar ievērojamu ātrumu un nodarīt kaitējumu cilvēku veselībai arī ievērojamā attālumā no darba vietas.**

**j) Lerīci turiet aiz izolētiem rokturiem, ja veicat darbus, kuros griešanas darbiem izmantojamais instruments var skart paslēptus elektrovadus vai pats savu kabeli. Šī instrumenta saskare ar strāvu vadošiem kabeļiem var radīt spriegumu arī ierīces metāliskajās daļās un var izraisīt elektrisko triecienu.**

**k) Netuviniet rotējošu darbinstrumentu elektrokabeļiem. Zūdot kontrolei pār instrumentu, darbinstruments var pārgriezt kabeli vai iekertes tajā, kā rezultātā kāda no lietotāja ķermeņa daļām var saskarties ar rotējošo darbinstrumentu.**

**l) Nenovietojiet elektroinstrumentu, kamēr tajā iestiprinātais darbinstruments nav pilnīgi apstājies.**

Rotējošais darbinstruments var skart atbalsta virsmu, kā rezultātā elektroinstrumentus var kļūt nevadāms.

**m) Nedarbiniet elektroinstrumentu laikā, kad tas tiek pārvietots. Lietotāja apģērbs vai mati var nejauši nonākt saskarē ar rotējošo darbinstrumentu un iekertes tajā, izraisot darbinstrumenta saskaršanos ar lietotāja ķermeni.**

**n) Regulāri iztīriet Jūsu elektroierīces vēdināšanas atveri. Motora gaisa kompresors korpusā iesūc putekļus, un liels daudzums metāla putekļu var izraisīt elektrisko.**

**o) Nelietojiet elektroinstrumentu uzliesmojošu materiālu tuvumā. Šos materiālus var aizdedzināt dzirksteles.**

**p) Neizmantojiet darba instrumentus, kuru dzesēšanai ir nepieciešami šķidri dzesēšanas līdzekļi. ūdens vai citu šķidru dzesēšanas līdzekļu izmantošana var izraisīt elektriskās strāvas triecienu.**

### Atsitiens un attiecīgie drošības norādījumi:

Atsitiens ir aizķerta vai bloķēta rotējošā darba instrumenta (kā, piem., slīpripas, slīpēšanas diska, stieplu suku utt.) pēkšņa reakcija. Aizķeršanās vai bloķēšanās izraisa rotējošā instrumenta strauju apstāšanos. Tā rezultātā nobloķēšanās punktā nekontrolēta elektroinstrumenta darbība tiek paātrināta pretēji darba instrumenta griešanās virzienam.

Ja, piemēram, slīpēšanas disks iekeras vai iestrēgst apstrādājamajā priekšmetā, tajā iegremdētā diska mala var izrauties no apstrādājamā materiāla vai izraisīt atsitienu. Šādā gadījumā slīpēšanas disks pārvietojas lietotāja virzienā vai arī prom no viņa, atkarībā no diska rotācijas virziena attiecībā pret apstrādājamo priekšmetu, Turklāt slīpēšanas disks var salūzt.

Atsitiens ir zāia kļūdainas vai nepareizas lietošanas sekas. No tā var izvairīties, veicot zināmus piesardzības pasākumus, kas aprakstīti turpmākajā izklāstā.

**a) Stingri turiet elektroinstrumentu un novietojiet Jūsu ķermeni un rokas tādā pozīcijā, kurā Jūs spējat uzņemt atsitienu spēku. Ja ir pieejams, vienmēr izmantojiet papildu rokturi, lai paātrinājuma laikā Jūs pietiekami spētu kontrolēt atsitienu spēku vai reakcijas momentu. Veicot atbilstošus piesardzības pasākumus, apkalpojošā persona var apvaldīt atsitienu reakcijas spēku.**

**b) Nelieciet Jūsu rokas rotējošu darba instrumentu tuvumā. Atsitienu rezultātā darba instruments var skart Jūsu roku.**

**c) Nostājieties tā, lai Jūsu ķermenis būtu ārpus rādīša, kurā elektroinstruments pārvietojas atsitienu gadījumā. Atsitienu rezultātā elektroinstruments nobloķēšanās punktā tiek atsists pretēji slīpripas griešanās virzienam.**

**d) Īpaši uzmanīgi strādājiet stūros, pie apmalēm utt. Novērsiet to, ka darba instrumenti atlec no sagataves vai tajā iekļējas. Rotējošam darba instrumentam ir tendence iekļēties stūros, apmalēs vai atlecot atpakaļ.** Tas izraisa kontroles zaudēšanu vai atsitieni.

**e) Neizmantojiet ķēdes vai zobčāga ripu.** Šāda veida darba rīki bieži izraisa atsitieni vai elektroierīces kontroles zaudēšanu.

### Īpašie drošības noteikumi, veicot slipēšanu un griešanu

**a) Lietojiet vienīgi jūsu rīcībā esošajam elektroinstrumentam piemērotus slipēšanas darbinstrumentus un šādiem darbinstrumentiem paredzētu aizsargu.** Aizsargs var nepietiekami nosegēt nepiemērotus slipēšanas darbinstrumentus, līdz ar to neļaujot panākt vēlamo darba drošību.

**b) Vienmēr izmantojiet aizsargkupolu. Tam pie elektroierīces jābūt kārtīgi piestiprinātam un novietotam tā, lai nodrošinātu maksimālu drošību, t.i., lai darbiniekam nebūtu atklāta ne mazākā griezējdiska daļa.** Aizsargkupolam jāaizsargā darbinieks no atlūzām un varbūtējā kontakta ar slipripu.

**c) Slipēšanas darbinstrumentu drīkst izmantot vienīgi tādā veidā, kādam tas ir paredzēts.** Piemēram, nekad neizmantojiet slipēšanai griešanas diska sānu virsmu. Griešanas disks ir paredzēts materiālu apstrādei ar malas griezējškautni. Stiprs spiediens sānu virzienā var salauzt šo darbinstrumentu.

**d) Kopā ar izvēlēto slipēšanas disku izmantojiet vienīgi nebojātu piespiedējuzgriezni ar piemērotu formu un izmēriem.** Piemērota tipa piespiedējuzgrieznis darba laikā droši balsta slipēšanas disku un samazina tā salūšanas iespēju. Kopā ar griešanas diskiem izmantojamie piespiedējuzgriežņi var atšķirties no piespiedējuzgriežņiem, kas lietojami kopā ar citu veidu slipēšanas diskiem.

**e) Neizmantojiet nolietotus slipēšanas diskus, kas paredzēti lielākas jaudas elektroinstrumentiem.** Lielākiem elektroinstrumentiem paredzētie slipēšanas diski nav piemēroti darbam mazākos elektroinstrumentos, kuru griešanas ātrums parasti ir lielāks, un tāpēc tie darba laikā var salūzt.

### Citi īpašie drošības noteikumi, veicot griešanu

**a) Novērsiet griezējdiska nobloķēšanos vai izvairieties no pārāk liela piespiešanas spēka. Neveidojiet pārlietu dzilus iegriezumus.** Griezējdiska pārslogošana palielina tā nodilumu un deformācijas iespējamību vai nobloķēšanos, un līdz ar to rada lielāku atsitiena vai slipripas salūšanas iespējamību.

**b) Izvairieties atrasties rotējošā griešanas diska priekšā vai aiz tā.** Ja darba laikā lietotājs pārvieto griešanas disku prom no sevis apstrādājamā priekšmeta virzienā, tad atsitiena gadījumā elektroinstrumenti ar rotējošu griešanas disku tiks sviests tieši lietotāja virzienā.

**c) Ja griezējdiski iekļējas vai Jūs pārtraucat darbu, izslēdziet ierīci un turiet to nekustīgu, līdz ripa ir pilnībā apstājusies. Nekad nemēģiniet izvilk rotējošu griezējdisku no iegriezuma, pretējā gadījumā var notikt atsitieni.** Nosakiet un novērsiet iekļēšanās iemeslus.

**d) Elektroierīci nekad neieslēdziet, kamēr tā atrodas sagatavē.** Pirms uzmanīgi turpināt griešanu, nogaidiet, lai griezējdiski vispirms uzņem pilnu apgriezenu skaitu. Pretējā gadījumā disks var iekerties, izlēkt no sagataves un izraisīt atsitieni.

**e) Lai samazinātu iekļēta griezējdiska radīto atsitiena risku, nofiksējiet plāksnes vai lielas sagataves.** Lielas sagataves sava lielā svara rezultātā var izliekties. Sagatave ir jānofiksē abās pusēs, proti, gan iegriezuma tuvumā, gan pie malas.

**f) Īpašu piesardzību ievērojiet, veidojot „kabatveida” iegriezumus gatavās sienās vai citās virsmās, nezinot, kas aiz tām atrodas.** Iegrimstošais griezējdiski, iegriežot gāzes vai ūdensvadus, elektrības vadus vai citus objektus, var izraisīt atsitieni.

### Īpašie drošības noteikumi, veicot slipēšanu ar smilšpapīra loksni

**a) Neizmantojiet lielāka izmēra sliploksnes, izvēlieties darbam sliploksnes ar izmēriem, ko norādījusi ražotājfirma.** Ja sliploksne sniedzas pāri slipēšanas pamatnes malām, tas var būt par cēloni savainojumam, izsaukt sliploksnes iestrēgšanu vai plīšanu, kā arī izraisīt atsitieni.

### Īpašie drošības noteikumi, veicot apstrādi ar stieplu suku

**a) Sekojiet, lai darba laikā stieplu sukai neizkritu vai nenolūztu atsevišķs stieples. Nepārslogojiet sukas stieples, stipri spiežot uz to.** Nolūzušās stieples lido ar lielu ātrumu un var ļoti viegli izkļūt caur plānu apģērbu vai matiem.

**b) Lietojot aizsargu, nepieļaujiet tā saskaršanos ar stieplu suku.** Kausveida un disķveida stieplu sukām spiediena un centrālās spēka iespaidā var palielināties diametrs.

Kontaktligzdām, kas atrodas ārpus telpām jābūt apkrotām ar automātiskiem drošinātājslēdzīem, kas nostrādā, ja strāvas plūsmā radušies (FI, RCD, PRCD) bojājumi. To pieprasa jūsu elektroiekārtas instalācijas noteikumi. Lūdzto, neņemt vārā, izmantojot mūsu instrumentus.

Skaidas un atlūzas nedrīkst ņemt ārā, kamēr mašina darbojas.

Mašīnu pievienot kontaktligzdai tikai izslēgtā stāvoklī.

Nelikt rokas mašīnas darbības laukā.

Vienmēr vajag izmantot papildus rokturi.

Ja parādās stipras svārstības vai citi defekti, mašīnu vajag nekavējoties izslēgt. Mašīnu vajag nekavējoties pārbaudīt, lai noteiktu traucējumu cēlonus.

Slipdiskus drīkst izmantot un uzglabāt tikai saskaņā ar ražotāja ieteikumiem.

Slipējot metālu, rodas dzirkstes. Vajag uzmanīties, lai netiktu apdraudētas personas. Sakarā ar ugunsgrēka draudiem, tuvumā (dzirksteļu tuvumā) nedrīkst atrasties viegli degošas vielas vai priekšmeti. Nedrīkst izmantot putekļu sūcēju.

Mašīnu vajag turēt tā, lai dzirksteles vai slipēšanas rezultātā radušies putekļi lidotu prom no ķermeņa.

Griežot akmeni, noteikti jālieto vadotnes rullim

Disku saturošo uzgriezni pirms mašīnas darba uzsākšanas vajag pievilkt.

Apstrādājamā detaļa, ja tā neturas, pamatojoties uz savu svaru, ir jāpiestiprina. Nekādā gadījumā apstrādājamo detaļu nedrīkst spiest pie ripas ar roku.

Izmantojot ekstrēmos lietošanas apstākļos (piem., metālu slipējot ar šķīvjveida disku un vulkanizētās fibras slipēšanas diskiem), lenķa slipmašīnas iekšpusē var rasties spēcīgs piesārņojums. Šādos lietošanas apstākļos drošības apsvērumu dēļ ir nepieciešama kārtīga ierīces iekšpusē attīrīšana no metāla nogulsējumiem, un ir obligāta noplūdstrāvas aizsargslēdža (FI) iepriekšēja ieslēgšana. Ja FI aizsargslēdzis iedarbojas, ierīce jānodod remontā.

Attiecībā uz slipēšanas materiāliem, ko paredzēts izmantot ar ripu, kurai ir vitne, vajag pārliecināties par to, ka ripas vitnes izmērs atbilst vārpstas izmēram.

Griežot materiālu, izmantojiet piederumus esošo aizsargu.




## NOTEKUMIEM ATBILSTOŠS IZMANTOJUMS

Leņķa slīpmašīnu var pielietot metāla vai citu materiālu pārgriešanai vai slīpēšanai, kā arī slīpējot ar plastmasas ripu vai drāšu birsti. Visos gadījumos ievērojiet ražotāja noteiktos drošības noteikumus.

Šo instrumentu drīkst izmantot tikai saskaņā ar minētajiem lietošanas noteikumiem.

## TĪKLA PIESLĒGUMS

 Pieslēgt tikai vienpola maiņstrāvas tīklam un tikai spriegumam, kas norādīts uz jaudas paneļa. Pieslēgums iespējams arī kontaktligzdām bez aizsargkontaktiem, jo runa ir par uzbuvi, kas atbilst II. aizsargklasei.

## ATBILSTĪBA CE NORMĀM

Ar šo apliecinām, ka esam atbildīgi par to, lai šis produkts atbilstu sekojošām normām vai normatīvajiem dokumentiem: EN 60745, EN 55014-1, EN 55014-2, EN 61000-3-2, EN 61000-3-3, saskaņā ar direktīvu 2006/42/EK, 2004/108/EK noteikumiem.

  
Winnenden, 2010-11-17

  
Rainer Kumpf  
Manager Product Development  
Pilnvarotais tehniskās dokumentācijas sastādīšanā.

## APKOPE

Vajag vienmēr uzmanīt, lai būtu tīras dzesēšanas atveres.

Sakarā ar to, ka var izraisīt isslēdzienu, dzesēšanas atverēs nedrīkst iekļūt nekādi metāla priekšmeti.

Izmantojiet tikai firmu AEG piederumus un firmas rezerves daļas. Lieciet nomainīt detaļas, kuru nomaiņa nav aprakstīta, kādā no firmu AEG klientu apkalpošanas servisiem. (Skat. brošūru „Garantija/klientu apkalpošanas serviss“.)

Ja nepieciešams, klientu apkalpošanas serviss vai tieši pie firmas AEG Elektrowerkzeuge, Max-Eyth-Straße 10, D-71364 Winnenden, Germany, var pieprasīt instrumenta eksplozijas zīmējumu, šim nolūkam jāuzrāda mašīnas tips un desmitvietīgais numurs, kas norādīts uz jaudas paneļa.

## SIMBOLI



Pirms sākt lietot instrumentu, lūzdu, izlasiet lietošanas pamācību.



UZMANĪBU! BĪSTAMI!



Strādājot ar mašīnu, vienmēr jānēsā aizsargbrilles.



Pirms veicat jebkādas darbības attiecībā uz mašīnas apkopi, atvienojiet kontaktdakšu no kontaktligzdas.



Piederumi - standartaprikojumā neietvertās, bet ieteicamās papildus komplektācijas detaļas no piederumu programmas.



Neizmetiet elektroiekartas sadzīves atkritumos! Saskaņā ar Eiropas Direktīvu 2002/96/EK par lietotajam elektroiekartam, elektronikas iekartam un tas iekļaušanu valsts likumdošana lietotas elektroiekartas ir jāsavac atsevišķi un jānogada atbilstoši parstrādei videi draudzīga veida.

	WS9-100	WS9-115	WS9-125
Vardinė imamoji galia .....	900 W	900 W	900 W
Nominalus sukčių skaičius .....	11000 min <sup>-1</sup>	11000 min <sup>-1</sup>	11000 min <sup>-1</sup>
Šlifavimo diskų ø .....	100 mm	115 mm	125 mm
Suklio sriegis .....	M 10	M 14	M 14
Prietaiso svoris įvertintas pagal EPTA 2003/01 tyrimų metodiką.....	2,0 kg	2,0 kg	2,0 kg

### Informacija apie triukšmą/vibraciją

Vertės matuotos pagal EN 60745.

Įvertintas A įrenginio keliamo triukšmo lygis dažniausiai sudaro:

Garso slėgio lygis (K=3 dB(A)) .....	90,5 dB(A)	90,5 dB(A)	90,5 dB(A)
Garso galios lygis(K=3 dB(A)) .....	101,5 dB(A)	101,5 dB(A)	101,5 dB(A)

### Nešioti klausos apsaugines priemones!

Bendroji svyravimų reikšmė (trijų krypčių vektorių suma), nustatyta remiantis EN 60745.

Pjovimas ir rupusis šlifavimas: vibravimo emisijos vertė a <sub>h</sub> .....	5,8 m/s <sup>2</sup>	5,8 m/s <sup>2</sup>	5,8 m/s <sup>2</sup>
Paklaida K .....	1,5 m/s <sup>2</sup>	1,5 m/s <sup>2</sup>	1,5 m/s <sup>2</sup>
Šlifavimas naudojant plastmasinį šlifavimo diską: vibravimo emisijos vertė a <sub>h</sub> .....	1,9 m/s <sup>2</sup>	1,9 m/s <sup>2</sup>	1,9 m/s <sup>2</sup>
Paklaida K .....	1,5 m/s <sup>2</sup>	1,5 m/s <sup>2</sup>	1,5 m/s <sup>2</sup>

	WS 11-115	WS 11-125
Vardinė imamoji galia .....	1100 W	1100 W
Nominalus sukčių skaičius .....	11000 min <sup>-1</sup>	11000 min <sup>-1</sup>
Šlifavimo diskų ø .....	115 mm	125 mm
Suklio sriegis .....	M 14	M 14
Prietaiso svoris įvertintas pagal EPTA 2003/01 tyrimų metodiką.....	2,3 kg	2,3 kg

### Informacija apie triukšmą/vibraciją

Vertės matuotos pagal EN 60745.

Įvertintas A įrenginio keliamo triukšmo lygis dažniausiai sudaro:

Garso slėgio lygis (K=3 dB(A)) .....	90,5 dB(A)	90,5 dB(A)
Garso galios lygis(K=3 dB(A)) .....	101,5 dB(A)	101,5 dB(A)

### Nešioti klausos apsaugines priemones!

Bendroji svyravimų reikšmė (trijų krypčių vektorių suma), nustatyta remiantis EN 60745.

Pjovimas ir rupusis šlifavimas: vibravimo emisijos vertė a <sub>h</sub> .....	5,8 m/s <sup>2</sup>	5,8 m/s <sup>2</sup>
Paklaida K .....	1,5 m/s <sup>2</sup>	1,5 m/s <sup>2</sup>
Šlifavimas naudojant plastmasinį šlifavimo diską: vibravimo emisijos vertė a <sub>h</sub> .....	1,9 m/s <sup>2</sup>	1,9 m/s <sup>2</sup>
Paklaida K .....	1,5 m/s <sup>2</sup>	1,5 m/s <sup>2</sup>

Panaudojant kitą, pvz., atskiriamąją juostą arba juostą su plieninės vielos šepčiu, gali atsirasti visiškai kitos vibravimo vertės!

## DĖMESIO

Instrukcijoje nurodyta svyravimų ribinė vertė yra išmatuota remiantis standartu EN 60745; ji gali būti naudojama keliems elektriniams instrumentams palyginti. Ji taikoma ir laikinai įvertinti svyravimų apkrovą.

Nurodyta svyravimų ribinė vertė yra taikoma pagrindinėse elektrinio instrumento naudojimo srityse. Svyravimų ribinė vertė gali skirtis naudojant elektrinį instrumentą kitose srityse, papildomai naudojant netinkamus elektrinius instrumentus arba juos nepakankamai techniškai prižiūrint. Dėl to viso darbo metu gali žymiai padidėti svyravimų apkrova.

Siekiant tiksliai nustatyti svyravimų apkrovą, būtina atsizvelgti ir į laikotarpį, kai įrenginys yra išjungtas arba įjungtas, tačiau faktiškai nenaudojamas. Dėl to viso darbo metu gali žymiai sumažėti svyravimų apkrova.

Siekiant apsaugoti vartotojus nuo svyravimo įtakos naudojamos papildomos saugos priemonės, pavyzdžiui, elektrinių darbo instrumentų techninė priežiūra, rankų šilumos palaikymas, darbo procesų organizavimas.



## DĖMESIO!

Perskaitykite visas saugumo pastabas ir nurodymus, esančius pridėtoje brošiūroje. Jei nepaisysite žemiau pateiktų saugos nuorodų ir reikalavimų, gali trenkti elektros smūgis, kilti gaisras ir/ arba galite sunkiai susižaloti arba sužaloti kitus asmenis. Išsaugokite šias saugos nuorodas ir reikalavimus, kad ir ateityje galėtumėte jais pasinaudoti.

### YPATINGOS SAUGUMO NUORODOS

Bendros įspėjamosios nuorodos, kurių būtina laikytis šlifuojant, naudojant šlifavimo popieriaus diskus, dirbant su vieliniais šepčiais, poliruojant ir pjaustant:

a) Šį elektrinį įrankį galima naudoti kaip šlifuoکل, vielinį šepetį ar šlifavimo mašiną. Laikykites visų saugos reikalavimų, instrukcijų, nurodymų ir kitų patarimų, kuriuos gaunate kartu su elektriniu įrankiu. Jei šių nurodymų nesilaikysite, galite gauti elektros smūgį, sukelti gaisrą ir / ar sunkiai susižaloti.

b) Šis elektrinis įrankis netinka poliruoti. Jei įrankį naudojate ne pagal paskirtį, galite sukelti pavojų ir susižaloti.

c) Nenaudokite jokių priedų ir papildomos įrangos, kurių gamintojas nėra specialiai numatęs ir rekomendavęs šiam elektriniam prietaisui. Vien tik tas faktas, kad Jūs galite pritvirtinti kokį nors priedą prie elektrinio prietaiso, jokiū būdu negarantuoja, kad juo bus saugu naudotis.

d) Darbo įrankio leistinas sūkių skaičius turi būti ne mažesnis už aukščiausią sūkių skaičių, nurodytą ant elektrinio prietaiso. Įrankis, kuris sukasi greičiau, nei yra leistina, gali lūžti ir nulėkti nuo prietaiso.

e) Naudojamo įrankio išorinis skersmuo ir storis turi atitikti nurodytus Jūsų elektrinio prietaiso matmenis. Netinkamų matmenų įrankius gali būti sunku tinkamai apdengti bei valdyti.

f) Šlifavimo diskai, jungės, šlifavimo žiedai ar kiti darbo įrankiai turi tiksliai tiktii elektrinio prietaiso šlifavimo sukliui. Darbo įrankiai, kurie tiksliai netinka šlifavimo sukliui, sukasi netolygiai, labai stipriai vibruoja ir gali tapti nebevaldomi.

g) Nenaudokite pažeistų darbo įrankių. Prieš kiekvieną naudojimą patikrinkite darbo įrankius, pvz., šlifavimo diskus – ar jie nėra aplūzinėję ir įtrūkę, šlifavimo žiedus – ar jie nėra įtrūkę, susidėvėję ir labai nudilę, vielinius šepčius – ar jų vielutės nėra atsilaisvinusios ar nutrūkusios. Jei elektrinis prietaisas ar darbo įrankis nukrito iš didesnio aukščio, patikrinkite, ar jis nėra pažeistas, arba naudokite kitą, nepažeistą, darbo įrankį. Patikrinę ir sumontavę darbo įrankį pasirūpinkite, kad nei Jūs, nei greta esantys asmenys nebūtų besisukančio darbo įrankio plokštumoje, ir leiskite elektriniam prietaisui vieną minutę veikti didžiausiu sūkių skaičiumi. Jei darbo įrankis pažeistas, per šį bandomąjį laiką jis turėtų subyrėti.

h) Dirbkite su asmeninėmis apsaugos priemonėmis. Atitinkamai pagal atliekamą darbą užsidėkite viso veido apsaugos priemonės, akių apsaugos priemonės ar apsauginius akinius. Jei nurodyta, užsidėkite apsauginį respiratorių nuo dulkių, klausos apsaugos priemonės, apsaugines pirštines ir specialią prijuostę, kuri apsaugos Jus nuo smulkių šlifavimo ir ruošinio dalelių. Akyrai turi būti apsaugotos nuo aplink lekiančių svetimkūnių, atsirandančių atliekant įvairius darbus. Respiratorių arba apsauginę kaukę turi išfiltruoti darbo metu kylančias dulkes. Dėl ilgalaikio ir stipraus triukšmo poveikio galite prarasti klausą.

i) Pasirūpinkite, kad kiti asmenys būtų saugiu atstumu nuo Jūsų darbo zonos. Kiekvienas, įžengęs į darbo zoną, turi būti su asmeninėmis apsaugos priemonėmis. Ruošinio gabalėliai ar atskilusios darbo įrankio dalelės gali skrieti dideliu greičiu ir sužeisti net už tiesioginės darbo zonos ribų esančius asmenis.

j) Dirbdami laikykite prietaisą už izoliuotų vietų, kuriose įjovimo įrenginys pats galėtų liesti paslėptus laidus arba savo paties laidą. Įjovimo įrenginio kontaktas su įtampos laidais gali įelektrinti metalines prietaiso dalis, o tai gali sukelti elektros iškrovą.

k) Maitinimo laidą laikykite toliau nuo besisukančių darbo įrankių. Jei nebesuvaldytumėte prietaiso, darbo įrankis gali perpjauti maitinimo laidą arba jį įtraukti, o Jūsų plaštaka ar ranka gali patekti į besisukančią darbo įrankį.

l) Niekada nepadėkite elektrinio prietaiso, kol darbo įrankis visiškai nesustoja. Besisukantis darbo įrankis gali prisiliesti prie paviršiaus, ant kurio padedate prietaisą, ir elektrinis įrankis gali tapti nebevaldomas.

m) Nešdami prietaisą jo niekada neįjunkite. Netyčia prisilietus prie besisukančio darbo įrankio, jis gali įtraukti drabužius ir Jus sužeisti.

n) Nuolatios išvalykite ventiliacines srauko elektrinio įrankio angas. Variklio ventiliatorius į korpusą traukia dulkes, o didelė metalo dulkių sankaupa gali kelti pavojų.

o) Elektrinį įrankį draudžiama naudoti arti degiųjų medžiagų. Nuo kibirkščių šios medžiagos gali užsiliepsnoti.

p) Nenaudokite darbinį įrankių, kuriems reikalingas aušinimas skysčiu. Naudojami vandenį arba kitas skysτας aušinimo medžiagas galite gauti elektros smūgį.

### Atatranka ir atitinkami saugos nurodymai

Atatranka yra staigi reakcija, kylanti tada, kai besisukantis įrankis, pavyzdžiui, šlifavimo diskas, šlifavimo lėkštele, vielinis šepetys ir t.t., užkliūva arba įstringa. Įstrigęs ar užkliūvęs besisukantis darbinis įrankis staigiai sustoja. Dėl to elektrinį įrankis blokavimo vietoje veikia nevaldomas pagreitį kryptimi, priešinga darbinio įrankio sukimosi kryptį.

Pvz., jei ruošinyje įstringa ar yra užblokuojamas šlifavimo diskas, disko briauna, kuri yra ruošinyje, gali išlūžti ar sukelti atatranką. Tada šlifavimo diskas, priklausomai nuo jo sukimosi krypties blokavimo vietoje, pradeda judėti link dirbančiojo arba nuo jo. Tada šlifavimo diskas gali net nulūžti.

Atatranka yra netinkamo prietaiso naudojimo arba klaidingo valdymo rezultatas. Atitinkamos priemonės (pr. pemiau) leidžia jos išvengti.

a) Tvirtai laikykite elektrinį įrankį, o kūną ir rankas laikykite tokioje padėtyje, kad galėtumėte atlaikyti atatranką. Jei tik yra, visada naudokite papildomą rankeną, kad būtų įmanoma maksimaliai valdyti įrankį atatrankos ar reakcijos momento metu, kai diskas dirba didžiausiomis apsučiomis. Prislaidykdamas atitinkamų atsargos priemonių operatorius gali suvaldyti atatrankos jėgas ir reakcijos momentą.

b) Niekada nelaikykite rankų arti besisukančio darbinio įrankio. Atatrankos metu darbinis įrankis gali kliudyti Jūsų ranką.

c) Stenkitės nepakrypti kūnu į tą pusę, kuria juda elektrinis įrankis, veikiamas atatrankos jėgos. Atatranka stumia elektrinį įrankį kryptimi, kuri yra priešinga šlifavimo disko judėjimui blokavimo vietoje.

d) Ypatingai atsargiai dirbkite prie kampų, aštrių kraštų ir t.t. Saugokite, kad darbinis įrankis neatsitrenktų į ruošinį ir neįstrigtų. Kai darbinis įrankis sukasi, jis yra linkęs įstrigti ties kampais, aštriais kraštais, arba jis gali įstrigti atšokęs. Dėl to galite nesuvaldyti įrankio arba gauti atatranką.



Liet

**e) Nenaudokite jokių grandinių ar dantinių pjūklų geležčių.** Tokie įdėdami įrankiai dažnai sukelia įvairių nepatogumų arba gerokai pablogina elektrinio įrankio valdymą.

### **Specialios įspėjamosios nuorodos atliekantiems šlifavimo ir pjovimo darbus**

**a) Naudokite tik su šiuo prietaisu leidžiamus naudoti šlifavimo įrankius ir šiems įrankiams pritaikytus apsauginius gaubtus.** Šlifavimo įrankiai, kurie nėra skirti šiam elektriniam prietaisui, gali būti nepakankamai uždengiami ir nesaugūs naudoti.

**b) Visuomet naudokite apsauginį gaubtą. Apsauginis gaubtas turi būti gerai pritvirtintas prie elektrinio instrumento, kad būtų užtikrintas maksimalus saugumas, tai yra dirbantysis turi matyti nuo mažesnį pjaunamojo disko dalį.** Apsauginis gaubtas turi apsaugoti dirbantįjį nuo nuolažų ir atsitiktinio kontakto su šlifavimo disku.

**c) Šlifavimo įrankius leidžiama naudoti tik pagal rekomenduojamą paskirtį.** Pvz., niekada nešlifukite pjovimo disko šoniniu paviršiumi. Pjovimo diskai yra skirti medžiagai pjaunamajai briauna pašalinti. Nuo šoninės apkrovos šie šlifavimo įrankiai gali sulūžti.

**d) Jūsų pasirinktiems šlifavimo diskams tvirtinti visada naudokite nepažeistas tinkamo dydžio ir formos prispaudžiamąsias junges.** Tinkamos jungės prilaiko šlifavimo diską ir sumažina lūžimo pavojų. Pjovimo diskams skirtos jungės gali skirtis nuo kitoms šlifavimo diskams skirtų jungių.

**e) Nenaudokite sudilusių diskų, prieš tai naudotų su didesnėmis šlifavimo mašinomis.** Šlifavimo diskai, skirti didesniems elektriniams prietaisams, nėra pritaikyti prie didelio mažųjų prietaisų išvystomo diskų skaičiaus ir gali sulūžti.

### **Specialios įspėjamosios nuorodos atliekantiems pjovimo darbus**

**a) Venkite pjovimo disko blokavimo arba per smarkaus prispaudimo. Stenkitės nepajuti per daug giliai.** Dėl perkrovo tenka per didelį krūvis diskui, todėl kyla disko deformacijos ir blokavimo pavojus, o tuo pačiu galimos atatrakos arba šlifavimo elemento lūžimo pavojus.

**b) Venkite būti zonoje prieš ir už besisukančio pjovimo disko.** Kai pjaudami ruošinį pjovimo diską stumiate nuo savęs, įvykus atatranka elektrinis prietaisas su besisukančiu disku pradės judėti tiesiai į Jus.

**c) Jei pjovimo diskas įstringa arba Jūs nutraukiate darbą, išjunkite prietaisą ir palaukite, kol jis visiškai sustos. Niekada nebandykite ištraukti iš pjūvio vietos dar besisukančio disko, nes taip galite sukelti atatraką.** Nustatykite įstringimo priežastį ir ją pašalinkite.

**d) Nejunkite elektros instrumento, kol jis yra prisipaudęs prie apdorojamos detalės. Leiskite pjaunamajam diskui pasiekti pilną apsisukimų skaičių ir tik paskui atsargiai pradėkite pjauti.** Priešingu atveju diskas gali užsikirsti, iššokti ar sukelti kitokių nelaimių.

**e) Plokštes arba didelius ruošinius paremkite, kad išvengtumėte grėsmės, kurią kelia atatranka arba įstrigęs pjovimo diskas.** Dideli ruošiniai gali išsilenkti dėl savo pačių svorio. Ruošiny tur būti paremtas iš abiejų pusių, ir ne tik šalia pjūvio, bet ir iš krašto.

**f) Būkite ypač atsargūs su „kišenių tipo pjūviais“ jau egzistuojančiose sienose ir kitose blogai matomose srityse.** Įeinantis į medžiagą pjovimo diskas gali įsirežti į dujų ar vandens vamzdžius ar į kitus objektus ir sukelti atatraką.

### **Specialios įspėjamosios nuorodos atliekantiems šlifavimo naudojant šlifavimo popierių darbais**

**a) Nenaudokite per didelių matmenų šlifavimo popieriaus, laikykitės gamintojo pateiktų šlifavimo popieriaus matmenų.** Už šlifavimo žiedo kyšantis šlifavimo popierius gali sužaloti, užblokuoti, šlifavimo popierius gali įplyšti ar įvykti atatranka.

### **Specialios įspėjamosios nuorodos dirbantiems su vieliniais šepetiais**

**a) Atkreipkite dėmesį j tai, kad iš vielinių šepetčių, net ir naudojant juos įprastai, krenta vielos gabalėliai.** Saugokite vielinius šepetčius nuo per didelės apkrovos, t. y. jų per stipriai nespaukite. Skriejantys vielos gabalėliai gali lengvai prisiskverbti per plonus drabužius ir/ar odą.

**b) Jei rekomenduojama dirbti su apsauginiu gaubtu, saugokite, kad vielinis šepetys nesiliestų apsauginio gaubto.** Apvalių (lėkštes tipo) ir cilindrinųjų šepetčių skersmuo dėl spaudimo jėgos ir išcentrinį jėgų gali padidėti.

Lauke esantys el. lizdai turi būti su gedimo srovės išjungikliais. Tai nurodyta Jūsų elektros įrenginio instaliacijos taisyklėse (FI, RCD, PRCD). Atsižvelkite į tai, naudodami prietaisą.

Draudžiama išimineti drožles ar nuopjovas, įrenginiui veikiant. Kištukų į lizdą įstatykite, tik kai įrenginys išjungtas.

Nekiškite rankų į veikiančio įrenginio pavojaus zoną.

Visada naudokite papildomą rankena.

Prietaisą tuoj pat išjunkite, jei atsiranda stiprus virpesiai arba kiti trūkumai. Patikrinkite įrenginį ir nustatykite priežastį.

Šlifavimo diskus visada naudokite ir laikykite pagal gamintojo nurodymus.

Šlifuojant metalus lekia kibirkštys. Atkreipkite dėmesį, kad nesukeltumėte pavojaus kitiems asmenims. Dėl gaisro pavojaus arti (kibirkščių lekimo srityje) neturi būti jokių degių medžiagų. Nenaudokite dulkių nusiurbimo.

Prietaisą visada laikykite taip, kad dulksės ir kibirkštys lėktų nuo kūno tolyn.

Pjaunant akmenį, būtina naudoti važiuklę.

Prieš paleidžiant įrenginį, reikia priveržti jungės veržlę.

Apdorojama detalė, jei ji nesilaiko savo svorio, visada turi būti įtvirtinta. Niekada detalių prie disko neveskite ranka.

Kampinį šlifuoکلį naudojant ekstremaliomis sąlygomis (pvz., kai, naudojant atraminį diską ir šlifavimo diskus iš vulkanizuotos celiuliozės, šlifavimu lyginami metalai), jo vidus gali labai užsiteršti. Saugumo sumetimais, esant tokioms eksploatacijos sąlygoms, būtina vidų kruopščiai valyti nuo metalo nuosėdų ir privaloma jungti per apsauginį nuotėkio srovės (FI) jungiklį. Apsauginiam FI jungikliui suveikus mašina reikia atsižinti remontui.

Jei prie šlifavimo priemonės reikia naudoti ir diską su sriegiu, įsitinkinkite, kad disko sriegio ilgis pakankamas sukliui.

Atlikdami pjovimo darbus naudokite reikmenų komplekte esantį apsauginį šalną.



Liet

## NAUDOJIMAS PAGAL PASKIRTĮ

Kampinė šlifavimo mašina yra naudojama medžiagoms, pvz. metalui arba akmeniui, pjauti ir atlikti rupųjį šlifavimą arba šlifuoti plastmasiniu šlifavimo disku bei atlikti darbus šepėčiu su metaliniais šeriais. Kilus abejonėms, atkreipkite dėmesį į priemonių gamintojų nurodymus.

Šį prietaisą leidžiama naudoti tik pagal nurodytą paskirtį.

## ELEKTROS TINKLO JUNGTIS



Jungti tik prie vienfazės kintamos elektros srovės ir tik į specifikacijų lentelėje nurodytus įtampas elektros tinklą. Konstrukcijos saugos klasė II, todėl galima jungti ir į lizdus be apsauginio kontakto.

## CE ATITIKTIES PAREIŠKIMAS

Mes atsakingai pareiškiame, kad šis gaminys atitinka tokias normas arba normatyvinius dokumentus: EN 60745, EN 55014-1, EN 55014-2, EN 61000-3-2, EN 61000-3-3, pagal direktyvų 2006/42/EB, 2004/108/EB reikalavimus.



Winnenden, 2010-11-17

Rainer Kumpf  
Manager Product Development  
Įgaliotas parengti techninius dokumentus.

## TECHNINIS APTARNAVIMAS

Įrenginio vėdinimo angos visada turi būti švarios.

Saugokite, kad metalinės dalys nepatektų į vėdinimo angas – trumpojo jungimo pavojus.

Naudokite tik AEG priedus ir atsargines dalis. Dalis, kurių keitimas neaprašytas, leidžiama keisti tik AEG klientų aptarnavimo skyriams (žr. garantiją/klientų aptarnavimo skyrių adresus brošiūroj).

Jei reikia, nurodant įrenginio tipą bei specifikacijų lentelėje esantį dešimtženklį numerį, iš klientų aptarnavimo skyriaus arba tiesiai iš AEG Elektrowerkzeuge, Max-Eyth-Straße 10, D-71364 Winnenden, Germany, galima užsisakyti prietaiso surinkimo brėžinius.

## SIMBOLIAI



Prieš pradėdami dirbti su prietaisu, atidžiai perskaitykite jo naudojimo instrukciją.



DĖMESIO! PAVOJUS!



Dirbdami su įrenginiu visada nešiokite apsauginius akinius.



Prieš atlikdami bet kokius darbus įrenginyje, ištraukite kištuką iš lizdo.



Priedas – neįeina į tiekimo komplektaciją, rekomenduojamas papildymas iš priedų asortimento.



Neišmeskite elektros įrengimų ir buitinius šiukšlynus! Pagal ES Direktyva 2002/96/EB del naudotu įrengimų, elektros įrengimų ir ju ištraukimo i valstybinius istatymus naudotus įrengimus butina suringti atskirai ir nugabenti antriniu žaliavu perdirbimui aplinkai nekenksmingu budu.

	WS 9-100	WS9-115	WS9-125
Nimitarbimine .....	900 W	900 W	900 W
Nimipöörded .....	11000 min <sup>-1</sup>	11000 min <sup>-1</sup>	11000 min <sup>-1</sup>
Lihvketta ø .....	100 mm	115 mm	125 mm
Spindlikeere .....	M 10	M 14	M 14
Kaal vastavalt EPTA-protseduurile 01/2003 .....	2,0 kg	2,0 kg	2,0 kg

**Müra/vibratsiooni andmed**

Mööteväärused on kindlaks tehtud vastavalt normile EN 60 745.

Seadme tüüpiline hinnanguline (müratase:

Helirõhutase (K=3 dB(A)) .....	90,5 dB (A)	90,5 dB (A)	90,5 dB (A)
Helivõimsuse tase(K=3 dB(A)) .....	101,5 dB (A)	101,5 dB (A)	101,5 dB (A)

**Kandke kaitseks kõrvaklappe!**

Vibratsiooni koguväärtus (kolme suuna vektorsummöödetud EN 60745 järgi.

Lõikamine ja jämelihvimine: vibratsiooni emissiooni väärtus a <sub>h</sub> .....	5,8 m/s <sup>2</sup>	5,8 m/s <sup>2</sup>	5,8 m/s <sup>2</sup>
Määramatus K .....	1,5 m/s <sup>2</sup>	1,5 m/s <sup>2</sup>	1,5 m/s <sup>2</sup>
Kunstmaterjalist kettaga lihvimine: vibratsiooni emissiooni väärtus a <sub>h</sub> .....	1,9 m/s <sup>2</sup>	1,9 m/s <sup>2</sup>	1,9 m/s <sup>2</sup>
Määramatus K .....	1,5 m/s <sup>2</sup>	1,5 m/s <sup>2</sup>	1,5 m/s <sup>2</sup>

	WS 11-115	WS 11-125
Nimitarbimine .....	1100 W	1100 W
Nimipöörded .....	11000 min <sup>-1</sup>	11000 min <sup>-1</sup>
Lihvketta ø .....	115 mm	125 mm
Spindlikeere .....	M 14	M 14
Kaal vastavalt EPTA-protseduurile 01/2003 .....	2,3 kg	2,3 kg

**Müra/vibratsiooni andmed**

Mööteväärused on kindlaks tehtud vastavalt normile EN 60 745.

Seadme tüüpiline hinnanguline (müratase:

Helirõhutase (K=3 dB(A)) .....	90,5 dB (A)	90,5 dB (A)
Helivõimsuse tase(K=3 dB(A)) .....	101,5 dB (A)	101,5 dB (A)

**Kandke kaitseks kõrvaklappe!**

Vibratsiooni koguväärtus (kolme suuna vektorsummöödetud EN 60745 järgi.

Lõikamine ja jämelihvimine: vibratsiooni emissiooni väärtus a <sub>h</sub> .....	5,8 m/s <sup>2</sup>	5,8 m/s <sup>2</sup>
Määramatus K .....	1,5 m/s <sup>2</sup>	1,5 m/s <sup>2</sup>
Kunstmaterjalist kettaga lihvimine: vibratsiooni emissiooni väärtus a <sub>h</sub> .....	1,9 m/s <sup>2</sup>	1,9 m/s <sup>2</sup>
Määramatus K .....	1,5 m/s <sup>2</sup>	1,5 m/s <sup>2</sup>

Muude tööde puhul, nt lõikamisel või terastraadist harjaga lihvimisel võivad vibratsiooniväärtused muutuda!

**TÄHELEPANU**

Antud juhendis toodud võnketase on möödetud EN 60745 standardile vastava mõõtesüsteemiga ning

seada võib kasutada erinevate elektriseadmete omavahelises võrdlemises. Antud näitaja sobib ka esmaseks võnkekoormuse hindamiseks.

Antud võnketase kehtib elektriseadme kasutamisel sihtotstarbeliselt. Kui elektriseadet kasutatakse muudel otstarvetel, muude tööriistadega või seda ei hooldata piisavalt võib võnketase siintoodust erineda. Eeltoodu võib võnketaset märkimisväärselt tõsta terves töökeskkonnas.

Võnketaseme täpseks hindamiseks tuleks arvestada ka AEGa, mil seade on välja lülitatud või on küll sisse lülitatud, kuid ei ole otseselt kasutuses. See võib märgatavalt vähendada kogu töökeskkonna võnketaset.

Rakendage spetsiaalseid ettevaatusabinõusid töötajate suhtes, kes puutuvad töö käigus palju kokku vibratsiooniga. Nendeks abinõudeks võivad olla, näiteks: elektri- ja tööseadmete korraline hooldus, käte soojendamine, töövoo parem organiseerimine.





## TÄHELEPANU!

Lugege kõik ohutusnõuanded ja juhendid läbi, ka juures olevast brošüürist. Ohutusnõuete ja juhiste eiramise tagajärjeks võib olla elektrilöökk, tulekahju ja/või raske vigastused. Hoidke kõik ohutusnõuded ja juhised edasiseks kasutamiseks hoolikalt alles.

### SPETSIAALSED TURVAJUHISED

Ühised ohutusjuhised lihvimiseks, liivpaberiga lihvimiseks, traatharjaga töötlemiseks, poleerimiseks ja lõikamiseks:

**a) See elektritööriist on mõeldud kasutamiseks lihvijana, traatharjana ja lõikamismasinana. Järgige kõiki ohutusjuhiseid, nõuandeid, jooniseid ja andmeid, mis on elektritööriista kaasas. Järgnevate juhiste mittejärgimine võib põhjustada elektrilööki, tulekahju ja/või raskeid vigastusi.**

**b) See elektriline tööriist ei sobi poleerimiseks.** Seadme kasutamine mitteettenähtud otstarbel võib põhjustada kahjustusi ja vigastusi.

**c) Ärge kasutage tarvikuid, mida ei ole tootja selle elektrilise tööriista jaoks ette näinud ega soovitanud.** Asjaolu, et saate tarvikud oma seadme külge kinnitada, ei taga veel seadme ohutut tööd.

**d) Kasutatava tarviku lubatud pöörlemiskiirus peab olema vähemalt sama suur nagu elektrilise tööriista maksimaalne pöörte arv.** Lubatud kiirusest kiiremini pöörlev tarvik võib puruneda ning selle tüüki võivad lüüa paiskuda.

**e) Tarviku välisläbimõõt ja paksus peavad vastama elektrilise tööriista mõõtmetele.** Valede mõõtmetega tarvikuid ei kata kaitsekate piisaval määral, mistõttu võivad need kontrolli alt väljuda.

**f) Lihvettad, seibid, lihvallad ja teised tarvikud peavad elektrilise tööriista spindli läbimõõduga täpselt sobima.**

Tarvikud, mis spindli läbimõõduga täpselt ei sobi, pöörlevad ebaühtlaselt, vibreerivad tugevalt ja võivad põhjustada kontrolli kaotuse seadme üle.

**g) Ärge kasutage vigastatud tarvikuid. Iga kord enne kasutust kontrollige tarvikuid, näiteks lihvkettaid ja lihvallu pragude või kulumise suhtes, traatharju lahtiste või murdunud traatide suhtes. Kui seade või tarvik kukub maha, siis veenduge, et see ei ole vigastatud, või kasutage vajaduse korral vigastamata tarvikut. Kui olete tarviku üle vaadanud ja kohale asetanud, laske seadmel ühe minuti jooksul töötada maksimaalsel pööratel. Seejuures ärge asetsege pöörleva tarvikuga ühel tasandil ja veenduge, et seda ei tee ka läheduses viibivad inimesed. Selle katseaja jooksul vigastatud tarvikud üldjuhul purunevad.**

**h) Kandke isikukaitsevahendeid. Kasutage vastavalt kasutusotstarbele näomaski, silmakaitset või kaitseprille. Vajaduse korral kandke tolmukaitsemaski, kuulmiskaitsevahendeid, kaitsekindaid või kaitsepalu, mis kaitseb Teid lihvimisel eralduvate väikeste osakeste eest. Silmad peavad olema kaitstud seadme kasutamisel eralduvate vöörkehade eest. Tolmu- või hingamisteede kaitsemaskid peavad filtreerima kasutamisel tekkiva tolmu. Pikaajaline vali müra võib kahjustada kuulmist.**

**i) Veenduge, et teised inimesed on tööpiirkonnast ohutuskauges. Igaüks, kes tööpiirkonda siseneb, peab kandma isikukaitsevahendeid.** Tooriku või tarviku murdunud tüüki võivad eemale paiskuda ja põhjustada vigastusi ka väljaspool otsest tööpiirkonda.

**j) Tööde puhul, kus lõikeseade võib minna vastu peidetud elektrijuhtmeid või seadme enda toitejuhet, hoidke kinni seadme isoleeritud käepidemetest.** Kokkupuude pingestatud juhtmega võib pingestada ka lõikeseadme metallist osad ning põhjustada elektrilöögi.

**k) Hoidke toitejuhe pöörlevatest tarvikutest eemal.** Kontrolli kaotusel seadme üle tekib toitejuhtme läbilõikamise või kaasaaharamise oht ning Teie käsi võib pöörleva tarviku kokku puutuda.

**l) Ärge pange seadet käest enne, kui seadme spindel on täielikult seiskunud.** Pöörlev tarvik võib aluspinnaga kokku puutuda, mille tagajärjeks võib olla kontrolli kaotus seadme üle.

**m) Seadme transportimise ajal ärge laske seadmel töötada.** Teie rõivad võivad pöörleva tarvikuga juhuslikult kokku puutuda ning tarvik võib tungida Teie kehasse.

**n) Puhastage regulaarselt elektritööriista õhutuspiilusi.** Mootori ventilaator tõmbab korpusesse tolmu, ja metalltolmu kogunemine võib põhjustada elektrilist ohtu.

**o) Ärge kasutage seadet põlevate materjalide läheduses.** Seadmele lenduvad sädemed võivad neid materjale süüdata.

**p) Ärge kasutage instrumente, mille jaoks on vaja jahutusvedelikke.** Vee või muude vedelate jahutusvahendite kasutamine võib põhjustada elektrilöögi.

### Tagasilöök ja sellega seonduvad ohutusnõuded

Tagasilöök tekib ootamatu reaktsioonina siis, kui pöörlev instrument, näiteks lõikeketas, lihvketas, traathari vms. jääb kuhugi kinni või blokeerub. Kinnijäämise või blokeeringu korral jääb pöörlev instrument järsult seisma, kontrolli alt väljunud elektritööriist aga paiskub suure kiirendusega instrumenti pöörlemisele vastassuunas.

Kui näiteks lihvketas toorikus kinni kiilub, võib tagajärjeks olla tagasilöök või lihvketta murdumine. Lihvketas liigub sõltuvalt ketta pöörlemissuunast kas seadme kasutaja poole või kasutajast eemal. Seejuures võivad lihvkettad ka murduda.

Tagasilöök on tööriista väärkasutamise ja/või valede töövõtete tagajärg. Seda saab vältida, võttes tarvitusele sobivad ettevaatusabinõud, mis on toodud allpool.

**a) Hoidke elektritööriista tugevasti kinni ning viige oma keha ja käed asendisse, milles te suudate tagasilöögi jõule vastu seista. Kasutage alati lisakäepidet, kui see on olemas, et te säilitaksite seadme üle tagasilöögi või forsseeritud töötamise reaktsioonimomendi korral maksimaalse kontrolli.** Seadme kasutaja on sobivate ettevaatusabinõudega suuteline tagasilöögi- ja reaktsioonijõude valitsema.

**b) Ärge pange oma kätt kunagi pöörleva instrumenti lähedusse.** Instrument võib tagasilöögi korral tabada teie kätt.

**c) Hoidke oma keha sellest piirkonnast eemal, kuhu elektritööriist võib tagasilöögi korral liikuda.** Tagasilöök paiskab elektritööriista lõikeketta liikumisele vastupidisesse suunda.

**d) Olge eriti ettevaatlik nurkade, teravate servade jms. töötlemisel. Vältige instrumenti tagasipõrkumist töödeldaval materjalilt või sellesse kinnijäämist.** Pöörlev instrument kaldub nurkade ja teravate servade töötlemisel või tagasipõrkumisel kinni kiiluma. See võib põhjustada seadme üle kontrolli kaotamise või tagasilöögi.

**e) Ärge kasutage kett- või hammasketast.** Sellised lõikevahendid põhjustavad sageli tagasilööki või kontrolli kaotamist elektritööriista üle.



## Spetsiifilised ohutusnõuded lihvimisel ja lõikamiseks

**a) Kasutage üksnes elektrilise tööriista jaoks ette nähtud lihvimistarvikut ja selle lihvimistarviku jaoks ette nähtud kettakaitset.** Lihvimistarvikuid, mis ei ole elektrilise tööriista jaoks ette nähtud, ei kata kettakaitse piisavalt ning seetõttu on need ohtlikud.

**b) Kasutage alati kaitsekate.** Kaitsekate peab olema kindlalt tööriistale paigaldatud ja reguleeritud nii, et on tagatud täielik ohutus, s.t ei kasutaja poole on suunatud võimalikult väike osa lõikekettast. Kaitsekate peab kaitsmata kasutajat eemalepaiskuvate kildude juhuliku kokkupuute eest lõikekettaga.

**c) Lihvimistarvikuid tohib kasutada üksnes soovitud kasutusotstarvetel.** Näiteks: Ärge kunagi kasutage lihvimiseks lõikeketta külgpinda. Lõikekettad on ette nähtud materjali lõikamiseks ketta servaga. Külgsuunas rakendatavate jõudude toimel võivad need kettad puruneda.

**d) Kasutage valitud lihvketta jaoks alati õige suuruse ja kujuga ning vigastamata seibi. Sobivad seibid kaitsevad lihvketast ja vähendavad lihvketta purunemise ohtu.**

Lõikeketaste seibid võivad lihvketaste seibidest erineda.

**e) Ärge kasutage suuremate elektriliste tööriistade kulunud lihvkettaid.** Suuremate elektriliste tööriistade lihvketad ei ole ette nähtud kasutamiseks väiksemate seadmete kõrgemal pöoretel ja võivad puruneda.

## Täiendavad spetsiifilised ohutusnõuded lõikamiseks

**a) Vältige lõikeketta blokeerumist või kettale ülemäärase suure surve rakendamist. Ärge üritage lõigata liiga sügavalt.** Lõikeketta ülekoormamine kiirendab selle kulumist ning suurendab viituvajumise ja blokeerumisohtu ning seeläbi tagasilöögi või lõikeketta purunemise võimalust.

**b) Vältige pöörleva lõikeketta ette ja taha jäävat piirkonda.** Kui juhite lõikeketast toorikus endast eemale, võib seade tagasilöögi korral koos pöörleva kettaga otse Teie suunas paiskuda.

**c) Kui lõikeketas jääb kinni või te katkestate töö, lülitage seade välja ja oodake, kuni ketas on täielikult seisma jäänud. Ärge üritage veel pöörlevat lõikeketast lõigatavast materjalist välja tõmmata, sest sellega võite esile kutsuda tagasilöögi.** Tehke kindlaks ja kõrvaldage kinnikiilumise põhjus.

**d) Ärge lülitage elektritööriista uuesti sisse, kuni see on veel töödeldava detaili sees. Laske lõikekettal esmalt täisvõimsusel pöörlema hakata ja jätkake siis ettevaatlikult lõikamist.** Vastasel juhul võib ketas kinni jääda, töödeldavast detailist välja hüpata või põhjustada tagasilööki.

**e) Toestage suured plaadid või detailid, et vähendada kinnikiilunud lõikekettast tuleneva tagasilöögi ohtu.** Suured detailid võivad omaenda raskuse alla läbi vajuda. Töödeldav detail peab olema toestatud mõlemalt poolt: nii lõike kui ka serva läheduses.

**f) Olge eriti ettevaatlik, „taskute“ lõikamisel olemasolevatesse seintesse või muudesse kohtadesse, kus teil puudub nähtavus.** Materjalisse sisenev lõikeketas võib lõigata puruks gaasi-, vee- või elektrijuhtmed või muud objektid ning põhjustada tagasilöögi.

## Spetsiifilised ohutusnõuded liivpaberiga lihvimisel

**a) Ärge kasutage liiga suurte mõõtetega liivpabereid, juhinduge tootja andmetest liivpaberi suuruse kohta.** Üle lihtvalta ulatuvad liivpaberid võivad põhjustada vigastusi, samuti liivpaberi kinnijäämist, rebenemist või tagasilööki.

## Spetsiifilised ohutusjuhised traatharjade kasutamisel

**a) Pidage silmas, et traatharjadest eraldub traaditükke ka tavapärasel kasutamisel. Ärge rakendage liiga tugevat survet.** Eemalpeiskuvad traaditükid võivad läbi õhukeste riete Teie kehasse tungida.

**b) Kettakaitse kasutamisel vältige kettakaitse ja traatharja kokkupuute võimalust.** Taldrik- ja kaussharjade läbimõõt võib rakendatava surve ja tsentrifugaaljõudude toimel suureneda.

Välitingimustes asuvad pistikupesad peavad olema varustatud rikkevoolukaitselülitiga (FI, RCD, PRCD). Seda nõutakse Teie elektriseadme installeriiniseeskirjas. Palun pidage sellest meie seadme kasutamisel kinni.

Puru ega pilpaid ei tohi eemaldada masina töötamise ajal.

Masin peab pistikupesaga ühendamisega olema alati väljalülitatud seisundis.

Ärge pange kätt töötava masina ohupiirkonda.

Kasutage alati lisakäepidet.

Lülitage seade välja kohe, kui tekib märgatav vibratsioon või märkate muid puudusi. Kontrollige masin üle, et põhjus kindlaks teha.

Kasutage ja säilitage lihvkettaid alati vastavalt valmistaja juhistele.

Metallide lihvimisel tekib sädemeid. Veenuduge selles, et inimesed poleks ohustatud. Tuleohtu tõttu ei tohi lähedal (sädemete piirkonnas) olla tuleohtlikke materjale. Ärge kasutage tolmu äärmemist.

Hoidke seadet alati nii, et sädemed või lihvimistolm lendaksid kehast eemale.

Kivi lõikamisel on kohustuslik kasutada juhtööbast.

Ääriku mutter peab enne masina käikulaskmist olema pingutatud.

Töödeldav toorik tuleb kinnitada, kui ta ei seisaks oma kaaluga. Ärge kunagi juhtige toorikut ketta vastu käega.

Ekstreemsetes tingimustes (nt tugiketta ja vulkaanfiber-lihvkettaga metallide siledaks lihvimine) töötamisel võib nurklihvijasse koguneda rohkesti puru ja prahti. Ohutuse tagamiseks tuleb niisugustes tingimustes töötamisel metallpindu seest korralikult puhastada, tingimata tuleb paigaldada rikkevoolukaitselüliti. Kui rikkevoolukaitselüliti reageerib, tuleb masin saata ülekontrollimisele.

Keermestatud kettaga varustada tulevate lihvimisvahendite puhul tagage kettas oleva keermee piisav pikkus spindli jaoks.

Lõiketöödel kasutada kinnist kaitsekate lisatarvikute programmist.

## KASUTAMINE VASTAVALT OTSTARBELE

Nurklihvija sobib erinevate materjalide (nt metall, kivi) lõikamiseks ja jämelihvimiseks, kunstmaterjalist kettaga lihvimiseks ja terastraadist harjaga töötamiseks. Kahtluse korral järgida tarvikute tootja õpetusi. Antud seadet tohib kasutada ainult vastavalt äranäidatud otstarbele.

## VÕRKU ÜHENDAMINE

Ühendage ainult ühefaasilise vahelduvvooluga ning ainult andmesidil toodud võrgupingega. Ühendada on võimalik ka kaitsekontaktita pistikupesadesse, kuna nende konstruktsioon vastab kaitseklassile II.



## EÜ VASTAVUSAVALDUS

Me deklareerime ainuvastutajatena, et antud toode on kooskõlas järgmiste normide või normdokumentidega: EN 60745, EN 55014-1, EN 55014-2, EN 61000-3-2, EN 61000-3-3, vastavalt direktiivide 2006/42/EÜ, 2004/108/EÜ sätetele.



Winnenden, 2010-11-17

Rainer Kumpf  
Manager Product Development

On volitatud koostama tehnilist dokumentatsiooni.

## HOOLDUS

Hoidke masina õhutuspidul alati puhtad.

Lühiseohtu tõttu ei tohi õhutuspiduldesse sattuda metalloosi.

Kasutage ainult AEG tarvikuid ja tagavaraosi. Detailid, mille väljavahetamist pole kirjeldatud, laske välja vahetada AEG klienditeeninduspunktis (vaadake brošüüri garantii / klienditeeninduste aadressi).

Vajaduse korral võite tellida seadme läbilõikejoonise, näidates ära masina tüübi ja andmesildil oleva kümnekohalise numברי. Selleks pöörduge klienditeeninduspunkti või otsse: AEG Elektrowerkzeuge, Max-Eyth-Straße 10, D-71364 Winnenden, Germany.

## SÜMBOLID



Palun lugege enne käikulaskmist kasutusjuhend hoolikalt läbi.



**TÄHELEPANU! OHUD!**



Masinaga töötades kandke alati kaitseprille.



Enne kõiki töid masina kallal tõmmake pistik pistikupesast välja.



Tarvikud - ei kuulu tarne komplekti, soovitatav täiendus on saadaval tarvikute programmis.



Ärge käidelda kasutuskõlbmatuks muutunud elektrilisi tööriistu koos olmejäätmetega!  
Vastavalt Euroopa Parlamendi ja nõukogu direktiivile 2002/96/EÜ elektri- ja elektroonikaseadmete jäätmete kohta ning direktiivi nõuete kohaldamisele liikmesriikides tuleb asutuskõlbmatuks muutunud elektrilised tööriistad koguda eraldija keskkonnasäästlikult korduskasutada või ringluse võtta.

	WS 9-100	WS9-115	WS9-125
Номинальная выходная мощность .....	900 W	900 W	900 W
Номинальное число оборотов.....	11000 min <sup>-1</sup>	11000 min <sup>-1</sup>	11000 min <sup>-1</sup>
Диаметр шлифовального диска .....	100 mm	115 mm	125 mm
Резьба шпинделя.....	M 10	M 14	M 14
Вес согласно процедуре EPTA 01/2003 .....	2,0 kg	2,0 kg	2,0 kg

**Информация по шумам/вибрации**

Значения замерялись в соответствии со стандартом EN 60 745.

Уровень шума прибора, определенный по показателю A, обычно составляет:

Уровень звукового давления (K=3 dB(A)).....	90,5 dB (A)	90,5 dB (A)	90,5 dB (A)
Уровень звуковой мощности(K=3 dB(A)) .....	101,5 dB (A)	101,5 dB (A)	101,5 dB (A)

**Пользуйтесь приспособлениями для защиты слуха.**

Общие значения вибрации (векторная сумма трех направлений) определены в соответствии с EN 60745.

Разделение и черновое шлифование: значение вибрационной эмиссии a <sub>h</sub> .....	5,8 m/s <sup>2</sup>	5,8 m/s <sup>2</sup>	5,8 m/s <sup>2</sup>
Небезопасность K.....	1,5 m/s <sup>2</sup>	1,5 m/s <sup>2</sup>	1,5 m/s <sup>2</sup>
Шлифование с помощью пластмассового тарельчатого шлифовального круга:			
значение вибрационной эмиссии a <sub>h</sub> .....	1,9 m/s <sup>2</sup>	1,9 m/s <sup>2</sup>	1,9 m/s <sup>2</sup>
Небезопасность K.....	1,5 m/s <sup>2</sup>	1,5 m/s <sup>2</sup>	1,5 m/s <sup>2</sup>

	WS 11-115	WS 11-125
Номинальная выходная мощность .....	1100 W	1100 W
Номинальное число оборотов.....	11000 min <sup>-1</sup>	11000 min <sup>-1</sup>
Диаметр шлифовального диска .....	115 mm	125 mm
Резьба шпинделя.....	M 14	M 14
Вес согласно процедуре EPTA 01/2003 .....	2,3 kg	2,3 kg

**Информация по шумам/вибрации**

Значения замерялись в соответствии со стандартом EN 60 745.

Уровень шума прибора, определенный по показателю A, обычно составляет:

Уровень звукового давления (K=3 dB(A)).....	90,5 dB (A)	90,5 dB (A)
Уровень звуковой мощности(K=3 dB(A)) .....	101,5 dB (A)	101,5 dB (A)

**Пользуйтесь приспособлениями для защиты слуха.**

Общие значения вибрации (векторная сумма трех направлений) определены в соответствии с EN 60745.

Разделение и черновое шлифование: значение вибрационной эмиссии a <sub>h</sub> .....	5,8 m/s <sup>2</sup>	5,8 m/s <sup>2</sup>
Небезопасность K.....	1,5 m/s <sup>2</sup>	1,5 m/s <sup>2</sup>
Шлифование с помощью пластмассового тарельчатого шлифовального круга:		
значение вибрационной эмиссии a <sub>h</sub> .....	1,9 m/s <sup>2</sup>	1,9 m/s <sup>2</sup>
Небезопасность K.....	1,5 m/s <sup>2</sup>	1,5 m/s <sup>2</sup>

При применении в других целях, как, напр., абразивное отрезание или шлифование стальной проволочной щеткой, могут получаться другие показатели вибрации!

**ВНИМАНИЕ**

Указанный в настоящем руководстве уровень вибрации измерен в соответствии с технологией измерения, установленной стандартом EN 60745 и может использоваться для сравнения электроинструментов друг с другом. Он также подходит для предварительной оценки вибрационной нагрузки.

Указанный уровень вибрации представляет основные виды использования электроинструмента. Но если электроинструмент используется для других целей, используемый инструмент отклоняется от указанного или техническое обслуживание было недостаточным, то уровень вибрации может отклоняться от указанного. В этом случае вибрационная нагрузка в течение всего периода работы значительно увеличивается.

Для точной оценки вибрационной нагрузки необходимо также учитывать время, в течение которого прибор отключен или включен, но фактически не используется. В этом случае вибрационная нагрузка





## ВНИМАНИЕ!

Ознакомьтесь со всеми указаниями по безопасности и инструкциями, в том числе с инструкциями, содержащимися в прилагающейся брошюре. Упущения, допущенные при соблюдении указаний и инструкций по технике безопасности, могут стать причиной электрического поражения, пожара и тяжелых травм. **Сохраняйте эти инструкции и указания для будущего использования.**

## РЕКОМЕНДАЦИИ ПО ТЕХНИКЕ БЕЗОПАСНОСТИ

Общие предупреждающие указания по шлифованию, шлифованию наждачной бумагой, для работ с проволочными щетками и отрезными шлифовальными кругами:

**а) Данный электроинструмент следует использовать как шлифмашину, инструмент для работы с проволочными щетками и абразивно-отрезную машину. Выполняйте все требования по технике безопасности и инструкции, соблюдайте указания на чертежах и в технических характеристиках, входящих в комплект поставки электроинструмента.** При несоблюдении необходимых указаний и инструкций возможно поражение электрическим током, возникновение пожара и/или получение тяжелых травм.

**б) Данный электроинструмент не предназначен для полировки.** Использование электроинструмента не по назначению может вывести его из строя и нанести травмы.

**в) Не применяйте принадлежности, которые не предусмотрены изготовителем специально для настоящего электроинструмента и не рекомендуются им.** Только возможность крепления принадлежностей в Вашем электроинструменте не гарантирует еще его надежного применения.

**д) Допустимое число оборотов рабочего инструмента должно быть не менее указанного на электроинструменте максимального числа оборотов.** Осадка, вращающаяся с большей, чем допустимо скоростью, может разорваться и разлететься в пространстве.

**е) Наружный диаметр и толщина рабочего инструмента должны соответствовать размерам Вашего электроинструмента.** Неправильно соразмеренные рабочие инструменты не могут быть в достаточной степени защищены или контролироваться.

**ж) Шлифовальные круги, фланцы, шлифовальные тарелки или другие принадлежности должны точно сидеть на шпинделе Вашего электроинструмента.**

Рабочие инструменты, неточно сидящие на шпинделе электроинструмента, вращаются с биением, сильно вибрируют и могут привести к потере контроля.

**г) Не применяйте поврежденные рабочие инструменты.** Проверяйте каждый раз перед использованием рабочие инструменты, как то, шлифовальные круги на сколы и трещины, шлифовальные тарелки на трещины, риски или сильный износ, проволочные щетки на незакрепленные или поломанные проволоки. После падения электроинструмента или рабочего инструмента проверяйте последний на повреждения и при надобности установите неповрежденный рабочий инструмент. После закрепления рабочего инструмента займите сами и все находящиеся вблизи лица положение за пределами плоскости вращения рабочего инструмента и включите электроинструмент на одну минуту на максимальное число оборотов. Поврежденные рабочие инструменты разрываются, в большинстве случаев, за это время контроля.

**з) Применяйте средства индивидуальной защиты. В зависимости от выполняемой работы применяйте защитный щиток для лица, защитное средство для глаз или защитные очки. Насколько уместно, применяйте противопылевой**

**респиратор, средства защиты органов слуха, защитные перчатки или специальный фартук, которые защищают Вас от абразивных частиц и частиц материала.** Глаза должны быть защищены от летающих в воздухе посторонних тел, которые возникают при выполнении различных работ. Противопылевой респиратор или защитная маска органов дыхания должны задерживать возникающую при работе пыль. Продолжительное воздействие сильного шума может привести к потере слуха.

**и) Следите за тем, чтобы все лица находились на безопасном расстоянии к Вашему рабочему участку.** Каждое лицо в пределах рабочего участка должно иметь средства индивидуальной защиты. Осколки детали или разорванных рабочих инструментов могут отлететь в сторону и стать причиной травм также и за пределами непосредственного рабочего участка.

**к) Если Вы выполняете работы, при которых режущий инструмент может зацепить скрытую электропроводку или собственный кабель, инструмент следует держать за специально предназначенные для этого изолированные поверхности.** Контакт режущего инструмента с токоведущим проводом может ставить под напряжение металлические части прибора, а также приводить к удару электрическим током.

**л) Держите шнур подключения питания в стороне от вращающегося рабочего инструмента.** Если Вы потеряете контроль над инструментом, то шнур подключения питания может быть перерезан или захвачен вращающейся частью и Ваша кисть или рука может попасть под вращающийся рабочий инструмент.

**м) Никогда не выпускайте электроинструмент из рук, пока рабочий инструмент полностью не остановится.** Вращающийся рабочий инструмент может зацепиться за опорную поверхность и в результате Вы можете потерять контроль над электроинструментом.

**н) Выключайте электроинструмент при транспортировании.** Ваша одежда может быть случайно захвачена вращающимся рабочим инструментом и последний может нанести Вам травму.

**о) Очищайте регулярно воздушные щлицы Вашего электроинструмента.** Вентилятор электродвигателя втягивает пыль в корпус и сильное скопление металлической пыли может привести к поражению электрическим током.

**п) Не используйте электрический инструмент вблизи горючих материалов.** Искры могут привести к возгоранию этих материалов.

**р) Не пользуйтесь инструментальными насадками, требующими применения жидких охлаждающих средств.** Использование воды или иных жидких охлаждающих средств может привести к поражению электрическим током.

**Отдача и соответствующие указания по технике безопасности:**

Отдача - это внезапная реакция вследствие заедания или блокирования вращения инструментальной насадки, такой как шлифовальный круг, тарельчатый шлифовальный круг, проволочная щетка и т.д. Заедание или блокирование ведёт к внезапной остановке вращающейся инструментальной насадки. Вследствие этого в месте блокирования на неконтролируемый электрический инструмент воздействует ускорение, направленное против направления вращения инструментальной насадки.

Если шлифовальный круг заедает или блокирует в заготовке, то погруженная в заготовку кромка шлифовального круга может быть захвата и в результате привести к выскакиванию круга из заготовки или к обратному удару. При этом шлифовальный круг движется на оператора или от него, в зависимости от направления вращения круга на месте блокирования. При этом шлифовальный круг может поломаться.



Обратный удар является следствием неправильного или ошибочного использования пилы. Он может быть предотвращен соответствующими мерами предосторожности, описанными ниже.

**a) Надёжно удерживайте электрический инструмент и держите Ваш корпус и Ваши руки в положении, в котором Вы будете способны противодействовать силам отдачи.** Всегда пользуйтесь дополнительной рукояткой, если таковая предусмотрена, чтобы иметь максимальный контроль над силами отдачи или реактивными моментами во время работы инструмента на высоких оборотах. С помощью соответствующих мер безопасности обслуживающее лицо может удержать силы отдачи или реактивные моменты под контролем.

**b) Никогда не держите Вашу руку вблизи вращающихся инструментальных насадок.** При отдаче инструментальная насадка может коснуться Вашей руки.

**c) Избегайте такого положения, при котором электрический инструмент при отдаче движется в направлении Вашего тела.** Отдача отталкивает электрический инструмент в направлении, противоположном направлению вращения шлифовального круга в месте блокирования.

**d) С особой осторожностью работайте в области углов, острых кромок и т.д. Не допускайте отскокивания инструментальных насадок от обрабатываемой детали или их заклинивания.** Вращающаяся инструментальная насадка имеет склонность заклиниваться в углах, у острых кромок или при отскокивании. Это приводит к потере контроля или отдаче.

**e) Не применяйте пыльное полотно для цепных пил или зубчатое пыльное полотно.** Подобные инструменты-заменители могут вызвать обратный удар или потерю контроля над электроустройством.

#### **Специальные предупреждающие указания по шлифованию и отрезанию**

**a) Применяйте допущенные исключительно для Вашего электроинструмента абразивные инструменты и предусмотренные для них защитные кожухи.** Абразивные инструменты, не предусмотренные для этого электроинструмента, не могут быть достаточно экранированы и не безопасны.

**b) Применяйте всегда защитный кожух. Защитный кожух должен устанавливаться надежно на электроустройстве и должен быть отрегулирован так, чтобы была достигнута максимальная степень безопасности, т.е. чтобы для обслуживания оставалась открытой лишь, по возможности, минимальная часть отрезного круга.** Защитный кожух должен защищать обслуживающее лицо от обломков и случайного контакта со шлифовальным кругом.

**c) Абразивные инструменты допускается применять только для рекомендуемых работ.** Например: Никогда не шлифуйте боковой поверхностью отрезного круга. Отрезные круги предназначены для съема материала кромкой. Боковые силы на этот абразивный инструмент могут сломать его.

**d) Всегда применяйте неповрежденные фланцевые гайки с правильными размерами и формой для выбранного Вами шлифовального круга.** Правильные фланцы являются опорой для шлифовального круга и уменьшают опасность его поломки. Фланцы для отрезных кругов могут отличаться от фланцев для шлифовальных кругов.

**e) Не применяйте изношенные шлифовальные круги больших электроинструментов.** Шлифовальные круги для больших электроинструментов изготовлены не для высоких скоростей вращения маленьких электроинструментов и их может разорвать.

#### **Дополнительные специальные предупреждающие указания отрезания шлифованием**

**a) Избегайте блокирования или слишком большой силы прижима отрезного диска.** Не делайте чрезмерно глубоких разрезов. Перегрузка увеличивает нагрузку на отрезной диск и его склонность к перекашиванию или блокированию и, тем самым, возможность возникновения отдачи или поломки шлифовального круга.

**b) Будьте осторожны перед и за вращающимся отрезным кругом.** Если Вы ведете отрезной круг в заготовке от себя, то в случае обратного удара электроинструмент может с вращающимся кругом отскочить прямо на Вас.

**c) В случае заклинивания отрезного диска или при прерывании работы выключите инструмент и дождитесь полной остановки диска.** Никогда не пытайтесь вытаскивать ещё вращающийся отрезной диск из прореза, это может привести к отдаче. Определите и устраните причину заклинивания.

**d) Не включайте снова электроинструмент до тех пор, пока он находится в изделии.** Отрезной круг оставьте разогнаться до полного числа оборотов, прежде чем продолжить резание. В противном случае круг может зацепиться, выскочить из изделия или вызвать отдачу.

**e) Закрепляйте плиты или большие заготовки, чтобы снизить риск отдачи вследствие заклинивания отрезного диска.** Большие заготовки могут прогибаться под действием их собственного веса. Заготовка должна быть закреплена с обеих сторон, и притом как вблизи разреза, так и у края.

**f) Особую осторожность соблюдайте при вырезании „карманов“ в существующих стенах или иных закрытых местах.** Углубляемый отрезной диск во время резки может натолкнуться на газо- или водопроводные трубы, электропроводку или иные объекты и обусловит возникновение отдачи.



**РУС**

#### **Специальные предупреждающие указания для шлифования наждачной бумагой**

**a) Не применяйте шлифовальные листы с завышенными размерами, а следуйте данным изготовителя по размерам шлифовальных листов.** Шлифовальные листы, выступающие за край шлифовальной тарелки, могут стать причиной травм и блокирования, рваться или привести к обратному удару.

#### **Особые предупреждающие указания для работ с проволочными щетками**

**a) Учитывайте, что проволочные щетки теряют проволоки также и при нормальной работе.** Не перегружайте проволоки чрезмерным усилием прижатия. Отлетающие куски проволоки могут легко проникнуть через тонкую одежду и/или кожу.

**b) Если для работы рекомендуется использовать защитный кожух, то исключайте соприкосновение проволочной щетки с кожей.** Тарельчатые и чашечные щетки могут увеличивать свой диаметр под действием усилия прижатия и центрифугальных сил.

Электроприборы, используемые во многих различных местах, в том числе на открытом воздухе, должны подключаться через устройство, предотвращающее резкое повышение напряжения (FI, RCD, PRCD).

Не убирайте опилки и обломки при включенном инструменте.

Вставляйте вилку в розетку только при выключенном инструменте.

Никогда не касайтесь опасной режущей зоны в момент работы.

Всегда пользуйтесь дополнительной рукояткой.

Немедленно выключайте машину если почувствовали ощутимую вибрацию или при других неисправностях. Проверьте инструмент чтобы обнаружить причину неисправности.

Всегда используйте и храните шлифовальные диски в соответствии с инструкциями производителя.

Необходимо следить за тем, чтобы искры, вылетающие с обрабатываемой поверхности, не попадали на воспламеняющиеся материалы.

Следите чтобы искры или образующаяся при работе пыль не попадали на Вас.

При резке камня всегда пользуйтесь направляющей опорой!

Перед включением инструмента затяните зажимную гайку.

Если изделие не достаточно тяжелое и неустойчивое, то его необходимо закрепить. Никогда не подносите изделие к шлифовальному диску, держа его в руках.

При предельных условиях эксплуатации (напр., при гладкой шлифовке металлов с опорным диском и шлифовальным кругом из вулканизированной фибры) может образоваться сильное загрязнение во внутренней части угловой шлифовальной машинки. При таких условиях эксплуатации из соображений безопасности необходима основательная очистка внутренней части от отложений металла и принудительное предварительное включение защитного выключателя тока утечки (FI). После срабатывания защитного выключателя FI следует отправить машинку в ремонт.

Предназначается для инструментов, которые могут использоваться с кругами, оснащенными резьбовым отверстием, причем длина резьбы должна соответствовать длине шпинделя.

Для работ по разделению использовать закрытый защитный кожух из программы принадлежностей.

## ИСПОЛЬЗОВАНИЕ


Угловая шлифмашина применяется для отрезания, шлифования и обработки проволочными щетками различных материалов, например камня или металла. При возникновении сомнений о возможности использования см. указания производителя принадлежностей.

Не пользуйтесь данным инструментом способом, отличным от указанного для нормального применения.

## ДЕКЛАРАЦИЯ О СООТВЕТСТВИИ СТАНДАРТАМ ЕС

Мы заявляем что этот продукт соответствует следующим стандартам: EN 60745, EN 55014-1, EN 55014-2, EN 61000-3-2, EN 61000-3-3, в соответствии с правилами 2006/42/ЕС, 2004/108/ЕС.



  
Rainer Kumpf  
Manager Product Development  
Уполномочен на составление  
технической документации.

## ПОДКЛЮЧЕНИЕ К ЭЛЕКТРОСЕТИ

- Подсоединять только к однофазной сети переменного тока с напряжением, соответствующим указанному на инструменте. Электроинструмент имеет второй класс защиты, что позволяет подключать его к розеткам электропитания без заземляющего вывода.

## ОБСЛУЖИВАНИЕ

Всегда держите охлаждающие отверстия чистыми. Не приближайте металлические предметы к вентиляционным отверстиям из-за опасности короткого замыкания!

Пользуйтесь аксессуарами и запасными частями AEG. В случае возникновения необходимости в замене, которая не была описана, обращайтесь в один из сервисных центров по обслуживанию электроинструментов AEG (см. список сервисных организаций).

При необходимости может быть заказан чертеж инструмента с трехмерным изображением деталей. Пожалуйста, укажите десятизначный номер и тип инструмента и закажите чертеж у Ваших местных агентов или непосредственно в AEG Elektrowerkzeuge, Max-Eyth-Straße 10, D-71364 Winnenden, Germany.

## СИМВОЛЫ



Пожалуйста, внимательно прочтите инструкцию по использованию перед началом любых операций с инструментом.



Внимание! Осторожно! ОПАСНОСТЬ!



При работе с инструментом всегда надевайте защитные очки.



Перед выполнением каких-либо работ по обслуживанию инструмента всегда вынимайте вилку из розетки.



Дополнитель - В стандартную комплектацию не входит, поставляется в качестве дополнительной принадлежности.



Не выбрасывайте электроинструмент с бытовыми отходами! Согласно Европейской директиве 2002/96/ЕС по отходам от электрического и электронного оборудования и соответствующим нормам национального права вышедшие из употребления электроинструменты подлежат сбору отдельно для экологически безопасной утилизации.

	WS 9-100	WS9-115	WS9-125
Номинална консумирана мощност.....	900 W	900 W	900 W
Номинална скорост на въртене.....	11000 min <sup>-1</sup>	11000 min <sup>-1</sup>	11000 min <sup>-1</sup>
Ø на абразивните дискове .....	100 mm	115 mm	125 mm
Резба на шпиндела .....	M 10	M 14	M 14
Тегло съгласно процедурата EPTA 01/2003 .....	2,0 kg	2,0 kg	2,0 kg

**Информация за шума/вибрациите**

Измерените стойности са получени съобразно EN 60 745.

Оцененото с А ниво на шума на уреда е съответно:

Ниво на звукова мощност (K=3 dB(A)).....	90,5 dB (A)	90,5 dB (A)	90,5 dB (A)
Ниво на звукова мощност(K=3 dB(A)).....	101,5 dB (A)	101,5 dB (A)	101,5 dB (A)

**Да се носи предпазно средство за слуха!**

Общите стойности на вибрациите (векторна сума на три посоки) са определени в съответствие с EN 60745.

Рязане и грубо шлайфане: стойност на емисии на вибрациите a <sub>h</sub> .....	5,8 m/s <sup>2</sup>	5,8 m/s <sup>2</sup>	5,8 m/s <sup>2</sup>
Несигурност K .....	1,5 m/s <sup>2</sup>	1,5 m/s <sup>2</sup>	1,5 m/s <sup>2</sup>
шлайфане с пластмасови шлифовъчни дискове: стойност на емисии на вибрациите a <sub>h</sub> .....	1,9 m/s <sup>2</sup>	1,9 m/s <sup>2</sup>	1,9 m/s <sup>2</sup>
Несигурност K .....	1,5 m/s <sup>2</sup>	1,5 m/s <sup>2</sup>	1,5 m/s <sup>2</sup>

	WS 11-115	WS 11-125
Номинална консумирана мощност.....	1100 W	1100 W
Номинална скорост на въртене.....	11000 min <sup>-1</sup>	11000 min <sup>-1</sup>
Ø на абразивните дискове .....	115 mm	125 mm
Резба на шпиндела .....	M 14	M 14
Тегло съгласно процедурата EPTA 01/2003 .....	2,3 kg	2,3 kg

**Информация за шума/вибрациите**

Измерените стойности са получени съобразно EN 60 745.

Оцененото с А ниво на шума на уреда е съответно:

Ниво на звукова мощност (K=3 dB(A)).....	90,5 dB (A)	90,5 dB (A)
Ниво на звукова мощност(K=3 dB(A)).....	101,5 dB (A)	101,5 dB (A)

**Да се носи предпазно средство за слуха!**

Общите стойности на вибрациите (векторна сума на три посоки) са определени в съответствие с EN 60745.

Рязане и грубо шлайфане: стойност на емисии на вибрациите a <sub>h</sub> .....	5,8 m/s <sup>2</sup>	5,8 m/s <sup>2</sup>
Несигурност K .....	1,5 m/s <sup>2</sup>	1,5 m/s <sup>2</sup>
шлайфане с пластмасови шлифовъчни дискове: стойност на емисии на вибрациите a <sub>h</sub> .....	1,9 m/s <sup>2</sup>	1,9 m/s <sup>2</sup>
Несигурност K .....	1,5 m/s <sup>2</sup>	1,5 m/s <sup>2</sup>

При друго използване, например отрезно шлайфане или шлайфане със стоманена четка, могат да се получат други стойности на вибрациите!

**ВНИМАНИЕ**

Посоченото в тези инструкции ниво на вибрациите е измерено в съответствие със стандартизиран в EN 60745 измервателен метод и може да се използва за сравнение на електрически инструменти помежду им. Подходящ е и за временна оценка на вибрационното натоварване.

Посоченото ниво на вибрациите представя основните приложения на електрическия инструмент. Ако обаче електрическият инструмент се използва с друго предназначение, с различни сменяеми инструменти или при недостатъчна техническа поддръжка, нивото на вибрациите може да е различно. Това чувствително може да увеличи вибрационното натоварване по време на целия работен цикъл.

За точната оценка на вибрационното натоварване трябва да се вземат предвид и периодите от време, в които уредът е изключен или работи, но в действителност не се използва. Това чувствително може да намали вибрационното натоварване по време на целия работен цикъл.

Определете допълнителни мерки по техника на безопасност в защита на обслужващия работник от въздействието на вибрациите като например: техническа поддръжка на електрическия инструмент и сменяемите инструменти, поддръжане на ръцете топли, организация на работния цикъл.



БЪЛ



**⚠ ВНИМАНИЕ!** Прочетете указанията за безопасност и съветите в приложената брошура. Неспазването на приведените по-долу указания може да доведе до токов удар, пожар и/или тежки травми. **Съхранявайте тези указания на сигурно място.**

### СПЕЦИАЛНИ УКАЗАНИЯ ЗА БЕЗОПАСНОСТ

Общи указания за безопасна работа при шлифване с диск и с шкурка, почистване с телена четка, полиране и рязане с абразивен диск

**а) Този електроуред се използва като шлайф, телена четка и ъглошлайф. Обърнете внимание на указанията за безопасност, съветите, изображенията и данните, които ще получите заедно с електроинструмента.** Ако не спазите следните указания, може да се стигне до токов удар, пожар и/или тежки наранявания

**б) Този електроинструмент не е подходящ за полиране.** Ако се използва за цели, за които не е предвиден, този електроуред може да доведе до опасност и наранявания.

**в) Не използвайте допълнителни приспособления, които не се препоръчват от производителя специално за този електроинструмент.** Фактът, че можете да закрепите към машината определено приспособление или работен инструмент, не гарантира безопасна работа с него.

**д) Допустимата скорост на въртене на работния инструмент трябва да е най-малкото равна на изписаната на табелката на електроинструмента максимална скорост на въртене.** Работни инструменти, които се въртят с по-висока скорост от допустимата, могат да се счупят и парчета от тях да отхвърчат с висока скорост.

**е) Външният диаметър и дебелината на работния инструмент трябва да съответстват на данните, посочени в техническите характеристики на Вашия електроинструмент.** Работни инструменти с неподходящи размери не могат да бъдат екранирани по необходимия начин или да бъдат контролирани достатъчно добре.

**ф) Шлифовашите дискове, фланци, подложните дискове или другите приложни инструменти трябва да пасват точно на вала на Вашия електроинструмент.** Работни инструменти, които не пасват точно на вала на електроинструмента, се въртят неравномерно, вибрират силно и могат да доведат до загуба на контрол над машината.

**г) Не използвайте повредени работни инструменти.** Преди всяка употреба проверявайте работните инструменти, напр. абразивните дискове за пукнатини или открити ръбчета, подложните дискове за пукнатини или силно износване, телените четки за недобре захванати или счупени телчета. Ако изтървете електроинструмента или работния инструмент, ги проверявайте внимателно за увреждания или използвайте нови неповредени работни инструменти. След като сте проверили внимателно и сте монтирали работния инструмент, оставете електроинструмента да работи на максимални обороти в продължение на една минута; стойте и дръжте намиращи се наблизо лица встрани от равнината на въртене. Най-често повредени работни инструменти се чупят през този тестов период.

**h) Работете с лични предпазни средства.** В зависимост от приложението работете с цяла маска за лице, защитата за очите или предпазни очила. Ако е необходимо, работете с дихателна маска, шумозаглушители (антифони), работни обувки или специализирана престилка, която Ви предпазва от малки откъртени при работата частички. Очите Ви трябва да са защитени от летящите в зоната на работна частички. Противоправовата или дихателната маска филтрират възникващия при работа прах. Ако продължително време сте изложени на силен шум, това може да доведе до загуба на слух.

**i) Внимавайте други лица да бъдат на безопасна разстояние от зоната на работа. Всеки, който се намира в зоната на работа, трябва да носи лични предпазни средства.** Откъртени парченца от обработвания детайл или работния инструмент могат в резултат на силното ускорение да отлетят надалече и да предизвикат наранявания също и извън зоната на работа.

**j) Дръжте уреда за изолираните ръкохватки, когато извършвате работи, при които режещият инструмент може да засегне скрити електроинсталационни кабели или собствения си кабел.** Контактът на режещия инструмент с тоководещ проводник може да предаде напрежението върху метални части на уреда и да доведе до токов удар.

**к) Дръжте ذخаряващия кабел на безопасна разстояние от въртящите се работни инструменти.** Ако изгубите контрол над електроинструмента, кабелът може да бъде прерязан или увлечен от работния инструмент и това да предизвика наранявания, напр. на ръката Ви.

**l) Никогa не оставяйте електроинструмента, преди работния инструмент да спре напълно въртенето си.** Въртящият се инструмент може да допре до предмет, в резултат на което да загубите контрол над електроинструмента.

**м) Докато пренасяте електроинструмента, не го оставяйте включен.** При неволно допир дрехите или косите Ви могат да бъдат увлечени от работния инструмент, в резултат на което работния инструмент може да се вреже в тялото Ви.

**п) Почиствайте редовно вентилационните отвори на вашия електрически уред.** Вентилаторът на двигателя засмуква прах в корпуса, а събирането на метален прах може да доведе до електрически повреди.

**o) Не работете с електрическата машина в близост до запалими материали.** Искрите могат да възпламенят тези материали.

**р) Не използвайте такива инструменти, които трябва да се охлаждат с течности.** Употребата на вода или на други течни охлаждащи средства може да доведе до токов удар.

### „Ритане“ на машината и съответни указания за безопасност

„Ритането“ е внезапна реакция на машината вследствие на закачил се или блокиран въртящ се инструмент, напр. шлайфаща шайба, шлайфащ диск, телена четка и др. Закачането или блокирането води до внезапно спиране на въртящия се инструмент. По този начин на мястото на блокиране машина се ускорява неконтролирано срещу посоката на въртене на инструментa.

Ако напр. абразивен диск се заклини или блокира в обработваното изделие, ръбът на диска, който допират детайла, може да се огъне и в резултат дискът да се



**БЪЛ**

счупи или да възникне откат. В такъв случай дискът се ускорява към работещия с машината или в обратна посока, в зависимост от посоката на въртене на диска и мястото на заклиняване. В такива случаи абразивните дискове могат и да се счупят.

Чрез взимането на подходящи предпазни мерки, както е описано по-долу, той може да бъде предотвратен.

**а) Хванете здраво машината и дръжте тялото и ръцете си в такова положение, че да можете да поемете силата на „ритане“.** Винаги използвайте допълнителната ръкохватка, ако има такава, за да имате възможно най-голям контрол върху силата на „ритане“ или върху момента на реакция. Чрез подходящи мерки за безопасност обслужващия персонал може да овладее силите на „ритане“ и на реакция.

**б) Никога не приближавайте ръцете си до въртящи се инструменти.** При „ритане“ въртящият се инструмент може да се окаже върху ръцете Ви.

**в) Избягвайте тялото Ви да се намира в тази зона, в която може да се окаже електрическата машина при „ритане“.** „Ритането“ измества машината на мястото на блокиране в посока обратна на движението на шлайфащата шайба.

**д) Работете особено внимателно там, където има ъгли, остри ръбове и др. Не допускайте инструментът да отскочи от заготовката и да се заклими.** При ъгли и остри ръбове или ако отскочи от заготовката, въртящият се инструмент често се заклема. Това води до загуба на контрол или до „ритане“.

**е) Не използвайте верижни или зъбни циркуляри.** Такива уреди често предизвикват обратен удар или загуба на контрол над електроуредата.

### Специални указания за безопасна работа при шлифване или рязане с абразивни дискове

**а) Използвайте само предвидените за Вашия електроинструмент абразивни дискове и предназначения за използвания абразивен диск предпазен кожух.** Абразивни дискове, които не са предназначени за електроинструмента, не могат да бъдат екранирани добре и не гарантират безопасна работа.

**б) Винаги използвайте предпазния капак.** Той трябва да е сигурно поставен върху електроуредата и да е настроен така, че да гарантира висока степен на безопасност, тоест да оставя видими минимални части от режещия диск към обслужващото лице. Предпазният капак има за цел да предпази обслужващото лице от хвърчащи парчета и случаен контакт с шлифовъчния диск.

**в) Допуска се използването на абразивните дискове само за целите, за които те са предвидени.** Напр.: никога не шлифвайте със страничната повърхност на диск за рязане. Дисковете за рязане са предназначени за отнемане на материал с ръба си. Странично прилагане на сила може да ги счупи.

**д) Винаги използвайте застопоряващи фланци, които са в безукорно състояние и съответстват по размери и форма на използвания абразивен диск.** Използването на подходящ фланец предпазва диска и по този начин намалява опасността от счупването му. Застопоряващите фланци за режещи дискове могат да се различават от тези за дискове за шлифване.

**е) Не използвайте износени абразивни дискове от по-големи електроинструменти.** Дисковете за по-големи машини не са предназначени за въртене с високите скорости, с които се въртят по-малките, и могат да се счупят.

### Специални указания за безопасна работа с режещи дискове

**а) Не допускайте блокиране или твърде силно притискане на решещата шайба. Не правете прекалено дълбоки разрези.** Претоварването на решещата шайба повишава силите, които действат върху нея, а с това и възможността от заклиняване или блокиране, което от своя страна води до „ритане“ или счупване на шлайфащото тяло.

**б) Избягвайте да заставате в зоната пред и зад въртящия се режещ диск.** Когато режещият диск е в една равнина с тялото Ви, в случай на откат електроинструментът с въртящия се диск може да отскочи непосредствено към Вас и да Ви нарани.

**в) Ако режещият диск се заклими или искате да прекъснете работа, изключете машината и я дръжте спокойно, докато шайбата спре да се върти.** Никога не се опитвайте да извадите от среза режещия диск, докато още се върти, в противен случай може да последва „ритане“. Установете и отстранете причината за заклемяването.

**д) Никога не включвайте електроуредата отново, докато той се намира в детайла.** Нека първо дискът достигне максималните си обороти, преди внимателно да продължите рязането. В противен случай режещият диск може да заседне, да изскочи от детайла или да предизвика обратен удар.

**е) Когато режете плоскости или по-големи заготовки, ги опрете, за да избегнете риск от „ритане“ при заклемяване на решещата шайба.** Големите заготовки могат да се огънат от собственото си тегло. Заготовката трябва да е подпрана на две места, а именно в близост до среза и в края.

**ф) Бъдете особено внимателни при изрязване на „джобове“ на съществуващи стени или в други зони, където няма видимост.** При прерязване на газопроводи и водопроводи, електропроводи и други обекти, режещият диск може да причини „ритане“.

### Специални указания за безопасна работа при шлифване с шкурка

**а) Не използвайте твърде големи листови шкурка, спазвайте указанията на производителя за размерите на шкурката.** Листове шкурка, които се подават извън подложния диск, могат да предизвикат наранявания, както и да доведат до блокиране и разкъсване на шкурката или до възникване на откат.

### Специални указания за безопасна работа при почистване с телени четки

**а) Не забравяйте, че и при нормална работа от телената четка падат телчетата. Не претоварвайте телената четка, като я притискате твърде силно.** Отхвърчащите от телената четка телчета могат лесно да проникнат през дрехите и/или кожата Ви.

**б) Ако се препоръчва използването на предпазен кожух, предварително се уверявайте, че телената четка не допира до него.** Дисковете и чашковидните телени четки могат да увеличат диаметъра си в резултат на силата на притискане и центробежните сили.



**БЪЛ**

Контактите във външните участъци трябва да бъдат оборудвани със защитни прекъсвачи за утечен ток (FI, RCD, PRCD). Това изисква предписанието за инсталиране за електрическата инсталация. Моля спазвайте това при използване на Вашия уред. Стружки или отчупени парчета да не се отстраняват, докато машината работи.

Свързвайте машината към контакта само в изключено положение.

Не бъркайте в зоната на опасност на работещата машина.

Винаги да се използва допълнителната ръкохватка. Това важи също при машини с предпазен съединител, понеже той се задейства само при блокиране чрез импулс.

Веднага изключете машината, ако се появят значителни вибрации или бъдат установени други нередности. Проверете машината за да установите причината.

Абразивните дискове винаги да се използват и съхраняват съобразно данните на производителя.

При шлифване на метали възниква искрене. Обърнете внимание да не бъдат застрашени хора. Поради опасност от пожар наблизо (в обсега на искрите) не бива да се намират горими материали. Да не се използва прахоулавяне.

Дръжте уреда винаги така, че искрите или образуващият се при шлифоването прах да отлитат настрани от тялото.

При рязане на камък задължително да се използва водещата шейна.

Преди пускане на машината фланцовата гайка трябва да бъде затегната.

Обработваният материал трябва да бъде затегнат здраво, ако не се държи от собственото си тегло. Никога не водете материала с ръка срещу диска.

При екстремални условия на експлоатация (напр. при гладко шлифване на метали с опорния диск и вулканфибърните шлифовъчни дискове) може да се натрупа силно замърсяване във вътрешността на ъгловото шлифовъчно устройство. При такива експлоатационни условия от гледна точка на сигурност е необходимо основно почистване на вътрешността от метални отлагания и задължително предварително включване на защитен прекъсвач за утечен ток FI. След задействане на защитния FI-прекъсвач машината трябва да се изпрати за ремонт.

При абразивни материали, които трябва да бъдат снабдени с диск с резба, трябва да се гарантира, че резбата в диска е достатъчно дълга за шпиндела.

При рязане използвайте затворен защитен шлем от програмата с аксесоари.

## ИЗПОЛЗВАНЕ ПО ПРЕДНАЗНАЧЕНИЕ

Ъглошлайфът се използва за рязане и грубо шлайфане на голям брой материали, като например метал или камък, както и за шлайфане с пластмасови шлифовъчни дискове и за работа с телена четка. В случай на съмнение обърнете внимание на указанията на производителя на аксесоари.

Този уред може да се използва по предназначение само както е посочено.

## ЗАЩИТА НА ДВИГАТЕЛЯ В ЗАВИСИМОСТ ОТ НАТОВАРВАНЕТО

Да се свързва само към еднофазен променлив ток и само към мрежово напрежение, посочено върху заводската табелка. Възможно е и свързване към контакт, който не е от тип „шuko“, понеже конструкцията е от защитен клас II.

## СЕ - ДЕКЛАРАЦИЯ ЗА СЪОТВЕТСТВИЕ

Декларираме на собствена отговорност, че този продукт съответства на следните стандарти или нормативни документи: EN 60745, EN 55014-1, EN 55014-2, EN 61000-3-2, EN 61000-3-3, съобразно предписанията на директивите 2006/42/EO, 2004/108/EO.



Winnenden, 2010-11-17

Rainer Kumpf  
Manager Product Development

Упълномощен за съставяне на техническата документация

## ПОДДРЪЖКА

Вентилационните шлицы на машината да се поддържат винаги чисти.

Във вентилационните шлицы не бива да попадат метални части поради опасност от късо съединение.

Да се използват само аксесоари на AEG и резервни части на. Елементи, чията подмяна не е описана, да се дадат за подмяна в сервис на AEG (вижте брошурата „Гаранция и адреси на сервиси“).

При необходимост можете да поискате за уреда от Вашия сервис или директно от AEG Elektrowerkzeuge, Max-Eyth-Strasse 10, D-71364 Winnenden, Germany, чертеж за в случай на експлозия, като посочите типа на машината и десетцифрения номер върху заводската табелка.

## СИМВОЛИ



Преди пускане на уреда в действие моля прочетете внимателно инструкцията за използване.



ВНИМАНИЕ! ОПАСНОСТ!



При работа с машината винаги носете предпазни очила.



Преди всякакви работи по машината извадете щепсела от контакта.



Аксесоари - Не се съдържат в обема на доставката, препоръчвано допълнение от програмата за аксесоари.



Не изхвърляйте електроинструменти при битовите отпадъци! Съобразно Европейската директива 2002/96/EO за стари електрически и електронни уреди и нейното реализиране в националното законодателство изхабените електроинструменти трябва да се събират отделно и да се предават в пункт за екологосъобразно рециклиране.

	WS 9-100	WS9-115	WS9-125
Putere nominală de ieșire.....	900 W	900 W	900 W
Turație nominală.....	11000 min <sup>-1</sup>	11000 min <sup>-1</sup>	11000 min <sup>-1</sup>
Diametru disc de rectificarea.....	100 mm	115 mm	125 mm
Filetul axului de lucru.....	M 10	M 14	M 14
Greutatea conform „EPTA procedure 01/2003”.....	2,0 kg	2,0 kg	2,0 kg

**Informație privind zgomotul/vibrațiile**

Valori măsurate determinate conform EN 60 745.

Nivelul de zgomot evaluat cu A al aparatului este tipic de:

Nivelul presiunii sonore (K=3 dB(A)) .....	90,5 dB (A)	90,5 dB (A)	90,5 dB (A)
Nivelul sunetului(K=3 dB(A)).....	101,5 dB (A)	101,5 dB (A)	101,5 dB (A)

**Purtați căști de protecție**

Valorile totale de oscilație (suma vectorială pe trei direcții) determinate conform normei EN 60745.

Polizarea de rețezare și de degroșare: valoarea emisiei de oscilații $a_h$ .....	5,8 m/s <sup>2</sup>	5,8 m/s <sup>2</sup>	5,8 m/s <sup>2</sup>
Nesiguranță K.....	1,5 m/s <sup>2</sup>	1,5 m/s <sup>2</sup>	1,5 m/s <sup>2</sup>
Polizarea cu disc de polizat din material sintetic: valoarea emisiei de oscilații $a_h$ .....	1,9 m/s <sup>2</sup>	1,9 m/s <sup>2</sup>	1,9 m/s <sup>2</sup>
Nesiguranță K.....	1,5 m/s <sup>2</sup>	1,5 m/s <sup>2</sup>	1,5 m/s <sup>2</sup>

	WS 11-115	WS 11-125
Putere nominală de ieșire.....	1100 W	1100 W
Turație nominală.....	11000 min <sup>-1</sup>	11000 min <sup>-1</sup>
Diametru disc de rectificarea.....	115 mm	125 mm
Filetul axului de lucru.....	M 14	M 14
Greutatea conform „EPTA procedure 01/2003”.....	2,3 kg	2,3 kg

**Informație privind zgomotul/vibrațiile**

Valori măsurate determinate conform EN 60 745.

Nivelul de zgomot evaluat cu A al aparatului este tipic de:

Nivelul presiunii sonore (K=3 dB(A)) .....	90,5 dB (A)	90,5 dB (A)
Nivelul sunetului(K=3 dB(A)).....	101,5 dB (A)	101,5 dB (A)

**Purtați căști de protecție**

Valorile totale de oscilație (suma vectorială pe trei direcții) determinate conform normei EN 60745.

Polizarea de rețezare și de degroșare: valoarea emisiei de oscilații $a_h$ .....	5,8 m/s <sup>2</sup>	5,8 m/s <sup>2</sup>
Nesiguranță K.....	1,5 m/s <sup>2</sup>	1,5 m/s <sup>2</sup>
Polizarea cu disc de polizat din material sintetic: valoarea emisiei de oscilații $a_h$ .....	1,9 m/s <sup>2</sup>	1,9 m/s <sup>2</sup>
Nesiguranță K.....	1,5 m/s <sup>2</sup>	1,5 m/s <sup>2</sup>

La alte utilizări, ca de ex. rețezatul cu mașina de șlefuit sau șlefuitul cu peria de sârmă de oțel, valorile vibrațiilor pot fi diferite!

**AVERTISMENT**

Gradul de oscilație indicat în prezentele instrucțiuni a fost măsurat în conformitate cu o procedură de măsurare normată prin norma EN 60745 și poate fi folosit pentru a compara unelte electrice între ele. El se pretează și pentru o evaluare provizorie a solicitării la oscilații.

Gradul de oscilație indicat reprezintă aplicațiile principale ale uneltelor electrice. În cazul în care însă uneltele electrice au fost folosite pentru alte aplicații, ori au fost folosite unelte de muncă diferite ori acestea nu au fost supuse unei suficiente inspecții de întreținere, gradul de oscilație poate fi diferit. Acest fapt poate duce la o creștere netă a solicitărilor la oscilații dealungul întregii perioade de lucru.

În scopul unei evaluări exacte a solicitării la oscilații, urmează să fie luate în considerație și perioadele de timp în care aparatul a fost oprit ori funcționează dar, în realitate, el nu este folosit în mod practic. Acest fapt poate duce la o reducere netă a solicitărilor la oscilații dealungul întregii perioade de lucru.

Stabiliți măsuri de siguranță suplimentare în scopul protecției utilizatorului de efectele oscilațiilor, de exemplu: inspecție de întreținere a uneltelor electrice și a celor de muncă, păstrarea caldă a mâinilor, organizarea proceselor de muncă.





## AVERTISMENT!

Citiți toate avizele de siguranță și indicațiile, chiar și cele din borșura alăturată. Nerespectarea indicațiilor de avertizare și a instrucțiunilor poate provoca electrocutare, incendii și/sau răni grave.

Păstrați toate indicațiile de avertizare și instrucțiunile în vederea utilizărilor viitoare.

## INSTRUCȚIUNI DE SECURITATE

**Avertismente comune pentru șlefuire, șlefuire cu hârtie abrazivă, lucrul cu periile de sârmă, lustruire și tăiere:**

**a) Această sculă electrică se va utiliza ca polizor, perie de oțel și mașină de debitat cu disc abraziv. Aveți în vedere toate indicațiile de siguranță, instrucțiunile, reprezentările și datele pe care le primiți împreună cu scula electrică.**

Nerespectarea indicațiilor de mai jos poate conduce la electrocutare, incendii și/sau vătămări corporale grave.

**b) Această sculă electrică nu este adecvată pentru rodare.** Utilizarea sculei electrice la operații pentru care nu este concepută poate cauza pericole și accidente.

**c) Nu folosiți dispozitive de lucru care nu sunt prevăzute și recomandate în mod special de către producător pentru această sculă electrică.** Faptul în sine că dispozitivul respectiv poate fi montat pe scula dumneavoastră electrică nu garantează în niciun caz utilizarea lui sigură.

**d) Turația admisă a dispozitivului de lucru trebuie să fie cel puțin egală cu turația maximă indicată pe scula electrică.** Un accesoriu care se rotește mai repede decât este admis, se poate rupe, iar bucățile desprinse pot zbura în toate părțile.

**e) Diametrul exterior și grosimea dispozitivului de lucru trebuie să corespundă datelor dimensionale ale sculei dumneavoastră electrice.** Dispozitivele de lucru greșit dimensionate nu pot fi protejate sau controlate în suficientă măsură.

**f) Discurile de șlefuit, flanșele, discurile abrazive sau celelalte accesorii trebuie să se potrivească exact pe arborele de polizat al sculei dumneavoastră electrice.** Dispozitivele de lucru care nu se potrivească exact pe arborele de polizat al sculei dumneavoastră electrice, se rotește neuniform, vibrează foarte puternic și pot duce la pierderea controlului.

**g) Nu folosiți dispozitive de lucru deteriorate. Înainte de fiecare utilizare controlați dacă dispozitivele de lucru ca discurile de șlefuit nu sunt sparte și fisurate, dacă discurile abrazive nu sunt fisurate, uzate sau foarte tocite, dacă periile de sârmă nu prezintă fire desprinse sau rupte. Dacă scula electrică sau dispozitivul de lucru cade pe jos, verificați dacă nu s-a deteriorat sau folosiți un dispozitiv de lucru nedeteriorat. După ce ați controlat și montat dispozitivul de lucru, țineți persoanele aflate în preajmă în afara planului de rotație al dispozitivului de lucru și lăsați scula electrică să funcționeze un minut la turația nominală.** De cele mai multe ori, dispozitivele de lucru deteriorate se rup în această perioadă de probă.

**h) Purați echipament personal de protecție. În funcție de utilizare, purtați o protecție completă a feței, protecție pentru ochi sau ochelari de protecție.** Dacă este cazul, purtați mască de protecție împotriva prafului, protecție auditivă, mănuși de protecție sau șorț special care să vă ferească de micile așchii și particule de material. Ochii trebuie protejați de corpurile străine aflate în zbor, aparute în cursul diferitelor aplicații. Măscă de protecție împotriva prafului sau mască de protecție a respirației trebuie să filtreze praful degajat în timpul utilizării. Dacă sunteți expuși timp îndelungat zgomotului puternic, vă puteți pierde auzul.

**i) Aveți grijă ca celelalte persoane să păstreze o distanță sigură față de sectorul dumneavoastră de lucru. Oricine pătrunde în sectorul de lucru trebuie să poarte echipament personal de protecție.** Fragmente din piesa de lucru sau din dispozitivele rupte pot zbura necontrolat și provoca răni chiar în afara sectorului direct de lucru.

**j) Țineți aparatul de mănerele izolate când executați lucrări la care scula tăietoare poate nimeri peste conductori electri ascunși sau peste cablul propriu.** Intrarea în contact a sculei tăietoare cu o linie electrică prin care circulă curent poate pune sub tensiune și componente metalice ale aparatului și să ducă la electrocutare.

**k) Țineți cablul de alimentare departe de dispozitivele de lucru care se roteesc.** Dacă pierdeți controlul asupra mașinii, cablul de alimentare poate fi tăiat sau prins iar mâna sau brațul dumneavoastră poate nimeri sub dispozitivul de lucru care se rotește.

**l) Nu puneți niciodată jos scula electrică înainte ca dispozitivul de lucru să se fi oprit complet.** Dispozitivul de lucru care se rotește poate ajunge în contact cu suprafața de sprijin, fapt care vă poate face să pierdeți controlul asupra sculei electrice.

**m) Nu lăsați scula electrică să funcționeze în timp ce o transportați.** În urma unui contact accidental cu dispozitivul de lucru care se rotește, acesta vă poate prinde îmbrăcămintea și chiar pătrunde în corpul dumneavoastră.

**n) Curățați în mod regulat fantele de ventilație ale mașinii electrice.** Suflanta motorului trage praf în carcasă, iar o acumulare accentuată de praf metallic poate cauza pericole electrice.

**o) Nu utilizați aparatul în apropierea materialelor inflamabile.** Scântele pot aprinde aceste materiale.

**p) Nu utilizați accesoriul de lucru care necesită agenți de răcire fluizi.** Utilizarea apei sau a altor agenți de răcire fluizi poate provoca scurtcircuit.

## Reculul și indicații de siguranță corespunzătoare

Reculul reprezintă reacția bruscă rezultată ca urmare a rotirii unui accesoriu de lucru prins sau blocat, precum disc de șlefuit, suport de șlefuit, perie de sărmă etc. Prinderea sau blocarea duce la oprirea abruptă a accesoriului de lucru aflat în rotație. Prin aceasta, un aparat necontrolat aflat în rotație este accelerat în locul unde s-a produs blocarea în sens opus direcției de rotație a accesoriului de lucru.

Dacă, de exemplu, un disc de șlefuit se agață sau se blochează în piesa de lucru, marginea discului de șlefuit care penetrează direct piesa de lucru se poate agața în aceasta și duce astfel la smulgerea discului de șlefuit sau poate provoca recul. Discul de șlefuit se va deplasa către operator sau în sens opus acestuia, în funcție de direcția de rotație a discului în punctul de blocare. În această situație discurile de șlefuit se pot chiar rupe.

Reculul este consecința utilizării greșite sau defectuoase a ferăstrăului. El poate fi împiedicat prin măsuri de prevedere adecvate, conform celor descrise în cele ce urmează.

**a) Țineți bine și strâns scula electrică și ajustați-vă poziția corpului și a brațelor într-o poziție în care puteți contracara forțele de recul. Dacă există, utilizați întotdeauna mânerul suplimentare pentru a controla cât mai bine forțele de recul sau momentele de reacțiune în cazul în care mașina este la turația maximă.** Prin măsuri preventive adecvate, operatorul poate controla forțele de recul și de reacțiune.

**b) Nu puneți mâna în apropierea unei componente aflate în rotație.** În caz de recul, scula se poate mișca peste mâna dumneavoastră.

**c) Evitați poziționarea corpului în aceeași zonă în care este mișcat aparatul în cazul unui recul.** Forța de recul antrenează



Ro

aparatul în direcția opusă mișcării discului de șlefuit, în zona în care s-a blocat.

**d) Lucrați cu deosebită atenție în zona colțurilor, muchiilor ascuțite etc. Evitați ricoșul sau înțepenirea accesoriului de lucru în piesa de prelucrat.** Accesoriul de lucru aflat în rotație are tendința de a se înțepeni în zona colțurilor, a muchiilor ascuțite sau atunci când ricoșează. Acest lucru provoacă pierderea controlului sau un recul.

**e) Nu folosiți pânze de ferăstrău cu lanț sau dințate.** Asemenea scule pot produce frecvent un recul sau pot duce la pierderea controlului asupra mașinii electrice.

### **Avertismente speciale privind șlefuirea și tăierea**

**a) Folosiți numai corpuri abrazive admise pentru scula dumneavoastră electrică și o apărătoare de protecție prevăzută pentru aceste corpuri abrazive.** Corpurile abrazive care nu sunt prevăzute pentru această sculă electrică nu pot fi acoperite și protejate suficient, fiind nesigure.

**b) Folosiți întotdeauna capacul de protecție. Capacul de protecție trebuie să fie bine fixat de mașină și astfel reglat încât să fie asigurată siguranța maximă, adică, înspere persoana care deservește mașina să fie deschisă cea mai mică porțiune posibilă a discului tăietor.** Capacul de protecție trebuie să protejeze persoana care deservește de fragmente și de un contact accidental cu scula de șlefuire.

**c) Corpurile abrazive trebuie folosite numai pentru posibilitățile de utilizare recomandate.** De exemplu: nu șlefuiți cu partea laterală a unui disc de tăiere. Discurile de tăiere sunt destinate îndepărtării de material cu marginea discului. Exercițarea unei forțe laterale asupra acestui corp abraziv poate duce la ruperea sa.

**d) Folosiți întotdeauna flanșe de prindere nedeteriorate având dimensiuni și forme corespunzătoare discului de șlefuit ales de dumneavoastră.** Flanșele adecvate sprijină discul de șlefuit diminuând astfel pericolul ruperii acestuia. Flanșele pentru discuri de tăiere pot fi diferite față de flanșele pentru alte discuri de șlefuit.

**e) Nu întrebuiți discuri de șlefuit uzate provenind de la scule electrice mai mari.** Discurile de șlefuit pentru sculele electrice mai mari nu sunt concepute pentru turațiile mai ridicate ale sculelor electrice mai mici și se pot rupe.

### **Alte avertismente speciale privind tăierea**

**a) Evitați blocarea discului sau o forță de apăsare prea mare. Nu efectuați tăieturi prea adânci.** Suprasarcina discului crește solicitarea acestuia și incidența teșirii sau blocării, și astfel apariția unui recul sau unei rupturi a corpului de șlefuit.

**b) Evitați zona din fața și din spatele discului de tăiere care se rotește.** Dacă deplasați discul de tăiere în piesa de lucru în direcție opusă dumneavoastră, în caz de recul, scula electrică împreună cu discul care se rotește pot fi proiectate direct spre dumneavoastră.

**c) Dacă discurile se înțepesc sau dacă întrerupeți lucrul, opriți aparatul și țineți-l în mână până la oprirea definitivă. Nu încercați niciodată să scoateți discul aflat în mișcare din tăietură, altfel se poate provoca un recul.** Identificați și remediați cauza înțepenirii.

**d) Nu reporniți mașina electrică atât timp cât se află în piesă. Lăsați discul tăietor să ajungă la turația sa maximă și apoi continuați cu grijă debitarea.** În caz contrar, discul se poate agăța, poate sări din piesă sau poate provoca un recul.

**e) Sprijiniți plăcile sau piesele de dimensiuni mai mari, pentru a evita riscul unui recul provocat de un disc înțepenit.**

Piese mari se pot îndoi sub greutatea dumneavoastră. Piesa trebuie sprijinită pe ambele părți, și anume atât în apropierea discului, cât și la muchie.

**f) Procedați cu deosebită atenție în cazul decupărilor în pereți preexistenți sau alte zone în spatele cărora nu aveți vizibilitate.** Discul intrat în material poate provoca un recul la contactul cu conductele de gaz, de apă sau electrice, sau alte obiecte.

### **Avertismente speciale privind șlefuirea cu hârtie abrazivă**

**a) Nu întrebuiți foi abrazive supradimensionate și respectați indicațiile fabricantului privitoare la dimensiunile foilor abrazive.** Foile abrazive care depășesc marginile discului abraziv, pot cauza răniri precum și agățarea, ruperea foilor abrazive, sau pot duce la recul.

### **Avertismente speciale privind lucrul cu perile de sârmă**

**a) Țineți seama de faptul că peria de sârmă pierde lucăți de sârmă chiar în timpul utilizării obișnuite. Nu suprasolicitați firele de sârmă printr-o apăsare prea puternică.** Bucățile de sârmă desprinse pot pătrunde cu ușurință prin îmbrăcămintea subțire și/sau în piele.

**b) Dacă se recomandă o apărătoare de protecție, împiedicați contactul dintre apărătoarea de protecție și peria de sârmă.** Discurile-perie și perile-oolă își pot mări diametrul sub acțiunea presiunii de apăsare și a forțelor centrifuge.

Aparatele utilizate în multe locații diferite inclusiv în aer liber trebuie conectate printr-un disjunctur (FI, RCD, PRCD) care previne comutarea.

Rumegusul și spanul nu trebuie îndepărtate în timpul funcționării mașinii.

Conectați la rețea numai când mașina este oprită.

Nu intrați niciodată în zona de pericol a plăcii când este în mișcare.

Utilizați întotdeauna mânerul auxiliar.

Oprii imediat mașina în caz de vibrații puternice sau dacă apar alte defecțiuni. Verificați mașina pentru depistarea cauzei.

Întotdeauna utilizați și păstrați discurile de șlefuire numai în conformitate cu instrucțiunile producătorului.

Când se șlefuește metal, se produc scântee zburătoare. Aveți grijă că nici o persoană să nu fie pusă în pericol. Datorită pericolului de incendiu, nici un material combustibil nu trebuie să fie amplasat în vecinătate (în zona de zbor a scânteiilor)

Aveți grijă că nici o scântee sau praf de șlefuit să nu

Când se taie piatra, trebuie utilizat papucul de ghidare !

Piulița de reglare trebuie să fie stransă înainte de începerea lucrului cu această mașina.

Piesa de prelucrat trebuie fixată dacă nu este suficient de grea pentru a fi stabilă. Nu îndreptați niciodată piesa de prelucrat către discul polizorului cu mîna dvs.

În condiții extreme de utilizare (de ex. lustruirea metalelor cu platanul de reazem și cu discurile de șlefuit din fibră vulcanizată), în interiorul polizorului unghiular poate apărea murdărie în cantitate mare. În asemenea condiții de utilizare, din motive de siguranță este necesară o curățare temeinică a depunerilor metalice din interior și, obligatoriu, înscrierea unui întrerupător diferențial. În caz de declanșare a întrerupătorului diferențial, mașina se va trimite la reparație.

Pentru sculele care se intenționează a fi dotate cu roți cu orificiu filetat, asigurați-vă că filetul roții este destul de lung pentru a accepta lungimea axului.

Pentru lucrări de retezare folosiți casca de protecție din programul de accesorii.



**Ro**

## CONDIȚII DE UTILIZARE SPECIFICATE

Mașina de șlefuit unghiuri poate fi utilizată la rețezarea și la rectificarea de degroșare a numeroase materiale, ca de ex. metale sau piatră, precum și pentru polizatul cu disc de polizat din material plastic, de asemenea pentru lucrul cu peria de sârmă de oțel. În caz de dubiu, țineți cont de indicațiile fabricanților de accesorii.

Nu utilizați acest produs în alt mod decât cel stabilit pentru utilizare normală

## ALIMENTARE DE LA REȚEA

Conectați numai la priza de curent alternativ monofazat și numai la tensiunea specificată pe placuța indicatoare. Se permite conectarea și la prize fără împământare dacă modelul se conformează clasei II de securitate.

## DECLARAȚIE DE CONFORMITATE

Declarăm pe propria răspundere că acest produs este în conformitate cu următoarele standarde sau documente standardizate EN 60745, EN 55014-1, EN 55014-2, EN 61000-3-2, EN 61000-3-3, în conformitate cu reglementările 2006/42/EC, 2004/108/EC.



Winnenden, 2010-11-17

Rainer Kumpf

Manager Product Development

Împuternicit să elaboreze documentația tehnică.

## INTREȚINERE

Fantele de aerisire ale mașinii trebuie să fie menținute libere tot timpul

Nu lăsați nici o piesă metalică să intre în fantele de aerisire - pericol de scurt circuit.

Utilizați numai accesorii și piese de schimb AEG. Dacă unele din componente care nu au fost descrise trebuie înlocuite, vă rugăm contactați unul din agenții de service AEG (vezi lista noastră pentru service / garanți

Dacă este necesară, se poate comanda o imagine descompusă a sculei. Vă rugăm menționați numărul art. Precum și tipul mașinii tipărit pe etichetă și comandați desenul la agenții de service locali sau direct la AEG Elektrowerkzeuge, Max-Eyth-Straße 10, D-71364 Winnenden, Germany.

## SIMBOLURI



Va rugăm citiți cu atenție instrucțiunile înainte de pornirea mașinii



ATENȚIE! AVERTISMENT! PERICOL!



Purtați întotdeauna ochelari de protecție când utilizați mașina.



Întotdeauna scoateți stecherul din priză înainte de a efectua intervenții la mașină.



Accesoriu - Nu este inclus în echipamentul standard, disponibil ca accesoriu



Nu aruncați sculele electrice în gunoiul menajer! Conform directivei europene nr. 2002/96/EC referitor la aparate electrice și electronice uzate precum și la transpunerea acesteia în drept național, sculele electrice trebuie colectate separat și introduse într-un circuit de reciclare ecologic.

	WS 9-100	WS9-115	WS9-125
Определен внес .....	900 W	900 W	900 W
Номинален број на вртежи .....	11000 min <sup>-1</sup>	11000 min <sup>-1</sup>	11000 min <sup>-1</sup>
Дијаметар на дискот за глодање .....	100 mm	115 mm	125 mm
Срце на работната оска .....	M 10	M 14	M 14
Тежина според ЕПТА-процедурата 01/2003 .....	2,0 kg	2,0 kg	2,0 kg

**Информација за бучавата/вибрациите**

Измерените вредности се одредени согласно стандардот EN 60 745.

A-оценетото ниво на бучава на апаратот типично изнесува:

Ниво на звучен притисок. (K=3 dB(A)) .....	90,5 dB (A)	90,5 dB (A)	90,5 dB (A)
Ниво на јачина на звук. (K=3 dB(A)) .....	101,5 dB (A)	101,5 dB (A)	101,5 dB (A)

**Носте штитник за уши.**

Вкупни вибрациски вредности (векторски збир на трите насоки) пресметани согласно EN 60745

Типично очекувани нивоа на звук. Вибрациска емисиона вредност $a_h$ .....	5,8 m/s <sup>2</sup>	5,8 m/s <sup>2</sup>	5,8 m/s <sup>2</sup>
Несигурност K .....	1,5 m/s <sup>2</sup>	1,5 m/s <sup>2</sup>	1,5 m/s <sup>2</sup>
Мазнење со подлога за мазнење пластика: вибрациска емисиона вредност $a_h$ .....	1,9 m/s <sup>2</sup>	1,9 m/s <sup>2</sup>	1,9 m/s <sup>2</sup>
Несигурност K .....	1,5 m/s <sup>2</sup>	1,5 m/s <sup>2</sup>	1,5 m/s <sup>2</sup>

	WS 11-115	WS 11-125
Определен внес .....	1100 W	1100 W
Номинален број на вртежи .....	11000 min <sup>-1</sup>	11000 min <sup>-1</sup>
Дијаметар на дискот за глодање .....	115 mm	125 mm
Срце на работната оска .....	M 14	M 14
Тежина според ЕПТА-процедурата 01/2003 .....	2,3 kg	2,3 kg

**Информација за бучавата/вибрациите**

Измерените вредности се одредени согласно стандардот EN 60 745.

A-оценетото ниво на бучава на апаратот типично изнесува:

Ниво на звучен притисок. (K=3 dB(A)) .....	90,5 dB (A)	90,5 dB (A)
Ниво на јачина на звук. (K=3 dB(A)) .....	101,5 dB (A)	101,5 dB (A)

**Носте штитник за уши.**

Вкупни вибрациски вредности (векторски збир на трите насоки) пресметани согласно EN 60745.

Типично очекувани нивоа на звук. Вибрациска емисиона вредност $a_h$ .....	5,8 m/s <sup>2</sup>	5,8 m/s <sup>2</sup>
Несигурност K .....	1,5 m/s <sup>2</sup>	1,5 m/s <sup>2</sup>
Мазнење со подлога за мазнење пластика: вибрациска емисиона вредност $a_h$ .....	1,9 m/s <sup>2</sup>	1,9 m/s <sup>2</sup>
Несигурност K .....	1,5 m/s <sup>2</sup>	1,5 m/s <sup>2</sup>

Кај други апликации, како на пример брусеење со делење или брусеење со четката со челична жица можат да се појават други вибрациски вредности!

**ПРЕДУПРЕДУВАЊЕ**

Нивото на осцилација наведено во овие инструкции е измерено во согласност со мерните постапки нормирани во EN 60745 и може да биде употребено за меѓусебна споредба на електро-алати. Ова ниво може да се употреби и за привремена проценка на оптоварувањето на осцилацијата.

Наведеното ниво на осцилација ги репрезентира главните намени на електро-алатот. Но, доколку електро-алатот се употребува за други намени, со отстапувачки додатоци или со несоодветно одржување, нивото на осцилација може да отстапи. Тоа може значително да го зголеми оптоварувањето на осцилацијата за време на целиот работен период.

За прецизна проценка на оптоварувањето на осцилацијата предвид треба да бидат земен и времињата, во коишто апаратот е исклучен или работи, но фактички не се употребува. Тоа може значително да го намали оптоварувањето на осцилацијата за време на целиот работен период.

Утврдете дополнителни безбедносни мерки за заштита на операторот од влијанието на осцилациите, како на пример: одржување на електро-алатот и на додатоци кон електро-алатот, одржување топли раце, организација на работните процеси.





**⚠ ПРЕДУПРЕДУВАЊЕ!** Прочитајте ги сите безбедносни упатства и инструкции. Забораване на почитувањето на безбедносните упатства и инструкции можат да предизвикаат електричен удар, пожар и/или тешки повреди. **Сочувајте ги сите безбедносни упатства и инструкции за во иднина.**

## УПАТСТВО ЗА УПОТРЕБА

Заеднички безбедносни упатства за мазнење, мазнење со рапава хартија, работа со жичани четки, полирање и делење:

**а) Овој електро-алат смее да се употребува како брусилка, жичана четка и брусилка за сечење. Почитувајте ги сите безбедносни упатства, инструкции, прикази и податоци, кои ќе ги добиете со овој електро-алат.** Доколку не ги почитувате следните инструкции, може да дојде до електричен удар, пожар и/или тешки повреди.

**б) Овој електро-алат не е наменет за полирање.** Сепакви употреби, за кои овој алат не е предвиден,

**с) Не употребувајте прибор што не е предвиден и препорачан од производителот специјално за овој електро-алат.** Доколку извесен прибор можете да го прицврстите на вашиот електричен алат, тоа не претставува гаранција за сигурно употреба.

**д) Дозвоениот број на вртежи на приборот мора да биде најмалку толку голем колку што е максималниот број на вртежи зададен на електро-алат.** Приборот што се врти побргу од дозволеното, може да се скрши и разлета.

**е) Надворешниот дијаметар и дебелината на приборот мора да соодветствуваат со податоците за димензиите на вашиот електро-алат.** Приборите со несоодветна димензија не можат да бидат соодветно заштитени или контролирани.

**ф) Дисквите за брусење, фланшовите, дисквите (подножјата за брусење) или друг прибор мора прецизно да соодветствуваат на осовината на вашиот електро-алат.** Приборот што не одговара прецизно во осовината на електро-алатот, се врти нерамномерно, вибрира мошне јако и може да доведе до губење на контролата.

**г) Не употребувајте оштетен прибор.** Пред секоја употреба извршете контрола, како на пример на дисквите за брусење по однос на расцепи и пукнатини, на подножјата за брусење по однос на пукнатини, изабаност или голема искористеност, на четките со жици по однос на лабави или скршени жици. Ако електро-алатот или приборот паднат, проверете, дали тие се оштетени или употребете нештетен прибор. Ако приборот сте го провериле и го употребувате, тогаш вие и лицата, кои се наоѓаат во близина, треба да бидете вон доменот на ротирачкиот прибор и оставете го приборот да работи една минута со максимален број на вртежи. Оштетениот прибор најчесто се крши во овој тест-период.

**h) Носете опрема за лична заштита.** Зависно од употребата, користете целосна визуелна заштита, заштита за очите или заштитни очила. Доколку е потребно, носете маска за заштита од прашина, заштита за ушите, заштитни ракавици или специјална престилка, со која се заштитувате од ситни честички од шлајфувањето и од материјалот. Очите треба да бидат заштитени од страни тела што се разлетуваат наоколу, а кои настануваат при различни употреби. Заштита маска од прашина и за дишење мора да ја филтрираат прашината што се создава при работата. Доколку сте подолго време изложени на гласна бучава, тоа може да предизвика губење на слухот.

**и) Кај лицата што стојат во близина внимавајте на тоа да се почитува безбедно растојание од вашиот делокруг на работа. Секој што ќе пристапи во делокругот на работа, мора да носи опрема за лична заштита.** Можат да се разлетаат парчиња од работниот материјал или од скршен прибор и да предизвикаат повреди, исто така и надвор од директниот делокруг на работа.

**ј) Држете го електричниот алат за издадените површини при изведување на операции при кои алатот за сечење можат да дојдат во контакт со скриени жици или сопствениот гајтан.** Контакт со жица под напон исто така ќе направи проводници од металните делови и оној кој ракува со алатот ќе доживее струен удар.

**к) Кабелот за напојување со струја чувајте го настрана од прибор што се врти.** Доколку ја изгубите контролата над електро-алатот, кабелот за напојување со струја може да се исече или да се закачи и вашата рака или вашата дланка да бидат повлечени во приборот што се врти.

**л) Никогаш не оставајте го електро-алатот, додека тој не постигне состојба на комплетно мирување.** Електро-алатот што се врти може да дојде во контакт со површината, на која што се остава, а на тој начин можете да ја изгубите контролата над електро-алатот.

**м) Не оставајте го електро-алатот да работи додека го носите.** Вашата облека може да биде закачена преку случаен контакт со приборот што се врти, при што тој може да навлезе во вашето тело.

**н) Редовно чистете ги отворите за воздух на вашиот електро-алат.** Вентилаторот на моторот влече прашина во куќиштето, а значителното насобирање на метална прашина може да предизвика електрична опасност.

**о) Не го употребувајте електро-орудието во близина на запаливи материјали.** Искрите би можеле да ги запалат овие материјали.

**р) Не употребувајте орудия за примена, кои што изискуваат течни средства за ладење.** Употребата на вода или други течни средства за ладење може да доведат до електричен удар.

## Повратен удар и соодветни напомени за безбедност

Повратен удар е ненадејната реакција како последица на вртечкото орудие за примена кое што се заглавува или блокира, како плоча за стругање, тањир за стругање, жичана четка итн. Заглавувањето или блокирањето доведува до нагло стопирање на ротирачкото орудие за примена. Со тоа се забрзува неконтролирано електро-орудието наспроти правецот на вртење на орудие за примена на местото на блокирање.

Доколку, на пример, диск за брусење е заглавен или блокиран во материјалот, работ на дискот за брусење што навлегува во материјалот, може да се закачи и на тој начин да дојде до излегување на дискот или да се предизвика повратен удар. Во таков случај дискот за брусење се движи или кон операторот или настрана од него, зависно од насоката на вртење на дискот во точката на спојување. Притоа дисквите за брусење можат исто така и да се скршат.

Повратниот ефект е резултат на неправилна употреба на пилата и/или некоректни работни процедури или услови и може да биде избегнат со превземање на соодветни претпазливи постапки наведени подолу.

**а) Добро држете го електро-орудието и телото и рацете ставете ги во позиција, во која што би можеле да ја исконтролирате силината на повратните удари. Секогаш употребувајте ја дополнителната рачка, доколку има таква, за секогаш да ја имате најголемата возможна контрола над силите на повратните удари или реакционите моменти во случаите на високи свртувања.** Корисникот со соодветни безбедносни мерки може да ги совлада силите на повратните удари и реакционите сили.

**б) Вашите раце никогаш нека не дојдат во близина на вртечки орудја кои што се применуваат.** Во случај на повратен удар орудие то би можело да се придвижи преку Вашата дланка или рака.

**в) Со Вашето тело избегнувајте го подрачјето во кое што електро-орудието во случај на повратен удар ќе се движи.** Повратниот удар го тера електро-орудието во правец спротивен од движењето на плочата за стругање на местото на блокирање.

**д) Посебно внимателно работете во подрачјето на агли, остри канти итн. Спречете, орудие за употреба да се одбие од парчето кое што се работи или да се залави.** Ротирачкото орудие за употреба при агли, остри канти или кога се одбива, е склоно кон тоа да се заглавува. Тоа предизвикува губење на контролата или повратен удар.

**е) Не употребувајте ланци ниту забести дискови за сечење.** Таквите алати честопати предизвикуваат повратен удар или губење на контролата над електро-алатот.

#### **Специјални безбедносни упатства за шлафјување и шлафјување со делење**

**а) Употребувајте ги исклучително алатите за брусење што се одобрени за вашиот електро-алат како и заштитната капа што е предвидена за таквите алати за брусење.** Алати за брусење, коишто не се предвидени за електро-алатот, не можат да бидат доволно заштитени и се несигурни.

**б) Секогаш употребувајте го заштитниот капак.** Заштитниот капак мора да биде наместен и наштелуван на електро-алатот така, што ќе се постигне највисоко ниво на безбедност, тоа значи најмал дел од циркуларниот диск се појавува отворен кон корисникот. Заштитниот капак треба да го заштити корисникот од парчиња и од случаен контакт со телото за мазнење и сечење.

**в) Телата за брусење смеат да се употребуваат само за препорачаните можности за употреба.** На пример: никогаш не брусење со страничната површина од диск за делење. Дисковите за делење се наменети за отстранување на материјал со работ на дискот. Дејството на странична сила врз овие тела за брусење може да ги скрши истите.

**д) Секогаш употребувајте за дисковите за брусење што сте ги одбрале нештетени фланши за стегање, со исправна големина и форма.** Соодветните фланши го заштитуваат дискот за брусење и на тој начин ја намалуваат опасноста од кршење на дискот за брусење. Фланшите за дискови за делење можат да се разликуваат од фланшите за други дискови за брусење.

**е) Не употребувајте искористени дискови за брусење од поголеми електро-алати.** Дисковите за брусење за поголеми електро-алати не се погодни за повисоките броеви на вртежи кај помалите електро-алати и можат да се скршат.

#### **Други специјални безбедносни упатства за брусење со делење:**

**а) Избегнувајте блокирање на разделната плоча или премногу голем притисок на притиснување.** Не изведувајте предлобоки засеци. Преоптоварување на разделната плоча ја зголемува нејзината сопствена оптовареност и склоноста кон закантување или блокирање и со тоа ја зголемува можноста од повратен удар или пак кршење на делот за стругање.

**б) Избегнувајте го доменот пред и зад ротирачки диск за делење.** Доколку дискот за делење го движите во материјалот за обработка во насока подалеку од себе, во случај на повратен удар електро-алатот со дискот што се врти, може да се насочи директно кон вас.

**в) Доколку разделната плоча се заглави или Вие ја прекинете работата, исклучете го апаратот и држете го мирно, додека плочата сосема не застане. Никогаш немојте да се обидете, разделна плоча која што сè уште работи, да ја извлечете од засекот, затоа што во тој случај може да дојде до повратен удар.** Испитајте и поправете ја причината за заглавувањето.

**д) Никогаш не го вклучувајте повторно електро-алатот, додека се наоѓа во материјалот за обработка. Дозволете циркуларниот диск да го достигне својот целосен број на вртежи, пред внимателно да продолжите со сечењето.** Во спротивно дискот може да се заглави, да излезе од материјалот за обработка или да предизвика повратен удар.

**е) Потпрете плочи или големи делови за работа, за да го избегнете ризикот од повратен удар предизвикан од приклучена разделна плоча.** Големи делови за обработка можат да се превиткаат под својата сопствена тежина. Парчето за обработка мора да биде потпрено од двете страни и тоа како во близина на разделниот засек така и на кантот.

**ф) Бидете посебно внимателни кај таканаречени „чепести засеци, во постоечки ѕидови или други подрачја кај кои што не постои увид.** Разделната плоча која што навлегува, при сечење на водови на гас или вода, на струја или на други објекти, може да предизвика повратен удар.

#### **Специјални безбедносни упатства за мазнење со хартија за шмирглање:**

**а) Не употребувајте прекудимензионирани листови за мазнење. Следете ги податоците на производителот по однос на големината на листот за мазнење.** Листови за шмирглање што зјаат надвор од подготата за мазнење, можат да предизвикаат повреди како и блокирање, кинење на листовите или да доведат до повратен удар.

#### **Специјални безбедносни упатства во врска со работата со четките со жица:**

**а) Внимавајте на тоа, дека четката со жица во текот на вообичаената употреба губи парчињ од жицата. Не ги преоптоварувајте жиците со премногу голем притисок на допир.** Парчиња од жицата што се разлетуваат можат да навлезат низ тенка облека и/или во кожата.

**б) Доколку е препорачана заштитна капа, спречете да дојде до можност за допир помеѓу заштитната капа и четката со жица.** Кај четките со подножје и за четкање може да дојде до зголемување на нивниот дијаметар како резултат на притисокот при допир и на центрифугалните сили.



**Mak**

Уредите кои се користат на многу различни локации вклучувајќи и отворен простор мора да бидат поврзани за струја преку направата за поврзување (FI, RCD, PRCD).

Прашината и струготините не смеат да се одстрануваат додека е машината работи.

Вклучувањето на кабелот во струја се прави исклучиво машината е исклучена.

Никогаш не посегнувајте во зоната на опасната работна површина при вклучена машина.

Секогаш користете ја помошната рачка.

Во случај на значителни вибрации или појава на други неправилности веднаш исклучете ја машината со цел да ја најдете причината за нив.

Секогаш користете ги и чувајте ги глодачките дискови согласно препораките на производителот.

При глодање на метал, се создаваат летечки искри. Погрижете се луѓето да не бидат загрозувани. Поради ризик од пожар, запаливи матери не смеат да бидат лоцирани во близина (зона на искрење). Не користете издув за прав.

Треба да се поведе соодветна грижа за искрите или честичките од камена прашина кои летаат од обработуваното парче да не дојдат во контакт со вас.

При расцепување на камен мора да биде користена подлошка водилка!

Шрафот за штелување мора да биде затегнат пред да се почне со работа со машината.

Парчето кое се обработува мора да се прицврсти доколку не е доволно тешко за да биде стабилно. Никогаш не го насочувајте работното парче кон глодачкиот диск со рака.

При екстремни услови (пр: фино глодање метали со вретено или глодачко тркало со вулканизирани влакна), значително загадување може да се насобере однатре на аголната глодалка. Од безбедносни причини, во вакви услови, внатрешноста мора да биде комплетно исчистена од метални остатоци а прекинувачот на колото на моторот мора да биде сервиски поврзан. Доколку прекинувачот на колото на моторот ја расипе машината мора да биде пратена.

За алатите кои се наменати за опремување со шилесто тркало за дупчење, осигурете се дека жицата во тркалото е доволно долга за да ја прифати должината на вретеното.

За работи со делење употребувајте ја заштитната капа од програмата за прибор.

## СПЕЦИФИЦИРАНИ УСЛОВИ НА УПОТРЕБА

Аголната брусилка се употребува за делење и брусење со гребене (грубо гребене) на голем број материјали како на пример на метал или камен, како и за мазнење на подлоги за мазнење на пластика и за работа со четка со челична жица. Во секој случај почитувајте ги упатствата на производителите на приборот.

Не го користете овој производ на било кој друг начин освен пропишаниот за нормална употреба.

## ГЛАВНИ ВРСКИ

□ Да се спои само за една фаза АС коло и само на главниот напон наведен на плочката. Можно е исто така и поврзување на приклучок без заземјување доколку изведбата соодветствува на безбедност од 2 класа.

## ЕУ-ДЕКЛАРАЦИЈА ЗА СООБРАЗНОСТ

Ние во целосна одговорност изјавуваме дека овој производ е во сообразност со следните стандарди и стандардизирани документи. EN 60745, EN 55014-1, EN 55014-2, EN 61000-3-2, EN 61000-3-3, и е во согласност со прописите 2006/42/EC, 2004/108/EC



Winnenden, 2010-11-17

Rainer Kumpf  
Manager Product Development

Опномоштен за составување на техничката документација.

## ОДРЖУВАЊЕ

Вентилациските отвори на машината мора да бидат комплетно отворени постојано.

Не дозволувајте какви и да се метални делови да дојдат до отворите за вентилација-ризик од куршлус!

Користете само AEG додатоци и резервни делови. Доколку некои од компонентите кои не се опишани треба да бидат заменети, Ве молиме контактирајте ги сервисните агенти на AEG (консултирајте ја листата на адреси).

Доколку е потребно можно е да биде набавен детален приказ на алатот. Ве молиме наведете го бројот на артиклот како и типот на машина кој е отпечатен на етикетата и порачајте ја скицата кај локалниот застапник или директно кај: AEG Elektrowerkzeuge, Max-Eyth-Straße 10, D-71364 Winnenden, Germany.

## СИМБОЛИ



Ве молиме пред да ја стартувате машината обрнете внимание на упатствата за употреба.



**ВНИМАНИЕ! ПРЕДУПРЕДУВАЊЕ!** Опасност!



Секогаш при користење на машината носете ракавици.



Секогаш пред спроведување на каков и да е зафат врз машината исклучете го кабелот од приклучокот.



Дополнителна опрема - Не е вклучена во стандардната, а достапна е како додаток.



Не ги фрлајте електричните апарати заедно со другиот домашен отпад! Европска регулатива 2002/96/EC за одлагање на електрична и електронска опрема и се применува согласно националните закони. Електричните апарати кои го достигнале крајот на својот животен век мора да бидат одвоено собрани и вратени во соодветна рециклажна установа.

	WS 9-100	WS9-115	WS9-125
输入功率	900 W	900 W	900 W
额定转速	11000 min <sup>-1</sup>	11000 min <sup>-1</sup>	11000 min <sup>-1</sup>
磨片直径	100 mm	115 mm	125 mm
主轴螺纹	M 10	M 14	M 14
重量符合EPTA - Procedure01 / 2003	2,0 kg	2,0 kg	2,0 kg

噪音/振动信息

本测量值符合 EN 60 745 条文的规定。

器械的标准A-值噪音级为：

音压值 (K=3 dB(A))	90,5 dB(A)	90,5 dB(A)	90,5 dB(A)
音量值(K=3 dB(A))	101,5 dB(A)	101,5 dB(A)	101,5 dB(A)

请戴上护耳罩！

依欧盟EN 60745 标准确定的振荡总值（三方向矢量和）。

切割和粗磨: ah-振荡发射值	5,8 m/s <sup>2</sup>	5,8 m/s <sup>2</sup>	5,8 m/s <sup>2</sup>
K-不可靠性	1,5 m/s <sup>2</sup>	1,5 m/s <sup>2</sup>	1,5 m/s <sup>2</sup>
用塑料盘研磨: ah-振荡发射值	1,9 m/s <sup>2</sup>	1,9 m/s <sup>2</sup>	1,9 m/s <sup>2</sup>
K-不可靠性	1,5 m/s <sup>2</sup>	1,5 m/s <sup>2</sup>	1,5 m/s <sup>2</sup>

	WS 11-115	WS 11-125
输入功率	1100 W	1100 W
额定转速	11000 min <sup>-1</sup>	11000 min <sup>-1</sup>
磨片直径	115 mm	125 mm
主轴螺纹	M 14	M 14
重量符合EPTA - Procedure01 / 2003	2,3 kg	2,3 kg

噪音/振动信息

本测量值符合 EN 60 745 条文的规定。

器械的标准A-值噪音级为：

音压值 (K=3 dB(A))	90,5 dB(A)	90,5 dB(A)
音量值(K=3 dB(A))	101,5 dB(A)	101,5 dB(A)

请戴上护耳罩！

依欧盟EN 60745 标准确定的振荡总值（三方向矢量和）。

切割和粗磨: ah-振荡发射值	5,8 m/s <sup>2</sup>	5,8 m/s <sup>2</sup>
K-不可靠性	1,5 m/s <sup>2</sup>	1,5 m/s <sup>2</sup>
用塑料盘研磨: ah-振荡发射值	1,9 m/s <sup>2</sup>	1,9 m/s <sup>2</sup>
K-不可靠性	1,5 m/s <sup>2</sup>	1,5 m/s <sup>2</sup>

磨切，用钢丝刷研磨等其他工作可造成其他振动值！

注意

本规程列出的依欧盟EN 60745 标准一项标准测量方法测量的振荡级也可用于电动工具比较并适合于临时振荡负荷估计。

该振荡级代表电动工具的主要应用。电动工具的其他应用，不正确的工作工具或欠缺维护可造成振荡级偏差。此可明确提高总工作期间的振荡负荷。

正确地估计一定工作期间的振荡负荷也要考虑到工具关闭或接通而不使用的期间。此可明确减少总工作期间的振荡负荷。

为提高操作人员对振荡作用的保护得规定补充安全措施：电动工具及工作工具的维护，温手，工作过程组织等。



**注意！** 务必仔细阅读所有安全说明和安全指示（应注意阅读附上的小册子）。如未确实遵循警告提示和指示，可能导致电击、火灾并且/ 其他的严重伤害。妥善保存所有的警告提示和指示，以便日后查阅。

### 特殊安全指示

有关研磨、砂纸研磨、钢丝刷作业、抛光作业和切割作业的警告事项：

a) 本电动工具可以充当研磨机、电动金属丝刷和砂轮切割机。务必遵循所有与电动工具有关的警告提示、操作说明、描述和数据。如果忽视以下的指示，可能遭受电击，造成火灾甚至受重伤。

b) 本器械不适合抛光工作。将本电动工具用于不适合的目的可致人员重伤的风险。

c) 不可以使用未经制造厂商指定或推荐的附件。即使您能够将此类附件固定在机器上，仍然无法确保操作安全。

d) 所选用的磨具的许可转速，不可以低于电动工具的最高转速。机器的转速如果超出磨具的许可范围会损毁磨具，甚至磨具会从机器上飞开。

e) 工具的外直径与厚度必须能够配合电动工具的尺寸。使用了大小不合的工具，不仅防护罩无法正确地发挥保护功能，甚至会造成机器失控。

f) 砂轮、法兰、磨盘或其他附件必须与电动工具的砂轮轴完全吻合。如果磨具和电动工具的砂轮轴之间有隙隙，不仅磨具无法均匀旋转，转动时甚至会强烈震动，进而造成机器失控。

g) 不可以使用损坏的工具。使用前先详细检查工具，例如检查砂轮上是否有剥落和撕裂的痕迹，检视磨盘是否已经出现裂痕，或强烈磨损，检查钢丝刷上是否有鬆脱和断裂的钢丝。如果电动工具或工具掉落地面，务必检查机器、工具是否摔毁了，为了安全起见也可以选择其它的完好工具。检查并安装好工具之后，您本身以及您附近的人都必须远离转动中的工具。接著让电动工具以最高转速旋转一分钟。损坏的工具大多会在这段时间内断裂。

h) 穿戴好您个人的防护装备。根据用途选择合适的面具、眼镜或护目镜。视情况佩戴防尘面具、耳罩、防护手套或能够隔离细磨屑和金属碎片的特殊工作围裙。避免让操作机器时产生的飞动物体侵入眼睛。防尘面具或防毒面具必须能够过滤工作时产生的废尘。长期暴露在高噪音的环境中，听力可能受损。

i) 与工作无关的人必须和工地保持安全距离。进入工作范围的人都必须穿戴好防护装备。工件的碎片或断裂的工具也可能飞离机器的操作地点，进而伤害工作范围以外的人。

j) 切割工具会碰到隐藏电线或自己的电缆时，得将器械握住于其绝缘把手表面。切割工具接触到通电电线可将电压加到器械的金属部分并造成电击。

k) 机器的电源线必须远离自转中的工具。如果一时无法掌控机器，电源线可能被割断或卷入机器中，而您的手或手臂也可能被转动中的工具割伤。

l) 在工具尚未完全静止之前，千万不可以放下电动工具。处于自转状态的工具如果接触工作桌面，会产生机器失控的情况。

m) 携带电动工具时，切勿开动机器。您的衣服或頭髮可能因为一时疏忽而被卷入自转的工具中，甚至工具会割伤您的身体。

n) 定期清洁电动工具的通风孔。发动机会将灰尘吸入机壳中，机器中如果堆积了大量的金属尘容易造成触电。

o) 在有可燃材料的附近，请不要使用电动工具。否则电火花会导致可燃材料着火。

p) 不要使用需要液体冷却剂冷却的嵌装工具。使用冷却水或者其他液体冷却剂会导致发生操作者遭受电击的危险。

### 反冲和相应的安全说明

反冲是指转动着的嵌装工具例如砂轮、磨削砂轮和金属丝刷子发生卡住或者受阻时的骤然反应。卡住或者受阻会导致转动的嵌装工具突然停止。由此，未受控制的电动工具会逆着嵌装工具的转动方向而以阻滞点为轴心发生转动。

如果砂轮在工件中被卡住或堵住了，陷在工件中的砂轮缘会被绊住，並造成砂轮断裂或产生回击。此时砂轮可能会朝着操作者移动，或飞离操作者，砂轮的移动方向是由砂轮在被阻挡处的转向决定。另外砂轮也可能因而断裂。

使用错误或操作不当，都会导致圆锯反弹，为了避免上述情况，请确实遵循以下各安全措施。

a) 工作时要握紧电动工具，身体和手臂的姿势要可以对抗可能会发生的反冲力。如果电动工具带有附加手柄，则要通过附加手柄，这样可以最大程度地对抗反冲力或者电动工具启动过程中的反作用力矩。通过适当的防护措施，操作者可以有效地控制反冲力和反作用力。

b) 决不要将手部伸到转动着的嵌装工具的附近区域。否则，嵌装工具在发生反冲时有导致手部受伤的危險。

c) 身体的各个部位要避免电动工具发生反冲时的活动区域。反冲力使电动工具逆着砂轮的转动方向而以阻滞点为中心转动。

d) 在拐角、尖锐的棱边等区域要尤其小心。要防止嵌装工具从工件反弹或者发生卡住。在拐角、尖锐的棱边等区域或者从工件反弹时，转动的嵌装工具有被卡住的危險。这会导致对工具的失控或者使工具发生反冲。

e) 不可以使用链锯或齿状锯片。使用此类工具容易造成回击，也容易发生机器失控的情况。

### 针对研磨和切割的特殊警告事项

a) 只能使用电动工具的专用磨具，以及能够配合磨具的防护罩。防护罩无法正确地覆盖非本电动工具专用的磨具，因此容易产生工作意外。

b) 务必经常使用切割砂轮专用的防护罩。防护罩要正确地安装在电动工具上。适度调整防护罩以便发挥它最大的安全功能。换言之，朝向操作者的磨具部位必须尽可能被防护罩覆盖住。防护罩必须能够保护操作者免受碎片割伤，以及预防操作者不小心碰触磨具。

c) 务必依照规定使用磨具。例如：不可以使用切割片的侧缘研磨。切割片主要是利用刀片的边缘切除材料。如果在此类磨具的侧面过度加压，会导致磨具破裂。

d) 只能使用完好的紧固法兰。并根据砂轮的尺寸选择大小正确和形状合适的法兰。合适的法兰能够正确支撑砂轮，並减低砂轮破裂的可能性。切割片的专用法兰，不同於其它砂轮的法兰。

e) 不可以使用大型电动工具的老旧砂轮。大型电动工具的砂轮不适用于小型电动工具的高速档，此时可能造成砂轮断裂。



## 与切割有关的其它特殊警告事项

- a) 要防止切割片受到阻滞，切割片的接触压力不要太高。切割的深度不要太大。切割片承受的负荷太大时，其发生卡住或者阻滞的可能性也就越大，因此发生反冲或者破碎的可能性也越大。
- b) 远离转动中切割片的前、后区域。向前推动切入工件中的切割片时，电动工具可能因为突然发生的回击反应，连同转动中的切割片一起弹向操作者。
- c) 如果切割片被卡住，或者想中断工作，则可以在将器械关机之后平稳地握住电动工具，直到切割片完全停止。在切割片还在转动时，决不要将电动工具向外移动，否则有发生反冲的危险。要查找并排除发生卡住的原因。
- d) 如果切割砂轮仍然插在工件中，则勿开动电动工具。等切割砂轮的转速上升到正常标准后，再小心地进行未完成的锯割工作。否则切割砂轮可能被夹在工件中，也可能从工件中弹出或者会造成回击。
- e) 为了降低切割片被卡住时发生反冲的风险，对板材或者较大的工件要予以支撑。工件较大时，工件会由于自身的重量而弯曲。对工件要从两侧支撑，包括在切割线附件的支撑和在工件接边的支撑。
- f) 在墙壁或者其他不宜看清的场所进行袋状切割时要尤其小心。切割片在切割时可能会碰到煤气管道或者水管造成管道损坏，或者由于碰到其他物体而发生反冲。

## 有关砂纸打磨的特殊警告事项

- a) 不可以使用过大的砂磨纸。请按照机器制造商提供的尺寸，选购合适的砂磨纸。砂磨纸如果突出磨盘之外可能引起伤害或堵住磨盘。而且过大的砂磨纸容易被扯破甚至还会造成机器回击。

## 使用钢丝刷作业时的特殊注意事项

- a) 注意，钢丝刷上的钢丝在一般的操作情况下也会掉落。如果用力推压钢丝刷会无谓地加重钢丝的负荷。掉落的钢丝容易刺穿薄的衣物或皮肤。
- b) 使用防护罩时，必须防止防护罩接触钢丝刷。操作机器时的推压力量以及离心力都会加大轮刷和杯刷的直径。

户外插座必须连接剩余电流防护开关。这是使用电器用品的基本规定。使用本公司机器时，务必遵守这项规定（FI, RCD, PRCD）。

如果机器仍在运转，切勿清除其上的木屑或金属碎片。

确定机器已经关闭了才可以插上插头。

请与运转中的机器保持安全距离。

务必使用辅助把手。

如果机器强烈震动或出现其它毛病，必须马上关闭机器。详细检查机器以找出故障的原因。

根据磨盘制造商提供的指示操作，储藏磨盘。

研磨金属时会产生火花。勿让喷溅的火花伤害旁观者。为了预防火灾，工作范围内（火花的喷溅范围内）不可堆放易燃物品。不可以使用吸尘装置。

握持机器时请注意，勿让火花或研磨屑喷到身上。

分割石材时务必使用导引条。

使用机器之前必须先收紧法兰螺母。

如果工件无法靠本身的重量站稳，则必须使用固定装置

夹紧工件。割锯时切勿用手握持工件。

在某些极端的使用状况下（例如用支撑磨盘和纤维板磨盘研磨金属表面），会在角磨机的内部囤积大量污垢。基于安全的理由，必须彻底清除机器内部的金属堆积物，并且要在机器上连接剩余电流（FI）防护开关。如果剩余电流防护开关发出警告讯号，要尽快把机器交给合格修理厂修理。

使用有螺纹安装孔的磨盘时必须注意，安装孔上螺纹的长度必须能够配合主轴的长度。

切割工作时，得关闭防护罩（含附件目录中）。

## 正确地使用机器

角磨机用于切割和粗磨金属、石块等各种材料，并可用塑料盘研磨及用钢丝刷工作。有疑义时，请留意于附件制造者的注意事项。角磨机用于切割和粗磨金属、石块等各种材料，并可用塑料盘研磨及用钢丝刷工作。有疑义时，请留意于附件制造者的注意事项。

请依照本说明书的指示使用此机器。

## 电源插头

只能连接单相交流电，只能连接机器铭牌上规定的电压。本机器也可以连接在没有接地装置的插座上，因为本机器的结构符合第II级绝缘。

## 维修

机器的通气孔必须随时保持清洁。

不可以让金属碎片掉入通风孔中，可能导致短路。

只能使用 AEG 的配件和零件。缺少检修说明的机件如果损坏了，必须交给 AEG 的顾客服务中心更换（参考手册“保证书/顾客服务中心地址”）。

如果需要机器的分解图，可以向您的顾客服务中心或直接向 AEG Elektrowerzeuge, Max-Eyth-Straße 10, D-71364 Winnenden, Germany。零件时必须提供以下资料：机型和机器铭牌上的十位数码码。

## 符号



使用本机器之前请详细阅读使用说明书。



注意！危险！



操作机器时务必佩戴护目镜。



在机器上进行任何修护工作之前，务必从插座上拔出插头。



配件 - 不包含在供货范围中。请另外从配件目录选购。



不可以把损坏的电动工具丢弃在家庭垃圾中！根据被欧盟各国引用的有关旧电子机器的欧洲法规 2002/96/EC，必须另外收集旧电子机器，并以符合环保规定的方式回收再利用。



# AEG

# POWERTOOLS

[www.aeg-pt.com](http://www.aeg-pt.com)

(11.10)  
4931 4250 05



057



ME77



AEG Elektrowerkzeuge  
Max-Eyth-Straße 10  
D-71364 Winnenden  
Germany

## **ОФИЦИАЛЬНЫЙ ДИЛЕР В УКРАИНЕ:**

[storgom.ua](https://storgom.ua)

### **ГРАФИК РАБОТЫ:**

Пн. – Пт.: с 8:30 по 18:30

Сб.: с 09:00 по 16:00

Вс.: с 10:00 по 16:00

### **КОНТАКТЫ:**

+38 (044) 360-46-77

+38 (066) 77-395-77

+38 (097) 77-236-77

+38 (093) 360-46-77

Детальное описание товара:

<https://storgom.ua/product/uglovaia-shlifovalnaia-mashina-aeg-ws-9-125.html>

Другие товары: <https://storgom.ua/setevye-bolgarki.html>