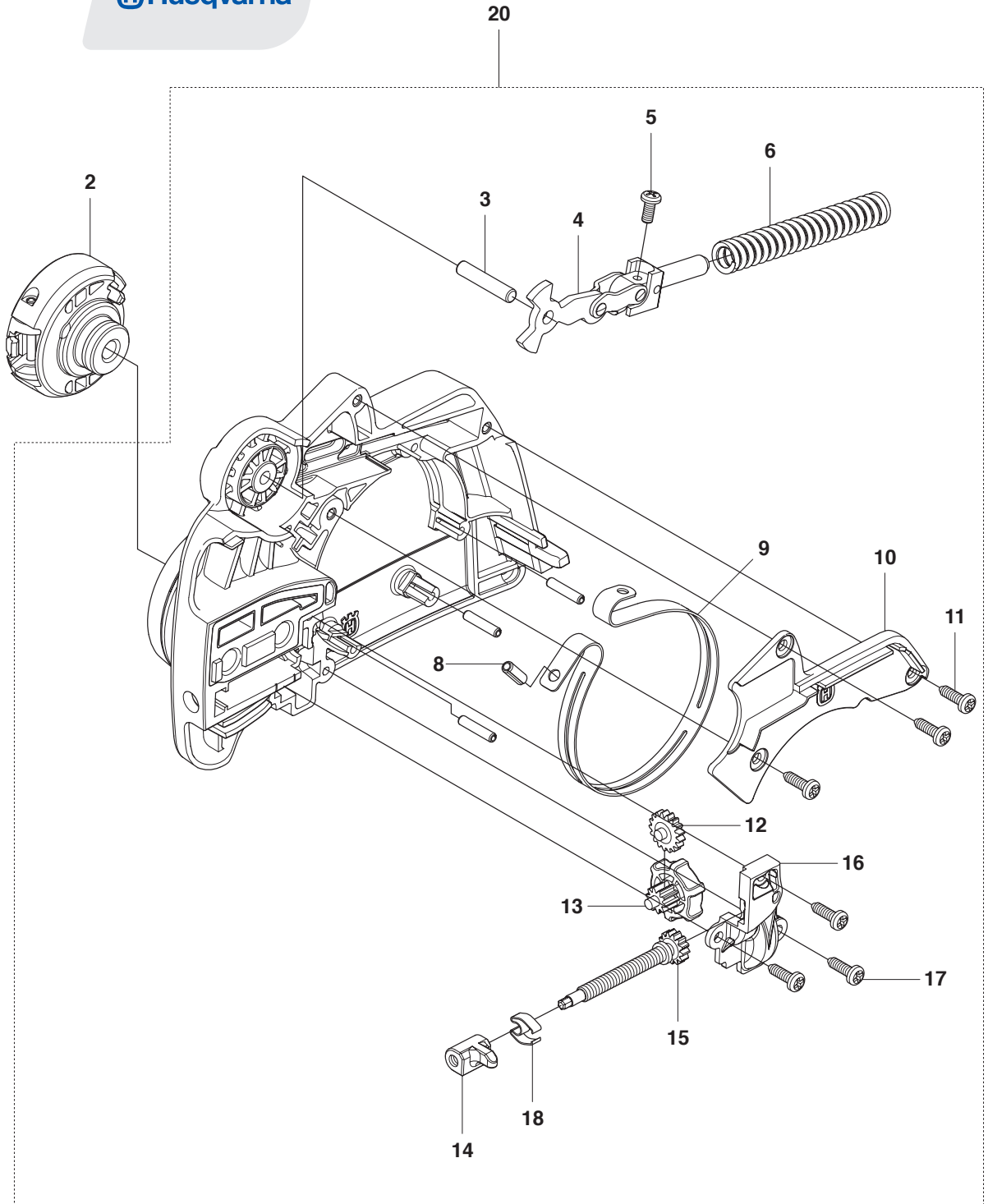
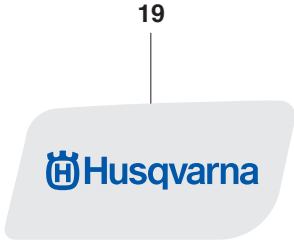


# 230, 235, 235e 240, 240e

**Spare parts  
Ersatzteile  
Pièces détachées  
Reserve onderdelen  
Repuestos  
Reservdelar**

**A** 235e, 240e

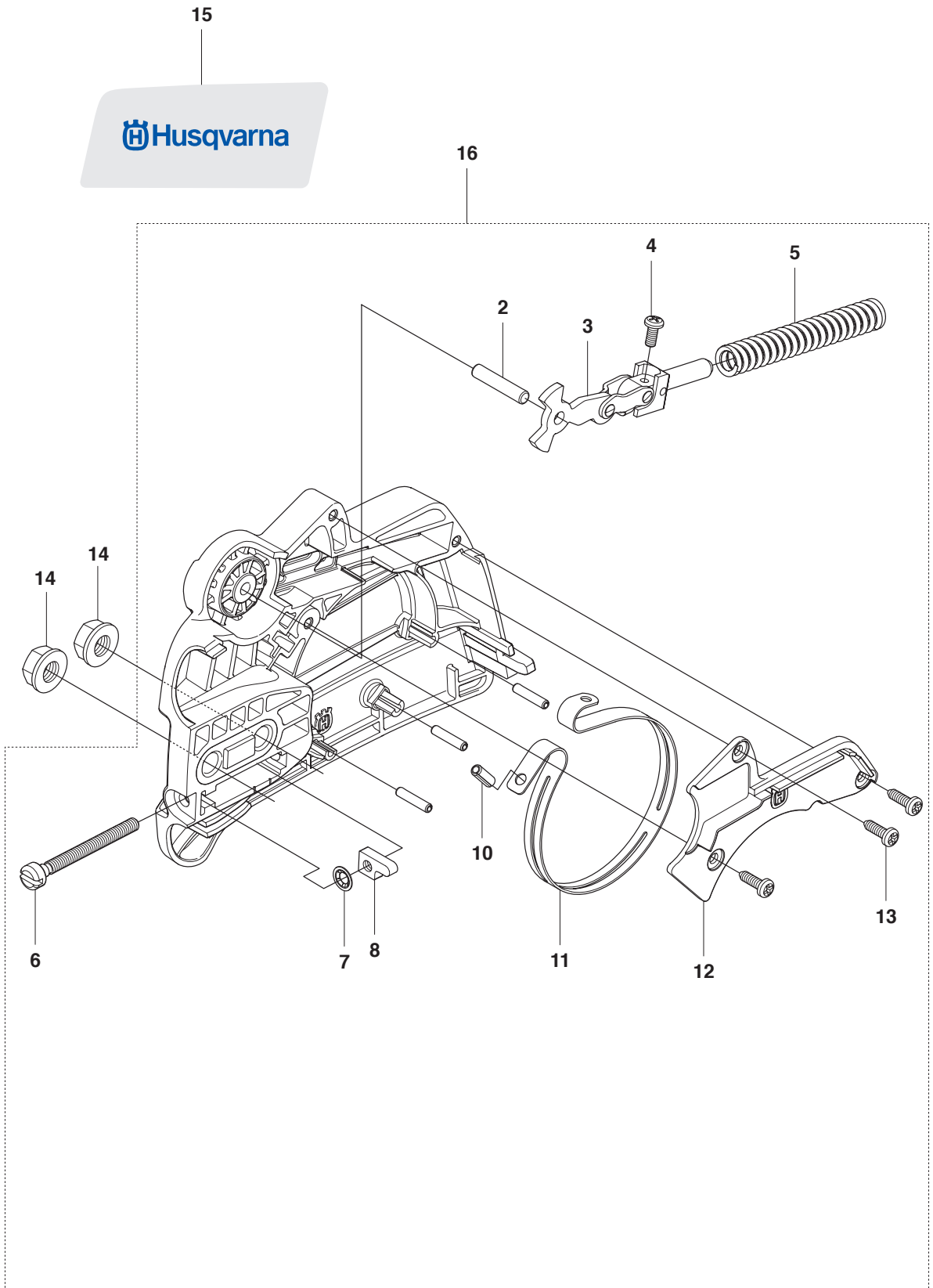


CHAIN BRAKE ASSY 545 071101

| Position | Article    | Quantity | Description               | Kit |
|----------|------------|----------|---------------------------|-----|
|          |            |          |                           |     |
| 2        | 545-146401 | 1        | ASSEMBLY KNOB EZT         |     |
| 3        | 530-057950 | 1        | PIN, DOWEL                | 20  |
| 4        | 530-057940 | 1        | ASSY, FRONT LINK          | 20  |
| 5        | 530-015911 | 1        | M3.83 X 1.81 X 9 PLASTITE | 20  |
| 6        | 530-016415 | 1        | SPRING COMPRESSION        | 20  |
|          |            |          |                           |     |
| 8        | 530-015913 | 1        | PIN, BAND RETAINER        | 20  |
| 9        | 530-057923 | 1        | BRAKE BAND                | 20  |
| 10       | 545-071001 | 1        | COVER, BRAKE BAND         | 20  |
| 11       | 530-016064 | 3        | SCP#6-19 X .437 .PL. PAN. | 20  |
| 12       | 545-060201 | 1        | GEAR, IDLER               | 20  |
| 13       | 545-090502 | 1        | WHEEL, GEAR ADJUSTER      | 20  |
| 14       | 545-060501 | 1        | PIN, BAR ADJUSTING        | 20  |
| 15       | 545-065901 | 1        | ASSY ADJUSTER SCREW       | 20  |
| 16       | 545-059201 | 1        | COVER, GEAR               | 20  |
| 17       | 530-016064 | 3        | SCP#6-19 X .437 .PL. PAN. | 20  |
| 18       | 545-149301 | 1        | CLIP, EZT SPRING          | 20  |
| 19       | 545-118601 | 1        | DECAL, EZT CLUTCH COVER   |     |
| 20       | 545-071101 | 1        | CHAIN BRAKE ASSEMBLY      |     |

**B** 230, 235, 240

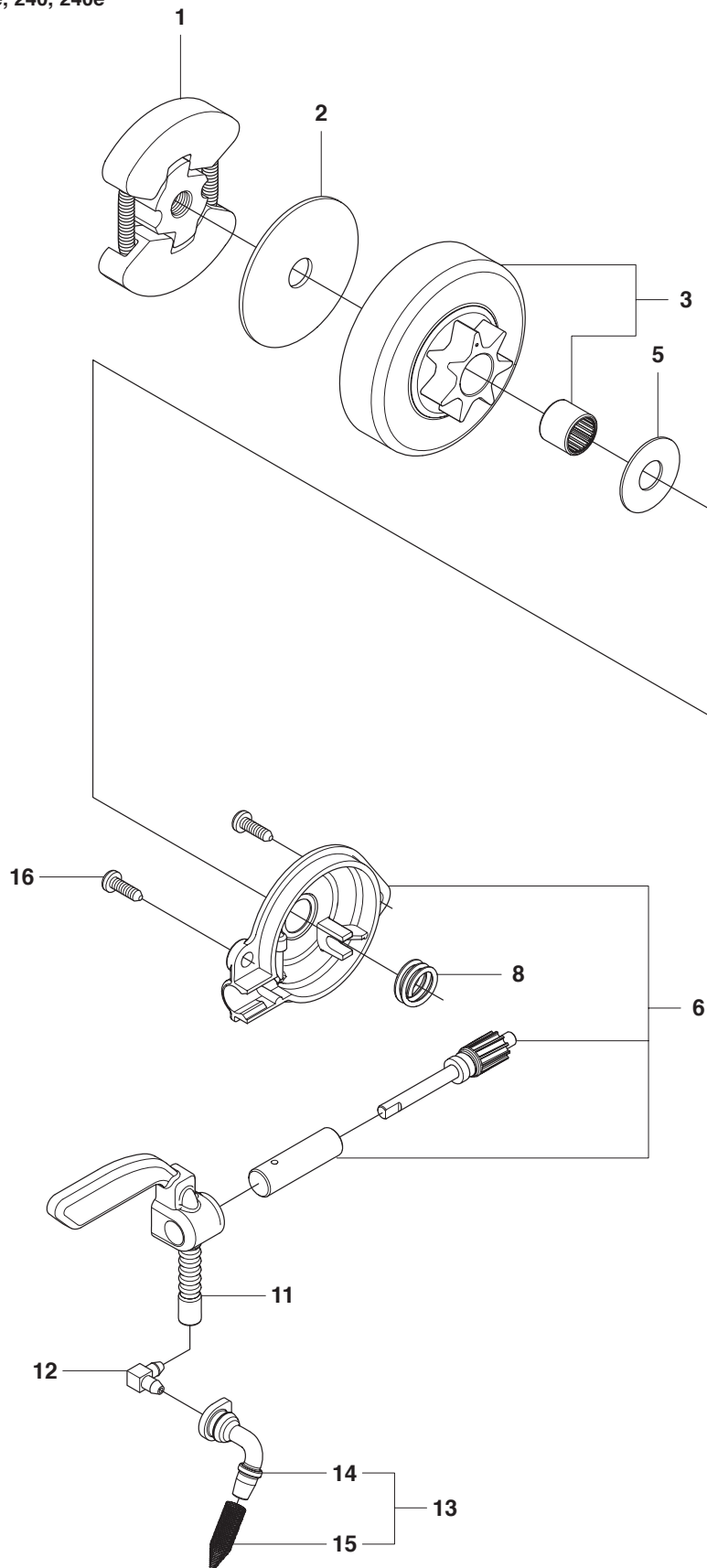
 Husqvarna



CHAIN BRAKE ASSY 545 07 11-03

| Position | Article    | Quantity | Description               | Kit |
|----------|------------|----------|---------------------------|-----|
| 2        | 530-057950 | 1        | PIN, DOWEL                | 16  |
| 3        | 530-057940 | 1        | ASSY, FRONT LINK          | 16  |
| 4        | 530-015911 | 1        | M3.83 X 1.81 X 9 PLASTITE | 16  |
| 5        | 530-016415 | 1        | SPRING COMPRESSION        | 16  |
| 6        | 530-016110 | 1        | SCREW BAR ADJUSTING       | 16  |
| 7        | 530-038593 | 1        | RETAINER PUSH NUT         | 16  |
| 8        | 530-015826 | 1        | PIN BAR ADJUST            | 16  |
|          |            |          |                           |     |
| 10       | 530-015913 | 1        | PIN, BAND RETAINER        | 16  |
| 11       | 530-057923 | 1        | BRAKE BAND                | 16  |
| 12       | 545-071001 | 1        | COVER, BRAKE BAND         | 16  |
| 13       | 530-016064 | 3        | SCP#6-19 X .437 .PL. PAN. | 16  |
| 14       | 530015917  | 2        | NUT, BAR MTG              |     |
| 15       | 545-118701 | 1        | DECAL                     |     |
| 16       | 545-071103 | 1        | CHAIN BRAKE ASS'Y FRT ADJ |     |

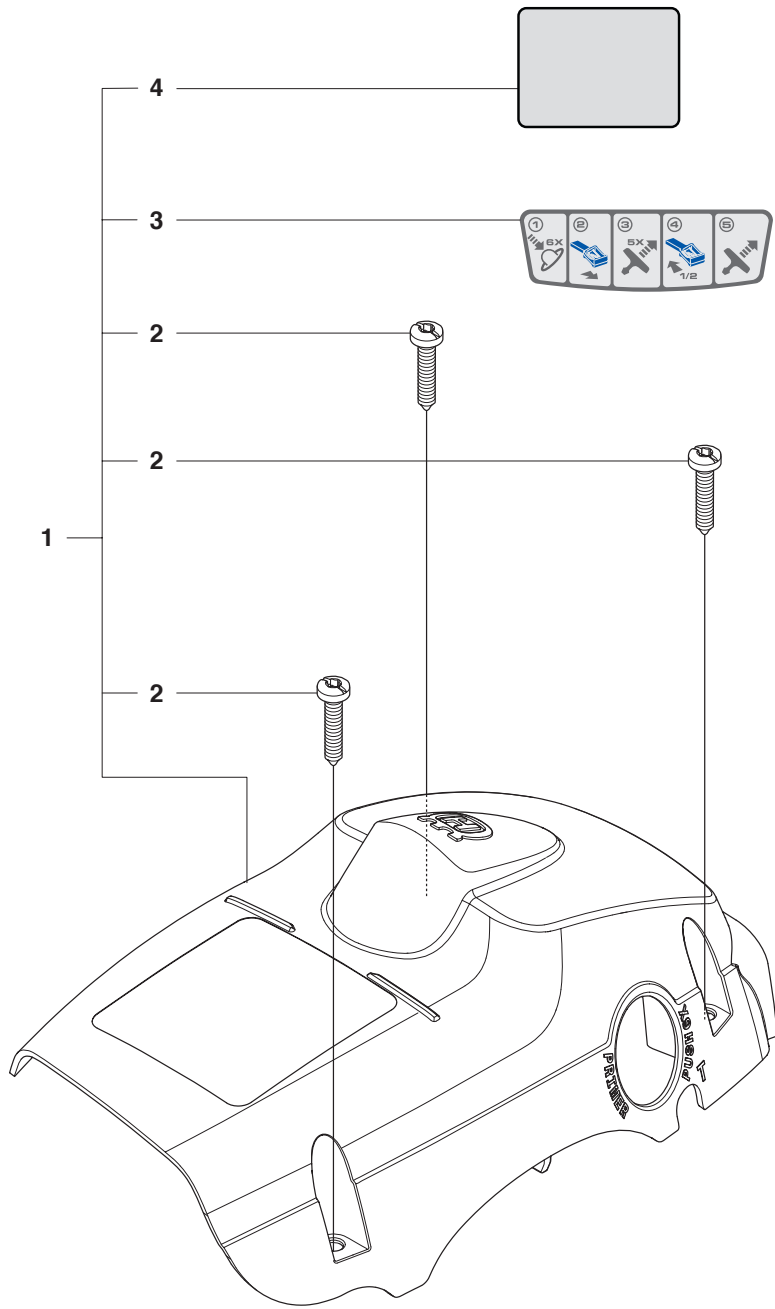
**C** 230, 235, 235e, 240, 240e



CLUTCH AND OIL PUMP

| Position | Article    | Quantity | Description               | Kit |
|----------|------------|----------|---------------------------|-----|
| 1        | 530-014949 | 1        | ASSY- CLUTCH              |     |
| 2        | 530-015611 | 1        | WASHER, CLUTCH (LARGE)    |     |
| 3        | 530-047061 | 1        | 3/8-6 TOOTH DRUM ASEMBLY  |     |
| 3        | 530-048132 | 1        | .325-7 TOOTH DRUM ASEMBLY |     |
|          |            |          |                           |     |
| 5        | 530-015907 | 1        | WASHER, THRUST            |     |
| 6        | 545-069301 | 1        | ASSEMBLY OIL PUMP         |     |
|          |            |          |                           |     |
| 8        | 530-037820 | 1        | GEAR- WORM                |     |
|          |            |          |                           |     |
| 11       | 545-227501 | 1        | OIL BLOCK                 |     |
| 12       | 530-049477 | 1        | ELBOW FITTING             |     |
| 13       | 545-069501 | 1        | PICK UP ASSEMBLY OIL TANK |     |
| 14       | 545-069401 | 1        | PICK-UP SEAL              | 13  |
| 15       | 530-056533 | 1        | SPRING, FILTER            | 13  |
| 16       | 530-016064 | 2        | SCP#6-19 X .437 .PL. PAN. |     |

**D** 230, 235, 235e, 240, 240e





**Page D 230**  
**235/235e**  
**240/240e**

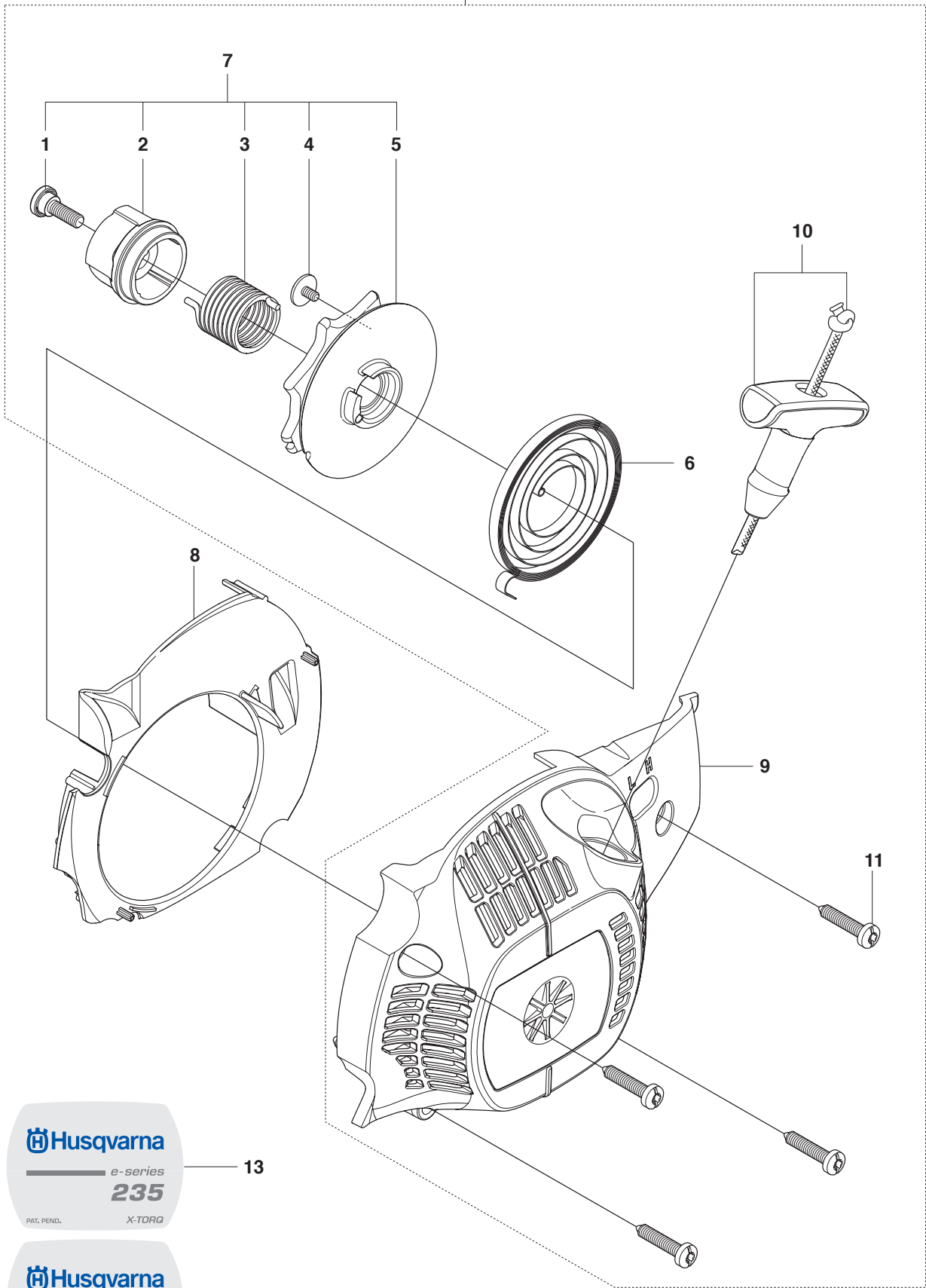
**COVER**

| <b>Position</b> | <b>Article</b> | <b>Quantity</b> | <b>Description</b>          | <b>Kit</b> |
|-----------------|----------------|-----------------|-----------------------------|------------|
| 1               | 545-180804     | 1               | KIT CYLINDER SHIELD         |            |
| 2               | 545-070001     | 3               | SCREW, CYLINDER SHIELD      | 1          |
| 3               | 545-116502     | 1               | DECAL, STARTING INSTRUCTION | 1          |
| 4               | 545-165957     | 1               | GLOBAL WARNING DECAL        | 1          |

**E1**

235e, 240e

12



**Husqvarna**

e-series

**235**

PAT. PEND.

X-TORQ

13

**Husqvarna**

e-series

**240**

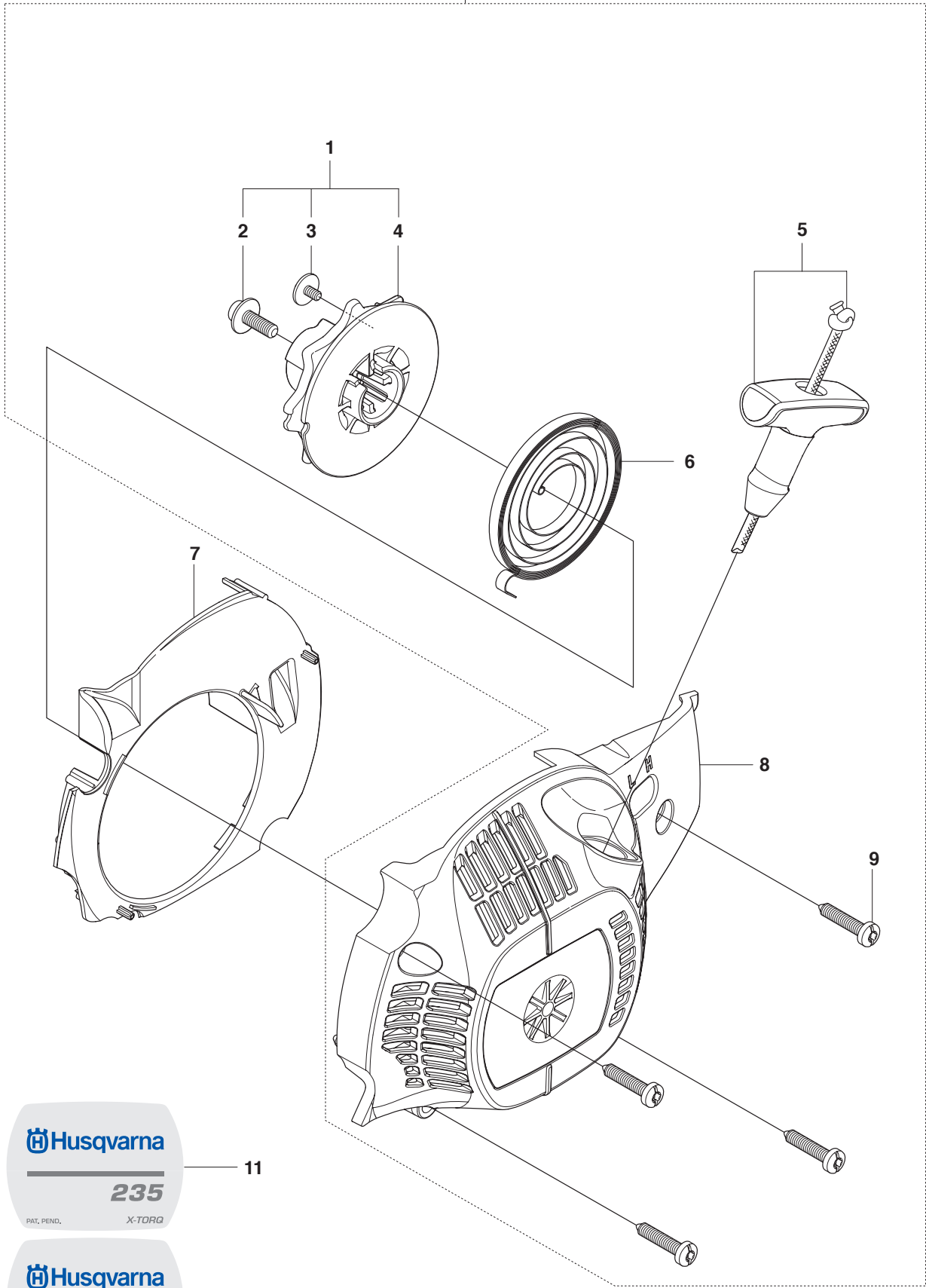
PAT. PEND.

X-TORQ

14

EPS STARTER

| Position | Article    | Quantity | Description                 | Kit  |
|----------|------------|----------|-----------------------------|------|
| 1        | 530-021179 | 1        | SCREW SHOULDER              | 7,12 |
| 2        | 530-059677 | 1        | STARTER HUB EPS             | 7,12 |
| 3        | 530-021180 | 1        | SPRING EPS                  | 7,12 |
| 4        | 530-016080 | 1        | SCREW, ROPE RETAINER        | 7,12 |
| 5        | 545-058201 | 1        | PULLEY- STARTER EPS         | 7,12 |
| 6        | 530-042095 | 1        | SPRING- RECOIL              | 12   |
| 7        | 530-071966 | 1        | KIT, EPS STARTER 235e/240e  | 12   |
| 8        | 545-063801 | 1        | BAFFLE                      |      |
| 9        | 545-063701 | 1        | FAN HOUSING                 | 12   |
| 10       | 545-010010 | 1        | HANDLE & ROPE assy          | 12   |
| 11       | 530-016432 | 4        | SCREW, FAN HOUSING          | 12   |
| 12       | 545-008024 | 1        | KIT, COMPLETE EPS 235e/240e |      |
| 13       | 545-118502 | 1        | DECAL 235e                  |      |
| 14       | 545-118501 | 1        | DECAL 240e                  |      |



11

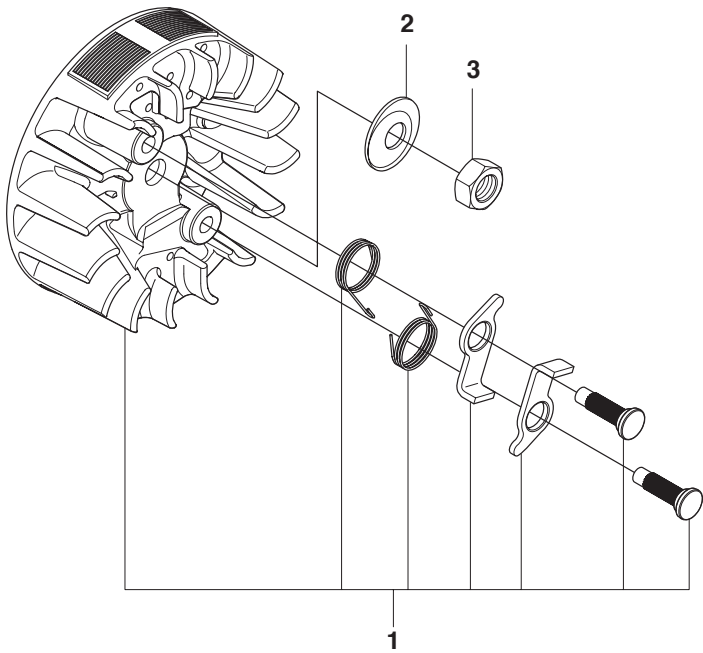
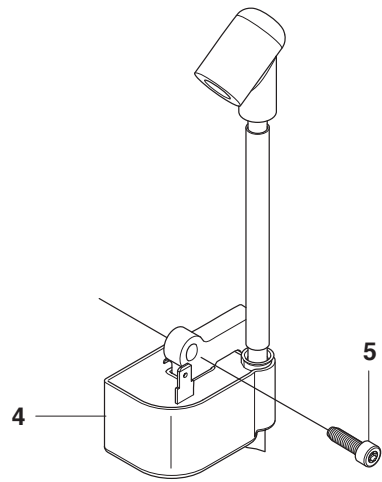
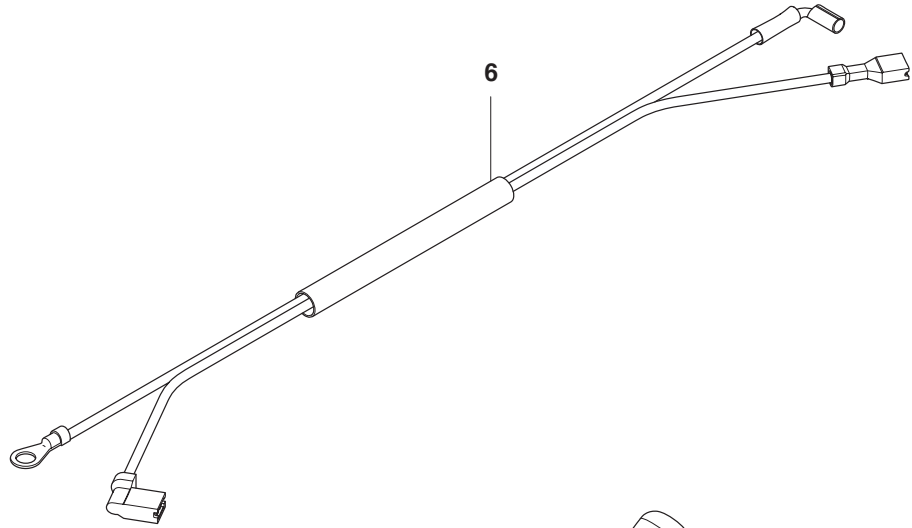


12

**STANDARD STARTER**

| <b>Position</b> | <b>Article</b> | <b>Quantity</b> | <b>Description</b>       | <b>Kit</b> |
|-----------------|----------------|-----------------|--------------------------|------------|
| 1               | 545-008028     | 1               | KIT, STD STARTER 235,240 |            |
| 2               | 530-015920     | 1               | SCREW SHOULDER           | 1,10       |
| 3               | 530-016080     | 1               | SCREW, ROPE RETAINER     | 1,10       |
| 4               | 530-057890     | 1               | PULLEY- STARTER STANDARD | 1,10       |
| 5               | 545-010010     | 1               | HANDLE & ROPE ASSY       | 10         |
| 6               | 530-042095     | 1               | SPRING- RECOIL           | 10         |
| 7               | 545-063801     | 1               | BAFFLE                   |            |
| 8               | 545-063701     | 1               | FAN HOUSING              | 10         |
| 9               | 530-016432     | 4               | SCREW, FAN HOUSING       | 10         |
| 10              | 545-008025     | 1               | KIT COMPLETE 235/240     |            |
| 11              | 545-118503     | 1               | DECAL 235                |            |
| 12              | 545-165947     | 1               | DECAL 240                |            |

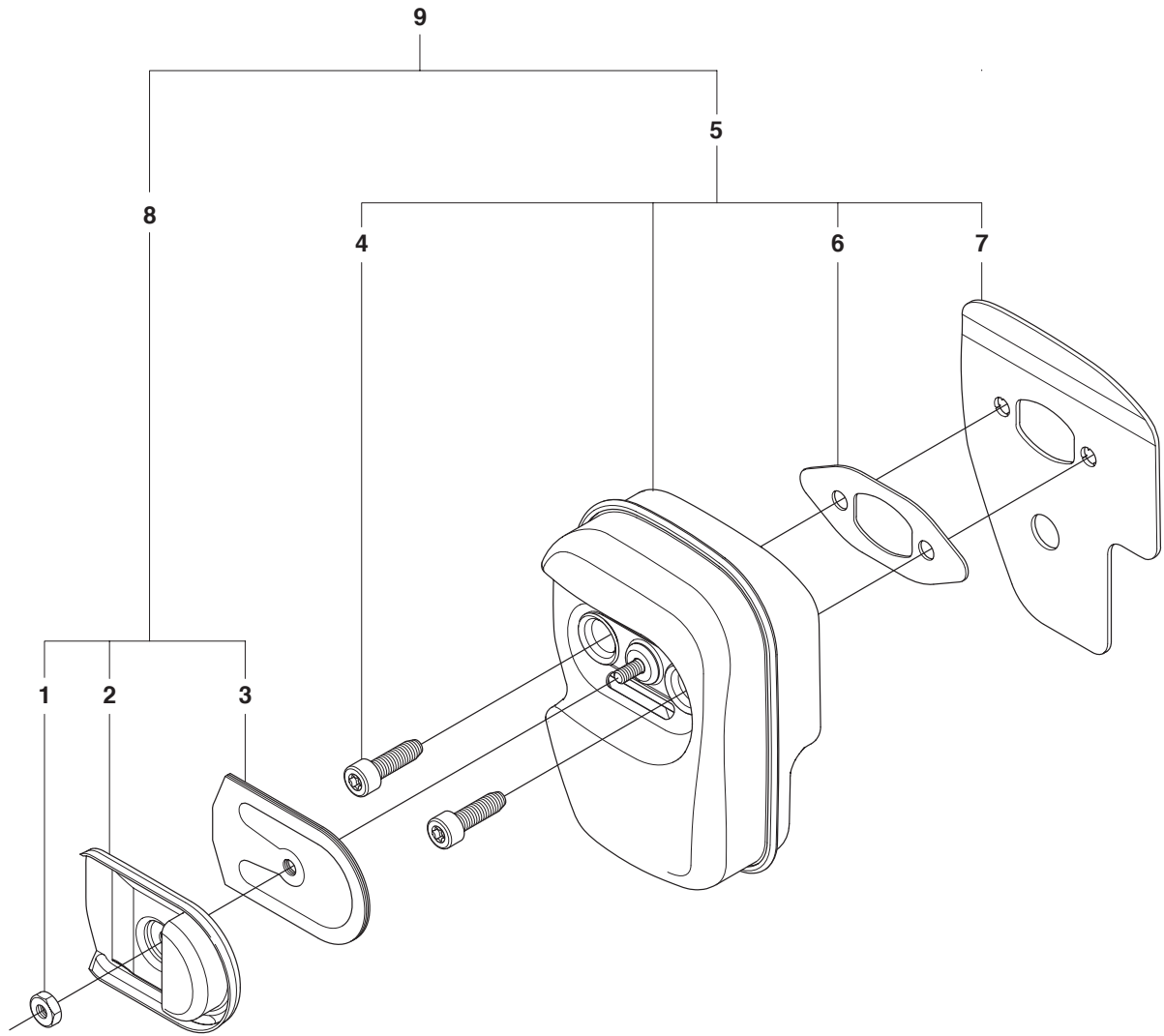
**F** 230, 235, 235e, 240, 240e



IGNITION SYSTEM

| Position | Article    | Quantity | Description        | Kit |
|----------|------------|----------|--------------------|-----|
| 1        | 530-039147 | 1        | FLYWHEEL ASSY      |     |
| 2        | 530-015127 | 1        | WASHER, FLYWHEEL   |     |
| 3        | 530-016134 | 1        | NUT, FLYWHEEL      |     |
| 4        | 530-039143 | 1        | MODULE- IGNITION   |     |
| 5        | 545-121901 | 2        | SCREW, IGN MODULE  |     |
| 6        | 545-079901 | 1        | ASSY- WIRE HARNESS |     |

**G** 230, 235, 235e, 240, 240e

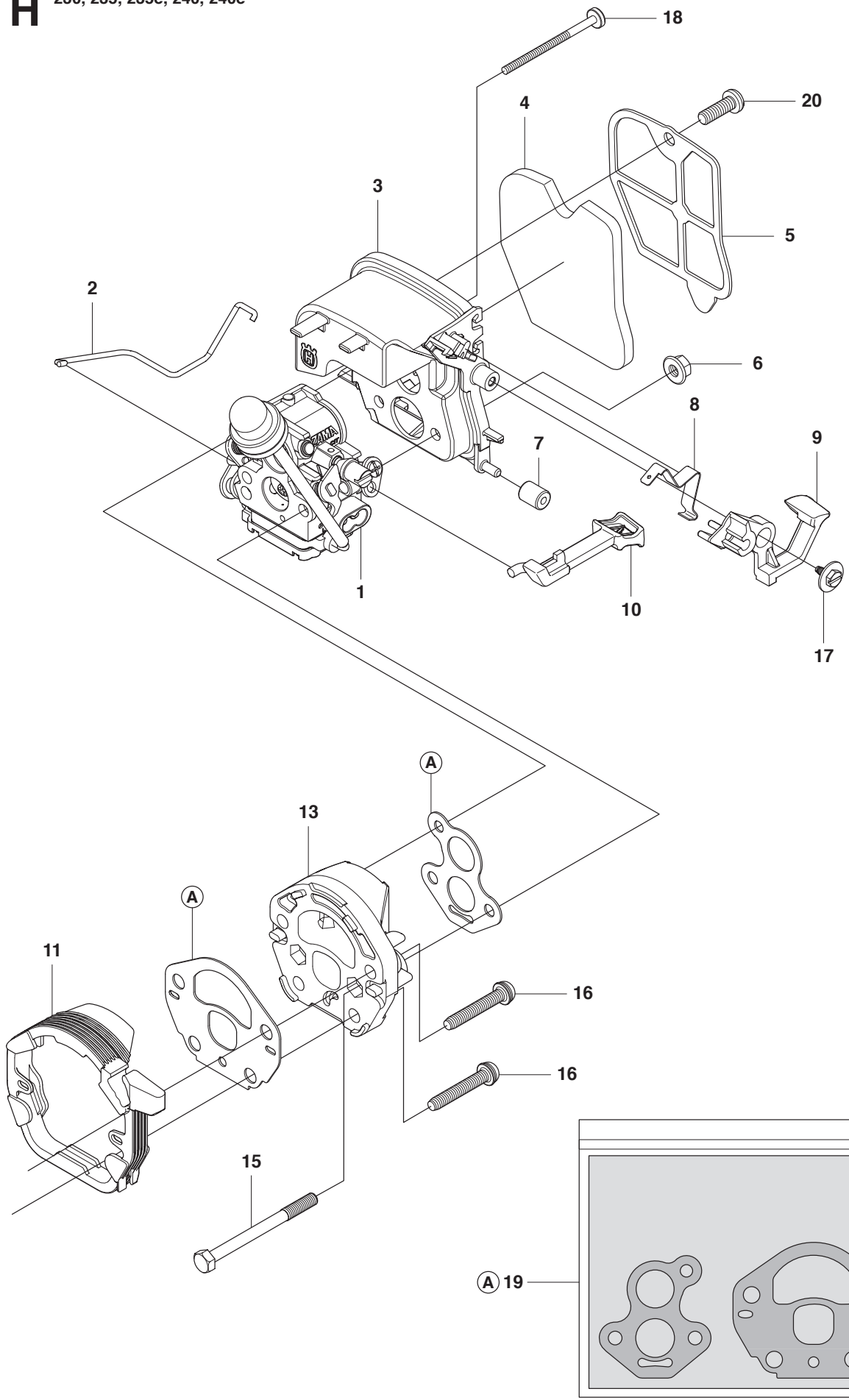




MUFFLER

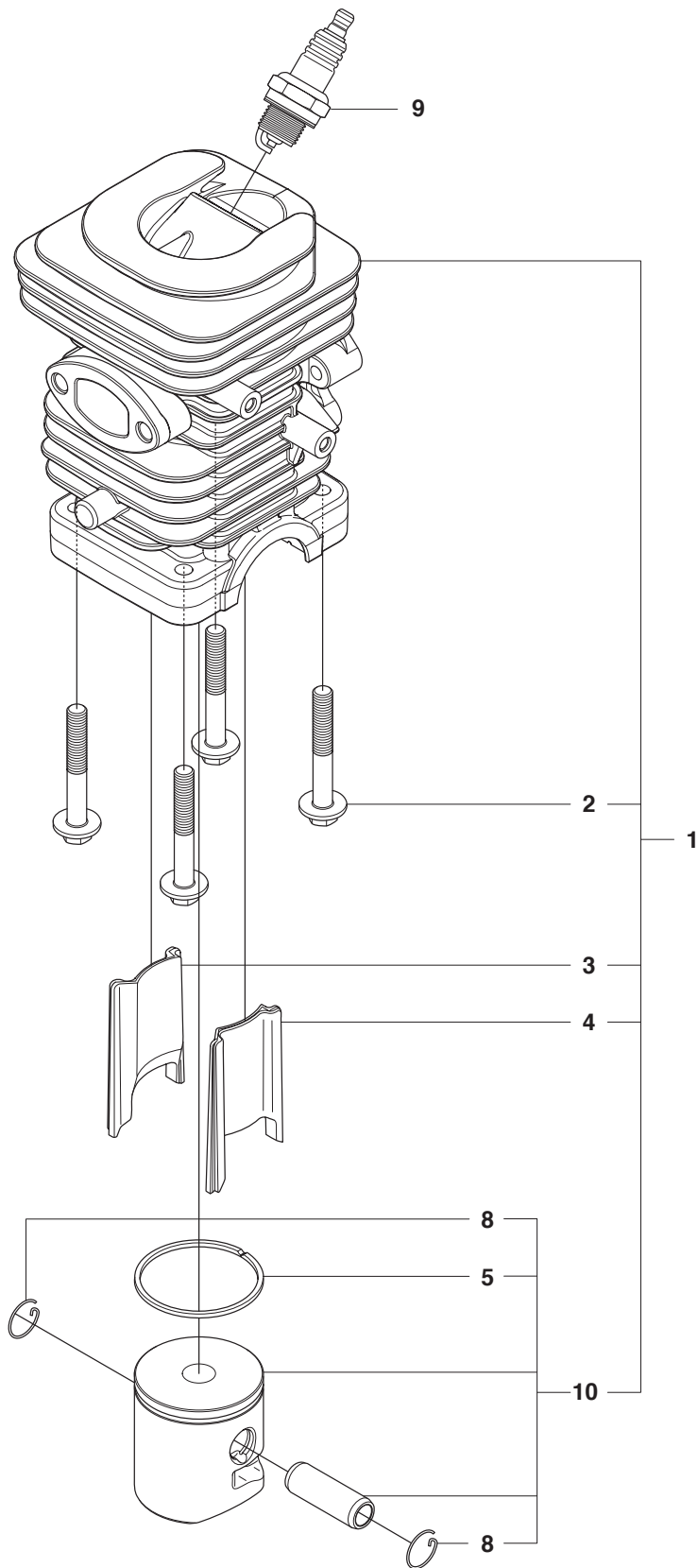
| Position | Article    | Quantity | Description             | Kit |
|----------|------------|----------|-------------------------|-----|
| 1        | 530-016359 | 1        | NUT, #10-24 BRASS       | 8,9 |
| 2        | 545-076901 | 1        | EXHAUST PLATE           | 8,9 |
| 3        | 545-167401 | 1        | SCREEN-ARRESTOR, GASKET | 8,9 |
| 4        | 530-016338 | 2        | MUFFLER BOLT            | 5,9 |
| 5        | 545-032701 | 1        | MUFFLER ASSEMBLY        | 9   |
| 6        | 530-054884 | 1        | MUFFLER GASKET          | 5,9 |
| 7        | 545-066901 | 1        | MUFFLER BACK PLATE      | 5,9 |
| 8        | 545-008027 | 1        | KIT SPART ARRESTOR      | 9   |
| 9        | 545-180843 | 1        | KIT MUFFLER COMPLETE    |     |

**H** 230, 235, 235e, 240, 240e



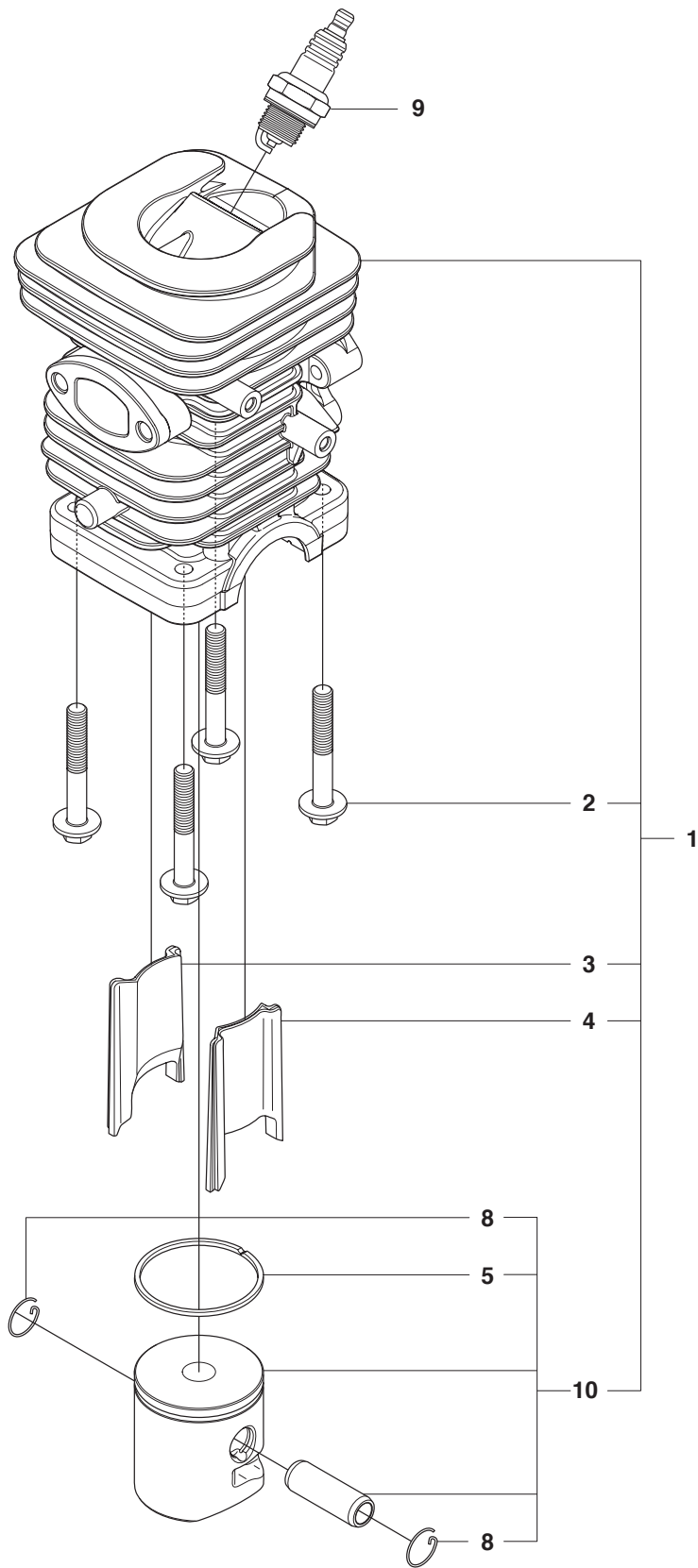
**CARBURETOR AND AIR FILTER**

| Position | Article    | Quantity | Description              | Kit |
|----------|------------|----------|--------------------------|-----|
| 1        | 545-072601 | 1        | CARBURETOR (ZAMA) - REF. |     |
| 2        | 545-062801 | 1        | THROTTLE WIRE            |     |
| 3        | 545-062101 | 1        | FILTER HOUSING           |     |
| 4        | 545-061801 | 1        | AIR FILTER               |     |
| 5        | 545-151801 | 1        | FILTER PLATE             |     |
| 6        | 530-016101 | 2        | NUT, CARB                |     |
| 7        | 545-061901 | 1        | ISOLATOR FILTER HOUSING  |     |
| 8        | 545-063401 | 1        | SWITCH, SPRING           |     |
| 9        | 545-061701 | 1        | SWITCH LEVER             |     |
| 10       | 545-061601 | 1        | CHOKE KNOB               |     |
| 11       | 545-061501 | 1        | CARB ADAPTOR SEAL        |     |
|          |            |          |                          |     |
| 13       | 545-061401 | 1        | CARB ADAPTOR             |     |
|          |            |          |                          |     |
| 15       | 545-033701 | 2        | STUD-CARBURETOR          |     |
| 16       | 545-158301 | 4        | CARB ADAPTOR SCREW       |     |
| 17       | 530-016080 | 1        | SCREW SWITCH             |     |
| 18       | 545-074901 | 1        | TOP STUD-CARBURETOR      |     |
| 19       | 545-081892 | 1        | GASKET KIT               |     |
| 20       | 530-016349 | 1        | SCREW, FILTER PLATE      |     |

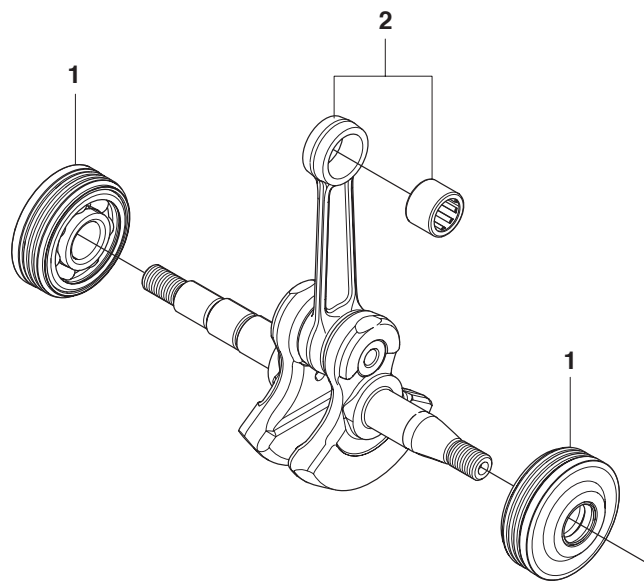


CYLINDER PISTON 34cc

| Position | Article    | Quantity | Description                  | Kit |
|----------|------------|----------|------------------------------|-----|
| 1        | 545-050418 | 1        | KIT, CYLINDER & PISTON       |     |
| 2        | 545-081501 | 4        | BOLT, CYLINDER               |     |
| 3        | 545-101501 | 1        | TRANSFER INSERT LEFT 34c     |     |
| 4        | 545-101401 | 1        | TRANSFER INSERT RIGHT 34cc   |     |
| 5        | 545-101701 | 1        | PISTON RING                  | 10  |
|          |            |          |                              |     |
| 8        | 530-015697 | 2        | PISTON PIN RETAINER          | 10  |
| 9        | 503-235108 | 1        | PLUG-SPARK (RCJ-7Y)          |     |
| 10       | 545-081893 | 1        | KIT PISTON 34cc 230/235/235e |     |



| Position | Article    | Quantity | Description            | Kit |
|----------|------------|----------|------------------------|-----|
| 1        | 545-050417 | 1        | KIT, CYLINDER & PISTON |     |
| 2        | 545-081501 | 4        | BOLT, CYLINDER         |     |
| 3        | 530-012607 | 1        | INSERT, TRANSFER LEFT  |     |
| 4        | 530-012606 | 1        | INSERT, TRANSFER RIGHT |     |
| 5        | 530-012608 | 1        | PISTON RING            | 10  |
|          |            |          |                        |     |
| 8        | 530-015697 | 2        | PISTON PIN RETAINER    | 10  |
| 9        | 503-235108 | 1        | PLUG-SPARK (RCJ-7Y)    |     |
| 10       | 545-081894 | 1        | KIT 38cc PISTON        |     |



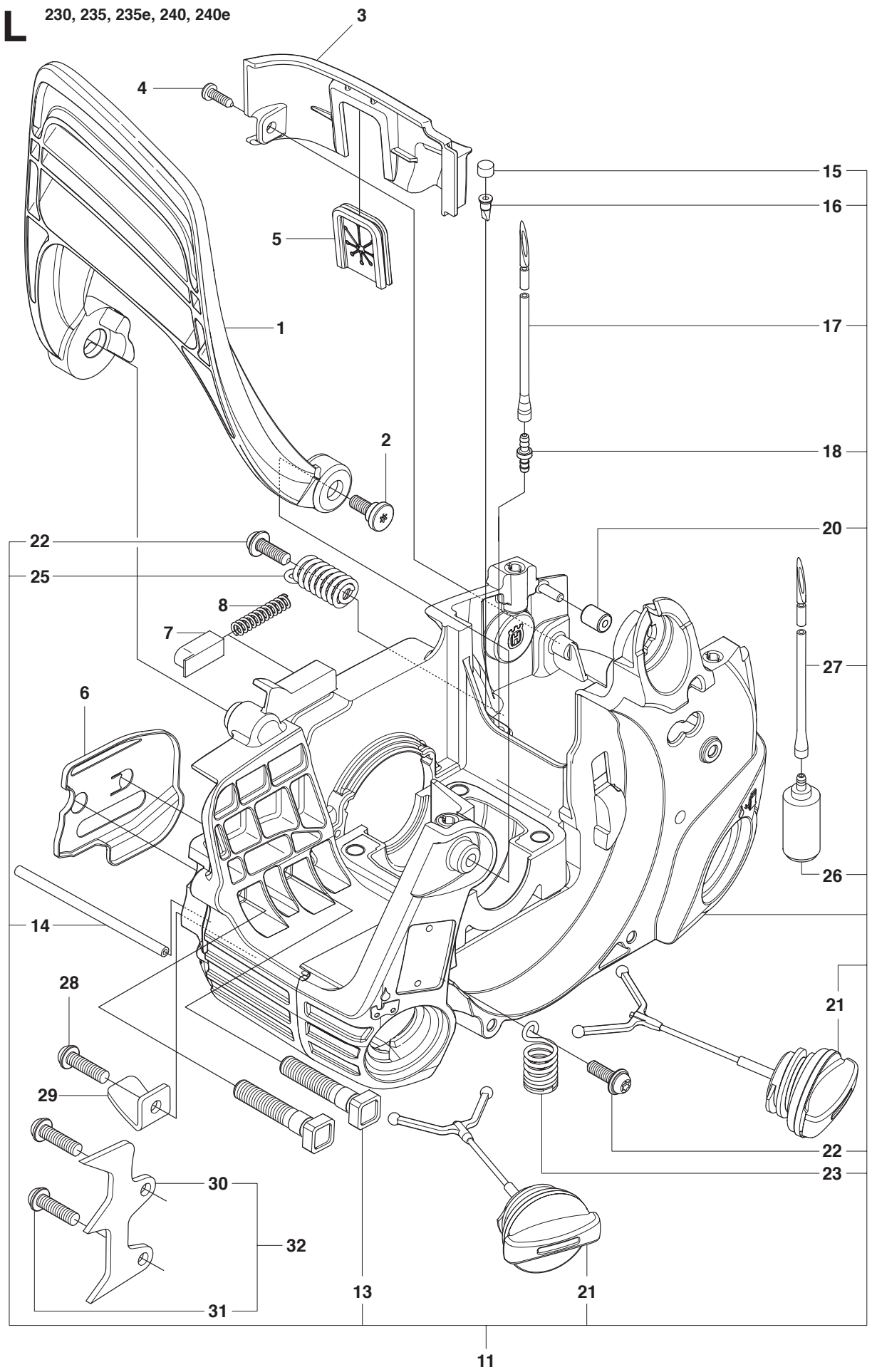


**Page K 230**  
**235/235e**  
**240/240e**

**CRANKSHAFT**

| <b>Position</b> | <b>Article</b> | <b>Quantity</b> | <b>Description</b>       | <b>Kit</b> |
|-----------------|----------------|-----------------|--------------------------|------------|
| 1               | 530-056363     | 2               | ASSY MAIN BEARING & SEAL |            |
| 2               | 530-012605     | 1               | ASSEMBLY CRANKSHAFT      |            |

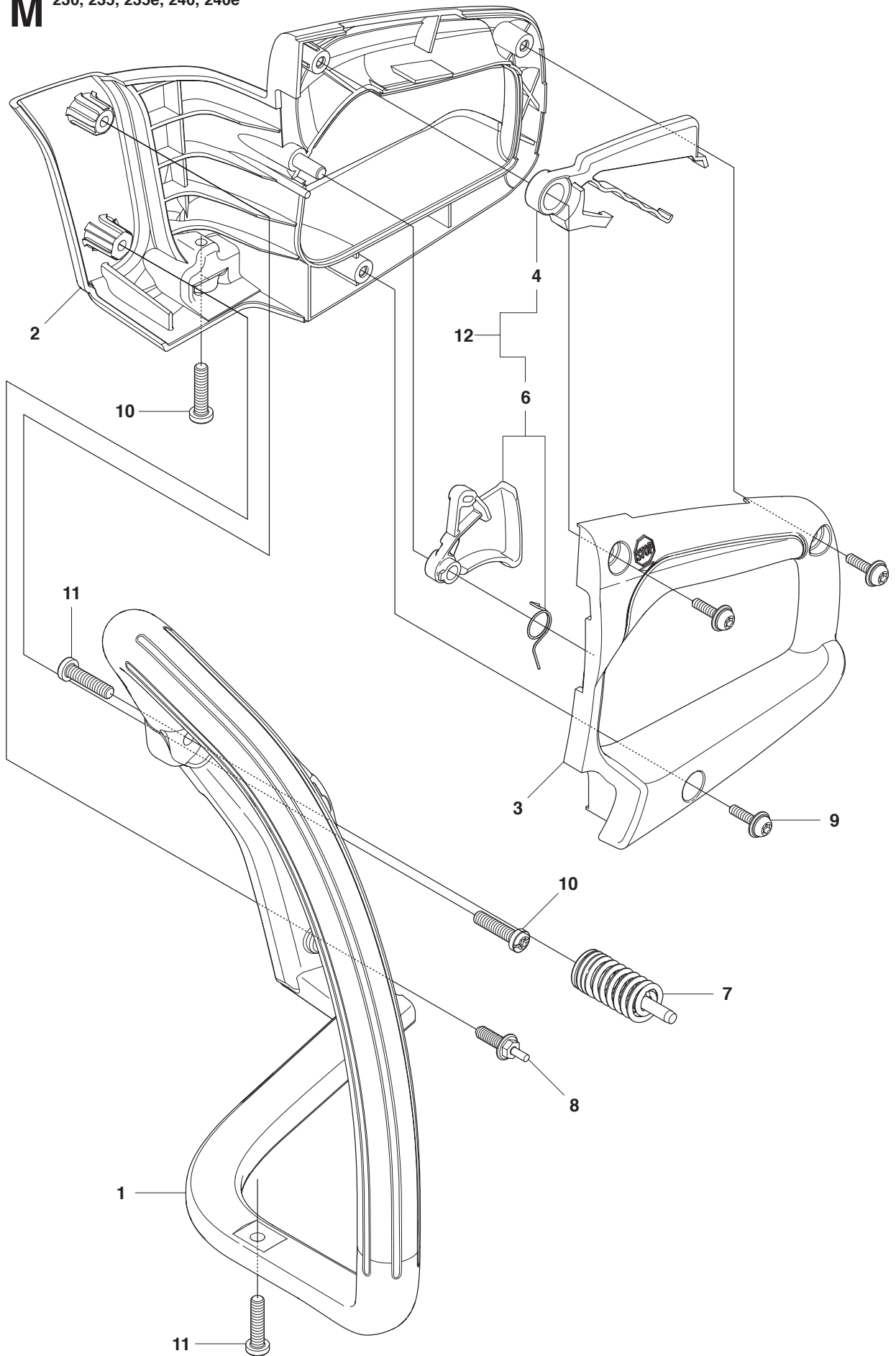
230, 235, 235e, 240, 240e



**CHASSIS & HAND GUARD**

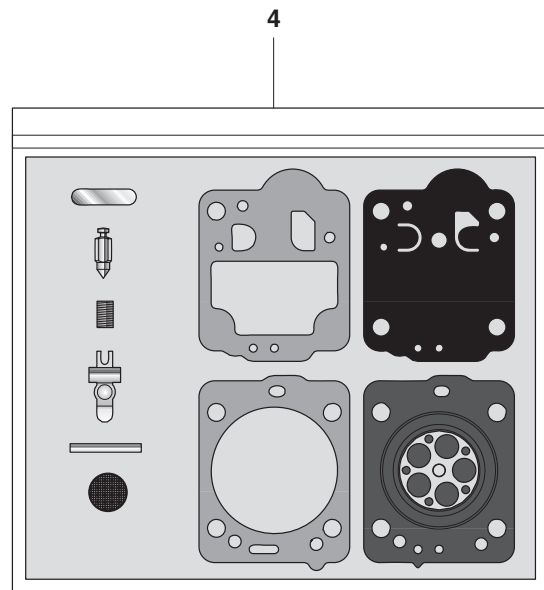
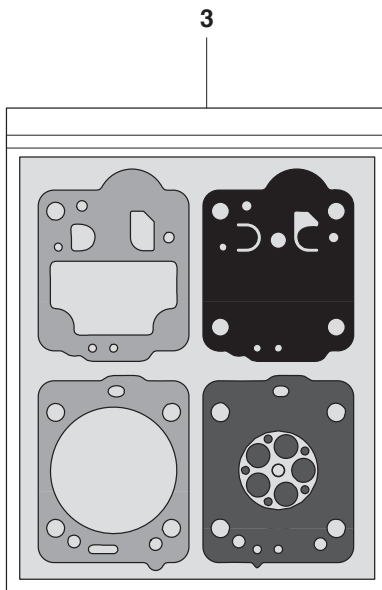
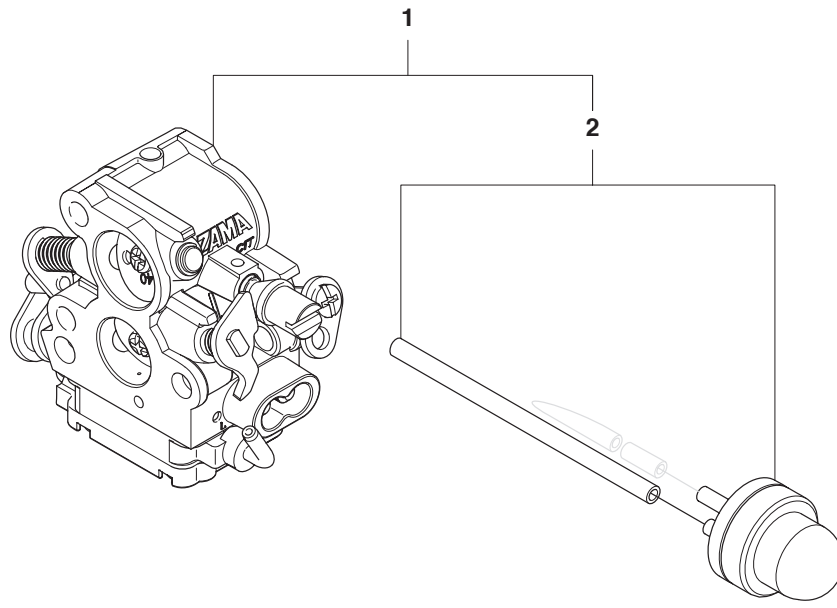
| Position | Article    | Quantity | Description                | Kit |
|----------|------------|----------|----------------------------|-----|
| 1        | 545-066701 | 1        | HANDGUARD                  |     |
| 2        | 545-127301 | 1        | BOSS SCREW, HANDGUARD      |     |
| 3        | 545-061201 | 1        | REAR WALL                  |     |
| 4        | 530-016064 | 1        | SCREW, MTG REAR WALL       |     |
| 5        | 545-075401 | 1        | GROMMET, REAR WALL         |     |
| 6        | 545-071401 | 1        | PLATE BAR MOUNTING         |     |
| 7        | 545-071301 | 1        | CAP, SPRING HANDGUARD      |     |
| 8        | 545-071201 | 1        | SPRING, HANDGUARD POSITION |     |
|          |            |          |                            |     |
| 11       | 545-230001 | 1        | CHASSIS ASSEMBLY           |     |
|          |            |          |                            |     |
| 13       | 530-015877 | 2        | BOLT, BAR                  | 11  |
| 14       | 545-033501 | 1        | ASSY, VENT LINE            | 11  |
| 15       | 530-029868 | 1        | PLUG VENT (BRONZE)         | 11  |
| 16       | 530-026119 | 1        | CHECK VALVE (DUCK BILL)    | 11  |
| 17       | 530-021132 | 1        | LINE-RETURN PURGE          | 11  |
| 18       | 530-023877 | 1        | FITTING- FUEL LINE         | 11  |
|          |            |          |                            |     |
| 20       | 545-061901 | 1        | ISOLATOR FILTER HOUSING    | 11  |
| 21       | 545-070801 | 2        | ASSY-OIL/FUEL CAP W/RET.   | 11  |
| 22       | 530-015906 | 2        | SCREW M5.28X1.81X16MM PLAS | 11  |
| 23       | 545-033801 | 1        | ASS'Y FRONT ISOLATOR       | 11  |
|          |            |          |                            |     |
| 25       | 545-063101 | 1        | REAR ISOLATOR SPRING       | 11  |
| 26       | 530-095646 | 1        | ASSY- PICK-UP              | 11  |
| 27       | 545-078302 | 1        | LINE, FUEL                 | 11  |
| 28       | 530-015814 | 1        | SCREW CATCHER              |     |
| 29       | 530-029850 | 2        | HAIN CATCHER               |     |
| 30       | 530-038990 | 1        | SPIKE                      | 32  |
| 31       | 530-016439 | 2        | SCREW SPIKE                | 32  |
| 32       | 530-014381 | 1        | KIT SPIKE                  |     |

**M** 230, 235, 235e, 240, 240e



**HANDLE AND CONTROLS**

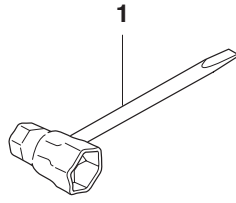
| Position | Article    | Quantity | Description                    | Kit |
|----------|------------|----------|--------------------------------|-----|
| 1        | 545-062401 | 1        | FRONT HANDLE                   |     |
| 2        | 545-062202 | 1        | REAR HANDLE W/OVMLD 240e       |     |
| 2        | 545-062201 | 1        | REAR HANDLE 230/235/235e       |     |
| 3        | 545-062302 | 1        | REAR HANDLE COVER W/OVMLD 240e |     |
| 3        | 545-062301 | 1        | REAR HANDLE COVER 230/235/235e |     |
| 4        | 545-062601 | 1        | LOCKOUT- THROTTLE              | 12  |
|          |            |          |                                |     |
| 6        | 545-121501 | 1        | ASSY TRIGGER & SPRING          | 12  |
| 7        | 545-033901 | 1        | ASS'Y FRONT ISOLATOR           |     |
| 8        | 545-076301 | 1        | ISOLATION LIMITER SCREW        |     |
| 9        | 530-016433 | 3        | SCREW 8-16X15.1 PL PAN.TRX     |     |
| 10       | 530-016349 | 2        | SCREW M5.28X1.81X16MM PLAS     |     |
| 11       | 530-016432 | 2        | SREW M5.38-14X22.225MM         |     |
| 12       | 545-081013 | 1        | KIT TRIGGER & LOCKOUT          |     |



**CARBURETOR DETAILS**

| <b>Position</b> | <b>Article</b> | <b>Quantity</b> | <b>Description</b>      | <b>Kit</b> |
|-----------------|----------------|-----------------|-------------------------|------------|
| 1               | 545-072601     | 1               | CARB COMPLETE           |            |
| 2               | 545-008030     | 1               | PURGE AND LINE ASSEMBLY | 1          |
| 3               | 545-008031     | 1               | KIT CARB GASKET         |            |
| 4               | 545-008032     | 1               | KIT CARB REPAIR         |            |

**P** 230, 235, 235e, 240, 240e





Page P 230  
235/235e  
240/240e

**ACCESSORIES**

| Position | Article    | Quantity | Description | Kit |
|----------|------------|----------|-------------|-----|
| 1        | 530-031135 | 1        | WRENCH      |     |

## **ОФИЦИАЛЬНЫЙ ДИЛЕР В УКРАИНЕ:**

[storgom.ua](http://storgom.ua)

## **ГРАФИК РАБОТЫ:**

Пн. – Пт.: с 8:30 по 18:30

Сб.: с 09:00 по 16:00

Вс.: с 10:00 по 16:00

## **КОНТАКТЫ:**

+38 (044) 360-46-77

+38 (066) 77-395-77

+38 (097) 77-236-77

+38 (093) 360-46-77

Детальное описание товара: <https://storgom.ua/product/benzopila-husqvarna-240.html>

Другие товары: <https://storgom.ua/benzopily.html>