

# AEG

## POWERTOOLS

**GS 500 E, GSL 600 E**

**Original instructions**

**Originalbetriebsanleitung**

**Notice originale**

**Istruzioni originali**

**Manual original**

**Manual original**

**Oorspronkelijke  
gebruiksaanwijzing**

**Original brugsanvisning**

**Original bruksanvisning**

**Bruksanvisning i original**

**Alkuperäiset ohjeet**

**Πρωτότυπο οδηγιών χρήσης**

**Orijinal işletme talimatı**

**Původním návodem k používání**

**Pôvodný návod na použitie**

**Instrukcja oryginalna**

**Eredeti használati utasítás**

**Izvirna navodila**

**Originalne pogonske upute**

**Instrukcijām oriģinālvalodā**

**Originali instrukcija**

**Algupärane kasutusjuhend**

**Оригинальное руководство по  
эксплуатации**

**Оригинално ръководство за  
експлоатация**

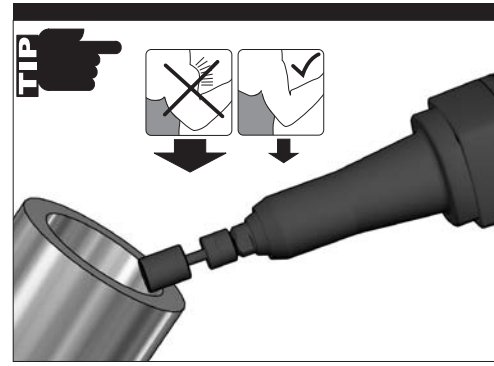
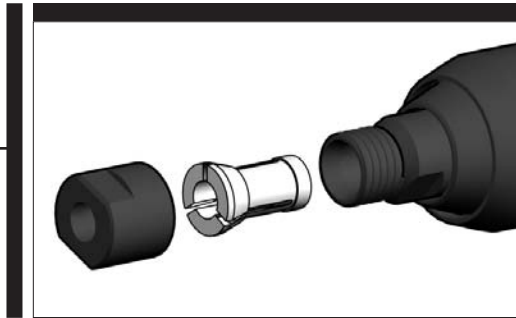
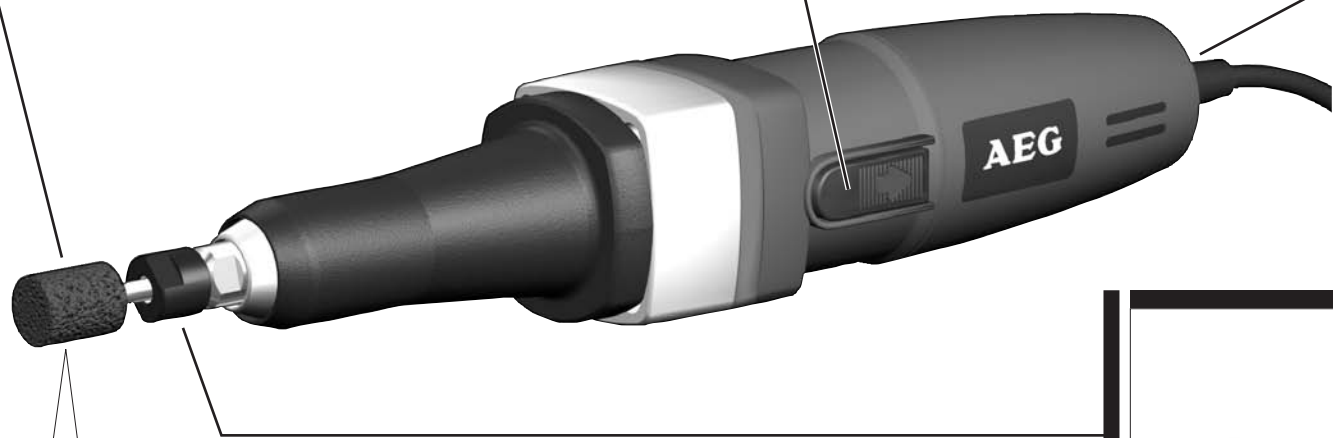
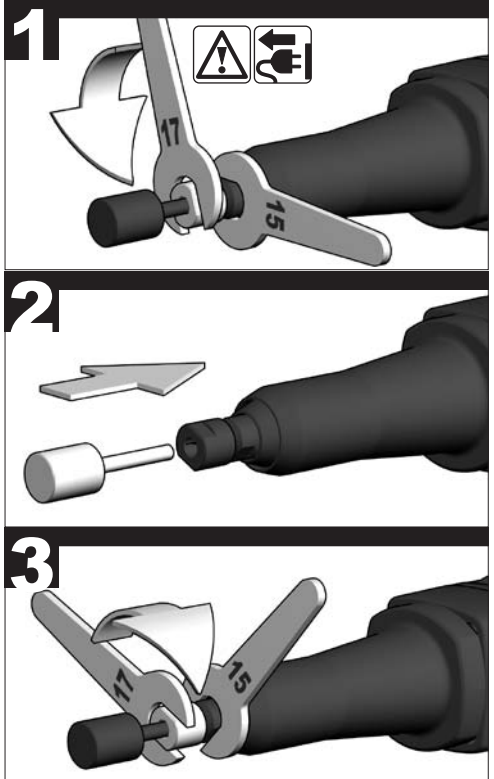
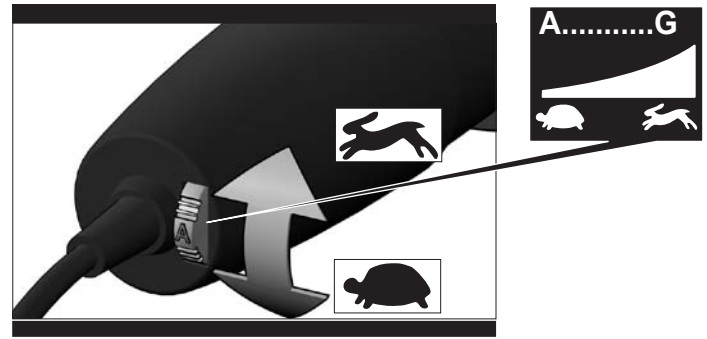
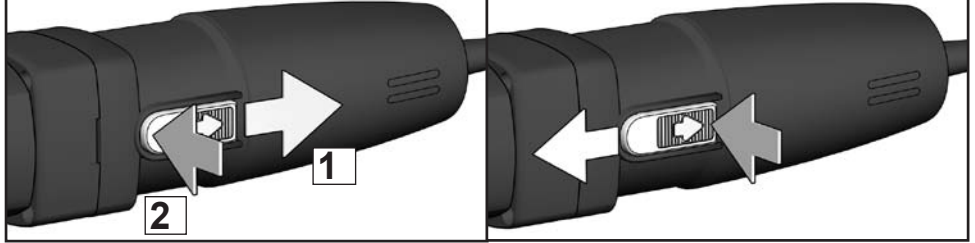
**Instrucțiuni de folosire originale**

**Оригинален прирачник за работа**

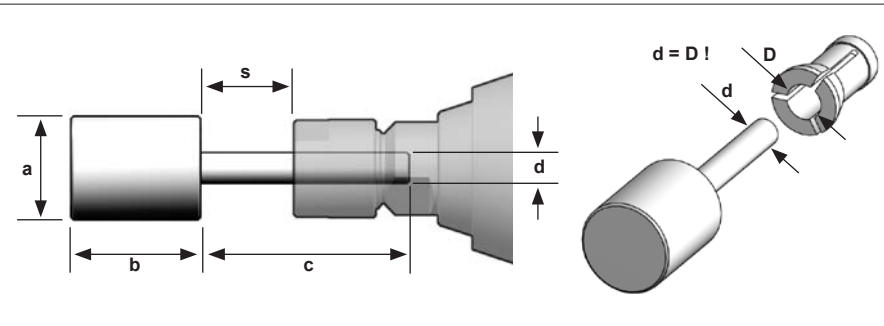
**原始的指南**

**التعليمات الأصلية**

Technical Data, Safety Instructions, Specified Conditions of Use, EC-Declaration of Conformity, Mains connection, Maintenance, Symbols	Please read and save these instructions!	<b>ENGLISH</b>	<b>6</b>
Technische Daten, Sicherheitshinweise, Bestimmungsgemäße Verwendung, CE-Konformitätserklärung, Netzanschluss, Wartung, Symbole	Bitte lesen und aufbewahren!	<b>DEUTSCH</b>	<b>9</b>
Caractéristiques techniques, Instructions de sécurité, Utilisation conforme aux prescriptions, Déclaration CE de Conformité, Branchement secteur, Entretien, Symboles	Prière de lire et de conserver!	<b>FRANÇAIS</b>	<b>12</b>
Dati tecnici, Norme di sicurezza, Utilizzo conforme, Dichiarazione di Conformità CE, Collegamento alla rete, Manutenzione, Simboli	Si prega di leggere le istruzioni e di conservarle!	<b>ITALIANO</b>	<b>15</b>
Datos técnicos, Instrucciones de seguridad, Aplicación de acuerdo a la finalidad, Declaración de Conformidad CE, Conexión eléctrica, Mantenimiento, Símbolos	Lea y conserve estas instrucciones por favor!	<b>ESPAÑOL</b>	<b>18</b>
Características técnicas, Instruções de segurança, Utilização autorizada, Declaração de Conformidade CE, Ligaçã o a rede, Manutenção, Símbolo	Por favor leia e conserve em seu poder!	<b>PORTUGUES</b>	<b>21</b>
Technische gegevens, Veiligheidsadviezen, Voorgeschreven gebruik van het systeem, EC-Konformiteitsverklaring, Netaansluiting, Onderhoud, Symbolen	Lees en let goed op deze adviezen!	<b>NEDERLANDS</b>	<b>24</b>
Tekniske data, Sikkerhedshenvisninger, Tiltænkt formål, CE-Konformitetserklæring, Nettetilslutning, Vedligeholdelse, Symboler	Vær venlig at læse og opbevare!	<b>DANSK</b>	<b>27</b>
Tekniske data, Spesielle sikkerhedshenvisninger, Formålmessig bruk, CE-Samsvarserklæring, Nettetkopleing, Vedlikehold, Symboler	Vennligst les og oppbevar!	<b>NORSK</b>	<b>30</b>
Tekniska data, Säkerhetsutrustning, Använd maskinen Enligt anvisningarna, CE-Försäkran, Nätanslutning, Skötsel, Symboler	Var god läs och tag tillvara dessa instruktioner!	<b>SVENSKA</b>	<b>33</b>
Tekniset arvot, Turvallisuusohjeet, Tarkoituksenmukainen käyttö, Todistus CE-standardinmukaisuudesta, Verkkoliitäntä, Huolto, Symbolit	Lue ja säilytä!	<b>SUOMI</b>	<b>36</b>
Τεχνικά στοιχεία, Ειδικά υποδείξεις ασφαλείας, Χρήση σύμφωνα με το σκοπο προορισμου, Δήλωση πιστοποίησης εκ, Σύνδεση στο ηλεκτρικό δίκτυο, Συντήρηση, Σύμβολα	Παρακαλώ διαβάστε τις και φυλάξτε τις!	<b>ΕΛΛΗΝΙΚΑ</b>	<b>39</b>
Teknik veriler, Güvenliğiniz için talimatlar, Kullanım, CE uygunluk beyanince, Şebeke bağlantısı, Bakım, Semboller	Lütfen okuyun ve saklayın	<b>TÜRKÇE</b>	<b>42</b>
Technická data, Speciální bezpečnostní upozornění, Oblast využití, Ce-prohlášení o shodě, Připojení na síť, Údržba, Symboly	Po přečtení uschovejte	<b>ČESKY</b>	<b>45</b>
Technické údaje, Speciálne bezpečnostné pokyny, Použitie podľa predpisov, CE-Vyhlasenie konformity, Sieťová prípojka, Údržba, Symboly	Prosím prečítať a uschovať!	<b>SLOVENSKY</b>	<b>48</b>
Dane techniczne, Specjalne zalecenia dotyczace bezpieczerstwa, Użytkowanie zgodne z przeznaczeniem, Świadectwo zgodności ce, Podłączenie do sieci, Gwarancja, Symbole	Prosimy o uważne przeczytanie i przestrzeżenie zaleceń zamie szczonych w tej instrukcji.	<b>POLSKI</b>	<b>51</b>
Műszaki adatok, Különleges biztonsági tudnivalók, Rendeltetésszerű használat, Ce-azonossági nyilatkozat, Hálózati csatlakoztatás, Karbantartás, Szimbólumok	Olvassa el és őrizze meg	<b>MAGYAR</b>	<b>54</b>
Tehnični podatki, Specialni varnostni napotki, Uporaba v skladu z namembnostjo, Ce-izjava o konformnosti, Omrežni priključek, Vzdrževanje, Simboli	Prosimo preberite in shranite!	<b>SLOVENSKO</b>	<b>57</b>
Tehnički podaci, Specijalne sigurnosne upute, Propisna upotreba, Ce-izjava konformnosti, Priključak na mrežu, Održavanje, Simboli	Molimo pročitat i sačuvati	<b>HRVATSKI</b>	<b>60</b>
Tehniskie dati, Speciālie drošības noteikumi, Noteikumiem atbilstošs izmantojums, Atbilstība CE normām, Tīkla pieslēgums, Apkope, Simboli	Pielikums lietošanas pamācībai	<b>LATVISKI</b>	<b>63</b>
Techniniai duomenys, Ypatingos saugumo nuorodos, Naudojimas pagal paskirtį, CE Atitikties pareiškimas, Elektros tinklo jungtis, Techninis aptarnavimas, Simboliai	Prašome perskaityti ir neišmesti!	<b>LIETUVIŠKAI</b>	<b>66</b>
Tehnilised andmed, Spetsiaalsed turvajuhised, Kasutamine vastavalt otstarbele, EU Vastavusavaldus, Võrku ühendamine, Hooldus, Sümbolid	Palun lugege läbi ja hoidke alal!	<b>EESTI</b>	<b>69</b>
Технические данные, Рекомендации по технике безопасности, Использо- вание, Подключение к электросети, Обслуживание, Символы	Пожалуйста, прочтите и сохраните настоящую! инструкцию	<b>РУССКИЙ</b>	<b>72</b>
Технически данни, Специални указания за безопасност, Използване по предназначение, CE-Декларация за съответствие, Свързване към мрежата, Поддръжка, Символи	Моля прочетете и запазете!	<b>БЪЛГАРСКИ</b>	<b>75</b>
Date tehnice, Instrucțiuni de securitate, Condiții de utilizare specificate, Declarație de conformitate, Alimentare de la rețea, Intreținere, Simboluri	Va rugăm citiți și păstrați aceste instrucțiuni	<b>ROMÂNIA</b>	<b>78</b>
Технички Податоци, Упатство За Употреба, Специфицирани Услови На Употреба, Еу-декларација За Сообразност, Главни Врски, Одржување, Символи	Ве молиме прочитајте го и чувајте го ова упатство!	<b>МАКЕДОНСКИ</b>	<b>81</b>
技术数据, 特殊安全指示, 正确地使用机器, 欧洲安全规定说明, 电源插头, 维修, 符号	请仔细阅读并妥善保存!	<b>中文</b>	<b>84</b>
العربية البيانات الفنية، تعليمات السلامة، شروط الاستخدام المحددة، إعلان التوافق من الاتحاد الأوروبي، التوصيل بمصدر التيار الكهربائي، الصيانة، الرموز	يرجى قراءة هذه التعليمات وحفظها في مكان آمن!	<b>عربي</b>	<b>87</b>

**START****STOP**

a (mm)	b (mm)	c (mm)	d (mm)	s (mm)
13	25	40	6	max. 25
	40	40	6	max. 25
16	25	40	6	max. 25
	32	40	6	max. 25
	40	40	6	max. 25
	50	40	6	max. 25
20	10	40	6	max. 25
	20	40	6	max. 25
	25	40	6	max. 25
	32	40	6	max. 20
25	10	40	6	max. 25
	16	40	6	max. 25
	20	40	6	max. 25
	25	40	6	max. 25



TECHNICAL DATA	Die Grinder	GS 500 E	GSL 600 E
Rated input .....	500 W	600 W	
Output .....	275 W	650 W	
No-load speed .....	10000-29000 min <sup>-1</sup>	10000-29000 min <sup>-1</sup>	
Maximum no-load speed in case of ineffective no-load speed limitation .....	38000	38000	
Chuck neck diameter .....	43 mm	43 mm	
Collet diameter .....	6 mm	6 mm	
Abrasive grinding body diam. max.			
ceramic or rubber bonded abrasive product .....	20 mm	20 mm	
resinoid-bonded abrasive product .....	40 mm	40 mm	
Weight according EPTA-Procedure 01/2003 .....	1,3 kg	1,9 kg	

### Noise/Vibration Information

Measured values determined according to EN 60745.

Typically, the A-weighted noise levels of the tool are:

Sound pressure level (K = 3 dB(A)) .....	79 dB(A)	79 dB(A)
Sound power level (K = 3 dB(A)) .....	90 dB(A)	90 dB(A)

### Wear ear protection!

Total vibration values (vector sum in the three axes) determined according to EN 60745:

Surface grinding: vibration emission value a <sub>v</sub> .....	14,5 min <sup>-1</sup>	14,5 min <sup>-1</sup>
Uncertainty K = .....	1,5 min <sup>-1</sup>	1,5 min <sup>-1</sup>

### WARNING

The vibration emission level given in this information sheet has been measured in accordance with a standardised test given in EN 60745 and may be used to compare one tool with another. It may be used for a preliminary assessment of exposure.

The declared vibration emission level represents the main applications of the tool. However if the tool is used for different applications, with different accessories or poorly maintained, the vibration emission may differ. This may significantly increase the exposure level over the total working period.

An estimation of the level of exposure to vibration should also take into account the times when the tool is switched off or when it is running but not actually doing the job. This may significantly reduce the exposure level over the total working period.

Identify additional safety measures to protect the operator from the effects of vibration such as: maintain the tool and the accessories, keep the hands warm, organisation of work patterns.

**⚠ WARNING! Read all safety warnings and all instructions, including those given in the accompanying brochure.** Failure to follow the warnings and instructions may result in electric shock, fire and/or serious injury. **Save all warnings and instructions for future reference.**

### SAFETY INSTRUCTIONS

#### Safety Warnings Common for Grinding:

**a) This power tool is intended to function as a grinder.**

Read all safety warnings, instructions, illustrations and specifications provided with this power tool. Failure to follow all instructions listed below may result in electric shock, fire and/or serious injury.

**b) Operations such as wire brushing, cut-off, sanding and polishing are not recommended to be performed with this power tool.** Operations for which the power tool was not designed may create a hazard and cause personal injury.

**c) Do not use accessories which are not specifically designed and recommended by the tool manufacturer.** Just because the accessory can be attached to your power tool, it does not assure safe operation.

**d) The rated speed of the accessory must be at least equal to the maximum speed marked on the power tool.**

Accessories running faster than their rated speed can break and fly apart.

**e) The outside diameter and the thickness of your accessory must be within the capacity rating of your power tool.** Incorrectly sized accessories cannot be adequately guarded or controlled.

**f) The arbour size of wheels, flanges, backing pads or any other accessory must properly fit the spindle of the power tool.** Accessories with arbour holes that do not match the mounting hardware of the power tool will run out of balance, vibrate excessively and may cause loss of control.

**g) Do not use a damaged accessory. Before each use inspect the accessory such as abrasive wheels for chips and cracks, backing pad for cracks, tear or excess wear, wire brush for loose or cracked wires. If power tool or accessory is dropped, inspect for damage or install an undamaged accessory. After inspecting and installing an accessory, position yourself and bystanders away from the plane of the rotating accessory and run the power tool at maximum no-load speed for one minute.** Damaged accessories will normally break apart during this test time.

**h) Wear personal protective equipment. Depending on application, use face shield, safety goggles or safety glasses. As appropriate, wear dust mask, hearing protectors, gloves and shop apron capable of stopping small abrasive or workpiece fragments.** The eye protection must be capable of stopping flying debris generated by various operations. The dust mask or respirator must be capable of filtering particles generated by your operation. Prolonged exposure to high intensity noise may cause hearing loss.

**i) Keep bystanders a safe distance away from work area. Anyone entering the work area must wear personal protective equipment.** Fragments of workpiece or of a broken accessory may fly away and cause injury beyond immediate area of operation.

**j) Hold power tool by insulated gripping surfaces only, when performing an operation where the cutting accessory may contact hidden wiring or its own cord.** Cutting accessory contacting a „live“ wire may make exposed metal parts of the power tool „live“ and shock the operator.

**k) Position the cord clear of the spinning accessory.** If you lose control, the cord may be cut or snagged and your hand or arm may be pulled into the spinning accessory.

**l) Never lay the power tool down until the accessory has come to a complete stop.** The spinning accessory may grab the surface and pull the power tool out of your control.

**m) Do not run the power tool while carrying it at your side.** Accidental contact with the spinning accessory could snag your clothing, pulling the accessory into your body.

**n) Regularly clean the power tool's air vents.** The motor's fan will draw the dust inside the housing and excessive accumulation of powdered metal may cause electrical hazards.

**o) Do not operate the power tool near flammable materials.** Sparks could ignite these materials.

**p) Do not use accessories that require liquid coolants.** Using water or other liquid coolants may result in electrocution or shock.

### Kickback and Related Warnings

Kickback is a sudden reaction to a pinched or snagged rotating wheel, backing pad, brush or any other accessory. Pinching or snagging causes rapid stalling of the rotating accessory which in turn causes the uncontrolled power tool to be forced in the direction opposite of the accessory's rotation at the point of the binding.

For example, if an abrasive wheel is snagged or pinched by the workpiece, the edge of the wheel that is entering into the pinch point can dig into the surface of the material causing the wheel to climb out or kick out. The wheel may either jump toward or away from the operator, depending on direction of the wheel's movement at the point of pinching. Abrasive wheels may also break under these conditions.

Kickback is the result of power tool misuse and/or incorrect operating procedures or conditions and can be avoided by taking proper precautions as given below.

**a) Maintain a firm grip on the power tool and position your body and arm to allow you to resist kickback forces.**

**Always use auxiliary handle, if provided, for maximum control over kickback or torque reaction during start-up.** The operator can control torque reactions or kickback forces, if proper precautions are taken.

**b) Never place your hand near the rotating accessory.** Accessory may kickback over your hand.

**c) Do not position your body in the area where power tool will move if kickback occurs.** Kickback will propel the tool in direction opposite to the wheel's movement at the point of snagging.

**d) Use special care when working corners, sharp edges etc. Avoid bouncing and snagging the accessory.** Corners, sharp edges or bouncing have a tendency to snag the rotating accessory and cause loss of control or kickback.

**e) Do not attach a saw chain, woodcarving blade or toothed saw blade.** Such blades create frequent kickback and loss of control.

### Safety Warnings Specific for Grinding:

**a) Use only wheel types that are recommended for your power tool and the specific guard designed for the selected wheel.** Wheels for which the power tool was not designed cannot be adequately guarded and are unsafe.

**b) Wheels must be used only for recommended applications.**

**c) Always use undamaged wheel flanges that are of correct size and shape for your selected wheel.** Proper wheel flanges support the wheel thus reducing the possibility of wheel breakage. Flanges for cut-off wheels may be different from grinding wheel flanges.

**d) Do not use worn down wheels from larger power tools.** Wheel intended for larger power tool is not suitable for the higher speed of a smaller tool and may burst.

Appliances used at many different locations including open air should be connected via a residual current device of 30 mA or less.

Always wear goggles when using the machine. It is recommended to wear gloves, sturdy non slipping shoes and apron.

Always disconnect the plug from the socket before carrying out any work on the machine.

Only plug-in when machine is switched off.

Keep mains lead clear from working range of the machine. Always lead the cable away behind you.

After switching off, the machine will not be idle immediately. (After-running of the work spindle.) Allow the machine to come to a stop before putting down.

Never reach into the danger area of the plane when it is running.

Only use tools whose permitted speed is at least as high as the highest no-load speed of the machine.

Check grinding tools before use. The grinding tool must be properly mounted and turn freely. Perform a test run for at least 30 seconds without load. Do not use damaged, out of round or vibrating grinding tools.

When grinding metal, flying sparks are produced. Take care that no persons are endangered. Because of the danger of fire, no combustible materials should be located in the vicinity (spark flight zone). Do not use dust extraction.

Due care should be taken that no sparks or sanding dust flying from the workpiece come into contact with you.

The adjusting nut must be tightened before starting to work with the machine.

Under the effect of extreme electromagnetic interferences from the outside, temporary variations in the speed of rotation could arise in particular cases.

Always use and store the grinding disks according to the manufacturer's instructions.

The workpiece must be fixed if it is not heavy enough to be steady. Never lead the workpiece to the grinding disk with your hand.

Make sure that the grinding tool is installed in accordance with the manufacturer's instructions.

The size of the grinding tool must be suitable for the grinder.

For dusty operations, the machine's ventilation slits must be kept clear. If necessary, switch off the power to the machine and remove the dust. Use a non-metallic object for this, taking care not to damage any of the inner parts.

### SPECIFIED CONDITIONS OF USE

Straight grinders are suited for grinding metal, plastic, or similar materials, especially in hard accessible corners and places.

Do not use this product in any other way as stated for normal use.

### EC-DECLARATION OF CONFORMITY

We declare under our sole responsibility that this product is in conformity with the following standards or standardized documents:

EN 60745-1:2009 + A11:2010

EN 60745-2:3:2011

EN 55014-1:2006 + A1:2009 + A2:2011

EN 55014-2:1997 + A1:2001 + A2:2008

EN 61000-3-2:2006 + A1:2009 + A2:2009

EN 61000-3-3:2008

in accordance with the regulations 2011/65/EU (RoHS)

2006/42/EC

2004/108/EC



Winnenden, 2012-09-09

Rainer Kumpf  
Director Product Development

## MAINS CONNECTION

☐ Connect only to single-phase a.c. current and only to the system voltage indicated on the rating plate. It is also possible to connect to sockets without an earthing contact as the design conforms to safety class II.

## MAINTENANCE

The ventilation slots of the machine must be kept clear at all times.

Do not let any metal parts reach the airing slots - danger of short circuit!

Use only AEG accessories and spare parts. Should components need to be exchanged which have not been described, please contact one of our AEG service agents (see our list of guarantee/service addresses).

If needed, an exploded view of the tool can be ordered. Please state the ten-digit No. as well as the machine type printed on the label and order the drawing at your local service agents or directly at: AEG Electric Tools GmbH, Max-Eyth-Straße 10, D-71364 Winnenden, Germany

## SYMBOLS



Please read the instructions carefully before starting the machine.



Always wear goggles when using the machine.



Always disconnect the plug from the socket before carrying out any work on the machine.



Do not dispose of electric tools together with household waste material! In observance of European Directive 2002/96/EC on waste electrical and electronic equipment and its implementation in accordance with national law, electric tools that have reached the end of their life must be collected separately and returned to an environmentally compatible recycling facility.



Class II construction, tool in which protection against electric shock does not rely on basic insulation only, but in which additional safety precautions, such as double insulation or reinforced insulation, are provided.

TECHNISCHE DATEN	Geradschleifer	GS 500 E	GSL 600 E
Nennaufnahmeleistung.....	500 W	600 W	600 W
Abgabeleistung.....	275 W	650 W	650 W
Leerlaufdrehzahl.....	10000-29000 min <sup>-1</sup>	10000-29000 min <sup>-1</sup>	10000-29000 min <sup>-1</sup>
Max. Leerlaufdrehzahl bei unwirksamer Leerlaufdrehzahlbegrenzung.....	38000	38000	38000
Spannhals-ø.....	43 mm	43 mm	43 mm
Spannzangen-ø.....	6 mm	6 mm	6 mm
Schleifkörper-ø max.			
keramisch oder mit Gummi gebundener Schleifkörper.....	20 mm	20 mm	20 mm
kunstharzgebundener Schleifkörper.....	40 mm	40 mm	40 mm
Gewicht nach EPTA-Prozedur 01/2003.....	1,3 kg	1,9 kg	1,9 kg

## Geräusch/Vibrationsinformation

Messwerte ermittelt entsprechend EN 60 745.

Der A-bewertete Geräuschpegel des Gerätes beträgt typischerweise:

Schalldruckpegel (K = 3 dB(A)).....	79 dB(A)	79 dB(A)	79 dB(A)
Schalleistungspegel (K = 3 dB(A)).....	90 dB(A)	90 dB(A)	90 dB(A)

## Gehörschutz tragen!

Schwingungsgesamtwerte (Vektorsumme dreier Richtungen) ermittelt entsprechend EN 60745.

Schruppschleifen: Schwingungsemissionswert a <sub>h</sub> .....	14,5 min <sup>-1</sup>	14,5 min <sup>-1</sup>	14,5 min <sup>-1</sup>
Unsicherheit K =.....	1,5 min <sup>-1</sup>	1,5 min <sup>-1</sup>	1,5 min <sup>-1</sup>

## WARNUNG

Der in diesen Anweisungen angegebene Schwingungspegel ist entsprechend einem in EN 60745 genormten Messverfahren gemessen worden und kann für den Vergleich von Elektrowerkzeugen miteinander verwendet werden. Er eignet sich auch für eine vorläufige Einschätzung der Schwingungsbelastung.

Der angegebene Schwingungspegel repräsentiert die hauptsächlichsten Anwendungen des Elektrowerkzeugs. Wenn allerdings das Elektrowerkzeug für andere Anwendungen, mit abweichenden Einsatzwerkzeugen oder ungenügender Wartung eingesetzt wird, kann der Schwingungspegel abweichen. Dies kann die Schwingungsbelastung über den gesamten Arbeitszeitraum deutlich erhöhen.

Für eine genaue Abschätzung der Schwingungsbelastung sollten auch die Zeiten berücksichtigt werden, in denen das Gerät abgeschaltet ist oder zwar läuft, aber nicht tatsächlich im Einsatz ist. Dies kann die Schwingungsbelastung über den gesamten Arbeitszeitraum deutlich reduzieren.

Legen Sie zusätzliche Sicherheitsmaßnahmen zum Schutz des Bedieners vor der Wirkung von Schwingungen fest wie zum Beispiel: Wartung von Elektrowerkzeug und Einsatzwerkzeugen, Warmhalten der Hände, Organisation der Arbeitsabläufe.

**⚠ WARNUNG! Lesen Sie alle Sicherheitshinweise und Anweisungen, auch die in der beiliegenden Broschüre.** Versäumnisse bei der Einhaltung der Sicherheitshinweise und Anweisungen können elektrischen Schlag, Brand und/oder schwere Verletzungen verursachen.  
**Bewahren Sie alle Sicherheitshinweise und Anweisungen für die Zukunft auf.**

## SPEZIELLE SICHERHEITSHINWEISE

**Gemeinsame Sicherheitshinweise zum Schleifen**

**a) Dieses Elektrowerkzeug ist zu verwenden als Schleifer. Beachten Sie alle Sicherheitshinweise, Anweisungen, Darstellungen und Daten, die Sie mit dem Elektrowerkzeug erhalten.** Wenn Sie die folgenden Anweisungen nicht beachten, kann es zu elektrischem Schlag, Feuer und/oder schweren Verletzungen kommen.

**b) Dieses Elektrowerkzeug ist nicht geeignet zum Drahtbürsten, Trennschleifen, Sandpapierschleifen und Polieren.** Verwendungen, für die das Elektrowerkzeug nicht vorgesehen ist, können Gefährdungen und Verletzungen verursachen.

**c) Verwenden Sie kein Zubehör, das vom Hersteller nicht speziell für dieses Elektrowerkzeug vorgesehen und empfohlen wurde.** Nur weil Sie das Zubehör an Ihrem Elektrowerkzeug befestigen können, garantiert das keine sichere Verwendung.

**d) Die zulässige Drehzahl des Einsatzwerkzeugs muss mindestens so hoch sein wie die auf dem Elektrowerkzeug angegebene Höchstdrehzahl.** Zubehör, das sich schneller als zulässig dreht, kann zerbrechen und umherfliegen.

**e) Außendurchmesser und Dicke des Einsatzwerkzeugs müssen den Maßangaben Ihres Elektrowerkzeugs entsprechen.** Falsch bemessene Einsatzwerkzeuge können nicht ausreichend abgeschirmt oder kontrolliert werden.

**f) Schleifscheiben, Flansche, Schleifteller oder anderes Zubehör müssen genau auf die Schleifspindel Ihres**

**Elektrowerkzeugs passen.** Einsatzwerkzeuge, die nicht genau auf die Schleifspindel des Elektrowerkzeugs passen, drehen sich ungleichmäßig, vibrieren sehr stark und können zum Verlust der Kontrolle führen.

**g) Verwenden Sie keine beschädigten Einsatzwerkzeuge. Kontrollieren Sie vor jeder Verwendung Einsatzwerkzeuge wie Schleifscheiben auf Absplitterungen und Risse, Schleifteller auf Risse, Verschleiß oder starke Abnutzung, Drahtbürsten auf lose oder gebrochene Drähte. Wenn das Elektrowerkzeug oder das Einsatzwerkzeug herunterfällt, überprüfen Sie, ob es beschädigt ist, oder verwenden Sie ein unbeschädigtes Einsatzwerkzeug. Wenn Sie das Einsatzwerkzeug kontrolliert und eingesetzt haben, halten Sie und in der Nähe befindliche Personen sich außerhalb der Ebene des rotierenden Einsatzwerkzeugs auf und lassen Sie das Elektrowerkzeug eine Minute lang mit Höchstdrehzahl laufen.** Beschädigte Einsatzwerkzeuge brechen meist in dieser Testzeit.

**h) Tragen Sie persönliche Schutzausrüstung. Verwenden Sie je nach Anwendung Vollgesichtsschutz, Augenschutz oder Schutzbrille. Soweit angemessen, tragen Sie Staubmaske, Gehörschutz, Schutzhandschuhe oder Spezialschürze, die kleine Schlei- und Materialpartikel von Ihnen fernhält.** Die Augen sollen vor herumfliegenden Fremdkörpern geschützt werden, die bei verschiedenen Anwendungen entstehen. Staub- oder Atemschutzmaske müssen den bei der Anwendung entstehenden Staub filtern. Wenn Sie lange lautem Lärm ausgesetzt sind, können Sie einen Hörverlust erleiden.

**i) Achten Sie bei anderen Personen auf sicheren Abstand zu Ihrem Arbeitsbereich. Jeder, der den Arbeitsbereich betritt, muss persönliche Schutzausrüstung tragen.** Bruchstücke des Werkstücks oder gebrochener Einsatzwerkzeuge können wegfliegen und Verletzungen auch außerhalb des direkten Arbeitsbereichs verursachen.

**j) Fassen Sie das Elektrowerkzeug nur an den isolierten Griffflächen an, wenn Sie Arbeiten ausführen, bei denen**

das Einsatzwerkzeug verborgene Stromleitungen oder das eigene Netzkabel treffen kann. Kontakt mit einer spannungsführenden Leitung setzt auch Metallteile des Elektrowerkzeuges unter Spannung und führt zu einem elektrischen Schlag.

**k) Halten Sie das Netzkabel von sich drehenden Einsatzwerkzeugen fern.** Wenn Sie die Kontrolle über das Elektrowerkzeug verlieren, kann das Netzkabel durchtrennt oder erfasst werden und Ihre Hand oder Ihr Arm in das sich drehende Einsatzwerkzeug geraten.

**l) Legen Sie das Elektrowerkzeug niemals ab, bevor das Einsatzwerkzeug völlig zum Stillstand gekommen ist.** Das sich drehende Einsatzwerkzeug kann in Kontakt mit der Ablagefläche geraten, wodurch Sie die Kontrolle über das Elektrowerkzeug verlieren können.

**m) Lassen Sie das Elektrowerkzeug nicht laufen, während Sie es tragen.** Ihre Kleidung kann durch zufälligen Kontakt mit dem sich drehenden Einsatzwerkzeug erfasst werden, und das Einsatzwerkzeug sich in Ihren Körper bohren.

**n) Reinigen Sie regelmäßig die Lüftungsschlitze Ihres Elektrowerkzeugs.** Das Motorgebläse zieht Staub in das Gehäuse, und eine starke Ansammlung von Metallstaub kann elektrische Gefahren verursachen.

**o) Verwenden Sie das Elektrowerkzeug nicht in der Nähe brennbarer Materialien.** Funken können diese Materialien entzünden.

**p) Verwenden Sie keine Einsatzwerkzeuge, die flüssige Kühlmittel erfordern.** Die Verwendung von Wasser oder anderen flüssigen Kühlmitteln kann zu einem elektrischen Schlag führen.

#### Rückschlag und entsprechende Sicherheitshinweise

Rückschlag ist die plötzliche Reaktion infolge eines hakenden oder blockierten drehenden Einsatzwerkzeugs, wie Schleifscheibe, Schleifsteller, Drahtbürste usw. Verhaken oder Blockieren führt zu einem abrupten Stopp des rotierenden Einsatzwerkzeugs. Dadurch wird ein unkontrolliertes Elektrowerkzeug gegen die Drehrichtung des Einsatzwerkzeugs an der Blockierstelle beschleunigt. Wenn z. B. eine Schleifscheibe im Werkstück hakt oder blockiert, kann sich die Kante der Schleifscheibe, die in das Werkstück eintaucht, verfangen und dadurch die Schleifscheibe ausbrechen oder einen Rückschlag verursachen. Die Schleifscheibe bewegt sich dann auf die Bedienperson zu oder von ihr weg, je nach Drehrichtung der Scheibe an der Blockierstelle. Hierbei können Schleifscheiben auch brechen. Ein Rückschlag ist die Folge eines falschen oder fehlerhaften Gebrauchs des Elektrowerkzeugs. Er kann durch geeignete Vorsichtsmaßnahmen, wie nachfolgend beschrieben, verhindert werden.

**a) Halten Sie das Elektrowerkzeug gut fest und bringen Sie Ihren Körper und Ihre Arme in eine Position, in der Sie die Rückschlagkräfte abfangen können. Verwenden Sie immer den Zusatzgriff, falls vorhanden, um die größtmögliche Kontrolle über Rückschlagkräfte oder Reaktionsmomente beim Hochlauf zu haben.** Die Bedienperson kann durch geeignete Vorsichtsmaßnahmen die Rückschlag- und Reaktionskräfte beherrschen.

**b) Bringen Sie Ihre Hand nie in die Nähe sich drehender Einsatzwerkzeuge.** Das Einsatzwerkzeug kann sich beim Rückschlag über Ihre Hand bewegen.

**c) Meiden Sie mit Ihrem Körper den Bereich, in den das Elektrowerkzeug bei einem Rückschlag bewegt wird.** Der Rückschlag treibt das Elektrowerkzeug in die Richtung entgegengesetzt zur Bewegung der Schleifscheibe an der Blockierstelle.

**d) Arbeiten Sie besonders vorsichtig im Bereich von Ecken, scharfen Kanten usw. Verhindern Sie, dass Einsatzwerkzeuge vom Werkstück zurückprallen und verklemmen.** Das rotierende Einsatzwerkzeug neigt bei Ecken, scharfen Kanten oder wenn es abprallt, dazu, sich zu verklemmen. Dies verursacht einen Kontrollverlust oder Rückschlag.

**e) Verwenden Sie kein Ketten- oder gezähntes Sägeblatt.** Solche Einsatzwerkzeuge verursachen häufig einen Rückschlag oder den Verlust der Kontrolle über das Elektrowerkzeug.

#### Besondere Sicherheitshinweise zum Schleifen

**a) Verwenden Sie ausschließlich die für Ihr Elektrowerkzeug zugelassenen Schleifkörper und die für diese Schleifkörper vorgesehene Schutzhaube.** Schleifkörper, die nicht für das Elektrowerkzeug vorgesehen sind, können nicht ausreichend abgeschirmt werden und sind unsicher.

**b) Schleifkörper dürfen nur für die empfohlenen Einsatzmöglichkeiten verwendet werden.**

**c) Verwenden Sie immer unbeschädigte Spannflansche in der richtigen Größe und Form für die von Ihnen gewählte Schleifscheibe.** Geeignete Flansche stützen die Schleifscheibe und verringern so die Gefahr eines Schleifscheibenbruchs. Flansche für Trennscheiben können sich von den Flanschen für andere Schleifscheiben unterscheiden.

**d) Verwenden Sie keine abgenutzten Schleifscheiben von größeren Elektrowerkzeugen.** Schleifscheiben für größere Elektrowerkzeuge sind nicht für die höheren Drehzahlen von kleineren Elektrowerkzeugen ausgelegt und können brechen.

Steckdosen in Außenbereichen müssen mit Fehlerstrom-Schutzschaltern ausgerüstet sein. Das verlangt die Installationsvorschrift für Ihre Elektroanlage. Bitte beachten Sie das bei der Verwendung unseres Gerätes.

Beim Arbeiten mit der Maschine stets Schutzbrille tragen. Schutzhandschuhe, festes und rutschsicheres Schuhwerk und Schürze werden empfohlen.

Vor allen Arbeiten an der Maschine Stecker aus der Steckdose ziehen.

Maschine nur ausgeschaltet an die Steckdose anschließen.

Anschlusskabel stets vom Wirkungsbereich der Maschine fernhalten. Kabel immer nach hinten von der Maschine wegführen.

Die Werkzeugspindel läuft nach, nachdem das Gerät ausgeschaltet wurde. Maschine erst nach Stillstand ablegen.

Nicht in den Gefahrenbereich der laufenden Maschine greifen.

Nur Arbeitswerkzeuge verwenden, deren zulässige Drehzahl mindestens so hoch ist wie die höchste Leerlaufdrehzahl des Gerätes.

Schleifwerkzeuge vor dem Gebrauch überprüfen. Das Schleifwerkzeug muss einwandfrei montiert sein und sich frei drehen können. Probelauf mindestens 30 Sekunden ohne Belastung durchführen. Beschädigte, unrunde oder vibrierende Schleifwerkzeuge nicht verwenden

Beim Schleifen von Metallen entsteht Funkenflug. Darauf achten, dass keine Personen gefährdet werden. Wegen der Brandgefahr dürfen sich keine brennbaren Materialien in der Nähe (Funkenflugbereich) befinden. Keine Staubabsaugung verwenden.

Gerät immer so halten, dass Funken oder Schleifstaub vom Körper wegfliegen.

Die Spannmutter muss vor Inbetriebnahme der Maschine angezogen sein.

Unter Einwirkung extremer elektromagnetischer Störungen von außen, können im Einzelfall vorübergehende Drehzahlschwankungen auftreten.

Schleifscheiben stets gemäß den Angaben des Herstellers verwenden und aufbewahren.

Das zu bearbeitende Werkstück muss festgespannt werden, sofern es nicht durch sein Eigengewicht hält. Niemals Werkstück mit der Hand gegen die Scheibe führen.

Sicherstellen, dass das Schleifwerkzeug nach Anweisung des Schleifmittelherstellers angebracht ist.

Die Maße des Schleifwerkzeugs müssen zum Schleifer passen.

Bei staubigen Arbeiten müssen die Lüftungsschlitze der Maschine frei sein. Wenn erforderlich, Maschine vom Netz trennen und Staub entfernen. Hierzu nichtmetallische Objekte verwenden und keine inneren Teile beschädigen.

#### BESTIMMUNGSGEMÄÑE VERWENDUNG

Der Geradschleifer ist geeignet zum Schleifen von Kunststoff und Metall, insbesondere an schwer zugänglichen Stellen.

Dieses Gerät darf nur wie angegeben bestimmungsgemäß verwendet werden.

#### CE-KONFORMITÄTSEKLRÄRUNG

Wir erklären in alleiniger Verantwortung, dass dieses Produkt mit den folgenden Normen oder normativen Dokumenten übereinstimmt:

EN 60745-1:2009 + A11:2010  
EN 60745-2-3:2011

EN 55014-1:2006 + A1:2009 + A2:2011  
EN 55014-2:1997 + A1:2001 + A2:2008

EN 61000-3-2:2006 + A1:2009 + A2:2009  
EN 61000-3-3:2008

gemäß den Bestimmungen der Richtlinien  
2011/65/EU (RoHS)

2006/42/EG  
2004/108/EG.



Winnenden, 2012-09-09

Rainer Kumpf  
Director Product Development

Bevollmächtigt die technischen Unterlagen  
zusammenzustellen

#### NETZANSCHLUSS

Nur an Einphasen-Wechselstrom und nur an die auf dem Leistungsschild angegebene Netzspannung anschließen. Anschluss ist auch an Steckdosen ohne Schutzkontakt möglich, da ein Aufbau der Schutzklasse II vorliegt.

#### WARTUNG

Stets die Lüftungsschlitze der Maschine sauber halten.

Wegen Kurzschlussgefahr dürfen Metallteile nicht in die Lüftungsschlitze gelangen.

Nur AEG Zubehör und Ersatzteile verwenden. Bauteile, deren Austausch nicht beschrieben wurde, bei einer AEG Kundendienststelle auswechseln lassen (Broschüre Garantie/Kundendienstadressen beachten).

Bei Bedarf kann eine Explosionszeichnung des Gerätes unter Angabe der Maschinen Type und der zehnstelligen Nummer auf dem Leistungsschild bei Ihrer Kundendienststelle oder direkt bei AEG Electric Tools GmbH, Max-Eyth-Straße 10, D-71364 Winnenden, Germany angefordert werden.

#### SYMBOLS



Bitte lesen Sie die Gebrauchsanweisung vor Inbetriebnahme sorgfältig durch.



Beim Arbeiten mit der Maschine stets Schutzbrille tragen.



Vor allen Arbeiten an der Maschine Stecker aus der Steckdose ziehen.



Werfen Sie Elektrowerkzeuge nicht in den Hausmüll! Gemäss Europäischer Richtlinie 2002/96/EG über Elektro- und Elektronik-Altgeräte und Umsetzung in nationales Recht müssen verbrauchte Elektrowerkzeuge getrennt gesammelt und einer umweltgerechten Wiederverwertung zugeführt werden.



Schutzklasse II, Elektrowerkzeug, bei dem der Schutz gegen elektrischen Schlag nicht nur von der Basisisolierung abhängt, sondern in dem zusätzliche Schutzmaßnahmen, wie doppelte Isolierung oder verstärkte Isolierung, angewendet werden.

CARACTÉRISTIQUES TECHNIQUES	Meuleuse droite	GS 500 E	GSL 600 E
Puissance nominale de réception	500 W	600 W	600 W
Puissance utile	275 W	650 W	650 W
Vitesse de rotation à vide	10000-29000 min <sup>-1</sup>	10000-29000 min <sup>-1</sup>	10000-29000 min <sup>-1</sup>
Vitesse de rotation max à vide au cas où la limitation de la vitesse de rotation ne fonctionnerait pas	38000	38000	38000
Ø du collier de serrage	43 mm	40 mm	40 mm
Diamètre des pinces de serrage	6 mm	6 mm	6 mm
Ø max. meules renforcées			
meule avec liant céramique ou en caoutchouc	20 mm	20 mm	20 mm
meules avec liant en résine synthétique	40 mm	40 mm	40 mm
Poids suivant EPTA-Procédure 01/2003	1,3 kg	1,9 kg	1,9 kg

#### Informations sur le bruit et les vibrations

Valeurs de mesure obtenues conformément à la EN 60 745.

Les mesures réelles (A) des niveaux acoustiques de l'appareil sont :

Niveau de pression acoustique (K=3dB(A))	79 dB(A)	79 dB(A)
Niveau d'intensité acoustique (K=3dB(A))	90 dB(A)	90 dB(A)

#### Toujours porter une protection acoustique!

Valeurs totales des vibrations (somme vectorielle de trois sens) établies conformément à EN 60745.

Tronçonnage à la meule et de dégrossissage: valeur d'émission d'oscillations a <sub>v</sub>	14,5 min <sup>-1</sup>	14,5 min <sup>-1</sup>
Incertitude K =	1,5 min <sup>-1</sup>	1,5 min <sup>-1</sup>

#### AVERTISSEMENT

Le niveau vibratoire indiqué dans ces instructions a été mesuré selon un procédé de mesure normalisé dans la norme EN 60745 et peut être utilisé pour comparer des outils électriques entre eux. Il convient aussi à une estimation provisoire de la sollicitation par les vibrations.

Le niveau vibratoire indiqué représente les applications principales de l'outil électrique. Toutefois, si l'outil électrique est utilisé pour d'autres applications, avec des outils rapportés qui diffèrent ou une maintenance insuffisante, il se peut que le niveau vibratoire diverge. Cela peut augmenter nettement la sollicitation par les vibrations sur tout l'intervalle de temps du travail.

Pour une estimation précise de la sollicitation par les vibrations, on devrait également tenir compte des temps pendant lesquels l'appareil n'est pas en marche ou tourne sans être réellement en service. Cela peut réduire nettement la sollicitation par les vibrations sur tout l'intervalle de temps du travail.

Définissez des mesures de sécurité supplémentaires pour protéger l'utilisateur contre l'influence des vibrations, comme par exemple : la maintenance de l'outil électrique et des outils rapportés, le maintien au chaud des mains, l'organisation des déroulements de travail.

**AVERTISSEMENT! Lisez toutes les consignes de sécurité et les instructions, même celles qui se trouvent dans la brochure ci-jointe.** Le non-respect des avertissements et instructions indiqués ci après peut entraîner un choc électrique, un incendie et/ou de graves blessures sur les personnes.

**Bien garder tous les avertissements et instructions.**

#### INSTRUCTIONS DE SÉCURITÉ PARTICULIÈRES

**Avertissements communs pour le meulage:**

**a) Cet outil électrique doit être utilisé comme meuleuse. Lire toutes les mises en garde de sécurité, les instructions, les illustrations et les spécifications fournies avec cet outil électrique.** Le fait de ne pas suivre toutes les instructions données ci-dessous peut provoquer un choc électrique, un incendie et/ou une blessure grave.

**b) Cet outil électrique ne convient pas au brossage par fils métalliques, ni au tronçonnage, ni au meulage à la toile émeri, ni au polissage.** Les cas d'utilisation pour lesquels l'outil électrique n'est pas prévu peuvent présenter des mises en danger et être à l'origine de blessures.

**c) Ne pas utiliser d'accessoires non conçus spécifiquement et recommandés par le fabricant d'outils.** Le simple fait que l'accessoire puisse être fixé à votre outil électrique ne garantit pas un fonctionnement en toute sécurité.

**d) La vitesse assignée de l'accessoire doit être au moins égale à la vitesse maximale indiquée sur l'outil électrique.** Les accessoires fonctionnant plus vite que leur vitesse assignée peuvent se rompre et voler en éclat.

**e) Le diamètre extérieur et l'épaisseur de votre accessoire doivent se situer dans le cadre des caractéristiques de capacité de votre outil électrique.** Les accessoires dimensionnés de façon incorrecte ne peuvent pas être protégés ou commandés de manière appropriée.

**f) La taille de mandrin des meules, flasques, patins d'appui ou tout autre accessoire doit s'adapter correctement à**

**l'accessoire coupant peut être en contact avec des conducteurs cachés ou avec son propre câble.** Le contact de l'accessoire coupant avec un fil « sous tension » peut également mettre « sous tension » les parties métalliques exposées de l'outil électrique et provoquer un choc électrique sur l'opérateur.

**k) Placer le câble éloigné de l'accessoire de rotation.** Si vous perdez le contrôle, le câble peut être coupé ou subir un accroc et votre main ou votre bras peut être tiré dans l'accessoire de rotation.

**l) Ne jamais reposer l'outil électrique avant que l'accessoire n'ait atteint un arrêt complet.** L'accessoire de rotation peut agripper la surface et arracher l'outil électrique hors de votre contrôle.

**m) Ne pas faire fonctionner l'outil électrique en le portant sur le côté.** Un contact accidentel avec l'accessoire de rotation pourrait accrocher vos vêtements et attirer l'accessoire sur vous.

**n) Nettoyer régulièrement les orifices d'aération de l'outil électrique.** Le ventilateur du moteur attirera la poussière à l'intérieur du boîtier et une accumulation excessive de poudre de métal peut provoquer des dangers électriques.

**o) Ne pas faire fonctionner l'outil électrique à proximité de matériaux inflammables.** Des étincelles pourraient enflammer ces matériaux.

**p) Ne pas utiliser d'accessoires qui nécessitent des réfrigérants fluides.** L'utilisation d'eau ou d'autres réfrigérants fluides peut aboutir à une électrocution ou un choc électrique.

#### Rebonds et mises en garde correspondantes

Le rebond est une réaction soudaine au pincement ou à l'accrochage d'une meule rotative, d'un patin d'appui, d'une brosse ou de tout autre accessoire. Le pincement ou l'accrochage provoque un blocage rapide de l'accessoire en rotation qui, à son tour, contraint l'outil électrique hors de contrôle dans le sens opposé de rotation de l'accessoire au point du grippage.

Par exemple, si une meule abrasive est accrochée ou pincée par la pièce à usiner, le bord de la meule qui entre dans le point de pincement peut creuser la surface du matériau, provoquant des sauts ou l'expulsion de la meule. La meule peut sauter en direction de l'opérateur ou encore en s'en éloignant, selon le sens du mouvement de la meule au point de pincement. Les meules abrasives peuvent également se rompre dans ces conditions.

Le rebond résulte d'un mauvais usage de l'outil et/ou de procédures ou de conditions de fonctionnement incorrectes et peut être évité en prenant les précautions appropriées spécifiées ci-dessous.

**a) Maintenir fermement l'outil électrique et placer votre corps et vos bras pour vous permettre de résister aux forces de rebond. Toujours utiliser une poignée auxiliaire, le cas échéant, pour une maîtrise maximale du rebond ou de la réaction de couple au cours du démarrage.** L'opérateur peut maîtriser les couples de réaction ou les forces de rebond, si les précautions qui s'imposent sont prises.

**b) Ne jamais placer votre main à proximité de l'accessoire en rotation.** L'accessoire peut effectuer un rebond sur votre main.

**c) Ne pas vous placer dans la zone où l'outil électrique se déplacera en cas de rebond.** Le rebond pousse l'outil dans le sens opposé au mouvement de la meule au point d'accrochage.

**d) Apporter un soin particulier lors de travaux dans les coins, les arêtes vives etc. Éviter les rebondissements et les accrochages de l'accessoire.** Les coins, les arêtes vives ou les rebondissements ont tendance à accrocher l'accessoire en rotation et à provoquer une perte de contrôle ou un rebond.

**e) Ne pas fixer de chaîne coupante, de lame de sculpture sur bois, de chaîne coupante ni de lame de scie dentée.** De telles lames provoquent des rebonds fréquents et des pertes de contrôle.

**Mises en garde de sécurité spécifiques aux opérations de meulage:**

**a) Le protecteur doit être solidement fixé à l'outil électrique et placé en vue d'une sécurité maximale, de sorte que l'opérateur soit exposé le moins possible à la meule.** Le protecteur permet de protéger l'opérateur des fragments de meule cassée et d'un contact accidentel avec la meule.

**b) Les meules doivent être utilisées uniquement pour les applications recommandées.**

**c) Toujours utiliser des flasques de meule non endommagés qui sont de taille et de forme correctes pour la meule que vous avez choisie.** Des flasques de meule appropriés supportent la meule réduisant ainsi la possibilité de rupture de la meule. Les flasques pour les meules à tronçonner peuvent être différents des autres flasques de meule.

**d) Ne pas utiliser de meules usées d'outils électriques plus grands.** La meule destinée à un outil électrique plus grand n'est pas appropriée pour la vitesse plus élevée d'un outil plus petit et elle peut éclater.

Les prises de courant se trouvant à l'extérieur doivent être équipées de disjoncteurs différentiel conformément aux prescriptions de mise en place de votre installation électrique. Veuillez en tenir compte lors de l'utilisation de notre appareil.

Toujours porter des lunettes protectrices en travaillant avec la machine. Des gants de sécurité, des chaussures solides et à semelles antidérapantes et un tablier sont recommandés.

Avant tous travaux sur la machine extraire la fiche de la prise de courant.

Ne raccorder la machine au réseau que si l'interrupteur est en position arrêt.

Le câble d'alimentation doit toujours se trouver en dehors du champ d'action de la machine. Toujours maintenir le câble d'alimentation à l'arrière de la machine.

Après avoir éteint la machine, la broche porte-outil continue à tourner un peu. Ne déposer la machine qu'après arrêt complet.

Ne jamais intervenir dans la zone dangereuse lorsque la machine est en marche.

N'utiliser que des outils dont la vitesse de rotation admissible correspond au moins à la vitesse à vide maximale de la machine.

Toujours contrôler l'état de l'outil avant de l'utiliser. L'outil doit être monté de façon impeccable et pouvoir tourner librement. Effectuer une marche d'essai sans charge pendant au moins 30 secondes. Ne jamais utiliser un outil endommagé, tournant en faux-rond ou générateur de vibrations.

L'usinage des métaux génère des étincelles. Veiller à ce que personne ne soit exposé à un danger. En raison du risque d'incendie, aucune matière inflammable ou combustible ne doit se trouver dans la zone de projection des étincelles. Ne pas utiliser d'aspirateur de poussières.

Toujours maintenir la machine de façon à ce que étincelles et poussières soient projetées dans la direction opposée au corps.

L'écrou du flasque doit être serré avant de mettre en marche la machine.

En cas de perturbations électromagnétiques extérieures extrêmes, il peut y avoir, dans des cas isolés, des variations temporaires de la vitesse de rotation.

Toujours utiliser et conserver les meules conformément aux indications du fabricant.

La pièce à travailler doit être fortement serrée lorsque son propre poids ne suffit pas à la maintenir. Ne jamais guider la pièce à travailler à la main vers la meule.

S'assurer que l'outil de meulage est monté conformément aux instructions du fabricant de produits de meulage.

Les dimensions de l'outil de meulage doivent être adaptées à la meule.

Les fentes de ventilation de la machine doivent être dégagées si les travaux dégagent de la poussière. Si nécessaire, déconnecter la machine du réseau secteur et éliminer la poussière. Utiliser à ces fins des objets non métalliques et éviter d'endommager des pièces intérieures.

#### UTILISATION CONFORME AUX PRESCRIPTIONS

La ponceuse est appropriée pour des travaux de ponçage du bois, du métal, de la matière plastique et d'autres matériaux, notamment à des endroits d'accès difficile.

Comme déjà indiqué, cette machine n'est conçue que pour être utilisée conformément aux prescriptions.

#### DECLARATION CE DE CONFORMITÉ

Nous déclarons sous notre responsabilité que ce produit est en conformité avec les normes ou documents normalisés suivants EN 60745-1:2009 + A11:2010

EN 60745-2-3:2011  
EN 55014-1:2006 + A1:2009 + A2:2011  
EN 55014-2:1997 + A1:2001 + A2:2008  
EN 61000-3-2:2006 + A1:2009 + A2:2009  
EN 61000-3-3:2008  
conformément aux réglementations  
2011/65/EU (RoHS)  
2006/42/CE  
2004/108/CE



Winnenden, 2012-09-09

Rainer Kumpf  
Director Product Development  
Autorisé à compiler la documentation technique.

#### BRANCHEMENT SECTEUR

Raccorder uniquement à un courant électrique monophasé et uniquement à la tension secteur indiquée sur la plaque signalétique. Le raccordement à des prises de courant sans contact de protection est également possible car la classe de protection II est donnée.

#### ENTRETIEN

Tenir toujours propres les orifices de ventilation de la machine.

En raison de risques de court-circuit, veiller à ce qu'aucune pièce métallique ne pénètre dans les ouïes de ventilation.

N'utiliser que des pièces et accessoires AEG. Pour des pièces dont l'échange n'est pas décrit, s'adresser de préférence aux stations de service après-vente AEG (voir brochure Garantie/ Adresses des stations de service après-vente).

Si besoin est, une vue éclatée de l'appareil peut être fournie. S'adresser, en indiquant bien le numéro à dix chiffres porté sur la plaque signalétique, à votre station de service après-vente (voir liste jointe) ou directement à AEG Electric Tools GmbH, Max-Eyth-Straße 10, D-71364 Winnenden, Germany

#### SYMBOLS



Veillez lire avec soin le mode d'emploi avant la mise en service



Toujours porter des lunettes protectrices en travaillant avec la machine.



Avant tous travaux sur la machine extraire la fiche de la prise de courant.



Ne pas jeter les appareils électriques dans les ordures ménagères! Conformément à la directive européenne 2002/96/EG relative aux déchets d'équipements électriques ou électroniques (DEEE), et à sa transposition dans la législation nationale, les appareils électriques doivent être collectés à part et être soumis à un recyclage respectueux de l'environnement.



Classe de protection II, outil électrique au niveau duquel la protection contre la foudre ne dépend pas uniquement de l'isolation de base et au niveau duquel des mesures de protection ultérieures ont été prises, telles que la double isolation ou l'isolation augmentée.

#### DATI TECNICI

	Smerigliatrice dritta	GS 500 E	GSL 600 E
Potenza assorbita nominale .....	500 W	600 W	600 W
Potenza erogata .....	275 W	650 W	650 W
Numero di giri a vuoto .....	10000-29000 min <sup>-1</sup>	10000-29000 min <sup>-1</sup>	10000-29000 min <sup>-1</sup>
Numero massimo di giri a vuoto in caso di difetto della limitazione del numero di giri a vuoto .....	38000	38000	38000
Ø Collarino di fissaggio .....	43 mm	43 mm	43 mm
Ø pinze di serraggio .....	6 mm	6 mm	6 mm
Max. Ø perno smeriglio			
corpo mola in ceramica o in gomma .....	20 mm	20 mm	20 mm
corpo mola in resina sintetica .....	40 mm	40 mm	40 mm
Peso secondo la procedura EPTA 01/2003 .....	1,3 kg	1,9 kg	1,9 kg

#### Informazioni sulla rumorosità/sulle vibrazioni

Valori misurati conformemente alla norma EN 60745.

La misurazione A del livello di pressione acustica dell'utensile è di solito di:

Livello di rumorosità (K=3dB(A)) .....	79 dB(A)	79 dB(A)	79 dB(A)
Potenza della rumorosità (K=3dB(A)) .....	90 dB(A)	90 dB(A)	90 dB(A)

#### Utilizzare le protezioni per l'udito!

Valori totali delle oscillazioni (somma di vettori in tre direzioni) misurati conformemente alla norma EN 60745

Rettificata di asportazione e di sgrassatura: valore di emissione oscillazioni a <sub>h</sub> .....	14,5 min <sup>-1</sup>	14,5 min <sup>-1</sup>	14,5 min <sup>-1</sup>
Incertezza della misura K = .....	1,5 min <sup>-1</sup>	1,5 min <sup>-1</sup>	1,5 min <sup>-1</sup>

#### AVVERTENZA

Il livello di vibrazioni indicato nelle presenti istruzioni è stato misurato in conformità con un procedimento di misurazione codificato nella EN 60745 e può essere utilizzato per un confronto tra attrezzi elettrici. Inoltre si può anche utilizzare per una valutazione preliminare della sollecitazione da vibrazioni.

Il livello di vibrazioni indicato rappresenta le applicazioni principali dell'attrezzo elettrico. Se viceversa si utilizza l'attrezzo elettrico per altri scopi, con accessori differenti o con una manutenzione insufficiente, il livello di vibrazioni può risultare diverso. E questo può aumentare decisamente la sollecitazione da vibrazioni lungo l'intero periodo di lavorazione.

Ai fini di una valutazione precisa della sollecitazione da vibrazioni si dovrebbero tenere presente anche i periodi in cui l'apparecchio rimane spento oppure, anche se acceso, non viene effettivamente utilizzato. Ciò può ridurre notevolmente la sollecitazione da vibrazioni lungo l'intero periodo di lavorazione.

Stabilite misure di sicurezza supplementari per la tutela dell'operatore dall'effetto delle vibrazioni, come ad esempio: manutenzione dell'attrezzo elettrico e degli accessori, riscaldamento delle mani, organizzazione dei processi di lavoro.

**AVVERTENZA! E' necessario leggere tutte le indicazioni di sicurezza e le istruzioni, anche quelle contenute nella brochure allegata.** In caso di mancato rispetto delle avvertenze di pericolo e delle istruzioni operative si potrà creare il pericolo di scosse elettriche, incendi e/o incidenti gravi.

**Conservare tutte le avvertenze di pericolo e le istruzioni operative per ogni esigenza futura.**

#### NORME DI SICUREZZA

**Istruzioni di sicurezza generali per lavori di levigatura:**

**a) Questo attrezzo elettrico deve essere utilizzato come rettificatore. Attenersi a tutte le avvertenze di pericolo, istruzioni, rappresentazioni e dati che si ricevono insieme all'elettro utensile.** In caso di mancata osservanza delle seguenti istruzioni vi è il pericolo di provocare una scossa elettrica, di sviluppare incendi e/o di provocare seri incidenti.

**b) Questo attrezzo elettrico non è idoneo per operazioni di spazzolatura metallica, troncatura, smerigliatura o lucidatura.** Qualsiasi utilizzo non previsto con il presente attrezzo elettrico può causare pericolo e lesioni.

**c) Non utilizzare nessun accessorio che la casa costruttrice non abbia esplicitamente previsto e raccomandato per questo elettro utensile.** Il semplice fatto che un accessorio possa essere fissato al Vostro elettro utensile non è una garanzia per un impiego sicuro.

**d) Il numero di giri ammesso dell'accessorio impiegato deve essere almeno tanto alto quanto il numero massimo di giri riportato sull'elettro utensile.** Un accessorio che gira più rapidamente di quanto consentito può rompersi in vari pezzi e venir lanciato intorno.

**e) Il diametro esterno e lo spessore dell'accessorio montato devono corrispondere ai dati delle dimensioni dell'elettro utensile in dotazione.** In caso di utilizzo di portautensili e di accessori di dimensioni sbagliate non sarà possibile schermanli oppure controllarli a sufficienza.

**f) Dischi abrasivi, flange, platorelli oppure altri portautensili ed accessori devono adattarsi perfettamente al mandrino portamola dell'elettro utensile in dotazione.** Portautensili ed accessori che non si adattano perfettamente al mandrino portamola dell'elettro utensile non ruotano in modo uniforme, vibrano molto forte e possono provocare la perdita del controllo.

**g) Non utilizzare mai portautensili od accessori danneggiati.** Prima di ogni utilizzo controllare i portautensili e gli accessori ed accertarsi che sui dischi abrasivi non vi siano scheggiature o crepature, che il platorello non sia soggetto ad incrinature, crepature o forte usura e che le spazzole metalliche non abbiano fili metallici allentati oppure rotti. Se l'elettro utensile oppure l'accessorio impiegato dovesse sfuggire dalla mano e cadere, accertarsi che questo non abbia subito nessun danno oppure utilizzare un accessorio intatto. Una volta controllato e montato il portautensile o accessorio, far funzionare l'elettro utensile per la durata di un minuto con il numero massimo di giri avendo cura di tenersi lontani e di impedire anche ad altre persone presenti di avvicinarsi al portautensile o accessorio in rotazione. Nella maggior parte dei casi i portautensili o accessori danneggiati si rompono nel corso di questo periodo di prova.

**h) Indossare abbigliamento di protezione. A seconda dell'applicazione in corso utilizzare una visiera completa, maschera di protezione per gli occhi oppure occhiali di sicurezza. Per quanto necessario, portare maschere per polveri, protezione acustica, quanti di protezione oppure un grembiule speciale in grado di proteggere da piccole particelle di levigatura o di materiale.** Gli occhi dovrebbero essere protetti da corpi estranei espulsi in aria nel corso di diverse applicazioni. La maschera antipolvere e la maschera respiratoria devono essere in grado di filtrare la polvere provocata durante l'applicazione. Esponendosi per lungo tempo ad un rumore troppo forte vi è il pericolo di perdere l'udito.



**i) Avere cura di evitare che altre persone possano avvicinarsi alla zona in cui si sta lavorando. Ogni persona che entra nella zona di operazione deve indossare un abbigliamento protettivo personale.** Frammenti del pezzo in lavorazione oppure utensili rotti possono volare via oppure provocare incidenti anche al di fuori della zona diretta di lavoro.

**j) Quando si eseguono lavori in cui vi è pericolo che l'accessorio impiegato possa arrivare a toccare cavi elettrici nascosti oppure anche il cavo elettrico della macchina stessa, tenere l'elettrotensile afferrandolo sempre alle superfici di impugnatura isolate.** Un contatto con un cavo elettrico mette sotto tensione anche le parti in metallo dell'elettrotensile e provoca quindi una scossa elettrica.

**k) Tenere il cavo di collegamento elettrico sempre lontano da portautensili o accessori in rotazione.** Se si perde il controllo sull'elettrotensile vi è il pericolo di troncarsi o di colpire il cavo di collegamento elettrico e la Vostra mano o braccio può arrivare a toccare il portautensile o accessorio in rotazione.

**l) Mai poggiare l'elettrotensile prima che il portautensile o l'accessorio impiegato non si sia fermato completamente.** L'utensile in rotazione può entrare in contatto con la superficie di appoggio facendoVi perdere il controllo sulla macchina pneumatica.

**m) Mai trasportare l'elettrotensile mentre questo dovesse essere ancora in funzione.** Attraverso un contatto casuale l'utensile in rotazione potrebbe fare presa sugli indumenti oppure sui capelli dell'operatore e potrebbe arrivare a ferire seriamente il corpo dell'operatore.

**n) Pulire regolarmente le feritoie di ventilazione dell'elettrotensile in dotazione.** Il ventilatore del motore attira polvere nella carcassa ed una forte raccolta di polvere di metallo può provocare pericoli di origine elettrica.

**o) Non utilizzare mai l'elettrotensile nelle vicinanze di materiali infiammabili.** Le scintille possono far prendere fuoco questi materiali.

**p) Non utilizzare mai accessori che richiedano refrigeranti liquidi.** L'utilizzo di acqua o di altri liquidi refrigeranti può provocare una scossa di corrente elettrica.

#### Contraccolpo e relative avvertenze di pericolo

Un contraccolpo è l'improvvisa reazione in seguito ad agganciamento oppure blocco di accessorio in rotazione come può essere un disco abrasivo, platorello, spazzola metallica ecc.. Agganciandosi oppure bloccandosi il portautensile o accessorio provoca un arresto improvviso della rotazione dello stesso. In questo caso l'operatore non è più in grado di controllare l'elettrotensile ed al punto di blocco si provoca un rimbalzo dello stesso che avviene nella direzione opposta a quella della rotazione del portautensile o dell'accessorio. Se p. es. un disco abrasivo resta agganciato o bloccato nel pezzo in lavorazione, il bordo del disco abrasivo che si abbassa nel pezzo in lavorazione può rimanere impigliato provocando in questo modo una rottura oppure un contraccolpo del disco abrasivo. Il disco abrasivo si avvicina o si allontana dall'operatore a seconda della direzione di rotazione che ha nel momento in cui si blocca. In tali situazioni è possibile che le mole abrasive possano anche rompersi. Un contraccolpo è la conseguenza di un utilizzo non appropriato oppure non corretto dell'elettrotensile. Esso può essere evitato soltanto prendendo misure adatte di sicurezza come dalla descrizione che segue.

**a) Tenere sempre ben saldo l'elettrotensile e portare il proprio corpo e le proprie braccia in una posizione che vi permetta di compensare le forze di contraccolpo. Se disponibile, utilizzare sempre l'impugnatura supplementare in modo da poter avere sempre il maggior controllo possibile su forze di contraccolpi oppure momenti di reazione che si sviluppano durante la fase in cui la macchina raggiunge il regime di pieno carico.** Prendendo appropriate misure di precauzione l'operatore può essere in grado di tenere sotto controllo le forze di contraccolpo e quelle di reazione a scatti.

**b) Mai avvicinare la propria mano alla zona degli utensili in rotazione.** Nel corso dell'azione di contraccolpo il portautensile o accessorio potrebbe passare sulla Vostra mano.

**c) Evitare di avvicinarsi con il proprio corpo alla zona in cui l'elettrotensile viene mosso in caso di un contraccolpo.** Un contraccolpo provoca uno spostamento improvviso dell'elettrotensile che si sviluppa nella direzione opposta a quella della rotazione della mola abrasiva al punto di blocco.

**d) Operare con particolare attenzione in prossimità di spigoli, spigoli taglienti ecc.. Avere cura di impedire che portautensili o accessori possano rimbalzare dal pezzo in lavorazione oppure possano rimanervi bloccati.** L'utensile in rotazione ha la tendenza a rimanere bloccato in angoli, spigoli taglienti oppure in caso di rimbalzo. Ciò provoca una perdita del controllo oppure un contraccolpo.

**e) Non utilizzare seghe a catena e neppure lame dentellate.** Questo tipo di accessori provocano spesso un contraccolpo oppure la perdita del controllo sull'elettrotensile.

#### Particolari avvertenze di pericolo per operazioni di levigatura

**a) Utilizzare esclusivamente utensili abrasivi che siano esplicitamente ammessi per l'elettrotensile in dotazione e sempre in combinazione con la cuffia di protezione prevista per ogni utensile abrasivo.** Utensili abrasivi che non sono previsti per l'elettrotensile non possono essere sufficientemente schermati e sono insicuri.

**b) Utensili abrasivi possono essere utilizzati esclusivamente per le possibilità applicative esplicitamente raccomandate.**

**c) Per la mola abrasiva selezionata, utilizzare sempre flange di serraggio che siano in perfetto stato e che siano della corretta dimensione e forma.** Flange adatte hanno una funzione di corretto supporto della mola abrasiva riducendo il più possibile il pericolo di una rottura della mola abrasiva. È possibile che vi sia una differenza tra flange per mole abrasive da taglio diritto e flange per mole abrasive di altro tipo.

**d) Non utilizzare mai mole abrasive usurate previste per elettrotensili più grandi.** Mole abrasive previste per elettrotensili più grandi non sono concepite per le maggiori velocità di elettrotensili più piccoli e possono rompersi.

Gli apparecchi mobili usati all'aperto devono essere collegati interponendo un interruttore di sicurezza per guasti di corrente.

Durante l'uso dell'apparecchio utilizzare sempre gli occhiali di protezione. Inoltre si consiglia di usare sistemi di protezione per la respirazione e per l'udito, oltre ai guanti di protezione.

Prima di effettuare qualsiasi lavoro sulla macchina togliere la spina dalla presa di corrente.

Inserire la spina solo con interruttore su posizione "OFF".

Tenere sempre lontano il cavo di collegamento dall'area di lavoro dell'attrezzo.

L'alberino portautensile continua a girare dopo che la macchina viene disinserita. Appoggiare la macchina solo dopo che si sia fermata completamente.

Non entrare nel raggio d'azione dell'utensile mentre è in funzione.

Impiegare solo utensili da lavoro, il cui il minimo numero di giri ammessi a vuoto sia pari al più elevato numero di giri della corsa a vuoto dell'utensile.

Controllare gli utensili abrasivi prima di utilizzarli. Gli utensili abrasivi devono essere montati in maniera perfetta e devono poter girare liberamente. Eseguire una prova per almeno 30 secondi senza sottoporre la macchina a carico. Non continuare ad usare utensili abrasivi ovalizzati oppure vibranti.

Smerigliando metalli si producono scintille. Attenzione a non mettere in pericolo l'incolumità di persone. Per via del pericolo di incendio, nessun tipo di materiale infiammabile può trovarsi

nelle vicinanze (potenziale raggio delle scintille). Non utilizzare aspirapolveri.

Tenere sempre l'utensile in modo tale che le scintille e polveri di molatura volino lontano dal corpo.

Il dado flangiato deve essere serrato prima dell'utilizzo della macchina.

Il numero di giri potrebbe essere influenzato da causali interferenze elettromagnetiche esterne.

Utilizzare e conservare le mole abrasive conformemente alle indicazioni della casa costruttrice.

Il pezzo in lavorazione deve essere ben bloccato in posizione meno che non resti stabile per via del proprio peso. Mai applicare a mano sulla mola il pezzo in lavorazione.

Accertarsi che l'utensile abrasivo sia applicato secondo le istruzioni del fabbricante.

Le misure dell'utensile abrasivo devono essere adatte alla rettificatrice

In caso di lavori che producono polvere, le fessure di ventilazione della macchina devono essere libere. Se necessario, staccare la macchina dalla rete e rimuovere la polvere. Allo scopo utilizzare oggetti non metallici e non danneggiare parti interne.

#### UTILIZZO CONFORME

La smerigliatrice assiale è adatta per smerigliare materiali come legno, metalli, plastica o simili, in particolare nei luoghi di accesso difficile.

Utilizzare il prodotto solo per l'uso per cui è previsto.

#### DICHIARAZIONE DI CONFORMITÀ CE

Dichiariamo, assumendo la piena responsabilità di tale dichiarazione, che il prodotto è conforme alle seguenti normative e ai relativi documenti:

EN 60745-1:2009 + A11:2010

EN 60745-2-3:2011

EN 55014-1:2006 + A1:2009 + A2:2011

EN 55014-2:1997 + A1:2001 + A2:2008

EN 61000-3-2:2006 + A1:2009 + A2:2009

EN 61000-3-3:2008

in base alle prescrizioni delle direttive

2011/65/EU (RoHS)

2006/42/CE

2004/108/CE



Winnenden, 2012-09-09

Rainer Kumpf  
Director Product Development

Autorizzato alla preparazione della documentazione tecnica

#### COLLEGAMENTO ALLA RETE

Connettere solo corrente alternata mono fase e solo al sistema di voltaggio indicato sulla piastra. È possibile anche connettere la presa senza un contatto di messa a terra così come prevede lo schema conforme alle norme di sicurezza di classe II.

#### MANUTENZIONE

Tener sempre ben pulite le fessure di ventilazione dell'apparecchio.

Non lasciare che nessuna parte metallica venga a contatto con l'apertura dell'areazione - pericolo di corto circuito

Utilizzare esclusivamente accessori e pezzi di ricambio AEG. L'installazione di pezzi di ricambio non specificamente prescritti dall'AEG va preferibilmente effettuata dal servizio di assistenza clienti AEG (ved. opuscolo Garanzia/Indirizzi Assistenza tecnica).

In caso di mancanza del disegno esploso, può essere richiesto al seguente indirizzo: AEG Electric Tools GmbH, Max-Eyth-Straße 10, D-71364 Winnenden, Germany

#### SIMBOLI



Leggere attentamente le istruzioni per l'uso prima di mettere in funzione l'elettrotensile.



Durante l'uso dell'apparecchio utilizzare sempre gli occhiali di protezione.



Prima di effettuare qualsiasi lavoro sulla macchina togliere la spina dalla presa di corrente.



Non gettare le apparecchiature elettriche tra i rifiuti domestici. Secondo la Direttiva Europea 2002/96/CE sui rifiuti di apparecchiature elettriche ed elettroniche e la sua attuazione in conformità alle norme nazionali, le apparecchiature elettriche esauste devono essere accolte separatamente, al fine di essere reimpiegate in modo eco-compatibile.



Classe di protezione II, utensile elettrico sul quale la protezione contro la folgorazione elettrica non dipende soltanto dall'isolamento di base e sul quale trovano applicazione ulteriori misure di protezione, come il doppio isolamento o l'isolamento maggiorato.

DATOS TÉCNICOS	Amoladora Recta	GS 500 E	GSL 600 E
Potencia de salida nominal.....	500 W	600 W	600 W
potencia entregada.....	275 W	650 W	650 W
Velocidad en vacío .....	10000-29000 min <sup>-1</sup>	10000-29000 min <sup>-1</sup>	10000-29000 min <sup>-1</sup>
Revoluciones en vacío máx. sin actuar el limitador de revoluciones.....	38000	38000	38000
Diámetro de cuello de amarre.....	43 mm	43 mm	43 mm
Diámetro de pinza .....	6 mm	6 mm	6 mm
Diámetro máximo de la muela con producto abrasivo con aglutinante cerámico o de goma .....	20 mm	20 mm	20 mm
producto abrasivo con aglutinante resinoide.....	40 mm	40 mm	40 mm
Peso de acuerdo con el procedimiento EPTA 01/2003 .....	1,3 kg	1,9 kg	1,9 kg

#### Información sobre ruidos / vibraciones

Determinación de los valores de medición según norma EN 60 745.

El nivel de ruido típico del aparato determinado con un filtro A corresponde a:

Presión acústica (K=3 dB(A)).....	79 dB(A)	79 dB(A)
Resonancia acústica (K=3 dB(A)).....	90 dB(A)	90 dB(A)

#### Usar protectores auditivos!

Nivel total de vibraciones (suma vectorial de tres direcciones) determinado según EN 60745.

Tronzado y rectificad de desbaste: valor emisiones de vibración a <sub>v</sub> .....	14,5 min <sup>-1</sup>	14,5 min <sup>-1</sup>
Tolerancia K = .....	1,5 min <sup>-1</sup>	1,5 min <sup>-1</sup>

#### ADVERTENCIA

El nivel vibratorio indicado en estas instrucciones ha sido medido conforme a un método de medición estandarizado en la norma EN 60745, y puede utilizarse para la comparación entre herramientas eléctricas. También es apropiado para una estimación provisional de la carga de vibración.

El nivel vibratorio indicado representa las aplicaciones principales de la herramienta eléctrica. Si, pese a ello, se utiliza la herramienta eléctrica para otras aplicaciones, con útiles adaptables diferentes o con un mantenimiento insuficiente, el nivel vibratorio puede diferir. Esto puede incrementar sensiblemente la carga de vibración durante todo el periodo de trabajo.

Para una estimación exacta de la carga de vibración deberían tenerse en cuenta también los tiempos durante los que el aparato está apagado o, pese a estar en funcionamiento, no está siendo realmente utilizado. Esto puede reducir sustancialmente la carga de vibración durante todo el periodo de trabajo.

Adopte medidas de seguridad adicionales para la protección del operador frente al efecto de las vibraciones, como por ejemplo: mantenimiento de la herramienta eléctrica y de los útiles adaptables, mantener las manos calientes, organización de los procesos de trabajo.

**⚠ ADVERTENCIA! Rogamos leer las indicaciones de seguridad y las instrucciones, también las que contiene el folleto adjunto.** En caso de no atenerse a las advertencias de peligro e instrucciones siguientes, ello puede ocasionar una descarga eléctrica, un incendio y/o lesión grave.  
**Guardar todas las advertencias de peligro e instrucciones para futuras consultas.**

#### INSTRUCCIONES DE SEGURIDAD

**Advertencias de peligro generales al realizar trabajos de amolado:**

**a) Esta herramienta eléctrica deberá emplearse como afiladora.** Observe todas las advertencias de peligro, instrucciones, ilustraciones y especificaciones técnicas que se suministran con la herramienta eléctrica. En caso de no atenerse a las instrucciones siguientes, ello puede provocar una electrocución, incendio y/o lesiones serias.

**b) Esta herramienta eléctrica no es adecuada para cepillado metálico, tronzamiento con la muela, esmerilado con papel de lija y pulido.** El uso de la herramienta para un fin no previsto puede conllevar riesgos y causar heridas.

**c) No emplee accesorios diferentes de aquellos que el fabricante haya previsto o recomendado especialmente para esta herramienta eléctrica.** El mero hecho de que sea acoplable un accesorio a su herramienta eléctrica no implica que su utilización resulte segura.

**d) Las revoluciones admisibles del útil deberán ser como mínimo iguales a las revoluciones máximas indicadas en la herramienta eléctrica.** Aquellos accesorios que giren a unas revoluciones mayores a las admisibles pueden llegar a romperse y salir despedidos.

**e) El diámetro exterior y el grosor del útil deberán corresponder con las medidas indicadas para su herramienta eléctrica.** Los útiles de dimensiones incorrectas no pueden protegerse ni controlarse con suficiente seguridad.

**f) Los orificios de los discos amoladores, bridas, platos lijadores u otros útiles deberán alojar exactamente sobre el husillo de su herramienta eléctrica.** Los útiles que no ajusten correctamente sobre el husillo de la herramienta eléctrica, al girar descentrados, generan unas vibraciones excesivas y pueden hacerle perder el control sobre el aparato.

**g) No use útiles dañados.** Antes de cada uso inspeccione el estado de los útiles con el fin de detectar, p. ej., si están desportillados o fisurados los útiles de amolar, si está agrietado o muy desgastado el plato lijador, o si las púas de los cepillos de alambre están flojas o rotas. Si se le cae la herramienta eléctrica o el útil, inspeccione si han sufrido algún daño o monte otro útil en correctas condiciones. Una vez controlado y montado el útil sitúese Vd. y las personas circundantes fuera del plano de rotación del útil y deje funcionar la herramienta eléctrica en vacío, a las revoluciones máximas, durante un minuto. Por lo regular, aquellos útiles que estén dañados suelen romperse al realizar esta comprobación.

**h) Utilice un equipo de protección personal.** Dependiendo del trabajo a realizar use una careta, una protección para los ojos, o unas gafas de protección. Si procede, emplee una mascarilla antipolvo, protectores auditivos, guantes de protección o un mandil especial adecuado para protegerle de los pequeños fragmentos que pudieran salir proyectados al desprenderse del útil o pieza. Las gafas de protección deberán ser indicadas para protegerle de los fragmentos que pudieran salir despedidos al trabajar. La mascarilla antipolvo o respiratoria deberá ser apta para filtrar las partículas producidas al trabajar. La exposición prolongada al ruido puede provocar sordera.

**i) Cuide que las personas en las inmediaciones se mantengan a suficiente distancia de la zona de trabajo.** Toda persona que acceda a la zona de trabajo deberá utilizar un equipo de protección personal. Podrían ser lesionadas, incluso fuera del área de trabajo inmediato, al salir proyectados fragmentos de la pieza de trabajo o del útil.

**j) Únicamente sujete el aparato por las empuñaduras aisladas al realizar trabajos en los que el útil pueda tocar conductores eléctricos ocultos o el propio cable del aparato.** El contacto con conductores portadores de tensión puede hacer que las partes metálicas del aparato le provoquen una descarga eléctrica.

**k) Mantenga el cable de red alejado del útil en funcionamiento.** En caso de que Vd. pierda el control sobre la herramienta eléctrica puede llegar a cortarse o enredarse el cable de red con el útil y lesionarle su mano o brazo.

**l) Jamás deposite la herramienta eléctrica antes de que el útil se haya detenido por completo.** El útil en funcionamiento puede llegar a tocar la base de apoyo y hacerle perder el control sobre la herramienta eléctrica.

**m) No deje funcionar la herramienta eléctrica mientras la transporta.** El útil en funcionamiento podría lesionarle al engancharse accidentalmente con su vestimenta.

**n) Limpie periódicamente las rejillas de refrigeración de su herramienta eléctrica.** El ventilador del motor aspira polvo hacia el interior de la carcasa, por lo que, en caso de una acumulación fuerte de polvo metálico, ello puede provocar una descarga eléctrica.

**o) No utilice la herramienta eléctrica cerca de materiales combustibles.** Las chispas producidas al trabajar pueden llegar a incendiar estos materiales.

**p) No emplee útiles que requieran ser refrigerados con líquidos.** La aplicación de agua u otros refrigerantes líquidos puede comportar una descarga eléctrica.

#### Causas del rechazo y advertencias al respecto

El rechazo es una reacción brusca que se produce al atascarse o engancharse el útil, como un disco de amolar, plato lijador, cepillo, etc. Al atascarse o engancharse el útil en funcionamiento, éste es frenado bruscamente. Ello puede hacerle perder el control sobre la herramienta eléctrica y hacer que ésta salga impulsada en dirección opuesta al sentido de giro que tenía el útil.

En el caso, p. ej., de que un disco amolador se atasque o bloquee en la pieza de trabajo, puede suceder que el canto del útil que penetra en el material se enganche, provocando la rotura del útil o el rechazo del aparato. Según el sentido de giro y la posición del útil en el momento de bloquearse puede que éste resulte despedido hacia, o en sentido opuesto al usuario. En estos casos puede suceder que el útil incluso llegue a romperse.

El rechazo es ocasionado por la aplicación o manejo incorrecto de la herramienta eléctrica. Es posible evitarlo ateniéndose a las medidas preventivas que a continuación se detallan.

**a) Sujete con firmeza la herramienta eléctrica y mantenga su cuerpo y brazos en una posición propicia para resistir las fuerzas de reacción. Si forma parte del aparato, utilice siempre la empuñadura adicional para poder soportar mejor las fuerzas del rechazo, además de los pares de reacción que se presentan en la puesta en marcha.** El usuario puede controlar las fuerzas del rechazo y de reacción si toma unas medidas preventivas oportunas.

**b) Jamás aproxime su mano al útil en funcionamiento.** En caso de un rechazo, el útil podría lesionarle la mano.

**c) No se sitúe dentro del área hacia el que se movería la herramienta eléctrica al ser rechazada.** Al resultar rechazada, la herramienta eléctrica saldrá despedida desde el punto de bloqueo en dirección opuesta al sentido de giro del útil.

**d) Tenga especial precaución al trabajar esquinas, cantos afilados, etc. Evite que el útil de amolar rebote contra la pieza de trabajo o que se atasque.** En las esquinas, cantos afilados, o al rebotar, el útil en funcionamiento tiende a atascarse. Ello puede hacerle perder el control o causar un rechazo del útil.

**e) No utilice hojas de sierra para madera ni otros útiles dentados.** Estos útiles son propensos al rechazo y pueden hacerle perder el control sobre la herramienta eléctrica.

**Instrucciones de seguridad específicas para operaciones de amolado**

**a) Use exclusivamente útiles homologados para su herramienta eléctrica, en combinación con la caperuza protectora prevista para estos útiles.** Los útiles que no fueron diseñados para su uso en esta herramienta eléctrica pueden quedar insuficientemente protegidos y suponen un riesgo.

**b) Solamente emplee el útil para aquellos trabajos para los que fue concebido.**

**c) Siempre use para el útil seleccionado una brida en perfecto estado con las dimensiones y forma correctas.** Una brida adecuada soporta convenientemente el útil reduciendo así el peligro de rotura. Las bridas para discos tronzadores pueden ser diferentes de aquellas para otros discos de amolar.

**d) No intente aprovechar los discos amoladores de otras herramientas eléctricas más grandes, aunque su diámetro exterior se haya reducido suficientemente por el desgaste.** Los discos amoladores destinados para herramientas eléctricas grandes no son aptos para soportar las velocidades periféricas más altas a las que trabajan las herramientas eléctricas más pequeñas, y pueden llegar a romperse.

Conecte siempre la máquina a una red protegida por interruptor diferencial y magnetotérmico, para su seguridad personal, según normas establecidas para instalaciones eléctricas de baja tensión.

Para trabajar con la máquina, utilice siempre gafas de protección, guantes, calzado de seguridad antideslizante, así como es recomendable usar protectores auditivos.

Desconecte siempre el enchufe antes de llevar a cabo cualquier trabajo en la máquina.

Enchufar la máquina a la red solamente en posición desconectada.

Mantener siempre el cable separado del radio de acción de la máquina.

El eje de la herramienta se mantiene en marcha por inercia después de desconectar el aparato. Permita que se pare la máquina antes de ponerla sobre una superficie.

No manipular en el rodillo ni en las cuchillas con la máquina conectada.

Utilice solamente útiles cuya velocidad permitida sea como mínimo tan alta como la velocidad en vacío más alta de la máquina.

Comprobar los útiles de lijar/amolar antes de su uso. El útil debe estar perfectamente montado, debiendo girar libremente. Realizar una prueba de funcionamiento sin carga durante 30 segundos como mínimo. No usar los útiles de lijar/amolar dañados, los de giro descentrado o vibrantes.

Al amolar metales se proyectan chispas. Cuidar de no poner en peligro a personas. Debido al peligro de incendio no deben encontrarse cerca (en el área de alcance de las chispas) materiales inflamables. No utilice extracción de polvo en este caso.

Tenga cuidado para que no le salten chispas ni virutas de la pieza de trabajo.

La tuerca de apriete se debe asegurar antes de comenzar a trabajar con la máquina.

Bajo el efecto de interferencias electromagnéticas extremas del exterior, en algunos casos podrían surgir variaciones temporales en la velocidad de rotación.

Utilice y guarde siempre los discos de amolar según las indicaciones del fabricante.

La pieza de trabajo debe fijarse adecuadamente, a no ser que se mantenga bien fija por su propio peso. Jamás aproxime una pieza al disco, sujetándola con la mano.

Asegurar que el útil para amolar se encuentre montado en base a las indicaciones del fabricante de herramientas para amolar

Las dimensiones del útil para amolar deben corresponder con la amoladora

Al efectuar trabajos con polvo, deberá observarse que se encuentren libres las rejillas de ventilación. En caso necesario, desconectar la máquina de la red y quitar el polvo. Emplear para ello objetos no metálicos y no dañar piezas interiores.

## APLICACIÓN DE ACUERDO A LA FINALIDAD

Las amoladoras rectas son adecuadas para fresar madera, metal, plástico o materiales similares, especialmente en lugares de difícil acceso.

No utilice este producto para ninguna otra aplicación que no sea su uso normal.

## DECLARACION DE CONFORMIDAD CE

Declaramos bajo nuestra sola responsabilidad que este producto está en conformidad con las normas o documentos normalizados siguientes.

EN 60745-1:2009 + A11:2010  
EN 60745-2-3:2011  
EN 55014-1:2006 + A1:2009 + A2:2011  
EN 55014-2:1997 + A1:2001 + A2:2008  
EN 61000-3-2:2006 + A1:2009 + A2:2009  
EN 61000-3-3:2008  
de acuerdo con las regulaciones  
2011/65/EU (RoHS)  
2006/42/CE  
2004/108/CE



Winnenden, 2012-09-09

Rainer Kumpf  
Director Product Development

Autorizado para la redacción de los documentos técnicos.

## CONEXIÓN ELÉCTRICA

Conectar solamente a corriente AC monofásica y sólo al voltaje indicado en la placa de características. También es posible la conexión a enchufes sin toma a tierra, dado que es conforme a la Clase de Seguridad II.

## MANTENIMIENTO

Las ranuras de ventilación de la máquina deben estar despejadas en todo momento.

Evite que cualquier pieza metálica alcance las ranuras de ventilación - ¡peligro de cortocircuito!

Solo se deben utilizar accesorios y piezas de repuestos AEG. Piezas cuyo recambio no está descrito en las instrucciones de uso, deben sustituirse en un centro de asistencia técnica AEG (Consulte el folleto Garantía/Direcciones de Centros de Asistencia Técnica).

En caso necesario, puede solicitar un despiece de la herramienta. Por favor indique el número de impreso de diez dígitos que hay en la etiqueta y pida el despiece a la siguiente dirección: AEG Electric Tools GmbH, Max-Eyth-Straße 10, D-71364 Winnenden, Germany

## SÍMBOLOS



Lea las instrucciones detenidamente antes de conectar la herramienta



Para trabajar con la máquina, utilizar siempre gafas de protección.



Desconecte siempre el enchufe antes de llevar a cabo cualquier trabajo en la máquina.



¡No deseche los aparatos eléctricos junto con los residuos domésticos! De conformidad con la Directiva Europea 2002/96/CE sobre residuos de aparatos eléctricos y electrónicos y su aplicación de acuerdo con la legislación nacional, las herramientas eléctricas cuya vida útil haya llegado a su fin se deberán recoger por separado y trasladar a una planta de reciclaje que cumpla con las exigencias ecológicas.



Clase de protección II, herramientas eléctricas, en las cuales la protección contra descargas eléctricas no sólo depende del aislamiento básico, sino en las cuales se adoptan medidas de protección adicionales como un doble aislamiento o un aislamiento reforzado.

## CARACTERÍSTICAS TÉCNICAS

	Rectificadora Direita	GS 500 E	GSL 600 E
Potência absorvida nominal	500 W	600 W	600 W
Potência de saída	275 W	650 W	650 W
Nº de rotações em vazio	10000-29000 min <sup>-1</sup>	10000-29000 min <sup>-1</sup>	10000-29000 min <sup>-1</sup>
Máx nº de rotação no caso de limitação de nº de rotação sem efeito	38000	38000	38000
Ø da gola de aperto	43 mm	43 mm	43 mm
Ø da pinça de aperto	6 mm	6 mm	6 mm
Max Ø dos corpos abrasivos			
corpo abrasivo de cerâmica ou ligado com borracha	20 mm	20 mm	20 mm
corpo abrasivo ligado com resina artificial	40 mm	40 mm	40 mm
Peso nos termos do procedimento-EPTA 01/2003	1,3 kg	1,3 kg	1,9 kg

## Informações sobre ruído/vibração

Valores de medida de acordo com EN 60 745.

O nível de ruído avaliado A do aparelho é tipicamente:

Nível da pressão de ruído (K=3 dB(A))	79 dB(A)	79 dB(A)
Nível da potência de ruído (K=3 dB(A))	90 dB(A)	90 dB(A)

## Use protectores auriculares!

Valores totais de vibração (soma dos vectores das três direcções) determinadas conforme EN 60745.

Rectificação de corte e desbaste: Valor de emissão da vibração a <sub>h</sub>	14,5 min <sup>-1</sup>	14,5 min <sup>-1</sup>
Incerteza K =	1,5 min <sup>-1</sup>	1,5 min <sup>-1</sup>

## ATENÇÃO

O nível vibratório indicado nestas instruções foi medido em conformidade com um procedimento de medição normalizado na EN 60745 e pode ser utilizado para comparar entre si ferramentas eléctricas. O mesmo é também adequado para avaliar provisoriamente o esforço vibratório.

O nível vibratório indicado representa as principais aplicações da ferramenta eléctrica. Se, no entanto, a ferramenta eléctrica for utilizada para outras aplicações, com outras ferramentas adaptadas ou uma manutenção insuficiente, o nível vibratório poderá divergir. Isto pode aumentar consideravelmente o esforço vibratório ao longo de todo o período do trabalho.

Para uma avaliação exacta do esforço vibratório devem também ser considerados os tempos durante os quais o aparelho está desligado ou está a funcionar, mas não está efectivamente a ser utilizado. Isto pode reduzir consideravelmente o esforço vibratório ao longo de todo o período do trabalho.

Defina medidas de segurança suplementares para proteger o operador do efeito das vibrações, como por exemplo: manutenção da ferramenta eléctrica e das ferramentas adaptadas, manter as mãos quentes, organização das sequências de trabalho.

**⚠ ATENÇÃO! Leia todas as instruções de segurança e todas as instruções, também aquelas que constam na brochura juntada.** O desrespeito das advertências e instruções apresentadas abaixo pode causar choque eléctrico, incêndio e/ou graves lesões.  
**Guarde bem todas as advertências e instruções para futura referência.**

## INSTRUÇÕES DE SEGURANÇA

Indicações de aviso gerais para lixar:

**a) Esta ferramenta eléctrica destina-se a ser utilizada como rectificadora.** Observar todas as indicações de aviso, instruções, apresentações e dados fornecidos com a ferramenta eléctrica. O desrespeito das seguintes instruções pode levar a um choque eléctrico, incêndio e/ou graves lesões.

**b) Esta ferramenta eléctrica não é adequada para ser utilizada para trabalhar com escova de arame, cortar, lixar ou polir.** Utilizações, para as quais a máquina não tenha sido prevista, podem causar perigos e ferimentos.

**c) Não utilizar acessórios, que não foram especialmente previstos e recomendados pelo fabricante para serem utilizados com esta ferramenta eléctrica.** O facto de poder fixar o acessório a esta ferramenta eléctrica, não garante uma aplicação segura.

**d) O número de rotação admissível da ferramenta de trabalho deve ser no mínimo tão alto quanto o máximo número de rotação indicado na ferramenta eléctrica.** Acessórios que girem mais rápido do que permitido, podem quebrar e serem atirados para longe.

**e) O diâmetro exterior e a espessura da ferramenta de trabalho devem corresponder às indicações de medida da sua ferramenta eléctrica.** Ferramentas de trabalho incorrectamente medidas podem não ser suficientemente blindadas nem controladas.

**f) Discos abrasivos, flanges, pratos abrasivos ou outros acessórios devem caber exactamente no veio de**

**rectificação da sua ferramenta eléctrica.** Ferramentas de trabalho, que não cabem exactamente no veio de rectificação da ferramenta eléctrica, giram irregularmente, vibram fortemente e podem levar à perda de controlo.

**g) Não utilizar ferramentas de trabalho danificadas.** Antes de cada utilização deverá controlar as ferramentas de trabalho, e verificar se por exemplo os discos abrasivos apresentam fissuras e estilhaços, se pratos abrasivos apresentam fissuras, se há desgaste ou forte atrição, se as escovas de arame apresentam arames soltos ou quebrados. Se a ferramenta eléctrica ou a ferramenta de trabalho caírem, deverá verificar se sofreram danos, ou trocar por uma ferramenta de trabalho intacta. Após ter controlado e introduzido a ferramenta de trabalho, deverá manter-se, e as pessoas que se encontrem nas proximidades, fora do nível de rotação da ferramenta de trabalho e permitir que a ferramenta eléctrica funcione durante um minuto com o máximo número de rotação. A maioria das ferramentas de trabalho danificadas quebram durante este período de teste.

**h) Utilizar um equipamento de protecção pessoal. De acordo com a aplicação, deverá utilizar uma protecção para todo o rosto, protecção para os olhos ou um óculos protector. Se for necessário, deverá utilizar uma máscara contra pó, protecção auricular, luvas de protecção ou um avental especial, para proteger-se de pequenas partículas de amoladura e de material.** Os olhos devem ser protegidos contra partículas a voar, produzidas durante as diversas aplicações. A máscara contra pó ou a máscara de respiração deve ser capaz de filtrar o pó produzido durante a respectiva aplicação. Se for sujeito durante longo tempo a fortes ruídos, poderá sofrer a perda da capacidade auditiva.

**i) Observe que as outras pessoas mantenham uma distância segura em relação ao seu local de trabalho. Cada pessoa que entrar na área de trabalho, deverá usar um equipamento de protecção pessoal.** Estilhaços da peça a ser trabalhada ou ferramentas de trabalho quebradas podem voar e causar lesões fora da área imediata de trabalho.

**j) Ao executar trabalhos durante os quais possam ser atingidos cabos eléctricos ou o próprio cabo de rede, deverá sempre segurar a ferramenta eléctrica pelas superfícies isoladas do punho.** O contacto com um cabo sob tensão pode colocar peças de metal da ferramenta eléctrica sob tensão e levar a um choque eléctrico.

**k) Manter o cabo de rede afastado de ferramentas de trabalho em rotação.** Se perder o controlo sobre a ferramenta eléctrica, é possível que o cabo de rede seja cortado ou enganchado e a sua mão ou braço sejam puxados contra a ferramenta de trabalho em rotação.

**l) Jamais depositar a ferramenta eléctrica, antes que a ferramenta de trabalho esteja completamente parada.** A ferramenta de trabalho em rotação pode entrar em contacto com a superfície de apoio, provocando uma perda de controlo da ferramenta eléctrica.

**m) Não permitir que a ferramenta eléctrica funcione enquanto estiver a transportá-la.** A sua roupa pode ser agarrada devido a um contacto accidental com a ferramenta de trabalho em rotação, de modo que a ferramenta de trabalho possa ferir o seu corpo.

**n) Limpar regularmente as aberturas de ventilação da sua ferramenta eléctrica.** A ventoinha do motor puxa pó para dentro da carcaça, e uma grande quantidade de pó de metal pode causar perigos eléctricos.

**o) Não utilizar a ferramenta eléctrica perto de materiais inflamáveis.** Físcas podem incendiar estes materiais.

**p) Não utilizar ferramentas de trabalho que necessitem agentes de refrigeração líquidos.** A utilização de água ou de outros agentes de refrigeração líquidos pode provocar um choque eléctrico.

#### Contra-golpe e respectivas advertências

Contra-golpe é uma repentina reacção devido a uma ferramenta de trabalho travada ou bloqueada, como por exemplo um disco abrasivo, um prato abrasivo, uma escova de arame etc. Um travamento ou um bloqueio levam a uma parada abrupta da ferramenta de trabalho em rotação. Desta maneira, uma ferramenta eléctrica descontrolada pode ser acelerada no local de bloqueio, sendo forçada no sentido contrário da rotação da ferramenta de trabalho. Se por exemplo um disco abrasivo travar ou bloquear numa peça a ser trabalhada, o canto do disco abrasivo pode mergulhar na peça a ser trabalhada e encravar-se, quebrando o disco abrasivo ou causando um contra-golpe. O disco abrasivo se movimentará então no sentido do operador ou para longe deste, dependendo do sentido de rotação do disco no local do bloqueio. Sob estas condições os discos abrasivos também podem partir-se. Um contra-golpe é a consequência de uma utilização incorrecta ou indevida da ferramenta eléctrica. Ele pode ser evitado por apropriadas medidas de precaução como descrito a seguir.

**a) Segurar firmemente a ferramenta eléctrica e posicionar o seu corpo e os braços de modo que possa resistir às forças de um contra-golpe. Sempre utilizar o punho adicional, se existente, para assegurar o máximo controlo possível sobre as forças de um contra-golpe ou sobre momentos de reacção durante o arranque.** O operador pode controlar as forças de contra-golpe e as forças de reacção através de medidas de precaução apropriadas.

**b) Jamais permita que as suas mãos se encontrem perto de ferramentas de trabalho em rotação.** No caso de um contra-golpe a ferramenta de trabalho poderá passar pela sua mão.

**c) Evite que o seu corpo se encontre na área, na qual a ferramenta eléctrica possa ser movimentada no caso de um contra-golpe.** O contra-golpe força a ferramenta eléctrica no sentido contrário ao movimento do disco abrasivo no local do bloqueio.

**d) Trabalhar com especial cuidado na área ao redor de esquinas, cantos afiados etc. Evite que ferramentas de trabalho sejam ricocheteadas e travadas pela peça a ser trabalhada.** A ferramenta de trabalho em rotação tende a

travar em esquinas, em cantos afiados ou se for ricocheteada. Isto causa uma perda de controlo ou um contra-golpe.

**e) Não utilizar lâminas de serra de correias nem dentadas.** Estas ferramentas de trabalho causam frequentemente um contra-golpe ou a perda de controlo sobre a ferramenta eléctrica.

#### Instruções especiais de segurança específicas para lixar e separar

**a) Utilizar exclusivamente os corpos abrasivos homologados para a sua ferramenta eléctrica e a capa de protecção prevista para estes corpos abrasivos.** Corpos abrasivos não previstos para a ferramenta eléctrica, não podem ser suficientemente protegidos e portanto não são seguros.

**b) Os corpos abrasivos só devem ser utilizados para as aplicações recomendadas.**

**c) Sempre utilizar flanges de aperto intactos de tamanho e forma correctos para o disco abrasivo seleccionado.** Flanges apropriados apoiam o disco abrasivo e reduzem assim o perigo de uma ruptura do disco abrasivo. Flanges para discos de corte podem diferenciar-se de flanges para outros discos abrasivos.

**d) Não utilizar discos abrasivos gastos de outras ferramentas eléctricas maiores.** Discos abrasivos para ferramentas eléctricas maiores não são apropriados para os números de rotação mais altos de ferramentas eléctricas menores e podem quebrar.

Aparelhos não estacionários, utilizados ao ar livre, devem ser protegidos por um disjuntor de corrente de defeito.

Usar sempre óculos de protecção ao trabalhar com a máquina. Recomenda-se a utilização de luvas de protecção, protectores para os ouvidos e máscara anti-poeiras.

Antes de efectuar qualquer intervenção na máquina, tirar a ficha da tomada.

Ao ligar à rede, a máquina deve estar desligada.

Manter sempre o cabo de ligação fora da zona de acção da máquina.

O veio da ferramenta movimentar-se por inércia, após desligar o aparelho. Apenas depositar a máquina quando estiver parada.

Não introduza as mãos na área perigosa, estando a máquina em funcionamento.

Use apenas discos cuja velocidade permitida seja tão alta como a máx. velocidade em vazio da máquina.

Controlar as ferramentas abrasivas antes da utilização. A ferramenta abrasiva deve ser perfeitamente montada e girar livremente. Efectuar um funcionamento de teste no mínimo durante 30 segundos, sem carga. Ferramentas abrasivas danificadas, descentradas ou vibrantes não devem ser utilizadas.

Ao lixar metais, voam físcas. Observe que ninguém seja posto em perigo. Devido ao perigo de incêndio não devem encontrar-se materiais inflamáveis nas proximidades (área de voo de físcas). Não utilize sistema de extracção de poeiras.

Tome atenção que nem as físcas nem as poeiras da lixagem geradas na peça de trabalho devem entrar em contacto consigo.

A porca de ajuste deve ser apertada antes de iniciar o trabalho com a máquina.

Sob influência de extremas influências electromagnéticas, podem em certos casos ocorrer temporárias oscilações de número de rotação.

Sempre utilizar e guardar os discos abrasivos, de acordo com as indicações do fabricante.

A peça a ser trabalhada deve ser fixa, caso não esteja firme devido ao seu peso próprio. Jamais conduzir a peça a ser trabalhada em direcção do disco com as mãos.

Assure-se que a ferramenta de lixar esteja fixada de acordo com as instruções do fabricante do produto abrasivo.

As dimensões da ferramenta de lixar deverão corresponder com a lixadora.

Nos trabalhos poeirentos, as fendas de ventilação da máquina deverão estar livres. Caso necessário, separe a máquina da rede e remova o pó. Para tal fim, utilize objectos não metálicos e não danifique as peças internas.

#### UTILIZAÇÃO AUTORIZADA

Rectificadoras rectas são apropriadas para lixar madeira, metal, plásticos e materiais similares, principalmente em locais de difícil acesso.

Não use este produto de outra maneira sem ser a normal para o qual foi concebido.

#### DECLARAÇÃO DE CONFORMIDADE CE

Declaramos, sob nossa exclusiva responsabilidade, que este produto cumpre as seguintes normas ou documentos normativos:

EN 60745-1:2009 + A11:2010  
EN 60745-2-3:2011  
EN 55014-1:2006 + A1:2009 + A2:2011  
EN 55014-2:1997 + A1:2001 + A2:2008  
EN 61000-3-2:2006 + A1:2009 + A2:2009  
EN 61000-3-3:2008  
conforme as disposições das directivas  
2011/65/EU (RoHS)  
2006/42/CE  
2004/108/CE



Winnenden, 2012-09-09

Rainer Kumpf  
Director Product Development

Autorizado a reunir a documentação técnica.

#### LIGAÇÃO À REDE

Só conectar à corrente alternada monofásica e só à tensão de rede indicada na placa de potência. A conexão às tomadas de rede sem contacto de segurança também é possível, pois trata-se duma construção da classe de protecção II.

#### MANUTENÇÃO

Manter desobstruídos os rasgos de ventilação na carcaça da máquina.

Não deixe que peças metálicas toquem nas fendas de circulação de ar - perigo de curto-circuitos.

Utilizar unicamente acessórios e peças sobressalentes da AEG. Sempre que a substituição de um componente não tenha sido descrita nas instruções, será de toda a conveniência mandar executar esse trabalho a um Serviço de Assistência AEG (veja o folheto Garantia/Endereços de Serviços de Assistência).

A pedido e mediante indicação da referência de dez números que consta da chapa de características da máquina, pode requerer-se um desenho explosivo da ferramenta eléctrica a: AEG Electric Tools GmbH, Max-Eyth-Straße 10, D-71364 Winnenden, Germany

#### SYMBOLE



Leia atentamente o manual de instruções antes de colocar a máquina em funcionamento.



Usar sempre óculos de protecção ao trabalhar com a máquina.



Antes de efectuar qualquer intervenção na máquina, tirar a ficha da tomada.



Não deite ferramentas eléctricas no lixo doméstico! De acordo com a directiva europeia 2002/96/CE sobre ferramentas eléctricas e electrónicas usadas e a transposição para as leis nacionais, as ferramentas eléctricas usadas devem ser recolhidas em separado e encaminhadas a uma instalação de reciclagem dos materiais ecológica.



Classe de protecção II, ferramenta eléctrica, na qual a protecção contra choque eléctrico não só depende de um isolamento básico, mas na qual medidas de segurança suplementares, como isolamento duplo ou isolamento reforçado, são aplicadas.

TECHNISCHE GEGEVENS	Freemachine	GS 500 E	GSL 600 E
Nominaal afgegeven vermogen.....	500 W	600 W	600 W
Afgegeven vermogen .....	275 W	650 W	650 W
Onbelast toerental .....	10000-29000 min <sup>-1</sup>	10000-29000 min <sup>-1</sup>	10000-29000 min <sup>-1</sup>
Max. onbelast toerental bij niet werkzame begrenzing van het onbelaste toerental .....	38000	38000	38000
Spanhals-Ø .....	43 mm	43 mm	43 mm
Spantangiameter .....	6 mm	6 mm	6 mm
Slijpsteen Ø max.			
keramisch of van rubber vervaardigd slijp gereedschap .....	20 mm	20 mm	20 mm
van kunstharis vervaardigd slijp gereedschap .....	40 mm	40 mm	40 mm
Gewicht volgens de EPTA-procedure 01/2003.....	1,3 kg	1,9 kg	1,9 kg

#### Geluids-/trillingsinformatie

Meetwaarden vastgesteld volgens EN 60 745.

Het kenmerkende A-gewogen geluidsniveau van de machine bedraagt:

Geluidsdruk niveau (K=3 dB(A)) .....	79 dB(A)	79 dB(A)
Geluidsvermogen niveau (K=3 dB(A)) .....	90 dB(A)	90 dB(A)

#### Draag oorbeschermers!

Totale trillingswaarden (vectorsom van drie richtingen) bepaald volgens EN 60745.

Doorslijpen en voorbewerken: trillingsemisiewaarde a <sub>n</sub> .....	14,5 min <sup>-1</sup>	14,5 min <sup>-1</sup>
Onzekerheid K = .....	1,5 min <sup>-1</sup>	1,5 min <sup>-1</sup>

#### WAARSCHUWING

De in deze aanwijzingen vermelde trillingsdruk is gemeten volgens een in EN 60745 genommerde meetmethode en kan worden gebruikt voor de onderlinge vergelijking van apparaten. Hij is ook geschikt voor een voorlopige inschatting van de trillingsbelasting.

De aangegeven trillingsdruk geldt voor de meest gebruikelijke toepassingen van het elektrische apparaat. Wanneer het elektrische gereedschap echter voor andere doeleinden, met andere dan de voorgeschreven hulpstukken gebruikt of niet naar behoren onderhouden wordt, kan de trillingsdruk afwijken. Dit kan de waarde van de trillingsdruk over de hele werkperiode aanzienlijk verhogen.

Voor een nauwkeurige inschatting van de trillingsdruk moeten ook de tijden in aanmerking worden genomen dat het apparaat uitgeschakeld is of weliswaar loopt, maar niet werkelijk in gebruik is. Dit kan de waarde van de trillingsdruk over de hele werkperiode aanzienlijk verminderen.

Bepaal extra veiligheidsmaatregelen ter bescherming van de bediener tegen de inwerking van trillingen, bijvoorbeeld: onderhoud van elektrische gereedschappen en apparaten, warmhouden van de handen, organisatie van de werkprocessen.

#### ⚠ WAARSCHUWING! Lees alle veiligheidsinstructies en aanwijzingen door - ook die in de bijgeleverde brochure.

Als de waarschuwingen en voorschriften niet worden opgevolgd, kan dit een elektrische schok, brand of ernstig letsel tot gevolg hebben.

**Bewaar alle waarschuwingen en voorschriften voor toekomstig gebruik.**

#### VEILIGHEIDSADVIEZEN

Algemene waarschuwingen voor slijpen:

**a) Dit elektrische gereedschap kan worden gebruikt als slijpmachine. Neem alle waarschuwingen, aanwijzingen, afbeeldingen en gegevens die u bij het elektrische gereedschap ontvangt in acht.** Als u de volgende aanwijzingen niet in acht neemt, kunnen een elektrische schok, brand en/of ernstig letsel het gevolg zijn.

**b) Dit elektrische gereedschap is niet geschikt voor het draadborstelen, doorslijpen, schuren met schuurpapier en het polijsten.** Ondoelmatig gebruik van dit elektrische gereedschap kan leiden tot gevaren en persoonlijk letsel.

**c) Gebruik uitsluitend toebehoren dat door de fabrikant speciaal voor dit elektrische gereedschap is voorzien en geadviseerd.** Het feit dat u het toebehoren aan het elektrische gereedschap kunt bevestigen, waarborgt nog geen veilig gebruik.

**d) Het toegestane toerental van het inzetgereedschap moet minstens even hoog zijn als het maximale toerental dat op het elektrische gereedschap vermeld staat.** Toebehoren dat sneller draait dan toegestaan, kan breken en wegvliegen.

**e) De buitendiameter en de dikte van het inzetgereedschap moeten overeenkomen met de maatgegevens van het elektrische gereedschap.** Inzetgereedschappen met onjuiste afmetingen kunnen niet voldoende afgeschermd of gecontroleerd worden.

**f) Slijpschijven, flenzen, steunschijven en ander toebehoren moeten nauwkeurig op de uitgaande as van**

**het elektrische gereedschap passen.** Inzetgereedschappen die niet nauwkeurig op de uitgaande as van het elektrische gereedschap passen, draaien ongelijkmatig, trillen sterk en kunnen tot het verlies van de controle leiden.

**g) Gebruik geen beschadigde inzetgereedschappen. Controleer voor het gebruik altijd inzetgereedschappen zoals slijpschijven op afsplinteringen en scheuren, steunschijven op scheuren of sterke slijtage en draadborstels op losse of gebroken draden. Als het elektrische gereedschap of het inzetgereedschap valt, dient u te controleren of het beschadigd is, of gebruik een onbeschadigd inzetgereedschap. Als u het inzetgereedschap hebt gecontroleerd en ingezet, laat u het elektrische gereedschap een minuut lang met het maximale toerental lopen. Daarbij dient u en dienen andere personen uit de buurt van het ronddraaiende inzetgereedschap te blijven.** Beschadigde inzetgereedschappen breken meestal gedurende deze testtijd.

**h) Draag persoonlijke beschermende uitrusting. Gebruik afhankelijk van de toepassing een volledig gezichtsbescherming, oogbescherming of veiligheidsbril. Draag voor zover van toepassing een stofmasker, een gehoorbescherming, werkhandschoenen of een speciaal schort dat kleine slijp- en materiaaldeeltjes tegenhoudt.** Uw ogen moeten worden beschermd tegen wegvliegende deeltjes die bij verschillende toepassingen ontstaan. Een stof- of adembeschermingsmasker moet het bij de toepassing ontstaande stof filteren. Als u lang wordt blootgesteld aan luid lawaai, kan uw gehoor worden beschadigd.

**i) Let erop dat andere personen zich op een veilige afstand bevinden van de plaats waar u werkt. Iedereen die de werkomgeving betreedt, moet persoonlijke beschermende uitrusting dragen.** Brokstukken van het werkstuk of gebroken inzetgereedschappen kunnen wegvliegen en verwondingen veroorzaken, ook buiten de directe werkomgeving.

**j) Houd het elektrische gereedschap alleen vast aan de geïsoleerde greepvlakken als u werkzaamheden uitvoert**

waarbij het inzetgereedschap verborgen stroomleidingen of de eigen netkabel kan raken. Contact met een onder spanning staande leiding zet ook de metalen delen van het elektrische gereedschap onder spanning en leidt tot een elektrische schok.

**k) Houd de stroomkabel uit de buurt van draaiende inzetgereedschappen.** Als u de controle over het elektrische gereedschap verliest, kan de stroomkabel worden doorgesneden of mEGenomen en uw hand of arm kan in het ronddraaiende inzetgereedschap terecht komen.

**l) Leg het elektrische gereedschap nooit neer voordat het inzetgereedschap volledig tot stilstand is gekomen.** Het draaiende inzetgereedschap kan in contact komen met het oppervlak, waardoor u de controle over het elektrische gereedschap kunt verliezen.

**m) Laat het elektrische gereedschap niet lopen terwijl u het draagt.** Uw kleding kan door toevallig contact met het draaiende inzetgereedschap worden mEGenomen en het inzetgereedschap kan zich in uw lichaam boren.

**n) Reinig regelmatig de ventilatieopeningen van het elektrische gereedschap.** De motorventilator trekt stof in het huis en een sterke ophoping van metaalstof kan elektrische gevaren veroorzaken.

**o) Gebruik het elektrische gereedschap niet in de buurt van brandbare materialen.** Vonken kunnen deze materialen ontsteken.

**p) Gebruik geen inzetgereedschappen waarvoor vloeibare koelmiddelen vereist zijn.** Het gebruik van water of andere vloeibare koelmiddelen kan tot een elektrische schok leiden.

#### Terugslag en bijbehorende waarschuwingen

Terugslag is de plotselinge reactie als gevolg van een vasthakend of geblokkeerd draaiend inzetgereedschap, zoals een slijpschijf, steunschijf, draadborstel, enz. Vasthaken of blokkeren leidt tot abrupte stilstand van het ronddraaiende inzetgereedschap. Daardoor wordt een ongecontroleerd elektrisch gereedschap tegen de draairichting van het inzetgereedschap versneld op de plaats van de blokkering. Als bijvoorbeeld een slijpschijf in het werkstuk vasthaakt of blokkeert, kan de rand van de slijpschijf die in het werkstuk invalt, zich vastgrijpen. Daardoor kan de slijpschijf uitbreken of een terugslag veroorzaken. De slijpschijf bewEGt zich vervolgens naar de bediener toe of van de bediener weg, afhankelijk van de draairichting van de schijf op de plaats van de blokkering. Hierbij kunnen slijpschijven ook breken. Een terugslag is het gevolg van het verkeerd gebruik of onjuiste gebruiksomstandigheden van het elektrische gereedschap. Terugslag kan worden voorkomen door geschikte voorzorgsmaatregelen, zoals hieronder beschreven.

**a) Houd het elektrische gereedschap goed vast en breng uw lichaam en uw armen in een positie waarin u de terugslagkrachten kunt opvangen. Gebruik altijd de extra handgreep, indien aanwezig, om de grootst mogelijke controle te hebben over terugslagkrachten of reactiemomenten bij het op toeren komen.** De bediener kan door geschikte voorzorgsmaatregelen de terugslag- en reactiekrachten beheersen.

**b) Breng uw hand nooit in de buurt van draaiende inzetgereedschappen.** Het inzetgereedschap kan bij de terugslag over uw hand bewegen.

**c) Mijd met uw lichaam het gebied waarheen het elektrische gereedschap bij een terugslag wordt bewogen.** De terugslag drijft het elektrische gereedschap in de richting die tegengesteld is aan de beweging van de slijpschijf op de plaats van de blokkering.

**d) Werk bijzonder voorzichtig in de buurt van hoeken, scherpe randen, enz. Voorkom dat inzetgereedschappen van het werkstuk terugspringen en vastklemmen.** Het ronddraaiende inzetgereedschap neigt er bij hoeken, scherpe randen of wanneer het terugspringt toe om zich vast te klemmen. Dit veroorzaakt een controleverlies of terugslag.

**e) Gebruik geen kettingblad of getand zaagblad.** Zulke inzetgereedschappen veroorzaken vaak een terugslag of het verlies van de controle over het elektrische gereedschap.

#### Bijzondere waarschuwingen voor slijpwerkzaamheden

**a) Gebruik uitsluitend het voor het elektrische gereedschap toegestane slijp toebehoren en de voor dit slijp toebehoren voorziene beschermkap.** Slijp toebehoren dat niet voor het elektrische gereedschap is voorzien, kan niet voldoende worden afgeschermd en is niet veilig.

**b) Slijp toebehoren mag alleen worden gebruikt voor de geadviseerde toepassingsmogelijkheden.**

**c) Gebruik altijd onbeschadigde spanflenzen in de juiste maat en vorm voor de door u gekozen slijpschijf.** Geschikte flenzen steunen de slijpschijf en verminderen zo het gevaar van een slijpschijfbreuk. Flenzen voor doorslijpschijven kunnen verschillen van de flenzen voor andere slijpschijven.

**d) Gebruik geen versleten slijpschijven van grotere elektrische gereedschappen.** Slijpschijven voor grotere elektrische gereedschappen zijn niet geconstrueerd voor de hogere toerentallen van kleinere elektrische gereedschappen en kunnen breken.

Verplaatsbaar gereedschap moet bij het gebruik buiten aan een aardlekschakelaar aangesloten worden.

Bij het werken met de machine altijd een veiligheidsbril dragen. Werkhandschoenen en stofkapje voor de mond worden aanbevolen.

Voor alle werkzaamheden aan de machine de stekker uit de kontaktdoos trekken.

Machine alleen uitgeschakeld aan het net aansluiten.

Snoer altijd buiten werkbereik van de machine houden.

De uitgaande as loopt uit nadat de machine is uitgeschakeld. Machine pas na stilstand neerleggen.

Niet aan de draaiende delen komen.

Uitsluitend toebehoren gebruiken waarvan het toelaatbare toerental minstens zo hoog is als het hoogste onbelaste toerental van de machine.

Slijpgereedschappen voor gebruik controleren. Het slijpgereedschap moet correct zijn gemonteerd en vrij kunnen draaien. Ten minste 30 seconden onbelast laten proefdraaien. Beschadigde, niet ronde of trillende slijpgereedschappen niet gebruiken.

Bij het schuren van metalen ontstaan vonken. Er op letten dat er geen personen in gevaar worden gebracht. In verband met het brandgevaar mogen zich geen brandbare materialen in de buurt (gebied waar de vonken vallen) bevinden. Geen stofzuiging gebruiken

Machine altijd zo vasthouden dat vonken of slijpstof van het lichaam zijn af gericht.

De flensmoer moet vóór de ingebruikname van de machine aangetrokken zijn.

Bij inwerking van elektromagnetische storingen van buitenaf kunnen in enkele ge-vallen voorbijgaande toerentalschommelingen optreden.

Slijpschijven altijd volgens de voorschriften van de fabrikant gebruiken en bewaren.

Het te bewerken werkstuk moet vast worden ingespannen als het niet door het eigen gewicht stabiel ligt. Nooit het werkstuk met de hand tegen de schijf houden.

Waarborg dat het slijpgereedschap conform de instructies van de slijpmiddelfabrikant is aangebracht.

De afmetingen van het slijpgereedschap moeten bij de slijper passen.

Bij stoffige werkzaamheden moeten de ventilatieopeningen van de machine vrij zijn. Indien noodzakelijk moet de stroomtoevoer naar de machine onderbroken en het stof verwijderd worden. Gebruik hiervoor niet-metalen voorwerpen en beschadigd daarbij geen inwendige onderdelen.

## VOORGESCHREVEN GEBRUIK VAN HET SYSTEEM

Rechte slijpers kunnen gebruikt worden voor het slijpen van hout, metaal, kunststof of gelijkaardige materialen.

Dit apparaat uitsluitend gebruiken voor normaal gebruik, zoals aangegeven.

## EC - VERKLARING VAN OVEREENSTEMMING

Wij verklaren dat dit product voldoet aan de volgende normen of normatieve documenten:

EN 60745-1:2009 + A1:2010  
EN 60745-2-3:2011  
EN 55014-1:2006 + A1:2009 + A2:2011  
EN 55014-2:1997 + A1:2001 + A2:2008  
EN 61000-3-2:2006 + A1:2009 + A2:2009  
EN 61000-3-3:2008

overeenkomstig de bepalingen van de richtlijnen  
2011/65/EU (RoHS)  
2006/42/EG  
2004/108/EG



Winnenden, 2012-09-09

Rainer Kumpf  
Director Product Development

Gemachtigd voor samenstelling van de technische documenten

## NETAANSLUITING

Uitsluitend op éénfase-wisselstroom en uitsluitend op de op het typeplaatje aangegeven netspanning aansluiten. Aansluiting is ook mogelijk op een stekerdoos zonder aardcontact mogelijk, omdat het is ontworpen volgens veiligheidsklasse II.

## ZONDERHOUD

Altijd de luchtspleten van de machine schoonhouden.

Vanwege kortsluitingsgevaar mogen metaaldeeltjes niet in de luchtschachten terechtkomen.

Alleen AEG toebehoren en onderdelen gebruiken. Onderdelen welke niet vermeld worden, kunnen het beste door de AEG servicedienst verwisseld worden (zie Serviceadressen).

Onder vermelding van het tiencijferige nummer op het machineplaatje is desgewenst een doorsnedetekening van de machine verkrijgbaar bij: AEG Electric Tools GmbH, Max-Eyth-Straße 10, D-71364 Winnenden, Germany

## SYMBOLEN



Graag instructies zorgvuldig doorlezen vóórdat u de machine in gebruik neemt.



Bij het werken met de machine altijd een veiligheidsbril dragen.



Voor alle werkzaamheden aan de machine de stekker uit de kontaktdoos trekken.



Geef elektrisch gereedschap niet met het huisvuil mee! Volgens de Europese richtlijn 2002/96/EG inzake oude elektrische en elektronische apparaten en de toepassing daarvan binnen de nationale wetgeving, dient gebruikt elektrisch gereedschap gescheiden te worden ingezameld en te worden afgevoerd naar een recycle bedrijf dat voldoet aan de geldende milieu-eisen.



Beschermingsklasse II, elektrisch gereedschap waarbij de bescherming tegen elektrische schokken niet afhankelijk is van de basisisolatie, maar waarin extra veiligheidsmaatregelen worden toegepast zoals dubbele of versterkte isolatie.

## TEKNISCHE DATA

	Ligesliber	GS 500 E	GSL 600 E
Nominel optagen effekt.....	500 W	600 W	600 W
Afgiven effekt.....	275 W	350 W	350 W
Omdreijingstal, ubelastet.....	10000-29000 min <sup>-1</sup>	10000-29000 min <sup>-1</sup>	10000-29000 min <sup>-1</sup>
Maks. omdreijingstal (ubelastet) når begrænsningen af ubelastet omdreijingstal er defekt.....	38000	38000	38000
Halsdiameter.....	43 mm	43 mm	43 mm
Spændetang-ø.....	6 mm	6 mm	6 mm
Slibestift-ø maks.			
slibestift af keramik eller bundet med gummi.....	20 mm	20 mm	20 mm
kunstharptiksbundne slibestifte.....	40 mm	40 mm	40 mm
Vægt svarer til EPTA-procedure 01/2003.....	1,3 kg	1,3 kg	1,9 kg

## Støj/Vibrationsinformation

Måleværdier beregnes iht. EN 60 745.

Værktøjets A-vurderede støjniveau er typisk:

Lydtrykniveau (K = 3 dB(A)).....	79 dB(A)	79 dB(A)
Lydefekt niveau (K = 3 dB(A)).....	90 dB(A)	90 dB(A)

## Brug høreværn!

Samlede vibrationsværdier (værdisum for tre retninger) beregnet iht. EN 60745.

Skære- og skrubslibning: Svingsningsemissionstal a <sub>w</sub> .....	14,5 min <sup>-1</sup>	14,5 min <sup>-1</sup>
Usikkerhed K = .....	1,5 min <sup>-1</sup>	1,5 min <sup>-1</sup>

## ADVARSEL

Svingsningsniveauet, som er angivet i disse anvisninger, er målt i henhold til standardiseret måleprocedure ifølge EN 60745 og kan anvendes til indbyrdes sammenligning mellem el-værktøjer. Svingsningsniveauet er ligeledes egnet som foreløbigt skøn over svingsningsbelastningen.

Det angivne svingsningsniveau er baseret på el-værktøjets primære anvendelsesformål. Hvis el-værktøjet benyttes til andre formål, med andet indsatsværktøj eller ikke vedligeholdes tilstrækkeligt, kan svingsningsniveauet afvige. Dette kan øge svingsningsbelastningen over den samlede arbejdsperiode betydeligt.

For en nøjagtig vurdering af svingsningsbelastningen skal der også tages højde for de tidsperioder, hvor apparatet er slukket, eller hvor apparatet kører, men uden at være i anvendelse. Dette kan reducere svingsningsbelastningen over den samlede arbejdsperiode betydeligt.

Supplerende sikkerhedsforanstaltninger til beskyttelse af brugeren mod påvirkninger fra svingninger skal iværksættes, f.eks.: Vedligeholdelse af el-værktøj og indsatsværktøj, varmholdelse af hænder, organisering af arbejdsprocesser.

**⚠ ADVARSEL! Læs alle sikkerhedsanvisninger og øvrige vejledninger, også i den vedlagte brochure. I tilfælde af manglende overholdelse af advarselshenvisningerne og instrukserne er der risiko for elektrisk stød, brand og/eller alvorlige kvæstelser.**  
**Opbevar alle advarselshenvisninger og instrukser til senere brug.**

## SIKKERHEDSHENVISNINGER

Følles advarselshenvisninger til slibning:

- Dette el-værktøj skal anvendes som sliber. Læs og overhold alle advarsler, instruktioner, illustrationer og data, som du modtager i forbindelse med el-værktøjet.** Overholder du ikke følgende instruktioner, kan du få elektrisk stød, der kan opstå brand og /eller du kan blive kvæstet alvorligt.
- Dette el-værktøj er ikke egnet til trådbørstning, overskæringsslibning, slibning med sandpapir eller polering.** Anvendes el-værktøjet til formål, det ikke er beregnet til, kan der opstå farlige situationer, som kan medføre kvæstelser.
- Anvend kun tilbehør, hvis det er beregnet til dette el-værktøj og anbefalet af fabrikanten.** En mulig fastgørelse af tilbehøret til el-værktøjet sikrer ikke en sikker anvendelse.
- Den tilladte hastighed for indsatsværktøjet skal mindst være så høj som den max. hastighed, der er angivet på el-værktøjet.** Tilbehør, der drejer hurtigere end tilladt, kan blive ødelagt eller flyve omkring.
- Indsatsværktøjets udvendige diameter og tykkelse skal svare til målene på dit el-værktøj.** Forkert målt indsatsværktøj kan ikke afskærmes eller kontrolleres tilstrækkeligt.
- Slibeskiver, flanger, slibebagskiver eller andet tilbehør skal passe nøjagtigt til slibespindlen på dit el-værktøj.** Indsatsværktøj, der ikke passer nøjagtigt på el-værktøjets slibespindel, drejer ujævnt, vibrerer meget stærkt og kan medføre, at man taber kontrollen.

**g) Brug ikke el-værktøjet, hvis det er beskadiget. Kontrollér altid før brug indsatsværktøj som f.eks. slibeskiver for afsplintninger og revner, slibebagskiver for revner, slid eller stærkt slid, trådbørster for løse eller brækkede tråde. Tabes el-værktøjet eller indsatsværktøjet på jorden, skal du kontrollere, om det er beskadiget; anvend evt. et ubeskadiget indsatsværktøj. Når indsatsværktøjet er kontrolleret og indsat, skal du holde dig selv og personer, der befinder sig i nærheden, uden for det niveau, hvor indsatsværktøjet roterer, og lad el-værktøjet køre i et minut ved højeste hastighed. Beskadiget indsatsværktøj brækker for det meste i denne testtid.**

**h) Brug personligt beskyttelsesudstyr. Brug helmaske til ansigtet, øjenværn eller beskyttelsesbriller, afhængigt af det udførte arbejde. Brug afhængigt af arbejdets art støvmaske, høreværn, beskyttelseshandsker eller specialforklæde, der beskytter dig mod små slibe- og materialepartikler. Øjenene skal beskyttes mod fremmede genstande, der flyver rundt i luften og som opstår i forbindelse med forskelligt arbejde. Støv- eller åndedrætsmaske skal filtrere det støv, der opstår under arbejdet. Udsættes du for høj støj i længere tid, kan du lide høretab.**

**i) Sørg for tilstrækkelig afstand til andre personer under arbejdet. Enhver, der betræder arbejdsområdet, skal bruge personligt beskyttelsesudstyr. Brudstykker fra emnet eller brækket indsatsværktøj kan flyve væk og føre til kvæstelser også uden for det direkte arbejdsområde.**

**j) Hold altid kun el-værktøjet i de isolerede grebflader, når du udfører arbejde, hvor indsatsværktøjet kan ramme bøjede strømledninger eller værktøjets eget kabel. Kontakt med en spændingsførende ledning sætter også metaldele under spænding, hvilket fører til elektrisk stød.**

**k) Hold netkablet væk fra roterende indsatsværktøj. Taber du kontrollen over el-værktøjet, kan netkablet skæres over eller rammes, og din hånd eller din arm kan trækkes ind i det roterende indsatsværktøj.**

**l) Læg aldrig el-værktøjet til side, før indsatsværktøjet står helt stille.** Det roterende indsatsværktøj kan komme i kontakt med fralægningsfladen, hvorved du kan tabe kontrollen over el-værktøjet.

**m) Lad ikke el-værktøjet køre, mens det bæres.** Dit tøj kan blive fanget ved en tilfældig kontakt med det roterende indsatsværktøj, hvorved indsatsværktøjet kan bore sig ind i din krop.

**n) Rengør ventilationsåbningerne på dit el-værktøj med regelmæssige mellemrum.** Motorhuset trækker støv ind i huset, og store mængder metalstøv kan være farligt rent elektrisk.

**o) Brug ikke el-værktøjet i nærheden af brændbare materialer.** Gnister kan sætte ild i materialer.

**p) Brug ikke indsatsværktøj, der transporterer flydende kølemiddel.** Brug af vand eller andre flydende kølemidler kan føre til elektrisk stød.

#### Tilbageslag og tilsvarende advarsler

Tilbageslag er en pludselig reaktion, som skyldes, at et roterende indsatsværktøj (slibemaskine, slibebagskive, trådbørste osv.) har sat sig fast eller blokerer. Fastsættelse eller blokering fører til et pludseligt stop af det roterende indsatsværktøj. Derved accelereres et ukontrolleret el-værktøj mod indsatsværktøjets omgivelsesretning på blokeringsstedet. Sidder f.eks. en slibeskive fast eller blokerer i et emne, kan kanten på slibeskiven, der dykker ned i emnet, blive siddende, hvorved slibeskiven brækker af eller fører til et tilbageslag. Slibeskiven bevæger sig så hen imod eller væk fra betjeningspersonen, afhængigt af skivens drejeretning på blokeringsstedet. Derved kan slibeskiver også brække. Et tilbageslag skyldes forkert eller fejlbehæftet brug af el-værktøjet. Det kan forhindres ved at træffe egnede forsigtighedsforanstaltninger, der beskrives i det følgende.

**a) Hold godt fast i el-værktøjet og sørg for at både krop og arme befinder sig i en position, der kan klare tilbageslagskræfterne.** Anvend altid ekstrahåndtaget, hvis et sådant findes, for at have så meget kontrol som muligt over tilbageslagskræfterne eller reaktionsmomenterne, når maskinen kører op i hastighed. Betjeningspersonen kan beherske tilbageslags- og reaktionskræfterne med egnede forsigtighedsforanstaltninger.

**b) Sørg for at din hånd aldrig kommer i nærheden af det roterende indsatsværktøj.** Indsatsværktøjet kan bevæge sig hen over din hånd i forbindelse med et tilbageslag.

**c) Undgå at din krop befinder sig i det område, hvor el-værktøjet bevæger sig i forbindelse med et tilbageslag.** Tilbageslaget driver el-værktøjet i modsat retning af slibeskivens bevægelse på blokeringsstedet.

**d) Arbejd særlig forsigtig i områder som f.eks. hjørner, skarpe kanter osv. Forhindre at indsatsværktøjet slår tilbage fra emnet og sætter sig fast.** Det roterende indsatsværktøj har tendens til at sætte sig fast, når det anvendes i hjørner, skarpe kanter eller hvis det springer tilbage. Dette medfører, at man taber kontrollen eller tilbageslag.

**e) Brug ikke kædesavklinger eller tandede savklinger.** Sådant indsatsværktøj fører hyppigt til tilbageslag eller at man taber kontrollen over el-værktøjet.

#### Særlige advarselshenvisninger til slibning

**a) Brug udelukkende slibeskiver/slibestifter, der er godkendt til dit el-værktøj, og den beskyttelseskappe, der er beregnet til disse slibeskiver/slibestifter.** Slibeskiver/slibestifter, der ikke er beregnet til el-værktøjet, kan ikke beskyttes tilstrækkeligt og er usikre.

**b) Slibeskiver/slibestifter må kun anvendes til de anbefalede formål.**

**c) Anvend altid ubeskadigede spændeflanger i den rigtige størrelse og form, der passer til den valgte slibeskive.** Egnede flanger støtter slibeskiven og forringer således faren for brud på slibeskiven. Flanger til skæreskiver kan være forskellige fra flanger for andre slibeskiver.

**d) Brug ikke slidte slibeskiver, der passer til større el-værktøj.** Slibeskiver til større el-værktøj kan brække, da de ikke er egnede til de højere omdrejningstal, som småt el-værktøj arbejder med.

Stikdåser udendørs skal være forsynet med fejlstrømssikringskontakter. Det forlanger installationsforskriften for Deres elektroanlæg. Overhold dette, når De bruger vores maskiner.

Når der arbejdes med maskinen, skal man have beskyttelsesbriller på. Beskyttelseshandsker, skridsikre sko, høreværn og forklæde anbefales.

Før ethvert arbejde ved maskinen skal stikket tages ud af stikdåsen.

Maskinen slutes kun udkoblet til stikdåsen.

Tilslutningskablet holdes hele tiden væk fra maskinens arbejdsområde. Kablet ledes altid bort bag om maskinen.

Værktøjsspindlen har et efterløb og standser dermed ikke samtidig med værktøjet. Maskinen skal være slukket, før den lægges fra.

Pas på ikke at få hånden ind i maskinen.

Benyt kun værktøj, hvis tilladte omdrejningstal er mindst lige så højt, som det højeste tomgangsomdrejningstal for maskinen.

Slibeværktøj skal kontrolleres før ibrugtagning. Slibeværktøj skal være monteret korrekt og skal kunne drejes. Slibeværktøj skal prøveløbes i ubelastet tilstand i mindst 30 sekunder. Beskadiget, uregelmæssigt rundt eller vibrerende slibeværktøj må ikke anvendes.

Gnistregn opstår ved slibning af metal. Vær opmærksom på, at personer ikke kommer til skade. På grund af brandfare må brandbare materialer ikke opbevares i nærheden (gnistregnområde). Brug ikke støvsuger.

Maskinen skal altid håndteres således, at gnister og slibestøv slynges væk fra kroppen.

Flangemøtrikken skal spændes inden maskinen tages i brug.

Under påvirkning af ekstreme elektromagnetiske fejl udefra kan der i enkelte tilfælde optræde forbigående omdrejningstalsvingninger.

Benyt og opbevar kun slibeskiver iht. fabrikantens angivelser.

Det arbejdsemne, som skal bearbejdes, fastspændes, medmindre det holdes på plads af arbejdsemnets egenvægt. Før aldrig emnet mod skiven med hånden.

Kontroller, at slibeværktøjet er monteret efter slibemiddelproducentens anvisninger.

Slibeværktøjets mål skal passe til sliberen.

Ved støvholdigt arbejde skal maskinens ventilationsprækker holdes fri. Om nødvendigt kobles maskinen fra nettet, og støvet fjernes. Til det anvendes udelukkende ikke-metalliske genstande - pas på ikke at beskadige indvendige dele.

#### TILTÆNKT FORMÅL

Ligeslibere er egnet til slibning af træ, metal, kunststof og lignende materialer, især på vanskeligt tilgængelige steder.

Produktet må ikke anvendes på anden måde og til andre formål end foreskrevet.

#### CE-KONFORMITETSERKLÆRING

Vi erklærer under almindeligt ansvar, at dette produkt er i overensstemmelse med følgende normer eller normative dokumenter.

EN 60745-1:2009 + A11:2010  
EN 60745-2-3:2011  
EN 55014-1:2006 + A1:2009 + A2:2011  
EN 55014-2:1997 + A1:2001 + A2:2008  
EN 61000-3-2:2006 + A1:2009 + A2:2009  
EN 61000-3-3:2008  
i henhold til bestemmelserne i direktiverne 2011/65/EU (RoHS)  
2006/42/EF  
2004/108/EF



Winnenden, 2012-09-09

Rainer Kumpf  
Director Product Development

Autoriseret til at udarbejde de tekniske dokumenter.

#### NETTILSLUTNING

Tilslutning må kun foretages til enfaset vekselstrøm og kun til en netspænding, som er i overensstemmelse med angivelsen på mærkepladen. Tilslutning kan også ske til stikdåser uden beskyttelseskontakt, da kapslingsklasse II foreligger.

#### VEDLIGEHOLDELSE

Hold altid maskinens ventilationsåbninger rene.

Metaldele må ikke trænge ind i ventilationsåbningerne, da dette kan føre til kortslutning

Brug kun AEG tilbehør og reservedele. Lad de komponenter, hvis udskiftning ikke er blevet beskrevet, udskifte hos AEG service (se kundeserviceadresser).

Ved opgivelse af type nr. der er angivet på maskinens effektskilt, kan De rekvirere en reservedelstegning, ved henvendelse til: AEG Electric Tools GmbH, Max-Eyth-Straße 10, D-71364 Winnenden, Germany

#### SYMBOLER



Læs brugsanvisningen nøje før ibrugtagning.



Når der arbejdes med maskinen, skal man have beskyttelsesbriller på.



Før ethvert arbejde ved maskinen skal stikket tages ud af stikdåsen.



Elværktøj må ikke bortskaffes som almindeligt affald! I henhold til det europæiske direktiv 2002/96/EF om bortskaffelse af elektriske og elektroniske produkter og gældende national lovgivning skal brugt elværktøj indsamles separat og bortskaffes på en måde, der skåner miljøet mest muligt.



Kapslingsklasse II, el-værktøj, hvor beskyttelsen mod elektrisk stød ikke kun afhænger af basisisoleringen, men hvor beskyttelsesforanstaltninger, såsom dobbelt isolering eller forstærket isolering, tillige finder anvendelse.

TEKNISKE DATA	Rettsliper	GS 500 E	GSL 600 E
Nominell inngangseffekt .....	500 W .....	600 W .....	600 W .....
Avgitt effekt .....	275 W .....	650 W .....	650 W .....
Tomgangsturtall .....	10000-29000 min <sup>-1</sup> .....	10000-29000 min <sup>-1</sup> .....	10000-29000 min <sup>-1</sup> .....
Maks. tomgangsturtall ved uvirksom begrensning av tomgangsturtall .....	38000 .....	38000 min <sup>-1</sup> .....	38000 min <sup>-1</sup> .....
Spennhals- $\emptyset$ .....	43 mm .....	43 mm .....	43 mm .....
Spennstang- $\emptyset$ .....	6 mm .....	6 mm .....	6 mm .....
Slipestift- $\emptyset$ , maks. ved keramisk binding .....	20 mm .....	20 mm .....	20 mm .....
ved kunststoffbinding .....	40 mm .....	40 mm .....	40 mm .....
Vekt i henhold til EPTA-Prosedyren 01/2003 .....	1,3 kg .....	1,3 kg .....	1,9 kg .....

### Støy/Vibrasjonsinformasjon

Måleverdier fastslått i samsvar med EN 60 745.

Det typiske A-bedømte støynivået for maskinen er:

Lydtryknivå (K = 3 dB(A)) .....	79 dB(A) .....	79 dB(A) .....
Lydefektinnivå (K = 3 dB(A)) .....	90 dB(A) .....	90 dB(A) .....

### Bruk hørselsvern!

Totale svingningsverdier (vektorsum fra tre retninger) beregnet jf. EN 60745.

Kutting og polering/rensing: svingningens emisjonsverdi $a_h$ .....	14,5 min <sup>-1</sup> .....	14,5 min <sup>-1</sup> .....
Usikkerhet K = .....	1,5 min <sup>-1</sup> .....	1,5 min <sup>-1</sup> .....

### ADVARSEL

Svingningsnivået som er angitt i denne instruksjonen er målt i overensstemmelse med målemetoden normert i direktiv EN 60745 og kan brukes til å sammenligne elektromaskiner med hverandre. Den egner seg også for en foreløbig vurdering av svingningsbelastningen.

Det angitte svingningsnivået representerer de hovedsaklige bruk av elektroverktøyet. Men anvendes elektroverktøyet for andre bruk med avvikende utskiftbare verktøy eller vedlikeholdet er utilstrekkelig, kan svingningsnivået være avvikende.

Dette kan forhøye svingningsbelastning betydelig over hele arbeidsperioden. For en nøyaktig vurdering av svingningsbelastningen må også det tas hensyn til tiden apparatet er avslått eller står på, men ikke er i bruk. Dette kan redusere svingningsbelastningen betydelig over hele arbeidsperioden.

Innfør også ekstra sikkerhetstiltak for å beskytte bruker mot utvirkningen av svingningene. Disse kan f.eks. være: vedlikehold av elektroverktøyet og det utskiftbare verktøyet, holde hendene varme, organisasjon av arbeidsforløpet.

**⚠ ADVARSEL! Les alle sikkerhetsinstruksjoner og bruksanvisninger, også de i den vedlagte brosjyren.** Feil ved overholdelsen av advarslene og nedenstående anvisninger kan medføre elektriske støt, brann og/eller alvorlige skader. **Ta godt vare på alle advarslene og informasjonene.**

### SPESEILLE SIKKERHETSHENVISNINGER

Felles advarsler om sliping:

**a) Dette elektroverktøyet skal brukes som sliper. Følg alle advarsler, anvisninger, bilder og data som du får levert sammen med elektroverktøyet.** Hvis du ikke følger følgende anvisninger, kan det oppstå elektriske støt, ild og/eller store skader.

**b) Dette elektroverktøyet er ikke egnet som stålborste, for kutting, for sliping med sandpapir og polering.** Bruk som elektroverktøyet ikke er konstruert for, kan forårsake farer og skader.

**c) Ikke bruk tilbehør som ikke er spesielt beregnet og anbefalt av produsenten for dette elektroverktøyet.** Selv om du kan feste tilbehøret på elektroverktøyet ditt, garanterer dette ingen sikker bruk.

**d) Det godkjente turtallet til innsatsverktøyet må være minst like høyt som det maksimale turtallet som er angitt på elektroverktøyet.** Tilbehør som dreies hurtigere enn godkjent, kan brenne og slynges rundt.

**e) Utvendig diameter og tykkelse på innsatsverktøyet må tilsvare målene for elektroverktøyet.** Gale innsatsverktøy kan ikke sikres eller kontrolleres tilstrekkelig.

**f) Slipeskiver, flenser, slipetallerkenen eller annet tilbehør må passe nøyaktig på slipespindelen til elektroverktøyet.** Innsatsverktøy som ikke passer nøyaktig på slipespindelen til elektroverktøyet, roterer uregelmessig, vibrerer svært sterkt og kan føre til at du mister kontrollen.

**g) Ikke bruk skadede innsatsverktøy. Sjekk før hver bruk om innsatsverktøy slik som slipeskiver er splintret eller**

**revnet, om slipetallerkenen er revnet eller svært slitt, om stålborster har løst eller har brukte tråder. Hvis elektroverktøyet eller innsatsverktøyet faller ned, må du kontrollere om det er skadet eller bruk er ikke skadet innsatsverktøyet. Når du har kontrollert og satt inn innsatsverktøyet, må du holde personer som oppholder seg i nærheten unna det roterende innsatsverktøyet og la elektroverktøyet gå i ett minutt med maksimalt turtall.** Som regel brenner skadede innsatsverktøy i løpet av denne testtiden.

**h) Bruk personlig beskyttelsesutstyr. Avhengig av typen bruk må du bruke visir, øyebeskyttelse eller vernebriller. Om nødvendig må du bruke støvmaske, hørselsvern, vernehansker eller spesialforkle som holder små slipe- og materialpartikler unna kroppen din.** Øynene bør beskyttes mot fremmedlegemer som kan fly rundt ved visse typer bruk. Støv- eller pustevernmasker må filtrere den typen støv som oppstår ved denne bruken. Hvis du er utsatt for sterk støy over lengre tid, kan du miste hørselen.

**i) Pass på at andre personer holder tilstrekkelig avstand til arbeidsområdet ditt. Alle som går inn i arbeidsområdet må bruke personlig verneutstyr.** Brukne deler til verktøyet eller brukne innsatsverktøy kan slynges ut og derfor også forårsake skader utenfor det direkte arbeidsområdet.

**j) Ta kun tak i elektroverktøyet på de isolerte gripeflatene, hvis du utfører arbeid der innsatsverktøyet kan treffe på skjulte strømledninger eller den egne strømledningen.** Kontakt med en spenningsførende ledning setter også elektroverktøyet metallideler under spenning og fører til elektriske støt.

**k) Hold strømledningen unna roterende innsatsverktøy.** Hvis du mister kontrollen over elektroverktøyet kan strømledningen kappes eller komme inn i verktøyet, og hånden eller armen din kan komme inn i det roterende innsatsverktøyet.

**l) Legg aldri elektroverktøyet ned før innsatsverktøyet er stanset helt.** Det roterende innsatsverktøyet kan komme i

kontakt med overflaten der maskinen legges ned, slik at du kan miste kontrollen over elektroverktøyet.

**m) La aldri elektroverktøyet være innkoblet mens du bærer det.** Tøyet ditt kan komme inn i det roterende innsatsverktøyet hvis det tilfeldigvis kommer i kontakt med verktøyet og innsatsverktøyet kan da bore seg inn i kroppen din.

**n) Rengjør ventilasjonsåpningene til elektroverktøyet med jevne mellomrom.** Motorviften trekker støv inn i huset, og en stor oppsamling av metallstøv kan medføre elektrisk fare.

**o) Ikke bruk elektroverktøyet i nærheten av brennbare materialer.** Gnister kan antenne disse materialene.

**p) Bruk ikke innsatsverktøy som krever flytende kjølemedier.** Bruk av vann eller andre flytende kjølemedier kan føre til elektriske støt.

### Tilbakeslag og tilsvarende advarsler

Tilbakeslag er innsatsverktøyet plutselige reaksjon etter at det har hengt seg opp eller blokkerer. Dette kan gjelde slipeskiven, slipetallerkenen, stålborsten osv.. Opphenging eller blokkering fører til at det roterende innsatsverktøyet stanser helt plutselig. Slik akselereres et ukontrollert elektroverktøy mot innsatsverktøyet dreieretning på blokkeringsstedet. Hvis f. eks. en slipeskive henger seg opp eller blokkerer i arbeidsstykket, kan kanten på slipeskiven som dykker inn i arbeidsstykket, henge seg opp og slik brenner slipeskiven eller forårsaker et tilbakeslag. Slipeskiven beveger seg da mot eller bort fra brukeren, avhengig av skivens dreieretning på blokkeringsstedet. Slik kan slipeskiver også brenne. Et tilbakeslag er resultat av en gal eller feilaktig bruk av elektroverktøyet. Det kan unngås ved å følge egnede sikkerhetstiltak som beskrevet nedenstående.

**a) Hold elektroverktøyet godt fast og plasser kroppen og armene dine i en stilling som kan ta imot tilbakeslagskrefter. Bruk alltid ekstrahåndtaket – hvis dette finnes – for å ha størst mulig kontroll over tilbakeslagskrefter eller reaksjonsmomenter ved oppkjøring.** Brukeren kan beherske tilbakeslags- og reaksjonsmomenter med egnede tiltak.

**b) Hold aldri hånden i nærheten av det roterende innsatsverktøyet.** Innsatsverktøyet kan bevege seg over hånden din ved tilbakeslag.

**c) Unngå at kroppen din befinner seg i området der elektroverktøyet vil bevege seg ved et tilbakeslag.** Tilbakeslaget driver elektroverktøyet i motsatt retning av slipeskivens dreieretning på blokkeringsstedet.

**d) Vær spesielt forsiktig i hjørner, på skarpe kanter osv. Du må forhindre at innsatsverktøy avpelles fra arbeidsstykket eller klemmes fast.** Det roterende innsatsverktøyet har en tendens til å klemmes fast i hjørner, på skarpe kanter eller hvis det avpelles. Dette forårsaker kontrolltap eller tilbakeslag.

**e) Bruk ikke kjedesagblad eller tannet sagblad.** Slike innsatsverktøy fører ofte til tilbakeslag eller til at man mister kontrollen over elektroverktøyet.

### Spesielle advarsler om sliping

**a) Bruk kun slipeskiver som er godkjent for dette elektroverktøyet og et verneedeksel som er konstruert for denne typen slipeskive.** Slipeskiver som ikke ble konstruert for dette elektroverktøyet, kan ikke beskyttes tilsvarende og er ikke sikre.

**b) Slipeskiver må kun brukes til anbefalt type bruk.**

**c) Bruk alltid uskadede spennflenser i riktig størrelse og form for den slipeskiven du har valgt.** Egnede flenser støtter slipeskiven og reduserer slik faren for at slipeskiven brenner. Flenser for kappeskiver kan være annerledes enn flenser for andre slipeskiver.

**d) Ikke bruk slitte slipeskiver fra større elektroverktøy.** Slipeskiver for større elektroverktøy er ikke beregnet til de høyere turtall på mindre elektroverktøy og kan brenne.

Stikkontakter utendørs må være utstyrt med feilstømsikkerhetsbryter. Dette forlanges av installasjonsforskriften for elektroanlegg. Vennligst følg dette når du bruker vårt apparat. Bruk alltid vernebrille når du arbeider med maskinen. Det anbefales å bruke arbeidshansker, faste og sklisikre sko og forkle.

Trekk støpslet ut av stikkkontakten før du begynner arbeidet på maskinen.

Maskinen må være slått av når den koples til stikkkontakten.

Hold ledningen alltid vekk fra maskinens virkeområde. Før ledningen alltid bakover fra maskinen.

Verktøyspindelen løper etter når apparatet ble slått av. Legg fra deg maskinen først når den står stille.

Ikke grip inn i fareområdet mens maskinen er i gang.

Bruk kun arbeidsverktøy med et tillatt turtall som er minst så stort som apparatets høyeste tomgangsturtall.

Kontroller slipeverktøy før bruk. Slipeverktøyet må være nøyaktig montert og kunne dreie fritt. Prøvekjør i minst 30 sekunder uten belastning. Ikke bruk skadet, rundt eller vibrerende slipeverktøy.

Ved sliping av metall flyr det gnister. Pass på at ingen personer blir utsatt for fare. På grunn av brannfaren må det ikke finnes noen brennbare materialer i nærheten (gnistområdet). Ikke bruk støvavsg.

Hold apparatet alltid slik at gnister eller slipestøv flyr vekk fra kroppen.

Flensmutteren må være trukket til før maskinen startes.

Under innvirkning av ekstreme elektromagnetiske forstyrrelser utenfra, kan det i enkelte tilfeller oppstå forbigående turtallendringer.

Bruk og oppbevar slipeskiver alltid i henhold til produsentens anvisninger.

Det emnet som skal bearbeides må være fastspenn, hvis det ikke blir holdt av sin egen vekt. Før aldri emnet med hånden mot skiven.

Kontroller at slipeverktøyet er montert etter produsentens instruksjoner

Slipeverktøyet må passe til sliperen

Ved støvete arbeid må luftsissene være fri. Hvis nødvendig, skill maskinen fra nettet og fjern støvet. Bruk til dette ingen metall gjenstander og skadgjør ingen indre deler.

### FORMALSMESSIG BRUK

Rettsliper er egnet til sliping av tre, metall, kunststoff og lignende materialer, særlig på vanskelig tilgjengelige steder. Dette apparatet må kun brukes til de oppgitte formål.

### CE-SAMSVARERKLÆRING

Vi erklærer på eget ansvar at dette produktet stemmer overens med de følgende normer eller normative dokumenter.

EN 60745-1:2009 + A11:2010

EN 60745-2-3:2011

EN 55014-1:2006 + A1:2009 + A2:2011

EN 55014-2:1997 + A1:2001 + A2:2008

EN 61000-3-2:2006 + A1:2009 + A2:2009

EN 61000-3-3:2008

i henhold til bestemmelserne i direktivene 2011/65/EU (RoHS)

2006/42/EF

2004/108/EF



Winnenden, 2012-09-09

*Rainer Kumpf*

Rainer Kumpf  
Director Product Development

Autorisert til å utarbeide den tekniske dokumentasjonen



## NETTILKOPLING

☐ Skal bare tilsluttes enfasevekselstrøm og bare til den på skiltet angitte nettspenning. Tilslutning til stikkontakter uten jordet kontakt er mulig fordi beskyttelse beskyttelsesklasse II er forhanden.

## VEDLIKEHOLD

Hold alltid lufteåpningene på maskinen rene.

På grunn av kortslutningsfare må metalleder ikke komme inn i lufteåpningene.

Bruk kun AEG tilbehør og reservedeler. Komponenter der utskiftning ikke er beskrevet skal skiftes ut hos AEG kundeservice (se brosjyre garanti/kundeserviceadresser).

Ved behov kan du be om en eksplosjonstegning av apparatet hos din kundeservice eller direkte hos AEG Electric Tools GmbH, Max-Eyth-Straße 10, D-71364 Winnenden, Germany. Oppgi maskintype og det tilsifrete nummeret på typeskiltet.

## SYMBOLER



Les nøye gjennom bruksanvisningen før maskinen tas i bruk.



Bruk alltid vernebrille når du arbeider med maskinen.



Trekk støpset ut av stikkontakten før du begynner arbeidet på maskinen.



Kast aldri elektroverktøy i husholdningsavfallet! I henhold til EU-direktiv 2002/96/EF om kasserte elektriske og elektroniske produkter og direktivets iverksetting i nasjonal rett, må elektroverktøy som ikke lenger skal brukes, samles separat og returneres til et miljøvennlig gjenvinningsanlegg.



Verneklasse II, elektroverktøy, vern mot elektriske slag beror ikke bare på basisisoleringen, men også på at i tillegg vernetiltak som dobbelte isolering eller forsterket isolering anvendes.

## TEKNISKA DATA

	Rak slipmaskin	GS 500 E	GSL 600 E
Nominell opptagen effekt.....	500 W	600 W	600 W
Uteffekt .....	275 W	650 W	650 W
Obelastet varvtal.....	10000-29000 min <sup>-1</sup>	10000-29000 min <sup>-1</sup>	10000-29000 min <sup>-1</sup>
Högsta tomgångsvarvtal vid icke aktiv reglering av tomgångsvarvtal .....	38000	38000	38000
Maskinhals diam.....	43 mm	43 mm	43 mm
Spännhalsor-ø .....	6 mm	6 mm	6 mm
Max. slipstift-ø med			
slipstift av keramik eller gummindemedel .....	20 mm	20 mm	20 mm
slipstift av konstharbindemedel .....	40 mm	40 mm	40 mm
Vikt enligt EPTA 01/2003 .....	1,3 kg	1,3 kg	1,9 kg

## Buller-/vibrationsinformasjon

Måtvärderna har tagits fram baserade på EN 60 745.

A-värdet av maskinens ljudnivå utgör:

Ljudtrycksnivå (K = 3 dB(A)) .....	79 dB(A)	79 dB(A)	79 dB(A)
Ljudeffektsnivå (K = 3 dB(A)) .....	90 dB(A)	90 dB(A)	90 dB(A)

## Använd hörselskydd!

Totala vibrationsvärdet (vektorsumma ur tre riktningar) framtaget enligt EN 60745.

Kapning och slipning: svängningsemissionsvärde a <sub>n</sub> .....	14,5 min <sup>-1</sup>	14,5 min <sup>-1</sup>	14,5 min <sup>-1</sup>
Onoggrannhet K = .....	1,5 min <sup>-1</sup>	1,5 min <sup>-1</sup>	1,5 min <sup>-1</sup>

## VARNING

Den i de här anvisningarna angivna vibrationsnivån har uppmätts enligt ett i EN 60745 normerat mätförfarande och kan användas vid jämförelse mellan olika elverktyg. Nivån är även lämplig att använda vid en preliminär bedömning av vibrationsbelastningen.

Den angivna vibrationsnivån representerar den huvudsakliga användningen av det aktuella elverktøyet. Men om elverktøyet ska användas i andra användningsområden, tillsammans med avvikande insatsverktyg eller efter otillräckligt underhåll, kan vibrationsnivån skilja sig. Det kan öka vibrationsbelastningen betydligt under hela arbetstiden.

För att få en exaktare bedömning av vibrationsbelastningen ska även den tid beaktas, under vilken elverktøyet är avstängt eller är påslaget, utan att det verkligen används. Det kan reducera vibrationsbelastningen betydligt under hela arbetstiden.

Lägg som skydd för användaren fast extra säkerhetsåtgärder mot vibrationernas verkan, som till exempel: underhåll av elverktøy og insatsverktyg, varmhållning av händer och organisering av arbetsförlopp.

**⚠ WARNING! Läs alla säkerhetsanvisningar och andra tillhörande anvisningar, även de i den medföljande broschyren. Fel som uppstår till följd av att anvisningarna nedan inte följs kan orsaka elstöt, brand och/eller allvarliga kroppsskador.**

**Förvara alla varningar och anvisningar för framtida bruk.**

## SÄKERHETSUTRUSTNING

Gemensamma säkerhetsanvisningar för slipning:

**a) Detta elverktøy ska användas som slipmaskin. Beakta alla säkerhetsanvisningar, anvisningar, illustrationer och data som levereras med elverktøyet.** Om nedanstående anvisningar ignoreras finns risk för att elstöt, brand och/eller allvarliga personskador uppstår.

**b) Detta elverktøy lämpar sig inte för stålborstning, kapslipning, sandpappersslipning och polering.** Tillämpningar som maskinen inte är avsedd för kan förorsaka faror och personskador.

**c) Använd inte tillbehör som tillverkaren inte uttryckligen godkännt och rekommenderat för detta elverktøy.** Även om tillbehör kan fästas på elverktøyet finns det ingen garanti för en säker användning.

**d) Insatsverktygets tillåtna varvtal måste åtminstone motsvara det på elverktøyet angivna högsta varvtalet.** Tillbehör med en högre rotationshastighet kan brista och slungas ut.

**e) Insatsverktygets yttre diameter och tjocklek måste motsvara elverktøyetts dimensioner.** Feldimensionerade insatsverktyg kan inte på betryggande sätt avskärmas och kontrolleras.

**f) Slipskivor, flänsar, sliprondeller och annat tillbehör måste passa exakt på elverktøyetts slipspindel.** Insatsverktyg som inte exakt passar till elverktøyetts slipspindel roterar ojämnt, vibrerar kraftigt och kan leda till att du förlorar kontrollen över verktyget.

**g) Använd aldrig skadade insatsverktyg. Kontrollera före varje användning insatsverktygen som t. ex. slipskivor avseende splitterskador och sprickor, sliprondeller avseende sprickor repor eller kraftig nedslitning, stålborstar avseende lösa eller brustna trådar. Om elverktøyet eller insatsverktyget skulle falla ned kontrollera om skada uppstått eller montera ett oskadat insatsverktyg. Du och andra personer i närheten ska efter kontroll och montering av insatsverktyg ställa er utanför insatsverktygets rotationsradie och sedan låta elverktøyet rotera en minut med högsta varvtal. Skadade insatsverktyg går i de flesta fall sönder vid denna provkörning.**

**h) Använd personlig skyddsutrustning. Använd alltefter avsett arbete ansiktsskärm, ögonskydd eller skyddsglasögon. Om så behövs, använd dammfiltermask, hörselskydd, skyddshandskar eller skyddsförkläde som skyddar mot små utslungade slip- och materialpartiklar.** Ögonen ska skyddas mot utslungade främmande partiklar som kan uppstå under arbetet. Damm- och andningsskydd måste kunna filtrera bort det damm som eventuellt uppstår under arbetet. Risk finns för hörselskada under en längre tids kraftigt buller.

**i) Se till att obehöriga personer hålls på betryggande avstånd från arbetsområdet. Alla som rör sig inom arbetsområdet måste använda personlig skyddsutrustning.** Brottstycken från arbetsstycket eller insatsverktygen kan slungas ut och orsaka personskada även utanför arbetsområdet.

**j) Håll fast elverktøyet endast vid de isolerade handtagen när arbeten utförs på ställen där insatsverktyget kan skada dolda elledningar eller egen nåtsladd.** Om elverktøyet kommer i kontakt med en spänningsförande ledning sätts elverktøyetts metalleder under spänning som sedan leder till elstöt.

**k) Håll nåtsladden på avstånd från roterande insatsverktyg.** Om du förlorar kontrollen över elverktøyet kan nåtsladden

kapas eller dras in varvid risk finns för att din hand eller arm dras mot det roterande insatsverktyget.

**l) Lägg aldrig bort elverktyget innan insatsverktyget stannat fullständigt.** Det roterande insatsverktyget kan komma i beröring med underlaget varvid risk finns för att du förlorar kontrollen över verktyget.

**m) Elverktyget får inte rotera när det bärs.** Kläder kan vid tillfällig kontakt med det roterande insatsverktyget dras in varvid insatsverktyget dras mot din kropp.

**n) Rengör regelbundet elverktygets ventilationsöppningar.** Motorfläkten drar in damm i huset och en kraftig anhopning av metalldamm kan orsaka farliga elströmmar.

**o) Använd inte elverktyget i närheten av brännbara material.** Risk finns för att gnistor antänder materialet.

**p) Använd inte insatsverktyg som kräver flytande kylmedel.** Vatten eller andra kylvätskor kan medföra elstöt.

#### Varning för bakslag

Ett bakslag är en plötslig reaktion hos insatsverktyget när t. ex. slipskivan, sliprondellen, stålborsten hakar upp sig eller blockerar. Detta leder till abrupt uppbromsning av det roterande insatsverktyget. Härvid accelererar ett okontrollerat elverktyg mot insatsverktygets rotationsriktning vid inklämningsstället. Om t. ex. en slipskiva hakar upp sig eller blockerar i arbetsstycket kan slipskivans kant i arbetsstycket klämmas fast varvid slipskivan bryts sönder eller orsakar bakslag. Slipskivan rör sig nu mot eller bort från användaren beroende på skivans rotationsriktning vid inklämningsstället. Härvid kan slivskivor även brista. Bakslag uppstår till följd av missbruk eller felaktig hantering av elverktyget. Detta kan undvikas genom skyddsåtgärder som beskrivs nedan.

**a) Håll stadigt i elverktyget samt kroppen och armarna i ett läge som är lämpligt för att motstå bakslagskrafter. Använd alltid stödhandtaget för bästa möjliga kontroll av bakslagskrafter och reaktionsmoment vid start.** Användaren kan genom lämpliga försiktighetsåtgärder bättre behärska bakslags- och reaktionskrafterna.

**b) Håll alltid handen på betryggande avstånd från det roterande insatsverktyget.** Insatsverktyget kan vid ett bakslag gå mot din hand.

**c) Undvik att hålla kroppen inom det område elverktyget vid ett bakslag rör sig.** Bakslaget kommer att driva elverktyget i motsatt riktning till slipskivans rörelse vid inklämningsstället.

**d) Var särskilt försiktig vid bearbetning av hörn, skarpa kanter osv. Håll emot så att insatsverktyget inte studsar ut från arbetsstycket eller kommer i kläm.** På hörn, skarpa kanter eller vid studsning tenderar det roterande insatsverktyget att komma i kläm. Detta kan leda till att kontrollen förloras eller att bakslag uppstår.

**e) Använd aldrig kedje- eller tandade sågklingor.** Dessa insatsverktyg orsakar ofta ett bakslag eller förlust av kontrollen över elverktyget.

#### Speciella varningar för slipning

**a) Använd endast slipkroppar som godkänts för aktuellt elverktyg och de sprängskydd som är avsedda för dessa slipkroppar.** Slipkroppar som inte är avsedda för aktuellt tryckluftverktyg kan inte på betryggande sätt skyddas och är därför farliga.

**b) Slipkroppar får användas endast för rekommenderade arbeten.**

**c) För vald slipskiva ska alltid oskadade spännflänsar i korrekt storlek och form användas.** Lämpliga flänsar stöder slipskivan och reducerar sålunda risken för slivskivbrott. Flänsar för kapskivor och andra slivskivor kan ha olika utseende och form.

**d) Använd inte nedslitna slivskivor från större elverktyg.** Slivskivor för större elverktyg är inte konstruerade för de mindre elverktygens högre varvtal och kan därför spricka.

Anslut alltid verktyget till jordat eluttag vid användning utomhus.

Använd alltid skyddsglasögon, skyddshandskar och hörselskydd.

Drag alltid ur kontakten när du utför arbeten på maskinen.

Maskinen skall vara fränkopplad innan den anslutes till vägguttag.

Nätkabeln skall alltid hållas ifrån arbetsområdet. Lägg kabeln bakåt i förhållande till arbetsriktningen.

Se upp, verktygsspindeln roterar en stund efter det maskinen fränkopplats. Maskinen får inte läggas ned förrän den stannat helt.

Lakttag största försiktighet när maskinen är igång.

Använd endast skivor, vars tillåtna varvtal är minst så högt som det högsta tomgångsvarvtalet på maskinen.

Kontrollera slivverktygen innan de tas i bruk. Slivverktyget måste vara ordentligt monterat och kunna rotera fritt. Provkör nya verktyg minst 30 sekunder utan belastning. Skadade, orunda eller vibrerande slivverktyg får inte längre användas.

Vid slipning av metall uppstår gnistor. Se till att personer inte skadas. Pga brandrisken får inga brännbara material finnas i närheten (inom gnistområdet). Använd inte dammsugning!

Håll alltid maskinen så, att gnistor och slipdamm flyger i riktning från kroppen.

Flänsmuttern skall vara åtdragen innan start av maskinen.

Under inverkan av elektromagnetiska störningar utifrån, kan enstaka fall av varvtals-sänkningar uppträda.

Använd och uppbevara alltid slivskivorna enligt tillverkarens anvisningar.

Spänn fast arbetsstycket om det inte ligger stadigt till följd av egen vikt. För aldrig arbetsstycket för hand mot slipskivan.

Säkerställ att slivverktyget har monterats enligt slipmedelstillverkarens anvisningar.

Slivverktygets dimensioner måste passa till slipmaskinen.

Vid dammiga arbeten måste maskinens ventilationsöppningar vara fria. Dra ut stickkontakten och avlägsna damm om det är nödvändigt. Använd föremål av icke-metall och se till att inga delar i maskinens inre skadas.

#### ANVÄND MASKINEN ENLIGT ANVISNINGARNA

Raka slipmaskiner är lämpliga att slipa i trä, metall, konstfibrer mm, särskilt på svaråtkomliga ställen.

Maskinen får endast användas för angiven tillämpning.

#### CE-FÖRSÄKRAN

Vi intygar och ansvarar för, att denna produkt överensstämmer med följande norm och dokument

EN 60745-1:2009 + A11:2010

EN 60745-2-3:2011

EN 55014-1:2006 + A1:2009 + A2:2011

EN 55014-2:1997 + A1:2001 + A2:2008

EN 61000-3-2:2006 + A1:2009 + A2:2009

EN 61000-3-3:2008

enl. bestämmelser och riktlinjerna

2011/65/EU (RoHS)

2006/42/EG

2004/108/EG



Winnenden, 2012-09-09

Rainer Kumpf  
Director Product Development

Befullmäktigad att sammanställa teknisk dokumentation.

#### NÄTANSLUTNING

Får endast anslutas till 1-fas växelström och till den spänning som anges på dataskylten. Anslutning kan även ske till eluttag utan skyddskontakt, eftersom konstruktionen motsvarar skyddsklass II.

#### SKÖTSEL

Se till att motorhöljets luftslitsar är rena.

OBS! Undvik att metalldelar hamnar i luftslitsarna - risk för kortslutning!

Använd endast AEG tillbehör och reservdelar. Reservdelar vars utbyte ej beskrivs byts bäst av AEG auktoriserad serviceverkstad (se broschyr Garanti/Kundtjänstadresser).

Vid behov av sprängskiss, kan en sådan, genom att uppge maskinens art. nr. (som finns på typskylten) erhållas från: AEG Electric Tools GmbH, Max-Eyth-Straße 10, D-71364 Winnenden, Germany

#### SYMBOLER



Läs instruktionen noga innan du startar maskinen.



Använd alltid skyddsglasögon.



Drag alltid ur kontakten när du utför arbeten på maskinen.



Elektriska verktyg får inte kastas i hushållssoporna! Enligt direktivet 2002/96/EG som avser äldre elektrisk och elektronisk utrustning och dess tillämpning enligt nationell lagstiftning ska uttjänta elektriska verktyg sorteras separat och lämnas till miljövänlig återvinning.



Skyddsklass II, elverktyg där skyddet mot elektriska stötar inte bara hänför sig till en basisolering, utan som också har extra skyddsanordningar, som t.ex. en dubbel isolering eller en förstärkt isolering.

TEKNISET ARVOT	Karalakkahiomakone	GS 500 E	GSL 600 E
Nimellinen teho.....	500 W	600 W	600 W
Antoteho .....	275 W	650 W	650 W
Kuormittamaton kierrosiluku .....	10000-29000 min <sup>-1</sup>	10000-29000 min <sup>-1</sup>	10000-29000 min <sup>-1</sup>
Suurin tyhjäkäyntikierrosiluku kun kierrosluvun tyhjäkäyntirajoitus ei toimi. ....	38000	38000	38000 min <sup>-1</sup>
Kiinnityskaulan ø .....	43 mm	43 mm	43 mm
Kiristystuloksin halkaisija-ø .....	6 mm	6 mm	6 mm
Hiomapyörän ø max.			
keraaminen tai kumisidonnainen karalaukka.....	20 mm	20 mm	20 mm
muovisidonnainen karalaukka .....	40 mm	40 mm	40 mm
Paino EPTA-meneteltyä 01/2003 mukaan.....	1,3 kg	1,9 kg	1,9 kg

### Melunpäästö-/ärinä tiedot

Mitta-arvot määritetty EN 60 745 mukaan.

Koneen tyyppillinen A-luokitettu melutaso:

Melutaso (K = 3 dB(A)) .....	79 dB(A)	79 dB(A)	79 dB(A)
Äänenvoimakkuus (K = 3 dB(A)).....	90 dB(A)	90 dB(A)	90 dB(A)

### Käytä kuulosuojaimia!

Värähtelyn yhteisarvot (kolmen suunnan vektorisumma) mitattuna EN 60745 mukaan.

Katkaisu- ja karkeahiontalokat: värähtelyn päästöarvo a <sub>h</sub> .....	14,5 min <sup>-1</sup>	14,5 min <sup>-1</sup>	14,5 min <sup>-1</sup>
Epävarmuus K = .....	1,5 min <sup>-1</sup>	1,5 min <sup>-1</sup>	1,5 min <sup>-1</sup>

### VAROITUS

Näissä ohjeissa mainittu värähtelytaso on mitattu EN 60745 -standardin mukaisella mittausmenetelmällä ja sitä voidaan käyttää sähkötyökalujen vertaamiseen. Sitä voidaan käyttää myös värähtelyrasituksen väliaikaiseen arviointiin.

Mainittu värähtelytaso edustaa sähkötyökalun pääasiallista käyttöä. Jos sähkötyökalua kuitenkin käytetään muuhin tehtäviin, poikkeavin työkaluin tai riittämättömästi huoltaen, värähtelytaso voi olla erilainen. Se voi korottaa värähtelyrasitusta koko työajan osalta.

Tarkan värähtelyrasituksen toteamiseen tulee ottaa huomioon aika, jona laite on kytketty pois tai on kylmän päällä, mutta ei käytössä. Se voi pienentää värähtelyrasitusta koko työajan osalta.

Määrittelee lisäturvatoimenpiteitä käyttäjän suojaamiseksi värinöiden vaikutukselta, kuten esimerkiksi: sähkötyökalujen ja käyttötyökalujen huolto, käsin lämpimän pitäminen, työvaiheiden organisaatio.

### VAROITUS! Lue kaikki, myös oheistetussa esitteessä annetut turvallisuusmääräykset ja käyttöohjeet.

Turvallisuusohjeiden noudattamisen laiminlyönti saattaa johtaa sähköiskuihin, tulipaloon ja/tai vakavaan loukkaantumiseen. Säilytä kaikki turvallisuus- ja muut ohjeet tulevaisuutta varten.

### TURVALLISUUSOHJEET

Yhteiset turvallisuusohjeet hiomista:

**a) Tämä sähkötyökalu on tarkoitettu käytettäväksi hiomakoneena. Ota huomioon kaikki varo-ohjeet, ohjeet, piirustukset ja tiedot, joita saat sähkötyökalun kanssa.** Ellet noudata seuraavia ohjeita, saattaa se johtaa sähköiskuihin, tulipaloon ja/tai vaikeisiin loukkaantumisiin.

**b) Tämä sähkötyökalu ei sovellu teräsharjaharjaukseen, katkaisuun, hiekkapaperilla hiomiseen tai kiillottamiseen.** Sellainen käyttö, jota varten sähkötyökalua ei ole tehty, saattaa aiheuttaa vaaratilanteita ja vammoja.

**c) Älä käytä mitään lisälaitteita, joita ei valmistaja ole tarkoitettu tai suositellut nimenomaan tälle sähkötyökalulle.** Vain se, että pystyt kiinnittämään laitetta sähkötyökaluusi ei takaa sen turvallista käyttöä.

**d) Vaihdotyökalun sallitun kierrosluvun tulee olla vähintään yhtä suuri, kuin sähkötyökalussa mainittu suurin kierrosiluku.** Lisätarvike, joka pyörii sallittua suuremmalla nopeudella, saattaa murtua ja sinkoutua ympäristöön.

**e) Vaihdotyökalun ulkohalkaisijan ja paksuuden tulee vastata sähkötyökalun mittaitoja.** Väärin mitoitettuja vaihtotyökaluja ei voida suojata tai hallita riittävästi.

**f) Hiomalaikkojen, laippojen, hiomalautasten ja muitten tarvikkeiden tulee sopia tarkasti sähkötyökalusi hiomakaraan.** Vaihdotyökalut, jotka eivät sovi tarkkaan sähkötyökalun hiomakaraan pyörivät epätasaisesti, tärisevät voimakkaasti ja saattavat johtaa työkalun hallinnan menettämiseen.

**g) Älä käytä vaurioituneita vaihtotyökaluja.** Tarkista ennen jokaista käyttöä, ettei vaihtotyökalussa, kuten hiomalaikoissa ole pirstoutumia tai halkemia, hiomalautasessa halkeamia tai voimakasta kulumista, teräsharjassa irtonaisia tai katkenneita lankoja. Jos sähkötyökalu tai vaihtotyökalu putoaa, tulee tarkistaa, että se on kunnossa tai sitten käyttää ehjää vaihtotyökalua. Kun olet tarkistanut ja asentanut vaihtotyökalun, pidä itsesi ja lähistöllä olevat henkilöt loitolla pyörivän vaihtotyökalun tasosta ja anna sähkötyökalun käydä minuutti täydellä kierrosluvulla. Vaurioituneet vaihtotyökalut menevät yleensä rikki tässä ajassa.

**h) Käytä henkilökohtaisia suojavarusteita.** Käytä käytöstä riippuen kokokasvonaamiota, silmäsuojusta tai suojalaseja. Jos mahdollista, käytä pölynaamaria, kuulonsuojainta, suojakäsineitä tai erikoissuojavaatetta, joka suojaa sinut pieniltä hioma- ja materiaalihiukkasilta. Silmät tulee suojata lenteleviltä vierailta esineiltä, jotka saattavat syntyä erilaisessa käytössä. Pöly- tai hengityssuojanaamareiden täytyy suodattaa pois työstössä syntyvä pöly. Jos olet pitkään alttiina voimakkaalle melulle, saattaa se vaikuttaa heikentävästi kuuloon.

**i) Varmista, että muut henkilöt pysyvät turvallisella etäisyydellä työalueeltasi.** Jokaisella, joka tulee työalueelle, tulee olla henkilökohtaiset suojavarusteet. Työkappaleen tai murtuneen vaihtotyökalun osia saattavat sinkoutua kauemmas ja vahingoittaa ihmisiä myös varsinaisen työalueen ulkopuolella.

**j) Tartu sähkötyökaluun ainoastaan eristetyistä pinnoista, tehdessäsi työtä, jossa saattaisit osua pilloisa olevaan sähköjohtoon tai sahan omaan sähköjohtoon.** Kosketus jännitteeseen johtoon saattaa myös sähkötyökalun metalliosat jännitteiseksi ja johtaa sähköiskuihin.

**k) Pidä verkkojohto poissa pyörivistä vaihtotyökaluista.** Jos menetät sähkötyökalun hallinnan, saattaa verkkojohto tulla katkaistuksi tai tarttua kiinni ja vetää kätesi tai käsivartesi kiinni pyörivään vaihtotyökaluun.

**l) Älä aseta sähkötyökalua pois, ennen kuin vaihtotyökalu on pysähtynyt kokonaan.** Pyörivä vaihtotyökalu saattaa koskettaa leppopintaa ja voi menettää sähkötyökalusi hallinnan.

**m) Älä koskaan pidä sähkötyökalua käynnissä sitä kantaessasi.** Vaatteesi voi hetkellisen kosketuksen seurauksena tarttua kiinni pyörivään vaihtotyökaluun, joka saattaa porautua kehoosi.

**n) Puhdista sähkötyökalusi tuuletusaukot säännöllisesti.** Moottorin tuuletin imee pölyä työkalun koteloon, ja voimakas metallipölyn kasautuma voi synnyttää sähköisiä vaaratilanteita.

**o) Älä käytä sähkötyökalua palaviin aineiden lähellä.** Kipinät voivat syyttää näitä aineita.

**p) Älä käytä vaihtotyökaluja, jotka tarvitsevat nestemäistä jäähdytysainetta.** Veden tai muiden nestemäisten jäähdytysainesten käyttö saattaa johtaa sähköiskuihin.

### Takaisu ja vastaavat varo-ohjeet

Takaisu on äkillinen reaktio, joka syntyy pyörivän vaihtotyökalun, kuten hiomalaikan, hiomalautasen tai teräsharjan tarttuessa kiinni tai jäädessä puristukseen. Tarttuminen tai puristukseen joutuminen johtaa pyörivän vaihtotyökalun äkilliseen pysähtymiseen. Tällöin hallitsematon sähkötyökalu sinkoutuu tarttumakohdasta vaihtotyökalun kiertosuunnasta vastakkaiseen suuntaan. Jos esim. hiomalaikka tarttuu tai joutuu puristukseen työkappaleeseen, saattaa hiomalaikan reuna, joka on uponnut työkappaleeseen, juuttua kiinni aiheuttaen hiomalaikan ponnahdusosan ulos työkappaleesta tai aiheuttaa takaiskun. Hiomalaikka liikkuu silloin käytävää henkilöä vasten tai poispäin hänestä. Käyttävä henkilö kiertosuunnasta tarttumakohdassa. Tällöin hiomalaikka voi myös murtua. Takaisu johtuu sähkötyökalun väärinkäytöstä tai käytöstä väärään tarkoitukseen. Se voidaan estää sopivin varotoimin, joita selostetaan seuraavassa.

**a) Pitele sähkötyökalua tukevasti ja saata kehosi ja käsivartesi asentoon, jossa pystyt vastaamaan takaiskuvoimiin.** Käytä aina lisäkäsivartta, jos sinulla on sellainen, jotta pystyisit parhaalla mahdollisella tavalla hallitsemaan takaiskuvoimia tai vastamomentteja työkalun rynnäköinnissä. Käyttävä henkilö pystyy hallitsemaan takaiskuja ja vastamomenttivoimat noudattamalla sopivia suoja-toimenpiteitä.

**b) Älä koskaan tuo kättäsi lähelle pyörivää vaihtotyökalua.** Vaihtotyökalu saattaa takaiskun sattuessa liikkua kätesi yli.

**c) Vältä pitämästä kehoasi alueella, johon sähkötyökalu liikkuu takaiskun sattuessa.** Takaisu pakottaa sähkötyökalun vastakkaiseen suuntaan hiomalaikan liikkeeseen nähden tarttumiskohdassa.

**d) Työkentele erityisen varovasti kulmien, terävien reunojen jne. alueella, estä vaihtotyökalua ponnahtamasta takaisin työkappaleesta ja juuttumasta kiinni.** Pyörivällä vaihtotyökalulla on taipumus juuttua kiinni kulmissa, terävissä reunoissa tai saadessaan kimmokeen. Tämä johtaa hallinnan pettämiseen tai takaiskuun.

**e) Älä käytä ketjuteriä tai hammastettuja sahanteriä.** Tällaiset vaihtotyökalut aiheuttavat usein takaiskun tai sähkötyökalun hallinnan menettämisen.

### Erityiset varo-ohjeet hiontaan

**a) Käytä yksinomaan sähkötyökalullesi sallittuja hiomatyökaluja ja näitä hiomatyökaluja varten tarkoitettuja suojuksia.** Hiomatyökaluja, jotka eivät ole tarkoitettuja sähkötyökalun kanssa käytettäväksi ei voida suojata riittävästi ja ne ovat turvattomia.

**b) Hiomatyökaluja saa käyttää ainoastaan siihen käyttöön mihin niitä suositellaan.**

**c) Käytä aina virheetöntä, oikean kokoista ja muotoista kiinnitysliappaa valitsemallesi hiomalaikalle.** Sopivat liaput tukevat hiomalaikkaa ja vähentävät näin hiomalaikan murtumisriskiä. Katkaisulaikkojen liaput saattavat poiketa muitten hiomalaikkojen liapoista.

**d) Älä käytä isompiin sähkötyökaluihin kuuluneita kuluneita hiomalaikkoja.** Suurempien sähkötyökalujen hiomalaikat eivät sovellu pienempien sähkötyökalujen suuremmille kierrosluville, ja ne voivat murtua.

Ulkokäytössä olevat pistorasiat on varustettava vikavirta-suojakytkimillä sähkölaitteistosi asennusmääräyksen mukaisesti. Muista tarkistaa, että laite liitetään ulkokäytössä ulkopistorasiaan ja neuvottele asiasta sähköasentajasi kanssa.

Käytä laitteella työskennellessäsi aina suojalaseja. Suojakäsineiden, turvallisten ja tukevapohjaisten kenkien, kuulosuojainten ja suojaesiliinan käyttöä suositellaan.

Irrota aina pistotulppa seinäkoskettimesta ennen koneeseen tehtäviä toimenpiteitä.

Varmista, että kone on sammutettu ennen kytkemistä sähköverkkoon.

Pidä sähköjohto poissa koneen käyttöalueelta. Siirrä se aina taaksesi.

Työkalukara pyörii vielä sen jälkeen kun laitteesta on katkaistu virta. Anna koneen pysähtyä kokonaan ennen alaslaskemista.

Älä tartu käynnistetyn laitteen työskentelyalueelle.

Koneessa käytettävään työkaluun tai laikkaan leimatun maksimi kierrosluvun on oltava vähintään yhtä suuri kuin koneen tyyppikilpeen leimattu maksimi tyhjäkäyntikierrosiluku.

Tarkista hiomavälineet ennen käyttöä. Hiomavälineet on oltava oikein asennettuja ja niiden täytyy pystyä pyörimään vapaasti. Suorita koeajo vähintään 30 sekunnin ajan ilman kuormitusta. Älä käytä vahingoittuneita, epäsäännöllisen muotoisia tai tärisiä hiomatyövälineitä.

Metallien hionnassa syntyy kipinöintiä. Tarkista, ettei kenellekään aiheuteta vaaraa. Tulipalovaaran takia ei lähistöllä saa olla mitään palavia aineita (kipinäetäisyysdellä). Pölynpoistoa ei käytetä.

Käytä konetta siten, että lastut ja kipinät lentävät itsestäsi pois päin.

Laippamutterin on oltava kunnolla kiristetty ennen koneen käyttöönottoa.

Ulkopuoliset, erittäin voimakkaat sähkömagneettiset häiriöt saattavat poikkeustapa-uksissa aiheuttaa tilapäisiä muutoksia pyörimisnopeudessa.

Käytä ja säilytä aina hiomalaikat valmistajan ohjeiden mukaan.

Työstettävä kappale on kiinnitettävä, ellei se omapainonsa vuoksi pysy paikallaan. Älä koskaan vie työkappaletta kädessä hiomalaikkaa vasten.

Varmista, että hiomatyökalu on asennettu paikalleen hiomavälineen valmistajan antamien ohjeiden mukaan.

Hiomatyökalun mittojen tulee olla sopivia hiomakoneeseen.

Pölyä kehittävässä töissä tulee koneen tuuletusraot pitää avoimina. Tarvittaessa tulee irroittaa kone sähköverkosta ja poistaa pöly. Älä käytä tässä metalliapuvälineitä äläkä vahingoita koneen sisäosia.

### TARKOITUKSEN MUKAINEN KÄYTTÖ

Suoramalliset hiomakoneet soveltuvat puun, metallin, muovin ja vastaavien materiaalien hiontaan, erityisesti vaikeasti luoksepäästävässä kohteissa.

Älä käytä tuotetta ohjeiden vastaisesti.

## ΤΟΔΙΣΤΟΣ CE-STANDARDINMUKAISUUDESTA

Todistamme täten ja vastaamme yksin siitä, että tämä tuote on allalueteltujen standardien ja standardoimisasiakirjojen vaatimusten mukainen.

EN 60745-1:2009 + A11:2010  
EN 60745-2-3:2011  
EN 55014-1:2006 + A1:2009 + A2:2011  
EN 55014-2:1997 + A1:2001 + A2:2008  
EN 61000-3-2:2006 + A1:2009 + A2:2009  
EN 61000-3-3:2008  
seuraavien sääntöjen mukaisesti  
2011/65/EU (RoHS)  
2006/42/EY  
2004/108/EY



Winnenden, 2012-09-09

Rainer Kumpf  
Director Product Development

Valtuutettu kokoamaan tekniset dokumentit.

## VERKKOLIITÄNTÄ

Yhdistä ainoastaan yksivaiheiseen vaihtovirtaan, jonka verkkojännite on sama kuin tyyppikilvessä ilmoitettu. Myös liittäminen maadoittamattomiin pistorasioihin on mahdollista, sillä rakenne vastaa turvallisuusluokkaa II.

## HUOLTO

Pidä moottorin ilmanottoaukot puhtaina.

Älä päästä metalliesineitä tuuletusaukkoihin - oikosulkuvaara

Käytä vain AEG:n lisälaitteita ja varaosia. Käytä ammattitaitoisten AEG-huoltosopimusliikkeiden palveluja muiden kuin käyttöohjeessa kuvattujen osien vaihdossa. (esite takuu/huoltoliikeluettelo).

Tarpeen vaatiessa voit pyytää lähettämään laitteen kokoonpanopiirustuksen ilmoittamalla arvokilven kymmennumeroisen numeron seuraavasta osoitteesta: AEG Electric Tools GmbH, Max-Eyth-Strasse 10, D-71364 Winnenden, Germany

## SYMBOLIT



Lue käyttöohjeet huolellisesti, ennen koneen käynnistämistä.



Käytä laitteella työskennellessäsi aina suojalaseja.



Irrota aina pistotulppa seinäkoskettimesta ennen koneeseen tehtäviä toimempiteitä.



Älä hävitä sähköjätettä tavallisen kotitalousjätteen mukana! Vanhoja sähkö- ja elektroniikkalaitteita koskevan EU-direktiivin 2002/96/ETY ja sen maakohtaisten sovellusten mukaisesti käytetyt sähköjätteen on toimitettava ongelmajätteen keräyspisteeseen ja ohjattava ympäristöstävälliseen kierrätykseen.



II luokan sähköjätteen, jonka sähköiskusuojaus ei ole riippuvainen vain peruseristyksestä, vaan lisäturvatoimenpiteistä, kuten kaksinkertaisesta eristyksestä tai vahvistetusta eristyksestä.

## ΤΕΧΝΙΚΑ ΣΤΟΙΧΕΙΑ

## ΕΥΘΥΣ ΛΕΙΑΝΤΗΡΑΣ

## GS 500 E

## GSL 600 E

Όνομαστική ισχύς.....	500 W	600 W
Αποδιδόμενη ισχύς.....	275 W	650 W
Αριθμός στροφών χωρίς φορτίο.....	10000-29000 min <sup>-1</sup>	10000-29000 min <sup>-1</sup>
Μέγιστος αριθμός στροφών χωρίς φορτίο με ανεκρηγή διατάξη περιορισμού του αριθμού των στροφών.....	38000	38000 min <sup>-1</sup>
Ø λαμμού σύσφιξης.....	43 mm	mm
Διάμετρος λαβίδων σύσφιξης.....	6 mm	6 mm
Μέγ. διάμετρος κορμού λείανσης σε μία κεραμική σύνδεση.....	20 mm	20 mm
σε μία πλαστική σύνδεση.....	40 mm	40 mm
Βάρος σύμφωνα με τη διαδικασία EPTA 01/2003.....	1,3 kg	1,9 kg

## Πληροφορίες θορύβου/δονήσεων

Τιμές μέτρησης εξακριβωμένες κατά EN 60 745.

Η σύμωνα με την καμπύλη A εκμηχθείσα στάθμη θρύου του μηχανήματος ανέρχεται σε:

Στάθμη ηχητικής πίεσης (K=3dB(A)).....	79 dB(A)	79 dB(A)
Στάθμη ηχητικής ισχύος (K=3dB(A)).....	90 dB(A)	90 dB(A)

## Φοράτε προστασία ακοής (ωτασπίδες)!

Ιλικές τιμές κραδασμών (άθροισμα ανυσιμάτων τριών διευθύνσεων) εξακριβώθηκαν σύμφωνα με τ πρωτυ EN 60745.

Κόψιμο και ξεγονόρισμα: Τιμή εκπομπής δονήσεων a <sub>n</sub> .....	14,5 min <sup>-1</sup>	14,5 min <sup>-1</sup>
Ανασάλεια K =.....	1,5 min <sup>-1</sup>	1,5 min <sup>-1</sup>

## ΠΡΟΕΙΔΟΠΟΙΗΣΗ

Το αναφερόμενο σ' αυτές τις οδηγίες επίπεδο δονήσεων έχει μετρηθεί με μια τυποποιημένη σύμφωνα με το EN 60745 μέθοδο μέτρησης και μπορεί να χρησιμοποιηθεί για τη σύγκριση των ηλεκτρικών εργαλείων μεταξύ τους. Αυτό είναι επίσης κατάλληλο για μια προσωρινή εκτίμηση της επιβάρυνση των δονήσεων.

Το αναφερόμενο επίπεδο δονήσεων αντιπροσωπεύει τις κύριες χρήσεις του ηλεκτρικού εργαλείου. Εάν όμως το ηλεκτρικό χρησιμοποιείται σε άλλες χρήσεις, με διαφορετικά εργαλεία εφαρμογής ή ανεπαρκή συντήρηση, μπορεί να υπάρξει απόκλιση του επιπέδου δονήσεων. Αυτό μπορεί να αυξήσει σημαντικά την επιβάρυνση των δονήσεων για τη συνολική διάρκεια της εργασίας.

Για μια ακριβή εκτίμηση της επιβάρυνσης των δονήσεων οφείλουν επίσης να λαμβάνονται υπόψη οι χρόνοι, στους οποίους η συσκευή είναι απενεργοποιημένη ή είναι μεν ενεργοποιημένη αλλά δεν χρησιμοποιείται πραγματικά. Αυτό μπορεί να μειώσει σημαντικά την επιβάρυνση των δονήσεων για τη συνολική διάρκεια της εργασίας.

Καθορίζετε πρόσθετα μέτρα ασφαλείας για την προστασία του χειριστή από την επιδραση των δονήσεων όπως για παράδειγμα: Συντήρηση του ηλεκτρικού εργαλείου και των εργαλείων εφαρμογής, διατηρείτε ζεστά τα χέρια, οργάνωση των διαδικασιών εργασίας.

**▲ ΠΡΟΕΙΔΟΠΟΙΗΣΗ! Διαβάστε όλες τις Υποδεξιές ασφαλείας και τις Οδηγίες, και αυτές στο επισυναπτόμενο φυλλάδιο.** Αμέλειες κατά την τήρηση των προειδοποιητικών υποδείξεων μπορεί να προκαλέσουν ηλεκτροπληξία, κίνδυνο πυρκαγιάς ή/και σοβαρούς τραυματισμούς.  
**Φυλάξτε όλες τις προειδοποιητικές υποδείξεις και οδηγίες για κάθε μελλοντική χρήση.**

## ΕΙΔΙΚΕΣ ΥΠΟΔΕΙΞΕΙΣ ΑΣΦΑΛΕΙΑΣ

Κοινές προειδοποιητικές υποδείξεις για λείανση και λείανση με σμυριδόχαρτο:

a) Αυτό το ηλεκτρικό εργαλείο χρησιμοποιείται ως λειαντήρας. Να λαμβάνετε πάντοτε υπόψη σας όλες τις προειδοποιητικές υποδείξεις, τις οδηγίες, τις απεικονίσεις και τα στοιχεία που σας παραδίδονται μαζί με το ηλεκτρικό εργαλείο. Η μη τήρηση των οδηγιών που ακολουθούν, μπορεί να οδηγήσει σε ηλεκτροπληξία, φωτιά και/ή σε σοβαρούς τραυματισμούς

b) Αυτό το ηλεκτρικό εργαλείο δεν είναι κατάλληλο για χρήση με μεταλλικές βούρτσες, λείανση κοπής, λείανση με γυαλόχαρτο και για γυάλισμα. Χρήσεις, οι οποίες δεν προβλέπονται για το ηλεκτρικό εργαλείο μπορούν να οδηγήσουν σε κινδύνους και να προκαλέσουν τραυματισμούς.

γ) Μη χρησιμοποιήσετε ποτέ εξαρτήματα που δεν προβλέπονται και δεν προτάθηκαν από τον κατασκευαστή ειδικά γι' αυτό το ηλεκτρικό εργαλείο. Μόνο η διαπίστωση ότι μπορείτε να στερεώσετε ένα εξάρτημα στο ηλεκτρικό εργαλείο σας δεν εγγυάται την ασφαλή χρήση του.

δ) Ο μέγιστος επιτρεπτός αριθμός στροφών του εργαλείου που χρησιμοποιείτε πρέπει να είναι τουλάχιστον τόσο υψηλός όσο ο μέγιστος αριθμός στροφών που αναφέρεται επάνω στο ηλεκτρικό εργαλείο. Εξαρτήματα που περιστρέφονται με ταχύτητα μεγαλύτερη από την επιτρεπτή μπορεί να καταστραφούν.

ε) Η εξωτερική διάμετρος και το πάχος του εργαλείου που χρησιμοποιείτε πρέπει να ανταποκρίνονται πλήρως στις

αντίστοιχες διαστάσεις του ηλεκτρικού εργαλείου σας.

Εργαλεία με εσφαλμένες διαστάσεις δεν μπορούν να καλυφθούν ή να ελεγχθούν ασφαλώς.

στ) Οι δίσκοι κοπής, οι φλάντζες, οι δίσκοι λείανσης ή άλλα εξαρτήματα πρέπει να ταιριάζουν ακριβώς επάνω στον άξονα του ηλεκτρικού εργαλείου σας. Εργαλεία που δεν ταιριάζουν ακριβώς επάνω στον άξονα περιστρέφονται ανομοιόμορφα, τρανιάζονται πολύ ισχυρά και μπορεί να οδηγήσουν σε απώλεια του ελέγχου του ηλεκτρικού εργαλείου.

ζ) Μη χρησιμοποιείτε χαλασμένα εργαλεία. Να ελέγχετε πάντοτε τα εργαλεία που πρόκειται να χρησιμοποιήσετε, π. χ. τους δίσκους κοπής για σπασίματα και ρωγμές, του δίσκου λείανσης για ρωγμές, φθορές ή ξεφτίσματα και τις σπυρματοβούρτσες για χαλαρά ή σπασμένα σύρματα. Σε περίπτωση που το ηλεκτρικό εργαλείο ή κάποιο χρησιμοποιήσιμο εργαλείο πέσει κάτω, τότε ελέγξτε το εργαλείο μήπως έχει υποστεί κάποια βλάβη ή χρησιμοποιήστε ένα άλλο, άμωγο εργαλείο. Μετά τον έλεγχο και την τοποθέτηση του εργαλείου που πρόκειται να χρησιμοποιήσετε πρέπει να απομακρύνετε τυχόν παρευρισκόμενα πρόσωπα από το επίπεδο περιστροφής του εργαλείου, κι ακολουθώντας ν' αφήσετε το ηλεκτρικό εργαλείο να εργαστεί ένα λεπτό υπό το μέγιστο αριθμό στροφών χωρίς φορτίο. Τυχόν χαλασμένα εργαλεία σπάνε ως επί το πλείστον κατά τη διάρκεια αυτού του χρόνου δοκιμής.

η) Να φοράτε πάντοτε τη δική σας, ατομική προστατευτική ενδυμασία. Να χρησιμοποιείτε επίσης, ανάλογα με την εκάστοτε εργασία που εκτελείτε, προστατευτικές μάσκες, προστατευτικές διατάξεις ματιών ή προστατευτικά γυαλιά. Αν χρειαστεί, φορέστε και μάσκα προστασίας από σκόνη, ωτασπίδες προστατευτικά γάντια ή μια ειδική προστατευτική ποδιά, που θα σας προστατεύει από τυχόν εκσφενδονιζόμενα λειαντικά σωματίδια ή θραύσματα υλικού. Τα μάτια πρέπει να προστατεύονται από τυχόν αιωρούμενα σωματίδια που μπορεί δημιουργηθούν κατά την εκτέλεση των διάφορων εργασιών. Οι αναπνευστικές και οι προστατευτικές μάσκες πρέπει να φιλτράρουν τον αέρα και να συγκρατούν τη σκόνη που δημιουργείται κατά την εργασία. Σε

περίπτωση που εκτεθείτε για πολύ χρόνο σε ισχυρό θόρυβο μπορεί να απωλέσετε την ακοή σας.

**ια) Φροντίστε, τυχόν παρειρισκόμενα άτομα να βρίσκονται πάντοτε σε ασφαλή απόσταση από τον τομέα που εργάζεστε. Κάθε άτομο που παίζει στον τομέα που εργάζεστε πρέπει να φορά προστατευτική ενδυμασία.** Θραύσματα του υπό καταργασία τεμαχίου ή σπασμένων εργαλείων μπορεί να εκσφενδονιστούν και να προκαλέσουν τραυματισμούς ακόμη κι εκτός του άμεσου τομέα εργασίας.

**ιβ) Να πιάνετε το ηλεκτρικό εργαλείο μόνο από τις προβλεπόμενες γι' αυτό το σκοπό μονωμένες επιφάνειές του, όταν εκτελείτε εργασίες στις οποίες υπάρχει κίνδυνος το εργαλείο που χρησιμοποιείτε να συναντήσει ηλεκτροφόρους αγωγούς ή το δικό του ηλεκτρικό καλώδιο.** Η επαφή μ' ένα ηλεκτροφόρο αγωγό θέτει τα μεταλλικά τμήματα του ηλεκτρικού εργαλείου επίσης υπό τάση και οδηγεί έτσι σε ηλεκτροπληξία.

**ιγ) Να κρατάτε και να οδηγείτε το ηλεκτρικό καλώδιο σε ασφαλή απόσταση από τα περιστρεφόμενα εργαλεία.** Σε περίπτωση που χάσετε τον έλεγχο του ηλεκτρικού εργαλείου το ηλεκτρικό καλώδιο μπορεί να κοπεί ή να περιπληχτεί και το χέρι σας ή το μπράτσο σας να τραβηχτεί επάνω στο περιστρεφόμενο εργαλείο.

**ιδ) Μην αποθέσετε ποτέ το ηλεκτρικό εργαλείο πριν το τοποθετημένο εργαλείο πάψει εντελώς να κινείται.** Το περιστρεφόμενο εργαλείο μπορεί να έρθει σε επαφή με την επιφάνεια στην οποία ακουμπήσατε το ηλεκτρικό εργαλείο κι έτσι να χάσετε τον έλεγχό του.

**ιε) Μην αφήσετε ο ηλεκτρικό εργαλείο να εργάζεται όταν το μεταφέρετε.** Τα ρούχα σας μπορεί να τυλιχτούν τυχαίως στο περιστρεφόμενο εργαλείο κι αυτό να τρυπήσει το σώμα σας.

**ιε) Να καθαρίζετε τακτικά τις σχισμές αερισμού του ηλεκτρικού εργαλείου σας.** Η πτερωτή του κινητήρα τραβάει σκόνη μέσα στο περίβλημα και η συσσώρευση μεταλλικής σκόνης μπορεί να δημιουργήσει ηλεκτρικούς κινδύνους.

**ιστ) Μη χρησιμοποιείτε το ηλεκτρικό εργαλείο κοντά σε εύφλεκτα υλικά.** Ο σπινθηρισμός μπορεί να τα αναφλέξει.

**ιζ) Μη χρησιμοποιείτε εργαλεία που απαιτούν ψύξη με ψυκτικά υγρά.** Η χρήση νερού ή άλλων ψυκτικών υγρών μπορεί να οδηγήσει σε ηλεκτροπληξία.

#### Κλότσημα και σχετικές προειδοποιητικές υποδείξεις

Το κλότσημα είναι μια απροσδόκητη αντίδραση όταν το περιστρεφόμενο εργαλείο, π. χ. ο δίσκος κοπής, ο δίσκος λείανσης, η συρματόβουρτσα κτλ., προσκρούσει κάπου (σκοντάψει) ή μπλοκάρει. Το σφηνώμα ή το μπλοκάρισμα οδηγεί στην απότομη διακοπή της περιστροφής του εργαλείου. Έτσι, ένα τυχόν μη υπό έλεγχο ευρισκόμενο ηλεκτρικό εργαλείο αντιδρά στο σημείο μπλοκαρίσματος/πρόσκρουσης με σφοδρότητα και περιστρέφεται με συνεχώς αυξανόμενη ταχύτητα με αντίθετη από εκείνη του εργαλείου.

Όταν π. χ. ένας δίσκος κοπής σφηνώσει ή μπλοκάρει μέσα στο υπό καταργασία υλικό, τότε η ακμή του δίσκου που βυθίζεται μέσα στο υλικό μπορεί να στρεβλώσει και ακολούθως ο δίσκος κοπής να πεταχτεί με ορμή και ανεξέλεγκτα από το υλικό ή να προκαλέσει κλότσημα. Όταν συμβεί αυτό ο δίσκος κοπής κινείται με κατεύθυνση προς το χειριστή/τη χειρίστρια ή και αντίθετα, ανάλογα με τη φορά περιστροφής στο σημείο μπλοκαρίσματος. Σε τέτοιες περιπτώσεις δεν αποκλείεται ακόμη και το σπάσιμο των δίσκων κοπής.

Το κλότσημα είναι το αποτέλεσμα ενός εσφαλμένου ή ελλιπής χειρισμού του ηλεκτρικού εργαλείου και μπορεί να αποφευχθεί με λήψη κατάλληλων προληπτικών μέτρων, σαν αυτά που περιγράφονται παρακάτω.

**α) Να κρατάτε το ηλεκτρικό εργαλείο πάντοτε καλά και να παίρνετε με το σώμα σας μόνο θέσεις, στις οποίες θα μπορέσετε να αντιμετωπίσετε επιτυχώς ένα ενδεχόμενο κλότσημα. Να χρησιμοποιείτε πάντοτε την πρόσθετη λαβή, αν αυτή φυσικά υπάρχει, για να εξασφαλίσετε έτσι το μέγιστο δυνατό έλεγχο του ηλεκτρικού εργαλείου σε περίπτωση εμφάνισης αναστροφών και αντίρροπων δυνάμεων (π. χ. κλότσημα) κατά την εκκίνηση. Ο**

χειριστής/η χειρίστρια μπορεί να αντιμετωπίσει με επιτυχία τα κλότσηματα και τις αναστροφες ροπές.

**β) Μη βάζετε ποτέ τα χέρια σας κοντά στα περιστρεφόμενα εργαλεία.** Σε περίπτωση κλότσηματος το εργαλείο μπορεί να περάσει πάνω από το χέρι σας.

**γ) Μην παίρνετε με το σώμα σας θέσεις προς τις οποίες θα κινηθεί το ηλεκτρικό εργαλείο σε περίπτωση κλότσηματος.** Κατά το κλότσημα το ηλεκτρικό εργαλείο κινείται ανεξέλεγκτα με κατεύθυνση αντίθετη προς τη φορά περιστροφής του δίσκου λείανσης στο σημείο μπλοκαρίσματος.

**δ) Να εργάζεστε με ιδιαίτερη προσοχή σε γωνίες, κοφτερές ακμές κτλ. Φροντίστε, το λειαντικό εργαλείο να μην αναπληρωθεί εξ' αυτού το υπό καταργασία υλικό και να μη σφηνώσει ή σπάσει.** Το περιστρεφόμενο λειαντικό εργαλείο σφηνώνει εύκολα κατά την εργασία σε γωνίες και σε κοφτερές ακμές ή όταν εκτινάσσεται. Αυτό προκαλεί κλότσημα ή απώλεια του ελέγχου.

**ε) Μη χρησιμοποιείτε τσαπαρωμένες ή οδοντωτές πριονόλαμες.** Τα εργαλεία αυτά προκαλούν συχνά κλότσημα ή οδηγούν σε απώλεια του ελέγχου του ηλεκτρικού εργαλείου.

#### Ιδιαίτερες προειδοποιητικές υποδείξεις για λείανση

**α) Να χρησιμοποιείτε αποκλειστικά λειαντικά σώματα που είναι κατάλληλα για το ηλεκτρικό εργαλείο σας και μόνο προφυλακτίζετε που προβλέπονται γι' αυτά τα λειαντικά σώματα.** Λειαντικά σώματα που δεν προβλέπονται για το ηλεκτρικό εργαλείο δεν μπορούν να καλυφτούν επαρκώς και γι' αυτό είναι ανασφαλή.

**β) Τα λειαντικά σώματα πρέπει να χρησιμοποιούνται μόνο για τις εργασίες που αυτά προβλέπεται.**

**γ) Να χρησιμοποιείτε πάντοτε αερογινόμενες φλάντζες σύσφιξης με το σωστό μέγεθος και τη σωστή μορφή, ανάλογα με το δίσκο λείανσης που επιλέξατε.** Οι κατάλληλες φλάντζες στηρίζουν το δίσκο λείανσης και μειώνουν έτσι τον κίνδυνο του σπασίματος των. Οι φλάντζες για δίσκους κοπής μπορεί να διαφέρουν από τις φλάντζες για άλλους δίσκους λείανσης.

**δ) Να μη χρησιμοποιείτε μεταχειρισμένους δίσκους λείανσης από μεγαλύτερα ηλεκτρικά εργαλεία.** Δίσκοι λείανσης για μεγαλύτερα λειαντικά εργαλεία δεν είναι κατάλληλοι για τους υψηλότερους αριθμούς στροφών των μικρότερων ηλεκτρικών εργαλείων και γι' αυτό μπορεί να σπάσουν.

Οι πρίζες στους εξωτερικούς χώρους πρέπει να είναι εξοπλισμένες με μικροαυτόματους διακόπτες προστασίας. Αυτό απαιτεί ο σχετικός κανονισμός από την ηλεκτρική σας εγκατάσταση. Προσέξτε παρακαλώ αυτό το σημείο κατά τη χρήση της συσκευής μας.

Στις εργασίες με τη μηχανή φοράτε πάντοτε προστατευτικά γυαλιά. Συνιστάνται τα προστατευτικά γάντια, τα σταθερά και αντιολισθητικά παπούτσια και η ποδιά.

Πριν από κάθε εργασία στη μηχανή τραβάτε το φως από την πρίζα.

Συνδέετε τη μηχανή στην πρίζα μόνο, εφόσον βρίσκεται απενεργοποιημένη.

Κρατάτε το καλώδιο σύνδεσης πάντοτε μακριά από την περιοχή δράσης της μηχανής. Περνάτε το καλώδιο πάντοτε πίσω από τη μηχανή.

Η άτρακτος του εργαλείου συνεχίζει να κινείται και μετά την απενεργοποίηση της συσκευής. Ακουμάτε τη μηχανή πάντοτε μόνο μετά την ακινητοποίηση.

Μην απλώνετε τα χέρια σας στην επικίνδυνη περιοχή της κινούμενης μηχανής.

Χρησιμοποιείτε μόνο εργαλεία, των οποίων ο επιτρεπόμενος αριθμός στροφών είναι το λιγότερο τόσο υψηλός όσο ο μέγιστος αριθμός στροφών χωρίς φορτίο της συσκευής.

Ελέγχετε τα εργαλεία λείανσης πριν τη χρήση. Το εργαλείο λείανσης πρέπει να είναι άφωνα μονταρισμένο και μπορεί να κινείται ελεύθερα. Εκτελέστε μια δοκιμαστική λειτουργία το λιγότερο για 30 δευτερόλεπτα χωρίς φορτίο. Μη

χρησιμοποιείτε κατεστραμμένα, παραμορφωμένα ή παλλόμενα εργαλεία λείανσης.

Κατά την λείανση/τρόχισμα των μετάλλων δημιουργούνται σπινθήρες. Προσέχετε, να μην θεθεί σε κίνδυνο κανένα άτομο. Λόγω του κινδύνου πυρκαγιάς δεν επιτρέπεται να βρίσκονται κοντά εύφλεκτα υλικά (περιοχή εκτόξευσης των σπινθήρων). Μη χρησιμοποιείτε καμία διάταξη αναρρόφηση σκόνης.

Κρατάτε τη συσκευή πάντοτε έτσι, ώστε οι σπινθήρες ή τα ρινομάτια τροχιοματός να απομακρύνονται από το σώμα σας. Το φλάντζωτό παξιμάδι πρέπει να έχει σφικτεί πριν τη θέση σε λειτουργία της μηχανής.

Κάτω από την επίδραση υπερβολικών ηλεκτρομαγνητικών εξωτερικών διαταραχών, μπορεί σε μεμονωμένες περιπτώσεις να παρουσιαστούν προσωρινές διακυμάνσεις του αριθμού των στροφών.

Χρησιμοποιείτε και φυλάγετε τους δίσκους λείανσης πάντοτε σύμφωνα με τα στοιχεία του κατασκευαστή.

Το προς επεξεργασία κομμάτι πρέπει να σφικτεί καλά, όταν δεν μπορεί να κρατηθεί με το ίδιο του το βάρος. Μην κρατάτε ποτέ το επεξεργαζόμενο κομμάτι με το χέρι ενάντια στο δίσκο.

Σιγουρευθείτε πως το λειαντικό εργαλείο έχει προαρμωσθεί σύμφωνα με τις Οδηγίες του κατασκευαστή του λειαντικού μέσου.

Οι διαστάσεις του λειαντικού εργαλείου πρέπει να ταιριάζουν στη συσκευή λείανσης

Σε περίπτωση δημιουργίας σκόνης, πρέπει να είναι ελεύθερες οι σχισμές αερισμού της μηχανής. Εάν χρειασθεί διακόψτε την τροφοδότηση ρεύματος προς τη μηχανή και απομακρύνετε τη σκόνη. Για το σκοπό αυτό να μη χρησιμοποιείτε μεταλλικά αντικείμενα για να μην καταστρέψετε εσωτερικά τμήματα.

#### ΧΡΗΣΗ ΣΥΜΦΩΝΑ ΜΕ ΤΟ ΣΚΟΠΟ ΠΡΟΟΡΙΣΜΟΥ

Οι ευθείς λειαντήρες προορίζονται για τις εργασίες λείανσης ακριβείας σε μέταλλα με φρέζες όπως και για τη λείανση μετάλλων χωρίς σίδηρο, πλαστικών, σκληρού ξύλου κλπ. με φρέζες.

Αυτή η συσκευή επιτρέπεται να χρησιμοποιηθεί μόνο σύμφωνα με τον αναφερόμενο σκοπό προορισμού.

#### ΔΗΛΩΣΗ ΠΙΣΤΟΤΗΤΑΣ ΕΚ

Δηλώνουμε με αποκλειστική μας ευθύνη, ότι αυτό το προϊόν ανταποκρίνεται στα ακόλουθα πρότυπα ή έγγραφα τυποποίησης.

EN 60745-1:2009 + A11:2010

EN 60745-2-3:2011

EN 55014-1:2006 + A1:2009 + A2:2011

EN 55014-2:1997 + A1:2001 + A2:2008

EN 61000-3-2:2006 + A1:2009 + A2:2009

EN 61000-3-3:2008

σύμφωνα με τις διατάξεις των οδηγιών

2011/65/EU (RoHS)

2006/42/EK

2004/108/EK

CE

Winnenden, 2012-09-09

Rainer Kumpf  
Director Product Development

Εξουσιοδοτημένος να συντάξει τον τεχνικό φάκελο.

#### ΣΥΝΔΕΣΗ ΣΤΟ ΗΛΕΚΤΡΙΚΟ ΔΙΚΤΥΟ

Συνδέετε μόνο σε μονοφασικό εναλλασσόμενο ρεύμα και μόνο σε τάση δικτύου όπως αναφέρεται στην πινακίδα τεχνικών χαρακτηριστικών. Η σύνδεση είναι επίσης εφικτή σε πρίζες χωρίς προστασία επαφής, διότι υπάρχει μια δομή της κατηγορίας προστασίας II.

#### ΣΥΝΤΗΡΗΣΗ

Διατηρείτε πάντοτε τις σχισμές εξαερισμού στη μηχανή καθαρές.

Λόγω του κινδύνου βραχυκυκλώματος δεν επιτρέπεται να φθάνουν μεταλλικά αντικείμενα στις σχισμές εξαερισμού.

Χρησιμοποιείτε μόνο εξαρτήματα και ανταλλακτικά της AEG. Αναθέστε την αλλαγή των εξαρτημάτων, των οποίων η αντικατάσταση δεν έχει περιγραφεί, σ' ένα κέντρο σέρβις της AEG (προσέξτε το εγχειρίδιο Εγγύηση/Διευθύνσεις εξυπηρέτησης πελατών).

Όταν χρειάζεται, μπορείτε να ζητήσετε ένα σχέδιο συναρμολόγησης της συσκευής, δίνοντας τον τύπο της μηχανής και το δεκαψήφιο αριθμό στην πινακίδα ισχύος, από το κέντρο σέρβις ή απευθείας από τη φίρμα AEG Electric Tools GmbH, Max-Eyth-Strae 10, D-71364 Winnenden, Germany

#### ΣΥΜΒΟΛΑ



Παρακαλώ διαβάστε σχολαστικά τις οδηγίες χρήσης πριν από την έναρξη λειτουργίας.



Στις εργασίες με τη μηχανή φοράτε πάντοτε προστατευτικά γυαλιά.



Πριν από κάθε εργασία στη μηχανή τραβάτε το φως από την πρίζα.



Μην πετάτε τα ηλεκτρικά εργαλεία στον κάδο οικιακών απορριμμάτων! Σύμφωνα με την ευρωπαϊκή οδηγία 2002/96/EK περί ηλεκτρικών και ηλεκτρονικών συσκευών και την ενσωμάτωσή της στο εθνικό δίκαιο, τα ηλεκτρικά εργαλεία πρέπει να συλλέγονται ξεχωριστά και να πιστρέφονται για ανακύκλωση με τρόπο φιλικό προς το περιβάλλον.



Κατηγορία προστασίας II, ηλεκτρικό εργαλείο, στο οποίο η προστασία έναντι ηλεκτροπληξίας δεν εξαρτάται μόνο από τη βασική μόνωση, αλλά από την εφαρμογή πρόσθετων προστατευτικών μέτρων όπως διπλή μόνωση ή ενισχυμένη μόνωση.

TEKNİK VERİLER	Taşlama aleti	GS 500 E	GSL 600 E
Giriş gücü .....	500 W .....	600 W .....	600 W .....
Çıkış gücü .....	275 W .....	650 W .....	650 W .....
Boştaki devir sayısı .....	10000-29000 min <sup>-1</sup> .....	10000-29000 min <sup>-1</sup> .....	10000-29000 min <sup>-1</sup> .....
Boştaki devir sayısını düşürme işlevi devre dışı iken; boştaiki maksimum devir sayısı .....	38000 .....	38000 min <sup>-1</sup> .....	38000 min <sup>-1</sup> .....
Germe boynu çapı .....	43 mm .....	mm .....	mm .....
Penset çapı .....	6 mm .....	6 mm .....	6 mm .....
Maksimum taşlama diski çapı			
seramik veya lastikle bağlı taşlama ucu .....	20 mm .....	20 mm .....	20 mm .....
sunı reçine ile bağlı taşlama ucu .....	40 mm .....	40 mm .....	40 mm .....
Ağırlığı ise EPTA-üretici 01/2003'e göre .....	1,3 kg .....	1,9 kg .....	1,9 kg .....

#### Gürültü/Vibrasyon bilgileri

Ölçüm değerleri EN 60 745 e göre belirlenmektedir. Aletin, frekansa bağımlı uluslararası ses basıncı seviyesi değerlendirme eğrisi Aya göre tipik gürültü seviyesi:

Ses basıncı seviyesi (K=3 dB(A)) .....	79 dB(A) .....	79 dB(A) .....
Akustik kapasite seviyesi (K=3 dB(A)) .....	90 dB(A) .....	90 dB(A) .....

#### Koruyucu kulaklık kullanın!

Toplam titreşim değeri (üç yönün vektör toplamı) EN 60745'e göre belirlenmektedir:

Ayırma ve kaba taşlama:Esname emisyon değeri a <sub>h</sub> .....	14,5 min <sup>-1</sup> .....	14,5 min <sup>-1</sup> .....
Tolerans K = .....	1,5 min <sup>-1</sup> .....	1,5 min <sup>-1</sup> .....

#### UYARI

Bu talimatlarda belirtilen titreşim seviyesi, EN 60745 standardına uygun bir ölçme metodu ile ölçülmüştür ve elektrikli el aletleri birbiriyle karşılaştırmak için kullanılabilir. Ölçüm sonuçları ayrıca titreşim yükünün geçici değerlendirilmesi için de uygundur.

Belirtilen titreşim seviyesi, elektrikli el aletinizin genel uygulamaları için geçerlidir. Ancak elektrikli el aleti başka uygulamalar için, farklı eklenti parçalarıyla ya da yetersiz bakım koşullarında kullanılırsa, titreşim seviyesi farklılık gösterebilir. Bu durumda, titreşim yükü toplam çalışma zaman aralığı içerisinde belirgin ölçüde yükselebilir.

Titreşim yükünün tam bir değerlendirmesi için ayrıca cihazın kapalı olduğu süreler ve cihazın çalışır durumda olduğu, ancak gerçek kullanımında bulunmadığı süreler de dikkate alınmalıdır. Böylelikle, toplam çalışma zamanı aralığı boyunca meydana gelen titreşim yükü belirgin ölçüde azaltılabilir.

Kullanıcıyı titreşimlerin etkisinden korumak üzere, örneğin elektrikli el aletlerinin ve eklenti parçalarının bakımı, ellerin sıcak tutulması ve iş akışlarının organizasyonu gibi ek güvenlik tedbirleri belirleyiniz.

**UYARI! Güvenlikle ilgili bütün açıklamaları, talimatları ve ilişikteki broşürde yazılı bulunan hususları okuyunuz.** Açıklanan uyarılara ve talimat hükümlerine uyulmadığı takdirde elektrik çarpmalarına, yangınlara ve/veya ağır yaralanmalara neden olunabilir. **Bütün uyarıları ve talimat hükümlerini ileride kullanmak üzere saklayın.**

#### GÜVENLİĞİNİZ İÇİN TALİMATLAR

**Taşlama, kumlu zımpara kağıdı ile zımparalama:**

**a) Bu elektrikli alet taşlama aleti olarak kullanılacaktır. Elektrikli el aleti ile birlikte teslim edilen bütün uyarılara, talimata, şekillere ve verilere uyun hareket edin.** Aşağıdaki talimat hükümlerine uyulmadığı takdirde elektrik çarpması, yangın veya ağır yaralanma tehlikesi ile karşılaşabilirsiniz.

**b) Bu elektrikli alet telli fırçalar, ayırma işlerindeki taşlamalar, kumlu kağıtların taşlanması ve polisaj işleri için uygun değildir.** Elektrikli alet için öngörülmemen kullanımlar risklere ve yaralanmalara sebebiyet verebilir.

**c) Üretici tarafından özel olarak bu alet öngörülmemen ve tavsiye edilmeyen aksesuar kullanmayın.** Bir aksesuarı elektrikli el aletinize takabiliyor olmanız güvenli kullanımı garanti etmez.

**d) Kullanılan ucun müsaade edilen devir sayısı en azından elektrikli el aletinizin tip etiketinde belirtilen devir sayısı kadar olmalıdır.** Müsaade edildenden hızlı dönen aksesuar kırılabilir ve etrafa yayılabilir.

**e) Kullanılan ucun dış çapı ve kalınlığı elektrikli el aletinizin ölçülerine uymalıdır.** Ölçüsü uygun olmayan uçlar yeterli derecede kapatılamaz veya kontrol edilemez.

**f) Taşlama diskleri, flanşlar, zımpara tablaları veya diğer aksesuar elektrikli el aletinizin taşlama miline tam olarak uymalıdır.** Elektrikli el aletinizin taşlama miline tam olarak uymayan uçlar düzensiz döner, aşırı titreşim yapar ve aletin kontrolünün kaybedilmesine neden olabilir.

**g) Hasarlı uçları kullanmayın.** Her kullanımdan önce taşlama disklerinde çatlak ve çizik olup olmadığını, zımpara tablalarında çizik ve aşınma olup olmadığını, tel fırçalarda gevşeme veya kırık teller olup olmadığını kontrol edin. Elektrikli el aleti veya uç yerleşecek olursa hasar görüp görmediklerini kontrol edin, gerekiyorsa hasar görmemiş başka bir uç kullanın. Kullanacağınız ucu kontrol edip taktıktan sonra ucun dönme alanı yakınında bulunan kişileri uzaklaştırın ve elektrikli el aletini bir dakika en yüksek devir sayısında çalıştırın. Hasarlı uçlar çoğu zaman bu test süresinde kırılır.

**h) Kişisel koruyucu donanım kullanın.** Yaptığınız işe göre tam yüz siperliği, göz koruma donanımı veya koruyucu gözlük kullanın. Eğer uygunsuz küçük taşlama ve malzeme parçacıklarına karşı koruma sağlayan toz maskesi, koruyucu kulaklık, koruyucu iş eldivenleri veya özel iş önlüğü kullanın. Gözler çeşitli uygulamalarda etrafa savrulan parçacıklardan korunmalıdır. Toz veya soluma maskesi çalışma sırasında ortaya çıkan tozları filtre eder. Uzun süre yüksek gürültü altında çalışırsanız işitme kaybına uğrayabilirsiniz.

**i) Başkalarının çalıştığınız yerden güvenli uzaklıkta olmasına dikkat edin.** Çalışma alanınıza girmek zorunda olan herkes koruyucu donanım kullanmalıdır. İş parçasının veya ucun kırılması sonucu ortaya çıkan parçacıklar etrafa savrulur ve çalışma alanınızın dışındaki kişileri de yaralayabilir.

**j) Çalışırken alet ucunun görünmeyen elektrik akımı ileten kabloları veya aletin kendi şebeke kablosuna temas etme olasılığı varsa elektrikli el aletini sadece izolasyonlu tutamağınızdan tutun.** Elektrik gerilimi ileten kablolarla temasa gelinince elektrikli el aletinizin metal parçaları da elektrik gerilimine maruz kalır ve elektrik çarpmasına neden olur.

**k) Şebeke bağlantı kablosunu dönen uçlardan uzak tutun.** Elektrikli el aletinizin kontrolünü kaybederseniz, şebeke bağlantı kablosu ayrılabilir veya uç tarafından tutulabilir ve el veya kollarınız dönmekte olan uca temas edebilir.

**l) Uç tam olarak durmadan elektrikli el aletini elinizden bırakmayın.** Dönmekte olan uç aleti bırakacağız yüzeye temas edebilir ve elektrikli el aletinizin kontrolünü kaybedebilirsiniz.

**m) Elektrikli el aletini çalışır durumda taşımayın.** Giysilerinizi rastlani sonucu dönmekte olan uç tarafından tutulabilir ve uç bedeninize temas edebilir.

**n) Elektrikli el aletinizin havalandırma deliklerini düzenli olarak temizleyin.** Motor fanı tozu gövdeye çeker ve metal tozunun aşırı birikimi elektrik çarpması tehlikesini ortaya çıkarır.

**o) Elektrikli el aletini yanıcı malzemenin yakınında kullanmayın.** Kıvılcımlar bu malzemeyi tutuşturabilir.

**p) Sıvı soğutucu madde gerektiren uçları kullanmayın.** Suyun veya diğer sıvı soğutucu maddenin kullanımı elektrik çarpmasına neden olabilir.

#### Geri tepme ve buna ait uyarılar

Geri tepme, dönmekte olan taşlama diski, zımpara tablası, tel fırça ve benzeri uçların takılması veya bloke olması sonucu ortaya çıkan ani tepkidir. Takılma ve blokaj dönmekte olan ucun ani olarak durmasına neden olur. Bu gibi durumlarda elektrikli el aleti blokaj yerinden ucun dönme yönünün tersine doğru savrulur.

Örneğin bir taşlama diski iş parçası içinde takılır veya bloke olursa, taşlama diskinin içine giren kenarı tutulur ve disk kırılır veya geri tepme kuvvetinin ortaya çıkmasına neden olur. Bu durumda taşlama diski blokaj yerinden, diskin dönme yönüne bağlı olarak kullanıcıya doğru veya kullanıcının tersine hareket eder. Bu gibi durumlarda taşlama disklerinin kırılma olasılığı da vardır.

Geri tepme kuvveti elektrikli el aletinizin yanlış veya hatalı kullanımı sonucu ortaya çıkar. Geri tepme kuvvetleri aşağıda açıklanan koruyucu önlemlerle önlenebilir.

**a) Elektrikli el aletini sıkıca tutun ve bedeniniz ile ellerinizi geri tepme kuvvetlerini rahatça karşılayabilecek duruma getirin.** Alet hızlanırken ortaya çıkabilecek geri tepme kuvvetlerini veya reaksiyon momentlerini optimal ölçüde karşılayabilmek için eğer varsa her zaman ek tutamağı kullanın. Kullanıcı uygun önlemler alarak geri tepme ve reaksiyon kuvvetlerine hakim olabilir.

**b) Elinizi hiçbir zaman dönen ucun yakınına getirmeyin.** Uç geri tepme sırasında elinize doğru hareket edebilir.

**c) Bedeninizi geri tepme sırasında elektrikli el aletinizin hareket edebileceği alandan uzak tutun.** Geri tepme kuvveti elektrikli el aletini blokaj yerinden taşlama diskinin dönme yönünün tersine doğru iter.

**d) Özellikle köşeleri, keskin kenarları ve benzerlerini işlerken dikkatli olun.** Ucun iş parçasından dışarı çıkmasını ve takılıp sıkışmasını önleyin. Dönmekte olan uç köşelerde, keskin kenarlarda çalışırken sıkışmaya eğilimlidir. Bu işe kontrol kaybına veya geri tepmeye neden olur.

**e) Zincir veya dişli testere bıçağı kullanmayın.** Bu gibi uçlar sık sık geri tepme kuvvetine veya elektrikli el aletin kontrolünün kaybedilmesine neden olur.

#### Taşlama ve kesici taşlama için

**a) Sadece elektrikli el aletininizin müsaade edilen taşlama uçlarını ve bu uçlar için öngörülen koruyucu kapağı kullanın.** Bu elektrikli el aleti için öngörülmemen taşlama uçları yeterli ölçüde kapatılmazlar ve güvenli değildir.

**b) Taşlama uçları sadece tavsiye edilen uygulamalarda kullanılabilir.**

**c) Seçtiğiniz taşlama diski için daima hasar görmemiş doğru büyüklük ve biçimde germe flanşı kullanın.** Uygun flanşlar taşlama disklerini destekler ve kırılma tehlikesini önlerler. Kesici taşlama diskleri için öngörülen flanşlar diğer uçlara ait flanşlardan farklı olabilir.

**d) Büyük elektrikli el aletlerini ait yıpranmış taşlama disklerini kullanmayın.** Büyük elektrikli el aletlerinde kullanılan taşlama diskleri yüksek devirli küçük el aletlerinde kullanılmaya elverişli değildirler ve kırılabilirler.

Açık havadaki prizler hatalı akım koruma şalteri ile donatılmış olmalıdır. Bu, elektrik tesisatınızdaki bir zorunluluktur. Lütfen aletimizi kullanırken bu hususa dikkat edin.

Aletle çalışırken daima koruyucu gözlük kullanın. Koruyucu iş eldivenleri, sağlam ve kaymaz ayakkabılar ve iş önlüğü kullanmanızı tavsiye ederiz.

Aletin kendinde bir çalışma yapmadan önce fişi prizden çekin. Aleti sadece kapalı iken prize takın.

Bağlantı kablosunu aletten uzak tutun. Kablo daima aletin arkasında olmalıdır ve toplanmamalıdır.

Alet kapatıldıktan sonra uç mili bir süre serbest dönmüşe döner. Aleti tam olarak durduktan sonra elinizi bırakın.

Aletin tehlikeli olabilecek bölümlerini tutmayın.

Bu aletle sadece, müsaade edilen devir sayıları en azından aletin en yüksek devir sayısı kadar olan uçlar kullanın.

Taşlama uçlarını kullanmadan önce kontrol edin. uçlar alete kursursuz biçimde takılmış ve rahatça döner durumda olmalıdır. En azından 30 saniye aleti boşta çalıştırarak deneyin. Hasar görmüş, yuvanlıklığını kaybetmiş veya titreşim yapan uçları kullanmayın.

Taşlama işlemi sırasında ortaya çıkan kıvılcımlara dikkat edin, yanıcı malzemeler tutuşabilir.

Aleti daima, kıvılcımlar veya taşlama tozu bedeninizden uzaklaşacak biçimde tutun.

Flanşlı somunu aleti işletime almadan önce iyice sıkın.

Dışarıdan gelen aşırı elektromanyetik etkiler sonucu, devir sayısında geçici dalgalanmalar olabilir.

Taşlama disklerini daima üreticinin talimatına uygun olarak kullanın ve saklayın.

Kendi ağırlığı ile güvenli biçimde durmuyorsa iş parçasının uygun bir tertibatla sıkıca tespit edilmesine gerekir. İş parçasını hiçbir zaman elinizle diske doğru tutmayın.

Taşlama aletinizin, taşlama maddeleri imalatçısının talimatlarına göre kullanılmasını temin edin.

Taşlama aletinizin ölçüleri taşlamaya uygun olmalıdır

Tozlu işlerde çalışırken makinenin havalandırma oluğunun serbest olması gerekir. Gerekli takdirde makinenin şebeke ile irtibatı kesilmeli ve tozların temizlenmesi gerekir. Bu iş için metal olmayan aletler kullanın ve makine içindeki parçalara zarar vermemeyin

#### KULLANIM

Kalıpçı taşlama, özellikle erişilmesi zor yerlerde olmak üzere, tahta, metal, plastik ve benzeri malzemenin taşlanmasına uygundur.“

Bu alet sadece belirttiği gibi ve usulüne uygun olarak kullanılabilir.

#### CE UYGUNLUK BEYANI

Tek sorumlu olarak bu ürünün aşağıdaki normlara ve norm dokümanlarına uygunluğunu beyan ederiz:

EN 60745-1:2009 + A11:2010

EN 60745-2:3:2011

EN 55014-1:2006 + A1:2009 + A2:2011

EN 55014-2:1997 + A1:2001 + A2:2008

EN 61000-3-2:2006 + A1:2009 + A2:2009

EN 61000-3-3:2008

yönetmelik hükümleri

2011/65/EU (RoHS)

2006/42/EC

2004/108/EC



Winnenden, 2012-09-09

*Rainer Kumpf*

Rainer Kumpf  
Director Product Development

Teknik evrakları hazırlamakla görevlendirilmiştir.

## ŞEBEKE BAĞLANTISI

Aleti sadece tek fazlı alternatif akıma ve tip etiketi üzerinde belirtilen şebeke gerilimine bağlayın. Yapısı Koruma sınıfı II'ye girdiğinden alet koruyucu kontaklı prizde de bağlanabilir.

## BAKIM

Aletin havalandırma aralıklarını daima temiz tutun.

Kısa devre tehlikesi ortaya çıkacağından metal parçaların havalandırma aralıklarına girmemesi gerekir.

Sadece AEG aksesuarını ve yedek parçalarını kullanın. Değiştirilmesi açıklanmamış olan parçaları bir AEG müşteri servisinde değiştirin (Garanti broşürüne ve müşteri servisi adreslerine dikkat edin).

Gerektiği takdirde aletin dağınık görünüş şeması, alet tipinin ve tip etiketi üzerindeki on hanelik sayının bildirilmesi koşuluyla müşteri servisinden veya doğrudan AEG Electric Tools GmbH, Max-Eyth-Straße 10, D-71364 Winnenden, Germany adresinden istenebilir.

## SEMBOLLER



Lütfen aleti çalıştırmadan önce kullanma kılavuzunu dikkatli biçimde okuyun.



Aletle çalışırken daima koruyucu gözlük kullanın.



Aletin kendinde bir çalışma yapmadan önce fişi prizden çekin.



Elektrikli el aletlerini evdeki çöp kutusuna atmayınız! Kullanılmış elektrikli aletleri, elektrik ve elektrikli eski cihazlar hakkındaki 2002/96/EC Avrupa yönergelerine göre ve bu yönergeler ulusal hukuk kurallarına göre uyarlanarak, ayrı olarak toplanmalı ve çevre şartlarına uygun bir şekilde tekrar değerlendirilmeye gönderilmelidir.



Koruma sınıfı II, elektrik tepkisine karşı korumanın sadece baz izolasyonuna bağlı olmayan elektro alet, bilakis çift izolasyon veya takviye edilen izolasyon gini ek koruyucu tedbirler uygulanır.

TECHNICKÁ DATA	Přímá bruska	GS 500 E	GSL 600 E
Jmenovitý příkon .....	500 W	600 W	600 W
Odběr .....	275 W	650 W	650 W
Počet otáček při běhu naprázdno .....	10000-29000 min <sup>-1</sup>	10000-29000 min <sup>-1</sup>	10000-29000 min <sup>-1</sup>
Max. volnoběžné otáčky při neúčinném omezovači volnoběžných otáček .....	38000	38000	38000 min <sup>-1</sup>
ø upínacího krčku .....	43 mm	43 mm	43 mm
Kleština ø .....	6 mm	6 mm	6 mm
Maximální průměr brousícího nástroje ø			
pro keramická pojiva .....	20 mm	20 mm	20 mm
pro umělohmotná pojiva .....	40 mm	40 mm	40 mm
Hmotnost podle prováděcího předpisu EPTA 01/2003 .....	1,3 kg	1,3 kg	1,9 kg

## Informace o hluku / vibracích

Naměřené hodnoty odpovídají EN 60 745.

V třídě A posuzovaná hladina hluku přístroje činí typicky:

Hladina akustického tlaku (K = 3 dB(A)) .....	79 dB(A)	79 dB(A)	79 dB(A)
Hladina akustického výkonu (K = 3 dB(A)) .....	90 dB(A)	90 dB(A)	90 dB(A)

## Používejte chrániče sluchu !

Celkové hodnoty vibrací (vektorový součet tří směrů) zjištěné ve smyslu EN 60745.

Rezáni a hrubování brusným kotoučem: hodnota vibračních emisí a <sub>h</sub> .....	14,5 min <sup>-1</sup>	14,5 min <sup>-1</sup>	14,5 min <sup>-1</sup>
Kolsavost K = .....	1,5 min <sup>-1</sup>	1,5 min <sup>-1</sup>	1,5 min <sup>-1</sup>

## VAROVÁN

Úroveň chvění uvedená v tomto návodu byla naměřena podle metody měření stanovené normou EN 60745 a může být použita pro porovnání elektrického nářadí. Hodí se také pro průběžný odhad zatížení chvěním.

Uvedená úroveň chvění představuje hlavní účely použití elektrického nářadí. Jestliže se ale elektrické nářadí používá pro jiné účely, s odlišnými nástroji nebo s nedostatečnou údržbou, může se úroveň chvění odlišovat. To může značně zvýšit zatížení chvěním během celé pracovní doby.

Pro přesný odhad zatížení chvěním se musí také zohlednit časy, během kterých je přístroj vypnutý nebo kdy je sice v chodu, ale skutečně se s ním nepracuje. To může zatížení chvěním během celé pracovní doby značně snížit.

Stanovte doplňková bezpečnostní opatření pro ochranu obsluhy před účinky chvění jako například: technická údržba elektrického nářadí a nástrojů, udržování teploty rukou, organizace pracovních procesů.

**VAROVÁNÍ!** Seznamte se se všemi bezpečnostními pokyny a sice i s pokyny v příložené brožůře. Zanedbání při dodržování varovných upozornění a pokynů mohou mít za následek úder elektrickým proudem, požár a/nebo těžká poranění.

**Všechna varovná upozornění a pokyny do budoucna uschovejte.**

## SPECIÁLNÍ BEZPEČNOSTNÍ UPOZORNĚNÍ

**Společná varovná upozornění k broušení:**

**a) Toto elektrické nářadí se musí používat jako bruska. Dbejte všech varovných upozornění, pokynů, zobrazení a údajů, jež jste s elektronářadím obdrželi. Pokud následující pokyny nedodržíte, může to vést k úderu elektrickým proudem, požáru nebo těžkým poraněním.**

**b) Toto elektrické nářadí není vhodné ke kartáčování, rozbrušování, broušení brusným papírem a leštění. Použití tohoto elektrického nářadí k jiným než určeným účelům může vést k ohrožení zdraví a ke zranění.**

**c) Nepoužívejte žádné příslušenství, které není výrobcem speciálně pro toto elektronářadí určeno a doporučeno. Pouze to, že můžete příslušenství na Vaše elektronářadí upevnit, nezaručuje bezpečné použití.**

**d) Dovolенý počet otáček nasazovacího nástroje musí být minimálně tak vysoký, jako na elektronářadí uvedený nejvyšší počet otáček. Příslušenství, jež se otáčí rychleji než je dovoleno, se může rozlomit a rozletět.**

**e) Vnější rozměr a tloušťka nasazovacího nástroje musí odpovídat rozměrovým údajům Vašeho elektronářadí. Špatně dimenzované nasazovací nástroje nemohou být dostatečně stíněny nebo kontrolovány.**

**f) Brusné kotouče, příruby, brusné talíře nebo jiné příslušenství musí přesně lícovat na brusné vřetenno Vašeho elektronářadí. Nasazovací nástroje, které přesně nelicují na brusné vřetenno elektronářadí, se nerovnoměrně točí, velmi silně vibrují a mohou vést ke ztrátě kontroly.**

**g) Nepoužívejte žádné poškozené nasazovací nástroje. Zkontrolujte před každým použitím nasazovací nástroje jako brusné kotouče na odstěpky a trhliny, brusné talíře na trhliny, otěr nebo silné opotřebení, drátěné kartáče na uvolněné nebo zlomené dráty. Spadne-li elektronářadí nebo nasazovací nástroj z výšky, zkontrolujte zda není poškozený nebo použijte nepoškozený nasazovací nástroj. Pokud jste nasazovací nástroj zkontrolovali a nasadili, držte se Vy a v blízkosti nacházející se osoby mimo rovinu rotujícího nasazovacího nástroje a nechte stroj běžet jednu minutu s nejvyššími otáčkami. Poškozené nasazovací nástroje většinou v této době testování prasknou.**

**h) Noste osobní ochranné vybavení. Podle aplikace použijte ochranu celého obličeje, ochranu očí nebo ochranné brýle. Taktéž adekvátně noste ochrannou masku proti prachu, ochranu sluchu, ochranné rukavice nebo speciální zástěru, jež Vás ochrání před malými částicemi brusiva a materiálu. Oči mají být chráněny před odletujícími cizími tělísky, jež vznikají při různých aplikacích. Protiprachová maska či respirátor musejí při používání vznikající prach odfiltrovat. Pokud jste dlouhou dobu vystaveni silnému hluku, můžete utrpět ztrátu sluchu.**

**i) Dbejte u ostatních osob na bezpečnou vzdálenost k Vaší pracovní oblasti. Každý, kdo vstoupí do této pracovní oblasti, musí nosit osobní ochranné vybavení. Úlomky obrobku nebo ulomených nasazovacích nástrojů mohou odletnout a způsobit poranění i mimo přímou pracovní oblast.**

**j) Pokud provádíte práce, při kterých může nasazovací nástroj zasáhnout skrytá elektrická vedení nebo vlastní síťový kabel, pak uchopte elektronářadí pouze na izolovaných plochách držadla. Kontakt s vedením pod napětím přivádí napětí i na kovové díly elektronářadí a vede k úderu elektrickým proudem.**

**k) Držte síťový kabel daleko od otáčejících se nasazovacích nástrojů. Když ztratíte kontrolu nad strojem, může být přerušen nebo zachycen síťový kabel a Vaše ruka**

nebo paže se může dostat do otáčejícího se nasazovacího nástroje.

**l) Nikdy neodkládejte elektronářadí dříve, než se nasazovací nástroj dostal zcela do stavu klidu.** Otáčející se nasazovací nástroj se může dostat do kontaktu s odkládací plochou, čímž můžete ztratit kontrolu nad elektronářadím.

**m) Nenechte elektronářadí běžet po dobu, co jej nesete.** Váš oděv může být náhodným kontaktem s otáčejícím se nasazovacím nástrojem zachycen a nasazovací nástroj se může zavrtat do Vašeho těla.

**n) Čistěte pravidelně větrací otvory Vašeho elektronářadí.** Ventilátor motoru vtahuje do tělesa prach a silné nahromadění kovového prachu může způsobit elektrická rizika.

**o) Nepoužívejte elektronářadí v blízkosti hořlavých materiálů.** Jiskry mohou tyto materiály zapálit.

**p) Nepoužívejte žádné nasazovací nástroje, které vyžadují kapalné chladicí prostředky.** Použití vody nebo jiných kapalných chladicích prostředků může vést k úderu elektrickým proudem.

#### Zpětný ráz a odpovídající varovná upozornění

Zpětný ráz je náhlá reakce v důsledku zaseknutého nebo zablokovaného otáčejícího se nasazovacího nástroje, jako je brusný kotouč, brusný talíř, drátěný kartáč atd. Zaseknutí nebo zablokování vede k náhlému zastavení rotujícího nasazovacího nástroje. Tím nekontrolovaně elektronářadí akceleruje v místě zablokování proti směru otáčení nasazovacího nástroje.

Pokud se např. zpřičí nebo zablokuje brusný kotouč v obrobku, může se hrana brusného kotouče, která se zanojuje do obrobku, zakousnout a tím brusný kotouč vylomit nebo způsobit zpětný ráz. Brusný kotouč se potom pohybuje k nebo od obsluhující osoby, podle směru otáčení kotouče na místě zablokování. Při tom mohou brusné kotouče i prasknout.

Zpětný ráz je důsledek nesprávného nebo chybného použití elektronářadí. Lze mu zabránit vhodnými preventivními opatřeními, jak je následně popsáno.

**a) Držte elektronářadí dobře pevně a uveďte Vaše tělo a paže do polohy, ve které můžete zachytit síly zpětného rázu. Je-li k dispozici, používejte vždy přidavnou rukojeť, abyste měli co největší možnou kontrolu nad silami zpětného rázu nebo reakčních momentů při rozběhu.**

Obsluhující osoba může vhodnými preventivními opatřeními zvládnout síly zpětného rázu a reakčního momentu.

**b) Nikdy nedávejte Vaši ruku do blízkosti otáčejících se nasazovacích nástrojů.** Nasazovací nástroj se při zpětném rázu může pohybovat přes Vaši ruku.

**c) Vyhýbejte se Vaším tělem oblastí, kam se bude elektronářadí při zpětném rázu pohybovat.** Zpětný ráz vhná elektronářadí v místě zablokování do opačného směru k pohybu brusného kotouče.

**d) Zvlášť opatrně pracujte v místech rohů, ostrých hran apod. Zabraňte, aby se nasazovací nástroj odrazil od obrobku a vzpřičil.** Rotující nasazovací nástroj je u rohů, ostrých hran a pokud se odrazí náchylny na vzpřičení se. Toto způsobí ztrátu kontroly nebo zpětný ráz.

**e) Nepoužívejte žádný článkový nebo ozubený pilový kotouč.** Takovéto nasazovací nástroje způsobují často zpětný ráz nebo ztrátu kontroly nad elektronářadím.

#### Zvláštní varovná upozornění k broušení

**a) Používejte výhradně pro Vaše elektronářadí schválená brusná tělesa a pro tato brusná tělesa určený ochranný kryt.** Brusná tělesa, která nejsou určena pro toto elektronářadí, nemohou být dostatečně stíněna a jsou nespolehlivá.

**b) Brusná tělesa smějí být použita pouze pro doporučené možnosti nasazení.** Např.: nikdy nebruste boční plochou dělicího kotouče. Dělicí kotouče jsou určeny k úběru materiálu hranou kotouče. Boční působení síly na tato brusná tělesa je může rozlámat.

**c) Používejte vždy nepoškozené upínací příruby ve správné velikosti a tvaru pro Vámi zvolený brusný kotouč.**

Vhodné příruby podporují brusný kotouč a zmiňují tak nebezpečí prasknutí brusného kotouče. Příruby pro dělicí kotouče se mohou odlišovat od přírub pro jiné brusné kotouče.

**d) Nepoužívejte žádné opotřebované brusné kotouče od většího elektronářadí.** Brusné kotouče pro větší elektronářadí nejsou dimenzovány pro vyšší otáčky menších elektronářadí a mohou prasknout.

Ve venkovním prostředí musí být zásuvky vybaveny proudovým chráničem. Je to vyžadováno instalačním předpisem pro toto el.zařízení. Dodržujte ho při používání tohoto nářadí, prosím.

Při práci se strojem neustále nosit ochranné brýle. Doporučuje se používat ochranné rukavice, pevnou protiskluzovou obuv a zástěru.

Před zahájením veškerých prací na stroji vytáhnout síťovou zástrčku ze zásuvky.

Stroj zapínat do zásuvky pouze když je vypnutý.

Neustále dbát na to, aby byl kabel pro připojení k elektrické síti mimo dosah stroje. Kabel vést vždy směrem dozadu od stroje.

Po vypnutí stroje ještě řídil s nástrojem dohřívá. Stroj odložte až když je v klidu.

Nesahejte do nebezpečného prostoru běžícího stroje.

Používejte jen takové kotouče, jejichž dovolené otáčky jsou minimálně stejné, jako jsou maximální otáčky naprázdno stroje.

Brusný kotouč před použitím vždy zkontrolujte. Musí být vždy bezvadně namontován a musí se lehce otáčet. Vždy před započetím práce nechte alespoň 30sekund běžet stroj bez zátěže. Poškozené, oválné či vibrující kotouče nepoužívejte.

Při broušení kovů odletují jiskry. Dbejte, aby nedošlo k poškození osob. V blízkosti (kam zaletují jiskry) se nesmí nacházet žádné hořlavé látky - nebezpečí požáru. Nepoužívejte odsavač prachu.

Stroj držte při práci tak, aby jiskry a brusný prach odletovaly od těla.

Upínací matice kotouče musí být před spuštěním stroje utažena.

Působením vnějšího extrémě silného magnetického rušení může v jednotlivých případech docházet ke kolísání otáček.

Kotouče používejte a skladujte podle doporučení výrobce.

Obráběný kus musí být řadně upnut, není-li dostatečně těžký.

Zajistěte, aby brusný kotouč byl upnut podle pokynů výrobce brusiv.

Rozměry brusného kotouče musejí být shodné s bruskou.

Při práci v prašném prostředí musejí být větrací štěrbiny nástroje volné. V případě nutnosti odpojte nástroj od sítě a zbavte větrací štěrbiny nánosů prachu. Použijte k tomu nekovový předmět a dbejte na to, aby při čištění nedošlo k poškození vnitřních dílů.

#### OBLAST VYUŽITÍ

Bruska je vhodná k broušení dřeva, umělých hmot a kovů.

Toto zařízení lze používat jen pro uvedený účel.

#### CE-PROHLÁŠENÍ O SHODĚ

Se vši zodpovědností prohlašujeme, že tento výrobek odpovídá následujícím normám a normativním dokumentům:

EN 60745-1:2009 + A11:2010

EN 60745-2-3:2011

EN 55014-1:2006 + A1:2009 + A2:2011

EN 55014-2:1997 + A1:2001 + A2:2008

EN 61000-3-2:2006 + A1:2009 + A2:2009

EN 61000-3-3:2008

v souladu se směrnicemi EHS č.

2011/65/EU (RoHS)

2006/42/ES

2004/108/ES



Winnenden, 2012-09-09

Rainer Kumpf

Director Product Development

Zplnomocněn k sestavování technických podkladů.

#### PŘIPOJENÍ NA SÍŤ

Připojit pouze do jednofázové střídavé sítě o napětí uvedeném na štítku. Lze připojit i do zásuvky bez ochranného kontaktu neboť spotřebič je třídy II.

#### ÚDRŽBA

Větrací štěrbiny nářadí udržujeme stále čisté.

Vzhledem k nebezpečí zkratu se nesmí dostat do odvětrávací mezery kovy.

Používejte výhradně náhradní díly a příslušenství AEG. Díly, jejichž výměna nebyla popsána, nechávejte vyměnit v odborném servisu AEG. (Viz záruční list.)

Při potřebě podrobného rozkresu konstrukce, oslovte informaci o typu a desetimístním objednacím čísle přímo servis a nebo výrobce, AEG Electric Tools GmbH, Max-Eyth-Straße 10, D-71364 Winnenden, Germany

#### SYMBOLY



Před spuštěním stroje si pečlivě přečtěte návod k používání.



Při práci se strojem neustále nosit ochranné brýle.



Před zahájením veškerých prací na vrtacím kladivu vytáhnout síťovou zástrčku ze zásuvky.



Elektrické nářadí nevyhazujte do komunálního odpadu! Podle evropské směrnice 2002/96/EC o nakládání s použitými elektrickými a elektronickými zařízeními a odpovídajících ustanovení právních předpisů jednotlivých zemí se použitá elektrická nářadí musí sbírat odděleně od ostatního odpadu a podrobit ekologicky šetrnému recyklování.



Třída ochrany II, elektrické nářadí, u kterého ochrana proti úrazu elektrickým proudem nezávisí pouze na základní izolaci, nýbrž i na přijetí dalších ochranných opatření, jako provedení s dvojitou nebo zesílenou izolací.



TECHNICKÉ ÚDAJE	Brúska	GS 500 E	GSL 600 E
menovitý príkon .....	500 W	600 W	600 W
Výkon .....	275 W	650 W	650 W
Otáčky naprázdno .....	10000-29000 min <sup>-1</sup>	10000-29000 min <sup>-1</sup>	10000-29000 min <sup>-1</sup>
Max. otáčky naprázdno pri neúčinnom obmedzení otáčok naprázdno .....	38000	38000	38000 min <sup>-1</sup>
Priemer upínacieho hrdla .....	43 mm	43 mm	43 mm
Priemer upínacích klieští .....	6 mm	6 mm	6 mm
max. priemer brúsneho telesa			
brúsne teleso s keramikovou alebo gumenou väzbou .....	20 mm	20 mm	20 mm
brúsne teleso so syntetickou živivicovou väzbou .....	40 mm	40 mm	40 mm
Hmotnosť podľa vykonávacieho predpisu EPTA 01/2003 .....	1,3 kg	1,3 kg	1,9 kg

#### Informácia o hluku / vibráciách

Namerané hodnoty určené v súlade s EN 60 745.

V triede A posudzovaná hladina hluku prístroja činí typicky:

Hladina akustického tlaku (K = 3 dB(A)) .....	79 dB(A)	79 dB(A)
Hladina akustického výkonu (K = 3 dB(A)) .....	90 dB(A)	90 dB(A)

#### Používajte ochranu sluchu!

Celkové hodnoty vibrácií (vektorový súčet troch smerov) zistené v zmysle EN 60745.

Rezanie a hrubovanie brúsnym kotúčom: hodnota vibračných emisií a <sub>h</sub> .....	14,5 min <sup>-1</sup>	14,5 min <sup>-1</sup>
Kolisavosť K = .....	1,5 min <sup>-1</sup>	1,5 min <sup>-1</sup>

#### POZOR

Úroveň vibrácií uvedená v týchto pokynoch bola nameraná meracou metódou, ktorú stanovuje norma EN 60745 a je možné ju použiť na vzájomné porovnanie elektrického náradia. Hodí sa aj na predbežné posúdenie kmitavého namáhania.

Uvedená úroveň vibrácií reprezentuje hlavné aplikácie elektrického náradia. Ak sa však elektrické náradie používa pre iné aplikácie, s odlišnými vloženými nástrojmi alebo s nedostatočnou údržbou, môže sa úroveň vibrácií líšiť. Toto môže kmitavé namáhanie v priebehu celej pracovnej doby podstatne zvýšiť.

Pre presný odhad kmitavého namáhania by sa mali tiež zohľadniť doby, v ktorých je náradie vypnuté alebo je síce v chode, ale v skutočnosti sa nepoužíva. Toto môže kmitavé namáhanie v priebehu celej pracovnej doby zreteľne redukovat'.

Stanovte dodatočné bezpečnostné opatrenia pre ochranu obsluhy pred účinkami vibrácií, ako napríklad: údržba elektrického náradia a vložených nástrojov, udržiavanie teploty rúk, organizácia pracovných postupov.

#### ⚠ POZOR! Zoznámte sa so všetkými bezpečnostnými pokynmi a síce aj s pokynmi v priloženej brožúre.

Zanedbanie dodržiavania Výstražných upozornení a pokynov uvedených v nasledujúcom texte môže mať za následok zásah elektrickým prúdom, spôsobiť požiar a/alebo ťažké poranenie. **Tieto výstražné upozornenia a bezpečnostné pokyny starostlivo uschovajte na budúce použitie.**

#### ŠPECIÁLNE BEZPEČNOSTNÉ POKYNY

##### Bezpečnostné pokyny pre brúsenie:

**a) Toto elektrické náradie sa musí používať ako brúska.**

Rešpektujte všetky výstražné upozornenia, pokyny, obrázky a údaje, ktoré ste dostali s týmto ručným elektrickým náradím. Ak by ste nedodržali nasledujúce pokyny, mohlo by to mať za následok zásah elektrickým prúdom, vznik požiaru a/alebo vážne poranenie.

**b) Toto elektrické náradie nie je vhodné ku kefovaniu, rozbrusovaniu, brúseniu brúsnym papierom a lešteniu.** Použitie tohto elektrického náradia k iným než určeným účelom môže viesť k ohrozeniu zdravia a k zraneniu.

**c) Nepoužívajte žiadne také príslušenstvo, ktoré nebolo výrobcom určené a odporúčané špeciálne pre toto ručné elektrické náradie.** Okolnosť, že príslušenstvo sa dá na ručné elektrické náradie upevniť, ešte neznamená, že to zaručuje jeho bezpečné používanie.

**d) Prípustný počet obrátok pracovného nástroja musí byť minimálne taký vysoký ako maximálny počet obrátok uvedený na ručnom elektrickom náradí.** Príslušenstvo, ktoré sa otáča rýchlejšie, ako je prípustné, by sa mohlo rozlámať a rozletieť po celom priestore pracoviska.

**e) Vonkajší priemer a hrúbka pracovného nástroja musia zodpovedať rozmerovým údajom uvedeným na ručnom elektrickom náradí.** Nesprávne dimenzované pracovné nástroje nemôžu byť dostatočne odčlenené a kontrolované.

**f) Brúsne kotúče, príruby, brúsne taniere alebo iné príslušenstvo musia presne pasovať na brúsne vreteno**

**Vášho ručného elektrického náradia.** Pracovné nástroje, ktoré presne nepasujú na brúsne vreteno ručného elektrického náradia, sa otáčajú nerovnomerne a intenzívne vibrujú, čo môže mať za následok stratu kontroly nad náradím.

**g) Nepoužívajte žiadne poškodené pracovné nástroje. Pred každým použitím tohto ručného elektrického náradia skontrolujte, či nie sú pracovné nástroje, ako napr. brúsne kotúče, vyštrbené alebo vylomené, či nemajú brúsne taniere vylomené miesta, trhliny alebo miesta intenzívneho opotrebovania, či nie sú na drôtených kefách uvoľnené alebo poľamané dróty. Keď ručné elektrické náradie alebo pracovný nástroj spadli na zem, prekontrolujte, či nie sú poškodené, alebo použite nepoškodený pracovný nástroj. Keď ste prekontrolovali a upli pracovný nástroj, zabezpečte, aby ste neboli v rovine rotujúceho nástroja, a aby sa tam ani nenachádzali žiadne iné osoby, ktoré sú v blízkosti Vášho pracoviska, a nechajte ručné elektrické náradie bežať jednu minútu na maximálne obrátky.** Poškodené pracovné nástroje sa obvyčajne počas tejto doby testovania zlomia.

**h) Používajte osobné ochranné prostriedky. Podľa druhu použitia náradia používajte ochranný štít na celú tvár, štít na oči alebo ochranné okuliare. Pokiaľ je to primerané, používajte ochrannú dýchaciu masku, chrániče sluchu, pracovné rukavice alebo špeciálnu zásteru, ktorá Vás uchráni pred odletujúcimi drobnými čistočkami brusiva a obrábaného materiálu. Predovšetkým oči treba chrániť pred odletujúcimi cudzími telieskami, ktoré vznikajú pri rôznom spôsobe používania náradia. Ochrana proti prachu alebo ochranná dýchacia maska musia predovšetkým odfiltrovať konkrétny druh prachu, ktorý vzniká pri danom druhu použitia náradia. Keď je človek dlhšiu dobu vystavený hlasnému hluku, môže utrpieť stratu sluchu.**

**i) Zabezpečte, aby sa iné osoby nachádzali v bezpečnej vzdialenosti od Vášho pracoviska. Každá osoba, ktorá vstúpi do pracovného dosahu náradia, musí byť vybavená osobnými ochrannými pomôckami.** Úlomky obrobku alebo

zložený pracovný nástroj môžu odletieť a spôsobiť poranenie osôb aj mimo priameho pracoviska.

**j) Elektrické náradie držte za izolované plochy rúkaví pri vykonávaní takej práce, pri ktorej by mohol rezací nástroj natrafiť na skryté elektrické vedenie alebo zasiahnuť vlastnú prívodnú šnúru náradia.** Kontakt s vedením, ktoré je pod napätím, spôsobí, že aj kovové súčiastky náradia sa dostanú pod napätie, čo má za následok zásah obsluhujúcej osoby elektrickým prúdom.

**k) Zabezpečte, aby sa prívodná šnúra nenachádzala v blízkosti rotujúcich pracovných nástrojov náradia.** Ak stratíte kontrolu nad ručným elektrickým náradím, môže sa prerušiť alebo zachytiť prívodná šnúra a Vaša ruka a Vaše predlaktie sa môžu dostať do rotujúceho pracovného nástroja.

**l) Nikdy neodkladajte ručné elektrické náradie skôr, ako sa pracovný nástroj úplne zastaví.** Rotujúci pracovný nástroj sa môže dostať do kontaktu s odkladacou plochou, následkom čoho by ste mohli stratiť kontrolu nad ručným elektrickým náradím.

**m) Nikdy nemajte ručné elektrické náradie zapnuté vtedy, keď ho prenášate na iné miesto.** Náhodným kontaktom Vašich vlasov alebo Vášho oblečenia s rotujúcim pracovným nástrojom by sa Vám pracovný nástroj mohol zavrtáť do tela.

**n) Pravidelne čistite vetracie otvory svojho ručného elektrického náradia.** Ventilátor motora vŕhahuje do telesa náradia prach a veľké nahromadenie kovového prachu by mohlo spôsobiť vznik nebezpečného zásahu elektrickým prúdom.

**o) Nepoužívajte toto ručné elektrické náradie v blízkosti horľavých materiálov.** Odletujúce iskry by mohli tieto materiály zapáliť.

**p) Nepoužívajte žiadne také pracovné nástroje, ktoré nepodporujú chladenie kvapalinou.** Používanie vody alebo iných tekutých chladiacich prostriedkov môže mať za následok zásah elektrickým prúdom.

#### Spätný ráz a príslušné výstražné upozornenia

Spätný ráz je náhlu reakciu náradia na vzpriechený, zaseknutý alebo blokujúci pracovný nástroj, napríklad brúsny kotúč, brúsny tanier, drôtená kefa a pod. Zaseknutie alebo zablokovanie vedie k náhlemu zastaveniu rotujúceho pracovného nástroja. Takýmto spôsobom sa nekontrolované ručné elektrické náradie rozkrúti na zablockovanom mieste proti smeru otáčania pracovného nástroja.

Keď sa napríklad brúsny kotúč vzpriechi alebo zablokuje v obrobku, môže sa hrana brúsneho kotúča, ktorá je zapichnutá do obrobku, zachytiť v materiáli a tým sa vylomí z brúsneho taniera, alebo spôsobí spätý ráz náradia. Brúsny kotúč sa potom pohybuje smerom k osobe alebo smerom preč od nej podľa toho, aký bol smer otáčania kotúča na mieste zablokovania. Brúsne kotúče sa môžu v takomto prípade aj rozlomiť.

Spätný ráz je následkom nesprávneho a chybného používania ručného elektrického náradia. Vhodnými preventívnymi opatreniami, ktoré popisujeme v nasledujúcom texte, mu možno zabrániť.

**a) Ručné elektrické náradie vždy držte pevne a svoje telo a ruky udržiavajte vždy v takej polohe, aby ste vydržali prípadný spätý ráz náradia. Pri každej práci používajte prídavnú rukoväť, ak ju máte k dispozícii, aby ste mali čo najväčšiu kontrolu nad silami spätného rázu a reakčnými momentmi pri rozbehu náradia.** Pomocou vhodných opatrení môže obsluhujúca osoba sily spätného rázu a sily reakčných momentov zvládnuť.

**b) Nikdy nedávajte ruku do blízkosti rotujúceho pracovného nástroja.** Pri spätnom ráze by Vám mohol pracovný nástroj zasiahnuť ruku.

**c) Nemajte telo v priestore, do ktorého by sa mohlo ručné elektrické náradie v prípade spätného rázu vymrštiť.** Spätný ráz vymrštiť ručné elektrické náradie proti smeru pohybu brúsneho kotúča na mieste blokovania.

**d) Mimoriadne opatrné pracujte v oblasti rohov, ostrých hrán a pod. Zabráňte tomu, aby obrobok vymrštil pracovný**

**nástroj proti Vám, alebo aby sa v ňom pracovný nástroj zablokoval.** Rotujúci pracovný nástroj má sklon zablokovať sa v rohoch, na ostrých hranách alebo vtedy, keď je vyhodeny. To spôsobí stratu kontroly nad náradím alebo jeho spätný ráz.

**e) Nepoužívajte žiadny reťazový ani iný ozubený pilový list.** Takéto pracovné nástroje často spôsobujú spätný ráz alebo stratu kontroly nad ručným elektrickým náradím.

#### Osobitné bezpečnostné predpisy pre brúsenie

**a) Používajte výlučne brúsne telesá schválené pre Vaše ručné elektrické náradie a ochranný kryt určený pre konkrétne zvolené brúsne teleso.** Brúsne telesá, ktoré neboli schválené pre dané ručné elektrické náradie, nemôžu byť dostatočne odčlenené a nie sú bezpečné.

**b) Brúsne telesá sa smú používať len pre príslušnú odporúčanú oblasť používania.**

**c) Vždy používajte pre vybraný typ brúsneho kotúča nepoškodenú upínaciu prírubu správneho rozmeru a tvaru.** Vhodná príruha podopiera brúsny kotúč a znižuje nebezpečenstvo zlomenia brúsneho kotúča. Príruby pre rezacie kotúče sa môžu odlišovať od prírub pre ostatné brúsne kotúče.

**d) Nepoužívajte žiadne opotrebované brúsne kotúče z väčšieho ručného elektrického náradia.** Brúsne kotúče pre väčšie ručné elektrické náradie nie sú dimenzované pre vyššie obrátky menších ručných elektrických náradí a môžu sa rozlomiť.

Zásuvky vo vonkajšom prostredí musia byť vybavené ochranným spínačom proti prúdovému nárazom. Toto je inštalovaný predpis na Vaše elektrické zariadenie. Venujte prosím tomuto pozornosť pri používaní nášho prístroja.

Pri práci so strojom vždy noste ochranné okuliare. Odporúčame ochranné rukavice, pevnú protišmykovú obuv a zásteru.

Pred každou prácou na stroji vyťahnite zástrčku zo zásuvky.

Len vypnutý stroj pripájajte do zásuvky.

Pripojovací kábel držte mimo pracovnej oblasti stroja. Kábel smerujte vždy smerom dozadu od stroja.

Po vypnutí prístroja zotráva vreteno v pohybe. Stroj odkladat' až po úplnom zastavení.

Nesiahať do nebezpečnej oblasti bežiaceho stroja.

Používať len pracovné nástroje, ktorých maximálne prípustné otáčky sú minimálne také vysoké ako najvyššie otáčky prístroja naprázdno.

Brúsne nástroje pred použitím skontrolovať. Brúsny nástroj musí byť namontovaný bezchybne, aby sa mohol voľne krútiť. Chod prístroja preskúšať aspoň 30 sekúnd bez zaťaženia. Nepoužívať poškodené, neokrúhle alebo vibrujúce brúsne nástroje.

Pri brúsení kovov dochádza k lietaniu iskier. Dávajte pozor, aby neboli ohrozené žiadne osoby. Z dôvodu nebezpečia požiaru nesmú byť v blízkosti (oblasť lietania iskier) žiadne horľavé materiály. Nepoužívať odsávač prachu.

Prístroj držať vždy tak, aby iskry a brúsny prach lietali smerom od tela.

Pred uvedením stroja do prevádzky musí byť upínacia matica dotiahnutá.

Pod vplyvom extrémnych elektromagnetických rušení z vonka sa môžu vyskytnúť v ojedinelých prípadoch dočasné výkyvy otáčok.

Brúsny kotúč používať a uskladňovať vždy podľa návodu výrobcu.

Opracovávaný obrobok musí byť pevne upnutý, pokiaľ nedrží vlastnou váhou. Nikdy nevedte obrobok rukou proti kotúču.

Zaisťujte, aby brúsny kotúč bol upnutý podľa pokynov výrobcu brusiv.

Rozmery brúsneho kotúča musia byť zhodné s brúskou.

Pri práci v prašnom prostredí musia byť vetracie štrbiny nástroja voľné. V prípade nutnosti odpojte nástroj od siete a zbavte vetracie štrbiny nánosu prachu. Použite k tomu nekovový predmet a dbajte na to, aby pri čistení nedošlo k poškodeniu vnútorných dielov.

## POUŽITIE PODĽA PREDPISOV

Priama brúška je vhodná na brúsenie dreva, plastov a kovov, predovšetkým na ťažko prístupných miestach.

Tento prístroj sa smie používať len v súlade s uvedenými predpismi.

## CE - VYHLÁSENIE KONFORMITY

Vyhlasujeme v našej výhradnej zodpovednosti, že tento produkt zodpovedá nasledovným normám alebo normatívnym dokumentom.

EN 60745-1:2009 + A11:2010  
EN 60745-2-3:2011  
EN 55014-1:2006 + A1:2009 + A2:2011  
EN 55014-2:1997 + A1:2001 + A2:2008  
EN 61000-3-2:2006 + A1:2009 + A2:2009  
EN 61000-3-3:2008  
podľa predpisov smernice 2011/65/EU (RoHS)  
2006/42/EC  
2004/108/EC



Winnenden, 2012-09-09

Rainer Kumpf  
Director Product Development  
Splnomocnený zostaviť technické podklady.

## SIEŤOVÁ PRÍPOJKA

Pripájať len na jednofázový striedavý prúd a na sieťové napätie uvedené na štítku. Pripojenie je možné aj do zásuviek bez ochranného kontaktu, pretože ide o konštrukciu ochrannej triedy II.

## ÚDRZBA

Vetracie otvory udržiavať stále v čistote.

Z dôvodu nebezpečia skratu sa do vetracích otvorov nesmú dostať kovové predmety.

Používať len AEG príslušenstvo a náhradné diely. Súčiastky bez návodu na výmenu treba dať vymeniť v jednom z AEG zákaznických centier (viď brožúru Záruka/Adresy zákaznických centier).

Pri udaní typu stroja a desaťmiestneho čísla nachádzajúceho sa na štítku dá sa v prípade potreby vyžiadať explozívna schéma prístroja od Vášho zákaznického centra alebo priamo v AEG Electric Tools GmbH, Max-Eyth-Straße 10, D-71364 Winnenden, Germany

## SYMBOLY



Pred prvým použitím prístroja si pozorne prečítajte návod na obsluhu.



Pri práci so strojom vždy noste ochranné okuliare.



Pred každou prácou na stroji vyťahnuť zástrčku zo zásuvky.



Elektrické náradie nevyhadzujte do komunálneho odpadu! Podľa európskej smernice 2002/96/ES o nakladaní s použitými elektrickými a elektronickými zariadeniami a zodpovedajúcich ustanovení právnych predpisov jednotlivých krajín sa použité elektrické náradie musí zbierať oddelene od ostatného odpadu a podrobiť ekologicky šetrnej recyklácii.



Trieda ochrany II, elektrické náradie, u ktorého ochrana proti úrazu elektrickým prúdom nezávisí len na základnej izolácii, ale aj na prijatí ďalších ochranných opatrení, ako je vyhotovenie s dvojitou alebo zosilnenou izoláciou.

## DANE TECHNICZNE

	Szlifierka trzpieniowa	GS 500 E	GSL 600 E
Znamionowa moc wyjściowa	500 W	600 W	600 W
Moc wyjściowa	275 W	650 W	650 W
Prędkość bez obciążenia	10000-29000 min <sup>-1</sup>	10000-29000 min <sup>-1</sup>	10000-29000 min <sup>-1</sup>
Maksymalna prędkość bez obciążenia w przypadku niezabiegającego ograniczenia prędkości przy pracy bez obciążenia	38000	38000	38000
Średnica szyski uchwytu	43 mm	43 mm	43 mm
Średnica tulei zaciskowej	6 mm	6 mm	6 mm
Maksymalna średnica części ściernej			
do żywicy ceramicznej	20 mm	20 mm	20 mm
do żywicy z tworzywa sztucznego	40 mm	40 mm	40 mm
Ciężar wg procedury EPTA 01/2003	1,3 kg	1,9 kg	1,9 kg

## Informacja dotycząca szumów/wibracji

Zmierzone wartości wyznaczono zgodnie z normą EN 60 745.

Poziom szumów urządzenia oszacowany jako A wynosi typowo:

Poziom ciśnienia akustycznego (K=3 dB(A))	79 dB(A)	79 dB(A)
Poziom mocy akustycznej (K=3 dB(A))	90 dB(A)	90 dB(A)

## Należy używać ochroniaczy uszu!

Wartości łączne drgań (suma wektorowa trzech kierunków) wyznaczone zgodnie z normą EN 60745

Rozcinanie i szlifowanie zgrubne: wartość emisji drgań a <sub>h</sub>	14,5 min <sup>-1</sup>	14,5 min <sup>-1</sup>
Niepewność K =	1,5 min <sup>-1</sup>	1,5 min <sup>-1</sup>

## OSTRZEŻENIE

Podany w niniejszych instrukcjach poziom drgań został zmierzony za pomocą metody pomiarowej zgodnej z normą EN 60745 i może być użyty do porównania ze sobą elektronarzędzi. Nadaje się on również do tymczasowej oceny obciążenia wibracyjnego.

Podany poziom drgań reprezentuje główne zastosowania elektronarzędzia. Jeśli jednakże elektronarzędzie użyte zostanie do innych celów z innym narzędziami roboczymi lub nie jest dostatecznie konserwowane, wtedy poziom drgań może wykazywać odchylenia. Może to wyraźnie zwiększyć obciążenie wibracjami przez cały okres pracy.

Dla dokładnego określenia obciążenia wibracjami należy uwzględnić również czasy, w których urządzenie jest wylączone względnie jest włączone, lecz w rzeczywistości nie pracuje. Może to spowodować wyraźną redukcję obciążenia wibracyjnego w całym okresie pracy.

Należy wprowadzić dodatkowe środki zapobiegawcze celem ochrony obsługującego przed oddziaływaniem drgań, jak na przykład: konserwacja narzędzi roboczych i elektronarzędzi, nagranie rąk, organizacja przebiegu pracy.

**⚠ OSTRZEŻENIE! Prosimy o przeczytanie wskazówek bezpieczeństwa i zaleceń, również tych, które zawarte są w załączonej broszurze.** Błędy w przestrzeganiu poniższych wskazówek mogą spowodować porażenie prądem, pożar i/lub ciężkie obrażenia ciała.  
**Należy starannie przechowywać wszystkie przepisy i wskazówki bezpieczeństwa dla dalszego zastosowania.**

## INSTRUKCJE DOTYCZĄCE BEZPIECZEŃSTWA

Wspólne wskazówki ostrzegawcze dotyczące szlifownia:

- To elektronarzędzie należy używać jako szlifierkę. Należy przestrzegać wszystkich wskazówek ostrzegawczych, przepisów, opisów i danych, które otrzymali Państwo wraz z elektronarzędziem. Jeśli nie będą przestrzegane następujące przepisy, może dojść do porażenia prądem, pożaru i/lub ciężkich obrażeń ciała.
- To elektronarzędzie nie nadaje się do szcztokowania, przecinania tarczą tnącą, szlifowania papierem ściernym oraz polerowania. Zastosowanie narzędzia elektrycznego do celów, do których nie jest ono przewidziane, może spowodować zagrożenia i obrażenia ciała.
- Nie należy używać osprzętu, który nie jest przewidziany i polecany przez producenta specjalnie do tego urządzenia. Fakt, że osprzęt daje się zamontować do elektronarzędzia, nie jest gwarantem bezpiecznego użycia.
- Dopuszczalna prędkość obrotowa stosowanego narzędzia roboczego nie może być mniejsza niż podana na elektronarzędziu maksymalna prędkość obrotowa. Narzędzie robocze, obracające się z szybszą niż dopuszczalna prędkością, może się złamać, a jego części odprysnąć.
- Średnica zewnętrzna i grubość narzędzia roboczego muszą odpowiadać wymiarom elektronarzędzia. Narzędzia robocze o niewłaściwych wymiarach nie mogą być wystarczająco osłonięte lub kontrolowane.
- Ściernice, podkładki, kołnierze, talerze szlifierskie oraz inny osprzęt muszą dokładnie pasować do wrzeciona

ściernicy elektronarzędzia. Narzędzia robocze, które nie pasują dokładnie do wrzeciona ściernicy elektronarzędzia, obracając się nierównomiernie, bardzo mocno wibrują i mogą spowodować utratę kontroli nad elektronarzędziem.

g) W żadnym wypadku nie należy używać uszkodzonych narzędzi roboczych. Przed każdym użyciem należy skontrolować oprzyrządowanie, np. ściernice pod kątem odprysków i pęknięć, talerze szlifierskie pod kątem pęknięć, starcia lub silnego zużycia, szczotki druciane pod kątem luźnych lub złamanych drutów. W razie upadku elektronarzędzia lub narzędzia roboczego, należy sprawdzić, czy nie uległo ono uszkodzeniu, lub użyć innego, nieuszkodzonego narzędzia. Jeśli narzędzie zostało sprawdzone i umocowane, elektronarzędzie należy włączyć na minutę na najwyższe obroty, zwracając przy tym uwagę, by osoba obsługująca i osoby postronne znajdujące się w pobliżu, znalazły się poza strefą obracającego się narzędzia. Uszkodzone narzędzia łamią się najczęściej w tym czasie próbnym.

h) Należy nosić osobiste wyposażenie ochronne. W zależności od rodzaju pracy, należy nosić maskę ochronną pokrywającą całą twarz, ochronę oczu lub okulary ochronne. W razie potrzeby należy użyć maski przeciwpyłowej, ochrony słuchu, rękawic ochronnych lub specjalnego fartucha, chroniącego przed malmi cząstkami ściernego i obrabianego materiału. Należy chronić oczy przed unoszącymi się w powietrzu ciałami obcymi, powstałymi w czasie pracy. Maski przeciwpyłowa i ochronna dróg oddechowych muszą filtrować powstający podczas pracy pył. Oddziaływanie hałasu przez dłuższy okres czasu, może doprowadzić do utraty słuchu.

i) Należy uważać, by osoby postronne znajdowały się w bezpiecznej odległości od strefy zasięgu elektronarzędzia. Każdy, kto znajduje się w pobliżu pracującego elektronarzędzia, musi używać osobistego wyposażenia ochronnego. Odłamki obrabianego przedmiotu lub pęknięte narzędzia robocze mogą odpryskiwać i spowodować obrażenia również poza bezpośrednią strefą zasięgu.

**j) Podczas prac, przy których elektronarzędzie mogłoby natrafić na ukryte przewody elektryczne lub na własny przewód, należy je trzymać tylko za izolowaną rękkość.** Pod wpływem kontaktu z przewodami będącymi pod napięciem, wszystkie części metalowe elektronarzędzia znajdują się również pod napięciem i mogą spowodować porażenie prądem osoby obsługującej.

**k) Przewód sieciowy należy trzymać z dala od obracających się narzędzi roboczych.** W przypadku utraty kontroli nad narzędziem, przewód sieciowy może zostać przecięty lub wciągnięty, a dłoń lub cała ręka mogą dostać się w obracające się narzędzie robocze.

**l) Nigdy nie wolno odkładać elektronarzędzia przed całkowitym zatrzymaniem się narzędzia roboczego.** Obracające się narzędzie może wejść w kontakt z powierzchnią, na której jest odłożone, przez co można stracić kontrolę nad elektronarzędziem.

**m) Nie wolno przenosić elektronarzędzia, znajdującego się w ruchu.** Przypadkowy kontakt ubrania z obracającym się narzędziem roboczym może spowodować jego wciągnięcie i wwiercenie się narzędzia roboczego w ciało osoby obsługującej.

**n) Należy regularnie czyścić szczeliny wentylacyjne elektronarzędzia.** Dmuchała silnika wciąga kurz do obudowy, a duże nagromadzenie pyłu metalowego może spowodować zagrożenie elektryczne.

**o) Nie należy używać elektronarzędzia w pobliżu materiałów łatwopalnych.** Iskry mogą spowodować ich zapłon.

**p) Nie należy używać narzędzi, które wymagają płynnych środków chłodzących.** Użycie wody lub innych płynnych środków chłodzących może doprowadzić do porażenia prądem.

#### Odrzut i odpowiednie wskazówki bezpieczeństwa

Odrzut jest nagłą reakcją elektronarzędzia na zablokowanie lub zawadzenie obracającego się narzędzia, takiego jak ściernica, talerz szlifierski, szczerotka druciana itd. Zaczepienie się lub zablokowanie prowadzi do nagłego zatrzymania się obracającego się narzędzia roboczego. Niekontrolowane elektronarzędzie zostanie przez to szarpnięte w kierunku przeciwnym do kierunku obrotu narzędzia roboczego.

Gdy, np. ściernica zatnie się lub zakleszczy w obrabianym przedmiocie, zanurzona w materiale krawędź ściernicy, może się zablokować i spowodować jej wypadnięcie lub odrzut. Ruch ściernicy (w kierunku osoby obsługującej lub od niej) uzależniony jest wtedy od kierunku ruchu ściernicy w miejscu zablokowania. Oprócz tego ściernice mogą się również złamać.

Odrzut jest następstwem niewłaściwego lub błędnego użycia elektronarzędzia. Można go uniknąć przez zachowanie opisanych poniżej odpowiednich środków ostrożności.

**a) Elektronarzędzie należy mocno trzymać, a ciało i ręce ustawić w pozycji, umożliwiającej złagodzenie odrzutu. Jeżeli w skład wyposażenia standardowego wchodzi uchwyt dodatkowy, należy go zawsze używać, żeby mieć jak największą kontrolę nad siłami odrzutu lub momentem odwodzącym podczas rozruchu.** Osoba obsługująca urządzenie może opanować szarpnięcia i zjawisko odrzutu poprzez zachowanie odpowiednich środków ostrożności.

**b) Nie należy nigdy trzymać rąk w pobliżu obracających się narzędzi roboczych.** Narzędzie robocze może wskutek odrzutu zranić rękę.

**c) Należy trzymać się z dala od strefy zasięgu, w której poruszy się elektronarzędzie podczas odrzutu.** Na skutek odrzutu, elektronarzędzie przemieszcza się w kierunku przeciwnym do ruchu ściernicy w miejscu zablokowania.

**d) Szczególnie ostrożnie należy obrabiać narożniki, ostre krawędzie itd. Należy zapobiegać temu, by narzędzia robocze zostały odbite lub by się one zablokowały.** Obracające się narzędzie robocze jest bardziej podatne na zakleszczenie przy obróbce kątów, ostrych krawędzi lub gdy zostanie odbite. Może to stać się przyczyną utraty kontroli lub odrzutu.

**e) Nie należy używać brzeszczotów do drewna lub zębanych.** Narzędzia robocze tego typu często powodują odrzut lub utratę kontroli nad elektronarzędziem.

#### Szczegółne wskazówki bezpieczeństwa dla szlifowania

**a) Należy używać wyłącznie ściernicy przeznaczonej dla danego elektronarzędzia i osłony przeznaczonej dla danej ściernicy.** Ściernice nie będące oprzyrządowaniem danego elektronarzędzia nie mogą być wystarczająco osłonięte i nie są wystarczająco bezpieczne.

**b) Ściernicę można używać tylko do prac dla nich przewidzianych.**

**c) Do wybranej ściernicy należy używać zawsze nieuszkodzonych kołnierzy mocujących o prawidłowej wielkości i kształcie.** Odpowiednie kołnierze podpierają ściernicę i zmniejszają tym samym niebezpieczeństwo jej złamania się. Kołnierze do ściernic tnących mogą różnić się od kołnierzy przeznaczonych do innych ściernic.

**d) Nie należy używać zużytych ściernic z większych elektronarzędzi.** Ściernice do większych elektronarzędzi nie są zaprojektowane dla wyższej liczby obrotów, która jest charakterystyką mniejszych elektronarzędzi i mogą się dlatego złamać.

Urządzenia pracujące w wielu różnych miejscach, w tym poza pomieszczeniami zamkniętymi, należy podłączać poprzez ochronny wyłącznik udarowy.

Podczas pracy należy zawsze nosić okulary ochronne. Zalecane jest także noszenie rękawic, mocnego, nie ślizgającego się obuwia oraz ubrania roboczego.

Przed przystąpieniem do jakichkolwiek prac związanych z elektronarzędziem należy wyjąć wtyczkę z gniazdka.

Elektronarzędzie można podłączać do gniazdka sieciowego tylko wtedy, kiedy jest wyłączone.

Kabel zasilający nie może znajdować się w obszarze roboczym elektronarzędzia. Powinien on się zawsze znajdować się za operatorem.

Po wyłączeniu elektronarzędzie nie zatrzyma się natychmiast - wrzeczono obraca się jeszcze przez pewien czas. Odłożyć elektronarzędzie dopiero po zatrzymaniu.

Podczas pracy strugarki nie zbliżać się do strefy niebezpiecznej.

Używać tylko narzędzi roboczych, których dopuszczalna prędkość odpowiada co najmniej najwyższej prędkości elektronarzędzia bez obciążenia.

Narzędzia szlifierskie sprawdzić przed rozpoczęciem użytkowania. Narzędzia szlifierskie muszą być prawidłowo zamontowane i muszą obracać się w sposób swobodny. Przez około 30 sekund przeprowadzić bieg próbną bez obciążenia. Nie używać uszkodzonych, nieokrągłych lub wibrujących narzędzi szlifierskich.

Przy szlifowaniu metali powstają iskry. Nie narażać na niebezpieczeństwo żadnych osób. Ze względu na zagrożenie pożarowe w pobliżu miejsca pracy (w strefie wyrzucania isker) nie powinny się znajdować materiały palne. Nie stosować odpylaczy.

Elektronarzędzie trzymać zawsze w taki sposób, aby iskry i pył z przedmiotu obrabianego nie były wyrzucane na operatora.

Przed uruchomieniem urządzenia należy dokręcić nakrętkę regulacyjną.

Intensywne zewnętrzne zakłócenia elektromagnetyczne mogą powodować w określonych przypadkach chwilowe wahania w prędkości obrotowej.

Tarcze szlifierskie stosować i przechowywać zgodnie z zaleceniami producenta.

Jeśli ciężar własny części obrabianej nie pozwala na utrzymanie jej równowagi, to należy ją mocno umocować. W żadnym wypadku nie wolno prowadzić części ręką.

Zapewnić umieszczenie urządzenia ściernego wg zalecenia producenta narzędzia ściernego.

Wymiary narzędzia ściernego muszą pasować do szlifierki.

Przy pracach wywołujących zapylenie, szczeliny wentylacyjne maszyny muszą być wolne. W razie potrzeby odłączyć maszynę od sieci i usunąć pył. Stosować do tego obiekty niemetalowe i uważać aby nie uszkodzić żadnych części wewnętrznych.

#### WARUNKI UŻYTKOWANIA

Szlifierki ręczne proste przeznaczone są do dokładnego szlifowania metali przy użyciu frezów trzpieniowych jak i do frezowania metali nieżelaznych, tworzyw sztucznych, twardego drewna itd również przy użyciu frezów trzpieniowych.

Produkt można użytkować wyłącznie zgodnie z jego normalnym przeznaczeniem.

#### DEKLARACJA ZGODNOŚCI CE

Oświadczamy z pełną odpowiedzialnością, że produkt ten odpowiada wymaganiom następujących norm i dokumentów normatywnych

EN 60745-1:2009 + A11:2010

EN 60745-2-3:2011

EN 55014-1:2006 + A1:2009 + A2:2011

EN 55014-2:1997 + A1:2001 + A2:2008

EN 61000-3-2:2006 + A1:2009 + A2:2009

EN 61000-3-3:2008

i jest zgodny z wymaganiami dyrektywy

2011/65/EU (RoHS)

2006/42/WE

2004/108/WE



Winnenden, 2012-09-09

Rainer Kumpf

Director Product Development

Upelnomocniony do zestawienia danych technicznych

#### PODŁĄCZENIE DO SIECI

Podłączać tylko do źródła zasilania prądem zmiennym jednofazowym i wyłącznie o napięciu podanym na tabliczce znamionowej. Możliwe jest również podłączenie do gniazdka bez uziemienia, ponieważ konstrukcja odpowiada II klasie bezpieczeństwa.

#### UTRZYMANIE I KONSERWACJA

Otwory wentylacyjne elektronarzędzia muszą być zawsze drożne.

Nie dopuszczać do przedostawania się części metalowych do szczelin powietrznych - niebezpieczeństwo zwarcia!

Należy stosować wyłącznie wyposażenie dodatkowe i części zamienne AEG. W przypadku konieczności wymiany części, dla których nie podano opisu, należy skontaktować się z przedstawicielami serwisu AEG (patrz lista punktów obsługi gwarancyjnej/serwisowej).

Na życzenie można otrzymać rysunek widoku zespołu rozebranego. Przy zamawianiu należy podać dziesięciocyfrowy numer oraz typ elektronarzędzia umieszczony na tabliczce znamionowej. Zamówienia można dokonać albo u lokalnych przedstawicieli serwisu, albo bezpośrednio w AEG Electric Tools GmbH, Max-Eyth-Straße 10, D-71364 Winnenden, Germany

#### SYMBOLY



Przed uruchomieniem elektronarzędzia zapoznać się uważnie z treścią instrukcji.



Podczas pracy należy zawsze nosić okulary ochronne.



Przed przystąpieniem do jakichkolwiek prac przy elektronarzędziu należy wyjąć wtyczkę z kontaktu.



Nie wyrzucaj elektronarzędzi wraz z odpadami z gospodarstwa domowego! Zgodnie z Europejską Dyrektywą 2002/96/WE w sprawie zużytego sprzętu elektrotechnicznego i elektronicznego oraz dostosowaniem jej do prawa krajowego, zużyte elektronarzędzia należy posegregować i zutylizować w sposób przyjazny dla środowiska.



Klasa ochrony II, elektronarzędzie, w którym ochrona przed porażeniem elektrycznym nie zależy tylko od izolacji podstawowej, lecz w którym zastosowane są dodatkowe środki ochrony, takie jak podwójna lub wzmocniona izolacja.

MŰSZAKI ADATOK	Egyenes csiszológép	GS 500 E	GSL 600 E
Névleges teljesítményfelvétel	500 W	600 W	600 W
Leadott teljesítmény	275 W	350 W	350 W
Üresjáratú fordulatszám	10000-29000 min <sup>-1</sup>	10000-29000 min <sup>-1</sup>	10000-29000 min <sup>-1</sup>
Max. üresjáratú fordulatszám hatástalan üresjáratú fordulatszám korlátozás mellett	38000	38000	38000 min <sup>-1</sup>
Feszítőnyak- $\phi$	43 mm	43 mm	43 mm
Befogógyűrű átmérő	6 mm	6 mm	6 mm
Nyers csiszolópapír átmérője max.			
kerámia gyantához	20 mm	20 mm	20 mm
műgyantához	40 mm	40 mm	40 mm
Súly a 01/2003 EPTA-eljárás szerint	1,3 kg	1,3 kg	1,9 kg

### Zaj-/Vibráció-információ

A közölt értékek megfelelnek az EN 60 745 szabványnak.

A készülék munkahelyi zajszintje tipikusan:

Hangnyomás szint (K=3 dB(A)) .....79 dB(A) ..... 79 dB(A)

Hangteljesítmény szint (K=3 dB(A)) .....90 dB(A) ..... 90 dB(A)

### Hallásvédő eszköz használata ajánlott!

Összesített rezgésértékek (három irány vektorális összege) az EN

60745-nek megfelelően meghatározva.

Vágó- és nagyoló korongok:  $a_{hv}$  rezgésemisszió érték ..... 14,5 min<sup>-1</sup> ..... 14,5 min<sup>-1</sup>

K bizonytalanság = ..... 1,5 min<sup>-1</sup> ..... 1,5 min<sup>-1</sup>

### FIGYELMEZTETÉS

A jelen utasításokban megadott rezgésszint értéke az EN 60745-ben szabályozott mérési eljárásnak megfelelően került le mérésre, és használható elektromos szerszámokkal történő összehasonlításhoz. Az érték alkalmas a rezgésterhelés előzetes megbecslésére is.

A megadott rezgésszint-érték az elektromos szerszám legfőbb alkalmazásait reprezentálja. Ha az elektromos szerszámot azonban más alkalmazásokhoz, eltérő használt szerszámokkal vagy nem elegendő karbantartással használják, a rezgésszint értéke eltérő lehet. Ez jelentősen megnövelheti a rezgésterhelést a munkavégzés teljes időtartama alatt.

A rezgésterhelés pontos megbecsléséhez azokat az időket is figyelembe kell venni, melyekben a készülék lekapcsolódik, vagy ugyan működik, azonban ténylegesen nincs használatban. Ez jelentősen csökkentheti a rezgésterhelést a munkavégzés teljes időtartama alatt.

Határozzon meg további biztonsági intézkedéseket a kezelő védelmére a rezgések hatása ellen, például: az elektromos és a használt szerszámok karbantartásával, a kezek melegen tartásával, a munkafolyamatok megszervezésével.

**▲ FIGYELMEZTETÉS! Olvasson el minden biztonsági útmutatást és utasítást, a mellékelt brosúrában találhatóak is.** A következőkben leírt előírások betartásának elmulasztása áramütésekhez, tűzhöz és/vagy súlyos testi sérülésekhez vezethet.  
**Kérjük a későbbi használatra gondosan őrizze meg ezeket az előírásokat.**

### KÜLÖNLEGES BIZTONSÁGI TUDNIVALÓK

**Közös figyelmeztető tájékoztató a csiszolóshoz:**

**a) Ez az elektromos szerszám köszörűként használandó. Ügyeljen minden figyelmeztető jelzésre, előírásra, ábrára és adatra, amelyet az elektromos kéziszerszámmal együtt megkapott.** Ha nem tartja be a következő előírásokat, akkor az áramütéshez, tűzhöz és/vagy súlyos személyi sérülésekhez vezethet.

**b) Ez az elektromos szerszám nem alkalmas drótkéfélsére, leválasztó köszörülésre, csiszolópapíros csiszolásra és polírozásra.** Az elektromos szerszám olyan használatú, amely nem felel meg a rendeltetésének, veszélyeket és sérüléseket okozhat.

**c) Ne használjon olyan tartozékokat, amelyeket a gyártó ehhez az elektromos kéziszerszámmal nem irányzott elő és nem javasolt.** Az a tény, hogy a tartozékot rögzíteni tudja az elektromos kéziszerszámmal, nem garantálja annak biztonságos alkalmazását.

**d) A betétszerszám megengedett fordulatszámának legalább akkornak kell lennie, mint az elektromos kéziszerszámon megadott legnagyobb fordulatszám.** A megengedtnél gyorsabban forgó tartozékok széttröhethetnek és kirepülhetnek.

**e) A betétszerszám külső átmérőjének és vastagságának meg kell felelnie az Ön elektromos kéziszerszámmal megadott méreteknél.** A hibásan méretezett betétszerszámokat nem lehet megfelelően eltakarni, vagy irányítani.

**f) A csiszolókorongoknak, karimáknak, csiszoló tányékoknak vagy más tartozékoknak pontosan rá kell illeszkedniük az Ön elektromos kéziszerszámmal a csiszolótestgolyóira.** Az olyan betétszerszámok, amelyek nem illeszkednek pontosan az elektromos kéziszerszám csiszolótestgolyóira, egyenletlenül fogognak, erősen berezegnek és a készülék feletti uralom megszűnéséhez vezethetnek.

**g) Ne használjon megrongálódott betétszerszámokat. Vizsgálja meg minden egyes használat előtt a betétszerszámokat: ellenőrizze, nem pattogzott-e le és nem repedt-e meg a csiszolókorong, nincs-e eltörve, megrepedve, vagy nagy mértékben elhasználódva a csiszoló tányér, nincsenek-e a drótkéfében kilazult, vagy eltörött drótok. Ha az elektromos kéziszerszám vagy a betétszerszám leesik, vizsgálja felül, nem rongálódott-e meg, vagy használjon egy hibátlan betétszerszámot. Miután ellenőrizte, majd behelyezte a készülékbe a betétszerszámot, tartózkodjon Ön saját maga és minden más a közelben található személy is a forgó betétszerszám síkján kívül és járassa egy percig az elektromos kéziszerszámot a legnagyobb fordulatszámra. A megrongálódott betétszerszámok ezáltal a próbaidő alatt általában már széttröhethetnek.**

**h) Viseljen személyi védőfelszerelést. Használjon az alkalmazásnak megfelelő teljes védőálcot, szemvédőt vagy védőszemüveget. Amennyiben védő, viseljen porvédő álcot, zajtompító fülvédőt, védő kesztyűt vagy különleges kötényt, amely távol tartja a csiszolószerszám és anagyрэszecskéket.** Mindenképpen védje meg a szemét a kirepülő idegen anyagoktól, amelyek a különböző alkalmazások során keletkeznek. A por- vagy védőálcarnak meg kell szűrnie a használat során keletkező port. Ha hosszú ideig ki van téve az erős zaj hatásának, elvesztheti a hallását.

**i) Ügyeljen arra, hogy a többi személy biztonságos távolságban maradjon az Ön munkaterületétől. Minden olyan személynek, aki belép a munkaterületre, személyi védőfelszerelést kell viselnie. A munkadarab letört részei**

vagy a széttrött betétszerszámok kirepülhetnek és a közvetlen munkaterületen kívül és személyi sérülést okozhatnak.

**j) Az elektromos kéziszerszámot csak a szigetelt fogantyúfelületeknél fogva tartsa, ha olyan munkát végez, amelynek során a betétszerszám feszültség alatt álló, kívülről nem látható vezetékhez, vagy a készülék saját hálózati csatlakozó kábeljéhez érhet.** Ha a berendezés egy feszültség alatt álló vezetékhez ér, az elektromos kéziszerszám fémrészei szintén feszültség alá kerülnek és áramütéshez vezethetnek.

**k) Tartsa távol a hálózati csatlakozó kábelt a forgó betétszerszámoktól.** Ha elveszíti az uralmát az elektromos kéziszerszám felett, az átvághatja, vagy bekaphatja a hálózati csatlakozó kábelt és az Ön keze vagy karja is a forgó betétszerszámhoz érhet.

**l) Sohase tegye le az elektromos kéziszerszámot, mielőtt a betétszerszám teljesen leállna.** A forgásban lévő betétszerszám megérinthez a támasztó felületet, és Ön ennek következtében könnyen elvesztheti az uralmát az elektromos kéziszerszám felett.

**m) Ne járassa az elektromos kéziszerszámot, miközben azt a kezében tartja.** A forgó betétszerszám egy véletlen érintkezés során bekaphatja a ruháját és a betétszerszám befelfűrdhat a testébe.

**n) Tisztítsa meg rendszeresen az elektromos kéziszerszáma szellőzőnyílásait.** A motor ventilátorra beszívja a port a házba, és nagyobb mennyiségű fémpor felhalmozódása elektromos veszélyekhez vezethet.

**o) Ne használja az elektromos kéziszerszámot éghető anyagok közelében.** A szikrák ezeket az anyagokat meggyújthatják.

**p) Ne használjon olyan betétszerszámokat, amelyek alkalmazásához folyékony hűtőanyagra van szükség.** Víz és egyéb folyékony hűtőanyagok alkalmazása áramütéshez vezethet.

### Visszarugás és megfelelő figyelmeztető tájékoztatók

A visszarugás a beékelődő vagy leblokkoló forgó betétszerszám, például csiszolókorong, csiszoló tányér, drótkéfe stb. hirtelen reakciója. A beékelődés vagy leblokkolás a forgó betétszerszám hirtelen leállításához vezet. Ez az irányítatlan elektromos kéziszerszámot a betétszerszámmal a leblokkolási ponton fennálló forgási irányával szembeni irányban felgyorsítja.

Ha például egy csiszolókorong beékelődik, vagy leblokkol a munkadarabra kerülő munkadarabban, a csiszolókorongnak a munkadarabra bemező éle leáll és így a csiszolókorong kiugorhat vagy egy visszarugást okozhat. A csiszolókorong ekkor a korongnak a leblokkolási pontban fennálló forgásirányától függően a kezelő személy felé, vagy attól távolodva mozog. A csiszolókorongok ilyenkor el is tröhethetnek.

Egy visszarugás az elektromos kéziszerszám hibás vagy helytelen használatának következménye. Ezt az alábbiakban leírásra kerülő megfelelő óvatossági intézkedésekkel meg lehet gátolni.

**a) Tartsa szorosan fogva az elektromos kéziszerszámot, és hozza a testét és a karjait olyan helyzetbe, amelyben fel tudja venni a visszarugó erőt. Használja mindig a pótfogantyút, amennyiben létezik, hogy a lehető legjobban tudjon uralkodni a visszarugási erők, illetve felfutások a reakció nyomaték felett.** A kezelő személy megfelelő óvatossági intézkedésekkel uralkodni tud a visszarugási és reakcióerők felett.

**b) Sohase vigye a kezét a forgó betétszerszám közelébe.** A betétszerszám egy visszarugás esetén a kezéhez érhet.

**c) Kerülje el a testével azt a tartományt, ahová egy visszarugás az elektromos kéziszerszámot mozgatja.** A visszarugás az elektromos kéziszerszámot a csiszolókorongnak a leblokkolási pontban fennálló forgásirányával ellentétes irányba hajtja.

**d) A sarkok és élek közelében különösen óvatosan dolgozzon, akadályozza meg, hogy a betétszerszám lepatanjon a munkadarabról, vagy beékelődjön a**

munkadarabra. A forgó betétszerszám a sarkoknál, élknél és lepatannas esetén könnyen beékelődik. Ez a készülék feletti uralom elvesztéséhez, vagy egy visszarugáshoz vezet.

**e) Ne használjon fűfűrészlapot, vagy fogazott fűrészlapot.** Az ilyen betétszerszámok gyakran visszarugáshoz vezetnek, vagy a kezelő elvesztheti az uralmát az elektromos kéziszerszám felett.

### Külön figyelmeztetések és tájékoztató a csiszolóshoz

**a) Kizárólag az Ön elektromos kéziszerszámmal megengedélyezett csiszolótesteket és az ezen csiszolótestekhez előírányzott védőburkolat használja.** A nem az elektromos kéziszerszámmal szolgáló csiszolótesteket nem lehet kielégítő módon letakarni és ezért ezek nem biztonságosak.

**b) A csiszolótesteket csak az azok számára javasolt célokra szabad használni.**

**c) Használjon mindig hibátlan, az Ön által választott csiszolókorongnak megfelelő méretű és alakú befogókarimát.** A megfelelő karimák megtámasztják a csiszolókorongot és így csökkentik a csiszolókorong eltörésének veszélyét. A hasítókorongokhoz szolgáló karimák különbözhetnek a csiszolókorongok számára szolgáló karimáktól.

**d) Ne használjon nagyobb elektromos kéziszerszámokhoz szolgáló elhasznált csiszolótesteket.** A nagyobb elektromos kéziszerszámokhoz szolgáló csiszolókorongok nincsenek a kisebb elektromos kéziszerszámok magasabb fordulatszámára méretezve és széttröhethetnek.

Szabadban a dugóját hibaáram-védőkapcsolóval kell ellátni. Az elektromos készülékek üzembehelyezési útmutatása ezt kötelezően előírja. Ügyeljen erre az elektromos kéziszerszám használatkor is.

Munkavégzés közben ajánlatos védőszemüveget viselni.

Védőkesztyű, zárt és csúszámentes cipő, valamint védőkötény használata szintén javasolt.

Bármilyen jellegű karbantartás vagy javítás előtt a készüléket áramtalanítani kell.

A készüléket csak kikapcsolt állapotban szabad ismét áram alá helyezni.

Munka közben a hálózati csatlakozókábelt a sérülés elkerülése érdekében a munkaterületől, illetve a készüléktől távol kell tartani.

A kikapcsolást követően, a készüléket csak szerszámtesttel teljes leállása után szabad letenni.

A működő készülék munkaterületére nyúlni balesetveszélyes és tilos.

Kizárólag olyan tárcsát szabad használni, amely megengedett fordulatszámra legalább olyan magas, mint a készülék legmagasabb üresjáratú fordulatszámra.

A csiszolószerszámot használat előtt meg kell vizsgálni, a leirtaknak megfelelően fel kell szerelni és feltétlenül ügyelni kell arra, hogy szabadon forogjon. Munkavégzés előtt, terhelés nélkül legalább 30 másodperc próbajáratást kell végezni. Sérült, deformálódott vagy kiegyenlítenélül forgó tárcsát nem szabad használni.

Fémek csiszolásakor szikra keletkezhet. Ügyeljen a közelben tartózkodó személyek testi épségére, illetve a gyúlékony anyagokat távolítsa el a munkaterületről. Ne használjon por szívót.

A készüléket mindig úgy kell tartani, hogy a keletkező szikra, illetve a por ne a munkavégzőre szálljon.

A készülék használata előtt vizsgálja meg, hogy a szorítóanya megfelelően meg van-e húzva.

Különösen erős, külső elektromágneses hatás alatt a fordulatszám átmeneti ingadozása léphet fel.

A csiszolótárcsát mindig a gyártó útmutatásainak megfelelően kell használni és tárolni.

A munkadarabot rögzíteni kell, amennyiben saját súlya nem tartja meg biztonságosan. A munkadarabot nem szabad kézzel vezetni a tárcsa irányába.

Gondoskodjanak róla, hogy a kőszőrűszerszám a kőszőrűanyag gyártójának utasítása szerint legyen felhelyezve. A kőszőrűszerszám méreteinek illeszkednie kell a kőszőrűgép méreteihez.

A pormentes munkavégzés érdekében a gép szellőzőnyílásait nem szabad lefedni. Szükség esetén válasszák le a gépet a hálózatról, és pormentesítsék. Ehhez használjanak nem fémből készült tárgyat, ügyelve, hogy ne sérüljenek meg a gép belső elemei.

## RENDELTESSZERŰ HASZNÁLAT

Az egyenes csiszoló a szármaróval megmunkált fémek, nervvas fémek, műanyagok, keményfa, stb finomcsiszolási munkáira alkalmas.

A készüléket kizárólag az alábbiakban leírtaknak megfelelően szabad használni.

## CE-AZONOSSÁGI NYILATKOZAT

Teljes felelősségünk tudatában kijelentjük, hogy jelen termék megfelel a következő szabványoknak vagy szabványosságú dokumentumoknak:

EN 60745-1:2009 + A11:2010

EN 60745-2-3:2011

EN 55014-1:2006 + A1:2009 + A2:2011

EN 55014-2:1997 + A1:2001 + A2:2008

EN 61000-3-2:2006 + A1:2009 + A2:2009

EN 61000-3-3:2008

irányelvek határozataival egyetértésben

2011/65/EU (RoHS)

2006/42/EK

2004/108/EK



Winnenden, 2012-09-09

Rainer Kumpf  
Director Product Development

Műszaki dokumentáció összeállításra felhatalmazva

## HÁLÓZATI CSATLAKOZTATÁS

A készüléket csak egyfázisú váltóáramra és a teljesítménytáblán megadott hálózati feszültségre csatlakoztassa. A csatlakoztatás védőérintkező nélküli dugaszolóaljzatokra is lehetséges, mivel a készülék felépítése II. védettségi osztályú.

## KARBANTARTÁS

A készülék szellőzőnyílásait mindig tisztán kell tartani.

Rövidzárlat veszélye miatt a szellőzőnyílásokba nem kerülhetnek fémdarabkák.

Javításhoz, karbantartáshoz kizárólag AEG alkatrészeket és tartozékokat szabad használni. A készülék azon részeinek cseréjét, amit a kezelési útmutató nem engedélyez, kizárólag a javításra feljogosított márkaszervíz végezheti. (Lásd a szervizlistát)

Szükség esetén a készülékek robbantott ábráját - a készülék típusa és tízjegyű azonosító száma alapján a területileg illetékes AEG márkaszerviztől vagy közvetlenül a gyártótól (AEG Electric Tools GmbH, Max-Eyth-Straße 10, D-71364 Winnenden, Germany) lehet kérni.

## SZIMBÓLUMOK



Kérjük alaposan olvassa el a tájékoztatót mielőtt a gépet használja.



Munkavégzés közben ajánlatos védőszemüveget viselni.



Karbantartás, javítás, tisztítás, stb. előtt előtt a készüléket áramtalanítani kell.



Az elektromos kéziszerszámokat ne dobja a háztartási szemétkébe! A használt villamos és elektronikai készülékekről szóló 2002/96/EK irányelv és annak a nemzeti jogba való átültetése szerint az elhasznált elektromos kéziszerszámokat külön kell gyűjteni, és környezetbarát módon újra kell hasznosítani.



II-es védelmi osztály, olyan elektromos szerszám, amelynél az elektromos áramütés elleni védelem nem csak az alapszigeteléstől függ, hanem amelyben kiegészítő védőintézkedéseket, mint pl. kettős szigetelés vagy megerősített szigetelés, alkalmaznak.

## TEHNIČNI PODATKI

	Premi brusilniki	GS 500 E	GSL 600 E
Nazivna sprejemna moč	500 W	600 W	600 W
Oddajna zmogljivost	275 W	650 W	650 W
Število vrtljajev v prostem teku	10000-29000 min <sup>-1</sup>	10000-29000 min <sup>-1</sup>	10000-29000 min <sup>-1</sup>
Maks. število vrtljajev v prostem teku pri nedelujoči omejitvi števila vrtljajev v prostem teku	38000	38000	38000
Vpenjalni vrat ø	43 mm	43 mm	43 mm
Vpenjalne klešče ø	6 mm	6 mm	6 mm
Brusilno telo ø maks.			
keramično ali z gumo vezano brusilno telo	20 mm	20 mm	20 mm
z umetno smolo vezano brusilno telo	40 mm	40 mm	40 mm
Teža po EPTA-proceduri 01/2003	1,3 kg	1,3 kg	1,9 kg

## Informacije o hrupnosti/vibracijah

Vrednosti merjenja ugotovljene ustrezno z EN 60 745.

Raven hrupnosti naprave ovrednotena z A, znaša tipično:

Nivo zvočnega tlaka (K = 3 dB(A)) ..... 79 dB(A) ..... 79 dB(A)

Višina zvočnega tlaka (K = 3 dB(A)) ..... 90 dB(A) ..... 90 dB(A)

## Nosite zaščito za sluh!

Skupna vibracijska vrednost (Vektorska vsota treh smeri) določena ustrezno EN 60745.

Razdvajanje in grobo brušenje: Vibracijska vrednost emisij a<sub>h</sub> ..... 14,5 min<sup>-1</sup> ..... 14,5 min<sup>-1</sup>

Nevarnost K = ..... 1,5 min<sup>-1</sup> ..... 1,5 min<sup>-1</sup>

## OPOZORILO

V teh navodilih navedena raven treslajev je bila izmerjena po EN60745 normiranem merilnem postopku in lahko služi medsebojni primerjavi električnih orodij. Prav tako je primeren za predhodno oceno obremenitve s treslaji.

Navedena raven treslajev navaja najpomembnejše vrste rabe električnega orodja. Kadar se električno orodje uporablja za drugačne namene, z odstopajočimi orodji ali pa z nezadostnim vzdrževanjem, lahko raven treslajev tudi odstopa. Le to lahko čez celoten delovni čas znatno zviša obremenitev s tresenjem.

Za natančno oceno obremenitve s treslaji naj bi se upošteval tudi čas v katerem je naprava izklopljena ali sicer teče, vendar dejansko ni v rabi. Le to lahko obremenitev s treslaji čez celoten delovni čas znatno zmanjša.

Za zaščito upravljalca pred učinkom treslajev uvedite dodatne zaščitne ukrepe npr.: Vzdrževanje električnega orodja in orodja, delo s toplimi rokami, organizacija delovnih potočkov.

**⚠ OPOZORILO! Preberite vsa varnostna opozorila in navodila, tudi tista v priloženi brošuri.** Napake zaradi neupoštevanja spodaj navedenih opozoril in napotil lahko povzročijo električni udar, požar in/ali težke telesne poškodbe. **Vsa opozorila in napotila shranite, ker jih boste v prihodnje še potrebovali.**

## SPECIALNI VARNOSTNI NAPOTKI

Skupna opozorila za brušenje:

**a) To električno orodje naj se uporablja kot brusilnik. Upoštevajte vsa opozorila, navodila, slikovne prikaze in podatke, ki ste jih prejeli skupaj z električnim orodjem.** Zaradi nespoštovanja spodaj navedenih navodil lahko pride do električnega udara, požara in/ali težkih telesnih poškodb.

**b) To električno orodje ni primerno za žično krtačenje, razanje, brušenje s smirkovim papirjem in poliranje.** Uporaba za katero stroj ni predviden, lahko povzroči nevarnosti in poškodbe.

**c) Ne uporabljajte pribora, ki ga proizvajalec za to orodje ni specialno predvidel in katerega uporabe ne priporoča.** Zgolj dejstvo, da lahko nek pribor pritrđite na Vaše električno orodje, še ne zagotavlja varne uporabe.

**d) Dovoljeno število vrtljajev vsadnega orodja mora biti najmanj tako visoko kot maksimalno število vrtljajev, ki je navedeno na električnem orodju.** Pribor, ki se vrči hitreje kot je dovoljeno, se lahko zlomi in leti naokrog.

**e) Zunanji premer in debelina vsadnega orodja morata ustrezati meram Vašega električnega orodja.** Napačno dimenzionirani vsadni orodji ne boste mogli dovolj dobro zavarovati ali nadzorovati.

**f) Brusilni koluti, priborice, brusilni krožniki in drug pribor se morajo natančno prilagati na brusilno vreteno Vašega električnega orodja.** Vsadna orodja, ki se natančno ne prilagajo brusilnemu vretenu električnega orodja, se vrčijo neenakomerno, zelo močno vibrirajo in lahko povzročijo izgubo nadzora nad napravo.

**g) Ne uporabljajte poškodovanih vsadnih orodij. Pred vsako uporabo preglejte brusilne kolote, če se ne luščijo oziroma če nimajo razpok, brusilne krožnike, če nimajo razpok oziroma če niso močno obrabljeni ali izrabljeni, žične ščetke pa, če nimajo zrahljanih ali odlomljenih žic. Če pade električno orodje ali vsadno orodje na tla, pogledajte, če ni poškodovano in uporabljajte samo nepoškodovana vsadna orodja. Po kontroli in vstavljanju vsadnega orodja se ne zadržujte v ravnini vrtečega se vsadnega orodja, kar velja tudi za druge osebe v bližini. Električno orodje naj eno minuto deluje z najvišjim številom vrtljajev. Poškodovana vsadna orodja se največkrat zlomijo med tem preizkusnim časom.**

**h) Uporabljajte osebno zaščitno opremo. Odvisno od vrste uporabe si nataknite zaščitno masko čez cel obraz, zaščito za oči ali zaščitna očala. Če je potrebno, nosite zaščitno masko proti prahu, zaščitne slušnice, zaščitne rokavice ali specialni predpasnik, ki Vas bo zavaroval pred manjšimi delci materiala, ki nastajajo pri brušenju. Oči je treba zavarovati pred tujki, ki nastajajo pri različnih vrstah uporabe naprave in letijo naokrog. Zaščitna maska proti prahu ali dihalna maska morata filtrirati prah, ki nastaja pri uporabi. Predolgo izpostavljanje glasnemu hrupu ima lahko za posledico izgubo sluha.**

**i) Pazite, da bodo druge osebe varno oddaljene od Vašega delovnega območja. Vsak, ki stopi na delovno območje, mora nositi osebno zaščitno opremo.** Odlomljeni delci obdelovanca ali zlomljena vsadna orodja lahko odletijo stran in povzročijo telesne poškodbe, tudi izven neposrednega delovnega območja.

**j) Če izvajate dela, pri katerih bi lahko vstavno orodje zadelo ob skrite električne vodnike ali ob lastni omrežni kabel, držite električno orodje samo za izolirane ročaje. Stik z vodnikom, ki je pod napetostjo, prenese napetost tudi na kovinske dele električnega orodja in povzroči električni udar.**

**k) Omrežnega kabla ne približujte vrtečemu se vsadnemu orodju. Če izgubite nadzor nad električnim orodjem, lahko**

orodje prereže ali zagradi kabel, Vaša roka pa zaide v vrteče se vsadno orodje.

**l) Ne odlagajte električnega orodja, dokler se vsadno orodje popolnoma ne ustavi.** Vrteče se vsadno orodje lahko pride v stik z odlagalno površino, zaradi česar lahko izgubite nadzor nad električnim orodjem.

**m) Električno orodje naj medtem, ko ga prenašate naokrog, ne deluje.** Vrteče se vsadno orodje lahko zaradi naključnega kontakta zagradi Vaše oblačilo in se zavrti v Vaše telo.

**n) Prezračevalne reže Vašega električnega orodja morate redno čistiti.** Ventilator motorja povleče v ohišje prah in velika količina nabranega prahu je lahko vzrok za električno nevarnost.

**o) Ne uporabljajte električnega orodja v bližini gorljivih materialov.** Ti materiali se lahko zaradi iskenja vnamejo.

**p) Ne uporabljajte vsadnih orodij, ki za hlajenje potrebujejo tekočino.** Uporaba vode ali drugih tekočin lahko povzroči električni udar.

#### Povratni udarec in ustrezna opozorila

Povratni udarec je nenadna reakcija, ki nastane zaradi zagozdenja ali blokiranja vrtečega se vsadnega orodja, na primer brusilnega koluta, brusilnega krožnika, žične ščetke in podobnega. Zagozdenje ali blokiranje ima za posledico takojšnje ustavitve vrtečega se vsadnega orodja. Nekonrolirano električno orodje se zaradi tega pospešeno premakne v smer, ki je nasprotna smeri vrtenja vsadnega orodja.

Če se na primer brusilni kolot zatakne ali zablokira v obdelovancu, se lahko rob brusilnega koluta, ki je potopljen v obdelovanec, zaplete vanj in brusilni kolot se odloži ali povzroči povratni udarec. Brusilni kolot se nato premakne proti uporabniku ali proč od njega, odvisno od smeri vrtenja brusilnega koluta na mestu blokiranja. Blokirani koloti se lahko pri tem tudi zlomijo.

Povratni udarec je posledica napačne ali pomanjkljive uporabe električnega orodja. Preprečite ga lahko z ustreznimi previdnostnimi ukrepi. Navedeni so v nadaljevanju besedila.

**a) Dobro držite električno orodje in premaknite telo in roke v položaj, v katerem boste lahko prestregli moč povratnega udarca. Če je na voljo dodatni ročaj, ga obvezno uporabljajte in tako zagotovite najboljše možno nadziranje moči povratnih udarcev ali reakcijskih momentov pri zagonu naprave.** Z ustreznimi previdnostnimi ukrepi lahko uporabnik obvlada moč povratnih udarcev in reakcijskih momentov.

**b) Nikoli z roko ne segajte v bližino vrtečih se vsadnih orodij.** V primeru povratnega udarca se lahko orodje premakne čez Vašo roko.

**c) Ne približujte telesa področju, v katerega se lahko v primeru povratnega udarca premakne električno orodje.** Povratni udarec potisne električno orodje v smer, ki je nasprotna smeri premikanja brusilnega koluta na mestu blokiranja.

**d) Posebno previdno delajte v kotih, na ostrih robovih in podobnih površinah. Preprečite, da bi vsadna orodja odskočila od obdelovanca in se zagozdila.** Vrteče se vsadno orodje se v kotih, na ostrih robovih ali če odskoči, zlahka zagozdi. To povzroči izgubo nadzora ali povratni udarec.

**e) Ne uporabljajte verižnih ali nazobčanih žaginih listov.** Ta vsadna orodja pogosto povzročijo povratni udarec ali izgubo nadzora nad električnim orodjem.

#### Posebna opozorila za brušenje

**a) Uporabljajte samo brusila, ki so atestirana za Vaše električno orodje in zaščitni pokrov, predviden za ta brusila.** Brusil, ki niso predvidena za Vaše električno orodje, ne boste mogli dobro zavarovati in so zato nevarna.

**b) Brusila lahko uporabljate samo za vrste uporabe, ki jih priporoča proizvajalec.**

**c) Za izbrani brusilni kolot vedno uporabljajte nepoškodovane vpenjalne prirobnice pravilne velikosti in oblike.** Ustrezne prirobnice podpirajo brusilni kolot in tako zmanjšujejo nevarnost, da bi se kolot zlomil. Prirobnice za rezalne plošče se lahko razlikujejo od prirobnic za druge brusilne kolote.

**d) Ne uporabljajte obrabljenih brusilnih kolotov večjih električnih orodij.** Brusilni koloti za večja električna orodja niso konstruirana za višje število vrtljajev, s katerimi delujejo manjša električna orodja in se lahko zato zlomijo.

Vtičnice v zunanem področju morajo biti opremljene z zaščitnimi stikalni za okvami tok. To zahteva instalacijski predpis za vašo električno napravo. Prosimo, da to pri uporabi naše naprave upoštevate.

Pri delu s strojem vedno nosite zaščitna očala. Priporočamo zaščitne rokavice, trdno obuvalo, varno proti drsenju ter predpasnik.

Pred vsemi deli na stroju izvlcite vtičak iz vtičnice.

Stroj priključite na vtičnico samo v izklopljenem stanju.

Vedno pazite, da se priključni kabel ne približa področju delovanja stroja. Kabel vedno vodite za strojem.

Vreteno orodja teče dalje, ko se naprava izklopi. Stroj odložite šele, ko preneha teči.

Ne segajte na področje nevarnosti tekočega stroja.

Uporabljajte samo delovna orodja, katerih dopustno število vrtljajev je najmanj tako visoko kot najvišje število vrtljajev v prostem teku naprave.

Brusilna orodja preverite pred uporabo. Brusilno orodje mora biti montirano neoporečno in mora se prosto vrteti. Najmanj 30 sekund dolgo izvajajte preizkusni tek brez obremenitve. Ne uporabljajte poškodovanih, neokroglih ali vibrirajočih brusilnih orodij.

Pri brušenju kovin nastaja iskrenje. Pazite na to, da ne ogrožate nobenih oseb. Zaradi nevarnosti požara se v bližini (na področju iskenja) ne smejo nahajati nobeni gorljivi materiali. Ne uporabljajte odsesavanja prahu.

Aparat vedno držite tako, da iskre ali brusilni prah letijo vstran od telesa.

Napenjalna matica mora biti pred zagonom stroja zategnjena.

Pod vplivom ekstremnih elektromagnetnih motenj od zunaj lahko v posameznem primeru pride do začasnih nihanj števila vrtljajev.

Brusilne plošče vedno uporabljajte in shranjujte v skladu z navedbami proizvajalca.

Kos, ki ga želite obdelovati, mora biti trdno vpet, če ne drži že zaradi lastne teže. Nikoli obdelovalnega kosa ne vodite z roko proti plošči.

Prepričajte se, da je orodje za brušenje nameščeno ustrezno navodilom proizvajalca brusnega sredstva.

Izmere orodja za brušenje morajo pristajati brusu.

Pri prašnih delih morajo reže za zračenje naprave biti proste. Po potrebi napravo izklopimo iz omrežja in prah odstranimo. Za čiščenje uporabite nekovinske dele in ne poškodujte nobenih delov v notranjosti.

#### UPORABA V SKLADU Z NAMEMBNOSTJO

Ravni brusilnik je primeren za brušenje lesa, umetne mase in kovine, še posebej na težko dostopnih mestih.

Ta naprava se sme uporabiti samo v skladu z namembnostjo uporabiti samo za navede namene.

#### CE-IZJAVA O KONFORMNOSTI

Z lastno odgovornostjo izjavljamo, da je ta produkt skladen z naslednjimi normami ali normativnimi dokumenti.  
EN 60745-1:2009 + A11:2010  
EN 60745-2-3:2011  
EN 55014-1:2006 + A1:2009 + A2:2011  
EN 55014-2:1997 + A1:2001 + A2:2008  
EN 61000-3-2:2006 + A1:2009 + A2:2009  
EN 61000-3-3:2008  
v skladu z določili smernic  
2011/65/EU (RoHS)  
2006/42/ES  
2004/108/ES



Winnenden, 2012-09-09

Rainer Kumpf  
Director Product Development

Pooblaščen za izdelavo spisov tehnične dokumentacije.

#### OMREŽNI PRIKLJUČEK

Priključite samo na enofazni izmenični tok in samo na omrežno napetost, ki je označena na tipski ploščici. Priključitev je možna tudi na vtičnice brez zaščitnega kontakta, ker obstaja nadgradnja zaščitnega razreda.

#### VZDRŽEVANJE

Pazite na to, da so prezračevalne reže stroja vedno čiste. Zaradi nevarnosti kratkega stika kovinski deli ne smejo zaiti v špranje za prezračevanje.

Uporabljajte samo AEG pribor in nadomestne dele. Poskrbite, da sestavne dele, katerih zamenjava ni opisana, zamenjajo v AEG servisni službi (upoštevajte brošuro Garancija/Naslovi servisnih služb).

Po potrebi se lahko pri vaši servisni službi ali direktno pri AEG Electric Tools GmbH naroči eksplozijska risba naprave ob navedbi tipa stroja in desetmestne številke s tipske ploščice AEG Electric Tools GmbH, Max-Eyth-Straße 10, D-71364 Winnenden, Germany

#### SIMBOLI



Prosimo, da pred uporabo pozorno preberete to navodilo za uporabo.



Pri delu s strojem vedno nosite zaščitna očala.



Pred vsemi deli na stroju izvlcite vtičak iz vtičnice.



Elektricnega orodja ne odstranjujte s hišnimi odpadki! V skladu z Evropsko direktivo 2002/96/EC o odpadni električni in elektronski opremi in z njenim izvajanjem v nacionalni zakonodaji je treba električna orodja ob koncu njihove življenjske dobe loceno zbirati in jih predati v postopek okolju prijaznega recikliranja.



Zaščitni razred II: električno orodje, pri katerem zaščita proti električnemu udarcu ni odvisna le od osnovne izolacije, temveč z uporabo dodatnih zaščitnih ukrepov, kot je dvojna ali ojačana izolacija.

TEHNIČKI PODACI	Brusač	GS 500 E	GSL 600 E
Snaga nominalnog prijema.....	500 W	600 W	600 W
Predajni učinak.....	275 W	650 W	650 W
Broj okretaja praznog hoda.....	10000-29000 min <sup>-1</sup>	10000-29000 min <sup>-1</sup>	10000-29000 min <sup>-1</sup>
Max. broj okretaja u praznom hodu kod nedjeljujućeg ograničenja broja okretaja praznog hoda.....	38000	38000	38000
Stežno grlo-Ø.....	43 mm	43 mm	43 mm
Stezna klijesta-Ø.....	6 mm	6 mm	6 mm
Brusno tijelo-Ø max.			
keramički ili gumeno povezano brusno tijelo.....	20 mm	20 mm	20 mm
umjetnom smolom povezano brusno tijelo.....	40 mm	40 mm	40 mm
Težina po EPTA-proceduri 01/2003.....	1,3 kg	1,3 kg	1,9 kg

#### Informacije o buci/vibracijama

Mjerne vrijednosti utvrđene odgovarajuće EN 60 745.

A-ocijenjeni nivo buke aparata iznosi tipično:

nivo pritiska zvuka (K=3 dB(A)).....	79 dB(A)	79 dB(A)
nivo učinka zvuka (K=3 dB(A)).....	90 dB(A)	90 dB(A)

#### Nositi zaštitu sluha!

Ukupne vrijednosti vibracije (Vektor suma tri smjera) su odmjerene odgovarajuće EN 60745

Odvajačko i grubo brušenje: Vrijednost emisije vibracija a <sub>v</sub> .....	14,5 min <sup>-1</sup>	14,5 min <sup>-1</sup>
Nesigurnost K =.....	1,5 min <sup>-1</sup>	1,5 min <sup>-1</sup>

#### UPOZORENJE

Ova u ovim uputama navedena razina titranja je bila izmjerena odgovarajuće jednom u EN 60745 normiranom mjernom postupku i može se upotrijebiti za usporedbu električnog alata međusobno. Ona je prikladna i za privremenu procjenu titrajnog opterećenja.

Navedena razina titranja reprezentira glavne primjene električnog alata. Ukoliko se električni alat upotrebljava u druge svrhe sa odstupajenjem primijenjenim alatima ili nedovoljnim održavanjem, onda razina titranja može odstupati. To može titrajno opterećenje kroz cijeli period rada bitno povisiti.

Za točnu procjenu titrajnog opterećenja se moraju uzeti u obzir i vremena u kojima je uređaj isključen ili u kojima doduše radi, ali nije i stvarno u upotrebi. To može titrajno opterećenje bitno smanjiti za vrijeme cijelog radnog perioda.

Utvrđite dodatne sigurnosne mjere za zaštitu poslužioaca protiv djelovanja titranja kao npr.: Održavanje električnih alata i upotrebljenih alata, održavanje topline ruku, organizacija i radne postupke.

**⚠ UPOZORENJE! Pročitajte sigurnosne upute i uputnice, isto i one iz priložene brošure.** Ako se ne bi poštivala napomena o sigurnosti i upute to bi moglo uzrokovati strujni udar, požar i/ili teške ozljede. **Sačuvajte sve napomene o sigurnosti i upute za buduću primjenu.**

#### SPECIJALNE SIGURNOSNE UPUTE

Zajedničke upute s upozorenjima za brušenje:

**a) Ovaj električni alat se upotrebljava kao brusač. Pridržavajte se svih naputaka s upozorenjem, uputa, prikaza i podataka koje ste dobili s električnim alatom.** Ako se ne bi pridržavali slijedećih uputa, moglo bi doći do električnog udara, požara i/ili teških ozljeda.

**b) Ovaj električni alat nije prikladan za žičano četkanje, rastavno brušenje, brušenje pješčanom papirom i poliranje.** Primjene, za koje električni alat nije predviđen, mogu prouzročiti ugrožavanja i povrede.

**c) Ne koristite pribor koji proizvođač nije posebno predvidio i preporučio za ovaj električni alat.** Sama činjenica da se pribor može pričvrstiti na vaš električni alat, ne jamči sigurnu primjenu.

**d) Dopušteni broj okretaja električnog alata mora biti barem toliko visok kao maksimalni broj okretaja naveden na električnom alatu.** Pribor koji se vrti brže nego što je do dopušteno, mogao bi se polomiti i razletjeti.

**e) Vanjski promjer i debljina radnog alata moraju odgovarati dimenzijama višeg električnog alata.** Pogrešno dimenzionirani električni alati ne mogu se dovoljno zaštititi ili kontrolirati.

**f) Brusne ploče, prirubnice, brusni tanjuri ili ostali pribor moraju biti točno prilagođeni brusnom vretenu vašeg električnog alata.** Radni alati koji ne odgovaraju točno brusnom vretenu električnog alata, okreću se nejednolično, vrlo jako vibriraju i mogu dovesti do gubitka kontrole nad električnim alatom.

**g) Ne koristite oštećene radne alate. Prije svake primjene kontrolirajte radne alate, kao što su brusne ploče na odlamanje komadića i pukotine, brusne tanjure na pukotine, trošenje ili veću istrošenost, čelične četke na oslobodene ili odlomljene žice. Ako bi električni alat ili radni alat pao, provjerite da li je oštećen ili koristite neoštećeni radni alat. Kada koristite ili kontrolirate radni alat, osobe koje se nalaze blizu držite izvan ravnine rotirajućeg radnog alata i ostavite električni alat da se jednu minutu vrti sa maksimalnim brojem okretaja.** Oštećeni radni alati najčešće se lome u vrijeme ovakvih ispitivanja.

**h) Nosite osobnu zaštitnu opremu. Ovisno od primjene koristite masku za zaštitu lica i zaštitne naočale. Ukoliko je to potrebno, nosite masku za zaštitu od prašine, štitičke za sluh, zaštitne rukavice ili specijalne pregače, koje će vas zaštititi od sitnih čestica od brušenja i materijala.** Oči treba zaštititi od letećih stranih tijela koja nastaju kod različitih primjena. Zaštitne maske protiv prašine ili za disanje moraju profiltrirati prašinu nastalu kod primjene. Ako ste dulje vrijeme izloženi buci, mogao bi vam se pogoršati sluh.

**i) Ako radite sa drugim osobama, pazite na siguran razmak od njihovog radnog područja. Svatko tko stupi u radno područje mora nositi osobnu zaštitnu opremu.** Odlomljeni komadići izratka ili odlomljeni radni alati mogu odletjeti i uzrokovati ozljede i izvan neposrednog radnog područja.

**j) Ako izvodite radove kod kojih bi radni alat mogao zahvatiti skrivene električne vodove ili vlastiti priključni kabel, električni alat držite samo za izolirane ručke.** Kontakt sa električnim vodom pod naponom, stavlja pod napon i metalne dijelove električnog alata i dovodi do električnog udara.

**k) Priključni kabel držite dalje od rotirajućeg radnog alata.** Ako bi izgubili kontrolu nad električnim alatom, mogao bi se odrezati ili zahvatiti priključni kabel, a mogao bi zahvatiti i vaše ruke i šake.

**l) Električni alat nikada ne odlažite prije nego što se radni alat potpuno zaustavi.** Rotirajući radni alat mogao bi dodirnuti

površinu odlaganja, zbog čega bi mogli izgubiti kontrolu nad električnim alatom.

**m) Ne dopustite da električni alat radi dok ga nosite.** Rotirajući radni alat bi slučajnim kontaktom mogao zahvatiti vašu odjeću, a radni alat bi vas mogao ozlijediti.

**n) Redovito čistite otvore za hlađenje vašeg električnog alata.** Ventilator motora uvlači prašinu u kućište električnog alata, a veliko nakupljanje metalne prašine može uzrokovati električne opasnosti.

**o) Električni alat ne koristite blizu zapaljivih materijala.** Iskre bi mogle zapaliti ove materijale.

**p) Ne koristite radne alate koji zahtijevaju tekuća rashladna sredstva.** Primjena vode ili ostalih tekućih rashladnih sredstava može dovesti do električnog udara.

#### Povratni udar i odgovarajuće upute upozorenja

Povratni udar je iznenadna reakcija zbog radnog alata koji se je zaglavio ili blokirao, kao što su brusilice, brusni tanjuri, čelične četke itd. Zaglavljivanje ili blokiranje dovodi do naglog zaustavljanja rotirajućeg radnog alata. Zbog toga će se nekontrolirani električni alat ubrzati u smjeru suprotnom od smjera rotacije radnog alata na mjestu blokiranja.

Ako bi se npr. brusna ploča zaglavila ili blokirala u izratku, tada rub brusne ploče koja je zarezala u izradak može odlomiti brusnu ploču ili uzrokovati povratni udar. Brusna ploča se kod toga pomiče prema osobi koja rukuje električnim alatom ili od nje, ovisno od smjera rotacije brusne ploče na mjestu blokiranja. Kod toga se brusne ploče mogu i odlomiti.

Povratni udar je posljedica pogrešne ili neispravne uporabe električnog alata. On se može spriječiti prikladnim mjerama opreza, kao što su dolje opisane.

**a) Električni alat držite čvrsto i vaše tijelo i ruke dovedite u položaj u kojem možete preuzeti silu povratnog udara. Ukoliko postoji koristite uvijek dodatnu ručku, kako bi imali najveću moguću kontrolu nad silama povratnog udara ili momentima reakcije kod rada električnog alata.** Osoba koja rukuje električnim alatom može prikladnim mjerama opreza ovladati povratnim udarom ili silama reakcije.

**b) Vaše ruke nikada ne stavljajte blizu rotirajućeg radnog alata.** Radni alat se kod povratnog udara može pomaknuti preko vaših ruku.

**c) Vašim tijelom izbjegavajte područja u kojim se električni alat pomiče kod povratnog udara.** Povratni udar potiskuje električni alat u smjeru suprotnom od pomicanja brusne ploče na mjestu blokiranja.

**d) Posebno opreznim radom u području uglova, oštih rubova, itd. spriječit ćete da se radni alat odbaci od izratka i da se u njemu uklješti.** Rotirajući radni alat kada se odbije na uglovima ili oštirim rubovima, sklon je uklještenju. To uzrokuje gubitak kontrole nad radnim alatom ili povratni udar.

**e) Ne koristite lančane ili nazubljene listove pile.** Takvi radni alati često uzrokuju povratni udar ili gubitak kontrole nad električnim alatom.

#### Posebne upute upozorenja za brušenje

**a) Koristite isključivo brusna tijela odobrena za električni alat i štitičnik predviđen za ova brusna tijela.** Brusna tijela koja nisu predviđena za ovaj električni alat ne mogu se dovoljno zaštititi i nesigurna su.

**b) Brusna tijela se smiju koristiti samo za preporučene mogućnosti primjene.**

**c) Za brusne ploče koje ste odabrali koristite uvijek neoštećene stezne prirubnice odgovarajuće veličine i oblika.** Prikladne prirubnice služe za stezanje brusnih ploča i tako smanjuju opasnost od loma brusnih ploča. Prirubnice za brusne ploče za rezanje mogu se razlikovati od prirubnica za ostale brusne ploče.

**d) Ne koristite istrošene brusne ploče velikih električnih alata.** Brusne ploče za velike električne alate nisu predviđene za veće brojeve okretaja manjih električnih alata i mogu puknuti.

Utičnice na vanjskom području moraju biti opremljene zaštitnim prekidačima za pogrešnu struju. To zahtjeva instalacijski propis za električne uređaje. Molimo da ovo poštuju prilikom upotrebe našeg aparata.

Kod radova sa strojem uvijek nositi zaštitne naočale. Zaštitne rukavice, čvrste i protiv klizanja sigurne cipele kao i pregača se preporučuju.

Prije radova na stroju izvući utikač iz utičnice.

Samo isključeni stroj priključiti na utičnicu.

Priključni kabel uvijek držati udaljenim sa područja djelovanja. Kabel uvijek voditi od stroja prema nazad.

Alatno vreteno radi naknadno, nakon što je aparat bio ugašen. Mašinu položiti tek nakon mirovanja.

Ne sezati u područje opasnosti radećeg stroja.

Primijeniti samo one radne alate, čiji je dozvoljeni broj okretaja najmanje tako visok kao i najveći broj okretaja praznog hoda aparata.

Alate za brušenje prije upotrebe provjeriti. Alat za brušenje mora biti bespriječno montiran i treba se slobodno okretati. Izvesti probni rad od najmanje 30 sekundi bez opterećenja. Oštećene, neokrugle ili vibrirajuće alate za brušenje ne upotrijebiti.

Kod brušenja metala dolazi do iskrenja. Obratiti pažnju, da se ne ugrožavaju osobe. Zbog opasnosti od požara u blizini se ne smiju nalaziti gorivi materijali (područje leta iskri). Ne primijeniti usisavanje prašine.

Aparat uvijek držati tako, da iskre i prašina od brušenja lete u suprotnom smjeru od tijela.

Stezna matica mora prije puštanja stroja u rad biti zategnuta.

Pod djelovanjem ekstremnih elektromagnetskih smetnji izvana, mogu u pojedinim slučajevima nastati privremene oscilacije broja okretaja.

Brusne ploče upotrijebiti i čuvati uvijek po podacima proizvođača.

Radni predmet koji se obrađuje mora biti čvrsto stegnut, ako se ne drži svojom osobnom težinom. Radni predmet ne nikada voditi rukom prema ploči.

Uvjertiti se, da je alat za brušenje postavljen prema uputama proizvođača alata za brušenje.

Mjere brusnog alata moraju biti prikladni brusaču

Kod prašnjavi moraju otvori za prozračivanje stroja biti slobodni. Ukoliko je potrebno, stroj odvojiti od struje i prašinu odstraniti. Za to upotrijebiti nemetalne objekte i ne oštetiti unutrašnje dijelove.

#### PROPIŠNA UPOTREBA

Brusač ravnina je prikladan za brušenje drva, umjetnih materijala i metala, naročito na teško pristupačnim mjestima.

Ovaj aparat se smije upotrijebiti samo u određene svrhe kao što je navedeno.

## CE-IZJAVA KONFORMNOSTI

Izjavljujemo na osobnu odgovornost, da se ovaj proizvod slaže sa slijedećim normama ili normativnim dokumentima.  
EN 60745-1:2009 + A11:2010  
EN 60745-2-3:2011  
EN 55014-1:2006 + A1:2009 + A2:2011  
EN 55014-2:1997 + A1:2001 + A2:2008  
EN 61000-3-2:2006 + A1:2009 + A2:2008  
EN 61000-3-3:2008  
po odredbama smjernica  
2011/65/EU (RoHS)  
2006/42/EC  
2004/108/EC



Winnenden, 2012-09-09

Rainer Kumpf  
Director Product Development

Ovlašten za formiranje tehničke dokumentacije.

## PRIKLJUČAK NA MREŽU

Priključiti samo na jednofaznu naizmjeničnu struju i samo na napon struje, naveden na pločici snage. Priključak je moguć i na utičnice bez zaštitnog kontakta, jer postoji dogradnja zaštitne klase II.

## ODRŽAVANJE

Proreze za prozračivanje stroja uvijek držati čistima.  
Zbog opasnosti od kratkog spoja metalni dijelovi ne smiju dospijeti u otvore za prozračivanje.

Primijeniti samo AEG opremu i rezervne dijelove. Sastavne dijelove, čija zamjena nije opisana, dati zamijeniti kod jedne od AEG servisnih službi (poštivati brošuru Garancija/Adrese servisa).

Po potrebi se može zatražiti crtež eksplozije aparata uz davanje podataka o tipu stroja i desetoznamenastog broja na pločici snage kod Vaše servisne službe ili direktno kod AEG Electric Tools GmbH, Max-Eyth-Straße 10, D-71364 Winnenden, Germany

## SIMBOLI



Molimo da pažljivo pročitate uputu o upotrebi prije puštanja u rad.



Kod radova na stroju uvijek nositi zaštitne naočale.



Prije svih radova na stroju utikač izvući iz utičnice.



Elektricne alate ne odlažite u kucne otpatke!  
Prema Europskoj direktivi 2002/96/EC o starim elektricnim i elektronicnim strojevima i preuzimanju u nacionalno pravo moraju se istrošeni elektricni alati sakupljati odvojeno i odvesti u pogon za reciklažu.



Zaštitna klasa II, električni alat, kod koga zaštitna protiv električnog udara ne zavisi samo o osnovnoj izolaciji, već se kod njega primjenjuju dodatne zaštitne mjere, kao dvostruka izolacija ili pojačana izolacija.

## TEHNIŠKIE DATI

	Slipētājs	GS 500 E	GSL 600 E
Nominālā atdotā jauda.....	500 W	600 W	600 W
cietkoks.....	275 W	650 W	650 W
Apgriezieni tukšgaitā.....	10000-29000 min <sup>-1</sup>	10000-29000 min <sup>-1</sup>	10000-29000 min <sup>-1</sup>
maks. tukšgaitas apgriezienu skaits pie neiedarbiņa tukšgaitas apgriezienu skaita ierobežojuma.....	38000	38000	38000
Kakla diametrs.....	43 mm	43 mm	43 mm
Spīju diametrs.....	6 mm	6 mm	6 mm
maks. slīpķermeņa diametrs			
slīpķermenis ar keramikas vai gumijas saistījumu.....	20 mm	20 mm	20 mm
slīpķermenis ar mākslīgo sveķu saistījumu.....	40 mm	40 mm	40 mm
Svars atbilstoši EPTA -Procedure 01/2003.....	1,3 kg	1,3 kg	1,9 kg

## Trokšņu un vibrāciju informācija

Vērtības, kas noteiktas saskaņā ar EN 60 745.

A novērtētās aparatūras skaņas līmenis ir:

trokšņa spiediena līmenis (K = 3 dB(A)).....	79 dB(A)	79 dB(A)	79 dB(A)
trokšņa jaudas līmenis (K = 3 dB(A)).....	90 dB(A)	90 dB(A)	90 dB(A)

## Nēsāt trokšņa slāpētāju!

Svārstību kopējā vērtība (Trīs virzienu vektoru summa) tiek noteikta atbilstoši EN 60745.

Slīpmašīna: svārstību emisiju vērtība a <sub>h</sub> .....	14,5 min <sup>-1</sup>	14,5 min <sup>-1</sup>	14,5 min <sup>-1</sup>
Nedrošība K =.....	1,5 min <sup>-1</sup>	1,5 min <sup>-1</sup>	1,5 min <sup>-1</sup>

## UZMANĪBU

Instrukcijā norādītā svārstību robežvērtība ir izmērīta mērījumu procesā, kas veikts atbilstoši standartam EN 60745, un to var izmantot elektroinstrumentu savstarpējai salīdzināšanai. Tā ir piemērota arī svārstību noslogojuma pagaidu izvērtēšanai.

Norādītā svārstību robežvērtība ir reprezentatīva elektroinstrumenta pamata pielietojuma jomām. Tomēr, ja elektroinstrumenti tiek pielietoti citās jomās, papildus izmantojot neatbilstošus elektroinstrumentus vai pēc nepietiekamas tehniskās apkopes, tad svārstību robežvērtība var atšķirties. Tas var ievērojami palielināt svārstību noslogojumu visa darba laikā.

Precīzai svārstību noslogojuma noteikšanai, ir jāņem vērā arī laiks, kad ierīces ir izslēgta vai arī ir ieslēgta, tomēr faktiski netiek lietota. Tas var ievērojami samazināt svārstību noslogojumu visa darba laikā.

Integrējiet papildus drošības pasākumus pret svārstību ietekmi lietotājam, piemēram: elektroinstrumentu un darba instrumentu tehniskā apkope, roku siltuma uzturēšana, darba procesu organizācija.

**⚠ UZMANĪBU!** Izlasiet visu drošības instrukciju un lietošanas pamācību kārt pievienotajā bukletā. Šeit sniegto drošības noteikumu un norādījumu neievērošana var izraisīt aizdegšanos un būt par cēloni elektriskajam triecienam vai nopietnam savainojumam.  
**Pēc izlasīšanas uzglabājiet šos noteikumus turpmākai izmantošanai.**

## SPECIĀLIE DROŠĪBAS NOTEIKUMI

Kopējie drošības noteikumi slīpēšanai:

- Šis elektroinstrumenti ir paredzēti lietošanai kā slīpmašīna. Nemiet vērā visas elektroinstrumentam pievienotās instrukcijas, norādījumus, attēlus un citu informāciju. Turpmāk sniegto norādījumu neievērošana var kļūt par cēloni elektriskajam triecienam, ugunsgrēkam un/vai smagam savainojumam.
- Ar šo elektroinstrumentu nav ieteicams veikt darbus ar drāžu birsti, griezt, slīpēt ar smilšpapīru un pulēt. Šīs ierīces izmantošana mērķiem, kuriem tā nav paredzēta, var to sabojāt.
- Neizmantojiet piederumus, kurus ražotājs nav paredzējis šim elektroinstrumentam un ieteikusi lietošanai kopā ar to. Iespēja nostiprināt piederumu uz elektroinstrumenta vēl negarantē tā drošu lietošanu.
- Iestiprināmā darbinstrumenta pielaujamajam griešanās ātrumam jābūt ne mazākam par elektroinstrumenta lielāko norādīto griešanās ātrumu. Piederums, kas griežas ātrāk, nekā pielaujams, var salūzt un tikt mests prom.
- Darbinstrumentu ārējam diametram un biežumam jāatbilst elektroinstrumenta konstrukcijai un izmēriem. Ja darbinstrumenta izmēri ir izvēlēti nepareizi, tas pilnībā nenovietojas zem aizsarga un darba laikā apgrūtina instrumenta vadību.
- Slīpēšanas diskam, balstaplāksnei, slīpēšanas pamatnei vai citiem piederumiem precīzi jānovietojas uz elektroinstrumenta darbvārpstas. Nomaināmie

darbinstrumenti, kas precīzi neatbilst elektroinstrumenta darbvārpstas konstrukcijai, nevienmērīgi griežas, ļoti spēcīgi vibrē un var būt par cēloni kontroles zaudēšanai pār instrumentu.

g) Neizmantojiet bojātus darbinstrumentus. Ik reizi pirms darbinstrumentu lietošanas pārbaudiet, vai tie nav bojāti, piemēram, vai slīpēšanas diski nav atslāņojušies vai iekļāvušies, vai slīpēšanas pamatnē nav vērojamas plaisas un vai stiepli sūku veidojošās stieples nav vaļīgas vai atlūzušas. Ja elektroinstrumenti vai darbinstrumenti ir kritis no zināma augstuma, pārbaudiet, vai tas nav bojāts, vai arī izmantojiet darbam neapbruģot darbinstrumentu. Pēc darbinstrumenta apskates un iestiprināšanas ļaujiet elektroinstrumentam darboties ar maksimālo griešanās ātrumu vienu minūti ilgi, turot rotējošo darbinstrumentu drošā attālumā no sevis un citām tuvumā esošajām personām. Bojātie darbinstrumenti šādas pārbaudes laikā parasti salūst.

h) Lietojiet individuālos darba aizsardzības līdzekļus. Atkarībā no veicamā darba rakstura izvēlieties pilnu sejas aizsargu, noslēdzošās aizsargbrilles vai parastās aizsargbrilles. Lai aizsargātos no lidojošajām slīpēšanas darbinstrumenta un apstrādājamā materiāla daļiņām, pēc vajadzības lietojiet putekļu aizsargmasku, ausu aizsargus un aizsargcimdus vai arī īpašu priekšautu. Lietotāja acis jāpasargā no lidojošajiem svešķermeņiem, kas dažkārt rodas darba gaitā. Putekļu aizsargmaskai vai respiratoram jāpasargā lietotāja elpošanas ceļi no putekļiem, kas veidojas darba laikā. Ilgstoši atrodoties stipra trokšņa iespaidā, var rasties paliekoši dzirdes traucējumi.

i) Sekojiet, lai citas personas atrastos drošā attālumā no darba vietas. Ikvienam, kas atrodas darba vietas tuvumā, jālieto individuālie darba aizsardzības līdzekļi. Apstrādājamā priekšmeta atlūzas vai salūzuša darbinstrumenta daļas var lidot ar ievērojamu ātrumu un nodarīt kaitējumu cilvēku veselībai arī ievērojamā attālumā no darba vietas.



**j) Ja darbinstruments var skart slēptu elektropārvades līniju vai instrumenta elektrokabeli, darba laikā turiet elektroinstrumentu aiz izolētajiem rokturiem, nepieskaroties metāla daļām.** Darbinstrumentam skarot spriegumnesošu elektrotilkla vadu, spriegums nonāk arī uz elektroinstrumenta metāla daļām un var būt par cēloni elektriskajam triecienam.

**k) Netuviniet rotējošu darbinstrumentu elektrokabelim.** Zūdot kontrolei pār instrumentu, darbinstruments var pārgriezt kabeli vai iekerties tajā, kā rezultātā kāda no lietotāja ķermeņa daļām var saskarties ar rotējošo darbinstrumentu.

**l) Nenovietojiet elektroinstrumentu, kamēr tajā iestiprinātais darbinstruments nav pilnīgi apstājies.** Rotējošais darbinstruments var skart atbalsta virsmu, kā rezultātā elektroinstrumentus var kļūt nevadāms.

**m) Nedarbiniet elektroinstrumentu laikā, kad tas tiek pārvietots.** Lietotāja apģērbs vai mati var nejausī nonākt saskarē ar rotējošo darbinstrumentu un iekerties tajā, izraisot darbinstrumenta saskaršanos ar lietotāja ķermeni.

**n) Regulāri tīriet elektroinstrumenta ventilācijas atveres.** Dzinēju ventilējošā gaisa plūsma ievēl putekļu instrumenta korpusā, bet liela metāla putekļu daudzuma uzkrāšanās var būt par cēloni elektrotraumai.

**o) Nelietojiet elektroinstrumentu ugunsnedrošu materiālu tuvumā.** Lidojošās dzirksteles var izraisīt šādu materiālu aizdegšanos.

**p) Nelietojiet nomaināmos darbinstrumentus, kuriem jāpievada dzesējošais šķidrums.** Ūdens vai citu šķidro dzesēšanas līdzekļu izmantošana var būt par cēloni elektriskajam triecienam.

#### Atsitiens un ar to saistītie norādījumi

Atsitiens ir specifiska instrumenta reakcija, pēkšņi iekeroties vai iestrēgst rotējošam darbinstrumentam, piemēram, slīpēšanas diskam, slīpēšanas pamatnei, stieplei sukai u. t. t. Rotējošā darbinstrumenta iekēršanās vai iestrēgšana izraisa tā pēkšņu apstāšanos. Tā rezultātā elektroinstrumentus pārvietojas virzienā, kas pretējs darbinstrumenta kustības virzienam iestrēguma vietā, un nereti kļūst nevadāms.

Ja, piemēram, slīpēšanas disks iekēras vai iestrēgst apstrādājamajā priekšmetā, tajā iegremdētā diska mala var izrauties no apstrādājamā materiāla vai izraisīt atsitienu. Šādā gadījumā slīpēšanas disks pārvietojas lietotāja virzienā vai arī prom no viņa, atkarībā no diska rotācijas virziena attiecībā pret apstrādājamo priekšmetu, Turklāt slīpēšanas disks var salūzt.

Atsitiens ir sekas elektroinstrumenta nepareizai vai neprasmiņai lietošanai. No tā var izvairīties, ievērojot zināmus piesardzības pasākumus, kas aprakstīti turpmākajā izklāstā.

**a) Stingri turiet elektroinstrumentu un ieņemiet tādu ķermeņa un roku stāvokli, kas vislabāk ļautu pretoties atsitienu spēkam. Vienmēr izmantojiet papildrokturi, kas ļauj optimāli kompensēt atsitienu vai reaktīvo griezes momentu un saglabāt kontroli pār instrumentu.** Veicot zināmus piesardzības pasākumus, lietotājs jebkurā situācijā spēj efektīvi pretoties atsitienu un reaktīvajam griezes momentam.

**b) Netuviniet rokas rotējošam darbinstrumentam.** Atsitienu gadījumā darbinstruments var skart ar lietotāja roku.

**c) Izvairieties atrasties vietā, kurp varētu pārvietoties elektroinstrumenta atsitienu brīdī.** Atsitienu brīdī elektroinstrumenta pārvietojas virzienā, kas pretējs darbinstrumenta kustības virzienam iestrēguma vietā.

**d) Ievērojiet īpašu piesardzību, strādājot stūru un asu malu tuvumā. Nepieļaujiet, lai darbinstruments atlektu no apstrādājamā priekšmeta vai iestrēgtu tajā.** Saskaroties ar stūriem vai asām malām rotējošais darbinstruments izliecas un atlec no apstrādājamā priekšmeta vai iestrēgst tajā. Tas var būt par cēloni kontroles zaudēšanai pār instrumentu vai atsitienu.

**e) Nelietojiet zāga asmeņus, kas apgādāti ar zobiem.** Šādu darbinstrumentu izmantošana var būt par cēloni atsitienu vai kontroles zaudēšanai pār elektroinstrumentu.

#### Īpašie drošības noteikumi, veicot slīpēšanu

**a) Lietojiet vienīgi jūsu rīcībā esošajam elektroinstrumentam piemērotus slīpēšanas darbinstrumentus un šādiem darbinstrumentiem paredzētu aizsargu.** Aizsargs var nepietiekami noseg nepiemērotus slīpēšanas darbinstrumentus, līdz ar to neļaujot panākt vēlamo darba drošību.

**b) Slīpēšanas darbinstrumentu drīkst izmantot vienīgi tādā veidā, kādam tas ir paredzēts.**

**c) Kopā ar izvēlēto slīpēšanas disku izmantojiet vienīgi nebojātu piespiedējuzgriezni ar piemērotu formu un izmēriem.** Piemērota tipa piespiedējuzgrieznis darba laikā droši balsta slīpēšanas disku un samazina tā salūšanas iespēju. Kopā ar griešanas diskkiem izmantojamie piespiedējuzgriežņi var atšķirties no piespiedējuzgriežņiem, kas lietojami kopā ar citu veidu slīpēšanas diskkiem.

**d) Neizmantojiet nolietotus slīpēšanas diskus, kas paredzēti lielākas jaudas elektroinstrumentiem.** Lielākiem elektroinstrumentiem paredzētie slīpēšanas diski nav piemēroti darbam mazākas elektroinstrumentos, kuru griešanās ātrums parasti ir lielāks, un tāpēc tie darba laikā var salūzt.

Kontaktilgldzām, kas atrodas ārpus telpām jābūt aprīkotām ar automātiski drošinātājslēdzīnu, kas nostrādā, ja strāvas plūsmā radušies bojājumi. To pieprasa jūsu elektroiekārtas instalācijas noteikumi. Lūdz, to ņemt vērā, izmantojot mūsu instrumentus.

Strādājot ar mašīnu, vienmēr jānēsā aizsargbrilles. Tiek ieteikti nēsāt arī aizsargcimdus, slēgtus, neslīdošus apavus un priekšautu.

Pirms jebkādiem darbiem, kas attiecas uz mašīnas apkopi, mašīnu noteikti vajag atvienot no kontaktilgzdas.

Mašīnu pievienot kontaktilgzdai tikai izslēgtā stāvoklī.

Pievienojuma kabeli vienmēr turēt atstatu no mašīnas darbības lauka. Kabelim vienmēr jāatrodas aiz mašīnas.

Darba vārpsta kādu brīdi turpina griezties arī pēc instrumenta izslēgšanas. Tādēļ mašīnu ieteicams nolikt tikai tad, kad tā pilnībā beigusi darboties.

Nelikot rokas mašīnas darbības laukā.

Drīkst izmantot tikai tos instrumentus, kuru pieļaujamais tukšgaitas apgriezienu skaits ir tikpat augsts cik maks. apgriezienu skaits mašīnai.

Slīpēšanas instrumentus pirms lietošanas vajag pārbaudīt. Slīpēšanas instrumentiem jābūt montētiem bez kļūdām un brīvi jāgriežas. Tas vismaz 30 sek. jādarbina pārbaudes nolūkā. Nedrīkst izmantot bojātus, neapaļas formas vai vibrējošus slīpēšanas instrumentus.

Slīpējot metālu, rodas dzirkstes. Vajag uzmanīties, lai netiktu apdraudētas personas. Sakarā ar ugunsgrēka draudiem, tuvumā (dzirksteļu tuvumā) nedrīkst atrasties viegli degošas vielas vai priekšmeti. Nedrīkst izmantot putekļu sūcēju.

Mašīnu vajag turēt tā, lai dzirksteles vai slīpēšanas rezultātā radušies putekļi lidotu prom no ķermeņa.

Disku saturošo uzgriezni pirms mašīnas darba uzsākšanas vajag pievilkt.

Ārkārtas ārējo elektromagnētisko traucējumu rezultātā atsevišķos gadījumos var uz laiku tikt izsauktas apgriezienu skaita svārstības.

Slīpdiskus drīkst izmantot un uzglabāt tikai saskaņā ar ražotāja ieteikumiem.

Apstrādājamā detaļa, ja tā neturas, pamatojoties uz savu svaru, ir jāpiestiprina. Nekādā gadījumā apstrādājamo detaļu nedrīkst spiest pie ripas ar roku.

Jānodrošina, lai slīpējama instrumenta būtu piestiprināts atbilstoši slīpējamo instrumentu izgatavotāja ieteikumiem.

Slīpējamā instrumenta izmēriem jāatbilst slīpmašīnas lielumam.

Veicot darbus, kuru rezultātā rodas putekļi, ventilācijas atveres nedrīkst būt aizsegas. Ja nepieciešams, instruments jāatvieno

no tīkla un jāatbrīvo no putekļiem. Šim nolūkam drīkst izmantot tikai nemetāla objektus un nedrīkst sabojāt iekšējās daļas.

#### NOTEIKUMIEM ATBILSTOŠS IZMANTOJUMS

Taisnā slīpmašīna ir piemērota koka, plastmasas un metāla virsmu slīpēšanai, it īpaši grūti pieejamās vietās.

Šo instrumentu drīkst izmantot tikai saskaņā ar minētajiem lietošanas noteikumiem.

#### ATBILSTĪBA CE NORMĀM

Ar šo apliecinām, ka esam atbildīgi par to, lai šis produkts atbilstu sekojošām normām vai normatīvajiem dokumentiem: EN 60745-1:2009 + A11:2010 EN 60745-2-3:2011 EN 55014-1:2006 + A1:2009 + A2:2011 EN 55014-2:1997 + A1:2001 + A2:2008 EN 61000-3-2:2006 + A1:2009 + A2:2009 EN 61000-3-3:2008 saskaņā ar direktīvu noteikumiem 2011/65/EU (RoHS) 2006/42/EK 2004/108/EK



Winnenden, 2012-09-09

Rainer Kumpf  
Director Product Development

Pilnvarotais tehniskās dokumentācijas sastādīšanā.

#### TĪKLA PIESLĒGUMS

Pieslēgt tikai vienpola maiņstrāvas tīklam un tikai spriegumam, kas norādīts uz jaudas paneļa. Pieslēgums iespējams arī kontaktilgzdām bez aizsargkontaktiem, jo runa ir par uzbūvi, kas atbilst II. aizsargklasei.

#### APKOPE

Vajag vienmēr uzmanīt, lai būtu tīras dzesēšanas atveres.

Sakarā ar to, ka var izraisīt īsslēdzienu, dzesēšanas atverēs nedrīkst iekļūt nekādi metāla priekšmeti.

Izmantojiet tikai firmu AEG piederumus un firmas rezerves daļas. Lieciet nomainīt detaļas, kuru nomaiņa nav aprakstīta, kādā no firmu AEG klientu apkalpošanas servisiem. (Skat. brošūru "Garantija/klientu apkalpošanas serviss".)

Ja nepieciešams, klientu apkalpošanas servisā vai tieši pie firmas AEG Electric Tools GmbH, Max-Eyth-Straße 10, D-71364 Winnenden, Germany, var pieprasīt instrumenta eksplozijas zīmējumu, šim nolūkam jāuzrāda mašīnas tips un desmitvietīgais numurs, kas norādīts uz jaudas paneļa.

#### SIMBOLI



Pirms sākt lietot instrumentu, lūdz, izlasiet lietošanas pamācību.



Strādājot ar mašīnu, vienmēr jānēsā aizsargbrilles.



Pirms veicat jebkādas darbības attiecībā uz mašīnas apkopi, atvienojiet kontaktdakšu no kontaktilgzdas.



Neizmetiet elektroiekartas sadzīves atkritumos! Saskaņā ar Eiropas Direktīvu 2002/96/EK par lietotajam lektroiekartam, elektronikas iekartam un tas iekļaušanu valsts likumdošana lietotas ekroiekartas ir jāsavac atsevišķi un jānogada atsevišķai parstrādei videi draudzīga veida.



Aizsardzības kategorija II, elektroierīce, kuru lietojot aizsardzība pret elektrības triecienu ir atkarīga nevis no pamat izolācijas, bet gan no papildus drošības pasākumiem kā dubultā izolācija vai pastiprinātā izolācija.

TECHNINIAI DUOMENYS	Šlifuoškis	GS 500 E	GSL 600 E
Vardinė imamoji galia .....	500 W .....	600 W .....	600 W .....
Išėjimo galia.....	275 W .....	650 W .....	650 W .....
Sūkių skaičius laisva eiga.....	10000-29000 min <sup>-1</sup> .....	10000-29000 min <sup>-1</sup> .....	10000-29000 min <sup>-1</sup> .....
Maks. sūkių skaičius laisva eiga, kai neveikia laisvos eigos sūkių skaičiaus ribotuvas.....	38000.....	38000.....	38000.....
Iveržimo ašies ø .....	43 mm .....	43 mm .....	43 mm .....
Iveržimo gnybtų ø .....	6 mm .....	6 mm .....	6 mm .....
Maks. šlifavimo elementų ø .....	20 mm .....	20 mm .....	20 mm .....
keramika arba guma sutvirtintas šlifavimo elementas.....	40 mm .....	40 mm .....	40 mm .....
sintetinė derva sutvirtintas šlifavimo elementas .....	1,3 kg.....	1,3 kg.....	1,9 kg.....
Prietaiso svoris įvertintas pagal EPTA 2003/01 tyrimų metodiką.....			

#### Informacija apie triukšmą/vibraciją

Vertės matuotos pagal EN 60 745.

Įvertintas A įrenginio keliamo triukšmo lygis dažniausiai sudaro:

Garso slėgio lygis (K = 3dB(A)).....79 dB(A).....79 dB(A)

Garso galios lygis (K = 3dB(A)).....90 dB(A).....90 dB(A)

#### Nešioti klausos apsaugines priemones!

Bendroji svyravimų reikšmė (trijų krypčių vektorių suma), nustatyta remiantis EN 60745.

Pjovimas ir rupis šlifavimas: vibravimo emisijos vertė a<sub>v</sub>.....14,5 min<sup>-1</sup>.....14,5 min<sup>-1</sup>

Paklaida K = .....1,5 min<sup>-1</sup>.....1,5 min<sup>-1</sup>

#### DĖMESIO

Instrukcijoje nurodyta svyravimų ribinė vertė yra išmatuota remiantis standartu EN 60745; ji gali būti naudojama keliems elektriniams instrumentams palyginti. Ji taikoma ir laikinai įvertinti svyravimų apkrova.

Nurodyta svyravimų ribinė vertė yra taikoma pagrindinėse elektrinio instrumento naudojimo srityse. Svyravimų ribinė vertė gali skirtis naudojant elektrinį instrumentą kitose srityse, papildomai naudojant netinkamus elektrinius instrumentus arba juos nepakankamai techniškai prižiūrint. Dėl to viso darbo metu gali žymiai padidėti svyravimų apkrova.

Siekiant tiksliai nustatyti svyravimų apkrova, būtina atsižvelgti ir į laikotarpį, kai įrenginys yra išjungtas arba jungtas, tačiau faktiškai nenaudojamas. Dėl to viso darbo metu gali žymiai sumažėti svyravimų apkrova.

Siekiant apsaugoti vartotojus nuo svyravimo įtakos naudojamos papildomos saugos priemonės, pavyzdžiui, elektrinių darbo instrumentų techninė priežiūra, rankų šilumos palaikymas, darbo procesų organizavimas.

**⚠ DĖMESIO!** Perskaitykite visas saugumo pastabas ir nurodymus, esančius pridėtoje brošiūroje. Jei nepaisysite žemiau pateiktų saugos nuorodų ir reikalavimų, gali trenkti elektros smūgis, kilti gaisras ir/arba galite sunkiai susižaloti arba sužaloti kitus asmenis.

**Išsaugokite šias saugos nuorodas ir reikalavimus, kad ir ateityje galėtumėte jais pasinaudoti.**

#### YPATINGOS SAUGUMO NUORODOS

**Bendros įspėjamosios nuorodos:**

**a) Šį elektrinį įrankį reikia naudoti kaip šlifuoškį. Griežtai laikykitės visų įspėjamųjų nuorodų, taisyklių, ženklų ir užrašų, kurie yra pateikiami su šiuo prietaisu, reikalavimų. Jei nepaisysite toliau pateiktų nuorodų, gali kilti elektros smūgio, gaisro ir/arba sunkių sužalojimų pavojus.**

**b) Naudojantis šiuo elektriniu įrankiu, nerekomenduojama atlikti tokių darbų kaip šveitimo vieliniu šepetėliu, pjaustymo, šlifavimo švitriniumi popieriumi ir poliravimo. Jei įrankį naudojate ne pagal paskirtį, galite sukelti pavojų ir susižaloti.**

**c) Nenaudokite jokių priedų ir papildomos įrangos, kurių gamintojas nėra specialiai numatęs ir rekomendavęs šiam elektriniam prietaisui. Vien tik tas faktas, kad Jūs galite pritvirtinti koją nors priedą prie elektrinio prietaiso, joku būdu negarantuoja, kad juo bus saugu naudotis.**

**d) Darbo įrankio leistinas sūkių skaičius turi būti ne mažesnis už aukščiausią sūkių skaičių, nurodytą ant elektrinio prietaiso. Įrankis, kuris sukasi greičiau, nei yra leistina, gali lūžti ir nulėkti nuo prietaiso.**

**e) Naudojamo įrankio išorinis skersmuo ir storis turi atitikti nurodytus Jūsų elektrinio prietaiso matmenis. Netinkamų matmenų įrankius gali būti sunku tinkamai apdengti bei valdyti.**

**f) Šlifavimo diskai, jungės, šlifavimo žiedai ar kiti darbo įrankiai turi tiksliai tikti elektrinio prietaiso šlifavimo sukliui. Darbo įrankiai, kurie tiksliai netinka šlifavimo sukliui, sukasi netolygiai, labai stipriai vibruoja ir gali tapti nebevaldomi.**

**g) Nenaudokite pažeistų darbo įrankių. Prieš kiekvieną naudojimą patikrinkite darbo įrankius, pvz., šlifavimo diskus – ar jie nėra apūžinėję ir įtrūkę, šlifavimo žiedus – ar jie nėra įtrūkę, susidėvėję ir labai nudilę, vielinius šepetčius – ar jų vielutės nėra atsilaisvinusios ar nutrūkusios. Jei elektrinis prietaisas ar darbo įrankis nukrito iš didesnio aukščio, patikrinkite, ar jis nėra pažeistas, arba naudokite kitą, nepažeistą, darbo įrankį. Patikrinkę ir sumontavę darbo įrankį pasirūpinkite, kad nei Jūs, nei greta esantys asmenys nebūtų besisukančio darbo įrankio plokštumoje, ir leiskite elektriniam prietaisui vieną minutę veikti didžiausiu sūkių skaičiumi. Jei darbo įrankis pažeistas, per šį bandomąjį laiką jis turėtų subyrėti.**

**h) Dirbkite su asmeninėmis apsaugos priemonėmis. Atitinkamai pagal atliekamą darbą užsidėkite viso veido apsaugos priemones, akių apsaugos priemones ar apsauginius akinius. Jei nurodyta, užsidėkite apsauginį respiratorių nuo dulkių, klausos apsaugos priemones, apsaugines pirštines ir specialią prijuostę, kuri apsaugos Jus nuo smulkių šlifavimo ir ruošinio dalelių. Akys turi būti apsaugotos nuo aplink lekiančių svetimkūnių, atsirančių atliekant įvairius darbus. Respiratorius arba apsauginę kaukę turi išfiltruoti darbo metu kylančias dulkes. Dėl ilgalaikio ir stipraus triukšmo poveikio galite prarasti klausą.**

**i) Pasirūpinkite, kad kiti asmenys būtų saugiai atstumu nuo Jūsų darbo zonos. Kiekvienas, įžengęs į darbo zoną, turi būti su asmeninėmis apsaugos priemonėmis. Ruošinio gabalėliai ar atskilusios darbo įrankio dalelės gali skrieti dideliu greičiu ir sužeisti net už tiesioginės darbo zonos ribų esančius asmenis.**

**j) Jei yra tikimybė, jog dirbant įrankis gali kliudyti paslėptą laidą, prietaisą laikykite tik už izoliuotų rankenų. Dėl kontakto su laidininku, kuriuo teka el. srovė, prietaiso metalinėse dalyse gali atsirasti įtampa ir sukelti elektros smūgio pavojų.**

**k) Maitinimo laidą laikykite toliau nuo besisukančių darbo įrankių. Jei nebesuvaldytumėte prietaiso, darbo įrankis gali**

perpjauti maitinimo laidą arba jį įtraukti, o Jūsų plaštaka ar ranka gali patekti į besisukančią darbo įrankį.

**l) Niekada nepadėkite elektrinio prietaiso, kol darbo įrankis visiškai nesustojo. Besisukantis darbo įrankis gali prisiliesti prie paviršiaus, ant kurio padedate prietaisą, ir elektrinis įrankis gali tapti nebevaldomas.**

**m) Nešdami prietaisą jo niekada neįjunkite. Netyčia prisilietus prie besisukančio darbo įrankio, jis gali įtraukti drabužius ir Jus sužeisti.**

**n) Reguliariai valykite elektrinio prietaiso ventiliacines angas. Variklio ventiliatorius traukia dulkes į korpusą, ir susikaupus daug metalo dulkių gali kilti elektros smūgio pavojus.**

**o) Nenaudokite elektrinio prietaiso arti degių medžiagų. Kibirkštys šias medžiagas gali uždegti.**

**p) Nenaudokite darbo įrankių, kuriuos reikia aušinti skysčiais. Naudojant vandenį ar kitokius aušinamuosius skysčius gali trenkti elektros smūgis.**

#### Atatranka ir atitinkamos įspėjamosios nuorodos

Atatranka yra staigi reakcija, atsirandanti, kai besisukantis darbo įrankis, pvz., šlifavimo diskas, šlifavimo žiedas, vielinis šepetys ar kt., ruošinyje įstringa ar užsiblokuoja ir todėl netikėtai sustoja. Todėl elektrinis prietaisas gali nekontroliuojamai atšokti nuo ruošinio priešinga darbo įrankio sukimosi kryptimi.

Pvz., jei ruošinyje įstringa ar yra užblokuojamas šlifavimo diskas, disko briauna, kuri yra ruošinyje, gali išlūžti ar sukelti atatranką. Tada šlifavimo diskas, priklausomai nuo jo sukimosi krypties blokuojami vietoje, pradeda judėti link dirbančiojo arba nuo jo. Tada šlifavimo diskas gali net nulūžti.

Atatranka yra netinkamo elektrinio prietaiso naudojimo ar gedimo pasekmė. Jos galite išvengti, jei imsitės atitinkamų, žemiau aprašytų priemonių.

**a) Dirbdami visada tvirtai laikykite prietaisą abiem rankom ir stenkitės išlaikyti tokią kūno ir rankų padėtį, kurioje sugebėtumėte atsipirti prietaiso pasipriešinimo jėgai atitrankoms metu. Jei yra papildoma rankena, visada ją naudokite, tada galėsite suvaldyti atitrankos jėgas bei reakcijos jėgų momentą. Dirbantysis, jei imsis tinkamų saugos priemonių, gali suvaldyti reakcijos jėgas atitrankos metu.**

**b) Niekada nelaikykite rankų arti besisukančio darbo įrankio. Įvykus atitrankai įrankis gali pataikyti į Jūsų ranką. Venkite, kad Jūsų rankos būtų toje zonoje, kurioje įvykus atitrankai judės elektrinis prietaisas. Atitrankos jėga verčia elektrinį prietaisą judėti nuo blokuojamos vietos priešinga šlifavimo disko sukimosi kryptimi.**

**c) Ypač atsargiai dirbkite kampuose, ties aštriomis briaunomis ir t. t. Saugokite, kad darbo įrankis neatsimuštų į kliūtis ir neįstrigtų. Besisukantis darbo įrankis kampuose, ties aštriomis briaunomis arba atsimušęs į kliūtį turi tendenciją užstrigti. Tada prietaisas tampa nevaldomas arba įvyksta atatranka.**

**d) Nenaudokite skirtų medienai pjauti ar kitokių dantytų diskų. Tokie darbo įrankiai dažnai sukelia atatranką arba elektrinis prietaisas tampa nevaldomas.**

#### Specialios įspėjamosios nuorodos atliekantiems šlifavimo

**a) Naudokite tik su šiuo prietaisu leidžiamus naudoti šlifavimo įrankius ir šiems įrankiams pritaikytus apsauginius gaubtus. Šlifavimo įrankiai, kurie nėra skirti šiam elektriniam prietaisui, gali būti nepakankamai uždengiami ir nesaugūs naudoti.**

**b) Šlifavimo įrankius leidžiama naudoti tik pagal rekomenduojamą paskirtį.**

**c) Jūsų pasirinktiems šlifavimo diskams tvirtinti visada naudokite nepažeistas tinkamo dydžio ir formos prispaudžiamąsias junges. Tinkamos jungės prilaiko šlifavimo diską ir sumažina lūžimo pavojų. Pjovimo diskams skirtos jungės gali skirtis nuo kitoms šlifavimo diskams skirtų jungių.**

**d) Nenaudokite sudilusių diskų, prieš tai naudotų su didesnėmis šlifavimo mašinomis. Šlifavimo diskai, skirti didesniems elektriniams prietaisams, nėra pritaikyti prie didelio mažųjų prietaisų išvystomo sūkių skaičiaus ir gali sulūžti.**

Lauke esantys el. lizdai turi būti su gedimo srovės išjungikliais. Tai nurodyta Jūsų elektrros įrenginio instaliacijos taisyklėse. Atsižvelkite į tai, naudodami prietaisą.

Dirbdami su įrenginiu visada nešiokite apsauginius akinius. Rekomenduotina nešioti apsaugines pirštines, tvirtus batus neslidžiu padu bei prijuostę.

Prieš atlikdami bet kokius įrenginyje, ištraukite iš lizdo kištuką.

Kištuką į lizdą įstatykite, tik kai įrenginys išjungtas.

Maitinimo kabelis turi nebūti įrenginio poveikio srityje. Kabelį visada nuveskite iš galinės įrenginio pusės.

Prietaisą išjungus, įrankių suklys sukasi iš inercijos. Įrenginį padėkite, tik jam visiškai sustojus.

Nekiškite rankų į veikiančio įrenginio pavojaus zoną.

Naudokite tik tokius darbo įrankius, kurių leidžiamas sūkių skaičius ne mažesnis už didžiausią prietaiso sūkių skaičių laisva eiga.

Prieš naudojimą patikrinkite šlifavimo įrankius. Šlifavimo įrankis turi būti nepriekeištingai sumontuotas ir galėti laisvai sukstis.

Patikrinkite, ne mažiau kaip 30 sek. leisdami veikti be apkrovos. Nenaudokite pažeistų, neapvalių arba vibruojančių šlifavimo įrankių.

Šlifuojant metalus lekia kibirkštys. Atkreipkite dėmesį, kad nesukeltumėte pavojaus kitiems asmenims. Dėl gaisro pavojaus arti (kibirkščių lėkimo srityje) neturi būti jokių degių medžiagų. Nenaudokite dulkių nusiurbimo.

Prietaisą visada laikykite taip, kad dulksė ir kibirkštys lėktų nuo kūno tolyn.

Prieš įjungiant įrenginį, būtina priveržti tvirtinimo varžlę.

Ypatingai didelį išorinių elektromagnetinių trukdžių poveikįje atskirais atvejais gali būti trumpalaikiai sūkių skaičiaus svyravimai.

Šlifavimo diskus visada naudokite ir laikykite pagal gamintojo nurodymus.

Apdorojama detalė, jei ji nesilaiko savo svorio, visada turi būti įtvirtinta. Niekada detalių prie disko neveskite ranka.

Įsitikinkite, ar šlifavimo įrankis yra uždėtas pagal šlifavimo įrankio gamintojo instrukciją.

Šlifavimo įrankio matmenys turi tikti šlifuoškliui.

Dirbant daug dulkių sukeliančius darbus, mašinos vėdinimo angos visada turi būti atviros. Jei reikia, išjungti mašiną iš tinklo ir išvalyti dulkes. Tam naudoti nemetalinius objektus ir valant nepažeisti dalių viduje.

#### NAUDOJIMAS PAGAL PASKIRTĮ

Tiesus šlifuoškis tinka medienos, plastiko ir metalo šlifavimui, ypatingai sunkiai prieinamosiose vietose.

Šį prietaisą leidžiama naudoti tik pagal nurodytą paskirtį.

## CE ATTIKTIES PAREIŠKIMAS

Mes atsakingai pareiškiame, kad šis gaminytis atitinka tokias normas arba normatyvinius dokumentus:  
EN 60745-1:2009 + A11:2010  
EN 60745-2-3:2011  
EN 55014-1:2006 + A1:2009 + A2:2011  
EN 55014-2:1997 + A1:2001 + A2:2008  
EN 61000-3-2:2006 + A1:2009 + A2:2009  
EN 61000-3-3:2008  
pagal direktyvų reikalavimus  
2011/65/EU (RoHS)  
2006/42/EB  
2004/108/EB



Winnenden, 2012-09-09

Rainer Kumpf  
Director Product Development

Igaliojtas parengti techninius dokumentus.

## ELEKTROS TINKLO JUNGTIJS

Jungti tik prie vienfazės kintamos elektros srovės ir tik į specifikacijų lentelėje nurodytos įtampos elektros tinklą. Konstrukcijos saugos klasė II, todėl galima jungti ir į lizdus be apsauginio kontakto.

## TECHNINIS APTARNAVIMAS

Įrenginio vėdinimo angos visada turi būti švarios.

Saugokite, kad metalinės dalys nepatektų į vėdinimo angas – trumpojo jungimo pavojus.

Naudokite tik AEG priedus ir atsargines dalis. Dalis, kurių keitimas neaprašytas, leidžiama keisti tik AEG klientų aptarnavimo skyriams (žr. garantiją/klientų aptarnavimo skyrių adresus brošiūroje).

Jei reikia, nurodant įrenginio tipą bei specifikacijų lentelėje esantį dešimtženklį numerį, iš klientų aptarnavimo skyriaus arba tiesiai iš AEG Electric Tools GmbH, Max-Eyth-Straße 10, D-71364 Winnenden, Germany, galima užsisakyti prietaiso surinkimo brėžinius.

## SIMBOLIAI



Prieš pradėdami dirbti su prietaisu, atidžiai perskaitykite jo naudojimo instrukciją.



Dirbdami su įrenginiu visada nešiokite apsauginius ausinius.



Prieš atlikdami bet kokius darbus įrenginyje, ištraukite kištuką iš lizdo.



Neišmeskite elektros irengimu į buitinius šiukšlynus! Pagal ES Direktyva 2002/96/EB dėl naudotų irengimu, elektros irengimu ir ju itraukimo į valstybinius istatymus naudotus irengimus butina suringti atskirai ir nugabenti antriniu žaliavu perdirimui aplinkai nekenksmingu budu.



II-os apsaugos klasės elektros prietaisas, kuris nuo elektros srovės poveikio yra apsaugotas ne tik pagrindine izoliacija, bet ir tokiomis papildomomis apsauginėmis priemonėmis, kaip dviguba arba sustiprinta izoliacija.

## TEHNILISED ANDMED

	Lihvija	GS 500 E	GSL 600 E
Nimtarbimine.....	500 W	600 W	600 W
Vāljundvāimsus.....	275 W	650 W	650 W
Pōrlemiskiriur tūhjooksul.....	10000-29000 min <sup>-1</sup>	10000-29000 min <sup>-1</sup>	10000-29000 min <sup>-1</sup>
Maks pōrlemiskiriur tūhjooksul tūhjooksukiiruse piirikut rakendamata.....	38000	38000	38000 min <sup>-1</sup>
Kinnituskaela ø.....	43 mm	40 mm	40 mm
Kinnituspuki ø.....	6 mm	6 mm	6 mm
Lihvimisvahendi ø maks			
Keramīlise vōi kummist sideaineiga lihvimisvahend.....	20 mm	20 mm	20 mm
Tehisvaigust sideaineiga lihvimisvahend.....	40 mm	40 mm	40 mm
Kaal vastavalt EPTA-protseduurīle 01/2003.....	1,3 kg	1,3 kg	1,9 kg

## Mūra/vibratsiooni andmed

Mōōtevāārtused on kindlaks tehtud vastavalt normīle EN 60 745.

Seadme tūūpīlīne hinnangulīne (A) mūratase:

Helirōhutase (K = 3 dB(A)).....	79 dB(A)	79 dB(A)	79 dB(A)
Helivōimsuse tase (K = 3 dB(A)).....	90 dB(A)	90 dB(A)	90 dB(A)

## Kandke kaitseks kōrvaklappe!

Vibratsiooni koguvāārtus (kolme suuna vektorsumma) mōōdetud EN 60745 jārģi.

Lōikamine jā jāmēlihvīmine: vibratsiooni emissiooni vāārtus a <sub>h</sub> .....	14,5 min <sup>-1</sup>	14,5 min <sup>-1</sup>	14,5 min <sup>-1</sup>
Māāramatus K =.....	1,5 min <sup>-1</sup>	1,5 min <sup>-1</sup>	1,5 min <sup>-1</sup>

## TĀHELEPANU

Antud juhendis toodud vōnketase on mōōdetud EN 60745 standardīle vastava mōōtesūsteemīga ning seda vōib kasutada erinevate elektriseadmete omavahelīses vōrdlēmīses. Antud nāitaja sobīb ka esmaseks vōnkekoormuse hīndamīseks.

Antud vōnketase kehīb elektrīseadme kasutamīsel sīhtotstarbelīsel. Kūi elektrīseadet kasutatakse muudel otstarvetel, muude tōōriistadega vōi seda ei hooldata piisavalt vōib vōnketase sīntoodust erīneda. Eeltoodu vōib vōnketaset mārķīmīsvāārseīl tōsta terves tōōkeskkonnas.

Vōnketaseme tāpsēks hīndamīseks tuleks arvestada ka aega, mīl seade on vālja lūlītatud vōi on kūll sīsse lūlītatud, kūid ei ole otseselt kasutusēs. See vōib mārķatavalt vāhendada kogu tōōkeskkonna vōnketaset.

Rakendage spetsīaalseid ettevaatusabīnōusīd tōtājate suhtēs, kes puutuvad tōō kāīgus palju kokku vibratsiōnīga. Nendēks abīnōudeks vōīvad olla, nāīteks: elektrī- jā tōōseadmete korralīne hooldus, kāte soojendamīne, tōōvoo parem organīseerīmine.

**⚠ TĀHELEPANU!** Lugege kōīk ohutusnōuanded jā juhendīd lābī, ka juures olevast brošūūrīs. Ohutusnōuete jā juhīste eīramīse tagajārģeks vōīb olla elektrīlōok, tulekahju jā/vōi rasked vīgastused.  
**Hoidke kōīk ohutusnōudes jā juhīsed edasīseks kasutamīseks hoolīkalt alles.**

## SPETSIAALSED TURVAJUHISED

Ūhīsed ohutusjuhīsed lihvimīseks:

**a) See vōimsuse seade on ettenāhtud tōōtamīseks lihvijana. Jārģīge kōīki tōōriistaga kaasasolevaid hoiatusī, juhīseid, joonīseid jā tehnilīsi andmeīd. Jārģnevalt toodud juhīste eīramīse tagajārģeks vōīb olla elektrīlōok, tulekahju jā/vōi rasked vīgastused.**

**b) Selle elektrīseadmeiga eī ole soovītatud traatīde harjamīne, lōīkamīne, poleerīmine jā liīvapaberīga poleerīmine. Seadme kasutamīne mītteettenāhtud otstarbel vōīb pōhjustada kahjustusī jā vīgastusī.**

**c) Ārģe kasutage tarvikūid, mīda eī ole tootja selle elektrīlīse tōōriista jaoks ette nāīnud ega soovītanud. Asjaolu, et saate tarvikūd oma seadme kūlģe kīnītada, eī taga veel seadme ohutut tōōd.**

**d) Kasutatava tarvīku lubatud pōrlemīskīriur peab olema vāhemalt sama suur nagu elektrīlīse tōōriista mākīmāalīne pōōrete arv. Lubatud kīriurēsī kīreemīni pōōrlev tarvīk vōīb puruneda ning selle tūkid vōīvad laīalī paīskuda.**

**e) Tarvīku vālīsīlābīmōōt jā paksus peavad vastama elektrīlīse tōōriista mōōtmetele. Vālede mōōtmetega tarvīkūid eī kata kaitsekate piisavalt mārāral, mīstōttu vōīvad need kontrollī alt vāljuda.**

**f) Līhvkettad, seībīd, līhvtallad jā teīsed tarvīkūid peavad elektrīlīse tōōriista spīndlī lābīmōōduga tāpselt sobīma. Tarvīkūid, mīs spīndlī lābīmōōduga tāpselt eī sobī, pōōrlevad ebaūhtlāselt, vībreerīvad tugevalt jā vōīvad pōhjustada kontrollī kaotuse seadme ūle.**

**g) Ārģe kasutage vīgastatud tarvikūid. Iga kord enne kasutust kontrollīge tarvikūid, nāīteks līhvkettāid jā līhvtaldu pragude vōi kulumīse suhtēs, traatharju lahtīste vōi murdunud traatīde suhtēs. Kūi seade vōi tarvīk kukub maha, sīīs veenduge, et see eī ole vīgastatud, vōi kasutage vajaduse korral vīgastamata tarvīkut. Kūi olete tarvīku ūle vaadanud jā kohale asetanud, laske seadmel ūhe minūtī jooksul tōōtada mākīmāalsetel pōōretel. Seejuures ārģe asetsege pōōrleva tarvīkuga ūhel tasanlī jā veenduge, et seda eī tee ka lāheduses vīībīvad īnīmesed. Selle katseaja jooksul vīgastatud tarvīkūid ūldjuhul purunevad.**

**h) Kandke isīkukaitsevahendeīd. Kasutage vastavalt kasutusotstarbele nāomaskī, sīlmakaitset vōi kaitseprīlle. Vajaduse korral kandke tolmukaitsemaskī, kuūlmīskaitsevahendeīd, kaitsekīndāid vōi kaitsepōlīle, mīs kaitseb Teīd līhvimīsel eralduvate vāīkeste osakeste eest. Sīlmaid peavad olema kaitstud seadme kasutamīsel eralduvate vōōrkehade eest. Tolmu- vōi hīngamīsteede kaitsemaskīd peavad fīltreerīma kasutamīsel tekkīva tolmu. Pīkaajalīne valī mūra vōīb kahjustada kuūlmīst.**

**i) Veenduge, et teīsed īnīmesed on tōōpīrkonnast ohutus kauguses. Igaūks, kes tōōpīrkonda sīsenēb, peab kandma isīkukaitsevahendeīd. Tōorīku vōi tarvīku murdunud tūkid vōīvad eemale paīskuda jā pōhjustada vīgastusī ka vāļjaspool otsest tōōpīrkonda.**

**j) Kūi esīnēb oht, et seade vōīb tabada varjatud elektrījuhtmeīd vōi omaenda toītejuhēt, tōhīb seadet hoida ūksnes īsoleerītud kāepīdemetēs. Kontakt pīnge all oleva juhtmeiga pīngestāb ka seadme metalldetaīlīd jā pōhjustāb elektrīlōōģī.**

**k) Hoidke toītejuhe pōōrlevatest tarvīkutēs eemal. Kontrollī kaotusel seadme ūle tekīb toītejuhtme lābīlōīkamīse vōi kaasahaaramīse oht ning Teīe kāsī vōīb pōōrleva tarvīkuga kokku puutuda.**

**l) Ārģe pange seadet kāest enne, kūi seadme spīndel on tāīlīkult seīskunud. Pōōrlev tarvīk vōīb aluspīnnaga kokku puutuda, mīlle tagajārģeks vōīb olla kontrollī kaotus seadme ūle.**

**m) Seadme transportimise ajal ärge laske seadmel töötada.** Teie rõivad võivad pöörleva tarvikuga juhuslikult kokku puutuda ning tarvik võib tungida Teie kehasse.

**n) Puhastage regulaarselt seadme ventilatsiooniväsiid.** Mootori ventilaator tõmbab tolmu korpusesse, kuhjuv metallitükk võib põhjustada elektrilisi ohte.

**o) Ärge kasutage seadet kergesti süttivate materjalide läheduses.** Sädemete tõttu võivad need materjalid süttida.

**p) Ärge kasutage tarvikuid, mille puhul tuleb kasutada jahutusvedelikke.** Vee või teiste jahutusvedelike kasutamine võib põhjustada elektrilöögi.

#### Tagasilöökk ja asjaomased ohutusnõuded

Tagasilöökk on kinnikiilduvast tarvikust, näiteks lihvkettast, lihvtallast, traatharjast vmt tingitud järsk reaktsioon. Kinnikiildumine põhjustab tarviku järsu seiskumise. Selle tagajärjel liigub seade kontrollimatult tarviku pöörlemissuunale vastupidises suunas.

Kui näiteks lihvketas toorikus kinni kiidub, võib tagajärjeks olla tagasilöökk või lihvketta murdumine. Lihvketas liigub sõltuvalt ketta pöörlemissuunast kas seadme kasutaja poole või kasutajast eemal. Seejuures võivad lihvkettad ka murduda.

Tagasilöökk on seadme ebaõige kasutamise või valede töövõtete tagajärg. Seda saab vältida, rakendades järgnevalt kirjeldatud sobivaid ettevaatusabinõusid.

**a) Hoidke seadet tugevasti kinni ja viige oma keha ja käed asendisse, milles saate tagasilöögiõududele vastu astuda. Suurima kontrolli saavutamiseks tagasilöögiõudude või reaktsioonimomentide üle kasutage alati lisakäepidet, kui see on olemas.** Seadme kasutaja suudab sobivaid ettevaatusabinõusid rakendada tagasilöögi- ja reaktsioonijõudusid kontrollida.

**b) Ärge viige oma kätt kunagi pöörlevate tarvikute lähedusse.** Tagasilöögi puhul võib tarvik liikuda üle Teie käe.

**c) Vältige oma kehaga piirkonda, kuhu seade tagasilöögi puhul liigub.** Tagasilöökk viib seadme lihvketta liikumissuunale vastupidises suunas.

**d) Eriti ettevaatlikult töötage nurkade, teravate servade jmt piirkonnas. Hoidke ära tarvikute tagasipõrkumine toorikult ja kinnikiildumine.** Pöörlev tarvik kaldub nurkades, teravates servades ja tagasipõrkumise korral kinni kiilduma. See põhjustab kontrolli kaotuse seadme üle või tagasilöögi.

**e) Ärge kasutage kett- ega hammastatud saeketast.** Sellised tarvikud põhjustavad tihti tagasilöögi või kontrolli kaotuse seadme üle.

#### Spetsiifilised ohutusnõuded lihvimisel

**a) Kasutage üksnes elektrilise tööriista jaoks ette nähtud lihvimistarvikut ja selle lihvimistarviku jaoks ette nähtud kettakaitset.** Lihvimistarvikuid, mis ei ole elektrilise tööriista jaoks ette nähtud, ei kata kettakaitse piisavalt ning seetõttu on need ohtlikud.

**b) Lihvimistarvikuid tohib kasutada üksnes soovitatud kasutusotstarvetel.**

**c) Kasutage valitud lihvketta jaoks alati õige suuruse ja kujuga ning vigastamata seibi.** Sobivad seibid kaitsevad lihvkettast ja vähendavad lihvketta purunemise ohtu. Lõikekettaste seibid võivad lihvkettaste seibidest erineda.

**d) Ärge kasutage suuremate elektriliste tööriistade kulunud lihvkettaid.** Suuremate elektriliste tööriistade lihvkettad ei ole ette nähtud kasutamiseks väiksemate seadmete kõrgematel pööretel ja võivad puruneda.

Välitingimustes asuvad pistikupesad peavad olema varustatud rikkevoolukaitselülititega. Seda nõutakse Teie elektriseadme installaerimiseeskirjas. Palun pidage sellest meie seadme kasutamisel kinni.

Masinaga töötades kandke alati kaitseprille. Soovitatavad on kaitsekindad, tugevad ja libisemiskindlad jalanõud ning põll.

Enne kõiki töid masina kallal tõmmake pistik pistikupesast välja.

Masin peab pistikupesast ühendamisel olema alati väljalülitatud seisundis.

Hoidke ühendusjuhe alati masina tööpiirkonnast eemal. Vedage juhe alati masinast tahapoole.

Pärast seadme väljalülitamist jookseb tööriista spindel edasi. Pange masin alles pärast seiskumist käest ära.

Ärge pange kätt töötava masina ohupiirkonda.

Kasutage ainult tööriista, mille lubatav pöörlemiskiirus on vähemalt sama suur kui seadme suurim pöörlemiskiirus tühijooksul.

Kontrollige lihvimistööriista enne kasutamist üle. Lihvimistööriist peab olema laitmatult monteeritud ning saama vabalt pöörelda. Tehke vähemalt 30-sekundiline koormuseta katsekäivitus. Ärge kasutage kahjustatud, mitteümaraid või vibreerivaid lihvimistööriista.

Metallide lihvimisel tekib sädemeid. Veenduge selles, et inimesed poleks ohustatud. Tuleohtu tõttu ei tohi lähedal (sädemete piirkonnas) olla tuleohtlikke materjale. Ärge kasutage tolmu äraimemist.

Hoidke seadet alati nii, et sädemed või lihvimistolm lendaksid kehast eemale.

Tõmmitsmutter peab enne masina käikulaskmist olema pingutatud.

Äärmuslike väliste elektromagnetiliste häirete mõjul võib üksikjuhul esineda ajutisi pöörlemiskiiruse kõikumisi.

Kasutage ja säilitage lihvkettaid alati vastavalt valmistaja juhistelet.

Töödeldav toorik tuleb kinnitada, kui ta ei seisa oma kaaluga. Ärge kunagi juhtige toorikut ketta vastu käega.

Kontrollida, et lihvketas oleks paigaldatud lihvketta tootja juhiste järgi.

Lihvketas peab mõõdulelt masinale sobima.

Kui töötamisel tekib tolmu, hoida masina ventilatsioonivad puhtad. Vajadusel tõmmata pistik kontaktist välja ning puhastada avad tolmust. Mitte puhastada metallist esemetega, sisemisi osi ei tohi kahjustada.

#### KASUTAMINE VASTAVALT OTSTARBELE

Otselühvija sobib puidu, plasti ja metalli lihvimiseks, iseäranis raskesti ligipääsetavatest kohtadest.

Antud seadet tohib kasutada ainult vastavalt äranäidatud otstarbele.

#### EÜ VASTAVUSAVALDUS

Me deklareerime ainuvastutajatena, et antud toode on kooskõlas järgmiste normide või normdokumentidega:

EN 60745-1:2009 + A11:2010

EN 60745-2-3:2011

EN 55014-1:2006 + A1:2009 + A2:2011

EN 55014-2:1997 + A1:2001 + A2:2008

EN 61000-3-2:2006 + A1:2009 + A2:2009

EN 61000-3-3:2008

vastavalt direktiivide sätetele

2011/65/EU (RoHS)

2006/42/EÜ

2004/108/EÜ



Winnenden, 2012-09-09

Rainer Kump  
Director Product Development

On volitatud koostama tehnilist dokumentatsiooni.

#### VÕRKU ÜHENDAMINE

Ühendage ainult ühefaasilise vahelduvvooluga ning ainult andmesilidil toodud võrgupingega. Ühendada on võimalik ka kaitsekontaktita pistikupesadesse, kuna nende konstruktsioon vastab kaitseklassile II.

#### HOOLDUS

Hoidke masina õhutuspilud alati puhtad.

Lühiseohtu tõttu ei tohi õhutuspiludesse sattuda metalloosi.

Kasutage ainult AEG tarvikuid ja tagavaraosi. Detailid, mille väljavahetamist pole kirjeldatud, laske välja vahetada AEG klienditeeninduspunktis (vaadake brošüüri garantii / klienditeeninduste aadressid).

Vajaduse korral võite tellida seadme läbilõikejoonise, näidates ära masina tüübi ja andmesilidil oleva kümnepühakohalise numbril. Selleks pöörduge klienditeeninduspunkti või otse: AEG Electric Tools GmbH, Max-Eyth-Straße 10, D-71364 Winnenden, Germany

#### SÜMBOLID



Palun lugege enne käikulaskmist kasutamishend hoolikalt läbi.



Masinaga töötades kandke alati kaitseprille.



Enne kõiki töid masina kallal tõmmake pistik pistikupesast välja.



Ärge käideldage kasutuskõlbmatuks muutunud elektrilisi tööriista koos olmejäätmetega! Vastavalt Euroopa Parlamendi ja nõukogu direktiivile 2002/96/EÜ elektri- ja elektroonikaseadmete jäätmete kohta ning direktiivi nõuete kohaldamisele liikmesriikides tuleb asutuskõlbmatuks muutunud elektrilised tööriista koguda eraldi ja keskkonnasäästlikult korduskasutada või ringlusse võtta.



Kaitseklass II, elektritööriist, mille puhul ei sõltu kaitse mitte üksnes baasisolatsioonist, vaid täiendavate kaitsemeetmete nagu topelisolatsiooni või tugevdatud isolatsiooni kohaldamisest.

ТЕХНИЧЕСКИЕ ДАННЫЕ	Прямошлифовальная машина	GS 500 E	GSL 600 E
Номинальная выходная мощность (Ватт).....	500 W	600 W	600 W
Номинальная мощность.....	275 W	650 W	650 W
Число оборотов без нагрузки (об/мин).....	10000-29000 min <sup>-1</sup>	10000-29000 min <sup>-1</sup>	10000-29000 min <sup>-1</sup>
Максимальное число оборотов на холостом ходу при недействующей системе ограничения числа оборотов на холостом ходу.....	38000	38000 min <sup>-1</sup>	38000 min <sup>-1</sup>
Диаметр горловины патрона.....	43 mm	.....	..... mm
Диаметр цапги.....	6 mm	.....	..... 6 mm
Макс. диаметр шлифовального абразива			
керамические или на резиновой основе абразивные материалы.....	20 mm	.....	20 mm
абразивные материалы на резиноидной основе.....	40 mm	.....	40 mm
Вес согласно процедуре EPTA 01/2003.....	1,3 kg	.....	1,9 kg

#### Информация по шумам/вибрации

Значения замерялись в соответствии со стандартом EN 60 745.

Уровень шума прибора, определенный по показателю A, обычно составляет:

Уровень звукового давления (K=3dB(A)).....	79 dB(A)	.....	79 dB(A)
Уровень звуковой мощности (K=3dB(A)).....	90 dB(A)	.....	90 dB(A)

#### Пользуйтесь приспособлениями для защиты слуха.

Общие значения вибрации (векторная сумма трех направлений) определены в соответствии с EN 60745.

Разделение и черновое шлифование: значение вибрационной эмиссии a <sub>h</sub> .....	14,5 min <sup>-1</sup>	.....	14,5 min <sup>-1</sup>
Небезопасность K = .....	1,5 min <sup>-1</sup>	.....	1,5 min <sup>-1</sup>

#### ВНИМАНИЕ

Указанный в настоящем руководстве уровень вибрации измерен в соответствии с технологией измерения, установленной стандартом EN 60745 и может использоваться для сравнения электроинструментов друг с другом. Он также подходит для предварительной оценки вибрационной нагрузки.

Указанный уровень вибрации представляет основные виды использования электроинструмента. Но если электроинструмент используется для других целей, используемый инструмент отклоняется от указанного или техническое обслуживание было недостаточным, то уровень вибрации может отклоняться от указанного. В этом случае вибрационная нагрузка в течение всего периода работы значительно увеличивается.

Для точной оценки вибрационной нагрузки необходимо также учитывать время, в течение которого прибор отключен или включен, но фактически не используется. В этом случае вибрационная нагрузка в течение всего периода работы может существенно уменьшиться.

Установите дополнительные меры безопасности для защиты пользователя от воздействия вибрации, например: техническое обслуживание электроинструмента и используемого инструмента, поддержание рук в теплом состоянии, организация рабочих процессов.

**▲ ВНИМАНИЕ! Ознакомьтесь со всеми указаниями по безопасности и инструкциями, в том числе с инструкциями, содержащимися в прилагающейся брошюре.** Упущения, допущенные при соблюдении указаний и инструкций по технике безопасности, могут стать причиной электрического поражения, пожара и тяжелых травм.  
**Сохраняйте эти инструкции и указания для будущего использования.**

#### РЕКОМЕНДАЦИИ ПО ТЕХНИКЕ БЕЗОПАСНОСТИ

**Общие предупреждающие указания по шлифованию:**

**а) Данный электроинструмент использовать в качестве шлифовальной машины. Учитывайте все предупреждающие указания, инструкции, иллюстрации и данные, которые Вы получите с электроинструментом.** При несоблюдении нижеприведенных указаний возможно поражение электротоком, возникновение пожара и/или получение серьезных травм.

**б) Данный электроинструмент не предназначен для обработки проволочной щетки, абразивного отрезания, шлифовки наждачной бумаги и полирования.** Использование электроинструмента не по назначению может вывести его из строя и нанести травмы.

**в) Не применяйте принадлежности, которые не предусмотрены изготовителем специально для настоящего электроинструмента и не рекомендуются им.** Только возможность крепления принадлежностей в Вашем электроинструменте не гарантирует еще его надежного применения.

**г) Допустимое число оборотов рабочего инструмента должно быть не менее указанного на электроинструменте максимального числа**

**оборотов.** Оснастка, вращающаяся с большей, чем допустимо скоростью, может разорваться и разлететься в пространстве.

**д) Наружный диаметр и толщина рабочего инструмента должны соответствовать размерам Вашего электроинструмента.** Неправильно соразмеренные рабочие инструменты не могут быть в достаточной степени защищены или контролироваться.

**е) Шлифовальные круги, фланцы, шлифовальные тарелки или другие принадлежности должны точно сидеть на шпинделе Вашего электроинструмента.** Рабочие инструменты, неточно сидящие на шпинделе электроинструмента, вращаются с биением, сильно вибрируют и могут привести к потере контроля.

**ж) Не применяйте поврежденные рабочие инструменты.** Проверяйте каждый раз перед использованием рабочие инструменты, как то, шлифовальные круги на сколы и трещины, шлифовальные тарелки на трещины, риски или сильный износ, проволочные щетки на незакрепленные или поломанные проволоки. После падения электроинструмента или рабочего инструмента проверяйте последний на повреждения и при надобности установите неповрежденный рабочей инструмент. После закрепления рабочего инструмента займите сами и все находящиеся вблизи лица положение за пределами плоскости вращения рабочего инструмента и включите электроинструмент на одну минуту на максимальное число оборотов. Поврежденные рабочие инструменты разрываются, в большинстве случаев, за это время контроля.

**з) Применяйте средства индивидуальной защиты. В зависимости от выполняемой работы применяйте защитный щиток для лица, защитное средство для**

**глаз или защитные очки. Насколько уместно, применяйте противопылевой респиратор, средства защиты органов слуха, защитные перчатки или специальный фартук, которые защищают Вас от абразивных частиц и частиц материала.** Глаза должны быть защищены от летающих в воздухе посторонних тел, которые возникают при выполнении различных работ. Противопылевой респиратор или защитная маска органов дыхания должны задерживать возникающую при работе пыль. Продолжительное воздействие сильного шума может привести к потере слуха.

**и) Следите за тем, чтобы все лица находились на безопасном расстоянии к Вашему рабочему участку. Каждое лицо в пределах рабочего участка должно иметь средства индивидуальной защиты.** Осколки детали или разорванных рабочих инструментов могут отлететь в сторону и стать причиной травм также и за пределами непосредственного рабочего участка.

**й) Держите электроинструмент только за изолированные поверхности рукояток, если Вы выполняете работы, при которых рабочий инструмент может попасть на скрытую электропроводку или на собственный шнур подключения питания.** Контакт с токоведущим проводом ставит под напряжение также металлические части электроинструмента и ведет к поражению электрическим током.

**к) Держите шнур подключения питания в стороне от вращающегося рабочего инструмента.** Если Вы потеряете контроль над инструментом, то шнур подключения питания может быть перерезан или захвачен вращающейся частью и Ваша кисть или рука может попасть под вращающийся рабочий инструмент.

**л) Никогда не выпускайте электроинструмент из рук, пока рабочий инструмент полностью не остановится.** Вращающийся рабочий инструмент может зацепиться за опору поверхность и в результате Вы можете потерять контроль над электроинструментом.

**м) Выключайте электроинструмент при транспортировании.** Ваша одежда может быть случайно захвачена вращающимся рабочим инструментом и последний может нанести Вам травму.

**н) Регулярно очищайте вентиляционные прорези Вашего электроинструмента.** Вентилятор двигателя затягивает пыль в корпус и большое скопление металлических пыли может привести к электрической опасности.

**о) Не пользуйтесь электроинструментом вблизи горючих материалов.** Искры могут воспламенить эти материалы.

**п) Не применяйте рабочие инструменты, требующие применение охлаждающих жидкостей.** Применение воды или других охлаждающих жидкостей может привести к поражению электротоком.

#### Обратный удар и соответствующие предупреждающие указания

Обратный удар это внезапная реакция в результате заедания или блокирования вращающегося рабочего инструмента, как то, шлифовального круга, шлифовальной тарелки, проволочной щетки и т. д., ведущая к резкому останову вращающегося рабочего инструмента. При этом неконтролируемый электроинструмент ускоряется на месте блокировки против направления вращения рабочего инструмента. Если шлифовальный круг заедает или блокирует в заготовке, то погруженная в заготовку кромок шлифовального круга может быть зажата и в результате привести к выскакиванию круга из заготовки или к обратному удару. При этом шлифовальный круг движется на оператора или от него, в зависимости от направления вращения круга на месте блокирования. При этом шлифовальный круг может поломаться.

Обратный удар является следствием неправильного использования электроинструмента или ошибки оператора. Он может быть предотвращен описанными ниже мерами предосторожности.

**а) Крепко держите электроинструмент и займите Вашим телом и руками положение, в котором Вы можете противодействовать обратным силам. При наличии, всегда применяйте дополнительную рукоятку, чтобы как можно лучше противодействовать обратным силам или реакционным моментам при наборе оборотов.** Оператор может подходить мерами предосторожности противодействовать силам обратного удара и реакционными силами.

**б) Ваша рука никогда не должна быть вблизи вращающегося рабочего инструмента.** При обратном ударе рабочий инструмент может пойти по Вашей руке.

**в) Держитесь в стороне от участка, в котором при обратном ударе будет двигаться электроинструмент.** Обратный удар ведет электроинструмент в противоположном направлении к движению шлифовального круга в месте блокирования.

**г) Особенно осторожно работайте на углах, острых кромках и т. д. Предотвращайте отскок рабочего инструмента от заготовки и его заклинивание.** Вращающийся рабочий инструмент склонен на углах, острых кромках и при отскоке к заклиниванию. Это вызывает потерю контроля или обратный удар.

**д) Не применяйте пыльные цепи или пыльные полотна.** Такие рабочие инструменты часто становятся причиной обратного удара или потери контроля над электроинструментом.

#### Специальные предупреждающие указания по шлифованию

**а) Применяйте допущенные исключительно для Вашего электроинструмента абразивные инструменты и предусмотренные для них защитные кожанки.** Абразивные инструменты, не предусмотренные для этого электроинструмента, не могут быть достаточно экранированы и не безопасны.

**б) Абразивные инструменты допускается применять только для рекомендуемых работ.**

**в) Всегда применяйте неповрежденные фланцевые гайки с правильными размерами и формой для выбранного Вами шлифовального круга.** Правильные фланцы являются опорой для шлифовального круга и уменьшают опасность его поломки. Фланцы для отрезных кругов могут отличаться от фланцев для шлифовальных кругов.

**г) Не применяйте изношенные шлифовальные круги больших электроинструментов.** Шлифовальные круги для больших электроинструментов изготовлены не для высоких скоростей вращения маленьких электроинструментов и их может разорвать.

Электроприборы, используемые во многих различных местах, в том числе на открытом воздухе, должны подключаться через устройство, предотвращающее резкое повышение напряжения.

При работе с инструментом всегда надевайте защитные очки. Рекомендуется надевать перчатки, прочные нескользящие ботинки и фартук.

Перед выполнением каких-либо работ по обслуживанию инструмента всегда вынимайте вилку из розетки. Вставляйте вилку в розетку только при выключенном инструменте.

Держите силовой провод вне рабочей зоны инструмента. Всегда прокладывайте кабель за спиной.

После выключения машина останавливается не сразу. Не касайтесь опасной пешей зоны б момент работы.

Никога не касайтесь опасной режущей зоны в момент работы.

Аксессуары должны иметь ограничение до 10,000 оборотов в минуту.

Проверяйте шлифовальные инструменты перед использованием. Длифовальный инструмент должен быть надежно закреплен и свободно вращаться. Включите инструмент на 30 секунд без нагрузки. Не пользуйтесь поврежденными; некруглыми или вибрирующими шлифовальными инструментами.

Необходимо следить за тем, чтобы искры, вылетающие с обрабатываемой поверхности, не попадали на воспламеняющиеся материалы.

Следите чтобы искры или образующаяся при работе пыль не попадали на Вас.

Перед включением инструмента затяните зажимную гайку.

В отдельных случаях возможны ремённые изменения скоростивращения в результате сильных внешних электромагнитных помех.

Всегда используйте и храните шлифовальные диски в соответствии с инструкциями производителя.

Если изделие не достаточно тяжелое и неустойчивое, то его необходимо закрепить. Никогда не подносите изделие к шлифовальному диску, держа его в руках.

Нужно проверить правильность установки шлифовального инструмента в соответствии с руководством изготовителя этого шлифовального средства.

Размеры шлифовального инструмента должны подходить к шлифовальной машине.

При работе образуется много пыли, поэтому вентиляционные прорези в машине должны быть свободными. При необходимости машину нужно отсоединить от электросети и удалить пыль. Для такой работы нужно использовать неметаллические предметы. Не повреждайте внутренние части машины.

## ИСПОЛЬЗОВАНИЕ

Прямые шлифмашины может использоваться для шлифования деревянных, пластиковых и металлических поверхностей.

Не пользуйтесь данным инструментом способом, отличным от указанного для нормального применения.

## ДЕКЛАРАЦИЯ О СООТВЕТСТВИИ СТАНДАРТАМ ЕС

Мы заявляем что этот продукт соответствует следующим стандартам:

EN 60745-1:2009 + A1:2010  
EN 60745-2-3:2011  
EN 55014-1:2006 + A1:2009 + A2:2011  
EN 55014-2:1997 + A1:2001 + A2:2008  
EN 61000-3-2:2006 + A1:2009 + A2:2009  
EN 61000-3-3:2008

в соответствии с правилами  
2011/65/EU (RoHS)  
2006/42/EC  
2004/108/EC



Winnenden, 2012-09-09

*Rainer Kumpf*

Rainer Kumpf  
Director Product Development

Уполномочен на составление технической документации.

## ПОДКЛЮЧЕНИЕ К ЭЛЕКТРОСЕТИ

Подсоединять только к однофазной сети переменного тока с напряжением, соответствующим указанному на инструменте. Электроинструмент имеет второй класс защиты, что позволяет подключать его к розеткам электропитания без заземляющего вывода.

## ОБСЛУЖИВАНИЕ

Всегда держите охлаждающие отверстия чистыми.

Не приближайте металлические предметы к вентиляционным отверстиям из-за опасности короткого замыкания!

Пользуйтесь аксессуарами и запасными частями только фирмы AEG. В случае возникновения необходимости в замене, которая не была описана, пожалуйста, обращайтесь на один из сервисных центров (см. список наших гарантийных/сервисных организаций).

При необходимости может быть заказан чертеж инструмента с трехмерным изображением деталей. Пожалуйста, укажите десятизначный номер и тип инструмента и закажите чертеж у Ваших местных агентов или непосредственно у AEG Electric Tools GmbH, Max-Eyth-Straße 10, D-71364 Winnenden, Germany

## СИМВОЛЫ



Пожалуйста, внимательно прочтите инструкцию по использованию перед началом любых операций с инструментом.



При работе с инструментом всегда надевайте защитные очки.



Перед выполнением каких-либо работ по обслуживанию инструмента всегда вынимайте вилку из розетки.



Не выбрасывайте электроинструмент с бытовыми отходами! Согласно Европейской директиве 2002/96/EC по отходам от электрического и электронного оборудования и соответствующим нормам национального права вышедшие из употребления электроинструменты подлежат сбору отдельно для экологически безопасной утилизации.



Класс защиты II, электроинструмент, в котором защита от поражения электрическим током зависит не только от базовой изоляции, но и от дополнительных защитных мер, таких как двойная изоляция или усиленная изоляция.



Соответствие техническому регламенту



Национальный знак відповідності України

## ТЕХНИЧЕСКИ ДАННИ

	Челни шлайфмашины	GS 500 E	GSL 600 E
Номинална консумирана мощност.....	500 W	600 W	600 W
Отдавана мощност.....	275 W	650 W	650 W
Обороти на празен ход.....	10000-29000 min <sup>-1</sup>	10000-29000 min <sup>-1</sup>	10000-29000 min <sup>-1</sup>
Макс. обороти на празен ход, когато не действат ограничителите на оборотите на празен ход.....	38000	38000	38000 min <sup>-1</sup>
Диаметър на отвора на патронника.....	43 mm	43 mm	43 mm
Диаметър на затягащите цапги.....	6 mm	6 mm	6 mm
Макс. диаметър на абразивното тяло			
Абразивно тяло с керамична или гумена връзка.....	20 mm	20 mm	20 mm
Абразивно тяло с връзка на база изкуствена смола.....	40 mm	40 mm	40 mm
Тегло съгласно процедурата EPTA 01/2003.....	1,3 kg	1,3 kg	1,9 kg

## Информация за шума/вибрациите

Измерените стойности са получени съобразно EN 60 745.

Оцененото с A ниво на шума на уреда е съответно:

Ниво на звукова мощност (K = 3 dB(A)).....	79 dB(A)	79 dB(A)
Ниво на звукова мощност (K = 3 dB(A)).....	90 dB(A)	90 dB(A)

## Да се носи предпазно средство за слуха!

Общите стойности на вибрациите (векторна сума на три посоки) са определени в съответствие с EN 60745.

Рязане и грубо шлайфване: стойност на емисии на вибрациите a <sub>h</sub> .....	14,5 min <sup>-1</sup>	14,5 min <sup>-1</sup>
Несигурност K = .....	1,5 min <sup>-1</sup>	1,5 min <sup>-1</sup>

## ВНИМАНИЕ

Посоченото в тези инструкции ниво на вибрациите е измерено в съответствие със стандартизиран в EN 60745 измервателен метод и може да се използва за сравнение на електрически инструменти помежду им. Подходящ е и за временна оценка на вибрационното натоварване.

Посоченото ниво на вибрациите представя основните приложения на електрическия инструмент. Ако обаче електрическият инструмент се използва с друго предназначение, с различни сменяеми инструменти или при недостатъчна техническа поддръжка, нивото на вибрациите може да е различно. Това чувствително може да увеличи вибрационното натоварване по време на целия работен цикъл.

За точната оценка на вибрационното натоварване трябва да се вземат предвид и периодите от време, в които уредът е изключен или работи, но в действителност не се използва. Това чувствително може да намали вибрационното натоварване по време на целия работен цикъл.

Определете допълнителни мерки по техника на безопасност в защита на обслужващия работник от въздействието на вибрациите като например: техническа поддръжка на електрическия инструмент и сменяемите инструменти, поддръжане на ръцете топли, организация на работния цикъл.

**⚠ ВНИМАНИЕ! Прочетете указанията за безопасност и съветите в приложената брошура.** Неспазването на приведените по-долу указания може да доведе до токов удар, пожар и/или тежки травми.  
**Съхранявайте тези указания на сигурно място.**

## СПЕЦИАЛНИ УКАЗАНИЯ ЗА БЕЗОПАСНОСТ

**Общи указания за безопасна работа при шлифоване с диск и с шкурка:**

**а) Този електрически инструмент следва да се използва като шлайфмашина. Спазвайте всички указания и предупреждения, съобразявайте се с приведените технически параметри и изображения.** Ако не спазвате посочените по-долу указания, последствията могат да бъдат токов удар, пожар и/или тежки травми.

**б) Този електрически инструмент не е подходящ за използване като телена четка, за рязане, търкане със шкурка и полиране.** Ако се използва за цели, за които не е предвиден, този електроуред може да доведе до опасност и наранявания.

**в) Не използвайте допълнителни приспособления, които не се препоръчват от производителя специално за този електроинструмент.** Фактът, че можете да закрепите към машината определено приспособление или работен инструмент, не гарантира безопасна работа с него.

**г) Допустимата скорост на въртене на работния инструмент трябва да е най-малкото равна на изписаната на табелката на електроинструмента максимална скорост на въртене.** Работни инструменти, които се въртят с по-висока скорост от допустимата, могат да се счупят и парчета от тях да отхвърчат с висока скорост.

**д) Външният диаметър и дебелината на работния инструмент трябва да съответстват на данните, посочени в техническите характеристики на Вашия електроинструмент.** Работни инструменти с неподходящи размери не могат да бъдат екранирани по необходимия начин или да бъдат контролирани достатъчно добре.

**е) Шлифовачите дискове, фланци, подложните дискове или другите приложни инструменти трябва да пасват точно на вала на Вашия електроинструмент.** Работни инструменти, които не пасват точно на вала на електроинструмента, се въртят неравномерно, вибрират силно и могат да доведат до загуба на контрол над машината.

**ж) Не използвайте повредени работни инструменти.** Преди всяка употреба проверявайте работните инструменти, напр. абразивните дискове за пукнатини или откърени ръбчета, подложните дискове за пукнатини или силно износване, телените четки за недобре захванати или счупени телчета. Ако изтървете електроинструмента или работния инструмент, ги проверявайте внимателно за увреждания или използвайте нови неповредени работни инструменти. След като сте проверили внимателно и сте монтирали работния инструмент, оставете електроинструмента да работи на максимални обороти в продължение на една минута; стойте и дръжте намиращи се наблизо лица встрани от равнината на въртене. Най-често повредени работни инструменти се чупят през този тестов период.

**з) Работете с лични предпазни средства. В зависимост от приложението работете с цяла маска за лице, защита за очите или предпазни очила. Ако е необходимо, работете с дихателна маска, шумозаглушители (антифони), работни**

**обувки или специализирана престилка, която Ви предпазва от малки открити при работата частички.** Очите Ви трябва да са защитени от летящите в зоната на работа частички. Противопраховата или дихателната маска филтрират възникващия при работа прах. Ако продължително време сте изложени на силен шум, това може да доведе до загуба на слух.

**и) Внимавайте други лица да бъдат на безопасно разстояние от зоната на работа. Всеки, който се намира в зоната на работа, трябва да носи лични предпазни средства.** Открити парченца от обработвания детайл или работния инструмент могат в резултат на силното ускорение да отлетят надалече и да предизвикат наранявания също и извън зоната на работа.

**й) Ако изпълнявате дейности, при които съществува опасност работният инструмент да попадне на скрити проводници под напрежение или да засегне захранващия кабел, допирайте електроинструмента само до електроизолираните ръкохватки.** При влизане на работния инструмент в контакт с проводници под напрежение то се предава по металните детайли на електроинструмента и това може да доведе до токов удар.

**к) Дръжте захранващия кабел на безопасно разстояние от въртящите се работни инструменти.** Ако изгубите контрол над електроинструмента, кабелът може да бъде прерязан или увлечен от работния инструмент и това да предизвика наранявания, напр. на ръката Ви.

**л) Никога не оставяйте електроинструмента, преди работният инструмент да спре напълно въртенето си.** Въртящия се инструмент може да допре до предмет, в резултат на което да загубите контрол над електроинструмента.

**м) Докато пренасяте електроинструмента, не го оставяйте включен.** При неволно допир дрехите или косите Ви могат да бъдат увлечени от работния инструмент, в резултат на което работният инструмент може да се вреже в тялото Ви.

**н) Редовно почиствайте вентилационните отвори на Вашия електроинструмент.** Турбината на електродвигателя засмуква прах в корпуса, а натрупването на метален прах увеличава опасността от токов удар.

**о) Не използвайте електроинструмента в близост до леснозапалими материали.** Летящи искри могат да предизвикат възпламеняването на такива материали.

**п) Не използвайте работни инструменти, които изискват прилагането на охлаждащи течности.** Използването на вода или други охлаждащи течности може да предизвика токов удар.

#### Откат и съвети за избягването му

Откат е внезапната реакция на машината вследствие на заклинване или блокиране на въртящия се работен инструмент, напр. абразивен диск, гумен подложен диск, телена четка и др. п. Заклинването или блокирането води до рязкото спиране на въртенето на работния инструмент. Вследствие на това електроинструментът получава силно ускорение в посока, обратна на посоката на движение на инструмента в точката на блокиране, и става неуправляем.

Ако напр. абразивен диск се заклени или блокира в обработваното изделие, ръбът на диска, който допира детайла, може да се огъне и в резултат дискът да се счупи или да възникне откат. В такъв случай дискът се ускорява към работещата с машината или в обратна посока, в зависимост от посоката на въртене на диска и мястото на заклинване. В такива случаи абразивните дискове могат и да се счупят.

Откат възниква в резултат на неправилно или погрешно използване на електроинструмента. Възникването му

може да бъде предотвратено чрез спазването на подходящи предпазни мерки, както е описано по-долу.

**а) Дръжте електроинструмента здраво и дръжте ръцете и тялото си в такава позиция, че да противостоите на евентуално възникващ откат. Ако електроинструментът има спомагателна ръкохватка, винаги я използвайте, за да го контролирате по-добре при откат или при възникващите реакционни моменти по време на включване.** Ако предварително вземете подходящи предпазни мерки, при възникване на откат или силни реакционни моменти можете да овладеете машината.

**б) Никога не поставяйте ръцете си в близост до въртящи се работни инструменти.** Ако възникне откат, инструментът може да нарани ръката Ви.

**в) Избягвайте да заставате в зоната, в която би отскочил електроинструментът при възникване на откат.** Откатът премества машината в посока, обратна на посоката на движение на работния инструмент в зоната на блокиране.

**г) Работете особено предпазливо в зоните на ъгли, остри ръбове и др. п. Избягвайте отблъскването или заклинването на работните инструменти в обработвания детайл.** При обработване на ъгли или остри ръбове или при рязко отблъскване на въртящия се работен инструмент съществува повишена опасност от заклинване. Това предизвиква загуба на контрол над машината или откат.

**д) Не използвайте верижни или назъбени режещи листове.** Такива работни инструменти често предизвикват откат или загуба на контрол над електроинструмента.

#### Специални указания за безопасна работа при шлифоване

**а) Използвайте само предвидените за Вашия електроинструмент абразивни дискове и предназначения за използвания абразивен диск предпазен кожух.** Абразивни дискове, които не са предназначени за електроинструмента, не могат да бъдат екранирани добре и не гарантират безопасна работа.

**б) Допуска се използването на абразивните дискове само за целите, за които те са предвидени.**

**в) Винаги използвайте застопоряващи фланци, които са в безукорно състояние и съответстват по размери и форма на използвания абразивен диск.** Използването на подходящ фланец предпазва диска и по този начин намалява опасността от счупването му. Застопоряващите фланци за режещи дискове могат да се различават от тези за дискове за шлифоване.

**г) Не използвайте износени абразивни дискове от по-големи електроинструменти.** Дисковете за по-големи машини не са предназначени за въртене с високите скорости, с които се въртят по-малките, и могат да се счупят.

Контактите във външните участъци трябва да бъдат оборудвани със защитни прекъсвачи за утечен ток. Това изисква предписанието за инсталиране за електрическата инсталация. Моля спазвайте това при използване на Вашия уред.

При работа с машината винаги носете предпазни очила. Препоръчват се също така предпазни ръкавици, здрави и нехлъзгащи се обувки, както и престилка.

Преди каквито и да е работи по машината извадете щепсела от контакта.

Свързвайте машината към контакта само в изключено положение.

Свързващият кабел винаги да се държи извън работния обсег на машината. Кабелът да се отвежда от машината винаги назад.

Шпинделът на инструмента продължава да се върти, след като уредът е бил изключен. Оставете машината чак когато е спряла напълно.

Не бъркайте в зоната на опасност на работещата машина.

Да се използват само работни инструменти, чиято допустима честота на въртене е най-малкото толкова голяма, колкото максималната честота на въртене на машината при празен ход.

Преди използване проверявайте абразивните инструменти. Абразивният инструмент трябва да е монтиран безупречно и да може да се върти свободно. Правете пробно въртене най-малко 30 секунди без товар. Да не се използват повредени, некръгли или вибриращи абразивни инструменти.

При шлифоване на метали възниква искрене. Обърнете внимание да не бъдат застрашени хора. Поради опасност от пожар наблизко (в обсега на искрите) не бива да се намират горими материали. Да не се използва прахоулавяне.

Дръжте уреда винаги така, че искрите или образуващият се при шлифоването прах да отлитат настрани от тялото. Преди пускане на машината стягащата гайка трябва да бъде затегната.

При въздействие на екстремни външни електромагнитни смущения в отделни случаи могат да възникнат временни колебания на честотата на въртене.

Абразивните дискове винаги да се използват и съхраняват съобразно данните на производителя.

Обработваният материал трябва да бъде затегнат здраво, ако не се държи от собственото си тегло. Никога не водете материала с ръка срещу диска.

Уверете се, че шлифовъчният инструмент е поставен съобразно указанията на производителя на шлифовъчното средство.

Размерите на шлифовъчния инструмент трябва да пасват към шлифовъчната машина.

При прашни работи вентилационните отвори на машината трябва да са свободни. Ако е необходимо, изключете машината от мрежата и почистете праха. За целта използвайте неметални предмети и не повреждайте вътрешни части.

#### ИЗПОЛЗВАНЕ ПО ПРЕДНАЗНАЧЕНИЕ

Правят шлайф е подходящ за шлифоване на дърво, пластмаса и метал, по-специално на трудно достъпни места.

Този уред може да се използва по предназначение само както е посочено.

#### СЕ - ДЕКЛАРАЦИЯ ЗА СЪОТВЕТСТВИЕ

Декларираме на собствена отговорност, че този продукт съответства на следните стандарти или нормативни документи:

EN 60745-1:2009 + A11:2010

EN 60745-2-3:2011

EN 55014-1:2006 + A1:2009 + A2:2011

EN 55014-2:1997 + A1:2001 + A2:2008

EN 61000-3-2:2006 + A1:2009 + A2:2009

EN 61000-3-3:2008

съобразно предписанията на директивите

2011/65/EU (RoHS)

2006/42/EU

2004/108/EU



Winnenden, 2012-09-09

Rainer Kumpf  
Director Product Development

Упълномощен за съставяне на техническата документация

#### ЗАЩИТА НА ДВИГАТЕЛЯ В ЗАВИСИМОСТ ОТ НАТОВАРВАНЕТО

Да се свързва само към еднофазен променлив ток и само към мрежово напрежение, посочено върху заводската табелка. Възможно е и свързване към контакт, който не е от тип "шuko", понеже конструкцията е от защитен клас II.

#### ПОДДРЪЖКА

Вентилационните шлицы на машината да се поддържат винаги чисти.

Във вентилационните шлицы не бива да попадат метални части поради опасност от късо съединение.

Да се използват само аксесоари на AEG и резервни части на. Елементи, чията подмяна не е описана, да се дадат за подмяна в сервис на AEG (вижте брошурата "Гаранция и адреси на сервиси").

При необходимост можете да поискате за уреда от Вашия сервис или директно от AEG Electric Tools GmbH, Max-Eyth-Straße 10, D-71364 Winnenden, Germany, чертеж за в случай на експлозия, като посочите типа на машината и десетцифрения номер върху заводската табелка.

#### СИМВОЛИ



Преди пускане на уреда в действие моля прочетете внимателно инструкцията за използване.



При работа с машината винаги носете предпазни очила.



Преди всякакви работи по машината извадете щепсела от контакта.



Не изхвърляйте електроинструменти при битовите отпадъци! Съобразно Европейския директива 2002/96/EO за стари електрически и електронни уреди и нейното реализиране в националното законодателство изхабените електроинструменти трябва да се събират отделно и да се предават в пункт за екологосъобразно рециклиране.



Клас на защита II, електроинструмент, който защита срещу токов удар зависи не само от основното изолиране, а при която се използват допълнителни предпазни мерки, като двойна изолация или подсилена изолация.

DATE TEHNICE	Polizor drept	GS 500 E	GSL 600 E
Putere nominală de ieșire.....	500 W	600 W	600 W
Putere de ieșire .....	275 W	650 W	650 W
Viteza la mers în gol .....	10000-29000 min <sup>-1</sup>	10000-29000 min <sup>-1</sup>	10000-29000 min <sup>-1</sup>
Viteza maximă de mers în gol în caz de limitare ineficientă a vitezei de mers în gol .....	38000	38000	38000 min <sup>-1</sup>
Diametru gât mandrină .....	43 mm	43 mm	43 mm
Diametru inel de strângere .....	6 mm	6 mm	6 mm
Diam. max. corp de rectificat abraziv			
Produs abraziv cu lianți de ceramică sau cauciuc .....	20 mm	20 mm	20 mm
Produs abraziv cu lianți de bachelita .....	40 mm	40 mm	40 mm
Greutatea conform „EPTA procedure 01/2003” .....	1,3 kg	1,3 kg	1,9 kg

#### Informație privind zgomotul/vibrațiile

Valori măsurate determinate conform EN 60 745.

Nivelul de zgomot evaluat cu A al aparatului este tipic de:

Nivelul presiunii sonore (K = 3 dB(A)).....79 dB(A).....79 dB(A)

Nivelul sunetului (K = 3 dB(A)).....90 dB(A).....90 dB(A)

#### Purtați căști de protecție

Valorile totale de oscilație (suma vectorială pe trei direcții)

determinate conform normei EN 60745.

Polizarea de rețezare și de degroșare: valoarea emisiei de oscilații a<sub>n</sub> .....14,5 min<sup>-1</sup>.....14,5 min<sup>-1</sup>

Nesiguranță K = .....1,5 min<sup>-1</sup>.....1,5 min<sup>-1</sup>

#### AVERTISMENT

Gradul de oscilație indicat în prezentele instrucțiuni a fost măsurat în conformitate cu o procedură de măsurare normată prin norma EN 60745 și poate fi folosit pentru a compara uneltele electrice între ele. El se pretează și pentru o evaluare provizorie a solicitării la oscilații.

Gradul de oscilație indicat reprezintă aplicațiile principale ale uneltelor electrice. În cazul în care însă uneltele electrice au fost folosite pentru alte aplicații, ori au fost folosite uneltele de muncă diferite ori acestea nu au fost supuse unei suficiente inspecții de întreținere, gradul de oscilație poate fi diferit. Acest fapt poate duce la o creștere netă a solicitărilor la oscilații dealungul întregii perioade de lucru.

În scopul unei evaluări exacte a solicitării la oscilații, urmează să fie luate în considerație și perioadele de timp în care aparatul a fost oprit ori funcționează dar, în realitate, el nu este folosit în mod practic. Acest fapt poate duce la o reducere netă a solicitărilor la oscilații dealungul întregii perioade de lucru.

Stabiliți măsuri de siguranță suplimentare în scopul protecției utilizatorului de efectele oscilațiilor, de exemplu: inspecție de întreținere a uneltelor electrice și a celor de muncă, păstrarea caldă a mâinilor, organizarea proceselor de muncă.

#### ⚠️ AVERTISMENT! Citiți toate avizele de siguranță și indicațiile, chiar și cele din borșura alăturată.

Nerespectarea indicațiilor de avertizare și a instrucțiunilor poate provoca electrocutare, incendii și/sau răniri grave.

**Păstrați toate indicațiile de avertizare și instrucțiunile în vederea utilizărilor viitoare.**

#### INSTRUCȚIUNILE DE SECURITATE

**Avertismente comune pentru șlefuire:**

**a) Această sculă electrică se va folosi ca polizor. Citiți toate avertizările de siguranță, instrucțiunile, ilustrațiile și specificațiile relative acestei unelte.** Nerespectarea tuturor instrucțiunilor poate duce la accidente de curent electric, incendiu sau răniri grave.

**b) Această sculă electrică nu este adecvată pentru operațiuni de șlefuire cu peria de sârmă, tăiere, șlefuire cu hârtie abrazivă și lustruire.** Utilizarea sculei electrice la operații pentru care nu este concepută poate cauza pericole și accidente.

**c) Nu folosiți dispozitive de lucru care nu sunt prevăzute și recomandate în mod special de către producător pentru această sculă electrică.** Faptul în sine că dispozitivul respectiv poate fi montat pe scula dumneavoastră electrică nu garantează în niciun caz utilizarea lui sigură.

**d) Turația admisă a dispozitivului de lucru trebuie să fie cel puțin egală cu turația maximă indicată pe scula electrică.** Un accesoriu care se rotește mai repede decât este admis, se poate rupe, iar bucățiile desprinse pot zbura în toate părțile.

**e) Diametrul exterior și grosimea dispozitivului de lucru trebuie să corespundă datelor dimensionale ale sculei dumneavoastră electrice.** Dispozitivele de lucru greșit dimensionate nu pot fi protejate sau controlate în suficientă măsură.

**f) Discurile de șlefuit, flanșele, discurile abrazive sau celelalte accesorii trebuie să se potrivească exact pe arborele de polizat al sculei dumneavoastră electrice.**

tensiune și componentele metalice ale sculei electrice și duce la electrocutare.

**k) Tineți cablul de alimentare departe de dispozitivele de lucru care se roteesc.** Dacă pierdeți controlul asupra mașinii, cablul de alimentare poate fi tăiat sau prins iar mâna sau brațul dumneavoastră poate nimeri sub dispozitivul de lucru care se rotește.

**l) Nu puneți niciodată jos scula electrică înainte ca dispozitivul de lucru să se fi oprit complet.** Dispozitivul de lucru care se rotește poate ajunge în contact cu suprafața de sprijin, fapt care vă poate face să pierdeți controlul asupra sculei electrice.

**m) Nu lăsați scula electrică să funcționeze în timp ce o transportați.** În urma unui contact accidental cu dispozitivul de lucru care se rotește, acesta vă poate prinde îmbrăcămintea și chiar pătrunde în corpul dumneavoastră.

**n) Curățați regulat fantele de aerisire ale sculei dumneavoastră electrice.** Ventilatorul motorului atrage praf în carcasă iar acumularea puternică de pulberi metalice poate provoca pericole electrice.

**o) Nu folosiți scula electrică în apropierea materialelor inflamabile.** Scântele pot duce la aprinderea acestor materiale.

**p) Nu folosiți dispozitive de lucru care necesită agenți de răcire lichizi.** Folosirea apei sau a altor agenți de răcire lichizi poate duce la electrocutare.

#### Recul și avertismente corespunzătoare

Reculul este reacția bruscă apărută la agățarea sau blocarea unui dispozitiv de lucru care se rotește, cum ar fi un disc de șlefuit, un disc abraziv, o perie de sârmă, etc. Agățarea sau blocarea duce la oprirea bruscă a dispozitivului de lucru care se rotește. Aceasta face, ca scula electrică necontrolată să fie accelerată în punctul de blocare, în sens contrar direcției de rotație a dispozitivului de lucru.

Dacă, de exemplu, un disc de șlefuit se agăță sau se blochează în piesa de lucru, marginea discului de șlefuit care penetrează direct piesa de lucru se poate agăța în aceasta și duce astfel la smulgerea discului de șlefuit sau poate provoca recul. Discul de șlefuit se va deplasa către operator sau în sens opus acestuia, în funcție de direcția de rotație a discului în punctul de blocare. În această situație discurile de șlefuit se pot chiar rupe.

Un recul este consecința utilizării greșite sau defectuoase a sculei electrice. El poate fi împiedicat prin măsuri preventive adecvate, precum cele descrise în continuare.

**a) Tineți bine scula electrică și aduceți-vă corpul și brațele într-o poziție în care să puteți controla forțele de recul.** Folosiți întotdeauna un mâner suplimentar, în caz că acesta există, pentru a avea un control maxim asupra forțelor de recul sau a momentelor de reacție la turații înalte. Operatorul poate stăpâni forțele de recul și de reacție prin măsuri preventive adecvate.

**b) Nu apropiați niciodată mâna de dispozitivele de lucru aflate în mișcare de rotație.** În caz de recul dispozitivul de lucru se poate deplasa peste mâna dumneavoastră.

**c) Evitați să staționați cu corpul în zona de mișcare a sculei electrice în caz de recul.** Reculul proiectează scula electrică într-o direcție opusă mișcării discului de șlefuit din punctul de blocare.

**d) Lucrați extrem de atent în zona colțurilor, muchiilor ascuțite, etc. Impiedicați ricoșarea dispozitivului de lucru de pe piesa de lucru și blocarea acestuia.** Dispozitivul de lucru aflat în mișcare de rotație are tendința să se blocheze în colțuri, pe muchii ascuțite sau când ricoșează în urma izbiriilor. Aceasta duce la pierderea controlului sau la recul.

**e) Nu folosiți pânze de ferăstrău pentru lemn sau pânze dinate.** Asemenea dispozitive de lucru provoacă frecvent recul sau duc la pierderea controlului asupra sculei electrice.

#### Avertismente speciale privind șlefuirea

**a) Folosiți numai corpuri abrazive admise pentru scula dumneavoastră electrică și o apărătoare de protecție prevăzută pentru aceste corpuri abrazive.** Corpurile abrazive care nu sunt prevăzute pentru această sculă electrică nu pot fi acoperite și protejate suficient, fiind nesigure.

**b) Corpurile abrazive trebuie folosite numai pentru posibilitățile de utilizare recomandate.**

**c) Folosiți întotdeauna flanșe de prindere nedeteriorate având dimensiuni și forme corespunzătoare discului de șlefuit ales de dumneavoastră.** Flanșele adecvate sprijină discul de șlefuit diminuând astfel pericolul ruperii acestuia. Flanșele pentru discuri de tăiere pot fi diferite față de flanșele pentru alte discuri de șlefuit.

**d) Nu întrebuințați discuri de șlefuit uzate provenind de la scule electrice mai mari.** Discurile de șlefuit pentru scule electrice mai mari nu sunt concepute pentru turațiile mai ridicate ale sculelor electrice mai mici și se pot rupe.

Aparatele utilizate în multe locații diferite inclusiv în aer liber trebuie conectate printr-un disjuncteur care previne comutarea.

Purtați întotdeauna ochelari de protecție atunci când utilizați mașina. Se recomandă purtarea mănușilor, a încălțămîntei solide nealunecoase și sortului de protecție.

Întotdeauna scoateți stecarul din priză înainte de a efectua intervenții la mașină.

Conectați la rețea numai când mașina este oprită.

Pastrăți cablul de alimentare la o distanță de aria de lucru a mașinii. Întotdeauna țineți cablul în spatele dvs.

După deconectare, mașina nu se oprește imediat (post-cursa a axului de lucru). Lasați mașina sa se oprească înainte de a o așeza.

Nu intrați niciodată în zona de pericol a plăcii când este în mișcare.

Utilizați numai scule a caror viteză admisă este cel puțin la fel de mare ca și cea mai mare viteză de mers în gol a mașinii.

Verificați sculele de șlefuit înainte de utilizare. Scula de șlefuit trebuie să fie montată corespunzător și să se învârtă liber. Faceți o probă de funcționare timp de cel puțin 30 secunde în gol. Nu utilizați scule deteriorate, deformate sau vibrante.

Când se șlefuieste metal, se produc scântei zburătoare. Aveți grijă că nici o persoană să nu fie pusă în pericol. Datorită pericolului de incendiu, nici un material combustibil nu trebuie să fie amplasat în vecinătate (în zona de zbor a scânteiilor)

Aveți grijă că nici o scânteaie sau praf de șlefuit să nu

Piulița de reglare trebuie să fie strânsă înainte de începerea lucrului cu această mașină.

Sub efectul interferențelor magnetice extreme din exterior, variațiile temporare ale vitezei de rotație pot crește în cazuri particulare.

Întotdeauna utilizați și păstrați discurile de șlefuire numai în conformitate cu instrucțiunile producătorului.

Piesa de prelucrat trebuie fixată dacă nu este suficient de grea pentru a fi stabilă. Nu îndreptați niciodată piesa de prelucrat către discul polizorului cu mina dvs.

Asigurați-vă că uneltele de șlefuit au fost montate conform indicațiilor producătorului agentului de șlefuit.

Dimensiunile uneltei de șlefuit trebuie să se preteze pentru aparatul de șlefuit.

În cazul unor lucrări la care se formează praf, găurile de aerisire ale mașinii vor rămâne libere. Dacă este necesar, mașina va fi deconectată de la curent și se va îndepărta praful. În acest scop se vor folosi obiecte nemetalice și nu se vor deteriora piesele interioare.



## CONDIȚII DE UTILIZARE SPECIFICATE

Polizoarele rectilinii sunt potrivite pentru lucrul cu lemn, metal, plastic sau materiale similare, special în colțuri și locuri greu accesibile.

Nu utilizați acest produs în alt mod decât cel stabilit pentru utilizare normală

## DECLARAȚIE DE CONFORMITATE

Declarăm pe propria răspundere că acest produs este în conformitate cu următoarele standarde sau documente standardizate

EN 60745-1:2009 + A11:2010  
EN 60745-2-3:2011  
EN 55014-1:2006 + A1:2009 + A2:2011  
EN 55014-2:1997 + A1:2001 + A2:2008  
EN 61000-3-2:2006 + A1:2009 + A2:2009  
EN 61000-3-3:2008  
În conformitate cu reglementările  
2011/65/EU (RoHS)  
2006/42/CE  
2004/108/CE



Winnenden, 2012-09-09

Rainer Kumpf  
Director Product Development

Împuternicit să elaboreze documentația tehnică.

## ALIMENTARE DE LA REȚEA

Conectați numai la priza de curent alternativ monofazat și numai la tensiunea specificată pe placa indicatoare. Se permite conectarea și la prize fără împământare dacă modelul se conformează clasei II de securitate.

## INTREȚINERE

Fantele de aerisire ale mașinii trebuie să fie menținute libere tot timpul

Nu lăsați nici o piesă metalică să intre în fantele de aerisire - pericol de scurt circuit.

Utilizați numai accesorii și piese de schimb AEG. Dacă unele din componente care nu au fost descrise trebuie înlocuite, vă rugăm contactați unul din agenții de service AEG (vezi lista noastră pentru service / garanție)

Dacă este necesară, se poate comanda o imagine descompusă a sculei. Vă rugăm menționați numărul art. Precum și tipul mașinii tipărit pe etichetă și comandați desenul la agenții de service locali sau direct la AEG Electric Tools GmbH, Max-Eyth-Straße 10, D-71364 Winnenden, Germany

## SIMBOLURI



Va rugăm citiți cu atenție instrucțiunile înainte de pornirea mașinii



Purtați întotdeauna ochelari de protecție când utilizați mașina.



Întotdeauna scoateți stecherul din priză înainte de a efectua intervenții la mașină.



Nu aruncați scule electrice în gunoier menajer! Conform directivei europene nr. 2002/96/EC referitor la aparate electrice și electronice uzate precum și la transpunerea acestora în drept național, sculele electrice trebuie colectate separat și introduse într-un circuit de reciclare ecologic.



Clasa de protecție II, scule electrice la care protecția împotriva curentării nu depinde numai de izolația de bază, ci la care se folosesc măsuri de protecție suplimentare precum izolația dublă sau izolația ranforsată.

## ТЕХНИЧКИ ПОДАТОЦИ

	Брусилка	GS 500 E	GSL 600 E
Определен внес	500 W	600 W	600 W
Излез	275 W	650 W	650 W
Брзина без оптоварување	10000-29000 min <sup>-1</sup>	10000-29000 min <sup>-1</sup>	10000-29000 min <sup>-1</sup>
Максимална брзина без оптоварување при неафективно ограничување на брзина без оптоварување	38000	38000	38000 min <sup>-1</sup>
Дијаметар на вратот на врв	43 mm	43 mm	43 mm
Дијаметар на прстенот	6 mm	6 mm	6 mm
Максимален дијаметар на површината на абразивно шмирглање			
Абразивен производ за керамичко или гумено лепенје	20 mm	20 mm	20 mm
Абразивен производ за лепење	40 mm	40 mm	40 mm
Тежина според ЕПТА-процедурата 01/2003	1,3 kg	1,3 kg	1,9 kg

## Информација за бучавата/вибрациите

Измерените вредности се одредени согласно стандардот EN 60 745.

A-оценетото ниво на бучава на апаратот типично изнесува:

Ниво на звучен притисок. (K=3dB(A))	79 dB(A)	79 dB(A)
Ниво на јачина на звук. (K=3dB(A))	90 dB(A)	90 dB(A)

## Носте штитник за уши.

Вкупни вибрациски вредности (векторски збир на трите насоки) пресметани согласно EN 60745.

Типично очекувани нивоа на звук. Вибрациска емисиона вредност a <sub>w</sub>	14,5 min <sup>-1</sup>	14,5 min <sup>-1</sup>
Несигурност K	1,5 min <sup>-1</sup>	1,5 min <sup>-1</sup>

## ПРЕДУПРЕДУВАЊЕ

Нивото на осцилација наведено во овие инструкции е измерено во согласност со мерните постапки нормирани во EN 60745 и може да биде употребено за меѓусебна споредба на електро-алати. Ова ниво може да се употреби и за привремена проценка на оптоварувањето на осцилацијата.

Наведеното ниво на осцилација ги репрезентира главните намени на електро-алатот. Но, доколку електро-алатот се употребува за други намени, со отстапувачки податоци или со несоодветно одржување, нивото на осцилација може да отстапи. Тоа може значително да го зголеми оптоварувањето на осцилацијата за време на целиот работен период.

За прецизна проценка на оптоварувањето на осцилацијата предвид треба да бидат земени и времињата, во коишто апаратот е исклучен или работи, но фактички не се употребува. Тоа може значително да го намали оптоварувањето на осцилацијата за време на целиот работен период.

Утврдете дополнителни безбедносни мерки за заштита на операторот од влијанието на осцилациите, како на пример: одржување на електро-алатот и на податоци кон електро-алатот, одржување топли раце, организација на работните процеси.

**⚠ ПРЕДУПРЕДУВАЊЕ!** Прочитајте ги сите безбедносни упатства и инструкции. Заборавање на почитувањето на безбедносните упатства и инструкции можат да предизвикаат електричен удар, пожар и/или тешки повреди. **Сочувајте ги сите безбедносни упатства и инструкции за во иднина.**

## УПАТСТВО ЗА УПОТРЕБА

Заеднички безбедносни упатства за брусење:

- Овој електро-алат треба да се употребува како острач. Почитувајте ги сите безбедносни упатства, упатства за работа, прикази и податоци што ги добивате заедно со електричниот алат. Доколку не ги почитувате следните упатства, може да дојде до електричен удар, до пожар и/или до тешки повреди.
- Овој електро-алат не е погоден за користење како жичана четка, за острење за сечење, мазнење како со рапава хартија и полирање. Секакви употреби, за кои овој алат не е предвиден, можат да предизвикаат загрозувања и повреди.
- Не употребувајте прибор што не е предвиден и препорачан од производителот специјално за овој електро-алат. Доколку извесен прибор можете да го прицврстите на вашиот електричен алат, тоа не претставува гаранција за сигурно употреба.
- Дозволеният број на вртежи на приборот мора да биде најмалку толку голем колку што е максималниот број на вртежи зададен на електро-алат. Приборот што се врти побргу од дозволеното, може да се скрши и разлети.
- Надворешниот дијаметар и дебелината на приборот мора да соодветствуваат со податоците за димензиите на вашиот електро-алат. Приборите со несоодветна димензија не можат да бидат соодветно заштитени или контролирани.

г) Диските за брусење, фланшовите, диските (подножјата за брусење) или друг прибор мора прецизно да соодветствуваат на осовината на вашиот електро-алат. Приборот што не одговара прецизно во осовината на електро-алатот, се врти нерамномерно, избира мошне јако и може да доведе до губење на контролата.

е) Не употребувајте оштетен прибор. Пред секоја употреба извршете контрола, како на пример на диските за брусење по однос на расцепи и пукнатини, на подножјата за брусење по однос на пукнатини, изабаност или голема искористеност, на четките со жици по однос на лабави или скршени жици. Ако електро-алатот или приборот паднат, проверете, дали тие се оштетени или употребете неоштетен прибор. Ако приборот сте го провериле и го употребувате, тогаш вие и лицата, кои се наоѓаат во близина, треба да бидете вон доменот на ротирачкиот прибор и оставете го приборот да работи една минута со максимален број на вртежи. Оштетениот прибор најчесто се крши во овој тест-период.

ж) Носете опрема за лична заштита. Зависно од употребата, користете целосна визуелна заштита, заштита за очите или заштитни очила. Доколку е потребно, носете маска за заштита од прашина, заштита за ушите, заштитни ракавици или специјална престилка, со која се заштитувате од ситни честички од шлајфувањето и од материјалот. Очите треба да бидат заштитени од страни тела што се разлетуваат наоколу, а кои настануваат при различни употреби. Заштита маска од прашина и за дишење мора да ја филтрираат прашина што се создава при работата. Доколку сте подолго време изложени на гласна бучава, тоа може да предизвика губење на слухот.

з) Кај лицата што стојат во близина внимавајте на тоа да се почитува безбедно растојание од вашиот делокруг на работа. Секој што ќе пристапи во делокругот на работа, мора да носи опрема за лична

**заштита.** Можат да се разлетаат парчиња од работниот материјал или од скршен прибор и да предизвикаат повреди, исто така и надвор од директниот делокруг на работа.

**с) Фаќајте го електро-алатот само на изолирани површини за држење, додека извршувате работи, кај кои приборот може да погоди сокриени струјни водови или сопствениот кабел за напојување со струја.** Контактот со водови што спроведуваат напон, става и метални делови од електро-апаратот под напон и доведува до електричен удар.

**и) Кабелот за напојување со струја чувајте го настрана од прибор што се врти.** Доколку ја изгубите контролата над електро-алатот, кабелот за напојување со струја може да се исече или да се закачи и вашата рака или вашата дланка да бидат повлечени во приборот што се врти.

**ј) Никогаш не оставајте го електро-алатот, додека тој не постигне состојба на комплетно мирување.** Електро-алатот што се врти може да дојде во контакт со површината, на којашто се остава, а на тој начин можете да ја изгубите контролата над електро-алатот.

**к) Не оставајте го електро-алатот да работи додека го носите.** Вашата облека може да биде закачена преку случаен контакт со приборот што се врти, при што тој може да навлезе во вашето тело.

**л) Редовно чистете го отворот за проветрување на вашиот електро-алат.** Вентилаторот на моторот влече прашина во куќиштето, а големо насобирање на метална прашина може да предизвика електрични опасности.

**љ) Не употребувајте го електро-алатот во близина на материјали што горат.** Таквите материјали можат да се запалат од искри.

**м) Не употребувајте прибор, за којшто се потребни течни средства за ладење.** Употребата на вода или на други течни средства за ладење може да доведе до електричен удар.

#### Повратен удар и референтни безбедносни упатства

Повратниот удар претставува неочекувана реакција како последица на заглавен или блокиран прибор што се врти, како на диск за брусење, подножје за брусење, четка со жица итн. Заглавувањето или блокирањето доведува до неодољно стопирање на ротирачкиот прибор. На тој начин неконтролираниот електро-алат се забрзува во спротивна насока од насоката на вртење на приборот во точката на спојување.

Доколку, на пример, диск за брусење е заглавен или блокиран во материјалот, работ на дискот за брусење што навлегува во материјалот, може да се закачи и на тој начин да дојде до излегување на дискот или да се предизвика повратен удар. Во таков случај дискот за брусење се движи или кон операторот или настрана од него, зависно од насоката на вртење на дискот во точката на спојување. Притоа дисковите за брусење можат исто така и да се скршат.

Повратен удар претставува последица од погрешна или неисправна употреба на електро-алатот. Тој може да биде избегнат со соодветни мерки на претпазливост, како што се опишани подолу.

**а) Држете го електро-алатот цврсто и поставете ги вашето тело и вашите раце во позиција, со која ќе можете да дадете отпор на силите од повратниот удар. Секогаш употребувајте ја додатната рачка, доколку постои, за да можете да имате максимална можна контрола над силите од повратниот удар или на моментите на реакција при пуштање во работа.**

Операторот може да ги контролира силите на повратниот удар и реакционите сили со преземање соодветни мерки на претпазливост.

**б) Никогаш не поставувајте ја вашата рака во близина на прибор што се врти.** Во случај на повратен удар, приборот може да биде исфрлен врз вашата рака.

**в) Избегнувајте го со вашето тело местото, во кое електро-алатот се движи во случај на повратен удар.** Повратниот удар го води електро-алатот во спротивна насока од насоката на движење на дискот за брусење на местото за спојување.

**г) Работете особено внимателно кај агли, остри рабови итн. Спречувајте ситуации, во кои приборот се одбива од и заглавува во материјалот за обработка.** Кај агли, остри рабови или во случај на одбивање ротирачкиот прибор е склон кон заглавување. Тоа предизвикува губење на контролата или повратен удар.

**д) Не употребувајте ланчан диск или забест диск за сечење.** Таквиот прибор честопати предизвикува повратен удар или губење на контролата над електро-алатот.

#### Специјални безбедносни упатства за шлајфување

**а) Употребувајте ги исклучително алатите за брусење што се одобрени за вашиот електро-алат како и заштитната капа што е предвидена за таквите алати за брусење.** Алати за брусење, коишто не се предвидени за електро-алатот, не можат да бидат доволно заштитени и се несигурни.

**б) Телата за брусење смеат да се употребуваат само за препорачаните можности за употреба.**

**в) Секогаш употребувајте за дисковите за брусење што сте ги одбрале неоштетени фланши за стегање, со исправна големина и форма.** Соодветните фланши го заштитуваат дискот за брусење и на тој начин ја намалуваат опасноста од кршење на дискот за брусење. Фланшите за дискови за делење можат да се разликуваат од фланшите за други дискови за брусење.

**г) Не употребувајте искористени дискови за брусење од поголеми електро-алати.** Дисковите за брусење за поголеми електро-алати не се погодни за повисоките броеви на вртежи кај помалите електро-алати и можат да се скршат.

Уредите кои се користат на многу различни локации вклучувајќи и отворен простор мора да бидат поврзани за струја преку направата за поврзување (FI, RCD, PRCD).

Секогаш носете ракавици кога ја користите машината. Исто така препорачливо е да се носат очила, цврсти чевли кои не се лигаат и престилка.

Прашината и струготините не смеат да се одстрануваат додека е машината работи.

Секогаш кога преземате активности врз машината исклучете го кабелот од струјата.

Вклучувањето на кабелот во струја се прави исклучиво машината е исклучена.

Чувајте го кабелот за напојување подалеку од работната површина. Секогаш водете го кабелот позади вас.

По исклучувањето машибата нема веднаш да се смири. (Задочнета работа на работното вретено). Дозволете и на машината комплетно да спре пред да ја сплутите.

Никогаш не посегнувајте во зоната на опасната работна површина при вклучена машина.

Користете само алати чија даозволена брзина е најмалку колку највисоката брзина на машината без оптоварување.

Проверете ги гладачките алати пред употреба. Гладачката алатка мора да биде соодветно монтирана и слободно вртлива. Направете тест во траење од минимум 30 секунди без оптоварување. Не користете оштетени, изместени или гладачки алати кои вибрираат.

При гладање на метал, се создаваат летечки искри.

Погрижете се луѓето да не бидат загрозувани. Поради ризик од пожар, запалливи матери не смеат да бидат лоцирани во близина (зона на искрење). Не користете издув за прав.

Треба да се поведе соодветна грижа за искрите или честичките од камена прашина кои летаат од обработуваното парче да не дојдат во контакт со вас.

Шрафот за штелување мора да биде затегнат пред да се почне со работа со машината.

Во случај на ефект од екстремни електромагнетни пречки од надвор, може да дојде до привремено варирање на брзината на ротација во одредени случаеви може да се зголеми.

Секогаш користете ги и чувајте ги гладачките дискови согласно препораките на производителот.

Парчето кое се обработува мора да се прицврсти доколку не е доволно тешко за да биде стабилно. Никогаш не го насочувајте работното парче кон гладачкиот диск со рака.

Осигурете се дека алатот за гладање е инсталиран соодветно препораките на производителот.

Димензијата на гладачкиот алат мора да биде соодветен на гладалката.

При прашливи зафати, вентилациските отвори на машината мора да бидат сочувани отворени, исклучете го напојувањето на машината и исчистете ја правта. За ова користете неметални предмети, при тоа внимавајќи да не се оштетат внатрешните делови.

#### СПЕЦИФИЦИРАНИ УСЛОВИ НА УПОТРЕБА

Вистинските гладачи се погодни за гладање дрво, метал, пластика или слични материјали, особено на тешко достапни места и агли.

Не го користете овој производ на било кој друг начин освен пропишаниот за нормална употреба.

#### ЕУ-ДЕКЛАРАЦИЈА ЗА СООБРАЗНОСТ

Ние во целосна одговорност изјавуваме дека овој производ е во сообразност со следните стандарди и стандардизирани документи.

EN 60745-1:2009 + A11:2010

EN 60745-2-3:2011

EN 55014-1:2006 + A1:2009 + A2:2011

EN 55014-2:1997 + A1:2001 + A2:2008

EN 61000-3-2:2006 + A1:2009 + A2:2009

EN 61000-3-3:2008

и е во согласност со прописите

2011/65/EU (RoHS)

2006/42/EC

2004/108/EC



Winnenden, 2012-09-09

Rainer Kumpf  
Director Product Development

Ополномоштен за составување на техничката документација.

#### ГЛАВНИ ВРСКИ

Да се спои само за една фаза АС коло и само на главниот напон наведен на плочката. Можно е исто така и поврзување на приклучок без заземјување доколку изведбата соодветствува на безбедност од 2 класа.

#### ОДРЖУВАЊЕ

Вентилациските отвори на машината мора да бидат комплетно отворени постојано.

Не дозволувајте какви и да се метални делови да дојдат до отворите за вентилација-ризик од куршлус!

Користете само АЕГ додатоци и резервни делови. Доколку некои од компонентите кои не се опишани треба да бидат заменети, Ве молиме контактирајте ги сервисните агенти на АЕГ (консултирајте ја листата на адреси).

Доколку е потребно можно е да биде набавен детален приказ на алатот. Ве молиме наведете го бројот на артиклот како и типот на машина кој е отпечатен на етикетата и порачајте ја скицата кај локалниот застапник или директно кај: AEG Electric Tools GmbH, Max-Eyth-Straße 10, D-71364 Winnenden, Germany.

#### СИМБОЛИ



Ве молиме пред да ја стартувате машината обрнете внимание на упатствата за употреба.



Секогаш носете ракавици кога ја користите машината.



Секогаш пред спроведување на каков и да е зафат врз машината исклучете го кабелот од приклучокот.



Не ги фрлајте електричните апарати заедно со другиот домашен отпад! Европска регулатива 2002/96/EC за одлагање на електрична и електронска опрема и се применува согласно националните закони. Електричните апарати кои го достигнале крајот на својот животен век мора да бидат одвоено собрани и вратени во соодветна рециклажна установа.



Заштитна класа II, електро-орудие, кај кое што заштитата од електричен удар не зависи само од базичната изолација туку каде што се применуваат и од дополнителни безбедносни мерки, како што е дуплата изолација или засилената изолација.

技术数据	磨机	GS 500 E	GSL 600 E
输入功率.....	500 W.....	600 W	
输出功率.....	275 W.....	650 W	
无负载转速.....	10000-29000 min <sup>-1</sup> .....	10000-29000 min <sup>-1</sup>	
最高无负载转速（针对无负载转速极限功能失灵时）.....	38000.....	38000 min <sup>-1</sup>	
夹头颈直径.....	43 mm.....	43 mm	
夹爪直径.....	6 mm.....	6 mm	
最大磨轮直径			
陶连结或橡胶连结的磨轮.....	20 mm.....	20 mm	
人造树脂连结的磨轮.....	40 mm.....	40 mm	
重量符合EPTA—Procedure01/2003.....	1,3 kg.....	1,9 kg	

噪音/振动信息  
 本测量值符合 EN 60745 条文的规定。  
 器械的标准A-值噪音级为：  
 音压值 (K=3dB(A)).....79 dB(A)  
 音量值 (K=3dB(A)).....90 dB(A)  
 请戴上护耳罩！

依欧盟EN 60745 标准确定的振荡总值（三方向矢量和）。  
 切割和粗磨: a<sub>h</sub>-振荡发射值.....14,5 min<sup>-1</sup>.....14,5 min<sup>-1</sup>  
 K-不可靠性 = .....1,5 min<sup>-1</sup>.....1,5 min<sup>-1</sup>

注意  
 本规程列出的依欧盟EN 60745 标准一项标准测量方法测量的振荡级也可用于电动工具比较并适合于临时振荡负荷估计。  
 该振荡级代表电动工具的主要应用。电动工具的其他应用，不正确的工作工具或欠缺维护可造成振荡级偏差。此可明确提高总工作期间的振荡负荷。

正确地估计一定工作期间的振荡负荷也要考虑到工具关闭或接通而不使用的期间。此可明确减少总工作期间的振荡负荷。  
 为提高操作人员对振荡作用的保护得规定补充安全措施：电动工具及工作工具的维护，温手，工作过程组织等。

**△**  
 注意！务必仔细阅读所有安全说明和安全指示（应注意阅读附上  
 的小册子）。如未确实 遵循警告提示和指示，可能导致电击、  
 火灾並且/ 或其他的严重伤害。  
 妥善保存所有的警告提示和指示，以便日后查阅。

### 特殊安全指示

有关研磨：

- a) 本电动工具可以充当研磨机。务必遵循所有与电动工具有关的警告提示、操作说明、描述和数据。如果忽视以下的指示，可能遭受电击，造成火灾甚至受重伤。
- b) 本电动工具不适用于金属丝刷、砂轮切割、砂纸研磨和抛光工作。将本电动工具用于不适合的目的可致人员重伤的风险。
- c) 不可以使用未经製造厂商指定或推荐的附件。即使您能够将此类附件固定在机器上，仍然无法确保操作安全。
- d) 所选用的磨具的许可转速，不可以低於电动工具的最高转速。机器的转速如果超出磨具的许可范围会损毁磨具，甚至磨具会从机器上飞开。
- e) 工具的外直径与厚度必须能够配合电动工具的尺寸。使用了大小不合的工具，不仅防护罩无法正确地发挥保护功能，甚至会造成功器失控。
- f) 砂轮，法兰，磨盘其他的附件必须与电动工具的砂轮轴完全吻合。如果磨具和电动工具的砂轮轴之间有餘隙，不仅磨具无法均匀旋转，转动时甚至会强烈震动，进而造成机器失控。
- g) 不可以使用损坏的工具。使用前先详细检查工具，例如检查砂轮上是否有剥落和撕裂的痕迹，检视磨盘是否已经出现裂痕，或强烈磨损，检查钢丝刷上是否有鬆脱和断裂的钢丝。如果电动工具或工具掉落地面，务必检查机器、工具是否摔毁了，为了安

全起见也可以选用其它的完好工具。检查並安装好工具之后，您本身以及您附近的人都必须远离转动中的工具。接著让电动工具以最高转速旋转一分钟。损坏的工具大多会在这段时间内断裂。

h) 穿戴好您个人的防护装备。根据用途选择合适的面具、眼罩或护目镜。视情况佩戴防尘面具、耳罩、防护手套或能够隔离细磨屑和金属碎片的特殊工作围裙。避免让操作机器时产生的飞动物体侵入眼睛。防尘面具或防毒面具必须能够过滤工作时产生的粉尘。长期暴露在高噪音的环境中，听力可能受损。

i) 与工作无关的人必须和工地保持安全距离。进入工作范围的人都必须穿戴好防护装备。工件的碎片或断裂的工具也可能飞离机器的操作地点，进而伤害工作范围以外的人。

j) 如果工作时可能割断隐藏著的电线或机器本身的电源线，那麽一定要握著绝缘手柄操作机器。电动工具如果接触了带电的线路，机器上的金属部件会导电，並可能造成操作者触电。

k) 机器的电源线必须远离自转中的工具。如果一时无法掌控机器，电源线可能被割断或捲入机器中，而您的手或手臂也可能被转动中的工具割伤。

l) 在工具尚未完全静止之前，千万不可以放下电动工具。处于自转状态的工具如果接触工作桌面，会产生机器失控的情况。

m) 携带电动工具时，切勿开动机器。您的衣服或头髮可能因为一时疏忽而被捲入自转的工具中，甚至工具会割伤您的身体。

n) 定期清洁电动工具的通风孔。发动机会把灰尘吸入机壳中，机器中如果堆积了大量的金属尘容易造成触电。

o) 不可以易燃材料的附近使用电动工具。火花可能点燃这些材料。

p) 勿选择必须使用液态冷却剂的工具。使用水或液态冷却剂容易导致触电。

### 回击和有关的警告事项

运转中的工具，例如砂轮、磨盘和钢丝刷等，如果突然被卡住或堵住了，会造成突发性的反弹效应，这个反弹效应被称为回击。转动中的工具如果被堵住了或卡住了会突然停止转动，此时失去控制的电动工具会朝著工具转向的相反方向弹开。

如果砂轮在工件中被卡住或堵住了，陷在工件中的砂轮缘会被绊住，並造成砂轮断裂或产生回击。此时砂轮可能会朝著操作者移动，或飞离操作者，砂轮的移动方向是由砂轮在被阻挡处的转向决定。另外砂轮也可能因而断裂。

未按照规定使用电动工具或者操作不当，都会造成回击。确实遵守下列各防范措施可预防回击。

- a) 牢牢地握住电动工具。握持机器和操作机器的姿态必须能够抵挡回击。如果机器配备了辅助手柄，一定要握著辅助手柄操作机器，如此才能有效控制回击，並且掌握开动机器时产生的反应阻力。採取合适的预防措施 便能够有效控制回击力道和反应力。
- b) 手不可以靠近转动中的工具。产生回击时工具可能 割伤您的手。
- c) 身体必须远离电动工具的回击范围。发生回击时，电动工具会朝著砂轮转向的相反方向弹开。
- d) 在角落和锋利的边缘上工作时必须特别小心。避免让工具回弹或是被工件夹住。转动中的工具容易被夹在角落或锋利的边缘上。如果发生上述状况，可能无法控制机器或者造成机器回击。
- e) 不可以使用链锯或齿状锯片。使用此类工具容易造成回击，也容易发生机器失控的情况。

### 针对研磨和切割的特殊警告事项

- a) 只能使用电动工具的专用磨具，以及能够配合磨具的防护罩。防护罩 无法正确地 覆盖住非本电动工具专用的磨具，因此容易产生工作意外。
- b) 务必依照规定使用磨具。
- c) 只能使用完好的紧固法兰。並根据砂轮的尺寸选择大小正确和形状合适的法兰。合适的法兰能够正确支撑砂轮，並减低砂轮破裂的可能性。切割片的专用法兰，不同於其它砂轮的法兰。
- d) 不可以使用大型电动工具的老旧砂轮。大型电动工具的砂轮不适用于小型电动工具的高速档，此时可能造成 砂轮断裂。

户外插座必须连接剩余电流防护开关。这是使用电器用品的基本规定。使用本公司机器时，务必遵守项规定。

操作机器时务必佩戴护目镜。最好也穿戴工作手套、坚固防滑的鞋具和工作围裙。

在机器上进行任何修护工作之前，务必从插座上拔出插头。

确定机器已经关闭了才可以插上插头。

电源线必须远离机器的作业范围。操作机器时电线必须摆在机身后端。

关闭电源后主轴仍会继续转动。必须等待机器完全静止后，才可以放下机器。

请与运转中的机器保持安全距离。

所使用的工具的许可转速，不可以低於本机器的最大无负载转速。

操作机器之前必须先检查研磨工具。不仅要正确地安装工具，工具转动时也不能产生摩擦。至少必须进行 30 秒的无负载试转。不可以使用已经损坏、变形或转动时会震动的研磨工具。

研磨金属时会产生火花。勿让喷濺的火花伤害旁矣者。为了预防火灾，工作范围内（火花的喷濺范围内）不可堆放易燃物品。不可以使用吸尘装置。

握持机器时请注意，勿让火花或研磨屑喷到身上。

使用机器之前必须先收紧固定螺母。

在强烈的外来磁性干扰下，可能会造成短暂性的转速不稳定状况。

根据磨盘制造商提供的指示操作、储藏磨盘。

如果工件无法靠本身的重量站稳，则必须使用固定装置夹紧工件。割锯时切勿用手握持工件。

务必遵照磨具制造商所提供的指示使用磨具。

磨具的尺寸必须能够与研磨机配合。

如果工作时会产生大量尘埃，务必要清洁机器的通气孔。必要时得切断机器的电源供应，并彻底清除尘垢。清洁时必须使用非金属工具，并且不可以损坏机器内部的零件。

### 正确地使用机器

本直磨机适用于研磨木材、塑料和金属。它的特点是能够进入一般研磨机无法触及的角落。

请依照本说明书的指示使用此机器。

### 电源插头

只能连接单相交流电，只能连接机器铭牌上规定的电压。本机器也可以连接在没有接地装置的插座上，因为本机器的结构符合第 II 级绝缘。

### 维修






机器的通气孔必须随时保持清洁。

不可以让金属碎片掉入通风孔中，可能导致短路。

只能使用 AEG 的配件和零件。缺少检修说明的机件如果损坏了，必须交给 AEG 的顾客服务中心更换（参考手册“保证书 / 顾客服务中心地址”）。

如果需要机器的分解图，可以向您的顾客服务中心或直接向 AEG Electric Tools GmbH, Max-Eyth-Straße 10, D-71364 Winnenden, Germany。案件时必须提供以下资料： 机型和机器铭牌上的十位数字码。

### 符号

-  使用本机器之前请详细阅读使用说明书。
-  操作机器时务必佩戴护目镜。
-  在机器上进行任何修护工作之前，务必从插座上拔出插头。
-  不可以把损坏的电动工具丢弃在家庭垃圾中！根据被欧盟各国引用的有关旧电子机器的欧洲法规2002/96/EC，必须另外收集旧电子机器，並以符合环保规定的方式回收再利用。
-  保护等级 II，具有不只依赖于基本绝缘，但依赖于双重或强化绝缘等保护措施电击保护的电动工具。

قم دائماً باستخدام وتخزين اسطوانات الجليخ وفقاً لتعليمات الشركة المصنعة.

يتعين أن تكون القطعة المراد العمل عليها مثبت إذا لم تكن ثقيلة بما يكفي لتكون ثابتة. لا تقم مطلقاً بنقل القطعة المراد العمل عليها إلى اسطوانة الجليخ باستخدام اليدين.

تأكد من أن آلة الجليخ مثبتة وفقاً لتعليمات الشركة المصنعة.

يجب أن يكون حجم آلة الجليخ مناسباً لجلاحة.

في العمليات التي يكثر بها الغبار، يجب أن تظل فتحات تهوية الماكينة نظيفة طوال الوقت. في حالة الضرورة، فصل الطاقة عن الماكينة ثم أزل الغبار. استخدم شيئاً غير معدني للقيام بذلك، مع توخي الحذر لعدم إتلاف أي جزء من الأجزاء الداخلية.

#### شروط الاستخدام المحددة

تتلاءم الجلأحة المستقيمة مع جليخ البلاستيك والمعادن، خاصة في الأماكن التي يصعب الوصول إليها.

لا تستخدم هذا المنتج بأي طريقة أخرى غير مصرح بها للاستخدام العادي.

#### إعلان المطابقة - الاتحاد الأوروبي

نحن وعلى مسؤوليتنا المنفردة أن هذا المنتج متطابق مع المعايير التالية أو مع الوثائق القياسية. المقاييس الأوروبية

EN 60745-1:2009 + A1:2010

EN 60745-2-3:2011

EN 55014-1:2006 + A1:2009 + A2:2011

EN 55014-2:1997 + A1:2001 + A2:2008

EN 61000-3-2:2006 + A1:2009 + A2:2009

EN 61000-3-3:2008

ووفقاً ووفقاً للوائح الاتحاد الأوروبي

(EU (RoHS/2011/65

EC/2006/42

EC/2004/108



مدينة وينندين، 2012-09-09

*Man Man*

راينر كمف

مدير تطوير المنتجات

مفوض لتأليف الملف الفني

#### توصيل الموصلات الرئيسية

قم بالتوصيل بتيار متردد أحادي الطور وبنظام الجهد الكهربائي المحدد على لوحة الجهد المقتن فقط. يمكن أيضاً التوصيل بالمقاييس غير المؤرضة حيث يتطابق التصميم مع معايير سلامة الفئة الثانية لحماية الأجهزة الكهربائية.

#### الصيانة

يجب أن تكون فتحات تهوية الجهاز نظيفة طوال الوقت.

لا تدع أي جزء معدنية تلمس فتحات التهوية - خطر قصر الدائرة!

استخدم ملحقات AEG وقطع الغيار التابعة لها فقط. إذا كانت المكونات

التي يجب تغييرها غير مذكورة، يرجى الاتصال بأحد عملاء صيانة

AEG (انظر قائمة عناوين الضمان/الصيانة الخاصة بنا)..

يمكن طلب تصميم الآلة، وذلك إذا ما دعت الحاجة لذلك. يرجى ذكر رقم

المقال كذلك نوع الآلة المكتوب على البطاقة وطلب التصميم لدى عملاء

الخدمة المحليين أو مباشرة على: AEG Electric Tools GmbH،

Max-Eyth-Straße 10, D-71364 Winnenden،

.Germany



يرجى قراءة التعليمات بعناية قبل بدء تشغيل الجهاز.



انزع البطارية قبل التعامل مع الجهاز.



احرص دائماً على فصل القابس من المقبس قبل القيام بأية أعمال صيانة أو خدمة على الآلة.



أداة ملحقة - ليست مدرجة في المعدات القياسية، متوفرة كأداة ملحقة.



لا تتخلص من الأدوات الكهربائية مع النفايات المنزلية! مراعاة للتوجيهات الأوروبية EC/2002/96 بشأن المخلفات الكهربائية والمعدات الإلكترونية وتنفيذها وفقاً للقانون الوطني، يجب تجميع الأدوات الكهربائية التي انتهت صلاحيتها بشكل منفصل وإعادتها إلى مصنع إعادة تدوير غير مضر بالبيئة.



أداة الوقاية من الفئة II، وهي أداة لا تعتمد بها الحماية من الصدمة الكهربائية على العزل الأساسي فقط، ولكنها تتضمن احتياطات سلامة إضافية، مثل العزل المزدوج أو العزل المعزز.

البيانات الفنية	عربي	GS 500 E	GSL 600 E
الدخل المقدر.....	W 500.....	W 600.....	W 600.....
الخرج.....	W 275.....	W 650.....	W 650.....
أقصى سرعة دون وجود حمل.....	10000-29000 min <sup>-1</sup> .....	10000-29000 min <sup>-1</sup> .....	10000-29000 min <sup>-1</sup> .....
قطر عنق الطرف.....	38000.....	38000.....	38000.....
قطر الطوق.....	mm 43.....	mm -.....	mm -.....
أقصى قطر لآلة الجلب الكاشطة.....	mm 6.....	mm 6.....	mm 6.....

منتج كاشط السيراميك أو المطاط المترابط..... mm 20.....  
منتج كاشط للمادة الراتنجية المترابطة..... mm 40.....  
الوزن وفقاً لنهج EPTA رقم 01/2003..... kg 1,3..... kg 1,9.....

#### معلومات الضوضاء/الذبذبات

القيم التي تم قياسها محددة وفقاً للمعايير الأوروبية EN 60 745

مستويات ضوضاء الجهاز، ترجيحاً أ بشكل نمونجي كالتالي:

مستوى ضغط الصوت (ك = 3 ديسيبل (أ))

مستوى شدة الصوت (ك = 3 ديسيبل (أ))

ارتد وأقيات الأذن!

قيم الذبذبات الإجمالي (مجموع الكميات الموجهة في المحاور الثلاثة) محددة

وفقاً للمعايير الأوروبية EN 60745.

قيمة انبعاث الذبذبات (ah).....

الارتياب في القياس..... min<sup>-1</sup> 1,5..... min<sup>-1</sup> 14,5..... min<sup>-1</sup> 14,5..... min<sup>-1</sup> 1,5.....

#### تم قيا

س مستوى انبعاث الذبذبات الموجود بوثيقة المعلومات هذه وفقاً للمعايير الأوروبية EN 60745 ويمكن استخدامه لمقارنة جهاز

بغيره. كما يمكن استخدامه لعرض تقييم تمهيدي.

يمثل مستوى انبعاث الذبذبات المعان عنه تطبيقات الجهاز الرئيسية. بالرغم من ذلك، فإنه إذا ما تم استخدام الجهاز لتطبيقات مختلفة، بملحقات مختلفة أو لم

يتم المحافظة عليه، فقد يختلف انبعاث الذبذبات. قد يزيد ذلك بصورة كبيرة من مستوى التعرض للذبذبات طوال فترة العمل الإجمالية.

يجب الوضع في الاعتبار عند تقدير مستوى التعرض للذبذبات مرات إيقاف الجهاز أو تشغيله لكن دون استخدامه في القيام بمهمة. فقد يقل ذلك بصورة كبيرة

من مستوى التعرض للذبذبات طوال فترة العمل الإجمالية.

تعرف على معايير السلامة الإضافية لحماية المشغل من آثار الذبذبات مثل: صيانة الجهاز والملحقات، الحفاظ على دفاء الأيدي، وتنظيم نماذج العمل.

#### ⚠ تحذير!

اقرأ جميع تحذيرات السلامة وجميع التعليمات، بما فيها الموجودة

بالكتيب المرفق. قد يؤدي الفشل في مراعاة التحذيرات والتعليمات إلى

التعرض للإصابة بصدمة كهربية أو الحريق و/أو إصابة خطيرة.

احتفظ بجميع التنبيهات والتعليمات للرجوع إليها مستقبلاً.

#### تعليمات السلامة

تحذيرات السلامة الخاصة بعمليات الجلب

(أ) تم تصميم هذه الآلة الكهربائية لتعمل كجلاخة، أو فرشاة سلكية، أو ملمع

أو كإداة قطع. اقرأ جميع تحذيرات السلامة، والتعليمات، والصور

التوضيحية والمواصفات المتوفرة مع هذه الأداة. قد يؤدي عدم مراعاة

التعليمات المدرجة أدناه إلى التعرض للإصابة بصدمة كهربية أو الحريق

و/أو إصابة خطيرة.

(ب) لا يُنصح بإجراء عمليات مثل، التلميع والصفرة باستخدام هذه الآلة

الكهربية. قد تتسبب العمليات التي لم يتم تصميم الآلة الكهربائية لها في

مخاطر كما قد تسبب التعرض للإصابة الشخصية.

الآلة الكهربائية أو الملحق، فافحصها للتأكد من عدم وجود تلف أو قم

بتركيب ملحق غير تالف. بعد فحص وتركيب أحد الملحقات، قف بعيداً عن

مساح الملحق الدوار وشغل الآلة الكهربائية بأقصى سرعة بدون حمل

لذيقية واحدة. عادة ما تستنفل الأقراص الثالفة خلال فترة الاختبار هذه.

(ز) ارتد معدات الحماية الشخصية. بناءً على نوع التطبيق، استخدم واقى

الوجه ونظارات واقية أو نظارات الوقاية. حيثما كان ملائماً، ارتد معدات

الحماية مثل، قناع الغبار، وواقيات الأذن، والقفازات والمزهر القادر على

وقف أجزاء الكشط الصغيرة أو الشظايا المتطايرة من قطعة العمل. يجب

أن تكون واقيات العين قادرة على وقف الفئات المتطاير الناتج عن العديد

من العمليات. يجب أن يكون قناع الغبار أو كامامة التنفس قادرة على

ترشيح الجسيمات الناتجة عن العملية التي تقوم بها. قد يسبب التعرض

لمستوى مرتفع من الضوضاء لفترات طويلة إلى فقدان السمع.

اعمل على بقاء مرافقك بعيداً عن منطقة العمل بمسافة كافية لتأمينهم.

يتعين على أي شخص يدخل منطقة العمل ارتداء معدات الوقاية

الشخصية. قد تتطاير أجزاء من قطعة العمل أو شظايا ناتجة عن كسر

القطع الملحقة خارج إطار منطقة العمل الحالية مسببة إصابات.

(ط) امسك الآلة الكهربائية من أسطح القبض المعزولة فقط، وذلك عند القيام

بعمليات قد يلمس فيها أحد ملحقات آلة القطع أسلاك مخفية أو السلك

الخاص بها. تتسبب ملامسة أحد ملحقات آلة القطع بسلك كهربى

"موصلة" في جعل الأجزاء المعدنية المكشوفة بالآلة الكهربائية "موصلة"

كهربياً مما يجعل المشغل عرضة لصدمة كهربائية.

(ط) ابدأ التوصيلة الكهربائية عن الملحقات الدوارة. إذا ما فقدت السيطرة،

فقد يؤدي ذلك إلى قطع التوصيلة الكهربائية أو تشققها وقد تجذب ذراعك

أو يدك نحو الملحق الدوار.

(ي) لا تضع الآلة الكهربائية على الأرض إلا بعد أن تتوقف الملحقات

الدوارة عن الحركة تماماً. فقد تعلق الملحقات الدوارة بالسطح مما يؤدي

إلى خروج الآلة عن سيطرتك.

(ل) لا تُشغل الآلة أثناء حملها بجانبك. فقد يؤدي التلامس العرضي

للملحقات الدوارة إلى تمزيق الملابس، وسحبها باتجاه جسمك.

(م) نظّف فتحات تهوية الآلة دورياً. ستعمل مروحة المحرك على سحب

الغبار إلى داخل الهيئ مما يؤدي إلى تراكم برادة المعادن مسبباً مخاطر

كهربائية.

(ن) لا تُشغل الآلة بالقرب من المواد القابلة للاشتعال. (س) فقد يؤدي

الشرر إلى إشعال تلك المواد.

(ع) لا تستخدم الملحقات التي تتطلب تبريد باستخدام سوائل التبريد. فقد

يؤدي استخدام الماء أو سوائل التبريد إلى حدوث صدمة أو صدمة

كهربائية.

الارتداد والتحذيرات المتعلقة به

الارتداد هو رد الفعل المفاجئ أو إعاقة قرص التدوير أو حشية الدعم أو

الفرشاة أو أي ملحقات أخرى. يؤدي الضغط أو إعاقة الحركة إلى التوقف

المفاجئ للملحقات الدوارة مما يؤدي بدوره إلى فقدان السيطرة على الآلة

وإندفاعها بالاتجاه المعاكس لحركة الملحقات الدوارة عند إعاقتها.

على سبيل المثال، إذا ما أُعيقَت حركة القرص الكاشطة أو تعرضت

للضغط بواسطة القطعة التي يتم العمل عليها، فإن حافة القرص التي تدخل

في نقطة الضغط يمكن أن يخفر في سطح المادة مما يجعل القرص تندفع

للخارج أو تتحرك خارجاً. قد تندفع القرص باتجاه المشغل أو بعيداً عنه،

تبعاً لاتجاه حركة القرص في نقطة الضغط. قد تتكسر العجلات الكاشطة

أيضاً في ظل تلك الظروف.

يحدث الارتداد نتيجة للاستخدام الخاطى لآلة الكهربائية و/أو إجراءات أو

أوضاع التشغيل غير الصحيحة ويمكن تجنب هذا الارتداد باتخاذ التدابير

الموضحة أدناه.

(أ) اعمل على إمساك الآلة الكهربائية بإحكام ووظف جسدك وذراعك

لمساعدتك على مقاومة قوى الارتداد. استخدم دائماً مقبض إضافي، إن

وجد، للحصول على أقصى مستوى من التحكم في الارتداد أو رد فعل عزم

الدوران عند بدء التشغيل. يستطيع المشغل التحكم في قوى رد فعل العزم أو

الارتداد، إذا ما اتخذ التدابير اللازمة.

(ا) لا تضع يدك أبداً بالقرب من الملحقات الدوارة. فقد ترتد القطعة الملحقة

على يدك.

(ج) لا تضع جسمك في منطقة حيث يمكن أن تتحرك الآلة إذا ما حدث ارتداد.

سيعمل الارتداد على تحريك الآلة بالاتجاه المعاكس لاتجاه حركة العجلة عند

نقطة الإعاقة.

(ب) توخ الحذر الشديد عند العمل في الزوايا والحواف الحادة وغيرها.

حاول تجنب ارتداد أو إعاقة الملحقات. عند العمل في الزوايا أو الحواف

الحادة أو القطعات الكبيرة يحتمل حدوث إعاقة للقطعة الدوارة مما يسبب

فقدان السيطرة والارتداد.

(هـ) لا تركيب سلسلة المنشار أو شفرة نحت الخشب أو شفرة منشار مستننة.

فهذه الشفرات تؤدي إلى حدوث رد فعل عنيف مفاجئ وفقدان السيطرة على

الجهاز.

تحذيرات السلامة المحددة لعمليات الجلب والكشط والقطع:

(ا) استخدم فقط أنواع الأقراص الموصى بها لآلتك الكهربائية والواقي الخاص

المصمم للقرص المحدد. الأقراص التي لم يتم تصميمها للآلة الكهربائية لا

يمكن أن تتناسب مع الواقي كما أنها غير آمنة.

(ج) يتعين استخدام الأقراص في التطبيقات الموصى بها فقط. على سبيل

المثال: لا تستخدم جانب القرص في التجليخ. صممت الأقراص الكاشطة

لأغراض الجلب المحيطي، حيث قد يؤدي إعمال قوى الجوانب مع هذه

الأقراص إلى كسرها.

(هـ) لا تستخدم الأقراص المتأكلة من الآلات الكهربائية الأكبر. فالقرص المصمم

للآلة الكهربائية الأكبر لا يتناسب مع السرعة العالية للآلة الأصغر كما يمكن

أن تنفجر.

يجب توصيل الأجهزة التي يتم استخدامها في مواقع مختلفة بما في ذلك

الأجهزة التي يتم استخدامها في الهواء الطلق بواسطة جاهر التيار المتخلف

(FI و RCD و PRCD) والتي يصل التيار بها 30 مل أمبير أو أقل.

ارتد نظارات الوقاية عند استخدام الجهاز دائماً. ينصح بارتداء قفازات

الوقاية، الأحذية القوية غير المنزلقة والمزهر.

انزع البطارية قبل التعامل مع الجهاز.

يتم توصيل القابض فقط عندما تكون الآلة مطفأة.

ابق السلك الرئيسي بعيداً عن نطاق عمل الجهاز. ابق دائماً السلك بعيداً عنك

أو خلفك.

لن تُبطل الماكينة عن العمل فور إيقاف تشغيلها مباشرة. (بعد تشغيل محور

دوران التشغيل.)) اترك الماكينة حتى تتوقف قبل وضعها على الأرض.

لا تصل أبداً إلى منطقة الخطر للآلة عندما تكون قيد التشغيل.

استخدم فقط الآلات التي تكون سرعتها المسموحة على الأقل في نفس مستوى

أعلى سرعة للماكينة في حالة عدم وجود أعمال.

افحص آلات الجلب قبل استخدامها. يجب أن تكون آلة الجلب مركبة بشكل

مناسب وقابلة للدوران بحرية. قم بإجراء اختبار للتشغيل دون حمل لمدة 30

ثانية على الأقل. لا تستخدم آلات جلب ثالفة أو غير مستديرة أو مهترزة.

عند قطع المعادن، يتطاير بعض الشرر. تأكد من عدم تعرض أي شخص

للخطر. نظراً لاحتمال التعرض لخطر الحريق، لا يجب وجود أي مواد

احتراق بالقرب من (منطقة الشرر المتطاير).. لا تستخدم نظام استخلاص

الأثرية.

يجب توخي الحذر حتى لا يلحق بك أي شرر أو غبار الصفرة المتطاير من

قطعة العمل.

يجب إحكام ربط صامولة الضبط قبل بدء تشغيل الماكينة.

وبفعل تأثير التداخل الكهرومغناطيسي الزائد من الخارج، قد تنشأ تغيرات

عارضة في سرعة الدوران في حالات معينة.



# AEG

# POWERTOOLS

[www.aeg-pt.com](http://www.aeg-pt.com)

(11.12)  
4931 2891 85



AEG Electric Tools GmbH  
Max-Eyth-Straße 10  
D-71364 Winnenden  
Germany

## **ОФИЦИАЛЬНЫЙ ДИЛЕР В УКРАИНЕ:**

[storgom.ua](https://storgom.ua)

### **ГРАФИК РАБОТЫ:**

Пн. – Пт.: с 8:30 по 18:30

Сб.: с 09:00 по 16:00

Вс.: с 10:00 по 16:00

### **КОНТАКТЫ:**

+38 (044) 360-46-77

+38 (066) 77-395-77

+38 (097) 77-236-77

+38 (093) 360-46-77

Детальное описание товара:

<https://storgom.ua/product/priamoshlifivalnaia-mashina-aeg-gsl-600-e.html>

Другие товары:

<https://storgom.ua/setevye-pryamyie-shlifovalnye-mashiny.html>