

AEG

POWERTOOLS

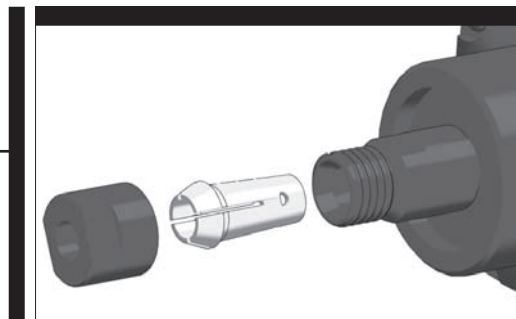
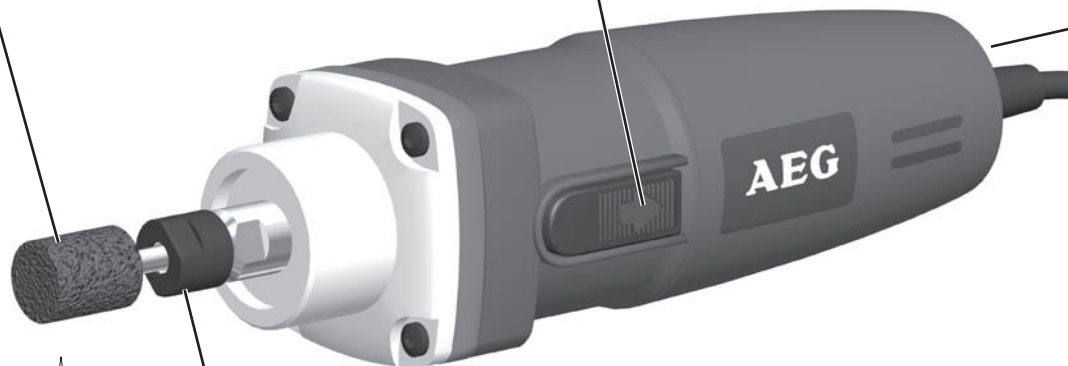
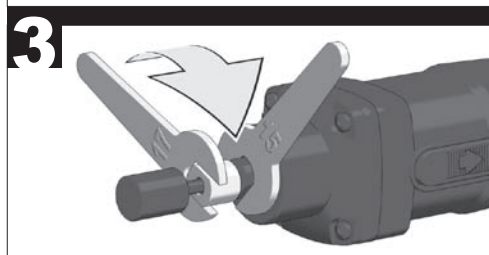
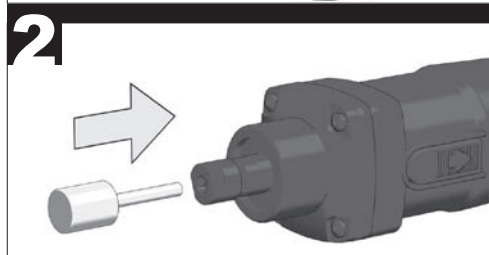
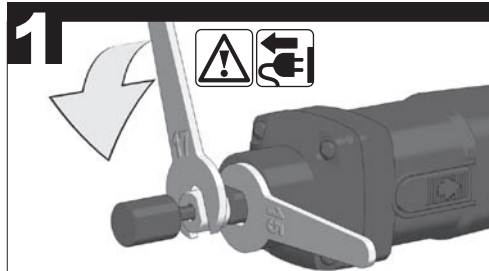
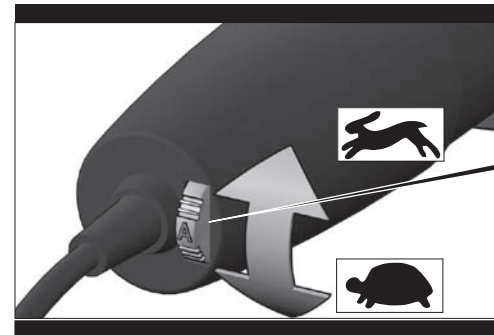
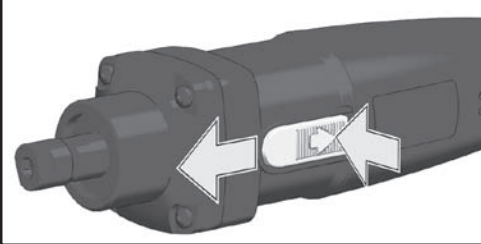
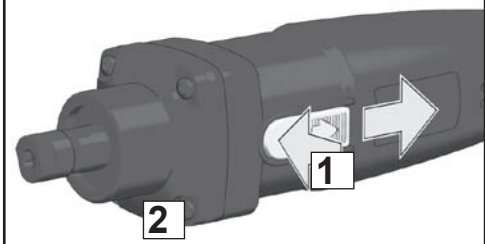
GS 500 E

Original instructions

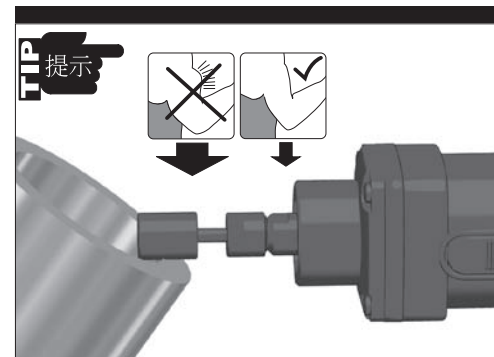
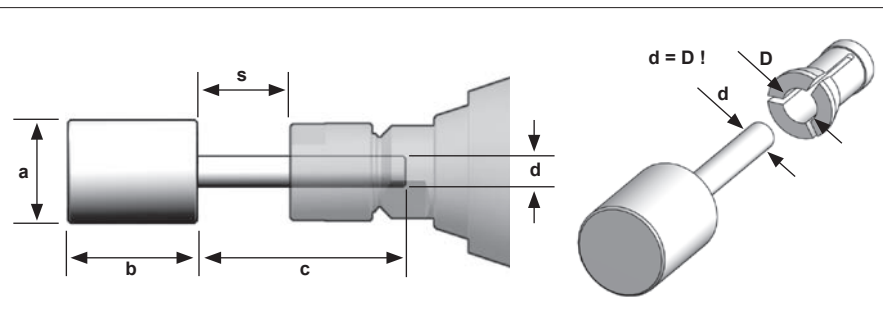
使用说明书

START 开始

STOP 停止



a (mm)	b (mm)	c (mm)	d (mm)	s (mm)
13	25	40	6	max. 25
	40	40	6	max. 25
16	25	40	6	max. 25
	32	40	6	max. 25
	40	40	6	max. 25
	50	40	6	max. 25
20	10	40	6	max. 25
	20	40	6	max. 25
	25	40	6	max. 25
	32	40	6	max. 20
25	10	40	6	max. 25
	16	40	6	max. 25
	20	40	6	max. 25
	25	40	6	max. 25



TECHNICAL DATA	Die Grinder	GS 500 E
Rated input	500 W	
Output	275 W	
Rated speed	10000-29000 r / min	
Maximum no-load speed in case of ineffective no-load speed limitation	38000 r / min	
Chuck neck diameter	43 mm	
Collet diameter	6 mm	
Abrasive grinding body diam. max.		
ceramic or rubber bonded abrasive product	20 mm	
resinoid-bonded abrasive product	40 mm	
Weight according EPTA-Procedure 01/2003	1,3 kg	

Noise/Vibration Information

Measured values determined according to EN 60745.

Typically, the A-weighted noise levels of the tool are:

Sound pressure level (K = 3 dB(A))

Sound power level (K = 3 dB(A))

Wear ear protection!

Total vibration values (vector sum in the three axes)

determined according to EN 60745:

Surface grinding: vibration emission value a_h

Uncertainty K =

WARNING

The vibration emission level given in this information sheet has been measured in accordance with a standardised test given in EN 60745 and may be used to compare one tool with another. It may be used for a preliminary assessment of exposure.

The declared vibration emission level represents the main applications of the tool. However if the tool is used for different applications, with different accessories or poorly maintained, the vibration emission may differ. This may significantly increase the exposure level over the total working period.

An estimation of the level of exposure to vibration should also take into account the times when the tool is switched off or when it is running but not actually doing the job. This may significantly reduce the exposure level over the total working period.

Identify additional safety measures to protect the operator from the effects of vibration such as: maintain the tool and the accessories, keep the hands warm, organisation of work patterns.

⚠ WARNING! Read all safety warnings and all instructions, including those given in the accompanying brochure. Failure to follow the warnings and instructions may result in electric shock, fire and/or serious injury. **Save all warnings and instructions for future reference.**

SAFETY INSTRUCTIONS

Safety Warnings Common for Grinding:

a) This power tool is intended to function as a grinder. Read all safety warnings, instructions, illustrations and specifications provided with this power tool. Failure to follow all instructions listed below may result in electric shock, fire and/or serious injury.

b) Operations such as wire brushing, cut-off, sanding and polishing are not recommended to be performed with this power tool. Operations for which the power tool was not designed may create a hazard and cause personal injury.

c) Do not use accessories which are not specifically designed and recommended by the tool manufacturer. Just because the accessory can be attached to your power tool, it does not assure safe operation.

d) The rated speed of the accessory must be at least equal to the maximum speed marked on the power tool. Accessories running faster than their rated speed can break and fly apart.

e) The outside diameter and the thickness of your accessory must be within the capacity rating of your power tool. Incorrectly sized accessories cannot be adequately guarded or controlled.

f) The arbour size of wheels, flanges, backing pads or any other accessory must properly fit the spindle of the power tool. Accessories with arbour holes that do not match the mounting hardware of the power tool will run out of balance, vibrate excessively and may cause loss of control.

g) Do not use a damaged accessory. Before each use inspect the accessory such as abrasive wheels for chips and cracks, backing pad for cracks, tear or excess wear, wire brush for loose or cracked wires. If power tool or accessory is dropped, inspect for damage or install an undamaged accessory. After inspecting and installing an accessory, position yourself and bystanders away from the plane of the rotating accessory and run the power tool at maximum no-load speed for one minute. Damaged accessories will normally break apart during this test time.

h) Wear personal protective equipment. Depending on application, use face shield, safety goggles or safety glasses. As appropriate, wear dust mask, hearing protectors, gloves and shop apron capable of stopping small abrasive or workpiece fragments. The eye protection must be capable of stopping flying debris generated by various operations. The dust mask or respirator must be capable of filtering particles generated by your operation. Prolonged exposure to high intensity noise may cause hearing loss.

i) Keep bystanders a safe distance away from work area. Anyone entering the work area must wear personal protective equipment. Fragments of workpiece or of a broken accessory may fly away and cause injury beyond immediate area of operation.

j) Hold power tool by insulated gripping surfaces only, when performing an operation where the cutting accessory may contact hidden wiring or its own cord. Cutting accessory contacting a „live“ wire may make exposed metal parts of the power tool „live“ and shock the operator.

k) Position the cord clear of the spinning accessory. If you lose control, the cord may be cut or snagged and your hand or arm may be pulled into the spinning accessory.

l) Never lay the power tool down until the accessory has come to a complete stop. The spinning accessory may grab the surface and pull the power tool out of your control.

m) Do not run the power tool while carrying it at your side. Accidental contact with the spinning accessory could snag your clothing, pulling the accessory into your body.

n) Regularly clean the power tool's air vents. The motor's fan will draw the dust inside the housing and excessive accumulation of powdered metal may cause electrical hazards.

o) Do not operate the power tool near flammable materials. Sparks could ignite these materials.

p) Do not use accessories that require liquid coolants. Using water or other liquid coolants may result in electrocution or shock.

Kickback and Related Warnings

Kickback is a sudden reaction to a pinched or snagged rotating wheel, backing pad, brush or any other accessory. Pinching or snagging causes rapid stalling of the rotating accessory which in turn causes the uncontrolled power tool to be forced in the direction opposite of the accessory's rotation at the point of the binding.

For example, if an abrasive wheel is snagged or pinched by the workpiece, the edge of the wheel that is entering into the pinch point can dig into the surface of the material causing the wheel to climb out or kick out. The wheel may either jump toward or away from the operator, depending on direction of the wheel's movement at the point of pinching. Abrasive wheels may also break under these conditions.

Kickback is the result of power tool misuse and/or incorrect operating procedures or conditions and can be avoided by taking proper precautions as given below.

a) Maintain a firm grip on the power tool and position your body and arm to allow you to resist kickback forces.

Always use auxiliary handle, if provided, for maximum control over kickback or torque reaction during start-up. The operator can control torque reactions or kickback forces, if proper precautions are taken.

b) Never place your hand near the rotating accessory. Accessory may kickback over your hand.

c) Do not position your body in the area where power tool will move if kickback occurs. Kickback will propel the tool in direction opposite to the wheel's movement at the point of snagging.

d) Use special care when working corners, sharp edges etc. Avoid bouncing and snagging the accessory. Corners, sharp edges or bouncing have a tendency to snag the rotating accessory and cause loss of control or kickback.

e) Do not attach a saw chain, woodcarving blade or toothed saw blade. Such blades create frequent kickback and loss of control.

Safety Warnings Specific for Grinding:

a) Use only wheel types that are recommended for your power tool and the specific guard designed for the selected wheel. Wheels for which the power tool was not designed cannot be adequately guarded and are unsafe.

b) Wheels must be used only for recommended applications.

c) Always use undamaged wheel flanges that are of correct size and shape for your selected wheel. Proper wheel flanges support the wheel thus reducing the possibility of wheel breakage. Flanges for cut-off wheels may be different from grinding wheel flanges.

d) Do not use worn down wheels from larger power tools. Wheel intended for larger power tool is not suitable for the higher speed of a smaller tool and may burst.

Appliances used at many different locations including open air should be connected via a residual current device of 30 mA or less.

Always wear goggles when using the machine. It is recommended to wear gloves, sturdy non slipping shoes and apron.

Always disconnect the plug from the socket before carrying out any work on the machine.

Only plug-in when machine is switched off.

Keep mains lead clear from working range of the machine. Always lead the cable away behind you.

After switching off, the machine will not be idle immediately. (After-running of the work spindle.) Allow the machine to come to a stop before putting down.

Never reach into the danger area of the plane when it is running.

Only use tools whose permitted speed is at least as high as the highest no-load speed of the machine.

Check grinding tools before use. The grinding tool must be properly mounted and turn freely. Perform a test run for at least 30 seconds without load. Do not use damaged, out of round or vibrating grinding tools.

When grinding metal, flying sparks are produced. Take care that no persons are endangered. Because of the danger of fire, no combustible materials should be located in the vicinity (spark flight zone). Do not use dust extraction.

Due care should be taken that no sparks or sanding dust flying from the workpiece come into contact with you.

The adjusting nut must be tightened before starting to work with the machine.

Under the effect of extreme electromagnetic interferences from the outside, temporary variations in the speed of rotation could arise in particular cases.

Always use and store the grinding disks according to the manufacturer's instructions.

The workpiece must be fixed if it is not heavy enough to be steady. Never lead the workpiece to the grinding disk with your hand.

Make sure that the grinding tool is installed in accordance with the manufacturer's instructions.

The size of the grinding tool must be suitable for the grinder.

For dusty operations, the machine's ventilation slits must be kept clear. If necessary, switch off the power to the machine and remove the dust. Use a non-metallic object for this, taking care not to damage any of the inner parts.

SPECIFIED CONDITIONS OF USE

Straight grinders are suited for grinding metal, plastic, or similar materials, especially in hard accessible corners and places.

Do not use this product in any other way as stated for normal use.

EC-DECLARATION OF CONFORMITY

We declare under our sole responsibility that this product is in conformity with the following standards or standardized documents: EN 60745, EN 55014-1, EN 55014-2, EN 61000-3-2, EN 61000-3-3, in accordance with the regulations 2006/42/EC, 2004/108/EC



Winnenden, 2011-08-23

Rainer Kumpf

Rainer Kumpf
Manager Product Development

Authorized to compile the technical file

Techtronic Industries GmbH
Max-Eyth-Straße 10
D-71364 Winnenden

MAINS CONNECTION

☐ Connect only to single-phase a.c. current and only to the system voltage indicated on the rating plate. It is also possible to connect to sockets without an earthing contact as the design conforms to safety class II.

MAINTENANCE

The ventilation slots of the machine must be kept clear at all times.

Do not let any metal parts reach the airing slots - danger of short circuit!

Use only AEG accessories and spare parts. Should components need to be exchanged which have not been described, please contact one of our AEG service agents (see our list of guarantee/service addresses).

If needed, an exploded view of the tool can be ordered. Please state the ten-digit No. as well as the machine type printed on the label and order the drawing at your local service agents or directly at: Techtronic Industries GmbH, Max-Eyth-Straße 10, D-71364 Winnenden, Germany

SYMBOLS



Please read the instructions carefully before starting the machine.



Always wear goggles when using the machine.



Always disconnect the plug from the socket before carrying out any work on the machine.



Do not dispose of electric tools together with household waste material! In observance of European Directive 2002/96/EC on waste electrical and electronic equipment and its implementation in accordance with national law, electric tools that have reached the end of their life must be collected separately and returned to an environmentally compatible recycling facility.



Class II construction, tool in which protection against electric shock does not rely on basic insulation only, but in which additional safety precautions, such as double insulation or reinforced insulation, are provided.

技术数据

直向砂轮机

GS 500 E

输入功率.....	500 W
输出功率.....	275 W
额定转速.....	10000-29000 r/min
最高无负载转速（针对无负载转速极限功能失灵时）.....	38000 r/min
夹头颈直径.....	43 mm
夹爪直径.....	6 mm
最大磨轮直径	
陶连接或橡胶连接的磨轮.....	20 mm
人造树脂连接的磨轮.....	40 mm
重量符合EPTA – Procedure 01/2003.....	1,3 kg

噪音/振动信息

本测量值符合 EN 60 745 条文的规定。

器械的标准A-值噪音级为：

 音压值 (K = 3 dB(A)).....79 dB(A)

 音量值 (K = 3 dB(A)).....90 dB(A)

请戴上护耳罩！

依欧盟EN 60745 标准确定的振荡总值（三方向矢量和）。

切割和粗磨: a_n-振荡发射值.....14,5 min⁻¹

K-不可靠性 =1,5 min⁻¹

注意

本规程列出的依欧盟EN 60745 标准一项标准测量方法测量的振荡级也可用于电动工具比较并适合于临时振荡负荷估计。

该振荡级代表电动工具的主要应用。电动工具的其他应用，不正确的工作工具或欠缺维护可造成振荡级偏差。此可明确提高总工作期间的振荡负荷。

正确地估计一定工作期间的振荡负荷也要考虑到工具关闭或接通而不使用的期间。此可明确减少总工作期间的振荡负荷。

为提高操作人员对振荡作用的保护得规定补充安全措施：电动工具及工作工具的维护，温手，工作过程组织等。



注意！务必仔细阅读所有安全说明和安全指示（应注意阅读附上的小册子）。如未确实 遵循警告提示和指示，可能导致电击、火灾並且/ 或其他的严重伤害。

妥善保存所有的警告提示和指示，以便日后查阅。

特殊安全指示

砂轮机的通用安全警告：

a) 该电动工具是用于实现砂轮机、砂光机、钢丝刷或切断工具功能的。阅读该电动工具提供的所有安全警告、说明、图解和规定。不了解以下所列所有说明将导致电击、着火和/或严重伤害。

b) 本电动工具不适用于刷光、切割、砂光和抛光工作。电动工具不按指定的功能去操作，可能会发生危险和引起人身伤害。

c) 不使非工具制造商推荐和专门设计的附件。 否则该附件可能被装到你的电动工具上，而它不能保证安全操作。

d) 附件的额定速度必须至少等于电动工具上标出的最大速度。附件以比其额定速度大的速度运转会发生爆裂和飞溅。

e) 附件的外径和厚度必须在电动工具额定能力范围之内。不正确的附件尺寸不能得到充分的防护或控制。

f) 砂轮，法兰盘，靠背垫或任何其他附件的轴孔尺寸必须适合于安装到电动工具的主轴上。带轴孔的、与电动工具安装件不配的附件将会失稳、过度振动并会引起失控。

g) 不要使用损坏的附件。在每次使用前要检查附件，例如砂轮是否有碎片和裂缝，靠背垫是否有裂缝、撕裂或过度磨损，钢丝刷是否松动或金属丝是否断裂。如果电动工具或附件跌落了，检查是否有损坏或安装没有损坏的附件。检查和安装附件后，让自己

和旁观者的位置远离旋转附件的平面，并以电动工具最大空载速度运行一分钟（1 min.）。损坏的附件通常在该试验时会碎裂。

h) 戴上防护用品。根据适用情况，使用面罩、安全护目镜或安全眼镜。适用时，戴上防尘面具、听力保护器、手套和能挡小磨料或工件碎片的工作围裙。眼防护罩必须挡住各种操作产生的飞溅。防尘面具或口罩必须能过滤操作产生的颗粒。长期暴露在高高强度噪声中会引起失聪。

i) 让旁观者与工作区域保持一安全距离。任何进入工作区域的人必须戴上防护用品。工件或破损附件的碎片可能会飞出并引起紧靠着操作区域的旁观者的伤害。

j) 当在切割附件有可能切割到暗线或自身电线的场所进行操作时，只能通过绝缘握持面来握住电动工具。切割附件碰到一根带电导线可能会使电动工具的外露金属零件带电并使操作者发生电击危险。

k) 使软线远离旋转的附件。如果控制不当，软线可能被切断或缠绕，并使得你的手或手臂可能被转入旋转附件中。

l) 直到附件完全停止运动才放下电动工具。旋转的附件可能会抓住表面并拉动电动工具而让你失去对工具的控制。

m) 当携带电动工具时不要开动它。意外地触及旋转附件可能会缠绕你的衣服而使附件伤害身体。

n) 经常清理电动工具的通风口。电动机风扇会将灰尘吸进机壳，过多的金属粉末沉积会导致电气危险。

o) 不要在易燃材料附近操作电动工具。火星可能会点燃这些材料。

p) 不要使用需用冷却液的附件。用水或其他冷却液可能会导致电腐蚀或电击。

反弹和相关警告：

反弹是因卡住或缠绕住的旋转砂轮、靠背垫、钢丝刷或其他附件而产生的突然反作用力。卡住或缠绕会引起旋转附件的迅速堵转，随之使失控的电动工具在卡住点产生与附件旋转方向相反的运动。例如，如果砂轮被缠绕或卡住，伸入卡住点的砂轮边缘可能会进入材料表面而引起砂轮爬出或反弹。砂轮可能飞向或飞离操作者，这取决于砂轮在卡住点的运动方向。在此条件下砂轮也可能碎裂。反弹是电动工具误用和/或不正确操作工序或条件的结果，可以通过采取以下给出的适当防护措施得以避免。

a) 保持紧握电动工具，使你的身体和手臂处于正确状态以抵抗反弹力。如有辅助手柄，则要一直使用，以便最大限度控制住启动时的反弹力或反力矩。如采用合适的预防措施，操作者就可以控制反力矩或反弹力。

b) 绝不能将手靠近旋转附件。附件可能会反弹碰到手。

c) 不要站在发生反弹时电动工具可能移动到的地方。反弹将在缠绕点驱使工具逆砂轮运动方向运动。

d) 当在尖角、锐边等处作业时要特别小心。避免附件的弹跳和缠绕。尖角、锐边和弹跳具有缠绕旋转附件的趋势并引起反弹的失控。

e) 不要附装上锯链、木雕刀片或带齿锯片。这些锯片会产生频繁的反弹和失控。

对磨削和砂磨切割操作的专用安全警告：

a) 只使用所推荐的砂轮型号和为选用砂轮专门设计的护罩。不是为电动工具设计的砂轮不能充分得到防护，是不安全的。

b) 砂轮只用作推荐的用途。

c) 始终为所选砂轮选用未损坏的、有恰当规格和形状的砂轮法兰盘。合适的砂轮法兰盘支承砂轮可以减小砂轮破裂的可能性。切割砂轮的法兰盘可以不同于砂轮法兰盘。

d) 不要使用从大规格电动工具上用剩的磨损砂轮。用于大规格电动工具上的砂轮不适用于较小规格工具的高速工况并可能会爆裂。

户外插座必须连接剩余电流防护开关。这是使用电器用品的基本规定。使用本公司机器时，务必遵守这项规定。

操作机器时务必佩戴护目镜。最好也穿戴工作手套、坚固防滑的鞋具和工作围裙。

在机器上进行任何修护工作之前，务必从插座上拔出插头。

确定机器已经关闭了才可以插上插头。

电源线必须远离机器的作业范围。操作机器时电线必须摆在机身后端。

关闭电源后主轴仍会继续转动。必须等待机器完全静止后，才可以放下机器。

请和运转中的机器保持安全距离。

所使用的工具的许可转速，不可以低于本机器的最大无负载转速。

操作机器之前必须先检查研磨工具。不仅要正确地安装工具，工具转动时也不能产生摩擦。至少必须进行 30 秒的无负载试转。不可以使用已经损坏、变形或转动时会震动的研磨工具。

研磨金属时会产生火花。勿让喷溅的火花伤害旁观者。为了预防火灾，工作范围内（火花的喷溅范围内）不可堆放易燃物品。不可以使用吸尘装置。

握持机器时请注意，勿让火花或研磨屑喷到身上。

使用机器之前必须先收紧固定螺母。

在强烈的外来磁性干扰下，可能会造成短暂性的转速不稳定状况。

根据磨盘制造商提供的指示操作、储藏磨盘。

如果工件无法靠本身的重量站稳，则必须使用固定装置夹紧工件。割锯时切勿用手握持工件。

务必遵照磨具制造商所提供的指示使用磨具。

磨具的尺寸必须能够与研磨机配合。

如果工作时会产生大量尘埃，务必要清洁机器的通气孔。必要时得切断机器的电源供应，并彻底清除尘垢。清洁时必须使用非金属工具，并且不可以损坏机器内部的零件。

正确地使用机器

本直磨机适用于研磨木材、塑料和金属。它的特点是能够进入一般研磨机无法触及的角落。

请依照本说明书的指示使用此机器。

电源插头

只能连接单相交流电，只能连接机器铭牌上规定的电压。本机器也可以连接在没有接地装置的插座上，因为本机器的结构符合第 II 级绝缘。

维修

机器的通气孔必须随时保持清洁。

不可以让金属碎片掉入通风孔中，可能导致短路。

只能使用 AEG 的配件和零件。缺少检修说明的机件如果损坏了，必须交给 AEG 的顾客服务中心更换（参考手册“保证书/顾客服务中心地址”）。

代理商售后服务地址

上海市闸北区梅园路228号，企业广场1618-1619号。

电 话：021-32060172

传 真：021-32060175

制造商

Techtronic Industries GmbH

Max-Eyth-Str. 10, D-71364 Winnenden Germany

符号



使用本机器之前请详细阅读使用说明书。



操作机器时务必佩戴护目镜。



在机器上进行任何修护工作之前，务必从插座上拔出插头。



不可以把损坏的电动工具丢弃在家庭垃圾中！根据被欧盟各国引用的有关旧电子机器的欧洲法规2002/96/EC，必须另外收集旧电子机器，並以符合环保规定的方式回收再利用。



保护等级II，具有不只依赖于基本绝缘，但依赖于双重或强化绝缘等保护措施电击保护的电动工具。

AEG

POWERTOOLS

www.aeg-pt.com

(12.12)
4931 4142 64

Techtronic Industries GmbH
Max-Eyth-Straße 10
D-71364 Winnenden
Germany

ОФИЦИАЛЬНЫЙ ДИЛЕР В УКРАИНЕ:

storgom.ua

ГРАФИК РАБОТЫ:

Пн. – Пт.: с 8:30 по 18:30

Сб.: с 09:00 по 16:00

Вс.: с 10:00 по 16:00

КОНТАКТЫ:

+38 (044) 360-46-77

+38 (066) 77-395-77

+38 (097) 77-236-77

+38 (093) 360-46-77

Детальное описание товара:

<https://storgom.ua/product/priamoshlifivalnaia-mashina-aeg-gs-500-e.html>

Другие товары:

<https://storgom.ua/setevye-pryamyie-shlifovalnye-mashiny.html>