

# AEG

## POWERTOOLS

**SBE 500 R, SBE 570 R**

**Original instructions**

**Originalbetriebsanleitung**

**Notice originale**

**Istruzioni originali**

**Manual original**

**Manual original**

**Oorspronkelijke  
gebruiksaanwijzing**

**Original brugsanvisning**

**Original bruksanvisning**

**Bruksanvisning i original**

**Alkuperäiset ohjeet**

**Πρωτότυπο οδηγιών χρήσης**

**Orijinal işletme talimatı**

**Původním návodem k používání**

**Pôvodný návod na použitie**

**Instrukcja oryginalna**

**Eredeti használati utasítás**

**Izvirna navodila**

**Originalne pogonske upute**

**Instrukcijām oriģinālvalodā**

**Originali instrukcija**

**Algupärane kasutusjuhend**

**Оригинальное руководство по  
эксплуатации**

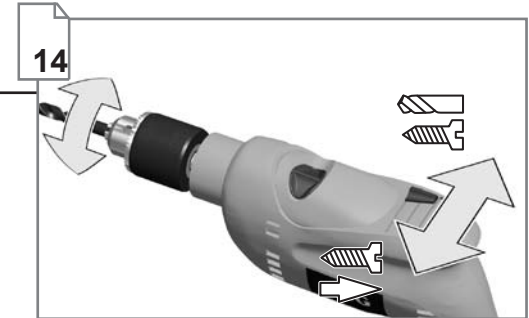
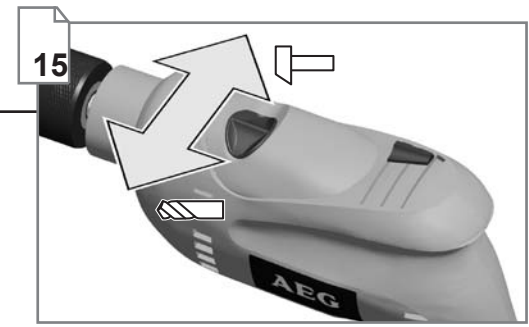
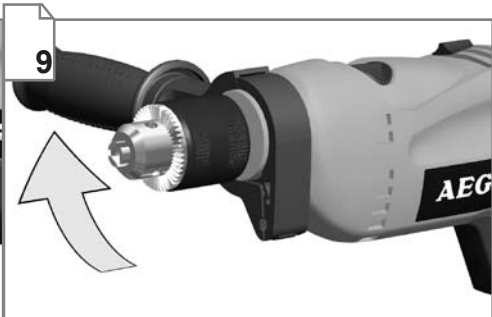
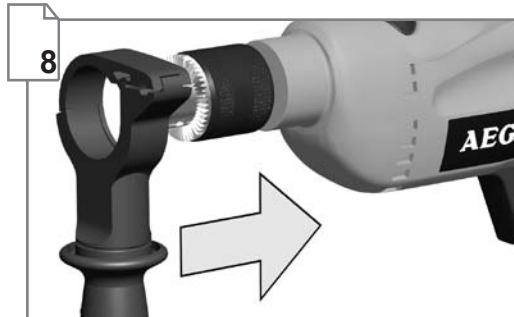
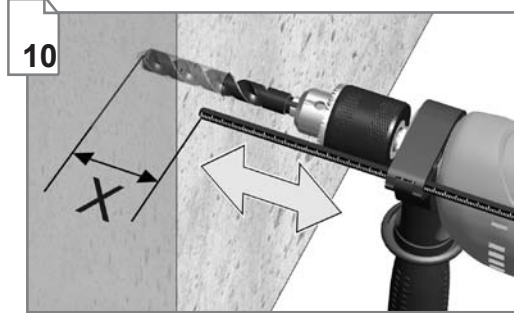
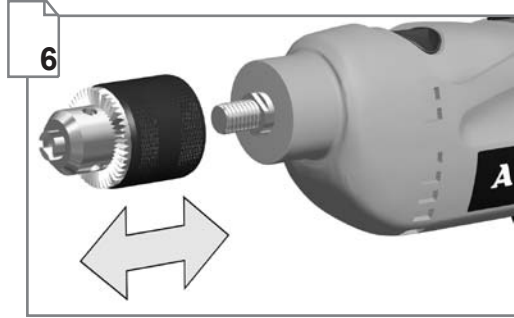
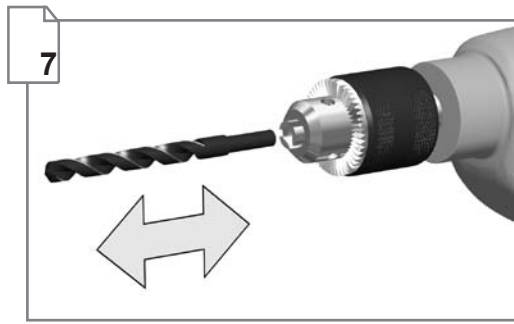
**Оригинално ръководство за  
експлоатация**

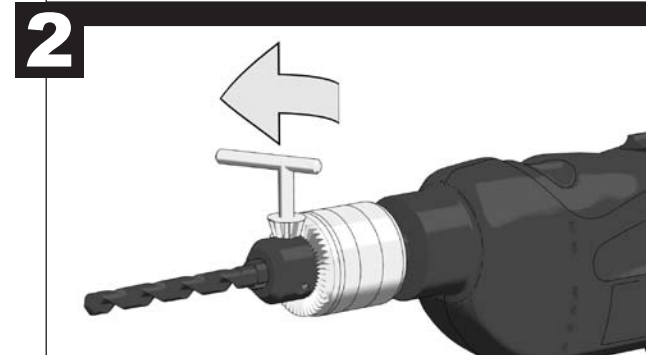
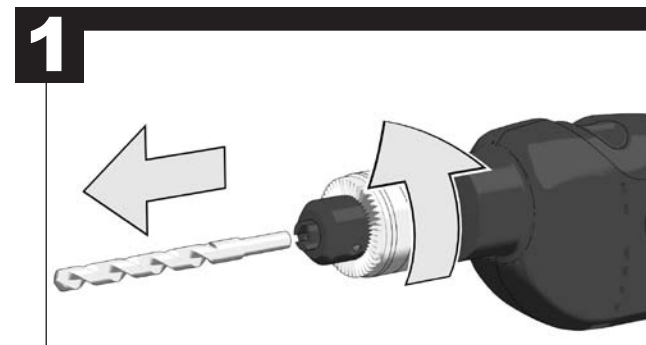
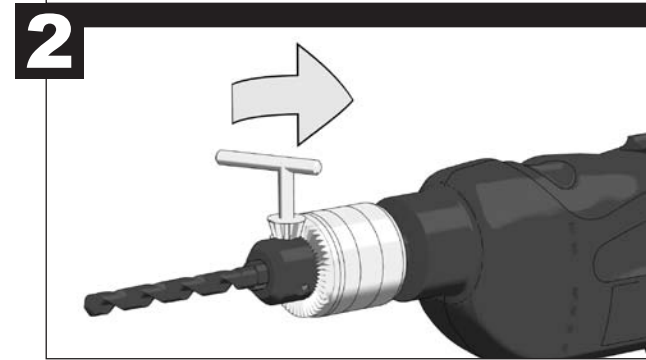
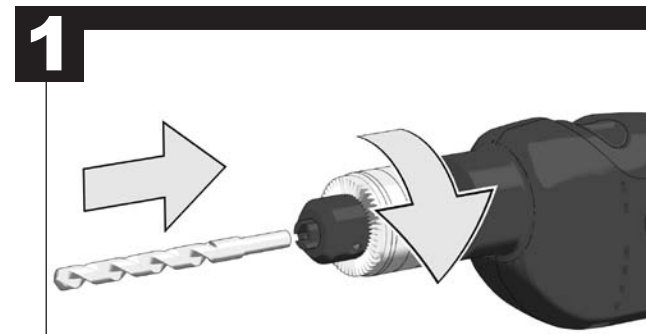
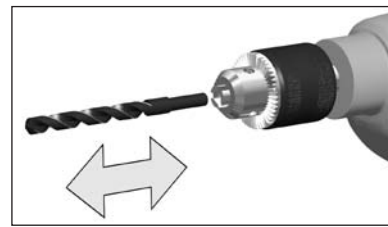
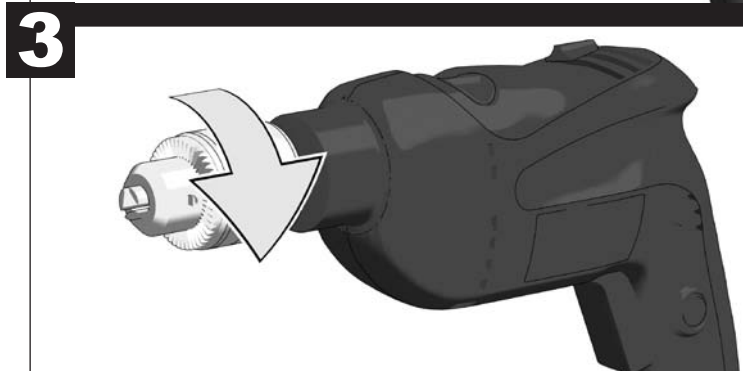
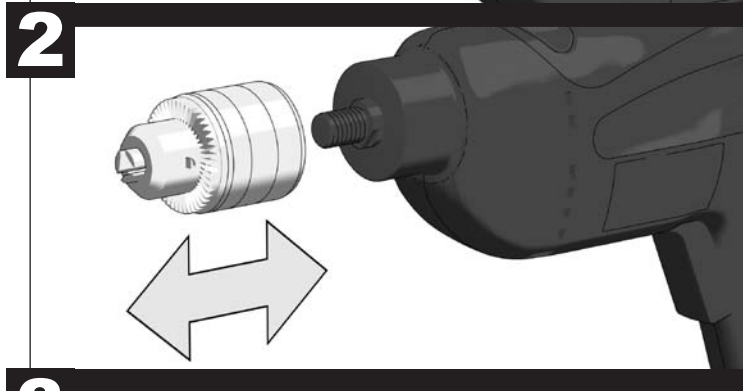
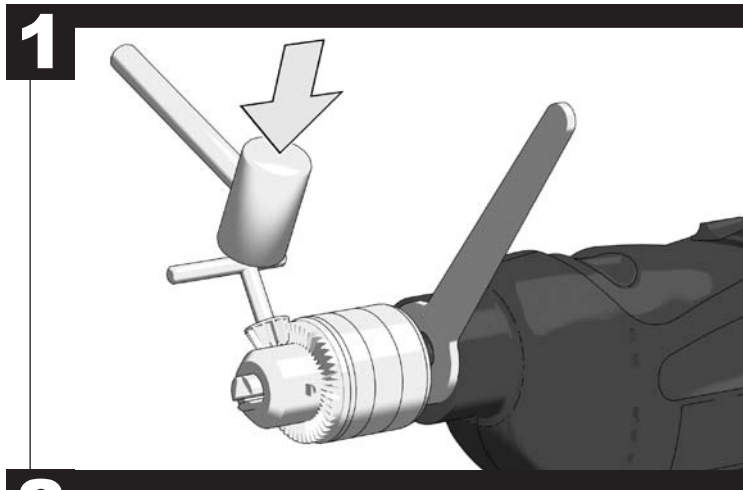
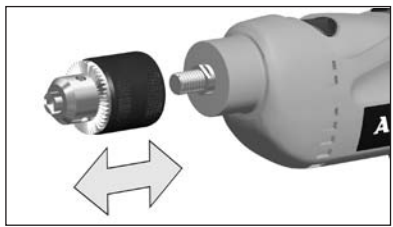
**Instrucțiuni de folosire originale**

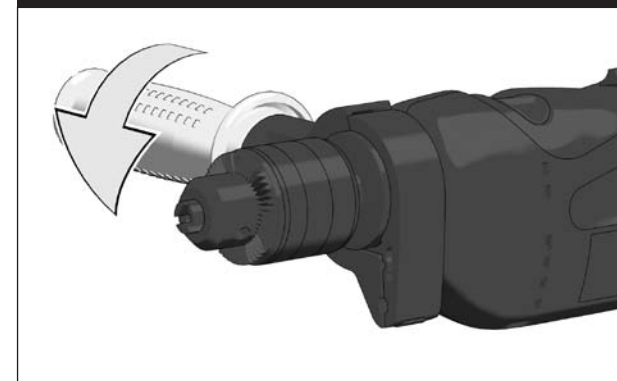
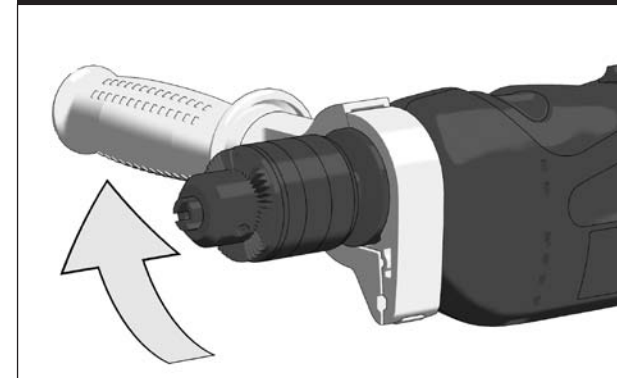
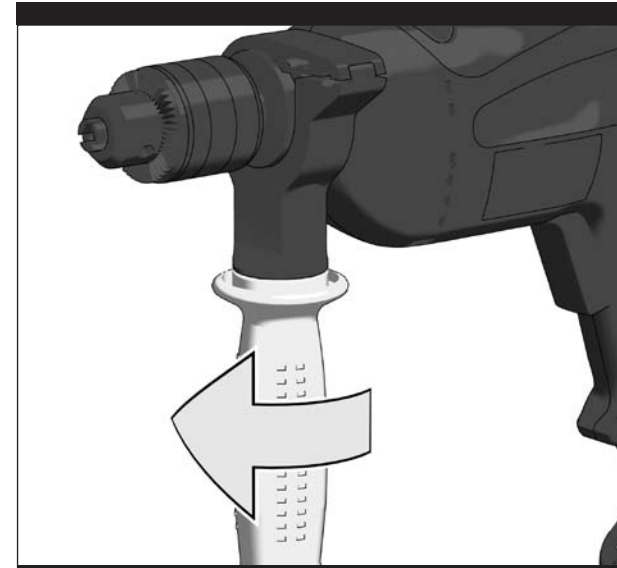
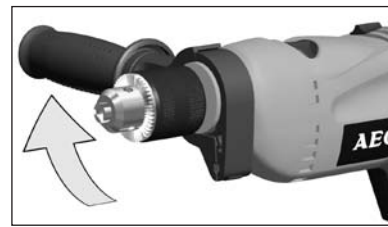
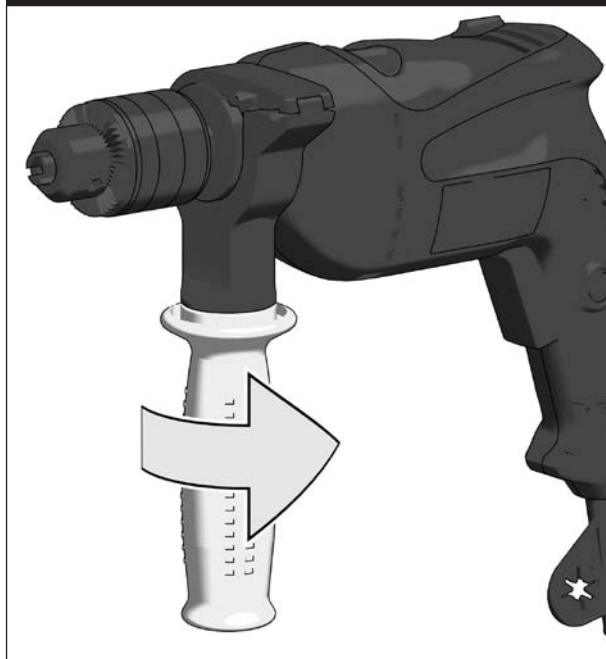
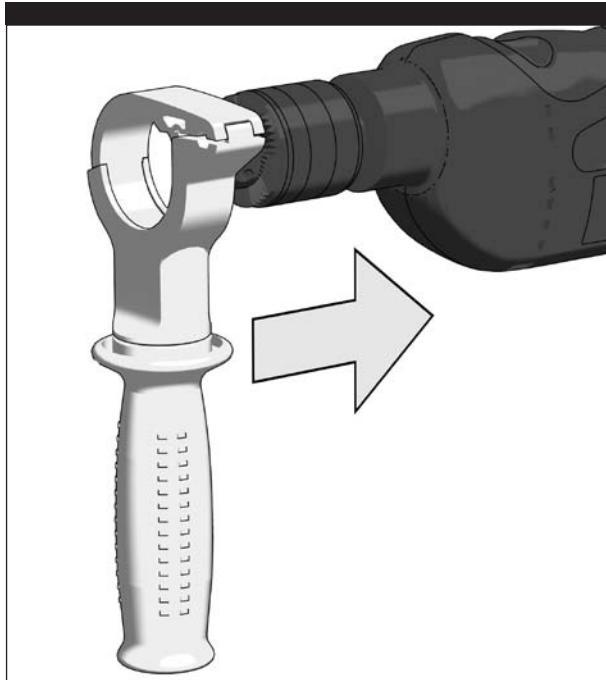
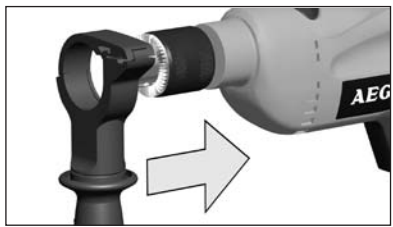
**Оригинален прирачник за работа**

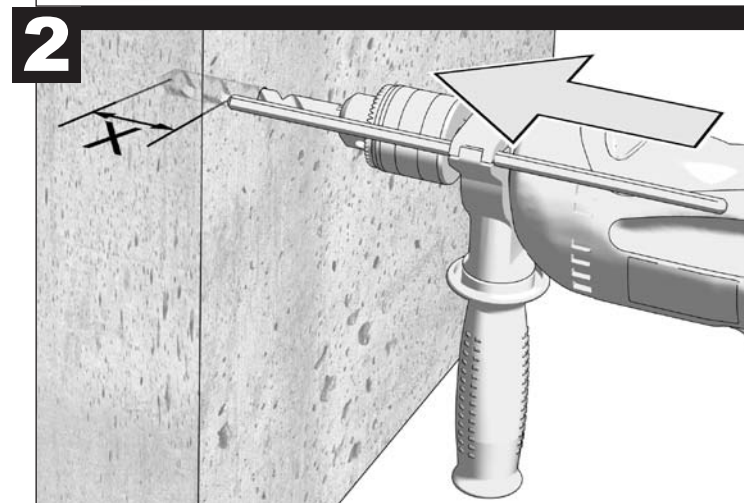
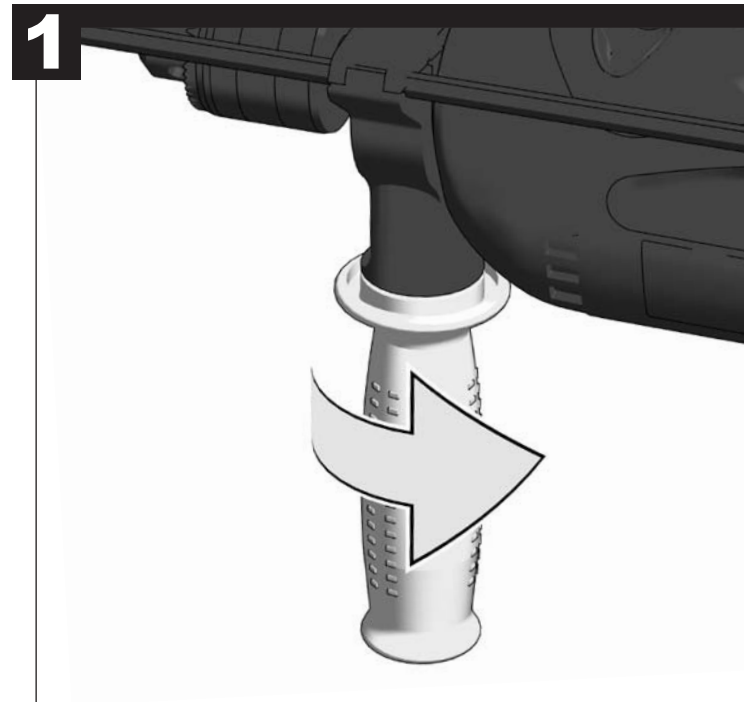
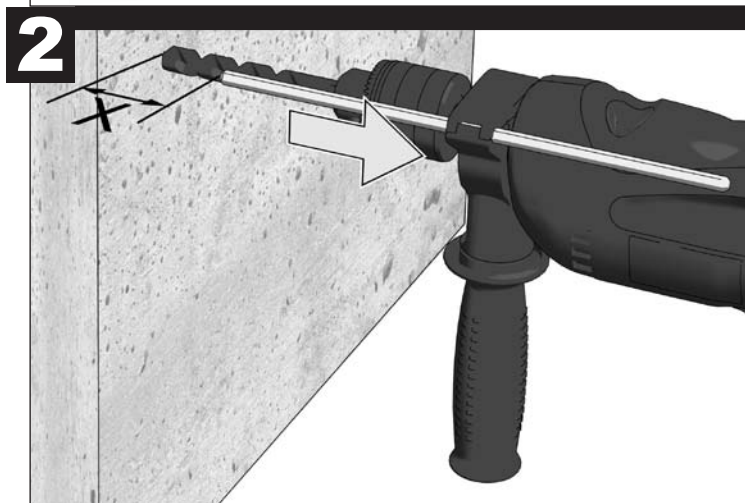
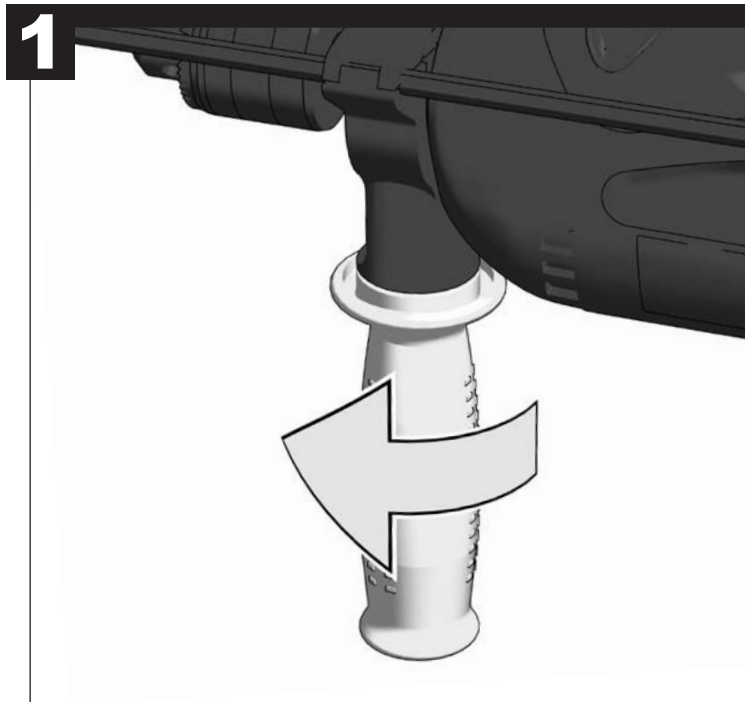
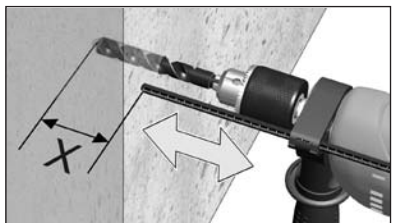
**原始的指南**

|   |   |                    |           |
|---|---|--------------------|-----------|
| Technical Data, Safety Instructions, Specified Conditions of Use, EC-Declaration of Conformity, Mains connection, Maintenance, Symbols                                | Please read and save these instructions!  | <b>ENGLISH</b>     | <b>16</b> |
| Technische Daten, Sicherheitshinweise, Bestimmungsgemäße Verwendung, CE-Konformitätserklärung, Netzanschluss, Wartung, Symbole  | Bitte lesen und aufbewahren!  | <b>DEUTSCH</b>     | <b>18</b> |
| Caractéristiques techniques, Instructions de sécurité, Utilisation conforme aux prescriptions, Déclaration CE de Conformité, Branchement secteur, Entretien, Symboles | Prière de lire et de conserver!   | <b>FRANÇAIS</b>    | <b>20</b> |
| Dati tecnici, Norme di sicurezza, Utilizzo conforme, Dichiarazione di Conformità CE, Collegamento alla rete, Manutenzione, Simboli                                    | Si prega di leggere le istruzioni e di conservarle!                                       | <b>ITALIANO</b>    | <b>22</b> |
| Datos técnicos, Instrucciones de seguridad, Aplicación de acuerdo a la finalidad, Declaración de Conformidad CE, Conexión eléctrica, Mantenimiento, Símbolos          | Lea y conserve estas instrucciones por favor!   | <b>ESPAÑOL</b>     | <b>24</b> |
| Características técnicas, Instruções de segurança, Utilização autorizada, Declaração de Conformidade CE, Ligação à rede, Manutenção, Símbolo                          | Por favor leia e conserve em seu poder!   | <b>PORTUGUES</b>   | <b>26</b> |
| Technische gegevens, Veiligheidsadviezen, Voorgeschreven gebruik van het systeem, EC-Konformiteitsverklaring, Netaansluiting, Onderhoud, Symbolen                     | Lees en let goed op deze adviezen!  | <b>NEDERLANDS</b>  | <b>28</b> |
| Tekniske data, Sikkerhedshenvisninger, Tiltænkt formål, CE-Konformitetserklæring, Nættilslutning, Vedligeholdelse, Symboler   | Vær venlig at læse og opbevare!   | <b>DANSK</b>       | <b>30</b> |
| Tekniske data, Spesielle sikkerhetshenvisninger, Formålmessig bruk, CE-Samsvarserklæring, Nettleikopling, Vedlikehold, Symboler                                       | Vennligst les og oppbevar!  | <b>NORSK</b>       | <b>32</b> |
| Tekniska data, Säkerhetsutrustning, Använd maskinen Enligt anvisningarna, CE-Försäkran, Nätanslutning, Skötsel, Symboler  | Var god läs och tag tillvara dessa instruktioner!   | <b>SVENSKA</b>     | <b>34</b> |
| Tekniset arvot, Turvallisuusohjeet, Tarkoituksenmukainen käyttö, Todistus CE-standardinmukaisuudesta, Verkkoliitäntä, Huolto, Symbolit                                | Lue ja säilytä!   | <b>SUOMI</b>       | <b>36</b> |
| Τεχνικά στοιχεία, Ειδική υποδείξεις ασφαλείας, Χρήση σύμφωνα με το σκοπό προορισμού, Δήλωση πιστοποίησης εκ, Συνδεση στο ηλεκτρικό δίκτυο, Συντήρηση, Συμβολα         | Παρακαλώ διαβάστε τις και φυλάξτε τις!  | <b>ΕΛΛΗΝΙΚΑ</b>    | <b>38</b> |
| Teknik veriler, Güvenliğinizi için talimatlar, Kullanım, CE uygunluk beyanance, Şebeke bağlantısı, Bakım, Semboller   | Lütfen okuyun ve saklayın   | <b>TÜRKÇE</b>      | <b>40</b> |
| Technická data, Speciální bezpečnostní upozornění, Oblast využití, Ce-prohlášení o shodě, Připojení na síť, Údržba, Symboly   | Po přečtení uschovejte  | <b>ČESKY</b>       | <b>42</b> |
| Technické údaje, Špeciálne bezpečnostné pokyny, Použitie podľa predpisov, CE-Vyhlasenie konformity, Sieťová pripojka, Údržba, Symboly                                 | Prosím prečítať a uschovať!   | <b>SLOVENSKY</b>   | <b>44</b> |
| Dane techniczne, Specjalne zalecenia dotyczace bezpieczerstwa, Uzytkowanie zgodne z przeznaczeniem, Swiadcetwo zgodnosci ce, Podlaczenie do sieci, Gwarancja, Symboly | Prosimy o uwazne przeczytanie i przestrzeganie zalececi zamie szczonych w tej instrukcji. | <b>POLSKI</b>      | <b>46</b> |
| Műszaki adatok, Különleges biztonsági tudnivalók, Rendeltetés szerű használat, Ce-azonosság nyilatkozat, Hálózati csatlakoztatás, Karbantartás, Szimbólumok           | Olvassa el és őrizze meg  | <b>MAGYAR</b>      | <b>48</b> |
| Tehnični podatki, Specialni varnostni napotki, Uporaba v skladu z namembnostjo, Ce-izjava o konformnosti, Omrežni priključek, Vzdrževanje, Simboli                    | Prosimo preberite in shranite!  | <b>SLOVENSKO</b>   | <b>50</b> |
| Tehnički podaci, Specijalne sigurnosne upute, Propisna upotreba, CE-Izjava konformnosti, Priključak na mrežu, Održavanje, Simboli                                     | Molimo pročitati i sačuvati   | <b>HRVATSKI</b>    | <b>52</b> |
| Tehniskie dati, Speciālie drošības noteikumi, Noteikumiem atbilstošs izmantojums, Atbilstība CE normām, Tīkla pieslēgums, Apkope, Simboli                             | Pielikums lietošanas pamācībai  | <b>LATVISKI</b>    | <b>54</b> |
| Techiniai duomenys, Ypatingos saugumo nuorodos, Naudojimas pagal paskirtį, CE Atitikties pareiškimas, Elektros tinklo jungtis, Techninis aptarnavimas, Simboliai      | Prašome perskaityti ir neišmesti!   | <b>LIETUVIŠKAI</b> | <b>56</b> |
| Tehnilised andmed, Spetsiaalsed turvajuhised, Kasutamine vastavalt otstarbele, EU Vastavusavaldus, Võrku ühendamine, Hooldus, Sümbolid                                | Palun lugege läbi ja hoidke alal!   | <b>EESTI</b>       | <b>58</b> |
| Технические данные, Рекомендации по технике безопасности, Использование, Подключение к электросети, Обслуживание, Символы   | Пожалуйста, прочтите и сохраните настоящую инструкцию                                     | <b>РУССКИЙ</b>     | <b>60</b> |
| Технически данни, Специални указания за безопасност, Използване по предназначение, CE-Декларация за съответствие, Съвързване към мрежата, Поддръжка, Символи          | Моля прочетете и запазете!  | <b>БЪЛГАРСКИ</b>   | <b>62</b> |
| Date tehnice, Instrucțiuni de securitate, Condiții de utilizare specificate, Declarație de conformitate, Alimentare de la rețea, Întreținere, Simboluri               | Va rugăm citiți și păstrați aceste instrucțiuni   | <b>ROMÂNIA</b>     | <b>64</b> |
| Технички Податоци, Упатство За Употреба, Специфицирани Услови На Употреба, Еу-декларација За Сообразност, Главни Врски, Одржување, Символи                            | Ве молиме прочитајте го и чувајте го ова упатство!  | <b>МАКЕДОНСКИ</b>  | <b>66</b> |
| 技术数据, 特殊安全指示, 正确地使用机器, 欧洲安全规定说明, 电源插头, 维修, 符号   | 请详细阅读并妥善保存!   | <b>中文</b>          | <b>68</b> |



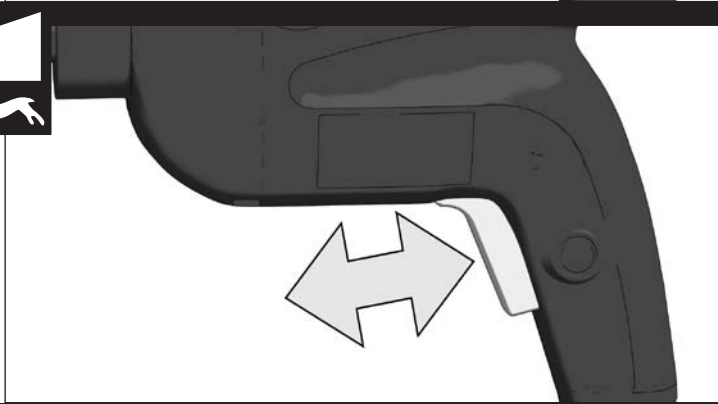
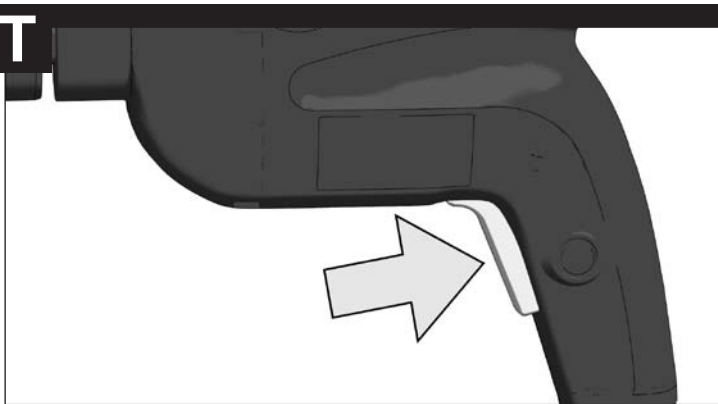




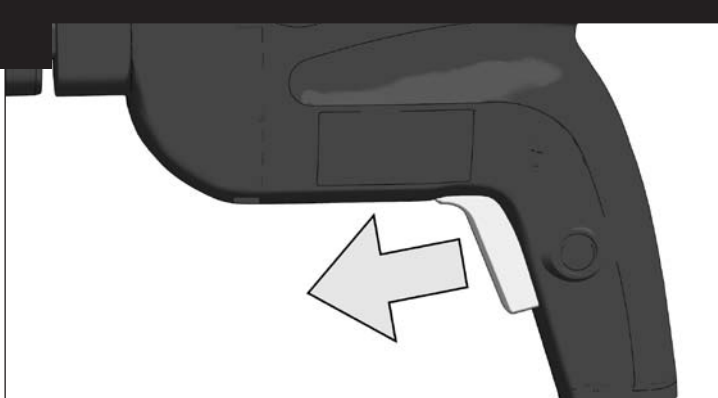




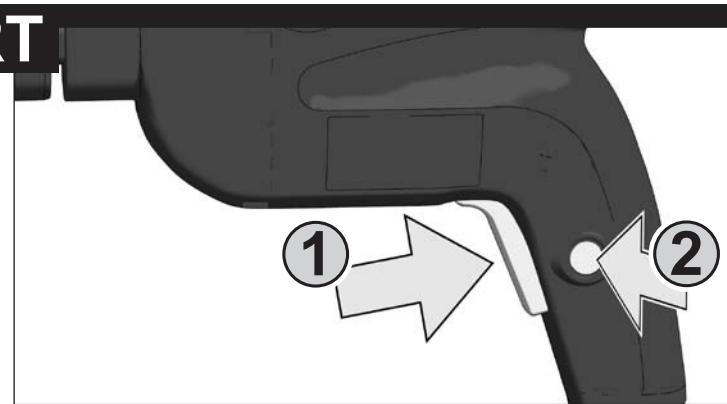
**START**



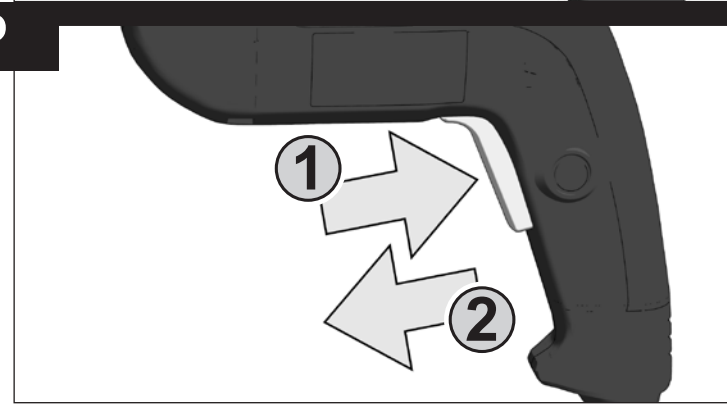
**STOP**

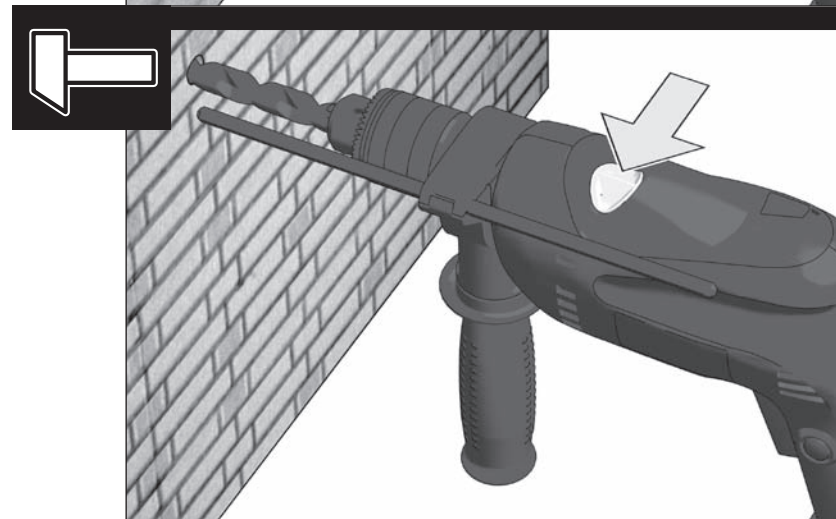
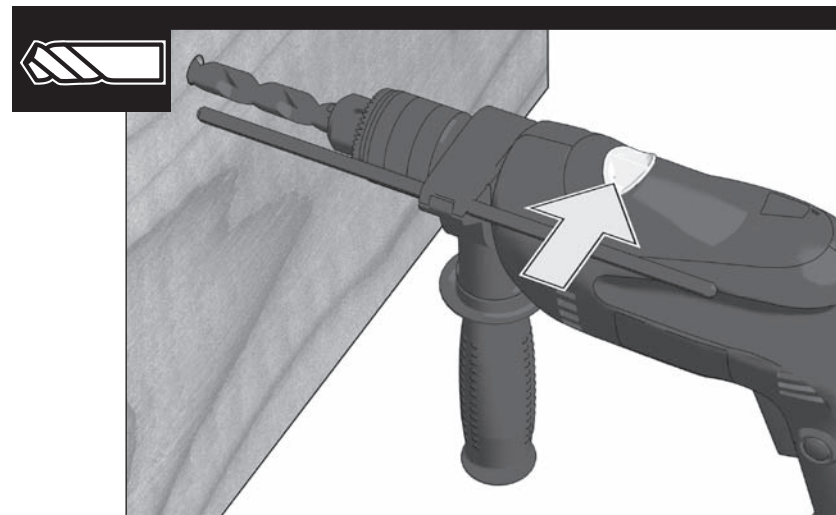
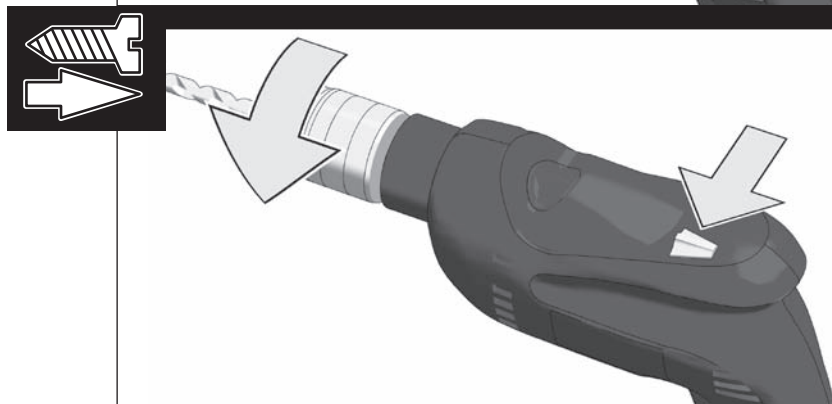
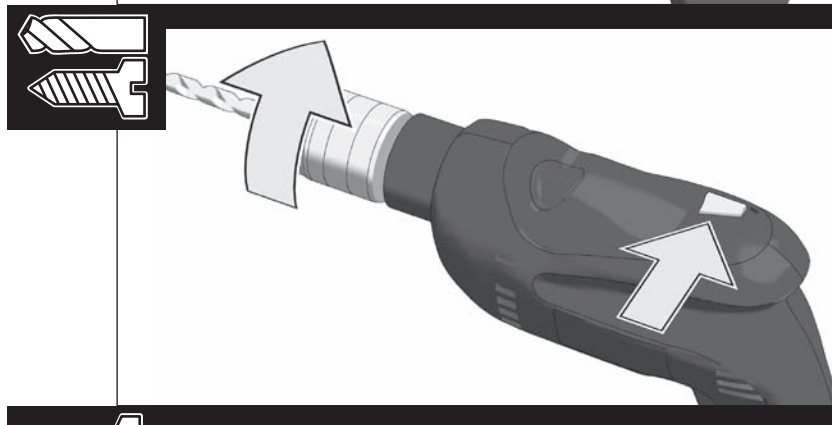
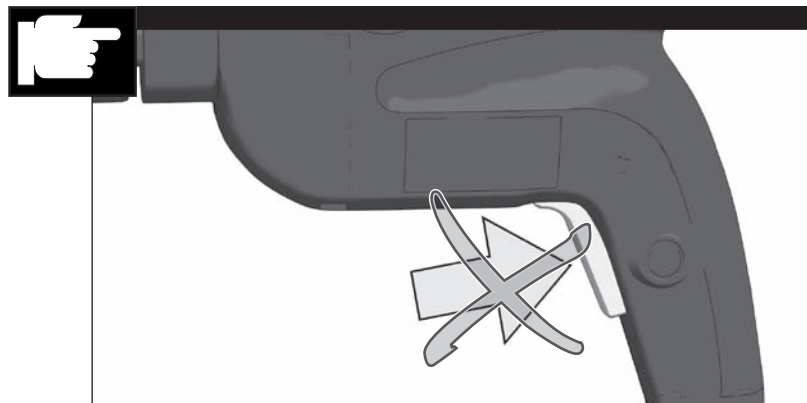


**START**



**STOP**







**TECHNICAL DATA Percussion Drill/Screwdriver SBE 500 R SBE 570 R**

|   |                          |                          |
|---|--------------------------|--------------------------|
| Rated input .....                             | 500 W                    | 570 W                    |
| Output .....                                  | 250 W                    | 285 W                    |
| No-load speed .....                           | 0-2650 min <sup>-1</sup> | 0-2700 min <sup>-1</sup> |
| Speed under load max. ....                    | 1800 min <sup>-1</sup>   | 1600 min <sup>-1</sup>   |
| Rate of percussion under load max. ....       | 27000 min <sup>-1</sup>  | 24000 min <sup>-1</sup>  |
| Static jamming moment*, 1st gear .....        | 21 Nm                    | 23 Nm                    |
| Drilling capacity in concrete .....           | 13 mm                    | 15 mm                    |
| Drilling capacity in brick and tile .....     | 15 mm                    | 18 mm                    |
| Drilling capacity in steel .....              | 10 mm                    | 13 mm                    |
| Drilling capacity in wood .....               | 20 mm                    | 30 mm                    |
| Drill opening range .....                     | 1,5-10 mm                | 1,5-13 mm                |
| Drive shank .....                             | 1/2"x20                  | 1/2"x20                  |
| Chuck neck diameter .....                     | 43 mm                    | 43 mm                    |
| Weight according EPTA-Procedure 01/2003 ..... | 1,6 kg                   | 1,7 kg                   |

\* Measured according to AEG norm N 877318

**Noise information**

Measured values determined according to EN 60 745.

Typically, the A-weighted noise levels of the tool are:

|  |            |            |
|--|------------|------------|
| Sound pressure level (K = 3 dB(A)) ..... | 95 dB (A)  | 95 dB (A)  |
| Sound power level (K = 3 dB(A)) .....    | 106 dB (A) | 106 dB (A) |

**Wear ear protectors!**

**Vibration information**

Total vibration values (vector sum in the three axes) determined according to EN 60745.

Vibration emission value a<sub>v</sub>:

|   |                      |                      |
|---|----------------------|----------------------|
| Percussion drilling into concrete ..... | 26 m/s <sup>2</sup>  | 30 m/s <sup>2</sup>  |
| Uncertainty K .....                     | 5,6 m/s <sup>2</sup> | 2,5 m/s <sup>2</sup> |
| Drilling into metal .....               | 6 m/s <sup>2</sup>   | 6 m/s <sup>2</sup>   |
| Uncertainty K .....                     | 2 m/s <sup>2</sup>   | 1,5 m/s <sup>2</sup> |

**WARNING**

The vibration emission level given in this information sheet has been measured in accordance with a standardised test given in EN 60745 and may be used to compare one tool with another. It may be used for a preliminary assessment of exposure.

The declared vibration emission level represents the main applications of the tool. However if the tool is used for different applications, with different accessories or poorly maintained, the vibration emission may differ. This may significantly increase the exposure level over the total working period.

An estimation of the level of exposure to vibration should also take into account the times when the tool is switched off or when it is running but not actually doing the job. This may significantly reduce the exposure level over the total working period.

Identify additional safety measures to protect the operator from the effects of vibration such as: maintain the tool and the accessories, keep the hands warm, organisation of work patterns.

**⚠ WARNING! Read all safety warnings and all instructions, including those given in the accompanying brochure.** Failure to follow the warnings and instructions may result in electric shock, fire and/or serious injury. **Save all warnings and instructions for future reference.**

**SAFETY INSTRUCTIONS**

**Wear ear protectors when impact drilling.** Exposure to noise can cause hearing loss.

**Use auxiliary handles supplied with the tool.** Loss of control can cause personal injury. Appliances used at many different locations including open air must be connected via a current surge preventing switch.

**Hold power tool by insulated gripping surfaces, when performing an operation where the cutting accessory may contact hidden wiring or its own cord.** Contact with a „live“ wire will also make exposed metal parts of the power tool „live“ and shock the operator.

Appliances used at many different locations including open air should be connected via a residual current device of 30 mA or less.

Always wear goggles when using the machine. It is recommended to wear gloves, sturdy non slipping shoes and apron.

Sawdust and splinters must not be removed while the machine is running.

Always disconnect the plug from the socket before carrying out any work on the machine.

Only plug-in when machine is switched off.

Keep mains lead clear from working range of the machine. Always lead the cable away behind you.

When working with large drill diameters, the auxiliary handle must be fastened in a right angle with the main handle (see illustrations, section Twisting the handle).

When working in walls ceiling, or floor, take care to avoid electric cables and gas or waterpipes.

**SPECIFIED CONDITIONS OF USE**

The percussion drill/screwdriver can be universally used for drilling, percussion drilling, screwdriving and cutting screw threads.

Do not use this product in any other way as stated for normal use.

**MAINS CONNECTION**

Connect only to single-phase a.c. current and only to the system voltage indicated on the rating plate. It is also possible to connect to sockets without an earthing contact as the design conforms to safety class II.

**EC-DECLARATION OF CONFORMITY**

We declare under our sole responsibility that this product is in conformity with the following standards or standardized documents.

- EN 60745-1:2009 + A11:2010
  - EN 60745-2-1:2010
  - EN 55014-1:2006 + A1:2009 + A2:2011
  - EN 55014-2:1997 + A1:2001 + A2:2008
  - EN 61000-3-2:2006 + A1:2009 + A2:2009
  - EN 61000-3-3:2008
- in accordance with the regulations  
2011/65/EU (RoHS)  
2006/42/EC  
2004/108/EC



Winnenden, 2012-09-12

*Rainer Kumpf*

Rainer Kumpf  
Director Product Development  
Authorized to compile the technical file

**MAINTENANCE**

The ventilation slots of the machine must be kept clear at all times.

If the machine is mainly used for percussion drilling, regularly remove collected dust from the chuck. To remove the dust hold the machine with the chuck facing down vertically, and completely open and close the chuck. The collected dust will fall from the chuck. It is recommended to regularly use cleaner for the clamping jaws and the clamping jaw borings.

Use only AEG accessories and AEG spare parts. Should components need to be replaced which have not been described, please contact one of our AEG service agents (see our list of guarantee/service addresses).

If needed, an exploded view of the tool can be ordered. Please state the ten-digit No. as well as the machine type printed on the label and order the drawing at your local service agents or directly at: AEG Electric Tools GmbH, Max-Eyth-Straße 10, D-71364 Winnenden, Germany.

**SYMBOLS**



Please read the instructions carefully before starting the machine.



Always disconnect the plug from the socket before carrying out any work on the machine.



Accessory - Not included in standard equipment, available as an accessory.



Do not dispose of electric tools together with household waste material! In observance of European Directive 2002/96/EC on waste electrical and electronic equipment and its implementation in accordance with national law, electric tools that have reached the end of their life must be collected separately and returned to an environmentally compatible recycling facility.



Class II construction, tool in which protection against electric shock does not rely on basic insulation only, but in which additional safety precautions, such as double insulation or reinforced insulation, are provided.

**TECHNISCHE DATEN** Schlagbohrer/Schrauber SBE 500 R SBE 570 R

|   |                          |                          |
|---|--------------------------|--------------------------|
| Nennaufnahmeleistung.....               | 500 W                    | 570 W                    |
| Abgabeleistung.....                     | 250 W                    | 285 W                    |
| Leerlaufdrehzahl.....                   | 0-2650 min <sup>-1</sup> | 0-2700 min <sup>-1</sup> |
| Lastdrehzahl max.....                   | 1800 min <sup>-1</sup>   | 1600 min <sup>-1</sup>   |
| Lastschlagzahl max.....                 | 27000 min <sup>-1</sup>  | 24000 min <sup>-1</sup>  |
| Statisches Blockiermoment*              | 21 Nm                    | 23 Nm                    |
| Bohr-Ø in Beton.....                    | 13 mm                    | 15 mm                    |
| Bohr-Ø in Ziegel und Kalksandstein..... | 15 mm                    | 18 mm                    |
| Bohr-Ø in Stahl.....                    | 10 mm                    | 13 mm                    |
| Bohr-Ø in Holz.....                     | 20 mm                    | 30 mm                    |
| Bohrfutterspannbereich.....             | 1,5-10 mm                | 1,5-13 mm                |
| Bohrspindel.....                        | 1/2"x20                  | 1/2"x20                  |
| Spannhals-Ø.....                        | 43 mm                    | 43 mm                    |
| Gewicht nach EPTA-Prozedur 01/2003..... | 1,6 kg                   | 1,7 kg                   |

\* Gemessen nach AEG Norm N 877318

**Geräuschinformationen**

Messwerte ermittelt entsprechend EN 60745.  
Der A-bewertete Geräuschpegel des Gerätes beträgt typischerweise:

|  |            |            |
|--|------------|------------|
| Schalldruckpegel (K = 3 dB(A)).....    | 95 dB (A)  | 95 dB (A)  |
| Schalleistungspegel (K = 3 dB(A))..... | 106 dB (A) | 106 dB (A) |

**Gehörschutz tragen!**

**Vibrationsinformationen**

Schwingungsgesamtwerte (Vektorsumme dreier Richtungen) ermittelt entsprechend EN 60745:

|   |                      |                      |
|---|----------------------|----------------------|
| Schwingungsemissionswert a <sub>n</sub> : |                      |                      |
| Schlagbohren in Beton:.....               | 26 m/s <sup>2</sup>  | 30 m/s <sup>2</sup>  |
| Unsicherheit K = .....                    | 5,6 m/s <sup>2</sup> | 2,5 m/s <sup>2</sup> |
| Bohren in Metall:.....                    | 6 m/s <sup>2</sup>   | 6 m/s <sup>2</sup>   |
| Unsicherheit K = .....                    | 2 m/s <sup>2</sup>   | 1,5 m/s <sup>2</sup> |

**WARNUNG**

Der in diesen Anweisungen angegebene Schwingungspegel ist entsprechend einem in EN 60745 genormten Messverfahren gemessen worden und kann für den Vergleich von Elektrowerkzeugen miteinander verwendet werden. Er eignet sich auch für eine vorläufige Einschätzung der Schwingungsbelastung.

Der angegebene Schwingungspegel repräsentiert die hauptsächlichen Anwendungen des Elektrowerkzeugs. Wenn allerdings das Elektrowerkzeug für andere Anwendungen, mit abweichenden Einsatzwerkzeugen oder ungenügender Wartung eingesetzt wird, kann der Schwingungspegel abweichen. Dies kann die Schwingungsbelastung über den gesamten Arbeitszeitraum deutlich erhöhen.

Für eine genaue Abschätzung der Schwingungsbelastung sollten auch die Zeiten berücksichtigt werden, in denen das Gerät abgeschaltet ist oder zwar läuft, aber nicht tatsächlich im Einsatz ist. Dies kann die Schwingungsbelastung über den gesamten Arbeitszeitraum deutlich reduzieren.

Legen Sie zusätzliche Sicherheitsmaßnahmen zum Schutz des Bedieners vor der Wirkung von Schwingungen fest wie zum Beispiel: Wartung von Elektrowerkzeug und Einsatzwerkzeugen, Warmhalten der Hände, Organisation der Arbeitsabläufe.

**⚠ WARNUNG! Lesen Sie alle Sicherheitshinweise und Anweisungen, auch die in der beiliegenden Broschüre.** Versäumnisse bei der Einhaltung der Sicherheitshinweise und Anweisungen können elektrischen Schlag, Brand und/oder schwere Verletzungen verursachen.  
**Bewahren Sie alle Sicherheitshinweise und Anweisungen für die Zukunft auf.**

**SPEZIELLE SICHERHEITSHINWEISE**

**Tragen Sie Gehörschutz beim Schlagbohren.** Die Einwirkung von Lärm kann Gehörverlust bewirken.

**Benutzen Sie die mit dem Gerät gelieferten Zusatzhandgriffe.** Der Verlust der Kontrolle kann zu Verletzungen führen.

**Halten Sie das Gerät an den isolierten Griffflächen, wenn Sie Arbeiten ausführen, bei denen das Einsatzwerkzeug verborgene Stromleitungen oder das eigene Kabel treffen kann.** Der Kontakt mit einer spannungsführenden Leitung setzt auch die metallenen Geräteteile unter Spannung und führt zu einem elektrischen Schlag.

Steckdosen in Außenbereichen müssen mit Fehlerstrom-Schutzschaltern ausgerüstet sein. Das verlangt die Installationsvorschrift für Ihre Elektroanlage. Bitte beachten Sie das bei der Verwendung unseres Gerätes.

Beim Arbeiten mit der Maschine stets Schutzbrille tragen. Schutzhandschuhe, festes und rutschsicheres Schuhwerk und Schürze werden empfohlen.

Späne oder Splitter dürfen bei laufender Maschine nicht entfernt werden.

Vor allen Arbeiten an der Maschine Stecker aus der Steckdose ziehen.

Maschine nur ausgeschaltet an die Steckdose anschließen.

Anschlusskabel stets vom Wirkungsbereich der Maschine fernhalten. Kabel immer nach hinten von der Maschine wegführen.

Bei großen Bohrdurchmessern muss der Zusatzhandgriff rechtwinklig zum Haupthandgriff befestigt werden (siehe auch im Bildteil, Abschnitt Handgriff verdrehen).

Beim Arbeiten in Wand, Decke oder Fußboden auf elektrische Kabel, Gas- und Wasserleitungen achten.

**BESTIMMUNGSGEMÄßE VERWENDUNG**

Der Schlagbohrer/Schrauber ist universell einsetzbar zum Bohren, Schlagbohren, Schrauben und Gewindeschneiden.

Dieses Gerät darf nur wie angegeben bestimmungsgemäß verwendet werden.

**NETZANSCHLUSS**

Nur an Einphasen-Wechselstrom und nur an die auf dem Leistungsschild angegebene Netzspannung anschließen. Anschluss ist auch an Steckdosen ohne Schutzkontakt möglich, da ein Aufbau der Schutzklasse II vorliegt.

**CE-KONFORMITÄTSERKLÄRUNG**

Wir erklären in alleiniger Verantwortung, dass dieses Produkt mit den folgenden Normen oder normativen Dokumenten übereinstimmt:

- EN 60745-1:2009 + A11:2010
  - EN 60745-2-1:2010
  - EN 55014-1:2006 + A1:2009 + A2:2011
  - EN 55014-2:1997 + A1:2001 + A2:2008
  - EN 61000-3-2:2006 + A1:2009 + A2:2009
  - EN 61000-3-3:2008
- gemäß den Bestimmungen der Richtlinien  
2011/65/EU (RoHS)  
2006/42/EU  
2004/108/EG



Winnenden, 2012-09-12

*Rainer Kumpf*

Rainer Kumpf  
Director Product Development

Bevollmächtigt die technischen Unterlagen zusammenzustellen

**WARTUNG**

Stets die Lüftungsschlitze der Maschine sauber halten.

Bei häufigem Schlagbohrbetrieb sollte das Bohrfutter regelmäßig von Staub befreit werden. Hierzu die Maschine mit dem Bohrfutter senkrecht nach unten halten und das Bohrfutter über den gesamten Spannbereich öffnen und schließen. Der angesammelte Staub fällt so aus dem Bohrfutter. Die regelmäßige Verwendung von Reinigungsspray an den Spannbacken und Spannbackenbohrungen wird empfohlen.

Nur AEG Zubehör und AEG Ersatzteile verwenden. Bauteile, deren Austausch nicht beschrieben wurde, bei einer AEG Kundendienststelle auswechseln lassen (Broschüre Garantie/Kundendienstadressen beachten).

Bei Bedarf kann eine Explosionszeichnung des Gerätes unter Angabe der Maschinen Type und der zehnstelligen Nummer auf dem Leistungsschild bei Ihrer Kundendienststelle oder direkt bei AEG Electric Tools GmbH, Max-Eyth-Straße 10, D-71364 Winnenden, Germany angefordert werden.

**SYMBOLS**



Bitte lesen Sie die Gebrauchsanweisung vor Inbetriebnahme sorgfältig durch.



Vor allen Arbeiten an der Maschine Stecker aus der Steckdose ziehen.



Zubehör - Im Lieferumfang nicht enthalten, empfohlene Ergänzung aus dem Zubehörprogramm.



Werfen Sie Elektrowerkzeuge nicht in den Hausmüll! Gemäss Europäischer Richtlinie 2002/96/EG über Elektro- und Elektronik-Altgeräte und Umsetzung in nationales Recht müssen verbrauchte Elektrowerkzeuge getrennt gesammelt und einer umweltgerechten Wiederverwertung zugeführt werden.



Schutzklasse II, Elektrowerkzeug, bei dem der Schutz gegen elektrischen Schlag nicht nur von der Basisisolierung abhängt, sondern in dem zusätzliche Schutzmaßnahmen, wie doppelte Isolierung oder verstärkte Isolierung, angewendet werden.

**CARACTÉRISTIQUES TECHNIQUES** Perceuse Visseuse à percussion **SBE 500 R** **SBE 570 R**

|  |                          |                          |
|--|--------------------------|--------------------------|
| Puissance nominale de réception.....                   | 500 W                    | 570 W                    |
| Puissance utile .....                                  | 250 W                    | 285 W                    |
| Vitesse de rotation .....                              | 0-2650 min <sup>-1</sup> | 0-2700 min <sup>-1</sup> |
| Vitesse de rotation en charge .....                    | 1800 min <sup>-1</sup>   | 1600 min <sup>-1</sup>   |
| Perçage à percussion en charge max. ....               | 27000 min <sup>-1</sup>  | 24000 min <sup>-1</sup>  |
| Moment de blocage statique* .....                      | 21 Nm                    | 23 Nm                    |
| Ø de perçage dans le béton.....                        | 13 mm                    | 15 mm                    |
| Ø de perçage dans brique et grès argilo-calcaire ..... | 15 mm                    | 18 mm                    |
| Ø de perçage dans acier .....                          | 10 mm                    | 13 mm                    |
| Ø de perçage dans bois .....                           | 20 mm                    | 30 mm                    |
| Plage de serrage du mandrin .....                      | 1,5-10 mm                | 1,5-13 mm                |
| Broche de perçage .....                                | 1/2"x20                  | 1/2"x20                  |
| Ø du collier de serrage .....                          | 43 mm                    | 43 mm                    |
| Poids suivant EPTA-Procédure 01/2003 .....             | 1,6 kg                   | 1,7 kg                   |

**Informations sur le bruit**

Valeurs de mesure obtenues conformément à la EN 60 745.

Les mesures réelles (A) des niveaux acoustiques de l'appareil sont :

|   |            |            |
|---|------------|------------|
| Niveau de pression acoustique (K=3 dB(A)) ..... | 95 dB (A)  | 95 dB (A)  |
| Niveau d'intensité acoustique (K=3 dB(A)) ..... | 106 dB (A) | 106 dB (A) |

**Toujours porter une protection acoustique!**

**Informations sur les vibrations**

Valeurs totales des vibrations (somme vectorielle de trois sens) établies conformément à EN 60745.

Valeur d'émission vibratoire a<sub>h</sub> :

|  |                      |                      |
|--|----------------------|----------------------|
| Perçage à percussion dans le béton ..... | 26 m/s <sup>2</sup>  | 30 m/s <sup>2</sup>  |
| Incertitude K .....                      | 5,6 m/s <sup>2</sup> | 2,5 m/s <sup>2</sup> |
| Perçage dans le métal .....              | 6 m/s <sup>2</sup>   | 6 m/s <sup>2</sup>   |
| Incertitude K .....                      | 2 m/s <sup>2</sup>   | 1,5 m/s <sup>2</sup> |

**AVERTISSEMENT**

Le niveau vibratoire indiqué dans ces instructions a été mesuré selon un procédé de mesure normalisé dans la norme EN 60745 et peut être utilisé pour comparer des outils électriques entre eux. Il convient aussi à une estimation provisoire de la sollicitation par les vibrations.

Le niveau vibratoire indiqué représente les applications principales de l'outil électrique. Toutefois, si l'outil électrique est utilisé pour d'autres applications, avec des outils rapportés qui diffèrent ou une maintenance insuffisante, il se peut que le niveau vibratoire diverge. Cela peut augmenter nettement la sollicitation par les vibrations sur tout l'intervalle de temps du travail.

Pour une estimation précise de la sollicitation par les vibrations, on devrait également tenir compte des temps pendant lesquels l'appareil n'est pas en marche ou tourne sans être réellement en service. Cela peut réduire nettement la sollicitation par les vibrations sur tout l'intervalle de temps du travail.

Définissez des mesures de sécurité supplémentaires pour protéger l'utilisateur contre l'influence des vibrations, comme par exemple : la maintenance de l'outil électrique et des outils rapportés, le maintien au chaud des mains, l'organisation des déroulements de travail.

**⚠ AVERTISSEMENT! Lisez toutes les consignes de sécurité et les instructions, même celles qui se trouvent dans la brochure ci-jointe.** Le non-respect des avertissements et instructions indiqués ci après peut entraîner un choc électrique, un incendie et/ou de graves blessures sur les personnes.

**Bien garder tous les avertissements et instructions.**

**INSTRUCTIONS DE SÉCURITÉ PARTICULIÈRES**

**Porter un casque de protection au cours du perçage à percussion.** L'exposition au bruit pourrait provoquer une diminution de l'ouïe.

**Utilisez les poignées supplémentaires livrées en même temps que l'appareil.** La perte de contrôle peut mener à des blessures.

**Maintenez l'appareil par les surfaces de poignée isolées lorsque vous exécutez des travaux pendant lesquels l'outil de coupe peut toucher des lignes électriques dissimulées ou le propre câble.** Le contact avec un câble sous tension met les parties métalliques de l'appareil sous tension et provoque une décharge électrique.

Les prises de courant se trouvant à l'extérieur doivent être équipées de disjoncteurs différentiel conformément aux prescriptions de mise en place de votre installation

électrique. Veuillez en tenir compte lors de l'utilisation de notre appareil.

Toujours porter des lunettes protectrices en travaillant avec la machine. Des gants de sécurité, des chaussures solides et à semelles antidérapantes et un tablier sont recommandés.

Ne jamais enlever les copeaux ni les éclats lorsque la machine est en marche.

Avant tous travaux sur la machine extraire la fiche de la prise de courant.

Ne raccorder la machine au réseau que si l'interrupteur est en position arrêt.

Le câble d'alimentation doit toujours se trouver en dehors du champ d'action de la machine. Toujours maintenir le câble d'alimentation à l'arrière de la machine.

Pour effectuer de grands diamètres de perçage, la poignée supplémentaire doit être montée perpendiculairement à la poignée principale. Voir aussi les figures se trouvant dans le chapitre « Ajustement de la poignée ».

Toujours déconnecter le mécanisme de percussion lorsqu'on travaille avec la couronne de perçage diamantée.

Lors du perçage dans les murs, les plafonds ou les planchers, toujours faire attention aux câbles électriques et aux conduites de gaz et d'eau.

**UTILISATION CONFORME AUX PRESCRIPTIONS**

La visseuse/perceuse à percussion est conçue pour un travail universel de perçage normal, de perçage à percussion, de vissage et de filetage.

Comme déjà indiqué, cette machine n'est conçue que pour être utilisée conformément aux prescriptions.

**DECLARATION CE DE CONFORMITÉ**

Nous déclarons sous notre responsabilité que ce produit est en conformité avec les normes ou documents normalisés suivants

- EN 60745-1:2009 + A11:2010
  - EN 60745-2-1:2010
  - EN 55014-1:2006 + A1:2009 + A2:2011
  - EN 55014-2:1997 + A1:2001 + A2:2008
  - EN 61000-3-2:2006 + A1:2009 + A2:2009
  - EN 61000-3-3:2008
- conformément aux réglementations  
2011/65/EU (RoHS)  
2006/42/CE  
2004/108/CE



Winnenden, 2012-09-12

*Rainer Kumpf*

Rainer Kumpf  
Director Product Development

Autorisé à compiler la documentation technique.

**BRANCHEMENT SECTEUR**

Raccorder uniquement à un courant électrique monophasé et uniquement à la tension secteur indiquée sur la plaque signalétique. Le raccordement à des prises de courant sans contact de protection est également possible car la classe de protection II est donnée.

**ENTRETIEN**

Tenir toujours propres les orifices de ventilation de la machine.

Au cas où la machine serait souvent utilisée en mode de percussion, il est recommandé d'enlever les poussières se trouvant dans le mandrin de serrage à intervalles réguliers. Tenir la machine dans la position verticale, le mandrin de serrage vers le bas, et desserrer et resserrer le plus possible le mandrin de serrage. Toute la poussière accumulée tombe ainsi du mandrin de serrage. Il est recommandé d'utiliser régulièrement le spray de nettoyage sur les mâchoires et les alésages des mâchoires de serrage.

Utiliser uniquement les accessoires AEG et les pièces détachées AEG. Faire remplacer les composants dont le remplacement n'a pas été décrit, par un des centres de service après-vente AEG (observer la brochure avec les adresses de garantie et de service après-vente).

Si besoin est, une vue éclatée de l'appareil peut être fournie. S'adresser, en indiquant bien le numéro à dix chiffres porté sur la plaque signalétique, à votre station de service après-vente (voir liste jointe) ou directement à AEG Electric Tools GmbH, Max-Eyth-Straße 10, D-71364 Winnenden, Germany.

**SYMBOLES**



Veillez lire avec soin le mode d'emploi avant la mise en service



Avant tous travaux sur la machine extraire la fiche de la prise de courant.



Accessoires - Ces pièces ne font pas partie de la livraison. Il s'agit là de compléments recommandés pour votre machine et énumérés dans le catalogue des accessoires.



Ne pas jeter les appareils électriques dans les ordures ménagères! Conformément à la directive européenne 2002/96/EG relative aux déchets d'équipements électriques ou électroniques (DEEE), et à sa transposition dans la législation nationale, les appareils électriques doivent être collectés à part et être soumis à un recyclage respectueux de l'environnement.



Classe de protection II, outil électrique au niveau duquel la protection contre la foudre ne dépend pas uniquement de l'isolation de base et au niveau duquel des mesures de protection ultérieures ont été prises, telles que la double isolation ou l'isolation augmentée.

**DATI TECNICI**      **Trapano avvitatore**      **SBE 500 R**      **SBE 570 R**

|  |                          |                          |
|--|--------------------------|--------------------------|
| Potenza assorbita nominale .....                   | 500 W                    | 570 W                    |
| Potenza erogata .....                              | 250 W                    | 285 W                    |
| Numero di giri a vuoto .....                       | 0-2650 min <sup>-1</sup> | 0-2700 min <sup>-1</sup> |
| Numero di giri a carico .....                      | 1800 min <sup>-1</sup>   | 1600 min <sup>-1</sup>   |
| Percussione a pieno carico, max. ....              | 27000 min <sup>-1</sup>  | 24000 min <sup>-1</sup>  |
| Momento di bloccaggio statico* .....               | 21 Nm                    | 23 Nm                    |
| Ø Foratura in calcestruzzo .....                   | 13 mm                    | 15 mm                    |
| Ø Foratura in mattone e in arenaria calcarea ..... | 15 mm                    | 18 mm                    |
| Ø Foratura in acciaio .....                        | 10 mm                    | 13 mm                    |
| Ø Foratura in legno .....                          | 20 mm                    | 30 mm                    |
| Capacità mandrino .....                            | 1,5-10 mm                | 1,5-13 mm                |
| Attacco mandrino .....                             | 1/2"x20                  | 1/2"x20                  |
| Ø Collarino di fissaggio .....                     | 43 mm                    | 43 mm                    |
| Peso secondo la procedura EPTA 01/2003 .....       | 1,6 kg                   | 1,7 kg                   |

\* Misurato conf. norma N 877318 AEG

**Informazioni sulla rumorosità**

Valori misurati conformemente alla norma EN 60 745.

La misurazione A del livello di pressione acustica dell'utensile è di solito di:

|  |            |            |
|--|------------|------------|
| Livello di rumorosità (K = 3 dB(A)) .....    | 95 dB (A)  | 95 dB (A)  |
| Potenza della rumorosità (K = 3 dB(A)) ..... | 106 dB (A) | 106 dB (A) |

**Utilizzare le protezioni per l'udito!****Informazioni sulle vibrazioni**

Valori totali delle oscillazioni (somma di vettori in tre direzioni)

misurati conformemente alla norma EN 60745

Valore di emissione dell'oscillazione a<sub>n</sub>:

|                                  |                      |                      |
|----------------------------------|----------------------|----------------------|
| Perforazione a percussione ..... | 26 m/s <sup>2</sup>  | 30 m/s <sup>2</sup>  |
| Incertezza della misura K .....  | 5,6 m/s <sup>2</sup> | 2,5 m/s <sup>2</sup> |
| Perforazione in metallo .....    | 6 m/s <sup>2</sup>   | 6 m/s <sup>2</sup>   |
| Incertezza della misura K .....  | 2 m/s <sup>2</sup>   | 1,5 m/s <sup>2</sup> |

**AVVERTENZA**

Il livello di vibrazioni indicato nelle presenti istruzioni è stato misurato in conformità con un procedimento di misurazione codificato nella EN 60745 e può essere utilizzato per un confronto tra attrezzi elettrici. Inoltre si può anche utilizzare per una valutazione preliminare della sollecitazione da vibrazioni.

Il livello di vibrazioni indicato rappresenta le applicazioni principali dell'attrezzo elettrico. Se viceversa si utilizza l'attrezzo elettrico per altri scopi, con accessori differenti o con una manutenzione insufficiente, il livello di vibrazioni può risultare diverso. E questo può aumentare decisamente la sollecitazione da vibrazioni lungo l'intero periodo di lavorazione.

Ai fini di una valutazione precisa della sollecitazione da vibrazioni si dovrebbero tenere presente anche i periodi in cui l'apparecchio rimane spento oppure, anche se acceso, non viene effettivamente utilizzato. Ciò può ridurre notevolmente la sollecitazione da vibrazioni lungo l'intero periodo di lavorazione.

Stabilite misure di sicurezza supplementari per la tutela dell'operatore dall'effetto delle vibrazioni, come ad esempio: manutenzione dell'attrezzo elettrico e degli accessori, riscaldamento delle mani, organizzazione dei processi di lavoro.

**AVVERTENZA! E' necessario leggere tutte le indicazioni di sicurezza e le istruzioni, anche quelle contenute nella brochure allegata.** In caso di mancato rispetto delle avvertenze di pericolo e delle istruzioni operative si potrà creare il pericolo di scosse elettriche, incendi e/o incidenti gravi.

**Conservare tutte le avvertenze di pericolo e le istruzioni operative per ogni esigenza futura.**

**NORME DI SICUREZZA**

**Indossare cuffie protettive durante la trapanatura a percussione.** L'esposizione al rumore potrebbe comportare una riduzione dell'udito.

**Utilizzare l'utensile con la sua impugnatura supplementare.** La perdita di controllo potrebbe causare danneggiamenti all'utilizzatore.

**Impugnare l'apparecchio sulle superfici di tenuta isolate mentre si eseguono lavori durante i quali l'utensile da taglio potrebbe entrare in contatto con cavi di corrente o con il proprio cavo d'alimentazione.** In caso di contatto con una linea portatrice di tensione anche le parti metalliche della macchina vengono sottoposte a tensione provocando una scossa di corrente elettrica.

Gli apparecchi mobili usati all'aperto devono essere collegati interponendo un interruttore di sicurezza per guasti di corrente.

Durante l'uso dell'apparecchio utilizzare sempre gli occhiali di protezione. Inoltre si consiglia di usare sistemi di protezione per la respirazione e per l'udito, oltre ai guanti di protezione.

Non rimuovere trucioli o schegge mentre l'utensile è in funzione.

Prima di effettuare qualsiasi lavoro sulla macchina togliere la spina dalla presa di corrente.

Inserire la spina solo con interruttore su posizione OFF.

Tenere sempre lontano il cavo di collegamento dall'area di lavoro dell'attrezzo.

Quando si lavora con punte di grande diametro, l'impugnatura supplementare deve essere ben fissata ad angolo retto con l'impugnatura principale (vedere figura Sezione Inserire l'impugnatura).

Forando pareti, soffitti o pavimenti, si faccia attenzione ai cavi elettrici e alle condutture dell'acqua e del gas.

**UTILIZZO CONFORME**

Il trapano a percussione/avvitatore può essere utilizzato per forare, forare a percussione, per avvitare e per filettare.

Utilizzare il prodotto solo per l'uso per cui è previsto.

**COLLEGAMENTO ALLA RETE**

Connettere solo corrente alternata mono fase e solo al sistema di voltaggio indicato sulla piastra. E' possibile anche connettere la presa senza un contatto di messa a terra così come prevede lo schema conforme alla norme di sicurezza di classe II.

**DICHIARAZIONE DI CONFORMITÀ CE**

Dichiariamo, assumendo la piena responsabilità di tale dichiarazione, che il prodotto è conforme alla seguenti normative e ai relativi documenti:

EN 60745-1:2009 + A11:2010  
EN 60745-2-1:2010  
EN 55014-1:2006 + A1:2009 + A2:2011  
EN 55014-2:1997 + A1:2001 + A2:2008  
EN 61000-3-2:2006 + A1:2009 + A2:2009  
EN 61000-3-3:2008  
in base alle prescrizioni delle direttive  
2011/65/EU (RoHS)  
2006/42/CE  
2004/108/CE



Winnenden, 2012-09-12

Rainer Kumpf  
Director Product Development

Autorizzato alla preparazione della documentazione tecnica

**MANUTENZIONE**

Tener sempre ben pulite le fessure di ventilazione dell'apparecchio.

Se la macchina è prevalentemente usata per trapanatura a percussione, rimuovere regolarmente la polvere dal mandrino. Per rimuovere la polvere tenere la macchina con il mandrino verso il basso in posizione verticale e aprire e chiudere completamente il mandrino. La polvere cadrà dal mandrino. Si raccomanda un uso regolare di pulitori per le ganasce e le fessure delle ganasce.

Usare solo accessori AEG e pezzi di ricambio AEG. Gruppi costruttivi la cui sostituzione non è stata descritta, devono essere fatti cambiare da un punto di servizio di assistenza tecnica al cliente AEG (vedi depliant garanzia/indirizzi assistenza tecnica ai clienti).

In caso di mancanza del disegno esplosivo, può essere richiesto al seguente indirizzo: AEG Electric Tools GmbH, Max-Eyth-Straße 10, D-71364 Winnenden, Germany.

**SIMBOLI**

Leggere attentamente le istruzioni per l'uso prima di mettere in funzione l'elettrotensile.



Prima di effettuare qualsiasi lavoro sulla macchina togliere la spina dalla presa di corrente.



Accessorio - Non incluso nella dotazione standard, disponibile a parte come accessorio.



Non gettare le apparecchiature elettriche tra i rifiuti domestici. Secondo la Direttiva Europea 2002/96/CE sui rifiuti di apparecchiature elettriche ed elettroniche e la sua attuazione in conformità alle norme nazionali, le apparecchiature elettriche esauste devono essere accolte separatamente, al fine di essere reimpiegate in modo eco-compatibile.



Classe di protezione II, utensile elettrico sul quale la protezione contro la folgorazione elettrica non dipende soltanto dall'isolamento di base e sul quale trovano applicazione ulteriori misure di protezione, come il doppio isolamento o l'isolamento maggiorato.

**DATOS TÉCNICOS** Taladro Combi a Batería SBE 500 R SBE 570 R

|   |                          |                          |
|---|--------------------------|--------------------------|
| Potencia de salida nominal.....                         | 500 W                    | 570 W                    |
| Potencia entregada .....                                | 250 W                    | 285 W                    |
| Velocidad en vacío .....                                | 0-2650 min <sup>-1</sup> | 0-2700 min <sup>-1</sup> |
| Velocidades en carga .....                              | 1800 min <sup>-1</sup>   | 1600 min <sup>-1</sup>   |
| Frecuencia de impactos bajo carga.....                  | 27000 min <sup>-1</sup>  | 24000 min <sup>-1</sup>  |
| Par de bloqueo estático* .....                          | 21 Nm                    | 23 Nm                    |
| Diámetro de taladrado en hormigón .....                 | 13 mm                    | 15 mm                    |
| Diámetro de taladrado ladrillo y losetas .....          | 15 mm                    | 18 mm                    |
| Diámetro de taladrado en acero .....                    | 10 mm                    | 13 mm                    |
| Diámetro de taladrado en madera.....                    | 20 mm                    | 30 mm                    |
| Gama de apertura del portabrocas.....                   | 1,5-10 mm                | 1,5-13 mm                |
| Eje de accionamiento .....                              | 1/2"x20                  | 1/2"x20                  |
| Diámetro de cuello de amarre .....                      | 43 mm                    | 43 mm                    |
| Peso de acuerdo con el procedimiento EPTA 01/2003 ..... | 1,6 kg                   | 1,7 kg                   |

**Información sobre ruidos**

Determinación de los valores de medición según norma EN 60 745.

El nivel de ruido típico del aparato determinado con un filtro

A corresponde a:

|  |            |            |
|--|------------|------------|
| Presión acústica (K = 3 dB(A)).....    | 95 dB (A)  | 95 dB (A)  |
| Resonancia acústica (K = 3 dB(A))..... | 106 dB (A) | 106 dB (A) |

**Usar protectores auditivos!****Informaciones sobre vibraciones**

Nivel total de vibraciones (suma vectorial de tres direcciones) determinado según EN 60745.

Valor de vibraciones generadas a<sub>n</sub>:

|                              |                      |                      |
|------------------------------|----------------------|----------------------|
| Taladrado de percusión ..... | 26 m/s <sup>2</sup>  | 30 m/s <sup>2</sup>  |
| Tolerancia K.....            | 5,6 m/s <sup>2</sup> | 2,5 m/s <sup>2</sup> |
| Taladrado en metal .....     | 6 m/s <sup>2</sup>   | 6 m/s <sup>2</sup>   |
| Tolerancia K.....            | 2 m/s <sup>2</sup>   | 1,5 m/s <sup>2</sup> |

**ADVERTENCIA**

El nivel vibratorio indicado en estas instrucciones ha sido medido conforme a un método de medición estandarizado en la norma EN 60745, y puede utilizarse para la comparación entre herramientas eléctricas. También es apropiado para una estimación provisional de la carga de vibración.

El nivel vibratorio indicado representa las aplicaciones principales de la herramienta eléctrica. Si, pese a ello, se utiliza la herramienta eléctrica para otras aplicaciones, con útiles adaptables diferentes o con un mantenimiento insuficiente, el nivel vibratorio puede diferir. Esto puede incrementar sensiblemente la carga de vibración durante todo el periodo de trabajo.

Para una estimación exacta de la carga de vibración deberían tenerse en cuenta también los tiempos durante los que el aparato está apagado o, pese a estar en funcionamiento, no está siendo realmente utilizado. Esto puede reducir sustancialmente la carga de vibración durante todo el periodo de trabajo.

Adopte medidas de seguridad adicionales para la protección del operador frente al efecto de las vibraciones, como por ejemplo: mantenimiento de la herramienta eléctrica y de los útiles adaptables, mantener las manos calientes, organización de los procesos de trabajo.

**⚠ ADVERTENCIA! Rogamos leer las indicaciones de seguridad y las instrucciones, también las que contiene el folleto adjunto.** En caso de no atenerse a las advertencias de peligro e instrucciones siguientes, ello puede ocasionar una descarga eléctrica, un incendio y/o lesión grave.

**Guardar todas las advertencias de peligro e instrucciones para futuras consultas.**

**INSTRUCCIONES DE SEGURIDAD**

**Utilice protectores de oídos al taladrar con percusión.** La exposición a niveles de ruido excesivos puede causar la pérdida de audición.

**¡Utilice las empuñaduras auxiliares suministradas con la herramienta!** La pérdida de control de la herramienta puede causar accidentes

**Sujete el aparato de las superficies aisladas de agarre al efectuar trabajos en los cuales la perforadora de percusión pueda entrar en contacto con conductores de corriente ocultos o con el propio cable.** El contacto con conductores portadores de tensión puede hacer que las partes metálicas del aparato le provoquen una descarga eléctrica.

Conecte siempre la máquina a una red protegida por interruptor diferencial y magnetotérmico, para su seguridad

**APLICACIÓN DE ACUERDO A LA FINALIDAD**

El taladro-atornillador se puede usar universalmente para taladrado normal, taladrado a percusión, atornillado y roscado.

No utilice este producto para ninguna otra aplicación que no sea su uso normal.

**CONEXIÓN ELÉCTRICA**

Conectar solamente a corriente AC monofásica y sólo al voltaje indicado en la placa de características. También es posible la conexión a enchufes sin toma a tierra, dado que es conforme a la Clase de Seguridad II

**DECLARACION DE CONFORMIDAD CE**

Declaramos bajo nuestra sola responsabilidad que este producto está en conformidad con las normas o documentos normalizados siguientes.

EN 60745-1:2009 + A11:2010

EN 60745-2-1:2010

EN 55014-1:2006 + A1:2009 + A2:2011

EN 55014-2:1997 + A1:2001 + A2:2008

EN 61000-3-2:2006 + A1:2009 + A2:2009

EN 61000-3-3:2008

de acuerdo con las regulaciones

2011/65/EU (RoHS)

2006/42/CE

2004/108/CE



Winnenden, 2012-09-12

Rainer Kumpf  
Director Product Development

Autorizado para la redacción de los documentos técnicos.

**MANTENIMIENTO**

Las ranuras de ventilación de la máquina deben estar despejadas en todo momento.

Si la máquina se usa principalmente para taladrado a percusión, limpie periódicamente el polvo acumulado en el portabrocas. Para limpiar el polvo, sujete la máquina con el portabrocas mirando verticalmente hacia abajo, y ábralo y ciérrelo completamente. El polvo acumulado caerá del portabrocas. Se recomienda utilizar regularmente un limpiador para las mordazas de sujeción y los alojamientos de éstas.

Utilice solamente accesorios y repuestos AEG. En caso de necesitar reemplazar componentes no descritos, contacte con cualquiera de nuestras estaciones de servicio AEG (consultar lista de servicio técnicos)

En caso necesario, puede solicitar un despiece de la herramienta. Por favor indique el número de impreso de diez dígitos que hay en la etiqueta y pida el despiece a la siguiente dirección: AEG Electric Tools GmbH, Max-Eyth-Straße 10, D-71364 Winnenden, Germany.

**SÍMBOLOS**

Lea las instrucciones detenidamente antes de conectar la herramienta



Desconecte siempre el enchufe antes de llevar a cabo cualquier trabajo en la máquina.



Accesorio - No incluido en el equipo estándar, disponible en la gama de accesorios.



¡No deseche los aparatos eléctricos junto con los residuos domésticos! De conformidad con la Directiva Europea 2002/96/CE sobre residuos de aparatos eléctricos y electrónicos y su aplicación de acuerdo con la legislación nacional, las herramientas eléctricas cuya vida útil haya llegado a su fin se deberán recoger por separado y trasladar a una planta de reciclaje que cumpla con las exigencias ecológicas.



Clase de protección II, herramientas eléctricas, en las cuales la protección contra descargas eléctricas no sólo depende del aislamiento básico, sino en las cuales se adoptan medidas de protección adicionales como un doble aislamiento o un aislamiento reforzado.

**CARACTERÍSTICAS TÉCNICAS Berbequim com percussão SBE 500 R SBE 570 R**

|  |                          |                          |
|--|--------------------------|--------------------------|
| Potência absorvida nominal                   | 500 W                    | 570 W                    |
| Potência de saída                            | 250 W                    | 285 W                    |
| Nº de rotações em vazio                      | 0-2650 min <sup>-1</sup> | 0-2700 min <sup>-1</sup> |
| Velocidade de rotação máxima em carga        | 1800 min <sup>-1</sup>   | 1600 min <sup>-1</sup>   |
| Frequência de percussão em carga             | 27000 min <sup>-1</sup>  | 24000 min <sup>-1</sup>  |
| Binário de bloqueio estático*                | 21 Nm                    | 23 Nm                    |
| Ø de furo em betão                           | 13 mm                    | 15 mm                    |
| Ø de furo em tijolo e calcário               | 15 mm                    | 18 mm                    |
| Ø de furo em aço                             | 10 mm                    | 13 mm                    |
| Ø de furo em madeira                         | 20 mm                    | 30 mm                    |
| Capacidade da bucha                          | 1,5-10 mm                | 1,5-13 mm                |
| Veio da bucha                                | 1/2"x20                  | 1/2"x20                  |
| Ø da gola de aperto                          | 43 mm                    | 43 mm                    |
| Peso nos termos do procedimento-EPTA 01/2003 | 1,6 kg                   | 1,7 kg                   |

\* Medido em conformidade com a AEG Norm N 877318

**Informações sobre ruído**

Valores de medida de acordo com EN 60 745.

O nível de ruído avaliado A do aparelho é tipicamente:

|  |            |            |
|--|------------|------------|
| Nível da pressão de ruído (K = 3 dB(A))  | 95 dB (A)  | 95 dB (A)  |
| Nível da potência de ruído (K = 3 dB(A)) | 106 dB (A) | 106 dB (A) |

**Use protectores auriculares!****Informações sobre vibração**

Valores totais de vibração (soma dos vectores das três direcções) determinadas conforme EN 60745.

Valor de emissão de vibração a<sub>h</sub>:

|                           |                      |                      |
|---------------------------|----------------------|----------------------|
| Furar de impacto em betão | 26 m/s <sup>2</sup>  | 30 m/s <sup>2</sup>  |
| Incerteza K               | 5,6 m/s <sup>2</sup> | 2,5 m/s <sup>2</sup> |
| Furar em metal            | 6 m/s <sup>2</sup>   | 6 m/s <sup>2</sup>   |
| Incerteza K               | 2 m/s <sup>2</sup>   | 1,5 m/s <sup>2</sup> |

**ATENÇÃO**

O nível vibratório indicado nestas instruções foi medido em conformidade com um procedimento de medição normalizado na EN 60745 e pode ser utilizado para comparar entre si ferramentas eléctricas. O mesmo é também adequado para avaliar provisoriamente o esforço vibratório.

O nível vibratório indicado representa as principais aplicações da ferramenta eléctrica. Se, no entanto, a ferramenta eléctrica for utilizada para outras aplicações, com outras ferramentas adaptadas ou uma manutenção insuficiente, o nível vibratório poderá divergir. Isto pode aumentar consideravelmente o esforço vibratório ao longo de todo o período do trabalho.

Para uma avaliação exacta do esforço vibratório devem também ser considerados os tempos durante os quais o aparelho está desligado ou está a funcionar, mas não está efectivamente a ser utilizado. Isto pode reduzir consideravelmente o esforço vibratório ao longo de todo o período do trabalho.

Defina medidas de segurança suplementares para proteger o operador do efeito das vibrações, como por exemplo: manutenção da ferramenta eléctrica e das ferramentas adaptadas, manter as mãos quentes, organização das sequências de trabalho.

**⚠ ATENÇÃO! Leia todas as instruções de segurança e todas as instruções, também aquelas que constam na brochura juntada.** O desrespeito das advertências e instruções apresentadas abaixo pode causar choque eléctrico, incêndio e/ou graves lesões.  
**Guarde bem todas as advertências e instruções para futura referência.**

**INSTRUÇÕES DE SEGURANÇA**

**Use uma protecção dos ouvidos ao usar o berbequim de percussão.** Os ruídos podem causar surdez.

**Sempre use os punhos adicionais fornecidos com o aparelho.** A perda de controlo pode causar feridas.

**Segure o aparelho nas superfícies de punho isoladas se estiver a executar trabalhos, nos quais a ferramenta de corte pode tocar em linhas eléctricas escondidas ou no próprio cabo.** O contacto com um cabo com tensão também pode as partes metálicas do aparelho sob tensão e leva a choque eléctrico.

Aparelhos não estacionários, utilizados ao ar livre, devem ser protegidos por um disjuntor de corrente de defeito.

Usar sempre óculos de protecção ao trabalhar com a máquina. Recomenda-se a utilização de luvas de

protecção, protectores para os ouvidos e máscara anti-poeiras.

Não remover aparas ou lascas enquanto a máquina trabalha.

Antes de efectuar qualquer intervenção na máquina, tirar a ficha da tomada.

Ao ligar à rede, a máquina deve estar desligada.

Manter sempre o cabo de ligação fora da zona de acção da máquina.

No caso de grandes diâmetros de furo, o punho adicional tem que ser fixado perpendicularmente ao punho principal. Ver também na parte de imagens, secção Rodar punho).

Ao trabalhar em paredes, tectos e soalhos prestar atenção a que não sejam atingidos cabos eléctricos e canalizações de gás e água.

**UTILIZAÇÃO AUTORIZADA**

O berbequi aparafusador com percussão tem aplicação universal para furar, furar com percussão, aparafusar e abrir riscas.

Não use este produto de outra maneira sem ser a normal para o qual foi concebido.

**LIGAÇÃO À REDE**

Só conectar à corrente alternada monofásica e só à tensão de rede indicada na placa de potência. A conexão às tomadas de rede sem contacto de segurança também é possível, pois trata-se de uma construção da classe de protecção II.

**DECLARAÇÃO DE CONFORMIDADE CE**

Declaramos, sob nossa exclusiva responsabilidade, que este produto cumpre as seguintes normas ou documentos normativos:

EN 60745-1:2009 + A11:2010

EN 60745-2-1:2010

EN 55014-1:2006 + A1:2009 + A2:2011

EN 55014-2:1997 + A1:2001 + A2:2008

EN 61000-3-2:2006 + A1:2009 + A2:2009

EN 61000-3-3:2008

conforme as disposições das directivas

2011/65/EU (RoHS)

2006/42/CE

2004/108/CE



Winnenden, 2012-09-12

Rainer Kumpf  
Director Product Development

Autorizado a reunir a documentação técnica.

**MANUTENÇÃO**

Através dos rasgos de ventilação podem soprar-se com ar comprimido os depósitos de poeira no motor.

Se a máquina for principalmente usada para furação com percussão, remova com regularidade a poeira acumulada na bucha. Para remover a poeira segure a máquina com a bucha a apontar para baixo verticalmente, e abra e feche completamente a bucha. A poeira acumulada irá cair da bucha. É recomendável usar regularmente um dispositivo de limpeza Para as garras de aperto e para as limalhas das mesmas.

Utilizar apenas acessórios AEG e peças sobresselentes AEG. Os componentes cuja substituição não esteja descrita devem ser substituídos num serviço de assistência técnica AEG (consultar a brochura relativa à garantia/moradas dos serviços de assistência técnica).

A pedido e mediante indicação da referência de dez números que consta da chapa de características da máquina, pode requerer-se um desenho explosivo da ferramenta eléctrica a: AEG Electric Tools GmbH, Max-Eyth-Straße 10, D-71364 Winnenden, Germany.

**SYMBOLE**

Leia atentamente o manual de instruções antes de colocar a máquina em funcionamento.



Antes de efectuar qualquer intervenção na máquina, tirar a ficha da tomada.



Acessório - Não incluído no equipamento normal, disponível como acessório.



Não deite ferramentas eléctricas no lixo doméstico! De acordo com a directiva europeia 2002/96/CE sobre ferramentas eléctricas e electrónicas usadas e a transposição para as leis nacionais, as ferramentas eléctricas usadas devem ser recolhidas em separado e encaminhadas a uma instalação de reciclagem dos materiais ecológica.



Classe de protecção II, ferramenta eléctrica, na qual a protecção contra choque eléctrico não só depende de um isolamento básico, mas na qual medidas de segurança suplementares, como isolamento duplo ou isolamento reforçado, são aplicadas.

**TECHNISCHE GEGEVENEN**      **Slagboormachine/Schroevendraaier**      **SBE 500 R**      **SBE 570 R**

|  |                          |       |                          |
|--|--------------------------|-------|--------------------------|
| Nominaal afgegeven vermogen.....               | 500 W                    | ..... | 570 W                    |
| Afgegeven vermogen .....                       | 250 W                    | ..... | 285 W                    |
| Onbelast toerental .....                       | 0-2650 min <sup>-1</sup> | ..... | 0-2700 min <sup>-1</sup> |
| Belast toerental max.....                      | 1800 min <sup>-1</sup>   | ..... | 1600 min <sup>-1</sup>   |
| Aantal slagen belast max.....                  | 27000 min <sup>-1</sup>  | ..... | 24000 min <sup>-1</sup>  |
| Statisch draaimoment* .....                    | 21 Nm                    | ..... | 23 Nm                    |
| Boor-Ø in beton.....                           | 13 mm                    | ..... | 15 mm                    |
| Boor-Ø in tegel en kalkzandsteen.....          | 15 mm                    | ..... | 18 mm                    |
| Boor-Ø in staal.....                           | 10 mm                    | ..... | 13 mm                    |
| Boor-Ø in hout.....                            | 20 mm                    | ..... | 30 mm                    |
| Spanwijdte boorhouder.....                     | 1,5-10 mm                | ..... | 1,5-13 mm                |
| Booras .....                                   | 1/2"x20                  | ..... | 1/2"x20                  |
| Spanhals-Ø .....                               | 43 mm                    | ..... | 43 mm                    |
| Gewicht volgens de EPTA-procedure 01/2003..... | 1,6 kg                   | ..... | 1,7 kg                   |

\* Gemeten volgens de AEG norm N 877318

**Geluidsinformatie**

Meetwaarden vastgesteld volgens EN 60 745.  
Het kenmerkende A-gewogen geluidsniveau van de machine bedraagt:

|  |            |       |            |
|--|------------|-------|------------|
| Geluidsdruk niveau (K = 3 dB(A)) .....     | 95 dB (A)  | ..... | 95 dB (A)  |
| Geluidsvermogen niveau (K = 3 dB(A)) ..... | 106 dB (A) | ..... | 106 dB (A) |

**Draag oorschermsers!****Trillingsinformatie**

Totale trillingswaarden (vectorsom van drie richtingen) bepaald volgens EN 60745.

|  |                      |       |                      |
|--|----------------------|-------|----------------------|
| Trillingsemisiewaarde a <sub>v</sub> : |                      |       |                      |
| Slagboren in beton .....               | 26 m/s <sup>2</sup>  | ..... | 30 m/s <sup>2</sup>  |
| Onzekerheid K.....                     | 5,6 m/s <sup>2</sup> | ..... | 2,5 m/s <sup>2</sup> |
| Boren in metaal .....                  | 6 m/s <sup>2</sup>   | ..... | 6 m/s <sup>2</sup>   |
| Onzekerheid K.....                     | 2 m/s <sup>2</sup>   | ..... | 1,5 m/s <sup>2</sup> |

**WAARSCHUWING**

De in deze aanwijzingen vermelde trillingsdruk is gemeten volgens een in EN 60745 genomene meetmethode en kan worden gebruikt voor de onderlinge vergelijking van apparaten. Hij is ook geschikt voor een voorlopige inschatting van de trillingsbelasting.

De aangegeven trillingsdruk geldt voor de meest gebruikelijke toepassingen van het elektrische apparaat. Wanneer het elektrische gereedschap echter voor andere doeleinden, met andere dan de voorgeschreven hulpstukken gebruikt of niet naar behoren onderhouden wordt, kan de trillingsdruk afwijken. Dit kan de waarde van de trillingsdruk over de hele werkperiode aanzienlijk verhogen.

Voor een nauwkeurige inschatting van de trillingsdruk moeten ook de tijden in aanmerking worden genomen dat het apparaat uitgeschakeld is of weliswaar loopt, maar niet werkelijk in gebruik is. Dit kan de waarde van de trillingsdruk over de hele werkperiode aanzienlijk verminderen.

Bepaal extra veiligheidsmaatregelen ter bescherming van de bediener tegen de inwerking van trillingen, bijvoorbeeld: onderhoud van elektrische gereedschappen en apparaten, warmhouden van de handen, organisatie van de werkprocessen.

**⚠ WAARSCHUWING! Lees alle veiligheidsinstructies en aanwijzingen door - ook die in de bijgeleverde brochure.** Als de waarschuwingen en voorschriften niet worden opgevolgd, kan dit een elektrische schok, brand of ernstig letsel tot gevolg hebben.  
**Bewaar alle waarschuwingen en voorschriften voor toekomstig gebruik.**

**VEILIGHEIDSADVIEZEN**

**Draag gehoorbescherming tijdens het klopboren.** Lawaai kan gehoorverlies veroorzaken.

**Gebruik de bij de machine geleverde zijhandgreep.** Verlies aan controle kan tot persoonlijk letsel leiden.

**Houd het apparaat alléén aan de geïsoleerde grijpvlakken vast, wanneer u werkzaamheden uitvoert waarbij het snijgereedschap verborgen stroomleidingen of de eigen apparaatkabel zou kunnen raken.** Het contact met een onder spanning staande leiding zet ook de metalen machinedelen onder spanning en leidt tot een elektrische schok.

Verplaatsbaar gereedschap moet bij het gebruik buiten aan een aardlekschakelaar aangesloten worden.

Bij het werken met de machine altijd een veiligheidsbril dragen. Werkhandschoenen en stofkapje voor de mond worden aanbevolen.

Spanen of splinters mogen bij draaiende machine niet worden verwijderd.

Voor alle werkzaamheden aan de machine de stekker uit de kontaktdoos trekken.

Machine alleen uitgeschakeld aan het net aansluiten.

Snoer altijd buiten werkbereik van de machine houden.

Bij werken met grote boordiameters dient de extra handgreep in een rechte hoek met de hoofdhandgreep te worden bevestigd (zie tevens illustraties, sectie Handgreep verdraaien).

Bij het werken in wanden, plafonds of vloeren oppassen voor elektriciteitsdraden, gas- of waterleidingen.

**VOORGESCHREVEN GEBRUIK VAN HET SYSTEEM**

De slagboor-schroevendraaier is universeel te gebruiken voor boren, slagboren, schroeven en tappen.

Dit apparaat uitsluitend gebruiken voor normaal gebruik, zoals aangegeven.

**NETAANSLUITING**

Uitsluitend op éénfase-wisselstroom en uitsluitend op de op het typeplaatje aangegeven netspanning aansluiten. Aansluiting is ook mogelijk op een stekerdoos zonder aardcontact mogelijk, omdat het is ontworpen volgens veiligheidsklasse II.

**EC - VERKLARING VAN OVEREENSTEMMING**

Wij verklaren dat dit produkt voldoet aan de volgende normen of normatieve documenten:

EN 60745-1:2009 + A11:2010  
EN 60745-2-1:2010  
EN 55014-1:2006 + A1:2009 + A2:2011  
EN 55014-2:1997 + A1:2001 + A2:2008  
EN 61000-3-2:2006 + A1:2009 + A2:2009  
EN 61000-3-3:2008  
overeenkomstig de bepalingen van de richtlijnen 2011/65/EU (RoHS)  
2006/42/EG  
2004/108/EG



Winnenden, 2012-09-12

Rainer Kumpf  
Director Product Development

Gemachtigd voor samenstelling van de technische documenten

**ONDERHOUD**

Altijd de luchtspleten van de machine schoonhouden.

Bij intensief slagboorwerk de boorhouder regelmatig van stof 'bevrijden'. Hiervoor de machine met de boorhouder loodrecht naar beneden houden en de boorhouder dan over het totale spanbereik openen en sluiten. Het verzamelde stof valt zo uit de boorhouder. Regelmatige toepassing van reinigingspray op de spanbekken en spanbekkenboringen wordt aanbevolen.

Gebruik uitsluitend AEG toebehoren en onderdelen. Indien componenten die moeten worden vervangen niet zijn beschreven, neem dan contact op met een officieel AEG servicecentrum (zie onze lijst met servicecentra).

Onder vermelding van het tiencijferige nummer op het machineplaatje is desgewenst een doorsnedetekening van de machine verkrijgbaar bij: AEG Electric Tools GmbH, Max-Eyth-Straße 10, D-71364 Winnenden, Germany.

**SYMBOLEN**

Graag instructies zorgvuldig doorlezen voordat u de machine in gebruik neemt.



Voor alle werkzaamheden aan de machine de stekker uit de kontaktdoos trekken.



Toebehoren - Wordt niet meegeleverd. Is apart leverbaar. Zie hiervoor het toebehorenprogramma.



Geef elektrisch gereedschap niet met het huisvuil mee! Volgens de Europese richtlijn 2002/96/EG inzake oude elektrische en elektronische apparaten en de toepassing daarvan binnen de nationale wetgeving, dient gebruikt elektrisch gereedschap gescheiden te worden ingezameld en te worden afgevoerd naar een recycle bedrijf dat voldoet aan de geldende milieu-eisen.



Beschermingsklasse II, elektrisch gereedschap waarbij de bescherming tegen elektrische schokken niet afhankelijk is van de basisisolatie, maar waarin extra veiligheidsmaatregelen worden toegepast zoals dubbele of versterkte isolatie.

**TEKNISKE DATA**

|   | Slagbore-/skruemaskine   | SBE 500 R                | SBE 570 R |
|---|--------------------------|--------------------------|-----------|
| Nominel optagen effekt.....                 | 500 W                    | 570 W                    |           |
| Afgiven effekt.....                         | 250 W                    | 285 W                    |           |
| Omdrejningstal, ubelastet.....              | 0-2650 min <sup>-1</sup> | 0-2700 min <sup>-1</sup> |           |
| Omdrejningstal max., belastet.....          | 1800 min <sup>-1</sup>   | 1600 min <sup>-1</sup>   |           |
| Slagantal belastet max.....                 | 27000 min <sup>-1</sup>  | 24000 min <sup>-1</sup>  |           |
| Statisk blokeringsmoment*                   | 21 Nm                    | 23 Nm                    |           |
| Bor-Ø i beton.....                          | 13 mm                    | 15 mm                    |           |
| Bor-Ø i tegl og kalksandsten.....           | 15 mm                    | 18 mm                    |           |
| Bor-Ø i stål.....                           | 10 mm                    | 13 mm                    |           |
| Bor-Ø i træ.....                            | 20 mm                    | 30 mm                    |           |
| Borepatronspændevide.....                   | 1,5-10 mm                | 1,5-13 mm                |           |
| Borespindel.....                            | 1/2"x20                  | 1/2"x20                  |           |
| Halsdiameter.....                           | 43 mm                    | 43 mm                    |           |
| Vægt svarer til EPTA-procedure 01/2003..... | 1,6 kg                   | 1,7 kg                   |           |

**Støjinformation**

Måleværdier beregnes iht. EN 60 745.

Værktøjets A-vurderede støjniveau er typisk:

|                                   |            |            |
|-----------------------------------|------------|------------|
| Lydtrykniveau (K=3 dB(A)).....    | 95 dB (A)  | 95 dB (A)  |
| Lydeffekt niveau (K=3 dB(A))..... | 106 dB (A) | 106 dB (A) |

**Brug høreværn!****Vibrationsinformation**

Samlede vibrationsværdier (værdisum for tre retninger) beregnet iht. EN 60745.

Vibrationsseksponering a<sub>h</sub>:

|                         |                      |                      |
|-------------------------|----------------------|----------------------|
| Slagboring i beton..... | 26 m/s <sup>2</sup>  | 30 m/s <sup>2</sup>  |
| Usikkerhed K.....       | 5,6 m/s <sup>2</sup> | 2,5 m/s <sup>2</sup> |
| Boring i metal.....     | 6 m/s <sup>2</sup>   | 6 m/s <sup>2</sup>   |
| Usikkerhed K.....       | 2 m/s <sup>2</sup>   | 1,5 m/s <sup>2</sup> |

**ADVARSEL**

Svingningsniveauet, som er angivet i disse anvisninger, er målt i henhold til standardiseret måleprocedure ifølge EN 60745 og kan anvendes til indbyrdes sammenligning mellem el-værktøjer. Svingningsniveauet er ligeledes egnet som foreløbigt skøn over svingningsbelastningen.

Det angivne svingningsniveau er baseret på el-værktøjets primære anvendelsesformål. Hvis el-værktøjet benyttes til andre formål, med andet indsatsværktøj eller ikke vedligeholdes tilstrækkeligt, kan svingningsniveauet afvige. Dette kan øge svingningsbelastningen over den samlede arbejdsperiode betydeligt.

For en nøjagtig vurdering af svingningsbelastningen skal der også tages højde for de tidsperioder, hvor apparatet er slukket, eller hvor apparatet kører, men uden at være i anvendelse. Dette kan reducere svingningsbelastningen over den samlede arbejdsperiode betydeligt.

Supplerende sikkerhedsforanstaltninger til beskyttelse af brugeren mod påvirkninger fra svingninger skal iværksættes, f.eks.: Vedligeholdelse af el-værktøj og indsatsværktøj, varmholdelse af hænder, organisering af arbejdsprocesser.

**⚠ ADVARSEL! Læs alle sikkerhedsanvisninger og øvrige vejledninger, også i den vedlagte brochure.** I tilfælde af manglende overholdelse af advarselshenvisningerne og instrukserne er der risiko for elektrisk stød, brand og/eller alvorlige kvæstelser. **Opbevar alle advarselshenvisninger og instrukser til senere brug.**

**SIKKERHEDSHENVISNINGER**

**Brug høreværn under slagboring.** Støjen kan føre til nedsat hørelse.

**Brug de ekstra håndtag, som følger med apparatet.** Hvis kontrollen mistes, kan det medføre personskaade.

**Hold maskinen fast i de isolerede gribeblader, når du udfører arbejde, hvor der er risiko for, at skæreværktøjet kan ramme skjulte strømledninger eller værktøjets egen ledning.** Ved kontakt med en strømførende ledning står metaldelene på maskinen også under spænding og giver et elektrisk stød.

Stikdåser udendørs skal være forsynet med fejlstrømssikringskontakter. Det forlanger installationsforskriften for Deres elektroanlæg. Overhold dette, når De bruger vores maskiner.

Når der arbejdes med maskinen, skal man have beskyttelsesbriller på. Beskyttelseshandsker, skridsikre sko, høreværn og forklæde anbefales.

Spåner eller splinter må ikke fjernes, medens maskinen kører.

Før ethvert arbejde ved maskinen skal stikket tages ud af stikdåsen.

Maskinen slutes kun udkoblet til stikdåsen.

Tilslutningskablet holdes hele tiden væk fra maskinens arbejdsområde. Kablet ledes altid bort bag om maskinen.

Ved store borediametre skal ekstrahåndtaget fastgøres i en ret vinkel til hovedhåndtaget. Se også i billeddelen, afsnit Håndtag drejes.

Ved arbejdsboring i væg, loft eller gulv skal man passe på elektriske kabler, gas- og vandledninger.

**TILTÆNKT FORMÅL**

Slagbore-/skruemaskine kan bruges universelt til boring, slagboring, skrurning og gevindskæring.

Produktet må ikke anvendes på anden måde og til andre formål end foreskrevet.

**NETTILSLUTNING**

Tilslutning må kun foretages til enfaset vekselstrøm og kun til en netspænding, som er i overensstemmelse med angivelsen på mærkepladen. Tilslutning kan også ske til stikdåser uden beskyttelseskontakt, da kapslingsklasse II foreligger.

**CE-KONFORMITETSERKLÆRING**

Vi erklærer under almindeligt ansvar, at dette produkt er i overensstemmelse med følgende normer eller norma-tive dokumenter.

EN 60745-1:2009 + A11:2010

EN 60745-2-1:2010

EN 55014-1:2006 + A1:2009 + A2:2011

EN 55014-2:1997 + A1:2001 + A2:2008

EN 61000-3-2:2006 + A1:2009 + A2:2009

EN 61000-3-3:2008

i henhold til bestemmelserne i direktiverne

2011/65/EU (RoHS)

2006/42/EF

2004/108/EF



Winnenden, 2012-09-12

Rainer Kumpf

Director Product Development

Autoriseret til at udarbejde de tekniske dokumenter.

**VEDLIGEHODELSE**

Hold altid maskinens ventilationsåbninger rene.

Ved hyppig slagboredrift bør borepatronen renses regelmæssigt for støv. Dette gøres ved at borepatronen på maskinen holdes lodret nedad og åbne og lukke borepatronen i hele spændeområdet. På denne måde falder støvet ud af borepatronen. Det anbefales at benytte rengøringspray jævnligt ved spændekæberne og spændekæbehullerne.

Brug kun AEG-tilbehør og AEG-reservedele. Komponenter, hvor udskiftningsproceduren ikke er beskrevet, skal skiftes ud hos et AEG-servicecenter (se brochure garanti/ kundeserviceadresser).

Ved opgivelse af type nr. der er angivet på maskinens effektskilt, kan De rekvirere en reservedelstegning, ved henvendelse til: AEG Electric Tools GmbH, Max-Eyth-Straße 10, D-71364 Winnenden, Germany.

**SYMBOLER**

Læs brugsanvisningen nøje før ibrugtagning.



Før ethvert arbejde ved maskinen skal stikket tages ud af stikdåsen.



Tilbehør - Ikke inkluderet i leveringsomfanget, køb købes som tilbehør.



Elværktøj må ikke bortskaffes som almindeligt affald! I henhold til det europæiske direktiv 2002/96/EF om bortskaffelse af elektriske og elektroniske produkter og gældende national lovgivning skal brugt værktøj indsamles separat og bortskaffes på en måde, der skåner miljøet mest muligt.



Kapslingsklasse II, el-værktøj, hvor beskyttelsen mod elektrisk stød ikke kun afhænger af basisisoleringen, men hvor beskyttelsesforanstaltninger, såsom dobbelt isolering eller forstærket isolering, tillige finder anvendelse.



**TEKNISKE DATA**      **Slagbormaskin/skrutrekker**      **SBE 500 R**      **SBE 570 R**

|  |                          |                          |
|--|--------------------------|--------------------------|
| Nominell inngangseffekt .....                    | 500 W                    | 570 W                    |
| Avgitt effekt .....                              | 250 W                    | 285 W                    |
| Tomgangsturtall .....                            | 0-2650 min <sup>-1</sup> | 0-2700 min <sup>-1</sup> |
| Lastturtall maks. ....                           | 1800 min <sup>-1</sup>   | 1600 min <sup>-1</sup>   |
| Lastslagstall maks. ....                         | 27000 min <sup>-1</sup>  | 24000 min <sup>-1</sup>  |
| Statisk blokkeringsmoment* .....                 | 21 Nm                    | 23 Nm                    |
| Bor-ø i betong .....                             | 13 mm                    | 15 mm                    |
| Bor-ø i tegl og kalksandstein .....              | 15 mm                    | 18 mm                    |
| Bor-ø i stål .....                               | 10 mm                    | 13 mm                    |
| Bor-ø i treverk .....                            | 20 mm                    | 30 mm                    |
| Chuckspennerområde .....                         | 1,5-10 mm                | 1,5-13 mm                |
| Borspindel .....                                 | 1/2"x20                  | 1/2"x20                  |
| Spennhals-ø .....                                | 43 mm                    | 43 mm                    |
| Vekt i henhold til EPTA-Proseduren 01/2003 ..... | 1,6 kg                   | 1,7 kg                   |

\* Målt etter AEG standard N 877318

**Støyinformasjon**

Måleverdier fastslått i samsvar med EN 60 745.

Det typiske A-bedømte støyinnværet for maskinen er:

|                                   |            |            |
|-----------------------------------|------------|------------|
| Lydtryknivå (K = 3 dB(A)) .....   | 95 dB (A)  | 95 dB (A)  |
| Lydeffektnivå (K = 3 dB(A)) ..... | 106 dB (A) | 106 dB (A) |

**Bruk hørselsvern!****Vibrasjonsinformasjoner**

Totale svingningsverdier (vektorsum fra tre retninger) beregnet jf. EN 60745.

Svingningsemisjonsverdi a<sub>v</sub>:

|                           |                      |                      |
|---------------------------|----------------------|----------------------|
| Slagboring i betong ..... | 26 m/s <sup>2</sup>  | 30 m/s <sup>2</sup>  |
| Usikkerhet K .....        | 5,6 m/s <sup>2</sup> | 2,5 m/s <sup>2</sup> |
| Boring i metall .....     | 6 m/s <sup>2</sup>   | 6 m/s <sup>2</sup>   |
| Usikkerhet K .....        | 2 m/s <sup>2</sup>   | 1,5 m/s <sup>2</sup> |

**ADVARSEL**

Svingningsnivået som er angitt i denne instruksjonen er målt i overensstemmelse med målemetoden normert i direktiv EN 60745 og kan brukes til å sammenligne elektromaskiner med hverandre. Den egner seg også for en foreløbig vurdering av svingningsbelastningen.

Det angitte svingningsnivået representerer de hovedsaklige bruk av elektroverktøyet. Men anvendes elektroverktøyet for andre bruk med avvikende utskiftbare verktøy eller vedlikeholdet er tilstrekkelig, kan svingningsnivået være avvikende.

Dette kan forhøye svingningsbelastning betydelig over hele arbeidsperioden. For en nøyaktig vurdering av svingningsbelastningen må også det tas hensyn til tiden apparatet er avslått eller står på, men ikke er i bruk. Dette kan redusere svingningsbelastningen betydelig over hele arbeidsperioden.

Innfør også ekstra sikkerhetstiltak for å beskytte bruker mot utvirkingen av svingningene. Disse kan f.eks. være: vedlikehold av elektroverktøyet og det utskiftbare verktøyet, holde hendene varme, organisasjon av arbeidsforløpet.

**⚠ ADVARSEL! Les alle sikkerhetsinstruksjoner og bruksanvisninger, også de i den vedlagte brosjyren.** Feil ved overholdelsen av advarslene og nedenstående anvisninger kan medføre elektriske støt, brann og/eller alvorlige skader.  
**Ta godt vare på alle advarslene og informasjonene.**

**SPEIELLE SIKKERHETSHENVISNINGER**

**Bruk hørselsvern ved bruk av slagboret.** Støy kan føre til tap av hørselen.

**Bruk de med apparatet medleverte tilleggshandtak.** Tap av kontrollen kan føre til skader.

**Hold apparatet i de isolerte holdeflatene, når det arbeides på steder hvor elektroverktøyet kan treffe skjulte strømløsnings eller verktøyets egen kabel.** Kontakt med en spenningsførende ledning setter også maskinens metalldele under spenning og fører til elektriske støt.

Stikkontakter utendørs må være utstyrt med feilstrøm-sikkerhetsbryter. Dette forlanges av installasjonsforskriften for elektroanlegg. Vennligst følg dette når du bruker vårt apparat.

Bruk alltid vernebrille når du arbeider med maskinen. Det anbefales å bruke arbeidshansker, faste og sklisikre sko og forkle.

Spon eller fliser må ikke fjernes mens maskinen er i gang.

Trekk støpslet ut av stikkkontakten før du begynner arbeidet på maskinen.

Maskinen må være slått av når den koples til stikkkontakten.

Hold ledningen alltid vekk fra maskinens virkeområde. Før ledningen alltid bakover fra maskinen.

Ved store borediametere må ekstrahåndtaket være festet i rett vinkel til hovedhåndtaket. Se også bildedelen, avsnitt Vri håndtaket).

Pass på kabler, gass- og vannledninger når du arbeider i vegger, tak eller gulv.

**FORMÅLSMESSIG BRUK**

Slagbormaskin/skrutrekker kan brukes universelt til boring, slagboring, skruing og gjengeskjæring.

Dette apparatet må kun brukes til de oppgitte formål.

**NETTILKOPLING**

Skal bare tilsluttes enfasevekselstrøm og bare til den på skiltet angitte nettspenning. Tilslutning til stikkontakter uten jordet kontakt er mulig fordi beskyttelse beskyttelsesklasse II er forhanden.

**CE-SAMSVARERKLÆRING**

Vi erklærer på eget ansvar at dette produktet stemmer overens med de følgende normer eller normative dokumenter.

EN 60745-1:2009 + A11:2010

EN 60745-2-1:2010

EN 55014-1:2006 + A1:2009 + A2:2011

EN 55014-2:1997 + A1:2001 + A2:2008

EN 61000-3-2:2006 + A1:2009 + A2:2009

EN 61000-3-3:2008

i henhold til bestemmelsene i direktivene

2011/65/EU (RoHS)

2006/42/EF

2004/108/EF



Winnenden, 2012-09-12

Rainer Kumpf

Director Product Development

Autorisert til å utarbeide den tekniske dokumentasjonen

**VEDLIKEHOLD**

Hold alltid luftenåpningene på maskinen rene.

Ved hyppig slagboredrift bør chucken befri regelmessig for støv. Hold da maskinen med chucken loddrett nedover og åpne og lukk chucken over hele spennvidden. Det oppsamlede støvet faller da ut av chucken. Regelmessig bruk av rengjøringspray på spennkjevvene og spennkjevvehullene anbefales.

Bruk kun AEG tilbehør og AEG reservedeler. Komponenter der utskifting ikke er beskrevet skal skiftes ut hos AEG kundeservice (se brosjyre garanti/kundeserviceadresser).

Ved behov kan du be om en eksplosjonstegning av apparatet hos din kundeservice eller direkte hos AEG Electric Tools GmbH, Max-Eyth-Straße 10, D-71364 Winnenden, Germany. Oppgi maskintype og det tilsifrete nummeret på typeskiltet.

**SYMBOLER**

Les nøye gjennom bruksanvisningen før maskinen tas i bruk.



Trekk støpslet ut av stikkkontakten før du begynner arbeidet på maskinen.



Tilbehør - inngår ikke i leveransen, anbefalt komplettering fra tilbehørsprogrammet.



Kast aldri elektroverktøy i husholdningsavfallet! I henhold til EU-direktiv 2002/96/EF om kasserte elektriske og elektroniske produkter og direktivets iverksettning i nasjonal rett, må elektroverktøy som ikke lenger skal brukes, samles separat og returneres til et miljøvennlig gjenvinningsanlegg.



Verneklasse II, elektroverktøy, vern mot elektriske slag beror ikke bare på basisisoleringen, men også på at i tillegg vernetiltak som dobbelte isolering eller forsterket isolering anvendes.

**TEKNISKA DATA**      **Slagbormaskin/skruvdragare**      **SBE 500 R**      **SBE 570 R**

|                                   |                          |                          |
|-----------------------------------|--------------------------|--------------------------|
| Nominell upptagen effekt.....     | 500 W                    | 570 W                    |
| Uteffekt .....                    | 250 W                    | 285 W                    |
| Obelastat varvtal.....            | 0-2650 min <sup>-1</sup> | 0-2700 min <sup>-1</sup> |
| Belastat varvtal .....            | 1800 min <sup>-1</sup>   | 1600 min <sup>-1</sup>   |
| Belastat slagtal max. ....        | 27000 min <sup>-1</sup>  | 24000 min <sup>-1</sup>  |
| Statiskt blockeringsmoment* ..... | 21 Nm                    | 23 Nm                    |
| Borrdiam. in betong .....         | 13 mm                    | 15 mm                    |
| Borrdiam. tegel, kalksten .....   | 15 mm                    | 18 mm                    |
| Borrdiam. in stål.....            | 10 mm                    | 13 mm                    |
| Borrdiam. in trä .....            | 20 mm                    | 30 mm                    |
| Chuckens spärrnårande.....        | 1,5-10 mm                | 1,5-13 mm                |
| Borrspindel .....                 | 1/2"x20                  | 1/2"x20                  |
| Maskinhals diam.....              | 43 mm                    | 43 mm                    |
| Vikt enligt EPTA 01/2003.....     | 1,6 kg                   | 1,7 kg                   |

\* Uppmätt enligt AEG norm N 877318

**Bullerinformation**

Mätvärdena har tagits fram baserade på EN 60 745. A-värdet av maskinens ljudnivå utgör:

|                                   |            |            |
|-----------------------------------|------------|------------|
| Ljudtrycksnivå (K=3 dB(A)) .....  | 95 dB (A)  | 95 dB (A)  |
| Ljudeffektsnivå (K=3 dB(A)) ..... | 106 dB (A) | 106 dB (A) |

**Använd hörselskydd!****Vibrationsinformation**

Totala vibrationsvärden (vektorsumma ur tre riktningar) framtaget enligt EN 60745.

Vibrationsemissionsvärde a<sub>n</sub>:

|                             |                      |                      |
|-----------------------------|----------------------|----------------------|
| Slagborrning i betong ..... | 26 m/s <sup>2</sup>  | 30 m/s <sup>2</sup>  |
| Onoggrannhet K .....        | 5,6 m/s <sup>2</sup> | 2,5 m/s <sup>2</sup> |
| Borrning i metall.....      | 6 m/s <sup>2</sup>   | 6 m/s <sup>2</sup>   |
| Onoggrannhet K .....        | 2 m/s <sup>2</sup>   | 1,5 m/s <sup>2</sup> |

**VARNING**

Den i de här anvisningarna angivna vibrationsnivån har uppmätts enligt ett i EN 60745 normerat mätförfarande och kan användas vid jämförelse mellan olika elverktyg. Nivån är även lämplig att använda vid en preliminär bedömning av vibrationsbelastningen.

Den angivna vibrationsnivån representerar den huvudsakliga användningen av det aktuella elverktyget. Men om elverktyget ska användas i andra användningsområden, tillsammans med avvikande insatsverktyg eller efter otillräckligt underhåll, kan vibrationsnivån skilja sig. Det kan öka vibrationsbelastningen betydligt under hela arbetstiden.

För att få en exaktare bedömning av vibrationsbelastningen ska även den tid beaktas, under vilken elverktyget är avstängt eller är påslaget, utan att det verkligen används. Det kan reducera vibrationsbelastningen betydligt under hela arbetstiden.

Lägg som skydd för användaren fast extra säkerhetsåtgärder mot vibrationernas verkan, som till exempel: underhåll av elverktyg och insatsverktyg, varmhållning av händer och organisering av arbetsförlopp.

**⚠ VARNING! Läs alla säkerhetsanvisningar och andra tillhörande anvisningar, även de i den medföljande broschyren.** Fel som uppstår till följd av att anvisningarna nedan inte följts kan orsaka elstöt, brand och/eller allvarliga kroppsskador.  
**Förvara alla varningar och anvisningar för framtida bruk.**

**SÄKERHETSUTRUSTNING**

**Använd alltid hörselskydd när du använder en slagbormaskin.** Buller kan leda till att du förlorar hörseln.

**Använd de extrahandtag som levereras tillsammans med maskinen.** Förlust av kontrollen kan leda till personskador.

**Håll fast apparaten med hjälp av de isolerade greppytorna när du utför arbeten där arbetsverktyget skulle kunna träffa på dolda elledningar eller kablar.** Om sägen kommer i kontakt med en spänningsförande ledning sätts sägens metalldelar under spänning som sedan kan leda till elektriskt slag.

Anslut alltid verktyget till jordat eluttag vid användning utomhus.

Använd alltid skyddsglasögon, skyddshandskar och hörselskydd.

Avlägsna aldrig spån eller flisor när maskinen är igång. Drag alltid ur kontakten när du utför arbeten på maskinen.

Maskinen skall vara fränkopplad innan den ansluts till väggurtag.

Nätkabeln skall alltid hållas ifrån arbetsområdet. Lägg kabeln bakåt i förhållande till arbetsriktningen.

När du arbetar med stora borrdiametrar, måste du montera extrahandtaget på höger sida (se illustrationer, avdelningvrida handtaget).

Vid arbetenborrning i vägg, tak eller golv, var alltid observant på befintliga el-, gas- eller vattenledningar.

**ANVÄND MASKINEN ENLIGT ANVISNINGARNA**

Den slagbormaskinen kan användas för borrning, slagborrning, skruvning och gångskärning.

Maskinen får endast användas för angiven tillämpning.

**NÄTANSLUTNING**

Får endast anslutas till 1-fas växelström och till den spänning som anges på dataskylten. Anslutning kan även ske till eluttag utan skyddskontakt, eftersom konstruktionen motsvarar skyddsklass II.

**CE-FÖRSÄKRAN**

Vi intygar och ansvarar för, att denna produkt överensstämmer med följande norm och dokument  
EN 60745-1:2009 + A11:2010  
EN 60745-2-1:2010  
EN 55014-1:2006 + A1:2009 + A2:2011  
EN 55014-2:1997 + A1:2001 + A2:2008  
EN 61000-3-2:2006 + A1:2009 + A2:2009  
EN 61000-3-3:2008  
enl. bestämmelser och riktlinjerna  
2011/65/EU (RoHS)  
2006/42/EG  
2004/108/EG



Winnenden, 2012-09-12

Rainer Kumpf  
Director Product Development

Befullmäktigad att sammanställa teknisk dokumentation.

**SKÖTSEL**

Se till att motorhöljets luftslitsar är rena.

Vid frekvent slagborrande skall chocken göras ren från damm regelbundet. Då håller man maskinen lodrätt dedåt och öppnar och stänger chocken helt. Det ansamlade dammet faller ur. Regelbunden användning av rengöringsspray rekommenderas.

Använd endast AEG-tillbehör och AEG-reservdelar. Komponenter, för vilka inget byte beskrivs, skall bytas ut hos AEG-kundtjänst (se broschyren garanti-/kundtjänstadresser).

Vid behov av sprängskiss, kan en sådan, genom att uppge maskinens art. nr. (som finns på typskylten) erhållas från: AEG Electric Tools GmbH, Max-Eyth-Straße 10, D-71364 Winnenden, Germany.

**SYMBOLER**

Läs instruktionen noga innan du startar maskinen.



Drag alltid ur kontakten när du utför arbeten på maskinen.



Tillbehör - Ingår ej i leveransomfånget, erhålles som tillbehör.



Elektriska verktyg får inte kastas i hushållssoporna! Enligt direktivet 2002/96/EG som avser äldre elektrisk och elektronisk utrustning och dess tillämpning enligt nationell lagstiftning ska uttjänta elektriska verktyg sorteras separat och lämnas till miljövänlig återvinning.



Skyddsklass II, elverktyg där skyddet mot elektriska stötar inte bara hänför sig till en basisolering, utan som också har extra skyddsanordningar, som t.ex. en dubbel isolering eller en förstärkt isolering.

| TEKNISET ARVOT                             | Iskuporakone/ruuvinkierrin | SBE 500 R                | SBE 570 R |
|--|----------------------------|--------------------------|-----------|
| Nimellinen teho.....                       | 500 W                      | 570 W                    |           |
| Antoteho .....                             | 250 W                      | 285 W                    |           |
| Kuormittamaton kierros-luku.....           | 0-2650 min <sup>-1</sup>   | 0-2700 min <sup>-1</sup> |           |
| Kuormitettu kierros-luku maks. ....        | 1800 min <sup>-1</sup>     | 1600 min <sup>-1</sup>   |           |
| Kuormitettu iskutaajuus maks. ....         | 27000 min <sup>-1</sup>    | 24000 min <sup>-1</sup>  |           |
| Staatintinen pysäytysmomentti* .....       | 21 Nm                      | 23 Nm                    |           |
| Poran ø betoniin .....                     | 13 mm                      | 15 mm                    |           |
| Poran ø tiiliin ja kalkkihiekakiviin.....  | 15 mm                      | 18 mm                    |           |
| Poran ø teräkseen .....                    | 10 mm                      | 13 mm                    |           |
| Poran ø puuhun .....                       | 20 mm                      | 30 mm                    |           |
| Istukan aukeama .....                      | 1,5-10 mm                  | 1,5-13 mm                |           |
| Porakara .....                             | 1/2"x20                    | 1/2"x20                  |           |
| Kiinnityskaulan ø .....                    | 43 mm                      | 43 mm                    |           |
| Paino EPTA-meneteltyen 01/2003 mukaan..... | 1,6 kg                     | 1,7 kg                   |           |

### Melunpäästötiedot

Mitta-arvot määritetty EN 60 745 mukaan.

Koneen tyypillinen A-luokitettu melutaso:

|                                    |            |            |
|------------------------------------|------------|------------|
| Melutaso (K = 3 dB(A)).....        | 95 dB (A)  | 95 dB (A)  |
| Äänenvoimakkuus (K = 3 dB(A))..... | 106 dB (A) | 106 dB (A) |

### Käytä kuulosuojaimia!

### Tärinätiedot

Värähtelyn yhteisarvot (kolmen suunnan vektorisumma)

mitattuna EN 60745 mukaan.

Värähtelyemissioarvo a<sub>h</sub>:

|                              |                      |                      |
|------------------------------|----------------------|----------------------|
| Metallin poraaminen .....    | 26 m/s <sup>2</sup>  | 30 m/s <sup>2</sup>  |
| Epävarmuus K .....           | 5,6 m/s <sup>2</sup> | 2,5 m/s <sup>2</sup> |
| Betonin iskuporaaminen ..... | 6 m/s <sup>2</sup>   | 6 m/s <sup>2</sup>   |
| Epävarmuus K .....           | 2 m/s <sup>2</sup>   | 1,5 m/s <sup>2</sup> |

### VAROITUS

Näissä ohjeissa mainittu värähtelytaso on mitattu EN 60745 -standardin mukaisella mittausmenetelmällä ja sitä voidaan käyttää sähkötyökalujen vertaamiseen. Sitä voidaan käyttää myös värähtelyrasituksen väliaikaiseen arviointiin.

Mainittu värähtelytaso edustaa sähkötyökalun pääasiallista käyttöä. Jos sähkötyökalua kuitenkin käytetään muihin tehtäviin, poikkeavin työkaluun tai riittämättömästi huoltoaan, värähtelytaso voi olla erilainen. Se voi korottaa värähtelyrasitusta koko työajan osalta.

Tarkan värähtelyrasituksen toteamiseen tulee ottaa huomioon aika, jona laite on kytketty pois tai on kylläkin päällä, mutta ei käytössä. Se voi pienentää värähtelyrasitusta koko työajan osalta.

Määrittele lisäturvatoimenpiteitä käyttäjän suojaamiseksi värinöiden vaikutukselta, kuten esimerkiksi: sähkötyökalujen ja käyttötyökalujen huolto, käsien lämpiminä pitäminen, työvaiheiden organisaatio.

**VAROITUS! Lue kaikki, myös oheistetussa esitteessä annetut turvallisuusmääräykset ja käyttöohjeet.** Turvallisuusohjeiden noudattamisen laiminlyönti saattaa johtaa sähköiskuun, tulipaloon ja/tai vakavaan loukkaantumiseen.  
**Säilytä kaikki turvallisuus- ja muut ohjeet tulevaisuutta varten.**

### TURVALLISUUSOHJEET

**Käytä kuulonsuojaimia iskuporattaessa.** Melulle altistuminen voi heikentää kuuloa.

**Käytä koneen mukana toimitettua apukahvaa.** Koneen hallinnan menetys saattaa aiheuttaa henkivahinkoja.

**Pitele laitetta vain eristetyistä tarttumapinnoista, kun suoritat sellaisia töitä, joissa leikkaustyökalu saattaa osua piilossa oleviin sähköjohtoihin tai omaan liitäntäjohtoon.** Kosketus jännitteeseen johtoon saattaa myös koneen metalliosat jännitteisiksi ja johtaa sähköiskuun.

Ulkokäytössä olevat pistorasiat on varustettava vikavirtasuojakytkimillä sähkölaitteistosi asennusmääräyksen mukaisesti. Muista tarkistaa, että laite liitetään ulkokäytössä ulkopistorasiaan ja neuvottele asiasta sähköasentajasi kanssa.

Käytä laitteella työskennellessäsi aina suojalaseja. Suojakäsineiden, turvallisten ja tukevatpohjaisten kenkien, kuulonsuojainten ja suojaesiliinan käyttöä suositellaan.

Lastuja tai puruja ei saa poistaa koneen käydessä.

Irrota aina pistotulppa seinäkoskettimesta ennen koneeseen tehtäviä toimenpiteitä.

Varmista, että kone on sammutettu ennen kytkemistä sähköverkkoon.

Pidä sähköjohto poissa koneen käyttöalueelta. Siirrä se aina taaksesi.

Suuret poranhalkaisijat edellyttävät, että tukikädensija on suorassa kulmassa pääkädensijaan nähden (katso kuvaa, osassa Kädensijan kiertäminen).

Varo seinään, kattoon tai lattiaan porattaessa osumasta sähköjohtoon, kaasu- ja vesijohtoihin.

### TARKOITUKSEN MUKAINEN KÄYTTÖ

Iskuporaa/ruuvinväännintä voidaan käyttää poraukseen, iskuporaukseen, ruuvinvääntöön ja kiertetykseen.

Älä käytä tuotetta ohjeiden vastaisesti.

### VERKKOLIITÄNTÄ

Yhdistä ainoastaan tasavirtalähteeseen, jonka volttimäärä on sama kuin levyssä ilmoitettu. Myös liittäminen maadoittamattomiin pistokkeisiin on mahdollista, sillä muotoilu on yhdenmukainen turvallisuusluokan II kanssa.

### TODISTUS CE-STANDARDIN MUKAISUUDESTA

Todistamme täten ja vastaamme yksin siitä, että tämä tuote on allalueteltujen standardien ja standardoimisasiakirjojen vaatimusten mukainen.

EN 60745-1:2009 + A11:2010

EN 60745-2-1:2010

EN 55014-1:2006 + A1:2009 + A2:2011

EN 55014-2:1997 + A1:2001 + A2:2008

EN 61000-3-2:2006 + A1:2009 + A2:2009

EN 61000-3-3:2008

seuraavien sääntöjen mukaisesti

2011/65/EU (RoHS)

2006/42/EY

2004/108/EY



Winnenden, 2012-09-12

Rainer Kumpf

Director Product Development

Valtuutettu kokoamaan tekniset dokumentit.

### HUOLTO

Pidä moottorin ilmanottoaukot puhtaina.

Enimmäkseen iskuporauksessa käytetyn porakoneen istukka on puhdistettava säännöllisesti. Pölyn poistamiseksi istukasta, kone pidetään pystyasennossa, istukka alaspäin suunnattuna ja istukka avataan ja suljetaan kokonaan useita kertoja. Näin istukkaan kerääntynyt pöly irtoaa ja putoaa alas. On suositeltavaa, että kiristysleuat porauksineen puhdistetaan säännöllisesti puhdistusaineella.

Käytä ainoastaan AEG lisätarvikkeita ja AEG varaosia. Mikäli jokin komponentti, jota ei ole kuvailtu, tarvitsee vaihtoa ota yhteys johonkin AEG palvelupisteistä (kts. listamme takuuhuoltoliikkeiden/ palvelupisteiden osoitteista)

Tarpeen vaatiessa voit pyytää lähettämään laitteen kokoonpanopiirustuksen ilmoittamalla arvokilven kymmennumeroinen numero seuraavasta osoitteesta: AEG Electric Tools GmbH, Max-Eyth-Straße 10, D-71364 Winnenden, Germany.

### SYMBOLIT



Lue käyttöohjeet huolellisesti, ennen koneen käynnistämistä.



Irrota aina pistotulppa seinäkoskettimesta ennen koneeseen tehtäviä toimenpiteitä.



Lisälaitte - Ei sisälly vakiovarustukseen, saatavana lisätarvikkeena.



Älä hävitä sähkötyökalua tavallisen kotitalousjätteen mukana! Vanhoja sähkö- ja elektroniikkalaitteita koskevan EU-direktiivin 2002/96/ETY ja sen maakohtaisten sovellusten mukaisesti käytetyt sähkötyökalut on toimitettava ongelmajätteen keräyspisteeseen ja ohjattava ympäristöstävälliseen kierrätykseen.



II luokan sähkötyökalu, jonka sähköiskusuojaus ei ole riippuvainen vain peruseristyksestä, vaan lisäturvatoimenpiteistä, kuten kaksinkertaisesta eristyksestä tai vahvistetusta eristyksestä.

## ΤΕΧΝΙΚΑ ΣΤΟΙΧΕΙΑ Κρουστικό Δραπνακοτασαβίδο SBE 500 R SBE 570 R

|   |                          |                          |
|---|--------------------------|--------------------------|
| Ονομαστική ισχύς                            | 500 W                    | 570 W                    |
| Αποδιδόμενη ισχύς                           | 250 W                    | 285 W                    |
| Αριθμός στροφών χωρίς φορτίο στην           | 0-2650 min <sup>-1</sup> | 0-2700 min <sup>-1</sup> |
| Μέγιστος αριθμός στροφών με φορτίο          | 1800 min <sup>-1</sup>   | 1600 min <sup>-1</sup>   |
| Μέγιστος αριθμός κρούσεων με φορτίο         | 27000 min <sup>-1</sup>  | 24000 min <sup>-1</sup>  |
| Στατική ροπή εμπλοκής*                      | 21 Nm                    | 23 Nm                    |
| θ τρύπας σε σκυρόδεμα (μπετόν)              | 13 mm                    | 15 mm                    |
| θ τρύπας σε τούβλο και αοβεστόλιθο          | 15 mm                    | 18 mm                    |
| θ τρύπας σε χάλυβα                          | 10 mm                    | 13 mm                    |
| θ τρύπας σε ξύλο                            | 20 mm                    | 30 mm                    |
| Περιοχή σύσφιξης του τσοκ                   | 1,5-10 mm                | 1,5-13 mm                |
| Άτρακτος δράπανου                           | 1/2"x20                  | 1/2"x20                  |
| θ λαίμου σύσφιξης                           | 43 mm                    | 43 mm                    |
| Βάρος σύμφωνα με τη διαδικασία EPTA 01/2003 | 1,6 kg                   | 1,7 kg                   |

\* Μετρημένη σύμφωνα με το πρότυπο της AEG N 877318

### Πληροφορίες θορύβου

Τιμές μέτρησης εξακριβωμένες κατά EN 60 745.

Η σύμφωνη με την καμπύλη A εκτιμηθείσα στάθμη θορυβου

του μηχανήματος αναφέρεται σε:

Στάθμη ηχητικής πίεσης (K = 3 dB(A)).....95 dB (A) .....95 dB (A)

Στάθμη ηχητικής ισχύος (K = 3 dB(A)).....106 dB (A) .....106 dB (A)

### Φοράτε προστασία ακοής (ωτασπίδες)!

### Πληροφορίες δονήσεων

Υλικές τιμές κραδασμών (άθροισμα διανυσμάτων τριών

διευθύνσεων) εξακριβώθηκαν σύμφωνα με τα πρότυπα EN 60745.

Τιμή εκπομπής δονήσεων a<sub>w</sub>:

Κρουστικό τρυπάνι σε μπετόν .....26 m/s<sup>2</sup> .....30 m/s<sup>2</sup>

Ανασφάλεια K .....5,6 m/s<sup>2</sup> .....2,5 m/s<sup>2</sup>

Τρύπτες σε μέταλλο .....6 m/s<sup>2</sup> .....6 m/s<sup>2</sup>

Ανασφάλεια K .....2 m/s<sup>2</sup> .....1,5 m/s<sup>2</sup>

### ΠΡΟΕΙΔΟΠΟΙΗΣΗ

Το αναφερόμενο σ' αυτές τις οδηγίες επίπεδο δονήσεων έχει μετρηθεί με μια τυποποιημένη σύμφωνα με το EN 60745 μέθοδο μέτρησης και μπορεί να χρησιμοποιηθεί για τη σύγκριση των ηλεκτρικών εργαλείων μεταξύ τους. Αυτό είναι επίσης κατάλληλο για μια προσωρινή εκτίμηση της επιβάρυνση των δονήσεων.

Το αναφερόμενο επίπεδο δονήσεων αντιπροσωπεύει τις κύριες χρήσεις του ηλεκτρικού εργαλείου. Εάν όμως το ηλεκτρικό χρησιμοποιείται σε άλλες χρήσεις, με διαφορετικά εργαλεία εφαρμογής ή ανεπαρκή συντήρηση, μπορεί να υπάρξει απόκλιση του επιπέδου δονήσεων. Αυτό μπορεί να αυξήσει σημαντικά την επιβάρυνση των δονήσεων για τη συνολική διάρκεια της εργασίας.

Για μια ακριβή εκτίμηση της επιβάρυνσης των δονήσεων οφείλουν επίσης να λαμβάνονται υπόψη οι χρόνοι, στους οποίους η συσκευή είναι απενεργοποιημένη ή είναι μεν ενεργοποιημένη αλλά δεν χρησιμοποιείται πραγματικά. Αυτό μπορεί να μειώσει σημαντικά την επιβάρυνση των δονήσεων για τη συνολική διάρκεια της εργασίας.

Καθορίζετε πρόσθετα μέτρα ασφαλείας για την προστασία του χειριστή από την επιδραση των δονήσεων όπως για παράδειγμα: Συντήρηση του ηλεκτρικού εργαλείου και των εργαλείων εφαρμογής, διατηρείτε ζεστά τα χέρια, οργάνωση των διαδικασιών εργασίας.

**⚠ ΠΡΟΕΙΔΟΠΟΙΗΣΗ! Διαβάστε όλες τις Υποδείξεις ασφαλείας και τις Οδηγίες, και αυτές στο επισυναπτόμενο φυλλάδιο.** Αμέλειες κατά την τήρηση των προειδοποιητικών υποδείξεων μπορεί να προκαλέσουν ηλεκτροπληξία, κίνδυνο πυρκαγιάς ή/και σοβαρούς τραυματισμούς.  
**Φυλάξτε όλες τις προειδοποιητικές υποδείξεις και οδηγίες για κάθε μελλοντική χρήση.**

### ΕΙΔΙΚΕΣ ΥΠΟΔΕΙΞΕΙΣ ΑΣΦΑΛΕΙΑΣ

**Κατά την κρουστική διάτρηση φοράτε ωτασπίδες.** Η επίδραση του θορύβου μπορεί να προκαλέσει απώλεια ακοής.

**Χρησιμοποιείτε με τη συσκευή τις προμηθευόμενες πρόσθετες χειρολαβές.** Η απώλεια ελέγχου μπορεί να οδηγήσει σε τραυματισμό.

**Να πιάνετε τη συσκευή στις μονωμένες χειρολαβές όταν εκτελείτε εργασίες κατά τις οποίες τα κοπτικά εργαλεία θα μπορούσαν να πέσουν επάνω σε κρυμμένα καλώδια ρεύματος ή στο δικό της καλώδιο.** Η επαφή του πριονόδοκου με μια υπό τάση ευρισκόμενη ηλεκτρική γραμμή θέτει επίσης και τα μεταλλικά τμήματα του μηχανήματος υπό τάση κι έτσι μπορεί να οδηγήσει σε ηλεκτροπληξία.

### ΧΡΗΣΗ ΣΥΜΦΩΝΑ ΜΕ ΤΟ ΣΚΟΠΟ ΠΡΟΟΡΙΣΜΟΥ

Το κρουστικό τρυπάνι/κατοσαβίδι μπορεί να χρησιμοποιηθεί γενικά για απλό τρύπημα, τρύπημα με κρούση, βίδωμα και σπειροτόμηση.

Αυτή η συσκευή επιτρέπεται να χρησιμοποιηθεί μόνο σύμφωνα με τον αναφερόμενο σκοπό προορισμού.

### ΣΥΝΔΕΣΗ ΣΤΟ ΗΛΕΚΤΡΙΚΟ ΔΙΚΤΥΟ

Συνδέετε μόνο σε μονοφασικό εναλλασσόμενο ρεύμα και μόνο σε τάση δικτύου όπως αναφέρεται στην πινακίδα τεχνικών χαρακτηριστικών. Η σύνδεση είναι επίσης εφικτή σε πρίζες χωρίς προστασία επαφής, διότι υπάρχει μια δομή της κατηγορίας προστασίας II.

### ΔΗΛΩΣΗ ΠΙΣΤΟΤΗΤΑΣ ΕΚ

Δηλώνουμε με αποκλειστική μας ευθύνη, ότι αυτό το προϊόν ανταποκρίνεται στα ακόλουθα πρότυπα ή έγγραφα τυποποίησης:

EN 60745-1:2009 + A11:2010

EN 60745-2-1:2010

EN 55014-1:2006 + A1:2009 + A2:2011

EN 55014-2:1997 + A1:2001 + A2:2008

EN 61000-3-2:2006 + A1:2009 + A2:2009

EN 61000-3-3:2008

σύμφωνα με τις διατάξεις των οδηγιών

2011/65/EU (RoHS)

2006/42/EK

2004/108/EK



Winnenden, 2012-09-12

Rainer Kumpf

Director Product Development

Εξουσιοδοτημένος να συντάξει τον τεχνικό φάκελο.

### ΣΥΝΤΗΡΗΣΗ

Διατηρείτε πάντοτε τις οχιμές εξαιρισμού στη μηχανή καθαρές.

Σε περίπτωση συχνής λειτουργίας ως κρουστικό τρυπάνι πρέπει να καθαρίζετε το τσοκ τακτικά από τη σκόνη. Για το σκοπό αυτό κρατήστε τη μηχανή με το τσοκ κάθετα προς τα κάτω και ανοίξτε το τσοκ σ' όλο το εύρος σύσφιξης και κλείστε το ξανά. Έτσι πέφτει από το τσοκ η συγκεντρωμένη σκόνη. Συνίσταται η τακτική χρήση σπρέι καθαρισμού στις σιαγόνες σύσφιξης και στις σπές των σιαγόνων σύσφιξης.

Χρησιμοποιείτε μόνο πρόσθ. εξαρτήματα AEG και ανταλλακτικά AEG. Κατασκ. τμήματα, που η αλλαγή τους δεν περιγράφεται, αντικαθίστανται σε μια τεχνική υποστήριξη της AEG (βλέπε φυλλάδιο εγγύηση/διευθύνσεις τεχνικής υποστήριξης).

Όταν χρειάζεται, μπορείτε να ζητήσετε ένα σχέδιο συναρμολόγησης της συσκευής, δίνοντας τον τύπο της μηχανής και το δεκαψήφιο αριθμό στην πινακίδα ισχύος, από το κέντρο σέρβις ή απευθείας από τη φίρμα AEG Electric Tools GmbH, Max-Eyth-Straie 10, D-71364 Winnenden, Germany.

### ΣΥΜΒΟΛΑ



Παρακαλώ διαβάστε σχολαστικά τις οδηγίες χρήσης πριν από την έναρξη λειτουργίας.



Πριν από κάθε εργασία στη μηχανή τραβάτε το φις από την πρίζα.



Εξαρτήματα - Δεν περιλαμβάνονται στα υλικά παράδοσης, συνιστούμενη προσθήκη από το πρόγραμμα εξαρτημάτων.



Μην πετάτε τα ηλεκτρικά εργαλεία στον κάδο οικιακών απορριμμάτων! Σύμφωνα με την ευρωπαϊκή οδηγία 2002/96/EK περί ηλεκτρικών και ηλεκτρονικών συσκευών και την ενσωμάτωσή της στο εθνικό δίκαιο, τα ηλεκτρικά εργαλεία πρέπει να συλλέγονται ξεχωριστά και να πιστρέφονται για ανακύκλωση με τρόπο φιλικό προς το περιβάλλον.



Κατηγορία προστασίας II, ηλεκτρικό εργαλείο, στο οποίο η προστασία έναντι ηλεκτροπληξίας δεν εξαρτάται μόνο από τη βασική μόνωση, αλλά από την εφαρμογή πρόσθετων προστατευτικών μέτρων όπως διπλή μόνωση ή ενισχυμένη μόνωση.

**TEKNİK VERİLER** **Vurmalı matkap vidası** **SBE 500 R** **SBE 570 R**

|  |                          |                          |
|--|--------------------------|--------------------------|
| Giriş gücü                               | 500 W                    | 570 W                    |
| Çıkış gücü                               | 250 W                    | 285 W                    |
| Boşta ki devir sayısı                    | 0-2650 min <sup>-1</sup> | 0-2700 min <sup>-1</sup> |
| Yükteki maksimum devir sayısı            | 1800 min <sup>-1</sup>   | 1600 min <sup>-1</sup>   |
| Yükteki maksimum darbe sayısı            | 27000 min <sup>-1</sup>  | 24000 min <sup>-1</sup>  |
| Statik blokaj momenti*                   | 21 Nm                    | 23 Nm                    |
| Delme çapı beton                         | 13 mm                    | 15 mm                    |
| Delme çapı tuğla ve kireçli kum taşı     | 15 mm                    | 18 mm                    |
| Delme çapı çelikte                       | 10 mm                    | 13 mm                    |
| Delme çapı tahta                         | 20 mm                    | 30 mm                    |
| Mandren kapasitesi                       | 1,5-10 mm                | 1,5-13 mm                |
| Matkap mili                              | 1/2"x20                  | 1/2"x20                  |
| Germe boynu çapı                         | 43 mm                    | 43 mm                    |
| Ağırlığı ise EPTA-üretici 01/2003'e göre | 1,6 kg                   | 1,7 kg                   |
| * AEG Norm N 877318'e göre ölçülmüştür.  |                          |                          |

**Gürültü bilgileri**

Ölçüm değerleri EN 60 745 e göre belirlenmektedir.

Aletin, frekansa bağımlı uluslararası ses basıncı seviyesi değerlendirme eğrisi A'ya göre tipik gürültü seviyesi:

|                                       |            |            |
|---------------------------------------|------------|------------|
| Ses basıncı seviyesi (K=3 dB(A))      | 95 dB (A)  | 95 dB (A)  |
| Akustik kapasite seviyesi (K=3 dB(A)) | 106 dB (A) | 106 dB (A) |

**Koruyucu kulaklık kullanın!****Vibrasyon bilgileri**

Toplam titreşim değeri (üç yönün vektör toplamı) EN 60745'e göre belirlenmektedir:

titreşim emisyon değeri a<sub>h</sub>:

|                     |                      |                      |
|---------------------|----------------------|----------------------|
| Darbeli beton delme | 26 m/s <sup>2</sup>  | 30 m/s <sup>2</sup>  |
| Tolerans K          | 5,6 m/s <sup>2</sup> | 2,5 m/s <sup>2</sup> |
| Metal delme         | 6 m/s <sup>2</sup>   | 6 m/s <sup>2</sup>   |
| Tolerans K          | 2 m/s <sup>2</sup>   | 1,5 m/s <sup>2</sup> |

**UYARI**

Bu talimatlarda belirtilen titreşim seviyesi, EN 60745 standardına uygun bir ölçme metodu ile ölçülmüştür ve elektrikli el aletleri birbirleriyle karşılaştırmak için kullanılabilir. Ölçüm sonuçları ayrıca titreşim yükünün geçici değerlendirilmesi için de uygundur.

Belirtilen titreşim seviyesi, elektrikli el aletinin genel uygulamaları için geçerlidir. Ancak elektrikli el aleti başka uygulamalar için, farklı eklenti parçalarıyla ya da yetersiz bakım koşullarında kullanılırsa, titreşim seviyesi farklılık gösterebilir. Bu durumda, titreşim yükü toplam çalışma zaman aralığı içerisinde belirgin ölçüde yükselebilir.

Titreşim yükünün tam bir değerlendirmesi için ayrıca cihazın kapalı olduğu süreler ve cihazın çalışır durumda olduğu, ancak gerçek kullanımında bulunmadığı süreler de dikkate alınmalıdır. Böylelikle, toplam çalışma zamanı aralığı boyunca meydana gelen titreşim yükü belirgin ölçüde azaltılabilir.

Kullanıcıyı titreşimlerin etkisinden korumak üzere, örneğin elektrikli el aletlerinin ve eklenti parçalarının bakımı, ellerin sıcak tutulması ve iş akışlarının organizasyonu gibi ek güvenlik tedbirleri belirleyiniz.

**⚠ UYARI! Güvenlikle ilgili bütün açıklamaları, talimatları ve ilişikteki broşürde yazılı bulunan hususları okuyunuz.** Açıklanan uyarılara ve talimat hükümlerine uyulmadığı takdirde elektrik çarpmalarına, yangınlara ve/veya ağır yaralanmalara neden olunabilir.  
**Bütün uyarıları ve talimat hükümlerini ileride kullanmak üzere saklayın.**

**GÜVENLİĞİNİZ İÇİN TALİMATLAR**

**Tepmeli matkap olarak işleme için koruma cihazı taşıyınız.** Gürültü etkisi işleme kaybını etkiler.

**Aletle birlikte teslim edilen ek tutamakları kullanın.** Aletin kontrolden çıkması kazalara neden olabilir.

**Kesme aletinin eğrilmiş elektrik kabloları veya kendi kablolarına isabet eden çalışmalar yapılırken cihazı izole edilmiş kollarından tutun.** Elektrik akımı ileten kablolarla temas edilecek olursa metal alet elemanlarına da gerilim geçer ve bu da elektrik çarpmalarına neden olabilir.

Açık havadaki prizler hatalı akım koruma şalteri ile donatılmış olmalıdır. Bu, elektrik tesisatındaki bir zorunluluktur. Lütfen aletimizi kullanırken bu hususa dikkat edin.

Aletle çalışırken daima koruyucu gözlük kullanın. Koruyucu iş eldivenleri, sağlam ve kaymaz ayakkabılar ve iş önlüğü kullanmanızı tavsiye ederiz.

Alet çalışır durumda iken talaş ve kırpıntılar temizlemeye çalışmayın.

Aletin kendinde bir çalışma yapmadan önce fişi prizden çekin.

Aleti sadece kapalı iken prize takın.

Bağlantı kablolarını aletten uzak tutun. Kablo daima aletin arkasında olmalıdır ve toplanmamalıdır.

Büyük delik çaplarında ilave sap ana tutamağa dik açılı olarak tespit edilmelidir. Bakınız: Resimli kısım, Tutamağın çevrilmesi bölümü.

Duvar, tavan ve zeminde delik açarken elektrik kablolarına, gaz ve su borularına dikkat edin.

**KULLANIM**

Bu darbeli matkap/vidalama makinesi delme, darbeli delme, vidalama ve diş açma işlerinde çok yönlü olarak kullanılabilir.

Bu alet sadece belirttiği gibi ve usulüne uygun olarak kullanılabilir.

**ŞEBEKE BAĞLANTISI**

Aleti sadece tek fazlı alternatif akıma ve tip etiketi üzerinde belirtilen şebeke gerilimine bağlayın. Yapısı Koruma sınıfı II'ye girdiğinden alet koruyucu kontaklız prize de bağlanabilir.

**CE UYGUNLUK BEYANI**

Tek sorumlu olarak bu ürünün aşağıdaki normlara ve norm dokümanlarına uygunluğunu beyan ederiz:

EN 60745-1:2009 + A11:2010  
EN 60745-2-1:2010  
EN 55014-1:2006 + A1:2009 + A2:2011  
EN 55014-2:1997 + A1:2001 + A2:2008  
EN 61000-3-2:2006 + A1:2009 + A2:2009  
EN 61000-3-3:2008  
yönetmelik hükümleri  
2011/65/EU (RoHS)  
2006/42/EC  
2004/108/EC



Winnenden, 2012-09-12

Rainer Kumpf  
Director Product Development

Teknik evrakları hazırlamakla görevlendirilmiştir.

**BAKIM**

Aletin havalandırma aralıklarını daima temiz tutun.

Sık sık darbeli delme yapıyorsanız mandreni düzenli aralıklarla tozdan arındırın. Bu işleme yapmak için aleti mandren aşağıya bakacak biçimde dik olarak tutun, mandreni sonuna kadar açıp, kapayın. Birikmiş olan toz bu durumda mandrenden aşağı düşer. Ayrıca, germe çenelerine ve germe çenesi deliklerine düzenli olarak bakım spreyi uygulamanızı öneririz.

Sadece Milwaukee aksesuarı ve yedek parçası kullanın. Nasıl değiştirileceği açıklanmamış olan yapı parçalarını bir Milwaukee müşteri servisinde değiştirin (Garanti ve servis adresi broşürüne dikkat edin).

Gerektiği takdirde aletin dağınık görünüş şeması, alet tipinin ve tip etiketi üzerindeki on hanelik sayının bildirilmesi koşuluyla müşteri servisinden veya doğrudan AEG Electric Tools GmbH, Max-Eyth-Straße 10, D-71364 Winnenden, Germany adresinden istenebilir.

**SEMBOLLER**

Lütfen aleti çalıştırmadan önce kullanma kılavuzunu dikkatli biçimde okuyun.



Aletin kendinde bir çalışma yapmadan önce fişi prizden çekin.



Aksesuar - Teslimat kapsamında değildir, önerilen tamamlamalar aksesuar programında.



Elektrikli el aletlerini evdeki çöp kutusuna atmayınız! Kullanılmıyş elektrikli aletleri, elektrik ve elektrikli eski cihazlar hakkındaki 2002/96/EC Avrupa yönergelerine göre ve bu yönergeler ulusal hukuk kurallarına göre uyarlanarak, ayrı olarak toplanmalı ve çevre şartlarına uygun bir şekilde tekrar değerlendirilmeye gönderilmelidir.



Koruma sınıfı II, elektrik tepkisine karşı korumanın sadece baz izolasyonuna bağlı olmayan elektro alet, bilakis çift izolasyon veya takviye edilen izolasyon gini ek koruyucu tedbirler uygulanır.

**TECHNICKÁ DATA Příklepové vrtačky/šroubováky SBE 500 R SBE 570 R**

|   |                          |                          |
|---|--------------------------|--------------------------|
| Jmenovitý výkon .....                                   | 500 W                    | 570 W                    |
| Odběr .....   | 250 W                    | 285 W                    |
| Počet otáček při běhu naprázdno na 1.st.rychlosti ..... | 0-2650 min <sup>-1</sup> | 0-2700 min <sup>-1</sup> |
| Počet otáček při zatížení max na 1.st.rychlosti .....   | 1800 min <sup>-1</sup>   | 1600 min <sup>-1</sup>   |
| Počet úderů max .....                                   | 27000 min <sup>-1</sup>  | 24000 min <sup>-1</sup>  |
| Statický krouticí moment* .....                         | 21 Nm                    | 23 Nm                    |
| Vrtací ø v betonu .....                                 | 13 mm                    | 15 mm                    |
| Vrtání ø v cihle a vápenopískové cihle .....            | 15 mm                    | 18 mm                    |
| Vrtací ø v oceli .....                                  | 10 mm                    | 13 mm                    |
| Vrtací ø v dřevě .....                                  | 20 mm                    | 30 mm                    |
| Rozsah upnutí sklíčidla .....                           | 1,5-10 mm                | 1,5-13 mm                |
| Vrtací vřetenno .....                                   | 1/2"x20                  | 1/2"x20                  |
| ø upinacího krčku .....                                 | 43 mm                    | 43 mm                    |
| Hmotnost podle prováděcího předpisu EPTA 01/2003 .....  | 1,6 kg                   | 1,7 kg                   |

\* Změřeno podle normy AEG N 877318

**Informace o hluku**

Naměřené hodnoty odpovídají EN 60 745.

V třídě A posuzovaná hladina hluku přístroje činí typicky:

|   |            |            |
|---|------------|------------|
| Hladina akustického tlaku (K=3dB(A)) .....  | 95 dB (A)  | 95 dB (A)  |
| Hladina akustického výkonu (K=3dB(A)) ..... | 106 dB (A) | 106 dB (A) |

**Používejte chrániče sluchu !****Informace o vibracích**

Celkové hodnoty vibrací (vektorový součet tří směrů) zjištěné ve smyslu EN 60745.

Hodnota vibračních emisí a<sub>n</sub>:

|                                 |                      |                      |
|---------------------------------|----------------------|----------------------|
| Vrtání betonu s příklepem ..... | 26 m/s <sup>2</sup>  | 30 m/s <sup>2</sup>  |
| Kolisavost K .....              | 5,6 m/s <sup>2</sup> | 2,5 m/s <sup>2</sup> |
| Vrtání kovů .....               | 6 m/s <sup>2</sup>   | 6 m/s <sup>2</sup>   |
| Kolisavost K .....              | 2 m/s <sup>2</sup>   | 1,5 m/s <sup>2</sup> |

**VAROVÁN**

Úroveň chvění uvedená v tomto návodu byla naměřena podle metody měření stanovené normou EN 60745 a může být použita pro porovnání elektrického nářadí. Hodí se také pro průběžný odhad zatížení chvěním.

Uvedená úroveň chvění představuje hlavní účely použití elektrického nářadí. Jestliže se ale elektrické nářadí používá pro jiné účely, s odlišnými nástroji nebo s nedostatečnou údržbou, může se úroveň chvění odlišovat. To může značně zvýšit zatížení chvěním během celé pracovní doby.

Pro přesný odhad zatížení chvěním se musí také zohlednit časy, během kterých je přístroj vypnutý nebo kdy je sice v chodu, ale skutečně se s ním nepracuje. To může zatížení chvěním během celé pracovní doby značně snížit.

Stanovte doplňková bezpečnostní opatření pro ochranu obsluhy před účinky chvění jako například: technická údržba elektrického nářadí a nástrojů, udržování teploty rukou, organizace pracovních procesů.

**VAROVÁNÍ! Seznamte se se všemi bezpečnostními pokyny a sice i s pokyny v příložené brožůře.** Zanedbání při dodržování varovných upozornění a pokynů mohou mít za následek úder elektrickým proudem, požár a/nebo těžká poranění.

**Všechna varovná upozornění a pokyny do budoucna uschovejte.**

**SPECIÁLNÍ BEZPEČNOSTNÍ UPOZORNĚNÍ**

**Při vrtání s příklepem používejte prostředky k ochraně sluchu.** Nadměrný hluk může vést ke ztrátě sluchu.

**Používejte doplňková madla dodávaná s přístrojem.** Nedostatečným držením by mohlo dojít ke zranění.

**Při provádění prací, při kterých nástroj může narazit na skryta elektrická vedení nebo na vlastní kabel, držte přístroj za izolované přidržovací plošky.** Kontakt s vedením pod napětím přivádí napětí i na kovové díly stroje a vede k elektrickému úderu.

Ve venkovním prostředí musí být zásuvky vybaveny proudovým chráničem. Je to vyžadováno instalačním předpisem pro toto el.zařízení. Dodržujte ho při používání tohoto nářadí, prosím.

Při práci se strojem neustále nosit ochranné brýle. Doporučuje se používat ochranné rukavice, pevnou protiskluzovou obuv a zástěru.

Pokud stroj běží, nesmí být odstraňovány třísky nebo odštěpky.

Před zahájením veškerých prací na stroji vytáhnout síťovou zástrčku ze zásuvky.

Stroj zapínat do zásuvky pouze když je vypnutý.

Neustále dbát na to, aby byl kabel pro připojení k elektrické síti mimo dosah stroje. Kabel vést vždy směrem dozadu od stroje.

Při vrtání velkými průměry vrtáků musí být přední madlo v poloze kolmé k hlavnímu madlu. Viz. Obrazová část, oddíl Natočení madla.

Při vrtání do zdi, stropu nebo podlahy dávat pozor na elektrické kabely, plynová a vodovodní potrubí.

**OBLAST VYUŽITÍ**

Příklepová vrtačka / šroubovák je univerzálně použitelná k vrtání, příklepovému vrtání, šroubování a k řezání závitů.

Toto zařízení lze používat jen pro uvedený účel.

**PŘIPOJENÍ NA SÍT**

Připojit pouze do jednofázové střídavé sítě o napětí uvedeném na štítku. Lze připojit i do zásuvky bez ochranného kontaktu neboť spotřebič je třídy II.

**CE-PROHLÁŠENÍ O SHODĚ**

Se vši zodpovědností prohlašujeme, že tento výrobek odpovídá následujícím normám a normativním dokumentům:

EN 60745-1:2009 + A11:2010  
EN 60745-2-1:2010  
EN 55014-1:2006 + A1:2009 + A2:2011  
EN 55014-2:1997 + A1:2001 + A2:2008  
EN 61000-3-2:2006 + A1:2009 + A2:2009  
EN 61000-3-3:2008

v souladu se směrnicemi EHS č.

2011/65/EU (RoHS)  
2006/42/ES  
2004/108/ES



Winnenden, 2012-09-12

Rainer Kumpf  
Director Product Development

Zplnomocněn k sestavování technických podkladů.

**ÚDRŽBA**

Větrací štěrbinu nářadí udržujeme stále čisté.

Při častém příklepovém provozu je třeba sklíčidlo pravidelně zbavovat prachu. Za tím účelem podržte stroj tak, aby sklíčidlo směřovalo kolmo dolů a otevřete a zavírejte sklíčidlo v celém upínacím rozsahu. Tak z něj vypadne nahromaděný prach. Doporučuje se také pravidelné používání čistícího spreje na upínací čelisti a na otvory upínacích čelistí.

Používat výhradně příslušenství AEG a náhradní díly AEG. Díly jejichž výměny nebyla popsána, nechte vyměnit v autorizovaném servisu (viz.Záruky / Seznam servisních míst)

Při potřebě podrobného rozkresu konstrukce, oslovte informaci o typu a desetimístném objednacím čísle přímo servis a nebo výrobce, AEG Electric Tools GmbH, Max-Eyth-Straße 10, D-71364 Winnenden, Germany.

**SYMBOLY**

Před spuštěním stroje si pečlivě přečtěte návod k používání.



Před zahájením veškerých prací na vrtacím kladivu vytáhnout síťovou zástrčku ze zásuvky.



Příslušenství není součástí dodávky, viz program příslušenství.



Elektrické nářadí nevyhazujte do komunálního odpadu! Podle evropské směrnice 2002/96/EG o nakládání s použitými elektrickými a elektronickými zařízeními a odpovídajících ustanovení právních předpisů jednotlivých zemí se použitá elektrická nářadí musí sbírat odděleně od ostatního odpadu a podrobit ekologicky šetrnému recyklování.



Třída ochrany II, elektrické nářadí, u kterého ochrana proti úrazu elektrickým proudem nezávisí pouze na základní izolaci, nýbrž i na přijetí dalších ochranných opatření, jako provedení s dvojitou nebo zesílenou izolací.

**TECHNICKÉ ÚDAJE Príklepová vŕtačka a ťahovačka SBE 500 R SBE 570 R**

|  |                          |                          |
|--|--------------------------|--------------------------|
| menovitý príkon .....                                    | 500 W                    | 570 W                    |
| Výkon.....   | 250 W                    | 285 W                    |
| Otáčky naprázdno .....                                   | 0-2650 min <sup>-1</sup> | 0-2700 min <sup>-1</sup> |
| Max. otáčky pri záťaži.....                              | 1800 min <sup>-1</sup>   | 1600 min <sup>-1</sup>   |
| Max. počet úderov pri záťaži .....                       | 27000 min <sup>-1</sup>  | 24000 min <sup>-1</sup>  |
| Statický blokovací moment * .....                        | 21 Nm                    | 23 Nm                    |
| Priemer vrtu do betónu .....                             | 13 mm                    | 15 mm                    |
| Priemer vrtu do tehly a vápencového pieskovca .....      | 15 mm                    | 18 mm                    |
| Priemer vrtu do ocele .....                              | 10 mm                    | 13 mm                    |
| Priemer vrtu do dreva .....                              | 20 mm                    | 30 mm                    |
| Upínací rozsah skľúčovadla .....                         | 1,5-10 mm                | 1,5-13 mm                |
| Vŕtacie vreteno .....                                    | 1/2"x20                  | 1/2"x20                  |
| Priemer upínacieho hrdla .....                           | 43 mm                    | 43 mm                    |
| Hmotnosť podľa vykonávacieho predpisu EPTA 01/2003 ..... | 1,6 kg                   | 1,7 kg                   |

\* Merané podľa AEG normy N 877318

**Informácia o hluku**

Namerané hodnoty určené v súlade s EN 60 745.

V triede A posudzovaná hladina hluku prístroja činí typicky:

|  |            |            |
|--|------------|------------|
| Hladina akustického tlaku (K=3dB(A)) ..... | 95 dB (A)  | 95 dB (A)  |
| Hladina akustického výkonu (K=3dB(A))..... | 106 dB (A) | 106 dB (A) |

**Používajte ochranu sluchu!****Informácie o vibráciách**

Celkové hodnoty vibrácií (vektorový súčet troch smerov)

zistené v zmysle EN 60745.

Hodnota vibračných emisií a<sub>h</sub>:

|                                 |                      |                      |
|---------------------------------|----------------------|----------------------|
| Vŕtanie betónu s príklepom..... | 26 m/s <sup>2</sup>  | 30 m/s <sup>2</sup>  |
| Kolísavosť K .....              | 5,6 m/s <sup>2</sup> | 2,5 m/s <sup>2</sup> |
| Vŕtanie kovov .....             | 6 m/s <sup>2</sup>   | 6 m/s <sup>2</sup>   |
| Kolísavosť K .....              | 2 m/s <sup>2</sup>   | 1,5 m/s <sup>2</sup> |

**POZOR**

Úroveň vibrácií uvedená v týchto pokynoch bola nameraná meracou metódou, ktorú stanovuje norma EN 60745 a je možné ju použiť na vzájomné porovnanie elektrického náradia. Hodí sa aj na predbežné posúdenie kmitavého namáhania.

Uvedená úroveň vibrácií reprezentuje hlavné aplikácie elektrického náradia. Ak sa však elektrické náradie používa pre iné aplikácie, s odlišnými vloženými nástrojmi alebo s nedostatočnou údržbou, môže sa úroveň vibrácií líšiť. Toto môže kmitavé namáhanie v priebehu celej pracovnej doby podstatne zvýšiť.

Pre presný odhad kmitavého namáhania by sa mali tiež zohľadniť doby, v ktorých je náradie vypnuté alebo je síce v chode, ale v skutočnosti sa nepoužíva. Toto môže kmitavé namáhanie v priebehu celej pracovnej doby zreteľne redukovat'.

Stanovte dodatočné bezpečnostné opatrenia pre ochranu obsluhy pred účinkami vibrácií, ako napríklad: údržba elektrického náradia a vložených nástrojov, udržiavanie teploty rúk, organizácia pracovných postupov.

**⚠ POZOR! Zoznámte sa so všetkými bezpečnostnými pokynmi a síce aj s pokynmi v priloženej brožúre.**

Zanedbanie dodržiavania Výstražných upozornení a pokynov uvedených v nasledujúcom texte môže mať za následok zásah elektrickým prúdom, spôsobiť požiar a/alebo ťažké poranenie.

**Tieto Výstražné upozornenia a bezpečnostné pokyny starostlivo uschovajte na budúce použitie.****Špeciálne bezpečnostné pokyny**

**Pri vŕtaní s príklepom používajte prostriedky k ochrane sluchu.** Nadmerný hluk môže viesť k strate sluchu.

**Používajte prídavné rukoväte dodané spolu s prístrojom.** Strata kontroly nad strojom môže viesť k zraneniu.

**Pri realizovaní prác, pri ktorých nástroj môže naraziť na skryté elektrické vedenie alebo na vlastný kábel, držte prístroj za izolované pridrôzovacie plošky.** Kontakt s vedením, ktoré je pod napätím, spôsobí, že aj kovové súčiastky náradia sa dostanú pod napätie, čo má za následok zásah elektrickým prúdom.

Zásuvky vo vonkajšom prostredí musia byť vybavené ochranným spínačom proti prudovému nárazom. Toto je inštalčný predpis na Vaše elektrické zariadenie. Venujte prosím tomuto pozornosť pri používaní nášho prístroja.

**POUŽITIE PODĽA PREDPISOV**

Príklepový vŕtací skrutkovač je univerzálne použiteľný na vŕtanie, príklepové vŕtanie, skrutkovanie a rezanie závitov.

Tento prístroj sa smie používať len v súlade s uvedenými predpismi.

**SIETOVÁ PŘIPOJKA**

Pripájať len na jednofázový striedavý prúd a na sieťové napätie uvedené na štítku. Pripojenie je možné aj do zásuviek bez ochranného kontaktu, pretože ide o konštrukciu ochrannej triedy II.

**CE - VYHLÁSENIE KONFORMITY**

Vyhlasujeme v našej výhradnej zodpovednosti, že tento produkt zodpovedá nasledovným normám alebo normatívnym dokumentom.

EN 60745-1:2009 + A11:2010

EN 60745-2-1:2010

EN 55014-1:2006 + A1:2009 + A2:2011

EN 55014-2:1997 + A1:2001 + A2:2008

EN 61000-3-2:2006 + A1:2009 + A2:2009

EN 61000-3-3:2008

podľa predpisov smerníc

2011/65/EU (RoHS)

2006/42/EC

2004/108/EC



Winnenden, 2012-09-12

Rainer Kumpf

Director Product Development

Spĺnomocnený zostaviť technické podklady.

**ÚDRZBA**

Vetracie otvory udrôzovať stále v čistote.

Pri častom vŕtaní s príklepom by malo byť skľúčovadlo pravidelne čistené od prachu. K tomu je potrebné stroj nasmerovať skľúčovadlom kolmo nadol a v celom upínacom rozsahu skľúčovadlo roztvoriť a zatvoriť. Nazbieraný prach takto zo skľúčovadla vypadne. Odporúča sa pravidelná aplikácia čistiaceho spreju na upínacie čeluste a na vŕtania upínacích čelustí.

Používať len AEG príslušenstvo a AEG náhradné diely. Súčiastky bez návodu na výmenu treba dat vymeniť v jednom z AEG zákazníckych centier (viď broôzúru Záruka/ Adresy zákazníckych centier).

Pri udaní typu stroja a desaťmiestneho čísla nachádzajúceho sa na štítku dá sa v prípade potreby vyžiadať explozívna schéma prístroja od Vášho zákazníckeho centra alebo priamo v AEG Electric Tools GmbH, Max-Eyth-Straôe 10, D-71364 Winnenden, Germany.

**SYMBOLY**

Pred prvým použitím prístroja si pozorne prečítajte návod na obsluhu.



Pred každou prácou na stroji vytiahnuť zástrôčku zo zásuvky.



Príslušenstvo - nie je súčasťou štandardnej výbavy, odporúčané doplnenie z programu príslušenstva.



Elektrické náradie nevyhadzujte do komunálneho odpadu! Podľa európskej smernice 2002/96/EG o nakladaní s použitými elektrickými a elektronickými zariadeniami a zodpovedajúcich ustanovení právnych predpisov jednotlivých krajín sa použité elektrické náradie musí zbierať oddelene od ostatného odpadu a podrobiť ekologicky šetrnej recyklácii.



Trieda ochrany II, elektrické náradie, u ktorého ochrana proti úrazu elektrickým prúdom nezávisí len na základnej izolácii, ale aj na prijatí ďalších ochranných opatrení, ako je vyhotovenie s dvojitou alebo zosilnenou izoláciou.

**DANE TECHNICZNE**      **Wiertarka/wkrętarka udarowa**      **SBE 500 R**      **SBE 570 R**

|  |                          |                          |
|--|--------------------------|--------------------------|
| Znamionowa moc wyjściowa .....                       | 500 W                    | 570 W                    |
| Moc wyjściowa .....                                  | 250 W                    | 285 W                    |
| Prędkość bez obciążenia .....                        | 0-2650 min <sup>-1</sup> | 0-2700 min <sup>-1</sup> |
| Maksymalna prędkość obrotowa pod obciążeniem .....   | 1800 min <sup>-1</sup>   | 1600 min <sup>-1</sup>   |
| Częstotliwość uderu przy obciążeniu maks. ....       | 27000 min <sup>-1</sup>  | 24000 min <sup>-1</sup>  |
| Moment statyczny zakleszczenia* .....                | 21 Nm                    | 23 Nm                    |
| Zdolność wiercenia w betonie .....                   | 13 mm                    | 15 mm                    |
| Zdolność wiercenia w cegła i płytki ceramiczne ..... | 15 mm                    | 18 mm                    |
| Zdolność wiercenia w stali .....                     | 10 mm                    | 13 mm                    |
| Zdolność wiercenia w drewnie .....                   | 20 mm                    | 30 mm                    |
| Zakres otwarcia uchwytu wiertarskiego .....          | 1,5-10 mm                | 1,5-13 mm                |
| Chwył napędu .....                                   | 1/2"x20                  | 1/2"x20                  |
| Średnica szyjki uchwytu .....                        | 43 mm                    | 43 mm                    |
| Ciężar wg procedury EPTA 01/2003 .....               | 1,6 kg                   | 1,7 kg                   |

\* Zmierzone zgodnie z normą AEG N 877318

**Informacja dotycząca szumów**

Zmierzone wartości wyznaczono zgodnie z normą EN 60 745.

Poziom szumów urządzenia oszacowany jako A wynosi

typowo:

Poziom ciśnienia akustycznego (K=3 dB(A)) .....

Poziom mocy akustycznej (K=3 dB(A)) .....

**Należy używać ochroniaczy uszu!****Informacja dotyczące wibracji**

Wartości łączne drgań (suma wektorowa trzech kierunków)

wyznaczone zgodnie z normą EN 60745

Wartość emisji drgań a<sub>v</sub>:

Wiercenie udarowe w betonie .....

Niepewność K .....

Wiercenie w metalu .....

Niepewność K .....

**OSTRZEŻENIE**

Podany w niniejszych instrukcjach poziom drgań został zmierzony za pomocą metody pomiarowej zgodnej z normą EN 60745 i może być użyty do porównania ze sobą elektronarzędzi. Nadaje się on również do tymczasowej oceny obciążenia wibracyjnego.

Podany poziom drgań reprezentuje główne zastosowania elektronarzędzia. Jeśli jednakże elektronarzędzie użyte zostanie do innych celów z innymi narzędziami roboczymi lub nie jest dostatecznie konserwowane, wtedy poziom drgań może wykazywać odchylenia. Może to wyraźnie zwiększyć obciążenie wibracjami przez cały okres pracy.

Dla dokładnego określenia obciążenia wibracjami należy uwzględnić również czasy, w których urządzenie jest wyłączone względnie jest włączone, lecz w rzeczywistości nie pracuje. Może to spowodować wyraźną redukcję obciążenia wibracyjnego w całym okresie pracy.

Należy wprowadzić dodatkowe środki zapobiegawcze celem ochrony obsługującego przed oddziaływaniem drgań, jak na przykład: konserwacja narzędzi roboczych i elektronarzędzi, nagrzanie rąk, organizacja przebiegu pracy.

**⚠ OSTRZEŻENIE! Prosimy o przeczytanie wskazówek bezpieczeństwa i zaleceń, również tych, które zawarte są w załączonej broszurze.** Błędy w przestrzeganiu poniższych wskazówek mogą spowodować porażenie prądem, pożar i/lub ciężkie obrażenia ciała. **Należy starannie przechowywać wszystkie przepisy i wskazówki bezpieczeństwa dla dalszego zastosowania.**

**INSTRUKCJE DOTYCZĄCE BEZPIECZEŃSTWA**

**Do wiercenia udarowego należy zakładać ochronniki słuchu.** Hałas może powodować utratę słuchu.

**Stosować uchwyty pomocnicze dostarczone z narzędziem.** Utrata kontroli może spowodować obrażenia.

**Trzymaj urządzenie za izolowane powierzchnie chwytne gdy wykonujesz roboty, w trakcie których narzędzie skrawające może natrafić na ukryte przewody napędowe lub na własny kabel.** Kontakt z przewodami pod napięciem wprowadza również metalowe części urządzenia pod napięciem i prowadzi do porażenia prądem.

Urządzenia pracujące w wielu różnych miejscach, w tym poza pomieszczeniami zamkniętymi, należy podłączać poprzez ochronny wyłącznik udarowy.

Podczas pracy należy zawsze nosić okulary ochronne. Zalecane jest także noszenie rękawic, mocnego, nie ślizgającego się obuwia oraz ubrania roboczego.

Podczas pracy elektronarzędzia nie wolno usuwać trocin ani drzazg.

Przed przystąpieniem do jakichkolwiek prac związanych z elektronarzędziem należy wyjąć wtyczkę z gniazdka.

Elektronarzędzie można podłączać do gniazdka sieciowego tylko wtedy, kiedy jest wyłączone.

Kabel zasilający nie może znajdować się w obszarze roboczym elektronarzędzia. Powinien on się zawsze znajdować się za operatorem.

Przy pracy z wiertłami o dużych średnicach uchwyt pomocniczy należy zamocować pod kątem prostym w stosunku do uchwytu głównego (patrz ilustracje, rozdział Obrót uchwytu).

Podczas pracy przy ścianach, sufitach i podłodze należy uważać na kable elektryczne, przewody gazowe i wodociągowe.

**WARUNKI UŻYTKOWANIA**

Wiertarka/wkrętarka przeznaczona do uniwersalnych zastosowań przy wierceniu, wierceniu udarowym, wkręcaniu i gwintowaniu.

Produkt można użytkować wyłącznie zgodnie z jego normalnym przeznaczeniem.

**PODŁĄCZENIE DO SIECI**

Podłączać tylko do źródła zasilania prądem zmiennym jednofazowym i wyłącznie o napięciu podanym na tabliczce znamionowej. Możliwe jest również podłączenie do gniazdka bez uzziemienia, ponieważ konstrukcja odpowiada II klasie bezpieczeństwa.

**ŚWIADCTWO ZGODNOŚCI CE**

Oświadczamy z pełną odpowiedzialnością, że produkt ten odpowiada wymaganiom następujących norm i dokumentów normatywnych:

EN 60745-1:2009 + A11:2010

EN 60745-2-1:2010

EN 55014-1:2006 + A1:2009 + A2:2011

EN 55014-2:1997 + A1:2001 + A2:2008

EN 61000-3-2:2006 + A1:2009 + A2:2009

EN 61000-3-3:2008

i jest zgodny z wymaganiami dyrektyw

2011/65/EU (RoHS)

2006/42/WE

2004/108/WE



Winnenden, 2012-09-12

Rainer Kumpf

Director Product Development

Upelnomocniony do zestawienia danych technicznych

**UTRZYMANIE I KONSERWACJA**

Otwory wentylacyjne elektronarzędzia muszą być zawsze drożne.

Jeśli elektronarzędzia używa się głównie do wiercenia udarowego, należy regularnie oczyszczać uchwyt narzędziowy z pyłu. Trzymając elektronarzędzie uchwytem pionowo skierowane w dół, należy go całkowicie otworzyć, a następnie zamknąć. Nagromadzony pył wyleci z uchwytu. Przy czyszczeniu szczęk zaciskowych i usuwaniu wirów wiertarskich zaleca się regularne stosowanie środka czyszczącego.

Używać tylko i wyłącznie wyposażenia dodatkowego AEG i części zamiennych AEG. Gdyby trzeba było wymienić części, które nie zostały opisane, należy skontaktować się z przedstawicielem serwisu AEG (patrz wykaz adresów punktów usługowych/gwarancyjnych).

Na życzenie można otrzymać rysunek widoku zespołu rozebranego. Przy zamawianiu należy podać dziesięciocyfrowy numer oraz typ elektronarzędzia umieszczony na tabliczce znamionowej. Zamówienia można dokonać albo u lokalnych przedstawicieli serwisu, albo bezpośrednio w AEG Electric Tools GmbH, Max-Eyth-Straße 10, D-71364 Winnenden, Germany.

**SYMBOLE**

Przed uruchomieniem elektronarzędzia zapoznać się uważnie z treścią instrukcji.



Przed przystąpieniem do jakichkolwiek prac przy elektronarzędziu należy wyjąć wtyczkę z kontaktu.



Wyposażenie dodatkowe dostępne osobno.



Nie wyrzucaj elektronarzędzi wraz z odpadami z gospodarstwa domowego! Zgodnie z Europejską Dyrektywą 2002/96/WE w sprawie zużytego sprzętu elektrotechnicznego i elektronicznego oraz dostosowaniem jej do prawa krajowego, zużyte elektronarzędzia należy posegregować i zutylizować w sposób przyjazny dla środowiska.



Klasa ochrony II, elektronarzędzie, w którym ochrona przed porażeniem elektrycznym nie zależy tylko od izolacji podstawowej, lecz w którym zastosowane są dodatkowe środki ochrony, takie jak podwójna lub wzmocniona izolacja.



## MŰSZAKI ADATOK

| Ütvefűró/csavarozógép               | SBE 500 R                | SBE 570 R                |
|-------------------------------------|--------------------------|--------------------------|
| Névleges teljesítményfelvétel       | 500 W                    | 570 W                    |
| Leadott teljesítmény                | 250 W                    | 285 W                    |
| Üresjárat fordulatszám              | 0-2650 min <sup>-1</sup> | 0-2700 min <sup>-1</sup> |
| Fordulatszám terhelés alatt max.    | 1800 min <sup>-1</sup>   | 1600 min <sup>-1</sup>   |
| Ütészám terhelés alatt max.         | 27000 min <sup>-1</sup>  | 24000 min <sup>-1</sup>  |
| Statikus blokkoló mozgás*           | 21 Nm                    | 23 Nm                    |
| Furat-Ø betonba                     | 13 mm                    | 15 mm                    |
| Furat-Ø téglába és mészkőbe         | 15 mm                    | 18 mm                    |
| Furat-Ø acélba                      | 10 mm                    | 13 mm                    |
| Furat-Ø fába                        | 20 mm                    | 30 mm                    |
| Befogási tartomány                  | 1,5-10 mm                | 1,5-13 mm                |
| Fúró tengely                        | 1/2"x20                  | 1/2"x20                  |
| Feszítőnyak-Ø                       | 43 mm                    | 43 mm                    |
| Súly a 01/2003 EPTA-eljárás szerint | 1,6 kg                   | 1,7 kg                   |

\* Az AEG N 877318 szabvány szerint mérve

### Zajinformáció

A közölt értékek megfelelnek az EN 60 745 szabványnak.

A készülék munkahelyi zajszintje tipikusan:

|                                      |            |            |
|--------------------------------------|------------|------------|
| Hangnyomás szint (K = 3 dB(A))       | 95 dB (A)  | 95 dB (A)  |
| Hangteljesítmény szint (K = 3 dB(A)) | 106 dB (A) | 106 dB (A) |

### Hallásvédő eszköz használata ajánlott!

### Vibráció-információk

Összesített rezgésértékek (három irány vektoriális összege) az EN 60745-nek megfelelően meghatározva.

a rezgésemmisszió érték

|                    |                      |                      |
|--------------------|----------------------|----------------------|
| Ütvefűrés betonban | 26 m/s <sup>2</sup>  | 30 m/s <sup>2</sup>  |
| K bizonytalanság   | 5,6 m/s <sup>2</sup> | 2,5 m/s <sup>2</sup> |
| Fűrés fémbe        | 6 m/s <sup>2</sup>   | 6 m/s <sup>2</sup>   |
| K bizonytalanság   | 2 m/s <sup>2</sup>   | 1,5 m/s <sup>2</sup> |

## FIGYELMEZTETÉS

A jelen utasításokban megadott rezgésszint értéke az EN 60745-ben szabályozott mérési eljárásnak megfelelően került lemérésre, és használható elektromos szerszámokkal történő összehasonlításhoz. Az érték alkalmas a rezgésterhelés előzetes megbecslésére is.

A megadott rezgésszint-érték az elektromos szerszám legfőbb alkalmazásait reprezentálja. Ha az elektromos szerszámot azonban más alkalmazásokhoz, eltérő használt szerszámokkal vagy nem elegendő karbantartással használják, a rezgésszint értéke eltérő lehet. Ez jelentősen megnövelheti a rezgésterhelést a munkavégzés teljes időtartama alatt.

A rezgésterhelés pontos megbecsléséhez azokat az időket is figyelembe kell venni, melyekben a készülék lekapcsolódik, vagy ugyan működik, azonban ténylegesen nincs használatban. Ez jelentősen csökkentheti a rezgésterhelést a munkavégzés teljes időtartama alatt.

Határozzon meg további biztonsági intézkedéseket a kezelő védelmére a rezgések hatása ellen, például: az elektromos és a használt szerszámok karbantartásával, a kezek melegen tartásával, a munkafolyamatok megszervezésével.

**⚠ FIGYELMEZTETÉS! Olvasson el minden biztonsági útmutatást és utasítást, a mellékelt brosúrában találhatóakat is.** A következőkben leírt előírások betartásának elmulasztása áramütésekhez, tűzhoz és/vagy súlyos testi sérülésekhez vezethet.  
**Kérjük a későbbi használatra gondosan őrizze meg ezeket az előírásokat.**

## KÜLÖNLEGES BIZTONSÁGI TUDNIVALÓK

**Ütvefűréskor viseljen hallásvédőt.** A zaj hatása hallásveszítést okozhat.

**Használja a készülékkel együtt szállított kézfogantyúkat.** A készülék fölötti ellenőrzés elvesztése sérüléseket okozhat.

**A készüléket a szigetelt markolatfelületeket fogva tartsa, ha olyan munkálatokat végez, melyeknél a vágószerszám rejtett elektromos vezetékbe vagy saját vezetékébe ütközhet.** Ha a berendezés egy feszültség alatt álló vezetékhez ér, a berendezés fémrészei szintén feszültség alá kerülhetnek és áramütéshez vezethetnek.

Szabadban a duglajat hibaáram-védőkapcsolóval kell ellátni. Az elektromos készülékek üzembehelyezési útmutatása ezt kötelezően előírja. Ügyeljen erre az elektromos kéziszerszámok használatakor is.

Munkavégzés közben ajánlatos védőszemüveget viselni. Védőkesztyű, zárt és csúszásmentes cipő, valamint védőkötény használata szintén javasolt.

A munka közben keletkezett forgácsokat, szilánkokat, törmeléket, stb. csak a készülék teljes leállása után szabad a munkaterületről eltávolítani.

Bármilyen jellegű karbantartás vagy javítás előtt a készüléket áramtalanítani kell.

A készüléket csak kikapcsolt állapotban szabad ismét áram alá helyezni.

Munka közben a hálózati csatlakozókábelt a sérülés elkerülése érdekében a munkaterületől, illetve a készüléktől távol kell tartani.

Ha nagy átmérőjű fúróval dolgozik a segédfogantyút a megfelelő szögbe kell állítani a főfogantyúhoz viszonyítva. (Lásd az illusztrációk fejezetben: a fogantyú beállítása).

Falban, földbe, aljzatban történő fűrésznél fokozottan ügyelni kell az elektromos-, víz- és gázvezetésekre.

## RENDELTESSZERŰ HASZNÁLAT

Az ütvefűró/csavarozó általánosan használható fűrészhöz, ütvefűrészhöz, csavarozáshoz és menetvágáshoz.

A készüléket kizárólag az alábbiakban leírtaknak megfelelően szabad használni.

## HÁLÓZATI CSATLAKOZTATÁS

A készüléket csak egyfázisú váltóáramra és a teljesítménytáblán megadott hálózati feszültségre csatlakoztassa. A csatlakoztatás védőérintkező nélküli dugaszolóaljzatokra is lehetséges, mivel a készülék felépítése II védettségi osztályú.

## CE-AZONOSÁGI NYILATKOZAT

Teljes felelősségünk tudatában kijelentjük, hogy jelen termék megfelel a következő szabványoknak vagy szabványossági dokumentumoknak:

EN 60745-1:2009 + A1:2010  
EN 60745-2-1:2010  
EN 55014-1:2006 + A1:2009 + A2:2011  
EN 55014-2:1997 + A1:2001 + A2:2008  
EN 61000-3-2:2006 + A1:2009 + A2:2009  
EN 61000-3-3:2008  
irányelvek határozataival egyetértésben  
2011/65/EU (RoHS)  
2006/42/EK  
2004/108/EK



Winnenden, 2012-09-12

Rainer Kumpf  
Director Product Development

Műszaki dokumentáció összeállításra felhatalmazva

## KARBANTARTÁS

A készülék szellőzőnyílásait mindig tisztán kell tartani.

Gyakori ütvefűrés esetén a tokmányt időről-időre meg kell tisztítani. A tisztításhoz fordítsa a készüléket tokmánnyal lefelé és a tokmányt a teljes befogási tartományban nyissa, illetve zárja. Az összegyűlt por kihullik a tokmányból. Tisztítóspray használata a fészítőpofák és a furataik tisztításához ajánlott.

Csak AEG tartozékokat és AEG pótalkatrészeket szabad használni. Az olyan elemeket, melyek cseréje nincs ismertette, cseréltesse ki AEG szervizzel (lásd Garancia/Ügyfélszolgálat címei kiadványt).

Szükség esetén a készülékek robbantott ábráját - a készülék típusa és tízjegyű azonosító száma alapján a területileg illetékes AEG márkaszerviztől vagy közvetlenül a gyártótól (AEG Electric Tools GmbH, Max-Eyth-Straße 10, D-71364 Winnenden, Germany) lehet kérni.

## SZIMBÓLUMOK



Kérjük alaposan olvassa el a tájékoztatót mielőtt a gépet használja.



Karbantartás, javítás, tisztítás, stb. előtt előtt a készüléket áramtalanítani kell.



Azokat a tartozékokat, amelyek gyárilag nincsenek a készülékhez mellékelve, külön lehet megrendelni.



Az elektromos kéziszerszámokat ne dobja a háztartási szemétkébe! A használt villamos és elektronikai készülékekről szóló 2002/96/EK irányelv és annak a nemzeti jogba való átültetése szerint az elhasznált elektromos kéziszerszámokat külön kell gyűjteni, és környezetbarát módon újra kell hasznosítani.



II-es védelmi osztály, olyan elektromos szerszám, amelynél az elektromos áramütés elleni védelem nem csak az alapszigeteléstől függ, hanem amelyben kiegészítő védőintézkedéseket, mint pl. kettős szigetelés vagy megerősített szigetelés, alkalmaznak.

**TEHNIČNI PODATKI** **Udamni vrtniki/vijačniki** **SBE 500 R** **SBE 570 R**

|  |                          |                          |
|--|--------------------------|--------------------------|
| Nazivna sprejemna moč.....               | 500 W                    | 570 W                    |
| Oddajna zmogljivost.....                 | 250 W                    | 285 W                    |
| Število vrtljajev v prostem teku.....    | 0-2650 min <sup>-1</sup> | 0-2700 min <sup>-1</sup> |
| Število vrtljajev pri obremenitvi.....   | 1800 min <sup>-1</sup>   | 1600 min <sup>-1</sup>   |
| bremensko število udarcev maks.....      | 27000 min <sup>-1</sup>  | 24000 min <sup>-1</sup>  |
| Statični blokirni moment *.....          | 21 Nm                    | 23 Nm                    |
| Vrtni ø v betonu.....                    | 13 mm                    | 15 mm                    |
| Vrtni ø v opeki in apnemem peščencu..... | 15 mm                    | 18 mm                    |
| Vrtni ø v jeklu.....                     | 10 mm                    | 13 mm                    |
| Vrtni ø v lesu.....                      | 20 mm                    | 30 mm                    |
| Napenjalno področje vpenjalne glave..... | 1,5-10 mm                | 1,5-13 mm                |
| Vrtno vreteno.....                       | 1/2"x20                  | 1/2"x20                  |
| Vpenjalni vrat ø.....                    | 43 mm                    | 43 mm                    |
| Teža po EPTA-proceduri 01/2003.....      | 1,6 kg                   | 1,7 kg                   |

\* Izmerjeno po AEG normi N 877318

**Informacije o hrupnosti**

Vrednosti merjenja ugotovljene ustrezno z EN 60 745.

Raven hrupnosti naprave ovrednotena z A, znaša tipično:

|  |            |            |
|--|------------|------------|
| Nivo zvočnega tlaka (K = 3 dB(A)).....   | 95 dB (A)  | 95 dB (A)  |
| Višina zvočnega tlaka (K = 3 dB(A))..... | 106 dB (A) | 106 dB (A) |

**Nosite zaščito za sluh!****Informacije o vibracijah**

Skupna vibracijska vrednost (Vektorska vsota treh smeri) določena ustrezno EN 60745.

Vibracijska vrednost emisij a<sub>h</sub>:

|                            |                      |                      |
|----------------------------|----------------------|----------------------|
| Udamno vrtnje v beton..... | 26 m/s <sup>2</sup>  | 30 m/s <sup>2</sup>  |
| Nevarnost K.....           | 5,6 m/s <sup>2</sup> | 2,5 m/s <sup>2</sup> |
| Vrtnje v kovine.....       | 6 m/s <sup>2</sup>   | 6 m/s <sup>2</sup>   |
| Nevarnost K.....           | 2 m/s <sup>2</sup>   | 1,5 m/s <sup>2</sup> |

**OPOZORILO**

V teh navodilih navedena raven tresljev je bila izmerjena po EN60745 normiranem merilnem postopku in lahko služi medsebojni primerjavi električnih orodij. Prav tako je primeren za predhodno oceno obremenitve s treslji.

Navedena raven tresljev navaja najpomembnejše vrste rabe električnega orodja. Kadar se električno orodje uporablja za drugačne namene, z odstopajočimi orodji ali pa z nezadostnim vzdrževanjem, lahko raven tresljev tudi odstopa. Le to lahko čez celoten delovni čas znatno zviša obremenitev s tresenjem.

Za natančno oceno obremenitve s treslji naj bi se upošteval tudi čas v katerem je naprava izklopljena ali sicer teče, vendar dejansko ni v rabi. Le to lahko obremenitev s treslji čez celoten delovni čas znatno zmanjša.

Za zaščito upravljalca pred učinkom tresljev uvedite dodatne zaščitne ukrepe npr.: Vzdrževanje električnega orodja in orodja, delo s toplimi rokami, organizacija delovnih potekov.

**⚠ OPOZORILO! Preberite vsa varnostna opozorila in navodila, tudi tista v priloženi brošuri.** Napake zaradi neupoštevanja spodaj navedenih opozoril in napolil lahko povzročijo električni udar, požar in/ali težke telesne poškodbe.  
**Vsa opozorila in napolila shranite, ker jih boste v prihodnje še potrebovali.**

**SPECIALNI VARNOSTNI NAPOTKI**

**Pri udarnemu vrtnanju nosite glušnik.** Hrup lahko povzroči izgubo sluha.

**Uporabite dodatne ročaje, ki so dobavljeni skupaj z napravo.** Izguba kontrole lahko povzroči poškodbe.

**Kadar izvajate dela pri katerih lahko orodje zadane prikrito električno napeljavo ali lasten vodnik, je napravo potrebno držati za izolirane prijemalne površine.** Stik z električnim vodnikom, ki je pod napetostjo, povzroči napetost tudi v kovinskih delih naprave, kar ima za posledico električni udar.

Vtičnice v zunanem področju morajo biti opremljene z zaščitnimi stikali za okvarni tok. To zahteva instalacijski predpis za vašo električno napravo. Prosimo, da to pri uporabi naše naprave upoštevate.

Pri delu s strojem vedno nosite zaščitna očala. Priporočamo zaščitne rokavice, trdno obuvalo, varno proti drsenju ter predpasnik.

Trske ali iveri se pri tekočem stroju ne smejo odstranjevati.

Pred vsemi deli na stroju izvlecite vtič iz vtičnice.

Stroj priklopite na vtičnico samo v izklopljenem stanju.

Vedno pazite, da se priključni kabel ne približa področju delovanja stroja. Kabel vedno vodite za strojem.

Pri velikih premerih vrtine mora biti dodatni ročaj pritrjen pravokotno na glavni ročaj. Glej tudi slikovni del, odstavek Obračanje ročaja.

Pri delih na steni, stropu ali v tleh pazite na električne kable, plinske in vodne napeljave.

**UPORABA V SKLADU Z NAMEMBNOSTJO**

Udamni vrtnik je univerzalno uporaben za vrtnje, udarno vrtnje, vijačenje in za zarezovanje navojev.

Ta naprava se sme uporabiti samo v skladu z namebnostjo uporabiti samo za navede namene.

**OMREŽNI PRIKLJUČEK**

Priključite samo na enofazni izmenični tok in samo na omrežno napetost, ki je označena na tipski ploščici. Priključitev je možna tudi na vtičnice brez zaščitnega kontakta, ker obstaja nadgradnja zaščitnega razreda.

**GE-IZJAVA O KONFORMNOSTI**

Z lastno odgovornostjo izjavljamo, da je ta produkt skladen z naslednjimi normami ali normativnimi dokumenti.

EN 60745-1:2009 + A11:2010

EN 60745-2-1:2010

EN 55014-1:2006 + A1:2009 + A2:2011

EN 55014-2:1997 + A1:2001 + A2:2008

EN 61000-3-2:2006 + A1:2009 + A2:2009

EN 61000-3-3:2008

v skladu z določili smernic

2011/65/EU (RoHS)

2006/42/ES

2004/108/ES



Winnenden, 2012-09-12

Rainer Kumpf

Director Product Development

Pooblaščen za izdelavo spisov tehnične dokumentacije.

**VZDRŽEVANJE**

Pazite na to, da so prezračevalne reže stroja vedno čiste.

Pri pogostem obratovanju udarnega vrtnanja z vpenjalno glavo redno očistite prah. V ta namen vrtno vpenjalno glavo držite navpično navzdol ter odprite in zaprite vpenjalno glavo preko celotnega napenjalnega področja. Prah, ki se je nabral, tako pade iz vrtnalnice vpenjalne glave. Priporočamo se redna uporaba čistilnega spreja na napenjalnih čeljustih in na vrtnih napenjalnih čeljustih.

Uporabljajte samo AEG pribor in AEG nadomestne dele. Poskrbite, da sestavne dele, katerih zamenjava ni opisana, zamenjajo v AEG servisni službi (upoštevajte brošuro Garancija/Naslovi servisnih služb).

Po potrebi se lahko pri vaši servisni službi ali direktno pri AEG Electric Tools GmbH naroči eksplozijska risba naprave ob navedbi tipa stroja in desetmestne številke s tipske ploščice AEG Electric Tools GmbH, Max-Eyth-Straße 10, D-71364 Winnenden, Germany.

**SIMBOLI**

Prosimo, da pred uporabo pozorno preberete to navodilo za uporabo.



Pred vsemi deli na stroju izvlecite vtič iz vtičnice.



Oprema – ni vsebovana v obsegu dobave, priporočeno dopolnilo iz programa opreme.



Električnega orodja ne odstranjujte s hišnimi odpadki! V skladu z Evropsko direktivo 2002/96/EG o odpadni elektrici in elektronski opremi in z njenim izvajanjem v nacionalni zakonodaji je treba elektricna orodja ob koncu njihove življenjske dobe loceno zbirati in jih predati v postopek okolju prijaznega recikliranja.



Zaščitni razred II: električno orodje, pri katerem zaščita proti električnemu udarcu ni odvisna le od osnovne izolacije, temveč z uporabo dodatnih zaščitnih ukrepov, kot je dvojna ali ojačana izolacija.

**TEHNIČKI PODACI**

|   | Udarna bušilica          | SBE 500 R                | SBE 570 R |
|---|--------------------------|--------------------------|-----------|
| Snaga nominalnog prijema.....                 | 500 W                    | 570 W                    |           |
| Predajni učinak.....                          | 250 W                    | 285 W                    |           |
| Broj okretaja praznog hoda.....               | 0-2650 min <sup>-1</sup> | 0-2700 min <sup>-1</sup> |           |
| max. broj okretaja pod opterećenjem.....      | 1800 min <sup>-1</sup>   | 1600 min <sup>-1</sup>   |           |
| Maksimalan broj udaraca pod opterećenjem..... | 27000 min <sup>-1</sup>  | 24000 min <sup>-1</sup>  |           |
| Statični moment blokiranja *.....             | 21 Nm                    | 23 Nm                    |           |
| Bušenje-Ø u beton.....                        | 13 mm                    | 15 mm                    |           |
| Bušenje-Ø u opeku i silikatnu opeku.....      | 15 mm                    | 18 mm                    |           |
| Bušenje-Ø u čelik.....                        | 10 mm                    | 13 mm                    |           |
| Bušenje-Ø u drvo.....                         | 20 mm                    | 30 mm                    |           |
| Područje stezne glave za stezanje svrdla..... | 1,5-10 mm                | 1,5-13 mm                |           |
| Vreteno za bušenje.....                       | 1/2"x20                  | 1/2"x20                  |           |
| Stezno grlo-Ø.....                            | 43 mm                    | 43 mm                    |           |
| Težina po EPTA-proceduri 01/2003.....         | 1,6 kg                   | 1,7 kg                   |           |

**Informacije o buci**

Mjerne vrijednosti utvrđene odgovarajuće EN 60 745.

A-ocijenjeni nivo buke aparata iznosi tipično:

|  |            |            |
|--|------------|------------|
| nivo pritiska zvuka (K = 3 dB(A))..... | 95 dB (A)  | 95 dB (A)  |
| nivo učinka zvuka (K = 3 dB(A)).....   | 106 dB (A) | 106 dB (A) |

**Nositi zaštitu sluha!****Informacije o vibracijama**

Ukupne vrijednosti vibracije (Vektor suma tri smjera) su odmjerene odgovarajuće EN 60745

Vrijednost emisije vibracije a<sub>v</sub>:

|                              |                      |                      |
|------------------------------|----------------------|----------------------|
| Udarno bušenje u betonu..... | 26 m/s <sup>2</sup>  | 30 m/s <sup>2</sup>  |
| Nesigurnost K.....           | 5,6 m/s <sup>2</sup> | 2,5 m/s <sup>2</sup> |
| Bušenje metala.....          | 6 m/s <sup>2</sup>   | 6 m/s <sup>2</sup>   |
| Nesigurnost K.....           | 2 m/s <sup>2</sup>   | 1,5 m/s <sup>2</sup> |

**UPOZORENIE**

Ova u ovim uputama navedena razina titranja je bila izmjerena odgovarajuće jednom u EN 60745 normiranom mjernom postupku i može se upotrijebiti za usporedbu električnog alata međusobno. Ona je prikladna i za privremenu procjenu titrajnog opterećenja.

Navedena razina titranja reprezentira glavne primjene električnog alata. Ukoliko se električni alat upotrebljava u druge svrhe sa odstupajućim primijenjenim alatima ili nedovoljnim održavanjem, onda razina titranja može odstupati. To može titrajno opterećenje kroz cijeli period rada bitno povisiti.

Za točnu procjenu titrajnog opterećenja se moraju uzeti u obzir i vremena u kojima je uređaj isključen ili u kojima doduše radi, ali nije i stvarno u upotrebi. To može titrajno opterećenje bitno smanjiti za vrijeme cijelog radnog perioda.

Utvrđite dodatne sigurnosne mjere za zaštitu poslužioca protiv djelovanja titranja kao npr.: Održavanje električnih alata i upotrebljenih alata, održavanje topline ruku, organizacija i radne postupke.

**⚠ UPOZORENIE! Pročitajte sigurnosne upute i uputnice, isto i one iz priložene brošure.** Ako se ne bi poštivale napomene o sigurnosti i upute to bi moglo uzrokovati strujni udar, požar i/ili teške ozljede. **Sačuvajte sve napomene o sigurnosti i upute za buduću primjenu.**

**SPECIJALNE SIGURNOSNE UPUTE**

**Kod uradnog bušenja nosite zaštitu za sluh.** Djelovanje buke može uzrokovati gubitak sluha.

**Koristite dodatne drške koje su isporučene sa aparatom.** Gubitak kontrole može prouzročiti povrede.

Utičnice na vanjskom području moraju biti opremljene **Držite spravu na izoliranim držačkim površinama kada izvodite radove kod kojih rezački alat može pogoditi skrivene vodove struje ili osobni kabel.** Kontaktom s vodovima pod naponom, pod napon će se staviti i metalni dijelovi uređaja, što može dovesti do električnog udara.

zaštitnim prekidačima za pogrešnu struju. To zahtjeva instalacijski propis za električne uređaje. Molimo da ovo poštujuete prilikom upotrebe našeg aparata.

Kod radova sa strojem uvijek nositi zaštitne naočale. Zaštitne rukavice, čvrste i protiv klizanja sigurne cipele kao i pregača se preporučuju.

Piljevina ili iverje se za vrijeme rada stroja ne smiju odstranjivati.

Prije radova na stroju izvući utikač iz utičnice.

Samo isključeni stroj priključiti na utičnicu.

Priključni kabel uvijek držati udaljenim sa područja djelovanja. Kabel uvijek voditi od stroja prema nazad.

Kod velikih promjera bušenja mora dodatna ručka biti pričvršćena pravokutno prema glavnoj ručki. Vidi i sliku, odsječak Ručku zaokrenuti".

Kod radova na zidu, stropu ili podu paziti na električne kablove kao i vodove plina i vode.

**PROPIJNA UPOTREBA**

Udarni bušač/zavrtač je univerzalno upotrebljiv za bušenje, udarno bušenje, zavrtnje i rezanje navoja.

Ovaj aparat se smije upotrijebiti samo u određene svrhe kao što je navedeno.

**PRIKLJUČAK NA MREŽU**

Priključiti samo na jednofaznu naizmjeničnu struju i samo na napon struje, naveden na pločici snage. Priključak je moguć i na utičnice bez zaštitnog kontakta, jer postoji dogradnja zaštitne klase II.

**CE-IZJAVA KONFORMNOSTI**

Izjavljujemo na osobnu odgovornost, da se ovaj proizvod slaže sa slijedećim normama ili normativnim dokumentima.

EN 60745-1:2009 + A11:2010

EN 60745-2-1:2010

EN 55014-1:2006 + A1:2009 + A2:2011

EN 55014-2:1997 + A1:2001 + A2:2008

EN 61000-3-2:2006 + A1:2009 + A2:2009

EN 61000-3-3:2008

po odredbama smjernica

2011/65/EU (RoHS)

2006/42/EC

2004/108/EC



Winnenden, 2012-09-12

Rainer Kumpf

Director Product Development

Ovlašten za formiranje tehničke dokumentacije.

**ODRŽAVANJE**

Proreze za prozračivanje stroja uvijek držati čistima.

Kod čestog pogona bušenja udaranjem stezna glava se mora redovno osloboditi od prašine. K tome stroj sa steznom glavom držati okomito na dolje i steznu glavu preko cijelog područja stezanja otvoriti i zatvoriti. Nakupljena prašina tako ispada iz stezne glave. Redovna primjena spraya za čišćenje na steznim čeljustima i bušenjima steznih čeljusti se preporučuje.

Primijeniti samo AEG opremu i AEG rezervne dijelove. Sastavne dijelove, čija zamjena nije opisana, dati zamijeniti kod jedne od AEG servisnih službi (poštivati brošuru Garancija/Adrese servisa).

Po potrebi se može zatražiti crtež eksplozije aparata uz davanje podataka o tipu stroja i desetoznamenastog broja na pločici snage kod Vaše servisne službe ili direktno kod AEG Electric Tools GmbH, Max-Eyth-Straße 10, D-71364 Winnenden, Germany.

**SIMBOLI**

Molimo da pažljivo pročitate uputu o upotrebi prije puštanja u rad.



Prije svih radova na stroju utikač izvući iz utičnice.



Oprema - u opsegu isporuke nije sadržana, preporučena dopuna iz promograma opreme.



Elektricne alate ne odlažite u kućne otpatke! Prema Europskoj direktivi 2002/96/EG o starim elektricnim i elektronicnim strojevima i preuzimanju u nacionalno pravo moraju se istrošeni električni alati sakupljati odvojeno i odvesti u pogon za reciklažu.



Zaštitna klasa II, električni alat, kod koga zaštita protiv električnog udara ne zavisi samo o osnovnoj izolaciji, već se kod njega primjenjuju dodatne zaštitne mjere, kao dvostruka izolacija ili pojačana izolacija.

| TEHNISKIE DATI                                      | Sitamais urbis           | SBE 500 R                | SBE 570 R                |
|---|--------------------------|--------------------------|--------------------------|
| Nominālā atdotā jauda.....                          | 500 W                    | 570 W                    | 570 W                    |
| cietkoks.....                                       | 250 W                    | 285 W                    | 285 W                    |
| Apgrīzieni tukšgaitā .....                          | 0-2650 min <sup>-1</sup> | 0-2700 min <sup>-1</sup> | 0-2700 min <sup>-1</sup> |
| maks. apgrīzietu skaits ar slodzi.....              | 1800 min <sup>-1</sup>   | 1600 min <sup>-1</sup>   | 1600 min <sup>-1</sup>   |
| maks. sītienu biežums ar slodzi.....                | 27000 min <sup>-1</sup>  | 24000 min <sup>-1</sup>  | 24000 min <sup>-1</sup>  |
| statiskais bloķēšanas moments * .....               | 21 Nm                    | 23 Nm                    | 23 Nm                    |
| Urbšanas diametrs betonā .....                      | 13 mm                    | 15 mm                    | 15 mm                    |
| Urbšanas diametrs kļieģelos un kaļķsmilšakmenī..... | 15 mm                    | 18 mm                    | 18 mm                    |
| Urbšanas diametrs tēraudā .....                     | 10 mm                    | 13 mm                    | 13 mm                    |
| Urbšanas diametrs kokā.....                         | 20 mm                    | 30 mm                    | 30 mm                    |
| Urbja stiprinājuma amplitūda .....                  | 1,5-10 mm                | 1,5-13 mm                | 1,5-13 mm                |
| Urbja vārpsta .....                                 | 1/2"x20                  | 1/2"x20                  | 1/2"x20                  |
| Kakla diametrs.....                                 | 43 mm                    | 43 mm                    | 43 mm                    |
| Svars atbilstoši EPTA -Procedure 01/2003.....       | 1,6 kg                   | 1,7 kg                   | 1,7 kg                   |

### Trokšņu informācija

Vērtības, kas noteiktas saskaņā ar EN 60 745.

A novērtētās aparatūras skaņas līmenis ir:

|  |            |            |
|--|------------|------------|
| trokšņa spiediena līmenis (K=3 dB(A))..... | 95 dB (A)  | 95 dB (A)  |
| trokšņa jaudas līmenis (K=3 dB(A)) .....   | 106 dB (A) | 106 dB (A) |

### Nēsāt trokšņa slāpētāju!

### Vibrāciju informācija

Svārstību kopējā vērtība (Trīs virzienu vektoru summa) tiek

noteikta atbilstoši EN 60745.

svārstību emisijas vērtība a<sub>h</sub>:

|                                |                      |                      |
|--------------------------------|----------------------|----------------------|
| Betona elektriskais urbis..... | 26 m/s <sup>2</sup>  | 30 m/s <sup>2</sup>  |
| Nedrošība K.....               | 5,6 m/s <sup>2</sup> | 2,5 m/s <sup>2</sup> |
| Metāla urbis.....              | 6 m/s <sup>2</sup>   | 6 m/s <sup>2</sup>   |
| Nedrošība K.....               | 2 m/s <sup>2</sup>   | 1,5 m/s <sup>2</sup> |

### UZMANĪBU

Instrukcijā norādītā svārstību robežvērtība ir izmērīta mērījumu procesā, kas veikts atbilstoši standartam EN 60745, un to var izmantot elektroinstrumentu savstarpējai salīdzināšanai. Tā ir piemērota arī svārstību noslogojuma pagaidu izvērtēšanai.

Norādītā svārstību robežvērtība ir reprezentatīva elektroinstrumenta pamata pielietojuma jomām. Tomēr, ja elektroinstrumenti tiek pielietoti citās jomās, papildus izmantojot neatbilstošus elektroinstrumentus vai pēc nepietiekamas tehniskās apkopes, tad svārstību robežvērtība var atšķirties. Tas var ievērojami palielināt svārstību noslogojumu visa darba laikā.

Precīzai svārstību noslogojuma noteikšanai, ir jāņem vērā arī laiks, kad ierīces ir izslēgtas vai arī ir ieslēgtas, tomēr faktiski netiek lietota. Tas var ievērojami samazināt svārstību noslogojumu visa darba laikā.

Integrējiet papildus drošības pasākumus pret svārstību ietekmi lietotājam, piemēram: elektroinstrumentu un darba instrumentu tehniskā apkope, roku siltuma uzturēšana, darba procesu organizācija.

**⚠ UZMANĪBU! Izlasiet visu drošības instrukciju un lietošanas pamācību klāt pievienotajā bukletā.** Šeit sniegto drošības noteikumu un norādījumu neievērošana var izraisīt aizdegšanos un būt par cēloni elektriskajam triecienam vai nopietnam savainojumam.  
**Pēc izlasīšanas uzglabājiet šos noteikumus turpmākai izmantošanai.**

### SPECIĀLIE DROŠĪBAS NOTEIKUMI

Lietojiet dzirdes aizsargu, izmantojot āmururbi. Trokšņa iedarbība var izraisīt dzirdes zudumu.

Lietojiet instrumentam pievienotos papildus rokturus. Zaudējot kontroli, var gūt ievainojumus.

**Leļīci turiet aiz izolētiem rokturiem, ja veicat darbus, kuros griešanas darbiem izmantojamais instruments var skart paslēptus elektrovadus vai pats savu kabeli.** Asmenim saskaroties ar vadiem, kuriem tiek pievadīts fāzes spriegums, šis spriegums nonāk arī uz instrumenta korpusa strāvu vadošajām daļām un var izraisīt elektrisko triecienu.

Kontaktilgldzām, kas atrodas ārpus telpām jābūt aprīkotām ar automātiskiem drošinātājslēdzīem, kas nostrādā, ja strāvas plūsmā radušies bojājumi. To pieprasa jūsu elektroiekārtas instalācijas noteikumi. Lūdzu, to ņemt vērā, izmantojot mūsu instrumentus.

Strādājot ar mašīnu, vienmēr jānēsā aizsargbrilles. Tiek ieteikts nēsāt arī aizsargcimdus, slēgtus, neslidošus apavus un priekšauti.

Skaidas un atlūzas nedrīkst ņemt ārā, kamēr mašīna darbojas.

Pirms jebkādiem darbiem, kas attiecas uz mašīnas apkopi, mašīnu noteikti vajag atvienot no kontaktilgldzas.

Mašīnu pievienot kontaktilgldzai tikai izslēgtā stāvoklī.

Pievienojuma kabeli vienmēr turēt atstātus no mašīnas darbības lauka. Kabelim vienmēr jāatrodas aiz mašīnas.

Pie liela urbšanas diametra papildus rokturi vajag piestiprināt perpendikulāri galvenajam rokturim. Skat. arī attēlus nodajā Pagriezti rokturi".

Veicot darbus sienu, griestu un grīdas apvidū, vajag uzmanīties, lai nesabojātu elektriskos, gāzes un ūdens vadus.

### NOTEIKUMIEM ATBILSTOŠS IZMANTOJUMS

Triecienurbjmašīna / skrūvgrieznis ir universāli izmantojams urbšanai, urbšanai ar perforāciju, skrūvēšanai un vītnes griešanai.

Šo instrumentu drīkst izmantot tikai saskaņā ar minētajiem lietošanas noteikumiem.

### TĪKLA PIESLĒGUMS

Pieslēgt tikai vienkopa mainstrāvas tīklam un tikai spriegumam, kas norādīts uz jaudas paneļa. Pieslēgums iespējams arī kontaktilgldzām bez aizsargkontaktiem, jo runa ir par uzbūvi, kas atbilst II. aizsargklasei.

### ATBILSTĪBA CE NORMĀM

Ar šo apliecinām, ka esam atbildīgi par to, lai šis produkts atbilstu sekojošām normām vai normatīvajiem dokumentiem:

EN 60745-1:2009 + A11:2010

EN 60745-2-1:2010

EN 55014-1:2006 + A1:2009 + A2:2011

EN 55014-2:1997 + A1:2001 + A2:2008

EN 61000-3-2:2006 + A1:2009 + A2:2009

EN 61000-3-3:2008

saskaņā ar direktīvu noteikumiem

2011/65/EU (RoHS)

2006/42/EK

2004/108/EK



Winnenden, 2012-09-12

Rainer Kumpf

Director Product Development

Pilnvarotais tehniskās dokumentācijas sastādīšanā.

### APKOPE

Vajag vienmēr uzmanīt, lai būtu tīras dzesēšanas atveres.

Ja bieži tiek izmantota perforācijas darbība, tad urbja stiprinājums ir regulāri jāattīra no putekļiem. Šim nolūkam mašīna jātur ar stiprinājumu uz leju un stiprinājums maksimāli jāatskrūvē un jāaizskrūvē. Tādējādi putekļi, kas sakrājušies tajā, var iznākt ārā. Leticams regulāri izmantot tīrītāju, lai iztīrītu

Izmantojiet tikai firmu AEG piederumus un firmas AEG rezerves daļas. Lieciet nomainīt detaļas, kuru nomaiņa nav aprakstīta, kādā no firmu AEG klientu apkalpošanas servisiem. (Skat. brošūru Garantija/klientu apkalpošanas serviss".)

Ja nepieciešams, klientu apkalpošanas servisā vai tieši pie firmas AEG Electric Tools GmbH, Max-Eyth-Straße 10, D-71364 Winnenden, Germany, var pieprasīt instrumenta eksplozijas zīmējumu, šim nolūkam jāuzrāda mašīnas tips un desmitvietīgais numurs, kas norādīts uz jaudas paneļa.

### SIMBOLI



Pirms sākt lietot instrumentu, lūdzu, izlasiet lietošanas pamācību.



Pirms veicat jebkādas darbības attiecībā uz mašīnas apkopi, atvienojiet kontaktdakšu no kontaktilgldzas.



Piederumi - standartaprīkojumā neietvertās, bet ieteicamās papildus komplektācijas detaļas no piederumu programmas.



Neizmetiet elektroiekārtas sadzīves atkritumos! Saskaņā ar Eiropas Direktīvu 2002/96/EG par lietotajām elektroiekārtām, elektronikas iekārtām un tas iekļaušanu valsts likumdošana lietotās elektroiekārtas ir jāsavāc atsevišķi un jānogādā atsevišķai parstrādei videi draudzīga veida.



Aizsardzības kategorija II, elektroierīce, kuru lietojot aizsardzība pret elektrības triecienu ir atkarīga nevis no pamat izolācijas, bet gan no papildus drošības pasākumiem kā dubultā izolācija vai pastiprinātā izolācija.

**TECHNINIAI DUOMENYS Smūginis atsuktuvas / grąžtas SBE 500 R SBE 570 R**

|  |                                |                          |
|--|--------------------------------|--------------------------|
| Vardinė imamoji galia .....  | 500 W .....                    | 570 W                    |
| Išėjimo galia .....  | 250 W .....                    | 285 W                    |
| Sūkių skaičius laisva eiga .....                                     | 0-2650 min <sup>-1</sup> ..... | 0-2700 min <sup>-1</sup> |
| Maks. sūkių skaičius su apkrova .....                                | 1800 min <sup>-1</sup> .....   | 1600 min <sup>-1</sup>   |
| Maks. smūgių skaičius su apkrova .....                               | 27000 min <sup>-1</sup> .....  | 24000 min <sup>-1</sup>  |
| Statinis blokavimo momentas * .....                                  | 21 Nm .....                    | 23 Nm                    |
| Gręžimo Ø betone .....   | 13 mm .....                    | 15 mm                    |
| Gręžimo Ø galvutė degtose ir silikatinėse plytose .....              | 15 mm .....                    | 18 mm                    |
| Gręžimo Ø pliene .....   | 10 mm .....                    | 13 mm                    |
| Gręžimo Ø medienoje .....  | 20 mm .....                    | 30 mm                    |
| Grąžto patrono veržimo diapazonas .....                              | 1,5-10 mm .....                | 1,5-13 mm                |
| Grąžto suklys .....  | 1/2"x20 .....                  | 1/2"x20                  |
| Ivėržiavimo ašies Ø .....  | 43 mm .....                    | 43 mm                    |
| Prietaiso svoris įvertintas pagal EPTA 2003/01 tyrimų metodiką ..... | 1,6 kg .....                   | 1,7 kg                   |

**Informacija apie keliamą triukšmą**

Vertės matuotos pagal EN 60 745.

Įvertintas A įrenginio keliamo triukšmo lygis dažniausiai sudaro:

|                                      |                  |            |
|--------------------------------------|------------------|------------|
| Garso slėgio lygis (K=3 dB(A)) ..... | 95 dB (A) .....  | 95 dB (A)  |
| Garso galios lygis (K=3 dB(A)) ..... | 106 dB (A) ..... | 106 dB (A) |

**Nešioti klausos apsauginės priemonės!****Informacija apie vibraciją**

Bendroji svyravimų reikšmė (trijų krypčių vektorių suma), nustatyta remiantis EN 60745.

Vibravimų emisijos reikšmė a<sub>h</sub>:

|                           |                            |                      |
|---------------------------|----------------------------|----------------------|
| Betono perforavimas ..... | 26 m/s <sup>2</sup> .....  | 30 m/s <sup>2</sup>  |
| Paklaida K .....          | 5,6 m/s <sup>2</sup> ..... | 2,5 m/s <sup>2</sup> |
| Metalo gręžimas .....     | 6 m/s <sup>2</sup> .....   | 6 m/s <sup>2</sup>   |
| Paklaida K .....          | 2 m/s <sup>2</sup> .....   | 1,5 m/s <sup>2</sup> |

**DĖMESIO**

Instrukcijoje nurodyta svyravimų ribinė vertė yra išmatuota remiantis standartu EN 60745; ji gali būti naudojama keliems elektriniams instrumentams palyginti. Ji taikoma ir laikinai įvertinti svyravimų apkrovą.

Nurodyta svyravimų ribinė vertė yra taikoma pagrindinėse elektrinio instrumento naudojimo srityse. Svyravimų ribinė vertė gali skirtis naudojant elektrinį instrumentą kitose srityse, papildomai naudojant netinkamus elektrinius instrumentus arba juos nepakankamai techniškai prižiūrint. Dėl to viso darbo metu gali žymiai padidėti svyravimų apkrova.

Siekiant tiksliai nustatyti svyravimų apkrovą, būtina atsižvelgti ir į laikotarpį, kai įrenginys yra išjungtas arba įjungtas, tačiau faktiškai nenaudojamas. Dėl to viso darbo metu gali žymiai sumažėti svyravimų apkrova.

Siekiant apsaugoti vartotojus nuo svyravimo įtakos naudojamos papildomos saugos priemonės, pavyzdžiui, elektrinių darbo instrumentų techninė priežiūra, rankų šilumos palaikymas, darbo procesų organizavimas.

**⚠ DĖMESIO! Perskaitykite visas saugumo pastabas ir nurodymus, esančius pridėtoje brošiūroje.** Jei nepaisysite žemiau pateiktų saugos nuorodų ir reikalavimų, gali trenkti elektros smūgis, kilti gaisras ir/arba galite sunkiai susižaloti arba sužaloti kitus asmenis.

**Išsaugokite šias saugos nuorodas ir reikalavimus, kad ir ateityje galėtumėte jais pasinaudoti.**

**YPATINGOS SAUGUMO NUORODOS****Dirbdami su smūginiu grąžtu, visuomet naudokite apsauginės ausų priemones.** Dėl didelio triukšmo poveikio gali būti pažeidžiama klausia.**Naudokite į prietaiso komplektaciją įeinančias papildomas rankenas.** Nesuvaldžius prietaiso galima susižeisti.**Dirbdami laikykite prietaisą už izoliuotų vietų, kuriose plovimo įrenginys pats galėtų liesti paslėptus laidus arba savo paties laidą.** Dėl kontakto su laidininku, kurio teka elektros srovė, metalinėse prietaiso dalyse atsiranda átampa ir naudotojas gali gauti elektros smūgá.

Lauke esantys el. lizdai turi būti su gedimo srovės išjungikliais. Tai nurodyta Jūsų elektros įrenginio instaliacijos taisyklėse. Atsižvelkite į tai, naudodami prietaisą.

**NAUDOJIMAS PAGAL PASKIRTĮ**

Smūginį gręžtuvą/suktuvą valdymu galima universaliai naudoti gręžimui, smūginiam gręžimui, sukimui ir sriegių pjovimui.

Šį prietaisą leidžiama naudoti tik pagal nurodytą paskirtį.

**ELEKTROS TINKLO JUNGTIS**

Jungti tik prie vienfazės kintamos elektros srovės ir tik į specifikačių lentelėje nurodytos įtampos elektros tinklą. Konstrukcijos saugos klasė II, todėl galima jungti ir į lizdus be apsauginio kontakto.

**CE ATITIKTIES PAREIŠKIMAS**

Mes atsakingai pareiškiame, kad šis gaminys atitinka tokias normas arba normatyvinius dokumentus:

EN 60745-1:2009 + A11:2010

EN 60745-2-1:2010

EN 55014-1:2006 + A1:2009 + A2:2011

EN 55014-2:1997 + A1:2001 + A2:2008

EN 61000-3-2:2006 + A1:2009 + A2:2009

EN 61000-3-3:2008

pagal direktyvų reikalavimus

2011/65/EU (RoHS)

2006/42/EB

2004/108/EB



Winnenden, 2012-09-12

Rainer Kumpf

Director Product Development

Įgaliotas parengti techninius dokumentus.

**TECHNINIS APTARNAVIMAS**

Įrenginio vėdinimo angos visada turi būti švarios.

Dažnai naudojant smūginio gręžimo režimu, reikia reguliariai nuo grąžto patrono pašalinti dulkes. Tam laikykite įrenginį grąžto patronu tiesiai žemyn ir jį visiškai atidarykite ir uždarykite. Taip iš grąžto patrono iškrenta visos dulės. Rekomenduojame retkarčiais nupurkšti spaustuvo kumšteliu ir spaustuvo kumštelių kiaurymės valymo aerozoliu.

Naudokite tik AEG priedus ir AEG atsargines dalis. Dalis, kurių keitimas neaprašytas, leidžiama keisti tik AEG klientų aptarnavimo skyriams (žr. garantiją/klientų aptarnavimo skyrių adresus brošiūroje).

Jei reikia, nurodant įrenginio tipą bei specifikačių lentelėje esantį dešimtženklį numerį, iš klientų aptarnavimo skyriaus arba tiesiai iš AEG Electric Tools GmbH, Max-Eyth-Straße 10, D-71364 Winnenden, Germany, galima užsisakyti prietaiso surinkimo brėžinius.

**SYMBOLIAI**

Prieš pradėdami dirbti su prietaisu, atidžiai perskaitykite jo naudojimo instrukciją.



Prieš atlikdami bet kokius darbus įrenginyje, ištraukite kištuką iš lizdo.



Priedas – neįeina į tiekimo komplektaciją, rekomenduojamas papildymas iš priedų asortimento.



Neišmeskite elektros įrengimu ir buitinius šiukšlynus! Pagal ES Direktyva 2002/96/EG dėl naudoto įrengimu, elektros įrengimu ir juo itraukimo į valstybinius įstatymus naudotus įrengimus būtina suringti atskirai ir nugabenti antriniu žaliavu perdirbimui aplinkai nekenksmingu būdu.



II-os apsaugos klasės elektros prietaisai, kuris nuo elektros srovės poveikio yra apsaugotas ne tik pagrindine izoliacija, bet ir tokiomis papildomomis apsauginėmis priemonėmis, kaip dviguba arba sustiprinta izoliacija.

**TEHNILISED ANDMED**

|  | Löökpuur                 | SBE 500 R                | SBE 570 R |
|--|--------------------------|--------------------------|-----------|
| Nimitarbitimine.....                           | 500 W                    | 570 W                    |           |
| Väljundvõimsus.....                            | 250 W                    | 285 W                    |           |
| Pöörlemiskiirus tühijooksul.....               | 0-2650 min <sup>-1</sup> | 0-2700 min <sup>-1</sup> |           |
| Maks pöörlemiskiirus koormusega.....           | 1800 min <sup>-1</sup>   | 1600 min <sup>-1</sup>   |           |
| Löökide arv koormusega maks.....               | 27000 min <sup>-1</sup>  | 24000 min <sup>-1</sup>  |           |
| Staatiline blokeerumismoment *.....            | 21 Nm                    | 23 Nm                    |           |
| Puuri ø betoonis.....                          | 13 mm                    | 15 mm                    |           |
| Puuri ø tellistes ja silikaatkivides.....      | 15 mm                    | 18 mm                    |           |
| Puurimislabimõõt terases.....                  | 10 mm                    | 13 mm                    |           |
| Puuri ø puidus.....                            | 20 mm                    | 30 mm                    |           |
| Puuripadrundi pingutusvahemik.....             | 1,5-10 mm                | 1,5-13 mm                |           |
| Puurispindel.....                              | 1/2"x20                  | 1/2"x20                  |           |
| Kinnituskaela ø.....                           | 43 mm                    | 43 mm                    |           |
| Kaal vastavalt EPTA-protseduurile 01/2003..... | 1,6 kg                   | 1,7 kg                   |           |
| * Mõõdetud vastavalt AEG normile N 877318      |                          |                          |           |

**Müra andmed**

Mõõteväärtsused on kindlaks tehtud vastavalt normile EN 60 745.

Seadme tüüpiline hinnanguline (A) müratase:

|                                      |            |            |
|--------------------------------------|------------|------------|
| Helirõhutase (K = 3 dB(A)).....      | 95 dB (A)  | 95 dB (A)  |
| Helivõimsuse tase (K = 3 dB(A))..... | 106 dB (A) | 106 dB (A) |

**Kandke kaitseks kõrvaklappe!****Vibratsiooni andmed**

Vibratsiooni koguväärtus (kolme suuna vektorsumma) mõõdetud EN 60745 järgi.

Vibratsiooni emissiooni väärtus a<sub>h</sub>:

|                            |                      |                      |
|----------------------------|----------------------|----------------------|
| Betooni löökpuurimine..... | 26 m/s <sup>2</sup>  | 30 m/s <sup>2</sup>  |
| Määramatus K.....          | 5,6 m/s <sup>2</sup> | 2,5 m/s <sup>2</sup> |
| Metalli puurimine.....     | 6 m/s <sup>2</sup>   | 6 m/s <sup>2</sup>   |
| Määramatus K.....          | 2 m/s <sup>2</sup>   | 1,5 m/s <sup>2</sup> |

**TÄHELEPANU**

Antud juhendis toodud võnketase on mõõdetud EN 60745 standardile vastava mõõtesüsteemiga ning seda võib kasutada erinevate elektriseadmete omavahelises võrdlemises. Antud näitaja sobib ka esmaseks võnkekoormuse hindamiseks.

Antud võnketase kehtib elektriseadme kasutamisel sihtotstarbeliselt. Kui elektriseadet kasutatakse muudel otstarvetel, muude tööriistadega või seda ei hooldata piisavalt võib võnketase siintoodust erineda. Eeltoodu võib võnketaset märkimisväärselt tõsta terves töökeskkonnas.

Võnketaseme täpseks hindamiseks tuleks arvestada ka AEGA, mil seade on välja lülitatud või on küll sisse lülitatud, kuid ei ole otseselt kasutuses. See võib märgatavalt vähendada kogu töökeskkonna võnketaset.

Rakendage spetsiaalseid ettevaatusabinõusid töötajate suhtes, kes puutuvad töö käigus palju kokku vibratsiooniga. Nendeks abinõudeks võivad olla, näiteks: elektri- ja tööseadmete korraline hooldus, käte soojendamine, töövoo parem organiseerimine.

**⚠ TÄHELEPANU! Lugege kõik ohutusnõuanded ja juhendid läbi, ka juures olevast brošüürist.** Ohutusnõuete ja juhiste eiramise tagajärjeks võib olla elektrilöök, tulekahju ja/või rasked vigastused.

**Hoidke kõik ohutusnõuded ja juhised edasiseks kasutamiseks hoolikalt alles.**

**SPETSIAALSED TURVAJUHISED**

**Kandke löökpuurimisel kuulmekaitset.** Müra toime võib põhjustada kuulmiskadu.

**Kasutage seadmega koos tarnitud lisakäepidemeid.** Kontrolli kaotamine võib põhjustada vigastusi.

**Tööde puhul, kus löikeseade võib minna vastu peidetud elektrijuhimeid või seadme enda toitejuhet, hoidke kinni seadme isoleeritud käepidemetest.** Kokkupuude pingele all oleva juhtmega võib seada seadme enda metallosad pingele alla ja põhjustada elektrilöögi.

Välitingimustes asuvad pistikupesad peavad olema varustatud rikkevoolukaitselülititega. Seda nõutakse Teie elektriseadme installerimiseeskirjas. Palun pidage sellest meie seadme kasutamisel kinni.

Masinaga töötades kandke alati kaitseprille. Soovitavad on kaitsekindad, tugevad ja liibemiskindlad jalanõud ning põll.

**KASUTAMINE VASTAVALT OTSTARBELE**

Lööktrelli / kruvikeerajat saab universaalselt rakendada puurimiseks, löökpuurimiseks, kruvide keeramiseks ja keermete lõikamiseks.

Antud seadet tohib kasutada ainult vastavalt äranäidatud otstarbele.

**VÕRKU ÜHENDAMINE**

Ühendage ainult ühefaasilise vahelduvvooluga ning ainult andmesildil toodud võrgupingega. Ühendada on võimalik ka kaitsekontaktita pistikupesadesse, kuna nende konstruktsioon vastab kaitseklassile II.

**EÜ VASTAVUSAVALDUS**

Me deklareerime ainuvastutajana, et antud toode on kooskõlas järgmiste normide või normdokumentidega:

EN 60745-1:2009 + A11:2010

EN 60745-2-1:2010

EN 55014-1:2006 + A1:2009 + A2:2011

EN 55014-2:1997 + A1:2001 + A2:2008

EN 61000-3-2:2006 + A1:2009 + A2:2009

EN 61000-3-3:2008

vastavalt direktiivide sätetele

2011/65/EÜ (RoHS)

2006/42/EÜ

2004/108/EÜ



Winnenden, 2012-09-12

Rainer Kumpf

Director Product Development

On volitatud koostama tehnilist dokumentatsiooni.

**HOOLDUS**

Hoidke masina õhutuspilud alati puhtad.

Löökpüüri sagedase käitamise puhul tuleks puuripadrunit regulaarselt tolmu eemaldada. Selleks hoidke masinat püstloodis alla suunatud puuripadruniga ning avage ja sulgege puuripadrun kogu pingutusvahemiku ulatuses. Kogunenud tolm langeb nii puuripadrunit välja. Soovitav on kinnitussukkide ja kinnitussukkide puurete puhul kasutada regulaarselt pihustatavat puhastusvedelikku.

Kasutage ainult AEG tarvikuid ja AEG tagavaraosi. Detailid, mille väljavahetamist pole kirjeldatud, laske välja vahetada AEG klienditeeninduspunktis (vaadake brošüüri garantii / klienditeeninduste aadressid).

Vajaduse korral võite tellida seadme läbilõikejoonise, näidates ära masina tüübi ja andmesildil oleva kümnepäälise numbriga. Selleks pöörduge klienditeeninduspunkti või otse: AEG Electric Tools GmbH, Max-Eyth-Straße 10, D-71364 Winnenden, Germany.

**SÜMBOLID**

Palun lugege enne käikulaskmist kasutamisyjuhend hoolikalt läbi.



Enne kõiki töid masina kallal tõmmake pistik pistikupesast välja.



Tarvikud - ei kuulu tarne komplekti, soovitatav täiendus on saadaval tarvikute programmis.



Ärge käideldge kasutuskõlbmatuks muutunud elektrilisi tööriistu koos olmejäätmetega! Vastavalt Euroopa Parlamendi ja nõukogu direktiivile 2002/96/EÜ elektri- ja elektroonikaseadmete jäätmete kohta ning direktiivi nõuete kohaldamisele liikmesriikides tuleb asutuskõlbmatuks muutunud elektrilised tööriistad koguda eraldi ja keskkonnamäärtlikult korduskasutada või ringlusse võtta.



Kaitseklass II, elektritööriist, mille puhul ei sõltu kaitse mitte üksnes baasisolatsioonist, vaid täiendatavate kaitsemeetmete nagu topeltisolatsiooni või tugevdatud isolatsiooni kohaldamisest.

**ТЕХНИЧЕСКИЕ ДАННЫЕ** Ударная дрель/шуруповерт SBE 500 R SBE 570 R

|   |                                |                          |
|---|--------------------------------|--------------------------|
| Номинальная выходная мощность (Ватт) .....                | 500 W .....                    | 570 W                    |
| Номинальная мощность .....                                | 250 W .....                    | 285 W                    |
| Число оборотов без нагрузки (об/мин) .....                | 0-2650 min <sup>-1</sup> ..... | 0-2700 min <sup>-1</sup> |
| Макс. скорость под нагрузкой .....                        | 1800 min <sup>-1</sup> .....   | 1600 min <sup>-1</sup>   |
| Количество ударов при максимальной нагрузке (макс.) ..... | 27000 min <sup>-1</sup> .....  | 24000 min <sup>-1</sup>  |
| Статический блокирующий момент* .....                     | 21 Nm .....                    | 23 Nm                    |
| Производительность сверления в бетон .....                | 13 mm .....                    | 15 mm                    |
| Производительность сверления в кирпич и кафель .....      | 15 mm .....                    | 18 mm                    |
| Производительность сверления в стали .....                | 10 mm .....                    | 13 mm                    |
| Производительность сверления в дереве .....               | 20 mm .....                    | 30 mm                    |
| Диапазон раскрытия патрона .....                          | 1,5-10 mm .....                | 1,5-13 mm                |
| Хвостовик привода .....                                   | 1/2"x20 .....                  | 1/2"x20                  |
| Диаметр горловины патрона .....                           | 43 mm .....                    | 43 mm                    |
| Вес согласно процедуре EPTA 01/2003 .....                 | 1,6 kg .....                   | 1,7 kg                   |

\* Измерения согласно нормативам AEG № 877318

**Информация по шумам**

Значения замерялись в соответствии со стандартом EN 60 745. Уровень шума прибора, определенный по показателю A, обычно составляет:

|  |                  |            |
|--|------------------|------------|
| Уровень звукового давления (K = 3 dB(A)) ..... | 95 dB (A) .....  | 95 dB (A)  |
| Уровень звуковой мощности (K = 3 dB(A)) .....  | 106 dB (A) ..... | 106 dB (A) |

**Пользуйтесь приспособлениями для защиты слуха.****Информация по вибрации**

Общие значения вибрации (векторная сумма трех направлений) определены в соответствии с EN 60745.

Значение вибрационной эмиссии a<sub>h</sub>:

|                                  |                            |                      |
|----------------------------------|----------------------------|----------------------|
| Ударное сверление в бетоне ..... | 26 m/s <sup>2</sup> .....  | 30 m/s <sup>2</sup>  |
| Небезопасность K .....           | 5,6 m/s <sup>2</sup> ..... | 2,5 m/s <sup>2</sup> |
| Сверление в металле .....        | 6 m/s <sup>2</sup> .....   | 6 m/s <sup>2</sup>   |
| Небезопасность K .....           | 2 m/s <sup>2</sup> .....   | 1,5 m/s <sup>2</sup> |

**ВНИМАНИЕ**

Указанный в настоящем руководстве уровень вибрации измерен в соответствии с технологией измерения, установленной стандартом EN 60745 и может использоваться для сравнения электроинструментов друг с другом. Он также подходит для предварительной оценки вибрационной нагрузки.

Указанный уровень вибрации представляет основные виды использования электроинструмента. Но если электроинструмент используется для других целей, используемый инструмент отклоняется от указанного или техническое обслуживание было недостаточным, то уровень вибрации может отклоняться от указанного. В этом случае вибрационная нагрузка в течение всего периода работы значительно увеличивается.

Для точной оценки вибрационной нагрузки необходимо также учитывать время, в течение которого прибор отключен или включен, но фактически не используется. В этом случае вибрационная нагрузка в течение всего периода работы может существенно уменьшиться.

Установите дополнительные меры безопасности для защиты пользователя от воздействия вибрации, например: техническое обслуживание электроинструмента и используемого инструмента, поддержание рук в теплом состоянии, организация рабочих процессов.

**ВНИМАНИЕ! Ознакомьтесь со всеми указаниями по безопасности и инструкциями, в том числе с инструкциями, содержащимися в прилагающейся брошюре.** Упущения, допущенные при соблюдении указаний и инструкций по технике безопасности, могут стать причиной электрического поражения, пожара и тяжелых травм.  
**Сохраняйте эти инструкции и указания для будущего использования.**

**РЕКОМЕНДАЦИИ ПО ТЕХНИКЕ БЕЗОПАСНОСТИ**

**При ударном сверлении надевайте защитные наушники.** Воздействие шума может привести к потере слуха.

**Используйте вспомогательные рукоятки, поставляемые вместе с инструментом.** Потеря контроля может стать причиной травмы.

**Если Вы выполняете работы, при которых режущий инструмент может зацепить скрытую электропроводку или собственный кабель, инструмент следует держать за специально предназначенные для этого изолированные поверхности.** Контакт с ведущими напряжением проводами ставит металлические части прибора под напряжение и ведет к поражению электротоком.

Электроприборы, используемые во многих различных местах, в том числе на открытом воздухе, должны подключаться через устройство, предотвращающее резкое повышение напряжения.

При работе с инструментом всегда надевайте защитные очки. Рекомендуется надевать перчатки, прочные нескользкие ботинки и фартук.

Не убирайте опилки и обломки при включенном инструменте.

Перед выполнением каких-либо работ по обслуживанию инструмента всегда вынимайте вилку из розетки.

Вставляйте вилку в розетку только при выключенном инструменте.

Держите силовой провод вне рабочей зоны инструмента. Всегда прокладывайте кабель за спиной.

При работе с большими диаметрами, дополнительная рукоятка должна быть зафиксирована под прямым углом к основной (см. иллюстрацию).

При работе в стенах, потолках или полу следите за тем, чтобы не повредить электрические кабели или водопроводные трубы.

**ИСПОЛЬЗОВАНИЕ**

Дрель/шуруповерт может одинаково использоваться для сверления, ударного сверления, закручивания шурупов и нарезания резьбы.

Не пользуйтесь данным инструментом способом, отличным от указанного для нормального применения.

**ПОДКЛЮЧЕНИЕ К ЭЛЕКТРОСЕТИ**

Подсоединять только к однофазной сети переменного тока с напряжением, соответствующим указанному на инструменте. Электроинструмент имеет второй класс защиты, что позволяет подключать его к розеткам электропитания без заземляющего вывода.

**ДЕКЛАРАЦИЯ О СООТВЕТСТВИИ СТАНДАРТАМ ЕС**

Мы заявляем что этот продукт соответствует следующим стандартам:

EN 60745-1:2009 + A11:2010

EN 60745-2-1:2010

EN 55014-1:2006 + A1:2009 + A2:2011

EN 55014-2:1997 + A1:2001 + A2:2008

EN 61000-3-2:2006 + A1:2009 + A2:2009

EN 61000-3-3:2008

в соответствии с правилами

2011/65/EU (RoHS)

2006/42/EC

2004/108/EC



Winnenden, 2012-09-12

Rainer Kumpf  
Director Product Development

Уполномочен на составление технической документации.

**ОБСЛУЖИВАНИЕ**

Всегда держите охлаждающие отверстия чистыми.

Если инструмент используется в основном для ударного сверления регулярно удаляйте скопившуюся в патроне пыль. Для удаления пыли, держите инструмент вертикально патроном вниз и полностью откройте и закройте патрон. Скопившаяся пыль должна высыпаться из патрона. Рекомендуется регулярно пользоваться чистящим средством для обработки кулачков и полостей патрона.

Пользуйтесь аксессуарами и запасными частями AEG. В случае возникновения необходимости в замене, которая не была описана, обращайтесь в один из сервисных центров по обслуживанию электроинструментов и AEG (см. список сервисных организаций).

При необходимости может быть заказан чертеж инструмента с трехмерным изображением деталей. Пожалуйста, укажите десятизначный номер и тип инструмента и закажите чертеж у Ваших местных агентов или непосредственно у AEG Electric Tools GmbH, Max-Eyth-Strasse 10, D-71364 Winnenden, Germany.

**СИМВОЛЫ**

Пожалуйста, внимательно прочтите инструкцию по использованию перед началом любых операций с инструментом.



Перед выполнением каких-либо работ по обслуживанию инструмента всегда вынимайте вилку из розетки.



Дополнитель - В стандартную комплектацию не входит, поставляется в качестве дополнительной принадлежности.



Не выбрасывайте электроинструмент с бытовыми отходами! Согласно Европейской директиве 2002/96/EC по отходам от электрического и электронного оборудования и соответствующим нормам национального права вышедшие из употребления электроинструменты подлежат сбору отдельно для экологически безопасной утилизации.



Класс защиты II, электроинструмент, в котором защита от поражения электрическим током зависит не только от базовой изоляции, но и от дополнительных защитных мер, таких как двойная изоляция или усиленная изоляция.



Соответствие техническому регламенту



Национальный знак відповідності України

TR 066

**ТЕХНИЧЕСКИ ДАННИ**      **Ударен гайковерт**      **SBE 500 R**      **SBE 570 R**

|  |                          |                          |
|--|--------------------------|--------------------------|
| Номинална консумирана мощност.....                         | 500 W                    | 570 W                    |
| Оддавана мощност.....                                      | 250 W                    | 285 W                    |
| Обороти на празен ход.....                                 | 0-2650 min <sup>-1</sup> | 0-2700 min <sup>-1</sup> |
| Макс. обороти при натоварване.....                         | 1800 min <sup>-1</sup>   | 1600 min <sup>-1</sup>   |
| Макс. брой на ударите при натоварване.....                 | 27000 min <sup>-1</sup>  | 24000 min <sup>-1</sup>  |
| Статичен блокиращ момент *.....                            | 21 Nm                    | 23 Nm                    |
| Диаметър на свредлото за бетон.....                        | 13 mm                    | 15 mm                    |
| Диаметър на свредлото за обикновени и силикатни тухли..... | 15 mm                    | 18 mm                    |
| Диаметър на свредлото за стомана.....                      | 10 mm                    | 13 mm                    |
| Диаметър на свредлото за дърво.....                        | 20 mm                    | 30 mm                    |
| Затегателен участък на патронника.....                     | 1,5-10 mm                | 1,5-13 mm                |
| Шпиндел на бормашината.....                                | 1/2"x20                  | 1/2"x20                  |
| Диаметър на отвора на патронника.....                      | 43 mm                    | 43 mm                    |
| Тегло съгласно процедурата EPTA 01/2003.....               | 1,6 kg                   | 1,7 kg                   |

**Информация за шума**

Измерените стойности са получени съобразно EN 60 745.

Оцененото с А ниво на шума на уреда е съответно:

|  |            |            |
|--|------------|------------|
| Ниво на звукова мощност (K=3 dB(A))..... | 95 dB (A)  | 95 dB (A)  |
| Ниво на звукова мощност (K=3 dB(A))..... | 106 dB (A) | 106 dB (A) |

**Да се носи предпазно средство за слуха!****Информация за вибрациите**

Общите стойности на вибрациите (векторна сума на три посоки) са определени в съответствие с EN 60745.

Стойност на емисии на вибрациите a<sub>n</sub>:

|                               |                      |                      |
|-------------------------------|----------------------|----------------------|
| Ударно пробиване в бетон..... | 26 m/s <sup>2</sup>  | 30 m/s <sup>2</sup>  |
| Несигурност К.....            | 5,6 m/s <sup>2</sup> | 2,5 m/s <sup>2</sup> |
| Пробиване на метал.....       | 6 m/s <sup>2</sup>   | 6 m/s <sup>2</sup>   |
| Несигурност К.....            | 2 m/s <sup>2</sup>   | 1,5 m/s <sup>2</sup> |

**ВНИМАНИЕ**

Посоченото в тези инструкции ниво на вибрациите е измерено в съответствие със стандартизиран в EN 60745 измервателен метод и може да се използва за сравнение на електрически инструменти помежду им. Подходящ е и за временна оценка на вибрационното натоварване.

Посоченото ниво на вибрациите представя основните приложения на електрическия инструмент. Ако обаче електрическият инструмент се използва с друго предназначение, с различни сменяеми инструменти или при недостатъчна техническа поддръжка, нивото на вибрациите може да е различно. Това чувствително може да увеличи вибрационното натоварване по време на целия работен цикъл.

За точната оценка на вибрационното натоварване трябва да се вземат предвид и периодите от време, в които уредът е изключен или работи, но в действителност не се използва. Това чувствително може да намали вибрационното натоварване по време на целия работен цикъл.

Определете допълнителни мерки по техника на безопасност в защита на обслужвания работник от въздействието на вибрациите като например: техническа поддръжка на електрическия инструмент и сменяемите инструменти, поддръжане на ръцете топли, организация на работния цикъл.

**⚠ ВНИМАНИЕ! Прочетете указанията за безопасност и съветите в приложената брошура.** Неспазването на приведените по-долу указания може да доведе до токов удар, пожар и/или тежки травми.

**Съхранявайте тези указания на сигурно място.****СПЕЦИАЛНИ УКАЗАНИЯ ЗА БЕЗОПАСНОСТ**

**Носете предпазни тапи за ушите при ударното пробиване.** Шумът може да доведе до загуба на слуха.

**Използвайте доставените с уреда допълнителни ръкохватки.** Загубата на контрол може да доведе до наранявания.

**Дръжте уреда за изолираните ръкохватки, когато извършвате работи, при които режещият инструмент може да засегне скрити електронинсталационни кабели или собствения си кабел.** Контактът на режещия инструмент с тоководещ проводник може да предаде напрежението върху метални части на уреда и да доведе до токов удар.

Контактите във външните участъци трябва да бъдат оборудвани със защитни прекъсвачи за утечен ток. Това изисква предписанието за инсталиране за електрическата инсталация. Моля спазвайте това при използване на Вашия уред.

При работа с машината винаги носете предпазни очила. Препоръчват се също така предпазни ръкавици, здрави и нехлъзгащи се обувки, както и престилка.

Стружки или отчупени парчета да не се отстраняват, докато машина работи.

Преди каквито и да е работи по машината извадете щепсела от контакта.

Свързвайте машината към контакта само в изключено положение.

Свързващият кабел винаги да се държи извън работния обхват на машината. Кабелът да се отвежда от машината винаги назад.

При големи диаметри на пробивания отвор допълнителната ръкохватка трябва да се закрепят перпендикулярно на основната ръкохватка. Виж също в частта със снимки, точка Завъртане на ръкохватката".

При работи с диамантени боркорони изключете ударния механизъм.

При работа в стени, тавани или подове внимавайте за кабели, газопроводи и водопроводи.

**ИЗПОЛЗВАНЕ ПО ПРЕДНАЗНАЧЕНИЕ**

Ударната бормашина/отвертка управление може да се използва универсално за пробиване, ударно пробиване, завинтване и нарязване на резба.

Този уред може да се използва по предназначение само както е посочено.

**СВЪРЗВАНЕ КЪМ МРЕЖАТА**

Да се свързва само към еднофазен променлив ток и само към мрежово напрежение, посочено върху заводската табелка. Възможно е и свързване към контакт, който не е от тип шуко", понеже конструкцията е от защитен клас II.

**СЕ - ДЕКЛАРАЦИЯ ЗА СЪОТВЕТСТВИЕ**

Декларираме на собствена отговорност, че този продукт съответства на следните стандарти или нормативни документи:

EN 60745-1:2009 + A11:2010  
 EN 60745-2-1:2010  
 EN 55014-1:2006 + A1:2009 + A2:2011  
 EN 55014-2:1997 + A1:2001 + A2:2008  
 EN 61000-3-2:2006 + A1:2009 + A2:2009  
 EN 61000-3-3:2008  
 съобразно предписанията на директивите  
 2011/65/EU (RoHS)  
 2006/42/EU  
 2004/108/EO



Winnenden, 2012-09-12

Rainer Kumpf  
 Director Product Development

Упълномощен за съставяне на техническата документация

**ПОДДРЪЖКА**

Вентилационните шлицы на машината да се поддържат винаги чисти.

Когато машината често се използва за ударно пробиване, патронникът следва често да се почиства от прах. За целта дръжте машината с патронника вертикално надолу, отворяйте патронника напълно и после го затваряйте. Така насъбраният се прах пада от патронника. Препоръчва се редовно използване на спрей за почистване на затегателните челюсти и на техните отвори.

Да се използват само аксесоари на AEG и резервни части на AEG. Елементи, чията подмяна не е описана, да се дадат за подмяна в сервиз на AEG (вижте брошурата Гаранция и адреси на сервизи).

При необходимост можете да поискате за уреда от Вашия сервиз или директно от AEG Electric Tools GmbH, Max-Eyth-Straße 10, D-71364 Winnenden, Germany, чертеж за в случай на експлозия, като посочите типа на машината и десетцифрения номер върху заводската табелка.

**СИМВОЛИ**

Преди пускане на уреда в действие моля прочетете внимателно инструкцията за използване.



Преди всякакви работи по машината извадете щепсела от контакта.



Аксесоари - Не се съдържат в обема на доставката, препоръчвано допълнение от програмата за аксесоари.



Не изхвърляйте електроинструменти при битовите отпадъци! Съобразно Европейска директива 2002/96/EO за стари електрически и електронни уреди и нейното реализиране в националното законодателство избанените електроинструменти трябва да се събират отделно и да се предават в пункт за екологосъобразно рециклиране.



Клас на защита II, електроинструмент, при който защитата срещу токов удар зависи не само от основното изолиране, а при която се използват допълнителни предпазни мерки, като двойна изолация или подсилена изолация.



**DATE TEHNICE**      **Mașină de găurit/ înșurubat compactă**      **SBE 500 R**      **SBE 570 R**

|   |                          |       |                          |
|---|--------------------------|-------|--------------------------|
| Putere nominală de ieșire.....                    | 500 W                    | ..... | 570 W                    |
| Putere de ieșire .....                            | 250 W                    | ..... | 285 W                    |
| Viteza de mers în gol.....                        | 0-2650 min <sup>-1</sup> | ..... | 0-2700 min <sup>-1</sup> |
| Viteza sub sarcina max .....                      | 1800 min <sup>-1</sup>   | ..... | 1600 min <sup>-1</sup>   |
| Rata de percuție sub sarcina max.....             | 27000 min <sup>-1</sup>  | ..... | 24000 min <sup>-1</sup>  |
| Moment static de comprimare (apăsare) * .....     | 21 Nm                    | ..... | 23 Nm                    |
| Capacitate de perforare în beton.....             | 13 mm                    | ..... | 15 mm                    |
| Capacitate de perforare în cărămidă și țiglă..... | 15 mm                    | ..... | 18 mm                    |
| Capacitate de găurire în oțel .....               | 10 mm                    | ..... | 13 mm                    |
| Capacitate de găurire în lemn .....               | 20 mm                    | ..... | 30 mm                    |
| Interval de deschidere burghiu .....              | 1,5-10 mm                | ..... | 1,5-13 mm                |
| Capăt de acționare .....                          | 1/2"x20                  | ..... | 1/2"x20                  |
| Diametru gât mandrină .....                       | 43 mm                    | ..... | 43 mm                    |
| Greutatea conform „EPTA procedure 01/2003” .....  | 1,6 kg                   | ..... | 1,7 kg                   |

\* Masurată conform normei AEG N 877318

**Informație privind zgomotul**

Valori măsurate determinate conform EN 60 745.

Nivelul de zgomot evaluat cu A al aparatului este tipic de:

|  |            |       |            |
|--|------------|-------|------------|
| Nivelul presiunii sonore (K=3dB(A))..... | 95 dB (A)  | ..... | 95 dB (A)  |
| Nivelul sunetului (K=3dB(A)).....        | 106 dB (A) | ..... | 106 dB (A) |

**Purtați căști de protecție****Informații privind vibrațiile**

Valorile totale de oscilație (suma vectorială pe trei direcții) determinate conform normei EN 60745.

Valoarea emisiei de oscilații a<sub>n</sub>:

|                                   |                      |       |                      |
|-----------------------------------|----------------------|-------|----------------------|
| Găurit cu percuție în beton ..... | 26 m/s <sup>2</sup>  | ..... | 30 m/s <sup>2</sup>  |
| Nesiguranță K .....               | 5,6 m/s <sup>2</sup> | ..... | 2,5 m/s <sup>2</sup> |
| Găurit în metal .....             | 6 m/s <sup>2</sup>   | ..... | 6 m/s <sup>2</sup>   |
| Nesiguranță K .....               | 2 m/s <sup>2</sup>   | ..... | 1,5 m/s <sup>2</sup> |

**AVERTISMENT**

Gradul de oscilație indicat în prezentele instrucțiuni a fost măsurat în conformitate cu o procedură de măsurare normată prin norma EN 60745 și poate fi folosit pentru a compara unelte electrice între ele. El se pretează și pentru o evaluare provizorie a solicitării la oscilații.

Gradul de oscilație indicat reprezintă aplicațiile principale ale uneltelor electrice. În cazul în care însă uneltele electrice au fost folosite pentru alte aplicații, ori au fost folosite unelte de muncă diferite ori acestea nu au fost supuse unei suficiente inspecții de întreținere, gradul de oscilație poate fi diferit. Acest fapt poate duce la o creștere netă a solicitărilor la oscilații dealungul întregii perioade de lucru.

În scopul unei evaluări exacte a solicitării la oscilații, urmează să fie luate în considerație și perioadele de timp în care aparatul a fost oprit ori funcționează dar, în realitate, el nu este folosit în mod practic. Acest fapt poate duce la o reducere netă a solicitărilor la oscilații dealungul întregii perioade de lucru.

Stabilități măsuri de siguranță suplimentare în scopul protecției utilizatorului de efectele oscilațiilor, de exemplu: inspecție de întreținere a uneltelor electrice și a celor de muncă, păstrarea caldă a mâinilor, organizarea proceselor de muncă.

**AVERTISMENT! Citiți toate avizele de siguranță și indicațiile, chiar și cele din borșura alăturată.**

Nerespectarea indicațiilor de avertizare și a instrucțiunilor poate provoca electrocutare, incendii și/sau răni grave. **Păstrați toate indicațiile de avertizare și instrucțiunile în vederea utilizării viitoare.**

**INSTRUCȚIUNI DE SECURITATE**

**La găurirea cu percuție purtați echipament de protecție pentru auz.** Expunerea la zgomot poate duce la pierderea auzului.

**Utilizați manerale auxiliare livrate cu scula.** Pierderea controlului poate provoca rănirea persoanelor.

**Țineți aparatul de mânerale izolate când executați lucrări la care scula tăietoare poate nimeri peste conductori electrici ascunși sau peste cablul propriu.** Contactul cu un conductor sub tensiune determină punerea sub tensiune a componentelor metalice ale mașinii și duce la electrocutare.

Aparatele utilizate în multe locații diferite inclusiv în aer liber trebuie conectate printr-un disjunctor care previne comutarea.

Purtați întotdeauna ochelari de protecție atunci când utilizați mașina. Se recomandă purtarea mănușilor, a încălțămintei solide nealunecoase și sortului de protecție.

Rumegușul și spanul nu trebuie îndepărtate în timpul funcționării mașinii.

Întotdeauna scoateți stecarul din priză înainte de a efectua intervenții la mașină.

Conectați la rețea numai când mașina este oprită.

Pastrați cablul de alimentare la o distanță de aria de lucru a mașinii. Întotdeauna țineți cablul în spatele dvs.

Când se lucrează cu diametre de perforare mari, manerul auxiliar trebuie fixat în unghi drept față de manerul principal (vezi ilustrații, secțiunea Răsucire mâner)

Când se lucrează pe pereți, tavan sau dușumea, aveți grijă să evitați cablurile electrice și țevile de gaz sau de apă.

**CONDIȚII DE UTILIZARE SPECIFICATE**

Mașina de găurit / de înșurubat pot fi utilizate universal pentru găurire, găurire cu percuție, înșurubare și tăiere filete.

Nu utilizați acest produs în alt mod decât cel stabilit pentru utilizare normală

**ALIMENTARE DE LA REȚEA**

Conectați numai la priză de curent alternativ monofazat și numai la tensiunea specificată pe placuța indicatoare. Se permite conectarea și la prize fără împământare dacă modelul se conformează clasei II de securitate.

**DECLARAȚIE DE CONFORMITATE**

Declarăm pe propria răspundere că acest produs este în conformitate cu următoarele standarde sau documente standardizate

EN 60745-1:2009 + A11:2010

EN 60745-2-1:2010

EN 55014-1:2006 + A1:2009 + A2:2011

EN 55014-2:1997 + A1:2001 + A2:2008

EN 61000-3-2:2006 + A1:2009 + A2:2009

EN 61000-3-3:2008

în conformitate cu reglementările

2011/65/EU (RoHS)

2006/42/CE

2004/108/CE



Winnenden, 2012-09-12

Rainer Kumpf

Director Product Development

Împunernic să elaboreze documentația tehnică.

**INTREȚINERE**

Fantele de aerisire ale mașinii trebuie să fie menținute libere tot timpul

Dacă mașina este folosită în principal pentru perforare prin percuție, înlăturați în mod regulat praful colectat din mandrină. Pentru a înlătura praful, țineți mașina cu mandrina vertical în jos și deschideți mandrina complet și închideți -o. Praful colectat va cădea din mandrină.

Se recomandă utilizarea regulată a unui aspirator pentru fălcile de strângere și orificiile acestora.

Utilizați numai accesorii și piese de schimb AEG. Dacă unele din componente care nu au fost descrise trebuie înlocuite, vă rugăm contactați unul din agenții de service AEG (vezi lista noastră pentru service / garanție)

Dacă este necesară, se poate comanda o imagine descompusă a sculei. Vă rugăm menționați numărul art. Precum și tipul mașinii tipărit pe etichetă și comandați desenul la agenții de service locali sau direct la AEG Electric Tools GmbH, Max-Eyth-Straße 10, D-71364 Winnenden, Germany.

**SYMBOLURI**

Vă rugăm citiți cu atenție instrucțiunile înainte de pornirea mașinii



Întotdeauna scoateți stecarul din priză înainte de a efectua intervenții la mașină.



Accesorii - Nu este inclus în echipamentul standard, disponibil ca accesoriu



Nu aruncați scule electrice în gunoier menajer! Conform directivei europene nr. 2002/96/CE referitor la aparate electrice și electronice uzate precum și la transpunerea acesteia în drept național, sculele electrice trebuie colectate separat și introduse într-un circuit de reciclare ecologic.



Clasa de protecție II, scule electrice la care protecția împotriva curentării nu depinde numai de izolația de bază, ci la care se folosesc măsuri de protecție suplimentare precum izolația dublă sau izolația ranforsată.

## ТЕХНИЧКИ ПОДАТОЦИ

| Ударна дупчалка                            | SBE 500 R                | SBE 570 R                |
|--|--------------------------|--------------------------|
| Определен внес                             | 500 W                    | 570 W                    |
| Излез                                      | 250 W                    | 285 W                    |
| Брзина без оптоварување                    | 0-2650 min <sup>-1</sup> | 0-2700 min <sup>-1</sup> |
| Брзина при максимално оптоварување         | 1800 min <sup>-1</sup>   | 1600 min <sup>-1</sup>   |
| Јачина на удар максимално под оптоварување | 27000 min <sup>-1</sup>  | 24000 min <sup>-1</sup>  |
| Статички момент на блокирање <sup>1</sup>  | 21 Nm                    | 23 Nm                    |
| Капацитет на дупчење во бетон              | 13 mm                    | 15 mm                    |
| Капацитет на дупчење во тули и плочки      | 15 mm                    | 18 mm                    |
| Капацитет на дупчење во челик              | 10 mm                    | 13 mm                    |
| Капацитет на дупчење во дрво               | 20 mm                    | 30 mm                    |
| Опсег на отворање на бушотина              | 1,5-10 mm                | 1,5-13 mm                |
| Возен крак                                 | 1/2"x20                  | 1/2"x20                  |
| Дијаметар на вратот на врв                 | 43 mm                    | 43 mm                    |
| Тежина според ЕПТА-процедурата 01/2003     | 1,6 kg                   | 1,7 kg                   |
| * Мерни во зависност од AEG норма N 877318 |                          |                          |

### Информација за шума

Измерените стойности са получени съобразно EN 60 745.

Оцененото с А ниво на шума на уреда е съответно:

Ниво на звукова мощност (K=3 dB(A)) ..... 95 dB (A) ..... 95 dB (A)

Ниво на звукова мощност (K=3 dB(A)) ..... 106 dB (A) ..... 106 dB (A)

**Да се носи предпазно средство за слуха!**

### Информација за вибрациите

Общите стойности на вибрациите (векторна сума на три посоки) са определени в съответствие с EN 60745:

Стойност на емисии на вибрациите a<sub>r</sub>:

Дълбаене: стойност на емисии на вибрациите a<sub>h</sub> ..... 26 m/s<sup>2</sup> ..... 30 m/s<sup>2</sup>

Несигурност K = ..... 5,6 m/s<sup>2</sup> ..... 2,5 m/s<sup>2</sup>

Пробиване бетон: стойност на емисии на вибрациите a<sub>h</sub> ..... 6 m/s<sup>2</sup> ..... 6 m/s<sup>2</sup>

Несигурност K = ..... 2 m/s<sup>2</sup> ..... 1,5 m/s<sup>2</sup>

### ПРЕДУПРЕДУВАЊЕ

Нивото на осцилација наведено во овие инструкции е измерено во согласност со мерните постапки нормирани во EN 60745 и може да биде употребено за меѓусебна споредба на електро-алати. Ова ниво може да се употреби и за привремена проценка на оптоварувањето на осцилацијата.

Наведеното ниво на осцилација ги репрезентира главните намени на електро-алатот. Но, доколку електро-алатот се употребува за други намени, со отстапувачки додатоци или со несоодветно одржување, нивото на осцилација може да отстапи. Тоа може значително да го зголеми оптоварувањето на осцилацијата за време на целиот работен период.

За прецизна проценка на оптоварувањето на осцилацијата предвид треба да бидат земени и времињата, во коишто апаратот е исклучен или работи, но фактички не се употребува. Тоа може значително да го намали оптоварувањето на осцилацијата за време на целиот работен период.

Утврдете дополнителни безбедносни мерки за заштита на операторот од влијанието на осцилациите, како на пример: одржување на електро-алатот и на додатоци кон електро-алатот, одржување топли раце, организација на работните процеси.

**⚠ ПРЕДУПРЕДУВАЊЕ! Прочитајте ги сите безбедносни упатства и инструкции.** Заборавање на почитувањето на безбедносните упатства и инструкции можат да предизвикаат електричен удар, пожар и/или тешки повреди.  
**Сочувајте ги сите безбедносни упатства и инструкции за во иднина.**

### УПАТСТВО ЗА УПОТРЕБА

**При работата со перкусионата бормашина носете заштита за ушите.** Влијанието на бука може да предизвика губење на сетилото за слух.

**Држете го електричниот алат за издадените површини при изведување на операции при кои алатот за сечење можат да дојдат во контакт со скриени жици или сопствениот гајтан.** Контакт со жица под напон исто така ќе направи проводници од металните делови и оној кој ракува со алатот ќе доживее струен удар.

Уредите кои се користат на многу различни локации вклучувајќи и отворен простор мора да бидат поврзани за струја преку направата за поврзување (FI, RCD, PRCD).

Секогаш носете ракавици кога ја користите машината. Исто така препорачливо е да се носат очила, цврсти чевли кои не се лигаваат и престилка.

Прашината и струготините не смеат да се одстрануваат додека е машината работи.

Секогаш кога преземате активности врз машината исклучете го кабелот од струјата.

Вклучувањето на кабелот во струја се прави исклучиво машината е исклучена.

Чувајте го кабелот за напојување подалеку од работната површина. Секогаш водете го кабелот позади вас.

Секогаш користете ја помошната рачка, дури иако машината има сигурносен прекинувач кој се вклучува кога машината се блокира со заглавување.

Кога работите со големи дијаметри на бушотина, помошната рачка мора да биде врзана под вистински агол со главната рачка (видете илустрации, деп., Вртење на рачката,,).

Не употребувајте дупчалки со дијамантско јадро при ударниот модусот.

Кога работите на сидови, таван или под внимавајте да ги избегнете електричните, гасните и водоводни инсталации.

Пршината која се создава при користење на овој алат може да биде штетна по здравјето. Не ја вдишувајте. Носете соодветна заштитна маска.

### СПЕЦИФИЦИРАНИ УСЛОВИ НА УПОТРЕБА

Дупчалка/шрафцигер може да биде користена универзално за дупчење, перкусионо дупчење, зашрафување исечење на шrafoви.

Не го користете овој производ на било кој друг начин освен пропишаниот за нормална употреба.

### ГЛАВНИ ВРСКИ

Да се спои само за една фаза АС коло и само на главниот напон наведен на плочката. Можно е исто така и поврзување на приклучок без заземјување доколку изведбата соодветствува на безбедност од 2 класа.

### ЕУ-ДЕКЛАРАЦИЈА ЗА СООБРАЗНОСТ

Ние во целосна одговорност изјавуваме дека овој производ е во сообразност со следните стандарди и стандардизирани документи.

EN 60745-1:2009 + A11:2010

EN 60745-2-1:2010

EN 55014-1:2006 + A1:2009 + A2:2011

EN 55014-2:1997 + A1:2001 + A2:2008

EN 61000-3-2:2006 + A1:2009 + A2:2009

EN 61000-3-3:2008

и е во согласност со прописите

2011/65/EU (RoHS)

2006/42/EC

2004/108/EC



Winnenden, 2012-09-12

Rainer Kumpf  
Director Product Development

Ополномоштен за составување на техничката документација.

### ОДРЖУВАЊЕ

Вентилациските отвори на машината мора да бидат комплетно отворени постојано.

Доколку машината воглавно се користи за удирачко дупчење, редовно чистете ја насобраната прашина од продолжетокот. За да го направите тоа држете ја машината свртена со главата надолу вертикално и потполно отворете ја и затворете ја главата. Насобраната прашина ќе падне од неа. Се препорачува редовно користење на клинер за стегите и затегачите.

Користете само AEG додатоци и резервни делови. Доколку некои од компонентите кои не се опишани треба да бидат заменети, Ве молиме контактирајте ги сервисните агенти на AEG (консултирајте ја листата на адреси).

Доколку е потребно можно е да биде набавен детален приказ на алатот. Ве молиме наведете го бројот на артиклот како и типот на машина кој е отпечатан на етикетата и порачајте ја скицата кај локалниот застапник или директно кај: AEG Electric Tools GmbH, Max-Eyth-Straße 10, D-71364 Winnenden, Germany.

## СИМБОЛИ



Преди пукање на уреда в действие моля прочетете внимателно инструкцијата за използване.



Секогаш пред спроведување на каков и да е зафат врз машината исклучете го кабелот од приклучокот.



Дополнителна опрема - Не е вклучена во стандардната, а достапна е како додаток.



Не ги фрлајте електричните апарати заедно со другиот домашен отпад! Европска регулатива 2002/96/EC за одлагање на електрична и електронска опрема и се применува согласно националните закони. Електричните апарати кои го достигнале крајот на својот животен век мора да бидат одвоено собрани и вратени во соодветна рециклажна установа.



Заштитна класа II, електро-орудие, кај кое што заштитата од електричен удар не зависи само од базичната изолација туку каде што се применуваат и од дополнителни безбедносни мерки, како што е дуплата изолација или засилената изолација.

## 技术数据 震动螺丝起子钻 SBE 500 R SBE 570 R

|                                    |                          |       |                          |
|------------------------------------|--------------------------|-------|--------------------------|
| 输入功率.....                          | 500 W                    | ..... | 570 W                    |
| 输出功率.....                          | 250 W                    | ..... | 285 W                    |
| 第一档的无负载转速.....                     | 0-2650 min <sup>-1</sup> | ..... | 0-2700 min <sup>-1</sup> |
| 第一文件的最高负载转速.....                   | 1800 min <sup>-1</sup>   | ..... | 1600 min <sup>-1</sup>   |
| 负载撞击次数最大.....                      | 27000 min <sup>-1</sup>  | ..... | 24000 min <sup>-1</sup>  |
| 静态阻滞扭力*.....                       | 21 Nm                    | ..... | 23 Nm                    |
| 钻孔直径在混凝土.....                      | 13 mm                    | ..... | 15 mm                    |
| 钻孔直径在砖块和石灰砂石.....                  | 15 mm                    | ..... | 18 mm                    |
| 钻孔直径在钢材.....                       | 10 mm                    | ..... | 13 mm                    |
| 钻孔直径在木材.....                       | 20 mm                    | ..... | 30 mm                    |
| 夹头张开范围.....                        | 1,5-10 mm                | ..... | 1,5-13 mm                |
| 主轴.....                            | 1/2"x20                  | ..... | 1/2"x20                  |
| 夹头颈直径.....                         | 43 mm                    | ..... | 43 mm                    |
| 重量符合EPTA – Procedure01 / 2003..... | 1,6 kg                   | ..... | 1,7 kg                   |

\* 根据 AEG N 877318 号检验标准所测得

### 噪音信息

本测量值符合 EN 60 745 条文的规定。

器械的标准A-值噪音级为：

|                     |            |       |            |
|---------------------|------------|-------|------------|
| 音压值 (K=3dB(A))..... | 95 dB (A)  | ..... | 95 dB (A)  |
| 音量值 (K=3dB(A))..... | 106 dB (A) | ..... | 106 dB (A) |

请戴上护耳罩！

### 振动信息

依欧盟EN 60745 标准确定的振荡总值（三方向矢量和）。

ah-振荡发射值

|               |                      |       |                      |
|---------------|----------------------|-------|----------------------|
| 混凝土冲击式穿孔..... | 26 m/s <sup>2</sup>  | ..... | 30 m/s <sup>2</sup>  |
| K-不可靠性.....   | 5,6 m/s <sup>2</sup> | ..... | 2,5 m/s <sup>2</sup> |
| 金属钻孔.....     | 6 m/s <sup>2</sup>   | ..... | 6 m/s <sup>2</sup>   |
| K-不可靠性.....   | 2 m/s <sup>2</sup>   | ..... | 1,5 m/s <sup>2</sup> |

### 注意

本规程列出的依欧盟EN 60745 标准一项标准测量方法测量的振荡级也可用于电动工具比较并适合于临时振荡负荷估计。

该振荡级代表电动工具的主要应用。电动工具的其他应用，不正确的工作工具或欠缺维护可造成振荡级偏差。此可明显提高总工作期间的振荡负荷。

正确地估计一定工作期间的振荡负荷也要考虑到工具关闭或接通而不使用的期间。此可明确减少总工作期间的振荡负荷。

为提高操作人员对振荡作用的保护得规定补充安全措施：电动工具及工作工具的维护，温手，工作过程组织等。

**⚠ 注意！** 务必仔细阅读所有安全说明和安全指示（应注意阅读附上的小册子）。如未确实 遵循警告提示和指示，可能导致电击、火灾并且/ 或其他的严重伤害。妥善保存所有的警告提示和指示，以便日后查阅。

### 特殊安全指示

使用震动钻功能时，请戴上护耳罩。所发生的噪声会导致听力损失。

使用包含在供货范围中的辅助把手。如果工作时无法正确操控机器，容易造成严重的伤害。

切割工具会碰到隐藏电线或自己的电缆时，得将器械握住于其绝缘把手表面。锯片接触了带电的电线，会把电导向其它金属部位，并引起电击。户外插座必须连接剩余电流防护开关。这是使用电器用品的基本规定。使用本公司机器时，务必遵守这项规定。

操作机器时务必佩戴护目镜。最好也穿戴工作手套、坚固防滑的鞋具和工作围裙。

如果机器仍在运转，切勿清除其上的木屑或金属碎片。

在机器上进行任何修护工作之前，务必从插座上拔出插头。

确定机器已经关闭了才可以插上插头。

### 电源插头

只能连接单相交流电，只能连接机器铭牌上规定的电压。本机器也可以连接在没有接地装置的插座上，因为本机器的结构符合第II 级绝缘。

### 维修

机器的通气孔必须随时保持清洁。

如果经常使用震动钻功能，则必须定期清除夹头上的污垢。清理污垢时必须垂直地竖起机器并让夹头朝下，接着先把夹头放开到最大然后再收紧紧夹头，如此一来堆积的污垢便会从夹头中掉落出来。最好定期在夹爪和夹爪上的孔喷洒清洁剂。

只能使用 AEG 的配件和 AEG 的零件。缺少检修说明的机件如果损坏了，必须交给 AEG 的顾客服务中心更换（参考手册“保证书 / 顾客服务中心地址”）。

如果需要机器的分解图，可以向您的顾客服务中心或直接向 AEG Electric Tools GmbH, Max-Eyth-Straße 10, D-71364 Winnenden, Germany。零件时必须提供以下资料：机型和机器铭牌上的十位数字。

### 符号



使用本机器之前请详细阅读使用说明书。



在机器上进行任何修护工作之前，务必从插座上拔出插头。



配件 - 不包含在供货范围中。请另外从配件目录选购。



不可以把损坏的电动工具丢弃在家庭垃圾中！根据被欧盟各国引用的有关旧电子机器的欧洲法规2002/96/EG，必须另外收集旧电子机器，并以符合环保规定的方式回收再利用。



保护等级II，具有不只依赖于基本绝缘，但依赖于双重或强化绝缘等保护措施电击保护的电动工具。

电源线必须远离机器的作业范围。操作机器时电线必须摆在机身后端。

钻大直径的孔时，必须把辅助把手固定在大握柄的右侧，辅助把手和大握柄之间的夹角要成90度。详细资料可参考“转动辅助把手”上的图解。

在墙壁、天花板或地板工作时，必须特别注意被埋藏的电线、瓦斯管和水管。

### 正确地使用机器

本震动电钻 / 起子机 具备了多项功能，它不仅能够进行正常钻、震动钻、松紧螺丝还能够钻制螺纹。

请依照本说明书的指示使用此机器。



# AEG

# POWERTOOLS

[www.aeg-pt.com](http://www.aeg-pt.com)

(09.12)  
4931 4141 73



AEG Electric Tools GmbH  
Max-Eyth-Straße 10  
D-71364 Winnenden  
Germany

## **ОФИЦИАЛЬНЫЙ ДИЛЕР В УКРАИНЕ:**

[storgom.ua](https://storgom.ua)

### **ГРАФИК РАБОТЫ:**

Пн. – Пт.: с 8:30 по 18:30

Сб.: с 09:00 по 16:00

Вс.: с 10:00 по 16:00

### **КОНТАКТЫ:**

+38 (044) 360-46-77

+38 (066) 77-395-77

+38 (097) 77-236-77

+38 (093) 360-46-77

Детальное описание товара:

<https://storgom.ua/product/udarnaia-drel-aeg-sbe-570-r.html>

Другие товары: <https://storgom.ua/setevye-dreli.html>