



**EG2250A**

**EG2850A**

**EG4550A**

**EG5550A**

**EG6050A**

**GB** Petrol Generator  
Instructions for Use

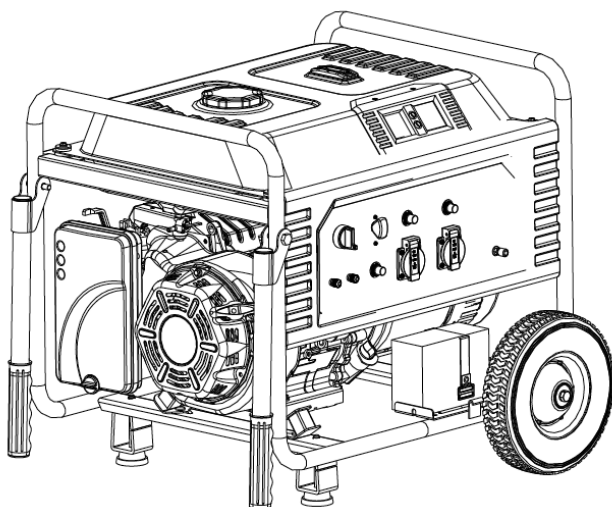
**F** Groupe Electrogène  
Manuel d'instructions

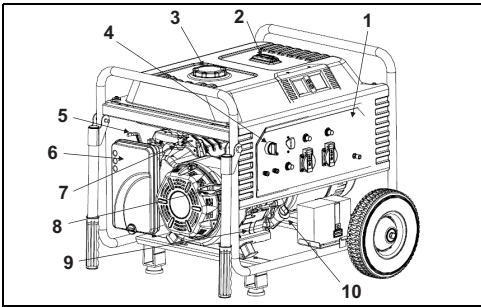
**D** Generator  
Betriebsanleitung

**I** Generatore a benzina  
Istruzioni per l'utilizzo

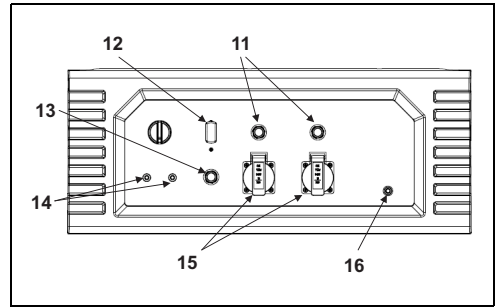
**NL** Gebruiksaanwijzing  
Benzinegenerator

**E** Generador a gasolina  
Manual de instrucciones

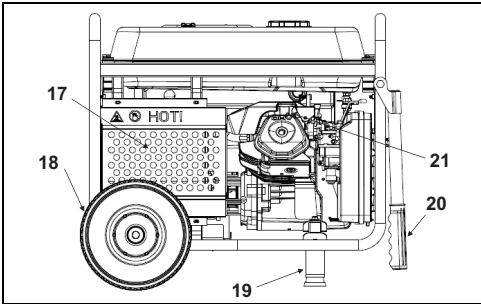




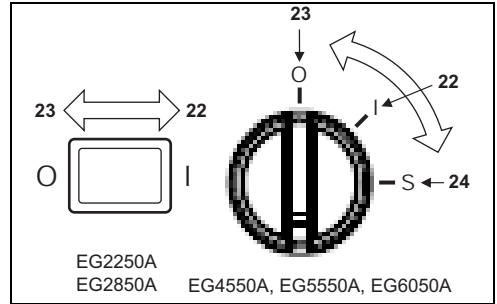
1



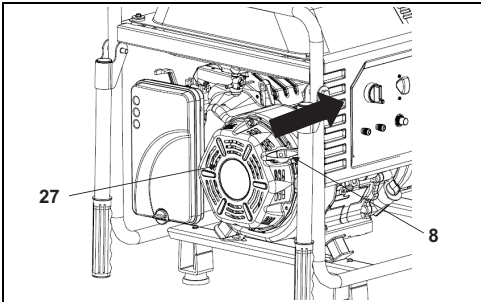
2



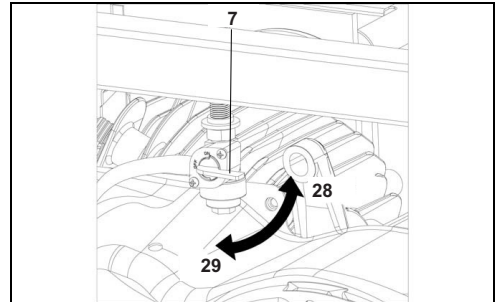
3



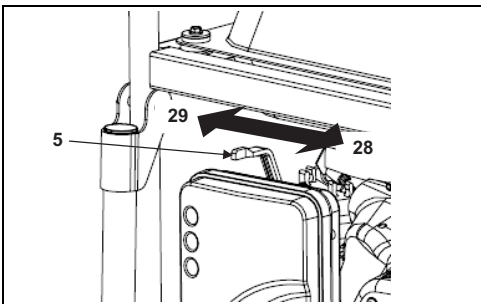
4



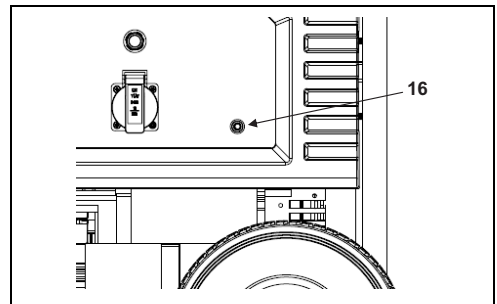
5



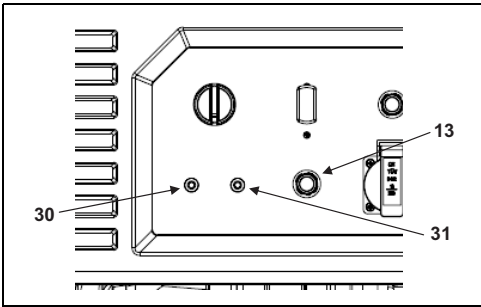
6



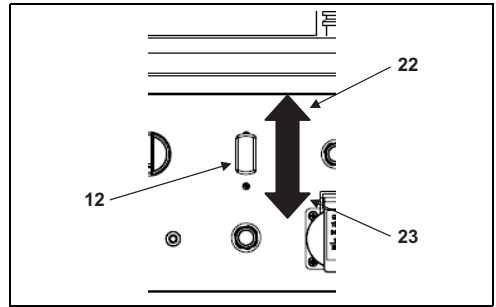
7



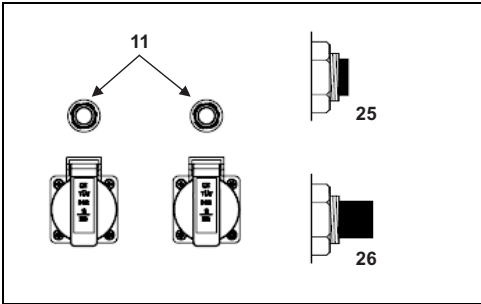
8



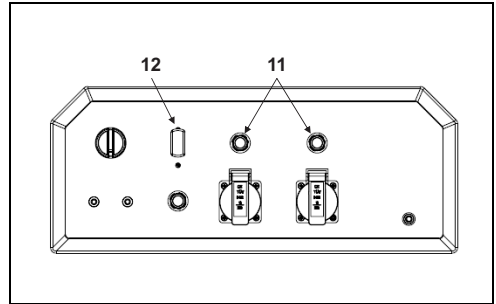
9



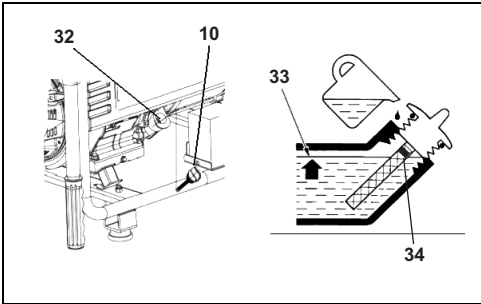
10



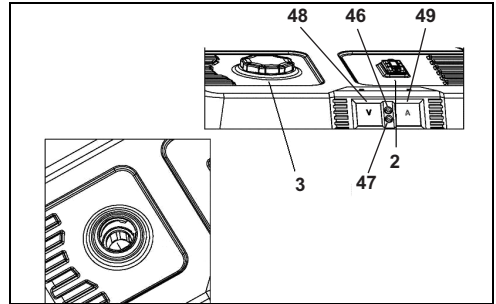
11



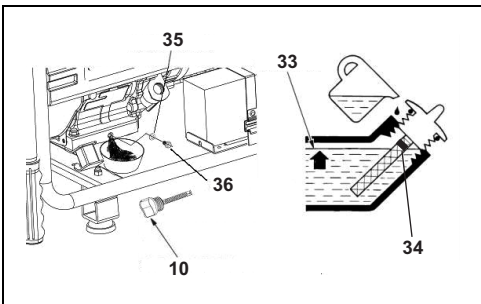
12



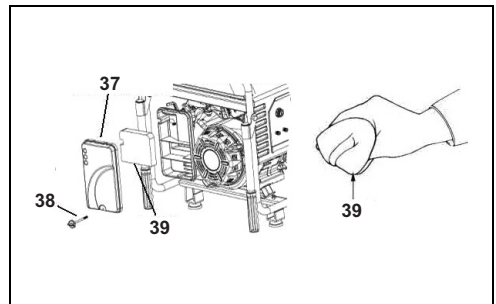
13



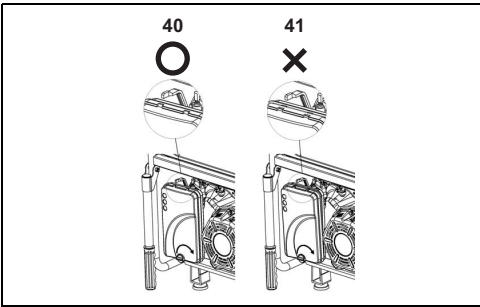
14



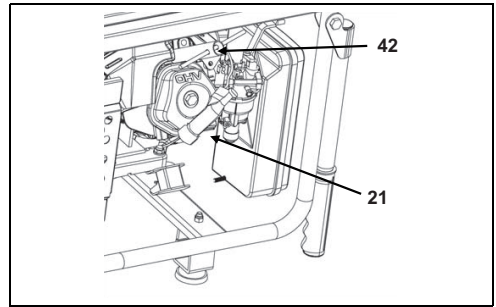
15



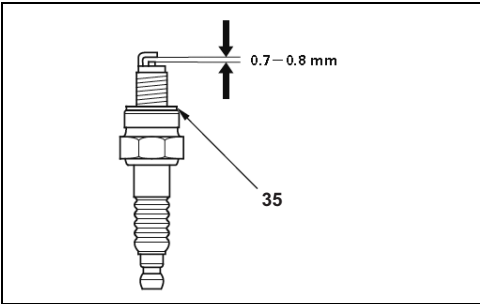
16



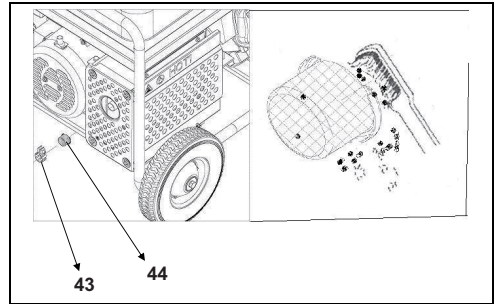
17



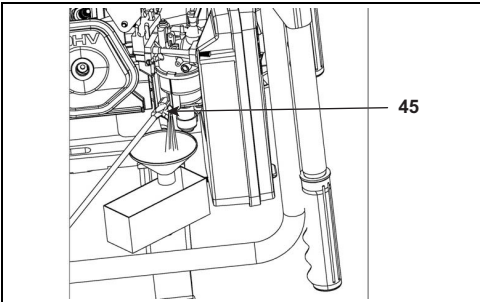
18



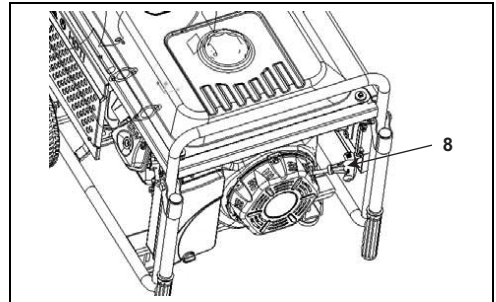
19



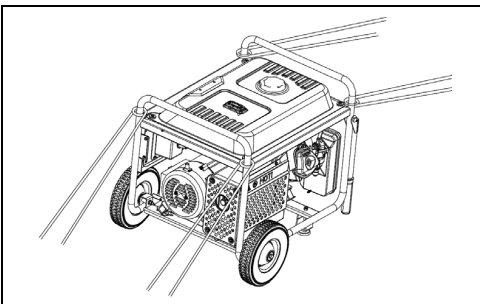
20



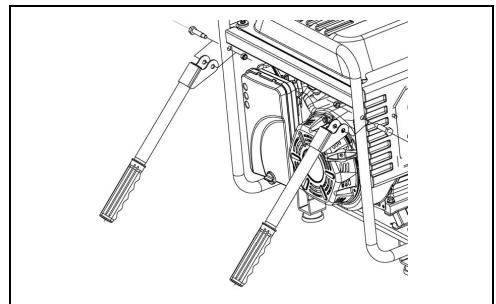
21



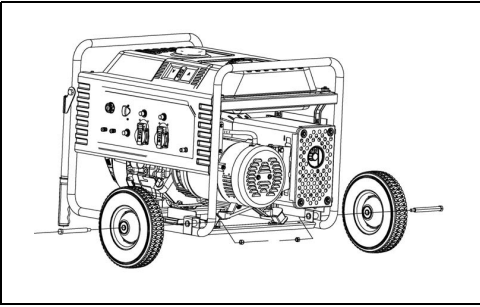
22



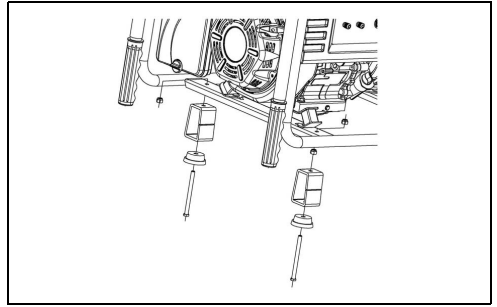
23



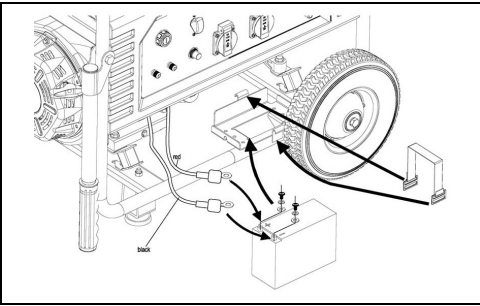
24



25



26



27

**Explanation of general view**

- |   |                               |                            |
|---|-------------------------------|----------------------------|
| 1. CONTROL PANEL  | 17. MUFFLER                   | 34. UPPER LIMIT MARK       |
| 2. FUEL GAUGE   | 18. WHEEL                     | 35. SEALING WASHER         |
| 3. FUEL TANK CAP  | 19. STAND                     | 36. OIL DRAIN PLUG         |
| 4. ENGINE SWITCH  | 20. TRANSPORT HANDLE          | 37. AIR CLEANER COVER      |
| 5. CHOKE LEVER  | 21. SPARK PLUG CAP            | 38. KNOB                   |
| 6. AIR CLEANER  | 22. I (ON)                    | 39. ELEMENT                |
| 7. FUEL VALVE LEVER   | 23. O (OFF)                   | 40. Properly hooked        |
| 8. STARTER GRIP   | 24. S (START)                 | 41. Improperly hooked      |
| 9. ENGINE SERIAL NUMBER                                       | 25. ON                        | 42. SPARK PLUG WRENCH      |
| 10. OIL FILLER CAP/DIPSTICK                                   | 26. OFF                       | 43. Pipe Clamp             |
| 11. AC CIRCUIT PROTECTORS                                     | 27. RECOIL STARTER            | 44. Spark arrest screen    |
| 12. AC CIRCUIT BREAKER  | 28. OPEN                      | 45. Drain screw            |
| 13. DC CIRCUIT PROTECTOR                                      | 29. CLOSED                    | 46. Pilot lamp             |
| 14. DC OUTPUT TERMINAL  | 30. NEGATIVE TERMINAL (BLACK) | 47. Oil level warning lamp |
| 15. 230V AC RECEPTACLE (Shape<br>of socket varies by country) | 31. POSITIVE TERMINAL (RED)   | 48. Voltage meter          |
| 16. GROUND TERMINAL   | 32. OIL FILLER HOLE           | 49. Current meter          |
|   | 33. OIL LEVEL                 |                            |

**⚠ WARNING:**

**Exhaust from this product contains poisonous carbon monoxide gas that can build up to dangerous levels in closed areas.**

**Inhaling carbon monoxide can cause unconsciousness or death.**

**Never run the generator in a closed or partially closed area where people may be present.**

**⚠ WARNING:**

**The generator is a potential source of electrical shock if misused. Do not expose the generator to moisture, rain or snow. Do not let the generator get wet, and do not operate it with wet hands.**

Keep this instruction manual handy for future reference.

This instruction manual is considered a permanent part of the generator and should remain with the generator if resold.

All information and specifications included in this publication were based on the latest production information at the time of approval for printing. Makita Corporation reserves the right, however, to discontinue or change specifications or design at any time without notice and without incurring any obligation whatsoever. No part of this publication may be reproduced without written permission.

**ABOUT SAFETY**

The safety of the operator and others are extremely important and using this generator safely is an important responsibility.

In order to make informed decisions about safety, operating procedures and other information are provided in this manual and on the labels on the generator. This information alerts the operator to potential hazards that may hurt the operator or others.

As it is not practical or possible to warn you about all the hazards associated with operating or maintaining a generator, always use your own good judgment. Important safety information can be found in the following forms:

- **Safety Labels** — on the generator.
- **Safety Messages** — preceded by a safety symbol and one of three signal words (DANGER, WARNING, or CAUTION).

These signal words mean:

**⚠ DANGER:**

Indicates that loss of life, severe personal injury or substantial equipment damage will result if instructions are not followed.

**⚠ WARNING:**

Indicates that personal injury or equipment damage can result if instructions are not followed.

**⚠ CAUTION:**

Indicates that personal injury can result if instructions are not followed.











- **Safety Headings** — such as IMPORTANT SAFETY INFORMATION.
- **Safety Section** — such as GENERATOR SAFETY
- **Instructions** — how to use this generator correctly and safely.

Important safety information is provided throughout this manual. Read it carefully.

# GENERATOR SAFETY

## SYMBOLS and MEANINGS

In accordance with the European requirements (eec Directives), the specified symbols as shown in the following table are used for the products and this instruction manual.

	Read the operator's instruction manual.		Fire, open light and smoking prohibited.
	Stay clear of the hot surface.		Do not connect the generator to the commercial power lines.
	Exhaust gas is poisonous. Do not operate in an unventilated room.		Gasoline
	Stop the engine before refueling.		Call for maintenance.
	Caution, risk of electric shock.		Keep dry.

## IMPORTANT SAFETY INFORMATION

Makita generators are designed to give safe and dependable service if operated according to instructions. Read and understand this instruction manual before operating the generator. To prevent accidents, be familiar with the generator's controls and observe safe operating procedures.

### Responsibilities of the Operator

- The operator must know how to quickly stop the generator in case of an emergency.
- The operator must have knowledge of the use of all generator controls, output receptacles, and connections.
- The operator must make sure that anyone who operates the generator receives proper instruction. Do not let children operate the generator without parental supervision.

### Carbon Monoxide Hazards

- Exhaust from this generator poisonous carbon monoxide, a colorless and odorless gas. Inhaling carbon monoxide can cause loss of consciousness and may lead to death.
- If the generator is operated in a closed or partially closed area, the air may contain a dangerous amount of exhaust gas.
- Never run the generator inside a garage, house, or near open windows or doors.

### Electric Shock Hazards

- The generator produces enough electric power to cause a serious electrical shock or electrocution if misused.
- Do not use the generator or an electrical appliance in wet conditions, such as rain or snow, or near a pool or sprinkler system, or with wet hands. Such action may result in electrocution. Keep the generator dry.

- If the generator is stored outdoors and is unprotected from the weather, check all of the electrical components on the control panel before each use. Moisture or ice can cause a malfunction or short circuit in the electrical components which may result in electrocution.
- Do not connect the generator to a building's electrical system unless an isolation switch has been installed by a qualified electrician.

### Fire and Burn Hazards

- The exhaust system can become hot enough to ignite flammable materials.
  - Keep the generator at least 3 feet (1 meter) away from structures or buildings and other equipment during use.
  - Do not enclose the generator in any structure.
  - Keep flammable materials away from the generator.
- The muffler becomes very hot during operation and remains hot for a while after the engine is stopped. Be careful not to touch the muffler while it is hot. When storing the generator indoors, allow the engine cool before it is stored.
- Gasoline is extremely flammable and is explosive under certain conditions. Do not smoke while refueling the generator or near where gasoline is stored. Keep flames/sparks away from where the generator is refueled or where gasoline is stored. Refuel in a well-ventilated area with the engine stopped.
- Fuel vapors are extremely flammable and may ignite after the engine is started. If fuel is spilled, wipe it up and let dry before starting the generator.

### Other Safety Information:

- Personal protective equipment is required for any operation and maintenance.

- The load must be kept within the rating stated on generator rating plate. Overloading the generator will damage the unit or shorten its life.
- The generator must not be run at excessive speeds. Operation at excessive speeds will increase the hazards of personal injury.
- Do not modify parts which may increase or decrease the governed speed.
- Only use extension cords that are grounded and are a sufficient wire gauge for the application. When using an extended wire or a mobile electric net, if the wire diameter is 1.5 mm<sup>2</sup>, it cannot exceed the length of 60 m. If the wire diameter is 2.5 mm<sup>2</sup>, it cannot exceed the length of 100 m.
- The exhaust system can become hot enough to ignite flammable materials. Do not operate the engine near flammable materials. Do not use the generator in damp conditions.
- Do not store fuel indoors or try to refuel a generator while it is running.
- Do not cover unit while it is being used.
- To prevent poisoning or fire when operating, never use the generator in close proximity to flammable materials.
- The unit must reach the operating speed before the electrical loads are connected. Disconnect the load before turning off the generator. Turn off all of the equipment powered by the generator before shutting down the generator. The unit should not be connected to other power supply outlets.
- Protection against electrical shock is dependent on the circuit breakers specially matched to the generating set. If the circuit breaker requires replacement contact a local retailer for replacement with a circuit breaker having identical rating and performance characteristics.
- Ensure that the generator does not have any damaged hoses, loose or missing clamps, damaged tank or cap before use. All defects should be corrected before use.
- The installation and major repair of the generator can only be conducted by specially trained people. Before transporting the generator, drain all fuel to prevent leakage.
- Store the generator in a well-ventilated area with the fuel tank empty.

## COMPONENTS (Fig. 1)

## CONTROL PANEL (Fig. 2 & Fig. 3)

\*Keep a record of the engine and frame serial numbers and the date of purchase for your future reference. Refer to these serial numbers when ordering parts and when making technical or warranty inquiries.

Date of purchase:

Engine serial number:

Frame serial number:

## CONTROLS

### Engine Switch (Fig. 4)

Starts and stops the engine.

### Key position:

**O (OFF):** Stops the engine. Key can be removed or inserted.

**I (ON):** Runs the engine after starting.

**S (START):** Starts the engine by operating the starter motor.

\*EG2250A and EG2850A equipped with I (ON)/O (OFF) switch only

### Starter Grip (Fig. 5)

To start the engine, pull the starter grip slowly until resistance is felt and then pull swiftly.

### NOTICE:

Return the starter grip back gently to prevent damage to the starter. Do not allow it to snap back against the engine.

If the generator is not equipped with a 12-volt battery to operate the starter motor or if the battery does not contain enough charge to operate the starter motor, the recoil starter is used to start the engine.

### Fuel Valve Lever (Fig. 6)

The fuel valve is located between the fuel tank and carburetor. Fuel is allowed to flow from the fuel tank to the carburetor when the valve lever is in the "I (ON)" position. Return the fuel valve lever to the "O (OFF)" position after stopping the engine.

### Choke Rod (Fig. 7)

The choke is used to provide an enriched fuel mixture when starting a cold engine. Operate the choke rod manually to open and close the choke. Pull the rod out toward "CLOSED" to enrich the mixture for cold starting.

### Ground Terminal (Fig. 8)

The generator ground terminal is connected to the generator frame, the generator's metal non-current-carrying parts, and each receptacle's the ground terminals.

Before using the ground terminal, consult a qualified electrician, an electrical inspector, or a local agency having jurisdiction for local codes or ordinances that apply to the intended use of the generator.

### DC Terminals

The DC terminals are used only for charging 12-volt automotive type batteries.

The terminals are colored red and black to identify the positive (+) and negative (-) terminals, respectively. Make sure to connect the battery to the generator DC terminals with the correct polarity (battery positive to the generator red terminal and battery negative to the generator black terminal).

### DC Circuit Protector (Fig. 9)

When the DC charging circuit is overloaded, there is a problem with the battery, or the connections between the battery and the generator are incorrect, the DC circuit protector automatically shuts off the DC battery charging circuit.



## Oil Alert System (Fig. 14)

The engine can be damaged if there is an insufficient amount of oil in the crankcase. The Oil Alert system prevents this from happening by automatically stopping the engine before the oil level in the crankcase falls below the safe limit (the engine switch will remain in the "I (ON)" position). When the oil alert system works, the oil level warning lamp lights up in red. The oil level should always be checked before each use, regardless of this Oil Alert system.

If the engine stops and fails to restart, check the engine oil level before troubleshooting in other areas.

### NOTICE:

When the amount of oil in the crankcase is sufficient, the pilot lamp lights up in green. When the amount of oil is insufficient, the oil level warning lamp lights up in red. Be sure to add oil before using the generator.

## AC Circuit Breaker (Fig. 10)

The AC circuit breaker automatically turns off if there is a short circuit or a significant overload of the generator at the receptacle. If the AC circuit breaker is turned off automatically, make sure that the appliance is working correctly and does not exceed the rated load capacity of the circuit before turning on the AC circuit breaker again. The AC circuit breaker may be used to turn the generator power on or off.

## AC Circuit Protector (EG4550A, EG5550A, EG6050A only) (Fig. 11)

The AC circuit protectors automatically turn off if there is a short circuit or a significant overload of the generator at the 26A 230V. If an AC circuit protector turns off automatically, make sure that the appliance is working correctly and does not exceed the rated load capacity of the circuit before resetting the AC circuit protector on.

# GENERATOR USE

## Connections to a Building's Electrical System

A qualified electrician must make the connections for standby power to a building's electrical system. Make sure that the connection isolates the generator power from the utility power, and complies with all applicable laws and electrical codes. A transfer switch, which isolates generator power from utility power, can be purchased through authorized Makita generator dealers.

### WARNING:

**Electrical current from the generator may backfeed into the utility lines if connections to a building's electrical system are made improperly. Such backfeed may electrocute utility company workers or others who come into contact with the lines during a power outage, and the generator may explode, burn, or cause fires when the utility power is restored. Consult the utility company or a qualified electrician.**

## Ground System

Makita portable generators are equipped with a system ground that connects generator frame components to the ground terminals in the AC output receptacles. Since the

system ground is not connected to the AC neutral wire, if the generator is tested by a receptacle tester, it will show the same ground circuit condition as for a home receptacle.

## AC Applications

Before connecting an appliance or power cord to the generator:

- Make sure that it is in good working condition. Faulty appliances or power cords can cause electrical shock.
- If an appliance begins to operate in an abnormal manner, becomes slow, or stops suddenly, turn it off immediately. Disconnect the appliance, and determine whether there is a problem with the appliance or if the rated load capacity of the generator has been exceeded.
- Make sure that the electrical rating of the tool or appliance does not exceed the generator's rating. Never exceed the maximum power rating of the generator. Power levels between rated and maximum may be used for no more than one hour.

### NOTICE:

Substantial overloading will turn off the circuit breaker. Exceeding the time limit for maximum power operation or slightly overloading the generator may not turn off the circuit breaker or circuit protector, but will shorten the service life of the generator.

Limit operation requiring maximum power to one hour.

Maximum power is as follows:

EG2250A: 2.2 kW

EG2850A: 2.8 kW

EG4550A: 4.5 kW

EG5550A: 5.5 kW

EG6050A: 6.0 kW

For continuous operation, do not exceed the rated power.

Rated power is as follows:

EG2250A: 2.0 kW

EG2850A: 2.6 kW

EG4550A: 4.0 kW

EG5550A: 5.0 kW

EG6050A: 5.5 kW

The total power requirements (VA) of all appliances connected to the generator must be considered. Rating information for appliances and power tools are usually listed near the model number or serial number.

## AC Operation (Fig. 12)

1. Start the engine.
2. Turn on the AC circuit breaker.
3. Plug in the appliance.

### NOTICE:

Before connecting any appliance to the generator, make sure they are in good working condition. If an appliance begins to operate in an abnormal manner, becomes slow, or stops suddenly, turn off the ignition switch lever immediately. Then disconnect the appliance and check for signs of malfunction.

Most motorized appliances require more than their rated power for startup.

Do not exceed the current limit specified for any one receptacle. If an overloaded circuit causes the AC circuit breaker or AC circuit protector to turn off, reduce the

electrical load on the circuit, wait a few minutes and then reset the AC circuit breaker or AC circuit protector.

## DC Operation

The DC terminals are used only for charging 12-volt automotive type batteries.

### Connecting the battery charging cables:

1. Before connecting the battery charging cables to a battery that is installed in a vehicle, disconnect the vehicle ground battery cable from the negative (-) terminal of the battery.

### **WARNING:**

**The battery gives off explosive gases. Keep sparks, flames, and cigarettes away. Provide adequate ventilation when charging or using batteries.**

**WARNING:** Lead and lead components are used in battery posts, terminals, and related accessories. **Always wash hands after handling.**

2. Connect the positive (+) battery cable to the positive (+) terminal of the battery.
3. Connect the other end of the positive (+) battery cable to the positive (+) terminal of the generator.
4. Connect the negative (-) battery cable to the negative (-) terminal of the battery.
5. Connect the other end of the negative (-) battery cable to the negative (-) terminal of the generator.
6. Start the generator.

### **NOTICE:**

Do not start the vehicle while the battery charging cable is connected and the generator is running. Doing so may damage the vehicle or the generator.

The DC circuit protector will be tripped (the "PUSH" button will extend out), if the DC circuit is overloaded, excessive current is drawn by the battery, or a wiring problem occurs. If this happens, wait a few minutes before pushing in the circuit protector to resume operation. If the DC circuit protector continues to go off, discontinue charging and consult your authorized Makita generator dealer.

### Disconnecting the battery cables:

1. Stop the engine.
2. Disconnect the negative (-) battery cable from the negative (-) terminal of the generator.
3. Disconnect the other end of the negative (-) battery cable from the negative (-) terminal of the battery.
4. Disconnect the positive (+) battery cable from the positive (+) terminal of the generator.
5. Disconnect the other end of the positive (+) battery cable from the positive (+) terminal of the battery.
6. Reconnect the vehicle ground battery cable to the negative (-) terminal of the battery.

## High Altitude Operation

At high altitudes, the standard carburetor air-fuel mixture will be too rich, and will cause performance to decrease and fuel consumption to increase. A very rich mixture will also foul the spark plug and cause hard starting.

Operation for extended periods of time at an altitude that differs from the altitude at which this engine was certified may increase emissions.

Engine horsepower decreases about 3.5% for every 1,000-foot (300-meter) increase in altitude, even with carburetor modification. If no carburetor modification is

made in the carburetor, the effect of altitude on horsepower will be even greater. High altitude performance can be improved by making specific modifications to the carburetor. If the generator is to always be operated at altitudes above 5,000 feet (1,500 meters), have your dealer perform this carburetor modification. This engine, when operated at high altitudes with the carburetor modifications for high altitude use, will meet the various emission standards throughout its useful life.

### **NOTICE:**

When the carburetor has been modified for high altitude operation, the air-fuel mixture will be too lean for use at low altitudes. Operation at altitudes below 5,000 feet (1,500 meters) with a modified carburetor may cause the engine to overheat and result in serious engine damage. For low altitude use, have your servicing dealer return the carburetor to the original factory specifications.

## PRE-OPERATION CHECKS

### Check Engine Oil (Fig. 13)

Check the oil level before each use with the engine stopped and the generator on a stable and level surface. Use 4-stroke motor oil that meets or exceeds the requirements for API Service Category SJ or later (or equivalent). Always check the API SERVICE label on the oil container to be sure the letters SJ or later (or equivalent) are indicated.

1. Remove the oil filler cap/dipstick and wipe the dipstick clean.
2. Insert the dipstick into the filler neck and check the oil level. Do not screw in the filler cap.
3. If the oil level is low, fill to the upper limit of the oil filler neck with the recommended oil.

### Check Engine Fuel (Fig. 14)

With the engine stopped, check the fuel level gauge. Refill the fuel tank if the fuel level is low.

### **WARNING:**

**Gasoline is highly flammable and explosive.**

**Burns or severe personal injury may result from handling fuel.**

- **Stop the engine and keep heat, sparks, and flames away.**
- **Refuel only outdoors.**
- **Wipe up spills immediately.**

Refuel in a well-ventilated area with the engine stopped. Allow the engine to cool first if it has been running. Refuel carefully to avoid spilling fuel. Do not fill above the upper limit mark.

Never refuel the engine inside a building where gasoline fumes may reach flames or sparks. Keep gasoline away from appliance pilot lights, barbecues, electric appliances, power tools, etc.

Spilled fuel is a fire hazard and causes environmental damage. Be sure to wipe up spills immediately.

### **NOTICE:**

Be careful not to spill fuel when filling the fuel tank as fuel can damage paint and plastic. Damage caused by spilled fuel is not covered by the warranty.

After refueling, reinstall the fuel tank cap firmly.

## Recommended Fuels

This engine is certified to operate on regular unleaded gasoline with a pump octane rating of 86 or higher. Never use stale or contaminated gasoline or an oil-gasoline mixture. Avoid getting dirt or water in the fuel tank.

Regular unleaded gasoline containing no more than 10% ethanol (E10) or 5% methanol by volume can be used. In addition, the methanol must contain cosolvents and corrosion inhibitors.

If fuels containing levels of ethanol or methanol greater than those shown above are used, starting and/or performance problems may occur. The metal, rubber, and plastic parts of the fuel system may also be damaged. Engine damage or performance problems resulting from the use of fuel with percentages of ethanol or methanol greater than the values shown above are not covered by the warranty.

## STARTING/STOPPING THE ENGINE

### Starting the Engine

For safety reasons, do not operate the generator in an enclosed area such as a garage. The generator's exhaust contains poisonous carbon monoxide gas that can collect rapidly in an enclosed area and cause illness or death.

#### **⚠ WARNING:**

**Exhaust from the generator contains poisonous carbon monoxide gas that can build up to dangerous levels in closed areas.**

**Inhaling carbon monoxide can cause unconsciousness or death.**

**Never run the generator in a closed or partially closed area where people may be present.**

To prevent fires, keep the generator at least 3 feet (1 meter) away from buildings and other structures during operation. Keep flammable objects away from the engine.

#### **NOTICE:**

Do not operate this generator less than 3 feet (1 meter) from a building or other obstruction. Doing so can cause overheating and/or damage the generator. In order to maintain proper cooling, allow at least 3 feet (1 meter) of empty space above and around the generator.

Refer to the "AC OPERATION" or "DC OPERATION" of this manual for how to connect loads to the generator.

1. Perform the PRE-OPERATION CHECKS.
2. Make sure that the AC circuit breaker is in the "O (OFF)" position. It may be difficult to start the generator if a load is connected.
3. Turn the fuel valve lever to the "I (ON)" position.
4. Turn the engine switch to the "I (ON)" position.
5. Pull the starter grip slowly until resistance is felt, then pull swiftly.

#### **NOTICE:**

Return the starter grip back gently to prevent damage to the starter. Do not let it snap back against the engine.

With the electric starter:

1. Connect the battery cables to the generator.
2. Turn the engine switch to the "S (START)" position and hold it there for 5 seconds or until the engine starts.

#### **NOTICE:**

- The motor can be damaged if the starter motor is operated for more than 5 seconds. If the engine fails to start, release the switch and wait 10 seconds before operating the starter again.
- If the speed of the starter motor drops after a period of time, it is an indication that the battery should be recharged.

When the engine starts, allow the engine switch to return to the "I (ON)" position.

If the choke was manually closed, push it to the "OPEN" position as the engine warms up.

### Stopping the Engine

#### **In an emergency:**

To stop the engine in an emergency, move the engine switch to the "O (OFF)" position.

#### **In normal use:**

1. Turn the AC circuit breaker to the "O (OFF)" position. Disconnect the DC battery charging cables.
2. Turn the engine switch to the "O (OFF)" position.
3. Turn the fuel valve lever to the "O (OFF)" position.

## MAINTENANCE

### The Importance of Maintenance

Good maintenance is vital to the safe, economical, and trouble free operation of the generator. It will also help reduce air pollution.

#### **⚠ WARNING:**

**Improper maintenance, or failure to correct a problem before operation, can cause a malfunction which can result in severe personal injury or loss of life.**

**Always follow the inspection and maintenance recommendations and schedules in this instruction manual.**

The following pages include a maintenance schedule, routine inspection procedures, and simple maintenance procedures using basic hand tools required for properly caring for the generator. Other service tasks that are more complicated or require special tools are best handled by professionals and are normally performed by a Makita technician or other qualified mechanic.

The maintenance schedule included in this manual is based on normal operating conditions. If the generator is operated under severe conditions, such as sustained high-load or high-temperature operation, or it is used in unusually wet or dusty conditions, consult your servicing dealer for recommendations applicable to your specific needs and use.

**Maintenance, replacement, or repair of the emission control devices and systems may be performed by any nonroad engine repair establishment or individual, using parts that are "certified" to EPA standards.**

### Maintenance Safety

The following are some of the most important safety precautions. However, we cannot cover every conceivable hazard that can arise in performing maintenance, so please remember that only you can decide whether or not you should perform a given task.

**⚠ WARNING:**

**Failure to properly follow maintenance instructions and precautions can cause severe personal injury or loss of life.**

**Always follow the procedures and precautions in the instruction manual.**

**Safety Precautions**

- Make sure the engine is off before beginning any maintenance or repairs. This will eliminate several potential hazards:
  - **Carbon monoxide poisoning from engine exhaust.**  
Operate outside away from open windows or doors.
  - **Burns from hot parts.**  
Let the engine and exhaust system cool before touching.

**- Injury from moving parts.**

- Do not run the engine unless instructed to do so.
- Read the instructions before you operate the generator, and make sure you understand the instructions and have the tools and skills required.
- To reduce the possibility of fire or explosion, be careful when working around gasoline. Use only a non-flammable solvent, not gasoline, to clean parts. Keep cigarettes, sparks, and flames away from all fuel-related parts.

Remember that your servicing dealer knows your generator best and is fully equipped to maintain and repair it.

To ensure the best quality and reliability, use only new, genuine Makita parts or their equivalents for repair or replacement.

**Maintenance Schedule**

REGULAR SERVICE PERIOD *3		Each use	First month or 20 hrs.	Every 3 months or 50 hrs.	Every 6 months or 100 hrs.	Every year or 300 hrs.
Engine oil	Check level	○				
	Change		○		○	
Air Cleaner	Check	○				
	Clean			○*1		
Sediment cup	Clean				○	
Spark plug	Check-adjust				○	
	Replace					○
Spark arrester	Clean				○	○*2
Idle speed	Check-adjust					
Valve clearance	Check-adjust					○*2
Combustion chamber	Clean	After every 500 hrs. *2				
Fuel tank and filter	Clean				○*2	
Fuel tube	Check	Every 2 years (Replace if necessary) *2				

\*1: Service more frequently when using the generator in dusty, dirty or severe environments.

\*2: Unless the owner has the proper tools and is mechanically proficient, this item should be serviced by an authorized Makita generator dealer. Refer to the Makita Shop Manual.

\*3: For commercial use, hours of operation should be logged to determine proper maintenance intervals.

Failure to follow this maintenance schedule may result in non-warrantable malfunctions.

**Engine Oil Change (Fig. 15)**

Drain the oil while the engine is warm to assure quick and complete draining.

1. Place a suitable container below the engine to catch the oil.
2. Drain the oil by removing the oil drain plug, the sealing washer, and the oil filler cap/dipstick.
3. Reinstall the oil drain plug and a new sealing washer and firmly tighten the plug.
4. Refill with the recommended oil and check the oil level.

Wash your hands with soap and water after handling used oil.

**NOTICE:**

Improper disposal of used engine oil can be hazardous to the environment. Before changing the oil, check for a suitable way to dispose of the used oil. Do not discard it in a trash bin, pour it down a drain, or dump it on the ground. Your local zoning or environmental regulations will give you more detailed instructions on proper disposal.

**Air Cleaner Service (Fig. 16 & Fig. 17)**

A dirty air cleaner will restrict air flow to the carburetor. To prevent carburetor malfunction, clean the air cleaner regularly. Clean more frequently when operating the generator in extremely dusty areas.

**NOTICE:**

Operating the engine without an air filter, with a damaged air filter, or with an improperly installed air filter will allow dirt to enter the engine, causing rapid engine wear. This type of damage is not covered by the Distributor's Limited Warranty.

1. Remove the knob, unhook the two air cleaner cover clips, and then remove the air cleaner cover and the element.
2. Wash the air cleaner element with a solution of household detergent and warm water, then rinse thoroughly, or wash with a nonflammable or high flashpoint solvent. Then, allow the air cleaner element to dry thoroughly.
3. Soak the air cleaner element in clean engine oil and squeeze out the excess oil. If too much oil is left in the air cleaner element, the engine will smoke during initial startup.
4. Reinstall the air cleaner element and the cover.

**Fuel Sediment Cup Cleaning**

The sediment cup prevents any dirt or water that may be in the fuel tank from entering the carburetor. Be sure to clean the sediment cup if the engine has not been run for a long period of time.

1. Turn the fuel valve lever to the "O (OFF)" position. Remove the sediment cup, O-ring, and filter.
2. Clean the sediment cup and filter with a nonflammable or high flash point solvent.
3. Reinstall the filter, new O-ring, and sediment cup.
4. Turn the fuel valve lever to the "I (ON)" position and check for leaks.

**Spark Plug Service (Fig. 18 & Fig. 19)**

A spark plug wrench (commercially available) is required to service the spark plug.

**Recommended spark plugs:** RN9YC (Champion), BPR5ES (NGK), W16EPR-U (DENSO)

In order for the engine to operate properly, the spark plug must be properly gapped and free of deposits.

**NOTICE:**

Using an incorrect spark plug can damage the engine. Let the engine cool before servicing the spark plug, if the engine has been running.

1. Remove the spark plug cap.
2. Clean any dirt from around the spark plug base.
3. Use a spark plug wrench to remove the spark plug.
4. Visually inspect the spark plug.
  - Discard it if the insulator is cracked, chipped, or fouled.
5. Measure the spark plug electrode gap with a wire-type feeler gauge. If necessary, correct the gap by carefully bending the side electrode.
  - The gap should be: 0.7 - 0.8 mm
6. Check that the spark plug sealing washer is in good condition, and then thread the spark plug in by hand to prevent cross-threading.
7. After the spark plug is seated, tighten with a spark plug wrench to compress the washer.
  - If installing a new spark plug, tighten 1/2 turn after the spark plug seats to compress the washer. If reinstalling a used spark plug, tighten 1/8 to 1/4 turns after the spark plug seats to compress the washer.

**NOTICE:**

If the spark plug is loose, it can overheat and damage the engine.

If the spark plug is over tightened, it can damage the threads in the cylinder head.

**Spark Arrester Maintenance (country specific) (Fig. 20)**

If the generator has been running, the muffler will be very hot. Allow it to cool before cleaning the spark arrester.

In order to keep the spark arrester functioning as designed, it must be serviced every 100 hours.

Clean the spark arrester as follows:

1. Loosen the screw by the exhaust port of the muffler and remove the spark arrester.
2. Use a brush to remove carbon deposits from the spark arrester screen.
  - The spark arrester must be free of breaks or tears. Inspect it and replace it if damaged.
3. Install the spark arrester in the reverse order of removal.

**STORAGE****Storage Preparation**

Proper storage preparation is vital to keep the generator trouble-free and looking good. The following steps will help to keep rust and corrosion from impairing the generator's performance and appearance, and will make the engine easier to start when you use the generator again.

**Cleaning**

Wipe down the generator with a moist cloth and let it dry completely. Touch up any damaged paint and coat other areas that may rust with a light film of oil.

**Fuel****NOTICE:**

Fuel formulations may deteriorate and oxidize rapidly, depending on the region where the equipment is operated. Fuel deterioration and oxidation can occur in as little as 30 days and may cause damage to the carburetor and/or fuel system. Check with your servicing dealer for local storage recommendations.

Gasoline will oxidize and deteriorate in storage. Old gasoline will cause hard starting, and it leaves gum deposits that clog the fuel system. If the gasoline in the generator deteriorates during storage, the carburetor and other fuel system components may need to be serviced or replaced.

The length of time that gasoline can be left in the fuel tank and carburetor without causing functional problems will vary with factors such as gasoline blend, your storage temperatures, and whether the fuel tank is partially or completely filled. The air in a partially filled fuel tank promotes fuel deterioration. Very warm storage temperatures accelerate fuel deterioration. Fuel deterioration problems may occur within a few months, or even less if the gasoline was not fresh when you filled the fuel tank.

Fuel system damage or engine performance problems resulting from neglected storage preparation is not covered by the Distributor's Limited Warranty. Fuel storage life can be extended by adding a gasoline stabilizer that is formulated for that purpose. Or, drain the

carburetor, sediment cup (if applicable) and/ or fuel tank to avoid fuel deterioration problems. Service according to the table below:

LENGTH OF STORAGE	RECOMMENDED SERVICE PROCEDURES TO PREVENT HARD STARTING
Less than 1 month	No preparation required.
1 to 2 months	Fill with fresh gasoline and add gasoline stabilizer*.
2 months to 1 year	Fill with fresh gasoline and add gasoline stabilizer*. Drain the carburetor float bowl and the fuel sediment cup.
1 year or more	Fill with fresh gasoline and add gasoline stabilizer*. Drain the carburetor float bowl and the fuel sediment cup. Remove the spark plug and put a teaspoon of engine oil into the cylinder. Turn the engine slowly with the recoil starter to distribute the oil. Then, reinstall the spark plug. Change the engine oil. After removing the generator from storage, drain the stored gasoline into a suitable container, and fill with fresh gasoline before starting.
*Use gasoline stabilizers that are formulated to extend storage life. Follow the manufacturer's instructions for use. Contact our authorized Makita generator dealer for stabilizer recommendations.	

## Draining the Fuel Tank and Carburetor (Fig. 21)

### ⚠ WARNING:

**Gasoline is highly flammable and explosive. Burns or severe personal injury may result from handling fuel.**

- **Stop the engine and keep heat, sparks, and flames away.**
  - **Handle fuel only outdoors.**
  - **Wipe up spills immediately.**
1. Loosen the drain screw and drain the carburetor. Drain the gasoline into a suitable container.
  2. Place a suitable gasoline container below the sediment cup, and use a funnel to avoid spilling gasoline.
  3. Remove the sediment cup, and then turn the fuel valve lever to the "I (ON)" position.
  4. Allow the gasoline to drain completely, and then reinstall the sediment cup.

## Engine Oil (Fig. 22)

1. Change the engine oil.
2. Remove the spark plug.
3. Pour a teaspoon (5 - 10 cc) of clean engine oil into the cylinder.
4. Pull the starter grip several times to distribute the oil in the cylinder.
5. Reinstall the spark plug.
6. Pull the starter grip slowly until resistance is felt. The piston is coming up on its compression stroke at this point, and both the intake and exhaust valves are closed. Storing the engine in this position will help to protect it from internal corrosion. Return the starter grip back gently to its original position.

## Storage Precautions

If the generator is to be stored with gasoline in the fuel tank and carburetor, it is important to reduce the hazard of gasoline vapor ignition.

Select a well ventilated storage area away from furnaces, water heaters, or clothes dryer, or any other appliance that operates with a flame. Also avoid areas with a spark-producing electric motor, or where power tools are operated.

Since high humidity promotes rust and corrosion, avoid storage areas with high humidity when possible. Unless all of the fuel has been drained from the fuel tank, leave the fuel valve in the "O (OFF)" position to reduce the possibility of leakage.

Place the generator on a stable and level surface. Tilting can cause the fuel or oil to leak.

Once the engine and exhaust system are cool, cover the generator to keep out dust. A hot engine and exhaust system can ignite or melt certain materials.

Do not use sheet plastic as a dust cover. A nonporous cover will trap moisture around the generator, promoting rust and corrosion.

## Removal from Storage

Check the generator as described in the "PRE-OPERATION CHECKS" chapter of this manual.

Fill the fuel tank with fresh gasoline if the fuel was drained during storage preparation. If gasoline for refueling is kept in a container, be sure that it contains only fresh gasoline. Gasoline oxidizes and deteriorates over time, and using oxidized and/or deteriorated oil will cause hard starting.

Note that if the cylinder was coated with oil during storage preparation, it is normal for the engine to smoke briefly at startup.

## TRANSPORTING (Fig. 23)

When transporting the generator, turn off the engine switch and the fuel valve. Keep the generator stable and level to prevent fuel from spilling. Fuel vapor or spilled fuel may ignite.

## **⚠ WARNING:**

Contact with a hot engine or exhaust system can result in serious burns or fire. Allow the engine cool before transporting or storing the generator.

When transporting the generator, take care not to drop or strike the generator. Do not place heavy objects on the generator.

When transporting the generator on a vehicle, secure to the generator frame as shown.

## **TROUBLESHOOTING**

### **When the engine fails to start:**

Check if fuel is in the tank.	← →	If empty, refill the fuel tank.
Check the fuel level.	← →	If low, add the recommended oil.
Check the condition of the spark plug.	← →	If in bad condition, readjust the gap and dry the spark plug. Replace if necessary.
Check if fuel is reaching the carburetor.	← →	If not, clean the fuel sediment cup.

If the engine still fails to start, take the generator to an authorized Makita generator dealer.

### **When no electricity is generated at the AC receptacles:**

Check that the AC circuit breaker is in the "I (ON)" position.	← →	If not, turn on the AC circuit breaker.
Check if the electrical appliance or equipment has any defects.	← →	If there are no defects, take the generator to an authorized Makita generator dealer. If there are defects: - Replace the electrical appliance or equipment. - Take the electrical appliance or equipment to an electrical shop to be repaired.

## **TECHNICAL INFORMATION**

### **Emission Control System Information**

#### **Source of Emissions**

Carbon monoxide, oxides of nitrogen, and hydrocarbons are produced in the combustion process. Controlling the emission of hydrocarbons and oxides of nitrogen is extremely important because, under certain conditions, they react to form photochemical smog when subjected to sunlight. Although carbon monoxide does not react in the same way, it is toxic.

Makita utilizes the appropriate air-fuel ratios and other emissions control systems in order to reduce the emissions of carbon monoxide, oxides of nitrogen, and hydrocarbons.

Furthermore, Makita fuel systems utilize components and control technologies in order to reduce evaporative emissions.

#### **Tampering and Altering**

The level of emissions may increase beyond the legal limit, if the emission control system is tampered with or altered. Acts that constitute tampering include:

- Removal or alteration of any part of the intake, fuel, or exhaust systems.
- Altering or defeating the governor linkage or speed-adjusting mechanism to cause the engine to operate outside its design parameters.

#### **Problems That May Affect Emissions**

If you become aware of any of the following symptoms, have the engine inspected and repaired by your servicing dealer.

- Hard starting or stalling after starting.
- Rough idle.
- Misfiring or backfiring under load.
- Afterburning (backfiring).
- Black exhaust smoke or high fuel consumption.

#### **Replacement Parts**

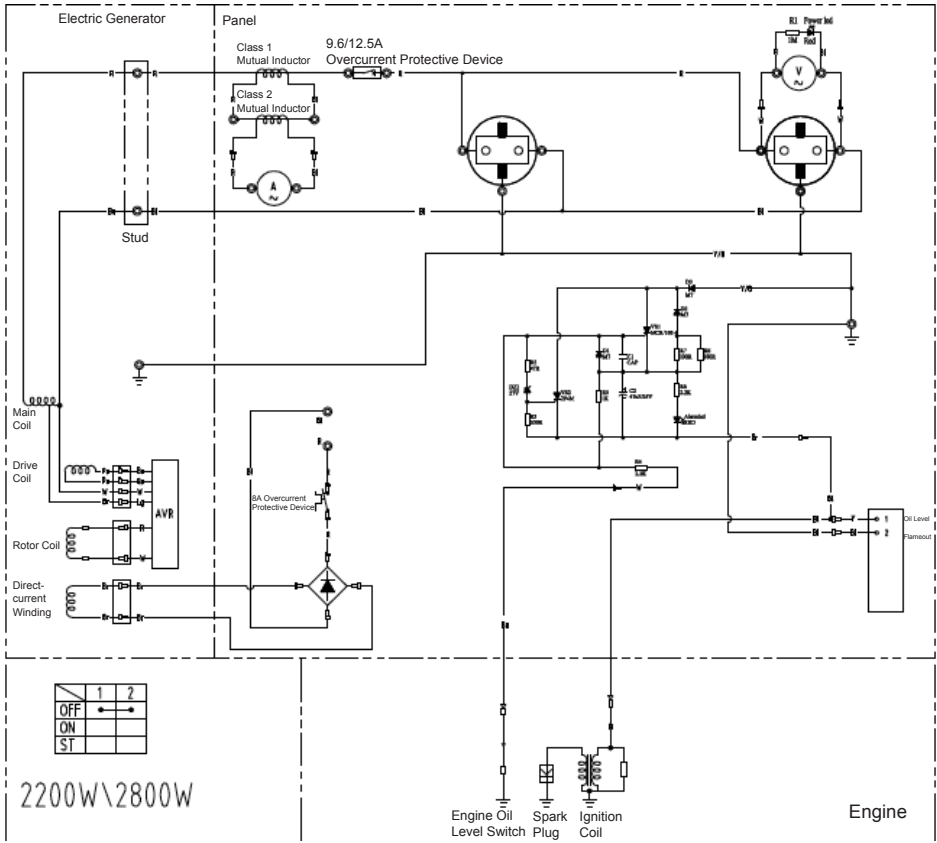
The emission control systems on your Makita engine were designed, built, and certified to conform to applicable emission regulations. Therefore, it is recommended that genuine Makita parts be used whenever you have maintenance done. Since these original-design replacement parts are manufactured to the same standards as the original parts, their performance is reliable. Using replacement parts that are not of the original design and quality may decrease the effectiveness of the emission control system.

Note that manufacturers producing aftermarket parts assume the responsibility that the part will not adversely affect emission performance. The manufacturer or rebuilder of the part must certify that the engine will still comply with emission regulations even with the use of the part.

#### **Maintenance**

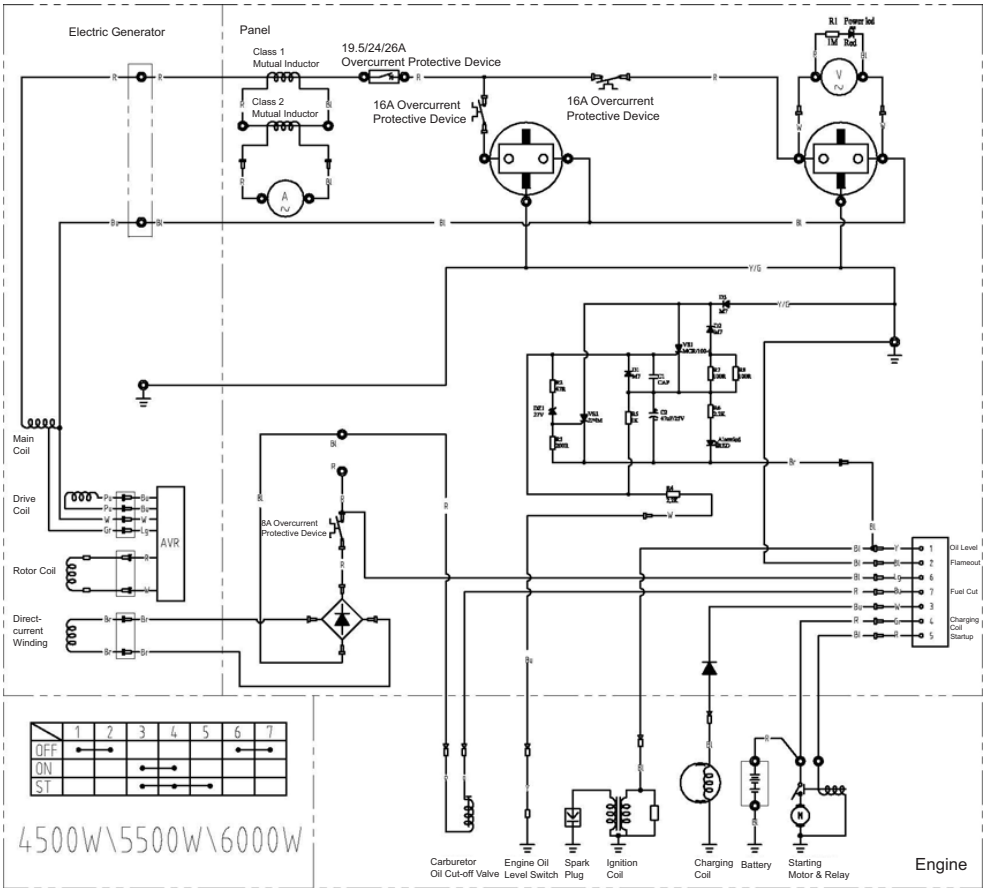
Follow the Maintenance Schedule. Remember that this schedule is based on the assumption that the machine will be used for the purpose it is designed. The machine will require more frequent service for continuous high-load or high-temperature operation, or use in unusually wet or dusty conditions.

# WIRING DIAGRAM



**Note: Wiring is the same for the EG2250A and EG2850A.**





**Note:** Wiring is the same for the EG4550A, EG5550A, and EG6050A.

# SPECIFICATIONS

MODEL		EG2250A	EG2850A	EG4550A	EG5550A	EG6050A	
Generator	Type	Brush, 2-poles, single phase					
	Voltage regulating system	AVR type					
	AC Output	230 - 50					
	Rated voltage-Frequency	V-Hz					
	Rated current	A	8.7	11.3	17.4	21.7	24
	Rated output	VA (W)	2,000	2,600	4,000	5,000	5,500
	Maximum output	VA (W)	2,200	2,800	4,500	5,500	6,000
	Rated power factor		1.0				
	Safety device type		Circuit breaker				
	DC Output		12				
	Rated voltage	V					
Rated current	A	8.3					
Safety device type		Circuit breaker					
Engine	Model	170F		190F			
	Type	OHV 4-stroke single cylinder					
	Displacement	mL	210		420		
	Fuel	Automotive Unleaded Gasoline					
	Fuel tank capacity (Full)	L	15		25		
	Fuel tank capacity (regulated Fuel volume)	L	10		20		
	Engine oil capacity	L	0.6		1.1		
	Spark plug	Champion RN9YC					
Starting system		Recoil starter		Electric starter / Recoil			
Dimension	Length	mm	600		680		
	Width	mm	442		550		
	Height	mm	450		550		
Noise (according to 2000/14/EC)	Sound pressure level	dB (A)	75 (Uncertainty K=3)				
	Sound power level	dB (A)	95 (Uncertainty K=3)				
Dry weight	kg	42	45	80	83	85	
Gross weight	kg	49.8	52.8	95.5	98.5	100.5	
Weight according to EPTA procedure 01/2003							

## ASSEMBLY

### The Importance of Proper Assembly

Proper assembly is vital to operator safety and the machine reliability. Any error or oversight made by the person assembling or servicing a unit can easily result in faulty operation, damage to the machine, or injury to the operator.

#### **⚠ WARNING:**

**Improper assembly can cause an unsafe condition that can lead to severe personal injury or loss of life. Follow the procedures and precautions in the assembly instructions carefully.**

Some of the most important safety precautions are given below.

However, we cannot cover every conceivable hazard that can arise in performing this assembly, so please remember that only you can decide whether or not you should perform a given task.

#### **⚠ WARNING:**

**Failure to properly follow instructions and precautions can cause severe personal injury or loss of life.**

**Follow the procedures and precautions in this manual carefully.**

### Important Safety Precautions

- Have a clear understanding of all basic shop safety practices and wear appropriate clothing and safety equipment. When performing this assembly, be especially careful of the following:
  - Before beginning work, read the instructions and be sure you have the tools and skills required to perform the tasks safely.
- Make sure the engine is off before beginning any maintenance or repairs. This will help eliminate several potential hazards:

- **Carbon monoxide poisoning from engine exhaust.**

Operate outside away from open windows or doors.

- **Burns from hot parts.**

Let the engine and exhaust system cool before touching.

- **Injury from moving parts.**

Do not run the engine unless the instruction tells you to do so.

- To reduce the possibility of a fire or explosion, be careful when working around gasoline or batteries. Use only a non-flammable solvent, not gasoline, to clean parts. Keep all cigarettes, sparks, and flames away from all fuel-related parts.

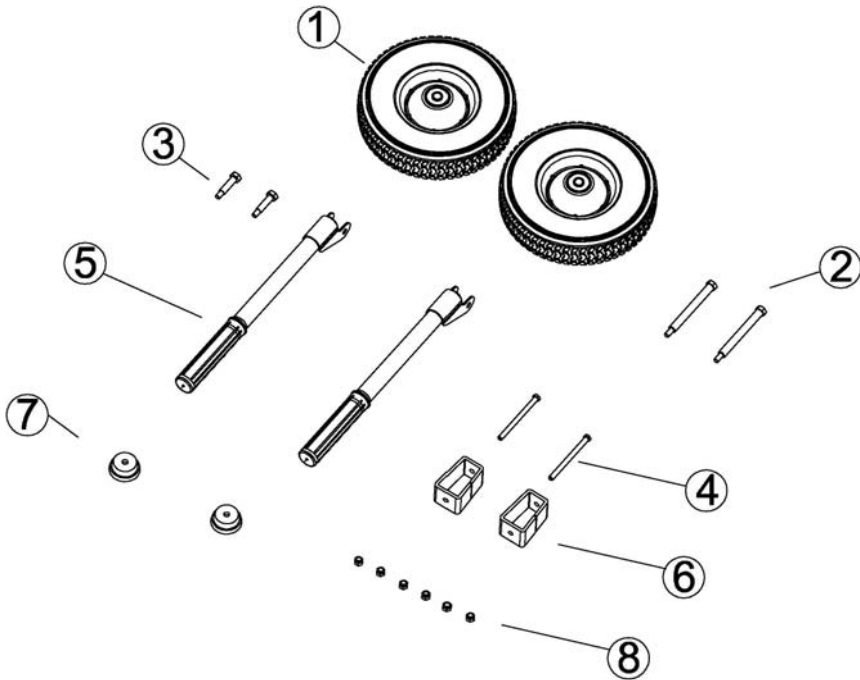
### Unpacking

1. Take out the generator and the loose parts box from the carton.
  2. Check the loose parts against the contents list below.
- Tools required: 12-mm wrench (2), pliers

Even then, keep your hands, fingers, and clothing away. When any protective guard or shield has been removed, do not run the engine.

### Loose Parts (Wheel Kit and Handle) and Front Support (Only for model EG4550A, EG5550A, EG6050A)

Check all loose parts against the following list. Contact your dealer if any of the loose parts shown below are not included with the generator.



No.	Name	Quantity
1	10-Inch Roller	2
2	Wheel Axle	2
3	Transport Handle Shaft	2
4	M8 x 100 Bolt	2
5	Transport Handle	2
6	Front Stand	2
7	Rubber Base	2
8	M8 Flange Nut	6

## Handle Installation (Fig. 24)

1. Remove the two lugs in the pushrod inserted into the rack, and line up the hole on the pushrod with the hole on the rack. Next, insert the pushrod into the rack from the outside and then screw in the M8 flange bolt on the inside and tighten down the bolt.

**TORQUE:** 17 - 22 lbf•ft (24 - 29 N•m, 2.4 - 3.0 kgf•m)

## Wheel Kit Installation (Fig. 25)

1. Line up the hole on the roller with the hole on the rack, insert the roller shaft into the rack from the outside, and then screw in the M8 flange bolt on the inside and tighten down the bolt.

**TORQUE:** 17 - 22 lbf•ft (24 - 29 N•m, 2.4 - 3.0 kgf•m)

## Fit the front stand (Fig. 26)

1. Insert an M8×100 bolt into the holes on the rubber blanket, front stand, and rack mounting plate.
2. Screw the M8 flange bolt onto the M8×100 bolt from the mounting plate and then tighten down the bolt.

## Stopping the engine with remote control

1. Press the stop button.
2. Turn the engine switch on the generator to the "O (OFF)" position.
3. Turn the fuel valve lever on the generator to the "O (OFF)" position.

## Battery Tray (Fig. 27)

### NOTE:

Battery is not included. Use a battery (rating: 12V-10Ah, L x W x H: maximum 160 mm x 90 mm x 160 mm) available in the market.

1. Connect the black power line (ground electrode) on the electric generator to the negative electrode on the battery and the red power line to the positive electrode on the battery.
2. Place the battery connected to the power lines into the battery box on the rack.
3. Hang each of the two card buckles on the rubber belt onto one of the two hangers on the battery box.

### ⚠ WARNING:

**Lead and lead compounds are used in battery posts, terminals, and related accessories. Always wash hands after handling.**

## Engine Oil (Fig. 13)

The generator is shipped **WITHOUT OIL** in the engine. Place the generator on a stable and level surface. Add enough of the recommended oil to bring the oil level to the top of the oil filler neck.

Use a 4-stroke motor oil that satisfies the requirements for API service category SJ or later (or equivalent).

Do not overfill the engine with oil. If the engine is overfilled, the excess oil may get transferred to the air cleaner housing and air filter.

## WARRANTY SERVICE INFORMATION

### CUSTOMER SERVICE INFORMATION

The personnel at the servicing dealership are trained professionals. They should be able to answer most

questions you may have. If there is a problem that your dealer does not solve to your satisfaction, please discuss it with the Service Manager or General Manager of the dealership. Almost all problems are solved in this way. If you are dissatisfied with the decision made by the dealership's management, contact the Makita Corporation.

**For European countries only**

## EC Declaration of Conformity

**We Makita Corporation as the responsible manufacturer declare that the following Makita machine(s):**

Designation of Machine: Petrol Generator  
Model No./ Type: EG2250A, EG2850A, EG4550A, EG5550A, EG6050A

Specifications: see "SPECIFICATIONS" table.

are of series production and

**Conforms to the following European Directives:**

2000/14/EC, 2004/108/EC, 2006/42/EC,  
2006/95/EC

And are manufactured in accordance with the following standards or standardised documents:

EN12601, EN55012, EN61000, EN60204-1

The technical documentation is kept by:

Makita International Europe Ltd.  
Technical Department,  
Michigan Drive, Tongwell,  
Milton Keynes, Bucks MK15 8JD, England

The conformity assessment procedure required by Directive 2000/14/EC was in Accordance with annex VI. Notified Body:

AV TECHNOLOGY LTD  
AVTECH House, Arkle Avenue  
Stanley Green Trading Estate  
Handforth, Cheshire  
SK9 3RW, United Kingdom  
Identification number 1067

Model EG2250A

Measured Sound Power Level: 94 dB (A)

Guaranteed Sound Power Level: 95 dB (A)

Model EG2850A, EG4550A, EG5550A, EG6050A

Measured Sound Power Level: 95 dB (A)

Guaranteed Sound Power Level: 96 dB (A)

27.12.2013



Tomoyasu Kato  
Director

Makita Corporation  
3-11-8, Sumiyoshi-cho,  
Anjo, Aichi, 446-8502, JAPAN

## Descriptif général

1. PANNEAU DE COMMANDE	16. BORNE DE MASSE	34. REPÈRE DE LIMITE SUPÉRIEURE
2. JAUGE À CARBURANT	17. SILENCIEUX	35. RONDELLE D'ÉTANCHÉITÉ
3. BOUCHON DU RÉSERVOIR À CARBURANT	18. ROUE	36. BOUCHON DE VIDANGE D'HUILE
4. INTERRUPTEUR DU MOTEUR	19. BÉQUILLE	37. COUVERCLE DU FILTRE À AIR
5. LEVIER DU STARTER	20. POIGNÉE DE TRANSPORT	38. BOUTON
6. FILTRE À AIR	21. CAPUCHON DE LA BOUGIE D'ALLUMAGE	39. ÉLÉMENT
7. LEVIER DU ROBINET DE CARBURANT	22. I (MARCHE)	40. Correctement accroché
8. POIGNÉE DU DÉMARREUR	23. O (ARRÊT)	41. Mal accroché
9. NUMÉRO DE SÉRIE DU MOTEUR	24. S (DÉMARRAGE)	42. CLÉ À BOUGIE
10. BOUCHON DE REMPLISSAGE D'HUILE/JAUGE DE NIVEAU	25. MARCHÉ	43. Collier de serrage
11. PROTECTEURS DE CIRCUIT CA	26. ARRÊT	44. Écran pare-étincelles
12. DISJONCTEUR CA	27. LANCEUR À RETOUR AUTOMATIQUE	45. Vis de vidange
13. PROTECTEUR DE CIRCUIT CC	28. OUVERT	46. Lampe témoin
14. BORNE DE SORTIE CC	29. FERMÉ	47. Témoin d'avertissement du niveau d'huile
15. PRISES CA 230 V (la forme des prises varie selon les pays)	30. BORNE NÉGATIVE (NOIRE)	48. Voltmètre
	31. BORNE POSITIVE (ROUGE)	49. Ampèremètre
	32. ORIFICE DE REMPLISSAGE D'HUILE	
	33. NIVEAU D'HUILE	

### ⚠ AVERTISSEMENT :

**Les gaz d'échappement provenant de ce produit contiennent du monoxyde de carbone, un gaz toxique qui peut s'accumuler à des niveaux dangereux dans des endroits clos.**

**L'inhalation de monoxyde de carbone peut provoquer des évanouissements ou la mort.**

**Ne jamais faire fonctionner le groupe électrogène dans un endroit clos ou partiellement clos, où il peut y avoir des personnes.**

### ⚠ AVERTISSEMENT :

**Le groupe électrogène représente une source potentielle d'électrocution en cas de mauvaise utilisation. Ne pas exposer le groupe électrogène à l'humidité, l'eau ou la neige. Ne pas laisser le groupe électrogène se mouiller et ne pas l'utiliser avec les mains mouillées.**

Conserver ce manuel d'instructions à portée de main pour référence ultérieure.

Ce manuel d'instructions est considéré comme une partie intégrante permanente du groupe électrogène et doit rester avec le groupe électrogène en cas de revente. Toutes les informations et les spécifications indiquées dans ce document sont basées sur les données les plus récentes, connues au moment de l'impression. Makita Corporation se réserve toutefois le droit, d'interrompre ou de modifier les spécifications ou la conception à tout moment, sans préavis et sans aucune obligation de sa part. Aucune partie de ce document ne peut être reproduit sans une autorisation écrite.

## À PROPOS DE LA SÉCURITÉ

La sécurité de l'opérateur et de tout autre personne concernée est très importante et l'utilisation en toute sécurité de ce groupe électrogène est une responsabilité importante.

Afin de prendre des décisions en toute connaissance de cause en ce qui concerne la sécurité, les procédures de

fonctionnement ainsi que d'autres informations sont fournies dans ce manuel et sur les étiquettes apposées sur le groupe électrogène. Ces informations avertissent l'opérateur des dangers potentiels qui peuvent blesser l'opérateur ou d'autres personnes.

Étant donné qu'il n'est pas possible d'avertir de tous les dangers associés à l'utilisation ou l'entretien d'un groupe électrogène, il est nécessaire de toujours utiliser son propre jugement.

Les informations importantes concernant la sécurité peuvent être trouvées sous les formes suivantes :

- **Étiquettes de sécurité** — sur le groupe électrogène.
- **Messages de sécurité** — précédés d'un symbole de sécurité et d'une des trois mentions de mise en garde (DANGER, AVERTISSEMENT ou ATTENTION).

Ces mentions de mise en garde signifient :

### ⚠ DANGER :

Signale que le non-respect des instructions provoquera des blessures corporelles graves, voire mortelles, ou des dommages matériels considérables.

### ⚠ AVERTISSEMENT :

Signale un risque de blessures corporelles ou de dommages matériels si les instructions ne sont pas suivies.

### ⚠ ATTENTION :

Signale un risque de blessures corporelles si les instructions ne sont pas suivies.











- **Titres concernant la sécurité** — tels que INFORMATIONS IMPORTANTES SUR LA SÉCURITÉ.
- **Sections concernant la sécurité** — telles que SÉCURITÉ DU GROUPE ÉLECTROGÈNE.
- **Instructions** — comment utiliser ce groupe électrogène correctement et en toute sécurité.

Les informations importantes concernant la sécurité sont indiquées tout au long du manuel. Lire le manuel attentivement.

# SÉCURITÉ DU GROUPE ÉLECTROGÈNE

## SYMBOLES et SIGNIFICATIONS

En conformité avec les exigences européennes (Directives CEE), les symboles spécifiés comme indiqué dans le tableau suivant sont utilisés pour les produits et ce manuel d'instructions.

	Lire le manuel d'instructions de l'opérateur.		Feu et flamme nue interdits et défense de fumer.
	Rester à l'écart des surfaces chaudes.		Ne pas connecter le groupe électrogène aux lignes électriques commerciales.
	Le gaz d'échappement est toxique. Ne pas faire fonctionner dans un endroit non ventilé.		Essence
	Arrêter le moteur avant de ravitailler en carburant.		Appeler pour l'entretien.
	Attention, risque de choc électrique.		Conserver au sec.

## INFORMATIONS IMPORTANTES SUR LA SÉCURITÉ

Les groupes électrogènes Makita sont conçus pour assurer un service sûr et fiable dans des conditions d'utilisation conformes aux instructions. Lire et assimiler le contenu de ce manuel d'instructions avant d'utiliser le groupe électrogène. Afin de prévenir les accidents, se familiariser avec les commandes du groupe électrogène et respecter les procédures de fonctionnement.

### Responsabilités de l'opérateur

- L'opérateur doit savoir comment arrêter rapidement le groupe électrogène en cas d'urgence.
- L'opérateur doit connaître l'utilisation de toutes les commandes du groupe électrogène, prises de sortie et connexions.
- L'opérateur doit s'assurer que toute personne qui utilise le groupe électrogène a reçu des instructions appropriées. Ne pas laisser les enfants utiliser le groupe électrogène sans supervision parentale.

### Dangers du monoxyde de carbone

- Les gaz d'échappement de ce groupe électrogène contiennent du monoxyde de carbone, un gaz toxique incolore et inodore. L'inhalation de monoxyde de carbone peut provoquer des évanouissements et entraîner la mort.
- Si le groupe électrogène est utilisé dans un endroit clos ou partiellement clos, l'air peut contenir une quantité dangereuse de gaz d'échappement.
- Ne jamais faire fonctionner le groupe électrogène dans un garage, une maison ou à proximité de fenêtres ou portes ouvertes.

### Risques de chocs électriques

- Le groupe électrogène produit une puissance électrique suffisamment importante pour provoquer un choc électrique grave ou une électrocution en cas de mauvaise utilisation.
- Ne pas utiliser le groupe électrogène ou tout autre appareil électrique en milieu humide (pluie ou neige), près d'une piscine ou d'un dispositif d'arrosage, ou avec les mains mouillées. Cela peut provoquer une électrocution. Garder le groupe électrogène sec.
- Si le groupe électrogène est entreposé à l'extérieur dans un endroit non protégé contre les intempéries, vérifier tous les composants électriques du panneau de commande avant chaque utilisation. L'humidité ou la glace peut provoquer un dysfonctionnement ou un court-circuit des composants électriques pouvant causer une électrocution.
- Ne pas connecter le groupe électrogène au réseau électrique d'un bâtiment si un interrupteur d'isolement n'a pas été installé par un électricien qualifié.

### Risques d'incendie et de brûlures

- Le système d'échappement peut devenir suffisamment chaud pour enflammer des matériaux inflammables.
  - Garder le groupe électrogène à au moins 1 mètre des structures ou des bâtiments et des autres équipements pendant l'utilisation.
  - Ne pas enfermer le groupe électrogène dans une structure.
  - Garder les matériaux inflammables loin du groupe électrogène.

- Le silencieux devient très chaud pendant le fonctionnement et reste chaud pendant un certain temps après l'arrêt du moteur. Ne pas toucher le silencieux lorsqu'il est chaud. Attendre que le moteur refroidisse avant de ranger le groupe électrogène à l'intérieur.
- L'essence est très inflammable et explosive dans certaines conditions. Ne pas fumer lors du ravitaillement du groupe électrogène ou à proximité de l'endroit où l'essence est stockée. Ne pas approcher de flammes/étincelles à proximité de l'endroit où le groupe électrogène est ravitaillé ou de l'endroit où l'essence stockée. Ravitailler en carburant dans un endroit bien aéré, le moteur arrêté.
- Les vapeurs de carburant sont très inflammables et peuvent s'enflammer après le démarrage du moteur. Si du carburant a été renversé, l'essuyer et laisser sécher avant de démarrer le groupe électrogène.

#### Autres informations de sécurité :

- Un équipement de protection individuelle est nécessaire pour l'utilisation et l'entretien.
- La capacité de charge doit être maintenue comme indiqué sur la plaque signalétique du groupe électrogène. Une surcharge du groupe électrogène endommagera l'appareil ou raccourcira sa durée de vie.
- Le groupe électrogène ne doit pas fonctionner à des vitesses excessives. Le fonctionnement à des vitesses excessives augmente le risque de blessures corporelles.
- Ne pas modifier les pièces qui peuvent augmenter ou diminuer la vitesse régulée.
- Utiliser uniquement des rallonges avec mise à la terre et d'un calibre de fil suffisant pour l'application. Lors de l'utilisation d'une rallonge ou d'un réseau électrique mobile, si le diamètre du fil est de 1,5 mm<sup>2</sup>, la longueur ne peut pas dépasser 60 m. Si le diamètre du fil est de 2,5 mm<sup>2</sup>, la longueur ne peut pas dépasser 100 m.
- Le système d'échappement peut devenir suffisamment chaud pour enflammer des matériaux inflammables. Ne pas faire fonctionner le moteur à proximité de matériaux inflammables. Ne pas utiliser le groupe électrogène en milieu humide.
- Ne pas stocker le carburant à l'intérieur ou ne pas essayer de ravitailler un groupe électrogène lorsqu'il est en marche.
- Ne pas couvrir l'appareil lorsqu'il est en cours d'utilisation.
- Afin d'éviter une intoxication ou un incendie lors de l'utilisation, ne jamais utiliser le groupe électrogène à proximité de matériaux inflammables.
- L'appareil doit atteindre la vitesse de fonctionnement avant que les charges électriques soient connectées. Déconnecter la charge avant d'éteindre le groupe électrogène. Mettre hors tension tous les équipements alimentés par le groupe électrogène avant d'éteindre ce dernier. L'appareil ne doit pas être connecté à d'autres prises d'alimentation électrique.
- La protection contre les chocs électriques dépend des disjoncteurs spécialement adaptés pour le groupe électrogène. Si le disjoncteur doit être remplacé, contacter un revendeur local pour le remplacement avec un disjoncteur de calibre et de caractéristiques de fonctionnement identiques.

- Vérifier que le groupe électrogène ne possède pas de tuyaux endommagés, de colliers desserrés ou manquants, de réservoir ou bouchon endommagé avant de l'utiliser. Tous les défauts doivent être corrigés avant l'utilisation.
- L'installation et les réparations importantes du groupe électrogène doivent être effectuées uniquement par des techniciens qualifiés. Avant de transporter le groupe électrogène, vidanger tout le carburant pour éviter les fuites.
- Ranger le groupe électrogène dans un endroit bien aéré, le réservoir à carburant vide.

## COMPOSANTS (Fig. 1)

### PANNEAU DE COMMANDE (Fig. 2 et Fig. 3)

\*Noter les numéros de série du moteur et du châssis, ainsi que la date d'achat, pour référence ultérieure. Se reporter à ces numéros de série lors de la commande de pièces et de demandes de renseignements techniques ou de garantie.

Date d'achat :

Numéro de série du moteur :

Numéro de série du châssis :

## COMMANDES

### Interrupteur du moteur (Fig. 4)

Permet de démarrer et d'arrêter le moteur.

#### Position de la clé :

**O (ARRÊT)** : Permet d'arrêter le moteur. La clé peut être retirée ou insérée.

**I (MARCHE)** : Permet de faire tourner le moteur après le démarrage.

**S (DÉMARRAGE)** : Permet de démarrer le moteur à l'aide du démarreur.

\*EG2250A et EG2850A sont équipés d'un interrupteur I (MARCHE)/O (ARRÊT) uniquement.

### Poignée du démarreur (Fig. 5)

Pour démarrer le moteur, tirer doucement sur la poignée du démarreur jusqu'à ressentir une résistance, puis la tirer d'un coup sec.

#### REMARQUE :

Ramener la poignée du démarreur lentement pour éviter tout dommage au démarreur. Ne pas la laisser revenir brusquement contre le moteur.

Si le groupe électrogène n'est pas équipé d'une batterie de 12 volts pour faire fonctionner le démarreur ou si la batterie n'est pas suffisamment chargée pour faire fonctionner le démarreur, le lanceur à retour automatique est utilisé pour démarrer le moteur.

### Lever du robinet de carburant (Fig. 6)

Le robinet de carburant est situé entre le réservoir à carburant et le carburateur. Le carburant peut s'écouler du réservoir à carburant au carburateur lorsque le levier du robinet est dans la position « I (MARCHE) ».

Remettre le levier du robinet de carburant sur la position « O (ARRÊT) » après l'arrêt du moteur.

## Tige du starter (Fig. 7)

Le starter permet de fournir un mélange de carburant enrichi lors du démarrage d'un moteur froid. Actionner la tige du starter manuellement pour ouvrir et fermer le starter. Tirer le starter vers « FERMÉ » pour enrichir le mélange pour le démarrage à froid.

## Borne de masse (Fig. 8)

La borne de masse du groupe électrogène est connectée au châssis du groupe électrogène, aux pièces métalliques non conductrices du groupe électrogène et aux bornes de masse de chaque prise.

Avant d'utiliser la borne de masse, consulter un électricien qualifié, un inspecteur en électricité ou un organisme local compétent en ce qui concerne les codes ou les décrets locaux qui régissent l'utilisation prévue du groupe électrogène.

## Bornes CC

Les bornes CC sont utilisées uniquement pour recharger des batteries de type automobile de 12 volts.

Les bornes sont de couleur rouge et noir pour identifier respectivement la borne positive (+) et la borne négative (-). S'assurer de connecter la batterie aux bornes CC du groupe électrogène en respectant la polarité (côté positif de la batterie à la borne rouge du groupe électrogène et côté négatif de la batterie à la borne noire du groupe électrogène).

## Protecteur de circuit CC (Fig. 9)

Lorsque le circuit de charge CC est surchargé, il y a un problème avec la batterie, ou les connexions entre la batterie et le groupe électrogène sont incorrectes, le protecteur de circuit CC éteint automatiquement le circuit de charge de la batterie CC.

## Système d'alerte d'huile (Fig. 14)

Le moteur peut être endommagé lorsqu'il n'y a pas suffisamment d'huile dans le carter. Afin d'éviter ce problème, le système d'alerte d'huile arrête automatiquement le moteur avant que le niveau d'huile dans le carter ne descende au-dessous du seuil de sécurité (l'interrupteur du moteur reste en position « I (MARCHE) »). Lorsque le système d'alerte d'huile fonctionne, le témoin d'avertissement du niveau d'huile s'allume en rouge. Le niveau d'huile doit toujours être vérifié avant chaque utilisation, indépendamment de ce système d'alerte d'huile.

Si le moteur s'arrête et ne redémarre pas, vérifier le niveau d'huile moteur avant tout dépannage dans d'autres domaines.

### REMARQUE :

Lorsque la quantité d'huile dans le carter est suffisante, la lampe témoin s'allume en vert. Lorsque la quantité d'huile n'est pas suffisante, le témoin d'avertissement du niveau d'huile s'allume en rouge. S'assurer d'ajouter de l'huile avant d'utiliser le groupe électrogène.

## Disjoncteur CA (Fig. 10)

Le disjoncteur CA s'éteint automatiquement en cas de court-circuit ou de surcharge importante du groupe électrogène au niveau de la prise. Si le disjoncteur CA s'éteint automatiquement, s'assurer que l'appareil fonctionne correctement et ne dépasse pas la capacité de charge nominale du circuit avant de rallumer le disjoncteur CA.

Le disjoncteur CA peut être utilisé pour mettre le groupe électrogène sous ou hors tension.

## Protecteur de circuit CA (EG4550A, EG5550A et EG6050A uniquement) (Fig. 11)

Les protecteurs de circuit CA s'éteignent automatiquement en cas de court-circuit ou de surcharge importante du groupe électrogène au niveau de la sortie 26 A 230 V. Si un protecteur de circuit CA s'éteint automatiquement, s'assurer que l'appareil fonctionne correctement et ne dépasse pas la capacité de charge nominale du circuit avant de réenclencher le protecteur de circuit CA.

## UTILISATION DU GROUPE ÉLECTROGÈNE

### Connexions au système électrique d'un bâtiment

Les connexions pour l'alimentation de secours au système électrique d'un bâtiment doit être effectuée par un électricien qualifié. S'assurer que la connexion isole l'alimentation du groupe électrogène de l'alimentation secteur, et est conforme à toutes les lois applicables et aux normes électriques. Un commutateur de transfert, qui isole l'alimentation du groupe électrogène de l'alimentation secteur, peut être acheté par l'intermédiaire des revendeurs agréés de groupes électrogènes Makita.

### ⚠ AVERTISSEMENT :

**Le courant électrique provenant du groupe électrogène peut revenir vers les lignes électriques si les connexions au système électrique d'un bâtiment sont effectuées de manière inappropriée. Un tel retour de courant pourrait provoquer une électrocution des travailleurs du service public ou de toute autre personne qui toucherait aux lignes pendant une panne de courant, et le groupe électrogène pourrait exploser, brûler ou provoquer un incendie au moment où le courant est rétabli. Consulter une entreprise de service public ou un électricien qualifié.**

### Système de mise à la terre

Les groupes électrogènes portatifs Makita sont équipés d'un système de mise à la terre qui relie les composants du châssis du groupe électrogène aux bornes de masse des prises de sortie CA. Le système de mise à la terre n'étant pas relié au conducteur neutre CA, si le groupe électrogène est testé par un appareil de contrôle de prise, il affiche la même condition de circuit de masse que pour une prise de courant domestique.



## Applications CA

Avant de connecter un appareil ou un cordon d'alimentation au groupe électrogène :

- S'assurer qu'il est en bon état de fonctionnement. Les appareils ou les cordons d'alimentation défectueux peuvent provoquer un choc électrique.
- Si un appareil se met à fonctionner de manière anormale, s'il devient lent ou s'arrête brusquement, le mettre hors tension immédiatement. Débrancher l'appareil et déterminer s'il y a un problème avec l'appareil ou si la capacité de charge nominale du groupe électrogène a été dépassée.
- S'assurer que les caractéristiques électriques de l'outil ou de l'appareil ne dépasse pas celles du groupe électrogène. Ne jamais dépasser la puissance maximale du groupe électrogène. Les niveaux de puissance entre la puissance nominale et maximale peuvent être utilisés pendant une heure au maximum.

### REMARQUE :

Une surcharge importante éteindra le disjoncteur. Le dépassement du délai de fonctionnement avec une puissance maximale ou une légère surcharge du groupe électrogène peut ne pas éteindre le disjoncteur ou le protecteur de circuit, mais cela réduira la durée de vie du groupe électrogène.

Limiter le fonctionnement nécessitant une puissance maximale à une heure. La puissance maximale est indiquée ci-dessous :

EG2250A : 2,2 kW

EG2850A : 2,8 kW

EG4550A : 4,5 kW

EG5550A : 5,5 kW

EG6050A : 6,0 kW

Pour un fonctionnement continu, ne pas dépasser la puissance nominale. La puissance nominale est indiquée ci-dessous :

EG2250A : 2,0 kW

EG2850A : 2,6 kW

EG4550A : 4,0 kW

EG5550A : 5,0 kW

EG6050A : 5,5 kW

La puissance totale requise (VA) de tous les appareils connectés au groupe électrogène doit être prise en compte. Les informations sur les caractéristiques des appareils et des outils électriques sont généralement indiquées près du numéro de modèle ou du numéro de série.

## Fonctionnement CA (Fig. 12)

1. Démarrer le moteur.
2. Allumer le disjoncteur CA.
3. Brancher l'appareil.

### REMARQUE :

Avant de connecter un appareil au groupe électrogène, s'assurer qu'il est en bon état de fonctionnement. Si un appareil se met à fonctionner de manière anormale, s'il devient lent ou s'arrête brusquement, désactiver immédiatement le levier du commutateur d'allumage. Débrancher ensuite l'appareil et repérer les signes de dysfonctionnement.

La plupart des appareils motorisés nécessitent plus que leur puissance nominale pour le démarrage.

Ne pas dépasser la limite de courant spécifiée pour chaque prise. Si une surcharge du circuit provoque la mise hors tension du disjoncteur CA ou du protecteur de circuit CA, réduire la charge électrique sur le circuit, attendre quelques minutes, puis réenclencher le disjoncteur CA ou le protecteur de circuit CA.

## Fonctionnement CC

Les bornes CC sont utilisées uniquement pour recharger des batteries de type automobile de 12 volts.

### Connexion des câbles de charge de batterie :

1. Avant de connecter les câbles de charge de batterie à une batterie qui est installée dans un véhicule, déconnecter le câble de masse de la batterie du véhicule à partir de la borne négative (-) de la batterie.

### ⚠ AVERTISSEMENT :

**La batterie dégage des gaz explosifs. Ne pas approcher d'étincelles, de flammes ni de cigarettes. Assurer une ventilation adéquate lors de la charge ou de l'utilisation de batteries.**

**AVERTISSEMENT :** Les bornes, cosses et accessoires connexes de la batterie contiennent du plomb et des composés de plomb. **Toujours se laver les mains après les avoir manipulés.**

2. Connecter le câble de batterie positif (+) à la borne positive (+) de la batterie.
3. Connecter l'autre extrémité du câble de batterie positif (+) à la borne positive (+) du groupe électrogène.
4. Connecter le câble de batterie négatif (-) à la borne négative (-) de la batterie.
5. Connecter l'autre extrémité du câble de batterie négatif (-) à la borne négative (-) du groupe électrogène.
6. Démarrer le groupe électrogène.

### REMARQUE :

Ne pas démarrer le véhicule lorsque le câble de charge de batterie est connecté et le groupe électrogène en marche. Cela pourrait endommager le véhicule ou le groupe électrogène.

Le protecteur de circuit CC sera déclenché (le bouton « POUSSER » sortira), si le circuit CC est surchargé, trop de courant est tiré par la batterie ou un problème de câblage se produit. Dans ce cas, attendre quelques minutes avant d'enfoncer le protecteur de circuit pour reprendre le fonctionnement. Si le protecteur de circuit CC continue à se déclencher, arrêter le chargement et consulter un revendeur agréé de groupes électrogènes Makita.

### Déconnexion des câbles de batterie :

1. Arrêter le moteur.
2. Déconnecter le câble de batterie négatif (-) de la borne négative (-) du groupe électrogène.
3. Déconnecter l'autre extrémité du câble de batterie négatif (-) de la borne négative (-) de la batterie.
4. Déconnecter le câble de batterie positif (+) de la borne positive (+) du groupe électrogène.
5. Déconnecter l'autre extrémité du câble de batterie positif (+) de la borne positive (+) de la batterie.
6. Reconnecter le câble de masse de la batterie du véhicule à la borne négative (-) de la batterie.

## Fonctionnement à haute altitude

À haute altitude, le mélange standard air-carburant du carburateur est trop riche, provoquant une baisse de la performance et une augmentation de la consommation de carburant. Un mélange très riche encrasse également la bougie d'allumage et rend le démarrage difficile. Le fonctionnement pendant des périodes prolongées à une altitude qui diffère de l'altitude à laquelle ce moteur a été certifié peut augmenter les émissions.

La puissance du moteur diminue d'environ 3,5 % pour chaque augmentation de 300 mètres d'altitude, même avec une modification du carburateur. Si aucune modification du carburateur n'est effectuée dans le carburateur, l'effet de l'altitude sur la puissance sera encore plus important. Les performances à haute altitude peuvent être améliorées en effectuant des modifications spécifiques au carburateur. Si le groupe électrogène doit fonctionner en permanence à une altitude supérieure à 1500 mètres, demander au revendeur d'effectuer cette modification au carburateur. Ce moteur sera conforme aux différentes normes d'émissions tout au long de sa durée de vie utile, lorsqu'il est utilisé à des altitudes élevées avec les modifications du carburateur pour une utilisation à haute altitude.

### REMARQUE :

Lorsque le carburateur a été modifié pour une utilisation à haute altitude, le mélange air-carburant est trop pauvre pour une utilisation à basse altitude. L'utilisation à une altitude inférieure à 1500 mètres avec un carburateur modifié peut provoquer une surchauffe du moteur et endommager gravement le moteur. Pour une utilisation à basse altitude, demander au revendeur de remettre le carburateur aux spécifications d'usine d'origine.

## CONTRÔLES AVANT UTILISATION

### Vérification de l'huile moteur (Fig. 13)

Avant chaque utilisation, vérifier le niveau d'huile avec le moteur arrêté et le groupe électrogène posé sur une surface plane et stable.

Utiliser une huile moteur 4 temps répondant ou dépassant les exigences de la classification API SJ ou ultérieure (ou équivalente). Toujours vérifier l'étiquette de classification API sur le bidon d'huile pour s'assurer qu'elle indique bien la catégorie SJ ou ultérieure (ou équivalente).

1. Retirer le bouchon de remplissage d'huile/jauge de niveau et essuyer la jauge de niveau.
2. Introduire la jauge de niveau dans le goulot de remplissage et vérifier le niveau d'huile. Ne pas visser le bouchon de remplissage.
3. Si le niveau d'huile est bas, remplir d'huile recommandée jusqu'au repère de limite supérieure du goulot de remplissage.

### Vérification du carburant (Fig. 14)

Avec le moteur arrêté, vérifier la jauge de niveau de carburant. Remplir le réservoir à carburant si le niveau de carburant est bas.

### ⚠ AVERTISSEMENT :

**L'essence est très inflammable et explosive.**

**La manipulation du carburant peut provoquer des brûlures ou blessures corporelles graves.**

- **Arrêter le moteur et ne pas approcher de sources de chaleur, d'étincelles ou de flammes.**
- **Ravitailer en carburant uniquement à l'extérieur.**
- **Essuyer immédiatement tout carburant renversé.**

Ravitailer en carburant dans un endroit bien aéré, le moteur arrêté. Laisser d'abord le moteur refroidir s'il vient de fonctionner. Ravitailler avec précaution pour éviter de renverser du carburant. Ne pas remplir au-delà du repère de limite supérieure.

Ne jamais ravitailler le moteur à l'intérieur d'un bâtiment où des vapeurs d'essence pourraient atteindre des flammes ou des étincelles. Garder l'essence loin des veilleuses des appareils, barbecues, appareils électriques, outils électriques, etc.

Le carburant renversé constitue un risque d'incendie et il est nuisible pour l'environnement. Essuyer immédiatement tout carburant renversé.

### REMARQUE :

Attention de ne pas renverser de carburant lors du remplissage du réservoir car le carburant peut endommager la peinture et le plastique. Tout dommage causé par du carburant renversé n'est pas couvert par la garantie.

Une fois le ravitaillement terminé, bien refermer le bouchon du réservoir à carburant.

### Carburants recommandés

Ce moteur est certifié pour fonctionner avec de l'essence sans plomb ayant un indice d'octane à la pompe d'au moins 86.

Ne jamais utiliser de l'essence viciée ou contaminée ou un mélange d'huile/essence. Éviter la pénétration de saleté ou d'eau dans le réservoir à carburant.

Une essence ordinaire sans plomb ne contenant pas plus de 10 % d'éthanol (E10) ou de 5 % de méthanol par volume peut être utilisée. De plus, le méthanol doit contenir des cosolvants et des inhibiteurs de corrosion. L'utilisation de carburants ayant une teneur en éthanol ou méthanol supérieure à celle indiquée ci-dessus peut entraîner des problèmes de démarrage et/ou de performance. Les pièces métalliques, en caoutchouc et en plastique du système de carburant peuvent également être endommagées.

Tout dommage au moteur ou problème de performance résultant de l'utilisation d'un carburant dont les pourcentages d'éthanol ou de méthanol sont supérieurs à ceux indiqués ci-dessus, n'est pas couvert par la garantie.

## DÉMARRAGE/ARRÊT DU MOTEUR

### Démarrage du moteur

Pour des raisons de sécurité, ne pas faire fonctionner le groupe électrogène dans un endroit clos tel qu'un garage. Les gaz d'échappement du groupe électrogène contiennent du monoxyde de carbone, un gaz toxique qui peut s'accumuler rapidement dans un endroit clos et provoquer une intoxication ou la mort.

### **⚠ AVERTISSEMENT :**

**Les gaz d'échappement provenant du groupe électrogène contiennent du monoxyde de carbone, un gaz toxique qui peut s'accumuler à des niveaux dangereux dans des endroits clos. L'inhalation de monoxyde de carbone peut provoquer des évanouissements ou la mort.**

**Ne jamais faire fonctionner le groupe électrogène dans un endroit clos ou partiellement clos, où il peut y avoir des personnes.**

Afin d'éviter un incendie, garder le groupe électrogène à au moins 1 mètre des bâtiments et des autres structures pendant le fonctionnement. Garder les objets inflammables loin du moteur.

### **REMARQUE :**

Ne pas faire fonctionner ce groupe électrogène à moins de 1 mètre d'un bâtiment ou de toute autre obstruction. Cela pourrait provoquer une surchauffe et/ou des dommages au groupe électrogène. Afin de maintenir un bon refroidissement, laisser au moins 1 mètre d'espace vide au-dessus et autour du groupe électrogène.

Se reporter aux sections « FONCTIONNEMENT CA » ou « FONCTIONNEMENT CC » de ce manuel pour en savoir plus sur la connexion des charges au groupe électrogène.

1. Effectuer les CONTRÔLES AVANT UTILISATION.
2. S'assurer que le disjoncteur CA est en position « O (ARRÊT) ». Le démarrage du groupe électrogène peut être difficile si une charge est connectée.
3. Tourner le levier du robinet de carburant sur la position « I (MARCHÉ) ».
4. Tourner l'interrupteur du moteur sur la position « I (MARCHÉ) ».
5. Tirer doucement sur la poignée du démarreur jusqu'à ressentir une résistance, puis la tirer d'un coup sec.

### **REMARQUE :**

Ramener la poignée du démarreur lentement pour éviter tout dommage au démarreur. Ne pas la laisser revenir brusquement contre le moteur.

Avec le démarreur électrique :

1. Connecter les câbles de batterie au groupe électrogène.
2. Tourner l'interrupteur du moteur sur la position « S (DÉMARRAGE) » et le maintenir sur cette position pendant 5 secondes ou jusqu'à ce que le moteur démarre.

### **REMARQUE :**

- Le moteur peut être endommagé si le démarreur est actionné pendant plus de 5 secondes. Si le moteur ne démarre pas, relâcher l'interrupteur du moteur et attendre 10 secondes avant de recommencer.
- Si la vitesse du démarreur diminue après un certain temps, cela signifie que la batterie doit être rechargée.

Lorsque le moteur démarre, laisser l'interrupteur du moteur revenir sur la position « I (MARCHÉ) ».

Si le starter a été fermé manuellement, le pousser sur la position « OUVERT » pendant que le moteur chauffe.

## **Arrêt du moteur**

### **En cas d'urgence :**

Pour arrêter le moteur en cas d'urgence, placer l'interrupteur du moteur sur la position « O (ARRÊT) ».

### **Utilisation normale :**

1. Tourner le disjoncteur CA sur la position « O (ARRÊT) ».  
Déconnecter les câbles de charge de batterie CC.
2. Tourner l'interrupteur du moteur sur la position « O (ARRÊT) ».
3. Tourner le levier du robinet de carburant sur la position « O (ARRÊT) ».

## **ENTRETIEN**

### **L'importance de l'entretien**

Un bon entretien est essentiel pour un fonctionnement sûr, économique et sans problème du groupe électrogène. Il contribue également à réduire la pollution de l'air.

### **⚠ AVERTISSEMENT :**

**Un entretien incorrect ou l'absence de correction d'un problème avant l'utilisation peut provoquer un dysfonctionnement pouvant entraîner des blessures corporelles graves ou mortelles.**

**Toujours respecter les recommandations et programmes de contrôle et d'entretien figurant dans ce manuel.**

Un programme d'entretien, des procédures de contrôle de routine et des procédures d'entretien simples pouvant être effectués avec des outils à main de base sont indiqués aux pages suivantes afin d'entretenir correctement le groupe électrogène. Les autres opérations d'entretien plus difficiles ou demandant des outils spéciaux doivent être exécutées par des professionnels et sont normalement effectuées par un technicien Makita ou tout autre mécanicien qualifié. Le programme d'entretien inclus dans ce manuel s'applique à des conditions d'utilisation normales. Si le groupe électrogène est utilisé dans des conditions sévères telles qu'un fonctionnement prolongé à charge élevée ou à haute température, ou dans des conditions anormalement humides ou poussiéreuses, demander au revendeur des recommandations pour des besoins et un usage particuliers.

**L'entretien, le remplacement ou la réparation des équipements et systèmes antipollution peut être exécuté par toute entreprise ou technicien de réparation de moteurs non routiers utilisant des pièces « certifiées » aux normes EPA.**

### **Sécurité d'entretien**

Certaines consignes de sécurité particulièrement importantes sont indiquées ci-dessous. Il ne nous est toutefois pas possible de vous avertir de tous les dangers imaginables pouvant survenir lors de l'entretien. Vous êtes seul juge de décider si vous devez ou non effectuer un travail donné.

### **⚠ AVERTISSEMENT :**

**Le non-respect des instructions et précautions d'entretien peut provoquer des blessures corporelles graves ou mortelles.**

**Toujours respecter les procédures et précautions de ce manuel d'instructions.**

## Consignes de sécurité

- S'assurer que le moteur est arrêté avant de commencer un entretien ou une réparation. Ceci éliminera plusieurs risques potentiels :
  - Intoxication au monoxyde de carbone provenant de l'échappement du moteur.**  
Faire fonctionner à l'extérieur loin des fenêtres ou portes ouvertes.
  - Brûlures causées par des pièces chaudes.**  
Attendre que le moteur et le système d'échappement refroidissent avant de les toucher.
  - Blessures causées par des pièces mobiles.**  
Ne faire tourner le moteur que si cela est indiqué dans les instructions.
- Lire les instructions avant d'utiliser le groupe électrogène et s'assurer de bien comprendre les

instructions et de disposer de l'outillage et des compétences nécessaires.

- Pour diminuer les risques d'incendie ou d'explosion, être prudent lors de tout travail à proximité de l'essence. Pour le nettoyage des pièces, utiliser uniquement un solvant ininflammable et non de l'essence. Ne pas approcher de cigarettes, d'étincelles ou de flammes à proximité des pièces du système d'alimentation en carburant.

Ne pas oublier que le revendeur connaît mieux le groupe électrogène et qu'il est entièrement outillé pour son entretien et sa réparation.

Pour la meilleure qualité et fiabilité, n'utiliser que des pièces d'origine Makita neuves ou leur équivalent pour la réparation ou le remplacement.

## Programme d'entretien

FRÉQUENCE D'ENTRETIEN PÉRIODIQUE <sup>*3</sup>		Chaque utilisation	Premier mois ou 20 h	Tous les 3 mois ou 50 h	Tous les 6 mois ou 100 h	Tous les ans ou 300 h
ÉLÉMENTS À ENTREtenir Effectuer l'entretien à chaque intervalle de mois ou d'heures de fonctionnement indiqué, selon celui qui survient en premier.						
Huile moteur	Vérification du niveau	○				
	Changement		○		○	
Filtre à air	Vérification	○				
	Nettoyage			○ <sup>*1</sup>		
Coupelle de décantation	Nettoyage				○	
Bougie d'allumage	Vérification-réglage				○	
	Remplacement					○
Pare-étincelles	Nettoyage				○	○ <sup>*2</sup>
Régime de ralenti	Vérification-réglage					
Jeu des soupapes	Vérification-réglage					○ <sup>*2</sup>
Chambre de combustion	Nettoyage	Après toutes les 500 h <sup>*2</sup>				
Filtre et réservoir à carburant	Nettoyage				○ <sup>*2</sup>	
Tuyau de carburant	Vérification	Tous les 2 ans (Remplacer si nécessaire) <sup>*2</sup>				

\*1: En cas d'utilisation du groupe électrogène dans des endroits poussiéreux, sales ou dans un environnement sévère, augmenter la fréquence d'entretien.

\*2: Confier l'entretien de cet élément à un revendeur agréé de groupes électrogènes Makita, à moins que le propriétaire ne dispose des outils appropriés et ne soit mécaniquement compétent. Se reporter au manuel des magasins Makita.

\*3: Pour une utilisation commerciale, les heures de fonctionnement doivent être enregistrées afin de déterminer les intervalles d'entretien appropriés.

Le non-respect de ce programme d'entretien peut entraîner des dysfonctionnements non couverts par la garantie.

## Changement de l'huile moteur (Fig. 15)

Vidanger l'huile lorsque le moteur est encore chaud afin d'assurer une vidange rapide et complète.

1. Placer un récipient approprié sous le moteur pour recueillir l'huile.
2. Vidanger l'huile en retirant le bouchon de vidange d'huile, la rondelle d'étanchéité et le bouchon de remplissage d'huile/jauge de niveau.
3. Remettre le bouchon de vidange d'huile et une nouvelle rondelle d'étanchéité, puis serrer fermement le bouchon.
4. Remplir avec de l'huile recommandée et vérifier le niveau d'huile.

Se laver les mains à l'eau savonneuse après manipulation de l'huile usagée.

### REMARQUE :

Une mise au rebut inappropriée de l'huile moteur usagée peut être dangereuse pour l'environnement. Avant de changer l'huile, vérifier la manière appropriée pour mettre au rebut l'huile usagée. Ne pas la jeter aux ordures, la déverser dans un égout ou dans le sol. Les réglementations environnementales locales vous donneront des instructions plus détaillées sur la mise au rebut appropriée.

## Entretien du filtre à air (Fig. 16 et Fig. 17)

Un filtre à air sale restreint le passage d'air vers le carburateur. Pour éviter tout mauvais fonctionnement du carburateur, nettoyer régulièrement le filtre à air. En cas d'utilisation du groupe électrogène dans des endroits très poussiéreux, augmenter la fréquence de nettoyage.

### REMARQUE :

Lors du fonctionnement du moteur sans filtre à air ou avec un filtre à air endommagé ou mal installé, des saletés pénétreront dans le moteur provoquant une usure rapide du moteur. Ce type de dommage n'est pas couvert par la garantie limitée du distributeur.

1. Enlever le bouton, décrocher les deux attaches du couvercle du filtre à air, puis retirer le couvercle du filtre à air et l'élément.
2. Laver l'élément du filtre à air avec une solution de détergent ménager et de l'eau tiède, puis rincer abondamment, ou laver avec un solvant non inflammable ou à point d'éclair élevé. Ensuite, laisser l'élément du filtre à air sécher complètement.
3. Tremper l'élément du filtre à air dans de l'huile moteur propre, puis essorer l'excès d'huile. S'il reste trop d'huile dans l'élément du filtre à air, le moteur fumera au démarrage.
4. Remettre l'élément du filtre à air et le couvercle.

## Nettoyage de la coupelle de décantation de carburant

La coupelle de décantation empêche les saletés et l'eau qui peuvent être dans le réservoir à carburant de pénétrer dans le carburateur. S'assurer de nettoyer la coupelle de décantation si le moteur n'a pas fonctionné pendant une période prolongée.

1. Tourner le levier du robinet de carburant sur la position « O (ARRÊT) ». Retirer la coupelle de décantation, le joint torique et le filtre.
2. Nettoyer la coupelle de décantation et le filtre avec un solvant non inflammable ou à point d'éclair élevé.

3. Remettre le filtre, un nouveau joint torique et la coupelle de décantation.
4. Tourner le levier du robinet de carburant sur la position « I (MARCHE) » et vérifier s'il y a des fuites.

## Entretien de la bougie d'allumage (Fig. 18 et Fig. 19)

Une clé à bougie (disponible dans le commerce) est nécessaire pour l'entretien de la bougie d'allumage.

**Bougies d'allumage recommandées :** RN9YC (Champion), BPR5ES (NGK), W16EPR-U (DENSO) Pour que le moteur fonctionne correctement, la bougie doit avoir un écartement correct et ne pas être encrassée.

### REMARQUE :

L'utilisation d'une bougie incorrecte peut endommager le moteur.

Si le moteur vient de fonctionner, attendre qu'il refroidisse avant d'effectuer l'entretien de la bougie d'allumage.

1. Enlever le capuchon de la bougie d'allumage.
2. Nettoyer toute saleté autour de la base de la bougie d'allumage.
3. Utiliser une clé à bougie pour retirer la bougie d'allumage.
4. Vérifier visuellement la bougie d'allumage. La jeter si son isolant est fissuré, ébréché ou encrassé.
5. Mesurer l'écartement des électrodes de la bougie avec un calibre d'épaisseur à fils. Si nécessaire, corriger l'écartement en pliant avec précaution l'électrode latérale. L'écartement doit être de : 0,7 - 0,8 mm
6. Vérifier que la rondelle d'étanchéité de la bougie d'allumage est en bon état et visser la bougie à la main pour éviter de fausser le filetage.
7. Lorsque la bougie d'allumage est installée, serrer avec une clé à bougie pour comprimer la rondelle d'étanchéité.
  - Si la bougie est neuve, serrer de 1/2 tour après l'installation de la bougie pour comprimer la rondelle. Si la bougie a déjà été utilisée, serrer de 1/8 à 1/4 de tour après l'installation de la bougie pour comprimer la rondelle.

### REMARQUE :

Si la bougie n'est pas bien serrée, cela peut surchauffer et endommager le moteur.

Si la bougie est trop serrée, cela peut endommager le filetage dans la culasse.

## Entretien du pare-étincelles (spécifique au pays) (Fig. 20)

Si le groupe électrogène vient de tourner, le silencieux sera très chaud. Le laisser se refroidir avant de nettoyer le pare-étincelles.

Le pare-étincelles doit être entretenu toutes les 100 heures afin de maintenir le fonctionnement tel que prévu.

Nettoyer le pare-étincelles comme suit :

1. Desserrer la vis de l'orifice d'échappement du silencieux et retirer le pare-étincelles.
2. Utiliser une brosse pour retirer la calamine de l'écran pare-étincelles. Le pare-étincelles ne doit pas être cassé ou percé. Le vérifier et le remplacer s'il est endommagé.

3. Installer le pare-étincelles dans l'ordre inverse de la dépose.

## ENTREPOSAGE

### Préparation à l'entreposage

Une préparation à l'entreposage appropriée est essentielle pour maintenir le groupe électrogène en bon état de fonctionnement et lui conserver son bel aspect. Les étapes suivantes contribueront à empêcher que la rouille et la corrosion n'affectent le fonctionnement et l'aspect du groupe électrogène et à faciliter le démarrage du moteur lors de la remise en service du groupe électrogène.

### Nettoyage

Essuyer le groupe électrogène avec un chiffon humide et le laisser sécher complètement. Faire les retouches de peinture nécessaires et enduire toutes les parties susceptibles de rouiller d'une légère couche d'huile.

### Carburant

#### REMARQUE :

Selon le lieu d'utilisation de l'équipement, le carburant peut se dégrader et s'oxyder rapidement. La dégradation et l'oxydation du carburant peuvent se produire en seulement 30 jours et peuvent provoquer des dommages au carburateur et/ou au système de carburant. Se renseigner auprès du revendeur pour les recommandations locales de stockage.

L'essence s'oxyde et se dégrade lors de l'entreposage. Une essence dégradée rend le démarrage difficile et laisse des dépôts de gomme susceptibles de boucher le système de carburant. Si l'essence dans le groupe électrogène se dégrade pendant l'entreposage, l'entretien ou le remplacement du carburateur et des autres composants du système de carburant peut être nécessaire.

La durée pendant laquelle l'essence peut être laissée dans le réservoir à carburant et le carburateur sans causer de problèmes fonctionnels dépend de facteurs tels que la composition de l'essence et les températures d'entreposage, ainsi que du degré de remplissage, partiel ou complet, du réservoir à carburant. L'air dans un réservoir à carburant partiellement rempli favorise la dégradation du carburant. Des températures d'entreposage élevées accélèrent la dégradation du carburant. Des problèmes de dégradation du carburant peuvent survenir d'ici quelques mois, ou même plus rapidement, si l'essence n'était pas fraîche lors du remplissage du réservoir à carburant.

Les dommages du système de carburant ou les problèmes de performance du moteur qui résultent d'une mauvaise préparation à l'entreposage ne sont pas couverts par la garantie limitée du distributeur.

La durée de vie du carburant lors de l'entreposage peut être prolongée en ajoutant un stabilisateur d'essence spécialement formulé à cet effet, ou vidanger le carburateur, la coupelle de décantation (si nécessaire) et/ou le réservoir à carburant pour éviter les problèmes de dégradation du carburant.

Effectuer l'entretien selon le tableau ci-dessous :

DURÉE D'ENTREPOSAGE	PROCÉDURES D'ENTRETIEN RECOMMANDÉES POUR ÉVITER UN DÉMARRAGE DIFFICILE
Moins de 1 mois	Aucune préparation nécessaire.
1 à 2 mois	Remplir avec de l'essence fraîche et ajouter un stabilisateur d'essence*.
2 mois à 1 an	Remplir avec de l'essence fraîche et ajouter un stabilisateur d'essence*. Vidanger la cuve du carburateur et la coupelle de décantation de carburant.
1 an ou plus	Remplir avec de l'essence fraîche et ajouter un stabilisateur d'essence*. Vidanger la cuve du carburateur et la coupelle de décantation de carburant. Retirer la bougie d'allumage et mettre une cuillère à café d'huile moteur dans le cylindre. Faire tourner le moteur lentement avec le lanceur à retour automatique pour distribuer l'huile. Reposer ensuite la bougie d'allumage. Changer l'huile moteur. Après avoir sorti le groupe électrogène de l'entreposage, vidanger l'essence stockée dans un récipient approprié et remplir avec de l'essence fraîche avant de commencer.
*Utiliser des stabilisateurs d'essence qui sont formulés pour prolonger la durée d'entreposage. Respecter le manuel d'instructions du fabricant. Contacter un revendeur agréé de groupes électrogènes Makita pour des recommandations relatives au stabilisateur.	

### Vidange du réservoir à carburant et du carburateur (Fig. 21)

#### ⚠ AVERTISSEMENT :

**L'essence est très inflammable et explosive.**

**La manipulation du carburant peut provoquer des brûlures ou blessures corporelles graves.**

- Arrêter le moteur et ne pas approcher de sources de chaleur, d'étincelles ou de flammes.
- Manipuler le carburant uniquement à l'extérieur.
- Essuyer immédiatement tout carburant renversé.

1. Desserrer le vis de vidange et vidanger le carburateur. Vidanger l'essence dans un récipient approprié.
2. Placer un récipient d'essence approprié sous la coupelle de décantation et utiliser un entonnoir pour ne pas renverser d'essence.
3. Retirer la coupelle de décantation et tourner le levier du robinet de carburant sur la position « I (MARCHE) ».
4. Vidanger complètement l'essence, puis remettre la coupelle de décantation.

## Huile moteur (Fig. 22)

1. Changer l'huile moteur.
2. Retirer la bougie d'allumage.
3. Verser une cuillère à café (5 - 10 cm<sup>3</sup>) d'huile moteur propre dans le cylindre.
4. Tirer plusieurs fois sur la poignée du démarreur pour distribuer l'huile dans le cylindre.
5. Reposer la bougie d'allumage.
6. Tirer doucement sur la poignée du démarreur jusqu'à ressentir une résistance. Le piston se déplace vers le haut de sa course de compression, à ce stade, et les soupapes d'admission et d'échappement sont fermées. Entreposer le moteur dans cette position aidera à le protéger de la corrosion interne. Ramener la poignée du démarreur lentement dans sa position initiale.

## Précautions d'entreposage

Si le groupe électrogène est entreposé avec de l'essence dans le réservoir à carburant et le carburateur, il est important de réduire les risques d'inflammation des vapeurs d'essence.

Sélectionner un endroit d'entreposage bien aéré loin de tout appareil tel que chaudière, chauffe-eau ou sèche-linge ou de tout autre appareil à flamme. Éviter également tout endroit où se trouve un moteur électrique produisant des étincelles ou des outils électriques sont utilisés.

Étant donné qu'une humidité élevée favorise la rouille et la corrosion, éviter si possible les endroits d'entreposage très humides.

À moins que tout le carburant ait été vidangé du réservoir à carburant, laisser le robinet de carburant en position « O (ARRÊT) » afin de réduire tout risque de fuite.

Placer le groupe électrogène sur une surface plane et stable. Une inclinaison peut provoquer des fuites de carburant ou d'huile.

Une fois que le moteur et le système d'échappement sont refroidis, couvrir le groupe électrogène pour le protéger de la poussière. Un moteur ou un système d'échappement chaud peut enflammer ou faire fondre certains matériaux.

Ne pas utiliser une feuille en plastique pour protéger contre la poussière. Une bâche non poreuse emprisonne l'humidité autour du groupe électrogène et favorise la rouille et la corrosion.

## Fin de l'entreposage

Vérifier le groupe électrogène comme indiqué au chapitre « CONTRÔLES AVANT UTILISATION » de ce manuel. Remplir le réservoir à carburant avec de l'essence fraîche si le carburant a été vidangé lors de la préparation à l'entreposage. Si l'essence pour le ravitaillement est conservée dans un bidon, s'assurer qu'il ne contient que de l'essence fraîche. L'essence s'oxyde et se dégrade avec le temps, et l'utilisation d'huile oxydée et/ou dégradée rend le démarrage difficile. Noter que si le cylindre a été enduit d'huile lors de la préparation à l'entreposage, il est normal que le moteur fume brièvement au démarrage.

## TRANSPORT (Fig. 23)

Lors du transport du groupe électrogène, tourner l'interrupteur du moteur et le robinet de carburant sur la position d'arrêt. Garder le groupe électrogène sur une surface plane et stable pour éviter de renverser du carburant. Les vapeurs de carburant ou le carburant renversé peuvent s'enflammer.

### ⚠ AVERTISSEMENT :

**Le contact avec un moteur ou un système d'échappement chaud peut entraîner de graves brûlures ou un incendie. Attendre que le moteur refroidisse avant de transporter ou d'entreposer le groupe électrogène.**

Lors du transport du groupe électrogène, ne pas faire tomber ou heurter le groupe électrogène. Ne pas poser d'objets lourds sur le groupe électrogène.

Lors du transport du groupe électrogène dans un véhicule, bien attacher le châssis du groupe électrogène comme indiqué.

## DÉPANNAGE

Si le moteur ne démarre pas :

Vérifier si le réservoir contient du carburant.	← →	S'il est vide, remplir le réservoir à carburant.
Vérifier le niveau de carburant.	← →	S'il est bas, ajouter de l'huile recommandée.
Vérifier l'état de la bougie d'allumage.	← →	Si elle est en mauvais état, réajuster l'écartement et sécher la bougie. Remplacer si nécessaire.
Vérifier si le carburant atteint le carburateur.	← →	Dans le cas contraire, nettoyer la coupelle de décantation de carburant.

Si le moteur ne démarre toujours pas, amener le groupe électrogène à un revendeur agréé de groupes électrogènes Makita.

Si l'électricité n'est pas générée aux prises CA :

Vérifier que le disjoncteur CA est sur la position « I (MARCHE) ».	← →	Dans le cas contraire, allumer le disjoncteur CA.
Vérifier si l'appareil ou l'équipement électrique présente des défauts.	← →	S'il n'y a aucun défaut, amener le groupe électrogène à un revendeur agréé de groupes électrogènes Makita. S'il y a des défauts : <ul style="list-style-type: none"><li>- Remplacer l'appareil ou l'équipement électrique.</li><li>- Amener l'appareil ou l'équipement électrique à un magasin d'électroménager pour être réparé.</li></ul>

# INFORMATIONS TECHNIQUES

## Informations sur les systèmes antipollution

### Source des émissions polluantes

Le monoxyde de carbone, les oxydes d'azote et les hydrocarbures sont produits lors du processus de combustion. Il est très important de contrôler les émissions d'hydrocarbures et d'oxydes d'azote car, dans certaines conditions, ils réagissent à la lumière du soleil pour former un brouillard photochimique oxydant. Bien que le monoxyde de carbone ne réagisse pas de la même manière, il est toxique.

Makita utilise des proportions air-carburant appropriées et d'autres systèmes antipollution afin de réduire les émissions de monoxyde de carbone, d'oxydes d'azote et d'hydrocarbures.

De plus, les systèmes de carburant Makita utilisent des composants et des technologies de lutte afin de réduire les émissions par évaporation.

### Modification non autorisée et altération

Le niveau des émissions polluantes peut entraîner une augmentation au-delà de la limite légale si le système antipollution est sujet à une modification non autorisée ou une altération. Les actions qui constituent des modifications non autorisées incluent :

- Retrait ou altération d'une des pièces des systèmes d'admission, du carburant ou d'échappement.
- Altération ou neutralisation de la tringlerie du régulateur ou du mécanisme de réglage de la vitesse ayant pour effet de faire fonctionner le moteur en dehors de ses paramètres de conception.

### Problèmes pouvant avoir une incidence sur les émissions polluantes

Si l'un des symptômes suivants se produit, faire contrôler et réparer le moteur par le revendeur.

- Démarrage difficile ou calage après le démarrage.
- Ralenti irrégulier.
- Ratés d'allumage ou retours de flamme en charge.
- Postcombustion (retours de flamme).
- Fumée d'échappement noire ou consommation de carburant excessive.

### Pièces de rechange

Les systèmes antipollution du moteur Makita ont été conçus, fabriqués et homologués conformément à la réglementation en vigueur sur les émissions polluantes. Il est donc recommandé d'utiliser des pièces d'origine Makita lors de tout entretien. Ces pièces de rechange ont la conception d'origine et sont fabriquées en appliquant les mêmes normes que les pièces initiales, ce qui garantit la fiabilité de leurs performances. L'utilisation de pièces de rechange n'ayant pas la conception et la qualité d'origine peut diminuer l'efficacité du système antipollution.

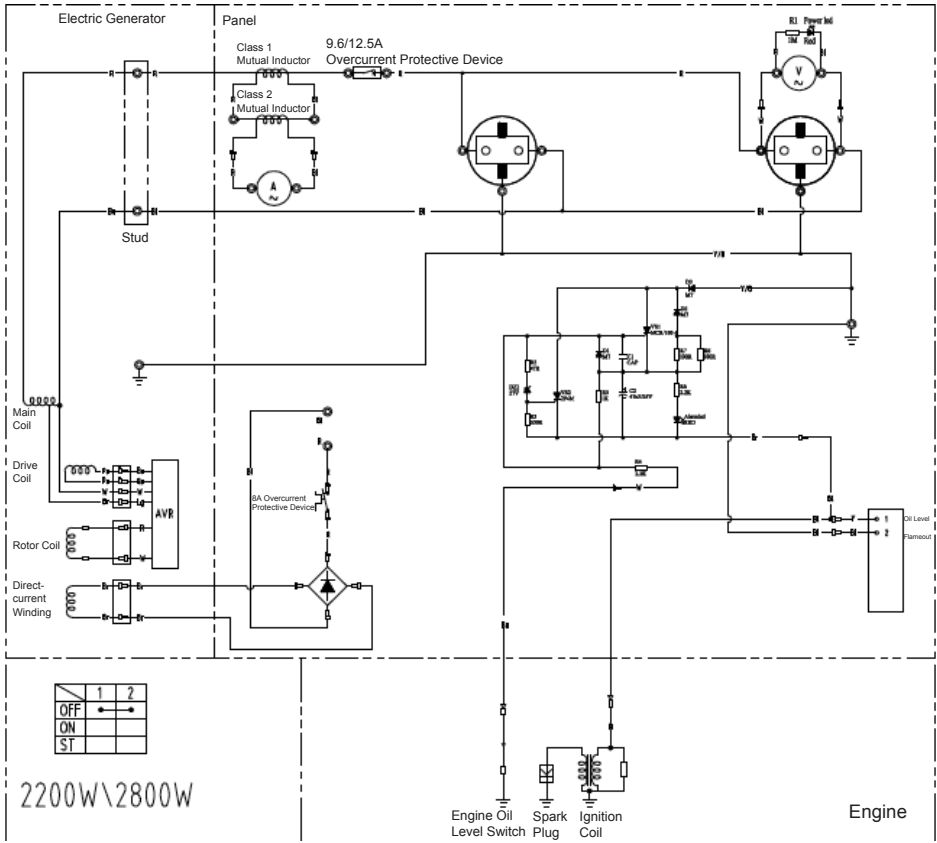
Noter que les fabricants de pièces du marché des pièces de rechange assument la responsabilité que la pièce n'affectera pas la performance antipollution. Le fabricant ou le reconstruteur de la pièce doit certifier que le moteur sera toujours conforme à la réglementation sur les émissions polluantes même avec l'utilisation de la pièce.

### Entretien

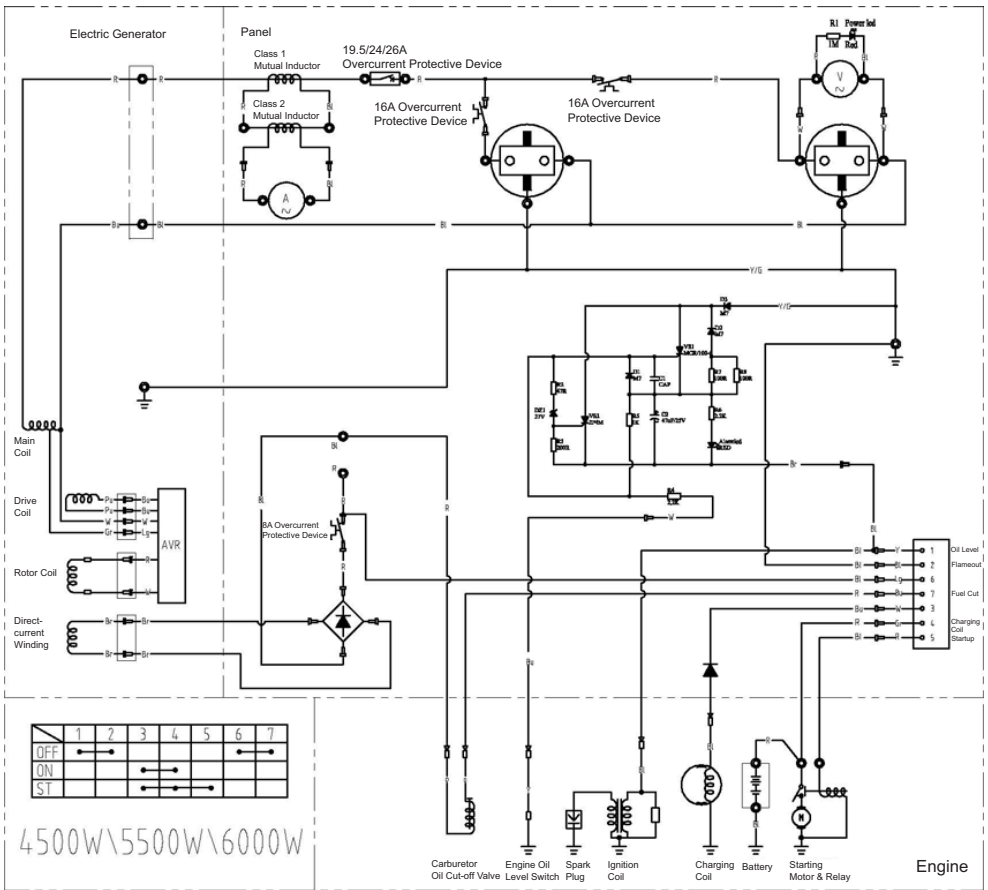
Respecter le programme d'entretien. Ne pas oublier que ce programme présuppose que la machine sera utilisée pour l'application pour laquelle elle est prévue. La machine nécessitera un entretien plus fréquent en cas de fonctionnement prolongé à charge élevée ou à haute température, ou dans des conditions anormalement humides ou poussiéreuses.



# SCHEMA DE CÂBLAGE



Remarque : Le câblage est le même pour EG2250A et EG2850A.



Remarque : Le câblage est le même pour EG450A, EG550A et EG6050A.

# SPÉCIFICATIONS

MODÈLE		EG2250A	EG2850A	EG4550A	EG5550A	EG6050A
Groupe électrogène	Type	Balais, bipolaire, monophasé				
	Système de régulation de tension	Type AVR				
	Sortie CA	230 - 50				
	Tension nominale-Fréquence V-Hz					
	Courant nominal A	8,7	11,3	17,4	21,7	24
	Puissance de sortie nominale VA (W)	2000	2600	4000	5000	5500
	Puissance de sortie maximale VA (W)	2200	2800	4500	5500	6000
	Facteur de puissance nominale	1,0				
	Type de dispositif de sécurité	Disjoncteur				
	Sortie CC	12				
Tension nominale V						
Courant nominal A	8,3					
Type de dispositif de sécurité	Disjoncteur					
Moteur	Modèle	170F		190F		
	Type	Monocylindre 4 temps OHV				
	Cylindrée mL	210		420		
	Carburant	Essence sans plomb automobile				
	Capacité du réservoir à carburant (plein) L	15		25		
	Capacité du réservoir à carburant (volume de carburant régulé) L	10		20		
	Contenance en huile moteur L	0,6		1,1		
	Bougie d'allumage	Champion RN9YC				
Système de démarrage	Lanceur à retour automatique		Démarreur électrique / Lanceur à retour automatique			
Dimensions	Longueur mm	600		680		
	Largeur mm	442		550		
	Hauteur mm	450		550		
Bruit (conformément à 2000/14/CE)	Niveau de pression sonore dB (A)	75 (Incertitude K=3)				
	Niveau de puissance sonore dB (A)	95 (Incertitude K=3)				
Poids à sec	kg	42	45	80	83	85
Poids brut Poids conformément à la procédure EPTA 01/2003	kg	49,8	52,8	95,5	98,5	100,5

# MONTAGE

## L'importance d'un montage correct

Il est essentiel que le montage soit correctement effectué pour la sécurité de l'opérateur et la fiabilité de la machine. Toute erreur ou négligence commise par la personne qui effectue le montage ou une réparation de l'appareil peut facilement provoquer un mauvais fonctionnement, des dommages à l'appareil ou des blessures à l'opérateur.

### **⚠ AVERTISSEMENT :**

**Un montage incorrect peut créer une situation dangereuse susceptible d'occasionner des blessures corporelles graves ou mortelles.**

**Respecter attentivement les procédures et précautions des instructions de montage.**

Certaines consignes de sécurité particulièrement importantes sont indiquées ci-dessous.

Il ne nous est toutefois pas possible de vous avertir de tous les dangers imaginables pouvant survenir lors du montage.

### **⚠ AVERTISSEMENT :**

**Le non-respect des instructions et précautions peut provoquer des blessures corporelles graves ou mortelles.**

**Respecter attentivement les procédures et précautions de ce manuel.**

## Consignes de sécurité importantes

- S'assurer d'avoir bien compris toutes les pratiques de sécurité de base du magasin et toujours porter des vêtements et équipements de sécurité appropriés. Lors du montage, être particulièrement attentif aux points suivants :
  - Avant de commencer tout travail, lire les instructions et s'assurer de disposer de l'outillage et des compétences nécessaires pour effectuer les tâches en toute sécurité.
- S'assurer que le moteur est arrêté avant de commencer un entretien ou une réparation. Ceci facilitera l'élimination de plusieurs risques potentiels :
  - **Intoxication au monoxyde de carbone provenant de l'échappement du moteur.**  
Faire fonctionner à l'extérieur loin des fenêtres ou portes ouvertes.
  - **Brûlures causées par des pièces chaudes.**  
Attendre que le moteur et le système d'échappement refroidissent avant de les toucher.
  - **Blessures causées par des pièces mobiles.**  
Ne faire tourner le moteur que si cela est indiqué dans les instructions.

Même dans ce cas, ne pas approcher les mains, les doigts et les vêtements. Ne pas faire fonctionner le moteur lorsqu'un protecteur de sécurité a été retiré.

- Pour diminuer les risques d'incendie ou d'explosion, être prudent lors de tout travail à proximité d'essence ou de batteries. Pour le nettoyage des pièces, utiliser uniquement un solvant ininflammable et non de l'essence. Ne pas approcher de cigarettes, d'étincelles ou de flammes à proximité des pièces du système d'alimentation en carburant.

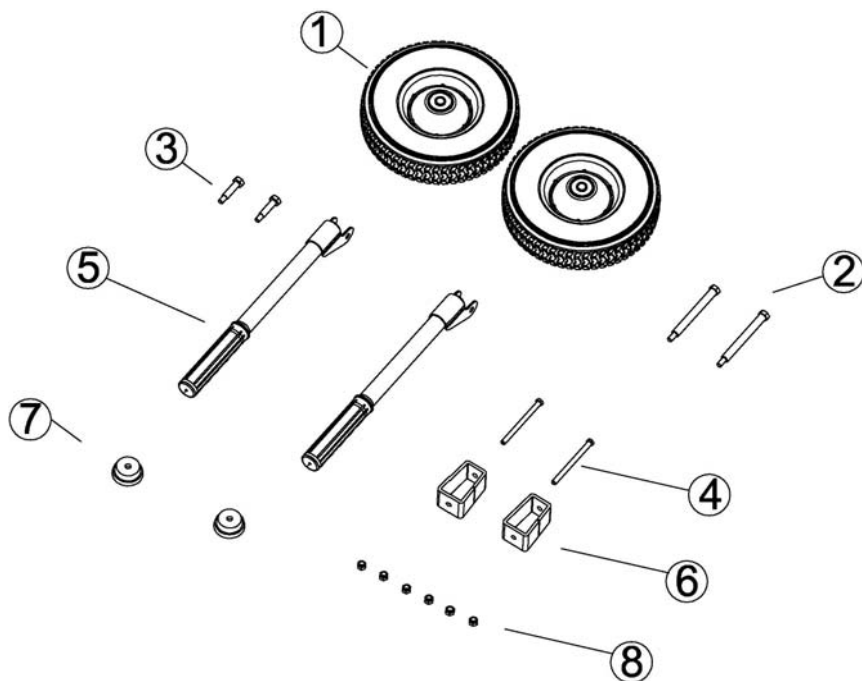
## Déballage

1. Sortir le groupe électrogène et la boîte de pièces détachées du carton.
2. Vérifier que les pièces détachées correspondent à la liste du contenu ci-dessous.

Outils nécessaires : Clé de 12 mm (2), pinces

## Pièces détachées (kit de roues et poignées) et béquilles avant (uniquement pour les modèles EG4550A, EG5550A et EG6050A)

Vérifier que toutes les pièces détachées correspondent à la liste suivante. Contacter le revendeur si l'une des pièces détachées ci-dessous n'est pas incluse avec le groupe électrogène.



N°	Nom	Quantité
1	Roue de 10 pouces	2
2	Axe de roues	2
3	Arbre de poignée de transport	2
4	Boulon M8 x 100	2
5	Poignée de transport	2
6	Béquille avant	2
7	Base en caoutchouc	2
8	Écrou à embase M8	6

### Installation des poignées (Fig. 24)

- Retirer les deux pattes de la tige de poussée insérée dans la crémaillère, et aligner le trou de la tige de poussée avec le trou sur la crémaillère. Ensuite, insérer la tige de poussée dans la crémaillère de l'extérieur, puis visser le boulon à bride M8 à l'intérieur et serrer le boulon à fond.

**COUPLE :** 24 - 29 N•m, 2,4 - 3,0 kgf•m

### Installation du kit de roues (Fig. 25)

- Aligner le trou sur la roue avec le trou sur la crémaillère, insérer l'arbre de roue dans la crémaillère de l'extérieur, puis visser le boulon à bride M8 à l'intérieur et serrer le boulon à fond.

**COUPLE :** 24 - 29 N•m, 2,4 - 3,0 kgf•m

### Installation des béquilles avant (Fig. 26)

- Insérer un boulon M8x100 dans les trous la base en caoutchouc, de la béquille avant et de la plaque de montage de la crémaillère.
- Visser le boulon à bride M8 sur le boulon M8x100 de la plaque de montage et serrer le boulon à fond.

### Arrêt du moteur à l'aide de la télécommande

- Appuyer sur le bouton d'arrêt.
- Tourner l'interrupteur du moteur sur le groupe électrogène sur la position « O (ARRÊT) ».
- Tourner le levier du robinet de carburant sur le groupe électrogène sur la position « O (ARRÊT) ».

## Bac de batterie (Fig. 27)

### REMARQUE :

La batterie n'est pas incluse. Utiliser une batterie (caractéristiques : 12 V-10 Ah, L x l x h : maximum 160 mm x 90 mm x 160 mm) disponible dans le commerce.

1. Connecter la ligne d'alimentation noire (électrode de masse) sur le groupe électrogène électrique à l'électrode négative de la batterie et la ligne d'alimentation rouge à l'électrode positive de la batterie.
2. Placer la batterie connectée aux lignes d'alimentation dans le bac de batterie sur la crémaillère.
3. Accrocher chacune des deux boucles de la courroie en caoutchouc sur l'un des deux crochets du bac de batterie.

### AVERTISSEMENT :

**Les bornes, cosses et accessoires connexes de la batterie contiennent du plomb et des composés de plomb. Toujours se laver les mains après les avoir manipulés.**

## Huile moteur (Fig. 13)

Le groupe électrogène est expédié **SANS HUILE** dans le moteur.

Placer le groupe électrogène sur une surface plane et stable. Ajouter suffisamment d'huile recommandée pour que le niveau d'huile atteigne le haut du goulot de remplissage.

Utiliser une huile moteur 4 temps répondant aux exigences de la classification API SJ ou ultérieure (ou équivalente).

Ne pas trop remplir le moteur d'huile. S'il y a trop d'huile dans le moteur, l'excédent d'huile peut être transmis au boîtier du filtre à air et au filtre à air.

## INFORMATIONS SUR LE SERVICE DE GARANTIE

### INFORMATIONS SUR LE SERVICE CLIENTS

Le personnel de la concession est constitué de professionnels qualifiés. Ils devraient être en mesure de répondre à la plupart de vos questions. En cas de problème non résolu selon vos attentes, contacter le responsable du service ou le directeur général de la concession. La majorité des problèmes sont résolus de cette façon.

En cas d'insatisfaction concernant la décision prise par la direction de la concession, contacter Makita Corporation.

**Pour les pays d'Europe uniquement**

### Déclaration de conformité CE

**Nous, Makita Corporation, en tant que fabricant responsable, déclarons que la ou les machines Makita suivantes :**

Nom de la machine : Groupe électrogène à essence

N° de modèle/Type : EG2250A, EG2850A, EG4550A, EG5550A, EG6050A

Spécifications : voir le tableau

« SPÉCIFICATIONS ».

sont fabriquées en série et **sont conformes aux directives européennes suivantes :**

2000/14/CE, 2004/108/CE, 2006/42/CE, 2006/95/CE

et sont produites conformément aux normes ou documents de normalisation suivants :

EN12601, EN55012, EN61000, EN60204-1

La documentation technique est disponible auprès de :

Makita International Europe Ltd.  
Technical Department,  
Michigan Drive, Tongwell,  
Milton Keynes, Bucks MK15 8JD, Angleterre

La procédure d'évaluation de la conformité requise par la directive 2000/14/CE est conforme à l'annexe VI.

Organisme notifié :

AV TECHNOLOGY LTD  
AVTECH House, Arkle Avenue  
Stanley Green Trading Estate  
Handforth, Cheshire  
SK9 3RW, United Kingdom  
Identification number 1067

Modèle EG2250A

Niveau de puissance sonore mesurée : 94 dB (A)

Niveau de puissance sonore garantie : 95 dB (A)

Modèles EG2850A, EG4550A, EG5550A, EG6050A

Niveau de puissance sonore mesurée : 95 dB (A)

Niveau de puissance sonore garantie : 96 dB (A)

27.12.2013



Tomoyasu Kato  
Directeur

Makita Corporation  
3-11-8, Sumiyoshi-cho,  
Anjo, Aichi, 446-8502, JAPON

## Übersicht

1. BEDIENFELD	16. ERDUNGANSCHLUSS	35. DICHTUNGSSCHEIBE
2. KRAFTSTOFFANZEIGE	17. SCHALLDÄMPFER	36. ÖLABLASSSCHRAUBE
3. KRAFTSTOFFTANKDECKEL	18. RAD	37. LUFTFILTERABDECKUNG
4. MOTORSCHALTER	19. STÄNDER	38. DREHKNOFF
5. DROSSELHEBEL	20. TRANSPORTGRIFF	39. ELEMENT
6. LUFTFILTER	21. ZÜNDKERZENKAPPE	40. Richtig eingehakt
7. KRAFTSTOFFVENTILHEBEL	22. I (EIN)	41. Falsch eingehakt
8. ANLASSERGRIFF	23. O (AUS)	42. ZÜNDKERZENSCHLÜSSEL
9. MOTORSERIENUMMER	24. S (START)	43. Rohrklemme
10. ÖLFÜLLDECKEL/PEILSTAB	25. EIN	44. Funkenschutz
11. WECHSELSTROM- LEITUNGSSCHUTZSCHALTER	26. AUS	45. Ablassschraube
12. WECHSELSTROM- LEITUNGSTRENNSCHALTER	27. SEILZUGSTARTER	46. Pilotlampe
13. GLEICHSTROM- LEITUNGSSCHUTZSCHALTER	28. AUF	47. Ölstandwarnlampe
14. GLEICHSTROMAUSGANG	29. ZU	48. Spannungsanzeige
15. 230-V- WECHSELSTROMSTECKDOSE (Dosenform variiert je nach Land)	30. NEGATIVER ANSCHLUSS (SCHWARZ)	49. Stromanzeige
	31. POSITIVER ANSCHLUSS (ROT)	
	32. ÖLFÜLLÖFFNUNG	
	33. ÖLSTAND	
	34. HÖCHSTFÜLLSTANDMARKE	

### **⚠️ WARNUNG:**

**Das aus diesem Produkt abgeführte Abgas enthält giftiges Kohlenmonoxid, das sich in geschlossenen Bereichen in gefährlich hohen Konzentrationen ansammeln kann.**

**Das Einatmen von Kohlenmonoxid kann zu Bewusstlosigkeit und zum Tod führen. Betreiben Sie den Generator niemals in einem geschlossenen oder teilweise geschlossenen Bereich, in dem Personen anwesend sein könnten.**

### **⚠️ WARNUNG:**

**Der Generator ist bei unsachgemäßem Gebrauch eine potentielle Stromschlagquelle. Setzen Sie den Generator keiner Feuchtigkeit, Regen oder Schnee aus. Lassen Sie den Generator nicht nass werden und bedienen Sie ihn nicht mit nassen Händen.**

Halten Sie diese Betriebsanleitung zur zukünftigen Bezugnahme griffbereit.

Diese Betriebsanleitung wird als permanenter Teil des Generators erachtet und sollte bei einem Weiterverkauf beim Generator verbleiben.

Alle in dieser Veröffentlichung enthaltenen Informationen und technischen Daten basieren auf den neuesten Produktionsinformationen zum Zeitpunkt der Druckfreigabe. Makita Corporation behält sich jedoch das Recht vor, die technischen Daten oder die Auslegung jederzeit unangekündigt und ohne jedwede Verpflichtung einzustellen oder zu ändern. Kein Teil dieser Veröffentlichung darf ohne schriftliche Genehmigung reproduziert werden.

## **ANMERKUNGEN ZUR SICHERHEIT**

Die Sicherheit des Betreibers und anderer Personen ist extrem wichtig, und der sichere Gebrauch dieses Generators ist eine wichtige Verantwortung.

Zum Treffen fundierter sicherheitsbezogener Entscheidungen werden in dieser Anleitung sowie auf Hinweisschildern am Generator Bedienabläufe und weitere Informationen bereitgestellt. Diese Informationen

weisen den Betreiber auf potentielle Gefahren hin, die in Verletzungen des Betreibers und anderer Personen resultieren könnten.

Da es unpraktikabel bzw. unmöglich ist, Sie vor allen Gefahren im Zusammenhang mit dem Betrieb oder der Wartung eines Generators zu warnen, sollten Sie stets Ihr eigenes Urteilsvermögen anwenden.

Wichtige sicherheitsrelevante Informationen sind in den folgenden Formen zu finden:

- **Sicherheitsschilder** — am Generator.
- **Sicherheitshinweise** — denen ein Sicherheitssymbol und eines von drei Signalwörtern (GEFAHR, WARNUNG UND VORSICHT) vorangestellt ist.

Diese Signalwörter haben folgende Bedeutungen:

### **⚠️ GEFAHR:**

Weist darauf hin, dass das Nichtbefolgen von Anleitungen in tödlichen oder schweren Verletzungen oder in substantiellen Ausrüstungsschäden resultiert.

### **⚠️ WARNUNG:**

Weist darauf hin, dass das Nichtbefolgen von Anleitungen in Verletzungen oder Ausrüstungsschäden resultieren kann.

### **⚠️ VORSICHT:**

Weist darauf hin, dass das Nichtbefolgen von Anleitungen in Verletzungen resultieren kann.











- **Sicherheitsüberschriften** — wie zum Beispiel **WICHTIGE SICHERHEITSHINWEISE**.
- **Sicherheitsabschnitt** — wie zum Beispiel **GENERATORSICHERHEIT**
- **Anleitungen** — zur korrekten und sicheren Verwendung dieses Generators.

Wichtige Sicherheitshinweise werden in dieser gesamten Anleitung bereitgestellt. Lesen Sie sie sorgfältig.

# GENERATORSICHERHEIT

## SYMBOLE und BEDEUTUNGEN

Gemäß europäischen Anforderungen (EG-Richtlinien) werden die vorgeschriebenen Symbole für die Produkte und in dieser Betriebsanleitung verwendet wie in der folgenden Tabelle dargestellt.

	Lesen Sie die Betriebsanleitung.		Feuer, offene Flammen und Rauchen verboten.
	Von heißer Oberfläche fernhalten.		Schließen Sie den Generator nicht an gewerbliche Stromleitungen an.
	Giftige Abgase. Nicht in ungelüfteten Räumen betreiben.		Benzin
	Motor vor dem Nachtanken ausschalten.		Wartung anfordern.
	Vorsicht, Stromschlaggefahr.		Trocken halten.

## WICHTIGE SICHERHEITSHINWEISE

Makita-Generatoren sind für ihren sicheren und zuverlässigen Betrieb bei Befolgung der Anleitungen konzipiert. Lesen und verstehen Sie diese Anleitung, bevor Sie den Generator in Betrieb nehmen. Machen Sie sich zur Verhütung von Unfällen mit den Bedien- und Steuerelementen des Generators vertraut und beachten Sie sichere Bedienabläufe.

### Verantwortlichkeiten des Betreibers

- Der Betreiber muss wissen, wie der Generator in einer Notsituation schnell gestoppt wird.
- Der Betreiber muss im Gebrauch aller Bedien- und Steuerelemente, Steckdosen und Anschlüsse des Generators unterrichtet sein.
- Der Betreiber muss sicherstellen, dass alle Personen, die den Generator betreiben, ordnungsgemäße Anleitungen erhalten haben. Lassen Sie Kinder den Generator nicht ohne elterliche Aufsicht betreiben.

### Kohlenmonoxidgefahren

- Die von diesem Generator abgeführten Abgase enthalten giftiges Kohlenmonoxid, ein farb- und geruchloses Gas. Das Einatmen von Kohlenmonoxid kann zu Bewusstlosigkeit und möglicher Todesfolge führen.
- Wenn der Generator in einem geschlossenen oder teilweise geschlossenen Bereich betrieben wird, könnte die Luft einen gefährlichen Abgasanteil enthalten.
- Betreiben Sie den Generator niemals in einer Garage, in einem Haus oder in der Nähe von offenen Fenstern oder Türen.

### Stromschlaggefahren

- Der Generator erzeugt ausreichende elektrische Energie, um bei einem unsachgemäßen Gebrauch einen schweren oder tödlichen Stromschlag zu verursachen.
- Verwenden Sie den Generator oder ein Elektrogerät nicht unter nassen Bedingungen wie zum Beispiel in Regen oder Schnee oder in der Nähe eines Schwimmbeckens oder einer Sprinkleranlage oder mit nassen Händen. Derartiges Handeln kann in Tod durch Stromschlag resultieren. Halten Sie den Generator trocken.
- Überprüfen Sie vor jedem Gebrauch des Generators alle ElektrokompONENTEN des Bedienfelds, wenn der Generator ungeschützt vor dem Wetter im Freien gelagert wird. Feuchtigkeit oder Eis können eine Funktionsstörung oder einen Kurzschluss in den ElektrokompONENTEN verursachen, was in Tod durch Stromschlag resultieren kann.
- Schließen Sie den Generator nicht an das Stromsystem eines Gebäudes an, sofern kein Trennschalter durch einen qualifizierten Elektriker installiert wurde.

### Brand- und Verbrennungsgefahren

- Die Abgasanlage kann heiß genug werden, um entflammbare Materialien zu entzünden.
  - Halten Sie den Generator während des Gebrauchs mindestens einen Meter von Konstruktionen und Gebäuden sowie anderer Ausrüstung entfernt.
  - Schließen Sie den Generator in keinerlei Konstruktion ein.
  - Halten Sie entflammbare Materialien vom Generator entfernt.



- Der Schalldämpfer wird während des Betriebs sehr heiß und bleibt auch nach dem Ausschalten des Motors eine Weile heiß. Achten Sie darauf, den Schalldämpfer nicht zu berühren, während er heiß ist. Lassen Sie den Motor vor dem Lagern des Generators in Innenräumen abkühlen.
- Benzin ist äußerst leicht entflammbar und unter bestimmten Bedingungen explosiv. Rauchen Sie beim Betanken des Generators oder in der Nähe von Benzinlagerorten nicht. Halten Sie Flammen/Funken von Orten entfernt, an denen der Generator betankt oder Benzin gelagert wird. Betanken Sie den Generator mit ausgeschaltetem Motor an einem gut gelüfteten Ort.
- Kraftstoffdämpfe sind äußerst leicht entflammbar und können sich nach dem Starten des Motors entzünden. Falls Kraftstoff verschüttet wird, wischen Sie ihn vor dem Starten des Generators auf und lassen ihn trocknen.

#### Weitere Sicherheitshinweise:

- Bei jedem Betrieb und jeder Wartung ist persönliche Schutzausrüstung erforderlich.
- Die Last muss innerhalb des auf dem Leistungsschild des Generators angegebenen Nennwerts gehalten werden. Das Überlasten des Generators beschädigt das Gerät oder verkürzt seine Gebrauchsdauer.
- Der Generator darf nicht mit überhöhen Drehzahlen betrieben werden. Ein Betrieb bei überhöhen Drehzahlen erhöht die Verletzungsgefahr.
- Modifizieren Sie keine Teile, welche die geregelte Drehzahl erhöhen oder vermindern könnten.
- Verwenden Sie nur geerdete Verlängerungskabel mit einem für die Anwendung ausreichenden Drahtquerschnitt. Bei Verwendung einer Kabelverlängerung oder eines mobilen Stromnetzes und einem Drahtdurchmesser von 1,5 mm<sup>2</sup> darf die Kabellänge nicht mehr als 60 m betragen. Bei einem Drahtdurchmesser von 2,5 mm<sup>2</sup> darf die Länge nicht mehr als 100 m betragen.
- Die Abgasanlage kann heiß genug werden, um entflammare Materialien zu entzünden. Betreiben Sie den Motor nicht in der Nähe von entflammaren Materialien. Verwenden Sie den Generator nicht unter feuchten Bedingungen.
- Lagern Sie Kraftstoff nicht in Innenräumen und versuchen Sie nicht, einen laufenden Generator zu betanken.
- Decken Sie das Gerät während des Gebrauchs nicht ab.
- Verwenden Sie den Generator zur Verhütung von Vergiftung oder Feuer niemals in der Nähe von entflammaren Materialien.
- Das Gerät muss die Betriebszahl erreichen, bevor elektrische Verbraucher angeschlossen werden. Trennen Sie den Verbraucher ab, bevor Sie den Generator ausschalten. Schalten Sie die gesamte vom Generator gespeiste Ausrüstung aus, bevor Sie den Generator ausschalten. Das Gerät sollte nicht an andere Stromquellen angeschlossen werden.
- Der Schutz gegen Stromschlag ist von den speziell für die Generatoreinheit ausgelegten Schutzschaltern abhängig. Falls der Schutzschalter ausgetauscht werden muss, wenden Sie sich zum Austausch durch

- einen Schutzschalter mit identischen Nennwerten und Leistungseigenschaften an Ihren örtlichen Händler.
- Vergewissern Sie sich vor der Verwendung, dass am Generator keine beschädigten Schläuche vorhanden sind, Klemmen lose sind oder fehlen oder der Tank oder Deckel beschädigt ist. Sämtliche Defekte sollten vor der Verwendung behoben werden.
- Die Installation und größere Reparatur des Generators kann nur von speziell geschultem Personal durchgeführt werden. Lassen Sie vor dem Transport des Generators den gesamten Kraftstoff ab, um ein Auslaufen zu verhindern.
- Lagern Sie den Generator in einem gut belüfteten Bereich und mit leerem Kraftstofftank.

## KOMPONENTEN (Abb. 1)

## BEDIENFELD (Abb. 2 und Abb. 3)

\*Notieren Sie die Motor- und Rahmenseriennummern sowie das Kaufdatum zur späteren Bezugnahme. Geben Sie diese Seriennummern bei der Bestellung von Teilen und bei technischen oder Garantieforderungen an.

Kaufdatum:

Motorseriennummer:

Rahmenseriennummer:

## BEDIENELEMENTE

### Motorschalter (Abb. 4)

Startet und stoppt den Motor.

#### Schlüsselstellung:

**O (AUS):** Stoppt den Motor. Der Schlüssel kann herausgezogen oder eingesteckt werden.

**I (EIN):** Setzt den Motor nach dem Startvorgang in Betrieb.

**S (START):** Startet den Motor durch Betätigen des Anlassers.

\*EG2250A und EG2850A sind nur mit einem „I (EIN)/ O (AUS)“-Schalter ausgestattet

### ANLASSERGRIF (Abb. 5)

Ziehen Sie zum Starten des Motors langsam am Anlassergriff bis ein Widerstand spürbar ist und ziehen Sie dann schnell.

#### HINWEIS:

Bringen Sie den Anlassergriff langsam in die Ausgangsstellung zurück, um eine Beschädigung des Anlassers zu vermeiden. Lassen Sie ihn nicht gegen den Motor zurückschnellen.

Wenn der Generator nicht mit einer 12-Volt-Batterie zum Betätigen des Anlassers ausgestattet ist oder die Batterieladung zu schwach zum Betätigen des Anlassers ist, wird der Seilzugstarter zum Anlassen des Motors verwendet.

### Kraftstoffventilhebel (Abb. 6)

Das Kraftstoffventil ist zwischen dem Kraftstofftank und dem Vergaser angeordnet. Wenn sich der Ventilhebel in der Stellung „EIN“ befindet, kann Kraftstoff aus dem Kraftstofftank zum Vergaser fließen. Bringen Sie den

Kraftstoffventilhebel nach dem Ausschalten des Motors wieder in die Stellung „AUS“.

### **Drosselhebel (Abb. 7)**

Die Drossel dient zum Zuführen eines angereicherten Kraftstoffgemisches beim Starten eines kalten Motors. Betätigen Sie den Drosselhebel von Hand, um die Drossel zu öffnen und zu schließen. Ziehen Sie den Hebel in die Stellung „ZU“, um das Gemisch für einen Kaltstart anzureichern.

### **Erdungsanschluss (Abb. 8)**

Der Erdungsanschluss des Generators ist mit dem Generatorrahmen, mit den nicht stromführenden Metallteilen des Generators und mit den Erdungsanschlüssen jeder Steckdose verbunden. Lassen Sie sich vor der Verwendung des Erdungsanschlusses von einem qualifizierten Elektriker, einem Inspekteur für Elektroanlagen oder einer örtlichen Behörde mit Zuständigkeit für auf den beabsichtigten Gebrauch des Generators zutreffenden örtlichen Gesetzen oder Verfügungen beraten.

### **Gleichstromanschlüsse**

Die Gleichstromanschlüsse werden nur zum Aufladen von 12-Volt-Fahrzeuggeneratoren verwendet.

Die Anschlüsse sind zur Kennzeichnung der der positiven (+) und negativen (-) Anschlüsse schwarz respektive rot gefärbt. Stellen Sie sicher, dass die Batterie mit der richtigen Polarität an die Gleichstromanschlüsse des Generators angeschlossen wird (positiver Batteriepol an den roten Anschluss am Generator und negativer Batteriepol an den schwarzen Anschluss am Generator).

### **Gleichstrom-Leitungsschutzschalter (Abb. 9)**

Wenn der Gleichstrom-Ladeschaltkreis überlastet wird, ein Problem mit der Batterie vorliegt oder die Batterie falsch am Generator angeschlossen ist, schaltet der Gleichstrom-Leitungsschutzschalter automatisch den Gleichstrom-Batterie-ladeschaltkreis ab.

### **Ölwarnsystem (Abb. 14)**

Der Motor kann Schaden nehmen, wenn im Kurbelgehäuse eine unzureichende Menge Öl vorhanden ist. Das Ölwarnsystem verhindert dies, indem es den Motor automatisch ausschaltet, bevor der Ölpegel im Kurbelgehäuse unter den sicheren Füllstand abfällt (der Motorschalter bleibt dabei in der Stellung „I (EIN)“). Die Ölpegelwarnlampe leuchtet beim Ansprechen des Ölwarnsystems rot. Der Ölstand sollte, ungeachtet dieses Ölwarnsystems, vor jeder Verwendung geprüft werden. Prüfen Sie den Motorölpegel, falls der Motor stoppt und nicht wieder startet, bevor Sie eine Fehlerdiagnose in anderen Bereichen durchführen.

#### **HINWEIS:**

Wenn im Kurbelgehäuse eine ausreichende Menge Öl vorhanden ist, leuchtet die Pilotlampe grün. Bei einer unzureichenden Ölmenge leuchtet die Ölpegelwarnlampe rot. Füllen Sie vor der Verwendung des Generators unbedingt Öl nach.

### **Wechselstrom-Leitungstrennschalter (Abb. 10)**

Der Wechselstrom-Leitungstrennschalter schaltet bei einem Kurzschluss oder einer signifikanten Überlastung des Generators an der Steckdose automatisch ab. Vergewissern Sie sich beim automatischen Abschalten des Wechselstrom-Leitungstrennschalters, dass das Gerät ordnungsgemäß arbeitet und die Nennbelastbarkeit des Schaltkreises nicht überschreitet, bevor Sie den Wechselstrom-Leitungstrennschalter wieder einschalten. Der Wechselstrom-Leitungstrennschalter kann zum Ein- und Ausschalten des Generatorstroms verwendet werden.

### **Wechselstrom-Leitungsschutzschalter (nur EG4550A, EG5550A, EG6050A) (Abb. 11)**

Die Wechselstrom-Leitungsschutzschalter schalten bei einem Kurzschluss oder einer signifikanten Überlastung des Generators am 26-A/230-V-Kreis automatisch ab. Vergewissern Sie sich beim automatischen Abschalten eines Wechselstrom-Leitungsschutzschalters, dass das Gerät ordnungsgemäß arbeitet und die Nennbelastbarkeit des Schaltkreises nicht überschreitet, bevor Sie den Wechselstrom-Leitungsschutzschalter wieder einschalten.

## **GEBRAUCH DES GENERATORS**

### **Anschlüsse an das Stromsystem eines Gebäudes**

Die Anschlüsse für die Notstromversorgung des Stromsystems eines Gebäudes müssen von einem qualifizierten Elektriker hergestellt werden. Stellen Sie sicher, dass der Anschluss den Generatorstrom vom Netzstrom isoliert und alle geltenden Gesetze und Elektrovorschriften erfüllt. Ein Transferschalter, der den Generatorstrom vom Netzstrom isoliert, ist über einen autorisierten Makita-Generatorhändler erhältlich.

#### **⚠️ WARNUNG:**

**Wenn Anschlüsse an das Stromsystem eines Gebäudes nicht ordnungsgemäß hergestellt werden, kann elektrischer Strom vom Generator in die Netzstromleitungen zurückgespeist werden. Eine derartige Rückspeisung kann Arbeiter des Versorgungsunternehmens, die während eines Stromausfalls in den Leitungen in Kontakt kommen, Stromschlägen aussetzen, und der Generator könnte beim Wiederherstellen der Stromversorgung explodieren, in Brand geraten oder Feuer verursachen. Holen Sie den Rat des Versorgungsunternehmens oder eines qualifizierten Elektrikers ein.**

### **Erdungssystem**

Portable Makita-Generatoren sind mit einer Betriebserdung ausgestattet, die die Rahmenbauteile des Generators mit den Erdungskontakten in den Wechselstromsteckdosen verbindet. Da die Betriebserdung nicht an den Wechselstrom-Neutralleiter angeschlossen ist, weist der Generator bei der Prüfung mit einem Steckdosenprüfer denselben

Erdungsschaltungszustand wie eine Haushaltssteckdose auf.

## Wechselstromanwendungen

Vor dem Anschluss eines Geräts oder Stromkabels an den Generator:

- Stellen Sie sicher, dass es sich in einem guten Zustand befindet. Fehlerhafte Geräte oder Stromkabel können Stromschläge verursachen.
- Schalten Sie ein Gerät sofort aus, wenn es in abnormaler Weise zu arbeiten beginnt, langsam wird oder plötzlich stoppt. Trennen Sie das Gerät ab und ermitteln Sie, ob ein Geräteproblem vorliegt oder Nennbelastbarkeit des Generators überschritten wurde.
- Stellen Sie sicher, dass die elektrischen Nennwerte des Werkzeugs oder Geräts die des Generators nicht überschreiten. Überschreiten Sie niemals die maximale Nennleistung des Generators. Zwischen der Nenn- und Höchstleistung liegende Leistungsstufen dürfen nicht länger als eine Stunde verwendet werden.

### HINWEIS:

Eine substantielle Überlastung resultiert im Abschalten des Schutzschalters. Auch wenn der Leitungstrenn- oder -schutzschalter beim Überschreiten der Zeitgrenze für den Betrieb bei Höchstleistung oder bei einer geringfügigen Überlastung nicht abschaltet, verkürzt sich die Gebrauchsdauer des Generators.

Begrenzen Sie den Betrieb bei Höchstleistung auf eine Stunde. Die Höchstleistung lautet wie folgt:

EG2250A: 2,2 kW

EG2850A: 2,8 kW

EG4550A: 4,5 kW

EG5550A: 5,5 kW

EG6050A: 6,0 kW

Überschreiten Sie beim Dauerbetrieb nicht die

Nennleistung. Die Nennleistung lautet wie folgt:

EG2250A: 2,0 kW

EG2850A: 2,6 kW

EG4550A: 4,0 kW

EG5550A: 5,0 kW

EG6050A: 5,5 kW

Die Gesamtleistungsaufnahme (VA) aller an den Generator angeschlossenen Geräte ist in Betracht zu ziehen. Nenndaten von Geräten und Elektrowerkzeugen sind in der Regel in der Nähe der Modell- oder Seriennummer aufgelistet.

## Wechselstrombetrieb (Abb. 12)

1. Starten Sie den Motor.
2. Schalten Sie den Wechselstrom-Leitungstrennschalter ein.
3. Schließen Sie das Gerät an.

### HINWEIS:

Vergewissern Sie sich vor dem Anschließen jeglicher Geräte von deren ordnungsgemäßen Funktionsfähigkeit. Schalten Sie den Zündschalter sofort aus, wenn ein Gerät in abnormaler Weise zu arbeiten beginnt, langsam wird oder plötzlich stoppt. Trennen Sie dann das Gerät ab und untersuchen Sie es auf Funktionsstörungen. Die meisten motorgetriebenen Geräte benötigen mehr als ihre Nennleistung zum Starten.

Überschreiten Sie den für jede Steckdose angegebenen Höchststrom nicht. Wenn ein überlasteter Stromkreis das Abschalten des Wechselstrom-Leitungstrennschalters oder -Leitungsschutzschalters bewirkt, reduzieren Sie die Belastung des Stromkreises, warten Sie einige Minuten und schalten Sie dann den Wechselstrom-Leitungstrennschalter bzw. -Leitungsschutzschalter wieder ein.

## Gleichstrombetrieb

Die Gleichstromanschlüsse werden nur zum Aufladen von 12-Volt-Fahrzeuggeneratoren verwendet.

### Anschließen der Batterieladekabel:

1. Trennen Sie vor dem Anschließen der Batterieladekabel an eine in einem Fahrzeug installierte Batterie zunächst das Fahrzeuggeneratorkabel vom negativen (-) Pol der Batterie ab.

### ⚠️ WARNUNG:

**Die Batterie scheidet explosive Gase ab. Halten Sie Funken, Flammen und Zigaretten fern. Sorgen Sie beim Aufladen oder bei der Verwendung von Batterien für eine angemessene Lüftung.**

**WARNUNG:** Für Batteriekontakte, -pole und verwandtes Zubehör werden Blei und Bleikomponenten verwendet.

**Waschen Sie nach der Handhabung stets Ihre Hände.**

2. Schließen Sie das positive (+) Batteriekabel am positiven (+) Pol der Batterie an.
3. Schließen Sie das andere Ende des positiven (+) Batteriekabels am positiven (+) Anschluss des Generators an.
4. Schließen Sie das negative (-) Batteriekabel am negativen (-) Pol der Batterie an.
5. Schließen Sie das andere Ende des negativen (-) Batteriekabels am negativen (-) Anschluss des Generators an.
6. Starten Sie den Generator.

### HINWEIS:

Starten Sie das Fahrzeug nicht, während das Batterieladekabel angeschlossen ist und der Generator läuft. Andernfalls könnte das Fahrzeug oder der Generator beschädigt werden.

Bei einer Überlastung des Gleichstromkreises, einer zu hohen Stromaufnahme durch die Batterie oder dem Vorliegen eines Kabelproblems spricht der Gleichstrom-Leitungsschutzschalter an (die Drucktaste ragt heraus). Warten Sie in diesem Fall einige Minuten, bevor Sie Schutzschalter zum Fortsetzen des Betriebs drücken. Beenden Sie den Ladevorgang und wenden Sie sich an Ihren autorisierten Makita-Generatrhändler, falls der Gleichstrom-Leitungsschutzschalter weiter abschaltet.

### Abtrennen der Batterieladekabel:

1. Stoppen Sie den Motor.
2. Trennen Sie das negative (-) Batteriekabel vom negativen (-) Anschluss des Generators ab.
3. Trennen Sie das andere Ende des negativen (-) Batteriekabels vom negativen (-) Pol der Batterie ab.
4. Trennen Sie das positive (+) Batteriekabel vom positiven (+) Anschluss des Generators ab.
5. Trennen Sie das andere Ende des positiven (+) Batteriekabels vom positiven (+) Pol der Batterie ab.

6. Schließen Sie das Fahrzeugerüdkabel wieder am negativen (-) Pol der Batterie an.

## Betrieb in großen Höhen

Das standardmäßige Luft-Kraftstoff-Gemisch des Vergasers wird in großen Höhen zu fett, wodurch sich ein Leistungsverlust sowie ein höherer Kraftstoffverbrauch ergibt. Des Weiteren führt ein sehr fettes Gemisch zum Verschmutzen der Zündkerze und erschwert das Anlassen des Motors. Der Betrieb in einer Höhenlage, die von der abweicht, in der der Motor zertifiziert wurde, kann in höheren Emissionen resultieren. Die Motorleistung nimmt selbst bei einer Modifizierung des Vergasers bei jedem Höhenanstieg um 300 Meter um 3,5% ab. Wenn keine Modifizierung des Vergasers erfolgt, wirkt sich ein Höhenanstieg noch stärker auf die Motorleistung aus. Anhand spezifischer Modifizierungen des Vergasers lässt sich die Leistung in großen Höhen verbessern. Lassen diese Vergasermodifizierung von Ihrem Händler vornehmen, wenn der Generator immer in mehr als 1500 Meter Höhe betrieben werden soll. Dieser Motor erfüllt beim Betrieb in großen Höhen und erfolgter Vergasermodifizierung die diversen Emissionsstandards über seine gesamte Nutzungsdauer hinweg.

### HINWEIS:

Wenn der Vergaser für den Betrieb in großen Höhen modifiziert wurde, ist das Luft-Kraftstoff-Gemisch für den Betrieb in kleineren Höhen zu mager. Der Betrieb mit einem modifizierten Vergaser kann in Höhenlagen unter 1500 im Überhitzen des Motors und schweren Motorschäden resultieren. Lassen Sie den Vergaser für den Betrieb in kleineren Höhen von Ihrem Servicehändler wieder auf die ursprünglichen Werkseinstellungen zurücksetzen.

## PRÜFUNGEN VOR DEM BETRIEB

### Motoröl prüfen (Abb. 13)

Prüfen Sie vor jedem Gebrauch bei gestoppten Motor und dem auf einer stabilen, waagrechten Fläche stehenden Generator den Ölstand.

Verwenden Sie 4-Takt-Motoröl, das die Anforderungen der API-Servicekategorie SJ oder neuer (bzw. gleichwertig) erfüllt oder übertrifft. Vergewissern Sie sich stets, dass auf dem API-SERVICE-Etikett am Ölbehälter die Buchstaben SJ oder neuer (bzw. gleichwertig) angegeben sind.

1. Nehmen Sie den Öfülldeckel/Peilstab ab und wischen Sie den Peilstab sauber.
2. Führen Sie den Peilstab in den Füllhals ein und prüfen Sie den Ölstand. Schrauben Sie den Fülldeckel nicht ein.
3. Wenn der Ölstand zu niedrig ist, füllen das empfohlene Öl bis zum Höchststand des Öfüllhalses nach.

### Kraftstoff prüfen (Abb. 14)

Prüfen Sie die Kraftstoffanzeige bei gestopptem Motor. Füllen Sie den Kraftstofftank auf, falls der Kraftstoffstand niedrig ist.

### ⚠️ WARNUNG:

**Benzin ist äußerst leicht entflammbar und explosiv. Die Handhabung von Kraftstoff kann Verbrennungen und schwere Verletzung zur Folge haben.**

- **Stoppen Sie den Motor und halten Sie Hitze, Funken und Flammen fern.**
- **Tanken Sie nur im Freien nach.**
- **Wischen Sie verschütteten Kraftstoff sofort auf.**

Betanken Sie den Generator mit ausgeschaltetem Motor an einem gut gelüfteten Ort. Lassen Sie den Motor zuerst abkühlen, wenn er in Betrieb war. Tanken Sie vorsichtig nach, um das Verschütten von Kraftstoff zu vermeiden. Füllen Sie nicht über die Höchstfüllstandsmarke nach. Tanken Sie niemals in einem Gebäude auf, wo Benzindämpfe Flammen oder Funken erreichen könnten. Halten Sie Benzin von den Zündflammen von Geräten, Grillen, Elektrogeräten, Elektrowerkzeugen usw. fern. Verschütteter Kraftstoff ist eine Brandgefahr und verursacht Umweltschäden. Sorgen Sie dafür, dass verschütteter Kraftstoff umgehend aufgewischt wird.

### HINWEIS:

Achten Sie beim Betanken des Kraftstofftanks darauf, keinen Kraftstoff zu verschütten, da Kraftstoff Farbanstriche und Kunststoff beschädigen kann. Von verschüttetem Kraftstoff verursachte Schäden sind nicht von der Garantie abgedeckt. Bringen Sie Kraftstofftankdeckel nach dem Betanken wieder fest an.

### Empfohlene Kraftstoffe

Dieser Motor ist für den Betrieb mit normalem bleifreiem Benzin mit einer Zapfsäulen-Oktanzahl von 86 oder höher zertifiziert.

Verwenden Sie niemals abgestandenes oder verunreinigtes Benzin oder ein Öl-Benzin-Gemisch. Vermeiden Sie das Eindringen von Schmutz oder Wasser in den Kraftstofftank.

Es kann normales bleifreies Benzin mit einem volumenmäßigen Anteil von nicht mehr als 10% Ethanol (E10) oder 5% Methanol verwendet werden. Des Weiteren muss das Methanol Kosolventen und Korrosionsinhibitoren enthalten.

Beim Gebrauch von Kraftstoffen mit einem höheren Ethanol- oder Methanolgehalt als oben angegeben können Start- und/oder Leistungsprobleme auftreten. Zudem könnten Metall-, Gummi- und Kunststoffteile des Kraftstoffsystems beschädigt werden. Aus dem Gebrauch von Kraftstoff mit einem höheren als oben angegebenen Ethanol- oder Methanolgehalt resultierende Motorschäden und Leistungsprobleme sind von der Garantie nicht abgedeckt.

## STARTEN/STOPPEN DES MOTORS

### Starten des Motors

Betreiben Sie den Generator aus Sicherheitsgründen nicht in einem geschlossenen Bereich wie zum Beispiel einer Garage. Das Abgas des Generators enthält giftiges Kohlenmonoxid, das sich in geschlossenen Bereichen rasch ansammelt und zu Gesundheitsschäden oder zum Tod führen kann.

## **⚠️ WARNUNG:**

**Das aus dem Generator austretende Abgas enthält giftiges Kohlenmonoxid, das sich in geschlossenen Bereichen in gefährlich hohen Konzentrationen ansammeln kann.**

**Das Einatmen von Kohlenmonoxid kann zu Bewusstlosigkeit und zum Tod führen.**

**Betreiben Sie den Generator niemals in einem geschlossenen oder teilweise geschlossenen Bereich, in dem Personen anwesend sein könnten.**

Halten Sie während des Betriebs einen Abstand von mindestens einem Meter zwischen dem Generator und Gebäuden oder sonstigen Konstruktionen ein. Halten Sie entflammbare Gegenstände vom Motor entfernt.

## **HINWEIS:**

Betreiben Sie diesen Generator nicht weniger als einen Meter von Gebäuden oder sonstigen Obstruktionen entfernt, da dies im Überhitzen oder einer Beschädigung des Generators resultieren könnte. Lassen Sie zur Wahrung einer ordnungsgemäßen Kühlung einen Freiraum von mindestens einem Meter über dem und um den Generator.

Details zum Anschluss von elektrischen Verbrauchern an den Generator finden Sie unter „WECHSELSTROMBETRIEB“ bzw. „GLEICHSTROMBETRIEB“ in dieser Anleitung.

1. Führen Sie die PRÜFUNGEN VOR DEM BETRIEB durch.
2. Vergewissern Sie sich, dass sich der Wechselstrom-Leitungstrennschalter in der Stellung „O (AUS)“ befindet. Der Generator lässt sich unter Umständen schwer starten, wenn ein elektrischer Verbraucher angeschlossen ist.
3. Drehen Sie den Kraftstoffventilhebel in die Stellung „EIN“.
4. Drehen Sie den Motorschalter in die Stellung „I (EIN)“.
5. Ziehen Sie langsam am Anlassergriff bis ein Widerstand spürbar ist und ziehen Sie dann schnell.

## **HINWEIS:**

Bringen Sie den Anlassergriff langsam in die Ausgangsstellung zurück, um eine Beschädigung des Anlassers zu vermeiden. Lassen Sie ihn nicht gegen den Motor zurückschnellen.

Mit dem elektrischen Anlasser:

1. Schließen Sie die Batteriekabel am Generator an.
2. Drehen Sie den Motorschalter in die Stellung „S (START)“ und halten Sie ihn fünf Sekunden lang bzw. bis der Motor startet in dieser Stellung.

## **HINWEIS:**

- Der Anlasser kann beschädigt werden, wenn er länger als fünf Sekunden betätigt wird. Falls der Motor nicht startet, lassen Sie den Schalter los und warten Sie 10 Sekunden, bevor Sie den Anlasser erneut betätigen.
- Wenn sich die Drehzahl des Anlassers nach einiger Zeit verlangsamt, weist dies darauf hin, dass die Batterie geladen werden sollte.

Lassen Sie den Motorschalter in die Stellung „I (EIN)“ zurückkehren, wenn der Motor startet. Falls die Drossel von Hand geschlossen wurde, drücken Sie den Hebel beim Warmlaufen des Motors in die Stellung „AUF“.

## **Stoppen des Motors**

### **In einem Notfall:**

Bringen Sie den Motorschalter zum Stoppen des Motors in einem Notfall in die Stellung „O (AUS)“.

### **Beim normalen Gebrauch:**

1. Drehen Sie den Wechselstrom-Leitungstrennschalter in die Stellung „O (AUS)“.  
Trennen Sie die Batterieladekabel ab.
2. Drehen Sie den Motorschalter in die Stellung „O (AUS)“.
3. Drehen Sie den Kraftstoffventilhebel in die Stellung „AUS“.

## **WARTUNG**

### **Die Wichtigkeit der Wartung**

Eine gute Wartung ist eine Grundvoraussetzung für den sicheren, wirtschaftlichen und reibungslosen Betrieb des Generators. Zudem trägt sie zur Reduzierung der Luftverschmutzung bei.

### **⚠️ WARNUNG:**

**Eine nicht ordnungsgemäße Wartung oder ein vor dem Betrieb nicht behobenes Problem kann eine Funktionsstörung verursachen, die wiederum in schweren oder tödlichen Verletzungen resultieren kann.**

**Befolgen Sie stets die in dieser Anleitung enthaltenen Inspektions- und Wartungsempfehlungen und -pläne.** Die folgenden Seiten enthalten einen Wartungsplan sowie Anleitungen zu Routineinspektions- und einfachen Wartungsverfahren, die unter Verwendung einfacher für die ordnungsgemäße Pflege des Generators erforderlicher Handwerkzeuge ausgeführt werden. Andere Instandhaltungsarbeiten, die komplizierter sind oder Spezialwerkzeuge erfordern, werden am besten von Fachkräften gehandhabt und in der Regel von einem Makita-Techniker oder einem qualifizierten Mechaniker ausgeführt.

Der in dieser Anleitung enthaltene Wartungsplan basiert auf normalen Betriebsbedingungen. Lassen Sie sich von Ihrem Servicehändler bezüglich Ihrer spezifischen Erfordernisse beraten, wenn der Generator unter extremen Bedingungen wie zum Beispiel bei anhaltend hoher Last oder hoher Temperatur oder unter außergewöhnlich nassen oder staubigen Bedingungen betrieben wird.

**Wartung, Austausch oder Reparatur der Abgasregelgeräte und -systeme können von jedem Reparaturbetrieb für nicht für den Straßenverkehr vorgesehene Motoren unter Verwendung von nach EPA-Standards „zertifizierten“ Teilen durchgeführt werden.**

### **Sichere Wartung**

Nachfolgend werden einige der wichtigsten Sicherheitsvorkehrungen aufgelistet. Wir können jedoch nicht jede denkbare Gefahr abdecken. Vergessen Sie deshalb bitte nicht, dass nur Sie entscheiden können, ob Sie eine gegebene Aufgabe verrichten können oder nicht.

**⚠️ WARNUNG:**

**Die nicht ordnungsgemäße Befolgung der Wartungsanleitungen und Vorsichtsmaßnahmen kann in schweren oder tödlichen Verletzungen resultieren. Befolgen Sie stets die Verfahren und Vorsichtsmaßnahmen in der Anleitung.**

**Sicherheitsvorkehrungen**

- Stellen Sie vor Beginn jeglicher Wartungs- oder Reparaturarbeiten sicher, dass der Motor ausgeschaltet ist. Damit werden mehrere potentielle Gefahren eliminiert:
  - **Kohlenmonoxidvergiftung durch das Motorabgas.**  
Arbeiten Sie im Freien von offenen Fenstern und Türen entfernt.
  - **Durch heiße Teile verursachte Verbrennungen.**  
Lassen Sie den Motor und die Auspuffanlage abkühlen, bevor Sie sie berühren.
  - **Durch bewegliche Teile verursachte Verletzungen.**

Lassen Sie den Motor nur laufen, wenn Sie dazu angewiesen werden.

- Lesen Sie die Anleitungen bevor Sie den Generator in Betrieb nehmen und stellen Sie sicher, dass Sie die Anleitungen verstanden haben und über die erforderlichen Werkzeuge und Fertigkeiten verfügen.
- Gehen Sie beim Arbeiten in der Nähe von Benzin vorsichtig vor, um die Brand- oder Explosionsgefahr zu reduzieren. Verwenden Sie zum Reinigen von Teilen nur ein nicht entflammendes Lösungsmittel und kein Benzin. Halten Sie Zigaretten, Funken und Flammen von kraftstoffbezogenen Teilen fern.

Denken Sie daran, dass Ihr Servicehändler Ihren Generator am besten kennt und über die komplette für seine Wartung und Reparatur erforderliche Ausrüstung verfügt.

Verwenden Sie für Reparaturen oder den Austausch von Teilen zur Gewährleistung höchster Qualität und Zuverlässigkeit nur neue Originalteile von Makita oder gleichwertige Teile.

**Wartungsplan**

REGELMÄSSIGES WARTUNGSINTERVALL *3		Jeder Gebrauch	Erster Monat oder 20 Std.	Alle 3 Monate oder 50 Std.	Alle 6 Monate oder 100 Std.	Jedes Jahr oder alle 300 Std.
ZU WARTENDE KOMPONENTEN Im angegebenen Monats- oder Betriebsstundenintervall durchführen, je nachdem, was zuerst eintritt.						
Motoröl	Ölstand prüfen	○				
	Austauschen		○		○	
Luftfilter	Prüfen	○				
	Reinigen			○*1		
Sedimentbecher	Reinigen				○	
Zündkerze	Prüfen, einstellen				○	
	Austauschen					○
Funkenfänger	Reinigen				○	○*2
Leerlaufdrehzahl	Prüfen, einstellen					
Ventilspiel	Prüfen, einstellen					○*2
Brennkammer	Reinigen	Nach jeweils 500 Std. *2				
Kraftstofftank und -filter	Reinigen				○*2	
Kraftstoffleitung	Prüfen	Alle 2 Jahre (erforderlichenfalls austauschen) *2				

\*1: Häufiger warten, wenn der Generator in staubigen, schmutzigen oder harschen Umgebungen eingesetzt wird.

\*2: Diese Komponente sollte von einem autorisierten Makita-Generatorhändler gewartet werden, es sei denn, der Eigentümer verfügt über die passenden Werkzeuge und ist ein fachkundiger Mechaniker. Siehe Makita-Werkzeughandbuch.

\*3: Bei einem gewerblichen Gebrauch sollten die Betriebsstunden zum Bestimmen geeigneter Wartungsintervalle aufgezeichnet werden.

Das Nichtbefolgen dieses Wartungsplans könnte in nicht von der Garantie abgedeckten Funktionsstörungen resultieren.

**Motorölwechsel (Abb. 15)**

Lassen Sie das Öl bei warmem Motor ab, um ein schnelles und vollständiges Entleeren zu gewährleisten.

1. Stellen einen geeigneten Behälter unter den Motor, um das Öl aufzufangen.
2. Entfernen Sie zum Ablassen des Öls die Ölablassschraube, die Öldichtungsscheibe und den Ölfülldeckel/Peilstab.

3. Bringen Sie die Ölablassschraube wieder zusammen mit einer neuen Dichtungsscheibe an und ziehen Sie die Schraube fest.
4. Füllen Sie das empfohlene Öl nach und prüfen Sie den Ölstand.

Waschen Sie Ihre Hände nach der Handhabung von Altöl mit Seife und Wasser.

## HINWEIS:

Das nicht ordnungsgemäße Entsorgen von gebrauchtem Motoröl kann umweltgefährdend sein. Ermitteln Sie vor dem Ölwechsel eine geeignete Entsorgungsmöglichkeit für das Altöl. Geben Sie Altöl nicht in eine Mülltonne und schütten Sie es nicht in einen Wasserabfluss oder auf den Boden. Ihre Gemeindeordnung und örtlichen Umweltvorschriften geben Ihnen detailliertere Anleitungen zur ordnungsgemäßen Entsorgung.

## Luftfilterwartung (Abb. 16 und Abb. 17)

Ein verschmutzter Luftfilter schränkt die Luftzufuhr zum Vergaser ein. Reinigen Sie den Luftfilter regelmäßig, um einer Funktionsstörung des Vergasers vorzubeugen. Reinigen Sie ihn häufiger, wenn der Generator in einem extrem staubigen Bereich betrieben wird.

## HINWEIS:

Der Betrieb des Motors ohne Luftfilter, mit einem beschädigten Luftfilter oder mit einem nicht ordnungsgemäß eingebauten Luftfilter ermöglicht das Eindringen von Schmutz in den Motor und führt zum schnellen Verschleiß des Motors. Diese Art von Schaden wird von der begrenzten Händlergarantie nicht abgedeckt.

1. Entfernen Sie den Drehknopf, haken Sie die beiden Klammern an der Luftfilterabdeckung aus und entfernen Sie dann die Luftfilterabdeckung sowie das Element.
2. Waschen Sie das Luftfilterelement entweder mit einer Lösung von Haushaltsreiniger und warmem Wasser und spülen Sie es dann gründlich aus oder waschen Sie es mit einem nicht entflammaren Lösungsmittel bzw. einem Lösungsmittel mit hohem Flammpunkt. Lassen Sie das Luftfilterelement dann gründlich trocknen.
3. Tränken Sie das Luftfilterelement mit sauberem Motoröl und quetschen Sie das überschüssige Öl heraus. Wenn zu viel Öl im Luftfilterelement verbleibt, raucht der Motor beim ersten Starten.
4. Bringen Sie das Luftfilterelement und die Abdeckung wieder an.

## Reinigen des Kraftstoffsedimentbeckers

Der Sedimentbecher verhindert, dass etwaiger im Kraftstofftank vorhandener Schmutz in den Vergaser gelangt. Reinigen Sie den Sedimentbecher unbedingt, wenn der Motor lange Zeit außer Betrieb war.

1. Drehen Sie den Kraftstoffventilhebel in die Stellung „AUS“. Nehmen Sie den Sedimentbecher, O-Ring und Filter ab.
2. Reinigen Sie den Sedimentbecher und Filter mit einem nicht entflammaren Lösungsmittel bzw. einem Lösungsmittel mit hohem Flammpunkt.
3. Bauen Sie den Filter, einen neuen O-Ring und den Sedimentbecher wieder ein.
4. Drehen Sie den Kraftstoffventilhebel in die Stellung „EIN“ und prüfen Sie die Teile auf Leckagen.

## Zündkerzenwartung (Abb. 18 und Abb. 19)

Zur Wartung der Zündkerze ist ein Zündkerzenschlüssel (im Handel erhältlich) erforderlich.

**Empfohlene Zündkerzen:** RN9YC (Champion), BPR5ES (NGK), W16EPR-U (DENSO)

Für den ordnungsgemäßen des Betrieb des Motors muss der richtige Elektrodenabstand der Zündkerze eingestellt sein und die Zündkerze muss frei von Ablagerungen sein.

## HINWEIS:

Bei Verwendung einer falschen Zündkerze kann der Motor beschädigt werden.

Lassen Sie den Motor vor der Wartung der Zündkerze abkühlen, falls er in Betrieb war.

1. Nehmen Sie die Zündkerzenkappe ab.
2. Entfernen Sie etwaigen Schmutz vom Zündkerzensockel.
3. Schrauben Sie die Zündkerze mit einem Zündkerzenschlüssel heraus.
4. Führen Sie eine Sichtprüfung der Zündkerze durch. Entsorgen Sie sie, falls der Isolator Risse aufweist, angeschlagen oder verunreinigt ist.
5. Messen Sie den Elektrodenabstand mit einer Fühlerlehre. Stellen Sie den Abstand erforderlichenfalls durch Biegen der seitlichen Elektrode ein.  
Die Elektroden sollten den folgenden Abstand haben: 0,7 - 0,8 mm
6. Vergewissern Sie sich, dass die Dichtscheibe der Zündkerze in gutem Zustand ist, und schrauben Sie die Zündkerze von Hand ein, um ein Verkanten zu vermeiden.
7. Nachdem die Zündkerze den Sitz erreicht hat, ziehen Sie sie mit einem Zündkerzenschlüssel fest, um den Dichtring zu komprimieren.
  - Ziehen Sie beim Einbau einer neuen Zündkerze um 1/2 Umdrehung weiter fest, wenn der Sitz der Zündkerze beginnt, den Dichtring zu komprimieren. Ziehen Sie beim erneuten Einbau einer gebrauchten Zündkerze um 1/8 bis 1/4 Umdrehung weiter fest, wenn der Sitz der Zündkerze beginnt, den Dichtring zu komprimieren.

## HINWEIS:

Eine lose sitzende Zündkerze kann im Überhitzen und Beschädigen des Motors resultieren.

Eine zu fest angezogene Zündkerze kann das Gewinde im Zylinderkopf beschädigen.

## Funkenfängerwartung (landesspezifisch) (Abb. 20)

Wenn der Generator in Betrieb war, ist der Schalldämpfer sehr heiß. Lassen Sie ihn vor dem Reinigen des Funkenfängers abkühlen.

Der Funkenfänger muss zur Beibehaltung seiner vorgesehenen Funktion alle 100 Stunden gewartet werden.

Reinigen Sie den Funkenfänger wie folgt:

1. Lösen Sie die Schraube am Auspuffanschluss des Schalldämpfers und entfernen Sie den Funkenfänger.
2. Entfernen Sie Rußablagerungen mit einer Bürste vom Funkenfängersieb.  
Der Funkenfänger darf keine Sprünge oder Risse aufweisen. Überprüfen Sie ihn und tauschen Sie ihn erforderlichenfalls aus.
3. Bauen Sie den Funkenfänger in umgekehrter Reihenfolge des Ausbaus ein.



# LAGERUNG

## Lagervorbereitung

Eine ordnungsgemäße Vorbereitung auf die Lagerung trägt entscheidend zur Beibehaltung der Betriebsbereitschaft und guten optischen Erscheinung des Generators bei. Die folgenden Schritte helfen, eine durch Rost und Korrosion verursachte Beeinträchtigung der Leistung und des Erscheinungsbilds des Generators zu verhindern, und erleichtern das Starten des Motors bei der nächsten Verwendung des Generators.

## Reinigung

Wischen Sie den Generator mit einem feuchten Tuch ab und lassen Sie ihn gründliche trocknen. Bessern Sie etwaige Lackschäden nach und tragen Sie auf andere Bereiche, die rosten könnten, einen dünnen Ölfilm auf.

## Kraftstoff

### HINWEIS:

Abhängig von der Region, in der die Ausrüstung zum Einsatz kommt, können Kraftstoffformeln an Güte verlieren und schnell oxidieren. Güteverlust und Oxidation können bereits nach 30 Tagen auftreten und eine Beschädigung des Vergasers und/oder des Kraftstoffsystems verursachen. Lassen Sie sich von Ihrem Servicehändler bezüglich der Lagerung an Ihrem Standort beraten.

Benzin oxidiert während der Lagerung und verliert an Güte. Altes Benzin erschwert den Motorstart und lässt

klebrige Ablagerungen zurück, die das Kraftstoffsystem verstopfen. Bei einem Güteverlust des Benzins während der Lagerung kann möglicherweise eine Wartung oder ein Austausch des Vergasers oder anderer Komponenten des Kraftstoffsystems erforderlich werden.

Die Zeitdauer, für die Benzin im Kraftstofftank und Vergaser gelassen werden kann, ohne Funktionsprobleme zu verursachen, variiert abhängig von Faktoren wie der Zusammensetzung des Benzins, den Lagertemperaturen und der teilweisen oder vollständigen Füllung des Kraftstofftanks. Die Luft in einem teilweise gefüllten Kraftstofftank trägt zum Güteverlust des Kraftstoffs bei. Sehr hohe Lagertemperaturen beschleunigen den Güteverlust des Kraftstoffs. Probleme im Zusammenhang mit einem Güteverlust des Kraftstoffs können innerhalb weniger Monate auftreten und noch früher, wenn das Benzin beim Füllen des Kraftstofftanks nicht frisch war.

Aus einer vernachlässigten Lagervorbereitung resultierende Schäden am Kraftstoffsystem oder Motorleistungsprobleme werden von der begrenzten Händlergarantie nicht abgedeckt.

Die Lagerfähigkeit kann durch Hinzufügen eines für diesen Zweck formulierten Kraftstoffstabilisators verlängert werden. Alternativ dazu können Sie zur Vermeidung von Problemen im Zusammenhang mit einem Güteverlust des Kraftstoffs auch den Vergaser, den Sedimentbecher (falls zutreffen) und/oder den Kraftstofftank leeren.

Führen Sie eine Instandhaltung gemäß der folgenden Tabelle durch:

LAGERDAUER	ZUR VORBEUGUNGEN GEGEN STARTPROBLEME EMPFOHLENE INSTANDHALTUNGSMASSNAHMEN
Weniger als 1 Monat	Keine Vorbereitung erforderlich.
1 bis 2 Monate	Mit frischem Benzin füllen und Kraftstoffstabilisator hinzufügen*.
2 Monate bis 1 Jahr	Mit frischem Benzin füllen und Kraftstoffstabilisator hinzufügen*. Leeren Sie die Schwimmerkammer des Vergasers und den Sedimentbecher.
1 Jahr oder mehr	Mit frischem Benzin füllen und Kraftstoffstabilisator hinzufügen*. Leeren Sie die Schwimmerkammer des Vergasers und den Sedimentbecher. Entfernen Sie die Zündkerze und geben Sie einen Teelöffel Motoröl in den Zylinder. Drehen Sie den Motor langsam mit dem Seilzugstarter, um das Öl zu verteilen. Bringen Sie dann Zündkerze wieder an. Wechseln Sie das Motoröl. Lassen Sie nach der Lagerung des Generators das aufbewahrte Benzin in einen geeigneten Behälter ab und füllen Sie vor dem Start frisches Benzin nach.
*Verwenden Sie für die Verlängerung der Lagerfähigkeit konzipierte Kraftstoffstabilisatoren. Befolgen Sie die Gebrauchsanleitung des Herstellers. Lassen Sie sich von Ihrem autorisierten Makita-Generatorhändler über Stabilisatoren beraten.	

## Leeren des Kraftstofftanks und Vergasers (Abb. 21)

### ⚠️ WARNUNG:

**Benzin ist äußerst leicht entflammbar und explosiv. Die Handhabung von Kraftstoff kann Verbrennungen und schwere Verletzung zur Folge haben.**

- Stoppen Sie den Motor und halten Sie Hitze, Funken und Flammen fern.
- Handhaben Sie Kraftstoff nur im Freien.
- Wischen Sie verschütteten Kraftstoff sofort auf.

1. Lösen Sie die Ablassschraube und leeren Sie den Vergaser. Lassen Sie das Benzin in einen geeigneten Behälter ab.
2. Stellen Sie einen geeigneten Behälter unter den Sedimentbecher und verwenden Sie einen Trichter, um das Verschütten von Benzin zu vermeiden.
3. Entfernen Sie den Sedimentbecher und drehen Sie den Kraftstoffventilhebel dann in die Stellung „EIN“.
4. Lassen Sie das Benzin vollständig ab und bringen Sie dann den Sedimentbecher wieder an.



## Motoröl (Abb. 22)

1. Wechseln Sie das Motoröl.
2. Entfernen Sie die Zündkerze.
3. Gießen Sie einen Teelöffel (5 - 10 cm³) sauberes Motoröl in den Zylinder.
4. Ziehen Sie mehrmals am Anlassergriff, um das Öl im Zylinder zu verteilen.
5. Bringen Sie die Zündkerze wieder an.
6. Ziehen Sie langsam am Anlassergriff bis ein Widerstand spürbar ist. Der Kolben bewegt sich dabei auf seine Arbeitshubstellung zu und sowohl das Einlass- als auch das Auslassventil ist geschlossen. Das Lagern des Motors in dieser Stellung trägt zum Schutz vor interner Korrosion bei. Bringen Sie den Anlassergriff vorsichtig in seine Ausgangsstellung zurück.

## Sicherheitsvorkehrungen bei der Lagerung

Wenn der Generator mit Benzin im Kraftstofftank und Vergaser gelagert werden soll, ist es wichtig, das Risiko einer Entzündung von Benzindämpfen zu reduzieren. Wählen Sie einen gut gelüfteten von Öfen, Wasserheizungen oder Wäschetrocknern und anderen mit einer Flamme betriebenen Geräten entfernten Lagerort. Vermeiden Sie auch Bereiche, in denen ein Funken erzeugender Elektromotor oder Elektrowerkzeuge eingesetzt werden. Vermeiden Sie soweit möglich Lagerorte mit einer hohen Feuchtigkeit, da hohe Feuchtigkeit die Bildung von Rost und Korrosion fördert.

Wenn der Kraftstoff nicht vollständig aus dem Kraftstofftank abgelassen wurde, lassen Sie den Kraftstoffventilhebel in der Stellung „AUS“, um das Risiko einer Leckage zu reduzieren.

Stellen Sie den Generator auf einer stabilen und waagrechten Fläche ab. Kippen kann zum Auslaufen von Öl oder Kraftstoff führen.

Decken Sie den Generator nach dem Abkühlen des Motors und der Abgasanlage ab, um ihn vor Staub zu schützen. Ein heißer Motor und eine heiße Abgasanlage können bestimmte Materialien entzünden oder schmelzen.

Verwenden Sie keine Kunststoffplanen als Staubschutz. Eine porenfreie Abdeckung schließt Feuchtigkeit um den Generator ein und fördert die Bildung von Rost und Korrosion.

## Auslagerung

Prüfen Sie den Generator wie im Kapitel „PRÜFUNGEN VOR DEM BETRIEB“ dieser Anleitung beschrieben. Füllen Sie den Kraftstofftank mit frischem Benzin, wenn der Kraftstoff beim Vorbereiten der Einlagerung abgelassen wurde. Wenn Benzin zum Nachtanken in einem Behälter aufbewahrt wird, ist Sorge zu tragen, dass er nur frischen Benzin enthält. Benzin oxidiert und verliert im Verlauf der Zeit an Güte, und die Verwendung von oxidiertem oder minderwertigem Öl kann Startprobleme verursachen.

Beachten Sie, dass das kurzzeitige Rauchen des Motors beim Starten normal ist, wenn der Zylinder bei der Vorbereitung der Einlagerung mit Öl beschichtet wurde.

## TRANSPORT (Abb. 23)

Schalten Sie den Motorschalter und das Kraftstoffventil beim Transport des Generators aus. Halten Sie den Generator stabil und waagrecht, um das Verschütten von Kraftstoff zu verhindern. Kraftstoffdämpfe oder verschütteter Kraftstoff könnten sich entzünden.

### ⚠️ WARNUNG:

**Der Kontakt mit einem heißen Motor oder einer heißen Abgasanlage kann in schweren Verbrennungen oder Bränden resultieren. Lassen Sie den Motor vor dem Transport oder der Einlagerung des Generators abkühlen.**

Achten Sie beim Transport des Generators darauf, den Generator nicht fallen zu lassen oder gegen ihn zu schlagen. Legen Sie keine schweren Gegenstände auf den Generator.

Sichern Sie den Generatorrahmen beim Transport des Generators auf einem Fahrzeug wie dargestellt.

## FEHLERBEHEBUNG

### Wenn der Motor nicht startet:

Vergewissern Sie sich, dass Kraftstoff im Tank ist.	← →	Tanken Sie nach, falls der Kraftstofftank leer ist.
Prüfen Sie den Kraftstofftank.	← →	Füllen Sie bei einem niedrigen Ölstand das empfohlene Öl nach.
Prüfen Sie den Zustand der Zündkerze.	← →	Stellen Sie den Elektrodenabstand ein, falls sie in einem schlechten Zustand ist. Tauschen Sie sie erforderlichenfalls aus.
Vergewissern Sie sich, dass Kraftstoff den Vergaser erreicht.	← →	Reinigen Sie andernfalls den Sedimentbecher.

Bringen Sie den Generator zu einem autorisierten Makita-Generatorhändler, falls der Motor noch immer nicht startet.

**Wenn an den Wechselstromsteckdosen kein Strom erzeugt wird:**

Vergewissern Sie sich, dass sich der Wechselstrom-Leitungstrennschalter in der Stellung „I (EIN)“ befindet.	← →	Schalten Sie den Wechselstrom-Leitungstrennschalter andernfalls ein.
Prüfen Sie ob das Elektrogerät bzw. die Ausrüstung defekt ist.	← →	Bringen Sie den Generator zu einem autorisierten Makita-Generatorhändler, wenn keine Defekte vorliegen. Bei Defekten: - Tauschen Sie das Elektrogerät bzw. die Ausrüstung aus. - Bringen Sie das Elektrogerät bzw. die Ausrüstung zur Reparatur in eine Elektrowerkstatt.

- Fehlzündung unter Last.
- Nachverbrennung (Fehlzündung).
- Schwarzer Abgasrauch oder hoher Kraftstoffverbrauch.

**Ersatzteile**

Die Abgasregelanlagen an Ihrem Makita-Motor sind für ihre Konformität mit den geltenden Emissionsrichtlinien konzipiert, gefertigt und zertifiziert. Deshalb wird empfohlen, bei allen Wartungsarbeiten Originalteile von Makita zu verwenden. Diese der Originalkonstruktion entsprechenden Ersatzteile sind nach denselben Standards wie die Originalteile gefertigt und bieten deshalb eine zuverlässige Leistung. Die Verwendung von nicht der Originalkonstruktion und -qualität entsprechenden Teilen könnte den Wirkungsgrad der Abgasregelanlage senken. Beachten Sie, dass Ersatzteilhersteller die Verantwortung dafür übernehmen, dass sich das Teil nicht nachteilig auf die Abgasleistung auswirkt. Der Hersteller oder Nachfertiger des Teils muss nachweisen, dass der Motor auch bei Verwendung des Teils weiterhin die Emissionsrichtlinien erfüllt.

**Wartung**

Befolgen Sie den Wartungsplan. Denken Sie daran, dass der Plan auf der Annahme basiert, dass das Gerät für seinen vorgesehenen Verwendungszweck benutzt wird. Bei einem kontinuierlichen Betrieb unter hoher Last oder hohen Temperaturen oder beim Einsatz unter außergewöhnlich nassen oder staubigen Bedingungen muss das Gerät häufiger gewartet werden.

**TECHNISCHE DATEN**

**Angaben zur Abgasregelung**

**Emissionsquellen**

Beim Verbrennungsprozess entstehen Kohlenmonoxid, Stickstoffoxide und Kohlenwasserstoffe. Die Regelung der Emission von Kohlenwasserstoffen und Stickstoffoxiden ist extrem wichtig, weil diese Substanzen unter bestimmten Bedingungen fotochemischen Smog bilden können, wenn sie Sonnenlicht ausgesetzt werden. Wenngleich Kohlenmonoxid nicht in gleicher Weise reagiert, ist es dennoch giftig.

Makita verwendet angemessene Luft-Kraftstoff-Verhältnisse und weitere Systeme zur Abgasregelung ein, um die Emission von Kohlenmonoxid, Stickstoffoxiden und Kohlenwasserstoffen zu reduzieren. Darüber hinaus werden in Makita-Kraftstoffanlagen Komponenten und Regeltechniken zur Reduzierung von Verdampfungsemissionen eingesetzt.

**Manipulierung und Modifizierung**

Die Emissionspegel können die gesetzlichen Grenzwerte überschreiten, wenn die Abgasregelung manipuliert oder modifiziert wird. Maßnahmen, die eine Manipulierung konstituieren, sind unter anderem:

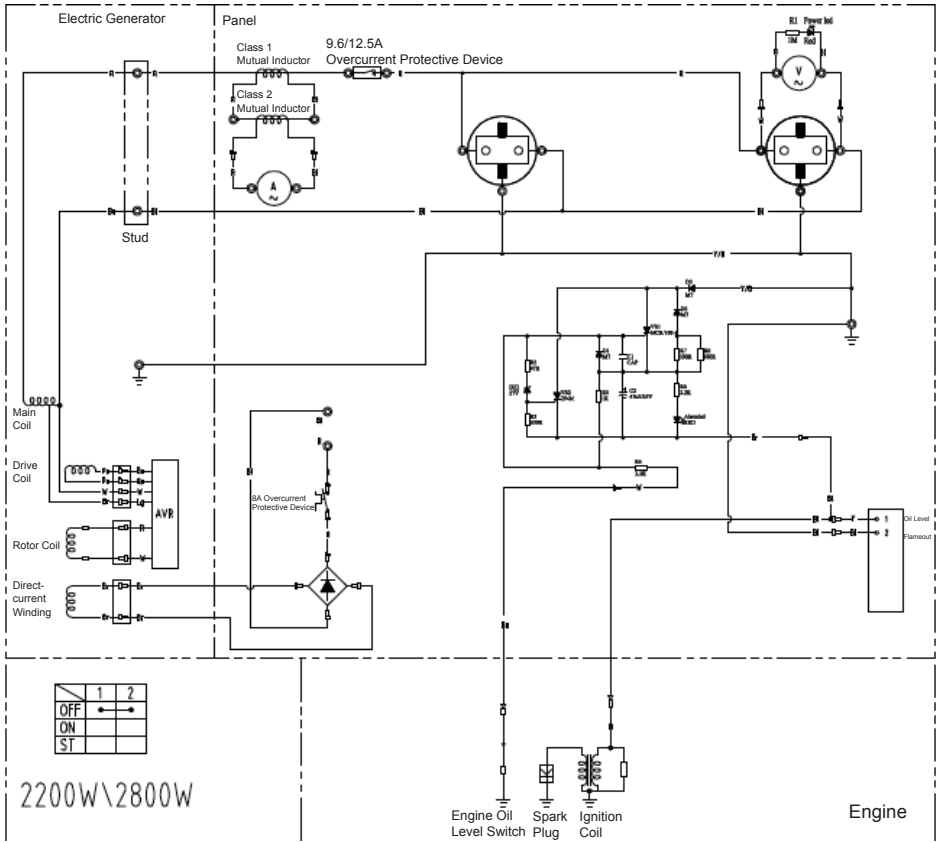
- Entfernen oder Modifizieren jeglicher Teile des Einlass-, Kraftstoff- oder Abgassystems.
- Modifizieren oder Umgehen der Drehzahlreglerkoppelung oder der Drehzahlregelung, um den Betrieb des Motors außerhalb seiner Auslegungsparameter zu bewirken.

**Probleme, die sich auf Emissionen auswirken könnten**

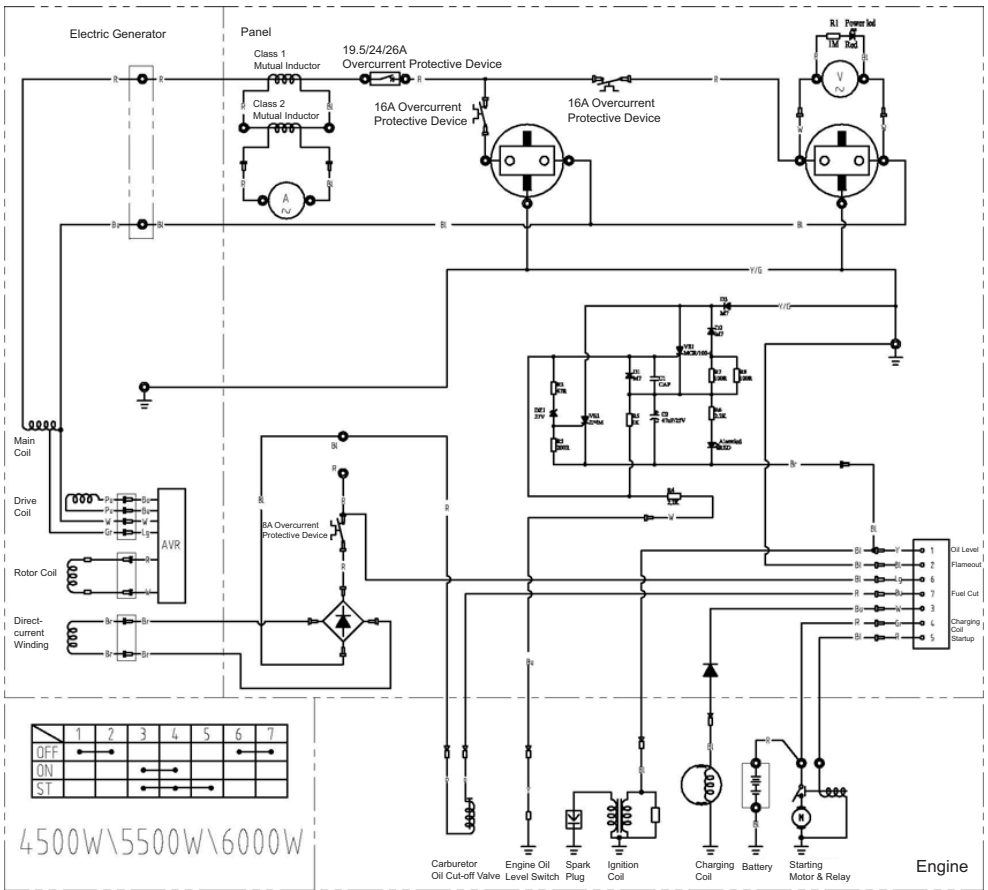
Lassen Sie den Motor von Ihrem Servicehändler inspizieren und reparieren, falls Sie eines der folgenden Symptome feststellen.

- Startprobleme oder Abwürgen nach dem Start.
- Unrunder Leerlauf.

# SCHALTPLAN



Hinweis: EG2250A und EG2850A haben denselben Schaltplan.



**Hinweis: EG4550A, EG5550A und EG6050A haben denselben Schaltplan.**

# TECHNISCHE DATEN

MODELL			EG2250A	EG2850A	EG4550A	EG5550A	EG6050A
Generator	Typ		Bürste, 2-polig, einphasig				
	Spannungsregelung		AVR-Ausführung				
	Wechselstromausgang		230 - 50				
	Nennspannungsfrequenz	V-Hz					
	Nennstrom	A	8,7	11,3	17,4	21,7	24
	Nennleistung	VA (W)	2.000	2.600	4.000	5.000	5.500
	Maximalleistung	VA (W)	2.200	2.800	4.500	5.500	6.000
	Nennleistungsfaktor		1,0				
	Sicherheitsvorrichtung		Leitungstrennschalter				
	Gleichstromausgang		12				
Nennspannung	V						
Nennstrom	A	8,3					
Sicherheitsvorrichtung		Leitungstrennschalter					
Motor	Modell		170F		190F		
	Typ		OHV, 4-Takt-Einzylinder				
	Hubraum	ml	210		420		
	Kraftstoff		Bleifreies Automobilbenzin				
	Kraftstofftankkapazität (voll)	L	15		25		
	Kraftstofftankkapazität (geregelte Kraftstoffmenge)	L	10		20		
	Motorölkapazität	L	0,6		1,1		
	Zündkerze		Champion RN9YC				
	Anlassersystem		Seilzugstarter		Elektrischer Anlasser / Seilzug		
Abmessungen	Länge	mm	600		680		
	Breite	mm	442		550		
	Höhe	mm	450		550		
Geräuschemissionen (Messwerte ermittelt entsprechend 2000/14/EG)	Schalldruckpegel	dB (A)	75 (Unsicherheit K=3)				
	Schalleistungspegel	dB (A)	95 (Unsicherheit K=3)				
Trockengewicht	kg	42	45	80	83	85	
Bruttogewicht Gewicht gemäß EPTA-Verfahren 01/2003	kg	49,8	52,8	95,5	98,5	100,5	

# MONTAGE

## Die Wichtigkeit einer ordnungsgemäßen Montage

Eine ordnungsgemäße Montage ist eine Grundvoraussetzung für die Betriebssicherheit und den zuverlässigen Betrieb des Geräts. Jeder Fehler oder jedes Versehen der Person, die ein Gerät montiert oder wartet, kann leicht in einem fehlerhaften Betrieb, einer Beschädigung des Geräts oder einer Verletzung des Bedienungspersonals resultieren.

### **⚠️ WARNUNG:**

**Eine nicht ordnungsgemäße Montage kann einen unsicheren Zustand bewirken, der in schweren oder tödlichen Verletzungen resultieren kann.**

**Befolgen Sie sorgfältig die in der Montageanleitung beschriebenen Verfahren und Sicherheitsvorkehrungen.**

Nachfolgend sind einige der wichtigsten Sicherheitsvorkehrungen aufgelistet.

Wir können jedoch nicht jede denkbare Gefahr abdecken, die bei der Montage auftreten könnte. Vergessen Sie deshalb bitte nicht, dass nur Sie entscheiden können, ob Sie eine gegebene Aufgabe verrichten können oder nicht.

### **⚠️ WARNUNG:**

**Die nicht ordnungsgemäße Befolgung der Anleitungen und Sicherheitsvorkehrungen kann in schweren oder tödlichen Verletzungen resultieren.**

**Befolgen Sie sorgfältig die in dieser Anleitung beschriebenen Verfahren und Sicherheitsvorkehrungen.**

## Wichtige Sicherheitsvorkehrungen

- Schaffen Sie sich ein klares Verständnis aller grundlegenden Werkstattssicherheitspraktiken und tragen Sie angemessene Kleidung und Sicherheitsausrüstung. Beachten Sie bei der Montage insbesondere die folgenden Punkte:
    - Lesen Sie vor Beginn der Arbeiten die Anleitung und stellen Sie sicher, dass Sie über die zur sicheren Verrichtung der Aufgaben erforderlichen Werkzeuge und Fertigkeiten verfügen.
  - Stellen Sie vor Beginn jeglicher Wartungs- oder Reparaturarbeiten sicher, dass der Motor ausgeschaltet ist. Dies trägt dazu bei, mehrere potentielle Gefahren zu eliminieren:
    - **Kohlenmonoxidvergiftung durch das Motorabgas.**  
Arbeiten Sie im Freien von offenen Fenstern und Türen entfernt.
    - **Durch heiße Teile verursachte Verbrennungen.**  
Lassen Sie den Motor und die Auspuffanlage abkühlen, bevor Sie sie berühren.
    - **Durch bewegliche Teile verursachte Verletzungen.**  
Lassen Sie den Motor nur laufen, wenn Sie in der Anleitung dazu angewiesen werden.
- Halten Sie auch dann Ihre Hände, Finger und Kleidung fern. Lassen Sie den Motor nicht laufen, wenn eine Schutzabdeckung oder ein Schutzschild entfernt wurde.
- Gehen Sie beim Arbeiten in der Nähe von Benzin oder Batterien vorsichtig vor, um die Brand- oder Explosionsgefahr zu reduzieren. Verwenden Sie zum

Reinigen von Teilen nur ein nicht entflammendes Lösungsmittel und kein Benzin. Halten Sie alle Zigaretten, Funken und Flammen von kraftstoffbezogenen Teilen fern.

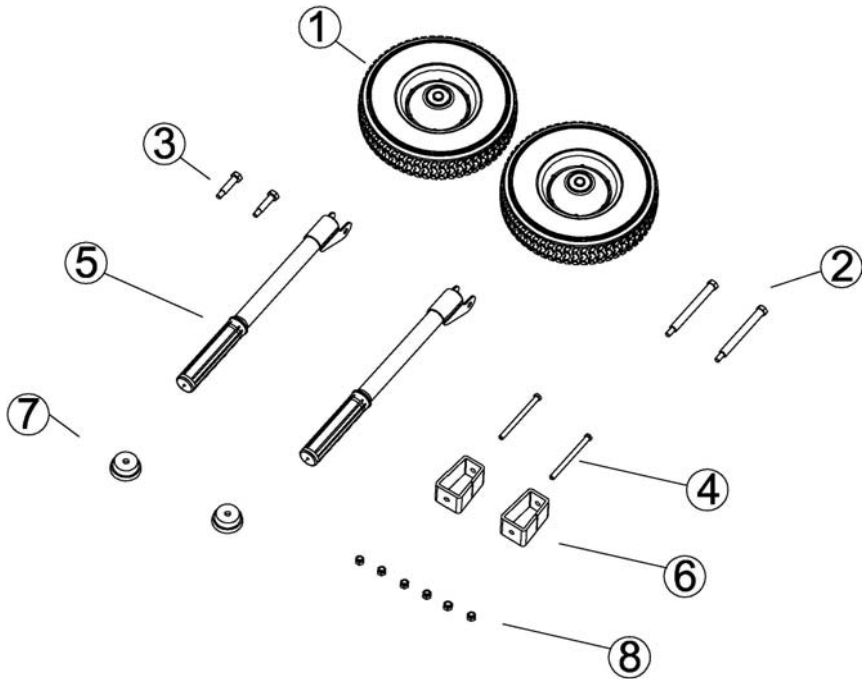
## Auspacken

1. Nehmen Sie den Generator und die Losesteileschachtel aus dem Karton.
2. Gleichen Sie die Loseile mit der folgenden Inhaltsliste ab.

Benötigte Werkzeuge: 12-mm-Schraubenschlüssel (2), Kneifzange

## Losteile (Radbausatz und Griff) und Frontstütze (nur für die Modelle EG4550A, EG5550A, EG6050A)

Gleichen Sie alle Losteile mit der folgenden Liste ab. Wenden Sie sich an Ihren Händler, falls jegliche der unten abgebildeten Losteile dem Generator nicht beiliegen.



Nr.	Bezeichnung	Menge
1	10-Zoll-Rad	2
2	Radachse	2
3	Transportgriffwelle	2
4	Schraube, M8 x 100	2
5	Transportgriff	2
6	Frontstütze	2
7	Gummifuß	2
8	M8-Flanschmutter	6

### Handgriffmontage (Abb. 24)

- Entfernen Sie die beiden Laschen von der in den Rahmen eingesetzten Schubstange ab und richten Sie die Öffnung an der Schubstange mit der Öffnung am Rahmen aus. Führen Sie die Schubstange anschließend von außen in den Rahmen ein und schrauben Sie dann die M8-Flanschschraube innen fest.

**DREHMOMENT:** 24 - 29 N•m, 2,4 - 3,0 kgf•m

### Radsatzmontage (Abb. 25)

- Richten Sie die Öffnung am Rad mit der Öffnung am Rahmen aus, führen Sie die Radwelle von außen in den Rahmen ein und schrauben Sie dann die M8-Flanschschraube innen fest.

**DREHMOMENT:** 24 - 29 N•m, 2,4 - 3,0 kgf•m

### Anbringen des Frontständers (Abb. 26)

- Bringen Sie die M8×100-Schraube in die Öffnungen am Gummistopfen, Frontständer und der Rahmenmontageschiene an.
- Verschrauben Sie die M8-Flanschschraube mit der M8×100-Schraube von der Montageschiene und ziehen Sie dann die Schraube fest.

### Stoppen des Motors mit der Fernbedienung

- Drücken Sie die Stoptaste.
- Drehen Sie den Motorschalter am Generator in die Stellung „O (AUS)“.

3. Drehen Sie den Kraftstoffventilhebel am Generator in die Stellung „AUS“.

## Batterieablage (Abb. 27)

### HINWEIS:

Die Batterie ist nicht im Lieferumfang enthalten. Verwenden Sie eine handelsübliche Batterie (Nennwerte: 12 V - 10 Ah, L x B x H: maximal 160 mm x 90 mm x 160 mm).

1. Schließen Sie das schwarze Stromkabel (Erdungskontakt) am Stromgenerator am negativen Pol der Batterie an und das rote Stromkabel am positiven Pol der Batterie an.
2. Stellen Sie die an die Stromkabel angeschlossene Batterie in das Batteriefach am Rahmen.
3. Hängen Sie jede der beiden Haltespannen am Gummiband in eine der beiden Haken am Batteriefach ein.

### ⚠️ WARNUNG:

**Für Batteriekontakte, -pole und verwandtes Zubehör werden Blei und Bleiverbindungen verwendet. Waschen Sie nach der Handhabung stets Ihre Hände.**

## Motoröl (Abb. 13)

Der Generator wird **OHNE ÖL** im Motor geliefert. Stellen Sie den Generator auf einer stabilen und waagrechten Fläche ab. Füllen Sie das empfohlene Öl ein, bis der Ölstand die Oberkante des Ölfüllhalses erreicht.

Verwenden Sie ein 4-Takt-Motoröl, das die Anforderungen von API-Servicekategorie SJ oder neuer (bzw. gleichwertig) erfüllt.

Überfüllen Sie den Motor nicht mit Öl. Beim Überfüllen des Motors kann überschüssiges Öl auf das Luftfiltergehäuse und den Luftfilter gelangen.

## GARANTIELEISTUNGSANGABEN

### KUNDENDIENSTANGABEN

Das Personal des Servicehändlers setzt sich aus geschulten Fachkräften zusammen. Es sollte die Mehrzahl Ihrer Fragen beantworten können. Sollte ein Problem vorliegen, das der Händler nicht zu Ihrer Zufriedenheit löst, besprechen Sie es bitte mit dem Servicemanager oder Generalmanager des Händlers. Auf diesem Weg lassen sich nahezu alle Probleme beheben. Wenden Sie sich an die Makita Corporation, falls Sie mit der vom Management des Händlers getroffenen Entscheidung unzufrieden sind.

### Nur für europäische Länder

### EG-Konformitätserklärung

**Wir, Makita Corporation als verantwortlicher Hersteller, erklären, dass das/die folgende/n Gerät/ Geräte der Marke Makita:**

Bezeichnung des Geräts/der Geräte: Benzin-Generator  
Nummer / Typ des Modells: EG2250A, EG2850A, EG4550A, EG5550A, EG6050A  
Technische Daten: siehe Tabelle „TECHNISCHE DATEN“.

in Serienfertigung hergestellt wird/werden und

### den folgenden Richtlinien der Europäischen Union genügt/genügen:

2000/14/EG, 2004/108/EG, 2006/42/EG, 2006/95/EG

Außerdem werden die Geräte gemäß den folgenden Standards oder Normen gefertigt:

EN12601, EN55012, EN61000, EN60204-1

Die technische Dokumentation erfolgt durch:

Makita International Europe Ltd.  
Technical Department,  
Michigan Drive, Tongwell,  
Milton Keynes, Bucks MK15 8JD, England

Das Verfahren der Konformitätsbewertung, das in der Richtlinie 2000/14/EG verlangt wird, wurde in Übereinstimmung mit Anhang VI durchgeführt.

Benannte Stelle:

AV TECHNOLOGY LTD  
AVTECH House, Arkle Avenue  
Stanley Green Trading Estate  
Handforth, Cheshire  
SK9 3RW, United Kingdom  
Identification number 1067

Modelle EG2250A

Gemessener Schalleistungspegel: 94 dB (A)

Garantierter Schalleistungspegel: 95 dB (A)

Modells EG2850A, EG4550A, EG5550A, EG6050A

Gemessener Schalleistungspegel: 95 dB (A)

Garantierter Schalleistungspegel: 96 dB (A)

27.12.2013



Tomoyasu Kato  
Direktor

Makita Corporation  
3-11-8, Sumiyoshi-cho,  
Anjo, Aichi, 446-8502, JAPAN



**Visione generale**

- |  |                                   |                                       |
|--|-----------------------------------|---------------------------------------|
| 1. PANNELLO DEI COMANDI                                      | 17. SCARICO                       | 36. TAPPO DI SCARICO OLIO             |
| 2. INDICATORE LIVELLO CARBURANTE                             | 18. RUOTA                         | 37. COPERCHIO FILTRO ARIA             |
| 3. TAPPO SERBATOIO CARBURANTE                                | 19. SUPPORTO                      | 38. MANOPOLA                          |
| 4. INTERRUOTTORE MOTORE                                      | 20. MANIGLIA DI TRASPORTO         | 39. ELEMENTO FILTRANTE                |
| 5. RUBINETTO DELL'ARRICCHITORE                               | 21. TAPPO CANDELA DI ACCENSIONE   | 40. Agganciato correttamente          |
| 6. FILTRO ARIA   | 22. I (ON)                        | 41. Non agganciato correttamente      |
| 7. RUBINETTO DEL CARBURANTE                                  | 23. O (OFF)                       | 42. CHIAVE PER CANDELA DI ACCENSIONE  |
| 8. MANIGLIA DI AVVIAMENTO                                    | 24. S (AVVIAMENTO)                | 43. Fascetta                          |
| 9. NUMERO DI SERIE MOTORE                                    | 25. ON                            | 44. Schermo parascintille             |
| 10. TAPPO/ASTINA DI RIFORNIMENTO OLIO                        | 26. OFF                           | 45. Vite di scarico                   |
| 11. PROTEZIONE CIRCUITO CA                                   | 27. RIAVVOLGITORE AVVIAMENTO      | 46. Spia                              |
| 12. INTERRUOTTORE AUTOMATICO CIRCUITO CA                     | 28. APERTO                        | 47. Spia di avvertimento livello olio |
| 13. PROTEZIONE CIRCUITO CC                                   | 29. CHIUSO                        | 48. Voltmetro                         |
| 14. USCITA CC  | 30. TERMINALE NEGATIVO (NERO)     | 49. Amperometro                       |
| 15. PRESA 230 V CA (il tipo di presa varia in base al paese) | 31. TERMINALE POSITIVO (ROSSO)    |                                       |
| 16. TERMINALE DI TERRA                                       | 32. FORO PER RIFORNIMENTO OLIO    |                                       |
|  | 33. LIVELLO DELL'OLIO             |                                       |
|  | 34. CONTRASSEGNO LIMITE SUPERIORE |                                       |
|  | 35. RONDELLA DI TENUTA            |                                       |

**⚠ AVVERTENZA:**

**I gas di scarico contengono monossido di carbonio, un gas tossico che può accumularsi fino a raggiungere livelli pericolosi in ambienti chiusi. L'inalazione di monossido di carbonio può causare la perdita di conoscenza o il decesso.**

**Non azionare mai il generatore in ambiente chiuso o parzialmente chiuso in cui potrebbero esserci delle persone.**

**⚠ AVVERTENZA:**

**Il generatore può causare scosse elettriche se utilizzato impropriamente. Non esporre il generatore all'umidità, alla pioggia o alla neve. Non far bagnare il generatore e non utilizzarlo con le mani bagnate.**

Conservare il presente manuale di istruzioni per riferimento futuro.

Il presente manuale di istruzioni è considerato una parte fissa del generatore e deve restare con il generatore in caso di vendita.

Tutte le informazioni e le specifiche contenute nel presente documento sono basate sui dati di produzione aggiornati al momento dell'approvazione per la stampa.

Tuttavia, Makita Corporation si riserva il diritto di sospendere o modificare le specifiche o il progetto in qualsiasi momento senza preavviso e senza incorrere in qualsiasi obbligo. Nessuna parte del presente documento può essere riprodotto senza autorizzazione scritta.

**INFORMAZIONI SULLA SICUREZZA**

La sicurezza dell'operatore e degli altri è di estrema importanza e l'utilizzo del generatore in sicurezza è un'importante responsabilità.

Allo scopo di rendere informati sulla sicurezza, le procedure di funzionamento e le altre informazioni sono contenute nel presente manuale e sulle etichette poste

sul generatore. Tali informazioni avvisano l'operatore dei rischi potenziali che potrebbero ferire l'operatore o gli altri. Dato che non è possibile o praticabile elencare tutti i rischi collegati al funzionamento o alla manutenzione di un generatore, agire sempre con giudizio e cognizione di causa.

Le informazioni importanti sulla sicurezza sono disponibili nelle forme seguenti:

- **Etichette di sicurezza** — sul generatore.
- **Messaggi di sicurezza** — preceduti da un simbolo di sicurezza e uno dei tre termini di segnalazione (PERICOLO, AVVERTENZA, o ATTENZIONE).

Significato dei termini:

**⚠ PERICOLO:**

Indica che potrebbe verificarsi un decesso, gravi lesioni personali o danni gravi alle apparecchiature in caso di inosservanza delle istruzioni.

**⚠ AVVERTENZA:**

Indica che potrebbero verificarsi lesioni personali o danni alle apparecchiature in caso di inosservanza delle istruzioni.

**⚠ ATTENZIONE:**

Indica che potrebbero verificarsi lesioni personali in caso di inosservanza delle istruzioni.

- **Intestazioni sulla sicurezza** — come IMPORTANTI ISTRUZIONI PER LA SICUREZZA.
- **Sezione sulla sicurezza** — come SICUREZZA DEL GENERATORE.
- **Istruzioni** — come utilizzare questo generatore in modo corretto e sicuro.

All'interno del presente manuale vengono fornite importanti informazioni sulla sicurezza. Leggere attentamente.

# SICUREZZA DEL GENERATORE

## SIMBOLI E SIGNIFICATO

In conformità con le Direttive Europee, i simboli specificati indicati nella tabella seguente sono utilizzati per i prodotti e per il presente manuale.

	Leggere il manuale delle istruzioni per l'uso.		Sono vietati fuoco, fiamme libere e fumo.
	Stare lontano dalla superficie calda.		Non collegare il generatore alle linee elettriche commerciali.
	Il gas di scarico è tossico. Non utilizzare in ambiente non ventilato.		Benzina
	Arrestare il motore prima del rifornimento.		Richiedere la manutenzione.
	Attenzione, rischio di scossa elettrica.		Mantenere asciutto.

## IMPORTANTI INFORMAZIONI PER LA SICUREZZA

I generatori Makita sono progettati per offrire un servizio sicuro e affidabile se utilizzati correttamente secondo le istruzioni. Leggere e comprendere il manuale di istruzioni prima di utilizzare il generatore. Per evitare incidenti, acquisire familiarità con i comandi del generatore e rispettare le procedure di funzionamento sicuro.

### Responsabilità dell'operatore

- L'operatore deve sapere come arrestare rapidamente il generatore in caso di emergenza.
- L'operatore deve conoscere l'utilizzo di tutti i comandi del generatore, delle prese in uscita e delle connessioni.
- L'operatore deve assicurarsi che chiunque utilizzi il generatore riceva adeguate istruzioni. Non consentire ai bambini di utilizzare il generatore senza il controllo dei genitori.

### Pericolo del monossido di carbonio

- I gas di scarico in uscita dal generatore sono tossici in quanto contengono il monossido di carbonio, un gas incolore e inodore. L'inalazione di monossido di carbonio può causare perdita di conoscenza e portare al decesso.
- Quando si utilizza il generatore in un'ambiente chiuso o parzialmente chiuso, l'aria potrebbe contenere una quantità pericolosa di gas di scarico.
- Non far funzionare mai il generatore all'interno di un garage, un'abitazione o vicino a finestre o porte aperte.

### Pericolo di scossa elettrica

- Il generatore produce energia elettrica sufficiente a causare una notevole scossa elettrica o elettrocuzione, se non utilizzato correttamente.

- Non utilizzare il generatore o un elettrodomestico in presenza di pioggia o neve, o vicino a piscine o impianti di irrigazione a pioggia, o con le mani bagnate. Si potrebbe causare un'elettrocuzione. Mantenere il generatore asciutto.
- Se il generatore viene conservato all'esterno non protetto dalle intemperie, controllare tutti i componenti elettrici sul pannello dei comandi prima di ogni utilizzo. Ghiaccio e umidità possono causare un malfunzionamento o un cortocircuito ai componenti elettrici che potrebbe causare un'elettrocuzione.
- Non collegare il generatore all'impianto elettrico dell'edificio a meno che non sia stato installato un sezionatore da un elettricista qualificato.

### Pericolo di incendio e ustioni

- L'impianto di scarico può diventare caldo abbastanza da accendere i materiali infiammabili.
  - Durante il funzionamento, mantenere il generatore a una distanza di almeno 1 metro dalle strutture o edifici o altre apparecchiature.
  - Non rinchiudere il generatore in nessuna struttura.
  - Tenere i materiali infiammabili lontano dal generatore.
- La marmitta diventa molto calda durante il funzionamento e resta calda per diverso tempo dopo l'arresto del motore. Fare attenzione a non toccare la marmitta quando è calda. Quando si conserva il generatore all'interno, lasciare raffreddare il motore prima di conservarlo.
- La benzina è estremamente infiammabile e in alcune condizioni può esplodere. Non fumare durante il rifornimento del generatore o vicino al luogo in cui si conserva la benzina. Tenere scintille e fiamme lontano dal luogo in cui si effettua il rifornimento del generatore o in cui si conserva la benzina. Rifornire in ambiente ben ventilato e a motore spento.

- I vapori del carburante sono estremamente infiammabili e possono prendere fuoco dopo l'avviamento del motore. In caso di fuoriuscita di carburante, pulire e lasciare asciugare prima di avviare il generatore.

#### Altre informazioni per la sicurezza:

- Per qualsiasi operazione e manutenzione è necessario indossare i dispositivi di protezione individuale.
- Il carico deve essere tenuto entro il valore nominale dichiarato sulla targhetta del generatore. Il sovraccarico danneggerà il generatore o ne ridurrà la durata.
- Il generatore non deve funzionare a velocità eccessiva. Il funzionamento a velocità eccessiva aumenta il rischio di lesioni personali.
- Non modificare i componenti che potrebbero aumentare o diminuire la velocità controllata.
- Utilizzare solo prolunghe con messa a terra e di calibro sufficiente per l'applicazione. Quando si utilizza una prolunga o una rete elettrica mobile, se il diametro del filo è 1,5 mm<sup>2</sup>, non può superare una lunghezza di 60 m. Se il diametro del filo è 2,5 mm<sup>2</sup>, non può superare 100 m.
- L'impianto di scarico può diventare caldo abbastanza da accendere i materiali infiammabili. Non far funzionare il motore in prossimità di materiali infiammabili. Non usare il generatore in condizioni di umidità.
- Non conservare il carburante all'interno e non provare a rifornire il generatore mentre è in funzione.
- Non coprire il generatore quando è in funzione.
- Per evitare avvelenamento o incendio durante il funzionamento, non usare mai il generatore in prossimità di materiali infiammabili.
- Il generatore deve raggiungere il regime di funzionamento prima di collegare i carichi elettrici. Scollegare il carico prima di spegnere il generatore. Spegnerne tutte le apparecchiature alimentate dal generatore prima di spegnere il generatore. Il generatore non deve essere collegato ad altre prese elettriche.
- La protezione da scosse elettriche dipende dagli interruttori montati sul circuito, adeguati al generatore. Se fosse necessario provvedere alla sostituzione dell'interruttore, contattare un rivenditore locale per sostituire l'interruttore con un altro avente le stesse caratteristiche.
- Prima dell'uso, assicurarsi che il generatore non presenti tubazioni danneggiate, fascette allentate o mancanti, tappo o serbatoio danneggiato. Tutti i difetti devono essere corretti prima dell'uso.
- L'installazione e le riparazioni più importanti devono essere eseguite solo da personale specializzato. Prima di effettuare il trasporto, scaricare tutto il carburante per evitare perdite.
- Conservare il generatore in un'area ben ventilata con il serbatoio vuoto.

## COMPONENTI (Fig. 1)

### PANNELLO DEI COMANDI (Fig. 2 e Fig. 3)

\*conservare copia dei numeri di serie del motore e del telaio e la data di acquisto per riferimenti futuri. Fare riferimento a questi numeri di serie al momento di ordinare i ricambi e per richieste di carattere tecnico o di garanzia.

Data di acquisto:

Numero di serie motore:

Numero di serie telaio:

## COMANDI

### Interruttore motore (Fig. 4)

Per avviare e arrestare il motore.

#### Posizione della chiave:

**O (OFF):** Per arrestare il motore. La chiave può essere rimossa o inserita.

**I (ON):** Mette in moto il motore dopo l'avviamento.

**S (AVVIAMENTO):** Avvia il motore azionando il motorino di avviamento.

\*I modelli EG2250A e EG2850A sono equipaggiati solo con l'interruttore I (ON)/O (OFF)

### Maniglia di avviamento (Fig. 5)

Per avviare il motore, tirare lentamente la maniglia dell'avviamento fino ad avvertire resistenza, quindi tirare con rapidità.

#### AVVISO:

Far tornare lentamente la maniglia di avviamento in posizione per evitare danni all'avviamento. Non farlo innestare nuovamente sul motore.

Se il generatore non è dotato di una batteria a 12 V per azionare il motorino di avviamento o se la batteria non contiene abbastanza carica da azionare il motorino di avviamento, l'avviamento a maniglia può essere usato per avviare il motore.

### Rubinetto del carburante (Fig. 6)

La valvola del combustibile è posizionata tra il serbatoio del carburante e il carburatore. Il carburante può fluire dal serbatoio al carburatore quando la leva della valvola è in posizione "I (ON)". Dopo aver arrestato il motore, riportare il rubinetto del carburante in posizione "O (OFF)".

### Comando arricchitore (Fig. 7)

L'arricchitore è utilizzato per fornire una miscela più ricca durante l'avviamento a freddo. Azionare manualmente la leva dell'arricchitore per aprire e chiudere l'aria. Tirare la leva in fuori verso "CHIUSO" per arricchire la miscela negli avviamenti a freddo.

## Terminale di terra (Fig. 8)

Il terminale di terra del generatore è collegato al telaio del generatore, alle parti metalliche che non sono sotto tensione e ai terminali di terra di ogni presa.

Prima di usare il terminale di terra, consultare un elettricista qualificato, un ispettore elettricista o un'agenzia locale che abbia giurisdizione in merito alle leggi o normative locali applicabili in base all'utilizzo previsto per il generatore.

## Terminali CC

I terminali CC sono usati solo per caricare le batterie a 12 V per autotrazione.

I terminali sono colorati in rosso e nero per identificare il polo positivo (+) e negativo (-), rispettivamente.

Assicurarsi di collegare la batteria ai terminali CC del generatore rispettando la corretta polarità (positivo della batteria al terminale rosso del generatore e negativo della batteria al terminale nero del generatore).

## Protezione circuito CC (Fig. 9)

Quando il circuito di carica CC è sovraccarico, o si verifica un problema con la batteria, o i collegamenti tra batteria e generatore non sono corretti, la protezione del circuito CC automaticamente spegne il circuito CC di carica batteria.

## Sistema di allarme olio (Fig. 14)

Il motore può essere danneggiato in caso di insufficiente quantità di olio nel basamento. Il sistema di allarme olio evita che si verifichi arrestando automaticamente il motore prima che l'olio nel basamento scenda sotto al limite di sicurezza (l'interruttore motore resta in posizione "I (ON)"). Quando il sistema di allarme olio è in funzione, la spia di basso livello olio si accende in rosso. Il livello di olio deve essere sempre controllato prima di ogni utilizzo, a prescindere dal sistema di allarme olio.

Se il motore si arresta e non riesce a ripartire, controllare il livello olio prima di ricercare guasti in altre aree.

### AVVISO:

Quando la quantità di olio nel basamento è sufficiente, la spia pilota si accende in verde. Quando la quantità di olio nel basamento è insufficiente, la spia di basso livello olio si accende in rosso. Assicurarsi di aggiungere olio prima di utilizzare il generatore.

## Interruttore circuito CA (Fig. 10)

L'interruttore del circuito CA spegne automaticamente in caso di cortocircuito o di sovraccarico significativo del generatore sulla presa. Quando l'interruttore del circuito CA spegne automaticamente, assicurarsi che l'apparecchio funzioni correttamente e non superi la capacità nominale del circuito prima di azionare nuovamente l'interruttore del circuito CA.

L'interruttore del circuito CA può essere usato per attivare e disattivare l'alimentazione del generatore.

## Protezione circuito CA (solo EG4550A, EG5550A, EG6050A) (Fig. 11)

Le protezioni del circuito CA spengono automaticamente in caso di cortocircuito o di sovraccarico significativo del generatore sulla linea 230 V 26 A. Quando la protezione del circuito CA spegne automaticamente, assicurarsi che l'apparecchio funzioni correttamente e non superi la

capacità nominale del circuito prima di ripristinare la protezione del circuito CA.

# UTILIZZO DEL GENERATORE

## Collegamenti all'impianto elettrico dell'edificio

I collegamenti per l'alimentazione di standby all'impianto elettrico dell'edificio devono essere eseguite da un elettricista qualificato. Assicurarsi che il collegamento isoli l'alimentazione del generatore dall'energia elettrica di rete, e che sia conforme con tutte le leggi e le normative elettriche in vigore. Attraverso la rete di vendita del generatore Makita, è possibile acquistare un interruttore di trasferimento in grado di isolare l'alimentazione del generatore dall'energia elettrica di rete.

### ⚠ AVVERTENZA:

**La corrente elettrica dal generatore potrebbe essere assorbita dalla linea di rete se i collegamenti con l'impianto elettrico dell'edificio non sono stati eseguiti correttamente. Tale ritorno di corrente potrebbe fulminare i lavoratori della società di fornitura elettrica o altri che venissero a contatto con la linea durante un'eventuale interruzione nell'erogazione di elettricità e il generatore potrebbe esplodere, bruciare o causare incendi quando l'energia elettrica di rete viene ripristinata. Consultare la società di fornitura dell'elettricità o un tecnico qualificato.**

## Sistema di terra

I generatori portatili Makita sono equipaggiati con un sistema di terra che collega i componenti del telaio del generatore ai terminali di terra nelle prese di uscita CA. Dato che la terra non è collegata al filo del neutro CA, se il generatore viene provato con un tester da presa, mostrerà la stessa condizione di terra di una presa domestica.

## Applicazioni CA

Prima di collegare un elettrodomestico o un cavo elettrico al generatore:

- Assicurarsi che sia in buone condizioni di funzionamento. Apparecchiature o cavi difettosi possono causare scossa elettrica.
- Se un apparecchio inizia a funzionare in modo anomalo, rallenta o si arresta improvvisamente, spegnerlo immediatamente. Scollegare l'apparecchio e determinare se esiste un problema all'apparecchio o se è stata superata la capacità di carico nominale del generatore.
- Assicurarsi che la potenza elettrica dell'utensile o dell'apparecchio non superi quella del generatore. Non superare mai la massima potenza elettrica del generatore. I valori di potenza tra nominale e massima possono essere usati per non più di un'ora.

### AVVISO:

Il conseguente sovraccarico spegnerà l'interruttore del circuito. Il superamento del tempo limite per il funzionamento alla massima potenza o in leggero sovraccarico potrebbe non spegnere l'interruttore del circuito o far scattare la protezione del circuito, ma ridurrà la durata utile del generatore.

Funzionamento limite alla massima potenza per un'ora.  
La potenza massima è la seguente:

EG2250A: 2,2 kW  
EG2850A: 2,8 kW  
EG4550A: 4,5 kW  
EG5550A: 5,5 kW  
EG6050A: 6,0 kW

Per il funzionamento in continuo, non superare la potenza nominale. La potenza nominale è la seguente:

EG2250A: 2,0 kW  
EG2850A: 2,6 kW  
EG4550A: 4,0 kW  
EG5550A: 5,0 kW  
EG6050A: 5,5 kW

Si devono considerare i requisiti di potenza totale (VA) di tutte le apparecchiature collegate al generatore. Le informazioni sulla potenza per apparecchiature e utensili sono indicate di solito vicino al numero del modello o al numero di serie.

## Funzionamento in CA (Fig. 12)

1. Avviare il motore.
2. Attivare l'interruttore del circuito CA.
3. Collegare l'apparecchiatura da alimentare.

### AVVISO:

Prima di collegare un'apparecchiatura al generatore, assicurarsi che sia in buone condizioni di funzionamento. Se un'apparecchiatura inizia a funzionare in modo anomalo, rallenta o si arresta improvvisamente, staccare l'interruttore di accensione immediatamente. Quindi scollegare l'apparecchio e controllare la presenza di segni di malfunzionamento.

Per l'avviamento, la maggior parte delle apparecchiature dotate di motore elettrico richiedono una potenza superiore a quella nominale.

Non superare la corrente massima specificata per ogni presa. Se un circuito sovraccaricato causa lo spegnimento per intervento dell'interruttore CA o della protezione del circuito CA, ridurre il carico elettrico sul circuito, attendere alcuni minuti e quindi ripristinare l'interruttore CA o la protezione del circuito CA.

## Funzionamento in CC

I terminali CC sono usati solo per caricare le batterie a 12 V per autotrazione.

### Collegamento dei cavi di carica della batteria:

1. Prima di collegare i cavi di carica della batteria a una batteria installata sul veicolo, scollegare il cavo di massa della batteria dal terminale negativo (-) della batteria.

### AVVERTENZA:

**La batteria emana gas esplosivi. Tenere lontano da scintille, fiamme e sigarette. Fornire adeguata ventilazione quando si effettua la carica o si utilizzano batterie.**

**AVVERTENZA:** I terminali della batteria e relativi accessori contengono piombo e composti del piombo.

**Lavarsi sempre le mani dopo la manipolazione.**

2. Collegare il cavo positivo della batteria (+) al terminale positivo (+) della batteria.
3. Collegare l'altra estremità del cavo positivo della batteria (+) al terminale positivo (+) del generatore.

4. Collegare il cavo negativo della batteria (-) al terminale negativo (-) della batteria.
5. Collegare l'altra estremità del cavo negativo della batteria (-) al terminale negativo (-) del generatore.
6. Avviare il generatore.

### AVVISO:

Non avviare il veicolo con il cavo di carica della batteria collegato e il generatore in funzione. In tal modo si potrebbe danneggiare il veicolo o il generatore.

La protezione del circuito CC scatterà (il pulsante "PUSH" risulterà estratto) se il circuito CC viene sovraccaricato, per un eccessivo assorbimento di corrente dalla batteria o per problemi di cablaggio. In tal caso, attendere alcuni minuti prima di abbassare il pulsante di protezione del circuito e riprendere l'operazione. Se la protezione CC continua a scattare, interrompere la carica e consultare il concessionario autorizzato Makita.

### Scollegamento dei cavi della batteria:

1. Arrestare il motore.
2. Scollegare il cavo negativo della batteria (-) dal terminale negativo (-) del generatore.
3. Scollegare l'altra estremità del cavo negativo della batteria (-) dal terminale negativo (-) della batteria.
4. Scollegare il cavo positivo della batteria (+) dal terminale positivo (+) del generatore.
5. Scollegare l'altra estremità del cavo positivo della batteria (+) dal terminale positivo (+) della batteria.
6. Ricollegare il cavo di massa del veicolo al terminale negativo (-) della batteria.

## Funzionamento a elevate altitudini

Ad elevate altitudini la miscela aria-carburante standard nel carburatore è troppo ricca e causerà una perdita di prestazioni con aumento del consumo di carburante. Una miscela troppo ricca può causare anche l'imbrattamento della candela di accensione e difficoltà di avviamento. Il funzionamento per periodi prolungati a quote diverse da quelle per cui il motore è stato omologato può aumentare le emissioni.

La potenza del motore diminuisce di circa il 3,5% ogni 300 metri di incremento di quota, anche con modifica al carburatore. Senza modificare il carburatore, l'effetto dell'altitudine sulla potenza sarà anche maggiore. Le prestazioni ad alta quota possono essere migliorate effettuando specifiche modifiche al carburatore. Se il generatore deve essere utilizzato sempre ad altitudini superiori a 1.500 metri, richiedere al rivenditore di effettuare la modifica. Il motore, quando operato ad elevate altitudini e soggetto a modifiche al carburatore per questo particolare utilizzo, rispetterà gli standard sulle emissioni per tutta la sua vita utile.

### AVVISO:

Quando il carburatore viene modificato per l'utilizzo ad alta quota, la miscela aria carburante risulterà troppo povera per l'utilizzo a bassa quota. Il funzionamento a quote inferiori a 1.500 metri con un carburatore modificato potrebbe causare il surriscaldamento del motore e provocare gravi danni al motore. Per l'utilizzo a bassa quota, richiedere all'assistenza il ripristino del carburatore alle condizioni di fabbrica.

## CONTROLLI PRE-UTILIZZO

### Controllare l'olio motore (Fig. 13)

Prima di ogni utilizzo, controllare il livello dell'olio con il motore spento e il generatore su una superficie stabile e in piano.

Utilizzare olio per motori 4 tempi che rispetti i requisiti API Service Categoria SJ o successive (o equivalente).

Controllare sempre l'etichetta API SERVICE sul contenitore dell'olio per assicurarsi che siano indicate le lettere SJ o successive (o equivalente).

1. Rimuovere il tappo con astina per il rifornimento olio e pulire l'astina.
2. Inserire l'astina nel bocchettone e controllare il livello dell'olio. Non avvitare il tappo.
3. Se il livello di olio è basso, rabboccare fino al limite superiore del bocchettone con olio raccomandato.

### Controllare il carburante (Fig. 14)

A motore spento, controllare l'indicatore di livello del carburante. Rifornire il serbatoio se il livello è basso.

#### **⚠ AVVERTENZA:**

**La benzina è altamente infiammabile ed esplosiva. La manipolazione del carburante può provocare ustioni o gravi lesioni.**

- **Arrestare il motore e tenere lontano da calore, fiamme e scintille.**
- **Rifornire solo all'esterno.**
- **Asciugare immediatamente il carburante fuoriuscito.**

Rifornire in ambiente ben ventilato e a motore spento. Lasciare raffreddare il motore se è stato in moto. Rifornire con attenzione per evitare fuoriuscite di carburante. Non riempire oltre il segno del limite superiore.

Non rifornire mai all'interno di un edificio in cui i vapori di benzina potrebbero raggiungere fiamme o scintille.

Tenere la benzina lontano da spie di apparecchiature, barbecue, elettrodomestici, utensili elettrici, ecc.

La fuoriuscita di benzina costituisce pericolo di incendio e causa danni ambientali. Assicurarsi di asciugare immediatamente il carburante fuoriuscito.

#### **AVVISO:**

Fare attenzione a non far uscire il carburante durante il rifornimento del serbatoio per non danneggiare vernici e materie plastiche. I danni causati dalla fuoriuscita di carburante non sono coperti dalla garanzia.

Dopo il rifornimento, rimontare saldamente il tappo del serbatoio.

### Carburanti raccomandati

Questo motore è certificato per funzionare con normale benzina senza piombo con numero di ottano alla pompa di 86 o maggiore.

Non usare mai benzina contaminata o vecchia o una miscela di olio e benzina. Evitare di far andare sporco o acqua nel serbatoio del carburante.

Si può usare normale benzina senza piombo contenente non oltre il 10% di etanolo (E10) o il 5% di metanolo in volume. Inoltre, il metanolo deve contenere cosolventi e inibitori della corrosione.

Se si utilizzano carburanti contenenti livelli di etanolo o metanolo superiori a quanto specificato, si potrebbero verificare problemi di avviamento e prestazioni. Inoltre,

potrebbero essere danneggiate le parti in plastica, metallo e gomma del sistema di alimentazione del carburante. Eventuali danni al motore o problemi di prestazione risultanti dall'uso di carburante contenente etanolo o metanolo in percentuale superiore ai valori indicati in precedenza, non sono coperti da garanzia.

## AVVIAMENTO/ARRESTO DEL MOTORE

### Avviamento del motore

Per motivi di sicurezza, non azionare il generatore in ambiente chiuso come un garage. I gas di scarico del generatore contengono monossido di carbonio, un gas tossico che può accumularsi velocemente in ambienti chiusi e causare malessere o decesso.

#### **⚠ AVVERTENZA:**

**I gas di scarico del generatore contengono monossido di carbonio, un gas tossico che può accumularsi fino a raggiungere livelli pericolosi in ambienti chiusi.**

**L'inalazione di monossido di carbonio può causare la perdita di conoscenza o il decesso.**

**Non azionare mai il generatore in ambiente chiuso o parzialmente chiuso in cui potrebbero esserci delle persone.**

Per evitare incendi, durante il funzionamento mantenere il generatore a una distanza di almeno 1 metro da edifici o altre strutture. Tenere gli oggetti infiammabili lontano dal generatore.

#### **AVVISO:**

Non azionare il generatore a meno di 1 metro da un edificio o altre costruzioni. In tal modo si potrebbe causare surriscaldamento e danneggiare il generatore. Allo scopo di assicurare un adeguato raffreddamento, lasciare almeno 1 metro di spazio libero al di sopra e intorno al generatore.

Fare riferimento a "FUNZIONAMENTO IN CA" e "FUNZIONAMENTO IN CC" nel presente manuale per sapere come collegare i carichi al generatore.

1. Eseguire i CONTROLLI PRE-UTILIZZO.
2. Assicurarsi che l'interruttore del circuito CA sia in posizione "O (OFF)". Potrebbe risultare difficile avviare il generatore se il carico è collegato.
3. Ruotare il rubinetto del carburante in posizione "I (ON)".
4. Ruotare l'interruttore del motore in posizione "I (ON)".
5. Tirare lentamente la maniglia dell'avviamento fino ad avvertire resistenza, quindi tirare con rapidità.

#### **AVVISO:**

Far tornare lentamente la maniglia di avviamento in posizione per evitare danni all'avviamento. Non farlo innestare nuovamente sul motore.

Con avviamento elettrico:

1. Collegare i cavi della batteria al generatore.
2. Ruotare l'interruttore del motore in posizione "S (AVVIAMENTO)" e tenerlo in posizione 5 secondi o fino all'avviamento del motore.

## AVVISO:

- Se il motorino di avviamento viene azionato per più di 5 secondi, il motore potrebbe subire danni. Se il motore non si avvia, rilasciare l'interruttore e attendere 10 secondi prima di azionare nuovamente il motorino di avviamento.
- Se il numero di giri del motorino di avviamento diminuisce dopo un certo periodo di tempo, vuol dire che la batteria deve essere ricaricata.

Quando il motore si avvia, far tornare l'interruttore del motore in posizione "I (ON)".

Se l'arricchitore è stato azionato manualmente, premerlo in posizione "APERTO" appena il motore si riscalda.

## Arresto del motore

### In caso di emergenza:

Per arrestare il motore in caso di emergenza, spostare l'interruttore del motore in posizione "O (OFF)".

### Nell'uso normale:

1. Ruotare l'interruttore del circuito CA in posizione "O (OFF)".  
Scollegare i cavi di carica della batteria.
2. Ruotare l'interruttore del motore in posizione "O (OFF)".
3. Ruotare il rubinetto del carburante in posizione "O (OFF)".

# MANUTENZIONE

## Importanza della manutenzione

Una corretta manutenzione è fondamentale per un funzionamento sicuro, economico e senza problemi del generatore. Contribuisce anche a ridurre l'inquinamento dell'aria.

### AVVERTENZA:

**Una manutenzione inadeguata o il non riuscire a risolvere un problema prima dell'utilizzo, possono causare un malfunzionamento che potrebbe comportare gravi lesioni personali o decesso. Seguire sempre le raccomandazioni e le scadenze prescritte per le ispezioni e la manutenzione indicate in questo manuale di istruzioni.**

Le pagine seguenti includono un programma di manutenzione, le procedure di ispezione ordinaria e semplici procedure di manutenzione da eseguire con attrezzi comuni necessari per prendersi cura del generatore. Altre attività di manutenzione che risultano più complesse o che richiedono attrezzi speciali verranno eseguite da personale specializzato, di solito tecnici Makita o altri meccanici qualificati.

Il programma di manutenzione incluso nel presente manuale è basato su normali condizioni di funzionamento. Se il generatore è utilizzato in condizioni gravose, come soggetto a carichi elevati o a elevate temperature o utilizzato in condizioni straordinariamente umide o polverose, consultare l'assistenza del rivenditore per le raccomandazioni applicabili alle proprie specifiche esigenze di impiego.

**La manutenzione, la sostituzione o la riparazione dei sistemi e dei dispositivi di controllo delle emissioni possono essere eseguite da qualsiasi officina di riparazione o tecnico per riparazione di motori non stradali, con l'utilizzo di parti certificate EPA.**

## Sicurezza della manutenzione

Di seguito vengono indicate le principali precauzioni di sicurezza. Tuttavia, non è possibile trattare ogni pericolo possibile che potrebbe presentarsi durante l'esecuzione delle operazioni di manutenzione, pertanto ricordarsi che solo l'operatore può decidere se eseguire o meno una determinata attività.

### AVVERTENZA:

**L'inosservanza di seguire correttamente le precauzioni e le istruzioni di manutenzione possono causare gravi lesioni personali o decesso. Seguire sempre le precauzioni e le istruzioni indicate nel presente manuale.**

## Precauzioni di sicurezza

- Assicurarsi che il motore sia spento prima di iniziare qualsiasi operazione di manutenzione o riparazione. Ciò eliminerà diversi potenziali pericoli:
  - **Avvelenamento da monossido di carbonio dai gas di scarico.**  
Utilizzare all'esterno lontano da finestre e porte aperte.
  - **Ustioni da parti calde.**  
Prima di toccare, lasciare raffreddare il motore e il sistema di scarico.
  - **Ustioni da parti in movimento.**  
Non mettere in moto se non necessario.
- Leggere le istruzioni prima di utilizzare il generatore e assicurarsi di aver capito le istruzioni e di avere gli attrezzi e le capacità necessarie.
- Per ridurre la possibilità di incendio o esplosione, fare attenzione quando si lavora vicino alla benzina. Usare solo un solvente non infiammabile, non benzina, per pulire i componenti. Tenere tutti i componenti collegati alla benzina lontano da scintille, fiamme e sigarette. Ricordare che l'assistenza conosce molto meglio il generatore ed è perfettamente attrezzata per le operazioni di manutenzione. Per assicurare la massima qualità e affidabilità, usare solo ricambi nuovi e originali Makita o equivalenti per tutte le operazioni di riparazione e sostituzione.

## Programma di manutenzione

INTERVALLO DI SERVIZIO REGOLARE *3		Ogni utilizzo	Primo mese o 20 ore.	Ogni 3 mesi o 50 ore.	Ogni 6 mesi o 100 ore.	Ogni anno o 300 ore.
ELEMENTI DI MANUTENZIONE Eseguire a ogni scadenza mensile o ore di funzionamento indicate, con priorità alla condizione che si verifica prima.						
Olio motore	Controllo del livello	○				
	Sostituzione		○		○	
Filtro aria	Controllo	○				
	Pulizia			○*1		
Vaschetta di raccolta dei sedimenti	Pulizia				○	
Candela di accensione	Controllo-regolazione				○	
	Sostituzione					○
Parascintille	Pulizia				○	○*2
Regime minimo	Controllo-regolazione					
Gioco valvole	Controllo-regolazione					○*2
Camera di combustione	Pulizia	Dopo ogni 500 ore. *2				
Serbatoio carburante e filtro	Pulizia				○*2	
Tubazione carburante	Controllo	Ogni 2 anni (sostituire se necessario) *2				

\*1: Eseguire la manutenzione con maggiore frequenza quando si usa il generatore in ambienti polverosi, sporchi o difficili.

\*2: A meno che l'utente non abbia gli utensili adatti e le competenze meccaniche, far eseguire da un rivenditore autorizzato Makita. Fare riferimento al manuale di officina Makita.

\*3: Per usi commerciali, le ore di funzionamento devono essere registrate per determinare correttamente gli intervalli di manutenzione.

L'inosservanza del programma di manutenzione può comportare malfunzionamenti non coperti dalla garanzia.

### Sostituzione olio motore (Fig. 15)

Scaricare l'olio a motore caldo per assicurare uno scarico rapido e completo.

1. Mettere un contenitore adeguato sotto al motore per raccogliere l'olio.
2. Per scaricare l'olio rimuovere il tappo di scarico, la rondella di tenuta e il tappo di rifornimento con astina di livello.
3. Rimontare il tappo di scarico dell'olio con una rondella di tenuta nuova e serrare.
4. Rifornire con olio raccomandato e controllare il livello. Lavarsi le mani con acqua e sapone dopo aver manipolato l'olio esausto.

#### AVVISO:

Lo smaltimento improprio di olio esausto può essere pericoloso per l'ambiente. Prima di controllare l'olio, trovare un modo corretto per smaltire l'olio esausto. Non gettarlo nel bidone dei rifiuti, non riversare negli scarichi o nel terreno. Le normative locali ambientali potranno fornire le istruzioni dettagliate sul corretto smaltimento.

### Manutenzione del filtro aria (Fig. 16 e Fig. 17)

Un filtro aria sporco limita il flusso di aria al carburatore. Per evitare malfunzionamenti al carburatore, pulire il filtro aria periodicamente. Eseguire la pulizia con maggiore frequenza quando si usa il generatore in ambienti estremamente polverosi.

#### AVVISO:

L'utilizzo del motore senza filtro aria o con un filtro aria danneggiato o con un filtro aria montato erroneamente consentirà allo sporco di entrare nel motore, causando una rapida usura delle parti meccaniche. Questo tipo di danno non è coperto dalla garanzia limitata del distributore.

1. Rimuovere il pomello, sganciare i fermagli del coperchio del filtro aria, quindi rimuovere il coperchio del filtro e l'elemento filtrante.
2. Lavare l'elemento filtrante con una soluzione di acqua calda e detergente comune quindi sciacquare a fondo, oppure lavare con un solvente non infiammabile o ad



alta temperatura di infiammabilità. Al termine, lasciare asciugare completamente l'elemento filtrante.

3. Immergere l'elemento filtrante in olio motore pulito e strizzarlo per eliminare l'olio in eccesso. Se viene lasciato troppo olio motore nell'elemento filtrante, il motore emetterà fumo allo scarico durante l'avviamento.
4. Rimontare l'elemento filtrante e il coperchio.

## **Pulizia della vaschetta di raccolta dei sedimenti del carburante**

La vaschetta di raccolta dei sedimenti evita che acqua o sporco eventualmente presenti nel carburante possano entrare nel carburatore. Assicurarsi di pulire la vaschetta di raccolta dei sedimenti se il motore non è stato messo in moto per un periodo di tempo prolungato.

1. Ruotare il rubinetto del carburante in posizione "O (OFF)". Rimuovere la vaschetta di raccolta dei sedimenti, l'O-ring e il filtro.
2. Pulire la vaschetta di raccolta dei sedimenti con un solvente non infiammabile o ad alta temperatura di infiammabilità.
3. Rimontare il filtro, l'O-ring e la vaschetta di raccolta dei sedimenti.
4. Ruotare il rubinetto del carburante in posizione "I (ON)" e controllare che non ci siano perdite.

## **Manutenzione della candela di accensione (Fig. 18 e Fig. 19)**

Per questa operazione è necessario utilizzare una chiave per candela di accensione reperibile in commercio.

**Candele di accensione raccomandate:** RN9YC (Champion), BPR5ES (NGK), W16EPR-U (DENSO)  
Affinché il motore funzioni correttamente, gli elettrodi devono essere alla corretta distanza e non devono presentare depositi.

### **AVVISO:**

L'utilizzo di una candela non corretta può danneggiare il motore.

Se il motore è stato in moto, farlo raffreddare prima di effettuare la manutenzione alla candela di accensione.

1. Rimuovere il tappo della candela di accensione.
2. Rimuovere l'eventuale sporco presente intorno alla base della candela.
3. Per rimuovere la candela, utilizzare una chiave per candela di accensione.
4. Ispezionare a vista la candela di accensione. Scartarla se l'isolante è lesionato, scheggiato o incrostato.
5. Misurare la distanza tra gli elettrodi con uno spessore a filo. Se necessario, regolare la distanza piegando con molta attenzione l'elettrodo laterale. La distanza deve essere: 0,7 - 0,8 mm
6. Controllare la rondella di tenuta della candela sia in buone condizioni, quindi avvitare la candela a mano per evitare di deformare la filettatura.
7. Quando la candela tocca la sede, serrare con la chiave per candela la sede, serrare con la chiave per candela per comprimere la rondella.
  - Se si installa una candela nuova, quando la candela tocca la sede serrare di 1/2 giro con la chiave per candela per comprimere la rondella. Se si rimonta una candela usata, quando la candela

tocca la sede serrare di 1/8 - 1/4 di giro con la chiave per candela per comprimere la rondella.

### **AVVISO:**

Se la candela è lenta, potrebbe surriscaldarsi e danneggiare il motore.

Se la candela è troppo serrata, potrebbe danneggiare la filettatura nella testata.

## **Manutenzione del parascintille (specifico per paese) (Fig. 20)**

Se il generatore è in funzione, la marmitta è molto calda. Lasciarla raffreddare prima di pulire il parascintille.

Allo scopo di garantire la funzionalità del parascintille, eseguire la manutenzione ogni 100 ore.

Pulire il parascintille come segue:

1. Allentare le vite vicino al foro di scarico della marmitta e rimuovere il parascintille.
2. Usare uno spazzolino per rimuovere i depositi carboniosi dallo schermo del parascintille. Il parascintille non deve presentare rotture o strappi. Ispezionarlo e sostituirlo se danneggiato.
3. Installare il parascintille in ordine inverso alla rimozione.

## **STOCCAGGIO**

### **Preparazione per lo stoccaggio**

Una corretta preparazione per lo stoccaggio è fondamentale per evitare guasti al generatore e tenerlo in buone condizioni. I passi seguenti forniranno le istruzioni per evitare che ruggine e corrosione possano deteriorare l'aspetto e le prestazioni del generatore e per rendere più facile l'avviamento del motore al successivo utilizzo.

### **Pulizia**

Lavare il generatore con un panno umido e lasciarlo asciugare completamente. Ritoccare le parti verniciate danneggiate e ricoprire le aree che potrebbero arrugginire con un sottile strato di olio.

### **Carburante**

#### **AVVISO:**

La composizione del carburante può deteriorarsi e ossidare rapidamente, in funzione della regione in cui viene utilizzato. Il deterioramento e l'ossidazione possono verificarsi in appena 30 giorni e causare danni al carburatore e al circuito di alimentazione del carburante. Consultare il servizio di assistenza del rivenditore locale per le raccomandazioni sullo stoccaggio.

La benzina si deteriorerà e ossiderà durante lo stoccaggio. La benzina esausta può causare difficoltà di avviamento e lasciare depositi gommosi che intasano il circuito di alimentazione del carburante. Se la benzina nel generatore si dovesse deteriorare durante lo stoccaggio, sarà necessario eseguire la manutenzione o la sostituzione del carburatore e degli altri componenti del circuito di alimentazione del carburante.

Il periodo di tempo in cui la benzina può essere lasciata nel serbatoio e nel carburatore senza causare problemi di funzionamento varia in funzione di diversi fattori quali la composizione della benzina, la temperatura di stoccaggio e il livello di riempimento del serbatoio. L'aria presente in un serbatoio riempito solo parzialmente favorisce il

deterioramento della benzina. Una temperatura di stoccaggio molto alta accelera il deterioramento della benzina. Il deterioramento della benzina può verificarsi entro pochi mesi, o anche meno, se la benzina non era nuova al momento del rifornimento.

I danni all'impianto di alimentazione del carburante o eventuali problemi di prestazioni del motore causati dall'aver trascurato la preparazione alla conservazione non sono coperti dalla garanzia limitata del distributore.

La durata di stoccaggio della benzina può essere prolungata aggiungendo un additivo stabilizzatore formulato a tale scopo. In alternativa, per evitare i problemi causati dal deterioramento del carburante, scaricare il carburatore, la vaschetta di raccolta dei sedimenti (se presente) e/o il serbatoio del carburante. Procedere alla manutenzione secondo la tabella seguente:

DURATA DELLO STOCCAGGIO	PROCEDURE DI MANUTENZIONE RACCOMANDATE PER EVITARE DIFFICOLTÀ DI AVVIAMENTO
Meno di 1 mese	Nessuna preparazione.
Da 1 a 2 mesi	Rifornire con benzina nuova e aggiungere un additivo stabilizzatore.*
Da 2 mesi a 1 anno	Rifornire con benzina nuova e aggiungere un additivo stabilizzatore.* Scaricare la vaschetta del carburatore e la vaschetta di raccolta dei sedimenti.
1 anno o più	Rifornire con benzina nuova e aggiungere un additivo stabilizzatore.* Scaricare la vaschetta del carburatore e la vaschetta di raccolta dei sedimenti. Rimuovere la candela di accensione e mettere un cucchiaino di olio motore nel cilindro. Ruotare lentamente il motore con la maniglia di avviamento per distribuire l'olio. Rimontare la candela di accensione. Sostituire l'olio motore. Al termine del periodo di stoccaggio, scaricare la benzina conservata in un contenitore adatto e rifornire con benzina nuova prima di avviare il motore.
*Usare additivi stabilizzatore formulati per prolungare il periodo di stoccaggio. Seguire le istruzioni per l'uso del produttore. Contattare il rivenditore autorizzato Makita per le raccomandazioni sullo stabilizzatore.	

## Scaricare il serbatoio del carburante e il carburatore (Fig. 21)

a proteggerlo dalla corrosione. Far tornare lentamente la maniglia di avviamento nella posizione iniziale.

### ⚠ AVVERTENZA:

**La benzina è altamente infiammabile ed esplosiva. La manipolazione del carburante può provocare ustioni o gravi lesioni.**

- **Arrestare il motore e tenere lontano da calore, fiamme e scintille.**
  - **Manipolare il carburante solo all'esterno.**
  - **Asciugare immediatamente il carburante fuoriuscito.**
1. Allentare le vite di scarico e scaricare il carburatore. Scaricare la benzina in un contenitore adatto.
  2. Mettere un contenitore per benzina sotto alla vaschetta di raccolta dei sedimenti e utilizzare un imbuto per evitare fuoriuscite di benzina.
  3. Rimuovere la vaschetta di raccolta dei sedimenti e ruotare il rubinetto del carburante in posizione "I (ON)".
  4. Lasciare scaricare completamente la benzina, quindi rimontare la vaschetta di raccolta dei sedimenti.

## Olio motore (Fig. 22)

1. Sostituire l'olio motore.
2. Rimuovere la candela di accensione.
3. Versare un cucchiaino (5 - 10 cc) di olio motore nuovo nel cilindro.
4. Tirare la maniglia di avviamento alcune volte per distribuire l'olio nel cilindro.
5. Rimontare la candela di accensione.
6. Tirare lentamente la maniglia dell'avviamento fino ad avvertire resistenza. A questo punto il pistone sta risalendo nella fase di compressione ed entrambe le valvole di aspirazione e scarico sono chiuse. Lo stoccaggio del motore in questa posizione contribuirà

## Precauzioni per lo stoccaggio

Se il generatore deve essere conservato con la benzina nel serbatoio e nel carburatore, è importante ridurre il pericolo di accensione dei vapori di benzina. Scegliere un'area di stoccaggio ben ventilata e lontano da forni, riscaldatori di acqua, asciugatrici o altre apparecchiature che funzionano con una fiamma. Evitare anche le aree con presenza di motori elettrici che generano scintille, o in cui si utilizzano utensili elettrici. Dato che l'elevata umidità favorisce ruggine e corrosione, evitare se possibile aree di stoccaggio con elevata umidità.

A meno che tutto il carburante non sia stato scaricato dal serbatoio, lasciare il rubinetto in posizione "O (OFF)" per ridurre la possibilità di perdite. Mettere il generatore su una superficie stabile e livellata. La pendenza può causare perdite di olio o carburante. Quando il motore e lo scarico si sono raffreddati, coprire il generatore per ripararlo dalla polvere. Il motore e l'impianto di scarico ancora caldi potrebbero dare fuoco o fondere alcuni materiali.

Non utilizzare fogli di plastica come protezione contro la polvere. Una copertura non porosa catturerà l'umidità presente intorno al generatore, favorendo ruggine e corrosione.

## Rimozione dallo stoccaggio

Controllare il generatore come descritto nel capitolo "CONTROLLI PRE-UTILIZZO" del presente manuale. Riempire il serbatoio del carburante con benzina nuova se il carburante era stato scaricato durante la preparazione per lo stoccaggio. Se la benzina per il rifornimento viene tenuta in un contenitore, assicurarsi che contenga solo benzina nuova. La benzina è soggetta a ossidazione e deterioramento nel tempo e il suo utilizzo causerà difficoltà di avviamento. Tenere presente che se il cilindro è stato rivestito di olio durante la preparazione per lo stoccaggio, è normale che il motore emetta fumo all'avviamento.

## TRASPORTO (Fig. 23)

Quando si trasporta il generatore, spegnere il motore e chiudere il rubinetto della benzina. Tenere il generatore stabile e livellato per evitare fuoriuscite di carburante. I vapori di benzina o il carburante fuoriuscito possono incendiarsi.

### **⚠ AVVERTENZA:**

**Il contatto con il motore o l'impianto di scarico caldi può provocare gravi ustioni o incendio. Prima di trasportare o conservare il generatore, lasciare raffreddare il motore.**

Quando si trasporta il generatore, fare attenzione a non farlo cadere o urtare. Non mettere oggetti pesanti sul generatore.

Quando si trasporta il generatore su un veicolo, fissare il telaio del generatore come indicato.

## RISOLUZIONE DEI PROBLEMI

Se il motore non si avvia:

Controllare la presenza di carburante nel serbatoio.	← →	Se vuoto, riempire il serbatoio.
Controllare il livello dell'olio.	← →	Se basso, aggiungere l'olio raccomandato.
Controllare le condizioni della candela di accensione.	← →	Se in cattive condizioni, regolare la distanza degli elettrodi e asciugare la candela. Se necessario, sostituirla.
Controllare se il carburante raggiunge il carburatore.	← →	In caso negativo, pulire la vaschetta di raccolta dei sedimenti.

Se il motore non parte ancora, portare il generatore a un centro di assistenza autorizzato Makita.

Se non viene generata elettricità dalle prese CA:

Controllare che l'interruttore del circuito CA sia in posizione "I (ON)".	← →	In caso contrario, ruotare l'interruttore del circuito CA.
Controllare che l'apparecchiatura o l'elettrodomestico non sia difettoso.	← →	Se non sono presenti difetti, portare il generatore a un centro di assistenza autorizzato Makita. In caso di difetti: - Sostituire l'apparecchio o l'elettrodomestico. - Portare l'apparecchio o l'elettrodomestico in riparazione.

## INFORMAZIONI TECNICHE

### Informazioni sul sistema di controllo delle emissioni

#### Sorgente delle emissioni

Il monossido di carbonio, gli ossidi di azoto e gli idrocarburi sono prodotti durante il processo di combustione. Il controllo delle emissioni di idrocarburi e ossidi di azoto è estremamente importante perché in determinate condizioni reagiscono per formare smog fotochimico se soggetti ai raggi solari. Sebbene il monossido di carbonio non reagisca allo stesso modo, si tratta di un gas tossico.

Makita utilizza il corretto rapporto aria-carburante e altri sistemi di controllo delle emissioni per ridurre le emissioni di monossido di carbonio, ossidi di azoto e idrocarburi. Inoltre, il sistema di alimentazione del carburante Makita impiega componenti e tecnologie per ridurre le emissioni dovute all'evaporazione.

#### Manomissione e modifiche

Il livello delle emissioni può aumentare oltre il limite legale se il sistema di controllo delle emissioni viene manomesso o modificato. Le operazioni che costituiscono atto di manomissione includono:

- Rimozione o modifica dei componenti dell'aspirazione, del sistema di alimentazione del carburante o di scarico.
- Modifica o eliminazione della leva del regolatore o del meccanismo di regolazione del numero di giri per far funzionare il motore al di fuori dei parametri di progetto.

#### Problemi che potrebbero influire sulle emissioni

Se si dovesse riscontrare uno o più dei seguenti sintomi, far ispezionare e riparare il motore dal proprio centro di assistenza.

- Difficoltà di avviamento o spegnimento dopo l'avviamento.
- Minimo irregolare.
- Perdita di colpi o ritorni di fiamma sotto carico.
- Combustione residua (preaccensione).
- Fumo nero allo scarico o elevato consumo di carburante.

## Parti di ricambio

I sistemi di controllo delle emissioni presenti sul motore Makita sono stati progettati, realizzati e omologati per essere conformi alle normative sulle emissioni in vigore. Pertanto, si raccomanda di usare parti di ricambio originali ogni volta che si esegue la manutenzione. Dato che i ricambi originali sono costruiti con gli stessi standard delle parti originali, le loro prestazioni sono affidabili. L'utilizzo di parti di ricambio che non presentano la stessa qualità e caratteristiche originali potrebbe ridurre l'efficacia del sistema di controllo delle emissioni.

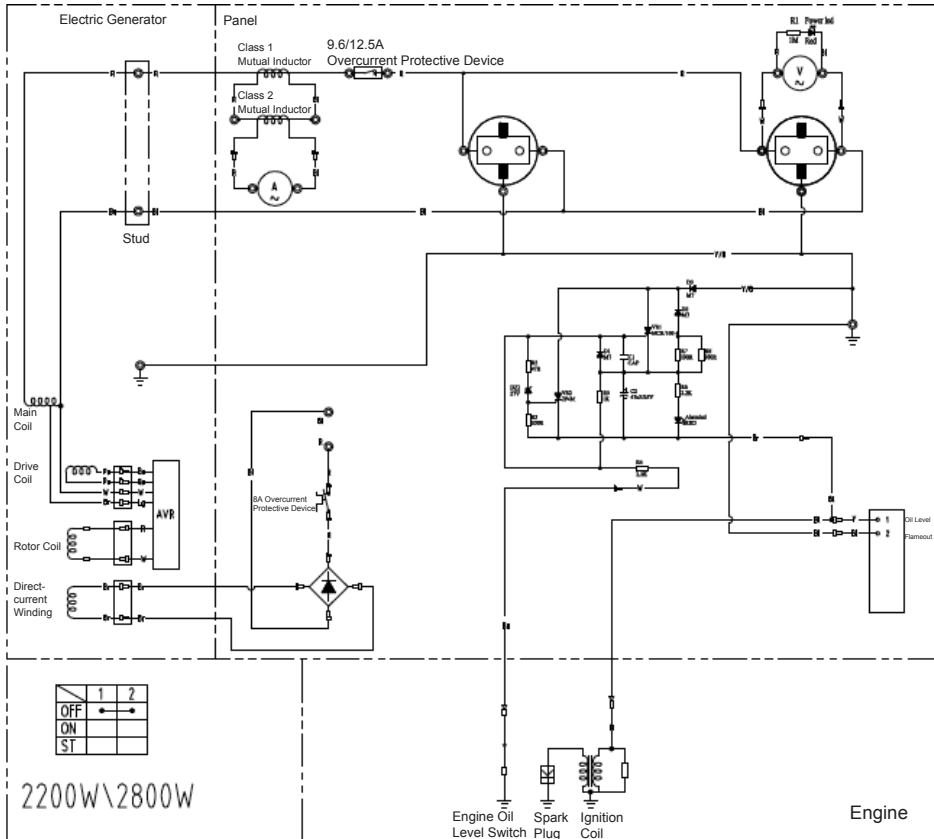
Notare che i produttori che realizzano i ricambi aftermarket si assumono la responsabilità che il

componente non pregiudica le prestazioni in termini di emissioni. Il produttore o il riparatore del componente deve certificare che il motore resti conforme alle normative sulle emissioni anche con l'uso del ricambio.

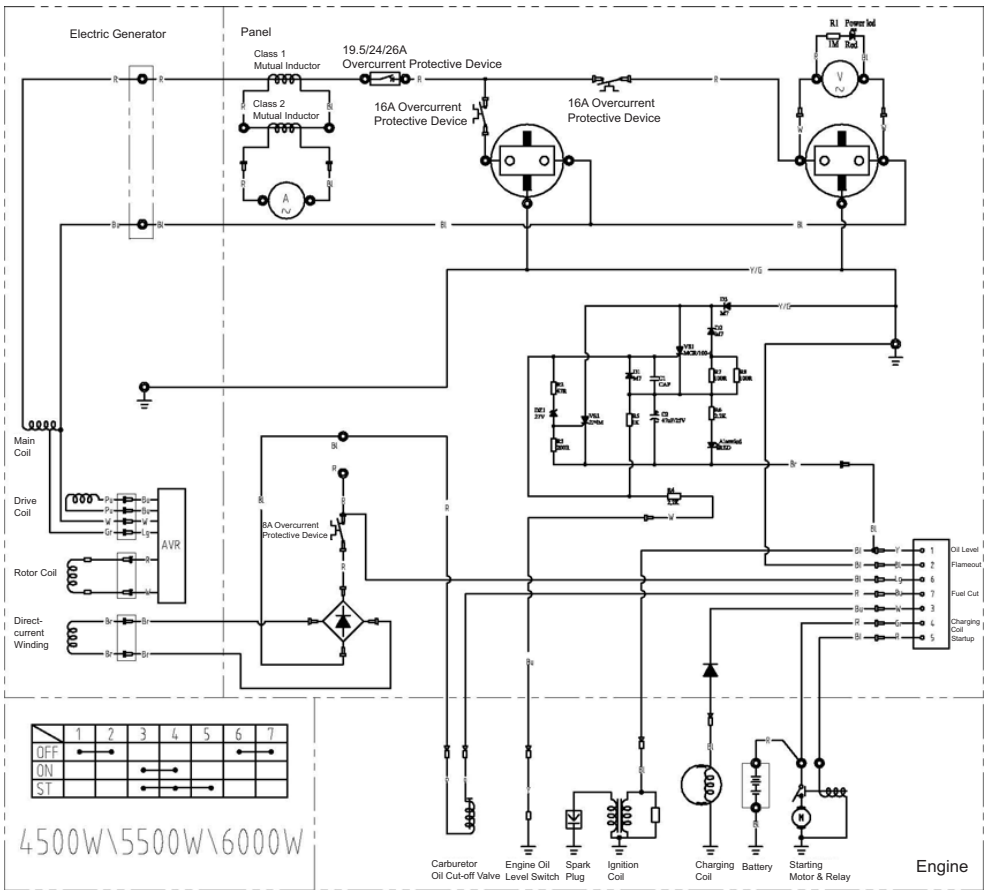
## Manutenzione

Seguire il programma di manutenzione. Ricordarsi che questo programma è basato sulla premessa che la macchina verrà utilizzata per lo scopo a cui è destinata. La macchina richiederà una manutenzione più frequente in caso di funzionamento con carichi elevati o ad alta temperatura o per utilizzo in condizioni di elevata umidità o polvere.

## SCHEMA ELETTRICO



**Nota: il cablaggio è lo stesso per i modelli EG2250A e EG2850A.**



Nota: il cablaggio è lo stesso per i modelli EG4550A, EG5550A e EG6050A.

# DATI TECNICI

MODELLO		EG2250A	EG2850A	EG4550A	EG5550A	EG6050A
Generatore	Tipo	Spazzole, 2 poli, monofase				
	Sistema di regolazione della tensione	Tipo AVR				
	Uscita CA	230 - 50				
	Tensione-frequenza nominale V-Hz					
	Corrente nominale A	8,7	11,3	17,4	21,7	24
	Uscita nominale VA (W)	2.000	2.600	4.000	5.000	5.500
	Uscita massima VA (W)	2.200	2.800	4.500	5.500	6.000
	Fattore di potenza nominale	1,0				
	Tipo di dispositivo di sicurezza	Interruttore				
	Uscita CC	12				
	Utilizzo continuo V	8,3				
	Corrente nominale A					
Tipo di dispositivo di sicurezza	Interruttore					
Motore	Modello	170F		190F		
	Tipo	Monocilindrico 4 tempi ad albero a camme in testa				
	Cilindrata ml	210		420		
	Carburante	Benzina senza piombo per autotrazione				
	Capacità serbatoio carburante (pieno) L	15		25		
	Capacità serbatoio carburante (volume carburante regolato) L	10		20		
	Capacità olio motore L	0,6		1,1		
	Candela di accensione	Champion RN9YC				
Sistema di avviamento	Riavvolgitore di avviamento		Avviamento elettrico / Riavvolgitore di avviamento			
Dimensioni	Lunghezza mm	600		680		
	Larghezza mm	442		550		
	Altezza mm	450		550		
Emissioni acustiche (secondo la direttiva 2000/14/CE)	Livello di pressione sonora dB (A)	75 (Incertezza K=3)				
	Livello di potenza sonora dB (A)	95 (Incertezza K=3)				
Peso a secco kg	42	45	80	83	85	
Peso complessivo Peso secondo la procedura EPTA 01/2003	kg	49,8	52,8	95,5	98,5	100,5

# ASSEMBLAGGIO

## Importanza del corretto assemblaggio

Un corretto assemblaggio è fondamentale per la sicurezza dell'operatore e l'affidabilità della macchina. Qualsiasi errore o disattenzione causato da chi è preposto all'assemblaggio o alla manutenzione della macchina può comportare un cattivo funzionamento, danni alla macchina o lesioni all'operatore.

### **⚠ AVVERTENZA:**

**Un assemblaggio non corretto può causare una condizione non sicura che può portare a gravi lesioni personali o decesso.**

**Seguire attentamente le precauzioni e le procedure delle istruzioni di assemblaggio.**

Di seguito vengono indicate alcune delle più importanti precauzioni sulla sicurezza.

Tuttavia, non è possibile trattare ogni pericolo possibile che potrebbe presentarsi durante l'esecuzione delle operazioni di assemblaggio, pertanto ricordarsi che solo l'operatore può decidere se eseguire o meno una determinata attività.

### **⚠ AVVERTENZA:**

**L'inosservanza di seguire correttamente le precauzioni e le istruzioni possono causare gravi lesioni personali o decesso.**

**Seguire attentamente le precauzioni e le procedure contenute nel presente manuale.**

## Importanti precauzioni di sicurezza

- Comprendere a fondo tutte le procedure fondamentali per la sicurezza in officina e indossare indumenti e dispositivi di protezione adeguati. Quando si esegue l'assemblaggio, fare particolare attenzione alle seguenti istruzioni:
  - Prima di iniziare il lavoro, leggere le istruzioni e assicurarsi di possedere capacità e attrezzi necessari per effettuare il lavoro in sicurezza.
- Assicurarsi che il motore sia spento prima di iniziare qualsiasi operazione di manutenzione o riparazione. Ciò contribuirà ad eliminare diversi potenziali pericoli:
  - **Avvelenamento da monossido di carbonio dai gas di scarico.**  
Utilizzare all'esterno lontano da finestre e porte aperte.
  - **Ustioni da parti calde.**  
Prima di toccare, lasciare raffreddare il motore e il sistema di scarico.
  - **Ustioni da parti in movimento.**  
Non mettere in moto se le istruzioni non lo prevedono.

Anche in tal caso, tenere mani, dita e indumenti lontano. Non avviare il motore se viene rimossa una schermatura o una protezione.

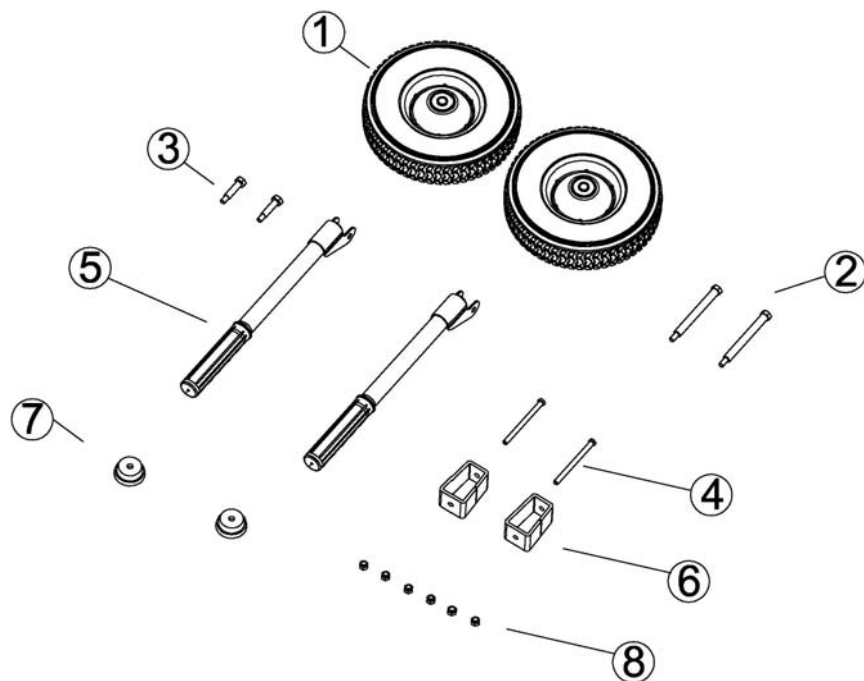
- Per ridurre la possibilità di incendio o esplosione, fare attenzione quando si lavora vicino alla benzina o alle batterie. Usare solo un solvente non infiammabile, non benzina, per pulire i componenti. Tenere i componenti collegati alla benzina lontano da scintille, fiamme e sigarette.

## Disimballaggio

1. Estrarre dall'imballaggio il generatore e la scatola con le parti da montare.
2. Controllare le parti da montare con l'elenco seguente.  
Utensili necessari: Chiave da 12 mm (2), pinze

## Parti da montare (kit ruota e maniglie) e supporto anteriore (solo per modelli EG4550A, EG5550A, EG6050A)

Controllare le parti da montare con l'elenco seguente. Contattare il rivenditore se una delle parti da montare mostrate in basso non sono comprese con il generatore.



N.	Descrizione	Quantità
1	Ruota da 10 pollici	2
2	Asse ruota	2
3	Perno della maniglia di trasporto	2
4	Bullone M8 x 100	2
5	Maniglia di trasporto	2
6	Supporto anteriore	2
7	Base in gomma	2
8	Dado flangiato M8	6

### Montaggio delle maniglie (Fig. 24)

1. Rimuovere le due sporgenze della maniglia inserita nel telaio e allineare il foro sulla maniglia con il foro sul telaio. Quindi, inserire la maniglia sul telaio dall'esterno e avvitare il bullone flangiato M8 dall'interno e serrare.

**COPPIA DI SERRAGGIO:** 24 - 29 N•m, 2,4 - 3,0 kgf•m

### Montaggio del kit ruote (Fig. 25)

1. Allineare il foro sulla ruota con il foro sul telaio, inserire l'asse della ruota nel telaio dalla parte esterna, avvitare il bullone flangiato M8 all'interno e serrare.

**COPPIA DI SERRAGGIO:** 24 - 29 N•m, 2,4 - 3,0 kgf•m

### Montaggio del supporto anteriore (Fig. 26)

1. Inserire un bullone M8x100 nei fori dei gommini, supporti anteriore e piastra di supporto del telaio.
2. Avvitare il bullone flangiato M8 sul bullone M8x100 dal lato della piastra di supporto e serrare.

### Arresto del motore con comando remoto

1. Premere il pulsante di arresto.
2. Ruotare l'interruttore del motore in posizione "O (OFF)".
3. Ruotare il rubinetto del carburante in posizione "O (OFF)".



## Vano batteria (Fig. 27)

### NOTA:

La batteria non è inclusa. Usare una batteria (potenza: 12 V-10 Ah, Dimensioni massime (L x P x A): 160 mm x 90 mm x 160 mm) disponibile in commercio.

1. Collegare il cavo elettrico nero (terra) del generatore al polo negativo della batteria e cavo elettrico rosso al polo positivo della batteria.
2. Mettere la batteria, con i cavi elettrici già collegati, nel vano batteria sul telaio.
3. Agganciare ciascuna delle due fibbie della cinghia di gomma sulle staffe presenti sul vano batteria.

### AVVERTENZA:

**I terminali della batteria e relativi accessori contengono piombo e composti del piombo. Lavarsi sempre le mani dopo la manipolazione.**

## Olio motore (Fig. 13)

Il generatore viene spedito **SENZA OLIO** nel motore. Mettere il generatore su una superficie stabile e livellata. Aggiungere l'olio raccomandato in misura sufficiente a raggiungere il livello superiore del bocchettone di rifornimento olio.

Usare olio per motori a 4 tempi che soddisfi le specifiche API service categoria SJ o superiore (o equivalente).

Non riempire oltre la quantità specificata. In tal caso, l'olio in eccesso potrebbe essere inviato nella scatola del filtro aria e sul filtro aria.

## INFORMAZIONI SUL SERVIZIO DI GARANZIA

### INFORMAZIONI SUL SERVIZIO CLIENTI

Il personale della rete di assistenza è composto da professionisti preparati. Dovrebbero essere in grado di rispondere a quasi tutte le vostre domande. In caso di problemi che il rivenditore non è in grado di risolvere in modo soddisfacente per il cliente, si prega di contattare il responsabile della manutenzione o il responsabile del concessionario. Praticamente tutti i problemi sono stati risolti in questo modo.

Se il cliente non è soddisfatto della decisione presa dalla direzione della concessionaria, contattare Makita Corporation.

**Solo per i Paesi europei**

### Dichiarazione di conformità CE

**Makita Corporation, in qualità di produttore responsabile, dichiara che le macchine Makita indicate di seguito:**

Denominazione della macchina: Generatore a benzina  
N. modello / Tipo: EG2250A, EG2850A, EG4550A, EG5550A, EG6050A  
Caratteristiche tecniche: vedere la tabella "CARATTERISTICHE TECNICHE".

appartengono a una produzione in serie e sono

**conformi alle seguenti direttive europee:**

2000/14/CE, 2004/108/CE, 2006/42/CE,  
2006/95/CE

Sono inoltre prodotte in conformità con gli standard o i documenti standardizzati riportati di seguito:

EN12601, EN55012, EN61000, EN60204-1

La documentazione tecnica viene conservata da:

Makita International Europe Ltd.

Technical Department,

Michigan Drive, Tongwell,

Milton Keynes, Bucks MK15 8JD, Inghilterra

La procedura di valutazione della conformità richiesta dalla Direttiva 2000/14/CE è stata effettuata secondo quanto specificato nell'allegato VI.

Ente competente:

AV TECHNOLOGY LTD

AVTECH House, Arkle Avenue

Stanley Green Trading Estate

Handforth, Cheshire

SK9 3RW, United Kingdom

Identification number 1067

Modello EG2250A

Livello di potenza sonora misurato: 94 dB (A)

Livello di potenza sonora garantito: 95 dB (A)

Modelli EG2850A, EG4550A, EG5550A, EG6050A

Livello di potenza sonora misurato: 95 dB (A)

Livello di potenza sonora garantito: 96 dB (A)

27.12.2013



Tomoyasu Kato

Direttore

Makita Corporation

3-11-8, Sumiyoshi-cho,

Anjo, Aichi, 446-8502, JAPAN

### Uitleg bij het overzicht

1. BEDIENINGSPANEEL	17. KNALDEMPER	34. MARKERING VOOR MAXIMALE NIVEAU
2. BRANDSTOFMETER	18. WIEL	35. AFDICHTRING
3. TANKDOP	19. STANDAARD	36. OLIEAFTAPPLUG
4. MOTORSCHAKELAAR	20. TRANSPORTHENDEL	37. LUCHTREINIGERAFDEKKING
5. CHOKEHENDEL	21. BOUGIEDOP	38. KNOP
6. LUCHTREINIGER	22. I (AAN)	39. ELEMENT
7. BRANDSTOFKRAAN	23. O (UIT)	40. Correct ingehaakt
8. STARTGREEP	24. S (START)	41. Verkeerd ingehaakt
9. SERIENUMMER VAN MOTOR	25. AAN	42. BOUGIESLEUTEL
10. DOP/PEILSTOK VAN OLIEVULOPENING	26. UIT	43. Leidingklem
11. WISSELSTROOMBEVEILIGINGEN	27. TREKSTARTER	44. Vonkenscherm
12. WISSELSTROOMONDERBREKER	28. OPEN	45. Aftapschroef
13. GELIJKSTROOMBEVEILIGING	29. DICHT	46. Indicatielampje
14. GELIJKSTROOMUITGANG	30. NEGATIEVE AANSLUITING (ZWART)	47. Waarschuwingslampje voor het oliepeil
15. WISSELSTROOMCONTACT 230 V (vorm van bus verschilt per land)	31. POSITIEVE AANSLUITING (ROOD)	48. Spanningsmeter
16. AARDAANSLUITING	32. OLIEVULOPENING	49. Stroommeter
	33. OLIEPEIL	

#### **⚠ WAARSCHUWING:**

**De uitlaatgassen van dit product bevatten koolmonoxide, een giftig gas in een gesloten ruimte een levensgevaarlijke concentratie kan bereiken.**

**Inademen van koolmonoxide kan iemand bewusteloos maken en dodelijk zijn.**

**Laat de generator nooit draaien in een gesloten of gedeeltelijk gesloten omgeving waarin mogelijk mensen aanwezig zijn.**

#### **⚠ WAARSCHUWING:**

**De generator kan bij verkeerd gebruik een elektrische schok afgeven. Stel de generator niet bloot aan vocht, regen of sneeuw. Laat de generator niet nat worden en bedien hem niet met natte handen.**

Bewaar deze handleiding op een voor de hand liggende plaats voor naslag.

De handleiding vormt een vast onderdeel van de generator en moet bij wederverkoop bij de generator blijven.

Alle informatie en specificaties in deze publicatie zijn gebaseerd op de meest recente productinformatie op het moment van toestemming voor het drukken ervan. Makita Corporation behoudt zich echter het recht voor om de specificaties of het ontwerp op eender welk moment zonder kennisgeving en zonder enige verplichting te stoppen of te wijzigen. Geen enkel deel van deze publicatie mag zonder schriftelijke toestemming worden gereproduceerd.

## VEILIGHEIDSINFORMATIE

De veiligheid van de operator en andere personen is uiterst belangrijk, en u hebt een grote verantwoordelijkheid om de generator veilig te gebruiken. In deze handleiding en op etiketten op de generator vindt u bedieningsprocedures en andere informatie die u nodig hebt om geïnformeerde beslissingen te kunnen maken over de veiligheid. Deze informatie maakt de operator attent op mogelijke risico's waardoor de operator of andere personen verwondingen kunnen oplopen.

Omdat het niet praktisch of mogelijk is om u te waarschuwen over alle risico's bij het gebruik en onderhoud van de generator, moet u altijd uw gezond verstand gebruiken.

Belangrijke veiligheidsinformatie wordt gepresenteerd in de volgende vormen:

- **Veiligheidsetiketten** — op de generator.
- **Veiligheidsmeldingen** — worden voorafgegaan door een veiligheidssymbool en een van de drie signaalwoorden (GEVAAR, WAARSCHUWING, of LET OP).

De signaalwoorden hebben de volgende betekenis:

#### **⚠ GEVAAR:**

Geeft aan dat een dodelijk ongeval, zwaar persoonlijk letsel of omvangrijke schade aan de apparatuur zal optreden als u de instructies niet volgt.

#### **⚠ WAARSCHUWING:**

Geeft aan dat persoonlijk letsel of schade aan de apparatuur kan optreden als u de instructies niet volgt.

#### **⚠ LET OP:**

Geeft aan dat persoonlijk letsel kan optreden als u de instructies niet volgt.

- **Koptekst voor een gedeelte over veiligheid** — bijvoorbeeld BELANGRIJKE VEILIGHEIDSINFORMATIE.
- **Gedeelte over veiligheid** — bijvoorbeeld VEILIGHEID VAN DE GENERATOR.
- **Instructies** — informatie over correct en veilig gebruik van de generator.

U vindt belangrijke veiligheidsinformatie op alle plaatsen in de handleiding. Lees die informatie zorgvuldig.

# ALGEMENE VEILIGHEID

## SYMBOLEN en BETEKENIS

In overeenstemming met de Europese vereisten (EEG Richtlijnen) worden de symbolen in onderstaande tabel gebruikt voor de producten en in deze handleiding.

	Lees de handleiding.		Vlam, open vuur en roken zijn verboden.
	Raak geen hete delen aan.		Sluit de generator niet aan op het openbare net.
	Giftige uitlaatgassen. Niet gebruiken in een ongeventileerde ruimte.		Benzine
	Motor stoppen voordat brandstof wordt bijgevoerd.		Onderhoud invoeren.
	Let op: gevaar voor elektrische schok.		Droog houden.

## BELANGRIJKE VEILIGHEIDSINFORMATIE

Generators van Makita zijn ontworpen voor een veilig en betrouwbaar bedrijf als ze volgens de instructies worden gebruikt. U moet deze handleiding lezen en begrijpen voordat u de generator bedient. Om ongevallen te voorkomen moet u vertrouwd zijn met de bedieningselementen van de generator en het apparaat altijd veilig bedienen.

### Verantwoordelijkheden van de operator

- De operator moet de generator in een noodgeval snel kunnen stoppen.
- De operator moet kennis hebben van het gebruik van alle bedieningselementen, uitgangcontacten en aansluitingen van de generator.
- De operator moet ervoor zorgen dat alle personen die de generator bedienen, behoorlijk worden opgeleid. Laat kinderen de generator niet gebruiken zonder ouderlijk toezicht.

### Gevaar van koolmonoxide

- De uitlaatgassen van de generator bevatten koolmonoxide, een giftig gas dat kleurloos en geurloos is. Inademen van koolmonoxide kan iemand bewusteloos maken en dodelijk zijn.
- Als de generator in een gesloten of gedeeltelijk gesloten ruimte wordt gebruikt, kan de concentratie aan uitlaatgassen in de lucht een gevaarlijk niveau bereiken.
- Gebruik de generator nooit in een garage, huis, of nabij open ramen of deuren.

### Gevaar van een elektrische schok

- De generator produceert genoeg elektrisch vermogen om bij verkeerd gebruik een ernstige elektrische schok of elektrocutie te veroorzaken.

- Gebruik de generator of een ander elektrisch apparaat niet als er vocht of water aanwezig is, zoals in regen of sneeuw, nabij een zwembad, sprinkler- of irrigatiesysteem, of met natte handen. Daarbij kan elektrocutie optreden. Houd de generator droog.
- Als de generator buiten wordt bewaard en niet is beschermd tegen weersinvloeden, moet u vóór elk gebruik alle elektrische componenten op het bedieningspaneel controleren. Vocht of ijs kunnen storing of kortsluiting in elektrische componenten veroorzaken, met mogelijk elektrocutie als gevolg.
- Sluit de generator niet aan op het elektrische systeem van gebouwen, tenzij een isolatieschakelaar is geïnstalleerd door een erkende elektricien.

### Gevaar voor brand en brandwonden

- Het uitlaatsysteem kan zo heet worden dat ontvlambare stoffen erbij in brand vliegen.
  - Houd de generator tijdens gebruik ten minste 1 meter verwijderd van structuren of gebouwen en andere apparatuur.
  - Sluit de generator niet in binnen een andere structuur.
  - Houd ontvlambare stoffen uit de buurt van de generator.
- De knaldemper wordt erg heet tijdens gebruik, en blijft nog een tijdlang heet nadat de motor is gestopt. Raak de knaldemper niet aan als hij heet is. Als de generator binnen wordt bewaard, moet u de motor laten afkoelen voordat u hem opbergt.
- Benzine is uiterst brandbaar en kan onder bepaalde omstandigheden ontploffen. Rook niet waar de benzine wordt bewaard en wanneer de generator wordt bijgevoerd. Zorg dat er geen vuur/vonken zijn op de plaats waar de generator wordt bijgevoerd en waar de benzine wordt bewaard. Voer het bijvullen uit in een goed geventileerde ruimte en bij gestopte motor.

- Brandstofwalmen zijn uiterst brandbaar en kunnen ontploffen wanneer de motor wordt gestart. Als brandstof wordt gemorst, moet u die wegvegen en laten drogen voordat de generator wordt gestart.

#### Andere veiligheidsinformatie:

- Voor alle gebruik en onderhoud is persoonlijke beschermingsuitrusting vereist.
- De belasting moet binnen de waarde worden gehouden die is aangegeven op het vermogensplaatje op de generator. Door overbelasting wordt de generator beschadigd of wordt de levensduur bekort.
- De generator mag niet met buitensporig hoge snelheden draaien. Gebruik bij buitensporig hoge snelheden vergroot het risico op persoonlijk letsel.
- Wijzig geen onderdelen die de vastgestelde snelheid kunnen verhogen of verlagen.
- Gebruik alleen een verlengsnoer dat geaard is en een voldoende draaddikte heeft voor het beoogde gebruik. Een verlengsnoer of verplaatsbaar elektrisch netwerk met een draaddiameter van 1,5 mm<sup>2</sup> mag maximaal 60 meter lang zijn. Bij een draaddiameter van 2,5 mm<sup>2</sup> bedraagt de maximale lengte 100 meter.
- Het uitlaatsysteem kan zo heet worden dat ontvlambare stoffen erbij in brand vliegen. Laat de motor niet draaien in de buurt van ontvlambare stoffen. Gebruik de generator niet in vochtige omstandigheden.
- Bewaar brandstof niet binnenshuis en vul de generator niet bij terwijl de motor draait.
- Dek het apparaat niet af terwijl hij wordt gebruikt.
- Gebruik de generator nooit in de buurt van ontvlambare stoffen om vergiftiging en brand tijdens gebruik te voorkomen.
- Het apparaat moet zijn bedrijfssnelheid bereikt hebben voordat er elektrische belasting op mag worden aangesloten. Ontkoppel de belasting voordat de generator wordt uitgeschakeld. Schakel alle apparaten die door de generator worden gevoed uit voordat u de generator zelf uitzet. Het apparaat mag niet worden aangesloten op een andere voedingsbron.
- De beveiliging tegen een elektrische schok is afhankelijk van stroomonderbrekers die speciaal voor deze generator zijn bedoeld. Contacteer bij vervanging een plaatselijke handelaar en gebruik alleen stroomonderbrekers met identieke waarden en karakteristieken.
- Controleer de generator vóór gebruik op beschadigde leidingen, loszittende of ontbrekende klemmen, en beschadigingen aan de tank of de dop. Alle gebreken moeten vóór gebruik worden verholpen.
- De installatie en grotere reparaties aan de generator mogen alleen worden uitgevoerd door speciaal opgeleide technici. Voordat u de generator transporteert, moet u alle brandstof aftappen om lekkage te voorkomen.
- Bewaar de generator op een goed geventileerde plaats en met een lege brandstoftank.

## COMPONENTEN (fig. 1)

## BEDIENINGSPANEEL (fig. 2 en 3)

\* Noteer het serienummer van de motor en het frame evenals de aankoopdatum voor als u die later nodig hebt. Vermeld de serienummers wanneer u onderdelen bestelt en bij vragen in verband met technische kenmerken en de garantie.

Aankoopdatum:

Serienummer van motor:

Serienummer van frame:

## BEDIENINGSELEMENTEN

### Motorschakelaar (fig. 4)

De motor starten en stoppen.

#### Sleutelpositie:

**O (UIT):** De motor stoppen. U kunt de sleutel verwijderen en insteken.

**I (AAN):** De motor laten draaien na het starten.

**S (START):** De motor starten met de startmotor.

\* EG2250A en EG2850A die alleen zijn voorzien van de schakelaar I (AAN)/O (UIT)

### Startgreep (fig. 5)

Om de motor te starten, trekt u de startgreep eerst langzaam naar buiten tot u weerstand voelt, en dan trekt u hem snel aan.

#### OPMERKING:

Laat de startgreep voorzichtig in zijn uitgangspositie terugkomen om schade aan de startmotor te voorkomen. Laat hem niet losschieten.

Als de generator niet is voorzien van een 12 voltaccu voor de startmotor, of als de accu niet voldoende capaciteit heeft om de startmotor te laten werken, dan gebruikt u de trekstarter om de motor te starten.

### Brandstofkraan (fig. 6)

De brandstofkraan bevindt zich tussen de brandstoftank en de carburator. Als de brandstofkraan in de positie "I (AAN)" staat, stroomt er brandstof van de brandstoftank naar de carburator. Draai de brandstofkraan in de positie "O (UIT)" nadat de motor is gestopt.

### Chokehendel (fig. 7)

De choke wordt gebruikt om een rijkere brandstofmengsel te leveren wanneer de motor koud wordt gestart. U opent en sluit de choke door de chokehendel met de hand te bedienen. Trek de chokeknop naar buiten naar de positie "GESLOTEN" om het brandstofmengsel te verrijken bij een koude start.

### Aardaansluiting (fig. 8)

De aardaansluiting van de generator is aangesloten op het frame, de metalen niet-stroomvoerende delen, en de aardaansluiting van elk contact van de generator. Voordat u de aardaansluiting gebruikt, moet u contact opnemen met een erkende elektricien, een elektrische keuringsinstantie of een plaatselijk agentschap dat bevoegd is voor de plaatselijke codes en regelgeving voor het beoogde gebruik van de generator.

## Gelijkstroomaansluiting

De gelijkstroomaansluiting wordt alleen gebruikt voor het opladen van 12 voltaccu's zoals gebruikt in auto's.

De rode aansluiting is positief (+) en de zwarte aansluiting is negatief (-). Let op dat u de accu met de juiste polariteit op de gelijkstroomaansluiting van de generator aansluit (positieve accupool op rode aansluiting van generator, en negatieve accupool op zwarte aansluiting van generator).

## Gelijkstroombeveiliging (fig. 9)

De gelijkstroombeveiliging schakelt het oplaadcircuit van de accu automatisch uit als het oplaadcircuit overbelast wordt, als er een probleem is met de accu, of bij een verkeerde aansluiting tussen de accu en de generator.

## Waarschuwingssysteem voor de olie (fig. 14)

Als er onvoldoende olie is in het carter kan de motor beschadigd worden. Het waarschuwingssysteem voor de olie voorkomt dit door automatisch de motor te stoppen voordat het oliepeil in het carter onder het veilige niveau daalt. (De motorschakelaar blijft in de positie "I (AAN)".) Als het waarschuwingssysteem voor de olie in werking treedt, gaat het waarschuwingsslampje voor het oliepeil rood branden. Controleer altijd het oliepeil vóór elk gebruik, ongeacht dit waarschuwingssysteem voor de olie.

Als de motor stopt en niet meer herstart kan worden, moet u eerst het oliepeil controleren voordat u mogelijke andere problemen controleert.

### OPMERKING:

Als er voldoende olie is in het carter, brandt het indicatielampje groen. Als er onvoldoende olie is, brandt het waarschuwingsslampje voor het oliepeil rood. Voeg olie toe voordat u de generator gebruikt.

## Wisselstroomonderbreker (fig. 10)

De wisselstroomonderbreker wordt automatisch uitgeschakeld bij kortsluiting of een aanzienlijke overbelasting van de generator bij het contact. Als de wisselstroomonderbreker automatisch is uitgeschakeld, moet u controleren of het apparaat correct werkt en de nominale belasting van het circuit niet wordt overschreden voordat u de onderbreker weer inschakelt.

De wisselstroomonderbreker mag worden gebruikt om de generator in- en uit te schakelen.

## Wisselstroombeveiliging (alleen EG4550A, EG5550A, EG6050A) (fig. 11)

De wisselstroombeveiligingen worden automatisch uitgeschakeld bij kortsluiting of een aanzienlijke overbelasting van de generator bij de 26 A 230 V. Als een wisselstroombeveiliging automatisch is uitgeschakeld, moet u controleren of het apparaat correct werkt en de nominale belasting van het circuit niet wordt overschreden voordat u de beveiliging weer inschakelt.

## GEBRUIK VAN DE GENERATOR

### Aansluiting op het elektrische systeem van gebouwen

Aansluitingen voor stand-by vermogen op het elektrische systeem van gebouwen moeten worden gemaakt door een erkende elektricien. Zorg ervoor dat de voeding van de generator geïsoleerd is van de voeding van het openbare net, en voldoet aan alle toepasselijke wetten en elektrische codes. Een transferschakelaar voor isolatie van de generator van het openbare net is verkrijgbaar via een erkende dealer van Makita-generators.

### ⚠ WAARSCHUWING:

**Als de aansluiting op het elektrische systeem van een gebouw niet correct wordt uitgevoerd, kan de elektrische stroom van de generator overslaan naar leidingen van het openbare net. Daardoor kunnen onderhoudspersoneel van het openbare net en andere personen die delen van het net tijdens een stroomuitval aanraken geëlectrocuteerd worden, en de generator kan exploderen, ontbranden of brand veroorzaken wanneer het openbare net wordt hersteld. Vraag advies bij het nutsbedrijf of een erkende elektricien.**

### Aardsysteem

Draagbare generators van Makita zijn voorzien van een systeemaarde die de componenten van het generatorframe verbindt met de aardaansluitingen van de wisselstroomuitgangcontacten. Omdat de systeemaarde niet is aangesloten op de neutrale wisselstroomdraad, vertoont de generator bij een contacttest dezelfde toestand van het aardcircuit als een thuiscontact.

### Wisselstroomtoepassingen

Voordat u een apparaat of stroomkabel aansluit op de generator:

- Controleer of hij in goede staat verkeert. Gebrekkige apparaten en stroomkabels kunnen een elektrische schok veroorzaken.
- Als een apparaat abnormaal werkt, vertraagt of plotseling stopt, moet u het onmiddellijk uitschakelen. Ontkoppel het apparaat en controleer of er een probleem is met het apparaat en of de nominale belasting van de generator werd overschreden.
- Controleer of de nominale elektrische waarden van het gereedschap of apparaat de specificaties van de generator niet overschrijden. Overschrijd nooit het aangegeven maximale vermogen van de generator. Een vermogen tussen het nominale en het maximale vermogen mag maximaal gedurende één uur worden gebruikt.

### OPMERKING:

Door een aanzienlijke overbelasting wordt de stroomonderbreker uitgeschakeld. Als de generator langer dan de toegestane tijdslimiet maximaal wordt belast of een klein beetje wordt overbelast, treedt de stroomonderbreker of stroombeveiliging wellicht niet in werking, maar wordt de levensduur van de generator wel verkort.

Beperk bedrijf op het maximale vermogen tot maximaal één uur. Het maximale vermogen is als volgt:

EG2250A: 2,2 kW

EG2850A: 2,8 kW  
EG4550A: 4,5 kW  
EG5550A: 5,5 kW  
EG6050A: 6,0 kW

Bij continu bedrijf mag het nominale vermogen niet worden overschreden. Het nominale vermogen is als volgt:

EG2250A: 2,0 kW  
EG2850A: 2,6 kW  
EG4550A: 4,0 kW  
EG5550A: 5,0 kW  
EG6050A: 5,5 kW

Houd daarbij rekening met het totale vermogen (VA) van alle apparaten tezamen die op de generator zijn aangesloten. Informatie over de nominale waarden van apparaten en gereedschappen wordt gewoonlijk vermeld bij het modelnummer of serienummer.

## Gebruik met wisselstroom (fig. 12)

1. Start de motor.
2. Schakel de wisselstroomonderbreker in.
3. Sluit het apparaat aan.

### OPMERKING:

Voordat u een apparaat op de generator aansluit, moet u controleren of het in goede staat verkeert. Als een apparaat abnormaal werkt, vertraagt of plotseling stopt, moet u onmiddellijk de contactschakelaar uitzetten. Ontkoppel daarna het apparaat en controleer het op tekenen die op een storing wijzen.

De meeste gemotoriseerde apparaten vereisen bij het starten meer dan het nominale vermogen.

Overschrijdt niet de aangegeven stroomlimiet voor elk contact. Als de wisselstroomonderbreker of -beveiliging door overbelasting wordt uitgeschakeld, moet u de elektrische belasting van het circuit verminderen, enkele minuten wachten, en vervolgens de onderbreker of de beveiliging resetten.

## Gebruik met gelijkstroom

De gelijkstroomaansluiting wordt alleen gebruikt voor het opladen van 12 voltaccu's zoals gebruikt in auto's.

### De accuoplaadkabels aansluiten:

1. Voordat u de accuoplaadkabels op een accu in een auto aansluit, moet u de aardkabel van de accu losmaken van de negatieve (-) accupool.

### WAARSCHUWING:

**De accu geeft explosieve gassen af. Houd vonken, vuur en sigaretten op een afstand. Zorg voor afdoende ventilatie bij het opladen en gebruik van accu's.**

**WAARSCHUWING:** In accu's, aansluitklemmen en verwante onderdelen worden lood en loden componenten gebruikt. **Was altijd uw handen nadat u met dergelijke onderdelen hebt gewerkt.**

2. Sluit de positieve (+) accukabel aan op de positieve (+) accupool.
3. Sluit het andere uiteinde van de positieve (+) accukabel aan op de positieve (+) aansluiting van de generator.
4. Sluit de negatieve (-) accukabel aan op de negatieve (-) accupool.

5. Sluit het andere uiteinde van de negatieve (-) accukabel aan op de negatieve (-) aansluiting van de generator.
6. Start de generator.

### OPMERKING:

Start het voertuig niet wanneer de oplaadkabel is aangesloten en de generator draait. Daardoor kunnen het voertuig en de generator worden beschadigd. De gelijkstroombeveiliging treedt in werking (de drukknop steekt naar buiten) als het gelijkstroomcircuit wordt overbelast, als de accu bovenmatig veel stroom trekt, of als er een probleem is met de bedrading. Wacht in dat geval enkele minuten voordat u de circuitbeveiliging weer induwt om het bedrijf te hervatten. Als de gelijkstroombeveiliging opnieuw in werking treedt, moet u het opladen onderbreken en contact opnemen met een erkende dealer van Makita-generators.

### De accukabels ontkoppelen:

1. Stop de motor.
2. Ontkoppel de negatieve (-) accukabel van de negatieve (-) aansluiting van de generator.
3. Ontkoppel het andere uiteinde van de negatieve (-) accukabel van de negatieve (-) accupool.
4. Ontkoppel de positieve (+) accukabel van de positieve (+) aansluiting van de generator.
5. Ontkoppel het andere uiteinde van de positieve (+) accukabel van de positieve (+) accupool.
6. Sluit de aardkabel van de accu terug aan op de negatieve (-) accupool.

## Gebruik op grote hoogte

Op grote hoogte is het standaard lucht-brandstofmengsel van de carburator te rijk, en nemen de prestaties af en het brandstofverbruik toe. Een zeer rijk mengsel kan de bougie aantasten en het starten bemoeilijken. Langdurig gebruik op een andere hoogte dan waarvoor de motor is goedgekeurd, kan leiden tot hogere emissiewaarden. Het motorvermogen neemt af met ongeveer 3,5% voor elke 300 meter die u stijgt, zelfs met een aangepaste carburator. Als de carburator niet is aangepast, is de invloed van de hoogte op het vermogen zelfs nog groter. De prestaties op grote hoogte kunnen worden verbeterd door bepaalde aanpassingen aan de carburator. Als de generator altijd op een hoogte boven 1500 meter zal worden gebruikt, kan uw dealer de carburator aanpassen. Als de motor met een aangepaste carburator op grote hoogte wordt gebruikt, voldoet hij gedurende zijn hele levensduur aan de emissievoorschriften.

### OPMERKING:

Als de carburator is aangepast voor bedrijf op grote hoogte, is het lucht-brandstofmengsel te laag bij gebruik op lage hoogte. Door gebruik met een aangepaste carburator op een hoogte onder 1500 meter kan de motor oververhitten en ernstig beschadigd worden. Laat voor gebruik op lage hoogte uw dealer de carburator terugzetten naar de oorspronkelijke fabrieksinstelling.

# CONTROLES VÓÓR BEDRIJF

## De motorolie controleren (fig. 13)

Controleer vóór elk gebruik het oliepeil; daarbij moet de motor uit staan en de generator op een stabiel en vlak oppervlak staan.

Gebruik olie voor viertaktmotoren die voldoet aan (of beter is dan) API-klasse SJ of hoger (of equivalent). Controleer altijd het API-etiket op de oliepakking en vergewis u ervan dat de klasse SJ of hoger (of equivalent) wordt vermeld.

1. Verwijder de dop/peilstok van de olievlopening en veeg de peilstok schoon.
2. Steek de peilstok in de vulhals en controleer het oliepeil. Schroef de dop van de vlopening niet vast.
3. Als de olie laag staat, vult u die bij tot aan de bovengrens van de vulhals. Gebruik alleen de aanbevolen soort olie.

## De brandstof controleren (fig. 14)

Controleer de brandstofmeter bij gestopte motor. Vul de brandstoftank bij als er weinig brandstof is.

### ⚠ WAARSCHUWING:

**Benzine is uiterst ontvlambaar en explosief.**

**De omgang met brandstof kan leiden tot brandwonden of zwaar persoonlijk letsel.**

- Stop de motor en houd hitte, vonken en vuur op een afstand.
- Vul de brandstof alleen buiten bij.
- Veeg gemorste vloeistof onmiddellijk weg.

Voer het bijvullen uit in een goed geventileerde ruimte en bij gestopte motor. Laat de motor eerst afkoelen als hij draaide. Wees voorzichtig bij het bijvullen en mors geen brandstof. Vul niet zoveel bij dat de markering voor het maximale niveau wordt overschreden.

Vul de motor nooit bij in een gebouw waar benzinewalmen in contact kunnen komen met vuur of vonken. Houd benzine uit de buurt van apparaten met controlelampjes, barbecues, elektrische apparaten, machinegereedschap, e.d.

Gemorste brandstof kan brand en milieuverontreiniging veroorzaken. Veeg gemorste vloeistof onmiddellijk weg.

### OPMERKING:

Let op dat er geen brandstof wordt gemorst bij het tanken omdat de brandstof de verf en het plastic kan aantasten. Schade die is veroorzaakt door gemorste brandstof wordt niet gedekt door de garantie.

Plaats na het tanken de tankdop stevig terug.

## Aanbevolen brandstoffen

De motor is goedgekeurd voor bedrijf met gewone loodvrije benzine met een octaangehalte van 86 of hoger. Gebruik nooit oude of vervuilde benzine of een olie-benzinemengsel. Zorg dat er geen vuil of water in de brandstoftank terecht komt.

Gewone loodvrije benzine met minder dan 10 volumepercent ethanol (E10) of 5 volumepercent methanol kan worden gebruikt. Bovendien moet de methanol bijkomende oplosmiddelen en corrosieremmers bevatten.

Als de brandstof meer ethanol of methanol bevat dan de bovenvermelde waarde, kunnen er start- en prestatieproblemen optreden. De metalen, rubberen en

plastic onderdelen van het brandstofsysteem kunnen ook beschadigd worden.

Motorschade of prestatieproblemen als gevolg van het gebruik van brandstof met een hoger ethanol- of methanolgehalte dan hierboven is aangegeven, worden niet gedekt door de garantie.

# DE MOTOR STARTEN EN STOPPEN

## De motor starten

Veiligheidshalve mag de generator niet worden gebruikt in een gesloten ruimte zoals in een garage. De uitlaatgassen van de generator bevatten koolmonoxide, een giftig gas dat in een gesloten ruimte snel een gevaarlijke concentratie aanneemt en bewusteloosheid en overlijden kan veroorzaken.

### ⚠ WAARSCHUWING:

**De uitlaatgassen van de generator bevatten koolmonoxide, een giftig gas dat in een gesloten ruimte een gevaarlijke concentratie kan bereiken. Inademen van koolmonoxide kan iemand bewusteloos maken en dodelijk zijn.**

**Laat de generator nooit draaien in een gesloten of gedeeltelijk gesloten omgeving waarin mogelijk mensen aanwezig zijn.**

Om brand te voorkomen moet de generator tijdens gebruik ten minste 1 meter verwijderd blijven van gebouwen en andere structuren. Houd ontvlambare voorwerpen uit de buurt van de generator.

### OPMERKING:

Gebruik de generator niet op een afstand van minder dan 1 meter van een gebouw of ander voorwerp. Daardoor kan de generator oververhit en/of beschadigd raken. Om voldoende koeling te garanderen, moet ten minste 1 meter ruimte vrij blijven boven en rondom de generator. Raadpleeg het gedeelte "GEBRUIK MET WISSELSTROOM" en "GEBRUIK MET GELIJKSTROOM" in deze handleiding voor informatie over het aansluiten van de generator.

1. Voer de CONTROLES VÓÓR BEDRIJF uit.
2. Controleer of de wisselstroomonderbreker in de positie "O (UIT)" staat. De generator kan wellicht moeilijk gestart worden als een belasting is aangesloten.
3. Draai de brandstofkraan in de positie "I (AAN)".
4. Zet de motorschakelaar in de positie "I (AAN)".
5. Trek de startgreep eerst langzaam naar buiten tot u weerstand voelt, en trek hem dan snel aan.

### OPMERKING:

Laat de startgreep voorzichtig in zijn uitgangspositie terugkomen om schade aan de startmotor te voorkomen. Laat hem niet losschieten.

Met de elektrische startmotor:

1. Sluit de accukabels aan op de generator.
2. Draai de motorschakelaar in de positie "S (START)" en houd hem daar 5 seconden vast of totdat de motor start.

## OPMERKING:

- De motor kan beschadigd worden als de startmotor langer dan 5 seconden wordt gebruikt. Als de motor niet wil starten, laat u de schakelaar los en wacht u 10 seconden voordat u de startmotor opnieuw gebruikt.
- Als de startmotor na een tijdje vertraagt, moet de accu worden opgeladen.

Als de motor is gestart, laat u de motorschakelaar terugkeren naar de positie "I (AAN)".

Als u de choke met de hand had gesloten, duwt u hem in de positie "OPEN" wanneer de motor opwarmt.

## De motor stoppen

### In een noodgeval:

Om de motor in een noodgeval te stoppen, zet u de motorschakelaar in de positie "O (UIT)".

### Bij normaal gebruik:

1. Zet de wisselstroomonderbreker in de positie "O (UIT)".  
Ontkoppel de gelijkstroomoplaadkabels van de accu.
2. Zet de motorschakelaar in de positie "O (UIT)".
3. Draai de brandstofkraan in de positie "O (UIT)".

## ONDERHOUD

### Het belang van onderhoud

Goed onderhoud is essentieel voor een veilige, zuinige en probleemloze werking van de generator. Zo vermindert u ook de luchtverontreiniging.

### ⚠ WAARSCHUWING:

**Als u gebrekking onderhoud pleegt of een probleem niet verhelpt vóór gebruik, kan een defect ontstaan met mogelijk zwaar persoonlijk letsel of een dodelijk ongeval tot gevolg.**

**Volg altijd de aanbevelingen voor inspectie en onderhoud en de tijdschema's die in deze handleiding worden gegeven.**

Op de volgende pagina's vindt u een onderhoudsschema, procedures voor routine-inspectie en eenvoudige onderhoud met elementair handgereedschap die u moet volgen voor een goede zorg van de generator. Andere onderhoudstaken die ingewikkelder zijn of waarvoor speciaal gereedschap is vereist, worden het beste uitgevoerd door een vakman; normaal gesproken worden die uitgevoerd door een Makita-technicus of een andere erkende vakman.

Het onderhoudsschema in deze handleiding is gebaseerd op normale bedrijfscondities. Als de generator wordt gebruikt onder veeleisende omstandigheden (zoals onder voortdurende zware belasting of bij hoge temperaturen) of in buitengewoon vochtige of stoffige omstandigheden, moet u contact opnemen met uw dealer voor advies over uw specifieke gebruikssituatie.

**Onderhoud, vervanging en reparatie van het emissieregelsysteem en systemen mogen worden uitgevoerd door een gewone persoon of reparatiezaak voor niet-wegmotoren, als onderdelen worden gebruikt die voldoen aan de EPA-normen.**

## Veiligheid bij het onderhoud

Hieronder volgen enkele belangrijke veiligheidsmaatregelen. Het is echter niet mogelijk om hier alle risico's te noemen die kunnen voorkomen bij onderhoudswerkzaamheden. Onthoud daarom dat u alleen zelf kunt beslissen of u een bepaalde taak wel of niet uitvoert.

### ⚠ WAARSCHUWING:

**Als u de onderhoudsvorschriften en voorzorgsmaatregelen niet goed opvolgt, kunt u zwaar persoonlijk letsel of een dodelijk ongeval veroorzaken.**

**Volg altijd de procedures en voorzorgsmaatregelen in de handleiding.**

## Veiligheidsmaatregelen

- Vergewis u ervan dat de motor is uitgeschakeld voordat u enig onderhoud of reparatie begint. Zo sluit u enkele risico's uit:
    - **Koolmonoxidevergiftiging door uitlaatgassen.**  
Gebruik het apparaat buiten en uit de buurt van vensters en deuren.
    - **Verbranding door hete onderdelen.**  
Laat de motor en het uitlaatsysteem afkoelen voordat u ze aanraakt.
    - **Letsel door bewegende delen.**  
Laat de motor alleen draaien als u uitdrukkelijk daarom gevraagd wordt.
  - Lees de instructies voordat u de generator bedient, en zorg ervoor dat u de instructies begrijpt en over de vereiste kennis en gereedschappen beschikt.
  - Wees voorzichtig wanneer u werkt in de buurt van benzine om het risico op brand of een ontploffing te verminderen. Reinig onderdelen uitsluitend met een niet-ontvlambaar oplosmiddel. Gebruik geen benzine. Houd sigaretten, vonken en vuur op een afstand van alle onderdelen die met de brandstof te maken hebben.
- Onthoud dat uw dealer de generator het beste kent en over alle middelen beschikt om hem te onderhouden en te repareren.
- Voor de beste kwaliteit en betrouwbaarheid mag u bij reparatie en vervanging alleen nieuwe, originele onderdelen van Makita of equivalent gebruiken.



## Onderhoudsschema

REGELMATIG ONDERHOUD *3		Elk gebruik	Eerste maand of 20 uur	Elke 3 maanden of 50 uur	Elke 6 maanden of 100 uur	Elk jaar of 300 uur
ONDERHOUDSPUNTEN Voer deze uit na de aangegeven tijd of bedrijfsuren, naargelang welke eerst komt.						
Motorolie	Peil controleren	○				
	Vervangen		○		○	
Luchtreiniger	Controleren	○				
	Reinigen			○*1		
Sedimentbeker	Reinigen				○	
Bougie	Controleren en bijstellen				○	
	Vervangen					○
Vonkenvanger	Reinigen				○	○*2
Stationair draaien	Controleren en bijstellen					
Klepspeling	Controleren en bijstellen					○*2
Verbrandingskamer	Reinigen	Na elke 500 uur *2				
Brandstoftank en filter	Reinigen				○*2	
Brandstofslang	Controleren	Elke 2 jaar (vervangen indien nodig) *2				

\*1: Controleer de motor vaker wanneer de generator wordt gebruikt in een stoffige, vuile of veeleisende omgeving.

\*2: Tenzij de eigenaar beschikt over het juiste gereedschap en de nodige technische kennis, moet onderhoud van dit onderdeel worden uitgevoerd door een erkende dealer van Makita-generators. Zie de Makita-winkelhandleiding.

\*3: Voor commercieel gebruik moet het aantal bedrijfsuren worden bijgehouden om het juiste onderhoudsinterval te bepalen.

Als het onderhoudsschema niet wordt gevolgd, kunnen er defecten optreden die buiten de garantie vallen.

### De olie vervangen (fig. 15)

Tap de olie af terwijl de motor nog warm is zodat u die sneller volledig kunt aftappen.

1. Vang de olie onder de motor op in een geschikte houder.
2. Tap de olie af door de olieaftapplug, de afdichting en de dop/peilstok van de olievlopening te verwijderen.
3. Plaats de olieaftapplug en een nieuwe afdichting terug, en zet de dop stevig vast.
4. Vul bij met de aanbevolen soort olie en controleer het oliepeil.

Was uw handen met zeep en water nadat u met gebruikte olie hebt gewerkt.

#### OPMERKING:

Onjuiste verwijdering van gebruikte motorolie kan schadelijk zijn voor het milieu. Voordat u olie vervangt, moet u controleren of u de olie op de juiste wijze kunt verwijderen. Verwijder hem niet in een vuilnisbak, spoel hem niet door de goot en dump hem niet op de grond. U kunt meer informatie over de juiste verwijdering krijgen bij uw plaatselijke instantie voor zone- en milieuvorschriften.

### Onderhoud van de luchtreiniger (fig. 16 & 17)

Als de luchtreiniger vuil is, wordt de luchtstroom naar de carburator verminderd. Reinig de luchtreiniger regelmatig om een gebrekkige werking van de carburator te voorkomen. Reinig vaker als de generator in buitengewoon stoffige omstandigheden wordt gebruikt.

#### OPMERKING:

Als de motor draait zonder luchtfilter of met een beschadigd of verkeerd geplaatst luchtfilter, zal er vuil in de motor komen en verslijt de motor sneller. Dit soort schade wordt niet gedekt door de beperkte aansprakelijkheid van de distributeur.

1. Verwijder de knop, haak de twee klemmen van de afdekking van de luchtreiniger los, en verwijder de afdekking en het element.
2. Was het luchtreiniger-element met een oplossing van warm water en een huishoudelijk afwasmiddel en spoel hem grondig af, of was hem met een oplosmiddel dat niet ontvlambaar is of een hoog ontvlammingspunt heeft. Laat het luchtreiniger-element daarna volledig drogen.
3. Dompel het luchtreiniger-element in zuivere motorolie en wring de overtollige olie eruit. Als er teveel olie achterblijft in het luchtreiniger-element, rookt de motor bij het opstarten.

4. Plaats het luchtreinigerelement en de afdekking terug op hun plaats.

## De brandstofsedimentbeker reinigen

De sedimentbeker voorkomt dat eventueel vuil of water in de brandstoftank in de carburator terecht komt. Reinig de sedimentbeker als de motor gedurende langere tijd niet heeft gewerkt.

1. Draai de brandstofkraan in de positie "O (UIT)".  
Verwijder de sedimentbeker, de O-ring en het filter.
2. Reinig de sedimentbeker en het filter met een niet-ontvlambaar oplosmiddel of een oplosmiddel met een hoog ontvlammingspunt.
3. Plaats het filter, een nieuwe O-ring en de sedimentbeker terug.
4. Draai de brandstofkraan in de positie "I (AAN)" en controleer of er geen lekken zijn.

## Onderhoud van de bougie (fig. 18 & 19)

U hebt een bougiesleutel (in de winkel verkrijgbaar) nodig om de bougie bij nazicht los te draaien.

**Aanbevolen bougies:** RN9YC (Champion), BPR5ES (NGK), W16EPR-U (DENSO)

De bougie moet de juiste vonkafstand hebben en schoon zijn zonder afzettingen, anders zal de motor niet correct draaien.

### OPMERKING:

Door gebruik van een verkeerde bougie kan de motor worden beschadigd.

Laat de motor na gebruik afkoelen voordat u de bougie inspecteert.

1. Verwijder de bougiedop.
2. Verwijder eventueel aanwezig vuil rond de basis van de bougie.
3. Verwijder de bougie met een bougiesleutel.
4. Controleer de bougie op het oog.  
Stop het gebruik als de isolator gebarsten of vuil is of als er stukjes uit zijn.
5. Meet de elektrodenafstand van de bougie met een draadvoelmaat. Pas de opening indien nodig aan door de zijelektrode voorzichtig bij te buigen.  
De afstand van de opening moet zijn: 0,7 - 0,8 mm
6. Controleer of de afdichtring van de bougie in goede staat verkeert, en draai de bougie met de hand in om te voorkomen dat hij verkeerd wordt ingedraaid.
7. Nadat de bougie op zijn plaats zit, draait u hem met een bougiesleutel vast om de sluitring aan te drukken.
  - Als u een nieuwe bougie plaatst, moet u hem nadat hij op zijn plaats zit nog een 1/2 slag aandraaien om de sluitring aan te drukken. Als u een gebruikte bougie terugplaatst, moet u hem nadat hij op zijn plaats zit nog een 1/8 tot 1/4 slag aandraaien om de sluitring aan te drukken.

### OPMERKING:

Als de bougie loszit, kan hij oververhit raken en de motor beschadigen.

Als de bougie te hard wordt aangedraaid, kan de schroefdraad in de cilinderkop beschadigd worden.

## Onderhoud van de vonkenvanger (verschillend per land) (fig. 20)

De knaldemper is erg heet wanneer de generator werkt of gewerkt heeft. Laat hem afkoelen voordat u de vonkenvanger reinigt.

De vonkenvanger moet elke 100 uur nagekeken worden om te zorgen dat hij blijft functioneren zoals bedoeld. Reinig de vonkenvanger als volgt:

1. Draai de schroef bij de uitlaatopening van de knaldemper los, en verwijder de vonkenvanger.
2. Verwijder met een borstel koolstofresten van het vonkenscherm.  
De vonkenvanger mag geen beschadigingen of scheuren vertonen. Inspecteer hem en vervang hem als hij beschadigd is.
3. Plaats de vonkenvanger terug in de omgekeerde volgorde.

## BEWAREN

### Vorbereiding voor opslag

Goede opslagomstandigheden zijn essentieel om te zorgen dat de generator goed blijft werken en er goed blijft uitzien. De volgende punten helpen om te voorkomen dat roest en corrosie de prestaties en het uiterlijk aantasten, en zorgen ervoor dat de motor gemakkelijker gestart kan worden.

### Reinigen

Veeg de generator af met een vochtige doek en laat hem volledig drogen. Verf beschadigde verplekken bij en coat andere oppervlakken die vatbaar zijn voor roest met een dunne laag olie.

### Brandstof

#### OPMERKING:

Brandstoffen kunnen verslechteren en snel oxideren, afhankelijk van het gebied waarin de apparatuur wordt gebruikt. Brandstof kan in minder dan 30 dagen verslechteren en oxideren en zo de carburator en/of het brandstofsysteem beschadigen. Neem contact op met uw dealer om de beste opslagplaats te selecteren. Benzine oxideert en verslechtert tijdens opslag. Oude benzine bemoeilijkt het opstarten en laat aanslag achter waardoor het brandstofsysteem kan verstopen. Als de brandstof in de generator tijdens opslag verslechtert, moeten de carburator en andere onderdelen van het brandstofsysteem wellicht nagekeken of vervangen worden.

Hoe lang benzine in de brandstoftank en de carburator mag blijven voordat er problemen ontstaan bij de werking, is afhankelijk van factoren zoals het brandstofmengsel, de opslagtemperatuur, en of de tank gedeeltelijk of helemaal vol is. De lucht in een gedeeltelijk lege tank tast de brandstofkwaliteit aan. Door opslag bij hoge temperatuur verslechtert de brandstof sneller. Kwaliteitsproblemen kunnen ontstaan binnen enkele maanden of minder als de benzine niet vers was toen de tank werd gevuld.

Schade aan het brandstofsysteem of problemen met de motorprestaties door onachtzaamheid bij de opslag worden niet gedekt door de beperkte aansprakelijkheid van de distributeur.

U kunt de opslagduur van benzine verlengen door een geschikte benzinestabilisator toe te voegen. Of u kunt de carburator, de sedimentbeker (indien van toepassing) en/

of de brandstoftank aftappen om kwaliteitsverlies van de brandstof te voorkomen.

Voer onderhoud uit volgens onderstaande tabel:

OPSLAGDUUR	AANBEVOLEN ONDERHOUDSPROCEDURES OM HANDMATIG STARTEN TE VOORKOMEN
Minder dan 1 maand	Geen voorbereiding vereist.
1 tot 2 maanden	Vul met verse benzine en voeg benzinestabilisator* toe.
2 maanden tot 1 jaar	Vul met verse benzine en voeg benzinestabilisator* toe. Tap de vlotterkamer van de carburator en de brandstofsedimentbeker af.
1 jaar of langer	Vul met verse benzine en voeg benzinestabilisator* toe. Tap de vlotterkamer van de carburator en de brandstofsedimentbeker af. Verwijder de bougie en doe een theelepeltje motorolie in de cilinder. Draai de motor langzaam met de trekstarter om de olie rond te pompen. Plaats daarna de bougie terug. Vervang de motorolie. Als u de generator uit de opslag haalt, moet u vóór het starten de brandstof die er nog inzit aftappen in een geschikte opvangbak, en verse benzine tanken.
*Gebruik een benzinestabilisator die speciaal bedoeld is om de opslagduur te verlengen. Volg de aanwijzingen van de fabrikant. Neem contact op met een erkende dealer van Makita-generators voor aanbevelingen voor de stabilisator.	

## De brandstoftank en de carburator legen (fig. 21)

### ⚠ WAARSCHUWING:

**Benzine is uiterst ontvlambaar en explosief.**

**De omgang met brandstof kan leiden tot brandwonden of zwaar persoonlijk letsel.**

- **Stop de motor en houd hitte, vonken en vuur op een afstand.**
  - **Behandel brandstof alleen buitenshuis.**
  - **Veeg gemorste vloeistof onmiddellijk weg.**
1. Draai de aftapschroef los en laat de carburator leeglopen. Tap de benzine af in een geschikte opvangbak.
  2. Plaats een geschikte benzinehouder onder de sedimentbeker, en gebruik een trechter om morsen van de brandstof te voorkomen.
  3. Verwijder de sedimentbeker, en draai vervolgens de brandstofkraan in de positie "I (AAN)".
  4. Laat de brandstof volledig wegllopen, en plaats daarna de sedimentbeker opnieuw.

## Motorolie (fig. 22)

1. Vervang de motorolie.
2. Verwijder de bougie.
3. Giet een theelepeltje (5 - 10 cc) zuivere motorolie in de cilinder.
4. Trek de startgreep enkele keren uit om de olie in de cilinder rond te pompen.
5. Plaats de bougie terug.
6. Trek de startgreep langzaam naar buiten tot u weerstand voelt. De zuiger gaat nu op de compressieslag omhoog, en de inlaat- en uitlaatkleppen worden gesloten. Door de motor in deze positie te plaatsen, wordt hij beter beschermd tegen interne corrosie. Laat de startgreep voorzichtig terugkeren in zijn uitgangspositie.

## Maatregelen voor opslag

Als de generator met een gevulde brandstoftank en carburator wordt opgeslagen, is het belangrijk dat u het risico op ontbranding van brandstofdampen beperkt.

Kies een goed geventileerde opslagruimte ver uit de buurt van een fornuis, waterverwarmingstoestel, droogautomaat of enig ander apparaat dat met vuur of hitte werkt. Vermijd ook plaatsen met een elektromotor die vonken kan produceren of waar motorgereedschap wordt gebruikt.

Omdat een hoge vochtigheid roest en corrosie versnelt, moet u opslagplaatsen met een hoge vochtigheid zoveel mogelijk vermijden.

Behalve wanneer alle brandstof uit de brandstoftank is verwijderd, laat u de brandstofkraan in de positie "O (UIT)" om de kans op lekkage te beperken.

Plaats de generator op een stabiel en vlak oppervlak. Als hij helt kan brandstof of olie gaan lekken.

Nadat de motor en het uitlaatsysteem zijn afgekoeld, dek u de generator af om hem tegen stof te beschermen. Als de motor of het uitlaatsysteem heet zijn, kunnen ze bepaalde materialen laten ontbranden of smelten.

Gebruik geen plastic zeil als bescherming tegen stof. Een ondoorlaatbare afdekking houdt ook vocht vast rond de generator, waardoor roest en corrosie sneller optreden.

## Uit de opslag halen

Controleer de generator zoals wordt beschreven in het gedeelte "CONTROLES VÓÓR BEDRIJF" in deze handleiding.

Vul de tank met verse benzine als hij voor opslag was geleegd. Als de benzine in een houder wordt bewaard, moet u zich ervan vergewissen dat de benzine helemaal vers is. Benzine oxideert en verslechtert in de loop van de tijd, en als u geoxideerde en/of slecht geworden olie gebruikt, wordt het opstarten bemoeilijkt.

Mer op dat het normaal is dat de motor bij het starten even rookt als de cilinder voor de opslag met een laagje olie was ingesmeerd.

## TRANSPORT (fig. 23)

Als u de generator wilt transporteren, moet u eerst de motorschakelaar en de brandstofkraan uitzetten. Houd de generator stabiel en vlak om morsen van de brandstof te vermijden. Brandstofdampen en gemorste brandstof kunnen ontbranden.

### ⚠ WAARSCHUWING:

**Als u de motor of het uitlaatsysteem aanraakt wanneer ze heet zijn, kunt u ernstige brandwonden oplopen of brand veroorzaken. Laat de motor afkoelen voordat u de generator transporteert of opbergt.**

Let op dat u de generator niet laat vallen en ergens tegen stoot als u hem verplaatst. Plaats geen zware voorwerpen op de generator.

Als de generator op een voertuig wordt getransporteerd, moet u het frame vastzetten zoals wordt getoond.

## PROBLEMEN OPLOSSEN

### Als de motor niet wil starten:

Controleer of er nog brandstof is in de tank.	← →	Als de brandstoftank leeg is, vult u hem bij.
Controleer het oliepeil.	← →	Als het peil laag is, vult u olie bij; gebruik alleen de aanbevolen soort.
Controleer de bougie.	← →	Als hij in slechte staat verkeert, stelt u de opening bij en droogt u hem. Vervang hem indien nodig.
Controleer of de brandstof de carburator bereikt.	← →	Als dat niet zo is, reinigt u de brandstofsedimentbeker.

Als de motor niet wil starten, moet u de generator laten nakijken bij een erkende dealer van Makita-generators.

### Als er geen elektriciteit staat op de wisselstroomcontacten:

Controleer of de wisselstroomonderbreker in de positie "I (AAN)" staat.	← →	Als dat niet zo is, schakelt u de wisselstroomonderbreker in.
Controleer het elektrische apparaat of de uitrusting op defecten.	← →	Als er geen gebreken zijn, moet u de generator laten nakijken bij een erkende dealer van Makita-generators. Als er defecten zijn: - Vervang het elektrische apparaat of de uitrusting. - Breng het elektrische apparaat of de uitrusting naar een vakhandel voor reparatie.

## TECHNISCHE INFORMATIE

### Het emissieregelsysteem

#### Emissiebronnen

Bij het verbrandingsproces in de motor komen koolmonoxide, stikstofoxiden en koolwaterstoffen vrij. Regeling van de afgifte van koolwaterstoffen en stikstofoxiden is uiterst belangrijk, omdat deze stoffen onder bepaalde omstandigheden onder invloed van zonlicht reageren en fotochemische smog vormen. Koolmonoxide reageert niet op dezelfde wijze maar is giftig.

Makita past de aangewezen lucht-brandstofverhouding en andere emissieregelsystemen toe om de afgifte van koolmonoxide, stikstofoxiden en koolwaterstoffen te beperken.

Bovendien zijn brandstofsysteemen van Makita voorzien van componenten en regeltechnologie om de afgifte van dampen te beperken.

#### Onbevoegde demontage en wijzigingen

Als het emissieregelsysteem door onbevoegden wordt gedemonteerd of gewijzigd, kan het emissieniveau het wettelijk toegestane niveau overschrijden. Onbevoegde handelingen zijn onder meer:

- Vervijderen of wijzigen van enig onderdeel van de inlaat, het brandstof- of het uitlaatsysteem.
- Het koppel- of snelheidsaanpassingssysteem wijzigen of overbruggen om de motor buiten de ontwerpparameters te kunnen laten werken.

#### Problemen die het emissieniveau kunnen aantasten

Als u een van de volgende symptomen opmerkt, moet u de motor laten nakijken en repareren door uw dealer.

- Moeilijk starten of stilvallen na het starten.
- Onregelmatig stationair draaien.
- Verkeerde ontsteking of ongecontroleerde verbranding onder belasting.
- Naverbranding (backfiring).
- Zwarte uitlaatrook of een hoog brandstofverbruik.

#### Vervangingsonderdelen

Het emissieregelsysteem op de Makita-motor is ontworpen, gebouwd en goedgekeurd overeenkomstig de toepasselijke emissiewetgeving. Daarom is het raadzaam om bij alle onderhoud alleen oorspronkelijke onderdelen van Makita te gebruiken. Vervangingsonderdelen van de fabrikant zijn betrouwbaar omdat ze zijn gemaakt volgens dezelfde normen als de oorspronkelijke onderdelen. Door gebruik van vervangingsonderdelen die verschillen van het oorspronkelijke ontwerp en de oorspronkelijke kwaliteit kan de effectiviteit van het emissieregelsysteem afnemen.

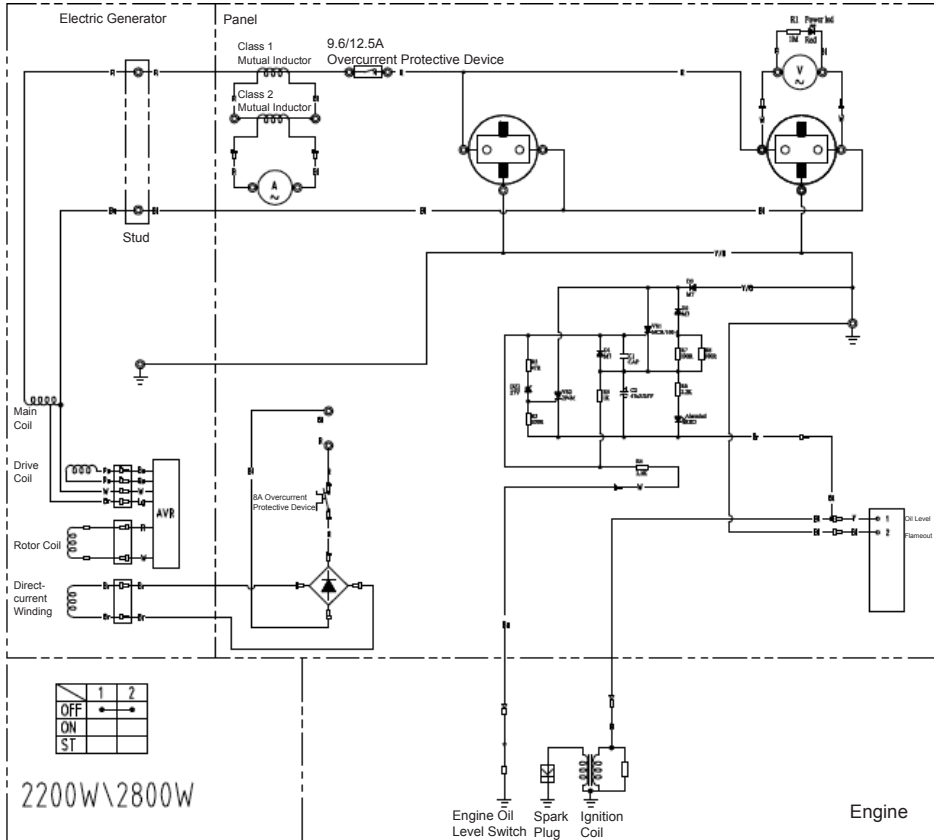
Merk op dat fabrikanten van aftermarket-onderdelen ervoor verantwoordelijk zijn dat het betreffende onderdeel de emissiekenmerken niet negatief beïnvloedt. De fabrikant of constructeur die het onderdeel namaakt, moet aantonen dat de motor ook met gebruik van dat onderdeel nog voldoet aan de emissieregelgeving.

## Onderhoud

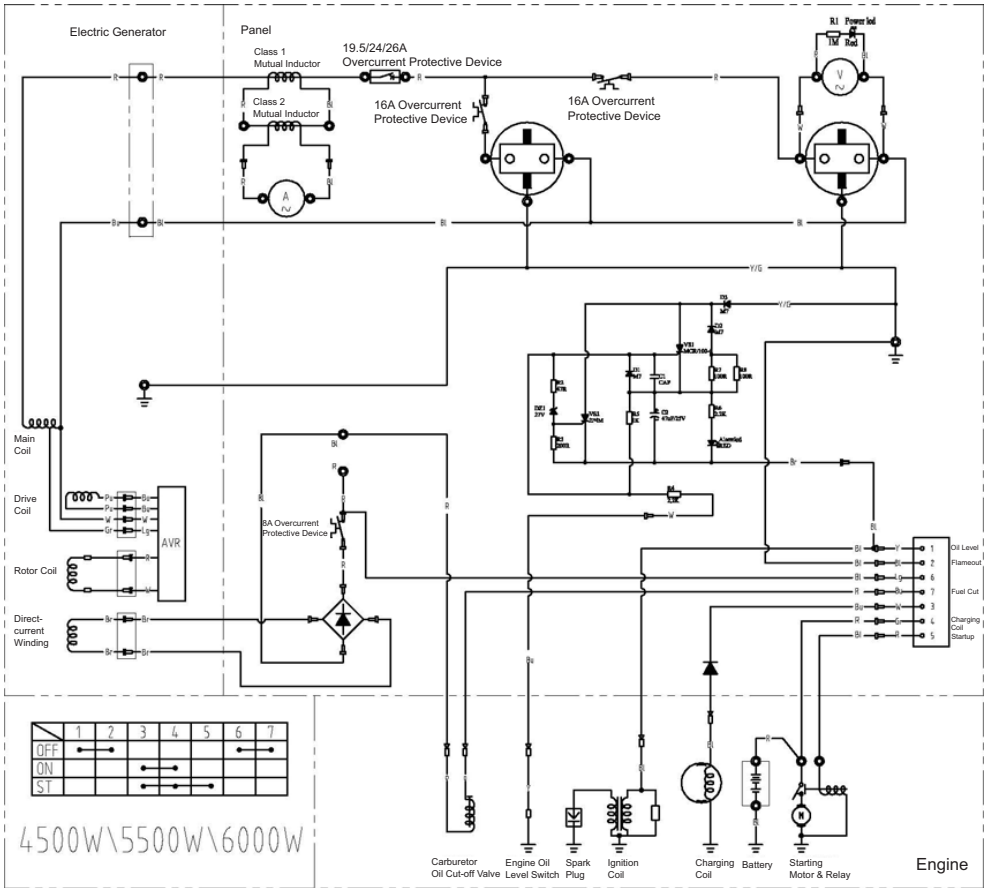
Volg het onderhoudsschema. Onthoud dat dit schema is gebaseerd op de veronderstelling dat de machine wordt gebruikt voor het beoogde doel. Als de machine langdurig

onder hoge belasting of bij hoge temperatuur wordt gebruikt, of in buitengewoon vochtige of stoffige omstandigheden, moet hij vaker nagekeken en onderhouden worden.

## BEDRADINGSSCHEMA



**Opmerking:** De bedrading van de EG2250A en EG2850A is gelijk.



**Opmerking: De bedrading van de EG450A, EG550A en EG600A is gelijk.**

# SPECIFICATIES

MODEL		EG2250A	EG2850A	EG4550A	EG5550A	EG6050A	
Generator	Type	Borstel, 2 polen, enkele fase					
	Spanningsregeling	AVR-type					
	Wisselstroomuitgang	230 - 50					
	Nominale spanning - Frequentie						V-Hz
	Nominale stroomsterkte	A	8,7	11,3	17,4	21,7	24
	Nominaal uitgangsvermogen	VA (W)	2.000	2.600	4.000	5.000	5.500
	Maximaal uitgangsvermogen	VA (W)	2.200	2.800	4.500	5.500	6.000
	Nominale vermogensfactor		1,0				
	Type beveiliging		Stroomonderbreker				
	Gelijkstroomuitgang		12				
Nominale spanning	V						
Nominale stroomsterkte	A	8,3					
Type beveiliging		Stroomonderbreker					
Motor	Model	170F	190F				
	Type	OHV, viertakt, één cilinder					
	Cilinderinhoud	ml	210	420			
	Brandstof		Loodvrije autobenzine				
	Inhoud brandstoftank (vol)	liter	15	25			
	Inhoud brandstoftank (gereguleerd brandstofvolume)	liter	10	20			
	Capaciteit motorolie	liter	0,6	1,1			
	Bougje		Champion RN9YC				
Startsysteem		Trekstarter	Elektrische starter / Trekstarter				
Afmetingen	Lengte	mm	600	680			
	Breedte	mm	442	550			
	Hoogte	mm	450	550			
Geluid (volgens 2000/14/EC)	Geluidsdrukniveau	dB (A)	75 (onzekerheid K=3)				
	Geluidsvermogeniveau	dB (A)	95 (onzekerheid K=3)				
Nettogewicht	kg	42	45	80	83	85	
Brutogewicht Gewicht volgens EPTA-procedure 01/2003	kg	49,8	52,8	95,5	98,5	100,5	

## MONTAGE

### Het belang van goede montage

Goede montage is essentieel voor de veiligheid van de operator en de betrouwbaarheid van de machine. Een fout of onoplettendheid door de persoon die het apparaat monteert of onderhoudt, kan gemakkelijk leiden tot gebrekkige werking, schade aan de machine of verwonding van de operator.

#### ⚠ WAARSCHUWING:

**Gebrekkige montage kan leiden tot een onveilige situatie met mogelijk zwaar persoonlijk letsel of een dodelijk ongeval tot gevolg.**

**Volg de procedures en voorzorgsmaatregelen in de montagevoorschriften nauwgezet op.**

Hieronder volgen enkele belangrijke veiligheidsmaatregelen.

Het is echter niet mogelijk om hier alle risico's te noemen die kunnen voorkomen bij montagewerkzaamheden. Onthoud daarom dat u alleen zelf kunt beslissen of u een bepaalde taak wel of niet uitvoert.

#### ⚠ WAARSCHUWING:

**Als u de voorschriften en voorzorgsmaatregelen niet goed opvolgt, kunt u zwaar persoonlijk letsel of een dodelijk ongeval veroorzaken.**

**Volg de procedures en voorzorgsmaatregelen in deze handleiding nauwgezet op.**

### Belangrijke veiligheidsmaatregelen

- Zorg dat u volledig vertrouwd bent met alle elementaire veiligheidspraktijken, en draag geschikte kleding en

veiligheidsuitrusting. Let tijdens de montage in het bijzonder op de volgende punten:

- Voordat u het werk begint, moet u de instructies lezen en controleren of u over alle vereiste kennis en gereedschap beschikt om het werk veilig te kunnen uitvoeren.
- Vergewis u ervan dat de motor is uitgeschakeld voordat u enig onderhoud of reparatie begint. Zo sluit u enkele risico's uit:
  - **Koolmonoxidevergiftiging door uitlaatgassen.**  
Gebruik het apparaat buiten en uit de buurt van vensters en deuren.
  - **Verbranding door hete onderdelen.**  
Laat de motor en het uitlaatsysteem afkoelen voordat u ze aanraakt.
  - **Letsel door bewegende delen.**  
Laat de motor alleen draaien als de instructies dat uitdrukkelijk vermelden.

Houd ook dan uw handen, vingers en kleding op veilige afstand van het apparaat. Laat de motor niet draaien als een afscherming of beveiliging is verwijderd.

- Wees voorzichtig wanneer u werkt in de buurt van benzine of een accu om het risico op brand of een ontploffing te verminderen. Reinig onderdelen uitsluitend met een niet-ontvlambaar oplosmiddel. Gebruik geen benzine. Houd sigaretten, vonken en vuur altijd op een afstand van alle onderdelen die met de brandstof te maken hebben.

## **Uitpakken**

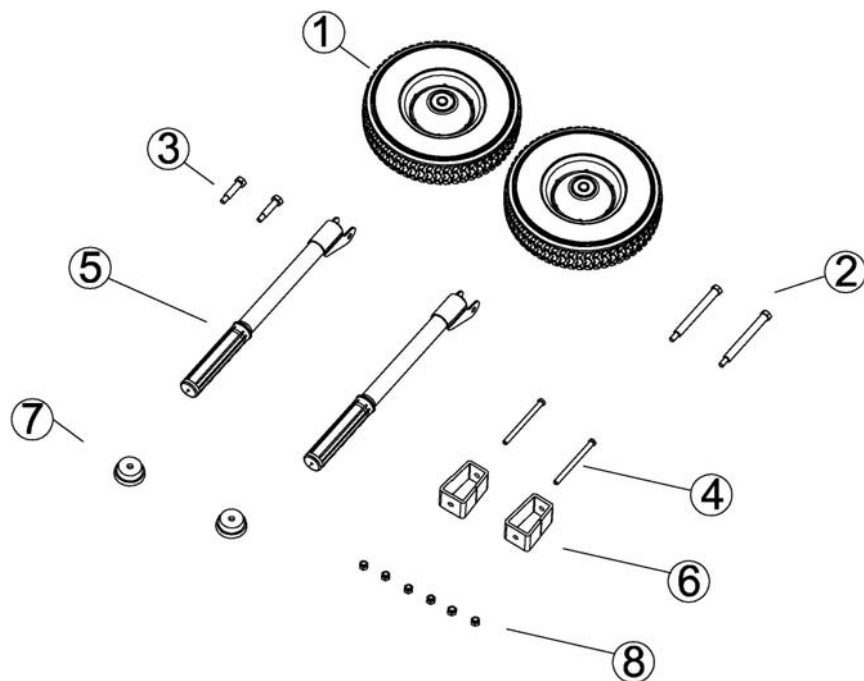
1. Neem de generator en doos met losse onderdelen uit de verpakking.
2. Controleer aan de hand van de inhoudslijst hieronder of alle losse onderdelen aanwezig zijn.

Vereist gereedschap: 12mm-sleutel (2), tang



## Losse onderdelen (wielenkit en greep) en voorsteun (alleen voor model EG4550A, EG5550A, EG6050A)

Controleer aan de hand van de volgende lijst of alle losse onderdelen aanwezig zijn. Neem contact op met uw dealer als een van de losse onderdelen niet is inbegrepen bij de generator.



Nr.	Naam	Aantal
1	10 inch wiel	2
2	Wielas	2
3	As van transporthendel	2
4	Bout M8 x 100	2
5	Transporthendel	2
6	Standaard voor voorzijde	2
7	Rubberen voetje	2
8	Flensmoer M8	6

### De greep installeren (fig. 24)

1. Verwijder de twee lipjes, steek de handgreep op het rek, en breng het gat in de handgreep op een lijn met het gat in het rek. Steek vervolgens de as van de handgreep langs buiten door het rek, schroef de flensbout M8 aan de binnenkant erop, en draai de bout vast.

**DRAAIMOMENT:** 24 - 29 N•m, 2,4 - 3,0 kgf•m

### De wielenkit installeren (fig. 25)

1. Breng het gat in het wiel op een lijn met het gat in het rek, steek de wielas langs buiten in het rek, schroef de flensbout M8 aan de binnenkant erop, en draai de bout vast.

**DRAAIMOMENT:** 24 - 29 N•m, 2,4 - 3,0 kgf•m

### De standaard voor de voorzijde monteren (fig. 26)

1. Steek een bout M8×100 door het rubberen voetje, de standaard en de montageplaat van het rek.
2. Schroef een flensbout M8 op de bout M8×100 die door de montageplaat steekt, en draai de bout vast.

### De motor met afstandsbediening stoppen

1. Druk op de stopknop.
2. Zet de motorschakelaar op de generator in de positie "O (UIT)".
3. Draai de brandstofkraan op de generator in de positie "O (UIT)".

## Accubak (fig. 27)

### OPMERKING:

De accu is niet inbegrepen. Gebruik een in de handel verkrijgbare accu (nominale waarde: 12 V-10 Ah, L x B x H: maximaal 160 mm x 90 mm x 160 mm).

1. Sluit de zwarte kabel (aardelektrode) van de generator aan op de negatieve accupool, en de rode kabel op de positieve accupool.
2. Nadat de accu is aangesloten, zet u hem in het batterijvak in het rek.
3. Zet de accu met de rubberen riem vast door de twee gespen ervan te bevestigen aan de haken van het accuvak.

### WAARSCHUWING:

In accu's, aansluitklemmen en verwante onderdelen worden lood en loden componenten gebruikt. Was altijd uw handen nadat u met dergelijke onderdelen hebt gewerkt.

## Motorolie (fig. 13)

De generator wordt geleverd **ZONDER OLIE** in de motor. Plaats de generator op een stabiel en vlak oppervlak. Vul voldoende olie bij (gebruik alleen de aanbevolen soort) tot het oliepeil tot bovenaan de vulhals komt.

Gebruik olie voor viertaktmotoren van API-klasse SJ of hoger (of equivalent).

Vul niet te veel olie in de motor. Als de motor te veel wordt bijgevuld, kan de overtollige olie overlopen naar de behuizing van de luchtreiniger en het luchtfilter.

## GARANTIE-INFORMATIE

### KLANTENSERVICE

Het personeel bij de dealer bestaat uit opgeleide vaklieden. Zij zouden u met de meeste vragen moeten kunnen helpen. Als uw dealer een probleem niet naar tevredenheid oplost, bespreek het dan met de service manager of de algemeen directeur van het dealerkantoor. De meeste problemen kunnen op deze manier worden opgelost.

Neem contact op met Makita Corporation als u niet tevreden bent over een beslissing van de dealer.

### Alleen voor Europese landen

### EC-verklaring van conformiteit

Wij, Makita Corporation, verklaren als de verantwoordelijke fabrikant dat de volgende Makita-machine(s):

Aanduiding van de machine: Benzinegenerator  
Modelnr./Type: EG2250A, EG2850A, EG4550A,  
EG5550A, EG6050A  
Specificaties: zie de tabel "SPECIFICATIES".

in serie zijn geproduceerd en

**voldoen aan de volgende Europese richtlijnen:**

2000/14/EG, 2004/108/EG, 2006/42/EG,  
2006/95/EG

en zijn gefabriceerd in overeenstemming met de volgende normen of genormaliseerde documenten:

EN12601, EN55012, EN61000, EN60204-1

De technische documentatie wordt bewaard door:

Makita International Europe Ltd.  
Technical Department,

Michigan Drive, Tongwell,  
Milton Keynes, Bucks MK15 8JD, Engeland

De conformiteitsbeoordelingsprocedure vereist door Richtlijn 2000/14/EG was in overeenstemming met bijlage VI.

Officiële instantie:

AV TECHNOLOGY LTD  
AVTECH House, Arkle Avenue  
Stanley Green Trading Estate  
Handforth, Cheshire  
SK9 3RW, United Kingdom  
Identification number 1067

Model EG2250A

Gemeten geluidsvermogeniveau: 94 dB (A)

Gegarandeerd geluidsvermogeniveau: 95 dB (A)

Model EG2850A, EG4550A, EG5550A, EG6050A

Gemeten geluidsvermogeniveau: 95 dB (A)

Gegarandeerd geluidsvermogeniveau: 96 dB (A)

27.12.2013



Tomoyasu Kato  
Director

Makita Corporation  
3-11-8, Sumiyoshi-cho,  
Anjo, Aichi, 446-8502, JAPAN

## Explicación de la vista general

1. PANEL DE CONTROL	14. TERMINAL DE SALIDA DE CC	33. NIVEL DE ACEITE
2. INDICADOR DE COMBUSTIBLE	15. RECEPTÁCULO DE CA DE 230 V (la forma del enchufe varía en función del país)	34. MARCA DE NIVEL SUPERIOR
3. TAPÓN DEL DEPÓSITO DE COMBUSTIBLE	16. TERMINAL DE TIERRA	35. ARANDELA DE GUARNICIÓN
4. INTERRUPTOR DEL MOTOR	17. SILENCIADOR	36. TAPÓN DE DRENAJE DE ACEITE
5. PALANCA DEL ESTRANGULADOR	18. RUEDA	37. TAPA DEL DEPURADOR DE AIRE
6. DEPURADOR DE AIRE	19. PIE	38. TIRADOR
7. PALANCA DE LA VÁLVULA DE COMBUSTIBLE	20. EMPUÑADURA DE TRANSPORTE	39. ELEMEN TO
8. EMPUÑADURA DEL ARRANCADOR	21. CAPUCHÓN DE LA BUJÍA	40. Bien enganchado
9. NÚMERO DE SERIE DEL MOTOR	22. I (ENCENDIDO)	41. Mal enganchado
10. TAPÓN DE LLENADO DE ACEITE / VARILLA INDICADORA DE NIVEL	23. O (APAGADO)	42. LLAVE PARA BUJÍAS
11. PROTECTORES DE CIRCUITO DE CA	24. S (ARRANQUE)	43. Abrazadera de tubo
12. DISYUNTOR DE CIRCUITO DE CA	25. ON (ENCENDIDO)	44. Rejilla del parachispas
13. PROTECTOR DE CIRCUITO DE CC	26. OFF (APAGADO)	45. Tornillo de purga
	27. ARRANQUE DE RETROCESO	46. Lámpara testigo
	28. ABIERTO	47. Lámpara de advertencia de nivel de aceite
	29. CERRADO	48. Voltímetro
	30. TERMINAL NEGATIVO (NEGRO)	49. Amperímetro
	31. TERMINAL POSITIVO (ROJO)	
	32. ORIFICIO DE LLENADO DE ACEITE	

### ⚠ ADVERTENCIA:

Los gases de escape de este producto contienen monóxido de carbono venenoso que puede acumularse hasta alcanzar niveles peligrosos en áreas cerradas.

La inhalación de monóxido de carbono puede provocar la pérdida de conocimiento o la muerte. No arranque el generador jamás en un área cerrada o parcialmente cerrada en la que puedan haber personas.

### ⚠ ADVERTENCIA:

El generador es una fuente potencial de descargas eléctricas si se usa indebidamente. No exponga el generador a la humedad, la lluvia o la nieve. No permita que el generador se moje ni lo opere con las manos mojadas.

Conserve este manual de instrucciones a mano para referencia futura.

Este manual de instrucciones se considera una parte integrante del generador y deberá entregarse con el generador en caso de reventa.

Toda la información y las especificaciones incluidas en esta publicación están basadas en la última información de producción a la hora de la aprobación para la impresión. Makita Corporation se reserva, sin embargo, el derecho de interrumpir o cambiar las especificaciones o el diseño en cualquier momento sin aviso previo y sin incurrir en obligación alguna de cualquier tipo. No está permitida la reproducción de ninguna parte de esta publicación sin la autorización por escrito.

## ACERCA DE LA SEGURIDAD

La seguridad del operador y otras personas es extremadamente importante por lo que resulta una responsabilidad importante utilizar este generador de forma segura.

Para poder tomar decisiones bien informadas acerca de la seguridad, se suministran en este manual y en las etiquetas del generador procedimientos de funcionamiento y otra información. Esta información advierte al operador sobre peligros potenciales que pueden lesionar al operador y a otras personas.

Como no resulta ni práctico ni posible avisarle de todos los peligros asociados con el funcionamiento o el mantenimiento de un generador, emplee siempre su propio buen juicio.

Se puede encontrar información de seguridad importante de las siguientes maneras:

- **Etiquetas de seguridad** — en el generador.
- **Mensajes de seguridad** — precedidos por un símbolo de seguridad y una de las tres palabras de señalización (PELIGRO, ADVERTENCIA o PRECAUCIÓN).

Estas palabras de señalización significan lo siguiente:

### ⚠ PELIGRO:

Indica que se puede perder la vida, producirse lesiones graves personales o daños materiales sustanciales en el equipo si no se siguen las instrucciones.

### ⚠ ADVERTENCIA:

Indica que se pueden producir lesiones personales o daños materiales en el equipo si no se siguen las instrucciones.

### ⚠ PRECAUCIÓN:

Indica que se pueden producir lesiones personales si no se siguen las instrucciones.

- **Títulos de seguridad** — tales como INFORMACIÓN IMPORTANTE DE SEGURIDAD.
- **Sección de seguridad** — tales como SEGURIDAD DEL GENERADOR.

- **Instrucciones** — cómo utilizar este generador de forma correcta y segura.

A lo largo de este manual se suministra información importante de seguridad. Léalo detenidamente.

## SEGURIDAD DEL GENERADOR

### SÍMBOLOS y SIGNIFICADOS

De acuerdo con los requisitos europeos (Directivas de la CEE), los símbolos especificados tal como se muestran en la siguiente tabla se utilizan para los productos y para este manual de instrucciones.

	Lea el manual de instrucciones del operador.		Está prohibido el fuego, la luz de llama y fumar.
	Manténgase lejos de la superficie caliente.		No conecte el generador a las líneas de energía comercial.
	Los gases de escape son venenosos. No opere el generador en una sala sin ventilar.		Gasolina
	Detenga el motor antes del repostaje.		Solicite mantenimiento.
	Precaución, riesgo de descarga eléctrica.		Mantener seco.

### INFORMACIÓN DE SEGURIDAD IMPORTANTE

Los generadores de Makita han sido diseñados para ofrecer un servicio seguro y fiable si se operan de acuerdo con las instrucciones. Lea y comprenda este manual de instrucciones antes de poner el generador en funcionamiento. Para prevenir accidentes, familiarícese con los controles del generador y observe los procedimientos de funcionamiento seguros.

#### Responsabilidades del operador

- El operador deberá saber cómo detener rápidamente el generador en caso de emergencia.
- El operador deberá tener conocimientos sobre el uso de todos los controles del generador, los receptáculos de salida y las conexiones.
- El operador deberá asegurarse de que cualquier persona que opere el generador reciba las instrucciones debidas. No permita que los niños manejen el generador sin la supervisión de los padres.

#### Peligro de monóxido de carbono

- Los gases emitidos por este generador contienen monóxido de carbono venenoso, un gas inodoro e incoloro. La inhalación de monóxido de carbono puede provocar la pérdida de conocimiento y llevar a la muerte.
- Si el generador se pone en funcionamiento en un área parcialmente cerrada, el aire puede contener una cantidad peligrosa de gases de escape.

- Nunca ponga en marcha el generador dentro de un garaje, una vivienda o cerca de ventanas o puertas abiertas.

#### Peligro de descarga eléctrica

- El generador produce suficiente potencia eléctrica para provocar una descarga eléctrica seria o la electrocución si se emplea indebidamente.
- No utilice el generador o un aparato eléctrico en condiciones de humedad excesiva, como la lluvia o la nieve, o cerca de una piscina, un sistema de aspersión o con las manos húmedas. Tal acción puede provocar la electrocución. Mantenga el generador seco.
- Si el generador se almacena en el exterior y está desprotegido frente a la intemperie, compruebe todos los componentes eléctricos en el panel de control antes de cada uso. La humedad o el hielo pueden provocar un funcionamiento defectuoso o un cortocircuito en los componentes eléctricos, lo que puede resultar en electrocución.
- No conecte el generador a un sistema eléctrico de un edificio a no ser que un electricista cualificado haya instalado un interruptor seccionador.

#### Riesgo de incendios y quemaduras

- El sistema de gases de escape puede calentarse lo suficiente para prender materiales inflamables.
  - Mantenga el generador al menos a 1 metro (3 pies) de distancia de estructuras o edificios y otro equipamiento durante el uso.
  - No encierre el generador dentro de ninguna estructura.

- Mantenga alejados del generador los materiales inflamables.
- El silenciador se calienta mucho durante el funcionamiento y permanece caliente durante un cierto tiempo tras haber detenido el motor. Tenga cuidado de no tocar el silenciador mientras esté caliente. Si el generador se almacena en interiores, deje que se enfríe el motor antes de almacenarlo.
- La gasolina es altamente inflamable y es explosiva bajo ciertas condiciones. No fume mientras reposta el generador o cerca de donde se almacena la gasolina. Mantenga las llamas/chispas alejadas del lugar en que se reposta el generador o donde se guarda la gasolina. Realice el repostaje en un área bien ventilada con el motor parado.
- Los vapores de combustible son altamente inflamables y pueden prenderse cuando se arranca el motor. Si se derrama combustible, límpielo y deje que se seque antes de poner en marcha el generador.

#### Otra información de seguridad:

- Se requiere un equipo de protección personal para cualquier operación y mantenimiento.
- La carga se deberá mantener dentro de los valores nominales indicados en la placa de características del generador. Si se sobrecarga el generador, se dañará la unidad o se acortará su vida útil.
- El generador no deberá marchar a velocidades excesivas. El funcionamiento a velocidades excesivas incrementará los riesgos de lesiones a personas.
- No modifique aquellos componentes que pueden incrementar o reducir la velocidad regulada.
- Utilice solo cables alargadores que tengan conector a tierra y un espesor de hilo suficiente para la aplicación. Si se utiliza un cable alargador o una red eléctrica móvil si el diámetro del hilo es de 1,5 mm<sup>2</sup>, no podrá exceder la longitud de 60 m. Si el diámetro del hilo es de 2,5 mm<sup>2</sup>, no puede exceder la longitud de 100 m.
- El sistema de gases de escape puede calentarse lo suficiente para prender materiales inflamables. No haga funcionar el motor cerca de materiales inflamables. No utilice el generador en condiciones de humedad.
- No almacene combustible en interiores ni intente repostar combustible en un generador mientras esté en marcha.
- No cubra la unidad mientras esté en uso.
- Para evitar un envenenamiento o incendios durante el funcionamiento, no utilice el generador cerca de materiales inflamables.
- La unidad deberá alcanzar la velocidad de funcionamiento antes de conectar las cargas eléctricas. Desconecte la carga antes de apagar el generador. Apague todos los equipos alimentados por el generador antes de apagar el generador. La unidad no deberá conectarse a otras tomas de suministro de corriente.
- La protección contra descargas eléctricas depende de los disyuntores de circuito adaptados especialmente para el conjunto generador. Si el disyuntor de circuito necesita ser sustituido, póngase en contacto con un distribuidor local para reemplazarlo por un disyuntor de circuito que tenga características idénticas de régimen y potencia.

- Antes de utilizarlo, asegúrese de que el generador no tenga ninguna manguera dañada, abrazaderas sueltas o que falten, un depósito dañado o una tapa dañada. Todos los defectos deberán corregirse antes del uso.
- La instalación y las reparaciones de mayor envergadura del generador solo podrán ser llevadas a cabo por personal formado especialmente. Antes de transportar el generador, vacíe todo el combustible para evitar fugas.
- Almacene el generador en un área bien ventilada con el depósito de combustible vacío.

## COMPONENTES (Fig. 1)

### PANEL DE CONTROL (Fig. 2 y Fig. 3)

\*Mantenga un registro de los números de serie del motor y el bastidor y de la fecha de compra para referencia futura. Indique estos números de serie al pedir piezas y durante consultas técnicas o de garantía.

Fecha de compra:

Número de serie del motor:

Número de serie del bastidor:

## CONTROLES

### Interruptor del motor (Fig. 4)

Enciende y apaga el motor.

#### Posición de la llave:

**O (APAGADO):** Apaga el motor. La llave se puede retirar o insertar.

**I (ENCENDIDO):** Pone en marcha el motor tras el arranque.

**S (ARRANQUE):** Arranca el motor operando el motor de arranque.

\*EG2250A y EG2850A equipados solo con interruptor de I (ENCENDIDO) / O (APAGADO)

### Empuñadura del arrancador (Fig. 5)

Para poner en marcha el motor, tire de la empuñadura del arrancador lentamente hasta que se note una resistencia y después tire de ella rápidamente.

#### NOTA:

Deje que la empuñadura del arrancador retorne suavemente para prevenir daños al arrancador. No permita que retorne bruscamente contra el motor. Si el generador no está equipado con una batería de 12 voltios para operar el motor de arranque o si la batería no contiene la suficiente carga para hacer funcionar el motor de arranque, se utiliza el arranque de retroceso para poner en marcha el motor.

### Palanca de la válvula de combustible (Fig. 6)

La válvula de combustible está situada entre el depósito de combustible y el carburador. El combustible puede fluir desde el depósito de combustible hasta el carburador si la palanca de la válvula se encuentra en la posición "I (ENCENDIDO)". Devuelva la palanca de la válvula de

combustible a la posición "O (APAGADO)" una vez detenido el motor.

## Barra del estrangulador (Fig. 7)

El estrangulador se utiliza para proporcionar una mezcla de combustible enriquecida al arrancar el motor en frío. Opere la barra del estrangulador manualmente para abrir y cerrar el estrangulador. Tire de la barra hacia afuera hacia "CLOSED" (cerrado) para enriquecer la mezcla para el arranque en frío.

## Terminal de tierra (Fig. 8)

El terminal de tierra del generador se conecta al bastidor del generador, a las piezas metálicas del generador que no son portadoras de corriente y a los terminales de tierra de cada receptáculo.

Antes de utilizar el terminal de tierra, consulte con un electricista cualificado, un inspector en sistemas eléctricos o una agencia local que tenga jurisdicción en normas locales o reglamentos concernientes al uso reglamentario del generador.

## Terminales de CC

Los terminales de CC se utilizan solo para cargar baterías del tipo de automóviles de 12 V.

Los terminales son de color rojo y negro para identificar los polos positivo (+) y negativo (-) respectivamente. Asegúrese de conectar la batería a los terminales de CC del generador con la polaridad correcta (polo positivo de la batería al terminal rojo del generador y polo negativo de la batería al terminal negro del generador).

## Protector de circuito de CC (Fig. 9)

Si el circuito de carga de CC está sobrecargado, hay un problema con la batería o las conexiones entre la batería y el generador son incorrectas, el protector de circuito de CC cierra automáticamente el circuito de carga de CC de la batería.

## Sistema de alerta de aceite (Fig. 14)

El motor puede sufrir daños si no hay suficiente aceite en el cárter. El sistema de alerta de aceite evita que esto suceda deteniendo automáticamente el motor antes de que el nivel de aceite en el cárter caiga por debajo del límite de seguridad (el interruptor del motor permanecerá en la posición "I (ENCENDIDO)"). Cuando el sistema de alerta de aceite está en funcionamiento, la lámpara de advertencia de nivel de aceite se ilumina en rojo. El nivel de aceite se deberá comprobar siempre antes de cada uso independientemente del sistema de alerta de aceite. Si el motor se detiene y no se puede volver a arrancar, compruebe el nivel de aceite del motor antes de buscar fallos en otras áreas.

### NOTA:

Si el nivel de aceite en el cárter es suficiente, la lámpara testigo se ilumina en verde. Si el nivel de aceite no es suficiente, la lámpara de advertencia de nivel de aceite se ilumina en rojo. Asegúrese de añadir aceite antes de utilizar el generador.

## Disyuntor de circuito de CA (Fig. 10)

El disyuntor de circuito de CA se apaga automáticamente si existe un cortocircuito o una carga significativa del generador en el receptáculo. Si el disyuntor de circuito de

CA se apaga automáticamente, asegúrese de que el aparato está trabajando debidamente y no excede la capacidad de carga nominal del circuito antes de encender de nuevo el disyuntor de circuito de CA. El disyuntor de circuito de CA puede utilizarse para encender y apagar la alimentación del generador.

## Protector de circuito de CA (solo EG4550A, EG5550A y EG6050A) (Fig. 11)

Los protectores de circuito de CA se apagan automáticamente si existe un cortocircuito o una carga significativa del generador a 26 A y 230 V. Si un protector de circuito de CA se apaga automáticamente, asegúrese de que el aparato está trabajando debidamente y no excede la capacidad de carga nominal del circuito antes de restablecer en encendido el protector de circuito de CA.

## USO DEL GENERADOR

### Conexiones a un sistema eléctrico de un edificio

Un electricista cualificado se deberá encargar de las conexiones para la alimentación de reserva a un sistema eléctrico de un edificio. Asegúrese de que la conexión aísla la alimentación del generador de la alimentación de la red pública y cumple con todas las leyes vigentes y las normas sobre sistemas eléctricos. Un conmutador de transferencia, el cual aísla la alimentación del generador de la alimentación de la red pública, puede adquirirse a través de los distribuidores autorizados de Makita.

### ⚠ ADVERTENCIA:

**La corriente eléctrica del generador puede retroalimentarse hacia las líneas de alimentación pública si las conexiones al sistema eléctrico de un edificio no se realizan debidamente. Tal retroalimentación puede electrocutar a trabajadores de la empresa de la red pública u otros que tienen contacto con las líneas durante una interrupción de suministro eléctrico y el generador puede explotar, quemarse o provocar un incendio cuando se restablece la alimentación. Consulte a la empresa de la red pública o aun electricista cualificado.**

### Sistema de puesta a tierra

Los generadores portátiles de Makita están equipados con una puesta a tierra del sistema que conecta los componentes del bastidor del generador a los terminales de tierra en los receptáculos de salida de CA. Dado que la puesta a tierra del sistema no está conectada con el hilo neutral de CA, si el generador se prueba mediante un comprobador de receptáculo, mostrará la misma condición de circuito de puesta a tierra que para un receptáculo del hogar.

### Aplicaciones de CA

Antes de conectar un aparato o un cable de alimentación al generador:

- Asegúrese de que está en buenas condiciones de funcionamiento. Los aparatos o los cables de alimentación defectuosos pueden provocar descargas eléctricas.

- Si un aparato comienza a funcionar de un modo fuera de lo normal, se vuelve más lento o se detiene de repente, apáguelo inmediatamente. Desconecte el aparato y determine si hay un problema con el propio aparato o si se ha excedido la capacidad nominal de carga del generador.
- Asegúrese de que el régimen eléctrico de la herramienta o del aparato no excede el régimen del generador. No exceda jamás el régimen de potencia máximo del generador. Los niveles de potencia entre el valor nominal y el valor máximo se pueden utilizar para una hora como máximo.

#### NOTA:

Una sobrecarga sustancial hará que se apague el disyuntor de circuito. Si se excede el límite de tiempo para el funcionamiento de alimentación máxima o si se sobrecarga el generador, puede que no se apague el disyuntor de circuito o el protector de circuito pero hará que se acorte la vida de servicio del generador.

Funcionamiento límite que requiere la potencia máxima durante una hora. La potencia máxima es la siguiente:

EG2250A: 2,2 kW

EG2850A: 2,8 kW

EG4550A: 4,5 kW

EG5550A: 5,5 kW

EG6050A: 6,0 kW

Para el funcionamiento continuo no exceda la potencia nominal. La potencia nominal es la siguiente:

EG2250A: 2,0 kW

EG2850A: 2,6 kW

EG4550A: 4,0 kW

EG5550A: 5,0 kW

EG6050A: 5,5 kW

Se deberá tener en cuenta la potencia necesaria total (VA) de todos los aparatos conectados al generador. La información del régimen para los aparatos y las herramientas eléctricas se listan normalmente al lado del número de modelo o el número de serie.

## Funcionamiento con CA (Fig. 12)

1. Arranque el motor.
2. Encienda el disyuntor de circuito de CA.
3. Enchufe el aparato.

#### NOTA:

Antes de conectar ningún aparato al generador, cerciórese de que el aparato funciona correctamente. Si un aparato comienza a funcionar de un modo fuera de lo normal, se vuelve más lento o se detiene de repente, apague inmediatamente la palanca del interruptor de encendido. A continuación, desconecte el aparato y compruebe si tiene señales de funcionamiento defectuosos.

Muchos de los aparatos con motor requieren para arrancar más potencia que su potencia nominal.

No exceda el límite de corriente especificado para cada receptáculo. Si un circuito sobrecargado provoca que se apague el disyuntor de circuito de CA o el protector de circuito de CA, reduzca la carga eléctrica en el circuito, espere unos minutos y después restablezca el disyuntor de circuito de CA o el protector de circuito de CA.

## Funcionamiento con CC

Los terminales de CC se utilizan solo para cargar baterías del tipo de automóviles de 12 V.

#### Conexión de los cables de carga de la batería:

1. Antes de conectar los cables de carga de la batería a una batería que está instalada en un vehículo, desconecte el cable de masa de la batería del vehículo del terminal negativo (-) de la batería.

#### ⚠ ADVERTENCIA:

**La batería emite gases explosivos. Manténgala alejada de las chispas, las llamas y los cigarrillos. Proporcione una ventilación adecuada durante la carga o el uso de baterías.**

**ADVERTENCIA:** En los polos, los terminales y los accesorios relacionados de las baterías se utiliza plomo y componentes de plomo. **Tras manipularlos, lávese siempre las manos.**

2. Conecte el cable positivo (+) de la batería al terminal positivo (+) de la batería.
3. Conecte el otro extremo del cable positivo (+) de la batería al terminal positivo (+) del generador.
4. Conecte el cable negativo (-) de la batería al terminal negativo (-) de la batería.
5. Conecte el otro extremo del cable negativo (-) de la batería al terminal negativo (-) del generador.
6. Arranque el generador.

#### NOTA:

No arranque el vehículo mientras esté conectado el cable de carga de la batería y el generador esté en marcha. Si lo hace, puede dañar el vehículo o el generador.

El protector de circuito de CC se disparará (el botón "PUSH" sobresaldrá) si se sobrecarga el circuito de CC, la batería absorbe demasiada corriente o si se produce un problema de cableado. Si esto sucede, espere unos minutos antes de presionar hacia adentro el protector de circuito para reanudar el funcionamiento. Si el protector de circuito de CC sigue apagándose, interrumpa la carga y consulte con su distribuidor autorizado de generadores Makita.

#### Desconexión de los cables de la batería:

1. Apague el motor.
2. Desconecte el cable negativo (-) de la batería del terminal negativo (-) del generador.
3. Desconecte el otro extremo del cable negativo (-) de la batería del terminal negativo (-) de la batería.
4. Desconecte el cable positivo (+) de la batería del terminal positivo (+) del generador.
5. Desconecte el otro extremo del cable positivo (+) de la batería del terminal positivo (+) de la batería.
6. Vuelva a conectar el cable de masa de la batería del vehículo al terminal negativo (-) de la batería.

## Funcionamiento en altitudes elevadas

En altitudes elevadas, la mezcla de combustible-aire estándar del carburador será demasiado rica y provocará que descienda el rendimiento y se incremente el consumo de combustible. Una mezcla demasiado rica también hará que se ensucie la bujía y provoque encendidos difíciles. El funcionamiento durante periodos prolongados a una altitud que difiera de la altitud a la que se ha certificado el motor puede incrementar las emisiones de gases.

Los caballos de fuerza del motor pueden descender alrededor del 3,5% por cada 300 metros (1000 pies) de incremento de la altitud, incluso con la modificación del carburador. Si no se realiza una modificación del carburador, el efecto de la altitud en caballos de fuerza será incluso más grande. Se puede mejorar el rendimiento a altitudes elevadas efectuando unas modificaciones específicas en el carburador. Si el generador ha de funcionar siempre a una altitud superior a los 1500 metros (5000 pies), solicite la modificación del carburador a su distribuidor. Si este motor funciona a altitudes elevadas con las modificaciones del carburador realizadas para altitudes elevadas, cumplirá los distintos estándares de emisiones de gases a lo largo de su vida útil.

#### **NOTA:**

Si se ha modificado el carburador para el funcionamiento a altitudes elevadas, la mezcla de aire-combustible será demasiado pobre para utilizarse en altitudes bajas. El funcionamiento en altitudes inferiores a 1500 metros (5000 pies) con un carburador modificado puede hacer que el motor se sobrecaliente y provocar daños graves al motor. Para un uso en altitudes bajas, haga que su distribuidor de servicio devuelva al carburador a las especificaciones originales de fábrica.

## **COMPROBACIONES PREVIAS AL FUNCIONAMIENTO**

### **Comprobación del aceite del motor (Fig. 13)**

Compruebe el nivel de aceite antes de cada uso con el motor parado y el generador en una superficie estable y plana.

Utilice aceite para motores de 4 tiempos que cumplan o excedan los requisitos para la Categoría de Servicio API SJ o superior (o equivalente). Compruebe siempre la etiqueta de API SERVICE en el depósito de aceite para asegurarse de que se indican las letras SJ o posterior (o equivalente).

1. Retire el tapón de llenado de aceite / la varilla indicadora de nivel y limpie la varilla.
2. Inserte la varilla en la tubuladura de llenado y compruebe el nivel de aceite. No atornille el tapón de llenado.
3. Si el nivel de aceite es bajo, rellene aceite hasta el límite superior de la tubuladura de llenado de aceite con el aceite recomendado.

### **Comprobación del combustible del motor (Fig. 14)**

Con el motor parado, compruebe el indicador de nivel de combustible. Reposte combustible en el depósito si el nivel es bajo.

#### **⚠ ADVERTENCIA:**

**La gasolina es altamente inflamable y explosiva.**

**Se pueden producir quemaduras o lesiones personales severas al manipular el combustible.**

- Detenga el motor y mantenga el generador alejado del calor, las chispas y las llamas.
- Reposte solo en exteriores.
- Limpie inmediatamente el combustible derramado.

Realice el repostaje en un área bien ventilada con el motor parado. Permita antes que el motor se enfríe si ha estado en marcha. Realice el repostaje con cuidado para evitar derramas combustible. No rellene por encima de la marca de límite superior.

No reposte si el motor se encuentra en el interior de un edificio donde los vapores de la gasolina puedan alcanzar llamas o chispas. Mantenga la gasolina alejada de luces testigo de aparatos, barbacoas, aparatos eléctricos, herramientas eléctricas, etc.

El combustible derramado conlleva riegos de incendio y provoca daños ambientales. Asegúrese de limpiar inmediatamente el combustible derramado.

#### **NOTA:**

Tenga cuidado de no derramar combustible al llenar el depósito, ya que el combustible puede dañar la pintura y el plástico. Los daños provocados por combustible derramado no están cubiertos por la garantía.

Una vez realizado el repostaje, vuelva a fijar el tapón del depósito de combustible firmemente.

### **Combustibles recomendados**

Este motor está certificado para funcionar con gasolina normal sin plomo con un índice de octanaje del combustible de 86 o superior.

No utilice nunca gasolina pasada o contaminada o una mezcla de aceite y gasolina. Evite que entre suciedad o agua en el depósito de combustible.

Se puede utilizar gasolina normal sin plomo que contenga más del 10 % de etanol (E10) o el 5 % de metanol por volumen. Además, el metanol ha de contener cosolventes e inhibidores de corrosión.

Si se utilizan combustibles que tienen niveles de etanol o metanol superiores a aquellos indicados anteriormente, se pueden producir problemas de arranque y/o rendimiento. También puede darse el caso de que las piezas metálicas, de goma y de plástico del sistema de combustible sufran daños.

Los daños del motor o los problemas de rendimiento resultantes del uso de combustible con porcentajes de etanol o metanol superiores a los valores indicados con anterioridad no están cubiertos por la garantía.

## **ARRANQUE/APAGADO DEL MOTOR**

### **Arranque del motor**

Por motivos de seguridad, no haga funcionar el generador en un área cerrada como un garaje. Los gases de escape del generador contienen monóxido de carbono venenoso que se puede acumular rápidamente en un área cerrada y producir enfermedades o la muerte.

#### **⚠ ADVERTENCIA:**

**Los gases de escape del generador contienen monóxido de carbono venenoso que puede acumularse hasta alcanzar niveles peligrosos en áreas cerradas.**

**La inhalación de monóxido de carbono puede provocar la pérdida de conocimiento o la muerte. No arranque el generador jamás en un área cerrada o parcialmente cerrada en la que puedan haber personas.**



Para evitar riesgos de incendio, mantenga el generador al menos a 1 metro (3 pies) de distancia de edificios y otras estructuras durante el funcionamiento. Mantenga alejados del motor los objetos inflamables.

#### NOTA:

No ponga en funcionamiento este generador a menos de 1 metro (3 pies) de distancia de edificios u otros obstáculos. Si lo hace, se puede provocar un sobrecalentamiento y/o daños en el generador. Para mantener una ventilación adecuada, deje al menos 1 metro (3 pies) de espacio vacío por encima y alrededor del generador.

Consulte las secciones "FUNCIONAMIENTO CON CA" o "FUNCIONAMIENTO CON CC" de este manual para saber cómo conectar cargas al generador.

1. Realice las COMPROBACIONES PREVIAS AL FUNCIONAMIENTO.
2. Asegúrese de que el disyuntor de circuito de CA se encuentra en la posición "O (APAGADO)". Puede resultar difícil arrancar el generador si hay conectada una carga.
3. Ponga la palanca de la válvula de combustible en la posición "I (ENCENDIDO)".
4. Ponga el interruptor del motor en la posición "I (ENCENDIDO)".
5. Tire de la empuñadura del arrancador lentamente hasta que se note una resistencia y después tire de ella rápidamente.

#### NOTA:

Deje que la empuñadura del arrancador retorne suavemente para prevenir daños al arrancador. No permita que retorne bruscamente contra el motor. Con el arrancador eléctrico:

1. Conecte los cables de la batería al generador.
2. Ponga el interruptor del motor en la posición "S (ARRANQUE)" y manténgalo allí durante 5 segundos o hasta que el motor arranque.

#### NOTA:

- El motor puede dañarse si el motor de arranque se hace funcionar durante más de 5 segundos. Si el motor no arranca, suelte el interruptor y espere 10 segundos antes de hacer funcionar el arrancador de nuevo.
- Si la velocidad del motor de arranque decae después de un cierto tiempo, es una indicación de que se ha de recargar la batería.

Una vez que se ponga en marcha el motor, permita que el interruptor del motor vuelva a la posición "I (ENCENDIDO)".

Si se ha cerrado manualmente el estrangulador, empújelo a la posición "OPEN" (abierto) mientras se calienta el motor.

## Apagado del motor

#### En caso de emergencia:

Para detener el motor en una emergencia, ponga el interruptor del motor en la posición "O (APAGADO)".

#### En el uso normal:

1. Ponga el disyuntor de circuito de CA en la posición "O (APAGADO)".  
Desconecte los cables de carga de CC de la batería.
2. Ponga el interruptor del motor en la posición "O (APAGADO)".

3. Ponga la palanca de la válvula de combustible en la posición "O (APAGADO)".

## MANTENIMIENTO

### La importancia del mantenimiento

Un buen mantenimiento es esencial para el funcionamiento seguro, económico y exento de problemas del generador. También ayudará a reducir la contaminación del aire.

#### ⚠ ADVERTENCIA:

**El mantenimiento inadecuado o no corregir un problema antes del funcionamiento, puede producir un funcionamiento defectuoso que a su vez puede provocar lesiones personales o incluso la muerte. Siga siempre las recomendaciones y los programas de inspección y mantenimiento de este manual de instrucciones.**

Las siguientes páginas incluyen un programa de mantenimiento, procedimientos de inspección rutinarios y procedimientos de mantenimiento simples utilizando herramientas manuales básicas necesarias para el cuidado debido del generador. Otras tareas de servicio más complicadas o que requieren herramientas especiales serán tratadas de mejor manera por profesionales y deberán llevarse a cabo normalmente por un técnico de Makita u otro mecánico cualificado.

El programa de mantenimiento incluido en este manual se basa en condiciones normales de funcionamiento. Si el generador se utiliza bajo condiciones severas, como una carga elevada continua o el funcionamiento a elevadas temperaturas, o si se utiliza bajo condiciones inusuales de polvo y humedad, consulte a su distribuidor de servicio para recomendaciones aplicables a sus necesidades y uso específicos.

**El mantenimiento, la sustitución o la reparación de los dispositivos y sistemas de control de emisiones de gas pueden ser efectuados por cualquier establecimiento o individuo con experiencia en la reparación de motores para uso fuera de la carretera, utilizando piezas "certificadas" por las normas EPA.**

### Seguridad de mantenimiento

A continuación se ofrecen algunas de las precauciones de seguridad más importantes. Sin embargo, no podemos cubrir cualquier peligro concebible que surja de la realización del mantenimiento. Por lo tanto, recuerde que solo usted puede decidir o no realizar una tarea dada.

#### ⚠ ADVERTENCIA:

**Si no se siguen las instrucciones y las precauciones de mantenimiento, se pueden producir lesiones personales graves o incluso la muerte. Siga siempre los procedimientos y las precauciones en el manual de instrucciones.**

### Precauciones de seguridad

- Asegúrese de que el motor esté desconectado antes de comenzar cualquier trabajo de mantenimiento o de reparación. De este modo eliminará varios peligros potenciales:
  - **Envenenamiento por monóxido de carbono de los gases de escape del motor.**

Operar en exteriores lejos de ventanas y puertas abiertas.

- **Quemaduras producidas por piezas calientes.**  
Deje que el motor y el sistema de gases de escape se enfríe antes de tocarlos.
- **Lesiones por piezas móviles.**  
No ponga en marcha el motor a no ser que reciba instrucciones de hacerlo.

- Lea las instrucciones antes de poner el generador en funcionamiento y asegúrese de que entiende las instrucciones y tiene las herramientas y las capacidades necesarias.

- Para reducir la posibilidad de incendios o explosiones, tenga cuidado al trabajar cerca de la gasolina. Utilice un disolvente antiinflamable que no sea gasolina para limpiar las piezas. Mantenga los cigarrillos, las chispas y las llamas alejados de todas las piezas relacionadas con el combustible.

Recuerde que su distribuidor de servicio conoce a fondo su generador y está plenamente equipado para mantenerlo y repararlo.

Para asegurar la mejor calidad y fiabilidad, utilice solo piezas nuevas originales de Makita o su equivalente para la reparación o el recambio.

## Programa de mantenimiento

PERIODO DE SERVICIO REGULAR <sup>*3</sup>		Cada uso	Primer mes o cada 20 horas	Cada 3 meses o 50 horas	Cada 6 meses o 100 horas	Cada año o 300 horas
ELEMENTOS DE MANTENIMIENTO Efectúelo a cada intervalo indicado de meses o de horas de funcionamiento, lo que primero acontezca.						
Aceite del motor	Comprobar el nivel	○				
	Cambiar		○		○	
Depurador de aire	Comprobar	○				
	Limpiar			○ <sup>*1</sup>		
Taza de sedimentos	Limpiar				○	
Bujía	Comprobar/ajustar				○	
	Reemplazar					○
Parachispas	Limpiar				○	○ <sup>*2</sup>
Velocidad de ralentí	Comprobar/ajustar					
Holgura de válvulas	Comprobar/ajustar					○ <sup>*2</sup>
Cámara de combustión	Limpiar	Tras cada 500 horas <sup>*2</sup>				
Depósito de combustible y filtro	Limpiar				○ <sup>*2</sup>	
Tubo de combustible	Comprobar	Cada 2 años (reemplazar si fuera necesario) <sup>*2</sup>				

\*1: Efectúe el servicio con más frecuencia si se utiliza el generador en entornos con polvo, suciedad o muy exigentes.

\*2: A no ser que el propietario posea las herramientas adecuadas y suficientes conocimientos mecánicos, el servicio de este elemento lo deberá realizar un distribuidor del generador autorizado de Makita. Consulte el manual de ventas de Makita.

\*3: Para el uso comercial se deberán registrar las horas de funcionamiento para determinar los intervalos debidos de mantenimiento.

Si no se hace así, este programa de mantenimiento puede derivar en funcionamientos defectuosos no cubiertos por la garantía.

## Cambio de aceite del motor (Fig. 15)

Vacíe el aceite mientras el motor esté caliente para asegurar un vaciado rápido y completo.

1. Coloque un contenedor adecuado debajo del motor para recoger el aceite.
2. Evacúe el aceite retirando el tapón de drenaje de aceite, la arandela de guarnición y el tapón de llenado de aceite / la varilla indicadora de nivel.
3. Vuelva a montar el tapón de drenaje de aceite y una nueva arandela de guarnición y apriete el tapón firmemente.
4. Rellene el motor con el aceite recomendado y compruebe el nivel de aceite.

Lávese las manos con agua y jabón después de haber manipulado el aceite usado.

### NOTA:

El desechado indebido del aceite usado del motor puede ser dañino para el medio ambiente. Antes de cambiar el aceite, busque un medio adecuado para desechar el aceite usado. No lo tire a un contenedor de basura, no lo evacúe por un desagüe ni lo tire al suelo. Las disposiciones medio ambientales y de planificación urbana locales le ofrecerán instrucciones más detalladas sobre la eliminación debida.

## Mantenimiento del depurador de aire (Fig. 16 y Fig. 17)

Un depurador de aire sucio restringirá el flujo de aire hacia el carburador. Para prevenir el funcionamiento defectuoso del carburador, limpie el depurador de aire regularmente. Limpielo con más frecuencia si se utiliza el generador en entornos con mucho polvo.

### NOTA:

Si se deja funcionar el motor sin filtro de aire, con un filtro de aire dañado o con un filtro de aire mal instalado, entrará suciedad en el motor provocando un desgaste rápido del motor. Este tipo de daños no está cubierto por la garantía limitada del distribuidor.

1. Retire el tirador, desenganche los dos clips de la cubierta del depurador de aire y, a continuación, retire la cubierta del depurador de aire y el elemento.
2. Limpie el elemento del depurador de aire con una solución de detergente doméstico y agua caliente, enjuáguelo a fondo o límpielo con un disolvente antiinflamable o de un punto de inflamación elevado. A continuación, deje secar completamente el elemento del depurador de aire.
3. Remoje el elemento del depurador de aire en aceite de motor limpio y escurra el exceso de aceite. Si queda demasiado aceite en el elemento del depurador de aire, saldrá humo del motor durante el arranque inicial.
4. Vuelva a instalar el elemento del depurador de aire y la cubierta.

## Limpeza de la taza de sedimentos de combustible

La taza de sedimentos evita que en el carburador entre cualquier tipo de suciedad o agua que pueda haber en el depósito de combustible. Asegúrese de limpiar la taza de sedimentos si el motor no se ha puesto en marcha durante un largo periodo de tiempo.

1. Ponga la palanca de la válvula de combustible en la posición "O (APAGADO)". Retire la taza de sedimentos, la junta tórica y el filtro.
2. Limpie la taza de sedimentos y el filtro con un disolvente antiinflamable o de un punto de inflamación elevado.
3. Vuelva a instalar el filtro, una junta tórica nueva y la taza de sedimentos.
4. Ponga la palanca de la válvula de combustible en la posición "I (ENCENDIDO)" y compruebe si hay fugas.

## Servicio de la bujía (Fig. 18 y Fig. 19)

Se necesita una llave para bujías (disponible en el comercio) para el mantenimiento de la bujía.

**Bujías recomendadas:** RN9YC (Champion), BPR5ES (NGK), W16EPR-U (DENSO)

Para que el motor pueda funcionar correctamente, la bujía deberá tener la holgura adecuada y estar libre de sedimentos.

### NOTA:

Si se utiliza una bujía incorrecta, se puede dañar el motor. Deje que se enfríe el motor antes del mantenimiento de la bujía si el motor ha estado en marcha.

1. Retire el capuchón de la bujía.
2. Limpie toda suciedad alrededor de la base de la bujía.
3. Utilice una llave para bujías para sacar la bujía.
4. Inspeccione visualmente la bujía. Descártela si el aislante está roto, picado o carbonizado.
5. Mida la holgura del electrodo de la bujía con un calibre de espesores tipo alambre. Si fuera necesario, corrija la holgura doblando con cuidado el electrodo lateral. La holgura deberá tener una medida de: 0,7 - 0,8 mm
6. Compruebe que la arandela de guarnición esté en buen estado y enrosque la bujía a mano para evitar que se atasque la rosca.
7. Una vez encajada la bujía, apriétela con una llave para bujías para comprimir la arandela.
  - Si ha instalado una bujía nueva, apriete 1/2 giro después de haber encajado la bujía para comprimir la arandela. Si ha reinstalado una bujía usada, apriete 1/8 giro a 1/4 de giro después de haber encajado la bujía para comprimir la arandela.

### NOTA:

Si la bujía está suelta, puede sobrecalentarse y dañar el motor.

Si la bujía está demasiado apretada, pueden dañarse los pasos de rosca en la culata del cilindro.

## Mantenimiento del parachispas (específico del país) (Fig. 20)

Si el generador ha estado en marcha, el silenciador estará muy caliente. Déjelo enfriar antes de limpiar el parachispas.

Para que el parachispas siga funcionando tal como fue diseñado, deberá recibir un mantenimiento cada 100 horas.

Limpie el parachispas del siguiente modo:

1. Afloje el tornillo al lado del conducto del escape del silenciador y retire el parachispas.

- Utilice un cepillo para eliminar los sedimentos de carbón de la rejilla del parachispas.  
El parachispas deberá estar libre de roturas o grietas. Inspecciónelo y sustitúyalo si estuviera dañado.
- Instale el parachispas en el orden inverso al desmontaje.

## ALMACENAJE

### Preparación para el almacenaje

La preparación debida de almacenaje es esencial para conservar el generador sin que presente problemas y con buen aspecto. Los siguientes pasos ayudarán a que el óxido y la corrosión no deterioren el rendimiento y el aspecto del generador y harán que el motor se encienda más fácilmente cuando vuelva a utilizar el generador.

### Limpieza

Limpie el generador con un paño húmedo y deje que se seque completamente. Retoque las partes de pintura dañadas y aplique una fina capa de aceite a las demás áreas que puedan oxidarse.

### Combustible

#### NOTA:

Las composiciones del combustible pueden deteriorarse y oxidarse rápidamente en función de la región en que se utiliza el equipo. El deterioro y la oxidación del combustible se pueden producir en tan solo 30 días y pueden provocar daños al carburador y/o al sistema de

combustible. Compruebe junto con su distribuidor de servicio las recomendaciones de almacenaje locales. La gasolina se oxida y se deteriora durante el almacenaje. La gasolina deteriorada dificulta el arranque y deja acumulaciones de suciedad que obstruyen el sistema de combustible. Si se deteriora la gasolina en el generador durante el almacenaje, es posible que tenga que solicitar el servicio o el reemplazo del carburador y de otros componentes del sistema de combustible. El tiempo que puede dejarse la gasolina en el depósito de combustible y en el carburador sin que cause problemas funcionales variará de acuerdo con factores tales como la mezcla de la gasolina, la temperatura de almacenaje, y de si el depósito está parcialmente o completamente lleno. El aire de un depósito de combustible parcialmente lleno acelera el deterioro. Las temperaturas de almacenaje muy altas acelerarán también el deterioro del combustible. Los problemas con el combustible suelen ocurrir después de pocos meses, o incluso menos si la gasolina no era nueva cuando se llenó el depósito de combustible. Los daños del sistema de combustible o los problemas de rendimiento del motor debidos a unos preparativos inadecuados para el almacenaje no están cubiertos por la garantía limitada del distribuidor. Podrá ampliar la duración del almacenaje del combustible añadiendo un estabilizador de gasolina que esté formulado para este propósito, o podrá evitar los problemas del deterioro del combustible drenando la taza de combustible (en caso dado) y el carburador. Realice el mantenimiento de acuerdo con la tabla siguiente:

DURACIÓN DEL ALMACENAJE	PROCEDIMIENTOS DE MANTENIMIENTO RECOMENDADOS PARA EVITAR DIFICULTADES DE ARRANQUE
Menos de 1 mes	No se requiere preparación.
1 a 2 meses	Rellene gasolina nueva y añada estabilizador de gasolina*.
2 meses a 1 año	Rellene gasolina nueva y añada estabilizador de gasolina*. Vacíe la cámara de flotador del carburador y la taza de sedimentos de combustible.
1 año o más	Rellene gasolina nueva y añada estabilizador de gasolina*. Vacíe la cámara de flotador del carburador y la taza de sedimentos de combustible. Retire la bujía y ponga una cucharadita de aceite para motores en el cilindro. Gire el motor lentamente con el motor de arranque para distribuir el aceite. A continuación, vuelva a montar la bujía. Cambie el aceite del motor. Tras retirar el generador del almacenaje, vacíe la gasolina almacenada en un contenedor adecuado y vuelva a rellenar con gasolina nueva antes de arrancar.

\*Utilice estabilizadores de gasolina que estén preparados para ampliar el tiempo de almacenaje.

Siga las instrucciones del fabricante para el uso.

Póngase en contacto con nuestro distribuidor autorizado de generadores Makita para las recomendaciones del estabilizador.

### Drenaje del depósito de combustible y del carburador (Fig. 21)

#### ADVERTENCIA:

La gasolina es altamente inflamable y explosiva.

Se pueden producir quemaduras o lesiones personales severas al manipular el combustible.

- Detenga el motor y mantenga el generador alejado del calor, las chispas y las llamas.
- Manipule el combustible solo en exteriores.

- Limpie inmediatamente el combustible derramado.

- Aloje el tornillo de drenaje de carburador y drene el carburador. Drene la gasolina en un recipiente homologado para gasolina.
- Ponga un recipiente de gasolina debajo de la taza de sedimentos y emplee un embudo para evitar el derrame de gasolina.
- Retire la taza de sedimentos y mueva, a continuación, la palanca de la válvula del combustible a la posición "I (ENCENDIDO)".

- Deje que salga toda la gasolina y vuelva a instalar la taza de sedimentos.

## Aceite del motor (Fig. 22)

- Cambie el aceite del motor.
- Retire la bujía.
- Ponga una cucharadita (5 - 10 cc) de aceite limpio para motores en el cilindro.
- Tire varias veces de la empuñadura del arrancador para distribuir el aceite en el cilindro.
- Vuelva a montar la bujía.
- Tire lentamente de la empuñadura del arrancador hasta notar resistencia. El pistón se mueve hacia arriba durante su carrera de compresión en este punto y se cierran ambas válvulas, la de admisión y la de salida. El almacenaje del motor en esta posición ayudará a protegerlo de la corrosión interna. Deje que la empuñadura del arrancador retorne con suavidad a su posición original.

## Precauciones para el almacenaje

Si el generador debe almacenarse con gasolina en el depósito de combustible y en el carburador, es importante reducir el peligro de ignición de los vapores de gasolina. Seleccione un lugar de almacenaje bien ventilado apartado de todos los aparatos que funcionen con fuego, como pueden ser los hornos, calentadores de agua, o secadoras para la ropa. Evite también los lugares con motores eléctricos que produzcan chispas, o donde se utilicen herramientas eléctricas.

Si es posible, evite los lugares de almacenaje con mucha humedad, porque aceleran la oxidación y la corrosión. A menos que se haya drenado todo el combustible del depósito de combustible, deje la palanca de la válvula del combustible en la posición "O (APAGADO)" para reducir la posibilidad de fugas de combustible.

Coloque el generador sobre una superficie estable y nivelada. La inclinación podría ocasionar fugas de combustible o de aceite.

Cuando el motor y el sistema de escape estén fríos, cubra el generador para protegerlo contra el polvo. Si el motor y el sistema de escape están calientes pueden hacer que se prendan o derritan ciertos materiales.

No emplee una lámina de plástico como cubierta contra el polvo. Una cubierta que no sea porosa no dejará escapar la humedad en torno al generador, acelerando la oxidación y la corrosión.

## Salida del almacenaje

Compruebe el generador como se describe en el capítulo "COMPROBACIONES PREVIAS AL FUNCIONAMIENTO" de este manual.

Si se había drenado el combustible durante los preparativos para el almacenaje, llene el depósito con gasolina nueva. Si conserva un recipiente con gasolina para repostar, asegúrese de que solo contenga gasolina nueva. La gasolina se oxida y deteriora con el tiempo, y si se utiliza aceite oxidado y/o deteriorado, se dificulta el arranque.

Observe que si se había untado el cilindro con aceite durante los preparativos para el almacenaje, es normal que el motor produzca un poco de humo al principio.

## TRANSPORTE (Fig. 23)

Al transportar el generador, apague el interruptor del motor y la válvula de combustible. Mantenga el generador estable y nivelado para reducir la posibilidad de que se produzcan fugas. Los vapores del combustible o el combustible derramado pueden inflamarse.

### ⚠ ADVERTENCIA:

**El contacto con el motor caliente o el sistema de gases de escape puede producir quemaduras severas o incendios. Permita que se enfríe el motor antes de transportar o almacenar el generador.**

Al transportar el generador, tenga cuidado de no dejarlo caer o golpearlo. No coloque objetos pesados sobre el generador.

Al transportar el generador en un vehículo, asegúrelo por el bastidor del generador tal como se muestra.

## LOCALIZACIÓN DE AVERÍAS

### Cuando el motor no arranca:

Compruebe si hay combustible en el depósito.	← →	Si está vacío, rellene el depósito con combustible.
Compruebe el nivel de combustible.	← →	Si está bajo, añada el aceite recomendado.
Compruebe el estado de la bujía.	← →	Si no está en buen estado, reajuste la holgura y seque la bujía. Sustitúyala si fuera necesario.
Compruebe si llega combustible al carburador.	← →	Si no es así, limpie la taza de sedimentos de combustible.

Si el motor aún no arranca, lleve el generador a un distribuidor autorizado de generadores Makita.

### Si no se genera electricidad en los receptáculos de CA:

Compruebe que el disyuntor de circuito de CA se encuentre en la posición "I (ENCENDIDO)".	← →	Si no es así, encienda el disyuntor de circuito de CA.
Compruebe si el aparato o el equipo eléctrico tienen algún defecto.	← →	Si no encuentra ningún defecto, lleve el generador a un distribuidor autorizado de generadores Makita. Si encuentra defectos: <ul style="list-style-type: none"> <li>- Sustituya el aparato o el equipo eléctrico.</li> <li>- Lleve el aparato o el equipo eléctrico a un taller electricista para que lo repare.</li> </ul>

# INFORMACIÓN TÉCNICA

## Información del sistema de control de las emisiones de escape

### Origen de las emisiones de escape

El proceso de combustión produce monóxido de carbono, óxidos de nitrógeno, e hidrocarburos. El control de los hidrocarburos y de los óxidos de nitrógeno es muy importante porque, bajo ciertas condiciones, reaccionan para formar humo fotoquímico cuando se exponen a la luz solar. El monóxido de carbono no reacciona del mismo modo, pero es tóxico.

Makita emplea relaciones de aire-combustible adecuadas y otros sistemas de control de emisiones para reducir las emisiones de monóxido de carbono, de óxidos de nitrógeno, y de hidrocarburos.

Además, los sistemas de combustible de Makita utilizan tecnologías de componentes y de control para reducir las emisiones evaporables.

### Manipulación indebida y alteraciones

La manipulación indebida o las alteraciones del sistema de control de las emisiones de escape pueden incrementar las emisiones hasta sobrepasar el límite legal. Entre los actos que constituyen manipulación indebida se encuentran:

- Extracción o alternación de cualquier parte de los sistemas de admisión, combustible, o escape.
- Alternación o supresión de la articulación del regulador o del mecanismo de ajuste de la velocidad para que el motor funcione fuera de sus parámetros de diseño.

### Problemas que pueden afectar las emisiones de escape

Si percibe alguno de los síntomas siguientes, solicite a su distribuidor de servicio que inspeccione y repare el motor.

- Cuesta arrancar o se cala después de arrancar.
- Ralentí irregular.
- Fallos de encendido o detonaciones bajo carga.
- Combustión retardada (detonaciones).
- Humo negro de escape o alto consumo de combustible.

### Repuestos

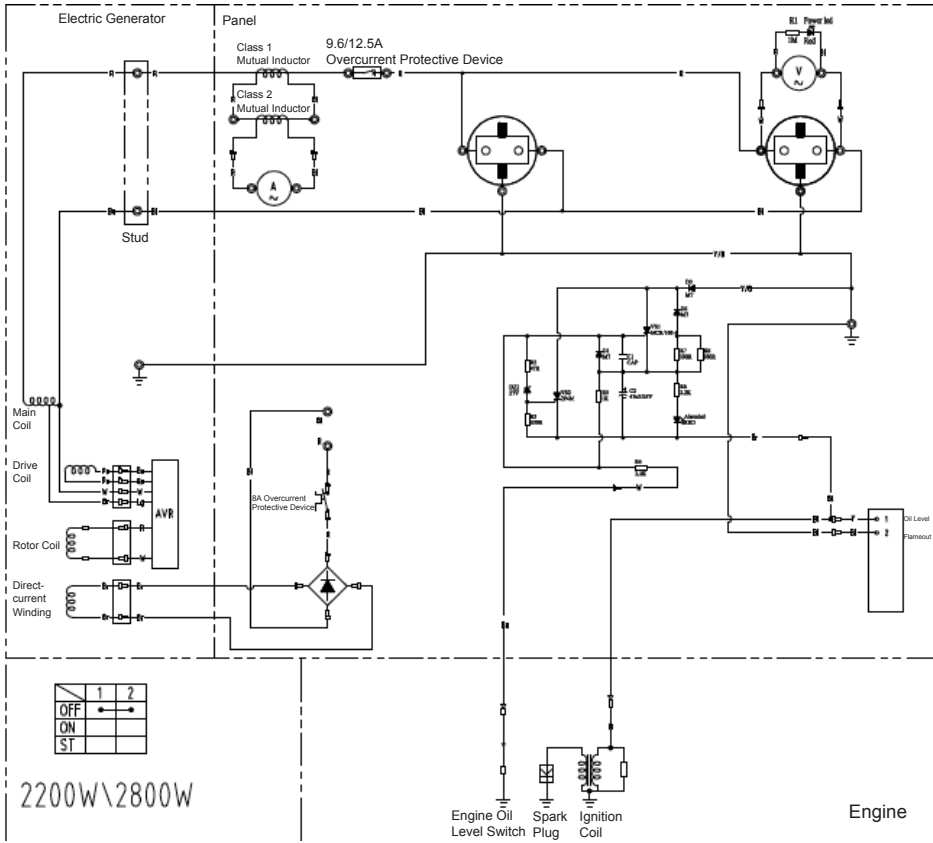
Los sistemas de control de las emisiones de escape de su motor Makita han sido diseñados, fabricados y certificados para cumplir con las regulaciones aplicables de las emisiones de escape. Por lo tanto, recomendamos el empleo de repuestos genuinos de Makita cuando se realice el mantenimiento. Estos repuestos de diseño original están fabricados con las mismas normas que las piezas originales, por lo que podrá confiar en su rendimiento. El empleo de repuestos que no son de diseño y calidad originales puede degradar la efectividad de su sistema de control de las emisiones de escape.

Observe que los fabricantes del mercado de repuestos asumen la responsabilidad de que el repuesto no afectará adversamente el rendimiento de las emisiones de escape. El fabricante o el remodelador del repuesto deberá certificar que el empleo del repuesto no ocasionará fallas del motor para que este pueda cumplir las regulaciones sobre las emisiones de escape.

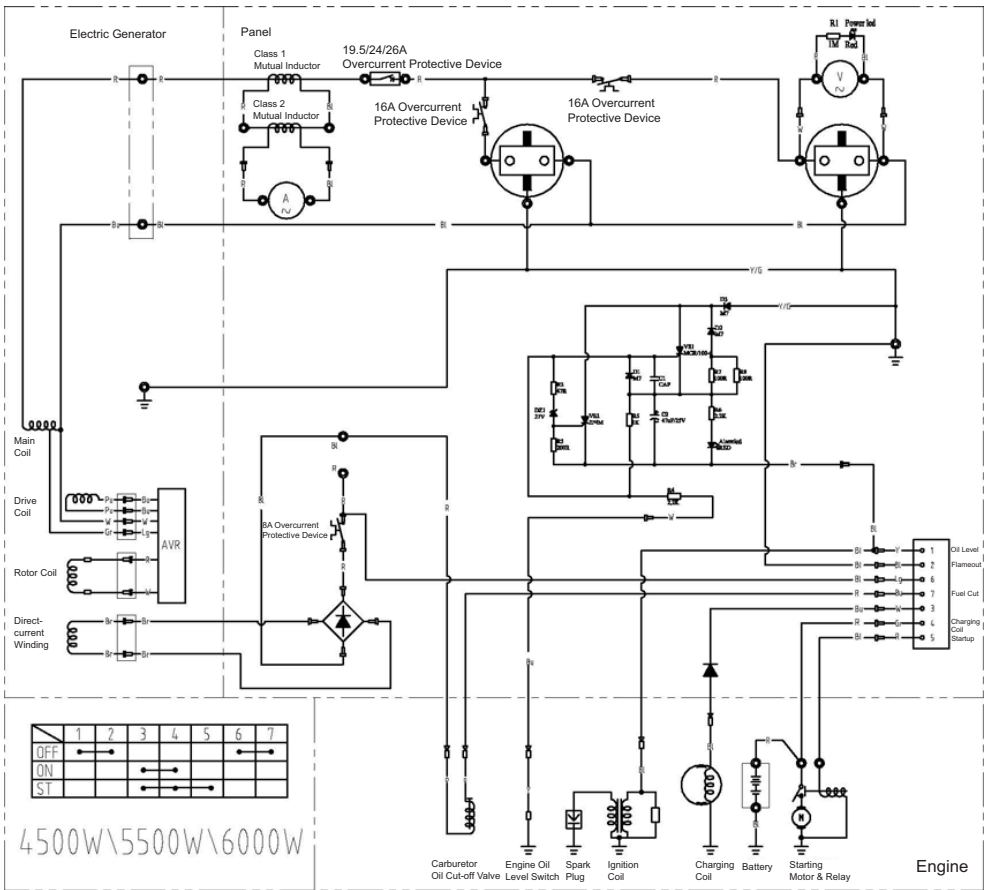
### Mantenimiento

Siga el programa de mantenimiento. Recuerde que este programa se basa en la suposición de que la máquina se utiliza para el propósito para la que fue diseñada. El funcionamiento continuado con grandes cargas o altas temperaturas, o la utilización en condiciones inusuales de mucha humedad o polvo, requerirá que se realice el servicio con más frecuencia.

# DIAGRAMA DE CONEXIONES



**Nota:** Las conexiones eléctricas son las mismas para EG2250A y EG2850A.



Nota: Las conexiones eléctricas son las mismas para EG4550A, EG5550A y EG6050A.



# ESPECIFICACIONES

MODELO			EG2250A	EG2850A	EG4550A	EG5550A	EG6050A
Generador	Tipo		Con escobillas, 2 polos, monofásico				
	Sistema de regulación de voltaje		Tipo AVR				
	Salida de CA		230 - 50				
	Frecuencia de tensión nominal	V-Hz					
	Corriente nominal	A	8,7	11,3	17,4	21,7	24
	Salida nominal	VA (W)	2000	2600	4000	5000	5500
	Salida máxima	VA (W)	2200	2800	4500	5500	6000
	Factor de potencia nominal		1,0				
	Tipo de dispositivo de seguridad		Disyuntor de circuito				
	Salida de CC		12				
	Tensión nominal	V					
Corriente nominal	A	8,3					
Tipo de dispositivo de seguridad		Disyuntor de circuito					
Motor	Modelo		170F		190F		
	Tipo		Válvula en culata, 4 tiempos, monocilindro				
	Desplazamiento	mL	210		420		
	Combustible		Gasolina sin plomo para automóviles				
	Capacidad del depósito de combustible (lleno)	L	15		25		
	Capacidad del depósito de combustible (volumen de combustible regulado)	L	10		20		
	Capacidad de aceite del motor	L	0,6		1,1		
	Bujía		Champion RN9YC				
	Sistema de arranque		Arranque de retroceso		Arrancador eléctrico / retroceso		
Dimensiones	Longitud	mm	600		680		
	Anchura	mm	442		550		
	Altura	mm	450		550		
Ruido (valores de medición determinados de acuerdo a 2000/14/CE)	Nivel de presión acústica	dB (A)	75 (Indeterminación K=3)				
	Nivel de potencia acústica	dB (A)	95 (Indeterminación K=3)				
Peso en seco	kg	42	45	80	83	85	
Peso bruto Peso de acuerdo con el procedimiento EPTA 01/2003	kg	49,8	52,8	95,5	98,5	100,5	

# MONTAJE

## La importancia de un montaje adecuado

El montaje correcto es esencial para la seguridad del operador y la fiabilidad de la máquina. Cualquier error o despiste cometido por la persona que monta o mantiene una unidad puede resultar en un funcionamiento defectuoso, daños en la máquina o lesiones para el operador.

### **ADVERTENCIA:**

**Un montaje indebido puede causar una condición insegura que puede provocar lesiones personales graves o incluso la muerte.**

**Siga con cuidado los procedimientos y las precauciones en las instrucciones de montaje.**

Más adelante se ofrecen algunas de las precauciones de seguridad más importantes.

Sin embargo, no podemos cubrir cualquier peligro concebible que surja de la realización de este montaje. Por lo tanto, recuerde que solo usted puede decidir o no realizar una tarea dada.

### **ADVERTENCIA:**

**Si no se siguen las instrucciones y las precauciones, se pueden producir lesiones personales graves o incluso la muerte.**

**Siga con cuidado los procedimientos y las precauciones en este manual.**

## Precauciones de seguridad importantes

- Tenga un entendimiento claro de todas las prácticas seguras básicas del taller y póngase la ropa y el equipo de seguridad adecuados. Al realizar este montaje, tenga especial cuidado de lo siguiente:
  - Antes de comenzar los trabajos, lea las instrucciones y asegúrese de que dispone de las herramientas y las aptitudes necesarias para realizar las tareas de modo seguro.
- Asegúrese de que el motor esté desconectado antes de comenzar cualquier trabajo de mantenimiento o de reparación. De este modo eliminará muchos peligros potenciales:
  - **Envenenamiento por monóxido de carbono de los gases de escape del motor.**  
Operar en exteriores lejos de ventanas y puertas abiertas.
  - **Quemaduras producidas por piezas calientes.**  
Deje que el motor y el sistema de gases de escape se enfríe antes de tocarlos.
  - **Lesiones por piezas móviles.**  
No ponga en marcha el motor a no ser que reciba instrucciones de hacerlo.

Incluso en tal caso, mantenga las manos, los dedos y la ropa alejados. Si se ha retirado algún dispositivo de protección o blindaje, no ponga en marcha el motor.

- Para reducir la posibilidad de incendios o explosiones, tenga cuidado al trabajar cerca de la gasolina o las baterías. Utilice un disolvente antiinflamable que no sea gasolina para limpiar las piezas. Mantenga los cigarrillos, las chispas y las llamas alejados de todas las piezas relacionadas con el combustible.

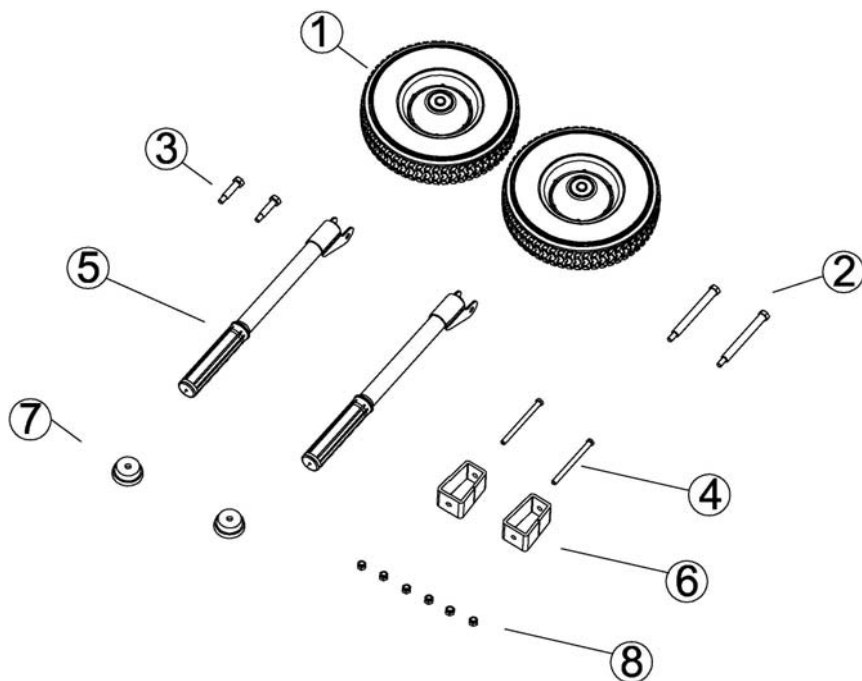
## Desembalaje

1. Retire el generador y la caja con las piezas sueltas del embalaje de cartón.
2. Compruebe las piezas sueltas frente a la lista de contenido siguiente.

Herramientas requeridas: Llave de 12 mm (2), alicates

## Piezas sueltas (kit de ruedas y tiradores) y soporte frontal (solo para los modelos EG4550A, EG5550A y EG6050A)

Compruebe todas las piezas sueltas frente a la lista siguiente. Póngase en contacto con su distribuidor si falta alguna de las piezas sueltas mostradas a continuación incluidas con el generador.



N.º	Nombre	Cantidad
1	Rueda de 10 pulgadas	2
2	Eje de la rueda	2
3	Vástago de la empuñadura de transporte	2
4	Perno M8 x 100	2
5	Empuñadura de transporte	2
6	Pie frontal	2
7	Base de goma	2
8	Tuerca de brida M8	6

### Instalación de las empuñaduras (Fig. 24)

1. Retire las dos tuercas de la barra de empuje insertadas en el bastidor y alinee el orificio de la barra de empuje con el orificio en el bastidor. A continuación, inserte la barra de empuje en el bastidor desde fuera y atornille el perno de brida M8 en el lado interior y apriete el perno.

**PAR DE APRIETE:** 24 - 29 N•m, 2,4 - 3,0 kgf•m

### Instalación del juego de ruedas (Fig. 25)

1. Alinee el orificio de la rueda con el orificio en el bastidor, inserte el eje de la rueda en el bastidor desde fuera y, a continuación, atornille el perno de brida M8 en el lado interior y apriete el perno.

**PAR DE APRIETE:** 24 - 29 N•m, 2,4 - 3,0 kgf•m

### Encaje del pie frontal (Fig. 26)

1. Inserte un perno M8x100 en los orificios de la mantilla de goma, el pie frontal y la placa de montaje del bastidor.
2. Atornille el perno de brida M8 en el perno M8x100 desde la placa de montaje y apriete el perno.

### Parada del motor con el control remoto

1. Pulse el botón de parada.
2. Ponga el interruptor del motor en el generador en la posición "O (APAGADO)".
3. Ponga la palanca de la válvula de combustible en el generador en la posición "O (APAGADO)".

## Bandeja de la batería (Fig. 27)

### NOTA:

La batería no está incluida. Utilice una batería (potencia: 12 V - 10 Ah, Dimensiones máximas (L x Al x An): 160 mm x 90 mm x 160 mm) disponible en el mercado.

1. Conecte la línea de potencia negra (electrodo de masa) en el generador eléctrico al electrodo negativo en la batería y la línea de potencia roja al electrodo positivo en la batería.
2. Coloque la batería conectada a las líneas de potencia en la caja de batería del bastidor.
3. Enganche cada una de las dos hebillas de cinturón en la correa de goma en uno de dos colgadores de la caja de la batería.

### ⚠ ADVERTENCIA:

**En los polos, los terminales y los accesorios relacionados de las baterías se utiliza plomo y compuestos de plomo. Tras manipularlos, lávese siempre las manos.**

## Aceite del motor (Fig. 13)

El generador se suministra **SIN ACEITE** en el motor. Coloque el generador sobre una superficie estable y nivelada. Añada suficiente cantidad del aceite recomendado para poner el nivel de aceite hasta el límite superior de la tubuladura de llenado.

Utilice aceite para motores de 4 tiempos que cumpla los requisitos para la Categoría de Servicio API SJ o superior (o equivalente).

No rellene excesivamente el motor con aceite. Si el motor está demasiado lleno, el aceite sobrante puede transferirse a la caja del depurador de aire y del filtro de aire.

## INFORMACIÓN DE SERVICIO DE LA GARANTÍA

### INFORMACIÓN DE SERVICIO DE CLIENTES

El personal de los concesionarios de servicio son profesionales entrenados. Ellos podrán contestar a la mayoría de las preguntas que usted les haga. Si se encuentra con un problema que su distribuidor no puede resolver para dejarle satisfecho, comuníquese al jefe de servicio o al director general del concesionario. Casi todos los problemas se resuelven de este modo. Si no queda satisfecho con la decisión tomada por los jefes del concesionario, póngase en contacto con Makita Corporation.

### Sólo para países europeos

### Declaración de conformidad de la CE

**Nosotros, Makita Corporation, en calidad de fabricante responsable, declaramos que las siguientes máquinas Makita:**

Designación de la máquina: Generador a gasolina  
Nº de modelo/ Tipo: EG2250A, EG2850A,  
EG4550A, EG5550A, EG6050A  
Especificaciones: consulte la tabla  
"ESPECIFICACIONES".

son de producción serie y

### Cumplen con las siguientes Directivas europeas:

2000/14/CE, 2004/108/CE, 2006/42/CE,  
2006/95/CE

Y se han fabricado de acuerdo con los siguientes estándares o documentos estandarizados:

EN12601, EN55012, EN61000, EN60204-1

La documentación técnica la conserva:

Makita International Europe Ltd.  
Technical Department,  
Michigan Drive, Tongwell,  
Milton Keynes, Bucks MK15 8JD, Inglaterra

El procedimiento de evaluación de conformidad requerido por la Directiva 2000/14/CE se realizó de acuerdo con el anexo VI.

Organismo notificado:

AV TECHNOLOGY LTD  
AVTECH House, Arkle Avenue  
Stanley Green Trading Estate  
Handforth, Cheshire  
SK9 3RW, United Kingdom  
Identification number 1067

Modelo EG2250A

Nivel de potencia sonora medido: 94 dB (A)

Nivel de potencia sonora garantizado: 95 dB (A)

Modelos EG2850A, EG4550A, EG5550A, EG6050A

Nivel de potencia sonora medido: 95 dB (A)

Nivel de potencia sonora garantizado: 96 dB (A)

27.12.2013



Tomoyasu Kato  
Director

Makita Corporation  
3-11-8, Sumiyoshi-cho,  
Anjo, Aichi, 446-8502, JAPAN







# Makita Corporation

3-11-8, Sumiyoshi-cho,  
Anjo, Aichi 446-8502 Japan  
[www.makita.com](http://www.makita.com)

EG2250A-6L-0913

TRD



# McGrp.Ru



## Сайт техники и электроники

Наш сайт [McGrp.Ru](http://McGrp.Ru) при этом не является просто хранилищем [инструкций по эксплуатации](#), это живое сообщество людей. Они общаются на форуме, задают вопросы о способах и особенностях использования техники. На все вопросы очень быстро находят ответы от таких же посетителей сайта, экспертов или администраторов. Вопрос можно задать как на форуме, так и в специальной форме на странице, где описывается интересующая вас техника.

## **ОФИЦИАЛЬНЫЙ ДИЛЕР В УКРАИНЕ:**

[storgom.ua](http://storgom.ua)

## **ГРАФИК РАБОТЫ:**

Пн. – Пт.: с 8:30 по 18:30

Сб.: с 09:00 по 16:00

Вс.: с 10:00 по 16:00

## **КОНТАКТЫ:**

+38 (044) 360-46-77

+38 (066) 77-395-77

+38 (097) 77-236-77

+38 (093) 360-46-77

Детальное описание товара: <https://storgom.ua/product/benzogenerator-makita-eg55-0a.html>

Другие товары: <https://storgom.ua/benzinovye-generatory.html>