



FIELDMANN[®]
Home & Garden Performance



FZN 4002 B

English.....	3 – 25
Čeština.....	27 – 49
Slovenčina.....	51 – 73
Magyarul.....	75 – 97
Polski.....	99 – 121

Petrol-powered hedge trimmer

USER'S MANUAL

Thank you for purchasing this petrol-powered hedge trimmer. Before you start using them, please, carefully read this user's manual and save it for possible future use.

CONTENTS

1. GENERAL SAFETY REGULATIONS	5
Important safety information.....	5
Packaging	5
User's Manual	5
2. EXPLANATION OF INSTRUCTION LABELS ON THE POWER TOOL.....	6
3. SAFETY INSTRUCTIONS.....	9
Acquaint yourself with the product.....	9
Preparing prior to starting work.....	9
The following points must be adhered to when working with fuel.....	9
Using the petrol-powered hedge trimmer.....	10
Maintenance and storage	11
4. DESCRIPTION OF THE POWER TOOL.....	12
Description of the power tool (see Fig. 1).....	12
5. BEFORE USING	13
Engine fuel.....	13
Checking the hand guard	14
Checking the blades	14
Checking the blade guard.....	14
Checking the air filter	15
6. STARTING THE ENGINE.....	15
Starting a cold engine	15
Starting a warm engine.....	15
Stopping the engine	16
7. USING THE HEDGE TRIMMER - TRIMMING.....	16
Setting the handle	16
Cutting in the vertical direction.....	17
Cutting in the horizontal direction.....	17
Kickback and relevant warnings	17
8. MAINTENANCE	18
Air filter - maintenance.....	20
Cleaning	21
Gearbox.....	21
Repairs	21

9. STORAGE.....23
 Draining fuel23

10. TECHNICAL SPECIFICATIONS.....23

11. DISPOSAL.....24
 INSTRUCTIONS AND INFORMATION REGARDING THE DISPOSAL OF USED PACKAGING
 MATERIALS24

12. DECLARATION OF CONFORMITY.....25

1. GENERAL SAFETY INSTRUCTIONS

IMPORTANT SAFETY NOTICE

- ✿ Carefully unpack the product and take care not to throw away any part of the packaging before you find all the parts of the product.
- ✿ Store the product in a dry place out of reach of children.
- ✿ Read all warnings and instructions. Not following warnings or instructions may lead to injury, a fire and/or serious injuries.


PACKAGING

The product is packed in a package that prevents damage during transport. This package is a resource and so can be handed over for recycling.

INSTRUCTIONS FOR USE

Before you start working with the power tool, read the following safety and usage instructions. Acquaint yourself with the operating elements and the correct use of the power tool. Keep the user's manual in a safe place where it can be easily retrieved for future use. Save the original packaging, including the internal packing material, warranty card and proof of purchase receipt at least for the duration of the warranty.

If you need to ship this machine, pack it in the original cardboard box to ensure maximum protection during shipping or transport (e.g. when moving or when you need to send this product for repair).

-  **NOTE:** If you hand over the power tool to somebody else, do so together with this user's manual. Following the instructions in the included user's manual is a prerequisite for the proper use of the machine. The user's manual also contains operating, maintenance and repair instructions.

The manufacturer takes no responsibility for accidents or damages resulting from not following the instructions in this manual.

2. EXPLANATION OF INSTRUCTION LABELS ON THE POWER TOOL

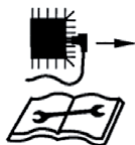
The symbols used in this user's manual are intended to inform you about potential risks. These safety descriptions that supplement them must be studied and fully understood. Warning do not in themselves eliminate risks and cannot substitute for correct use of the power tool, which will prevent accidents and potential injuries from occurring.



This symbol in front of the safety comment designates preventative measures, warnings or dangers. Ignoring this warning may lead to you or somebody else suffering an accident. Always adhere to the provided recommendations in order to prevent the risk of an injury, fire or accident.



Read the entire user's manual.
Before every use, read the relevant part of this user's manual.



Before every maintenance task, disconnect the socket on the cable from the spark plug and read the maintenance instructions.



When handling fuel and lubricants, carefully adhere to the recommended amounts!



Do not expose the power tool to rain.



The exhaust pipe and exhaust fumes are hot



Risk of injury caused by deflected objects!
Always maintain a sufficient safe distance.
Be careful of deflected objects. The distance between this power tool and bystanders must be at least 15 metres.



Sparking occurs when the engine is started.
Sparking may ignite flammable gases.



Engines create carbon monoxide, which is a poisonous and colourless odourless gas. Inhalation of carbon monoxide may cause nausea, fainting and death.



Only for outdoor use. Risk of inhaling emissions in enclosed areas.



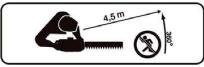
Smoking and handling of open flames is strictly forbidden in the vicinity of this power tool!



These symbols inform about the need to wear hearing protection, eye protection and gloves when working with this power tool.



Use solid work footwear when working with this power tool.



Keep a safe distance.



Choke closed



Choke open



Caution! Please do not touch the cutting blades.

It is forbidden to use this power tool without the hand cover installed.

3. SAFETY INSTRUCTIONS

⚠ IMPORTANT: CAREFULLY READ THE MANUAL BEFORE USE STORE IT FOR FUTURE REFERENCE

This power tool must always be used according to the manufacturer's instructions provided in this user handbook. In the event of incorrect use or performance of modifications to this power tool, the manufacturer shall bear no responsibility for the resulting damages. Also follow the safety and installation instructions provided in this user's manual and also valid regulations related to injury and accident prevention.

A power tool with incorrect part or missing parts or without the protective cover must not be used. An authorised service centre will provide you with information regarding spare parts.

ACQUAINT YOURSELF WITH THE PRODUCT

- ✿ Carefully read and thoroughly study this user's manual before using this power tool.
- ✿ Never allow children or persons not acquainted with these instructions to use the power tool. Local legal codes may limit the age of the user.
- ✿ Stop working when any other persons approach, namely children or household pets.
- ✿ Remember that the operator or user is responsible for accidents and risks caused to other persons or their property.
- ✿ Larger repairs may only be performed by specially trained persons.

PREPARING PRIOR TO STARTING WORK

⚠ THIS HEDGE TRIMMER MAY CAUSE SERIOUS INJURIES.

Carefully read the provided instructions to acquaint yourself with the correct operation, preparation, maintenance, starting and stopping of this hedge trimmer. Acquaint yourself with the control elements and the correct use of this hedge trimmer.

- ✿ Never allow children to use this hedge trimmer.
- ✿ Watch out for above ground electrical lines.
- ✿ Stop working when there are other persons nearby, namely children.
- ✿ Dress appropriately! Do not wear loose clothing or jewellery that could become caught in moving parts. It is recommended to use heavy duty gloves, footwear with non-slip soles and protective glasses.
- ✿ Be very careful when handling fuel. Fuel is flammable and its vapours are explosive.

THE FOLLOWING POINTS MUST BE ADHERED TO WHEN WORKING WITH FUEL

- ✿ Use only approved containers.
- ✿ Never remove the fuel tank cap or refill fuel when the engine is running.
- ✿ Allow the engine and exhaust system to cool down before adding fuel.
- ✿ do not smoke when handling fuel.
- ✿ Never refill fuel in an enclosed area.
- ✿ Never place the hedge trimmer or fuel containers in places near open flames, e.g. near water heaters.

- ✿ In the event that fuel is spilled, do not attempt to start the engine in this location, rather move the hedge trimmer to another location before starting the engine.
- ✿ Always screw the petrol tank back on firmly after refilling fuel.
- ✿ Fuel may only be drained from the petrol tank outdoors.

USING THE PETROL-POWERED HEDGE TRIMMER

⚠ WARNING: This hedge trimmer is intended solely for the purpose of trimming and shaping hedges, bushes and ornamental shrubs and only in the private sector. Any other use is expressly excluded, never use this hedge trimmer for other purposes! Power tools for private and hobby gardens are not suitable for use on public facilities, parks and sports centres, along road sides, on farms or in forestry.

- ✿ Stop the engine before:
 - cleaning or unjamming,
 - inspection, performing maintenance or any work on this power tool,
 - adjusting the work position of the trimmer blade,
 - leaving this power tool without supervision.
- ✿ Check that the hedge trimmer is positioned in the correct work position before starting the engine.
- ✿ Always maintain a safe work position when using this hedge trimmer, particularly when working on steps or a ladder.
- ✿ Do not use the hedge trimmer with damaged or heavily worn out cutting blades.
- ✿ To limit the risk of causing a fire, make sure that there is no dirt or excess lubricant on the motor and exhaust pipe.
- ✿ Always check that all handles and covers are properly attached before using the power tool.
- ✿ Always check that all bolts and screws are properly tightened before using the power tool
- ✿ Never attempt to use an incomplete power tool or a power tool that has had unauthorised modifications performed on it.
- ✿ When working with a two-handle hedge trimmer, always use two hands for operation.
- ✿ Constantly monitor the vicinity of the working area and watch out for risks, which may possibly not be heard due to the noisiness of the power tool's engine.
- ✿ In the event that the hedge trimmer impacts a foreign object, it usually makes unusual sounds and will vibrating abnormally, so stop the engine and wait for the power tool to come to a complete stop. Disconnect the cable socket from the power plug and perform the following steps:
 - Check for damage.
 - Check and tighten all loose parts.
 - Repair or replace all damaged parts and use only approved parts for this task.
- ✿ Use hearing protection when working with this power tool.
- ✿ Use eye protection when working with this power tool.
- ✿ In an emergency situation, stop the engine by moving the engine switch to the off position.
- ✿ When using this power tool in environments with higher temperatures, altitude above sea level or humidity, the performance of this power tool is reduced

- Maximum operating temperature: 40 °C
- Maximum altitude above sea level: 1,000 m
- Maximum humidity: 95 %

MAINTENANCE AND STORAGE

- ✿ When stopping this power tool for the purpose of performing maintenance, inspection or storage, always stop the engine, disconnect the cable socket from the spark plug and make sure that all moving parts have come to a stop. Before carrying out any adjustment or inspection, wait until this power tool cools down.
- ✿ Store this hedge trimmer in such places where there is no source of an open flame or sparking in its vicinity. Always allow this hedge trimmer to cool down before storing it.
- ✿ Always put the protective cover on to the blade bar before transporting or storing it.
- ✿ Make sure that all nuts and bolts are securely tightened to ensure the safe operation of this power tool.
- ✿ Always allow the engine of the power tool to cool down before storing it.
- ✿ To limit the risk of causing a fire, make sure that there are no plant material residues or excess lubricant on the engine, exhaust muffler or the fuel tank.
- ✿ For safety reasons, replace worn out or damaged parts.
- ✿ Fuel may only be drained from the petrol tank outdoors.
- ✿ Always clean and perform maintenance on the power tool before storing it.
- ✿ Never remove the blade guards from the hedge trimmer.
- ✿ Place the metal blades in a cold and dry location. Never use corroded blades. The blades may cause serious injuries when working with them.

4. DESCRIPTION OF THE POWER TOOL

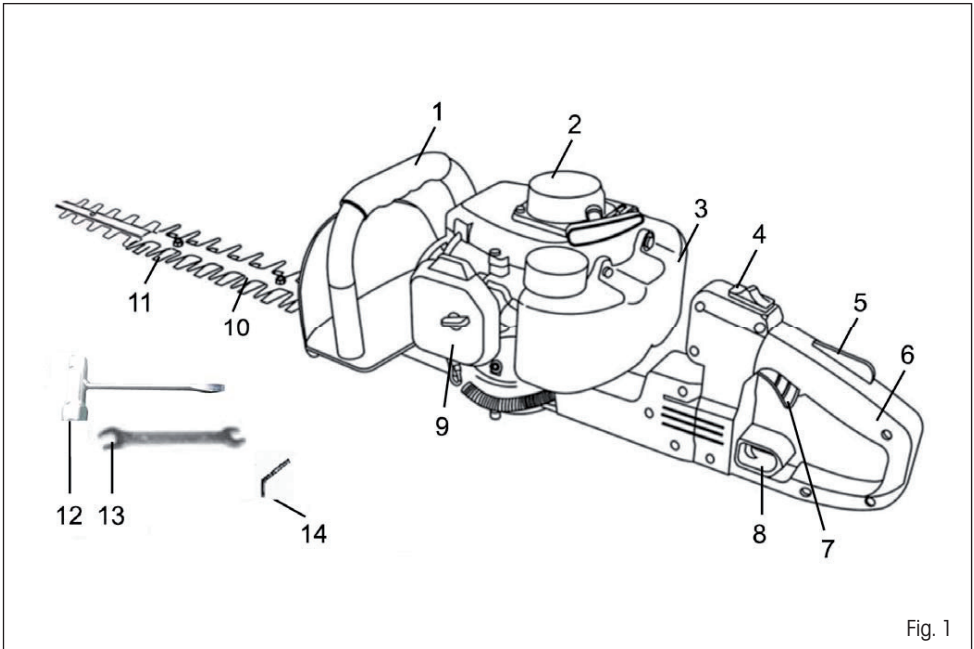


Fig. 1

DESCRIPTION OF THE POWER TOOL (SEE FIG. 1)

1. Front handle
2. Starter
3. Fuel tank
4. Engine switch
5. Trigger switch guard
6. Rear handle
7. Trigger switch
8. Handle position lock
9. Air filter
10. Guide bar
11. Blades
12. Spark plug wrench
13. Open end wrench
14. Hex key

5. BEFORE USING

Always carefully read this user's manual and inspect the power tool before using it.

⚠ WARNING: Before starting work, check the cutting blades and never use blades that are blunt, cracked or damaged. Make sure that the handle and the safety elements are in good working order. Never use a power tool that is missing any part or which has been modified and does not meet the technical parameters. All protective guards must be correctly installed before the engine of the hedge trimmer is started.

⚠ WARNING: This hedge trimmer is equipped with a two-stroke engine and, therefore, it a petrol-oil fuel mix must be used. Please proceed according to the procedure provided below.

⚠ WARNING: Always use good quality gloves, footwear and hearing and eye protection during work. The equipment must have a CE mark and must be tested according to the requirements of the PPE directive (Person Protective Equipment). Poor quality equipment may limit protection of persons and may lead to injury during work.

ENGINE FUEL

⚠ WARNING: This hedge trimmer is equipped with a two-stroke engine. A petrol-oil fuel mix must be used.

- ✿ Only add fuel in well ventilated locations.
- ✿ Take care not to spill any fuel.
- ✿ Never add fuel while the engine is running.
- ✿ Allow the engine to cool down for about two minutes before adding fuel.
- ✿ Fuel must not be added in the vicinity of an open flame, control light lamps or electrical equipment that produce sparks, or electrical tools such as welding units or grinders.

1. Set the engine switch (Fig. 1, point 4) to the off (OFF) position to ensure that the engine is turned off.
2. Perform a visual inspection of the fuel in the fuel tank. Remove the fuel tank cap and check the fuel level.
3. Refill the fuel tank with a mixture of lead-free petrol with an octane number of at least 90 (ideally RON 95) and two-stroke engine oil in a ratio of 40:1 (2.5% oil in the fuel mix)
4. Turn the fuel tank cap clockwise to tighten it.

⚠ WARNING: Do not refill fuel when the engine is running or when it is hot. Never use four-stroke engine oil. Never use two-stroke engine oil for liquid-cooled engines.

- ✿ Poor quality oil and incorrect fuel mixtures may pose danger to the function of the engine and reduce the operating lifetime of catalytic converters..
- ✿ Thoroughly shake the canister to obtain the correct fuel mix before refilling.
- ✿ Never use old or contaminated petrol or petrol-oil mixes.
- ✿ Prevent the fuel in the petrol tank from being contaminated by dirt or water. When under heavy load, loud

banging or ringing may be heard coming from the engine. This is normal and does not indicate a problem. In the event that the banging or ringing noise occurs during normal load and at standard engine speeds, change the type of petrol used. If problem is not rectified after this change, please contact an authorised service centre.

- ✿ When running the engine at high speed over an extended period, we recommend the use of a petrol with a higher octane number.

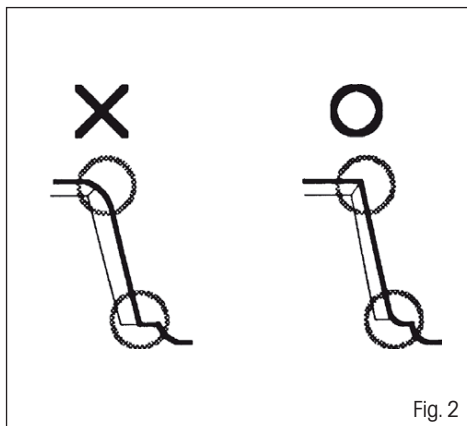
CHECKING THE HAND GUARD

- ✿ The hand guard prevent the hand from coming into contact with the moving blades, for example in a situation when the user of the user's hand slips from the front handle.

⚠ ATTENTION! Check that the hand guard is correct seated and attached.
Check the hand guard for damage.

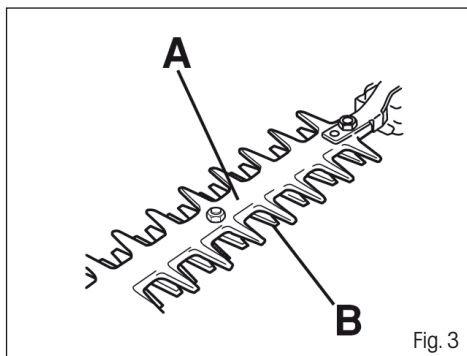
CHECKING THE BLADES

- ✿ To ensure good work results, it is important that there is correct contact pressure between the trimmer blades. Contact pressure is set by turning the bolt on the underside of the guide bar clockwise.
- ✿ When the blades are correctly set, the give between the blades measured at the bolts must be 0.2 - 0.4 mm.
- ✿ In the event that the trimmer blades are bent or damaged, replace them.
- ✿ Check the working edges of the blades and if necessary, adjust them using a flat and round file.
 1. Maintain a sharp end edge on the blade (Fig. 2).
 2. Round the base of the blade.
 3. Do not use water when filing.



CHECKING THE BLADE GUARD

- ✿ The blade guard (Fig. 3, point A) is intended to protect any part of the body from coming into contact with the trimmer blades (Fig. 3, point B).
- ✿ Check the blade guard for damage or deformation. In the event that the blade guard is bent or damages, replace it.



CHECKING THE AIR FILTER

- ✿ Check the air filter to be sure that it is clean and in good condition.
- ✿ Loosen the bolt on the air filter cover, remove this cover and then check the filter. If necessary, clean or replace the filter.

6. STARTING THE ENGINE

⚠ WARNING! The trimmer blades may move when starting the engine. Make sure that the trimmer blades cannot come into contact with any object. Make sure that there are no unwanted persons in the work area. These persons would be subject to a risk of serious injury.

STARTING A COLD ENGINE

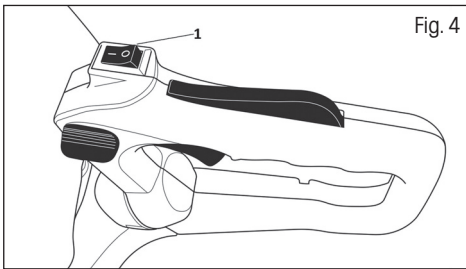


Fig. 4

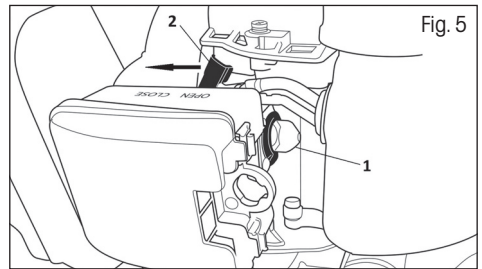


Fig. 5

1. Set the engine switch to the ON position (Fig. 4, point 1)
2. Press the fuel primer bulb (Fig. 5, point 1) several times.
3. Set the choke lever to the CLOSE position (see Fig. 5, point 2)
3. Place the hedge trimmer flat on the ground so that it is stable and pull on the handle of the starting cord until the engine shows signs of attempting to start. Initially pull the starter winding cord slowly until you feel resistance and then pull on the cord strongly. Hold the cord as it winds back into the starter and allow it to wind on gently and slowly.
4. At this point, set the choke lever back to the OPEN position (Fig. 5) and start the engine by repeatedly pulling on the starting cord.

⚠ ATTENTION! Spinning the engine for too long with the choke lever in the CLOSE position will result in flooding of the engine and problems with starting it up.

5. Prior to starting work, leave the engine to warm up for a few minutes to get up to operating temperature.

STARTING A WARM ENGINE

1. Set the engine switch to the ON position (Fig. 4, point 1)
2. Pull on the handle of the starting cord until the engine starts up

DO NOT USE THE CHOKE!

⚠ ATTENTION! In the event that the fuel in the fuel tank was completely used up, after pouring in fuel, repeat the steps for STARTING A COLD ENGINE.

⚠ WARNING! Be careful that the blades do not come into contact with foreign objects such as metal wires or grates that could damage the blades or the drive. In the event that the blades are blocked or jammed against an obstacle, immediately stop the engine. Only then release the blocked power tool.

Check that the trimmer blades are not moving when the engine is idling.

STOPPING THE ENGINE

Set the engine switch to the OFF position (Fig. 4)

7. USING THE HEDGE TRIMMER - TRIMMING

⚠ ATTENTION! In an emergency situation, stop the engine by setting the engine switch to the OFF position. Hold the power tool as close as possible to your body to achieve better balance. Make sure that the tip of the power tool do not touch the ground. Do not rush when working, rather work continuously until all the branches on the hedge are trimmed evenly.

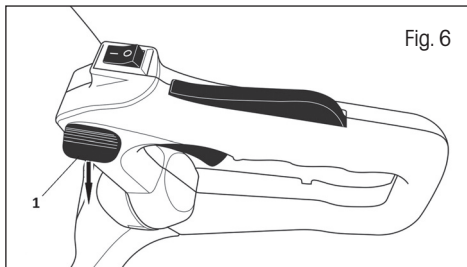
⚠ ATTENTION! When working, do not leave the engine idling for too long. Long term running of the power tool at low speed will result in prematurely wearing out the gearbox. On the other hand, when trimming, it is not good to keep the engine running at full speed for too long. Long term running of the power tool at high speed will result in reducing the lifetime of the engine.

SETTING THE HANDLE

⚠ WARNING!

Do not use the trigger when performing this task!

When trimming hedges, to reduce work fatigue, the rear handle can be set to the following 3 positions: central, left at a 90° angle or right at a 90° angle. The setting is made by releasing the lock on the rear handle (Fig 6, point 1). Push the lock downwards and then turn the handle in the desired direction. The handle will remain locked in its position when the lock is released.



CUTTING IN THE VERTICAL DIRECTION

Cut in an aching motion from the bottom part upwards and then downwards, utilising both sides of the blades.

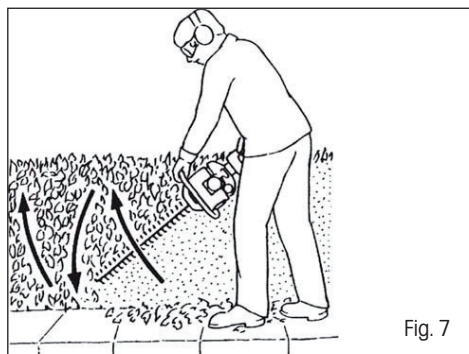


Fig. 7

CUTTING IN THE HORIZONTAL DIRECTION

Tilt the blades slightly towards the cutting direction (at an angle of 5 - 10°) in order to achieve the best possible trimming results.

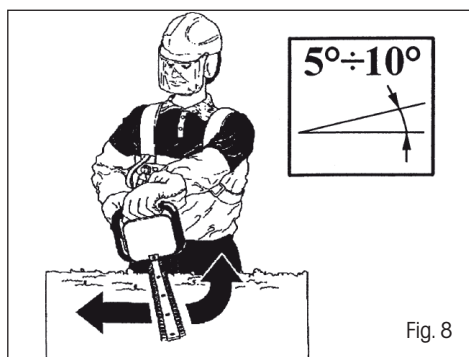


Fig. 8

KICKBACK AND RELEVANT WARNINGS

Kickback is a sudden reaction to a blockage or jamming of the work tool. A blockage or jamming causes the rotating equipment to stop suddenly, which subsequently causes uncontrolled movement of the tool in the opposite direction to the rotation direction of the equipment in the location of the blockage. For example, if the work tool is blocked or jammed by a stone, the edge of the work tool entering the area where it is clamped, may enter the surface of the material, which may cause the work tool to rise or kickback. The work tool may jump towards the user or away from the user depending on the movement direction of the work tool at the point of its blockage. Recoil is the result of incorrect use of the power tool, incorrect work procedure or unsuitable operating conditions and kickback may be prevented by adherence to the instructions provided below.

- Always maintain a firm grip on the power tool and maintain such a body and arm position to resist a kickback force.**
- Never place your hands in the vicinity of a rotating blade.** The blade may be deflected backwards over your hands.
- Do not stand on such places, into which the power tool would be deflected in the event of kickback.** Kickback will fling back the power tool in the opposite direction to the movement of the power tool in the location of its blockage.
- Be very careful when working near corners and sharp edges, etc. You will prevent the blade from jumping and jamming.** Corners, sharp edges or jumping of the blade have a tendency to jam the rotating blade and cause loss of control or kickback.

8. MAINTENANCE

Quality maintenance of the engine is very important in regards to the safe, economic and safe operation of the power tool. It also helps to limit air pollution.

The purpose of performing regular maintenance and adjustment is to maintain this power tool in perfect working order.

Stop the engine before performing any maintenance. In the event that the engine must be running during maintenance, ensure that the area is well ventilated. Exhaust fumes contain poisonous carbon monoxide. Please always use the recommended accessories. Accessories that do not have corresponding quality may damage the power tool.

Never use unauthorised components during maintenance nor remove safety devices after performing maintenance.

Maintenance	Maintenance performed after every use	Maintenance performed after every 3 uses	Maintenance performed at the end of the season
Clean the surface of the power tool.	X		
Check the correct working order of the trigger lock and trigger switch to ensure the safe operation of this power tool.	X		
Check that the engine switch is in good working order.	X		
Check that the trimmer blades are not working when the engine is running idle or when the choke is in the position for starting the engine.	X		
Check that the trimmer blades are in order, that they are not cracked or damaged in any other way. If necessary, replace the trimmer blades.	X		
Check the trimmer blade guard for damage or deformation. In the event that the trimmer blade guard is bent or damaged, replace it.	X		
Clean the air filter. If necessary, replace it.	X		
Check that all nuts and bolts are securely tightened.	X		
Check the engine, fuel tank and fuel lines for leaks.	X		
Check the starter and the winding starter cord.		X	

Clean the surface of the spark plug. Take out the spark plug and check the electrode gap. Set the gap to 0.6 - 0.7 or replace the spark plug. Check that the cable socket is seated on the spark plug.		X	
Clean the cooling system of the power tool.		X	
Clean the surface of the carburettor and the area in its vicinity.		X	
Check that the flange, guard and nuts are correctly assembled and tightened.		X	
Clean the fuel tank.			X
Check all cables and connections.			X
Check the clutch, clutch springs and clutch basket for wear. If necessary, have it replaced at an authorised service centre.			X
Replace the spark plug. Check that the cable socket is seated on the spark plug.			X
Remove dirt, leaves and excess lubricant from the exhaust muffler and engine to reduce the risk of causing a fire.			X

MAINTENANCE must be performed at REGULAR INTERVALS during the specified periods or after a certain number of operating hours (time based). ⁽¹⁾		Always before use	Every month or after 25 hours of operation	Every 3 months or after 50 hours of operation	Every 6 months or after 100 hours of operation
Air filter	Clean			X ⁽¹⁾	
Valve movement	Check - clean				X ⁽²⁾
Fuel tank and fuel filter	Clean				X ⁽²⁾
Lubricant inside the gearbox	Fill up			X ⁽¹⁾	
Blades	Check (replace if necessary)	X		X	
Fuel lines	Check (replace if necessary)	Every three years ⁽²⁾			

⁽¹⁾ If the power tool is used in dusty areas, shorten the maintenance intervals.

⁽²⁾ If the owner does not have the required tools and knowledge, it is necessary to have this maintenance performed at an authorised service centre.

AIR FILTER - MAINTENANCE

1. Loosen the air filter cover screw and remove this cover.
2. Wash the air filter in an appropriate solvent.
3. Wring out all excess oil from the filter.
4. Return the air filter into the power tool.
5. Reinstall the air filter cover and securely tighten this cover with the screw.

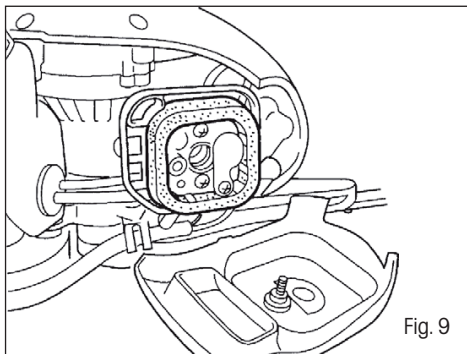


Fig. 9

⚠ WARNING! Using petrol-based or flammable solvents may lead to a fire or explosion. Therefore, only use a soap-based solution or inflammable solvents. Never use this power tool without an air filter.

Spark plug - maintenance

RECOMMENDED SPARK PLUG: SAIL BM6A

To ensure the correct operation of the engine, the spark plug must have the correct gap and must not be soiled with deposits.

1. Remove the spark plug cap.
2. Remove the cable socket of the spark plug.
3. Remove all dirt found in the vicinity of the spark plug base.
4. To remove the spark plug, use the supplied spark plug wrench.
5. Visually inspect the spark plug.

Using a wire brush, remove carbon deposits.

6. Check the colour of the top part of the spark plug. The normal colour should be light brown.
7. Check the gap of the spark plug. The correct gap size is 0.6 - 0.7 mm.
8. Carefully screw the spark plug back into position by hand.
9. Once the spark plug is fully tightened by hand, thoroughly tighten it using the supplied wrench.
10. Put the spark plug cable socket on to the top part of the spark plug.
11. Put the spark plug cover back in its place.

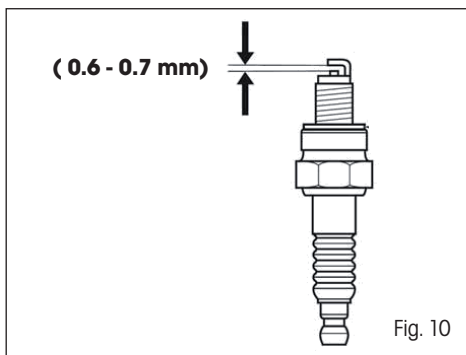


Fig. 10

CLEANING

1. Keep the surface of the power tool clean and if necessary, clean the surface of the power tool with a soft damp cloth and a gentle cleaning agent. Never use water for cleaning as this could damage the internal parts of the power tool.

2. Certain maintenance products and certain solvents may damage plastic components. These products include those containing benzene, trichloroethylene, chloride and ammonia.
3. Make sure that all ventilation openings on the power tool remain clear and unclogged. To ensure cleanliness inside the power tool it is usually sufficient to clean using a soft brush and then blowing it out with compressed air.
4. Wear appropriate eye protection when performing cleaning.

GEARBOX

The gearbox needs to be lubricated every 30 operating hours. For this task, we recommend that you contact an authorised service centre.

REPAIRS

Repairs on this power tool may only be performed at an authorised service centre.

Problem	Inspection	Status	Cause	Solution
The engine is stopping, it is difficult to start or cannot be started at all	Fuel in the carburettor	Fuel is not reaching the carburettor	Clogged fuel filter	Clean out or replace
			Clogged fuel supply line	Clean out or replace
			Carburettor	Request a repair at an authorised service centre
	Fuel is returning	Fuel is not reaching the cylinder	Carburettor	Request a repair at an authorised service centre
		There is fuel in the exhaust pipe	The fuel mix is too rich	Open the choke valve. Clean out or replace the air filter. Adjust the carburettor. Request a repair at an authorised service centre.
	Sparks on the spark plug electrodes	No spark	The engine switch is in the off position	Set the engine switch to the ON position
Electrical system problem			Request a repair at an authorised service centre	
Locked switch				

Problem	Inspection	Status	Cause	Solution
The engine is stopping, it is difficult to start or cannot be started at all	Sparks on the spark plug electrodes	No spark	Incorrect distance of the electrodes (gap)	Set the gap to 0.6 - 0.7 mm
			Dirty electrodes	Clean out or replace
			Electrodes are soiled by fuel	Clean out or replace
			Damaged spark plug	Replace the spark plug
The motor runs but keeps stopping and does not have the correct acceleration	Air filter	Dirty air filter	Standard wear and tear	Clean out or replace
	Fuel filter	Dirty fuel filter	Dirt or deposits in the fuel	Replace
	Fuel valve	Clogged fuel valve	Dirt or deposits in the fuel	Clean out or replace
	Spark plug	Dirty or worn out spark plug	Standard wear and tear	Clean out, adjust or replace
	Carburettor	Incorrectly adjusted	Vibrations	Adjust
	Cooling system	High temperature	Long term use in a dirty or dusty environment	Clean
	Suppressor	Cracked, soiled or perforated board	Standard wear and tear	Replace
The engine is not driving the power tool	Not available	Not available	Internal engine fault	Request a repair at an authorised service centre

9. STORAGE

When transporting this power tool in a vehicle, please empty out the fuel tank to prevent it from leaking.

DRAINING FUEL

⚠ WARNING! Only drain the fuel when the engine is cold!

1. Place the power tool on an even and stable surface.
2. Loosen and remove the fuel tank cap.
3. Drain all the fuel into a suitable canister.
4. Press the hand pump several times until fuel flows out of the petrol tank.
5. Drain the fuel again.
6. Put the fuel tank cap back on and tighten it.

Store this power tool, its operating instructions and accessories into the original package.

In this way, you will always have all information and parts on hand.

Properly pack the power tool or use the original packaging to prevent it from being damaged during transport.

Store this power tool with an empty fuel tank in a dry and well ventilated location.

Do not store fuel in the vicinity of the tool.

10. TECHNICAL SPECIFICATIONS

Model	FZN 4002 B
Displacement	22.5 cm ³
Maximum engine power	0.65 kW
Type of motor.....	Two-stroke, air cooled
Type of spark plug.....	SAIL/BM6A
Maximum engine speed:.....	7,500 min ⁻¹
Idling engine speed	3,000 min ⁻¹
Clutch engagement speed	3,800 min ⁻¹
Effective work coverage	510 mm
Fuel tank capacity.....	0.6 l
Fuel mix ratio (RON 95 / two-stroke engine oil)	40 : 1
Vibration level acting on the handle.....	19 m/s ² k = 1.5 m/s ²
Level of acoustic pressure: LpA	85 dB(A) k = 1.5 dB(A)
Level of acoustic power: LwA	108 dB(A) k = 1.5 dB(A)
Weight of the power tool (empty tanks without the work tool).....	5.2 kg

11. DISPOSAL

INSTRUCTIONS AND INFORMATION REGARDING THE DISPOSAL OF USED PACKAGING MATERIALS

Dispose of used packaging material at a site designated for waste in your municipality.



The power tool and its accessories are manufactured from various materials, e.g. metal and plastic.

Take damaged parts to a recycling centre. Inquire at the relevant government department.



This appliance meets all the basic requirements of EU directives related to it.

Changes in the text, design and technical specifications may be made without prior notice and we reserve the right to make these changes.

User s manual in the original language.

12. DECLARATION OF CONFORMITY



FAST ČR, a.s.
Černokostecká 1621, 251 01 Říčany u Prahy, Czech Republic
tel.: 323 204 111, fax: 323 204 110

DECLARATION OF CONFORMITY

ES Statement of compliance

Fast ČR, a. s., Černokostecká 251 01 Říčany u Prahy, phone no.: +420 323 204 111, hereby declares with binding effect, that the Fieldmann FZN 4002B Petrol-powered Hedge Trimmer (year of manufacture is shown on the rating label followed by the serial number of the power tool) meets the following requirements of the COUNCIL DIRECTIVE

ES Directive for machinery equipment (MD) 2006/42/ES (98/37/EDC)
ES Directive for electromagnetic compatibility (EMC)
ES Directive for noise of machinery (ND) 2005/88/ES (2000/14/ES)
ES emission of gaseous substances 2002/88/ES

and has been tested according to the following standards:

EN ISO 12100:2010
EN ISO 22868:2011
EN ISO 3744:2010
EN ISO 10517:2012
EN 55012:2007+A1:2009

Technical specifications:

22.5cm³; 0.65kW

CE mark: 15

Říčany, 29 November 2015

Name, stamp and signature

Petr Uher
Quality Manager



FAST ČR, a.s.
Černokostecká 1621
251 01 Říčany u Prahy
ICO: 26726548 tel.: +420 323 204 111
DIČ: CZ26726548 fax: +420 323 204 110

Org. ID: 26726548, Tax ID: CZ26726548

Bank details: Komerční banka Prague 1, acc.no. 89309-011/0100, Česká spořitelna Praha 4, acc.no. 2375682/0800,
ČSOB Praha 1, acc.no. 8010-0116233383/0300

Nůžky na živé ploty s benzínovým motorem

NÁVOD K OBSLUZE

Děkujeme vám, že jste si zakoupili tyto benzínové plotové nůžky. Než je začnete používat, přečtěte si, prosím, pozorně tento návod k obsluze a uschovejte jej pro případ dalšího použití.

OBSAH

1. VŠEOBECNÉ BEZPEČNOSTNÍ PŘEDPISY	29
Důležitá bezpečnostní upozornění	29
Obal	29
Návod k použití	29
2. VYSVĚTLENÍ ŠTÍTKŮ S POKYNY NA STROJI	30
3. BEZPEČNOSTNÍ POKYNY	33
Seznámení se s výrobkem	33
Příprava před započítím práce	33
Při práci s palivem musíte dodržovat následující body	33
Používání benzínových plotových nůžek	34
Údržba a uložení	35
4. POPIS STROJE	36
Popis stroje (viz Obr. 1)	36
5. PŘED POUŽITÍM	37
Palivo motoru	37
Kontrola krytu rukou	38
Kontrola nožů	38
Kontrola krytu nožů	38
Kontrola vzduchového filtru	39
6. STARTOVÁNÍ MOTORU	39
Startování studeného motoru	39
Startování zahřátého motoru	39
Zastavení motoru	40
7. POUŽITÍ NŮŽEK - STŘÍHÁNÍ	40
Nastavení rukojeti	40
Stříhání ve svislém směru	41
Stříhání ve vodorovném směru	41
Zpětný ráz a příslušné výstrahy	41
8. ÚDRŽBA	42
Vzduchový filtr - údržba	44
Čištění	45

Převodovka.....	45
Opravy.....	45
9. ULOŽENÍ.....	47
Vypuštění paliva	47
10. TECHNICKÉ ÚDAJE.....	47
11. LIKVIDACE.....	48
POKYNY A INFORMACE O NAKLÁDÁNÍ S POUŽITÝM OBALEM.....	48
12. PROHLÁŠENÍ O SHODĚ	49

1. VŠEOBECNÉ BEZPEČNOSTNÍ PŘEDPISY

DŮLEŽITÁ BEZPEČNOSTNÍ UPOZORNĚNÍ

- ✿ Výrobek pečlivě vybalte a dejte pozor, abyste nevyhodili žádnou část obalového materiálu dříve, než najdete všechny součásti výrobku.
- ✿ Výrobek uchovávejte na suchem místě mimo dosah dětí.
- ✿ Čtěte všechna upozornění a pokyny. Zanedbaní při dodržování varovných upozornění a pokynů mohou mít za následek úraz, požár a/nebo těžká poranění.


OBAL

Výrobek je umístěn v obalu bránícím poškozením při transportu. Tento obal je surovinou a lze jej proto odevzdat k recyklaci.

NÁVOD K POUŽITÍ

Než začnete se strojem pracovat, přečtěte si následující bezpečnostní předpisy a pokyny k používání. Seznamte se s obslužnými prvky a správným používáním zařízení. Návod pečlivě uschovejte pro případ pozdější potřeby. Minimálně po dobu záruky doporučujeme uschovat originální obal včetně vnitřního balicího materiálu, pokladní doklad a záruční list.

V případě přepravy zabalte stroj zpět do originální krabice od výrobce, zajistíte si tak maximální ochranu výrobku při případném transportu (např. stěhování nebo odeslání do servisního střediska).

-  **POZNÁMKA:** Předáváte-li stroj dalším osobám, předejte jej společně s návodem. Dodržování přiloženého návodu k obsluze je předpokladem řádného používání stroje. Návod k obsluze obsahuje rovněž pokyny pro obsluhu, údržbu a opravy.

Výrobce nepřebírá odpovědnost za nehody nebo škody vzniklé následkem nedodržování tohoto návodu.

2. VYSVĚTLENÍ ŠTÍTKŮ S POKYNY NA STROJI

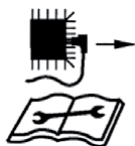
Symbody použité v tomto návodu jsou určeny k tomu, aby vás upozornily na možná rizika. Tyto bezpečnostní popisy, které je doplňují, si musíte nastudovat a zcela pochopit. Varování sama o sobě rizika neodstraňují a nemohou nahradit správné používání stroje, které zabrání vzniku nehod a případným zraněním.



Tento symbol před bezpečnostní poznámkou označuje preventivní opatření, varování nebo nebezpečí. Ignorování tohoto varování může vést k vaší nehodě nebo k nehodě jiných osob. Vždy dodržujte uvedená doporučení, abyste omezili riziko způsobení zranění, požáru nebo úrazu.



Přečtěte si celý návod k obsluze. Před každým použitím si prostudujte příslušnou část tohoto návodu.



Před každým úkonem údržby odpojte koncovku kabelu od zapalovací svíčky a přečtěte si pokyny pro údržbu.



Při manipulaci s palivem a mazivy pečlivě dodržujte předepsaná množství!



Nevystavujte nářadí dešti.



Výfuk a výfukové plyny jsou horké



Riziko zranění způsobeného odlétávajícími předměty! Vždy udržujte dostatečnou bezpečnou vzdálenost. Dávejte pozor na odmrštěné předměty. Vzdálenost mezi tímto nářadím a okolo stojícími osobami musí být minimálně 15 metrů.



Při startování motoru dochází k jiskření. Jiskření může způsobit vznícení hořlavých plynů.



Motory vytváří oxid uhelnatý, což je jedovatý a bezbarvý plyn bez zápachu. Vdechování oxidu uhelnatého může způsobit nevolnost, mdloby a smrt.



Pouze pro venkovní použití. V uzavřených prostorech hrozí nadýchání se zplodin.



Přísný zákaz kouření a manipulace s otevřeným plamenem v blízkosti tohoto nářadí!



Tyto symboly upozorňují na nutnost použití ochrany sluchu, ochrany zraku a rukavic při práci s tímto nářadím.



Při práci s tímto nářadím používejte pevnou pracovní obuv.



Udržujte bezpečnou vzdálenost.



Sytič uzavřen



Sytič otevřen



Upozornění! Nedotýkejte se prosím nožů.
Zákaz použití tohoto nářadí bez instalovaného krytu rukou.

3. BEZPEČNOSTNÍ POKYNY

⚠ **DŮLEŽITÉ: PŘED POUŽITÍM SI PEČLIVĚ PŘEČTĚTE NÁVOD USCHOVEJTE JEJ PRO POZDĚJŠÍ POUŽITÍ**

Toto nářadí musí být vždy používáno podle pokynů výrobce, které jsou uvedeny v této uživatelské příručce. V případě nesprávného použití nebo provedení úprav tohoto nářadí neponese výrobce žádnou odpovědnost za způsobené škody. Dodržujte také bezpečnostní pokyny, pokyny týkající se instalace uvedené v tomto návodu a také platné předpisy týkající se prevence úrazů a nehod.

Nářadí s nesprávnými díly a nářadí s chybějícími částmi nebo bez ochranného krytu nesmí být používáno. Autorizovaný servis vám poskytne informace týkající se náhradních dílů.

SEZNÁMENÍ SE S VÝROBKEM

- ✿ Před použitím tohoto nářadí si řádně přečtěte a prostudujte tento návod k obsluze.
- ✿ Nikdy nedovolte dětem nebo osobám, které nejsou seznámeny s těmito pokyny, aby používaly toto nářadí. Místní právní předpisy mohou omezovat věk obsluhy.
- ✿ Zastavte práci, přiblíží-li se k vám jakékoli osoby, a to zejména děti, nebo domácí zvířata.
- ✿ Nezapomínejte na to, že obsluha nebo uživatel odpovídají za nehody a rizika, která budou způsobena ostatním osobám nebo jejich majetku.
- ✿ Větší opravy mohou být prováděny pouze speciálně zaškolenými osobami.

PŘÍPRAVA PŘED ZAPOČETÍM PRÁCE

⚠ **TYTO NŮŽKY NA ŽIVÉ PLOTY MOHOU ZPŮSOBIT VÁŽNÁ ZRANĚNÍ.**

Přečtěte si pečlivě uvedené pokyny, abyste se seznámili se správnou obsluhou, přípravou, údržbou, spuštěním a zastavením těchto nůžek na živé ploty. Seznamte se s ovládacími prvky a správným použitím těchto nůžek na živé ploty.

- ✿ Nikdy nedovolte, aby tyto nůžky na živé ploty používaly děti.
- ✿ Dávejte pozor na nadzemní elektrická vedení.
- ✿ Přerušte práci, jsou-li v blízkosti jiné osoby, a to zejména děti.
- ✿ Vhodně se oblékejte! Nenoste volný oděv nebo šperky, které by mohly být zachyceny pohybujícími se díly. Doporučujeme vám používat pevné rukavice, obuv s neklouzavou podrážkou a ochranné brýle.
- ✿ Při manipulaci s palivem buďte velmi opatrní. Palivo je hořlavé a jeho výpary jsou výbušné.

PŘI PRÁCI S PALIVEM MUSÍTE DODRŽOVAT NÁSLEDUJÍCÍ BODY

- ✿ Používejte pouze schválené nádoby.
- ✿ Nikdy nesnímejte víčko nádržky nebo nedoplňujte palivo, je-li motor v chodu.
- ✿ Před doplněním paliva nechejte motor a výfukový systém vychladnout.
- ✿ při manipulaci s palivem nekuřte.
- ✿ Nikdy nedoplňujte palivo v uzavřeném prostoru.
- ✿ Nikdy neukládejte nůžky na živé ploty nebo zásobníky paliva na místech, v jejichž blízkosti se nachází otevřený plamen, například v blízkosti ohřívače vody.

- ☼ Dojde-li k rozlití paliva, nepokoušejte se na tomto místě startovat motor, ale před startováním motoru přemístěte nůžky na živé ploty na jiné místo.
- ☼ Po doplnění paliva vždy našroubujte zpět a řádně utáhněte víčko nádržky.
- ☼ Bude-li vypouštěno palivo z nádržky, vždy provádějte tento úkon venku.

POUŽÍVÁNÍ BENZÍNOVÝCH PLOTOVÝCH NŮŽEK

⚠ VAROVÁNÍ: Tyto plotové nůžky jsou výhradně určeny k stříhání a úpravy živých plotů, keřů a okrasných křovin, a to pouze v soukromém sektoru. Jakékoli jiné použití je výslovně vyloučeno, nikdy nepoužívejte tyto nůžky na živé ploty k jiným účelům! Nářadí pro soukromé a hobby zahrady nejsou vhodná pro použití ve veřejných zařízeních, parcích a sportovních centrech, podél silnic, na farmách nebo v lesnictví.

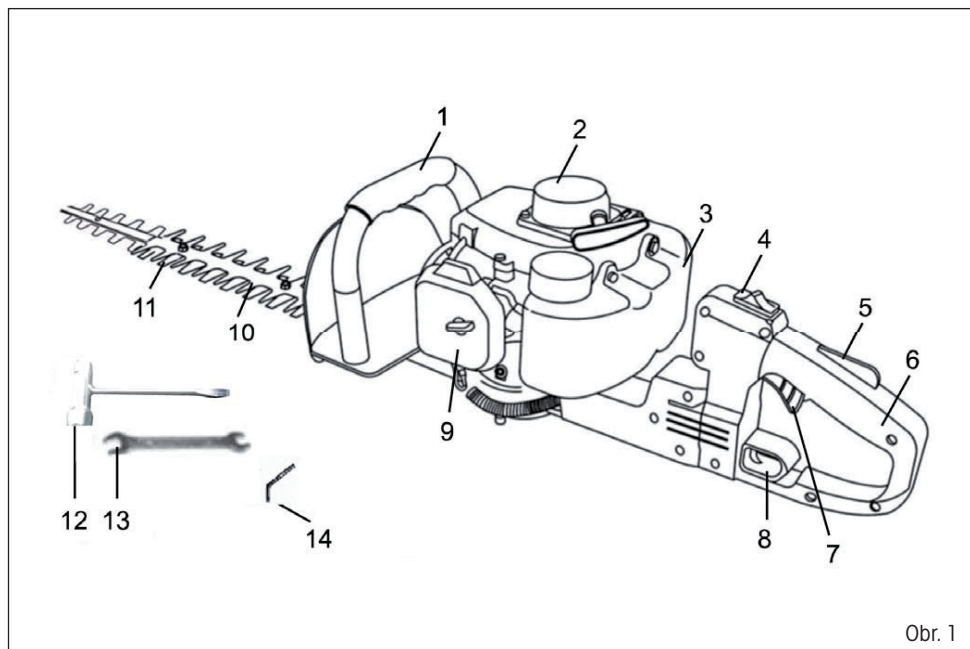
- ☼ Zastavte motor před:
 - čištěním nebo odstraněním zablokování,
 - kontrolou, prováděním údržby nebo jakékoli práci na tomto nářadí,
 - seřízením pracovní polohy nožové lišty,
 - ponecháním tohoto nářadí bez dozoru.
- ☼ Před startováním motoru se ujistěte, zda jsou nůžky na živé ploty umístěny ve správné pracovní poloze.
- ☼ Při použití těchto nůžek na živé ploty vždy udržujte bezpečnou pracovní polohu, a to zejména při práci na schůdcích nebo na žebříku.
- ☼ Nepoužívejte nůžky na živé ploty s poškozenými nebo velmi opotřebenými noži.
- ☼ Z důvodu omezení rizika způsobení požáru dbejte na to, aby na motoru a výfuku nebyly žádné nečistoty, listů nebo přebytečné mazivo.
- ☼ Před použitím nářadí se vždy ujistěte, zda jsou správně upevněny všechny rukojeti a kryty.
- ☼ Před použitím nářadí se vždy ujistěte, zda jsou všechny šrouby řádně dotaženy
- ☼ Nikdy se nepokoušejte používat nekompletní nářadí nebo nářadí, na kterém jsou provedeny neschválené úpravy.
- ☼ Při práci s nůžkami na živé ploty, na kterých jsou dvě rukojeti, používejte pro obsluhu vždy obě ruce.
- ☼ Stále sledujte okolí pracovního prostoru a dávejte pozor na možná rizika, která nemusí být slyšet z důvodu hlučnosti motoru nářadí.
- ☼ Dojde-li k nárazu nožů do cizího předmětu, začnou-li nůžky na živé ploty vydávat neobvyklé zvuky nebo budou-li nadměrně vibrovat, zastavte motor a počkejte, dokud nedojde k úplnému zastavení nářadí. Odpojte koncovku kabelu od zapalovací svíčky a proveďte následující kroky:
 - Zkontrolujte, zda nedošlo k poškození.
 - Zkontrolujte a utáhněte všechny uvolněné části.
 - Všechny poškozené části opravte nebo vyměňte a použijte pro tento úkon pouze schválené díly.
- ☼ Při práci s tímto nářadím používejte ochranu sluchu.
- ☼ Při práci s tímto nářadím používejte ochranu zraku.
- ☼ V nouzové situaci zastavte motor nastavením spínače motoru do polohy vypnuto.
- ☼ Při provozu nářadí v prostředích s vyšší teplotou, nadmořskou výškou nebo vlhkostí dochází snížení výkonu tohoto nářadí

- Maximální provozní teplota: 40 °C
- Maximální nadmořská výška: 1 000 m
- Maximální vlhkost: 95 %

ÚDRŽBA A ULOŽENÍ

- ✿ Při zastavování tohoto nářadí z důvodu provádění údržby, kontroly nebo uložení, vždy zastavte motor, odpojte koncovku kabelu od zapalovací svíčky a ujistěte se, zda došlo k zastavení všech pohybujících se dílů. Před prováděním jakéhokoli seřízení nebo kontroly počkejte, dokud nedojde k vychladnutí tohoto nářadí.
- ✿ Ukládejte tyto nůžky na živé ploty na takových místech, kde se v blízkosti nevyskytuje žádný zdroj otevřeného plamene nebo jiskření. Před uložení nechejte tyto nůžky na živé ploty vždy vychladnout.
- ✿ Při přepravě nebo uložení tohoto nářadí vždy nasadte na nožovou lištu ochranný kryt.
- ✿ Dbejte na to, aby byly řádně utaženy všechny matice a šrouby z důvodu zajištění bezpečného provozu tohoto nářadí.
- ✿ Před každým uložení nechejte řádně vychladnout motor nářadí.
- ✿ Z důvodu omezení rizika způsobení požáru dbejte na to, aby se na motoru, tlumiči výfuku a nádržce na palivo nenacházely zbytky rostlinného materiálu nebo přebytké mazivo.
- ✿ Z bezpečnostních důvodů vyměňte opotřebované nebo poškozené díly.
- ✿ Bude-li z nádržky vypouštěno palivo, vždy provádějte tento úkon venku.
- ✿ Před uložení nářadí proveďte vždy jeho očištění a údržbu.
- ✿ Nikdy neprovádějte demontáž ochranných krytů nožů nůžek.
- ✿ Kovové nože vždy ukládejte na chladném a suchém místě. Nikdy nepoužívejte zkorodované nože. Během práce mohou nože způsobit vážné zranění.

4. POPIS STROJE



Obr. 1

POPIS STROJE (VIZ OBR. 1)

1. Přední rukojeř
2. Startér
3. Nádržka na palivo
4. Spínač motoru
5. Pojistka spouště plynu
6. Zadní rukojeř
7. Spoušť plynu
8. Zajišťovací táhlo rukojeti
9. Vzduchový filtr
10. Vodicí lišta
11. Nože nůžek
12. Klíč na zapalovací svíčku
13. Stranový klíč
14. Šestihranný klíč

5. PŘED POUŽITÍM

Před použitím tohoto nářadí si vždy pečlivě přečtěte tento návod a proveďte kontrolu nářadí.

- ⚠ **VAROVÁNÍ:** Před započítím práce zkontrolujte nože nůžek a nikdy nepoužívejte nože, které jsou tupé, prasklé nebo poškozené. Ujistěte se, zda jsou rukojeti a bezpečnostní prvky v dobrém provozním stavu. Nikdy nepoužívejte nářadí, u kterého schází jakákoli část nebo které bylo upraveno a nesplňuje technické parametry. Před nastartováním motoru nůžek musí být správně upevněny všechny ochranné kryty.
- ⚠ **VAROVÁNÍ:** Tyto nůžky na živé ploty jsou vybaveny dvoudobým motorem, a proto je nutné používat palivo smíchané s olejem. Postupujte prosím podle níže uvedeného postupu.
- ⚠ **VAROVÁNÍ:** Vždy při práci používejte kvalitní rukavice, obuv a ochranu sluchu i zraku. Vybavení musí být opatřeno značkou CE a musí být testováno podle požadavků směrnice PPE (Person Protective Equipment - Osobní ochranné vybavení). Nekvalitní vybavení může omezit ochranu osob a během práce může způsobit zranění osob.

PALIVO MOTORU

- ⚠ **VAROVÁNÍ:** Tyto nůžky na živé ploty jsou vybaveny dvoudobým motorem. Používejte palivo smíchané s olejem.

- ✿ Palivo doplňujte pouze na dobře větraných místech.
 - ✿ Dbejte na to, aby nedošlo k rozlití paliva.
 - ✿ Nikdy neprovádějte doplňování paliva, je-li motor v chodu.
 - ✿ Před doplněním paliva nechte motor vychladnout asi dvě minuty.
 - ✿ Doplnění paliva nesmí být prováděno v blízkosti otevřeného plamene, kontrolních svítilen nebo elektrických zařízení, u kterých dochází k jiskření, jako jsou elektrická nářadí, svářečky nebo brusky.
1. Posunutím spínače motoru (Obr 1, bod 4) do polohy vypnuto (OFF) zajistíte vypnutí motoru.
 2. Proveďte vizuální kontrolu paliva v nádrži. Sejměte víčko palivové nádržky a zkontrolujte množství paliva.
 3. Doplnějte do nádržky směs bezolovnatého benzínu s oktanovým číslem min. 90 (nejlépe Natural 95) a oleje určeného pro dvoudobé motory v poměru 40:1 (2,5 % oleje v palivové směsi)
 4. Otočte víčko nádržky ve směru pohybu hodinových ručiček, aby došlo k jeho utažení.

- ⚠ **VAROVÁNÍ:** Neprovádějte doplňování paliva, je-li motor v chodu nebo je-li horký. Nikdy nepoužívejte olej pro čtyřdobé motory. Nikdy nepoužívejte olej pro dvoudobé motory chlazené kapalinou.

- ✿ Nekvalitní olej a nesprávná směs paliva a oleje mohou ohrozit funkci motoru a snižují provozní životnost katalyzátorů.
- ✿ Před doplněním paliva do nádržky řádně protřepejte kanystr, abyste získali správnou palivovou směs.
- ✿ Nikdy nepoužívejte starý nebo znečištěný benzin nebo směs benzínu a oleje.

- ☼ Zabraňte kontaminaci paliva v nádržce nečistotami nebo vodou. Při velkém zatížení může být občas slyšet klepání nebo zvonění motoru. To je normální a nejedná se o žádný problém. Dochází-li ke klepání nebo zvonění i při normálním zatížení a při konstantních otáčkách motoru, změňte použitý benzin. Nedojde-li po této změně k vyřešení problému, kontaktujte autorizovaný servis.
- ☼ Budete-li dlouhodobě pracovat s motorem ve vysokých otáčkách, doporučujeme vám použít benzin s vyšším oktanovým číslem.

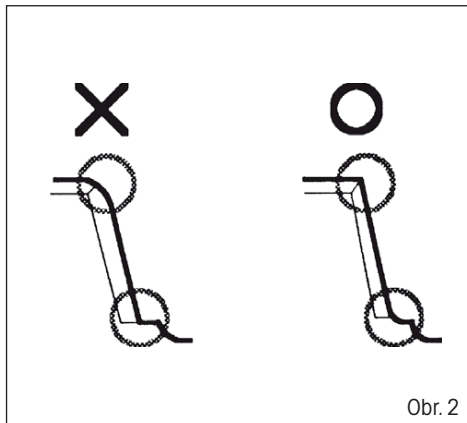
KONTROLA KRYTU RUKOU

- ☼ Ochranný kryt rukou zabraňuje tomu, aby došlo ke kontaktu rukou s pohybujícími se noži, například v situaci, kdy uživatelí nářadí sklouzne ruka z přední rukojeti.

⚠ UPOZORNĚNÍ! Zkontrolujte, zda je kryt rukou správně nasazen a upevněn.
Zkontrolujte, zda kryt rukou není poškozen.

KONTROLA NOŽŮ

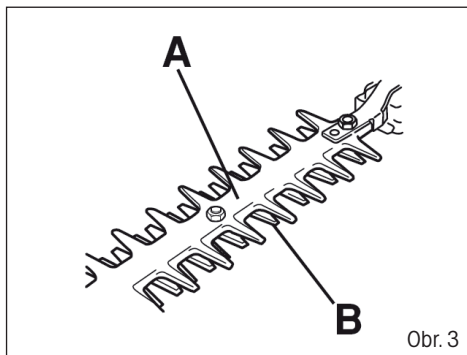
- ☼ Z důvodu zajištění dobrých pracovních výsledků je důležité, aby byl správný kontaktní tlak mezi noži nůžek. Kontaktní tlak je nastavován otáčením šroubů na spodní části lišty ve směru pohybu hodinových ručiček.
- ☼ Jsou-li nože správně nastaveny, vůle mezi noži měřená na šroubech musí být 0,2 - 0,4 mm.
- ☼ Jsou-li nože ohnuté nebo poškozeny, proveďte jejich výměnu.
- ☼ Zkontrolujte pracovní hrany nožů a je-li to nutné, upravte je pomocí plochého a kulatého pilníku.
 1. Udržujte ostrou koncovou hranu nože (Obr 2).
Nejllepší pracovní úhel nože je 45°.
 2. Základnu nože zaoblete.
 3. Nepoužívejte při broušení vodu.



Obr. 2

KONTROLA KRYTU NOŽŮ

- ☼ Kryt nožů (Obr 3, bod A) je určen pro ochranu jakékoli části těla, aby se nedostala do kontaktu s noži nůžek (Obr 3, bod B).
- ☼ Zkontrolujte, zda nedošlo k poškození nebo deformaci krytu nožů. Je-li kryt nožů ohnutý nebo poškozený, proveďte jeho výměnu.



Obr. 3

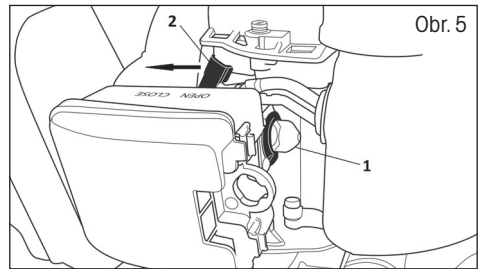
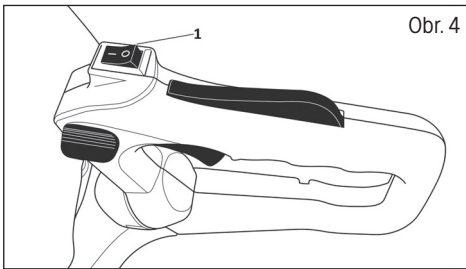
KONTROLA VZDUCHOVÉHO FILTRU

- ✿ Zkontrolujte vzduchový filtr, abyste se ujistili, zda je čistý a v dobrém stavu.
- ✿ Povolte šroub krytu vzduchového filtru, sejměte tento kryt a potom proveďte kontrolu filtru. Je-li to nutné, proveďte vyčištění nebo výměnu filtru.

6. STARTOVÁNÍ MOTORU

- ⚠ VAROVÁNÍ! Při startování motoru může docházet k pohybu nožů nůžek. Zajistěte, aby se nože nůžek nemohly dostat do kontaktu se žádným předmětem. Zajistěte, aby se v pracovním prostoru nenacházely žádné nepovolané osoby. Těmto osobám by hrozilo riziko vážného zranění.**

STARTOVÁNÍ STUDENÉHO MOTORU



1. Nastavte hlavní vypínač do polohy ON (Obr. 4, bod 1)
2. Několikrát stiskněte pumpičku nástríku paliva (Obr. 5, bod 2)
3. Nastavte páčku sytiče do polohy CLOSE (viz Obr. 5, bod 2)
3. Plotové nůžky položte na rovnou zem tak, aby byly stabilní a tahejte za rukojeť startovací šňůry, dokud motor neprojeví snahu nastartovat. Z počátku tahejte za šňůru navíjecího startéru pomalu, až dokud neucítíte odpor, potom za šňůru zatáhněte prudce. Při zpětném navíjení přidržíte šňůru navíjecího startéru rukou a nechejte ji zlehka a pomalu navinout.
4. V tomto okamžiku nastavte páčku sytiče zpět do polohy OPEN (Obr. 5) a opětovným taháním za startovací šňůru motor nastartujte.

- ⚠ POZOR!** Příliš dlouhý protáčení motoru s páčkou sytiče v poloze CLOSE způsobí přepálení motoru a problémy s jeho startováním.

5. Před zahájením práce nechejte motor několik minut zahřívát na provozní teplotu.

STARTOVÁNÍ ZAHŘÁTÉHO MOTORU

1. Nastavte hlavní vypínač do polohy ON (Obr. 4, bod 1)
2. Tahejte za rukojeť startovací šňůry, dokud nedojde k nastartování motoru

NEPOUŽÍVEJTE SYTIČ!

⚠ POZOR! Došlo-li k úplnému spotřebování paliva v palivové nádrži, po doplnění paliva zopakujte kroky pro **STARTOVÁNÍ STUDENÉHO MOTORU**.

⚠ VAROVÁNÍ! Dávejte pozor, aby nedošlo ke kontaktu nožů s cizími předměty, jako jsou kovové dráty nebo mříže, které by mohly způsobit poškození nožů nebo pohonu. Dojde-li k zablokování nebo zaseknutí nožů o překážku, okamžitě zastavte motor. Teprve potom proveďte uvolnění zablokovaného nářadí.

Zkontrolujte, zda nedochází k pohybu nožů nůžek, je-li motor v chodu ve volnoběžných otáčkách.

ZASTAVENÍ MOTORU

Nastavte hlavní vypínač do polohy OFF (Obr. 4)

7. POUŽITÍ NŮŽEK - STŘÍHÁNÍ

⚠ UPOZORNĚNÍ! V nouzové situaci zastavte motor nastavením spínače motoru do polohy OFF. Nářadí držte pokud možno co nejbližší u těla, abyste získali co nejlepší rovnováhu. Zajistěte, aby se špička nářadí nedotýkala země. Při práci nespěchejte, ale pracujte plynule, dokud nebudou rovnoměrně zkráceny všechny větve živého plotu.

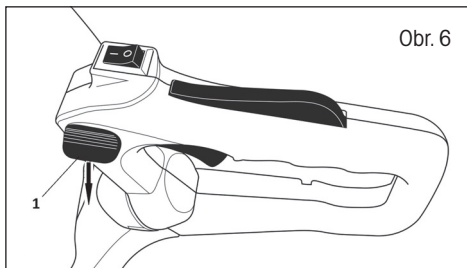
⚠ UPOZORNĚNÍ! Při práci nenechávejte dlouho motor v chodu ve volnoběžných otáčkách. Dlouhodobý provoz nářadí v nízkých otáčkách způsobí předčasné opotřebování spojky. Na druhé straně není vhodné při stříhání déle udržovat maximální otáčky motoru. Dlouhodobý provoz nářadí ve vysokých otáčkách způsobí zkrácení životnosti motoru.

NASTAVENÍ RUKOJETI

⚠ VAROVÁNÍ!

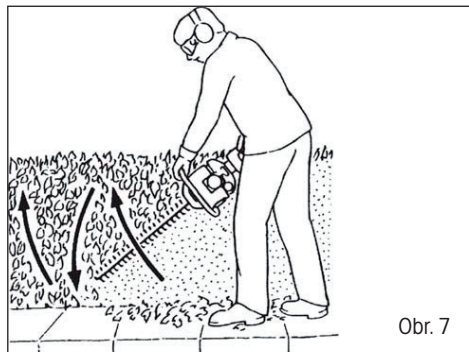
Během tohoto úkonu nepoužívejte spouštěcí spínač!

Při stříhání živých plotů může být zadní rukojeť nastavena do 3 následujících poloh, středová, vlevo v úhlu 90° nebo vpravo v úhlu 90°, aby byla snížena únava při práci. Nastavení se provádí po odjištění pojistky na zadní rukojeti (Obr 6, bod 1). Pojistku stlačte dolů a následně otočte rukojeť v požadovaném směru. Po uvolnění pojistky zůstane rukojeť v poloze aretována.



STŘÍHÁNÍ VE SVISLÉM SMĚRU

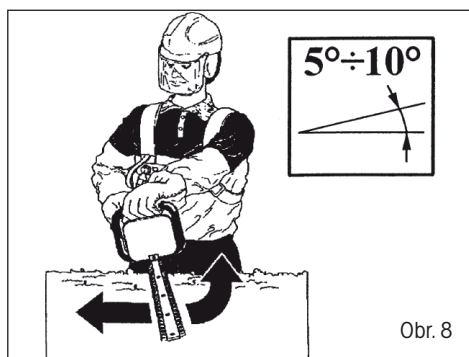
Používejte stříhání obloukem ze spodní části směrem nahoru a potom směrem dolů, aby byly využívány obě strany nožů.



Obr. 7

STŘÍHÁNÍ VE VODOROVNÉM SMĚRU

Nakloňte nože mírně ve směru prováděného stříhání (v úhlu 5 - 10°), abyste dosáhli co nejlepších výsledků při stříhání.



Obr. 8

ZPĚTNÝ RÁZ A PŘÍSLUŠNÉ VÝSTRAHY

Zpětný ráz je náhlou reakcí na zablokování nebo zaseknutí pracovního nástroje. Zablokování nebo zaseknutí způsobuje náhlé zastavení rotujícího příslušenství, což následně způsobí nekontrolovatelný pohyb nářadí v opačném směru, než je směr otáčení příslušenství v místě jeho zablokování. Například, dojde-li k zablokování nebo zaseknutí pracovního nástroje kamenem, hrana pracovního nástroje, která vniká do místa sevržení, může vniknout do povrchu materiálu, což způsobí stoupání pracovního nástroje nebo zpětný ráz. Pracovní nástroj může vyskočit směrem k uživateli nebo od uživatele v závislosti na směru pohybu pracovního nástroje v bodě jeho zablokování. Zpětný ráz je důsledkem nesprávného použití nářadí, nesprávného pracovního postupu nebo nevhodných provozních podmínek a zpětnému rázu může být zabráněno dodržováním níže uvedených pokynů.

- Stále udržujte pevný úchop nářadí a udržujte takovou polohu těla a paží, abyste mohli odolávat silám zpětného rázu.**
- Nikdy nekládejte ruce do blízkosti rotujícího příslušenství.** Příslušenství může být odmrštěno směrem dozadu přes vaše ruce.
- Nestoupejte si na taková místa, do kterých by bylo nářadí odmrštěno v případě zpětného rázu.** Zpětný ráz odhodí nářadí v opačném směru, než je pohyb pracovního nástroje v místě jeho zablokování.
- Bud'te velmi opatrní při práci v blízkosti rohů, ostrých hran atd. Vyvarujte se poskakování a zachytávání příslušenství.** Rohy, ostré hrany nebo poskakování pracovního příslušenství mají tendenci zachytávat rotující příslušenství a způsobit ztrátu kontroly nebo zpětný ráz.

8. ÚDRŽBA

Kvalitní údržba motoru je velmi důležitá z hlediska bezpečného, hospodárného a bezproblémového provozu nářadí. Pomáhá také omezit znečištění ovzduší.

Účelem provádění pravidelné údržby a seřizování je udržení tohoto nářadí v bezvadném provozním stavu.

Před prováděním jakékoli údržby zastavte motor. Musí-li být motor během údržby v chodu, zajistěte, aby byl prostor řádně větrán. Výfukové plyny obsahují jedovatý oxid uhelnatý. Vždy prosím používejte doporučené příslušenství. Příslušenství, které nebude mít odpovídající kvalitu, může způsobit poškození nářadí.

Během údržby prosím nikdy nepoužívejte neschválené komponenty a nesnímejte bezpečnostní zařízení po provedení údržby.

Údržba	Údržba prováděná po každém použití	Údržba prováděná po každém 3 použití	Údržba prováděná po sezóně
Očistěte povrch nářadí.	X		
Zkontrolujte správnou funkci pojistky spouště plynu i samotné spouště plynu, aby byl zajištěn bezpečný provoz tohoto nářadí.	X		
Zkontrolujte správnou funkci spínače motoru.	X		
Zkontrolujte, zda při volnoběžných otáčkách motoru nebo při nastavení sytiče do polohy pro startování motoru nedochází k pohybu nožů nůžek.	X		
Zkontrolujte, zda jsou nože nůžek v pořádku, zda nejsou popraskány nebo jiným způsobem poškozeny. Je-li to nutné, proveďte výměnu nožů.	X		
Zkontrolujte, zda nedošlo k poškození nebo deformaci krytu nožů. Je-li kryt nožů ohnutý nebo poškozený, proveďte jeho výměnu.	X		
Vyčistěte vzduchový filtr. Je-li to nutné, proveďte výměnu.	X		
Zkontrolujte, zda jsou řádně utaženy šrouby a matice.	X		
Zkontrolujte, zda nedochází k únikům paliva z motoru, nádržky nebo palivového potrubí.	X		
Zkontrolujte startér a šňůru navíjecího startéru.		X	

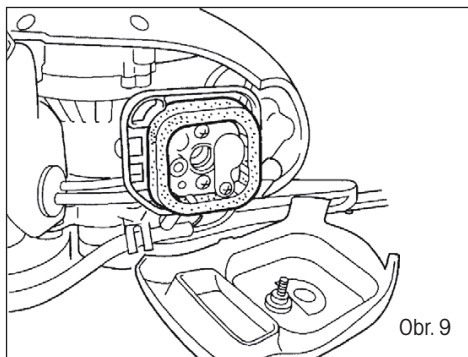
Očistěte povrch zapalovací svíčky. Vyměňte zapalovací svíčku a zkontrolujte, odtrh elektrod. Nastavte, odtrh na 0,6 - 0,7 mm nebo zapalovací svíčku vyměňte. Zkontrolujte, zda je na zapalovací svíčce nasazena koncovka kabelu zapalovací svíčky.		X	
Očistěte chladicí systém nářadí.		X	
Očistěte povrch karburátoru a prostor v jeho blízkosti.		X	
Zkontrolujte, zda jsou správně sestaveny a utaženy příruba, kryt a matice		X	
Očistěte palivovou nádrž.			X
Zkontrolujte všechny kabely a zapojení.			X
Zkontrolujte opotřebenou spojkou, spojkových pružin a spojového koše. Je-li to nutné, svěťte provedení výměny autorizovanému servisu.			X
Vyměňte zapalovací svíčku. Zkontrolujte, zda je na zapalovací svíčce nasazena koncovka kabelu zapalovací svíčky.			X
Odstraňte nečistoty, listí a přebytečné mazivo z tlumiče výfuku a motoru, abyste snížili riziko způsobení požáru.			X

ÚDRŽBA musí být prováděna v PRAVIDELNÝCH INTERVALECH během uvedených období nebo po uplynutí určitého počtu provozních hodin (dle aktuálnosti). ⁽¹⁾		Vždy před použitím	Každý měsíc nebo po 25 provozních hodinách	Každé 3 měsíce nebo po 50 provozních hodinách	Každých 6 měsíců nebo po 100 provozních hodinách
Vzduchový filtr	Vyčistit			X ⁽¹⁾	
Vůle ventilů	Zkontrolovat - vyčistit				X ⁽²⁾
Palivová nádržka a palivový filtr	Vyčistit				X ⁽²⁾
Mazivo uvnitř převodovky	Naplnit			X ⁽¹⁾	
Nože	Zkontrolovat (v případě potřeby vyměnit)	X		X	
Palivové potrubí	Zkontrolovat (v případě potřeby vyměnit)	Každé tři roky ⁽²⁾			

- (1) Je-li nářadí používáno na prašných místech, zkráťte intervaly údržby.
- (2) Nemá-li majitel odpovídající nářadí a požadované znalosti, tuto údržbu musí provádět specialisté autorizovaného servisu.

VZDUCHOVÝ FILTR - ÚDRŽBA

1. Povolte šroub krytu vzduchového filtru a sejměte tento kryt.
2. Omyjte vzduchový filtr ve vhodném rozpouštědle.
3. Vymačkejte z filtru všechny přebytečný olej.
4. Vložte vzduchový filtr zpět do nářadí.
5. Namontujte zpět kryt vzduchového filtru a řádně utáhněte tento kryt šroubem.



Obr. 9

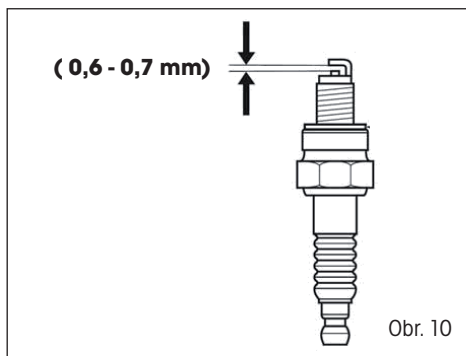
⚠ VAROVÁNÍ! Použití benzínových nebo hořlavých rozpouštědel může vést k způsobení požáru nebo exploze. Proto používejte pouze mýdlový roztok nebo nehořlavá rozpouštědla. Nikdy nepoužívejte toto nářadí bez vzduchového filtru.

Zapalovací svíčka - údržba

DOPORUČENÁ ZAPALOVACÍ SVÍČKA: SAIL BM6A

Zapalovací svíčka musí mít správný odtrh a nesmí být znečištěna usazeninami, aby byl zaručen správný chod motoru.

1. Sejměte kryt zapalovací svíčky.
2. Sejměte koncovku kabelu zapalovací svíčky.
3. Odstraňte všechny nečistoty nacházející se v blízkosti základny zapalovací svíčky.
4. Pro demontáž zapalovací svíčky použijte dodaný klíč na zapalovací svíčky.
5. Proveďte vizuální kontrolu zapalovací svíčky. Pomocí drátěného kartáče odstraňte usazeniny karbonu.
6. Zkontrolujte zbarvení horní části zapalovací svíčky. Standardním zbarvením by měla být světle hnědá barva.
7. Zkontrolujte odtrh zapalovací svíčky. Správná velikost odtrhu je 0,6 - 0,7 mm.
8. Našroubujte zapalovací svíčku zpět opatrně rukou.
9. Jakmile bude zapalovací svíčka zcela dotažena rukou, řádně ji utáhněte dodaným klíčem.
10. Nasadte na horní část zapalovací svíčky koncovku kabelu zapalovací svíčky.
11. Nasadte zpět kryt zapalovací svíčky.



Obr. 10

ČIŠTĚNÍ

1. Udržujte nářadí v čistotě a je-li to nutné, povrch nářadí můžete čistit měkkým a vlhkým hadříkem s jemným čisticím prostředkem. Nikdy nepoužívejte k čištění vodu, protože by mohlo dojít k poškození vnitřních částí nářadí.
2. Některé výrobky pro údržbu a některá rozpouštědla mohou poškodit plastové díly. Mezi tyto produkty patří výrobky obsahující benzen, trichloretylen, chlorid a čpavek.
3. Věnujte speciální pozornost tomu, aby byly stále průchozí všechny větrací otvory na nářadí. Pro zajištění čistoty uvnitř nářadí bude obvykle dostatečné čištění měkkým kartáčem a následné vyfouknání proudem stlačeného vzduchu.
4. Při provádění čištění používejte vhodnou ochranu zraku.

PŘEVODOVKA

Převodovku je nutné promazat po každých 30 provozních hodinách. Za tímto účelem doporučujeme navštívit autorizované servisní středisko.

OPRAVY

Opravy tohoto nářadí mohou být prováděny pouze v autorizovaném servisu.

Problém	Kontrola	Stav	Příčina	Řešení	
Motor se zastavuje, lze pouze obtížně nastartovat nebo nejde nastartovat vůbec	Palivo v karburátoru	Palivo nedorazí do karburátoru	Ucpaný palivový filtr	Vyčistit nebo vyměnit.	
			Ucpaný přívod paliva	Vyčistit nebo vyměnit.	
			Karburátor	Požádejte o opravu autorizovaný servis.	
	Palivo ve válci	Palivo nedorazí do válce	Karburátor	Požádejte o opravu autorizovaný servis.	
			Ve výfuku je palivo	Palivová směs je příliš bohatá	Otevřete škrtkový klapku. Vyčistěte nebo vyměňte vzduchový filtr. Seřídte karburátor. Požádejte o opravu autorizovaný servis.
	Jiskry na elektrodách zapalovací svíčky	Bez jiskry	Spínač motoru v poloze vypnuto	Nastavte spínač motoru do polohy zapnuto (ON - chod motoru).	
Problém elektrického systému			Požádejte o opravu autorizovaný servis.		
Zajištěný spínač					

Problém	Kontrola	Stav	Příčina	Řešení
Motor se zastavuje, lze pouze obtížně nastartovat nebo nejde nastartovat vůbec	Jiskry na elektrodách zapalovací svíčky	Bez jiskry	Špatná vzdálenost elektrod	Nastavte odtrh na hodnotu 0,6 - 0,7 mm
			Znečištěné elektrody	Vyčistit nebo vyměnit
			Elektrody jsou znečištěny palivem	Vyčistit nebo vyměnit
			Poškozená zapalovací svíčka	Vyměňte zapalovací svíčku
Motor je v chodu, ale zastavuje se a nemá správnou akceleraci	Vzduchový filtr	Znečištěný vzduchový filtr	Běžné opotřebenání	Vyčistit nebo vyměnit
	Palivový filtr	Znečištěný palivový filtr	Nečistoty nebo usazeniny v palivu	Vyměnit
	Ventil paliva	Ucpaný ventil paliva	Nečistoty nebo usazeniny v palivu	Vyčistit nebo vyměnit
	Zapalovací svíčka	Znečištěná nebo opotřebená zapalovací svíčka	Běžné opotřebenání	Vyčistit, nastavit nebo vyměnit
	Karburátor	Špatné seřízení	Vibrace	Seřídít
	Chladicí systém	Vysoká teplota	Dlouhodobé použití ve znečištěném nebo prašném prostředí	Vyčistit
	Odrušovač	Prasklá, znečištěná nebo perforovaná deska	Běžné opotřebenání	Vyměnit
Motor nepohání nářadí	Není k dispozici	Není k dispozici	Vnitřní závada motoru	Požádejte o opravu autorizovaný servis

9. ULOŽENÍ

Při přepravě tohoto nářadí ve vozidle prosím vyprázdněte nádržku paliva, aby nedocházelo k jeho únikům.

VYPUŠTĚNÍ PALIVA

⚠ VAROVÁNÍ! Vypouštění paliva provádějte pouze, je-li motor studený!

1. Postavte nářadí na rovný a stabilní povrch.
2. Uvolněte a sejměte víčko palivové nádržky.
3. Vypusťte všechno palivo do vhodného kanystru.
4. Stiskněte několikrát ruční čerpadlo, dokud nedojde k odtoku paliva z nádobky.
5. Znovu vypusťte palivo.
6. Nasadte zpět a utáhněte víčko palivové nádržky.

Uložte toto nářadí, pokyny pro jeho použití a také příslušenství do originálního obalu.

Tak budete mít vždy všechny informace a díly ihned po ruce.

Provedte řádné zabalení nářadí nebo použijte originální obal, abyste zabránili jeho poškození během přepravy.

Ukládejte toto nářadí s prázdnou palivovou nádržkou na suchém a dobře větraném místě.

Neskladujte palivo v blízkosti nářadí.

10. TECHNICKÉ ÚDAJE

Model	FZN 4002 B
Zdvihový objem motoru	22,5 cm ³
Maximální výkon motoru	0,65 kW
Typ motoru	Dvoudobý, chlazení vzduchem
Typ zapalovací svíčky	SAIL/BM6A
Maximální otáčky motoru:	7 500 min ⁻¹
Volnoběžné otáčky motoru	3 000 min ⁻¹
Otáčky pro záběr spojky	3 800 min ⁻¹
Účinný pracovní záběr	510 mm
Objem palivové nádržky	0,6 l
Míchací poměr paliva (Natural 95 / olej pro dvoutaktní motory)	40 : 1
Úroveň vibračí působících na rukojeť	19 m/s ² k = 1,5 m/s ²
Úroveň akustického tlaku: LpA	85 dB(A) k = 1,5 dB(A)
Úroveň akustického výkonu: LwA	108 dB(A) k = 1,5 dB(A)
Hmotnost nářadí (prázdné nádržky bez pracovního zařízení)	5,2 kg

11. LIKVIDACE

POKYNY A INFORMACE O NAKLÁDÁNÍ S POUŽITÝM OBALEM

Použitý obalový materiál odložte na místo určené obcí k ukládání odpadu.



Stroj a jeho příslušenství jsou vyrobeny z různých materiálů, např. z kovu a plastů. Poškozené součástky odevzdejte do tříděného sběru. Informujte se u příslušného úřadu.



Tento výrobek splňuje veškeré základní požadavky směrnice EU, které se na něj vztahují.

Změny v textu, designu a technických specifikacích se mohou měnit bez předchozího upozornění a vyhrazujeme si právo na jejich změnu.

Návod k použití v originálním jazyce.

12. PROHLÁŠENÍ O SHODĚ

FAST®

FAST ČR, a.s.
Černokostecká 1621, 251 01 Říčany u Prahy, Česká Republika
tel.: 323 204 111, fax: 323 204 110

PROHLÁŠENÍ O SHODĚ

ES prohlášení o shodě

Fast ČR, a. s., Černokostecká 251 01 Říčany u Prahy, telefon: 323 204 111, prohlašuje se závazným účinkem, že benzínové nůžky na živý plot Fieldmann FZN 4002B (rok výroby je uveden na typovém štítku a následován výrobním číslem zařízení) splňují následující požadavky SMĚRNICE RADY

ES Směrnice pro strojní zařízení (MD) 2006/42/ES (98/37/EDC)
ES Směrnice pro elektromagnetickou kompatibilitu (EMC)
ES Směrnice o hluku zařízení (ND) 2005/88/ES (2000/14/ES)
ES Emise plyných látek 2002/88/ES

a byly testovány podle následujících norem:

EN ISO 12100:2010
EN ISO 22868:2011
EN ISO 3744:2010
EN ISO 10517:2012
EN 55012:2007+A1:2009

Technické údaje:

22,5cm³; 0,65kW

Označení CE: 15

Říčany, 29. listopadu 2015

Jméno, razítko a podpis

Petr Uher
Manažer kvality

 FAST ČR, a.s.
Černokostecká 1621
251 01 Říčany u Prahy
tel.: +420/ 323 204 111
fax: +420/ 323 204 110


IČO: 26726548, DIČ: CZ26726548

Bankovní spojení: Komerční banka Praha 1, č.ú. 89309-011/0100, Česká spořitelna Praha 4, č.ú. 2375682/0800,
ČSOB Praha 1, č.ú. 8010-0116233383/0300

Nožnice na živé ploty s benzínovým motorom

NÁVOD NA OBSLUHU

Ďakujeme vám, že ste si kúpili tieto benzínové nožnice na živé ploty. Skôr ako ich začnete používať, prečítajte si, prosím, pozorne tento návod na obsluhu a uschovajte ho pre prípad ďalšieho použitia.

OBSAH

1. VŠEOBECNÉ BEZPEČNOSTNÉ PREDPISY.....	53
Dôležité bezpečnostné upozornenia	53
Obal	53
Návod na použitie.....	53
2. VYSVETLENIE ŠTÍTKOV S POKYNNI NA STROJI.....	54
3. BEZPEČNOSTNÉ POKYNY	57
Oboznámenie sa s výrobkom	57
Príprava pred začatím práce	57
Pri práci s palivom musíte dodržiavať nasledujúce body.....	57
Používanie benzínových nožníc na živé ploty	58
Údržba a uloženie.....	59
4. POPIS STROJA	60
Popis stroja (pozrite Obr. 1).....	60
5. PRED POUŽITÍM	61
Palivo motora	61
Kontrola krytu rúk.....	62
Kontrola nožov	62
Kontrola krytu nožov	62
Kontrola vzduchového filtra.....	63
6. ŠTARTOVANIE MOTORA	63
Štartovanie studeného motora	63
Štartovanie zahriateho motora.....	63
Zastavenie motora	64
7. POUŽITIE NOŽNÍC – STRIHANIE.....	64
Nastavenie rukoväti	64
Strihanie vo zvislom smere	65
Strihanie vo vodorovnom smere.....	65
Spätný ráz a príslušné výstrahy	65
8. ÚDRŽBA.....	66
Vzduchový filter – údržba.....	68
Čistenie	69

Prevodovka.....	69
Opravy.....	69
9. ULOŽENIE.....	71
Vypustenie paliva.....	71
10. TECHNICKÉ ÚDAJE.....	71
11. LIKVIDÁCIA.....	72
POKYNY A INFORMÁCIE O ZAOBCHÁDZANÍ S POUŽITÝM OBALOM.....	72
12. VYHLÁSENIE O ZHODE.....	73

1. VŠEOBECNÉ BEZPEČNOSTNÉ PREDPISY

DÔLEŽITÉ BEZPEČNOSTNÉ UPOZORNENIA

- ✿ Výrobok starostlivo vybalte a dajte pozor, aby ste nevyhodili žiadnu časť obalového materiálu, skôr ako nájdete všetky súčasti výrobku.
- ✿ Výrobok uchovávajte na suchom mieste mimo dosahu detí.
- ✿ Čítajte všetky upozornenia a pokyny. Zanedbanie pri dodržiavaní varovných upozornení a pokynov môže mať za následok úraz, požiar a/alebo ťažké poranenia.


OBAL

Výrobok je umiestnený v obale brániacom poškodeniam pri transporte. Tento obal je surovinou a je preto možné ho odovzdať na recykláciu.

NÁVOD NA POUŽITIE

Skôr ako začnete so strojom pracovať, prečítajte si nasledujúce bezpečnostné predpisy a pokyny na používanie. Oboznámte sa s obslužnými prvkami a správnym používaním zariadenia. Návod dôkladne uschovajte pre prípad neskoršej potreby. Minimálne počas záruky odporúčame uschovať originálny obal vrátane vnútorného baliaceho materiálu, pokladničný doklad a záručný list.

V prípade prepravy zabalte stroj späť do originálnej škatule od výrobcu, zaistíte si tak maximálnu ochranu výrobku pri prípadnom transporte (napr. pri sťahovaní alebo odoslaní do servisného strediska).

-  **POZNÁMKA:** Ak odovzdávate stroj ďalším osobám, odovzdajte ho spoločne s návodom. Dodržiavanie priloženého návodu na obsluhu je predpokladom riadneho používania stroja. Návod na obsluhu obsahuje tiež pokyny na obsluhu, údržbu a opravy.

Výrobca nepreberá zodpovednosť za nehody alebo škody vzniknuté následkom nedodržiavania tohto návodu.

2. VYSVETLENIE ŠTÍTKOV S POKYNYMI NA STROJI

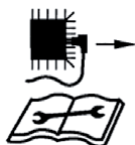
Symbody použité v tomto návode sú určené na to, aby vás upozornili na možné riziká. Tieto bezpečnostné popisy, ktoré ich dopĺňujú, si musíte naštudovať a celkom pochopiť. Varovania samy osebe riziká neodstraňujú a nemôžu nahradiť správne používanie stroja, ktoré zabráni vzniku nehôd a prípadným zraneniam.



Tento symbol pred bezpečnostnou poznámkou označuje preventívne opatrenie, varovanie alebo nebezpečenstvo. Ignorovanie tohto varovania môže viesť k vašej nehode alebo k nehode iných osôb. Vždy dodržiavajte uvedené odporúčania, aby ste obmedzili riziko spôsobenia zranenia, požiaru alebo úrazu.



Prečítajte si celý návod na obsluhu. Pred každým použitím si preštudujte príslušnú časť tohto návodu.



Pred každým úkonom údržby odpojte koncovku kábla od zapaľovacej sviečky a prečítajte si pokyny na údržbu.



Pri manipulácii s palivom a mazivami starostlivo dodržiavajte predpísané množstvá!



Nevystavujte náradie dažďu.



Výfuk a výfukové plyny sú horúce



Riziko zranenia spôsobeného odlietavajúcimi predmetmi! Vždy udržiavajte dostatočnú bezpečnú vzdialenosť. Dávajte pozor na vymrštené predmety. Vzdialenosť medzi týmto náradím a okolostojacimi osobami musí byť minimálne 15 metrov.



Pri štartovaní motora dochádza k iskreniu. Iskrenie môže spôsobiť vznietenie horľavých plynov.



Motory vytvárajú oxid uhoľnatý, čo je jedovatý a bezfarebný plyn bez zápachu. Vdychovanie oxidu uhoľnatého môže spôsobiť nevoľnosť, mdloby a smrť.



Iba na vonkajšie použitie. V uzatvorených priestoroch hrozí nadýchanie sa splodín.



Prísny zákaz fajčenia a manipulácia s otvoreným plameňom v blízkosti tohto náradia!



Tieto symboly upozorňujú na nutnosť použitia ochrany sluchu, ochrany zraku a rukavíc pri práci s týmto náradím.



Pri práci s týmto náradím používajte pevnú pracovnú obuv.



Udržiavajte bezpečnú vzdialenosť.



Sýtič uzatvorený



Sýtič otvorený



Upozornenie Nedotýkajte sa, prosím, nožov.
Zákaz použitia tohto náradia bez inštalovaného krytu rúk.

3. BEZPEČNOSTNÉ POKYNY

⚠ DŮLEŽITÉ: PRED POUŽITÍM SI POZORNE PREČÍTAJTE NÁVOD USCHOVAJTE HO NA NESKORŠIE POUŽITIE

Toto náradie sa musí vždy používať podľa pokynov výrobcu, ktoré sú uvedené v tejto používateľskej príručke. V prípade nesprávneho použitia alebo vykonania úprav tohto náradia neponesie výrobca žiadnu zodpovednosť za spôsobené škody. Dodržiavajte aj bezpečnostné pokyny, pokyny týkajúce sa inštalácie uvedenej v tomto návode a takisto platné predpisy týkajúce sa prevencie úrazov a nehôd. Náradie s nesprávnymi dielmi a náradie s chýbajúcimi časťami alebo bez ochranného krytu sa nesmie používať. Autorizovaný servis vám poskytne informácie týkajúce sa náhradných dielov.

OBOZNÁMENIE SA S VÝROBKOM

- ✿ Pred použitím tohto náradia si riadne prečítajte a preštudujte tento návod na obsluhu.
- ✿ Nikdy nedovoľte deťom alebo osobám, ktoré nie sú oboznámené s týmito pokynmi, aby používali toto náradie. Miestne právne predpisy môžu obmedzovať vek obsluhy.
- ✿ Zastavte prácu, ak sa k vám priblížia akékoľvek osoby, a to najmä deti alebo domáce zvieratá.
- ✿ Nezabúdajte na to, že obsluha alebo používateľ zodpovedajú za nehody a riziká, ktoré budú spôsobené ostatným osobám alebo ich majetku.
- ✿ Väčšie opravy sa môžu vykonávať iba špeciálne zaškolenými osobami.

PRÍPRAVA PRED ZAČATÍM PRÁCE

⚠ TIETO NOŽNICE NA ŽIVÉ PLOTY MÔŽU SPÔSOBIŤ VÁŽNE ZRANENIA.

Prečítajte si pozorne uvedené pokyny, aby ste sa oboznámili so správnou obsluhou, prípravou, údržbou, spustením a zastavením týchto nožnic na živé ploty. Oboznámte sa s ovládacími prvkami a správnym použitím týchto nožnic na živé ploty.

- ✿ Nikdy nedovoľte, aby tieto nožnice na živé ploty používali deti.
- ✿ Dávajte pozor na nadzemné elektrické vedenia.
- ✿ Prerušte prácu, ak sú v blízkosti iné osoby, a to najmä deti.
- ✿ Vhodne sa obliekajte! Nenoste voľný odev alebo šperky, ktoré by mohli byť zachytené pohybujúcimi sa dielmi. Odporúčame vám používať pevné rukavice, obuv s nešmyklavou podrážkou a ochranné okuliare.
- ✿ Pri manipulácii s palivom buďte veľmi opatrní. Palivo je horľavé a jeho výpary sú výbušné.

PRI PRÁCI S PALIVOM MUSÍTE DODRŽIAVAŤ NASLEDUJÚCE BODY

- ✿ Používajte iba schválené nádoby.
- ✿ Nikdy neodoberajte viečko nádržky alebo nedoplňujte palivo, ak je motor v chode.
- ✿ Pred doplnením paliva nechajte motor a výfukový systém vychladnúť.
- ✿ pri manipulácii s palivom nefajčíte.
- ✿ Nikdy nedoplňujte palivo v uzatvorenom priestore.
- ✿ Nikdy neukladajte nožnice na živé ploty alebo zásobníky paliva na miestach, v ktorých blízkosti sa nachádza otvorený plameň, napríklad v blízkosti ohrievača vody.

- ✿ Ak dôjde k rozliatiu paliva, nepokúšajte sa na tomto mieste štartovať motor, ale pred štartovaním motora premiestnite nožnice na živé ploty na iné miesto.
- ✿ Po doplnení paliva vždy naskrutkujte späť a riadne utiahnite viečko nádržky.
- ✿ Ak sa bude vypúšťať palivo z nádržky, vždy robte tento úkon vonku.

POUŽÍVANIE BENZÍNOVÝCH NOŽNÍC NA ŽIVÉ PLOTY

⚠ VAROVANIE: Tieto nožnice na živé ploty sú výhradne určené na strihanie a úpravy živých plotov, kríkov a okrasných krovín, a to iba v súkromnom sektore. Akékoľvek iné použitie je výslovne vylúčené, nikdy nepoužívajte tieto nožnice na živé ploty na iné účely! Nariadenie pre súkromné a hobby záhrady nie je vhodné na použitie vo verejných zariadeniach, parkoch a športových centrách, pozdĺž ciest, na farmách alebo v lesníctve.

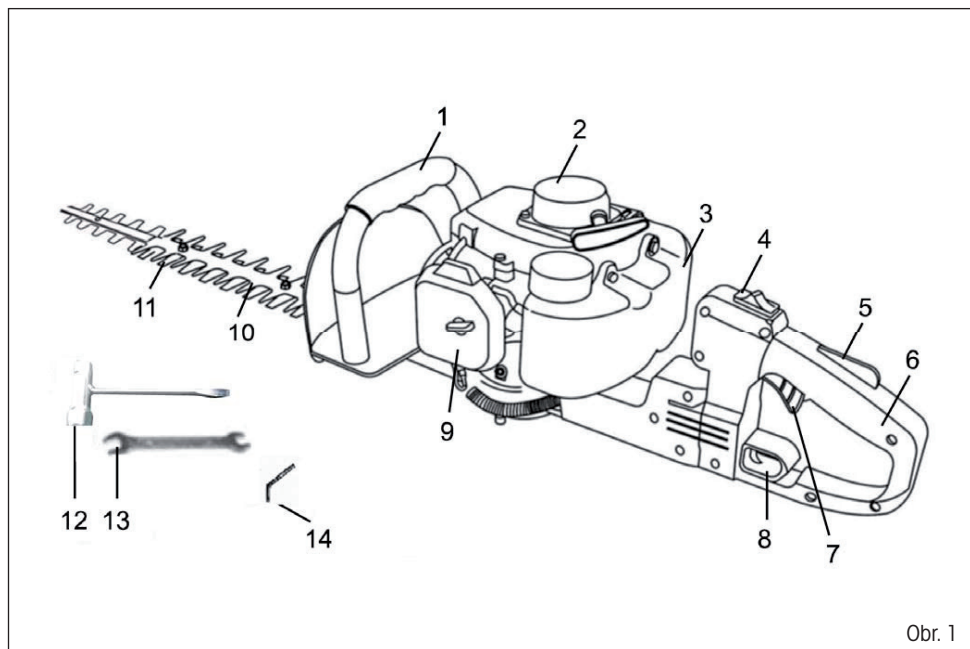
- ✿ Zastavte motor pred:
 - čistením alebo odstránením zablokovania,
 - kontrolou, vykonávaním údržby alebo akoukoľvek prácou na tomto náradí,
 - nastavením pracovnej polohy nožovej lišty,
 - ponechaním tohto náradia bez dozoru.
- ✿ Pred štartovaním motora sa uistite, či sú nožnice na živé ploty umiestnené v správnej pracovnej polohe.
- ✿ Pri použití týchto nožníc na živé ploty vždy udržiavajte bezpečnú pracovnú polohu, a to najmä pri práci na schodoch alebo na rebríku.
- ✿ Nepoužívajte nožnice na živé ploty s poškodenými alebo veľmi opotrebovanými nožmi.
- ✿ Z dôvodu obmedzenia rizika spôsobenia požiaru dbajte na to, aby na motore a výfuku neboli žiadne nečistoty, lístie alebo prebytočné mazivo.
- ✿ Pred použitím náradia sa vždy uistite, či sú správne upevnené všetky rukoväti a kryty.
- ✿ Pred použitím náradia sa vždy uistite, či sú všetky skrutky riadne dotiahnuté.
- ✿ Nikdy sa nepokúšajte používať nekompletné náradie alebo náradie, na ktorom sú vykonané neschválené úpravy.
- ✿ Pri práci s nožnicami na živé ploty, na ktorých sú dve rukoväti, používajte na obsluhu vždy obe ruky.
- ✿ Stále sledujte okolie pracovného priestoru a dávajte pozor na možné riziká, ktoré nemusia byť počuteľné z dôvodu hlučnosti motora náradia.
- ✿ Ak dôjde k nárazu nožov do cudzieho predmetu, ak začnú nožnice na živé ploty vydávať neobvyklé zvuky alebo ak budú nadmerne vibrovať, zastavte motor a počkajte, kým nedôjde k úplnému zastaveniu náradia. Odpojte koncovku kábla od zapalovacej sviečky a vykonajte nasledujúce kroky:
 - Skontrolujte, či nedošlo k poškodeniu.
 - Skontrolujte a utiahnite všetky uvoľnené časti.
 - Všetky poškodené časti opravte alebo vymeňte a použite na tento úkon iba schválené diely.
- ✿ Pri práci s týmto náradím používajte ochranu sluchu.
- ✿ Pri práci s týmto náradím používajte ochranu zraku.
- ✿ V núdzovej situácii zastavte motor nastavením spínača motora do polohy „vypnuté“.
- ✿ Pri prevádzke náradia v prostrediach s vyššou teplotou, nadmorskou výškou alebo vlhkosťou dochádza k zníženiu výkonu tohto náradia

- Maximálna prevádzková teplota: 40 °C
- Maximálna nadmorská výška: 1 000 m
- Maximálna vlhkosť: 95 %

ÚDRŽBA A ULOŽENIE

- ✿ Pri zastavovaní tohto náradia z dôvodu vykonávania údržby, kontroly alebo uloženia, vždy zastavte motor, odpojte koncovku kábla od zapaľovacej sviečky a uistite sa, či došlo k zastaveniu všetkých pohybujúcich sa dielov. Pred vykonávaním akéhokoľvek nastavenia alebo kontroly počkajte, kým nedôjde k vychladnutiu tohto náradia.
- ✿ Ukladajte tieto nožnice na živé ploty na takých miestach, kde sa v blízkosti nevyskytuje žiadny zdroj otvoreného plameňa alebo iskrenia. Pred uložením nechajte tieto nožnice na živé ploty vždy vychladnúť.
- ✿ Pri preprave alebo uložení tohto náradia vždy nasadte na nožovú lištu ochranný kryt.
- ✿ Dbajte na to, aby boli riadne utiahnuté všetky matice a skrutky z dôvodu zaistenia bezpečnej prevádzky tohto náradia.
- ✿ Pred každým uložením nechajte riadne vychladnúť motor náradia.
- ✿ Z dôvodu obmedzenia rizika spôsobenia požiaru dbajte na to, aby sa na motore, tlmiči výfuku a nádržke na palivo nenachádzali zvyšky rastlinného materiálu alebo prebytočné mazivo.
- ✿ Z bezpečnostných dôvodov vymeňte opotrebované alebo poškodené diely.
- ✿ Ak sa bude z nádržky vypúšťať palivo, vždy robte tento úkon vonku.
- ✿ Náradie pred uložením vždy očistite a vykonajte údržbu.
- ✿ Nikdy nedemontujte ochranné kryty nožov nožníc.
- ✿ Kovové nože vždy ukladajte na chladnom a suchom mieste. Nikdy nepoužívajte skorodované nože. Počas práce môžu nože spôsobiť vážne zranenie.

4. POPIS STROJA



Obr. 1

POPIS STROJA (POZRITE OBR. 1)

1. Predná rukoväť
2. Štartér
3. Nádržka na palivo
4. Spínač motora
5. Poisťka spúšte plynu
6. Zadná rukoväť
7. Spúšť plynu
8. Zaisťovacie ťahadlo rukoväti
9. Vzduchový filter
10. Vodiaca lišta
11. Nože nožníc
12. Kľúč na zapalovaciu sviečku
13. Stranový kľúč
14. Šesťhranný kľúč

5. PRED POUŽITÍM

Pred použitím tohto náradia si vždy pozorne prečítajte tento návod a vykonajte kontrolu náradia.

⚠ VAROVANIE: Pred začatím práce skontrolujte nože nožníc a nikdy nepoužívajte nože, ktoré sú tupé, prasknuté alebo poškodené. Uistite sa, či sú rukoväti a bezpečnostné prvky v dobrom prevádzkovom stave. Nikdy nepoužívajte náradie, pri ktorom chýba akákoľvek časť alebo ktoré bolo upravené a nespĺňa technické parametre. Pred naštartovaním motora nožníc musia byť správne upevnené všetky ochranné kryty.

⚠ VAROVANIE: Tieto nožnice na živé ploty sú vybavené dvojtaktným motorom, a preto je nutné používať palivo zmiešané s olejom. Postupujte, prosím, podľa nižšie uvedeného postupu.

⚠ VAROVANIE: Vždy pri práci používajte kvalitné rukavice, obuv a ochranu sluchu i zraku. Vybavenie musí byť opatrené značkou CE a musí byť testované podľa požiadaviek smernice PPE (Person Protective Equipment – Osobné ochranné vybavenie). Nekvalitné vybavenie môže obmedziť ochranu osôb a počas práce môže spôsobiť zranenie osôb.

PALIVO MOTORA

⚠ VAROVANIE: Tieto nožnice na živé ploty sú vybavené dvojtaktným motorom. Používajte palivo zmiešané s olejom.

- ✿ Palivo doplňujte iba na dobre vetraných miestach.
- ✿ Dbajte na to, aby nedošlo k rozliatiu paliva.
- ✿ Nikdy nedoplňujte palivo, ak je motor v chode.
- ✿ Pred doplnením paliva nechajte motor vychladnúť asi dve minúty.
- ✿ Dopĺňať palivo sa nesmie v blízkosti otvoreného plameňa, kontrolných svetiel alebo elektrických zariadení, pri ktorých dochádza k iskreniu, ako sú elektrické náradie, zväračky alebo brúsky.

1. Posunutím spínača motora (Obr. 1, bod 4) do polohy vypnuté (OFF) vypnite motor.
2. Urobte vizuálnu kontrolu paliva v nádrži. Odoberte viečko palivovej nádržky a skontrolujte množstvo paliva.
3. Doplníte do nádržky zmes bezolovnatého benzínu s oktánovým číslom min. 90 (najlepšie Natural 95) a oleja určeného pre dvojtaktné motory v pomere 40 : 1 (2,5 % oleja v palivovej zmesi)
4. Otočte viečko nádržky v smere pohybu hodinových ručičiek, aby došlo k jeho utiahnutiu.

⚠ VAROVANIE: Nedoplňujte palivo, ak je motor v chode alebo ak je horúci. Nikdy nepoužívajte olej pre štvortaktné motory. Nikdy nepoužívajte olej pre dvojtaktné motory chladené kvapalinou.

- ✿ Nekvalitný olej a nesprávna zmes paliva a oleja môžu ohroziť funkciu motora a znižujú prevádzkovú životnosť katalyzátorov.
- ✿ Pred doplnením paliva do nádržky riadne pretrepte kanister, aby ste získali správnu palivovú zmes.
- ✿ Nikdy nepoužívajte starý alebo znečistený benzín alebo zmes benzínu a oleja.
- ✿ Zabráňte kontaminácii paliva v nádržke nečistotami alebo vodou. Pri veľkom zatahnutí môže byť občas

počuteľné klepanie alebo zvonenie motora. To je normálne a nejde o žiadny problém. Ak dochádza ku klepaniu alebo zvoneniu aj pri normálnom zaťažení a pri konštantných otáčkach motora, zmeňte použitý benzín. Ak nedôjde po tejto zmene k vyriešeniu problému, kontaktujte autorizovaný servis.

- ☼ Ak budete dlhodobo pracovať s motorom vo vysokých otáčkach, odporúčame vám použiť benzín s vyšším oktánovým číslom.

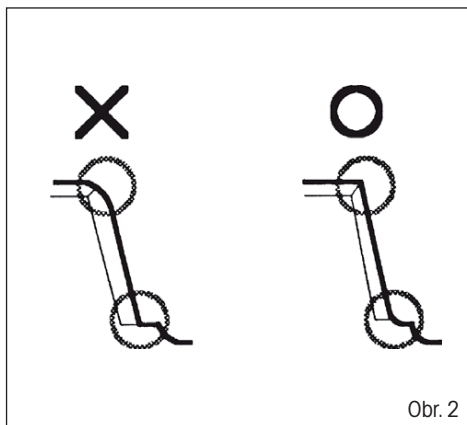
KONTROLA KRYTU RÚK

- ☼ Ochranný kryt rúk zabraňuje tomu, aby došlo ku kontaktu rúk s pohybujúcimi sa nožmi, napríklad v situácii, keď používateľovi náradia sklzne ruka z prednej rukoväti.

⚠ UPOZORNENIE! Skontrolujte, či je kryt rúk správne nasadený a upevnený.
Skontrolujte, či kryt rúk nie je poškodený.

KONTROLA NOŽOV

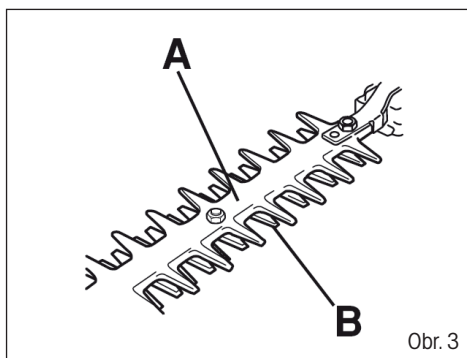
- ☼ Z dôvodu zaistenia dobrých pracovných výsledkov je dôležité, aby bol správny kontaktný tlak medzi nožmi nožníc. Kontaktný tlak sa nastavuje otáčaním skrutiek na spodnej časti lišty v smere pohybu hodinových ručičiek.
- ☼ Ak sú nože správne nastavené, vôľa medzi nožmi meraná na skrutkách musí byť 0,2 – 0,4 mm.
- ☼ Ak sú nože ohnuté alebo poškodené, vymeňte ich.
- ☼ Skontrolujte pracovné hrany nožov a ak je to nutné, upravte ich pomocou plochého a okrúhleho pilníka.
 1. Udržiavajte ostrú koncovú hranu noža (Obr. 2).
Najlepší pracovný uhol noža je 45°.
 2. Základňu noža zaoblite.
 3. Nepoužívajte pri brúsení voľu.



Obr. 2

KONTROLA KRYTU NOŽOV

- ☼ Kryt nožov (Obr. 3, bod A) je určený na ochranu akejkoľvek časti tela, aby sa nedostala do kontaktu s nožmi nožníc (Obr. 3, bod B).
- ☼ Skontrolujte, či nedošlo k poškodeniu alebo deformácii krytu nožov. Ak je kryt nožov ohnutý alebo poškodený, vymeňte ho.



Obr. 3

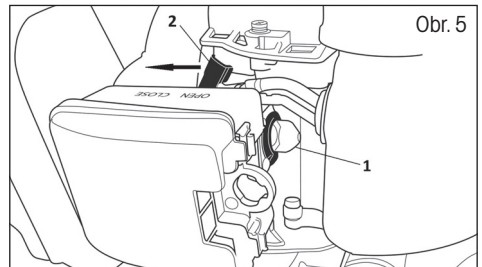
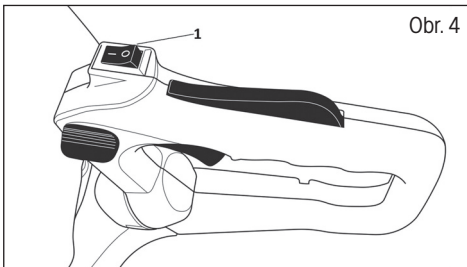
KONTROLA VZDUCHOVÉHO FILTRA

- ☼ Skontrolujte vzduchový filter, aby ste sa uistili, či je čistý a v dobrom stave.
- ☼ Povoľte skrutku krytu vzduchového filtra, odoberte tento kryt a potom skontrolujte filter. Ak je to nutné, vyčistite alebo vymeňte filter.

6. ŠTARTOVANIE MOTORA

- ⚠ VAROVANIE! Pri štartovaní motora môže dochádzať k pohybu nožov nožníc. Zaisťte, aby sa nože nožníc nemohli dostať do kontaktu so žiadnym predmetom. Zaisťte, aby sa v pracovnom priestore nenachádzali žiadne nepovolané osoby. Týmto osobám by hrozilo riziko vážneho zranenia.**

ŠTARTOVANIE STUDENÉHO MOTORA



1. Nastavte hlavný vypínač do polohy ON (Obr. 4, bod 1)
2. Niekoľkokrát stlačte pumpičku nástreku paliva (Obr. 5, bod 1)
3. Nastavte páčku sýtiča do polohy CLOSE (pozrite Obr. 5, bod 2)
3. Plotové nožnice položte na rovnú zem tak, aby boli stabilné a fahajte za rukoväť štartovacej šnúry, kým motor neprejaví snahu naštartovať. Spočiatku fahajte za šnúru navijacieho štartéra pomaly, až kým neucítite odpor, potom za šnúru zatiahnite prudko. Pri spätnom navíjaní pridržavajte šnúru navijacieho štartéra rukou a nechajte ju zľahka a pomaly navinúť.
4. V tomto okamihu nastavte páčku sýtiča späť do polohy OPEN (Obr. 5) a opätovným fahaním za štartovaciu šnúru motor naštartujte.

- ⚠ POZOR!** Príliš dlhé pretáčanie motora s páčkou sýtiča v polohe CLOSE spôsobí preplavenie motora a problémy s jeho štartovaním.

5. Pred začatím práce nechajte motor niekoľko minút zahrievať na prevádzkovú teplotu.

ŠTARTOVANIE ZAHRIATEHO MOTORA

1. Nastavte hlavný vypínač do polohy ON (Obr. 4, bod 1)
2. Ťahajte za rukoväť štartovacej šnúry, kým nedôjde k naštartovaniu motora

NEPOUŽÍVAJTE SÝTIČ!

⚠ POZOR! Ak došlo k úplnému spotrebovaniu paliva v palivovej nádrži, po doplnení paliva zopakujte kroky pre ŠTARTOVANIE STUDENÉHO MOTORA.

⚠ VAROVANIE! Dávajte pozor, aby nedošlo ku kontaktu nožov s cudzími predmetmi, ako sú kovové drôty alebo mreže, ktoré by mohli spôsobiť poškodenie nožov alebo pohonu. Ak dôjde k zablokovaniu alebo zaseknutiu nožov o prekážku, okamžite zastavte motor. Až potom uvoľnite zablokované náradie.

Skontrolujte, či nedochádza k pohybu nožov nožníc, ak je motor v chode vo voľnobežných otáčkach.

ZASTAVENIE MOTORA

Nastavte hlavný vypínač do polohy OFF (Obr. 4)

7. POUŽITIE NOŽNÍC – STRIHANIE

⚠ UPOZORNENIE! V núdzovej situácii zastavte motor nastavením spínača motora do polohy OFF. Náradie držte pokiaľ možno čo najbližšie pri tele, aby ste získali čo najlepšiu rovnováhu. Zaisťte, aby sa špička náradia nedotýkala zeme. Pri práci sa neponáhľajte, ale pracujte plynulo, kým nebudú rovnomerne skrátané všetky vetvy živého plota.

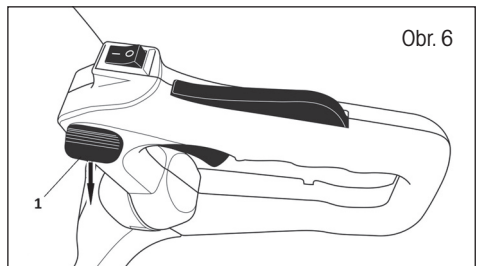
⚠ UPOZORNENIE! Pri práci nenechávajte dlho motor v chode vo voľnobežných otáčkach. Dlhodobá prevádzka náradia v nízkych otáčkach spôsobí predčasné opotrebovanie spojky. Na druhej strane nie je vhodné pri strihaní dlhšie udržiavať maximálne otáčky motora. Dlhodobá prevádzka náradia vo vysokých otáčkach spôsobí skrátenie životnosti motora.

NASTAVENIE RUKOVÄTI

⚠ VAROVANIE!

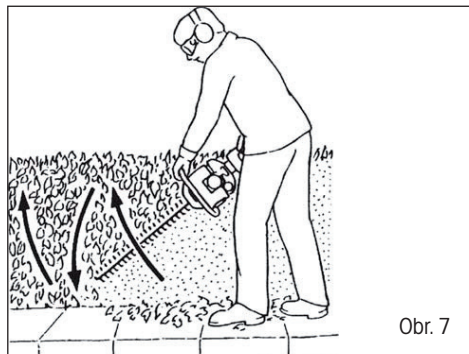
Počas tohto úkonu nepoužívajte spúšťač!

Pri strihaní živých plotov môže byť zadná rukoväť nastavená do 3 nasledujúcich polôh, stredová, vľavo v uhle 90° alebo vpravo v uhle 90°, aby bola znížená únavá pri práci. Nastavenie sa vykonáva po odistení poistky na zadnej rukoväti (Obr. 6, bod 1). Poistku stlačte dole a následne otočte rukoväťou v požadovanom smere. Po uvoľnení poistky zostane rukoväť v aretovanej polohe.



STRIHANIE VO ZVISLOM SMERE

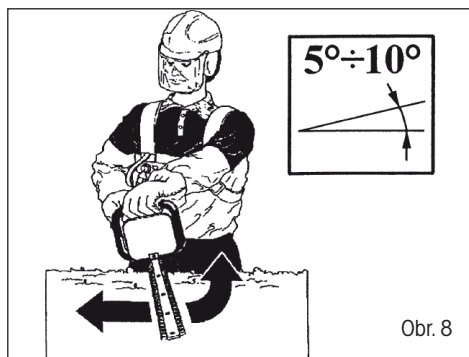
Používajte strihanie oblúkom zo spodnej časti smerom hore a potom smerom dole, aby sa využívali obe strany nožov.



Obr. 7

STRIHANIE VO VODOROVNOM SMERE

Nakloňte nože mierne v smere strihania (v uhle $5 - 10^\circ$), aby ste dosiahli čo najlepšie výsledky pri strihaní.



Obr. 8

SPÄTNÝ RÁZ A PRÍSLUŠNÉ VÝSTRAHY

Spätný ráz je náhlu reakciou na zablokovanie alebo zaseknutie pracovného nástroja. Zablokovanie alebo zaseknutie spôsobuje náhle zastavenie rotujúceho príslušenstva, čo následne spôsobí nekontrolovateľný pohyb náradia v opačnom smere, než je smer otáčania príslušenstva v mieste jeho zablokovania. Napríklad, ak dôjde k zablokovaniu alebo zaseknutiu pracovného nástroja kameňom, hrana pracovného nástroja, ktorá vniká do miesta zovretia, môže vniknúť do povrchu materiálu, čo spôsobí stúpanie pracovného nástroja alebo spätý ráz. Pracovný nástroj môže vyskočiť smerom k používateľovi alebo od používateľa v závislosti od smeru pohybu pracovného nástroja v bode jeho zablokovania. Spätý ráz je dôsledkom nesprávneho použitia náradia, nesprávneho pracovného postupu alebo nevhodných prevádzkových podmienok a spätnému rázu môžete zabrániť dodržiavaním nižšie uvedených pokynov.

- Stále udržiavajte pevný úchop náradia a udržiavajte takú polohu tela a rúk, aby ste mohli odolávať silám spätého rázu.**
- Nikdy nekladajte ruky do blízkosti rotujúceho príslušenstva.** Príslušenstvo môže byť vymrštené smerom dozadu cez vaše ruky.
- Nestúpajte si na také miesta, do ktorých by bolo náradie vymrštené v prípade spätého rázu.** Spätý ráz odhodí náradie v opačnom smere, než je pohyb pracovného nástroja v mieste jeho zablokovania.
- Bud'te veľmi opatrní pri práci v blízkosti rohov, ostrých hrán atď'. Vyvarujte sa poskakovania a zachytávania príslušenstva.** Rohy, ostré hrany alebo poskakovanie pracovného príslušenstva majú tendenciu zachytávať rotujúce príslušenstvo a spôsobí stratu kontroly alebo spätý ráz.

8. ÚDRŽBA

Kvalitná údržba motora je veľmi dôležitá z hľadiska bezpečnej, hospodárnej a bezproblémovej prevádzky náradia. Pomáha tiež obmedziť znečistenie ovzdušia. Účelom vykonávania pravidelnej údržby a nastavovania je udržanie tohto náradia v bezchybnom prevádzkovom stave.

Pred vykonávaním akejkoľvek údržby zastavte motor. Ak musí byť motor počas údržby v chode, zaistíte, aby bol priestor riadne vetraný. Výfukové plyny obsahujú jedovatý oxid uhoľnatý. Vždy, prosím, používajte odporúčané príslušenstvo. Príslušenstvo, ktoré nebude mať zodpovedajúcu kvalitu, môže spôsobiť poškodenie náradia.

Počas údržby, prosím, nikdy nepoužívajte neschválené komponenty a neodoberajte bezpečnostné zariadenie po vykonaní údržby.

Údržba	Údržba vykonávaná po každom použití	Údržba vykonávaná po každom 3 použití	Údržba vykonávaná po sezóne
Očistite povrch náradia.	X		
Skontrolujte správnu funkciu poisťky spúšte plynu aj samotnej spúšte plynu, aby bola zaistená bezpečná prevádzka tohto náradia.	X		
Skontrolujte správnu funkciu spínača motora.	X		
Skontrolujte, či pri voľnobežných otáčkach motora alebo pri nastavení sýtiča do polohy na štartovanie motora nedochádza k pohybu nožov nožníc.	X		
Skontrolujte, či sú nože nožníc v poriadku, či nie sú popraskané alebo iným spôsobom poškodené. Ak je to nutné, vymeňte nože.	X		
Skontrolujte, či nedošlo k poškodeniu alebo deformácii krytu nožov. Ak je kryt nožov ohnutý alebo poškodený, vymeňte ho.	X		
Vyčistite vzduchový filter. Ak je to nutné, vymeňte.	X		
Skontrolujte, či sú riadne utiahnuté skrutky a matice.	X		
Skontrolujte, či nedochádza k únikom paliva z motora, nádržky alebo palivového potrubia.	X		
Skontrolujte štartér a šnúru navíjacieho štartéra.		X	
Očistite povrch zapaľovacej sviečky. Vyberte zapaľovaciu sviečku a skontrolujte odtrh elektród. Nastavte odtrh na 0,6 – 0,7 mm alebo zapaľovaciu sviečku vymeňte. Skontrolujte, či je na zapaľovacej sviečke nasadená koncovka kábla zapaľovacej sviečky.		X	

Očistite chladiaci systém náradia.		X	
Očistite povrch karburátora a priestor v jeho blízkosti.		X	
Skontrolujte, či sú správne zostavené a utiahnuté príruby, kryt a matica.		X	
Očistite palivovú nádrž.			X
Skontrolujte všetky káble a zapojenia.			X
Skontrolujte opotrebovanie spojky, spojkových pružín a spojkového koša. Ak je to nutné, zverte výmenu autorizovanému servisu.			X
Vymeňte zapaľovaciu sviečku. Skontrolujte, či je na zapaľovacej sviečke nasadená koncovka kábla zapaľovacej sviečky.			X
Odstráňte nečistoty, lístie a prebytočné mazivo z tlmiča výfuku a motora, aby ste znížili riziko spôsobenia požiaru.			X

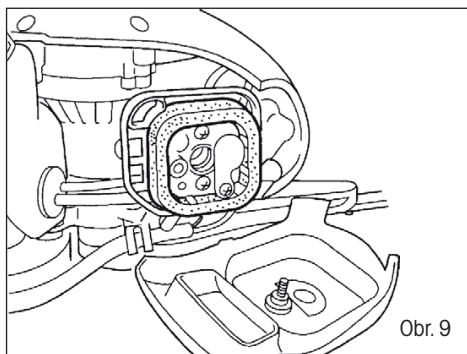
ÚDRŽBA sa musí vykonávať v PRAVIDELNÝCH INTERVALOCH počas uvedených období alebo po uplynutí určitého počtu prevádzkových hodín (podľa aktuálnosti). ⁽¹⁾		Vždy pred použitím	Každý mesiac alebo po 25 prevádzkových hodinách	Každé 3 mesiace alebo po 50 prevádzkových hodinách	Každých 6 mesiacov alebo po 100 prevádzkových hodinách
Vzduchový filter	Vyčistiť			X ⁽¹⁾	
Vôľa ventilov	Skontrolujte – vyčistite				X ⁽²⁾
Palivová nádržka a palivový filter	Vyčistiť				X ⁽²⁾
Mazivo vnútri prevodovky	Naplňte			X ⁽¹⁾	
Nože	Skontrolujte (v prípade potreby vymeňte)	X		X	
Palivové potrubie	Skontrolujte (v prípade potreby vymeňte)	Každé tri roky ⁽²⁾			

⁽¹⁾ Ak sa náradie používa na prašných miestach, skráťte intervaly údržby.

⁽²⁾ Ak nemá majiteľ zodpovedajúce náradie a požadované znalosti, túto údržbu musia vykonávať špecialisti autorizovaného servisu.

VZDUCHOVÝ FILTER – ÚDRŽBA

1. Povoľte skrutku krytu vzduchového filtra a odoberte tento kryt.
2. Umyte vzduchový filter vo vhodnom rozpúšťadle.
3. Vytlačte z filtra všetok prebytočný olej.
4. Vložte vzduchový filter späť do náradia.
5. Namontujte späť kryt vzduchového filtra a riadne utiahnite tento kryt skrutkou.



Obr. 9

VAROVANIE! Použitie benzínových alebo horľavých rozpúšťadiel môže viesť k spôsobeniu požiaru alebo explózie. Preto používajte iba mydlový roztok alebo nehorľavé rozpúšťadlá. Nikdy nepoužívajte toto náradie bez vzduchového filtra.

Zapaľovacia sviečka – údržba

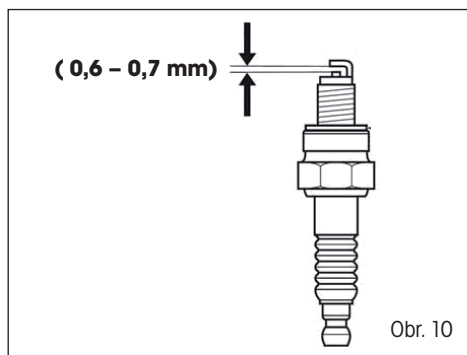
ODPORÚČANÁ ZAPAĽOVACIA SVIEČKA: SAIL BM6A

Zapaľovacia sviečka musí mať správny odtrh a nesmie byť znečistená usadeninami, aby bol zaručený správny chod motora.

1. Odoberte kryt zapaľovacej sviečky.
2. Odoberte koncovku kábla zapaľovacej sviečky.
3. Odstráňte všetky nečistoty nachádzajúce sa v blízkosti základne zapaľovacej sviečky.
4. Na demontáž zapaľovacej sviečky použite dodaný kľúč na zapaľovacie sviečky.
5. Urobte vizuálnu kontrolu zapaľovacej sviečky.

Pomocou drôtovej kefy odstráňte usadeniny karbónu.

6. Skontrolujte sfarbenie hornej časti zapaľovacej sviečky. Štandardným sfarbením by mala byť svetlohnedá farba.
7. Skontrolujte odtrh zapaľovacej sviečky. Správna veľkosť odtrhu je 0,6 – 0,7 mm.
8. Naskrutkujte zapaľovaciu sviečku späť opatrne rukou.
9. Hneď ako bude zapaľovacia sviečka celkom doťahnutá rukou, riadne ju utiahnite dodaným kľúčom.
10. Nasadte na hornú časť zapaľovacej sviečky koncovku kábla zapaľovacej sviečky.
11. Nasadte späť kryt zapaľovacej sviečky.



Obr. 10

ČISTENIE

1. Udržiavajte náradie v čistote a ak je to nutné, povrch náradia môžete čistiť mäkkou a vlhkou handričkou s jemným čistiacim prostriedkom. Nikdy nepoužívajte na čistenie vodu, pretože by mohlo dôjsť k poškodeniu vnútorných častí náradia.
2. Niektoré výrobky na údržbu a niektoré rozpúšťadlá môžu poškodiť plastové diely. Medzi tieto produkty patria výrobky obsahujúce benzén, trichlóretylén, chlorid a čpavok.
3. Venujte špeciálnu pozornosť tomu, aby boli stále priechodné všetky vetracie otvory na náradí. Na zaistenie čistoty vnútri náradia bude obvykle dostatočné čistenie mäkkou kefkou a následné vyfúkanie prúdom stlačeného vzduchu.
4. Pri čistení používajte vhodnú ochranu zraku.

PREVODOVKA

Prevodovku je nutné premazať po každých 30 prevádzkových hodinách. Na tento účel odporúčame navštíviť autorizované servisné stredisko.

OPRAVY

Opravy tohto náradia sa môžu vykonávať iba v autorizovanom servise.

Problém	Kontrola	Stav	Príčina	Riešenie	
Motor sa zastavuje, je možné iba ťažko naštartovať alebo nedá sa naštartovať vôbec	Palivo v karburátore	Palivo nedorazí do karburátora	Upchatý palivový filter	Vyčistite alebo vymeňte	
			Upchatý prívod paliva	Vyčistite alebo vymeňte	
			Karburátor	Požiadajte o opravu autorizovaný servis	
	Palivo vo valci	Palivo nedorazí do valca	Karburátor	Požiadajte o opravu autorizovaný servis	
			Vo výfuku je palivo	Palivová zmes je príliš bohatá	Otvorte škrtiacu klapku Vyčistite alebo vymeňte vzduchový filter Nastavte karburátor Požiadajte o opravu autorizovaný servis
	Iskry na elektródach zapalovacej sviečky	Bez iskry	Spínač motora v polohe vypnuté	Nastavte spínač motora do polohy zapnuté (ON – chod motora)	
Problém elektrického systému			Požiadajte o opravu autorizovaný servis		
Zaistený spínač					

Problém	Kontrola	Stav	Príčina	Riešenie
Motor sa zastavuje, je možné iba ťažko naštartovať alebo sa nedá naštartovať vôbec	Iskry na elektródach zapaľovacej sviečky	Bez iskry	Zlá vzdialenosť elektród	Nastavte odtrh na hodnotu 0,6 – 0,7 mm
			Znečistené elektródy	Vyčistite alebo vymeňte
			Elektródy sú znečistené palivom	Vyčistite alebo vymeňte
			Poškodená zapaľovacia sviečka	Vymeňte zapaľovaciu sviečku
Motor je v chode, ale zastavuje sa a nemá správnu akceleráciu	Vzduchový filter	Znečistený vzduchový filter	Bežné opotrebovanie	Vyčistite alebo vymeňte
	Palivový filter	Znečistený palivový filter	Nečistoty alebo usadeniny v palive	Vymeniť
	Ventil paliva	Upchatý ventil paliva	Nečistoty alebo usadeniny v palive	Vyčistite alebo vymeňte
	Zapaľovacia sviečka	Znečistená alebo opotrebovaná zapaľovacia sviečka	Bežné opotrebovanie	Vyčistite, nastavte alebo vymeňte
	Karburátor	Zlé nastavenie	Vibrácie	Nastavte
	Chladiaci systém	Vysoká teplota	Dlhodobé použitie v znečistenom alebo prašnom prostredí	Vyčistiť
	Odrušovač	Prasknutá, znečistená alebo perforovaná doska	Bežné opotrebovanie	Vymeniť
Motor nepoháňa náradie	Nie je k dispozícii	Nie je k dispozícii	Vnútoraná porucha motora	Požiadajte o opravu autorizovaný servis

9. ULOŽENIE

Pri preprave tohto náradia vo vozidle, prosím, vyprázdniť nádržku paliva, aby nedochádzalo k jeho únikom.

VYPUSTENIE PALIVA

⚠ VAROVANIE! Vypúšťajte palivo iba vtedy, ak je motor studený!

1. Postavte náradie na rovný a stabilný povrch.
2. Uvoľnite a odoberte viečko palivovej nádržky.
3. Vypustíte všetko palivo do vhodného kanistra.
4. Stlačte niekoľkokrát ručné čerpadlo, kým nedôjde k odtoku paliva z nádoby.
5. Znovu vypustíte palivo.
6. Nasadíte späť a utiahnete viečko palivovej nádržky.

Uložte toto náradie, pokyny na jeho použitie a takisto príslušenstvo do originálneho obalu.

Tak budete mať vždy všetky informácie a diely ihneď poruke.

Riadne zabaľte náradie alebo použite originálny obal, aby ste zabránili jeho poškodeniu počas prepravy.

Ukladajte toto náradie s prázdnu palivovou nádržkou na suchom a dobre vetranom mieste.

Neskladujte palivo v blízkosti náradia.

10. TECHNICKÉ ÚDAJE

Model	FZN 4002 B
Zdvihový objem motora	22,5 cm ³
Maximálny výkon motora	0,65 kW
Typ motora	Dvojtákný, chladenie vzduchom
Typ zapalovacej sviečky	SAIL/BM6A
Maximálne otáčky motora:	7 500 min ⁻¹
Voľnobežné otáčky motora	3 000 min ⁻¹
Otáčky pre záber spojky	3 800 min ⁻¹
Účinný pracovný záber	510 mm
Objem palivovej nádržky	0,6 l
Miešací pomer paliva (Natural 95 / olej pre dvojtákné motory)	40 : 1
Úroveň vibrácií pôsobiacich na rukoväť	19 m/s ² k = 1,5 m/s ²
Úroveň akustického tlaku: LpA	85 dB(A) k = 1,5 dB(A)
Úroveň akustického výkonu: LwA	108 dB(A) k = 1,5 dB(A)
Hmotnosť náradia (prázdne nádržky bez pracovného zariadenia)	5,2 kg

11. LIKVIDÁCIA

POKYNY A INFORMÁCIE O ZAOBCHÁDZANÍ S POUŽITÝM OBALOM

Použitý obalový materiál odložte na miesto určené obcou na ukladanie odpadu.



Stroj a jeho príslušenstvo sú vyrobené z rôznych materiálov, napr. z kovu a plastov. Poškodené súčiastky odovzdajte do triedeného zberu. Informujte sa na príslušnom úrade.



Tento výrobok spĺňa všetky základné požiadavky smerníc EÚ, ktoré sa naň vzťahujú.

Zmeny v texte, dizajne a technických špecifikáciách sa môžu meniť bez predchádzajúceho upozornenia a vyhradujeme si právo na ich zmenu.

Návod na použitie v originálnom jazyku.

12. VYHLÁSENIE O ZHODE

FAST®

FAST ČR, a. s.
Černokostecká 1621, 251 01 Říčany u Prahy, Česká Republika
tel.: 323 204 111, fax: 323 204 110

VYHLÁSENIE O ZHODE

ES vyhlásenie o zhode

Fast ČR, a. s., Černokostecká 251 01 Říčany u Prahy, telefón: 323 204 111, vyhlasuje so záväzným účinkom, že benzínové nožnice na živé ploty Fieldmann FZN 4002B (rok výroby je uvedený na typovom štítku a nasledovaný výrobným číslom zariadenia) spĺňajú nasledujúce požiadavky SMERNICE RADY

ES Smernica pre strojové zariadenia (MD) 2006/42/ES (98/37/EDC)
ES Smernica pre elektromagnetickú kompatibilitu (EMC)
ES Smernica o hluku zariadení (ND) 2005/88/ES (2000/14/ES)
ES Emisie plyných látok 2002/88/ES

a boli testované podľa nasledujúcich noriem:

EN ISO 12100:2010
EN ISO 22868:2011
EN ISO 3744:2010
EN ISO 10517:2012
EN 55012:2007+A1:2009

Technické údaje:

22,5 cm³; 0,65 kW

Označenie CE: 15

Říčany, 29. novembra 2015

Meno, pečiatka a podpis

Petr Uher
Manažér kvality

FAST FAST ČR, a. s. ©
Černokostecká 1621
251 01 Říčany u Prahy
ICO: 26726548 IČO: 26726548
DIČ: CZ26726548 DIČ: CZ26726548



IČO: 26726548, DIČ: CZ26726548

Bankové spojenie: Komerční banka Praha 1, č. ú. 89309-011/0100, Česká spořitelna Praha 4, č. ú. 2375682/0800,
ČSOB Praha 1, č. ú. 8010-0116233383/0300

Benzinmotoros sövényvágó

HASZNÁLATI ÚTMUTATÓ

Köszönjük, hogy megvásárolta ezt a benzinmotoros sövényvágót. Mielőtt használni kezdi, figyelmesen olvassa el ezt a használati útmutatót és őrizze meg a későbbiekre.

TARTALOM

1. ÁLTALÁNOS BIZTONSÁGI ELŐÍRÁSOK.....	77
Fontos biztonsági figyelmeztetések.....	77
Csomagolás	77
Használati útmutató.....	77
2. A GÉPEN TALÁLHATÓ, UTASÍTÁSOKAT TARTALMAZÓ CÍMKÉK MAGYARÁZATA.....	78
3. BIZTONSÁGI UTASÍTÁSOK.....	81
Ismerkedés a termékkel	81
Előkészületek a munka megkezdése előtt.....	81
Az üzemanyag kezelésekor tartsa be a következőket.....	81
A benzines sövényvágó használata	82
Karbantartás és tárolás.....	83
4. A GÉP LEÍRÁSA.....	84
A gép leírása (ld. 1. ábra).....	84
5. HASZNÁLAT ELŐTT	85
Üzemanyag.....	85
A kézvédő ellenőrzése.....	86
A kések ellenőrzése	86
A késvédő fedél ellenőrzése	86
A légszűrő ellenőrzése.....	87
6. A MOTOR BEINDÍTÁSA	87
A hideg motor beindítása.....	87
A bemelegített motor indítása.....	87
A motor leállítása	88
7. A SÖVÉNYVÁGÓ HASZNÁLATA - VÁGÁS	88
A fogantyú beállítása	88
Vágás függőlegesen.....	89
Vágás vízszintesen.....	89
A visszarúgás és a vele kapcsolatos figyelmeztetések	89
8. KARBANTARTÁS.....	90
Légszűrő - karbantartás	92
Tisztítás.....	92
Sebességváltó.....	93
Javítások	93

9. TÁROLÁS.....	95
Az üzemanyag kiengedése	95
10. MŰSZAKI ADATOK.....	95
11. MEGSEMMISÍTÉS.....	96
A HASZNÁLT CSOMAGOLÓANYAGOKRA VONATKOZÓ UTASÍTÁSOK ÉS TÁJÉKOZTATÓ	96
12. Megfelelőségi nyilatkozat.....	97

1. ÁLTALÁNOS BIZTONSÁGI ELŐÍRÁSOK

FONTOS BIZTONSÁGI FIGYELMEZTETÉSEK

- ✿ A terméket óvatosan csomagolja ki és ügyeljen arra, hogy a csomagolóanyag egyik részét se dobja ki korábban, mint hogy megtalálja a termék összes részét.
- ✿ A gépet tartsa száraz helyen, gyermekektől távol.
- ✿ Olvassa el az összes figyelmeztetést és utasítást. A figyelmeztetések és utasítások figyelmen kívül hagyásának baleset, tűz és/vagy súlyos sérülés lehet a következménye.

CSOMAGOLÁS

A terméket a csomagolása védi a szállítás közbeni sérüléstől. Ez a csomagolás újrahasznosítható anyagból készült.

HASZNÁLATI ÚTMUTATÓ

Mielőtt használni kezdi a gépet, olvassa el a következő biztonsági előírásokat és a használati utasításokat. Ismerkedjen meg a kezelőegységekkel és a készülék helyes használatával. Az útmutatót gondosan őrizze meg későbbi szükség esetére. Javasoljuk, hogy legalább a jótállás idejére őrizze meg a termék eredeti dobozát, csomagolását, pénztárbizonylatát és jótállási jegyét.

Szállítás esetén csomagolja vissza az eredeti gyári csomagolásba, így maximális védelmet biztosít számára (pl. költözés vagy szervizbe küldés esetén).



MEGJEGYZÉS: Ha a gépet másik személynek adja át, az útmutatót is adja oda.

A használati útmutató utasításainak betartása a gép helyes használatának alapja.

A használati útmutató a kezelésre, karbantartásra és javításra vonatkozó utasításokat is tartalmaz.

A gyártó nem felel az útmutató utasításainak be nem tartásából adódó balesetekért vagy károkért.

2. A GÉPEN TALÁLHATÓ, UTASÍTÁSOKAT TARTALMAZÓ CÍMKÉK MAGYARÁZATA

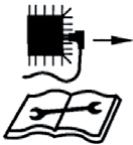
Az ezen útmutatóban alkalmazott jelzések a lehetséges veszélyekre figyelmeztetik Önt. A jelzéseket kiegészítő biztonsági leírásokat tanulmányozza át és értse meg. A figyelmeztetések önmagukban nem hártják el a kockázatokat, és nem helyettesíthetik a gép megfelelő, a balesetek és az esetleges sérülések kialakulását elkerülő használatát.



Ez a jel a biztonsági figyelmeztetés előtt megelőző intézkedésre, figyelmeztetésre vagy veszélyre utal. Ha figyelmen kívül hagyja, balesetet okozhat magának vagy másoknak. Mindig tartsa be a feltüntetett ajánlásokat, így csökkentheti sérülés, tűz vagy baleset veszélyét.



Olvassa el a teljes használati útmutatót. Minden használat előtt tanulmányozza át ezen útmutató megfelelő részét.



Minden karbantartási művelet előtt vegye le a kábelt a gyújtógyertyáról, és olvassa el a karbantartási útmutatót.



Az üzemanyag és a kenőanyagok kezelésekor gondosan tartsa be az előírt mennyiségeket!



A szerszámokat ne tegye ki esőnek.



A kipufogó és a kipufogógázok forróak.



A kirepülő tárgyak sérülést okozhatnak!
Mindig tartson biztonságos távolságot.
Ügyeljen a kicsapódó tárgyakra. A szerszám
és a környezetében álló személyek között
minimum 15 méteres távolságot kell tartani.



A motor beindításakor szikra keletkezik.
A szikrázástól a gyúlékony gázok
meggyulladhatnak.



A motorok szén-monoxidot termelnek, amely
színtelen, szagtalan mérgező gáz.
A szén-monoxid belélegzése hányingert,
ájulást és halált okozhat.



Kizárólag kültéri használatra. Zárt térben az
égéstermékek belélegzése fenyeget.



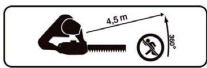
A szerszám közelében szigorúan tilos
a dohányzás és a nyílt láng használata!



Ezek a jelzések arra figyelmeztetnek, hogy a szerszám használata közben fülvédő, védőszemüveg és kesztyű használatára van szükség.



A szerszámmal végzett munkához használjon stabil munkacipőt.



Tartsa be a biztonságos távolságot.



A szívató zárva



A szívató nyitva



Figyelem! Kérjük, ne érjen a késekhez.
A kézvédő burkolat felszerelése nélkül tilos a szerszám használata.

3. BIZTONSÁGI UTASÍTÁSOK

⚠ FONTOS: HASZNÁLAT ELŐTT FIGYELMESEN OLVASSA EL AZ ÚTMUTATÓT ŐRIZZE MEG KÉSŐBBI SZÜKSÉG ESETÉRE

Ezt a szerszámot mindig a gyártónak az ezen felhasználói kézikönyvben található utasításait követve kell használni. Nem megfelelő használat, vagy a szerszám módosítása esetén a gyártó nem felelős az okozott károkért. Tartsa be az útmutatóban szereplő, a felszerelésre vonatkozó biztonsági utasításokat, valamint az érvényes baleset-megelőzési előírásokat is.

Tilos a szerszám használata nem megfelelő, vagy hiányzó alkatrészekkel, valamint a védőburkolat nélkül. A pótalkatrészekkel kapcsolatban a szakszerviztől kaphat tájékoztatást.

ISMERKEDÉS A TERMÉKKEL

- ✿ A szerszám használata előtt figyelmesen tanulmányozza át ezt a használati útmutatót.
- ✿ Soha ne engedje, hogy gyermekek, vagy az ezen útmutatót nem ismerő személyek használják a szerszámot. Helyi jogszabályok korlátozhatják a kezelő személy életkorát.
- ✿ Hagyja abba a munkát, ha bárki, különösen gyermekek vagy háziállatok közelednek.
- ✿ Ne feledje, hogy a kezelő vagy a felhasználó a felelős a más személyeknek vagy tulajdonuknak okozott balesetekért és kockázatokért.
- ✿ Nagyobb javításokat csakis speciálisan képzett személyek végezhetnek.

ELŐKÉSZÜLETEK A MUNKA MEGKEZDÉSE ELŐTT

⚠ EZ A SÖVÉNYVÁGÓ SÚLYOS SÉRÜLÉST OKOZHAT.

Figyelmesen olvassa el az utasításokat, hogy megismerje ennek a sövényvágónak a helyes kezelését, előkészítését, karbantartását, beindítását és leállítását. Ismerje meg a sövényvágó kezelőelemeit és helyes használatát.

- ✿ Soha ne engedje, hogy a sövényvágót gyermekek használják.
- ✿ Ügyeljen a föld feletti elektromos vezetékekre.
- ✿ Szakítsa meg a munkát, ha a közelben más személyek, különösen gyerekek vannak.
- ✿ Megfelelően öltözzön! Ne viseljen laza ruhát vagy ékszert, amelyeket a mozgó alkatrészek becsíphetnek. Javasoljuk, hogy viseljen védőkesztyűt, csúszásmentes cipőt és védőszemüveget.
- ✿ Az üzemanyag kezelésekor legyen nagyon óvatos. Az üzemanyag gyúlékony, gőze pedig robbanékony.

AZ ÜZEMANYAG KEZELÉSEKOR TARTSA BE A KÖVETKEZŐKET

- ✿ Csak jóváhagyott edényeket használjon.
- ✿ Soha ne vegye le a tartály fedelét és ne töltsön be üzemanyagot, ha a motor megy.
- ✿ Üzemanyag-töltés előtt várja meg, míg a motor és a kipufogórendszer kihűl.
- ✿ Az üzemanyag kezelése közben ne dohányozzon.
- ✿ Soha ne töltsön üzemanyagot zárt térben.
- ✿ Soha ne tegye a sövényvágót vagy az üzemanyagtartályt olyan helyre, melynek közelében nyílt láng van, pl. vízmelegítő közelébe.

- ✿ Ha az üzemanyag kifolyt, ne próbálja a sövényvágót azon a helyen bekapcsolni, hanem a motor elindítása előtt vigye a sövényvágót máshová.
- ✿ Az üzemanyag betöltése után mindig csavarozza vissza, és alaposan húzza meg a tartály fedelét.
- ✿ Ha kiengedi az üzemanyagot a tartályból, ezt mindig a szabadban tegye.

A BENZINES SÖVENYVÁGÓ HASZNÁLATA

⚠ FIGYELEM: Ez a sövényvágó kizárólag élőszövények és díszbokrok nyírására és formázására való, mégpedig kizárólag magáncélra. Minden egyéb használat kifejezetten tilos, soha ne használja a sövényvágót ettől eltérő célra! Hobbi és magáncélú szerszám nem alkalmas nyilvános helyeken, parkokban, sportpályákon, autópályák szélén, farmokon vagy erdészetben történő használatra.

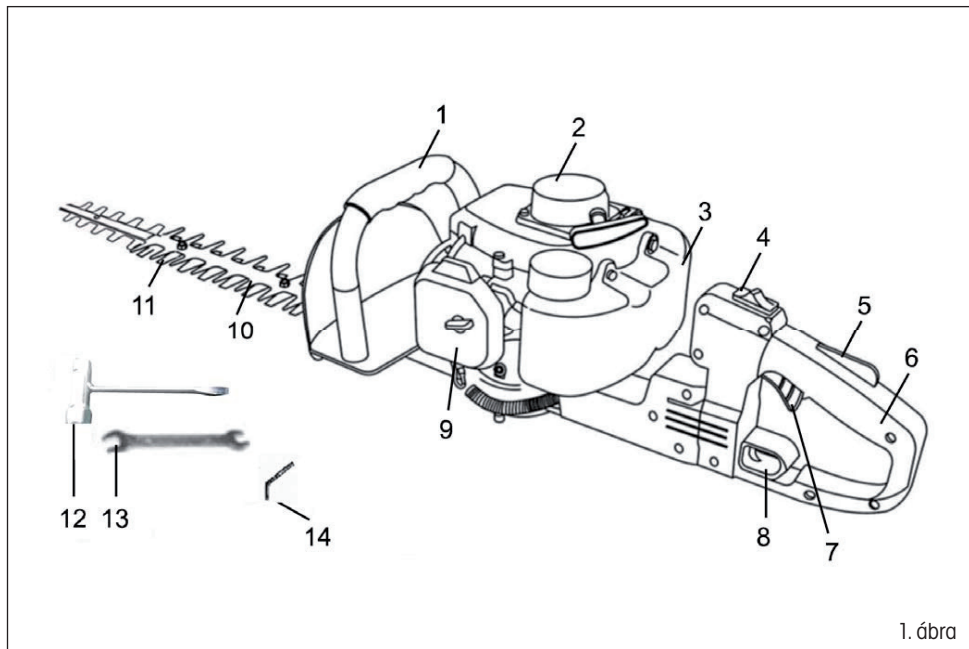
- ✿ Állítsa le a motort, mielőtt:
 - tisztítja vagy dugulást hárít el,
 - a készüléket ellenőrzi, karbantartást vagy egyéb munkát végez rajta,
 - a kés munkapozícióját beállítja,
 - felügyelet nélkül hagyja a szerszámot.
- ✿ A motor bekapcsolása előtt győződjön meg róla, hogy a sövényvágó a megfelelő munkapozícióban van-e.
- ✿ A sövényvágó használata közben mindig tartsa meg a biztonságos munkapozíciót, különösen ha lépcsőn vagy létrán dolgozik.
- ✿ Ne használja a sövényvágót, ha a kés sérült vagy túlságosan elhasználódott.
- ✿ A tűveszély csökkentése érdekében ügyeljen rá, hogy a motoron és a kipufogón ne legyenek szennyeződések, levelek vagy felesleges kenőanyag.
- ✿ A szerszám használata előtt mindig ellenőrizze, hogy minden fogantyú és burkolat megfelelően rögzítve van-e.
- ✿ A szerszám használata előtt mindig ellenőrizze, hogy minden csavar megfelelően meg van-e húzva
- ✿ Soha ne kísérelje meg olyan szerszám használatát, amely nem teljes, vagy nem engedélyezett módosítást hajtottak végre rajta.
- ✿ Az olyan sövényvágót, amelyen két fogantyú van, mindig két kézzel fogva használja.
- ✿ Mindig figyelje a munkaterület környékét, és ügyeljen a lehetséges kockázatokra, amelyek esetleg nem hallhatóak a szerszám zaja miatt.
- ✿ Ha a kés idegen tárgyba ütközik, ha a sövényvágó szokatlan hangot ad ki, vagy nagyon rezeg, állítsa le a motort, és várja meg, amíg a szerszám teljesen leáll. Vegye le a kábelt a gyújtógyertyáról, és végezze el a következőket:
 - Ellenőrizze, hogy nem sérült-e.
 - Ellenőrizzen és húzzon meg minden meglazult alkatrészt.
 - Minden sérült alkatrészt javítson meg, vagy cseréljen ki, kizárólag engedélyezett pótalkatrészeket használjon.
- ✿ Ezzel a szerszámmal mindig fűlvédőben dolgozzon.
- ✿ Ezzel a szerszámmal mindig védőszemüvegben dolgozzon.
- ✿ Vészhelyzet esetén a kapcsolót kikapcsolt helyzetbe téve állítsa le a motort.
- ✿ Magasabb hőmérséklet vagy páratartalom, nagyobb tengerszint feletti magasság esetén a szerszám teljesítménye csökken.

- Maximális üzemi hőmérséklet: 40 °C
- Maximális tengerszint feletti magasság: 1 000 m
- Maximális páratartalom: 95 %

KARBANTARTÁS ÉS TÁROLÁS

- ✿ Ha a szerszámot karbantartás, ellenőrzés vagy tárolás céljából leállítja, mindig állítsa le a motort, vegye le a kábelt a gyújtógyertyáról, és ellenőrizze, hogy minden mozgó alkatrész megállt-e. Mindennemű beállítás vagy ellenőrzés előtt várja meg, amíg a szerszám kihűl.
- ✿ A sövényvágót olyan helyen tárolja, ahol nincs a közelben nyílt láng vagy szikraforrás. Tárolás előtt mindig hagyja a sövényvágót kihűlni.
- ✿ A szerszám szállítása vagy tárolása közben mindig helyezze fel a kékre a védőfedeleket.
- ✿ A szerszám biztonságos működése érdekében ügyeljen rá, hogy minden csavar és anya megfelelően meg legyen húzva.
- ✿ Tárolás előtt mindig hagyja teljesen kihűlni a motort.
- ✿ A tűzveszély csökkentése érdekében ügyeljen rá, hogy a motoron, a kipufogó hangtompítóján és az üzemanyagtartályon ne legyenek növényi maradványok vagy felesleges kenőanyag.
- ✿ Biztonsági okokból cserélje ki az elhasználódott vagy sérült alkatrészeket.
- ✿ Ha a tartályból kiengedi az üzemanyagot, ezt mindig a szabadban tegye.
- ✿ Tárolás előtt mindig tisztítsa meg a szerszámot, és végezze el a szükséges karbantartást.
- ✿ Soha ne szerelje le a kés védőfedelét.
- ✿ A fémkéseket mindig hűvös és száraz helyen tárolja. Soha ne használjon rozsdás késeket. Munka közben a kések súlyos sérülést okozhatnak.

4. A GÉP LEÍRÁSA



1. ábra

A GÉP LEÍRÁSA (LD. 1. ÁBRA)

1. Elülső fogantyú
2. Indító
3. Üzemanyagtartály
4. A motor kapcsolója
5. Gázkar biztosító
6. Hátsó fogantyú
7. Gázkar
8. A fogantyú biztosítókarja
9. Légszűrő
10. Vezetőlemez
11. Vágókés
12. Gyertyakulcs
13. Villáskulcs
14. Hatszögletű kulcs

5. HASZNÁLAT ELŐTT

A szerszám használata előtt figyelmesen olvassa el ezt az útmutatót, és ellenőrizze a szerszámot.

⚠ FIGYELEM: A munka megkezdése előtt ellenőrizze a vágókést, soha ne használjon tompa, repedt vagy sérült kést. Ellenőrizze, hogy a fogantyúk és a biztonsági elemek jó állapotban vannak-e. Soha ne használjon olyan szerszámot, amelynek hiányzik bármelyik alkatrésze, amelyet módosítottak, vagy nem felel meg a műszaki paramétereknek. A motor beindítása előtt minden védőburkolatot megfelelően rögzíteni kell.

⚠ FIGYELEM: Ez a sövényvágó kétütemű motorral van felszerelve, ezért olajjal kevert üzemanyagot kell használni. Kérjük, hogy az alábbiak szerint járjon el.

⚠ FIGYELEM: Munka közben mindig viseljen jó minőségű kesztyűt, cipőt, fülvédőt és védőszemüveget. A felszerelésnek rendelkeznie kell CE címkével, és a PPE (Person Protective Equipment - Egyéni védőeszközök) irányelv minősítésével. A nem megfelelő minőségű felszerelés csökkentheti a védelmet, és a munka közben személyi sérülést okozhat.

ÜZEMANYAG

⚠ FIGYELEM: Ez a sövényvágó kétütemű motorral van felszerelve. Használjon olajjal kevert üzemanyagot.

- ✿ Az üzemanyagot csak jól szellőző helyen töltsse.
- ✿ Ügyeljen rá, hogy az üzemanyag ne folyjon ki.
- ✿ Soha ne töltsön üzemanyagot, ha a motor jár.
- ✿ Üzemanyag-töltés előtt várja meg, míg a motor kb. 2 perc alatt kihűl.
- ✿ Soha ne töltsön üzemanyagot nyílt láng, ellenőrző lámpák vagy olyan elektromos berendezések közelében, amelyeknél szikra keletkezik, mint pl. elektromos szerszámok, hegesztőberendezések vagy csiszológépek.

1. A motorkapcsoló (1. ábra 4. pont) kikapcsolt (OFF) állásba helyezésével gondoskodjon a motor kikapcsolásáról.
2. Vizuálisan ellenőrizze a tartályban levő üzemanyagot. Vegye le az üzemanyagtartály fedelét, és ellenőrizze az üzemanyag mennyiségét.
3. Töltsön a tartályba min. 90-es oktánszámú ólommentes benzint (a legjobb a Natural 95) és kétütemű motorokhoz való olaj 40:1 arányú keverékét (2,5 % olaj az üzemanyag-keverékben)
4. A tartály fedelét az óramutató járásával megegyező irányba elforgatva zárja be a tartályt.

⚠ FIGYELEM: Ne töltsön üzemanyagot, ha a motor jár, vagy forró. Soha ne használjon négyütemű motorhoz való olajat. Soha ne használjon folyadékűtéses kétütemű motorhoz való olajat.

- ✿ A nem jó minőségű olaj és a nem megfelelő üzemanyag-olaj-keverék veszélyeztetheti a motor működését, és csökkenti a katalizátor élettartamát.
- ✿ Mielőtt az üzemanyagot a tartályba tölti, alaposan rázza meg a kannát, hogy a megfelelő üzemanyag-keveréket kapja.

- ☼ Soha ne használjon öreg vagy szennyeződött benzint, vagy benzin-olaj-keveréket.
- ☼ Akadályozza meg, hogy a tartályban levő üzemanyag szennyeződjön vagy víz érje. Nagy terhelés esetén előfordulhat, hogy a motorból időnként kopogás vagy csörgés hallatszik. Ez normális jelenség, nem jelent problémát. Ha a kopogás vagy csörgés normál terhelés és állandó fordulatszám mellett is jelentkezik, használjon más benzint. Ha a probléma ezután sem oldódik meg, forduljon szakszervizhez.
- ☼ Ha hosszabb ideig magas fordulatszámon fogja működtetni a motort, javasoljuk, hogy magasabb oktánszámú benzint használjon.

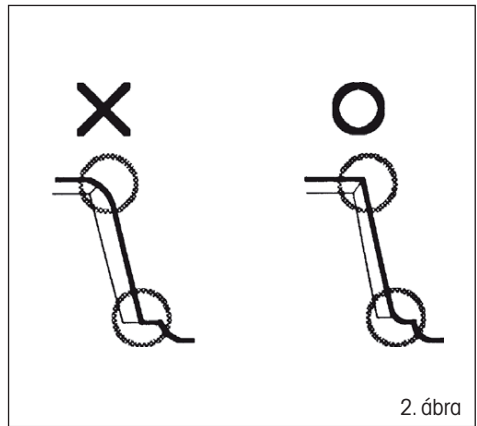
A KÉZVÉDŐ ELLENŐRZÉSE

- ☼ A kézvédő megakadályozza, hogy a keze a mozgó késhez érjen, például olyankor, ha a szerszám használójának a keze lecsúszik az elülső fogantyúról.

⚠ FIGYELEM! Ellenőrizze a kézvédő megfelelő felhelyezését és rögzítését. Ellenőrizze, nem sérült-e a kézvédő.

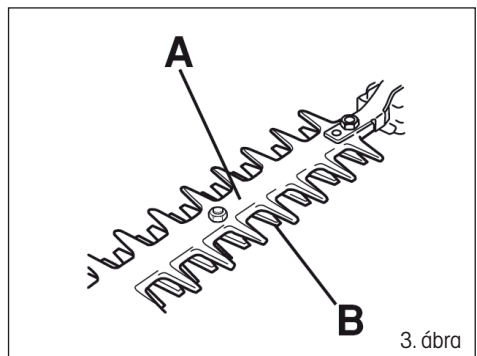
A KÉSEK ELLENŐRZÉSE

- ☼ A munka minősége miatt fontos, hogy a kések között megfelelő érintkezési nyomás legyen. Az érintkezési nyomást a lemez alsó részén levő csavarokat az óramutató járásának irányába elforgatva állíthatja be.
- ☼ Ha a kések megfelelően vannak beállítva, a kések közti mozgástérnek a csavarokon mérve 0,2 - 0,4 mm között kell lennie.
- ☼ Ha a kés meghajlott vagy sérült, cserélje ki.
- ☼ Ellenőrizze a kések élét, és ha szükséges, lapos és kerek reszelő segítségével módosítsa.
 1. Tartsa élesen a kés záróélét (2. ábra). A kés legjobb munkaszöge 45°.
 2. A kés alapját kerekítse le.
 3. Csiszoláskor ne használjon vizet.



A KÉSVÉDŐ FEDÉL ELLENŐRZÉSE

- ☼ A késvédő fedél (3. ábra, A pont) a test bármelyik részét védi a vágókéssel (3. ábra, B pont) való érintkezéstől.
- ☼ Ellenőrizze, hogy nem sérült vagy deformálódott-e a késvédő fedél. Ha a késvédő fedél meghajlott vagy sérült, cserélje ki.



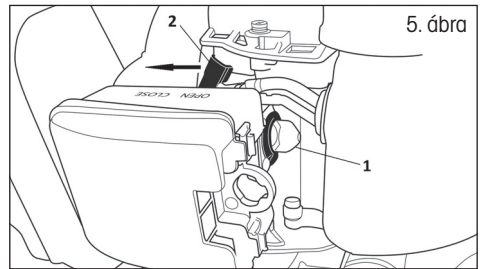
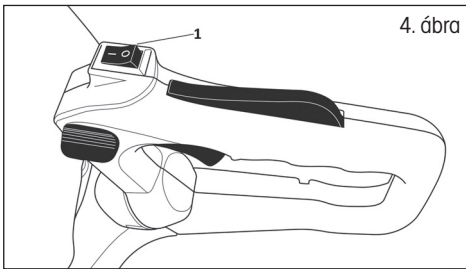
A LÉGSZŰRŐ ELLENŐRZÉSE

- ☼ Ellenőrizze, hogy a légszűrő tiszta-e, és jó állapotban van-e.
- ☼ Oldja ki a légszűrő fedelének csavarját, vegye le a fedelet, és ellenőrizze a szűrőt. Ha szükséges, tisztítsa meg, vagy cserélje ki a szűrőt.

6. A MOTOR BEINDÍTÁSA

- ⚠ FIGYELEM! A motor beindításakor a vágókések megmozdulhatnak. Gondoskodjon róla, hogy a vágókések ne érhessenek hozzá semmihez. Gondoskodjon róla, hogy a munkaterületen ne tartózkodjanak illetéktelen személyek. Ezeket a személyeket súlyos sérülés veszélye fenyegetné.**

A HIDEG MOTOR BEINDÍTÁSA



1. Állítsa a főkapcsolót ON állásba (4. ábra, 1. pont)
2. Nyomja meg néhányszor az üzemanyag-befecskendező pumpát (5. ábra, 1. pont)
3. Állítsa a szivató karját CLOSE állásba (ld. 5. ábra, 2. pont)
3. A sövényvágót helyezze a földre úgy, hogy stabilan álljon, és húzza meg az indítózsinórt, amíg a motor beindulni nem készül. Először lassan húzza a berántózsínórt, amíg ellenállást nem érez, azután rántsa meg erősen a zsinórt. A visszatekeredés közben tartsa kézzel a berántózsínórt, lazán, lassan hagyja felfekeredni.
4. Ebben a pillanatban állítsa vissza a szivató karját OPEN helyzetbe (5. ábra), és az indítózsínór többszöri meghúzásával indítsa be a motort.

- ⚠ FIGYELEM! A motor túl hosszú ideig tartó forgatása CLOSE állásban lévő szivatókarral a motor elárasztása miatt problémát okoz az indításnál.**

5. A munka megkezdése előtt hagyja, hogy a motor néhány perc alatt üzemi hőfokra melegedjen.

A BEMELEGÍTETT MOTOR INDÍTÁSA

1. Állítsa a főkapcsolót ON állásba (4. ábra, 1. pont)
2. Húzza meg az indítózsínórt, amíg a motor be nem indul

NE HASZNÁLJON SZÍVATÓT!

- ⚠ FIGYELEM!** Ha az üzemanyagtartályból teljesen kifogyott az üzemanyag, feltöltés után A HIDEG MOTOR BEINDÍTÁSÁRA szolgáló lépéseket ismételje meg.
- ⚠ FIGYELEM!** Ügyeljen rá, hogy a kés ne érjen olyan idegen tárgyakhoz, pl. fémdrótok vagy rácsok, amelyek a kés vagy a meghajtás sérülését okozhatják. Ha a kés leblokkol vagy megakad, azonnal állítsa le a motort. Csak azután szabadítsa ki a beszorult szerszámot.

Ellenőrizze, hogy a vágókés nem mozog-e, ha a motor üresjárásban van.

A MOTOR LEÁLLÍTÁSA

Állítsa a főkapcsolót OFF állásba (4. ábra)

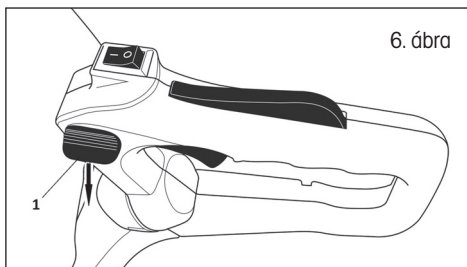
7. A SÖVÉNYVÁGÓ HASZNÁLATA - VÁGÁS

- ⚠ FIGYELEM!** Vészhelyzet esetén a kapcsolót OFF helyzetbe téve állítsa le a motort. A szerszámot a lehető legközelebb tartsa a testéhez, hogy minél jobban egyensúlyban legyen. Ügyeljen rá, hogy a szerszám hegye ne érjen a földhöz. A munkavégzés során ne siessen, dolgozzon folyamatosan, amíg az élősövény valamennyi ágát egyenletesen meg nem rövidítette.
- ⚠ FIGYELEM!** Munka közben ne hagyja a motort sokáig üresjárásban. Ha a szerszámot hosszú ideig alacsony fordulatszámon működteti, a tengelykapcsoló gyorsabban elhasználódik. Másrészt nem jó a motort vágás közben sokáig maximális fordulatszámon tartani. Ha a szerszámot hosszú ideig magas fordulatszámon működteti, a motor élettartama rövidebb lesz.

A FOGANTYÚ BEÁLLÍTÁSA

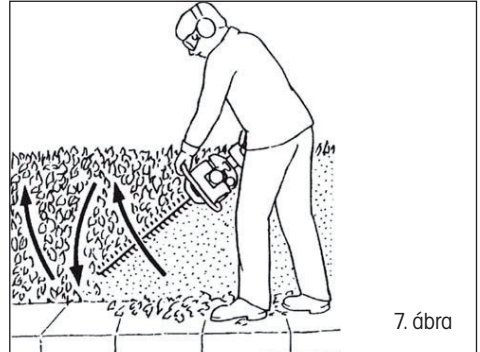
- ⚠ FIGYELEM!**
E tevékenység közben ne használja az indítókapcsolót!

Élősövények vágásakor a hátsó fogantyú a következő 3 helyzetbe állítható, hogy csökkentse a fátartságot a munka során: középső, balra 90°-ban, vagy jobbra 90°-ban. A beállítás a hátsó fogantyún levő biztosítógomb (6. ábra, 1. pont) kioldása után végezhető el. Nyomja le a biztosítógombot, és fordítsa a fogantyút a kívánt irányba. A biztosítógomb elengedése után a fogantyú a beállított helyzetben rögzítve marad.



VÁGÁS FÜGGŐLEGESEN

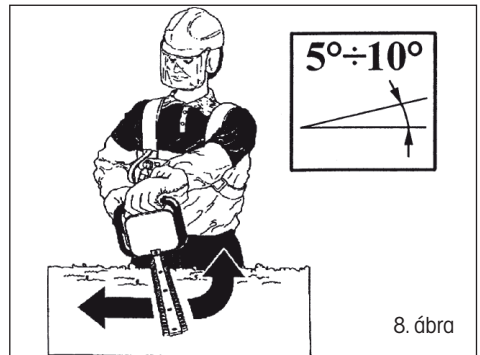
Ívben vágjon alulról felfelé, majd újra lefelé dolgozzon, hogy a kések mindkét oldalát használja.



7. ábra

VÁGÁS VÍZSZINTESEN

A lehető legjobb eredmény elérése érdekében hajlítsa a késeket enyhén ($5 - 10^\circ$ -os szögben) a vágás irányába.



8. ábra

A VISSZARÚGÁS ÉS A VELE KAPCSOLATOS FIGYELMEZTETÉSEK

A visszarúgás a munkaeszköz hirtelen reakciója leblokkolásakor vagy megakadásakor. A leblokkolás vagy megakadás miatt a forgó alkatrész hirtelen megáll, ami a szerszámból az addigi forgásirányához képest ellenkező irányú, ellenőrizhetetlen mozgást vált ki. Például ha a munkaeszközt egy kődarab blokkolja vagy akasztja meg, a munkaeszköz beszoruló éle behatolhat az anyagba, amitől a munkaeszköz felemelkedhet vagy visszarúghat. Attól függően, hogy merre mozgott az elakadás helyén, a munkaeszköz a kezelő felé vagy a vele ellenkező irányba is kiugorhat. A visszarúgás a szerszám nem megfelelő használatának, a nem megfelelő munkafolyamatnak vagy az alkalmatlan munkakörülményeknek az eredménye, és az alábbi pontok betartásával megelőzhető.

- Mindig stabilan fogja a szerszámot, és olyan testhelyzetet és kartartást vegyen fel, hogy ellen tudjon állni a visszarúgás erejének.**
- Soha ne tegye a kezét a forgó alkatrészek közelébe.** Az alkatrész a kezén keresztül kivágódhat hátrafelé.
- Ne lépjen olyan helyre, ahová visszarúgás esetén a szerszám kivágódhat.** A visszarúgás ellenkező irányba dobja a szerszámot, mint amerre az a blokkolásakor mozgott.
- Legyen nagyon óvatos sarkok, éles peremek stb. közelében. Kerülje el, hogy a készülék ugráljon vagy megakadjon.** A sarkok, éles peremek, vagy a munkaeszköz ugrálása hajlamosak megakasztani a forgó alkatrészt, ami a kontroll elvesztéséhez vagy visszarúgáshoz vezethet.

8. KARBANTARTÁS

A motor jó minőségű karbantartása nagyon fontos a szerszám biztonságos, gazdaságos és problémamentes működése szempontjából. A légszennyezés korlátozásában is segít.

A rendszeres karbantartás és beállítás célja az, hogy a szerszámot hibátlan működési állapotban tartsuk.

Bármiféle karbantartás megkezdése előtt állítsa le a motort. Ha a karbantartás során a motornak működnie kell, gondoskodjon a terület megfelelő szellőzéséről. A kipufogógázok mérgező szén-monoxidot tartalmaznak. Mindig a javasolt tartozékokat használja. A nem megfelelő minőségű tartozék a szerszám meghibásodását okozhatja.

A karbantartás során soha ne használjon jóvá nem hagyott alkatrészt, és ne vegye le a biztonsági berendezést a karbantartás után.

Karbantartás	Karbantartás minden használat után	Karbantartás minden 3. használat után	Szezonvégi karbantartás
Tisztítsa le a szerszám felületét.	X		
Ellenőrizze a gázkar biztosítójának és magának a gázkarnak a helyes működését, hogy a szerszám biztonságosan működhessen.	X		
Ellenőrizze a motorkapcsoló megfelelő működését.	X		
Ellenőrizze, hogy a motor üresjáratakor vagy a szívató indító helyzetbe állításakor nem mozognak-e a kések.	X		
Ellenőrizze, rendben van-e a vágókés, nem repedt-e és más módon sem sérült-e. Ha szükséges, cserélje ki a kést.	X		
Ellenőrizze, hogy nem sérült vagy deformálódott-e a késvédő fedél. Ha a késvédő fedél meghajlott vagy sérült, cserélje ki.	X		
Tisztítsa ki a légszűrőt. Ha szükséges, cserélje ki.	X		
Ellenőrizze, rendesen meg vannak-e húzva a csavarok és anyák.	X		
Ellenőrizze, nem szökik-e az üzemanyag a motorból, a tartályból vagy az üzemanyag-vezetékéből.	X		
Ellenőrizze az indítót és a berántózsínort.		X	
Tisztítsa meg a gyújtógyertya felületét. Vegye ki a gyújtógyertyát, és ellenőrizze az elektródák közti hézagot. Állítsa be a hézagot 0,6 - 0,7 mm-re, vagy cserélje ki a gyújtógyertyát. Ellenőrizze, hogy a gyújtógyertyához csatlakoztatva van-e a gyertyakábel vége.		X	

Tisztítsa meg a szerszám hűtőrendszerét.		X	
Tisztítsa meg a karburátor felületét és a környékét.		X	
Ellenőrizze, helyesen van-e összerakva a karima, a fedél és az anya		X	
Tisztítsa meg az üzemanyag-tartályt.			X
Ellenőrizze az összes kábelt és csatlakozást.			X
Ellenőrizze, nincs-e elhasználódva a tengelykapcsoló, a tengelykapcsoló rugója és kosara. Ha szükséges, cseréltesse ki szakszervizben.			X
Cserélje ki a gyújtógyertyát. Ellenőrizze, hogy a gyújtógyertyához csatlakoztatva van-e a gyertyakábel vége.			X
Távolítsa el a szennyeződések, leveleket és a felesleges kenőanyagot a kipufogó fajtásából és a motorból, ezzel csökkentheti a tűzveszélyt.			X

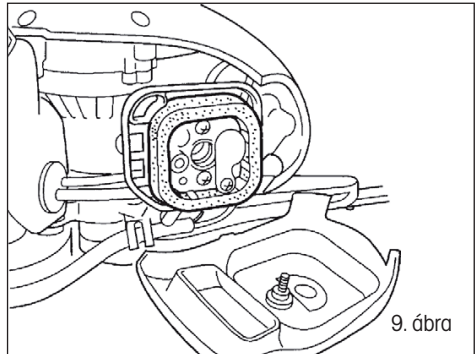
A KARBANTARTÁST a megadott időszakokban, vagy bizonyos mennyiségű munkaóra elteltével RENDSZERES IDŐKÖZÖNKÉNT (amikor aktuális) el kell végezni. ⁽¹⁾		Használat előtt mindig	Havonta, vagy 25 órányi használat után	3-havonta, vagy 50 órányi használat után	6-havonta, vagy 100 órányi használat után
Légszűrő	Kitisztítani			X ⁽¹⁾	
A szelepek holtjátéka	Ellenőrizni - megtisztítani				X ⁽²⁾
Üzemanyag-tartály és olajsűrő	Kitisztítani				X ⁽²⁾
Kenőanyag a sebességváltóban	Feltölteni			X ⁽¹⁾	
Kések	Ellenőrizni (szükség esetén kicserélni)	X		X	
Üzemanyagcső	Ellenőrizni (szükség esetén kicserélni)	Háromévenként ⁽²⁾			

⁽¹⁾ Ha a szerszámot poros helyen használja, rövidebb időközönként végezze a karbantartást.

⁽²⁾ Ha a tulajdonosnak nincs megfelelő szerszáma és szakismerete, ezt a karbantartást a szakszerviz szakembereivel végeztesse el.

LÉGSZŰRŐ - KARBANTARTÁS

1. Oldja ki a légszűrő fedelének csavarját, és vegye le a fedelet.
2. Mossa meg a légszűrőt megfelelő oldószerrel.
3. Nyomja ki a légszűrőből a felesleges olajat.
4. Tegye vissza a légszűrőt a szerszámba.
5. Szerelje vissza a légszűrő fedelét, és alaposan húzza meg a fedelet a csavarral.



9. ábra

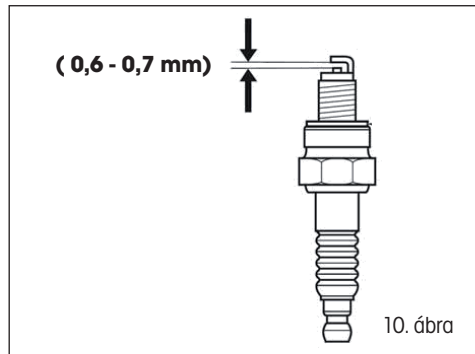
⚠ FIGYELEM! Benzines vagy gyúlékony oldószer használata tüzet vagy robbanást okozhat. Ezért csak szappanoldatot vagy nem gyúlékony oldószert használjon. Soha ne használja a szerszámot légszűrő nélkül.

Gyújtógyertya - karbantartás

AZ AJÁNLOTT GYÚJTÓGYERTYA: SAIL BM6A

A gyújtógyertyán megfelelő hézagnak kell lennie, nem lehetnek rajta lerakódások, hogy garantálni lehessen a motor megfelelő működését.

1. Vegye le a gyújtógyertya fedelét.
2. Vegye le a gyújtógyertya-kábel végét.
3. Távolítsa le minden szennyeződést a gyújtógyertya alapzatának közeléből.
4. A gyújtógyertya kiszerezéséhez használja a mellékelt gyertyakulcsot.
5. Vizuálisan ellenőrizze a gyújtógyertyát. Drótkéfe segítségével távolítsa el a karbon lerakódásokat.
6. Ellenőrizze a gyújtógyertya felső részének elszíneződését. A normál elszíneződés világosbarna.
7. Ellenőrizze a hézagot a gyújtógyertyán. A hézag megfelelő mérete 0,6 - 0,7 mm.
8. Csavarozza óvatosan kézzel vissza a gyújtógyertyát.
9. Amint a gyújtógyertyát kézzel teljesen becsavarta, húzza meg a mellékelt kulccsal.
10. Helyezze fel a gyújtógyertya felső részére a gyújtógyertya-kábel végét.
11. Tegye vissza a gyújtógyertya fedelét.



10. ábra

TISZTÍTÁS

1. Tartsa a szerszámot tisztán, ha szükséges, a felületét puha és nedves ronggyal és finom tisztítószerrel tisztíthatja meg. Soha ne használjon a tisztításhoz vizet, mert meghibásodást okozhat a szerszám belső részében.

2. Néhány karbantartásra szolgáló termék és néhány oldószer kárt tehet a műanyag alkatrészekben. Ezek közé tartoznak a benzint, triklóretilént, kloridot és ammóniát tartalmazó termékek.
3. Szenteljen különös figyelmet annak, hogy minden szellőzőnyílás átjárható legyen. A szerszám belsejének tisztán tartásához általában elég, ha egy puha kefével megtisztítja, majd sűrített levegővel kifújja.
4. Tisztításkor viseljen megfelelő védőszemüveget.

SEBESSÉGVÁLTÓ

A sebességváltót minden 30 óra használat után meg kell kenni. Javasoljuk, hogy ehhez lépjen kapcsolatba a szakszervizzel.

JAVÍTÁSOK

A szerszám bármilyen javítását csak erre felhatalmazott szakszerviz végezheti.

Hiba	Ellenőrzés	Állapot	Ok	Megoldás	
A motor le-leáll, nehezen vagy egyáltalán nem lehet beindítani	Üzemanyag a karburátorban	Az üzemanyag nem jut el a karburátorba	Eltömődött üzemanyag-szűrő	Kitisztítani vagy kicserélni	
			Eldugult az üzemanyag-vezeték	Kitisztítani vagy kicserélni	
			Karburátor	Kérjen javítást a szakszervizben	
	Üzemanyag a hengerben	Az üzemanyag nem jut el a hengerbe	Karburátor	Kérjen javítást a szakszervizben	
			A kipufogásban üzemanyag van	Az üzemanyag-keverék túl dús	Nyissa ki a fojtószelepet Tisztítsa ki vagy cserélje ki a légszűrőt Állítsa be a karburátort Kérjen javítást a szakszervizben
	Szikrák a gyújtógyertya elektródáin	Nincs szikra	A motorkapcsoló kikapcsolt állásban van	Állítsa a motorkapcsolót bekapcsolt állásba (ON - motormenet)	
Probléma az elektromos rendszerben			Kérjen javítást a szakszervizben		
Biztosított kapcsoló					

Hiba	Ellenőrzés	Állapot	Ok	Megoldás
A motor le-leáll, nehezen vagy egyáltalán nem lehet beindítani	Szikrák a gyújtógyertya elektródáin	Nincs szikra	Rossz az elektródák távolsága	Állítsa a hézagot 0,6 - 0,7 mm értékre
			Szennyezett elektródák	Kitisztítani vagy kicserélni
			Az elektródák üzemanyaggal szennyeződtek	Kitisztítani vagy kicserélni
			Meghibásodott gyújtógyertya	Cserélje ki a gyújtógyertyát
A motor működik, de le-leáll, és nem gyorsul megfelelően	Légszűrő	Szennyeződött légszűrő	Normális elhasználódás	Kitisztítani vagy kicserélni
	Üzemanyagszűrő	Szennyeződött üzemanyagszűrő	Szennyeződések vagy üledékek az üzemanyagban	Kicserélni
	Üzemanyagszelep	Eldugult az üzemanyagszelep	Szennyeződések vagy üledékek az üzemanyagban	Kitisztítani vagy kicserélni
	Gyújtógyertya	Szennyeződött vagy elhasználódott a gyújtógyertya	Normális elhasználódás	Kitisztítani, beállítani vagy kicserélni
	Karburátor	Rossz beállítás	Rezgés	Beállítani
	Hűtőrendszer	Magas hőmérséklet	Hosszan tartó használat szennyezett vagy poros környezetben	Kitisztítani
	Zavarszűrő	Repedt, szennyezett vagy perforált lemez	Normális elhasználódás	Kicserélni
A motor nem hajtja a szerszámot	Nincs	Nincs	A motor belső hibája	Kérjen javítást a szakszervizben

9. TÁROLÁS

Ha a szerszámot gépjárműben szállítja, ürítse ki az üzemanyag-tartályt, nehogy az üzemanyag szökjön.

AZ ÜZEMANYAG KIENGEDÉSE

⚠ FIGYELEM! Az üzemanyag kiengedéséhez csak akkor kezdjen hozzá, ha a motor hideg!

1. A szerszámot egyenes és stabil felületre tegye.
2. Oldja ki és vegye le az üzemanyag-tartály fedelét.
3. Engedje ki egy megfelelő kannába az egész üzemanyagot.
4. Nyomja meg néhányszor a kézi szivattyút, amíg nem jön üzemanyag a tartályból.
5. Ismét engedje ki az üzemanyagot.
6. Tegye vissza és húzza meg az üzemanyag-tartály fedelét.

A szerszámot, a használati útmutatót és a tartozékokat tegye az eredeti csomagolásba.

Így minden információ és alkatrész mindig kéznél lesz.

Alaposan csomagolja be a szerszámot, vagy használja az eredeti csomagolást, hogy megelőzze a szállítás során bekövetkező sérüléseket.

A szerszámot üres üzemanyag-tartállyal, száraz és jól szellőző helyen tárolja.

Ne tárolja az üzemanyagot a szerszám közelében.

10. MŰSZAKI ADATOK

Modell	FZN 4002 B
A motor térfogata	22,5 cm ³
A motor maximális teljesítménye	0,65 kW
A motor típusa	Kétütemű, léghűtéses
A gyújtógyertya típusa	SAIL/BM6A
A motor maximális fordulatszáma:	7 500 min ⁻¹
A motor üresjárati fordulatszáma	3 000 min ⁻¹
A tengelykapcsoló kapcsolásához szükséges fordulatszám	3 800 min ⁻¹
Hatékony munkaszélesség	510 mm
Az üzemanyag-tartály térfogata	0,6 l
Az üzemanyag keverési aránya (Natural 95 / kétütemű motorba való olaj)	40 : 1
A fogantyú vibrációs szintje	19 m/s ² k = 1,5 m/s ²
Akuszikai nyomásszint: LpA	85 dB(A) k = 1,5 dB(A)
Akuszikai teljesítményszint: LwA	108 dB(A) k = 1,5 dB(A)
A szerszám tömege (üres tartály, munkaberendezés nélkül)	5,2 kg

11. MEGSEMMISÍTÉS

A HASZNÁLT CSOMAGOLÓANYAGOKRA VONATKOZÓ UTASÍTÁSOK ÉS TÁJÉKOZTATÓ

A használt csomagolóanyagokat az önkormányzat által kijelölt hulladékgyűjtő helyre helyezze el.



A gép és tartozékai különböző anyagokból, pl. fémből és műanyagból készültek.
A sérült alkatrészeket adja le szelektív gyűjtőhelyen. Tájékoztódjon az illetékes hivatalnál.



Ez a termék teljesíti minden rá vonatkozó EU-irányelv alapkövetelményeit.

Változtatások a szövegben, a kivitelben és a műszaki jellemzőkben előzetes figyelmeztetés nélkül történhetnek, a módosításra vonatkozó jog fenntartva.

Használati útmutató az eredeti nyelven.

12. MEGFELELŐSÉGI NYILATKOZAT

FAST®

FAST ČR, a. s.
Černokostelecká 1621, 251 01 Říčany u Prahy, Cseh Köztársaság
tel.: 323 204 111, fax: 323 204 110

MEGFELELŐSÉGI NYILATKOZAT

EK Megfeleléségi Nyilatkozat

A Fast ČR, a. s., Černokostelecká 251 01 Říčany u Prahy, tel.: 323 204 111, kötelezően nyilatkozik, hogy a Fieldmann FZN 4002B benzinmotoros sövényvágó (a gyártási év a típuscímkén található, és a gép gyártási száma követi), megfelel a TANÁCS következő IRÁNYELVEINEK

A gépi berendezésekre vonatkozó EK-irányelv (MD) 2006/42/EK (98/37/EDC)
Az elektromágneses kompatibilitásra (EMC) vonatkozó EK-irányelv
A berendezések zajkibocsátására vonatkozó EK-irányelv (ND) 2005/88/ES (2000/14/EK)
EK Gázkibocsátás 2002/88/EK

és a vizsgálata az alábbi szabványok alapján történt:

EN ISO 12100:2010
EN ISO 22868:2011
EN ISO 3744:2010
EN ISO 10517:2012
EN 55012:2007+A1:2009

Műszaki adatok:

22,5cm³; 0,65kW

CE jelölés: 15

Říčany, 2015. november 29.

Név, bélyegző és aláírás

Petr Uher
Minőségügyi menedzser

FAST ČR, a. s.
Černokostelecká 1621
251 01 Říčany u Prahy
tel.: +420/ 323 204 111
fax: +420/ 323 204 110



Azonosító szám: 26726548, Adószám: CZ26726548

Bank: Komerční banka Praha 1, č.ú. 89309-011/0100, Česká spořitelna Praha 4, č.ú. 2375682/0800,
ČSOB Praha 1, č.ú. 8010-0116233383/0300

Nożyce do żywopłotów z silnikiem spalinowym

NÁVOD K OBSLUZE

Dziękujemy za zakupienie spalinowych nożyc ogrodowych. Zanim zaczniesz z nich korzystać, przeczytaj uważnie niniejszą instrukcję obsługi i zachowaj ją do wglądu.

SPIS TREŚCI

1. OGÓLNE ZASADY BEZPIECZEŃSTWA.....	101
Ważne ostrzeżenia dotyczące bezpieczeństwa.....	101
Opakowanie.....	101
Instrukcja obsługi.....	101
2. WYJAŚNIENIE TABLICZEK ZE WSKAZÓWKAMI ZNAJDUJĄCYCH SIĘ NA MASZYNIE.....	102
3. WSKAZÓWKI BEZPIECZEŃSTWA.....	105
Zapoznanie się z produktem.....	105
Przygotowanie przed rozpoczęciem pracy.....	105
Podczas pracy z benzyną należy przestrzegać następujących punktów.....	105
Korzystanie ze spalinowych nożyc ogrodowych.....	106
Konserwacja i przechowywanie.....	107
4. OPIS URZĄDZENIA.....	108
Opis maszyny (por. Rys. 1).....	108
5. PRZED PIERWSZYM UŻYCIEM.....	109
Paliwo silnika.....	109
Ręczna kontrola pokrywy.....	110
Kontrola noży.....	110
Kontrola pokrywy noży.....	110
Kontrola filtra powietrza.....	111
6. URUCHAMIANIE SILNIKA.....	111
Uruchamianie zimnego silnika.....	111
Uruchamianie rozgrzanego silnika.....	111
Zatrzymanie silnika.....	112
7. KORZYSTANIE Z NOŻYC - PRZYCINANIE.....	112
Ustawienia rękojeści.....	112
Przycinanie w poziomie.....	113
Przycinanie w pionie.....	113
Siła odrzutu i odpowiednie ostrzeżenia.....	113
8. KONSERWACJA.....	114
Filtr powietrza – konserwacja.....	116
Czyszczenie.....	116
Przekładnia.....	117

Naprawa.....	117
9. PRZECHOWYWANIE.....	119
Spuszczanie paliwa	119
10. DANE TECHNICZNE	119
11. LIKWIDACJA.....	120
WSKAZÓWKI I INFORMACJE DOTYCZĄCE GOSPODARKI ZUŻYTYM OPAKOWANIEM.....	120
12. DEKLARACJA ZGODNOŚCI.....	121

1. OGÓLNE ZASADY BEZPIECZEŃSTWA

WAŻNE OSTRZEŻENIA DOTYCZĄCE BEZPIECZEŃSTWA

- ✿ Starannie rozpakuj wyrób, zwracając uwagę, by nie wyrzucić żadnej części materiału pakowego, zanim nie znajdziesz wszystkich elementów produktu.
- ✿ Przechowuj produkt w suchym miejscu z dala od dzieci.
- ✿ Przeczytaj wszystkie uwagi i wskazówki. Zaniedbania w przestrzeganiu ostrzeżeń i wskazówek mogą spowodować urazy, pożar i/lub ciężkie obrażenia.


OPAKOWANIE

Wyrób został umieszczony w opakowaniu chroniącym je przed uszkodzeniem podczas transportu. Opakowanie to jest surowcem i dlatego podlega recyklingowi.

INSTRUKCJA OBSŁUGI

Przed rozpoczęciem pracy z urządzeniem przeczytaj następujące zasady bezpieczeństwa i wskazówki dotyczące użytkowania. Zapoznaj się z elementami sterowania i prawidłowym użyciem urządzenia. Instrukcję należy ze starannością zachować do wglądu. Przynajmniej w czasie okresu gwarancyjnego zaleca się zachować oryginalne opakowanie włącznie z wewnętrznym materiałem pakowym, paragon i kartę gwarancyjną.

W razie transportu zapakuj urządzenie z powrotem do oryginalnego, fabrycznego pudełka, dla zapewnienia w ten sposób maksymalnej ochrony produktu podczas ewentualnego transportu (np. przeprowadzki lub wysyłki do serwisu).

-  **UWAGA:** Jeśli przekazujesz maszynę innym osobom, przekaz ją wraz z instrukcją. Przestrzeganie załączonej instrukcji obsługi stanowi przesłankę do prawidłowego użytkowania urządzenia. Instrukcja obsługi zawiera również wskazówki dotyczące obsługi, konserwacji i naprawy.

Producent nie ponosi odpowiedzialności za wypadki lub szkody powstałe na skutek nieprzestrzegania niniejszej instrukcji.

2. WYJAŚNIENIE TABLICZEK ZE WSKAZÓWKAMI ZNAJDUJĄCYCH SIĘ NA MASZYNIE

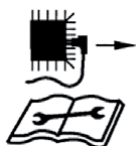
Symbole wykorzystane w niniejszej instrukcji są przeznaczone do tego, aby zwrócić Państwa uwagę na możliwe zagrożenia. Towarzyszące im komentarze dotyczące bezpieczeństwa należy przestudiować i całkowicie zrozumieć. Ostrzeżenia same przez siebie nie likwidują zagrożeń i nie mogą zastąpić właściwego korzystania z narzędzia, które zapobiegnie wypadkom i ewentualnym obrażeniom.



Ten symbol przez komentarzem dotyczącym bezpieczeństwa oznacza czynność zapobiegawczą, ostrzeżenie lub zagrożenie. Ignorowanie tego ostrzeżenia może prowadzić do obrażeń użytkownika lub innych osób. Zawsze należy przestrzegać podanych zaleceń, aby ograniczyć ryzyko spowodowania obrażeń, pożaru lub urazu.



Zapoznaj się z całą instrukcją obsługi. Przed każdym użyciem przestuduj właściwą część instrukcji.



Przed każdą czynnością konserwacji odłącz końcówkę kabla od świecy zapłonowej i przeczytaj instrukcje konserwacji.



Obchodząc się z paliwem i smarami, przestrzegaj zalecanych ilości!



Nie narażaj narzędzia na działanie deszczu.



Rura wydechowa i spaliny są gorące



Ryzyko obrażeń spowodowanych przez latające przedmioty! Zawsze zachowuj wystarczający, bezpieczny dystans. Uważaj na odrzucone przedmioty. Odległość między urządzeniem a osobami stojącymi obok musi wynosić minimalnie 15 metrów.



Podczas uruchamiania silnika dochodzi do iskrzenia.

Iskrzenie może spowodować zapłon łatwopalnych gazów.



Silnik produkuje tlenek węgla, będący trującym i bezbarwnym gazem bez zapachu.

Wdychanie tlenku węgla może spowodować nudności, mdłości i śmierć.



Wyłącznie do użytku na zewnątrz.

W pomieszczeniach grozi wdychanie spalin.



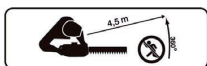
Surowy zakaz palenia papierosów oraz używania otwartego płomienia w zasięgu tego urządzenia!



Symbole te zwracają uwagę na konieczność użycia ochrony słuchu i wzroku oraz rękawic podczas pracy z tym urządzeniem.



Podczas pracy z urządzeniem należy korzystać z mocnego obuwia ochronnego.



Zachowaj bezpieczną odległość.



Ssanie zamknięte



Ssanie otwarte



Uwaga! Nie dotykać noży.
Zakaz korzystania z urządzenia bez zainstalowanej osłony rąk.

3. WSKAZÓWKI BEZPIECZEŃSTWA

⚠ WAŻNE: PRZED UŻYCIEM PRZECZYTAJ DOKŁADNIE INSTRUKCJĘ INSTRUKCJĘ NALEŻY PRZECHOWAĆ DO UŻYTKU W PRZYSZŁOŚCI

Urządzenie to musi być wykorzystywane według instrukcji producenta zawartych w niniejszym podręczniku użytkownika. W przypadku nieprawidłowego użycia lub dokonania zmian w urządzeniu producent nie ponosi żadnej odpowiedzialności za spowodowane szkody. Należy przestrzegać instrukcji dotyczących bezpieczeństwa i instalacji zawartych w niniejszej instrukcji oraz aktualnych przepisów dotyczących zapobiegania obrażeniom i wypadkom.

Urządzenie z niedziałającymi lub brakującymi częściami lub bez osłony ochronnej nie może być używane. Autoryzowany serwis udzieli informacji o częściach zamiennych.

ZAPOZNANIE SIĘ Z PRODUKTEM

- ✿ Przed użyciem urządzenia należy uważnie przeczytać i przestudiować niniejszą instrukcję obsługi.
- ✿ Nigdy nie należy pozwalać dzieciom lub osobom, które nie zapoznały się z tymi instrukcjami, aby korzystały z tego urządzenia. Lokalne przepisy prawne mogą ograniczać wiek obsługi.
- ✿ Przerwij pracę, jeśli zbliżą się jakiegokolwiek osoby, zwłaszcza dzieci, lub zwierzęta domowe.
- ✿ Nie zapominaj, że obsługa lub użytkownik są odpowiedzialni za wypadki i szkody, które zostaną spowodowane innym osobom lub na ich majątku.
- ✿ Większe naprawy mogą być przeprowadzane wyłącznie przez specjalistycznie przeszkolone osoby.

PRZYGOTOWANIE PRZED ROZPOCZĘCIEM PRACY

⚠ NOŻYCE DO ŻYWOPŁOTÓW MOGĄ SPOWODOWAĆ POWAŻNE OBRAŻENIA.

Należy uważnie przeczytać podane instrukcje, aby zapoznać się z prawidłową obsługą, przygotowaniem, konserwacją, uruchamianiem i zatrzymaniem nożyc do żywopłotów. Zapoznaj się z elementami sterowania oraz z prawidłową obsługą nożyc.

- ✿ Nigdy nie pozwól, aby z tych nożyc korzystały dzieci.
- ✿ Uważaj na nadziemne instalacje elektryczne.
- ✿ Przerwij pracę, jeśli w pobliżu znajdują się inne osoby, zwłaszcza dzieci.
- ✿ Ubierz się stosownie! Nie noś luźnych ubrań ani biżuterii, które mogłyby zostać chwycione przez ruchome części. Zalecamy używanie mocnych rękawic, obuwia z podeszwą antypoślizgową i okularów ochronnych.
- ✿ Obchodząc się z paliwem, zachowaj szczególną ostrożność. Paliwo jest łatwopalne a jego opary są wybuchowe.

PODCZAS PRACY Z BENZYNĄ NALEŻY PRZESTRZEGAĆ NASTĘPUJĄCYCH PUNKTÓW

- ✿ Korzystaj wyłącznie z certyfikowanych zbiorników.
- ✿ Nigdy nie zdejmuj wieczka ze zbiornika ani nie uzupełniaj paliwa, gdy silnik jest włączony.
- ✿ Przed uzupełnieniem paliwa silnik i system spalinowy musi ostygnąć.
- ✿ obchodząc się z paliwem nie pal papierosów.
- ✿ Nigdy nie uzupełniaj paliwa w pomieszczeniach.
- ✿ Nigdy nie kładź nożyc do żywopłotów ani zbiorników paliwa w bliskości otwartego płomienia, na przykład niedaleko grzejnika wody.

- ✿ Jeśli dojdzie do rozlania paliwa, nie próbuj w tym miejscu uruchamiać silnika, lecz przed uruchomieniem przenieś nożyce w inne miejsce.
- ✿ Po uzupełnieniu paliwa zawsze dokładnie zakręć zbiornik.
- ✿ Jeśli paliwo ze zbiornika zostanie wypuszczone, zawsze przeprowadzaj tę czynność na zewnątrz.

KORZYSTANIE ZE SPALINOWYCH NOŻYC OGRODOWYCH

⚠ OSTRZEŻENIE: Nożyce do żywopłotu są przeznaczone wyłącznie do przycinania i formowania żywopłotów, roślin i krzewów ozdobnych, w sektorze prywatnym. Jakiegolwiek inne wykorzystanie jest wykluczone, nigdy nie należy korzystać z nożyc do żywopłotów do innych celów! Narzędzie do ogrodów prywatnych i hobbystycznych nie są przeznaczone do wykorzystania w instytucjach publicznych, parkach i centrach sportowych, wzdłuż dróg, na farmach i w lasach.

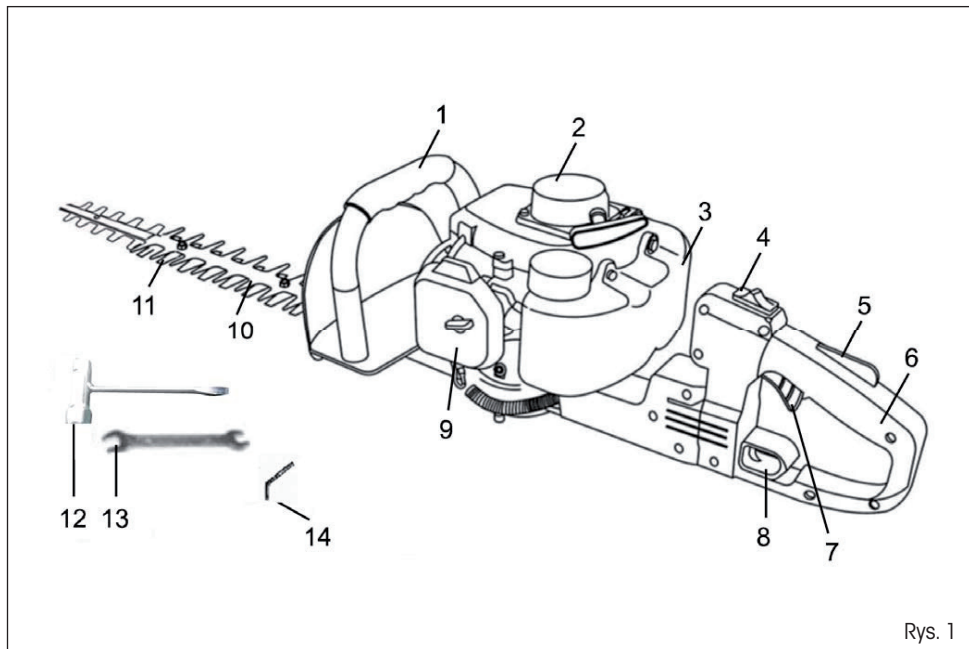
- ✿ Zatrzymaj silnik przed:
 - czyszczeniem lub usunięciem blokady,
 - kontrolą, przeprowadzeniem konserwacji lub jakiegolwiek pracy nad urządzeniem,
 - ustawieniem pozycji roboczej listwy,
 - pozostawieniem narzędzia bez nadzoru.
- ✿ Przed uruchomieniem silnika upewnij się, że nożyce są umieszczone w prawidłowej pozycji roboczej.
- ✿ Korzystając z nożyc do żywopłotu zawsze zachowuj bezpieczną pozycję roboczą, zwłaszcza podczas pracy na schodach lub na drabinie.
- ✿ Nie korzystaj z nożyc z uszkodzonymi lub bardzo zużytymi nożami.
- ✿ Z powodu ograniczenia ryzyka spowodowania pożaru zwracaj uwagę, aby na silniku i systemie wydechowym nie było żadnych zanieczyszczeń, liści ani nadmiaru smaru.
- ✿ Przed użyciem narzędzia zawsze upewnij się, że wszystkie rękojeści i osłony są prawidłowo umocowane.
- ✿ Przed użyciem narzędzia zawsze upewnij się, że wszystkie śruby są prawidłowo dokręcone
- ✿ Nigdy nie próbuj korzystać z niekompletnego narzędzia lub z narzędzia, w którym dokonano nieupoważnionych zmian.
- ✿ Do obsługi nożyc wyposażonych w dwie rękojeści używaj obu rąk.
- ✿ Stałe obserwuj okolice miejsca pracy i zwracaj uwagę na możliwe ryzyka, których może być nie słychać z powodu hałasu silnika urządzenia.
- ✿ Jeśli dojdzie do uderzenia nożyc w obcy przedmiot, jeśli nożyce zaczną wydawać nietypowe dźwięki lub będą nadmiernie wibrować, zatrzymaj silnik i odczekaj do zupełnego zatrzymania urządzenia. Odłącz końcówkę kabla od świecy zapłonowej i wykonaj następujące kroki:
 - Skontroluj, czy nie doszło do uszkodzenia.
 - Skontroluj i dokręć wszystkie poluzowane części.
 - Wszystkie uszkodzone części napraw lub wymień i korzystaj do tego celu wyłącznie z certyfikowanych części.
- ✿ Podczas pracy z urządzeniem korzystaj z ochrony słuchu.
- ✿ Podczas pracy z urządzeniem korzystaj z ochrony wzroku.
- ✿ W sytuacji alarmowej zatrzymaj silnik ustawiając włącznik silnika w pozycji wyłączony.
- ✿ Korzystając z urządzenia w wyższych temperaturach, na wyższej wysokości nad poziomem morza lub o wyższej wilgotności dochodzi do zmniejszenia mocy urządzenia

- Maksymalna temperatura użytkowania: 40 °C
- Maksymalna wysokość nad poziomem morza: 1 000 m
- Maksymalna wilgoć: 95 %

KONSERWACJA I PRZECHOWYWANIE

- ✿ Zatrzymując urządzenie z powodu przeprowadzenia konserwacji, kontroli lub przechowywania, zawsze zatrzymaj silnik od świecy zapłonowej i upewnij się, że doszło do zatrzymania wszystkich ruchomych części. Przed przeprowadzeniem jakichkolwiek ustawień lub kontroli odczekaj do całkowitego ostygnięcia urządzenia.
- ✿ Nożyce do żywopłotów przechowuj w miejscach, w których pobliżu nie ma źródła otwartego ognia lub iskier. Przed przechowywaniem odczekaj, aż nożyce ostygną.
- ✿ Podczas transportu lub przechowywania urządzenia, na noże powinna być nałożona osłona ochronna.
- ✿ Dbaj o to, aby wszystkie śruby i nakrętki były prawidłowo dokręcone dla zapewnienia bezpieczeństwa korzystania z urządzenia.
- ✿ Przed każdym odłożeniem urządzenia do przechowania silnik musi dobrze ostygnąć.
- ✿ Dla ograniczenia ryzyka spowodowania pożaru dbaj o to, aby na silniku, tłumiku i zbiorniku paliwa nie znajdowały się resztki materiału roślinnego lub nadmiar smaru.
- ✿ Z powodów bezpieczeństwa wymień zużyte lub uszkodzone części.
- ✿ Jeśli paliwo ze zbiornika zostanie wypuszczone, zawsze przeprowadzaj tę czynność na zewnątrz.
- ✿ Przed ułożeniem urządzenia do przechowania zawsze przeprowadzaj jego oczyszczenie i konserwację.
- ✿ Nigdy nie demontuj osłon ochronnych noży.
- ✿ Metalowe noże zawsze przechowuj w chłodnym i suchym miejscu. Nigdy nie używaj skorodowanych nożyc. Podczas pracy noże mogą spowodować poważne obrażenia.

4. OPIS URZĄDZENIA



Rys. 1

OPIS MASZYNY (POR. RYS. 1)

1. Uchwyt przedni
2. Rozrusznik
3. Zbiornik paliwa
4. Włacznik silnika
5. Blokada dźwigni gazu
6. Uchwyt tylny
7. Dźwignia gazu
8. Zabezpieczenie rękonoścy
9. Filtr powietrza
10. Prowadnica
11. Ostrza noży
12. Klucz do zapalania świecy
13. Klucz boczny
14. Klucz sześciokątny

5. PRZED PIERWSZYM UŻYCIEM

Przed użyciem urządzenia zawsze szczegółowo przeczytaj niniejszą instrukcję i przeprowadź kontrolę urządzenia.

⚠ OSTRZEŻENIE: Przed rozpoczęciem pracy skontroluj ostrza noży i nigdy nie używaj noży tępych, pękniętych lub uszkodzonych. Upewnij się, że rękojeści i elementy bezpieczeństwa są w dobrym stanie. Nigdy nie używaj urządzenia, w którym brakuje jakiegokolwiek części lub które zostało zmodyfikowane i nie spełnia parametrów technicznych. Przed włączeniem silnika nożyc wszystkie osłony muszą być prawidłowo umocowane.

⚠ OSTRZEŻENIE: Nożycy do żywopłotów są wyposażone w dwusuwowy silnik i dlatego należy korzystać z mieszanki paliwa z olejem. Postępuj według poniższej instrukcji.

⚠ OSTRZEŻENIE: Zawsze podczas pracy używaj rękawic ochronnych, obuwia ochronnego oraz ochrony słuchu i wzroku. Wyposażenie musi być opatrzone znakiem CE i musi być przetestowane według wymagań dyrektywy PPE (Person Protective Equipment - Wyposażenie ochrony osobistej). Wyposażenie niskiej jakości może ograniczyć ochronę osób i podczas pracy może spowodować obrażenia osób.

PALIWO SILNIKA

⚠ OSTRZEŻENIE: Nożycy do żywopłotu są wyposażone w silnik dwusuwowy. Należy używać paliwa zmieszanego z olejem.

- * Paliwo uzupełniać wyłącznie w dobrze wentylowanych miejscach.
 - * Dbaj, aby nie doszło do rozlania paliwa.
 - * Nigdy nie uzupełniaj paliwa, podczas gdy silnik jest na chodzie.
 - * Przed uzupełnieniem paliwa silnik musi ostygnąć przynajmniej dwie minuty.
 - * Uzupełnianie paliwa nie może być przeprowadzane w pobliżu otwartego ognia, lamp kontrolnych lub urządzeń elektrycznych, w których dochodzi do iskrzenia, jak w przypadku narzędzi elektrycznych, lutownic lub szlifierek.
1. Przez przesunięcie włącznika silnika (Obr. 1, punkt 4) do pozycji wyłączony (OFF) silnik zostanie wyłączony.
 2. Przeprowadź wzrokową kontrolę paliwa w zbiorniku. Zdejmij wieczko zbiornika paliwa i skontroluj ilość paliwa.
 3. Uzupełnij w zbiorniku mieszankę benzyny bezołowiowej o liczbie oktanowej min. 90 (najlepiej Natural 95) i oleju przeznaczonego do silników dwusuwowych w stosunku 40:1 (2,5 % oleju w mieszance paliwa)
 4. Przekręć wieczko zbiornika w kierunku ruchu wskazówek zegara, aby doszło do jej dokręcenia.

⚠ OSTRZEŻENIE: Nie uzupełniaj paliwa, jeśli silnik jest na chodzie lub jest gorący. Nigdy nie używaj oleju do silników czterosuwowych. Nigdy nie używaj oleju do silników dwusuwowych chłodzonych płynem.

- * Olej niskiej jakości i nieprawidłowa mieszanka paliwa i oleju mogą zagrozić funkcjonowaniu silnika i obniżają żywotność eksploatacyjną katalizatora.
- * Przed uzupełnieniem paliwa do zbiornika potrząśnij kanistrem, aby uzyskać właściwą mieszankę paliw.
- * Nigdy nie używaj starej lub zanieczyszczonej benzyny lub mieszanki benzyny i oleju.

- ✿ Zapobiegaj kontaminacji paliwa w zbiorniku przez zanieczyszczenia lub wodę. W przypadku dużego obciążenia może być słychać stukot lub dzwonienie silnika. Jest to normalne i nie stanowi problemu. Jeśli do stukotu i dzwonięcia dochodzi także przy normalnym obciążeniu i przy stałych obrotach silnika, zmień używaną benzynę. Jeśli po tej zmianie problem się nie rozwiąże, skontaktuj się z autoryzowanym serwisem.
- ✿ W przypadku długotrwałej pracy na silniku na wysokich obrotach zaleca się wykorzystanie benzyny z wyższą liczbą oktanową.

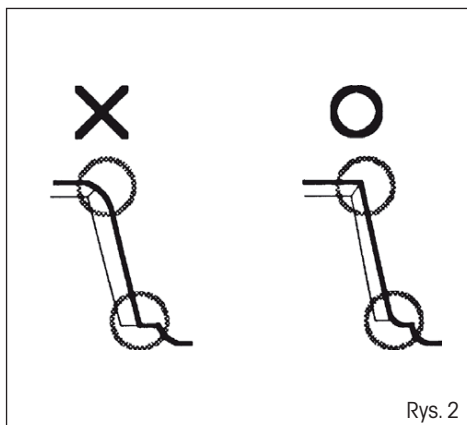
RĘCZNA KONTROLA POKRYWY

- ✿ Osłona rąk zapobiega kontaktowi rąk z ruchomymi nożami, na przykład w sytuacji, gdy użytkownikowi narzędzia ręka wyśliznie się z przedniej rękojeści.

⚠ UWAGA! Skontroluj, czy osłona rąk jest prawidłowo założona i umocowana. Skontroluj, czy osłona rąk nie jest uszkodzona.

KONTROLA NOŻY

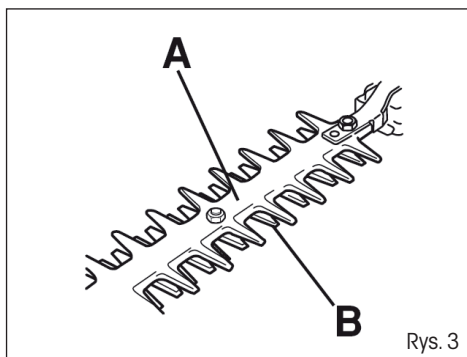
- ✿ Dla zapewnienia dobrych efektów pracy istotne jest, aby zachować właściwy nacisk kontaktowy pomiędzy nożami. Nacisk kontaktowy ustawia się prze przekręcanie śruby na spodniej części listwy w kierunku ruchu wskazówek zegara.
- ✿ Jeśli noże są prawidłowo ustawione, luz pomiędzy nożami mierzony na śrubach musi wynosić 0,2 - 0,4 mm.
- ✿ Jeśli noże są wygięte lub uszkodzone, należy je wymienić.
- ✿ Skontroluj ostrza noży i jeśli to konieczne, naostrz je przy pomocy płaskiego i okrągłego pilnika.
 1. Końcowe ostrza noży powinny być ostre (Obr. 2).
 2. Podstawę noża zaokrąglaj.
 3. Podczas ostrzenia nie używaj wody.



Rys. 2

KONTROLA POKRYWY NOŻY

- ✿ Osłona noży (Obr. 3, punkt A) jest przeznaczona do ochrony jakiegokolwiek części ciała, aby nie dostała się do kontaktu z nożami (Obr. 3, punkt B).
- ✿ Skontroluj, czy nie doszło do uszkodzenia lub deformacji osłony noży. Jeśli osłona noży jest wygięta lub uszkodzona, wymień ją.



Rys. 3

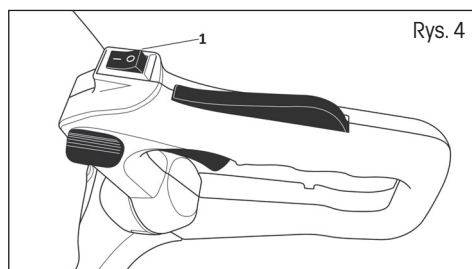
KONTROLA FILTRA POWIETRZA

- ✿ Skontroluj filtr powietrza i upewnij się, że jest czysty i w dobrym stanie.
- ✿ Poluzuj śrubę osłony filtra powietrza, zdejmij tę osłonę a następnie skontroluj filtr. Jeśli to konieczne, wyczyść lub wymień filtr.

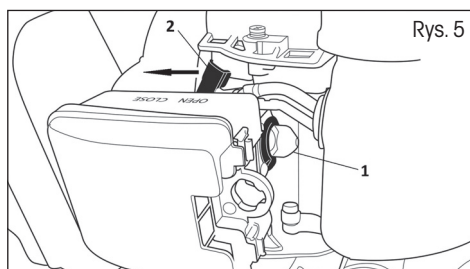
6. URUCHAMIANIE SILNIKA

- ⚠ OSTRZEŻENIE!** Podczas uruchamiania silnika może dochodzić do ruchu noży. Zadbaj, aby noże nie mogły dostać się do kontaktu z żadnym przedmiotem. Zapewnij, aby w miejscu pracy nie znajdowały się żadne niepowołane osoby. Osobom tym groziłyby poważne obrażenia.

URUCHAMIANIE ZIMNEGO SILNIKA



Rys. 4



Rys. 5

1. Ustaw główny włącznik w pozycji ON (Obr. 4, punkt 1)
2. Kilkakrotnie wciśnij pompkę wtrysku paliwa (Obr. 5, punkt 1)
3. Ustaw dźwignię ssania w pozycji CLOSE (patrz Obr. 5, punkt 2)
3. Połóż nożyce na równej powierzchni tak, aby były stabilne i pociągaj za rękojeść linki rozrusznika, do momentu, gdy silnik będzie próbował się uruchomić. Najpierw pociągnij za linkę rozrusznika powoli, dopóki nie poczujesz oporu, potem pociągnij za linkę szybko. Podczas zwijania wstecznego przytrzymuj linkę rozrusznika ręką i pozwól, by lekko i powoli się nawinęła.
4. W tym momencie ustaw dźwignię ssania z powrotem do pozycji OPEN (Rys. 5) i pociągając ponownie za linkę rozrusznika uruchom silnik.

- ⚠ UWAGA!** Zbyt długi czas obrotów silnika przy jednoczesnym umieszczeniu dźwigni ssania w pozycji CLOSE spowoduje zalanie silnika i problemy z jego uruchomieniem.

5. Przed rozpoczęciem pracy rozgrzewaj silnik przez kilka minut do temperatury roboczej.

URUCHAMIANIE ROZGRZANEGO SILNIKA

1. Ustaw główny włącznik w pozycji ON (Obr. 4, punkt 1).
2. Pociągaj za rękojeść linki rozrusznika, dopóki nie dojdzie do uruchomienia silnika.

NIE UŻYWAJ SSANIA!

⚠ UWAGA! Jeśli doszło do całkowitego zużycia paliwa ze zbiornika, w celu dolania paliwa powtórz kroki opisane w części URUCHAMIANIE ZIMNEGO SILNIKA.

⚠ OSTRZEŻENIE! Uważaj, aby nie doszło do kontaktu noży z przedmiotami obcymi, takimi jak druty metalowe lub kraty, które mogłyby spowodować uszkodzenie noży lub napędu. Jeśli dojdzie do zablokowania lub zacięcia noży o przeszkodę, natychmiast zatrzymaj silnik. Dopiero potem przeprowadź zwolnienie zablokowanego narzędzia.

Skontroluj, czy nie dochodzi do ruchu noży, jeśli silnik jest na chodzie na wolnych obrotach.

ZATRZYMANIE SILNIKA

Ustaw główny włącznik w pozycji OFF (Obr. 4)

7. KORZYSTANIE Z NOŻYC - PRZYCINANIE

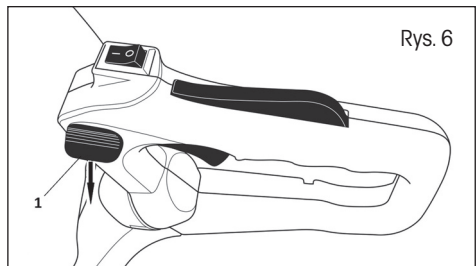
⚠ UWAGA! W sytuacji alarmowej zatrzymaj silnik ustawiając włącznik silnika w pozycji OFF. Narzędzie trzymaj możliwie blisko przy ciebie, aby uzyskać najlepszą równowagę. Zapewnij, żeby koniec narzędzia nie dotykał ziemi. Podczas pracy nie śpiesz się, lecz pracuj płynnie, dopóki wszystkie gałęzie żywopłoty nie zostaną równomiernie skrócone.

⚠ UWAGA! Podczas pracy nie pozostawiaj długo silnika na chodzie na wolnych obrotach. Długotrwałe działanie urządzenia na niskich obrotach spowoduje przedwczesne zużycie sprzęgła. Nie należy jednak utrzymywać podczas przycinania zbyt długo maksymalnych obrotów. Długotrwałe użytkowanie narzędzia na wysokich obrotach spowoduje skrócenie żywotności silnika.

USTAWIENIA RĘKOJEŚCI**⚠ OSTRZEŻENIE!**

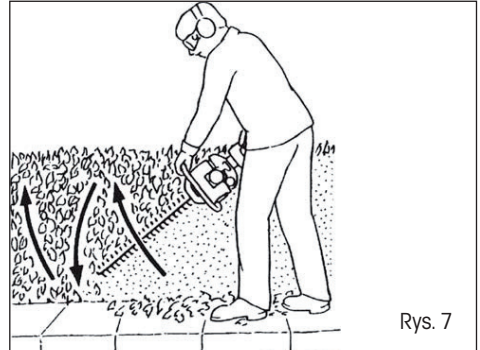
Podczas tej czynności nie korzystaj z ssania!

Podczas przycinania żywopłotów tylna rękojeść może być ustawiona w 3 następujących pozycjach, środkowa, w lewo pod kątem 90° lub w prawo pod kątem 90°, aby zmniejszyć zmęczenie podczas pracy. Ustawienie wykonuje się po odblokowaniu blokady na tylnej stronie rękojeści (Obr. 6, punkt 1). Blokadę wciśnij w dół a następnie obróć rękojeść w pożądanym kierunku. Po zwolnieniu blokady rękojeść pozostanie zablokowana w pozycji.



PRZYCINANIE W POZIOMIE

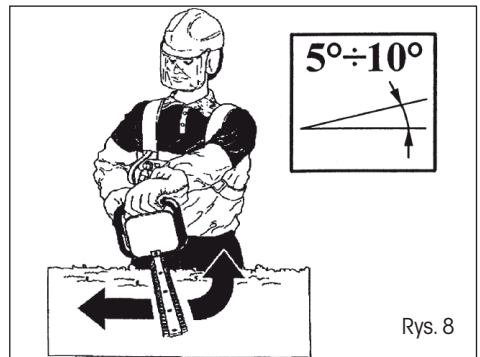
Przycinać należy po łuku od dołu ku górze a następnie w dół, aby wykorzystać obie strony noży.



Rys. 7

PRZYCINANIE W PIONIE

Przechyli noże delikatnie w stronę przycinania (pod kątem 5 - 10°), aby osiągnąć jak najlepsze wyniki przycinania.



Rys. 8

SIŁA ODRZUTU I ODPOWIEDNIE OSTRZEŻENIA

Siła odrzutu to nagła reakcja na zablokowanie lub zacięcie narzędzia pracy. Zablokowanie lub zacięcie narzędzia pracy powoduje nagłe zatrzymanie rotującego wyposażenia, co następnie powoduje niekontrolowany ruch narzędzia w przeciwnym kierunku, niż kierunek obrotów wyposażenia w miejscu jego zablokowania. Na przykład, jeśli dojdzie do zablokowania lub zacięcia narzędzia pracy kamieniem, krawędź narzędzia, która wnika w miejsce zwarcia, może wnikać w powierzchnię materiału, co spowoduje podniesienie narzędzia lub siłę odrzutu. Narzędzie może podskoczyć w kierunku użytkownika lub od użytkownika w zależności od kierunku ruchu narzędzia w punkcie jego zablokowania. Siła odrzutu jest skutkiem nieprawidłowego użycia narzędzia, nieprawidłowego postępowania lub nieprawidłowych warunków pracy a siłę odrzutu można zapobiegać przez przestrzeganie poniższych instrukcji.

- Trzymaj narzędzie mocno i utrzymuj taką pozycję ciała i ramion, aby móc oprzeć się sile odrzutu.**
- Nigdy nie wkładaj ręk w pobliże rotujących części.** Części mogą zostać odrzucone w tył przez twoje ręce.
- Nie stawaj w takich miejscach, w które narzędzie mogłoby zostać odrzucone w przypadku siły odrzutu.** Siła odrzutu odrzuci narzędzie w przeciwnym kierunku niż ruch narzędzia w miejscu jego zablokowania.
- Zachowaj ostrożność podczas pracy w pobliżu rogów, krawędzi itd. Unikaj skoków i chwywania części.** Rogi, ostre krawędzie lub skoki części mają tendencję do chwywania rotujących części i powodowania utraty kontroli lub siły odrzutu.

8. KONSERWACJA

Prawidłowa konserwacja silnika jest bardzo istotna z perspektywy bezpiecznego, gospodarnego i bezproblemowego użytkowania urządzenia. Pomaga także ograniczyć zanieczyszczenie powietrza. Celem regularnej konserwacji i regulacji jest utrzymanie urządzenia w doskonałym stanie.

Przed przeprowadzeniem jakiegokolwiek konserwacji zatrzymaj silnik. Jeśli silnik musi pracować podczas konserwacji, zapewnij, aby był w dobrze wentylowanym pomieszczeniu. Spaliny zawierają trujący tlenek węgla. Zawsze należy korzystać z zalecanego wyposażenia. Wyposażenie niewystarczającej jakości może spowodować uszkodzenie narzędzia.

Podczas konserwacji nigdy nie należy używać niecertyfikowanych części ani zdejmować zabezpieczeń po przeprowadzeniu konserwacji.

Konserwacja	Konserwacja po każdym użyciu	Konserwacja po co trzecim użyciu	Konserwacja po sezonie
Oczyść powierzchnię narzędzia.	X		
Skontroluj funkcjonowanie blokady włącznika gazu i sam włącznik gazu, aby zagwarantować bezpieczne użytkowanie narzędzia.	X		
Skontroluj prawidłowość rozrusznika silnika.	X		
Skontroluj, czy na wolnych obrotach silnika lub przy ustawieniu zasysacza w pozycji uruchamiania silnika nie dochodzi do ruchu noży.	X		
Skontroluj, czy noże są w dobrym stanie, czy nie są popękane lub w inny sposób uszkodzone. Jeśli to konieczne, wyczyść lub wymień noże.	X		
Skontroluj, czy nie doszło do uszkodzenia lub deformacji osłony noży. Jeśli osłona noży jest wygięta lub uszkodzona, wymień ją.	X		
Wyczyść filtr powietrza. Jeśli to konieczne, wyczyść go lub wymień.	X		
Skontroluj, czy śruby i nakrętki są dobrze dokręcone.	X		
Skontroluj, czy nie dochodzi do wycieku paliwa z silnika, zbiornika lub przewodów paliwowych.	X		
Skontroluj rozrusznik i linkę rozrusznika.		X	
Oczyść powierzchnię świecy zapłonowej. Wyjmij świecę zapłonową i skontroluj odległość pomiędzy elektrodami. Ustaw odległość na 0,6 - 0,7 mm lub wymień świecę zapłonową. Skontroluj, czy na świecy zapłonowej jest założona końcówka kabla świecy.		X	

Wyczyść system chłodzący urządzenia.		X	
Wyczyść powierzchnię gaźnika i jego okolice.		X	
Skontroluj, czy kołnierze, osłona i nakrętka są prawidłowo ustawione i dokręcone		X	
Oczyść zbiornik paliwa.			X
Sprawdź wszystkie przewody i złącza.			X
Skontroluj zużycie sprężła, sprężyn sprężła i kosza sprzęgłowego. Jeśli to konieczne, powierz wymianę autoryzowanemu serwisowi.			X
Wymień świecę zapłonową. Skontroluj, czy na świecy zapłonowej jest założona końcówka kabla świecy.			X
Usuń zanieczyszczenia, liście i nadmiar smaru z tłumika spalin i silnika, aby zmniejszyć ryzyko pożaru.			X

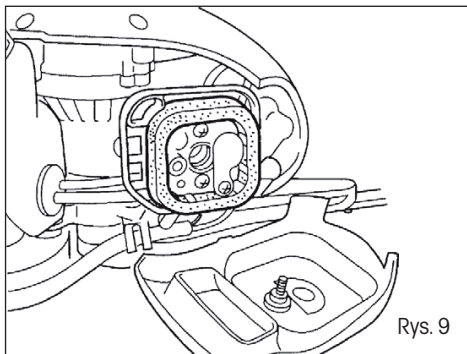
KONSERWACJA musi zostać przeprowadzana w REGULARNYCH ODSTĘPACH CZASU w podanym czasie lub po upływie danej ilości godzin roboczych (według aktualności). ⁽¹⁾		Zawsze przed użyciem	Co miesiąc lub po 25 godzinach użytkowania	Co 3 miesiące lub po 50 godzinach użytkowania	Co 6 miesięcy lub po 100 godzinach użytkowania
Filtr powietrza	Wyczyścić			X ⁽¹⁾	
Luz wentyla	Skontrolować - wyczyścić				X ⁽²⁾
Zbiornik paliwa i filtr paliwa	Wyczyścić				X ⁽²⁾
Smar wewnętrznej skrzyni biegów	Napełnić			X ⁽¹⁾	
Noże	Skontrolować (w razie potrzeby wymienić)	X		X	
Przewody paliwowe	Skontrolować (w razie potrzeby wymienić)	Co trzy lata ⁽²⁾			

⁽¹⁾ Jeśli narzędzie jest używane w zapylnych miejscach, należy skrócić interwał konserwacji.

⁽²⁾ Jeśli właściciel nie posiada właściwych narzędzi i wiadomości, konserwację musi przeprowadzić specjalista z autoryzowanego serwisu.

FILTR POWIETRZA – KONSERWACJA

1. Poluzuj śrubę osłony filtra powietrza i zdejmij osłonę.
2. Umyj filtr powietrza we właściwym rozpuszczalniku.
3. Wyciśnij z filtra nadmiar oleju.
4. Włóż filtr powietrza z powrotem do urządzenia.
5. Zamontuj z powrotem osłonę filtra powietrza i dobrze dokręć osłonę śrubą.



Rys. 9

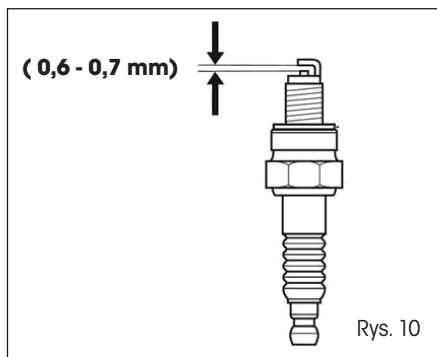
⚠ OSTRZEŻENIE! Użycie rozpuszczalników benzynowych lub palnych może spowodować pożar lub wybuch. Dlatego korzystaj wyłącznie z roztworu mydła i niepalnych rozpuszczalników. Nigdy nie korzystaj z narzędzia bez filtra powietrza.

Świeca zapłonowa - konserwacja

ZALECANA ŚWIECA ZAPŁONOWA: SAIL BM6A

Dla zapewnienia prawidłowego funkcjonowania świecy zapłonowej musi mieć prawidłowy rozstaw i nie może być zanieczyszczona osadami.

1. Zdejmij osłonę świecy zapłonowej.
2. Zdejmij końcówkę kabla świecy zapłonowej.
3. Usuń wszystkie zanieczyszczenia znajdujące się w pobliżu świecy zapłonowej.
4. Do demontażu świecy zapłonowej należy używać załączonego klucza do świec.
5. Przeprowadź wzrokową kontrolę świecy. Przy pomocy drucianej szczotki usuń osady karbonu.
6. Skontroluj zabarwienie górnej części świecy zapłonowej. Standardowe zabarwienie powinno być jasnobrązowe.
7. Skontroluj rozstaw elektrod świecy zapłonowej. Prawidłowy rozstaw powinien wynosić 0,6 - 0,7 mm.
8. Ostrożnie wkręć świecę zapłonową z powrotem ręką.
9. Gdy świeca zapłonowa będzie dokręcona ręcznie, dokręć ją mocno przy pomocy załączonego klucza.
10. Na górną część świecy zapłonowej załóż końcówkę kabla świecy.
11. Załóż z powrotem osłonę świecy.



Rys. 10

CZYSZCZENIE

1. Narzędzie utrzymuj w czystości a jeśli to konieczne, powierzchnię narzędzia można czyścić miękką ściereczką z delikatnym środkiem czyszczącym. Nigdy nie używaj do czyszczenia wody, ponieważ mogłoby dojść do uszkodzenia wewnętrznych części urządzenia.

- Niektóre produkty do konserwacji i niektóre rozpuszczalniki mogą uszkodzić plastikowe części. Do tych produktów należą wyroby zawierające benzen, trichloroetylen, chlorek i amoniak.
- Zwróć szczególną uwagę na szczelność wszystkich otworów wentylacyjnych narzędzia. Aby zagwarantować czystość wewnątrz narzędzia wystarczy czyszczenie miękką szczoteczką a następnie wydmuchanie sprężonego powietrza.
- Podczas czyszczenia używaj właściwej ochrony wzroku.

PRZEKŁADNIA

Skrzynię biegów należy nasmarować po każdym 30 godzinach roboczych. W tym celu wyczyszczenia zalecamy skontaktowanie z autoryzowanym serwisem.

NAPRAWA

Naprawy tego narzędzia mogą być przeprowadzane wyłącznie w autoryzowanym serwisie.

Problem	Kontrola	Stan	Przyczyna	Rozwiązanie	
Silnik się zatrzymuje, z trudem można uruchomić lub nie da się uruchomić wcale	Paliwo w gaźniku	Paliwo nie dochodzi do gaźnika	Zapchany filtr paliwa	Wyczyścić lub wymienić	
			Zapchany przewód paliwa	Wyczyścić lub wymienić	
			Gaźnik	Zwróć się o naprawę do autoryzowanego serwisu	
	Paliwo w cylindrze	Paliwo nie dochodzi do cylindra	Gaźnik	Zwróć się o naprawę do autoryzowanego serwisu	
			W systemie wydechowym jest paliwo	Mieszanka paliwa jest zbyt bogata	Otwórz przepustnicę Wyczyść lub wymień filtr powietrza Wyreguluj gaźnik Zwróć się do autoryzowanego serwisu
	Iskry na elektrodach świecy zapłonowej	Brak iskry	Włacznik silnika w pozycji wyłączzone	Ustaw włacznik silnika w pozycji włączone (ON - działanie silnika)	
Problem systemu elektrycznego			Zwróć się o naprawę do autoryzowanego serwisu		
Zablokowany włacznik					

Problem	Kontrola	Stan	Przyczyna	Rozwiązanie
Silnik się zatrzymuje, z trudem można uruchomić lub nie da się uruchomić wcale	Iskry na elektrodach świecy zapłonowej	Brak iskry	Nieprawidłowa odległość elektrod	Ustaw odległość na wartość 0,6 - 0,7 mm
			Zanieczyszczona elektroda	Wyczyścić lub wymienić
			Elektrody są zanieczyszczone paliwem	Wyczyścić lub wymienić
			Uszkodzona świeca zapłonowa	Wymień świecę zapłonową
Silnik jest włączony, ale zatrzymuje się i nie ma prawidłowego przyspieszenia	Filtr powietrza	Zanieczyszczony filtr powietrza	Zwykłe zużycie	Wyczyścić lub wymienić
	Filtr paliwa	Zanieczyszczony filtr paliwa	Zanieczyszczenia lub osady w paliwie	Wymienić
	Wentyl paliwa	Zapchany wentyl paliwa	Zanieczyszczenia lub osady w paliwie	Wyczyścić lub wymienić
	Świeca zapłonowa	Zanieczyszczenie lub zużycie świecy zapłonowej	Zwykłe zużycie	Wyczyścić, wyregulować lub wymienić
	Gaźnik	Nieprawidłowa regulacja	Wibracje	Wyregulować
	System chłodzenia	Wysoka temperatura	Długotrwałe korzystanie w zanieczyszczonym lub zapyłonym środowisku	Wyczyścić
	Tłumik	Pęknięta, zanieczyszczona lub przedziurawiona płyta	Zwykłe zużycie	Wymienić
Silnik nie napędza narzędzia	Nie jest dostępny	Nie jest dostępny	Wewnętrzne uszkodzenie silnika	Zwróć się o naprawę do autoryzowanego serwisu

9. PRZECHOWYWANIE

Podczas transportu narzędzia w pojeździe należy opróżnić zbiornik paliwa, aby nie doszło do jego wycieku.

SPUSZCZANIE PALIWA

⚠ OSTRZEŻENIE! Spuszczanie paliwa należy przeprowadzać wyłącznie przy zimnym silniku!

1. Urządzenie należy ustawić na równej i stabilnej powierzchni.
2. Poluzuj i zdejmij nakrętkę zbiornika paliwa.
3. Spuść całe paliwo do odpowiedniego kanistra.
4. Wciśnij kilkakrotnie ręczną pompę, dopóki nie dojdzie do wycieku paliwa ze zbiornika.
5. Ponownie spuść paliwo.
6. Załóż z powrotem i dokręć nakrętkę zbiornika paliwa.

Włóż narzędzie, instrukcję obsługi i części wyposażenia do oryginalnego opakowania.

W ten sposób wszystkie informacje będą zawsze pod ręką.

Odpowiednio zapakuj narzędzie lub wykorzystaj oryginalne opakowanie, aby zapobiec jego uszkodzeniu podczas transportu.

Przechowuj narzędzie z pustym zbiornikiem paliwa w suchym i dobrze wietrzonym miejscu.

Nie przechowuj paliwa w pobliżu narzędzia.

10. DANE TECHNICZNE

Model	FZN 4002 B
Objętość skokowa silnika	22,5 cm ³
Maksymalna moc silnika	0,65 kW
Typ silnika	Dwusuwowy, chłodzony powietrzem
Typ świecy zapłonowej	SAIL/BM6A
Maksymalne obroty silnika:	7 500 min ⁻¹
Wolne obroty silnika	3 000 min ⁻¹
Obroty przy użyciu sprzęgła	3 800 min ⁻¹
Efektywny zakres roboczy	510 mm
Pojemność zbiornika paliwa	0,6 l
Stosunek mieszanki paliwa (Natural 95 / olej do silników dwusuwowych)	40: 1
Poziom wibracji oddziałujących na rękę/jeść	19 m/s ² k = 1,5 m/s ²
Poziom ciśnienia akustycznego: LpA	85 dB(A) k = 1,5 dB(A)
Poziom mocy akustycznej: LWA	108 dB(A) k = 1,5 dB(A)
Waga narzędzia (puste zbiorniki bez urządzeń roboczych)	5,2 kg

11. LIKWIDACJA

WSKAZÓWKI I INFORMACJE DOTYCZĄCE GOSPODARKI ZUŻYTYM OPAKOWANIEM

Zużyty materiał z opakowania należy przekazać na gminne wysypisko odpadów.



Maszyna i jej wyposażenie są wyprodukowane z różnych materiałów, np. z metalu i plastiku. Uszkodzone części należy oddać do punktu selektywnej zbiórki. Szczegółowych informacji udziela odpowiedni urząd.



Ten produkt spełnia wszelkie podstawowe wymagania dyrektyw UE, które go dotyczą.

Zastrzegamy sobie możliwość dokonywania zmian tekstu, designu i danych technicznych wyrobu bez uprzedzenia.

Instrukcja użycia w języku oryginalnym.

12. DEKLARACJA ZGODNOŚCI



FAST ČR, a. s.
Černokostelecká 1621, 251 01 Říčany u Prahy, Czechy
tel.: 323 204 111, fax: 323 204 110

DEKLARACJA ZGODNOŚCI

ES Deklaracja zgodności

Fast ČR, a. s., Černokostelecká 251 01 Říčany u Prahy, telefon: 323 204 111 oświadcza ze skutkiem wiążącym, że benzynowe nożyce do żywopłotów Fieldmann FZN 4002B (rok produkcji podano na tabliczce znamionowej a za nim numer fabryczny urządzenia) spełniają następujące wymaganie DYREKTYW RADY

Dyrektywa WE Bezpieczeństwo maszyn (MD) 2006/42/WE (98/37/EDC)
Dyrektywa WE o kompatybilności elektromagnetycznej (EMC)
Dyrektywa WE o emisji hałasu do środowiska przez urządzenia (ND) 2005/88/ES (2000/14/WE)
Dyrektywa WE o emisji zanieczyszczeń gazowych i pyłowych 2002/88/WE

i zostały przetestowane według następujących norm:

EN ISO 12100:2010
EN ISO 22868:2011
EN ISO 3744:2010
EN ISO 10517:2012
EN 55012:2007+A1:2009

Dane techniczne:

22,5cm³; 0,65kW

Oznaczenie CE: 15

Říčany, 29 listopada 2015

Nazwisko, pieczęć i podpis

Petr Uher
Menadżer jakości



FAST ČR, a. s.
Černokostelecká 1621
251 01 Říčany u Prahy
ICO: 28726548 tel.: +420/ 323 204 111
DIC: CZ26726548 fax: +420/ 323 204 110

REGON: 26726548, NIP: CZ26726548

Nazwa banku: Komerční banka Praha 1, č.ú. 89309-011/0100, Česká spořitelna Praha 4, č.ú. 2375682/0800,
ČSOB Praha 1, č.ú. 8010-0116233383/0300

Vyplní prodejce. | Vyplni predajca. | To be filled in by the seller.
| Wypelnia sprzedawca. | A kereskedő tölti ki.

Název: | Názov: | Name: | Nazwa: | Megnevezés:

Typ: | Type: | Típus:

Výrobní číslo: | Výrobné číslo: | Serial number: | Numer seryjny: | Gyártási szám:

V prípade opravy vyplni servis. | V prípade opravy vyplni servis. | To be filled in by a repair shop
in case of repair. | W przypadku naprawy wypelnia serwis. | Javítás esetén a szerviz tölti ki.

Datum oznámení nároku na záruku: | Dátum oznámenia nároku na záruku: | Date of notification of the entitlement to warranty: | Data zgłoszenia roszczeń gwarancyjnych: | A jótállási igény bejelentésének időpontja:

Den: | Deň: | Day: | Dzień: | Nap: Měsíc: | Mesiac: | Month: | Miesiąc: | Hó: Rok: | Rok: | Year: | Év: **20**

Datum převzetí do opravy: | Dátum prevzatia do opravy: | Data przyjęcia do naprawy: | Date of accepting for repair: | Javításra átvétel időpontja:

Den: | Deň: | Day: | Dzień: | Nap: Měsíc: | Mesiac: | Month: | Miesiąc: | Hó: Rok: | Rok: | Year: | Év: **20**

Důvod poruchy: | Důvod poruchy: | Cause of defect: | Przyczyna awarii: | Hiba oka:

A termék azonosításra alkalmas részeinek meghatározása (amennyiben alkalmazható):

Číslo prodejního dokumentu: | Číslo predajného dokumentu: | Sales document no.: | Numer dokumentu sprzedaży: | Vásártást igazoló bizonylat száma:

Datum nákupu (uvezení do provozu): | Dátum nákupu (uvezenie do prevádzky): | Date of purchase (putting into operation): | Data zakupu (przekazania do eksploatacji): | A vásárlás (üzem-behelyezés) időpontja:

Den: | Deň: | Day: | Dzień: | Nap: Měsíc: | Mesiac: | Month: | Miesiąc: | Hó: Rok: | Rok: | Year: | Év: **20**

Razítko prodejce: | Pečiatka predajcu: | Seller's stamp: | Pieczęć sprzedawcy: | Kereskedő bélyegzője:

Způsob opravy: | Spôsob opravy: | Mode of repair: | Sposób naprawy: | Javítás módja:

Datum vráčení výrobku zpět zákazníkovi: | Dátum vrátenia výrobku späť zákazníkovi: | Date of returning the product back to the customer: | Data zwrotu wyrobu klientowi: | A termék fogyasztó részére való visszaadásának időpontja:

Den: | Deň: | Day: | Dzień: | Nap: Měsíc: | Mesiac: | Month: | Miesiąc: | Hó: Rok: | Rok: | Year: | Év: **20**

Nová záruční lhůta – prodloužená o délku opravy: | Nová záručná lehota – predĺžená o dĺžku opravy: | New warranty period – extended by the duration of the repair: | Nowy termin gwarancji – przedłużony o czas naprawy: | A jótállás – kijavítás időtartamával meghosszabbított – új határideje:

Den: | Deň: | Day: | Dzień: | Nap: Měsíc: | Mesiac: | Month: | Miesiąc: | Hó: Rok: | Rok: | Year: | Év: **20**

Razítko servisu: | Pečiatka servisu: | Stamp of the repair shop: | Pieczęć serwisu: | Szerviz pecsétje:

Autorizovaná servisní střediska | Autorizované servisné strediská | Authorized service centres

FAST ČR, a. s.
 Černokostelecká 1621
 CZ 251 01 Říčany
 Česká republika
 Tel.: +420/ 323 204 120
 Fax: +420/ 323 204 121
 servis.praha@fastcr.cz
 www.fastcr.cz

FAST ČR, a. s.
 Cejl 31
 CZ 602 00 Brno
 Česká republika
 Tel.: +420/ 531 010 295
 Fax: +420/ 531 010 296
 servis.brno@fastcr.cz
 www.fastcr.cz

Fast Plus, spol. s r. o.
 Na Pántoch 18
 SK 831 06 Bratislava
 Slovenská republika
 Tel.: +421/2/49 105 854
 Fax: +421/2/49 105 859
 servis@fastplus.sk
 www.fastplus.sk

További információkért | Aby uzyskać więcej informacji | További információkért

Fast Hungary Kft.
 Dulácska u. 1/a.
 H-2045 Törökbálint
 Magyarország
 Tel.: + 36/ 23 330 905
 Fax: + 36/ 23 330 827
 info@fasthungary.hu
 www.fasthungary.hu

Arconet sp. z o.o.
 W celu znalezienia
 najbliższego serwisu
 prosimy zadzwonić:
 0801 44 33 22
 Lub odwiedzić stronę
 internetową:
 www.arconet.pl

Uab „Senukai Prekybos Centras” Garantinis Servisas
 Jonavos G. 62, LT-44192,
 Kaunas, Lithuania
 Tel.: +370 37 212 146
 Tex.: +370 37 212 165
 garem@senukai.lt
 www.senukai.lt

Vom Verkäufer auszufüllen. | Para ser llenado el vendedor. | À remplir par le vendeur.
 Popuni prodavatelj. | Da compilare dal venditore. | Door de verkoper in te vullen.

Name: Denominación: Dénomination: | Naziv: Nome: | Naam:

Typ: | Modelo: | Type: | Tip: | Tipo:

Produktionsnummer: | No. de serie: | Numéro de référence: | Numer seryjny: | Numero di
 fabbricazione broj sázám: | Seriennummer:

Im Falle einer Reparatur vom Service auszufüllen. | Para ser llenado por el servicio, en caso de
 reparación. | À remplir par le service de réparation en cas de réparation. | U slučaju popravke
 popuni servis. | Nel caso di un riparo va compilato dal Centro di Assistenza. | Door servicecentrum
 in te vullen bij reparatie.

Datum der Bekanntmachung des Anspruchs auf Garantie: | Fecha de notificación de derecho a
 garantía: | Date de notification de l'application de la garantie: | Datum obavijesti jamstvenog
 zahtjeva: | Data della notifica del diritto alla garanzia: | Datum waarop beroep op garantie is
 gedaan:

Tag: Día: Jour: | Monat: Mes: Mois: | Jahr: Año: Année: | 20
 Dan: Giorno: Dag: | Mjesec: Mese: Maand: | Godina: Anno: Jaar

Datum der Übernahme zur Reparatur: | Fecha de aceptación para reparación: | Date de la
 remise au service de réparation: | Datum prijema za popravak: | Data della presa in carico
 per riparazione: | Datum waarop reparatie is aangenomen:

Tag: Día: Jour: | Monat: Mes: Mois: | Jahr: Año: Année: | 20
 Dan: Giorno: Dag: | Mjesec: Mese: Maand: | Godina: Anno: Jaar

Grund der Störung: | Motivo de la avería: | Cause du défaut: | Przyczyna awarii: | Motivo del
 guasto: | Reden van defect

A termék azonosításra alkalmas részeinek meghatározása [amennyiben alkalmazható]:

Nummer des Verkaufsbeleges: | No. de documento de venta: | Numéro de document de vente:
 Broj kupoprodajnog dokumenta: | N. documento di vendita: | Nummer van aankoopbewijs:

Datum des Einkaufs [inbetriebnahme]: | Fecha de compra [puesta en servicio]: | Date d'achat
 [mise en service]: | Datum kupnje [puštanja u pogon]: | Data di acquisto [messa in funzione]: |
 Aankoopdatum [ingebruikname]:

Tag: Día: Jour: | Monat: Mes: Mois: | Jahr: Año: Année: | 20
 Dan: Giorno: Dag: | Mjesec: Mese: Maand: | Godina: Anno: Jaar

Stempel des Verkäufers: | Sello del vendedor: | Tampon du vendeur: | Pečat prodavatelja: |
 Timbro del venditore: | Stempel van verkoper:

Art der Reparatur: | Forma de reparación: | Type de réparation: | Način popravke: | Tipologia
 di riparazione: | Wijze van repareren:

Datum der Rückgabe des Produktes dem Kunden: | Fecha de devolución del producto al
 cliente: | Date de la remise du produit au client: | Datum povratka proizvoda natrag kupcu:
 | Data del ritiro del prodotto da parte del cliente: | Datum waarop klant product weer in
 ontvangst heeft genomen:

Tag: Día: Jour: | Monat: Mes: Mois: | Jahr: Año: Année: | 20
 Dan: Giorno: Dag: | Mjesec: Mese: Maand: | Godina: Anno: Jaar

Neue Garantiefrist - verlängert um die Dauer der Reparatur: | Nuevo plazo de garantía -
 prorrogado por el tiempo de reparación: | Nouveau délai de garantie - prolongé de la durée
 de la réparation: | Novi jamstveni rok - produžen o trajanje popravke: | Nuovo termine di
 garanzia, rinnovato a seguito di riparazione: | Dnieuw garantietermijn - verlenging met de
 duur van reparatie

Tag: Día: Jour: | Monat: Mes: Mois: | Jahr: Año: Année: | 20
 Dan: Giorno: Dag: | Mjesec: Mese: Maand: | Godina: Anno: Jaar

Stempel der Servicestelle: | Sello del servicio | Tampon du service de réparation: | Pečat
 servisa: | Timbro del Centro di Assistenza Tecnica: | Stempel van servicecentrum:

Autorisierte Servicestellen | Centros de servicio autorizados | Centres autorisés de réparation

FAST ČR, a. s.
 Černokostelecká 1621
 CZ 251 01 Říčany
 Česká republika
 Tel.: +420/ 323 204 120
 Fax: +420/ 323 204 121
 servis.praha@fastcr.cz
 www.fastcr.cz

FAST ČR, a. s.
 Cejl 31
 CZ 602 00 Brno
 Česká republika
 Tel.: +420/ 531 010 295
 Fax: +420/ 531 010 296
 servis.brno@fastcr.cz
 www.fastcr.cz

Fast Plus, spol. s r. o.
 Na Pántoch 18
 SK 831 06 Bratislava
 Slovenská republika
 Tel.: +421/2/49 105 854
 Fax: +421/2/49 105 859
 servis@fastplus.sk
 www.fastplus.sk

Autorizirana servisna centra | Centri di Assistenza autorizzati | Geautoriseerde servicecentra

Fast Hungary Kft.
 Dulácska u. 1/a.
 H-2045 Törökbálint
 Magyarország
 Tel.: + 36/ 23 330 905
 Fax: + 36/ 23 330 827
 info@fasthungary.hu
 www.fasthungary.hu

Arconet sp. z o.o.
 W celu znalezienia
 najbliższego serwisu
 prosimy zadzwonić:
 0801 44 33 22
 Lub odwiedzić stronę
 internetową:
 www.arconet.pl

**Uab „Senuku Prekybos
 Centras” Garantinis Servisas**
 Jonavos G. 62, Lt-44192,
 Kaunas, Lithuania
 Tel.: +370 37 212 146
 Tex.: +370 37 212 165
 garem@senukai.lt
 www.senukai.lt

Заполняется продавцом.

Название:

Тип:

Серийный номер изделия

В случае ремонта заполняется сервисной организацией.

Дата обращения в сервисный центр:

Число: Месяц: Год: 20

Дата принятия в ремонт:

Число: Месяц: Год: 20

Причина неисправности:

A termék azonosításra alkalmas részeinek meghatározása (amennyiben alkalmazható):

Номер документа, подтверждающего продажу:

Дата покупки (ввода в эксплуатацию):

Число: Месяц: Год: 20

Печать продавца:

Способ ремонта:

Дата возврата изделия обратно заказчику:

Число: Месяц: Год: 20

Новый гарантийный срок – продлен на срок проведения ремонта:

Число: Месяц: Год: 20

Печать сервисной организации:

Авторизованные сервисные центры

AO «FAST ČR»

Чернокостелецка 1621
251 01 Ржичаны
Чешская Республика
Тел.: +420/323 204 120
Факс: +420/323 204 121
servis.praha@fastcr.cz
www.fastcr.cz

AO «FAST ČR»

Цейл 31
602 00 Брно
Чешская Республика
Тел.: +420/531 010 295
Факс: +420/531 010 296
servis.brno@fastcr.cz
www.fastcr.cz

000 «FAST Plus»

На Пантох 18
831 06 Братислава
Словацкая Республика
Тел.: +421/2/49 105 854
Факс: +421/2/49 105 859
servis@fastplus.sk
www.fastplus.sk

Авторизованные сервисные центры

Fast Hungary Kft.

Dulácska u. 1/a.
H-2045 Törökbálint
Magyarország
Тел.: + 36/ 23 330 905
Fax: + 36/ 23 330 827
info@fasthungary.hu
www.fasthungary.hu

Arconet sp. z o.o.

W celu znalezienia
najbliższego serwisu
prosimy zadzwonić:
0801 44 33 22
Lub odwiedzić stronę
internetową:
www.arconet.pl

Uab „Senuku Prekybos
Centras” Garantinis Servisas

Jonavos G. 62, LT-44192,
Kaunas, Lithuania
Тел.: +370 37 212 146
Тех.: +370 37 212 165
garrem@senukai.lt
www.senukai.lt

Продавец предоставляет покупателю гарантию на товар в течение 24 месяцев с момента получения товара покупателем. Гарантия предоставляется при соблюдении следующих условий. Гарантия распространяется только на новый товар, проданный потребителю для целей использования, указанных в соответствующей инструкции по эксплуатации. Покупатель имеет право обратиться с претензией, связанной с ответственностью за некачественный товар (рекламацией), непосредственно к продавцу, у которого был приобретен товар, либо в авторизованный сервисный центр, указанный ниже. Покупатель обязан предъявить рекламацию без необоснованной задержки, чтобы избежать ухудшения неисправности, но не позднее, чем до конца истечения гарантийного срока. Покупатель обязан при решении рекламации оказывать содействие, необходимое для проверки наличия заявленного дефекта. В рамках процедуры рассмотрения жалоб принимается только комплектный и, в целях соблюдения гигиенических правил, чистый товар. В случае если претензия является обоснованной, гарантийный срок продлевается на период с момента принятия товара для проведения гарантийного ремонта изделия по момент получения отремонтированного товара покупателем, либо по момент, когда покупатель обязан получить товар после проведения гарантийного ремонта. Покупатель обязан предъявить документы, подтверждающие его право на проведение гарантийного ремонта (документ, подтверждающий покупку, гарантийный талон, документ о вводе в эксплуатацию ...).

Гарантийные обязательства на товар, главным образом, не распространяются на:

■ недостатки, на которые была предоставлена скидка ■ износ и повреждения, вызванные обычным использованием изделия ■ повреждения изделия в результате неспециализированной или неправильной установки и монтажа, использования изделия в противоречии с Инструкцией по эксплуатации, действующим законодательством и общеизвестными и обычными способами использования, в связи с использованием товара для других целей, чем те, для которых он предназначен ■ повреждения изделия, вызванные с пренебрежением или неправильным техническим обслуживанием (стихийными бедствиями, пожаром, попаданием воды ...) ■ неисправности изделия, вызванные неадекватным качеством сигнала, помехами электромагнитного поля и т.д. ■ механические повреждения изделия (например, отломанная кнопка, падение ...) ■ повреждения, вызванные использованием неподходящих носителей, расходных материалов (батарей) или в результате ненадлежащих условий эксплуатации (напр., высокой температуры окружающей среды, высокой влажности, ударов ...) ■ повреждения, изменения или другое вмешательство в результате самостоятельного ремонта изделия или ремонта, проведенного неуполномоченным или неавторизованным лицом (сервисным центром) ■ случаи, когда покупатель не подтвердит правомерность своих прав на гарантийный ремонт (когда и где был приобретен товар, на который распространяется гарантия) ■ случаи, когда данные в предоставленных документах отличаются от информации, содержащейся на изделии ■ случаи, когда изделие, на которое заявлена рекламация, не является тождественным с изделием, указанным в документах, которыми покупатель подтверждает свое право на проведение гарантийного ремонта (напр., повреждение серийного номера или гарантийной пломбы устройства, исправление данных в документах ...)



ОФИЦИАЛЬНЫЙ ДИЛЕР В УКРАИНЕ:

storgom.ua

ГРАФИК РАБОТЫ:

Пн. – Пт.: с 8:30 по 18:30

Сб.: с 09:00 по 16:00

Вс.: с 10:00 по 16:00

КОНТАКТЫ:

+38 (044) 360-46-77

+38 (066) 77-395-77

+38 (097) 77-236-77

+38 (093) 360-46-77

Детальное описание товара:

<https://storgom.ua/product/rubanok-fieldmann-fdh-2001-e.html>

Другие товары: <https://storgom.ua/elektrobanki.html>