



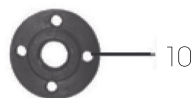
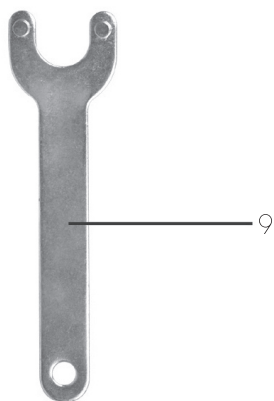
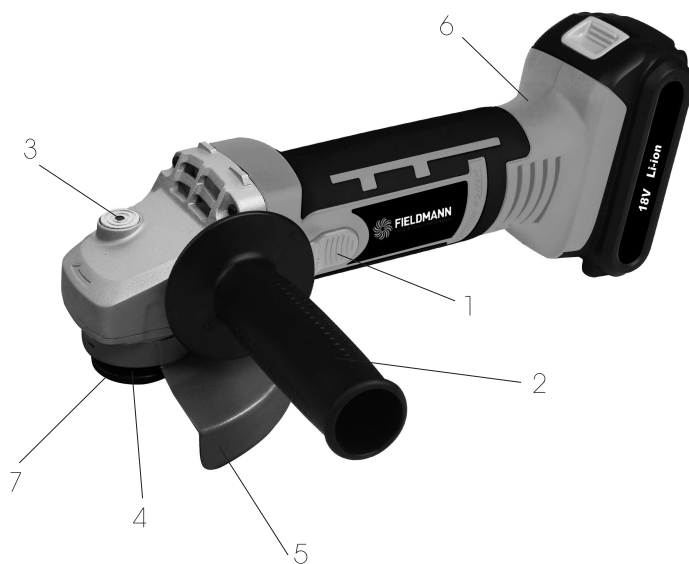
FIELDMANN[®]
Home & Garden Performance

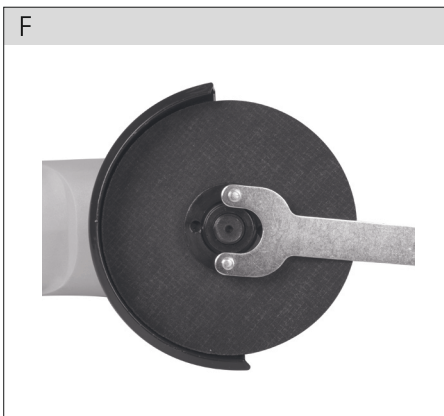
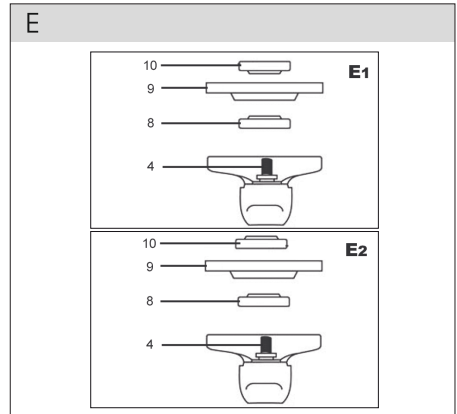
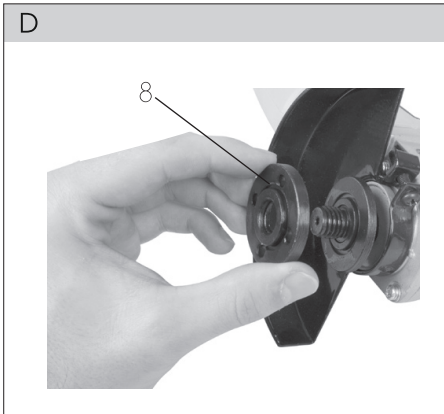
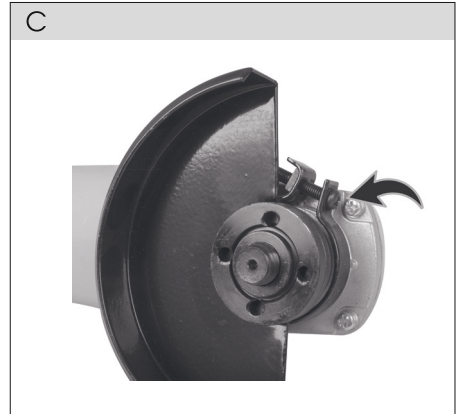
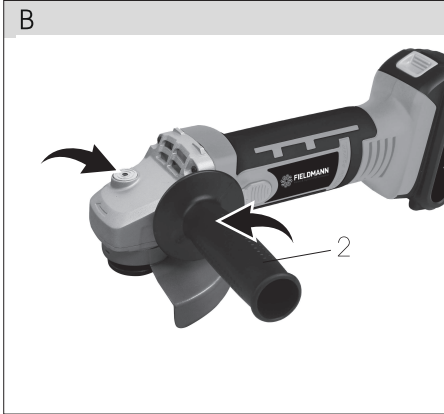


FDUB 50601

English	5 - 18
Čeština	19 - 32
Slovenčina	33 - 46
Magyarul	47 - 62
Polski	63 - 78
Русский	79 - 95

A





Cordless Angle Grinder

INSTRUCTION MANUAL

Thank you for your purchase of the cordless angle grinder. For your personal safety, read and understand the Instruction Manual before using. Keep the Instruction Manual in a safe place for future reference.

CONTENTS

PICTORIAL APPENDIX	3
1. GENERAL SAFETY INSTRUCTIONS	6
Important Safety Instructions	
Package	
Instruction Manual	
2. SYMBOLS	7
3. MACHINE DESCRIPTION AND ITEMS DELIVERED	8
4. GENERAL SAFETY INSTRUCTIONS	8
5. SPECIAL SAFETY INSTRUCTIONS	12
6. USE AND OPERATION	13
7. WORKING WITH ANGLE GRINDER	14
8. CLEANING AND MAINTENANCE	15
9. OPERATION AND MAINTENANCE HINTS	15
10. DECLARATION OF CONFORMIT	16
11. TECHNICAL SPECIFICATIONS	17
12. DISPOSAL	18

1. GENERAL SAFETY INSTRUCTIONS

⚠ WARNING! Carefully read the instruction manual before use.

Important safety warnings

- ✿ Unpack the product carefully and be sure not to throw away any part of the package before having found all components of the product.
- ✿ Keep the product in a dry place out of reach of children.
- ✿ Read all cautions and instructions. The failure to adhere to warning cautions and instructions may result in an accident, fire and/or a serious injury.

Packaging

The product is placed in a package preventing damage during transport. This package is a raw material therefore it can be handed-over for recycling.

Instructions for use

Before beginning to work with the machine, read the following safety rules and instructions for use. Familiarize with operating elements and the proper use of the device. Keep the manual in a safe place for future reference. We recommend keeping the original package including the inner packaging materials, cash voucher and guarantee card for a period of warranty at minimum. For a case of transportation, pack the machine into the original box from the manufacturer, thus ensuring a maximum protection of the product during a possible transport (e.g. moving or sending into a service station).

📖 Note: If you hand the machine over to next persons, hand it over together with the manual. Adherence to the attached instructions for use is a precondition for the proper use of the machine. The operation manual includes also instructions for operation, maintenance and repairs.

The manufacturer does not take any responsibility for accidents or damages resulting from the failure to adhere to this manual.

2. SYMBOLS



The product complies with the applicable standards and regulations.



Read the Instruction Manual attentively prior to use.



Use eyes protective equipment



Use ears protective equipment



Thread of jig.

3. MACHINE DESCRIPTION AND ITEMS DELIVERED

Machine Description (See fig. 1)

- | | |
|----------------------|-------------------------------|
| 1 - Switch | 7 - Screw of Protective Cover |
| 2 - Side Handle | 8 - Washer |
| 3 - Disk Lock-Button | 9 - Grindstone |
| 4 - Spindle | 10 - Tightening Female Screw |
| 5 - Protective Cover | 11 - Tightening Spanner |
| 6 - Case | |

Items Delivered

Remove all contents from the box and inspect to ensure no damage was incurred during shipping, and that the items listed below are included.:

- ✿ Angle grinder
- ✿ Side Handle
- ✿ Tightening nuts
- ✿ Flange key
- ✿ Disc guard
- ✿ Instruction Manual

Should the components be missing or damaged, contact the dealer of the machine.

4. GENERAL SAFETY INSTRUCTIONS

Please read these safety instructions carefully, remember them and keep them in a safe place

⚠ WARNING! When using electric machinery and power tools, it is important to abide by and adhere to the following safety instructions for reasons of protection against injury caused by electric current, injury of persons and risk of starting fires. The term power tools used in the instructions below refers to power tools that are plugged into a power supply (by a power cord) as well as tools running on a battery pack (cordless). Keep all warnings and instructions for further use.

Work environment

- ✿ Keep the work area clean and well lit. Untidiness and dark places on the job site are usually causes of accidents. Store tools that are not used.

- ✿ Do not use power tools in an environment where there is risk of starting a fire or explosion; this refers to places where there are flammable liquids, gases or dust. Sparks form on the power tools commutator, which can cause dust or fume ignition.
- ✿ When using power tools, unauthorized persons, especially children, should be denied entry to the job site! In case you are interrupted, you can lose control of the current activity. In any case, do not leave the power tool without supervision. Prevent animals from approaching the equipment.

Electrical safety

- ✿ The power tools power plug must correspond to the power outlet. Never alter the plug in any way. If the tools plug has a safety peg, never use an adapter of any kind. Undamaged plugs and corresponding outlets prevent the risk of injury by electric current. If the power cord is damaged, it must be replaced by a new power cord that can be obtained from an authorized service centre or the importer.
- ✿ Avoid bodily contact with grounded items, e.g. piping, radiators, kitchen ranges and refrigerators. The risk of injury by electric current is greater if your body is connected to the ground.
- ✿ Do not expose power tools to rain, moisture or dampness. Never touch power tools with wet hands. Never wash power tools with running water and never submerge them into water.
- ✿ Do not use the power cord for any other purpose than originally intended. Never carry or pull the power tools by the power cord. Do not pull the plug out of the outlet by pulling on the cord. Avoid mechanical damage to the power cord by sharp or hot objects.
- ✿ Power tools were manufactured exclusively for the AC power supply. Always check if the electrical voltage corresponds to the data printed on the tools serial number label.
- ✿ Never work with a tool that has a damaged power cord or plug, or that has fallen on the ground and is damaged in any way.
- ✿ In the case of using an extension cord, always check that its technical parameters correspond to the data printed on the tools serial number label. If the power tool is used outdoors, use an extension cord that is appropriate for exterior use. When using an extension cable drum, the cord must be unwound to prevent the cord from overheating.
- ✿ If the power tool is used in moist areas or outdoors, it is permitted to use it only if it is plugged into an electric circuit with a residual current device ≤ 30 mA. Using a circuit with an RCD lowers the risk of injury by electric current.
- ✿ Grasp hand power tools at the designated isolated grip areas because, during operation, one may come into contact with the cutting or drilling fittings with a hidden conductor or with the power cord.

Personal safety

- ✿ When using a power tool, be careful and alert, pay special attention to the activity you are doing. Concentrate on your work. Do not work with power tools if you are tired or if you are under the influence of drugs, alcohol or medication. When using power tools, even a momentary lapse in attentiveness can lead to severe personal injury. Do not eat, drink or smoke while working with power tools.
- ✿ Use protective gear. Always use eye protection. Use protective gear corresponding to the type of work you are doing. Protective gear such as respirators, safety shoes with antiskid treatment, head protection or ear protection, used in accordance with working conditions, lower the risk of personal injury.
- ✿ Avoid unintentional operation of tools. Do not carry tools that are plugged into the electric grid with your finger on the switch or release trigger. Before connecting the tool to a power supply, make sure that the switch or release trigger are in the off position. Carrying tools with your finger on the switch or plugging the tool into an outlet with the switch in the on position can cause serious injury.
- ✿ Before turning tools on, remove all adjustment wrenches and tools. The adjustment wrench or tool that stays connected to the rotating part of the power tool can cause personal injury.
- ✿ Always stand firmly and keep your balance. Work only in places that you can reach safely. Never overestimate your own strength. Do not use power tools if you are tired.
- ✿ Dress appropriately. Use working clothes. Do not wear loose clothing or jewellery. Make sure that your hair, clothing, gloves or other body parts do not come overly close to rotating or heated parts of the power tool.
- ✿ Connect the equipment to the dust exhaust. If the tool offers the possibility to connect equipment for capturing dust or dust suction, make sure that it is properly connected and used. Using this equipment can reduce danger resulting from dust.
- ✿ Firmly fasten the workpiece. Use a carpenters clamp or vice to secure the piece you will be cutting.
- ✿ Do not use power tools if you are under the influence of alcohol, drugs, medication or other narcotics or addictive substances.
- ✿ This equipment is not intended to be used by persons with limited physical, sensory or mental abilities (including children) or persons with insufficient experience and knowledge, unless they are supervised or received instructions to use the equipment from a person responsible for his/her safety. Children must be supervised in order to ensure that they are not playing with the equipment.

Using power tools and their maintenance

- ✿ Always disconnect the power tool from the electric grid if there is any problem during work, before every cleaning or maintenance, during every shift and after finishing work! Never work with power tools if they are damaged in any way.
- ✿ If the tool starts emitting abnormal noises or odours, immediately stop working.

- ✿ Do not overload power tools. The power tool will function better and more safely if it operates at speeds for which it was designed. Use correct tools that are designated for the given activity. The correct tool works better and more safely.
- ✿ Do not use power tools that cannot be turned on safely and cannot be turned on and off with a control switch. Using this type of tool is dangerous. Faulty switches must be repaired at a certified service centre.
- ✿ Disconnect the tool from the power supply before you start setting, changing accessories or maintenance. This measure will prevent the risk of accidental start-up.
- ✿ Store unused power tools so that they are out of the reach of children and unauthorized persons. Power tools in the hands of inexperienced users can be dangerous. Store power tools in a dry and safe place.
- ✿ Keep power tools in good condition. Regularly check the setting of moving parts and their movability. Check if the protective cover or other parts that can limit the safe functioning of the power tool are not damaged. If the tool is damaged, ensure its proper repair before the next use. Many injuries are caused by poorly maintained power tools.
- ✿ Keep cutting tools sharp and clean. Properly maintained and sharpened tools make work easier, limit the risk of injury and work with them is much more easily controlled. Using other accessories than those listed in the instruction manual can cause damage to the tool and can cause injury.
- ✿ Use power tools, accessories, work tools, etc. in accordance with these instructions and in a way that is described for the specific power tool and with regard to the given working conditions and the type of job. Using tools for other purposes than those intended can lead to dangerous situations.

Using cordless tools

- ✿ Before inserting the battery, make sure that the switch is in the 0-off position. Inserting the battery into a running tool can cause dangerous situations.
- ✿ To charge the battery, only use chargers that are specified by the manufacturer. Using a charger for a different kind of battery can cause damage to the battery and result in fire.
- ✿ Only use batteries that are designated for the given tool. Using other batteries can cause injury or result in fire.
- ✿ If the battery is not used, store it away from metal objects such as clamps, wrenches, screws and other small metal objects that could cause the connection of one battery contact with the other. Short-circuiting the battery can cause injury, burns or fire.
- ✿ Handle batteries with care. In the case of improper care, chemical substances can leak from the battery. Avoid coming into contact with this substance and if you do come into contact with it, rinse the affected area under running water. If the chemical substance comes into contact with the eye, immediately seek out medical attention. The chemical substance from the battery can cause serious injury.

Service

- ✿ Do not change parts of the tool, do not perform repairs on your own and do not interfere with the tools construction in any way. Leave tool repairs to qualified persons.
- ✿ Each repair or product modification performed without our companys permission is inadmissible (it can cause injury or harm to the user).
- ✿ Always leave tools to be repaired in a certified service centre. Use only original or recommended spare parts. This will ensure your and your tools safety.

5. SPECIAL SAFETY INSTRUCTIONS

⚠ WARNING! Before use, please read these safety instructions and keep them in a safe place.

- ✿ Upon failure to follow the instructions specified in this manual, there is a risk of injury.
- ✿ Angle grinder conforms to applicable technical regulations and standards.
- ✿ Do not use other accessories except for grinding, cutting and diamond discs.
- ✿ Never use the tools without the safety screen.
- ✿ Always use eye protection (protective goggles or safety shield) and hearing protection.
- ✿ Do not use any cutting and grinding discs for side grinding.
- ✿ Make sure to keep the vents free of any obstacles during dusty work.
- ✿ During wall cutting check that there are no electric lines in the walls (using metal detector).
- ✿ Never water-cool grinding disc.
- ✿ Do not touch the edge after machining, it may be hot.
- ✿ Never attach the grinding machine to the work bench.
- ✿ Make sure that the rotational speed specified on the grinding disc is higher than or equals the rotational speed of the angle grinder specified in the type label.
- ✿ Do not cut any material that requires a cut with maximum depth exceeding the depth of the grinding disc.
- ✿ Do not cut and grind light metals with higher magnesium content than 80% as such metals are flammable
- ✿ Make sure that the grinding disc has the right dimensions and is correctly mounted on the spindle.
- ✿ Handle the grinding discs very carefully and in accordance with instructions supplied with the grinding disc.
- ✿ Inspect the grinding disc before each use.
- ✿ Do not use grinding discs that are cracked or otherwise damaged.
- ✿ Make sure that the grinding disc is mounted according to instructions.
- ✿ After mounting the grinding disc, let the grinder run at idle speed in a safe place. If the grinder shows strong vibrations or if the grinding disc shows visible damage, immediately turn off the grinder and try to identify the cause.

- ✿ Do not use any reducers or other auxiliary parts for mounting grinding discs intended for different spindle diameter.
- ✿ Make sure that the material is adequately supported or fixed.
- ✿ Never use grinding disc to remove burrs.
- ✿ Make sure to prevent the sparks from hitting a person or igniting inflammable goods.
- ✿ Do not work with the grinder if someone is standing in the line of the grinding disc. Make sure to clean up the working area around you.
- ✿ Press the locking knob of the disc (3) only after the engine and spindle of the grinder have completely stopped !
- ✿ Remember that the grinding disc will continue to rotate for a while after switching off the grinder due to inertia.
- ✿ Always use the auxiliary handle supplied with the tool.
- ✿ Loss of control over the electric tools could cause injury.

⚠ WARNING! Use means of protection against noise, dust and vibrations !!!

⚠ WARNING! Keep these safety instructions!!!

6. USE AND OPERATION

- ✿ This angle grinder is intended for household or hobby use only.
- ✿ The manufacturer and importer do not recommend using this tool in extreme conditions and under high load.
- ✿ Any other additional requirements must be agreed between the manufacturer and the customer.
- ✿ The machine is intended for cutting, grinding, rough-working and polishing of metals, stones and ceramic articles, if a suitable disc is used.
- ✿ Use the machine and attachments (note the manufacturers specifications) only for the intended range of applications.
- ✿ Any other use is strictly forbidden.

Attaching the side handle (Figure B)

- ✿ Mount the side handle (2) into one of the mounting holes.

How to attach and remove the safety guard (Figure C)

- ✿ Unscrew the bolt of the safety guard fastening clamp (7).
- ✿ Attach the safety guard (5) as shown in the figure (C) and tighten the bolt firmly.
- ✿ Use reverse procedure to remove the safety guard.

⚠ WARNING! Never use the grinder without the safety screen.

How to attach and remove the grinding disc (Figure D,E,F)

⚠ WARNING! Before attaching or removing the grinding disc always unplug the supply cable of the grinder from the socket.

- ✿ Put the grinder onto table with the spindle facing up.
- ✿ Attach the safety guard (5) according to instructions specified above.
- ✿ Fit the washer (8) on the spindle (4).
- ✿ Fit the grinding disc (9) on the washer.
- ✿ Screw the tightening nut (10) onto the spindle.
- ✿ Press the locking knob (3) and firmly tighten the tightening nut (10) using the Phillips screwdriver.
- ✿ If grinding disc is used, tighten the tightening nut (10) with the guiding lobe facing down (E1).
- ✿ If cutting disc is used, tighten the tightening nut (10) with the guiding lobe facing up (E2).

⚠ WARNING! Press the locking knob of the spindle (3) only after the engine and the spindle of the grinder have stopped and are not running!

- ✿ You must hold the locking knob of the spindle (3) during the entire replacement of the disc.
- ✿ Release the locking knob.
- ✿ Use reverse procedure to remove the grinding disc.

Switching On and Off (Figure G)

- ✿ Switch on the grinder by sliding the switch (1) to position I
- ✿ Switch off the grinder by sliding the switch (1) to position O.

7. WORKING WITH ANGLE GRINDER

- ✿ The optimum angle of disc to work piece is 150°.
- ✿ Maintain the largest possible distance between the disc and operator.
- ✿ Exert only slight pressure and no lateral load on the disc. Note the direction of rotation and watch out for flying sparks.
- ✿ Avoid knocking the work piece.
- ✿ If the disc diameter is less than 80 mm, change the disc.

8. CLEANING AND MAINTENANCE

- ✿ Before cleaning and maintenance, always unplug the supply cable of the tool from the socket.
- ✿ Your tool requires no additional lubrication or maintenance. It contains no parts that can be repaired by you.
- ✿ Never use water or chemical cleaners to clean your tool. Wipe the tool using a dry cloth.
- ✿ Keep the engine fan apertures clean.
- ✿ If you notice very weak sparking in the engine area, your tool is in good order. If the sparking is more intense, it indicates the engine fault.
- ✿ Never clean any part of the tool using a hard, sharp or rough object.

Inspection and Replacement of Carbon Brushes

- ✿ Carbon brushes need to be checked on a regular basis.
- ✿ In case of wear and tear, replace both carbon brushes simultaneously. Attach the carbon brush holders.
- ✿ After attaching new carbon brushes, let the grinder run, without load, for 5 minutes.
- ✿ Use only correct types of carbon brushes.

Storage if the tool is not used for a long time

- ✿ Do not store the tool in places with high temperatures.
- ✿ Store the equipment in a place with constant temperature and humidity.

9. OPERATION AND MAINTENANCE HINTS

- ✿ Store the machine, Instruction Manual and the accessories in the original packaging. In this way you will always have all the information and parts ready to hand.
- ✿ Devices are to a large extent free of maintenance, you only need a damp cloth to clean the casing. Do not drop electrical machines into water. Please note additional hints given in the Instruction Manual.

10. ES DECLARATION OF CONFORMITY

Product/Name: CORDLESS ANGLE GRINDER / FIELDMANN

Type/Model: Type/Model: FDUB 50601 18V / Ø115mm

The product complies with the following directives:

- * The Directive of the European Parliament and the Council No. 2006/95/EC dated 12 December 2006 on the harmonisation of the laws of Member States relating to electrical equipment designed for use within certain voltage limits.
- * The Directive of the European Parliament and the Council No. 2004/108/EC dated 15 December 2004 on the harmonisation of the laws of the Member States relating to electromagnetic compatibility and repealing Directive No. 89/336/EEC.
- * The Directive of the European Parliament and the Council No. 2006/42/EC dated 17 May 2006 on machinery, and amending Directive No. 95/16/EC.
- * The Directive of the European Parliament and the Council No. 2002/95/EC dated 27 January 2003 on the restriction of the use of certain hazardous substances in electrical and electronic equipment.

and norms:

- * EN60745-1:2009+A11:2010
- * EN60745-2-3:2011+A2:2013+A11:2014+A12:2014
- * AfPS GS 2014~:01
- * EN55014-1:2006+A1:2009+A2~:2011
- * EN55014-2:1997+A1:2001+A2~:2008

CE Certification:16

FAST ČR, a.s. is authorised to act on behalf of the manufacturer.

Manufacturer:

FAST ČR, a.s.
 Černokostecká 1621, 251 01 Praha, Česká republika
 Tax ID:: CZ26726548

In Prague, 30 JAN 2016

Name: Zdeněk Pech
 Chairman of Board

FAST FAST ČR, a.s.
 Černokostecká 1621, 251 01 Pílský
 IČO: 26726548 tel.: +420/ 323 204 111
 DIČ: CZ26726548 fax: +420/ 323 204 110



Signature and stamps:

11. TECHNICAL SPECIFICATIONS

CORDLESS ANGEL GRINDER:	
Nominal voltage	18V
Speed	9 000 rpm
Protection class	II
Blade Diameter:	Ø 115 mm
Spindle thread	M 14
Vibration level	3,698 ms ⁻² , K=1.5ms ⁻²
Declared noise level	92.08dB(A), K=3dB(A)

Instructions Manual - language version only.

Amendments to text and technical parameters are reserved.

Changes in the text, design and technical specifications may change without prior notice and we reserve the right to make these changes. keep it from turning as the drill bit rotates.

Troubleshooting

1. The trigger is pressed but the device is not working: For the cordless device to work, you need a sufficiently charged battery. The battery will go flat if you do not use the cordless device for an extended period of time. Try charging the battery. Check that the battery is correctly seated in the charger. The charger will heat up while charging, this is normal.
2. The battery is leaking: At extreme temperatures or when under extreme load, a small amount of leakage may occur. If you happen to touch the fluid, immediately wash it off your skin or clothing with soap and water.
3. The battery is not charging and the light on the charger is not lit: If the battery is not charging, check that it is correctly seated in the charger and check that the indicator light is lit. If it is not lit, check that the power plug of the charger is correctly plugged into the socket. If it is, check the socket's fuse/circuit breaker.
4. The body of the device heats up after extended use: Under normal load the body, trigger and battery will heat up because the energy consumed when drilling generates heat. This is normal. Simply allow the device to cool down for several minutes.
5. The battery heats up during use: Energy drawn from the battery generates heat. It does not damage the battery, heat from drawing energy is normal. If you wish to cool the battery down, allow the device to cool down for a few minutes before continuing with work.
6. The battery heats up while charging: This is normal and is the result of chemical reactions taking place inside the battery during the charging process.
7. The charging unit will heat up while charging: This is normal and is caused by the reduction of voltage from 230V to 18V.

12. DISPOSAL

The machine and its accessories are made of various materials, e.g. of metal and plastics. Hand-over damaged components to sorted waste. Get yourselves informed at a respective authority.

INSTRUCTIONS AND INFORMATION ON DISPOSAL OF USED PACKAGING.

Put any used package material to the place determined by the municipality for waste disposal.

DISPOSAL OF USED ELECTRIC AND ELECTRONIC EQUIPMENT



This symbol on products or accompanying documents means that used electric or electronic products must not be put to ordinary municipal waste. Hand over such products to determined collection points for proper disposal, restoration and recycling. Alternatively, in some countries of the European Union or other European countries you can return your products to your local dealer when you buy an equivalent new product. By dutiful disposal of this product you can preserve precious natural resources and you help prevent any potential adverse effects on the environment and human health which could be the results of wrong waste disposal. Ask your local authority or the nearest collection point for additional details. In case of improper disposal of this waste kind penalties can be imposed in accordance with national regulations.

For companies in the European Union countries

Should you want to dispose of electric and electronic devices, ask your dealer or vendor for necessary information. Disposal in other countries outside the European Union. Should you want to dispose of this product, ask your local authorities or your dealer for necessary information about disposal method.



This product fulfils all basic requirements of the EU directives that apply to it.

Text, design and technical specifications can change without prior notice and we reserve the right for their change.

Úhlová bruska

NÁVOD K POUŽITÍ

Děkujeme vám, že jste si zakoupili tuto akumulátorová kotočovou pilu. Než ji začnete používat, přečtěte si, prosím, pozorně tento návod k obsluze a uschovejte jej pro případ dalšího použití.

OBSAH

OBRAZOVÁ PŘÍLOHA	3
1. VEOBECNÉ BEZPEČNOSTNÍ PŘEDPISY	20
Důležitá bezpečnostní upozornění	
Obal	
Návod k použití	
2. SYMBOLY	21
3. POPIS STROJE A OBSAH DODAVKY	22
4. OBECNÉ BEZPEČNOSTNÍ POKYNY	22
5. ZVLÁTNÍ BEZPEČNOSTNÍ POKYNY	26
6. POUŽITÍ A PROVOZ	27
7. POKYNY PRO PRÁCI S BRUSKOU	28
8. ČITĚNÍ A ÚDRŽBA	29
9. TIPY PRO PROVOZ A ÚDRŽBU	29
10. PROHLÁENÍ O SHODĚ	30
11. TECHNICKÉ ÚDAJE	31
12. LIKVIDACE	32

1. VEOBECNÉ BEZPEČNOSTNÍ PŘEDPISY

⚠ POZOR! Před použitím si pečlivě přečtěte návod k použití.

Důležitá bezpečnostní upozornění

- ✿ Výrobek pečlivě vybalte a dejte pozor, abyste nevyhodili žádnou část obalového materiálu dříve, než najdete všechny součásti výrobku.
- ✿ Výrobek uchovávejte na suchém místě mimo dosah dětí.
- ✿ Čtěte všechna upozornění a pokyny. Zanedbání při dodržování varovných upozornění a pokynů mohou mít za následek úraz elektrickým proudem, požár a/nebo těžká poranění.

Obal

Výrobek je umístěn v obalu bránícím poškozením při transportu. Tento obal je surovinou a lze jej proto odevzdat k recyklaci.

Návod k použití

Než začnete se strojem pracovat, přečtěte si následující bezpečnostní předpisy a pokyny k používání. Seznamte se s obslužnými prvky a správným používáním zařízení. Návod pečlivě uschovejte pro případ pozdější potřeby. Minimálně po dobu záruky doporučujeme uschovat originální obal včetně vnitřního balicího materiálu, pokladní doklad a záruční list. V případě přepravy zabalte stroj zpět do originální krabice od výrobce, zajistíte si tak maximální ochranu výrobku při případném transportu (např. stěhování nebo odeslání do servisního místa).

📖 Poznámka: Předáváte-li stroj dalším osobám, předejte jej společně s návodem. Dodržování přiloženého návodu k obsluze je předpokladem řádného používání stroje. Návod k obsluze obsahuje rovněž pokyny pro obsluhu, údržbu a opravy.

Výrobce nepřebírá odpovědnost za nehody nebo kody vzniklé následkem nedodržování tohoto návodu.

2. SYMBOLY



Tento produkt je vyroben v souladu se schválenými normami.



Před použitím stroje si pozorně přečtěte návod k obsluze.



Použijte ochranné pomůcky na oči



Použijte ochranné pomůcky na uši



Používejte ochranu zraku.

3. POPIS STROJE A OBSAH DODÁVKY

Popis stroje (viz obr. 1)

- | | |
|---------------------------------|----------------------|
| 1 - Vypínač | 9 - Brusný kotouč |
| 2 - Postranní držadlo | 10 - Utahovací matka |
| 3 - Zajímavací tlačítko kotouče | 11 - Dotahovací klíč |
| 4 - Vřeteno | |
| 5 - Ochranný kryt | |
| 6 - Plát | |
| 7 - roubov ochranného krytu | |
| 8 - Podložka | |

Obsah dodávky

Stroj vyjměte opatrně z obalu a zkontrolujte, zda jsou následující díly kompletní:

- ✿ Bruska
- ✿ Postranní držadlo
- ✿ Utahovací matky
- ✿ Utahovací klíč
- ✿ Kryt kotouče
- ✿ Návod k obsluze

Pokud díly chybí nebo jsou pokozeny, obraťte se, prosím, na prodejce, kde jste stroj zakoupili.

4. OBECNÉ BEZPEČNOSTNÍ POKYNY

Tyto bezpečnostní pokyny si pečlivě prostudujte, zapamatujte a uschovejte

⚠ UPOZORNĚNÍ! Při používání elektrických strojů a elektrického nářadí je nutno respektovat a dodržovat následující bezpečnostní pokyny z důvodů ochrany před úrazem elektrickým proudem, zraněním osob a nebezpečím vzniku požáru. Výrazem \leq elektrické nářadí je ve vech níže uvedených pokynech myleno jak elektrické nářadí napájené ze sítě (napájecím kabelem), tak nářadí napájené z baterií (bez napájecího kabelu). Uschovejte vechna varování a pokyny pro přítí použití.

Pracovní prostředí

- ✿ Udržujte pracovní prostor v čistém stavu a dobře osvětlen. Nepořádek a tmavá místa na pracovišti bývají příčinou úrazů. Uklidte nářadí, které právě nepoužíváte.
- ✿ Nepoužívejte elektrické nářadí v prostředí s nebezpečím vzniku požáru nebo výbuchu, to

znamená v místech, kde se vyskytují hořlavé kapaliny, plyny nebo prach. V elektrickém nářadí vzniká na komutátoru jiskření, které může být příčinou vznícení prachu nebo výparů.

- ✿ Při používání el. nářadí zamezte přístupu nepovolaných osob, zejména dětí, do pracovního prostoru! Budete-li vyruováni, můžete ztratit kontrolu nad prováděnou činností. V žádném případě nenechávejte el. nářadí bez dohledu. Zabraňte zvířatům přístup k zařízením.

Elektrická bezpečnost

- ✿ Vidlice napájecího kabelu elektrického nářadí musí odpovídat síťové zásuvce. Nikdy jakýmkoliv způsobem neupravujte vidlici. K nářadí, které má na vidlici napájecího kabelu ochranný kolík, nikdy nepoužívejte rozdvojky ani jiné adaptéry. Nepokozené vidlice a odpovídající zásuvky omezí nebezpečí úrazu elektrickým proudem. Pokožené nebo zamotané napájecí kabely zvyšují nebezpečí úrazu elektrickým proudem. Pokud je síťový kabel pokozen, je nutno jej nahradit novým síťovým kabelem, který je možné získat v autorizovaném servisním středisku nebo u dovozce.
- ✿ Vyvarujte se dotyku těla s uzemněnými předměty, jako např. potrubí, tělesa ústředního topení, sporáky a chladničky. Nebezpečí úrazu elektrickým proudem je větší, je-li vae tělo spojeno se zemí.
- ✿ Nevystavujte elektrické nářadí deti, vlhku nebo mokru. Elektrického nářadí se nikdy nedotýkejte mokřými rukama. Elektrické nářadí nikdy neumývejte pod tekoucí vodou ani ho neponořujte do vody.
- ✿ Nepoužívejte napájecí kabel k jinému účelu, než pro jaký je určen. Nikdy nenoste a netahejte elektrické nářadí za napájecí kabel. Nevytahujte vidlici ze zásuvky tahem za kabel. Zabraňte mechanickému pokození elektrických kabelů ostrými nebo horkými předměty.
- ✿ El. nářadí bylo vyrobeno výlučně pro napájení střídavým el. proudem. Vždy zkontrolujte, že elektrické napětí odpovídá údajím uvedenému na typovém štítku nářadí.
- ✿ Nikdy nepracujte s nářadím, které má pokozený el. kabel nebo vidlici, nebo spadlo na zem a je jakýmkoliv způsobem pokozené.
- ✿ V případě použití prodlužovacího kabelu vždy zkontrolujte, že jeho technické parametry odpovídají údajům uvedeným na typovém štítku nářadí. Je-li elektrické nářadí používáno venku, používejte prodlužovací kabel vhodný pro venkovní použití. Při použití prodlužovacích bubňů je nutné je rozvinout, aby nedocházelo k přehřátí kabelu.
- ✿ Je-li elektrické nářadí používáno ve vlhkých prostorech nebo venku, je povoleno jej používat pouze, pokud je zapojeno do el. obvodu s proudovým chráničem ≤ 30 mA. Použití el. obvodu s chráničem /RCD/ snižuje riziko úrazu elektrickým proudem.
- ✿ Ruční el. nářadí držte výhradně za izolované plochy určené k uchopení, protože při provozu může dojít ke kontaktu řezacího či vrtacího příslušenství se skrytým vodičem nebo s napájecí nůrou nářadí.

Bezpečnost osob

- ✿ Při používání elektrického nářadí buďte pozorní a ostražití, věnujte maximální pozornost činnosti, kterou právě provádíte. Soustředte se na práci. Nepracujte s elektrickým nářadím pokud jste unaveni, nebo jste-li pod vlivem drog, alkoholu nebo léků. I chvilková nepozornost při používání elektrického nářadí může vést k vážnému poranění osob. Při práci s el. nářadím nejezte, nepijte a nekuřte.
- ✿ Používejte ochranné pomůcky. Vždy používejte ochranu zraku. Používejte ochranné prostředky odpovídající druhu práce, kterou provádíte. Ochranné pomůcky jako např. respirátor, bezpečnostní obuv s protiskluzovou úpravou, pokrývka hlavy nebo ochrana sluchu používané v souladu s podmínkami práce snižují riziko poranění osob.
- ✿ Vyvarujte se neúmyslného zapnutí nářadí. Nepřenáejte nářadí, které je připojeno k elektrické síti, s prstem na spínači nebo na spouti. Před připojením k elektrickému napájení se ujistěte, že spínač nebo spout jsou v poloze „vypnuto“. Přenášení nářadí s prstem na spínači nebo zapojování vidlice nářadí do zásuvky se zapnutým spínačem může být příčinou vážných úrazů.
- ✿ Před zapnutím nářadí odstraňte všechny seřizovací klíče a nástroje. Seřizovací klíč nebo nástroj, který zůstane připevněn k otáčející se části elektrického nářadí může být příčinou poranění osob.
- ✿ Vždy udržujte stabilní postoj a rovnováhu. Pracujte jen tam, kam bezpečně dosáhnete. Nikdy nepřeceňujte vlastní sílu. Nepoužívejte elektrické nářadí, jste-li unaveni.
- ✿ Oblékejte se vhodným způsobem. Používejte pracovní oděv. Nenoste volné oděvy ani perky. Dbejte na to, aby se vaše vlasy, oděv, rukavice nebo jiná část vašeho těla nedostala do přílišné blízkosti rotujících nebo rozpálených částí el.nářadí.
- ✿ Připojte zařízení k odsávání prachu. Jestliže má nářadí možnost připojení zařízení pro zachycování nebo odsávání prachu, zajistěte, aby dolo k jeho řádnému připojení a používání. Použití těchto zařízení může omezit nebezpečí vznikající prachem.
- ✿ Pevně upevněte obrobek. Použijte truhlářskou svěrku nebo svěrák pro upevnění dílu, který budete obrábět.
- ✿ Nepoužívejte elektrické nářadí pokud jste pod vlivem alkoholu, drog, léků nebo jiných omamných či návykových látek.
- ✿ Toto zařízení není určeno pro použití osobami (včetně dětí) se sníženými fyzickými, smyslovými nebo mentálními schopnostmi nebo s nedostatkem zkušeností a znalostí, pokud nejsou pod dozorem nebo nedostali pokyny s ohledem na použití zařízení od osoby zodpovědné za jejich bezpečnost. Děti musí být pod dozorem, aby jste se ujistili, že si nehrají se zařízením.

Používání elektrického nářadí a jeho údržba

- ✿ El. nářadí vždy odpojte z el. sítě v případě jakéhokoliv problému při práci, před každým čištěním nebo údržbou, při každém přesunu a po ukončení práce! Nikdy nepracujte s el. nářadím, pokud je jakýmkoliv způsobem pokozené.

- ✿ Pokud začne nářadí vydávat abnormální zvuk nebo zápach, okamžitě ukončete práci.
- ✿ Elektrické nářadí nepřetěžujte. Elektrické nářadí bude pracovat lépe a bezpečněji, pokud jej budete provozovat v otáčkách, pro které bylo navrženo. Používejte správné nářadí, které je určeno pro danou činnost. Správné nářadí bude lépe a bezpečněji vykonávat práci, pro kterou bylo zkonstruováno.
- ✿ Nepoužívejte elektrické nářadí, které nelze bezpečně zapnout a vypnout ovládacím spínačem. Používání takového nářadí je nebezpečné. Vadné spínače musí být opraveny certifikovaným servisem.
- ✿ Odpojte nářadí od zdroje elektrické energie předtím, než začnete provádět jeho seřizování, výměnu příslušenství nebo údržbu. Toto opatření zamezí nebezpečí náhodného sputění.
- ✿ Nepoužívané elektrické nářadí ukládejte a uschovejte tak, aby bylo mimo dosah dětí a nepovolaných osob. Elektrické nářadí v rukou nezkušených uživatelů může být nebezpečné. Elektrické nářadí skladujte na suchém a bezpečném místě.
- ✿ Udržujte elektrické nářadí v dobrém stavu. Pravidelně kontrolujte seřízení pohybujičích se částí a jejich pohyblivost. Kontrolujte zda nedolo k pokození ochranných krytů nebo jiných částí, které mohou ohrozit bezpečnou funkci elektrického nářadí. Je-li nářadí pokozeno, před dalím použitím zajistěte jeho řádnou opravu. Mnoho úrazů je způsobeno patně udržovaným elektrickým nářadím.
- ✿ Řezací nástroje udržujte ostré a čisté. Správně udržované a naostřené nástroje usnadňují práci, omezují nebezpečí zranění a práce s nimi se snáze kontroluje. Použití jiných příslušenství než těch, která jsou uvedena v návodu k obsluze mohou způsobit pokození nářadí a být příčinou zranění.
- ✿ Elektrické nářadí, příslušenství, pracovní nástroje atd. používejte v souladu s těmito pokyny a takovým způsobem, který je předepsán pro konkrétní elektrické nářadí a to s ohledem na dané podmínky práce a druh prováděné práce. Používání nářadí k jiným účelům, než pro jaké je určeno, může vést k nebezpečným situacím.

Používání akumulátorového nářadí

- ✿ Před vložením akumulátoru se přesvědčte, že je vypínač v poloze ≤0-vypnuto. Vložení akumulátoru do zapnutého nářadí může být příčinou nebezpečných situací.
- ✿ K nabíjení akumulátorů používejte pouze nabíječky předepsané výrobcem. Použití nabíječky pro jiný typ akumulátoru může mít za následek jeho pokození a vznik požáru.
- ✿ Používejte pouze akumulátory určené pro dané nářadí. Použití jiných akumulátorů může být příčinou zranění nebo vzniku požáru.
- ✿ Pokud není akumulátor používán, uchovávejte ho odděleně od kovových předmětů jako jsou svorky, klíče, rouby a jiné drobné kovové předměty, které by mohly způsobit spojení jednoho kontaktu akumulátoru s druhým. Zkratování akumulátoru může zapříčinit zranění, popálení nebo vznik požáru.

- ✿ S akumulátory zacházejte etrně. Při neetrném zacházení může z akumulátoru uniknout chemická látka. Vyvarujte se kontaktu s touto látkou a pokud i přesto dojde ke kontaktu, vymyjte postižené místo proudem tekoucí vody. Pokud se chemická látka dostane do očí, vyhledejte ihned lékařskou pomoc. Chemická látka z akumulátoru může způsobit vážná poranění.

Servis

- ✿ Nevyměňujte části nářadí, neprovádějte sami opravy, ani jiným způsobem nezasahujte do konstrukce nářadí. Opravy nářadí svěřte kvalifikovaným osobám.
- ✿ Každá oprava nebo úprava výrobku bez oprávnění naší společnosti je nepřipustná (může způsobit úraz, nebo kodu uživateli).
- ✿ Elektrické nářadí vždy nechte opravit v certifikovaném servisním středisku. Používejte pouze originální nebo doporučené náhradní díly. Zajistíte tak bezpečnost Vai i Vaeho nářadí.

5. ZVLÁŠTNÍ BEZPEČNOSTNÍ POKYNY

⚠ POZOR! Před použitím si prosím přečtete tyto bezpečnostní pokyny a pečlivě je uschovejte.

- ✿ V případě nedodržení pokynů uvedených v této příručce, hrozí riziko úrazu.
- ✿ Úhlová bruska odpovídá platným technickým předpisům a normám.
- ✿ Kromě brusných, řezných a diamantových kotoučů nepoužívejte jiné příslušenství.
- ✿ Nikdy nepoužívejte nářadí bez ochranného krytu.
- ✿ Používejte vždy ochranu zraku (ochranné brýle resp.ochranný štít) a sluchu.
- ✿ Nepoužívejte žádné řezné a brusné kotouče na boční brouení.
- ✿ Dbejte na to, aby po dobu prané práce byly větrací otvory volné.
- ✿ Při řezání do stěn zkontrolujte, zda se ve stěnách nenachází el. vedení (detektorem na kov).
- ✿ Brusný kotouč nikdy neochlazujte vodou.
- ✿ Nedotýkejte se obruby po opracování, může být horká.
- ✿ Brusku nikdy nepřipevňujte k pracovnímu stolu.
- ✿ Přesvědčte se, že počet otáček uvedený na brusném kotouči je vyí než počet otáček hlové brusky uvedený na typovém štítku, nebo stejný.
- ✿ Neřežte materiál, který vyžaduje řez o maximální hloubce přesahující hloubku brusného kotouče.
- ✿ Neřežte a nebruste lehké kovy s obsahem hořčíku vyím než 80%, neboť takové kovy jsou hořlavé
- ✿ Dbejte na to, aby měl brusný kotouč správné rozměry a byl na vřetenu správně upevněn.
- ✿ S brusnými kotouči nakládejte velmi opatrně a v souladu s pokyny, které jsou k brusnému kotouči přiloženy.
- ✿ Před každým použitím brusný kotouč prohlédněte.
- ✿ Nepoužívejte brusné kotouče, které jsou popraskané nebo jinak pokozené.
- ✿ Ujistěte se, že brusný kotouč je nasazen dle pokynů.

- ✿ Po nasazení brusného kotouče nechte brusku běžet s otáčkami naprázdno na bezpečném místě. Pokud bruska silně vibruje, nebo pokud jsou na brusném kotouči patrná poškození, okamžitě brusku vypněte a pokuste se zjistit příčinu.
- ✿ Nepoužívejte redukce nebo jiné pomocné díly k nasazení brusných kotoučů pro odliný průměr vřetena.
- ✿ Dbejte na to, aby materiál byl řádně podepřen nebo upevněn.
- ✿ Nikdy nepoužívejte řezný kotouč k odstranění ostřin.
- ✿ Dbejte na to, aby jiskry nemohly nikoho zasáhnout, a aby nemohly zapálit hořlavé látky.
- ✿ S bruskou nepracujte, pokud někdo stojí v linii brusného kotouče. Zajistěte, aby byl pracovní prostor okolo Vás čistý.
- ✿ Zajiřovací tlačítko kotouče (3) stlačte pouze tehdy, pokud se motor a vřeteno brusky již úplně zastavily !
- ✿ Pamatujte na to, že brusný kotouč se po vypnutí brusky bude setrvačností ještě chvíli dotáčet.
- ✿ Vždy používejte pomocnou rukojeť, která je dodávána s nářadím.
- ✿ Ztráta kontroly nad el. nářadím může způsobit poranění.

⚠ POZOR! Používejte ochranné prostředky proti hluku, prachu a vibracím !!!

⚠ POZOR! TYTO BEZPEČNOSTNÍ POKYNY USCHOVEJTE !!!

6. POUŽITÍ A PROVOZ

- ✿ Tato úhlová bruska je určena pouze pro domácí nebo hobby použití.
- ✿ Výrobce a dovozce nedoporučují používat toto nářadí v extrémních podmínkách a při vysokém zatížení.
- ✿ Jakékoli další doplňující požadavky musí být předmětem dohody mezi výrobcem a odběratelem.
- ✿ S využitím vhodných kotoučů je bruska určena k řezání, broušení, hrubování a letění kovů, kamene a keramických materiálů.
- ✿ Nářadí a příslušenství používejte výhradně k stanoveným účelům použití, viz pokyny výrobce nářadí.
- ✿ Jakékoli jiné použití nářadí je přísně zakázáno.

Nasazení postranní rukojeti (Obrázek B)

- ✿ Postranní rukojeť (2) upevněte v jednom z montážních otvorů.

Jak připevnit a sejmut ochranný kryt (Obrázek C)

- ✿ Uvolněte roub upínací svorky krytu (7).
- ✿ Nasadte ochranný kryt (5) podle obrázku (C) a roub pevně utáhněte.
- ✿ Ochranný kryt sejmete obráceným postupem.

⚠ POZOR! Brusku nikdy nepoužívejte bez ochranného krytu.

Jak nasadit a sejmutí brusný kotouč (Obrázek D,E,F)

⚠ POZOR! Před nasazením nebo sejmutím brusného kotouče vždy vytáhněte přívodní kabel brusky ze zásuvky.

- ✿ Položte brusku na stůl vřetenem vzhůru.
- ✿ Připevněte ochranný kryt (5) dle pokynů uvedených výše.
- ✿ Na vřeteno (4) nasadte podložku (8).
- ✿ Na podložku nasadte brusný kotouč (9).
- ✿ Na vřeteno naroubujte utahovací matku (10).
- ✿ Stiskněte zajišťovací tlačítko (3) a křížovým roubovákem pevně dotáhněte utahovací matku (10). V případě použití brusného kotouče, utáhněte utahovací matici (10) vodícím výstupkem dolů (E1).
- ✿ V případě použití řezného kotouče, utáhněte utahovací matici (10) vodícím výstupkem nahoru (E2).

⚠ POZOR! Zajišťovací tlačítko vřetene (3) stiskněte pouze tehdy, když se motor a vřeteno brusky již zastavily a jsou v klidu!

- ✿ Zajišťovací tlačítko vřetene (3) musíte přidržovat stisknuté po celou dobu, kdy kotouč vyměňujete.
- ✿ Uvolněte zajišťovací tlačítko.
- ✿ Brusný kotouč sejmete opačným postupem.

Zapnutí a vypnutí (Obrázek G)

- ✿ Brusku zapnete posunutím vypínače (1) do polohy ≤ 1
- ✿ Posunutím vypínače (1) do polohy ≤ 0 se bruska vypne.

7. POKYNY PRO PRÁCI S BRUSKOU

- ✿ Optimální úhel kotouče vůči obrobku je 150° .
- ✿ Zachovávejte co největší odstup mezi kotoučem a pracovníkem.
- ✿ Na brusku tlačte pouze mírným tlakem, nezatěžujte brusku z boku. Sledujte směr otáčení kotouče a dávejte pozor na létající jiskry.
- ✿ Zabraňte pádu obráběného kusu.
- ✿ Pokud průměr kotouče činí méně než 80 mm, kotouč vyměňte.

8. ČIŠTĚNÍ A ÚDRŽBA

- ✿ Před čišněním a údržbou, vždy vytáhněte přívodní kabel nářadí ze zásuvky.
- ✿ Vae nářadí nepotřebuje žádné dodatečné mazání nebo údržbu. Nejsou v něm žádné Vámi opravitelné části.
- ✿ Nikdy nepoužívejte vodu nebo chemická čisticidla na čišnění vaeho nářadí. Utřete ho suchou tkaninou.
- ✿ Udržujte otvory ventilátoru motoru čisté.
- ✿ Pokud spatříte v prostoru motoru velmi slabé jiskření, je Vae nářadí v pořádku. Při zvýšeném jiskření se jedná o závadu na motoru.
- ✿ Nikdy nečistěte žádnou část nářadí tvrdým, ostrým a nebo drsným předmětem.

Kontrola a výměna uhlíků

- ✿ Uhlíky je nutno pravidelně kontrolovat.
- ✿ V případě opotřebením vyměňte oba uhlíky současně. Připevněte držáky uhlíků .
- ✿ Po připevnění nových uhlíků nechte brusku běžet 5 minut bez zátěže.
- ✿ Používejte výhradně uhlíky správného typu.

Uskladnění při dlouhodobém nepoužívání

- ✿ Nářadí neskladujte na místě, kde je vysoká teplota.
- ✿ Pokud je možné skladujte zařízení na místě se stálou teplotou a vlhkostí.

9. TIPY PRO PROVOZ A ÚDRŽBU

- ✿ Nářadí, příslušenství a návod k obsluze skladujte v originálním obalu, tak budete mít vždy k dispozici všechny potřebné díly i informace.
- ✿ Bruska je prakticky bezúdržbová, jediným úkonem je pravidelné očištění krytu brusky vlhkým hadříkem. Braňte kontaktu brusky s vlhkostí a vodou. Dodržujte pokyny uvedené v tomto návodu k obsluze

10. ES PROHLÁŠENÍ O SHODĚ

Výrobek / značka: ÚHLOVÁ BRUSKA / FIELDMANN

Typ / model: FDUB 50601 18V / Ø115mm

Výrobek je v souladu s níže uvedenými předpisy:

- * Směrnice Evropského parlamentu a Rady 2006/95/ES ze dne 12. prosince 2006 o harmonizaci právních předpisů členských států týkajících se elektrických zařízení určených pro používání v určitých mezích napětí.
- * Směrnice Evropského parlamentu a Rady 2004/108/ES ze dne 15. prosince 2004 o sbližování právních předpisů členských států týkajících se elektromagnetické kompatibility a o zrušení směrnice 89/336/EHS.
- * Směrnice Evropského parlamentu a Rady 2006/42/ES ze dne 17. května 2006 o strojních zařízeních a o změně směrnice 95/16/ES.
- * Směrnice Evropského parlamentu a Rady 2002/95/ES ze dne 27. ledna 2003 o omezení používání některých nebezpečných látek v elektrických a elektronických zařízeních.

a normami:

- * EN60745-1:2009+A11:2010
- * EN60745-2-3:2011+A2:2013+A11:2014+A12:2014
- * AfPS GS 2014°:01
- * EN55014-1:2006+A1:2009+A2°:2011
- * EN55014-2:1997+A1:2001+A2°:2008

Označení CE:16

Společnost FAST ČR, a.s. je oprávněna jednat jménem výrobce.

Výrobce:

FAST ČR, a.s.
Černokostelecká 1621, 251 01 Praha, Česká republika
DIČ: CZ26726548

V Praze, 30.1.2016

Jméno: Ing. Zdeněk Pech
Předseda představenstva

FAST FAST ČR, a.s.
Černokostelecká 1621, 251 01 Říčany
IČO: 25726548 tel.: +420/ 323 204 111
DIČ: CZ26726548 fax: +420/ 323 204 110

Pech

Podpis a razítka:

11. TECHNICKÉ ÚDAJE

ÚHLOVÁ BRUSKA:	
menovité napětí	18V
Otáčky	9 000 ot./min
Třída ochrany	II
Řezný kotoučr	Ø 115 mm
Závit vřetene	M 14
Vibrace	3.698 ms ⁻² , K=1.5ms ⁻²
Deklarovaná úroveň hluku	92.08dB(A), K=3dB(A)

Změna textu a technických parametrů vyhrazena.

Návod k použití v originálním jazyce.

Změny v textu, designu a technických specifi kací se mohou měnit bez předchozího upozornění a vyhraujeme si právo na jejich změnu.

Řešení problémů

1. Vypínač je stlačený, ale zařízení nepracuje: Aby zařízení pracovalo, potřebuje dostatečně nabitou baterii. Pokud zařízení delší dobu nepoužíváte, baterie se vyčerpává. Pokuste se dobít baterii. Přesvědčete se, že je baterie v nabíječce umístěna správně. Po dobu nabíjení se adaptér zahřívá, což je normální.
2. Baterie teče: Při extrémních teplotách, nebo při extrémním namáhání se může vyskytnout malé prosakování. Pokud se tekutiny dotknete, okamžitě ji z pokožky nebo oblečení smyjte mýdlem a vodou.
3. Baterie se nenabíjí a světlo na nabíječce nesvíří: Pokud se baterie nenabíjí, zkontrolujte, zda je správně vložena v nabíječce a přesvědčete se, že kontrolka svíří. Pokud nesvíří, zkontrolujte, zda zástrčka nabíječky je správně vložena v zásuvce. Pokud ano, zkontrolujte pojistku zásuvky.
4. Tělo zařízení se při delším použití zahřeje: Při normálním zatížení se tělo, vypínač a baterie zahřejí, protože energie spotřebovávaná při používání zařízení produkuje teplo. Je to normální. zařízení nechejte jednoduše několik minut vychladnout.
5. Baterie se při použití zahřeje: Energie čerpaná z baterie vytváří teplo. Nepoškozuje to baterii, teplo z čerpání energie je normální. Pokud chcete baterii zchladit, nechte jednoduše zařízení před pokračováním v práci několik minut vypnutou.
6. Baterie se při nabíjení zahřeje: Je to normální a vyplývá to z chemických reakcí probíhajících uvnitř baterie po dobu procesu nabíjení.
7. Po dobu nabíjení se nabíjecí zařízení zahřeje: Je to normální a vyplývá to ze snížení napětí z 230 V na 18 V.

12. LIKVIDACE

POKYNY A INFORMACE O NAKLÁDÁNÍ S POUŽITÝM OBALEM

Použitý obalový materiál odložte na místo určené obcí k ukládání odpadu.

LIKVIDACE POUŽITÝCH ELEKTRICKÝCH A ELEKTRONICKÝCH ZAŘÍZENÍ



Tento symbol na produktech anebo v průvodních dokumentech znamená, že použité elektrické a elektronické výrobky nesmí být přidány do běžného komunálního odpadu. Ke správné likvidaci, obnově a recyklaci předejte tyto výrobky na určená sběrná místa. Alternativně v některých zemích Evropské unie nebo jiných evropských zemích můžete vrátit své výrobky místnímu prodejci při koupi ekvivalentního nového produktu. Správnou likvidací tohoto produktu pomůžete zachovat cenné přírodní zdroje a napomáháte prevenci potenciálních negativních dopadů na životní prostředí a lidské zdraví, což by mohly být důsledky nesprávné likvidace odpadů. Další podrobnosti si vyžádejte od místního úřadu nebo nejbližšího sběrného místa. Při nesprávné likvidaci tohoto druhu odpadu mohou být v souladu s národními předpisy uděleny pokuty.

Pro podnikové subjekty v zemích Evropské unie

Chcete-li likvidovat elektrická a elektronická zařízení, vyžádejte si potřebné informace od svého prodejce nebo dodavatele. Likvidace v ostatních zemích mimo Evropskou unii Tento symbol je platný v Evropské unii. Chcete-li tento výrobek zlikvidovat, vyžádejte si potřebné informace o správném způsobu likvidace od místních úřadů nebo od svého prodejce.



Tento výrobek splňuje veškeré základní požadavky směrnice EU, které se na něj vztahují.

Změny v textu, designu a technických specifikacích se mohou měnit bez předchozího upozornění a vyhrazujeme si právo na jejich změnu.

Uhlová Brúska

NÁVOD NA OBSLUHU

Ďakujeme vám, že ste si zakúpili túto uhlová brúska. Skôr, než ju začnete používať, prečítajte si prosím pozorne tento návod na obsluhu a uschovajte ho pre prípad ďalšieho použitia.

OBSAH

OBRAZOVÁ PRÍLOHA	3
1. VEOBECNÉ BEZPEČNOSTNÉ PREDPISY	34
Dôležité bezpečnostné upozornenia	
Obal	
Návod na použitie	
2. SYMBOLY	35
3. POPIS STROJA A OBSAH DODÁVKY	36
4. VEOBECNÉ BEZPEČNOSTNÉ POKYNY	36
5. ZVLÁTNE BEZPEČNOSTNÉ POKYNY	40
6. POUŽITIE A PREVÁDZKA	41
7. POKYNY PRE PRÁCU S BRÚSKOU	31
8. ČISTENIE A ÚDRŽBA	31
9. TIPY NA PREVÁDZKU A ÚDRŽBU	31
10. VYHLÁSENIE O ZHODE	32
11. TECHNICKÉ ÚDAJE	33
12. LIKVIDÁCIA	34

1. VEObECNÉ BEZPEČNOSTNÉ PREDPISY

⚠ POZOR! Pred použitím si pozorne prečítajte návod na použitie

Dôležité bezpečnostné upozornenia

- ✿ Výrobok starostlivo vybalte a dajte pozor, aby ste nevyhodili žiadnu časť obalového materiálu skôr, ako nájdete veľké súčasti výrobku.
- ✿ Výrobok uschovávajte na suchom mieste mimo dosahu detí.
- ✿ Čítajte veľké upozornenia a pokyny. Zanedbanie pri dodržovaní varovných upozornení a pokynov môžu mať za následok úraz elektrickým prúdom, požiar a/alebo ťažké poranenia.

Obal

Výrobok je umiestnený v obale brániacom pokodeniu pri transporte. Tento obal je surovinou a je možné ho preto odovzdať na recykláciu.


Návod na použitie

Kým začnete so strojom pracovať, prečítajte si nasledujúce bezpečnostné predpisy a pokyny na používanie. Zoznámte sa s obslužnými prvkami a správnym používaním zariadenia. Návod starostlivo uschovajte pre prípad neskorej potreby. Minimálne počas záruky odporúčame uschovať originálny obal vrátane vnútorného baliaceho materiálu, pokladničný doklad a záručný list. V prípade prepravy zabalte stroj späť do originálnej katule od výrobcu, zaistíte si tak maximálnu ochranu výrobku pri prípadnom transporte (napr. sťahovaní alebo odoslaní do servisného strediska).

📖 Poznámka: Ak odovzdávate stroj ďalším osobám, odovzdajte ho spoločne s návodom. Dodržiavanie priloženého návodu na obsluhu je predpokladom riadneho používania stroja. Návod na obsluhu obsahuje aj pokyny pre obsluhu, údržbu a opravy.

Výrobca nepreberá zodpovednosť za nehody alebo kody, ktoré vzniknú následkom nedodržiavania tohto návodu.

2. SYMBOLY

 Tento produkt je vyrobený v súlade so schválenými normami.



Pred použitím stroja si pozorne prečítajte návod na obsluhu.



Použite ochranné pomôcky na oči



Použite ochranné pomôcky na uši



Používajte ochranu zraku.

3. POPIS STROJA A OBSAH DODÁVKY

Popis stroja (viď obr. 1)

- | | |
|---------------------------------|------------------------------|
| 1 - Vypínač | 7 - Skrutka ochranného krytu |
| 2 - Bočná rukoväť | 8 - Podložka |
| 3 - Zaisťovacie tlačítko kotúča | 9 - Brúsny kotúč |
| 4 - Vreťeno | 10 - Uťahovacia matica |
| 5 - Ochranný kryt | 11 - Doťahovací kľuč |
| 6 - Pláň | |

Obsah dodávky

Stroj vyberte opatrne z obalu a skontrolujte, či sú nasledujúce diely kompletne:

- ✿ Brúska
- ✿ Bočná rukoväť
- ✿ Uťahovacie matky
- ✿ Uťahovací kľúč
- ✿ Kryt kotúča
- ✿ Návod na obsluhu

Pokiaľ diely chýbajú alebo sú pokodené, obráťte sa prosím na predajcu, u ktorého ste stroj zakúpili.

4. VEOBECNÉ BEZPEČNOSTNÉ POKYNY

Tieto bezpečnostné pokyny si starostlivo pretudujte, zapamätajte a uschovajte.

⚠ Upozornenie! Pri používaní elektrických strojov a elektrického náradia je nutné repektovať a dodržiavať nasledujúce bezpečnostné pokyny z dôvodu ochrany pred úrazom elektrickým prúdom, zranením osôb a nebezpečím vzniku požiaru. Výrazom ≤elektrické náradie je vo veľkých nižšie uvedených pokynoch myslené nielen náradie napájané z elektrickej siete (napájacím káblom) ale i náradie napájanie z akumulátoru. (bez napájacieho kábla). Odložte všetky varovania a pokyny pre budúce použitie.

Pracovné prostredie

- ✿ Udržujte pracovný priestor v čistom stave a dobre osvetlený. Neporiadok a tmavé miesta na pracovisku bývajú príčinou úrazov. Odložte náradie, ktoré práve nepoužívate.

- ✿ Nepoužívajte elektrické náradie v prostredí s nebezpečenstvom vzniku požiaru alebo výbuchu, to znamená v miestach, kde sa vyskytujú horľavé kvapaliny, plyny alebo prach. V elektrickom náradí vznikajú iskry, ktoré môžu byť príčinou vznietenia prachu alebo výparov. Zabráňte zvieratám prístup k náradu.
- ✿ Pri používaní el. náradia zabráňte prístupu nepovolaných osôb do pracovného priestoru, najmä detí. Ak budete vyruovaní, môžete stratiť kontrolu nad pracovnou činnosťou. V žiadnom prípade nenechávajte el. náradie bez dohľadu.

Elektrická bezpečnosť

- ✿ Vidlica napájacieho kábla elektrického náradia musí zodpovedať sieťovej zásuvke. Nikdy akýmkoľvek spôsobom neupravujte el. prívodný kábel. Náradie, ktoré má na vidlici prívodnej núry ochranný kolík, nikdy nepripájajte rozdvojkami alebo inými adaptérmi. Nepokodené vidlice a zodpovedajúce zásuvky znížia nebezpečenstvo úrazu elektrickým prúdom. Pokodené alebo zamotané prívodné káble zvyšujú nebezpečenstvo úrazu elektrickým prúdom. Ak sa sieťová núra pokodí, musí sa nahradiť osobitou sieťovou núrou, ktorú možno dostať u výrobcu alebo jeho obchodného zástupcu.
- ✿ Vyvarujte sa dotyku tela s uzemnenými plochami, ako napr. potrubné systémy, telesá ústredného kúrenia, poráky a chladničky. Nebezpečenstvo úrazu elektrickým prúdom je väčšie, ak je Vae telo spojené zo zemou.
- ✿ Nevystavujte elektrické náradie dažďu, vlhku alebo vode. Elektrického náradia sa nikdy nedotýkajte mokrými rukami. Elektrické náradie nikdy neumývajte pod tečúcou vodou ani ho neponárajte do vody.
- ✿ Nepoužívajte napájací kábel k inému účelu, než pre aký je určený. Nikdy nenoste a neťahajte elektrické náradie za napájací kábel. Nevyťahujte vidlicu zo zásuvky ťahom za kábel. Zabráňte mechanickému pokodeniu elektrických káblov ostrím alebo horúcim predmetom.
- ✿ El. náradie bolo vyrobené výlučne pre napájanie striedavým el. prúdom. Vždy skontrolujte, či el. napätie zodpovedá údaju uvedenému na typovom štítku.
- ✿ Nikdy nepracujte s náradím, ktoré má pokodený el. kábel príp. vidlicu, alebo spadlo na zem a je akýmkoľvek spôsobom pokodené.
- ✿ V prípade použitia predlžovacieho kábla vždy skontrolujte či jeho technické parametre odpovedajú údajom uvedeným na typovom štítku náradia. Ak je elektrické náradie používané vonku, používajte predlžovací kábel vhodný pre vonkajšie použitie. Pri použití predlžovacích bubnov je potrebné ich rozvinúť, aby nedochádzalo k ich prehriatiu.
- ✿ Ak je elektrické náradie používané vo vlhkých priestoroch alebo vonku je povolené používať ho iba ak je zapojené do el. obvodu s prúdovým chráničom ≤ 30 mA. Použitie el. obvodu s chráničom /RCD/ znižuje riziko úrazu elektrickým prúdom.
- ✿ Držte el. ručné náradie výlučne za izolované plochy určené na uchopenie, pretože pri prevádzke môže dôjsť ku kontaktu rezacieho či vŕtacieho príslušenstva so skrytým vodičom alebo vlastnou núrou.

Bezpečnosť osôb

- ✿ Pri používaní elektrického náradia buďte pozorní a ostražití, venujte maximálnu pozornosť činnosti, ktorú práve prevádzate. Sústreďte sa na prácu. Nepracujte s elektrickým náradím ak ste unavení, alebo ste pod vplyvom drog, alkoholu alebo liekov. Aj chvíľková nepozornosť pri používaní elektrického náradia môže viesť k vážnemu poraneniu osôb. Pri práci s el. náradím nejedzte, nepite a nefajčite.
- ✿ Používajte ochranné pomôcky. Vždy používajte ochranu očí. Používajte ochranné prostriedky odpovedajúce druhu práce, ktorú prevádzate. Ochranné pomôcky ako napr. respirátor, bezpečnostná obuv s protimykovou úpravou, pokrývka hlavy alebo ochrana sluchu, používané v súlade s podmienkami práce, znižujú riziko poranenia osôb.
- ✿ Vyvarujte sa neúmyselnému zapnutiu el. náradia. Neprenáajte el. náradie, ktoré je pripojené k elektrickej sieti, s prstom na vypínači alebo na spúti. Pred pripojením k elektrickému napätiu sa uistite, či vypínač alebo spúť sú v polohe ≤vypnuté. Prenáanie el. náradia s prstom na vypínači alebo pripájanie vidlice el. náradia do zásuvky zo zapnutým vypínačom môže byť príčinou vážnych úrazov.
- ✿ Pred zapnutím el. náradia odstráňte všetky nastavovacie kľúče a nástroje. Nastavovací kľúč alebo nástroj, ktorý zostane pripevnený k otáčajúcej sa časti elektrického náradia môže byť príčinou poranenia osôb.
- ✿ Vždy udržiajte stabilný postoj a rovnováhu. Pracujte len tam, kam bezpečne dosiahnete. Nikdy nepreceňujte vlastnú silu. Nepoužívajte elektrické náradie, ak ste unavení.
- ✿ Obliekajte sa vhodným spôsobom. Používajte pracovné oblečenie. Nenoste voľné oblečenie ani perky. Dbajte na to, aby sa vae vlasy, oblečenie, rukavice alebo iná časť Váho tela nedostala do prílinej blízkosti rotujúcich alebo rozpálených častí el. náradia.
- ✿ Pripojte el. náradie k odsávaniu prachu. Ak má el. náradie možnosť pripojenia zariadenia na zachytávanie alebo odsávanie prachu, uistite sa, že dolo k jeho riadnemu pripojeniu a používaniu. Použitie takýchto zariadení môže obmedziť nebezpečenstvo vznikajúce prachom.
- ✿ Pevne upevnite obrobok. Použite stolársku svorku alebo zverák pre upevnenie obrobku, ktorý budete obrábať.
- ✿ Nepoužívajte akékoľvek náradie ak ste pod vplyvom alkoholu, drog, liekov alebo inýchomamných či návykových látok.
- ✿ Toto zariadenie nie je určené na použitie osobami (vrátane detí) so zníženými fyzickými, zmyslovými alebo mentálnymi schopnosťami alebo s nedostatkom skúseností a znalostí, pokiaľ nie sú pod dozorom alebo nedostali pokyny ohľadom použitia zariadenia od osoby zodpovednej za ich bezpečnosť. Deti musia byť pod dozorom, aby ste sa uistili, že sa nehrajú so zariadením.

Používanie a starostlivosť o elektrické náradie.

- ✿ El. náradie vždy odpojte od el. siete v prípade akéhokoľvek problému pri práci, pred každým čistením alebo údržbou, pri každom presune a pri ukončení činnosti! Nikdy nepracujte s el. náradím, ak je akýmkoľvek spôsobom pokodené.

- * Ak začne náradie vydávať abnormálny zvuk alebo zápach, okamžite ukončíte prácu.
- * Elektrické náradie nepreťažujte. Elektrické náradie bude pracovať lepšie a bezpečnejšie, ak s ním budete pracovať v otáčkach, pre ktoré bolo navrhnuté. Používajte správne náradie, ktoré je určené pre danú činnosť. Vhodné náradie bude dobre a bezpečne vykonávať prácu, pre ktorú bolo vyrobené.
- * Nepoužívajte elektrické náradie, ktoré nemožno bezpečne zapnúť a vypnúť ovládacím vypínačom. Používanie takého náradia je nebezpečné. Vadný vypínač musí byť opravený certifikovaným servisom.
- * Odpojte náradie od elektrickej siete predtým, než začnete prevádzkať jeho nastavenie, výmenu príslušenstva alebo údržbu. Toto opatrenie obmedzí nebezpečenstvo náhodného spustenia.
- * Nepoužívané elektrické náradie uschovajte tak, aby bolo mimo dosahu detí a nepovolaných osôb. Elektrické náradie v rukách neskúsených užívateľov môže byť nebezpečné. Elektrické náradie skladujte na suchom a bezpečnom mieste.
- * Starostlivo udržiavajte elektrické náradie v dobrom stave. Pravidelne kontrolujte nastavenie pohybujúcich sa častí a ich pohyblivosť. Kontrolujte či nedelo k poškodeniu ochranných krytov alebo iných častí, ktoré môžu ohroziť bezpečnú funkciu elektrického náradia. Ak je náradie poškodené, pred ďalším použitím zaistite jeho opravu. Mnoho úrazov je spôsobené nesprávnou údržbou elektrického náradia.
- * Rezacie nástroje udržiavajte ostré a čisté. Správne udržiavané a naoštrené nástroje uľahčujú prácu, obmedzujú nebezpečenstvo úrazu a práca s nimi sa lepšie kontroluje. Použitie iného príslušenstva než toho, ktoré je uvedené v návode na obsluhu alebo doporučené dovozcom môže spôsobiť poškodenie náradia a byť príčinou úrazu.
- * Elektrické náradie, príslušenstvo, pracovné nástroje atď. používajte v súlade s týmito pokynmi a takým spôsobom, ktorý je predpísaný pre konkrétne elektrické náradie a to s ohľadom na dané podmienky práce a druh prevádzkanej práce. Používanie náradia na iné účely, než pre aké je určené, môže viesť k nebezpečným situáciám.

Používanie akumulátorového náradia

- * Pred vložením akumulátora sa uistite, že je vypínač v polohe ≤ 0 -vypnuté. Vloženie akumulátora do zapnutého náradia môže byť príčinou nebezpečných situácií.
- * K nabíjaniu akumulátora používajte len nabíjačky predpísané výrobcom. Použitie nabíjačky pre iný typ akumulátora môže mať za následok jeho poškodenie a vznik požiaru.
- * Používajte iba akumulátory určené pre dané náradie. Použitie iných akumulátorov môže byť príčinou úrazu alebo vzniku požiaru.
- * Ak nie je akumulátor používaný, uschovávajú ho oddelene od kovových predmetov ako sú svorky, kľúče, skrutky a iné drobné kovové predmety, ktoré by mohli spôsobiť spojenie jedného kontaktu akumulátora s druhým. Vyskratovanie akumulátora môže zapríčiniť úraz, popáleniny alebo vznik požiaru.

- ✿ S akumulátormi zaobchádzajte etrne. Pri neetnom zaobchádzaní môže z akumulátoru uniknúť chemická látka. Vyvarujte sa kontaktu s ňou. Ak predsa dôjde ku kontaktu s touto chemickou látkou, vymyte postihnuté miesto prúdom tečúcej vody. Ak sa chemická látka dostane do očí, vyhľadajte ihneď lekársku pomoc. Chemická látka z akumulátoru môže spôsobiť vážne poranenie.

Servis

- ✿ Nevymieňajte časti náradia, neprevádzajte sami opravy, ani iným spôsobom nezasahujte do kontrukcie náradia. Opravy náradia zverte kvalifikovaním osobám.
- ✿ Každá oprava alebo úprava výrobku bez oprávnenia naej spoločnosti je neprípustná (môže spôsobiť úraz, alebo kodu užívateľovi).
- ✿ Elektrické náradie vždy nechajte opravíť v certifikovanom servisnom stredisku. Používajte iba originálne alebo doporučené náhradné diely. Zaisťte tak bezpečnosť Vás i Váho náradia.

5. ZVLÁTNE BEZPEČNOSTNÉ POKYNY

⚠ POZOR! Pred použitím si prosím prečítajte tieto bezpečnostné pokyny a starostlivo ich uschovajte.

- ✿ V prípade nedodržania pokynov uvedených v tejto príručke hrozí riziko úrazu.
- ✿ Uhlová brúska zodpovedá platným technickým predpisom a normám.
- ✿ Okrem brúsnych, rezných a diamantových kotúčov nepoužívajte iné prísluenvstvo.
- ✿ Nikdy nepoužívajte náradie bez ochranného krytu.
- ✿ Používajte vždy ochranu zraku (ochranné okuliare resp. ochranný tít) a sluchu.
- ✿ Nepoužívajte žiadne rezné a brúsne kotúče na bočné brúsenie.
- ✿ Dbajte na to, aby počas pranej práce boli vetracie otvory voľné.
- ✿ Pri rezaní do stien skontrolujte, či sa v stenách nenachádza el. vedenie (detektorom na kov).
- ✿ Brúsny kotúč nikdy neochladzujte vodou.
- ✿ Nedoťkajte sa obruby po opracovaní, môže byť horúca.
- ✿ Brúsku nikdy nepripevňujte k pracovnému stolu.
- ✿ Presvedčte sa, že počet otáčok uvedený na brúsnom kotúči je vyí ako počet otáčok uhlovej brúsky uvedený na typovom títku, alebo rovnaký.
- ✿ Nerežte materiál, ktorý vyžaduje rez s maximálnou hĺbkou presahujúcou hĺbku brúsneho kotúča.
- ✿ Nerežte a nebrúste ľahké kovy s obsahom horčíka vyím ako 80 %, pretože také kovy sú horľavé.
- ✿ Dbajte na to, aby mal brúsny kotúč správne rozmery a bol na vretene správne upevnený.
- ✿ S brúsnymi kotúčmi zaobchádzajte veľmi opatrne a v súlade s pokynmi, ktoré sú k brúsnemu kotúču priložené.
- ✿ Pred každým použitím brúsny kotúč prezrite.
- ✿ Nepoužívajte brúsne kotúče, ktoré sú popraskané alebo inak pokodené.

- ✿ Uistite sa, že brúsny kotúč je nasadený podľa pokynov.
- ✿ Po nasadení brúsneho kotúča nechajte brúsku bežať s otáčkami naprázdno na bezpečnom mieste. Ak brúska silno vibruje, alebo ak sú na brúsnom kotúči viditeľné pokodenia, okamžite brúsku vypnite a pokúste sa zistiť príčinu.
- ✿ Nepoužívajte redukcie alebo iné pomocné diely na nasadenie brúsnych kotúčov pre odlišný priemer vretena.
- ✿ Dbajte na to, aby bol materiál riadne podopretý alebo upevnený.
- ✿ Nikdy nepoužívajte rezný kotúč na odstránenie ostrín.
- ✿ Dbajte na to, aby iskry nemohli nikoho zasiahnuť, a aby nemohli zapáliť horľavé látky.
- ✿ S brúskou nepracujte, ak niekto stojí v línii brúsneho kotúča. Zaisťte, aby bol pracovný priestor okolo vás čistý.
- ✿ Zaisťovacie tlačidlo kotúča (3) stlačte iba vtedy, ak sa motor a vreteno brúsky už úplne zastavilo!
- ✿ Pamätajte na to, že brúsny kotúč sa po vypnutí brúsky bude zotrvačnosťou ešte chvíľu dotáčať.
- ✿ Vždy používajte pomocnú rukoväť, ktorá je dodávaná s náradím.
- ✿ Strata kontroly nad el. náradím môže spôsobiť poranenie.

⚠ POZOR! Používajte ochranné prostriedky proti huku, prachu a vibráciám!!!

⚠ POZOR! TIETO BEZPEČNOSTNÉ POKYNY USCHOVAJTE !!!

6. POUŽITIE A PREVÁDZKA

- ✿ Táto uhlová brúska je určená len na domáce alebo hobby použitie.
- ✿ Výrobca a dovozca neodporúčajú používať toto náradie v extrémnych podmienkach a pri vysokom zaťažení.
- ✿ Akékoľvek ďalšie doplňujúce požiadavky musia byť predmetom dohody medzi výrobcom a odberateľom.
- ✿ S využitím vhodných kotúčov je brúska určená na rezanie, brúsenie, hrubovanie a letenie kovov, kameňa a keramických materiálov.
- ✿ Náradie a príslušenstvo používajte výhradne na stanovené účely použitia, viď pokyny výrobcu náradia.
- ✿ Akékoľvek iné použitie náradia je prísne zakázané.

Nasadenie postrannej rukoväti (Obrázok B)

- ✿ Postrannú rukoväť (2) upevnite v jednom z montážnych otvorov.

Ako pripevniť a odobrať ochranný kryt (Obrázok C)

- Uvoľnite skrutku upínacej svorky krytu (7).
- Nasajte ochranný kryt (5) podľa obrázku (C) a skrutku pevne utiahnite.
- Ochranný kryt odoberte obráteným postupom.

⚠ POZOR! Brúsku nikdy nepoužívajte bez ochranného krytu.

Ako nasadiť a odobrať brusný kotúč (Obrázok D,E,F)

⚠ POZOR! Pred nasadením alebo odobratím brúsneho kotúča vždy vyťahnite prívodný kábel brúsky zo zásuvky.

- Položte brúsku na stôl vretenom nahor.
- Pripevnite ochranný kryt (5) podľa pokynov uvedených vyje.
- Na vreteno (4) nasajte podložku (8).
- Na podložku nasajte brusný kotúč (9).
- Na vreteno naskrutkujte uťahovaciu matku (10).
- Stlačte zaisťovacie tlačidlo (3) a krížovým skrutkovačom pevne dotiahnite uťahovaciu matku (10). V prípade použitia brúsneho kotúča utiahnite uťahovaciu maticu (10) vodiacim výstupkom nadol (E1).
- V prípade použitia rezného kotúča utiahnite uťahovaciu maticu (10) vodiacim výstupkom nahor (E2).

⚠ POZOR! Zaisťovacie tlačidlo vretena (3) stlačte iba vtedy, keď sa motor a vreteno brúsky už zastavili a sú v pokoji!

- Zaisťovacie tlačidlo vretena (3) musíte pridržiavať stlačené po celý čas, čo kotúč vymieňate.
- Uvoľnite zaisťovacie tlačidlo.
- Brusný kotúč zložte opačným postupom.

Zapnutie a vypnutie (Obrázok G)

- Brúsku zapnite posunutím vypínača (1) do polohy ≤ 1
- Posunutím vypínača (1) do polohy ≤ 0 sa brúska vypne.

7. POKYNY PRE PRÁCU S BRÚSKOU

- Optimálny uhol kotúča voči obrobku je 150° .
- Zachovávajúte čo najväčší odstup medzi kotúčom a pracovníkom.
- Na brúsku tlačte iba miernym tlakom, nezaťažujte brúsku z boku. Sledujte smer otáčania kotúča a dávajte pozor na lietajúce iskry.
- Zabráňte pádu obrábaného kusu.
- Ak priemer kotúča činí menej než 80 mm, kotúč vymeňte.

8. ČISTENIE A ÚDRŽBA

- ✿ Pred čistením a údržbou vždy vytiahnite prírodný kábel náradia zo zásuvky.
- ✿ Vae náradie nepotrebuje žiadne dodatočné mazanie alebo údržbu. Nie sú v ňom žiadne vami opraviteľné časti.
- ✿ Nikdy nepoužívajte vodu alebo chemické čistiadlá na čistenie váho náradia. Utrite ho suchou tkaninou.
- ✿ Udržujte otvory ventilátora motora čisté.
- ✿ Ak zbadáte v priestore motora veľmi slabé iskrenie, je vae náradie v poriadku. Pri zvýšenom iskrení sa jedná o poruchu na motore.
- ✿ Nikdy nečistite žiadnu časť náradia tvrdým, ostrým alebo drsným predmetom.

Kontrola a výmena uhlíkov

- ✿ Uhlíky je nutné pravidelne kontrolovať.
- ✿ V prípade opotrebenia vymeňte oba uhlíky súčasne. Pripevnite držiaky uhlíkov.
- ✿ Po pripevnení nových uhlíkov nechajte brúsku bežať 5 minút bez záťaže.
- ✿ Používajte výhradne uhlíky správneho typu.

Uskladnenie pri dlhodobom nepoužívaní

- ✿ Náradie neskladujte na mieste, kde je vysoká teplota.
- ✿ Pokiaľ je to možné, skladujte zariadenie na mieste so stálou teplotou a vlhkosťou.

9. TIPY NA PREVÁDZKU A ÚDRŽBU

- ✿ Náradie, príslušenstvo a návod na obsluhu skladujte v originálnom obale, tak budete mať vždy k dispozícii všetky potrebné diely aj informácie.
- ✿ Brúska je prakticky bezúdržbová, jediným úkonom je pravidelné utretie krytu brúsky vlhkou handričkou. Bráňte kontaktu brúsky s vlhkosťou a vodou. Dodržujte pokyny uvedené v tomto návode na obsluhu.

10. ES VYHLÁSENIE O ZHODE

Výrobok/značka: UHLOVÁ BRÚSKA / FIELDMANN

Typ / model: FDUB 50601 18V / Ø115mm

Výrobok je v súlade s nižie uvedenými predpismi:

- * Smernica Európskeho parlamentu a Rady 2006/95/ES z 12. decembra 2006 o harmonizácii právnych predpisov členských štátov týkajúcich sa elektrického zariadenia určeného na používanie v rámci určitých limitov napätia
- * Smernica Európskeho parlamentu a Rady 2004/108/ES z 15. decembra 2004 o aproximácii právnych predpisov členských štátov vzťahujúcich sa na elektromagnetickú kompatibilitu a o zrušení smernice 89/336/EHS.
- * Smernica Európskeho parlamentu a Rady 2006/42/ES zo 17. mája 2006 o strojových zariadeniach a o zmene a doplnení smernice 95/16/ES.
- * Smernica Európskeho parlamentu a Rady 2002/95/ES z 27. januára 2003 o obmedzení používania určitých nebezpečných látok v elektrických a elektronických zariadeniach.

a normami:

- * EN60745-1:2009+A11:2010
- * EN60745-2-3:2011+A2:2013+A11:2014+A12:2014
- * AfPS GS 2014~:01
- * EN55014-1:2006+A1:2009+A2~:2011
- * EN55014-2:1997+A1:2001+A2~:2008

Označenie CE: 16

Spoločnosť FAST ČR, a.s. je oprávnená konať menom výrobcu.

Výrobca:

FAST ČR, a.s.
Černokostelecká 1621, 251 01 Praha, Česká republika
DIČ: CZ26726548

V Prahe, 30.1.2016

Meno: Ing. Zdeněk Pech

Predseda predstavenstva

FAST FAST ČR, a.s.
Černokostelecká 1621, 251 01 Říčany
IČO: 26726548 tel.: +420/ 323 204 111
DIČ: CZ26726548 fax: +420/ 323 204 110

Pech

Podpis a pečiatka:

11. TECHNICKÉ ÚDAJE

UHLOVÁ BRÚSKA:	
Menovité napätie	18V
Otáčky	9 000 ot./min
Trieda ochrany	II
Rezný kotúč	Ø 115 mm
Závit vretena	M 14
úroveň vibrácií	3.698 ms ⁻² , K=1.5ms ⁻²
Deklarovaná úroveň hluku	92.08dB(A), K=3dB(A)

Návod na použitie – len jazyková mutácia.

Zmena textu a technických parametrov vyhradená.

Zmeny v texte, dizajne a technických špecifi káciách sa môžu meniť bez predchádzajúceho upozornenia a vyhradzuje si právo na ich zmenu.

Riešenie problémov

1. Vypínač je stlačený, ale zariadenie nepracuje: Aby akumulátorová zariadenie pracovalo, potrebuje dostatočne nabitú batériu. Ak zariadenie dlhšiu dobu nepoužívate, batéria sa vyčerpáva. Pokúste sa dobíť batériu. Presvedčte sa, že batéria je v nabíjačke umiestnená správne. Počas nabíjania sa adaptér zohreje, ale je to normálne.
2. Batéria tečie: Pri extrémnych teplotách, alebo pri namáhaní sa môže vyskytnúť malé presakovanie. Ak ste sa ho dotkli, okamžite si ho z rúk, pokožky alebo oblečenia umyte mydlom a vodou.
3. Batéria sa nenabíja a svetlo na nabíjačke nesvieti: Ak sa batéria nenabíja, skontrolujte, či je správne vložená v nabíjačke a presvedčte sa, že kontrolka svieti. Ak nie, skontrolujte, či zástrčka nabíjačky je správne vložená v jednočke. Ak áno, skontrolujte, či je zástrčka pripojená k zásuvke. Ak áno, skontrolujte poistku zásuvky.
4. Teleso zariadenie sa počas rozsiahleho použitia zohreje: Pri normálnom zaťažení sa teleso, vypínač a batéria zohrejú, pretože energia spotrebovaná pri použití zariadenia produkuje teplo. Je to normálne. Zariadenie nechajte jednoducho na niekoľko minút vychladnúť.
5. Batéria sa pri použití zohreje: Energia čerpaná z batérie vytvára teplo. Nepoškodíte batériu a teplo z čerpanej energie je normálne. Ak ju chcete schladíť, nechajte jednoducho zariadenie pred pokračovaním v práci schladíť.
6. Batéria sa pri nabíjaní zohreje: Je to normálne a vyplýva to z chemických reakcií prebiehajúcich vo vnútri batérie počas procesu nabíjania.
7. Počas nabíjania sa nabíjacie zariadenie zohreje: Je to normálne a vyplýva to zo zníženia napätia z 230 V na 18 V.

12. LIKVIDÁCIA

POKYNY A INFORMÁCIE O ZAOBCHÁDZANÍ S POUŽITÝM OBALOM

Použitý obalový materiál odložte na miesto určené obcou na ukladanie odpadu.

LIKVIDÁCIA POUŽITÝCH ELEKTRICKÝCH A ELEKTRONICKÝCH ZARIADENÍ



Tento symbol na produktoch alebo v sprievodných dokumentoch znamená, že použité elektrické a elektronické výrobky sa nesmú pridávať do bežného komunálneho odpadu. Na správnu likvidáciu, obnovu a recykláciu odovzdajte tieto výrobky na určené zberné miesta. V niektorých krajinách Európskej únie alebo iných európskych krajinách môžete vrátiť svoje výrobky miestnemu predajcovi pri kúpe ekvivalentného nového produktu. Správnou likvidáciou tohto produktu pomôžete zachovať cenné prírodné zdroje a napomáhate prevencii potenciálnych negatívnych dopadov na životné prostredie a ľudské zdravie, čo by mohlo byť dôsledkom nesprávnej likvidácie odpadov. Ďalie podrobnosti si vyžiadajte od miestneho úradu alebo najbližšieho zberného miesta. Pri nesprávnej likvidácii tohto druhu odpadu môžu byť v súlade s národnými predpismi udelené pokuty.

Pre podnikové subjekty v krajinách Európskej únie

Ak chcete likvidovať elektrické a elektronické zariadenia, vyžiadajte si potrebné informácie od svojho predajcu alebo dodávateľa.

Likvidácia v ostatných krajinách mimo Európskej únie

Tento symbol je platný v Európskej únii. Ak chcete tento výrobok zlikvidovať, vyžiadajte si potrebné informácie o správnom spôsobe likvidácie od miestnych úradov alebo od svojho predajcu



Tento výrobok spĺňa všetky základné požiadavky smerníc EÚ, ktoré sa naň vzťahujú.

Zmeny v texte, dizajne a technických pecifikáciách sa môžu meniť bez predchádzajúceho upozornenia a vyhradzuje si právo na ich zmenu.

Sarokcsiszoló

HASZNÁLATI ÚTMUTATÓ

Köszönjük, hogy cégünk sarokcsiszoló megvásárlása mellett döntött. Mi-előtt használatba venné, kérjük, olvassa el figyelmesen ezt a használati útmutatót, majd őrizze meg, hogy később bármikor újraolvashassa.

TARTALOM

KÉPMELLÉKLET	3
1. ÁLTALÁNOS BIZTONSÁGI RENDELKEZÉSEK	48
Fontos biztonsági figyelmeztetések	
Csomagolás	
Használati útmutató	
2. SZIMBÓLUMOK	49
3. A GÉP BEMUTATÁSA ÉS A CSOMAGOLÁS TARTALMA	50
4. ÁLTALÁNOS BIZTONSÁGI UTASÍTÁSOK	50
5. KÜLÖNLEGES BIZTONSÁGI RENDELKEZÉSEK	54
6. HASZNÁLAT	56
7. MUNKAVÉGZÉS A CSISZOLÓGÉPPEL	57
8. TISZTÍTÁS ÉS KARBANTARTÁS	57
9. ÜZEMELTETÉSI ÉS KARBANTARTÁSI TIPPEK	58
10. MEGFELELŐSÉGI NYILATKOZAT	59
11. MŰSZAKI ADATOK	60
12. MEGSEMISÍTÉS	61

1. ÁLTALÁNOS BIZTONSÁGI ELŐÍRÁSOK

⚠ FIGYELEM! Használat előtt olvassa el figyelmesen a használati útmutatót.

Fontos biztonsági figyelmeztetések

- ✿ Figyelmesen csomagolja ki a terméket, és ügyeljen arra, hogy ne dobja ki a csomagolás semelyik részét mindaddig, amíg meg nem találta a termék valamennyi alkotóelemét.
- ✿ A terméket száraz helyen, gyermekektől távol tartsa.
- ✿ Olvassa el az összes figyelmeztetést és utasítást. A figyelmeztetések be nem tartás áramütéshez, tűzhoz és/vagy súlyos sérülésekhez vezethet.

Csomagolás

A csomagolóanyag szállítás közben óvja a terméket. Ez a csomagolás nyersanyag, ezért újrahasznosítás céljával leadható.

Használati útmutató

Mielőtt megkezdené a munkavégzést a készülékkel, olvassa el figyelmesen a következő biztonsági és használati utasításokat. Ismerkedjen meg a gép kezelőszerveivel, és a helyes használat szabályaival. A használati útmutató őrizze meg egy esetleges későbbi újraolvasáshoz. A csomagolóanyagot, beleértve a belső csomagolóanyagot, a pénztárblokkot és a jótállási jegyet is, ajánlott legalább a jótállás érvényessége alatt megőrizni. Szállítás esetén csomagolja vissza a készüléket a gyártótól kapott eredeti dobozba, így biztosíthatja a termék esetleges szállítás közbeni maximális védelmét (pl. költözés vagy szervizbe küldés).

📖 Megjegyzés: Amennyiben a készüléket más személyeknek kívánja átadni, mellékelje a használati útmutatót is. A mellékelt használati útmutató betartása a sövénynyíró előírás szerű használatának előfeltétele. A használati útmutató egyben használati, kezelési és javítási utasításokat is tartalmaz.

A gyártó nem felel a jelen használati útmutató be nem tartása következtében felmerült sérülésekért vagy károkért.

2. SZIMBÓLUMOK



A gép a jóváhagyott szabványokkal összhangban került legyártásra.



A gép használatba vétele előtt olvassa



Használjon védőfelszerelést szem



Használjunk védőfelszerelést fül



Használjon szemvédőt.

3. A GÉP BEMUTATÁSA ÉS A CSOMAGOLÁS TARTALMA

A gép bemutatása (lásd az 1. képet)

- | | |
|----------------------|---------------------------|
| 1 - Főkapcsoló | 7 - Védőburok csavarja |
| 2 - Oldalsó markolat | 8 - Alafét |
| 3 - Korongrögző gomb | 9 - Csiszoló korong (lap) |
| 4 - Orsó | 10 - Csavaranya |
| 5 - Védőburkolat | 11 - Behúzókulcs |
| 6 - Szekrény | |

A csomagolás tartalma

Emelje ki óvatosan a gépet a csomagolásból, és ellenőrizze le, hogy az alább ismertetett részek mindegyike megtalálható benne:

- ✿ Csiszológép
- ✿ Oldalsó markolat
- ✿ Maghúzó anyák
- ✿ Maghúzó kulcs
- ✿ Tárcsaburkolat
- ✿ Használati útmutató

Abban az esetben, ha bizonyos részek hiányoznak, vagy sérültek, forduljon a gép eladójához.

4. ÁLTALÁNOS BIZTONSÁGI UTASÍTÁSOK

A következő biztonsági utasításokat figyelmesen olvassa el, jegyezze meg és őrizze meg.

⚠ Figyelmeztetés! Az elektromos gépek és szerszámok használata esetén fontos tisztelettel és betartani a következő biztonsági utasításokat az elektromos áram által okozott balesetek, személyi sérülések és a tűz keletkezése veszélyének meggátolásának szempontjából. Az elektromos szerszámok kifelézés magába foglalja nemcsak az elektromos áram által táplált (kábelben keresztül), de az akumlátorból táplált szerszámokat is (kábel nélkül). Őrizze meg a figyelmeztetéseket és utasításokat a jövőbeni használathoz.

Munkavégzési terület

- ✿ A munkavégzési területet tartsa tisztán és jól megvilágítva. A rendetlenség és a nem megfelelő megvilágítás gyakran a balesetek okozói. Rakja el a szerszámokat, amelyeket éppen nem használ.

- ✿ Ne használjon elektromos szerszámokat olyan környezetben, ahol tűz vagy robbanásveszély állhat fenn, tehát olyan helyeken, ahol gyúlékony folyadékok, gázok vagy porok találhatóak. Az elektromos szerszámokban szikrák keletkeznek, melyek előidézhetik a porok és gőzök gyulladását. Gondoskodjon arról, hogy az állatok ne férjenek hozzá a szerszámhoz.
- ✿ Az elektromos szerszámok használatakor akadályozzák meg az illetéktelen személyek, főleg a gyerekek bejárását a munkavégzési területre. Ha zavarva vannak a munka közben, elveszthetik a kontrollt a munkatevékenység felett. Semmi esetre se hagyja az elektromos szerszámokat felügyelet nélkül.

Biztonsági utasítások elektr. árammal való munkavégzéskor

- ✿ Az elektromos szerszám kábelének hálózati csatlakozójának meg kell felelnie az aljzattal. Soha semmilyen körülmények között ne hajtsanak végre módosításokat az elektromos kábelben. Olyan szerszámra, amely elektromos csatlakozója védőérintkezővel van ellátva, soha ne használjunk elosztót, sem egyéb adaptert.. A sértetlen hálózati csatlakozók és a megfelelő aljzatok csökkentik az elektromos áram által okozott sérülés veszélyét. A sérült vagy összegubancolt kábelek növelik az elektromos áram által okozott sérülések veszélyét. Abban az esetben, ha a hálózati kábel megsérül, ezt cseréljük speciális hálózati kábelre, amelyet a gyártónál, illetve ennek üzleti képviselőjénél szerezhet be.
- ✿ Óvakodjanak a testrészek érintkezéséről a földelt területtel, például a csővezetékek, központi fűtőtestek, gáztűzhelyek és hűtőszekrények esetében. Az elektromos áram által okozott sérülések veszélye nagyobb, ha az Ön teste érintkezésben áll a földdel.
- ✿ Az elektromos szerszámokat ne tegye ki az eső, pára és víz hatásainak. Az elektromos szerszámokhoz sose nyúljunk vizes kézzel. Sose mossa folyóvíz alatt vagy ne mártsa be víz alá az elektromos szerszámokat.
- ✿ Sose használja az elektromos kábelt más célokra, mint ami a rendeltetése. Soha ne húzzák vagy hordozzák az elektromos szerszámokat az elektromos kábelük által. Sose a kábelon keresztül húzzák ki az elektromos szerszám hálózati csatlakozóját az aljzataból. A csatlakozódugót ne húzzuk a kábelnél fogva. Ügyeljünk, hogy az elektromos csatlakozókábelt ne sértsük meg éles, sem forró tárgyval.
- ✿ Az elektromos szerszámok kizárólag váltóárammal való működésre voltak kigyártva. Mindig ellenőrizze le, hogy a hálózati feszültség megfelel-e a szerszámon levő címkén feltüntetett adatokkal.
- ✿ Sose dolgozzunk olyan szerszámmal amelynek sérült az elektromos kábele, vagy a hálózati csatlakozója, netán leesett vagy másképpen van megsérülve.
- ✿ Hosszabbító kábel használata esetén mindig ellenőrizze, hogy annak műszaki paraméterei megfelelnek-e a szerszám ismertető címkéjén feltüntetett adatoknak. Amennyiben az elektromos szerszámot a szabadban használja, alkalmazzon olyan hosszabbító kábelt, amely alkalmas a szabadban való használatra. Hosszabbító dobok használata esetén tekerje le azokat, hogy megelőzze azok túlmelegedését.

- ✿ Amennyiben az elektromos szerszámot nedves környezetben vagy a szabadban használja, csak akkor szabad használni azt, ha az 30 mA-es túláramvédelemmel ellátott áramkörbe van bekötve. /RCD/ védelemmel ellátott áramkör használata csökkenti az áramütés veszélyét.
- ✿ Az elektromos kézi szerszámot kizárólag a megmarkolásra kialakított szigetelt felületeken tartsa, mivel működés közben a vágó- vagy fúrószerszám rejtett vezetékkel vagy saját kábelével érintkezhet.

Személyek biztonsága

- ✿ Az elektromos szerszámok használatakor legyenek figyelmesek, maximálisan figyeljenek oda a végzett tevékenységre, amit éppen végrehajtanak. Összpontosítsanak a munkára. Sose dolgozzanak elektromos szerszámokkal ha fáradtak, kábítószer, alkohol vagy gyógyszerek hatása alatt vannak. Egy pillanatnyi figyelmetlenség az elektromos szerszámok használatakor komoly sérüléseket is okozhat. Az elektromos szerszámok használata közben ne egyenek, ne igyanak és ne dohányozzanak.
- ✿ Használjanak munkavédelmi eszközöket. Mindig használjanak szemvédőt. Használjon olyan munkavédelmi eszközöket amelyek megfelelnek az adott munkának. A munkavédelmi eszközök, mint pl. a respirátor, biztonsági lábbeli csúszásgátló talpazattal, fejtvédő vagy hallásvédő, a munkafeltételekhez való alkalmazáshoz csökkentik a személyek sérülésének veszélyét.
- ✿ Óvakodjanak a nem szándékos elektromos szerszámok beindításától. Ne helyezzenek át szerszámot úgy, hogy feszültség alatt van és melynek be-, kikapcsolóján rajtatartják az ujjukat. A hálózatba való kapcsolás előtt győződjenek meg arról, hogy a be-, kikapcsoló a ≤kikapcsolt helyzetben van. A szerszámok áthelyezése vagy hálózati aljzatba való helyezése melyeknek be-, kikapcsolóján rajtatartják az ujjukat, vagy a be-, kikapcsolójuk a ≤bekapcsolt helyzetben van a balesetek okozójává válhat.
- ✿ A szerszámok bekapcsolása előtt távolítsa el az összes beállítókulcsot és eszközöket.
- ✿ Mindíg egyensúlyban és stabil állásban dolgozzon. Csak ott dolgozzon, ahova biztosan elér. Sose becsülje túl az erejét és saját képességeit. Ha fáradt, ne használja az elektromos szerszámokat.
- ✿ Öltözködjön megfelelő módon. Használjon munkaruhát. Munkavégzéskor ne hordjon bő öltözetet és ékszereket. Ügyeljen arra, hogy az Ön haja, ruhája, kesztyűje vagy más testrésze ne kerüljön közvetlen közelbe az elektromos szerszámok rotációs vagy felforrósodott részeihez.
- ✿ Kapcsolja az elektromos berendezést a porszívóhoz. Ha a berendezés rendelkezik porszívó vagy porfelfogó csatlakozóval, győződjenek meg arról hogy a porszívó berendezés megfelelően van-e csatlakoztatva, ill. használva. Az ilyen berendezések használata meggátolhatja a por által keletkezett veszélyt.
- ✿ A munkadarabot erősen rögzítse. A megmunkálandó munkadarab rögzítse használjon asztalos szorítót vagy satut.
- ✿ Ne használjon semmilyen szerszámot, ha alkohol, drog, gyógyszer vagy más kábító-, függőséget okozó anyagok hatása alatt áll.

- ✿ A berendezést nem kezelhetik olyan személyek (gyerekeket is beleértve), akik csökkentett testi, értelmi vagy mentális képességekkel rendelkeznek, vagy akiknek nincs megfelelő tapasztalatuk és vonatkozó tudásuk, csak abban az esetben, ha a megfelelő felügyelet biztosított, illetve a berendezés működtetéséhez megkapták a szükséges utasításokat a biztonságukért felelős személytől. A gyerekeknek felügyelet alatt kell lenniük, hogy a berendezéssel ne játszhassanak.

Az elektromos szerszámok használata és karbantartása:

- ✿ Az elektromos szerszámot bármilyen munkában előfordult probléma, tisztítás vagy karbantartás, tisztítás vagy karbantartás előtt, ill. minden áthelyezés esetén vagy használaton kívül mindig kapcsolja le az elektromos hálózatról! Soha ne dolgozzon az elektromos szerszámmal, ha bármilyen módon megsérült.
- ✿ Ha a szerszám furcsa hangot vagy bűzt bocsát ki, azonnal fejezze be a munkát.
- ✿ Ne terhelje túl az elektromos szerszámot. Az elektromos szerszám jobban és biztonságosabban fog dolgozni, ha olyan fordulatszámra van vele dolgozva amelyre tervezték. Az adott munkára a megfelelő szerszámot használja. A megfelelő szerszám jól és biztonságosan fog dolgozni abban a munkában amire gyártották.
- ✿ Ne használjon elektromos szerszámot, amelyet nem lehet biztonságosan be- és kikapcsolni a be-, kikapcsolóval. Az ilyen szerszám használata veszélyes. A hibás kapcsolót meg kell javítani az arra szakosodott szervizben.
- ✿ Az elektromos szerszámot kapcsolja le a hálózatról még mielőtt módosítaná a beállításait, tartozékainak cseréjével vagy karbantartásával. Ez az intézkedés korlátozza a véletlenszerű beindítás veszélyét.
- ✿ A használaton kívüli elektromos szerszámot tárolja olyan helyen, amihez nem tudnak hozzáférni sem gyerekek, sem illetéktelen személyek. Az elektromos szerszámok a tapasztalatlan felhasználók kezében veszélyesek lehetnek. Az elektromos szerszámokat száraz és biztonságos helyen tárolja.
- ✿ Az elektromos szerszámokat tartsa jó állapotban. Rendszeresen ellenőrizze a szerszámok mozgó részeinek a mozgóképességét. Ellenőrizze, hogy nem történt-e sérülés a biztonsági burkolaton, vagy más részein, amelyek veszélyeztethetik az elektromos szerszámok biztonságos működését. Ha a szerszám megsérült, a további használat előtt biztosítsák be a javítását. Sok baleset okozója az elektromos szerszámok helytelen karbantartása.
- ✿ A vágó szerszámokat tartsák élesen és tisztán. A helyesen karbantartott és kiélesített szerszámok megkönnyítik a munkát, korlátozzák a baleset veszélyét és jobban ellenőrizhető a velük való munka. Más kellék használata, mint amely a használati utasításban van feltüntetve az importőr által a szerszám meghibásodását idézheti elő és baleset okozója lehet.
- ✿ Az elektromos szerszámokat, kellékeket, munkaeszközöket, stb. használja ezen utasítások alapján és oly módon, amely elő van írva a konkrét elektromos szerszámokra, figyelembevéve az adott munkafeltételeket és az adott típusú munkát. A szerszámok használata más célokra, mint amelyekre gyártva voltak veszélyes helyzetekhez vezethet.

Az akkumulátoros szerszámok használata

- ✿ Az akkumulátor behelyezése előtt győződjön meg arról, hogy a kapcsoló a 0-kikapcsolt helyzetben van. A bekapcsolt állapotban levő szerszámba való akkumulátor behelyezése veszélyes helyzetek okozója lehet.
- ✿ Az akkumulátor töltésére csak a gyártó által előírt töltőt használja. Más fajta akkumulátor töltő használata tüzesetet idézhet elő.
- ✿ Csak olyan akkumulátort használjon, amely előírt az adott szerszámhoz. Más fajta akkumulátor töltő használata balesetet, ill. tüzesetet idézhet elő.
- ✿ Ha az akkumulátor használaton kívül van tárolják elkülönítve a fémtárgyaktól, mint például a kapcsok, szorítók, kulcsok, csavarok vagy más apró fémtárgyaktól amelyek előidézhetik az akkumulátor két kontaktusának összekapcsolását. Az akkumulátor rövidzárlata balesetet okozhat, égési sebeket és tüzesetet idézhet elő.
- ✿ Az akkumulátorokkal bánjunk kíméletesen. Kíméletlen bánásmóddal az akkumulátorból kifolyhat az elektrolit. Kerüljük a közvetlen érintkezést az elektrolittal. Ha mégis érintkezésbe kerülünk az elektrolittal, az érintet helyet mossuk le vízzel. Ha az elektrolit a szemünkbe kerül, azonnal menjünk orvoshoz. Az akkumulátor elektrolitje ingerületet vagy égéssérülést okozhat.

Szerviz

- ✿ Ne cseréljék az egyes szerszámok részeit, ne végezzenek el maguk javításokat, más módon se nyúljanak bele a szerszámokba. A berendezések javítását bizzuk szakképzett személyekre.
- ✿ A termék mindennemű javítása vagy módosítása a mi vállalatunk beleegyezése nélkül nem engedélyezett (balesetet idézhet elő, vagy kárt okozhat a felhasználónak).
- ✿ Az elektromos szerszámokat mindig certifikált szervizben javíttassuk. Csak eredeti vagy ajánlott pótalkatrészeket használjanak. Ezzel garantálja Ön és szerszáma biztonságát.

5. KÜLÖNLEGES BIZTONSÁGI RENDELKEZÉSEK

⚠ FIGYELEM! Kérjük, használat előtt olvassa el figyelmesen az alábbi biztonsági utasításokat, és őrizze meg őket.

- ✿ Ez a jelzés balesetveszélyre, vagy a készülék megsérülésének kockázatára figyelmeztet.
- ✿ A jelen használati útmutatóban ismertetett utasítások be nem tartása esetén balesetveszély kockázata áll fenn.
- ✿ A szögcsiszoló megfelel az érvényes műszaki előírásoknak és szabványoknak.
- ✿ A csiszoló, vágó és gyémántkorongok kivételével semmilyen más tartozékot ne használjon.
- ✿ Soha ne használja a szerszámot a biztonsági védőburkolat nélkül.

- ✿ Minden esetben használjon szemvédőt (védőszemüveget, illetve arcpajzsot), valamint fülvédőt.
- ✿ Soha ne használjon semmilyen vágó vagy csiszolókorongot oldalcsiszolásra.
- ✿ Ügyeljen arra, hogy a porral járó munkák során a szellőző nyílások szabadok maradjanak.
- ✿ Falba vágáskor ellenőrizze le, hogy a falban nem található elektromos vezeték (fémérzékelővel).
- ✿ Soha ne hűtse a csiszolókorongot vízzel.
- ✿ A megmunkálást követően ne érjen hozzá a karimához, mivel az forró lehet.
- ✿ Soha ne rögzítse hozzá a csiszológépet a munkaszalthez.
- ✿ Ellenőrizze le, hogy a csiszolókorong feltüntetett fordulatszám értéke nagyobb, vagy azonos, mint a szögcsiszoló gyári adattábláján szereplő fordulatszám értéke.
- ✿ Ne vágjon olyan anyagot, amely a csiszolókorong vágási mélységét meghaladó vágási mélységet igényel.
- ✿ Ne vágjon és ne csiszoljon 80%-nál magasabb magnézium tartalmú könnyűfémeket, mivel azok tűzveszélyesek
- ✿ Ügyeljen arra, hogy a csiszolókorong megfelelő méretekkel rendelkezzen, és helyesen legyen az orsóra rögzítve.
- ✿ A csiszolókorongokkal óvatosan és a csiszolókoronghoz mellékelte használati útmutató szerint járjon el.
- ✿ A csiszolókorong állapotát minden használat előtt szemrevételezéssel ellenőrizze.
- ✿ Ne használjon megrepedt vagy más módon sérült csiszolókorongokat.
- ✿ Ellenőrizze le, hogy a csiszolókorong az utasításoknak megfelelően került felhelyezésre.
- ✿ A csiszolókorong felhelyezését követően biztonságos helyen üresjáratra állítva ellenőrizze le a készülék működését. Ha a csiszológép erősen rezeg, vagy a csiszolókorongon sérülések nyomai láthatók, haladéktalanul kapcsolja ki a készüléket, és derítse ki a problémák okát.
- ✿ A csiszolókorongok más orsóátmérőre történő felhelyezéséhez soha ne használjon szűkítőt.
- ✿ Ügyeljen arra, hogy a munkadarab megfelelően alá legyen támasztva vagy be legyen fogva.
- ✿ Soha ne használja a vágókorongot sorjátlanításhoz.
- ✿ Ügyeljen arra, hogy a szikrák senkit ne érhessenek el, és ne okozhassanak tüzet.
- ✿ Ne dolgozzon a csiszológéppel, ha valaki a csiszolókoronggal egy vonalban áll. Biztosítsa, hogy a munkaterület tiszta legyen.
- ✿ A korong rögzítő gombját (3) kizárólag akkor nyomja le, ha a motor és a csiszolókorong orsója teljesen leálltak!
- ✿ Ne feledje, hogy a csiszológép kikapcsolását követően a csiszolókorong egy ideig még forog.
- ✿ Minden esetben használja a szerszámhoz mellékelt segédmarkolatot.
- ✿ Az elektromos szerszám feletti ellenőrzés elveszítése személyi sérülést okozhat.

⚠ FIGYELEM! Használjon zajjal, porral és rezgéssel szemben védő személyi segédeszközöket!!!

⚠ FIGYELEM! ŐRIZZE MEG A BIZTONSÁGI RENDELKEZÉSEKET!!!

6 HASZNÁLAT

- ✿ Ez a szögcsiszoló kizárólag otthoni vagy hobbi használatra alkalmas.
- ✿ A gyártó és az importőr nem javasolják a szerszám extrém körülmények vagy maximális terhelés melletti használatát.
- ✿ Bármilyen kiegészítő követelmény a gyártó és a vevő közötti megállapodást tárgyat képezi.
- ✿ Megfelelő tárcsák használata esetén a csiszológép vágásra, fénnyezésre, durvításra és fémek, kő, valamint kerámia anyagok csiszolására alkalmas.
- ✿ A szerszámot és tartozékait kizárólag a rendeltetésüknek megfelelően használja, lásd a szerszám gyártójának utasításait.
- ✿ A szerszám mindennemű nem rendeltetésszerű használata szigorúan tilos.

Az oldalmarkolat felhelyezése (B ábra)

- ✿ Rögzítse az oldalmarkolatot (2) az egyik szerelőnyílásba.

A védőburkolat rögzítése és leemelése (C ábra)

- ✿ Oldja meg a burkolat rögzítő csavarját (7).
- ✿ Helyezze fel a védőburkolatot (5) a képen (C) látható módon, majd húzza meg erősen a csavart.
- ✿ Fordított irányú lépéssorral vegye le a védőburkolatot.

⚠ FIGYELEM! A csiszológépet soha ne használja védőburkolat nélkül.

A csiszolókorong felhelyezése és eltávolítása (D,E,F ábra)

⚠ FIGYELEM! A csiszolókorong felhelyezése vagy eltávolítása előtt minden esetben húzza ki a csiszológép csatlakozókábelét a dugaljból.

- ✿ Helyezze a csiszológépet orsóval felfelé az asztalra.
- ✿ Rögzítse a helyére a védőburkolatot (5) a fent olvasható utasításoknak megfelelően.
- ✿ Illesszen az orsóra (4) az alátétet (8).
- ✿ Helyezze az alátétre a csiszolókorongot (9).
- ✿ Csavarozza az orsóra a meghúzó anyát (10).
- ✿ Nyomja meg a rögzítő gombot (3), majd a Phillips csavarhúzó segítségével húzza meg erősen az anyát (10). Csiszolókorong használata esetén a rögzítő anyát (10) a vezető kitérkedéssel (E1) lefelé húzza meg.
- ✿ Vágókorong használata esetén a rögzítő anyát (10) a vezető kitérkedéssel (E2) felfelé húzza meg.

⚠ FIGYELEM! Az orsórögzítő gombot (3) kizárólag akkor nyomja meg, ha a motor és az orsó már leálltak, és nyugalmi állapotban vannak!

- ✿ Az orsrögzítő gombot (3) a korongcsere során tartva végig lenyomva. Engedje el a rögzítő gombot. A csiszolókorong cseréjéhez az egyes lépéseket fordított sorrendben alkalmazza.

A készülék be- és kikapcsolása (G ábra)

- ✿ A csiszológépet a főkapcsoló (1) ≤I állásba tolva kapcsolja be.
- ✿ A főkapcsolót ≤0 állásba tolva a készüléket kikapcsolja.

7. MUNKAVÉGZÉS A CSISZOLÓGÉPPEL

- ✿ A tárcsa és a munkadarab által bezárt optimális szög 150°.
- ✿ Biztosítsa a lehető legnagyobb távolságot a tárcsa és a dolgozó között.
- ✿ A csiszolóra csak enyhe nyomást fejtsen ki, ne terhelje oldalról. Ügyeljen a tárcsa forgásirányára, valamint a repkedő szikrákra.
- ✿ Ügyeljen arra, hogy a munkadarab ne essen le.
- ✿ Ha a tárcsa átmérője nem éri el a 80 mm-t, cserélje ki.

8. TISZTÍTÁS ÉS KARBANTARTÁS

- ✿ Tisztítás és karbantartás előtt minden esetben húzza ki a tápkábelt a dugaljából.
- ✿ A szerszám semmilyen kenést, karbantartást nem igényel. Semmilyen javítható alkatrész nem tartalmaz.
- ✿ Soha ne használjon a szerszám tisztításához vizet se vegyi tisztítószeret.
- ✿ Száraz szövettel törölgesse meg.
- ✿ Tartsa tisztán a motor ventilátorának szellőző nyílásait. Ha a motortérben gyenge szikrázást tapasztal, a szerszám rendben van. Intenzív szikrázás esetén a motor meg lehet hibásodva.
- ✿ Soha ne tisztítsa a szerszám semelyik részét kemény, éles vagy durva tárggyal.

A szénkefék ellenőrzése és cseréje

- ✿ A szénkefék rendszeres ellenőrzésére van szükség.
- ✿ Elkopás esetén mindkét szénkefét egyszerre cserélje ki. Rögzítse a helyükre a szénkefe tartókat.
- ✿ Az új szénkefék telepítését követően hagyja a szerszámot 5 percig üresjáraton működni.
- ✿ Kizárólag megfelelő típusú szénkeféket használjon.

Tárolás hosszabb üzemszünet esetén

- ✿ A szerszámot ne tárolja túlságosan meleg helyen.
- ✿ Lehetőség szerint a készüléket állandó hőmérsékletű és páratartalmú helyen tárolja.

9. ÜZEMELTETÉSI ÉS KARBANTARTÁSI TIPPEK

- ✿ A szerszámot, annak tartozékait és a használati útmutatót az eredeti csomagolásban tárolja, így mindig kéznél lesz az összes szükséges tartozék és információ.
- ✿ A körfűrész gyakorlatilag karbantartást nem igényel, az egyedüli feladatot a készülék időnkénti nedves ruhadarabbal történő áttörlése jelenti. Ügyeljen arra, hogy a körfűrész ne érintkezzen vízzel. Tartsa be a jelen használati útmutató tartalmazta rendelkezéseket.

10. MEGFELELŐSÉGI NYILATKOZAT

Termék / márka: SAROKCSISZOLÓ / FIELDMANN

Typ / model: FDUB 50601 18 V/9 000 ford./perc

A termék megfelel az alább ismertetett előírásoknak:

- ✿ Az Európai Parlament és a Tanács 2006/95/ek irányelve (2006. december 12.) a meghatározott feszültséghatáron belüli használatra tervezett elektromos berendezésekre vonatkozó tagállami jogszabályok összehangolásáról.
- ✿ Az Európai Parlament és a Tanács 2004/108/EK irányelve (2004. december 15.) az elektromágneses összeférhetőségre vonatkozó tagállami jogszabályok közelítéséről és a 89/336/EGK irányelv hatályon kívül helyezéséről.
- ✿ Az Európai Parlament és a Tanács 2006/42/EK irányelve (2006. május 17.) a gépekről és a 95/16/EK irányelv módosításáról.
- ✿ Az Európai Parlament és a Tanács 2002/95/ek irányelve (2003. január 27.) egyes veszélyes anyagok elektromos és elektronikus berendezésekben való alkalmazásának korlátozásáról.

és szabványoknak:

- ✿ EN60745-1:2009+A11:2010
- ✿ EN60745-2-3:2011+A2:2013+A11:2014+A12:2014
- ✿ AfPS GS 2014 :01
- ✿ EN55014-1:2006+A1:2009+A2 :2011
- ✿ EN55014-2:1997+A1:2001+A2 :2008

CE jelzet: 16

A FAST ČR, a.s. a gyártó nevében eljárni jogosult személy.

Gyártó:

FAST ČR, a.s.
Černokostelecká 1621,251 01 Prága , Cseh Köztársaság
ASZ: CZ26726548

Kelt Prágában, 2016.1.20-án

Név: Ing. Zdeněk Pech
Az igazgatóság elnöke

FAST FAST ČR, a.s. ®
Černokostelecká 1621, 251 01 říčany
IČO: 26726548 tel.: +420/ 323 204 111
DIČ: CZ26726548 fax: +420/ 323 204 110



Aláírás és bélyegzők:

11. MŰSZAKI ADATOK

SAROKCSISZOLÓ	
Névleges feszültség	18V DC
Fordulatszám	9 000 ot./min
Védelmi osztály	II
Fűrészárca	Ø 115 mm
Orsómenet	M 14
rezgésszint	3.698 ms ⁻² , K=1.5ms ⁻²
Tanúsított zajszint	92.08dB(A), K=3dB(A)

A szöveg és műszaki paraméterek változtatásának joga fenntartva.

Használati útmutató - nyelvi változat.

A szöveg, kivétel és műszaki specifikációk előzetes fi gyelmeztetés nélkül változhatnak és a változtatások joga fenntartva.

Nehézségek megoldása

1. Az indító be van nyomva, de a fűrőgép nem működik. A akkumulátoros berendezés működéséhez szükséges az akkumulátor megfelelő feltöltése. Ha a berendezés hosszabb ideig nem használjuk, az akkumulátor lemerül. Töltsük újra az akkumulátort. Bizonyosodjunk meg arról, hogy az akkumulátor helyesen van behelyezve a töltőbe. A töltés során az adapter felmelegedik – ez teljesen normális.

2. Az akkumulátorból folyadék folyik ki. Extrém hőmérsékletknél, vagy terhelésnél előfordulhat kis szivárgás. Ha érintkeztünk a szivárgott anyaggal, ezt azonnal távolítsuk el a bőrünkről vagy a ruházatunkról, mossuk le szappanos vízzel.

3. Az akkumulátor nem töltődik, a töltő kijelzője nem világít. Ha az akkumulátor nem öltődik, ellenőrizzük hogy rendesen van-e behelyezve a töltőbe és világít-e a kijelző. Ha nem, ellenőrizzük hogy a töltő hálózati csatlakozója helyesen van-e csatlakoztatva a töltőhöz. Ha igen, ellenőrizzük hogy a töltő csatlakozója helyesen van-e a hálózati csatlakozóban. Ha igen, ellenőrizzük a biztosítékot.

4. A berendezés teste hosszabb használat után felmelegszik. Rendes terhelésnél a test, a kapcsoló és az akkumulátor is felmelegedhet, mivel az elhasznált energia hő képez a berendezés használatának. Ez normális. várjunk néhány percet, hogy a fűrőgép lehűljön.

5. Használatkor az akkumulátor felmelegszik: Az akkumulátorból mérített energia hő képez. Az akkumulátor nem sérül, és a mérített energia által képzett hő normális. Ha le kívánjuk hűteni, hagyjuk egyszerűen a fűrőgépet a munka folytatása előtt lehűlni.

6. Feltöltéskor az akkumulátor felmelegszik: Ez szintén normális jelenség, ezt az akkumulátorban folyó vegyi reakció okozzák a töltés során.

7. A töltés során az adapter felmelegszik: Ez normális jelenség, ezt a feszültség változásával kapcsolatos 23V-ról 18V-ra.

12. MEGSEMMISÍTÉS

UTASÍTÁSOK ÉS TÁJÉKOZTATÓ A HASZNÁLT CSOMAGOLÓANYAG KEZELÉSÉRŐL.

A használt csomagolóanyagot helyezze a község által erre a célra kijelölt hulladékgyűjtőbe.

A HASZNÁLT ELEKTROMOS ÉS ELEKTRONIKUS BERENDEZÉSEK LIKVIDÁLÁSA



A termékeken vagy a kísérő dokumentumokban levő jel azt jelzi, hogy a használt elektromos és elektronikus termékeket tilos a megszokott települési hulladékba rakni. A megfelelő likvidálás, felújítás vagy újrahasznosítás céljával adja át ezen termékeket a kijelölt gyűjtőhelyre. Az EK némely országában vagy más európai országokban alternatív módon a terméket visszaviheti az értékesítőnek, akitől a terméket megvásárolta egy új, ekvivalens termék vásárlása esetén. Ezen termék megfelelő likvidálásával hozzásegít az értékes természeti kincsek megőrzéséhez és segíti a környezetre és emberi egészségre gyakorolt potenciális negatív hatások megelőzését, ami a helytelen hulladék likvidálás következménye lehet. A további részleteket a helyi hivatalban vagy a legközelebbi gyűjtőhelyen kaphat. Az ilyen jellegű hulladék helytelen likvidálása a nemzeti előírásoknak megfelelően bírsággal sújtható.

Az Európai Közösség országaiban működő cégek részére

Ha elektromos vagy elektronikus berendezéseket kíván likvidálni, kérje ki a szükséges információkat az kereskedelmi képviselőjénél vagy az áru értékesítőjénél.

Likvidálás az Európai Közösségen kívüli országokban

Ez a jel az Európai Közösségen belül érvényes. Ha ezen terméket kívánja likvidálni, a megfelelő likvidálást illetően kérje a tájékoztatást a helyi hivatalokban vagy áru értékesítőjénél.



Ezen termék megfelel az EK szabványok alapvető követelményeinek, amelyek a terméket érintik.

A szöveg, formatervezés és műszaki specifikációk változása megengedett előzetes figyelmeztetés nélkül és fenntartjuk magunknak a jogot azok módosítására.

Szlifierka kątowa

INSTRUKCJA OBSŁUGI

Dziękujemy za dokonanie zakupu szlifierka kątowa. Przed rozpoczęciem użytkowania należy dokładnie zapoznać się z treścią niniejszej instrukcji obsługi i za-chować ją na przyszłość.

SPIS TREŚCI

ILUSTRACJE	3
1. OGÓLNE PRZEPISY BEZPIECZEŃSTWA	64
Ważne uwagi dotyczące bezpieczeństwa	
Opakowanie	
Instrukcja obsługi	
2. SYMBOLE	65
3. OPIS URZĄDZENIA I ZAWARTOŚCI OPAKOWANIA	66
4. OGÓLNE ZALECENIA BEZPIECZEŃSTWA	66
5. SZCZEGÓLNE ZALECENIA DOTYCZĄCE BEZPIECZEŃSTWA	71
6. ZASTOSOWANIE I EKSPLOATACJA	72
7. ZALECENIA DOTYCZĄCE PRACYZ UŻYCIEM SZLIFIERKI	74
8. KONSERWACJA	74
9. ZALECENIA EKSPLOATACYJNE I KONSERWACYJNE	75
10. DEKLARACJA ZGODNOŚCI	76
11. DANE TECHNICZNE	77
12. LIKWIDACJA	78

1. OGÓLNE PRZEPISY BEZPIECZEŃSTWA

⚠ UWAGA! Przed użyciem należy uważnie przeczytać instrukcję użytkowania.

Ważne uwagi dotyczące bezpieczeństwa

- ✿ Produkt należy starannie rozpakować, należy zwrócić uwagę na wyjęcie z opakowania wszystkich części produktu.
- ✿ Produkt należy przechowywać w miejscu suchym, zabezpieczyć przed dostępem dzieci.
- ✿ Przeczytać wszelkie uwagi i instrukcje. Zaniedbania w stosunku do uwag i instrukcji mogą być powodem urazu, pożaru i/lub ciężkiego zranienia.

Opakowanie

Produkt jest zapakowany do opakowania chroniącego go przed uszkodzeniem w czasie transportu. Opakowanie jest surowcem wtórnym i należy poddać je recyklingowi.

Instrukcja obsługi

Przed rozpoczęciem korzystania z urządzenia należy zapoznać się z poniższymi przepisami bezpieczeństwa i instrukcją obsługi. Należy zapoznać się z elementami obsługi i właściwym korzystaniem z urządzenia. Instrukcje należy przechowywać w celu późniejszego z niej korzystania. Przez okres trwania gwarancji zaleca się przechowanie oryginalnego opakowania wraz z materiałami opakunkowymi, dokument zakupu i kartę gwarancyjną. Przechowanie opakowania ułatwi w przyszłości ewentualny transport urządzenia (przeprowadzka, odesłanie do naprawy).

📖 Uwaga: Jeżeli nastąpi przekazanie urządzenia innym użytkownikom, należy przekazać również instrukcję obsługi. Stosowanie się do zaleceń zawartych w instrukcji zapewni właściwe użytkowanie urządzenia. Instrukcja obsługi zawiera również instrukcje konserwacji urządzenia i napraw.

Producent nie ponosi odpowiedzialności za wypadki lub szkody powstałe w wyniku nie stosowania się do niniejszej instrukcji obsługi.

2. SYMBOLE



Niniejszy produkt został wyprodukowany zgodnie z obowiązującymi normami.



Przed uruchomieniem urządzenia należy dokładnie zapoznać się z instrukcją obsługi.



Sprzęt ochronny dla oczu



Sprzęt ochronny dla uszu



Należy stosować środki

3. OPIS URZĄDZENIA I ZAWARTOŚCI OPAKOWANIA

Opis pilarki (patrz: ilustracja 1)

- | | |
|-----------------------------------|----------------------------|
| 1 - Przetącznik | 7 - Śruba pokrywy ochronne |
| 2 - Uchwyt boczny | 8 - Pralka |
| 3 - Przycisk zabezpieczenia dysku | 9 - Kamień szlifierski |
| 4 - Wrzeciono | 10 - Matka dokręcania |
| 5 - Pokrywa ochronna | 11 - Klucz dokręcania |
| 6 - Płaszcz | |

Zawartość opakowania

Urządzenie należy ostrożnie wyjąć z opakowania i sprawdzić, czy opakowanie zawiera wszystkie elementy:

- ✿ Szlifierka
- ✿ Uchwyt boczny
- ✿ Nakrętki mocujące
- ✿ Klucz
- ✿ Osłona tarczy
- ✿ Instrukcja obsługi

W razie braku lub uszkodzenia elementów, należy zwrócić się do punktu sprzedaży, w którym urządzenie zostało zakupione.

4. OGÓLNE ZALECENIA BEZPIECZEŃSTWA

Prosimy uważnie przeczytać poniższe zalecenia bezpieczeństwa, zapamiętać je i zachować na przyszłość

⚠ OSTRZEŻENIE! Przy korzystaniu z maszyn elektrycznych i elektronarzędzi trzeba przestrzegać i dotrzymywać następujących zaleceń bezpieczeństwa ze względu na zabezpieczenie przed możliwym porażeniem prądem elektrycznym, zranieniem ludzi i niebezpieczeństwem powstania pożaru. Pojęcie „elektronarzędzie” odnosi się we wszystkich niżej podanych zaleceniach zarówno do elektronarzędzi zasilanych z sieci (przewodem zasilającym), jak i narzędzi zasilanych z akumulatora (bez przewodu zasilającego). Wszystkie ostrzeżenia i zalecenia należy przechować do ewentualnego wykorzystania w przyszłości.

Środowisko pracy

- ✿ Miejsce pracy należy utrzymywać w czystości i zapewnić w nim dobre oświetlenie. Nieporządek i niewystarczające oświetlenie miejsca pracy mogą stać się przyczyną wypadku. Porządkujemy narzędzia, z których nie korzystamy w danej chwili.
- ✿ Nie korzystamy z elektronarzędzi w środowisku zagrożonym niebezpieczeństwem powstania pożaru albo wybuchu, to znaczy w miejscach, w których występują ciecze palne, gazy albo pyły. W elektronarzędziu na komutatorze powstaje iskrzenie, które może spowodować zapłon pyłów albo oparów.
- ✿ Przy korzystaniu z elektronarzędzi ograniczamy dostęp niepowołanych osób, a szczególnie dzieci do przestrzeni roboczej! Jeżeli będziecie rozpraszani, możecie stracić kontrolę nad wykonywaną czynnością. W żadnym razie nie pozostawiamy elektronarzędzi bez nadzoru. Uniemożliwiamy dostęp zwierząt do tych urządzeń.

Bezpieczeństwo elektryczne

- ✿ Wtyczka przewodu zasilającego elektronarzędzia musi pasować do gniazdka sieciowego. Nigdy i w żaden sposób nie przerabiamy konstrukcji wtyczki. Do zasilania narzędzia, które ma we wtyczce przewodu zasilającego styk ochronny (bolec), nigdy nie stosujemy rozgałęźników, ani innych elementów przejściowych. Nieuszkodzona wtyczka i odpowiednie gniazdko ograniczają niebezpieczeństwo porażenia prądem elektrycznym. Uszkodzone albo poplątane przewody zasilające zwiększają niebezpieczeństwo porażenia prądem elektrycznym. Jeżeli przewód sieciowy jest uszkodzony, to trzeba go wymienić na nowy przewód sieciowy, który można zakupić w autoryzowanym ośrodku serwisowym albo u importera.
- ✿ Wystrzegamy się dotykania ciałem do uziemionych przedmiotów takich, jak na przykład rurociągi, grzejniki centralnego ogrzewania, kuchenki i lodówki. Niebezpieczeństwo porażenia prądem elektrycznym jest większe, jeżeli nasze ciało jest połączone z ziemią.
- ✿ Nie narażamy elektronarzędzi na działanie deszczu, wilgoci albo mokrego środowiska. Elektronarzędzi nigdy nie dotykamy mokrymi rękami. Elektronarzędzi nigdy nie myjemy pod bieżącą wodą, ani nie zanurzamy do wody.
- ✿ Przewodu zasilającego nie używamy do innego celu, niż ten, do którego jest przeznaczony. Nigdy nie nosimy i nie ciągniemy elektronarzędzi za przewód zasilający. Nie wyciągamy wtyczki z gniazdka przez pociągnięcie za przewód. Chronimy przewody elektryczne przed uszkodzeniami mechanicznymi spowodowanymi przez ostre albo gorące przedmioty.
- ✿ Elektronarzędzie zostało wykonane wyłącznie do zasilania przemiennym prądem elektrycznym. Zawsze sprawdzamy, czy napięcie elektryczne w sieci odpowiada danym zamieszczonym na tabliczce znamionowej narzędzia.
- ✿ Nigdy nie pracujemy z narzędziem, które ma uszkodzony przewód elektryczny albo wtyczkę, ewentualnie upadło na ziemię i jest uszkodzone w jakikolwiek inny sposób.

- ✿ W przypadku zastosowania przedłużacza zawsze sprawdzamy, czy jego parametry techniczne odpowiadają danym zamieszczonym na tabliczce znamionowej narzędzia. Jeżeli elektronarzędzie jest wykorzystywane na zewnątrz, trzeba stosować przedłużacz przystosowany do użytku zewnętrznego. Przy zastosowaniu przedłużacza zwijanego na szpuli, trzeba go rozwinąć, aby nie doszło do przegrzania przewodu.
- ✿ Jeżeli elektronarzędzie ma być wykorzystywane w pomieszczeniu wilgotnym albo na zewnątrz, to można z niego korzystać tylko, jeżeli jest podłączone do obwodu elektrycznego z wyłącznikiem różnicowoprądowym ≤ 30 mA. Korzystanie z obwodu elektrycznego z wyłącznikiem różnicowoprądowym /RCD/ zmniejsza zagrożenie porażenia prądem elektrycznym.
- ✿ Ręczne elektronarzędzia trzymamy wyłącznie za izolowane uchwyty przeznaczone do ich trzymania, ponieważ przy pracy może dojść do kontaktu narzędzia tnącego albo wierzącego z niewidocznym przewodem albo z przewodem zasilającym nasze narzędzie.

Bezpieczeństwo osób

- ✿ Przy korzystaniu z elektronarzędzi musimy być ostrożni i przewidujący, poświęcić maksymalną uwagę czynności, którą właśnie wykonujemy. Koncentrujemy się na swojej pracy. Nie pracujemy z elektronarzędziem, jeżeli jesteśmy zmęczeni albo jesteśmy pod wpływem narkotyków, alkoholu albo leków. Nawet chwilowa nieuwaga przy korzystaniu z elektronarzędzi może spowodować poważny wypadek z udziałem osób. Przy pracy z elektronarzędziem nie wolno jeść, pić i palić tytoniu.
- ✿ Korzystamy ze środków ochronnych. Zawsze korzystamy ze środków do ochrony oczu. Stosujemy środki ochronne odpowiadające rodzajowi pracy, którą wykonujemy. Środki ochronne, jak na przykład respirator, obuwie bezpieczeństwa z zabezpieczeniem przeciwpoślizgowym, nakrycie głowy albo ochrona słuchu stosowane zgodnie z warunkami pracy zmniejszają ryzyko wypadku z udziałem osób.
- ✿ Wstrzegamy się niekontrolowanego włączenia narzędzia. Nie przenosimy narzędzia, które jest włączone do sieci elektrycznej, z palcem na wyłączniku albo na przycisku do włączania. Przed podłączeniem do napięcia elektrycznego sprawdzamy, czy wyłącznik albo przycisk są w położeniu \leq wyłącz. Przenoszenie narzędzia z palcem na wyłączniku albo z włączoną wtyczką narzędzia do gniazdka przy włączonym wyłączniku w instalacji może być przyczyną poważnego wypadku.
- ✿ Przed włączeniem narzędzia usuwamy wszystkie klucze i przyrządy służące do regulacji. Klucz do regulacji albo inny przyrząd, który będzie pozostawiony przymocowany do obracającej się części elektronarzędzia może spowodować obrażenia u osób.
- ✿ Zawsze utrzymujemy stabilną pozycję i równowagę. Pracujemy tylko tam, dokąd bez piecnie sięgamy. Nigdy nie przeceniamy własnych możliwości. Nie korzystamy z elektronarzędzi, jeżeli jesteśmy zmęczeni.

- ✿ Ubieramy się w odpowiedni sposób. Korzystamy z odzieży roboczej. Nie nosimy luźnych ubrań, ani biżuterii. Dbamy o to, aby nasze włosy, ubranie, rękawice albo jakaś inna część ciała nie znalazła się w bezpośredniej bliskości wirujących albo rozgrzanych części elektronarzędzi.
- ✿ Podłączamy urządzenie do odsysania pyłu. Jeżeli narzędzie ma możliwość podłączenia urządzenia do wychwytywania albo odsysania pyłu zapewniamy, aby zostało ono dobrze podłączone i wykorzystywane. Korzystanie z tych urządzeń może ograniczyć niebezpieczeństwo powodowane obecnością pyłu.
- ✿ Dobrze zamocowujemy obrabiany przedmiot. Korzystamy z zacisku stolarskiego albo ścisku do mocowania części, która będzie obrabiana.
- ✿ Nie korzystamy z elektronarzędzi będąc pod wpływem alkoholu, narkotyków, leków albo innych substancji odurzających i uzależniających.
- ✿ To urządzenie nie jest przeznaczone do używania przez osoby (łącznie z dziećmi) o zmniejszonych predyspozycjach fizycznych, umysłowych albo mentalnych albo nie posiadające odpowiedniej wiedzy i doświadczenia, jeżeli nie są one pod dozorem albo nie zostały pouczone o zasadach korzystania z tych urządzeń przez osoby odpowiedzialne za ich bezpieczeństwo. Dzieci muszą być pod dozorem, aby mieć pewność, że nie będą się bawić tym urządzeniem.

Stosowanie elektronarzędzi i ich konserwacja

- ✿ Elektronarzędzia należy zawsze odłączyć od sieci elektrycznej w przypadku jakiegokolwiek problemu przy pracy, przed każdym czyszczeniem albo konserwacją, przy każdym przemieszczeniu i po zakończeniu pracy! Nigdy nie pracujemy z elektronarzędziem, jeżeli jest ono w jakikolwiek sposób uszkodzone.
- ✿ Jeżeli narzędzie zacznie wydawać nienormalny dźwięk albo wydzielać podejrzany zapach, należy natychmiast przerwać pracę.
- ✿ Elektronarzędzi nie wolno przeciążać. Elektronarzędzie będzie pracować lepiej i bezpieczniej, jeżeli będzie użytkowane z obrotami, do których jest zaprojektowane. Korzystamy wyłącznie ze sprawnych narzędzi, które są przeznaczone do danej czynności. Sprawne narzędzie lepiej i bezpieczniej wykona pracę, do której zostało skonstruowane.
- ✿ Nie korzystamy z elektronarzędzi, których nie można bezpiecznie włączyć i wyłączyć za pomocą wyłącznika. Stosowanie takiego narzędzia jest niebezpieczne. Wadliwe wyłączniki muszą być wymienione przez certyfikowany serwis.
- ✿ Narzędzie odłączamy od źródła energii elektrycznej przed rozpoczęciem jego regulacji, wymiany wyposażenia albo konserwacji. Ten środek ogranicza niebezpieczeństwo przypadkowego włączenia.
- ✿ Niewykorzystywane elektronarzędzia należy uporządkować i przechowywać tak, aby były poza zasięgiem dzieci i osób niepowołanych. Elektronarzędzia w rękach niedoświadczonych użytkowników mogą być niebezpieczne. Elektronarzędzia przechowuje się w suchym i bezpiecznym miejscu.

- ✿ Elektronarzędzia należy utrzymywać w dobrym stanie. Okresowo kontrolujemy regulacje poruszających się części i ich luzy. Kontrolujemy, czy nie doszło do uszkodzenia osłon ochronnych albo innych części, które mogą zagrozić bezpiecznemu działaniu elektronarzędzia. Jeżeli narzędzie jest uszkodzone, to przed dalszym użyciem trzeba zapewnić jego specjalistyczną naprawę. Wiele wypadków zostało spowodowanych przez źle konserwowane elektronarzędzia.
- ✿ Narzędzia tnące muszą być czyste i ostre. Dobrze utrzymane i naostrzone narzędzia ułatwiają pracę, ograniczają niebezpieczeństwo wypadku, a pracę z nimi łatwiej się kontroluje. Zastosowanie innego wyposażenia, niż to, które jest opisane w instrukcji obsługi może spowodować uszkodzenie narzędzia i stać się przyczyną wypadku.
- ✿ Elektronarzędzia, wyposażenie, narzędzia robocze itp. wykorzystuje się zgodnie z tymi zaleceniami i w taki sposób, który jest wymagany dla konkretnego elektronarzędzia z uwzględnieniem danych warunków i rodzaju wykonywanej pracy. Zastosowanie narzędzia do innych celów, niż te, do których jest przeznaczone, może doprowadzić do niebezpiecznych sytuacji.

Korzystanie z narzędzi akumulatorowych

- ✿ Przed włożeniem akumulatora sprawdzamy, czy wyłącznik jest w położeniu ≤0-wyłącz. Włożenie akumulatora do włączonego elektronarzędzia może doprowadzić do niebezpiecznych sytuacji.
- ✿ Do ładowania akumulatorów stosujemy tylko ładowarki zalecane przez producenta. Zastosowanie ładowarki do innego typu akumulatora może spowodować jego uszkodzenie i powstanie pożaru.
- ✿ Korzystamy tylko z akumulatorów przeznaczonych dla danego narzędzia. Zastosowanie innych akumulatorów może spowodować wypadek albo powstanie pożaru.
- ✿ Jeżeli akumulator nie jest wykorzystywany, należy go przechowywać oddzielnie od takich przedmiotów metalowych, jak zaciski, klucze, śruby i inne drobne przedmioty metalowe, które mogą spowodować zwarcie styków akumulatora. Zwarcie akumulatora spowodować wypadek, oparzenia albo powstanie pożaru.
- ✿ Z akumulatorami należy postępować ostrożnie. Przy nieostrożnym postępowaniu z akumulatora mogą się wydostać zawarte w nim chemikalia. Unikamy kontaktu z takimi substancjami, a jeżeli dojdzie do takiego kontaktu, myjemy zanieczyszczone miejsce strumieniem bieżącej wody. Jeżeli substancja chemiczna przedostanie się do oczu, należy natychmiast wezwać pomoc lekarską. Substancja chemiczna z akumulatora może spowodować poważne obrażenia ciała.

Serwis

- ✿ Nie wymieniamy części narzędzia, nie wykonujemy napraw we własnym zakresie, ani w inny sposób nie ingerujemy do konstrukcji narzędzia. Naprawy narzędzia powierzamy specjalistom.

- ✿ Każda naprawa albo przeróbka wyrobu bez upoważnienia naszej spółki jest niedopuszczalna (może spowodować obrażenia ciała albo straty materialne).
- ✿ Elektronarzędzia zawsze oddajemy do naprawy do certyfikowanego ośrodka serwisowego. Stosujemy tylko oryginalne albo zalecane części zamienne. W ten sposób zapewniamy bezpieczeństwo własne i swojego narzędzia.

5. SZCZEGÓLNE ZALECENIA DOTYCZĄCE BEZPIECZEŃSTWA

⚠ UWAGA! Przed użyciem należy zapoznać się z niniejszymi zaleceniami dotyczącymi bezpieczeństwa.

- ✿ W razie nie stosowania się do zaleceń zamieszczonych w niniejszej instrukcji występuje ryzyko wypadku.
- ✿ Szlifierka kąтова spełnia obowiązujące przepisy techniczne i normy.
- ✿ Oprócz tarczy szlifierskich, tarczy do cięcia i tarczy diamentowych nie używać innego osprzętu.
- ✿ Nigdy nie używać narzędzi nie stosując osłon ochronnych.
- ✿ Zawsze należy stosować środki chroniące wzrok (okulary ochronne lub maska ochronna) i słuch.
- ✿ Nie używać tarczy do cięcia lub tarczy do szlifowania do szlifowania bokiem tarczy.
- ✿ Należy uważać, aby podczas prac powodujących zapylenie otwory wentylacyjne były czyste.
- ✿ Podczas cięcia ścian należy sprawdzić, czy w miejscu prac nie znajduje się w ścianach instalacja elektryczna (wykrywaczem metali).
- ✿ Tarczę szlifierską nigdy nie należy chłodzić wodą.
- ✿ Nie należy dotykać krawędzi po wykonanej pracy, mogą być gorące.
- ✿ Nie należy mocować szlifierki do stołu roboczego.
- ✿ Należy sprawdzić, czy ilość obrotów podana na tarczy szlifierskiej jest wyższa niż ilość obrotów szlifierki kątovej podana na tabliczce znamionowej lub taka sama.
- ✿ Nie należy ciąć materiału, który wymaga głębokości cięcia przekraczającej dopuszczalną głębokość cięcia tarczy szlifierskiej.
- ✿ Nie należy ciąć lub szlifować metali lekkich o zawartości magnezu przekraczającej 80%, ponieważ metale takie są palne.
- ✿ Należy pilnować, aby tarcza szlifierska miała prawidłowe wymiary i aby była prawidłowo zamocowana.
- ✿ Należy postępować z tarczami szlifierskimi bardzo ostrożnie i zgodnie z zaleceniami dotyczącymi postępowania z tarczami szlifierskimi.
- ✿ Przed rozpoczęciem danej czynności z użyciem tarczy szlifierskiej, należy sprawdzić stan tarczy szlifierskiej.
- ✿ Nie należy używać tarczy szlifierskich popękanych lub uszkodzonych w inny sposób.

- ✿ Należy upewnić się, czy tarcza szlifierska jest zamocowana zgodnie z zaleceniami.
- ✿ Po zamocowaniu tarczy szlifierskiej należy sprawdzić pracę szlifierki bez obciążenia i w bezpiecznym miejscu. Jeżeli szlifierka nadmiernie wibruje lub jeżeli pojawią się na tarczy widoczne uszkodzenia należy szlifierkę natychmiast wyłączyć i wykryć przyczynę.
- ✿ Nie stosować pierścieni redukcyjnych lub innych pomocniczych elementów przy mocowaniu tarczy szlifierskich przeznaczonych do innej średnicy wrzeciona.
- ✿ Należy obrabiany materiał prawidłowo zamocować.
- ✿ Nigdy nie należy używać tarczy szlifierskiej do usuwania zadziorów.
- ✿ Należy pilnować, aby iskry nie spadały na nikogo i aby nie mogły zapalić materiału palnego.
- ✿ Nie można pracować używając szlifierki, jeżeli w linii tarczy szlifierskiej znajduje się inna osoba. Należy dbać, aby stanowisko pracy było czyste.
- ✿ Przycisk zabezpieczający tarczę (3) można nacisnąć jeżeli silnik i wrzeciono szlifierki nie obraca się!
- ✿ Należy pamiętać, że tarcza szlifierska po wyłączeniu szlifierki jeszcze przez jakiś czas obraca się pod działaniem siły bezwładności.
- ✿ Zawsze należy stosować dodatkową rękkość dostarczaną z narzędziem.
- ✿ Utrata kontroli nad urządzeniem elektrycznym może spowodować wypadek.

⚠ UWAGA! Stosować środki ochrony osobistej, zabezpieczające przed hałasem, pyłem i drganiami!!!

⚠ UWAGA! NALEŻY PRZECHOWYWAĆ NINIEJSZE ZALECENIA DOTYCZĄCE BEZPIECZEŃSTWA PRACY !!!

6. ZASTOSOWANIE I EKSPLOATACJA

- ✿ Niniejsza szlifierka kątowna jest przeznaczona do stosowania na użytek prywatny.
- ✿ Producent i importer nie zalecają użytkowania niniejszego narzędzia w warunkach ekstremalnych i do prac przy dużym obciążeniu.
- ✿ Inne uzupełniające wymagania muszą stanowić przedmiot uzgodnień pomiędzy producentem i odbiorcą.
- ✿ Przy zastosowaniu odpowiednich tarczy, szlifierka jest przystosowana do cięcia, szlifowania, obróbki zgrubnej i polerowania metalu, kamienia i materiałów ceramicznych.
- ✿ Urządzenie i odpowiednie wyposażenie należy używać zgodnie z przeznaczeniem, odpowiednio do wskazówek producenta.
- ✿ Stosowanie narzędzia do innych celów jest zabronione.

Zamontowanie dodatkowej rękkości (Ilustracja B)

- ✿ Dodatkową rękkość (2) należy zamocować w jednym z otworów montażowych.

Jak zamontować i zdejmować osłonę zabezpieczającą (Ilustracja C)

- ✿ Odkręcić śrubę mocującą uchwyty osłony (7).
- ✿ Nasadzić osłonę (5) zgodnie z ilustracją (C) i dokręcić śrubę.
- ✿ Zdejmowanie osłony przebiega w sposób odwrotny

⚠ UWAGA! Nigdy nie należy używać szlifierki bez osłony ochronnej.

Jak zamontować i zdjąć tarczę szlifierską (Ilustracja D,E,F)

⚠ UWAGA! Przed zamontowaniem lub zdjęciem tarczy szlifierskiej zawsze należy odłączyć szlifierkę od zasilania.

- ✿ Położyć szlifierkę na stole wrzecionem do góry.
- ✿ Zamocować osłonę (5) zgodnie z zaleceniami przedstawionymi powyżej.
- ✿ Na wrzeciono (4) nałożyć podkładkę (8).
- ✿ Na podkładkę nasadzić tarczę szlifierską (9).
- ✿ Na wrzeciono nakręcić nakrętkę mocującą (10).
- ✿ Nacisnąć przycisk zabezpieczający (3) i za pomocą śrubokręta krzyżakowego dokręcić nakrętkę zabezpieczającą (10).
- ✿ W przypadku zastosowania tarczy do szlifowania, dokręcić nakrętkę zabezpieczającą (10) skierowaną nośnikiem prowadzącym w dół (E1).
- ✿ W przypadku zastosowania tarczy do cięcia dokręcić nakrętkę zabezpieczającą (10) skierowaną nośnikiem prowadzącym w górę (E2).

⚠ UWAGA! Przycisk zabezpieczający wrzeciona (3) nacisnąć dopiero po zupełnym zatrzymaniu silnika i wrzeciona szlifierki!

- ✿ Przycisk zabezpieczający wrzeciona (3) należy naciskać przez cały czas wymiany tarczy.
- ✿ Zwolnić przycisk zabezpieczający.
- ✿ Tarczę szlifierską zdejmować w sposób odwrotny.

Włączenie i wyłączenie (Ilustracja G)

- ✿ Szlifierkę włącza się przez przesunięcie wyłącznika (1) do położenia ≤I
- ✿ Przesunięcie wyłącznika (1) w położenie ≤0 powoduje wyłączenie szlifierki.

7. ZALECENIA DOTYCZĄCE PRACY Z UŻYCIEM SZLIFIERKI

- ✿ Optymalny kąt położenia tarczy w stosunku do elementu obrabianego wynosi 150°.
- ✿ Należy zachować możliwie największą odległość tarczy od obsługującego pracownika.
- ✿ Na szlifierkę należy jedynie przenosić delikatny nacisk, nie należy obciążać szlifierki naciskiem bocznym. Kontrolować kierunek obrotów tarczy i uważać na iskry.
- ✿ Zapobiec spadaniu obrabianego elementu.
- ✿ Jeżeli średnica tarczy jest mniejsza niż 80 mm, należy dokonać wymiany tarczy.

8. KONSERWACJA

- ✿ Przed rozpoczęciem czyszczenia i konserwacji, należy odłączyć szlifierkę od zasilania.
- ✿ Szlifierka nie wymaga dodatkowego smarowania i konserwacji. Nie zawiera żadnych elementów podlegających naprawie przez użytkownika.
- ✿ Nigdy do czyszczenia narzędzia nie należy używać wody lub chemicznych środków czyszczących. Czyść używając suchej ścierki.
- ✿ Utrzymywać w czystości otwory wentylatora.
- ✿ Jeżeli w okolicach silnika jest widoczne słabe iskrzenie, jest to prawidłowe. Zwiększone iskrzenie powodowane jest usterką silnika.
- ✿ Żadnego z elementów narzędzia nie należy czyścić przy użyciu twardych i ostrych przedmiotów.

Kontrola i wymiana szczotek

- ✿ Szczotki węglowe należy regularnie sprawdzać.
- ✿ W razie widocznego zużycia należy wymienić obie szczotki jednocześnie. Sprawdzić mocowanie szczotek.
- ✿ Po zainstalowaniu nowych szczotek należy włączyć szlifierkę i pozostawić ją na biegu bez obciążania przez około 5 minut.
- ✿ Stosować wyłącznie szczotki odpowiedniego typu.

Przechowywanie w okresie dłuższej przerwy w użytkowaniu.

- ✿ Narzędzie nie należy przechowywać w miejscach o wysokiej temperaturze.
- ✿ Jeżeli jest to możliwe należy przechowywać narzędzie w miejscu o stałej temperaturze i wilgotności.

9. ZALECENIA EKSPLOATACYJNE I KONSERWACYJNE

- ✿ Narzędzia, wyposażenie i instrukcję obsługi należy przechowywać w opakowaniu oryginalnym, zawsze w ten sposób będą dostępne potrzebne części i informacje.
- ✿ Pilarka jest w zasadzie urządzeniem bezobsługowym, jedyną czynnością jest regularne oczyszczenie osłony pilarki wilgotną ścierką. Pilarkę należy chronić przed kontaktem z wodą i wilgocią. Należy stosować się zaleceń zawartych w niniejszej instrukcji obsługi.

10. DEKLARACJA ZGODNOŚCI

Produkt / marka: SZLIFIERKA KĄTOWA/ FIELDMANN

Typ / model: FDUB 50601 18V/ 9 000obr./min

Produkt spełnia wymagania następujących przepisów:

- ✿ Dyrektywa Parlamentu Europejskiego i Rady 2006/95/WE z dnia 12. grudnia 2006 w sprawie harmonizacji ustawodawstw państw członkowskich odnoszących się do sprzętu elektrycznego przewidzianego do stosowania w określonych granicach napięcia.
- ✿ Dyrektywa Parlamentu Europejskiego i Rady 2004/108/WE z dnia 15. grudnia 2004 w sprawie zbliżenia ustawodawstw państw członkowskich odnoszących się do kompatybilności elektromagnetycznej oraz uchylającej dyrektywę 89/336/EWG..
- ✿ Dyrektywa Parlamentu Europejskiego i Rady 2006/42/WE z dnia 17. maja 2006 w sprawie maszyn, zmieniająca dyrektywę 95/16/WE..
- ✿ Dyrektywa Parlamentu Europejskiego i Rady 2002/95/WE z dnia 27. stycznia 2003 w sprawie ograniczenia stosowania niektórych niebezpiecznych substancji w sprzęcie elektrycznym i elektronicznym.
- ✿ Dyrektywa Parlamentu Europejskiego i Rady 2005/88/WE.

i norm:

- ✿ EN60745-1:2009+A11:2010
- ✿ EN60745-2-3:2011+A2:2013+A11:2014+A12:2014
- ✿ AfPS GS 2014 :01
- ✿ EN55014-1:2006+A1:2009+A2 :2011
- ✿ EN55014-2:1997+A1:2001+A2 :2008

Oznaczenie CE: 16

Firma FAST ČR, a.s. jest uprawniona do występowania w imieniu producenta.

Producent:

FAST ČR, a.s.
 Černokostelecká 1621,251 01 Praha , Republika Czeska
 NIP: CZ26726548

Praga, 30.1.2016

Jlmię i nazwisko: inż. Zdeněk Pech
 Prezes Zarządu

FAST FAST ČR, a.s.
 Černokostelecká 1621, 251 01 Píšťany
 IČO: 26726548 tel.: +420/ 323 204 111
 DIČ: CZ26726548 fax: +420/ 323 204 110



Podpis i pieczętki:

11. DANE TECHNICZNE

SZLIFIERKA KĄTOWA	
Napięcie znamionowe	18V DC
Obroty	9 000 ot./min
Klasa ochrony	II
Tarcza tnąca	Ø 115 mm
Gwint wrzeciona	M 14
poziom wibracji	3.698 ms ⁻² , K=1.5ms ⁻²
Poziom głośności	92.08dB(A), K=3dB(A)

Instrukcja użytkowania - tylko wersja językowa.

Zastrzega się możliwość zmiany tekstu i parametrów technicznych.

Zmiany tekstu, designu i danych technicznych mogą być dokonywane bez uprzedniego ostrzeżenia. Zastrzegamy sobie prawo do ich zmiany.

Rozwiązywanie problemów

1. Wtycznik jest wciśnięty, ale wiertarka nie pracuje: Aby aparat mógł pracować, akumulator musi być dostatecznie doładowany. Jeśli aparat nie jest używana przez dłuższy czas, dochodzi do rozładowania akumulatora. Spróbuj doładować akumulator. Upewnij się, że akumulator został bprawidłowo umieszczony w ładowarce. Podczas ładowania akumulator się nagrzewa, co jest normalnym zjawiskiem.
2. Wyciek elektrolitu z akumulatora: Przy skrajnych temperaturach lub przy wysokim obciążeniu może dojść do niewielkiego wycieku elektrolitu. Jeśli dotknąłeś cieczy, natychmiast zmyj ją ze skóry lub ubrania wodą z mydłem.
3. Akumulator się nie doładowuje i światło w ładowarce nie świeci: Jeśli akumulator się nie doładowuje, sprawdź, czy jest on prawidłowo umieszczony w ładowarce i przekonaj się, czy kontrolka świeci. Jeśli kontrolka nie świeci, sprawdź, czy wtyczka ładowarki jest prawidłowo wsunięta do gniazda. Jeśli tak, sprawdź bezpiecznik gniazda.
4. Korpus aparata nagrzewa się przy dłuższym użyciu: Przy normalnym obciążeniu dochodzi do nagrzewania korpusu, wtycznika i akumulatora, ponieważ energia zużywana podczas użycie aparatu produkuje ciepło. Jest to normalne zjawisko. Pozostaw wiertarkę na kilka minut do wystygnięcia.
5. Akumulator nagrzewa się podczas użytkowania: Energia pobierana z akumulatora wytwarza ciepło. Nie powoduje to uszkodzenia akumulatora, wytwarzanie ciepła podczas poboru energii jest zjawiskiem normalnym. Jeśli chcesz schłodzić akumulator, pozostaw wiertarkę wtyczoną na kilka minut przed rozpoczęciem nowej pracy.
6. Akumulator nagrzewa się podczas ładowania: Jest to zjawisko normalne wynikające z reakcji chemicznych przebiegających wewnątrz akumulatora podczas procesu ładowania.
7. Podczas ładowania ładowarka się nagrzewa: Jest to normalne zjawisko wynikające z obniżenia napięcia z 230 V na 18 V.

12. LIKWIDACJA

ZALECENIA I INFORMACJE O POSTĘPOWANIU Z ZUŻYTYM PAKOWANIEM.

Zużyty materiał z opakowania przekazuje się na gminne wysypisko odpadów.

LIKWIDACJA ZUŻYTYCH URZĄDZEŃ ELEKTRYCZNYCH I ELEKTRONICZNYCH



Ten symbol na produktach albo w dokumentach przewodnich oznacza, że zużyte wyroby elektryczne i elektroniczne nie mogą być dodawane do zwykłych odpadów komunalnych. W celu właściwej likwidacji, odzysku i recyklingu trzeba je przekazywać w ustalone zbiorcze miejsca. Alternatywnie w niektórych krajach Unii Europejskiej albo w innych krajach europejskich można zwrócić takie wyroby lokalnemu sprzedawcy przy zakupie nowego, ekwiwalentnego produktu. Właściwa likwidacja tego produktu pomoże zachować cenne źródła naturalne i pomaga w zapobieganiu negatywnym wpływom na środowisko naturalne i zdrowie ludzi, które mogłaby spowodować niewłaściwa likwidacja odpadów. Szczegółowych informacji udziela Urząd gminy albo najbliższe wysypisko odpadów. Przy niewłaściwej likwidacji tego rodzaju odpadu, zgodnie z przepisami krajowymi, może dojść do nałożenia mandatu karnego.

Dotyczy podmiotów gospodarczych w Unii Europejskiej

Jeżeli trzeba zlikwidować urządzenia elektryczne i elektroniczne, to niezbędne informacje należy uzyskać od swojego sprzedawcy albo dostawcy.

Likwidacja w innych krajach poza Unią Europejską

Ten symbol obowiązuje w Unii Europejskiej. Jeżeli chcemy ten wyrób zlikwidować, to niezbędne informacje o właściwym sposobie likwidacji otrzymujemy od urzędów lokalnych albo od swojego sprzedawcy.



Ten wyrób spełnia wszystkie podstawowe wymagania dyrektyw UE, które go dotyczą.

Zmiany w tekście, designie i specyfikacji technicznej mogą nastąpić bez wcześniejszego uprzedzenia i zastrzegamy sobie prawo do ich wprowadzania.

Угловая шлифмашина

ИНСТРУКЦИЯ ПО ПРИМЕНЕНИЮ

Благодарим Вас, что Вы приобрели эту Угловая шлифмашина. Прежде, чем Вы начнете пользоваться ей, прочтите, пожалуйста, внимательно настоящую инструкцию по применению и сохраните ее на случай дальнейшего использования.

СОДЕРЖАНИЕ

РИСУНКИ К ИНСТРУКЦИИ	3
1. ОБЩИЕ УКАЗАНИЯ ПО ТЕХНИКЕ БЕЗОПАСНОСТИ	80
Важные предупреждения по безопасности	
Упаковка	
Инструкция по применению	
2. ОПИСАНИЕ ТАБЛИЧЕК С УКАЗАНИЯМИ НА УСТРОЙСТВЕ	81
3. ОПИСАНИЕ УСТРОЙСТВА И КОМПЛЕКТ ПОСТАВКИ	82
4. ОБЩИЕ УКАЗАНИЯ ПО ТЕХНИКЕ БЕЗОПАСНОСТИ.....	82
5. ОСОБЫЕ УКАЗАНИЯ ПО ТЕХНИКЕ БЕЗОПАСНОСТИ	87
6. ИСПОЛЬЗОВАНИЕ И ЭКСПЛУАТАЦИЯ	89
7. УКАЗАНИЯ ПО РАБОТЕ СО ШЛИФОВАЛЬНОЙ МАШИНОЙ	90
8. ЧИСТКА И ОБСЛУЖИВАНИЕ	90
9. СОВЕТЫ ПО ЭКСПЛУАТАЦИИ И ОБСЛУЖИВАНИЮ	91
10. СЕРТИФИКАТ СООТВЕТСТВИЯ	92
11. ТЕХНИЧЕСКИЕ ДАННЫЕ	93
12. УТИЛИЗАЦИЯ	94

1. ОБЩИЕ ПРАВИЛА БЕЗОПАСНОСТИ

⚠ ВНИМАНИЕ! Перед использованием внимательно прочтите инструкцию по эксплуатации.

Важные предупреждения по безопасности

- ✿ Изделие аккуратно распакуйте и следите за тем, чтобы случайно не выбросить какую-нибудь часть упаковки раньше, чем будут распакованы все детали изделия.
- ✿ Изделие храните в сухом месте, недоступном для детей.
- ✿ Прочтите все предупреждения и указания. Пренебрежение соблюдением предупреждений и указаний может привести к поражению электрическим током, пожару и/или получению тяжелых травм.

Упаковка

Изделие уложено в упаковке, предотвращающей повреждение при транспортировке. Эта упаковка является вторсырьем, поэтому ее можно сдать на переработку.

Инструкция по применению

Прежде чем Вы начнете работать с устройством, прочтите следующие предписания по безопасности и указания по применению. Ознакомьтесь с элементами управления и правильным применением устройства. Инструкцию надежно уложите для последующего использования. Минимально в течение гарантийного срока рекомендуем хранить оригинальную упаковку вместе с внутренним упаковочным материалом, кассовый чек и гарантийный талон. В случае транспортировки упакуйте устройство снова в оригинальную коробку изготовителя. Так Вы обеспечите максимальную защиту изделия во время возможной транспортировки (напр. переезд или посылание в сервисный центр).

📖 Примечание: Если будете передавать устройство другим лицам, передавайте его вместе с инструкцией. Соблюдение приложенной инструкции по применению является предпосылкой надлежащего использования устройства. Инструкция по применению содержит также указания по применению, обслуживанию и ремонту.

Изготовитель не берет на себя ответственность за несчастные случаи или ущерб, возникший в результате несоблюдения настоящей инструкции.

2. СИМВОЛЫ



Настоящее изделие изготовлено в соответствии с утвержденными нормами.



Перед применением устройства внимательно прочтите инструкцию по применению.



Используйте средства защиты для глаз



Используйте средства защиты для ушей



Пользуйтесь средствами для защиты зрения.

3. ОПИСАНИЕ УСТРОЙСТВА И КОМПЛЕКТ ПОСТАВКИ

Описание устройства (см. рис. 1)

- | | |
|--------------------------|-----------------------------------|
| 1 - Выключатель | 7 - Винт предохранительной крышки |
| 2 - боковая рукоятка | 8 - Прокладка |
| 3 - Предохранитель диска | 9 - точильный камень |
| 4 - шпиндель | 10 - Шайба |
| 5 - Защитная крышка | 11 - Гаечный ключ |
| 6 - Корпус | |

Содержание поставки

Устройство аккуратно извлеките из упаковки и проверьте, комплектны ли следующие детали:

- ✿ Шлифовальная машина
- ✿ Боковая рукоятка
- ✿ Гайки для затяжки
- ✿ Ключ для затяжки
- ✿ Кожух диска
- ✿ Инструкция по применению

Если детали отсутствуют или повреждены, обратитесь, пожалуйста, к продавцу, где Вы приобрели устройство.

4. ОБЩИЕ УКАЗАНИЯ ПО ТЕХНИКЕ БЕЗОПАСНОСТИ

Настоящие указания по технике безопасности тщательно изучите, запомните и сохраните

⚠ ПРЕДУПРЕЖДЕНИЕ! При пользовании электрическими агрегатами и электрическим инструментом необходимо соблюдать следующие указания по технике безопасности для защиты от поражения электрическим током, получения людьми травм и опасности возникновения пожара. Под выражением „электрический инструмент“ во всех нижеприведенных указаниях подразумевается как электрический инструмент, запитанный от сети (кабелем питания), так и инструмент, запитанный от аккумулятора (без кабеля питания).

Сохраните все предупреждения и указания для будущего использования.

Рабочая среда

- ✿ Поддерживайте рабочее место в чистоте и хорошо освещенным. Непорядок и недостаток света на рабочем месте бывают причиной травм. Уберите инструмент, которым в настоящий момент не пользуетесь.
- ✿ Не пользуйтесь электрическим инструментом в среде с опасностью возникновения пожара или взрывоопасной, это значит в местах, где имеются горючие жидкости, газы или пыль. В электрическом инструменте на распределителе возникает искрение, которое может стать причиной возгорания пыли или испарений.
- ✿ При пользовании эл. инструментом предотвращайте доступ в рабочее пространство посторонних лиц, прежде всего, детей! Если вам будут мешать, вы можете потерять контроль над выполняемой работой. Ни в коем случае не оставляйте эл. инструмент без надзора. Предотвращайте доступ к оборудованию животных.

Электрическая безопасность

- ✿ Штепсель кабеля питания электрического инструмента должен соответствовать сетевой розетке. Никогда никаким способом не переделывайте штепсель. С инструментом, который имеет на штепселе кабеля питания защитный штырек, никогда не применяйте двойники или иные адаптеры. Неповрежденные штепсели и соответствующие розетки предотвратят опасность поражения электрическим током. Поврежденные или замотанные кабели питания увеличивают опасность поражения электрическим током. Если сетевой кабель поврежден, необходимо заменить его новым сетевым кабелем, который можно приобрести в авторизованном сервисном центре или у импортера.
- ✿ Избегайте контакта тела с заземленными предметами, как напр. трубы, элементы центрального отопления, газовые плиты и холодильники. Опасность поражения электрическим током намного выше, если ваше тело соединено с «землей».
- ✿ Не оставляйте электрический инструмент на дожде, во влажной или мокрой среде. Никогда не прикасайтесь к электрическому инструменту мокрыми руками. Никогда не мойте электрический инструмент под проточной водой и не погружайте его в воду.
- ✿ Не применяйте питающий кабель для иных целей, чем для каких он предназначен. Никогда не носите и не тяните электрический инструмент за питающий кабель. Не вынимайте штепсель из розетки, потянув за кабель. Предотвращайте механическое повреждение электрических кабелей острыми или горячими предметами.
- ✿ Эл. инструмент был изготовлен исключительно для питания переменным эл. током. Всегда проверяйте, чтобы электрическое напряжение соответствовало данным, указанным на типовой табличке инструмента.
- ✿ Никогда не работайте с инструментом, у которого поврежден эл. кабель или штепсель, если он падал на пол или поврежден каким-либо иным способом.

- ✿ В случае применения удлинительного кабеля всегда проверяйте, чтобы его технические параметры соответствовали данным, указанным на типовой табличке инструмента. Если электрический инструмент используется на улице, пользуйтесь удлинительным кабелем, пригодным для применения на улице. При применении барабанов с удлинительным кабелем необходимо их размотать, чтобы не возникал перегрев кабеля.
- ✿ Если электрический инструмент используется во влажных помещениях или на улице, разрешается использовать его, только если он подключен к эл. контуру с УЗО ≤ 30 мА. Применение эл. контура с УЗО /RCD/ снижает риск поражения электрическим током.
- ✿ Ручной эл. инструмент держите исключительно за изолированные части, предназначенные для держания, так как при эксплуатации может произойти контакт режущего или сверлящего инструмента со скрытым проводником или с питающим кабелем инструмента.

Безопасность лиц

- ✿ При использовании электрического инструмента будьте внимательны и осторожны, обращайтесь максимальное внимание на действия, которые в настоящий момент производите. Сосредоточьтесь на работе. Не работайте с электрическим инструментом, если вы устали или находитесь под воздействием наркотических веществ, алкоголя или лекарств. Даже секундная невнимательность при пользовании электрическим инструментом может привести к серьезной травме человека. При работе с эл. инструментом не ешьте, не пейте и не курите.
- ✿ Пользуйтесь средствами защиты. Всегда пользуйтесь приспособлением для защиты зрения. Пользуйтесь средствами защиты, соответствующими виду работы, которую вы выполняете. Средства защиты, как напр. респиратор, защитная обувь с противоскользкой подошвой, головной убор или приспособление для защиты слуха, используемые в соответствии с условиями работы, снижают риск получения травм людьми.
- ✿ Избегайте неумышленного включения инструмента. Не переносите инструменты, которые подключены к электрической сети, с пальцем на выключателе или пусковой кнопке. Перед подключением к электрическому питанию убедитесь, что выключатель или пусковая кнопка находятся в положении „выключено“. Переноска инструмента с пальцем на выключателе или подключение штепселя инструмента в розетку с включенным выключателем может стать причиной серьезных травм.
- ✿ Перед включением инструмента удалите все регулировочные ключи и инструменты. Регулировочный ключ или инструмент, который останется во вращающейся части электрического инструмента, может стать причиной получения травм людьми.
- ✿ Всегда поддерживайте стабильное положение и равновесие тела. Работайте только там, куда безопасно достанете. Никогда не переоценивайте собственные силы. Не применяйте электрический инструмент, если вы устали.

- ✿ Одевайтесь подходящим способом. Пользуйтесь рабочей одеждой. Не носите свободную одежду или украшения. Обращайте внимание на то, чтобы ваши волосы, одежда, перчатки или иная часть вашего тела не попала в область, непосредственно близкую к вращающимся или раскаленным частям эл. инструмента.
- ✿ Подключите устройство к устройству отведения пыли. Если инструмент имеет возможность подключения оборудования для захвата или отведения пыли, обеспечьте, чтобы было сделано его надлежащее подключение и применение. Применение этих устройств может снизить опасность, возникающую от пыли.
- ✿ Прочно держите обрабатываемую деталь. Пользуйтесь плотницкой струбиной или тисками для закрепления детали, которую будете обрабатывать.
- ✿ Не применяйте электрический инструмент, если вы находитесь под воздействием алкоголя, наркотических веществ, лекарств или иных одурманивающих или вызывающих привыкание веществ.
- ✿ Это оборудование не предназначено для применения лицами (включая детей) со сниженными физическими, чувственными или ментальными способностями или с недостатком опыта и знаний, без надзора или инструктажа по применению оборудования лицами, ответственными за их безопасность. Дети должны быть под надзором, чтобы вы убедились, что они не играют с оборудованием.

Пользование электрическим инструментом и его обслуживание

- ✿ Эл. инструмент всегда отсоедините от эл. сети в случае любой проблемы при работе, перед каждой чисткой или обслуживанием, при каждом перемещении и после окончания работы! Никогда не работайте с эл. инструментом, если он каким-либо образом поврежден.
- ✿ Если инструмент начнет издавать ненормальный звук или запах, немедленно прекратите работу.
- ✿ Электрический инструмент не перегружайте. Электрический инструмент будет работать лучше и безопаснее, если вы будете эксплуатировать его при оборотах, для которых он предназначен. Пользуйтесь правильным инструментом, который предназначен для данной работы. Правильный инструмент будет лучше и безопаснее выполнять работу, для которой он был сконструирован.
- ✿ Не применяйте электрический инструмент, который нельзя безопасно включить и выключить кнопкой управления. Пользование таким инструментом является опасным. Неисправные выключатели должны быть отремонтированы сертифицированным сервисом.
- ✿ Отсоедините инструмент от источника электрической энергии перед тем, как начнете производить его регулировку, замену приспособления или обслуживание. Эта мера предотвратит опасность случайного включения.

- ✿ Неиспользованный электрический инструмент уберите и храните так, чтобы он находился в месте, недоступном для детей и посторонних лиц. Электрический инструмент в руках неопытных пользователей может быть опасным. Электрический инструмент храните в сухом и безопасном месте.
- ✿ Поддерживайте электрический инструмент в хорошем состоянии. Систематически проверяйте регулировку подвижных частей и их подвижность. Проверяйте, не возникло ли повреждение защитных кожухов или иных частей, которое может угрожать безопасной работе электрического инструмента. Если инструмент поврежден, перед дальнейшим его применением обеспечьте его надлежащий ремонт. Много травм вызвано плохо содержащимся электрическим инструментом.
- ✿ Режущие инструменты поддерживайте острыми и чистыми. Правильно содержащиеся и наточенные инструменты облегчают работу, предотвращают опасность получения травм, а работа с ними легче контролируется. Применение иных принадлежностей, чем тех, которые указаны в инструкции по эксплуатации, могут вызвать повреждение инструмента стать причиной получения травм.
- ✿ Электрический инструмент, принадлежности, рабочие инструменты и т.д. используйте в соответствии с настоящими указаниями или таким способом, который указан для конкретного электрического инструмента, причем с учетом данных условий работы и вида выполняемой работы. Использование инструмента для иных целей, чем для каких он предназначен, может привести к возникновению опасных ситуаций.

Пользование аккумуляторным инструментом

- ✿ Перед вкладыванием аккумулятора убедитесь, что выключатель находится в положении „0-выключено“. Вкладывание аккумулятора во включенный инструмент может стать причиной возникновения опасных ситуаций.
- ✿ Для зарядки аккумуляторов используйте только зарядные устройства, установленные производителем. Применение зарядных устройств для иных типов аккумуляторов может привести к повреждению аккумулятора и возникновению пожара.
- ✿ Пользуйтесь только аккумуляторами, предназначенными для данного инструмента. Применение иных аккумуляторов может стать причиной получения травм или возникновения пожара.
- ✿ Если аккумулятор не используется, уложите его отдельно от металлических предметов, как например струбины, ключи, шурупы, и иных мелких металлических предметов, которые могли бы вызвать замыкание контактов аккумулятора. Замыкание аккумулятора может вызвать получение травмы, ожога или возникновение пожара.

- ✿ С аккумуляторами обращайтесь аккуратно. При неаккуратном обращении из аккумулятора может вытечь химическое вещество. Избегайте контакта с этим веществом, а если, несмотря на это, вещество попадет на вашу кожу, вымойте поврежденное место под струей проточной воды. Если химическое вещество попадет в глаза, немедленно обратитесь к врачу. Химическое вещество из аккумулятора может вызвать серьезные ранения.

Сервис

- ✿ Не заменяйте части инструмента, не производите самостоятельно ремонт и никаким иным способом не изменяйте конструкцию инструмента. Ремонт инструмента поручите квалифицированным лицам.
- ✿ Каждый ремонт или изменение изделия без согласования с нашей компанией недопустимо (может вызвать получение травмы или нанесение ущерба пользователю).
- ✿ Электрический инструмент всегда передайте для ремонта в сертифицированный сервисный центр. Пользуйтесь только оригинальными или рекомендуемыми запасными частями. Так вы обеспечите безопасность свою и своего инструмента

5. ОСОБЫЕ УКАЗАНИЯ ПО БЕЗОПАСНОСТИ

⚠ ВНИМАНИЕ! Перед применением, пожалуйста, прочтите настоящие указания по безопасности и сохраните их.

⚠ - Этот символ обозначает опасность получения травмы или повреждения оборудования.

- ✿ В случае несоблюдения указаний, приведенных в настоящем руководстве, грозит риск получения травмы.
- ✿ Угловая шлифовальная машина отвечает действующим техническим директивам и нормам.
- ✿ Кроме шлифовальных, режущих и алмазных дисков не используйте иные принадлежности.
- ✿ Никогда не используйте инструмент без защитного кожуха.
- ✿ Всегда пользуйтесь защитой глаз (защитными очками или защитным щитком) и слуха.
- ✿ Не используйте никакие режущие и шлифовальные диски для бокового шлифования.
- ✿ Следите за тем, чтобы в течение выполнения пыльной работы вентиляционные отверстия были свободными.
- ✿ При резании стен проверяйте, чтобы в стенах не находилась электропроводка (при помощи детектора металла).

- ✿ Шлифовальный диск никогда не охлаждайте водой.
- ✿ Не прикасайтесь к кромке после обработки, она может быть горячей.
- ✿ Никогда не прикрепляйте шлифовальную машину к рабочему столу.
- ✿ Убедитесь в том, что количество оборотов, указанное на шлифовальном диске, выше, чем число оборотов угловой шлифовальной машины, указанное на типовой табличке, или такое же.
- ✿ Не режьте материал, который требует разреза максимальной глубины, превышающей возможную глубину разреза шлифовального диска.
- ✿ Не режьте и не шлифуйте легкие металлы с содержанием магния более 80%, так как такие металлы являются горючими.
- ✿ Следите за тем, чтобы шлифовальный диск был правильных размеров и был правильно закреплен на валу.
- ✿ Со шлифовальными дисками обращайтесь очень аккуратно и в соответствии с указаниями, которые приложены к шлифовальному диску.
- ✿ Перед каждым применением шлифовальный диск осмотрите.
- ✿ Не используйте шлифовальные диски, которые потрескались или повреждены иным образом.
- ✿ Убедитесь, что шлифовальный диск установлен согласно указаниям.
- ✿ После установки шлифовального диска дайте шлифовальной машине поработать на холостых оборотах на безопасном месте. Если шлифовальная машина сильно вибрирует или если на шлифовальном диске видны повреждения, немедленно выключите шлифовальную машину и попытайтесь выяснить причину.
- ✿ Не используйте переходники или иные вспомогательные детали для крепления шлифовальных дисков из-за иного диаметра вала.
- ✿ Следите за тем, чтобы материал был тщательно закреплен.
- ✿ Никогда не используйте режущий диск для устранения заусенцев.
- ✿ Следите за тем, чтобы искры не могли на кого-нибудь попасть, и чтобы не могли поджечь горючие материалы.
- ✿ Не работайте со шлифовальной машиной, если кто-нибудь стоит на линии шлифовального диска. Обеспечьте, чтобы рабочее место около Вас было чистым.
- ✿ На фиксирующую кнопку диска (3) нажимайте только тогда, если мотор и вал шлифовальной машины уже полностью остановились!
- ✿ Помните о том, что шлифовальный диск после выключения шлифовальной машины будет еще некоторое время вращаться по инерции.
- ✿ Всегда пользуйтесь вспомогательной рукояткой, которая поставляется с инструментом.
- ✿ Потеря контроля над эл. инструментом может вызвать получение травмы.

⚠ ВНИМАНИЕ! Пользуйтесь защитными средствами против шума, пыли и вибраций!!!

⚠ ВНИМАНИЕ! НАСТОЯЩИЕ УКАЗАНИЯ ПО БЕЗОПАСНОСТИ СОХРАНИТЕ !!!

6. ИСПОЛЬЗОВАНИЕ И ЭКСПЛУАТАЦИЯ

- ✿ Эта угловая шлифовальная машина предназначена только для домашнего применения или хобби.
- ✿ Производитель и импортер не рекомендуют пользоваться этим инструментом в экстремальных условиях и при высокой нагрузке.
- ✿ Любые дополнительные требования должны быть предметом соглашения между производителем и получателем.
- ✿ С применением подходящих дисков шлифовальная машина предназначена для резки, шлифования, черновой обработки и полировки металла, камня и керамических материалов.
- ✿ Инструментом и принадлежностями пользуйтесь исключительно по установленному назначению, см. указания изготовителя инструмента.
- ✿ Любое иное применение инструмента строго запрещено.

Установка боковой рукоятки (Рисунок В)

- ✿ Боковую рукоятку (2) закрепите в одном из отверстий для установки.

Как прикрепить и снять защитный кожух (Рисунок С)

- ✿ Ослабьте винт крепежного зажима кожуха (7).
- ✿ Наденьте защитный кожух (5) в соответствии с рисунком (С), а винт хорошо затяните.
- ✿ Защитный кожух снимите в обратном порядке.

⚠ ВНИМАНИЕ! Шлифовальную машину никогда не используйте без защитного кожуха.

Как закрепить и снять шлифовальный диск (Рисунок D,E,F)

⚠ ВНИМАНИЕ! Перед закреплением или снятием шлифовального диска всегда выньте сетевой кабель шлифовальной машины из розетки.

- ✿ Положите шлифовальную машину на стол валом вверх.
- ✿ Прикрепите защитный кожух (5) в соответствии с указаниями, приведенными выше.
- ✿ На вал (4) наденьте шайбу (8).
- ✿ На шайбу установите шлифовальный диск (9).
- ✿ На вал навинтите крепежную гайку (10).
- ✿ Нажмите на фиксирующую кнопку (3) и крестовая отвертка прочно затяните крепежную гайку (10). В случае использования шлифовального диска затяните крепежную гайку (10) направляющим выступом вниз (E1).

- ✿ В случае использования режущего диска, затяните крепежную гайку (10) направляющим выступом вверх (E2).
- ⚠ **ВНИМАНИЕ!** На фиксирующую кнопку вала (3) нажимайте только тогда, когда мотор и вал шлифовальной машины уже полностью остановились!
- ✿ Фиксирующую кнопку вала (3) надо придерживать нажатой в течение всего времени, пока меняете диск.
- ✿ Отпустите фиксирующую кнопку.
- ✿ Шлифовальный диск снимите в обратном порядке.

Включение и выключение (Рисунок G)

- ✿ Шлифовальную машину включите переключением выключателя (1) в положение „I“.
- ✿ При переключении выключателя (1) в положение „0“ шлифовальная машина выключится.

7. УКАЗАНИЯ ПО РАБОТЕ СО ШЛИФОВАЛЬНОЙ МАШИНОЙ

- ✿ Оптимальный угол диска относительно заготовки составляет 150°.
- ✿ Соблюдайте как можно большее расстояние между диском и работником.
- ✿ На шлифовальную машину нажимайте только слегка, не нагружайте шлифовальную машину сбоку. Следите за направлением вращения диска и обращайтесь внимание на отлетающие искры.
- ✿ Предотвращайте падение обрабатываемой детали.
- ✿ Если диаметр диска составляет менее 80 мм, диск замените.

8. ЧИСТКА И ОБСЛУЖИВАНИЕ

- ✿ Перед чисткой и обслуживанием, всегда выньте сетевой кабель инструмента из розетки. Ваш инструмент не требует никакой дополнительной смазки или обслуживания. В нем не содержится никаких частей, которые Вы могли бы отремонтировать.
- ✿ Никогда не используйте воду или химические очистители для чистки Вашего инструмента. Вытрите его сухой тканью.
- ✿ Поддерживайте отверстия вентилятора мотора чистыми. Если увидите в пространстве мотора очень слабое искрение, значит Ваш инструмент в норме. При повышенном искрении речь идет о неисправности мотора.
- ✿ Никогда не чистите инструмент твердыми, острыми или шероховатыми предметами.

Контроль и замена угольков

- ✿ Угольки необходимо систематически проверять.
- ✿ В случае износа замените сразу оба уголька. Закрепите держатели угольков.
- ✿ После закрепления новых угольков дайте шлифмашине поработать 5 минут без нагрузки.
- ✿ Пользуйтесь только уголками правильного типа.

Хранение при длительном неиспользовании.

- ✿ Инструмент не храните в месте с высокой температурой.
- ✿ Если можно, храните оборудование в месте с постоянной температурой и влажностью.

9. СОВЕТЫ ПО ЭКСПЛУАТАЦИИ И ОБСЛУЖИВАНИЮ

- ✿ Инструмент, принадлежности и инструкцию по применению храните в оригинальной упаковке, тогда у Вас всегда сохранятся все необходимые детали и информация.
- ✿ Пила является практически необслуживаемой, единственной задачей является регулярное вытирание кожуха пилы влажной тканью. Предохраняйте пилу от контакта с влагой и водой. Соблюдайте указания, приведенные в настоящей инструкции по применению.

10. СЕРТИФИКАТ СООТВЕТСТВИЯ

Изделие / марка: УГЛОВАЯ ШЛИФМАШИНА/ FIELDMANN

Тип / модель: FDUB 50601 18V/9000 об/мин.

Изделие отвечает нижеуказанным нормам:

- * Норме Европейского парламента и Совета 2006/95/ES от 12 декабря 2006 г. о согласовании правовых норм стран-членов, касающихся электрооборудования, предназначенной для использования в определенных пределах напряжения.
- * Норме Европейского парламента и Совета 2004/108/ES от 15 декабря 2004 г. о приближении правовых норм стран-членов, касающихся электромагнитной совместимости и об отмене нормы 89/336/EHS.
- * Норме Европейского парламента и Совета 2006/42/ES от 17 мая 2006 г. о механических устройствах и об изменении нормы 95/16/ES.
- * Норме Европейского парламента и Совета 2002/95/ES от 27 января 2003 г. об ограничении использования некоторых опасных веществ в электрических и электронных устройствах.
- * Норме Европейского парламента и Совета 2005/88/ES.

и нормам:

- * EN60745-1:2009+A11:2010
- * EN60745-2-3:2011+A2:2013+A11:2014+A12:2014
- * AfPS GS 2014 :01
- * EN55014-1:2006+A1:2009+A2 :2011
- * EN55014-2:1997+A1:2001+A2 :2008

Обозначение CE: 16

Компания АО «FAST ČR, a.s.» имеет право выступать от имени изготовителя.

Изготовитель:

АО «FAST ČR, a.s.»
 Černokostelecká 1621,251 01 Praha , Чешская Республика
 ИНН: CZ26726548

В Праге, 30.1.2016 г. Имя,

фамилия: Зденек Пех

Председатель совета директоров

FAST FAST ČR, a.s.
 Černokostelecká 1621, 251 01 říčany
 IČO: 26726548 tel.: +420/ 323 204 111
 DIČ: CZ26726548 fax: +420/ 323 204 110



Подпись и печати:

11. ТЕХНИЧЕСКИЕ ДАННЫЕ

УГЛОВАЯ ШЛИФМАШИНА	
Питание	18В
Обороты	9 000 об./мин.
Класс защиты	II
Пильный диск	Ø 115 mm
Gwint wrzeciona	M 14
Вибрации	3.698 м/с ² , K=1.5м/с ²
Poziom głośności	92.08дБ (A), K=3дБ (A)

Инструкция по эксплуатации - только языковая версия.

Мы оставляем за собой право вносить изменения в текст и технические характеристики.

Текст, дизайн

и технические характеристики могут меняться без предварительного уведомления.

Решение проблем

1. Выключатель нажат, но аккумуляторное устройство не работает: Для работы аккумуляторного устройства батарея должна иметь достаточный заряд. Если аккумуляторное устройство не используется длительное время, батарея разряжается. Попробуйте зарядить батарею. Убедитесь, что батарея вставлена в зарядное устройство правильно. Во время зарядки адаптер нагревается, что является нормальным явлением.
2. Батарея протекает: При экстремальных температурах или экстремальных нагрузках может возникать небольшое протекание. В случае контакта с жидкостью, немедленно смойте ее с кожи или одежды водой с мылом.
3. Батарея не заряжается а световой индикатор на зарядном устройстве не светится: Если батарея не заряжается, проверьте правильность ее положения в зарядном устройстве и убедитесь, что контрольный индикатор светится. Если не светится, проверьте, правильно ли вставлена вилка зарядного устройства в розетку. Если да, проверьте предохранитель вилки.
4. Корпус аккумуляторного устройства при длительном использовании нагревается: При нормальной нагрузке корпус, выключатель и батарея нагреваются, так как энергия, затраченная при работе аккумуляторного устройства превращается в тепло. Это нормально. Просто дайте аккумуляторное устройство остыть в течение нескольких минут.
5. Батарея при использовании нагревается: Энергия, выделяемая из батареи, генерирует тепло. Батарея при этом не повреждается, выделение тепла в процессе расходования энергии является нормальным явлением. Если хотите охладить батарею, перед продолжением работы просто выключите аккумуляторное устройство на несколько минут.
6. Батарея при зарядке нагревается: Это нормально, такая ситуация является результатом химических реакций, протекающих внутри батареи в течение процесса зарядки.

7. Во время зарядки зарядное устройство нагревается: Это нормально, такая ситуация является результатом снижения напряжения с 230 В до 18 В.

12. УТИЛИЗАЦИЯ

УКАЗАНИЯ И ИНФОРМАЦИЯ ОБ ОБРАЩЕНИИ С БЫВШЕЙ В УПОТРЕБЛЕНИИ УПАКОВКОЙ

Бывший в употреблении упаковочный материал доставьте на место, предназначенное городской администрацией для сбора отходов.

УТИЛИЗАЦИЯ БЫВШЕГО В УПОТРЕБЛЕНИИ ЭЛЕКТРИЧЕСКОГО И ЭЛЕКТРОННОГО ОБОРУДОВАНИЯ



Этот символ на изделиях или в сопроводительной документации означает, что бывшие в употреблении электрические и электронные изделия не должны выбрасываться в обычные коммунальные отходы.

Для правильной утилизации, обновления и переработки сдайте изделия в установленные пункты приема. Альтернативно в некоторых странах Европейского Союза или иных европейских странах можно вернуть свои изделия местному продавцу при покупке эквивалентного нового изделия. Правильной утилизацией этого изделия Вы помогаете сохранению ценных природных ресурсов и помогаете профилактике потенциального негативного влияния на окружающую среду и здоровье человека. Дальнейшие подробности запрашивайте у местной администрации или в ближайшем пункте приема. При неправильной утилизации этого вида отходов в соответствии с государственными предписаниями могут быть наложены штрафы.

Для предприятий в странах Европейского Союза

Если Вы хотите утилизировать электрические и электронные изделия, требуйте необходимую информацию у своего продавца или поставщика

Утилизация в остальных странах за пределами Европейского Союза

Этот символ действует в Европейском Союзе. Если Вы хотите утилизировать это изделие, запрашивайте необходимую информацию о правильном способе утилизации в местной администрации или у своего продавца.



Это изделие отвечает всем основным требованиям норм ЕС EU, которые на него распространяются.

Изменения в тексте, дизайне и технологической спецификации могут быть проведены без предварительного предупреждения. Изготовитель оставляет за собой право на их изменение.



ОФИЦИАЛЬНЫЙ ДИЛЕР В УКРАИНЕ:

storgom.ua

ГРАФИК РАБОТЫ:

Пн. – Пт.: с 8:30 по 18:30

Сб.: с 09:00 по 16:00

Вс.: с 10:00 по 16:00

КОНТАКТЫ:

+38 (044) 360-46-77

+38 (066) 77-395-77

+38 (097) 77-236-77

+38 (093) 360-46-77

Детальное описание товара:

<https://storgom.ua/product/akkumulatornaia-ugloshlifovalnaia-mashina-fieldmann-fdub-50601.html>

Другие товары: <https://storgom.ua/akkumulyatornyye-bolgarki.html>