

# Milwaukee®

Nothing but **HEAVY DUTY**®



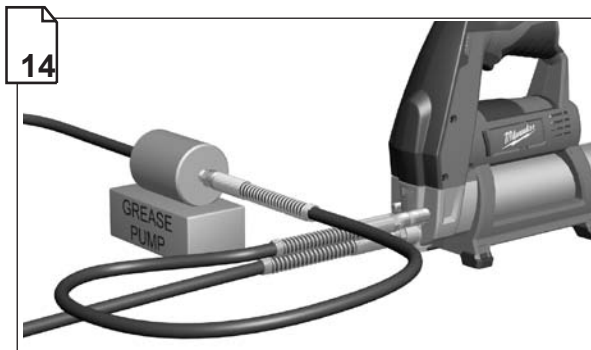
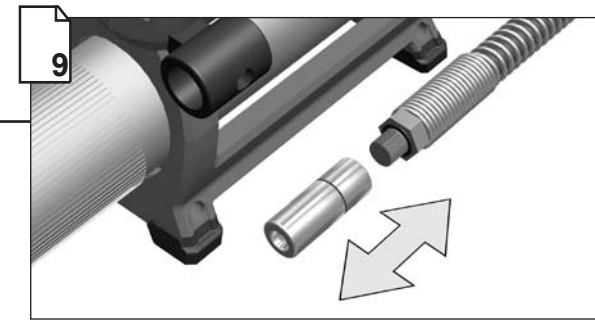
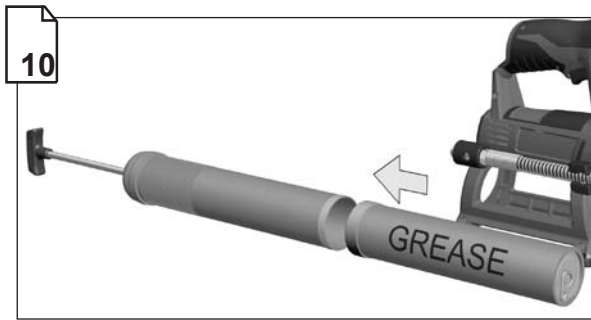
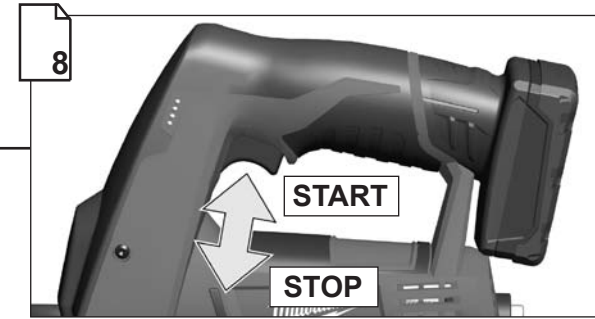
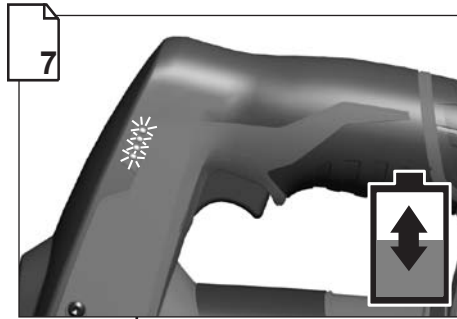
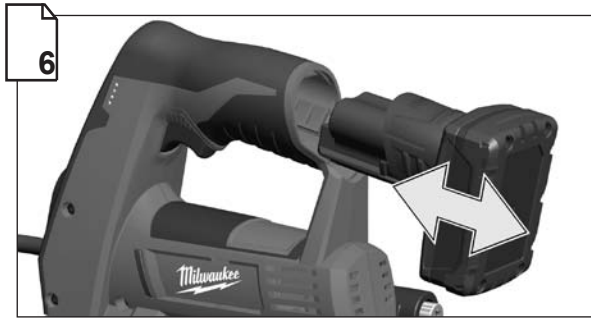
## M12 GG

Original instructions  
Originalbetriebsanleitung  
Notice originale  
Istruzioni originali  
Manual original  
Oorspronkelijke  
gebruiksaanwijzing  
Original brugsanvisning  
Original bruksanvisning  
Bruksanvisning i original  
Alkuperäiset ohjeet

Πρωτότυπο οδηγιών χρήσης  
Orijinal işletme talimatı  
Původním návodem k  
používání  
Pôvodný návod na použitie  
Instrukcją oryginalną  
Eredeti használati utasítás  
Izvirna navodila  
Originalne pogonske upute  
Instrukcijām oriģinālvalodā  
Originali instrukcija

Algupärane kasutusjuhend  
Оригинальное руководство  
по эксплуатации  
Оригинално ръководство за  
експлоатация  
Instrucțiuni de folosire  
originale  
Оригинален прирачник за  
работа  
原始的指南

Technical Data, safety instructions, Specified Conditions of Use, EC-Declaration of Conformity, Batteries, Characteristics, Maintenance,	Please read and save these instructions!	<b>ENGLISH</b>	<b>18</b>
Technische Daten, Sicherheitshinweise, Bestimmungsgemäße Verwendung, CE-Konformitätserklärung, Akkus, Merkmale, Wartung, Symbole	Bitte lesen und aufbewahren!	<b>DEUTSCH</b>	<b>20</b>
Caractéristiques techniques, Instructions de sécurité, Utilisation conforme aux prescriptions, Déclaration CE de Conformité, Accus, Description, Entretien, Symboles	Prière de lire et de conserver!	<b>FRANÇAIS</b>	<b>22</b>
Dati tecnici, Norme di sicurezza, Utilizzo conforme, Dichiarazione di Conformità CE, Batteria, Breve Indicazione, Manutenzione, Simboli	Si prega di leggere le istruzioni e di conservarle!	<b>ITALIANO</b>	<b>24</b>
Datos técnicos, Instrucciones de seguridad, Aplicación de acuerdo a la finalidad, Declaración de Conformidad CE, Batería, Señalización, Mantenimiento, Símbolos	Lea y conserve estas instrucciones por favor!	<b>ESPAÑOL</b>	<b>26</b>
Características técnicas, Instruções de segurança, Utilização autorizada, Declaração de Conformidade CE, Acumulador, Características, Manutenção, Símbolo	Por favor leia e conserve em seu poder!	<b>PORTUGUES</b>	<b>28</b>
Technische gegevens, Veiligheidsadviezen, Voorgeschreven gebruik van het systeem, EC-Konformiteitsverklaring, Akku, Kenmerken, Onderhoud, Symbolen	Lees en let goed op deze adviezen!	<b>NEDERLANDS</b>	<b>30</b>
Tekniske data, Sikkerhedshenvisninger, Tiltænkt formål, CE-Konformitetserklæring, Batteri, Beskrivelse, Vedligeholdelse, Symboler	Vær venlig at læse og opbevare!	<b>DANSK</b>	<b>32</b>
Tekniske data, Spesielle sikkerhetshenvisninger, Formålmessig bruk, CE-Samsvarserklæring, Batterier, Kjennetegn, Vedlikehold, Symboler	Vennligst les og oppbevar!	<b>NORSK</b>	<b>34</b>
Tekniska data, Säkerhetsutrustning, Använd maskinen Enligt anvisningarna, CE-Försäkran, Batterier, Kännemärke, Skötsel, Symboler	Var god läs och tag tillvara dessa instruktioner!	<b>SVENSKA</b>	<b>36</b>
Tekniset arvot, Turvallisuusohjeet, Tarkoituksenmukainen käyttö, Todistus CE-standardin mukaisuudesta, Akku, Ominaisuudet, Huolto, Symbolit	Lue ja säilytö!	<b>SUOMI</b>	<b>38</b>
Τεχνικά στοιχεία, Ειδικά υποδείξεις ασφαλείας, Χρήση σύμφωνα με το σκοπό προορισμού, Δήλωση πιστοποίησης εκ, Μπαταρίες, Χαρακτηριστικά, Συντήρηση, Σύμβολα	Παρακαλώ διαβάστε τις και φυλάξτε τις!	<b>ΕΛΛΗΝΙΚΑ</b>	<b>40</b>
Teknik veriler, Güvenliğinizi için talimatlar, Kullanım, CE uygunluk beyanince, Akü, Özellikler, Bakım, Semboller	Lütfen okuyun ve saklayın	<b>TÜRKÇE</b>	<b>42</b>
Technická data, Speciální bezpečnostní upozornění, Oblast využití, Ce-prohlášení o shodě, Akumulátory, Upozornění, Údržba, Symboly	Po přečtení uschovejte	<b>ČESKY</b>	<b>44</b>
Technické údaje, Speciálne bezpečnostné pokyny, Použitie podľa predpisov, CE-Vyhlasenie konformity, Akumulátory, Znaky, Údržba, Symboly	Prosim prečítat a uschovať!	<b>SLOVENSKY</b>	<b>46</b>
Dane techniczne, Specjalne zalecenia dotyczace bezpieczerstwa, Uzytkowanie zgodnie z przeznaczeniem, Swiadectwo zgodnosci ce, Bateria akumulatorowe, Wlasnosci, Gwarancja, Symbole	Prosimy o uwazne przeczytanie i przestrzeganie zalecen zamie szczonych w tej instrukcji.	<b>POLSKI</b>	<b>48</b>
Műszaki adatok, Különleges biztonsági tudnivalók, Rendeltetésszerű használat, Ce-azonossági nyilatkozat, Akkuk, Jellegzetességek, Karbantartás, Szimbólumok	Olvassa el és őrizze meg	<b>MAGYAR</b>	<b>50</b>
Tehnični podatki, Specialni varnostni napotki, Uporaba v skladu z namembnostjo, Ce-izjava o konformnosti, Akumulatorji, Značilnosti, Vzdrževanje, Simboli	Prosimo preberite in shranite!	<b>SLOVENSKO</b>	<b>52</b>
Tehnički podaci, Specijalne sigurnosne upute, Propisna upotreba, CE-Izjava konformnosti, Baterije, Obilježja, Održavanje, Simboli	Molimo pročitati i sačuvati	<b>HRVATSKI</b>	<b>54</b>
Tehniskie dati, Speciālie drošības noteikumi, Noteikumiem atbilstošs izmantojums, Atbilstība CE normām, Akumulātori, Pazīmes, Apkope, Simboli	Pielikums lietošanas pamācībai	<b>LATVISKI</b>	<b>56</b>
Tehiniai duomenys, Ypatingos saugumo nuorodos, Naudojimas pagal paskirtį, CE Atitikties pareiškimas, Akumulatoriai, Požymiai, Techninis aptarnavimas, Simboliai	Prašome perskaityti ir neišmesti!	<b>LIETUVIŠKAI</b>	<b>58</b>
Tehnilised andmed, Spetsiaalsed turvajuhised, Kasutamise vastavalt otstarbele, EÜ Vastavusavaldus, Akud, Tunnused, Hooldus, Sümbolid	Palun lugege läbi ja hoidke alal!	<b>EESTI</b>	<b>60</b>
Технические данные, Рекомендации по технике безопасности, Использование, Аккумулятор, Характеристики, Обслуживание, Символы	Пожалуйста, прочтите и сохраните настоящую инструкцию	<b>РУССКИЙ</b>	<b>62</b>
Технически данни, Специални указания за безопасност, Използване по предназначение, CE-Декларация за съответствие, Аккумулятори, Характеристики, Поддръжка, Символи	Моля прочетете и запазете!	<b>БЪЛГАРСКИ</b>	<b>64</b>
Date tehnice, Instrucțiuni de securitate, Condiții de utilizare specificate, Declarație de conformitate, Alimentare de la rețea, Caracteristici, Intreținere, Simboluri	Va rugăm citiți și păstrați aceste instrucțiuni	<b>ROMÂNIA</b>	<b>66</b>
Технички Податоци, Упатство За Употреба, Специфицирани Услови На Употреба, Еу-декларација За Сообразност, Батерии, Карактеристики, Одржување, Символи	Ве молиме прочитајте го и чувајте го ова упатство!	<b>МАКЕДОНСКИ</b>	<b>68</b>
技术数据, 特殊安全指示, 正确地使用机器, 欧洲安全规定说明, 蓄电池, 特点, 维修, 符号	请仔细阅读并妥善保存!	<b>中文</b>	<b>70</b>



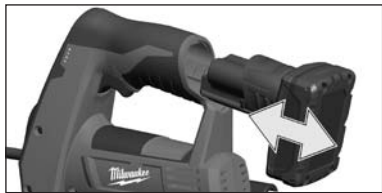
Pump loading  
Pumpenbefüllung  
Riempimento pompa  
Enchimento da bomba  
Pomp vullen  
Fylldning af pumpen  
Fylling av pumpe  
Párfyllning av pumpe  
Pumpun täyttö  
Γέμισμα του γρασαδόρου  
Pompanin doldurulması

Plnění čerpadla  
Plnenie čerpadla  
Napeňovanie pompy  
A pumpa feltöltése  
Polnjenje črpalke  
Punjenje pumpe  
Sūkņa uzpilde  
Pumba tāitmīne  
Siurblio pripildymas  
Наполнение насоса  
Пълнене на помпата  
Alimentarea pompei  
Полнење на пумпата  
油泵灌装



Remove the battery pack before starting any work on the machine.  
Vor allen Arbeiten an der Maschine den Wechselakku herausnehmen  
Avant tous travaux sur la machine retirer l'accum interchangeable.  
Prima di iniziare togliere la batteria dalla macchina.  
Retire la batería antes de comenzar cualquier trabajo en la máquina.  
Antes de efectuar cualquier intervención en la máquina retirar o bloco acumulador.  
Ved arbejde inden i maskinen, bør batteriet tages ud.  
Ta ut vekselbatteriet før du arbeider på maskinen  
Drag ur batteripaket innan arbete utföres på maskinen.  
Ota akku pois ennen kaikkia koneeseen tehtäviä toimenpiteitä.  
Πριν από κάθε εργασία στη μηχανή αφαιρέστε την ανταλλακτική μπαταρία.  
Aletin kendinde bir çalışma yapmadan önce kartuş aküyü çıkarm.  
Před zahájením veškerých prací na vrtacím šroubováku vyjmout výměnný akumulátor.

Pred každou pracou na stroji výměnný akumulátor vytláchnuť.  
Przed przystąpieniem do jakichkolwiek prac na elektronarzędziu należy wyjąć wkładkę akumulatorową.  
Karbantartás, javítás, tisztítás, stb. előtt az akkumulátort ki kell venni a készülékből.  
Pred deli na stroju izvlcite izmenljivi akumulator.  
Prije svih radova na stroju izvaditi bateriju za zamjenu.  
Pirms mašīnai veikt jebkāda veida apkopes darbus, ir jāizņem arī akumulators.  
Prieš atikdami bet kokius darbus įrenginyje, išimkite keičiamą akumuliatorių.  
Enne kõiki töid masina kallal võtke vahetatav aku välja.  
Выньте аккумулятор из машины перед проведением с ней каких-либо манипуляций.  
Преди започване на каквито е да е работи по машината извадете акумулатора.  
İnderpârtâți acumulatorul înainte de începerea lucrului pe mașina  
Отстранете ја батеријата пред да започнете да ја користите машината.  
在机器上进行任何修护工作之前，先拿出蓄电池。



Remove the battery pack before starting any work on the machine.  
 Vor allen Arbeiten an der Maschine den Wechselakku herausnehmen  
 Avant tous travaux sur la machine retirer l'accu interchangeable.

Prima di iniziare togliere la batteria dalla macchina.  
 Retire la batería antes de comenzar cualquier trabajo en la máquina.

Antes de efectuar qualquer intervenção na máquina retirar o bloco acumulador.

Voor alle werkzaamheden aan de machine de akku verwijderen.

Ved arbejde inden i maskinen, bør batteriet tages ud.

Ta ut vekselbatteriet før du arbeider på maskinen  
 Drag ur batteripaket innan arbete utföres på maskinen.

Ota akku pois ennen kaikkia koneeseen tehtäviä toimenpiteitä.

Πριν από κάθε εργασία στη μηχανή αφαιρείτε την ανταλλακτική μπαταρία.

Aletin kendingde bir çalışma yapmadan önce kartuş aküyü çıkarın.

Před zahájením veškerých prací na vrtacím šroubovákú vyjmout výměnný akumulátor.

Pred každou prácou na stroji výměnný akumulátor vytiahnuť.

Przed przystąpieniem do jakichkolwiek prac na elektronarzędziu należy wyjąć wkładkę akumulatorową.

Karbantartás, javítás, tisztítás, stb. előtt az akkumulátort ki kell venni a készülékből.

Pred deli na stroju izvlcite izmenljivi akumulator.

Prije svih radova na stroju izvaditi bateriju za zamjenu.

Pirms mašīnai veikt jebkāda veida apkopes darbus, ir jāizņem ārā akumulators.

Prieš atikdami bet kokius darbus įrenginyje, išimkite keičiamą akumuliatorių.

Enne kõiki töid masina kallal võtke vahetatav aku välja.

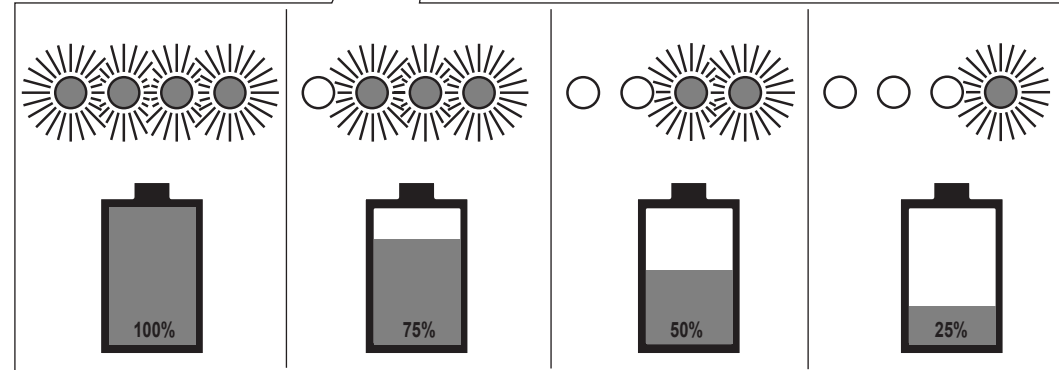
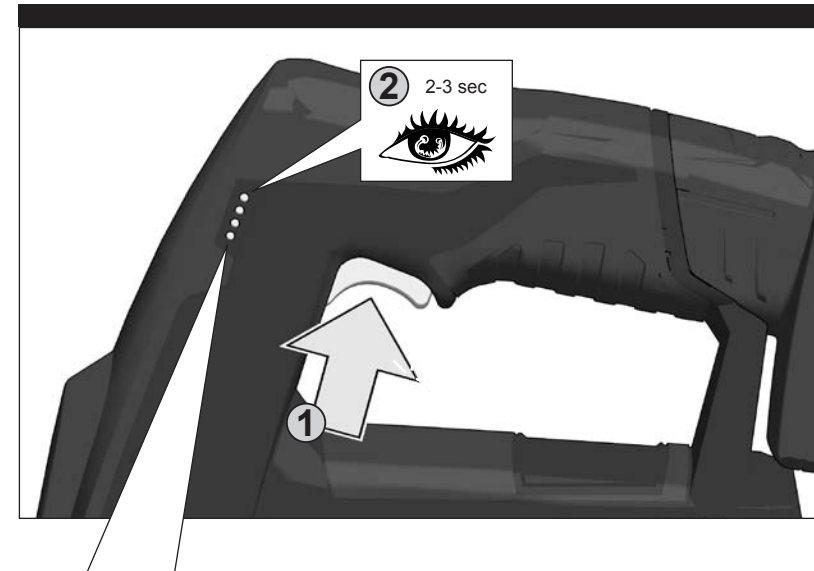
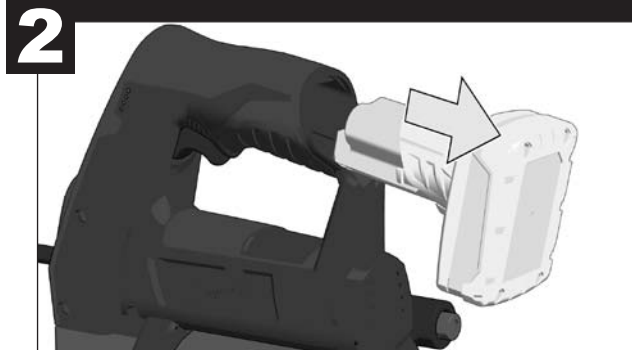
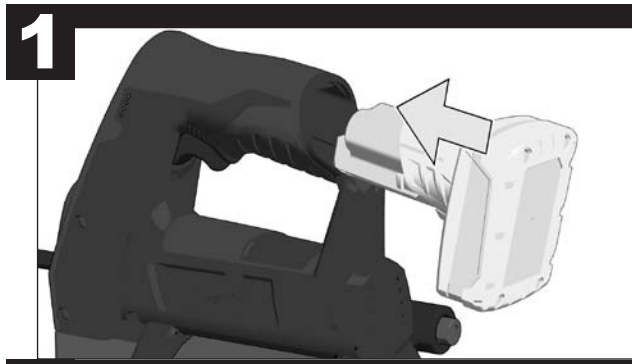
Виньте аккумулятор из машины перед проведением с ней каких-либо манипуляций.

Преди започване на каквита е да е работи по машината извадете акумулатора.

Scoateți acumulatorul înainte de a începe orice intervenție pe mașină.

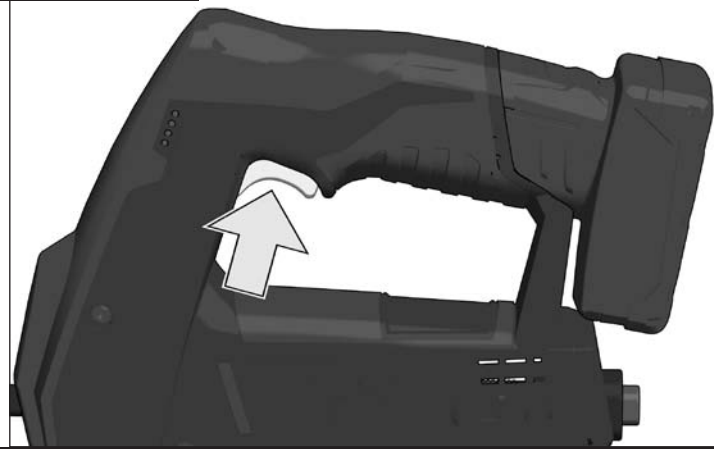
Отстранете ја батеријата пред да започнете да ја користите машината.

在机器上进行任何维护工作之前，先拿出蓄电池。

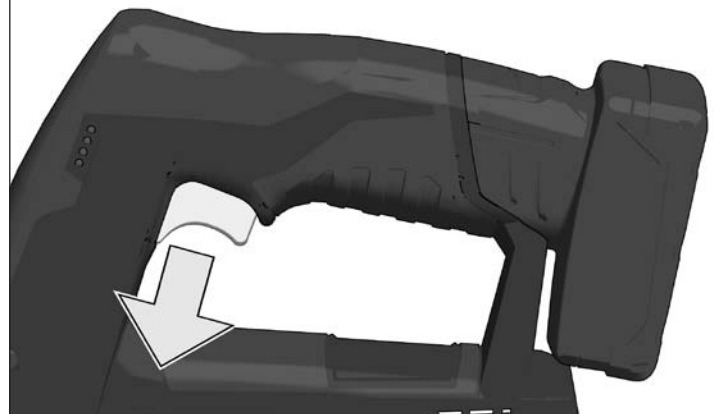




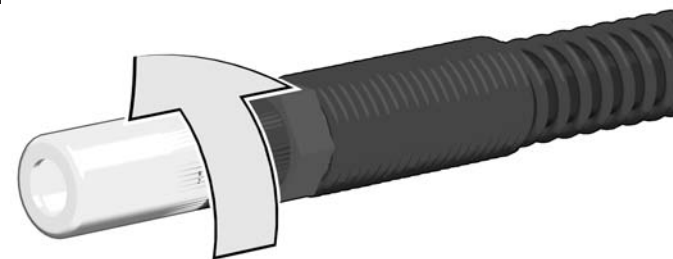
**START**



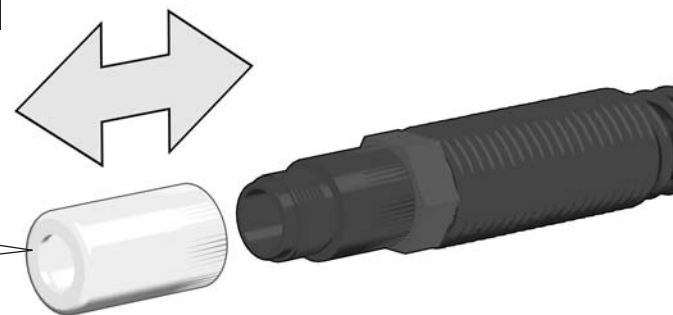
**STOP**



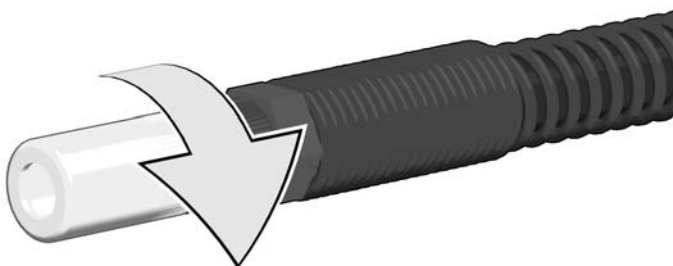
**1**

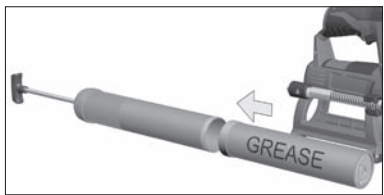


**2**

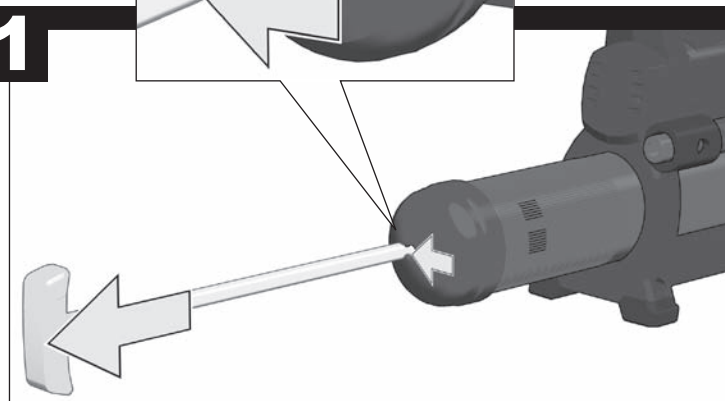
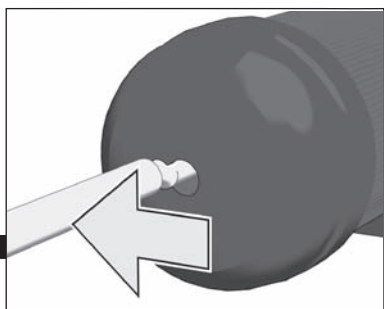


**3**

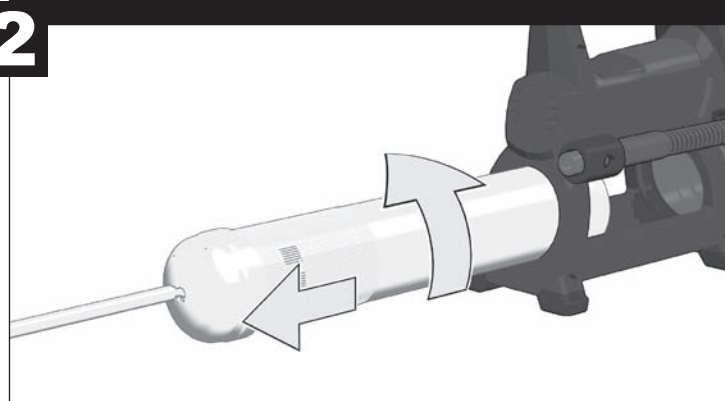




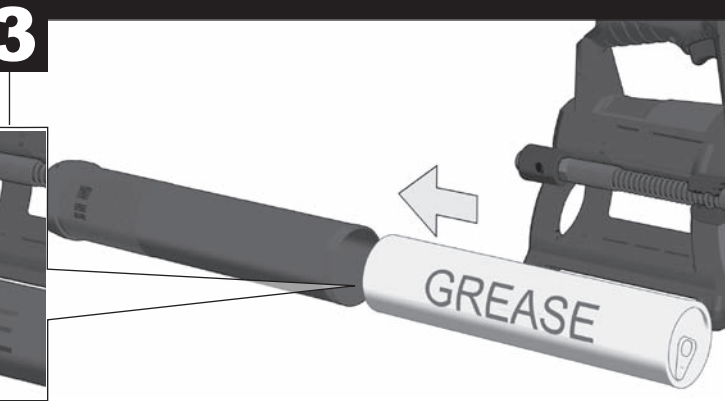
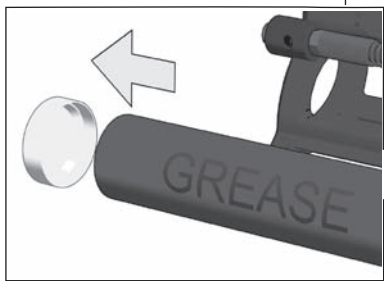
**1**



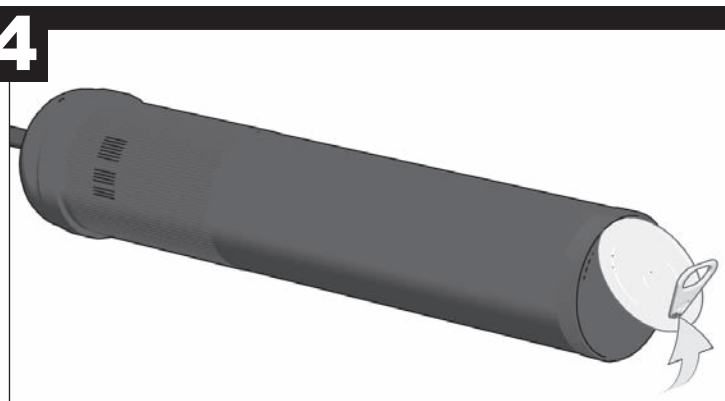
**2**



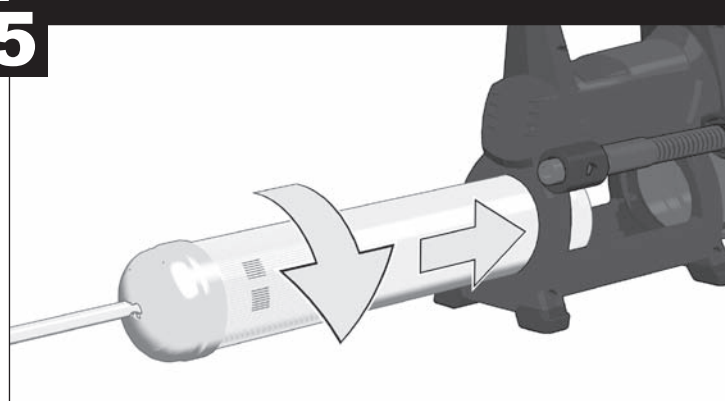
**3**



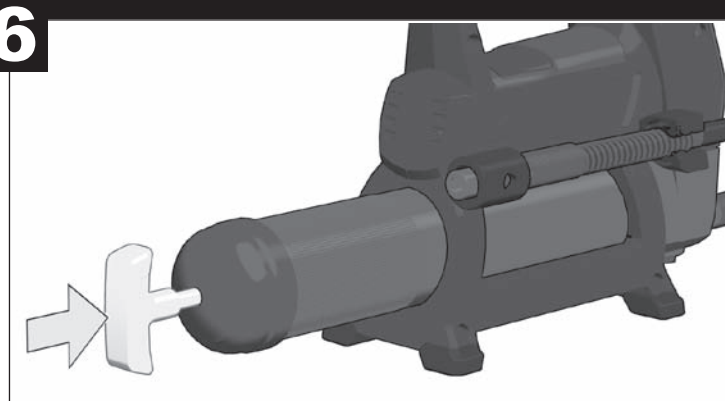
**4**

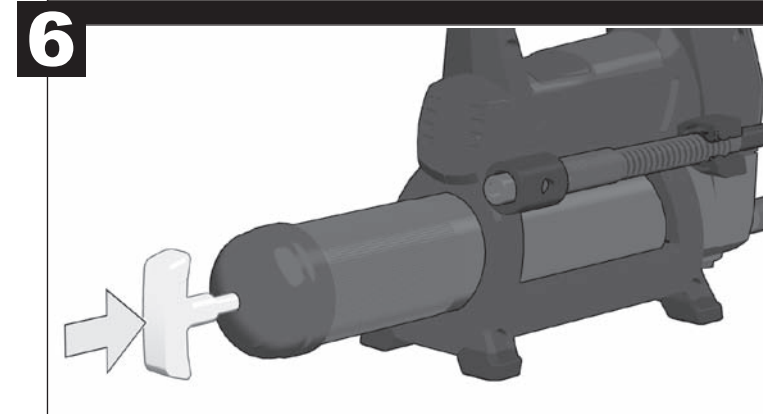
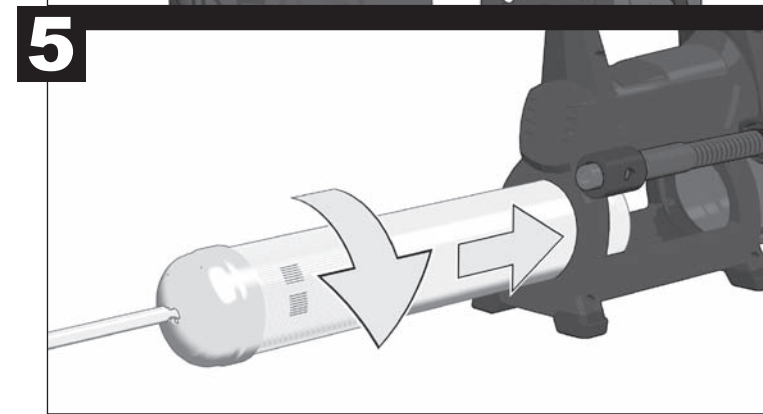
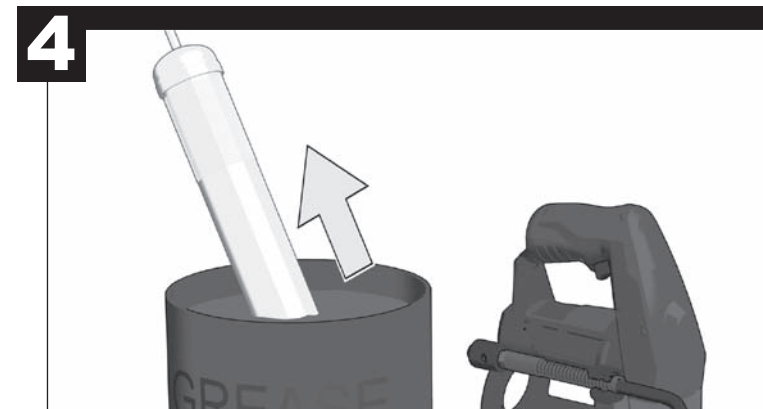
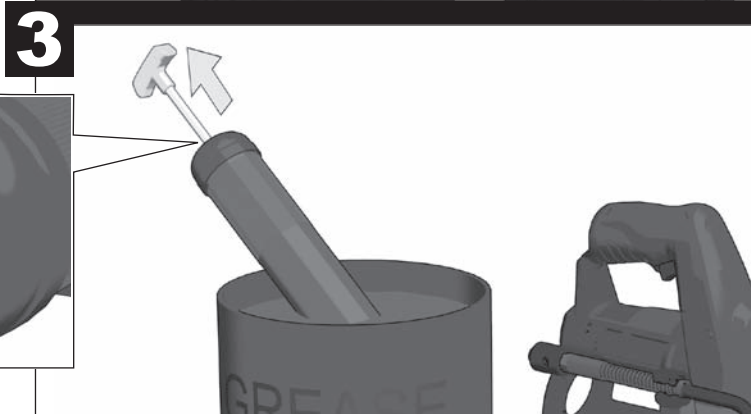
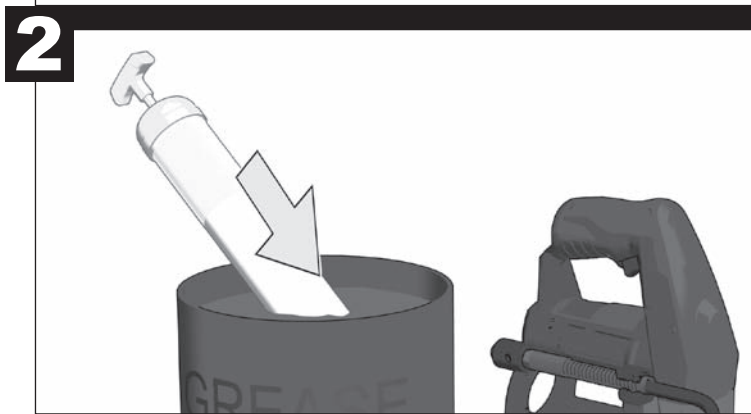
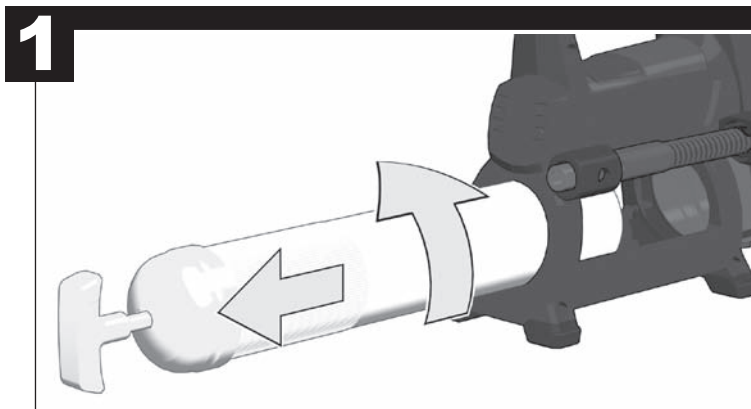


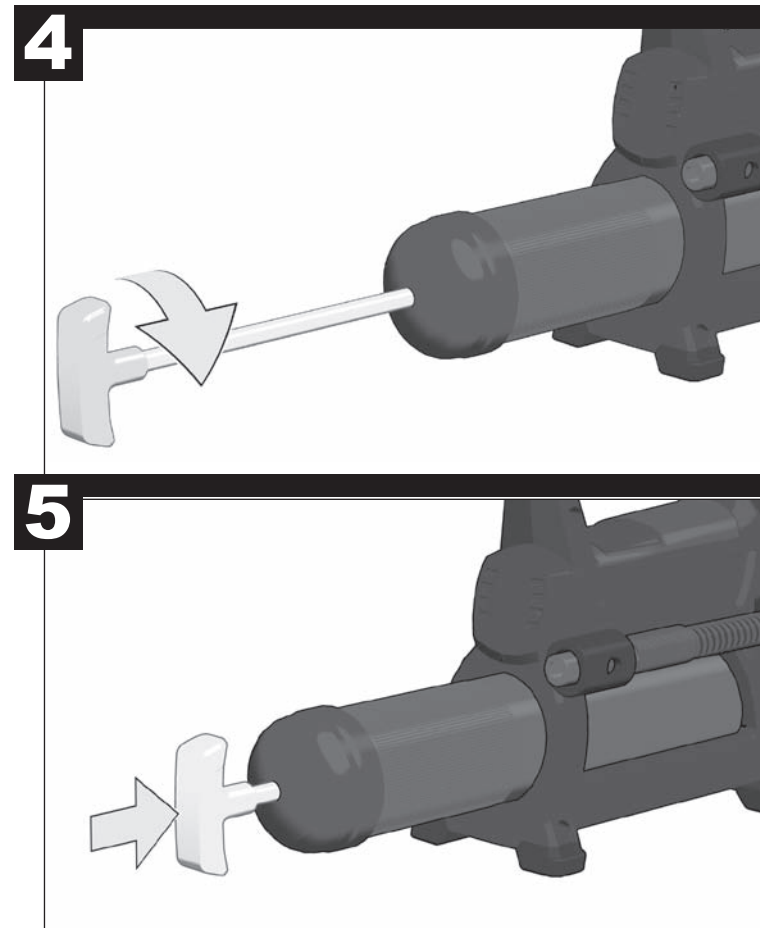
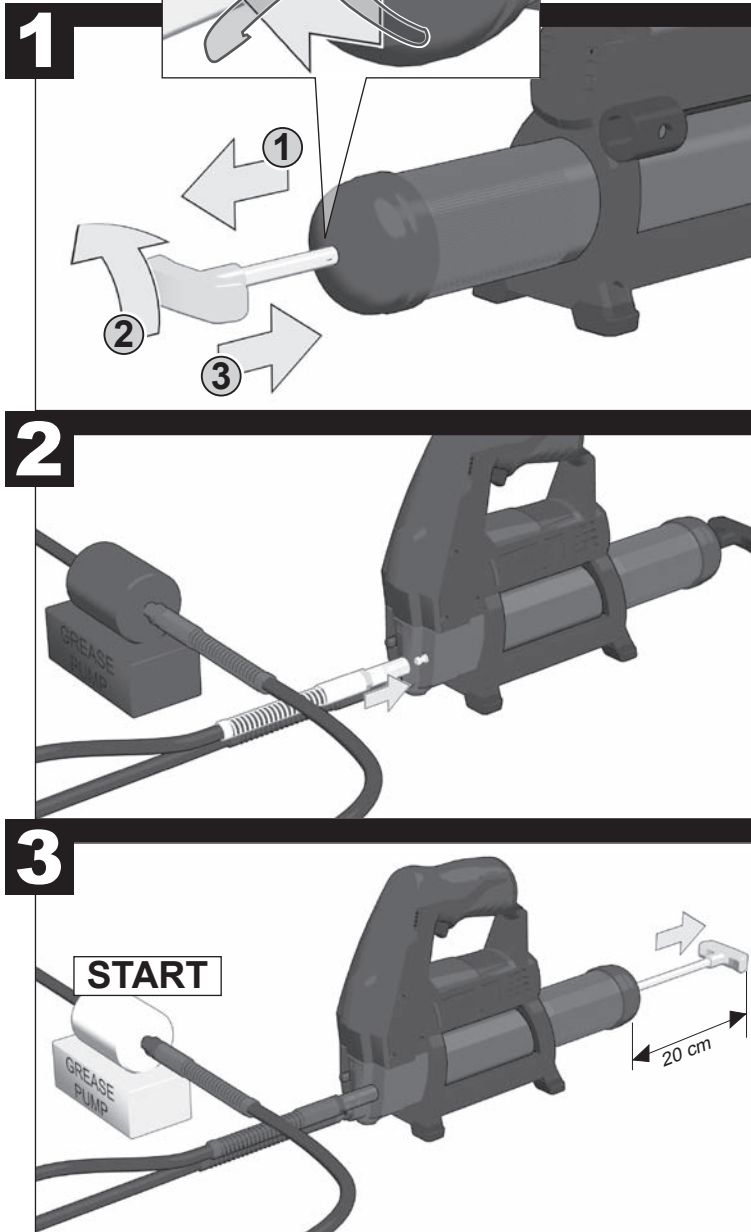
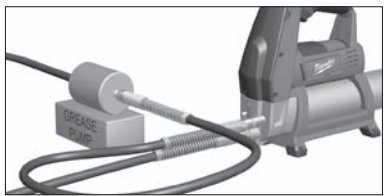
**5**



**6**









After refilling the grease gun, always prime the grease gun. See text section for description.

Eine nachgefüllte Fettpresse vor dem ersten Abschmieren immer entlüften. Beschreibung siehe Textteil.

Après avoir rempli le pistolet graisseur il faut toujours le désaérer avant son utilisation. Pour la description voir la partie de texte.

Dopo aver rabboccato l'ingrassatore a siringa occorre sempre disaerarla prima di usarlo. Vedi la parte di testo per la descrizione.

El aire de una pistola engrasadora rellena siempre debe ser purgado antes de efectuar la primera lubricación. Descripción, véase texto

O ar de uma pistola de lubrificação enchida sempre deve ser evacuado antes da primeira lubrificação. Para a descrição veja o texto.

Ontlucht een bijgevolde vetpers altijd vóór de eerste smering. Beschrijving zie tekstgedeelte.

Når fedtpistolen er fyldt op igen, skal den altid udluftes. Se beskrivelsen i tekstdelen.

En gjenoppfylt fettresse skal alltid utluftes før første smøring. Beskrivelse se tekstdel.

Når fettsprutan har fylts på ska den alltid avluftas innan ny applicering sker. Se beskrivningen i textdelen.

Poista aina ilma täytetystä rasvapuristimesta ennen sen seuraavaa käyttöä. Selityksen löydät tekstiosasta.

Μετά από κάθε γέμισμα του γρασαδόρου αυτός πρέπει να εξαερωθεί. Η διαδικασία περιγράφεται παρακάτω.

Takviye yapılmış olan bir gres tabancasının ilk yağlamadan önce daima havasını boşaltınız. Tarif için metin kısmına bakınız.

Doplňený mazací lis před prvním mazáním vždy odvzdušněte. Popis je uveden v textové části.

Doplňený mastiaci lis pred prvým mazaním vždy odvzdušnite. Popis si pozrite v textovej časti.

Praszkę smarową po uzupełnieniu smaru należy zawsze odpowietrzyć przed pierwszym smarowaniem. Opis patrz fragment tekstu.

Az újra feltöltött zsírzóprést az első zsírzás előtt mindig légteleníteni kell. A leírás lásd a szöveges részben.

Spet napolnjeno maščobno stiskalico pred prvim mazanjem zmeraj odzračiti. Opis v delu texta.

Jednu naknadno napunjenu prešu za mast prije prvotnog podmazivanja odzračiti. Opis vidi u dijelu teksta.

Pirms pirmās eļļošanas vienmēr veiciet uzpildītās eļļas pistoles atgaisošanu. Instrukciju skatiet attiecīgajā sadaļā.

Eemaldage täidetud määrdpriitsist enne esmakordset määrimist alati õhk. Kirjeldust vt tekstiosast.

Visada prieš pirmajį tepimą pašalinkite orą iš pripildyto tepalu pistoleto. Aprašymą žiūrėkite tekstinėje dalyje.

После повторного наполнения смазочного шприца перед первой смазкой всегда удаляйте из него воздух.

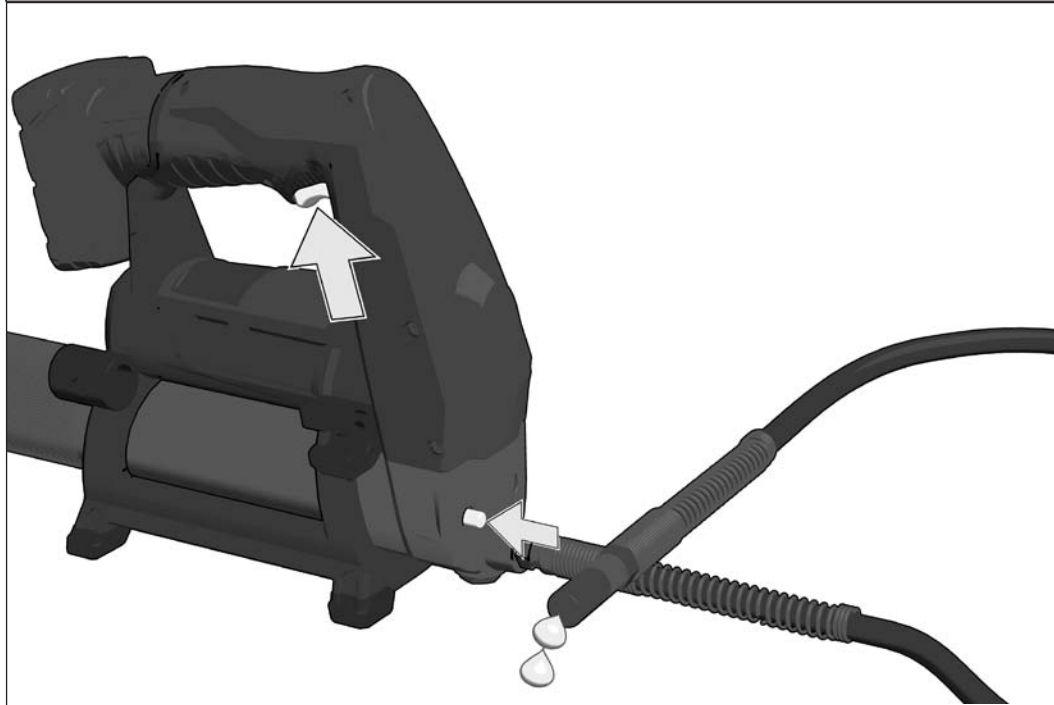
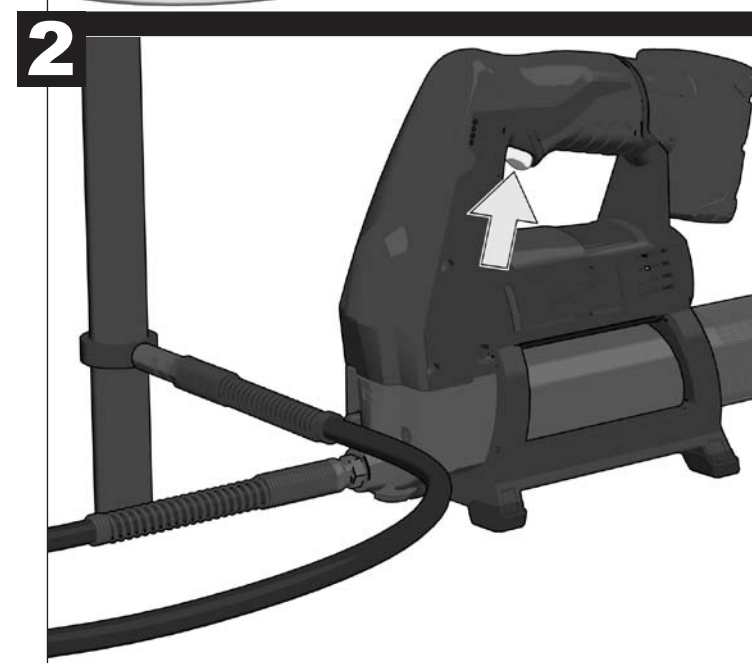
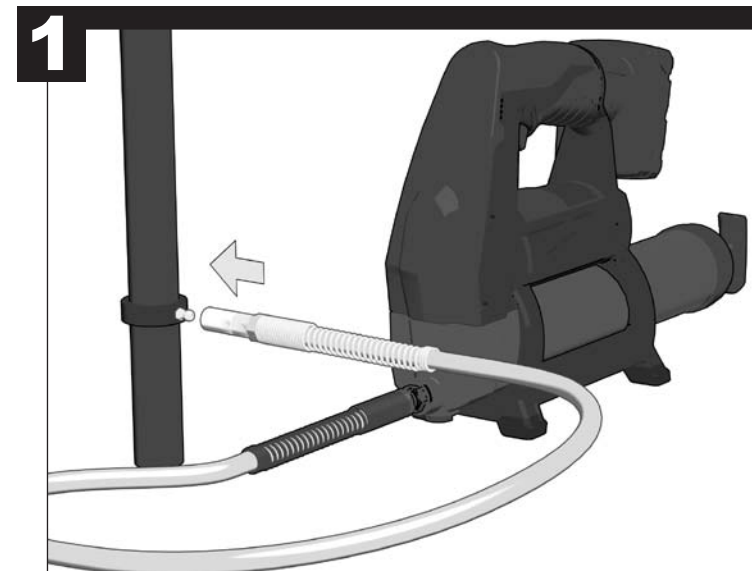
Описание см. в текстовом блоке.

Винаги обезвъздушавайте преди първото смазване доливаща се помпата за гресиране. За описанието виж текста.

O presă de gresare care a fost completată, trebuie întotdeauna aerisită înainte de efectuarea gresării. Descrierea procedurii - a se vedea textul.

Накладно наполнета преса за маст пред првото подмачкување секогаш да се изветрее. Опис види во текстуралниот дел.

首次润滑前，应经常对再装满的黄油枪进行排气。有关描述请见下文。



**TECHNICAL DATA****GREASE GUN****M12 GG**

Max. operating pressure.....	562 bar
Flow rate.....	74 g/min
Cylinder capacity bulk.....	454 g
Cylinder capacity cartridge.....	411 g
Hose rating.....	690 bar
Battery voltage.....	12 V
Weight according EPTA-Procedure 01/2003.....	3,3 kg

**Noise/vibration information**

Measured values determined according to EN 60 745.

Typically, the A-weighted noise levels of the tool are:

Sound pressure level (K = 3 dB(A)).....	65,5 dB (A)
Sound power level (K = 3 dB(A)).....	76,5 dB (A)

**Always wear ear protectors!**

Total vibration values (vector sum in the three axes) determined according to EN 60745.

Vibration emission value $a_h$ .....	< 2,5 m/s <sup>2</sup>
Uncertainty K=.....	1,5 m/s <sup>2</sup>

**WARNING**

The vibration emission level given in this information sheet has been measured in accordance with a standardised test given in EN 60745 and may be used to compare one tool with another. It may be used for a preliminary assessment of exposure.

The declared vibration emission level represents the main applications of the tool. However if the tool is used for different applications, with different accessories or poorly maintained, the vibration emission may differ. This may significantly increase the exposure level over the total working period.

An estimation of the level of exposure to vibration should also take into account the times when the tool is switched off or when it is running but not actually doing the job. This may significantly reduce the exposure level over the total working period.

Identify additional safety measures to protect the operator from the effects of vibration such as: maintain the tool and the accessories, keep the hands warm, organisation of work patterns.

**⚠ WARNING! Read all safety warnings and all instructions, including those given in the accompanying brochure.** Failure to follow the warnings and instructions may result in electric shock, fire and/or serious injury. **Save all warnings and instructions for future reference.**

**SAFETY INSTRUCTIONS**

High pressure can cause some tool parts or hose assembly to rupture, posing a risk of injection injury and/or amputation. Inspect tool and hose assembly for damage or wear before each use. Do not use if damaged or worn.

Hold Hose Assembly by spring strain relief to avoid kinking the hose.

Grease and lubricants may be flammable. Do not expose to flame or heat source. Follow all warnings and instructions from grease and lubricant manufacturer.

To avoid damage to the grease gun and pump, the loader fitting must be compatible with the coupler and rated for at least 690 bar.

Always wear goggles when using the machine. It is recommended to wear gloves, sturdy non slipping shoes and apron.

Remove the battery pack before starting any work on the machine.

Do not dispose of used battery packs in the household refuse or by burning them. Milwaukee Distributors offer to retrieve old batteries to protect our environment.

Do not store the battery pack together with metal objects (short circuit risk).

Use only System C12 chargers for charging System C12 battery packs. Do not use battery packs from other systems.

Battery acid may leak from damaged batteries under extreme load or extreme temperatures. In case of contact with battery acid wash it off immediately with soap and water. In case of eye contact rinse thoroughly for at least 10 minutes and immediately seek medical attention.

**SPECIFIED CONDITIONS OF USE**

The grease gun is designed to grease lubrication points, which usually are greased by using grease guns. It must use commercially available grease (in cartridges or bulks), suitable for usage in grease guns.

Do not use this product in any other way as stated for normal use.

**EC-DECLARATION OF CONFORMITY**

We declare under our sole responsibility that this product is in conformity with the following standards or standardized documents.

EN60745-1:2009/A11:2010  
in accordance with the regulations 2011/65/EC (RoHs),  
2004/108/EC, 2006/42/EC



Winnenden, 2012-08-06

Rainer Kumpf  
Manager Product Development

Authorized to compile the technical file

**BATTERIES**

New battery packs reach full loading capacity after 4 - 5 chargings and dischargings. Battery packs which have not been used for some time should be recharged before use.

Temperatures in excess of 50°C (122°F) reduce the performance of the battery pack. Avoid extended exposure to heat or sunshine (risk of overheating).

The contacts of chargers and battery packs must be kept clean.

For an optimum life-time, the battery packs have to be fully charged, after used.

To obtain the longest possible battery life remove the battery pack from the charger once it is fully charged.

For battery pack storage longer than 30 days:  
Store the battery pack where the temperature is below 27°C and away from moisture  
Store the battery packs in a 30% - 50% charged condition  
Every six months of storage, charge the pack as normal.

**BATTERY PACK PROTECTION LI-ION BATTERY**

The battery pack has overload protection that protects it from being overloaded and helps to ensure long life. Under extreme stress the battery electronics switch off the machine automatically. To restart, switch the machine off and then on again. If the machine does not start up again, the battery pack may have discharged completely. In this case it must be recharged in the battery charger.

**PRIMING THE GREASE GUN**

Hold the hose assembly by the spring strain relief and point away from your body.

Pull the trigger for 3 seconds, release, and repeat until grease begins to flow from the fitting.

If after several attempts grease does not appear, manually prime the grease gun:

Pull back the rod and turn the rod handle to lock into the plunger.

Press in the bleed valve while manually pressing in the rod. Once grease begins to flow from the fitting, rotate the rod handle to release the plunger. Press the rod completely into the cylinder.

**NOTE:** This tool has been tested to factory standards, which results in a small amount of grease being left in the pump body, hose and coupler assembly. It is recommended that you purge this tool with the brand of grease you will be using before actual use.

**TROUBLESHOOTING**

Unable to pull back rod:  
Press the bleeder to release pressure.

Unable to push rod forward:  
Rotate rod 90° to disengage it from plunger.

No grease when trigger is pulled:  
Cylinder is empty, add grease.  
Air pockets in the cylinder, prime the grease gun.

**MAINTENANCE**

Use only Milwaukee accessories and spare parts. Should components need to be replaced which have not been described, please contact one of our Milwaukee service agents (see our list of guarantee/service addresses).

If needed, an exploded view of the tool can be ordered. Please state the Article No. as well as the machine type printed on the label and order the drawing at your local service agents or directly at: Milwaukee Electric Tool 10, D-71364 Winnenden, Germany.

**SYMBOLS**

Please read the instructions carefully before starting the machine.



Remove the battery pack before starting any work on the machine.



Do not dispose of electric tools together with household waste material! In observance of European Directive 2002/96/EC on waste electrical and electronic equipment and its implementation in accordance with national law, electric tools that have reached the end of their life must be collected separately and returned to an environmentally compatible recycling facility.

**TECHNISCHE DATEN****FETTPRESSE****M12 GG**

Max. Betriebsdruck.....	562 bar
Durchflussmenge.....	74 g/min
Fassungsvermögen bei Befüllung aus Gebinden.....	454 g
Fassungsvermögen mit Kartusche.....	411 g
Schlauchdruck.....	690 bar
Spannung Wechselakku.....	12 V
Gewicht nach EPTA-Prozedur 01/2003.....	3,3 kg

**Geräusch/Vibrationsinformation**

Messwerte ermittelt entsprechend EN 60 745.

Der A-bewertete Geräuschpegel des Gerätes beträgt typischerweise:

Schalldruckpegel (K = 3 dB(A)).....	65,5 dB (A)
Schallleistungspegel (K = 3 dB(A)).....	76,5 dB (A)

**Gehörschutz tragen!**

Schwingungsgesamtwerte (Vektorsumme dreier Richtungen) ermittelt entsprechend EN 60745.

Schwingungsemissionswert $a_w$ .....	< 2,5 m/s <sup>2</sup>
Unsicherheit K = .....	1,5 m/s <sup>2</sup>

**WARNUNG**

Der in diesen Anweisungen angegebene Schwingungspegel ist entsprechend einem in EN 60745 genormten Messverfahren gemessen worden und kann für den Vergleich von Elektrowerkzeugen miteinander verwendet werden. Er eignet sich auch für eine vorläufige Einschätzung der Schwingungsbelastung.

Der angegebene Schwingungspegel repräsentiert die hauptsächlichen Anwendungen des Elektrowerkzeugs. Wenn allerdings das Elektrowerkzeug für andere Anwendungen, mit abweichenden Einsatzwerkzeugen oder ungenügender Wartung eingesetzt wird, kann der Schwingungspegel abweichen. Dies kann die Schwingungsbelastung über den gesamten Arbeitszeitraum deutlich erhöhen.

Für eine genaue Abschätzung der Schwingungsbelastung sollten auch die Zeiten berücksichtigt werden, in denen das Gerät abgeschaltet ist oder zwar läuft, aber nicht tatsächlich im Einsatz ist. Dies kann die Schwingungsbelastung über den gesamten Arbeitszeitraum deutlich reduzieren.

Legen Sie zusätzliche Sicherheitsmaßnahmen zum Schutz des Bedieners vor der Wirkung von Schwingungen fest wie zum Beispiel: Wartung von Elektrowerkzeug und Einsatzwerkzeugen, Warmhalten der Hände, Organisation der Arbeitsabläufe.

**⚠ WARNUNG! Lesen Sie alle Sicherheitshinweise und Anweisungen, auch die in der beiliegenden Broschüre.** Versäumnisse bei der Einhaltung der Sicherheitshinweise und Anweisungen können elektrischen Schlag, Brand und/oder schwere Verletzungen verursachen. **Bewahren Sie alle Sicherheitshinweise und Anweisungen für die Zukunft auf.**

**SPEZIELLE SICHERHEITSHINWEISE**

Hoher Druck kann zu Bruch an Schlauch oder Werkzeuteilen führen. Es besteht die Gefahr von Verletzungen durch Einspritzungen oder Abtrennung. Vor jedem Gebrauch das Gerät und die Schlauchleitungen auf Beschädigungen überprüfen. Bei Beschädigungen das Gerät nicht verwenden.

Den Schlauch bei der Montage an der Federzugentlastung anfassen um ein Abknicken zu vermeiden.

Fette und Schmierstoffe sind brennbar. Nicht Feuer oder Hitzequellen aussetzen. Befolgen Sie alle Warnungen und Hinweise des Fett- und Schmierstoff Herstellers.

Um Schäden an Fettpresse und Pumpe zu vermeiden, muss der Anschluss der Pumpe kompatibel zur Kupplung des Schlauches sein und einen Druck von mindestens 690 bar aushalten.

Beim Arbeiten mit der Maschine stets Schutzbrille tragen. Schutzhandschuhe, festes und rutschsicheres Schuhwerk und Schürze werden empfohlen.

Vor allen Arbeiten an der Maschine den Wechselakku herausnehmen

Verbrauchte Wechselakkus nicht ins Feuer oder in den Hausmüll werfen. Milwaukee bietet eine umweltgerechte Alt-Wechselakku-Entsorgung an; bitte fragen Sie Ihren Fachhändler.

Wechselakkus nicht zusammen mit Metallgegenständen aufbewahren (Kurzschlussgefahr).

Wechselakkus des Systems C12 nur mit Ladegeräten des Systems C12 laden. Keine Akkus aus anderen Systemen laden.

Unter extremer Belastung oder extremer Temperatur kann aus beschädigten Wechselakkus Batterieflüssigkeit auslaufen. Bei Berührung mit Batterieflüssigkeit sofort mit Wasser und Seife abwaschen. Bei Augenkontakt sofort mindestens 10 Minuten gründlich spülen und unverzüglich einen Arzt aufsuchen.

**BESTIMMUNGSGEMÄRE VERWENDUNG**

Die Fettpresse ist geeignet zum Abschmieren von Schmierstellen, die üblicherweise mit Fettpressen geschmiert werden. Es muss handelsübliches, für den Gebrauch in Fettpressen geeignetes Fett in Kartuschen oder Gebinden verwendet werden.

Dieses Gerät darf nur wie angegeben bestimmungsgemäß verwendet werden.

**CE-KONFORMITÄTSERKLÄRUNG**

Wir erklären in alleiniger Verantwortung, dass dieses Produkt mit den folgenden Normen oder normativen Dokumenten übereinstimmt:  
EN60745-1:2009/A11:2010  
gemäß den Bestimmungen der Richtlinien 2011/65/EG (RoHS), 2004/108/EG, 2006/42/EG



Winnenden, 2012-08-06

Rainer Kumpf  
Manager Product Development

Bevollmächtigt die technischen Unterlagen zusammenzustellen

**AKKUS**

Neue Wechselakkus erreichen ihre volle Kapazität nach 4-5 Lade- und Entladezyklen. Längere Zeit nicht benutzte Wechselakkus vor Gebrauch nachladen.

Eine Temperatur über 50°C vermindert die Leistung des Wechselakkus. Längere Erwärmung durch Sonne oder Heizung vermeiden.

Die Anschlusskontakte an Ladegerät und Wechselakku sauber halten.

Für eine optimale Lebensdauer müssen nach dem Gebrauch die Akkus voll geladen werden.

Für eine möglichst lange Lebensdauer sollten die Akkus nach dem Aufladen aus dem Ladegerät entfernt werden.

Bei Lagerung des Akkus länger als 30 Tage:

Akku bei ca. 27°C und trocken lagern.

Akku bei ca. 30%-50% des Ladezustandes lagern.

Akku alle 6 Monate erneut aufladen.

**AKKUÜBERLASTSCHUTZ LI-ION AKKU**

Der Akkupack ist mit einem Überlastschutz ausgestattet, der den Akku vor Überlastung schützt und eine hohe Lebensdauer sicherstellt.

Bei extrem starker Beanspruchung schaltet die Akkuelektronik die Maschine automatisch ab. Zum Weiterarbeiten Maschine Aus- und wieder Einschalten. Sollte die Maschine nicht wieder anlaufen, ist der Akkupack möglicherweise entladen und muss im Ladegerät wieder aufgeladen werden.

**ENTLÜFTEN DER FETTPRESSE**

Den Schlauch an der Federzugentlastung fassen und vom Körper weghalten.

Den Schalterdrücker für 3 Sekunden drücken, loslassen und dies so lange wiederholen, bis Fett aus dem Schlauch fließt.

Wenn nach mehreren Versuchen kein Fett aus dem Schlauch kommt, muss die Fettpresse manuell entlüftet werden:

Die Stange am Griff herausziehen und verdrehen um die Stange in den Kolben einzurasten.

Das Entlüftungsventil drücken und gleichzeitig die Stange wieder in den Zylinder eindrücken

So bald Fett aus dem Schlauch austritt, den Griff verdrehen um den Kolben wieder zu lösen und die Stange wieder in den Zylinder komplett eindrücken

**Hinweis:** Diese Fettpresse wurde im Werk getestet. Dadurch sind noch kleine Mengen Fett im Pumpengehäuse, im Schlauch und in der Kupplung. Es wird empfohlen vor der ersten Benutzung die Fettpresse mit dem bevorzugten Fett zu reinigen.

**FEHLERSUCHE**

Die Stange lässt sich nicht herausziehen:  
Das Entlüftungsventil drücken, um Druck abzubauen.

Die Stange lässt sich nicht eindrücken:  
Die Stange am Griff um 90° drehen um sie vom Kolben zu lösen.

Es kommt kein Fett, wenn der Schalterdrücker gedrückt wird:

Der Zylinder ist leer, neues Fett einfüllen.  
Es sind Luftblasen im Zylinder, die Fettpresse entlüften.

**WARTUNG**

Nur Milwaukee Zubehör und Ersatzteile verwenden. Bauteile, deren Austausch nicht beschrieben wurde, bei einer Milwaukee Kundendienststelle auswechseln lassen (Broschüre Garantie/Kundendienstadressen beachten).

Bei Bedarf kann eine Explosionszeichnung des Gerätes unter Angabe der Maschinen Type und der zehnstelligen Nummer auf dem Leistungsschild bei Ihrer Kundendienststelle oder direkt bei Milwaukee Electric Tool 10, D-71364 Winnenden, Germany angefordert werden.

**SYMBOLS**

Bitte lesen Sie die Gebrauchsanweisung vor Inbetriebnahme sorgfältig durch.



Vor allen Arbeiten an der Maschine den Wechselakku herausnehmen



Werfen Sie Elektrowerkzeuge nicht in den Hausmüll! Gemäss Europäischer Richtlinie 2002/96/EG über Elektro- und Elektronik-Altgeräte und Umsetzung in nationales Recht müssen verbrauchte Elektrowerkzeuge getrennt gesammelt und einer umweltgerechten Wiederverwertung zugeführt werden.

**CARACTÉRISTIQUES TECHNIQUES****PISTOLET GRAISSEUR****M12 GG**

Pression de fonctionnement max. ....	562 bar
Débit .....	74 g/min
Capacité en cas de remplissage avec graisse en bidons.....	454 g
Capacité en cas de remplissage avec cartouche.....	411 g
Pression tuyau flexible.....	690 bar
Tension accu interchangeable.....	12 V
Poids suivant EPTA-Procédure 01/2003 .....	3,3 kg

**Informations sur le bruit et les vibrations**

Valeurs de mesure obtenues conformément à la EN 60 745.

Les mesures réelles (A) des niveaux acoustiques de l'appareil sont :

Niveau de pression acoustique (K=3dB(A)) .....	65,5 dB (A)
Niveau d'intensité acoustique (K=3dB(A)).....	76,5 dB (A)

**Toujours porter une protection acoustique!**

Valeurs totales des vibrations (somme vectorielle de trois sens) établies conformément à EN 60745.

Valeur d'émission vibratoire $a_w$ .....	< 2,5 m/s <sup>2</sup>
Incertitude K .....	1,5 m/s <sup>2</sup>

**AVERTISSEMENT**

Le niveau vibratoire indiqué dans ces instructions a été mesuré selon un procédé de mesure normalisé dans la norme EN 60745 et peut être utilisé pour comparer des outils électriques entre eux. Il convient aussi à une estimation provisoire de la sollicitation par les vibrations.

Le niveau vibratoire indiqué représente les applications principales de l'outil électrique. Toutefois, si l'outil électrique est utilisé pour d'autres applications, avec des outils rapportés qui diffèrent ou une maintenance insuffisante, il se peut que le niveau vibratoire diverge. Cela peut augmenter nettement la sollicitation par les vibrations sur tout l'intervalle de temps du travail.

Pour une estimation précise de la sollicitation par les vibrations, on devrait également tenir compte des temps pendant lesquels l'appareil n'est pas en marche ou tourne sans être réellement en service. Cela peut réduire nettement la sollicitation par les vibrations sur tout l'intervalle de temps du travail.

Définissez des mesures de sécurité supplémentaires pour protéger l'utilisateur contre l'influence des vibrations, comme par exemple : la maintenance de l'outil électrique et des outils rapportés, le maintien au chaud des mains, l'organisation des déroulements de travail.

**⚠ AVERTISSEMENT! Lisez toutes les consignes de sécurité et les instructions, même celles qui se trouvent dans la brochure ci-jointe.** Le non-respect des avertissements et instructions indiqués ci après peut entraîner un choc électrique, un incendie et/ou de graves blessures sur les personnes.  
**Bien garder tous les avertissements et instructions.**

**INSTRUCTIONS DE SÉCURITÉ PARTICULIÈRES**

Une pression élevée peut causer la rupture du tuyau flexible ou de parties du dispositif. Danger de lésions notamment injections ou amputations. Avant chaque utilisation, contrôler l'intégrité du dispositif et du tuyau flexible. En présence d'anomalies ne pas utiliser le dispositif.

Pendant le montage, saisir le tuyau flexible sur la décharge de la traction à ressort pour éviter son écrasement.

Les graisses et les lubrifiants sont inflammables. Ne pas exposer au feu et à des sources de chaleurs. Suivre les instructions du producteur de la graisse ou du lubrifiant.

Pour éviter des dommages au pistolet graisseur et à la pompe, la connexion de la pompe doit être compatible avec le joint du tuyau flexible et il doit résister à une pression d'au moins 690 bars.

Toujours porter des lunettes protectrices en travaillant avec la machine. Des gants de sécurité, des chaussures solides et à semelles antidérapantes et un tablier sont recommandés.

Avant tous travaux sur la machine retirer l'accu interchangeable.

Ne pas jeter les accus interchangeables usés au feu ou avec les déchets ménagers. Milwaukee offre un système d'évacuation écologique des accus usés.

Ne pas conserver les accus interchangeables avec des objets métalliques (risque de court-circuit)

Ne charger les accus interchangeables du système C12 qu'avec le chargeur d'accus du système C12. Ne pas charger des accus d'autres systèmes.

En cas de conditions ou températures extrêmes, du liquide caustique peut s'échapper d'un accu interchangeable endommagé. En cas de contact avec le liquide caustique de la batterie, laver immédiatement avec de l'eau et du savon. En cas de contact avec les yeux, rincer soigneusement avec de l'eau et consulter immédiatement un médecin.

**UTILISATION CONFORME AUX PRESCRIPTIONS**

Le pistolet graisseur est convenable pour le graissage de points de graissage qui d'habitude sont graissés à l'aide de pistolet graisseur. Il faut utiliser de la graisse normalement en commerce en cartouche ou en bidons convenable pour des pistolets graisseurs.

Comme déjà indiqué, cette machine n'est conçue que pour être utilisée conformément aux prescriptions.

**DECLARATION CE DE CONFORMITÉ**

Nous déclarons sous notre responsabilité que ce produit est en conformité avec les normes ou documents normalisés suivants  
EN60745-1:2009/A11:2010  
conformément aux réglementations 2011/65/EC (RoHS),  
2004/108/EC, 2006/42/EC



Winnenden, 2012-08-06

Rainer Kumpf  
Manager Product Development

Autorisé à compiler la documentation technique.

**ACCUS**

Les nouveaux accus interchangeables atteignent leur pleine capacité après 4-5 cycles de chargement et déchargement. Recharger les accus avant utilisation après une longue période de non utilisation.

Une température supérieure à 50°C amoindrit la capacité des accus. Eviter les expositions prolongées au soleil ou au chauffage.

Tenir propres les contacts des accus et des chargeurs.

Après l'usage, les accus doivent être chargés entièrement pour une durée de vie optimale.

Pour une plus longue durée de vie, enlever les batteries du chargeur de batterie quand celles-ci seront chargées.

En cas d'entreposage de la batterie pour plus de 30 jours: Entreposer la batterie à 27°C environ dans un endroit sec. Entreposer la batterie avec une charge d'environ 30% - 50%. Recharger la batterie tous les 6 mois.

**PROTECTION DE L'ACCU CONTRE LES SURCHARGES**

Le bloc d'accus est équipé d'un dispositif de protection contre la surcharge qui protège l'accu contre une surcharge et qui assure une longue durée de vie.

En cas de sollicitation extrêmement élevée, l'unité électronique de l'accu éteint la machine automatiquement. Pour continuer le travail, il convient d'éteindre la machine et de l'enclencher à nouveau. Si la machine ne redémarre pas, il se peut que le bloc d'accus soit déchargé et qu'il doive être rechargé dans le chargeur.

**DESAÉRAGE DU PISTOLET GRAISSEUR**

Saisir le tuyau flexible sur la décharge de la traction à ressort et l'éloigner du corps.

Garder enfoncé le bouton interrupteur pendant trois secondes, le relâcher et répéter l'opération jusqu'à la sortie de la graisse du tuyau flexible.

Si après plusieurs essais, la graisse ne sortira pas du tuyau flexible, il faudra désaérer manuellement le pistolet graisseur.

Extraire la tige à l'aide de sa poignée et la tourner jusqu'à atteindre son enclenchement dans le piston.

Enfoncer la vanne de désaéragement et en même temps pousser la tige arrière dans le cylindre.

Lorsque la graisse commencera à sortir du tuyau flexible, tourner la poignée pour déclencher le piston et pousser de nouveau la tige complètement dans le cylindre.

Note: ce graisseur à été essayé en usine. Pour cette raison dans le bâti de la pompe, dans le tuyau flexible et dans le joint il y a encore de petites quantités de graisse. On conseille de nettoyer le pistolet graisseur par votre graisse préférée avant sa première utilisation.

**RECHERCHE DES ANOMALIES**

Impossible extraire la tige: appuyer sur la vanne de désaéragement pour réduire la pression.

Impossible pousser la tige en avant: tourner la tige de 90° à l'aide de la poignée pour la détacher du piston.

Lorsqu'on appuie sur l'interrupteur bouton, la graisse ne sort pas: le cylindre est vide, ajouter de la graisse. Dans le cylindre il y a des bulles d'air, désaérer le pistolet graisseur.

**ENTRETIEN**

N'utiliser que des pièces et accessoires Milwaukee. Pour des pièces dont l'échange n'est pas décrit, s'adresser de préférence aux stations de service après-vente Milwaukee (voir brochure Garantie/Adresses des stations de service après-vente).

Si besoin est, une vue éclatée de l'appareil peut être fournie. S'adresser, en indiquant bien le numéro à dix chiffres porté sur la plaque signalétique, à votre station de service après-vente (voir liste jointe) ou directement à Milwaukee Electric Tool, Max-Eyth-Straße 10, D-71364 Winnenden, Germany.

**SYMBOLES**

Veillez lire avec soin le mode d'emploi avant la mise en service



Avant tous travaux sur la machine retirer l'accu interchangeable.



Ne pas jeter les appareils électriques dans les ordures ménagères ! Conformément à la directive européenne 2002/96/EG relative aux déchets d'équipements électriques ou électroniques (DEEE), et à sa transposition dans la législation nationale, les appareils électriques doivent être collectés à part et être soumis à un recyclage respectueux de l'environnement.

**DATI TECNICI** **INGRASSATORE A SIRINGA** **M12 GG**

Pressione d'esercizio max. ....	562 bar
Portata .....	74 g/min
Capienza in caso di riempimento da bidoni.....	454 g
Capienza in caso di riempimento con cartuccia.....	411 g
Pressione tubo flessibile.....	690 bar
Tensione batteria .....	12 V
Peso secondo la procedura EPTA 01/2003.....	3,3 kg

**Informazioni sulla rumorosità/sulle vibrazioni**

Valori misurati conformemente alla norma EN 60 745.

La misurazione A del livello di pressione acustica dell'utensile è di solito di:

Livello di rumorosità (K=3dB(A)) .....	65,5 dB (A)
Potenza della rumorosità (K=3dB(A)).....	76,5 dB (A)

**Utilizzare le protezioni per l'udito!**

Valori totali delle oscillazioni (somma di vettori in tre direzioni) misurati conformemente alla norma EN 60745

Valore di emissione dell'oscillazione $a_h$ .....	< 2,5 m/s <sup>2</sup>
Incertezza della misura K .....	1,5 m/s <sup>2</sup>

**AVVERTENZA**

Il livello di vibrazioni indicato nelle presenti istruzioni è stato misurato in conformità con un procedimento di misurazione codificato nella EN 60745 e può essere utilizzato per un confronto tra attrezzi elettrici. Inoltre si può anche utilizzare per una valutazione preliminare della sollecitazione da vibrazioni.

Il livello di vibrazioni indicato rappresenta le applicazioni principali dell'attrezzo elettrico. Se viceversa si utilizza l'attrezzo elettrico per altri scopi, con accessori differenti o con una manutenzione insufficiente, il livello di vibrazioni può risultare diverso. E questo può aumentare decisamente la sollecitazione da vibrazioni lungo l'intero periodo di lavorazione.

Ai fini di una valutazione precisa della sollecitazione da vibrazioni si dovrebbero tenere presente anche i periodi in cui l'apparecchio rimane spento oppure, anche se acceso, non viene effettivamente utilizzato. Ciò può ridurre notevolmente la sollecitazione da vibrazioni lungo l'intero periodo di lavorazione.

Stabilite misure di sicurezza supplementari per la tutela dell'operatore dall'effetto delle vibrazioni, come ad esempio: manutenzione dell'attrezzo elettrico e degli accessori, riscaldamento delle mani, organizzazione dei processi di lavoro.

**⚠ AVVERTENZA! E' necessario leggere tutte le indicazioni di sicurezza e le istruzioni, anche quelle contenute nella brochure allegata.** In caso di mancato rispetto delle avvertenze di pericolo e delle istruzioni operative si potrà creare il pericolo di scosse elettriche, incendi e/o incidenti gravi.

**Conservare tutte le avvertenze di pericolo e le istruzioni operative per ogni esigenza futura.**

**NORME DI SICUREZZA**

Un'elevata pressione può causare la rottura del tubo flessibile o di parti dell'utensile. Sussiste il pericolo di lesioni da iniezioni o amputazioni. Prima di ogni uso controllare l'integrità del dispositivo e della tubazione flessibile. In presenza di danni non usare il dispositivo.

Durante il montaggio afferrare il tubo flessibile sullo scarico della trazione a molla per evitare lo schiacciamento.

I grassi e lubrificanti sono infiammabili. Non esporre a fuoco e fonti di calore. Seguire le avvertenze ed istruzioni del produttore di grasso e lubrificante.

Per evitare danni all'ingrassatore a siringa ed alla pompa la connessione della pompa deve essere compatibile con il giunto del tubo flessibile e deve resistere ad una pressione di almeno 690 bar.

Durante l'uso dell'apparecchio utilizzare sempre gli occhiali di protezione. Inoltre si consiglia di usare sistemi di protezione per la respirazione e per l'udito, oltre ai guanti di protezione.

Prima di iniziare togliere la batteria dalla macchina.

Non gettare le batterie esaurite sul fuoco o nella spazzatura di casa. La Milwaukee offre infatti un servizio di recupero batterie usate.

Nel vano d'innesto per la batteria del caricatore non devono entrare parti metalliche.(pericolo di cortocircuito).

Le batterie del System C12 sono ricaricabili esclusivamente con i caricatori del System C12. Le batterie di altri sistemi non possono essere ricaricate.

Nel caso di batterie danneggiate da un carico eccessivo o da temperature alte, l'acido di queste potrebbe fuoriuscire. In caso di contatto con l'acido delle batterie lavarsi immediatamente con acqua e sapone. In caso di contatto con gli occhi risciacquare immediatamente con acqua per almeno 10 minuti e contattare subito un medico.

**UTILIZZO CONFORME**

L'ingrassatore a siringa è adatto ad ingrassare punti d'ingrassaggio per i quali è previsto l'ingrassaggio con ingrassatore a siringa. Occorre usare grasso abitualmente in commercio in cartucce o bidoni idoneo all'uso con ingrassatori a siringa.

Utilizzare il prodotto solo per l'uso per cui è previsto.

**DICHIARAZIONE DI CONFORMITÀ CE**

Dichiariamo, assumendo la piena responsabilità di tale dichiarazione, che il prodotto è conforme alla seguenti normative e ai relativi documenti:  
EN60745-1:2009/A11:2010  
in base alle prescrizioni delle direttive 2011/65/EC (RoHS), 2004/108/EC, 2006/42/EC



Winnenden, 2012-08-06

Rainer Kumpf  
Manager Product Development

Autorizzato alla preparazione della documentazione tecnica

**BATTERIE**

Le batterie nuove raggiungono la loro piena capacità dopo 4-5 cicli di carica e scarica. Batterie non utilizzate per molto tempo devono essere ricaricate prima dell'uso.

A temperature superiori ai 50°C, la potenza della batteria si riduce.

Evitare di esporre l'accumulatore a surriscaldamento prolungato, dovuto ad esempio ai raggi del sole o ad un impianto di riscaldamento.

Per una durata di vita ottimale, dopo l'uso le batterie devono essere completamente ricaricate.

Per una più lunga durata, rimuovere le batterie dal caricabatterie quando saranno cariche.

In caso di immagazzinaggio della batteria per più di 30 giorni:

Immagazzinare la batteria a circa 27°C in ambiente asciutto. Immagazzinare la batteria con carica di circa il 30% - 50%. Ricaricare la batteria ogni 6 mesi.

**DISPOSITIVO ANTISOVRACCARICO ACCUMULATORE**

Il gruppo accumulatore è equipaggiato con un dispositivo antisovraccarico, che protegge l'accumulatore da qualsiasi sovraccarico e assicura un'elevata durata di vita.

In caso di sollecitazione estremamente elevata, l'elettronica dell'accumulatore spegne la macchina automaticamente.

Per poter continuare a lavorare bisogna spegnere e riaccendere la macchina. Se la macchina non dovesse riavviarsi, il gruppo accumulatore potrebbe essere scarico e va ricaricato nel carica-batteria.

**DISAREAZIONE DELL'INGRASSATORE A SIRINGA**

Afferrare il tubo flessibile sullo scarico della trazione a molla e tenere lontano dal corpo.

Tenere premuto l'interruttore a pulsante per tre secondo, rilasciare e ripetere fino a quando dal tubo flessibile non uscirà grasso.

Se dopo diversi tentativi dal tubo flessibile non uscirà grasso occorre disaerare manualmente l'ingrassatore a siringa.

Estrarre l'asta tenendola dalla maniglia e ruotarla fino a quando l'asta non incastra nello stantuffo.

Premere la valvola di disaerazione ed allo stesso tempo spingere l'asta indietro nel cilindro.

Non appena dal tubo flessibile uscirà del grasso, ruotare la maniglia per sganciare lo stantuffo e spingere nuovamente l'asta completamente nel cilindro.

Nota: questo ingrassatore è stato collaudato in fabbrica. Per questo motivo all'interno della carcassa della pompa, della tubazione flessibile e del giunto si trovano ancora piccole quantità di grasso. Si consiglia di pulire l'ingrassatore a siringa con il grasso preferito prima del primo utilizzo.

**RICERCA GUASTI**

Impossibile estrarre l'asta:  
premere la valvola di disaerazione per ridurre la pressione.

Impossibile spingere l'asta in avanti:  
ruotare l'asta di 90° sulla maniglia per staccarla dallo stantuffo.

Non esce grasso quando si preme l'interruttore a pulsante:  
il cilindro è vuoto, aggiungere grasso.

Nel cilindro sono presenti bolle d'aria, disaerare l'ingrassatore a siringa.

**MANUTENZIONE**

Utilizzare esclusivamente accessori e pezzi di ricambio Milwaukee. L'installazione di pezzi di ricambio non specificamente prescritti dall'Milwaukee va preferibilmente effettuata dal servizio di assistenza clienti Milwaukee (ved. opuscolo Garanzia/Indirizzi Assistenza tecnica).

In caso di mancanza del disegno esplosivo, può essere richiesto al seguente indirizzo: Milwaukee Electric Tool, Max-Eyth-Straße 10, D-71364 Winnenden, Germany.

**SIMBOLI**

Leggere attentamente le istruzioni per l'uso prima di mettere in funzione l'elettro-utensile.



Prima di iniziare togliere la batteria dalla macchina.



Non gettare le apparecchiature elettriche tra i rifiuti domestici. Secondo la Direttiva Europea 2002/96/CE sui rifiuti di apparecchiature elettriche ed elettroniche e la sua attuazione in conformità alle norme nazionali, le apparecchiature elettriche esauste devono essere accolte separatamente, al fine di essere reimpiagate in modo eco-compatibile.

## DATOS TÉCNICOS PISTOLA ENGRASADORA M12 GG

Presión de servicio máx. ....	562 bar
Caudal .....	74 g/min
Capacidad de carga en caso de llenado a partir de envases .....	454 g
Capacidad de carga con cartucho .....	411 g
Presión del tubo flexible .....	690 bar
Voltaje de batería .....	12 V
Peso de acuerdo con el procedimiento EPTA 01/2003 .....	3,3 kg

### Información sobre ruidos / vibraciones

Determinación de los valores de medición según norma EN 60 745.

El nivel de ruido típico del aparato determinado con un filtro

A corresponde a:

Presión acústica (K=3dB(A)) .....

Resonancia acústica (K=3dB(A)) .....

### Usar protectores auditivos!

Nivel total de vibraciones (suma vectorial de tres direcciones) determinado según EN 60745.

Valor de vibraciones generadas ah .....

Tolerancia K .....

## ADVERTENCIA

El nivel vibratorio indicado en estas instrucciones ha sido medido conforme a un método de medición estandarizado en la norma EN 60745, y puede utilizarse para la comparación entre herramientas eléctricas. También es apropiado para una estimación provisional de la carga de vibración.

El nivel vibratorio indicado representa las aplicaciones principales de la herramienta eléctrica. Si, pese a ello, se utiliza la herramienta eléctrica para otras aplicaciones, con útiles adaptables diferentes o con un mantenimiento insuficiente, el nivel vibratorio puede diferir. Esto puede incrementar sensiblemente la carga de vibración durante todo el periodo de trabajo.

Para una estimación exacta de la carga de vibración deberían tenerse en cuenta también los tiempos durante los que el aparato está apagado o, pese a estar en funcionamiento, no está siendo realmente utilizado. Esto puede reducir sustancialmente la carga de vibración durante todo el periodo de trabajo.

Adopte medidas de seguridad adicionales para la protección del operador frente al efecto de las vibraciones, como por ejemplo: mantenimiento de la herramienta eléctrica y de los útiles adaptables, mantener las manos calientes, organización de los procesos de trabajo.

### ⚠ ADVERTENCIA! Rogamos leer las indicaciones de seguridad y las instrucciones, también las que contiene el folleto adjunto.

En caso de no atenderse a las advertencias de peligro e instrucciones siguientes, ello puede ocasionar una descarga eléctrica, un incendio y/o lesión grave.

Guardar todas las advertencias de peligro e instrucciones para futuras consultas.

## INSTRUCCIONES DE SEGURIDAD

Una alta presión puede causar la rotura del tubo flexible o de los componentes de la herramienta. Existe el riesgo de sufrir lesiones debido a las inyecciones o al corte. Antes de usar el aparato, siempre se debe controlar que el aparato o los conductos de tubo flexible no estén deteriorados. No utilizar el aparato en caso de deterioros.

Al realizar el montaje, el tubo flexible se debe agarrar en la descarga de tracción del resorte para evitar que se doble.

Las grasas y los lubricantes son inflamables. No se deben exponer al fuego o a fuentes de ignición. Observe todos los avisos y advertencias del fabricante de la grasa y del lubricante.

Para evitar daños en la pistola engrasadora y en la bomba, la conexión de la bomba debe ser compatible con el acoplamiento del tubo flexible y debe soportar como mínimo una presión de 690 bar.

Para trabajar con la máquina, utilizar siempre gafas de protección, guantes, calzado de seguridad antideslizante, así como es recomendable usar protectores auditivos.

Retire la batería antes de comenzar cualquier trabajo en la máquina.

No tire las baterías usadas a la basura ni al fuego. Los Distribuidores Milwaukee ofrecen un servicio de recogida de baterías antiguas para proteger el medio ambiente.

No almacene la batería con objetos metálicos (riesgo de cortocircuito).

Recargar solamente los acumuladores del Sistema C12 en cargadores C12. No intentar recargar acumuladores de otros sistemas.

En caso de sobrecarga o alta temperatura, pueden llegar a producirse escapes de ácido provenientes de la batería. En caso de contacto con éste, limpie inmediatamente la zona con agua y jabón. Si el contacto es en los ojos, límpiense concienzudamente con agua durante 10 minutos y acuda inmediatamente a un médico

## APLICACIÓN DE ACUERDO A LA FINALIDAD

La pistola engrasadora es apropiada para lubricar puntos de engrase que normalmente se lubrican con pistolas engrasadoras. Debe ser utilizada una grasa comercial apropiada para pistolas engrasadoras en cartuchos o envases.

No utilice este producto para ninguna otra aplicación que no sea su uso normal.

## DECLARACION DE CONFORMIDAD CE

Declaramos bajo nuestra sola responsabilidad que este producto está en conformidad con las normas o documentos normalizados siguientes.

EN60745-1:2009/A11:2010

de acuerdo con las regulaciones 2011/65/EC (RoHS), 2004/108/EC, 2006/42/EC



Winnenden, 2012-08-06

Rainer Kumpf  
Manager Product Development

Autorizado para la redacción de los documentos técnicos.

## BATERIA

Las baterías nuevas alcanzan su plena capacidad de carga después de 4 - 5 cargas y descargas. Las baterías no utilizadas durante cierto tiempo deben ser recargadas antes de usar.

Las temperaturas superiores a 50°C reducen el rendimiento de la batería. Evite una exposición excesiva a fuentes de calor o al sol (riesgo de sobrecalentamiento).

Los puntos de contacto de los cargadores y las baterías se deben mantener limpios.

Para un tiempo de vida óptimo, deberán cargarse completamente las baterías después de su uso.

Para garantizar la máxima capacidad y vida útil, las baterías recargables se deberán retirar del cargador una vez finalizada la carga.

En caso de almacenar la batería recargable más de 30 días:

Almacenar la batería recargable en un lugar seco a una temperatura de aproximadamente 27°C.

Almacenar la batería recargable con un estado de carga del 30% y 50% aproximadamente.

Recargar la batería cada 6 meses.

## PROTECCIÓN CONTRA SOBRECARGA DE LA BATERÍA

El paquete del acumulador está dotado de un dispositivo de protección contra la sobrecarga que asegura una prolongada vida útil.

En caso de esfuerzo extremadamente intenso, la electrónica del acumulador desconecta automáticamente la máquina. Para continuar trabajando, desconectar y conectar de nuevo la máquina. Si la máquina no se pone nuevamente en marcha, es posible que se haya descargado el acumulador por lo que deberá recargarse en el cargador.

## PURGAR EL AIRE DE LA PISTOLA ENGRASADORA

Agarrar el tubo flexible en la descarga de tracción del resorte y mantenerla alejada del cuerpo.

Presionar el botón del interruptor durante un lapso de tiempo de 3 segundos, soltarlo y repetir esta operación hasta que la grasa salga del tubo flexible.

Si después de varios intentos no sale ninguna grasa del tubo flexible, el aire de la pistola engrasadora se debe purgar manualmente:

Extraer la barra ubicada en la empuñadura y girar la empuñadura para engatillar la barra en el émbolo.

Presionar la válvula de purga de aire y, al mismo tiempo, introducir la barra otra vez en el cilindro.

Tan pronto como empiece a salir la grasa del tubo flexible, girar la empuñadura para soltar nuevamente el émbolo y después volver a introducir la barra completamente en el cilindro.

Nota: Esta pistola engrasadora fue probada en fábrica. Por esa razón, aún hay pequeñas cantidades de grasa en la carcasa de la bomba, en el tubo flexible y en el acoplamiento. Se recomienda limpiar la pistola engrasadora con la grasa indicada, antes de utilizar la misma por primera vez.

## DETECCIÓN DE FALLOS

La barra no se puede extraer:

Presionar la válvula de purga para reducir la presión.

La barra no se puede introducir:

Girar la barra 90° en la empuñadura para soltarla del émbolo.

No sale ninguna grasa, al presionar el botón del interruptor: El cilindro está vacío, rellenar con grasa nueva.

Hay burbujas de aire en el cilindro, purgar el aire en la pistola engrasadora.

## MANTENIMIENTO

Solo se deben utilizar accesorios y piezas de repuestos Milwaukee. Piezas cuyo recambio no está descrito en las instrucciones de uso, deben sustituirse en un centro de asistencia técnica Milwaukee (Consulte el folleto 'Garantía/ Direcciones de Centros de Asistencia Técnica').

En caso necesario, puede solicitar un despiece de la herramienta. Por favor indique el número de impreso de diez dígitos que hay en la etiqueta y pida el despiece a la siguiente dirección: Milwaukee Electric Tool, Max-Eyth-Straße 10, D-71364 Winnenden, Germany.

## SÍMBOLOS



Lea las instrucciones detenidamente antes de conectar la herramienta



Retire la batería antes de comenzar cualquier trabajo en la máquina.



¡No deseché los aparatos eléctricos junto con los residuos domésticos! De conformidad con la Directiva Europea 2002/96/CE sobre residuos de aparatos eléctricos y electrónicos y su aplicación de acuerdo con la legislación nacional, las herramientas eléctricas cuya vida útil haya llegado a su fin se deberán recoger por separado y trasladar a una planta de reciclaje que cumpla con las exigencias ecológicas.

**CARACTERÍSTICAS TÉCNICAS****PISTOLA DE LUBRIFICAÇÃO****M12 GG**

Pressão de serviço máx. ....	562 bar
Débito de passagem.....	74 g/min
Capacidade volumétrica em caso de enchimento a partir de embalagens.....	454 g
Capacidade volumétrica com cartucho .....	411 g
Pressão da mangueira .....	690 bar
Tensão do acumulador .....	12 V
Peso nos termos do procedimento-EPTA 01/2003.....	3,3 kg

**Informações sobre ruído/vibração**

Valores de medida de acordo com EN 60 745.

O nível de ruído avaliado A do aparelho é tipicamente:

Nível da pressão de ruído (K=3dB(A)) ..... 65,5 dB (A)

Nível da potência de ruído (K=3dB(A)) ..... 76,5 dB (A)

**Use protectores auriculares!**

Valores totais de vibração (soma dos vectores das três direcções) determinadas conforme EN 60745.

Valor de emissão de vibração  $a_w$  ..... < 2,5 m/s<sup>2</sup>

Incerteza K ..... 1,5 m/s<sup>2</sup>

**ATENÇÃO**

O nível vibratório indicado nestas instruções foi medido em conformidade com um procedimento de medição normalizado na EN 60745 e pode ser utilizado para comparar entre si ferramentas eléctricas. O mesmo é também adequado para avaliar provisoriamente o esforço vibratório.

O nível vibratório indicado representa as principais aplicações da ferramenta eléctrica. Se, no entanto, a ferramenta eléctrica for utilizada para outras aplicações, com outras ferramentas adaptadas ou uma manutenção insuficiente, o nível vibratório poderá divergir. Isto pode aumentar consideravelmente o esforço vibratório ao longo de todo o período do trabalho.

Para uma avaliação exacta do esforço vibratório devem também ser considerados os tempos durante os quais o aparelho está desligado ou está a funcionar, mas não está efectivamente a ser utilizado. Isto pode reduzir consideravelmente o esforço vibratório ao longo de todo o período do trabalho.

Defina medidas de segurança suplementares para proteger o operador do efeito das vibrações, como por exemplo: manutenção da ferramenta eléctrica e das ferramentas adaptadas, manter as mãos quentes, organização das sequências de trabalho.

**⚠ ATENÇÃO! Leia todas as instruções de segurança e todas as instruções, também aquelas que constam na brochura juntada.** O desrespeito das advertências e instruções apresentadas abaixo pode causar choque eléctrico, incêndio e/ou graves lesões. **Guarde bem todas as advertências e instruções para futura referência.**

**INSTRUÇÕES DE SEGURANÇA**

Uma alta pressão pode levar à ruptura na mangueira ou de peças da ferramenta. Existe o risco de ferir-se devido a injecções ou ao corte. Antes de usar o aparelho, sempre verifique se o aparelho e os condutos de mangueira estão danificados. Não use o aparelho em caso de danificação.

Na montagem, segure a mangueira no alívio de pressão de tracção para evitar que seja dobrada.

Graxas e lubrificantes são inflamáveis. Não exponha-os ao fogo ou a fontes de calor. Observe todos as advertências e avisos do lubrificante da graxa e do lubrificante.

Para evitar danos na pistola de lubrificação e na bomba, a conexão da bomba sempre deve ser compatível com o acoplamento da mangueira e deve suportar uma pressão de pelo menos 690 bar.

Usar sempre óculos de protecção ao trabalhar com a máquina. Recomenda-se a utilização de luvas de protecção, protectores para os ouvidos e máscara anti-poeiras.

Antes de efectuar qualquer intervenção na máquina retirar o bloco acumulador.

Não queimar acumuladores gastos nem deitá-los no lixo doméstico. A Milwaukee possui uma eliminação de acumuladores gastos que respeita o meio ambiente.

Não guardar acumuladores junto com objectos metálicos (perigo de curto-circuito).

Use apenas carregadores do Sistema C12 para recarregar os acumuladores do Sistema C12. Não utilize acumuladores de outros sistemas.

Em caso de cargas ou temperaturas extremas, um acumulador de substituição danificado poderá verter líquido de bateria. Se entrar em contacto com este líquido, deverá lavar-se imediatamente com água e sabão. Em caso de contacto com os olhos, enxague-os bem e de imediato durante pelo menos 10 minutos e consulte um médico o mais depressa possível.

**UTILIZAÇÃO AUTORIZADA**

A pistola de lubrificação destina-se a lubrificar pontos de lubrificação normalmente lubrificados com pistolas de lubrificação. Deve ser usada uma graxa comercial, apropriada para pistolas de lubrificação em cartuchos ou embalagens.

Não use este produto de outra maneira sem ser a normal para o qual foi concebido.

**DECLARAÇÃO DE CONFORMIDADE CE**

Declaramos, sob nossa exclusiva responsabilidade, que este produto cumpre as seguintes normas ou documentos normativos:  
EN60745-1:2009/A11:2010  
conforme as disposições das directivas 2011/65/EC (RoHs), 2004/108/EC, 2006/42/EC



Winnenden, 2012-08-06

Rainer Kumpf  
Manager Product Development

Autorizado a reunir a documentação técnica.

**ACUMULADOR**

Acumuladores novos atingem a sua plena capacidade após 4-5 ciclos de carga e descarga. Acumuladores não utilizados durante algum tempo devem ser recarregados antes da sua utilização.

Temperaturas acima de 50°C reduzem a capacidade do bloco acumulador. Evitar exposição prolongada ao sol ou a caloríferos.

Manter limpos os contactos eléctricos no carregador e no bloco acumulador.

Para uma vida útil óptima dos acumuladores, terá que carregá-los plenamente após a sua utilização.

Para assegurar uma vida útil longa, o pacote de bateria deve ser removido da carregadora depois do carregamento.

Se o pacote de bateria for armazenado por mais de 30 dias: Armazene o pacote de bateria com aprox. 27°C em um lugar seco.

Armazene o pacote de bateria com aprox. 30%-50% da carga completa.

Carregue o pacote de bateria novamente de 6 em 6 meses.

**PROTECÇÃO DE SOBRECARGA DE BATERIA**

As baterias estão equipadas com uma protecção contra sobrecarga, que as protegem de uma sobrecarga e lhes conferem uma longa durabilidade. No caso de um esforço extremamente elevado a electrónica das baterias desliga automaticamente o aparelho. Para continuar a trabalhar desligar e voltar a ligar o aparelho. Se o aparelho não se voltar a ligar, é porque o conjunto das baterias está possivelmente descarregado e tem de voltar a ser carregado na carregadora.

**EVACUAR O AR DA PISTOLA DE LUBRIFICAÇÃO**

Segure a mangueira no alívio da tracção de mola, afastando a sua abertura do corpo.

Pressione o botão do interruptor por 3 segundos e repita isto, até graxa sair da mangueira.

Se graxa não sair da mangueira após várias tentativas, o ar da pistola de lubrificação deverá ser evacuado manualmente.

Puxe a barra no manípulo para fora e gire para que a barra engate no êmbolo.

Pressione a válvula de evacuação de ar e, ao mesmo tempo, insira a barra no cilindro.

Logo que a graxa sair da mangueira, gire o manípulo para soltar o êmbolo e, ao mesmo tempo insira a barra completamente no cilindro.

Nota: Esta pistola de lubrificação foi testada na fábrica. Por isso, ainda há pequenas quantidades de graxa na caixa da bomba, na mangueira e no acoplamento. Recomenda-se limpar a pistola de lubrificação com a graxa usada de preferência, antes da primeira utilização.

**DETECÇÃO DE ERROS**

Não é possível puxar a barra para fora:

Pressione a válvula de evacuação de ar para reduzir a pressão.

Não é possível introduzir a barra:

Gire a barra no manípulo por 90° para soltá-la do êmbolo.

Quando o botão do interruptor é pressionado, não sai graxa:

O cilindro está vazio, encha graxa nova.

Há bolhas de ar no cilindro, evacue o ar da pistola de lubrificação.

**MANUTENÇÃO**

Utilizar unicamente acessórios e peças sobressalentes da Milwaukee. Sempre que a substituição de um componente não tenha sido descrita nas instruções, será de toda a conveniência mandar executar esse trabalho a um Serviço de Assistência Milwaukee (veja o folheto Garantia/Endereços de Serviços de Assistência).

A pedido e mediante indicação da referência de dez números que consta da chapa de características da máquina, pode requerer-se um desenho explosivo da ferramenta eléctrica a: Milwaukee Electric Tool, Max-Eyth-Straße 10, D-71364 Winnenden, Germany.

**SYMBOLS**

Leia atentamente o manual de instruções antes de colocar a máquina em funcionamento.



Antes de efectuar qualquer intervenção na máquina retirar o bloco acumulador.



Não deite ferramentas eléctricas no lixo doméstico! De acordo com a directiva europeia 2002/96/CE sobre ferramentas eléctricas e electrónicas usadas e a transposição para as leis nacionais, as ferramentas eléctricas usadas devem ser recolhidas em separado e encaminhadas a uma instalação de reciclagem dos materiais ecológica.

**TECHNISCHE GEGEVENS****VETPERS****M12 GG**

Max. bedrijfsdruk .....	562 bar
Debiet .....	74 g/min
Capaciteit bij het vullen vanuit een verpakking .....	454 g
Capaciteit bij het vullen met een cartouche .....	411 g
Slangdruk .....	690 bar
Spanning wisselakku .....	12 V
Gewicht volgens de EPTA-procedure 01/2003 .....	3,3 kg

**Geluids-/trillingsinformatie**

Meetwaarden vastgesteld volgens EN 60 745.

Het kenmerkende A-gewogen geluidsniveau van de machine bedraagt:

Geluidsdrukniveau (K=3dB(A)) .....	65,5 dB (A)
Geluidsvermogeniveau (K=3dB(A)) .....	76,5 dB (A)

**Draag oorbeschermers!**

Totale trillingswaarden (vectorsom van drie richtingen) bepaald volgens EN 60745.

Trillingsemissiewaarde $a_h$ .....	< 2,5 m/s <sup>2</sup>
Onzekerheid K .....	1,5 m/s <sup>2</sup>

**WAARSCHUWING**

De in deze aanwijzingen vermelde trillingsdruk is gemeten volgens een in EN 60745 genormeerde meetmethode en kan worden gebruikt voor de onderlinge vergelijking van apparaten. Hij is ook geschikt voor een voorlopige inschatting van de trillingsbelasting.

De aangegeven trillingsdruk geldt voor de meest gebruikelijke toepassingen van het elektrische apparaat. Wanneer het elektrische gereedschap echter voor andere doeleinden, met andere dan de voorgeschreven hulpstukken gebruikt of niet naar behoren onderhouden wordt, kan de trillingsdruk afwijken. Dit kan de waarde van de trillingsdruk over de hele werkperiode aanzienlijk verhogen.

Voor een nauwkeurige inschatting van de trillingsdruk moeten ook de tijden in aanmerking worden genomen dat het apparaat uitgeschakeld is of weliswaar loopt, maar niet werkelijk in gebruik is. Dit kan de waarde van de trillingsdruk over de hele werkperiode aanzienlijk verminderen.

Bepaal extra veiligheidsmaatregelen ter bescherming van de bediener tegen de inwerking van trillingen, bijvoorbeeld: onderhoud van elektrische gereedschappen en apparaten, warmhouden van de handen, organisatie van de werkprocessen.

**⚠ WAARSCHUWING! Lees alle veiligheidsinstructies en aanwijzingen door - ook die in de bijgeleverde brochure.** Als de waarschuwingen en voorschriften niet worden opgevolgd, kan dit een elektrische schok, brand of ernstig letsel tot gevolg hebben.  
**Bewaar alle waarschuwingen en voorschriften voor toekomstig gebruik.**

**VEILIGHEIDSADVIEZEN**

Hoge druk kan leiden tot breuk aan slang- en gereedschapsonderdelen. Er bestaat gevaar voor letsel door insputtingen of voor amputatie. Vóór ieder gebruik moeten het apparaat en de slangleidingen op schade worden gecontroleerd. Het apparaat mag in geval van schade niet meer worden gebruikt.

Grijp de slang bij de montage vast aan de trekontlasting om te vermijden dat hij knikt.

Vetten en smeermiddelen zijn brandbaar. Stel ze daarom niet bloot aan vuur of hittebronnen. Volg alle waarschuwingen en instructies van de vet- en smeermiddelfabrikant op.

Ter vermindering van schade aan de vetpers en de pomp moet de aansluiting van de pomp compatibel zijn met de koppeling van de slang en minimaal een druk van 690 bar kunnen uithouden.

Bij het werken met de machine altijd een veiligheidsbril dragen. Werkhandschoenen en stofkapje voor de mond worden aanbevolen.

Voor alle werkzaamheden aan de machine de accu verwijderen.

Verbruikte accu's niet in het vuur of bij het huisvuil werpen. Milwaukee biedt namelijk een milieuvriendelijke recyclingmethode voor uw oude accu's.

Wisselakku's niet bij metalen voorwerpen bewaren (kortsluitingsgevaar!).

Wisselakku's van het Akku-Systeem C12 alléén met laadapparaten van het Akku-Systeem C12 laden. Geen accu's van andere systemen laden.

Onder extreme belasting of extreme temperaturen kan uit de accu accu-vloeistof lopen. Na contact met accu-vloeistof direct afwassen met water en zeep. Bij oogcontact direct minstens 10 minuten grondig spoelen en onmiddellijk een arts raadplegen.

**VOORGESCHREVEN GEBRUIK VAN HET SYSTEEM**

De vetpers is geschikt voor het smeren van smerpunten die normaal met vetpersen worden gesmeerd. Gebruik hiervoor in de handel verkrijgbaar, voor het gebruik in vetpersen geschikt vet in cartouches of verpakkingen.

Dit apparaat uitsluitend gebruiken voor normaal gebruik, zoals aangegeven.

**EC - VERKLARING VAN OVEREENSTEMMING**

Wij verklaren dat dit produkt voldoet aan de volgende normen of normatieve documenten:  
EN60745-1:2009/A11:2010  
overeenkomstig de bepalingen van de richtlijnen 2011/65/EG (RoHS), 2004/108/EG, 2006/42/EG



Winnenden, 2012-08-06

Rainer Kumpf  
Manager Product Development

Gemachtigd voor samenstelling van de technische documenten

**AKKU**

Nieuwe wisselakku's bereiken hun volle capaciteit na 4-5 laad-/ontlaadcycli. Langere tijd niet toegepaste wisselakku's vóór gebruik altijd naladen.

Een temperatuur boven de 50°C vermindert de capaciteit van de accu. Langdurige verwarming door zon of hitte vermijden.

De aansluitkontakten aan het laadapparaat en de accu schoonhouden.

Voor een optimale levensduur moeten de accu's na het gebruik volledig opgeladen worden.

Voor een zo lang mogelijke levensduur van de accu's dienen deze na het opladen uit het laadtoestel te worden verwijderd.

Bij een langere opslag van de accu dan 30 dagen: accu bij ca. 27 °C droog bewaren. accu bij ca. 30 % - 50 % van de laadtoestand bewaren. accu om de 6 maanden opnieuw opladen.

**OVERBELASTINGSBEVEILIGING VAN DE ACCU**

Het accupak is uitgerust met een overbelastingsbeveiliging die de accu tegen overbelasting beschermt en een lange levensduur garandeert.

Bij extreem sterke belasting schakelt de accuelektroonica de machine automatisch uit. Schakel de machine uit en weer in om door te kunnen werken. Wanneer de machine niet meer start, is het accupak mogelijk anderszins ontladen en moet het in het laadtoestel worden opgeladen.

**ONTLUCHTEN VAN DE VETPERS**

Grijp de slang vast aan de trekontlasting en houd hem van het lichaam weg.

Houd de drukschakelaar gedurende 3 seconden ingedrukt, laat hem los en herhaal deze stap totdat vet uit de slang stroomt.

Als na meerdere pogingen geen vet uit de slang komt, moet de vetpers handmatig worden ontluucht:

Trek hiervoor de stang aan de handgreep eruit en verdraai hem om de stang in de zuiger te vergrendelen.

Druk de ontluichtingsklep in en druk tegelijkertijd de stang weer in de cilinder.

Zodra vet uit de slang vrijkomt, draait u aan de greep om de zuiger weer los te halen. Vervolgens drukt u de stang weer compleet in de cilinder.

Opmerking: De vetpers werd in de fabriek getest. Daarom zijn nog kleine hoeveelheden vet in de pompbehuizing, de slang en de koppeling. Wij adviseren om de vetpers vóór het eerste gebruik te reinigen met het geprefereerde vet.

**FOUTEN OPSPOREN**

De stang kan niet worden uitgetrokken:  
Druk de ontluichtingsklep in om druk op te bouwen.

De stang kan niet worden ingedrukt:  
Draai de stang aan de handgreep 90° om ze van de zuiger los te halen.

Er komt geen vet als de drukschakelaar ingedrukt wordt:  
De cilinder is leeg, vul nieuw vet bij.  
Er zitten luchtbellens in de cilinder, ontluucht de vetpers.

**ONDERHOUD**

Alleen Milwaukee toebehoren en onderdelen gebruiken. Onderdelen welke niet vermeld worden, kunnen het beste door de Milwaukee servicedienst verwisseld worden (zie Serviceadressen).

Onder vermelding van het tiencijferige nummer op het machineplaatje is desgewenst een doorsnedetekening van de machine verkrijgbaar bij: Milwaukee Electric Tool, Max-Eyth-Straße 10, D-71364 Winnenden, Germany.

**SYMBOLEN**

Graag instructies zorgvuldig doorlezen vóórdat u de machine in gebruik neemt.



Voor alle werkzaamheden aan de machine de accu verwijderen.



Geef elektrisch gereedschap niet met het huisvuil mee! Volgens de Europese richtlijn 2002/96/EG inzake oude elektrische en elektronische apparaten en de toepassing daarvan binnen de nationale wetgeving, dient gebruikt elektrisch gereedschap gescheiden te worden ingezameld en te worden afgevoerd naar een recycle bedrijf dat voldoet aan de geldende milieu-eisen.



TEKNISKE DATA	FEDTPISTOLEN	M12 GG
Maks. driftstryk .....	562 bar	
Flowmængde .....	74 g/min	
Kapacitet ved bulk påfyldning .....	454 g	
Kapacitet med patron .....	411 g	
Slangetryk .....	690 bar	
Udskiftningsbatteriets spænding .....	12 V	
Vægt svarer til EPTA-procedure 01/2003 .....	3,3 kg	

#### Støj/Vibrationsinformation

Måleværdier beregnes iht. EN 60745.

Værktøjets A-vurderede støjniveau er typisk:

Lydtrykniveau (K=3dB(A)) .....

Lydeffekt niveau (K=3dB(A)) .....

#### Brug høreværn!

Samlede vibrationsværdier (værdisum for tre retninger) beregnet iht. EN 60745.

Vibrationseksponering  $a_{hv}$  .....

Usikkerhed K .....

#### ADVARSEL

Svingningsniveauet, som er angivet i disse anvisninger, er målt i henhold til standardiseret måleprocedure ifølge EN 60745 og kan anvendes til indbyrdes sammenligning mellem el-værktøjer. Svingningsniveauet er ligeledes egnet som foreløbigt skøn over svingningsbelastningen.

Det angivne svingningsniveau er baseret på el-værktøjets primære anvendelsesformål. Hvis el-værktøjet benyttes til andre formål, med andet indsatsværktøj eller ikke vedligeholdes tilstrækkeligt, kan svingningsniveauet afvige. Dette kan øge svingningsbelastningen over den samlede arbejdsperiode betydeligt.

For en nøjagtig vurdering af svingningsbelastningen skal der også tages højde for de tidsperioder, hvor apparatet er slukket, eller hvor apparatet kører, men uden at være i anvendelse. Dette kan reducere svingningsbelastningen over den samlede arbejdsperiode betydeligt.

Supplerende sikkerhedsforanstaltninger til beskyttelse af brugeren mod påvirkninger fra svingninger skal iværksættes, f.eks.: Vedligeholdelse af el-værktøj og indsatsværktøj, varmholdelse af hænder, organisering af arbejdsprocesser.

**⚠ ADVARSEL! Læs alle sikkerhedsanvisninger og øvrige vejledninger, også i den vedlagte brochure. I tilfælde af manglende overholdelse af advarselshenvisningerne og instrukserne er der risiko for elektrisk stød, brand og/eller alvorlige kvæstelser. Opbevar alle advarselshenvisninger og instrukser til senere brug.**

#### SIKKERHEDSHENVISNINGER

Højt tryk kan føre til brud på slangen eller værktøjsdele. Herved er der risiko for tilskadekomst med indsprøjtninger og/eller amputation. Kontrollér værktøjet og slangeledningerne for beskadigelser og slitage før hver brug. Benyt ikke et beskadiget eller slidt værktøj.

Hold ved monteringen slangen i fjeder aflastningen for at undgå at den knækker af.

Fedt og smøremidler er brændbare. Disse må ikke udsættes for åben ild eller varmekilder. Følg alle advarsler og informationer fra fedt- eller smøremiddelproducenten.

For at undgå skader på fedtpistolen og pumpen skal pumpens tilslutning være kompatibel med slangens kobling og kunne klare et tryk på mindst 690 bar.

Når der arbejdes med maskinen, skal man have beskyttelsesbriller på. Beskyttelseshandsker, skridsikre sko, høreværn og forklæde anbefales.

Ved arbejde inden i maskinen, bør batteriet tages ud.

Opbrugte udskiftningsbatterier må ikke brændes eller kasseres sammen med alm. husholdningsaffald. Milwaukee har en miljørigtig bortskaffelse af gamle udskiftningsbatterier, henvend Dem til Deres forhandler.

Opbevar ikke udskiftningsbatterier sammen med metalgenstande af fare for kortslutning.

Brug kun C12 ladeapparater for opladning af System C12 batterier.

I tilfælde af en ekstrem belastning eller ekstrem temperatur kan der flyde batterivæske ud af et beskadiget batteri. Hvis

De kommer i berøring med batterivæsken, skal den vaskes godt og grundigt af med vand og sæbe. I tilfælde af øjenkontakt, skal man mindst skylle øjnene godt og grundigt igennem i 10 minutter og omgående opsøge en læge.

#### TILTÆNKT FORMÅL

Fedtpistolen er egnet til smøre smøresteder, der normalt smøres med fedtpistoler. Der skal anvendes gængs fedt i patroner eller bulks, der er egnet til brug i fedtpistoler.

Produktet må ikke anvendes på anden måde og til andre formål end foreskrevet.

#### CE-KONFORMITÆTSEKLERING

Vi erklærer under almindeligt ansvar, at dette produkt er i overensstemmelse med følgende normer eller norma-tive dokumenter.

EN60745-1:2009/A11:2010

i henhold til bestemmelserne i direktiverne 2011/65/EF

(RoHS), 2004/108/EF, 2006/42/EF



Winnenden, 2012-08-06

Rainer Kumpf  
Manager Product Development

Autoriseret til at udarbejde de tekniske dokumenter.

#### BATTERI

Nye udskiftningsbatterier opnår deres fulde kapacitet efter 4-5 oplade- og afladecykler. Udskiftningsbatterier, der ikke har været brugt i længere tid, efterlades inden brug.

Ved temperaturer over 50°C formindskes batteriets effekt. Undgå direkte sollys og stærk varme.

Tilslutningskontakterne på oplader og udkiftningsbatterier skal holdes rene.

For at opnå en optimal levetid skal de genopladelige batterier oplades fuldt efter brug.

For at sikre en så lang levetid som muligt skal batterierne tages ud af ladeaggregatet efter opladning.

Skal batterierne opbevares længere end 30 dage:

Temperatur ca. 27°C i tørre omgivelser.

Opbevares ved ca. 30%-50% af ladetilstanden.

Batteri skal genoplades hver 6. måned.

#### OVERBELASTNINGSSIKRING FOR BATTERI

Akkupack'en er udstyret med en overbelastningssikring, som beskytter akkumulatorbatteriet mod overbelastning og sikrer en høj levetid.

Ved ekstrem kraftig belastning kobler batteriets elektronik automatisk maskinen fra. Sluk og tænd maskinen igen for at genoptage driften. Går maskinen ikke i gang igen, er akkupack'en muligvis afladt og skal genoplades i ladeaggregatet.

#### UDLUFTNING AF FEDTPISTOLEN

Hold slangen i fjeder aflastningen og lad den pege væk fra kroppen.

Tryk i 3 sekunder på udløseren, slip den og gentag så indtil der begynder at flyde fedt ud af slangen.

Hvis der efter flere forsøg ikke kommer fedt ud af slangen, så skal fedtpistolen udluftes manuelt:

Træk stangen på håndtaget ud og drej det, sådan at det klikker fast i stemplet.

Tryk udluftningsventilen ind og tryk samtidigt stangen manuelt ind i cylinderen.

Så snart der begynder at flyde fedt ud af slangen, så drej håndtaget for igen at løsne stemplet. Tryk derefter stangen helt ind i cylinderen.

**BEMÆRK:** Dette værktøj er blevet testet på fabrikken. Af denne grund er der stadig små mængder fedt i pumpehuset, slangen og koblingen. Før dette værktøj benyttes første gang, anbefales det at rengøre det med det foretrukne fedtmærke.

#### FEJLFINDING

Stangen kan ikke trækkes ud:

Tryk på udluftningsventilen for at reducere trykket.

Stangen kan ikke trykkes ind:

Drej stangen 90° på håndtaget for at løsne den fra stemplet.

Der kommer ikke noget fedt ud, når der trykkes på udløseren:

Cylinderen er tom, fyld nyt fedt på.

Der er luftblærer i cylinderen, udluft fedtpistolen.

#### VEDLIGEHOLDELSE

Brug kun Milwaukee tilbehør og reservedele. Lad de komponenter, hvis udskiftning ikke er blevet beskrevet, udskifte hos Milwaukee service (se kundeserviceadresser).

Ved opgivelse af type nr. der er angivet på maskinens effektskilt, kan De rekvirere en reservedelstegning, ved henvendelse til: Milwaukee Electric Tool, Max-Eyth-Straße 10, D-71364 Winnenden, Germany.

#### SYMBOLER



Læs brugsanvisningen nøje før ibrugtagning.



Ved arbejde inden i maskinen, bør batteriet tages ud.



Elværktøj må ikke bortskaffes som almindeligt affald! I henhold til det europæiske direktiv 2002/96/EF om bortskaffelse af elektriske og elektroniske produkter og gældende national lovgivning skal brugt værktøj indsamles separat og bortskaffes på en måde, der skåner miljøet mest muligt.

TEKNISKE DATA	FETTPRESSEN	M12 GG
Maks driftstrykk.....	562 bar	
Gjennomstrømningsmengde .....	74 g/min	
Fatteevne ved fylling fra fat .....	454 g	
Fatteevne ved fylling med patron .....	411 g	
Slangetrykk.....	690 bar	
Spenning vekselbatteri .....	12 V	
Vekt i henhold til EPTA-Proseduren 01/2003.....	3,3 kg	

#### Støy/Vibrasjonsinformasjon

Måleverdier fastslått i samsvar med EN 60 745.

Det typiske A-bedømte støynivået for maskinen er:

Lydtryknivå (K=3dB(A))..... 65,5 dB (A)

Lydeffektnivå (K=3dB(A))..... 76,5 dB (A)

#### Bruk hørselsvern!

Totale svingningsverdier (vektorsum fra tre retninger) beregnet jf. EN 60745.

Svingningsemisjonsverdi ah..... < 2,5 m/s<sup>2</sup>

Usikkerhet K..... 1,5 m/s<sup>2</sup>

#### ADVARSEL

Svingningsnivået som er angitt i denne instruksjonen er målt i overensstemmelse med målemetoden normert i direktiv EN 60745 og kan brukes til å sammenligne elektromaskiner med hverandre. Den egner seg også for en foreløbig vurdering av svingningsbelastningen.

Det angitte svingningsnivået representerer de hovedsaklige bruk av elektroverktøyet. Men anvendes elektroverktøyet for andre bruk med avvikende utskiftbare verktøy eller vedlikeholdet er utilstrekkelig, kan svingningsnivået være avvikende.

Dette kan forhøye svingningsbelastning betydelig over hele arbeidsperioden. For en nøyaktig vurdering av svingningsbelastningen må også det tas hensyn til tiden apparatet er avslått eller står på, men ikke er i bruk. Dette kan redusere svingningsbelastningen betydelig over hele arbeidsperioden.

Innfør også ekstra sikkerhetstiltak for å beskytte bruker mot utvirkingen av svingningene. Disse kan f.eks. være: vedlikehold av elektroverktøyet og det utskiftbare verktøyet, holde hendene varme, organisasjon av arbeidsforløpet.

**⚠ ADVARSEL! Les alle sikkerhetsinstruksjoner og bruksanvisninger, også de i den vedlagte brosjyren.** Feil ved overholdelsen av advarslene og nedenstående anvisninger kan medføre elektriske støt, brann og/eller alvorlige skader.

**Ta godt vare på alle advarslene og informasjonene.**

#### SPESIELLE SIKKERHETSHENVISNINGER

Høyt trykk kan føre til brudd på slangen eller verktøydeler. Det er fare for skade pga. av innsprøytinger eller atskillelse. Før hvert bruk skal apparatet og slangene kontrolleres for skader. Oppdages skader skal apparatet ikke brukes.

Hold ved montasje slangen i avlastingsfjæren for å hindre at den blir knekket av.

Fett og smøring er brennbar. Ikke utsett dem ild eller varmekilder. Ta hensyn til alle advarsler og instruksjoner til produsenten av fett og smøring.

For å hindre skader på fettpresse og pumpe må pumpens tilkobling være kompatibel til slangens kobling og kunne holde ut et trykk på minst 690 bar.

Bruk alltid vernebrille når du arbeider med maskinen. Det anbefales å bruke arbeidshansker, faste og sklisikre sko og forkle.

Ta ut vekselbatteriet før du arbeider på maskinen

Ikke kast brukte vekselbatterier i varmen eller husholdningsavfallet. Milwaukee tilbyr en miljøriktig deponering av gamle vekselbatterier; vennligst spør din fagforhandler.

Ikke oppbevar vekselbatterier sammen med metallgjenstander (kortslutningsfare).

Vekselbatterier av systemet C12 skal kun lades med lader av systemet C12. Ikke lad opp batterier fra andre systemer.

Under ekstreme belastninger og ekstreme temperaturer kan det lekke ut batterivæske fra utskiftbare batterier. Ved berøring med batterivæske, vask umiddelbart med såpe og

vann. Ved kontakt med øynene må øynene skylles grundig i rennende vann i minst 10 minutter. Oppsøk lege umiddelbart.

#### FORMÅLSMESSIG BRUK

Fettpressen er egnet for smøring av smøresteder som vanligvis blir smurt med fettpresser. Det skal brukes et handelsmessig for fettpresser egnet fett i patroner eller fat. Dette apparatet må kun brukes til de oppgitte formål.

#### CE-SAMSVARERKLÆRING

Vi erklærer på eget ansvar at dette produktet stemmer overens med de følgende normer eller normative dokumenter.  
EN60745-1:2009/A11:2010  
i henhold til bestemmelsene i direktivene 2011/65/EF (RoHS), 2004/108/EF, 2006/42/EF



Winnenden, 2012-08-06

Rainer Kumpf  
Manager Product Development

Autorisert til å utarbeide den tekniske dokumentasjonen

#### BATTERIER

Nye vekselbatterier når sin fulle kapasitet etter 4-5 lade- og utladesyklus. Vekselbatterier som ikke er brukt over lengre tid skal etterlades før bruk.

En temperatur over 50°C reduserer vekselbatteriets kapasitet. Unngå oppvarming i sol eller ved varmeovner (fyring) i lengre tid.

Hold tilkoplingskontaktene på lader og vekselbatteri rene.

For en optimal levetid må batteriene etter bruk ladet helt opp.

For å sikre en lengst mulig brukstid av batteriene skal disse etter oppladning taes ut av laderen.

Ved lagring av batteriene lengre enn 30 dager:

Lagre batteriet tørt ved ca. 27°C.

Lagre batteriet ved en oppladningstilstand på ca. 30%-50%. Lade opp batteriet igjen etter 6 måneder.

#### OVERBELASTNINGSVERN FOR OPPLADBARE BATTERIER

Batteripakken er utstyrt med overbelastningsvern som beskytter det oppladbare batteriet mot overbelastning og sikrer en lang levetid.

Ved ekstrem høy belastning kobler maskinens batterielektronikk seg automatisk ut. For å fortsette å arbeide må maskinen slås av og så på igjen. Starter maskinen ikke igjen er batteripakken muligens utladet og må lades opp igjen i laderen.

#### UTLUFTING AV FETTPRESSEN

Ta fatt i slangen i avlastningsfjæren og hold den bort fra kroppen.

Trykk trykkbryteren i 3 sekund, så slipp bryteren og gjenta dette til det flyter fett ut av slangen.

Dersom det etter flere forsøk ikke kommer fett ut av slangen, må den utluftes manuelt:

Trekk ut stangen på håndtaket og vri den slik at stangen griper inn i kolben.

Trykk luftenventilen og trykk samtidig stangen inn i sylinderen igjen.

Med en gang det kommer fett ut av slangen, dreies håndtaket igjen slik at kolben løses og stangen trykkes komplett inn i sylinderen igjen.

OBS! Denne fettpressen ble testet i fabrikken. Derfor befinner det seg små mengder av fett i pumpehuset, i slangen og i koblingen. Det anbefales å rengjøre fettpressen med det fett man fortrekker før første bruk.

#### FEILFINNING

Stangen lar seg ikke trekke ut:  
Trykk luftenventilen for å redusere trykket.

Stangen kan ikke trykkes inn:  
Drei stangen ved håndtaket 90° for å løse den fra kolben.

Det kommer ikke fett ut, når trykkbryteren trykkes:  
Sylinderen er tom. Fyll på nytt fett.  
Det finnes luftblærer i sylinderen. Fettpressen må luftes ut.

#### VEDLIKEHOLD

Bruk kun Milwaukee tilbehør og reservedeler. Komponenter der utskifting ikke er beskrevet skal skiftes ut hos Milwaukee kundeservice (se brosjyre garanti/ kundeserviceadresser).

Ved behov kan du be om en eksplosjonstegning av apparatet hos din kundeservice eller direkte hos Milwaukee Electric Tool, Max-Eyth-Straße 10, D-71364 Winnenden, Germany. Oppgi maskintype og det tilsifrete nummeret på typeskiltet.

#### SYMBOLER



Les nøye gjennom bruksanvisningen før maskinen tas i bruk.



Ta ut vekselbatteriet før du arbeider på maskinen



Kast aldri elektroverktøy i husholdningsavfallet! I henhold til EU-direktiv 2002/96/EF om kasserte elektriske og elektroniske produkter og direktivets iverksetting i nasjonal rett, må elektroverktøy som ikke lenger skal brukes, samles separat og returneres til et miljøvennlig gjenvinningsanlegg.

TEKNISKA DATA	FETTSPRUTAN	M12 GG
Max drifttryck .....	562 bar	
Kapacitet .....	74 g/min	
Volym vid påfyllning med lösfett .....	454 g	
Volym med patron.....	411 g	
Slangtryck.....	690 bar	
Batterispänning.....	12 V	
Vikt enligt EPTA 01/2003.....	3,3 kg	

#### Buller-/vibrationsinformation

Mätvärdena har tagits fram baserade på EN 60 745.

A-värdet av maskinens ljudnivå utgör:

Ljudtrycksnivå (K=3dB(A))..... 65,5 dB (A)

Ljudeffektsnivå (K=3dB(A))..... 76,5 dB (A)

#### Använd hörselskydd!

Totala vibrationsvärden (vektorsumma ur tre riktningar) framtaget enligt EN 60745.

Vibrationsemissionsvärde ah..... < 2,5 m/s<sup>2</sup>

Onoggrannhet K..... 1,5 m/s<sup>2</sup>

#### VARNING

Den i de här anvisningarna angivna vibrationsnivån har uppmätts enligt ett i EN 60745 normerat mätförfarande och kan användas vid jämförelse mellan olika elverktyg. Nivån är även lämplig att använda vid en preliminär bedömning av vibrationsbelastningen.

Den angivna vibrationsnivån representerar den huvudsakliga användningen av det aktuella elverktyget. Men om elverktyget ska användas i andra användningsområden, tillsammans med avvikande insatsverktyg eller efter otillräckligt underhåll, kan vibrationsnivån skilja sig. Det kan öka vibrationsbelastningen betydligt under hela arbetstiden.

För att få en exaktare bedömning av vibrationsbelastningen ska även den tid beaktas, under vilken elverktyget är avstängt eller är påslaget, utan att det verkligen används. Det kan reducera vibrationsbelastningen betydligt under hela arbetstiden.

Lägg som skydd för användaren fast extra säkerhetsåtgärder mot vibrationernas verkan, som till exempel: underhåll av elverktyg och insatsverktyg, varmhållning av händer och organisering av arbetsflöpp.

**⚠ VARNING! Läs alla säkerhetsanvisningar och andra tillhörande anvisningar, även de i den medföljande broschyren.** Fel som uppstår till följd av att anvisningarna nedan inte följts kan orsaka elstöt, brand och/eller allvariga kroppsskador.

**Förvara alla varningar och anvisningar för framtida bruk.**

#### SÄKERHETSUTRUSTNING

Högt tryck kan orsaka brott på slangens eller verktygskomponenter. Risk för personskador på grund av sprutande fett eller avslitna komponenter. Kontrollera verktyget och slangledningarna med avseende på skador före varje användning. Använd inte verktyget om det är skadat.

Håll fast i slangens fjäderavlastning vid montering för att undvika böckning.

Fett och smörjmedel är antändliga. Undvik kontakt med eld och värmekällor. Beakta de varningsföreskrifter och den information som lämnas av fett- och smörjmedelstillverkaren.

För att undvika skador på fettsprutan och pumpen ska pumpens anslutning vara kompatibel med slangens koppling och vara konstruerad för ett tryck på minst 690 bar.

Använd alltid skyddsglasögon, skyddshandskar och hörselskydd.

Drag ur batteripaket innan arbete utföres på maskinen.

Kasta inte förbrukade batterier. Lämna dem till Milwaukee Tools för återvinning.

Förvara ej batteriet ihop med metallföremål, kortslutning kan uppstå.

System C12 batterier laddas endast i System C12 laddare. Ladda inte batterier från andra system.

Under extrem belastning eller extrem temperatur kan batterivätska tränga ut ur skadade utbytesbatterier. Vid beröring med batterivätska tvätta genast av med vatten och

tvål. Vid ögonkontakt spola genast i minst 10 minuter och kontakta genast läkare.

#### ANVÄND MASKINEN ENLIGT ANVISNINGARNA

Fettsprutan är lämplig för smörjning av smörjpunkter som i normala fall smörjs med fettsprutor. Använd i handeln förekommande fett i patroner eller lösfett, lämpat för fettsprutor.

Maskinen får endast användas för angiven tillämpning.

#### CE-FÖRSÄKRAN

Vi intygar och ansvarar för, att denna produkt överensstämmer med följande norm och dokument EN60745-1:2009/A11:2010 enl. bestämmelser och riktlinjerna 2011/65/EG (RoHS), 2004/108/EG, 2006/42/EG



Winnenden, 2012-08-06

Rainer Kumpf  
Manager Product Development

Befullmäktigad att sammanställa teknisk dokumentation.

#### BATTERIER

Nya batterier uppnår max effekt efter 4-5 laddningscykler. Batteri som ej använts på länge måste laddas före nytt bruk.

En temperatur över 50°C reducerar batteriets effekt. Undvik längre uppvärmning tex i solen eller nära ett element.

Se till att anslutningskontaktarna i laddaren och på batteriet är rena.

För en optimal livslängd ska batterierna laddas helt igen efter användningen.

För att få en så lång livslängd som möjligt bör laddningsbara batterier avlägsnas från laddaren när de är laddade.

Om laddningsbara batterier lagras längre än 30 dagar:

Lagra batteriet torrt och vid ca 27°C.

Lagra batteriet vid ca 30%-50% av laddningskapaciteten.

Ladda batterierna på nytt var 6:e månad.

#### BATTERI-ÖVERBELASTNINGSSKYDD

Batteripaketet är utrustat med ett överlastskydd som skyddar batteriet mot överbelastning och därmed säkerställer en lång livslängd.

Vid extremt stark belastning stänger batterielektroniken av maskinen automatiskt. Stäng först av och slå sedan på maskinen igen för att fortsätta att arbeta. Skulle maskinen inte starta igen, är batteripaketet kanske urladdat och måste på laddas upp igen i laddaren.

#### RASVAPURISTIMEN ILMANPOISTO

Tartu letkuun jousivedoneston kohdalta ja pitele sitä vartalostasi pois päin.

Paina katkaisinpainiketta 3 sekunnin ajan, päästä se irti ja toista tämä, kunnes letkusta virtaa rasvaa.

Jos letkusta ei tule rasvaa useamman yrityksen jälkeen, rasvapuristimesta täytyy poistaa ilma manuaalisesti:

Vedä tanko kahvasta ulos ja käännä kahvaa, jotta tanko lukittuu mäntään paikalleen.

Paina ilmanpoistiventtiiliä ja paina tanko samalla takaisin sylinterin sisään

Heti kun letkusta tulee rasvaa, käännä kahvaa takaisin irrottaaksesi männän ja paina tanko jälleen kokonaan takaisin sylinterin sisään

Viite: Tämä rasvapuristin on testattu tehtaalla. Siksi pumpun kotelossa, letkussa ja liittimessä on vielä pieniä määriä rasvaa. Suosittelemme puhdistamaan rasvapuristimen käyttämällä läsi rasvalla ennen sen ensimmäistä käyttöönottoa.

#### FELSÖKNING

Det går inte att dra ut stängen:

Tryck på avluftningsventilen för att släppa ut trycket.

Det går inte att trycka in stängen:

Vrid stängen 90° med greppet för att lösa den från kolven.

Det kommer inget fett när utlösaren trycks in:

Cylindern är tom. Fyll på fett.

Det finns luftblåsor i cylindern. Avlufta fettsprutan.

#### SKÖTSEL

Använd endast Milwaukee tillbehör och reservdelar. Reservdelar vars utbyte ej beskrivs bytes bäst av Milwaukee auktoriserad serviceverkstad (se broschyr Garanti/ Kundtjänstadresser).

Vid behov av sprängskiss, kan en sådan, genom att uppge maskinens art. nr. (som finns på typskylten) erhållas från: Milwaukee Electric Tool, Max-Eyth-Straße 10, D-71364 Winnenden, Germany.

#### SYMBOLER



Läs instruktionen noga innan du startar maskinen.



Drag ur batteripaket innan arbete utföres på maskinen.



Elektriska verktyg får inte kastas i hushållsoporna! Enligt direktivet 2002/96/EG som avser äldre elektrisk och elektronisk utrustning ska dess tillämpning enligt nationell lagstiftning ska uttjänta elektriska verktyg sorteras separat och lämnas till miljövänlig återvinning.

TEKNISET ARVOT	RASVAPURISTIMEN	M12 GG
Käyttöpainne enint.....	562 bar	
Läpivirtausmäärä.....	74 g/min	
Täyttötilavuus täytettäessä astioista.....	454 g	
Täyttötilavuus patruunaa käytettäessä.....	411 g	
Letkun paine.....	690 bar	
Jännite vaihtoakku.....	12 V	
Paino EPTA-meneteltyen 01/2003 mukaan.....	3,3 kg	

#### Melunpäästö-/tärintätiedot

Mitta-arvot määritetty EN 60 745 mukaan.

Koneen tyyppillinen A-luokitettu melutaso:

Melutaso (K=3dB(A)).....65,5 dB (A)

Äänenvoimakkuus (K=3dB(A)).....76,5 dB (A)

#### Käytä kuulosuojaimia!

Värähtelyn yhteisarvot (kolmen suunnan vektorisumma) mitattuna EN 60745 mukaan.

Värähtelyemissioarvo ah.....< 2,5 m/s<sup>2</sup>

Epävarmuus K.....1,5 m/s<sup>2</sup>

#### VAROITUS

Näissä ohjeissa mainittu värähtelytaso on mitattu EN 60745 -standardin mukaisella mittausmenetelmällä ja sitä voidaan käyttää sähkötyökalujen vertaamiseen. Sitä voidaan käyttää myös värähtelyrasituksen väliaikaiseen arviointiin.

Mainittu värähtelytaso edustaa sähkötyökalun pääasiallista käyttöä. Jos sähkötyökalua kuitenkin käytetään muihin tehtäviin, poikkeavin työkaluun tai riittämättömästi huoltaen, värähtelytaso voi olla erilainen. Se voi korottaa värähtelyrasitusta koko työajan osalta.

Tarkan värähtelyrasituksen toteamiseen tulee ottaa huomioon aika, jona laite on kytketty pois tai on kylläkin päällä, mutta ei käytössä. Se voi pienentää värähtelyrasitusta koko työajan osalta.

Määrittele lisäturvatoimenpiteitä käyttäjän suojaamiseksi värinöiden vaikutukselta, kuten esimerkiksi: sähkötyökalujen ja käyttötyökalujen huolto, käsien lämpiminä pitäminen, työvaiheiden organisaatio.

**VAROITUS! Lue kaikki, myös oheistetussa esitteessä annetut turvallisuusmääräykset ja käyttöohjeet.** Turvallisuusohjeiden noudattamisen laiminlyönti saattaa johtaa sähköiskuun, tulipaloon ja/tai vakavaan loukkaantumiseen.

**Säilytä kaikki turvallisuus- ja muut ohjeet tulevaisuutta varten.**

#### TURVALLISUUSOHJEET

Korkea paine saattaa aiheuttaa letkun tai työkalun osien rikkoutumisen. Tästä voi aiheutua roiskausten ja/tai irtirepäisyn vaara. Tarkasta ennen jokaista käyttöä, onko laitteessa tai letkussa vaurioita. Älä käytä vahingoittunutta laitetta.

Pitele letkua asennettaessa sen jousivedenestosta välttääksesi taitteiden syntyminen.

Rasvat ja voiteluaineet ovat tulenarkoja. Älä altista niitä avotulelle tai lämmönlähteille. Noudata kaikkia rasvan ja voiteluaineen valmistajan antamia varoituksia ja ohjeita.

Pumpun liitännän tulee sopia letkun liittimeen ja kestää vähintään 690 baarin paineen, jotta vältetään rasvapuristimen ja pumpun vaurioituminen.

Käytä laitteella työskennellessäsi aina suojaaseja. Suojakäsineiden, turvallisten ja tukevapohjaisten kenkien, kuulosuojainten ja suojaesiliinan käyttöä suositellaan.

Ota akku pois ennen kaikkia koneeseen tehtäviä toimenpiteitä.

Käytettyjä vaihtoakkuja ei saa polttaa eikä poistaa normaalin jätehuollon kautta. Milwaukee on tarjolla vanhoja vaihtoakkuja varten ympäristöystävällinen jätehuoltopalvelu.

Vaihtoakkuja ei saa säilyttää yhdessä metalliesineiden kanssa (oikosulkuvaara).

Käytä ainoastaan System C12 latauslaitetta System C12 akkujen lataukseen. Älä käytä muiden järjestelmien akkuja.

Vaurioituneesta akusta saattaa erityisen kovassa käytössä tai poikkeavassa lämpötilassa vuotaa akkuhappoa. Ihonkohta, joka on joutunut kosketukseen akkuhapon

kanssa on viipymättä pestävä vedellä ja saippualla. Silmä, johon on joutunut akkuhappoa, on huuhdeltava vedellä vähintään 10 minuutin ajan, jonka jälkeen on viipymättä hakeuduttava lääkärin apuun.

#### TARKOITUKSEN MUKAINEN KÄYTTÖ

Rasvapuristin soveltuu sellaisten voitelupisteiden voiteluun, jotka yleensä voidellaan rasvapuristinta käyttäen. Siinä saa käyttää vain tavallista, rasvapuristimissa käytettäväksi sopivaa rasvaa, joka on pakattu patruunoihin tai astioihin.

Älä käytä tuotetta ohjeiden vastaisesti.

#### TODISTUS CE-STANDARDIN MUKAISUUDESTA

Todistamme täten ja vastaamme yksin siitä, että tämä tuote on allalueteltujen standardien ja standardoimisasiakirjojen vaatimusten mukainen.

EN60745-1:2009/A11:2010

seuraavien sääntöjen mukaisesti: 2011/65/EY (RoHS),

2004/108/EY, 2006/42/EY



Winnenden, 2012-08-06

Rainer Kumpf  
Manager Product Development

Vaiutettu kokoamaan tekniset dokumentit.

#### AKKU

Uudet vaihtoakut saavuttavat täyden varauskyvyn 4-5 latauksen ja purkauksen jälkeen. Pitkään käyttämättä olleet vaihtoakut on ladattava ennen käyttöä.

Yli 50°C lämpötilassa akun suorituskyky heikkenee. Vältäthän akkujen säilyttämistä auringossa tai kuumissa tiloissa.

Pida aina latauslaitteen ja akun kosketinpinnat puhtaina.

Akut on ladattava täyteen käytön jälkeen optimaalisen eliniän säilyttämiseksi.

Mahdollisimman pitkän elinajan takaamiseksi akut tulee poistaa laturista lataamisen jälkeen.

Akkuja yli 30 päivää säilytettäessä:

Säilytä akku yli 27 °C:ssa ja kuivassa.

Säilytä akku sen latauksen ollessa 30 % - 50 %.

Lataa akku 6 kuukauden välein uudelleen.

#### AKUN YLIKUORMITUSSUOJAUS

Akkusarja on varustettu ylikuormitusuojalla, joka suojaaa akkua ylikuormitukselta ja varmistaa sen pitkän elinkaaren. Äärimmäisrasituksessa akkuelektronikka sammuttaa koneen automaattisesti. Työn jatkamiseksi kone kytketään pois ja sitten jälleen päälle. Jos kone ei käynnisty uudelleen, niin akkusarja saattaa olla tyhjentynyt ja se täytyy ladata uudelleen latauslaitteella.

#### RASVAPURISTIMEN ILMANPOISTO

Tartu letkuun jousivedeneston kohdalta ja pitele sitä varustalostasi poispäin.

Paina katkaisinpainiketta 3 sekunnin ajan, päästä se irti ja toista tämä, kunnes letkusta virtaa rasvaa.

Jos letkusta ei tule rasvaa useamman yrityksen jälkeen, rasvapuristimesta täytyy poistaa ilma manuaalisesti:

Vedä tanko kahvasta ulos ja käännä kahvaa, jotta tanko lukittuu mäntään paikalleen.

Paina ilmanpoistiventtiiliä ja paina tanko samalla takaisin sylinterin sisään

Heti kun letkusta tulee rasvaa, käännä kahvaa takaisin irrottaaksesi männän ja paina tanko jälleen kokonaan takaisin sylinterin sisään

Viite: Tämä rasvapuristin on testattu tehtaalla. Siksi pumpun kotelossa, letkussa ja liittimessä on vielä pieniä määriä rasvaa. Suosittelemme puhdistamaan rasvapuristimen käyttämälläsi rasvalla ennen sen ensimmäistä käyttöönottoa.

#### VIANHAKU

Tankoa ei voi vetää ulos:

Paina ilmanpoistiventtiiliä paineen poistamiseksi.

Tankoa ei voi painaa sisään:

Käännä tankoa kahvasta 90°, jotta se irtoaa männästä.

Rasvaa ei tule, kun katkaisinpainiketta painetaan:

Sylinteri on tyhjä, täytä uutta rasvaa.

Sylinterissä on ilmapuolia, poista ilma rasvapuristimesta.

#### HUOLTO

Käytä vain Milwaukee:n lisälaitteita ja varaosia. Käytä ammattitaitoisien Milwaukee-huoltosopimusliikkeiden palveluja muiden kuin käyttöohjeessa kuvattujen osien vaihdossa. (esite takuu/huoltoilikeuettelo).

Tarpeen vaatiessa voit pyytää lähettämään laitteen kokoonpanopiirustuksen ilmoittamalla arvokilven kymmennumeroinen numeron seuraavasta osoitteesta: Milwaukee Electric Tool, Max-Eyth-Straße 10, D-71364 Winnenden, Germany.

#### SYMBOLIT



Lue käyttöohjeet huolellisesti, ennen koneen käynnistämistä.



Ota akku pois ennen kaikkia koneeseen tehtäviä toimenpiteitä.



Älä hävitä sähkötyökalua tavallisen kotitalousjätteen mukana! Vanhoja sähkö- ja elektroniikkalaitteita koskevan EU-direktiivin 2002/96/ETY ja sen maakohtaisten sovellusten mukaisesti käytetyt sähkötyökalut on toimitettava ongelmajätteen keräyspisteeseen ja ohjattava ympäristöystävälliseen kierrätykseen.

ΤΕΧΝΙΚΑ ΣΤΟΙΧΕΙΑ	ΓΡΑΣΑΔΟΡΟΣ	M12 GG
Μέγιστη επιτρεπτή πίεση λειτουργίας.....		562 bar
Ρυθμός ροής.....		74 g/min
Χωρητικότητα όταν γεμίζεται με γράσο χύμα.....		454 g
Χωρητικότητα όταν γεμίζεται με φυσίγγιο.....		411 g
Πίεση λάστιχου.....		690 bar
Τάση ανταλλακτικής μπαταρίας.....		12 V
Βάρος σύμφωνα με τη διαδικασία EPTA 01/2003.....		3,3 kg

### Πληροφορίες θορύβου/δονήσεων

Τιμές μέτρησης εξακριβωμένες κατά EN 60 745.

Η σύμφωνα με την καμπύλη A εκτιμηθείσα στάθμη θορύβου του μηχανήματος αναφέρεται σε:

Στάθμη ηχητικής πίεσης (K=3dB(A))..... 65,5 dB (A)

Στάθμη ηχητικής ισχύος (K=3dB(A))..... 76,5 dB (A)

### Φοράτε προστασία ακοής (ωασπίδες)!

Υλικές τιμές κραδασμών (άθροισμα διανυσμάτων τριών διευθύνσεων) εξακριβώθηκαν σύμφωνα με τα πρότυπα EN 60745.

Τιμή εκπομπής δονήσεων ah..... < 2,5 m/s<sup>2</sup>

Ανασφάλεια K..... 1,5 m/s<sup>2</sup>

### ΠΡΟΕΙΔΟΠΟΙΗΣΗ

Το αναφερόμενο σ' αυτές τις οδηγίες επίπεδο δονήσεων έχει μετρηθεί με μια τυποποιημένη σύμφωνα με το EN 60745 μέθοδο μέτρησης και μπορεί να χρησιμοποιηθεί για τη σύγκριση των ηλεκτρικών εργαλείων μεταξύ τους. Αυτό είναι επίσης κατάλληλο για μια προσωρινή εκτίμηση της επιβάρυνση των δονήσεων.

Το αναφερόμενο επίπεδο δονήσεων αντιπροσωπεύει τις κύριες χρήσεις του ηλεκτρικού εργαλείου. Εάν όμως το ηλεκτρικό χρησιμοποιείται σε άλλες χρήσεις, με διαφορετικά εργαλεία εφαρμογής ή ανεπαρκή συντήρηση, μπορεί να υπάρξει απόκλιση του επιπέδου δονήσεων. Αυτό μπορεί να αυξήσει σημαντικά την επιβάρυνση των δονήσεων για τη συνολική διάρκεια της εργασίας.

Για μια ακριβή εκτίμηση της επιβάρυνσης των δονήσεων οφείλουν επίσης να λαμβάνονται υπόψη οι χρόνοι, στους οποίους η συσκευή είναι απενεργοποιημένη ή είναι μεν ενεργοποιημένη αλλά δεν χρησιμοποιείται πραγματικά. Αυτό μπορεί να μειώσει σημαντικά την επιβάρυνση των δονήσεων για τη συνολική διάρκεια της εργασίας.

Καθορίζετε πρόσθετα μέτρα ασφαλείας για την προστασία του χειριστή από την επίδραση των δονήσεων όπως για παράδειγμα: Συντήρηση του ηλεκτρικού εργαλείου και των εργαλείων εφαρμογής, διατηρείτε ζεστά τα χέρια, οργάνωση των διαδικασιών εργασίας.

**⚠ ΠΡΟΕΙΔΟΠΟΙΗΣΗ! Διαβάστε όλες τις Υποδείξεις ασφαλείας και τις Οδηγίες, και αυτές στο επισυναπτόμενο φυλλάδιο.** Αμέλειες κατά την τήρηση των προειδοποιητικών υποδείξεων μπορεί να προκαλέσουν ηλεκτροπληξία, κίνδυνο πυρκαγιάς ή/και σοβαρούς τραυματισμούς.  
**Φυλάξτε όλες τις προειδοποιητικές υποδείξεις και οδηγίες για κάθε μελλοντική χρήση.**

### ΕΙΔΙΚΕΣ ΥΠΟΔΕΙΞΕΙΣ ΑΣΦΑΛΕΙΑΣ

Σε περίπτωση υψηλής πίεσης μπορεί να προκληθεί ρήξη του λάστιχου ή κάποιου άλλου μέρους της συσκευής. Υπάρχει κίνδυνος τραυματισμού μέσω έγχυσης ή και ακρωτηριασμού. Πριν κάθε χρήση ελέγξτε αν υπάρχουν βλάβες στην συσκευή και στα λάστιχα. Αν υπάρχουν βλάβες μην χρησιμοποιείτε την συσκευή.

Κατά το μοντάρισμα πιάνετε το λάστιχο από το ελατήριο εκτόνωσης ώστε να αποφευχθεί αναδίπλωση του λάστιχου.

Το γράσο και τα λιπαντικά εν γένει μπορεί να είναι εύφλεκτα. Μην τα εκτίθετε σε φωτιά ή σε πηγές υψηλής θερμότητας. Ακολουθείτε τις συμβουλές και τις προειδοποιήσεις του εκάστοτε κατασκευαστή γράσου και λιπαντικών.

Για να αποφευχθούν βλάβες στον γρασαδόρο και στην αντλία πρέπει ο σύνδεσμος της αντλίας να είναι συμβατός με τον σύνδεσμο του λάστιχου και να αντέχει σε πίεση τουλάχιστον 690 bar.

Στις εργασίες με τη μηχανή φοράτε πάντοτε προστατευτικά γυαλιά. Συνιστάνται τα προστατευτικά γάντια, τα σταθερά και αντιολισθητικά παπούτσια και η ποδιά.

Πριν από κάθε εργασία στη μηχανή αφαιρείτε την ανταλλακτική μπαταρία.

Μην πετάτε τις μεταχειρισμένες ανταλλακτικές μπαταρίες στη φωτιά ή στα οικιακά απορρίμματα. Η Milwaukee προσφέρει μια απόσυρση των παλιών ανταλλακτικών μπαταριών σύμφωνα με τους κανόνες προστασίας του περιβάλλοντος, ρωτήστε παρακαλώ σχετικά στο ειδικό κατάστημα πώλησης.

Μην αποθηκεύετε τις ανταλλακτικές μπαταρίες μαζί με μεταλλικά αντικείμενα (κίνδυνος βραχυκυκλώματος).

Φορτίζετε τις ανταλλακτικές μπαταρίες του συστήματος C12 μόνο με φορτιστές του συστήματος C12. Μην φορτίζετε μπαταρίες από άλλα συστήματα.

Όταν υπάρχει υπερβολική καταπόνηση ή υψηλή θερμοκρασία μπορεί να τρέξει υγρό μπαταρίας από τις χαλασμένες επαναφορτιζόμενες μπαταρίες. Αν έρθετε σε επαφή με υγρό μπαταρίας να πλυθείτε αμέσως με νερό και σαπούνι. Σε περίπτωση επαφής με τα μάτια να πλυθείτε σχολαστικά για τουλάχιστον 10 λεπτά και να αναζητήσετε αμέσως ένα γιατρό.

### ΧΡΗΣΗ ΣΥΜΦΩΝΑ ΜΕ ΤΟ ΣΚΟΠΟ ΠΡΟΟΡΙΣΜΟΥ

Ο γρασαδόρος είναι κατάλληλος να λιπαίνει συνηθισμένα σημεία λίπανσης (γρασαδοράκια). Ο γρασαδόρος πρέπει να χρησιμοποιείται με εμπορικά λιπαντικά καλής ποιότητας χύμα ή σε φυσίγγιο.

Αυτή η συσκευή επιτρέπεται να χρησιμοποιηθεί μόνο σύμφωνα με τον αναφερόμενο σκοπό προορισμού.

### ΔΗΛΩΣΗ ΠΙΣΤΟΤΗΤΑΣ ΕΚ

Δηλώνουμε με αποκλειστική μας ευθύνη, ότι αυτό το προϊόν ανταποκρίνεται στα ακόλουθα πρότυπα ή έγγραφα τυποποίησης.

EN60745-1:2009/A11:2010

σύμφωνα με τις διατάξεις των οδηγιών 2011/65/EK (RoHS), 2004/108/EK, 2006/42/EK



Winnenden, 2012-08-06

*Rainer Kumpf*

Rainer Kumpf  
Manager Product Development

Εξουσιοδοτημένος να συντάξει τον τεχνικό φάκελο.

### ΜΠΑΤΑΡΙΕΣ

Οι νέες ανταλλακτικές μπαταρίες φθάνουν στην πλήρη χωρητικότητά τους μετά από 4-5 κύκλους φόρτισης και εκφόρτισης. Επαναφορτίζετε τις ανταλλακτικές μπαταρίες που δεν έχουν χρησιμοποιηθεί για μεγαλύτερο χρονικό διάστημα πριν τη χρήση.

Μια θερμοκρασία πάνω από 50°C μειώνει την ισχύ της ανταλλακτικής μπαταρίας. Αποφεύγετε τη θέρμανση για μεγαλύτερο χρονικό διάστημα από τον ήλιο ή τις συσκευές θέρμανσης.

Διατηρείτε τις επαφές σύνδεσης στο φορτιστή και στην ανταλλακτική μπαταρία καθαρές.

Για μια άριστη διάρκεια ζωής πρέπει μετά τη χρήση οι μπαταρίες να φορτιστούν πλήρως.

Για μια κατά το δυνατόν μεγάλη διάρκεια ζωής οι μπαταρίες μετά τη φόρτιση οφείλουν να αφαιρεθούν από το φορτιστή.

Για την αποθήκευση της μπαταρίας για διάστημα μεγαλύτερο των 30 ημερών:

Αποθηκεύετε τη μπαταρία περ. στους 27°C σε στεγνό χώρο. Αποθηκεύετε τη μπαταρία περ. στο 30%-50% της κατάστασης φόρτισης.

Κάθε 6 μήνες φορτίζετε εκ νέου τη μπαταρία.

### ΠΡΟΣΤΑΣΙΑ ΥΠΕΡΦΟΡΤΩΣΗΣ ΤΗΣ ΜΠΑΤΑΡΙΑΣ

Το πακέτο μπαταρίας είναι εξοπλισμένο με μια προστασία υπερφόρτωσης, η οποία προστατεύει τη μπαταρία από υπερφόρτωση και εξασφαλίζει μια μεγάλη διάρκεια ζωής. Σε ιδιαίτερα υψηλή καταπόνηση ο ηλεκτρονικός εξοπλισμός της μπαταρίας απενεργοποιεί αυτόματα τη μηχανή. Για να συνεχίσετε την εργασία απενεργοποιείτε και ενεργοποιείτε πάλι τη μηχανή. Εάν δεν ξεκινήσει πάλι η μηχανή, πιθανά το πακέτο μπαταρίας να είναι άδειο και θα πρέπει να φορτιστεί εκ νέου στη συσκευή φόρτισης.

### ΕΞΑΕΡΙΣΜΟΣ ΤΟΥ ΓΡΑΣΑΔΟΡΟΥ

Κρατήστε το λάστιχο από το ελατήριο εκτόνωσης με τρόπο ώστε να μην δείχνει προς το σώμα σας.

Πιέστε τον διακόπτη για 3 δευτερόλεπτα και μετά αφήστε τον. Επαναλάβετε αυτήν την διαδικασία μέχρι να τρέξει γράσο από το λάστιχο.

Αν μετά από πολλές επαναλήψεις δεν έρθει γράσο, ο εξερισμός πρέπει να γίνει με το χέρι.

Τραβήξτε προς τα έξω την ράβδο και στρέψτε την ώστε να εφαρμόσει καλά στο έμβολο.

Πιέστε την ράβδο πάλι μέσα στον κύλινδρο κρατώντας ταυτόχρονα πατημένη την βαλβίδα εξαέρωσης.

Μόλις τρέξει γράσο από το λάστιχο στρέψτε πάλι την ράβδο ώστε να ελευθερωθεί από αυτήν το έμβολο και ξαναπιέστε την ράβδο μέσα στον κύλινδρο.

Σημείωση: Αυτή η συσκευή έχει δοκιμαστεί στο εργοστάσιο και για αυτόν τον λόγο περιέχει μια μικρή ποσότητα γράσου στον κορμό, στο λάστιχο και στους συνδέσμους. Σας συνιστούμε να καθαρίσετε την συσκευή με το γράσο της προτιμήσής σας πριν την χρησιμοποιήσετε για πρώτη φορά.

### ΕΝΤΟΠΙΣΜΟΣ ΛΑΘΩΝ

Η ράβδος δεν τραβιέται προς τα έξω:

Πιέστε την βαλβίδα εξαέρωσης ώστε να μειωθεί η πίεση.

Η ράβδος δεν μπαίνει προς τα μέσα:

Στρέψτε την ράβδο πιάνοντάς την από την λαβή κατά 90 μοίρες ώστε να την ελευθερώσετε από το έμβολο.

Δεν έρχεται γράσο όταν πατάτε τον διακόπτη λειτουργίας: Ο κύλινδρος έχει αδειάσει, ξαναγεμίστε τον.

Υπάρχουν φυσαλίδες αέρα στον κύλινδρο, εξαερώστε τον γρασαδόρο.

### ΣΥΝΤΗΡΗΣΗ

Χρησιμοποιείτε μόνο εξαρτήματα και ανταλλακτικά της Milwaukee. Αναθέστε την αλλαγή των εξαρτημάτων, των οποίων η αντικατάσταση δεν έχει περιγραφεί, σ' ένα κέντρο σέρβις της Milwaukee (προσέξτε το εγχειρίδιο Εγγύηση/ Διευθύνσεις εξυπηρέτησης πελατών).

Όταν χρειάζεται, μπορείτε να ζητήσετε ένα σχέδιο συναρμολόγησης της συσκευής, δίνοντας τον τύπο της μηχανής και το δεκαψήφιο αριθμό στην πινακίδα ισχύος, από το κέντρο σέρβις ή απευθείας από τη φίρμα Milwaukee Electric Tool, Max-Eyth-Sträe 10, D-71364 Winnenden, Germany.

### ΣΥΜΒΟΛΑ



Παρακαλώ διαβάστε σχολαστικά τις οδηγίες χρήσης πριν από την έναρξη λειτουργίας.



Πριν από κάθε εργασία στη μηχανή αφαιρείτε την ανταλλακτική μπαταρία.



Μην πετάτε τα ηλεκτρικά εργαλεία στον κάδο οικιακών απορριμμάτων! Σύμφωνα με την ευρωπαϊκή οδηγία 2002/96/EK περί ηλεκτρικών και ηλεκτρονικών συσκευών και την ενσωμάτωσή της στο εθνικό δίκαιο, τα ηλεκτρικά εργαλεία πρέπει να συλλέγονται ξεχωριστά και να πιστρέφονται για ανακύκλωση με τρόπο φιλικό προς το περιβάλλον.

TEKNİK VERİLER	GRES TABANCASI	M12 GG
Max. işletme basıncı.....	562 bar	
Akış miktarı.....	74 g/min	
Kutulardan doldururken kapasite.....	454 g	
Kartuşlu kapasite.....	411 g	
Hortum basıncı.....	690 bar	
Kartuş akü gerilimi.....	12 V	
Ağırlığı ise EPTA-üretici 01/2003'e göre.....	3,3 kg	

#### Gürültü/Vibrasyon bilgileri

Ölçüm değerleri EN 60 745 e göre belirlenmektedir.

Aletin, frekansa bağımlı uluslararası ses basıncı seviyesi değerlendirme eğrisi A'ya göre tipik gürültü seviyesi:

Ses basıncı seviyesi (K=3dB(A)).....65,5 dB (A)

Akustik kapasite seviyesi (K=3dB(A)).....76,5 dB (A)

#### Koruyucu kulaklık kullanın!

Toplam titreşim değeri (üç yönün vektör toplamı) EN 60745'e göre belirlenmektedir:

titreşim emisyon değeri  $a_h$ ..... < 2,5 m/s<sup>2</sup>

Tolerans K..... 1,5 m/s<sup>2</sup>

#### UYARI

Bu talimatlarda belirtilen titreşim seviyesi, EN 60745 standardına uygun bir ölçme metodu ile ölçülmüştür ve elektrikli el aletleri birbirleriyle karşılaştırmak için kullanılabilir. Ölçüm sonuçları ayrıca titreşim yükünün geçici değerlendirmesi için de uygundur.

Belirtilen titreşim seviyesi, elektrikli el aletinin genel uygulamaları için geçerlidir. Ancak elektrikli el aleti başka uygulamalar için, farklı eklenti parçalarıyla ya da yetersiz bakım koşullarında kullanılırsa, titreşim seviyesi farklılık gösterebilir. Bu durumda, titreşim yükü toplam çalışma zaman aralığı içerisinde belirgin ölçüde yükselebilir.

Titreşim yükünün tam bir değerlendirmesi için ayrıca cihazın kapalı olduğu süreler ve cihazın çalışır durumda olduğu, ancak gerçek kullanımda bulunmadığı süreler de dikkate alınmalıdır. Böylelikle, toplam çalışma zamanı aralığı boyunca meydana gelen titreşim yükü belirgin ölçüde azaltılabilir.

Kullanıcıyı titreşimlerin etkisinden korumak üzere, örneğin elektrikli el aletlerinin ve eklenti parçalarının bakımı, ellerin sıcak tutulması ve iş akışlarının organizasyonu gibi ek güvenlik tedbirleri belirleyiniz.

**⚠ UYARI! Güvenlikle ilgili bütün açıklamaları, talimatları ve ilişikteki broşürde yazılı bulunan hususları okuyunuz.** Açıklanan uyarılara ve talimat hükümlerine uyulmadığı takdirde elektrik çarpmalarına, yangınlara ve/veya ağır yaralanmalara neden olunabilir.

**Bütün uyarıları ve talimat hükümlerini ileride kullanmak üzere saklayın.**

#### GÜVENLİĞİNİZ İÇİN TALİMATLAR

Daha yüksek bir basınç hortumunda veya takım parçalarında kırıklara neden olabilir. İçine püskürtme veya kesilmeden dolayı yaralanma tehlikesi bulunmaktadır. Her kullanımdan önce cihazı ve hortum hatlarını hasarlar yönünden kontrol ediniz. Hasar durumunda cihazı kullanmayınız.

Bükülmesini önlemek için hortumu montaj sırasında yaylı çekme yükünü azaltma düzeneğinden tutunuz.

Gresler ve yağlama maddeleri yanıcıdır. Alevlere veya ısı kaynaklarına maruz bırakmayınız. Gres ve yağlama maddesi üreticisinin bütün ikazlarına ve uyarılarına uyunuz.

Gres tabancası ve pompada hasarların önlenmesi için pompanın bağlantısı hortumun kavramasına uyumlu olmalı ve en az 690 bar miktarındaki bir basınca dayanabilmelidir.

Aletle çalışırken daima koruyucu gözlük kullanın. Koruyucu iş eldivenleri, sağlam ve kaymaz ayakkabılar ve iş önlüğü kullanmanızı tavsiye ederiz.

Aletin kendinde bir çalışma yapmadan önce kartuş aküyü çıkarın.

Kullanılmış kartuş aküleri ateşe veya ev çöplerine atmayın. Milwaukee, kartuş akülerin çevreye zarar vermeyecek biçimde tasfiye edilmesine olanak sağlayan hizmet sunar; lütfen bu konuda yetkili satıcınızdan bilgi alın.

Kartuş aküleri metal parça veya eşyalarla birlikte saklamayın (kısa devre tehlikesi).

C12 sistemli kartuş aküleri sadece C12 sistemli şarj cihazları ile şarj edin. Başka sistemli aküleri şarj etmeyin.

Aşırı zorlanma veya aşırı ısınma sonucu hasar gören kartuş akülerden batarya sıvısı dışarı akabilir. Batarya sıvısı ile temasa gelen yeri hemen bol su ve sabunla yıkayın. Batarya sıvısı gözüünüze kaçacak olursa en azından 10 dakika yıkayın ve zaman geçirmeden bir hekime başvurun.

#### KULLANIM

Gres tabancası, normalde gres tabancasıyla yağlanan yağlama yerlerinin yağlanması için uygundur. Piyasada bulunan olağan, gres tabancalarında kullanılmaya uygun kartuş veya kutular içindeki gres kullanılmalıdır.

Bu alet sadece belirttiği gibi ve usulüne uygun olarak kullanılabilir.

#### CE UYGUNLUK BEYANI

Tek sorumlu olarak bu ürünün 2011/65/EC (RoHs), 2004/108/EC, 2006/42/EC yönetmelik hükümleri uyarınca aşağıdaki normlara ve norm dokümanlarına uygunluğunu beyan ederiz:  
EN60745-1:2009/A11:2010



Winnenden, 2012-08-06

*Rainer Kumpf*

Rainer Kumpf  
Manager Product Development

Teknik evrakları hazırlamakla görevlendirilmiştir.

#### AKÜ

Yeni kartuş aküler ancak 4-5 şarj/deşarj işleminden sonra tam kapasitelerine ulaşırlar. Uzun süre kullanımdan dışı kalmış kartuş aküleri kullanmadan önce şarj edin.

50°C üzerindeki sıcaklıklar kartuş akünün performansını düşürür. Akünün güneş ışığı veya mekân sıcaklığı altında uzun süre ısınmamasına dikkat edin.

Şarj cihazı ve kartuş aküdeki bağlantı noktalarını temiz tutun.

Akünün ömrünün mükemmel bir şekilde uzun olması için kullandıktan sonra tamamen doldurulması gerekir.

Ömrünün mümkün olduğu kadar uzun olması için akülerin yüklemeye yapıldıktan sonra dolurma cihazından uzaklaştırılması gerekir.

Akünün 30 günden daha fazla depolanması halinde:

Aküyü takriben 27°C'de kuru olarak depolayın.

Aküyü yüklemeye durumunun takriben % 30 - %50 olarak depolayın.

Aküyü her 6 ay yeniden doldurun.

#### AKÜNÜN AŞIRI YÜKLENMEYE KARŞI KORUNMASI

Akü donanımı, aküyü fazla yüklenmeye karşı koruyan ve uzun ömürlü olmasını garanti eden fazla yüklenmeye karşı bir koruma tertibatı ile teçhiz edilmiştir.

Aşırı fazla bir şekilde kullanılması durumunda akünün elektronik tertibatı makineyi otomatik olarak kapatır.

Makinenin tekrar çalıştırılması amacı ile tekrar kapatın ve yeniden çalıştırın. Makine tekrar çalışmazsa, akü donanımı muhtemelen boşalmıştır ve o zaman yeniden şarj edilerek tekrar doldurulması gerekir.

#### GRES TABANCASININ HAVASININ ALINMASI

Hortumu, yaylı çekme yükünü azaltma düzeneğinden kavrayarak vücudunuzdan uzak tutunuz.

Şalterli düğmeye 3 saniye basınız, bırakınız ve hortumundan gres akana kadar bu işlemi tekrarlayınız.

Birkaç denemeye rağmen hortumdan gres gelmezse, gres tabancasının havası manuel olarak alınmalıdır:

Kulptaki çubuğu çekerek çıkartınız ve çubuğun piston içine oturması için çeviriniz.

Hava boşaltma valfine basınız ve aynı anda çubuğu tekrar silindir içine bastırınız

Hortumdan gres çıkar çıkmaz, pistonu serbest bırakmak için kulpu tekrar çeviriniz ve çubuğu tekrar komple silindir içine bastırınız

Uyarı: Bu gres tabancası fabrikada test edilmiştir. Bu yüzden pompa gövdesi, hortum ve kavrama içinde az miktarda gres bulunmaktadır. İlk kullanımdan önce gres tabancasının tercih edilen gesle temizlemesi tavsiye olunur.

#### HATA ARAMASI

Çubuk dışarı çekilemiyor:  
Basıncı almak için hava boşaltma valfine basınız.

Çubuk içeri bastırılmıyor:  
Kulptaki çubuğu, pistondan çözmek için 90° çeviriniz.

Şalterli düğme basıldıığında gres gelmiyor:

Silindir boş, yeni gres doldurunuz.

Silindir içinde hava kabarcıkları var, yağ tabancasının havasını boşaltınız.

#### BAKIM

Sadece Milwaukee aksesuarını ve yedek parçalarını kullanın. Değiştirilmesi açıklanmamış olan parçaları bir Milwaukee müşteri servisinde değiştirin (Garanti broşürüne ve müşteri servisi adreslerine dikkat edin).

Gerektiği takdirde aletin dağınık görünüş şeması, alet tipinin ve tip etiketi üzerindeki on hanelik sayının bildirilmesi koşuluyla müşteri servisinden veya doğrudan Milwaukee Electric Tool, Max-Eyth-Straße 10, D-71364 Winnenden, Germany adresinden istenebilir.

#### SEMBOLLER



Lütfen aleti çalıştırmadan önce kullanma kılavuzunu dikkatli biçimde okuyun.



Aletin kendinde bir çalışma yapmadan önce kartuş aküyü çıkarın.



Elektrikli el aletlerini evdeki çöp kutusuna atmayınız! Kullanılmış elektrikli aletleri, elektrik ve elektrikli eski cihazlar hakkındaki 2002/96/EC Avrupa yönergelerine göre ve bu yönergeler ulusal hukuk kurallarına göre uyarlanarak, ayrı olarak toplanmalı ve çevre şartlarına uygun bir şekilde tekrar değerlendirilmeye gönderilmelidir.

TECHNICKÁ DATA	MAZACÍHO LIS	M12 GG
Max. provozní tlak .....		562 bar
Průtokové množství .....		74 g/min
Objem při plnění z nádob .....		454 g
Objem s kartuší .....		411 g
Tlak v hadici .....		690 bar
Napětí výměnného akumulátoru .....		12 V
Hmotnost podle prováděcího předpisu EPTA 01/2003 .....		3,3 kg

#### Informace o hluku / vibracích

Naměřené hodnoty odpovídají EN 60 745.

V třídě A posuzovaná hladina hluku přístroje činí typicky:

Hladina akustického tlaku (K=3dB(A))..... 65,5 dB (A)

Hladina akustického výkonu (K=3dB(A))..... 76,5 dB (A)

#### Používejte chrániče sluchu !

Celkové hodnoty vibrací (vektorový součet tří směrů) zjištěné ve smyslu EN 60745.

Hodnota vibračních emisí  $a_{hv}$ ..... < 2,5 m/s<sup>2</sup>

Kolisavost K..... 1,5 m/s<sup>2</sup>

#### VAROVÁN

Úroveň chvění uvedená v tomto návodu byla naměřena podle metody měření stanovené normou EN 60745 a může být použita pro porovnání elektrického nářadí. Hodí se také pro průběžný odhad zatížení chvěním.

Uvedená úroveň chvění představuje hlavní účely použití elektrického nářadí. Jestliže se ale elektrické nářadí používá pro jiné účely, s odlišnými nástroji nebo s nedostatečnou údržbou, může se úroveň chvění odlišovat. To může značně zvýšit zatížení chvěním během celé pracovní doby.

Pro přesný odhad zatížení chvěním se musí také zohlednit časy, během kterých je přístroj vypnutý nebo kdy je sice v chodu, ale skutečně se s ním nepracuje. To může zatížení chvěním během celé pracovní doby značně snížit.

Stanovte doplňková bezpečnostní opatření pro ochranu obsluhy před účinky chvění jako například: technická údržba elektrického nářadí a nástrojů, udržování teploty rukou, organizace pracovních procesů.

**VAROVÁNÍ! Seznamte se se všemi bezpečnostními pokyny a sice i s pokyny v příložené brožuře.** Zanedbání při dodržování varovných upozornění a pokynů mohou mít za následek úder elektrickým proudem, požár a/nebo těžká poranění.

**Všechna varovná upozornění a pokyny do budoucna uschovejte.**

#### SPECIÁLNÍ BEZPEČNOSTNÍ UPOZORNĚNÍ

Vysoký tlak může způsobit praskliny v hadici nebo částech nástroje. Vzniká riziko poranění v důsledku vstříknutí nebo odpojení. Před každým použitím zkontrolujte přístroj a hadicové vedení, jestli nejsou poškozené. V případě poškození přístroj nepoužívejte.

Při montáži se hadice dotýkejte v místě odlehčení protitahu pružiny, aby se zamezilo jejímu zalomení.

Mazací tuky a maziva jsou hořlavé. Nevystavujte je působení ohně nebo zdrojů tepla. Respektujte všechna varování a upozornění od výrobce mazacího tuku a maziva.

Abyste se zamezilo vzniku škod na mazacím lise a čerpadle, musí být přípojka čerpadla kompatibilní se spojkou hadice a musí vydržet tlak minimálně 690 barů.

Při práci se strojem neustále nosit ochranné brýle.

Doporučuje se používat ochranné rukavice, pevnou protiskluzovou obuv a zástěru.

Před zahájením veškerých prací na vrtacím šroubováků vyjmout výměnný akumulátor.

Použitě nevyhazujte do domovního odpadu nebo do ohně. Milwaukee nabízí ekologickou likvidaci starých článků, ptejte se u vašeho obchodníka s nářadím.

Náhradní akumulátor neskladujte s kovovými předměty, nebezpečí zkratu.

Akumulátor systému C12 nabíjejte pouze nabíječkou systému C12. Nenabíjejte akumulátory jiných systémů.

Při extrémní zátěži či vysoké teplotě může z akumulátoru vytékat kapalina. Při zasažení touto kapalinou okamžitě zasažená místa omyjte vodou a mýdlem. Při zasažení očí

okamžitě důkladně po dobu alespoň 10min. omývat a neodkladně vyhledat lékaře.

#### OBLAST VYUŽITÍ

Mazací lis je vhodný na promazávání mazaných míst, které se obvykle promazávají pomocí mazacích lisů. Musí být použitý běžný mazací tuk v kartuších nebo nádobách, který je vhodný pro použití v mazacích lisech.

Toto zařízení lze používat jen pro uvedený účel.

#### CE-PROHLÁŠENÍ O SHODĚ

Se vši zodpovědností prohlašujeme, že tento výrobek odpovídá následujícím normám a normativním dokumentům:  
EN60745-1:2009/A11:2010  
v souladu se směrnicemi EHS č. 2011/65/EC (RoHS), 2004/108/EC, 2006/42/EC



Winnenden, 2012-08-06

Rainer Kumpf  
Manager Product Development

Zplnomocněn k sestavování technických podkladů.

#### AKUMULÁTORY

Nový akumulátor dosáhne plné kapacity po 4 - 5 nabíjecích cyklech. Déle nepoužívané akumulátory je nutné před použitím znovu nabít.

Teplota přes 50°C snižuje výkon akumulátoru. Chraňte před dlouhým přehříváním na slunci či u topení.

Kontakty nabíječky a akumulátoru udržujte v čistotě.

Optimální životnost akumulátorů se zajistí, když se po použití vždy plně nabijí.

K zabezpečení dlouhé životnosti by se akumulátory měly po nabití vyjmout z nabíječky.

Při skladování akumulátoru po dobu delší než 30 dní:

Skladujte akumulátor v suchu při cca 27°C.

Skladujte akumulátor při cca 30%-50% nabíjecí kapacity.

Opakujte nabíjení akumulátoru každých 6 měsíců.

#### OCHRANA PROTI PŘETÍŽENÍ AKUMULÁTORU

Akumulátorová sada je vybavena ochranou proti přetížení, která ji chrání a zaručuje její dlouhou životnost.

Při extrémním zatížení elektronika akumulátoru elektrický nástroj vypne. K pokračování v práci nástroj vypnete a opět zapnete. V případě, že se motor nástroje ani potom nerozbehne, je akumulátorová sada pravděpodobně vybitá a musí se v nabíječce opět nabít.

#### ODVZDUŠNĚNÍ MAZACÍHO LISU

Hadici chyťte v místě odlehčení protitahu pružiny a podržte ji dál od tělesa.

Spínací tlačítko stiskněte na dobu 3 vteřin, pak jej pusťte a to opakujte tak dlouho, dokud z hadice nevytéká ven mazací tuk.

Jestliže ani po více pokusech z hadice nevyteče žádný mazací tuk, musí se mazací lis manuálně odvzdušnit:

Tyč u rukojeti vytáhněte ven a přetočte, aby tyč mohla zapadnout do pístu.

Stlače odvzdušňovací ventil a současně tyč opět zatlačte do válce.

Když mazací tuk vyteče z hadice, rukojeť přetočte, aby se píst mohl opět uvolnit a tyč se mohla opět kompletně zatlačit do válce.

Upozornění: Tento mazací lis byl testovaný ve výrobním závodě. Proto je ještě malé množství mazacího tuku přítomné v pouzdře čerpadla, v hadici a ve spojce. Před prvním použitím se doporučuje vyčistit mazací lis pomocí preferovaného mazacího tuku.

#### Vyhledávání chyb

Tyč se nedá vytáhnout:

Stiskněte odvzdušňovací ventil, abyste snížili tlak.

Tyč se nedá zatlačit:

Tyč u rukojeti otočte o 90°, abyste ji uvolnili od pístu.

Pokud se stiskne spínací tlačítko, nevychází žádný mazací tuk:

Válec je prázdný, naplňte nový mazací tuk.

Ve válci jsou vzduchové bubliny, odvzdušněte mazací lis.

#### ÚDRŽBA

Používejte výhradně náhradní díly a příslušenství Milwaukee. Díly, jejichž výměna nebyla popsána, nechávejte vyměnit v odborném servisu Milwaukee. (Viz záruční list.)

Při potřebě podrobného rozkresu konstrukce, oslovte informaci o typu a desetimístném objednacím čísle přímo servis a nebo výrobce, Milwaukee Electric Tool, Max-Eyth-Straße 10, D-71364 Winnenden, Germany.

#### SYMBOLY



Před spuštěním stroje si pečlivě přečtěte návod k používání.



Před zahájením veškerých prací na vrtacím šroubováků vyjmout výměnný akumulátor.



Elektrické nářadí nevyhazujte do komunálního odpadu! Podle evropské směrnice 2002/96/EC o nakládání s použitými elektrickými a elektronickými zařízeními a odpovídajících ustanovení právních předpisů jednotlivých zemí se použitá elektrická nářadí musí sbírat odděleně od ostatního odpadu a podrobit ekologicky šetrnému recyklování.

**TECHNICKÉ ÚDAJE MASTIACEHO LIS M12 GG**

Max. prevádzkový tlak .....	562 bar
Prietokové množstvo .....	74 g/min
Objem pri plnení z nádob .....	454 g
Objem s kartušou .....	411 g
Tlak v hadici .....	690 bar
Napätie výmenného akumulátora .....	12 V
Hmotnosť podľa vykonávacieho predpisu EPTA 01/2003 .....	3,3 kg

**Informácia o hluku / vibráciách**

Namerané hodnoty určené v súlade s EN 60 745.  
 V triede A posudzovaná hladina hluku prístroja činí typicky:  
 Hladina akustického tlaku (K=3dB(A)).....65,5 dB (A)  
 Hladina akustického výkonu (K=3dB(A)).....76,5 dB (A)

**Používajte ochranu sluchu!**

Celkové hodnoty vibrácií (vektorový súčet troch smerov) zistené v zmysle EN 60745.  
 Hodnota vibračných emisií ah ..... < 2,5 m/s<sup>2</sup>  
 Kolísavosť K ..... 1,5 m/s<sup>2</sup>

**POZOR**

Úroveň vibrácií uvedená v týchto pokynoch bola nameraná meracou metódou, ktorú stanovuje norma EN 60745 a je možné ju použiť na vzájomné porovnanie elektrického náradia. Hodí sa aj na predbežné posúdenie kmitavého namáhania. Uvedená úroveň vibrácií reprezentuje hlavné aplikácie elektrického náradia. Ak sa však elektrické náradie používa pre iné aplikácie, s odlišnými vloženými nástrojmi alebo s nedostatočnou údržbou, môže sa úroveň vibrácií líšiť. Toto môže kmitavé namáhanie v priebehu celej pracovnej doby podstatne zvýšiť. Pre presný odhad kmitavého namáhania by sa mali tiež zohľadniť doby, v ktorých je náradie vypnuté alebo je síce v chode, ale v skutočnosti sa nepoužíva. Toto môže kmitavé namáhanie v priebehu celej pracovnej doby zreteľne redukovat'. Stanovte dodatočné bezpečnostné opatrenia pre ochranu obsluhy pred účinkami vibrácií, ako napríklad: údržba elektrického náradia a vložených nástrojov, udržiavanie teploty rúk, organizácia pracovných postupov.

**⚠ POZOR! Zoznámte sa so všetkými bezpečnostnými pokynmi a síce aj s pokynmi v priloženej brožúre.**  
 Zanedbanie dodržiavania Výstražných upozornení a pokynov uvedených v nasledujúcom texte môže mať za následok zásah elektrickým prúdom, spôsobíť požiar a/alebo ťažké poranenie.  
**Tieto výstražné upozornenia a bezpečnostné pokyny starostlivo uschovajte na budúce použitie.**

**ŠPECIÁLNE BEZPEČNOSTNÉ POKYNY**

Vysoký tlak môže viesť k prasklinám na hadici alebo častiach nástroja. Vzniká riziko poranenia v dôsledku vstreknutia alebo odpojenia. Pred každým použitím skontrolujte prístroj a hadicové potrubie, či nie sú poškodené. V prípade poškodenia prístroj nepoužívajte. Pri montáži sa hadice dotýkajte na mieste odľahčenia protiťahu pružiny, aby sa zamedžilo jej zalomeniu. Mazacie tuky a mazivá sú horľavé. Nevystavujte ich pôsobeniu ohňa alebo zdrojov tepla. Rešpektujte všetky výstrahy a upozornenia od výrobcu mazacieho tuku a maziva.

Aby sa zamedžilo vzniku škôd na mastiacom lise a čerpadle, musí byť prípojka čerpadla kompatibilná so spojkou hadice a musí vydržať tlak minimálne 690 bar. Pri práci so strojom vždy noste ochranné okuliare. Odporúčame ochranné rukavice, pevnú protišmykovú obuv a zásteru. Pred každou prácou na stroji výmenný akumulátor vyťahnuť.

Opatrebované výmenné akumulátory nezahadzujte do ohňa alebo medzi domový odpad. Milwaukee ponúka likvidáciu starých výmenných akumulátorov, ktorá je v súlade s ochranou životného prostredia; informujte sa u Vášho predajcu.

Výmenné akumulátory neskladovať spolu s kovovými predmetmi (nebezpečenstvo skratu).

Výmenné akumulátory systému C12 nabíjať len nabíjacími zariadeniami systému C12. Akumulátory iných systémov týmto zariadením nenabíjať. Pri extrémnych záťažach alebo extrémnych teplotách môže dôjsť k vytečeniu batérovej tekutiny z poškodeného výmenného akumulátora. Ak dôjde ku kontaktu pokožky s roztokom, postihnuté miesto umyť vodou a mydlom. Ak sa roztok dostane do očí, okamžite ich dôkladne vypláchnuť po dobu min. 10 min a bezodkladne vyhľadať lekára.

**POUŽITIE PODĽA PREDPISOV**

Mastiaci lis je vhodný na premazávanie mazaných miest, ktoré sa zvyčajne premazávajú pomocou mastiacich lisov. Musí byť použitý bežný mazací tuk v kartušiach alebo nádobách, ktorý je vhodný na použitie v mastiacich lisoch. Tento prístroj sa smie používať len v súlade s uvedenými predpismi.

**CE - VYHLÁSENIE KONFORMITY**

Vyhlasujeme v našej výhradnej zodpovednosti, že tento produkt zodpovedá nasledovným normám alebo normatívnym dokumentom.  
 EN60745-1:2009/A11:2010  
 podľa predpisov smerníc 2011/65/EC (RoHS), 2004/108/EC, 2006/42/EC.



Winnenden, 2012-08-06

*Rainer Kumpf*

Rainer Kumpf  
 Manager Product Development  
 Splnomocnený zostaviť technické podklady.

**AKUMULÁTORY**

Nové výmenné akumulátory dosiahnu svoju maximálnu kapacitu po 4-5 nabitách a vybitiach. Dlhá a nepoužívaná výmenné akumulátory pred použitím dobie. Teplota vyššia ako 50°C znižuje výkon výmenného akumulátora. Zabráňte dlhšiemu ohriatiu slnkom alebo kúrením. Pripájacie kontakty na nabíjacom zariadení a výmennom akumulátore udržiavať čisté. K zachovaniu optimálnej životnosti se baterie musej po použití vždy úplne dobiť. K zabezpečeniu dlhej životnosti by sa akumulátory mali po nabití vybrať z nabíjačky. Pri skladovaní akumulátora po dobu dlhšiu než 30 dní: Skladujte akumulátor v suchu pri cca 27°C. Skladujte akumulátor pri cca 30%-50% nabíjacej kapacity. Opakujte nabíjanie akumulátora každých 6 mesiacov.

**OCHRANA PROTI PREŤAŽENIU AKUMULÁTORA**

Akumulátorová sada je vybavená ochranou proti preťaženiu, ktorá ju chráni a zaručuje jej dlhú životnosť. Pri extrémnom zaťažení elektronika akumulátora elektrický nástroj vypne. K pokračovaniu v práci nástroj vypnete a opäť zapnete. V prípade, že sa motor nástroja ani potom nerozbehne, je akumulátorová sada pravdepodobne vybitá a musí sa v nabíjačke opäť nabiť.

**ODVDZUŠNENIE MASTIACEHO LISU**

Hadicu chytte na mieste odľahčenia protiťahu pružiny a podržte ďalej od telesa. Spínacie tlačidlo na 3 sekundy stlačte, pustite a toto opakujte dovtedy, kým z hadice nevytečá von mazací tuk. Ak ani po viacerých pokusoch z hadice nevytečie žiadny mazací tuk, musí sa mastiaci lis manuálne odvdzušniť. Tyč pri rukováti vyťahnite von a pretočte, aby tyč mohla zapadnúť do piestu. Stlačte odvdzušňovací ventil a súčasne tyč opäť zatlačte do valca. Keď mazací tuk vytečie z hadice, rukovať pretočte, aby sa piest mohol opäť uvoľniť a tyč sa mohla opäť kompletne vtláčať do valca. Upozornenie: Tento mastiaci lis bol testovaný v závode. Preto sú ešte malé množstvá mazacieho tuku prítomné v skrini čerpadla, v hadici a v spojke. Pred prvým použitím sa odporúča mastiaci lis vyčistiť pomocou preferovaného mazacieho tuku.

**VYHLÁDÁVANIE CHÝB**

Tyč sa nedá vyťahnuť: Stlačte odvdzušňovací ventil, aby ste znížili tlak. Tyč sa nedá zatlačiť: Tyč pri rukováti otočte o 90°, aby ste ju uvoľnili od piestu. Keď sa stlačí spínacie tlačidlo, nevychádza žiadny mazací tuk: Valec je prázdny, naplňte nový mazací tuk. Vo valci sú vzduchové bubliny, odvdzušnite mastiaci lis.

**ÚDRZBA**

Používať len Milwaukee príslušenstvo a náhradné diely. Súčiastky bez návodu na výmenu treba dať vymeniť v jednom z Milwaukee zákaznických centier (viď brožúru Záruka/Adresy zákaznických centier). Pri udaní typu stroja a desaťmiestneho čísla nachádzajúceho sa na štítku dá sa v prípade potreby vyžiadať explozívna schéma prístroja od Vášho zákaznického centra alebo priamo v Milwaukee Electric Tool, Max-Eyth-Straße 10, D-71364 Winnenden, Germany.

**SYMBOLY**

Pred prvým použitím prístroja si pozorne prečítajte návod na obsluhu.



Pred každou prácou na stroji výmenný akumulátor vyťahnuť.



Elektrické náradie nevyhadzujte do komunálneho odpadu! Podľa európskej smernice 2002/96/ES o nakladaní s použitými elektrickými a elektronickými zariadeniami a zodpovedajúcich ustanovení právnych predpisov jednotlivých krajín sa použité elektrické náradie musí zbierať oddelene od ostatného odpadu a podrobiť ekologicky šetrnej recyklácii.



DANE TECHNICZNE	PRASKA SMAROWA	M12 GG
Maksymalne ciśnienie robocze.....		562 bar
Ilość przepływu.....		74 g/min
Pojemność użytkowa podczas napełniania z pojemnika .....		454 g
Pojemność użytkowa z nabojem .....		411 g
Ciśnienie węża .....		690 bar
Napięcie baterii akumulatorowej.....		12 V
Ciężar wg procedury EPTA 01/2003.....		3,3 kg

#### Informacja dotycząca szumów/wibracji

Zmierzone wartości wyznaczone zgodnie z normą EN 60 745. Poziom szumów urządzenia oszacowany jako A wynosi typowo:

Poziom ciśnienia akustycznego (K=3dB(A)).....	65,5 dB (A)
Poziom mocy akustycznej (K=3dB(A)).....	76,5 dB (A)

#### Należy używać ochraniaczy uszu!

Wartości łączne drgań (suma wektorowa trzech kierunków) wyznaczone zgodnie z normą EN 60745

Wartość emisji drgań $a_h$ .....	< 2,5 m/s <sup>2</sup>
Niepewność K.....	1,5 m/s <sup>2</sup>

#### OSTRZEŻENIE

Podany w niniejszych instrukcjach poziom drgań został zmierzony za pomocą metody pomiarowej zgodnej z normą EN 60745 i może być użyty do porównania ze sobą elektronarzędzi. Nadaje się on również do tymczasowej oceny obciążenia wibracyjnego.

Podany poziom drgań reprezentuje główne zastosowania elektronarzędzia. Jeśli jednakże elektronarzędzie użyte zostanie do innych celów z innym narzędziami roboczymi lub nie jest dostatecznie konserwowane, wtedy poziom drgań może wykazywać odchylenia. Może to wyraźnie zwiększyć obciążenie wibracjami przez cały okres pracy.

Dla dokładnego określenia obciążenia wibracjami należy uwzględnić również czasy, w których urządzenie jest wyłączone względnie jest włączone, lecz w rzeczywistości nie pracuje. Może to spowodować wyraźną redukcję obciążenia wibracyjnego w całym okresie pracy.

Należy wprowadzić dodatkowe środki zapobiegawcze celem ochrony obsługującego przed oddziaływaniem drgań, jak na przykład: konserwacja narzędzi roboczych i elektronarzędzi, nagrzanie rąk, organizacja przebiegu pracy.

**⚠ OSTRZEŻENIE! Prosimy o przeczytanie wskazówek bezpieczeństwa i zaleceń, również tych, które zawarte są w załączonej broszurze.** Błędy w przestrzeganiu poniższych wskazówek mogą spowodować porażenie prądem, pożar i/lub ciężkie obrażenia ciała. **Należy starannie przechowywać wszystkie przepisy i wskazówki bezpieczeństwa dla dalszego zastosowania.**

#### INSTRUKCJE DOTYCZĄCE BEZPIECZEŃSTWA

Wysokie ciśnienie może prowadzić do pęknięcia węża lub elementów narzędzi. Istnieje niebezpieczeństwo obrażeń na skutek wytrysku lub rozerwania. Przed każdym użyciem należy sprawdzić urządzenie i przewody giętkie pod kątem uszkodzeń. W razie uszkodzenia urządzenia nie wolno używać.

Podczas montażu należy uchwycić wąż za zamocowanie sprężynowe, aby uniknąć załamania.

Smary i środki smarowe są palne. Nie narażać ich na działanie ognia i źródeł gorąca. Przestrzegać wszystkich ostrzeżeń i wskazówek producenta smaru i środka smarowego.

Aby uniknąć uszkodzeń praski smarowej i pompy, przyłączyć pompy winno być kompatybilne do złącza węża i winno wytrzymać ciśnienie co najmniej 690 bar.

Podczas pracy należy zawsze nosić okulary ochronne. Zalecane jest także noszenie rękawic, mocnego, nie ślizgającego się obuwia oraz ubrania roboczego.

Przed przystąpieniem do jakichkolwiek prac na elektronarzędziu należy wyjąć wkładkę akumulatorową.

Zużytych akumulatorów nie wolno wrzucać do ognia ani traktować jako odpadów domowych. Milwaukee oferuje ekologiczną utylizację zużytych akumulatorów.

Nie przechowywać akumulatorów wraz z przedmiotami metalowymi (niebezpieczeństwo zwarcia).

Akumulatory Systemu C12 należy ładować wyłącznie przy pomocy ładowarek Systemu C12. Nie ładować przy pomocy tych ładowarek akumulatorów innych systemów.

W skrajnych warunkach temperaturowych lub przy bardzo dużym obciążeniu może dochodzić do wycieku kwasu akumulatorowego z uszkodzonych baterii akumulatorowych. W przypadku kontaktu z kwasem akumulatorowym należy natychmiast przemyć miejsce kontaktu wodą z mydłem. W przypadku kontaktu z oczami należy dokładnie przepłukiwać oczy przynajmniej przez 10 minut i zwrócić się natychmiast o pomoc medyczną.

#### WARUNKI UŻYTKOWANIA

Praska smarowa jest przystosowana do smarowania punktów smarowania, które na ogół smarowane są praskami smarowymi. Należy używać standardowego smaru w nabojach lub pojemnikach odpowiedniego do użycia w praskach smarowych.

Produkt można użytkować wyłącznie zgodnie z jego normalnym przeznaczeniem.

#### DEKLARACJA ZGODNOŚCI CE

Oświadczamy z pełną odpowiedzialnością, że produkt ten odpowiada wymaganiom następujących norm i dokumentów normatywnych EN60745-1:2009/A11:2010 i jest zgodny z wymaganiami dyrektyw 2011/65/WE (RoHS), 2004/108/WE, 2006/42/WE



Winnenden, 2012-08-06

Rainer Kumpf  
Manager Product Development

Upelnomocniony do zestawienia danych technicznych

#### BATERIE AKUMULATOROWE

Nowe baterie akumulatorowe osiągają swoją pełną pojemność po 4 - 5 cyklach ładowania i rozładowywania. Akumulatory, które nie były przez dłuższy czas użytkowane, należy przed użyciem naładować.

W temperaturze powyżej 50°C następuje spadek osiągniętych wkładki akumulatorowej. Unikać długotrwałego wystawienia na oddziaływanie ciepła lub promieni słonecznych (niebezpieczeństwo przegrzania).

Styki ładowarek i wkładek akumulatorowych należy utrzymywać w czystości.

W celu zagwarantowania optymalnej żywotności należy po zakończonej eksploatacji naładować akumulatory do pełna.

Dla zapewnienia możliwie długiej żywotności akumulatory należy wyjąć z ładowarki po ich naładowaniu.

W przypadku składowania akumulatorów dłużej aniżeli 30 dni:

Przechowywać je w suchym miejscu w temperaturze ok. 27°C.

Przechowywać je w stanie naładowanym do ok. 30% - 50%. Ładować je ponownie co 6 miesięcy.

#### ZABEZPIECZENIE PRZECIĄŻENIOWE AKUMULATORA

Pakiet akumulatorowy jest wyposażony w zabezpieczenie przed przeciążeniem, które chroni akumulator przed przeciążeniem i zapewnia jego dużą żywotność.

Przy ekstremalnie silnym narażeniu elektronika akumulatora automatycznie wyłącza maszynę. Aby kontynuować pracę należy wyłączyć i ponownie włączyć maszynę. Jeżeli nie nastąpiłby ponowny rozruch maszyny, to możliwe, że pakiet akumulatorowy jest wyladowany i musi zostać ponownie naładowany w ładowarce.

#### ODPOWIETRZANIE PRASKI SMAROWEJ

Chwycić wąż za zamocowanie sprężynowe i trzymać z daleka od ciała.

Nacisnąć przycisk wyłącznika przez okres 3 sekund, zwolnić i powtarzać tę czynność tak długo, dopóki smar nie zacznie wypływać z węża.

Jeśli po kilkukrotnych próbach smar nie zacznie wypływać z węża, praskę smarową należy odpowietrzyć:

Wyciągnąć pręt za uchwyt i przekręcić, aby zacześć pręt w tłoku.

Nacisnąć zawór odpowietrzający i równocześnie wcisnąć pręt z powrotem do cylindra.

Jak tylko smar zacznie wypływać z węża, obrócić uchwyt, aby zwolnić z powrotem tłok i wcisnąć całkowicie z powrotem pręt do cylindra.

Wskazówka: Ta praska smarowa była testowana fabrycznie. Wskutek tego w obudowie pompy, w wężu i w złączu znajdują się jeszcze niewielkie ilości smaru. Zaleca się przed pierwszym użyciem oczyścić praskę smarową zalecanym smarem.

#### WYSZUKIWANIE BŁĘDÓW

Pręt nie można wysunąć: Nacisnąć zawór odpowietrzający, aby wypuścić powietrze.

Pręt nie można wcisnąć: Przekręcić uchwyt pręta o 90°, aby odłączyć go od tłoka.

Smarm nie wypływa po naciśnięciu przycisku wyłącznika: Cylinder jest pusty, należy napełnić go smarem. W cylindrze znajdują się pęcherze powietrzne, odpowietrzyć praskę smarową.

#### UTRZYMANIE I KONSERWACJA

Należy stosować wyłącznie wyposażenie dodatkowe i części zamienne Milwaukee. W przypadku konieczności wymiany części, dla których nie podano opisu, należy skontaktować się z przedstawicielami serwisu Milwaukee (patrz lista punktów obsługi gwarancyjnej/serwisowej).

Na życzenie można otrzymać rysunek widoku zespołu rozebranego. Przy zamawianiu należy podać dziesięciocyfrowy numer oraz typ elektronarzędzia umieszczony na tabliczce znamionowej. Zamówienia można dokonać albo u lokalnych przedstawicieli serwisu, albo bezpośrednio w Milwaukee Electric Tool, Max-Eyth-Straße 10, D-71364 Winnenden, Germany.

#### SYMBOLS



Przed uruchomieniem elektronarzędzia zapoznać się uważnie z treścią instrukcji.



Przed przystąpieniem do jakichkolwiek prac na elektronarzędziu należy wyjąć wkładkę akumulatorową.



Nie wyrzucać elektronarzędzi wraz z odpadami z gospodarstwa domowego! Zgodnie z Europejską Dyrektywą 2002/96/WE w sprawie zużytego sprzętu elektrotechnicznego i elektronicznego oraz dostosowaniem jej do prawa krajowego, zużyte elektronarzędzia należy posegregować i zutylizować w sposób przyjazny dla środowiska.

MŰSZAKI ADATOK	ZSÍRZÓPRÉS	M12 GG
Max. üzemi nyomás.....		562 bar
Átfolyási mennyiség.....		74 g/min
Úrtartalom csomagolásból történő töltés esetén .....		454 g
Úrtartalom patronnal való töltés esetén.....		411 g
Tömlőnyomás .....		690 bar
Akkumulátor feszültség .....		12 V
Súly a 01/2003 EPTA-eljárás szerint .....		3,3 kg

### Zaj-/Vibráció-információ

A közölt értékek megfelelnek az EN 60 745 szabványnak.

A készülék munkahelyi zajszintje tipikusan:

Hangnyomás szint (K=3dB(A))..... 65,5 dB (A)

Hangteljesítmény szint (K=3dB(A))..... 76,5 dB (A)

### Hallásvédő eszköz használata ajánlott!

Összesített rezgésértékek (három irány vektoriális összege)

az EN 60745-nek megfelelően meghatározva.

a<sub>r</sub> rezgésemisszió érték..... < 2,5 m/s<sup>2</sup>

K<sub>b</sub> bizonytalanság .....

### FIGYELMEZTETÉS

A jelen utasításokban megadott rezgésszint értéke az EN 60745-ben szabályozott mérési eljárásnak megfelelően került lemérésre, és használható elektromos szerszámokkal történő összehasonlításhoz. Az érték alkalmas a rezgésterhelés előzetes megbecsülésére is.

A megadott rezgésszint-érték az elektromos szerszám legfőbb alkalmazásait reprezentálja. Ha az elektromos szerszámot azonban más alkalmazásokhoz, eltérő használt szerszámokkal vagy nem elegendő karbantartással használják, a rezgésszint értéke eltérő lehet. Ez jelentősen megnövelheti a rezgésterhelés a munkavégzés teljes időtartama alatt.

A rezgésterhelés pontos megbecsüléséhez azokat az időket is figyelembe kell venni, melyekben a készülék lekapcsolódik, vagy ugyan működik, azonban ténylegesen nincs használatban. Ez jelentősen csökkentheti a rezgésterhelést a munkavégzés teljes időtartama alatt.

Határozzon meg további biztonsági intézkedéseket a kezelő védelmére a rezgések hatása ellen, például: az elektromos és a használt szerszámok karbantartásával, a kezek melegen tartásával, a munkafolyamatok megszervezésével.

**⚠ FIGYELMEZTETÉS! Olvasson el minden biztonsági útmutatást és utasítást, a mellékelt brosrában találhatóakat is.** A következőkben leírt előírások betartásának elmulasztása áramütésekhez, tűzhöz és/vagy súlyos testi sérülésekhez vezethet. **Kérjük a későbbi használatra gondosan őrizze meg ezeket az előírásokat.**

### KÜLÖNLEGES BIZTONSÁGI TUDNIVALÓK

A nagy nyomás a tömlő vagy a szerszám alkatrészeinek törését okozhatja. Fennáll a behatolás által okozott vagy csonkolásos sérülések veszélye. Minden használat előtt ellenőrizze a készülék és a tömlők sértetlenségét. Sérülés esetén ne használja a készüléket.

Szerelés során a tömlőt a rugós törésgátlónál fogja meg, hogy elkerülje a tömlő megtörését.

A zsírok és kenőanyagok éghetők. Ne tegye ki őket tűz vagy hőforrások hatásának. Tartsa be a zsír- és kenőanyaggyártó minden figyelmeztetését és útmutatását.

Annak érdekében, hogy a zsíróprés és a pumpa károsodását elkerülje, a pumpa csatlakozójának kompatibilisnek kell lennie a tömlő csatlakozójával, és legalább 690 bar nyomást kell kibírnia.

Munkavégzés közben ajánlatos védőszemüveget viselni. Védőkesztyű, zárt és csúszásmentes cipő, valamint védőkötény használata szintén javasolt.

Karbantartás, javítás, tisztítás, stb. előtt az akkumulátort ki kell venni a készülékből.

A használt akkumulátort ne dobja tűzbe vagy a háztartási szemétkébe. Tájékoztadjon a szakszerű megsemmisítés helyi lehetőségeiről.

Az akkumulátort ne tárolja együtt fém tárgyakkal. (Rövidzárlat veszélye).

Az C12 elnevezésű rendszerhez tartozó akkumulátorokat kizárólag a rendszerhez tartozó töltővel töltsse fel. Ne használjon más rendszerbe tartozó töltőt.

MŰSZAKI ADATOK	ZSÍRZÓPRÉS	M12 GG
Max. üzemi nyomás.....		562 bar
Átfolyási mennyiség.....		74 g/min
Úrtartalom csomagolásból történő töltés esetén .....		454 g
Úrtartalom patronnal való töltés esetén.....		411 g
Tömlőnyomás .....		690 bar
Akkumulátor feszültség .....		12 V
Súly a 01/2003 EPTA-eljárás szerint .....		3,3 kg

Akkumulátor sav folyhat a sérült akkumulátorból extrém terhelés alatt, vagy extrém hő miatt. Ha az akkumulátor sav a bőrére kerül azonnal mossa meg szappanos vízzel. Szembe kerülés esetén folyóvíz alatt tartsa a szemét minimum 10 percig és azonnal forduljon orvoshoz.

**RENDELTETÉSSZERŰ HASZNÁLAT**

A zsíróprés olyan kenési pontok kenésére alkalmas, amelyeket zsírópréssel szokás kenni. A kereskedelemben kapható, zsíróprésben történő használatra alkalmas, patronos vagy dobozos kiszerezésű zsírt kell használni.

A készüléket kizárólag az alábbiakban leírtaknak megfelelően szabad használni.

**CE-AZONOSSÁGI NYILATKOZAT**

Teljes felelősségünk tudatában kijelentjük, hogy jelen termék megfelel a következő szabványoknak vagy szabványossági dokumentumoknak:  
EN60745-1:2009/A11:2010  
a 2011/65/EK (RoHS), 2004/108/EK, 2006/42/EK irányelvek határozataival egyetértésben.

### RENDELTETÉSSZERŰ HASZNÁLAT

A zsíróprés olyan kenési pontok kenésére alkalmas, amelyeket zsírópréssel szokás kenni. A kereskedelemben kapható, zsíróprésben történő használatra alkalmas, patronos vagy dobozos kiszerezésű zsírt kell használni.

A készüléket kizárólag az alábbiakban leírtaknak megfelelően szabad használni.

### CE-AZONOSSÁGI NYILATKOZAT

Teljes felelősségünk tudatában kijelentjük, hogy jelen termék megfelel a következő szabványoknak vagy szabványossági dokumentumoknak:  
EN60745-1:2009/A11:2010  
a 2011/65/EK (RoHS), 2004/108/EK, 2006/42/EK irányelvek határozataival egyetértésben.



Winnenden, 2012-08-06

*Rainer Kumpf*

Rainer Kumpf  
Manager Product Development

Műszaki dokumentáció összeállításra felhatalmazva

### AKKUK

Új akkumulátor a teljes kapacitást 4-5 töltési/lemerülési ciklus után éri el. A hosszabb ideig üzemen kívül lévő akkumulátort használat előtt ismételtelen fel kell tölteni.

50°C feletti hőmérsékletnél csökkenhet az akkumulátor teljesítménye. Kerülni kell a túlzottan meleg helyen vagy napon történő hosszabb idejű tárolást.

A töltő és az akkumulátor csatlakozóit mindig tisztán kell tartani.

Az optimális élettartam érdekében használat után az akkukat teljesen fel kell tölteni.

A lehetőleg hosszú élettartamhoz az akkukat feltöltés után ki kell venni a töltőkészülekből.

Az akku 30 napot meghaladó tárolása esetén:

Az akkut kb. 27 °C-on, száraz helyen kell tárolni.

Az akkut kb. 30-50%-os töltöttségi állapotban kell tárolni.

Az akkut 6 havonta újra fel kell tölteni.

### AZ AKKUMULÁTOR TÚLTERHELÉS ELLENI VÉDELME

Az akkucsomag olyan túlterhelés elleni védelemmel rendelkezik, mely védi az akkut a túlterhelés ellen, és hosszú élettartamot biztosít.

Rendkívül erős igénybevétel esetén az akkuelektronika automatikusan lekapcsolja a gépet. A további munkavégzéshez a gépet ki-, majd ismét be kell kapcsolni.

Ha a gép nem indul el ismét, akkor lehetséges, hogy az akkucsomag lemerült és azt újból fel kell tölteni a töltőben.

### A ZSÍRZÓPRÉS LÉGTENÍTÉSE

Fogja meg a tömlőt a rugós törésgátlónál, és tartsa el a testétől.

Tartsa nyomva 3 másodpercig a nyomókapcsolót, majd engedje el, és ezt ismétlje meg mindaddig, míg a tömlőből zsír nem folyik.

Ha több próbálkozást követően sem folyik zsír a tömlőből, akkor a zsíróprést manuálisan kell légteleníteni:

Húzza ki a markolatnál lévő rudat, és fordítsa el a rud dugattyúba történő rögzítéséhez.

Nyomja le a légtelenítő szelepet, és ezzel egyszerre a rudat ismét nyomja bele a hengerbe.

Amint a tömlőből zsír távozik, fordítsa el a markolatot, hogy a dugattyút ismét kioldja, és a rudat nyomja be ismét teljesen a hengerbe.

Útmutatás: A zsíróprést a gyárban tesztnek vetették alá. Ezáltal a pumpa házában, a tömlőben és a csatlakozóban kis mennyiségű zsír található. Első használat előtt ajánlott a zsíróprést a preferált zsírral megtisztítani.

### HIBAKERESÉS

Nem lehet kihúzni a rudat:

A nyomás csökkentéséhez nyomja le a légtelenítő szelepet.

Nem lehet benyomni a rudat:

Forgassa el a markolatnál lévő rudat 90°-kal, hogy leoldja a dugattyúról.

Nem jön zsír, ha lenyomják a nyomókapcsolót:

A henger üres, új zsírt kell betölteni.

Légbuborékok vannak a hengerben; a zsíróprést légteleníteni kell.

### KARBANTARTÁS

Javításhoz, karbantartáshoz kizárólag Milwaukee alkatrészeket és tartozékokat szabad használni. A készülék azon részeinek cseréjét, amit a kezelési útmutató nem engedélyez, kizárólag a javításra feljogosított márkaszerviz végezheti. (Lásd a szervizlistát)

Szükség esetén a készülékek robbantott ábráját - a készülék típusa és tízjegyű azonosító száma alapján a területileg illetékes Milwaukee márkaszerviztől vagy közvetlenül a gyártótól (Milwaukee Electric Tool, Max-Eyth-Straße 10, D-71364 Winnenden, Germany) lehet kérni.

### SZIMBÓLUMOK



Kérjük alaposan olvassa el a tájékoztatót mielőtt a gépet használja.



Karbantartás, javítás, tisztítás, stb. előtt az akkumulátort ki kell venni a készülékből.



Az elektromos kéziszerszámokat ne dobja a háztartási szemétkébe! A használt villamos és elektronikai készülékekrol szóló 2002/96/EK irányelv és annak a nemzeti jogba való átültetése szerint az elhasznált elektromos kéziszerszámokat külön kell gyűjteni, és környezetbarát módon újra kell hasznosítani.

**TEHNIČNI PODATKI MAŠČOBNE STISKALNICE M12 GG**

Max. delovni pritisk .....	562 bar
Pretočna količina .....	74 g/min
Zmogljivost pri polnjenju iz posod .....	454 g
Zmogljivost s kartušo .....	411 g
Pritisk v gibki cevi .....	690 bar
Napetost izmenljivega akumulatorja .....	12 V
Teža po EPTA-proceduri 01/2003 .....	3,3 kg

**Informacije o hrupnosti/vibracijah**

Vrednosti merjenja ugotovljene ustrezno z EN 60 745.

Raven hrupnosti naprave ovrednotena z A, znaša tipično:

Nivo zvočnega tlaka (K=3dB(A)) .....	65,5 dB (A)
Višina zvočnega tlaka (K=3dB(A)) .....	76,5 dB (A)

**Nosite zaščito za sluh!**

Skupna vibracijska vrednost (Vektorska vsota treh smeri) določena ustrezno EN 60745.

Vibracijska vrednost emisij $a_h$ .....	< 2,5 m/s <sup>2</sup>
Nevarnost K .....	1,5 m/s <sup>2</sup>

**OPOZORILO**

V teh navodilih navedena raven tresljev je bila izmerjena po EN60745 normiranem merilnem postopku in lahko služi medsebojni primerjavi električnih orodij. Prav tako je primeren za predhodno oceno obremenitve s treslji.

Navedena raven tresljev navaja najpomembnejše vrste rabe električnega orodja. Kadar se električno orodje uporablja za drugačne namene, z odstopajočimi orodji ali pa z nezadostnim vzdrževanjem, lahko raven tresljev tudi odstopa. Le to lahko čez celoten delovni čas znatno zviša obremenitev s tresenjem.

Za natančno oceno obremenitve s treslji naj bi se upošteval tudi čas v katerem je naprava izklopljena ali sicer teče, vendar dejansko ni v rabi. Le to lahko obremenitev s treslji čez celoten delovni čas znatno zmanjša.

Za zaščito upravljalca pred učinkom tresljev uvedite dodatne zaščitne ukrepe npr.: Vzdrževanje električnega orodja in orodja, delo s toplimi rokami, organizacija delovnih potekov.

**⚠ OPOZORILO! Preberite vsa varnostna opozorila in navodila, tudi tista v priloženi brošuri.** Napake zaradi neupoštevanja spodaj navedenih opozoril in napolni lahko povzročijo električni udar, požar in/ali težke telesne poškodbe.

**Vsa opozorila in napotila shranite, ker jih boste v prihodnje še potrebovali.**

**SPECIALNI VARNOSTNI NAPOTKI**

Visok pritisk lahko vodi do preloma cevi ali delov orodja. Obstaja nevarnost poškodb vbrizge ali amputacije. Naprava inn napeljuje gibke cevi pred vsako uporabo preveriti glede poškodb. Poškodovano napravo ne uporabljati.

Pri montaži gibko cev prijeti na razbremenitvi zmetne vleke in izbegavati zapognitve.

Maščobe in maziva so gorljiva. Ne izpostavljati jih izvorom vročine. Držite se vseh opozoril in napotkov proizvajalca maščob in maziv.

Za preprečitev poškodb maščobne stiskalnice in črpalke mora biti priključek črpalke kompatibilen s sklopko gibke cevi in zdržati pritisk od najmanj 690 barov.

Pri delu s strojem vedno nosite zaščitna očala. Priporočamo zaščitne rokavice, trdno obuvalo, varno proti drsenju ter predpasnik.

Pred deli na stroju izvlecite izmenljivi akumulator.

Izrabljenih izmenljivih akumulatorjev ne mečite v ogenj ali v gospodinjne odpadke. Milwaukee nudi okolju prijazno odlaganje starih izmenljivih akumulatorjev; prosimo povprašajte vašega strokovnega trgovca.

Izmenljivih akumulatorjev ne hranite skupaj s kovinskimi predmeti (nevarnost kratkega stika).

Izmenljive akumulatorje sistema C12 polnite samo s polnilnimi aparati sistema C12. Ne polnite nobenih akumulatorjev iz drugih sistemov.

Pod ekstremno obremenitvijo ali ob ekstremni temperaturi iz poškodovanega izmenljivega akumulatorja lahko izteka akumulatorska tekočina. Po stiku z akumulatorsko tekočino

prizadeto mesto takoj izperite z vodo in milom. Po stiku z očmi takoj najmanj 10 minut dolgo temeljito izpirajte in nemudoma obiščite zdravnika.

**UPORABA V SKLADU Z NAMEMBNOSTJO**

Gibka cev je primerna za premaz mazišč, ki se običajno premazujejo z maščobnimi stiskalnicami. Uporabiti se mora trgovsko uobičajena, za uporabo v maščobnih stiskalnicah primerna maščoba v kartušah ali posodah.

Ta naprava se sme uporabiti samo v skladu z namembnostjo uporabiti samo za navede namene.

**GE-IZJAVA O KONFORMNOSTI**

Z lastno odgovornostjo izjavljamo, da je ta produkt skladen z naslednjimi normami ali normativnimi dokumenti. EN60745-1:2009/A11:2010 v skladu z določili smernic 2011/65/EC (RoHS), 2004/108/EC, 2006/42/EC.



Winnenden, 2012-08-06

Rainer Kumpf  
Manager Product Development

Pooblaščen za izdelavo spisov tehnične dokumentacije.

**AKUMULATORJI**

Novi izmenljivi akumulatorji dosežejo svojo polno kapaciteto po 4 – 5 ciklih polnjenja in praznjenja. Izmenljive akumulatorje, ki jih daljši čas niste uporabljali, pred uporabo naknadno napolnite.

Temperatura nad 50°C zmanjšuje zmogljivost izmenljivega akumulatorja. Izogibajte se daljšemu segrevanju zaradi sončnih žarkov ali gretja.

Pažite, da ostanejo priključni kontakti na polnilnem aparatu in izmenljivem akumulatorju čisti.

Za optimalno življenjsko dobo je akumulatorje potrebno po uporabi napolniti do konca.

Za čim daljšo življenjsko dobo naj se akumulatorji po napolnitvi vzamejo ven iz naprave za polnjenje.

Pri skladiščenju akumulatorjev dalj kot 30 dni: Akumulator skladiščiti pri 27°C in na suhem. Akumulator skladiščiti pri 30%-50% stanja polnjenja. Akumulator spet napolniti vsakih 6 mesecev.

**ZAŠČITA PREOBREMENITVE AKUMULATORJA**

Komplet akumulatorja je opremljen s preobremenitveno zaščito, ki ščiti akumulator pred preobremenitvijo in zagotavlja dolgo življenjsko dobo. Pri ekstremno visokih obremenitvah elektronika akumulatorja stroj avtomatsko izklopi. Za nadaljnje delo stroj izklopimo in ponovno vklopimo. V kolikor stroj ponovno ne steče, je komplet akumulatorja morebiti izpraznjen in ga je v polnilcu potrebno ponovno napolniti.

Cev prijeti na razbremenitvi zmetne vleke in jo držati stran od telesa.

Pritiskača stikala pritisniti 3 sekunde, izpustiti ga in to ponavljati, dokler iz gibke cevi ne teče maščoba.

Če po večjih poskusih iz cevi ne pride nobena maščoba, se mora maščobna stiskalnica odzračiti ročno.

Drog potegniti ven na ročaju in ga zavrteti, da bi se drog zaskočil v bat.

Pritiskati na odzračevalni ventil in istočasno drog spet potisniti v cilinder.

Čim iz gibke cevi priteče maščoba, držalo obrniti, da bi se bat spet osvobodil in drog spet kompletno potisniti v cilinder.

Napetek: ta maščobna stiskalnica se je preverjala v obratu. Zato se v ohišju stiskalnice, v cevi in sklopki nahajajo še manjše količine maščobe. Priporoča se, maščobno stiskalnico pred prvo uporabo očistiti s preferirano maščobo.

**ISKANJE NAPAK**

Drog se ne da potegniti ven: pritisniti na odzračevalni ventil, da bi se znižal pritisk.

Drog se ne da potegniti ven: drog na držaju zavrteti zta 90°, da bi se ločil od bata.

Pri pritisku na stikalo se maščoba ne pojavi: Cilinder je prazen, napolniti ga z novo maščobo. V cilindru so zračni mehurji, maščobno prešo odzračiti.

**VZDRŽEVANJE**

Uporabljajte samo Milwaukee pribor in nadomestne dele. Poskrbite, da sestavne dele, katerih zamenjava ni opisana, zamenjajo v Milwaukee servisni službi (upoštevajte brošuro Garancija/Naslovi servisnih služb).

Po potrebi se lahko pri vaši servisni službi ali direktno pri Milwaukee Electric Tool naroči eksplozijska risba naprave ob navedbi tipa stroja in desetmestne številke s tipske ploščice Milwaukee Electric Tool, Max-Eyth-Straße 10, D-71364 Winnenden, Germany.

**SIMBOLI**

Prosimo, da pred uporabo pozorno preberete to navodilo za uporabo.



Pred vsimi deli na stroji odstranite izmenljivi akumulator.



Elektricnega orodja ne odstranjujte s hišnimi odpadki! V skladu z Evropsko direktivo 2002/96/EC o odpadni elektrini in elektronski opremi in z njenim izvajanjem v nacionalni zakonodaji je treba elektricna orodja ob koncu njihove življenjske dobe loceno zbirati in jih predati v postopek okolju prijaznega recikliranja.

**TEHNIČKI PODACI****PREŠE ZA MAST****M12 GG**

Max. pogonski tlak.....	562 bar
Količina protoka.....	74 g/min
Zapremina kod punjenja iz bačve.....	454 g
Zapremina sa kartušom.....	411 g
Tlak gumene cijevi.....	690 bar
Napon baterije za zamjenu.....	12 V
Težina po EPTA-proceduri 01/2003.....	3,3 kg

**Informacije o buci/vibracijama**

Mjerne vrijednosti utvrđene odgovarajuće EN 60 745.

A-ocijenjeni nivo buke aparata iznosi tipično:

nivo pritiska zvuka (K=3dB(A)).....65,5 dB (A)

nivo učinka zvuka (K=3dB(A)).....76,5 dB (A)

**Nositi zaštitu sluha!**

Ukupne vrijednosti vibracije (Vektor suma tri smjera) su odmjerene odgovarajuće EN 60745

Vrijednost emisije vibracije  $a_{h1}$ .....< 2,5 m/s<sup>2</sup>Nesigurnost K.....1,5 m/s<sup>2</sup>**UPOZORENIE**

Ova u ovim uputama navedena razina titranja je bila izmjerena odgovarajuće jednom u EN 60745 normiranom mjernom postupku i može se upotrijebiti za usporedbu električnog alata međusobno. Ona je prikladna i za privremenu procjenu titrajnog opterećenja.

Navedena razina titranja reprezentira glavne primjene električnog alata. Ukoliko se električni alat upotrebljava u druge svrhe sa odstupajućim primijenjenim alatima ili nedovoljnim održavanjem, onda razina titranja može odstupati. To može titrajno opterećenje kroz cijeli period rada bitno povisiti.

Za točnu procjenu titrajnog opterećenja se moraju uzeti u obzir i vremena u kojima je uređaj isključen ili u kojima doduše radi, ali nije i stvarno u upotrebi. To može titrajno opterećenje bitno smanjiti za vrijeme cijelog radnog perioda.

Utvrđite dodatne sigurnosne mjere za zaštitu poslužioca protiv djelovanja titranja kao npr.: Održavanje električnih alata i upotrijebljenih alata, održavanje topline ruku, organizacija i radne postupke.

**⚠ UPOZORENIE! Pročitajte sigurnosne upute i uputnice, isto i one iz priložene brošure.** Ako se ne bi poštvale napomene o sigurnosti i upute to bi moglo uzrokovati strujni udar, požar i/ili teške ozljede.

**Sačuvajte sve napomene o sigurnosti i upute za buduću primjenu.**

**SPECIJALNE SIGURNOSNE UPUTE**

Visoki tlak može dovesti do loma na gumenoj cijevi ili dijelovima alata. Postoji opasnost od povreda kroz uštrcavanja ili odvajanja. Prije svake upotrebe uređaj i oploštene vodove provjeriti u svezi oštećenja. Kod oštećenja uređaj ne upotrebljavati.

Gumenu cijev prilikom montaže zbog izbjegavanja prijeloma zahvatiti na rasterećenju opružne vuče.

Masti i maziva su zapaljivi. Ne izlagati vatri i izvorima vrućine. Slijedite sva upozorenja i upute proizvođača masti i maziva.

Zbog izbjegavanja oštećenja preše za mast, priključak pumpe mora biti kompatibilan sa spojkom gumene cijevi i mora izdržati jedan tlak od najmanje 690 bara.

Kod radova sa strojem uvijek nositi zaštitne naočale. Zaštitne rukavice, čvrste i protiv klizanja sigurne cipele kao i pregača se preporučuju.

Prije svih radova na stroju izvaditi bateriju za zamjenu.

Istrošene baterije za zamjenu ne bacati u vatru ili u kućno smeće. Milwaukee nudi mogućnost uklanjanja starih baterija odgovarajuće okolini. Milwaukee nudi mogućnost uklanjanja starih baterija odgovarajuće okolini; upitajte molimo Vašeg stručnog trgovca.

Baterije za zamjenu ne čuvati skupa sa metalnim predmetima (opasnost od kratkog spoja).

Baterije sistema C12 puniti samo sa uređajem za punjenje sistema C12. Ne puniti baterije iz drugih sistema.

Pod ekstremnim opterećenjem ili ekstremne temperature može iz oštećenih baterija iscuriti baterijska tekućina. Kod dodira sa baterijskom tekućinom odmah isprati sa vodom i

sapunom. Kod kontakta sa očima odmah najmanje 10 minuta temeljno ispirati i odmah potražiti liječnika.

**PROPIISNA UPOTREBA**

Preša za mast je prikladna za podmazivanje podmazivačkih mjesta, koja se uobičajeno podmazuju sa prešama za mast. Upotrebljavati se mora trgovačko uobičajena, za upotrebu u prešama za mast prikladna mast u kartušama ili bačvama.

Ovaj aparat se smije upotrijebiti samo u određene svrhe kao što je navedeno.

**CE-IZJAVA KONFORMNOSTI**

Izjavljujemo na osobnu odgovornost, da se ovaj proizvod slaže sa slijedećim normama ili normativnim dokumentima. EN60745-1:2009/A11:2010 po odredbama smjernica 2011/65/EC (RoHS), 2004/108/EC, 2006/42/EC.



Winnenden, 2012-08-06

Rainer Kumpf  
Manager Product Development

Ovlašten za formiranje tehničke dokumentacije.

**BATERIJE**

Nove baterije postižu svoj puni kapacitet nakon 4-5 ciklusa punjenja i pražnjenja. Baterije koje duže vremena nisu korištene, prije upotrebe napuniti.

Temperatura od preko 50°C smanjuje učinak baterija. Duže zagrijavanje od strane sunca ili grijanja izbjeci.

Priključne kontakte na uređaju za punjenje i baterijama držati čistima.

Za optimalni vijek trajanja se akumulatori poslije upotrebe moraju sasvim napuniti.

Za što moguće duži vijek trajanja, akumulatori se nakon punjenja moraju odstraniti iz punjača.

Kod skladištenja akumulatora duže od 30 dana:

Akumulator skladištiti na suhom kod ca. 27°C.

Akumulator skladištiti kod ca. 30%-50% stanja punjenja.

Akumulator ponovno napuniti svakih 6 mjeseci.

**ZAŠTITA OD PREEPTEREĆENJA AKUMULATORA**

Akkupack je opremljen jednom zaštitom protiv preopterećenja, koja akumulator štiti protiv preopterećenja i osigurava dugi vijek.

Kod ekstremno jakih opterećenja, elektronika akumulatora automatski isključuje stroj. Za nastavak rada stroja isključiti i ponovno uključiti. Ako se stroj ponovno ne pokrene, Akkupack je eventualno ispražnjem i mora se na punjaču ponovno napuniti.

**ODZRAČIVANJE PREŠE ZA MAST**

Gumenu cijev zahvatiti na rasterećenju opružne vuče i držati dalje od tijela.

Pritisni prekidač pritisnuti za 3 sekunde, ispustiti i ovo toliko dugo ponavljati, sve dok iz cijevi ne curi mast.

Ako poslije više pokušaja iz cijevi ne dođe nikakva mast, preša za mast se mora ručno odzračiti:

Šipku izvući na dršku i zakrenuti, kako bi šipka u klipu uskočila.

Ventil za odzračivanje pritisnuti i istovremeno šipku ponovno utisnuti u cilindar

Čim mast izlazi iz cijevi, držak zakrenuti kako bi se klip ponovno opustio i šipku ponovno kompletno utisnuti u cilindar

Uputa: Ova preša za mast je bila provjerena u tvornici. Stoga se u kućištu pumpe, u cijevi i u spoji još nalazi mala količina masti. Preporučuje se, prije prvotne uporabe prešu za masti očistiti prednostnom mašču.

**TRAŽENJE POGREŠKE**Šipka se ne može izvući:  
Odušni ventil pritisnuti, kako bi se tlak smanjio.Šipka se ne može utisnuti:  
Šipku na dršku okrenuti za 90° kako bi se odvojila od klipa.Mast ne dolazi, kada se pritisna sklopka pritisne:  
Cilindar je prazan, napuniti novu mast.

U cilindru se nalaze zračni mjehurići, prešu za mast odzračiti.

**ODRŽAVANJE**

Primijeniti samo Milwaukee opremu i rezervne dijelove. Sastavne dijelove, čija zamjena nije opisana, dati zamijeniti kod jedne od Milwaukee servisnih službi (poštivati brošuru Garancija/Adrese servisa).

Po potrebi se može zatražiti crtež eksplozije aparata uz davanje podataka o tipu stroja i desetoznamenastog broja na pločici snage kod Vaše servisne službe ili direktno kod Milwaukee Electric Tool, Max-Eyth-Straße 10, D-71364 Winnenden, Germany.

**SIMBOLI**

Molimo da pažljivo pročitate uputu o upotrebi prije puštanja u rad.



Prije svih radova na stroju izvaditi bateriju za zamjenu.



Elektricne alate ne odlažite u kućne otpatke! Prema Europskoj direktivi 2002/96/EC o starih električnim i elektroničkim strojevima i preuzimanju u nacionalno pravo moraju se istrošeni električni alati sakupljati odvojeno i odvesti u pogon za reciklažu.

TEHNISKIE DATI	ELĻAS PISTOLE	M12 GG
Maksimālais darba spiediens .....		562 bar
Plūsmas ātrums .....		74 g/min
Tilpums uzpildot no tvertnes .....		454 g
Tilpums uzpildot no kasetnes .....		411 g
Spiediens šļūtenē .....		690 bar
Akumulātorā spriegums .....		12 V
Svars atbilstoši EPTA -Procedure 01/2003 .....		3,3 kg

### Trokšņu un vibrāciju informācija

Vērtības, kas noteiktas saskaņā ar EN 60 745.

A novērtētās aparātūras skaņas līmenis ir:

trokšņa spiediena līmenis (K=3dB(A)).....65,5 dB (A)

trokšņa jaudas līmenis (K=3dB(A)).....76,5 dB (A)

### Nēsāt trokšņa slāpētāju!

Svārstību kopējā vērtība (Trīs virzienu vektoru summa) tiek noteikta atbilstoši EN 60745.

svārstību emisijas vērtība ah..... < 2,5 m/s<sup>2</sup>

Nedrošība K..... 1,5 m/s<sup>2</sup>

### UZMANĪBU

Instrukcijā norādītā svārstību robežvērtība ir izmērīta mērījumu procesā, kas veikts atbilstoši standartam EN 60745, un to var izmantot elektroinstrumentu savstarpējai salīdzināšanai. Tā ir piemērota arī svārstību noslogojuma pagaidu izvērtēšanai.

Norādītā svārstību robežvērtība ir reprezentatīva elektroinstrumenta pamata pielietojuma jomām. Tomēr, ja elektroinstrumenti tiek pielietoti citās jomās, papildus izmantojot neatbilstošus elektroinstrumentus vai pēc nepietiekamas tehniskās apkopes, tad svārstību robežvērtība var atšķirties. Tas var ievērojami palielināt svārstību noslogojumu visa darba laikā.

Precīzai svārstību noslogojuma noteikšanai, ir jāņem vērā arī laiks, kad ierīces ir izslēgtas vai arī ir ieslēgtas, tomēr faktiski netiek lietota. Tas var ievērojami samazināt svārstību noslogojumu visa darba laikā.

Integrējiet papildus drošības pasākumus pret svārstību ietekmi lietotājam, piemēram: elektroinstrumentu un darba instrumentu tehniskā apkope, roku siltuma uzturēšana, darba procesu organizācija.

**⚠ UZMANĪBU!** Izlasiet visu drošības instrukciju un lietošanas pamācību klāt pievienotajā bukletā. Šeit sniegto drošības noteikumu un norādījumu neievērošana var izraisīt aizdegšanos un būt par cēloni elektriskajam triecienam vai nopietnam savainojumam. **Pēc izlasīšanas uzglabājiet šos noteikumus turpmāki izmantošanai.**

### SPECIĀLIE DROŠĪBAS NOTEIKUMI

Augsts spiediens var izraisīt šļūtenes vai darbarīku bojājumus. Pastāv iespējāmība savainoties elļošanas laikā vai atvienojot elļas pistoli. Pirms katras lietošanas reizes ir jāpārbauda, vai iekārta un šļūtenes nav bojātas. Bojājumu gadījumā iekārtu izmantot nedrīkst!

Veicot montāžu, šļūteni satveriet pie elastīgā spirāles savienojuma, lai nepieļautu nolūšanu.

Elļa un smērvielas ir degošas. Nepakļaut uguns vai karstuma avotu ietekmei. Ievērojiet visas elļas un smērvielu ražotāja brīdinājumus un norādes.

Lai izvairītos no elļas pistoles un sūkņa bojājumiem, sūkņa pieslēgvietai ir jābūt savienojamai ar šļūtenes savienotājuzgali un jāiztur vismaz 690 bāru liels spiediens.

Strādājot ar mašīnu, vienmēr jānēsā aizsargbrilles. Tiek ieteikts nēsāt arī aizsargcimdus, slēgtus, neslīdošus apavus un priekšautu.

Pirms mašīnai veikt jebkāda veida apkopes darbus, ir jāizņem arī akumulātors.

Izmantotos akumulārus nedrīkst mest ugunī vai parastajos atkritumos. Firma Milwaukee piedāvā iespēju vecos akumulātorus savākt apkārtējo vidi saudzējošā veidā; jautājiet specializētā veikalā.

Akumulātorus nav ieteicams glabāt kopā ar metāla priekšmetiem (iespējams īsslēgums).

C12 sistēmas akumulātorus lādēt tikai ar C12 sistēmas lādētājiem. Nedrīkst lādēt citus akumulātorus no citām sistēmām.

Pie ārkārtas slodzes un ārkārtas temperatūrām no bojātā akumulātorā var izteciēt akumulātorā šķidrums. Ja nonākat saskarsmē ar akumulātorā šķidrumu, saskarsmes vieta nekavējoties jānomazgā ar ūdeni un ziepēm. Ja šķidrums nonācis acīs, acis vismaz 10 min. skalot un nekavējoties konsultēties ar ārstu.

### NOTEIKUMIEM ATBILSTOŠS IZMANTOJUMS

Elļas pistole ir paredzēta elļošanai tādās vietās, kur parasti tiek izmantota elļas pistole. Tajā ir jāizmanto veikalā nopērkamās un lietošanai elļas pistolē paredzētās smērvielas speciālās tvertnēs vai kastenēs.

Šo instrumentu drīkst izmantot tikai saskaņā ar minētajiem lietošanas noteikumiem.

### ATBILSTĪBA CE NORMĀM

Ar šo apliecinām, ka esam atbildīgi par to, lai šis produkts atbilstu sekojošām normām vai normatīvajiem dokumentiem:

EN60745-1:2009/A11:2010  
saskaņā ar direktīvu 2011/65/EK (RoHS), 2004/108/EK, 2006/42/EK noteikumiem.



Winnenden, 2012-08-06

Rainer Kumpf  
Manager Product Development

Pilnvarotais tehniskās dokumentācijas sastādīšanā.

### AKUMULĀTORI

Jauni akumulātori sasniedz pilnu kapacitāti pēc 4-5 uzlādēšanas un izlādēšanās cikliem. Akumulātori, kas ilgāku laiku nav izmantoti, pirms lietošanas jāuzlādē.

Pie temperatūras, kas pārsniedz 50°C, akumulātoru darbība tiek negatīvi ietekmēta. Vajag izvairīties no ilgākas saules un karstuma iedarbības.

Lādētāja un akumulātoru pievienojuma kontakti jāuztur tīri.

Lai baterijām būtu optimāls mūžs, pēc lietošanas bateriju bloks pilnībā jāuzlādē.

Lai akumulātori kalpotu pēc iespējas ilgāku laiku, tos pēc uzlādes ieteicams atvienot no lādētāj ierīces.

Akumulātoru uzglabāšana ilgāk kā 30 dienas: uzglabāt akumulātoru pie aptuveni 27° C un sausā vietā. Uzglabāt akumulātoru uzlādes stāvoklī aptuveni pie 30%-50%. Uzlādēt akumulātoru visus 6 mēnešus no jauna.

### AKUMULĀTORA AIZSARDZĪBA PRET PĀRSLOGOJUMU

Akumulātoru bloks ir aprīkots ar pretpārslodzes aizsardzību, kas akumulātoru pasargā no pārslodzes un nodrošina ilgu tā kalpošanas laiku.

Ārkārtīgi augsta noslogojuma gadījumā akumulātoru elektronika ierīci automātiski izslēdz. Lai darbu turpinātu, ierīci izslēdziet un atkal ieslēdziet. Ja ierīce neieslēdzas, iespējams, ka akumulātoru bloks ir izlādējies un ir jāuzlādē no jauna.

### ELĻAS PISTOLES ATGAISOŠANA

Satvert šļūteni pie elastīgā spirāles savienojuma un turēt virzienā prom no ķermeņa.

Nospieš slēdzi 3 sekundes, atlaist un atkārtot to tik ilgi, kamēr no šļūtenes sāk plūst smērviela.

Ja pēc vairākām mēģinājuma reizēm smērviela neplūst, tad elļas pistole ir jāatgaiso manuāli.

Izvilkt un pagriezt no roktura stienīti, lai tas nofiksētos laidē.

Nospieš atgaisošanas ventīli un vienlaicīgi iespieš stienīti atpakaļ cilindrā.

Tiklīdz no šļūtenes sāk plūst smērviela, pagriezt rokturi, lai atbrīvotu laidī, lai varētu iespieš stienīti pilnībā atpakaļ cilindrā.

Norāde: Elļas pistole rūpnīcā tika pārbaudīta, tāpēc sūknī, šļūtenē un savienotājuzgali atrodas neliels daudzums smērvielas. Mēs iesakām pirms pirmās elļas pistoles lietošanas reizes to iztīrīt ar vēlamo smērvielu.

### VEAOTSING

Varrast ei saa vālja tōmmata:

Vajutage rõhu vāljalaskmiseks õhueemaldusventiili.

Varrast ei saa sisse suruda:

Keerake varrast kolvi vabastamiseks käepidemest 90°.

Päästiku vajutamisel ei vālju määret:

Silinder on tūhi, täitke see uue määrdega.

Silindris esineb õhumulle, eemaldage määrdepriksist õhk.

### APKOPE

Izmantojiet tikai firmu Milwaukee piederumus un firmas rezerves daļas. Lieciet nomainīt detaļas, kuru nomaīna nav aprakstīta, kādā no firmu Milwaukee klientu apkalpošanas servisiem. (Skat. brošūru Garantija/klientu apkalpošanas serviss.)

Ja nepieciešams, klientu apkalpošanas servisā vai tieši pie firmas Milwaukee Electric Tool, Max-Eyth-Straße 10, D-71364 Winnenden, Germany, var pieprasīt instrumenta eksplozijas zīmējumu, šim nolūkam jāuzrāda mašīnas tips un desmitvietīgais numurs, kas norādīts uz jaudas paneļa.

### SIMBOLI



Pirms sākt lietot instrumentu, lūdz, izlasiet lietošanas pamācību.



Pirms mašīnai veikt jebkāda veida apkopes darbus, ir jāizņem arī akumulātors.



Neizmetiet elektroiekartas sadzīves atkritumos! Saskaņā ar Eiropas Direktīvu 2002/96/EK par lietotajām elektroiekartām, elektronikas iekartām un tas iekļaušanu valsts likumdošana lietotās elektroiekartas ir jāsavāc atsevišķi un jānogādā otrreizējai pārstrādei videi draudzīga veida.

TECHINIAI DUOMENYS	MĀĀRDEPRITSISTI	M12 GG
Max t��r��hk.....	562 bar	
Tootl��kkus.....	74 g/min	
T��itemaht purgist t��itmisel.....	454 g	
T��itemaht kartu��s��iga.....	411 g	
R��hk voolikus.....	690 bar	
Kei��iamo akumulatoriaus ��tampa.....	12 V	
Prietaiso svoris ��vertintas pagal EPTA 2003/01 tyrim�� metodik��.....	3,3 kg	
Informacija apie triuk��sm��/vibracij��		

#### Vert  s matuotos pagal EN 60 745.

  vertintas A   renginio keliamo triuk  smo lygis da  niausiai sudaro:

Garso sl��gio lygis (K=3dB(A)).....	65,5 dB (A)
Garso galios lygis (K=3dB(A)).....	76,5 dB (A)

#### Ne  ioti klausos apsauginis priemonės!

Bendroji svyravim   reik  sm   (trij   kryp  i   vektori   suma), nustatyta remiantis EN 60745.

Vibravim�� emisijos reik��sm�� a <sub>w</sub> .....	< 2,5 m/s <sup>2</sup>
Paklaida K.....	1,5 m/s <sup>2</sup>

#### D  MESIO

Instrukcijoje nurodyta svyravim   ribin   vert   yra i  matuota remiantis standartu EN 60745; ji gali b  ti naudojama keliems elektriniams instrumentams palyginti. Ji taikoma ir laikinai   vertinti svyravim   apkrov  .

Nurodyta svyravim   ribin   vert   yra taikoma pagrindin  se elektrinio instrumento naudojimo srityse. Svyravim   ribin   vert   gali skirtis naudojant elektrinj instrument   kitose srityse, papildomai naudojant netinkamus elektrinius instrumentus arba juos nepakankamai techni  škai pri  i  rint. D  l to viso darbo metu gali   ymiai padid  ti svyravim   apkrova.

Siekiant tiksliai nustatyti svyravim   apkrov  , b  tina atsi  velgti ir j    laikotarpi, kai jrenginys yra i  jungtas arba jjungtas, ta  iau fakti  škai nenaudojamas. D  l to viso darbo metu gali   ymiai suma  ti svyravim   apkrova.

Siekiant apsaugoti vartotojus nuo svyravimo   takos naudojamos papildomos saugos priemon  s, pavyzd  iui, elektrini   darbo instrument   technin   prie  i  ra, rank     ilumos palaikymas, darbo proces   organizavimas.

**! D  MESIO! Perskaitykite visas saugumo pastabas ir nurodymus, esan  ius prid  toje bro  i  roje.** Jei nepaisysite   emiau pateikt   saugos nuorod   ir reikalavim  , gali trenkti elektros sm  gis, kilti gaisras ir/arba galite sunkiai susi  aloti arba su  aloti kitus asmenis.

**! Saugokite   ias saugos nuorodas ir reikalavimus, kad ir ateityje gal  tum  te jais pasinaudoti.**

#### YPATINGOS SAUGUMO NUORODOS

Liiga k  rge r  hk v  ib p  hjustada vooliku v  i t  oriista detailide purunemist. Kehasse tungivate pritsmete v  i j  semete mahal  ikamisse t  ttu valitseb vigastuste oht. Kontrollige seadet enne kasutamist kahjustuste suhtes.   rge kasutage kahjustatud seadet.

Haarake monteerimisel vooliku kahekorra murdumise v  ltimiseks vedruga t  mbekompensaatorist kinni.

M   rde ja m   rdeained on p  lemisohtlikud.   rge j  tke neid tule v  i kuumusallikate l  hedusse. J  rgige m   rde- ja m   rdeainetootja hoiatusi ning juhiseid.

M   rdepritsi ja pumba kahjustamise v  ltimiseks peab pumba   hendus voolikuliitmikuga   hilduma ning v  hemalt 690 bar r  hku taluma.

Dirbdami su jrenginiu visada ne  iokite apsauginius akinius. Rekomenduotina ne  ioti apsauginis pir  tines, tvirtus batus neslidjant padu bei prijuost  .

Prie   atlikdami bet kokius darbus jrenginyje, i  imkite kei  iam   akumuliatori  .

Sunaudot   kei  iam   akumuliatori   nedeginkite ir nemeskite j buitines atliekas. Milwaukee si  lu tausojantj aplink   sud  v  t   kei  iam   akumuliatori   tvarkym  , apie tai prekybo   atstovo.

Kei  iam   akumuliatori   nelaikykite kartu su metaliniais daiktais (trumpojo jungimo pavojus).

Kei  iamus C12 sistemos akumulatorius kraukite tik C12 sistemos jkrovikliais. Nekraukite kit   sistem   akumuliatori  .

Ekstremali   apkrov   arba ekstremalios temperat  ros poveikyje i   kei  iam   akumuliatori   gali i  tek  ti

akumulatoriaus skystis. I  sitepus akumulatoriaus skys  iu, tuoj pat nuplaukite vandeniu su milu. Patekus j akis, tuoj pat ne trumpiau kaip 10 minu  i   gausiai skalaukite vandeniu ir tuoj pat kreipkit  s j gydytoj  .

#### NAUDOJIMAS PAGAL PASKIRTJ

M   rdeprits sobib m   rimiskohtade m   rimiseks, mida m   ritakse   ldjuhul m   rdepritsidega. Kasutada tuleb purkides v  i kartu  s  ides m  udavat, m   rdepritside jaoks sobivat laiatarbe-m  aret.

  j prietais   leid  iama naudoti tik pagal nurodyt   paskirtj.

#### CE ATITIKTIES PAREI  KIMAS

Mes atsakingai parei  kiame, kad   is gaminys atitinka tokias normas arba normatyvinius dokumentus: EN60745-1:2009/A11:2010 pagal direktyv   2011/65/EB (RoHS), 2004/108/EB, 2006/42/EB reikalavimus.



Winnenden, 2012-08-06

Rainer Kumpf  
Manager Product Development

Jgaliotas parengti techninius dokumentus.

#### AKUMULIATORIAI

Nauji kei  iami akumulatoriai savo piln   talp   jgyja po 4-5 jkrovos ir i  krovos cikl  . Ilgesnj laik   nenaudotus kei  iamus akumulatorius prie   naudojim   jkraukite.

Auk  stesn   nei 50  C temperat  ra ma  ina kei  iam   akumuliatori   gali  . Venkite ilgesnio saul  s ar   ilumos   altini   poveikio.

Jkroviklio ir kei  iamo akumulatoriaus jungiamieji kontaktai visada turi b  ti   var  s.

Pasinaudoj   prietaisu, visi  kai jkraukite akumuliatori  , kad prietaisas veikt   optimaliai ilgai.

Siekiant u  tikrinti kuo ilgesnj baterijos tarnavimo laik  , reik  t   j   po atlikto jkrovimo i  kart i  imti i   jkroviklio.

Baterij   laikant ilgiau nei 30 dienu, b  tina atkreipti d  mesj j   ias nuorodas: baterij   laikyti sausoje aplinkoje, esant apie 27   C temperat  rai. Baterijos jkrovimo lygis turi b  ti nuo 30 % iki 50 %. Baterija pakartotinai turi b  ti jkraunama kas 6 m  nesius.

#### APSAUGA NUO AKUMULIATORIAUS PERKROVOS

Akumuliatori   blokas turi apsaug   nuo perkrovos, kuri leid  ia i  vengti perkrov   ir u  tikrina jo eksploatacijos ilgaa  zi  skum  .

Esant didel  ms apkrovoms, akumulatoriaus elektronin   sistema prietais   i  jungia automati  kai. Kad prietaisas dirbt   toliau, reikia j i  jungti ir v  l jjungti. Jeigu prietaisas nei  sijungia, esant galimybei, akumulatoriaus komplekt   reikia i  krauti ir jkroviklyje i   naujo jkrauti.

####   HU EEMALDAMINE M   RDEPRITSIST

Haarake vooliku vedruga t  mbekompensaatorist kinni ja suunake kehast eemale.

Vajutage 3 sekundit p   stikut ja laske lahti; korrake seda senikaua, kuni voolikust voolab m  aret.

Kui mitme katse j  rel voolikust m  aret ei v  lju, siis tuleb eemaldada   hk m   rdepritsist k  sitsi:

T  mmake varras k  epidemest v  lja ja p  orake nii, et varras kolvis fikseeruks.

Vajutage   hueemaldusventiili ja suruge samaaegselt varrast silindrisse tagasi.

Kui voolikust hakkab m  aret v  lja tungima, siis p  orake kolvi vabastamiseks ja varda t  ielikuks silindrisse surumiseks taas k  epidet.

Juhis: M   rdeprits on tehases testitud. Seet  ttu esineb pumba korpusese, voolikus ja liitmikus veel v  ike kogus m  aret. Soovitav on m   rdeprits enne esmakordset eelistatud m   rdega kasutamist   ra puhastada.

#### KLAIID   PAIE  KA

Nepavyksta i  traukti strypo: Nor  dami suma  inti sl  gj, nuspauskite nuorinim   vo  tuv  .

Nepavyksta jspausiti strypo: Su  m   u   ranken  l  s stryp   pasukite 90   kampu ir j atlaisvinkite nuo plun  erio.

Nuspaudus jungiklj, neteka tepalai: Cilindras tu  cias. Pripildykite tepalu. Cilindre yra oro p  sli  . Nuorinkite tepalu pistolet  .

#### TECHINIS APTARNAVIMAS

Naudokite tik Milwaukee priedus ir atsargines dalis. Dalis, kuri   keitimas neapra  ytas, leid  iama keisti tik Milwaukee klient   aptarnavimo skyriams (  r. garantij  /klient   aptarnavimo skyri   adresus bro  i  roje).

Jei reikia, nurodant jrenginio tip   bei specifikacij   lentel  je esantj de  imtzenklj numerj, i   klient   aptarnavimo skyriaus arba tiesiai i   Milwaukee Electric Tool, Max-Eyth-Stra  e 10, D-71364 Winnenden, Germany, galima u  sisakyti prietaiso surinkimo br  zinius.

#### SIMBOLIAI



Prie   prad  dami dirbti su prietaisu, atid  ziai perskaitykite jo naudojimo instrukcij  .



Prie   atlikdami bet kokius darbus jrenginyje, i  imkite kei  iam   akumuliatori  .



Nei  smeskite elektros irengimu i buitinius   iuk  lynus! Pagal ES Direktiva 2002/96/EB del naudoto irengimu, elektros irengimu ir ju itraukimo i valstybinius istatymus naudotus irengimus butina suringti atskirai ir nugabenti antriniu zaliavu perdirbimui aplinkai nekenksmingu budu.

TEHNILISED ANDMED	TEPALŲ PISTOLETO	M12 GG
Maks. eksploatavimise slėgis.....		562 bar
Ištekantis kiekis.....		74 g/min
Statinais talpa.....		454 g
Kasetės talpa.....		411 g
Slėgis žarnoje.....		690 bar
Vahetatava aku pingė.....		12 V
Kaal vastavalt EPTA-protseduurile 01/2003.....		3,3 kg

#### Mūra/vibratsiooni andmed

Mõõteväärtused on kindlaks tehtud vastavalt normile EN 60745.

Seadme tüüpiline hinnanguline (A) müratase:

Helirõhutase (K=3dB(A)).....65,5 dB (A)  
Helivõimsuse tase (K=3dB(A)).....76,5 dB (A)

#### Kandke kaitseks kõrvaklappe!

Vibratsiooni koguväärtus (kolme suuna vektorsumma) mõõdetud EN 60745 järgi.

Vibratsiooni emissiooni väärtus  $a_h$ .....< 2,5 m/s<sup>2</sup>  
Määramatus K.....1,5 m/s<sup>2</sup>

#### TÄHELEPANU

Antud juhendis toodud võnketase on mõõdetud EN 60745 standardile vastava mõõtesüsteemiga ning seda võib kasutada erinevate elektriseadmete omavahelises võrdlemises. Antud näitaja sobib ka esmaseks võnkekoormuse hindamiseks.

Antud võnketase kehtib elektriseadme kasutamisel sihtotstarbiselt. Kui elektriseadet kasutatakse muudel otstarvetel, muude tööriistadega või seda ei hooldata piisavalt võib võnketase siintoodust erineda. Eeltoodu võib võnketaset märkimisväärselt tõsta terves töökeskkonnas.

Võnketaseme täpseks hindamiseks tuleks arvestada ka Milwaukeea, mil seade on välja lülitatud või on küll sisse lülitatud, kuid ei ole otseselt kasutuses. See võib märgatavalt vähendada kogu töökeskkonna võnketaset.

Rakendage spetsiaalseid ettevaatusabinõusid töötajate suhtes, kes puutuvad töö käigus palju kokku vibratsiooniga. Nendeks abinõudeks võivad olla, näiteks: elektri- ja tööseadmete korraline hooldus, käte soojendamine, töövoo parem organiseerimine.

**⚠ TÄHELEPANU! Lugege kõik ohutusnõuanded ja juhendid läbi, ka juures olevast brošüürist.** Ohutusnõuete ja juhiste eiramise tagajärjeks võib olla elektrišokk, tulekahju ja/või raske vigastused.

**Hoidke kõik ohutusnõuanded ja juhendid edasiseks kasutamiseks hoolikalt alles.**

#### SPETSIAALSED TURVAJUHISED

Deli didelio slėgio galimi žarnos arba įrankių dalių lūžiai. Kyla pavojus susižeisti įpurškimo arba atskyrimo metu. Prieš kiekvieną naudojimą patikrinkite, ar prietaisas ir jo žarnų dalys nepažeistos. Jeigu prietaisas pažeistas, jo nenaudokite.

Montuodami žarną suimkite už spyruoklinės dalies, siekiant išvengti sulenkimų.

Tepalai ir alyvos yra degūs. Nenaudokite arti ugnies arba kitų karščio šaltinių. Laikykitės visų tepalų ir riebalų gamintojo nurodymų.

Norint išvengti tepalų pistoleto ir siurblio pažeidimų, siurblio jungtis turi būti suderinta su žarnos sankaba ir atlaikyti mažiausiai 690 barų slėgį.

Masinaga tūotades kandke alat kaitseprille. Soovitavad on kaitsekindad, tugevad ja libisemiskindlad jalanūd ning pōll.

Enne kõiki töid masina kallal võtke vahetatav aku välja.

Ärge visake tarvitatud vahetatavaid akusid tulle ega olmeprügisse. Milwaukee pakub vanade akude keskkonnahoidlikku kaitlust; palun küsige oma eriaselst tarnijalt.

Ärge säilitage vahetatavaid akusid koos metallesemetega (lühiseoht).

Laadige süsteemi C12 vahetatavaid akusid ainult süsteemi C12 laadijatega. Ärge laadige nendega teiste süsteemide akusid.

Äärmuslikul koormusel või äärmuslikul temperatuuril võib kahjustatud vahetatavast akust akuedelik välja voolata. Akuedelikuga kokkupuutumise korral peske kohe vee ja

seebiga. Silma sattumise korral loputage kiiresti põhjalikult vähemalt 10 minutit ning pöörduge viivitamatult arsti poole.

#### KASUTAMINE VASTAVALT OTSTARBELE

Šis tepalų pistoletas skirtas sutepti tokioms vietoms, kurios dažniausiai yra sutepamos naudojant tepalų pistoletus. Būtina naudoti tepalų pistoletams įprastą tepalą iš statinaičių ir kasečių.

Antud seadet tohib kasutada ainult vastavalt äranäidatud otstarbele.

#### EÜ VASTAVUSAVALDUS

Me deklareerime ainuvastutatajana, et antud toode on kooskõlas järgmiste normide või normdokumentidega: EN60745-1:2009/A11:2010 vastavalt direktiivide 2011/65/EÜ (RoHS), 2004/108/EÜ, 2006/42/EÜ sätetele.



Winnenden, 2012-08-06

Rainer Kumpf  
Manager Product Development

On volitatud koostama tehnilist dokumentatsiooni.

#### AKUD

Uued vahetatavad akud saavutavad oma täieliku mahtuvuse pärast 4–5 laadimis- ja tühjendustsükli. Pikemat Milwaukeea mittekasutatud akusid laadige veel enne kasutamist.

Temperatuur üle 50 °C vähendab vahetatava aku töövõimet. Vältige pikemat soojenemist päikese või kütteseadme mõjul.

Hoidke laadija ja vahetatava aku ühenduskontaktid puhtad.

Partrade optimaalse eluea tagamiseks, pärast kasutamist täielikult lae pateride plokki.

Akud tuleks võimalikult pika kasutusea saavutamiseks pärast täislaadimist laadijast välja võtta.

Aku ladustamisel üle 30 päeva:

Ladustage akut kuivas kohas u 27°C juures.

Ladustage akut u 30-50% laetusseisundis.

Laadige aku iga 6 kuu tagant täis.

#### AKU KOORMUSKAITSE

Akuplokk on varustatud koormuskaitsega, mis kaitseb akut üleliigse koormuse eest ning kindlustab selle pika eluea. Äärmiselt suurest koormusest annab märku vilkuv töötuli. Kui koormust ei vähendata, siis lülitab masin ennast automaatselt välja. Edasi töötamiseks tuleb masin välja ja uuesti sisse lülitada. Kui masin ei lähe uuesti tööle on akuplokk nähtavasti tühi ja tuleks laadimiseseadmega uuesti täis laadida.

#### ORO PAŠALINIMAS IŠ TEPALŲ PISTOLETO

Žarną suimkite už spyruoklinės dalies ir laikykite atokiau nuo kūno.

3 sekundes nuspauskite jungiklį, atleiskite ir kartokite šį veiksmą, kol iš žarnos pradės tekėti tepalai.

Kai po keleto bandymų iš žarnos nebeteka tepalai, orą iš tepalų pistoleto būtina pašalinti rankiniu būdu:

Ištraukite strypą ir pasukite už rankenėlės, kad strypas užsifikuotų plunžeryje.

Nuspauskite oro šalinimo vožtuvą ir tuo pačiu metu strypą vėl įstatykite į cilindrą.

Kai iš žarnos išteka tepalai, pasukite rankenėlę, kad atlaisvintumėte plunžerį, ir strypą vėl įspauskite į cilindrą.

Nurodymas: šis tepalų pistoletas buvo išbandytas gamykloje, todėl mažas tepalų kiekis yra likęs siurblio korpuse, žarnoje ir sankaboje. Rekomenduojama prieš pirmąjį naudojimą tepalų pistoletą išvalyti norimu tepalu.

#### TRAUCĖJUMMEKLĖŠANA

Stienīti nav iespējams izvilkt:

Nospiegt atgaisošanas ventīli, lai atbrīvotos no spiediena.

Stienīti nav iespējams iespiest atpakaļ:

Pagriez stienīti pie roktura pa 90°, lai atbrīvotu to no laidnes.

Nospiežot slēdzi, smērviena netek:

Cilindrs ir tukšs - pievienot smērvielu.

Cilindrā ir gaisa burbuļi - atgaisot eļļošanas pistoli.

#### HOOLDUS

Kasutage ainult Milwaukeea tarvikuid ja tagavaraosi. Detailid, mille väljavahetamist pole kirjeldatud, laske välja vahetada Milwaukeea klientiteeninduspunkti (vaadake brošüüri garantii / klientiteeninduste aadressid).

Vajaduse korral võite tellida seadme läbilõikejoonise, näidates ära masina tüübi ja andmesildil oleva kümnekohalise numbrit. Selleks pöörduge klientiteeninduspunkti või otse: Milwaukeea Electric Tool, Max-Eyth-Straße 10, D-71364 Winnenden, Germany.

#### SÜMBOLID



Palun lugege enne käikulaskmist kasutamisujuhend hoolikalt läbi.



Enne kõiki töid masina kallal võtke vahetatav aku välja.



Ärge käideldge kasutuskõlbmatuks muutunud elektrilisi tööriistu koos olmejäätmetega! Vastavalt Euroopa Parlamendi ja nõukogu direktiivile 2002/96/EÜ elektri- ja elektroonikaseadmete jäätmete kohta ning direktiivi nõuete kohaldamisele liikmesriikides tuleb asutuskõlbmatuks muutunud elektrilised tööriistad koguda eraldi ja keskkonnasäästlikult korduskasutada või ringlusse võtta.

## ТЕХНИЧЕСКИЕ ДАННЫЕ СМАЗОЧНОЫЙ ШПРИЦ M12 GG

Макс. рабочее давление .....	562 bar
Расход .....	74 g/min
Емкость при наполнении из тары .....	454 g
Емкость с картриджем .....	411 g
Давление шланга .....	690 bar
Вольтаж аккумулятора .....	12 V
Вес согласно процедуре EPTA 01/2003 .....	3,3 kg

### Информация по шумам/вибрации

Значения замерялись в соответствии со стандартом EN 60 745. Уровень шума прибора, определенный по показателю A, обычно составляет:

Уровень звукового давления (K=3dB(A)) .....	65,5 dB (A)
Уровень звуковой мощности (K=3dB(A)) .....	76,5 dB (A)

### Пользуйтесь приспособлениями для защиты слуха.

Общие значения вибрации (векторная сумма трех направлений) определены в соответствии с EN 60745.

Значение вибрационной эмиссии $a_{h1}$ .....	< 2,5 m/s <sup>2</sup>
Небезопасность K .....	1,5 m/s <sup>2</sup>

## ВНИМАНИЕ

Указанный в настоящем руководстве уровень вибрации измерен в соответствии с технологией измерения, установленной стандартом EN 60745 и может использоваться для сравнения электроинструментов друг с другом. Он также подходит для предварительной оценки вибрационной нагрузки.

Указанный уровень вибрации представляет основные виды использования электроинструмента. Но если электроинструмент используется для других целей, используемый инструмент отклоняется от указанного или техническое обслуживание было недостаточным, то уровень вибрации может отклоняться от указанного. В этом случае вибрационная нагрузка в течение всего периода работы значительно увеличивается.

Для точной оценки вибрационной нагрузки необходимо также учитывать время, в течение которого прибор отключен или включен, но фактически не используется. В этом случае вибрационная нагрузка в течение всего периода работы может существенно уменьшиться.

Установите дополнительные меры безопасности для защиты пользователя от воздействия вибрации, например: техническое обслуживание электроинструмента и используемого инструмента, поддержание рук в теплом состоянии, организация рабочих процессов.

**⚠ ВНИМАНИЕ! Ознакомьтесь со всеми указаниями по безопасности и инструкциями, в том числе с инструкциями, содержащимися в прилагающейся брошюре.** Упущения, допущенные при соблюдении указаний и инструкций по технике безопасности, могут стать причиной электрического поражения, пожара и тяжелых травм.  
**Сохраняйте эти инструкции и указания для будущего использования.**

## РЕКОМЕНДАЦИИ ПО ТЕХНИКЕ БЕЗОПАСНОСТИ

Высокое давление может привести к разлому шланга или к поломке деталей инструмента. Опасность получения травм вследствие попадания брызг либо отделения компонентов. Перед каждым использованием проверять устройство и шлангопроводы на наличие повреждений. При наличии повреждений не использовать устройство.

При осуществлении монтажа взять шланг за точку ослабления пружинного механизма, чтобы избежать надлома.

Смазочные материалы легко воспламеняемы. Не подвергать воздействию огня или высоких температур. Следуйте всем указаниям и предостережениям производителя смазочных материалов.

Чтобы избежать повреждений смазочного шприца и насоса, точка подключения насоса должна быть совместима с точкой соединения шланга и выдерживать давление величиной минимум 690 бар.

При работе с инструментом всегда надевайте защитные очки. Рекомендуется надевать перчатки, прочные нескользящие ботинки и фарук.

Выньте аккумулятор из машины перед проведением с ней каких-либо манипуляций.

Не выбрасывайте использованные аккумуляторы вместе с домашним мусором и не сжигайте их. Дистрибьюторы компании Milwaukee предлагают

восстановление старых аккумуляторов, чтобы защитить окружающую среду.

Не храните аккумуляторы вместе с металлическими предметами во избежание короткого замыкания.

Для зарядки аккумуляторов модели C12 используйте только зарядным устройством C12. Не заряжайте аккумуляторы других систем.

Аккумуляторная батарея может быть повреждена и дать течь под воздействием чрезмерных температур или повышенной нагрузки. В случае контакта с аккумуляторной кислотой немедленно промойте место контакта мылом и водой. В случае попадания кислоты в глаза промойте глаза в течении 10 минут и немедленно обратитесь за медицинской помощью.

## ИСПОЛЬЗОВАНИЕ

Смазочный шприц предназначен для смазывания точек, которые обычно смазываются смазочными шприцами. Необходимо использовать обычную, подходящую для использования в смазочных шприцах смазку в картриджах либо в специальной таре.

Не пользуйтесь данным инструментом способом, отличным от указанного для нормального применения.

## ДЕКЛАРАЦИЯ О СООТВЕТСТВИИ СТАНДАРТАМ ЕС

Мы заявляем что этот продукт соответствует следующим стандартам:

EN60745-1:2009/A11:2010

в соответствии с правилами 2011/65/EC (RoHs), 2004/108/EC, 2006/42/EC.



Winnenden, 2012-08-06

Rainer Kumpf  
Manager Product Development

Уполномочен на составление технической документации.

## АККУМУЛЯТОР

Новый аккумулятор заряжается до полной емкости после 4 - 5 зарядных циклов. Перед использованием аккумулятора, которым не пользовались некоторое время, его необходимо зарядить.

Температура свыше 50°C снижает работоспособность аккумуляторов. Избегайте продолжительного нагрева или прямого солнечного света (риск перегрева).

Контакты зарядного устройства и аккумуляторов должны содержаться в чистоте.

Для обеспечения оптимального срока службы аккумуляторы необходимо полностью заряжать после использования.

Для достижения максимально возможного срока службы аккумуляторы после зарядки следует вынимать из зарядного устройства.

При хранении аккумулятора более 30 дней: Храните аккумулятор при 27°C в сухом месте. Храните аккумулятор с зарядом примерно 30% - 50%. Каждые 6 месяцев аккумулятор следует заряжать.

## ЗАЩИТА АККУМУЛЯТОРА ОТ ПЕРЕГРУЗКИ

Аккумуляторный блок оснащен предохранителем от перегрузки, который защищает аккумулятор от перегрузки и обеспечивает долгий срок службы. При чрезмерно сильных нагрузках электроника аккумулятора автоматически отключит машину. Для продолжения работы машину выключить и снова включить. Если машина не включается, то, возможно, разрядился аккумуляторный блок и следует зарядить его в зарядном устройстве.

## УДАЛЕНИЕ ВОЗДУХА ИЗ СМАЗОЧНОГО ШПРИЦА

Взять шланг за точку ослабления пружинного механизма и держать на безопасном от себя расстоянии.

Нажать кнопку выключателя, удерживая в течение 3 секунд, отпустить. Повторять это действие до тех пор, пока смазка не вытечет из шланга.

Если после нескольких попыток смазка не начнет вытекать из шланга, удалить воздух из смазочного шприца следует вручную:

Вытянуть стержень за ручку и повернуть, чтобы стержень вошел в поршень.

Нажать на клапан для удаления воздуха и одновременно снова вдавить стержень в цилиндр.

Как только смазка выступит из шланга, повернуть ручку, чтобы снова ослабить поршень, и снова полностью вдавить стержень в цилиндр.

Указание: Данный смазочный шприц был протестирован на заводе. Поэтому в корпусе насоса, в шланге и в точке соединения содержится небольшое количество смазки. Перед первым использованием рекомендуется очистить

смазочный шприц предпочитаемой пользователем смазкой.

## ПОИСК НЕПОЛАДОК

Штанга не вытягивается: нажать на воздушный клапан, чтобы сбросить давление.

Штанга не вдавливается: повернуть рукоятку штанги на 90°, чтобы снять ее с поршня.

Смазка не поступает, если нажата кнопка: цилиндр пуст, залить новую смазку. В цилиндре воздушные пузырьки, удалить воздух из шприца для смазки.

## ОБСЛУЖИВАНИЕ

Пользуйтесь аксессуарами и запасными частями только фирмы Milwaukee. В случае возникновения необходимости в замене, которая не была описана, пожалуйста, обращайтесь на один из сервисных центров (см. список наших гарантийных/сервисных организаций).

При необходимости может быть заказан чертеж инструмента с трехмерным изображением деталей. Пожалуйста, укажите десятизначный номер и тип инструмента и закажите чертеж у Ваших местных агентов или непосредственно у Milwaukee Electric Tool, Max-Eyth-Straße 10, D-71364 Winnenden, Germany.

## СИМВОЛЫ



Пожалуйста, внимательно прочтите инструкцию по использованию перед началом любых операций с инструментом.



Выньте аккумулятор из машины перед проведением с ней каких-либо манипуляций.



Не выбрасывайте электроинструмент с бытовыми отходами! Согласно Европейской директиве 2002/96/EC по отходам от электрического и электронного оборудования и соответствующим нормам национального права вышедшие из употребления электроинструменты подлежат сбору отдельно для экологически безопасной утилизации.



Соответствие техническому регламенту



Національний знак відповідності України

TR 066



ТЕХНИЧЕСКИ ДАННИ	ПОМПЛАТА ЗА ГРЕСИРАНЕ	M12 GG
Макс. работно налягане .....		562 bar
Количество на дебита .....		74 g/min
Вместимост при пълнене от резервоари .....		454 g
Вместимост при пълнене от патрон .....		411 g
Налягане на маркуча .....		690 bar
Напрежение на акумулатора .....		12 V
Тегло съгласно процедурата EPTA 01/2003 .....		3,3 kg

#### Информация за шума/вибрациите

Измерените стойности са получени съобразно EN 60 745.

Оцененото с А ниво на шума на уреда е съответно:

Ниво на звукова мощност (K=3dB(A))..... 65,5 dB (A)

Ниво на звукова мощност (K=3dB(A))..... 76,5 dB (A)

#### Да се носи предпазно средство за слуха!

Общите стойности на вибрациите (векторна сума на три посоки) са определени в съответствие с EN 60745.

Стойност на емисии на вибрациите  $a_w$ ..... < 2,5 m/s<sup>2</sup>

Несигурност K..... 1,5 m/s<sup>2</sup>

#### ВНИМАНИЕ

Посоченото в тези инструкции ниво на вибрациите е измерено в съответствие със стандартизиран в EN 60745 измервателен метод и може да се използва за сравнение на електрически инструменти помежду им. Подходящ е и за временна оценка на вибрационното натоварване.

Посоченото ниво на вибрациите представя основните приложения на електрическия инструмент. Ако обаче електрическият инструмент се използва с друго предназначение, с различни сменяеми инструменти или при недостатъчна техническа поддръжка, нивото на вибрациите може да е различно. Това чувствително може да увеличи вибрационното натоварване по време на целия работен цикъл.

За точната оценка на вибрационното натоварване трябва да се вземат предвид и периодите от време, в които уредът е изключен или работи, но в действителност не се използва. Това чувствително може да намали вибрационното натоварване по време на целия работен цикъл.

Определете допълнителни мерки по техника на безопасност в защита на обслужващия работник от въздействието на вибрациите като например: техническа поддръжка на електрическия инструмент и сменяемите инструменти, поддръжане на ръцете топли, организация на работния цикъл.

**⚠ ВНИМАНИЕ! Прочетете указанията за безопасност и съветите в приложената брошура.** Неспазването на приведените по-долу указания може да доведе до токов удар, пожар и/или тежки травми.

**Съхранявайте тези указания на сигурно място.**

#### СПЕЦИАЛНИ УКАЗАНИЯ ЗА БЕЗОПАСНОСТ

Високото налягане може да доведе до повреда на маркуча или частите на инструмента. Съществува опасност от нараняване вследствие на разпръскване или отделяне. Преди всяка употреба проверявайте уреда и маркучите за повреда. При повреда на използвайте уреда.

При монтаж хващайте маркуча за дръжката на пружинната част, за да предотвратите прекъсването му.

Маслата и смазочните вещества са запалими. Не ги подлагайте на въздействието на огън или топлинни източници. Следвайте всички предупреждения и указания на производителя на масла и смазочни вещества.

За да избегнете повреди по помпата за гресиране и по помпата, свързващия елемент на помпата трябва да бъде съвместим със съединението на маркуча и да издържа налягане от поне 690 bar.

При работа с машината винаги носете предпазни очила. Препоръчват се също така предпазни ръкавици, здрави и нехлъзгащи се обувки, както и престилка.

Преди започване на каквито е да е работи по машината извадете акумулатора.

Не изхвърляйте изхабените акумулатори в огъня или в при битовите отпадъци. Milwaukee предлага екологосъобразно събиране на старите акумулатори; моля попитайте Вашия специализиран търговец.

Не съхранявайте акумулаторите заедно с метални предмети (опасност от късо съединение).

Акумулатори от системата C12 да се зареждат само със зарядни устройства от системата C12 laden. Да не се зареждат акумулатори от други системи.

При екстремно натоварване или екстремна температура от повредени акумулатори може да изтече батерийна течност. При допир с такава течност веднага измийте с вода и сапун. При контакт с очите веднага изплаквайте старателно най-малко 10 минути и незабавно потърсете лекар.

#### ИЗПОЛЗВАНЕ ПО ПРЕДНАЗНАЧЕНИЕ

Помпата за гресиране е подходяща за смазване на места, които по принцип се смазват с помпи за гресиране. Трябва да се използва стандарта, подходяща за използване в помпи за гресиране грес в патрони или резервоари.

Този уред може да се използва по предназначение само както е посочено.

#### СЕ - ДЕКЛАРАЦИЯ ЗА СЪОТВЕТСТВИЕ

Декларираме на собствена отговорност, че този продукт съответства на следните стандарти или нормативни документи:  
EN60745-1:2009/A11:2010  
съобразно предписанията на директивите 22011/65/ЕО (RoHS), 2004/108/ЕО, 2006/42/ЕО.



Winnenden, 2012-08-06

Rainer Kumpf  
Manager Product Development

Упълномощен за съставяне на техническата документация

#### АКУМУЛАТОРИ

Новите сменяеми акумулатори достигат пълния си капацитет след 4-5 цикъла на зареждане и разреждане. Акумулатори, които не са ползвани по-дълго време, преди употреба да се дозаредят.

Температура над 50°C намалява мощността на акумулатора. Да се избягва по-продължително нагряване на слънце или от отопление.

Поддържайте чисти присъединителните контакти на зарядното устройство и на акумулатора.

С цел оптимална продължителност на живот след употреба батериите трябва да бъдат заредени напълно.

За възможно по-дълга продължителност на живот батериите трябва да се изваждат от уреда след зареждане.

При съхранение на батериите за повече от 30 дни: съхранявайте батерията при прилб. 27°C и на сухо място. Съхранявайте батерията при 30 до 50 % от заряда. Зареждайте батерията на всеки 6 месеца.

#### ЗАЩИТА ОТ ПРЕТОВАРВАНЕ НА БАТЕРИЯТА

Акумулаторният пакет е оборудван със защита против претоварване, която защитава акумулатора от претоварване и гарантира дълъг експлоатационен живот.

При извънредно силно натоварване електрониката на акумулатора автоматично изключва машината. За продължаване на работата изключете и отново включете машината. Ако машината не може да се пусне наново, може би акумулаторният пакет е разреден и трябва отново да се зареди в зарядното устройство.

#### ОБЕЗВЪЗДУШАВАНЕ НА ПОМПАТА ЗА ГРЕСИРАНЕ

Хващайте маркуча за дръжката на пружинната част и го дръжте далеч от тялото си.

Натиснете превключвателя за 3 секунди, пуснете го и след това повтаряйте всичко това докато в маркуча потече грес.

Ако след няколко опита от маркуча не потече грес, то помпата за гресиране трябва да бъде ръчно обезвъздушена:

Издърпайте щангата за дръжката и я завъртете, за да фиксирате щангата в буталото.

Натиснете обезвъздушителния клапан и едновременно отново натиснете щангата в цилиндъра

Когато от маркуча потече грес, завъртете дръжката, за да освободите отново буталото и натиснете щангата изцяло в цилиндъра

Указание: Тази помпа за гресиране е тествана в заводски условия. По тази причина в корпуса на помпата, в маркуча и в съединението има малки количества грес. Препоръчва се преди първа употреба да почистите помпата за гресиране с предпочитаната грес.

#### ТЪРСЕНЕ НА ПОВРЕДИ

Щангата не може да се издърпа:

Натиснете обезвъздушителния клапан, за да намалите налягането.

Щангата не може да се вкара:

Хванете щангата за дръжката и я завъртете на 90 градуса, за да се освободи от буталото.

Не излиза грес, когато бъде натиснат бутон на превключвателя: Цилиндърът е празен, допълнете с грес. В цилиндъра има въздушни мехурчета, обезвъздушете помпата за гресиране.

#### ПОДДРЪЖКА

Да се използват само аксесоари на Milwaukee и резервни части на. Елементи, чията подмяна не е описана, да се дадат за подмяна в сервиз на Milwaukee (вижте брошурата Гаранция и адреси на сервиси).

При необходимост можете да поискате за уреда от Вашия сервиз или директно от Milwaukee Electric Tool, Max-Eyth-Straße 10, D-71364 Winnenden, Germany, чертеж за в случай на експлозия, като посочите типа на машината и десетцифрения номер върху заводската табелка.

#### СИМВОЛИ



Преди пускане на уреда в действие моля прочетете внимателно инструкцията за използване.



Преди започване на каквито е да е работи по машината извадете акумулатора.



Не изхвърляйте електроинструменти при битовите отпадъци! Съобразно Европейска директива 2002/96/ЕО за стари електрически и електронни уреди и нейното реализиране в националното законодателство изхабените електроинструменти трябва да се събират отделно и да се предават в пункт за екологосъобразно рециклиране.

DATE TEHNICE	PRESA DE GRESARE	M12 GG
Presiunea maximă de lucru .....	562 bar	
Debitul .....	74 g/min	
Capacitatea de umplere la umplerea cu material preambalat .....	454 g	
Capacitatea de umplere la umplerea cu material din cartușe .....	411 g	
Presiunea furtunului.....	690 bar	
Tensiune acumulator .....	12 V	
Greutatea conform EPTA procedure 01/2003 .....	3,3 kg	

#### Informație privind zgomotul/vibrațiile

Valori măsurate determinate conform EN 60 745.  
Nivelul de zgomot evaluat cu A al aparatului este tipic de:  
Nivelul presiunii sonore (K=3dB(A)) ..... 65,5 dB (A)  
Nivelul sunetului (K=3dB(A)) ..... 76,5 dB (A)

#### Purtați căști de protecție

Valorile totale de oscilație (suma vectorială pe trei direcții) determinate conform normei EN 60745.

Valoarea emisiei de oscilații ah ..... < 2,5 m/s<sup>2</sup>  
Nesiguranță K..... 1,5 m/s<sup>2</sup>

#### AVERTISMENT

Gradul de oscilație indicat în prezentele instrucțiuni a fost măsurat în conformitate cu o procedură de măsurare normată prin norma EN 60745 și poate fi folosit pentru a compara unelte electrice între ele. El se pretează și pentru o evaluare provizorie a solicitării la oscilații.

Gradul de oscilație indicat reprezintă aplicațiile principale ale uneltelor electrice. În cazul în care însă uneltele electrice au fost folosite pentru alte aplicații, ori au fost folosite unelte de muncă diferite ori acestea nu au fost supuse unei suficiente inspecții de întreținere, gradul de oscilație poate fi diferit. Acest fapt poate duce la o creștere netă a solicitărilor la oscilații dealungul întregii perioade de lucru.

În scopul unei evaluări exacte a solicitării la oscilații, urmează să fie luate în considerație și perioadele de timp în care aparatul a fost oprit ori funcționează dar, în realitate, el nu este folosit în mod practic. Acest fapt poate duce la o reducere netă a solicitărilor la oscilații dealungul întregii perioade de lucru.

Stabiliți măsuri de siguranță suplimentare în scopul protecției utilizatorului de efectele oscilațiilor, de exemplu: inspecție de întreținere a uneltelor electrice și a celor de muncă, păstrarea caldă a mâinilor, organizarea proceselor de muncă.

#### ⚠ AVERTISMENT! Citiți toate avizele de siguranță și indicațiile, chiar și cele din borșura alăturată.

Nerespectarea indicațiilor de avertizare și a instrucțiunilor poate provoca electrocutare, incendii și/sau răni grave.

**Păstrați toate indicațiile de avertizare și instrucțiunile în vederea utilizărilor viitoare.**

#### INSTRUCȚIUNI DE SECURITATE

Presiunea înaltă poate avea ca urmare plesnirea furtunului sau ruperea unor componente ale sculelor. Există pericol de accidentare prin injecție sau amputare. Înainte de fiecare utilizare, verificați integritatea aparatului și a furtunurilor. În cazul prezentei unor deteriorări, nu utilizați aparatul.

Pentru evitarea strângării furtunului în timpul montării, țineți-l de elementul de descărcare la tracțiune cu arc.

Unsurile și lubrifianții sunt substanțe inflamabile. Nu le expuneți la foc sau la surse de căldură. Respectați toate avertizările și instrucțiunile producătorului onsonii și al lubrifianțului.

Pentru evitarea deteriorării presei de gresare sau a pompei, racordul pompei trebuie să fie compatibil cu cupla furtunului și să suporte o presiune de minim 690 bar.

Purtați întotdeauna ochelari de protecție atunci când utilizați mașina. Se recomandă purtarea mănușilor, a încălțămintei solide nealunecoase și sortului de protecție.

Scoateți acumulatorul înainte de a începe orice intervenție pe mașină.

Nu aruncați acumulatorii uzați la containerul de reziduri menajere și nu îi ardeți. Milwaukee Distributors se oferă să recupereze acumulatorii vechi pentru protecția mediului înconjurător.

Nu depozitați acumulatorul împreună cu obiecte metalice (risc de scurtcircuit)

Folosiți numai încărcătoare System C12 pentru încărcarea acumulatorilor System C12. Nu folosiți acumulatori din alte sisteme.

Acidul se poate scurge din acumulatorii deteriorați la încărcături sau temperaturi extreme. În caz de contact cu acidul din acumulator, spălați imediat cu apă și săpun. În caz de contact cu ochii, clătiți cu atenție timp de cel puțin 10 minute și apelați imediat la îngrijire medicală.

#### CONDIȚII DE UTILIZARE SPECIFICATE

Presă de gresare este destinată pentru gresarea punctelor de gresare care sunt gresate în mod uzual cu prese de gresare. Trebuie folosită unsoare uzuală din comerț furnizată în cartușe sau preambalată.

Nu utilizați acest produs în alt mod decât cel stabilit pentru utilizare normală

#### DECLARAȚIE DE CONFORMITATE

Declarăm pe propria răspundere că acest produs este în conformitate cu următoarele standarde sau documente standardizate  
EN60745-1:2009/A11:2010  
în conformitate cu reglementările 2011/65/EC (RoHs), 2004/108/EC, 2006/42/EC.



Winnenden, 2012-08-06

Rainer Kumpf  
Manager Product Development

Împuternicit să elaboreze documentația tehnică.

#### ACUMULATORI

Noile pachete de acumulatori ating capacitatea totală de încărcare după 4-5 încărcări și descărcări. Acumulatorii care nu au fost utilizați o perioadă de timp trebuie reîncărcați înainte de utilizare.

Temperatura mai mare de 50°C (122°F) reduce performanța acumulatorului. Evitați expunerea prelungită la căldură sau radiație solară (risc de supraîncălzire)

Contactele încărcătoarelor și acumulatorilor trebuie păstrate curate.

Pentru o durabilitate optimă, acumulatorii trebuie reîncărcați complet după folosire.

Pentru o durată de viață cât mai lungă, acumulatorii ar trebui scoși din încărcător după încărcare.

La depozitarea acumulatorilor mai mult de 30 zile: Acumulatorii se depozitează la cca. 27°C și la loc uscat. Acumulatorii se depozitează la nivelul de încărcare de cca. 30%-50%.

Acumulatorii se încarcă din nou la fiecare 6 luni.

#### PROTECȚIE SUPRAÎNCĂRCARE ACUMULATOR

Bateria de acumulator este dotată cu o protecție anti-suprasarcină, care protejează acumulatorul împotriva supraîncărcării și îi asigură o durată îndelungată de viață. În cazul unei solicitări extrem de ridicate, sistemul electronic al acumulatorului decuplează mașina în mod automat. Pentru continuarea lucrului, mașina trebuie decuplată și apoi cuplată din nou. Dacă mașina nu pornește, este posibil ca bateria de acumulator să fie descărcată, trebuind reîncărcată în aparatul de încărcare.

#### AERISIREA PRESEI DE GRESARE

Apucați furtunul de elementul de descărcare la tracțiune cu arc și nu-l țineți îndreptat înspre corp.

Apăsăți butonul întrerupătorului timp de 3 secunde, eliberați butonul și repetați procedura până când din furtun se scurge unsoare.

Dacă după efectuarea mai multor încercări nu iese unsoare din furtun, presa trebuie aerisită manual.

Trageți de mânerul țije în afară și răsuciți tija astfel încât să se înclicheteze în piston.

Apăsăți pe ventilul de aerisire și concomitent împingeți tija iarăși în cilindru.

De îndată ce din furtun iese unsoare, răsuciți din nou mânerul pentru a-l desprinde de pe piston și împingeți tija complet în cilindru.

Notă: Presă de gresare a fost testată în fabrică. Din acest motiv în carcasa pompei, în furtun și în cuplaj se mai află resturi de unsoare. Se recomandă ca înainte de utilizare să curățați presa cu unsoarea pe care intenționați s-o utilizați.

#### DETECTAREA DERANJAMENTELOR

Tija nu poate fi trasă afară:

apăsăți pe ventilul de aerisire pentru a reduce presiunea.

Tija nu poate fi împinsă înăuntru:

răsuciți mânerul țije cu 90° pentru a o desprinde de pe piston.

Când apăsați pe butonul întrerupătorului, nu iese unsoare: cilindrul este gol, umpleți-l cu unsoare.

În cilindru se află bule de aer, aerisiți presa de gresare.

#### INTREȚINERE

Utilizați numai accesorii și piese de schimb Milwaukee. Dacă unele din componente care nu au fost descrise trebuie înlocuite, vă rugăm contactați unul din agenții de service Milwaukee (vezi lista noastră pentru service / garanție)

Dacă este necesară, se poate comanda o imagine descompusă a sculei. Vă rugăm menționați numărul art. Precum și tipul mașinii tipărit pe etichetă și comandați desenul la agenții de service locali sau direct la Milwaukee Electric Tool, Max-Eyth-Straße 10, D-71364 Winnenden, Germany.

#### SIMBOLURI



Vă rugăm citiți cu atenție instrucțiunile înainte de pornirea mașinii



Îndepărtați acumulatorul înainte de începerea lucrului pe mașina



Nu aruncați scule electrice în gunoii menajer! Conform directivei europene nr. 2002/96/EC referitor la aparate electrice și electronice uzate precum și la transpunerea acesteia în drept național, sculele electrice trebuie colectate separat și introduse într-un circuit de reciclare ecologic.

## ТЕХНИЧКИ ПОДАТОЦИ ПРЕСАТА ЗА МАСТ M12 GG

Макс. Погоноски притисок.....	562 bar
Количина на проток.....	74 g/min
Капацитет на наполнетост при полнење од садови.....	454 g
Капацитет на наполнетост со картуша.....	411 g
Црвен притисок.....	690 bar
Волтажа на батеријата.....	12 V
Тежина според ЕПТА-процедурата 01/2003.....	3,3 kg

### Информација за бучавата/вибрациите

Измерените вредности се одредени согласно стандардот EN 60 745.

A-оценетото ниво на бучава на апаратот типично изнесува:

Ниво на звучен притисок. (K=3dB(A)).....	65,5 dB (A)
Ниво на јачина на звук. (K=3dB(A)).....	76,5 dB (A)

### Носте штитник за уши.

Вкупни вибрациски вредности (векторски збир на трите насоки) пресметани согласно EN 60745.

Вибрациска емисиона вредност ah..... < 2,5 m/s<sup>2</sup>

Несигурност K..... 1,5 m/s<sup>2</sup>

## ПРЕДУПРЕДУВАЊЕ

Нивото на осцилација наведено во овие инструкции е измерено во согласност со мерните постапки нормирани во EN 60745 и може да биде употребено за меѓусебна споредба на електро-алати. Ова ниво може да се употреби и за привремена проценка на оптоварувањето на осцилацијата.

Наведеното ниво на осцилација ги репрезентира главните намени на електро-алатот. Но, доколку електро-алатот се употребува за други намени, со отстапувачки додатоци или со несоодветно одржување, нивото на осцилација може да отстапи. Тоа може значително да го зголеми оптоварувањето на осцилацијата за време на целиот работен период.

За прецизна проценка на оптоварувањето на осцилацијата предвид треба да бидат земени и времињата, во коишто апаратот е исклучен или работи, но фактички не се употребува. Тоа може значително да го намали оптоварувањето на осцилацијата за време на целиот работен период.

Утврдете дополнителни безбедносни мерки за заштита на операторот од влијанието на осцилациите, како на пример: одржување на електро-алатот и на додатоци кон електро-алатот, одржување топли раце, организација на работните процеси.

**⚠ ПРЕДУПРЕДУВАЊЕ! Прочитајте ги сите безбедносни упатства и инструкции.** Заборавање на почитувањето на безбедносните упатства и инструкции можат да предизвикаат електричен удар, пожар и/или тешки повреди.  
**Сочувајте ги сите безбедносни упатства и инструкции за во иднина.**

## УПАТСТВО ЗА УПОТРЕБА

Висок притисок може да доведе до кинење кај цревата или кршење на делови од орудието. Постои опасност од повреди преку вбризгување или одвојување. Пред секоја употреба апаратот и цревниот вод да се провери во однос на оштетувања. При оштетувања апаратот да не се употребува.

Цревата при монтажа да се држи кај пружинското растеретување за да се спречи превиткување.

Масти и средства за подмачкување се запаливи. Да не се изложува на оган или на извори на жештина. Следете ги сите предупредувања и напомени на производителот на масти и на средства за подмачкување.

За да се спречат оштетувања кај пресата за маст и пумпата, приклучокот на пумпата мора да е компатибилен со спојката на цревата и мора да издржи притисок од барем 690 бари.

Секогаш носете ракавици кога ја користите машината. Исто така препорачливо е да се носат очила, цврсти чевли кои не се лизгаат и престилка.

Отстранете ја батеријата пред да започнете да ја користите машината.

Не ги оставајте искористените батерии во домашниот отпад и не горете ги. Дистрибутерите на Милвоки ги собираат старите батерии, со што ја штитат нашата околина.

Не ги чувајте батериите заедно со метални предмети (ризик од краток спој).

Користете исклучиво Систем C12 за полнење на батерии од C12 систем. Не користете батерии од друг систем.

Киселината од оштетените батериите може да истече при екстремно напон или температури. Доколку дојдете во контакт со исатата, измијте се веднаш со сапун и вода. Во случај на контакт со очите плакнете ги убаво најмалку 10 минути и задолжително одете на лекар.

## СПЕЦИФИЦИРАНИ УСЛОВИ НА УПОТРЕБА

Пресата за маст е соодветна за подмачкување на места за подмачкување кои што вообичаено се подмачкуваат со преси за маст. Мора да се употребуваат вообичаените и за употреба во преси за маст соодветни масти во картуши или садови.

Не го користете овој производ на било кој друг начин освен пропишаниот за нормална употреба.

## ЕУ-ДЕКЛАРАЦИЈА ЗА СООБРАЗНОСТ

Ние во целосна одговорност изјавуваме дека овој производ е во сообразност со следните стандарди и стандардизирани документи.  
EN60745-1:2009/A11:2010  
и е во согласност со прописите 2011/65/EC (RoHs), 2004/108/EC, 2006/42/EC



Winnenden, 2012-08-06

Rainer Kumpf  
Manager Product Development

Ополномоштен за составување на техничката документација.

## БАТЕРИИ

Нови комплекти батерии постигнуваат целосен капацитет по 4-5 циклуса на полнење и празнење. Подолг период неупотребувани комплекти батерии да се наполнат пред употреба.

Температура повисока од 50oC (122oF) го намалуваат траењето на батериите. Избегнувајте подолго изложување на батериите на високи температури или сонце (ризик од прегревање).

Клемите на полначот и батериите мора да бидат чисти. За оптимален работен век, во употреба батериите мора да бидат целосно наполнети.

За можно подолг век на траење, апаратите после нивното полнење треба да бидат извадени од апаратот за полнење на батериите.

Во случај на складирање на батеријата подолго од 30 дена: Акумулаторот да се чува на температура од приближно 27°C и на суво место.

Акумулаторот да се складира на приближно 30%-50% од состојбата на наполнетоста.

Акумулаторот повторно да се наполни на секои 6 месеци.

## ЗАШТИТА ОД ПРЕОПТЕРЕТУВАЊЕ НА БАТЕРИЈАТА

Батериското пакување е опремено со заштита од преоптоварување што ја штити батеријата од преоптоварување и обезбедува долг работен век. При екстремно висок степен на употреба, електрониката на батеријата автоматски ја исклучува машината. За да продолжите со работа исклучете ја машината и вклучете ја повторно. Доколку машината не се вклучи повторно, можно е батериското пакување да е испразнето. Тогаш тоа ќе мора да биде наполнето во апаратот за полнење.

## ВЕТРЕЊЕ НА ПРЕСАТА ЗА МАСТ

Цревата да се држи кај пружинското растеретување и да се држи понастрана од телото.

Прекинувачот да се држи 3 секунди, да се отпушти и ова да се повторува онолку долго, сè додека маста ќе тече од цревата.

Ако и после повеќе обиди од цревата не излегува маст, пресата за маст мора да се изветрее мануелно:

Прачката извлечете и извртете ја од држачот за прачката да се влечишти во клипот.

Вентилот за вентилирање да се притисне и истовремено працката повторно да се втисне во цилиндарот.

Откако од цревата ќе излезе маст, рачката да се изврти за клипот повторно да се разреши и працката потоа повторно комплетно да се втисне во цилиндарот

Напомена: Оваа преса за маст е испитана фабрички. Поради тоа во кукиштето на пумпата има мали количини на маст, исто и во цревата и во спојката. Се препорачува пред првата употреба пресата за маст да се очисти со препорачаната маст/.

## НАОЃАЊЕ НА ГРЕШКИ

Шипката не се извлекува:

Притиснете го вентилот за проветрување за да се намали притисокот.

Шипката не се втиснува:

Со помош на рачката завртете ја шипката за 90 степени и одвоете ја од клипот.

Кога прекинувачот е активиран нема масло:

Цилиндарот е празен, дополнете масло. Во цилиндарот има воздушни меури, проветрете ја мазалицата.

## ОДРЖУВАЊЕ

Користете само Milwaukee додатоци и резервни делови. Доколку некои од компонентите кои не се опишани треба да бидат заменети, Ве молиме контактирајте ги сервисните агенти на Milwaukee (консултирајте ја листата на адреси).

Доколку е потребно можно е да биде набавен детален приказ на алатот. Ве молиме наведете го бројот на артиклот како и типот на машина кој е отпечатен на етикетата и порачајте ја скицата кај локалниот застапник или директно кај: Milwaukee Electric Tool, Max-Eyth-Straße 10, D-71364 Winnenden, Germany.

## СИМБОЛИ



Ве молиме пред да ја стартувате машината обрнете внимание на упатствата за употреба.



Извадете го батерискиот склоп пред отпочнување на каков и да е зафат врз машината.



Не ги фрлајте електричните апарати заедно со другиот домашен отпад! Европска регулатива 2002/96/EC за одлагање на електрична и електронска опрема и се применува согласно националните закони. Електричните апарати кои го достигнале крајот на својот животен век мора да бидат одвоено собрани и вратени во соодветна рециклажна установа.

黄油枪	充电式震动螺丝起子钻	M12 GG
最高操作压力 .....		562 bar
流量 .....		74 g/min
散装黄油灌装容量 .....		454 g
黄油弹筒容量 .....		411 g
软管压力 .....		690 bar
蓄电池电压 .....		12 V
重量符合EPTA – Procedure 01 / 2003 .....		3,3 kg

噪音/振动信息  
 本测量值符合 EN 60 745 条文的规定。  
 器械的标准A-值噪音级为：  
 ##音压值 (K=3dB(A))..... 65,5 dB (A)  
 ##音量值 (K=3dB(A))..... 76,5 dB (A)  
 请戴上护耳罩！

依欧盟EN 60745 标准确定的振荡总值（三方向矢量和）。  
 ah-振荡发射值 ..... < 2,5 m/s<sup>2</sup>  
 K-不可靠性 ..... 1,5 m/s<sup>2</sup>

注意  
 本规程列出的依欧盟EN 60745 标准一项标准测量方法测量的振荡级也可用于电动工具比较并适合于临时振荡负荷估计。  
 该振荡级代表电动工具的主要应用。电动工具的其他应用，不正确的工作工具或欠缺维护可造成振荡级偏差。此可明确提高总工作期间的振荡负荷。

正确地估计一定工作期间的振荡负荷也要考虑到工具关闭或接通而不使用的期间。此可明确减少总工作期间的振荡负荷。  
 为提高操作人员对振荡作用的保护得规定补充安全措施：电动工具及工作工具的维护，温手，工作过程组织等。  
 ⚠ 注意！务必仔细阅读所有安全说明和安全指示（应注意阅读附上的小册子）。如未确实 遵循警告提示和指示，可能导致电击、火灾并且/ 或其他的严重伤害。  
 妥善保存所有的警告提示和指示，以便日后查阅。

### 特殊安全指示

高压可能会引起软管或工具部件上的破裂。喷射或断裂可能造成受伤危险。每次使用前，应检查机器和软管有没有损坏。有损坏时，务必不使用机器。  
 为避免转折，安装时应把软管握住在缓慢压力弹簧。  
 黄油和润滑剂为可燃物质。务必把它远离火或其它热原。应遵守所有黄油和润滑剂制造者的警告和指示。  
 为避免黄油枪和油泵上的损坏，油泵接口必须符合软管的接头并耐压至少690巴。  
 操作机器时务必佩戴护目镜。最好也穿戴工作手套、坚固防滑的鞋具和工作围裙。  
 在机器上进行任何修护工作之前，先拿出蓄电池。  
 损坏的蓄电池不可以丢入火中或一般的家庭垃圾中。Milwaukee 提供了符合环保要求的回收项目： 请向您的专业经销商索取有关详情。  
 蓄电池不可以和金属物体存放在一起（可能产生短路）。  
 C12 系列的蓄电池只能和 C12 系列的充电器配合使用。不可以使用本充电器为其它系列的电池充电。  
 在过度超荷或极端的温度下，可能从损坏的蓄电池中流出液体。如果触摸了此液体，必须马上使用肥皂和大量清水冲洗。如果此类流体侵入眼睛，马上用清水彻底清洗眼睛（至少冲洗 10 分钟），接着即刻就医治疗。

### 正确地使用机器

本黄油枪适用于润滑一般用黄油枪润滑的润滑部位。务必使用商用并适用于黄油枪的弹筒装或散装黄油。  
 请依照本说明书的指示使用此机器。

### 蓄电池

新的蓄电池经过 4 - 5 次的充、放电后，可达到最大的电容量。长期储放的蓄电池，必须先充电再使用。


### 排除故障


不能把杆拉出： 应按排气阀以降低压力。  
 不能把杆推进： 应把杆在把手握住并转动90°以开锁与活塞的卡住。  
 按开关按钮时，没有黄油流出来： 套筒中黄油用完了，应重新充满黄油。套筒含有气泡，应排除黄油枪中空气


### 维修

只能使用 Milwaukee 的配件和零件。缺少检修说明的机件如果损坏了，必须交给 Milwaukee 的顾客服务中心更换（参考手册“保证书 / 顾客服务中心地址”）。  
 如果需要机器的分解图，可以向您的顾客服务中心或直接向 Milwaukee Electric Tool, Max-Eyth-Straße 10, D-71364 Winnenden, Germany。案件时必须提供以下资料： 机型和机器铭牌上的十位数码号。

### 符号

 使用本机器之前请详细阅读使用说明书。

 在机器上进行任何修护工作之前，先拿出蓄电池。

 不可以把损坏的电动工具丢弃在家庭垃圾中！根据被欧盟各国引用的有关旧电子机器的欧洲法规 2002/96/EC，必须另外收集旧电子机器，并以符合环保规定的方式回收再利用。

如果周围环境的温度超过摄氏 50 度，蓄电池的功能会减弱。勿让蓄电池长期暴露在阳光或暖气下。  
 充电器和蓄电池的接触点都必须保持干净。  
 为延长使用寿命，请在使用后给电池充满电。  
 为确保最长使用寿命，充电后应把蓄电池从充电器取出。  
 蓄电池储存时间大于30日：  
 在环境温度27°C左右干燥处储存蓄电池。  
 在百分之30至50充电状态储存蓄电池。  
 每6月重新充电。

### 蓄电池超载保护

为防止蓄电池超载并确保长使用寿命，蓄电池组具有超载保护。  
 负荷极端高时，蓄电池技术将机器自动断开。为继续工作，将机器断开并再接通。如果机器不再启动，蓄电池组可能已放电，得用充电器再次充电。

### 排空黄油枪内空气

把软管握住在缓慢压力弹簧并不让它接近自己的身体。  
 反复按住3秒并释放开关按钮直到黄油从软管开始流出来。  
 如果多次尝试后没有黄油从软管流出来，应手动地把空气从黄油枪排空。  
 用把手拉出并旋转杆以卡入杆到活塞。  
 按排空阀并同时把杆重新推向汽缸内。  
 黄油从软管流出时，立刻旋转把手以重新地释放活塞并把杆完全地推到汽缸内。  
 提示：由于在工厂已进行了本黄油枪的测试，泵壳、软管和接头中留少量黄油。推荐首次使用黄油枪前，用优先黄油清洁黄油枪。

Copyright 2012  
Milwaukee Electric Tool  
Max-Eyth-Straße 10  
D-71364 Winnenden  
Germany  
+49 (0) 7195-12-0



(08.12)

**4931 4143 04**

## **ОФИЦИАЛЬНЫЙ ДИЛЕР В УКРАИНЕ:**

[storgom.ua](https://storgom.ua)

### **ГРАФИК РАБОТЫ:**

Пн. – Пт.: с 8:30 по 18:30

Сб.: с 09:00 по 16:00

Вс.: с 10:00 по 16:00

### **КОНТАКТЫ:**

+38 (044) 360-46-77

+38 (066) 77-395-77

+38 (097) 77-236-77

+38 (093) 360-46-77

Детальное описание товара:

<https://storgom.ua/product/milwaukee-109956.html>

Другие товары: <https://storgom.ua/shpricy-dlya-smazki.html>