

Milwaukee®

Nothing but **HEAVY DUTY**®



C12 RAD

Original instructions

Originalbetriebsanleitung

Notice originale

Istruzioni originali

Manual original

Oorspronkelijke gebruiksaanwijzing

Original brugsanvisning

Original bruksanvisning

Bruksanvisning i original

Alkuperäiset ohjeet

Πρωτότυπο οδηγιών χρήσης

Orijinal işletme talimatı

Původním návodem k

používání

Pôvodný návod na použitie

Instrukcją oryginalną

Eredeti használati utasítás

Izvirna navodila

Originalne pogonske upute

Instrukcijām oriģinālvalodā

Originali instrukcija

Algupärane kasutusjuhend

Оригинальное руководство по эксплуатации

Оригинално ръководство за експлоатация

Instrukțiuni de folosire originale

Оригинален прирачник за работа

Оригінал інструкції з експлуатації

التعليمات الأصلية

ENGLISH		Picture section with operating description and functional description	4
DEUTSCH		Bildteil mit Anwendungs- und Funktionsbeschreibungen	4
FRANÇAIS		Partie imagée avec description des applications et des fonctions	4
ITALIANO		Sezione illustrata con descrizione dell'applicazione e delle funzioni	4
ESPAÑOL		Sección de ilustraciones con descripción de aplicación y descripción funcional	4
PORTUGUES		Parte com imagens explicativas contendo descrição operacional e funcional	4
NEDERLANDS		Beeldgedeelte met toepassings- en functiebeschrijvingen	4
DANSK		Billedel med anvendelses- og funktionsbeskrivelser	4
NORSK		Billedel med bruks- og funksjonsbeskrivelse	4
SVENSKA		Bilddel med användnings- och funktionsbeskrivning	4
SUOMI		Kuvasivut käyttö- ja toimintakuvaus	4
ΕΛΛΗΝΙΚΑ		Τμήμα εικόνων με περιγραφές χρήσης και λειτουργίας	4
TÜRKÇE		Resim bölümü Uygulama ve fonksiyon açıklamaları ile birlikte	4
ČESKY		Obrazová část s popisem aplikací a funkcí	4
SLOVENSKY		Obrazová část s popisom aplikácií a funkcií	4
POLSKI		Część rysunkowa z opisami zastosowania i działania	4
MAGYAR		Képes részalkalmazási- és működési leírásokkal	4
SLOVENSKO		Del slikez opisom uporabe in funkcij	4
HRVATSKI		Dio sa slikama opisima primjene i funkcija	4
LATVISKI		Attēla daļa ar lietošanas un funkciju aprakstiem	4
LIETUVIŠKAI		Paveikslėlio dalis su vartojimo instrukcija ir funkcijų aprašymais	4
EESTI		Pildiosa kasutusjuhendi ja funktsioonide kirjeldusega	4
РУССКИЙ		Раздел иллюстраций с описанием эксплуатации и функций	4
БЪЛГАРСКИ		Част със снимки с описания за приложение и функции	4
ROMÂNIA		Secvența de imagine cu descrierea utilizării și a funcționării	4
МАКЕДОНСКИ		Дел со слики со описи за употреба и функционирање	4
УКРАЇНСЬКА		Частина з зображеннями з описом робіт та функцій	4
عربي		قسم الصور يوجد به الوصف التشغيلي والوظيفي	4

Text section with Technical Data, important Safety and Working Hints and description of Symbols	14
Textteil mit Technischen Daten, wichtigen Sicherheits- und Arbeitshinweisen und Erklärung der Symbole.	16
Partie textuelle avec les données techniques, les consignes importantes de sécurité et de travail ainsi que l'explication des pictogrammes.	18
Sezione testo con dati tecnici, importanti informazioni sulla sicurezza e sull'utilizzo, spiegazione dei simboli.	20
Sección de texto con datos técnicos, indicaciones importantes de seguridad y trabajo y explicación de los símbolos.	22
Parte com texto explicativo contendo Especificações técnicas, Avisos de segurança e de operação e a Descrição dos símbolos.	24
Tekstgedeelte met technische gegevens, belangrijke veiligheids- en arbeidsinstructies en verklaring van de symbolen.	26
Tekstdel med tekniske data, vigtige sikkerheds- og arbejdsanvisninger og symbolforklaring.	28
Tekstdel med tekniske data, viktige sikkerhets- og arbeidsinstruksjoner og forklaring av symbolene.	30
Textdel med tekniska informationer, viktiga säkerhets- och användningsinstruktioner samt symbolförklaringar.	32
Tekstisivut: tekniset tiedot, tärkeät turvallisuus- ja työskentelyohjeet sekä merkien selitykset.	34
Τμήμα κειμένου με τεχνικά χαρακτηριστικά, σημαντικές υποδείξεις ασφαλείας και εργασίας και εξήγηση των συμβόλων.	36
Teknik bilgileri, önemli güvenlik ve çalışma açıklamalarını ve de sembollerin açıklamalarını içeren metin bölümü.	38
Textová část s technickými daty, důležitými bezpečnostními a pracovními pokyny a s vysvětlivkami symbolů	40
Textová část s technickými datami, důležitými bezpečnostními a pracovními pokyny a s vysvětlivkami symbolů	42
Część opisowa z danymi technicznymi, ważnymi wskazówkami dotyczącymi bezpieczeństwa i pracy oraz objaśnieniami symboli.	44
Szöveges rész műszaki adatokkal, fontos biztonsági- és munkavégzési útmutatásokkal, valamint a szimbólumok magyarázata.	46
Del besedila s tehničnimi podatki, pomembnimi varnostnimi opozorili in delovnimi navodili in pojasnili simbolov.	48
Dio štiva sa tehničkim podacima, važnim sigurnosnim i radnim uputama i objašnjenjem simbola.	50
Teksta daļa ar tehniskajiem parametriem, svarīgiem drošības un darbības norādījumiem, simbolu atšifrējumiem.	52
Teksto dalis su techniniais duomenimis, svarbiomis saugumo ir darbo instrukcijomis bei simbolių paaiškinimais.	54
Tekstiosa tehniliste näitajate, oluliste ohutus- ja tööjuhenditega ning sümbolite kirjeldustega.	56
Текстовый раздел, включающий технические данные, важные рекомендации по безопасности и эксплуатации, а также описание используемых символов.	58
Част с текст с технически данни, важни указания за безопасност и работа и разяснение на символите.	60
Porțiune de text cu date tehnice, indicații importante privind siguranța și modul de lucru și descrierea simbolurilor.	62
Текстуален дел со Технички карактеристики, важни безбедносни и работни упатства и објаснување на символите.	64
Текстова частина з техничними даними, важливими вказівками з техніки безпеки та експлуатації і поясненням символів.	66
القسم النصي المزود بالبيانات الفنية والنصائح الهامة للسلامة والعمل ووصف الرموز	69



Remove the battery pack before starting any work on the machine.
 Vor allen Arbeiten an der Maschine den Wechselakku herausnehmen.
 Avant tous travaux sur la machine retirer l'acco interchangeable.
 Prima di iniziare togliere la batteria dalla macchina.
 Retire la batería antes de comenzar cualquier trabajo en la máquina.
 Antes de efectuar cualquier intervención en la máquina retirar o bloco acumulador.
 Voor alle werkzaamheden aan de machine de akku verwijderen.
 Ved arbejde inden i maskinen, bør batteriet tages ud.
 Ta ut veskerbatteriet før du arbeider på maskinen
 Drag ur batteripaket innan arbete utföres på maskinen.
 Ota akku pois ennen kaikkia koneeseen tehtäviä toimenpiteitä.
 Πριν από κάθε εργασία στη μηχανή αφαιρέστε την ανταλλακτική μπαταρία.
 Aletin kendingde bir çalışma yapmadan önce kartuş aküyü çıkarın.
 Před zahájením veškerých prací na vrtacím šroubovákú vyjmout výměnný akumulátor.
 Před každou prací na stroji výměnný akumulátor vyřadit.

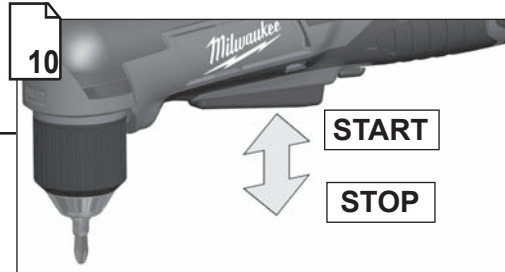
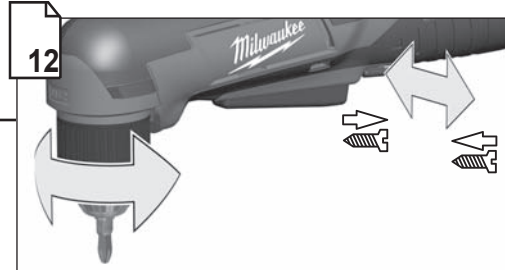
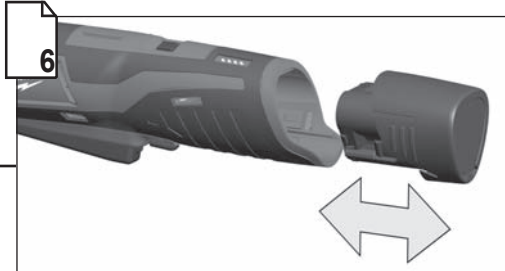
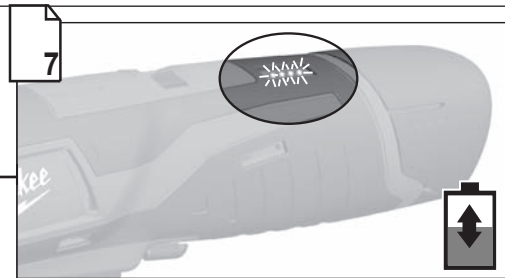
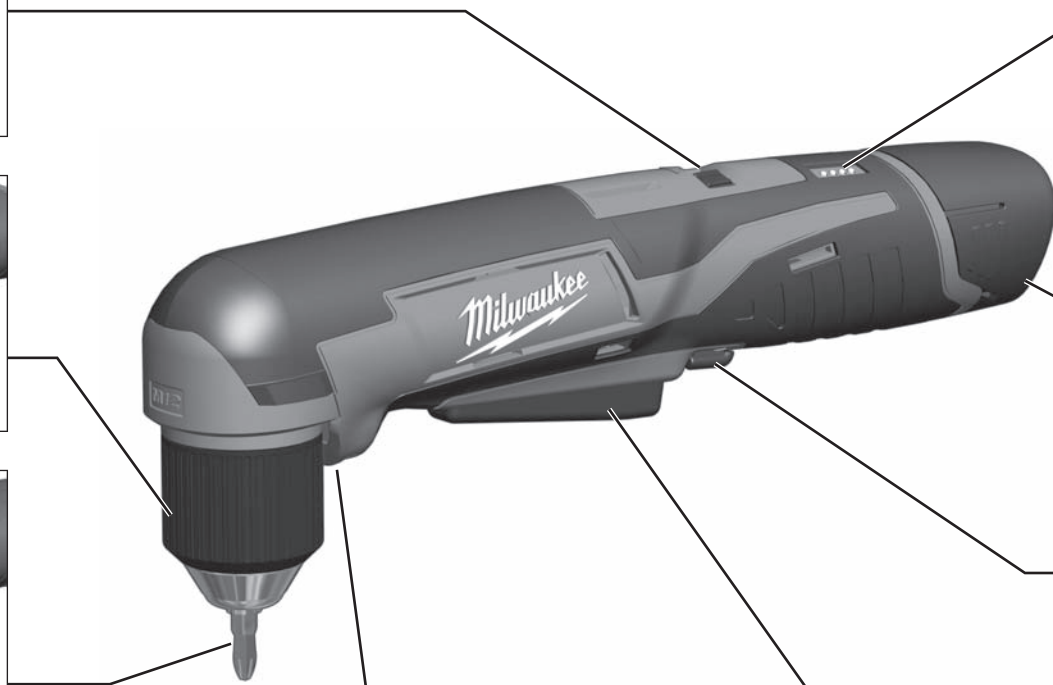
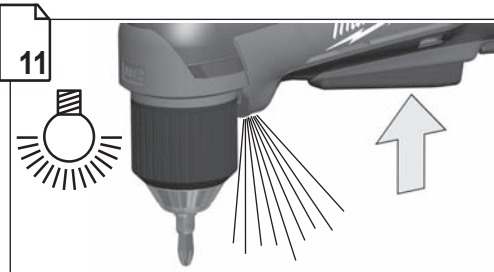
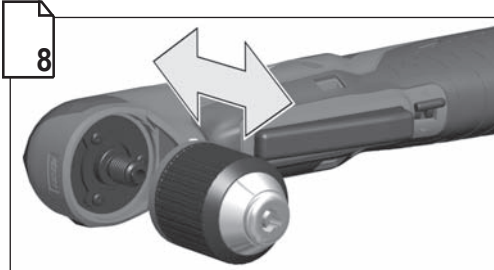
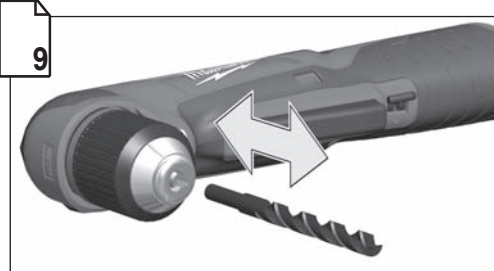
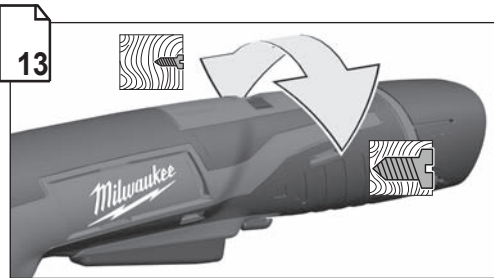
Przed przystąpieniem do jakichkolwiek prac na elektronarzędziu należy wyjąć wkładkę akumulatorową.

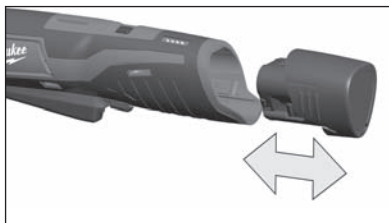
Karbantartás, javítás, tisztítás, stb. előtt az akkumulátort ki kell venni a készülékből.
 Pred deli na stroju izvalcite izmenljivi akumulator.
 Prije svih radova na stroju izvaditi bateriju za zamjenu.
 Pirms mašīnai veikt jebkāda veida apkopes darbus, ir jāizņem ārā akumulators.
 Prieš atikdami bet kokius darbus įrenginyje, išimkite keičiamą akumuliatorių.
 Enne kõiki töid masina kallal võtke vahetatav aku välja.
 Выньте аккумулятор из машины перед проведением с ней каких-либо манипуляций.
 Преди започване на каквото е да е работи по машината извадете акумулатора.
 İndepărtați acumulatorul înainte de începerea lucrului pe mașina
 Отстранете ја батеријата пред да започнете да ја користите машината.
 Перед будь-якими роботами на машині ви́янти змінну акумуляторну батарею.

İnceperea lucrei pe mașina

Отстранете ја батеријата пред да започнете да ја користите машината.
 Перед будь-якими роботами на машині ви́янти змінну акумуляторну батарею.

تم بإزالة حزمة البطارية قبل البدء في أي أعمال على الجهاز





Remove the battery pack before starting any work on the machine.
Vor allen Arbeiten an der Maschine den Wechselakku herausnehmen
Avant tous travaux sur la machine retirer l'accu interchangeable.

Prima di iniziare togliere la batteria dalla macchina.
Retire la batería antes de comenzar cualquier trabajo en la máquina.

Antes de efectuar cualquier intervención na máquina retirar o bloco acumulador.

Voor alle werkzaamheden aan de machine de akku verwijderen.

Ved arbejde inden i maskinen, bør batteriet tages ud.

Ta ut vekslebatteriet før du arbeider på maskinen
Drag ur batteripaket innan arbete utföres på maskinen.

Ota akku pois ennen kaikkia koneeseen tehtäviä toimenpiteitä.

Πριν από κάθε εργασία στη μηχανή αφαιρείτε την ανταλλακτική μπαταρία.

Aletin kendingde bir çalışma yapmadan önce kartuş aküyü çıkarın.

Před zahájením veškerých prací na vrtacím šroubováku vyjmout výměnný akumulátor.

Pred každou prácou na stroji výmenný akumulátor vytiahnuť.

Przed przystąpieniem do jakichkolwiek prac na elektronarzędziu należy wyjąć wkładkę akumulatrową.

Karbantartás, javítás, tisztítás, stb. előtt az akkumulátort ki kell venni a készülékből.

Pred deli na stroju izvlecite izmenljivi akumulator.

Prije svih radova na stroju izvaditi bateriju za zamjenu.

Pirms mašīnai veikt jebkāda veida apkopes darbus, ir jāizņem arī akumulators.

Prieš atikdami bet kokius darbus įrenginyje, išimkite keičiamą akumuliatorių.

Enne kõiki töid masina kallal võtke vahetatav aku välja.

Виньте аккумулятор из машины перед проведением с ней каких-либо манипуляций.

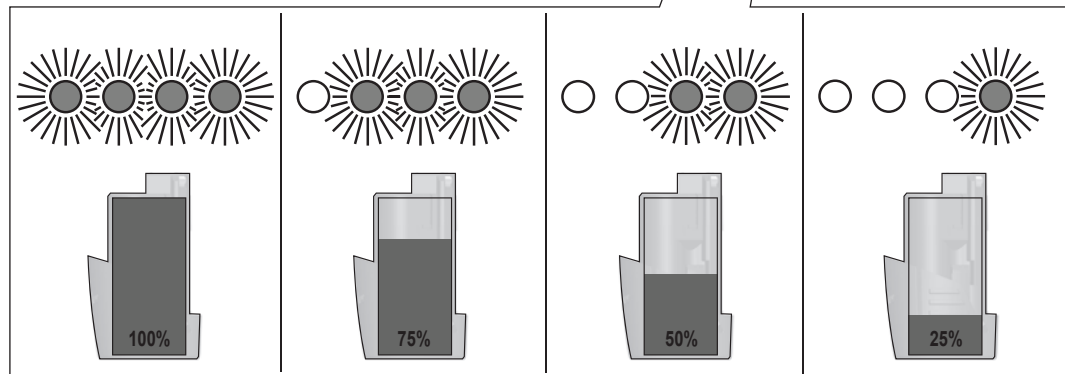
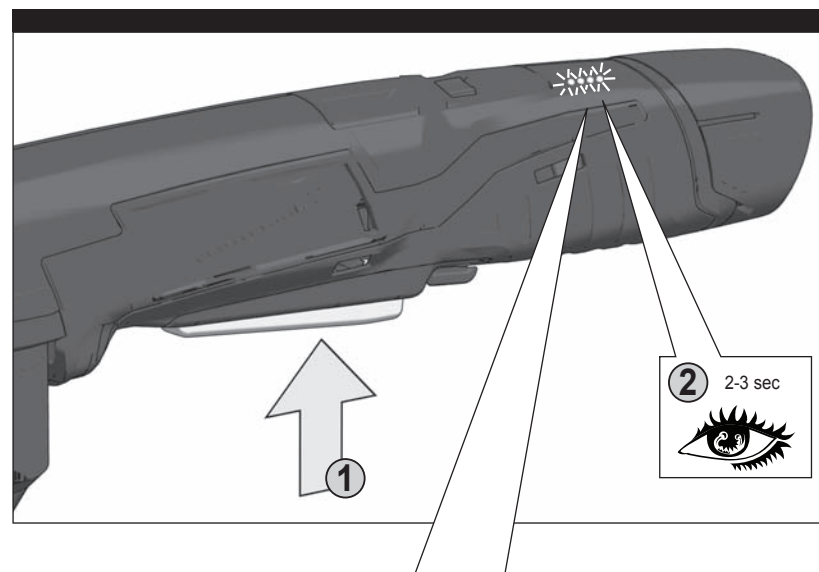
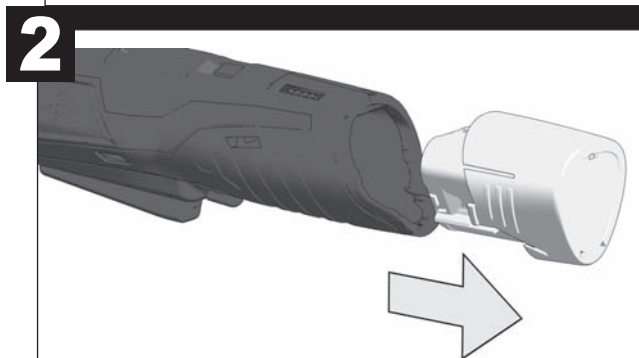
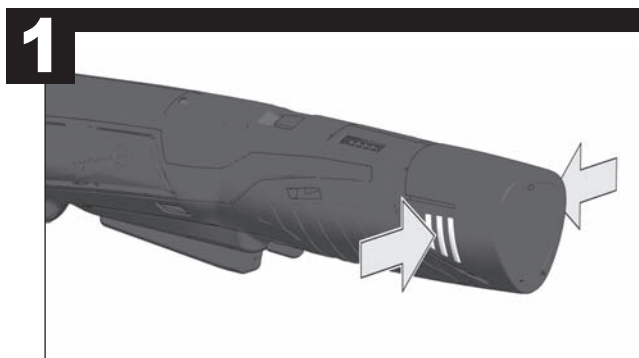
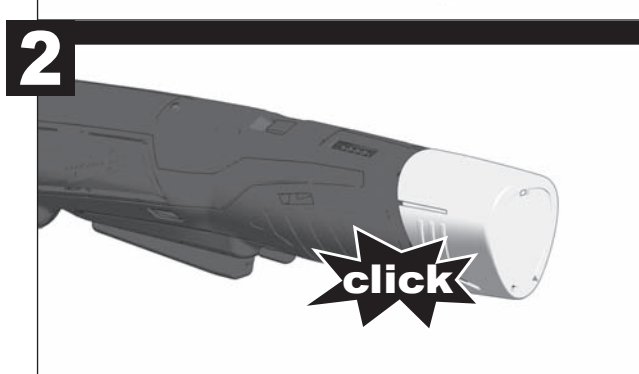
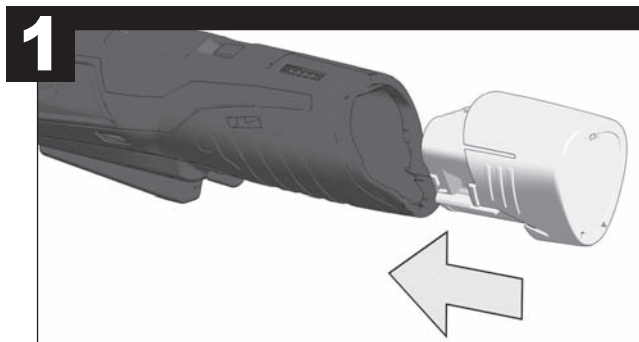
Преди започване на каквито е да е работи по машината извадете акумулатора.

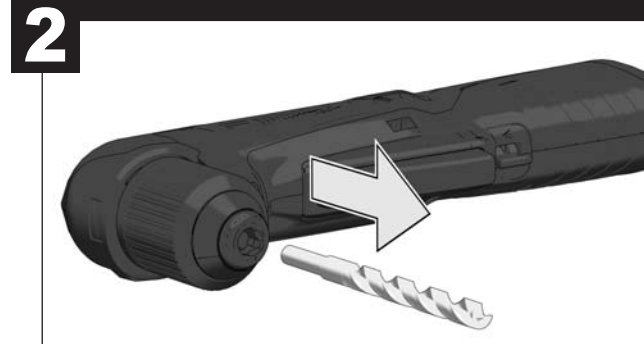
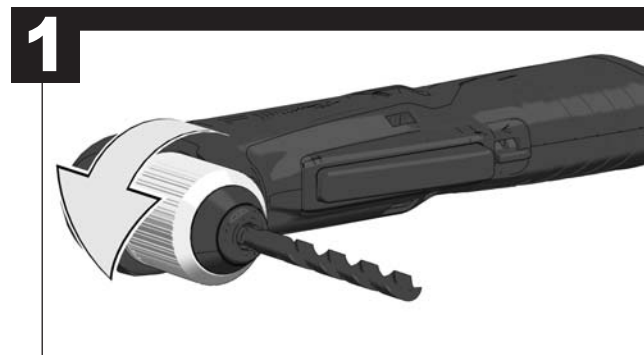
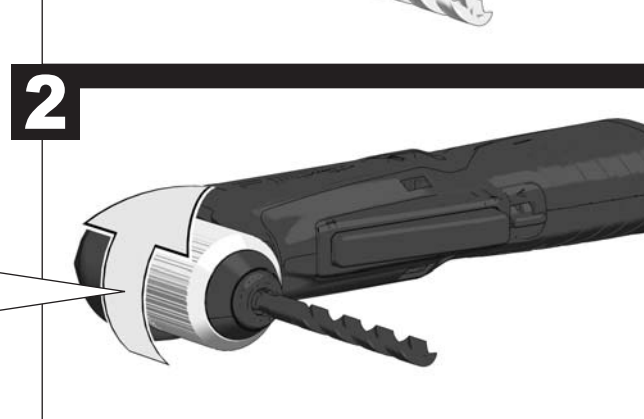
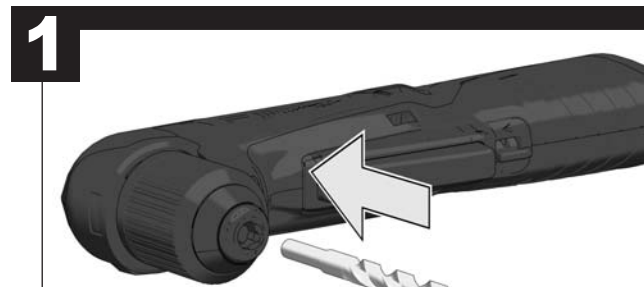
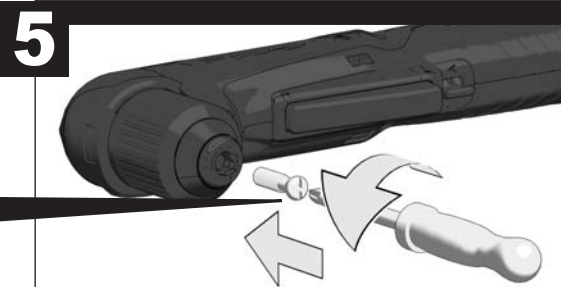
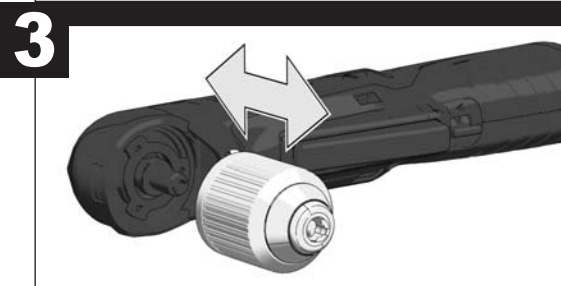
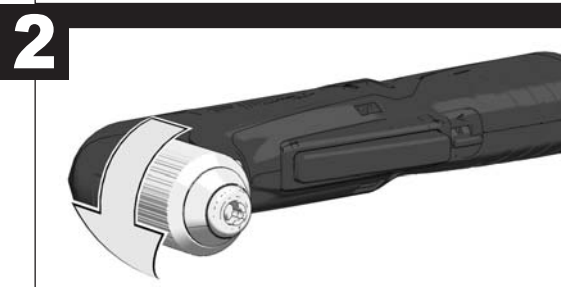
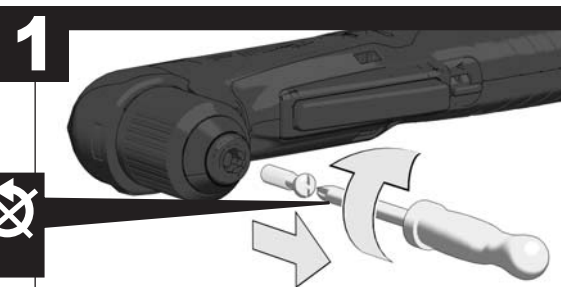
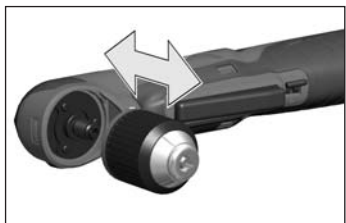
Scoteți acumulatorul înainte de a începe orice intervenție pe mașină.

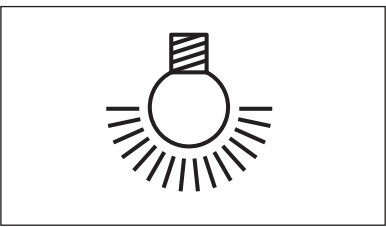
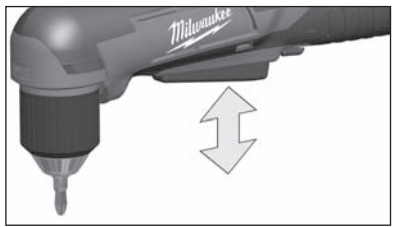
Отстранете ја батеријата пред да започнете да ја користите машината.

Перед будь-якими роботами на машині вийняти змінну акумуляторну батарею.

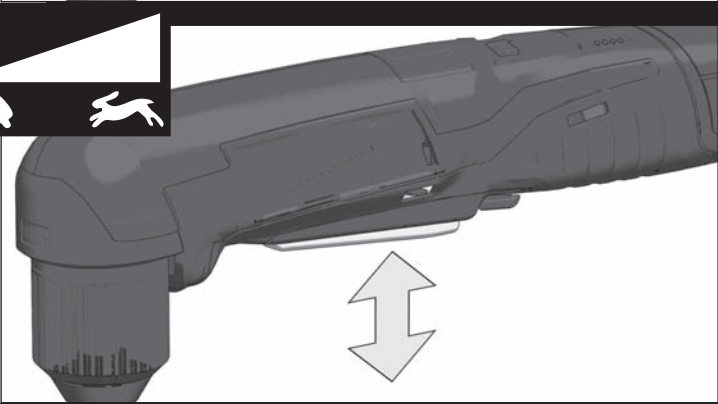
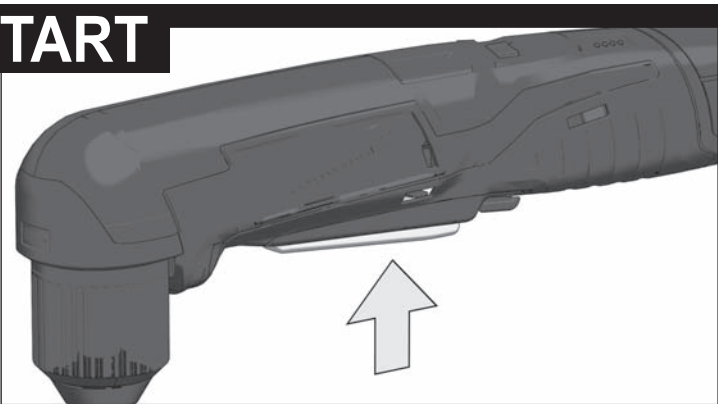
قبل بدء أية أعمال على الجهاز قم بإزالة حزمة البطارية قبل البدء في أي أعمال على الجهاز.



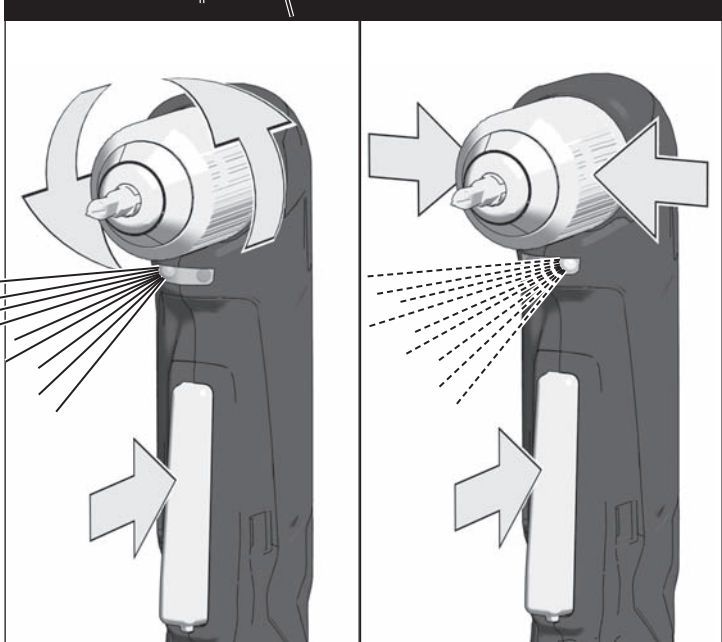
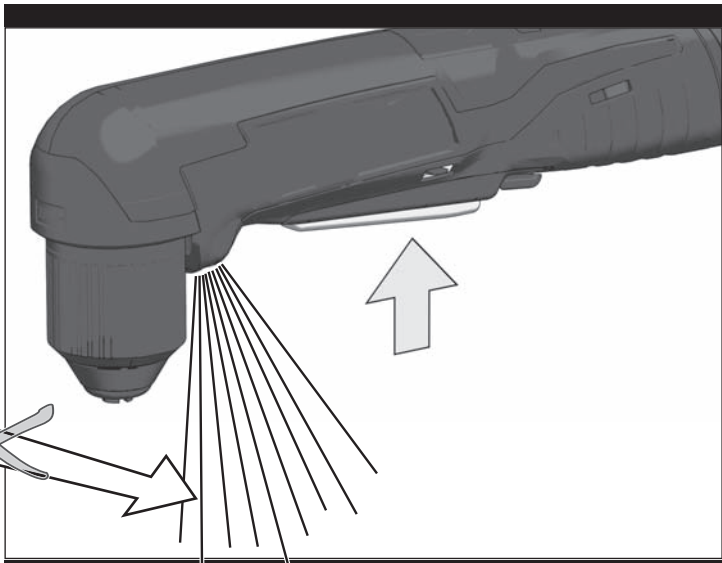
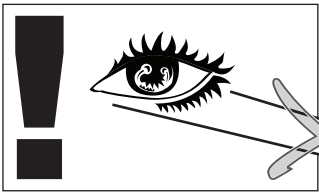
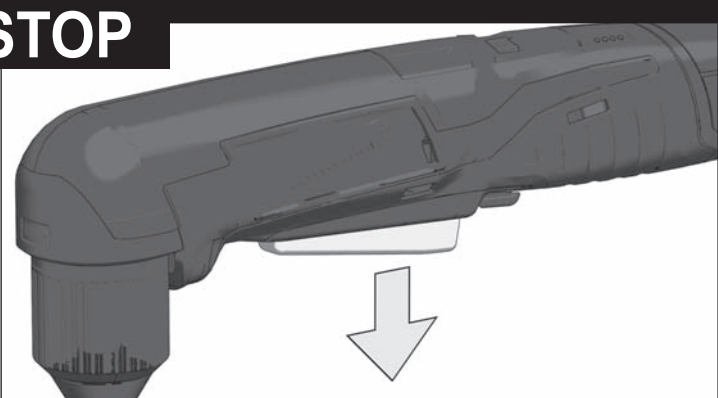


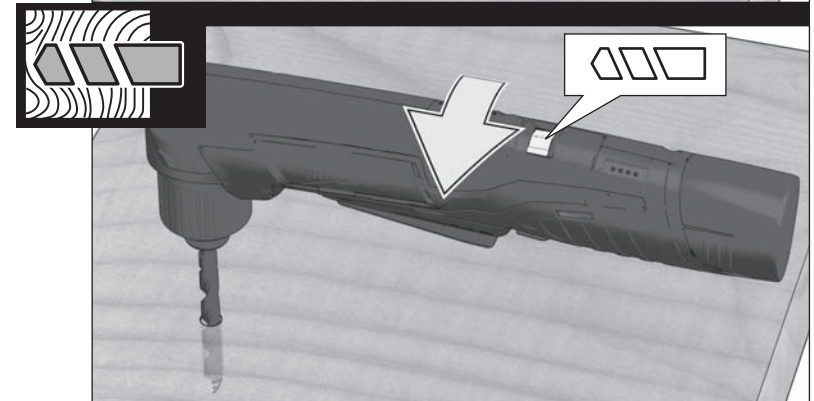
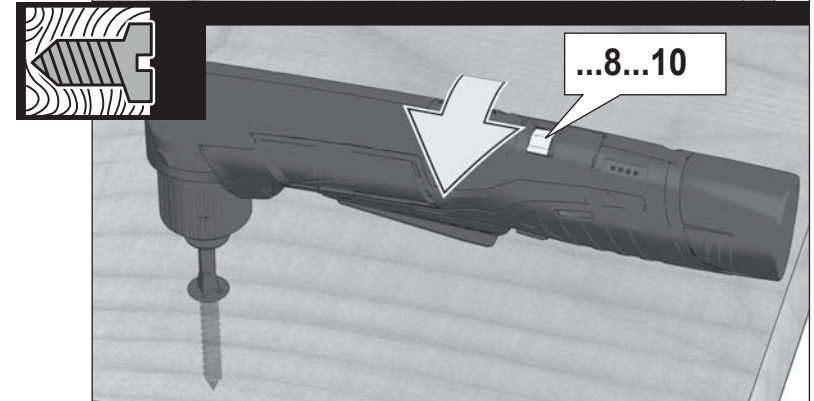
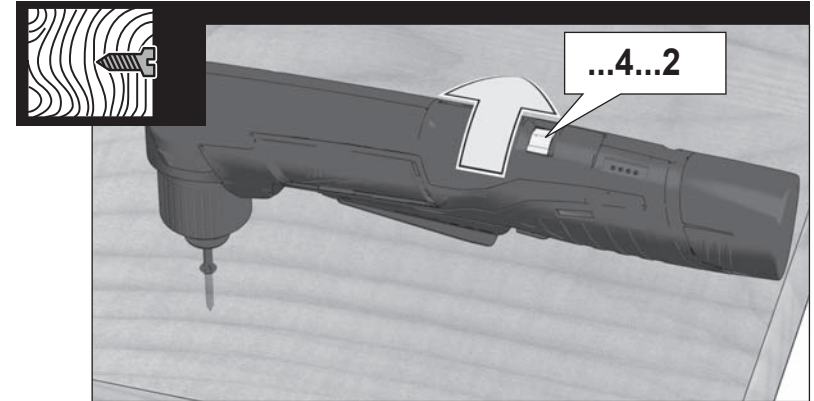
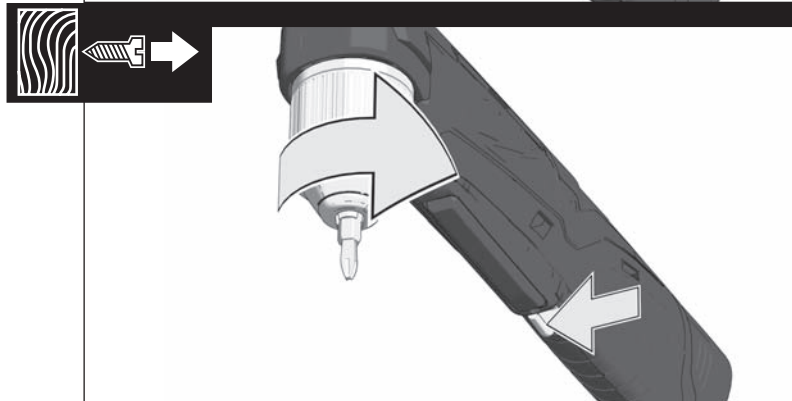
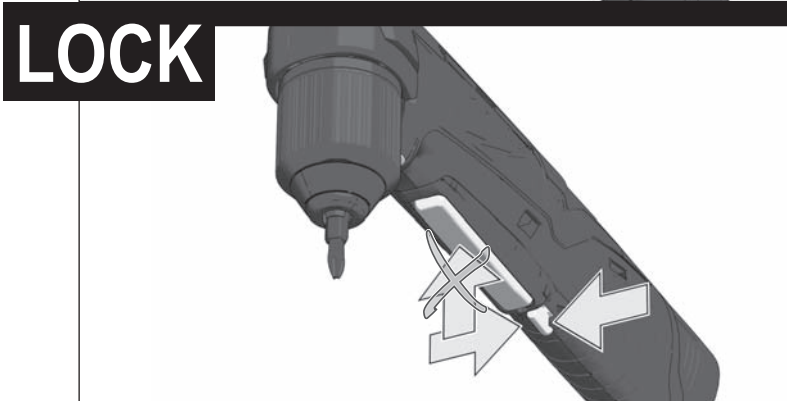
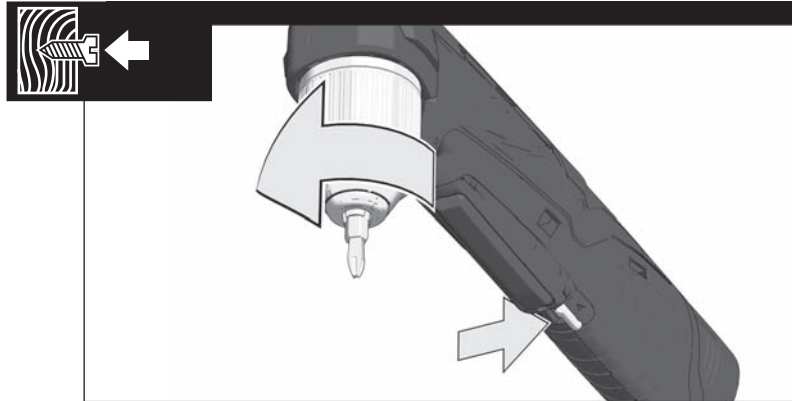
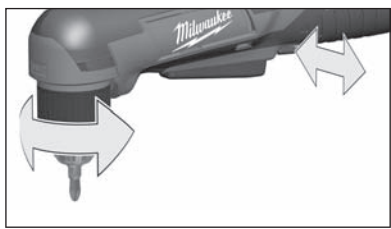


START



STOP





TECHNICAL DATA **CORDLESS DRILL DRIVER** **C 12 RAD**

Production code.....	4311 93 02... ...000001-999999
Drilling capacity in wood.....	25 mm
Wood screws (without pre-drilling).....	6,5 mm
No-load speed.....	0-800 min ⁻¹
Torque max (Li-Ion Battery 1.5 Ah) *1.....	12 Nm
Torque max (Li-Ion Battery 3.0 Ah) *1.....	15 Nm
Battery voltage.....	12 V
Drill chuck range.....	1,0-10 mm
Weight according EPTA-Procedure 01/2003	
with battery 1.5 Ah.....	1,1 kg
with battery 3.0 Ah.....	1,3 kg

Noise/vibration information

Measured values determined according to EN 60 745.
Typically, the A-weighted noise levels of the tool are:
Sound pressure level (Uncertainty K=3dB(A)) 64,5 dB (A)
Sound power level (Uncertainty K=3dB(A))..... 75,5 dB (A)

Wear ear protectors!

Total vibration values (vector sum in the three axes) determined according to EN 60745.
Vibration emission value a_v
 Drilling into metal..... < 2,5 m/s²
 Uncertainty K=..... 1,5 m/s²
 Screwing..... < 2,5 m/s²
 Uncertainty K=..... 1,5 m/s²

WARNING

The vibration emission level given in this information sheet has been measured in accordance with a standardised test given in EN 60745 and may be used to compare one tool with another. It may be used for a preliminary assessment of exposure.
The declared vibration emission level represents the main applications of the tool. However if the tool is used for different applications, with different accessories or poorly maintained, the vibration emission may differ. This may significantly increase the exposure level over the total working period.
An estimation of the level of exposure to vibration should also take into account the times when the tool is switched off or when it is running but not actually doing the job. This may significantly reduce the exposure level over the total working period.
Identify additional safety measures to protect the operator from the effects of vibration such as: maintain the tool and the accessories, keep the hands warm, organisation of work patterns.

⚠ WARNING! Read all safety warnings and all instructions.
Failure to follow the warnings and instructions may result in electric shock, fire and/or serious injury.
Save all warnings and instructions for future reference.

⚠ DRILL SAFETY WARNINGS

Hold power tool by insulated gripping surfaces, when performing an operation where the cutting accessory may contact hidden wiring.
Cutting accessory contacting a „live“ wire may make exposed metal parts of the power tool „live“ and could give the operator an electric shock.

⚠ SCREWDRIVER SAFETY WARNINGS

Hold power tool by insulated gripping surfaces, when performing an operation where the fastener may contact hidden wiring. Fasteners contacting a "live" wire may make exposed metal parts of the power tool "live" and could give the operator an electric shock.

ADDITIONAL SAFETY AND WORKING INSTRUCTIONS

Use protective equipment. Always wear safety glasses when working with the machine. The use of protective clothing is recommended, such as dust mask, protective gloves, sturdy non-slip footwear, helmet and ear defenders.
The dust produced when using this tool may be harmful to health. Do not inhale the dust. Wear a suitable dust protection mask.

Do not machine any materials that present a danger to health (e.g. asbestos).
Switch the device off immediately if the insertion tool stalls! Do not switch the device on again while the insertion tool is stalled, as doing so could trigger a sudden recoil with a high reactive force. Determine why the insertion tool stalled and rectify this, paying heed to the safety instructions.
The possible causes may be:
• it is tilted in the workpiece to be machined
• it has pierced through the material to be machined
• the power tool is overloaded
Do not reach into the machine while it is running.
The insertion tool may become hot during use.
WARNING! Danger of burns
• when changing tools
• when setting the device down
Chips and splinters must not be removed while the machine is running.
When working in walls ceiling, or floor, take care to avoid electric cables and gas or waterpipes.
Clamp your workpiece with a clamping device. Unclamped workpieces can cause severe injury and damage.
Remove the battery pack before starting any work on the machine.
Do not dispose of used battery packs in the household refuse or by burning them. Milwaukee Distributors offer to retrieve old batteries to protect our environment.

Do not store the battery pack together with metal objects (short circuit risk).
Use only System C 12 chargers for charging System C 12 battery packs. Do not use battery packs from other systems.
Never break open battery packs and chargers and store only in dry rooms. Keep dry at all times.
Battery acid may leak from damaged batteries under extreme load or extreme temperatures. In case of contact with battery acid wash it off immediately with soap and water. In case of eye contact rinse thoroughly for at least 10 minutes and immediately seek medical attention.


SPECIFIED CONDITIONS OF USE

The battery drill/screwdriver may be used for drilling and screwdriving for independent use away from mains supply.
Do not use this product in any other way as stated for normal use.

EC-DECLARATION OF CONFORMITY

We declare under our sole responsibility that the product described under "Technical Data" fulfills all the relevant regulations and the directives 2011/65/EU (RoHS), 2014/30/EU, 2006/42/EC, and the following harmonized standards have been used:
EN 60745-1:2009 + A11:2010
EN 60745-2-1:2010
EN 60745-2-2:2010
EN 55014-1:2006 + A1:2009 + A2:2011
EN 55014-2:1997 + A1:2001 + A2:2008
EN 50581:2012

Winnenden, 2016-03-29


Alexander Krug
Managing Director
Authorized to compile the technical file

Techronic Industries GmbH
Max-Eyth-Straße 10
71364 Winnenden
Germany

BATTERIES

Battery packs which have not been used for some time should be recharged before use.
Temperatures in excess of 50°C (122°F) reduce the performance of the battery pack. Avoid extended exposure to heat or sunshine (risk of overheating).
The contacts of chargers and battery packs must be kept clean.
For an optimum life-time, the battery packs have to be fully charged, after used.
To obtain the longest possible battery life remove the battery pack from the charger once it is fully charged.
For battery pack storage longer than 30 days:
Store the battery pack where the temperature is below 27°C and away from moisture
Store the battery packs in a 30% - 50% charged condition
Every six months of storage, charge the pack as normal.

BATTERY PACK PROTECTION

In extremely high torque, binding, stalling and short circuit situations that cause high current draw, the tool will vibrate for about 5 seconds, the fuel gauge will flash, and then the tool will turn OFF. To reset, release the trigger.
Under extreme circumstances, the internal temperature of the battery pack could raise too much. If this happens, the fuel gauge will flash until the battery pack cooled down. After the lights go off, the work may continue.

TRANSPORTING LITHIUM BATTERIES

Lithium-ion batteries are subject to the Dangerous Goods Legislation requirements.

Transportation of those batteries has to be done in accordance with local, national and international provisions and regulations.
• The user can transport the batteries by road without further requirements.
• Commercial transport of Lithium-Ion batteries by third parties is subject to Dangerous Goods regulations. Transport preparation and transport are exclusively to be carried out by appropriately trained persons and the process has to be accompanied by corresponding experts.
When transporting batteries:
• Ensure that battery contact terminals are protected and insulated to prevent short circuit.
• Ensure that battery pack is secured against movement within packaging.
• Do not transport batteries that are cracked or leak.
Check with forwarding company for further advice

MAINTENANCE

Use only Milwaukee accessories and spare parts. Should components need to be replaced which have not been described, please contact one of our Milwaukee service agents (see our list of guarantee/service addresses).
If needed, an exploded view of the tool can be ordered. Please state the machine type printed as well as the six-digit No. on the label and order the drawing at your local service agents or directly at: Techronic Industries GmbH, Max-Eyth-Straße 10, 71364 Winnenden, Germany.

SYMBOLS

	CAUTION! WARNING! DANGER!
	Remove the battery pack before starting any work on the machine.
	Please read the instructions carefully before starting the machine.
	Do not dispose of electric tools together with household waste material. Electric tools and electronic equipment that have reached the end of their life must be collected separately and returned to an environmentally compatible recycling facility. Check with your local authority or retailer for recycling advice and collection point.
	European Conformity Mark
	National mark of conformity Ukraine
	EurAsian Conformity Mark.

TECHNISCHE DATEN **AKKU-BOHRSCHRAUBER** **C 12 RAD**

Produktionsnummer 4311 93 02... ..000001-999999
Bohr-ø in Holz 25 mm
Holzschrauben 6,5 mm
Leerlaufdrehzahl 0-800 min⁻¹
Drehmoment max (Li-Ion Akku 1,5 Ah) *1 12 Nm
Drehmoment max (Li-Ion Akku 3,0 Ah) *1 15 Nm
Spannung Wechselakku 12 V
Bohrfutterspannbereich 1,0-10 mm
Gewicht nach EPTA-Prozedur 01/2003
mit Wechselakku 1,5 Ah 1,1 kg
mit Wechselakku 3,0 Ah 1,3 kg

Geräusch/Vibrationsinformation
Messwerte ermittelt entsprechend EN 60 745.
Der A-bewertete Geräuschpegel des Gerätes beträgt typischerweise:
Schalldruckpegel (Unsicherheit K=3dB(A)) 64,5 dB (A)
Schalleistungspegel (Unsicherheit K=3dB(A)) 75,5 dB (A)
Gehörschutz tragen!

Schwingungsgesamtwerte (Vektorsumme dreier Richtungen) ermittelt entsprechend EN 60745.
Schwingungsemissionswert a_h
Bohren in Metall < 2,5 m/s²
Unsicherheit K = 1,5 m/s²
Schrauben < 2,5 m/s²
Unsicherheit K = 1,5 m/s²

WARNUNG
Der in diesen Anweisungen angegebene Schwingungspegel ist entsprechend einem in EN 60745 genormten Messverfahren gemessen worden und kann für den Vergleich von Elektrowerkzeugen miteinander verwendet werden. Er eignet sich auch für eine vorläufige Einschätzung der Schwingungsbelastung.

Der angegebene Schwingungspegel repräsentiert die hauptsächlichsten Anwendungen des Elektrowerkzeugs. Wenn allerdings das Elektrowerkzeug für andere Anwendungen, mit abweichenden Einsatzwerkzeugen oder ungenügender Wartung eingesetzt wird, kann der Schwingungspegel abweichen. Dies kann die Schwingungsbelastung über den gesamten Arbeitszeitraum deutlich erhöhen.

Für eine genaue Abschätzung der Schwingungsbelastung sollten auch die Zeiten berücksichtigt werden, in denen das Gerät abgeschaltet ist oder zwar läuft, aber nicht tatsächlich im Einsatz ist. Dies kann die Schwingungsbelastung über den gesamten Arbeitszeitraum deutlich reduzieren.

Legen Sie zusätzliche Sicherheitsmaßnahmen zum Schutz des Bedieners vor der Wirkung von Schwingungen fest wie zum Beispiel:
Wartung von Elektrowerkzeug und Einsatzwerkzeugen, Warmhalten der Hände, Organisation der Arbeitsabläufe.

⚠️ WARNUNG! Lesen Sie alle Sicherheitshinweise und Anweisungen. Versäumnisse bei der Einhaltung der Sicherheitshinweise und Anweisungen können elektrischen Schlag, Brand und/oder schwere Verletzungen verursachen. **Bewahren Sie alle Sicherheitshinweise und Anweisungen für die Zukunft auf.**

⚠️ SICHERHEITSHINWEISE FÜR BOHRMASCHINEN
Halten Sie das Gerät an den isolierten Griffflächen, wenn Sie Arbeiten ausführen, bei denen das Einsatzwerkzeug verborgene Stromleitungen treffen kann. Der Kontakt mit einer spannungsführenden Leitung kann auch metallene Geräteteile unter Spannung setzen und zu einem elektrischen Schlag führen.

⚠️ SICHERHEITSHINWEISE FÜR SCHRAUBER
Halten Sie das Gerät an den isolierten Griffflächen, wenn Sie Arbeiten ausführen, bei denen die Schraube verborgene Stromleitungen treffen kann. Der Kontakt der Schraube mit einer spannungsführenden Leitung kann metallene Geräteteile unter Spannung setzen und zu einem elektrischen Schlag führen.

WEITERE SICHERHEITS- UND ARBEITSHINWEISE
Schutzausrüstung verwenden. Beim Arbeiten mit der Maschine stets Schutzbrille tragen. Schutzkleidung wie Staubschutzmaske, Schutzhandschuhe, festes und rutschsicheres Schuhwerk, Helm und Gehörschutz werden empfohlen.
Beim Arbeiten entstehender Staub ist oft gesundheitsschädlich und sollte nicht in den Körper gelangen. Geeignete Staubschutzmaske tragen.

Es dürfen keine Materialien bearbeitet werden, von denen eine Gesundheitsgefährdung ausgeht (z.B. Asbest).

Beim Blockieren des Einsatzwerkzeuges bitte das Gerät sofort ausschalten! Schalten Sie das Gerät nicht wieder ein, solange das Einsatzwerkzeug blockiert ist; hierbei könnte ein Rückschlag mit hohem Reaktionsmoment entstehen. Ermitteln und beheben Sie die Ursache für die Blockierung des Einsatzwerkzeuges unter Berücksichtigung der Sicherheitshinweise.

Mögliche Ursachen dafür können sein:
• Verkanten im zu bearbeitenden Werkstück
• Durchbrechen des zu bearbeitenden Materials
• Überlasten das Elektrowerkzeuges

Greifen Sie nicht in die laufende Maschine.
Das Einsatzwerkzeug kann während der Anwendung heiß werden.

WARNUNG! Verbrennungsgefahr
• bei Werkzeugwechsel
• bei Ablegen des Gerätes

Späne oder Splitter dürfen bei laufender Maschine nicht entfernt werden.

Beim Arbeiten in Wand, Decke oder Fußboden auf elektrische Kabel, Gas- und Wasserleitungen achten.

Sichern Sie Ihr Werkstück mit einer Spannvorrichtung. Nicht gesicherte Werkstücke können schwere Verletzungen und Beschädigungen verursachen.

Vor allen Arbeiten an der Maschine den Wechselakku herausnehmen

Verbrauchte Wechselakkus nicht ins Feuer oder in den Hausmüll werfen. Milwaukee bietet eine umweltgerechte Alt-Wechselakku-Entsorgung an; bitte fragen Sie Ihren Fachhändler.

Wechselakkus nicht zusammen mit Metallgegenständen aufbewahren (Kurzschlussgefahr).

Wechselakkus des Systems C 12 nur mit Ladegeräten des Systems C 12 laden. Keine Akkus aus anderen Systemen laden.

Unter extremer Belastung oder extremer Temperatur kann aus beschädigten Wechselakkus Batterieflüssigkeit auslaufen. Bei Berührung mit Batterieflüssigkeit sofort mit Wasser und Seife abwaschen. Bei Augenkontakt sofort mindestens 10 Minuten gründlich spülen und unverzüglich einen Arzt aufsuchen.

BESTIMMUNGSGEMÄSSE VERWENDUNG

Der Akku-Bohrschrauber ist universell einsetzbar zum Bohren und Schrauben unabhängig von einem Netzanschluss.

Dieses Gerät darf nur wie angegeben bestimmungsgemäß verwendet werden.

CE-KONFORMITÄTSERKLÄRUNG

Wir erklären in alleiniger Verantwortung, dass das unter „Technische Daten“ beschriebene Produkt mit allen relevanten Vorschriften der Richtlinie 2011/65/EU (RoHS), 2014/30/EU, 2006/42/EG und den folgenden harmonisierten normativen Dokumenten übereinstimmt:

- EN 60745-1:2009 + A11:2010
EN 60745-2-1:2010
EN 60745-2-2:2010
EN 55014-1:2006 + A1:2009 + A2:2011
EN 55014-2:1997 + A1:2001 + A2:2008
EN 50581:2012

Winnenden, 2016-03-29

Alexander Krug
Managing Director
Bevollmächtigt die technischen Unterlagen zusammenzustellen
Techtronic Industries GmbH
Max-Eyth-Straße 10
71364 Winnenden
Germany

CE-Zeichen

AKKUS

Längere Zeit nicht benutzte Wechselakkus vor Gebrauch nachladen.

Eine Temperatur über 50°C vermindert die Leistung des Wechselakkus. Längere Erwärmung durch Sonne oder Heizung vermeiden.

Die Anschlusskontakte an Ladegerät und Wechselakku sauber halten.

Für eine optimale Lebensdauer müssen nach dem Gebrauch die Akkus voll geladen werden.

Für eine möglichst lange Lebensdauer sollten die Akkus nach dem Aufladen aus dem Ladegerät entfernt werden.

Bei Lagerung des Akkus länger als 30 Tage:
Akku bei ca. 27°C und trocken lagern.
Akku bei ca. 30%-50% des Ladezustandes lagern.
Akku alle 6 Monate erneut aufladen.

AKKUÜBERLASTSCHUTZ

Bei Überlastung des Akkus durch sehr hohen Stromverbrauch, z.B. extrem hohe Drehmomente, plötzlichem Stopp oder Kurzschluss, vibriert das Elektrowerkzeug 5 Sekunden lang, die Ladeanzeige blinkt und das Elektrowerkzeug schaltet sich selbsttätig ab. Zum Wiedereinschalten, den Schalterdrücker loslassen und dann wieder einschalten.

Unter extremen Belastungen erhitzt sich der Akku zu stark. In diesem Fall blinken alle Lampen der Ladeanzeige bis der Akku abgekühlt ist. Nach Erlöschen der Ladeanzeige kann weitergearbeitet werden.

TRANSPORT VON LITHIUM-IONEN-AKKUS

Lithium-Ionen-Akkus fallen unter die gesetzlichen Bestimmungen zum Gefahrguttransport.

Der Transport dieser Akkus muss unter Einhaltung der lokalen, nationalen und internationalen Vorschriften und Bestimmungen erfolgen.

- Verbraucher dürfen diese Akkus ohne Weiteres auf der Straße transportieren.
• Der kommerzielle Transport von Lithium-Ionen-Akkus durch Speditionsunternehmen unterliegt den Bestimmungen des Gefahrguttransports. Die Versandvorbereitungen und der Transport dürfen ausschließlich von entsprechend geschulten Personen durchgeführt werden. Der gesamte Prozess muss fachmännisch begleitet werden.

Folgende Punkte sind beim Transport von Akkus zu beachten:

- Stellen Sie sicher, dass die Kontakte geschützt und isoliert sind, um Kurzschlüsse zu vermeiden.
• Achten Sie darauf, dass der Akkupack innerhalb der Verpackung nicht verrutschen kann.
• Beschädigte oder auslaufende Akkus dürfen nicht transportiert werden.

Wenden Sie sich für weitere Hinweise an Ihr Speditionsunternehmen.

WARTUNG

Nur Milwaukee Zubehör und Ersatzteile verwenden. Bauteile, deren Austausch nicht beschrieben wurde, bei einer Milwaukee Kundendienststelle auswechseln lassen (Broschüre Garantie/ Kundendienstadressen beachten).

Bei Bedarf kann eine Explosionszeichnung des Gerätes unter Angabe der Maschinen Type und der sechsstelligen Nummer auf dem Leistungsschild bei Ihrer Kundendienststelle oder direkt bei Techtronic Industries GmbH, Max-Eyth-Straße 10, 71364 Winnenden, Germany angefordert werden.

SYMBOLS

- ⚠️ ACHTUNG! WARNUNG! GEFAHR!
🔌 Vor allen Arbeiten an der Maschine den Wechselakku herausnehmen
📖 Bitte lesen Sie die Gebrauchsanweisung vor Inbetriebnahme sorgfältig durch.
🗑️ Elektrogeräte dürfen nicht zusammen mit dem Hausmüll entsorgt werden. Elektrische und elektronische Geräte sind getrennt zu sammeln und zur umweltgerechten Entsorgung bei einem Verwertungsbetrieb abzugeben. Erkundigen Sie sich bei den örtlichen Behörden oder bei Ihrem Fachhändler nach Recyclinghöfen und Sammelstellen.

CE-Zeichen
Nationales Konformitätszeichen Ukraine
EurAsian Konformitätszeichen.

CARACTÉRISTIQUES TECHNIQUES VISSEUSE SANS FIL C 12 RAD

Numéro de série	4311 93 02... ...000001-999999
Ø de perçage dans bois	25 mm
Vis à bois (sans avant trou)	6,5 mm
Vitesse de rotation	0-800 min ⁻¹
Couple max (Batterie 1,5 Ah)*1	12 Nm
Couple max (Batterie 3,0 Ah)*1	15 Nm
Tension accu interchangeable	12 V
Plage de serrage du mandrin	1,0-10 mm
Poids suivant EPTA-Procédure 01/2003	
avec accu interchangeable 1,5 Ah	1,1 kg
avec accu interchangeable 1,5 Ah	1,3 kg

Informations sur le bruit et les vibrations

Valeurs de mesure obtenues conformément à la EN 60 745.

Les mesures réelles (A) des niveaux acoustiques de l'appareil sont :

Niveau de pression acoustique (Incertitude K=3dB(A))	64,5 dB (A)
Niveau d'intensité acoustique (Incertitude K=3dB(A))	75,5 dB (A)

Toujours porter une protection acoustique!

Valeurs totales des vibrations (somme vectorielle de trois sens) établies conformément à EN 60745.

Valeur d'émission vibratoire a _h	
Perçage dans le métal	< 2,5 m/s ²
Incertitude K=	1,5 m/s ²
Vissage	< 2,5 m/s ²
Incertitude K=	1,5 m/s ²

AVERTISSEMENT

Le niveau vibratoire indiqué dans ces instructions a été mesuré selon un procédé de mesure normalisé dans la norme EN 60745 et peut être utilisé pour comparer des outils électriques entre eux. Il convient aussi à une estimation provisoire de la sollicitation par les vibrations.

Le niveau vibratoire indiqué représente les applications principales de l'outil électrique. Toutefois, si l'outil électrique est utilisé pour d'autres applications, avec des outils rapportés qui diffèrent ou une maintenance insuffisante, il se peut que le niveau vibratoire diverge. Cela peut augmenter nettement la sollicitation par les vibrations sur tout l'intervalle de temps du travail.

Pour une estimation précise de la sollicitation par les vibrations, on devrait également tenir compte des temps pendant lesquels l'appareil n'est pas en marche ou tourne sans être réellement en service. Cela peut réduire nettement la sollicitation par les vibrations sur tout l'intervalle de temps du travail.

Définissez des mesures de sécurité supplémentaires pour protéger l'utilisateur contre l'influence des vibrations, comme par exemple : la maintenance de l'outil électrique et des outils rapportés, le maintien au chaud des mains, l'organisation des déroulements de travail.

AVIS! Lire complètement les instructions et les indications de sécurité.

Le non-respect des avertissements et instructions indiqués ci après peut entraîner un choc électrique, un incendie et/ou de graves blessures sur les personnes.

Bien garder tous les avertissements et instructions.

INSTRUCTIONS DE SÉCURITÉ POUR PERCEUSES

Maintenez l'appareil par les surfaces de poignée isolées lorsque vous écoutez des travaux pendant lesquels l'outil de coupe peut toucher des lignes électriques dissimulées. Le contact avec un câble sous tension met les parties métalliques de l'appareil sous tension et provoque une décharge électrique.

INSTRUCTIONS DE SÉCURITÉ POUR VISSEUSES

Tenir l'appareil aux surfaces isolées faisant office de poignée pendant les travaux au cours desquels la vis peut toucher des lignes électriques dissimulées. Le contact de la vis avec un câble qui conduit la tension peut mettre des parties d'appareil en métal sous tension et mener à une décharge électrique.

AVIS COMPLÉMENTAIRES DE SÉCURITÉ ET DE TRAVAIL

Utiliser l'équipement de protection. Toujours porter des lunettes de protection pendant le travail avec la machine. Il est recommandé de porter des articles de protection, tels que masque antipoussière, gants de protection, chaussures tenant bien aux pieds et antidérapantes, casque et protection acoustique.

Les poussières qui sont dégagées pendant les travaux sont souvent nocives pour la santé et ne devraient pas pénétrer dans le corps. Porter un masque de protection approprié contre les poussières.

Il est interdit de travailler des matériaux dangereux pour la santé (par ex. amiante).

Désactiver immédiatement le dispositif en cas de blocage ! Ne pas réactiver le dispositif avec l'outil bloqué; il y a le risque de provoquer un contrecoup avec moment de réaction élevé. Établir et éliminer la cause du blocage de l'outil en prêtant attention aux consignes de sécurité.

Les causes possibles sont :

- Encastrement dans la pièce à travailler.
- Le dispositif a traversé le matériau à travailler en le cassant.
- Le dispositif électrique a été surchargé.

Ne pas approcher les mains de la partie en mouvement de la machine.

Durant l'utilisation, l'outil peut se surchauffer.

AVERTISSEMENT! Danger de brûlures

- durant le remplacement de l'outil
- durant la dépose de l'outil

Ne jamais enlever les copeaux ni les éclats lorsque la machine est en marche.

Lors du perçage dans les murs, les plafonds ou les planchers, toujours faire attention aux câbles électriques et aux conduites de gaz et d'eau.

Fixer fermement la pièce en exécution à l'aide d'un dispositif de serrage. Des pièces en exécution non fermement fixées peuvent provoquer des dommages et des lésions graves.

Avant tous travaux sur la machine retirer l'accu interchangeable.

Ne pas jeter les accu interchangeables usés au feu ou avec les déchets ménagers. Milwaukee offre un système d'évacuation écologique des accu usés.

Ne pas conserver les accu interchangeables avec des objets métalliques (risque de court-circuit)

Ne charger les accu interchangeables du système C 12 qu'avec le chargeur d'accu du système C 12. Ne pas charger des accu d'autres systèmes.

Ne pas ouvrir les accu interchangeables et les chargeurs et ne les stocker que dans des locaux secs. Les protéger contre l'humidité.

En cas de conditions ou températures extrêmes, du liquide caustique peut s'échapper d'un accu interchangeable endommagé. En cas de contact avec le liquide caustique de la batterie, laver immédiatement avec de l'eau et du savon. En cas de contact avec les yeux, rincer soigneusement avec de l'eau et consulter immédiatement un médecin.

UTILISATION CONFORME AUX PRESCRIPTIONS

La perceuse-visseuse à accu est conçue pour un travail universel de perçage et de vissage sans être branchée sur le secteur.

Comme déjà indiqué, cette machine n'est conçue que pour être utilisée conformément aux prescriptions.

DÉCLARATION CE DE CONFORMITÉ

Nous déclarons sous notre seule responsabilité que le produit décrit sous « Caractéristiques techniques » concorde avec toutes les consignes pertinentes de la directive 2011/65 EU (RoHS), 2014/30/UE, 2006/42/CE et les documents normatifs harmonisés suivants :

EN 60745-1:2009 + A11:2010

EN 60745-2-1:2010

EN 60745-2-2:2010

EN 55014-1:2006 + A1:2009 + A2:2011

EN 55014-2:1997 + A1:2001 + A2:2008

EN 50581:2012

Winnenden, 2016-03-29

Alexander Krug
Managing Director



Autorisé à compiler la documentation technique.

Techtronic Industries GmbH
Max-Eyth-Straße 10
71364 Winnenden
Germany

ACCUS

Recharger les accu avant utilisation après une longue période de non utilisation.

Une température supérieure à 50°C amoindrit la capacité des accu. Éviter les expositions prolongées au soleil ou au chauffage.

Tenir propres les contacts des accu et des chargeurs.

Après l'usage, les accu doivent être chargés entièrement pour une durée de vie optimale.

Pour une plus longue durée de vie, enlever les batteries du chargeur de batterie quand celles-ci seront chargées.

En cas d'entreposage de la batterie pour plus de 30 jours:

Entreposer la batterie à 27°C environ dans un endroit sec.

Entreposer la batterie avec une charge d'environ 30% - 50%.

Recharger la batterie tous les 6 mois.

PROTECTION DE L'ACCU CONTRE LES SURCHARGES

En cas d'une surcharge de l'accu à cause d'une très haute consommation de courant, par exemple suite à des couples extrêmement élevés, un arrêt soudain ou un court-circuit, l'outil électrique vibre pendant 5 secondes, l'indicateur de charge clignote et l'outil électrique se déconnecte automatiquement. Pour le ré-enclencher, relâcher le poussoir de l'interrupteur, puis enclencher à nouveau l'appareil.

Sous des sollicitations extrêmes, l'accu s'échauffe trop fortement. Dans ce cas, tous les témoins de l'indicateur de charge clignotent

jusqu'à ce que l'accu se soit refroidi. Il est possible de continuer à travailler dès que l'indicateur de charge s'est éteint.

TRANSPORT DE BATTERIES LITHIUM-ION

Les batteries lithium-ion sont soumises aux dispositions législatives concernant le transport de produits dangereux.

Le transport de ces batteries devra s'effectuer dans le respect des dispositions et des normes locales, nationales et internationales.

- Les utilisateurs peuvent transporter ces batteries sans restrictions.
- Le transport commercial de batteries lithium-ion est réglé par les dispositions concernant le transport de produits dangereux. La préparation au transport et le transport devront être effectués uniquement par du personnel formé de façon adéquate. Tout le procédé devra être géré d'une manière professionnelle.

Durant le transport de batteries il faut respecter les consignes suivantes :

- S'assurer que les contacts soient protégés et isolés en vue d'éviter des courts-circuits.
- S'assurer que le groupe de batteries ne puisse pas se déplacer à l'intérieur de son emballage.
- Des batteries endommagées ou des batteries perdant du liquide ne devront pas être transportées.

Pour tout renseignement complémentaire veuillez vous adresser à votre transporteur professionnel.

ENTRETIEN

Utiliser uniquement les accessoires Milwaukee et les pièces détachées Milwaukee. Faire remplacer les composants dont le remplacement n'a pas été décrit, par un des centres de service après-vente Milwaukee (observer la brochure avec les adresses de garantie et de service après-vente).

En cas de besoin il est possible de demander un dessin éclaté du dispositif en indiquant le modèle de la machine et le numéro de six chiffres imprimé sur la plaquette de puissance et en s'adressant au centre d'assistance technique ou directement à Techtronic Industries GmbH, Max-Eyth-Straße 10, 71364 Winnenden, Germany.

SYMBOLES



ATTENTION! AVERTISSEMENT! DANGER!



Avant tous travaux sur la machine retirer l'accu interchangeable.



Veillez lire avec soin le mode d'emploi avant la mise en service



Les dispositifs électriques ne sont pas à éliminer dans les déchets ménagers. Les dispositifs électriques et électroniques sont à collecter séparément et à remettre à un centre de recyclage en vue de leur élimination dans le respect de l'environnement. S'adresser aux autorités locales ou au détaillant spécialisé en vue de connaître l'emplacement des centres de recyclage et des points de collecte.



Marque CE



Symbole national de conformité Ukraine



Marque de qualité EurAsian

DATI TECNICI	AVVITATORE A BATTERIA	C 12 RAD
Numero di serie	4311 93 02...	...000001-999999
Ø Foratura in legno	25 mm	
Avvitatore nel legno (senza preforatura)	6,5 mm	
Numero di giri a vuoto	0-800 min ⁻¹	
Momento torcente max (Li-Ion Batteria 1,5 Ah) *1	12 Nm	
Momento torcente max (Li-Ion Batteria 3,0 Ah) *1	15 Nm	
Tensione batteria	12 V	
Capacità mandrino	1,0-10 mm	
Peso secondo la procedura EPTA 01/2003.		
con batteria 1,5 Ah	1,1 kg	
con batteria 3,0 Ah	1,3 kg	

Informazioni sulla rumorosità/sulle vibrazioni

Valori misurati conformemente alla norma EN 60 745.

La misurazione A del livello di pressione acustica dell'utensile è di solito di:

Livello di rumorosità (Incertezza della misura K=3dB(A)) 64,5 dB (A)

Potenza della rumorosità (Incertezza della misura K=3dB(A)) 75,5 dB (A)

Utilizzare le protezioni per l'udito!

Valori totali delle oscillazioni (somma di vettori in tre direzioni)

misurati conformemente alla norma EN 60745

Valore di emissione dell'oscillazione a_n

Perforazione in metallo < 2,5 m/s²

Incertezza della misura K= 1,5 m/s²

Avvitatura < 2,5 m/s²

Incertezza della misura K= 1,5 m/s²

AVVERTENZA

Il livello di vibrazioni indicato nelle presenti istruzioni è stato misurato in conformità con un procedimento di misurazione codificato nella EN 60745 e può essere utilizzato per un confronto tra attrezzi elettrici. Inoltre si può anche utilizzare per una valutazione preliminare della sollecitazione da vibrazioni.

Il livello di vibrazioni indicato rappresenta le applicazioni principali dell'attrezzo elettrico. Se viceversa si utilizza l'attrezzo elettrico per altri scopi, con accessori differenti o con una manutenzione insufficiente, il livello di vibrazioni può risultare diverso. E questo può aumentare decisamente la sollecitazione da vibrazioni lungo l'intero periodo di lavorazione.

Ai fini di una valutazione precisa della sollecitazione da vibrazioni si dovrebbero tenere presente anche i periodi in cui l'apparecchio rimane spento oppure, anche se acceso, non viene effettivamente utilizzato. Ciò può ridurre notevolmente la sollecitazione da vibrazioni lungo l'intero periodo di lavorazione.

Stabilite misure di sicurezza supplementari per la tutela dell'operatore dall'effetto delle vibrazioni, come ad esempio: manutenzione dell'attrezzo elettrico e degli accessori, riscaldamento delle mani, organizzazione dei processi di lavoro.

AVVERTENZA! Leggere tutte le istruzioni ed indicazioni di sicurezza. In caso di mancato rispetto delle avvertenze di pericolo e delle istruzioni operative si potrà creare il pericolo di scosse elettriche, incendi e/o incidenti gravi.

Conservare tutte le avvertenze di pericolo e le istruzioni operative per ogni esigenza futura.

INDICAZIONI DI SICUREZZA PER TRAPANI

Impugnare l'apparecchio sulle superfici di tenuta isolate mentre si eseguono lavori durante i quali l'utensile da taglio potrebbe entrare in contatto con cavi di corrente. L'eventuale contatto dell'utensile da taglio con un cavo sotto tensione potrebbe mettere sotto tensione le parti metalliche dell'apparecchio e provocare una folgorazione.

INDICAZIONI DI SICUREZZA PER AVVITATORI

Quando si svolge un'operazione in cui la vite potrebbe entrare in contatto con conduttori elettriche nascoste impugnare l'apparecchio afferrandolo per le superfici isolate. La vite che entra in contatto con una conduttura in tensione può mettere sotto tensione le parti metalliche dell'apparecchio e causare scosse elettriche.

ULTERIORI AVVISI DI SICUREZZA E DI LAVORO

Usare dispositivi di protezione. Durante il lavoro con la macchina bisogna sempre portare occhiali di protezione. Si consiglia di indossare indumenti di protezione come maschera antipolvere, guanti di protezione, scarpe antiscivolo robuste, casco e cuffie di protezione acustica.

La polvere che si produce durante il lavoro è spesso dannosa per la salute e non dovrebbe essere aspirata. Portare un'adeguata mascherina protettiva.

E' vietato lavorare materiali che possono costituire pericoli alla salute (ad es. amianto).

Spegnerne immediatamente il dispositivo in caso di bloccaggio! Non riaccendere il dispositivo fino a quando l'utensile ad inserto resta bloccato; esiste il rischio di causare un contraccolpo con elevato momento di reazione. Rilevare ed eliminare la causa del bloccaggio dell'utensile ad inserto tenendo conto delle indicazioni di sicurezza.

Le possibili cause sono:

- Incastro nel pezzo in lavorazione
- Il dispositivo ha attraversato il materiale da lavorare rompendolo
- Il dispositivo elettrico è stato sovraccaricato

Non avvicinare le mani alla parte della macchina in movimento.

Durante l'uso l'utensile ad inserto può surriscaldarsi.

- AVVERTENZA!** Pericolo di ustioni
- durante la sostituzione dell'utensile
 - durante il deposito dell'utensile

Non rimuovere trucioli o schegge mentre l'utensile è in funzione.

Forando pareti, soffitti o pavimenti, si faccia attenzione ai cavi elettrici e alle condutture dell'acqua e del gas.

Fissare in sicurezza il pezzo in lavorazione con un dispositivo di serraggio. Pezzi in lavorazione che non siano fissati in sicurezza possono causare gravi lesioni e danni.

Prima di iniziare togliere la batteria dalla macchina.

Non gettare le batterie esaurite sul fuoco o nella spazzatura di casa. La Milwaukee offre infatti un servizio di recupero batterie usate.

Nel vano d'innesto per la batteria del caricatore non devono entrare parti metalliche.(pericolo di cortocircuito).

Le batterie del System C 12 sono ricaricabili esclusivamente con i caricatori del System C 12. Le batterie di altri sistemi non possono essere ricaricate.

Non aprire nè la batteria nè il caricatore e conservarli solo in luogo asciutto. Proteggerli dalla umidità.

Nel caso di batterie danneggiate da un carico eccessivo o da temperature alte, l'acido di queste potrebbe fuoriuscire. In caso di contatto con l'acido delle batterie lavarsi immediatamente con acqua e sapone. In caso di contatto con gli occhi risciacquare immediatamente con acqua per almeno 10 minuti e contattare subito un medico.

UTILIZZO CONFORME

Il trapano-avvitatore Accu è utilizzabile universalmente per forare e avvitare indipendentemente dal collegamento elettrico.

Utilizzare il prodotto solo per l'uso per cui è previsto.

DICHIARAZIONE DI CONFORMITÀ CE

Dichiaro sotto la nostra esclusiva responsabilità che il prodotto descritto ai "Dati tecnici" corrisponde a tutte le disposizioni delle direttive 2011/65/EU (RoHS), 2014/30/UE, 2006/42/CE e successivi documenti normativi armonizzati:

EN 60745-1:2009 + A11:2010

EN 60745-2-1:2010

EN 60745-2-2:2010

EN 55014-1:2006 + A1:2009 + A2:2011

EN 55014-2:1997 + A1:2001 + A2:2008

EN 50581:2012

Winnenden, 2016-03-29



Alexander Krug
Managing Director



Autorizzato alla preparazione della documentazione tecnica

Techtronic Industries GmbH

Max-Eyth-Straße 10

71364 Winnenden

Germany

BATTERIE

Batterie non utilizzate per molto tempo devono essere ricaricate prima dell'uso.

A temperature superiori ai 50°C, la potenza della batteria si riduce.

Evitare di esporre l'accumulatore a surriscaldamento prolungato, dovuto ad esempio ai raggi del sole o ad un impianto di riscaldamento.

Per una durata di vita ottimale, dopo l'uso le batterie devono essere completamente ricaricate.

caricabatterie quando saranno cariche.

In caso di immagazzinaggio della batteria per più di 30 giorni:

Immagazzinare la batteria a circa 27°C in ambiente asciutto.

Immagazzinare la batteria con carica di circa il 30% - 50%.

Ricaricare la batteria ogni 6 mesi.

DISPOSITIVO ANTISOVRACCARICO ACCUMULATORE

In caso di sovraccarico dell'accumulatore dovuto ad un consumo molto elevato di corrente, ad es. momenti di coppia estremamente elevati, arresto improvviso o corto circuito, l'utensile elettrico vibra per 5 secondi, il display di carica lampeggia e l'elettrotensile si spegne automaticamente.

Per riaccenderlo rilasciare l'interruttore e poi riaccenderlo.

Se sottoposto a sollecitazioni estreme l'accumulatore si riscalda eccessivamente. In questo caso lampeggiano tutte le spie del

display di carica finché l'accumulatore non è raffreddato. Quando il display di carica si spegne si può continuare a lavorare.

TRASPORTO DI BATTERIE AGLI IONI DI LITIO

Le batterie agli ioni di litio sono soggette alle disposizioni di legge sul trasporto di merce pericolosa.

Il trasporto di queste batterie deve avvenire rispettando le disposizioni e norme locali, nazionali ed internazionali.

- Gli utilizzatori possono trasportare queste batterie su strada senza alcuna restrizione.
- Il trasporto commerciale di batterie agli ioni di litio è regolato dalle disposizioni sul trasporto di merce pericolosa. Le preparazioni al trasporto ed il trasporto stesso devono essere svolti esclusivamente da persone idoneamente istruite. Tutto il processo deve essere gestito in maniera professionale.

Durante il trasporto di batterie occorre tenere conto di quanto segue:

- Assicurarsi che i contatti siano protetti ed isolati per evitare corto circuiti.
- Accertarsi che il gruppo di batterie non possa spostarsi all'interno dell'imballaggio.
- Batterie danneggiate o batterie che perdono liquido non devono essere trasportate.

Per ulteriori informazioni si prega di contattare il proprio trasportatore.

MANUTENZIONE

Usare solo accessori Milwaukee e pezzi di ricambio Milwaukee. Gruppi costruttivi la cui sostituzione non è stata descritta, devono essere fatti cambiare da un punto di servizio di assistenza tecnica al cliente Milwaukee (vedi depliant garanzia/indirizzi assistenza tecnica ai clienti).

In caso di necessità è possibile richiedere un disegno esploso del dispositivo indicando il modello della macchina ed il numero a sei cifre sulla targa di potenza rivolgendosi al centro di assistenza tecnica o direttamente a Techtronic Industries GmbH, Max-Eyth-Straße 10, 71364 Winnenden, Germany.

SIMBOLI



ATTENZIONE! AVVERTENZA! PERICOLO!



Prima di iniziare togliere la batteria dalla macchina.



Leggere attentamente le istruzioni per l'uso prima di mettere in funzione l'elettrotensile.



I dispositivi elettrici non devono essere smaltiti con i rifiuti domestici.

I dispositivi elettrici ed elettronici devono essere raccolti separatamente e devono essere conferiti ad un centro di riciclaggio per lo smaltimento rispettoso dell'ambiente.

Chiedere alle autorità locali o al rivenditore specializzato dove si trovano i centri di riciclaggio e i punti di raccolta.



Marchio CE



Simbolo di conformità nazionale Ucraina



Marchio di conformità EurAsian

DATOS TÉCNICOS ATORNILLADOR A BATERIA C 12 RAD

Número de producción	4311 93 02... ...000001-999999
Diámetro de taladrado en madera.....	25 mm
Tornillos para madera (sin pretaladrar).....	6,5 mm
Velocidad en vacío	0-800 min ⁻¹
Par max (Li-Ion Batería 1,5 Ah) *1	12 Nm
Par max (Li-Ion Batería 3,0 Ah) *1	15 Nm
Voltaje de batería.....	12 V
Gama de apertura del portabrocas.....	1,0-10 mm
Peso de acuerdo con el procedimiento EPTA 01/2003	
con batería 1,5 Ah	1,1 kg
con batería 3,0 Ah	1,3 kg

Información sobre ruidos / vibraciones

Determinación de los valores de medición según norma EN 60 745.

El nivel de ruido típico del aparato determinado con un filtro A corresponde a:

Presión acústica (Tolerancia K=3dB(A)).....	64,5 dB (A)
Resonancia acústica (Tolerancia K=3dB(A)).....	75,5 dB (A)

Usar protectores auditivos!

Nivel total de vibraciones (suma vectorial de tres direcciones) determinado según EN 60745.

Valor de vibraciones generadas a _n	
taladrado en metal.....	< 2,5 m/s ²
Tolerancia K=	1,5 m/s ²
tornillos	< 2,5 m/s ²
Tolerancia K=	1,5 m/s ²

ADVERTENCIA

El nivel vibratorio indicado en estas instrucciones ha sido medido conforme a un método de medición estandarizado en la norma EN 60745, y puede utilizarse para la comparación entre herramientas eléctricas. También es apropiado para una estimación provisional de la carga de vibración.

El nivel vibratorio indicado representa las aplicaciones principales de la herramienta eléctrica. Si, pese a ello, se utiliza la herramienta eléctrica para otras aplicaciones, con útiles adaptables diferentes o con un mantenimiento insuficiente, el nivel vibratorio puede diferir. Esto puede incrementar sensiblemente la carga de vibración durante todo el periodo de trabajo.

Para una estimación exacta de la carga de vibración deberían tenerse en cuenta también los tiempos durante los que el aparato está apagado o, pese a estar en funcionamiento, no está siendo realmente utilizado. Esto puede reducir sustancialmente la carga de vibración durante todo el periodo de trabajo.

Adopte medidas de seguridad adicionales para la protección del operador frente al efecto de las vibraciones, como por ejemplo: mantenimiento de la herramienta eléctrica y de los útiles adaptables, mantener las manos calientes, organización de los procesos de trabajo.

⚠ ATENCIÓN: Lea atentamente las indicaciones e instrucciones de seguridad. En caso de no atenderse a las advertencias de peligro e instrucciones siguientes, ello puede ocasionar una descarga eléctrica, un incendio y/o lesión grave.

Guardar todas las advertencias de peligro e instrucciones para futuras consultas.

⚠ INSTRUCCIONES DE SEGURIDAD PARA TALADRADORAS

Sujete el aparato de las superficies aisladas de agarre al efectuar trabajos en los cuales la perforadora de percusión pueda entrar en contacto con conductores de corriente ocultos. El contacto con conductores portadores de tensión puede hacer que las partes metálicas del aparato le provoquen una descarga eléctrica.

⚠ INSTRUCCIONES DE SEGURIDAD PARA ATORNILLADORES

Sujete el aparato por las superficies de sujeción aisladas cuando realice trabajos en los que el tornillo puede alcanzar líneas de corriente eléctrica ocultas. El contacto del tornillo con una línea conductora de corriente puede poner las partes metálicas del aparato bajo tensión y provocar un choque eléctrico.

INSTRUCCIONES ADICIONALES DE SEGURIDAD Y LABORALES

Utilice el equipamiento de protección. Mientras trabaje con la máquina lleve siempre gafas protectoras. Se recomienda utilizar ropa de protección como máscara protectora contra el polvo, guantes protectores, calzado resistente y antideslizante, casco y protección para los oídos.

El polvo que se produce durante estos trabajos puede ser nocivo a la salud; es por ello aconsejable que no penetre al cuerpo. Utilice por ello una máscara protectora contra polvo.

No se deben trabajar materiales que conlleven un riesgo para la salud (por ej. amianto).

¡En caso de que se bloquee el útil, el aparato se debe desconectar inmediatamente! No vuelva a conectar el aparato, mientras el útil esté bloqueado; se podría producir un rechazo debido a la reacción de retroceso brusca. Averigüe y elimine la causa del bloqueo del útil, teniendo en cuenta las indicaciones de seguridad.

Causas posibles para ello pueden ser:

- Atascamiento o bloqueo en la pieza de trabajo
- Rotura del material con el que está trabajando
- Sobrecarga de la herramienta eléctrica

No introduzca las manos en la máquina mientras ésta se encuentra en funcionamiento.

El útil se puede calentar durante el uso.

ADVERTENCIA! Peligro de quemaduras

- en caso de cambiar la herramienta
- en caso de depositar el aparato

Nunca se debe intentar limpiar el polvo o viruta procedente del taladrado con la máquina en funcionamiento.

Para trabajar en paredes, techo o suelo, tenga cuidado para evitar los cables eléctricos y tuberías de gas o agua.

Fije la pieza de trabajo con un dispositivo de fijación. Las piezas de trabajo no fijadas pueden causar lesiones graves y deterioros.

Retire la batería antes de comenzar cualquier trabajo en la máquina.

No tire las baterías usadas a la basura ni al fuego. Los Distribuidores Milwaukee ofrecen un servicio de recogida de baterías antiguas para proteger el medio ambiente.

No almacene la batería con objetos metálicos (riesgo de cortocircuito).

Recargar solamente los acumuladores del Sistema C 12 en cargadores C 12. No intentar recargar acumuladores de otros sistemas.

No abra nunca las baterías ni los cargadores y guárdelos sólo en lugares secos. Protéjalos de la humedad en todo momento.

En caso de sobrecarga o alta temperatura, pueden llegar a producirse escapes de ácido provenientes de la batería. En caso de contacto con éste, limpie inmediatamente la zona con agua y jabón. Si el contacto es en los ojos, límpiese concienzudamente con agua durante 10 minutos y acuda inmediatamente a un médico

APLICACIÓN DE ACUERDO A LA FINALIDAD

El taladro/atornillador por acumulador está diseñado para trabajos de taladrado y atornillado para uso independiente lejos de suministro eléctrico.

No utilice este producto para ninguna otra aplicación que no sea su uso normal.

DECLARACION DE CONFORMIDAD CE

Declaramos bajo nuestra responsabilidad que el producto descrito bajo "Datos técnicos" está en conformidad con todas las normas relevantes de la directiva 2011/65/EU (RoHS), 2014/30/UE, 2006/42/CE y con las siguientes normas o documentos normalizados:

EN 60745-1:2009 + A11:2010
EN 60745-2-1:2010
EN 60745-2-2:2010
EN 55014-1:2006 + A1:2009 + A2:2011
EN 55014-2:1997 + A1:2001 + A2:2008
EN 50581:2012

Winnenden, 2016-03-29

Alexander Krug
Managing Director



Autorizado para la redacción de los documentos técnicos.

Techtronic Industries GmbH
Max-Eyth-Straße 10
71364 Winnenden
Germany

BATERIA

Las baterías no utilizadas durante cierto tiempo deben ser recargadas antes de usar.

Las temperaturas superiores a 50°C reducen el rendimiento de la batería. Evite una exposición excesiva a fuentes de calor o al sol (riesgo de sobrecalentamiento).

Los puntos de contacto de los cargadores y las baterías se deben mantener limpios.

Para un tiempo de vida óptimo, deberán cargarse completamente las baterías después de su uso.

Para garantizar la máxima capacidad y vida útil, las baterías recargables se deberían retirar del cargador una vez finalizada la carga.

En caso de almacenar la batería recargable más de 30 días:

Almacenar la batería recargable en un lugar seco a una temperatura de aproximadamente 27°C.

Almacenar la batería recargable con un estado de carga del 30% y 50% aproximadamente.

Recargar la batería cada 6 meses.

PROTECCIÓN CONTRA SOBRECARGA DE LA BATERÍA

En caso de sobrecarga de la batería a causa de un consumo de corriente demasiado elevado, por ejemplo, en momentos de torsión extremadamente altos, de una parada o cortocircuito repentinos; el aparato eléctrico vibra durante 5 segundos, el indicador de carga parpadea y el aparato eléctrico se desconecta automáticamente. Para conectarlo de nuevo, soltar el botón de encendido y después conectarlo otra vez.

Bajo cargas extremas la batería se calienta demasiado. En este caso,

todas las luces del indicador de carga parpadean hasta que la batería se enfría. Cuando se apaga el indicador de carga se puede trabajar de nuevo.

TRANSPORTE DE BATERÍAS DE IONES DE LITIO

Las baterías de iones de litio caen bajo las disposiciones legales relativas al transporte de mercancías peligrosas.

El transporte de estas baterías recargables debe llevarse a cabo, observando las normas y disposiciones locales, nacionales e internacionales.

- Los consumidores pueden transportar estas baterías recargables sin el menor reparo en la calle.
- El transporte comercial de baterías recargables de iones de litio por empresas de transportes está sometido a las disposiciones del transporte de mercancías peligrosas. Las preparaciones para el envío y el transporte deben ser llevados a cabo exclusivamente por personas instruidas adecuadamente. El proceso completo debe ser supervisado por personal competente.

Los siguientes puntos se deben observar para el transporte de las baterías recargables:

- Se debe asegurar que los contactos estén protegidos y aislados para evitar que se produzcan cortocircuitos.
- Preste atención a que el conjunto de baterías recargables no se pueda desplazar dentro del envase.
- Las baterías recargables deterioradas o derramadas no se deben transportar.

Rogamos que para cualquier información adicional se dirija a su empresa de transportes.

MANTENIMIENTO

Utilice solamente accesorios y repuestos Milwaukee. En caso de necesitar reemplazar componentes no descritos, contacte con cualquiera de nuestras estaciones de servicio Milwaukee (consultar lista de servicio técnicos)

Puede solicitar, en caso necesario, una vista despiezada del aparato bajo indicación del tipo de máquina y el número de seis dígitos en la placa indicadora de potencia en su Servicio de Postventa o directamente en Techtronic Industries GmbH, Max-Eyth-Straße 10, 71364 Winnenden, Germany.

SÍMBOLOS



¡ATENCIÓN! ¡ADVERTENCIA! ¡PELIGRO!



Retire la batería antes de comenzar cualquier trabajo en la máquina.



Lea las instrucciones detenidamente antes de conectar la herramienta



Los aparatos eléctricos no se deben eliminar junto con la basura doméstica. Los aparatos eléctricos y electrónicos se deben recoger por separado y se deben entregar a una empresa de reciclaje para una eliminación respetuosa con el medio ambiente. Infórmese en las autoridades locales o en su tienda especializada sobre los centros de reciclaje y puntos de recogida.



Marca CE



Marca de conformidad nacional de Ucrania



certificado EAC de conformidad

CARACTERÍSTICAS TÉCNICAS	BERBEQUIM A BATERIA	C 12 RAD
Número de produção.....	4311 93 02...	..000001-999999
Ø de furo em madeira.....	25 mm	
Parafusos para madeira (sem furo prévio).....	6,5 mm	
Nº de rotações em vazio.....	0-800 min ⁻¹	
Binário max (Li-Ion Bateria 1,5 Ah) *1.....	12 Nm	
Binário max (Li-Ion Bateria 3,0 Ah) *1.....	15 Nm	
Tensão do acumulador.....	12 V	
Capacidade da bucha.....	1,0-10 mm	
Peso nos termos do procedimento-EPTA 01/2003		
com acumulador 1,5 Ah.....	1,1 kg	
com acumulador 3,0 Ah.....	1,3 kg	

Informações sobre ruído/vibração

Valores de medida de acordo com EN 60 745.

O nível de ruído avaliado A do aparelho é tipicamente:

Nível da pressão de ruído (Incertez K=3dB(A))..... 64,5 dB (A)

Nível da potência de ruído (Incertez K=3dB(A))..... 75,5 dB (A)

Use protectores auriculares!

Valores totais de vibração (soma dos vectores das três direcções) determinadas conforme EN 60745.

Valor de emissão de vibração a_h

Furar em metal..... < 2,5 m/s²

Incerteza K=..... 1,5 m/s²

Parafusos..... < 2,5 m/s²

Incerteza K=..... 1,5 m/s²

ATENÇÃO

O nível vibratório indicado nestas instruções foi medido em conformidade com um procedimento de medição normalizado na EN 60745 e pode ser utilizado para comparar entre si ferramentas eléctricas. O mesmo é também adequado para avaliar provisoriamente o esforço vibratório.

O nível vibratório indicado representa as principais aplicações da ferramenta eléctrica. Se, no entanto, a ferramenta eléctrica for utilizada para outras aplicações, com outras ferramentas adaptadas ou uma manutenção insuficiente, o nível vibratório poderá divergir. Isto pode aumentar consideravelmente o esforço vibratório ao longo de todo o período do trabalho.

Para uma avaliação exacta do esforço vibratório devem também ser considerados os tempos durante os quais o aparelho está desligado ou está a funcionar, mas não está efectivamente a ser utilizado. Isto pode reduzir consideravelmente o esforço vibratório ao longo de todo o período do trabalho.

Defina medidas de segurança suplementares para proteger o operador do efeito das vibrações, como por exemplo: manutenção da ferramenta eléctrica e das ferramentas adaptadas, manter as mãos quentes, organização das sequências de trabalho.

⚠ ADVERTÊNCIA! Leia todas as instruções de segurança e todas as instruções. O desrespeito das advertências e instruções apresentadas abaixo pode causar choque eléctrico, incêndio e/ou graves lesões.

Guarde bem todas as advertências e instruções para futura referência.

⚠ INSTRUÇÕES DE SEGURANÇA PARA BERBEQUINS

Segure o aparelho nas superfícies de punho isoladas se estiver a executar trabalhos, nos quais a ferramenta de corte pode tocar em linhas eléctricas escondidas. O contacto com um cabo com tensão também pode causar choque eléctrico.

⚠ INSTRUÇÕES DE SEGURANÇA PARA APARAFUSADORAS

Segure o aparelho pela superfície isoladora do punho, se executar trabalhos nos quais o parafuso possa tocar em linhas eléctricas ocultas. O contacto do parafuso com uma linha sob tensão pode também colocar peças metálicas do aparelho sob tensão e provocar um choque eléctrico.

INSTRUÇÕES DE SEGURANÇA E TRABALHO SUPLEMENTARES

Utilizar equipamento de protecção. Durante os trabalhos com a máquina, usar sempre óculos de protecção. Vestuário de protecção, bem como máscara de pó, sapatos fechados e antiderrapante, capacete e protecção auditiva são recomendados.

O pó que resulta ao trabalhar pode ser nocivo para a saúde, por isso não devendo penetrar no corpo. Use uma máscara de protecção contra pó apropriada.

Não devem ser procesados materiais que representem um perigo para a saúde (p. ex. asbesto).

Desligue o aparelho imediatamente, quando a ferramenta de inserção bloquear! Não ligue o aparelho novamente durante o bloqueio da ferramenta de inserção, pois isso pode levar a um recuo repentino com uma alta força reactiva. Verifique e elimine a causa do bloqueio da ferramenta de inserção, observando as instruções de segurança.

Causas possíveis podem ser:

- Emperramento na peça a trabalhar
- Material a processar rompido
- Sobrecarga da ferramenta eléctrica

Não toque na máquina em operação.

A ferramenta de inserção pode ficar quente durante a operação.

ATENÇÃO! Perigo de queimar-se

- na troca das ferramentas
- ao depositar o aparelho

Não remover aparas ou lascas enquanto a máquina trabalha.

Ao trabalhar em paredes, tectos e soalhos prestar atenção a que não sejam atingidos cabos eléctricos e canalizações de gás e água.

Fixe a peça a trabalhar com um dispositivo de fixação. Peças a trabalhar não fixadas podem levar a feridas graves e danos sérios.

Antes de efectuar qualquer intervenção na máquina retirar o bloco acumulador.

Não queimar acumuladores gastos nem deitá-los no lixo doméstico. A Milwaukee possui uma eliminação de acumuladores gastos que respeita o meio ambiente.

Não guardar acumuladores junto com objectos metálicos (perigo de curto-circuito).

Use apenas carregadores do Sistema C 12 para recarregar os acumuladores do Sistema C 12. Não utilize acumuladores de outros sistemas.

Carregadores só devem ser utilizados em recintos secos.

Em caso de cargas ou temperaturas extremas, um acumulador de substituição danificado poderá verter líquido de bateria. Se entrar em contacto com este líquido, deverá lavar-se imediatamente com água e sabão. Em caso de contacto com os olhos, enxágue-os bem e de imediato durante pelo menos 10 minutos e consulte um médico o mais depressa possível.

UTILIZAÇÃO AUTORIZADA

O berbequim aparafusador sem fio pode ser aplicado universalmente para furar e aparafusar sem necessidade de ligar a máquina à rede.

Não use este produto de outra maneira sem ser a normal para o qual foi concebido.

DECLARAÇÃO DE CONFORMIDADE CE

Declaramos sob responsabilidade exclusiva, que o produto descrito sob "Dados técnicos" corresponde com todas as disposições relevantes da diretiva 2011/65/EU (RoHS), 2014/30/UE, 2006/42/CE e dos seguintes documentos normativos harmonizados.

EN 60745-1:2009 + A11:2010

EN 60745-2-1:2010

EN 60745-2-2:2010

EN 55014-1:2006 + A1:2009 + A2:2011

EN 55014-2:1997 + A1:2001 + A2:2008

EN 50581:2012

Winnenden, 2016-03-29

Alexander Krug

Alexander Krug
Managing Director



Autorizado a reunir a documentação técnica.

Techtronic Industries GmbH
Max-Eyth-Straße 10
71364 Winnenden
Germany

ACUMULADOR

Acumuladores não utilizados durante algum tempo devem ser recarregados antes da sua utilização.

Temperaturas acima de 50°C reduzem a capacidade do bloco acumulador. Evitar exposição prolongada ao sol ou a caloríferos.

Manter limpos os contactos eléctricos no carregador e no bloco acumulador.

Para uma vida útil óptima dos acumuladores, terá que carregá-los plenamente após a sua utilização.

Para assegurar uma vida útil longa, o pacote de bateria deve ser removido da carregadora depois do carregamento.

Se o pacote de bateria for armazenado por mais de 30 dias:

Armazene o pacote de bateria com aprox. 27°C em um lugar seco.

Armazene o pacote de bateria com aprox. 30%-50% da carga completa.

Carregue o pacote de bateria novamente de 6 em 6 meses.

PROTECÇÃO DE SOBRECARGA DE BATERIA

No caso de sobrecarga da bateria devido a um consumo de corrente demasiado elevado, por exemplo um binário de rotação extremamente elevado, uma paragem repentina ou um curto-circuito, a ferramenta eléctrica vibra durante 5 segundos, o indicador de carregamento de bateria começa a piscar e a ferramenta eléctrica desliga-se automaticamente.

Para a ligar novamente, desligar e voltar a ligar o interruptor Sob condições extremas, a bateria aquece demasiado. Nesse

caso, todas as luzes do indicador de carregamento de bateria piscam até que esta arrefeça. Após as luzes do indicador de carregamento de bateria se apagarem, pode-se continuar a trabalhar.

TRANSPORTE DE BATERIAS DE IÃO-LÍLIO

Baterias de ião-lítio estão sujeitas às disposições da legislação relativa às substâncias perigosas.

O transporte destas baterias deve ser efectuado de acordo com as disposições e os regulamentos locais, nacionais e internacionais.

- O utilizador pode efectuar o transporte rodoviário destas baterias sem restrições.
- O transporte comercial de baterias de ião-lítio por terceiros está sujeito aos regulamentos relativos às substâncias perigosas. A preparação do transporte e o transporte devem ser executados exclusivamente por pessoas instruídas e o processo deve ser acompanhado pelos especialistas correspondentes.

Observe o seguinte no transporte de baterias:

- Assegure-se de que os contactos terminais estejam protegidos e isolados para evitar um curto-circuito.
- Assegure-se de que o bloco da bateria esteja protegido contra movimentos na embalagem.
- Não transporte baterias danificadas ou que tenham fuga.

Para instruções mais detalhadas consulte a companhia de transportes

MANUTENÇÃO

Utilizar apenas acessórios Milwaukee e peças sobresselentes Milwaukee. Os componentes cuja substituição não esteja descrita devem ser substituídos num serviço de assistência técnica Milwaukee (consultar a brochura relativa à garantia/moradas dos serviços de assistência técnica).

Se for necessário, um desenho de explosão do aparelho pode ser solicitado do seu posto de assistência ao cliente ou directamente da Techtronic Industries GmbH, Max-Eyth-Straße 10, 71364 Winnenden, Alemanha, indicando o tipo da máquina e o número de seis posições na chapa indicadora da potência.

SYMBOLS



ATENÇÃO! PERIGO!



Antes de efectuar qualquer intervenção na máquina retirar o bloco acumulador.



Leia atentamente o manual de instruções antes de colocar a máquina em funcionamento.



Aparelhos eléctricos não devem ser jogados no lixo doméstico. Aparelhos eléctricos e electrónicos devem ser colectados separadamente e entregues a uma empresa de reciclagem para a eliminação correcta.

Solicite informações sobre empresas de reciclagem e postos de colecta de lixo das autoridades locais ou do seu vendedor autorizado.



Marca CE



Marca de conformidade nacional da Ucrânia



Marca de conformidade EurAsian.

TECHNISCHE GEGEVENS ACCU-BOORSCHROEFMACHINE C 12 RAD

Productienummer	4311 93 02...
	..000001-999999
Boor-Ø in hout	25 mm
Houtschroeven (zonder voorboren)	6,5 mm
Onbelast toerental	0-800 min ⁻¹
Draaimoment max (Li-Ion Accu 1,5 Ah) *1	12 Nm
Draaimoment max (Li-Ion Accu 3,0 Ah) *1	15 Nm
Spanning wisselakku	12 V
Spanwijdte boorhouder	1,0-10 mm
Gewicht volgens de EPTA-procedure 01/2003	
met wisselakku 1,5 Ah	1,1 kg
met wisselakku 3,0 Ah	1,3 kg

Geluids-/trillingsinformatie

Meetwaarden vastgesteld volgens EN 60 745.

Het kenmerkende A-gewogen geluidsniveau van de machine bedraagt:

Geluidsdrukniveau (Onzekerheid K=3dB(A))	64,5 dB (A)
Geluidsvermogeniveau (Onzekerheid K=3dB(A))	75,5 dB (A)

Draag oorbeschermers!

Totale trillingswaarden (vectorsom van drie richtingen) bepaald volgens EN 60745.

Trillingsemisiewaarde a _w	
Boren in metaal	< 2,5 m/s ²
Onzekerheid K=	1,5 m/s ²
Schroeven	< 2,5 m/s ²
Onzekerheid K=	1,5 m/s ²

WAARSCHUWING

De in deze aanwijzingen vermelde trillingsdruk is gemeten volgens een in EN 60745 genormeerde meetmethode en kan worden gebruikt voor de onderlinge vergelijking van apparaten. Hij is ook geschikt voor een voorlopige inschatting van de trillingsbelasting.

De aangegeven trillingsdruk geldt voor de meest gebruikelijke toepassingen van het elektrische apparaat. Wanneer het elektrische gereedschap echter voor andere doeleinden, met andere dan de voorgeschreven hulpstukken gebruikt of niet naar behoren onderhouden wordt, kan de trillingsdruk afwijken. Dit kan de waarde van de trillingsdruk over de hele werkperiode aanzienlijk verhogen.

Voor een nauwkeurige inschatting van de trillingsdruk moeten ook de tijden in aanmerking worden genomen dat het apparaat uitgeschakeld is of weliswaar loopt, maar niet werkelijk in gebruik is. Dit kan de waarde van de trillingsdruk over de hele werkperiode aanzienlijk verminderen.

Bepaal extra veiligheidsmaatregelen ter bescherming van de bediener tegen de inwerking van trillingen, bijvoorbeeld: onderhoud van elektrische gereedschappen en apparaten, warmhouden van de handen, organisatie van de werkprocessen.

⚠ WAARSCHUWING! Lees alle veiligheidsinstructies en aanwijzingen. Als de waarschuwingen en voorschriften niet worden opgevolgd, kan dit een elektrische schok, brand of ernstig letsel tot gevolg hebben.
Bewaar alle waarschuwingen en voorschriften voor toekomstig gebruik.

⚠ VEILIGHEIDSinSTRUCTIES VOOR BOORMACHINES

Houd het apparaat alléén aan de geïsoleerde grijpvlakken vast, wanneer u werkzaamheden uitvoert waarbij het snijgereedschap verborgen stroomleidingen zou kunnen raken. Het contact met een onder spanning staande leiding zet ook de metalen machinedelen onder spanning en leidt tot een elektrische schok.

⚠ VEILIGHEIDSinSTRUCTIES VOOR SCHROEVENDRAAIERS

Houd het apparaat alléén vast aan de geïsoleerde grijpvlakken als u werkzaamheden uitvoert waarbij de schroef verborgen stroomleidingen zou kunnen raken. Het contact van de schroef met een spanningvoerende leiding kan de metalen apparaatdelen onder spanning zetten en zo tot een elektrische schok leiden.

VERDERE VEILIGHEIDSinSTRUCTIES

Draag veiligheidsuitrusting. Bij werkzaamheden met de machine dient u altijd een veiligheidsbril te dragen. Veiligheidskleding zoals stofmasker, veiligheidshandschoenen, stevig en slipvast schoeisel, helm en gehoorbescherming worden aanbevolen.

Het gedurende het werken vrijkomende stof is doorgaans schadelijk voor de gezondheid en mag niet met het lichaam in aanraking komen. Draag derhalve een geschikt stofbeschermingsmasker.

Het is niet toegestaan, materialen te bewerken waarvan een gezondheidsgevaar uitgaat (bijv. asbest).

Schakel het apparaat onmiddellijk uit als het gereedschap blokkeert! Schakel het apparaat niet in zolang het gereedschap geblokkeerd is; dit zou een terugslag met een hoog reactiemoment kunnen veroorzaken. Achterhaal en verhelp de oorzaak voor de blokkering van het gereedschap met inachtneming van de veiligheidsinstructies.

Mogelijke oorzaken voor de blokkering:

- kantelen in het te bewerken werkstuk
- doorbreken van het te bewerken materiaal
- overbelasting van het elektrische gereedschap

Grijp niet in de lopende machine.

Het gereedschap kan heet worden tijdens het gebruik.

WAARSCHUWING! Gevaar voor verbranding

- bij het vervangen van het gereedschap
- bij het neerleggen van het apparaat

Spanen of splinters mogen bij draaiende machine niet worden verwijderd.

Bij het werken in wanden, plafonds of vloeren oppassen voor elektriciteitsdraden, gas- of waterleidingen.

Borg uw werkstuk met behulp van een spaninrichting. Niet geborgde werkstukken kunnen ernstig letsel en grote schade veroorzaken.

Voor alle werkzaamheden aan de machine de akku verwijderen. Verbruikte akku's niet in het vuur of bij het huisvuil werpen. Milwaukee biedt namelijk een milieuvriendelijke recyclingmethode voor uw oude akku's.

Wisselakku's niet bij metalen voorwerpen bewaren (kortsluitingsgevaar!) .

Wisselakku's van het Akku-Systeem C 12 alléén met laadapparaten van het Akku-Systeem C 12 laden. Geen akku's van andere systemen laden.

Wisselakku's en laadapparaten niet openen en alleen in droge ruimtes opslaan. Tegen vocht beschermen.

Over extreme belasting of extreme temperaturen kan uit de accu accu-vloeistof lopen. Na contact met accu-vloeistof direct afwassen met water en zeep. Bij oogcontact direct minstens 10 minuten grondig spoelen en onmiddellijk een arts raadplegen.

VOORGESCHREVEN GEBRUIK VAN HET SYSTEEM

De akku-boorschroevendraaier is te gebruiken voor boor-en schoefwerkzaamheden, onafhankelijk van een netaansluiting.

Dit apparaat uitsluitend gebruiken voor normaal gebruik, zoals aangegeven.

EC - VERKLARING VAN OVEREENSTEMMING

Wij verklaren in uitsluitende verantwoording dat het onder 'Technische gegevens' beschreven product overeenstemt met alle relevante voorschriften van de richtlijn 2011/65/EU (RoHS), 2014/30/EU, 2006/42/EG en de volgende geharmoniseerde normatieve documenten:

- EN 60745-1:2009 + A11:2010
- EN 60745-2-1:2010
- EN 60745-2-2:2010
- EN 55014-1:2006 + A1:2009 + A2:2011
- EN 55014-2:1997 + A1:2001 + A2:2008
- EN 50581:2012

Winnenden, 2016-03-29

Alexander Krug

Alexander Krug
Managing Director



Gemachtigd voor samenstelling van de technische documenten

Techtronic Industries GmbH
Max-Eyth-Straße 10
71364 Winnenden
Germany

AKKU

Langere tijd niet toegepaste wisselakku's vóór gebruik altijd naladen.

Een temperatuur boven de 50°C vermindert de capaciteit van de accu. Langdurige verwarming door zon of hitte vermijden.

De aansluitcontacten aan het laadapparaat en de akku schoonhouden.

Voor een optimale levensduur moeten de accu's na het gebruik volledig opgeladen worden.

Voor een zo lang mogelijke levensduur van de accu's dienen deze na het opladen uit het laadtoestel te worden verwijderd.

Bij een langere opslag van de accu dan 30 dagen:

accu bij ca. 27 °C droog bewaren.

accu bij ca. 30 % - 50 % van de laadtoestand bewaren.

accu om de 6 maanden opnieuw opladen.

OVERBELASTINGSBEVEILIGING VAN DE ACCU

Bij overbelasting van de accu door zeer hoog stroomverbruik, bijv. extreem hoge draaimomenten, plotseling stoppen of kortsluiting, vibreert het elektrische gereedschap gedurende 5 seconden, de laadweergave knippert en het elektrische gereedschap schakelt automatisch uit.

Om het gereedschap weer in te schakelen, moet u de drukschakelaar loslaten en vervolgens weer inschakelen.

Onder extreme belastingen wordt de accu te heet. In dit geval knipperen alle lampen van de laadweergave totdat de accu afgekoeld is. Na het doven van de laadweergave kunt u weer verder werken.

TRANSPORT VAN LITHIUM-IONEN-ACCU'S

Lithium-ionen-accu's vallen onder de wettelijke bepalingen inzake het transport van gevaarlijke goederen.

Voor het transport van deze accu's moeten de lokale, nationale en internationale voorschriften en bepalingen in acht worden genomen.

- Verbruikers mogen deze accu's zonder meer over de weg transporteren.
- Het commerciële transport van lithium-ionen-accu's door expeditiebedrijven is onderhevig aan de bepalingen inzake het transport van gevaarlijke goederen. De verzendingsvoorbereidingen en het transport mogen uitsluitend worden uitgevoerd door dienovereenkomstig opgeleide personen. Het complete proces moet vakkundig worden begeleid.

Onderstaande punten moeten bij het transport van accu's in acht worden genomen:

- Waarborg ter vermindering van kortsluitingen dat de contacten beschermd en geïsoleerd zijn.
- Let op dat het accupack in de verpakking niet kan verschuiven.
- Beschadigde of lekkende accu's mogen niet worden getransporteerd.

Neem voor meer informatie contact op met uw expeditiebedrijf.

ONDERHOUD

Gebruik uitsluitend Milwaukee toebehoren en onderdelen. Indien componenten die moeten worden vervangen niet zijn beschreven, neem dan contact op met een officieel Milwaukee servicecentrum (zie onze lijst met servicecentra).

Zo nodig kan een explosietekening van het apparaat worden aangevraagd bij uw klantenservice of direct bij Techtronic Industries GmbH, Max-Eyth-Straße 10, 71364 Winnenden, Duitsland onder vermelding van het machinetype en het zescijferige nummer op het typeplaatje.

SYMBOLLEN

OPGELET! WAARSCHUWING! GEVAAR!



Voor alle werkzaamheden aan de machine de akku verwijderen.



Graag instructies zorgvuldig doorlezen vóórdat u de machine in gebruik neemt.



Elektrische apparaten mogen niet via het huisafval worden afgevoerd. Elektrische en elektronische apparaten moeten gescheiden worden verzameld en voor een milieuvriendelijke afvoer worden afgegeven bij een recyclingbedrijf. Informeer bij uw gemeente of bij uw vakhandelaar naar recyclingbedrijven en inzamelpunten.



CE-keurmerk



Nationaal symbool van overeenstemming Oekraïne



EurAsian-symbool van overeenstemming.

TEKNISKE DATA	AKKU BORE-/SKRUEMASKINE	C 12 RAD
Produktionsnummer	4311 93 02... ...00001-999999	
Bor-Ø i træ	25 mm	
Træskruer (uden forboring)	6,5 mm	
Omdrejningstal, ubelastet	0-800 min ⁻¹	
Drejningsmoment max (Li-Ion Batteri 1,5 Ah) *1	12 Nm	
Drejningsmoment max (Li-Ion Batteri 3,0 Ah) *1	15 Nm	
Udskiftningsbatteriets spænding	12 V	
Borepatronspændevide	1,0-10 mm	
Vægt svarer til EPTA-procedure 01/2003 med udskiftningsbatteri 1,5 Ah	1,1 kg	
med udskiftningsbatteri 3,0Ah	1,3 kg	

Støj/Vibrationsinformation

Måleværdier beregnes iht. EN 60 745.	
Værktøjets A-vurderede støjniveau er typisk:	
Lydtrykniveau (Usikkerhed K=3dB(A))	64,5 dB (A)
Lydeffekt niveau (Usikkerhed K=3dB(A))	75,5 dB (A)

Brug høreværn!

Samlede vibrationsværdier (værdisum for tre retninger) beregnet iht. EN 60745.

Vibrationseksponering a _v	
Boring i metal	< 2,5 m/s ²
Usikkerhed K=	1,5 m/s ²
Skrubning	< 2,5 m/s ²
Usikkerhed K=	1,5 m/s ²

ADVARSEL

Svingningsniveauet, som er angivet i disse anvisninger, er målt i henhold til standardiseret måleprocedure ifølge EN 60745 og kan anvendes til indbyrdes sammenligning mellem el-værktøjer. Svingningsniveauet er ligeledes egnet som foreløbigt skøn over svingningsbelastningen.

Det angivne svingningsniveau er baseret på el-værktøjets primære anvendelsesformål. Hvis el-værktøjet benyttes til andre formål, med andet indsatsværktøj eller ikke vedligeholdes tilstrækkeligt, kan svingningsniveauet afvige. Dette kan øge svingningsbelastningen over den samlede arbejdsperiode betydeligt.

For en nøjagtig vurdering af svingningsbelastningen skal der også tages højde for de tidsperioder, hvor apparatet er slukket, eller hvor apparatet kører, men uden at være i anvendelse. Dette kan reducere svingningsbelastningen over den samlede arbejdsperiode betydeligt.

Supplerende sikkerhedsforanstaltninger til beskyttelse af brugeren mod påvirkninger fra svingninger skal iværksættes, f.eks.: Vedligeholdelse af el-værktøj og indsatsværktøj, varmholdelse af hænder, organisering af arbejdsprocesser.

⚠ WAARSCHUWING! Lees alle veiligheidsinstructies en aanwijzingen. Als de waarschuwingen en voorschriften niet worden opgevolgd, kan dit een elektrische schok, brand of ernstig letsel tot gevolg hebben.
Bewaar alle waarschuwingen en voorschriften voor toekomstig gebruik.

⚠ VEILIGHEIDSINSTRUCTIES VOOR BOORMACHINES

Houd het apparaat alléén aan de geïsoleerde grijpvlakken vast, wanneer u werkzaamheden uitvoert waarbij het snijgereedschap verborgen stroomleidingen zou kunnen raken. Het contact met een onder spanning staande leiding zet ook de metalen machinedelen onder spanning en leidt tot een elektrische schok.

⚠ VEILIGHEIDSINSTRUCTIES VOOR SCHROEVENDRAAIERS

Houd het apparaat alléén vast aan de geïsoleerde grijpvlakken als u werkzaamheden uitvoert waarbij de schroef verborgen stroomleidingen zou kunnen raken. Het contact van de schroef met een spanningvoerende leiding kan de metalen apparaatdelen onder spanning zetten en zo tot een elektrische schok leiden.

VERDERE VEILIGHEIDS- EN WERKINSTRUCTIES

Draag veiligheidsuitrusting. Bij werkzaamheden met de machine dient u altijd een veiligheidsbril te dragen. Veiligheidskleding zoals stofmasker, veiligheidshandschoenen, stevig en slipvast schoeisel, helm en gehoorbescherming worden aanbevolen.

Het gedurende het werken vrijkomende stof is doorgaans schadelijk voor de gezondheid en mag niet met het lichaam in aanraking komen. Draag derhalve een geschikt stofbeschermsmasker.

Het is niet toegestaan, materialen te bewerken waarvan een gezondheidsgevaar uitgaat (bijv. asbest).

Schakel het apparaat onmiddellijk uit als het gereedschap blokkeert! Schakel het apparaat niet in zolang het gereedschap geblokkeerd is; dit zou een terugslag met een hoog reactiemoment kunnen veroorzaken. Achterhaal en verhelp de oorzaak voor de blokkering van het gereedschap met inachtneming van de veiligheidsinstructies.

Mogelijke oorzaken voor de blokkering:

- kantelen in het te bewerken werkstuk
- doorbreken van het te bewerken materiaal
- overbelasting van het elektrische gereedschap

Grijp niet in de lopende machine.

Het gereedschap kan heet worden tijdens het gebruik.

WAARSCHUWING! Gevaar voor verbranding

- bij het vervangen van het gereedschap
- bij het neerleggen van het apparaat

Spanen of splinters mogen bij draaiende machine niet worden verwijderd.

Bij het werken in wanden, plafonds of vloeren oppassen voor elektriciteitsdraden, gas- of waterleidingen.

Borg uw werkstuk met behulp van een spaninrichting. Niet geborgde werkstukken kunnen ernstig letsel en grote schade veroorzaken.

Voor alle werkzaamheden aan de machine de accu verwijderen.

Verbruikte accu's niet in het vuur of bij het huisvuil werpen. Milwaukee biedt namelijk een milieuvriendelijke recyclingmethode voor uw oude accu's.

Wisselakku's niet bij materialen voorwerpen bewaren (kortsluitingsgevaar!).

Wisselakku's van het Akku-Systeem C 12 alléén met laadapparaten van het Akku-Systeem C 12 laden. Geen accu's van andere systemen laden.

Wisselakku's en laadapparaten niet openen en alleen in droge ruimtes opslaan. Tegen vocht beschermen.

Onder extreme belasting of extreme temperaturen kan uit de accu accu-vloeistof lopen. Na contact met accu-vloeistof direct afwassen met water en zeep. Bij oogcontact direct minstens 10 minuten grondig spoelen en onmiddellijk een arts raadplegen.

VOORGESCHREVEN GEBRUIK VAN HET SYSTEEM

De accu-boorschroevendraaier is te gebruiken voor boor- en schoefwerkzaamheden, onafhankelijk van een netaansluiting.

Dit apparaat uitsluitend gebruiken voor normaal gebruik, zoals aangegeven.

EC - VERKLARING VAN OVEREENSTEMMING

Wij verklaren in uitsluitende verantwoording dat het onder 'Technische gegevens' beschreven product overeenstemt met alle relevante voorschriften van de richtlijn 2011/65/EU (RoHS), 2014/30/EU, 2006/42/EG en de volgende geharmoniseerde normatieve documenten:

EN 60745-1:2009 + A11:2010
EN 60745-2-1:2010
EN 60745-2-2:2010
EN 55014-1:2006 + A1:2009 + A2:2011
EN 55014-2:1997 + A1:2001 + A2:2008
EN 50581:2012

Winnenden, 2016-03-29

Alexander Krug

Alexander Krug
Managing Director



Gemachtigd voor samenstelling van de technische documenten

Techtronic Industries GmbH
Max-Eyth-Straße 10
71364 Winnenden
Germany

AKKU

Langere tijd niet toegepaste wisselakku's vóór gebruik altijd naladen.

Een temperatuur boven de 50°C vermindert de capaciteit van de accu. Langdurige verwarming door zon of hitte vermijden.

De aansluitcontacten aan het laadapparaat en de accu schoonhouden.

Voor een optimale levensduur moeten de accu's na het gebruik volledig opgeladen worden.

Voor een zo lang mogelijke levensduur van de accu's dienen deze na het opladen uit het laadtoestel te worden verwijderd.

Bij een langere opslag van de accu dan 30 dagen:
accu bij ca. 27 °C droog bewaren.
accu bij ca. 30 % - 50 % van de laadtoestand bewaren.
accu om de 6 maanden opnieuw opladen.

OVERBELASTINGSBEVEILIGING VAN DE ACCU

Bij overbelasting van de accu door zeer hoog stroomverbruik, bijv. extreem hoge draaimomenten, plotseling stoppen of kortsluiting, vibreert het elektrische gereedschap gedurende 5 seconden, de laadweergave knippert en het elektrische gereedschap schakelt automatisch uit.

Om het gereedschap weer in te schakelen, moet u de drukschakelaar loslaten en vervolgens weer inschakelen. Onder extreme belastingen wordt de accu te heet. In dit geval knipperen alle lampen van de laadweergave totdat de accu afgekoeld is. Na het doven van de laadweergave kunt u weer verder werken.

TRANSPORT AF LITHIUM-BATTERIEER

Lithium-batterier er omfattet af lovgivningen om transport af farligt gods.

Transporten af disse batterier skal ske under overholdelse af lokale, nationale og internationale regler og bestemmelser.

- Forbrugere må transportere disse batterier på veje uden yderligere krav.
- Den kommercielle transport af lithium-batterier ved speditjonsfirmaer er omfattet af reglerne for transport af farligt gods. Forberedelsen af forsendelse og transport må kun udføres af tilsvarende trænedte personer. Den samlede proces skal følges af fagfolk.

Følgende punkter skal overholdes ved transport af batterier:

- Sørg for at kontakterne er beskyttet og isoleret for at forhindre kortslutninger.
- Sørg for at batteripakken ikke kan bevæge sig inden for emballagen.
- Beskadigede eller lækkenne batterier må ikke transporteres.

Kontakt dit speditjonsfirma for at få yderligere oplysninger.

ONDERHOUD

Gebruik uitsluitend Milwaukee toebehoren en onderdelen. Indien componenten die moeten worden vervangen niet zijn beschreven, neem dan contact op met een officieel Milwaukee servicecentrum (zie onze lijst met servicecentra).

Zo nodig kan een explosietekening van het apparaat worden aangevraagd bij uw klantenservice of direct bij Techtronic Industries GmbH, Max-Eyth-Straße 10, 71364 Winnenden, Duitsland onder vermelding van het machinetype en het zescijferige nummer op het typeplaatje.

SYMBOLEN



OPGELET! WAARSCHUWING! GEVAAR!



Voor alle werkzaamheden aan de machine de accu verwijderen.



Graag instructies zorgvuldig doorlezen vóórdat u de machine in gebruik neemt.



Elektrische apparaten mogen niet via het huisafval worden afgevoerd. Elektrische en elektronische apparaten moeten gescheiden worden verzameld en voor een milieuvriendelijke afvoer worden afgegeven bij een recyclingbedrijf. Informeer bij uw gemeente of bij uw vakhandelaar naar recyclingbedrijven en inzamel punten.



CE-keurmerk



Nationaal overeenstemmingsmärke Ukraine



EurAsian-symbool van overeenstemming.

TEKNISKE DATA	BATTERIDREVT BORSKRUTREKKER	C 12 RAD
Produksjonsnummer.....	4311 93 02... ...000001-999999	
Bor-ø i treverK=.....	25 mm	
Treskruer (uten forboring).....	6,5 mm	
Tomgangsturtall.....	0-800 min ⁻¹	
Dreiemoment maks (Li-Ion Batteri 1,5 Ah) *1.....	12 Nm	
Dreiemoment maks (Li-Ion Batteri 3,0 Ah) *1.....	15 Nm	
Spenning vekselbatteri.....	12 V	
Chucks pennområde.....	1,0-10 mm	
Vekt i henhold til EPTA-Prosedyren 01/2003		
med vekselbatteri 1,5 Ah.....	1,1 kg	
med vekselbatteri 3,0 Ah.....	1,3 kg	

Støy/Vibrasjonsinformasjon

Måleverdier fastslått i samsvar med EN 60 745.

Det typiske A-bedømte støynivået for maskinen er:

Lydtryknivå (Usikkerhet K=3dB(A)).....	64,5 dB (A)
Lydeffektnivå (Usikkerhet K=3dB(A)).....	75,5 dB (A)

Bruk hørselsvern!

Totale svingningsverdier (vektorsum fra tre retninger) beregnet jf. EN 60745.

Svingningsemisjonsverdi a _w	
Boring i metall.....	< 2,5 m/s ²
Usikkerhet K=.....	1,5 m/s ²
Skruing.....	< 2,5 m/s ²
Usikkerhet K=.....	1,5 m/s ²

ADVARSEL

Svingningsnivået som er angitt i denne instruksjonen er målt i overensstemmelse med målemetoden normert i direktiv EN 60745 og kan brukes til å sammenligne elektromaskiner med hverandre. Den egner seg også for en foreløbig vurdering av svingningsbelastningen.

Det angitte svingningsnivået representerer de hovedsaklige bruk av elektroverktøyet. Men anvendes elektroverktøyet for andre bruk med avvikende utskiftbare verktøy eller vedlikeholdet er utilstrekkelig, kan svingningsnivået være avvikende.

Dette kan forhøye svingningsbelastning betydelig over hele arbeidsperioden. For en nøyaktig vurdering av svingningsbelastningen må også det tas hensyn til tiden apparatet er avslått eller står på, men ikke er i bruk. Dette kan redusere svingningsbelastningen betydelig over hele arbeidsperioden.

Innfør også ekstra sikkerhetstiltak for å beskytte bruker mot utvirkingen av svingningene. Disse kan f.eks. være: vedlikehold av elektroverktøyet og det utskiftbare verktøyet, holde hendene varme, organisasjon av arbeidsforløpet.

⚠ OBS! Les alle sikkerhetsinstruksjoner og bruksanvisninger.

Feil ved overholdelsen av advarelsene og nedenstående anvisninger kan medføre elektriske støt, brann og/eller alvorlige skader.

Ta godt vare på alle advarelsene og informasjonene.

⚠ SIKKERHETSINSTRUKSER FOR BOREMASKINER

Hold apparatet i de isolerte holdeflatene, når det arbeides på steder hvor elektroverktøyet kan treffe skjulte strømledninger. Kontakt med en spenningsførende ledning setter også maskinens metalldeler under spenning og fører til elektriske støt.

⚠ SIKKERHETSINSTRUKSER FOR SKRUTREKKERE

Hold apparatet i de isolerte holdeflatene, når arbeid utføres hvor skruen kan treffe skjulte strømledninger. Kontakt av skruen med en strømførende ledning kan sette apparatets metalldeler under spenning og føre til elektrisk slag.

YTTERLIGE SIKKERHETS- OG ARBEIDSSINSTRUKSJONER

Bruk vernebekledning. Ta alltid på vernebrille ved bruk av maskinen. Vernebekledning så vel som støvmaske, vernehansker, fast og sklisikkert skotøy, hjelm og hørselsvern er anbefalt.

Støvet som oppstår ved arbeidet er ofte helsefarlig og skal ikke komme i kontakt med kroppen. Bruk derfor vernemaske som er egnet for støv.

Materialer som er helsefarlig skal ikke bearbeides (f.eks. asbest) Slå av apparatet med en gang dersom det isatte verktøyet er blokkert! Ikke slå apparatet på igjen så lenge det isatte verktøyet er

blokkert; her kan det oppstå et tilbakeslag med høyt reaksjonsmoment. Finn ut hvorfor det isatte verktøyet blokkerer og fjern årsaken til dette. Ta herved hensyn til sikkerhets instruksene.

Mulige årsaker til dette kan være:

- det har forkantet seg i arbeidsemnet som bearbeides
- det har brekt igjennom materialet som bearbeides
- elektroverktøyet er overbelastet

Ikke grip inn i maskinen når den står på og går.

Isatt verktøy kan i bruk bli veldig varmt.

ADVARSEL! Fare for forbrenning

- ved skifting av verktøy
- når apparatet legges ned

Spon eller fliser må ikke fjernes mens maskinen er i gang.

Pass på kabler, gass- og vannledninger når du arbeider i vegger, tak eller gulv.

Klem fast arbeidsemnet med en spenninnetning. Ikke sikre arbeidsemner kan ha alvorlige helseskader og skader av material til følge.

Ta ut vekselbatteriet før du arbeider på maskinen

Ikke kast brukte vekselbatterier i varmen eller husholdningsavfall. Milwaukee tilbyr en miljøriktig deponering av gamle vekselbatterier; vennligst spør din fagforhandler.

Ikke oppbevar vekselbatterier sammen med metallgjenstander (kortslutningsfare).

Vekselbatterier av systemet C 12 skal kun lades med lader av systemet C 12. Ikke lad opp batterier fra andre systemer.

Ikke åpne vekselbatterier og ladere, de skal oppbevares i tørre rom. Beskyttes mot fuktighet.

Under ekstreme belastninger og ekstreme temperaturer kan det løkke ut batterivæske fra utskiftbare batterier. Ved berøring med batterivæske, vask umiddelbart med såpe og vann. Ved kontakt med øynene må øynene skylles grundig i rennende vann i minst 10 minutter. Oppsøk lege umiddelbart.

FORMÅLSMESSIG BRUK

Batteri-boreskrutrekkeren kan brukes universalt for boring og skruing uavhengig av nettilkopling.

Dette apparatet må kun brukes til de oppgitte formål.

CE-SAMSVARSERKLÆRING

Vi erklærer i alene ansvar at produktet beskrevet i "Teknisk data" overensstemmer med alle relevante forskrifter til Eu direktiv 2011/65/EU (RoHS), 2014/30/EU, 2006/42/EF og de følgende harmoniserte normative dokumentene.

EN 60745-1:2009 + A11:2010

EN 60745-2-1:2010

EN 60745-2-2:2010

EN 55014-1:2006 + A1:2009 + A2:2011

EN 55014-2:1997 + A1:2001 + A2:2008

EN 50581:2012

Winnenden, 2016-03-29

Alexander Krug

Alexander Krug
Managing Director



Autorisert til å utarbeide den tekniske dokumentasjonen

Technronic Industries GmbH

Max-Eyth-Straße 10

71364 Winnenden

Germany

BATTERIER

Vekselbatterier som ikke er brukt over lengre tid skal etterlades før bruk.

En temperatur over 50°C reduserer vekselbatteriets kapasitet. Unngå oppvarming i sol eller ved varmeovner (fyring) i lengre tid.

Hold tilkopplingskontaktene på lader og vekselbatteri rene.

For en optimal levetid må batteriene etter bruk ladet helt opp.

For å sikre en lengst mulig brukstid av batteriene skal disse etter oppladning taes ut av laderen.

Ved lagring av batteriene lengre enn 30 dager:

Lagre batteriet tørt ved ca. 27°C.

Lagre batteriet ved en oppladningstilstand på ca. 30%-50%.

Lade opp batteriet igjen etter 6 måneder.

OVERBELASTNINGSVERN FOR OPPLADBARE BATTERIER

Ved overbelastning av det oppladbare batteriet p.g.a. svært høyt strømforkbruk; f.eks. ekstrem høye dreiemoment, plutselig stopp eller kortslutning, vibrert elektroverktøyet 5 sekunder, displayet for oppladning blinker og elektroverktøyet utkobler seg automatisk. For gjeninnkobling, slipp løs trytteren og slå så på igjen. Ved ekstreme belastninger opphører det oppladbare batteriet seg for sterkt. I slike tilfeller blinker alle lampene på displayet til batteriet er avkjølt. Når lampene har sluttet å blinke, kan man fortsette å arbeide.

TRANSPORT AV LITIUM-ION-BATTERI

Litium-ion-batterier faller under de lovfestede forskriftene om transport av farlig gods.

Transporten av disse batteriene må rette seg etter lokale, nasjonale og internasjonale forskrifter og bestemmelser.

- Forbruker har lov å transportere disse batteriene på gaten uten reglementering.
- Den kommersielle transport av Litium-ion-batterier av spedisjonsfirma faller under bestemmelsene om transport av

farlig gods. Forberedningene av forsendelsen og transport skal utelukkende gjennomføres av personer som har blitt skolert til dette. Hele prosessen skal følges opp av fagfolk.

Følgende punkter skal tas hensyn til ved transport:

- Kontroller at kontaktene er beskyttet og isolert for å unngå kortslutninger.
- Pass på at batteripakken i forpakningen ikke kan skli fram og tilbake.
- Skadede eller batterier som lekker er det ikke lov å transportere.

Ta kontakt med spedisjonsfirma for ytterlige henvisninger.

VEDLIKEHOLD

Bruk kun Milwaukee tilbehør og Milwaukee reservedeler. Komponenter der utskifting ikke er beskrevet skal skiftes ut hos Milwaukee kundeservice (se brosjyre garanti/kundeserviceadresser).

Ved behov kan det fås en eksplosjonstegning av apparatet hos kundeservice eller direkte hos Technronic Industries GmbH, Max-Eyth-Straße 10, 71364 Winnenden, Germany ved angivelse av maskinens type og det sekstallige nummeret på maskinens skilt.

SYMBOLER



OBS! ADVARSEL! FARE!



Ta ut vekselbatteriet før du arbeider på maskinen



Les nøye gjennom bruksanvisningen før maskinen tas i bruk.



Elektriske apparat skal ikke kastes sammen med vanlig husholdningsavfall. Elektriske og elektroniske apparat skal samles separat og leveres til miljøvennlig deponering til en avfall bedrift. Informer deg hos myndighetene på stedet eller hos din fagforhandler hvor det finnes recycling bedrifter oppsamlingssteder.



CE-tegn



Nasjonalt Konformitetstegn Ukraina



EurAsian Konformitetstegn.

TEKNISKA DATA	BATTERIDRIVEN BORRSKRUVDRAGARE	C 12 RAD
Produktionsnummer	4311 93 02... ...000001-999999	
Borddiam. in trä	25 mm	
Tråskruvning (utan förborring)	6,5 mm	
Obelastat varvtal	0-800 min ⁻¹	
Vridmoment max (Li-Ion Batteri 1,5 Ah) *1	12 Nm	
Vridmoment max (Li-Ion Batteri 3,0 Ah) *1	15 Nm	
Batterispänning	12 V	
Chuckens spännområde	1,0-10 mm	
Vikt med batteri		
med batteri 1,5 Ah	1,1 kg	
med batteri 3,0 Ah	1,3 kg	

Buller-/vibrationsinformation

Mätvärdena har tagits fram baserade på EN 60 745.

A-värdet av maskinens ljudnivå utgör:

Ljudtrycksnivå (Onoggrannhet K=3dB(A))	64,5 dB (A)
Ljudeffektsnivå (Onoggrannhet K=3dB(A))	75,5 dB (A)

Använd hörselskydd!

Totala vibrationsvärden (vektorsumma ur tre riktningar) framtaget enligt EN 60745

Vibrationsemissionsvärde a _h	
Borring i metall	< 2,5 m/s ²
Onoggrannhet K=	1,5 m/s ²
Skruvning	< 2,5 m/s ²
Onoggrannhet K=	1,5 m/s ²

WARNING

Den i de här anvisningarna angivna vibrationsnivån har uppmätts enligt ett i EN 60745 normerat mätförfarande och kan användas vid jämförelse mellan olika elverktyg. Nivån är även lämplig att använda vid en preliminär bedömning av vibrationsbelastningen.

Den angivna vibrationsnivån representerar den huvudsakliga användningen av det aktuella elverktyget. Men om elverktyget ska användas i andra användningsområden, tillsammans med avvikande insatsverktyg eller efter otillräckligt underhåll, kan vibrationsnivån skilja sig. Det kan öka vibrationsbelastningen betydligt under hela arbetstiden.

För att få en exaktare bedömning av vibrationsbelastningen ska även den tid beaktas, under vilken elverktyget är avstängt eller är påslaget, utan att det verkligen används. Det kan reducera vibrationsbelastningen betydligt under hela arbetstiden.

Lägg som skydd för användaren fast extra säkerhetsåtgärder mot vibrationernas verkan, som till exempel: underhåll av elverktyg och insatsverktyg, varmhållning av händer och organisering av arbetsförlöpp.

⚠ WARNING! Läs all säkerhetsinformation och alla anvisningar. Fel som uppstår till följd av att anvisningarna nedan inte följts kan orsaka elstöt, brand och/eller allvarliga kroppsskador. **Förvara alla varningar och anvisningar för framtida bruk.**

⚠ SÄKERHETSINSTRUKTIONER FÖR BORRMASKINER

Håll fast apparaten med hjälp av de isolerade greppytorna när du utför arbeten där arbetsverktyget skulle kunna träffa på dolda elledningar. Om sägen kommer i kontakt med en spänningsförande ledning sätts sägens metalldelar under spänning som sedan kan leda till elektriskt slag.

⚠ SÄKERHETSINSTRUKTIONER FÖR SKRUVARE

Håll apparaten i de isolerade greppytorna när ni utför arbeten där skruven kan träffa dolda elkablar. Skruvens kontakt med en strömförande ledning kan sätta apparatdelar av metall under spänning och leda till elektriskt stöt.

ÖVRIGA SÄKERHETS- OCH ANVÄNDNINGSSINSTRUKTIONER

Använd skyddsutrustning. Använd alltid skyddsglasögon när du använder maskinen. Som skyddsutrustning rekommenderar vi t ex en dammskyddsmask, skyddshandskar, stabila och halksäkra skor, hjälm och hörselskydd.

Det damm som bildas under arbetets gång är ofta hälsofarligt och det ska inte komma in i kroppen. Bär därför lämplig skyddsmask.

Det är inte tillåtet att bearbeta material som kan vara hälsovådligt (t.ex. asbest).

Stäng av maskinen omedelbart om ett verktyg som används sitter fast! Sätt sedan inte på maskinen igen så länge som verktyget som används fortfarande sitter fast; risk för okontrollerade slag med högt reaktionsmoment. Ta reda på orsaken varför verktyget fastnade och åtgärda orsaken med hänsyn till säkerhetsanvisningarna.

Möjliga orsaker kan vara:

- Verktyget sitter snett i arbetsstycket
- Verktyget går igenom materialet som bearbetas
- Elverktyget är överbelastat

Gå aldrig med händerna in i en maskin som är igång.

Verktyget som används kan bli mycket varmt under användningen.

WARNING! Risk för brännskador

- vid verktygsbyte
- när man lägger ifrån sig maskinen

Avlägsna aldrig spån eller flisor när maskinen är igång.

Vid arbetenborring i vägg, tak eller golv, var alltid observant på befintliga el-, gas- eller vattenledningar.

Säkra arbetsstycket med en fastspänningsanordning. Arbetsstycken som inte är ordentligt fastspända kan leda till allvarlig kroppsskada eller annan skada.

Drag ur batteripaket innan arbete utföres på maskinen.

Kasta inte förbrukade batterier. Lämna dem till Milwaukee Tools för återvinning.

Förvara ej batteriet ihop med metallföremål, kortslutning kan uppstå.

System C 12 batterier laddas endast i System C 12 laddare. Ladda inte batterier från andra system.

Batterier lagras torr och skyddas för fukt.

Under extrem belastning eller extrem temperatur kan **batterivätska tränga ut ur skadade utbytesbatterier. Vid beröring med batterivätska tvätta genast av med vatten och tvål. Vid ögonkontakt spola genast i minst 10 minuter och kontakta genast läkare.**

ANVÄND MASKINEN ENLIGT ANVISNINGARNA

Denna Akkumaskin är användbar för både borring och skruvning. Maskinen får endast användas för angiven tillämpning.

CE-FÖRSÄKRAN

Vi intygar och ansvarar för att den produkt som beskrivs under "Tekniska data" överensstämmer med alla relevanta bestämmelser i direktiv 2011/65/EU (RoHS), 2014/30/EU, 2006/42/EG och följande harmoniserade normerande dokument:

EN 60745-1:2009 + A11:2010
EN 60745-2-1:2010
EN 60745-2-2:2010
EN 55014-1:2006 + A1:2009 + A2:2011
EN 55014-2:1997 + A1:2001 + A2:2008
EN 50581:2012

Winnenden, 2016-03-29

Alexander Krug

Alexander Krug
Managing Director



Befullmäktigad att sammanställa teknisk dokumentation.

Techtronic Industries GmbH
Max-Eyth-Straße 10
71364 Winnenden
Germany

BATTERIER

Batteri som ej använts på länge måste laddas före nytt bruk.

En temperatur över 50°C reducerar batteriets effekt. Undvik längre uppvärmning t.ex i solen eller nära ett element.

Se till att anslutningskontakterna i laddaren och på batteriet är rena.

För en optimal livslängd ska batterierna laddas helt igen efter användningen.

För att få en så lång livslängd som möjligt bör laddningsbara batterier avlägsnas från laddaren när de är laddade.

Om laddningsbara batterier lagras längre än 30 dagar:

Lagra batteriet torrt och vid ca 27°C.

Lagra batteriet vid ca 30%-50% av laddningskapaciteten.

Ladda batterierna på nytt var 6:e månad.

BATTERI-ÖVERBELASTNINGSSKYDD

Om det laddningsbara batteriet överbelastas genom en mycket hög strömförbrukning, t.ex. extremt höga vridmoment, ett plötsligt stopp eller en kortslutning, så vibrerar elverktyget i 5 sekunder, laddningsindikeringen blinkar och elverktyget fränkopplas automatiskt.

För att sedan sätta på elverktyget igen släpper du tryckbrytaren och tillkopplar sedan verktyget igen.

Vid en extrem belastning blir det laddningsbara batteriet för varmt. I detta fall blinkar alla lampor på laddningsindikeringen så länge tills batteriet har svalnat. När laddningsindikeringen har slocknat kan du fortsätta med arbetet.

TRANSPORTERA LITIJON-BATTERIER

För litiumjon-batterier gäller de lagliga föreskrifterna för transport av farligt gods på väg.

Därför får dessa batterier endast transporteras enligt gällande lokala, nationella och internationella föreskrifter och bestämmelser.

- Konsumenter får transportera dessa batterier på allmän väg utan att behöva beakta särskilda föreskrifter.
- För kommersiell transport av litiumjon-batterier genom en speditorsfirma gäller emellertid bestämmelserna för transport av farligt gods på väg. Endast personal som känner till alla tillämpliga föreskrifter och bestämmelser får förbereda och genomföra transporten. Hela processen ska följas upp på fackmässigt sätt.

Följande ska beaktas i samband med transporten av batterier:

- Säkerställ att alla kontakter är skyddade och isolerade för att undvika kortslutning.
- Se till att batteripacken inte kan glida fram och tillbaka i förpackningen.
- Transportera aldrig batterier som läcker, har runnit ut eller är skadade.

För mer information vänligen kontakta din speditorsfirma.

SKÖTSEL

Använd endast Milwaukee-tillbehör och Milwaukee-reservdelar. Komponenter, för vilka inget byte beskrivs, skall bytas ut hos Milwaukee-kundtjänst (se broschyren garanti-/kundtjänstadresser).

Vid behov kan du rekvirera apparatens sprängskiss antingen hos kundservicen eller direkt hos Techtronic Industries GmbH, Max-Eyth-Straße 10, 71364 Winnenden, Germany. Du ska då ange maskintypen och numret på sex siffror som står på effektskyten.

SYMBOLER



OBSERVERA! WARNING! FARA!



Drag ur batteripaket innan arbete utföres på maskinen.



Läs instruktionen noga innan du startar maskinen.



Elektriska maskiner och elverktyg som kasseras får inte slängas tillsammans med de vanliga hushållsoporna.

Elektriska maskiner och verktyg samt elektronisk utrustning som kasseras ska samlas separat och lämnas till en avfallsstation för miljövänlig avfallshantering.

Kontakta den lokala myndigheten respektive kommunen eller fråga återförsäljare var det finns speciella avfallsstationer för elskrot.



CE-symbol



Nationell symbol för överensstämmelse Ukraine



EurAsian överensstämmelsesymbol.

TEKNISET ARVOT	AKKU-PORAKONE/RUUVINKIERRIN	C 12 RAD
Tuotantnumero	4311 93 02...	...000001-999999
Poran ø puuhun	25 mm	
Puuruuvi (ilman esiporausta)	6,5 mm	
Kuormittamaton kierrosloku	0-800 min ⁻¹	
Vääntömomentti maks (Li-Ion Akku 1,5 Ah) *1	12 Nm	
Vääntömomentti maks (Li-Ion Akku 3,0 Ah) *1	15 Nm	
Jännite vaihtoakku	12 V	
Istukan aukeama	1,0-10 mm	
Paino EPTA-menettelyn 01/2003 mukaan		
vaihtoakkuineen 1,5 Ah	1,1 kg	
vaihtoakkuineen 3,0 Ah	1,3 kg	

Melunpäästö-/tärinä tiedot

Mitta-arvot määritetty EN 60 745 mukaan.

Koneen tyypillinen A-luokitettu melutaso:

Melutaso (Epävarmuus K=3dB(A))..... 64,5 dB (A)

Äänenvoimakkuus (Epävarmuus K=3dB(A))..... 75,5 dB (A)

Käytä kuulosuojaimia!

Värähtelyn yhteisarvot (kolmen suunnan vektorisumma) mitattuna EN 60745 mukaan.

Värähtelyemissioarvo a_h

Metallin poraaminen..... < 2,5 m/s²

Epävarmuus K=..... 1,5 m/s²

Ruuvinvääntö..... < 2,5 m/s²

Epävarmuus K=..... 1,5 m/s²

VAROITUS

Näissä ohjeissa mainittu värähtelytaso on mitattu EN 60745 -standardin mukaisella mittausmenetelmällä ja sitä voidaan käyttää sähkötyökalujen vertaamiseen. Sitä voidaan käyttää myös värähtelyrasituksen väliaikaiseen arviointiin.

Mainittu värähtelytaso edustaa sähkötyökalun pääasiallista käyttöä. Jos sähkötyökalua kuitenkin käytetään muihin tehtäviin, poikkeavien työkaluin tai riittämättömästi huoltoa, värähtelytaso voi olla erilainen. Se voi korottaa värähtelyrasitusta koko työajan osalta.

Tarkan värähtelyrasituksen toteamiseen tulee ottaa huomioon aika, jona laite on kytketty pois tai on kylläkin päällä, mutta ei käytössä. Se voi pienentää värähtelyrasitusta koko työajan osalta.

Määrittele lisäturvatoimenpiteitä käyttäjän suojaamiseksi värinöiden vaikutukselta, kuten esimerkiksi: sähkötyökalujen ja käyttötyökalujen huolto, käsien lämpiminä pitäminen, työvaiheiden organisaatio.

VAROITUS! Lue kaikki turvallisuusmääräykset ja ohjeet.

Turvallisuusohjeiden noudattaminen laiminlyönti saattaa johtaa sähköiskuihin, tulipaloon ja/tai vakavaan loukkaantumiseen.

Säilytä kaikki turvallisuus- ja muut ohjeet tulevaisuutta varten.

VAROITUS! PORAKONEIDEN TURVALLISUUSOHJEET

Pitele laitetta vain eristetyistä tarttumapinnoista, kun suoritat sellaisia töitä, joissa leikkaustyökalu saattaa osua piilossa oleviin sähköjohtoihin. Kosketus jännitteiseen johtoon saattaa myös koneen metalliosat jännitteisiksi ja johtaa sähköiskuihin.

VAROITUS! RUUVAAJAN TURVALLISUUSOHJEET

Pitele laitteesta kiinni sen eristetyistä kahvoista suorittaessasi töitä, joiden aikana ruuvi saattaa osua piilossa oleviin sähköjohtoihin. Ruuvien kosketus jännitteelliseen johtoon saattaa tehdä laitteen metalliosat jännitteisiksi ja aiheuttaa sähköiskun.

TÄYDENTÄVIÄ TURVALLISUUSMÄÄRÄYKSIÄ JA TYÖSKENTELYOHJEITA

Käytä suojavarusteita. Käytä aina suojalaseja käyttäessäsi konetta. Suosittelemme suojavarusteiden käyttöä, näihin kuuluvat pölysuojanaamari, työkasineet, tukevat, luistamattomat jalkineet, kypärä ja kuulosuojukset.

Koneen käytöstä aiheutuva pöly ja jäte voi olla haitallista terveydelle eikä sen vuoksi tulisi päästä kosketukseen ihon kanssa. Koneella työskennellessä on käytettävä sopivaa suojainta.

Terveydellisiä vaaroja aiheuttavien materiaalien (esim. asbestin) työstäminen on kiellettyä.

Jos käytetty työkalu juuttuu kiinni, sammuta laite heti! Älä kytke laitetta uudelleen päälle työkalun ollessa vielä kiinni juuttuneena, koska tästä saattaa aiheutua voimakas takaisku. Selvitä työkalun juuttumisen syy ja poista syy turvallisuusmääräyksiä noudattaen.

Mahdollisia syitä voivat olla:

- työkalun vinoutuminen työstökappaleessa
- työstetyn materiaalin puhkaisu
- sähkötyökalun ylikuormitus

Älä tartu käynnissä olevan koneen työosiin.

Käytetty työkalu saattaa kuumeta käytön aikana.

VAROITUS! Palovamman vaara

- työkalua vaihdettaessa
- laitetta pois laskettaessa

Lastuja tai puruja ei saa poistaa koneen käydessä.

Varo seinään, kattoon tai lattiaan porattaessa osumasta sähköjohtoon, kaasu- ja vesijohtoihin.

Varmista työstökappaleesi kiinnityslaitteella paikalleen. Varmistamattomat työstökappaleet saattavat aiheuttaa vakavia vammoja ja vaurioita.

Ota akku pois ennen kaikkia koneeseen tehtäviä toimenpiteitä.

Käytettyjä vaihtoakkuja ei saa polttaa eikä poistaa normaalin jätehuollon kautta. Milwaukeella on tarjolla vanhoja vaihtoakkuja varten ympäristöystävällinen jätehuolto palvelu.

Vaihtoakkuja ei saa säilyttää yhdessä metalliesineiden kanssa (oikosulkuvaara).

Käytä ainoastaan System C 12 latauslaitetta System C 12 akkujen lataukseen. Älä käytä muiden järjestelmien akkuja.

Vaihtoakkuja ja latauslaitteita ei saa avata. Säilytys vain kuivissa tiloissa. Suojattava kosteudelta.

Vaurioituneesta akusta saattaa erityisen kovassa käytössä tai poikkeavassa lämpötilassa vuotaa akkuhappoa. Ihonkohta, joka on joutunut kosketukseen akkuhapon kanssa on viipymättä pestävä vedellä ja saippualla. Silmä: johon on joutunut akkuhappoa, on huuhdeltava vedellä vähintään 10 minuutin ajan, jonka jälkeen on viipymättä hakeuduttava lääkärin apuun.

TARKOITUKSEN MUKAINEN KÄYTTÖ

Akkuporakone/ruuvinväänin on akkukäyttöinen ja toimii ilman verkkojohtoa.

Älä käytä tuotetta ohjeiden vastaisesti.

TODISTUS CE-STANDARDIN MUKAISUUDESTA

Vakuutamme yksinvastuullisesti, että kohdassa "Tekniset tiedot" kuvattu tuote vastaa kaikkia sitä koskevia direktiivien 2011/65/EU (RoHS), 2014/30/EU, 2006/42/EY määräyksiä sekä seuraavia harmonisoituja standardisovivia asiakirjoja:

EN 60745-1:2009 + A11:2010

EN 60745-2-1:2010

EN 60745-2-2:2010

EN 55014-1:2006 + A1:2009 + A2:2011

EN 55014-2:1997 + A1:2001 + A2:2008

EN 50581:2012

Winnenden, 2016-03-29



Alexander Krug
Managing Director



Valtuutettu kokoamaan tekniset dokumentit.

Techtronic Industries GmbH

Max-Eyth-Straße 10

71364 Winnenden

Germany

AKKU

Pitkään käyttämättä olleet vaihtoakut on ladattava ennen käyttöä.

Yli 50°C lämpötilassa akun suorituskyky heikkenee. Välttämättä akkujen säilyttämistä auringossa tai kuumissa tiloissa.

Pidä aina latauslaitteen ja akun kosketuspinnat puhtaina.

Akut on ladattava täyteen käytön jälkeen optimaalisen eliniän säilyttämiseksi.

Mahdollisimman pitkän elinajan takaamiseksi akut tulee poistaa laturista lataamisen jälkeen.

Akkuja yli 30 päivää säilytettäessä:

Säilytä akku yli 27 °C:ssa ja kuivassa.

Säilytä akku sen latauksen ollessa 30 % - 50 %.

Lataa akku 6 kuukauden välein uudelleen.

AKKUN YLIKUORMITUSSUOJAUS

Jos akku ylikuormittuu erittäin suuren virrankulutuksen Jos akku ylikuormittuu erittäin suuren virrankulutuksen takia, esim. erittäin voimakkaiden vääntömomenttien, äkillisen pysähtymisen tai oikosulun vuoksi, niin sähkötyökalu tärisee 5 sekunnin ajan, latausnäyttö vilkkuu ja sähkötyökalu sammuu omatoimisesti. Käynnistä laite uudelleen päästämällä katkaisinpainikkeen irti ja käynnistämällä laitteen sitten uudelleen. Erittäin suuressa kuormituksessa akku kuumenee liikaa. Tässä tapauksessa latausnäytön kaikki lamput vilkkuvat, kunnes akku on jäähtynyt. Kun latausnäyttö on sammunut, voi työtä jatkaa.

LITIUMI-IONI AKKUIEN KULJETTAMINEN

Litiumi-ioniakut kuuluvat vaarallisten aineiden kuljetuksesta annettujen lakien piiriin.

Näiden akkujen kuljettaminen täytyy suorittaa noudattaen paikallisia, kansallisia ja kansainvälisiä määräyksiä ja säädöksiä.

- Kuluttajat saavat ilman muuta kuljettaa näitä akkuja teitä pitkin.

- Kaupallisessa kuljetuksessa huolintaliikkeiden täytyy kuljettaa litiumi-ioniakkuja vaarallisten aineiden kuljetuksesta annettujen määräysten mukaisesti. Ainoastaan tähän vastaavasti koulutetut henkilöt saavat suorittaa kuljetuksen valmisteluimet ja itse kuljetuksen. Koko prosessia tulee valvoa asiantuntevasti.

Seuraavat kohdat tulee huomioida akkuja kuljetettaessa:

- Varmista, että akkujen kontaktit on suojattu ja eristetty, jotta vältetään lyhytsulut.
- Huolehdi siitä, ettei akkusarja voi luiskahtaa paikaltaan pakkauksen sisällä.
- Vahingoittuneita tai vuotavia akkuja ei saa kuljettaa.

Pyydä tarkemmat tiedot huolintaliikkeeltäsi.

HUOLTO

Käytä ainoastaan Milwaukee lisätarvikkeita ja Milwaukee varaosia. Mikäli jokin komponentti, jota ei ole kuvailtu, tarvitsee vaihtoa ota yhteys johonkin Milwaukee palvelupisteistä (kts. listamme takuuhuoltoilikkeiden/ palvelupisteiden osoitteista)

Tarvittaessa voit pyytää laitteen räjähdyspiirustuksen ilmoittaan konetyypin ja tyypikkilvessä olevan kuusinumeroisen luvun huoltopalvelustasi tai suoraan osoitteella Techtronic Industries GmbH, Max-Eyth-Strasse 10, 71364 Winnenden, Saksa.

SYMBOLIT



HUOMIO! VAROITUS! VAARA!



Ota akku pois ennen kaikkia koneeseen tehtäviä toimenpiteitä.



Lue käyttöohjeet huolellisesti, ennen koneen käynnistämistä.



Sähkölaitteita ei saa hävittää yhdessä kotitalousjätteiden kanssa. Sähkö- ja elektroniset laitteet tulee kerätä erikseen ja toimittaa kierrätysliikkeeseen ympäristöystävällistä hävittämistä varten. Pyydä paikallisilta viranomaisilta tai alan kauppiailta tarkemmat tiedot kierrätyspisteistä ja keräyspaikoista.



CE-merkki



Kansallinen standardinmukaisuusmerkki Ukraina



EurAsian-vaatimustenmukaisuusmerkki.

ΤΕΧΝΙΚΑ ΣΤΟΙΧΕΙΑ	ΔΡΑΠΑΝΟΚΑΤΣΑΒΙΔΟ ΜΠΑΤΑΡΙΑΣ	C 12 RAD
Αριθμός παραγωγής.....	4311 93 02... ...000001-999999	
Ø τρύπας σε ξύλο	25 mm	
Ξυλόβιδες (χωρίς προδιότρηση).....	6,5 mm	
Αριθμός στροφών χωρίς φορτίο	0-800 min ⁻¹	
Ροπή στρέψης (Li-Ion Μπαταρία 1,5 Ah) *1	12 Nm	
Ροπή στρέψης (Li-Ion Μπαταρία 3,0 Ah) *1	15 Nm	
Τάση ανταλλακτικής μπαταρίας	12 V	
Περιοχή σύσφιξης του tool	1,0-10 mm	
Βάρος σύμφωνα με τη διαδικασία EPTA 01/2003 με ανταλλακτική μπαταρία 1,5 Ah	1,1 kg	
με ανταλλακτική μπαταρία 3,0 Ah	1,3 kg	

Πληροφορίες θορύβου/δονήσεων

Τιμές μέτρησης εξακριβωμένες κατά EN 60 745.

Η σύφωνα με την καμπύλη A εκτιμηθείσα στάθμη θορυβου του μηχανήματος αναφέρεται σε:

Στάθμη ηχητικής πίεσης (Ανασφάλεια K=3dB(A)) 64,5 dB (A)

Στάθμη ηχητικής ισχύος (Ανασφάλεια K=3dB(A)) 75,5 dB (A)

Φοράτε προστασία ακοής (ωτασπίδες)!

Υλικές τιμές κραδασμών (άθροισμα διανυσμάτων τριών διευθύνσεων) εξακριβώθηκαν σύμφωνα με τα πρότυπα EN 60745.

Τιμή εκπομπής δονήσεων a _h	
Τρύπες σε μέταλλο.....	< 2,5 m/s ²
Ανασφάλεια K=.....	1,5 m/s ²
Βίδωμα	< 2,5 m/s ²
Ανασφάλεια K=.....	1,5 m/s ²

ΠΡΟΕΙΔΟΠΟΙΗΣΗ

Το αναφερόμενο σ' αυτές τις οδηγίες επίπεδο δονήσεων έχει μετρηθεί με μια τυποποιημένη σύμφωνα με το EN 60745 μέθοδο μέτρησης και μπορεί να χρησιμοποιηθεί για τη σύγκριση των ηλεκτρικών εργαλείων μεταξύ τους. Αυτό είναι επίσης κατάλληλο για μια προσωρινή εκτίμηση της επιβάρυνση των δονήσεων.

Το αναφερόμενο επίπεδο δονήσεων αντιπροσωπεύει τις κύριες χρήσεις του ηλεκτρικού εργαλείου. Εάν όμως το ηλεκτρικό χρησιμοποιείται σε άλλες χρήσεις, με διαφορετικά εργαλεία εφαρμογής ή ανεπαρκή συντήρηση, μπορεί να υπάρξει απόκλιση του επιπέδου δονήσεων. Αυτό μπορεί να αυξήσει σημαντικά την επιβάρυνση των δονήσεων για τη συνολική διάρκεια της εργασίας.

Για μια ακριβή εκτίμηση της επιβάρυνσης των δονήσεων οφείλουν επίσης να λαμβάνονται υπόψη οι χρόνοι, στους οποίους η συσκευή είναι απενεργοποιημένη ή είναι μεν ενεργοποιημένη αλλά δεν χρησιμοποιείται πραγματικά. Αυτό μπορεί να μειώσει σημαντικά την επιβάρυνση των δονήσεων για τη συνολική διάρκεια της εργασίας.

Καθορίζετε πρόσθετα μέτρα ασφαλείας για την προστασία του χειριστή από την επίδραση των δονήσεων όπως για παράδειγμα: Συντήρηση του ηλεκτρικού εργαλείου και των εργαλείων εφαρμογής, διατηρείτε ζεστά τα χέρια, οργάνωση των διαδικασιών εργασίας.

⚠ ΠΡΟΣΟΧΗ! Διαβάστε όλες τις οδηγίες ασφαλείας και τις οδηγίες χρήσεως. Αμέλειες κατά την τήρηση των προειδοποιητικών υποδείξεων μπορεί να προκαλέσουν ηλεκτροπληξία, κίνδυνο πυρκαγιάς ή/και σοβαρούς τραυματισμούς.
Φυλάξτε όλες τις προειδοποιητικές υποδείξεις και οδηγίες για κάθε μελλοντική χρήση.

⚠ ΥΠΟΔΕΙΞΕΙΣ ΑΣΦΑΛΕΙΑΣ ΓΙΑ ΔΡΑΠΑΝΑ

Να πιάνετε τη συσκευή στις μονωμένες χειρολαβές όταν εκτελείτε εργασίες κατά τις οποίες τα κοπτικά εργαλεία θα μπορούσαν να πέσουν επάνω σε κρυμμένα καλώδια ρεύματος. Η επαφή του πριονοδόκου με μια υπό τάση ευρισκόμενη ηλεκτρική γραμμή θέτει επίσης τα μεταλλικά τμήματα του μηχανήματος υπό τάση κι έτσι μπορεί να οδηγήσει σε ηλεκτροπληξία.

⚠ ΥΠΟΔΕΙΞΕΙΣ ΑΣΦΑΛΕΙΑΣ ΓΙΑ ΚΑΤΣΑΒΙΔΙΑ

Κρατάτε τη συσκευή από τις μονωμένες επιφάνειες συγκράτησης, όταν εκτελείτε εργασίες, στις οποίες η βίδα θα μπορούσε να έρθει σε επαφή με κρυφούς αγωγούς ρεύματος. Η επαφή της βίδας μ' ένα ηλεκτροφόρο καλώδιο μπορεί να προκαλέσει τη μεταφορά ρεύματος στα μεταλλικά εξαρτήματα της συσκευής και να οδηγήσει σε ηλεκτροπληξία.

ΠΕΡΑΙΤΕΡΩ ΟΔΗΓΙΕΣ ΑΣΦΑΛΕΙΑΣ ΚΑΙ ΧΡΗΣΕΩΣ

Χρησιμοποιείτε προστατευτικό εξοπλισμό. Κατά την εργασία με τη μηχανή φοράτε πάντα προστατευτικά γυαλιά. Συνιστούμε επίσης προστατευτική ενδυμασία όπως επίσης μάσκα προστασίας αναπνοής, προστατευτικά γάντια, σταθερά και ασφαλή στην ολίσθηση υποδήματα, κράνος και ωτασπίδες.

Η σκόνη που δημιουργείται κατά την εργασία είναι συχνά επιβλαβής για την υγεία και δεν επιτρέπεται να έλθει στο σώμα. Να φοράτε κατάλληλη μάσκα προστασίας από σκόνη.

Μην επεξεργάζεστε επικίνδυνα για την υγεία υλικά (π.χ. αμιάντος).

Σε περίπτωση μπλοκαρίσματος της αριδας απενεργοποιείστε αμέσως τη συσκευή! Μην ενεργοποιείτε εκ νέου τη συσκευή όσο η αριδα είναι μπλοκαρισμένη. Σ' αυτή τη περίπτωση θα μπορούσε να προκύψει υψηλή ροπή αντίδρασης. Βρείτε την αιτία του μπλοκαρίσματος της αριδας και ξεμπλοκαρέτε την λαμβάνοντας υπόψη τις οδηγίες ασφαλείας.

Πιθανές αιτίες:

- Η αριδα μάγκωσε με το προς κατεργασία κομμάτι.
- Στάσιμο του προς κατεργασία υλικού.
- Υπερφόρτωση του ηλεκτρικού εργαλείου.

Μην απλώνετε τα χέρια σας στην επικίνδυνη περιοχή της μηχανής όταν είναι σε λειτουργία.

Η θερμοκρασία της αριδας μπορεί να φτάσει σε υψηλά επίπεδα κατά τη λειτουργία.

ΠΡΟΕΙΔΟΠΟΙΗΣΗ! Κίνδυνος εγκαύματος

- κατά την αλλαγή εργαλείου (αριδας)
- κατά την απόθεση της συσκευής

Τα γρέζια ή οι σκλήθρες δεν επιτρέπεται να απομακρύνονται όσο η μηχανή βρίσκεται σε λειτουργία.

Κατά τις εργασίες σε τοίχο, οροφή ή δάπεδο προσέχετε για τυχόν ηλεκτρικά καλώδια και για σωλήνες αερίου και νερού.

Ασφαλίστε το προς κατεργασία κομμάτι στη μέγιστη ή με μια άλλη διάταξη στερέωσης. Μη ασφαλισμένα προς κατεργασία κομμάτια μπορεί να προκαλέσουν σοβαρούς τραυματισμούς και ζημιές.

Πριν από κάθε εργασία στη μηχανή αφαιρείτε την ανταλλακτική μπαταρία.

Μην πετάτε τις μεταχειρισμένες ανταλλακτικές μπαταρίες στη φωτιά ή στα οικιακά απορρίμματα. Η Milwaukee προσφέρει μια απόσυρση των παλιών ανταλλακτικών μπαταριών σύμφωνα με τους κανόνες προστασίας του

περιβάλλοντος, ρωτήστε παρακαλώ σχετικά στο ειδικό κατάστημα πώλησης.

Μην αποθηκεύετε τις ανταλλακτικές μπαταρίες μαζί με μεταλλικά αντικείμενα (κίνδυνος βραχυκυκλώματος).

Φορτίζετε τις ανταλλακτικές μπαταρίες του συστήματος C 12 μόνο με φορτιστές του συστήματος C 12. Μη φορτίζετε μπαταρίες από άλλα συστήματα.

Μην ανοίγετε τις ανταλλακτικές μπαταρίες και τους φορτιστές και χρησιμοποιείτε για αποθήκευση μόνο στεγνούς χώρους. Προστατεύετε τις ανταλλακτικές μπαταρίες και τους φορτιστές από την υγρασία.

Όταν υπάρχει υπερβολική καπνοπύση ή υψηλή θερμοκρασία μπορεί να τρέξει υγρό μεταρρίον από τις χαλασμένες επανοφορτιζόμενες μπαταρίες. Αν έρθετε σε επαφή με υγρό μπαταρίας να πλυθείτε αμέσως με νερό και σαπούνι. Σε περίπτωση επαφής με τα μάτια να πλυθείτε σχολαστικά για τουλάχιστον 10 λεπτά και να αναζητήσετε αμέσως ένα γιατρό.

ΧΡΗΣΗ ΣΥΜΦΩΝΑ ΜΕ ΤΟ ΣΚΟΠΟ ΠΡΟΟΡΙΣΜΟΥ

Το δρπανοκατσαβίδο μπαταρίας μπορεί να χρησιμοποιηθεί γενικά για τρύπημα και βίδωμα ανεξάρτητα από το αν υπάρχει παροχή ρεύματος.

Αυτή η συσκευή επιτρέπεται να χρησιμοποιηθεί μόνο σύμφωνα με τον αναφερόμενο σκοπό προορισμού.

ΔΗΛΩΣΗ ΠΙΣΤΟΤΗΤΑΣ ΕΚ

Δηλώνουμε υπεύθυνα ότι το προϊόν που περιγράφεται στο κεφάλαιο «Τεχνικά χαρακτηριστικά» είναι συμβατό με τις διατάξεις της Κοινοτικής Οδηγίας 2011/65/EU (RoHS), 2014/30/EU, 2006/42/EK και με τα ακόλουθα εναρμονισμένα κανονιστικά έγγραφα:

EN 60745-1:2009 + A11:2010

EN 60745-2-1:2010

EN 60745-2-2:2010

EN 55014-1:2006 + A1:2009 + A2:2011

EN 55014-2:1997 + A1:2001 + A2:2008

EN 50581:2012

Winnenden, 2016-03-29



Alexander Krug
Managing Director



Εξουσιοδοτημένος να συντάξει τον τεχνικό φάκελο.

Techtronic Industries GmbH
Max-Eyth-Straße 10
71364 Winnenden
Germany

ΜΠΑΤΑΡΙΑΣ

Επαναφορτίζετε τις ανταλλακτικές μπαταρίες που δεν έχουν χρησιμοποιηθεί για μεγαλύτερο χρονικό διάστημα πριν τη χρήση.

Μια θερμοκρασία πάνω από 50°C μειώνει την ισχύ της ανταλλακτικής μπαταρίας. Αποφεύγετε τη θέρμανση για μεγαλύτερο χρονικό διάστημα από τον ήλιο ή τις συσκευές θέρμανσης.

Διατηρείτε τις επαφές σύνδεσης στο φορτιστή και στην ανταλλακτική μπαταρία καθαρές.

Για μια άριστη διάρκεια ζωής πρέπει μετά τη χρήση οι μπαταρίες να φορτιστούν πλήρως.

Για μια κατά το δυνατόν μεγάλη διάρκεια ζωής οι μπαταρίες μετά τη φόρτιση οφείλουν να αφαιρεθούν από το φορτιστή.

Για την αποθήκευση της μπαταρίας για διάστημα μεγαλύτερο των 30 ημερών:

Αποθηκεύετε τη μπαταρία περ. στους 27°C σε στεγνό χώρο.

Αποθηκεύετε τη μπαταρία περ. στο 30%-50% της κατάστασης φόρτισης.

Κάθε 6 μήνες φορτίζετε εκ νέου τη μπαταρία.

ΠΡΟΣΤΑΣΙΑ ΥΠΕΡΦΟΡΤΩΣΗΣ ΤΗΣ ΜΠΑΤΑΡΙΑΣ

Σε περίπτωση της μπαταρίας από πολύ υψηλή κατανάλωση ρεύματος, π. χ. από ακραίες υψηλές ροπές περιστροφής, μπλοκάρισμα του τρυπανιού, δονείται το ηλεκτρικό εργαλείο για 5 δευτερόλεπτα, αναβοσβήνει η ένδειξη φόρτισης και το ηλεκτρικό εργαλείο απενεργοποιείται αυτόματα.

Για μια νέα ενεργοποίηση, αφήνετε ελεύθερο το διακόπτη και στη συνέχεια ενεργοποιείτε εκ νέου.

Κάτω από ακραίες καταπονήσεις θερμαίνεται πάρα πολύ η μπαταρία. Στην περίπτωση αυτή αναβοσβήνουν όλες οι λάμπες της ένδειξης φόρτισης μέχρι να έχει κρυώσει η μπαταρία. Μετά το σβήσιμο της ένδειξης φόρτισης μπορεί να συνεχιστεί η συνεργασία.

ΜΕΤΑΦΟΡΑ ΤΩΝ ΜΠΑΤΑΡΙΑΩΝ ΙΟΝΤΩΝ ΛΙΘΙΟΥ

Οι μπαταρίες ιόντων λιθίου υπόκεινται στις απαιτήσεις των νομικών διατάξεων για την μεταφορά επικινδύνων εμπορευμάτων.

Η μεταφορά τέτοιων μπαταριών πρέπει να πραγματοποιείται τρώντας τους τοπικούς, εθνικούς και διεθνείς κανονισμούς και τις αντίστοιχες διατάξεις.

- Επιτρέπεται η μεταφορά τέτοιων μπαταριών στο δρόμο χωρίς περαιτέρω απαιτήσεις.
- Η εμπορική μεταφορά μπαταριών ιόντων λιθίου από εταιρείες μεταφορών υπόκειται στις απαιτήσεις των νομικών διατάξεων για την μεταφορά επικινδύνων εμπορευμάτων. Οι προτεινόμενες αποστολές και η μεταφορά πραγματοποιούνται αποκλειστικά από ειδικά εκπαιδευμένα πρόσωπα. Η συνολική διαδικασία συνοδεύεται από εξειδικευμένο προσωπικό.

Κατά τη μεταφορά μπαταριών ιόντων λιθίου πρέπει να προσέχετε τα εξής:

- Φροντίστε τα σημεία επαφών να είναι προστατευμένα και μονωμένα ώστε να αποφευχθούν βραχυκυκλώματα.
- Προσέξτε το πακέτο μπαταριών να είναι σταθερό μέσα στη συσκευασία και να μη γλιστρά.
- Η μεταφορά μπαταριών που παρουσιάζουν φθορές ή διαρροές δεν επιτρέπεται.

Για περισσότερες πληροφορίες απευθυνθείτε στην εταιρεία μεταφορών.

ΣΥΝΤΗΡΗΣΗ

Χρησιμοποιείτε μόνο πρόσθ. εξαρτήματα Milwaukee και ανταλλακτικά Milwaukee. Κατασκ. τμήματα, που η αλλαγή τους δεν περιγράφεται, αντικαθιστώνται σε μια τεχνική υποστήριξη της Milwaukee (βλέπε φυλλάδιο εγγύηση/ διευθύνσεις τεχνικής υποστήριξης).

Σε περίπτωση που το χρειαστείτε μπορείτε να παραγγείλετε λεπτομερές σχέδιο της συσκευής αναφέροντας τον τύπο και τον εξωμήσιο αριθμό που βρίσκεται στην πινακίδα τεχνικών χαρακτηριστικών από την εξυπηρέτηση πελατών ή απευθείας από την Techtronic Industries GmbH, διεύθυνση Max-Eyth-Straße 10, 71364 Winnenden, Germany.

ΣΥΜΒΟΛΑ



ΠΡΟΣΟΧΗ! ΠΡΟΕΙΔΟΠΟΙΗΣΗ! ΚΙΝΔΥΝΟΣ!



Πριν από κάθε εργασία στη μηχανή αφαιρείτε την ανταλλακτική μπαταρία.



Παρακαλώ διαβάστε σχολαστικά τις οδηγίες χρήσης πριν από την έναρξη λειτουργίας.



Ηλεκτρικά μηχανήματα δεν επιτρέπεται να απορρίπτονται μαζί με τα οικιακά απορρίμματα. Ηλεκτρικά και ηλεκτρονικά μηχανήματα συλλέγονται ξεχωριστά και παραδίδονται προς ανακύκλωση με τρόπο φιλικό προς το περιβάλλον σε επιχείρηση επεξεργασίας απορριμμάτων. Ενημερωθείτε από τις τοπικές υπηρεσίες ή από ειδικευμένους εμπόρους σχετικά με κέντρα ανακύκλωσης και συλλογής απορριμμάτων.

Σήμα συμμόρφωσης CE



Εθνικό σήμα πιστότητας Ουκρανία



EurAsian σήμα πιστότητας.

TEKNİK VERİLER	AKÜ MATKAP VIDASI	C 12 RAD
Üretim numarası	4311 93 02...	...000001-999999
Delme çapı tahta	25 mm	
Ağaç vidaları (kılavuz deliksiz)	6,5 mm	
Boşta ki devir sayısı	0-800 min ⁻¹	
Tork (Li-Ion Akü 1,5 Ah) *1	12 Nm	
Tork (Li-Ion Akü 3,0 Ah) *1	15 Nm	
Kartuş akü gerilimi	12 V	
Mandren kapasitesi	1,0-10 mm	
Ağırlığı ise EPTA-üretici 01/2003'e göre.		
kartuş akülü 1,5 Ah	1,1 kg	
kartuş akülü 3,0 Ah	1,3 kg	

Gürültü/Vibrasyon bilgileri

Ölçüm değerleri EN 60 745 e göre belirlenmektedir.

Aletin, frekansa bağımlı uluslararası ses basıncı seviyesi

değerlendirme eğrisi A'ya göre tipik gürültü seviyesi:

Ses basıncı seviyesi (Tolerans K=3dB(A)) 64,5 dB (A)

Akustik kapasite seviyesi (Tolerans K=3dB(A)) 75,5 dB (A)

Koruyucu kulaklık kullanın!

Toplam titreşim değeri (üç yönün vektör toplamı) EN 60745'e göre belirlenmektedir:

titreşim emisyon değeri a_h

Metal delme < 2,5 m/s²

Tolerans K= 1,5 m/s²

Vida ile tutturma < 2,5 m/s²

Tolerans K= 1,5 m/s²

UYARI

Bu talimatlarda belirtilen titreşim seviyesi, EN 60745 standardına uygun bir ölçme metodu ile ölçülmüştür ve elektrikli el aletleri birbiriyle karşılaştırmak için kullanılabilir. Ölçüm sonuçları ayrıca titreşim yükünün geçici değerlendirilmesi için de uygundur.

Belirtilen titreşim seviyesi, elektrikli el aletin genel uygulamaları için geçerlidir. Ancak elektrikli el aleti başka uygulamalar için, farklı eklenti parçalarıyla ya da yetersiz bakım koşullarında kullanılırsa, titreşim seviyesi farklılık gösterebilir. Bu durumda, titreşim yükü toplam çalışma zaman aralığı içerisinde belirgin ölçüde yükselebilir.

Titreşim yükünün tam bir değerlendirmesi için ayrıca cihazın kapalı olduğu süreler ve cihazın çalışır durumda olduğu, ancak gerçek kullanımda bulunmadığı süreler de dikkate alınmalıdır. Böylelikle, toplam çalışma zamanı aralığı boyunca meydana gelen titreşim yükü belirgin ölçüde azaltılabilir.

Kullanıcıyı titreşimlerin etkisinden korumak üzere, örneğin elektrikli el aletlerinin ve eklenti parçalarının bakımı, ellerin sıcak tutulması ve iş akışlarının organizasyonu gibi ek güvenlik tedbirleri belirleyiniz.

⚠ UYARI! Bütün güvenlik notlarını ve talimatları okuyunuz.

Açıklanan uyarılara ve talimat hükümlerine uyulmadığı takdirde elektrik çarpmalarına, yangınlara ve/veya ağır yaralanmalara neden olunabilir.

Bütün uyarıları ve talimat hükümlerini ileride kullanmak üzere saklayın.

⚠ MATKAP MAKİNELERİ İÇİN GÜVENLİK AÇIKLAMALARI

Kesme aletinin eğrilmiş elektrik kabloları isabet eden çalışmalar yapılırken cihazı izole edilmiş kollarından tutun. Elektrik akımı ileten kablolarla temas edilecek olursa metal alet elemanlarına da gerilim geçer ve bu da elektrik çarpmalarına neden olabilir.

⚠ TORNAVIDALAR İÇİN GÜVENLİK AÇIKLAMASI

Vidayı bükme ve elektrik hattına maruz kalabilen çalışmalar yaparken cihazın izole edilmiş bulunan tutacak kolundan tutun. Voltaj altında kalan vida ile temas edilmesi, metal cihaz parçalarına elektrik akımı verebilir ve bu da elektrik çarpmasına neden ol.

⚠ EK GÜVENLİK VE ÇALIŞMA TALİMATLARI

Koruma teçhizatı kullanın.Makinada çalışırken devamlı surette koruyucu gözlük takın. Koruyucu elbise ve tozlardan korunma maskesi, emniyet eldivenleri ve sağlam ve kaymaya mukavim ayakka giyin. Başlık ve kulaklık tavsiye edilir.

Çalışma sırasında ortaya çıkan toz genellikle sağlığı zararlıdır ve bedeninize temas etmemelidir. Uygun bir koruyucu toz maskesi kullanın

Sağlık tehlikelerine neden olan malzemelerin işlenmesi yasaktır (örn. asbest).

Uca yerleştirilen takımın bloke olması halinde lütfen cihazı hemen kapatın! Uca yerleştirilen takım bloke olduğu sürece cihazı tekrar çalıştırmayın; bu sırada yüksek reaksiyon momentine sahip bir geri tepme meydana gelebilir. Uca yerleştirilen takımın neden bloke olduğuna bakın ve bu durumu güvenlik uyarılarına dikkat ederek gidin.

Olası nedenler şunlar olabilir:

- İşlenen parça içinde takılma
- İşlenen malzemenin delinmesi
- Elektrikli alete aşırı yük binmesi

Ellerinizi çalışmakta olan makinenin içine uzatmayın.

Uca yerleştirilen takım kullanımı sırasında ısınabilir.

UYARI! Yanma tehlikesi

- takım değiştirme sırasında
- aletin yere bırakılması sırasında

Alet çalışır durumda iken talaş ve kırpıntılar temizlemeye çalışmayın.

Duvar, tavan ve zeminde delik açarken elektrik kablolarına, gaz ve su borularına dikkat edin.

İşlenen parçayı bir germe tertibatıyla emniyete alın. Emniyete alınmayan iş parçaları ağır yaralanmalara ve hasarlara neden olabilir.

Aletin kendinde bir çalışma yapmadan önce kartuş aküyü çıkarın.

Kullanılmış kartuş aküleri ateşe veya ev çöplerine atmayın. Milwaukee, kartuş akülerin çevreye zarar vermeyecek biçimde

tasfiye edilmesine olanak sağlayan hizmet sunar; Lütfen bu konuda yetkili satıcımdan bilgi alın.

Kartuş aküleri metal parça veya eşyalarla birlikte saklamayın (kısa devre tehlikesi).

C 12 sistemli kartuş aküleri sadece C 12 sistemli şarj cihazları ile şarj edin. Başka sistemli aküleri şarj etmeyin.

Kartuş aküleri ve şarj cihazını açmayın ve sadece kuru yerlerde saklayın. Neme ve ıslanmaya karşı koruyun.

Aşırı zorlanma veya aşırı ısınma sonucu hasar gören kartuş akülerden batarya sıvısı dışarı akabilir. Batarya sıvısı ile temasa gelen yeri hemen bol su ve sabunla yıkayın. Batarya sıvısı gözünüze kaçacak olursa en azından 10 dakika yıkayın ve zaman geçirmeden bir hekime başvurun.

KULLANIM

Bu akülü delme/vidalama makinesi, şebeke akımına bağlı kalmadan delme ve vidalama işlerinde çok yönlü olarak kullanılabilir.

Bu alet sadece belirttiği gibi ve usulüne uygun olarak kullanılabilir.

CE UYGUNLUK BEYANI

Tek sorumlu olarak "Teknik Veriler" bölümünde tarif edilen ürünün 2011/65/EU (RoHS), 2014/30/EU, 2006/42/EC sayılı direktifin ve aşağıdaki harmonize temel belgelerin bütün önemli hükümlerine uygun olduğunu beyan etmekteyiz:

EN 60745-1:2009 + A11:2010

EN 60745-2-1:2010

EN 60745-2-2:2010

EN 55014-1:2006 + A1:2009 + A2:2011

EN 55014-2:1997 + A1:2001 + A2:2008

EN 50581:2012

Winnenden, 2016-03-29

Alexander Krug

Alexander Krug
Managing Director

Teknik evrakları hazırlamakla görevlendirilmiştir.

Techtronic Industries GmbH
Max-Eyth-Straße 10
71364 Winnenden
Germany



AKÜ

Uzun süre kullanım dışı kalmış kartuş aküleri kullanmadan önce şarj edin.

50°C üzerindeki sıcaklıklar kartuş akünün performansını düşürür. Akünün güneş ışığı veya mekân sıcaklığı altında uzun süre ısınmasına dikkat edin.

Şarj cihazı ve kartuş aküdeki bağlantı noktalarını temiz tutun.

Akünün ömrünün mükemmel bir şekilde uzun olması için kullandıktan sonra tamamen doldurulması gerekir.

Ömrünün mümkün olduğu kadar uzun olması için akülerin yüklemeye yapıldıktan sonra doldurma cihazından uzaklaştırılması gerekir.

Akünün 30 günden daha fazla depolanması halinde:

Aküyü takriben 27°C'de kuru olarak depolayın.

Aküyü yüklemeye durumunun takriben % 30 - %50 olarak depolayın.

Aküyü her 6 ay yeniden doldurun.

AKÜNÜN AŞIRI YÜKLENMEYE KARŞI KORUNMASI

Pek fazla elektrik tüketiminden dolayı, örneğin aşırı fazla devir momentleri, aniden durma veya kısa devre gibi aküye aşırı yüklenme durumunda elektro cihazı 5 saniye titreşir, yüklemeye göstergesi yanıp söner ve elektro cihaz kendiliğinden durur. Yeniden çalıştırmak için şalter basısını serbest bırakın ve bundan sonra tekrar çalıştırın. Akü aşırı yüklenmeden dolayı fazla ısınır. Bu durumda akü soğuyana kadar yüklemeye göstergesinin bütün lambaları yanıp söner. Gösterge lambalarının sönmelerinden sonra tekrar çalışmaya devam edilebilir.

LİTYUM İYON PİLLERİN TAŞINMASI

Lityum iyon piller tehlikeli madde taşımacılığı hakkındaki yasal hükümler tabidir.

Bu piller, bölgesel, ulusal ve uluslararası yönetmeliklere ve hükümlere uyularak taşınmak zorundadır.

- Tüketiciler bu pilleri herhangi bir özel şart aranmaksızın karayoluyla taşıyabilirler.
- Lityum iyon pillerin nakliye şirketleri tarafından ticari taşımacılığı için tehlikeli madde taşımacılığının hükümleri geçerlidir. Sevk hazırlığı ve taşıma sadece ilgili eğitimi görmüş personel tarafından gerçekleştirilebilir. Bütün süreç uzmanca bir refakatçilik altında gerçekleştirilmek zorundadır.

Pillerin taşınması sırasında aşağıdaki hususlara dikkat edilmesi gerekmektedir:

- Kısa devre oluşmasını önlemek için kontakların korunmuş ve izole edilmiş olmasını sağlayınız.
- Pili paketinin ambalajı içinde kaymamasına dikkat ediniz.
- Hasarlı veya akmış pillerin taşınması yasaktır.

Ayrıca bilgiler için nakliye şirketinize başvurunuz.

BAKIM

Sadece Milwaukee aksesuarı ve yedek parçası kullanın. Nasıl değiştirileceği açıklanmamış olan yapı parçalarını bir Milwaukee müşteri servisinde değiştirin (Garanti ve servis adresi broşürüne dikkat edin).

Gerektiğinde cihazın ayrıntılı çizimini, güç levhası üzerindeki makine modelini ve altı haneli rakamı belirterek müşteri servisinden veya doğrudan Techtronic Industries GmbH, Max-Eyth-Straße 10, 71364 Winnenden, Germany adresinden isteyebilirsiniz.

SEMBOLLER



DİKKAT! UYARI! TEHLİKE!



Aletin kendinde bir çalışma yapmadan önce kartuş aküyü çıkarın.



Lütfen aleti çalıştırmadan önce kullanma kılavuzunu dikkatli biçimde okuyun.



Elektrikli cihazların evsel atıklarla birlikte bertaraf edilmesi yasaktır. Elektrikli ve elektronik cihazlar ayrılarak biriktirilmeli ve çevreye zarar vermeden bertaraf edilmeleri için bir atık değerlendirme tesisine götürülmelidirler. Yerel makamlara veya satıcınıza geri dönüşüm tesisleri ve atık toplama merkezlerinin yerlerini danışınız.



CE işareti



Ulusal uygunluk işareti Ukrayna



EurAsian Uyumluluk işareti

TECHNICKÁ DATA	AKU VRTACÍ ŠROUBOVÁKY	C 12 RAD
Výrobní číslo.....	4311 93 02...000001-999999
Vrtací ø v dřevě.....	25 mm	
Vruty do dřeva (bez předvrtání).....	6,5 mm	
Počet otáček při běhu naprázdno.....	0-800 min ⁻¹	
Kroučící moment max (Li-Ion Akumulátory 1,5 Ah) *1.....	12 Nm	
Kroučící moment max (Li-Ion Akumulátory 3,0 Ah) *1.....	15 Nm	
Napětí výměnného akumulátoru.....	12 V	
Rozsah upnutí sklíčidla.....	1,0-10 mm	
Hmotnost podle prováděcího předpisu EPTA 01/2003		
s výměnným akumulátorem 1,5 Ah.....	1,1 kg	
s výměnným akumulátorem 3,0 Ah.....	1,3 kg	

Informace o hluku / vibracích

Naměřené hodnoty odpovídají EN 60 745.

V třídě A posuzovaná hladina hluku přístroje činí typicky:

Hladina akustického tlaku (Kolísavost K=3dB(A))..... 64,5 dB (A)

Hladina akustického výkonu (Kolísavost K=3dB(A))..... 75,5 dB (A)

Používejte chrániče sluchu !

Celkové hodnoty vibrací (vektorový součet tří směrů) zjištěné ve smyslu EN 60745.

Hodnota vibračních emisí a_h

Vrtání kovů..... < 2,5 m/s²

Kolísavost K=..... 1,5 m/s²

Šroubování..... < 2,5 m/s²

Kolísavost K=..... 1,5 m/s²

VAROVÁNÍ

Úroveň chvění uvedená v tomto návodu byla naměřena podle metody měření stanovené normou EN 60745 a může být použita pro porovnání elektrického nářadí. Hodí se také pro průběžný odhad zatížení chvěním.

Uvedená úroveň chvění představuje hlavní účely použití elektrického nářadí. Jestliže se ale elektrické nářadí používá pro jiné účely, s odlišnými nástroji nebo s nedostatečnou údržbou, může se úroveň chvění odlišovat. To může značně zvýšit zatížení chvěním během celé pracovní doby.

Pro přesný odhad zatížení chvěním se musí také zohlednit časy, během kterých je přístroj vypnutý nebo kdy je sice v chodu, ale skutečně se s ním nepracuje. To může zatížení chvěním během celé pracovní doby značně snížit.

Stanovte doplňková bezpečnostní opatření pro ochranu obsluhy před účinky chvění jako například: technická údržba elektrického nářadí a nástrojů, udržování teploty rukou, organizace pracovních procesů.

⚠ UPOZORNĚNÍ! Přečtěte si všechny bezpečnostní pokyny a návody. Zanedbání při dodržování varovných upozornění a pokynů mohou mít za následek úder elektrickým proudem, požár a/nebo těžká poranění.

Všechna varovná upozornění a pokyny do budoucna uschovejte.

⚠ BEZPEČNOSTNÍ POKYNY PRO PRÁCI S VRTAČKOU

Při provádění prací, při kterých nástroj může narazit na skryta elektrická vedení, držte přístroj za izolované přídržovací plošky. Kontakt s vedením pod napětím přivádí napětí i na kovové díly stroje a vede k elektrickému úderu.

⚠ BEZPEČNOSTNÍ POKYNY PRO PRÁCI SE ŠROUBÁKEM

Přístroj držte za izolované plochy, pokud provádíte práce, při kterých může šroub zasáhnout skrytá elektrická vedení. Kontakt šroubu s vedením pod napětím může přivést napětí na kovové části přístroje a způsobit elektrický ráz.

DALŠÍ BEZPEČNOSTNÍ A PRACOVNÍ POKYNY

Použijte ochranné vybavení. Při práci s elektrickým nářadím používejte vždy ochranné brýle. Doporučujeme rovněž použití součástí ochranného oděvu a ochranné obuvi, jako protiprašné masky, ochranných rukavic, pevné a neklouzající obuvi, ochranné přilby a ochrany sluchu.

Prach vznikající při práci s tímto nářadím může být zdraví škodlivý. Proto by neměl přijít do styku s tělem. Používejte při práci vhodnou ochranou masku.

Nesmíte se opravovat materiály, které mohou způsobit ohrožení zdraví (např. azbest)

Při zablokování nasazeného nástroje přístroj okamžitě vypněte! Přístroj nezapínajte, pokud je nasazený nástroj zablokovaný; mohl by při tom vzniknout zpětný náraz s vysokým reakčním momentem. Zjistěte příčinu zablokování nasazeného nástroje a odstraňte ji při dodržení bezpečnostních pokynů.

Možnými příčinami mohou být:

- vzpříčení v opracovávaném obrobku
- přelomení opracovávaného materiálu
- přetížení elektrického přístroje

Nezasahujte do běžícího stroje.

Nasazený nástroj se může během používání rozpálit.

VAROVÁNÍ! Nebezpečí popálení.

- při výměně nástroje
- při odkládání přístroje

Pokud stroj běží, nesmí být odstraňovány třísky nebo odštěpky.

Při vrtání do zdi, stropu nebo podlahy dávat pozor na elektrické kabely, plynová a vodovodní potrubí.

Obrobek zabezpečte upínacím zařízením. Nezabezpečené obrobky mohou způsobit těžká poranění a poškození.

Před zahájením veškerých prací na vrtacím šroubováku vyjmout výměnný akumulátor.

Použitý nevyhazujte do domovního odpadu nebo do ohně.

Milwaukee nabízí ekologickou likvidaci starých článků, ptejte se u vašeho obchodníka s nářadím.

Náhradní akumulátor neskladujte s kovovými předměty, nebezpečí zkratu.

Akumulátor systému C 12 nabíjejte pouze nabíječkou systému C 12. Nenabíjejte akumulátory jiných systémů.

Náhradní akumulátory ani nabíječku neotvírejte, skladujte je v suchu, chráňte před vlhkem.

Při extrémní zátěži či vysoké teplotě může z akumulátoru vytékat kapalina. Při zasažení touto kapalinou okamžitě zasažená místa omyjte vodou a mýdlem. Při zasažení očí okamžitě důkladně po dobu alespoň 10min. omývat a neodkladně vyhledat lékaře.

OBLAST VYUŽITÍ

Akumulátorový vrtací šroubovák je univerzálně použitelný pro vrtání a šroubování nezávisle na elektrické síti.

Toto zařízení lze používat jen pro uvedený účel.

CE-PROHLÁŠENÍ O SHODĚ

Výhradně na vlastní zodpovědnost prohlašujeme, že se výrobek popsany v "Technických údajích" shoduje se všemi relevantními předpisy směrnice 2011/65/EU (RoHS), 2014/30/ES, 2006/42/ES a s následujícími harmonizovanými normativními dokumenty:

EN 60745-1:2009 + A11:2010

EN 60745-2-1:2010

EN 60745-2-2:2010

EN 55014-1:2006 + A1:2009 + A2:2011

EN 55014-2:1997 + A1:2001 + A2:2008

EN 50581:2012

Winnenden, 2016-03-29



Alexander Krug
Managing Director



Zplnomocněn k sestavování technických podkladů.

Techtronic Industries GmbH

Max-Eyth-Straße 10

71364 Winnenden

Germany

AKUMULÁTORY

Déle nepoužívané akumulátory je nutné před použitím znovu nabít.

Teplota přes 50°C snižuje výkon akumulátoru. Chraňte před dlouhým přehříváním na slunci či u topení.

Kontakty nabíječky a akumulátoru udržujte v čistotě.

Optimální životnost akumulátorů se zajistí, když se po použití vždy plně nabijí.

K zabezpečení dlouhé životnosti by se akumulátory měly po nabití vyjmout z nabíječky.

Při skladování akumulátoru po dobu delší než 30 dní:

Skladujte akumulátor v suchu při cca 27°C.

Skladujte akumulátor při cca 30%-50% nabíjecí kapacity.

Opakujte nabíjení akumulátoru každých 6 měsíců.

OCHRANA PROTI PŘETÍŽENÍ AKUMULÁTORU

Při přetížení akumulátoru přilíží vysokou spotřebou proudu, například při extrémně vysokém kroučícím momentu, začne elektrické nářadí po dobu 5 sekund vibrovat, indikátor dobíjení začne blikat a motor se následně samočinně vypne.

K opětnému zapnutí uvolněte a následně opět stiskněte tlačítkový vypínač.

Při extrémním zatížení dochází k příliš vysokému ohřevu akumulátoru.

V tomto případě začnou blikat všechny kontrolky indikátoru dobíjení a blikají tak dlouho, dokud se akumulátor opět neochladí.

V okamžiku, kdy indikátor dobíjení přestane blikat, je možné v práci opět pokračovat.

PŘEPRAVA LITHIUM-IONTOVÝCH BATERIÍ

Lithium-iontové baterie spadají podle zákonných ustanovení pod přepravu nebezpečného nákladu.

Přeprava těchto baterií se musí realizovat s dodržováním lokálních, vnitrostátních a mezinárodních předpisů a ustanovení.

- Spotřebitelé mohou tyto baterie bez problémů přepravovat po komunikacích.
- Komerční přeprava lithium-iontových baterií prostřednictvím přepravních firem podléhá ustanovením o přepravě nebezpečného nákladu. Přípravu k vyexpedování a samotnou přepravu směji vykonávat jen příslušně vyškolené osoby. Na celý proces se musí odborně dohlížet.

Při přepravě baterií je třeba dodržovat následující:

- Zajistěte, aby kontakty byly chráněné a izolované, aby se zamezilo zkratům.
- Dávejte pozor na to, aby se svazek baterií v rámci balení nemohl sesmeknout.
- Poškozené a vyteklé baterie se nesmějí přepravovat.

Ohledně dalších informací se obraťte na vaši přepravní firmu.

ÚDRŽBA

Používat výhradně příslušenství Milwaukee a náhradní díly Milwaukee. Díly jejichž výměny nebyla popsána, nechte vyměnit v autorizovaném servisu (viz. "Záruky / Seznam servisních míst")

V případě potřeby si můžete v servisním centru pro zákazníky nebo přímo od firmy Techtronic Industries GmbH, Max-Eyth-Straße 10, 71364 Winnenden, Německo vyžádat schematický náčrt jednotlivých dílů přístroje, když uvedete typ přístroje a šestimístní číslo na výkonovém štítku.

SYMBOLY



POZOR! VAROVÁNÍ! NEBEZPEČÍ!



Před zahájením veškerých prací na vrtacím šroubováku vyjmout výměnný akumulátor.



Před spuštěním stroje si pečlivě přečtěte návod k používání.



Elektrické přístroje se nesmí likvidovat společně s odpadem z domácnosti.

Elektrické a elektronické přístroje je třeba sbírat odděleně a odevzdat je v recyklačním podniku na ekologickou likvidaci.

Na místních úřadech nebo u vašeho specializovaného prodejce se informujte na recyklační podniky a sběrné dvory.



Značka CE



Národní znak shody Ukrajiny

TR 066



Euroasijská značka shody

TECHNICKÉ ÚDAJE	AKUMULÁTOROVÁ VRTAČKA A ÚTAHOVAČKA	C 12 RAD
Výrobné číslo.....	4311 93 02...	..000001-999999
Priemer vrtu do dreva	25 mm	
Skrutkovanie do dreva (bez predvrtu)	6,5 mm	
Otáčky naprázdno	0-800 min ⁻¹	
Točivý moment max (Li-Ion Akumulátor 1,5 Ah) *1	12 Nm	
Točivý moment max (Li-Ion Akumulátor 3,0 Ah) *1	15 Nm	
Napätie výmenného akumulátora.....	12 V	
Upínací rozsah skľučovadla	1,0-10 mm	
Hmotnosť podľa vykonávacieho predpisu EPTA 01/2003		
s výmenným akumulátorom 1,5 Ah	1,1 kg	
s výmenným akumulátorom 3,0 Ah	1,3 kg	

Informácia o hluku / vibráciách

Namerané hodnoty určené v súlade s EN 60 745.

V triede A posudzovaná hladina hluku prístroja činí typicky:

Hladina akustického tlaku (Kolisavosť K=3dB(A))..... 64,5 dB (A)

Hladina akustického výkonu (Kolisavosť K=3dB(A))..... 75,5 dB (A)

Používajte ochranu sluchu!

Celkové hodnoty vibrácií (vektorový súčet troch smerov) zistené v zmysle EN 60745.

Hodnota vibračných emisií a_h

Vrtanie kovov..... < 2,5 m/s²

Kolisavosť K=..... 1,5 m/s²

Skrutkovanie..... < 2,5 m/s²

Kolisavosť K=..... 1,5 m/s²

POZOR

Úroveň vibrácií uvedená v týchto pokynoch bola nameraná meracou metódou, ktorú stanovuje norma EN 60745 a je možné ju použiť na vzájomné porovnanie elektrického náradia. Hodí sa aj na predbežné posúdenie kmitavého namáhania.

Uvedená úroveň vibrácií reprezentuje hlavné aplikácie elektrického náradia. Ak sa však elektrické náradie používa pre iné aplikácie, s odlišnými vloženími nástrojmi alebo s nedostatočnou údržbou, môže sa úroveň vibrácií líšiť. Toto môže kmitavé namáhanie v priebehu celej pracovnej doby podstatne zvýšiť.

Pre presný odhad kmitavého namáhania by sa mali tiež zohľadniť doby, v ktorých je náradie vypnuté alebo je sice v chode, ale v skutočnosti sa nepoužíva. Toto môže kmitavé namáhanie v priebehu celej pracovnej doby zreteľne redukovať.

Stanovte dodatočné bezpečnostné opatrenia pre ochranu obsluhy pred účinkami vibrácií, ako napríklad: údržba elektrického náradia a vložných nástrojov, udržiavanie teploty rúk, organizácia pracovných postupov.

⚠ UPOZORNENIE! Prečítajte si všetky bezpečnostné pokyny a návody. Zanedbanie dodržiavania Výstražných upozornení a pokynov uvedených v nasledujúcom texte môže mať za následok zásah elektrickým prúdom, spôsobiť požiar a/alebo ťažké poranenie.

Tieto Výstražné upozornenia a bezpečnostné pokyny starostlivo uschovajte na budúce použitie.

⚠ BEZPEČNOSTNÉ POKYNY PRE PRÁCU S VRTAČKOU

Pri realizovaní prác, pri ktorých nástroj môže naraziť na skryté elektrické vedenia, držte prístroj za izolované pridržovacie plošky. Kontakt s vedením, ktoré je pod napätím, spôsobí, že aj kovové súčasťky náradia sa dostanú pod napätie, čo má za následok zásah elektrickým prúdom.

⚠ BEZPEČNOSTNÉ POKYNY PRE PRÁCU SO SKRUTKOVACOM

Kadar izvajate dela pri katerih lahko sveder zadane v prikríte električne vode, držite napravo za izolirane prijemalne površine. Stik svedra z električnim vodnikom lahko kovinske deli naprave spraví pod napetost v vodi do električnega udara.

ĎALŠIE BEZPEČNOSTNÉ A PRACOVNÉ POKYNY

Použite ochranné vybavenie. Pri práci s elektrickým náradím používajte vždy ochranné okuliare. Doporučujeme taktiež použitie súčastí ochranného odevu a ochrannej obuvi, ako sú protiprašná maska, ochranné rukavice, pevná a nekľzajúca obuv, ochranná prilba a ochrana sluchu.

Prach vznikajúci pri práci môže byť škodlivý zdraviu. Pri práci nosť vhodnú ochrannú masku, aby sa nedostal do ľudského organizmu.

Nesmú sa opracovávať materiály, ktoré môžu spôsobiť ohrozenie zdravia (napr. azbest)

Pri zablokovaní nasadeného nástroja prístroj okamžite vypnite! Prístroj nezapínajte, pokiaľ je nasadený nástroj zablokovaný; mohol by pri tom vzniknúť spätný náraz s vysokým reakčným momentom. Príčinu zablokovania nasadeného nástroja zistíte a odstránite so zohľadnením bezpečnostných pokynov.

Možnými príčinami môžu byť:

- spriechenenie v opracovávanom obrobku
- prelomenie opracovávaného materiálu
- preťaženie elektrického prístroja

Nezasahujte do bežiacieho stroja.

Nasadený nástroj sa počas používania môže rozhorúčiť.

POZOR! Nebezpečenstvo popálenia

- pri výmene nástroja
- pri odkladaní prístroja

Triesky alebo úlomky sa nesmú odstraňovať za chodu stroja.

Pri práci v stene, strope alebo v podlahe dávajte pozor na elektrické káble, plynové a vodovodné potrubia.

Obrobok zabezpečte upínacím zariadením. Nezabezpečené obrobky môžu spôsobiť ťažké poranenia a poškodenia.

Pred každou prácou na stroji výmenný akumulátor vytiahnuť.

Opatrované výmenné akumulátory nezahadzujte do ohňa alebo medzi domový odpad. Milwaukee ponúka likvidáciu starých

výmenných akumulátorov, ktorá je v súlade s ochranou životného prostredia; informujte sa u Vášho predajcu.

Výmenné akumulátory neskladovať spolu s kovovými predmetmi (nebezpečenstvo skratu).

Výmenné akumulátory systému C 12 nabíjajú len nabíjacími zariadeniami systému C 12. Akumulátory iných systémov týmto zariadením nenabíjajú.

Výmenné akumulátory a nabíjacie zariadenia neotvárajú a skladovať len v suchých priestoroch. Chrániť pred vlhkosťou.

Pri extrémnych záťažach alebo extrémnych teplotách môže dôjsť k vytekaniu batériovej tekutiny z poškodeného výmenného akumulátora. Ak dôjde ku kontaktu pokožky s roztokom, postihnute miesto umyť vodou a mydlom. Ak sa roztok dostane do očí, okamžite ich dôkladne vypláchnuť po dobu min. 10 min a bezodkladne vyhľadať lekára.

POUŽITIE PODĽA PREDPISOV

AKU-vrtací skrutkovač je univerzálne použiteľný na vrtanie a skrutkovanie nezávisle od sieťovej prípojky.

Tento prístroj sa smie používať len v súlade s uvedenými predpismi.

CE - VYHLÁSENIE KONFORMITY

Výhradne na vlastnú zodpovednosť vyhlasujeme, že výrobok popísaný v "Technických údajoch" sa zhoduje so všetkými relevantnými predpismi smernice 2011/65/EU (RoHS), 2014/30/EU, 2006/42/EC a nasledujúcimi harmonizujúcimi normatívnymi dokumentmi:

EN 60745-1:2009 + A11:2010

EN 60745-2-1:2010

EN 60745-2-2:2010

EN 55014-1-2:2006 + A1:2009 + A2:2011

EN 55014-2-1:1997 + A1:2001 + A2:2008

EN 50581:2012

Winnenden, 2016-03-29



Alexander Krug
Managing Director



Splnomocnený zostaviť technické podklady.

Techtronic Industries GmbH
Max-Eyth-Straße 10
71364 Winnenden
Germany

AKUMULÁTORY

Dlhší čas nepoužívané výmenné akumulátory pred použitím dobiť.

Teplota vyššia ako 50°C znižuje výkon výmenného akumulátora. Zabráňte dlhšiemu ohriatiu slnkom alebo kúrením.

Prípadné kontakty na nabíjacom zariadení a výmennom akumulátore udržiavať čisté.

K zachovaniu optimálnej životnosti sa batérie musejú po použití vždy úplne dobiť.

K zabezpečeniu dlhej životnosti by sa akumulátory mali po nabití vybrať z nabíjačky.

Pri skladovaní akumulátora po dobu dlhšiu než 30 dní:

Skladujte akumulátor v suchu pri cca 27°C.

Skladujte akumulátor pri cca 30%-50% nabíjacej kapacity.

Opakujte nabíjanie akumulátora každých 6 mesiacov.

OCHRANA PROTI PREŤAŽENIU AKUMULÁTORA

Pri preťažení akumulátora príliš vysokou spotrebou prúdu, napríklad pri extrémne vysokom krútiacom momente, začne elektrické náradie po dobu 5 sekúnd vibrovať, indikátor dobíjania začne blikať a motor sa následne samočinne vypne. K opätovnému zapnutiu uvoľníte a následne opäť stlačíte tlačidlový vypínač.

Pri extrémnom zaťažení dochádza k príliš vysokému ohrevu akumulátora. V tomto prípade začnú blikať všetky kontrolky

indikátora dobíjania a blikajú tak dlho, dokiaľ sa akumulátor opäť neochladí.

V okamihu, keď indikátor dobíjania prestane blikať, je možné v práci opäť pokračovať.

PREPRAVA LÍTOVO-IÓNOVÝCH BATÉRIÍ

Lítovo-iónové batérie podľa zákonných ustanovení spadajú pod prepravu nebezpečného nákladu.

Preprava týchto batérií sa musí realizovať s dodržiavaním lokálnych, vnútroštátnych a medzinárodných predpisov a ustanovení.

- Spotrebiteľia môžu tieto batérie bez problémov prepravovať po cestách.
- Komerčná preprava lítovo-iónových batérií prostredníctvom špedičných firiem podlieha ustanoveniam o preprave nebezpečného nákladu. Prípravu k vyexpedovaniu a samotnú prepravu smú vykonávať iba adekvátne vyškolené osoby. Na celý proces sa musí odborné dohliadať.

Pri preprave batérií treba dodržiavať nasledovné:

- Zabezpečte, aby boli kontakty chránené a izolované, aby sa zamedžilo skratom.
- Dávajte pozor na to, aby sa zväzok batérií v rámci balenia nemohol zošmyknúť.
- Poškodené a vytečené batérie sa nesmú prepravovať.

Kvôli ďalším informáciám sa obráťte na vašu špedičnú firmu.

ÚDRZBA

Používať len Milwaukee príslušenstvo a Milwaukee náhradné diely. Súčasťou bez návodu na výmenu treba dať vymeniť v jednom z Milwaukee zákaznických centier (viď brožúru Záruka/Adresy zákaznických centier).

V prípade potreby si môžete v servisnom centre pre zákazníkov alebo priamo od firmy Techtronic Industries GmbH, Max-Eyth-Straße 10, 71364 Winnenden, Nemecko, vyžiadať schematický náčrt jednotlivých dielov prístroja pri uvedení typu prístroja a šesťmiestneho čísla na výkonovom štítku.

SYMBOLY



POZOR! NEBEZPEČENSTVO!



Pred každou prácou na stroji výmenný akumulátor vytiahnuť.



Pred prvým použitím prístroja si pozorne prečítajte návod na obsluhu.



Elektrické prístroje sa nesmú likvidovať spolu s odpadom z domácností. Elektrické a elektronické prístroje treba zbierať oddelene a odovzdať ich v recyklačnom podniku na ekologickú likvidáciu. Na miestnych úradoch alebo u vášho špecializovaného predajcu sa spýtajte na recyklačné podniky a zberné dvory.



Značka CE



Národný znak zhody Ukrajiny



Euroázijská značka zhody

DANE TECHNICZNE	WIERTARKA/WKRĘTARKA AKUMULATOROWA	C 12 RAD
Numer produkcyjny.....	4311 93 02... ...000001-999999	
Zdolność wiercenia w drewnie.....	25 mm	
Wkręty do drewna (bez nawiercania wstępnego).....	6,5 mm	
Prędkość bez obciążenia.....	0-800 min ⁻¹	
Moment obrotowy maks (Li-Ion Akumulator 1,5 Ah) *1.....	12 Nm	
Moment obrotowy maks (Li-Ion Akumulator 3,0 Ah) *1.....	15 Nm	
Napięcie baterii akumulatorowej.....	12 V	
Zakres otwarcia uchwyty wiertarskiego.....	1,0-10 mm	
Ciężar wg procedury EPTA 01/2003		
z baterią akumulatorową 1,5 Ah.....	1,1 kg	
z baterią akumulatorową 3,0 Ah.....	1,3 kg	

Informacja dotycząca szumów/wibracji

Zmierzone wartości wyznaczone zgodnie z normą EN 60 745.

Poziom szumów urządzenia oszacowany jako A wynosi typowo:

Poziom ciśnienia akustycznego (Niepewność K=3dB(A)).....

Poziom mocy akustycznej (Niepewność K=3dB(A))..... 64,5 dB (A)

Należy używać ochraniaczy uszu!..... 75,5 dB (A)

Wartości łączne drgań (suma wektorowa trzech kierunków)

wyznaczone zgodnie z normą EN 60745

Wartość emisji drgań a_h

Wiercenie w metalu.....

Niepewność K=..... < 2,5 m/s²

Przykręcanie..... 1,5 m/s²

Niepewność K=..... < 2,5 m/s²

..... 1,5 m/s²

OSTRZEŻENIE

Podany w niniejszych instrukcjach poziom drgań został zmierzony za pomocą metody pomiarowej zgodnej z normą EN 60745 i może być użyty do porównania ze sobą elektronarzędzi. Nadaje się on również do tymczasowej oceny obciążenia wibracyjnego.

Podany poziom drgań reprezentuje główne zastosowania elektronarzędzia. Jeśli jednakże elektronarzędzie użyte zostanie do innych celów z innym narzędziami roboczymi lub nie jest dostatecznie konserwowane, wtedy poziom drgań może wykazywać odchylenia. Może to wyraźnie zwiększyć obciążenie wibracjami przez cały okres pracy.

Dla dokładnego określenia obciążenia wibracjami należy uwzględnić również czasy, w których urządzenie jest wyłączone względnie jest włączone, lecz w rzeczywistości nie pracuje. Może to spowodować wyraźną redukcję obciążenia wibracyjnego w całym okresie pracy.

Należy wprowadzić dodatkowe środki zapobiegawcze celem ochrony obsługującego przed oddziaływaniem drgań, jak na przykład: konserwacja narzędzi roboczych i elektronarzędzi, nagrzanie rąk, organizacja przebiegu pracy.

⚠ OSTRZEŻENIE! Należy przeczytać wszystkie wskazówki dotyczące bezpieczeństwa i instrukcje. Błędy w przestrzeganiu poniższych wskazówek mogą spowodować porażenie prądem, pożar i/ lub ciężkie obrażenia ciała.

Należy starannie przechowywać wszystkie przepisy i wskazówki bezpieczeństwa dla dalszego zastosowania.

⚠ WSKAZÓWKI BEZPIECZEŃSTWA DLA WIERTAREK

Trzymaj urządzenie za izolowane powierzchnie chwytne gdy wykonujesz roboty, w trakcie których narzędzie skrawające może natrafić na ukryte przewody prądowe. Kontakt z przewodami pod napięciem wprowadza również metalowe części urządzenia pod napięcie i prowadzi do porażenia prądem.

⚠ WSKAZÓWKI BEZPIECZEŃSTWA DLA WKRĘTAREK

Trzymaj urządzenie za izolowane powierzchnie chwytowe, gdy wykonujesz roboty, w trakcie których śruba może natrafić na ukryte przewody prądowe. Kontakt z przewodami pod napięciem może spowodować podłączenie części metalowych urządzenia do napięcia i prowadzić do porażenia prądem elektrycznym.

DODATKOWE WSKAZÓWKI BEZPIECZEŃSTWA I INSTRUKCJE ROBOCZE

Stosować wyposażenie ochronne. Przy pracy maszyną zawsze nosić okulary ochronne. Zalecana jest odzież ochronna, jak maska pyłochronna, rękawice ochronne, mocne i chroniące przed poślizgiem obuwie, kask i ochronniki słuchu.

Kurz powstający przy pracy z tym elektronarzędziem może być szkodliwy dla zdrowia, w związku z tym nie powinien dotrzeć do ciała. Nosić odpowiednią maskę przeciwpyłową.

Nie wolno obrabiać materiałów, które mogą być przyczyną zagrożenia zdrowia (na przykład azbestu).

W przypadku zablokowania narzędzia nasazanego należy natychmiast wyłączyć urządzenie! Nie należy ponownie włączyć urządzenia tak długo, jak długo narzędzie nasadzone jest zablokowane; przy tym mógłby powstać odrzut zwrotny o dużym momencie reakcyjnym. Należy wykręcić i usunąć przyczynę zablokowania narzędzia nasazanego uwzględniając wskazówki dotyczące bezpieczeństwa.

Możliwymi przyczynami tego mogą być:

- Skośne ustawienie się w poddawany obróbcie przedmiocie obrabianym
- Przerwanie materiału poddawanego obróbcie
- Przeciążenie narzędzia elektrycznego

Nie należy sięgać do wnętrza maszyny będącej w ruchu.

Narzędzie nasadzone może w trakcie użytkowania stać się gorące.

OSTRZEŻENIE! Niebezpieczeństwo oparzenia się

- przy wymianie narzędzia
- przy odstawianiu urządzenia

Podczas pracy elektronarzędzia nie wolno usuwać trocin ani drzazg.

Podczas pracy przy ścianach, sufitach i podłodze należy uważać na kable elektryczne, przewody gazowe i wodociągowe.

Należy zabezpieczyć przedmiot poddawany obróbcie za pomocą urządzenia mocującego. Niezabezpieczone przedmioty poddawane obróbcie mogą spowodować ciężkie obrażenia ciała i uszkodzenia.

Przed przystąpieniem do jakiegokolwiek prac na elektronarzędziu należy wyjąć wkładkę akumulatorową.

Zużytych akumulatorów nie wolno wrzucać do ognia ani traktować jako odpadów domowych. Milwaukee oferuje ekologiczną utylizację zużytych akumulatorów.

Nie przechowywać akumulatorów wraz z przedmiotami metalowymi (niebezpieczeństwo zwarcia).

Akumulatory Systemu C 12 należy ładować wyłącznie przy pomocy ładowarek Systemu C 12. Nie ładować przy pomocy tych ładowarek akumulatorów innych systemów.

Nie otwierać wkładek akumulatorowych i ładowarek. Przechowywać w suchych pomieszczeniach. Chronić przed wilgocią.

W skrajnych warunkach temperaturowych lub przy bardzo dużym obciążeniu może dochodzić do wycieku kwasu akumulatorowego z uszkodzonych baterii akumulatorowych. W przypadku kontaktu z kwasem akumulatorowym należy natychmiast przemyć miejsce kontaktem wodą z mydłem. W przypadku kontaktu z oczami należy dokładnie przepłukać oczy przynajmniej przez 10 minut i zwrócić się natychmiast o pomoc medyczną.

WARUNKI UŻYTKOWANIA

Uniwersalna wiertarko- wkrętarka akumulatorowa przeznaczona jest do wiercenia i wkręcania z dala od źródła zasilania sieciowego.

Produkt można użytkować wyłącznie zgodnie z jego normalnym przeznaczeniem.

DEKLARACJA ZGODNOŚCI CE

Oświadczamy na naszą wyłączną odpowiedzialność, że produkt opisany w punkcie "Dane techniczne" jest zgodny ze wszystkimi istotnymi przepisami Dyrektywy 2011/65/EU (RoHS), 2014/30/UE, 2006/42/WE oraz z następującymi zharmonizowanymi dokumentami normatywnymi:

EN 60745-1:2009 + A11:2010

EN 60745-2-1:2010

EN 60745-2-2:2010

EN 55014-1:2006 + A1:2009 + A2:2011

EN 55014-2:1997 + A1:2001 + A2:2008

EN 50581:2012

Winnenden, 2016-03-29



Alexander Krug
Managing Director



Upelnomocniony do zestawienia danych technicznych

Technronic Industries GmbH

Max-Eyth-Straße 10

71364 Winnenden

Germany

BATERIE AKUMULATOROWE

Akumulatory, które nie były przez dłuższy czas użytkowane, należy przed użyciem naładować.

W temperaturze powyżej 50°C następuje spadek osiągniętych wkładki akumulatorowej. Unikaj długotrwałego wystawienia na oddziaływanie ciepła lub promieni słonecznych (niebezpieczeństwo przegrzania).

Styki ładowarek i wkładek akumulatorowych należy utrzymywać w czystości

W celu zagwarantowania optymalnej żywotności należy po zakończonej eksploatacji naładować akumulatory do pełna.

Dla zapewnienia możliwie długiej żywotności akumulatory należy wyjąć z ładowarki po ich naładowaniu.

W przypadku składowania akumulatorów dłużej niż 30 dni:

Przechowywać je w suchym miejscu w temperaturze ok. 27°C.

Przechowywać je w stanie naładowanym do ok. 30% - 50%.

Ładować je ponownie co 6 miesięcy.

ZABEZPIECZENIE PRZECIĄŻENIOWE AKUMULATORA

W przypadku przeciążenia akumulatora przez bardzo duży pobór prądu, na przykład wskutek ekstremalnie dużych momentów obrotowych, narzędzie ręczne z napędem elektrycznym wibruje przez 5 sekund, miga wskaźnika ładowania i narzędzie samoczynnie wyłącza się.

W celu ponownego włączenia narzędzia należy zwolnić przycisk przełączający, a następnie ponownie go włączyć. Przy ekstremalnych obciążeniach akumulator nagrzewa się za mocno. W takim przypadku wszystkie lampki wskaźnika ładowania migają tak długo, aż akumulator ochłodzi się. Po zgaśnięciu wskaźnika ładowania można kontynuować pracę.

TRANSPORT AKUMULATORÓW LITOWO-JONOWYCH

Akumulatory litowo-jonowe podlegają ustawowym przepisom dotyczącym transportu towarów niebezpiecznych.

Transport tych akumulatorów winien odbywać się przy przestrzeganiu lokalnych, krajowych i międzynarodowych rozporządzeń i przepisów.

- Odbiorcom nie wolno transportować tych akumulatorów po drogach ot tak po prostu.
- Komercyjny transport akumulatorów litowo-jonowych przez przedsiębiorstwa spedycyjne podlega przepisom dotyczącym transportu towarów niebezpiecznych. Przygotowania do wysyłki oraz transport mogą być wykonywane wyłącznie przez odpowiednio przeszkolone osoby. Cały proces winien odbywać się pod fachowym nadzorem.

W czasie transportu akumulatorów należy przestrzegać następujących punktów:

- Celem uniknięcia zwarcień należy upewnić się, że zestyki są zabezpieczone i zaizolowane.
- Zwracać uwagę na to, aby zespół akumulatorów nie mógł się przemieszczać we wnętrzu opakowania.
- Nie wolno transportować akumulatorów uszkodzonych lub z wyciekającym z elektrolitem.

Odnosnie dalszych wskazówek należy zwrócić się do swojego przedsiębiorstwa spedycyjnego.

UTRZYMANIE I KONSERWACJA

Używać tylko i wyłącznie wyposażenia dodatkowego Milwaukee i części zamiennych Milwaukee. Gdyby trzeba było wymienić części, które nie zostały opisane, należy skontaktować się z przedstawicielem serwisu Milwaukee (patrz wykaz adresów punktów usługowych/gwarancyjnych).

W razie potrzeby można zamówić rysunek urządzenia w rozłożeniu na części podając typ maszyny oraz sześciopozycyjny numer na tabliczce znamionowej w Punkcie Obsługi Klienta lub bezpośrednio w firmie Technronic Industries GmbH, Max-Eyth-Straße 10, 71364 Winnenden, Germany.

SYMBOLY



UWAGA! OSTRZEŻENIE
NIEBEZPIECZEŃSTWO!



Przed przystąpieniem do jakiegokolwiek prac na elektronarzędziu należy wyjąć wkładkę akumulatorową.



Przed uruchomieniem elektronarzędzia zapoznać się uważnie z treścią instrukcji.



Urządzenia elektryczne nie mogą być usuwane razem z odpadami pochodzącymi z gospodarstw domowych.

Urządzenia elektryczne i elektroniczne należy gromadzić oddzielnie i w celu usuwania ich do odpadów zgodnie z wymaganiami środowiska naturalnego oddawać do przedsiębiorstwa utylizacyjnego.

Proszę zasięgnąć informacji o centrach recyklingowych i punktach zbiorczych u władz lokalnych lub u wyspecjalizowanego dostawcy.



Znak CE



Krajowy znak zgodności Ukraina



Znak zgodności EurAsian

MŰSZAKI ADATOK	AKKUMULÁTOROS FŰRŐ/CSAVARBEHATÓ	C 12 RAD
Gyártási szám.....	4311 93 02... ...000001-999999	
Furat-Ø fába.....	25 mm	
Facsavar (előfűrés nélkül).....	6,5 mm	
Üresjárat fordulatszám.....	0-800 min ⁻¹	
Forgatónyomaték max (Li-Ion Akkumulátor 1,5 Ah) *1.....	12 Nm	
Forgatónyomaték max (Li-Ion Akkumulátor 3,0 Ah) *1.....	15 Nm	
Akkumulátor feszültség.....	12 V	
Befogási tartomány.....	1,0-10 mm	
Súly a 01/2003 EPTA-eljárás szerint.		
akkumulátorral 1,5 Ah.....	1,1 kg	
akkumulátorral 3,0 Ah.....	1,3 kg	

Zaj-/Vibráció-információ

A közölt értékek megfelelnek az EN 60 745 szabványnak.

A készülék munkahelyi zajszintje tipikusan:

Hangnyomás szint (K bizonytalanság=3dB(A))..... 64,5 dB (A)

Hangteljesítmény szint (K bizonytalanság=3dB(A))..... 75,5 dB (A)

Hallásvédő eszköz használata ajánlott!

Összesített rezgésértékek (három irány vektoriális összege) az EN 60745-nek megfelelően meghatározva.

a rezgésmisszió érték

Fűrés fémbe.....	< 2,5 m/s ²
K bizonytalanság.....	1,5 m/s ²
Csavarozás.....	< 2,5 m/s ²
K bizonytalanság.....	1,5 m/s ²

FIGYELMEZTETÉS

A jelen utasításokban megadott rezgésszint értéke az EN 60745-ben szabályozott mérési eljárásnak megfelelően került leírásra, és használható elektromos szerszámokkal történő összehasonlításhoz. Az érték alkalmas a rezgésterhelés előzetes megbecslésére is.

A megadott rezgésszint-érték az elektromos szerszám legfőbb alkalmazásait reprezentálja. Ha az elektromos szerszámot azonban más alkalmazásokhoz, eltérő használt szerszámokkal vagy nem elegendő karbantartással használják, a rezgésszint értéke eltérő lehet. Ez jelentősen megnövelheti a rezgésterhelést a munkavégzés teljes időtartama alatt.

A rezgésterhelés pontos megbecsléséhez azokat az időket is figyelembe kell venni, melyekben a készülék lekapcsolódik, vagy ugyan működik, azonban ténylegesen nincs használatban. Ez jelentősen csökkentheti a rezgésterhelést a munkavégzés teljes időtartama alatt.

Határozzon meg további biztonsági intézkedéseket a kezelő védelmére a rezgések hatása ellen, például: az elektromos és a használt szerszámok karbantartásával, a kezek melegen tartásával, a munkafolyamatok megszervezésével.

▲ FIGYELMEZTETÉS! Olvasson el minden biztonsági útmutatót és utasítást. A következőkben leírt előírások betartásának elmulasztása áramütésekhez, tűzhöz és/vagy súlyos testi sérülésekhez vezethet. **Kérjük a későbbi használatra gondosan őrizze meg ezeket az előírásokat.**

▲ BIZTONSÁGI ÚTMUTATÁSOK FŰRÖGÉPEKHEZ

A készüléket a szigetelt markolatfelületeket fogva tartsa, ha olyan munkálatokat végez, melyeknél a vágószerszám rejtett elektromos vezetékbe. Ha a berendezés egy feszültség alatt álló vezetékhez ér, a berendezés fémrészei szintén feszültség alá kerülhetnek és áramütéshez vezethetnek.

▲ BIZTONSÁGI ÚTMUTATÁSOK CSAVAROZÓGÉPEKHEZ

Olyan munkák végzésekor, melyeknél a csavar rejtett áramvezetéseket érhet, a szigetelt markolati felületeknél tartsa a készüléket. A csavar feszültségvezető vezetékkel érintkezve fém alkatrészeket helyezhet feszültség alá, és elektromos áramütést idézhet elő.

TOVÁBBI BIZTONSÁGI ÉS MUNKAVÉGZÉSI UTASÍTÁSOK

Használjon védőfelszerelést! Ha a gépen dolgozik, mindig hordjon védőszemüveget! Javasoljuk a védőruházat, úgymint porvédő maszk, védőcipő, erős és csúszásbiztos lábbeli, sisak és hallásvédő használatát.

A munka során keletkező por gyakran egészségre káros, ezért ne kerüljön a szervezetbe
Hordjon e célra alkalmas porvédőmaszkot.

Nem szabad olyan anyagokat megmunkálni, amelyek egészségre veszélyesek (pl. azbesztet).

A betétszerszám elakadásakor azonnal ki kell kapcsolni a készüléket! Addig ne kapcsolja vissza a készüléket, amíg a betétszerszám elakadása fennáll; ennek során nagy ellennyomatékú visszarúgás történhet. Határozza és szüntesse meg a betétszerszám elakadásának okát a biztonsági útmutatások betartása mellett.

Ennek következők lehetnek az okai:

- a szerszám elakad a megmunkálandó munkadarabban
- a megmunkálandó anyag átszakadt
- az elektromos szerszám túlterhelése

Ne nyúljon a járó géphez.

A betétszerszám az alkalmazás során felforrósodhat. **FIGYELMEZTETÉS!** Égési sérülések veszélye

- szerszámcserék
- a készülék lerakásakor

A munka közben keletkezett forgácsokat, szilánkokat, törmelékét, stb. csak a készülék teljes leállása után szabad a munkaterületről eltávolítani.

Falban, földben, aljzatban történő fűrésnél fokozottan ügyelni kell az elektromos-, víz- és gázvezetésekre.

Biztosítsa a munkadarabot befogó szerkezettel. A nem biztosított munkadarabok súlyos sérüléseket és károkat okozhatnak.

Karbantartás, javítás, tisztítás, stb. előtt az akkumulátort ki kell venni a készülékből.

A használt akkumulátort ne dobja tűzbe vagy a háztartási szemétkébe. Tájékozódjon a szakszerű megsemmisítés helyi lehetőségeiről.

Az akkumulátort ne tárolja együtt fém tárgyakkal. (Rövidzárlat veszélye).

Az "C 12" elnevezésű rendszerhez tartozó akkumulátorokat kizárólag a rendszerhez tartozó töltővel töltsse fel. Ne használjon más rendszerbe tartozó töltőt.

Az akkumulátort, töltőt nem szabad megbontani és kizárólag száraz helyen szabad tárolni. Nedvességtől óvni kell.

Akkumulátor sav folyhat a sérült akkumulátorból extrém terhelés alatt, vagy extrém hő miatt. Ha az akkumulátor sav a bőrre kerül azonnal mossa meg szappanos vízzel. Szembe kerülés esetén folyóvíz alatt tartsa a szemét minimum 10 percig és azonnal forduljon orvoshoz.

RENDELTESSZERŰ HASZNÁLAT

Az akkumulátoros fűrő-csavarozó készülék általánosan használható fűrészhöz és csavarozáshoz.

A készüléket kizárólag az alábbiakban leírtaknak megfelelően szabad használni.

CE-AZONOSSÁGI NYILATKOZAT

Egyedüli felelősséggel kijelentjük, hogy a "Műszaki Adatok" alatt leírt termék a 2011/65/EU (RoHS), 2014/30/EU, 2006/42/EK irányelvek minden releváns előírásának, ill. az alábbi harmonizált normatív dokumentumoknak megfelel:

EN 60745-1:2009 + A11:2010

EN 60745-2-1:2010

EN 60745-2-2:2010

EN 55014-1:2006 + A1:2009 + A2:2011

EN 55014-2:1997 + A1:2001 + A2:2008

EN 50581:2012

Winnenden, 2016-03-29

Alexander Krug
Managing Director



Műszaki dokumentáció összeállításra felhatalmazva

Techtronic Industries GmbH
Max-Eyth-Straße 10
71364 Winnenden
Germany

AKKUK

A hosszabb ideig üzemben kívül lévő akkumulátort használat előtt ismétlenül fel kell tölteni.

50°C feletti hőmérsékletnél csökkenhet az akkumulátor teljesítménye. Kerülni kell a túlzottan meleg helyen vagy napon történő hosszabb idejű tárolást.

A töltő és az akkumulátor csatlakozóit mindig tisztán kell tartani.

Az optimális élettartam érdekében használat után az akkukat teljesen fel kell tölteni.

A lehetőleg hosszú élettartamhoz az akkukat feltöltés után ki kell venni a töltőkészülékből.

Az akku 30 napot meghaladó tárolása esetén:

Az akkut kb. 27 °C-on, száraz helyen kell tárolni.

Az akkut kb. 30%-os töltöttségi állapotban kell tárolni.

Az akkut 6 havonta újra fel kell tölteni.

AZ AKKUMULÁTOR TÚLTERHELÉS ELLENI VÉDELME

Az akku túl magas áramfogyasztás miatti, pl. túl nagy Az akku nagyon nagy áramfelhasználása következtében fellépő túlterhelése esetén - pl. rendkívül magas forgatónyomatékok, a fűrő megszorulása, hirtelen leállás vagy rövidzárlat miatt – az elektromos szerszám 5 másodpercen keresztül vibrál, a töltéskijelző villog és az elektromos szerszám magától kikapcsol. Az újbóli bekapcsoláshoz engedje el a nyomókapcsolót, majd kapcsolja be ismét.

Rendkívüli terheléseknél az akku túlságosan felmelegszik. Ebben az esetben a töltéskijelző minden lámpája addig villog, amíg az akku le nem hűl. Ha a töltéskijelző kialszik, utána tovább lehet dolgozni.

LÍTIUM-ION AKKUK SZÁLLÍTÁSA

A lítium-ion akkuk a veszélyes áruk szállítására vonatkozó törvényi rendelkezések hatálya alá tartoznak.

Az ilyen akkuk szállításának a helyi, országos és nemzetközi előírások és rendelkezések betartása mellett kell történnie.

- A fogyasztók minden további nélkül szállíthatják az ilyen akkukat közúton.
- A lítium-ion akkuk szállítmányozási vállalatok általi kereskedelmi célú szállítására a veszélyes áruk szállítására vonatkozó rendelkezések érvényesek. A kiszállítás előkészítését és a szállítást kizárólag megfelelő képzettségű személyek végezhetik. A teljes folyamatnak szakmai felügyelet alatt kell történnie.

A következő pontokat kell figyelembe venni akkuk szállításakor:

- Biztosítsa, hogy a rövidzárlatok elkerülése érdekében az érintkezők védve és szigetelve legyenek.
- Ügyeljen arra, hogy az akkucsomag ne tudjon elcsúszni a csomagoláson belül.
- Tilos sérült vagy kifolyt akkukat szállítani.

További útmutatásokért forduljon szállítmányozási vállalatához.

KARBANTARTÁS

Csak Milwaukee tartozékokat és Milwaukee pótalkatrészeket szabad használni. Az olyan elemeket, melyek cseréje nincs ismertetve, cseréltesse ki Milwaukee szervizzel (lásd Garancia/Ügyfélszolgálat címei kiadványt).

Igény esetén a készülékről robbantott rajz kérhető a géptípus és a teljesítménycímként található hatjegyű szám megadásával az Ön vevőszolgálatánál, vagy közvetlenül a Techtronic Industries GmbH-től a Max-Eyth-Straße 10, 71364 Winnenden, Németország címen.

SZIMBÓLUMOK



FIGYELEM! FIGYELMEZTETÉS! VESZÉLY!



Karbantartás, javítás, tisztítás, stb. előtt az akkumulátort ki kell venni a készülékből.



Kérjük alaposan olvassa el a tájékoztatót mielőtt a gépet használja.



Az elektromos eszközöket nem szabad a háztartási hulladékkal együtt ártalmatlanítani. Az elektromos és elektronikus eszközöket szelektíven kell gyűjteni, és azokat környezetbarát ártalmatlanítás céljából hulladékhasznosító üzemben kell leadni. A helyi hatóságoknál vagy szakkereskedőjénél tájékozódjon a hulladékudvarokról és gyűjtőhelyekről.



CE-jelölés



Ukrán nemzeti megfelelőségi jelölés



Eurázsiai megfelelőségi jelzés.

TEHNIČNI PODATKI	BATERIJSKI VRTALNIKI/VIJAČNIKI	C 12 RAD
Proizvodna številka.....	4311 93 02... ...000001-999999	
Vrtalni ø v lesu.....	25 mm	
Iesni vijaki (brez predhodnega vrtnja).....	6,5 mm	
Število vrtiljav v prostem teku.....	0-800 min ⁻¹	
Vrtilni moment maks (Li-Ion Baterije 1,5 Ah) *1.....	12 Nm	
Vrtilni moment maks (Li-Ion Baterije 3,0 Ah) *1.....	15 Nm	
Napetost izmenljivega akumulatorja.....	12 V	
Napenjalno področje vpenjalne glave.....	1,0-10 mm	
Teža po EPTA-proceduri 01/2003		
z izmenljivim akumulatorjem 1,5 Ah.....	1,1 kg	
z izmenljivim akumulatorjem 3,0 Ah.....	1,3 kg	

Informacije o hrupnosti/vibracijah

Vrednosti merjenja ugotovljene ustrezno z EN 60 745.

Raven hrupnosti naprave ovrednotena z A, znaša tipično:

Nivo zvočnega tlaka (Nevarnost K=3dB(A))..... 64,5 dB (A)

Višina zvočnega tlaka (Nevarnost K=3dB(A))..... 75,5 dB (A)

Nosite zaščito za sluh!

Skupna vibracijska vrednost (Vektorska vsota treh smeri) določena ustrezno EN 60745.

Vibracijska vrednost emisij a_v

Vrtanje v kovine..... < 2,5 m/s²

Nevarnost K=..... 1,5 m/s²

Vijačenje..... < 2,5 m/s²

Nevarnost K=..... 1,5 m/s²

OPOZORILO

V teh navodilih navedena raven tresljajev je bila izmerjena po EN60745 normiranem merilnem postopku in lahko služi medsebojni primerjavi električnih orodij. Prav tako je primeren za predhodno oceno obremenitve s tresljaji.

Navedena raven tresljajev navaja najpomembnejše vrste rabe električnega orodja. Kadar se električno orodje uporablja za drugačne namene, z odstopajočimi orodji ali pa z nezadostnim vzdrževanjem, lahko raven tresljajev tudi odstopa. Le to lahko čez celoten delovni čas znatno zviša obremenitev s tresenjem.

Za natančno oceno obremenitve s tresljaji naj bi se upošteval tudi čas v katerem je naprava izklopljena ali sicer teče, vendar dejansko ni v rabi. Le to lahko obremenitev s tresljaji čez celoten delovni čas znatno zmanjša.

Za zaščito upravljalca pred učinkom tresljajev uvedite dodatne zaščitne ukrepe npr.: Vzdrževanje električnega orodja in orodja, delo s toplimi rokami, organizacija delovnih potekov.

A OPOZORILO! Preberite vsa varnostna opozorila in navodila.

Napake zaradi neupoštevanja spodaj navedenih opozoril in napotil lahko povzročijo električni udar, požar in/ali težke telesne poškodbe.

Vsa opozorila in napotila shranite, ker jih boste v prihodnje še potrebovali.

A VARNOSTNI NAPOTKI ZA VRTALNI STROJ

Kadar izvajate dela pri katerih lahko orodje zadane prikrto električno napeljavno, je napravo potrebno držati za izolirane prijemalne površine.

Stik z električnim vodnikom, ki je pod napetostjo, povzroči napetost tudi v kovinskih delih naprave, kar ima za posledico električni udar.

A VARNOSTNI NAPOTKI ZA VRTALNIK

Kadar izvajate dela pri katerih lahko sveder zadane v prikrte električne vode, držite napravo za izolirane prijemalne površine. Stik svedra z električnim vodnikom lahko kovinske deli naprave spravi pod napetost in vodi do električnega udara.

NADALJNA VARNOSTNA IN DELOVNA OPOZORILA

Uporabite zaščitno opremo. Pri delu s strojem vedno nosite zaščitna očala. Priporočajo se zaščitna oblačila, kot npr. maska za zaščito proti prahu, zaščitne rokavice, trdno in neдрseče obuvanje, čelada in zaščita za sluh.

Prah, ki nastaja pri delu, je pogosto zdravju škodljiv in naj ne zaide v telo. Nosite ustrezno masko proti prahu.

Obdelava materialov, iz katerih izhaja ogroženost zdravja (npr. azbest), ni dovoljena.

V primeru blokade orodja napravo takoj izklopite! Naprave ponovno ne vklopljajte dokler je orodje blokirano; pri tem bi lahko

prišlo do povratnega udara z velikim reakcijskim momentom. Ugotovite in odpravite vzroke blokade orodja ob upoštevanju varnostnih navodil.

Možni razlogi so lahko:

- Zagozditev v obdelovancu
- prežganje obdelovanega materiala
- Preobremenitev električnega orodja

Ne segajte v stroj v teku.

Orodje lahko med uporabo postane vroče.

OPOZORILO! Nevarnost opeklin

- pri menjavi orodja
- pri odlaganju naprave

Trske ali iveri se pri tekočem stroju ne smejo odstranjevati.

Pri delih na steni, stropu ali v tleh pazite na električne kable, plinske in vodne napeljave.

Obdelovavec zavarujte z vpenjalno pripravo. Nezavarovani obdelovanci lahko povzročijo težke poškodbe in okvare.

Pred vsemi deli na stroji odstranite izmenljivi akumulator.

Izrabljenih izmenljivih akumulatorjev ne mečite v ogenj ali v gospodinjinske odpadke. Milwaukee nudi okolju prijazno odlaganje starih izmenljivih akumulatorjev; prosimo povprašajte vašega strokovnega trgovca.

Izmenljivih akumulatorjev ne hranite skupaj s kovinskimi predmeti (nevarnost kratkega stika).

Izmenljive akumulatorje sistema C 12 polnite samo s polnilnimi aparati sistema C 12. Ne polnite nobenih akumulatorjev iz drugih sistemov.

Izmenljivih akumulatorjev in polnilnih aparatov ne odpirajte in jih hranite samo v suhih prostorih. Zaščitite jih pred mokroto.

Pod ekstremno obremenitvijo ali ob ekstremni temperaturi izteka poškodovanega izmenljivega akumulatorja lahko izteka akumulatorska tekočina. Po stiku z akumulatorsko tekočino prizadeto mesto takoj izperite z vodo in milom. Po stiku z očmi takoj najmanj 10 minut dolgo temeljito izpirajte in nemudoma obiščite zdravnika.

UPORABA V SKLADU Z NAMEDNOSTJO

Akumulatorski vrtalnik – izvijač je univerzalno uporaben za vrtnje in vijačenje neodvisno od omrežnega priključka.

Ta naprava se sme uporabiti samo v skladu z namembnostjo uporabiti samo za navede namene.

CE-IZJAVA O KONFORMNOSTI

V lastni odgovornosti izjavljamo, da se pod "Tehnični podatki" opisan proizvod ujema z vsemi relevantnimi predpisi smernice 2011/65/EU (RoHS), 2014/30/EU, 2006/42/ES in s slededimi harmoniziranimi normativnimi dokumenti:

EN 60745-1:2009 + A11:2010

EN 60745-2-1:2010

EN 60745-2-2:2010

EN 55014-1:2006 + A1:2009 + A2:2011

EN 55014-2:1997 + A1:2001 + A2:2008

EN 50581:2012

Winnenden, 2016-03-29

Alexander Krug

Alexander Krug
Managing Director



Pooblaščen za izdelavo spisov tehnične dokumentacije.

Techtronic Industries GmbH
Max-Eyth-Straße 10
71364 Winnenden
Germany

AKUMULATORJI

Izmenljive akumulatorje, ki jih daljši čas niste uporabljali, pred uporabo naknadno napolnite.

Temperatura nad 50°C zmanjšuje zmogljivost izmenljivega akumulatorja. Izogibajte se daljšemu segrevanju zaradi sončnih žarkov ali grelja.

Pazite, da ostanejo priključni kontakti na polnilnem aparatu in izmenljivem akumulatorju čisti.

Za optimalno življenjsko dobo je akumulatorje potrebno po uporabi napolniti do konca.

Za čim daljšo življenjsko dobo naj se akumulatorji po napolnitvi vzamejo ven iz naprave za polnjenje.

Pri skladiščenju akumulatorjev dalj kot 30 dni:

Akumulator skladiščiti pri 27°C in na suhem.

Akumulator skladiščiti pri 30%-50% stanja polnjenja.

Akumulator spet napolniti vsakih 6 mesecev.

ZAŠČITA PREOBREMENITVE AKUMULATORJA

V primeru preobremenitve akumulatorjev zaradi zelo visoke V primeru preobremenitve akumulatorja zaradi visoke porabe toka, npr. ekstremno visokih vrtilnih momentov, nenadne zaustavitve ali kratkega stika, električno orodje 5 sekund vibrira, prikazovalnik polnjenja utripa, električno orodje pa se samodejno izklopi. Za ponoven vklop izpustite pritisno stikalo in nato znova vklopite. Pod ekstremnimi obremenitvami se akumulator premočno segreva. V tem primeru utripajo vse lučke prikazovalnika polnjenja dokler se akumulator ne ohladi. Za tem, ko prikazovalnik polnjenja ugasne lahko z delom nadaljujemo.

TRANSPORT LITIJ-IONSkih AKUMULATORJEV

Litij-ionski akumulatorji so podvrženi zakonskim določbam transporta nevarnih snovi.

Transport teh akumulatorjev se mora izvajati upoštevajoč lokalne, nacionalne in mednarodne predpise in določbe.

- Potrošniki lahko te akumulatorje še nadalje transportirajo po cesti.
- Komercialni transport litij-ionskih akumulatorjev s strani špediterskih podjetij je podvržen določbam transporta nevarnih snovi. Priprava odpreme in transporta se lahko vrši izključno s strani ustrezno izšolanih oseb. Celoten proces je potrebno strokovno spremljati.

Pri transportu akumulatorjev je potrebno upoštevati sledeče točke:

- V izogib kratkim stikom zagotovite, da bodo kontakti zaščiteni in izolirani.
- Bodite pozorni na to, da paket akumulatorja v notranjosti embalaže ne bo mogel zdrsniti.
- Poškodovanih ali iztekajočih akumulatorjev ni dovoljeno transportirati.

Za nadaljnja navodila se obrnite na vaše špeditersko podjetje.

VZDRŽEVANJE

Uporabljajte samo Milwaukee pribor in Milwaukee nadomestne dele. Poskrbite, da sestavne dele, katerih zamenjava ni opisana, zamenjajo v Milwaukee servisni službi (upoštevajte brošuro Garancija/Naslovi servisnih služb).

Po potrebi je mogoče pri vašem servisnem mestu ali neposredno pri Techtronic Industries GmbH, Max-Eyth-Straße 10, 71364 Winnenden, Germany, naročiti eksplozijsko ribso naprave ob navedbi tipa stroja in na tablici navedene šestmestne številke.

SIMBOLI



POZOR! OPOZORILO! NEVARNO!



Pred vsemi deli na stroji odstranite izmenljivi akumulator.



Prosimo, da pred uporabo pazorno preberete to navodilo za uporabo.



Električnih naprav ni dovoljeno odstranjevati skupaj z gospodinjstvi odpadki. Električne in elektronske naprave je potrebno zbirati ločeno in za okolju prijazno odstranitev, oddati podjetju za reciklažo. Pri krajevnem uradu ali vašem strokovnem prodajalcu se pozanimajte glede reciklažnih dvorišč in zbirnih mest.



CE-znak



Nacionalna oznaka skladnosti Ukrajina



EurAsian oznaka o skladnosti.

TEHNIČKI PODACI	AKUMULATORSKI BUŠAČI IZVIJAČ	C 12 RAD
Broj proizvodnje.....	4311 93 02... ...000001-999999	
Bušenje-Ø u drvo.....	25 mm	
Vijci za drvo (bez predbušenja).....	6,5 mm	
Broj okretaja praznog hoda.....	0-800 min ⁻¹	
Okretni moment maks (Li-Ion Akumulator 1,5 Ah) *1.....	12 Nm	
Okretni moment maks (Li-Ion Akumulator 3,0 Ah) *1.....	15 Nm	
Napon baterije za zamjenu.....	12 V	
Područje stezne glave za stezanje svrdla.....	1,0-10 mm	
Težina po EPTA-proceduri 01/2003		
sa baterijom za zamjenu 1,5 Ah.....	1,1 kg	
sa baterijom za zamjenu 3,0 Ah.....	1,3 kg	

Informacije o buci/vibracijama

Mjerne vrijednosti utvrđene odgovarajuće EN 60 745.

A-ocijenjeni nivo buke aparata iznosi tipično:

Nivo pritiska zvuka (Nesigurnost K=3dB(A))..... 64,5 dB (A)

Nivo učinka zvuka (Nesigurnost K=3dB(A))..... 75,5 dB (A)

Nositi zaštitu sluha!

Ukupne vrijednosti vibracije (Vektor suma tri smjera) su odmjerene odgovarajuće EN 60745

Vrijednost emisije vibracije a_v

Bušenje metala..... < 2,5 m/s²

Nesigurnost K=..... 1,5 m/s²

Vijčanje..... < 2,5 m/s²

Nesigurnost K=..... 1,5 m/s²

UPOZORENIE

Ova u ovim uputama navedena razina titranja je bila izmjerena odgovarajuće jednom u EN 60745 normiranom mjernom postupku i može se upotrijebiti za usporedbu električnog alata međusobno. Ona je prikladna i za privremenu procjenu titrajnog opterećenja.

Navedena razina titranja reprezentira glavne primjene električnog alata. Ukoliko se električni alat upotrebljava u druge svrhe sa odstupajućim primijenjenim alatima ili nedovoljnim održavanjem, onda razina titranja može odstupati. To može trajno opterećenje kroz cijeli period rada bitno povisiti.

Za točnu procjenu titrajnog opterećenja se moraju uzeti u obzir i vremena u kojima je uređaj isključen ili u kojima doduše radi, ali nije i stvarno u upotrebi. To može titrajno opterećenje bitno smanjiti za vrijeme cijelog radnog perioda.

Utvrdite dodatne sigurnosne mjere za zaštitu poslužioca protiv djelovanja titranja kao npr.: Održavanje električnih alata i upotrebljenih alata, održavanje topline ruku, organizacija i radne postupke.

⚠ UPOZORENJE! Pročitajte molimo sve sigurnosna upozorenja i upute. Ako se ne bi poštivala napomene o sigurnosti i upute to bi moglo uzrokovati strujni udar, požar i/ili teške ozljede. **Sačuvajte sve napomene o sigurnosti i upute za buduću primjenu.**

⚠ SIGURNOSNE UPUTE ZA BUŠILICE

Držite spravu na izoliranim držačkim površinama kada izvodite radove kod kojih rezački alat može pogoditi skrivene vodove struje. Kontaktom s vodovima pod naponom, pod napon će se staviti i metalni dijelovi uređaja, što može dovesti do električnog udara.

⚠ SIGURNOSNE UPUTE ZA ZAVRTAČ

Držite spravu na izoliranim držačkim površinama kada izvodite radove kod kojih rezački alat može pogoditi skrivene vodove struje. Kontakt rezačkog alata sa vodovima koji sprovode napon može metalne dijelove sprave dovesti pod napon i tako dovesti do električnog udara.

OSTALE SIGURNOSNE I RADNE UPUTE

Upotrebljavati zaštitnu opremu. Kod radova sa strojem uvijek nositi zaštitne naočale. Preporučuje se zaštitna odjeća, kao zaštitna maska protiv prašine, zaštitne rukavice, čvrste i protiv klizanja sigurne cipele, šljem i zaštitu sluha.

Prašina koja nastaje prilikom rada je često nezdrava i ne bi smijela dospjeti u tijelo. Nositi prikladnu zaštitnu masku protiv prašine.

Ne smiju se obrađivati nikakvi materijali, od kojih prijeti opasnost po zdravlje (npr. azbest).

Kod blokiranja alata koji se upotrebljava uređaj molimo odmah isključiti! Uređaj nemojte ponovno uključiti za vrijeme dok je alat koji se upotrebljava blokiran; time može doći do povratnog udara sa visokim reakcijskim momentom. Pronađite i otklonite uzrok blokiranja alata koji se upotrebljava uz poštivanje sigurnosnih uputa.

Mogući uzroci tome mogu biti:

- Izobličavanje u izratku koji se obrađuje
- Probijanje materijala koji se obrađuje
- Preopterećenje električnog alata

Nemojte sezati u stroj koji radi.

Upotrebljeni alat se može za vrijeme korištenja zagrijati.

UPOZORENIE! Opasnost od opekotina

- kod promjene alata
- kod odlaganja uređaja

Piljevina ili i verje se za vrijeme rada stroja ne smiju odstranjivati.

Kod radova na zidu, stropu ili podu paziti na električne kablove kao i vodove plina i vode.

Osigurajte vaš izradak jednim steznim uređenjem. Neosigurani izradci mogu prouzročiti teške povrede i oštećenja.

Prije svih radova na stroju izvaditi bateriju za zamjenu.

Istrošene baterije za zamjenu ne baciti u vatru ili u kućno smeće. Milwaukee nudi mogućnost uklanjanja starih baterija odgovarajuće okolini. Milwaukee nudi mogućnost uklanjanja starih baterija odgovarajuće okolini; upitajte molimo Vašeg stručnog trgovca.

Baterije za zamjenu ne čuvati skupa sa metalnim predmetima (opasnost od kratkog spoja).

Baterije sistema C 12 puniti samo sa uređajem za punjenje sistema C 12. Ne puniti baterije iz drugih sistema.

Baterije za zamjenu i uređaje za punjenje ne otvarati i čuvati ih samo u suhim prostorijama. Čuvati protiv vlage.

Pod ekstremnim opterećenjem ili ekstremne temperature može iz oštećenih baterija iscuriti baterijska tekućina. Kod dodira sa baterijskom tekućinom odmah ispirati sa vodom i sapunom. Kod kontakta sa očima odmah najmanje 10 minuta temeljno ispirati i odmah potražiti liječnika.

PROPIŠNA UPOTREBA

Baterijska bušilica-zavrtač je univerzalno upotrebljiva za bušenje i zavrtanje, neovisno o priključku na mrežu.

Ovaj aparat se smije upotrijebiti samo u određene svrhe kao što je navedeno.

CE-IZJAVA KONFORMNOSTI

Izjavljujemo na osobnu odgovornost, da je proizvod opisan pod "Tehnički podaci", sukladan sa svim relevantnim propisima smjernice 2011/65/EU (RoHS), 2014/30/EU, 2006/42/EC i sa slijedećim harmoniziranim normativnim dokumentima:

EN 60745-1:2009 + A11:2010

EN 60745-2-1:2010

EN 60745-2-2:2010

EN 55014-1:2006 + A1:2009 + A2:2011

EN 55014-2:1997 + A1:2001 + A2:2008

EN 50581:2012

Winnenden, 2016-03-29



Alexander Krug
Managing Director



Ovlašten za formiranje tehničke dokumentacije.

Techtronic Industries GmbH
Max-Eyth-Straße 10
71364 Winnenden
Germany

BATERIJE

Baterije koje duže vremena nisu korištene, prije upotrebe napuniti.

Temperatura od preko 50°C smanjuje učinak baterija. Duže zagrijavanje od strane sunca ili grijanja izbjeci.

Priključne kontakte na uređaju za punjenje i baterijama držati čistima.

Za optimalni vijek trajanja se akumulatori poslije upotrebe moraju sasvim napuniti.

Za što moguće duži vijek trajanja, akumulatori se nakon punjenja moraju odstraniti iz punjača.

Kod skladištenja akumulatora duže od 30 dana:

Akumulator skladištiti na suhom kod ca. 27°C.

Akumulator skladištiti kod ca. 30%-50% stanja punjenja.

Akumulator ponovno napuniti svakih 6 mjeseci.

ZAŠTITA OD PREOPTEREĆENJA AKUMULATORA

Kod preopterećenja akumulatora kroz vrlo visoku potrošnju struje, npr. ekstremno visoki zakretni momenti, električni alat vibrira za vrijeme od 5 sekundi, pokazivač punjenja treperi i električni alat se samostalno isključuje.

Za ponovno uključivanje ispuštiti okidač sklopke i zatim ponovno uključiti. Pod ekstremnim opterećenjima se akumulator prejako zagrije. U tome slučaju trepere sve lampice pokazivača punjenja, sve dok se akumulator ne ohladi. Poslije gašenja pokazivača punjenja se može nastaviti sa radom.

TRANSPORT LITJSKIH IONSKIH BATERIJA

Litjske-ionske baterije spadaju pod zakonske odredbe u svezi transporta opasne robe.

Prijevoz ovih baterija mora uslijediti uz poštivanje lokalnih, nacionalnih i internacionalnih propisa i odredaba.

- Korisnici mogu bez ustručavanja ove baterije transportirati po cestama.
- Komercijalni transport litjsko-ionskih baterija od strane transportnih poduzeća spada pod odredbe o transportu opasne robe. Otpremničke pripreme i transport smiju izvoditi isključivo odgovarajuće školovane osobe. Kompletni proces se mora pratiti na stručan način.

Kod transporta baterija se moraju poštivati slijedeće točke:

- Uvjerite se da su kontakti zaštićeni i izolirani kako bi se izbjegli kratki spojevi.
- Pazite na to, da blok baterija unutar pakiranja ne može proklizavati.
- Oštećene ili iscurjele baterije se ne smiju transportirati.

U svezi ostalih uputa obratite se vašem prijevoznom poduzeću.

ODRŽAVANJE

Primijeniti samo Milwaukee opremu i Milwaukee rezervne dijelove. Sastavne dijelove, čija zamjena nije opisana, dati zamijeniti kod jedne od Milwaukee servisnih službi (poštivati brošuru Garancija/ Adrese servisa).

Po potrebi se crtež pojedinih dijelova aparata uz navođenje podatka o tipu stroja i šestznamenastog broja na pločici snage može zatražiti kod vašeg servisa ili direktno kod Techtronic Industries GmbH, Max-Eyth-Straße 10, 71364 Winnenden, Njemačka.

SIMBOLI



PAŽNJA! UPOZORENIE! OPASNOST!



Prije svih radova na stroju izvaditi bateriju za zamjenu.



Molimo da pažljivo pročitate uputu o upotrebi prije puštanja u rad.



Električni uređaji se ne smiju zbrinjavati skupa sa kućnim smećem. Električni uređaji se moraju skupljati odvojeno i predati na zbrinjavanje primjereno okolišu jednom od pogona za iskorišćavanje. Raspitajte se kod mjesnih vlasti ili kod stručnog trgovca u svezi gospodarstva za recikliranje i mjesta skupljanja.



Oznaka-CE



Nacionalni znak konformnosti Ukrajina



EurAsian znak konformnosti.

TEHNISKIE DATI	AKUMULATORAS URBIS	C 12 RAD
Izlaides numurs	4311 93 02...	..000001-999999
Urbšanas diametrs kokā	25 mm	
Koka skrūves (bez iepriekšējas urbšanas)	6,5 mm	
Apgrīzieni tukšgaitā	0-800 min ⁻¹	
Griezes moments maks (Li-Ion Baterija 1,5 Ah) *1	12 Nm	
Griezes moments maks (Li-Ion Baterija 3,0 Ah) *1	15 Nm	
Akumulātorā spriegums	12 V	
Urbja stiprinājuma amplitūda	1,0-10 mm	
Svars atbilstoši EPTA -Procedure 01/2003		
ar papildus akumulātoru 1,5 Ah	1,1 kg	
ar papildus akumulātoru 3,0 Ah	1,3 kg	

trokšņu un vibrāciju informācija

Vērtības, kas noteiktas saskaņā ar EN 60 745.

A novērtētās aparatūras skaņas līmenis ir:

Trokšņa spiediena līmenis (Nedrošība K=3dB(A)) 64,5 dB (A)

Trokšņa jaudas līmenis (Nedrošība K=3dB(A)) 75,5 dB (A)

Nēsāt trokšņa slāpētāju!

Svārstību kopējā vērtība (Trīs virzienu vektoru summa) tiek noteikta atbilstoši EN 60745.

svārstību emisijas vērtība a_n

Metāla urbis

Nedrošība K=

Skrūvēšana

Nedrošība K=

UZMANĪBU

Instrukcijā norādītā svārstību robežvērtība ir izmērīta mērījumu procesā, kas veikts atbilstoši standartam EN 60745, un to var izmantot elektroinstrumentu savstarpējai salīdzināšanai. Tā ir piemērota arī svārstību noslogojuma pagaidu izvērtēšanai.

Norādītā svārstību robežvērtība ir reprezentatīva elektroinstrumenta pamata pielietojuma jomām. Tomēr, ja elektroinstrumenti tiek pielietoti citās jomās, papildus izmantojot neatbilstošus elektroinstrumentus vai pēc nepietiekamas tehniskās apkopes, tad svārstību robežvērtība var atšķirties. Tas var ievērojami palielināt svārstību noslogojumu visa darba laikā.

Precīzai svārstību noslogojuma noteikšanai, ir jāņem vērā arī laiks, kad ierīces ir izslēgta vai arī ir ieslēgta, tomēr faktiski netiek lietota. Tas var ievērojami samazināt svārstību noslogojumu visa darba laikā.

Integrējiet papildus drošības pasākumus pret svārstību ietekmi lietotājam, piemēram: elektroinstrumentu un darba instrumentu tehniskā apkope, roku siltuma uzturēšana, darba procesa organizācija.

⚠ BRĪDINĀJUMS! Izlasiet visus drošības brīdinājumus un instrukcijas. Šeit sniegto drošības noteikumu un norādījumu neievērošana var izraisīt aizdegšanos un būt par cēloni elektriskajam triecienam vai nopietnam savainojumam. **Pēc izlasīšanas uzglabājiet šos noteikumus turpmākai izmantošanai.**

⚠ DROŠĪBAS NOSACĪJUMI LIETOJOT URBJMAŠĪNAS

Lerīci turiet aiz izolētiem rokturiem, ja veicat darbus, kuros griešanas darbiem izmantojamais instruments var skart pārlēptus elektrovadus. Asmenim saskaroties ar vadiem, kuriem tiek pievadīts fāzes spriegums, šis spriegums nonāk arī uz instrumenta korpusa strāvu vadošajām daļām un var izraisīt elektrisko triecienu.

⚠ DROŠĪBAS NOSACĪJUMI LIETOJOT SKRŪVGRĪEŽŅUS

Turiet ierīci aiz izolētajām turēšanas virsmām, veicot darbus, kur skrūve var skart pārlēptus elektrības vadus. Skrūves kontakts ar spriegumu vadošu vadu var ierīces metāla daļās uzlādēt un novest pie elektriskās strāvas trieciena.

CITAS DROŠĪBAS UN DARBA INSTRUKCIJAS

Jāizmanto aizsargaprīkojums. Strādājot ar mašīnu, vienmēr jānēsā aizsargbrilles. Ieteicams nēsāt aizsargapģērbu, kā piemēram, aizsargmasku, aizsargcimdus, kurpes no stingra un neslīdīga materiāla, ķiveri un ausu aizsargus.

Putekļi, kas rodas darba gaitā, bieži ir kaitīgi veselībai un tiem nevajadzētu nokļūt organismā. Jānēsā piemērota maska, kas pasargā no putekļiem.

Nedrīkst apstrādāt materiālus, kas rada draudus veselībai (piemēram, azbestu).

Ja izmantojamais darba rīks tiek bloķēts, nekavējoties izslēgt ierīci! Neieslēdziet ierīci, kamēr izmantojamais darba rīks ir bloķēts; var rasties atslisens ar augstu griezes momentu. Noskaidrojiet un novērsiet izmantojamā darba rīka bloķēšanas iemeslu, ievērojot visas drošības norādes.

Iespējamie iemesli:

- iesprūdis apstrādājamajā materiālā
- apstrādājama materiāls ir caursists
- elektroinstrumenti ir pārslēgti

Leslēgtai ierīcei nepieskarties.

Izmantojamais darba rīks darba gaitā var stipri sakarst.

UZMANĪBU!

Bīstamība apdedzināties

- veicot darba rīka nomainīšanu
- noliekot iekārtu

Skaidas un atūžas nedrīkst ņemt ārā, kamēr mašīna darbojas.

Veicot darbus sienu, griestu un grīdas apvidū, vajag uzmanīties, lai nesabojātu elektriskos, gāzes un ūdens vadus.

Fiksējiet apstrādājamo materiālu ar fiksācijas aprīkojumu.

Nenostiprināti materiāli var izraisīt smagus savainojumus un bojājumus.

Pirms mašīnai veikt jebkāda veida apkopes darbus, ir jāizņem ārā akumulātors.

Izmantotos akumulārus nedrīkst mest ugunī vai parastajos atkritumos. Firma Milwaukee piedāvā iespēju vecos akumulātorus

savākt apkārtējo vidi saudzējošā veidā; jautājiet specializētā veikalā.

Akumulātorus nav ieteicams glabāt kopā ar metāla priekšmetiem (iespējams īsslēgums).

C 12 sistēmas akumulātorus lādēt tikai ar C 12 sistēmas lādētājiem. Nedrīkst lādēt citus akumulātorus no citām sistēmām.

Akumulātorus un lādētājus nedrīkst taistīt vaļā un tie jāuzglabā sausās telpās.

Pie ārkārtas slodzes un ārkārtas temperatūrām no bojātā akumulātorā var izteciēt akumulātorā šķidrums. Ja nonākat saskarsmē ar akumulātorā šķidrumu, saskarsmes vieta nekavējoties jānomazgā ar ūdeni un ziepēm. Ja šķidrums nonācis acīs, acis vismaz 10 min. skalot un nekavējoties konsultēties ar ārstu.

NOTEIKUMIEM ATBILSTOŠS IZMANTOJUMS

Skrūvgrīznis - Urbjmašīna ar akumulātoriem ir universāli izmantojama urbšanai un skrūvēšanai neatkarīgi no tīkla pieslēguma.

Šo instrumentu drīkst izmantot tikai saskaņā ar minētajiem lietošanas noteikumiem.

ATBILSTĪBA CE NORMĀM

Mēs apliecinām, ka produkts, kura tehniskie parametri aprakstīti "tehnisko datu lapā", pilnībā atbilst prasībām saskaņā ar direktīvām 2011/65/EU (RoHS), 2014/30/ES, 2006/42/EK un attiecīgajiem harmonizētajiem normatīvajiem dokumentiem:

EN 60745-1:2009 + A11:2010

EN 60745-2-1:2010

EN 60745-2-2:2010

EN 55014-1:2006 + A1:2009 + A2:2011

EN 55014-2:1997 + A1:2001 + A2:2008

EN 50581:2012

Winnenden, 2016-03-29



Alexander Krug
Managing Director



Pilnvarotais tehniskās dokumentācijas sastādītājs.

Techtronic Industries GmbH

Max-Eyth-Straße 10

71364 Winnenden

Germany

AKUMULĀTORI

Akumulātori, kas ilgāku laiku nav izmantoti, pirms lietošanas jāuzlādē.

Pie temperatūras, kas pārsniedz 50°C, akumulātoru darbība tiek negatīvi ietekmēta. Vajag izvairīties no ilgākas saules un karstuma iedarbības.

Lādētāja un akumulātoru pievienojuma kontakti jāuztur tīri.

Lai baterijām būtu optimāls mūžs, pēc lietošanas bateriju bloks pilnībā jāuzlādē.

Lai akumulātoru kalpotu pēc iespējas ilgāku laiku, tos pēc uzlādes ieteicams atvienot no lādētāj ierīces.

Akumulātoru uzglabāšana ilgāk kā 30 dienas: uzglabāt akumulātoru pie aptuveni 27° C un sausā vietā. Uzglabāt akumulātoru uzlādes stāvoklī aptuveni pie 30%-50%. Uzlādēt akumulātoru visus 6 mēnešus no jauna.

AKUMULATORA AIZSARDZĪBA PRET PĀRSLOGOJUMU

Akumulātoru pārslēguma gadījumos, esot ļoti lielam elektroenerģijas patēriņam, piem., ārkārtīgi augsts griezes moments, pēkšņa apstāšanās vai īssavienojums, elektriskais darbarīks 5 sekundes vibrē, uzlādes indikators mirgo, un elektriskais darbarīks pats izslēdzas.

Lai to atkal ieslēgtu, atlaidiet ieslēgšanas pogu un tad to ieslēdziet no jauna.

Esot ārkārtīgi augstam noslogojumam, akumulātors sakarst pārāk

daudz. Šādā gadījumā visas uzlādes indikatora lampiņas mirgo tik ilgi, kamēr akumulātors ir atdzisis. Darbu varat turpināt, kad uzlādes indikatora vairo nedeg.

LITĪJA JONU AKUMULATORU TRANSPORTĒŠANA

Uz litija jonu akumulātoriem attiecas noteikumi par bīstamo kravu pārvadāšanu.

Šo akumulātoru transportēšana jāveic saskaņā ar vietējiem, valsts un starptautiskajiem normatīvajiem aktiem un noteikumiem.

- Patērētāja darbības, pārvadājot šos akumulātorus pa autoceļiem, nav reglamentētas.
- Uz litija jonu akumulātoru komerciālu transportēšanu, ko veic ekspedīcijas uzņēmums, attiecas bīstamo kravu pārvadāšanas noteikumi. Sagatavošanas darbus un transportēšanu drīkst veikt tikai atbilstoši apmācīts personāls. Viss process jāveda profesionāli.

Veicot akumulātoru transportēšanu, jāievēro:

- Pārļiecinieties, ka kontakti ir aizsargāti un izolēti, lai izvairītos no īssavienojumiem.
- Pārļiecinieties, ka akumulātors iepakojumā nevar paslīdēt.
- Bojātus vai tekošus akumulātorus nedrīkst transportēt.

Plašāku informāciju Jūs varat saņemt no ekspedīcijas uzņēmuma.

APKOPE

Izmantojiet tikai firmu Milwaukee piederumus un firmas Milwaukee rezerves daļas. Lieciet nomainīt detaļas, kuru nomaina nav aprakstīta, kādā no firmu Milwaukee klientu apkalpošanas servisiem. (Skat. brošūru "Garantija/klientu apkalpošanas serviss".)

Pēc pieprasījuma, Jūsu Klientu apkalpošanas centrā vai pie Technotronic Industries GmbH, Max-Eyth-Straße 10, 71364 Winnenden, Vācijā, ir iespējams saņemt iekārtas montāžas rasejumus, iepriekš norādot iekārtas modeli un sērijas numuru, kas atrodas uz datu plāksnītes un sastāv no sešiem simboliem.

SIMBOLI



UZMANĪBU! BĪSTAMI!



Pirms mašīnai veikt jebkāda veida apkopes darbus, ir jāizņem ārā akumulātors.



Pirms sākt lietot instrumentu, lūdzu, izlasiet lietošanas pamācību.



Elektroiekārtas nedrīkst izmest kopā ar sadzīves atkritumiem. Elektriskās un elektroniskās iekārtas ir jāsavāc atsevišķi un jānodod pārstrādes uzņēmumam, kas no tām atbrīvošas dabai draudzīgā veidā. Meklējiet otrreizējās pārstrādes poligonos un savākšanas punktus vietējās pārvaldes iestādēs vai pie preces pārdevēja.



CE marķējums



Ukrainas nacionālais atbilstības simbols



EurAsian atbilstības marķējums.

TECHNINIAI DUOMENYS GRĘŽTUVAS-ATSUKTUVAS SU AKUMULIATORIUMI C 12 RAD

Produkto numeris	4311 93 02...
.....	..000001-999999
Gręžimo \varnothing medienoje	25 mm
Medvaržčiai (be išankstinio gręžimo)	6,5 mm
Sūkių skaičius laisva eiga	0-800 min ⁻¹
Sukimo momentas maks (Li-Ion Akumulatorius 1,5 Ah) *1	12 Nm
Sukimo momentas maks (Li-Ion Akumulatorius 3,0 Ah) *1	15 Nm
Keičiamo akumulatoriaus įtampa	12 V
Grąžto patrono veržimo diapazonas	1,0-10 mm
Prietaiso svoris įvertintas pagal EPTA 2003/01 tyrimų metodiką	
su keičiamu akumulatoriumi 1,5 Ah	1,1 kg
su keičiamu akumulatoriumi 3,0 Ah	1,3 kg

Informacija apie triukšmą/vibraciją

Vertės matuotos pagal EN 60 745.

Įvertintas A įrenginio keliamo triukšmo lygis dažniausiai sudaro:

Garso slėgio lygis (Paklaida K=3dB(A))	64,5 dB (A)
Garso galios lygis (Paklaida K=3dB(A))	75,5 dB (A)

Nešioti klausos apsaugines priemones!

Bendroji svyravimų reikšmė (trijų krypčių vektorių suma), nustatyta remiantis EN 60745.

Vibravimų emisijos reikšmė a_h

Metalų gręžimas	
Paklaida K=	< 2,5 m/s ²
Prisukimas varžtais	1,5 m/s ²
Paklaida K=	< 2,5 m/s ²
	1,5 m/s ²

DĖMESIO

Instrukcijoje nurodyta svyravimų ribinė vertė yra išmatuota remiantis standartu EN 60745; ji gali būti naudojama keliems elektriniams instrumentams palyginti. Ji taikoma ir laikinai įvertinti svyravimų apkrovą.

Nurodyta svyravimų ribinė vertė yra taikoma pagrindinėse elektrinio instrumento naudojimo srityse. Svyravimų ribinė vertė gali skirtis naudojant elektrinį instrumentą kitose srityse, papildomai naudojant netinkamus elektrinius instrumentus arba juos nepakankamai techniškai prižiūrint. Dėl to viso darbo metu gali žymiai padidėti svyravimų apkrova.

Siekiant tiksliai nustatyti svyravimų apkrovą, būtina atsižvelgti ir į laikotarpį, kai įrenginys yra išjungtas arba įjungtas, tačiau faktiškai nenaudojamas. Dėl to viso darbo metu gali žymiai sumažėti svyravimų apkrova.

Siekiant apsaugoti vartotojus nuo svyravimo įtakos naudojamos papildomos saugos priemonės, pavyzdžiui, elektrinių darbo instrumentų techninė priežiūra, rankų šilumos palaikymas, darbo procesų organizavimas.

⚠️ ĮSPĖJIMAS! Perskaitykite visus saugos nurodymus ir instrukcijas. Jei nepaisysite žemiau pateiktų saugos nuorodų ir reikalavimų, gali trenkti elektros smūgis, kilti gaisras ir/arba galite sunkiai susižaloti arba sužaloti kitus asmenis.

⚠️ Išsaugokite šias saugos nuorodas ir reikalavimus, kad ir ateityje galėtumėte jais pasinaudoti.

⚠️ GRAŽTAMS SKIRTI SAUGUMO NURODYMAI

Dirbdami laikykite prietaisą už izoliuotų vietų, kuriose pjavimo įrenginys pats galėtų liesti paslėptus laidus. Dėl kontakto su laidininku, kuriuo teka elektros srovė, metalinėse prietaiso dalyse atsiranda atampa ir naudotojas gali gauti elektros smūgą.

⚠️ SUKTUVAMS SKIRTI SAUGUMO NURODYMAI

Prietaisą laikykite ant izoliuoto guminio paviršiaus, jei atliekate darbus, kurių metu sraigtas gali pasiekti sulenktas srovės tiekimo linijas. Sraigtui prisilietus prie įtampą tiekiančių linijų gali įsikrauti prietaiso dalys ir įvykti elektros smūgis.

KITI SAUGUMO IR DARBO NURODYMAI

Dėvėkite apsaugines priemones. Dirbdami su mašina visada užsidėkite apsauginius akinius. Rekomenduotina dėvėti apsaugines priemones: apsaugos nuo dulkių respiratorius, apsaugines pirštines, kietus batus neslidžiais padais, šalną ir klausos apsaugos priemones.

Darbo metu susidarančios dulksės yra dažnai kenksmingos sveikatai ir todėl turėtų nepatekti į organizmą. Dėvėti tinkamą apsauginę kaukę nuo dulkių.

Negalima apdirbti medžiagų, dėl kurių galimi sveikatos pažeidimai (pvz., asbesto).

Blokuojant įstatomąjį įrankį būtina išjungti prietaisą! Neįjunkite prietaiso, kol įstatomas įrankis yra užblokuotas; galimas grįžtamasis smūgis su dideliu sukimo momentu. Atsižvelgdamas į saugumo nurodymus, nustatykite ir pašalinkite įstatomojo įrankio blokavimo priežastį.

Galimos priežastys:

- Susidariusios apdirbamo ruošinio braiunos
- Apdirbamos medžiagos pratrūkimas
- Elektros įrankio perkrova

Nekiškite rankų į veikiančią mašiną.

Naudojamas įstatomasis įrankis gali įkaisti.

- DĖMESIO! Pavojus nusideginti
- keičiant įrankį
- padedant prietaisą

Draudžiama išiminėti drožles ar nuopjovas, įrenginiui veikiant.

Dirbdami sienoje, lubose arba grindyse, atkreipkite dėmesį į elektros laidus, dujų ir vandens vamzdžius.

Ruošinį užfiksuokite įtempimo įrenginiu. Neužfiksuoti ruošiniai gali sunkiai sužaloti ir būti pažeidimų priežastimi.

Prieš atlikdami bet kokius darbus įrenginyje, išimkite keičiamą akumulatorių.

Sunaudotų keičiamų akumulatorių nedeginkite ir nemeskite į buitines atliekas. „Milwaukee“ siūlo tausojantį aplinką sudėvėtų keičiamų akumulatorių tvarkymą, apie tai prekybos atstovo.

Keičiamų akumulatorių nelaikykite kartu su metaliniais daiktais (trumpojo jungimo pavojus).

Keičiamas „C 12“ sistemos akumulatorius kraukite tik „C 12“ sistemos įkrovikliais. Nekraukite kitų sistemų akumulatorių.

Keičiamų akumulatorių ir įkroviklių nelaikykite atvirai. Laikykite tik sausoje vietoje. Saugokite nuo drėgmės.

Ekstremalių apkrovų arba ekstremalios temperatūros poveikyje iš keičiamų akumulatorių gali ištekėti akumulatoriaus skystis. Išsitęsęs akumulatoriaus skystis, tuoj pat nuplaukite vandeniu su muilu. Patekęs į akis, tuoj pat ne trumpiau kaip 10 minučių gausiai skalaukite vandeniu ir tuoj pat kreipkitės į gydytoją.

NAUDOJIMAS PAGAL PASKIRTĮ

Akumulatorinį suktuvą-gręžtuvą galima universaliai naudoti gręžimui ir sukimui nepriklausomai nuo elektros tinklo.

Šį prietaisą leidžiama naudoti tik pagal nurodytą paskirtį.

CE ATITIKTIES PAREIŠKIMAS

Remiantis bendrais atsakomybės reikalavimais pareiškiam, jog skyruije "Techniniai duomenys" aprašytas produktas atitinka visus toliau pateiktų juridinių direktyvų reikalavimus: 2011/65/EU (RoHS), 2014/30/ES, 2006/42/EB ir kitus su jomis susijusius norminius dokumentus:

EN 60745-1:2009 + A11:2010

EN 60745-2-1:2010

EN 60745-2-2:2010

EN 55014-1:2006 + A1:2009 + A2:2011

EN 55014-2:1997 + A1:2001 + A2:2008

EN 50581:2012

Winnenden, 2016-03-29

Alexander Krug
Managing Director



Įgaliotas parengti techninius dokumentus.

Techtronic Industries GmbH
Max-Eyth-Straße 10
71364 Winnenden
Germany

AKUMULATORIAI

Ilgesnį laiką nenaudotus keičiamus akumulatorius prieš naudojimą įkraukite.

Aukštesnė nei 50°C temperatūra mažina keičiamų akumulatorių galią. Venkite ilgesnio saulės ar šilumos šaltinių poveikio.

Įkroviklio ir keičiamo akumulatoriaus jungiamieji kontaktai visada turi būti švarūs.

Pasinaudoję prietaisu, visiškai įkraukite akumulatorių, kad prietaisas veiktų optimaliai ilgai.

Siekiant užtikrinti kuo ilgesnį baterijos tarnavimo laiką, reikėtų ją po atlikto įkrovimo iškart išimti iš įkroviklio.

Bateriją laikant ilgiau nei 30 dienų, būtina atkreipti dėmesį į šias nuorodas: bateriją laikyti sausoje aplinkoje, esant apie 27 °C temperatūrai. Baterijos įkrovimo lygis turi būti nuo 30 % iki 50 %. Baterija pakartotinai turi būti įkraunama kas 6 mėnesius.

APSAUGA NUO AKUMULATORIAUS PERKROVOS

Esant akumulatoriaus perkrovai dėl pernelyg didelio srovės suvartojimo, pvz.: itin didelių apukų, staiga suslabdyto ar trumpojo jungimo, elektrinis įrankis vibruoja 5 sekundes, signalinis įkrovos rodmuo pradeda mirksėti ir elektrinis įrankis automatiškai išsijungia.

Norint įrankį pakartotinai įjungti, reikia atleisti jungiklį ir vėl jį įjungti. Esant ekstremalioms apkrovoms akumulatorius per stipriai įkaista. Tokiu atveju visos įkrovos lemputės mirksi taip ilgai, kol akumulatorius atvėsta. Užgesus įkrovos rodmėnis įrankiu galima naudotis toliau.

LIČIO JONŲ AKUMULIATORIŲ PERVEŽIMAS

Ličio jonų akumulatoriams taikomos įstatyminės nuostatos dėl pavojingų krovinių pervežimų.

Šiuos akumulatorius pervežti būtina laikantis vietinių, nacionalinių ir tarptautinių direktyvų ir nuostatų.

- Naudotojai šiuos akumulatorius gali naudoti savo transporte be jokių kitų sąlygų.
- Už komercinį ličio jonų akumulatorių pervežimą atsako ekspedicijos įmonė pagal nuostatas dėl pavojingų krovinių pervežimo. Pasiruošimo išsiųsti ir pervežimo darbus gali atlikti tik atitinkamai išmokyti asmenys. Visas procesas privalo būti prižiūrimas.

Pervežant akumulatorius būtina laikytis šių punktų:

- Siekiant išvengti trumpųjų jungimų, įsitikinkite, kad kontaktai yra apsaugoti ir izoliuoti.
- Atkreipkite dėmesį, kad akumulatorius pakuotės viduje neslidinėtų.
- Draudžiama pervežti pažeistus arba tekančius akumulatorius.

Dėl detalesnių nurodymų kreipkitės į savo ekspedicijos įmonę.

TECHNINIS APTARNAVIMAS

Naudokitės tik "Milwaukee" priedus ir "Milwaukee" atsargines dalis. Dalis, kurių keitimas neaprašytas, leidžiama keisti tik "Milwaukee" klientų aptarnavimo skyriams (žr. garantiją/klientų aptarnavimo skyrių adresus brošiūroje).

Esant poreikiui, nurodžius mašinos modelį ir šešiaženklį numerį, esantį ant specifikačių lenteles, klientų aptarnavimo centre arba tiesiogiai "Techtronic Industries GmbH", Max-Eyth-Str. 10, 71364 Winnenden, Vokietija, galite užsakyti išplėstinį prietaiso brėžinį.

SIMBOLIAI



DĖMESIO! ĮSPĖJIMAS! PAVOJUS!



Prieš atlikdami bet kokius darbus įrenginyje, išimkite keičiamą akumulatorių.



Prieš pradėdami dirbti su prietaisu, atidžiai perskaitykite jo naudojimo instrukciją.



Elektros prietaisų negalima išmesti kartu su buitinėmis atliekomis. Būtina rūšiuoti elektros ir elektroninius prietaisus ir atiduoti į atliekų perdirbimo centrą, kad jie būtų utilizuoti netešiant aplinkos. Informacijos apie perdirbimo centrus ir atliekų surinkimo įstaigas teiraukitės vietos įstaigoje arba prekybos binke.



CE ženklas



Nacionalinė atitikties žyma Ukrainoje



„EurAsian“ atitikties ženklas.

TEHNILISED ANDMED	JUHTMETA PUUR	C 12 RAD
Tootmisnumber	4311 93 02...	..000001-999999
Puuri ø puidus	25 mm	
Puidukruvid (eelpuurimiseta)	6,5 mm	
Pöörlemiskiirus tühijooksul	0-800 min ⁻¹	
Pöördemoment maks (Li-Ion Aku 1,5 Ah) *1	12 Nm	
Pöördemoment maks (Li-Ion Aku 3,0 Ah) *1	15 Nm	
Vahetatava aku pinge	12 V	
Puuripadrundi pingutusvahemik=	1,0-10 mm	
Kaal vastavalt EP TA-protseduurile 01/2003		
koos vahetatava akuga 1,5 Ah	1,1 kg	
koos vahetatava akuga 3,0 Ah	1,3 kg	

Müra/vibratsiooni andmed

Mõõteväärtused on kindlaks tehtud vastavalt normile EN 60 745.

Seadme tüüpiline hinnanguline (A) müratase:

Helirõhutase (Määramatus K=3dB(A))

Helivõimsuse tase (Määramatus K=3dB(A))

Kandke kaitseks kõrvaklappe!

Vibratsiooni koguväärtus (kolme suuna vektorsumma) mõõdetud

EN 60745 järgi.

Vibratsiooni emissiooni väärtus a_n

Metalli puurimine

Määramatus K=

Kruvimine

Määramatus K=

TÄHELEPANU

Antud juhendis toodud võnketase on mõõdetud EN 60745 standardile vastava mõõtesüsteemiga ning seda võib kasutada erinevate elektriseadmete omavahelises võrdlemises. Antud näitaja sobib ka esmaseks võnkekoormuse hindamiseks.

Antud võnketase kehtib elektriseadme kasutamisel sihtotstarbeliselt. Kui elektriseadet kasutatakse muudel otstarvetel, muude tööriistadega või seda ei hooldata piisavalt võib võnketase siintoodust erineda. Eeltoodu võib võnketaset märkimisväärselt tõsta terves töökeskkonnas.

Võnketaseme täpseks hindamiseks tuleks arvestada ka Milwaukeea, mil seade on välja lülitatud või on küll sisse lülitatud, kuid ei ole otseselt kasutuses. See võib märgatavalt vähendada kogu töökeskkonna võnketaset.

Rakendage spetsiaalseid ettevaatusabinõusid töötajate suhtes, kes puutuvad töö käigus palju kokku vibratsiooniga. Nendeks abinõudeks võivad olla, näiteks: elektri- ja tööseadmete korraline hooldus, käte soojendamine, töövoa parem organiseerimine.

⚠ HOIATUS! Lugege kõiki ohutusjuhiseid ja korraldusi.

Ohutusnõuete ja juhiste eiramise tagajärjeks võib olla elektrilöök, tulekahju ja/või raske vigastused.

Hoidke kõik ohutusnõuded ja juhised edasiseks kasutamiseks hoolikalt alles.

⚠ PUURMASINATE OHUTUSJUHISED

Tööde puhul, kus lõikeseade võib minna vastu peidetud elektrijuhtmeid, hoidke kinni seadme isoleeritud käepidemetest. Kokkupuude pinge all oleva juhtmega võib seada seadme enda metallosade pingele alla ja põhjustada elektrilöögi.

⚠ KRUVITSATE OHUTUSJUHISED

Hoidke käed seadme isoleeritud käepidemedel, kui Te teostate töid, mille juures kruvi võib sattuda varjatud voolujuhtmetele. Kruvi kontakt pinget juhtiva juhtmega võib panna metallist seadme osad pingele alla ja põhjustada elektrilöögi.

EDASISED OHUTUS- JA TÖÖJUHISED

Kasutada kaitsevarustust. Masinaga töötamisel kanda alati kaitseprille. Kaitseriistatena soovitatakse kasutada tolmu- ja kaitsemaski, kinniseid ja libisemisvastase tallaga jalanõusid, kiivrit ja kuulmisteede kaitset.

Töö ajal tekkiv tolm on sageli tervistkahjustav ning ei tohiks sattuda organismi. Kanda sobivat kaitsemaski.

Töödelda ei tohi materjale, millest lähtub oht tervisele (nt asbest).

Palun lülitage seade rakendustööriista blokeerumise korral kohe välja! Ärge lülitage seadet sisse tagasi, kuni rakendustööriist on

blokeeritud; seejuures võib kõrge reaktsoonimomendiga tagasilöökk tekkida. Tehke ohutusjuhiseid arvestades võttes kindlaks ja kõrvaldage rakendustööriista blokeerumise põhjus.

Selle võimalikeks põhjusteks võivad olla:

- viitu asetamine töödeldavas toorikus
- töödeldava materjali läbimurdamine
- elektritööriista ülekoormamine

Ärge sisestage jäseseid töötavas masinasse.

Rakendustööriist võib kasutamise ajal kuumaks minna.

TÄHELEPANU! Põletusohu

- tööriista vahetamisel
- seadme ärapanemisel

Puru ega pilpaid ei tohi eemaldada masina töötamise ajal.

Seina, lae või põrandat tööde puhul pidage silmas elektrijuhtmeid, gaasi- ja veetorusid.

Kinnitage toorik kinnipingutusseadisega. Kinnitamata toorikud võivad raskeid vigastusi ja kahjustusi põhjustada.

Enne kõiki töid masina kallal võtke vahetatav aku välja.

Ärge visake tarvitatud vahetatavaid akusid tulle ega olmeprügisse.

Milwaukee pakub vanade akude keskkonnahoidlikku käitlust; palun küsige oma erialaselt tarnijalt.

Ärge säilitage vahetatavaid akusid koos metallsemetega (lühiseoht).

Laadige süsteemi C 12 vahetatavaid akusid ainult süsteemi C 12 laadijatega. Ärge laadige nendega teiste süsteemide akusid.

Ärge avage vahetatavaid akusid ega laadijaid ning ladustage neid ainult kuivades ruumides. Kaitse niiskuse eest.

Äärmuslikul koormusel või äärmuslikul temperatuuril võib kahjustatud vahetatavast akust akuedelik välja voolata. Akuedelikuga kokkupuutumise korral peske kohe vee ja seebiga. Silma sattumise korral loputage kiiresti põhjalikult vähemalt 10 minutit ning pöörduge viivitamatult arsti poole.

KASUTAMINE VASTAVALT OTSTARBELE

akutrell-kruvikeerajad saab sõltumata võrguühendusest universaalselt rakendada puurimiseks ja kruvide keeramiseks.

Antud seadet tohib kasutada ainult vastavalt äranäidatud otstarbele.

EÜ VASTAVUSVAALDUS

Me deklareerime ainuisikuliselt vastutades, et lõigus "Tehnilised andmed" kirjeldatud toode vastab direktiivide 2011/65/EU (RoHS), 2014/30/EU, 2006/42/EÜ kõigile olulisele tähtsusega eeskirjadele ning järgmistele harmoniseeritud normatiivsetele dokumentidele:

EN 60745-1:2009 + A1:2010

EN 60745-2-1:2010

EN 60745-2-2:2010

EN 55014-1:2006 + A1:2009 + A2:2011

EN 55014-2:1997 + A1:2001 + A2:2008

EN 50581:2012

Winnenden, 2016-03-29

Alexander Krug

Alexander Krug
Managing Director



On volitatud koostama tehnilist dokumentatsiooni.

Techtronic Industries GmbH

Max-Eyth-Straße 10

71364 Winnenden

Germany

AKUD

Pikemat aega mittekasutatud akusid laadige veel enne kasutamist.

Temperatuur üle 50 °C vähendab vahetatava aku töövoimet.

Vältige pikemat soojenemist päikese või kütteseadme mõjul.

Hoidke laadija ja vahetatava aku ühenduskontaktid puhtad.

Patreide optimaalse eluea tagamiseks, pärast kasutamist täielikult lae pateride plokki.

Akud tuleks võimalikult pika kasutusea saavutamiseks pärast täislaadimist laadijast välja võtta.

Aku ladustamisel üle 30 päeva:

Ladustage akut kuivas kohas u 27°C juures.

Ladustage akut u 30-50% laetusseisundis.

Laadige aku iga 6 kuu tagant täis.

AKU KOORMUSKAITSE

Aku ülekoormamisel kõrge voolutarbimisega, nt puuri Aku ülekoormamisel kõrge voolutarbimisega, nt puuri blokeerumisel, lühise tekimisel või ülikõrgel pöoretel, vibreerib elektritööriist 5 sekundit, laadimistuli vilgub ja tööriist lülitub automaatselt välja. Uuesti sisse lülitamiseks tuleb päästik esmalt vabastada ning seejärel uuesti alla suruda. Üli suurel koormusel võib aku kuumeneda kõrgete temperatuurideni. Sellisel juhul vilguvad kõik laadimistulukesed kuni aku jahtumiseni. Peale laadimistulukeste kustumist võite tööd jätkata.

LIITIUMIOONAKUDE TRANSPORTIMINE

Liitiumioonakud on allutatud ohtlike ainete transportimisega seonduvatele õigusaktidele.

Nende akude transportimine peab toimuma kohalikest, siseriiklikest ja rahvusvahelistest eeskirjadest ning määrustest kinni pidades.

- Tarnijad tohivad neid akusid edasiste piiranguteta tänaval transportida.

- Liitiumioonakude komertstransport ekspedeerimisettevõtete kaudu on allutatud ohtlike ainete transportimisega seonduvatele õigusaktidele. Tärne-ettevalmistusi ja transporti tohivad teostada eranditult vastavalt koollitatud isikud. Kogu protsessi tuleb asjatundlikult jälgida.

Akude transportimisel tuleb järgida järgmisi punkte:

- Tehke kindlaks, et kontaktid on lühise vältimiseks kaitstud ja isoleeritud.
- Pöörake tähelepanu sellele, et akupakk ei saaks pakendis nihkuda.
- Kahjustatud või välja voolanud akusid ei tohi kasutada.

Pöörduge edasiste juhiste saamiseks ekspedeerimisettevõtte poole.

HOOLDUS

Kasutage ainult Milwaukee tarvikuid ja Milwaukee tagavaraosi. Detailid, mille väljavahetamist pole kirjeldatud, laske välja vahetada Milwaukee klientiteeninduspunkti (vaadake brošüüri garantii / klientiteeninduste aadressid).

Vajadusel saab nõuda seadme plahvatusjoonise võimsussildil oleva masinatüübi ja kuuekohalise numbrilise alusel klientiteeninduspunkti või vahetult firmalt Techtronic Industries GmbH, Max-Eyth-Straße 10, 71364 Winnenden, Germany.

SÜMBOLID



ETTEVAATUST! TÄHELEPANU! OHUD!



Enne kõiki töid masina kallal võtke vahetatav aku välja.



Palun lugege enne käikulaskmist kasutamisujuhend hoolikalt läbi.



Elektriseadmeid ei tohi utiliseerida koos majapidamisprügiga. Elektrilised ja elektroonilised seadmed tuleb eraldi kokku koguda ning keskkonnasõbralikuks utiliseerimiseks vastavas käitlusettevõttes ära anda. Küsige kohalikest pädevatest ametitest või edasimüüjalt käitlusjaamade ja kogumispunktide kohta järele.



CE-märk



Ukraina riiklik vastavusmärk



Euraasia vastavusmärk.

ТЕХНИЧЕСКИЕ ДАННЫЕ	АКК. ДРЕЛЬ/ШУРУПОВЕРТ	C 12 RAD
Серийный номер изделия	4311 93 02...	...000001-999999
Производительность сверления в дереве.....	25 mm	
Шурупы для дерева (без предварительного засверливания).....	6,5 mm	
Число оборотов без нагрузки	0-800 min ⁻¹	
Момент затяжки макс. (Li-Ion Аккумулятор 1,5 Ah) *1	12 Nm	
Момент затяжки макс. (Li-Ion Аккумулятор 3,0 Ah) *1	15 Nm	
Вольтаж аккумулятора	12 V	
Диапазон раскрытия патрона.....	1,0-10 mm	
Вес согласно процедуре EPTA 01/2003		
с аккумулятором 1,5 Ah	1,1 kg	
с аккумулятором 3,0 Ah	1,3 kg	

Информация по шуму/вибрации

Значения замерялись в соответствии со стандартом EN 60 745.

Уровень шума прибора, определенный по показателю A, обычно составляет:

Уровень звукового давления (Небезопасность K=3dB(A)) 64,5 dB (A)

Уровень звуковой мощности (Небезопасность K=3dB(A))..... 75,5 dB (A)

Пользуйтесь приспособлениями для защиты слуха.

Общие значения вибрации (векторная сумма трех направлений) определены в соответствии с EN 60745.

Значение вибрационной эмиссии a_w

Сверление в металле..... < 2,5 m/s²

Небезопасность K=..... 1,5 m/s²

Завинчивание

Небезопасность K=..... 1,5 m/s²

ВНИМАНИЕ

Указанный в настоящем руководстве уровень вибрации измерен в соответствии с технологией измерения, установленной стандартом EN 60745 и может использоваться для сравнения электроинструментов друг с другом. Он также подходит для предварительной оценки вибрационной нагрузки.

Указанный уровень вибрации представляет основные виды использования электроинструмента. Но если электроинструмент используется для других целей, используемый инструмент отклоняется от указанного или техническое обслуживание было недостаточным, то уровень вибрации может отклоняться от указанного. В этом случае вибрационная нагрузка в течение всего периода работы значительно увеличивается.

Для точной оценки вибрационной нагрузки необходимо также учитывать время, в течение которого прибор отключен или включен, но фактически не используется. В этом случае вибрационная нагрузка в течение всего периода работы может существенно уменьшиться.

Установите дополнительные меры безопасности для защиты пользователя от воздействия вибрации, например: техническое обслуживание электроинструмента и используемого инструмента, поддержание рук в теплом состоянии, организация рабочих процессов.

⚠ ПРЕДУПРЕЖДЕНИЕ! Прочтите все указания по безопасности и инструкции.

Упущения, допущенные при не соблюдении указаний и инструкций по технике безопасности, могут стать причиной электрического поражения, пожара и тяжелых травм.

Сохраняйте эти инструкции и указания для будущего использования.

⚠ УКАЗАНИЯ ПО ТЕХНИКЕ БЕЗОПАСНОСТИ ДЛЯ ДРЕЛЕЙ

Если Вы выполняете работы, при которых режущий инструмент может зацепить скрытую электропроводку кабель, инструмент следует держать за специально предназначенные для этого изолированные поверхности. Контакт с ведущими напряжением проводами ставит металлические части прибора под напряжение и ведет к поражению электротоком.

⚠ УКАЗАНИЯ ПО ТЕХНИКЕ БЕЗОПАСНОСТИ ДЛЯ ШУРУПОВЕРТОВ

Если Вы выполняете работы, при которых можно зацепить скрытую электропроводку, инструмент следует держать за специально предназначенные для этого изолированные поверхности. Контакт с токоведущим проводом может создать под напряжение металлические части инструмента, а также привести к удару электрическим током.

ДОПОЛНИТЕЛЬНЫЕ УКАЗАНИЯ ПО БЕЗОПАСНОСТИ И РАБОТЕ

Пользоваться средствами защиты. Работать с инструментом всегда в защитных очках. Рекомендуется спецдежда: пылезащитная маска, защитные перчатки, прочная и нескользящая обувь, каска и наушники.

Пыль, возникающая при работе данным инструментом, может нанести вред здоровью. Не следует допускать её попадания в организм. Надевайте противопылевой респиратор.

Запрещается обрабатывать материалы, которые могут нанести вред здоровью (напр., асбест).

При блокировании используемого инструмента немедленно выключить прибор! Не включайте прибор до тех пор, пока используемый инструмент заблокирован, в противном случае может возникнуть отдача с высоким реактивным моментом. Определите и устранили причину блокирования используемого инструмента с учетом указаний по безопасности.

Возможными причинами могут быть:

- перекос заготовки, подлежащей обработке

ДЕКЛАРАЦИЯ О СООТВЕТСТВИИ СТАНДАРТАМ ЕС

Мы заявляем под собственную ответственность, что изделие, описанное в разделе "Технические характеристики", соответствует всем важным предписаниям Директивы 2011/65/EU (Директива об ограничении применения опасных веществ в электрических и электронных приборах), 2014/30/EU, 2006/42/ЕС и приведенным далее гармонизированным нормативным документам:

EN 60745-1:2009 + A11:2010

EN 60745-2-1:2010

EN 60745-2-2:2010

EN 55014-1:2006 + A1:2009 + A2:2011

EN 55014-2:1997 + A1:2001 + A2:2008

EN 50581:2012

Winnenden, 2016-03-29

Alexander Krug

Alexander Krug
Managing Director



Уполномочен на составление технической документации.

Techtronic Industries GmbH
Max-Eyth-Straße 10
71364 Winnenden
Germany

АККУМУЛЯТОР

Перед использованием аккумулятора, которым не пользовались некоторое время, его необходимо зарядить.

Температура свыше 50°C снижает работоспособность аккумуляторов. Избегайте продолжительного нагрева или прямого солнечного света (риск перегрева).

Контакты зарядного устройства и аккумуляторов должны содержаться в чистоте.

Для обеспечения оптимального срока службы аккумулятор необходимо полностью заряжать после использования прибора.

Для достижения максимально возможного срока службы аккумуляторы после зарядки следует вынимать из зарядного устройства.

При хранении аккумулятора более 30 дней:

Храните аккумулятор при 27°C в сухом месте.

Храните аккумулятор с зарядом примерно 30% - 50%.

Каждые 6 месяцев аккумулятор следует заряжать.

ЗАЩИТА АККУМУЛЯТОРА ОТ ПЕРЕГРУЗКИ

В случае перегрузки аккумулятора по причине слишком большого потребления электроэнергии, при экстремально большом крутящем моменте, внезапной остановке или коротком замыкании, электроприбор вибрирует в течение 5 секунд, загорается индикатор заряда аккумулятора и электроприбор автоматически выключается. Для повторного включения следует отжать кнопку включения и потом снова включить. При слишком высоких нагрузках аккумулятор перегревается. В этом случае загораются все лампы индикатора заряда аккумулятора. Когда аккумулятор остынет и лампы погаснут – можно продолжать работу.

ТРАНСПОРТИРОВКА ЛИТИЙ-ИОННЫХ АККУМУЛЯТОРОВ

Литий-ионные аккумуляторы в соответствии с предписаниями закона транспортируются как опасные грузы.

Транспортировка этих аккумуляторов должна осуществляться с соблюдением местных, национальных и международных предписаний и положений.

- Эти аккумуляторы могут перевозиться по улице потребителем без дальнейших обязательств.
- При коммерческой транспортировке литий-ионных аккумуляторов экспедиторскими компаниями действуют положения, касающиеся транспортировки опасных грузов. Подготовка к отправке и транспортировка должны производиться исключительно специально обученными лицами. Весь процесс должен находиться под контролем специалиста.

При транспортировке аккумуляторов необходимо соблюдать следующие пункты:

- Убедитесь, что контакты защищены и изолированы во избежание короткого замыкания.
 - Следите за тем, чтобы аккумуляторный блок не соскользнул внутри упаковки.
 - Транспортировка поврежденных или протекающих аккумуляторов запрещена.
- За дополнительными указаниями обратитесь к своему экспедитору.

ОБСЛУЖИВАНИЕ

Пользуйтесь аксессуарами и запасными частями только фирмы Milwaukee. В случае возникновения необходимости в замене, которая не была описана, пожалуйста, обращайтесь на один из сервисных центров (см. список наших гарантийных/сервисных организаций).

При необходимости может быть заказан чертеж инструмента с трехмерным изображением деталей. Пожалуйста, укажите номер и тип инструмента и закажите

чертеж у Ваших местных агентов или непосредственно у Techtronic Industries GmbH, Max-Eyth-Straße 10, 71364 Winnenden, Germany.

СИМВОЛЫ



ВНИМАНИЕ! ПРЕДУПРЕЖДЕНИЕ! ОПАСНОСТЬ!



Выньте аккумулятор из машины перед проведением с ней каких-либо манипуляций.



Пожалуйста, внимательно прочтите инструкцию по использованию перед началом любых операций с инструментом.



Электрические устройства нельзя утилизировать вместе с бытовым мусором. Электрические и электронные устройства следует собирать отдельно и сдавать в специализированную утилизирующую компанию для утилизации в соответствии с нормами охраны окружающей среды. Сведения о центрах вторичной переработки и пунктах сбора можно получить в местных органах власти или у вашего специализированного дилера.



Знак CE



Национальный знак відповідності України



Сертификата о соответствии
No. RU C-DE.ME77.B.01605
Срок действия сертификата о соответствии по 17.06.2019
ООО «Центр по сертификации стандартизации и систем качества электро-машиностроительной продукции» 141400, РФ, Московская область, г. Химки, Ул. Ленинградская, 29

Транспортировка:

Категорически не допускается падение и любые механические воздействия на упаковку при транспортировке.

При разгрузке/погрузке не допускается использование любого вида техники, работающей по принципу захвата упаковки.

Хранение:

Необходимо хранить в сухом месте.

Необходимо хранить вдали от источников повышенных температур и воздействия солнечных лучей.

При хранении необходимо избегать резкого перепада температур.

Хранение без упаковки не допускается.

Срок службы изделия:

Срок службы изделия составляет 5 лет.

Не рекомендуется к эксплуатации по истечении 5 лет хранения с даты изготовления без предварительной проверки.

Дата изготовления (код даты) отштампован на поверхности корпуса изделия.

Пример:

A2015, где 2015 - год изготовления

A - месяц изготовления

Определить месяц изготовления можно согласно приведенной ниже таблице

A - Январь	G - Июль
B - Февраль	H - Август
C - Март	J - Сентябрь
D - Апрель	K - Октябрь
E - Май	L - Ноябрь
F - Июнь	M - Декабрь

Тектроник Индастриз ГмбХ
Германия, 71364, Винненден,
ул. Макс-Эйх-Штрассе, 10
Сделано в КНР

ТЕХНИЧЕСКИ ДАННИ АКУМУЛАТОРЕН ВИНТОВЕРТ/БОРМАШИНА		C 12 RAD
Производствен номер	4311 93 02...	...000001-999999
Диаметър на свредлото за дърво	25 mm	6,5 mm
Винтове за дърво (без предварително разпробиване)	0-800 min ⁻¹	
Обороти на празен ход	12 Nm	15 Nm
Въртящ момент макс (Li-Ion Аккумуляторна батерия 1,5 Ah) *1	12 V	
Въртящ момент макс (Li-Ion Аккумуляторна батерия 3,0 Ah) *1	1,0-10 mm	
Напрежение на акумулатора	1,1 kg	1,3 kg
Затегателен участък на патронника		
Тегло съгласно процедурата EPTA 01/2003		
с акумулатор 1,5 Ah		
с акумулатор 3,0 Ah		

Информация за шума/вибрациите

Измерените стойности са получени съобразно EN 60 745.

Оцененото с А ниво на шума на уреда е съответно:

Равнище на звуковото налягане (Несигурност K=3dB(A)) 64,5 dB (A)

Равнище на мощността на звука (Несигурност K=3dB(A)) 75,5 dB (A)

Да се носи предпазно средство за слуха!

Общите стойности на вибрациите (векторна сума на три посоки) са определени в съответствие с EN 60745.

Стойност на емисии на вибрациите a_w

Пробиване на метал..... < 2,5 m/s²

Несигурност K= 1,5 m/s²

Завинтване < 2,5 m/s²

Несигурност K= 1,5 m/s²

ВНИМАНИЕ

Посоченото в тези инструкции ниво на вибрациите е измерено в съответствие със стандартизиран в EN 60745 измървателен метод и може да се използва за сравнение на електрически инструменти помежду им. Подходящ е и за временна оценка на вибрационното натоварване.

Посоченото ниво на вибрациите представя основните приложения на електрическия инструмент. Ако обаче електрическият инструмент се използва с друго предназначение, с различни сменяеми инструменти или при недостатъчна техническа поддръжка, нивото на вибрациите може да е различно. Това чувствително може да увеличи вибрационното натоварване по време на целия работен цикъл.

За точната оценка на вибрационното натоварване трябва да се вземат предвид и периодите от време, в които уредът е изключен или работи, но в действителност не се използва. Това чувствително може да намали вибрационното натоварване по време на целия работен цикъл.

Определете допълнителни мерки по техника на безопасност в защита на обслужващия работник от въздействието на вибрациите като например: техническа поддръжка на електрическия инструмент и сменяемите инструменти, поддържане на ръцете топли, организация на работния цикъл.

⚠ ПРЕДУПРЕЖДЕНИЕ! Прочетете всички указания и напътствия за безопасност.

Пропуски при спазването на указанията и напътствията за безопасност могат да доведат до токов удар, пожар и/или тежки наранявания.

Съхранявайте указанията и напътствията за безопасност за справка при нужда.

⚠ УКАЗАНИЯ ЗА БЕЗОПАСНОСТ ЗА БОРМАШИНИ

Дръжте уреда за изолираните ръкохватки, когато извършвате работи, при които рехещият инструмент може да засегне скрити електроинсталационни кабели. При влизане в съприкосновение с проводник под напрежение, то се предава на всички метални части на електроинструмента, което може да доведе до токов удар.

⚠ УКАЗАНИЯ ЗА БЕЗОПАСНОСТ ЗА СВРЕДЛА ЗА УДАРНО ПРОБИВАНЕ

Когато извършвате работи, при които болтът може да докосне скрити електрически кабели, дръжте уреда за изолираните ръкохватки. Контактът на болта с токопроводим проводник може да постави метални части на уреда под напрежение и може да Ви хване ток.

ДОПЪЛНИТЕЛНИ УКАЗАНИЯ ЗА РАБОТА И БЕЗОПАСНОСТ

Да се използват предпазни средства. При работа с машината винаги носете предпазни очила. Препоръчват се защитно облекло и прахозащитна маска, защитни ръкавици, здрави и нехлъзгащи се обувки, каска и предпазни средства за слуха.

Прахът, който се образува при работа, често е вреден за здравето и не бива да попада в тялото. Да се носи подходяща прахозащитна маска.

Не е разрешена обработката на материали, които представляват опасност за здравето (напр. азбест).

Ако използваният инструмент блокира, изключете веднага уреда! Не включвайте уреда отново, докато използваният инструмент е блокиран; това би могло да доведе до откат с висока реактивна сила. Открийте и отстранете причината за блокирането на използвания инструмент и майки в предвид инструкциите за безопасност.

Възможните причини за това могат да бъдат:

- Заклинване в обработваната част
- Пробиване на материала
- Пренатоварване на електрическия инструмент

Не бържайте в машината, докато тя работи.

Използваният инструмент може да загрее по време на употреба.

ВНИМАНИЕ! Опасност от изгаряния

- при смяна на инструмент
- при оставяне на уреда

Стружки или отчупени парчета да не се отстраняват, докато машина работи.

При работа в стени, тавани или подове внимавайте за кабели, газопроводи и водопроводи.

Закрепете обработваната част с устройство за захващане. Незакрепени части за обработка могат да причинят сериозни наранявания и материални щети.

Преди започване на каквито е да е работи по машината извадете акумулатора.

Не изхвърляйте изхабените акумулатори в огъня или в при битовите отпадъци. Milwaukee предлага екологосъобразно събиране на старите акумулатори; моля попитайте Вашия специализиран търговец.

Не съхранявайте акумулаторите заедно с метални предмети (опасност от късо съединение).

Акумулатори от системата C 12 да се зареждат само със зарядни устройства от системата C 12 laden. Да не се зареждат акумулатори от други системи.

Не отваряйте акумулатори и зарядни устройства и ги съхранявайте само в сухи помещения. Пазете ги от влага.

При екстремно натоварване или екстремна температура от повредените акумулатори може да изтече батерийна течност. При допир с такава течност веднага измийте с вода и сапун. При контакт с очите веднага изплаквайте старателно най-малко 10 минути и незабавно потърсете лекар.

ИЗПОЛЗВАНЕ ПО ПРЕДНАЗНАЧЕНИЕ

Акумулаторният пробивен винтоверт се използва универсално за пробиване и за завинтване на винтове и не зависи от захранване от мрежата.

Този уред може да се използва по предназначение само както е посочено.

СЕ - ДЕКЛАРАЦИЯ ЗА СЪОТВЕТСТВИЕ

Заявяваме под собствена отговорност, че описаният в "Технически данни" продукт съответства на всички важни разпоредби на директива 2011/65/EU (RoHS), 2014/30/EU, 2006/42/EO, както и на всички следващи нормативни документи във тази връзка.

EN 60745-1:2009 + A11:2010

EN 60745-2-1:2010

EN 60745-2-2:2010

EN 55014-1:2006 + A1:2009 + A2:2011

EN 55014-2:1997 + A1:2001 + A2:2008

EN 50581:2012

Winnenden, 2016-03-29

Alexander Krug

Alexander Krug
Managing Director



Упълномощен за съставяне на техническата документация

Techtronic Industries GmbH

Max-Eyth-Straße 10

71364 Winnenden

Germany

АКУМУЛАТОРИ

Акумулатори, които не са ползвани по-дълго време, преди употреба да се дозаредят.

Температура над 50°C намалява мощността на акумулатора. Да се избягва по-продължително нагряване на слънце или от отопление.

Поддържайте чисти присъединителните контакти на зарядното устройство и на акумулатора.

С цел оптимална продължителност на живот след употреба батериите трябва да бъдат заредени напълно

За възможно по-дълга продължителност на живот батериите трябва да се изваждат от уреда след зареждане.

При съхранение на батериите за повече от 30 дни: съхранявайте батерията при прибл. 27°C и на сухо място. Съхранявайте батерията при 30 до 50 % от заряда. Зареждайте батерията на всеки 6 месеца.

ЗАЩИТА ОТ ПРЕТОВАРВАНЕ НА БАТЕРИЯТА

При претоварване на батерията вследствие на голямо потребление на енергия, например изключително високи въртящи моменти, внезапно спиране или късо съединение, електрическият инструмент вибрира в продължение на 5 секунди, мига индикаторът за зареждане и електрическият инструмент се изключва сам.

За да го включите повторно, освободете превключвателя и след това включете уреда.

При екстремни натоварвания батерията се нагрява значително. В

този случай всички светлини на индикатора за зареждане мигат дотогава, докато батерията се охлади. След изгасване на индикатора за зареждане можете да продължите работата с уреда.

ПРЕВОЗ НА ЛИТИЕВО-ИОННИ БАТЕРИИ

Литиево-ионните батерии са предмет на законите разпоредби за превоз на опасни товари.

Превозът на тези батерии трябва да се извършва в съответствие с местните, националните и международните разпоредби и регламенти.

- Потребителите могат да превозват тези батерии по пътя без допълнителни изисквания.
- Превозът на литиево-ионни батерии от транспортни компании е предмет на законите разпоредбите за превоз на опасни товари. Подготовката на превоза и самият превоз трябва да се извършват само от обучени лица. Целият процес трябва да е под професионален надзор.

Спазвайте следните изисквания при превоз на батерии:

- Уверете се, че контактите са защитени и изолирани, за да се избегне късо съединение.
- Уверете се, че няма опасност от разместване на батерията в опаковката.
- Не превозвайте повредени батерии или такива с течове.

Обърнете се към Вашата транспортна компания за допълнителни инструкции.

ПОДДРЪЖКА

Да се използват само аксесоари на Milwaukee и резервни части на Milwaukee. Елементи, чиято подмяна не е описана, да се дадат за подмяна в сервиз на Milwaukee (вижте брошурата "Гаранция и адреси на сервизи").

При необходимост можете да поискате схема на елементите на уреда при посочване на обозначение на машината и шестцифрения номер на табелката за технически данни от Вашия сервиз или директно на Techtronic Industries GmbH, Max-Eyth-Straße 10, 71364 Winnenden, Германия.

СИМВОЛИ



ВНИМАНИЕ! ПРЕДУПРЕЖДЕНИЕ! ОПАСНОСТ



Преди започване на каквито е да е работи по машината извадете акумулатора.



Преди пускане на уреда в действие моля прочетете внимателно инструкцията за използване.



Електрическият уред не трябва да се изхвърля заедно с битовите отпадъци. Електрическото и електронното оборудване трябва да се събират отделно и да се предават на службите за рециклиране на отпадъците според изискванията за опазване на околната среда. Информирайте се при местните служби или при местните специализирани търговци относно местата за събиране и центровете за рециклиране на отпадъци.



СЕ-знак



Национален знак за съответствие - Украйна



EurAsian знак за съответствие.

DATE TEHNICE	MAȘINĂ DE GĂURIT/ ÎNȘURUBAT CU ACUMULATOR	C 12 RAD
Număr producție	4311 93 02... ...000001-999999	
Capacitate de găurire în lemn	25 mm	
Șuruburi pt. lemn (fără pregăurire)	6,5 mm	
Viteza de mers în gol	0-800 min ⁻¹	
Cuplu max (Acumulator 1,5 Ah) *1	12 Nm	
Cuplu max (Acumulator 3,0 Ah) *1	15 Nm	
Tensiune acumulator	12 V	
Interval de deschidere burghiu	1,0-10 mm	
Greutatea conform "EPTA procedure 01/2003"		
cu acumulator 1,5 Ah	1,1 kg	
cu acumulator 3,0 Ah	1,3 kg	

Informație privind zgomotul/vibrațiile

Valori măsurate determinate conform EN 60 745.

Nivelul de zgomot evaluat cu A al aparatului este tipic de:

Nivelul presiunii sonore (Nesiguranță K=3dB(A))

Nivelul sunetului (Nesiguranță K=3dB(A))

Purtați căști de protecție

Valorile totale de oscilație (suma vectorială pe trei direcții) determinate conform normei EN 60745.

Valoarea emisiei de oscilații a_h

Găurit în metal

Nesiguranță K=

Înșurubare

Nesiguranță K=

AVERTISMENT

Gradul de oscilație indicat în prezentele instrucțiuni a fost măsurat în conformitate cu o procedură de măsurare normată prin norma EN 60745 și poate fi folosit pentru a compara unelte electrice între ele. El se pretează și pentru o evaluare provizorie a solicitării la oscilații.

Gradul de oscilație indicat prezintă aplicațiile principale ale uneltelor electrice. În cazul în care însă uneltele electrice au fost folosite pentru alte aplicații, ori au fost folosite unelte de muncă diferite ori acestea nu au fost supuse unei suficiente inspecții de întreținere, gradul de oscilație poate fi diferit. Acest fapt poate duce la o creștere netă a solicitărilor la oscilații dealungul întregii perioade de lucru.

În scopul unei evaluări exacte a solicitării la oscilații, urmează să fie luate în considerație și perioadele de timp în care aparatul a fost oprit ori funcționează dar, în mod practic, el nu este folosit în mod practic. Acest fapt poate duce la o reducere netă a solicitărilor la oscilații dealungul întregii perioade de lucru.

Stabiliți măsuri de siguranță suplimentare în scopul protecției utilizatorului de efectele oscilațiilor, de exemplu: inspecție de întreținere a uneltelor electrice și a celor de muncă, păstrarea caldă a mâinilor, organizarea proceselor de muncă.

AVERTIZARE! Citiți toate indicațiile de siguranță și toate instrucțiunile.

Nerespectarea indicațiilor de avertizare și a instrucțiunilor poate provoca electrocutare, incendii și/sau răni grave.

Păstrați toate indicațiile de avertizare și instrucțiunile în vederea utilizărilor viitoare.

INSTRUCȚIUNI DE SIGURANȚĂ PENTRU MAȘINILE DE GĂURIT

Țineți aparatul de mânerle izolate când executați lucrări la care scula tăietoare poate nimeri peste conductori electrici ascunși. Contactul cu un conductor sub tensiune determină punerea sub tensiune a componentelor metalice ale mașinii și duce la electrocutare.

INSTRUCȚIUNI DE SIGURANȚĂ PENTRU MAȘINILE DE ÎNȘURUBAT

Țineți aparatul de mânerle izolate atunci când executați lucrări la care șurubul ar putea atinge cabluri de curent ascunse. Contactul șurubului cu un conductor prin care circulă curentul electric poate pune sub tensiune componente metalice ale aparatului, provocând electrocutare.

INSTRUCȚIUNI SUPPLEMENTARE DE SIGURANȚĂ ȘI DE LUCRU

Folosiți echipament de protecție. Purtați întotdeauna ochelari de protecție când lucrați cu mașina. Se recomandă utilizarea hainelor de protecție ca de ex. Măști contra prafului, mănuși de protecție, încălțăminte stabilă nealunecoasă, cască și aparatoare de urechi.

Praful care apare când se lucrează cu această sculă poate fi dăunător sănătății și prin urmare nu trebuie să atingă corpul. Purtați o mască de protecție corespunzătoare împotriva prafului.

Nu se admite prelucrarea unui material care poate pune în pericol sănătatea operatorului (de exemplu azbestul).

La blocarea sculei demontabile vă rugăm să deconectați imediat aparatul! Nu conectați aparatul atâta timp cât scula demontabilă este blocată; dacă o faceți, s-ar putea să se producă un recul cu un cuplu mare de reacție. Găsiți și remediați cauza de blocare a sculei demontabile respectând indicațiile pentru siguranță.

Cauzele posibile pot fi:

- Agățarea în piesa de prelucrat
- Străpungerea materialului de prelucrat
- Suprasolicitarea sculei electrice

Nu atingeți părțile mașinii aflate în rotație.

Scula introdusă poate să devină fierbinte în timpul utilizării.

AVERTISMENT! Pericol de arsură

- la schimbarea sculei
- la depunerea aparatului

Rumezușul și spanul nu trebuie îndepărtate în timpul funcționării mașinii.

Când se lucrează pe pereți, tavan sau dușumea, aveți grijă să evitați cablurile electrice și țevile de gaz sau de apă.

Asigurați piesa de prelucrat cu un dispozitiv de fixare. Piese neasigurate pot provoca accidentări grave și stricăciuni.

Îndepărtați acumulatorul înainte de începerea lucrului pe mașina

Nu aruncați acumulatorii uzați la containerul de rezidui menajere și nu îi ardeți. Milwaukee Distributors se oferă să recupereze acumulatorii vechi pentru protecția mediului înconjurător.

Nu depozitați acumulatorul împreună cu obiecte metalice (risc de scurtcircuit)

Folosiți numai încărcătoare System C 12 pentru încărcarea acumulatorilor System C 12. Nu folosiți acumulatori din alte sisteme.

Nu deschideți niciodată acumulatorii și încărcătoarele și paștrați-le numai în încăperi uscate. Paștrați-le întotdeauna uscate.

Acidul se poate scurge din acumulatorii deteriorați la încălziri sau temperaturi extreme. În caz de contact cu acidul din acumulator, spălați imediat cu apă și săpun. În caz de contact cu ochii, clătiți cu atenție timp de cel puțin 10 minute și apelați imediat la îngrijire medicală.

CONDIȚII DE UTILIZARE SPECIFICATE

Mașina de găurit / de înșurubat cu acumulator este destinată operațiunilor de gaurire și înșurubare, pentru utilizare independentă, departe de sursele de alimentare.

Nu utilizați acest produs în alt mod decât cel stabilit pentru utilizare normală

DECLARAȚIE DE CONFORMITATE

Declarăm pe propria răspundere că produsul descris la "Date tehnice" este în concordanță cu toate prevederile legale relevante ale Directivei 2011/65/EU (RoHS), 2014/30/UE, 2006/42/CE și cu următoarele norme armonizate:

EN 60745-1:2009 + A11:2010

EN 60745-2-1:2010

EN 60745-2-2:2010

EN 55014-1:2006 + A1:2009 + A2:2011

EN 55014-2:1997 + A1:2001 + A2:2008

EN 50581:2012

Winnenden, 2016-03-29



Alexander Krug
Managing Director



Împuternicit să elaboreze documentația tehnică.

Techtronic Industries GmbH
Max-Eyth-Straße 10
71364 Winnenden
Germany

ACUMULATORI

Acumulatorii care nu au fost utilizați o perioadă de timp trebuie reîncărcați înainte de utilizare.

Temperatura mai mare de 50°C (122°F) reduce performanța acumulatorului. Evitați expunerea prelungită la căldură sau radiație solară (risc de supraîncălzire)

Contactele încărcătoarelor și acumulatorilor trebuie păstrate curate.

Pentru o durabilitate optimă, acumulatorii trebuie reîncărcați complet după folosire.

Pentru o durată de viață cât mai lungă, acumulatorii ar trebui scoși din încărcător după încărcare.

La depozitarea acumulatorilor mai mult de 30 zile:

Acumulatorii se depozitează la cca. 27°C și la loc uscat.

Acumulatorii se depozitează la nivelul de încărcare de cca.

30%-50%.

Acumulatorii se încarcă din nou la fiecare 6 luni.

PROTECȚIE SUPRĂÎNCĂRCARE ACUMULATOR

În cazul unei suprasolicitări a acumulatorului datorită unui consum excesiv de curent electric, de ex. datorită unor momente de durată extrem de înalte, a unei opriri subite sau a unui scurt circuit, scula electrică trepidează timp de 5 secunde, indicația stării de încărcare pălpâie și scula electrică se deconectează de la sine.

Pentru reconectare dați drumul întrerupătorului și conectați din nou. În cazul unor sarcini extreme, acumulatorul se încinge prea tare. În acest caz toate lămpile indicației stării de încărcare pălpâie până când acumulatorul s-a răcit. După ce indicația stării de încărcare s-a stins se poate lucra mai departe.

TRANSPORTUL ACUMULATORILOR CU IONI DE LITIU

Acumulatorii cu ioni de litiu cad sub incidența prescripțiilor legale pentru transportul de mărfuri periculoase.

Transportul acestor acumulatori trebuie să se efectueze cu respectarea prescripțiilor și reglementărilor pe plan local, național și internațional.

- Consumatorilor le este permis transportul rutier nere restricționat al acestui tip de acumulatori.
- Transportul comercial al acumulatorilor cu ioni de litiu prin intermediul firmelor de expediție și transport este supus reglementărilor transportului de mărfuri periculoase. Pregătirile pentru expediție și transportul au voie să fie efectuate numai de către personal instruit corespunzător. Întregul proces trebuie asistat în mod competent.

Următoarele puncte trebuie avute în vedere la transportul acumulatorilor:

- Pentru a se evita scurtcircuite, asigurați-vă de faptul că sunt protejate și izolate contactele.
- Aveți grijă ca pachetul de acumulatori să nu poată aluneca în altă poziție în interiorul ambalajului său.
- Este interzis transportarea unor acumulatori deteriorați sau care pierd lichid.

Pentru indicații suplimentare adresați-vă firmei de expediție și transport cu care colaborați.

INTREȚINERE

Utilizați numai accesorii și piese de schimb Milwaukee. Dacă unele din componente care nu au fost descrise trebuie înlocuite, vă rugăm contactați unul din agenții de service Milwaukee (vezi lista noastră pentru service / garanție)

Dacă este necesar, puteți solicita de la centrul dvs. de service pentru clienți sau direct la Techtronic Industries GmbH, Max-Eyth-Straße 10, 71364 Winnenden, Germania un desen descompus al aparatului prin indicarea tipului de aparat și a numărului cu șase cifre de pe tăblița indicatoare.

SIMBOLURI



PERICOL! AVERTIZARE! ATENȚIE!



Îndepărtați acumulatorul înainte de începerea lucrului pe mașina



Va rugăm citiți cu atenție instrucțiunile înainte de pornirea mașinii



Aruncarea aparatelor electrice la gunoii menajere este interzisă. Echipamentele electrice și electronice trebuie colectate separat și predate la un centru de reciclare și eliminare a deșeurilor, pentru a fi eliminate ecologic. Interesați-vă la autoritățile locale sau la comerciantul dvs. de specialitate unde se află centre de reciclare și puncte de colectare.



Marcaj CE



Marcaj național de conformitate Ucraina



Marcaj de conformitate EurAsian.

ТЕХНИЧКИ ПОДАТОЦИ	ДУПЧАЛКА НА БАТЕРИИ	C 12 RAD
Производен број.....	4311 93 02... ...000001-999999	
Капацитет на дупчење во дрво.....	25 mm	
Шрафови во дрво (без предходно дупчење).....	6,5 mm	
Брзина без оптоварување.....	0-800 min ⁻¹	
Спрега торк макс (Li-Ion Батерија 1,5 Ah) *1.....	12 Nm	
Спрега торк макс (Li-Ion Батерија 3,0 Ah) *1.....	15 Nm	
Волтажа на батеријата.....	12 V	
Опсег на отворање на буштина.....	1,0-10 mm	
Тежина според ЕПТА-процедурата 01/2003		
со батерија 1,5 Ah.....	1,1 kg	
со батерија 3,0 Ah.....	1,3 kg	

Информација за бучавата/вибрациите

Измерените вредности се одредени согласно стандардот EN 60745.

A-оценетото ниво на бучава на апаратот типично изнесува:

Ниво на звучен притисок. (Несигурност K=3dB(A))..... 64,5 dB (A)

Ниво на јачина на звук. (Несигурност K=3dB(A))..... 75,5 dB (A)

Носте штитник за уши.

Вкупни вибрациски вредности (векторски збир на трите насоки) пресметани согласно EN 60745.

Вибрациска емисиона вредност a_n

Дупчење во метал..... < 2,5 m/s²

Несигурност K = 1,5 m/s²

Зашрафување..... < 2,5 m/s²

Несигурност K = 1,5 m/s²

ПРЕДУПРЕДУВАЊЕ

Нивото на осцилација наведено во овие инструкции е измерено во согласност со мерните постапки нормирани во EN 60745 и може да биде употребено за меѓусебна споредба на електро-алати. Ова ниво може да се употреби и за привремена проценка на оптоварувањето на осцилацијата.

Наведеното ниво на осцилација ги репрезентира главните намени на електро-алатот. Но, доколку електро-алатот се употребува за други намени, со отпаѓаачки додатоци или со несоодветно одржување, нивото на осцилација може да отстапи. Тоа може значително да го зголеми оптоварувањето на осцилацијата за време на целиот работен период.

За прецизна проценка на оптоварувањето на осцилацијата предвид треба да бидат земени и времињата, во коишто апаратот е исклучен или работи, но фактички не се употребува. Тоа може значително да го намали оптоварувањето на осцилацијата за време на целиот работен период.

Утврдете дополнителни безбедносни мерки за заштита на операторот од влијанието на осцилациите, како на пример: одржување на електро-алатот и на додатоци кон електро-алатот, одржување топли раце, организација на работните процеси.

▲ ВНИМАНИЕ! Прочитајте ги безбедносните напomenи и упатства. Заборавање на почитувањето на безбедносните упатства и инструкции можат да предизвикаат електричен удар, пожар и/или тешки повреди.
Сочувајте ги сите безбедносни упатства и инструкции за во иднина.

▲ БЕЗБЕДНОСНИ НАПОМЕНИ ЗА ПЕРКУСИОНИ БОРМАШИНИ

Држете го електричниот алат за издадените површини при изведување на операции при кои алатот за сечење можат да дојдат во контакт со скриени жици. Контакт со жица под напон исто така ќе направи проводници од металните делови и оној кој ракува со алатот ќе доживее струен удар.

▲ БЕЗБЕДНОСНИ НАПОМЕНИ ЗА ЗАШТРАФУВАЊЕ

При реализација на работи, при кои завртката може да погоди скриени водови на струја, држете го апаратот на изолираните површини за држење. Контактот на навртката со вод под напон може да ги стави металните делови од апаратот под напон и да доведе до електричен удар.

ОСТАНАТИ БЕЗБЕДНОСНИ И РАБОТНИ УПАТСТВА

Употребувајте заштитна опрема. При работа со машината постојано носете заштитни очила. Се препорачува заштитна облека како: маска за заштита од прашина, заштитни ракавици, цврсти чевли што не се лизгаат, кацига и заштита за уши.

Пршината која се создава при користење на овој алат може да биде штетна по здравјето. Не ја вдишувајте. Носете соодветна заштитна маска.

Не смеат да бидат обработувани материјали кои што можат да го загрозат здравјето (на пр. азбест).

Доколку употребуваното орудие се блокира, молиме веднаш да се исклучи апаратот! Не го вклучувајте апаратот повторно додека употребуваното орудие е блокирано; притоа би можело да дојде до повратен удар со висок момент на реакција. Испитајте и отстранете ја причината за блокирањето на употребеното орудие имајќи ги во предвид напomenите за безбедност.

Можни причини би можеле да се:

- Закантување во парчето кое што се обработува
- Кршење поради продирање на материјалот кој што се обработува
- Преоптоварување на електричното орудие

Не фаќајте во машината кај работи.

Употребеното орудие за време на примената може да стане многу жешко.

ПРЕДУПРЕДУВАЊЕ! Опасност од изгоретини

- при менување на орудието
- при ставање на апаратот на страна

Прашината и струготините не смеат да се одстрануваат додека е машината работи.

Кога работите на ѕидови, таван или под внимавајте да ги избегнете електричните, гасните и водоводни инсталации.

Обезбедете го предметот кој што го обработувате со направа за напон. Небезбедени парчиња кои што се обработуваат можат да предизвикаат тешки повреди и оштетувања.

Извадете го батерискиот склоп пред отпочнување на каков и да е зафат врз машината.

Не ги оставајте искористените батерии во домашниот отпад и не горете ги. Дистрибутерите на Милвоки ги собираат старите батерии, со што ја штитат нашата околина.

Не ги чувајте батериите заедно со метални предмети (ризик од краток спој).

Користете исклучиво Систем C 12 за полнење на батерии од C 12 систем. Не користете батерии од друг систем.

Не ги отворајте насилно батериите и полначите, и чувајте ги само на суво место. Чувајте ги постојано суви.

Киселината од оштетените батериите може да истече при екстреман напон или температури. Доколку дојдете во контакт со исатата, измијте се веднаш со сапун и вода. Во случај на контакт со очите плакнете ги убаво најмалку 10 минути и задолжително одете на лекар.

СПЕЦИФИЦИРАНИ УСЛОВИ НА УПОТРЕБА

Дупчалката на батерии/шрафцигерот е дизајниран за дупчење и зашрафување, независна употреба далеку од главното напојување.

Не го користете овој производ на било кој друг начин освен пропишаниот за нормална употреба.

ЕУ-ДЕКЛАРАЦИЈА ЗА СООБРАЗНОСТ

Во своја сопствена одговорност изјавуваме дека под "Технички податоци" опишаниот производ е во склад со сите релевантни прописи од регулативата 2011/65/EU (RoHS), 2014/30/EU, 2006/42/EC и следните хармонизирачки нормативни документи:

EN 60745-1:2009 + A11:2010

EN 60745-2-1:2010

EN 60745-2-2:2010

EN 55014-1:2006 + A1:2009 + A2:2011

EN 55014-2:1997 + A1:2001 + A2:2008

EN 50581:2012

Winnenden, 2016-03-29

Alexander Krug

Alexander Krug
Managing Director



Ополномоштен за составување на техничката документација.

Techtronic Industries GmbH

Max-Eyth-Straße 10

71364 Winnenden

Germany

БАТЕРИИ

Подолг период неупотребувани комплети батерии да се наполнат пред употреба.

Температура повисока од 50°C (122°F) го намалуваат траењето на батериите. Избегнувајте подолго изложување на батериите на високи температури или сонце (ризик од прегревање).

Клемите на полначот и батериите мора да бидат чисти.

За оптимален работен век, по употреба батериите мора да бидат целосно наполнети.

За можно подолг век на траење, апаратите после нивното полнење треба да бидат извадени од апаратот за полнење на батериите.

Во случај на складирање на батеријата подолго од 30 дена: Акумулаторот да се чува на температура од приближно 27°C и на суво место.

Акумулаторот да се складира на приближно 30%-50% од состојбата на наполнетост.

Акумулаторот повторно да се наполни на секои 6 месеци.

ЗАШТИТА ОД ПРЕОПТЕРЕТУВАЊЕ НА БАТЕРИЈАТА

При преоптеретување на батеријата како резултат на мошне висока потрошувачка на струја, на пример екстремно високи вртежни моменти, ненадејно стопирање или краток спој, електро-алатот вибрира 5 секунди, приказот за полнење трепка и електро-алатот самостојно се исклучува.

За повторно вклучување ослободете го притискачот на прекинувачот, а потоа повторно вклучете.

Во случај на екстремни оптоварувања батеријата се загрева премногу. Во таков случај трепкаат сите ламбички од приказот

за полнење сè додека батеријата не се излади. По гаснење на приказот за полнење може да се продолжи со работа.

ТРАНСПОРТ НА ЛИТИУМ-ЈОНСКИ БАТЕРИИ

Литиум-јонските батерии подлежат на законските одредби за транспорт на опасни материи.

Транспортот на овие батерии мора да се врши согласно локалните, националните и меѓународните прописи и одредби.

- Потрошувачите на овие батерии може да вршат непречен патен транспорт на истите.
- Комерцијалниот транспорт на литиум-јонски батерии од страна на шедитерски претпријатија подлежи на одредбите за транспорт на опасни материи. Подготовките за шпедиција и транспорт треба да ги вршат исклучиво соодветно обучени лица. Целокупниот процес треба да биде стручно надгледуван.

При транспортот на батерии треба да се внимава на следното:

- Осигурајте се дека контактите се заштитени и изолирани, а сето тоа со цел да се избегнат кратки споеви.
- Внимавајте да не дојде до изместување на батериите во нивната амбалажа.
- Забранет е транспорт на оштетените или протечени литиум-јонски батерии.

За понатамошни инструкции обратете се до Вашето шедитерско претпријатие.

ОДРЖУВАЊЕ

Користете само Milwaukee додатоци и резервни делови. Доколку некои од компонентите кои не се опишани треба да бидат заменети, Ве молиме контактирајте ги сервисните агенти на Milwaukee (консултирајте ја листата на адреси).

При потреба може да се побара експлозионен цртеж на апаратот со наведување на машинскиот тип и шестоцифрениот број на табличката со учинокот или во Вашата корисничка служба или директно кај Techtronic Industries GmbH, Max-Eyth-Straße 10, 71364 Winnenden, Германија.

СИМБОЛИ



ВНИМАНИЕ! ПРЕДУПРЕДУВАЊЕ! ОПАСНОСТ!



Извадете го батерискиот склоп пред отпочнување на каков и да е зафат врз машината.



Ве молиме пред да ја стартувате машината обрнете внимание на упатствата за употреба.



Електричните апарати не смеат да се фрлат заедно со домашниот отпад. Електричните и електронските апарати треба да се собираат одделно и да се однесат во соодветниот погон заради нивно фрлање во склад со начелата за заштита на околината. Информирајте се кај Вашите местни служби или кај специјализираниот трговски претставник, каде има такви погони за рециклажа и собирни станици.



CE-знак



Национален конформитетски знак за Украина



EurAsian (Евроазиски) знак на конформитет.

ТЕХНІЧНІ ХАРАКТЕРИСТИКИ	АКУМУЛЯТОРНИЙ ГВИНТОКРУТ	C 12 RAD
Номер виробу.....	4311 93 02... ...000001-999999	
Ø свердління деревини.....	25 mm	
Шуруп для деревини.....	6,5 mm	
Кількість обертів холостого ходу.....	0-800 min ⁻¹	
Крутильний момент *1 (Li-Ion Akku 1,5 Ah).....	12 Nm	
Крутильний момент *1 (Li-Ion Akku 3,0 Ah).....	15 Nm	
Напруга змінної акумуляторної батареї.....	12 V	
Ділянка затискання свердильного патрона.....	1,0-10 mm	
Вага згідно з процедурою ЕРТА 01/2003 зі змінною акумуляторною батареєю 1,5 Ah.....	1,1 kg	
зі змінною акумуляторною батареєю 3,0 Ah.....	1,3 kg	

Шум / інформація про вібрацію

Вимірні значення визначені згідно з EN 60 745.

Рівень шуму "А" приладу становить в типовому випадку:

Рівень звукового тиску (похибка K = 3 дБ(А)).....	64,5 dB (A)
Рівень звукової потужності (похибка K = 3 дБ(А)).....	75,5 dB (A)

Використовувати засоби захисту органів слуху!

Сумарні значення вібрації (векторна сума трьох напрямків), встановлені згідно з EN 60745.

Значення вібрації a _w Свердління в металі.....	< 2,5 m/s ²
похибка K =	1,5 m/s ²
Пригвинчування.....	< 2,5 m/s ²
похибка K =	1,5 m/s ²

ПОПЕРЕДЖЕННЯ!

Рівень вібрації, вказаний в цій інструкції, вимірювався згідно з методом вимірювання, нормованим стандартом EN 60745, і може використовуватися для порівняння електроінструментів. Він призначений також для попередньої оцінки навантаження від вібрації.

Вказаний рівень вібрації відповідає основним сферам використання електроінструменту. Але якщо електроінструмент використовується для іншої мети, з іншими вставними інструментами або при недостатньому технічному обслуговуванні, рівень вібрації може бути іншим. Це може значно підвищити навантаження від вібрації за весь період роботи.

Для точної оцінки навантаження від вібрації необхідно також враховувати час, коли прилад вимкнений або увімкнений, але фактично не використовується. Це може значно зменшити навантаження від вібрації за весь період роботи.

Визначте додаткові заходи безпеки для захисту оператора від дії вібрації, наприклад: Технічне обслуговування електроінструменту та вставних інструментів, зігрівання рук, організація робочих процесів.

⚠ ПОПЕРЕДЖЕННЯ! Прочитайте всі вказівки з техніки безпеки та інструкції. Упущення при дотриманні вказівок з техніки безпеки та інструкції можуть призвести до ураження електричним струмом, пожежі та/або тяжких травм.
Зберігайте всі вказівки з техніки безпеки та інструкції на майбутнє.

⚠ ВКАЗІВКИ З ТЕХНІКИ БЕЗПЕКИ ДЛЯ ДРИЛІВ

Під час виконання робіт тримайте прилад за ізольовані поверхні рукояток, якщо вставний інструмент може натрапити на приховані електричні лінії.

Контакт з лінією під напругою може призвести до появи напруги в металевих частинах приладу та до ураження електричним струмом.

⚠ ВКАЗІВКИ З ТЕХНІКИ БЕЗПЕКИ ДЛЯ ГВИНТОКРУТА

Тримайте пристрій за ізольовані поверхні ручок, коли виконуєте роботу, під час якої гвинт може нашоухнутися на приховані електропроводи. Контакт гвинта з проводом під напругою може сприяти виникненню напруги на металевих деталях пристрою та призвести до ураження електричним струмом.

ДОДАТКОВІ ІНСТРУКЦІЇ З ТЕХНІКИ БЕЗПЕКИ ТА ЕКСПЛУАТАЦІЇ

Використовуйте індивідуальні засоби захисту. Під час роботи з машиною завжди носите захисні окуляри. Радимо використовувати захисний одяг, як наприклад маску для захисту від пилу, захисні рукавиці, міцне та нековзне взуття, каску та засоби захисту органів слуху.

Контакт гвинта з лінією під напругою може призвести до появи напруги також в металевих частинах приладу та до ураження електричним струмом.

Пил, що утворюється під час роботи, часто буває шкідливим для здоров'я; він не повинен потрапляти в організм. Носити відповідну маску для захисту від пилу.

Не можна обробляти матеріали, небезпечні для здоров'я (наприклад, азбест).

При блокуванні вставного інструменту негайно вимкните прилад! Не вмикайте прилад, якщо вставний інструмент заблокований; при цьому може виникати віддача з високим зворотнім моментом. Визначити та усунути причину блокування вставного інструменту з урахуванням вказівок з техніки безпеки.

Можливі причини:

- Перекіс в заготовці, що обробляється
- Пробивання оброблюваного матеріалу
- Перевантаження електроінструмента

Частина тіла не повинні потрапляти в машину, коли вона працює.

Вставний інструмент може нагріватися під час роботи.

ПОПЕРЕДЖЕННЯ! Небезпека опіків

- при заміні інструменту
- при відкладанні приладу

Не можна видаляти стружку або уламки, коли машина працює.

Під час роботи на стінах, стелях або підлозі звертати увагу на електричні кабелі, газові та водопровідні лінії.

Зафіксувати заготовку в затисковому пристрої. Незакріплені заготовки можуть привести до тяжких травм та пошкоджень.

Перед будь-якими роботами на машині вийняти змінну акумуляторну батарею

Відпрацьовані знімані акумуляторні батареї не можна кидати у вогонь або викидати з побутовими відходами. Milwaukee пропонує утилізацію старих зніманих акумуляторних батарей, безпечно для довкілля; зверніться до свого дилера.

Не зберігати знімані акумуляторні батареї разом з металевими предметами (небезпека короткого замикання).

Знімані акумуляторні батареї системи C 12 заряджати лише зарядними пристроями системи C 12. Не заряджати акумуляторні батареї інших систем.

При екстремальному навантаженні або при екстремальній температурі з пошкодженої змінної акумуляторної батареї може витікати електроліт. При потрапленні електроліту на шкіру його негайно необхідно змити водою з милом. При потрапленні в очі їх необхідно негайно ретельно промити, щонайменше 10 хвилин, та негайно звернутися до лікаря.

ВИКОРИСТАННЯ ЗА ПРИЗНАЧЕННЯМ

Акумуляторний гвинтокрут можна використовувати універсально для свердління та пригвинчування незалежно від мережевого живлення.

Цей прилад можна використовувати тільки за призначенням так, як вказано в цьому документі.

СЕРТИФІКАТ ВІДПОВІДНОСТІ ВИМОГАМ ЄС

Ми заявляємо на власну відповідальність, що виріб, описаний в "Технічних даних", відповідає всім застосованим положенням директиви 2011/65/EU (RoHS), 2014/30/EU, 2006/42/EG, та наступним гармонізованим нормативним документам:

EN 60745-1:2009 + A1:2010
EN 60745-2-1:2010
EN 60745-2-2:2010
EN 55014-1:2006 + A1:2009 + A2:2011
EN 55014-2:1997 + A1:2001 + A2:2008
EN 50581:2012

Winnenden, 2016-03-29



Alexander Krug
Managing Director



Уповноважений із складання технічної документації.

Techtronic Industries GmbH
Max-Eyth-Straße 10
71364 Winnenden
Germany

АКУМУЛЯТОРНІ БАТАРЕЇ

Знімну акумуляторну батарею, що не використовувалася тривалий час, перед використанням необхідно підзарядити.

Температура понад 50 °C зменшує потужність змінної акумуляторної батареї. Уникати тривалого нагрівання сонячними променями або системою обігріву.

З'єднувальні контакти зарядного пристрою та змінної акумуляторної батареї повинні бути чистими.

Для забезпечення оптимального строку експлуатації акумуляторні батареї після використання необхідно повністю зарядити.

Для забезпечення максимально можливого терміну експлуатації акумуляторні батареї після зарядки необхідно виймати з зарядного пристрою.

При зберіганні акумуляторної батареї понад 30 днів:

Зберігати акумуляторну батарею при температурі приблизно 27 °C в сухому місці.

Зберігати акумуляторну батарею в стані зарядки приблизно 30-50 %. Кожні 6 місяців знову заряджати акумуляторну батарею.

ЗАХИСТ АКУМУЛЯТОРНОЇ БАТАРЕЇ ВІД ПЕРЕВАНТАЖЕННЯ

У випадку перевантаження акумуляторної батареї внаслідок дуже високого споживання струму, наприклад, надмірно високого крутильного моменту, заклинювання свердла, раптової зупинки або короткого замикання, електроінструмент відріє 5 секунд, індикатор заряду блимає, електроінструмент самостійно вимикається.

Для повторного увімкнення відпустити кнопку вимикача і знов увімкнути.

При надмірних навантаженнях акумуляторна батарея сильно перегрівається. В цьому випадку всі лампочки індикатора заряду блимають, доки акумуляторна батарея не охолоне. Можна продовжити роботу після того, як індикатор заряду згасне.

ТРАНСПОРТУВАННЯ ЛІТІЙ-ІОННИХ АКУМУЛЯТОРНИХ БАТАРЕЙ

Літій-іонні акумуляторні батареї підпадають під законоположення про перевезення небезпечних вантажів.

Транспортування таких акумуляторних батарей повинно відбуватися із дотриманням місцевих, національних та міжнародних приписів та положень.

- споживачі можуть без проблем транспортувати ці акумуляторні батареї по вулиці.
- Комерційне транспортування літій-іонних акумуляторних батарей експедиторськими компаніями підпадає під положення про транспортування небезпечних вантажів. Підготовку до відправлення та транспортування можуть здійснювати виключно особи, які пройшли відповідне навчання. Весь процес повинні контролювати кваліфіковані фахівці.

При транспортуванні акумуляторних батарей необхідно дотримуватись зазначених далі пунктів:

- Переконайтеся в тому, що контакти захищені та ізольовані, щоб запобігти короткому замиканню.
- Слідкуйте за тим, щоб акумуляторна батарея не переміщувалася всередині упаковки.
- Пошкоджені акумуляторні батареї, або акумуляторні батареї, що потекли, не можна транспортувати.

Для отримання подальших вказівок звертайтеся до своєї експедиторської компанії.

ОБСЛУГОВУВАННЯ

Використовувати тільки комплектуючі та запчастини Milwaukee. Деталі, заміна яких не описується, замінювати тільки в відділі обслуговування клієнтів Milwaukee (зверніть увагу на брошуру "Гарантія / адреси сервісних центрів").

У разі необхідності можна запросити креслення з зображенням вузлів машини в переспечатному вигляді, для цього потрібно звернутися в ваш відділ обслуговування клієнтів або безпосередньо в Techtronic Industries GmbH, Max-Eyth-Straße 10, 71364 Winnenden, Німеччина, та вказати тип машини та шестизначний номер на фірмовій таблиці з даними машини.

СИМВОЛИ



УВАГА! ПОПЕРЕДЖЕННЯ! НЕБЕЗПЕЧНО!



Перед будь-якими роботами на приладі вийняти змінну акумуляторну батарею.



Уважно прочитайте інструкцію з експлуатації перед введенням приладу в дію.



Електричні прилади не можна утилізувати з побутовими відходами. Електричні та електронні прилади необхідно збирати окремо та здавати в спеціалізовані підприємства для утилізації, що не шкодить навколишньому середовищу. Зверніться до місцевих органів або до вашого дилера, щоб отримати адреси пунктів вторинної переробки та пунктів прийому.



Знак CE



Національний знак відповідності для України



Знак відповідності для Європи та Азії EurAsian

انتاج عدد	4311 93 02.....
قدرة الحفر في الخشب اللين	000001-999999.....
مسامير الخشب	mm 25.....
أقصى سرعة دون وجود حمل	mm 6,5.....
الغزم (*1) Li-Ion Akku 1,5 Ah	min ⁻¹ 0-800.....
الغزم (*1) Li-Ion Akku 3,0 Ah	Nm 12.....
فولطية البطارية	Nm 15.....
نطاق ظرف المتقاب	V 12.....
الوزن وفقاً لنهج EPTA رقم 01/2003	mm 1,0-10.....
مع بطارية 1,5 Ah	kg 1,1.....
مع بطارية 3,0 Ah	kg 1,3.....

معلومات الضوضاء/الذبذبات

القيم التي تم قياسها محددة وفقاً للمعايير الأوروبية EN 60 745

مستويات ضوضاء الجهاز، ترجيحاً بشكل نمذجي كالتالي:

مستوى ضغط الصوت (الارتباب في القياس = 3 ديسيبل (A))

مستوى شدة الصوت (الارتباب في القياس = 3 ديسيبل (A))

ارتد واقيات الأذن!

قيم الذبذبات الإجمالية (مجموع الكميات الموجهة في المحاور الثلاثة) محددة وفقاً للمعايير

الأوروبية EN 60745

قيمة انبعاث الذبذبات (a_h)

تذبذب المعادن	m/s ² 2,5 >.....
الارتباب في القياس	m/s ² 1,5.....
ربط المسامير	m/s ² 2,5 >.....
الارتباب في القياس	m/s ² 1,5.....

تحذير!

تم قياس مستوى انبعاث الذبذبات الموجود بوثيقة المعلومات هذه وفقاً للاختبار القياسي وفقاً للمعايير الأوروبية EN 60745 ويمكن استخدامه لمقارنة جهاز بغيره. كما يمكن استخدامه لعرض تقييم تمهيدي.

يمثل مستوى انبعاث الذبذبات المعلن عنه تطبيقات الجهاز الرئيسية. بالرغم من ذلك، فإنه إذا ما تم استخدام الجهاز لتطبيقات مختلفة، بملحقات مختلفة أو لم يتم المحافظة عليه، فقد يختلف انبعاث الذبذبات. قد يزيد ذلك بصورة كبيرة من مستوى التعرض للذبذبات طوال فترة العمل الإجمالية.

يجب الوضع في الاعتبار عند تقدير مستوى التعرض للذبذبات مرات إيقاف الجهاز أو تشغيله لكن دون استخدامه في القيام ب مهمة. فقد يقل ذلك بصورة كبيرة من مستوى التعرض للذبذبات طوال فترة العمل الإجمالية.

تعرف على معايير السلامة الإضافية لحماية المشغل من آثار الذبذبات مثل: صيانة الجهاز والملحقات، الحفاظ على دفء الأيدي، وتنظيم نماذج العمل.

تحذير!

اقرأ جميع تحذيرات السلامة وجميع التعليمات، بما فيها.

قد يؤدي الفشل في مراعاة التحذيرات والتعليمات إلى التعرض للإصابة بصدمة كهربية أو

الحرق والو إصابة خطيرة.

احتفظ بجميع التنبيهات والتعليمات للرجوع إليها مستقبلاً.

تحذيرات السلامة عند استخدام المثقب

يجب الإمساك بالآلة الكهربائية من خلال أسطح القبض المعزولة وذلك عند القيام بعملية ما حيث

قد تلامس أداة التثبيت أسلاك مخفية.

تسبب ملامسة أحد ملحقات آلة القطع بسلك كهربوي "موصلة" في جمل الأجزاء المعدنية

المكشوفة بالآلة الكهربائية "موصلة" كهربياً مما يجعل المشغل عرضة لصدمة كهربائية.

تحذيرات السلامة عند استخدام مفك البراغي:

يجب الإمساك بالآلة الكهربائية من خلال أسطح القبض المعزولة وذلك عند القيام بعملية ما حيث

قد تلامس أداة التثبيت أسلاك مخفية.

إن ملامسة أدوات التثبيت للأسلاك الكهربائية "الموصلة" قد يجعل الأجزاء المعدنية المكشوفة

من الآلة الكهربائية "موصلة للكهرباء" وبالتالي قد يجعل المشغل عرضة لصدمة كهربية.

إرشادات أمان وعمل إضافية

استخدم معدة الوقاية. ارتد دائماً نظارة الوقاية عند العمل بالآلة. ينصح باستخدام الملابس الواقية مثل الكمادات الواقية من الغبار، والقفازات، والأحذية القوية غير المترلقة، والخوذات، وواقيات الأذن.

قد تكون الأثرية الناتجة عن استخدام هذه الآلة ضارة بالصحة. لا تستنشق هذه الأثرية. ارتد قناعاً واقياً من الأثرية مناسباً.

لا يجوز استخدام مواد بنجم عنها أضرار على الصحة (حبر صخري).

الرجاء إيقاف تشغيل الجهاز على الفور في حالة عرقلة أداة الاستعمال!

لا يتم بتشغيل الجهاز مرة أخرى، طالما أن الأداة المستعملة لازالت في حالة عرقلة؛ حيث يمكن

C 12 RAD

مقرب دو

شروط الاستخدام المحددة

يمكن استخدام المقرب ذو البطارية/مفك المسامير في الحفر وفك المسامير حيث يمكن استخدامه بشكل مستقل دون الحاجة إلى التوصيل بمقياس الطاقة.

لا تستخدم هذا المنتج بأي طريقة أخرى غير مصرح بها للاستخدام العادي.

إعلان المطابقة - الاتحاد الأوروبي

بموجب هذا نقر على مسؤوليتنا المنفردة، أن المنتج المذكور الموصوف تحت "البيانات الفنية"

يلبي جميع التعليمات الهامة الخاصة بالمعايير

2011/65/EU (RoHS), 2014/30/EU, 2006/42/EG

ويتطابق مع وثائق المعايير المتوافقة التالية:

EN 60745-1:2009 + A11:2010

EN 60745-2-1:2010

EN 60745-2-2:2010

EN 55014-1:2006 + A1:2009 + A2:2011

EN 55014-2:1997 + A1:2001 + A2:2008

EN 50581:2012

Winnenden, 2016-03-29


Alexander Krug
Managing Director
معمدة للمطابقة مع الملف الفني
Techronic Industries GmbH
Max-Eyth-Straße 10
Winnenden 71364
Germany

البطاريات

يجب إعادة شحن البطارية غير المستخدمة لفترة قبل الاستخدام.

تقل درجات الحرارة التي تتجاوز 50° سيلزيوس (122° فيرنهايت) من أداء البطارية. تجنب التعرض الزائد للحرارة أو أشعة الشمس (خطر التسخين)..

يجب الحفاظ على محتويات الشواحن و البطاريات نظيفة.

للحصول على فترة استخدام مثالية، يجب شحن البطاريات تماماً، بعد الاستخدام.

للحصول على أطول عمر ممكن للبطارية، انزع البطارية من الشاحن بمجرد شحنها تماماً.

لتخزين البطارية أكثر من 30 يوم:

خزن البطارية بحيث تكون درجة الحرارة أقل من 27° سيلزيوس وبعيدا عن أي رطوبة

خزن البطارية مشحونة بنسبة تتراوح بين 30 -50 %

اشحن البطارية كالمعتاد، وذلك كل ستة أشهر من التخزين.

حماية البطارية

في حالات الغزم العالي، أو إعاقة الحركة أو التوقف المفاجئ أو القصور في الدائرة الكهربائية الذي ينتج عنه سحب لفر كبير من التيار الكهربائي، تصدر الأداة ذبذبات لمدة 5 ثوان، وسيضيء مقياس الوقود ثم تتوقف عن العمل. لإعادة الضبط، حرر الزناد.

في الظروف القصوى للعمل، قد ترتفع درجة الحرارة الداخلية للبطارية. إذا حدث ذلك،

سيضيء مقياس الوقود حتى تنخفض درجة حرارة البطارية، وبعدها يمكنك متابعة العمل.

نقل بطاريات الليثيوم

تخضع بطاريات الليثيوم أيون لشروط قوانين نقل السلع الخطرة.

ويجب نقل هذه البطاريات وفقاً لأحكام والقوانين المحلية والوطنية والولية.

• يمكن للمستخدم نقل البطاريات براً دون الخضوع لشروط أخرى.

• يخضع النقل التجاري لبطاريات الليثيوم أيون عن طريق الغير إلى قوانين نقل السلع الخطرة. يتعين أن يقوم أفراد مدربون جيداً بالإعداد لعملية النقل والقيام بها بصحة خيرا

متأهين.

متى تُنقل البطاريات:

• عند التأكد من حماية أطراف توصيل البطارية وعزلها تجنباً لحدوث قصر بالدائرة.

• عند التأكد من حماية حزمة البطارية من الحركة داخل صندوق التعبئة.

• يُرجى عدم نقل البطاريات التي بها تشققات أو تسربات.

يُرجى البحث مع شركة الشحن عن نصيحة أخرى

الصيانة

استخدم فقط ملحقات ميلوكي وكذلك قطع غيار ميلوكي. إذا كانت المكونات التي يجب تغييرها غير مذكورة، يرجى الاتصال بأحد عملاء صيانة ميلوكي (انظر قائمة عناوين الضمان/الصيانة الخاصة بنا).

عند الحاجة يمكن طلب رمز انفجار الجهاز بعد ذكر طراز الآلة والرقم السداسي المذكور على بطاقة طاقة الآلة لدى جهة خدمة العملاء أو مباشرة لدى شركة

Techronic Industries GmbH, Max-Eyth-Straße 10, 71364

Winnenden، ألمانيا

زومولا

تنبيه! تحذير! خطر!

افصل دائما القابس عن المقبس قبل تنفيذ أي عمل بالجهاز.

يرجى قراءة التعليمات بعناية قبل بدء تشغيل الجهاز.

يحظر التخلص من الأجهزة الكهربائية في القمامة المنزلية. يجب جمع الأجهزة الكهربائية والإلكترونية منفصلة وتسليمها للتخلص منها بشكل لا يضر البيئة لدى شركة إعادة استغلال. الرجاء الاستفسار لدى البيانات المحلية أو لدى التجار المتخصصين عن مواقع إعادة الاستغلال ومواقع الجمع.

علامة المطابقة الأوروبية

العلامة الوطنية للمطابقة الأوكرانية

علامة المطابقة الأوروبية الآسيوية



Copyright 2016

Techtronic Industries GmbH
Max-Eyth-Straße 10 71364 Winnenden
Germany

+49 (0) 7195-12-0



(03.16)

4931 4140 74

ОФИЦИАЛЬНЫЙ ДИЛЕР В УКРАИНЕ:

storgom.ua

ГРАФИК РАБОТЫ:

Пн. – Пт.: с 8:30 по 18:30

Сб.: с 09:00 по 16:00

Вс.: с 10:00 по 16:00

КОНТАКТЫ:

+38 (044) 360-46-77

+38 (066) 77-395-77

+38 (097) 77-236-77

+38 (093) 360-46-77

Детальное описание товара:

<https://storgom.ua/product/drel-shurupovert-uglovoi-milwaukee-c12-rad-0-li-ion.html>

Другие товары:

<https://storgom.ua/akkumulyatornyye-shurupoverty.html>