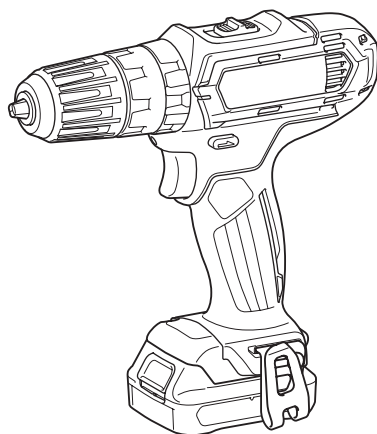




EN	Cordless Hammer Driver Drill	INSTRUCTION MANUAL	5
PL	Akum. wiertarko-wkrętarca udarowa	INSTRUKCJA OBSŁUGI	11
HU	Akkumulátoros csavarbehajtó	HASZNÁLATI KÉZIKÖNYV	18
SK	Akumulátorová pneumatická záražacia vrtáčka	NÁVOD NA OBSLUHU	24
CS	Akumulátorový příklepový vrtací šroubovák	NÁVOD K OBSLUZE	30
UK	Бездротовий дріль з ударним приводом	ІНСТРУКЦІЯ З ЕКСПЛУАТАЦІЇ	36
RO	Mașină de găurit și înșurubat cu acumulatori	MANUAL DE INSTRUCȚIUNI	43
DE	Akku- Schlagbohrschrauber	BETRIEBSANLEITUNG	49

HP331D



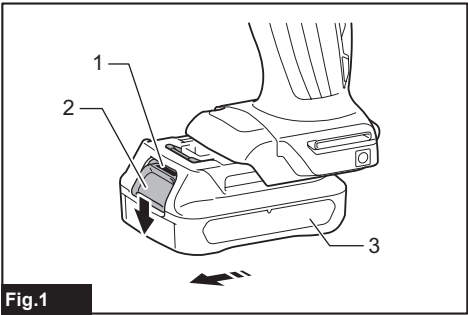


Fig.1

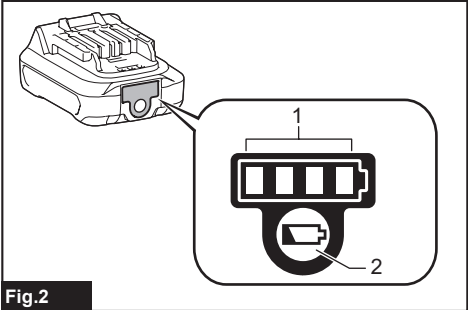


Fig.2

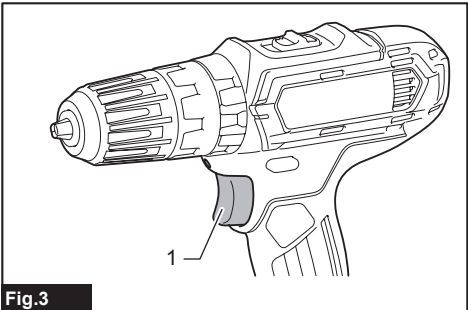


Fig.3

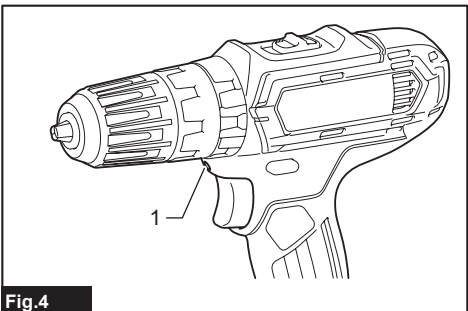


Fig.4

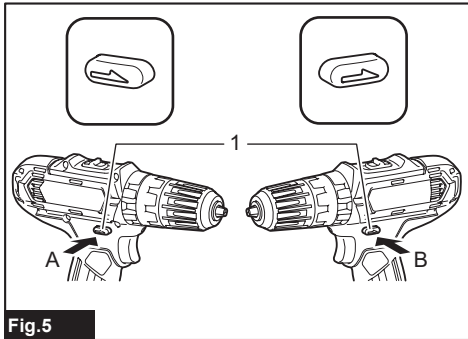


Fig.5

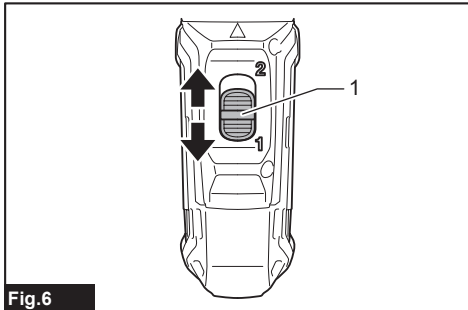


Fig.6

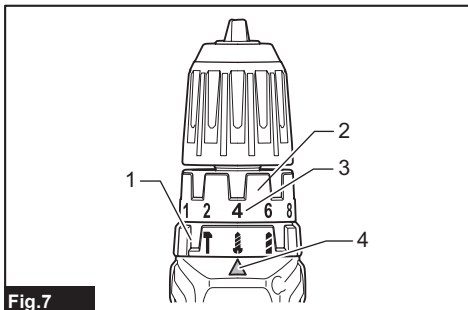


Fig.7

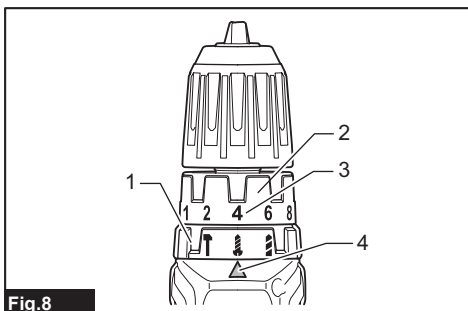


Fig.8

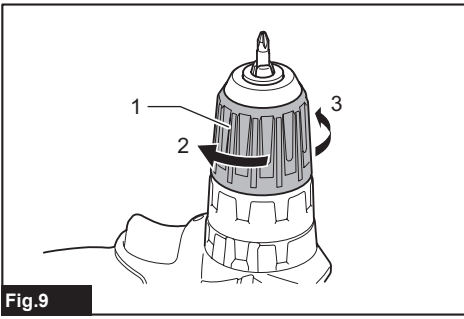


Fig.9

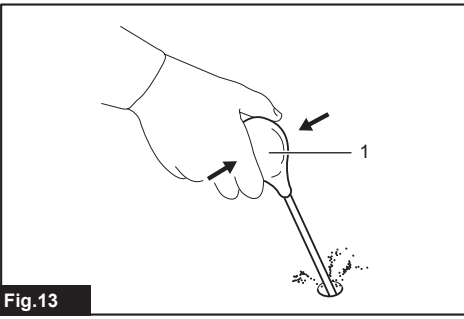


Fig.13

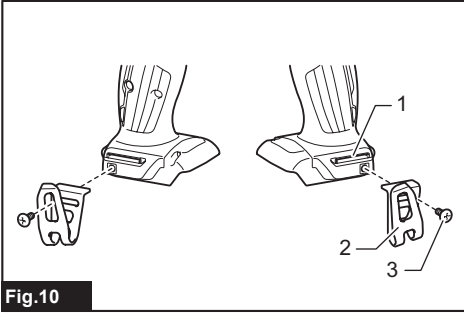


Fig.10

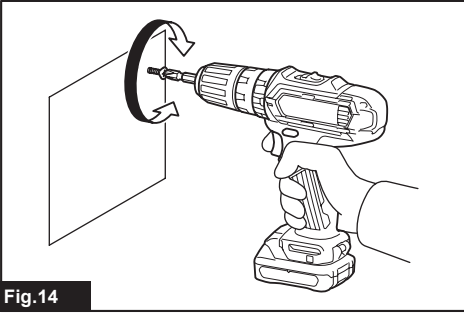


Fig.14

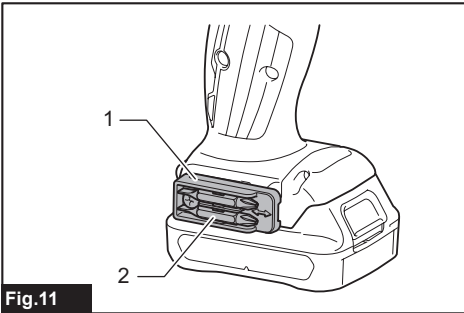


Fig.11

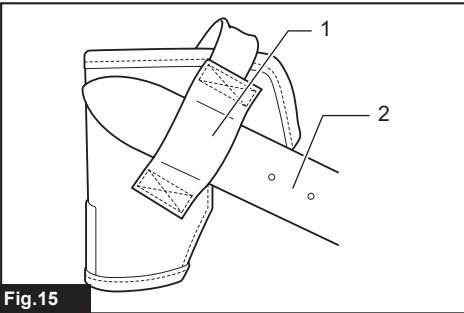


Fig.15

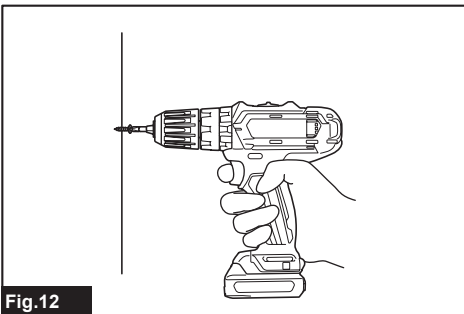


Fig.12

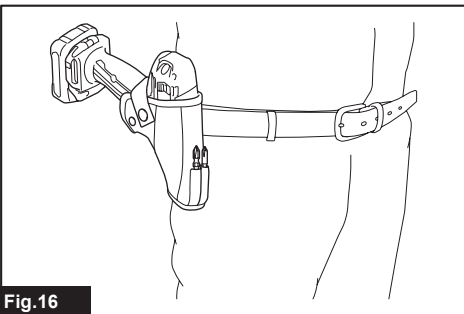


Fig.16

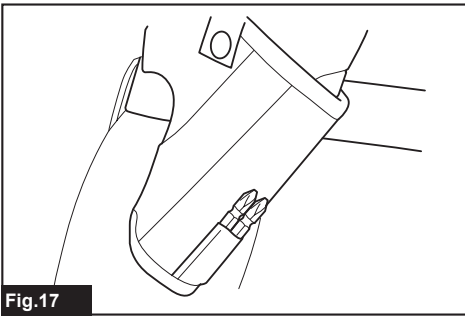


Fig.17

SPECIFICATIONS

Model:		HP331D
Drilling capacities	Concrete	8 mm
	Steel	10 mm
	Wood	21 mm
Fastening capacities	Wood screw	5.1 mm x 63 mm
	Machine screw	M6
No load speed	High (2)	0 - 1,700 min ⁻¹
	Low (1)	0 - 450 min ⁻¹
Blows per minute	High (2)	0 - 25,500 min ⁻¹
	Low (1)	0 - 6,750 min ⁻¹
Overall length	201 mm	
Rated voltage	D.C. 10.8 V	
Battery cartridge	BL1015, BL1020B	BL1040B
Net weight	1.1 kg	1.3 kg

- Due to our continuing program of research and development, the specifications herein are subject to change without notice.
- Specifications and battery cartridge may differ from country to country.
- Weight, with battery cartridge, according to EPTA-Procedure 01/2003

Intended use

The tool is intended for impact drilling in brick, concrete and stone. It is also suitable for screw driving and drilling without impact in wood, metal, ceramic and plastic.

Noise

The typical A-weighted noise level determined according to EN60745:

Sound pressure level (L_{pA}) : 81 dB(A)

Sound power level (L_{WA}) : 92 dB (A)

Uncertainty (K) : 3 dB(A)

⚠ WARNING: Wear ear protection.

Vibration

The vibration total value (tri-axial vector sum) determined according to EN60745:

Work mode: impact drilling into concrete

Vibration emission ($a_{n,1D}$) : 8.0 m/s²

Uncertainty (K) : 1.5 m/s²

Work mode: drilling into metal

Vibration emission ($a_{n,D}$) : 2.5 m/s²

Uncertainty (K) : 1.5 m/s²

NOTE: The declared vibration emission value has been measured in accordance with the standard test method and may be used for comparing one tool with another.

NOTE: The declared vibration emission value may also be used in a preliminary assessment of exposure.

⚠ WARNING: The vibration emission during actual use of the power tool can differ from the declared emission value depending on the ways in which the tool is used.

⚠ WARNING: Be sure to identify safety measures to protect the operator that are based on an estimation of exposure in the actual conditions of use (taking account of all parts of the operating cycle such as the times when the tool is switched off and when it is running idle in addition to the trigger time).

EC Declaration of Conformity

For European countries only

Makita declares that the following Machine(s):
Designation of Machine: Cordless Hammer Driver Drill
Model No./ Type: HP331D

Conforms to the following European Directives:
2006/42/EC

They are manufactured in accordance with the following standard or standardized documents: EN60745

The technical file in accordance with 2006/42/EC is available from:

Makita, Jan-Baptist Vinkstraat 2, 3070, Belgium
25.2.2015



Yasushi Fukaya

Director

Makita, Jan-Baptist Vinkstraat 2, 3070, Belgium

General power tool safety warnings

⚠ WARNING: Read all safety warnings and all instructions. Failure to follow the warnings and instructions may result in electric shock, fire and/or serious injury.

Save all warnings and instructions for future reference.

The term "power tool" in the warnings refers to your mains-operated (corded) power tool or battery-operated (cordless) power tool.

Cordless hammer driver drill safety warnings

1. **Wear ear protectors when impact drilling.** Exposure to noise can cause hearing loss.
2. **Use auxiliary handle(s), if supplied with the tool.** Loss of control can cause personal injury.
3. **Hold power tool by insulated gripping surfaces, when performing an operation where the cutting accessory may contact hidden wiring.** Cutting accessory contacting a "live" wire may make exposed metal parts of the power tool "live" and could give the operator an electric shock.
4. **Hold power tool by insulated gripping surfaces, when performing an operation where the fastener may contact hidden wiring.** Fasteners contacting a "live" wire may make exposed metal parts of the power tool "live" and could give the operator an electric shock.
5. **Always be sure you have a firm footing. Be sure no one is below when using the tool in high locations.**
6. **Hold the tool firmly.**
7. **Keep hands away from rotating parts.**
8. **Do not leave the tool running. Operate the tool only when hand-held.**
9. **Do not touch the bit or the workpiece immediately after operation; they may be extremely hot and could burn your skin.**
10. **Some material contains chemicals which may be toxic. Take caution to prevent dust inhalation and skin contact. Follow material supplier safety data.**

SAVE THESE INSTRUCTIONS.

⚠ WARNING: DO NOT let comfort or familiarity with product (gained from repeated use) replace strict adherence to safety rules for the subject product. MISUSE or failure to follow the safety rules stated in this instruction manual may cause serious personal injury.

Important safety instructions for battery cartridge

1. Before using battery cartridge, read all instructions and cautionary markings on (1) battery charger, (2) battery, and (3) product using battery.

2. Do not disassemble battery cartridge.
3. If operating time has become excessively shorter, stop operating immediately. It may result in a risk of overheating, possible burns and even an explosion.
4. If electrolyte gets into your eyes, rinse them out with clear water and seek medical attention right away. It may result in loss of your eyesight.
5. Do not short the battery cartridge:
 - (1) Do not touch the terminals with any conductive material.
 - (2) Avoid storing battery cartridge in a container with other metal objects such as nails, coins, etc.
 - (3) Do not expose battery cartridge to water or rain.A battery short can cause a large current flow, overheating, possible burns and even a breakdown.
6. Do not store the tool and battery cartridge in locations where the temperature may reach or exceed 50 °C (122 °F).
7. Do not incinerate the battery cartridge even if it is severely damaged or is completely worn out. The battery cartridge can explode in a fire.
8. Be careful not to drop or strike battery.
9. Do not use a damaged battery.
10. Follow your local regulations relating to disposal of battery.

SAVE THESE INSTRUCTIONS.

Tips for maintaining maximum battery life

1. Charge the battery cartridge before completely discharged. Always stop tool operation and charge the battery cartridge when you notice less tool power.
2. Never recharge a fully charged battery cartridge. Overcharging shortens the battery service life.
3. Charge the battery cartridge with room temperature at 10 °C - 40 °C (50 °F - 104 °F). Let a hot battery cartridge cool down before charging it.

FUNCTIONAL DESCRIPTION

⚠ CAUTION: Always be sure that the tool is switched off and the battery cartridge is removed before adjusting or checking function on the tool.

Installing or removing battery cartridge

CAUTION: Always switch off the tool before installing or removing of the battery cartridge.

CAUTION: Hold the tool and the battery cartridge firmly when installing or removing battery cartridge. Failure to hold the tool and the battery cartridge firmly may cause them to slip off your hands and result in damage to the tool and battery cartridge and a personal injury.

► Fig.1: 1. Red indicator 2. Button 3. Battery cartridge

To remove the battery cartridge, slide it from the tool while sliding the button on the front of the cartridge.

To install the battery cartridge, align the tongue on the battery cartridge with the groove in the housing and slip it into place. Insert it all the way until it locks in place with a little click. If you can see the red indicator on the upper side of the button, it is not locked completely.

CAUTION: Always install the battery cartridge fully until the red indicator cannot be seen. If not, it may accidentally fall out of the tool, causing injury to you or someone around you.

CAUTION: Do not install the battery cartridge forcibly. If the cartridge does not slide in easily, it is not being inserted correctly.

Battery protection system

The tool is equipped with a battery protection system. This system automatically cuts off power to the motor to extend battery life.

The tool will automatically stop during operation if the tool and/or battery are placed under one of the following conditions:

Overloaded:

The tool is operated in a manner that causes it to draw an abnormally high current.

In this situation, release the switch trigger on the tool and stop the application that caused the tool to become overloaded. Then pull the switch trigger again to restart. If the tool does not start, the battery is overheated. In this situation, let the battery cool before pulling the switch trigger again.

Low battery voltage:

The remaining battery capacity is too low and the tool will not operate. If you pull the switch trigger, the motor runs again but stops soon. In this situation, remove and recharge the battery.

Indicating the remaining battery capacity

Only for battery cartridges with "B" at the end of the model number

► Fig.2: 1. Indicator lamps 2. Check button

Press the check button on the battery cartridge to indicate the remaining battery capacity. The indicator lamps light up for few seconds.

Indicator lamps		Remaining capacity
Lighted	Off	
■ ■ ■ ■		75% to 100%
■ ■ ■ □		50% to 75%
■ ■ □ □		25% to 50%
■ □ □ □		0% to 25%

NOTE: Depending on the conditions of use and the ambient temperature, the indication may differ slightly from the actual capacity.

Switch action

► Fig.3: 1. Switch trigger

CAUTION: Before inserting the battery cartridge into the tool, always check to see that the switch trigger actuates properly and returns to the "OFF" position when released.

To start the tool, simply pull the switch trigger. Tool speed is increased by increasing pressure on the switch trigger. Release the switch trigger to stop.

Lighting up the front lamp

► Fig.4: 1. Lamp

CAUTION: Do not look in the light or see the source of light directly.

Pull the switch trigger to light up the lamp. The lamp keeps on lighting while the switch trigger is being pulled. The lamp goes out approximately 10 seconds after releasing the switch trigger.

NOTE: Use a dry cloth to wipe the dirt off the lens of the lamp. Be careful not to scratch the lens of lamp, or it may lower the illumination.

Reversing switch action

► Fig.5: 1. Reversing switch lever

CAUTION: Always check the direction of rotation before operation.

CAUTION: Use the reversing switch only after the tool comes to a complete stop. Changing the direction of rotation before the tool stops may damage the tool.

CAUTION: When not operating the tool, always set the reversing switch lever to the neutral position.

This tool has a reversing switch to change the direction of rotation. Depress the reversing switch lever from the A side for clockwise rotation or from the B side for counterclockwise rotation.

When the reversing switch lever is in the neutral position, the switch trigger cannot be pulled.

Speed change

► **Fig.6:** 1. Speed change lever

⚠ CAUTION: Always set the speed change lever fully to the correct position. If you operate the tool with the speed change lever positioned halfway between the "1" side and "2" side, the tool may be damaged.

⚠ CAUTION: Do not use the speed change lever while the tool is running. The tool may be damaged.

Position of speed change lever	Speed	Torque	Applicable operation
1	Low	High	Heavy loading operation
2	High	Low	Light loading operation

To change the speed, switch off the tool first. Select the "2" side for high speed or "1" for low speed but high torque. Be sure that the speed change lever is set to the correct position before operation. If the tool speed is coming down extremely during the operation with "2", slide the lever to the "1" and restart the operation.

Adjusting the fastening torque

► **Fig.8:** 1. Action mode changing ring 2. Adjusting ring 3. Graduation 4. Arrow

The fastening torque can be adjusted in 18 steps by turning the adjusting ring. Align the graduations with the arrow on the tool body. You can get the minimum fastening torque at 1 and maximum torque at 18. Before actual operation, drive a trial screw into your material or a piece of duplicate material to determine which torque level is required for a particular application. The following shows the rough guide of the relationship between the screw size and graduation.

Graduation		1	2	3	4	5	6	7	8	9	10	11	12	13	14	15	16	17	18
Machine screw		M4						M5						M6					
Wood screw	Soft wood (e.g. pine)	-						φ3.5 x 22						φ4.1 x 38					
	Hard wood (e.g. lauan)	-						φ3.5 x 22						-					
		-						-						φ4.1 x 38					

ASSEMBLY

⚠ CAUTION: Always be sure that the tool is switched off and the battery cartridge is removed before carrying out any work on the tool.

Installing or removing driver bit/drill bit

Optional accessory

► **Fig.9:** 1. Sleeve 2. Close 3. Open

Turn the sleeve counterclockwise to open the chuck jaws. Place the driver bit/drill bit in the chuck as far as it will go. Turn the sleeve clockwise to tighten the chuck. To remove the driver bit/drill bit, turn the sleeve counterclockwise.




Selecting the action mode

⚠ CAUTION: Always set the ring correctly to your desired mode mark. If you operate the tool with the ring positioned halfway between the mode marks, the tool may be damaged.

⚠ CAUTION: When you change the position from "⚙" to other modes, it may be a little difficulty to slide the action mode changing ring. In this case, switch on and run the tool for a second at the "⚙" position, then stop the tool and slide the ring to your desired position.

► **Fig.7:** 1. Action mode changing ring 2. Adjusting ring 3. Graduation 4. Arrow

This tool has three action modes.

-  Drilling mode (rotation only)
-  Hammer drilling mode (rotation with hammering)
-  Screwdriving mode (rotation with clutch)

Select one mode suitable for your work. Turn the action mode changing ring and align the mark that you selected with the arrow on the tool body.

Installing hook

► **Fig.10:** 1. Groove 2. Hook 3. Screw

The hook is convenient for temporarily hanging the tool. This can be installed on either side of the tool. To install the hook, insert it into a groove in the tool housing on either side and then secure it with a screw. To remove, loosen the screw and then take it out.

Installing driver bit holder

Optional accessory

► **Fig.11:** 1. Driver bit holder 2. Driver bit

Fit the driver bit holder into the protrusion at the tool foot on either right or left side and secure it with a screw. When not using the driver bit, keep it in the driver bit holders. Driver bits 45 mm-long can be kept there.

OPERATION

⚠ CAUTION: Always insert the battery cartridge all the way until it locks in place. If you can see the red part on the upper side of the button, it is not locked completely. Insert it fully until the red part cannot be seen. If not, it may accidentally fall out of the tool, causing injury to you or someone around you.

⚠ CAUTION: When the speed comes down extremely, reduce the load or stop the tool to avoid the tool damage.


Hold the tool firmly with one hand on the grip and the other hand on the bottom of the battery cartridge to control the twisting action.

► Fig.12

Screwdriving operation

⚠ CAUTION: Adjust the adjusting ring to the proper torque level for your work.


⚠ CAUTION: Make sure that the driver bit is inserted straight in the screw head, or the screw and/or driver bit may be damaged.

First, turn the action mode changing ring so that the arrow on the tool body points to the  marking. Place the point of the driver bit in the screw head and apply pressure to the tool. Start the tool slowly and then increase the speed gradually. Release the switch trigger as soon as the clutch cuts in.

NOTE: When driving wood screw, pre-drill a pilot hole 2/3 the diameter of the screw. It makes driving easier and prevents splitting of the workpiece.

Hammer drilling operation

⚠ CAUTION: There is a tremendous and sudden twisting force exerted on the tool/drill bit at the time of hole breakthrough, when the hole becomes clogged with chips and particles, or when striking reinforcing rods embedded in the concrete.

First, turn the action mode changing ring so that the arrow on the tool body points to the  marking. The adjusting ring can be aligned in any torque levels for this operation.

Be sure to use a tungsten-carbide tipped drill bit. Position the drill bit at the desired location for the hole, then pull the switch trigger. Do not force the tool. Light pressure gives best results. Keep the tool in position and prevent it from slipping away from the hole. Do not apply more pressure when the hole becomes clogged with chips or particles. Instead, run the tool at an idle, then remove the drill bit partially from the hole. By repeating this several times, the hole will be cleaned out and normal drilling may be resumed.


Blow-out bulb

Optional accessory

► Fig.13: 1. Blow-out bulb

After drilling the hole, use the blow-out bulb to clean the dust out of the hole.

Drilling operation

First, turn the adjusting ring so that the pointer points to the  marking. Then proceed as follows.

Drilling in wood

When drilling in wood, the best results are obtained with wood drills equipped with a guide screw. The guide screw makes drilling easier by pulling the drill bit into the workpiece.

Drilling in metal

To prevent the drill bit from slipping when starting a hole, make an indentation with a center-punch and hammer at the point to be drilled. Place the point of the drill bit in the indentation and start drilling. Use a cutting lubricant when drilling metals. The exceptions are iron and brass which should be drilled dry.

⚠ CAUTION: Pressing excessively on the tool will not speed up the drilling. In fact, this excessive pressure will only serve to damage the tip of your drill bit, decrease the tool performance and shorten the service life of the tool.

⚠ CAUTION: Hold the tool firmly and exert care when the drill bit begins to break through the workpiece. There is a tremendous force exerted on the tool/drill bit at the time of hole break through.


⚠ CAUTION: A stuck drill bit can be removed simply by setting the reversing switch to reverse rotation in order to back out. However, the tool may back out abruptly if you do not hold it firmly.

⚠ CAUTION: Always secure small workpieces in a vise or similar hold-down device.

⚠ CAUTION: If the tool is operated continuously until the battery cartridge has discharged, allow the tool to rest for 15 minutes before proceeding with a fresh battery.

Using the tool as a hand screwdriver

► Fig.14

Switch off the tool. Move the reversing switch lever to the neutral position. Turn the action mode changing ring so that the arrow points to the  marking. Turn the tool.

NOTE: This use is convenient for checking the screwdriving.

NOTE: Do not use the tool for work requiring excessive force, such as tightening bolt or removing rusted screws.

Using holster

Optional accessory

⚠ CAUTION: When using the holster, remove a driver bit/drill bit from the tool.

⚠ CAUTION: Turn off the tool and wait until it comes to a complete stop before placing it in the holster.

Be sure to close the holster securely with the holster button so that it holds the tool firmly.

1. Thread a waist belt or similar through holster holder.

► Fig.15: 1. Holster holder 2. Waist belt

2. Put the tool in the holster and lock it with the holster button.

► Fig.16

► Fig.17

You can keep two driver bits at the front of the holster.

- Holster
- Makita genuine battery and charger

NOTE: Some items in the list may be included in the tool package as standard accessories. They may differ from country to country.

MAINTENANCE

⚠ CAUTION: Always be sure that the tool is switched off and the battery cartridge is removed before attempting to perform inspection or maintenance.

NOTICE: Never use gasoline, benzine, thinner, alcohol or the like. Discoloration, deformation or cracks may result.

To maintain product SAFETY and RELIABILITY, repairs, any other maintenance or adjustment should be performed by Makita Authorized or Factory Service Centers, always using Makita replacement parts.

OPTIONAL ACCESSORIES

⚠ CAUTION: These accessories or attachments are recommended for use with your Makita tool specified in this manual. The use of any other accessories or attachments might present a risk of injury to persons. Only use accessory or attachment for its stated purpose.

If you need any assistance for more details regarding these accessories, ask your local Makita Service Center.

- Drill bits
- Driver bits
- Socket bits
- Tungsten-carbide tipped drill bit
- Blow-out bulb
- Driver bit holder
- Hook

TECHNISCHE DATEN

Modell:		HP331D
Bohrkapazitäten	Beton	8 mm
	Stahl	10 mm
	Holz	21 mm
Anzugskapazitäten	Holzschraube	5,1 mm x 63 mm
	Maschinenschraube	M6
Leerlaufdrehzahl	Hoch (2)	0 - 1.700 min ⁻¹
	Niedrig (1)	0 - 450 min ⁻¹
Schlagzahl pro Minute	Hoch (2)	0 - 25.500 min ⁻¹
	Niedrig (1)	0 - 6.750 min ⁻¹
Gesamtlänge		201 mm
Nennspannung		10,8 V Gleichstrom
Akku		BL 1015, BL 1020B BL 1040B
Nettogewicht		1,1 kg 1,3 kg

- Wir behalten uns vor, Änderungen der technischen Daten im Zuge der Entwicklung und des technischen Fortschritts ohne vorherige Ankündigung vorzunehmen.
- Die technischen Daten und der Akku können von Land zu Land unterschiedlich sein.
- Gewicht mit Akku nach EPTA-Verfahren 01/2003

Vorgesehene Verwendung

Das Werkzeug ist für Schlagbohren in Ziegeln, Beton und Stein vorgesehen. Es eignet sich auch für Schraubetrieb und normales Bohren in Holz, Metall, Keramik und Kunststoff.

Geräusch

Typischer A-bewerteter Geräuschpegel ermittelt gemäß EN60745:
 Schalldruckpegel (L_{pA}): 81 dB (A)
 Schallleistungspegel (L_{WA}): 92 dB (A)
 Messunsicherheit (K): 3 dB (A)

⚠️ WARNUNG: Einen Gehörschutz tragen.

Schwingungen

Schwingungsgesamtwert (Drei-Achsen-Vektorsumme) ermittelt gemäß EN60745:
 Arbeitsmodus: Schlagbohren in Beton
 Schwingungsemission (a_{n, ID}): 8,0 m/s²
 Messunsicherheit (K): 1,5 m/s²
 Arbeitsmodus: Bohren in Metall
 Schwingungsemission (a_{n, D}): 2,5 m/s²
 Messunsicherheit (K): 1,5 m/s²

HINWEIS: Der angegebene Schwingungsemissionswert wurde im Einklang mit der Standardprüfmethode gemessen und kann für den Vergleich zwischen Werkzeugen herangezogen werden.

HINWEIS: Der angegebene Schwingungsemissionswert kann auch für eine Vorbewertung des Gefährdungsgrads verwendet werden.

⚠️ WARNUNG: Die Schwingungsemission während der tatsächlichen Benutzung des Elektrowerkzeugs kann je nach der Benutzungsweise des Werkzeugs vom angegebenen Emissionswert abweichen.

⚠️ WARNUNG: Identifizieren Sie Sicherheitsmaßnahmen zum Schutz des Benutzers anhand einer Schätzung des Gefährdungsgrads unter den tatsächlichen Benutzungsbedingungen (unter Berücksichtigung aller Phasen des Arbeitszyklus, wie z. B. Ausschalt- und Leerlaufzeiten des Werkzeugs zusätzlich zur Betriebszeit).

EG-Konformitätserklärung

Nur für europäische Länder

Makita erklärt, dass die folgende(n) Maschine(n):

Bezeichnung der Maschine:

Akku- Schlagbohrschrauber

Modell-Nr./Typ: HP331D

Entspricht den folgenden europäischen Richtlinien:

2006/42/EG

Sie werden gemäß den folgenden Standards oder standardisierten Dokumenten hergestellt: EN60745

Die technische Akte in Übereinstimmung mit 2006/42/

EG ist erhältlich von:

Makita, Jan-Baptist Vinkstraat 2, 3070, Belgien

25.2.2015

Yasushi Fukaya

Yasushi Fukaya

Direktor

Makita, Jan-Baptist Vinkstraat 2, 3070, Belgien

Allgemeine Sicherheitswarnungen für Elektrowerkzeuge

⚠️ WARNUNG: Lesen Sie alle Sicherheitswarnungen und Anweisungen durch. Eine Missachtung der unten aufgeführten Warnungen und Anweisungen kann zu einem elektrischen Schlag, Brand und/oder schweren Verletzungen führen.

Bewahren Sie alle Warnungen und Anweisungen für spätere Bezugnahme auf.

Der Ausdruck „Elektrowerkzeug“ in den Warnhinweisen bezieht sich auf Ihr mit Netzstrom (mit Kabel) oder Akku (ohne Kabel) betriebenes Elektrowerkzeug.

Sicherheitswarnungen für Akku- Schlagbohrschrauber

1. **Tragen Sie Gehörschützer beim Schlagbohren.** Lärmwirkung kann Gehörschädigung verursachen.
2. **Benutzen Sie (einen) Zusatzgriff(e), sofern er (sie) mit dem Werkzeug geliefert wurde(n).** Verlust der Kontrolle kann Personenschäden verursachen.
3. **Halten Sie das Elektrowerkzeug an den isolierten Griffflächen, wenn Sie Arbeiten ausführen, bei denen die Gefahr besteht, dass das Schneidwerkzeug verborgene Kabel kontaktiert.** Bei Kontakt mit einem Strom führenden Kabel können die freiliegenden Metallteile des Elektrowerkzeugs ebenfalls Strom führend werden, so dass der Benutzer einen elektrischen Schlag erleiden kann.
4. **Halten Sie das Elektrowerkzeug an den isolierten Griffflächen, wenn Sie Arbeiten ausführen, bei denen die Gefahr besteht, dass das Befestigungselement verborgene Kabel kontaktiert.** Bei Kontakt mit einem Strom führenden Kabel können die freiliegenden Metallteile des Elektrowerkzeugs ebenfalls Strom führend werden, so dass der Benutzer einen elektrischen Schlag erleiden kann.
5. **Achten Sie stets auf sicheren Stand.** Vergewissern Sie sich bei Einsatz des Werkzeugs an hochgelegenen Arbeitsplätzen, dass sich keine Personen darunter aufhalten.
6. **Halten Sie das Werkzeug mit festem Griff.**
7. **Halten Sie Ihre Hände von rotierenden Teilen fern.**
8. **Lassen Sie das Werkzeug nicht unbeaufsichtigt laufen.** Benutzen Sie das Werkzeug nur mit Handhaltung.
9. **Vermeiden Sie eine Berührung des Einsatzes oder des Werkstücks unmittelbar nach der Bearbeitung, weil die Teile noch sehr heiß sind und Hautverbrennungen verursachen können.**
10. **Manche Materialien können giftige Chemikalien enthalten.** Treffen Sie Vorsichtsmaßnahmen, um das Einatmen von Arbeitsstaub und Hautkontakt zu verhüten.

Befolgen Sie die Sicherheitsdaten des Materiallieferanten.

DIESE ANWEISUNGEN AUFBEWAHREN.

⚠️ WARNUNG: Lassen Sie sich NICHT durch Bequemlichkeit oder Vertrautheit mit dem Produkt (durch wiederholten Gebrauch erworben) von der strikten Einhaltung der Sicherheitsregeln für das vorliegende Produkt abhalten. MISSBRAUCH oder Missachtung der Sicherheitsvorschriften in dieser Anleitung können schwere Verletzungen verursachen.

Wichtige Sicherheitsanweisungen für Akku

1. **Lesen Sie vor der Benutzung des Akkus alle Anweisungen und Warnhinweise, die an (1) Ladegerät, (2) Akku und (3) Akkuwerkzeug angebracht sind.**
2. **Unterlassen Sie ein Zerlegen des Akkus.**
3. **Falls die Betriebszeit beträchtlich kürzer geworden ist, stellen Sie den Betrieb sofort ein.** Anderenfalls besteht die Gefahr von Überhitzung, möglichen Verbrennungen und sogar einer Explosion.
4. **Falls Elektrolyt in Ihre Augen gelangt, waschen Sie sie mit sauberem Wasser aus, und begeben Sie sich unverzüglich in ärztliche Behandlung.** Anderenfalls können Sie Ihre Sehkraft verlieren.
5. **Der Akku darf nicht kurzgeschlossen werden:**
 - (1) **Die Kontakte dürfen nicht mit leitfähigem Material berührt werden.**
 - (2) **Lagern Sie den Akku nicht in einem Behälter zusammen mit anderen Metallgegenständen, wie z. B. Nägel, Münzen usw.**
 - (3) **Setzen Sie den Akku weder Wasser noch Regen aus.**

Ein Kurzschluss des Akkus verursacht starken Stromfluss, der Überhitzung, mögliche Verbrennungen und einen Defekt zur Folge haben kann.

6. **Lagern Sie das Werkzeug und den Akku nicht an Orten, an denen die Temperatur 50 °C erreichen oder überschreiten kann.**
7. **Versuchen Sie niemals, den Akku zu verbrennen, selbst wenn er stark beschädigt oder vollkommen verbraucht ist.** Der Akku kann im Feuer explodieren.
8. **Achten Sie darauf, dass der Akku nicht fallen gelassen oder Stößen ausgesetzt wird.**
9. **Benutzen Sie keine beschädigten Akkus.**
10. **Befolgen Sie die örtlichen Bestimmungen bezüglich der Entsorgung von Akkus.**

DIESE ANWEISUNGEN AUFBEWAHREN.

Hinweise zur Aufrechterhaltung der maximalen Akku-Nutzungsdauer

1. **Laden Sie den Akku, bevor er vollkommen erschöpft ist. Schalten Sie das Werkzeug stets aus, und laden Sie den Akku, wenn Sie ein Nachlassen der Werkzeugleistung feststellen.**
2. **Unterlassen Sie erneutes Laden eines voll aufgeladenen Akkus. Überladen führt zu einer Verkürzung der Nutzungsdauer des Akkus.**
3. **Laden Sie den Akku bei Raumtemperatur zwischen 10 – 40 °C. Lassen Sie einen heißen Akku abkühlen, bevor Sie ihn laden.**

FUNKTIONSBESCHREIBUNG

⚠ VORSICHT: Vergewissern Sie sich vor der Durchführung von Einstellungen oder Funktionsprüfungen des Werkzeugs stets, dass das Werkzeug ausgeschaltet und der Akku abgenommen ist.

Anbringen und Abnehmen des Akkus

⚠ VORSICHT: Schalten Sie das Werkzeug stets aus, bevor Sie den Akku anbringen oder abnehmen.

⚠ VORSICHT: Halten Sie das Werkzeug und den Akku beim Anbringen oder Abnehmen des Akkus sicher fest. Wenn Sie das Werkzeug und den Akku nicht sicher festhalten, können sie Ihnen aus der Hand rutschen, was zu einer Beschädigung des Werkzeugs und des Akkus und zu Körperverletzungen führen kann.

► **Abb.1:** 1. Rote Anzeige 2. Knopf 3. Akku

Ziehen Sie den Akku zum Abnehmen vom Werkzeug ab, während Sie den Knopf an der Vorderseite des Akkus verschieben.

Richten Sie zum Anbringen des Akkus dessen Führungsfeder auf die Nut im Gehäuse aus, und schieben Sie den Akku hinein. Schieben Sie ihn vollständig ein, bis er mit einem hörbaren Klicken einrastet. Falls die rote Anzeige an der Oberseite des Knopfes sichtbar ist, ist der Akku nicht vollständig verriegelt.

⚠ VORSICHT: Schieben Sie den Akku stets bis zum Anschlag ein, bis die rote Anzeige nicht mehr sichtbar ist. Anderenfalls kann er aus dem Werkzeug herausfallen und Sie oder umstehende Personen verletzen.

⚠ VORSICHT: Unterlassen Sie Gewaltanwendung beim Anbringen des Akkus. Falls der Akku nicht reibungslos hineingleitet, ist er nicht richtig ausgerichtet.

Akku-Schutzsystem

Das Werkzeug ist mit einem Akku-Schutzsystem ausgestattet. Dieses System schaltet die Stromversorgung des Motors automatisch ab, um die Akku-Lebensdauer zu verlängern. Das Werkzeug schaltet sich während des Betriebs automatisch ab, wenn Werkzeug und/oder Akku einer der folgenden Bedingungen unterliegen:

Überlastung:

Das Werkzeug wird auf eine Weise benutzt, die eine ungewöhnlich hohe Stromaufnahme bewirkt.

Lassen Sie in dieser Situation den Ein-Aus-Schalter des Werkzeugs los, und brechen Sie die Arbeit ab, die eine Überlastung des Werkzeugs verursacht hat. Betätigen Sie dann den Ein-Aus-Schalter erneut, um das Werkzeug wieder zu starten.

Falls das Werkzeug nicht startet, ist der Akku überhitzt.

Lassen Sie den Akku in dieser Situation abkühlen, bevor Sie den Ein-Aus-Schalter erneut betätigen.

Niedrige Akkuspannung:









Die Akku-Restkapazität ist zu niedrig, und das Werkzeug funktioniert nicht. Wenn Sie den Ein-Aus-Schalter betätigen, läuft der Motor wieder an, bleibt aber bald darauf stehen. Nehmen Sie in dieser Situation den Akku ab, und laden Sie ihn auf.

Anzeigen der Akku-Restkapazität

Nur für Akkus mit „B“ am Ende der Modellnummer

► **Abb.2:** 1. Anzeigelampen 2. Prüftaste

Drücken Sie die Prüftaste am Akku, um die Akku-Restkapazität anzuzeigen. Die Anzeigelampen leuchten wenige Sekunden lang auf.

Anzeigelampen		Restkapazität
Erleuchtet	Aus	
		75% bis 100%
		50% bis 75%
		25% bis 50%
		0% bis 25%

HINWEIS: Abhängig von den Benutzungsbedingungen und der Umgebungstemperatur kann die Anzeige geringfügig von der tatsächlichen Kapazität abweichen.

Schalterfunktion

► **Abb.3:** 1. Ein-Aus-Schalter

⚠ VORSICHT: Vergewissern Sie sich vor dem Einsetzen des Akkus in das Werkzeug stets, dass der Ein-Aus-Schalter ordnungsgemäß funktioniert und beim Loslassen in die AUS-Stellung zurückkehrt.

Drücken Sie zum Einschalten des Werkzeugs einfach den Ein-Aus-Schalter. Die Drehzahl erhöht sich durch verstärkte Druckausübung auf den Ein-Aus-Schalter. Lassen Sie den Ein-Aus-Schalter zum Anhalten los.

Einschalten der Frontlampe

► **Abb.4:** 1. Lampe

⚠ VORSICHT: Blicken Sie nicht direkt in die Lampe oder die Lichtquelle.

Betätigen Sie den Ein-Aus-Schalter, um die Lampe einzuschalten. Die Lampe bleibt erleuchtet, solange der Ein-Aus-Schalter gedrückt gehalten wird. Die Lampe erlischt ungefähr 10 Sekunden nach dem Loslassen des Ein-Aus-Schalters.

HINWEIS: Wischen Sie Schmutz auf der Lampenlinse mit einem trockenen Tuch ab. Achten Sie sorgfältig darauf, dass Sie die Lampenlinse nicht verkratzen, weil sich sonst die Lichtstärke verringert.

Funktion des Drehrichtungsumschalters

► **Abb.5:** 1. Drehrichtungsumschalthebel

⚠ VORSICHT: Prüfen Sie stets die Drehrichtung, bevor Sie mit der Arbeit beginnen.

⚠ VORSICHT: Betätigen Sie den Drehrichtungsumschalter erst, nachdem das Werkzeug völlig zum Stillstand gekommen ist. Durch Umschalten der Drehrichtung bei noch laufendem Werkzeug kann das Werkzeug beschädigt werden.

⚠ VORSICHT: Stellen Sie den Drehrichtungsumschalthebel stets auf die Neutralstellung, wenn Sie das Werkzeug nicht benutzen.

Dieses Werkzeug besitzt einen Drehrichtungsumschalter. Drücken Sie auf die Seite A des Drehrichtungsumschalthebels für Rechtsdrehung, und auf die Seite B für Linksdrehung. In der Neutralstellung des Drehrichtungsumschalthebels ist der Ein-Aus-Schalter verriegelt.

Drehzahl-Umschaltung

► **Abb.6:** 1. Drehzahlumschalthebel

⚠ VORSICHT: Achten Sie stets darauf, dass sich der Drehzahlumschalthebel vollkommen in seiner jeweiligen Rastposition befindet. Wird das Werkzeug bei einer Zwischenstellung des Drehzahlumschalters zwischen den Positionen „1“ und „2“ betrieben, kann es beschädigt werden.



⚠ VORSICHT: Betätigen Sie den Drehzahlumschalthebel nicht während des Betriebs des Werkzeugs. Das Werkzeug kann sonst beschädigt werden.

Position des Drehzahlumschalthebels	Drehzahl	Drehmoment	Zutreffender Betrieb
1	Niedrig	Hoch	Betrieb mit schwerer Last
2	Hoch	Niedrig	Betrieb mit leichter Last

Zum Ändern der Drehzahl muss das Werkzeug zuerst ausgeschaltet werden. Wählen Sie die Seite „2“ für hohe Drehzahl, oder „1“ für niedrige Drehzahl, aber hohes Drehmoment. Vergewissern Sie sich vor Arbeitsbeginn stets, dass sich der Drehzahlumschalthebel in der korrekten Stellung befindet. Falls die Werkzeughrehzahl während des Betriebs mit „2“ sehr stark abfällt, schieben Sie den Hebel auf die Position „1“, und starten Sie den Betrieb neu.




Wahl der Betriebsart

⚠ VORSICHT: Stellen Sie den Ring stets korrekt auf das Symbol der gewünschten Betriebsart ein. Wird das Werkzeug bei einer Zwischenstellung des Rings zwischen den Betriebsartpositionen betrieben, kann es beschädigt werden.

⚠ VORSICHT: Wenn Sie die Position von „“ auf andere Betriebsarten ändern, kann es etwas schwierig sein, den Betriebsart-Umschaltring zu verschieben. Schalten Sie in diesem Fall das Werkzeug ein, und lassen Sie es eine Sekunde lang in Position „“ laufen, bevor Sie es wieder ausschalten und den Ring auf die gewünschte Position schieben.

► **Abb.7:** 1. Betriebsart-Umschaltring 2. Einstellring
3. Teilstrich 4. Pfeil

Dieses Werkzeug verfügt über drei Betriebsarten.

-  Bohren (nur Rotation)
-  Hammerbohren (Rotation mit Schlagen)
-  Schrauben (Rotation mit Kupplung)

Wählen Sie die für Ihre Arbeit geeignete Betriebsart aus. Drehen Sie den Betriebsart-Umschaltring, und richten Sie das ausgewählte Zeichen auf den Pfeil am Werkzeuggehäuse aus.

Einstellen des Anzugsmoments

► **Abb.8:** 1. Betriebsart-Umschaltring 2. Einstellring
3. Teilstrich 4. Pfeil

Das Anzugsmoment kann durch Drehen des Einstellrings in 18 Stufen eingestellt werden. Richten Sie die Teilstriche auf den Pfeil am Werkzeuggehäuse aus. Das minimale Anzugsmoment erhält man bei 1, und das maximale bei 18. Bevor Sie mit der eigentlichen Schraubarbeit beginnen, sollten Sie eine Probeverschraubung mit Ihrem Material oder einem Stück des gleichen Materials durchführen, um das geeignete Anzugsmoment zu ermitteln. Die nachstehende Tabelle zeigt die Beziehung zwischen der Schraubengröße und dem Teilstrich als grober Anhaltspunkt.

Teilstrich		1	2	3	4	5	6	7	8	9	10	11	12	13	14	15	16	17	18
Maschinenschraube		M4								M5						M6			
Holzschraube	Weichholz (z. B. Kiefer)	-								φ3,5 x 22						φ4,1 x 38			
	Hartholz (z. B. Lauan)	-								φ3,5 x 22						-			
		-														φ4,1 x 38			

MONTAGE

⚠ VORSICHT: Vergewissern Sie sich vor der Ausführung von Arbeiten am Werkzeug stets, dass das Werkzeug ausgeschaltet und der Akku abgenommen ist.

Montage und Demontage von Schraubendrehereinsatz/Bohrereinsatz

Sonderzubehör

► **Abb.9:** 1. Werkzeugaufnahme 2. Schließen
3. Öffnen

Drehen Sie die Werkzeugaufnahme entgegen dem Uhrzeigersinn, um das Spannfutter zu öffnen. Führen Sie den Schraubendrehereinsatz/Bohrereinsatz bis zum Anschlag in das Spannfutter ein. Drehen Sie die Werkzeugaufnahme im Uhrzeigersinn, um das Spannfutter festzuziehen. Zum Entfernen des Schraubendrehereinsatzes/Bohrereinsatzes drehen Sie die Werkzeugaufnahme entgegen dem Uhrzeigersinn.

Montieren des Aufhängers

► **Abb.10:** 1. Führungsnut 2. Aufhänger
3. Schraube

Der Aufhänger ist praktisch, um das Werkzeug vorübergehend aufzuhängen. Der Aufhänger kann auf beiden Seiten des Werkzeugs angebracht werden. Um den Aufhänger anzubringen, führen Sie ihn in die Nut entweder auf der linken oder rechten Seite des Werkzeuggehäuses ein, und sichern Sie ihn dann mit einer Schraube. Um den Aufhänger zu entfernen, lösen Sie die Schraube, und nehmen Sie dann den Aufhänger heraus.

Montieren des Schraubendreher-Einsatzhalters

Sonderzubehör

► **Abb.11:** 1. Schraubendreher-Einsatzhalter
2. Schraubendrehereinsatz

Stecken Sie den Schraubendreher-Einsatzhalter auf den Vorsprung am Werkzeugfuß entweder auf der rechten oder linken Seite, und sichern Sie ihn mit einer Schraube.

Wenn Sie den Schraubendrehereinsatz nicht benutzen, bewahren Sie ihn in den Schraubendreher-Einsatzhaltern auf. Schraubendrehereinsätze von 45 mm Länge können dort aufbewahrt werden.

BETRIEB

⚠ VORSICHT: Führen Sie den Akku immer vollständig ein, bis er einrastet. Falls der rote Teil an der Oberseite des Knopfes sichtbar ist, ist der Akku nicht vollständig verriegelt. Führen Sie ihn vollständig ein, bis der rote Teil nicht mehr sichtbar ist. Anderenfalls kann er aus dem Werkzeug herausfallen und Sie oder umstehende Personen verletzen.

⚠ VORSICHT: Wenn die Drehzahl sehr stark abfällt, verringern Sie die Last, oder halten Sie das Werkzeug an, um Beschädigung des Werkzeugs zu vermeiden.


Halten Sie das Werkzeug mit einer Hand am Griff und mit der anderen Hand an der Unterseite des Akkus fest, um der Drehwirkung entgegenzuwirken.

► **Abb.12**

Schraubetrieb

⚠ VORSICHT: Stellen Sie mit dem Einstellung das korrekte Anzugsmoment für Ihre Arbeit ein.

⚠ VORSICHT: Achten Sie darauf, dass die Spitze des Schraubendrehereinsatzes senkrecht in den Schraubenkopf eingeführt wird, um eine Beschädigung von Schraube und/oder Schraubendrehereinsatz zu vermeiden.


Drehen Sie zuerst den Betriebsart-Umschalter, so dass der Pfeil am Werkzeuggehäuse auf das Symbol  zeigt.

Setzen Sie die Spitze des Schraubendrehereinsatzes in den Schraubenkopf ein, und üben Sie Druck auf das Werkzeug aus. Lassen Sie das Werkzeug langsam anlaufen, und erhöhen Sie dann die Drehzahl allmählich. Lassen Sie den Ein-Aus-Schalter los, sobald die Kupplung durchrutscht.

HINWEIS: Wenn Sie Holzschrauben eindrehen, bohren Sie eine Führungsbohrung von 2/3 des Schraubendurchmessers vor. Dies erleichtert das Eindrehen und verhindert Spaltung des Werkstücks.

Hammerbohren

⚠ VORSICHT: Beim Durchbruch der Bohrung, bei Verstopfung der Bohrung mit Spänen und Partikeln, oder beim Auftreffen auf Betonstahl wirkt eine starke, plötzliche Drehkraft auf Werkzeug und Bohrereinsatz.

Drehen Sie zuerst den Betriebsart-Umschaltring, so dass der Pfeil am Werkzeuggehäuse auf das Symbol  zeigt. Der Einstellring kann für diese Operation auf eine beliebige Drehmomentstufe eingestellt werden.

Verwenden Sie unbedingt einen Bohrereinsatz mit Hartmetallschneide.

Setzen Sie den Bohrereinsatz auf die gewünschte Bohrstelle, und drücken Sie dann den Ein-Aus-Schalter. Üben Sie keinen übermäßigen Druck auf das Werkzeug aus. Leichter Druck liefert die besten Ergebnisse.

Halten Sie das Werkzeug in Position, und vermeiden Sie Abrutschen vom Loch.

Üben Sie keinen stärkeren Druck aus, wenn das Bohrloch mit Spänen oder Bohrmehl zugesetzt wird. Lassen Sie statt dessen das Werkzeug leer laufen, und ziehen Sie dann den Bohrereinsatz teilweise aus dem Bohrloch heraus. Durch mehrmaliges Wiederholen dieses Vorgangs wird das Bohrloch ausgeräumt, so dass der normale Bohrbetrieb fortgesetzt werden kann.

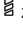
Ausblaspipette

Sonderzubehör

► **Abb.13:** 1. Ausblaspipette

Blasen Sie den Staub nach dem Bohren des Lochs mit einer Ausblaspipette aus dem Loch.

Bohrbetrieb

Drehen Sie zunächst den Einstellring, bis der Zeiger auf das Symbol  zeigt. Gehen Sie dann folgendermaßen vor.

Bohren in Holz

Beim Bohren in Holz lassen sich die besten Ergebnisse mit Holzbohrern erzielen, die mit einer Zentrierspitze ausgestattet sind. Die Zentrierspitze erleichtert das Bohren, da sie den Bohrereinsatz in das Werkstück hineinzieht.

Bohren in Metall

Um Abrutschen des Bohrereinsatzes beim Anbohren zu vermeiden, empfiehlt es sich, die Bohrstelle mit einem Zentriertkörnchen anzukörnen. Setzen Sie dann die Spitze des Bohrereinsatzes in die Vertiefung, und beginnen Sie mit dem Bohren.

Verwenden Sie Schneidflüssigkeit beim Bohren von Metall. Eisen und Messing sollten jedoch trocken gebohrt werden.

▲VORSICHT: Übermäßige Druckausübung auf das Werkzeug bewirkt keine Beschleunigung der Bohrleistung. Im Gegenteil; übermäßiger Druck führt zu einer Beschädigung der Spitze des Bohrereinsatzes und damit zu einer Verringerung der Leistungsfähigkeit sowie zu einer Verkürzung der Lebensdauer des Werkzeugs.

▲VORSICHT: Halten Sie daher das Werkzeug mit festem Griff und lassen Sie Vorsicht walten, wenn der Bohrereinsatz im Begriff ist, aus dem Werkstück auszutreten. Beim Bohrungsdurchbruch wirkt ein hohes Rückdrehmoment auf Werkzeug und Bohrereinsatz.

▲VORSICHT: Ein festsitzender Bohrereinsatz lässt sich durch einfaches Umschalten der Drehrichtung wieder herausdrehen. Dabei sollten Sie aber das Werkzeug gut festhalten, damit es nicht ruckartig herausgestoßen wird.

▲VORSICHT: Spannen Sie kleine Werkstücke stets in einen Schraubstock oder eine ähnliche Aufspannvorrichtung ein.


▲VORSICHT: Wenn das Werkzeug im Dauerbetrieb bis zur vollkommene Entladung des Akkus benutzt wurde, lassen Sie das Werkzeug vor dem Fortsetzen des Betriebs mit einem frischen Akku 15 Minuten lang ruhen.

Verwendung des Werkzeugs als Handschrauber

► **Abb.14**

Schalten Sie das Werkzeug aus.

Stellen Sie den Drehrichtungsumschalthebel auf die Neutralstellung.

Drehen Sie den Betriebsart-Umschaltring, so dass der Pfeil auf das Symbol  zeigt.

Drehen Sie das Werkzeug.

HINWEIS: Diese Benutzungsweise ist praktisch, um Schraubverbindungen zu prüfen.

HINWEIS: Benutzen Sie das Werkzeug nicht für Arbeiten, die einen hohen Kraftaufwand erfordern, z. B. zum Anziehen von Bolzen oder zum Herausdrehen rostiger Schrauben.

Verwendung des Halfters

Sonderzubehör

▲VORSICHT: Wenn Sie das Halfter benutzen, entfernen Sie den Schraubendrehereinsatz/Bohrereinsatz vom Werkzeug.

▲VORSICHT: Schalten Sie das Werkzeug aus, und warten Sie, bis es zum vollständigen Stillstand gekommen ist, bevor Sie es in das Halfter stecken.

Schließen Sie das Halfter einwandfrei mit dem Halfterknopf, damit das Werkzeug sicher gehalten wird.

1. Ziehen Sie einen Hüftgurt o. Ä. durch den Halfterhalter.

► **Abb.15:** 1. Halfterhalter 2. Hüftgurt

2. Stecken Sie das Werkzeug in das Halfter, und sichern Sie es mit dem Halfterknopf.

► **Abb.16**

► **Abb.17**

Sie können zwei Schraubendrehereinsätze an der Vorderseite des Halfters aufbewahren.

WARTUNG

⚠ VORSICHT: Vergewissern Sie sich vor der Durchführung von Inspektions- oder Wartungsarbeiten stets, dass das Werkzeug ausgeschaltet und der Akku abgenommen ist.

ANMERKUNG: Verwenden Sie auf keinen Fall Benzin, Waschbenzin, Verdünner, Alkohol oder dergleichen. Solche Mittel können Verfärbung, Verformung oder Rissbildung verursachen.

Um die SICHERHEIT und ZUVERLÄSSIGKEIT dieses Produkts zu gewährleisten, sollten Reparaturen und andere Wartungs- oder Einstellarbeiten nur von Makita-Vertragswerkstätten oder Makita-Kundendienstzentren unter ausschließlicher Verwendung von Makita-Originalersatzteilen ausgeführt werden.

SONDERZUBEHÖR

⚠ VORSICHT: Die folgenden Zubehörteile oder Vorrichtungen werden für den Einsatz mit dem in dieser Anleitung beschriebenen Makita-Werkzeug empfohlen. Die Verwendung anderer Zubehörteile oder Vorrichtungen kann eine Verletzungsgefahr darstellen. Verwenden Sie Zubehörteile oder Vorrichtungen nur für ihren vorgesehenen Zweck.

Wenn Sie weitere Einzelheiten bezüglich dieser Zubehörteile benötigen, wenden Sie sich bitte an Ihre Makita-Kundendienststelle.

- Bohrereinsätze
- Schraubendrehereinsätze
- Steckschlüsseleinsätze
- Bohrereinsatz mit Hartmetallschneide
- Ausblaspipette
- Schraubendreher-Einsatzhalter
- Aufhänger
- Halfter
- Original-Makita-Akku und -Ladegerät

HINWEIS: Manche Teile in der Liste können als Standardzubehör im Werkzeugsatz enthalten sein. Sie können von Land zu Land unterschiedlich sein.

Makita Jan-Baptist Vinkstraat 2, 3070, Belgium
Makita Corporation Anjo, Aichi, Japan

www.makita.com

885439-979 EN, PL, HU, SK, CS, UK, RO, DE 20150625

ОФИЦИАЛЬНЫЙ ДИЛЕР В УКРАИНЕ:

storgom.ua

ГРАФИК РАБОТЫ:

Пн. – Пт.: с 8:30 по 18:30

Сб.: с 09:00 по 16:00

Вс.: с 10:00 по 16:00

КОНТАКТЫ:

+38 (044) 360-46-77

+38 (066) 77-395-77

+38 (097) 77-236-77

+38 (093) 360-46-77

Детальное описание товара:

<https://storgom.ua/product/akkumuliatornyi-udarnyi-shurupovert-makita-hp-331-dvae.html>

Другие товары:

<https://storgom.ua/akkumulyatornyye-shurupoverty.html>