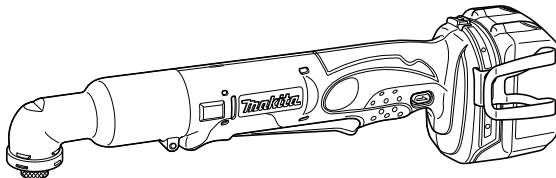




<b>GB</b>	<b>Cordless Angle Impact Driver</b>	<b>Instruction manual</b>
<b>F</b>	<b>Visseuse d'Angle à Chocs sans Fil</b>	<b>Manuel d'instructions</b>
<b>D</b>	<b>Akku-Winkel-Schlagschrauber</b>	<b>Betriebsanleitung</b>
<b>I</b>	<b>Avvitatore angolare a massa battente a batteria</b>	<b>Istruzioni per l'uso</b>
<b>NL</b>	<b>Haakse accuslagschroevendraaier</b>	<b>Gebruiksaanwijzing</b>
<b>E</b>	<b>Atornillador de Impacto Angular Inalámbrico</b>	<b>Manual de instrucciones</b>
<b>P</b>	<b>Parafusadeira de Impacto Angular a Bateria</b>	<b>Manual de instruções</b>
<b>DK</b>	<b>Ledningsfri vinkelskrueetrækker</b>	<b>Brugsanvisning</b>
<b>GR</b>	<b>Γωνιακό δραπενοκατσάβιδο μπαταρίας</b>	<b>Οδηγίες χρήσης</b>

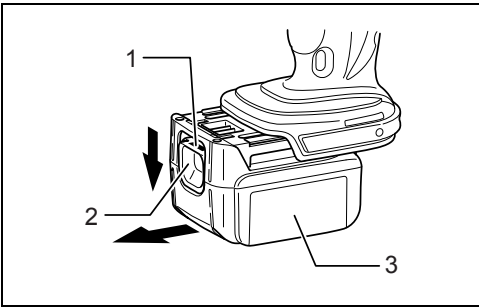
# DTL060

# DTL061



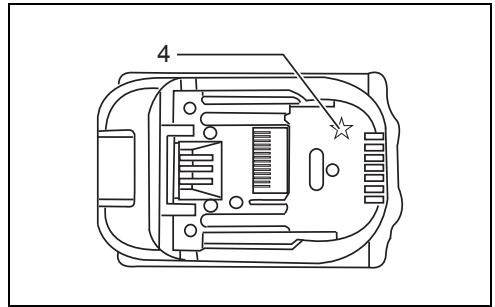
008328





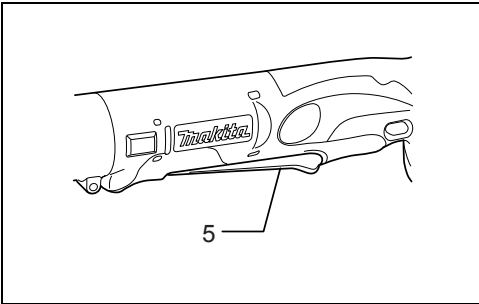
**1**

012122



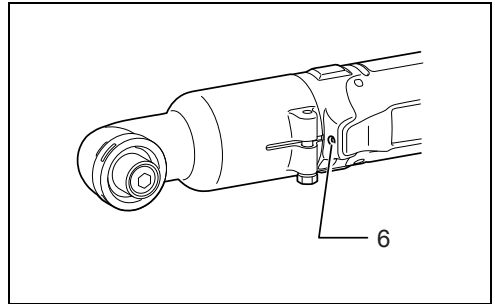
**2**

012128



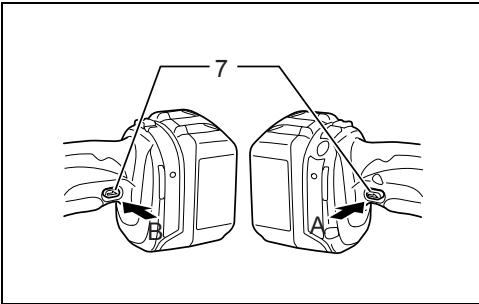
**3**

008330



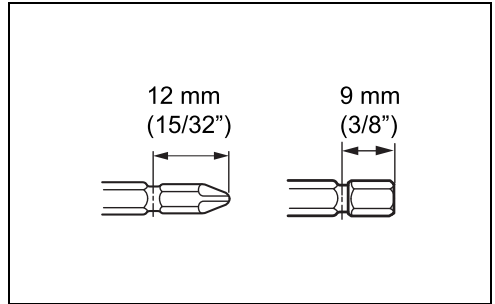
**4**

008337



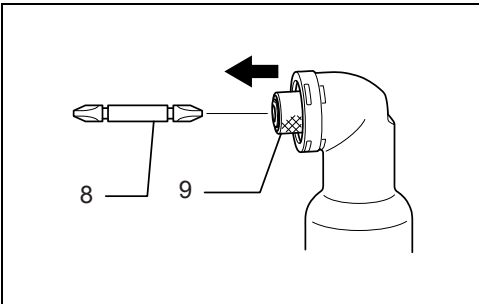
**5**

008331



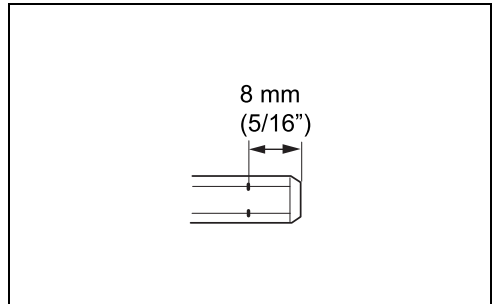
**6**

001266



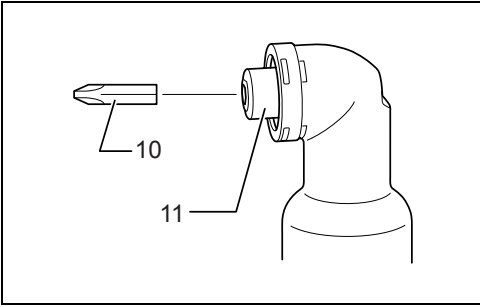
**7**

008332



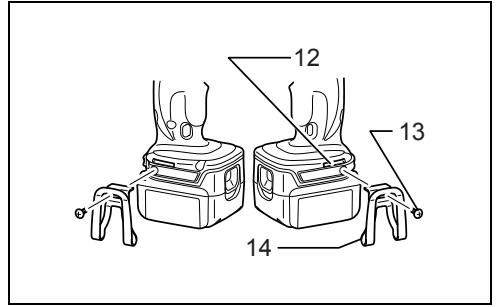
**8**

008629



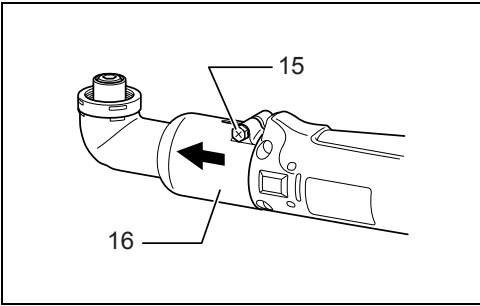
**9**

008623



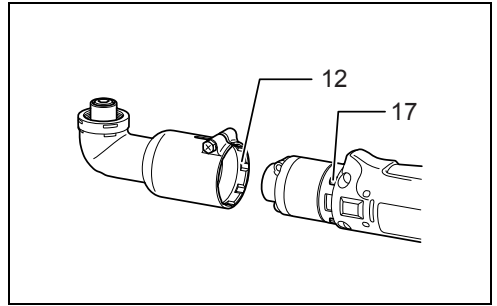
**10**

008338



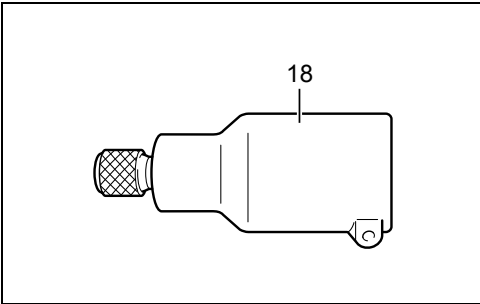
**11**

008335



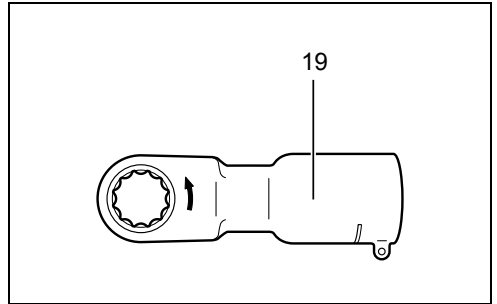
**12**

008336



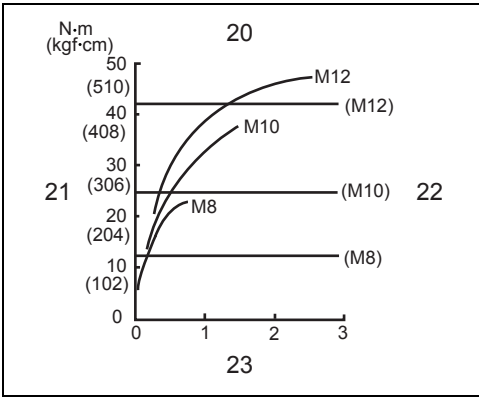
**13**

002828



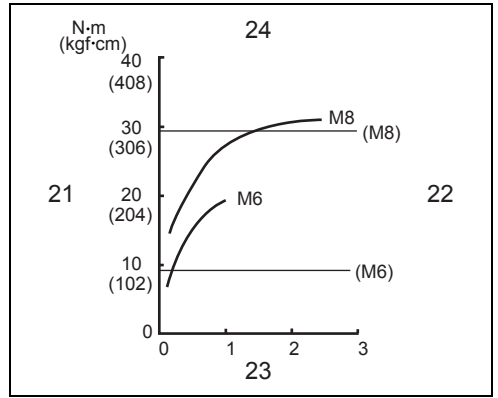
**14**

002829



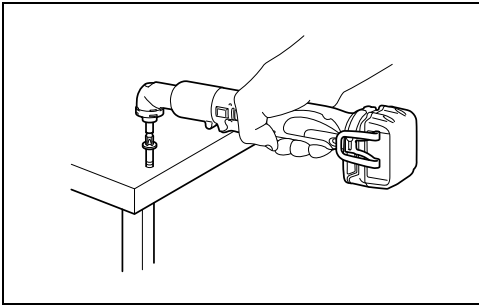
15

008339



16

008340



17

008346

## ENGLISH (Original Instructions)

### Explanation of general view

- |                           |                |                             |
|---------------------------|----------------|-----------------------------|
| 1. Red indicator          | 9. Sleeve      | 17. Tooth                   |
| 2. Button                 | 10. Insert bit | 18. Straight head           |
| 3. Battery cartridge      | 11. Spindle    | 19. Ratchet head            |
| 4. Star marking           | 12. Groove     | 20. Standard bolt           |
| 5. Switch trigger         | 13. Screw      | 21. Fastening torque        |
| 6. Lamp                   | 14. Hook       | 22. Proper fastening torque |
| 7. Reversing switch lever | 15. Hex bolt   | 23. Fastening time (S)      |
| 8. Bit                    | 16. Angle head | 24. High tensile bolt       |

## SPECIFICATIONS

Model		DTL060	DTL061
Capacities	Machine screw	4 mm - 8 mm	
	Bolt	4 mm - 12 mm	
No load speed (min <sup>-1</sup> )		0 - 2,000	
Impacts per minute		0 - 3,000	
Max. fastening torque		60 N•m	
Overall length		387 mm	
Net weight		1.7 kg	1.5 kg
Rated voltage		D.C. 14.4 V	D.C. 18 V

- Due to our continuing program of research and development, the specifications herein are subject to change without notice.
- Specifications and battery cartridge may differ from country to country.
- Weight, with battery cartridge, according to EPTA-Procedure 01/2003

### Intended use

ENE033-1

The tool is intended for screw driving in wood, metal and plastic.

## General Power Tool Safety Warnings

GEA010-1

**⚠ WARNING** Read all safety warnings and all instructions. Failure to follow the warnings and instructions may result in electric shock, fire and/or serious injury.

**Save all warnings and instructions for future reference.**

## CORDLESS IMPACT DRIVER SAFETY WARNINGS

GEB054-1

1. **Hold power tool by insulated gripping surfaces, when performing an operation where the fastener may contact hidden wiring.** Fasteners contacting a "live" wire may make exposed metal parts of the power tool "live" and could give the operator an electric shock.
2. **Always be sure you have a firm footing. Be sure no one is below when using the tool in high locations.**
3. **Hold the tool firmly.**
4. **Wear ear protectors.**

**SAVE THESE INSTRUCTIONS.**

### **⚠ WARNING:**

**DO NOT let comfort or familiarity with product (gained from repeated use) replace strict adherence to safety rules for the subject product.**

**MISUSE or failure to follow the safety rules stated in this instruction manual may cause serious personal injury.**

## IMPORTANT SAFETY INSTRUCTIONS

ENC007-7

### FOR BATTERY CARTRIDGE

1. **Before using battery cartridge, read all instructions and cautionary markings on (1) battery charger, (2) battery, and (3) product using battery.**
2. **Do not disassemble battery cartridge.**
3. **If operating time has become excessively shorter, stop operating immediately. It may result in a risk of overheating, possible burns and even an explosion.**
4. **If electrolyte gets into your eyes, rinse them out with clear water and seek medical attention right away. It may result in loss of your eyesight.**
5. **Do not short the battery cartridge:**
  - (1) **Do not touch the terminals with any conductive material.**
  - (2) **Avoid storing battery cartridge in a container with other metal objects such as nails, coins, etc.**

- (3) **Do not expose battery cartridge to water or rain.**

**A battery short can cause a large current flow, overheating, possible burns and even a breakdown.**

6. **Do not store the tool and battery cartridge in locations where the temperature may reach or exceed 50°C (122°F).**
7. **Do not incinerate the battery cartridge even if it is severely damaged or is completely worn out. The battery cartridge can explode in a fire.**
8. **Be careful not to drop or strike battery.**
9. **Do not use a damaged battery.**

## SAVE THESE INSTRUCTIONS.

### Tips for maintaining maximum battery life

1. **Charge the battery cartridge before completely discharged.**  
**Always stop tool operation and charge the battery cartridge when you notice less tool power.**
2. **Never recharge a fully charged battery cartridge. Overcharging shortens the battery service life.**
3. **Charge the battery cartridge with room temperature at 10°C - 40°C (50°F - 104°F). Let a hot battery cartridge cool down before charging it.**
4. **Charge the battery cartridge once in every six months if you do not use it for a long period of time.**

## FUNCTIONAL DESCRIPTION

### CAUTION:

- Always be sure that the tool is switched off and the battery cartridge is removed before adjusting or checking function on the tool.

### Installing or removing battery cartridge (Fig. 1)

- Always switch off the tool before installing or removing of the battery cartridge.
- To remove the battery cartridge, slide it from the tool while sliding the button on the front of the cartridge.
- To install the battery cartridge, align the tongue on the battery cartridge with the groove in the housing and slip it into place. If not, it may accidentally fall out of the tool, causing injury to you or someone around you.
- Do not use force when installing the battery cartridge. If the cartridge does not slide in easily, it is not being inserted correctly.

### Battery protection system (Lithium-ion battery with star marking) (Fig. 2)

Lithium-ion batteries with a star marking are equipped with a protection system. This system automatically cuts off power to the tool to extend battery life. The tool will automatically stop during operation if the tool and/or battery are placed under one of the following conditions:

- **Overloaded:**  
The tool is operated in a manner that causes it to draw an abnormally high current. In this situation, release the trigger switch on the tool and stop the application that caused the tool to become overloaded. Then pull the trigger switch again to restart.  
If the tool does not start, the battery is overheated. In this situation, let the battery cool before pulling the trigger switch again.
- **Low battery voltage:**  
The remaining battery capacity is too low and the tool will not operate. In this situation, remove and recharge the battery.

### Switch action

#### CAUTION:

- Before inserting the battery cartridge into the tool, always check to see that the switch trigger actuates properly and returns to the "OFF" position when released. (Fig. 3)

To start the tool, simply pull the switch trigger. Tool speed is increased by increasing pressure on the switch trigger. Release the switch trigger to stop.

### Lighting up the front lamp

#### CAUTION:

- Do not look in the light or see the source of light directly. (Fig. 4)

Pull the switch trigger to light up the lamp. The lamp keeps on lighting while the switch trigger is being pulled. The light automatically goes out 10 - 15 seconds after the switch trigger is released.

#### NOTE:

- Use a dry cloth to wipe the dirt off the lens of lamp. Be careful not to scratch the lens of lamp, or it may lower the illumination.

### Reversing switch action (Fig. 5)

This tool has a reversing switch to change the direction of rotation. Depress the reversing switch lever from the A side for clockwise rotation or from the B side for counterclockwise rotation.

When the reversing switch lever is in the neutral position, the switch trigger cannot be pulled.

#### CAUTION:

- Always check the direction of rotation before operation.
- Use the reversing switch only after the tool comes to a complete stop. Changing the direction of rotation before the tool stops may damage the tool.
- When not operating the tool, always set the reversing switch lever to the neutral position.

## ASSEMBLY

#### CAUTION:

- Always be sure that the tool is switched off and the battery cartridge is removed before carrying out any work on the tool.

### Installing or removing driver bit (Fig. 6)

Use only the driver bit or socket bit shown in the figure. Do not use any other driver bit or socket bit.

To install the bit, pull the sleeve in the direction of the arrow and insert the bit into the sleeve as far as it will go. Then release the sleeve to secure the bit. (Fig. 7)

### For tool without sleeve to retain the bit (Fig. 8)

Use only the driver bit or socket bit shown in the figure. Do not use any other driver bit or socket bit. Use insert bits shown in the figure. To install the bit, just insert it into the spindle. (Fig. 9)

#### NOTE:

- If the bit is not inserted deep enough into the sleeve, the sleeve will not return to its original position and the bit will not be secured. In this case, try re-inserting the bit according to the instructions above.

### Hook (Accessory)

#### CAUTION:

- When installing the hook, tighten the screw firmly. Failure to do so may cause the breakage of the tool or personal injury. (Fig. 10)

The hook is convenient for temporarily hanging the tool. This can be installed on either side of the tool.

To install the hook, insert it into a groove in the tool housing on either side and then secure it with a screw. To remove, loosen the screw and then take it out.

### Adjusting the angle head

The angle head can be adjusted 360° (8 positions in 45-degree increments). To adjust it, loosen the hex bolt and remove the angle head. Adjust the angle head to the desired position and reinstall it so that the teeth on the housing will match up with the grooves in the angle head. Then tighten the hex bolt to secure the angle head. (Fig. 11 & 12)

### Straight head and ratchet head (Accessory)

Straight heads and ratchet heads are available as optional accessories for various applications on the job. (Fig. 13 & 14)

## OPERATION (Fig. 15 & 16)

The proper fastening torque may differ depending upon the kind or size of the screw/bolt, the material of the workpiece to be fastened, etc. Before starting your job, always perform a test operation to determine the proper fastening time for your screw. (Fig. 17)

#### NOTE:

- Use the proper bit for the head of the screw/bolt that you wish to use.
- Hold the tool pointed straight at the screw.
- If the tool is operated continuously until the battery cartridge has discharged, allow the tool to rest for 15 minutes before proceeding with a fresh battery.

The fastening torque is affected by a wide variety of factors including the following. After fastening, always check the torque with a torque wrench.

1. When the battery cartridge is discharged almost completely, voltage will drop and the fastening torque will be reduced.

2. Driver bit or socket bit  
Failure to use the correct size driver bit or socket bit will cause a reduction in the fastening torque.
3. Bolt
  - Even though the torque coefficient and the class of bolt are the same, the proper fastening torque will differ according to the diameter of bolt.
  - Even though the diameters of bolts are the same, the proper fastening torque will differ according to the torque coefficient, the class of bolt and the bolt length.
4. The manner of holding the tool or the material of driving position to be fastened will affect the torque.
5. Operating the tool at low speed will cause a reduction in the fastening torque.

## MAINTENANCE

#### CAUTION:

- Always be sure that the tool is switched off and the battery cartridge is removed before attempting to perform inspection or maintenance.
- Never use gasoline, benzene, thinner, alcohol or the like. Discoloration, deformation or cracks may result.

To maintain product SAFETY and RELIABILITY, repairs, any other maintenance or adjustment should be performed by Makita Authorized Service Centers, always using Makita replacement parts.

## OPTIONAL ACCESSORIES

#### ⚠ CAUTION:

- These accessories or attachments are recommended for use with your Makita tool specified in this manual. The use of any other accessories or attachments might present a risk of injury to persons. Only use accessory or attachment for its stated purpose.

If you need any assistance for more details regarding these accessories, ask your local Makita Service Center.

- Phillips bit
- Bit piece
- Straight head
- Ratchet head
- Socket
- Socket adapter
- Various type of Makita genuine batteries and chargers

#### NOTE:

- Some items in the list may be included in the tool package as standard accessories. They may differ from country to country.

#### Noise

ENG905-1

The typical A-weighted noise level determined according to EN60745:

Sound pressure level ( $L_{pA}$ ): 91 dB (A)

Sound power level ( $L_{WA}$ ): 102 dB (A)

Uncertainty (K): 3 dB (A)

#### Wear ear protection.

#### Vibration

ENG900-1

The vibration total value (tri-axial vector sum) determined according to EN60745:

**Model DTL060**

Work mode: impact tightening of fasteners of the maximum capacity of the tool

Vibration emission ( $a_h$ ): 9.5 m/s<sup>2</sup>

Uncertainty (K): 1.5 m/s<sup>2</sup>

**Model DTL061**

Work mode: impact tightening of fasteners of the maximum capacity of the tool

Vibration emission ( $a_h$ ): 17.5 m/s<sup>2</sup>

Uncertainty (K): 1.5 m/s<sup>2</sup>

ENG901-1

- The declared vibration emission value has been measured in accordance with the standard test method and may be used for comparing one tool with another.
- The declared vibration emission value may also be used in a preliminary assessment of exposure.

**⚠ WARNING:**

- The vibration emission during actual use of the power tool can differ from the declared emission value depending on the ways in which the tool is used.
- Be sure to identify safety measures to protect the operator that are based on an estimation of exposure in the actual conditions of use (taking account of all parts of the operating cycle such as the times when the tool is switched off and when it is running idle in addition to the trigger time).

**For European countries only**

ENH101-15

**EC Declaration of Conformity**

**We Makita Corporation as the responsible manufacturer declare that the following Makita machine(s):**

Designation of Machine:

Cordless Angle Impact Driver

Model No./ Type: DTL060, DTL061

are of series production and

**Conforms to the following European Directives:**

2006/42/EC

And are manufactured in accordance with the following standards or standardised documents:

EN60745

The technical documentation is kept by our authorised representative in Europe who is:

Makita International Europe Ltd.

Michigan Drive, Tongwell,

Milton Keynes, Bucks MK15 8JD, England

30. 1. 2009



Tomoyasu Kato

Director

Makita Corporation

3-11-8, Sumiyoshi-cho,

Anjo, Aichi, 446-8502, JAPAN



# FRANÇAIS (Instructions d'origine)

## Descriptif

- |                          |                      |                               |
|--------------------------|----------------------|-------------------------------|
| 1. Voyant rouge          | 9. Manchon           | 17. Dent                      |
| 2. Bouton                | 10. Outil rapporté   | 18. Tête droite               |
| 3. Batterie              | 11. Axe              | 19. Tête de rochet            |
| 4. Étoile                | 12. Rainure          | 20. Boulon standard           |
| 5. Gâchette              | 13. Vis              | 21. Couple de serrage         |
| 6. Lampe                 | 14. Crochet          | 22. Couple de serrage adéquat |
| 7. Levier de l'inverseur | 15. Boulon hexagonal | 23. Temps de serrage (S)      |
| 8. Foret                 | 16. Tête d'angle     | 24. Boulon haute résistance   |

## SPÉCIFICATIONS

Modèle		DTL060	DTL061
Capacités	Vis de mécanique	4 mm à 8 mm	
	Boulon	4 mm à 12 mm	
Vitesse à vide (min <sup>-1</sup> )		0 - 2 000	
Chocs par minute		0 - 3 000	
Couple de serrage max.		60 N•m	
Longueur totale		387 mm	
Poids net		1,7 kg	1,5 kg
Tension nominale		C.C. 14,4 V	C.C. 18 V

- Étant donné l'évolution constante de notre programme de recherche et de développement, les spécifications contenues dans ce manuel sont sujettes à des modifications sans préavis.
- Les spécifications et la batterie peuvent varier d'un pays à l'autre.
- Poids, batterie incluse, selon la procédure EPTA 01/2003

### Utilisations

ENE033-1

L'outil est conçu pour le vissage dans le bois, le métal et le plastique.

## Consignes de sécurité générales des outils électriques

GEA010-1

**⚠ AVERTISSEMENT** Veuillez lire toutes les consignes de sécurité et les instructions. Il y a un risque de choc électrique, d'incendie et/ou de blessure grave si les consignes et les instructions ne sont pas toutes respectées.

## Conservez toutes les consignes et instructions pour référence ultérieure.

## AVERTISSEMENTS DE SÉCURITÉ CONCERNANT LA VISSEUSE À CHOCS SANS FIL

GEB054-1

1. **Tenez l'outil électrique par ses surfaces de poigne isolées lorsque vous effectuez une opération au cours de laquelle la pièce de fixation peut entrer en contact avec des fils cachés.** Il est possible que les pièces de fixation entrant en contact avec un fil sous tension mettent les parties métalliques exposées de l'outil sous tension, risquant ainsi de provoquer un choc électrique chez l'utilisateur.
2. **Veillez à toujours avoir une bonne position d'équilibre.**

**Assurez-vous que personne ne se trouve dessous lorsque vous utilisez l'outil en position élevée.**

3. **Tenez l'outil fermement.**
4. **Portez des protections auditives.**

## CONSERVEZ CES INSTRUCTIONS.

**⚠ AVERTISSEMENT :**  
**NE vous laissez PAS tromper (au fil d'une utilisation répétée) par un sentiment d'aisance et de familiarité avec le produit, en négligeant le respect rigoureux des consignes de sécurité qui accompagnent l'outil. Une UTILISATION INCORRECTE de l'outil ou un non-respect des consignes de sécurité indiquées dans ce manuel d'instructions peuvent causer des blessures graves.**

## CONSIGNES DE SÉCURITÉ IMPORTANTES

ENC007-7

### POUR LA BATTERIE

1. **Avant d'utiliser la batterie, veuillez lire toutes les instructions et tous les avertissements inscrits sur (1) le chargeur, (2) la batterie et (3) l'appareil alimenté par la batterie.**
2. **Ne démontez pas la batterie.**
3. **Cessez immédiatement d'utiliser la scie circulaire si le temps de fonctionnement devient excessivement court. Il y a risque de surchauffe, de brûlures, voire d'explosion.**

4. Si l'électrolyte pénètre dans vos yeux, rincez-les à l'eau claire et consultez immédiatement un médecin. Il y a risque de perte de la vue.
5. Évitez de court-circuiter la batterie :
  - (1) Ne touchez les bornes avec aucun matériau conducteur.
  - (2) Évitez de ranger la batterie dans un contenant où se trouvent d'autres objets métalliques tels que des clous, pièces de monnaie, etc.
  - (3) N'exposez pas la batterie à l'eau ou à la pluie. Un court-circuit de la batterie risque de provoquer un fort courant, une surchauffe, parfois des brûlures et même une panne.
6. Ne rangez pas l'outil ou la batterie dans des endroits où la température risque d'atteindre ou de dépasser 50°C (122°F).
7. Ne jetez pas la batterie au feu même si elle est sérieusement endommagée ou complètement épuisée. La batterie peut exploser au contact du feu.
8. Veillez à ne pas laisser tomber ou heurter la batterie.
9. N'utilisez pas de batterie endommagée.

## CONSERVEZ CES INSTRUCTIONS.

### Conseils pour assurer la durée de vie optimale de la batterie

1. Rechargez la batterie avant qu'elle ne soit complètement épuisée. Arrêtez toujours l'outil et rechargez la batterie quand vous constatez que la puissance de l'outil diminue.
2. Ne rechargez jamais une batterie complètement chargée. La surcharge réduit la durée de service de la batterie.
3. Chargez la batterie alors que la température de la pièce se trouve entre 10°C et 40°C (50°F et 104°F). Si une batterie est chaude, laissez-la refroidir avant de la charger.
4. Si vous n'utilisez pas l'outil pendant une période prolongée, rechargez la batterie tous les six mois.

## DESCRIPTION DU FONCTIONNEMENT

### ATTENTION :

- Veillez toujours à ce que l'appareil soit éteint et la batterie déposée avant d'effectuer des réglages ou des contrôles sur le fonctionnement de l'appareil.

### Installation et retrait de la batterie (Fig. 1)

- Éteignez toujours l'outil avant d'installer ou de déposer la batterie.
- Pour retirer la batterie, faites glisser le bouton à l'avant de la batterie et sortez la batterie.
- Pour installer la batterie, alignez sa languette sur la rainure qui se trouve à l'intérieur du carter, puis glissez la batterie pour la mettre en place. Insérez-la toujours bien à fond, jusqu'à ce qu'elle se verrouille en émettant

un léger clic. Si vous pouvez voir le voyant rouge sur la face supérieure du bouton, la batterie n'est pas parfaitement verrouillée. Installez-la à fond, jusqu'à ce que le voyant rouge ne soit plus visible. Sinon, elle risque de tomber accidentellement de l'outil, en vous blessant ou en blessant une personne située près de vous.

- N'appliquez pas une force excessive lors de l'installation de la batterie. Si la batterie ne glisse pas aisément, c'est qu'elle n'est pas insérée correctement.

### Système de protection de la batterie (batterie au lithium-ion comportant une étoile) (Fig. 2)

Les batteries au lithium-ion comportant une étoile sont équipées d'un système de protection. Ce système coupe automatiquement l'alimentation en électricité vers l'outil afin de prolonger sa durée de vie.

L'outil s'arrête automatiquement pendant l'utilisation lorsqu'il et/ou la batterie se trouvent dans l'une des situations suivantes :

- **Surchargé :**  
L'outil fonctionne de manière à créer un courant anormalement élevé. Dans ce cas, relâchez la gâchette située sur l'outil et arrêtez l'application ayant provoqué la surcharge de l'outil. Ensuite, tirez à nouveau sur la gâchette pour redémarrer l'outil. Si l'outil ne démarre pas, la batterie est en surchauffe. Dans ce cas, laissez la batterie refroidir avant de tirer à nouveau sur la gâchette.
- **Basse tension :**  
L'autonomie restante est trop basse et l'outil ne fonctionnera pas. Dans ce cas, retirez la batterie et rechargez-la.

### Interrupteur

#### ATTENTION :

- Avant d'insérer la batterie dans l'outil, vérifiez toujours que la gâchette fonctionne bien et revient en position d'arrêt lorsque libérée. (Fig. 3)

Pour mettre l'outil en marche, appuyez simplement sur la gâchette. La vitesse de l'outil augmente à mesure que l'on accroît la pression exercée sur la gâchette. Pour l'arrêter, relâchez la gâchette.

### Allumage de la lampe avant

#### ATTENTION :

- Ne regardez pas directement la lumière ou la source de lumière. (Fig. 4)

Appuyez sur la gâchette pour allumer la lampe. La lampe demeure allumée tant que la pression sur la gâchette est maintenue. La lumière s'éteint d'elle-même de 10 à 15 secondes après la libération de la gâchette.

#### REMARQUE :

- Utilisez un chiffon sec pour essuyer les saletés qui recouvrent la lentille de la lampe. Prenez garde de rayer la lentille de la lampe, sinon sa capacité d'éclairage sera affectée.

## Marche arrière (Fig. 5)

L'outil possède un inverseur qui permet de changer le sens de rotation. Appuyez sur le levier de l'inverseur par le côté A pour une rotation dans le sens des aiguilles d'une montre, ou par le côté B pour une rotation en sens inverse.

La pression sur la gâchette n'est pas possible lorsque le levier de l'inverseur se trouve en position neutre.

### ATTENTION :

- Vérifiez toujours le sens de rotation avant de mettre l'outil en marche.
- N'actionnez l'inverseur qu'une fois l'outil complètement arrêté. Si vous changez le sens de rotation de l'outil avant l'arrêt de l'outil, vous risquez de l'endommager.
- Lorsque vous n'utilisez pas l'outil, placez toujours le levier de l'inverseur en position neutre.

## ASSEMBLAGE

### ATTENTION :

- Assurez-vous toujours que l'outil est hors tension et que la batterie est retirée avant d'effectuer toute intervention sur l'outil.

### Installation ou retrait du foret (Fig. 6)

N'utilisez que le foret ou l'embout à douille comme indiqué sur la figure.

N'utilisez pas d'autre foret ou embout à douille. Pour installer l'embout, tirez le manchon dans le sens de la flèche et insérez l'embout dans le manchon aussi profondément que possible. Relâchez ensuite le manchon pour sécuriser l'embout. (Fig. 7)

### Pour un outil sans manchon pour retenir la mèche (Fig. 8)

N'utilisez que le foret ou l'embout à douille comme indiqué sur la figure.

N'utilisez pas d'autre foret ou embout à douille. Utilisez les outils rapportés indiqués sur la figure. Pour installer la mèche, insérez-la dans l'axe. (Fig. 9)

### REMARQUE :

- Si l'embout n'est pas inséré suffisamment profondément dans le manchon, ce dernier ne retournera pas à sa position d'origine et l'embout ne sera pas sécurisé. Dans ce cas, essayez de ré-insérer l'embout selon les instructions ci-dessus.

## Crochet (accessoire)

### ATTENTION :

- Lorsque vous installez le crochet, serrez la vis fermement. L'inverse peut casser l'outil ou entraîner des blessures corporelles. (Fig. 10)

L'outil est équipé d'un crochet pratique qui permet de le suspendre temporairement.

Il s'installe d'un côté comme de l'autre de l'outil.

Pour installer le crochet, insérez-le dans une rainure du carter de l'outil d'un côté ou de l'autre puis serrez-le avec une vis.

Pour le retirer, desserrez la vis et enlevez-le.

## Réglage de la tête angulaire

Il est possible de régler la tête angulaire à 360° (8 positions par incréments de 45 degrés). Pour l'ajuster, desserrez le boulon hexagonal et retirez la tête angulaire. Ajustez la tête angulaire à la position souhaitée et réinstallez-la de manière à ce que les dents sur le logement correspondent aux rainures dans la tête angulaire. Serrez ensuite le boulon hexagonal pour sécuriser la tête angulaire. (Fig. 11 et 12)

## Tête droite et tête de rochet (accessoire)

Les têtes droites et les têtes de rochet sont des accessoires disponibles en option pour diverses applications. (Fig. 13 et 14)

## OPÉRATION (Fig. 15 et 16)

Le couple de serrage approprié peut différer en fonction du type ou de la taille de la vis/du boulon, du matériau de la pièce de travail à fixer, etc. Avant de commencer votre travail, effectuez toujours une opération d'essai pour déterminer le délai de fixation approprié pour votre vis. (Fig. 17)

### REMARQUE :

- Utilisez l'embout approprié pour la tête de la vis/du boulon que vous souhaitez utiliser.
- Maintenez l'outil pointé tout droit sur la vis.
- Si l'outil a fonctionné de façon continue jusqu'à ce que la batterie soit épuisée, laissez-le reposer pendant 15 minutes avant de poursuivre avec une batterie fraîche.

Le couple de serrage est affecté par un grand nombre de facteurs, dont les suivants. Après le serrage, vérifiez toujours le torque avec une clé dynamométrique.

1. Lorsque la batterie est presque complètement déchargée, la tension baisse et cela réduit le couple de serrage.
2. Embout ou embout à douille  
Si vous n'utilisez pas un embout ou un embout à douille de taille appropriée, cela entraînera une diminution du couple de serrage.
3. Boulon
  - Pour un même coefficient de couple et une même classe de boulon, le couple de serrage adéquat varie suivant le diamètre du boulon.
  - Bien que les diamètres des boulons soient identiques, le couple de serrage approprié diffère en fonction du coefficient de couple et de la classe et de la longueur du boulon.
4. Le couple est affecté par la façon dont l'outil est tenu ou par le matériau à serrer.
5. L'opération de l'outil à une vitesse lente entraînera une réduction du couple de serrage.

## MAINTENANCE

### ATTENTION :

- Assurez-vous toujours que l'outil est hors tension et que la batterie est retirée avant d'y effectuer tout travail d'inspection ou d'entretien.
- N'utilisez jamais d'essence, de benzine, de diluant, d'alcool ou de produit similaire. Ces produits risquent de provoquer des décolorations, des déformations ou des fissures.

Pour assurer la SÉCURITÉ et la FIABILITÉ du produit, toute réparation et tout travail d'entretien ou de réglage doivent être effectués par un Centre de service après-vente agréé Makita, avec des pièces de rechange Makita.

## ACCESSOIRES FOURNIS EN OPTION

### ⚠ ATTENTION :

- Ces accessoires ou pièces complémentaires sont recommandés pour être utilisés avec l'outil Makita spécifié dans ce mode d'emploi. L'utilisation de tout autre accessoire ou pièce complémentaire peut comporter un risque de blessure. N'utilisez les accessoires ou pièces qu'aux fins auxquelles ils ont été conçus.

Pour obtenir plus de détails sur ces accessoires, contactez votre Centre de service local Makita.

- Embout cruciforme
- Partie d'embout
- Tête droite
- Tête de rochet
- Douille
- Adaptateur de douille
- Divers types de batteries et chargeurs de marque Makita.

### REMARQUE :

- Certains éléments de la liste peuvent être inclus en tant qu'accessoires standard dans le coffret de l'outil envoyé. Ils peuvent varier suivant les pays.

**Bruit** ENG905-1  
Les niveaux de bruit pondéré A typiques ont été mesurés selon la norme EN60745 :

Niveau de pression sonore ( $L_{pA}$ ) : 91 dB (A)  
Niveau de puissance sonore ( $L_{WA}$ ) : 102 dB (A)  
Incertitude (K) : 3 dB (A)

#### Portez des protections auditives.

**Vibrations** ENG900-1  
La valeur totale de vibration (somme du vecteur triaxial) a été déterminée selon la norme EN60745 :

#### Modèle DTL060

Mode de fonctionnement : serrage avec chocs de boulons ou d'écrous à la capacité maximale de l'outil  
Émission des vibrations ( $a_{h1}$ ) : 9,5 m/s<sup>2</sup>  
Incertitude (K) : 1,5 m/s<sup>2</sup>

#### Modèle DTL061

Mode de fonctionnement : serrage avec chocs de boulons ou d'écrous à la capacité maximale de l'outil  
Émission des vibrations ( $a_{h1}$ ) : 17,5 m/s<sup>2</sup>  
Incertitude (K) : 1,5 m/s<sup>2</sup>

ENG901-1

- La valeur de l'émission des vibrations déclarée a été mesurée conformément à la méthode de test standard et peut être utilisée afin de comparer des outils entre eux.
- La valeur de l'émission des vibrations déclarée peut également être utilisée lors d'une évaluation préliminaire de l'exposition.

### ⚠ AVERTISSEMENT :

- Selon la manière dont l'outil est utilisé, il est possible que l'émission des vibrations pendant l'utilisation réelle de l'outil électrique diffère de la valeur de l'émission déclarée.
- Veillez à identifier les mesures de sécurité destinées à protéger l'opérateur et établies en fonction de l'estimation de l'exposition dans les conditions réelles d'utilisation (en prenant en compte toutes les étapes du cycle de fonctionnement, telles que les périodes de mise hors tension de l'outil, les périodes de fonctionnement au ralenti et les périodes de mise en route).

**Pour les pays d'Europe uniquement** ENH101-15  
**Déclaration de conformité CE**

**Nous, Makita Corporation, en tant que fabricant responsable, déclarons que les machines Makita suivantes :**

Nom de la machine :

Visseuse d'Angle à Chocs sans Fil  
N° de modèle/Type : DTL060, DTL061  
sont fabriquées en série et

**Sont conformes aux directives européennes suivantes :**

2006/42/CE

Et sont produites conformément aux normes ou documents de normalisation suivants :

EN60745

La documentation technique est disponible auprès de notre représentant en Europe qui est :

Makita International Europe Ltd.  
Michigan Drive, Tongwell,  
Milton Keynes, Bucks MK15 8JD, Angleterre

30. 01. 2009



Tomoyasu Kato  
Directeur  
Makita Corporation  
3-11-8, Sumiyoshi-cho,  
Anjo, Aichi, 446-8502, JAPAN

# DEUTSCH (Originalanweisungen)

## Erklärung der Gesamtdarstellung

- |                     |                       |                            |
|---------------------|-----------------------|----------------------------|
| 1. Roter Bereich    | 9. Kranz              | 17. Zahn                   |
| 2. Taste            | 10. Einsatz           | 18. Gerader Kopf           |
| 3. Akkublock        | 11. Spindel           | 19. Ratschenkopf           |
| 4. Sternmarkierung  | 12. Rille             | 20. Standardbolzen         |
| 5. Ein/Aus-Schalter | 13. Schraube          | 21. Anzugsmoment           |
| 6. Lampe            | 14. Einhängclip       | 22. Richtiges Anzugsmoment |
| 7. Umschalthebel    | 15. Sechskantschraube | 23. Anzugszeit (s)         |
| 8. Einsatz          | 16. Winkelkopf        | 24. Höherfester Bolzen     |

## TECHNISCHE ANGABEN

Modell		DTL060	DTL061
Leistungen	Maschinenschraube	4 bis 8 mm	
	Schraube	4 bis 12 mm	
Leerlaufdrehzahl (U/min <sup>-1</sup> )		0 - 2.000	
Schläge pro Minute		0 - 3.000	
Max. Anzugsmoment		60 Nm	
Gesamtlänge		387 mm	
Nettogewicht		1,7 kg	1,5 kg
Nennspannung		14,4 V Gleichspannung	18 V Gleichspannung

- Aufgrund unserer beständigen Forschungen und Weiterentwicklungen sind Änderungen an den hier angegebenen Technischen Daten ohne Vorankündigung vorbehalten.
- Die Technischen Daten und der Akkublock können in den einzelnen Ländern Abweichungen aufweisen.
- Gewicht, mit Akkublock, ermittelt gemäß EPTA-Verfahren 01/2003

**Verwendungszweck** ENE033-1  
Das Werkzeug wurde für das Schrauben in Holz, Metall und Kunststoff entwickelt.

## Allgemeine Sicherheitshinweise für Elektrowerkzeuge

**⚠ WARNUNG** Lesen Sie alle Sicherheitshinweise und Anweisungen sorgfältig durch. Wenn die Hinweise und Anweisungen nicht beachtet werden, besteht die Gefahr eines Stromschlags, Brands und/oder das Risiko von ernsthaften Verletzungen.

**Bewahren Sie alle Hinweise und Anweisungen zur späteren Referenz gut auf.**

## SICHERHEITSHINWEISE ZUM AKKU-SCHLAGSCHRAUBER

1. **Halten Sie das Werkzeug an den isolierten Griffflächen, wenn Sie unter Bedingungen arbeiten, bei denen das Werkzeug verborgene Kabel berühren kann.** Bei Kontakt des Schraubers mit einem stromführenden Kabel wird der Strom an die Metallteile des Elektrowerkzeugs und dadurch an den Bediener weitergeleitet, und der Bediener erleidet einen Stromschlag.
2. **Achten Sie jederzeit auf sicheren und festen Stand.**  
**Achten Sie bei Verwendung des Werkzeugs an**

- erhöhten Standorten darauf, dass sich keine Personen unter dem Standort aufhalten.**
3. **Halten Sie das Werkzeug mit festem Griff.**
  4. **Tragen Sie Gehörschutz!**

## BEWAHREN SIE DIESE ANLEITUNG SORGFÄLTIG AUF.

**⚠ WARNUNG:**  
Lassen Sie sich **NIE** durch Bequemlichkeit oder (aus fortwährendem Gebrauch gewonnener) Vertrautheit mit dem Werkzeug dazu verleiten, die Sicherheitsregeln für das Werkzeug zu missachten. Bei **MISSBRÄUCLICHER** Verwendung des Werkzeugs oder Missachtung der in diesem Handbuch enthaltenen Sicherheitshinweise kann es zu schweren Verletzungen kommen.

## WICHTIGE SICHERHEITSREGELN

### FÜR AKKUBLOCK

1. **Lesen Sie vor der Verwendung des Akkublocks alle Anweisungen und Sicherheitshinweise für das Akkuladegerät (1), den Akku (2) und das Produkt (3), für das der Akku verwendet wird, sorgfältig durch.**
2. **Der Akkublock darf nicht zerlegt werden.**
3. **Falls die Betriebsdauer erheblich kürzer wird, beenden Sie den Betrieb umgehend. Andernfalls besteht die Gefahr einer Überhitzung sowie das**

**Risiko möglicher Verbrennungen und sogar einer Explosion.**

4. Wenn Elektrolyt in Ihre Augen gerät, waschen Sie diese mit klarem Wasser aus und suchen Sie sofort einen Arzt auf. Andernfalls können Sie Ihre Sehfähigkeit verlieren.
5. Vermeiden Sie einen Kurzschluss des Akkublocks:
  - (1) Die Kontakte dürfen nicht mit leitendem Material in Berührung kommen.
  - (2) Der Akkublock darf nicht in einem Behälter aufbewahrt werden, in dem sich andere metallische Gegenstände wie beispielsweise Nägel, Münzen usw. befinden.
  - (3) Der Akkublock darf weder Feuchtigkeit noch Regen ausgesetzt werden.Ein Kurzschluss des Akkus kann zu hohem Kriechstrom, Überhitzung, möglichen Verbrennungen und sogar zu einer Zerstörung des Werkzeugs führen.
6. Werkzeug und Akkublock dürfen nicht an Orten aufbewahrt werden, an denen Temperaturen von 50°C oder darüber erreicht werden können.
7. Beschädigte oder verbrauchte Akkus dürfen nicht verbrannt werden. Der Akkublock kann in den Flammen explodieren.
8. Lassen Sie den Akku nicht fallen und vermeiden Sie Schläge gegen den Akku.
9. Verwenden Sie niemals einen beschädigten Akku.

## BEWAHREN SIE DIESE ANLEITUNG SORGFÄLTIG AUF.

### Tipps für eine maximale Nutzungsdauer von Akkus

1. Laden Sie den Akkublock auf, bevor der Akku vollständig entladen ist. Sobald Sie eine verringerte Leistung des Werkzeugs bemerken, beenden Sie stets den Betrieb des Werkzeugs und laden Sie den Akkublock auf.
2. Ein voll aufgeladener Akkublock darf niemals erneut geladen werden. Durch Überladungen wird die Lebensdauer des Akkus verkürzt.
3. Laden Sie den Akkublock bei einer Zimmertemperatur von 10°C bis 40°C auf. Lassen Sie einen heißen Akkublock vor dem Aufladen abkühlen.
4. Laden Sie den Akkublock aller sechs Monate auf, wenn Sie diesen für längere Zeit nicht verwenden.

## FUNKTIONSBESCHREIBUNG

### ACHTUNG:

- Schalten Sie das Werkzeug stets aus und entfernen Sie den Akkublock, bevor Sie Einstellungen oder eine Funktionsprüfung des Werkzeugs vornehmen.

### Einsetzen und Abnehmen des Akkublocks (Abb. 1)

- Schalten Sie das Werkzeug stets aus, bevor Sie den Akkublock einsetzen oder abnehmen.

- Zum Abnehmen des Akkublocks müssen Sie die Taste auf der Vorderseite des Akkublocks schieben und gleichzeitig den Akkublock aus dem Gerät herausziehen.
- Zum Einsetzen des Akkublocks müssen Sie die Zunge des Akkublocks an der Rille im Gehäuse ausrichten und den Akkublock in die gewünschte Position schieben. Setzen Sie den Akkublock unbedingt ganz ein, bis er mit einem Klick einrastet. Wenn Sie den roten Bereich oben auf der Taste sehen können, ist der Akkublock noch nicht ordnungsgemäß eingerastet. Setzen Sie den Akkublock vollständig ein, bis der rote Bereich nicht mehr zu sehen ist. Andernfalls kann der Akkublock versehentlich aus dem Gerät fallen und Sie oder Personen in Ihrem Umfeld verletzen.
- Wenden Sie beim Einsetzen des Akkublocks keine Gewalt an. Wenn der Akkublock nicht leicht hineingleitet, ist er nicht richtig angesetzt.

### Akku-Schutzsystem (Lithium-Ionen-Akku ist mit einem Stern gekennzeichnet) (Abb. 2)

Mit einem Stern gekennzeichnete Lithium-Ionen-Akkus verfügen über ein Schutzsystem. Dieses System schaltet die Stromversorgung des Werkzeugs automatisch aus, um die Lebensdauer des Akkus zu verlängern.

Unter folgenden Bedingungen des Werkzeugs und/oder des Akkus kann das Werkzeug während des Betriebs automatisch stoppen:

- Überlastet:

Das Werkzeug wird auf eine Weise betrieben, die zu einer anormal hohen Stromaufnahme führt. Lassen Sie in dieser Situation den Ein/Aus-Schalter des Werkzeugs los und beenden Sie die Arbeiten, die zu der Überlastung des Werkzeugs geführt haben. Betätigen Sie anschließend den Ein/Aus-Schalter wieder, um das Werkzeug wieder in Betrieb zu nehmen. Wenn das Werkzeug nicht startet, ist der Akku überhitzt. Lassen Sie in dieser Situation den Akku erst abkühlen, bevor Sie wieder den Ein/Aus-Schalter betätigen.
- Spannung des Akkus zu niedrig:

Die noch vorhandene Akkuladung ist zu niedrig, und das Werkzeug startet nicht. Entnehmen Sie in dieser Situation den Akku und laden Sie den Akku wieder auf.

### Bedienung des Schalters

#### ACHTUNG:

- Achten Sie vor dem Einsetzen des Akkublocks in das Werkzeug darauf, dass sich der Ein/Aus-Schalter korrekt bedienen lässt und beim Loslassen in die Position „OFF“ (AUS) zurückkehrt. (Abb. 3) Betätigen Sie zum Starten des Werkzeugs einfach den Ein/Aus-Schalter. Die Drehzahl des Werkzeugs wird durch erhöhten Druck auf den Ein/Aus-Schalter gesteigert. Lassen Sie zum Ausschalten des Werkzeugs den Ein/Aus-Schalter los.

## Einschalten der vorderen Lampe

### ACHTUNG:

- Schauen Sie nicht direkt in das Licht oder in die Lichtquelle. (Abb. 4)

Ziehen Sie zum Einschalten der Lampe den Auslöser. Die Lampe leuchtet so lange, wie der Auslöser gezogen wird. Das Licht erlischt automatisch nach 10 bis 15 Sekunden nach dem Loslassen des Auslösers.

### HINWEIS:

- Wischen Sie Schmutz auf der Lampenlinse mit einem trockenen Tuch ab. Achten Sie darauf, die Lampenlinse nicht zu zerkratzen, da dies die Beleuchtungsstärke mindern kann.

## Bedienung des Umschalters (Abb. 5)

Dieses Werkzeug verfügt über einen Umschalter, mit dem die Drehrichtung geändert werden kann. Für eine Drehbewegung im Uhrzeigersinn muss der Umschalthebel von der Seite A nach unten gedrückt werden und für eine Drehbewegung gegen den Uhrzeigersinn von der Seite B.

Wenn sich der Umschalthebel in der neutralen Position befindet, kann der Auslöser nicht gezogen werden.

### ACHTUNG:

- Überprüfen Sie vor jedem Betrieb immer die Drehrichtung.
- Der Umschalter darf nur betätigt werden, wenn das Werkzeug ganz angehalten wurde. Wenn Sie die Drehrichtung ändern, solange das Werkzeug noch läuft, kann es beschädigt werden.
- Ist das Werkzeug nicht in Gebrauch, muss der Umschalthebel immer auf die neutrale Position gestellt werden.

## MONTAGE

### ACHTUNG:

- Schalten Sie das Werkzeug stets aus und entfernen Sie den Akkublock, bevor Sie Arbeiten am Werkzeug ausführen.

## Montage und Demontage des Dreheinsatzes (Abb. 6)

Verwenden Sie den Dreh- oder Steckensatz nur wie in der Abbildung dargestellt. Verwenden Sie keinen anderen Dreh- oder Steckensatz. Ziehen Sie den Kranz zum Einbauen des Einsatzes in Richtung des Pfeils und setzen Sie den Einsatz bis zum Anschlag in den Kranz ein. Lassen Sie den Kranz los, um den Einsatz zu sichern. (Abb. 7)

## Für Werkzeug ohne Kranz zum Halten des Einsatzes (Abb. 8)

Verwenden Sie den Dreh- oder Steckensatz nur wie in der Abbildung dargestellt. Verwenden Sie keinen anderen Dreh- oder Steckensatz. Verwenden Sie die in der Abbildung gezeigten Einsätze. Setzen Sie den Einsatz einfach in die Spindel ein. (Abb. 9)

### HINWEIS:

- Falls der Einsatz nicht tief genug in den Kranz eingesetzt wurde, kehrt der Kranz nicht in seine

Ursprungsposition zurück und der Einsatz ist nicht gesichert. Setzen Sie in diesem Fall den Einsatz anhand den obigen Anweisungen erneut ein.

## Einhängeclip (Zubehör)

### ACHTUNG:

- Ziehen Sie die Schraube fest, wenn Sie den Clip anbringen. Andernfalls kann es zu einer Beschädigung des Werkzeugs oder zu Verletzungen kommen (Abb. 10)

Der Haken ist nützlich, wenn Sie das Werkzeug vorübergehend aufhängen möchten.

Er kann an jeder Seite des Werkzeugs befestigt werden. Setzen Sie zur Montage den Haken in eine Rille am Werkzeuggehäuse (die Seite ist beliebig) und befestigen Sie diesen mit einer Schraube.

Zur Entfernung müssen Sie nur die Schraube lösen und den Haken herausnehmen.

## Einstellen des Winkelkopfes

Der Winkelkopf kann in einem Winkel von 360° (8 Positionen in Winkelschritten von 45°) eingestellt werden. Lösen Sie zum Einstellen die Sechskantschraube und entfernen Sie den Winkelkopf. Stellen Sie den Winkelkopf in der gewünschten Position ein und bauen Sie ihn wieder so ein, dass die Zähne am Gehäuse mit den Kerben im Winkelkopf ausgerichtet sind. Ziehen Sie dann die Sechskantschraube zur Sicherung des Winkelkopfes fest. (Abb. 11 und 12)

## Gerader Kopf und Ratschenkopf (Zubehör)

Für verschiedene Arbeiten ist der gerade Kopf und der Ratschenkopf als Zubehör erhältlich. (Abb. 13 und 14)

## BETRIEB (Abb. 15 und 16)

Das richtige Anzugsdrehmoment kann je nach Art und Größe der Schraube/des Bolzens, des Materials, des zu befestigenden Werkstücks usw. abweichen. Bevor Sie mit der Arbeit beginnen, führen Sie immer einen Testbetrieb aus, um die richtige Anzugszeit für die Schraube zu finden. (Abb. 17)

### HINWEIS:

- Verwenden Sie den für den Kopf der zu verwendenden Schrauben/Bolzen passenden Einsatz.
- Halten Sie das Werkzeug direkt und gerade an die Schraube.
- Wenn das Werkzeug bis zur vollständigen Entladung des Akkus betrieben wurde, lassen Sie es 15 Minuten liegen, bevor Sie mit einem neuen Akku fortfahren.

Das Anzugsmoment wird durch eine Vielzahl der im Folgenden aufgeführten Faktoren beeinflusst. Prüfen Sie nach dem Festziehen immer das Drehmoment mit einem Drehmomentschlüssel.

1. Wurde der Akkublock nahezu vollständig entladen, fällt die Spannung ab und das Anzugsmoment verringert sich.
2. Drehereinsatz oder Steckaufsätze  
Wird nicht die richtige Größe für den Drehereinsatz oder den Steckeraufsatz verwendet, wird das Anzugsmoment verringert.

3. Schraube
  - Auch wenn der Drehmomentkoeffizient und die Klasse für den Bolzen übereinstimmen, kann das Anzugsmoment in Abhängigkeit vom Durchmesser des Bolzens abweichen.
  - Auch wenn die Durchmesser der Bolzen gleich sind, kann das richtige Anzugsmoment in Abhängigkeit vom Drehmomentkoeffizienten, der Klasse und Länge des Bolzens abweichen.
4. Die Weise, wie das Werkzeug gehalten wird, und das Material an der zu schraubenden Position beeinflussen das Drehmoment.
5. Der Betrieb des Werkzeugs mit einer niedrigeren Drehzahl führt zu einer Verringerung des Anzugsmoments.

## WARTUNG

### ACHTUNG:

- Schalten Sie das Werkzeug stets aus und entfernen Sie den Akkublock, bevor Sie Inspektionen oder Wartungsarbeiten am Werkzeug vornehmen.
- Verwenden Sie zum Reinigen niemals Kraftstoffe, Benzin, Verdünner, Alkohol oder ähnliches. Dies kann zu Verfärbungen, Verformungen oder Rissen führen.

Um die SICHERHEIT und ZUVERLÄSSIGKEIT des Produkts zu gewährleisten, sollten Reparaturen, Wartungsarbeiten und Einstellungen nur durch von Makita autorisierte Servicecenter durchgeführt und immer Makita-Ersatzteile verwendet werden.

## SONDERZUBEHÖR

### ⚠️ ACHTUNG:

- Für das in diesem Handbuch beschriebene Makita-Gerät werden die folgenden Zubehör- und Zusatzteile empfohlen. Bei Verwendung anderer Zubehör- und Zusatzteile kann es zu Verletzungen kommen.

Verwenden Sie Zubehör- und Zusatzteile nur für den vorgesehenen Zweck.

Informationen zu diesem Zubehör erhalten Sie von Ihrem Makita-Servicecenter.

- Kreuzschlitzeinsatz
- Bitteil
- Gerader Kopf
- Ratschenkopf
- Steckaufsatz
- Steckadapter
- Verschiedene Arten von Makita-Originalakkus und -Ladegeräten

### HINWEIS:

- Einige der in der Liste aufgeführten Elemente sind dem Werkzeugpaket als Standardzubehör beigelegt. Diese können in den einzelnen Ländern voneinander abweichen.

### Schallpegel

ENG905-1

Typischer A-bewerteter Schallpegel nach EN60745:

Schalldruckpegel ( $L_{pA}$ ): 91 dB (A)

Schalleistungspegel ( $L_{WA}$ ): 102 dB (A)

Abweichung (K): 3 dB (A)

**Tragen Sie Gehörschutz.**

### Schwingung

ENG900-1

Schwingungsgesamtwerte (Vektorsumme dreier Achsen) nach EN60745:

#### Modell DTL060

Arbeitsmodus: Schlagschrauben von Befestigungsmitteln bei maximaler Leistung des Werkzeugs  
Schwingungsbelastung ( $a_h$ ): 9,5 m/s<sup>2</sup>  
Abweichung (K): 1,5 m/s<sup>2</sup>

#### Modell DTL061

Arbeitsmodus: Schlagschrauben von Befestigungsmitteln bei maximaler Leistung des Werkzeugs  
Schwingungsbelastung ( $a_h$ ): 17,5 m/s<sup>2</sup>  
Abweichung (K): 1,5 m/s<sup>2</sup>

ENG901-1

- Der hier angegebene Wert für die erzeugten Schwingungen wurde gemäß dem genormten Testverfahren ermittelt und kann als Vergleich zu anderen Werkzeugen herangezogen werden.
- Der angegebene Wert für die erzeugten Schwingungen ist außerdem für eine vorbeugende Bewertung der Belastung zu verwenden.

### ⚠️ WARNUNG:

- Die Schwingungsbelastung kann bei tatsächlichem Gebrauch des Elektrowerkzeugs in Abhängigkeit von der Handhabung des Elektrowerkzeugs von dem hier aufgeführten Wert abweichen.
- Stellen Sie sicher, dass Schutzmaßnahmen für den Bediener getroffen werden, die auf den unter den tatsächlichen Arbeitsbedingungen zu erwartenden Belastungen beruhen (beziehen Sie alle Bestandteile des Arbeitsablaufs ein, also zusätzlich zu den Arbeitszeiten auch Zeiten, in denen das Werkzeug ausgeschaltet ist oder ohne Last läuft).

### Nur für europäische Länder

ENH101-15

### EG-Konformitätserklärung

**Wir, Makita Corporation als verantwortlicher Hersteller, erklären, dass das/die folgende(n) Gerät(e) der Marke Makita:**

Bezeichnung des Geräts / der Geräte:

Akku-Winkel-Schlagschrauber

Nummer / Typ des Modells: DTL060, DTL061

in Serienfertigung hergestellt wird/werden und den folgenden Richtlinien der Europäischen Union genügt/genügen:

2006/42/EG

Außerdem werden die Geräte gemäß den folgenden Standards oder Normen gefertigt:

EN60745



Die technische Dokumentation erfolgt durch unseren  
Bevollmächtigten in Europa:

Makita International Europe Ltd.  
Michigan Drive, Tongwell,  
Milton Keynes, Bucks MK15 8JD, England

30. 1. 2009



Tomoyasu Kato  
Direktor  
Makita Corporation  
3-11-8, Sumiyoshi-cho,  
Anjo, Aichi, 446-8502, JAPAN

## ITALIANO (Istruzioni originali)

### Spiegazione della vista generale

- |                                       |                       |                                  |
|---------------------------------------|-----------------------|----------------------------------|
| 1. Indicatore rosso                   | 9. Manicotto          | 17. Dente                        |
| 2. Pulsante                           | 10. Inserire la punta | 18. Testa dritta                 |
| 3. Batteria                           | 11. Mandrino          | 19. Testa a cricchetto           |
| 4. Contrassegno a stella              | 12. Scanalatura       | 20. Bullone standard             |
| 5. Interruttore                       | 13. Vite              | 21. Coppia di serraggio          |
| 6. Lampada                            | 14. Gancio            | 22. Coppia di serraggio corretta |
| 7. Leva di inversione della rotazione | 15. Bullone esagonale | 23. Tempo di serraggio (S)       |
| 8. Punta                              | 16. Testa angolare    | 24. Bullone altamente tensile    |

## CARATTERISTICHE TECNICHE

Modello		DTL060	DTL061
Capacità	Vite per metallo	4 mm - 8 mm	
	Bullone	4 mm - 12 mm	
Velocità a vuoto (min <sup>-1</sup> )		0 - 2.000	
Impulsi al minuto		0 - 3.000	
Coppia di serraggio max.		60 Nm	
Lunghezza totale		387 mm	
Peso netto		1,7 kg	1,5 kg
Tensione nominale		14,4 V CC	18 V CC

- Le caratteristiche tecniche riportate di seguito sono soggette a modifiche senza preavviso in virtù del nostro programma continuo di ricerca e sviluppo.
- Le caratteristiche tecniche e le batterie possono differire da paese a paese.
- Peso, comprensivo di batterie, calcolato in base alla Procedura EPTA 01/2003

### Uso previsto

ENE033-1

Questo utensile è progettato per l'avvitatura di viti in legno, metallo e plastica.

## Avvertenze generali di sicurezza per l'uso dell'utensile

GEA010-1

**⚠ AVVERTENZA** Leggere attentamente tutte le avvertenze di sicurezza e le istruzioni. La mancata osservanza delle istruzioni e delle avvertenze riportate di seguito potrebbe provocare scosse elettriche, incendi e/o lesioni gravi.

## Conservare le avvertenze e le istruzioni per riferimenti futuri.

## AVVERTENZE DI SICUREZZA PER L'AVVITATORE A MASSA BATTENTE A BATTERIA

GEB054-1

- Se vengono eseguite operazioni in cui il chiodo può toccare fili nascosti, impugnare l'utensile per i punti di presa isolati. Se il chiodo entra a contatto con un filo percorso da corrente, le parti metalliche esposte dell'utensile si troveranno anch'esse sotto tensione e potrebbero provocare scosse elettriche all'operatore.
- Accertarsi sempre di avere un equilibrio stabile. Controllare che nessuno si trovi sotto all'utensile quando lo si utilizza in posizioni elevate.
- Tenere l'utensile in modo saldo.

### 4. Indossare protezioni acustiche.

## CONSERVARE QUESTE ISTRUZIONI.

### ⚠ AVVERTENZA:

**NON lasciare che la familiarità acquisita con il prodotto (dovuta all'uso ripetuto) provochi l'inosservanza delle norme di sicurezza per il presente prodotto.**

**L'USO IMPROPRIO o la mancata osservanza delle norme di sicurezza contenute in questo manuale di istruzioni possono provocare infortuni gravi.**

## ISTRUZIONI IMPORTANTI PER LA SICUREZZA

ENC007-7

## RELATIVE ALLA BATTERIA

- Prima di utilizzare la batteria, leggere tutte le istruzioni e gli avvisi di sicurezza relativi a (1) caricabatteria, (2) batteria e (3) prodotto utilizzato con la batteria.
- Non smontare la batteria.
- Se il tempo di funzionamento è diventato eccessivamente breve, non utilizzare l'utensile. Potrebbero verificarsi surriscaldamenti, ustioni o esplosioni.
- In caso di contatto dell'elettrolita della batteria con gli occhi, sciacquare con acqua fresca e rivolgersi immediatamente a un medico. Potrebbero

verificarsi danni permanenti alla funzionalità visiva.

5. **Non cortocircuitare la batteria:**
  - (1) **Non toccare i terminali della batteria con materiale in grado di condurre elettricità.**
  - (2) **Evitare di conservare la batteria a contatto con oggetti metallici quali chiodi, monete e così via.**
  - (3) **Non esporre le batterie all'acqua o alla pioggia.**

Un cortocircuito può provocare un elevato flusso di corrente, surriscaldamento, ustioni o rotture.
6. **Non conservare l'utensile e la batteria a una temperatura superiore a 50 °C.**
7. **Evitare di smaltire le batterie danneggiate o esaurite bruciandole. Se esposte al fuoco, le batterie possono esplodere.**
8. **Evitare di far cadere o di colpire la batteria.**
9. **Non utilizzare batterie danneggiate.**

## CONSERVARE QUESTE ISTRUZIONI.

### Suggerimenti il prolungamento della durata della batteria

1. **Caricare le batterie prima di scaricarle completamente.**

Se si nota una diminuzione di potenza dell'utensile, interrompere il lavoro e ricaricare la batteria.
2. **Non ricaricare una batteria già completamente carica.**

In caso contrario, la durata operativa della batteria potrebbe ridursi.
3. **Caricare la batteria in ambienti con temperatura compresa tra 10 °C e 40 °C. Prima di caricare una batteria surriscaldata, lasciarla raffreddare.**
4. **Caricare la batteria una volta ogni sei mesi se l'utensile rimane inutilizzato per lungo tempo.**

## DESCRIZIONE FUNZIONALE

### ATTENZIONE:

- Accertarsi sempre che l'utensile sia spento e che la batteria sia stata rimossa prima di regolare o controllare le funzioni dell'utensile.

### Installazione o rimozione della batteria (Fig. 1)

- Prima di installare o rimuovere la batteria occorre sempre spegnere l'utensile.
- Per rimuovere la batteria è sufficiente estrarla dall'utensile facendo scorrere il pulsante nella parte anteriore della batteria.
- Per installare la batteria, allineare la linguetta sulla batteria con la scanalatura nell'alloggiamento e farla scorrere in posizione. Inserire a fondo la batteria fino a quando si blocca in posizione con uno scatto. Se è visibile l'indicatore rosso sul lato superiore del pulsante significa che la batteria non è completamente inserita. Inserirla a fondo fino a quando l'indicatore rosso non è più visibile. In caso contrario potrebbe fuoriuscire

accidentalmente dall'utensile e provocare danni all'operatore o a eventuali osservatori.

- Non forzare l'inserimento della batteria. Se la batteria non scorre agevolmente significa che la manovra di inserimento non è corretta.

### Sistema di protezione della batteria (batteria agli ioni di litio con contrassegno a stella) (Fig. 2)

Le batterie agli ioni di litio con contrassegno a stella sono dotate di una sistema di protezione. Questo sistema interrompe automaticamente l'alimentazione dell'utensile per prolungare la durata della batteria.

L'utensile viene spento automaticamente durante l'uso se l'utensile stesso e/o la batteria vengono utilizzati in una delle condizioni riportate di seguito:

- **Sovraccarico:**

L'utensile viene utilizzato con modalità che provocano un anomalo assorbimento di corrente. In questa situazione occorre rilasciare l'interruttore di accensione dell'utensile e interrompere l'operazione che ha provocato il sovraccarico dell'utensile stesso. Azionare di nuovo l'interruttore di accensione per riavviare l'utensile.

Se l'utensile non sia avvia si è verificato un surriscaldamento della batteria. In questa situazione occorre far raffreddare la batteria prima di azionare nuovamente l'interruttore di accensione.
- **Bassa tensione della batteria:**

La capacità rimanente della batteria è troppo bassa e non consente di utilizzare l'utensile. In questo caso occorre rimuovere e ricaricare la batteria.

### Azionamento dell'interruttore

#### ATTENZIONE:

- Prima di inserire la batteria nell'utensile, controllare se l'interruttore funziona correttamente e ritorna alla posizione "SPENTO" una volta rilasciato. (Fig. 3)

Per accendere l'utensile è sufficiente premere l'interruttore. Per aumentare la velocità dell'utensile, aumentare la pressione sull'interruttore. Per spegnere l'utensile, rilasciare l'interruttore.

### Accensione della lampadina anteriore

#### ATTENZIONE:

- Non osservare direttamente la luce o la fonte luminosa. (Fig. 4)

Per accendere la lampadina, azionare l'interruttore. La lampadina rimane accesa fino a quando si tiene premuto l'interruttore. La lampadina si spegne automaticamente 10-15 secondi dopo aver rilasciato l'interruttore.

#### NOTA:

- Utilizzare un panno asciutto per pulire la lente della lampadina. Fare attenzione a non graffiare la lente della lampadina per evitare riduzioni dell'intensità luminosa.

### Azionamento della leva di inversione della rotazione (Fig. 5)

Questo utensile è dotato di una leva di inversione che consente di modificare la direzione di rotazione. Premere la leva di inversione dal lato A se si desidera una

rotazione in senso orario, dal lato B se si desidera una rotazione in senso antiorario.

Quando la leva di inversione si trova nella posizione centrale è impossibile azionare l'interruttore.

#### **ATTENZIONE:**

- Prima di azionare l'utensile, controllare sempre la direzione di rotazione impostata.
- Utilizzare la leva di inversione solo quando l'utensile è completamente fermo. Modificare la direzione di rotazione prima dell'arresto può danneggiare l'utensile.
- Se non si utilizza l'utensile, posizionare sempre la leva di inversione nella posizione centrale.

## **MONTAGGIO**

#### **ATTENZIONE:**

- Prima di eseguire qualsiasi operazione sull'utensile, verificare sempre di averlo spento e di aver rimosso la batteria.

### **Installazione o rimozione della punta dell'avvitatore (Fig. 6)**

Utilizzare solo la punta per avvitatore o la punta a tubo mostrate in figura.

Non utilizzare altri tipi di punte per avvitatore o punta a tubo.

Per installare la punta, tirare il manicotto nella direzione della freccia e inserire completamente la punta nel manicotto. Quindi rilasciare il manicotto per fissare la punta. (Fig. 7)

### **Per utensili senza manicotto per il mantenimento della punta (Fig. 8)**

Utilizzare solo la punta per avvitatore o la punta a tubo mostrate in figura.

Non utilizzare altri tipi di punte per avvitatore o punta a tubo.

Utilizzare le punte mostrate nella figura. Per installare la punta, inserirla nel mandrino. (Fig. 9)

#### **NOTA:**

- Se la punta non viene inserita nel manicotto a una profondità sufficiente, il manicotto non tornerà nella posizione iniziale e la punta non verrà fissata. In tal caso, provare a reinserire la punta seguendo le istruzioni riportate sopra.

### **Gancio (opzionale)**

#### **ATTENZIONE:**

- Durante l'installazione del gancio, serrare saldamente la vite. In caso contrario, l'utensile potrebbe rompersi o causare lesioni personali. (Fig. 10)

Il gancio è utile per appendere temporaneamente l'utensile.

Può essere installato su entrambi i lati dell'utensile.

Per installare il gancio, inserirlo in una delle scanalature presenti su ambo i lati dell'alloggiamento dell'utensile e fissarlo con una vite.

Per rimuovere il gancio, allentare la vite ed estrarlo.

### **Regolazione della testa angolare**

La testa angolare può essere ruotata di 360° (8 posizioni a incrementi di 45 gradi). Per regolarla, allentare il bullone

esagonale e rimuovere la testa angolare. Regolare la testa angolare nella posizione desiderata e reinstallarla in modo tale che i denti dell'alloggiamento coincidano con le scanalature della testa angolare. Serrare quindi il bullone esagonale per fissare la testa angolare. (Fig. 11 e 12)

### **Testa diritta e testa a cricchetto (opzionale)**

Le teste diritte e le teste a cricchetto sono disponibili come accessori opzionali per varie applicazioni d'uso. (Fig. 13 e 14)

## **FUNZIONAMENTO (Fig. 15 e 16)**

La coppia di serraggio corretta potrebbe differire secondo il tipo o le dimensioni della vite/bullone, il materiale del pezzo da fissare ecc. Prima di iniziare il lavoro, effettuare sempre una prova per determinare il tempo corretto di serraggio della vite. (Fig. 17)

#### **NOTA:**

- Utilizzare la punta corretta per la testa della vite/bullone che si desidera utilizzare.
- Tenere l'utensile puntato diritto verso la vite.
- Se si utilizza continuamente l'utensile fino al completo scaricamento della batteria, attendere 15 minuti prima di continuare a utilizzarlo con una nuova batteria.

La coppia di serraggio è influenzata da vari fattori, tra cui quelli indicati di seguito. Dopo il serraggio, controllare sempre la coppia con una chiave torsiometrica.

1. Quando la batteria è quasi completamente scarica, la tensione scende e la coppia di serraggio si riduce.
2. Punta dell'avvitatore o punta a tubo  
Il non utilizzo della punta a tubo o della punta dell'avvitatore di dimensioni corrette provocherà una riduzione nella coppia di serraggio.
3. Bullone
  - Anche se il coefficiente di coppia e la classe del bullone sono uguali, la coppia di serraggio corretta differisce secondo il diametro del bullone.
  - Anche se i diametri dei bulloni sono uguali, la coppia di serraggio corretta differisce secondo il coefficiente di coppia, la classe e la lunghezza del bullone.
4. La coppia è influenzata anche dal modo in cui si tiene l'utensile, dalla posizione di avvitatura o dal materiale da fissare.
5. L'uso dell'utensile a bassa velocità causa una riduzione della coppia di serraggio.

## **MANUTENZIONE**

#### **ATTENZIONE:**

- Prima di effettuare controlli o operazioni di manutenzione, verificare sempre di aver spento l'utensile e di aver rimosso la batteria.
- Evitare assolutamente di usare benzina, diluenti, solventi, alcol o sostanze simili. In caso contrario, potrebbero verificarsi scoloriture, deformazioni o incrinature.

Per mantenere la SICUREZZA e l'AFFIDABILITÀ del prodotto, le riparazioni e qualsiasi altra operazione di manutenzione o regolazione devono essere eseguiti dai

centri di assistenza autorizzati Makita utilizzando sempre parti di ricambio Makita.

## ACCESSORI OPZIONALI

### **ATTENZIONE:**

- Si consiglia l'uso dei seguenti accessori per l'utensile Makita descritto in questo manuale. L'uso di qualsiasi altro accessorio potrebbe provocare lesioni personali. Utilizzare gli accessori esclusivamente per l'uso dichiarato.

Per l'assistenza e per ulteriori informazioni su tali accessori, rivolgersi al centro assistenza Makita di zona.

- Punta Phillips
- Componente della punta
- Testa diritta
- Testa a cricchetto
- Boccola
- Adattatore boccola
- Diversi modelli di batterie e caricabatteria originali Makita

### **NOTA:**

- Alcuni degli accessori elencati potrebbero essere inclusi nella confezione dell'utensile come accessori standard. Gli accessori standard possono differire da paese a paese.

### **Rumore**

ENG905-1

Il tipico livello di rumore ponderato A è determinato in conformità con la norma EN60745:

Livello di pressione sonora ( $L_{pA}$ ): 91 dB (A)

Livello di potenza sonora ( $L_{WA}$ ): 102 dB (A)

Variazione (K): 3 dB (A)

**Indossare una protezione acustica.**

### **Vibrazione**

ENG900-1

Il valore totale delle vibrazioni (somma vettoriale triassiale) è determinato in conformità con la norma EN60745:

#### **Modello DTL060**

Modalità di lavoro: serraggio ad impulsi di chiodi della capacità massima dell'utensile

Emissione delle vibrazioni ( $a_{H1}$ ): 9,5 m/s<sup>2</sup>

Variazione (K): 1,5 m/s<sup>2</sup>

#### **Modello DTL061**

Modalità di lavoro: serraggio ad impulsi di chiodi della capacità massima dell'utensile

Emissione delle vibrazioni ( $a_{H1}$ ): 17,5 m/s<sup>2</sup>

Variazione (K): 1,5 m/s<sup>2</sup>

ENG901-1

- Il valore di emissione delle vibrazioni dichiarato è stato misurato in conformità con il metodo di test standard e può essere utilizzato per confrontare tra loro diversi utensili.
- Il valore dell'emissione delle vibrazioni dichiarato può anche essere usato per stime preliminari dell'esposizione.

### **AVVERTENZA:**

- L'emissione delle vibrazioni durante l'uso effettivo dell'utensile elettrico può risultare diversa rispetto al valore dichiarato, in base alla modalità d'uso dell'utensile.

- Assicurarsi di individuare le necessarie misure di sicurezza per proteggere l'operatore in base a una stima dell'esposizione nelle condizioni reali di utilizzo (prendendo in considerazione tutte le fasi del ciclo operativo, come quante volte l'utensile viene spento e i periodi in cui rimane inattivo, oltre al tempo di avviamento).

### **Solo per i paesi europei**

ENH101-15

### **Dichiarazione di conformità CE**

**Makita Corporation, in qualità di produttore responsabile, dichiara che le macchine Makita indicate di seguito:**

Denominazione della macchina:

Avvitatore angolare a massa battente a batteria

N. modello/Tipo: DTL060, DTL061

appartengono a una produzione in serie e

**sono conformi alle seguenti direttive europee:**

2006/42/EC

Sono inoltre prodotte in conformità con gli standard o i documenti standardizzati riportati di seguito:

EN60745

La documentazione tecnica viene conservata dal

rappresentante autorizzato in Europa, ovvero:

Makita International Europe, Ltd.

Michigan Drive, Tongwell,

Milton Keynes, Bucks MK15 8JD, Inghilterra

30. 1. 2009



Tomoyasu Kato

Direttore

Makita Corporation

3-11-8, Sumiyoshi-cho,

Anjo, Aichi, 446-8502, JAPAN

## NEDERLANDS (Originele instructies)

### Verklaring van algemene gegevens

1. Rode deel	9. Bus	17. Tand
2. Knop	10. Inzetbit	18. Rechte kop
3. Accu	11. As	19. Ratelkop
4. Ster-merkteken	12. Groef	20. Standaardbout
5. Aan/uit-schakelaar	13. Schroef	21. Draaikoppel
6. Lamp	14. Haak	22. Juiste draaikoppel
7. Omkeerschakelaarknop	15. Zeskantbout	23. Draaitijd (sec)
8. Bit	16. Haakse kop	24. Bout met grote treksterkte

## TECHNISCHE GEGEVENS

Model		DTL060	DTL061
Vermogen	Machineschroef	4 mm t/m 8 mm	
	Bout	4 mm t/m 12 mm	
Nullaasttoerental (min <sup>-1</sup> )		0 - 2.000	
Slagen per minuut		0 - 3.000	
Max. draaikoppel		60 N•m	
Totale lengte		387 mm	
Netto gewicht		1,7 kg	1,5 kg
Nominale spanning		14,4 V gelijkstroom	18 V gelijkstroom

- Als gevolg van ons doorlopende onderzoeks- en ontwikkelingsprogramma, zijn de technische gegevens van dit gereedschap onderhevig aan veranderingen zonder voorafgaande kennisgeving.
- Specificaties en accu's kunnen van land tot land verschillen.
- Gewicht, inclusief de accu, volgens de EPTA-procedure 01/2003


### **Gebruiksdoel**

ENE033-1

Het gereedschap is bedoeld voor schroeven in hout, metaal en kunststof.

## Algemene veiligheidsaarschuwingen voor elektrisch gereedschap

GEA010-1

 **WAARSCHUWING** Lees alle veiligheidsaarschuwingen en alle instructies. Het niet volgen van de waarschuwingen en instructies kan leiden tot elektrische schokken, brand en/of ernstig letsel.

## Bewaar alle waarschuwingen en instructies om in de toekomst te kunnen raadplegen.

## VEILIGHEIDSWAARSCHUWINGEN SPECIFIEK VOOR EEN ACCUSLAGSCHROEVENDRAAIER


GEB054-1

1. Houd het elektrisch gereedschap vast aan het geïsoleerde oppervlak van de handgrepen wanneer u werkt op plaatsen waar het bevestigingsmateriaal met verborgen bedrading in aanraking kan komen. Wanneer bevestigingsmaterialen in aanraking komen met onder spanning staande draden, zullen de niet-geïsoleerde metalen delen van het gereedschap onder spanning

komen te staan zodat de gebruiker een elektrische schok kan krijgen.

2. **Zorg er altijd voor dat u stevig staat. Zorg ervoor dat er niemand zich onder u bevindt wanneer u het gereedschap op een hoge plaats gebruikt.**
3. **Houd het gereedschap stevig vast.**
4. **Draag gehoorbescherming.**

## BEWAAR DEZE INSTRUCTIES.

 **WAARSCHUWING:** Laet u NIET misleiden door een vals gevoel van comfort en bekendheid met het gereedschap (na veelvuldig gebruik) en neem alle veiligheidsvoorschriften van het betreffende product altijd strikt in acht. VERKEERD GEBRUIK of het niet volgen van de veiligheidsinstructies in deze gebruiksaanwijzing kan leiden tot ernstig persoonlijk letsel.

## BELANGRIJKE VEILIGHEIDSWAARSCHUWINGEN VOOR ACCU'S

ENC007-7

### VOOR ACCU'S

1. Alvorens de accu in gebruik te nemen, leest u eerst alle instructies en waarschuwingsofschriften op (1) de acculader, (2) de accu en (3) het apparaat waarin de accu wordt aangebracht.
2. **Haal de accu niet uit elkaar.**

3. **Als de gebruikstijd aanzienlijk korter is geworden, stopt u onmiddellijk met het gebruik. Anders kan dit leiden tot kans op oververhitting, mogelijke brandwonden en zelfs een explosie.**
4. **Als de elektrolyt in uw ogen komt, wast u deze uit met schoon water en raadpleegt u onmiddellijk een arts. Dit kan leiden tot verlies van gezichtsvermogen.**
5. **Sluit de accu niet kort:**
  - (1) **Raak de accupolen niet aan met enig geleidend materiaal.**
  - (2) **Bewaar de accu niet op een plaats waar deze in aanraking kan komen met andere metalen voorwerpen, zoals spijkers, munten, enz.**
  - (3) **Stel de accu niet bloot aan water of regen. Kortsluiting van de accu kan leiden tot een hoge stroomsterkte, oververhitting, mogelijke brandwonden en zelfs een defect.**
6. **Bewaar het gereedschap en de accu niet op plaatsen waar de temperatuur kan oplopen tot 50 °C of hoger.**
7. **Werp de accu niet in een vuur, zelfs niet als deze al ernstig beschadigd of helemaal versleten is. De accu kan in een vuur exploderen.**
8. **Wees voorzichtig dat u de accu niet laat vallen of ergens tegenaan stoot.**
9. **Gebruik nooit een beschadigde accu.**

## BEWAAR DEZE INSTRUCTIES.

### Tips voor een lange levensduur van de accu

1. **Laad de accu op voordat deze volledig leeg is. Wanneer u merkt dat het gereedschap minder vermogen heeft, stopt u met het gebruik ervan en laadt u eerst de accu op.**
2. **Laad nooit een volledig opgeladen accu op. Te lang opladen verkort de levensduur van de accu.**
3. **Laad de accu op bij een omgevingstemperatuur van 10 °C tot 40 °C. Laat een warme accu eerst afkoelen voordat u deze oplaadt.**
4. **Laad de accu ieder half jaar op als u deze gedurende een lange tijd niet gebruikt.**

## BESCHRIJVING VAN DE FUNCTIES

### LET OP:

- Zorg ervoor dat het gereedschap is uitgeschakeld en dat de accu is verwijderd voordat u de werking van het gereedschap aanpast of controleert.

### De accu aanbrengen en verwijderen (zie afb. 1)

- Schakel het gereedschap altijd uit voordat u de accu aanbrengt of verwijdert.
- Om de accu te verwijderen verschuift u de knop aan de voorkant van de accu en schuift u tegelijkertijd de accu van het gereedschap af.
- Om de accu aan te brengen lijnt u de lip op de accu uit met de groef in de behuizing en duwt u de accu op zijn plaats. Steek de accu zo ver mogelijk in het

gereedschap tot u een klinkgeluid hoort. Als u het rode deel aan de bovenkant van de knop kunt zien, is de accuadapter niet goed aangebracht. Breng de accuadapter zo ver mogelijk aan tot het rode deel niet meer zichtbaar is. Als u dit niet doet, kan de accu per ongeluk uit het gereedschap vallen en u of anderen in uw omgeving verwonden.

- Oefen geen grote kracht uit bij het aanbrengen van de accu. Als de accu niet gemakkelijk erin kan worden geschoven, wordt deze niet goed aangebracht.

### Accubeveiligingssysteem (lithiumionaccu met een ster-merkteken) (zie afb. 2)

Lithiumionaccu's met een ster-merkteken zijn uitgerust met een beveiligingssysteem. Dit systeem schakelt automatisch de voeding naar het gereedschap uit om de levensduur van de accu te verlengen.

Het gereedschap zal tijdens gebruik automatisch stoppen wanneer het gereedschap en/of de accu zich in een van de volgende omstandigheden bevinden:

- Overbelasting:

Het gereedschap wordt gebruikt op een manier die ertoe leidt dat een abnormaal hoge stroomsterkte uit de accu wordt getrokken.

Laat in die situatie de aan/uit-schakelaar van het gereedschap los en stop het gebruik dat ertoe leidde dat het gereedschap overbelast werd. Knijp daarna opnieuw de aan/uit-schakelaar in om het gereedschap weer in te schakelen.

Als het gereedschap niet wordt ingeschakeld, is de accu oververhit. In die situatie laat u de accu eerst afkoelen voordat u opnieuw de aan/uit-schakelaar inknijpt.

- Lage accuspanning:

De resterende acculading is te laag en het gereedschap wordt niet ingeschakeld. Verwijder in die situatie de accu en laad hem op.

### Werking van de aan/uit-schakelaar

#### LET OP:

- Controleer altijd, voordat u de accu in het gereedschap steekt, of de aan/uit-schakelaar op de juiste manier schakelt en weer terugkeert naar de uit-stand nadat deze is losgelaten (zie afb. 3).

Om het gereedschap in te schakelen, knijpt u gewoon de aan/uit-schakelaar in. De draaisnelheid van het gereedschap neemt toe naarmate u meer druk uitoefent op de aan/uit-schakelaar. Laat de aan/uit-schakelaar los om het gereedschap te stoppen.

### De lamp op de voorkant inschakelen

#### LET OP:

- Kijk niet rechtstreeks in het licht of naar de bron van de lamp (zie afb. 4).

Knijp de aan/uit-schakelaar in om de lamp op de voorkant in te schakelen. De lamp blijft branden zolang u de aan/uit-schakelaar ingeknepen houdt. De lamp gaat 10 tot 15 seconden nadat de aan/uit-schakelaar is losgelaten automatisch uit.

#### OPMERKING:

- Gebruik een doek om het vuil van de lens van de lamp te vegen. Wees voorzichtig de lens van de lamp niet te bekrassen om de lichtopbrengst niet te verlagen.

## Werking van de omkeerschakelaar (zie afb. 5)

Dit gereedschap is uitgerust met een omkeerschakelaar waarmee u de draairichting kunt omkeren. Druk op de omkeerschakelaar vanaf kant A voor de draairichting rechtsom, of vanaf kant B voor de draairichting linksom. Wanneer de omkeerschakelaar in de middenstand staat, kunt u de aan/uit-schakelaar niet inknippen.

### LET OP:

- Controleer altijd de draairichting alvorens het gereedschap te gebruiken.
- Gebruik de omkeerschakelaar alleen nadat het gereedschap volledig tot stilstand is gekomen. Als u de draairichting verandert voordat het gereedschap volledig stilstaat, kan het gereedschap worden beschadigd.
- Als u het gereedschap niet gebruikt, zet u de omkeerschakelaar altijd in de middenstand.

## ONDERDELEN AANBRENGEN/ VERWIJDEREN

### LET OP:

- Controleer altijd of het gereedschap is uitgeschakeld en de accu is verwijderd alvorens enige werkzaamheden aan het gereedschap te verrichten.

## De boorbit aanbrengen en verwijderen (zie afb. 6)

Gebruik alleen de boorbit of dopbit zoals weergegeven in de afbeelding.

Gebruik geen andere boorbit of dopbit.

Om de bit te plaatsen, trekt u de bus in de richting van de pijl en steekt u de bit zo ver mogelijk in de bus. Laat daarna de bus los om het bit te bevestigen (zie afb. 7).

## Voor gereedschap zonder bus om de bit vast te houden (zie afb. 8)

Gebruik alleen de boorbit of dopbit zoals weergegeven in de afbeelding.

Gebruik geen andere boorbit of dopbit.

Gebruik de inzetbits zoals weergegeven in de afbeelding. Om de bit te installeren, hoeft u deze alleen in de as te stoppen (zie afb. 9).

### OPMERKING:

- Als de bit niet diep genoeg in de bus is gestoken, zal de bus niet terugkeren naar de oorspronkelijke positie en zal de bit niet vastzitten. In dat geval probeert u de bit opnieuw in de bus te steken volgens bovenstaande aanwijzingen.

## Haak (accessoire)

### LET OP:

- Draai bij het bevestigen van de haak de schroef goed vast. Als u dat niet doet, kan het gereedschap beschadigd worden of kunt u lichamelijke letsels oplopen (zie afb. 10).

De haak is handig om het gereedschap tijdelijk aan op te hangen.

De haak kan aan beide kanten van het gereedschap worden bevestigd.

U bevestigt de haak door deze in een groef in de behuizing van het gereedschap te steken en vast te zetten met een schroef.

Om de haak te verwijderen, draait u de schroef los en haalt u de haak van het gereedschap af.

## De haakse kop afstellen

De haakse kop kan 360° worden gedraaid (8 standen in stappen van 45°). Om de haakse kop te draaien, draait u de zeskantbout los en verwijdert u de haakse kop. Houd de haakse kop in de gewenste stand en bevestig deze weer op het gereedschap zodanig dat de tanden op de behuizing uitgelijnd zijn met de groeven in de haakse kop. Maak vervolgens de zeskantbout vast om de haakse kop te bevestigen (zie afb. 11 en 12).

## Rechte kop en ratelkop (optionele accessoires)

Rechte en ratelkoppen zijn los verkrijgbaar als optionele accessoires voor diverse toepassingen tijdens het werk (zie afb. 13 en 14).

## BEDIENING (zie afb. 15 en 16)

Het juiste draaikoppel kan verschillen afhankelijk van het soort en de grootte van de schroef/bout, het materiaal van het werkstuk waarin wordt gedraaid, enz. Voordat u de werkzaamheden begint, voert u altijd een testbediening uit om de juiste draaitijd voor uw schroef te bepalen (zie afb. 17).

### OPMERKING:

- Gebruik de juiste bit voor de schroef-/boutkop die u wilt gebruiken.
- Houd het gereedschap recht op de schroef.
- Als het gereedschap continu wordt bediend totdat de accu leeg is, laat u het gereedschap gedurende 15 minuten liggen alvorens verder te werken met een volle accu.

Het draaikoppel wordt beïnvloed door een groot aantal factoren, waaronder de onderstaande. Controleer na het bevestigen altijd het draaikoppel met een momentsleutel.

1. Wanneer de accu bijna helemaal leeg is, zal de spanning afnemen en het draaikoppel lager worden.
2. Schroefbit op dopbit  
Als niet de juiste maat schroefbit of dopbit wordt gebruikt, zal het draaikoppel lager worden.
3. Bout
  - Ondanks dat de koppelcoëfficiënt en de boutklasse hetzelfde zijn, zal het juiste draaikoppel verschillen afhankelijk van de diameter van de bout.
  - Ondanks dat de diameter van de bouten hetzelfde is, zal het juiste draaikoppel verschillen afhankelijk van de koppelcoëfficiënt, de boutklasse en de boutlengte.
4. De manier waarop het gereedschap wordt vastgehouden en het materiaal van de plaats waarin wordt geschroefd zijn van invloed op het draaikoppel.
5. Als het gereedschap op een laag toerental wordt gebruikt, zal het draaikoppel lager worden.



# ONDERHOUD

Onzekeerheid (K): 1,5 m/s<sup>2</sup>

ENG901-1

## LET OP:

- Zorg er altijd voor dat de machine is uitgeschakeld en de accu is verwijderd, voordat u een inspectie of onderhoud uitvoert.
- Gebruik nooit benzine, wasbenzine, thinner, alcohol, enz. Dit kan leiden tot verkleuren, vervormen of barsten.

Om de VEILIGHEID en BETROUWBAARHEID van het gereedschap te handhaven, dienen alle reparaties, onderhoud en afstellingen te worden uitgevoerd door een erkend Makita-servicecentrum, en altijd met gebruikmaking van originele Makita-ervangingsonderdelen.

# VERKRIJGBARE ACCESSOIRES

## ⚠ LET OP:

- Deze accessoires of hulpstukken worden aanbevolen voor gebruik met het Makita-gereedschap dat in deze gebruiksaanwijzing wordt beschreven. Het gebruik van andere accessoires of hulpstukken kan gevaar voor persoonlijk letsel opleveren. Gebruik de accessoires of hulpstukken uitsluitend voor de aangegeven gebruiksdoeleinden.

Mocht u meer informatie willen hebben over deze accessoires, dan kunt u contact opnemen met uw plaatselijke Makita-servicecentrum.

- Kruiskopschroevendraaierbit
- Bit-adapter
- Rechte kop
- Ratelkop
- Dop
- Dop-adapter
- Diverse types originele Makita-accu's en acculaders

## OPMERKING:

- Sommige items op de lijst kunnen zijn inbegrepen in de doos van het gereedschap als standaard toebehoren. Zij kunnen van land tot land verschillen.

## Geluid

ENG905-1

De typische, A-gewogen geluidsniveaus zijn gemeten volgens EN60745:

Geluidsdruk niveau ( $L_{pA}$ ): 91 dB (A)

Geluidsvermogen niveau ( $L_{WA}$ ): 102 dB (A)

Onzekeerheid (K): 3 dB (A)

### Draag gehoorbescherming.

## Trillingen

ENG900-1

De totale trillingswaarde (triaxiale vectorsom) zoals vastgesteld volgens EN60745:

### Model DTL060

Gebruikstoepassing: bevestigen met behulp van slagwerking van bevestigingsmiddelen tot de maximale capaciteit van het gereedschap  
Trillingsemismissie ( $a_h$ ): 9,5 m/s<sup>2</sup>  
Onzekeerheid (K): 1,5 m/s<sup>2</sup>

### Model DTL061

Gebruikstoepassing: bevestigen met behulp van slagwerking van bevestigingsmiddelen tot de maximale capaciteit van het gereedschap  
Trillingsemismissie ( $a_h$ ): 17,5 m/s<sup>2</sup>

- De opgegeven trillingsemismissiewaarde is gemeten volgens de standaardtestmethode en kan worden gebruikt om dit gereedschap te vergelijken met andere gereedschappen.
- De opgegeven trillingsemismissiewaarde kan ook worden gebruikt voor een beoordeling vooraf van de blootstelling.

## ⚠ WAARSCHUWING:

- De trillingsemismissie tijdens het gebruik van het elektrisch gereedschap in de praktijk kan verschillen van de opgegeven trillingsemismissiewaarde afhankelijk van de manier waarop het gereedschap wordt gebruikt.
- Zorg ervoor dat veiligheidsmaatregelen worden getroffen ter bescherming van de operator die zijn gebaseerd op een schatting van de blootstelling onder praktijkomstandigheden (rekening houdend met alle fasen van de bedrijfscyclus, zoals de tijdsduur gedurende welke het gereedschap is uitgeschakeld en stationair draait, naast de ingeschakelde tijdsduur).

## Alleen voor Europese landen

ENH101-15

### EU-verklaring van conformiteit

### Wij, Makita Corporation, als de verantwoordelijke fabrikant, verklaren dat de volgende Makita-machine(s):

Aanduiding van de machine:

Haakse accuslagschroevendraaier

Modelnr./Type: DTL060 en DTL061

in serie zijn geproduceerd en

**Voldoen aan de volgende Europese richtlijnen:**

2006/42/EC

En zijn gefabriceerd in overeenstemming met de

volgende normen of genormaliseerde documenten:

EN60745

De technische documentatie wordt bewaard door onze

erkende vertegenwoordiger in Europa, te weten:

Makita International Europe Ltd.

Michigan Drive, Tongwell,

Milton Keynes, Bucks MK15 8JD, Engeland

30. 1. 2009



Tomoyasu Kato

Directeur

Makita Corporation

3-11-8, Sumiyoshi-cho,

Anjo, Aichi, 446-8502 JAPAN

# ESPAÑOL (Instrucciones originales)

## Descripción y visión general

- |   |                          |                           |
|---|--------------------------|---------------------------|
| 1. Indicador rojo                       | 9. Camisa                | 18. Cabezal recto         |
| 2. Botón                                | 10. Broca de perforación | 19. Cabezal de trinquete  |
| 3. Cartucho de la batería               | 11. Husillo              | 20. Perno estándar        |
| 4. Marca de estrella                    | 12. Canal de guía        | 21. Par de apriete        |
| 5. Interruptor disparador               | 13. Tornillo             | 22. Par de apriete real   |
| 6. Lámpara                              | 14. Gancho               | 23. Tiempo de apriete (S) |
| 7. Palanca del interruptor de inversión | 15. Tornillo hexagonal   | 24. Perno de alta tensión |
| 8. Punta                                | 16. Cabezal angular      |                           |
|   | 17. Diente               |                           |

## ESPECIFICACIONES

Modelo		DTL060	DTL061
Capacidades	Tornillo para máquinas	4 mm - 8 mm	
	Perno	4 mm - 12 mm	
Velocidad en vacío (min <sup>-1</sup> )		0 - 2.000	
Impactos por minuto		0 - 3.000	
Par de apriete máx.		60 N•m	
Longitud total		387 mm	
Peso neto		1,7 kg	1,5 kg
Tensión nominal		CC de 14,4 V	CC de 18 V

- Debido a nuestro programa continuo de investigación y desarrollo, las especificaciones aquí descritas están sujetas a cambios sin previo aviso.
- Las especificaciones y el cartucho de la batería pueden variar de un país a otro.
- Peso, con el cartucho de la batería, de acuerdo con el procedimiento EPTA 01/2003

### Uso previsto

ENE033-1

Esta herramienta está diseñada para atornillar en madera, metal y plástico.

**Si utiliza la herramienta en una ubicación elevada, asegúrese de que nadie se encuentre debajo.**

3. Sujete con fuerza la herramienta.
4. Utilice protectores para los oídos.

## Advertencias de seguridad generales para herramientas eléctricas

GEA010-1

**⚠ ADVERTENCIA** Lea todas las advertencias de seguridad y todas las instrucciones. La no observancia de las advertencias y las instrucciones puede provocar descargas eléctricas, incendios y/o lesiones graves.

## Guarde todas las advertencias e instrucciones para futuras consultas.

## ADVERTENCIAS DE SEGURIDAD PARA EL ATORNILLADOR DE IMPACTO INALÁMBRICO

GEB054-1

1. Sujete la herramienta por las superficies de agarre aisladas al realizar una operación en que la herramienta pueda entrar en contacto con cables ocultos. Si entra en contacto con un cable con corriente, puede que las piezas metálicas expuestas de la herramienta eléctrica se carguen también de corriente y que el operario reciba una descarga.
2. Colóquese siempre en una posición bien equilibrada.

## GUARDE ESTAS INSTRUCCIONES.

### ⚠ ADVERTENCIA:

**NO deje que la comodidad o la familiaridad con el producto (a base de utilizarlo repetidamente) sustituya la estricta observancia de las normas de seguridad del producto en cuestión.**

**El MAL USO o la no observancia de las normas de seguridad expuestas en este manual de instrucciones pueden ocasionar graves daños corporales.**

## INSTRUCCIONES DE SEGURIDAD IMPORTANTES

ENC007-7

## PARA EL CARTUCHO DE LA BATERÍA

1. Antes de utilizar el cartucho de la batería, lea todas las instrucciones y referencias de precaución que se encuentran en (1) el cargador de baterías, (2) la batería y (3) el producto que utiliza la batería.
2. No desmonte el cartucho de la batería.
3. Si el tiempo de funcionamiento es excesivamente corto, deje de utilizar la herramienta de inmediato.

De lo contrario, existe el riesgo de sobrecalentamiento, quemaduras e incluso explosión.

4. Si se produce contacto ocular con electrolito, enjuáguese los ojos con agua limpia y acuda de urgencia al médico. Corre el riesgo de perder la visión.
  5. No cortocircuite el cartucho de la batería:
    - (1) No toque los terminales con material conductor.
    - (2) Evite guardar el cartucho de la batería en un recipiente con otros objetos metálicos, como clavos, monedas, etc.
    - (3) No exponga el cartucho de la batería al agua o a la lluvia.
- Un cortocircuito puede provocar un elevado flujo de corriente, sobrecalentamiento, quemaduras o incluso una avería.
6. No almacene la herramienta ni el cartucho de la batería en lugares donde la temperatura supere los 50°C (122°F).
  7. No queme el cartucho de la batería aunque esté gravemente dañado o completamente gastado. El cartucho de la batería puede explotar si entra en contacto con fuego.
  8. Procure que la batería no sufra golpes ni caídas.
  9. No utilice una batería dañada.

## GUARDE ESTAS INSTRUCCIONES.

### Consejos para conseguir una mayor duración de la batería

1. Cargue la batería antes de que se descargue por completo.  
Cuando observe que la herramienta tiene menos potencia, deje de utilizarla y cargue el cartucho de la batería.
2. No recargue nunca un cartucho de batería completamente cargado.  
La sobrecarga acorta la vida útil de la batería.
3. Cargue el cartucho de la batería a una temperatura ambiente que oscile entre 10°C y 40°C (50°F - 104°F). Antes de cargar un cartucho de batería caliente, deje que se enfríe.
4. Cargue la batería una vez cada seis meses si no la utiliza durante un periodo de tiempo prolongado.

## DESCRIPCIÓN DEL FUNCIONAMIENTO

### PRECAUCIÓN:

- Antes de ajustar o de comprobar la herramienta, asegúrese siempre de que está apagada y de que la batería ha sido extraída.

### Instalación o extracción del cartucho de la batería (Fig. 1)

- Apague siempre la herramienta antes de instalar o extraer el cartucho de la batería.
- Para quitar el cartucho de la batería, mantenga pulsado el botón de la parte frontal del cartucho y retírelo.

- Para instalar el cartucho de la batería, alinee la lengüeta situada en el cartucho de la batería con la ranura del alojamiento e insértela. Insértela siempre completamente hasta que quede firmemente sujeta y se bloquee con un clic. Si puede ver el indicador rojo de la zona superior del botón, significa que el cartucho no está completamente bloqueado. Instálelo completamente hasta que el indicador rojo quede oculto. De lo contrario, el cartucho puede desprenderse accidentalmente de la herramienta y causar lesiones al operario o a alguna persona que se encuentre cerca.
- No haga fuerza al instalar el cartucho de la batería. Si no se inserta suavemente, significa que no lo está instalando correctamente.

### Sistema de protección de la batería (batería de iones de litio con una marca de estrella) (Fig. 2)

Las baterías de iones de litio con una marca de estrella están equipadas con un sistema de protección. Este sistema corta automáticamente la alimentación a la herramienta para ampliar la duración de la batería. La herramienta se detendrá automáticamente durante el funcionamiento si la herramienta y/o la batería se someten a los siguientes estados.

- Sobrecarga:  
La herramienta se utiliza de una forma que hace que consuma una cantidad anómalamente alta de corriente.  
En ese caso, suelte el interruptor disparador de la herramienta y detenga la aplicación que provocaba que la herramienta se sobrecargara. A continuación vuelva a accionar el interruptor disparador para reanudar las operaciones.  
Si la herramienta no se pone en marcha, la batería se sobrecalienta. En ese caso, deje que la batería se enfríe antes de volver a accionar el interruptor disparador.
- Tensión de la batería baja:  
La capacidad restante de la batería es demasiado baja y la herramienta no funcionará. En ese caso, extraiga y recargue la batería.

### Acción del interruptor

#### PRECAUCIÓN:

- Antes de insertar el cartucho de la batería en la herramienta, asegúrese siempre de que el interruptor disparador funciona como es debido y que vuelve a la posición "OFF" (apagado) al soltarlo. (Fig. 3)

Para poner en marcha la herramienta, simplemente accione el interruptor disparador. La velocidad de la herramienta aumenta al incrementar la presión sobre el interruptor disparador. Suelte el interruptor disparador para detener la herramienta.

### Encender la lámpara frontal

#### PRECAUCIÓN:

- No mire hacia la luz ni mire directamente hacia la fuente de luz. (Fig. 4)
- Tire del interruptor disparador para encender la luz. La luz permanece encendida mientras se acciona el interruptor

disparador. La luz se apaga automáticamente entre 10 y 15 segundos después de soltar el interruptor disparador.

#### NOTA:

- Utilice un paño seco para limpiar la suciedad del cristal de la lámpara. Procure no rayar el cristal de la lámpara, puesto que puede disminuir el grado de iluminación.

## Funcionamiento del interruptor de inversión (Fig. 5)

Esta herramienta está provista de un interruptor de inversión para cambiar la dirección de giro. Apriete la palanca del interruptor de inversión por el lado A para obtener un giro a la derecha o por el lado B para girar a la izquierda.

Cuando la palanca del interruptor de inversión está en la posición neutral, el interruptor disparador no se puede accionar.

#### PRECAUCIÓN:

- Antes de trabajar, compruebe siempre la dirección del giro.
- Utilice el interruptor de inversión sólo cuando la herramienta se haya detenido por completo, ya que, de lo contrario, la herramienta podría averiarse.
- Cuando no utilice la herramienta, coloque siempre la palanca del interruptor de inversión en la posición neutral.

## MONTAJE

#### PRECAUCIÓN:

- Asegúrese siempre de apagar la herramienta y extraer el cartucho de la batería antes de intentar realizar cualquier tipo de operación en la herramienta.

## Instalación o extracción de la broca de destornillador (Fig. 6)

Utilice únicamente la broca de destornillador o la broca de vaso como se muestra en la figura.

No utilice ninguna otra broca de destornillador o broca de vaso.

Para instalar la punta, tire de la camisa en la dirección de la flecha e inserte la punta en la camisa lo máximo posible. A continuación suelte la camisa para fijar la punta. (Fig. 7)

## Para las herramientas que carecen de mango para retener la broca (Fig. 8)

Utilice únicamente la broca de destornillador o la broca de vaso como se muestra en la figura.

No utilice ninguna otra broca de destornillador o broca de vaso.

Utilice las brocas de perforación como se muestra en la figura. Para instalar la broca, insértela en el interior del husillo. (Fig. 9)

#### NOTA:

- Si la punta no se ha insertado suficientemente en la camisa, la camisa no volverá a su posición original y la punta no estará fijada. En ese caso, intente volver a insertar la punta de acuerdo con las instrucciones anteriores.

## Gancho (accesorio)

#### PRECAUCIÓN:

- Cuando instale el gancho, apriete el tornillo firmemente. En caso contrario se puede causar la rotura de la herramienta o lesiones personales. (Fig. 10)

El gancho es útil para colgar la herramienta.

Puede instalarse en cualquier lado de la herramienta.

Para instalar el gancho, insértelo en una de las ranuras situadas a ambos lados de la herramienta y, a continuación, fíjelo con un tornillo.

Para extraerlo, afloje el tornillo y quítelo.

## Ajuste del cabezal angular

El cabezal angular se puede ajustar 360° (8 posiciones en incrementos de 45 grados). Para ajustarlo, afloje el perno hexagonal y retire el cabezal angular. Ajuste el cabezal angular en la posición deseada y vuelva a instalarlo de forma que los dientes de la carcasa coincidan con las ranuras del cabezal angular. A continuación apriete el perno hexagonal para fijar el cabezal angular. (Fig. 11 y 12)

## Cabezal recto y cabezal de trinquete (accesorio)

Los cabezales rectos y los cabezales de trinquete están disponibles como accesorios opcionales para varias aplicaciones del trabajo. (Fig. 13 y 14)

## MANEJO (Fig. 15 y 16)

El par de apriete real puede diferir dependiendo del tipo o tamaño del tornillo/perno, del material de la pieza de trabajo que se va a apretar, etc. Antes de iniciar el trabajo, siempre debe llevar a cabo una operación de prueba para determinar el tiempo de apriete real del tornillo. (Fig. 17)

#### NOTA:

- Utilice la punta adecuada para la cabeza del tornillo/perno que desea usar.
- Sujete la herramienta apuntando recta hacia el tornillo.
- Si la herramienta se utiliza continuamente hasta que el cartucho de la batería se descarga, deje reposar la herramienta durante 15 minutos antes de continuar con una batería cargada.

El par de apriete se ve afectado por una amplia variedad de factores, incluyendo los siguientes. Tras el apriete, compruebe siempre el par de apriete con una llave dinamométrica.

1. Cuando el cartucho de la batería esté descargado casi completamente, la tensión caerá y el par de apriete se reducirá.
2. Punta de atornillado o punta de vaso  
Si no se utiliza la punta de atornillado o la punta de vaso del tamaño correcto se provocará una reducción del par de apriete.
3. Perno
  - Aunque el coeficiente del par de apriete y la case del perno sean los mismos, el par de apriete real diferirá dependiendo del diámetro del perno.
  - Aunque los diámetros de los pernos sean los mismos, el par de apriete real diferirá dependiendo

del coeficiente de apriete, de la clase de perno y de la longitud del perno.

- La forma de sujetar la herramienta o la posición del material que se va a apretar afectará al par de torsión.
- El uso de la herramienta a baja velocidad causará una reducción del par de apriete.

## MANTENIMIENTO

### PRECAUCIÓN:

- Asegúrese de apagar siempre la herramienta y extraer el cartucho de la batería antes de intentar realizar cualquier trabajo de inspección o mantenimiento en ella.
- Nunca utilice gasolina, benceno, disolvente, alcohol o un producto similar. Se puede provocar una decoloración, una deformación o grietas.

Para conservar la **SEGURIDAD** y la **FIABILIDAD** del producto, los trabajos de reparación y otros trabajos de mantenimiento y ajuste deberán ser realizados en centros de servicio autorizados de Makita, utilizando siempre repuestos Makita.

## ACCESORIOS OPCIONALES

### ⚠ PRECAUCIÓN:

- Se recomienda el uso de estos accesorios o complementos con la herramienta Makita especificada en este manual. El uso de otros accesorios o complementos puede conllevar el riesgo de ocasionar daños corporales. Utilice los accesorios o complementos solamente para su fin establecido.

Si necesita cualquier ayuda para obtener más información relativa a estos accesorios, pregunte a su centro de servicio Makita local.

- Punta Phillips
- Pieza de punta
- Cabezal recto
- Cabezal de trinquete
- Vaso
- Adaptador de vaso
- Diversos tipos de baterías y cargadores originales de Makita

### NOTA:

- Algunos elementos de la lista se pueden incluir en el paquete de la herramienta como accesorios estándar. Pueden ser diferentes de un país a otro.

### Ruido

ENG905-1

Niveles típicos de ruido ponderado A determinados conforme a EN60745:

Nivel de presión de sonido ( $L_{pA}$ ): 91 dB (A)

Nivel de potencia de sonido ( $L_{WA}$ ): 102 dB (A)

Incertidumbre (K): 3 dB (A)

### Utilice protección para los oídos.

### Vibración

ENG900-1

Valor total de la vibración (suma de vectores triaxiales) determinado según el estándar EN60745:

### Modelo DTL060

Modo de trabajo: apriete por impacto de tornillos de la máxima capacidad de la herramienta

Emisión de vibraciones ( $a_h$ ): 9,5 m/s<sup>2</sup>

Incertidumbre (K): 1,5 m/s<sup>2</sup>

### Modelo DTL061

Modo de trabajo: apriete por impacto de tornillos de la máxima capacidad de la herramienta

Emisión de vibraciones ( $a_h$ ): 17,5 m/s<sup>2</sup>

Incertidumbre (K): 1,5 m/s<sup>2</sup>

ENG901-1

- El valor de emisión de vibraciones se ha medido de acuerdo con el método de prueba estándar y se puede utilizar para comparar herramientas.
- El valor de emisión de vibraciones declarado también se puede usar en una evaluación preliminar de la exposición.

### ⚠ ADVERTENCIA:

- La emisión de vibraciones durante el uso de la herramienta eléctrica puede diferir del valor de emisiones declarado, dependiendo de las formas en que se utiliza la herramienta.
- Asegúrese de identificar las mediciones correctas para proteger al operario, que se basan en una estimación de la exposición en condiciones de uso reales (teniendo en cuenta todas las partes del ciclo de operaciones, como los momentos en los que la herramienta está apagada y cuando funciona al ralentí además del tiempo en que está activado el interruptor).

### Sólo para países europeos

ENH101-15

### Declaración de conformidad de la CE

**Nosotros, Makita Corporation, en calidad de fabricante responsable, declaramos que las siguientes máquinas Makita:**

Designación de la máquina:

Atornillador de Impacto Angular Inalámbrico

Nº de modelo/ Tipo: DTL060, DTL061

son de producción serie y

**Cumplen con las siguientes Directivas europeas:**  
2006/42/CE

Y se han fabricado de acuerdo con los siguientes estándares o documentos estandarizados:

EN60745

La documentación técnica la conserva nuestro representante autorizado en Europa, que es:

Makita International Europe Ltd.

Michigan Drive, Tongwell,

Milton Keynes, Bucks MK15 8JD, Inglaterra

30. 1. 2009



Tomoyasu Kato

Director

Makita Corporation

3-11-8, Sumiyoshi-cho,

Anjo, Aichi, 446-8502, JAPAN

# PORTUGUÊS (Instruções de origem)

## Descrição geral

- |                                   |                        |                                 |
|-----------------------------------|------------------------|---------------------------------|
| 1. Indicador vermelho             | 9. Manga               | 17. Dente                       |
| 2. Botão                          | 10. Inserir ponta      | 18. Cabeça recta                |
| 3. Bateria                        | 11. Fuso               | 19. Cabeça de roquete           |
| 4. Marca de estrela               | 12. Encaixe            | 20. Parafuso padrão             |
| 5. Gatilho                        | 13. Parafuso           | 21. Força de aperto             |
| 6. Lâmpada                        | 14. Gancho             | 22. Força de aperto adequada    |
| 7. Manípulo de mudança de rotação | 15. Parafuso sextavado | 23. Tempo de aperto (S)         |
| 8. Ponta                          | 16. Cabeça de ângulo   | 24. Parafuso de elevada tracção |

## ESPECIFICAÇÕES

Modelo		DTL060	DTL061
Capacidades	Parafuso da máquina	4 mm - 8 mm	
	Parafuso	4 mm - 12 mm	
Sem velocidade de rotação em carga (mín. <sup>-1</sup> )		0 - 2.000	
Impactos por minuto		0 - 3.000	
Força de aperto máxima		60 N•m	
Comprimento total		387 mm	
Peso líquido		1,7 kg	1,5 kg
Voltagem nominal		CC 14,4 V	CC 18 V

- Devido à pesquisa e desenvolvimento constantes, estas especificações estão sujeitas a alteração sem aviso prévio.
- As especificações e o cartucho da bateria podem ser diferentes consoante o país.
- Peso, com a bateria, de acordo com o procedimento EPTA de 01/2003

**Utilização prevista** ENE033-1

A ferramenta destina-se a aparafusar em madeira, metal e plástico.

## Avisos gerais de segurança para ferramentas eléctricas

GEA010-1

**⚠ AVISO** Leia todos os avisos de segurança e todas as instruções. O não cumprimento dos avisos e instruções pode resultar na ocorrência de choques eléctricos, incêndios e/ou ferimentos graves.

**Guarde todos os avisos e instruções para referência futura.**

## AVISOS DE SEGURANÇA PARA A PARAFUSADEIRA DE IMPACTO A BATERIA

GEB054-1

1. Quando executar operações em que a aparafusadora possa entrar em contacto com fios eléctricos ocultos, tenha o cuidado de tocar apenas nas superfícies isoladas da máquina. As aparafusadoras apertadas que entrem em contacto com um fio eléctrico ligado à corrente podem expor as partes metálicas e causar um choque.
2. Procure uma posição em pé estável e firme. Se utilizar a ferramenta em locais altos, verifique se não há ninguém por baixo.
3. Segure bem na ferramenta.
4. Use protecção para os ouvidos.

## GUARDE ESTAS INSTRUÇÕES.

**⚠ AVISO:**

**NÃO** deixe que o conforto ou a familiaridade com o produto (adquirida de uma utilização frequente) substitua o respeito total pelas regras de segurança para utilização do produto.

A UTILIZAÇÃO INCORRECTA ou o não cumprimento das regras de segurança fornecidas neste manual de instruções podem provocar ferimentos graves.

## INSTRUÇÕES DE SEGURANÇA IMPORTANTES

ENC007-7

## RELATIVAS À BATERIA

1. Antes de utilizar a bateria, leia as instruções e chamadas de atenção de: (1) o carregador da bateria, (2) a bateria e (3) o produto que utiliza a bateria.
2. Não desmonte a bateria.
3. Se o tempo de utilização com a bateria se tornar demasiado curto, deve parar imediatamente. Se continuar, pode causar sobreaquecimento, incêndio e mesmo explosão.
4. Se o electrólito entrar em contacto com os olhos, enxágue-os com água limpa e consulte imediatamente um médico. Os riscos incluem perda de visão.
5. Não provoque um curto-circuito na bateria:
  - (1) Não deixe que quaisquer materiais condutores entrem em contacto com os terminais da bateria.

- (2) Evite guardar a bateria juntamente com outros objectos de metal como pregos, moedas, etc.
- (3) Não exponha a bateria a água ou chuva. Um curto-circuito na bateria pode criar uma grande carga eléctrica, sobreaquecimento, fogo e uma quebra da corrente.
6. Não guarde a ferramenta e a bateria em locais onde a temperatura possa atingir ou exceder 50°C (122°F).
7. Não incinere a bateria, nem mesmo se esta estiver irremediavelmente danificada ou completamente gasta. Pode explodir e causar um incêndio.
8. Não a deixe cair e evite o choque com outros objectos.
9. Não utilize uma bateria danificada.

## GUARDE ESTAS INSTRUÇÕES.

### Sugestões para o máximo de tempo de vida da bateria

1. Não espere que a bateria se gaste completamente para voltar a carregá-la. Pare a ferramenta e carregue a bateria sempre que detectar um baixo nível de energia.
2. Nunca volte a carregar uma bateria já completamente carregada. O carregamento excessivo diminui o tempo de vida das baterias.
3. Carregue a bateria em locais onde a temperatura se situe entre 10°C e 40°C (50°F - 104°F). Se a bateria estiver quente, deixe-a arrefecer antes de iniciar o carregamento.
4. Carregue a bateria uma vez a cada seis meses se não a utilizar durante um longo período.

## DESCRIÇÃO DO FUNCIONAMENTO

### PRECAUÇÃO:

- Certifique-se sempre de que a ferramenta está desligada e a bateria foi removida antes de proceder a ajustamentos ou testar acessórios.

### Inserir ou retirar a bateria (Fig. 1)

- Desligue sempre a ferramenta antes de instalar ou retirar a bateria.
- Para retirar a bateria, mantenha premido o botão na frente da bateria e puxe.
- Para colocar a bateria, alinhe a respectiva saliência com a calha do compartimento e encaixe-a suavemente. Insira-a completamente até fixar em posição com um clique. Se ainda estiver visível o indicador vermelho na parte superior do botão, não estará bem encaixada. Coloque-a completamente, até deixar de ver o indicador vermelho. Caso contrário, pode cair da ferramenta e causar ferimentos em si, ou em alguém que esteja perto de si.
- Não exerça força ao colocar a bateria. Se não encaixar facilmente é porque não está correctamente posicionada.

## Sistema de protecção da bateria (Bateria de íões de lítio com uma marca de estrela) (Fig. 2)

As baterias de íões de lítio com uma marca de estrela estão equipadas com um sistema de protecção. Este sistema corta automaticamente a alimentação para prolongar a vida útil da bateria.

A ferramenta pára automaticamente durante o funcionamento quando a ferramenta e/ou bateria são colocadas numa das condições seguintes:

- Sobrecarregada:  
A ferramenta é utilizada de tal forma que atrai uma corrente involuntariamente alta. Nesta situação, solte o gatilho da ferramenta e pare a aplicação que causou a sobrecarga. De seguida, prima novamente o gatilho para reiniciar. Se a ferramenta não ligar, a bateria está sobreaquecida. Nesta situação, deixe a bateria arrefecer antes de premir novamente o gatilho.
- Tensão baixa da bateria:  
A carga restante da bateria é demasiado baixa e a ferramenta não funciona. Nesta situação, retire e recarregue a bateria.

### Ação do interruptor

#### PRECAUÇÃO:

- Antes de inserir a pilha na ferramenta, verifique se o gatilho está a funcionar correctamente e se regressa à posição "OFF" quando o solta. (Fig. 3)
- Para colocar a ferramenta em funcionamento prima o gatilho. A velocidade da ferramenta aumenta com a pressão exercida no gatilho. Para parar a ferramenta, solte o gatilho.

### Acender a lâmpada dianteira

#### PRECAUÇÃO:

- Não olhe directamente para a luz da ferramenta. (Fig. 4)

Para a acender prima o gatilho. A lâmpada manter-se-á acesa enquanto o gatilho for premido. A luz apaga-se automaticamente após 10 a 15 segundos depois de o gatilho ser libertado.

#### NOTA:

- Para limpar a lâmpada, utilize um tecido seco. Tenha cuidado para não riscar a lente da lâmpada, pois poderia diminuir a intensidade da iluminação.

### Inverter a direcção da rotação (Fig. 5)

Esta ferramenta tem um interruptor que permite inverter a direcção da rotação. Rode o interruptor a partir da posição A no sentido dos ponteiros do relógio, ou a partir da posição B no sentido contrário ao dos ponteiros do relógio.

Se o interruptor estiver na posição neutra, o gatilho não poderá ser premido.

#### PRECAUÇÃO:

- Verifique sempre a direcção da rotação antes da operação.
- Este interruptor deve ser utilizado apenas quando a ferramenta estiver completamente parada. Se alterar a direcção da rotação antes da ferramenta ter parado pode avariá-la.

- Quando a ferramenta não estiver a funcionar coloque o interruptor na posição neutra.

## MONTAGEM

### PRECAUÇÃO:

- Certifique-se sempre de que a ferramenta está desligada e a bateria removida, antes de efectuar qualquer operação com acessórios.

### Instalar ou retirar a broca (Fig. 6)

Utilize apenas as brocas ou encaixes apresentados na figura.

Não utilize qualquer outra broca ou encaixe.

Para instalar a ponta, puxe a manga na direcção da seta e insira a ponta na manga no máximo possível. De seguida, solte a manga para fixar a ponta. (Fig. 7)

### Para ferramenta sem manga para fixar a broca (Fig. 8)

Utilize apenas as brocas ou encaixes apresentados na figura.

Não utilize qualquer outra broca ou encaixe.

Utilize as brocas apresentadas na figura. Para instalar a broca, insira-a no fuso. (Fig. 9)

### NOTA:

- Se a ponta não estiver suficientemente inserida na manga, esta não volta à posição original e a ponta não fica segura. Neste caso, tente inserir novamente a ponta de acordo com as instruções acima.

## Gancho (Acessório)

### PRECAUÇÃO:

- Quando instalar o gancho, aperte firmemente o parafuso. Se não o fizer, pode causar avarias na ferramenta ou danos pessoais. (Fig. 10)

O gancho é muito útil para pendurar a ferramenta quando necessário.

Pode ser instalado de qualquer dos lados.

Para instalar o gancho, insira-o numa das ranhuras do corpo da ferramenta, em qualquer dos lados e, em seguida, fixe-o com um parafuso.

Para o remover, basta desapertar o parafuso.

### Ajustar a cabeça de ângulo

A cabeça de ângulo pode ser ajustada 360° (8 posições em incrementos de 45°). Para a ajustar, solte o parafuso sextavado e retire a cabeça de ângulo. Ajuste a cabeça de ângulo na posição pretendida e instale-a novamente, de modo a que os dentes na cobertura correspondam às ranhuras na cabeça de ângulo. De seguida, aperte o parafuso sextavado para fixar a cabeça de ângulo. (Fig. 11 e 12)

### Cabeça recta e cabeça de roquete (Acessório)

As cabeças rectas e de roquete estão disponíveis como acessórios opcionais para várias aplicações de utilização. (Fig. 13 e 14)

## FUNCIONAMENTO (Fig. 15 e 16)

A força de aperto adequada pode diferir, consoante o tipo ou tamanho do parafuso, do material da peça a ser apertada, etc. Antes de iniciar o trabalho, execute um funcionamento de teste para determinar o tempo de aperto adequado para o parafuso. (Fig. 17)

### NOTA:

- Use a ponta adequada para a cabeça do parafuso que pretende usar.
- Segure a ferramenta apontada directamente ao parafuso.
- Se mantiver a ferramenta a funcionar ininterruptamente até a bateria se gastar completamente, deixe-a em repouso durante 15 minutos antes de substituir a bateria.

A força de aperto é afectada por vários factores, incluindo os seguintes. Após apertar, verifique a força de aperto com uma chave dinamométrica.

1. Quando a bateria estiver quase descarregada por completo, a tensão diminuirá e a força de aperto será reduzida.
2. Ponta de aparafusamento ou encaixe da ponta Se não usar uma ponta de aparafusamento ou encaixe de ponta de tamanho correcto, a força de aperto será diminuída.
3. Parafuso
  - Apesar do coeficiente da força e a classe do parafuso serem iguais, a força de aperto adequada difere de acordo com o diâmetro do parafuso.
  - Apesar dos diâmetros dos parafusos serem iguais, a força de aperto adequada difere de acordo com o coeficiente da força, da classe do parafuso e do seu comprimento.
4. A forma de segurar a ferramenta ou o material a ser apertado afectam a força de aperto.
5. Trabalhar com a ferramenta a baixa velocidade provoca uma redução na força de aperto.

## MANUTENÇÃO

### PRECAUÇÃO:

- Certifique-se sempre de que a ferramenta está desligada e a bateria removida antes de efectuar operações de inspecção ou de manutenção.
- Nunca utilize gasolina, benzina, diluente, álcool ou semelhante. Podem formar-se descolorações, deformações ou fissuras.

Para manter os níveis de SEGURANÇA e FIABILIDADE definidos para este produto, reparações, operações de manutenção ou ajustes devem ser executados por centros de assistência Makita autorizados e, no caso de substituição de peças, estas devem ser igualmente Makita.

## ACESSÓRIOS OPCIONAIS

### ⚠ PRECAUÇÃO:

- Os seguintes acessórios ou extensões são os recomendados para utilizar com a ferramenta Makita especificada neste manual. A utilização de quaisquer outros acessórios poderá representar um risco de ferimento para as pessoas. Apenas utilize o acessório para o fim indicado.



Se precisar de informações adicionais relativas aos acessórios, contacte o centro local de assistência Makita.

- Ponta Phillips
- Ponta
- Cabeça recta
- Cabeça de roquete
- Encaixe
- Adaptador do encaixe
- Vários tipos de baterias e carregadores Makita genuínos.

**NOTA:**

- Alguns itens na lista podem estar incluídos no pacote de ferramentas como acessórios de série. Podem diferir de país para país.

**Ruído**

ENG905-1

Os níveis acústicos ponderados A típicos foram determinados segundo a EN60745:

Nível de pressão sonora ( $L_{pA}$ ): 91 dB (A)

Nível de potência sonora ( $L_{WA}$ ): 102 dB (A)

Incerteza (K): 3 dB (A)

**Use protecção para os ouvidos.**

**Vibração**

ENG900-1

O valor total da vibração (soma triaxial de vectores) foi determinado segundo a EN60745:

**Modelo DTL060**

Modo de trabalho: aperto de impacto de fixadores da capacidade máxima da ferramenta

Emissão de vibração ( $a_h$ ): 9,5 m/s<sup>2</sup>

Incerteza (K): 1,5 m/s<sup>2</sup>

**Modelo DTL061**

Modo de trabalho: aperto de impacto de fixadores da capacidade máxima da ferramenta

Emissão de vibração ( $a_h$ ): 17,5 m/s<sup>2</sup>

Incerteza (K): 1,5 m/s<sup>2</sup>

ENG901-1

- O valor da emissão de vibração declarado foi medido de acordo com o método de teste padrão e pode ser utilizado para comparar uma ferramenta com outra.
- O valor da emissão de vibração declarado pode também ser utilizado numa avaliação preliminar de exposição.

**⚠ AVISO:**

- A emissão de vibração durante a utilização real da ferramenta eléctrica pode ser diferente do valor de emissão declarado, dependendo da forma como a ferramenta é utilizada.
- Certifique-se de que identifica medidas de segurança, para proteger o operador, que são baseadas numa estimativa de exposição nas condições reais de utilização (tendo em conta todas as partes do ciclo de funcionamento, como as vezes que a ferramenta é desligada e quando está a trabalhar ao ralenti, além do tempo de utilização).

**Apenas para os países europeus**

ENH101-15

**Declaração de conformidade CE**

**A Makita Corporation, na qualidade do fabricante responsável, declara que a(s) máquina(s) Makita seguinte(s):**

Designação da máquina:

Parafusadeira de Impacto Angular a Bateria

N.º de modelo/Tipo: DTL060, DTL061

são produzidas em série e

**estão em conformidade com as Directivas Europeias seguintes:**

2006/42/EC

E são fabricadas de acordo com as normas ou os documentos padronizados seguintes:

EN60745

A documentação técnica é mantida pelo nosso representante autorizado na Europa, que é:

Makita International Europe Ltd.

Michigan Drive, Tongwell,

Milton Keynes, Bucks MK15 8JD, Inglaterra

30. 1. 2009



Tomoyasu Kato

Director

Makita Corporation

3-11-8, Sumiyoshi-cho,

Anjo, Aichi, 446-8502, JAPAN

## DANSK (Originalvejledning)

### Forklaring til generel oversigt

1. Rød indikator	9. Muffe	17. Tand
2. Knap	10. Indsats	18. Lige hoved
3. Batteripakke	11. Spindel	19. Skraldehoved
4. Stjernemærkning	12. Rille	20. Standardbolt
5. Kontaktgreb	13. Skrue	21. Strammingsmoment
6. Lampe	14. Krog	22. Korrekt strammingsmoment
7. Skiftekontakthåndtag	15. Sekskantskrue	23. Stramningstid (S)
8. Spids	16. Vinkelhoved	24. Spænd og vrid-bolt

## SPECIFIKATIONER

Model		DTL060	DTL061
Kapaciteter	Maskinskrue	4 mm – 8 mm	
	Bolt	4 mm – 12 mm	
Hastighed uden belastning (min <sup>-1</sup> )		0 – 2.000	
Slag pr. minut		0 – 3.000	
Maks. strammingsmoment		60 N•m	
Længde i alt		387 mm	
Nettovægt		1,7 kg	1,5 kg
Nominal spænding		14,4 V DC	18 V DC

- På grund af vores løbende forsknings- og udviklingsprogram kan specifikationerne heri ændres uden forudgående varsel.
- Specifikationerne og batteripakken kan variere fra land til land.
- Vægt, inklusive batteripakken, i henhold til EPTA-Procedure 01/2003

### Tilsigtet brug

ENE033-1

Værktøjet er beregnet til at skrue skrue i træ, metal og plastik.

## Generelle sikkerhedsadvarsler for maskiner

GEA010-1

**⚠ ADVARSEL** Læs alle sikkerhedsadvarsler og alle instruktioner. Hvis De ikke følger alle advarsler og instruktioner, kan det medføre elektrisk stød, brand og/eller alvorlig personskade.

## Gem alle advarsler og instruktioner til senere reference.

## SIKKERHEDSADVARSLER FOR LEDNINGSFRI SLAGSKRUETRÆKKER

GEB054-1

1. Hold maskiner i de isolerede gribeplader, når du udfører arbejde, hvor befæstelseselementet kan komme i kontakt med skjulte ledninger. Hvis befæstelseselementer kommer i kontakt med en strømførende ledning, kan udsatte metaldele på maskinen blive strømførende, hvorved operatøren muligvis kan få elektrisk stød.
2. Sørg altid for at have et solidt fodfæste. Sørg for, at der ikke er nogen under dig, når du benytter værktøjet på højtliggende steder.
3. Hold godt fast i værktøjet.
4. Bær høreværn.

## GEM DISSE INSTRUKTIONER.

### ⚠ ADVARSEL:

LAD IKKE tryghed eller kendskab til produktet (fra gentagen brug) føre til, at du ikke strengt overholder sikkerhedsreglerne for det gældende produkt. MISBRUG eller manglende overholdelse af sikkerhedsreglerne i denne brugsanvisning kan medføre alvorlig personskade.

## VIGTIGE SIKKERHEDSINSTRUKTIONER

ENC007-7

## FOR BATTERIPAKKEN

1. Før brugen af batteripakken skal du læse alle instruktioner og advarsler på (1) batteriopladeren, (2) batteriet og (3) det produkt, som batteriet anvendes i.
2. Skil ikke batteripakken ad.
3. Hvis driftstiden bliver betydeligt kortere, skal du straks ophøre med brugen. Brug kan medføre risiko for overophedning, risiko for forbrændinger eller endog eksplosion.
4. Hvis du får elektrolyt i øjnene, skal du med det samme rense øjnene med rent vand og søge læge. Dette kan medføre tab af synet.
5. Kortslut ikke batteripakken:
  - (1) Undgå at røre ved terminalerne med ledende materiale.

- (2) **Undgå at opbevare batteripakken i en beholder med andre metalgenstande som f.eks. søm, mønter osv.**
- (3) **Udsæt ikke batteripakken for vand eller regn.**  
Hvis batteriet kortsluttes, kan det medføre voldsom strøm, overophedning, mulige forbrændinger og endog nedbrud.
6. **Undgå at opbevare værktøjet og batteripakken på steder, hvor temperaturen kan komme op på eller overstige 50°C.**
7. **Sæt ikke ild til batteripakken, selvom den er alvorligt beskadiget eller helt udtjent.**  
Batteripakken kan eksplodere ved brand.
8. **Undgå at tabe eller slå på batteriet.**
9. **Undlad brug af et beskadiget batteri.**

## GEM DISSE INSTRUKTIONER.

### Tips til, hvordan du forlænger batteriets levetid

1. **Oplad batteripakken, før den bliver helt afladet.**  
Ophør med at bruge værktøjet, og udskift batteripakken, hvis strømmen til værktøjet aftager.
2. **Oplad aldrig en fuldt opladet batteripakke.**  
Overopladning forkorter batteriets levetid.
3. **Oplad batteripakken ved stuetemperatur på 10°C - 40°C.** Lad batteripakken køle ned før den oplades, hvis den er varm.
4. **Oplad batteripakken en gang hver sjette måned,** hvis du ikke bruger det i lang tid.

## FUNKTIONSBESKRIVELSE

### FORSIGTIG:

- Sørg altid for, at værktøjet er slukket, og at batteripakken er taget ud, før De justerer værktøjet eller kontrollerer dets funktion.

### Montering eller afmontering af batteripakken (Fig. 1)

- Sluk altid for maskinen inden montering eller afmontering af batteripakken.
- Afmonter batteripakken ved at holde ned på knappen foran på batteripakken og skubbe den af maskinen.
- Ved montering af batteripakken justeres tungen på batteripakken med rillen i huset, hvorefter pakken skubbes på plads. Sæt den altid hele vejen ind, indtil den låses på plads med et lille klik. Hvis den røde indikator øverst på knappen er synlig, er batteripakken ikke låst helt fast. Sæt den helt ind, indtil den røde indikator ikke er synlig. Ellers kan den falde ud af maskinen og skade dig eller andre personer i nærheden.
- Brug ikke magt ved montering af batteripakken. Hvis den ikke glider let ind, er den ikke indsat korrekt.

### Batteribeskyttelsessystem (lithium-ion-batteri med stjernemærkning) (Fig. 2)

Lithium-ion-batterier med en stjernemærkning er udstyret med et beskyttelsessystem. Dette system slukker automatisk for strømmen til maskinen for at forlænge batterilevetiden.

Maskinen stopper automatisk under anvendelsen, hvis maskinen og/eller batteriet udsættes for en af de følgende situationer:

- **Overbelastning:**  
Maskinen anvendes på en sådan måde, at det får den til at bruge unormalt meget strøm.  
I denne situation skal du slippe afbryderkontakten på maskinen og stoppe den anvendelse, som gjorde maskinen overbelastet. Tryk derefter ind på afbryderkontakten for starte igen.  
Hvis maskinen ikke starter, er batteriet overophedet. I denne situation skal du lade batteriet køle af, inden du trykke ind på afbryderkontakten igen.
- **Lav batterispænding:**  
Den resterende batterikapacitet er for lav, og maskinen kan ikke køre. I denne situation skal du afmontere og oplade batteriet.

### Betjening af kontakt

#### FORSIGTIG:

- Før batteripakken sættes i værktøjet, skal De altid kontrollere, at kontaktgrebet reagerer korrekt og vender tilbage i "OFF"-stillingen, når De slipper det. (Fig. 3)

For at starte værktøjet skal De blot trykke på kontaktgrebet. Værktøjets hastighed forøges ved at trykke hårdere på kontaktgrebet. Slip kontaktgrebet for at stoppe.

### Tænding af lampen

#### FORSIGTIG:

- Se ikke direkte ind i lyset eller lyskilden. (Fig. 4)  
Træk i kontaktgrebet for at tænde lampen. Lampen forbliver tændt, så længe der trækkes i kontaktgrebet. Lyset slukkes automatisk 10 – 15 sekunder efter, at kontaktgrebet slippes.

#### BEMÆRK:

- Benyt en tør klud til at tørre snavs af lampens linse. Pas på ikke at ridse lampens linse, da det kan mindske lysstyrken.

### Betjening af skiftekontakten (Fig. 5)

Værktøjet har en skiftekontakt til at ændre rotationsretningen. Tryk skiftekontakten mod A-siden for rotation med uret eller mod B-siden for rotation mod uret. Når skiftekontakthåndtaget er i neutral stilling, kan kontaktgrebet ikke trækkes ud.

#### FORSIGTIG:

- Kontroller altid rotationsretningen før anvendelsen.
- Betjen ikke skiftekontakten, før værktøjet er helt stoppet. Hvis rotationsretningen ændres, når værktøjet ikke er helt stoppet, kan det beskadige værktøjet.
- Sæt altid skiftekontakthåndtaget i neutral stilling, når værktøjet ikke anvendes.

## MONTERING

### FORSIGTIG:

- Sørg altid for, at værktøjet er slukket, og at batteripakken er taget ud, før De udfører nogen form for arbejde på værktøjet.

## Montering og afmontering af borespidsen (Fig. 6)

Brug kun borespidsen eller borholderspidsen, der er vist på figuren.

Brug ikke nogen anden borespids eller borholderspids. Træk muffen i pilens retning, og sæt spidsen så langt ind i muffen, som den kan komme, for at montere spidsen. Slip derefter muffen for at låse spidsen fast. (Fig. 7)

## Til værktøj uden bøsning til fastholdelse af spidsen (Fig. 8)

Brug kun borespidsen eller borholderspidsen, der er vist på figuren.

Brug ikke nogen anden borespids eller borholderspids. Brug indsatsen som vist på figuren. Monter spidsen ved at sætte den i spindlen. (Fig. 9)

### BEMÆRK:

- Hvis spidsen ikke sidder langt nok ind i muffen, kan muffen ikke vende tilbage i den oprindelige position, og spidsen vil ikke sidde fast. Prøv i så fald at sætte spidsen ind igen i overensstemmelse med ovenstående instruktioner.

## Krog (tilbehør)

### FORSIGTIG:

- Stram skruen helt til ved montering af krogen. Hvis De ikke gør dette, kan det medføre beskadigelse af værktøjet eller personske. (Fig. 10)

Krogen er nyttig til midlertidig ophængning af værktøjet. Den kan monteres i begge sider af værktøjet.

For at montere krogen indsættes den i en rille i værktøjet på en af siderne, hvorefter den fastgøres med en skrue. Den afmonteres ved at løsne skruen og tage den ud.

## Indstilling af vinkelhovedet

Vinkelhovedet kan indstilles 360° (8 positioner i trin på 45 grader). For at indstille det skal De løsne sekskantskruen og tage vinkelhovedet af. Indstil vinkelhovedet til den ønskede position, og monter det igen, så tænderne på kabinettet svarer til rillerne i vinkelhovedet. Stram derefter sekskantskruen til for at fastgøre vinkelhovedet. (Fig. 11 og 12)

## Lige hoved og skraldehoved (tilbehør)

Lige hoveder og skraldehoveder fås som tilbehør til forskellige anvendelser på jobbet. (Fig. 13 og 14)

## BETJENING (Fig. 15 og 16)

Det korrekte strammingsmoment kan variere afhængigt af størrelsen af skruen/bolten, materialet i det arbejdsemne, der skal fastgøres, osv. Før De påbegynder arbejdet, skal De altid udføre en testkørsel for at bestemme den korrekte stramningstid for skruen. (Fig. 17)

### BEMÆRK:

- Brug den korrekte bit til hovedet på den skrue/bolt, du ønsker at benytte.
- Hold værktøjet, så det vender rigtigt i forhold til skruen.
- Hvis værktøjet betjenes konstant, indtil batteripakken er afladet, skal De lade værktøjet hvile i 15 minutter, før De fortsætter med et nyt batteri.

Strammingsmomentet bestemmes af en lang række faktorer, der omfatter følgende. Kontroller altid momentet med en momentnøgle efter stramningen.

1. Når batteripakken er næsten helt afladet, mindskes spændingen, og strammingsmomentet reduceres.
2. Drevspids eller muffespids  
Hvis De ikke anvender den rigtige størrelse drevspids eller muffespids, reduceres strammingsmomentet.
3. Bolt
  - Selvom momentkoefficienten og boltklassen er den samme, varierer det korrekte strammingsmoment afhængigt af boltens diameter.
  - Selvom boltens diameter er den samme, varierer det korrekte strammingsmoment af momentkoefficienten, boltklassen og boltens længde.
4. Den måde, værktøjet holdes på, eller drevpositionen af det materiale, der skal fastgøres, påvirker momentet.
5. Hvis værktøjet betjenes ved lav hastighed, reduceres strammingsmomentet.

## VEDLIGEHOLDELSE

### FORSIGTIG:

- Sørg altid for, at værktøjet er slukket, og at batteripakken er taget ud, før De forsøger at udføre inspektion eller vedligeholdelse.
- Brug aldrig benzin, benzen, fortynder, alkohol eller lignende. Det kan muligvis medføre misfarvning, deformation eller revner.

For at holde produktet SIKKERT og PÅLIDELIGT skal reparationer samt al anden vedligeholdelse eller justering udføres af autoriserede Makita-servicecentre, og der skal altid benyttes Makita-reservedele.

## EKSTRAUDSTYR

### ⚠ FORSIGTIG:

- Dette tilbehør eller ekstraudstyr anbefales til brug med det Makita-værktøj, som er beskrevet i denne brugsanvisning. Brug af andet tilbehør eller ekstraudstyr kan forårsage personske. Brug kun tilbehør eller ekstraudstyr til det formål, det er beregnet til.

Henvend dig til dit lokale Makita-servicecenter, hvis du har brug for hjælp eller yderligere oplysninger vedrørende tilbehøret.

- Stjernespids
- Spidsstykke
- Lige hoved
- Skraldehoved
- Muffe
- Muffeadapter
- Forskellige typer af originale batterier og opladere fra Makita

### BEMÆRK:

- Visse dele på listen er muligvis indeholdt maskinindpakningen som standardtilbehør. De kan variere fra land til land.

## Støj

Det typiske A-vægtede støjniveau bestemt i overensstemmelse med EN60745:

Lydtryksniveau ( $L_{pA}$ ): 91 dB (A)  
Lydeffektniveau ( $L_{WA}$ ): 102 dB (A)  
Usikkerhed (K): 3 dB (A)

### Bær høreværn.

ENG905-1

Den tekniske dokumentation findes hos vores autoriserede repræsentant i Europa:  
Makita International Europe Ltd.  
Michigan Drive, Tongwell,  
Milton Keynes, Bucks MK15 8JD, England

30. 1. 2009

## Vibration

Den samlede vibrationsværdi (treaksiel vektorsum) bestemt i overensstemmelse med EN60745:

ENG900-1

### Model DTL060

Arbejdstilstand: stramning med slag af fastgøringsmidler ved værktøjets maksimale kapacitet  
Vibrationsemission ( $a_h$ ): 9,5 m/s<sup>2</sup>  
Usikkerhed (K): 1,5 m/s<sup>2</sup>

### Model DTL061

Arbejdstilstand: stramning med slag af fastgøringsmidler ved værktøjets maksimale kapacitet  
Vibrationsemission ( $a_h$ ): 17,5 m/s<sup>2</sup>  
Usikkerhed (K): 1,5 m/s<sup>2</sup>

ENG901-1

- Den opgivne vibrationsemissionsværdi er målt i overensstemmelse med standardtestmetoden og kan bruges til at sammenligne et værktøj med et andet.
- Den opgivne vibrationsemissionsværdi kan muligvis også bruges til en indledende eksponeringsvurdering.

### ADVARSEL:

- Vibrationsemissionen under den faktiske brug af maskinen kan afvige fra den opgivne emissionsværdi afhængigt af den måde, maskinen anvendes på.
- Sørg for at bestemme sikkerhedsforanstaltninger for beskyttelse af operatøren, som er baseret på en eksponeringsvurdering for brug under faktiske forhold (hvor alle anvendelsescyklussens dele inddrages, som f.eks. antal gange maskinen slukkes, og når den kører i tomgang ud over triggertiden).

## Kun for europæiske lande

ENH101-15

### EF-overensstemmelseserklæring

Vi, Makita Corporation, erklærer som ansvarlig producent at følgende Makita-maskine(r):

Maskinens betegnelse:

Ledningsfri vinkelskruetrækker

Modelnummer/ type: DTL060, DTL061

er en produktionsserie og

Overholder følgende europæiske direktiver:

2006/42/EF

Og er produceret i overensstemmelse med følgende standarder eller standardiserede dokumenter:

EN60745

Tomoyasu Kato

Direktør

Makita Corporation  
3-11-8, Sumiyoshi-cho,  
Anjo, Aichi, 446-8502, JAPAN

## ΕΛΛΗΝΙΚΑ (Πρωτογενείς οδηγίες)

### Περιγραφή γενικής όψης

1. Κόκκινη ένδειξη	9. Περίβλημα	17. Δόντι
2. Κουμπί	10. Ένθετη μύτη	18. Ευθεία κεφαλή
3. Μπαταρία	11. Άτρακτος	19. Κεφαλή με κασάνια
4. Ένδειξη άστρου	12. Εγκοπτή	20. Τυπικό μπουλόνι
5. Σκανδάλη-διακόπτης	13. Βίδα	21. Ροπή σύσφιξης
6. Λάμπρα	14. Γάντζος	22. Κατάλληλη ροπή σύσφιξης
7. Αναστροφικό	15. Εξαγωνικό μπουλόνι	23. Χρόνος σύσφιξης (Δευτ.)
8. Μύτη	16. Γωνιακή κεφαλή	24. Μπουλόνι υψηλής αντοχής

## ΠΡΟΔΙΑΓΡΑΦΕΣ

Μοντέλο		DTL060	DTL061
Χωρητικότητα	Μηχανική βίδα	4 χιλ - 8 χιλ	
	Μπουλόνι	4 χιλ - 12 χιλ	
Ταχύτητα χωρίς φορτίο (λεπ. <sup>-1</sup> )		0 - 2.000	
Κρούσεις ανά λεπτό		0 - 3.000	
Μέγιστη ροπή σύσφιξης		60 N•m	
Ολικό μήκος		387 χιλ	
Καθαρό βάρος		1,7 κιλά	1,5 κιλά
Ονομαστική τιμή τάσης		D.C. 14,4 V	D.C. 18 V

- Λόγω του συνεχόμενου προγράμματος που εφαρμόζουμε για έρευνα και ανάπτυξη, τα τεχνικά χαρακτηριστικά στο παρόν έντυπο υπόκεινται σε αλλαγή χωρίς προειδοποίηση.
- Τα τεχνικά χαρακτηριστικά και η μπαταρία ενδέχεται να διαφέρουν από χώρα σε χώρα.
- Βάρος μαζί με την μπαταρία σύμφωνα με τη διαδικασία της EPTA 01/2003

### Προοριζόμενη χρήση

ENE033-1

Το εργαλείο προορίζεται για βίδωμα σε ξύλο, μέταλλο και πλαστικό.

## Γενικές Προειδοποιήσεις Ασφαλείας Του Ηλεκτρικού Εργαλείου

GEA010-1

**⚠ ΠΡΟΕΙΔΟΠΟΙΗΣΗ** Διαβάστε όλες τις προειδοποιήσεις ασφαλείας και όλες τις οδηγίες. Αν δεν ακολουθήσετε όλες τις προειδοποιήσεις και τις οδηγίες, υπάρχει κίνδυνος ηλεκτροπληξίας, πυρκαγιάς ή/και σοβαρού τραυματισμού.

## Φυλάξτε όλες τις προειδοποιήσεις και τις οδηγίες για μελλοντική αναφορά.

## ΠΡΟΕΙΔΟΠΟΙΗΣΕΙΣ ΑΣΦΑΛΕΙΑΣ ΚΡΟΥΣΤΙΚΟΥ ΕΡΓΑΛΕΙΟΥ ΜΠΑΤΑΡΙΑΣ

GEB054-1

1. **Να κρατάτε το ηλεκτρικό εργαλείο από τις μονωμένες λαβές όταν εκτελείτε εργασίες κατά τις οποίες ο σφικτήρας μπορεί να έρθει σε επαφή με κρυμμένα καλώδια.** Αν οι σφικτήρες έρθουν σε επαφή με κάποιο ηλεκτροφόρο καλώδιο, τα εκτεθειμένα μεταλλικά μέρη του ηλεκτρικού εργαλείου θα γίνουν κι αυτά ηλεκτροφόρα και μπορεί να προκληθεί ηλεκτροπληξία στο χειριστή.

### 2. Να βεβαιώνετε πάντοτε ότι στέκεστε σταθερά.

**Όταν χρησιμοποιείτε το εργαλείο σε υψηλές τοποθεσίες, να βεβαιώνετε ότι δεν βρίσκεται κανένας από κάτω.**

### 3. Να κρατάτε το εργαλείο σταθερά.

### 4. Να φοράτε γυαλιά.

## ΦΥΛΑΞΤΕ ΑΥΤΕΣ ΤΙΣ ΟΔΗΓΙΕΣ.

### ⚠ ΠΡΟΕΙΔΟΠΟΙΗΣΗ:

**ΜΗΝ επιτρέψετε στη βολικότητα ή στην εξοικειώσή σας με το προϊόν (που αποκτήθηκε από επανειλημμένη χρήση) να αντικαταστήσει την αυστηρή προσήλωση στους κανόνες ασφαλείας του εν λόγω προϊόντος.**

**Η ΑΑΝΘΑΣΜΕΝΗ ΧΡΗΣΗ ή η μη τήρηση των κανόνων ασφαλείας που διατυπώνονται στο παρόν εγχειρίδιο οδηγιών μπορεί να προκαλέσει σοβαρό τραυματισμό.**

## ΣΗΜΑΝΤΙΚΕΣ ΟΔΗΓΙΕΣ ΑΣΦΑΛΕΙΑΣ

ENC007-7

## ΓΙΑ ΤΗΝ ΜΠΑΤΑΡΙΑ

1. **Πριν χρησιμοποιήσετε την μπαταρία, διαβάστε όλες τις οδηγίες και τις ενδείξεις προφύλαξης στο (1) φορτιστή μπαταρίας, (2) την μπαταρία και (3) το προϊόν στο οποίο χρησιμοποιείται η μπαταρία.**
2. **Μην αποσυναρμολογείτε την μπαταρία.**
3. **Αν ο χρόνος λειτουργίας της μπαταρίας είναι υπερβολικά σύντομος, διακόψτε αμέσως τη**

λειτουργία. Αν συνεχίσετε, μπορεί να έχει ως αποτέλεσμα τον κίνδυνο υπερθέρμανσης, πιθανών εγκαυμάτων και ακόμη έκρηξης.

4. Αν μπει στα μάτια σας ηλεκτρολύτης, ξεπλύνετε με καθαρό νερό και αναζητήστε αμέσως ιατρική βοήθεια. Μπορεί να χάσετε την όρασή σας.
5. Μη βραχυκυκλώνετε την μπαταρία:
  - (1) Μη αγγίζετε τους ακροδέκτες με αγώγιμο υλικό.
  - (2) Μη αποθηκεύετε την μπαταρία σε δοχείο με άλλα μεταλλικά αντικείμενα, όπως καρφιά, νομίσματα, κτλ.
  - (3) Μη εκθέτετε την μπαταρία σε νερό ή βροχή. Αν βραχυκυκλωθεί η μπαταρία, μπορεί να προκληθεί μεγάλη ροή ηλεκτρικού ρεύματος, υπερθέρμανση, πιθανά εγκαύματα και ακόμη και καταστροφή της μπαταρίας.
6. Μη αποθηκεύετε το εργαλείο και την μπαταρία σε μέρη όπου η θερμοκρασία μπορεί να φτάσει ή να ξεπεράσει τους 50°C (122°F).
7. Μη αποτεφρώνετε την μπαταρία ακόμη κι αν παρουσιάζει σοβαρή ζημιά ή είναι εκτελώς φθαρμένη. Η μπαταρία μπορεί να εκραγεί σε φωτιά.
8. Να προσέχετε να μη σας πέσει η μπαταρία και να μη συγκρουστεί με κάποιο αντικείμενο.
9. Μη χρησιμοποιείτε μια μπαταρία που έχει υποστεί βλάβη.

## ΦΥΛΑΞΤΕ ΑΥΤΕΣ ΤΙΣ ΟΔΗΓΙΕΣ.

### Συμβουλές για τη διατήρηση της μέγιστης ζωής της μπαταρίας

1. Να φορτίζετε την μπαταρία πριν αποφορτιστεί εντελώς.  
Πάντοτε να διακόπτετε τη λειτουργία του εργαλείου και να φορτίζετε την μπαταρία όταν παρατηρείται μειωμένη ισχύ του εργαλείου.
2. Ποτέ μην επαναφορτίζετε μια πλήρως φορτισμένη μπαταρία.  
Αν υπερφορτίσετε την μπαταρία, μειώνεται η ωφέλιμη διάρκεια ζωής της.
3. Να φορτίζετε την μπαταρία σε θερμοκρασία δωματίου, δηλαδή στους 10°C έως 40°C (50°F έως 104°F). Αν η μπαταρία είναι θερμή, αφήστε την να ψυχθεί πριν τη φορτίσετε.
4. Να φορτίζετε την κασέτα μπαταρία μια φορά κάθε έξι μήνες όταν δεν τη χρησιμοποιείτε για μεγάλο χρονικό διάστημα.

## ΠΕΡΙΓΡΑΦΗ ΛΕΙΤΟΥΡΓΙΑΣ

### ΠΡΟΣΟΧΗ:

- Να βεβαιώνετε πάντοτε ότι έχετε σβήσει το εργαλείο και έχετε βγάλει την μπαταρία πριν ρυθμίσετε ή ελέγξετε κάποια λειτουργία του εργαλείου.

### Τοποθέτηση ή αφαίρεση της κασέτας μπαταρίας (Εικ. 1)

- Πάντοτε να απενεργοποιείτε το εργαλείο πριν από την τοποθέτηση ή την αφαίρεση της κασέτας μπαταρίας.

- Για να βγάλετε την κασέτα μπαταρίας, σύρετε την από το εργαλείο ολισθαίνοντας το κουμπί στο μπροστινό μέρος της κασέτας.
- Για να τοποθετήσετε την κασέτα μπαταρίας, ευθυγραμμίστε τη γλωττίδα της κασέτας μπαταρίας με την εγκοπή στο περίβλημα και ολισθήστε τη στη θέση της. Πάντοτε να την τοποθετείτε έως το τέρμα, δηλαδή έως όπου ασφαρίζει στη θέση και ακουστεί ένας χαρακτηριστικός ήχος "κλικ". Αν μπορείτε να δείτε την κόκκινη ένδειξη στην πάνω πλευρά του κουμπιού, η μπαταρία δεν είναι πλήρως ασφαλισμένη. Τοποθετήστε την πλήρως για να μη φαίνεται η κόκκινη ένδειξη. Σε αντίθετη περίπτωση, μπορεί να πέσει κατά λάθος από το εργαλείο και να τραυματίσει εσάς ή κάποιον παρευρισκόμενο.
- Να μη χρησιμοποιείτε δύναμη όταν τοποθετείτε την κασέτα μπαταρίας. Αν η κασέτα δεν ολισθαίνει με ευκολία, δεν την εισήγατε σωστά.

### Σύστημα προστασίας μπαταρίας (Μπαταρία ιόντων λιθίου με την ένδειξη άστρου) (Εικ. 2)

Οι μπαταρίες ιόντων λιθίου με ένδειξη άστρου είναι εφοδιασμένες με ένα σύστημα προστασίας. Αυτό το σύστημα διακόπτει αυτόματα το ρεύμα στο εργαλείο να παρατείνεται η διάρκεια ζωής της μπαταρίας. Το εργαλείο θα σταματήσει αυτόματα κατά τη λειτουργία όταν το εργαλείο και/ή η μπαταρία υποστούν τις παρακάτω συνθήκες.

- Υπερφόρτιση:  
Το εργαλείο λειτουργεί με τρόπο που προκαλεί την καταπόνηση ασυνήθιστα υψηλής ποσότητας ρεύματος. Στην περίπτωση αυτή, ελευθερώστε το διακόπτη ενεργοποίησης του εργαλείου και σταματήστε την εφαρμογή που προκάλεσε την υπερφόρτωση του εργαλείου. Στη συνέχεια, τραβήξτε τη σκανδάλη ξανά για επανεκκίνηση.  
Εάν το εργαλείο δεν ξεκινά, η μπαταρία έχει υπερθερμανθεί. Στην περίπτωση αυτή, αφήστε την μπαταρία να κρυώσει πριν τραβήξετε τη σκανδάλη ξανά.
- Χαμηλή τάση της μπαταρίας:  
Η εναπομένουσα ποσότητα ρεύματος της μπαταρίας είναι πολύ χαμηλή και το εργαλείο δεν θα λειτουργήσει. Σε αυτήν την περίπτωση, αφαιρέστε και επαναφορτίστε τη μπαταρία.

### Δράση διακόπτη

#### ΠΡΟΣΟΧΗ:

- Πριν βάζετε την μπαταρία στο εργαλείο, πάντοτε να ελέγχετε ότι η σκανδάλη-διακόπτης ενεργοποιείται κανονικά και επιστρέφει στη θέση "OFF" όταν την αφήνετε. (Εικ. 3)

Για να ξεκινήσετε το εργαλείο, απλά πιέστε τη σκανδάλη-διακόπτη. Αν αυξήσετε την πίεση στη σκανδάλη-διακόπτη, αυξάνεται η ταχύτητα του εργαλείου. Για να σταματήσετε, αφήστε τη σκανδάλη-διακόπτη.

### Άναμμα της μπροστινής λάμπας

#### ΠΡΟΣΟΧΗ:

- Μην κοπάζετε κατευθείαν μέσα στο φως ή στην πηγή φωτός. (Εικ. 4)

Πιέστε τη σκανδάλη-διακόπτη για να ανάψετε τη λάμπα. Η λάμπα εξακολουθεί να είναι αναμμένη όσο πιέζετε τη σκανδάλη-διακόπτη. Η λάμπα σβήνει αυτόματα 10 έως 15 δευτερόλεπτα αφού αφήσετε τη σκανδάλη-διακόπτη.

#### ΣΗΜΕΙΩΣΗ:

- Χρησιμοποιήστε ένα στεγνό πανί για να σκουπίσετε τη σκόνη από το φακό της λάμπας. Προσέχετε να μη γρατσουνίσετε το φακό της λάμπας, επειδή μπορεί να μειωθεί η ένταση του φωτισμού.

### Δράση αναστροφικού (Εικ. 5)

Το εργαλείο αυτό διαθέτει αναστροφικό για να αλλάζετε την κατεύθυνση περιστροφής. Πατήστε το αναστροφικό από την πλευρά Α για δεξιόστροφη περιστροφή ή από την πλευρά Β για αριστερόστροφη περιστροφή. Όταν το αναστροφικό βρίσκεται στην ουδέτερη θέση, δεν μπορείτε να πατήσετε τη σκανδάλη-διακόπτη.

#### ΠΡΟΣΟΧΗ:

- Πριν από τη λειτουργία, να ελέγχετε πάντοτε την κατεύθυνση περιστροφής.
- Να χρησιμοποιείτε το αναστροφικό μόνο όταν το εργαλείο είναι εντελώς ακινητοποιημένο. Αν αλλάξετε την κατεύθυνση περιστροφής πριν ακινητοποιηθεί το εργαλείο, μπορεί να προκληθεί βλάβη στο εργαλείο.
- Όταν δεν χειρίζεστε το εργαλείο, να βάζετε πάντοτε το αναστροφικό στην ουδέτερη θέση.

## ΣΥΝΑΡΜΟΛΟΓΗΣΗ

#### ΠΡΟΣΟΧΗ:

- Να βεβαιώνετε πάντοτε ότι έχετε σβήσει το εργαλείο και έχετε βγάλει την μπαταρία πριν εκτελέσετε οποιαδήποτε εργασία σε αυτό.

### Τοποθέτηση ή αφαίρεση της μύτης τρυπανιού (Εικ. 6)

Χρησιμοποιήστε μόνο τη μύτη τρυπανιού ή τη μύτη υποδοχής που δείχνεται στην εικόνα. Μην χρησιμοποιήσετε οποιαδήποτε άλλη μύτη τρυπανιού ή μύτη υποδοχής. Για να τοποθετήσετε τη μύτη, τραβήξετε το περίβλημα προς την κατεύθυνση του βέλους και βάλτε τη μύτη μέσα στο περίβλημα όσο μέσα μπορεί να μπει. Μετά ελευθερώστε το περίβλημα για να στερεώσετε τη μύτη. (Εικ. 7)

### Για εργαλείο χωρίς περίβλημα για τη συγκράτηση της μύτης (Εικ. 8)

Χρησιμοποιήστε μόνο τη μύτη τρυπανιού ή τη μύτη υποδοχής που δείχνεται στην εικόνα. Μην χρησιμοποιήσετε οποιαδήποτε άλλη μύτη τρυπανιού ή μύτη υποδοχής. Χρησιμοποιήστε τις ένθετες μύτες που δείχνονται στην εικόνα. Για να τοποθετήσετε τη μύτη, απλά βάλτε τη μέσα στην άτρακτο. (Εικ. 9)

#### ΣΗΜΕΙΩΣΗ:

- Εάν δεν έχει μπει η μύτη αρκετά βαθιά μέσα στο περίβλημα, το περίβλημα θα επιστρέψει στην αρχική του θέση και η μύτη δεν θα στερεωθεί. Σε αυτή την περίπτωση προσπαθήστε να βάλετε την μύτη σύμφωνα με τις παρακάτω οδηγίες.

## Γάντζος (Αξσουάρ)

#### ΠΡΟΣΟΧΗ:

- Κατά την εγκατάσταση του γάντζου, σφίξτε καλά τη βίδα. Εάν δεν το κάνετε αυτό μπορεί να προκληθεί βλάβη στο εργαλείο ή προσωπικός τραυματισμός. (Εικ. 10)

Ο γάντζος χρησιμεύει για το προσωρινό κρέμασμα του εργαλείου. Μπορείτε να τον τοποθετήσετε σε οποιαδήποτε πλευρά του εργαλείου. Για να τοποθετήσετε το γάντζο, βάλτε τον σε μια εγκοπή στο περίβλημα του εργαλείου σε οποιαδήποτε πλευρά του και κατόπιν ασφαλίστε τον με μια βίδα. Για να τον βγάλετε, χαλαρώστε τη βίδα και κατόπιν αφαιρέστε τον.

### Ρύθμιση της γωνίας της κεφαλής

Η γωνιακή κεφαλή μπορεί να ρυθμιστεί κατά 360° (8 θέσεις ανά διαστήματα 45-μοιρών). Για να τη ρυθμίσετε, χαλαρώστε το εξαγώνο μπουλόνι και αφαιρέστε τη γωνιακή κεφαλή. Ρυθμίστε τη γωνιακή κεφαλή στην επιθυμητή θέση και επανατοποθετήστε την έτσι ώστε το δόντι στο περίβλημα να ταιριάζει με τις εγκοπές στην γωνιακή κεφαλή. Κατόπιν, σφίξτε το εξαγώνο μπουλόνι για να ασφαλίσετε τη γωνιακή κεφαλή. (Εικ. 11 και 12)

### Ευθεία κεφαλή και κεφαλή με καστάνια (Αξσουάρ)

Ευθείες κεφαλές και κεφαλές με καστάνια είναι διαθέσιμες ως προαιρετικά εξαρτήματα για διάφορες εφαρμογές κατά την εργασία. (Εικ. 13 και 14)

## ΛΕΙΤΟΥΡΓΙΑ (Εικ. 15 και 16)

Η κατάλληλη ροπή σύσφιξης μπορεί να διαφέρει ανάλογα με το είδος ή το μέγεθος της βίδας/του μπουλονιού, του υλικού του αντικειμένου που στερεώνεται, κτλ. Πριν αρχίσετε την εργασία σας, εκτελέστε πάντα μια λειτουργία δοκιμής για να καθορίσετε τον κατάλληλο χρόνο σύσφιξης για τη βίδα σας. (Εικ. 17)

#### ΣΗΜΕΙΩΣΗ:

- Χρησιμοποιήστε την κατάλληλη μύτη για την κεφαλή της βίδας/του μπουλονιού που επιθυμείτε να χρησιμοποιήσετε.
- Να κρατάτε το εργαλείο σε ευθεία με τη βίδα.
- Αν το εργαλείο λειτουργεί συνεχόμενα έως ότου αποφορτιστεί η μπαταρία, αφήστε το εργαλείο σβηστό για 15 λεπτά πριν συνεχίσετε την εργασία με καινούργια μπαταρία.

Η ροπή σύσφιξης επηρεάζεται από μια ευρεία ποικιλία παραγόντων συμπεριλαμβανομένων των ακόλουθων. Μετά από τη σύσφιξη, ελέγξτε πάντα τη ροπή με ένα κλειδί ροπής.

- Όταν η μπαταρία αποφορτιστεί σχεδόν εντελώς, θα ελαττωθεί η τάση και η ροπή σύσφιξης θα μειωθεί.
- Μύτη τρυπανιού ή μύτη υποδοχής  
Η μη χρήση της σωστής μύτης τρυπανιού ή μύτης υποδοχής θα προκαλέσει μια μείωση της ροπής σύσφιξης.
- Μπουλόνι
  - Ακόμα κι αν ο συντελεστής ροπής και η κατηγορία μπουλονιού είναι οι ίδιοι, η κατάλληλη ροπή



σύσφιξης θα διαφέρει σύμφωνα με τη διάμετρο του μπουλονιού.

- Ακόμα κι αν οι διάμετροι των μπουλονιών είναι οι ίδιοι, η κατάλληλη ροπή σύσφιξης θα διαφέρει σύμφωνα με τη διάμετρο του μπουλονιού, την κλάση του μπουλονιού και το μήκος του μπουλονιού.
4. Ο τρόπος του κρατήματος του εργαλείου ή του υλικού της θέσης βιδώματος που στερεώνεται θα επηρεάσει τη ροπή.
5. Η λειτουργία του εργαλείου σε χαμηλή ταχύτητα θα προκαλέσει τη μείωση της ροπής σύσφιξης.

## ΣΥΝΤΗΡΗΣΗ

### ΠΡΟΣΟΧΗ:

- Να βεβαιώνετε πάντοτε ότι έχετε σβήσει το εργαλείο και έχετε βγάλει την μπαταρία πριν εκτελέσετε οποιαδήποτε εργασία ελέγχου ή συντήρησης σε αυτό.
- Μην χρησιμοποιήσετε βενζίνη, βενζόλη, διαλυτικό, αλκοόλη ή κάτι παρόμοιο. Μπορεί να προκληθεί αποχρωματισμός, παραμόρφωση ή ρωγμές.

Για να διατηρείται η ΑΣΦΑΛΕΙΑ και η ΑΞΙΟΠΙΣΤΙΑ του προϊόντος, οι εργασίες επισκευής, καθώς και οποιαδήποτε άλλη εργασία συντήρησης ή ρύθμισης, θα πρέπει να εκτελούνται σε εξουσιοδοτημένα κέντρα εξυπηρέτησης της Makita, και πάντοτε με τη χρήση ανταλλακτικών της Makita.

## ΠΡΟΑΙΡΕΤΙΚΑ ΑΞΕΣΟΥΑΡ

### ⚠️ ΠΡΟΣΟΧΗ:

- Συνιστάται η χρήση αυτών των αξεσουάρ ή εξαρτημάτων με το εργαλείο της Makita, όπως περιγράφεται στο παρόν εγχειρίδιο. Αν χρησιμοποιήσετε άλλα αξεσουάρ ή εξαρτήματα μπορεί να παρουσιαστεί κίνδυνος για πρόκληση τραυματισμού προσώπων. Να χρησιμοποιείτε τα αξεσουάρ και τα εξαρτήματα μόνο για το σκοπό για τον οποίο προορίζονται.

Αν χρειάζεστε κάποια βοήθεια ή περισσότερες πληροφορίες σχετικά με τα αξεσουάρ αυτά, απευθυνθείτε στο πλησιέστερο κέντρο εξυπηρέτησης της Makita.

- Μύτη σταυροκατσάβιδου
- Τεμάχιο μύτης
- Ευθεία κεφαλή
- Κεφαλή με καστανία
- Υποδοχή
- Προσαρμογέας υποδοχής
- Διάφοροι τύποι γνήσιων μπαταριών και φορτιστών της Makita

### ΣΗΜΕΙΩΣΗ:

- Ορισμένα από τα στοιχεία της λίστα μπορεί να περιέχονται στην συσκευασία του εργαλείου ως κανονικά αξεσουάρ. Αυτά ενδέχεται να διαφέρουν από χώρα σε χώρα.

### Θόρυβος

ENG905-1

Το σύνθηες σταθμισμένο επίπεδο θορύβου που έχει καθοριστεί σύμφωνα με την EN60745:

Επίπεδο ηχητικής πίεσης ( $L_{pA}$ ): 91 dB (A)

Επίπεδο ηχητικής ισχύος ( $L_{WA}$ ): 102 dB (A)

Αβεβαιότητα (K): 3 dB (A)

**Να φοράτε υποασπίδες.**

### Δόνηση

ENG900-1

Η συνολική τιμή δόνησης (διανυσματικό άθροισμα τριών αξόνων) που έχει καθοριστεί σύμφωνα με την EN60745:

#### Μοντέλο DTL060

Κατάσταση λειτουργίας: κρουστικό σφίξιμο  
συνδέσμων στη μέγιστη ικανότητα του εργαλείου  
Εκπομπή δόνησης ( $a_{h1}$ ): 9,5 m/s<sup>2</sup>  
Αβεβαιότητα (K): 1,5 m/s<sup>2</sup>

#### Μοντέλο DTL061

Κατάσταση λειτουργίας: κρουστικό σφίξιμο  
συνδέσμων στη μέγιστη ικανότητα του εργαλείου  
Εκπομπή δόνησης ( $a_{h1}$ ): 17,5 m/s<sup>2</sup>  
Αβεβαιότητα (K): 1,5 m/s<sup>2</sup>

ENG901-1

- Η δηλωθείσα τιμή των παραγομένων κραδασμών έχει καταμετρηθεί σύμφωνα με την τυποποιημένη μέθοδο δοκιμίας και μπορεί να χρησιμοποιηθεί για την σύγκριση ενός εργαλείου με ένα άλλο.
- Η δηλωθείσα τιμή των παραγομένων κραδασμών μπορεί επίσης να χρησιμοποιηθεί για μια προκαταρκτική αξιολόγηση της έκθεσης στους κραδασμούς.

### ⚠️ ΠΡΟΕΙΔΟΠΟΙΗΣΗ:

- Η εκπομπή κραδασμών κατά τη διάρκεια της διαρκούς χρήσης του ηλεκτρικού εργαλείου μπορεί να διαφέρει από τη δηλωθείσα τιμή των εκπομπών, ανάλογα με τον τρόπο με τον οποίο χρησιμοποιείται το εργαλείο.
- Φροντίστε να λάβετε τα μέτρα ασφαλείας που απαιτούνται για την προστασία του χρήστη που βασίζονται σε μια εκτίμηση της έκθεσης σε πραγματικές συνθήκες χρήσης (λαμβάνοντας υπόψη όλα τα μέρη του κύκλου λειτουργίας, όπως είναι οι περιπτώσεις κατά τις οποίες το εργαλείο είναι απενεργοποιημένο και όταν λειτουργεί στο ρελαντί επιπροσθέτως του χρόνου κατά τον οποίο το εργαλείο βρίσκεται σε χρήση).

### Για Ευρωπαϊκές χώρες μόνο

ENH101-15

#### ΕΚ – Δήλωση συμμόρφωσης

**Η Εταιρία Makita ως υπεύθυνος κατασκευαστής, δηλώνει ότι το παρακάτω μηχάνημα ή μηχανήματα της Makita:**

Όνομασία Μηχανήματος:

Γωνιακό δραπενοκατσάβιδο μπαταρίας

Αρ. Μοντέλου/ Τύπος: DTL060, DTL061

αποτελούν παραγωγή σε σειρά και

**Συμμορφώνονται με την ακόλουθη Ευρωπαϊκή Οδηγία:**

2006/42/ΕΚ

Και κατασκευάζονται σύμφωνα με τα παρακάτω πρότυπα ή τυποποιημένα έγγραφα:

EN60745

Ο εξουσιοδοτημένος μας αντιπρόσωπος στην Ευρώπη  
διατηρεί τα τεχνικά έγγραφα, ο οποίος είναι:

Makita International Europe Ltd.  
Michigan Drive, Tongwell,  
Milton Keynes, Bucks MK15 8JD, England

30. 1. 2009



Tomoyasu Kato  
Διευθυντής  
Makita Corporation  
3-11-8, Sumiyoshi-cho,  
Anjo, Aichi, 446-8502, JAPAN



**Makita Corporation**  
Anjo, Aichi, Japan

[www.makita.com](http://www.makita.com)

885276-995

ALA

## **ОФИЦИАЛЬНЫЙ ДИЛЕР В УКРАИНЕ:**

[storgom.ua](http://storgom.ua)

### **ГРАФИК РАБОТЫ:**

Пн. – Пт.: с 8:30 по 18:30

Сб.: с 09:00 по 16:00

Вс.: с 10:00 по 16:00

### **КОНТАКТЫ:**

+38 (044) 360-46-77

+38 (066) 77-395-77

+38 (097) 77-236-77

+38 (093) 360-46-77

Детальное описание товара:

<https://storgom.ua/product/akkumuliatornyi-uglovoi-shurupovert-makita-dtl-061-z.html>

Другие товары:

<https://storgom.ua/akkumulyatornyye-shurupoverty.html>