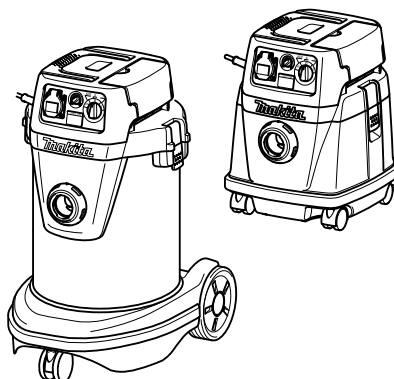
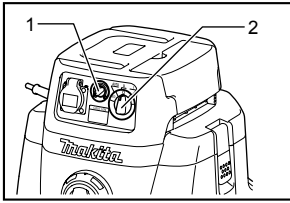




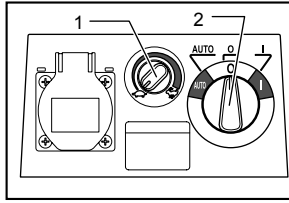
GB	Vacuum Cleaner	INSTRUCTION MANUAL
S	Dammsugare	BRUKSANVISNING
N	Støvsuger	BRUKSANVISNING
FIN	Pölynimuri	KÄYTTÖOHJE
LV	Putekļu sūcējs	LIETOŠANAS INSTRUKCIJA
LT	Vakuuminis valymo įrenginys	NAUDOJIMO INSTRUKCIJA
EE	Tolmuimeja	KASUTUSJUHEND
RUS	Пылесос	РУКОВОДСТВО ПО ЭКСПЛУАТАЦИИ

VC1310L
VC2510L
VC3210L

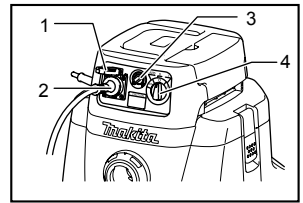




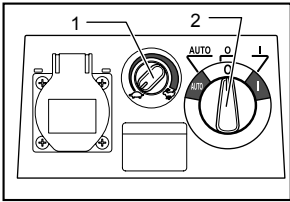
1 011593



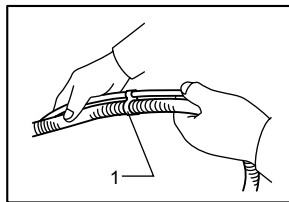
2 011594



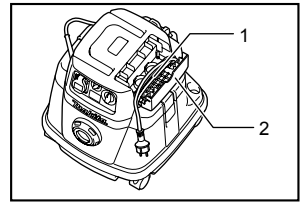
3 011595



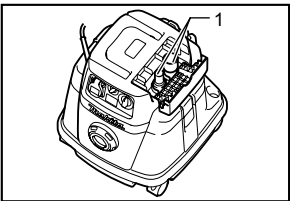
4 011594



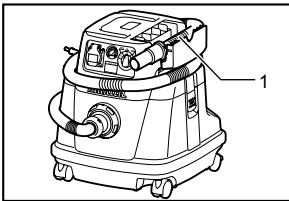
5 011609



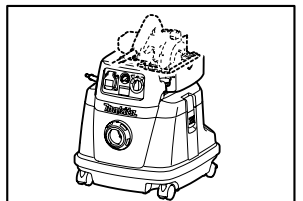
6 011597



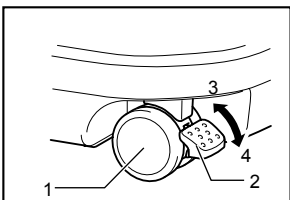
7 011598



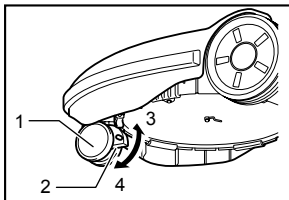
8 011599



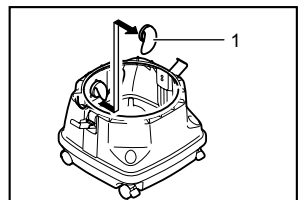
9 011645



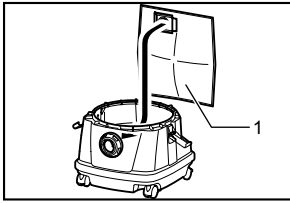
10 011611



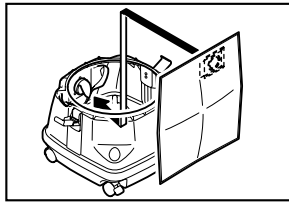
11 011615



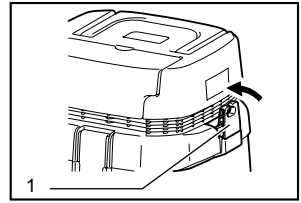
12 011638



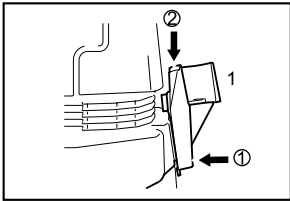
13 011588



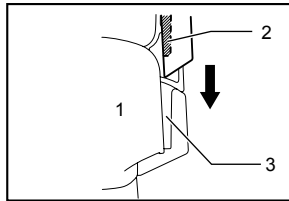
14 011589



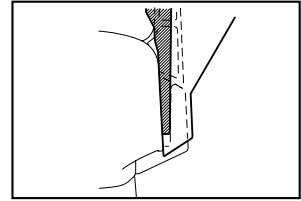
15 011604



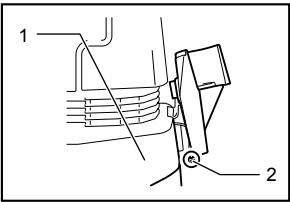
16 011606



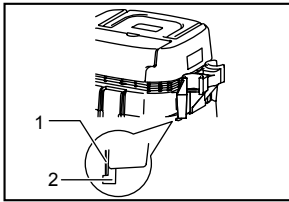
17 011607



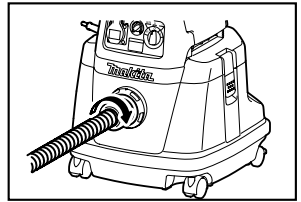
18 011608



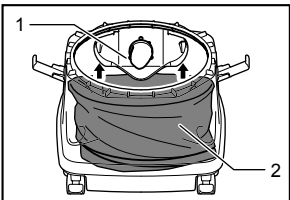
19 011631



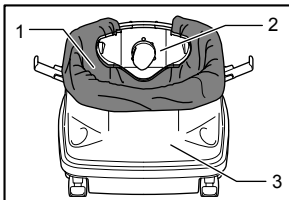
20 011632



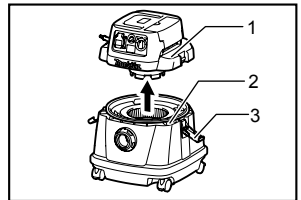
21 011590



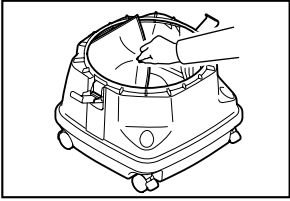
22 011591



23 011592

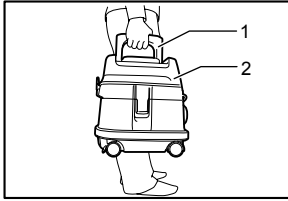


24 011600



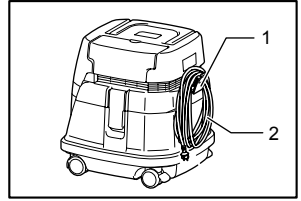
25

011602



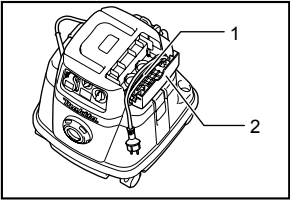
26

011610



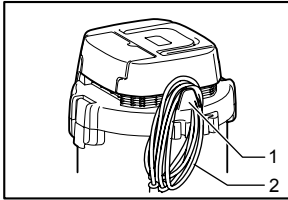
27

011633



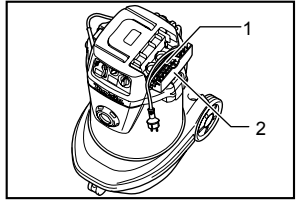
28

011597



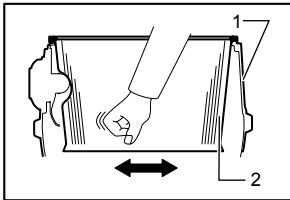
29

011635



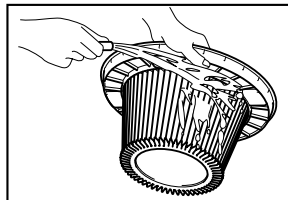
30

011634



31

011614



32



011601

ENGLISH (Original instructions)

Explanation of general view

1-1. Suction force adjusting knob	10-4. LOCK position	23-1. Polyethylene bag
1-2. Switch lever	11-1. Caster	23-2. Holder plate
2-1. Suction force adjusting knob	11-2. Stopper lever	23-3. Tank
2-2. Switch lever	11-3. FREE position	24-1. Tank cover
3-1. Cap	11-4. LOCK position	24-2. Polyethylene bag
3-2. Power supply cord	12-1. Rubber holder	24-3. Hook
3-3. Suction force adjusting knob	13-1. Paper pack	26-1. Handle
3-4. Switch lever	15-1. Cord hook	26-2. Head
4-1. Suction force adjusting knob	16-1. Press with a force and lower	27-1. Cord hook
4-2. Switch lever	17-1. Tank cover	27-2. Power supply cord
5-1. Holder	17-2. Protrusion of the pipe holder	28-1. Power supply cord
6-1. Power supply cord	17-3. Groove	28-2. Base hook
6-2. Base hook	19-1. Tank cover	29-1. Cord hook
7-1. Front cuffs	19-2. Hook	29-2. Power supply cord
8-1. Hose	20-1. Tank cover	30-1. Power supply cord
10-1. Caster	20-2. Hook	30-2. Base hook
10-2. Stopper lever	22-1. Holder plate	31-1. Tank
10-3. FREE position	22-2. Tank	31-2. Prefilter

SPECIFICATIONS

Model		VC1310L / VC2510L / VC3210L					
Countries		EU	AU/NZ	GB 110V	GB 230V	CL	AR / CH
Voltage	Volt	230 - 240	230 - 240	110	230 - 240	220	230 - 240
Power consumption	Watt	1050	1050	1050	1050	1050	1050
Connected load for appliance socket	Watt at  symbol mode	2400	1200	600	1900	2200	1100
	Watt at  symbol mode	2600	1400	850	2100	2500	1400
Total connected load	Watt	3450	2250	1650	2950	3250	2150

Model		VC1310L	VC2510L	VC3210L
Volume flow (air)		2.0 m ³ /min		
Vacuum		22 kPa		
Protection class		1		
Type of protection		IP X4 (splash-proof)		
Recoverable capacity	Dust	13 L	25 L	32 L
	Water	7 L	14 L	27 L
Dimensions (L x W x H)		366 mm x 334 mm x 420 mm	432 mm x 416 mm x 451 mm	552 mm x 398 mm x 685 mm
Net weight		9.6 kg	10.5 kg	14.5 kg

- Due to our continuing program of research and development, the specifications herein are subject to change without notice.
- Specifications may differ from country to country.
- Weight according to EPTA-Procedure 01/2003

Symbols

The following show the symbols used for the equipment. Be sure that you understand their meaning before use.



• Read instruction manual.



• Warning! The cleaner may contain hazardous dust.



• Never stand on the cleaner.



• Only for EU countries

Do not dispose of electric equipment together with household waste material! In observance of the European Directive, on Waste Electric and Electronic Equipment and its implementation in accordance with national law, electric equipment that have reached the end of their life must be collected separately and returned to an environmentally compatible recycling facility.

ENE016-1

Intended use

The tool is intended for collecting both wet and dry dust.

ENF001-1

Power supply

The tool should be connected only to a power supply of the same voltage as indicated on the nameplate, and can only be operated on single-phase AC supply. This tool should be grounded while in use to protect the operator from electric shock. Use only three-wire extension cords which have three-prong grounding-type plugs and three-pole receptacles which accept the tool's plug.

ENG905-1

Noise

The typical A-weighted noise level determined according to EN/IEC60704:

Model VC1310L

Sound pressure level (L_{pA}) : 72 dB (A)

Uncertainty (K) : 2.5 dB (A)

The noise level under working may exceed 80 dB (A).

Model VC2510L, VC3210L

Sound pressure level (L_{pA}) : 73 dB (A)

Uncertainty (K) : 2.5 dB (A)

The noise level under working may exceed 80 dB (A).

Wear ear protection

For European countries only

EC Declaration of Conformity

Makita declares that the following Machine(s):

Designation of Machine:

Vacuum Cleaner

Model No./ Type: VC1310L, VC2510L, VC3210L

Conforms to the following European Directives:

2006/42/EC

They are manufactured in accordance with the following standard or standardized documents:

EN60335

The technical file in accordance with 2006/42/EC is available from:

Makita, Jan-Baptist Vinkstraat 2, 3070, Belgium

31.7.2014

000331

Yasushi Fukaya

Director

Makita, Jan-Baptist Vinkstraat 2, 3070, Belgium

ENB119-5

VACUUM CLEANER SAFETY WARNINGS

⚠ WARNING! IMPORTANT READ CAREFULLY all safety warnings and all instructions BEFORE USE.

Failure to follow the warnings and instructions may result in electric shock, fire and/or serious injury.

1. **Before use, make sure that this cleaner must be used by people who have been adequately instructed on the use of this cleaner.**
2. **Only use the socket outlet on the cleaner for purposes specified in the instructions.**
3. **If foam/liquid comes out, switch off immediately.**
4. **Clean the water level limiting device regularly and examine it for signs of damage.**
5. **Do not use the cleaner without the filter. Replace a damaged filter immediately.**
6. **USE OF EXTENSION CORD. When using an extension cord because of the great distance to your power source, try to employ a cord that is sufficiently thick but not too long, or cleaner performance will be adversely affected. For outdoor applications use an extension cord suitable for outdoor use.**
7. **VOLTAGE WARNING: Before connecting the cleaner to a power source (receptacle, outlet, etc.) be sure the voltage supplied is the same as that specified on the nameplate of the cleaner. A power source with voltage greater than that specified for the cleaner can result in**

SERIOUS INJURY to the operator as well as damage to the cleaner. If in doubt, **DO NOT PLUG IN THE CLEANER**. Using a power source with voltage less than the nameplate rating is harmful to the motor.

8. **AVOID UNINTENTIONAL STARTING**. Be sure switch is **OFF** when plugging in.
9. Do not attempt to pick up flammable materials, fire works, lighted cigarettes, hot ashes, hot metal chips, sharp materials such as razors, needles, broken glass or the like.
10. **NEVER USE THE CLEANER IN THE VICINITY OF GASOLINE, GAS, PAINT, ADHESIVES OR OTHER HIGHLY EXPLOSIVE SUBSTANCES**. The switch emits sparks when turned **ON** and **OFF**. And so does the motor commutator during operation. A dangerous explosion may result.
11. Never vacuum up toxic, carcinogenic, combustible or other hazardous materials such as asbestos, arsenic, barium, beryllium, lead, pesticides, or other health endangering materials.
12. Never use the cleaner outdoors in the rain.
13. Do not use close to heat sources (stoves, etc.).
14. **GUARD AGAINST ELECTRIC SHOCK**. Prevent body contact with grounded surfaces. For example; pipes, radiators, ranges, refrigerator enclosures.
15. Do not block cooling vents. These vents permit cooling of the motor. Blockage should be carefully avoided otherwise the motor will burn out from lack of ventilation.
16. Keep proper footing and balance at all times.
17. **DO NOT ABUSE CORD**. Never carry the cleaner by cord or yank it to disconnect from receptacle. Keep cord away from heat, oil, and sharp edges. Inspect cleaner cords periodically and if damaged, have repaired by authorized service facility. Inspect extension cords periodically and replace if damaged.
18. Do not fold, tug or step on the hose.
19. Stop the cleaner immediately if you notice poor performance or anything abnormal during operation.
20. **DISCONNECT THE CLEANER**. When not in use, before servicing, and when changing accessories.
21. Clean and service the cleaner immediately after each use to keep it in tiptop operating condition.
22. **MAINTAIN THE CLEANER WITH CARE**. Keep the cleaner clean for better and safer performance. Follow instructions for changing accessories. Keep handles dry, clean, and free from oil and grease.
23. **CHECK DAMAGED PARTS**. Before further use of the cleaner, a guard or other part that is damaged should be carefully checked to determine that it will operate properly and perform its intended function. Check for alignment of moving parts, binding of moving parts, breakage of parts, mounting, and any other conditions that may affect its operation. A guard or other part that is damaged should be properly repaired or replaced by an authorized service center unless otherwise indicated elsewhere in this instruction manual. Have defective switches replaced by authorized service center. Don't use the cleaner if switch does not turn it on and off.
24. **REPLACEMENT PARTS**. When servicing, use only identical replacement parts.
25. **STORE IDLE CLEANER**. When not in use, the cleaner should be stored indoors.
26. Be kind to your cleaner. Rough handling can cause breakage of even the most sturdily built cleaner.
27. Do not attempt to clean the exterior or interior with benzine, thinner or cleaning chemicals. Cracks and discoloration may be caused.
28. Do not use cleaner in an enclosed space where flammable, explosive or toxic vapors are given off by oil-base paint, paint-thinner, gasoline, some mothproofing substances, etc., or in areas where flammable dust is present.
29. Do not leave the cleaner cord lying on the floor after you have finished a cleaning job. It can become a tripping hazard or may cause damage to the cleaner.
30. Do not operate this or any tool while under the influence of drugs or alcohol.
31. As a basic rule of safety, use safety goggles or safety glasses with side shields.
32. Use a dust mask in dusty work conditions.
33. This machine is not intended for use by persons including children with reduced physical, sensory or mental capabilities, or lack of experience and knowledge.
34. Young children should be supervised to ensure that they do not play with the cleaner.
35. Never handle plug cord or cleaner with wet hands.
36. Use extreme caution when cleaning on stairs.
37. Do not use the cleaner as a stool or work bench. The machine may fall down and may result in personal injury.

KEEP FOR FUTURE REFERENCE

WARNING:

DO NOT let comfort or familiarity with product (gained from repeated use) replace strict adherence to safety rules for the subject product. **MISUSE** or failure to follow the safety rules stated in this instruction manual may cause serious personal injury.

FUNCTIONAL DESCRIPTION

⚠WARNING:

- **Before plugging the cleaner, always make sure that the cleaner is switched off.** Plugging the cleaner with the switch on may cause an unexpected start resulting in serious personal injury.

Switch action

Fig.1

To start the cleaner, rotate the switch lever to the "I" side. To stop it, rotate the switch lever to the "O" side.

Fig.2

The suction power can be adjusted according to your work need.

Suction power can be increased by turning the suction force adjusting knob from the ↶ symbol to the ↷ symbol.

Connecting electric power tools

⚠WARNING:

- Observe the maximum connected loads for the appliance socket (Refer to the SPECIFICATIONS.)
- Make sure that both the cleaner and the electric power tool are switched off before connecting or disconnecting. Connecting the power tool to the cleaner with both of them being switched on may cause unexpected and sudden start resulting serious personal injury.

Fig.3

When connecting a grounded tool, insert a plug with a grounding plate to the socket of the cleaner.

⚠CAUTION:

- Never connect an electric power tool with an input power exceeding that specified in the " SPECIFICATIONS " to the socket of the cleaner by turning the suction force adjusting knob. Connecting the electric power tool exceeding the specified input power may cause overheat and damage to the cleaner. Refer to the specifications to avoid this.

The cleaner can be connected to an electric power tool up to input power shown in the " SPECIFICATIONS ".

To connect an electric power tool, open the cap and insert the power tool plug into the socket of the cleaner.

Fig.4

Rotate the switch lever to the " AUTO " position.

Move the suction force adjusting knob to the position suitable for the input power of the electric power tool you intend to use. Refer to the SPECIFICATIONS for the relation between suction force adjusting knob and the electric power tool input power.

Switching on and off of the connected electric power tool simultaneously brings the cleaner switching on and off action. The cleaner still works for a few seconds even after the electric power tool is switched off.

After use, disconnect the power tool from the socket of cleaner.

Switch off the cleaner after use.

Auto-suction stop during suction operation

⚠WARNING:

- **Do not use for a long time while the float is at work.** Using the cleaner with its float at work for a long time can cause overheat, resulting in the cleaner deformation.
- **Do not pick up foam or soapy liquid.** Picking up foam or soapy liquid can cause foam to come out of air exit before the float works. Continuing to using in this condition may cause an electric shock and breakage of the cleaner.

The cleaner has a float mechanism that prevents water from immersing into the motor when picking up more than a certain amount of water.

When the tank is full and the cleaner no longer picks up water, switch off the cleaner and empty the tank.

Installing the holder

Fig.5

When connecting an electric power tool, secure the power supply cord and hose using the holders at a 70 cm - 80 cm distance among the holders that are provided with the cleaner so that the hose is not entangled by the power supply cord.

Usage of base hook

⚠CAUTION:

- **Be careful not to pinch your fingers when closing the base hook.** Failure to do so may cause personal injury.

NOTE:

- Do not apply an excessive force on the base hook. The excessive force on the base hook may damage the base hook. Close the base hook when not in use.

Opening the base hook allows the following usage.

1. Storing the power supply cord

NOTE:

- **Do not use the cleaner or a connected electric power tool with a power supply cord wound on the base hook.** Using the cleaner or the connected electric power tool with power supply cord may cause damage the power supply cord.

Fig.6

2. Storing the front cuffs

Front cuffs 22, 24 and 38 can be stored (up to two at a time).

Fig.7

3. Storing the hose

Fig.8

4. Resting a reasonable size of electric power tool for the base hook, such as circular saw.

Fig.9

Locking or unlocking the caster

For Models VC1310L and VC2510L

Fig.10

For Model VC3210L

Fig.11

To lock the caster with a stopper, lower the stopper lever and the caster no longer will rotate. To release the caster from the locked position, raise the stopper lever.

Locking the caster is convenient when storing the cleaner, stopping the work on the way and keeping the cleaner still.

To operate the stopper, move it by hand.

NOTE:

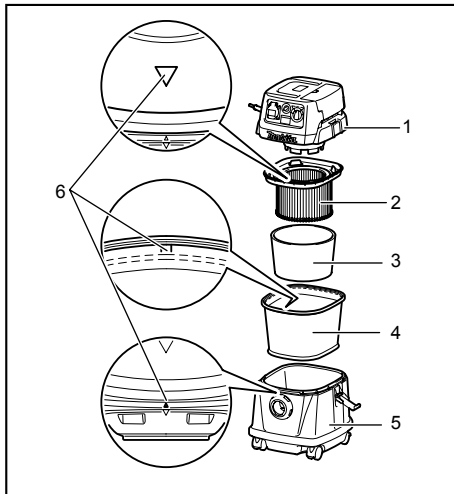
- When moving the cleaner, make sure that the caster is unlocked. Moving the cleaner with the caster in the locked position may cause damage to the caster.

ASSEMBLY

⚠CAUTION:

- Always be sure that the cleaner is switched off and unplugged before carrying out any work on the cleaner.

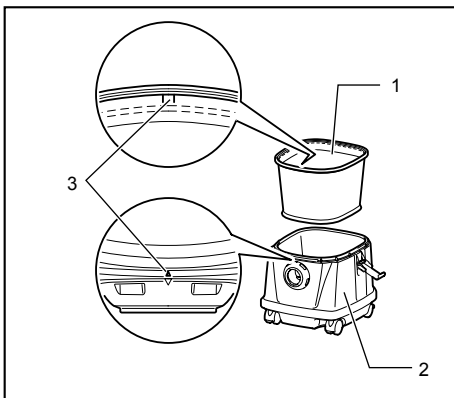
Installing the water filter



1. Tank cover
2. Powder filter
3. Damper
4. Prefilter
5. Tank
6. Mounting position marking

011637

To pick up water or wet dust, remove prefilter and damper and then use water filter.



1. Water filter
2. Tank
3. Mounting position marking

011630

When installing the water filter on the tank, set it tight at the opening of the tank so that the hook of the water filter engages the tank opening firmly and there is no space between the water filter and the tank.

Also, install the water filter so that the mounting position marking can be aligned.

NOTE:

- Models VC2510L and VC3210L have no mounting position marking and no need to align it.

Installing the paper pack

⚠WARNING:

- When using the paper pack, also use the prefilter together that is preinstalled on the tool. Failure to use the prefilter together may cause unusual noise and heat, resulting in a fire.

⚠CAUTION:

- Never pick up water or other liquids or wet dusts when using the paper pack. Picking up such things may cause the paper pack breakage.

Fig.12

1. Remove the rubber holder.
2. Extend the paper pack.

Fig.13

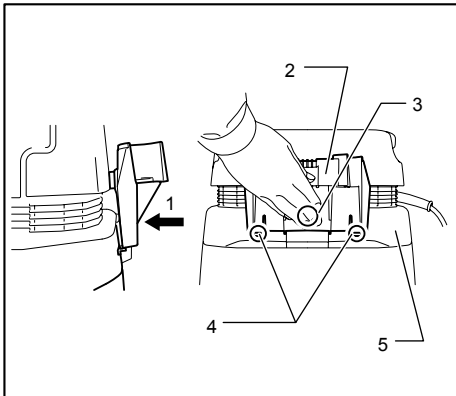
Fig.14

3. Align the paper pack opening with the dust suction opening of the cleaner.
4. Insert the cardboard of the paper pack onto the tool so that it is positioned at the end beyond the detent protrusion.

**Installing the pipe holder (optional accessory)
For Model VC1310L only**

Fig.15

Depress the cord hook as shown in the figure.



1. Press
2. Pipe holder
3. A section
4. Hooks
5. Tank cover

Attach the pipe holder onto the cord hook. (The hooks are away from the tank cover.)

Raise the pipe holder as far as the hooks contact the tank cover and press the A section of the pipe holder.

Fig.16

Press the A section with a great force and with the A section so pressed lower the pipe holder.

Fig.17

Fig.18

Fit two protrusion of the pipe holder into the grooves of the tank cover and then press down the pipe holder.

Fig.19

NOTE:

- The pipe holder that is excessively lowered than the intended position cannot be installed on the cord hook with the hook away from the tank cover as shown in the figure.

Fig.20

NOTE:

- Make sure that the two hooks of the pipe holder are hooked on the tank cover securely.

Connecting a hose

⚠CAUTION:

- Never force the hose for bending or stamp it. Never move the cleaner by a hose. Forcing, stamping and pulling the hose may cause a breakage or deformation of the hose.
- When picking up large wastes such as planer carvings, concrete dusts or similars other than small wastes, use the 38 mm inner diameter hose (optional accessory). Using the 28 mm inner diameter hose may cause a hose stuffing and damage.

Fig.21

Insert the hose onto the mounting port of the tank and turn it clockwise until it locks.

Installing polyethylene bag

Cleaner can also be used without polyethylene bag. However, using polyethylene bag is easier to empty the tank without letting your hands dirty.

Fig.22

Spread the polyethylene bag in the tank. Insert it between the holder plate and the tank, and pull it to the hose inlet.

Fig.23

Spread the bag around the top of the tank. Hook up the other side of the bag around the top of the tank so that the prefilter hook can catch and hold it securely.

NOTE:

- A polyethylene bag available on the market can be used. The 0.04 mm or thicker one is recommended.
- Too much dust will tear the bag easily, so do not collect the dust more than the half of the bag capacity.

Emptying the polyethylene bag

⚠️WARNING:

- Always make sure that the cleaner is switched off and unplugged before emptying the polyethylene bag. Failure to do so may cause an electric shock and serious personal injury.

⚠️CAUTION:

- Do not apply a great impact on the powder filter and tank. Applying a great impact may cause deformation and damage to powder filter and tank.
- Empty the tank at least once a day although this depends on picked-up dust volume in the tank. Or, the suction force will weaken and the motor may be broken.
- Do not grab the hook when emptying the tank. Grabbing the hook may cause the hook to break.

Fig.24

Unhook and lift up the tank cover.

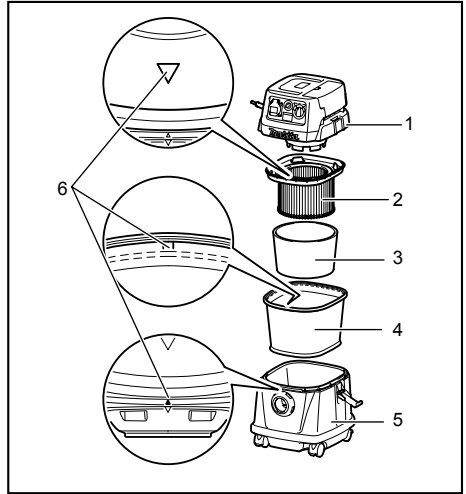
Fig.25

Shake off the dust from powder filter, damper and prefilter and then take the polyethylene bag out of the tank.

NOTE:

- Take the polyethylene bag carefully out of the tank so that the polyethylene bag cannot be caught and torn by the protrusion inside the tank when emptying it.
- Empty the polyethylene bag before it becomes full. Too much dust in the tank may cause the polyethylene bag to be torn.

Installing powder filter



1. Tank cover
2. Powder filter
3. Damper
4. Prefilter
5. Tank
6. Mounting position marking

011637

Place the prefilter in the tank.

Next, mount the damper on the powder filter and then place it in the prefilter.

When installing powder filter and prefilter, the mounting position marking on each of them are aligned with that one at the top of the tank.

Finally, mount the tank cover.

NOTE:

- Models VC2510L and VC3210L have no mounting position marking and no need to align it.
- Before using the powder filter, make sure that prefilter and damper are always used together. It is not allowed to install powder filter solely.
- Before using the paper pack, make sure that powder filter, damper and prefilter are always used together.

Carrying the cleaner

Fig.26

When carrying the cleaner, carry it by holding the handle on the head as shown in the figure. The handle is retractable at the head when not in use.

MAINTENANCE

⚠ CAUTION:

- Always be sure that the tool is switched off and unplugged before attempting to perform inspection or maintenance.

Storage of power supply cord

For Model VC1310L only

Fig.27

Fig.28

Pull out the cord hook or open the base hook. Wind up the power supply cord and hang it on the cord hook or wind it around the base hook.

NOTE:

- Do not force the power supply cord off the cord hook when trying to disconnect it from there. Forcing power supply cord to disconnect from the cord hook may cause damage to the cord.

For Models VC2510L and VC3210L

Fig.29

Fig.30

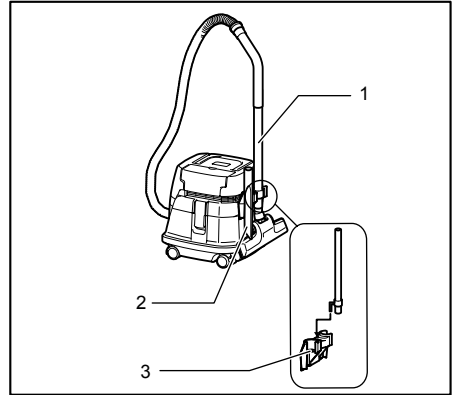
Wind up the power supply cord around the base hook.

Storage of accessories

NOTE:

- Do not apply an excessive force to the accessories that are held by the pipe holder. Applying an excessive force to these accessories may cause damage to the pipe holder.

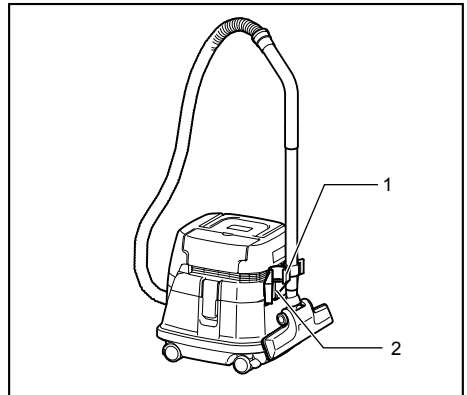
For Model VC1310L only



1. Straight pipe
2. Corner nozzle
3. Pipe holder

011612

Pipe holder can be used to store straight pipe, bent pipe, corner nozzle and similars by just inserting these accessories.

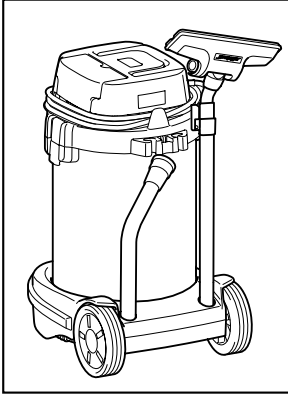


1. Stopper
2. Pipe holder

011613

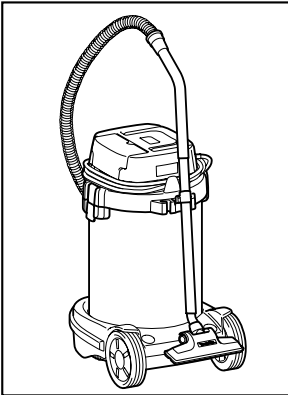
The pipes can be placed into the pipe holder when also stopping using the cleaner on the way for a while.

For Models VC2510L and VC3210L



011622

Pipe rest can be used to store straight pipe, bent pipe and others by just inserting these accessories.



011623

The pipes can be placed into the pipe holder when also stopping using the cleaner on the way for a while.

Cleaning

⚠CAUTION:

- Never use gasoline, benzine, thinner, alcohol or the like. Discoloration, deformation or cracks may result.

Fig.31

Clogged powder filter, prefilter and damper cause poor suction performance.

Clean out the filters and dampers from time to time.

To remove dust or particles adhering to the filters, shake the frame bottom quickly several times.

Fig.32

Occasionally wash the powder filter in water, rinse and dry thoroughly in the shade before use. Never wash filters in a washing machine.

NOTE:

- Do not rub and scratch the powder filter, the prefilter or the damper with hard objects such as a brush and a paddle.
- The filters are consumable and are recommended to have some spares for them.

To maintain product SAFETY and RELIABILITY, repairs, any other maintenance or adjustment should be performed by Makita Authorized Service Centers, always using Makita replacement parts.

OPTIONAL ACCESSORIES

⚠CAUTION:

- These accessories or attachments are recommended for use with your Makita tool specified in this manual. The use of any other accessories or attachments might present a risk of injury to persons. Only use accessory or attachment for its stated purpose.

If you need any assistance for more details regarding these accessories, ask your local Makita Service Center.

- Hose
- Front cuffs (22, 24, 38)
- Straight pipe
- Corner nozzle
- Round brush
- Powder filter (For dry type)
- Damper
- Prefilter
- Nozzle assembly
- Bent pipe
- Polyethylene bag
- Filter (For water)
- Paper pack
- Holder set
- Pipe holder (for Model VC1310L only)

NOTE:



- Some items in the list may be included in the tool package as standard accessories. They may differ from country to country.

SVENSKA (Originalbruksanvisning)

Förklaring till översiktstillbilderna

1-1. Justeringsknapp för sugstyrka	10-4. Låst läge	23-1. Polyetylenpåse
1-2. Avtryckare	11-1. Hjul	23-2. Hållarplatta
2-1. Justeringsknapp för sugstyrka	11-2. Låsreglage	23-3. Tank
2-2. Avtryckare	11-3. FRILÅGE	24-1. Tankhölje
3-1. Hylsa	11-4. Låst läge	24-2. Polyetylenpåse
3-2. Elsladd	12-1. Gummihandtag	24-3. Krok
3-3. Justeringsknapp för sugstyrka	13-1. Pappersbehållare	26-1. Handtag
3-4. Avtryckare	15-1. Kabelhake	26-2. Överdel
4-1. Justeringsknapp för sugstyrka	16-1. Tryck med kraft och sänk ned	27-1. Kabelhake
4-2. Avtryckare	17-1. Tankhölje	27-2. Elsladd
5-1. Hållare	17-2. Utskjutande del på rörhållaren	28-1. Elsladd
6-1. Elsladd	17-3. Spår	28-2. Upphängare på basenhet
6-2. Upphängare på basenhet	19-1. Tankhölje	29-1. Kabelhake
7-1. Främre kopplingar	19-2. Krok	29-2. Elsladd
8-1. Slang	20-1. Tankhölje	30-1. Elsladd
10-1. Hjul	20-2. Krok	30-2. Upphängare på basenhet
10-2. Låsreglage	22-1. Hållarplatta	31-1. Tank
10-3. FRILÅGE	22-2. Tank	31-2. Förfilter

SPECIFIKATIONER

Modell		VC1310L / VC2510L / VC3210L					
Länder		EU	AU/NZ	GB 110V	GB 230V	CL	AR / CH
Spänning	Volt	230 - 240	230 - 240	110	230 - 240	220	230 - 240
Strömförbrukning	Watt	1050	1050	1050	1050	1050	1050
Ansluten belastning för apparatens uttag	Watt vid symbolläget 	2400	1200	600	1900	2200	1100
	Watt vid symbolläget 	2600	1400	850	2100	2500	1400
Total ansluten effekt	Watt	3450	2250	1650	2950	3250	2150

Modell		VC1310L	VC2510L	VC3210L
Volymflöde (luft)		2,0 m ³ /min		
Vakuum		22 kPa		
Skyddsklass		1		
Skyddstyp		IP X4 (stänksäker)		
Återvinningskapacitet	Damm	13 L	25 L	32 L
	Vatten	7 L	14 L	27 L
Mått (L x B x H)		366 mm x 334 mm x 420 mm	432 mm x 416 mm x 451 mm	552 mm x 398 mm x 685 mm
Vikt		9,6 kg	10,5 kg	14,5 kg

- På grund av vårt pågående program för forskning och utveckling kan dessa specifikationer ändras utan föregående meddelande.
- Specifikationerna kan variera mellan olika länder.
- Vikt i enlighet med EPTA-procedur 01/2003

Symboler

Följande visar symbolerna som används för utrustningen. Se till att du förstår innebörden innan du använder bormaskinen.



- Läs igenom bruksanvisningen.



- Varning! Dammsugaren kan innehålla farligt damm.



- Stå aldrig på dammsugaren.



- Gäller endast EU-länder
Elektrisk utrustning får inte kastas i hushållssoporna!
Enligt EU-direktivet som avser äldre elektrisk och elektronisk utrustning och dess tillämpning enligt nationell lagstiftning ska uttjänt elektrisk utrustning sorteras separat och lämnas till miljövänlig återvinning.

ENE016-1

Avsedd användning

Maskinen är avsedd för att suga upp både vått och torrt damm.

ENF001-1

Strömförsörjning

Maskinen får endast anslutas till nät med spänning som anges på typplåten och med enfasig växelström. Denna maskin ska jordas när den används för att skydda användaren mot elstötar. Använd endast tretrådars förlängningsladdar som har 3-poliga jordade kontakter och 3-poliga skarvdon som passar maskinens stickpropp.

ENG905-1

Buller

Typiska A-vägd bullernivån är mätt enligt EN/IEC60704:

Modell VC1310L

Ljudtrycksnivå (L_{pA}): 72 dB (A)

Måttolerans (K): 2,5 dB (A)

Bullernivån vid arbete kan överstiga 80 dB (A).

Modell VC2510L, VC3210L

Ljudtrycksnivå (L_{pA}): 73 dB (A)

Måttolerans (K): 2,5 dB (A)

Bullernivån vid arbete kan överstiga 80 dB (A).

Använd hörselskydd

Gäller endast Europa

EU-konformitetsdeklaration

Makita försäkrar att följande maskiner:

Maskinbeteckning:

Dammsugare

Modellnummer/Typ: VC1310L, VC2510L, VC3210L

Följer följande EU-direktiv:

2006/42/EC

De är tillverkade i enlighet med följande standard eller standardiseringsdokument:

EN60335

Den tekniska dokumentationen i enlighet med 2006/42/EG finns tillgänglig från:

Makita, Jan-Baptist Vinkstraat 2, 3070, Belgium

31.7.2014

000331

Yasushi Fukaya

Direktör

Makita, Jan-Baptist Vinkstraat 2, 3070, Belgium

ENB119-5

SÄKERHETSVARNINGAR FÖR DAMMSUGARE

⚠ VARNING! VIKTIGT! LÄS NOGGRANT igenom alla säkerhetsvarningar och anvisningar FÖRE ANVÄNDNING. Underlåtenhet att följa varningar och anvisningar kan leda till elektrisk stöt, brand och/eller allvarliga personskador.

1. Se till före användningen att denna dammsugare endast används av personer som har fått korrekta instruktioner om hur dammsugaren ska användas.
2. Använd endast strömuttaget på dammsugaren för de ändamål som beskrivs i bruksanvisningen.
3. Om skum eller vätska kommer ut ska maskinen stängas av omedelbart.
4. Rengör regelbundet enheten för vattennivågränsen och kontrollera den om det finns tecken på skada.
5. Använd inte dammsugaren utan filtret. Byt genast ut ett skadat filter.
6. **ANVÄNDNING AV FÖRLÄNGNINGSKABEL.** Vid användning av en förlängningskabel, när avståndet till strömkällan är för långt, ska du försöka att använda en kabel som är tillräckligt kraftig men inte för lång annars kommer sugkraften att påverkas negativt. För utomhusanvändning ska en förlängningskabel för utomhusbruk användas.

7. **SPÄNNINGSVARNING:** Innan dammsugaren ansluts till en strömkälla (eluttag etc.) ska du kontrollera att den levererade spänningen är den samma som finns specificerad på dammsugarens namnplåt. En strömkälla med en högre spänning än den som är specificerad för dammsugaren kan resultera i **ALLVARLIG SKADA** hos användaren liksom skada på dammsugaren. **SÄTT INTE I STRÖMKONTAKTEN** om du är tveksam. Att använda en strömkälla med en lägre spänning än den på namnplåten är skadligt för motorn.
8. **UNDVIK OAVSIKTLIG START.** Se till att strömbrytaren är **AVSTÄNGD** när dammsugaren ansluts till elnätet.
9. Försök inte att suga upp lättantändliga material, fyrverkerier, tända cigaretter, het aska, heta metallfiosor, vasst material såsom rakblad, nålar, krossat glas eller liknande.
10. **ANVÄND ALDRIG DAMMSUGAREN I NÄRHETEN AV BENSIN, GAS, FÄRG, LIM ELLER ÄNDRA HÖGEXPLOSIVA ÄMNINGEN.** Strömbrytaren avger gnistor när den sätts PÅ och AV. Och så gör strömomkastaren för motorn under användning. En farlig explosion kan uppstå.
11. Sug aldrig upp giftiga, cancerframkallande, brännbara eller andra farliga material såsom asbest, arsenik, barium, beryllium, bly, bekämpningsmedel eller annat hälsofarligt material.
12. Använd aldrig dammsugaren utomhus i regnet.
13. Använd inte dammsugaren nära värmekällor (spisar etc.).
14. **SKYDD MOT ELEKTRISK STÖT.** Undvik kroppskontakt med jordade ytor. Till exempel rör, element, spisar eller kylskåpshöjlen.
15. Blockera inte kylventiler. Dessa ventiler kyler ner motorn. Var noggrann med att inte blockera dessa eftersom motorn bränns ut om det inte finns ventilation.
16. Stå alltid stabilt och ha god balans hela tiden.
17. **HANTERA INTE KABELN OFÖRSIKTIGT.** Lyft aldrig dammsugaren i kabeln och ryck inte i kabeln för att dra ut den ur eluttaget. Håll sladden borta från värme, olja och vassa kanter. Inspektera dammsugarens kablar ibland och låt en auktoriserad serviceverkstad byta ut dem om de är skadade. Inspektera förlängningskablarna då och då, och byt ut dem om de är skadade.
18. Slangen får inte vikas, ryckas i eller trampas på.
19. Stäng genast av dammsugaren om den suger dåligt eller något onormalt sker med den under användningen.
20. **DRA UT DAMMSUGARENS ELKONTAKT.** När dammsugaren inte används, före service och vid byte av tillbehör.
21. Rengör och serva dammsugaren omedelbart efter varje användning för att hålla den i perfekt skick.
22. **UNDERHÅLL DAMMSUGAREN MED OMSORG.** Håll dammsugaren ren för att uppnå bättre och säkrare funktion. Följ anvisningarna för byte av tillbehör. Håll handtagen torra, rena och fria från olja och fett.
23. **KONTROLLERA SKADADE DELAR.** Före fortsatt användning av dammsugaren ska ett skadat skydd eller annan del som är skadad noggrant kontrolleras för att avgöra om den kommer att fungera korrekt och utför det arbete som den är avsedd för. Kontrollera inriktningen och fästet för rörliga delar, om det finns trasiga delar, monteringen eller andra förhållande som kan påverka användningen av dammsugaren. Ett skydd eller annan del som är skadad ska repareras ordentligt eller bytas ut av en auktoriserad serviceverkstad om inte något annat anges i denna bruksanvisning. Låt en auktoriserad serviceverkstad byta ut trasiga strömbrytare. Använd inte dammsugaren om strömbrytaren inte sätter på eller stänger av den.
24. **RESERVDELAR.** Vid service ska endast identiska reservdelar användas.
25. **FÖRVARA DAMMSUGARE SOM INTE ANVÄNDS.** Dammsugaren ska förvaras inomhus när den inte används.
26. Ta hand om din dammsugare. Hård hantering kan orsaka skada på även den mest robust byggda dammsugare.
27. Rengör inte ut- eller insidan med bensin, thinner eller rengörande kemikalier. Det kan orsaka sprickor och missfärgning.
28. Använd inte dammsugaren i ett slutet rum där lättantändliga, explosiva eller giftiga ångor avges från oljebaserad färg, thinner, bensin, malbehandlingsmedel etc., eller i områden där lättantändligt damm finns.
29. Lämna inte kvar dammsugarkabeln på golvet efter avslutad städning. Någon kan snubbla på den eller så kan det skada dammsugaren.
30. Använd inte dammsugaren eller annan maskin under påverkan av droger eller alkohol.
31. Som en grundläggande säkerhetsregel ska skyddkorgsglasögon eller skyddsglasögon med sidoskydd användas.
32. Använd en dammask under dammiga förhållanden.
33. Denna utrustning är inte avsedd för användning av personer med nedsatta fysiska, sensoriska eller mentala förmågor, eller som brister i erfarenhet eller kunskap.

34. Barn skall övervakas så att de inte leker med dammsugaren.
35. Hantera aldrig strömkabeln eller dammsugaren med blöta händer.
36. Var mycket försiktig vid rengöring av trappor.
37. Använd inte dammsugaren som sittplats eller arbetsbänk. Maskinen skulle kunna ramlas omkull och orsaka personskada.

BEHÅLL FÖR FRAMTIDA BRUK

⚠VARNING!

GLÖM INTE att **noggrant** följa säkerhetsanvisningarna för maskinen även efter det att du har blivit van att använda den. **OVARSAM** hantering eller underlåtenhet att följa säkerhetsanvisningarna i denna bruksanvisning kan leda till allvarliga personskador.

FUNKTIONSBESKRIVNING

⚠VARNING!

- Se alltid till att dammsugaren är avstängd innan du ansluter den till eluttaget. I annat fall kan det orsaka en oavsiktlig start vilket kan resultera i allvarlig personskada.

Avtryckarens funktion

Fig.1

Vrid strömbrytaren till sidan "I" för att starta dammsugaren. Vrid strömbrytaren till sidan "O" för att stänga av dammsugaren.

Fig.2

Sugkraften kan justeras efter ditt arbete.

Sugkraften ökar genom att vrida justeringsratten för sugstyrka från symbolen ↻ till symbolen ↻.

Anslutning av elektriska maskiner

⚠VARNING!

- Observera den maximala anslutningseffekten för apparatens kontakt (Se SPECIFIKATIONER.)
- Kontrollera så att både dammsugaren och elektriska maskinen är avstängda före anslutningen eller innan anslutningen tas bort. Att ansluta maskinen till dammsugaren med båda påslagna kan orsaka oavsiktlig och plötslig start vilket kan resultera i personskada.

Fig.3

Vid anslutning av en jordad maskin ska en stickkontakt med en jordplåt sättas i dammsugarens uttag.

⚠FÖRSIKTIGT!

- Anslut aldrig en elektrisk maskin med en ineffekt som överstiger den som är angiven i "SPECIFIKATIONER" till dammsugarens uttag genom att vrida justeringsratten för sugstyrka. I annat fall kan det orsaka överhettning och skada på dammsugaren. Se specifikationerna för att undvika detta.

Dammsugaren kan anslutas till en elektrisk maskin upp till den ineffekt som visas i "SPECIFIKATIONER".

För att ansluta en elektrisk maskin ska locket öppnas och maskinens stickkontakt sättas i dammsugarens uttag.

Fig.4

Vrid strömbrytarreglaget till läget "AUTO".

Flytta justeringsratten för sugstyrka till passende läge för ineffekten av den elektriska maskin som du tänker använda. Se "SPECIFIKATIONER" för relationen mellan justeringsratten för sugstyrka och ineffekten för den elektriska maskinen.

På- och avstängning av den anslutna elektriska maskinen får dammsugaren att simultant slå på och av. Dammsugaren fortsätter att fungera i några sekunder efter det att den elektriska maskinen har stängts av.

Efter användning ska maskinen avskiljas från dammsugarens uttag.

Stäng av dammsugaren efter användning.

Auto-sugning stoppar under sugningen

⚠VARNING!

- **Använd den inte under lång tid medan flottören arbetar.** I annat fall kan det orsaka överhettning vilket resulterar i att dammsugaren deformeras.
- **Sug inte upp skum eller tvällösning.** I annat fall kan det leda till att skum kommer ut ur luftutgången innan flottören arbetar. Att fortsätta använda dammsugaren under detta förhållande kan orsaka elektrisk stöt och att dammsugaren går sönder.

Dammsugaren har en flytmekanism som förhindrar att vatten tränger in i motorn när det sugs upp mer än en viss mängd vatten.

När tanken är full och dammsugaren inte längre suger upp vatten ska dammsugaren stängas av och tanken tömmas.

Montering av hållaren

Fig.5

Vid anslutning av en elektrisk maskin ska strömförsörjningskabeln och slangen fästas i hållarna med ett avstånd på 70 cm – 80 cm mellan hållarna (som levereras med dammsugaren) så att slangen inte trasslas in i strömförsörjningskabeln.

Användning av upphängaren på basenheten

⚠FÖRSIKTIGT!

- **Var försiktig så att du inte klämmer fingrarna när du stänger upphängaren på basenheten.** I annat fall kan det orsaka personskada.

OBS!

- Tryck inte för mycket på upphängaren på basenheten. I annat fall kan det skada den. Stäng upphängaren på basenheten när den inte används.

Genom att öppna upphängaren på basenheten tillåts följande användning.

1. Förvaring av strömkabeln

OBS!

- **Använd inte dammsugaren eller en ansluten elektrisk maskin med strömkabeln upplindad runt upphängaren på basenheten.** I annat fall kan det orsaka skada på strömkabeln.

Fig.6

2. Förvaring av de främre kopplingarna

De främre kopplingarna 22, 24 och 38 kan förvaras på basenheten (upp till två åt gången).

Fig.7

3. Förvaring av slangen

Fig.8

- 4. **Vila en rimlig maskinstorlek på upphängaren på basenheten, såsom en cirkelsåg.**

Fig.9

Lås eller lås upp hjulet

För modell VC1310L och VC2510L

Fig.10

För modell VC3210L

Fig.11

För att låsa hjulet med ett stopp sänker du stoppreglaget och hjulet är låst. Frigör hjulet genom att lyfta upp stoppreglaget.

Att låsa hjulen är bekvämt när dammsugaren förvaras, när arbetet stannar av och för att hålla dammsugaren stilla.

Flytta stoppreglaget för hand.

OBS!

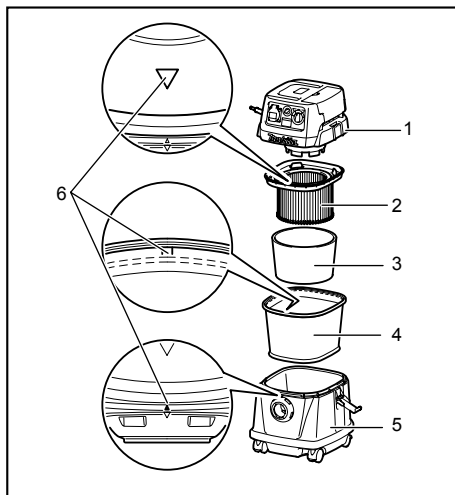
- Kontrollera så att hjulen inte är låsta när du flyttar dammsugaren. I annat fall kan det skada hjulen.

MONTERING

⚠FÖRSIKTIGT!

- Se alltid till att dammsugaren är avstängd och stickkontakten utdragen ur eluttaget innan arbete utförs på dammsugaren.

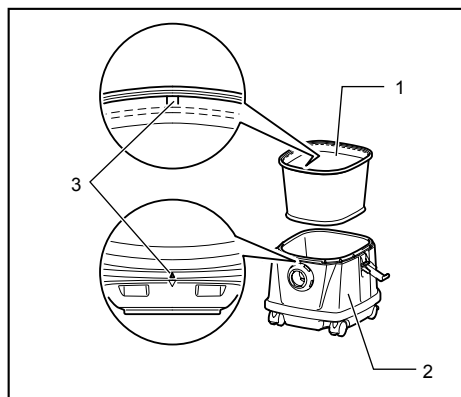
Montering av vattenfiltret



1. Tankhölje
2. Dammfiler
3. Stötdämpare
4. Förfilter
5. Tank
6. Markering för monteringsläge

011637

För att suga upp vatten eller blött damm ska förfiltret och stötdämparen bytas ut mot vattenfiltret.



1. Vattenfilter
 2. Tank
 3. Markering för monteringsläge
- 011630

Vid montering av vattenfiltret på tanken ska det fästas tätt på tankens öppning så att vattenfiltrets hake fäster ordentligt och att det inte finns något mellanrum mellan vattenfiltret och tanken.

Montera också vattenfiltret så att markeringen för monteringsläget kan riktas in.

OBS!

- Modell VC2510L och VC3210L har ingen markering för monteringsläget och behöver inte riktas in.

Montera pappersbehållaren

⚠VARNING!

- När pappersbehållare används ska också förfiltret användas som finns förmonterat på maskinen. I annat fall kan det orsaka onormalt buller och hetta vilket resulterar i brand.

⚠FÖRSIKTIGT!

- Sug aldrig upp vatten eller andra vätskor eller blött damm när pappersbehållare används. I annat fall kan det ta sönder pappersbehållaren.

Fig.12

1. Ta bort gummihandtaget.
2. Veckla ut pappersbehållaren.

Fig.13

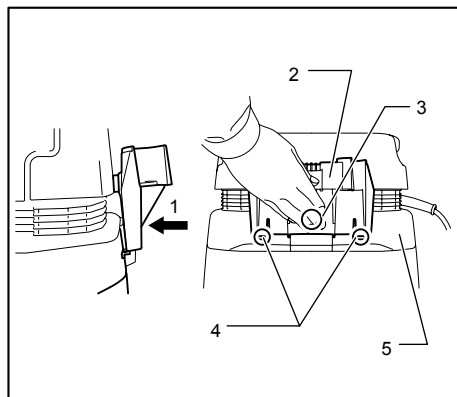
Fig.14

3. Rikta in öppningen på pappersbehållaren med öppningen på dammsugarens dammsug.
4. För in pappersbehållarens kartongpapp på verktyget så att den är placerad vid slutet, bakom den utskjutande spärrhaken.

Montering av rörhållaren (valfritt tillbehör) Endast för modell VC1310L

Fig.15

Tryck ned kabelhaken, såsom visas i figuren.



1. Tryck
 2. Rörhållare
 3. A-sektion
 4. Krok
 5. Tankhölje
- 011605

Fäst rörhållaren på kabelhaken. (Hakarna befinner sig bort från tankhöljet.)

Lyft rörhållaren så långt så att upphängarna kommer i kontakt med tankhöljet och tryck på A-sektionen på rörhållaren.

Fig.16

Tryck på A-sektionen med stor kraft och, med A-sektion så här, tryck ned rörhållaren mer.

Fig.17

Fig.18

Fäst rörhållarens två utskjutande delar i spåren på tankhöljet och tryck sedan ned rörhållaren.

Fig.19

OBS!

- Rörhållaren som är lägre än det avsedda läget kan inte monteras på kabelhaken med haken bort från tankhöljet, såsom visas i figuren.

Fig.20

OBS!

- Kontrollera så att de två hakarna på rörhållaren är fastskade på tankhöljet ordentligt.

Anslutning av en slang

⚠FÖRSIKTIGT!

- Böj aldrig slangen med tvång eller trampa på den. Förflytta aldrig dammsugaren genom att dra i slangen. Att tvinga, trampa på eller att dra i slangen kan ta sönder eller deformera den.

- Vid uppsugning av stora bitar såsom hyvelspån, betongdamm eller liknande ska slangen med en innerdiameter på 38 mm (valfritt tillbehör) användas. Att använda slangen med en innerdiameter på 28 mm kan blockera och skada den.

Fig.21

Trä på slangen på monteringsöppningen på tanken och vrid den medurs tills den låser fast.

Montering av polyetylenpåse

Dammsugare kan också användas utan polyetylenpåse. Men genom att använda en polyetylenpåse är det lättare att tömma tanken utan att smutsa ner händerna.

Fig.22

Veckla ut polyetylenpåse i tanken. Sätt i den mellan hållarplattan och tanken, och dra den till slangintaget.

Fig.23

Veckla ut påsen runt överdelen av tanken.

Häng upp den andra sidan av påsen runt överdelen på tanken så att förfiltrets hake kan fånga den och hålla den säkert på plats.

OBS!

- Polyetylenpåsar som finns i handeln kan användas. 0,04 mm eller grövre rekommenderas.
- För mycket damm tar lätt sönder påsen, så fyll inte påsen mer än till hälften.

Töm polyetylenpåsen

⚠ VARNING!

- Se alltid till att dammsugaren är avstängd och att kabeln inte är ansluten i eluttaget innan du tömmer påsen. I annat fall kan det orsaka en elektrisk stöt och allvarig personskada.

⚠ FÖRSIKTIGT!

- Anlägg inte ett stort tryck på dammfiltret och tanken. I annat fall kan det orsaka deformation och skada på dammfiltret och tanken.
- Töm tanken åtminstone en gång per dag, även om detta beror på den uppsugna mängden i tanken. Annars kan sugkraften minska och motorn kan gå sönder.
- Ta inte tag i haken när du tömmer tanken. I annat fall kan haken gå sönder.

Fig.24

Lossa hakarna och lyft upp tankhöljet.

Fig.25

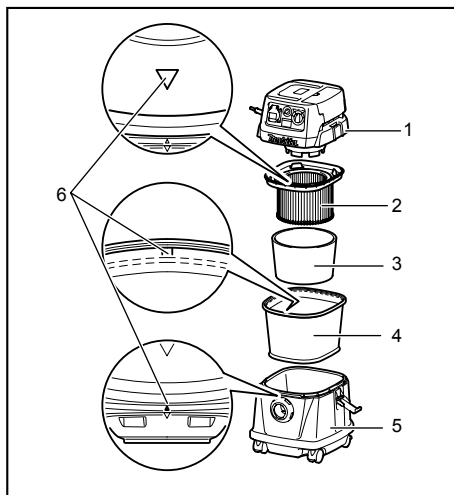
Skaka av damm från dammfiltret, stötdämparen och förfiltret, och ta sedan ut polyetylenpåsen ur tanken.

OBS!

- Ta försiktigt ut polyetylenpåsen ur tanken så att den inte fångas upp och går sönder av den utskjutande delen på insidan av tanken när påsen ska tömmas.

- Töm polyetylenpåsen innan den blir full. För mycket damm i tanken kan leda till att polyetylenpåsen går sönder.

Montering av dammfilter



1. Tankhölje
2. Dammfilter
3. Stötdämpare
4. Förfiltret
5. Tank
6. Markering för monteringsläge

011637

Placera förfiltret i tanken.

Montera sedan stötdämparen på dammfiltret och placera den sedan i förfiltret.

Vid montering av dammfilter och förfiltret ska markeringen för monteringsläget på var och en av dem vara i linje med den som finns högst upp på tanken.

Montera slutligen tankhöljet.

OBS!

- Modell VC2510L och VC3210L har ingen markering för monteringsläget och behöver inte riktas in.
- Innan dammfiltret används ska du kontrollera att förfiltret och stötdämparen alltid används tillsammans. Det är inte tillåtet att endast montera dammfiltret.
- Innan pappersbehållaren används ska du kontrollera att dammfiltret, stötdämparen och förfiltret alltid används tillsammans.

Transport av dammsugaren

Fig.26

När du bär dammsugaren ska du hålla i handtaget som sitter på överdelen, såsom visas i figuren. Handtaget är infällbart på överdelen när det inte används.

UNDERHÅLL

⚠ FÖRSIKTIGT!

- Se alltid till att maskinen är avstängd och nätkabeln urdragen innan inspektion eller underhåll utförs.

Förvaring av strömkabeln

Endast för modell VC1310L

Fig.27

Fig.28

Dra ut kabelhaken eller öppna upphängaren på basenheten. Linda upp strömkabeln och häng den på kabelhaken eller linda den runt upphängaren på basenheten.

OBS!

- Tvinga inte av strömkabeln från kabelhaken när du försöker ta bort den därifrån. I annat fall kan det skada kabeln.

För modell VC2510L och VC3210L

Fig.29

Fig.30

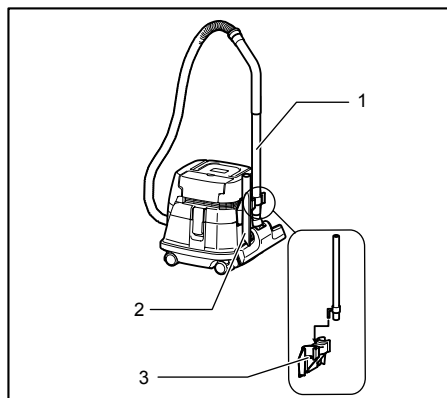
Linda upp strömkabeln runt upphängaren för basenheten.

Förvaring av tillbehör

OBS!

- Anlägg inte för mycket tryck på tillbehören som hålls av rörhållaren. I annat fall kan det skada rörhållaren.

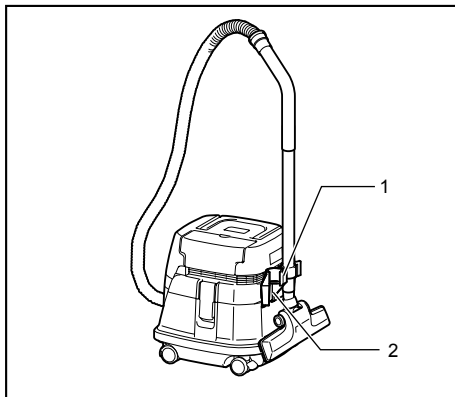
Endast för modell VC1310L



1. Rakt rör
2. Hörmunstycke
3. Rörhållare

011612

Rörhållaren kan användas till att förvara raka och vinklade rör, hörmunstycke och liknande genom att enkelt sätta i dessa tillbehör.

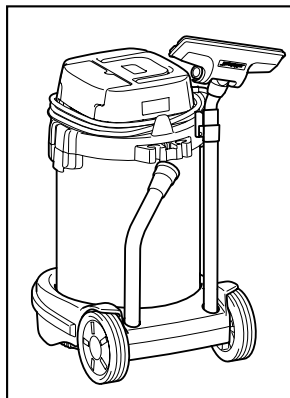


1. Stoppanordning
2. Rörhållare

011613

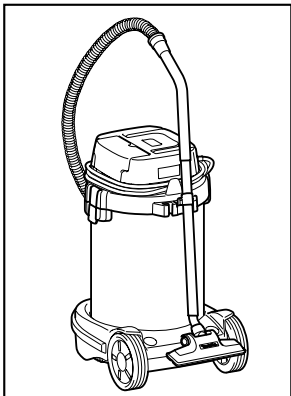
Rören kan också placeras i rörhållaren när du slutar att använda dammsugaren för ett ögonblick.

För modell VC2510L och VC3210L



011622

Rörhållare kan användas till att förvara raka och vinklade rör och liknande genom att enkelt sätta i dessa tillbehör.



011623

Rören kan också placeras i rörhållaren när du slutar att använda dammsugaren för ett ögonblick.

Rengöring

⚠FÖRSIKTIGT!

- Använd inte bensen, thinner, alkohol eller liknande. Missfärgning, deformation eller sprickor kan uppstå.

Fig.31

Igensatt dammfilter, förfilter och stötdämpare orsakar dålig sugfunktion.

Rengör filtren och stötdämparna då och då.

Skaka rambotten snabbt flera gånger för att avlägsna damm och partiklar som fastnat på filtren.

Fig.32

Tvätta dammfiltret då och då i vatten, skölj och torka noggrant i skuggan före användning. Tvätta aldrig filtren i tvättmaskinen.

OBS!

- Skrubba inte eller skrapa på dammfiltret, förfiltret eller stötdämparen med hårda föremål såsom en borste eller spatel.
- Filtren är en konsumtionsprodukt och det rekommenderas att ha några i reserv.

För att upprätthålla produktens SÄKERHET och TILLFÖRLITLIGHET bör allt underhålls- och justeringsarbete utföras av ett auktoriserat Makita servicecenter och med reservdelar från Makita.

VALFRIA TILLBEHÖR

⚠FÖRSIKTIGT!

- Dessa tillbehör och tillsatser rekommenderas för användning tillsammans med den Makita-maskin som denna bruksanvisning avser. Om andra tillbehör eller tillsatser används kan det uppstå risk för personskador. Använd endast tillbehören eller tillsatserna för de syften de är avsedda för.

Kontakta ditt lokala Makita servicecenter om du behöver ytterligare information om dessa tillbehör.

- Slang
- Främre kopplingar (22, 24, 38)
- Rakt rör
- Hörnmunstycke
- Rund borste
- Dammfilter (för torr sort)
- Stötdämpare
- Förfilter
- Munstycke
- Vinklat rör
- Polyetylenpåse
- Filter (för vatten)
- Pappersbehållare
- Hållarsats
- Rörhållare (endast för modell VC1310L)

OBS!

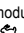
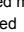
- Några av tillbehören i listan kan vara inkluderade i maskinpaketet som standardtillbehör. De kan variera mellan olika länder.

NORSK (originalinstruksjoner)

Oversiktsforklaring

1-1. Dreiebryter for justering av sugestykke	10-2. Stoppehendel	23-1. Polyetylenpose
1-2. Av/på-bryter	10-3. FRI-stilling	23-2. Holderplate
2-1. Dreiebryter for justering av sugestykke	10-4. Låst posisjon	23-3. Tank
2-2. Av/på-bryter	11-1. Trillehjul	24-1. Deksel for beholderen
3-1. Deksel	11-2. Stoppehendel	24-2. Polyetylenpose
3-2. Strømkabel	11-3. FRI-stilling	24-3. Bøyle
3-3. Dreiebryter for justering av sugestykke	11-4. Låst posisjon	26-1. Håndtak
3-4. Av/på-bryter	12-1. Gummiholder	26-2. Toppen av støvsugeren
4-1. Dreiebryter for justering av sugestykke	13-1. Papirpose	27-1. Ledningskrok
4-2. Av/på-bryter	15-1. Ledningskrok	27-2. Strømkabel
5-1. Holder	16-1. Trykk hardt ned	28-1. Strømkabel
6-1. Strømkabel	17-1. Deksel for beholderen	28-2. Slangeholder
6-2. Slangeholder	17-2. Fremspring på rørholder	29-1. Ledningskrok
7-1. Munnstykker	17-3. Spor	29-2. Strømkabel
8-1. Slange	19-1. Deksel for beholderen	30-1. Strømkabel
10-1. Trillehjul	19-2. Bøyle	30-2. Slangeholder
	20-1. Deksel for beholderen	31-1. Tank
	20-2. Bøyle	31-2. Forfilter
	22-1. Holderplate	
	22-2. Tank	

TEKNISKE DATA

Modell		VC1310L / VC2510L / VC3210L					
Land		EU	AU/NZ	GB 110V	GB 230V	CL	AR / CH
Spenning	Volt	230 - 240	230 - 240	110	230 - 240	220	230 - 240
Strømførbruk	Watt	1050	1050	1050	1050	1050	1050
Strømbelastning for apparatets stikkontakt	Watt ved modusen merket med  symbol	2400	1200	600	1900	2200	1100
	Watt ved modusen merket med  symbol	2600	1400	850	2100	2500	1400
Total tilkoblet belastning	Watt	3450	2250	1650	2950	3250	2150

Modell		VC1310L	VC2510L	VC3210L
Volumflyt (luft)		2,0 m ³ /min		
Vakuum		22 kPa		
Beskyttelsesklasse		1		
Beskyttelsestype		IP X4 (sprutsikker)		
Kapasitet	Støv	13 l	25 l	32 l
	Vann	7 l	14 l	27 l
Mål (L x B x H)		366 mm x 334 mm x 420 mm	432 mm x 416 mm x 451 mm	552 mm x 398 mm x 685 mm
Nettovekt		9,6 kg	10,5 kg	14,5 kg

- Som følge av vårt kontinuerlige forsknings- og utviklingsprogram kan de tekniske dataene endres uten ytterligere forvarsel.
- Tekniske data kan variere fra land til land.
- Vekt i henhold til EPTA-prosedyre 01/2003

Symboler

Nedenfor ser du symbolene som brukes for dette utstyret. Forviss deg om at du forstår hva de betyr, før du begynner å bruke maskinen.



• Les bruksanvisningen.



• Advarsel! Støvsugeren kan inneholde farlig støv.



• Aldri stå på støvsugeren.



• Kun for EU-land
Kast aldri elektroutstyr i husholdningsavfallet!

I henhold til EU-direktivet om kasserte elektriske og elektroniske produkter og direktivets iverksetting i nasjonal rett, må elektriske produkter som ikke lenger skal brukes, samles separat og returneres til et miljøvennlig gjenvinningsanlegg.

ENE016-1

Beregnet bruk

Denne maskinen er laget for å samle opp både vått og tørt støv.

ENF001-1

Strømforsyning

Maskinen må bare kobles til en strømkilde med samme spenning som vist på typeskiltet, og kan bare brukes med enfase-vekselstrømforsyning. Dette verktøyet må være jordet når det brukes, for å beskytte operatøren mot elektrisk støt. Bruk kun treleders skjøteledninger med jordingsstøpsler med tre tenner, og trepoledre kontakter som passer til verktøyets støpsel.

ENG905-1

Støy

Typisk A-vektet lydtryknivå er bestemt i henhold til EN/IEC60704:

Modell VC1310L

Lydtryknivå (L_{pA}): 72 dB (A)

Usikkerhet (K): 2,5 dB (A)

Støynivået under arbeid kan overskride 80 dB (A).

Modell VC2510L, VC3210L

Lydtryknivå (L_{pA}): 73 dB (A)

Usikkerhet (K): 2,5 dB (A)

Støynivået under arbeid kan overskride 80 dB (A).

Bruk hørselvern

Gjelder bare land i Europa

EF-samsvarserklæring

Makita erklærer at følgende maskin(er):

Maskinbetegnelse:

Støvsuger

Modellnr./type: VC1310L, VC2510L, VC3210L

Samsvarer med følgende europeiske direktiver:

2006/42/EC

De er produsert i henhold til følgende standarder eller standardiserte dokumenter:

EN60335

Den tekniske filen i samsvar med 2006/42/EF er tilgjengelig fra:

Makita, Jan-Baptist Vinkstraat 2, 3070, Belgia

31.7.2014

000331

Yasushi Fukaya

Direktør

Makita, Jan-Baptist Vinkstraat 2, 3070, Belgia

ENB119-5

SIKKERHETSADVARSLER FOR STØVSUGEREN

⚠ ADVARSEL! VIKTIG. LES NØYE alle sikkerhetsadvarslar og instruksjoner FØR BRUK. Hvis du ikke følger alle advarslene og instruksjonene som er oppført nedenfor, kan det føre til elektriske støt, brann og/eller alvorlige helseskader.

1. **Støvsugeren skal kun benyttes av personer som har fått tilstrekkelig opplæring i hvordan den skal brukes.**
2. **Stikkkontakten på støvsugeren skal kun brukes for de formålene som er angitt i instruksjonene.**
3. **Slå av umiddelbart hvis det kommer ut skum eller væske.**
4. **Innretningen for kontroll av vannivå må med jevne mellomrom rengjøres og undersøkes for tegn på skader.**
5. **Ikke bruk støvsugeren uten filter. Hvis filteret er skadet, må det skiftes ut umiddelbart.**
6. **BRUK AV SKJØTELEDNING.** Hvis det er nødvendig å bruke skjøteledning, bør du velge en ledning som er tilstrekkelig tykk men ikke for lang. Effekten til støvsugeren vil ellers bli redusert. Hvis støvsugeren skal brukes ute, må du velge en skjøteledning som er egnet for utendørs bruk.
7. **SPENNINGSFARE:** Før du kobler støvsugeren til en strømkilde (kontakt, osv.), må du forsikre deg om at spenningen er den samme som blir

- angitt på typeskiltet til støvsugeren. Hvis det brukes høyere spenning enn det som er angitt for støvsugeren, kan både brukeren og støvsugeren få ALVORLIGE SKADER. IKKE KOBLE TIL STØVSUGEREN hvis du er usikker på spenningen. Hvis støvsugeren drives med lavere spenning enn det som er angitt på typeskiltet, vil motoren ta skade.
8. **PASS PÅ AT STØVSUGEREN IKKE STARTES OPP UTILSIKTET.** Kontroller at bryteren er AV når du setter i støpselet.
 9. Ikke bruk støvsugeren på brennbar materiale, fyrverkeri, tente sigaretter, varm aske, varme metallsponer, skarpe materialer som f.eks. barberblader, nåler, knust glass eller lignende.
 10. **ALDRI BRUK STØVSUGEREN I NÆRHETEN AV BENSIN, GASS, MALING, LIM ELLER ANDRE HØYEKSPLOSIVE STOFFER.** Bryteren slår gnister når den slås PÅ og AV. Det samme gjør kommutatormotoren når den er i bruk. Dette kan forårsake en farlig eksplosjon.
 11. Aldri bruk støvsugeren på giftige, kreftfremkallende, brennbare eller andre farlige materialer som f.eks. asbest, arsen, barium, beryllium, bly, skadedrysmidler eller andre helseskadelige stoffer.
 12. Aldri bruk støvsugeren utendørs i regnvær.
 13. Ikke bruk støvsugeren nær varmekilder (for eksempel ovner).
 14. **VERN MOT ELEKTRISK STØT.** Unngå kroppskontakt med jordede overflater, som for eksempel rør, radiatorer, komfyrer og kjøleskap.
 15. Ikke blokker ventilasjonsåpningene. Disse åpningene er der for å kjøle motoren. Hvis ventilasjonsåpningene tilstoppes, vil motoren bli overopphetet.
 16. Pass på alltid å være i balanse og ha godt fotfeste.
 17. **VÆR FORSIKTIG NÅR DU HÅNTERER LEDNINGEN.** Støvsugeren skal aldri bæres etter ledningen. Når du trekker ut støpselet av kontakten, er det viktig at du holder i støpselet i stedet for å dra i ledningen. Hold kabelen unna varme, olje og skarpe kanter. Inspiser ledningene med jevne mellomrom, og få dem reparert av et autorisert serviceverksted hvis de er skadet. Inspiser skjøteledningene med jevne mellomrom og skift dem ut hvis de er skadde.
 18. Ikke brett, rykk i eller tråkk på slangen.
 19. Slå av støvsugeren umiddelbart hvis den oppfører seg unormalt (f.eks. hvis effekten er svak).
 20. **KOBLE FRA STØVSUGEREN.** Støvsugeren skal være frakoblet når den ikke er i bruk, før utføring av service-/reparasjonsarbeid, og ved bytte av tilbehør.
 21. For å holde støvsugeren i tipp topp stand er det viktig at du rengjør og vedlikeholder den etter hver bruk.
 22. **VÆR NØYE MED VEDLIKEHOLD AV STØVSUGEREN.** Rengjør støvsugeren for å holde den i sikker og god stand. Følg instruksjonene for bytte av tilbehør. Hold håndtakene tørre, rene og fri for olje og smørefett.
 23. **KONTROLLER SKADDE DELER.** Før videre bruk av støvsugeren må du foreta en grundig sjekk av ev. skadde deler, som f.eks. vern eller lignende, for å fastslå om de vil fungere som de skal. Kontroller at bevegelige deler beveger seg riktig i forhold til hverandre, at bevegelige deler kan bevege seg fritt, om noen deler er brukket, om monteringen er som den skal, eller om andre forhold kan påvirke hvordan støvsugeren vil fungere. Et vern eller en annen del som er skadet, må repareres eller skiftes ut hos et autorisert servicesenter, med mindre noe annet er angitt i denne bruksanvisningen. Sørg for at defekte brytere skiftes ut hos et autorisert servicesenter. Ikke bruk støvsugeren hvis AV/PÅ-bryteren er defekt.
 24. **RESERVEDELER.** Ved utføring av vedlikeholdsarbeid skal det kun brukes identiske reservedeler.
 25. **OPPBEVARING.** Støvsugeren oppbevares innendørs når den ikke er i bruk.
 26. Vær forsiktig når du håndterer støvsugeren. Hardhendt og uforsiktig håndtering kan forårsake skader på støvsugeren.
 27. Ikke bruk bensin, tynningsmidler eller kjemiske rengjøringsmidler for å rengjøre støvsugeren innvendig eller utvendig. Dette kan forårsake sprekker og misfarging.
 28. Ikke bruk støvsugeren i områder med brennbart støv, eller i lukkede rom hvor oljebasert maling, malingstynner, bensin, møllmidler eller lignende avgir brennbar, eksplosiv eller giftig damp.
 29. Ikke la ledningen ligge igjen på gulvet når du er ferdig med å støvsuge, da det ellers er fare for at noen kan snuble i den.
 30. Ikke bruk denne støvsugeren eller andre verktøy hvis du er under påvirkning av alkohol, narkotiske stoffer eller sterke legemidler.
 31. Alltid bruk vernebriller eller briller med sideskyttelse.
 32. Bruk støvmaske hvis det er mye støv der du jobber.
 33. Denne maskinen skal ikke brukes av personer med reduserte fysiske, sensoriske eller mentale evner, eller personer som mangler erfaring og kunnskap.
 34. Små barn bør passes på for å sikre at de ikke leker med støvsugeren.

35. Aldri håndter ledningen eller støvsugeren mens du er våt på hendene.
36. Vær svært forsiktig når du bruker støvsugeren i trapper.
37. Ikke bruk støvsugeren som en krakk eller arbeidsbenk. Den kan falle ned, noe som kan føre til personskade.

OPPBEVAR FOR FREMTIDIG REFERANSE

⚠ADVARSEL:

Selv om du har brukt produktet mye og føler deg fortrolig med det, er det likevel svært viktig at du følger nøye de retningslinjene for sikkerhet som er utarbeidet for dette produktet. MISBRUK av verktøyet eller mislighold av sikkerhetsreglene i denne brukerhåndboken kan resultere i alvorlige helseskader.

FUNKSJONSBEKRIVELSE

⚠ADVARSEL:

- **Kontroller at bryteren står i AV-posisjon før du kobler til støvsugeren.** Hvis bryteren er satt til PÅ når du kobler til støvsugeren, kan den starte opp utilsiktet og forårsake alvorlige personskader.


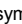
Bryterfunksjon

Fig.1

Vri dreiebryteren til "I" for å starte støvsugeren. Når du skal stanse støvsugeren, vri du dreiebryteren til "O".

Fig.2

Sugestyrken kan justeres etter behov.

Du øker sugestyrken ved å vri dreiebryteren for justering av sugestyrke fra -symbolet til .

Tilkobling av elektriske verktøy

⚠ADVARSEL:

- Ikke overskrid maksimal strømbelastning (se SPESIFIKASJONER).
- Kontroller at både støvsugeren og det elektriske verktøyet er slått av før til-/frakobling. Hvis det elektriske verktøyet og støvsugeren er slått på når verktøyet tilkobles, kan det oppstå en utilsiktet oppstart som forårsaker alvorlige personskader.

Fig.3

Hvis du skal koble til et jordet verktøy, må en plugg med jordingsplate settes inn i stikkkontakten på støvsugeren.

⚠FORSIKTIG:

- Det skal aldri tilkobles elektriske verktøy som har større inngangseffekt enn det som er angitt i "SPESIFIKASJONER" (dette gjelder selv om du justerer sugestyrken). Elektriske verktøy med for høy inngangseffekt kan forårsake overoppheting og skader på støvsugeren. Se spesifikasjonene og følg anvisningene nøye.

Du kan koble til elektriske verktøy med en inngangseffekt opptil maksimumsverdien som er angitt i "SPESIFIKASJONER".

Når du skal koble til et elektrisk verktøy, åpner du lokket og setter støpselet inn i stikkkontakten på støvsugeren.

Fig.4

Vri dreiebryteren til posisjonen "AUTO".

Vri dreiebryteren for justering av sugestyrke, slik at sugestyrken passer for det elektriske verktøyet du ønsker å bruke. Se SPESIFIKASJONENE for mer informasjon om hvordan du tilpasser sugestyrken etter inngangseffekten til det elektriske verktøyet.

Støvsugeren blir automatisk slått på/av idet du slår på/av det tilkoblede elektriske verktøyet. Merk at støvsugeren vil forbli aktiv i noen sekunder etter at det elektriske verktøyet er slått av.

Når du er ferdig med verktøyet, tar du ut støpselet fra stikkkontakten på støvsugeren.

Slå av støvsugeren når du er ferdig med den.

Automatisk stopp under oppsuging

⚠ADVARSEL:

- **Ikke bruk støvsugeren lenge når flyteventilen er aktiv.**Hvis dette gjøres, kan det oppstå overoppheting og skader på støvsugeren.
- **Ikke bruk støvsugeren på skum eller såpeholdig væske.** Dette kan føre til at det kommer ut skum fra ventilasjonsåpningene før flyteventilen blir aktivert. Hvis du da fortsetter å bruke støvsugeren, kan det oppstå elektrisk støt og støvsugeren kan bli ødelagt.

Støvsugeren er utstyrt med en flyteventil som hindrer at det kommer inn vann i motoren når vannmengden som suges opp overskrider et bestemt nivå.

Når beholderen er full og støvsugeren ikke klarer å suge opp mer vann, slår du av støvsugeren og tømmer beholderen.

Montering av beholderen

Fig.5

Når du kobler til et elektrisk verktøy, bruker du de medfølgende holderne for å sikre en avstand på ca. 70 cm – 80 cm mellom verktøyledningen og slangen. Dette vil hindre at støvsugerslangen floker seg inn i ledningen.

Holdeinnretningen på siden

⚠FORSIKTIG:

- **Pass på at du ikke får fingrene i klem når du bruker holdeinnretningen på siden.** Fare for skade.

MERK:

- Ikke bruk makt på holdeinnretningen, da dette kan føre til at den skades. Fold inn holdeinnretningen når du ikke trenger den.

Holdeinnretningen på siden kan brukes for å:

1. Oppbevare strømledningen

MERK:

- **Ikke bruk støvsugeren eller et tilkoblet elektrisk verktøy mens en strømledning er viklet rundt holdeinnretningen.** Hvis dette gjøres, kan ledningen bli skadet.

Fig.6

2. Oppbevare munnstykkene

Det er plass til opptil to av munnstykkene 22, 24 og 38 samtidig.

Fig.7

3. Oppbevare slangen

Fig.8

4. Støtte opp et elektrisk verktøy av rimelig størrelse (f.eks. en sirkelsag)

Fig.9

Låse eller låse opp et hjul

For modellene VC1310L og VC2510L

Fig.10

For modellen VC3210L

Fig.11

Hvis du ønsker å låse hjulet, trykker du ned stopperen. Løft opp stopperen for å låse opp hjulet.

Låsing av hjulene er praktisk ved oppbevaring, når du tar en pause i støvsugingen, og når du ønsker at støvsugeren skal stå stille.

Flytt stopperen for hånd.

MERK:

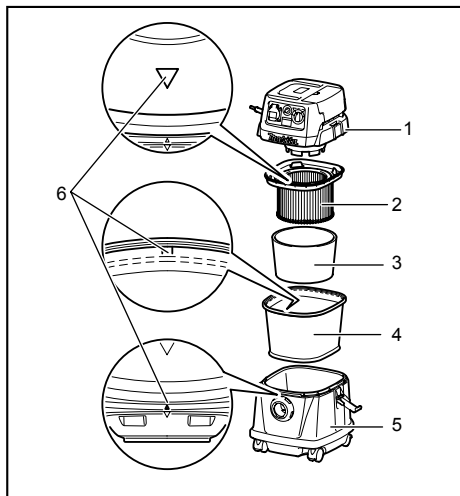
- Pass på at hjulene ikke er låst når du flytter støvsugeren. Hvis du flytter støvsugeren mens hjulene er låst, kan hjulene bli skadet.

MONTERING

⚠FORSIKTIG:

- Forviss deg alltid om at støvsugeren er slått av og støpselet trukket ut av kontakten før du utfører arbeid på støvsugeren.

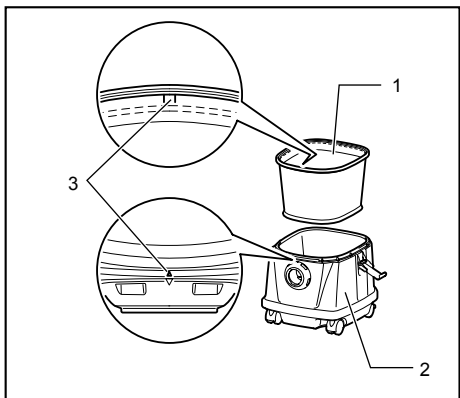
Installering av vannfilter



1. Deksel for beholderen
2. Støvfiler
3. Demper
4. Forfilter
5. Tank
6. Merke for monteringsposisjon

011637

Hvis du skal suge opp vann eller vått støv, fjerner du pre-filteret og demperen og setter inn vannfilteret.



1. Vannfilter
2. Tank
3. Merke for monteringsposisjon

011630

Plasser vannfilteret i beholderen og pass på at krokene på vannfilteret fester seg riktig (det skal ikke være glis mellom vannfilteret og beholderen).

Kontroller i tillegg at vannfilteret er korrekt plassert i henhold til merket for monteringsposisjon.

MERK:

- Dette gjelder ikke modellene VC2510L og VC3210L, som mangler merke for monteringsposisjon.

Sette inn papirposen

⚠ADVARSEL:

- Hvis støvsugeren skal brukes med papirpose, må også det forhåndsinstallerte pre-filteret benyttes. Uten pre-filteret kan det oppstå uvanlig støy og brannfarlig varmeutvikling.

⚠FORSIKTIG:

- Papirposen kan ikke brukes for oppsuging av væske eller vått støv. Hvis dette gjøres, kan papirposen revne.

Fig.12

1. Fjern gummiholderen.
2. Brett ut papirposen.

Fig.13

Fig.14

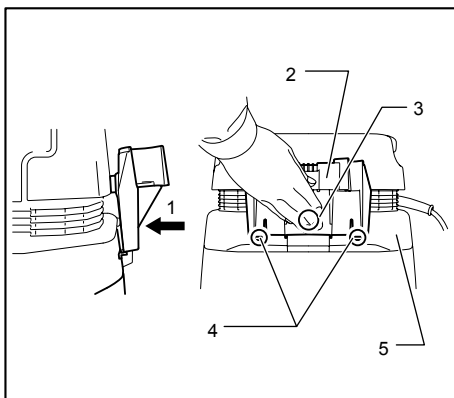
3. Juster åpningen på papirposen med innsugningsåpningen på støvsugeren.
4. Plasser pappsiden av papirposen nederst bak sperrehaken.

Installering av rørholder (ekstrauststyr)

Kun for modellen VC1310L

Fig.15

Trykk ned ledningskroken som vist på figuren.



1. Trykk
2. Rørholder
3. A-del
4. Kroker
5. Deksel for beholderen

011605

Fest rørholderen til ledningskroken. (Krokene er plassert unna dekkelet.)

Løft opp rørholderen inntil krokene berører dekkelet, og trykk ned A-delen av rørholderen.

Fig.16

Senk rørholderen mens du trykker ned A-delen.

Fig.17

Fig.18

Plasser de to fremspringene på rørholderen inn i sporene på dekselet og trykk ned rørholderen.

Fig.19

MERK:

- Hvis rørholderen trykkes for langt ned, kan den ikke installeres på ledningskroken (se figuren).

Fig.20

MERK:

- Kontroller at de to krokene på rørholderen er godt hekket til dekselet.

Tilkobling av slange

⚠FORSIKTIG:

- Aldri tråkk på eller bruk makt for å bøye slangen. Ikke trekk i slangen for å flytte støvsugeren. Hvis du trækker på, drar i eller bøyer slangen, kan den knekke eller bli misformet.
- Hvis du skal suge opp store mengder avfall av typen sponfilser eller betongstøv, bruker du slangen som har en indre diameter på 38 mm (ekstraustyr). Hvis du bruker slangen som har en indre diameter på 28 mm, kan slangen bli tilstoppet og skadet.

Fig.21

Sett slangen inn i innsugningsåpningen på beholderen og vri den med klokken inntil den går i lås.

Installering av polyetylenpose

Støvsugeren kan også brukes uten polyetylenpose. Bruk av polyetylenposen vil imidlertid gjøre at du enklere kan tømme beholderen uten å skitne deg til på hendene.

Fig.22

Brett ut polyetylenposen i beholderen. Sett den inn mellom holderplaten og beholderen og dra den mot innsugningsåpningen.

Fig.23

Brett ut posen rundt toppen av beholderen.

Fest den andre siden av posen rundt toppen av beholderen slik at den festes godt til pre-filterkroken.

MERK:

- Du kan bruke polyetylenposene som er tilgjengelige på markedet. Vi anbefaler at du velger en posetykkelse på minst 0,04 mm.
- For store støvmengder vil gjøre at posen lett revner, og du bør derfor skifte posen når den er halvfull.

Tømming av polyetylenposen

⚠ADVARSEL:

- Alltid pass på at støvsugeren er slått av og frakoblet før du tømmer polyetylenposen. Hvis dette ikke

gjøres, vil det være fare for elektrisk støt og alvorlige personskader.

⚠FORSIKTIG:

- Ikke utsett pulverfilteret og beholderen for harde støt eller dunk, da dette kan føre til at filteret og beholderen misformes og skades.
- Avhengig av støvmengden i beholderen, kan det være nødvendig å tømme beholderen minst én gang per dag. Hvis det går for lenge mellom hver gang beholderen tømmes, vil sugestyrken bli redusert og motoren kan bli ødelagt.
- Ikke hold i kroken når du skal tømme tanken, da dette kan føre til at kroken knekker.

Fig.24

Hekt av og løft opp dekselet på beholderen.

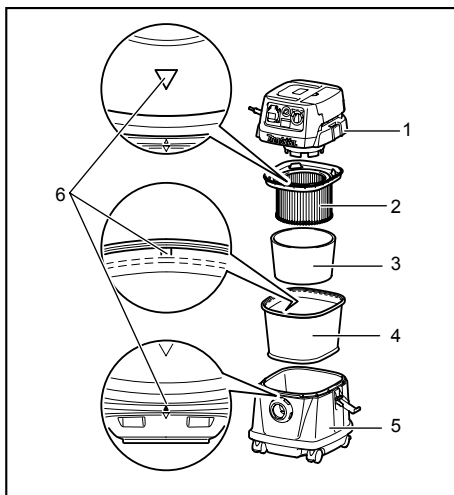
Fig.25

Rist av støv fra pulverfilteret, demperen og pre-filteret før du tar polyetylenposen ut av beholderen.

MERK:

- Vær forsiktig når du tar ut polyetylenposen slik at den ikke hekter i og rives opp av fremspringet på innsiden av beholderen.
- Tøm polyetylenposen før den er helt full. For mye støv i beholderen kan føre til at posen revner.

Installering av pulverfilteret



1. Deksel for beholderen
2. Støvfilter
3. Demper
4. Forfilter
5. Tank
6. Merke for monteringsposisjon

011637

Plasser pre-filteret i beholderen.

Monter deretter demperen på pulverfilteret og plasser den i pre-filteret.

Når du installerer pulver- og pre-filteret, må du passe på at monteringsposisjonsmerket for hver av dem er på linje med merket øverst i beholderen.

Sett på igjen dekselet.

MERK:

- Dette gjelder ikke modellene VC2510L og VC3210L, som mangler merke for monteringsposisjon.
- Pass på at både pre-filteret og demperen er satt i før du tar i bruk pulverfilteret. Pulverfilteret kan ikke brukes uten pre-filter og demper.
- Hvis støvsugeren skal brukes med papirpose, må både pulverfilteret, pre-filteret og demperen være satt i.

Bæring av støvsugeren

Fig.26

Støvsugeren skal alltid bæres etter håndtaket på toppen, som vist i figuren. Håndtaket kan foldes ned når det ikke er i bruk.

VEDLIKEHOLD

⚠FORSIKTIG:

- Forviss deg alltid om at maskinen er slått av og støpselet trukket ut av kontakten før du foretar inspeksjon eller vedlikehold.

Oppbevaring av strømledningen

Kun for modellen VC1310L

Fig.27

Fig.28

Dra ut ledningskroken eller fold ut holdeinnretningen på siden. Vikle opp strømledningen og heng den på ledningskroken, eller vikle den rundt holdeinnretningen.

MERK:

- Ikke bruk makt for å få løs strømledningen fra ledningskroken. Hvis dette gjøres, kan ledningen bli skadet.

For modellene VC2510L og VC3210L

Fig.29

Fig.30

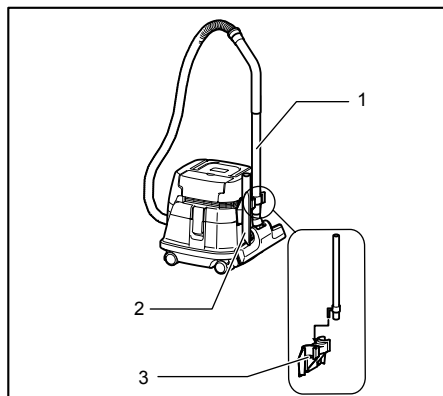
Vikle strømledningen rundt holdeinnretningen på siden.

Oppbevaring av tilbehør

MERK:

- Ikke bruk makt på tilbehøret som holdes av rørholderen. Hvis dette gjøres, kan rørholderen bli skadet.

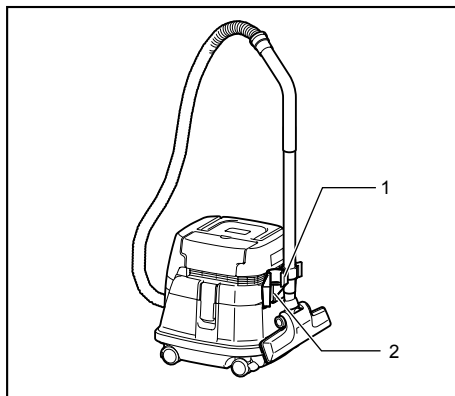
Kun for modellen VC1310L



1. Rett rør
2. Vinkelmunnstykke
3. Rørholder

011612

Rørholderen kan brukes for å oppbevare rett rør, vinkelrør, hjørnemunnstykke og lignende.

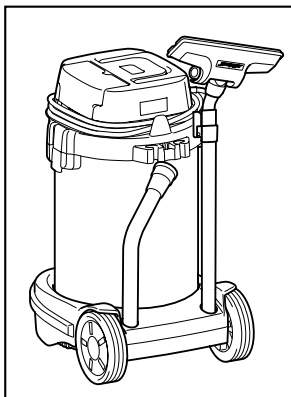


1. Stopper
2. Rørholder

011613

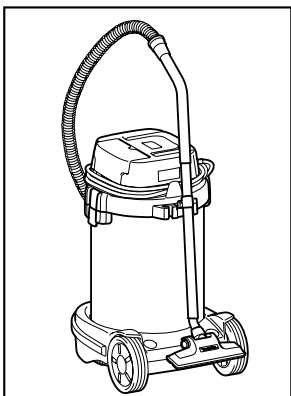
Rørene kan også plasseres i rørholderen mens du tar en pause i støvsugingen.

For modellene VC2510L og VC3210L



011622

Rørholderen kan brukes for å oppbevare rett rør, vinkelrør og lignende.



011623

Rørene kan også plasseres i rørholderen mens du tar en pause i støvsugingen.

Rengjøring

⚠ FORSIKTIG:

- Aldri bruk gasolin, bensin, tynner alkohol eller lignende. Det kan føre til misfarging, deformering eller sprekkdannelse.

Fig.31

Sugestyrken kan bli redusert hvis pulverfilteret, pre-filteret og demperen er tilstoppet.

Filtrene og demperne bør rengjøres med jevne mellomrom.

Rist rammebunnen raskt flere ganger etter hverandre for å fjerne støv eller partikler fra filtrene.

Fig.32

Vask av og til pulverfilteret med vann, og la det tørke helt. Filtrene skal aldri vaskes i oppvaskmaskin.

MERK:

- Ikke bruk harde objekter som for eksempel børster og skraper på pulverfilteret, pre-filteret eller demperen.
- Filtre er forbruksvarer og det anbefales at du har flere i reserve.

For å opprettholde produktets SIKKERHET og PÅLITELIGHET, må reparasjoner, vedlikehold og justeringer utføres av Makitas autoriserte servicesentre, og det må alltid brukes reservedeler fra Makita.

VALGFRITT TILBEHØR

⚠ FORSIKTIG:

- Det anbefales at du bruker dette tilbehøret eller verktøyet sammen med den Makita-maskinen som er spesifisert i denne håndboken. Bruk av annet tilbehør eller verktøy kan forårsake helseskader. Tilbehør og verktøy må kun brukes til det formålet det er beregnet på.

Ta kontakt med ditt lokale Makita-servicesenter hvis du trenger mer informasjon om dette tilbehøret.

- Slange
- Munnstykker (22, 24, 38)
- Rett rør
- Hjørnemunnstykke
- Rund børste
- Pulverfilter (for tørrsuging)
- Demper
- Forfilter
- Munnstykkeenheter
- Vinkelrør
- Polyetylenpose
- Filter (for våtsuging)
- Papirpose
- Holdersett
- Rørholder (kun for modellen VC1310L)

MERK:

- Enkelte elementer i listen kan være inkludert som standardtilbehør i verktøypakken. Elementene kan variere fra land til land.

SUOMI (alkuperäiset ohjeet)

Yleiselostus

1-1. Imutehon säätönuppi	10-4. Lukittu asema	23-1. Muovipussi
1-2. Kytkinvipu	11-1. Pyörä	23-2. Pidikelevy
2-1. Imutehon säätönuppi	11-2. Rajoitinvipu	23-3. Säiliö
2-2. Kytkinvipu	11-3. VAPAA-asento	24-1. Säiliön suoju
3-1. Kupu	11-4. Lukittu asema	24-2. Muovipussi
3-2. Virtalähteen johto	12-1. Kumipidike	24-3. Koukku
3-3. Imutehon säätönuppi	13-1. Paperipussi	26-1. Kahva
3-4. Kytkinvipu	15-1. Johdon pidike	26-2. Yläosa
4-1. Imutehon säätönuppi	16-1. Paina voimakkaasti ja laske alas	27-1. Johdon pidike
4-2. Kytkinvipu	17-1. Säiliön suoju	27-2. Virtalähteen johto
5-1. Kannatin	17-2. Putkikiinnikkeen ulkonema	28-1. Virtalähteen johto
6-1. Virtalähteen johto	17-3. Ura	28-2. Yläkotelo
6-2. Yläkotelo	19-1. Säiliön suoju	29-1. Johdon pidike
7-1. Sovitinkappaleet	19-2. Koukku	29-2. Virtalähteen johto
8-1. Letku	20-1. Säiliön suoju	30-1. Virtalähteen johto
10-1. Pyörä	20-2. Koukku	30-2. Yläkotelo
10-2. Rajoitinvipu	22-1. Pidikelevy	31-1. Säiliö
10-3. VAPAA-asento	22-2. Säiliö	31-2. Esisuodatin

TEKNISET TIEDOT

Malli		VC1310L / VC2510L / VC3210L					
Maat		EU	AU/NZ	GB 110V	GB 230V	CL	AR / CH
Jännite	Voltit	230 - 240	230 - 240	110	230 - 240	220	230 - 240
Virrankulutus	Wattia	1050	1050	1050	1050	1050	1050
Laitteen pistokkeen liitäntäteho	Wattia ☞-tilassa	2400	1200	600	1900	2200	1100
	Wattia ☜-tilassa	2600	1400	850	2100	2500	1400
Kokonaisliitäntäteho	Wattia	3450	2250	1650	2950	3250	2150

Malli		VC1310L	VC2510L	VC3210L
Virtausmäärä (ilma)		2,0 m ³ /min		
Imu		22 kPa		
Suojausluokka		1		
Suojaustyyppi		IP X4 (roisketiivis)		
Säilöntäkapasiteetti	Pöly	13 L	25 L	32 L
	Vesi	7 L	14 L	27 L
Mitat (P x L x K)		366 mm x 334 mm x 420 mm	432 mm x 416 mm x 451 mm	552 mm x 398 mm x 685 mm
Nettopaino		9,6 kg	10,5 kg	14,5 kg

- Jatkuvan tutkimus- ja kehitysohjelman vuoksi pidätämme oikeuden muuttaa tässä mainittuja teknisiä ominaisuuksia ilman ennakkoilmoitusta.
- Tekniset ominaisuudet saattavat vaihdella eri maissa.
- Paino EPTA-menetelmän 01/2003 mukaan

Symbolit

Laitteessa on käytetty seuraavia symboleja. Opettele näiden merkitys, ennen kuin käytät konetta.



• Lue käyttöohjeet.



• Varoitusta! Imuri voi sisältää haitallista pölyä.



• Älä koskaan seiso imurin päällä.



• Koskee vain EU-maita
Älä hävitä sähkötarvikkeita tavallisen kotitalousjätteen mukana!

Vanhoja sähkö- ja elektroniikkalaitteita koskevan EU-direktiivin ja sen maakohtaisten sovellusten mukaisesti käytetyt sähkötarvikkeet on toimitettava ongelmajätteen keräyspisteeseen ja ohjattava ympäristöystävälliseen kierrätykseen.

ENE016-1

Käyttötarkoitus

Laitte on tarkoitettu sekä kuivan että märän pölyn imuroimiseen.

ENF001-1

Virtalähde

Koneen saa kytkeä vain sellaiseen virtalähteeseen, jonka jännite on sama kuin arvokilvessä ilmoitettu, ja sitä saa käyttää ainoastaan yksivaiheisella vaihtovirralla. Työkalu tulee maadoittaa käytön aikana. Tämä suojaa käyttäjää sähköiskulta. Käytä vain kolmijohtimisia jatkojohtoja, joissa on kolminapainen maadoituspistoke ja kolme aukkoa, joihin työkalun pistokset sopivat.

ENG905-1

Melutaso

Tyypillinen A-painotettu melutaso määryytyy EN/IEC60704-standardin mukaan:

Malli VC1310L

Äänenpainetaso (L_{pA}): 72 dB (A)

Virhemarginaali (K): 2,5 dB (A)

Työskentelyn aikana melutaso voi ylittää 80 dB (A).

Malli VC2510L, VC3210L

Äänenpainetaso (L_{pA}): 73 dB (A)

Virhemarginaali (K): 2,5 dB (A)

Työskentelyn aikana melutaso voi ylittää 80 dB (A).

Käytä kuulosuojaimia

Koskee vain Euroopan maita

VAKUUTUS EC-VASTAAVUUDESTA Makita ilmoittaa, että seuraava(t) kone(et)

Koneen tunnistetiedot:

Pölynimuri

Mallinro/tyyppi: VC1310L, VC2510L, VC3210L

Täytävät seuraavien eurooppalaisten direktiivien vaatimukset:

2006/42/EC

On valmistettu seuraavien standardien tai standardoitujen asiakirjojen mukaisesti:

EN60335

Direktiivin 2006/42/EY mukaiset tekniset tiedot ovat saatavissa seuraavasta osoitteesta:

Makita, Jan-Baptist Vinkstraat 2, 3070, Belgium

31.7.2014

000331

Yasushi Fukaya

Johtaja

Makita, Jan-Baptist Vinkstraat 2, 3070, Belgium

ENB119-5

PÖLYNIMURIN TURVALLISUUSOHJEET

△ VAROITUS! TÄRKEÄÄ: LUE HUOLELLISESTI kaikki turvallisuusvaroitukset ja käyttöohjeet, ENNEN KUIN KÄYTÄ LAITETTA. Jos varoitusten ja ohjeiden noudattaminen laiminlyödään, seurauksena voi olla sähköisku, tulipalo ja/tai vakava vammautuminen.

1. Varmista, ennen käyttöä, että tämän pölynimurin käyttäjillä on riittävä käyttökoulutus.
2. Käytä imurin pistorasiaa ainoastaan sille ohjeissa määritettyihin tarkoituksiin.
3. Jos imurista vuotaa nestettä, lopeta käyttö heti.
4. Puhdista vesimääränrajoitin säännöllisesti ja tutki se mahdollisten vaurioiden varalta.
5. Älä käytä imuria ilman suodatinta. Vaihda vaurioitunut suodatin välittömästi uuteen.
6. JATKOJOHDON KÄYTTÄMINEN. Jos käytät jatkojohtoa pistorasian etäisen sijainnin vuoksi, käytä riittävän paksua johtoa, joka ei kuitenkaan ole liian pitkä, jotta imurin teho ei pääse heikkenemään. Ulkotiloissa täytyy käyttää ulkokäyttöön tarkoitettua jatkojohtoa.
7. JÄNNITEVAROITUS: Varmista, että virtalähteen (pistorasian, jatkojohdon tms.) jännite vastaa imurin arvokilvessä ilmoitettua jännitettä, ennen kuin kytket imurin. Imurin kytkeminen ilmoitettua suurempaa jännitettä

- käyttävään virtalähteeseen voi aiheuttaa käyttäjälle VAKAVIA VAMMOJA ja vaurioittaa imuria. Jos et ole varma, ÄLÄ KYTKE IMURIA SÄHKÖVERKKOON. Arvokilvessä ilmoitettua pienempää jännitettä käyttävän virtalähteen käyttäminen on vahingollista moottorille.
8. ESTÄ TAHATON KÄYNNISTYMINEN. Varmista, että kytkin on pois päältä, kun kytket virtajohdon.
 9. Älä imuroi palavia aineita, ilotulitteita, palavia savukkeita, kuumaa tuhkaa, kuumia metallilastuja tai teräviä esineitä, kuten partateriä, neuloja, lasinsirpaleita tms.
 10. ÄLÄ KOSKAAN KÄYTÄ IMURIA, JOS LÄHELLÄ ON BENSINIÄ, KAASUA, MAALIA, LIIMAA TAI MUITA RÄJÄHDYSALTTIITA AINEITA. Kytkimestä lähtee kipinä, kun se kytketään päälle tai pois päältä. Myös moottorin kommutaattori kipinöi käytön aikana. Seurauksena voi olla voimakas räjähdys.
 11. Älä koskaan imuroi myrkyllisiä, karsinogeenisiä, syttyviä tai muuten haitallisia aineita, kuten asbestia, arsenikkia, bariumia, berylliumia, lyijyä, hyönteismyrkkyjä tai muita terveydelle vaarallisia aineita.
 12. Älä koskaan käytä imuria ulkona sateella.
 13. Älä käytä imuria lämmönlähteiden (uunin tms.) läheisyydessä.
 14. SUOJAUDU SÄHKÖISKUILTA. Vältä koskettamista maadoitettuja pintoja. Näitä ovat esimerkiksi putket, lämpöpatterit, liedet ja jääkaapit.
 15. Älä tuki jäähdytysaukkoja. Moottori jäähdytetään näiden aukkojen kautta. Jäähdytysaukot täytyy pitää avoimina, sillä muutoin moottori palaa kiinni puutteellisen ilmanvaihdon vuoksi.
 16. Seiso tukevassa asennossa ja säilytä tasapainosi.
 17. ÄLÄ VAHINGOITA JOHTOA. Älä kannaa imuria virtajohdosta tai irrota sitä pistorasiasta virtajohdosta vetämällä. Älä anna johdon joutua kosketukseen kuumuuden, öljyn tai terävien reunojen kanssa. Tarkasta imurin virtajohdot säännöllisesti ja vaihdata ne valtuutetussa huoltoliikkeessä, jos niissä on vaurioita. Tarkasta jatkojohdot säännöllisesti ja vaihda ne tarvittaessa.
 18. Älä taita tai kisko letkua äläkä astu sen päälle.
 19. Pysäytä imuri heti, jos se ei toimi täydellä teholla tai toimii muuten epänormaalisti.
 20. IRROTA IMURIN VIRTAJOHTO. Irrota johto, kun imuri ei ole käytössä tai kun huollat imuria tai vaihdat siihen lisävarusteita.
 21. Puhdista ja huolla imuri aina heti käytön jälkeen, jotta se pysyy hyvässä käyttökunnossa.
 22. HUOLLA IMURIA SÄÄNNÖLISESTI. Pidä imuri puhtaana, jotta sen suorituskyky ja turvallisuus säilyvät. Noudata lisävarusteiden vaihtamista koskevia ohjeita. Pidä kahvat kuivina sekä puhtaina öljystä, rasvasta ja muusta liasta.
 23. TARKISTA, ONKO IMURISSA VAURIOITA. Ennen kuin imurin käyttöä jatketaan, on syytä varmistaa, että suojukset tai muut vaurioituneet osat toimivat tarkoituksensa mukaisella tavalla oikein. Varmista, että liikkuvat osat ovat oikeissa asennoissa ja pääsevät liikkumaan esteettä. Tarkasta myös osien eheys, kiinnitykset sekä muut toimintaan mahdollisesti vaikuttavat seikat. Suojus tai muu vaurioitunut osa tulee viedä valtuutettuun huoltoliikkeeseen korjattavaksi tai vaihdettavaksi, jollei tässä käyttöoppaassa muuta mainita. Vaihdata epäkuntoiset kytkimet valtuutetussa huoltoliikkeessä. Älä käytä imuria, jos sitä ei voi kytkeä päälle tai pois päältä kytkimellä.
 24. VARAOSAT. Käytä huoltojen yhteydessä ainoastaan identtisiä varaosia.
 25. VARASTOI IMUROI, KUN SITÄ EI KÄYTETÄ. Säilytä imuria sisätiloissa, kun sille ei ole käyttöä.
 26. Käsittele imuria varoen. Kovakourainen käsittely voi rikkoa vahvatekoisimmankin imurin.
 27. Älä käytä imurin ulko- tai sisäpintojen puhdistamiseen bensiiniä, ohentimia tai puhdistusaineita. Ne voivat aiheuttaa halkeamia tai värjäytymiä.
 28. Älä käytä imuria suljetuissa tiloissa, jossa säilytetään palavia, räjähtäviä tai myrkyllisiä höyryjä luovuttavia aineita, kuten öljypohjaisia maaleja, maaliohentimia, bensiiniä ja tietytj koinestoaineita tms. Vältä myös tiloja, joissa on tulenarkaa pölyä.
 29. Älä jätä virtajohto lojumaan lattialle imuroinnin jälkeen. Joku voi kompastua siihen ja loukata itseään tai vaurioittaa imuria.
 30. Älä käytä imuria tai muita työkaluja, jos olet lääkkeiden tai alkoholin vaikutuksen alainen.
 31. Käytä aina sivusuojilla varustettuja suojalaseja.
 32. Käytä hengityssuojainta pölyisissä työskentelyolosuhteissa.
 33. Tämä laite ei ole tarkoitettu sellaisten henkilöiden, esimerkiksi lasten, käytettäväksi, joiden fyysiset, sensoriset tai henkiset kyvyt tai kokemuksen tai tiedon puute estävät heitä käyttämästä laitetta turvallisesti.
 34. Pieniä lapsia tulee varttia ja varmistaa, etteivät he leiki puhaltimella.
 35. Älä koskaan käsittele virtajohdon pistoketta tai imuria märin käsin.

36. Ole erityisen varovainen portaita siivotessasi.
37. Älä käytä imuria istuimena tai työtason. Laitte voi kaatua ja aiheuttaa vammoja.

SÄILYTTÄ TULEVAAN TARVETTA VARTEN

⚠VAROITUS:

ÄLÄ anna työkalun helppokäyttöisyyden tai toistuvan käytön tuudittaa sinua väärään turvallisuuden tunteeseen niin, että laiminlyöt työkalun turvaohjeiden noudattamisen. **VÄÄRINKÄYTTÖ** tai tämän käyttöohjeen turvamääräysten laiminlyönti voi johtaa vakaviin henkilövahinkoihin.

TOIMINTOJEN KUVAUS

⚠VAROITUS:

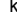
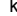
- Varmista, että imuri ei ole päällä, ennen kuin kytket virtajohdon pistorasiaan. Jos imuri kytketään pistorasiaan kytkin päällä, seurauksena voi olla yllättävästä käynnistymisestä aiheutuva vammoihin johtava onnettomuus.

Kytkimen käyttäminen

Kuva1

Käynnistä imuri kääntämällä kytkinvipu "I"-asentoon. Pysäytä imuri kääntämällä kytkinvipu "O"-asentoon.

Kuva2

Imutehoa voidaan säätää työkohteen mukaan. Imuteho suurenee, kun imutehon säätönappia käännetään -kuvakkeesta kohti -kuvaketta.

Sähkötyökalujen kytkeminen

⚠VAROITUS:

- Huomioi laitteen pistorasian sallimat enimmäiskuormat (lisätietoja on kohdassa TEKNISET TIEDOT.)
- Varmista, että imuri tai sähkötyökalu ei ole päällä, ennen kuin kytket tai irrotat pistokkeen. Jos sähkötyökalu kytketään imuriin ja molemmat laitteet ovat päällä, seurauksena voi olla odottamattomasta käynnistymisestä johtuva vakaviin vammoihin johtava onnettomuus.

Kuva3

Jos kytket maadoitetun työkalun, kytkte maadoitettu pistoke imurin pistorasiaan.

⚠HUOMIO:

- Älä koskaan ohita imurin pistokkeen "TEKNISET TIEDOT" -kohdassa ilmoitettua suurinta tulotehoa kytkemällä siihen sähkötyökalua ja kääntämällä imutehon säätönappia. Imuri voi ylikuumentua ja vaurioitua, jos siihen kytketään sähkötyökalu, jonka tuloteho ylittää määritetyt arvot. Katso lisätietoja teknisistä tiedoista.

Imuriin voidaan kytkeä sähkötyökalu, jonka tuloteho on "TEKNISET TIEDOT" -kohdan arvojen mukainen. Jos haluat kytkeä imuriin sähkötyökalun, avaa pistorasian suojakansi ja työnnä pistoke pistorasiaan.

Kuva4

Käännä kytkinvipu "AUTO"-asentoon.

Käännä imutehon säätönappi käytettävän sähkölaitteen vaatiman tulotehon mukaiseen asetukseen. TEKNISET TIEDOT -kohdasta saat lisätietoja imutehon säätönupin ja sähkötyökalun tulotehon välisestä suhteesta.

Kun kytketty sähkötyökalu kytketään päälle tai pois päältä, myös imuri kytkeytyy samanaikaisesti päälle tai pois päältä. Imuri toimii vielä joitakin sekunteja sen jälkeen, kun sähkötyökalu kytketään pois päältä.

Irrota sähkötyökalu imurin pistorasiasta käytön jälkeen.
Sammuta imuri käytön jälkeen.

Imun automaattikatkaaisu käytön aikana

⚠VAROITUS:

- **Älä jatka käyttöä pitkään, kun koho alkaa toimia.** Jos imuria käytetään pitkään, kun koho on toiminnassa, imuri voi ylikuumentua ja vaurioitua.
- **Älä imuroi vaahtoa tai saippuavettä.** Vaahtoa tai saippuavettä imuroitaessa ilmanpoistoaukosta voi tulla vaahtoa, ennen kuin koho alkaa toimia. Jos käyttöä jatketaan tässä tilassa, seurauksena voi olla sähköisku tai imurin rikkoontuminen.

Imurissa on kohomekanismi, joka estää veden pääsyn moottoriin, kun vettä imuroidaan tietty määrä. Kun säiliö on täynnä eikä imuri enää ime vettä, sammuta imuri ja tyhjennä tankki.

Kiinnikkeen asentaminen

Kuva5

Jos kytket sähkötyökalun, kiinnitä sen virtajohto imurin letkuun kiinnikkeillä 70–80 cm:n välein. Käyttämällä imurin mukana toimitettuja kiinnikkeitä voit estää virtajohdon ja imurin letkun sotkeentumisen.

Yläkotelon käyttäminen

⚠HUOMIO:

- **Varo, etteivät sormesi jää yläkotelon väliin, kun suljet sen.** Muutoin seurauksena voi olla henkilövamma.

HUOMAUTUS:

- Älä käytä yläkotelon kanssa liiallista voimaa. Liiallinen voimankäyttö voi vahingoittaa yläkoteloa. Sulje yläkotelo, kun se ei ole käytössä.

Yläkotelon avaaminen tuo käyttöön seuraavat toiminnot.

1. Virtajohdon säilyttäminen

HUOMAUTUS:

- **Älä käytä imuria tai kytkettyä sähkötyökalua, jos virtajohto on keritty yläkoteloon.** Imurin tai kytketyn sähkötyökalun käyttäminen voi vahingoittaa virtajohtoa.

Kuva6

2. Sovitinkappaleiden säilyttäminen

Voit säilöä sovitinkappaleet 22, 24 ja 38 (enintään kaksi kerrallaan).

Kuva7

3. Letkun säilyttäminen

Kuva8

4. Kohtuullisen kokoisen sähkötyökalun, kuten pyörösahan, pitäminen yläkotelon päällä.

Kuva9

Pyörän lukitseminen tai lukituksen vapauttaminen

Mallit VC1310L ja VC2510L

Kuva10

Malli VC3210L

Kuva11

Voit lukita pyörän painamalla jarrun päälle niin, että pyörä ei enää pyöri. Voit vapauttaa pyörän nostamalla jarrun ylös.

Pyörän lukitseminen on hyödyllistä varastoinnissa, työskentelyn aikana ja kun imuri täytyy pitää paikallaan. Käytä jarrua käsin.

HUOMAUTUS:

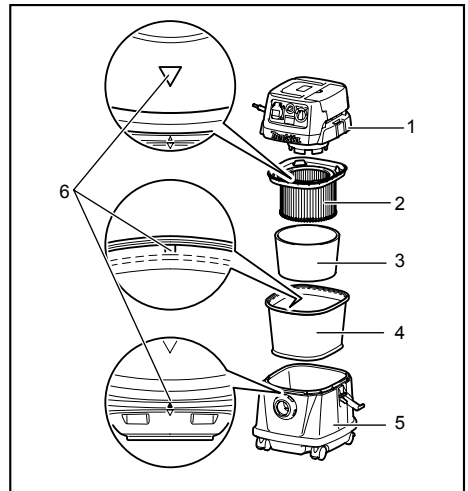
- Varmista, että jarru ei ole päällä, kun liikutat imuria. Imurin liikuttaminen jarru lukittuna voi vahingoittaa pyörää.

KOKOONPANO

⚠HUOMIO:

- Varmista aina, että imuri on sammutettu ja irrotettu virtalähteestä, ennen kuin teet sille mitään.

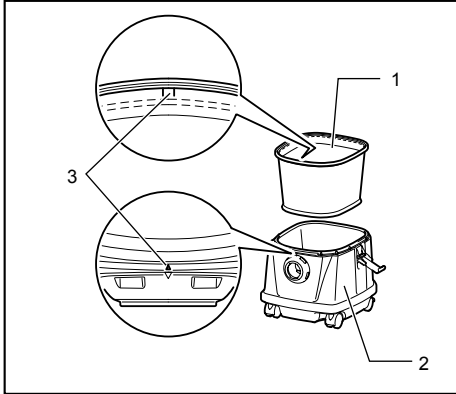
Vesisuodattimen asentaminen



1. Säiliön suojus
2. Jauhesuodatin
3. Vaimennin
4. Esisuodatin
5. Säiliö
6. Kiinnitysasennon merkki

011637

Jos imuroit vettä tai märkää pölyä, poista esisuodatin ja vaimennin ja käytä sitten vesisuodatinta.



1. Vesisuodatin
2. Säiliö
3. Kiinnitysasennon merkki

011630

Kun asennat vesisuodattimen säiliöön, asenna se tiiviisti säiliön aukkoon niin, että vesisuodattimen koukku tulee säiliön aukkoon tiukasti kiinni eikä vesisuodattimen ja säiliön väliin jää tilaa.

Asenna vesisuodatin siten, että asennuksen kiinnitysmerkki tulevat kohdakkain.

HUOMAUTUS:

- Malleissa VC2510L ja VC3210L ei ole asennuksen kiinnitysmerkkejä, joten kohdistus ei ole tarpeen.

Paperipussin asentaminen

⚠VAROITUS:

- Jos käytät paperipussia, käytä myös valmiiksi asennettua esisuodatinta. Jos esisuodatinta ei käytetä, imuri voi pitää epätavallista ääntä, ylikuumentua tai syttyä palamaan.

⚠HUOMIO:

- Älä koskaan imuroi vettä, muita nesteitä tai märkää pölyä, kun käytät paperipussia. Muutoin paperipussi voi rikkoutua.

Kuva12

1. Irrota kumipidike.
2. Avaa paperipussi.

Kuva13

Kuva14

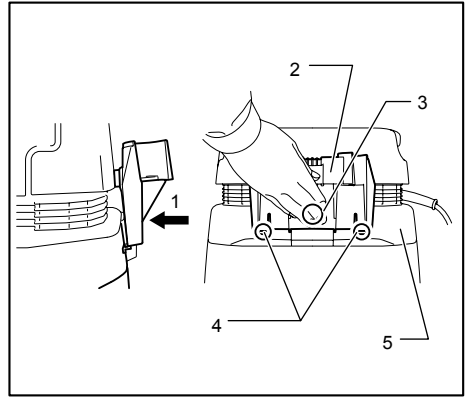
3. Sovita paperipussin aukko kohdakkain imurin pölyaukon kanssa.
4. Sovita paperipussin pahvi imuriin siten, että se osoittaa ulokkeen ohi taaksepäin.

Putkikiinnikkeen asentaminen (vaihtoehtoinen lisävaruste)

Vain malli VC1310L

Kuva15

Paina johdon pidikettä kuvan osoittamalla tavalla.



1. Paina
2. Putkenkannatin
3. A-osa
4. Kiinnikkeet
5. Säiliön suojus

011605

Kiinnitä putkikiinnike johdon pidikkeeseen. (Pidikkeet ovat säiliön kannen ulkopuolella.)

Nosta putkikiinnike niin ylös, että pidikkeet ottavat kiinni säiliön kanteen ja paina sitten putkikiinnikkeen A-osaa.

Kuva16

Paina A-osaa voimakkaasti ja siirrä putkikiinnikettä samalla alaspäin.

Kuva17

Kuva18

Sovita putkikiinnikkeen kaksi ulkonemaa säiliön kannen uriin ja paina putkikiinnike alas.

Kuva19

HUOMAUTUS:

- Jos putkikiinnike lasketaan liian alas, sitä ei voi asentaa johdon pidikkeeseen, kun pidikkeet ovat säiliön kannen ulkopuolella kuvan mukaisesti.

Kuva20

HUOMAUTUS:

- Varmista, että putkikiinnikkeen kaksi pidikettä ovat kunnolla kiinni säiliön kannessa.

Letkun kiinnittäminen

⚠HUOMIO:

- Älä koskaan vääntele letkua tai tallo sitä. Älä koskaan liikuta imuria letkusta vetämällä. Vääntäminen, tallominen tai kiskominen voi vahingoittaa letkua.

- Jos imuroit suurikokoisia roskia, kuten höylän lastuja, betoninmurusia tai muuta vastaavaa, käytä sisähalkaisijaltaan 38 mm:n letkua (vaihtoehtoinen lisävaruste). Jos käytät sisähalkaisijaltaan 28 mm:n letkua, se voi mennä tukkeeseen ja rikkoutua.

Kuva21

Työnnä letku säiliön liitäntään ja käännä letkua myötäpäivään, kunnes se napsahtaa.

Muovipussin asentaminen

Imuria voidaan käyttää myös muovipussin kanssa. Muovipussia käytettäessä säiliön tyhjentäminen on tavallista helpompaa eivätkä kätesi likaannu.

Kuva22

Levitä muovipussi säiliön sisälle. Aseta se pidikelevyn ja säiliön väliin ja vedä se letkuliitäntään.

Kuva23

Vedä pussi säiliön ylitse.

Kiinnitä pussin toinen puoli säiliön yli niin, että se kiinnittyy esisuodattimeen.

HUOMAUTUS:

- Voit käyttää yleisesti myynnissä olevia muovipusseja. Suosituspaksuus on vähintään 0,04 mm.
- Pussi repeää helposti, jos se ylitätetään, joten älä täytä sitä yli puolivälin.

Muovipussin tyhjentäminen

⚠VAROITUS:

- Varmista, että imuri on sammutettu ja että virtajohto on irrotettu, ennen kuin tyhjennät muovipussin. Muutoin seurauksena voi olla sähköisku ja vakavia vammoja.

⚠HUOMIO:

- Suojele jauhesuodatinta ja säiliötä koviilta iskuilta. Kova isku voi muuttaa jauhesuodattimen tai säiliön muotoa.
- Tyhjennä säiliö vähintään kerran päivässä imurin säiliön kerääntyvän pölyn määrästä riippumatta. Muutoin imuteho heikkenee ja moottori voi rikkoutua.
- Älä tartu pidikkeeseen, kun tyhjennät säiliötä. Pidike voi rikkoutua, jos siihen tartutaan.

Kuva24

Avaa ja irrota säiliön kansi.

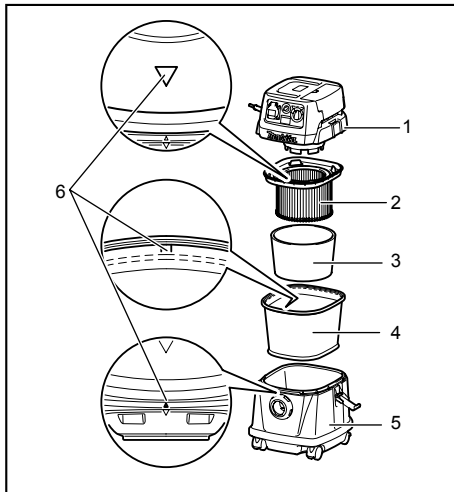
Kuva25

Puistele jauhesuodatin, vaimennin ja esisuodatin pölystä ja poista muovipussi sitten säiliöstä.

HUOMAUTUS:

- Kun tyhjennät muovipussia, poista se säiliöstä varovasti niin, että se ei tartu mihinkään ja repeä.
- Tyhjennä muovipussi, kun se on täynnä. Muovipussi voi repeytyä, jos säiliössä on liikaa pölyä.

Jauhesuodattimen asentaminen



1. Säiliön suojus
2. Jauhesuodatin
3. Vaimennin
4. Esisuodatin
5. Säiliö
6. Kiinnitysasennon merkki

011637

Aseta esisuodatin säiliöön.

Sovita vaimennin sitten jauhesuodattimeen ja asenna se esisuodattimeen.

Kun asennat jauhesuodatinta ja esisuodatinta, sovita niissä olevat merkit ja säiliön yläosassa olevat merkit kohdakkain.

Kiinnitä lopuksi säiliön kansi.

HUOMAUTUS:

- Malleissa VC2510L ja VC3210L ei ole asennuksen kiinnitysmerkkejä, joten kohdistus ei ole tarpeen.
- Ennen kuin käytät jauhesuodatinta, varmista, että esisuodatin ja vaimennin ovat molemmat asennettuina. Älä asenna pelkkää jauhesuodatinta.
- Ennen kuin käytät paperipussia, varmista, että jauhesuodatin, vaimennin ja esisuodatin ovat asennettuina.

Imurin kantaminen

Kuva26

Kun kannat imuria, kannata sitä sen päällä olevasta kahvasta kuvan mukaisesti. Kahvan voi taistaa alas, kun sitä ei käytetä.

KUNNOSSAPITO

⚠️HUOMIO:

- Varmista aina ennen tarkastuksia ja huoltotöitä, että laite on kone on sammutettu ja irrotettu virtalähteestä.

Virtajohdon säilyttäminen

Vain malli VC1310L

Kuva27

Kuva28

Vedä johdon pidike ulos tai avaa yläkotelo. Kierrä virtajohto kiepille ja ripusta se pidikkeeseen tai kierrä se yläkotelon ympärille.

HUOMAUTUS:

- Älä vedä virtajohtoa väkisin irti johdon pidikkeestä. Virtajohto voi vahingoittua, jos otetaan johdon pidikkeestä väkisin.

Mallit VC2510L ja VC3210L

Kuva29

Kuva30

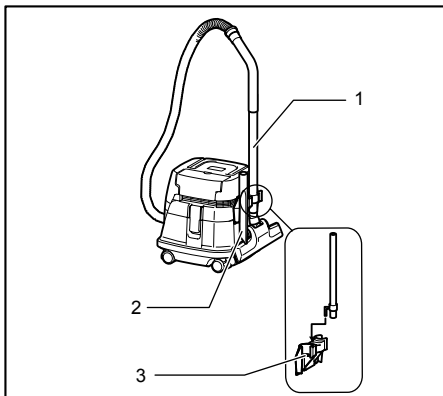
Kierrä virtajohto yläkotelon ympärille.

Lisävarusteiden säilyttäminen

HUOMAUTUS:

- Älä käytä voimaa käsitellessäsi putkikiinnikkeessä olevia lisävarusteita. Putkikiinnike voi vaurioitua, jos lisävarusteita käsitellään kovakouraisesti.

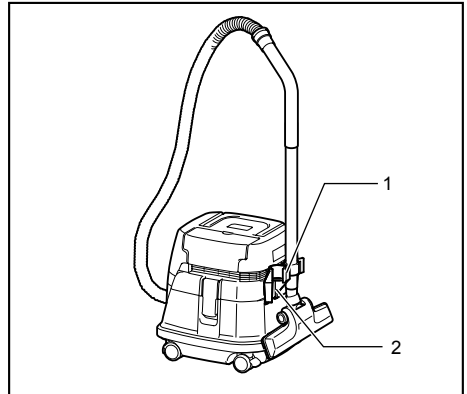
Vain malli VC1310L



1. Suora putki
2. Kulmasuutin
3. Putkenkannatin

011612

Putkikiinnikkeeseen voi kiinnittää erilaisia lisävarusteita, kuten suoran tai käyrän putken tai kulmapalan.

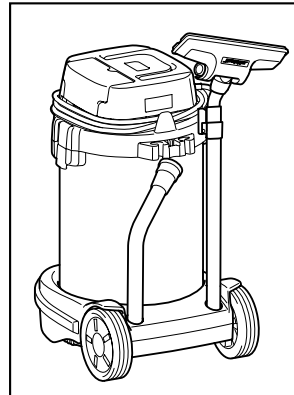


1. Pysäytin
2. Putkenkannatin

011613

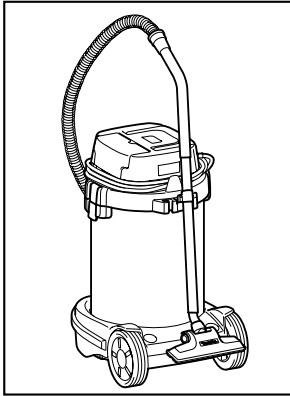
Putkikiinnikkeeseen voi kiinnittää putkia, joita ei juuri sillä hetkellä tarvita.

Mallit VC2510L ja VC3210L



011622

Putkikiinnikkeeseen voi kiinnittää erilaisia lisävarusteita, kuten suoran tai käyrän putken.



011623

Putkikiinnikkeeseen voi kiinnittää putkia, joita ei juuri sillä hetkellä tarvita.

Puhdistus

⚠HUOMIO:

- Älä koskaan käytä bensiiniä, ohentimia, alkoholia tai tms. aineita. Muutoin pinta voi halkeilla tai sen värit ja muoto voivat muuttua.

Kuva31

Tukkeutunut jauhesuodatin, esisuodatin tai vaimennin heikentää imutehoa.

Puhdista suodattimet ja vaimentimet säännöllisesti.

Voit puhdistaa pölyt suodattimesta ravistelemalla suodattimen kehystä.

Kuva32

Pese ja huuhtele jauhesuodatin aika ajoin vedellä ja anna sen sitten kuivua kokonaan varjoisassa paikassa. Älä koskaan pese suodattimia pesukoneessa.

HUOMAUTUS:

- Älä hierrä tai naarmuta jauhesuodatinta, esisuodatinta tai vaimenninta karkeilla harjoilla tai muilla vastaavilla.
- Suodattimet ovat kulutusosia, joten on suositeltavaa pitää muutampia varalla.

Koneen TURVALLISUUDEN ja LUOTETTAVUUDEN säilyttämiseksi korjaukset sekä muut huoltotoimet ja säädöt on jätettävä Makitan valtuuttaman huollon tehtäväksi käyttäen aina Makitan alkuperäisiä varaosia.

LISÄVARUSTEET

⚠HUOMIO:

- Näitä lisävarusteita ja -laitteita suositellaan käytettäväksi tässä ohjekirjassa mainitun Makitan koneen kanssa. Minkä tahansa muun lisävarusteen tai -laitteen käyttäminen voi aiheuttaa loukkaantumiskehän. Käytä lisävarusteita ja -laitteita vain niiden käyttötarkoituksen mukaisesti.

Jos tarvitset apua tai yksityiskohtaisempia tietoja seuraavista lisävarusteista, ota yhteys paikalliseen Makitan huoltoon.

- Letku
- Sovitinkappaleet (22, 24, 38)
- Suora putki
- Kulmasuutin
- Pyöreä harja
- Jauhesuodatin (kuivalle materiaalille)
- Vaimennin
- Esisuodatin
- Suutinlaite
- Käyrä putki
- Muovipussi
- Suodatin (vedelle)
- Paperipussi
- Kannatinsarja
- Putkikiinnike (vain malli VC1310L)



HUOMAUTUS:

- Jotkin luettelossa mainitut varusteet voivat sisältyä työkalun toimitukseen vakiovarusteina. Ne voivat vaihdella maittain.

LATVIEŠU (oriģinālās instrukcijas)**Kopskata skaidrojums**

1-1. Sūkšanas jaudas regulēšanas kloķis	10-2. Aiztura svira	23-1. Polietilēna maiss
1-2. Slēdzis	10-3. BRĪVS stāvoklis	23-2. Turētāja plāksne
2-1. Sūkšanas jaudas regulēšanas kloķis	10-4. Fiksētā pozīcija	23-3. Tvertne
2-2. Slēdzis	11-1. Sešskaldņu	24-1. Tvertnes vāks
3-1. Vāciņš	11-2. Aiztura svira	24-2. Polietilēna maiss
3-2. Strāvas vads	11-3. BRĪVS stāvoklis	24-3. Āķis
3-3. Sūkšanas jaudas regulēšanas kloķis	11-4. Fiksētā pozīcija	26-1. Rokturis
3-4. Slēdzis	12-1. Gumijas turētājs	26-2. Augšdaļa
4-1. Sūkšanas jaudas regulēšanas kloķis	13-1. Papīra sainis	27-1. Vada āķis
4-2. Slēdzis	15-1. Vada āķis	27-2. Strāvas vads
5-1. Tureklis	16-1. Spēcīgi piespiediet un nolaidiet	28-1. Strāvas vads
6-1. Strāvas vads	17-1. Tvertnes vāks	28-2. Pamatnes āķis
6-2. Pamatnes āķis	17-2. Caurules turētāja izvīzījums	29-1. Vada āķis
7-1. Priekšējās uznavas	17-3. Rieva	29-2. Strāvas vads
8-1. Šjūtene	19-1. Tvertnes vāks	30-1. Strāvas vads
10-1. Sešskaldņu	19-2. Āķis	30-2. Pamatnes āķis
	20-1. Tvertnes vāks	31-1. Tvertne
	20-2. Āķis	31-2. Priekšfiltrs
	22-1. Turētāja plāksne	
	22-2. Tvertne	

SPECIFIKĀCIJAS

Modelis		VC1310L / VC2510L / VC3210L					
Valstis		ES	AU/NZ	GB 110V	GB 230V	CL	AR / CH
Spriegums	Volti	230 - 240	230 - 240	110	230 - 240	220	230 - 240
Jaudas patēriņš	Vati	1050	1050	1050	1050	1050	1050
Pievienotā slodze ierīces spraudlīgzdai	Vati simbola režīmā 	2400	1200	600	1900	2200	1100
	Vati simbola režīmā 	2600	1400	850	2100	2500	1400
Kopējā pievienotā slodze	Vati	3450	2250	1650	2950	3250	2150

Modelis		VC1310L	VC2510L	VC3210L
Tilpuma patēriņš (gaiss)		2,0 m ³ /min		
Vakuums		22 kPa		
Aizsardzības klase		1		
Aizsardzības veids		IP X4 (aizsardzība pret šļakstiem)		
Atgriezeniskā ietilpība	Putekļi	13 l	25 l	32 l
	Ūdens	7 l	14 l	27 l
Gabarīti (G x P x A)		366 mm x 334 mm x 420 mm	432 mm x 416 mm x 451 mm	552 mm x 398 mm x 685 mm
Neto svars		9,6 kg	10,5 kg	14,5 kg

- Dēļ mūsu nepārtrauktās pētniecības un izstrādes programmas, šeit dotās specifikācijas var mainīties bez brīdinājuma.
- Atkarība no valsts specifikācijas var atšķirties.
- Svars atbilstoši EPTA-Procedure 01/2003

Simboli

Zemāk ir attēloti simboli, kas attiecas uz iekārtu. Pirms darbarīka izmantošanas pārlicinieties, vai pareizi izprotāt to nozīmi.



• Izlasiet rokasgrāmatu.



• Brīdinājums! Putekļu sūcējā var būt kaitīgi putekļi.



• Nekad nestāviet uz putekļu sūcēja.



• Tikai ES valstīm
Neizmest elektrisko aprīkojumu sadzīves atkritumos!

Saskaņā ar Eiropas direktīvu par lietotajām elektroiekārtām un elektronikas iekārtām un tās iekļaušanu valsts likumdošanā lietotais elektriskais aprīkojums jāsavāc atsevišķi un jānogādā otrreizējai pārstrādei vidi saudzējošā veidā.

ENE016-1

Paredzētā lietošana

Šī ierīce ir paredzēta gan mitru, gan sausu putekļu savākšanai.

ENF001-1

Barošana

Šo instrumentu jāpieslēdz tikai datu plāksnītē uzrādītā sprieguma barošanas avotam; to iespējams darbināt tikai ar vienfāzes maiņstrāvu. Lai pasargātu lietotāju no elektrošoka, instrumentam darba laikā jābūt izemētam. Izmantojiet tikai triju dzīslu pagarinātājus ar trīs kontaktu zemētajām kontaktdakšām un atbilstošām trīs polu kontaktligzdām, kurās iespējams iespraust instrumenta kontaktdakšu.

ENG905-1

Troksnis

Tipiskais A-svērtais trokšņa līmenis ir noteikts saskaņā ar EN/IEC60704:

Modelis VC1310L

Skaņas spiediena līmenis (L_{pA}): 72 dB (A)

Neskaidrība (K): 2,5 dB (A)

Darbības laikā trokšņa līmenis var pārsniegt 80 dB (A).

Modelis VC2510L, VC3210L

Skaņas spiediena līmenis (L_{pA}): 73 dB (A)

Neskaidrība (K): 2,5 dB (A)

Darbības laikā trokšņa līmenis var pārsniegt 80 dB (A).

Lietojiet ausu aizsargus

Tikai Eiropas valstīm

EK Atbilstības deklarācija

Makita paziņo, ka šāds instruments(-i):

Instrumenta nosaukums:

Putekļu sūcējs

Modeļa Nr./veids: VC1310L, VC2510L, VC3210L

Atbilst sekojošām Eiropas Direktīvām:

2006/42/EK

Ražots saskaņā ar šādu standartu vai normatīvajiem dokumentiem:

EN60335

Tehniskā lieta atbilstīgi 2006/42/EK ir pieejama:

Makita, Jan-Baptist Vinkstraat 2, 3070, Beļģija

31.7.2014

000331

Yasushi Fukaya

Direktors

Makita, Jan-Baptist Vinkstraat 2, 3070, Beļģija

ENB119-5

DROŠĪBAS BRĪDINĀJUMI PUTEKĻU SŪCĒJA LIETOŠANAI

⚠ BRĪDINĀJUMS! SVARĪGI! PIRMS LIETOŠANAS UZMANĪGI IZLASIET visus drošības brīdinājumus un visus norādījumus. Brīdinājumu un norādījumu neievērošanas gadījumā var rasties elektriskās strāvas trieciens, ugunsgrēks un/vai nopietnas traumas.

1. **Pirms lietošanas pārlicinieties, vai lietotājs ir atbilstoši informēts par šī putekļu sūcēja lietošanu.**
2. **Ierīces spraudligzdu var izmantot tikai šajā rokasgrāmatā norādītajam mērķim.**
3. **Ja izspiežas putas/šķidrums, nekavējoties izslēdziet.**
4. **Regulāri tīriet ūdens līmeņa ierobežotāju un pārbaudiet, vai tam nav bojājumu.**
5. **Neizmantojiet ierīci bez filtra. Nekavējoties nomainiet bojātu filtru.**
6. **PAGARINĀTĀJA IZMANTOŠANA.** Ja izmantojat pagarinātāju, jo līdz jaudas avotam ir liels attālums, izmantojiet pagarinātāju, kura vads ir pietiekami biezs, taču nav pārāk garš, citādi tiks negatīvi ietekmēta ierīces darbība. Ārpus telpām izmantojiet pagarinātāju, kas ir piemērots lietošanai ārpus telpām.
7. **BRĪDINĀJUMS PAR SPRIEGUMU:** Pirms putekļu sūcēja pievienošanas jaudas avotam (sienas kontaktam, spraudligzdai, u. c.) pārbaudiet, vai padeves spriegums ir tāds pats, kā norādīts uz ierīces datu plāksnītes. Ja jaudas avota spriegums ir lielāks nekā

- norādīts uz putekļu sūcēja, tas var izraisīt NOPIETNUS IEVAINOJUMUS lietotājam, kā arī bojājumus ierīcei. Ja šaubāties, NEPIEVIENOJIET PUTEKĻU SŪCĒJU JAUDAS AVOTAM. Ja jaudas avota spriegums ir mazāks nekā uz datu plāksnītes norādītais, tas ir kaitīgi ierīces motoram.
8. NEPIELAUJIET NEJAUŠU IEDARBINĀŠANU. Ierīci pievienojot jaudas avotam, pārbaudiet, vai slēdzis ir izslēgts (OFF).
 9. Nesūciet viegli uzliesmojošus priekšmetus, piemēram, signālraketes, degošas cigaretes, karstus pelnus, karstas metāla skaidas, un asus priekšmetus, piemēram, žiletas, saplēstu stiklu u. c.
 10. NEKAD NEIZMANTOJIET PUTEKĻU SŪCĒJU, JA TUVUMĀ ATRODAS GAZOLĪNS, GĀZE, KRĀSA, LĪME VAI CITAS VIELAS AR PAAUGSTINĀTU SPRĀDZIENBĪSTAMĪBU. Slēdzi ieslēdzot (ON) vai izslēdzot (OFF), no tā izdalās dzirksteles. Tāpat arī dzirksteles izdalās no motora kolektora darbības laikā. Tas var izraisīt bīstamu eksploziju.
 11. Nekad nesūciet toksiskus, kancerogēnus, ugunsnedrošus vai citus kaitīgus materiālus, piemēram, azbestu, arsēnu, bāriju, beriliju, svīnu, pesticīdus vai citus materiālus, kas apdraud veselību.
 12. Nekad neizmantojiet putekļu sūcēju ārpus telpām lietū.
 13. Nelietojiet karstuma avotu (piem., krāsns u. c.) tuvumā.
 14. AIZSARDZĪBA PRET ELEKTRISKĀS STRĀVAS TRIECIENU. Nepieļaujiet ķermeņa saskari ar iezemētām virsmām. Piemēram, ar caurulēm, radiatoriem, plīti un ledusskapja korpusu.
 15. Nenosprostojiet dzesēšanas atveres. Šīs atveres dzesē motoru. Nepieļaujiet nosprostojumus, citādi motors sadegs ventilācijas trūkuma dēļ.
 16. Vienmēr cieši stāviet uz piemērota atbalsta un saglabājiet līdzsvaru.
 17. NEVELCIET VADU. Nekad nevelciet putekļu sūcēju aiz vada vai neraujiet to, lai atvienotu no kontaktligzdas. Uzturiet vadu atstatu no karstuma avotiem, eļļas un asām malām. Regulāri pārbaudiet putekļu sūcēja vadus un, ja tie ir bojāti, to remonts jāveic pilnvarotam servisa uzņēmam. Regulāri pārbaudiet pagarinātāja vadus un nomainiet, ja tie ir bojāti.
 18. Šļūteni nelokiet, neraujiet un nekāpiet tai virsū.
 19. Ja ekspluatācijas laikā ierīces darbība nav optimāla vai pamanāt kādas novirzes, putekļu sūcēju nekavējoties izslēdziet.
 20. ATVIENOJIET PUTEKĻU SŪCĒJU NO JAUDAS AVOTA, ja to neizmantojat, pirms apkopes un pirms piederumu nomainīšanas.
 21. Putekļu sūcēju notīriet un apkopiet uzreiz pēc katras lietošanas reizes, lai tas vienmēr būtu ideālā lietošanas kārtībā.
 22. VEICIET PUTEKĻU SŪCĒJA APKOPI AR RŪPĪBU. Uzturiet putekļu sūcēju tīru labākai un drošākai veiktspējai. Ievērojiet piederumu nomainīšanas instrukcijas. Uzturiet rokturus sausus, tīrus un brīvus no eļļas un smērvielas.
 23. PĀRBAUDIET, VAI NAV BOJĀTU DAĻU. Pirms turpināt lietot ierīci, aizsargu vai citu daļu, kas bijusi bojāta, rūpīgi jāpārbauda, lai noteiktu, vai tā pareizi darbosies un izpildīs savas funkcijas. Pārbaudiet, vai kustīgās daļas ir pareizi savienotas, tās var brīvi darboties, daļas nav salūzušas, pārbaudiet montāžu un citus apstākļus, kas var ietekmēt ierīces darbību. Bojāto aizsargu vai citas daļas jāmaina vai to remonts jāveic pilnvarotā apkopes centrā, ja vien šajā lietošanas rokasgrāmatā nav norādīts citādi. Bojātus slēdzus nomainiet pilnvarotā apkopes centrā. Neizmantojiet putekļu sūcēju, ja ar slēdzi to nevar ieslēgt un izslēgt.
 24. REZERVES DAĻAS. Veicot apkopi, izmantojiet tikai identiskas rezerves daļas.
 25. PUTEKĻU SŪCĒJA UZGLABĀŠANA. Kad putekļu sūcēju neizmanto, tas jāuzglabā iekštelpās.
 26. Saudzējiet putekļu sūcēju. Nevīzīga apiešanās var sabojāt pat vizitūrīgāko putekļu sūcēju.
 27. Netīriet ierīces ārpusi un iekšpusi ar benzīnu, šķīdinātāju vai citām tīrīšanas ķīmikālijām. Tas var izraisīt plaisas un izbalēšanu.
 28. Neizmantojiet putekļu sūcēju ierobežotā vietā, kur izdalās viegli uzliesmojoši, eksplozīvi vai toksiski izgarojumi no eļļas krāsas, krāsas šķīdinātāja, gāzolina, dažiem pretkožu līdzekļiem u. c., vai vietās, kur ir viegli uzliesmojoši putekļi.
 29. Neatstājiet putekļu sūcēja vadu uz grīdas pēc tīrīšanas darbu pabeigšanas. Tas rada klūpsšanas risku vai var izraisīt bojājumus putekļu sūcējam.
 30. Nelietojiet šo vai citas ierīces, ja esat narkotiku vai alkohola ietekmē.
 31. Galvenais drošības noteikums ir aizsargbrīļi vai aizsargbrīļi ar sānu aizsargiem lietošana.
 32. Putekļainos apstākļos izmantojiet putekļu masku.
 33. Šī mašīna nav paredzēta, ka to izmanto personas, tajā skaitā bērni, ar samazinātām fiziskām, maņu vai garīgām spējām vai personas bez pieredzes un zināšanām.
 34. Neatstājiet mazus bērnus bez uzraudzības, lai nepieļautu, ka viņi spēlējas ar putekļu sūcēju.
 35. Nesatveriet kontaktakšas vadu vai putekļu sūcēju ar slapjām rokām.
 36. Esiet īpaši uzmanīgi, kad tīrāt uz kāpnēm.

37. Neizmantojiet putekļu sūcēju kā ķebli vai darbāgaldu. Mašīna var krist un radīt traumas.

SAGLABĀJIET TURPMĀKĀM UZZIŅĀM

⚠BRĪDINĀJUMS:

NEZAUDĒJIET modrību darbarīka lietošanas laikā (tas var gadīties pēc darbarīka daudzkārtējas izmantošanas), rūpīgi ievērojiet urbšanas drošības noteikumus šim izstrādājumam. **NEPAREIZAS LIETOŠANAS** vai šīs rokasgrāmatas drošības noteikumu neievērošanas gadījumā var gūt smagas traumas.

FUNKCIJU APRAKSTS

⚠BRĪDINĀJUMS:

- Pirms putekļu sūcēja pievienošanas jaudas avotam pārbaudiet, vai ierīce ir izslēgta. Ja putekļu sūcēju pievieno jaudas avotam, kad slēdzis ir ieslēgts, tas var ierīci neparedzēti iedarbināt, kas izraisīs nopietnus ievainojumus.

Slēdža darbība

Att.1

Lai putekļu sūcēju ieslēgtu, pagrieziet svirpārslēdzi stāvoklī „I”. Lai to apturētu, pagrieziet svirpārslēdzi stāvoklī „O”.

Att.2

Sūkšanas jaudu var noregulēt atbilstoši jūsu darba vajadzībām.

Sūkšanas jaudu var palielināt, pagriežot sūkšanas jaudas regulēšanas kloķi no simbola ↶ uz simbolu ↷.

Elektrisko mehānizēto instrumentu pievienošana

⚠BRĪDINĀJUMS:

- Ievērojiet maksimālo pievienoto slodzi ierīces spraudlīdzdai (skatiet sadaļu TEHNISKIE DATI).
- Pirms pievienošanas pārbaudiet, vai putekļu sūcējs un elektriskais mehānizētais instruments ir izslēgti. Ja mehānizēto instrumentu pievieno pie putekļu sūcēja, kad tie abi ir ieslēgti, tas var ierīci neparedzēti iedarbināt, kas izraisīs nopietnus ievainojumus.

Att.3

Kad pievienojat iezemētu instrumentu, kontaktdakšu ar zemējuma plāksni pievienojiet pie putekļu sūcēja spraudlīdzdas.

⚠UZMANĪBU:

- Nekad nepievienojiet elektrisko mehānizēto instrumentu ar ieejas jaudu, kas pārsniedz sadaļā „TEHNISKIE DATI” norādīto jaudu putekļu sūcēja spraudlīdzdai, kad tiek pagriezts sūkšanas jaudas regulēšanas kloķis. Ja pievieno elektrisko mehānizēto instrumentu, kura ieejas jauda pārsniedz norādīto, tas var izraisīt putekļu sūcēja pārkaršanu un bojājumus. Lai to nepieļautu, skatiet tehniskos datus.

Putekļu sūcēju var pievienot elektriskajam mehānizētajam instrumentam, kura ieejas jauda nepārsniedz sadaļā „TEHNISKIE DATI” norādīto.

Lai pievienotu elektrisko mehānizēto darbarīku, atveriet vāciņu un ievietojiet elektriskā mehānizētā instrumenta kontaktdakšu putekļu sūcēja spraudlīdzdā.

Att.4

Pagrieziet svirpārslēdzi stāvoklī „AUTO”.

Pavirziet sūkšanas jaudas regulēšanas kloķi tādā stāvoklī, kas piemērots elektriskā mehānizētā instrumenta, ko paredzēts izmantot, ieejas jaudai. Skatiet sadaļu „TEHNISKIE DATI”, lai uzzinātu attiecību starp sūkšanas jaudas regulēšanas kloķi un elektriskā mehānizētā instrumenta ieejas jaudu.

Ja pievienoto elektrisko mehānizēto instrumentu ieslēdz vai izslēdz, tas vienlaicīgi ieslēdz un izslēdz arī putekļu sūcēju. Putekļu sūcējs pēc elektriskā mehānizētā instrumenta izslēgšanas dažas sekundes vēl darbojas.

Pēc lietošanas atvienojiet mehānizēto instrumentu no putekļu sūcēja spraudlīdzdas.

Pēc lietošanas putekļu sūcēju izslēdziet.

Automātiskās sūkšanas apturēšanas sūkšanas laikā

⚠BRĪDINĀJUMS:

- **Neizmantojiet ierīci ilgu laiku, kamēr darbojas pludiņš.** Ja ierīci izmanto ilgu laiku, kamēr darbojas pludiņš, tas var izraisīt pārkaršanu, kas radīs putekļu sūcēja deformāciju.
- **Nesūciēt putas vai ziepjainu šķidrumu.** Ja sūksiet putas vai ziepjainu šķidrumu, putas var izkļūt cauri gaisa izplūdes atverei, pirms nostrādā pludiņš. Turpinot lietot putekļu sūcēju šādā stāvoklī, var izraisīt elektriskās strāvas triecienu un putekļu sūcēja saplīšanu.

Putekļu sūcējam ir pludiņa mehānisms, kas neļauj ūdenim iekļūt motorā, kad tiek iesūkts vairāk nekā noteiktais ūdens daudzums.

Kad tvertne ir pilna un putekļu sūcējs vairs nevar iesūkt ūdeni, izslēdziet ierīci un iztukšojiet tvertni.

Turētāja uzstādīšana

Att.5

Kad pievienojat elektrisko mehānizēto instrumentu, nostipriniet strāvas vadu un šļūteni, izmantojot turētājus, kas atrodas 70 cm - 80 cm attālumā starp turētājiem, kas atrodas uz putekļu sūcēja, tā, lai šļūtene nesapītos ar strāvas vadu.

Pamatnes āķa lietošana

⚠UZMANĪBU:

- **Aizverot pamatnes āķi, neiespiediet pirkstus.** Neuzmanoties var radīt sev ievainojumus.

PIEZĪME:

- Ar pamatnes āķi nerīkojieties ar pārmērīgu spēku. Ja pamatnes āķim izmanto pārmērīgu spēku, tas var sabojāt pamatnes āķi. Kad pamatnes āķi neizmanto, to aizveriet.

Kad pamatnes āķis ir atvērts, to var izmantot šādos turpmāk nosauktajos veidos.

1. Strāvas vada uzglabāšana

PIEZĪME:

- **Neizmantojiet putekļu sūcēju vai pievienoto elektrisko mehānizēto instrumentu, ja strāvas vads ir aptīts ap pamatnes āķi.** Ja putekļu sūcēju vai pievienoto elektrisko mehānizēto instrumentu izmanto, kad strāvas vads ir aptīts ap pamatnes āķi, var sabojāt strāvas vadu.

Att.6

2. Priekšējo uznavu uzglabāšana

Var uzglabāt priekšējās uznavas 22, 24 un 38 (vienlaicīgi maksimums divas).

Att.7

3. Šļūtenes uzglabāšana

Att.8

- 4. **Piemērota izmēra elektriskā mehānizētā darbarīka, piemēram, ripzāģa novietošana uz pamatnes āķa.**

Att.9

Riteņa bloķēšana un atbloķēšana

Modeļiem VC1310L un VC2510L

Att.10

Modeļiem VC3210L

Att.11

Lai rītenis nobloķētu ar sprūdu, nolaidiet sprūda sviru, tad rītenis vairs negriezīsies. Lai atbloķētu rīteni no bloķētā stāvokļa, paceliet sprūda sviru.

Riteņa nobloķēšana ir noderīga, kad putekļu sūcēju novieto glabāšanā, uz laiku pārtrauc darbu un, ja ierīcei nepieciešams būt nekustīgai.

Lai mainītu sprūda stāvokli, dariet to ar roku.

PIEZĪME:

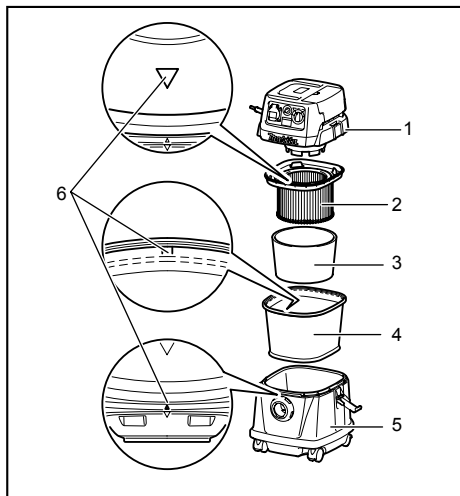
- Pirms putekļu sūcēja pārvietošanas pārbaudiet, vai rītenis ir atbloķēts. Ja putekļu sūcēju pārvieto ar nobloķētu rīteni, tas var sabojāt rīteni.

MONTĀŽA

⚠UZMANĪBU:

- Pirms ierīces regulēšanas vai apkopes vienmēr pārliedzinieties, vai ierīce ir izslēgta un atvienota no jaudas padeves.

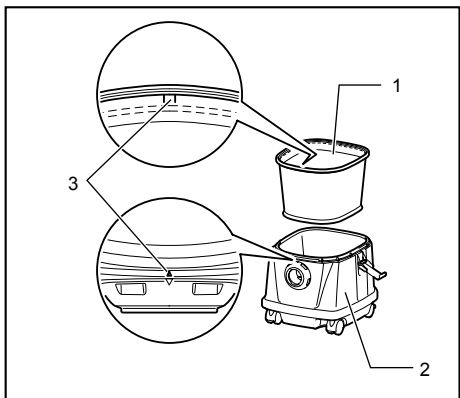
Ūdens filtra uzstādīšana



1. Tvertnes vāks
2. Pulvera filtrs
3. Buferis
4. Priekšfiltrs
5. Tvertne
6. Piestiprināšanas stāvokļa marķējums

011637

Lai sūktu ūdeni vai slapjus putekļus, izņemiet priekšfiltru un buferi; pēc tam izmantojiet ūdens filtru.



1. Ūdens filtrs
2. Tvertne
3. Piestiprināšanas stāvokļa marķējums

011630

Kad tvertnei uzstādāt ūdens filtru, to uz tvertnes atveres novietojiet cieši – tā, lai ūdens filtra āķis cieši piestiprinās pie tvertnes atveres un starp ūdens filtru un tvertni nepaliek atstarpe.

Kā arī uzstādiet ūdens filtru tā, lai var savietot piestiprināšanas stāvokļa marķējumus.

PIEZĪME:

- Modeļiem VC2510L un VC3210L nav piestiprināšanas stāvokļa marķējuma, tādēļ tiem nevajag savietot marķējumus.

Papīra saiņa uzstādīšana

⚠BRĪDINĀJUMS:

- Ja izmantojat papīra saiņi, lietojiet to kopā ar priekšfiltru, kas jau ir uzstādīts uz ierīces. Ja neizmantojat kopā ar priekšfiltru, tas var radīt neparastu troksni un karstumu, izraisot ugunsgrēku.

⚠UZMANĪBU:

- Kad izmantojat papīra saiņi, nesūciet ūdeni vai citus šķidrums, vai mitrus putekļus. Sūcot iepriekšminēto, papīrs var saplīst.

Att.12

1. Noņemiet gumijas turētāju.
2. Atlokiet papīra saiņi.

Att.13

Att.14

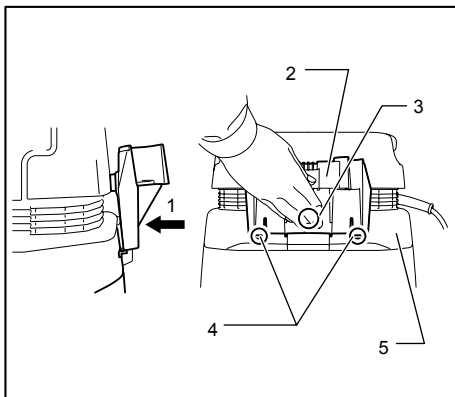
3. Novietojiet papīra saiņa atveri pret putekļu sūcēja putekļu sūkšanas atveri.
4. Ievietojiet papīra saiņa kartona daļu ierīcē tā, lai tas atrodas aizmugurē aiz izvīrītā turētāja.

Caurules turētāja (papildpiederums) uzstādīšana

Tikai modelim VC1310L

Att.15

Nospiediet vada āķi tā, kā redzams attēlā.



1. Nospieš
2. Caurules tureklis
3. A daļa
4. Āķis
5. Tvertnes vāks

011605

Piestipriniet caurules turētāju pie vada āķa. (Āķi ir vērsti prom no tvertnes vāka.)

Paceliet caurules turētāju tik augstu, kamēr āķi saskaras ar tvertnes vāku un piespiediet caurules turētāja A daļu.

Att.16

Spēcīgi nospiediet A daļu un, kamēr A daļa ir nospiesta, nolaidiet caurules turētāju.

Att.17

Att.18

Ievietojiet caurules turētāja divus izvirkījumus tvertnes vāka ievās un nospiediet uz leju caurules turētāju.

Att.19

PIEZĪME:

- Ja caurules turētājs ir zemāk nekā paredzētais stāvoklis, caurules turētāju nevar uzstādīt uz vada āķa, ar āķi pavērstu prom no tvertnes vāka, kā redzams attēlā.

Att.20

PIEZĪME:

- Pārbaudiet, vai abi caurules turētāja āķi uz tvertnes vāka ir cieši piesīprināti.

Šļūtenes pievienošana

⚠UZMANĪBU:

- Nekad nelokiet un nespiediet cauruli. Nekad nepārvietojiet putekļu sūcēju, turot aiz šļūtenes. Ja šļūteni loka, spiež vai rauj, šļūteni var saplēst vai deformēt.
- Sūcot lielus atkritumus, piemēram, ēvelēšanas atgrīezumus, betona putekļus vai līdzīgus materiālus, kas ir citādāki nekā mazie atkritumi, izmantojiet 38 mm iekšējā diametra šļūteni (papildpiederums). Ja izmanto 28 mm iekšējā diametra šļūteni, var izraisīt šļūtenes aizsprostošanos un bojājumus.

Att.21

Ievietojiet šļūteni tvertnes montāžas atverē un pagrieziet pulksteņrādītāja virzienā, līdz tā nobloķējas.

Polietilēna maisa ievietošana

Putekļu sūcēju var izmantot arī bez polietilēna maisa. Tomēr ar polietilēna maisu ir vieglāk iztukšot tvertni, nenosmērējot rokas.

Att.22

Iekļājiet polietilēna maisu tvertnē. Ievietojiet to starp turētāja plāksni un tvertni un pavelciet to uz šļūtenes ievades pusi.

Att.23

Izpletiet maisu ap tvertnes augšpusi.

Maisa otru pusi nostipriniet ap tvertnes augšpusi tā, lai to aizķer un cieši notur priekšfiltra āķis.

PIEZĪME:

- Var izmantot tirgū pieejamos polietilēna maisus. Ieteicams izmantot maisu, kura biezums ir 0,04 mm vai vairāk.
- Pārāk daudz putekļu maisu var viegli saplēst, tādēļ nesūciet vairāk putekļu nekā pusi no maisa tilpuma.

Polietilēna maisa iztukšošana

⚠BRĪDINĀJUMS:

- Pirms polietilēna maisa iztukšošanas vienmēr pārbaudiet, vai putekļu sūcējs ir izslēgts un atvienots no jaudas padeves. Ja to neievēro, var izraisīt elektriskās strāvas triecienu un nopietnus ievainojumus.

⚠UZMANĪBU:

- Pulvera filtru un tvertni sargājiet no spēcīgiem triecieniem. Spēcīgs trieciens var izraisīt pulvera filtra un tvertnes deformāciju un bojājumus.
- Iztukšojiet tvertni vismaz vienreiz dienā, lai gan tas ir atkarīgs no tvertnē iesūkto putekļu daudzuma. Citādāk sūkšanas jauda samazināsies, un var saplīst motors.
- Iztukšojot tvertni, nesatveriet to aiz āķa. Ja satver aiz āķa, āķi var nolauzt.

Att.24

Atāķējiet un paceliet tvertnes vāku.

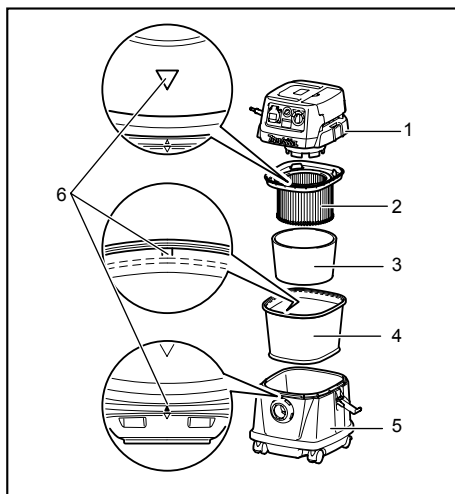
Att.25

Nokratiet putekļus no pulvera filtra, bufera un priekšfiltra, pēc tam no tvertnes izņemiet polietilēna maisu.

PIEZĪME:

- Polietilēna maisu ņemiet ārā no tvertnes uzmanīgi, lai tas iztukšošanas laikā neaizķertos aiz izvirkājumiem tvertnes iekšpusē un nesaplīstu.
- Polietilēna maisu iztukšojiet, pirms tas ir pilns. Pārāk daudz putekļu maisu var saplēst.

Pulvera filtra uzstādīšana



1. Tvertnes vāks
2. Pulvera filtrs
3. Bufers
4. Priekšfiltrs
5. Tvertne
6. Piestiprināšanas stāvokļa marķējums

011637

Ievietojiet priekšfiltru tvertnē.

Pēc tam buferī ielieciet pulvera filtru un ievietojiet priekšfiltrā.

Uzstādot pulvera filtru un priekšfiltru, uz tiem esošais piestiprināšanas stāvokļa marķējums jāsavieto ar to, kas atrodas tvertnes augšpusē.

Beigās piestipriniet tvertnes vāku.

PIEZĪME:

- Modeļiem VC2510L un VC3210L nav piestiprināšanas stāvokļa marķējuma, tādēļ tiem nevajag savietot marķējumus.
- Pirms pulvera filtra izmantošanas vienmēr pārbaudiet, vai kopā tiek izmantots priekšfiltrs un buferis. Pulvera filtru nedrīkst uzstādīt vienu pašu.
- Pirms papīra saiņa izmantošanas vienmēr pārbaudiet, vai kopā tiek izmantots pulvera filtrs, buferis un priekšfiltrs.

Putekļu sūcēja pārnēsāšana

Att.26

Pārvietojot putekļu sūcēju, nesiet to, turot aiz roktura, kas atrodas ierīces augšdaļā, kā parādīts attēlā. Kad rokturi neizmanto, to var ievietot ierīces augšdaļā.

APKOPE

⚠UZMANĪBU:

- Pirms veicat pārbaudi vai apkopi vienmēr pārliecinieties, vai instruments ir izslēgts un atvienots no barošanas.

Strāvas vada uzglabāšana

Tikai modelim VC1310L

Att.27

Att.28

Izvelciet vada āķi vai atveriet pamatnes āķi. Satiniet strāvas vadu un pakariniet uz vada āķa vai aptiniet to ap pamatnes āķi.

PIEZĪME:

- Kad mēģināt noņemt strāvas vadu no vada āķa, neraujiet to nost ar spēku. Noraujot strāvas vadu no vada āķa ar spēku, var sabojāt strāvas vadu.

Modeļiem VC2510L un VC3210L

Att.29

Att.30

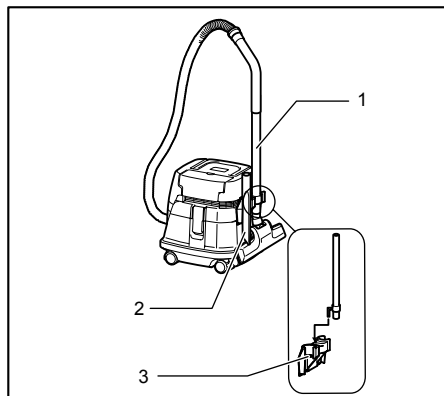
Aptiniet strāvas vadu ap pamatnes āķi.

Piederumu uzglabāšana

PIEZĪME:

- Piederumus, kas piestiprināti pie caurules turētāja, neraujiet nost ar pārmērīgu spēku. Ja piederumus rauj nost ar pārmērīgu spēku, tie var sabojāt caurules turētāju.

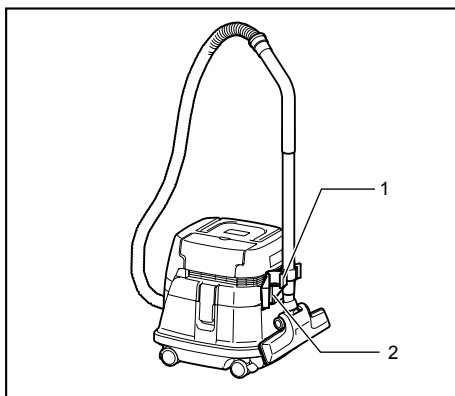
Tikai modelim VC1310L



1. Taisnā caurule
2. Stūra uzgalis
3. Caurules tureklis

011612

Caurules turētāju var izmantot taisnās caurules, liektās caurules, stūru sprauslas u. c. glabāšanai, vienkārši pievienojot šos piederumus.

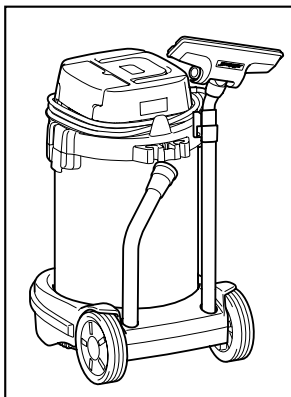


1. Aizturis
2. Caurules tureklis

011613

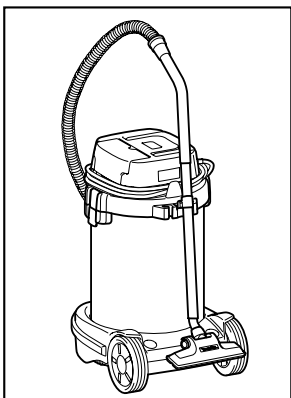
Caurules var ievietot caurules turētājā arī tad, kad putekļa sūcēja lietošanu pārtrauc uz laiku.

Modeļiem VC2510L un VC3210L



011622

Caurules balstu var izmantot taisnās caurules, liektās caurules u. c. glabāšanai, vienkārši ievietojot šos piederumus.



011623

Caurules var ievietot caurules turētājā arī tad, kad putekļa sūcēja lietošanu pārtrauc uz laiku.

Tīrīšana

⚠ UZMANĪBU:

- Nekad neizmantojiet gazoliņu, benzīnu, atšķaidītāju, spirtu vai līdzīgus šķidrumus. Tas var radīt izbalēšanu, deformāciju vai plaisas.

Att.31

Nosprostots pulvera filtrs, priekšfiltrs un buferis var samazināt sūkšanas jaudu.

Regulāri tīriet filtrus un buferus.

Lai notīrītu putekļus vai daļiņas, kas pieķērušās filtriem, vairākas reizes ātri pakratiet karkasa apakšdaļu.

Att.32

Palaikam nomazgājiet pulvera filtru ūdenī, noskalojiet un pirms lietošanas ēnā nožāvējiet. Filtrus nekad nemazgājiet veļas mazgājamā mašīnā.

PIEZĪME:

- Nekasiet un neskrāpējiet pulvera filtru, priekšfiltru vai buferi ar cietiem priekšmetiem, piemēram, birsti vai lāpstīņu.
- Filtri nolietojas, tādēļ ieteicams glabāt rezerves filtrus.

Lai saglabātu produkta DROŠU un UZTICAMU darbību, remontdarbus, apkopi un regulēšanu uzticiet veikt tikai Makita pilnvarotam apkopes centram un vienmēr izmantojiet tikai Makita rezerves daļas.

PAPILDU PIEDERUMI

⚠ UZMANĪBU:

- Šādi piederumi un rīki tiek ieteikti lietošanai ar šajā pamācībā aprakstīto Makita instrumentu. Jebkādu citu piederumu un rīku izmantošana var radīt traumu briesmas. Piederumu vai rīku izmantojiet tikai tā paredzētajam mērķim.

Ja jums vajadzīga palīdzība vai precīzāka informācija par šiem piederumiem, vērsieties savā tuvākajā Makita apkopes centrā.

- Šļūtene
- Priekšējās uznavas (22, 24, 38)
- Taisnā caurule
- Stūra sprausla
- Apaļā suka
- Pulvera filtrs (sausajai tīrīšanai)
- Buferis
- Priekšfiltrs
- Sprauslas montējums
- Liektā caurule
- Polietilēna maiss
- Filtrs (ūdenim)
- Papīra sainis
- Turekļa ierīce
- Caurules turētājs (tikai modelim VC1310L)

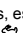

PIEZĪME:

- Daži sarakstā norādītie izstrādājumi var būt iekļauti instrumenta komplektācijā kā standarta piederumi. Tie dažādās valstīs var būt atšķirīgi.

LIETUVIŲ KALBA (Originali naudojimo instrukcija)**Bendrasis aprašymas**

1-1. Siurbimo galios reguliavimo rankenėlė	10-2. Fiksavimo svirtis	23-1. Polietilenuinis maišelis
1-2. Jungiklio svirtis	10-3. ATLAISVINIMO padėtis	23-2. Laikiklio plokštė
2-1. Siurbimo galios reguliavimo rankenėlė	10-4. Fiksavimo padėtis	23-3. Bakelis
2-2. Jungiklio svirtis	11-1. Liejamoji mašina	24-1. Bakelio dangtis
3-1. Dangtelis	11-2. Fiksavimo svirtis	24-2. Polietilenuinis maišelis
3-2. Energijos tiekimo laidas	11-3. ATLAISVINIMO padėtis	24-3. Kablys
3-3. Siurbimo galios reguliavimo rankenėlė	11-4. Fiksavimo padėtis	26-1. Rankena
3-4. Jungiklio svirtis	12-1. Guminis laikiklis	26-2. Galvutė
4-1. Siurbimo galios reguliavimo rankenėlė	13-1. Popierinis maišelis	27-1. Laido kablys
4-2. Jungiklio svirtis	15-1. Laido kablys	27-2. Energijos tiekimo laidas
5-1. Laikiklis	16-1. Smarkiai paspauskite ir nuleiskite	28-1. Energijos tiekimo laidas
6-1. Energijos tiekimo laidas	17-1. Bakelio dangtis	28-2. Pagrindo kablys
6-2. Pagrindo kablys	17-2. Vamzdžio laikiklio iškyša	29-1. Laido kablys
7-1. Priekiniai antgaliai	17-3. Griovelis	29-2. Energijos tiekimo laidas
8-1. Žarna	19-1. Bakelio dangtis	30-1. Energijos tiekimo laidas
10-1. Liejamoji mašina	19-2. Kablys	30-2. Pagrindo kablys
	20-1. Bakelio dangtis	31-1. Bakelis
	20-2. Kablys	31-2. Priesifiltris
	22-1. Laikiklio plokštė	
	22-2. Bakelis	

SPECIFIKACIJOS

Modelis		VC1310L / VC2510L / VC3210L					
Šalys		ES	AU/NZ	GB 110V	GB 230V	CL	AR / CH
Įtampa	Voltais	230 - 240	230 - 240	110	230 - 240	220	230 - 240
Energijos sunaudojimas	Vatai	1050	1050	1050	1050	1050	1050
Įjungto prietaiso kištuko krūvis	Vatai, esant simbolio  režimui	2400	1200	600	1900	2200	1100
	Vatai, esant simbolio  režimui	2600	1400	850	2100	2500	1400
Bendroji apkrova prijungus	Vatai	3450	2250	1650	2950	3250	2150

Modelis		VC1310L	VC2510L	VC3210L
(Oro) srauto greitis		2,0 m ³ /min		
Vakuumas		22 kPa		
Saugos klasė		1		
Apsaugos rūšis		IP X4 (apsauga nuo tiškalių)		
Gražintas tūris	Dulkės	13 l	25 l	32 l
	Vanduo	7 l	14 l	27 l
Matmenys (l x P x A)		366 mm x 334 mm x 420 mm	432 mm x 416 mm x 451 mm	552 mm x 398 mm x 685 mm
Neto svoris		9,6 kg	10,5 kg	14,5 kg

- Atliekame nepertraukiamus tyrimus ir nuolat tobuliname savo gaminius, todėl čia pateikiamos specifikacijos gali būti keičiamos be įspėjimo.
- Įvairiose šalyse specifikacijos gali skirtis.
- Svoris pagal Europos elektrinių įrankių asociacijos nustatytą metodiką „EPTA -Procedure 01/2003“

Simboliai

Žemiau yra nurodyti įrangai naudojami simboliai. Prieš naudodami įsitikinkite, kad suprantate jų reikšmę.



• Perskaitykite naudojimo instrukciją.



• Įspėjimas! Valymo įrenginyje gali būti pavojingų dulkių.



• Niekada nestovėkite ant valymo įrenginio.



• Tiktai ES valstybėms
Neišmeskite elektros įrangos į buitinius šiukšlynus!

Pagal ES direktyvą dėl naudotos elektros ir elektroninės įrangos ir jos įdiegimo pagal nacionalinius įstatymus, naudotą elektros įrangą būtina surinkti atskirai ir nugabenti antrinių žaliavų perdirimui aplinkai nekenksmingu būdu.

ENE016-1

Numatytoji naudojimo paskirtis

Šis įrankis skirtas šlapioms ir sausoms dulkėms surinkti.

ENF001-1

Elektros energijos tiekimas

Įrenginiui turi būti tiekiami tokios įtampos elektros energija, kaip nurodyta duomenų lentelėje; įrenginys veikia tik su vienfazė kintamąja srove. Kad žmogus, dirbantis su įrenginiu, nepatirtų elektros smūgio, darbo metu įrenginys turi būti įžemintas. Naudokite tiktai trijų gyslų ilginamuosius laidus su įžemintais trišakiais kištukais ir trijų polių kištukinius lizdus, kuriems tinka įrenginio kištukas.

ENG905-1

Triukšmas

Tipiškas A svertinis triukšmo lygis nustatytas pagal EN/IEC60704:

Modelis VC1310L

Garso slėgio lygis (L_{pA}): 72 dB (A)

Paklaida (K): 2,5 dB (A)

Dirbant triukšmo lygis gali viršyti 80 dB (A).

Modelis VC2510L, VC3210L

Garso slėgio lygis (L_{pA}): 73 dB (A)

Paklaida (K): 2,5 dB (A)

Dirbant triukšmo lygis gali viršyti 80 dB (A).

Dėvėkite ausų apsaugas

Tik Europos šalims

ES atitikties deklaracija

Bendrovė „Makita“ atsakingai pareiškia, kad šis įrenginys (-iai):

Mechanizmo paskirtis:

Vakuuminis valymo įrenginys

Modelio Nr./ tipas: VC1310L, VC2510L, VC3210L

Atitinka šias Europos direktyvas:

2006/42/EC

Yra pagaminti pagal šį standartą arba normatyvinius dokumentus:

EN60335

Techninį dokumentą pagal 2006/42/EB galima gauti iš:

Makita, Jan-Baptist Vinkstraat 2, 3070, Belgium (Belgija)

31.7.2014

000331

Yasushi Fukaya

Direktorius

Makita, Jan-Baptist Vinkstraat 2, 3070, Belgium (Belgija)

ENB119-5

SAUGOS ĮSPĖJIMAI DĖL VAKUUMINIO VALYMO ĮRENGINIO NAUDOJIMO

⚠ ĮSPĖJIMAS! SVARBU: PRIEŠ PRADĖDAMI NAUDOTI, ATIDŽIAI PERSKAITYKITE visus saugos įspėjimus ir nurodymus. Nesilaikydami toliau pateiktų įspėjimų ir nurodymų, galite patirti elektros smūgį, gaisrą ir (arba) sunkų sužeidimą.

1. **Prieš pradėdami naudoti, įsitikinkite, kad šį valymo įrenginį naudotų tik tie žmonės, kurie yra tinkamai išmokyti, kaip naudoti šį valymo įrenginį.**
2. **Valymo įrenginio išleidimo angą naudokite tik šioje instrukcijoje nurodytiems tikslams.**
3. **Jeigu veržiasi putos/skystis, tuoj pat išjunkite.**
4. **Reguliariai valykite vandens lygio ribojimo įtaisą ir tikrinkite, ar nėra jo sugadinimo požymių.**
5. **Nenaudokite valymo įrenginio be filtro. Pažeistą filtrą nedelsdami pakeiskite nauju.**
6. **ILGINIMO LAIDO NAUDOJIMAS.** Jeigu dėl didelio atstumo iki maitinimo šaltinio naudojate ilginimo laidą, bandykite naudoti laidą, kuris būtų pakankamai storas, bet ne per ilgas, kitaip bus neigiamai paveiktas valymo įrenginio veikimas. Dirbdami lauke, naudokite ilginimo laidą, kuris yra tinkamas naudoti lauke.

7. **[SPĖJIMAS DĖL [TAMPOS: Prieš jungdami valymo įrenginį į maitinimo šaltinį (kištukinį lizdą, sieninį lizdą ir pan.), įsitikinkite, ar jo įtampa atitinka nurodytą valymo įrenginio techninių duomenų lentelėje. Jeigu maitinimo šaltinio įtampa bus didesnė nei nurodytoji ant valymo įrenginio, galite būti SUNKIAI SUŽEISTI ir sugadinti valymo įrenginį. Jeigu abejojate, NEJUNKITE VALYMO ĮRENGINIO Į MAITINIMO TINKLĄ.** Naudojant maitinimo šaltinį, kurio įtampa yra mažesnė nei nurodytoji techninių duomenų lentelėje, gadinamas variklis.
8. **VENKITE NETYČINIO PALEIDIMO.** Jungdami į tinklą, įsitikinkite, kad jungiklis yra išjungimo padėtyje OFF.
9. Nebandykite susiurbti degių medžiagų, fejevėrkų, degančių cigarečių, karštų pelenų, įkaitusių metalo drožlių, aštrių daiktų, pavyzdžiui, skutimosi peiliukų, adatų, stiklo duženų ir pan.
10. **NIEKADA NENAUDOKITE VALYMO ĮRENGINIO ŠALIA BENZINO, DUJŲ, DAŽŲ, KLIJŲ ARBA KITŲ LABAI DEGIŲ MEDŽIAGŲ.** Įjungiant arba išjungiant jungiklį, kyla kibirkštys. Įrenginiui veikiant, kibirkščiuota ir variklio srovės keitiklis. Gali kilti pavojingas sproginimas.
11. Niekada nesiurbkite nuodingų, kancerogeninių, degių arba kitų pavojingų medžiagų, pavyzdžiui, asbesto, arseno, bario, berilio, švino, pesticidų ir kitų sveikatai pavojingų medžiagų.
12. Niekada nenaudokite valymo įrenginio lauke lietuvi lyjant.
13. Nenaudokite prie šilumos šaltinių (krosnių ir pan.).
14. **APSAUGA NUO ELEKTROS SMŪGIO.** Stenkitės nesiliesti kūnu prie įžemintų paviršių. Pavyzdžiui, vamzdžių, radiatorių, viryklių, šaldytuvų.
15. Neužblokuokite aušinimo angų. Šios ventilacijos angos skirtos varikliui aušinti. Stenkitės jų neužblokuoti, kitaip dėl vėdinimo trūkumo perdegs variklis.
16. Visada stovėkite tvirtai, stenkitės išlaikyti pusiausvyrą.
17. **SAUGOKITE LAIDĄ.** Niekada neneškite valymo įrenginio, laikydami už laido, ir netraukite už jo, išjungdami iš elektros lizdo. Saugokite laidą nuo karščio, alyvos ir aštrių kraštų. Reguliariai tikrinkite valymo įrenginio laidus ir, jeigu jie pažeisti, atiduokite pataisyti į įgaliotąjį techninio aptarnavimo centrą. Reguliariai tikrinkite ilginimo laidus ir, jeigu jie pažeisti, pakeiskite.
18. Nesulenkite, neįtempkite ir neatsistokite ant žarnos.
19. Nedelsdami išjunkite valymo įrenginį, jeigu pastebėtumėte, jog jis prastai arba neįprastai veikia.
20. **ATJUNKITE VALYMO ĮRENGINĮ NUO MAITINIMO TINKLO.** Kai jo nenaudojate, prieš atlikdami remonto arba techninės priežiūros darbus ir keisdami priedus.
21. Norėdami, kad valymo įrenginys veiktų geriausiai, kiekvieną kartą jį panaudoję, nuvalykite jį ir atlikite techninę jo priežiūrą.
22. **TINKAMAI PRIŽIŪRĖKITE VALYMO ĮRENGINĮ.** Kad darbas vyktų geriau ir saugiau, valymo įrenginys visuomet turi būti švarus. Laikykites priedų keitimo nurodymų. Rankenos turi būti sausus, švarios ir neišstėptos tepalu.
23. **PATIKRINKITE, AR NĖRA SUGEDUSIŲ DALIŲ.** Prieš toliau naudodami valymo įrenginį, atidžiai apžiūrėkite sugadintą apsauginį įtaisą ar kitą dalį ir nustatykite, ar ji veiks tinkamai ir atliks savo funkciją. Tikrinkite judančių dalių išlygiavimą, ar jos suveržtos, ar nėra sulūžusių dalių, ar tinkamas montavimas ar kiti aspektai, svarbūs įrankio veikimui. Sugadintą apsauginį įtaisą ar kitą dalį reikia tinkamai remontuoti arba pakeisti įgaliotajame techninio aptarnavimo centre, nebent šioje instrukcijoje nurodyta kitaip. Sugedusius jungiklius turi pakeisti įgaliotas priežiūros centras. Nenaudokite valymo įrenginio, jeigu jo jungiklis jo neįjungia arba neišjungia.
24. **ATSARGINĖS DALYS.** Prižiūrėdami naudokite tik identiškas atsargines dalis.
25. **VALYMO ĮRENGINYS TURI BŪTI LAIKOMAS IŠJUNGTAS.** Nenaudojamą valymo įrenginį privaloma laikyti patalpoje.
26. Saugokite valymo įrenginį. Šiurkščiai naudojami, gali sugesti net ir tvirtiausi valymo įrenginiai.
27. Nebandykite valyti išorinių arba vidinių dalių benzinu, tirpikliu arba cheminėmis valymo medžiagomis. Jos gali įtrūkti arba išblukti.
28. Nenaudokite valymo įrenginio uždaroje patalpoje, kurioje yra degių, sprogių arba nuodingų garų, kuriuos skleidžia aliejiniai dažai, dažų skiedikliai, benzinai, kai kurios kandžių neėdamos medžiagos ir pan., arba tokiose vietose, kuriose yra degių dulkių.
29. Pabaigę valymo darbus, nepalikite valymo įrenginio laido gulėti ant grindų. Už jo kas nors gali užkliūti ir susižeisti arba sugadinti patį valymo įrenginį.
30. Nenaudokite šio arba bet kokio kito įrenginio, kai esate apsvaigę nuo narkotikų arba alkoholio.
31. Pagrindinė saugos taisyklė: dėvėkite apsauginius darbo akinius arba apsauginius akinius su šoniniais skydeliais.

32. Dirbdami dul্কėtoje aplinkoje, dėvėkite respiratorių.
33. Šis įrenginys nėra skirtas naudoti asmenims (įskaitant vaikus), turintiems fizinį, jutimo ar dvasios negalių arba stokojantiems patirties ir žinių.
34. Prižiūrėkite mažus vaikus, kad jie nežaistų su šiuo valymo įrenginiu.
35. Niekada nelieskite elektros kištuko arba valymo įrenginio šlapiomis rankomis.
36. Būkite itin atsargūs, valydami laiptus.
37. Nenaudokite šio valymo įrenginio vietoj kėdės arba darbastalio. Įrenginys gali nuvirsti ir sužeisti.

IŠSAUGOKITE ATEIČIAI

⚠️ĮSPĖJIMAS:

NELEISKITE, kad patogumas ir gaminio pažinimas (įgyjamas pakartotinai naudojant) susilpnintų griežtą saugos taisyklių, taikytinų šiam gaminiui, laikymąsi. Dėl NETINKAMO NAUDOJIMO arba saugos taisyklių nesilaikymo, kurios pateiktos šioje instrukcijoje galima rimtai susižeisti.

VEIKIMO APRAŠYMAS

⚠️ĮSPĖJIMAS:

- **Prieš įjungdami valymo įrenginį į maitinimo tinklą, visada patikrinkite, ar jis yra išjungtas.** Įjungus valymo įrenginį su įjungtu jungikliu, jis gali netikėtai pasileisti ir sunkiai jus sužeisti.

Jungiklio veikimas

Pav.1

Norėdami įjungti valymo įrenginį, pasukite jungiklio svirtelę link „I“. Norėdami išjungti, pasukite jungiklio svirtelę link „O“.

Pav.2

Siurbimo galią galima reguliuoti, atsižvelgiant į atliekamą darbą.

Siurbimo galią galima padidinti, sukant siurbimo galios reguliavimo rankenėlę nuo simbolio ⇄ link simbolio ↻.

Elektrinių įrankių prijungimas

⚠️ĮSPĖJIMAS:

- Neviršykite maksimalaus, prietaiso lizdai leistino krūvio (žr. skyrių TECHNINIAI DUOMENYS.)
- Prieš įjungdami arba išjungdami, patikrinkite, ar valymo įrenginys ir elektrinis įrankis yra išjungti. Prijungiant elektrinį įrankį prie valymo įrenginio, kai jie abu yra įjungti, jie gali netikėtai staigiai pasileisti ir sunkiai jus sužaloti.

Pav.3

Prijungdami įžemintą įrankį, įkiškite kištuką su įžeminimo plokšte į valymo įrenginio lizdą.

⚠️DĖMESIO:

- Niekada nejunkite elektrinio įrankio, kurio įvesties galia viršija nurodytąją lentelėje „TECHNINIAI DUOMENYS“, į valymo įrenginio lizdą, sukdami siurbimo galios reguliavimo rankenėlę. Prijungus elektrinį įrankį, kurio galia viršija nurodytąją įvesties galią, valymo įrenginys gali perkaisti ir sugesti. Norėdami to išvengti, žr. techninius duomenis.

Valymo įrenginį galima prijungti prie tokio elektrinio įrankio, kurio įvesties galia neviršija nurodytosios lentelėje „TECHNINIAI DUOMENYS“.

Norėdami prijungti elektrinį įrankį, atidenkite dangtelį ir įkiškite elektrinio įrankio kištuką į valymo įrenginio lizdą.

Pav.4

Pasukite jungiklio svirtelę ties automatine padėtimi „AUTO“.

Pasukite siurbimo galios reguliavimo rankenėlę ties padėtimi, tinkama elektrinio įrankio, kurį ketinate naudoti, įvesties galiai. Informacijos apie siurbimo galios reguliavimo rankenėles ir elektrinio įrankio įvesties galios atitikmenis žr. TECHNINIUS DUOMENIS.

Įjungiant ir išjungiant prijungtą elektrinį įrankį, tuo pat metu įjungiamas bei išjungiamas ir valymo įrenginys.

Išjungus elektrinį įrankį, valymo įrenginys veikia dar kelias sekundes.

Panaudoję, išjunkite elektrinį įrankį iš valymo įrenginio lizdo.

Panaudoję valymo įrenginį, išjunkite jį.

Automatinis siurbimo sustabdymas siurbiant

⚠️ SPĖJIMAS:

- **Nenaudokite ilgai, kai veikia plūdė.** Ilgai naudojant valymo įrenginį, kai veikia jo plūdė, valymo įrenginys gali perkaisti ir deformuotis.
- **Nesiurbkite putų arba muiluoto skysčio.** Susiurbus putas arba muiluotą skystį, putos gali išsiveržti pro oro išleidimo angą nespėjus suveikti plūdei. Toliau naudojant įrenginį tokiomis sąlygomis, gali kilti elektros smūgis ir valymo įrenginį gali sugesti.

Valymo įrenginyje yra plūdinis mechanizmas, kuris neleidžia vandeniui patekti į variklį, kai įsiurbiamas tam tikras didesnis vandens kiekis.

Kai bakelis yra pilnas ir valymo įrenginys daugiau vandens nebesiurbia, išjunkite valymo įrenginį ir išpilkite vandenį iš bakelio.

Laikiklio įrengimas

Pav.5

Prijungdami elektrinį įrankį, pritvirtinkite maitinimo laidą ir žarną laikikliais, 70 cm - 80 cm atstumu tarp laikiklių, įrengtų valymo įrenginyje, taip, kad žarna nesusipainiotų su maitinimo laidu.

Pagrindo kablo naudojimas

⚠️ DĖMESIO:

- **Užspausdami pagrindo kablį, būkite atsargūs, kad neprispaustumėte pirštų.** Kitaip galite susižeisti.

PASTABA:

- Nespauskite pagrindo kablo pernelyg stipriai. Pernelyg stipriai spaudžiant pagrindo kablį, jis gali būti sugadintas. Uždarykite pagrindo kablį, jei jo nenaudojate.

Atidarius pagrindo kablį, jį galima naudoti toliau nurodytiems tikslams.

1. Maitinimo laido saugojimas

PASTABA:

- **Nenaudokite valymo įrenginio arba prijungto elektrinio įrankio, kai maitinimo laidas yra suvyniotas ant pagrindo kablo.** Naudojant valymo įrenginį arba prijungtą elektrinį įrankį, kai maitinimo laidas yra suvyniotas, maitinimo laidas gali būti pažeistas.

Pav.6

2. Priekinių antgalių saugojimas

Priekinius antgalius 22, 24 ir 38 galima laikyti valymo įrenginyje (iki dviejų vienu metu.)

Pav.7

3. Žarnos saugojimas

Pav.8

4. Pagrindo kabliui tinkamo dydžio elektrinio įrankio, pavyzdžiui, diskinio pjūklo, atrėmimas.

Pav.9

Ratuko fiksavimas arba atlaisvinimas

Modeliams VC1310L ir VC2510L

Pav.10

Modeliui VC3210L

Pav.11

Norėdami užfiksuoti ratuką stabdikliu, nuleiskite stabdiklio svirtelę ir ratukas daugiau nebesisuks. Norėdami atlaisvinti ratuką iš fiksavimo padėties, pakelkite stabdiklio svirtelę.

Ratukų fiksavimo galimybė paranki pastatant valymo įrenginį saugojimui, pertraukiant atliekamą darbą ir sustabdant valymo įrenginį, kad jis nejudėtų. Stabdiklis valdomas pakeliant arba nuleidžiant jo svirtelę rankomis.

PASTABA:

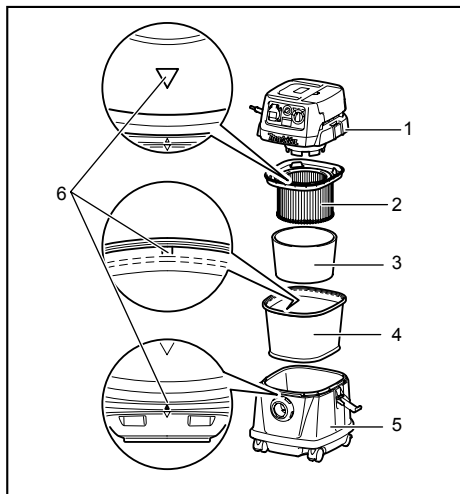
- Stumdami valymo įrenginį, įsitinkite, ar ratukai yra neužfiksuoti. Stumiant valymo įrenginį, kai jo ratukai yra užfiksuoti, ratukai gali būti sugadinti.

SURINKIMAS

⚠️ DĖMESIO:

- Prieš atlikdami bet kokius šio valymo įrenginio techninės priežiūros arba remonto darbus, visada patikrinkite, ar valymo įrenginys išjungtas.

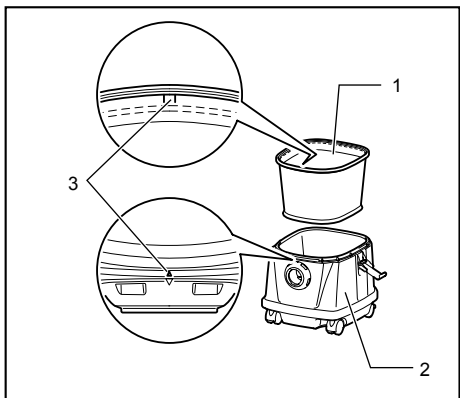
Vandens filtro įrengimas



1. Bakelio dangtis
2. Filtras su milteliais
3. Slopintuvas
4. Priešfiltris
5. Bakelis
6. Tvirtinimo padėties žymė

011637

Norėdami siurbti vandenį arba drėgnas dulkes, išimkite priešfiltrį ir slopintuvą, tuomet naudokite vandens filtrą.



1. Vandens filtras
2. Bakelis
3. Tvirtinimo padėties žymė

011630

Įrengdami vandens filtrą ant bakelio, tvirtai uždėkite jį ant bakelio angos taip, kad vandens filtro kablys tvirtai užsifiksuotų ant bakelio angos, o tarp vandens filtro iri bakelio neliktų tarpo.

Be to, įrenkite vandens filtrą taip, kad būtų sulyngintos montavimo padėties žymės.

PASTABA:

- Modeliuose VC2510L ir VC3210L nėra montavimo padėties žymių ir jų sulynginti nereikia.

Popierinio paketo įtaisymas

⚠️ ĮSPĖJIMAS:

- Jeigu naudojate popierinį maišelį, kartu naudokite ir įrankyje sumontuotą priešfiltrį. Jeigu kartu nenaudosite priešfiltrio, kils neįprastas triukšmas, įrenginys pradės kaisti ir kils gaisras.

⚠️ DĖMESIO:

- Niekada nesiurbkite vandens ar kitų skysčių bei drėgnų dulkių, jeigu naudojate popierinį maišelį. Siurbiant tokias medžiagas, popierinis maišelis gali suplyšti.

Pav.12

1. Nuimkite guminį laikiklį.
2. Išskeiskite popierinį maišelį.

Pav.13

Pav.14

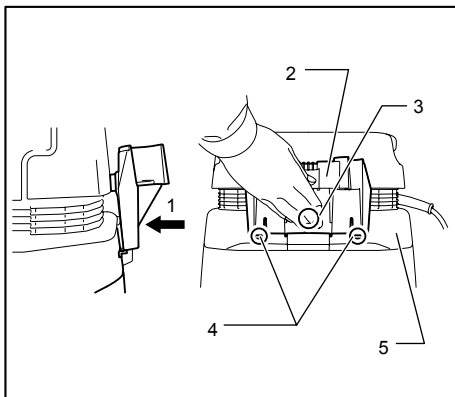
3. Sulynginkite popierinio maišelio angą su valymo įrenginio dulkių siurbimo anga.
4. Įkiškite popierinio maišelio kartoninę dalį į įrankį taip, kad ji būtų įtaisyta gale, už stabdiklio iškyšos.

Vamzdžio laikiklio (pasirenkamas priedas) montavimas

Tik modeliui VC1310L

Pav.15

Paspauskite laido kablį, kaip parodyta paveikslėlyje.



1. Spausti
2. Vamzdžio laikiklis
3. A dalis
4. Kablys
5. Bakelio dangtis

011605

Uždėkite vamzdžio laikiklį ant laido kablo. (Kabliai yra atokiai nuo bakelio dangčio.)

Pakelkite vamzdžio laikiklį tiek, kad kabliai paliestų bakelio dangtį, tuomet paspauskite vamzdžio laikiklio A dalį.

Pav.16

Smarkiai paspauskite A dalį ir, taip nuspaudę A dalį, nuleiskite vamzdžio laikiklį.

Pav.17**Pav.18**

[Taisykite dvi vamzdžio laikiklio iškyšas į bakelio dangtyje esančius griovelius, tuomet paspauskite vamzdžio laikiklį žemyn.

Pav.19**PASTABA:**

- Vamzdžio laikiklio, kuris yra nuleistas žemiau nei numatytoji padėtis, negalima įrengti ant laido kablo, kai kablys yra atokiai nuo bakelio dangčio, kaip parodyta paveikslėlyje.

Pav.20**PASTABA:**

- Patikrinkite, ar du vamzdžio laikiklio kabliai yra tvirtai užkabinti ant bakelio dangčio.

Žarnos prijungimas**⚠DĖMESIO:**

- Niekada nesulenkite arba nesuspauskite žarnos. Niekada netraukite valymo įrenginio už žarnos. Stumiant, spaudžiant ir traukiant žarną, ji gali pratrūkti arba deformuotis.
- Siurbdami dideles atliekas, pavyzdžiui, nuobliuotas drožles, betono dulkes arba kitas panašias nemažas šiukšles, naudokite 38 mm vidinio skersmens žarną (papildomą priedą). Naudojant 28 mm vidinio skersmens žarną, ji gali užsikimšti ir sutrūkti.

Pav.21

Užmaukite žarną ant bakelio montavimo angos ir sukite ją pagal laikrodžio rodyklę tol, kol ji bus užfiksuota.

Polietileninio maišelio uždėjimas

Valymo įrenginį galima naudoti ir be polietileninio maišelio. Visgi naudojant polietileninį maišelį, lengviau ištuštinti bakelį nesusitepant rankų.

Pav.22

Išskleiskite polietileninį maišelį bakelyje. [Taisykite jį tarp laikiklio plokštelės ir bakelio ir patraukite jį žarnos įleidimo angos link.

Pav.23

Ištieskite maišelį aplink bakelio viršų.

Uždėkite kitą maišelio šoną aplink bakelio viršų taip, kad priešfiltrio kablys galėtų jį pasiekti ir saugiai laikyti.

PASTABA:

- Galima naudoti parduotuvėje įsigijamą polietileninį maišelį. Rekomenduojama naudoti 0,04 mm arba storesnį maišelį.
- Pripildžius per daug dulkių, maišelis lengvai plyšta, todėl maišelį pripildykite tik iki pusės.

Polietileninio maišelio ištuštinimas**⚠IŠPĖJIMAS:**

- Prieš ištuštinami polietileninį maišelį, visada patikrinkite, ar valymo įrenginys išjungtas. Nesilaikant šių nurodymų, kyla pavojus gauti elektros smūgį ir sunkiai susižeisti.

⚠DĖMESIO:

- Saugokite filtrą su milteliais ir bakelį nuo stiprių smūgių. Smarkiai sutrenkus, filtras su milteliais ir bakelis gali deformuotis ir sutrūkti.
- Ištuštinkite bakelį bent kartą per dieną, nors tai priklauso nuo siurbiamų dulkių kiekio bakelyje. Kitaip siurbimo galia sumažės ir suges variklis.
- Tuštinami bakelį, neimkite už kablo. Laikant už kablo, jis gali nutrūkti.

Pav.24

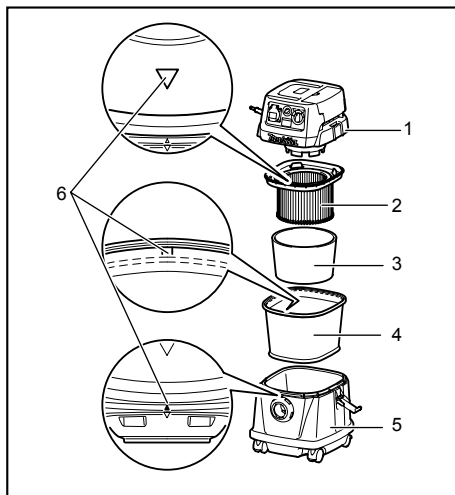
Atkabinkite ir pakelkite bakelio dangtį.

Pav.25

Nukratykite dulkes nuo filtro su milteliais, slopintuvo ir priešfiltrio, tuomet išimkite iš bakelio polietileninį maišelį.

PASTABA:

- Ištuštinami polietileninį maišelį, atsargiai išimkite jį iš bakelio taip, kad polietileninis maišelis neužstrigtų už bakelio viduje esančios iškyšos ir nesuplyštų.
- Ištuštinkite polietileninį maišelį, kol jis dar nėra pilnas. Jeigu dulkių bakelyje bus per daug, polietileninis maišelis gali suplyšti.

Filtro su milteliais įrengimas

1. Bakelio dangtis
2. Filtras su milteliais
3. Slopintuvus
4. Priešfiltris
5. Bakelis
6. Tvirtinimo padėties žymė

011637

Dėkite priešfiltrį į bakelį.

Tuomet ant filtro su milteliai sumontuokite slopintuvą ir įdėkite jį į priešfiltrį.

Montuojant filtrą su milteliais ir priešfiltrį, ant jų esančios montavimo padėties žymės turi būti sulygintos su žyme, esančia bakelio viršuje.

Galiausiai uždenkite bakelio dangtį.

PASTABA:

- Modeliuose VC2510L ir VC3210L nėra montavimo padėties žymių ir jų sulyginti nereikia.
- Prieš naudodami filtrą su milteliais, įsitikinkite, kad priešfiltris ir slopintuvas visuomet būtų naudojami kartu. Draudžiama montuoti vien filtrą su milteliais.
- Prieš naudodami popierinį maišelį, įsitikinkite, kad filtras su milteliais, slopintuvas ir priešfiltris visuomet būtų naudojami kartu.

Valymo įrenginio nešimas

Pav.26

Nešdami valymo įrenginį, jį neškite, laikydami už rankenos, esančios ant galvutės, kaip parodyta paveikslėlyje. Nenaudojamą rankeną galima nulenkti galvutėje.

TECHNINĖ PRIEŽIŪRA

⚠ DĖMESIO:

- Prieš apžiūrėdami ar taisydami įrenginį visada patikrinkite, ar jis išjungtas, o laido kištukas - ištrauktas iš elektros lizdo.

Maitinimo laido saugojimas

Tik modeliui VC1310L

Pav.27

Pav.28

Ištraukite laido kablį arba atidarykite pagrindo kablį. Suvyniokite maitinimo laidą ir pakabinkite jį ant laido kablo arba suvyniokite jį ant pagrindo kablo.

PASTABA:

- Netraukite maitinimo laido nuo laido kablo jėga, bandydami jį nuimti. Jėga bandant nuimti maitinimo laidą nuo laido kablo, laidas gali būti pažeistas.

Modeliams VC2510L ir VC3210L

Pav.29

Pav.30

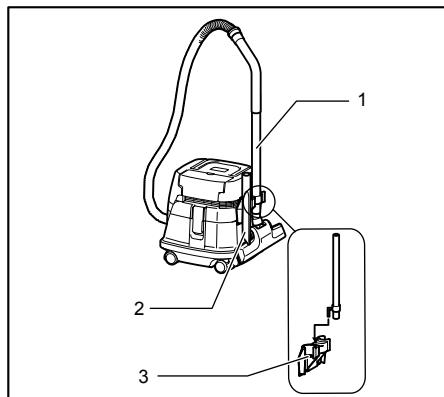
Susukite maitinimo laidą ant pagrindimo kablo.

Priedų saugojimas

PASTABA:

- Nespauskite per stipriai priedų, kuriuos laiko vamzdžio laikiklis. Per stipriai spaudžiant šiuos priedus, gali būti sugadintas vamzdžio laikiklis.

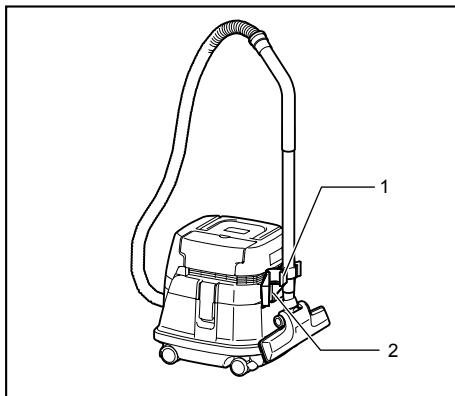
Tik modeliui VC1310L



1. Tiesus vamzdis
2. Kampinis antgalis
3. Vamzdžio laikiklis

011612

Vamzdžio laikiklį galima naudoti tiesiam vamzdžiui, lenktam vamzdžiui, kampiniam antgaliui ir panašioms priemonėms laikyti, tiesiog įkišant šiuos priedus.

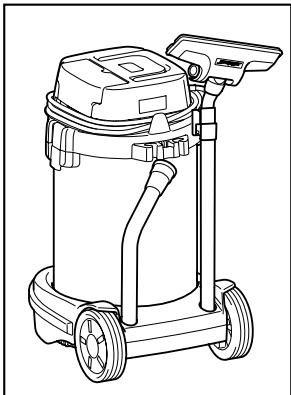


1. Stabdiklis
2. Vamzdžio laikiklis

011613

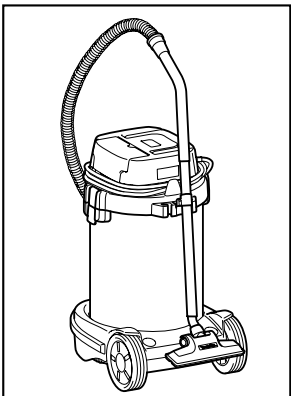
Vamzdžius galima dėti į vamzdžio laikiklį ir trumpam išjungus naudojamą valymo įrenginį.

Modeliams VC2510L ir VC3210L



011622

Vamzdžio atramą galima naudoti tiesiam vamzdžiui, lenktam vamzdžiui ir kitiems priedams laikyti, tiesiog įkišant šiuos priedus.



011623

Vamzdžius galima dėti į vamzdžio laikiklį ir trumpam išjungus naudojamą valymo įrenginį.

Valymas

⚠DĖMESIO:

- Niekada nenaudokite gazolino, benzino, tirpiklio, spirito arba panašių medžiagų. Gali atsirasti išblukimų, deformacijų arba įtrūkimų.

Pav.31

Užsikimšus filtrui su milteliais, priešfiltrui arba slopintuvui, sumažėja siurbimo galia.

Reguliariai valykite filtrus ir slopintuvus.

Norėdami pašalinti ant filtrų prilipusias dulkes arba daleles, kelis kartus greitai pakratykite rėmo apačią.

Pav.32

Retkarčiais išplaukite filtrą su milteliais vandenyje, išskalaukite ir, prieš naudodami, visiškai išdžiovinkite pavėsyje. Niekada neplaukite filtrų indaplovėje.

PASTABA:

- Netrinkite ir negrandykite filtro su milteliais, priešfiltru arba slopintuvo kietais daiktais, pavyzdžiui, šepetėmis ar mentelėmis.
- Filtrai yra keičiamos dalys, todėl rekomenduojama įsigyti jų atsargų.

Kad gaminys būtų SAUGUS ir PATIKIMAS, jį taisyti, apžiūrėti ar vykdyti bet kokią kitą priežiūrą ar derinimą turi įgaliotasis kompanijos „Makita“ techninės priežiūros centras; reikia naudoti tik kompanijos „Makita“ pagamintas atsargines dalis.

PASIRENKAMI PRIEDAI

⚠DĖMESIO:

- Su šiame vadove aprašytu įrenginiu „Makita“ rekomenduojama naudoti tik nurodytus priedus ir papildomus įtaisus. Jeigu bus naudojami kitokie priedai ar papildomi įtaisai, gali būti sužaloti žmonės. Priedus arba papildomus įtaisus naudokite tik pagal paskirtį.

Jeigu norite daugiau sužinoti apie tuos priedus, kreipkitės į artimiausią „Makita“ techninės priežiūros centrą.

- Žarna
- Priekiniai antgaliai (22, 24, 38)
- Tiesus vamzdis
- Kampinis antgalis
- Apvalus šepetėlis
- Filtras su milteliais (sausosios valymo tipui)
- Slopintuvus
- Priešfiltris
- Antgalių komplektas
- Lenktas vamzdis
- Polietileninis maišelis
- Filtras (vandeniui)
- Popierinis paketas
- Laikiklio komplektas
- Vamzdžio laikiklis (tik modeliui VC1310L)



PASTABA:

- Kai kurie sąraše esantys priedai gali būti pateikti įrankio pakuotėje kaip standartiniai priedai. Jie įvairiose šalyse gali skirtis.

EESTI (algsed juhised)**Üldvaate selgitus**

1-1. Imemisjõu reguleerimisnupp	10-4. Lukustuspositsioon	23-1. Polüetüleenkott
1-2. Lülitid päästik	11-1. Rullik	23-2. Hoidiku plaat
2-1. Imemisjõu reguleerimisnupp	11-2. Lukustushoob	23-3. Paak
2-2. Lülitid päästik	11-3. VABA asend	24-1. Paagi kate
3-1. Kork	11-4. Lukustuspositsioon	24-2. Polüetüleenkott
3-2. Toitejuhe	12-1. Kummist hoidik	24-3. Konks
3-3. Imemisjõu reguleerimisnupp	13-1. Paberkott	26-1. Käepide
3-4. Lülitid päästik	15-1. Toitejuhtme konks	26-2. Ülaosa
4-1. Imemisjõu reguleerimisnupp	16-1. Suruge jõuga ja vajutage alla	27-1. Toitejuhtme konks
4-2. Lülitid päästik	17-1. Paagi kate	27-2. Toitejuhe
5-1. Hoidik	17-2. Toru hoidiku väljaulatuv osa	28-1. Toitejuhe
6-1. Toitejuhe	17-3. Soon	28-2. Tugikonks
6-2. Tugikonks	19-1. Paagi kate	29-1. Toitejuhtme konks
7-1. Esimansetid	19-2. Konks	29-2. Toitejuhe
8-1. Voolik	20-1. Paagi kate	30-1. Toitejuhe
10-1. Rullik	20-2. Konks	30-2. Tugikonks
10-2. Lukustushoob	22-1. Hoidiku plaat	31-1. Paak
10-3. VABA asend	22-2. Paak	31-2. Eeffilter

TEHNILISED ANDMED

Mudel		VC1310L / VC2510L / VC3210L					
Riigid		EL	AU/NZ	GB 110V	GB 230V	CL	AR / CH
Pinge	Volt	230 - 240	230 - 240	110	230 - 240	220	230 - 240
Energiatarve	Vatt	1050	1050	1050	1050	1050	1050
Ühendatud koormus seadme pistikupesajaaks	Vatt  sümboliga režiimis	2400	1200	600	1900	2200	1100
	Vatt  sümboliga režiimis	2600	1400	850	2100	2500	1400
Ühendatud koormus kokku	Vatt	3450	2250	1650	2950	3250	2150

Mudel		VC1310L	VC2510L	VC3210L
Mahukulu (õhk)		2,0 m ³ /min		
Vaakum		22 kPa		
Kaitseklass		1		
Kaitse tüüp		IP X4 (pritsmekindel)		
Taastatav mahutavus	Tolm	13 L	25 L	32 L
	Vesi	7 L	14 L	27 L
Mõõtmised (P x L x K)		366 mm x 334 mm x 420 mm	432 mm x 416 mm x 451 mm	552 mm x 398 mm x 685 mm
Netomass		9,6 kg	10,5 kg	14,5 kg

- Meie jätkuva teadus- ja arendustegevuse programmi tõttu võidakse siin antud tehnilisi andmeid muuta ilma ette teatamata.
- Tehnilised andmed võivad olla riigiti erinevad.
- Kaal vastavalt EPTA protseduurile 01/2003

Sümbolid

Järgnevalt kirjeldatakse seadmetel kasutatavaid tingimärke. Veenduge, et olete nende tähendusest aru saanud enne seadme kasutamist.



• Lugege kasutusjuhendit.



• Hoiatus! Tolmuimeja võib sisaldada ohtlikku tolmu.



• Ärge kunagi seiske tolmuimeja peal.



• Üksnes ELi liikmesriikidele
Ärge käidelda kasutuskõlbmatuks muutunud elektriseadmeid koos olmejäätmetega!

Vastavalt Euroopa Parlamendi ja Nõukogu direktiivile elektri- ja elektroonikaseadmete jäätmete kohta ning direktiivi nõuete kohaldamisele liikmesriikides tuleb kasutuskõlbmatuks muutunud elektriseadmed koguda eraldi ja keskkonnasäästlikult korduskasutada või ringlusse võtta.

ENE016-1

Ettenähtud kasutamine

Seade on ette nähtud nii kuiva kui märja tolmu kogumiseks.

ENF001-1

Toide

Tööriista võib ühendada ainult selle andmesildil näidatud pingele vastava pingega toiteallikaga ning seda saab kasutada ainult ühefaasilisel vahelduvvoolutoitel. See tööriist peab kasutuses oleku ajal olema maandatud, et kaitsta tööriista kasutajat elektrilöögi saamise eest. Kasutage ainult kolmejuhtmelisi pikendusjuhtmeid, millel on kolmeharulised maandusega pistikud ja kolmepooluselised pistikupesad, millesse tööriista toitejuhtme pistik sobib.

ENG905-1

Müra

Tüüpiline A-korrigeeritud müratase vastavalt EN/IEC60704:

Mudel VC1310L

Müraarõhutase (L_{pA}): 72 dB (A)

Määramatus (K): 2,5 dB (A)

Müratase töötamisel võib ületada 80 dB (A).

Mudel VC2510L, VC3210L

Müraarõhutase (L_{pA}): 73 dB (A)

Määramatus (K): 2,5 dB (A)

Müratase töötamisel võib ületada 80 dB (A).

Kandke kõrvakaitsmeid

Ainult Euroopa riigid

EÜ vastavusdeklaratsioon

Makita deklareerib, et alljärgnev(ad) masin(ad):

Masina tähistus:

Tolmuimeja

Mudeli nr/tüüp: VC1310L, VC2510L, VC3210L

Vastavad alljärgnevatele Euroopa Parlamendi ja nõukogu direktiividele:

2006/42/EC

Need on toodetud vastavalt järgmistele standarditele või standardiseeritud dokumentidele:

EN60335

Tehniline fail, mis on kooskõlas direktiiviga 2006/42/EÜ, on saadaval ettevõttes:

Makita, Jan-Baptist Vinkstraat 2, 3070, Belgia

31.7.2014

000331

Yasushi Fukaya
Direktor

Makita, Jan-Baptist Vinkstraat 2, 3070, Belgia

ENB119-5

TOLMUIMEJA OHUTUSNÕUDED

△ HOIATUS! ÄÄRMISELT OLULINE ON ENNE KASUTAMIST lugeda tähelepanelikult läbi kõik ohutushoiatused ja juhised. Hoiatusete ja juhiste eiramine võib põhjustada elektrilööki, tulekahju ja/või raskeid kehavigastusi.

1. **Tagage, et kõik tolmuimejaga töötavad isikud saaksid enne seadme kasutamist piisava väljaõppe.**
2. **Kasutage tolmuimejal olevat pistikupesa ainult sellel otstarbel, nagu juhistes on kindlaks määratud.**
3. **Kui eraldub vahtu/vedelikku, siis lülitage seade viivitamatult välja.**
4. **Puhastage regulaarselt veetaseme reguleerimisseadet ja kontrollige, kas sellele ei esine kahjustumise märke.**
5. **Ärge kasutage tolmuimejat ilma filtrita. Vahetage kahjustunud filter kohe välja.**
6. **PIKENDUSJUHTME KASUTAMINE.** Kui toiteallikas jääb tolmuimejast kaugemale, siis kasutage pikendusjuhet, kuid püüdke valida selline pikendusjuhe, mis on piisavalt paks, kuid pole liiga pikk, sest vastasel juhul võib tolmuimeja jõudlus väheneda. Väljas töötamisel kasutage spetsiaalselt selleks otstarbeks ettenähtud pikendusjuhet.
7. **VOOLUPINGE HOIATUS:** Enne tolmuimeja ühendamist toiteallikaga (pistikupesa, väljundpesa jms) veenduge, et toitepinge on

- sama, nagu tolmuimeja andmeplaadil on näidatud. Toiteallikas, mille voolupinge on tolmuimeja jaoks ettenähtud voolupingest suurem, võib põhjustada seadme kasutajale TÕSISE KEHAVIGASTUSE ja kahjustada tolmuimejat. Kahtluse korral ÄRGE ÜHENDAGE TOLMUIMEJAT TOITEALLIKAGA. Andmeplaadil näidatud nimivoolupingest madalama voolupingega toiteallika kasutamine võib kahjustada mootorit.
8. **VÄLTIGE ETTEKAVATSEMATUT KÄIVITAMIST.** Enne pistiku ühendamist pistikupesasse veenduge, et tolmuimeja lüliti on asendis VÄLJAS.
 9. Ärge püüdke tolmuimejaga üles korjata tuleohtlikke materjale, pürrotehnilisi aineid, süüdatud sigarette, kuuma tuhka, kuumi metalliaaste, teravaid esemeid (nt žiletterad, nõelad, klaasikillud jms).
 10. **ÄRGE KASUTAGE TOLMUIMEJAT BENSIINI, GAASI, VÄRVI VÕI TEISTE PLAHVATUSOHTLIKE AINETE LÄHEDUSES.** Lüliti keeramisel SISSE või VÄLJA tekivad sädemed. Ka mootori kommutaator eraldab töötamise ajal sädemeid. Selle tagajärjel võib tekkida ohtlik plahvatus.
 11. Ärge kunagi imege tolmuimejasse mürgiseid, kantserogeenseid, süttivaid ega muid tervisele ohtlikke aineid (nt arseen, baarium, berüllium, plii, pestitsiidid jms).
 12. Ärge õues kunagi kasutage tolmuimejat vihmaga.
 13. Ärge kasutage soojusallikate (ahjud jms) läheduses.
 14. **KAITSKE ELEKTRILÖÖGI EEST.** Hoiduge kokkupuutest maandatud esemetega. Näiteks torud, radiaatorid, pliivid, külmutuskapid.
 15. Ärge tõkestage jahutusavasid. Jahutusavade kaudu toimub mootori jahutamine. Jälgige hoolikalt, et avad ei oleks tõkestatud, sest vastasel juhul võib mootor ventilatsiooni puudumise tõttu läbi põleda.
 16. Säilitage kogu aeg kindel toetuspind ja tasakaal.
 17. **ÄRGE KAHJUSTAGE TOITEJUHE.** Ärge kandke tolmuimejat juhtmest hoides ega tõmmake juhett järsult pistikust lahti ühendamiseks. Hoidke juhett kuumuse, õli ja teravate servade eest. Kontrollige regulaarselt tolmuimeja toitejuhtmeid ning laske kahjustatud juhtmed parandada volitatud teeninduskeskuses. Kontrollige regulaarselt kasutatavaid pikendusjuhtmeid ja vahetage kahjustatud pikendusjuhtmed uute vastu välja.
 18. Ärge painutage voolikut kokku ega sikutage seda. Ärge astuge voolikule.
 19. Seisake tolmuimeja kohe, kui märkate seadme jõudluse vähenemist või muud ebatavalist seadme töös.
 20. **ÜHENDAGE TOLMUIMEJA VOOLUALLIKAST LAHTI.** Tolmuimeja tuleb vooluallikast lahti ühendada, kui seda ei kasutata ning enne hooldamist ja tarvikute vahetamist.
 21. Puhastage ja hooldage tolmuimejat kohe pärast igat kasutuskorda, et seade oleks alati laitmatu töökorras.
 22. **HOOLITSEGE OMA TOLMUIMEJA EEST.** Hoidke tolmuimejat puhtana, et tagada parem ja ohutum töötamine. Järgige tarvikute vahetamise juhiseid. Hoidke käepidemed kuivad ja puhtad. Need ei tohi olla õlised ega määrdesed.
 23. **KONTROLLIGE KAHJUSTUNUD KOMPONENTE.** Enne tolmuimeja edasist kasutamist tuleb hoolikalt kontrollida kahjustatud kaitset või muud seadme osa, et teha kindlaks, kas see töötab edaspidi nõuetekohaselt ja täidab oma otstarvet. Kontrollige liikuvate osade tsentreeringut, liikuvate osade kokkujooksu, purunenud osi, osade paigaldust ja muid tingimusi, mis võivad mõjutada tolmuimeja funktsioneerimist. Kahjustatud kaitse või seadme muu osa tuleb nõuetekohaselt parandada või vahetada välja volitatud teeninduskeskuses, kui kasutusjuhendis ei ole soovitatud teisiti. Laske defektsed lülitid vahetada välja volitatud teeninduskeskuses. Ärge kasutage tolmuimejat, kui selle lüliti ei lülita seadet sisse ega välja.
 24. **VARUOSAD.** Kasutage osade väljavahetamiseks ainult identseid varuosi.
 25. **TOLMUIMEJA HOIUSTAMINE.** Kui tolmuimejat ei kasutata, tuleb seda hoiustada sisetingimustes.
 26. Käsitsege oma tolmuimejat hoolikalt. Jüuline käsitsemine võib põhjustada isegi kõige tugevama konstruktsiooniga tolmuimeja purunemise.
 27. Ärge üritage puhastada tolmuimeja sisemust ega pealispinda bensiini, lahusti või keemiliste puhastusvahenditega. See võib põhjustada pragude tekkimist ning värvuse lütmist.
 28. Ärge kasutage tolmuimejat kinnises ruumis, kus võib esineda õlipõhisest värvist, värvivedeldist, bensiinist, teatud koitõrvvahenditest jms ainetest tingitud tule- või plahvatusohtlikke või mürgiseid auruksid, ega piirkondades, kus on kergesti süttivad tolmu.

29. Ärge jätke tolmuimeja toitejuhet põrandale lebama, kui olete seadmega töötamise lõpetanud. Toitejuhe võib muutuda ohtlikuks, põhjustades komistamist või tolmuimeja kahjustust.
30. Ärge kasutage tolmuimeajat ega ühtki teist seadet, kui olete ravimite või alkoholi mõju all.
31. Järgige ohutuse põhinõuet ja kasutage küljekaitsega kaitseprille.
32. Tolmuste tööttingimuste korral kandke tolumumaski.
33. Seade ei ole ette nähtud kasutamiseks füüsiliste, sensoorsete või vaimsete puuetega isikutele, k.a lapsed, ega isikutele, kellel puuduvad kogemused ja teadmised seadme ohutuks kasutamiseks.
34. Lapsi tuleb jälgida tagamaks, et nad ei mängiks tolmuimejaga.
35. Ärge kunagi käsitsege toitejuhet ega tolmuimeajat märgade kätega.
36. Treppide puhastamisel olge äärmiselt ettevaatlik.
37. Ärge kasutage tolmuimeajat toolina ega tööpingina. Masin võib ümber kukkuda ning tekitada kehavigastusi.

HOIDKE ALLES EDASPIDISEKS KASUTAMISEKS

⚠HOIATUS:

ÄRGE laske mugavusel või toote kasutamisharjumustel (mis on saanud korduva kasutuse jooksul) asendada vankumatut toote ohutuseeskirjade järgimist. VALE KASUTUS või käesoleva kasutusjuhendi ohutusnõuete eiramine võib põhjustada tõsiseid vigastusi.

FUNKTSIONAALNE KIRJELDUS

⚠HOIATUS:



- Enne tolmuimeja ühendamist toiteallikaga kontrollige alati, et tolmuimeja oleks välja lülitatud. Sisselülitatud seadme ühendamine toiteallikaga võib põhjustada ootamatut käivitumist, mille tagajärjeks võivad olla tõsised kehavigastused.

Lüliti funktsioneerimine

Joon.1

Tolmuimeja käivitamiseks pöörake lüliti hoob „I“ küljele. Tolmuimeja seiskamiseks pöörake lüliti hoob „O“ küljele.

Joon.2

Imemisjõudu saab reguleerida vastavalt tehtavale tööle. Imemisjõu suurendamiseks keerake imemisjõu reguleerimisnupp  sümbolilt  sümbolile.

Elektritööriistade ühendamine

⚠HOIATUS:

- Järgige seadme pistikupesaja jaoks ettenähtud maksimaalseid ühendatud koormusi (vt „TEHNILISTES ANDMETES“).
- Enne toiteallikaga ühendamist või sellest lahtiühendamist kontrollige, et nii tolmuimeja kui elektritööriist oleksid välja lülitatud. Sisselülitatud elektritööriista ühendamine sisselülitatud tolmuimejaga võib tolmuimeja ühendamisel vooluallikaga põhjustada ettekatsetamatut ja ootamatut käivitumist, mille tagajärjeks võivad olla tõsised kehavigastused.

Joon.3

Maandatud elektritööriista ühendamisel sisestage maandusplaadiga pistik tolmuimeja pistikupesasse.

⚠HOIATUS:

- Ärge kunagi ühendage elektritööriista, mille sisendvõimsus ületab „TEHNILISTES ANDMETES“ kindlaks määratud väärtust, tolmuimeja pistikupesaga, keerates imemisjõu reguleerimisnappu. Ettenähtud sisendvõimsusest suurema sisendvõimsusega elektritööriista ühendamine võib põhjustada ülekuumenemist ja tolmuimeja kahjustumist. Selle vältimiseks järgige tehnilistes andmetes kindlaks määratud väärtusi.

Tolmuimeja võib ühendada elektritööriistaga kuni sisendvõimsuseni, mis on näidatud „TEHNILISTES ANDMETES“.

Elektritööriista ühendamiseks avage kork ja sisestage elektritööriista pistik tolmuimeja pistikupesasse.

Joon.4

Pöörake lüliti hoob asendisse „AUTO“.

Viige imemisjõu reguleerimisnupp asendisse, mis vastab kasutatava elektritööriista sisendvõimsusele. Vaadake „TEHNILISTES ANDMETES“ imemisjõu reguleerimisnupu ja elektritööriista sisendvõimsuse vahelist seost.

Elektritööriista sisse- ja väljalülitamisega kaasneb samaaegselt tolmuimeja sisse- ja väljalülitamine. Tolmuimeja jätkab siiski mõne sekundi jooksul töötamist pärast elektritööriista väljalülitamist.

Pärast elektritööriista kasutamise lõpetamist ühendage seadme pistik tolmuimeja pistikupesast lahti.

Pärast kasutamist lülitage tolmuimeja välja.

Imemise automaatne seiskamine tolmuimeja töötamise ajal

⚠HOIATUS:

- **Ärge kasutage tolmuimejat kaua, kui ujuk töötab.** Tolmuimeja kasutamine pikka aega sel ajal, kui ujuk töötab, võib põhjustada ülekuumenemist, mille tagajärjel tolmuimeja võib deformeeruda.
- **Ärge imege tolmuimejasse vahu ega seebist vedelikku.** Vahu või seebise vee imemine võib põhjustada vahu väljajumbumist õhu väljalaskeavast enne, kui ujuk tööle hakkab. Tolmuimeja kasutamise jätkamine sellises olukorras võib põhjustada elektrilööki ja tolmuimeja purunemist.

Tolmuimeja on varustatud ujukmehhanismiga, mis takistab vee imbumist mootoris sellisel juhul, kui tolmuimejasse imetakse teatud kogusest rohkem vett.

Kui paak on täis ja tolmuimeja enam vett ei ime, siis lülitage seade välja ja tühjendage paak.

Hoidiku paigaldamine

Joon.5

Elektritööriista ühendamisel tolmuimejaga kinnitage toiteallika juhe ja voolik omavahel tolmuimeja komplekti kuuluvate hoidikutega, et vältida vooliku takerdumist toitejuhtmesse. Hoidikute vahekaugus peaks olema 70–80 cm.

Tugikonksu kasutamine

⚠HOIATUS:

- **Olge tugikonksu sulgemisel ettevaatlik, et te sõrmi konksu ja korpuse vahele ei jätaks.** Selle nõude eiramine võib põhjustada kehavigastuse.

MÄRKUS:

- Ärge rakendage tugikonksule liiga suurt jõudu. Tugikonksule mõjuv liiga suur jõud võib tugikonksu kahjustada. Kui te tugikonksu ei kasuta, siis sulgege see.

Avatud tugikonksu saab kasutada alljärgneval otstarbel.

1. Toitejuhtme hoidmine

MÄRKUS:

- **Ärge kasutage tolmuimejat ega sellega ühendatud elektritööriista niimoodi, et toitejuhe on keritud tugikonksule.** Toitejuhe, mis on tolmuimeja või sellega ühendatud elektritööriista kasutamise ajal tugikonksule keritud, võib kahjustuda.

Joon.6

2. Esimansettide hoidmine

Tugikonksul saab hoida esimansette 22, 24 ja 38 (kuni kaks tükki korraga).

Joon.7

3. Vooliku hoidmine

Joon.8

4. Tugikonksu jaoks sobiva suurusega elektritööriista (nt ketassae) toetamine.

Joon.9

Ratta lukustamine ja vabastamine

Mudelite VC1310L ja VC2510L puhul

Joon.10

Mudeli VC3210L puhul

Joon.11

Ratta lukustamiseks stopperiga vajutage stopperi hoob alla. Seejärel ratas enam ei liigu. Ratta vabastamiseks lukustatud asendist tõstke stopperi hoob üles.

Ratta lukustamist on mugav kasutada tolmuimeja hoiustamisel, töö peatamisel ja tolmuimeja paigal hoidmiseks.

Stopperit tuleb liigutada käega.

MÄRKUS:

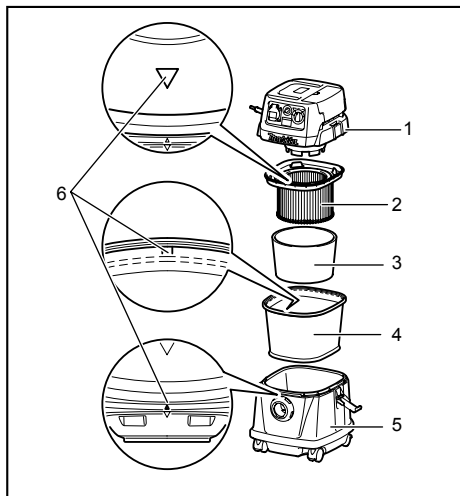
- Tolmuimeja liigutamisel kontrollige, et ratas oleks lukustusest vabastatud. Lukustatud asendis rattaga tolmuimeja liigutamine võib rатаst kahjustada.

KOKKUPANEK

⚠HOIATUS:

- Kontrollige alati enne mis tahes tööde teostamist tolmuimejal, et see oleks välja lülitatud ja vooluvõrgust lahti ühendatud.

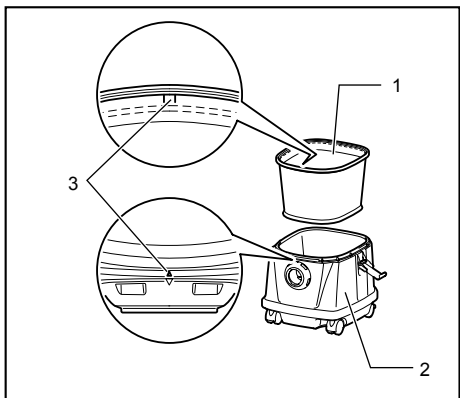
Veefiltri paigaldamine



1. Paagi kate
2. Peentolmufilter
3. Summuti
4. Eelfilter
5. Paak
6. Paigaldusasendi märgistus

011637

Vee või märja tolmu kogumiseks eemaldage eelfilter ja summuti ning seejärel kasutage veefiltrit.



1. Veefilter
2. Paak
3. Paigaldusasendi märgistus

011630

Veefiltri paigaldamisel seadke see paagi avasse tihedalt niimoodi, et veefiltri konks haakuks kindlalt paagi avaga ning et veefiltri ja paagi vahele ei jääks ruumi.

Veefiltri paigaldamisel jälgige ka seda, et paigaldusasendi märgistused asetuksid kohakuti.

MÄRKUS:

- Paigaldusasendi märgistus puudub mudelitel VC2510L ja VC3210L ning märgistuse joondamist pole vaja teostada.

Pabertolmukoti paigaldamine

⚠HOIATUS:

- Paberkoti kasutamisel tuleb sellega koos kasutada seadmele eelnevalt paigaldatud eelfiltrit. Eelfiltri kasutamata jätmine võib põhjustada ebataolist müra ja kuumenemist, mille tagajärjel võib tekkida tulekahju.

⚠HOIATUS:

- Ärge kunagi koguge tolmuimejasse vett, mis tahes muid vedelikke ega märka tolmu, kui kasutate seadmes paberkotti. Sellised ained võivad põhjustada paberkoti purunemise.

Joon.12

1. Eemaldage kummist hoidik.
2. Avardage paberkotti.

Joon.13

Joon.14

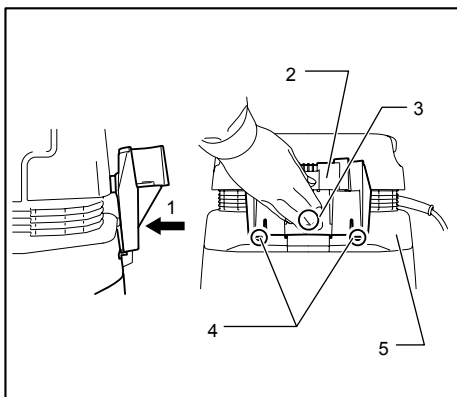
3. Seadke paberkoti ava kohakuti tolmuimeja tolmuimeemisavaga.
4. Seadke paberkoti papp seadmele niimoodi, et see asetuks üle fiksaatori väljalautuva otsa.

Toru hoidiku (lisatarvik) paigaldamine

Ainult mudeli VC1310L puhul

Joon.15

Suruge toitejuhtme konks alla, nagu joonisel on näidatud.



1. Vajutage
2. Toruhoidik
3. A-sektsioon
4. Haagid
5. Paagi kate

011605

Kinnitage toru hoidik toitejuhtme konksu külge. (Konksud jäävad paagi katted eemale.)

Tõstke toru hoidik nii kõrgele, kuni konksud puudutavad paagi katet, ja vajutage toru hoidiku A-sektsioonile.

Joon.16

Vajutage jõuliselt A-sektsioonile ja samal ajal lükake toru hoidikut allapoole.

Joon.17

Joon.18

Sobitage toru hoidiku kaks eenduvat osa paagi katte soontesse ja seejärel vajutage toru hoidik alla.

Joon.19

MÄRKUS:

- Toru hoidikut, mis on ettenähtud asendist madalamale viidud, ei saa toitejuhtme konsule paigaldada niimoodi, et konks on paagi kattedest eemal, nagu joonisel on näidatud.

Joon.20

MÄRKUS:

- Kontrollige, et toru hoidiku kaks konksu haakuksid kindlalt paagi kattega.

Vooliku ühendamine

△HOIATUS:

- Ärge kunagi painutage voolikut jõuga ning ärge astuge voolikule. Ärge kunagi liigutage tolmuimejat voolikust tõmmates. Jõuga surumine, voolikule astumine ja selle tõmbamine võivad põhjustada vooliku purunemise või deformeerumise.
- Suurte jäätmete (nt hõõvliilaastud, betoonipuru jms) koristamisel kasutage 38 mm sisediameetriga voolikut (lisatarvik). 28 mm sisediameetriga vooliku kasutamisel võib voolik ummistuda ja kahjustuda.

Joon.21

Paigaldage voolik paagil oleva kinnitusava külge ja keerake seda päripäeva suunas kuni lukustumiseni.

Polüetüleenkoti paigaldamine

Tolmuimejat saab kasutada ka ilma polüetüleenkotita. Kuid polüetüleenkoti kasutamisel saate paagi hõlpsasti tühjendada käsi määrimata.

Joon.22

Asetage polüetüleenkott paagis laiali. Paigutage kott hoidiku plaadi ja paagi vahele ning tõmmake seda vooliku sisselaskeava poole.

Joon.23

Laotage kott ümber paagi pealmise osa.

Kinnitage koti teine pool ümber paagi pealmise osa niimoodi, et kott oleks eelfiltri konksuga kindlalt kinnitatud.

MÄRKUS:

- Kasutada võib kaubanduses saadavalolevaid polüetüleenkotte. Soovitav on 0,04 mm või paksem polüetüleenkott.
- Liiga suur tolmu kogus võib koti hõlpsasti rebestada ning seetõttu ärge koguge kotti tolmu rohkem kui ainult pool selle mahutavusest.

Polüetüleenkoti tühjendamine

△HOIATUS:

- Enne polüetüleenkoti tühjendamist kontrollige alati, et tolmuimeja oleks välja lülitatud ja toiteallikast lahti ühendatud. Selle nõude eiramine võib põhjustada elektrilööki ja raskeid kehavigastusi.

△HOIATUS:

- Vältige tugevaid lööke peentolmufiltrit ja paagi pihta. Tugevad löögid võivad põhjustada peentolmufiltrit ja paagi deformeerumist ning muid kahjustusi.
- Tühjendage paaki vähemalt üks kord päevas olenevalt paaki kogutud tolmu kogusest. Vastasel juhul imemisjõud nõrgeneb ja mootor võib puruneda.
- Ärge haarake konksust, kui paaki tühjendate. Konks võib puruneda.

Joon.24

Haakige paagi kate lahti ja tõstke see üles.

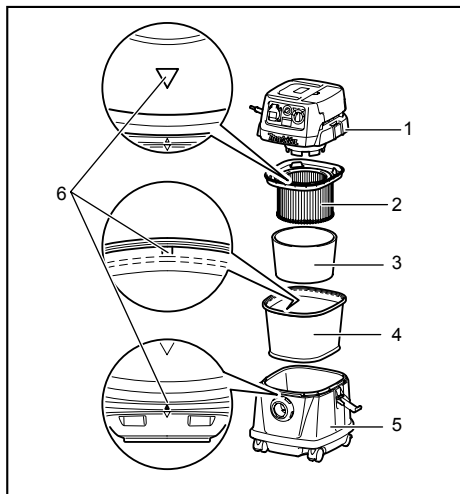
Joon.25

Raputage tolm välja peentolmufiltrist, summutist ja eelfiltrist ning seejärel võtke polüetüleenkott paagist välja.

MÄRKUS:

- Võtke polüetüleenkott paagist ettevaatlikult välja, jälgides, et see ei takerduks paagi sisemuses olevate väljaulatuvate osade külge, mis võivad põhjustada koti rebenemise.
- Tühjendage polüetüleenkotti enne selle täitumist. Liiga suur tolmu kogus paagis võib põhjustada polüetüleenkoti rebenemise.

Peentolmufiltri paigaldamine



1. Paagi kate
2. Peentolmufilter
3. Summuti
4. Eelfilter
5. Paak
6. Paigaldusasendi märgistus

011637

Asetage peentolmufilter paaki.

Seejärel monteerige peentolmufiltri peale summuti ja siis asetage peentolmufilter eelfiltrisse.

Peentolmufiltri ja eelfiltri paigaldamisel tuleb nendel olevad paigaldusasendi märgistused seada kohakuti paagi pealmise osa paigaldusasendi märgistusega.

Lõpuks paigaldage paagi kate.

MÄRKUS:

- Paigaldusasendi märgistus puudub mudelitel VC2510L ja VC3210L ning märgistuse joendamist pole vaja teostada.
- Peentolmufiltrit tuleb alati kasutada koos eelfiltri ja summutiga. Peentolmufiltri paigaldamine ilma nimetatud komponentideta on keelatud.
- Enne paberkoti kasutamist kontrollige, et ka peentolmufilter, summuti ja eelfilter oleksid paigaldatud.

Tolmuimeja kandmine

Joon.26

Kasutage tolmuimeja kandmiseks selle pealmisel osal olevat käepidet, nagu joonisel on näidatud. Kui käepidet ei kasutata, siis saab selle tolmuimeja pealmise osa sisse vajutada.

HOOLDUS

⚠ HOIATUS:

- Kandke alati enne kontroll- või hooldustoimingute teostamist hoolt selle eest, et tööriist oleks välja lülitatud ja vooluvõrgust lahti ühendatud.

Toitejuhtme hoidmine

Ainult mudeli VC1310L puhul

Joon.27

Joon.28

Tõmmake toitejuhtme konks välja või avage tugikonks. Kerige toitejuhe kokku ja riputage see toitejuhtme konksu külge või kerige toitejuhe ümber tugikonksu.

MÄRKUS:

- Ärge rakendage jõudu, kui toitejuhet konksu küljest eemaldate. Jõu rakendamine toitejuhtme lahtiühendamisel võib põhjustada juhtme kahjustumise.

Mudelite VC2510L ja VC3210L puhul

Joon.29

Joon.30

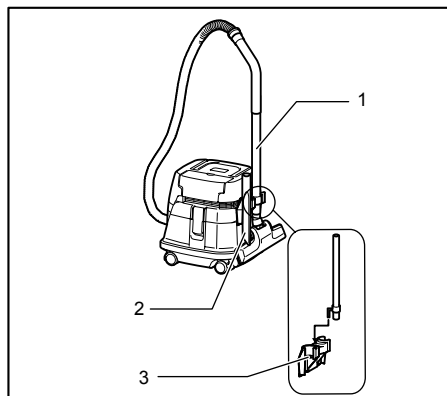
Kerige toitejuhe ümber tugikonksu.

Tarvikute hoidmine

MÄRKUS:

- Ärge suruge jõuga nendele tarvikutele, mis on kinnitatud toru hoidikuga. Liigse jõu rakendamine tarvikutele võib kahjustada toru hoidikut.

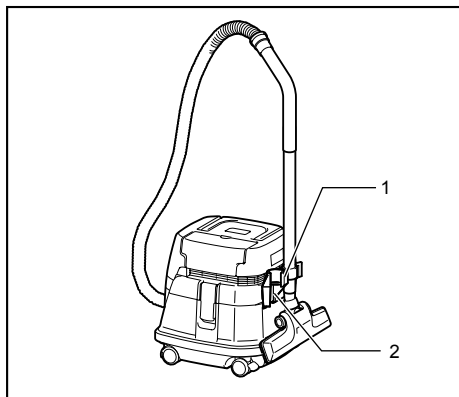
Ainult mudeli VC1310L puhul



1. Sirge toru
2. Nurgaotsak
3. Toruhoidik

011612

Toru hoidikut saab kasutada sirge toru, painutatud toru, kitsa otsiku jms hoidmiseks. Tarvikud tuleb lihtsalt sisestada hoidikusse.

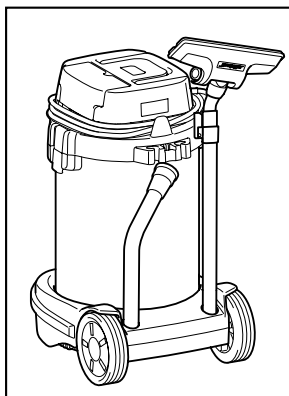


1. Stopper
2. Toruhoidik

011613

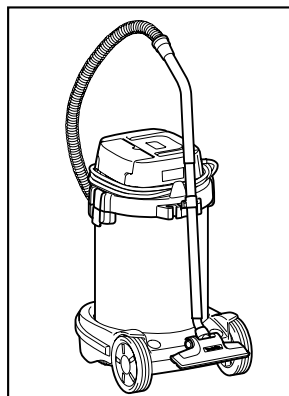
Torud võib asetada toru hoidikusse ka siis, kui peatate töö lühiajaliselt.

Mudelitel VC2510L ja VC3210L puhul



011622

Toru alustuge saab kasutada sirge toru, painutatud toru, kitsa otsiku jms hoidmiseks. Tarvikud tuleb lihtsalt sisestada alustoesse.



011623

Torud võib asetada toru hoidikusse ka siis, kui peatate töö lühiajaliselt.

Puhastamine

⚠ HOIATUS:

- Ärge kunagi kasutage bensiini, vedeldit, alkoholi ega midagi muud sarnast. Selle tulemuseks võib olla luitumine, deformatsioon või pragunemine.

Joon.31

Ummistunud peentolmufilter, eelfilter ja summuti vähendavad imemisvõimsust.

Puhastage aeg-ajalt filtreid ja summuteid.

Tolmu või filtri külge kleepunud osakeste eemaldamiseks tuleb raami põhja kiiresti mõned korrad raputada.

Joon.32

Peske peentolmufiltrit aeg-ajalt veega, loputage korralikult ja laske filtril enne kasutamist varjulises kohas korralikult ära kuivada. Filtreid ei tohi pesta pesumasinas.

MÄRKUS:

- Peentolmufiltrit, eelfiltrit ja summutit ei tohi hõõruda ega kraapida teravate esemetega, näiteks harja ja kaabitsaga.
- Filtrid kuluvad kasutamisel ning seetõttu on soovitatav, et teil oleksid olemas mõned varuosad nende jaoks.

Toote OHUTUSE ja TÕÕKINDLUSE tagamiseks tuleb vajalikud remonttööd, muud hooldus- ja reguleerimistööd lasta teha Makita volitatud teeninduskeskustes. Alati tuleb kasutada Makita varuosi.

VALIKULISED TARVIKUD

⚠HOIATUS:

- Neid tarvikuid ja lisaseadiseid on soovitatav kasutada koos Makita tööriistaga, mille kasutamist selles kasutusjuhendis kirjeldatakse. Muude tarvikute ja lisaseadiste kasutamisega kaasneb vigastada saamise oht. Kasutage tarvikuid ja lisaseadiseid ainult otstarvetel, milleks need on ette nähtud.

Saate vajadusel kohalikust Makita teeninduskeskusest lisateavet nende tarvikute kohta.

- Voolik
- Esimansetid (22, 24, 38)
- Sirge toru
- Nurgaotsak
- Ümmargune hari
- Peentolmufilter (kuiva tüübi jaoks)
- Summuti
- Eelfilter
- Otsakumoodul
- Painutatud toru
- Polüetüleenkott
- Filter (vee jaoks)
- Pabertolmukott
- Hoidikukomplekt
- Toru hoidik (ainult mudeli VC1310L puhul)

MÄRKUS:

- Mõned nimekirjas loetletud tarvikud võivad kuuluda standardvarustusse ning need on lisatud tööriista pakendisse. Need võivad riikide lõikes erineda.

РУССКИЙ ЯЗЫК (Исходная инструкция)

Объяснения общего плана

1-1. Регулятор силы всасывания	10-4. Положение стопорения	23-1. Полиэтиленовый мешок
1-2. Рычаг переключателя	11-1. Ролик	23-2. Стопорная пластина
2-1. Регулятор силы всасывания	11-2. Рычаг ограничителя	23-3. Бачок
2-2. Рычаг переключателя	11-3. Положение FREE (Разблокировано)	24-1. Крышка бака
3-1. Крышка	11-4. Положение стопорения	24-2. Полиэтиленовый мешок
3-2. Шнур питания	12-1. Резиновый держатель	24-3. Крючок
3-3. Регулятор силы всасывания	13-1. Бумажный пакет	26-2. Верхняя часть корпуса
3-4. Рычаг переключателя	15-1. Фиксатор шнура	27-1. Фиксатор шнура
4-1. Регулятор силы всасывания	16-1. Нажмите и опустите	27-2. Шнур питания
4-2. Рычаг переключателя	17-1. Крышка бака	28-1. Шнур питания
5-1. Держатель	17-2. Выступ на фиксаторе трубы	28-2. Основной держатель
6-1. Шнур питания	17-3. Паз	29-1. Фиксатор шнура
6-2. Основной держатель	19-1. Крышка бака	29-2. Шнур питания
7-1. Передние патрубки	19-2. Крючок	30-1. Шнур питания
8-1. Шланг	20-1. Крышка бака	30-2. Основной держатель
10-1. Ролик	20-2. Крючок	31-1. Бачок
10-2. Рычаг ограничителя	22-1. Стопорная пластина	31-2. Фильтр предварительной очистки
10-3. Положение FREE (Разблокировано)	22-2. Бачок	

ТЕХНИЧЕСКИЕ ХАРАКТЕРИСТИКИ

Модель		VC1310L / VC2510L / VC3210L					
Страны		ЕС	Австралия/ Новая Зеландия	Великобритания 230 В	Великобритания 230 В	Чили	Аргентина/ Швейцария
Напряжение	Вольт	230 - 240	230 - 240	110	230 - 240	220	230 - 240
Потребляемая мощность	Ватт	1050	1050	1050	1050	1050	1050
Подключенная нагрузка на розетку устройства	Ватт в режиме 	2400	1200	600	1900	2200	1100
	Ватт в режиме 	2600	1400	850	2100	2500	1400
Суммарная подключенная нагрузка	Ватт	3450	2250	1650	2950	3250	2150

Модель		VC1310L	VC2510L	VC3210L
Объемный расход (воздух)		2,0 м ³ /мин		
Разрежение		22 кПа		
Класс защиты		1		
Тип защиты		IP X4 (защита от брызг)		
Восстанавливаемая емкость	Пыль	13 л	25 л	32 л
	Вода	7 л	14 л	27 л
Размеры (Д x Ш x В)		366 мм x 334 мм x 420 мм	432 мм x 416 мм x 451 мм	552 мм x 398 мм x 685 мм
Вес нетто		9,6 кг	10,5 кг	14,5 кг

- Благодаря нашей постоянно действующей программе исследований и разработок, указанные здесь технические характеристики могут быть изменены без предварительного уведомления.
- Технические характеристики могут различаться в зависимости от страны.
- Масса в соответствии с процедурой EPTA 01/2003

Символы

Ниже приведены символы, используемые для электроинструмента. Перед использованием убедитесь, что вы понимаете их значение.



- Прочитайте руководство по эксплуатации.
- Внимание! Пылесос может содержать опасную пыль.
- Запрещается становиться на пылесос.
- Только для стран ЕС
Не утилизируйте данный электроинструмент вместе с бытовыми отходами!
В рамках соблюдения Европейской Директивы по утилизации электрического и электронного оборудования и ее применения в соответствии с национальным законодательством, электрооборудование в конце срока своей службы должно утилизироваться отдельно и передаваться для его утилизации на предприятие, соответствующее применяемым правилам охраны окружающей среды.

ENE016-1

Назначение

Данный инструмент предназначен для влажной и сухой уборки.

ENF001-1

Электропитание

Данный инструмент должен подключаться к источнику питания с напряжением, соответствующим напряжению, указанному на идентификационной пластинке, и может работать только от однофазного источника переменного тока. Во избежание риска поражения оператора электрическим током во время эксплуатации данный инструмент должен быть заземлен. Используйте только трехжильный удлинитель с трехконтактной вилкой с заземлением и трехконтактной розеткой, соответствующей вилке инструмента.

ENG905-1

Шум

Типичный уровень взвешенного звукового давления (A), измеренный в соответствии с EN/IEC60704:

Модель VC1310L

Уровень звукового давления (L_{pA}): 72 дБ (A)

Погрешность (K): 2,5 дБ (A)

Уровень шума при выполнении работ может превышать 80 дБ (A).

Модель VC2510L, VC3210L

Уровень звукового давления (L_{pA}): 73 дБ (A)

Погрешность (K): 2,5 дБ (A)

Уровень шума при выполнении работ может превышать 80 дБ (A).

Используйте средства защиты слуха

ENH038-3

Только для европейских стран

Декларация о соответствии ЕС

Makita заявляет, что следующее устройство (устройства):

Обозначение устройства:

Пылесос

Модель / тип: VC1310L, VC2510L, VC3210L

Соответствует (-ют) следующим директивам ЕС:
2006/42/EC

Изготовлены в соответствии со следующим стандартом или нормативными документами:
EN60335

Технический файл в соответствии с документом 2006/42/EC доступен по адресу:

Makita, Jan-Baptist Vinkstraat 2, 3070, Belgium

31.7.2014

000331

Ясуси Фукайа (Yasushi Fukaya)

Директор

Makita, Jan-Baptist Vinkstraat 2, 3070, Belgium

ENB119-5

ПРАВИЛА ТЕХНИКИ БЕЗОПАСНОСТИ ПРИ ЭКСПЛУАТАЦИИ ПЫЛЕСОСА

⚠ ВНИМАНИЕ! ВАЖНО! ВНИМАТЕЛЬНО ОЗНАКОМЬТЕСЬ со всеми инструкциями и рекомендациями по технике безопасности ДО НАЧАЛА РАБОТЫ. Невыполнение инструкций и рекомендаций может привести к поражению электрическим током, пожару и/или тяжелым травмам.

1. **Перед началом эксплуатации убедитесь, что пользователь должным образом проинструктирован по работе с данным пылесосом.**
2. **Розетку на пылесосе следует использовать только для целей, определенных в инструкции.**
3. **В случае вытекания пены/жидкости немедленно выключите инструмент.**

4. Регулярно очищайте ограничитель уровня воды и осматривайте его на предмет повреждений.
5. Не используйте пылесос без фильтра. Немедленно замените поврежденный фильтр.
6. ПРИМЕНЕНИЕ УДЛИНИТЕЛЬНОГО ШНУРА. Если расстояние до источника электропитания слишком велико и приходится использовать удлинительный шнур, старайтесь применять шнур достаточно большого сечения, но не слишком длинный, в противном случае эффективность работы пылесоса понизится. При эксплуатации вне помещения используйте удлинительный шнур, предназначенный для наружных работ.
7. ПРЕДУПРЕЖДЕНИЕ ПО НАПРЯЖЕНИЮ ПИТАНИЯ: Перед подключением пылесоса к источнику питания (штепсельная розетка, отвод и пр.) убедитесь, что напряжение питания соответствует указанному на паспортной табличке на пылесосе. Если напряжение в источнике питания выше указанного на пылесосе, это может привести к ТЯЖЕЛОЙ ТРАВМЕ оператора и повреждению пылесоса. В случае сомнений НЕ ПОДКЛЮЧАЙТЕ ПЫЛЕСОС. Использование источника питания с напряжением меньше указанного на паспортной табличке может привести к повреждению электродвигателя.
8. НЕ ДОПУСКАЙТЕ САМОПРОИЗВОЛЬНОГО ПУСКА. При подсоединении к электросети выключатель должен быть в положении OFF (Выкл.).
9. Не всасывайте горючие материалы, петарды, зажженные сигареты, угли, горячую металлическую стружку, острые предметы, такие как бритвы, иголки, битое стекло и т.п.
10. ЗАПРЕЩАЕТСЯ ЭКСПЛУАТИРОВАТЬ ПЫЛЕСОС ВБЛИЗИ БЕНЗИНА, ГАЗА, КРАСКИ, КЛЕЕВ И ДРУГИХ ВЗРЫВООПАСНЫХ МАТЕРИАЛОВ. При установке переключателя в положения ON (Вкл.) и OFF (Выкл.) возможно возникновение искр. Искры могут также возникать во время работы коллектора электромотора. Результатом может стать сильный взрыв.
11. Не всасывайте токсичные, канцерогенные, легковоспламеняющиеся и другие опасные материалы, такие как асбест, мышьяк, барий, бериллий, свинец, пестициды и другие опасные для здоровья материалы.
12. Запрещается использовать пылесос вне помещения во время дождя.
13. Не используйте пылесос вблизи источников тепла (печи и пр.).
14. МЕРЫ БЕЗОПАСНОСТИ ПО ПРЕДОТВРАЩЕНИЮ ПОРАЖЕНИЯ ЭЛЕКТРИЧЕСКИМ ТОКОМ. Не допускайте контакта открытых участков тела с заземленными поверхностями. Например, с трубами, радиаторами, кухонными плитами, холодильниками.
15. Не закрывайте вентиляционные отверстия. Они служат для охлаждения электромотора. Следите, чтобы вентиляционные отверстия всегда оставались свободными, в противном случае электромотор сгорит из-за недостаточного охлаждения.
16. Всегда сохраняйте устойчивое положение и равновесие.
17. БЕРЕГИТЕ ОТ ПОВРЕЖДЕНИЙ ЭЛЕКТРИЧЕСКИЙ ШНУР. Никогда не переносите пылесос за шнур питания и не тяните за него, чтобы отключить устройство от розетки. Располагайте шнур на расстоянии от источников тепла, масла и острых краев. Периодически осматривайте шнур питания пылесоса и в случае повреждения отремонтируйте его в авторизованном сервисном центре. Периодически осматривайте удлинитель и, в случае его повреждения, замените.
18. Не сгибайте, не тяните и не наступайте на шланг.
19. Немедленно выключите пылесос, если заметите во время его работы падение мощности или что-либо необычное.
20. ОТСОЕДИНИТЕ ПЫЛЕСОС ОТ СЕТИ. Если пылесос не используется, перед обслуживанием и при смене насадок.
21. Очищайте и обслуживайте пылесос сразу по окончании работы, чтобы поддерживать его в оптимальном техническом состоянии.
22. СОБЛЮДАЙТЕ ОСТОРОЖНОСТЬ ПРИ ПРОВЕДЕНИИ ТЕХНИЧЕСКОГО ОБСЛУЖИВАНИЯ ПЫЛЕСОСА. Содержите пылесос в чистоте, чтобы обеспечить максимальную эффективность и безопасность эксплуатации. Следуйте инструкциям по смене насадок. Ручки всегда должны быть сухими и чистыми, особенно от масла и смазки.
23. ПРОВЕРЯЙТЕ КОМПОНЕНТЫ НА ПРЕДМЕТ ПОВРЕЖДЕНИЙ. Перед последующим использованием пылесоса ограждение или другая поврежденная деталь должны быть тщательно осмотрены, чтобы

- убедиться, что пылесос будет работать нормально и выполнять функции, для которых он предназначен. Убедитесь в соосности движущихся узлов, свободном ходе движущихся деталей, отсутствии поломок деталей, надежности крепления и отсутствии других дефектов, которые могут повлиять на работу. Поврежденное ограждение, или какая-либо другая деталь должны быть соответствующим образом отремонтированы или заменены авторизованным сервисным центром, если в руководстве по эксплуатации не указано других действий. Неисправные выключатели должны заменяться только в авторизованном сервисном центре. Не используйте пылесос, если выключатель не включает или не выключает его.
24. **ЗАПАСНЫЕ ЧАСТИ.** При техническом обслуживании используйте для замены только аналогичные детали.
 25. **ХРАНЕНИЕ ПЫЛЕСОСА.** Если пылесос не используется, храните его в помещении.
 26. Берегите пылесос. Небрежная эксплуатация может привести к поломке даже самого прочного пылесоса.
 27. Запрещается использовать для очистки внутренних и внешних поверхностей бензин, растворитель или чистящие химикаты. Это может вызвать появление трещин и обесцвечивание корпуса.
 28. Не используйте пылесос в замкнутом пространстве при наличии огнеопасных, взрывоопасных или токсичных паров от масляных красок, растворителей, бензина, некоторых средств защиты от моли и т.п., либо при наличии горючей пыли.
 29. Не оставляйте электрический шнур пылесоса на полу по окончании работы. Это может создать опасность падения или повреждения пылесоса.
 30. Не используйте это или другие устройства в состоянии алкогольного или наркотического опьянения.
 31. Одним из основных правил техники безопасности является использование защитных очков с боковыми щитками.
 32. Работая в запыленной зоне, используйте респиратор.
 33. Это устройство не предназначено для использования лицами (включая детей) с ограниченными физическими, сенсорными или умственными способностями, а также не имеющими надлежащего опыта и знаний.
 34. Следует следить за маленькими детьми, чтобы они не использовали пылесос в качестве игрушки.

35. Запрещается братья за электрический шнур или пылесос мокрыми руками.
36. Проявляйте особую осторожность при чистке на лестницах.
37. Запрещается использовать пылесос в качестве табурета или верстака. Устройство может упасть и причинить травму.

СОХРАНИТЕ ДЛЯ ИСПОЛЬЗОВАНИЯ В ДАЛЬНЕЙШЕМ

⚠️ ПРЕДУПРЕЖДЕНИЕ:

НЕ ДОПУСКАЙТЕ, чтобы удобство или опыт эксплуатации данного устройства (полученный от многократного использования) доминировали над строгим соблюдением правил техники безопасности при обращении с этим устройством. **НЕПРАВИЛЬНОЕ ИСПОЛЬЗОВАНИЕ** инструмента или несоблюдение правил техники безопасности, указанных в данном руководстве, может привести к тяжелой травме.

ОПИСАНИЕ ФУНКЦИОНИРОВАНИЯ

⚠ ПРЕДУПРЕЖДЕНИЕ:

- **Перед подключением пылесоса к электросети убедитесь, что он выключен.** Подсоединение пылесоса с включенным выключателем может привести к неожиданному запуску и стать причиной тяжелой травмы.

Действие переключения

Рис.1

Чтобы включить пылесос, поверните переключатель в положение "I". Для выключения поверните переключатель в положение "O".

Рис.2

Мощность всасывания можно регулировать в зависимости от потребностей.

Для увеличения мощности поверните регулятор из положения ↶ в положение ↷.

Подключение электроинструментов

⚠ ПРЕДУПРЕЖДЕНИЕ:

- Соблюдайте значение максимальной подключаемой нагрузки (см. ТЕХНИЧЕСКИЕ ХАРАКТЕРИСТИКИ.)
- Убедитесь, что пылесос и электроинструмент выключены, и только после этого подсоединяйте или отсоединяйте их. Подсоединение электроинструмента к пылесосу, когда оба устройства включены, может стать причиной неожиданного пуска, что может привести к травме.

Рис.3

При подсоединении заземленного инструмента вставьте вилку с контактом заземления в розетку пылесоса.

⚠ ПРЕДУПРЕЖДЕНИЕ:

- Запрещается подсоединять электроинструмент с входной мощностью, превышающей указанную в разделе "ТЕХНИЧЕСКИЕ ХАРАКТЕРИСТИКИ", к розетке пылесоса путем поворота регулятора мощности всасывания. Подсоединение электроинструмента с входной мощностью, превышающей разрешенную, может привести к перегреву и повреждению пылесоса. Чтобы не допустить этого, см. технические характеристики.

Пылесос можно подсоединять к электроинструменту с входной мощностью, не превышающей значение, указанное в разделе "ТЕХНИЧЕСКИЕ ХАРАКТЕРИСТИКИ".

Чтобы подсоединить электроинструмент, откройте крышку и вставьте вилку электроинструмента в розетку пылесоса.

Рис.4

Поверните переключатель в положение "AUTO".

Переведите регулятор мощности всасывания в положение, соответствующее входной мощности подключенного электроинструмента. Соотношение между положением регулятора мощности всасывания и входной мощностью электроинструмента см. в разделе ТЕХНИЧЕСКИЕ ХАРАКТЕРИСТИКИ.

Включение и выключение подсоединенного электроинструмента вызывает одновременное включение и выключение пылесоса. После выключения электроинструмента пылесос продолжает работать в течение нескольких секунд.

После использования отсоедините электроинструмент от розетки пылесоса.

По окончании работы выключите пылесос.

Автоматическое прекращение всасывания во время работы

⚠ ПРЕДУПРЕЖДЕНИЕ:

- **Не используйте в течение длительного времени во время работы поплавка.** Продолжительное использование пылесоса с работающим поплавком может привести к перегреву и деформации пылесоса.
- **Не собирайте пену или мыльную жидкость.** Всасывание пены или мыльной жидкости может привести к выходу пены из воздушного отверстия до срабатывания поплавка. Продолжение эксплуатации в таком состоянии может привести к поражению электрическим током и поломке пылесоса.

Пылесос оснащен поплавковым механизмом, предотвращающим попадание воды в электродвигатель при всасывании слишком большого количества воды.

Когда бак заполнен и пылесос больше не всасывает воду, выключите пылесос и опорожните бак.

Установка держателя

Рис.5

Подсоединяя электроинструмент, закрепите шнур питания и шланг с интервалом 70 см-80 см с помощью держателей из комплекта поставки пылесоса, чтобы шланг не запутался в шнуре питания.

Использование основного держателя

⚠ ПРЕДУПРЕЖДЕНИЕ:

- **Соблюдайте осторожность, чтобы не прищемить пальцы при закрытии основного держателя.** В противном случае можно получить травму.

Примечание:

- Не прилагайте чрезмерных усилий к основному держателю. Слишком сильное нажатие на основной держатель может привести к его повреждению. Закрывайте основной держатель, если он не используется.

Выдвижение основного держателя позволяет:

1. Хранить шнур питания

Примечание:

- Не используйте пылесос или подсоединенный электроинструмент со шнуром питания, намотанным на основной держатель. Это может привести к повреждению шнура питания.

Рис.6

2. Хранить передние патрубки

Передние патрубки 22, 24 и 38 можно укладывать на хранение (одновременно не более двух).

Рис.7

3. Хранить шланг

Рис.8

4. Опускать на основной держатель электроинструмент разумных размеров (например, дисковую пилу).

Рис.9

Включение и выключение стопора колеса

Для моделей VC1310L и VC2510L

Рис.10

Для модели VC3210L

Рис.11

Чтобы зафиксировать колесо с помощью стопора, опустите рычаг стопора, и колесо не сможет вращаться. Чтобы разблокировать колесо, поднимите рычаг стопора.

Блокировка колеса очень удобна при хранении пылесоса, временной приостановке работы и обездвиживании пылесоса.

Чтобы использовать стопор, поверните его рукой.

Примечание:

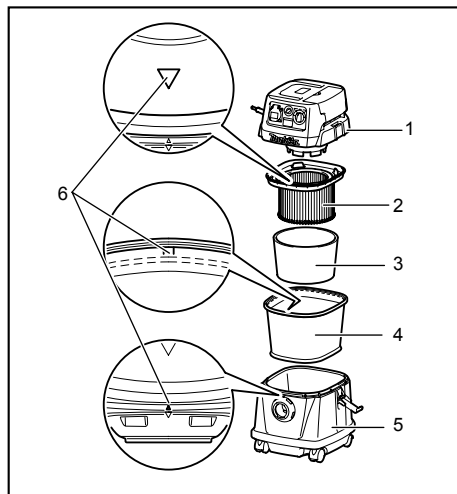
- При перемещении пылесоса убедитесь, что колесо разблокировано. Перемещение пылесоса с заблокированным колесом может привести к повреждению колеса.

МОНТАЖ

⚠ ПРЕДУПРЕЖДЕНИЕ:

- Перед выполнением каких-либо работ на пылесосе обязательно убедитесь в том, что он выключен, и его вилка извлечена из розетки.

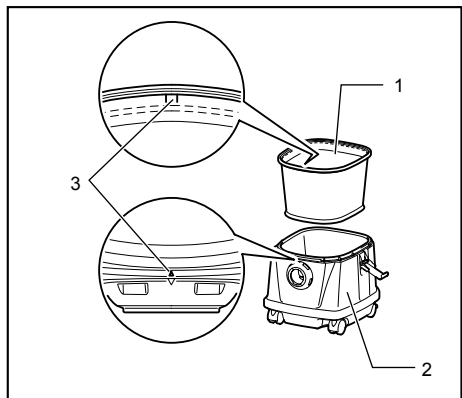
Установка водяного фильтра



1. Крышка бака
2. Пылевой фильтр
3. Демпфер
4. Фильтр предварительной очистки
5. Бачок
6. Установочные метки

011637

Чтобы собирать воду или влажную пыль, снимите фильтр предварительной очистки и демпфер, затем используйте водяной фильтр.



1. Водяной фильтр
 2. Бачок
 3. Установочные метки
- 011630

При установке водяного фильтра на бак плотно посадите его на отверстие бака, чтобы выступ на водяном фильтре надежно вошел в отверстие бака, и между фильтром и баком не было зазора.

Кроме того, устанавливайте водяной фильтр таким образом, чтобы совместить установочные метки.

Примечание:

- На моделях VC2510L и VC3210L нет установочных меток, поэтому выравнять нет необходимости.

Установка бумажного пакета

⚠ ПРЕДУПРЕЖДЕНИЕ:

- При использовании бумажного пакета используйте также фильтр предварительной очистки, установленный в пылесосе. Неиспользование фильтра предварительной очистки может стать причиной сильного шума и нагрева, что приведет к возгоранию.

⚠ ПРЕДУПРЕЖДЕНИЕ:

- Не собирайте воду или другие жидкости, либо влажную пыль при использовании бумажного пакета. Это может привести к повреждению бумажного пакета.

Рис.12

1. Снимите резиновый держатель.
2. Разверните бумажный пакет.

Рис.13

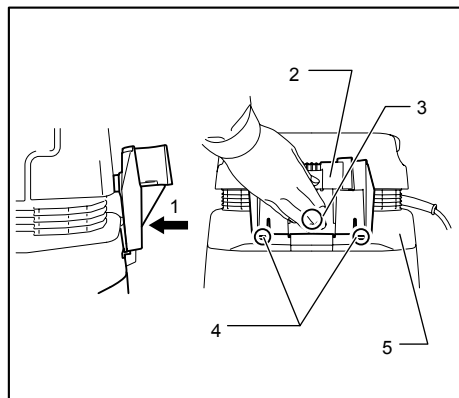
Рис.14

3. Совместите отверстие бумажного пакета с отверстием всасывания пыли на пылесосе.
4. Установите картонную часть бумажного пакета на инструмент таким образом, чтобы она выходила за патрубок.

Установка держателя трубы (поставляется отдельно) Только для модели VC1310L

Рис.15

Нажмите на фиксатор шнура как показано на рисунке.



1. Нажмите
 2. Держатель трубки
 3. Область А
 4. Крюки
 5. Крышка бака
- 011605

Прикрепите держатель трубы на фиксатор шнура. (Держатели обращены в сторону от крышки бака.) Поднимите держатель трубы так, чтобы фиксаторы касались крышки бака, и нажмите на область А на держателе трубы.

Рис.16

Нажмите на область А сильнее, и, удерживая ее нажатой, опустите держатель трубы.

Рис.17

Рис.18

Вставьте два выступа на держателе трубы в пазы на крышке бака, затем нажмите на держатель трубы.

Рис.19

Примечание:

- Если держатель трубы опущен ниже нужного положения, его невозможно установить на фиксатор шнура, чтобы держатель был обращен в сторону от крышки бака как показано на рисунке.

Рис.20

Примечание:

- Убедитесь, что два фиксатора держателя трубы были надежно закреплены на крышке бака.

Подключение шланга

⚠️ ПРЕДУПРЕЖДЕНИЕ:

- Запрещается сильно сгибать шланг и наступать на него. Запрещается тянуть пылесос за шланг. Чрезмерные усилия, наступание и перемещение пылесоса за шланг могут привести к поломке или деформации шланга.
- При сборе крупного мусора, например, стружки, цементной пыли и т.п. используйте шланг с внутренним диаметром 38 мм (поставляется отдельно). При использовании шланга с внутренним диаметром 28 мм возможно его засорение и повреждение.

Рис.21

Наденьте шланг на установочное отверстие бака и поверните по часовой стрелке до фиксации.

Установка полиэтиленового мешка

Пылесос можно использовать без полиэтиленового мешка. Однако применение полиэтиленового мешка облегчает опорожнение бака, при этом вы не испачкаете руки.

Рис.22

Разверните полиэтиленовый мешок в баке. Вставьте его между стопорной пластиной и баком, и натяните на водное отверстие шланга.

Рис.23

Разверните мешок вокруг верха бака. Зафиксируйте вторую сторону мешка вокруг верха бака, чтобы фиксатор фильтра предварительной очистки надежно удерживал его.

Примечание:

- Допускается использование полиэтиленовых пакетов, имеющих в продаже. Рекомендуется применять пакеты из полиэтилена толщиной 0,04 мм или более.
- Большое количество пыли легко порвет мешок, поэтому не заполняйте мешок более чем до половины.

Очистка полиэтиленового мешка

⚠️ ПРЕДУПРЕЖДЕНИЕ:

- Следите за тем, чтобы перед опорожнением полиэтиленового мешка пылесос был выключен и отсоединен от сети. Несоблюдение этого требования может стать причиной поражения электрическим током и тяжелых травм.

⚠️ ПРЕДУПРЕЖДЕНИЕ:

- Не стучите сильно по пылевому фильтру и баку. Сильный удар может вызвать деформацию и повреждение пылевого фильтра и бака.
- Опорожняйте бак не реже одного раза в день, хотя это определяется объемом пыли в баке. В противном случае мощность всасывания снизится и электродвигатель может выйти из строя.

- Опорожняя бак, не беритесь за фиксатор. Фиксатор может отломиться.

Рис.24

Отсоедините и поднимите крышку бака.

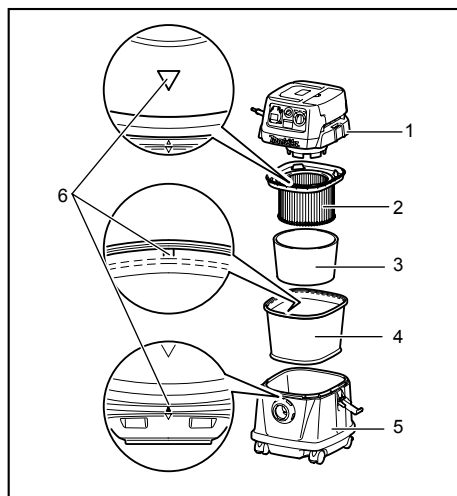
Рис.25

Вытряхните пыль из пылевого фильтра, демпфера и фильтра предварительной очистки, затем извлеките из бака полиэтиленовый мешок.

Примечание:

- Осторожно извлеките полиэтиленовый пакет из бака, чтобы при опорожнении пакет не защемило и не порвало выступом внутри бака.
- Опорожните полиэтиленовый пакет, прежде чем он заполнится полностью. Слишком большое количество пыли в баке может привести к разрыву пакета.

Установка пылевого фильтра



1. Крышка бака
 2. Пылевой фильтр
 3. Демпфер
 4. Фильтр предварительной очистки
 5. Бачок
 6. Установочные метки
- 011637

Поместите фильтр предварительной очистки в бак. Далее установите демпфер на пылевой фильтр и поместите его в фильтр предварительной очистки. При установке пылевого фильтра и фильтра предварительной очистки установочные метки на них должны быть совмещены с метками в верхней части бака.

Наконец, установите крышку бака.

Примечание:

- На моделях VC2510L и VC3210L нет установочных меток, поэтому выравнивать нет необходимости.
- Перед использованием пылевого фильтра убедитесь, что установлены фильтр предварительной очистки и демпфер. Запрещается устанавливать только пылевой фильтр.
- Перед использованием бумажного пакета убедитесь, что установлены пылевой фильтр, демпфер и фильтр предварительной очистки.

Переноска пылесоса

Рис.26

При переноске пылесоса удерживайте его за рукоятку в верхней части, как показано на рисунке. Если рукоятка не используется, ее можно сложить в верхнюю часть корпуса пылесоса.

ТЕХОБСЛУЖИВАНИЕ

⚠ ПРЕДУПРЕЖДЕНИЕ:

- Перед проверкой или проведением техобслуживания всегда проверяйте, что инструмент выключен, а штекер отсоединен от розетки.

Хранение шнура питания

Только для модели VC1310L

Рис.27

Рис.28

Вытяните фиксатор шнура или откройте основной держатель. Смотайте шнур питания и повесьте на фиксатор шнура, либо намотайте на основной держатель.

Примечание:

- Снимая шнур питания с фиксатора, не прилагайте чрезмерных усилий. Чрезмерные усилия при отсоединении шнура питания от фиксатора могут привести к повреждению шнура.

Для моделей VC2510L и VC3210L

Рис.29

Рис.30

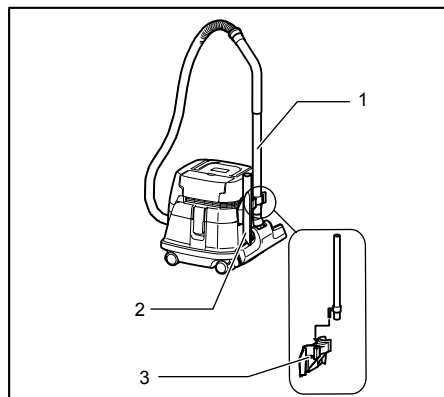
Намотайте шнур питания на основной держатель.

Хранение дополнительных принадлежностей

Примечание:

- Не прилагайте чрезмерных усилий к принадлежностям, закрепленным в держателе трубы. Это может привести к повреждению держателя.

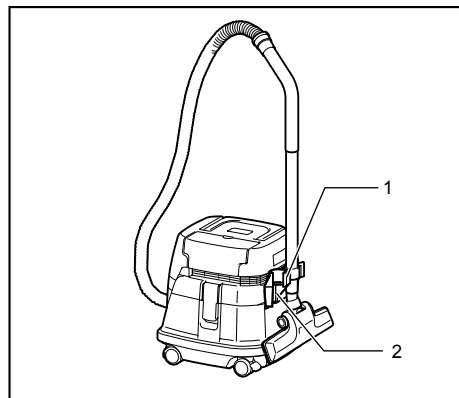
Только для модели VC1310L



1. Прямая труба
2. Угловой патрубок
3. Держатель трубки

011612

Держатель трубки можно использовать для хранения прямой трубы, изогнутой трубы, угловой насадки и т.п. Для этого достаточно вставить принадлежность в держатель.

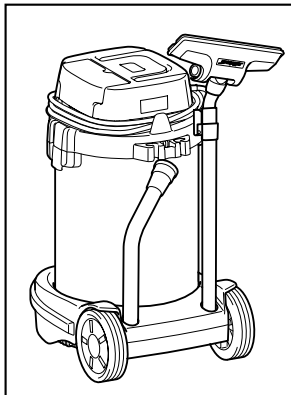


1. Стопор
2. Держатель трубки

011613

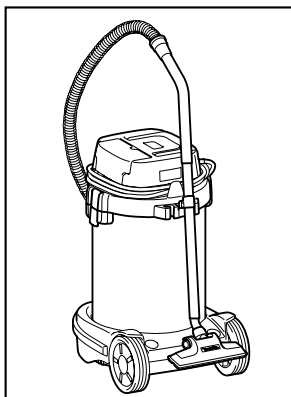
Трубы можно вставить в держатель также при временной приостановке работы.

Для моделей VC2510L и VC3210L



011622

Фиксатор трубы можно использовать для хранения прямой трубы, изогнутой трубы и т.п. Для этого достаточно вставить принадлежность в держатель.



011623

Трубы можно вставить в держатель также при временной приостановке работы.

Чистка

⚠ ПРЕДУПРЕЖДЕНИЕ:

- Запрещается использовать бензин, лигроин, растворитель, спирт и т.п. Это может привести к изменению цвета, деформации и появлению трещин.

Рис.31

Засорение пылевого фильтра, фильтра предварительной очистки и демпфера может привести к снижению мощности всасывания.

Периодически очищайте фильтры и демпферы.

Для удаления пыли и частиц, налипших на фильтры, несколько раз сильно встряхните дно.

Рис.32

Периодически промывайте пылевой фильтр водой, прополаскивая и тщательно просушивая перед использованием. Запрещается мыть фильтры в стиральной машине.

Примечание:

- Не трите и не скребите пылевой фильтр, фильтр предварительной очистки или демпфер твердыми предметами, такими как щетка или скребок.
- Фильтры являются расходными элементами, рекомендуется иметь небольшой их запас.

Для обеспечения БЕЗОПАСНОСТИ и НАДЕЖНОСТИ оборудования, ремонт, любое другое техобслуживание или регулировку необходимо производить в уполномоченных сервис-центрах Makita, с использованием только сменных частей производства Makita.

ДОПОЛНИТЕЛЬНЫЕ АКСЕССУАРЫ

⚠ ПРЕДУПРЕЖДЕНИЕ:

- Эти принадлежности или насадки рекомендуется использовать вместе с вашим инструментом Makita, описанным в данном руководстве. Использование каких-либо других принадлежностей или насадок может представлять опасность получения травм. Используйте принадлежность или насадку только по указанному назначению.

Если вам необходимо содействие в получении дополнительной информации по этим принадлежностям, свяжитесь со своим местным сервис-центром Makita.

- Шланг
- Передние патрубки (22, 24, 38)
- Прямая труба
- Угловой патрубков
- Круглая щетка
- Пылевой фильтр (для сухой уборки)
- Демпфер
- Фильтр предварительной очистки
- Блок патрубков
- Изогнутая труба
- Полиэтиленовый мешок
- Фильтр (для воды)
- Бумажный пакет
- Комплект держателя
- Держатель трубы (только для модели VC1310L)

Примечание:

- Некоторые элементы списка могут водить в комплект инструмента в качестве стандартных приспособлений. Они могут отличаться в зависимости от страны.

Makita Jan-Baptist Vinkstraat 2, 3070, Belgium
Makita Corporation Anjo, Aichi, Japan

ОФИЦИАЛЬНЫЙ ДИЛЕР В УКРАИНЕ:

storgom.ua

ГРАФИК РАБОТЫ:

Пн. – Пт.: с 8:30 по 18:30

Сб.: с 09:00 по 16:00

Вс.: с 10:00 по 16:00

КОНТАКТЫ:

+38 (044) 360-46-77

+38 (066) 77-395-77

+38 (097) 77-236-77

+38 (093) 360-46-77

Детальное описание товара:

<https://storgom.ua/product/pylesos-makita-vc-3210-lx1.html>

Другие товары: <https://storgom.ua/promyshlennye-pylesosy.html>