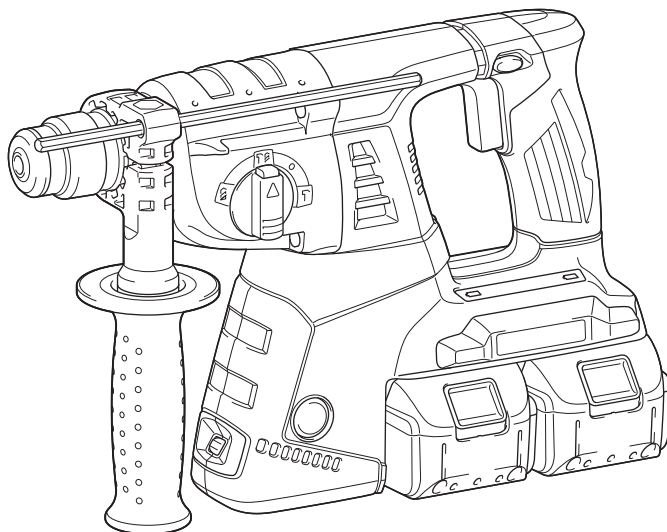
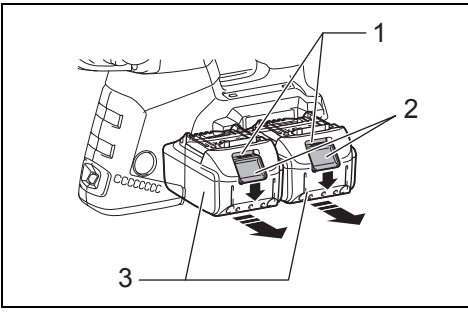




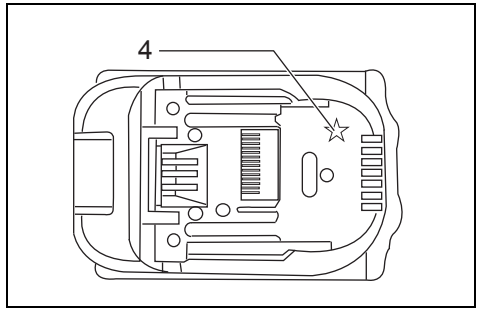
GB	Cordless Combination Hammer	Instruction Manual
F	Marteau Combiné sans Fil	Manuel d'instructions
D	Akku-Kombi-Bohrhammer	Betriebsanleitung
I	Martello multifunzione a batteria	Istruzioni per l'uso
NL	Snoerloze combinatiehamer	Gebruiksaanwijzing
E	Martillo Rotativo Combinado Inalámbrico	Manual de instrucciones
P	Martelete Combinado A Bateria	Manual de instruções
DK	Akku-kombinationshammer	Brugsanvisning
GR	Φορητό σφυρί συνδυασμού	Οδηγίες χρήσεως
TR	Kablosuz Kombine Darbeli Matkap	Kullanma kılavuzu

DHR263
DHR264

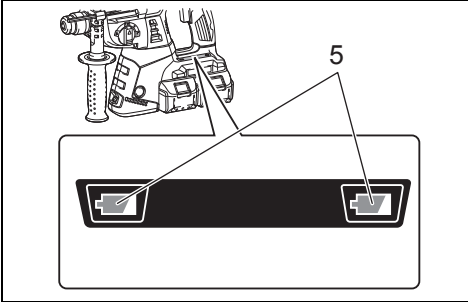




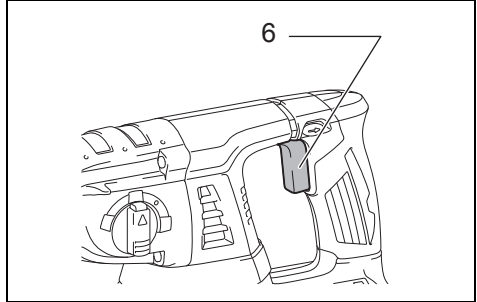
1 014402



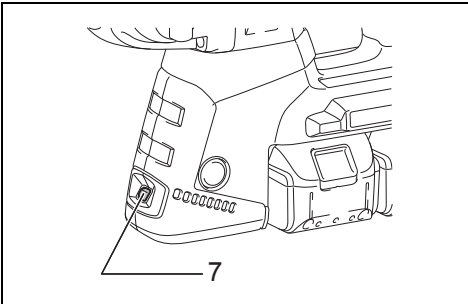
2 012128



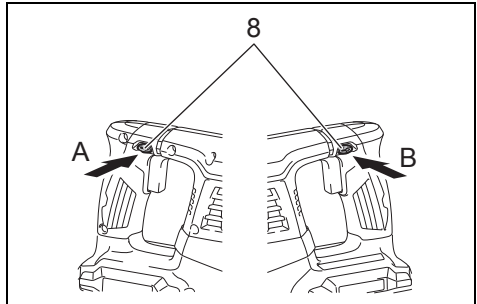
3 014417



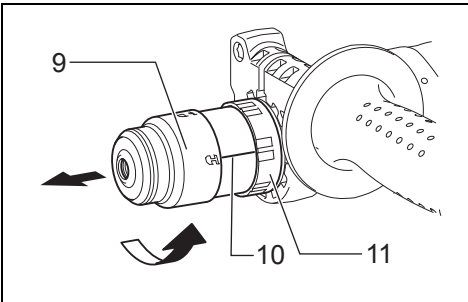
4 014407



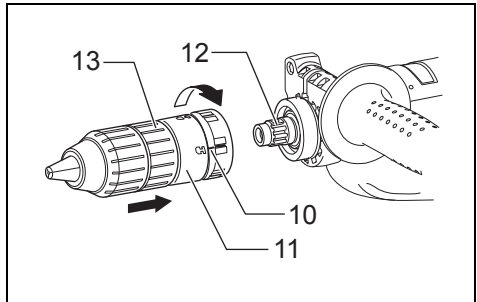
5 014408



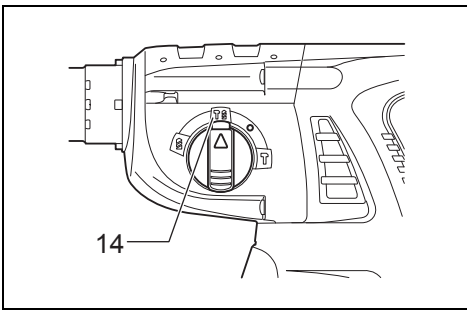
6 014409



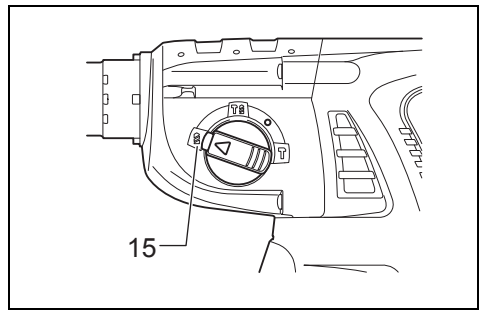
7 012823



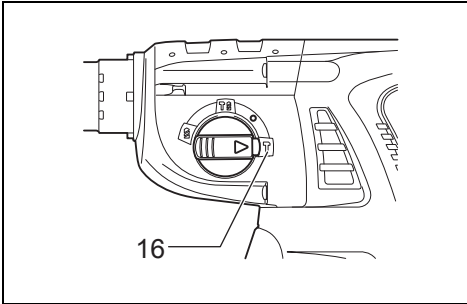
8 012824



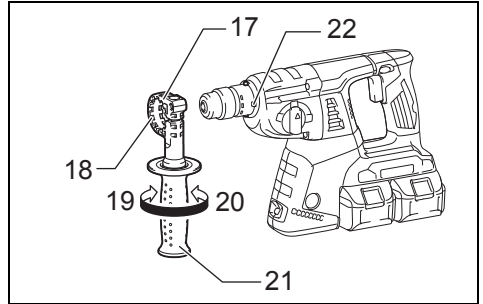
9 014397



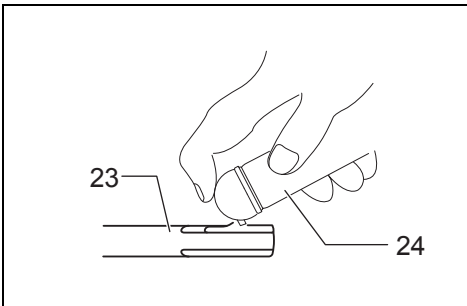
10 014398



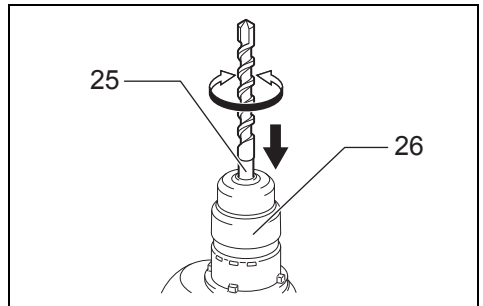
11 014399



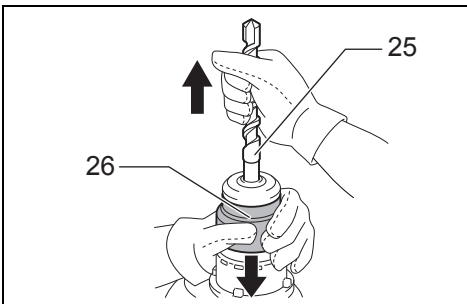
12 014403



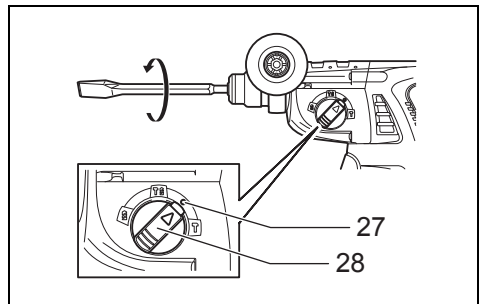
13 009664



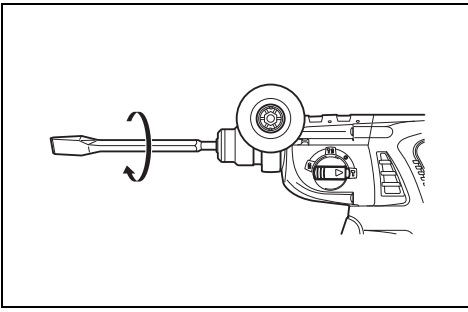
14 014404



15 014405

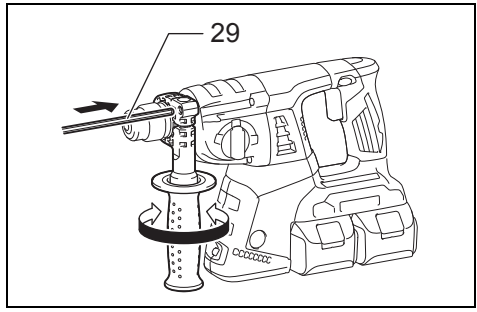


16 014420



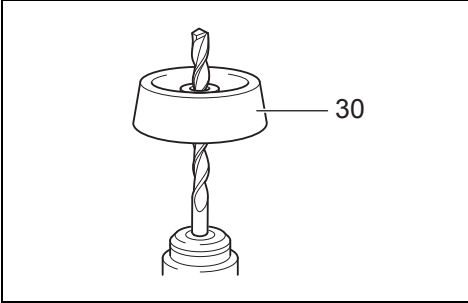
17

014421



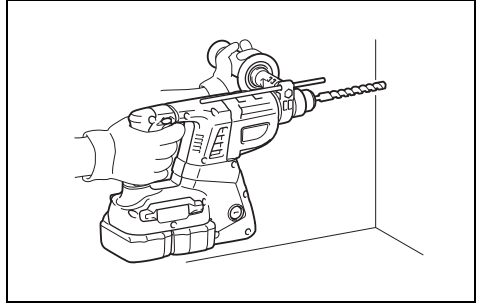
18

014406



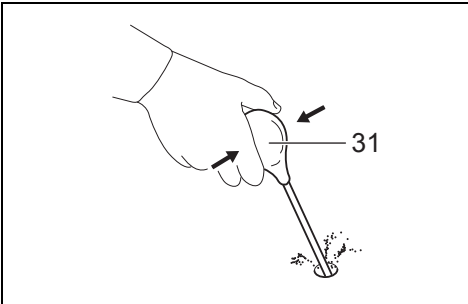
19

001300



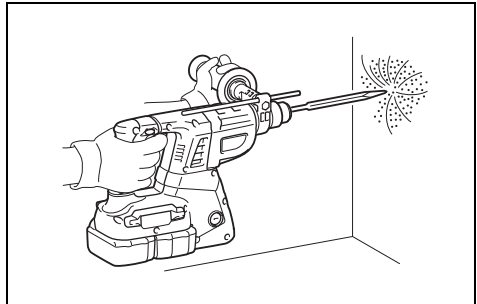
20

014410



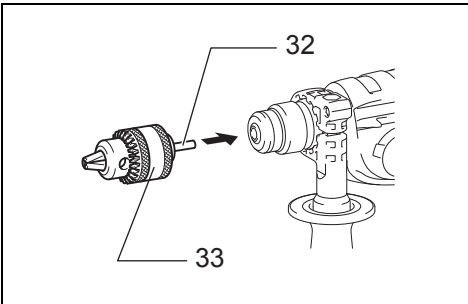
21

002449



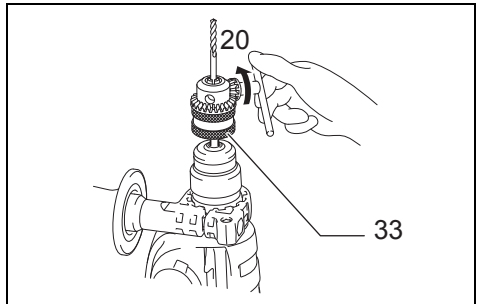
22

014415



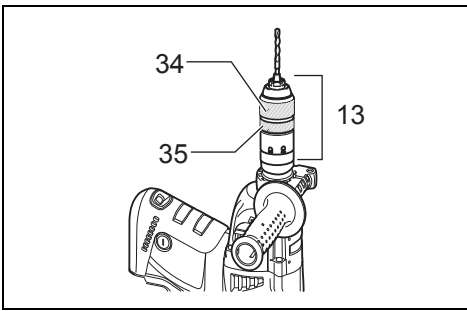
23

014411



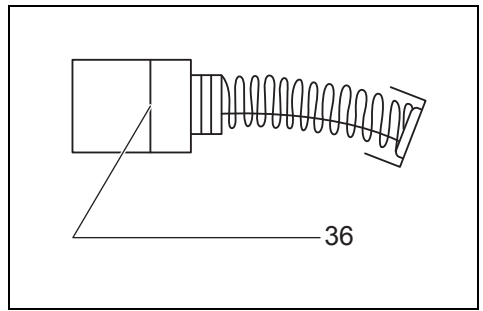
24

014416



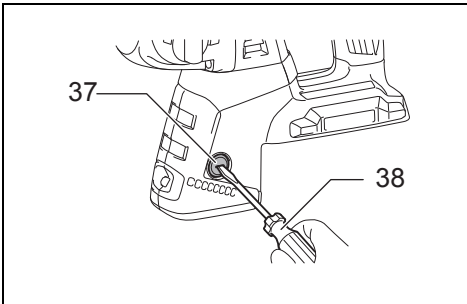
25

014418



26

001145



27

014412

Explanation of general view

1 Red indicator	13 Quick change drill chuck	26 Chuck cover
2 Button	14 Rotation with hammering	27 ○ symbol
3 Battery cartridge	15 Rotation only	28 Action mode changing knob
4 Star marking	16 Hammering only	29 Depth gauge
5 Battery indicator	17 Grip base	30 Dust cup
6 Switch trigger	18 Teeth	31 Blow-out bulb
7 Lamp	19 Loosen	32 Chuck adapter
8 Reversing switch lever	20 Tighten	33 Drill chuck
9 Quick change chuck for SDS-plus	21 Side grip	34 Sleeve
10 Change cover line	22 Protrusion	35 Ring
11 Change cover	23 Bit shank	36 Limit mark
12 Spindle	24 Bit grease	37 Brush holdre cap
	25 Bit	38 Screwdriver

SPECIFICATIONS

Model		DHR263	DHR264
Capacities	Concrete	26 mm	
	Steel	13 mm	
	Wood	32 mm	
No load speed (min ⁻¹)		0 – 1,250	
Blows per minute		0 – 5,000	
Overall length		350 mm	374 mm
Net weight		4.6 kg	4.7 kg
Rated voltage		D.C. 36 V	

- Due to our continuing program of research and development, the specifications herein are subject to change without notice.
- Specifications and battery cartridge may differ from country to country.
- Weight, with battery cartridge, according to EPTA-Procedure 01/2003

ENE043-1

Intended use

The tool is intended for hammer drilling and drilling in brick, concrete and stone as well as for chiselling work. It is also suitable for drilling without impact in wood, metal, ceramic and plastic.

GEA010-1

General Power Tool Safety Warnings

⚠ WARNING Read all safety warnings and all instructions. Failure to follow the warnings and instructions may result in electric shock, fire and/or serious injury.

Save all warnings and instructions for future reference.

GEB046-2

CORDLESS ROTARY HAMMER SAFETY WARNINGS

1. **Wear ear protectors.** Exposure to noise can cause hearing loss.

2. **Use auxiliary handle(s), if supplied with the tool.** Loss of control can cause personal injury.
3. **Hold power tools by insulated gripping surfaces, when performing an operation where the cutting accessory may contact hidden wiring.** Cutting accessory contacting a "live" wire may make exposed metal parts of the power tool "live" and could give the operator an electric shock.
4. **Wear a hard hat (safety helmet), safety glasses and/or face shield. Ordinary eye or sun glasses are NOT safety glasses. It is also highly recommended that you wear a dust mask and thickly padded gloves.**
5. **Be sure the bit is secured in place before operation.**
6. **Under normal operation, the tool is designed to produce vibration. The screws can come loose easily, causing a breakdown or accident. Check tightness of screws carefully before operation.**
7. **In cold weather or when the tool has not been used for a long time, let the tool warm up for a while by operating it under no load. This will loosen up the lubrication. Without proper warm-up, hammering operation is difficult.**
8. **Always be sure you have a firm footing. Be sure no one is below when using the tool in high locations.**
9. **Hold the tool firmly with both hands.**
10. **Keep hands away from moving parts.**
11. **Do not leave the tool running. Operate the tool only when hand-held.**

12. Do not point the tool at any one in the area when operating. The bit could fly out and injure someone seriously.
 13. Do not touch the bit or parts close to the bit immediately after operation; they may be extremely hot and could burn your skin.
 14. Some material contains chemicals which may be toxic. Take caution to prevent dust inhalation and skin contact. Follow material supplier safety data.
2. Never recharge a fully charged battery cartridge. Overcharging shortens the battery service life.
 3. Charge the battery cartridge with room temperature at 10°C – 40°C (50°F – 104°F). Let a hot battery cartridge cool down before charging it.
 4. Charge the battery cartridge once in every six months if you do not use it for a long period of time.

SAVE THESE INSTRUCTIONS.

WARNING:

DO NOT let comfort or familiarity with product (gained from repeated use) replace strict adherence to safety rules for the subject product. MISUSE or failure to follow the safety rules stated in this instruction manual may cause serious personal injury.

ENC007-8

IMPORTANT SAFETY INSTRUCTIONS

FOR BATTERY CARTRIDGE

1. Before using battery cartridge, read all instructions and cautionary markings on (1) battery charger, (2) battery, and (3) product using battery.
2. Do not disassemble battery cartridge.
3. If operating time has become excessively shorter, stop operating immediately. It may result in a risk of overheating, possible burns and even an explosion.
4. If electrolyte gets into your eyes, rinse them out with clear water and seek medical attention right away. It may result in loss of your eyesight.
5. Do not short the battery cartridge:
 - (1) Do not touch the terminals with any conductive material.
 - (2) Avoid storing battery cartridge in a container with other metal objects such as nails, coins, etc.
 - (3) Do not expose battery cartridge to water or rain.
A battery short can cause a large current flow, overheating, possible burns and even a breakdown.
6. Do not store the tool and battery cartridge in locations where the temperature may reach or exceed 50°C (122°F).
7. Do not incinerate the battery cartridge even if it is severely damaged or is completely worn out. The battery cartridge can explode in a fire.
8. Be careful not to drop or strike battery.
9. Do not use a damaged battery.
10. Follow your local regulations relating to disposal of battery.

SAVE THESE INSTRUCTIONS.

Tips for maintaining maximum battery life

1. Charge the battery cartridge before completely discharged.
Always stop tool operation and charge the battery cartridge when you notice less tool power.

FUNCTIONAL DESCRIPTION

CAUTION:

- Always be sure that the tool is switched off and the battery cartridge is removed before adjusting or checking function on the tool.

Installing or removing battery cartridge (Fig. 1)

CAUTION:

- Always switch off the tool before installing or removing of the battery cartridge.
- **Hold the tool and the battery cartridge firmly when installing or removing battery cartridge.** Failure to hold the tool and the battery cartridge firmly may cause them to slip off your hands and result in damage to the tool and battery cartridge and a personal injury.

To remove the battery cartridge, slide it from the tool while sliding the button on the front of the cartridge.

To install the battery cartridge, align the tongue on the battery cartridge with the groove in the housing and slip it into place. Insert it all the way until it locks in place with a little click. If you can see the red indicator on the upper side of the button, it is not locked completely.

CAUTION:

- Always install the battery cartridge fully until the red indicator cannot be seen. If not, it may accidentally fall out of the tool, causing injury to you or someone around you.
- Do not install the battery cartridge forcibly. If the cartridge does not slide in easily, it is not being inserted correctly.

NOTE:

- The tool does not work with only one battery cartridge.

Tool/battery protection system

The tool is equipped with a tool/battery protection system.

This system automatically cuts off power to the motor to extend tool and battery life.

The tool will automatically stop during operation if the tool or battery are placed under one of the following conditions. In some conditions, the indicators light up.

Overload protection

When the tool is operated in a manner that causes it to draw an abnormally high current, the tool automatically stops without any indication. In this situation, turn the tool off and stop the application that caused the tool to become overloaded. Then turn the tool on to restart.

Overheat protection for battery

When the battery is overheated, the tool stops automatically without any indication. The tool does not start even if pulling the switch trigger. In this situation, let the battery cool before turning the tool on again.

NOTE:

- The battery overheat protection works only with a battery cartridge with a star marking. (Fig. 2)

Overdischarge protection (Fig. 3)

When the remaining battery capacity gets low, the battery indicator blinks on the applicable battery side. By further use, the tool stops and the battery indicator lights up about 10 seconds. In this situation, charge the battery cartridge.

Switch action (Fig. 4)**⚠ CAUTION:**

- Before inserting the battery cartridge into the tool, always check to see that the switch trigger actuates properly and returns to the "OFF" position when released.

To start the tool, simply pull the switch trigger. Tool speed is increased by increasing pressure on the switch trigger. Release the switch trigger to stop.

Lighting up the lamp (Fig. 5)**⚠ CAUTION:**

- Do not look in the light or see the source of light directly.

Pull the switch trigger to light up the lamp. The lamp keeps on lighting while the switch trigger is being pulled. The light automatically goes out 10 – 15 seconds after the switch trigger is released.

NOTE:

- Use a dry cloth to wipe the dirt off the lens of the lamp. Be careful not to scratch the lens of lamp, or it may lower the illumination.
- Do not use thinner or gasoline to clean the lamp. Such solvents may damage it.

Reversing switch action (Fig. 6)

This tool has a reversing switch to change the direction of rotation. Depress the reversing switch lever from the A side for clockwise rotation or from the B side for counterclockwise rotation.

When the reversing switch lever is in the neutral position, the switch trigger cannot be pulled.

⚠ CAUTION:



- Always check the direction of rotation before operation.
- Use the reversing switch only after the tool comes to a complete stop. Changing the direction of rotation before the tool stops may damage the tool.
- When not operating the tool, always set the reversing switch lever to the neutral position.

Changing the quick change chuck for SDS-plus**For Model DHR264**



The quick change chuck for SDS-plus can be easily exchanged for the quick change drill chuck.


Removing the quick change chuck for SDS-plus (Fig. 7)**⚠ CAUTION:**

- Before removing the quick change chuck for SDS-plus, always remove the bit.


Grasp the change cover of the quick change chuck for SDS-plus and turn in the direction of the arrow until the change cover line moves from the  symbol to the  symbol. Pull forcefully in the direction of the arrow.

Attaching the quick change drill chuck (Fig. 8)


Check the line of the quick change drill chuck shows the  symbol. Grasp the change cover of the quick change drill chuck and set the line to the  symbol. Place the quick change drill chuck on the spindle of the tool.

Grasp the change cover of the quick change drill chuck and turn the change cover line to the  symbol until a click can clearly be heard.


Selecting the action mode**Rotation with hammering (Fig. 9)**

For drilling in concrete, masonry, etc., depress the lock button and rotate the action mode changing knob to the  symbol. Use a tungsten-carbide tipped bit.

Rotation only (Fig. 10)

For drilling in wood, metal or plastic materials, depress the lock button and rotate the action mode changing knob to the  symbol. Use a twist drill bit or wood bit.

Hammering only (Fig. 11)

For chipping, scaling or demolition operations, depress the lock button and rotate the action mode changing knob to the  symbol. Use a bull point, cold chisel, scaling chisel, etc.

⚠ CAUTION:

- Do not rotate the action mode changing knob when the tool is running. The tool will be damaged.
- To avoid rapid wear on the mode change mechanism, be sure that the action mode changing knob is always positively located in one of the three action mode positions.

Torque limiter

The torque limiter will actuate when a certain torque level is reached. The motor will disengage from the output shaft. When this happens, the bit will stop turning.

⚠ CAUTION:

- As soon as the torque limiter actuates, switch off the tool immediately. This will help prevent premature wear of the tool.
- Hole saws cannot be used with this tool. They tend to pinch or catch easily in the hole. This will cause the torque limiter to actuate too frequently.

ASSEMBLY**⚠ CAUTION:**

- Always be sure that the tool is switched off and the battery cartridge is removed before carrying out any work on the tool.

Side grip (auxiliary handle) (Fig. 12)**⚠ CAUTION:**

- Always use the side grip to ensure operating safety.

Install the side grip so that the teeth on the grip fit in between the protrusions on the tool barrel. Then tighten the grip by turning clockwise at the desired position. It may be swung 360° so as to be secured at any position.

Bit grease

Coat the bit shank head beforehand with a small amount of bit grease (about 0.5 – 1 g). This chuck lubrication assures smooth action and longer service life.

Installing or removing the bit

Clean the bit shank and apply bit grease before installing the bit. (Fig. 13)


Insert the bit into the tool. Turn the bit and push it in until it engages.


If the bit cannot be pushed in, remove the bit. Pull the chuck cover down a couple of times. Then insert the bit again. Turn the bit and push it in until it engages. (Fig. 14)

After installing, always make sure that the bit is securely held in place by trying to pull it out.

To remove the bit, pull the chuck cover down all the way and pull the bit out. (Fig. 15)

Bit angle (when chipping, scaling or demolishing) (Fig. 16 & 17)

The bit can be secured at the desired angle. To change the bit angle, depress the lock button and rotate the action mode changing knob to the  symbol. Turn the bit to the desired angle.

Depress the lock button and rotate the action mode changing knob to the  symbol. Then make sure that the bit is securely held in place by turning it slightly.

Depth gauge (Fig. 18)

The depth gauge is convenient for drilling holes of uniform depth. Loosen the side grip and insert the depth gauge into the hole in the side grip. Adjust the depth gauge to the desired depth and tighten the side grip.

NOTE:

- The depth gauge cannot be used at the position where the depth gauge strikes against the gear housing.

Dust cup (Fig. 19)


Use the dust cup to prevent dust from falling over the tool and on yourself when performing overhead drilling operations. Attach the dust cup to the bit as shown in the figure. The size of bits which the dust cup can be attached to is as follows.

	Bit diameter
Dust cup 5	6 mm – 14.5 mm
Dust cup 9	12 mm – 16 mm

006382

OPERATION

Hammer drilling operation (Fig. 20)

Set the action mode changing knob to the  symbol.

Position the bit at the desired location for the hole, then pull the switch trigger.

Do not force the tool. Light pressure gives best results.

Keep the tool in position and prevent it from slipping away from the hole.

Do not apply more pressure when the hole becomes clogged with chips or particles. Instead, run the tool at an idle, then remove the bit partially from the hole. By repeating this several times, the hole will be cleaned out and normal drilling may be resumed.

CAUTION:

- There is a tremendous and sudden twisting force exerted on the tool/bit at the time of hole breakthrough, when the hole becomes clogged with chips and particles, or when striking reinforcing rods embedded in the concrete. Always use the side grip (auxiliary handle) and firmly hold the tool by both side grip and switch handle during operations. Failure to do so may result in the loss of control of the tool and potentially severe injury.


NOTE:

- Eccentricity in the bit rotation may occur while operating the tool with no load. The tool automatically centers itself during operation. This does not affect the drilling precision.

Blow-out bulb (optional accessory) (Fig. 21)

After drilling the hole, use the blow-out bulb to clean the dust out of the hole.

Chipping/Scaling/Demolition (Fig. 22)


Set the action mode changing knob to the  symbol.

Hold the tool firmly with both hands. Turn the tool on and apply slight pressure on the tool so that the tool will not bounce around, uncontrolled. Pressing very hard on the tool will not increase the efficiency.

Drilling in wood or metal

For Model DHR263 (Fig. 23 & 24)


Use the optional drill chuck assembly. When installing it, refer to “Installing or removing the bit” described on the previous page.

Set the action mode changing knob so that the pointer points to the  symbol.

For Model DHR264 (Fig. 25)

Use the quick change drill chuck as standard equipment. When installing it, refer to “Changing the quick change chuck for SDS-plus” described on the previous page.

Hold the ring and turn the sleeve counterclockwise to open the chuck jaws. Place the bit in the chuck as far as it will go. Hold the ring firmly and turn the sleeve clockwise to tighten the chuck. To remove the bit, hold the ring and turn the sleeve counterclockwise.

Set the action mode changing knob to the  symbol.

You can drill up to 13 mm diameter in metal and up to 32 mm diameter in wood.

CAUTION:

- Never use “rotation with hammering” when the drill chuck assembly is installed on the tool. The drill chuck assembly may be damaged. Also, the drill chuck will come off when reversing the tool.
- Pressing excessively on the tool will not speed up the drilling. In fact, this excessive pressure will only serve to damage the tip of your bit, decrease the tool performance and shorten the service life of the tool.
- There is a tremendous twisting force exerted on the tool/bit at the time of hole breakthrough. Hold the tool firmly and exert care when the bit begins to break through the workpiece.
- A stuck bit can be removed simply by setting the reversing switch to reverse rotation in order to back out. However, the tool may back out abruptly if you do not hold it firmly.
- Always secure small workpieces in a vise or similar hold-down device.

MAINTENANCE

ENG905-1

CAUTION:

- Always be sure that the tool is switched off and the battery cartridge is removed before attempting to perform inspection or maintenance.
- Never use gasoline, benzene, thinner, alcohol or the like. Discoloration, deformation or cracks may result.

Replacing carbon brushes (Fig. 26 & 27)

Remove and check the carbon brushes regularly. Replace when they wear down to the limit mark. Keep the carbon brushes clean and free to slip in the holders. Both carbon brushes should be replaced at the same time. Use only identical carbon brushes.

Use a screwdriver to remove the brush holder caps. Take out the worn carbon brushes, insert the new ones and secure the brush holder caps.

Remount the holder cap covers on the tool.

To maintain product SAFETY and RELIABILITY, repairs, any other maintenance or adjustment should be performed by Makita Authorized Service Centers, always using Makita replacement parts.

OPTIONAL ACCESSORIES

CAUTION:

- These accessories or attachments are recommended for use with your Makita tool specified in this manual. The use of any other accessories or attachments might present a risk of injury to persons. Only use accessory or attachment for its stated purpose.

If you need any assistance for more details regarding these accessories, ask your local Makita Service Center.

- SDS-Plus Carbide-tipped bits
- Bull point
- Cold chisel
- Scaling chisel
- Grooving chisel
- Drill chuck assembly
- Drill chuck S13
- Chuck adapter
- Chuck key S13
- Bit grease
- Side grip
- Depth gauge
- Blow-out bulb
- Dust cup
- Dust extractor attachment
- Safety goggles
- Plastic carrying case
- Keyless drill chuck
- Makita genuine battery and charger

NOTE:

- Some items in the list may be included in the tool package as standard accessories. They may differ from country to country.

Noise

The typical A-weighted noise level determined according to EN60745:

- Sound pressure level (L_{pA}): 94 dB (A)
- Sound power level (L_{WA}): 105 dB (A)
- Uncertainty (K): 3 dB (A)

Wear ear protection

ENG900-1

Vibration

The vibration total value (tri-axial vector sum) determined according to EN60745:

Model DHR263

- Work mode: hammer drilling into concrete
- Vibration emission ($a_{h, HD}$): 14.5 m/s²
- Uncertainty (K): 1.5 m/s²

- Work mode: chiselling
- Vibration emission ($a_{h, CHreq}$): 14.0 m/s²
- Uncertainty (K): 1.5 m/s²

- Work mode: drilling into metal
- Vibration emission ($a_{h, D}$): 3.0 m/s²
- Uncertainty (K): 1.5 m/s²

Model DHR264

- Work mode: hammer drilling into concrete
- Vibration emission ($a_{h, HD}$): 15.5 m/s²
- Uncertainty (K): 1.5 m/s²

- Work mode: chiselling
- Vibration emission ($a_{h, CHreq}$): 14.0 m/s²
- Uncertainty (K): 1.5 m/s²

- Work mode: drilling into metal
- Vibration emission ($a_{h, D}$): 5.0 m/s²
- Uncertainty (K): 1.5 m/s²

ENG901-1

- The declared vibration emission value has been measured in accordance with the standard test method and may be used for comparing one tool with another.
- The declared vibration emission value may also be used in a preliminary assessment of exposure.

WARNING:

- The vibration emission during actual use of the power tool can differ from the declared emission value depending on the ways in which the tool is used.
- Be sure to identify safety measures to protect the operator that are based on an estimation of exposure in the actual conditions of use (taking account of all parts of the operating cycle such as the times when the tool is switched off and when it is running idle in addition to the trigger time).

For European countries only

EC Declaration of Conformity

We Makita Corporation as the responsible manufacturer declare that the following Makita machine(s):

Designation of Machine:

Cordless Combination Hammer

Model No./Type: DHR263, DHR264

are of series production and

Conforms to the following European Directives:

2006/42/EC

And are manufactured in accordance with the following standards or standardised documents:

EN60745

The technical documentation is kept by:

Makita International Europe Ltd.

Technical Department,

Michigan Drive, Tongwell,

Milton Keynes, Bucks MK15 8JD, England

18.6.2013



Tomoyasu Kato

Director

Makita Corporation

3-11-8, Sumiyoshi-cho,

Anjo, Aichi, 446-8502, JAPAN

Descriptif

1	Indicateur rouge	14	Rotation avec percussion	28	Bouton de changement de mode
2	Bouton	15	Rotation uniquement	29	Jauge de profondeur
3	Batterie	16	Percussion uniquement	30	Collecteur de poussières
4	Repère étoilé	17	Base de la poignée	31	Poire soufflante
5	Témoin de la batterie	18	Dents	32	Adaptateur de mandrin
6	Gâchette	19	Desserrer	33	Mandrin
7	Lampe	20	Serrer	34	Manchon
8	Levier de l'inverseur	21	Poignée latérale	35	Bague
9	Mandrin à changement rapide pour SDS-plus	22	Partie saillante	36	Trait de limite d'usure
10	Ligne du carter de changement	23	Queue du foret	37	Bouchon de porte-charbon
11	Carter de changement	24	Graisse à foret	38	Tournevis
12	Broche	25	Foret		
13	Mandrin à changement rapide	26	Carter du mandrin		
		27	Symbole ○		

SPÉCIFICATIONS

Modèle		DHR263	DHR264
Capacités	Béton	26 mm	
	Bois	13 mm	
	Acier	32 mm	
Vitesse à vide (min ⁻¹)		0 – 1 250	
Cadence de frappe/min		0 – 5 000	
Longueur totale		350 mm	374 mm
Poids net		4,6 kg	4,7 kg
Tension nominale		36 V CC	

- Étant donné l'évolution constante de notre programme de recherche et de développement, les spécifications contenues dans ce manuel sont sujettes à modification sans préavis.
- Les spécifications et la batterie peuvent être différentes suivant les pays.
- Poids, avec la batterie, conformément à la procédure EPTA-01/2003

ENE043-1

Utilisations

L'outil est conçu pour le perçage avec martelage et le perçage ordinaire dans la brique, le béton et la pierre, ainsi que pour les travaux de ciselage. Il convient également au perçage sans martelage dans le bois, le métal et le plastique.

GEA010-1

Consignes de sécurité générales pour outils électriques

⚠ AVERTISSEMENT Veuillez lire toutes les mises en garde et toutes les instructions. Il y a risque de choc électrique, d'incendie et/ou de blessure grave si les mises en garde et les instructions ne sont pas respectées.

Conservez toutes les mises en garde et instructions pour référence ultérieure.

GEB046-2

CONSIGNE DE SÉCURITÉ POUR LE PERFORATEUR SANS FIL

1. **Portez des protections d'oreilles.** L'exposition au bruit peut entraîner la surdité.
2. **Utilisez la ou les poignée(s) auxiliaire(s), si l'outil en possède.** La perte de contrôle comporte un risque de blessure.
3. **Saisissez l'outil électrique par ses surfaces de poigne isolées lorsque vous effectuez une opération au cours de laquelle l'outil tranchant peut entrer en contact avec un câble caché ou avec son propre cordon d'alimentation.** Le contact de l'outil tranchant avec un fil sous tension peut mettre les parties métalliques de l'outil électrique sous tension et causer un choc électrique chez l'utilisateur.
4. **Portez une coiffure résistante (un casque de sécurité), des lunettes de sécurité et/ou une visière. Les lunettes ordinaires et les lunettes de soleil ne sont PAS des lunettes de sécurité. Nous vous recommandons également de porter un masque antipoussières et des gants très épais.**
5. **Assurez-vous que le foret est bien serré avant d'utiliser l'outil.**

6. Même en conditions normales d'utilisation, l'outil produit des vibrations. Les vis peuvent ainsi se relâcher facilement, ce qui risque d'entraîner une rupture de pièce ou un accident. Avant l'utilisation, vérifiez que les vis sont bien serrées.
 7. À basse température ou lorsque l'outil est resté inutilisé pour une période prolongée, laissez-le réchauffer un instant en le faisant fonctionner à vide. Cela permettra au lubrifiant de réchauffer. La perforation sera difficile si l'outil n'est pas bien réchauffé.
 8. Assurez-vous toujours d'une bonne position d'équilibre. Assurez-vous que personne ne se trouve dessous lorsque vous utilisez l'outil dans une position ou un emplacement élevé.
 9. Tenez toujours l'outil fermement à deux mains.
 10. Gardez les mains éloignées des pièces en mouvement.
 11. Ne laissez pas l'outil tourner inutilement. Ne faites fonctionner l'outil qu'une fois que vous l'avez bien en main.
 12. Pendant l'utilisation de l'outil, ne le pointez vers personne dans la zone de travail. Vous risqueriez de blesser gravement quelqu'un en cas d'éjection du foret.
 13. Ne touchez ni le foret ni les pièces adjacentes immédiatement après l'utilisation de l'outil. Ils risquent d'être extrêmement chauds et de vous brûler gravement la peau.
 14. Certains matériaux contiennent des produits chimiques qui peuvent être toxiques. Prenez les précautions nécessaires pour ne pas inhaler les poussières qu'ils dégagent et pour éviter tout contact avec la peau. Conformez-vous aux consignes de sécurité du fabricant.
5. Ne court-circuitez pas la batterie :
 - (1) Ne touchez les bornes avec aucun matériau conducteur.
 - (2) Évitez de ranger la batterie dans un conteneur avec d'autres objets métalliques, par exemple des clous, des pièces de monnaie, etc.
 - (3) N'exposez pas la batterie à l'eau ou à la pluie. Un court-circuit de la batterie pourrait provoquer un fort courant, une surchauffe, parfois des brûlures et même une panne.
 6. Ne rangez pas l'outil ou la batterie dans des endroits où la température risque d'atteindre ou de dépasser 50 °C.
 7. Ne jetez pas la batterie au feu même si elle est sérieusement endommagée ou complètement épuisée. La batterie peut exploser au contact du feu.
 8. Prenez garde d'échapper ou de heurter la batterie.
 9. N'utilisez pas la batterie si elle est abîmée.
 10. La batterie doit être éliminée conformément aux réglementations locales en vigueur.

CONSERVEZ CES INSTRUCTIONS.

Conseils pour assurer la durée de vie optimale de la batterie

1. Rechargez la batterie avant qu'elle ne soit complètement déchargée. Arrêtez toujours l'outil et rechargez la batterie quand vous remarquez que la puissance de l'outil diminue.
2. Ne rechargez jamais une batterie complètement chargée. La surcharge réduit la durée de service de la batterie.
3. Chargez la batterie alors que la température de la pièce se trouve entre 10 °C et 40 °C. Avant de charger une batterie chaude, laissez-la refroidir.
4. Chargez la batterie une fois tous les six mois si vous la laissez inutilisée pendant une période prolongée.

CONSERVEZ CES INSTRUCTIONS.

⚠ AVERTISSEMENT :

NE vous laissez PAS tromper (au fil d'une utilisation répétée) par un sentiment d'aisance et de familiarité avec le produit, en négligeant le respect rigoureux des consignes de sécurité qui accompagnent le produit en question. La MAUVAISE UTILISATION de l'outil ou l'ignorance des consignes de sécurité indiquées dans ce manuel d'instructions peut entraîner une blessure grave.

ENC007-8

PRÉCAUTIONS IMPORTANTES

POUR LA BATTERIE

1. Avant d'utiliser la batterie, lisez toutes les instructions et précautions relatives (1) au chargeur de batterie, (2) à la batterie, et (3) à l'outil utilisant la batterie.
2. Ne démontez pas la batterie.
3. Cessez immédiatement l'utilisation si le temps de fonctionnement devient excessivement court. Il y a un risque de surchauffe, de brûlures, voire d'explosion.
4. Si l'électrolyte pénètre dans vos yeux, rincez-les à l'eau claire et consultez immédiatement un médecin. Il y a un risque de perte de la vue.

DESCRIPTION DU FONCTIONNEMENT

⚠ ATTENTION :

- Assurez-vous toujours que l'outil est éteint et que la batterie est retirée avant d'ajuster ou de vérifier une fonction sur l'outil.

Mise en place ou retrait de la batterie (Fig. 1)

⚠ ATTENTION :

- Éteignez toujours l'outil avant de mettre en place ou de retirer la batterie.
- Tenez fermement l'outil et la batterie lors de la mise en place ou du retrait de la batterie. Si vous ne tenez pas fermement l'outil et la batterie, ils peuvent vous glisser des mains, et s'abîmer ou vous blesser.

Pour retirer la batterie, faites-la glisser hors de l'outil tout en faisant glisser le bouton qui se trouve à l'avant de la batterie.

Pour poser la batterie, alignez sa languette sur la rainure à l'intérieur du carter, et faites-la glisser en place. Insérez-la à fond, jusqu'à ce qu'elle se mette en place avec un léger dé clic. Si vous pouvez voir l'indicateur rouge du côté supérieur du bouton, la batterie n'est pas complètement verrouillée.

ATTENTION :

- Insérez toujours la batterie à fond, jusqu'à ce que l'indicateur rouge ne soit plus visible. Sinon, elle pourrait tomber accidentellement de l'outil, au risque de vous blesser ou de blesser quelqu'un se trouvant près de vous.
- Ne forcez pas pour insérer la batterie. Si la batterie ne glisse pas facilement, elle n'a pas été insérée correctement.

NOTE :

- L'outil ne fonctionne pas avec une seule batterie.

Système de protection de l'outil/la batterie

L'outil est équipé d'un système de protection de l'outil/la batterie.

Ce système coupe automatiquement l'alimentation vers le moteur pour prolonger la durée de vie de l'outil et de la batterie.

L'outil s'arrête automatiquement alors qu'il fonctionne si l'outil ou la batterie se trouvent dans l'un des états suivants. Dans certaines situations, les témoins s'allument.

Protection contre la surcharge

Lorsque l'outil est utilisé d'une manière provoquant un appel de courant anormalement élevé, l'outil s'arrête automatiquement sans indication. Dans ce cas, éteignez l'outil et arrêtez la tâche ayant provoqué la surcharge de l'outil. Puis rallumez l'outil pour reprendre la tâche.

Protection contre la surchauffe de la batterie

Si la batterie surchauffe, l'outil s'arrête automatiquement sans indication. L'outil ne démarre pas même si vous enclenchez la gâchette. Dans ce cas, laissez la batterie refroidir avant de rallumer l'outil.

NOTE :

- La protection contre la surchauffe de la batterie ne fonctionne qu'avec une batterie avec repère étoilé. (Fig. 2)

Protection contre la décharge totale de la batterie (Fig. 3)

Lorsque l'autonomie restante de la batterie diminue, le témoin de la batterie clignote du côté batterie correspondant. Si vous continuez à utiliser l'outil, il s'arrête et le témoin de la batterie s'allume pendant environ 10 secondes. Le cas échéant, rechargez la batterie.

Fonctionnement de la gâchette (Fig. 4)

ATTENTION :

- Avant d'insérer la batterie dans l'outil, vérifiez toujours que la gâchette fonctionne correctement et revient à la position "OFF" lorsque vous la relâchez.

Il suffit d'enclencher la gâchette pour démarrer l'outil. La vitesse de l'outil augmente à mesure que vous augmentez la pression sur la gâchette. Relâchez la gâchette pour arrêter.

Allumer la lampe (Fig. 5)

ATTENTION :

- Ne regardez pas directement la lumière ou la source de lumière.

Tirez sur la gâchette pour allumer la lampe. La lampe demeure allumée tant que vous tirez sur la gâchette.

Lorsque vous relâchez la gâchette, la lumière s'éteint automatiquement au bout de 10 à 15 secondes.

NOTE :

- Utilisez un chiffon sec pour essuyer les saletés sur la lentille de la lampe. Évitez de rayer la lentille de la lampe, autrement sa capacité d'éclairage diminuera.
- N'utilisez ni diluant ni essence pour nettoyer la lampe. Les solvants peuvent endommager la lampe.

Fonctionnement de l'inverseur (Fig. 6)

Cet outil est équipé d'un inverseur permettant de modifier le sens de la rotation. Enfoncez le levier de l'inverseur du côté A pour une rotation dans le sens des aiguilles d'une montre ou du côté B pour une rotation dans le sens inverse des aiguilles d'une montre.

Lorsque le levier de l'inverseur est en position neutre, la gâchette ne peut pas être enclenchée.

ATTENTION :

- Vérifiez toujours le sens de rotation avant d'utiliser l'outil.
- N'utilisez l'inverseur qu'une fois l'outil complètement arrêté. Vous risqueriez d'abîmer l'outil en changeant le sens de rotation avant l'arrêt complet.
- Lorsque vous n'utilisez pas l'outil, placez toujours le levier de l'inverseur en position neutre.

Remplacement du mandrin à changement rapide pour SDS-plus

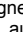

Pour le modèle DHR264

Le mandrin à changement rapide pour SDS-plus peut être rapidement remplacé par le mandrin à changement rapide.



Retrait du mandrin à changement rapide pour SDS-plus (Fig. 7)

ATTENTION :

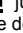
- Retirez toujours le foret avant de retirer le mandrin à changement rapide pour SDS-plus.

Saisissez le carter de changement du mandrin à changement rapide pour SDS-plus et tournez-le dans le sens de la flèche jusqu'à ce que la ligne du carter de changement se déplace du symbole  au symbole . Tirez énergiquement dans le sens de la flèche.

Fixation du mandrin à changement rapide (Fig. 8)


Assurez-vous que la ligne du mandrin à changement rapide indique le symbole . Saisissez le carter de changement du mandrin à changement rapide, et placez la ligne sur le symbole .

Mettez le mandrin à changement rapide sur la broche de l'outil.

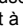
Saisissez le carter de changement du mandrin à changement rapide, et tournez la ligne du carter de changement jusqu'au symbole  jusqu'à ce que vous entendiez distinctement un bruit de dé clic.

Sélection du mode de fonctionnement


Rotation avec percussion (Fig. 9)

Pour percer dans du béton, de la maçonnerie, etc., enfoncez le bouton de verrouillage et tournez le bouton de changement de mode jusqu'au symbole . Utilisez un foret à pointe en carbure de tungstène.

Rotation uniquement (Fig. 10)

Pour percer dans du bois, du métal ou des matériaux en plastique, etc., enfoncez le bouton de verrouillage et tournez le bouton de changement de mode jusqu'au symbole . Utilisez un foret hélicoïdal ou un foret à bois.

Percussion uniquement (Fig. 11)

Pour le burinage, l'écaillage ou la démolition, enfoncez le bouton de verrouillage et tournez le bouton de changement de mode jusqu'au symbole . Utilisez un pic, un ciseau à froid, un ciseau à écailler, etc.

ATTENTION :

- Ne tournez pas le bouton de changement de mode pendant que l'outil tourne. L'outil serait endommagé.
- Pour éviter que le mécanisme de changement de mode ne s'use rapidement, vous devez toujours vous assurer que le bouton de changement de mode est placé avec exactitude sur l'une des trois positions du mode de fonctionnement.

Limiteur de couple

Le limiteur de couple s'active lorsqu'un certain niveau de couple est atteint. Le moteur se dégage de l'arbre de sortie. Dans ce cas, le foret cesse de tourner.

ATTENTION :

- Mettez l'outil hors tension dès que le limiteur de couple se déclenche. Cela aidera à éviter l'usure trop rapide de l'outil.
- Cet outil n'est pas conçu pour l'utilisation avec des scies cloches, car elles ont tendance à se coincer ou se pincer facilement dans le trou. Ce qui cause le déclenchement trop fréquent du limiteur de couple.

ASSEMBLAGE

ATTENTION :

- Assurez-vous toujours que l'outil est éteint et que la batterie est retirée avant de procéder à n'importe quelle tâche sur l'outil.

Poignée latérale (poignée auxiliaire) (Fig. 12)

ATTENTION :

- Utilisez toujours la poignée latérale pour assurer votre sécurité.

Installez la poignée latérale de sorte que les dents de la poignée pénètrent dans les parties saillantes du barillet de l'outil. Serrez ensuite la poignée en la tournant dans le sens des aiguilles d'une montre jusqu'à la position désirée. Vous pouvez la faire pivoter de 360° et la fixer en place sur la position de votre choix.

Graisse à foret

Avant l'utilisation, recouvrez d'une petite quantité de graisse à foret (environ 0,5 à 1 g) le bout de la queue du foret. La lubrification du mandrin assurera un mouvement en douceur et une plus longue durée de service.

Pose ou retrait du foret

Avant de poser le foret, nettoyez la queue du foret et appliquez de la graisse à foret. (Fig. 13)


Insérez le foret dans l'outil. Enfoncez le foret en le faisant tourner, jusqu'à ce qu'il s'engage.


Si vous ne parvenez pas à enfoncez le foret, retirez-le. Abaissez à une ou deux reprises le carter de mandrin. Puis, insérez à nouveau le foret. Enfoncez le foret en le faisant tourner, jusqu'à ce qu'il s'engage. (Fig. 14)

Après la pose, assurez-vous toujours que le foret est solidement fixé en place, en essayant de tirer dessus.

Pour retirer le foret, abaissez complètement le carter de mandrin et tirez sur le foret. (Fig. 15)

Angle du foret (pour le burinage, l'écaillage ou la démolition) (Fig. 16 et 17)

Vous pouvez fixer le foret sur l'angle désiré. Pour modifier l'angle du foret, enfoncez le bouton de verrouillage et tournez le bouton de changement de mode jusqu'au symbole . Tournez le foret selon l'angle désiré.

Enfoncez le bouton de verrouillage et tournez le bouton de changement de mode jusqu'au symbole . Assurez-vous ensuite que le foret demeure fermement en place, en essayant de le faire tourner un peu.

Jauge de profondeur (Fig. 18)

La jauge de profondeur est utile pour percer des trous de même profondeur. Desserrez la poignée latérale et insérez la jauge de profondeur dans le trou sur la poignée latérale. Réglez la jauge sur la profondeur désirée et serrez la poignée latérale.

NOTE :

- La jauge de profondeur ne peut pas être utilisée sur une position où elle frappe contre le carter d'engrenage.

Collecteur de poussières (Fig. 19)


Utilisez le collecteur de poussières pour éviter que la poussière ne tombe sur l'outil et sur vous-même lorsque vous percez au-dessus de votre tête. Fixez le collecteur de poussières au foret comme illustré sur la figure. Le collecteur de poussières peut être fixé aux forets des tailles suivantes.

	Diamètre du foret
Collecteur de poussières 5	6 mm – 14,5 mm
Collecteur de poussières 9	12 mm – 16 mm

006382

FONCTIONNEMENT

Perçage avec percussion (Fig. 20)

Placez le bouton de changement de mode sur le symbole .

Placez le foret à l'emplacement désiré pour le trou, puis enclenchez la gâchette.

Ne forcez pas l'outil. Vous obtiendrez de meilleurs résultats avec une légère pression.

Gardez l'outil en position et empêchez-le de glisser hors du trou.

N'appliquez pas plus de pression lorsque le trou est bouché par des copeaux ou particules. Laissez plutôt l'outil tourner au ralenti et retirez partiellement le foret du trou. En répétant cette opération plusieurs fois, le trou se débouchera et vous pourrez reprendre le perçage normal.

ATTENTION :

- Une force de torsion énorme s'exerce sur l'outil/le foret lorsque le foret émerge sur la face opposée, lorsque le trou est bouché par des copeaux ou particules, ou lorsque le foret entre en contact avec des armatures dans le béton. Utilisez toujours la poignée latérale (poignée auxiliaire) et saisissez l'outil fermement par la poignée latérale et la poignée pistolet pendant l'utilisation. Si vous ne suivez pas cette directive, vous risquez de perdre la maîtrise de l'outil et de vous blesser grièvement.


NOTE :

- Lorsque l'outil fonctionne à vide, il se peut que le foret tourne de manière excentrique. L'outil se centrera lui-même lors de l'utilisation avec charge. La précision du perçage n'est donc pas affectée.

Poire soufflante (accessoire en option) (Fig. 21)

Une fois le trou percé, utilisez la poire soufflante pour en retirer la poussière.

Burinage/Écaillage/Démolition (Fig. 22)


Placez le bouton de changement de mode sur le symbole .

Tenez l'outil fermement à deux mains. Allumez l'outil et exercez une légère pression dessus de façon à en garder la maîtrise et à éviter qu'il ne saute d'un côté ou de l'autre. Exercez une très grande pression sur l'outil n'augmentera pas l'efficacité de l'opération.

Perçage du bois ou du métal

Pour le modèle DHR263 (Fig. 23 et 24)

Utilisez l'ensemble mandrin en option. Pour l'installer, reportez-vous à la section "Pose ou retrait du foret" à la page précédente.


Placez le bouton de changement de mode de sorte que l'aiguille indique le symbole .

Pour le modèle DHR264 (Fig. 25)

Utilisez le mandrin à changement rapide fourni en équipement standard.

Pour l'installer, reportez-vous à la section "Remplacement du mandrin à changement rapide pour SDS-plus" à la page précédente.

Tenez la bague et tournez le manchon dans le sens contraire des aiguilles d'une montre pour ouvrir les mâchoires du mandrin. Insérez le foret à fond dans le mandrin. Tenez fermement la bague et tournez le manchon dans le sens des aiguilles d'une montre pour serrer le mandrin. Pour retirer le foret, tenez la bague et tournez le manchon dans le sens contraire des aiguilles d'une montre.

Placez le bouton de changement de mode sur le symbole .

Vous pouvez percer avec un diamètre maximal de 13 mm dans le métal, et de 32 mm dans le bois.

ATTENTION :

- N'utilisez jamais la "Rotation avec percussion" lorsque l'ensemble mandrin est installé sur l'outil. Vous risqueriez d'abîmer l'ensemble mandrin. De plus, le mandrin se détacherait lors de l'inversion de l'outil.
- Une pression excessive sur l'outil n'accélère pas le perçage. En fait, une pression excessive abîmera le bout du foret, entraînera une baisse des performances de l'outil et réduira sa durée de service.
- Une force de torsion énorme s'exerce sur l'outil/le foret lorsque le foret émerge sur la face opposée. Tenez l'outil fermement et redoublez de précaution lorsque le foret commence à sortir de la face opposée de la pièce.
- Un foret coincé peut être retiré en réglant simplement l'inverseur sur la rotation inverse pour faire marche arrière. L'outil peut toutefois faire brusquement marche arrière si vous ne le tenez pas fermement.
- Immobilisez toujours les petites pièces à travailler dans un étai ou un dispositif de retenue similaire.

ENTRETIEN

ATTENTION :

- Assurez-vous toujours que l'outil est hors tension et la batterie retirée avant d'effectuer tout travail d'inspection ou d'entretien.
- N'utilisez pas d'essence, de benzine, de diluant, d'alcool ou produits similaires. Ils présentent un risque de décoloration, de déformation ou de fissuration.

Remplacement des charbons (Fig. 26 et 27)

Retirez et vérifiez les charbons régulièrement. Remplacez-les lorsqu'ils atteignent le trait de limite d'usure. Maintenez les charbons propres et en état de glisser librement dans les porte-charbon. Les deux charbons doivent être remplacés en même temps. Utilisez uniquement des charbons identiques.

Utilisez un tournevis pour retirer les bouchons de porte-charbon. Retirez les charbons usés, insérez les neufs et fixez les bouchons de porte-charbon.

Réinstallez les caches des bouchons du porte-charbon sur l'outil.

Pour maintenir la SÉCURITÉ et la FIABILITÉ du produit, les réparations, travaux d'entretien et autres réglages doivent être effectués dans un centre de service Makita agréé, exclusivement avec des pièces de rechange Makita.

ACCESSOIRES EN OPTION

ATTENTION :

- Ces accessoires ou pièces complémentaires sont recommandés pour l'utilisation avec l'outil Makita spécifié dans ce manuel. L'utilisation de tout autre accessoire ou pièce complémentaire peut comporter un risque de blessure. N'utilisez les accessoires ou pièces complémentaires qu'aux fins pour lesquelles ils ont été conçus.

Si vous désirez obtenir plus de détails concernant ces accessoires, veuillez contacter votre centre de service après-vente Makita local.

- Forets à pointe de carbure SDS-Plus
- Pic
- Ciseau à froid
- Ciseau à écailler
- Ciseau à rainures
- Ensemble mandrin
- Mandrin S13
- Adaptateur de mandrin
- Clé de mandrin S13
- Graisse à foret
- Poignée latérale
- Jauge de profondeur
- Poire soufflante
- Collecteur de poussières
- Accessoire extracteur de poussière
- Lunettes de sécurité
- Étui de transport en plastique
- Mandrin sans clé
- Batterie et chargeur Makita d'origine

NOTE :

- Il se peut que certains éléments de la liste soient compris dans l'emballage de l'outil en tant qu'accessoires standard. Ils peuvent varier d'un pays à l'autre.

Bruit

Niveau de bruit pondéré A typique, déterminé selon EN60745 :

Niveau de pression sonore (L_{pA}) : 94 dB (A)

Niveau de puissance sonore (L_{WA}) : 105 dB (A)

Incertitude (K) : 3 dB (A)

Porter des protecteurs anti-bruit

ENG900-1

Vibrations

Valeur totale de vibrations (somme de vecteur triaxial) déterminée selon EN60745 :

Modèle DHR263

Mode de travail : perçage avec martelage dans le béton

Émission de vibrations ($a_{h,HD}$) : 14,5 m/s²

Incertitude (K) : 1,5 m/s²

Mode de travail : ciselage

Émission de vibrations ($a_{h,CHeq}$) : 14,0 m/s²

Incertitude (K) : 1,5 m/s²

Mode de travail : perçage dans le métal

Émission de vibrations ($a_{h,D}$) : 3,0 m/s²

Incertitude (K) : 1,5 m/s²

Modèle DHR264

Mode de travail : perçage avec martelage dans le béton

Émission de vibrations ($a_{h,HD}$) : 15,5 m/s²

Incertitude (K) : 1,5 m/s²

Mode de travail : ciselage

Émission de vibrations ($a_{h,CHeq}$) : 14,0 m/s²

Incertitude (K) : 1,5 m/s²

Mode de travail : perçage dans le métal

Émission de vibrations ($a_{h,D}$) : 5,0 m/s²

Incertitude (K) : 1,5 m/s²

ENG901-1

- La valeur d'émission de vibrations déclarée a été mesurée conformément à la méthode de test standard et peut être utilisée pour comparer les outils entre eux.
- La valeur d'émission de vibrations déclarée peut aussi être utilisée pour l'évaluation préliminaire de l'exposition.

⚠ AVERTISSEMENT :

- L'émission de vibrations lors de l'usage réel de l'outil électrique peut être différente de la valeur d'émission déclarée, suivant la façon dont l'outil est utilisé.
- Les mesures de sécurité à prendre pour protéger l'utilisateur doivent être basées sur une estimation de l'exposition dans des conditions réelles d'utilisation (en tenant compte de toutes les composantes du cycle d'utilisation, comme par exemple le moment de sa mise hors tension, lorsqu'il tourne à vide et le moment de son déclenchement).

Pour les pays d'Europe uniquement**Déclaration de conformité CE**

Makita Corporation, en tant que fabricant responsable, déclare que la ou les machine(s) Makita suivante(s) :

Désignation de la machine :

Marteau Combiné sans Fil

N° de modèle / Type : DHR263, DHR264

sont produites en série et

sont conformes aux Directives européennes suivantes :

2006/42/CE

et qu'elles sont fabriquées conformément aux normes ou documents normalisés suivants :

EN60745

La documentation technique est conservée par :

Makita International Europe Ltd.

Service technique,

Michigan Drive, Tongwell,

Milton Keynes, Bucks MK15 8JD, Angleterre

18.6.2013



Tomoyasu Kato

Directeur

Makita Corporation

3-11-8, Sumiyoshi-cho,

Anjo, Aichi, 446-8502, JAPAN

Übersicht

1 Rote Anzeige	13 Schnellwechsel-Bohrfutter	26 Futterabdeckung
2 Knopf	14 Schlagbohren	27 Symbol ○
3 Akku	15 Bohren	28 Betriebsart-Umschaltknopf
4 Sternsymbol	16 Schlagen	29 Tiefenanschlag
5 Akkuanzeige	17 Griffbasis	30 Staubschutzkappe
6 Elektronikschalter	18 Zähne	31 Ausblaspipette
7 Lampe	19 Lösen	32 Futteradapter
8 Drehrichtungsumschalter	20 Anziehen	33 Bohrfutter
9 Schnellwechselfutter für SDS-Plus	21 Seitengriff	34 Werkzeugaufnahme
10 Wechselhülsenlinie	22 Vorsprung	35 Ring
11 Wechselhülse	23 Einsatzschaft	36 Verschleißgrenze
12 Spindel	24 Bohrer-/Meißelfett	37 Bürstenhalterkappe
	25 Einsatz	38 Schraubendreher

TECHNISCHE DATEN

Modell		DHR263	DHR264
Bohrleistung	Beton	26 mm	
	Holz	13 mm	
	Stahl	32 mm	
Leerlaufdrehzahl (min ⁻¹)		0 – 1 250	
Schlagzahl		0 – 5 000	
Gesamtlänge		350 mm	374 mm
Nettogewicht		4,6 kg	4,7 kg
Nennspannung		DC 36 V	

- Wir behalten uns vor, Änderungen im Zuge der Entwicklung und des technischen Fortschritts ohne vorherige Ankündigung vorzunehmen.
- Die technischen Daten und der Akku können von Land zu Land unterschiedlich sein.
- Gewicht mit Akku nach EPTA-Verfahren 01/2003

ENE043-1

Vorgesehene Verwendung

Die Maschine ist für Schlagbohren und Bohren in Ziegel, Beton und Stein sowie für Meißelarbeiten vorgesehen. Sie eignet sich auch für normales Bohren in Holz, Metall, Keramik und Kunststoff.

GEA010-1

Allgemeine Sicherheitswarnungen für Elektrowerkzeuge

⚠ WARNUNG Lesen Sie alle Sicherheitswarnungen und Anweisungen durch. Eine Missachtung der unten aufgeführten Warnungen und Anweisungen kann zu einem elektrischen Schlag, Brand und/oder schweren Verletzungen führen.

Bewahren Sie alle Warnungen und Anweisungen für spätere Bezugnahme auf.

GEB046-2

AKKU-BOHRHAMMER-SICHERHEITSWARNUNG

1. **Tragen Sie Gehörschützer.** Lärmeinwirkung kann zu Hörverlust führen.
2. **Benutzen Sie (einen) Zusatzgriff(e), sofern er (sie) mit dem Werkzeug geliefert wurde(n).** Verlust der Kontrolle kann Verletzungen verursachen.
3. **Halten Sie Elektrowerkzeuge nur an den isolierten Griffflächen, wenn Sie Arbeiten ausführen, bei denen die Gefahr besteht, dass verborgene Kabel oder das eigene Kabel kontaktiert werden.** Bei Kontakt mit einem Strom führenden Kabel können die freiliegenden Metallteile des Elektrowerkzeugs ebenfalls Strom führend werden, so dass der Benutzer einen elektrischen Schlag erleiden kann.
4. **Tragen Sie Schutzhelm, Schutzbrille und/oder Gesichtsschutz. Eine gewöhnliche Brille oder Sonnenbrille ist KEIN Ersatz für eine Sicherheitsbrille. Das Tragen einer Staubmaske und dick gepolsterter Handschuhe ist ebenfalls zu empfehlen.**
5. **Vergewissern Sie sich vor der Arbeit, dass der Einsatz sicher montiert ist.**

6. Das Werkzeug ist so ausgelegt, dass es bei normalem Betrieb Vibrationen erzeugt. Durch Lockerung von Schrauben kann es zu einem Ausfall oder Unfall kommen. Überprüfen Sie sorgfältig die Festigkeit der Schrauben vor der Arbeit.
 7. Lassen Sie das Werkzeug bei niedrigen Temperaturen oder nach längerer Nichtbenutzung eine Zeit lang im Leerlauf warm laufen. Dadurch wird die Schmierung verbessert. Betrieb im kalten Zustand erschwert die Schlagbohrarbeit.
 8. Achten Sie stets auf sicheren Stand. Vergewissern Sie sich bei Einsatz des Werkzeugs an hochgelegenen Arbeitsplätzen, dass sich keine Personen darunter aufhalten.
 9. Halten Sie das Werkzeug mit beiden Händen fest.
 10. Halten Sie die Hände von beweglichen Teilen fern.
 11. Lassen Sie das Werkzeug nicht unbeaufsichtigt laufen. Benutzen Sie das Werkzeug nur mit Handhaltung.
 12. Richten Sie das Werkzeug während des Betriebs nicht auf umstehende Personen. Der Einsatz könnte herauschnellen und schwere Verletzungen verursachen.
 13. Vermeiden Sie eine Berührung des Bohrereinsatzes oder der umliegenden Teile unmittelbar nach der Bearbeitung, weil die Teile noch sehr heiß sind und Hautverbrennungen verursachen können.
 14. Manche Materialien können giftige Chemikalien enthalten. Treffen Sie Vorsichtsmaßnahmen, um das Einatmen von Arbeitsstaub und Hautkontakt zu verhüten. Befolgen Sie die Sicherheitsdaten des Materialherstellers.
4. Falls Elektrolyt in Ihre Augen gelangt, waschen Sie sie mit sauberem Wasser aus, und begeben Sie sich unverzüglich in ärztliche Behandlung. Anderenfalls können Sie Ihre Sehkraft verlieren.
 5. Der Akku darf nicht kurzgeschlossen werden:
 - (1) Die Kontakte dürfen nicht mit leitfähigem Material berührt werden.
 - (2) Lagern Sie den Akku nicht in einem Behälter zusammen mit anderen Metallgegenständen, wie z.B. Nägel, Münzen usw.
 - (3) Setzen Sie den Akku weder Wasser noch Regen aus.
Ein Kurzschluss des Akkus verursacht starken Stromfluss, der Überhitzung, Verbrennungen und einen Defekt zur Folge haben kann.
 6. Lagern Sie Maschine und Akku nicht an Orten, an denen die Temperatur 50°C erreichen oder überschreiten kann.
 7. Versuchen Sie niemals, den Akku zu verbrennen, selbst wenn er stark beschädigt oder vollkommen verbraucht ist. Der Akku kann im Feuer explodieren.
 8. Achten Sie darauf, dass der Akku nicht fallen gelassen oder Stößen ausgesetzt wird.
 9. Keinen beschädigten Akku benutzen.
 10. Befolgen Sie die örtlichen Bestimmungen bezüglich der Entsorgung von Akkus.

BEWAHREN SIE DIESE HINWEISE SORGFÄLTIG AUF.

Hinweise zur Aufrechterhaltung der maximalen Akku-Nutzungsdauer

1. Laden Sie den Akku, bevor er vollkommen erschöpft ist.
Schalten Sie die Maschine stets aus, und laden Sie den Akku, wenn Sie ein Nachlassen der Maschinenleistung feststellen.
2. Unterlassen Sie das erneute Laden eines voll aufgeladenen Akkus. Überladen führt zu einer Verkürzung der Nutzungsdauer des Akkus.
3. Laden Sie den Akku bei Raumtemperatur zwischen 10°C – 40°C. Lassen Sie einen heißen Akku abkühlen, bevor Sie ihn laden.
4. Laden Sie den Akku bei längerer Nichtbenutzung alle sechs Monate nach.

FUNKTIONSBESCHREIBUNG

⚠ VORSICHT:

- Vergewissern Sie sich vor der Durchführung von Einstellungen oder Funktionsprüfungen der Maschine stets, dass die Maschine ausgeschaltet und der Akku abgenommen ist.

Anbringen und Abnehmen des Akkus (Abb. 1)

⚠ VORSICHT:

- Schalten Sie stets die Maschine aus, bevor Sie den Akku anbringen oder abnehmen.
- Halten Sie Maschine und Akku beim Anbringen oder Abnehmen des Akkus sicher fest. Wenn Sie Maschine und Akku nicht sicher festhalten, können sie Ihnen aus der Hand rutschen, was zu einer Beschädigung der Maschine und des Akkus und zu Körperverletzungen führen kann.

BEWAHREN SIE DIESE HINWEISE SORGFÄLTIG AUF.

⚠ WARNUNG:

Lassen Sie sich NICHT durch Bequemlichkeit oder Vertrautheit mit dem Produkt (durch wiederholten Gebrauch erworben) von der strikten Einhaltung der Sicherheitsregeln für das vorliegende Produkt abhalten. MISSBRAUCH oder Missachtung der Sicherheitsvorschriften in dieser Betriebsanleitung können schwere Verletzungen verursachen.

ENC007-8

WICHTIGE SICHERHEITSVORSCHRIFTEN

FÜR AKKU

1. Lesen Sie vor der Benutzung des Akkus alle Anweisungen und Warnhinweise, die an (1) Ladegerät, (2) Akku und (3) Akkuwerkzeug angebracht sind.
2. Unterlassen Sie ein Zerlegen des Akkus.
3. Falls die Betriebszeit beträchtlich kürzer geworden ist, stellen Sie den Betrieb sofort ein. Anderenfalls besteht die Gefahr von Überhitzung, möglichen Verbrennungen und sogar einer Explosion.

Ziehen Sie den Akku zum Abnehmen von der Maschine ab, während Sie den Knopf an der Vorderseite des Akkus verschieben.

Richten Sie zum Anbringen des Akkus dessen Führungsfeder auf die Nut im Gehäuse aus, und schieben Sie den Akku hinein. Schieben Sie ihn vollständig ein, bis er mit einem hörbaren Klicken einrastet. Falls die rote Anzeige an der Oberseite des Knopfes sichtbar ist, ist der Akku-Adapter nicht vollständig verriegelt.

⚠ VORSICHT:

- Schieben Sie den Akku stets bis zum Anschlag ein, bis die rote Anzeige nicht mehr sichtbar ist. Anderenfalls kann er aus der Maschine herausfallen und Sie oder umstehende Personen verletzen.
- Unterlassen Sie Gewaltanwendung beim Anbringen des Akkus. Falls der Akku nicht reibungslos hineingleitet, ist er nicht richtig ausgerichtet.

HINWEIS:

- Das Werkzeug funktioniert nicht mit nur einem Akku.

Werkzeug/Akku-Schutzsystem

Das Werkzeug ist mit einem Werkzeug/Akku-Schutzsystem ausgestattet.

Dieses System schaltet die Stromversorgung des Motors automatisch ab, um die Lebensdauer von Werkzeug und Akku zu verlängern.

Das Werkzeug bleibt während des Betriebs automatisch stehen, wenn das Werkzeug oder der Akku einer der folgenden Bedingungen unterliegt. Bei manchen Bedingungen leuchten die Anzeigen auf.

Überlastschutz

Wird das Werkzeug auf eine Weise benutzt, die eine ungewöhnlich hohe Stromaufnahme bewirkt, bleibt es ohne jegliche Anzeige automatisch stehen. Schalten Sie in dieser Situation das Werkzeug aus, und brechen Sie die Arbeit ab, die eine Überlastung des Werkzeugs verursacht hat. Schalten Sie dann das Werkzeug wieder ein, um die Arbeit fortzusetzen.

Überhitzungsschutz für Akkus

Wenn die Akkus überhitzt sind, bleibt das Werkzeug ohne jegliche Anzeige automatisch stehen. Das Werkzeug kann selbst durch Betätigen des Elektronikschalters nicht gestartet werden. Lassen Sie die Akkus in dieser Situation abkühlen, bevor Sie das Werkzeug wieder einschalten.

HINWEIS:

- Der Akku-Überhitzungsschutz funktioniert nur mit Akkus, die mit einem Sternsymbol gekennzeichnet sind. (Abb. 2)

Überentladungsschutz (Abb. 3)

Wenn die Akku-Restkapazität niedrig wird, blinkt die Akkuanzeige auf der Seite des betreffenden Akkus. Bei weiterer Benutzung bleibt das Werkzeug stehen, und die Akkuanzeige leuchtet etwa 10 Sekunden lang auf. Laden Sie in dieser Situation den Akku auf.

Schalterfunktion (Abb. 4)

⚠ VORSICHT:

- Vergewissern Sie sich vor dem Einsetzen des Akkus in die Maschine stets, dass der Elektronikschalter ordnungsgemäß funktioniert und beim Loslassen in die Stellung "OFF" zurückkehrt.

Zum Einschalten der Maschine einfach den Elektronikschalter drücken. Die Drehzahl erhöht sich durch verstärkte Druckausübung auf den Elektronikschalter. Zum Ausschalten den Elektronikschalter loslassen.

Einschalten der Lampe (Abb. 5)

⚠ VORSICHT:

- Blicken Sie nicht direkt in die Lampe oder die Lichtquelle.

Betätigen Sie den Elektronikschalter, um die Lampe einzuschalten. Die Lampe bleibt erleuchtet, solange der Elektronikschalter gedrückt gehalten wird.

Die Lampe erlischt automatisch 10 – 15 Sekunden nach dem Loslassen des Elektronikschalters.

HINWEIS:

- Wischen Sie Schmutz auf der Lampenlinse mit einem trockenen Tuch ab. Achten Sie sorgfältig darauf, dass Sie die Lampenlinse nicht verkratzen, weil sich sonst die Lichtstärke verringert.
- Verwenden Sie keinen Verdünnern oder Benzin zum Reinigen der Lampe. Solche Lösungsmittel können die Lampe beschädigen.

Funktion des Drehrichtungsumschalters (Abb. 6)

Diese Maschine besitzt einen Drehrichtungsumschalter. Drücken Sie auf die Seite A des Drehrichtungsumschalters für Rechtsdrehung, und auf die Seite B für Linksdrehung.

In der Neutralstellung des Drehrichtungsumschalters ist der Elektronikschalter verriegelt.

⚠ VORSICHT:

- Prüfen Sie stets die Drehrichtung, bevor Sie mit der Arbeit beginnen.
- Betätigen Sie den Drehrichtungsumschalter erst, nachdem die Maschine völlig zum Stillstand gekommen ist. Durch Umschalten der Drehrichtung bei noch laufender Maschine kann die Maschine beschädigt werden.
- Stellen Sie den Drehrichtungsumschalter stets auf die Neutralstellung, wenn Sie die Maschine nicht benutzen.

Auswechseln des Schnellwechselfutters für SDS-Plus


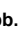
Für Modell DHR264

Das Schnellwechselfutter für SDS-Plus kann leicht gegen das Schnellwechsel-Bohrfutter ausgewechselt werden.

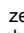
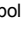
Entfernen des Schnellwechselfutters für SDS-Plus (Abb. 7)

⚠ VORSICHT:


- Nehmen Sie stets den Einsatz heraus, bevor Sie das Schnellwechselfutter für SDS-Plus entfernen.

Fassen Sie die Wechsellinse des Schnellwechselfutters für SDS-Plus, und drehen Sie sie in Pfeilrichtung, um die Wechsellinse vom Symbol  zum Symbol  zu verstellen. Ziehen Sie kräftig in Pfeilrichtung.

Anbringen des Schnellwechsel-Bohrfutters (Abb. 8)


Vergewissern Sie sich, dass die Linie des Schnellwechsel-Bohrfutters auf das Symbol  zeigt. Fassen Sie die Wechsellinse des Schnellwechsel-Bohrfutters, und richten Sie die Linie auf das Symbol  aus.

Setzen Sie das Schnellwechsel-Bohrfutter auf die Spindel der Maschine.

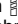
Fassen Sie die Wechselhülse des Schnellwechsel-Bohrfutters, und drehen Sie die Wechselhülsenlinie zum Symbol , bis ein deutliches Klicken zu hören ist.

Wahl der Betriebsart


Schlagbohren (Abb. 9)

Zum Bohren in Beton, Mauerwerk usw. den Arretierknopf hineindrücken und den Betriebsart-Umschaltknopf auf die Position  stellen. Verwenden Sie einen Bohrer mit Hartmetallschneide.

Bohren (Abb. 10)

Zum Bohren in Holz, Metall oder Kunststoff den Arretierknopf hineindrücken und den Betriebsart-Umschaltknopf auf die Position  stellen. Verwenden Sie einen Spiralbohrer oder Holzbohrer.

Schlagen (Abb. 11)

Zum Meißeln, Abklopfen oder Demolieren den Arretierknopf hineindrücken und den Betriebsart-Umschaltknopf auf die Position  stellen. Verwenden Sie einen Spitzmeißel, Flachmeißel, Putzmeißel usw.

VORSICHT:

- Betätigen Sie den Betriebsart-Umschaltknopf nicht, wenn die Maschine läuft. Die Maschine kann sonst beschädigt werden.
- Um schnellen Verschleiß des Betriebsart-Umschaltmechanismus zu vermeiden, achten Sie stets darauf, dass der Betriebsart-Umschaltknopf einwandfrei in einer der drei Betriebsartpositionen eingrastet ist.

Drehmomentbegrenzer

Der Drehmomentbegrenzer wird bei Erreichen eines bestimmten Drehmoments ausgelöst. Der Motor wird von der Ausgangswelle abgekuppelt. Wenn dies eintritt, bleibt der Bohrer stehen.

VORSICHT:

- Schalten Sie die Maschine bei Aktivierung des Drehmomentbegrenzers sofort aus. Dies verhindert vorzeitigen Verschleiß der Maschine.
- Lochsägen können mit dieser Maschine nicht verwendet werden. Sie neigen dazu, in der Bohrung zu klemmen oder hängen zu bleiben. Dadurch wird eine zu häufige Aktivierung des Drehmomentbegrenzers verursachen.

MONTAGE

VORSICHT:

- Vergewissern Sie sich vor der Ausführung von Arbeiten an der Maschine stets, dass die Maschine ausgeschaltet und der Akku abgenommen ist.

Seitengriff (Zusatzgriff) (Abb. 12)

VORSICHT:

- Verwenden Sie stets den Seitengriff, um Betriebssicherheit zu gewährleisten.

Montieren Sie den Seitengriff so, dass die Zähne des Griffs und die Vorsprünge am Werkzeuggehäuse ineinander eingreifen. Ziehen Sie dann den Griff fest, indem Sie ihn an der gewünschten Position im Uhrzeigersinn drehen. Der Griff kann um 360° geschwenkt und in jeder beliebigen Position gesichert werden.

Bohrer-/Meißelfett

Tragen Sie vor der Arbeit eine kleine Menge Bohrer-/Meißelfett (etwa 0,5 – 1 g) auf den Einsatzschaft auf. Diese Fetterschmierung gewährleistet reibungslosen Betrieb und längere Lebensdauer.

Montage und Demontage des Einsatzes

Den Einsatzschaft vor der Montage des Einsatzes reinigen und mit dem mitgelieferten Bohrer-/Meißelfett schmieren. (Abb. 13)


Den Einsatz in die Maschine einführen. Den Einsatz drehen und hineindrücken, bis er einrastet.

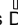
Falls sich der Einsatz nicht hineindrücken lässt, ist er wieder zu entfernen. Die Futterabdeckung mehrmals nach unten ziehen. Dann den Einsatz wieder einführen. Den Einsatz drehen und hineindrücken, bis er einrastet. (Abb. 14)

Prüfen Sie nach der Montage stets den sicheren Sitz des Einsatzes durch Zugversuch.

Zum Entfernen des Einsatzes die Futterabdeckung bis zum Anschlag nach unten ziehen und den Einsatz herausziehen. (Abb. 15)

Einsatzwinkel (beim Meißeln, Abklopfen oder Demolieren) (Abb. 16 u. 17)

Der Einsatz kann im gewünschten Winkel eingespannt werden. Um die Einsatzposition zu ändern, den Arretierknopf hineindrücken und den Betriebsart-Umschaltknopf auf das Symbol  drehen. Den Einsatz auf den gewünschten Winkel drehen.

Den Arretierknopf hineindrücken und den Betriebsart-Umschaltknopf auf die Position  drehen. Vergewissern Sie sich dann durch leichtes Drehen, dass der Einsatz einwandfrei gesichert ist.

Tiefenanschlag (Abb. 18)

Der Tiefenanschlag ist praktisch, um Löcher von gleicher Tiefe zu bohren. Lösen Sie den Seitengriff, und führen Sie den Tiefenanschlag in das Loch im Seitengriff ein. Stellen Sie den Tiefenanschlag auf die gewünschte Bohrtiefe ein, und ziehen Sie den Seitengriff an.

HINWEIS:

- Der Tiefenanschlag kann nicht in einer Position verwendet werden, in der er gegen das Getriebegehäuse stößt.

Staubschutzkappe (Abb. 19)


Verwenden Sie bei Überkopf-Bohrarbeiten die Staubschutzkappe, um zu verhindern, dass Staub auf Sie und die Maschine fällt. Bringen Sie die Staubschutzkappe so am Einsatz an, wie in der Abbildung gezeigt. Die Staubschutzkappe kann an Einsätzen der folgenden Größen angebracht werden.

	Einsatzdurchmesser
Staubschutzkappe 5	6 mm – 14,5 mm
Staubschutzkappe 9	12 mm – 16 mm

006382

BETRIEB

Schlagbohrbetrieb (Abb. 20)

Stellen Sie den Betriebsart-Umschaltknopf auf die Position .

Setzen Sie den Bohrer auf die gewünschte Bohrstelle, und drücken Sie dann den Elektronikschalter.

Üben Sie keinen übermäßigen Druck auf die Maschine aus. Leichter Druck liefert die besten Ergebnisse.

Halten Sie die Maschine in Position, und vermeiden Sie Abrutschen vom Loch.

Üben Sie keinen stärkeren Druck aus, wenn das Bohrloch mit Spänen oder Bohrmehl zugesetzt wird. Lassen Sie statt dessen die Maschine leer laufen, und ziehen Sie dann den Bohrer teilweise aus dem Bohrloch heraus. Durch mehrmaliges Wiederholen dieses Vorgangs wird das Bohrloch ausgeräumt, so dass der normale Bohrbetrieb fortgesetzt werden kann.

⚠ VORSICHT:

- Beim Durchbruch der Bohrung, bei Verstopfung der Bohrung mit Spänen und Partikeln, oder beim Auftreffen auf Betonstahl wirkt eine starke, plötzliche Drehkraft auf Maschine und Bohrer. Montieren Sie stets den Seitengriff (Zusatzeingriff), und halten Sie die Maschine während der Arbeit mit beiden Händen an Seitengriff und Schaltergriff fest. Eine Missachtung dieser Vorsichtsmaßnahme kann den Verlust der Kontrolle über die Maschine und mögliche schwere Verletzungen zur Folge haben.


HINWEIS:

- Es kann zu einer Rundlaufabweichung in der Bohrerrotation kommen, wenn die Maschine mit Nulllast betrieben wird. Während des Betriebs zentriert sich die Maschine automatisch. Dies hat keinen Einfluss auf die Bohrergenauigkeit.

Ausblaspipette (Sonderzubehör) (Abb. 21)

Blasen Sie den Staub nach dem Bohren des Lochs mit einer Ausblaspipette aus dem Loch.

Meißeln/Abklopfen/Demolieren (Abb. 22)

Stellen Sie den Betriebsart-Umschaltknopf auf die Position .

Halten Sie die Maschine mit beiden Händen fest. Die Maschine einschalten und mit leichtem Druck führen, damit sie nicht unkontrolliert springt. Übermäßige Druckausübung auf die Maschine bewirkt keine Erhöhung der Arbeitsleistung.

Bohren in Holz oder Metall

Für Modell DHR263 (Abb. 23 u. 24)

Verwenden Sie die optionale Bohrfutter-Einheit. Nehmen Sie zur Montage auf den Abschnitt "Montage und Demontage des Einsatzes" auf der vorhergehenden Seite Bezug.


Stellen Sie den Betriebsart-Umschaltknopf so ein, dass der Zeiger auf das Symbol  zeigt.

Für Modell DHR264 (Abb. 25)

Verwenden Sie das Schnellwechsel-Bohrfutter als Standardausstattung.

Nehmen Sie zur Montage auf den Abschnitt "Auswechseln des Schnellwechselfutters für SDS-Plus" auf der vorhergehenden Seite Bezug.

Halten Sie den Ring fest, und drehen Sie die Werkzeugaufnahme entgegen dem Uhrzeigersinn, um die Bohrfutterbacken zu öffnen. Führen Sie den Einsatz bis zum Anschlag in das Bohrfutter ein. Halten Sie den Ring fest, und drehen Sie die Werkzeugaufnahme im Uhrzeigersinn, um das Bohrfutter festzuziehen. Zum Entfernen des Einsatzes halten Sie den Ring und drehen die Werkzeugaufnahme entgegen dem Uhrzeigersinn.

Stellen Sie den Betriebsart-Umschaltknopf auf die Position des Symbols .

Der Bohrdurchmesser kann bis zu 13 mm in Metall und bis zu 32 mm in Holz betragen.

⚠ VORSICHT:

- Verwenden Sie keinesfalls die Betriebsart "Schlagbohren", wenn die Bohrfutter-Einheit an der Maschine angebracht ist. Die Bohrfutter-Einheit kann sonst beschädigt werden. Außerdem löst sich das Bohrfutter beim Umschalten der Drehrichtung.
- Übermäßige Druckausübung auf die Maschine bewirkt keine Beschleunigung der Bohrleistung. Im Gegenteil; übermäßiger Druck führt zu einer Beschädigung der Bohrspitze und damit zu einer Verringerung der Bohrerstandzeit sowie zu einer Verkürzung der Lebensdauer der Maschine.
- Beim Bohrungsdurchbruch wirkt ein hohes Rückdrehmoment auf Maschine und Bohrer. Halten Sie daher die Maschine mit festem Griff und lassen Sie Vorsicht walten, wenn der Bohrer im Begriff ist, aus dem Werkstück auszutreten.
- Ein feststehender Bohrer lässt sich durch einfaches Umschalten der Drehrichtung wieder herausdrehen. Dabei sollten Sie aber die Maschine gut festhalten, damit sie nicht ruckartig herausgestoßen wird.
- Spannen Sie kleine Werkstücke stets in einen Schraubstock oder eine ähnliche Aufspannvorrichtung ein.

WARTUNG

⚠ VORSICHT:

- Vergewissern Sie sich vor der Durchführung von Inspektions- oder Wartungsarbeiten stets, dass die Maschine ausgeschaltet und der Akku abgenommen ist.
- Verwenden Sie auf keinen Fall Benzin, Benzol, Verdüner, Alkohol oder dergleichen. Solche Mittel können Verfärbung, Verformung oder Rissbildung verursachen.

Auswechseln der Kohlebürsten (Abb. 26 und 27)

Die Kohlebürsten müssen regelmäßig entfernt und überprüft werden. Wenn sie bis zur Verschleißgrenze abgenutzt sind, müssen sie erneuert werden. Halten Sie die Kohlebürsten stets sauber, damit sie ungehindert in den Haltern gleiten können. Beide Kohlebürsten sollten gleichzeitig erneuert werden. Verwenden Sie nur identische Kohlebürsten.

Die Bürstenhalterkappen mit einem Schraubendreher herausdrehen. Die abgenutzten Kohlebürsten herausnehmen, die neuen einsetzen, und dann die Bürstenhalterkappen wieder eindrehen.

Bringen Sie die Halterkappenabdeckungen wieder am Werkzeug an.

Um die SICHERHEIT und ZUVERLÄSSIGKEIT dieses Produkts zu gewährleisten, sollten Reparaturen und andere Wartungs- oder Einstellarbeiten nur von autorisierten Makita-Kundendienstzentren unter ausschließlicher Verwendung von Makita-Originalersatzteilen ausgeführt werden.

SONDERZUBEHÖR



VORSICHT:

Die folgenden Zubehörteile oder Vorrichtungen werden für den Einsatz mit dem in dieser Anleitung beschriebenen Makita-Gerät empfohlen. Die Verwendung anderer Zubehörteile oder Vorrichtungen kann eine Verletzungsgefahr darstellen. Verwenden Sie Zubehörteile oder Vorrichtungen nur für ihren vorgesehenen Zweck.

Wenn Sie weitere Einzelheiten bezüglich dieser Zubehörteile benötigen, wenden Sie sich bitte an Ihre Makita-Kundendienststelle.

- SDS-Plus-Bohrer mit Hartmetallschneide
- Spitzmeißel
- Flachmeißel
- Putzmeißel
- Nutenmeißel
- Bohrfutter-Einheit
- Bohrfutter S13
- Futteradapter
- Futterschlüssel S13
- Bohrer-/Meißelfett
- Seitengriff
- Tiefenanschlag
- Ausblaspipette
- Staubschutzkappe
- Staubabsaugvorrichtung
- Schutzbrille
- Plastikkoffer
- Schlüsselloses Bohrfutter
- Original-Makita-Akku und -Ladegerät

HINWEIS:

Manche Teile in der Liste können als Standardzubehör im Werkzeugsatz enthalten sein. Sie können von Land zu Land unterschiedlich sein.

ENG905-1

Geräusch

Typischer A-bewerteter Geräuschpegel ermittelt gemäß EN60745:

Schalldruckpegel (L_{pA}): 94 dB (A)
Schalleistungspegel (L_{WA}): 105 dB (A)
Ungewissheit (K): 3 dB (A)

Gehörschutz tragen

ENG900-1

Vibration

Vibrationsgesamtwert (Drei-Achsen-Vektorsumme) ermittelt gemäß EN60745:

Modell DHR263

Arbeitsmodus: Schlagbohren in Beton
Vibrationsemission ($a_{h, HD}$): 14,5 m/s²
Ungewissheit (K): 1,5 m/s²

Arbeitsmodus: Meißel

Vibrationsemission ($a_{h, Cheq}$): 14,0 m/s²
Ungewissheit (K): 1,5 m/s²

Arbeitsmodus: Bohren in Metall

Vibrationsemission ($a_{h, D}$): 3,0 m/s²
Ungewissheit (K): 1,5 m/s²

Modell DHR264

Arbeitsmodus: Schlagbohren in Beton
Vibrationsemission ($a_{h, HD}$): 15,5 m/s²
Ungewissheit (K): 1,5 m/s²

Arbeitsmodus: Meißel

Vibrationsemission ($a_{h, Cheq}$): 14,0 m/s²
Ungewissheit (K): 1,5 m/s²

Arbeitsmodus: Bohren in Metall

Vibrationsemission ($a_{h, D}$): 5,0 m/s²
Ungewissheit (K): 1,5 m/s²

ENG901-1

- Der angegebene Vibrationsemissionswert wurde im Einklang mit der Standardprüfmethode gemessen und kann für den Vergleich zwischen Maschinen herangezogen werden.
- Der angegebene Vibrationsemissionswert kann auch für eine Vorbewertung des Gefährdungsgrads verwendet werden.

⚠️ WARNUNG:

- Die Vibrationsemission während der tatsächlichen Benutzung des Elektrowerkzeugs kann je nach der Benutzungsweise der Maschine vom angegebenen Emissionswert abweichen.
- Identifizieren Sie Sicherheitsmaßnahmen zum Schutz des Benutzers anhand einer Schätzung des Gefährdungsgrads unter den tatsächlichen Benutzungsbedingungen (unter Berücksichtigung aller Phasen des Arbeitszyklus, wie z. B. Ausschalt- und Leerlaufzeiten der Maschine zusätzlich zur Betriebszeit).

ENH101-16

Nur für europäische Länder

EG-Übereinstimmungserklärung

Wir, Makita Corporation als verantwortlicher Hersteller, erklären, dass die folgende(n) Makita-Maschine(n):

Bezeichnung der Maschine:

Akku-Kombi-Bohrhammer

Modell-Nr./Typ: DHR263, DHR264

der Serienproduktion entstammen und

den folgenden europäischen Richtlinien entsprechen:
2006/42/EG

und gemäß den folgenden Standards oder standardisierten Dokumenten hergestellt werden:

EN60745

Die technische Dokumentation befindet sich im Bestand von:

Makita International Europe Ltd.

Technische Abteilung,

Michigan Drive, Tongwell,

Milton Keynes, Bucks MK15 8JD, England

18.6.2013

Tomoyasu Kato

Direktor

Makita Corporation

3-11-8, Sumiyoshi-cho,

Aino, Aichi, 446-8502, JAPAN

Visione generale

1 Indicatore rosso	14 Rotazione con martellamento	28 Manopola di cambio modalità di azione
2 Bottone	15 Rotazione soltanto	29 Calibro di profondità
3 Batteria	16 Martellamento soltanto	30 Coppa polvere
4 Marchio di stella	17 Base impugnatura	31 Pompetta soffiatrice
5 Indicatore della batteria	18 Denti	32 Adattatore portapunta
6 Grilletto interruttore	19 Per allentare	33 Portapunta trapano
7 Lampadina	20 Per stringere	34 Manicotto
8 Leva interruttore di inversione	21 Impugnatura laterale	35 Anello
9 Portapunta di cambio rapido per SDS-plus	22 Sporgenza	36 Segno limite
10 Linea coperchio di cambio	23 Codolo punta	37 Tappo portaspazzole
11 Coperchio di cambio	24 Grasso punta	38 Cacciavite
12 Mandrino	25 Punta	
13 Portapunta trapano di cambio rapido	26 Coperchio portapunta	
	27 Simbolo ○	

DATI TECNICI

Modello		DHR263	DHR264
Capacità	Cemento	26 mm	
	Legno	13 mm	
	Acciaio	32 mm	
Velocità a vuoto (min ⁻¹)		0 – 1.250	
Colpi al minuto		0 – 5.000	
Lunghezza totale		350 mm	374 mm
Peso netto		4,6 kg	4,7 kg
Tensione nominale		C.c. 36 V	

- Per il nostro programma di ricerca e sviluppo continui, i dati tecnici sono soggetti a modifiche senza preavviso.
- I dati tecnici e la cartuccia batteria potrebbero differire da paese a paese.
- Peso, con batteria, secondo la Procedura EPTA 01/2003

GEB046-2

ENE043-1

Utilizzo previsto

L'utensile va usato per la foratura e la foratura con martellamento di mattoni, cemento e pietra, nonché per la scalpellatura.

È anche adatto per la foratura senza percussione di legno, metallo, ceramica e plastica.

GEA010-1

Avvertimenti generali per la sicurezza dell'utensile elettrico

⚠ AVVERTIMENTO Leggere tutti gli avvertimenti per la sicurezza e le istruzioni. La mancata osservanza degli avvertimenti e delle istruzioni può causare scosse elettriche, incendio e/o gravi incidenti.

Conservare tutti gli avvertimenti e le istruzioni per riferimenti futuri.

AVVERTIMENTO PER LA SICUREZZA MARTELLLO ROTATIVO A BATTERIA

1. **Indossare le protezioni delle orecchie.** Il rumore può causare la perdita dell'udito.
2. **Usare i manici ausiliari, se sono in dotazione all'utensile.** La perdita di controllo può causare lesioni personali.
3. **Tenere gli utensili elettrici per le superfici di presa isolate quando si eseguono operazioni in cui l'utensile da taglio potrebbe fare contatto con fili elettrici nascosti o con il suo stesso cavo di alimentazione.** Se l'utensile da taglio entra in contatto con un filo elettrico "sotto tensione" mette "sotto tensione" le parti metalliche esposte dell'utensile, dando una scossa all'operatore.
4. **Indossare un cappello duro (casco di sicurezza), occhiali di protezione e/o una visiera.** I comuni occhiali e gli occhiali da sole NON sono occhiali di protezione. Si raccomanda anche in modo particolare di indossare una mascherina antipolvere e guanti imbottiti.
5. **Controllare che la punta sia fissata saldamente prima di cominciare il lavoro.**

6. L'utensile produce normalmente delle vibrazioni durante il lavoro. Le viti potrebbero facilmente allentarsi, causando un guasto o un incidente. Controllare con cura che le viti siano strette saldamente prima di cominciare il lavoro.
7. Se fa freddo, oppure se non è stato usato per un lungo periodo di tempo, far scaldare l'utensile facendolo funzionare per qualche tempo a vuoto. Ciò scioglie il lubrificante. L'operazione di martellamento diventa difficile se l'utensile non è riscaldato sufficientemente.
8. I piedi devono sempre essere appoggiati saldamente. Accertarsi che non ci sia nessuno sotto quando si usa l'utensile in un posto alto.
9. Tenere saldamente l'utensile con entrambe le mani.
10. Tenere le mani lontano da parti in movimento.
11. Non posare l'utensile lasciandolo funzionare. Far funzionare l'utensile soltanto tenendolo in mano.
12. Non puntare l'utensile sulle persone nell'area in cui viene usato. La punta potrebbe essere espulsa causando lesioni serie.
13. Non toccare la punta o le parti vicine alla punta immediatamente dopo l'utilizzo dell'utensile. Esse potrebbero essere estremamente calde e causare bruciature.
14. Alcuni materiali contengono sostanze chimiche che potrebbero essere tossiche. Fare attenzione per evitarne l'inalazione o il contatto con la pelle. Osservare i dati per la sicurezza forniti dal produttore del materiale.

CONSERVARE QUESTE ISTRUZIONI.

AVVERTIMENTO:

NON lasciare che comodità o la familiarità d'utilizzo con il prodotto (acquisita con l'uso ripetuto) sostituisca la stretta osservanza delle norme di sicurezza. L'UTILIZZO SBAGLIATO o la mancata osservanza delle norme di sicurezza di queste istruzioni per l'uso potrebbero causare lesioni serie.

ENC007-8

ISTRUZIONI IMPORTANTI DI SICUREZZA

PER LA CARTUCCIA DELLA BATTERIA

1. Prima di usare la cartuccia della batteria, leggere tutte le istruzioni e le avvertenze sul (1) caricabatteria, sulla (2) batteria e sul (3) prodotto che utilizza la batteria.
2. Non smontare la cartuccia della batteria.
3. Se il tempo di utilizzo è diventato molto corto, smettere immediatamente di usare l'utensile. Può risultare un rischio di surriscaldamento, possibili ustioni e addirittura un'esplosione.
4. Se l'elettrolita va negli occhi, risciacquarli con acqua pulita e rivolgersi immediatamente ad un medico. Può risultare la perdita della vista.
5. Non cortocircuitare la cartuccia della batteria:
 - (1) Non toccare i terminali con qualche metallo conduttivo.

(2) Evitare di conservare la cartuccia della batteria in un contenitore con altri oggetti metallici come i chiodi, le monete, ecc.

(3) Non esporre la cartuccia della batteria all'acqua o alla pioggia.

Un cortocircuito della batteria può causare un grande flusso di corrente, il surriscaldamento, possibili ustioni e addirittura un guasto.

6. Non conservare l'utensile e la cartuccia della batteria in luoghi in cui la temperatura può raggiungere o superare i 50°C.
7. Non incenerire la cartuccia della batteria anche se è gravemente danneggiata o è completamente esaurita. La cartuccia della batteria può esplodere e provocare un incendio.
8. Fare attenzione a non lasciar cadere o a colpire la batteria.
9. Non usare una batteria danneggiata.
10. Seguire le norme locali relative al modo di disfarsi della batteria.

CONSERVARE QUESTE ISTRUZIONI.

Suggerimenti per mantenere la durata massima della batteria

1. Caricare la cartuccia della batteria prima che si scarichi completamente. Smettere sempre di usare l'utensile e caricare la cartuccia della batteria quando si nota che la potenza dell'utensile è diminuita.
2. Non ricaricare mai una cartuccia della batteria completamente carica. La sovraccarica riduce la durata della batteria.
3. Caricare la batteria con la temperatura ambiente da 10°C a 40°C. Lasciar raffreddare una cartuccia della batteria calda prima di caricarla.
4. Caricare la batteria una volta ogni sei mesi se non si intende usarla per un lungo periodo di tempo.

DESCRIZIONE DEL FUNZIONAMENTO

ATTENZIONE:

- Accertarsi sempre che l'utensile sia spento e di aver rimosso la batteria prima di regolarlo o di controllarne il funzionamento.

Installazione o rimozione della batteria (Fig. 1)

ATTENZIONE:

- Spegnerne sempre l'utensile prima di installare o di rimuovere la batteria.
- **Tenere saldamente l'utensile e la batteria quando si installa o si rimuove la batteria.** Se non si tengono saldamente l'utensile e la batteria, essi potrebbero scivolare dalle mani con un conseguente danno all'utensile e alla batteria stessi e pericolo di un incidente.

Per rimuovere la batteria, toglierla dall'utensile spingendo allo stesso tempo il bottone sulla parte anteriore della batteria.

Per installare la batteria, allineare l'appendice della batteria sulla scanalatura dell'alloggiamento e spingerla in posizione. Inserirli completamente finché si blocca in posizione con un piccolo scatto. Se si vede l'indicatore rosso sul lato superiore del bottone, vuol dire che la batteria non è bloccata completamente.

ATTENZIONE:

- Installare sempre completamente la batteria finché l'indicatore rosso non è più visibile. In caso contrario, potrebbe cadere accidentalmente fuori dall'utensile causando un incidente all'operatore o a chi gli è vicino.
- Non installare forzatamente la batteria. Se la batteria non scivola facilmente, vuol dire che non viene inserita correttamente.

NOTA:

- L'utensile non può funzionare con una sola batteria.

Sistema di protezione utensile/batteria

L'utensile è dotato di un sistema di protezione utensile/batteria.

Questo sistema interrompe automaticamente la corrente al motore per estendere la vita di servizio dell'utensile e della batteria.

L'utensile si arresta automaticamente mentre funziona se esso o la batteria vengono a trovarsi in una delle condizioni seguenti. In alcune condizioni, gli indicatori si accendono.

Protezione dal sovraccarico

Se l'utensile viene usato in un modo che causa un suo assorbimento di corrente anormalmente alto, esso si arresta automaticamente senza alcuna indicazione. In tal caso, spegnere l'utensile e smettere di usare l'applicazione che ha causato il suo sovraccarico. Riaccendere poi l'utensile per riavviarlo.

Protezione dal surriscaldamento della batteria

Se la batteria si surriscalda, l'utensile si arresta automaticamente senza alcuna indicazione. Anche se si schiaccia il grilletto interruttore, l'utensile non si avvia. In tal caso, lasciare che la batteria si raffreddi prima di riaccendere l'utensile.

NOTA:

- La protezione dal surriscaldamento della batteria funziona soltanto con una batteria con il marchio di stella. (Fig. 2)

Protezione da scarica eccessiva (Fig. 3)

Quando la capacità restante della batteria diventa bassa, l'indicatore della batteria lampeggia sul lato appropriato della batteria. Se si continua a usarlo, l'utensile si arresta e l'indicatore della batteria rimane acceso per circa 10 secondi. In tal caso, caricare la batteria.

Funzionamento dell'interruttore (Fig. 4)

ATTENZIONE:

- Prima di inserire la batteria nell'utensile, controllare sempre che il grilletto interruttore funzioni correttamente e che torni sulla posizione "OFF" quando viene rilasciato.

Per avviare l'utensile, schiacciare semplicemente il grilletto interruttore. La velocità dell'utensile si aumenta aumentando la pressione sul grilletto interruttore. Rilasciare il grilletto interruttore per fermarlo.

Accensione della lampadina (Fig. 5)

ATTENZIONE:

- Non guardare direttamente la luce o la sorgente della luce.

Schiacciare il grilletto interruttore per accendere la lampadina. La lampadina rimane accesa mentre il grilletto interruttore è schiacciato.

L'indicatore si spegne automaticamente 10 – 15 secondi dopo che si rilascia il grilletto interruttore.

NOTA:

- Usare un panno asciutto per togliere lo sporco dalla lente della lampadina. Fare attenzione a non graffiare la lente della lampadina, perché ciò potrebbe abbassare l'illuminazione.
- Per pulire la lampadina non si devono usare solventi o benzina. Tali sostanze potrebbero danneggiarla.

Funzionamento dell'interruttore di inversione (Fig. 6)

Questo utensile è dotato di un interruttore di inversione, per il cambiamento della direzione di rotazione. Schiacciare la leva interruttore di inversione dal lato A per la rotazione in senso orario, oppure dal lato B per la rotazione in senso antiorario.

Quando la leva interruttore di inversione è sulla posizione neutra, il grilletto interruttore non può essere schiacciato.

ATTENZIONE:

- Controllare sempre la direzione di rotazione prima di far funzionare l'utensile.
- Usare l'interruttore di inversione soltanto dopo che l'utensile si è arrestato completamente. Cambiando la direzione di rotazione prima dell'arresto dell'utensile lo si potrebbe danneggiare.
- Quando non si usa l'utensile, regolare sempre la leva interruttore di inversione sulla posizione neutra.

Cambiamento del portapunta di cambio rapido per SDS-plus



Modello DHR264

Il portapunta di cambio rapido per SDS-plus può essere facilmente cambiato con il portapunta trapano di cambio rapido.



Rimozione del portapunta di cambio rapido per SDS-plus (Fig. 7)

ATTENZIONE:


- Rimuovere sempre la punta prima di rimuovere il portapunta di cambio rapido per SDS-plus.

Afferrare il coperchio di cambio del portapunta di cambio rapido per SDS-plus e girarlo nella direzione della freccia finché la linea coperchio di cambio si sposta dal simbolo  al simbolo . Tirare con forza nella direzione della freccia.

Modo di attaccare il portapunta trapano di cambio rapido (Fig. 8)


Accertarsi che la linea del portapunta trapano di cambio rapido mostri il simbolo . Afferrare il coperchio di cambio del portapunta trapano di cambio rapido e regolare la linea sul simbolo .

Mettere il portapunta trapano di cambio rapido sul mandrino dell'utensile.


Afferrare il coperchio di cambio del portapunta trapano di cambio rapido e girare la linea coperchio di cambio sul simbolo  finché si sente chiaramente uno scatto.

Selezione delle modalità di azione


Rotazione con martellamento (Fig. 9)

Per forare il cemento, murature, ecc., schiacciare il bottone di blocco e ruotare la manopola di cambio modalità di azione sul simbolo . Usare una punta al carburo di tungsteno.

Rotazione soltanto (Fig. 10)

Per forare il legno, metallo o materiali di plastica, schiacciare il bottone di blocco e ruotare la manopola di cambio modalità di azione sul simbolo . Usare una punta trapano elicoidale o una punta per legno.

Martellamento soltanto (Fig. 11)

Per le operazioni di scappellatura, disincrostazione o demolizione, schiacciare il bottone di blocco e ruotare la manopola di cambio modalità di azione sul simbolo . Usare uno scalpello a punta, scalpello a freddo, scalpello di disincrostazione, ecc.

ATTENZIONE:

- La manopola di cambio modalità di azione non deve essere ruotata mentre l'utensile sta funzionando. Si potrebbe danneggiare l'utensile.
- Per evitare la rapida usura del meccanismo di cambio modalità, accertarsi che la manopola di cambio modalità di azione sia sempre regolata esattamente su una delle tre posizioni delle modalità di azione.

Limitatore di coppia

Il limitatore di coppia interviene quando viene raggiunto un certo livello di coppia. Il motore si disinnesta allora dall'albero lento. In questo caso, la punta smette di girare.

ATTENZIONE:

- Spegnerne immediatamente l'utensile non appena interviene il limitatore di coppia. Ciò aiuta a prevenire l'usura prematura dell'utensile.
- Con questo utensile non si possono usare le seghe frontali a corona. Esse hanno la tendenza a rimanere facilmente strette o incastrate nel foro. Ciò causa l'intervento troppo frequente del limitatore di coppia.

MONTAGGIO

ATTENZIONE:

- Accertarsi sempre che l'utensile sia spento e di aver rimosso la batteria prima di eseguire un qualsiasi intervento su di esso.

Impugnatura laterale (manico ausiliario) (Fig. 12)

ATTENZIONE:

- Usare sempre l'impugnatura laterale per una sicurezza maggiore durante il lavoro.

Installare l'impugnatura laterale in modo che i denti dell'impugnatura entrino nelle sporgenze del cilindro dell'utensile. Stringere poi l'impugnatura girandola in senso orario sulla posizione desiderata. Essa può essere girata di 360°, in modo da poter essere fissata su qualsiasi posizione.

Grasso punta

Ricoprire in precedenza la testa del codolo della punta con una piccola quantità di grasso per punte (0,5 – 1 g circa). Questa lubrificazione del portapunta assicura un funzionamento senza problemi e una vita di servizio più lunga.

Installazione o rimozione della punta

Pulire il codolo punta e spalmarlo di grasso per punte prima di installare la punta. (Fig. 13)

Inserire la punta nell'utensile. Girare la punta e spingerla dentro finché rimane agganciata.


Rimuovere la punta se non può essere spinta dentro. Tirare giù per un paio di volte il coperchio portapunta.


Inserire poi di nuovo la punta. Girare la punta e spingerla dentro finché rimane agganciata. (Fig. 14)

Dopo l'installazione, accertarsi sempre che la punta sia fissata saldamente in posizione provando a tirarla fuori.

Per rimuovere la punta, tirare giù completamente il coperchio portapunta e tirare fuori la punta. (Fig. 15)

Angolo punta (per la scappellatura, disincrostazione o demolizione) (Fig. 16 e 17)

La punta può essere fissata all'angolo desiderato. Per cambiare l'angolo della punta, schiacciare il bottone di blocco e ruotare la manopola di cambio modalità di azione sul simbolo . Girare la punta sull'angolo desiderato.

Schiacciare il bottone di blocco e ruotare la manopola di cambio modalità di azione sul simbolo . Accertarsi poi che la punta sia mantenuta saldamente in posizione girandola leggermente.

Calibro di profondità (Fig. 18)

Il calibro di profondità è comodo per eseguire dei fori di profondità uniforme. Allentare l'impugnatura laterale e inserire il calibro di profondità nel foro dell'impugnatura laterale. Regolare il calibro di profondità alla profondità desiderata, e stringere l'impugnatura laterale.

NOTA:

- Il calibro di profondità non può essere usato sulla posizione dove urta contro l'alloggiamento dell'ingranaggio.

Coppa polvere (Fig. 19)


Usare la coppa polvere per evitare di impolverare l'utensile e sé stessi quando si eseguono operazioni di foratura in alto. Attaccare la coppa polvere alla punta come mostrato nella illustrazione. Le dimensioni delle punte alle quali si può attaccare la coppa polvere sono come segue.

	Diametro punta
Coppa polvere 5	6 mm – 14,5 mm
Coppa polvere 9	12 mm – 16 mm

006382

FUNZIONAMENTO

Operazione di foratura con martellamento (Fig. 20)

Regolare la manopola di cambio modalità di azione sul simbolo .

Posizionare la punta sul punto desiderato del foro, e schiacciare poi il grilletto interruttore.

Non forzare l'utensile. Una leggera pressione produce i risultati migliori.

Mantenere l'utensile in posizione ed evitare che scivoli via dal foro.

Non esercitare ulteriori pressioni se il foro diventa intasato di trucioli o particelle. Far girare invece l'utensile a vuoto e rimuovere poi parzialmente la punta dal foro. Ripetendo questa operazione diverse volte è possibile pulire il foro e continuare normalmente la foratura.

ATTENZIONE:

- Sull'utensile/punta viene esercitata una grandissima e improvvisa forza torcente quando la punta fuoriesce dal foro, quando il foro diventa intasato di trucioli e particelle, oppure se la punta urta contro le barre di rinforzo incorporate nel cemento. Usare sempre l'impugnatura laterale (manico ausiliario), e tenere saldamente l'utensile per entrambi l'impugnatura laterale e il manico interruttore durante le operazioni. In caso contrario, si potrebbe perdere il controllo dell'utensile con pericolo di un grave incidente.

NOTA:

- Durante il funzionamento dell'utensile senza carico, si potrebbe verificare l'eccentricità di rotazione della punta. L'utensile si centra automaticamente da solo durante il funzionamento. Ciò non ha alcun effetto sulla precisione della foratura.

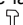
Pompetta soffiatrice (accessorio opzionale)

(Fig. 21)

Dopo la foratura, usare la pompetta soffiatrice per togliere la polvere dal foro.

Scalpellatura/disincrostazione/demolizione

(Fig. 22)

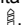
Regolare la manopola di cambio modalità di azione sul simbolo .

Tenere saldamente l'utensile con entrambe le mani. Accendere l'utensile ed esercitare una leggera pressione su di esso in modo che non rimbalzi intorno fuori controllo. Una forte pressione sull'utensile non ne aumenta l'efficienza.

Foratura del legno o metallo

Modello DHR263 (Fig. 23 e 24)

Usare il gruppo portapunta trapano opzionale. Per installarlo, riferirsi a "Installazione o rimozione della punta" alla pagina precedente.


Regolare la manopola di cambio modalità di azione in modo che l'indice sia puntato sul simbolo .

Modello DHR264 (Fig. 25)

Usare il portapunta trapano di cambio rapido come attrezzatura standard.

Per installarlo, riferirsi a "Cambiamento del portapunta di cambio rapido per SDS-plus" alla pagina precedente.

Tenere fermo l'anello e girare il manicotto in senso antiorario per aprire le ganasce del portapunta. Inserire la punta nel portapunta finché non può andare più oltre. Tenere saldamente l'anello e girare il manicotto in senso orario per stringere il portapunta. Per rimuovere la punta, tenere fermo l'anello e girare il manicotto in senso antiorario.

Regolare la manopola di cambio modalità di azione sul simbolo .

Nel metallo si possono praticare fori con un diametro massimo di 13 mm, e nel legno con un diametro massimo di 32 mm.

ATTENZIONE:

- La modalità di "Rotazione con martellamento" non deve mai essere usata con il gruppo portapunta trapano installato sull'utensile. Si potrebbe danneggiare il gruppo portapunta trapano. Inoltre, il portapunta trapano si stacca quando si inverte la rotazione dell'utensile.

- Una pressione eccessiva sull'utensile non ne aumenta la velocità di foratura. Al contrario, la pressione eccessiva serve soltanto a danneggiare la punta, a ridurre le prestazioni dell'utensile e a ridurne la vita di servizio.
- Sull'utensile/punta viene esercitata una grandissima forza torcente al momento della fuoriuscita della punta dal foro. Tenere saldamente l'utensile e fare attenzione quando la punta comincia a fuoriuscire dal foro.
- La punta incastrata può essere rimossa regolando semplicemente l'interruttore di inversione nella modalità di rotazione inversa per farla retrocedere. L'utensile potrebbe però rimbalzare fuori improvvisamente se non viene tenuto saldamente.
- Fissare sempre i piccoli pezzi con una morsa o altro dispositivo di bloccaggio simile.

MANUTENZIONE

ATTENZIONE:

- Accertarsi sempre che l'utensile sia spento e di aver rimosso la batteria prima di cercare di eseguire l'ispezione o la manutenzione.
- Mai usare benzina, benzene, solventi, alcol e altre sostanze simili. Potrebbero causare scolorimenti, deformazioni o crepe.

Sostituzione delle spazzole di carbone

(Fig. 26 e 27)

Rimuovere e controllare regolarmente le spazzole di carbone. Sostituirle quando sono usurate fino al segno limite. Mantenere le spazzole di carbone pulite e libere di scorrere nei portaspazzole. Le spazzole di carbone devono essere sostituite entrambe allo stesso tempo. Usare soltanto spazzole di carbone identiche.

Usare un cacciavite per rimuovere i tappi dei portaspazzole. Estrarre le spazzole di carbone usurate, inserire quelle nuove e fissare i tappi dei portaspazzole.

Rimontare i tappi portaspazzole sull'utensile.

Per preservare la SICUREZZA e l'AFFIDABILITÀ del prodotto, le riparazioni, la manutenzione o la regolazione devono essere eseguite da un centro assistenza Makita autorizzato usando sempre ricambi Makita.

ACCESSORI OPZIONALI

ATTENZIONE:

- Questi accessori o attacchi sono consigliati per l'uso con l'utensile Makita specificato in questo manuale. L'impiego di altri accessori o attacchi potrebbe causare il pericolo di incidenti alle persone. Usare soltanto gli accessori o attacchi per il loro scopo prefissato.

Per qualsiasi assistenza riguardo a ulteriori dettagli su questi accessori, rivolgersi al centro di assistenza Makita locale.

- Punte al carburo SDS-plus
- Scalpello a punta
- Scalpello a freddo
- Scalpello di disincrostazione
- Scalpello di scanalatura
- Gruppo portapunta trapano
- Portapunta trapano S13
- Adattatore portapunta
- Chiave portapunta S13
- Grasso punta
- Impugnatura laterale
- Calibro di profondità

- Pompetta soffiatrice
- Coppa polvere
- Attacco estrattore polvere
- Occhiali di sicurezza
- Valigetta di trasporto in plastica
- Portapunta trapano senza chiave
- Batteria e caricatore Makita genuini

NOTA:

- Alcuni articoli nella lista potrebbero essere inclusi nell'imballo dell'utensile come accessori standard. Essi potrebbero differire da paese a paese.

ENG905-1

Rumore

Il tipico livello di rumore pesato A determinato secondo EN60745:

Livello pressione sonora (L_{pA}): 94 dB (A)
 Livello potenza sonora (L_{WA}): 105 dB (A)
 Incertezza (K): 3 dB (A)

Indossare i paraorecchi

ENG900-1

Vibrazione

Il valore totale di vibrazione (somma vettore triassiale) determinato secondo EN60745:

Modello DHR263

Modalità operativa: foratura con martellamento nel cemento

Emissione di vibrazione ($a_{h, HD}$): 14,5 m/s²
 Incertezza (K): 1,5 m/s²

Modalità operativa: scalpellamento

Emissione di vibrazione ($a_{h, CHeq}$): 14,0 m/s²
 Incertezza (K): 1,5 m/s²

Modalità operativa: foratura del metallo

Emissione di vibrazione ($a_{h, D}$): 3,0 m/s²
 Incertezza (K): 1,5 m/s²

Modello DHR264

Modalità operativa: foratura con martellamento nel cemento

Emissione di vibrazione ($a_{h, HD}$): 15,5 m/s²
 Incertezza (K): 1,5 m/s²

Modalità operativa: scalpellamento

Emissione di vibrazione ($a_{h, CHeq}$): 14,0 m/s²
 Incertezza (K): 1,5 m/s²

Modalità operativa: foratura del metallo

Emissione di vibrazione ($a_{h, D}$): 5,0 m/s²
 Incertezza (K): 1,5 m/s²

- Il valore di emissione delle vibrazioni dichiarato è stato misurato conformemente al metodo di test standard, e può essere usato per paragonare un utensile con un altro.
- Il valore di emissione delle vibrazioni dichiarato può anche essere usato per una valutazione preliminare dell'esposizione.

⚠ AVVERTIMENTO:

- L'emissione delle vibrazioni durante l'uso reale dell'utensile elettrico può differire dal valore di emissione dichiarato a seconda dei modi in cui viene usato l'utensile.
- Identificare le misure di sicurezza per la protezione dell'operatore basate sulla stima dell'esposizione nelle condizioni reali d'utilizzo (tenendo presente tutte le parti del ciclo operativo, come le volte in cui l'utensile viene spento e quando gira a vuoto, oltre al tempo di funzionamento).

ENH101-16

Modello per l'Europa soltanto**Dichiarazione CE di conformità**

Noi della Makita Corporation, come produttori responsabili, dichiariamo che le macchine Makita seguenti:

Designazione della macchina:

Martello multifunzione a batteria

Modello No./Tipo: DHR263, DHR264

sono una produzione di serie e

conformi alle direttive europee seguenti:

2006/42/CE

E sono fabbricate conformemente ai seguenti standard o documenti standardizzati:

EN60745

La documentazione tecnica è tenuta da:

Makita International Europe Ltd.

Assistenza tecnica,

Michigan Drive, Tongwell,

Milton Keynes, Bucks MK15 8JD, England

18.6.2013



Tomoyasu Kato
 Amministratore
 Makita Corporation
 3-11-8, Sumiyoshi-cho,
 Anjo, Aichi, 446-8502, JAPAN

Verklaring van algemene gegevens

1 Rode indicator	14 Rondraaien met hameren	27 Symbool ○
2 Knop	15 Alleen rondraaien	28 Werkingsfunctie-keuzeknop
3 Accu	16 Alleen hameren	29 Diepteaanslag
4 Stermarkering	17 Handgreepvoet	30 Stofvanger
5 Accuverklikkerlampje	18 Tandem	31 Blaasbalgje
6 Trekkerschakelaar	19 Losmaken	32 Boorkopadapter
7 Lamp	20 Vastzetten	33 Boorkop
8 Omkeerschakelaar	21 Zijhandgreep	34 Bus
9 Snelwisselkop voor SDS-plus	22 Uitsteeksel	35 Ring
10 Streep op wisselmof	23 Boorschacht	36 Limietaanduiding
11 Wisselmof	24 Boorvet	37 Koalborsteldop
12 As	25 Boor	38 Schroevendraaier
13 Snelwisselboorkop	26 Boorkopmof	

TECHNISCHE GEGEVENS

Model		DHR263	DHR264
Capaciteiten	Beton	26 mm	
	Hout	13 mm	
	Staal	32 mm	
Toerental onbelast (min ⁻¹)		0 – 1 250	
Aantal slagen/minuut		0 – 5 000	
Totale lengte		350 mm	374 mm
Netto gewicht		4,6 kg	4,7 kg
Nominale spanning		D.C. 36 V	

GEB046-2

- In verband met ononderbroken research en ontwikkeling behouden wij ons het recht voor bovenstaande technische gegevens te wijzigen zonder voorafgaande kennisgeving.
- De technische gegevens de accu kunnen van land tot land verschillen.
- Gewicht, inclusief accu, volgens de EPTA-procedure 01/2003

ENE043-1

Doeleinden van gebruik

Dit gereedschap is bedoeld voor hamerboren en boren in baksteen, beton en steen, en ook voor beitelen. Het gereedschap is ook geschikt voor boren zonder slag in hout, metaal, keramisch materiaal en kunststof.

GEA010-1

Algemene veiligheidsaarschuwingen voor elektrisch gereedschap

⚠ WAARSCHUWING! Lees alle veiligheidsaarschuwingen en alle instructies. Het niet volgen van de waarschuwingen en instructies kan leiden tot elektrische schokken, brand en/of ernstig letsel.

Bewaar alle waarschuwingen en instructies om in de toekomst te kunnen raadplegen.

VEILIGHEIDSWAARSCHUWINGEN VOOR SNOERLOZE BOORHAMER

- 1. Draag gehoorbescherming.** Blootstelling aan harde geluiden kan leiden tot gehoorbeschadiging.
- 2. Gebruik hulphandgrijp/hulphandgrepen, indien bij het gereedschap geleverd.** Als u de controle over het gereedschap verliest, kan dit leiden tot ernstig persoonlijk letsel.
- 3. Houd elektrisch gereedschap vast aan het geïsoleerde oppervlak van de handgrepen wanneer u werkt op plaatsen waar het slijpaccessoire met verborgen bedrading of zijn eigen snoer in aanraking kan komen.** Wanneer het booraccessoire in aanraking komen met onder spanning staande draden, zullen de niet-geïsoleerde metalen delen van het gereedschap onder spanning komen te staan zodat de gebruiker een elektrische schok kan krijgen.
- 4. Draag een veiligheidshelm, veiligheidsbril en/of gezichtsbescherming.** Een gewone bril of een zonnebril is **GEEN** veiligheidsbril. Het wordt tevens sterk aanbevolen een stofmasker en dik gevoerde handschoenen te dragen.
- 5. Controleer dat de boor stevig op zijn plaats is vastgezet voordat u het gereedschap gebruikt.**

6. Bij normale bediening behoort het gereedschap te trillen. De schroeven kunnen gemakkelijk losraken, waardoor een defect of ongeluk kan ontstaan. Controleer of de schroeven goed zijn aangedraaid, alvorens het gereedschap te gebruiken.
 7. In koude weersomstandigheden of wanneer het gereedschap gedurende een lange tijd niet is gebruikt, laat u het gereedschap eerst opwarmen door het onbelast te laten werken. Hierdoor zal de smering worden verbeterd. Zonder degelijk opwarmen, zal de hamerwerking moeilijker zijn.
 8. Zorg er altijd voor dat u stevig staat. Zorg ervoor dat er niemand zich onder u bevindt wanneer u het gereedschap op een hoge plaats gebruikt.
 9. Houd het gereedschap met beide handen stevig vast.
 10. Houd uw handen uit de buurt van bewegende delen.
 11. Laat het gereedschap niet ingeschakeld liggen. Bedien het gereedschap alleen wanneer u het vasthoudt.
 12. Richt het gereedschap niet op iemand in de buurt terwijl het is ingeschakeld. De boor zou eruit kunnen vliegen en iemand ernstig verwonden.
 13. Raak de boor en onderdelen in de buurt van de boor niet onmiddellijk na gebruik aan. Zij kunnen bijzonder heet zijn en brandwonden op uw huid veroorzaken.
 14. Sommige materialen bevatten chemische stoffen die giftig kunnen zijn. Neem de nodige voorzorgsmaatregelen tegen inademing van stof en contact met de huid. Volg de veiligheidsinstructies van de leverancier van het materiaal op.
4. Als er elektrolyt in uw ogen is terechtgekomen, spoel dan uw ogen met schoon water en roep onmiddellijk de hulp van een dokter in. Elektrolyt in de ogen kan blindheid veroorzaken.
 5. Voorkom kortsluiting van de accu:
 - (1) Raak de accuklemmen nooit aan met een geleidend materiaal.
 - (2) Bewaar de accu niet in een bak waarin andere metalen voorwerpen zoals spijkers, munten e.d. worden bewaard.
 - (3) Stel de accu niet bloot aan water of regen. Kortsluiting van de accu kan oorzaak zijn van een grote stroomafgifte, oververhitting, brandwonden, en zelfs defecten.
 6. Bewaar het gereedschap en de accu niet op plaatsen waar de temperatuur kan oplopen tot 50°C of hoger.
 7. Werp de accu nooit in het vuur, ook niet wanneer hij zwaar beschadigd of volledig versleten is. De accu kan namelijk ontploffen in het vuur.
 8. Wees voorzichtig dat u de accu niet laat vallen en hem niet blootstelt aan schokken of stoten.
 9. Gebruik nooit een beschadigde accu.
 10. Volg bij het wegwerpen van de accu de plaatselijk geldende voorschriften.

BEWAAR DEZE VOORSCHRIFTEN.

Tips voor een maximale levensduur van de accu

1. Laad de accu op voordat hij volledig ontladen is. Stop het gebruik van het gereedschap en laad de accu op telkens wanneer u vaststelt dat het vermogen van het gereedschap is afgenomen.
2. Laad een volledig opgeladen accu nooit opnieuw op. Als u de accu te veel oplaadt, zal hij minder lang meegaan.
3. Laad de accu op bij een kamertemperatuur tussen 10°C en 40°C. Laat een warme accu afkoelen alvorens hem op te laden.
4. Laad de accu tenminste eenmaal in zes maanden op, als u het apparaat geruime tijd lang niet gebruikt.

BEWAAR DEZE VOORSCHRIFTEN.

⚠ WAARSCHUWING:

Laat u NIET misleiden door een vals gevoel van comfort en bekendheid met het gereedschap (na veelvuldig gebruik) en neem alle veiligheidsvoorschriften van het betreffende gereedschap altijd strikt in acht. **VERKEERD GEBRUIK** of het niet naleven van de veiligheidsvoorschriften in deze gebruiksaanwijzing kan leiden tot ernstige verwondingen.

ENC007-8

BELANGRIJKE VEILIGHEIDSVORSCHRIFTEN

VOOR ACCU

1. Lees alle voorschriften en waarschuwingen op (1) de acculader, (2) de accu, en (3) het product waarvoor de accu wordt gebruikt, aandachtig door alvorens de accu in gebruik te nemen.
2. Neem de accu niet uit elkaar.
3. Als de gebruikstijd van een opgeladen accu aanzienlijk korter is geworden, moet u het gebruik ervan onmiddellijk stopzetten. Voortgezet gebruik kan oververhitting, brandwonden en zelfs een ontploffing veroorzaken.

FUNCTIEBESCHRIJVING

⚠ LET OP:

- Zorg altijd dat het gereedschap is uitgeschakeld en de accu is verwijderd, alvorens u enige controle of afstelling aan het gereedschap uitvoert.

Aanbrengen en verwijderen van de accu (Fig. 1)

⚠ LET OP:

- Schakel altijd het gereedschap uit voordat u de accu aanbrengt of verwijderd.
- **Houd het gereedschap en de accu stevig vast wanneer u de accu aanbrengt of verwijderd.** Als u het gereedschap en de accu niet stevig vasthoudt, zou er iets uit uw handen kunnen glippen, met gevaar voor schade aan het gereedschap of de accu en eventuele verwonding.

Om de accu te verwijderen, schuift u deze uit het gereedschap los terwijl u de knop voorop de accu ingedrukt houdt.

Voor het aanbrengen van de accu plaatst u de tong van de accu in de groef van de behuizing en schuift u de accu op zijn plaats. Schuif de accu er altijd volledig in totdat die op zijn plaats vast klikt. Wanneer de rode indicator op de bovenkant van de knop nog zichtbaar is, zit de accu niet volledig erin.

LET OP:

- Schuif de accu volledig erin totdat de rode indicator niet meer zichtbaar is. Als u dit nalaat, zou de accu uit het apparaat kunnen vallen en uzelf of anderen kunnen verwonden.
- Druk de accu er niet met kracht in. Als de accu er niet soepel in gaat, houdt u die waarschijnlijk in de verkeerde stand.

OPMERKING:

- Het gereedschap werkt niet op een enkele accu.

Gereedschap/accu-beveiligingssysteem

Het gereedschap is voorzien van een gereedschap/accu-beveiligingssysteem

Dit systeem schakelt automatisch de stroom naar de motor uit om de levensduur van het gereedschap en de accu te sparen.

Het gereedschap zal tijdens gebruik automatisch stoppen wanneer het gereedschap en/of de accu aan één van de volgende omstandigheden wordt blootgesteld. Onder bepaalde omstandigheden lichten de verklikkerlampjes op.

Overbelastingsbeveiliging

Als het gereedschap wordt gebruikt op een manier die een abnormaal hoge stroomsterkte vergt, zal het gereedschap automatisch zonder enige waarschuwing stoppen. In dat geval schakelt u het gereedschap uit en verhelpt u de oorzaak van de overbelasting. Vervolgens schakelt u het gereedschap weer in om door te werken.

Oververhittingsbeveiliging voor de accu

Wanneer de accu oververhit raakt, stopt het gereedschap automatisch zonder enige waarschuwing. Dan start het gereedschap niet, ook als u de trekkerschakelaar indrukt. In dat geval laat u de accu even afkoelen, voordat u het gereedschap opnieuw inschakelt.

OPMERKING:

- De oververhittingsbeveiliging voor de accu werkt alleen voor accu's met een stermarkering. (Fig. 2)

Overontladingsbeveiliging (Fig. 3)

Wanneer de accu nog maar weinig stroom kan leveren, gaat het accuverklikkerlampje knipperen aan de kant van de betreffende accu. Als u dan doorgaat met werken, stopt het gereedschap en blijft het accuverklikkerlampje ongeveer 10 seconden lang branden. In dat geval laadt u de accu opnieuw op.

Werking van de schakelaar (Fig. 4)

LET OP:

- Alvorens u de accu in het gereedschap plaatst, controleert u eerst of de trekkerschakelaar goed werkt en bij loslaten automatisch naar de "OFF"-stand terugkeert.

Om het gereedschap te starten, drukt u enkel de trekkerschakelaar in. De snelheid van het gereedschap neemt toe, hoe verder u de trekkerschakelaar indrukt. Laat de trekkerschakelaar los om te stoppen.

Aandoen van de lamp (Fig. 5)

LET OP:

- Kijk niet recht in het lamplicht of de lichtbron.

Druk de trekkerschakelaar in zodat de lamp gaat branden. De lamp blijft branden zolang u de trekkerschakelaar ingedrukt houdt.

Het licht dooft automatisch, 10 – 15 seconden nadat u de trekkerschakelaar loslaat.

OPMERKING:

- Als het lensje van de lamp vuil is, veegt u dat schoon met een droge doek. Let op dat u geen krassen maakt op het lensglas van de lamp, want dat kan het licht belemmeren.
- Maak de lens van de lamp niet schoon met verdunner of benzine. Dergelijke oplosmiddelen kunnen de lens van de lamp beschadigen.

Werking omkeerschakelaar (Fig. 6)

Dit gereedschap heeft een omkeerschakelaar voor het veranderen van de draairichting. Druk de omkeerschakelaar in vanaf kant A voor rechtse, kloksgewijze draairichting, of vanaf kant B voor linkse draairichting.

Wanneer deze omkeerschakelaar in de neutrale stand staat, kan de trekkerschakelaar niet worden ingedrukt.

LET OP:

- Controleer altijd de draairichting alvorens het gereedschap te starten.
- Verander de stand van de omkeerschakelaar alleen nadat het gereedschap volledig tot stilstand is gekomen. Als u de draairichting verandert terwijl het gereedschap nog draait, kan het gereedschap beschadigd raken.
- Zet de omkeerschakelaar altijd in de neutrale stand wanneer u het gereedschap niet gebruikt.

De snelwisselkop voor SDS-plus vervangen


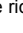
Voor model DHR264

De snelwisselkop voor SDS-plus kan eenvoudig worden vervangen door de snelwisselboorkop.

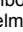

De snelwisselkop voor SDS-plus verwijderen (Fig. 7)

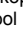
LET OP:

- Haal altijd de boor eruit voordat u de snelwisselkop voor SDS-plus verwijdert.

Pak de wisselmof van de snelwisselkop voor SDS-plus vast en draai deze in de richting van de pijl totdat de streep op de wisselmof van het symbool  is verplaatst naar het symbool . Trek krachtig in de richting van de pijl.

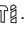
De snelwisselboorkop aanbrengen (Fig. 8)

Controleer of de streep op de snelwisselboorkop bij het symbool  staat. Pak de wisselmof van de snelwisselboorkop vast en zet de streep bij het symbool .

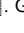
Zet de snelwisselboorkop op de as van het gereedschap. Pak de wisselmof van de snelwisselboorkop en draai de streep op de wisselmof naar het symbool  totdat er een duidelijke klik te horen is.

De werksingsfunctie kiezen

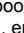
Ronddraaien met hameren (Fig. 9)

Voor boren in beton, metselwerk, enz., drukt u de vergrendelknop in en draait u de werksingsfunctie-keuzeknop naar het symbool . Gebruik een boor met een wolframcarbide punt.

Alleen ronddraaien (Fig. 10)

Voor boren in hout, metaal of kunststofmaterialen, drukt u de vergrendelknop in en draait u de werksingsfunctie-keuzeknop naar het symbool . Gebruik een spiraalboor of houtboor.

Alleen hameren (Fig. 11)

Voor beitelen, bikken of sloopwerkzaamheden, drukt u de vergrendelknop in en draait u de werksingsfunctie-keuzeknop naar het symbool . Gebruik een puntbeitel, koudbeitel, bikbeitel, enz.

LET OP:

- Verstel de stand van de werksingsfunctie-keuzeknop niet terwijl het gereedschap draait. Daardoor zal het gereedschap worden beschadigd.
- Om snelle slijtage van het omschakelmechanisme te voorkomen, zorgt u dat de werksingsfunctie-keuzeknop altijd precies in een van de drie standen staat.

Koppelbegrenzer

De koppelbegrenzer treedt in werking wanneer de motor een bepaald koppelniveau bereikt. De motor wordt dan ontkoppeld van de uitgaande aandrijf-as. Wanneer dit gebeurt, zal de boor stoppen met draaien.

LET OP:

- Schakel het gereedschap onmiddellijk uit wanneer de koppelbegrenzer in werking treedt. Hiermee helpt u vroegtijdige slijtage van het gereedschap voorkomen.
- Gatenzagen mogen niet worden gebruikt met dit gereedschap. Dergelijke zagen kunnen gemakkelijk bekneld raken in het boorgat. Daardoor zou de koppelbegrenzer al te vaak in werking treden.

INEENZETTEN

LET OP:

- Controleer altijd of het gereedschap is uitgeschakeld en de accu is verwijderd alvorens enig werk aan het gereedschap uit te voeren.

Zijhandgreep (hulphandgreep) (Fig. 12)

LET OP:

- Gebruik altijd de zijhandgreep om veilig te kunnen werken.

Monteer de zijhandgreep zodanig dat de tanden aan de handgreep tussen de uitsteeksel aan het gereedschapshuis passen. Draai daarna de zijhandgreep vast door deze in de gewenste stand rechtsom te draaien. De zijhandgreep kan 360° rondgedraaid worden en in iedere gewenste stand worden vastgezet.

Boorvet

Voordat u de boor aanbrengt, smeert u een beetje boorvet (ongeveer 0,5 tot 1 gram) op de kop van de boorschacht. Met een ingevette boorkop zal het gereedschap beter werken en langer meegaan.

Aanbrengen en verwijderen van de boor

Reinig de boorschacht en smeert er boorvet op alvorens de boor te plaatsen. (Fig. 13)

Steek de boor in het gereedschap. Draai de boor en duw deze naar binnen tot hij vergrendelt.


Als de boor er niet volledig in geduwd kan worden, verwijderd u die boor dan. Trek eerst de boorkopmof enkele malen omlaag. Steek vervolgens de boor opnieuw in. Draai de boor en duw deze naar binnen tot hij vergrendelt. (Fig. 14)

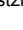
Controleer na het aanbrengen altijd of de boor stevig in het gereedschap is bevestigd door te proberen deze eruit te trekken.

Om de boor te verwijderen, trekt u de boorkopmof helemaal omlaag en trekt u dan de boor eruit. (Fig. 15)

Boorhoek (bij beitelen, bikken of slopen)

(Fig. 16 en 17)

De boor kan in de gewenste hoek worden vastgezet. Om de boorhoek te veranderen, drukt u de vergrendelknop in en draait u de werksingsfunctie-keuzeknop naar het symbool . Draai de boor in de gewenste hoek.

Druk de vergrendelknop in en draai de werksingsfunctie-keuzeknop naar het symbool . Controleer daarna of de boor stevig op zijn plaats vastzit door deze iets te verdraaien.

Diepteaanslag (Fig. 18)

De diepteaanslag is handig voor het boren van gaten van gelijke diepte. Draai de zijhandgreep los en steek de diepteaanslag in de opening in de zijhandgreep. Stel de diepteaanslag af op de gewenste diepte en draai de zijhandgreep weer vast.

OPMERKING:

- De diepteaanslag kan niet worden gebruikt in een stand waarbij de diepteaanslag tegen het aandrijvingshuis aan komt.

Stofvanger (Fig. 19)


Gebruik de stofvanger om te voorkomen dat er stof op het gereedschap en op uzelf terecht komt wanneer u boven uw hoofd boort. Bevestig de stofvanger op de boor zoals aangegeven in de afbeelding. De diameter van de boren waaraan de stofvanger kan worden bevestigd is als volgt.

	Boordiameter
Stofvanger 5	6 mm – 14,5 mm
Stofvanger 9	12 mm – 16 mm

006382

BEDIENING

Gebruik als boorhamer (Fig. 20)

Draai de werksingsfunctie-keuzeknop naar het symbool .

Plaats de punt van de boor op de gewenste plaats waar het boorgat moet komen en druk vervolgens de trekkerschakelaar in.

Forceer het gereedschap niet. Een lichte druk geeft de beste resultaten.

Houd het gereedschap stevig vast en zorg dat de boor niet uit het gat wegglijdt.

Oefen geen grotere druk uit wanneer het boorgat verstopt raakt met schilfertjes of boorgruis. Laat in zo'n geval het gereedschap langzaam lopen en verwijder de boor gedeeltelijk uit het boorgat. Wanneer dit verschillende keren wordt herhaald, zal het boorgat schoon worden en kunt u normaal verder boren.

LET OP:

- Op het moment dat het boorgat doorbreekt, het boorgat verstopt raakt met schilfertjes of boorgruis, of de boorhamer de bewapening in het beton raakt, wordt er plotseling een enorme wringende kracht uitgeoefend op het gereedschap/de boor. Gebruik altijd de zijhandgreep (hulphandgreep) en houd het gereedschap tijdens gebruik stevig vast aan zowel de zijhandgreep als de schakelhandgreep. Als u dit niet doet, kunt u de macht over het gereedschap verliezen en mogelijk ernstig letsel veroorzaken.


OPMERKING:

- Wanneer het gereedschap onbelast wordt gebruikt, kan de boor soms excentrisch draaien. Het gereedschap centreert zichzelf automatisch tijdens het gebruik. Dit heeft geen nadelige invloed op de nauwkeurigheid van het boren.

Blaasbalgje (optioneel accessoire) (Fig. 21)

Gebruik na het boren het blaasbalgje om het stof uit het boorgat te blazen.

Beitelen/bikken/slopen (Fig. 22)


Draai de werkingsfunctie-keuzeknop naar het symbool .

Houd het gereedschap met beide handen stevig vast. Schakel het gereedschap in en oefen er enige kracht op uit zodat het gereedschap niet oncontroleerbaar in het rond springt. Het gereedschap werkt niet efficiënter als u grote druk op het gereedschap uitoefent.

Boren in hout of metaal

Voor model DHR263 (Fig. 23 en 24)


Gebruik de los verkrijgbare complete boorkop. Om deze te installeren, zie "Aanbrengen en verwijderen van de boor" op de vorige pagina.

Stel de werkingsfunctie-keuzeknop zo in dat de wijzer naar het symbool  wijst.

Voor model DHR264 (Fig. 25)

Gebruik de snelwisselboorkop als standaarduitrusting. Om deze te installeren, zie "De snelwisselkop voor SDS-plus vervangen" op de vorige pagina.

Houd de ring op zijn plaats en draai de bus linksom om de klauwen van de boorkop te openen. Steek de boor zo ver mogelijk in de boorkop. Houd de ring stevig op zijn plaats en draai de bus rechtsom om de klauwen van de boorkop te sluiten. Om de boor te verwijderen, houdt u de ring op zijn plaats en draait u de bus linksom.

Draai de werkingsfunctie-keuzeknop naar het symbool . U kunt gaten tot een diameter van 13 mm in metaal boren en tot een diameter van 32 mm in hout.

LET OP:

- Gebruik nooit "Ronddraaien met hameren" wanneer de complete boorkop op het gereedschap is aangebracht. De complete boorkop kan daardoor worden beschadigd. Bovendien zal de boorkop loskomen wanneer de draairichting van het gereedschap wordt omgekeerd.
- Het boren zal niet sneller verlopen als u hard op het gereedschap drukt. In feite zal dergelijk hard drukken alleen maar leiden tot beschadiging van de boor, mindere prestaties van het gereedschap en verkorting van de levensduur van het gereedschap.

- Op het moment dat het boorgat doorbreekt wordt een enorme wringende kracht uitgeoefend op het gereedschap/de boor. Houd het gereedschap stevig vast en let vooral goed op wanneer de boor door het werkstuk heen breekt.
- Een vastgelopen boorkop kan eenvoudig verwijderd worden door de draairichting te veranderen met de omkeerschakelaar, om zo de boorkop los te halen. Houd het gereedschap daarbij wel stevig vast, want er is kans op een plotselinge terugslag.
- Zet kleinere werkstukken altijd vast in een bankschroef of dergelijke veiligheidsklem.

ONDERHOUD

LET OP:

- Zorg er altijd voor dat het gereedschap is uitgeschakeld en de accu is verwijderd, voordat u enige inspectie of onderhoud uitvoert.
- Gebruik nooit benzine, wasbenzine, verdunner, alcohol, enz. Dat kan leiden tot verkleuren, vervormen of barsten.

Koolborstels vervangen (Fig. 26 en 27)

Verwijder en controleer regelmatig de koolborstels. Vervang ze wanneer ze tot de limietaanwijding versleten zijn. Houd de koolborstels schoon en zorg dat ze in de houders kunnen bewegen. Beide koolborstels moeten tegelijk vervangen worden. Gebruik uitsluitend identieke koolborstels.

Gebruik een schroevendraaier om de koolborsteldoppen te verwijderen. Verwijder de versleten koolborstels, plaats een stel nieuwe en breng de koolborsteldoppen weer aan.

Breng de borstelhouderdoppen weer op het gereedschap aan.

Om de VEILIGHEID en BETROUWBAARHEID van het product te handhaven, dienen alle reparaties en alle andere onderhoudswerkzaamheden of afstellingen te worden uitgevoerd door een erkend Makita servicecentrum, en dat uitsluitend met gebruik van Makita vervangingsonderdelen.

OPTIONELE ACCESSOIRES

LET OP:

- Deze accessoires en hulpstukken zijn aanbevolen voor gebruik met uw Makita gereedschap zoals voorgeschreven in deze handleiding. Het gebruik van enige andere accessoires of hulpstukken kan gevaar voor lichamelijk letsel opleveren. Gebruik accessoires en hulpstukken alleen voor hun voorgeschreven toepassing.

Als u advies nodig hebt omtrent deze accessoires, raadpleegt u dan uw plaatselijke Makita servicecentrum.

- SDS-Plus boren met hardmetalen carbide punt
- Puntbeitel
- Koudbeitel
- Bikbeitel
- Sleuvenbeitel
- Complete boorkop
- Boorkop S13
- Boorkopadapter
- Boorkopsleutel S13
- Boorvet
- Zijhandgreep
- Diepteaanslag

- Blaasbalgje
- Stofvanger
- Stofafzuig-aansluitstuk
- Veiligheidsbril
- Plastic draagkoffer
- Sleutellose boorkop
- Originele Makita accu en acculader

OPMERKING:

- Sommige van de onderdelen in deze lijst kunnen bijgeleverd zijn als standaard-accessoires. Deze accessoires kunnen per land verschillend zijn.

ENG905-1

Geluidsniveau

De typisch, A-gewogen geluidsniveaus vastgesteld volgens EN60745:

Geluidsdrukniveau (L_{pA}): 94 dB (A)
 Geluidsenergie-niveau (L_{WA}): 105 dB (A)
 Onnauwkeurigheid (K): 3 dB (A)
Draag oorbeschermers

ENG900-1

Trilling

De totaalwaarde van de trillingen (triaxiale vectorsom) vastgesteld volgens EN60745:

Model DHR263

Toepassing: klopboren in beton
 Trillingsemisatie ($a_{n, HD}$): 14,5 m/s²
 Onnauwkeurigheid (K): 1,5 m/s²

Toepassing: beitelen
 Trillingsemisatie ($a_{n, CHeq}$): 14,0 m/s²
 Onnauwkeurigheid (K): 1,5 m/s²

Toepassing: boren in metaal
 Trillingsemisatie ($a_{n, D}$): 3,0 m/s²
 Onnauwkeurigheid (K): 1,5 m/s²

Model DHR264

Toepassing: klopboren in beton
 Trillingsemisatie ($a_{n, HD}$): 15,5 m/s²
 Onnauwkeurigheid (K): 1,5 m/s²

Toepassing: beitelen
 Trillingsemisatie ($a_{n, CHeq}$): 14,0 m/s²
 Onnauwkeurigheid (K): 1,5 m/s²

Toepassing: boren in metaal
 Trillingsemisatie ($a_{n, D}$): 5,0 m/s²
 Onnauwkeurigheid (K): 1,5 m/s²

ENG901-1

- De opgegeven trillingsemisiewaarde is gemeten volgens de standaardtestmethode en kan worden gebruikt om dit gereedschap te vergelijken met andere gereedschappen.
- De opgegeven trillingsemisiewaarde kan ook worden gebruikt voor een beoordeling vooraf van de blootstelling.

WAARSCHUWING:

- De trillingsemisatie tijdens het gebruik van het elektrisch gereedschap in de praktijk kan verschillen van de opgegeven trillingsemisiewaarde afhankelijk van de manier waarop het gereedschap wordt gebruikt.
- Zorg ervoor dat veiligheidsmaatregelen worden getroffen ter bescherming van de operator die zijn gebaseerd op een schatting van de blootstelling onder praktijkomstandigheden (rekening houdend met alle fasen van de bedrijfscyclus, zoals de tijdsduur gedurende welke het gereedschap is uitgeschakeld en stationair draait, naast de ingeschakelde tijdsduur).

ENH101-16

Alleen voor Europese landen

EU-Verklaring van Conformiteit

Wij, Makita Corporation, als de verantwoordelijke fabrikant, verklaren dat de volgende Makita-machine(s):

Aanduiding van de machine:
 Snoerloze combinatiehamer
 Modelnr./Type: DHR263, DHR264
 in serie zijn geproduceerd en

Voldoen aan de volgende Europese richtlijnen:
 2006/42/EU

En zijn gefabriceerd in overeenstemming met de volgende normen of genormaliseerde documenten:
 EN60745

De technische documentatie wordt bewaard door:
 Makita International Europe Ltd.
 Technische afdeling,
 Michigan Drive, Tongwell,
 Milton Keynes, Bucks MK15 8JD, Engeland

18.6.2013



Tomoyasu Kato
 Directeur
 Makita Corporation
 3-11-8, Sumiyoshi-cho,
 Anjo, Aichi, 446-8502, JAPAN

Explicación de los dibujos

1	Indicador rojo	13	Mandril de cambio rápido para taladro	26	Cubierta del mandril
2	Botón	14	Giro con percusión	27	Símbolo ○
3	Cartucho de batería	15	Giro solamente	28	Pomo de cambio del modo de accionamiento
4	Marca de estrella	16	Percusión solamente	29	Tope de profundidad
5	Indicador de batería	17	Base de la empuñadura	30	Guardapolvo
6	Gatillo interruptor	18	Dientes	31	Soplador
7	Lámpara	19	Aflojar	32	Adaptador de mandril
8	Palanca del interruptor de inversión	20	Apretar	33	Mandril para taladro
9	Mandril de cambio rápido para SDS-plus	21	Empuñadura lateral	34	Manguito
10	Línea de la cubierta de cambio	22	Protuberancia	35	Anillo
11	Cubierta de cambio	23	Espiga de la broca	36	Marca límite
12	Eje	24	Grasa para brocas	37	Tapón portaescobillas
		25	Broca	38	Destornillador

ESPECIFICACIONES

Modelo		DHR263	DHR264
Capacidades	Hormigón	26 mm	
	Madera	13 mm	
	Acero	32 mm	
Velocidad en vacío (min ⁻¹)		0 – 1.250	
Golpes por minuto		0 – 5.000	
Longitud total		350 mm	374 mm
Peso neto		4,6 kg	4,7 kg
Tensión nominal		CC 36 V	

- Debido a un programa continuo de investigación y desarrollo, las especificaciones aquí dadas están sujetas a cambios sin previo aviso.
- Las especificaciones y el cartucho de batería pueden diferir de país a país.
- Peso, con el cartucho de batería, de acuerdo con el procedimiento EPTA 01/2003

GEB046-2

ENE043-1

Uso previsto

La herramienta ha sido prevista para taladrado con percusión y taladrado en ladrillo, cemento y piedra así como también para trabajos de cincelado. También es apropiada para taladrar sin impactos en madera, metal, cerámica y plástico.

GEA010-1

Advertencias de seguridad generales para herramientas eléctricas

⚠ ¡ADVERTENCIA! Lea todas las advertencias de seguridad y todas las instrucciones. Si no sigue todas las advertencias e instrucciones podrá ocasionar una descarga eléctrica, un incendio y/o heridas graves.

Guarde todas las advertencias e instrucciones para futuras referencias.

ADVERTENCIA DE SEGURIDAD PARA EL MARTILLO ROTATIVO INALÁMBRICO

1. **Póngase protectores de oídos.** La exposición al ruido puede producir pérdida auditiva.
2. **Utilice el mango(s) auxiliar, si se suministra con la herramienta.** Una pérdida del control puede ocasionar heridas personales.
3. **Cuando realice una operación en la que el accesorio de corte pueda entrar en contacto con cableado oculto o con su propio cable, sujete las herramientas eléctricas por las superficies de aislamiento aisladas.** El contacto del accesorio de corte con un cable con corriente hará que la corriente circule por las partes metálicas expuestas de la herramienta eléctrica y podrá soltar una descarga eléctrica al operario.
4. **Póngase casco rígido (casco de seguridad), gafas de seguridad y/o máscara facial.** Las gafas normales o de sol **NO** sirven para proteger los ojos. También es muy recomendado que utilice una máscara contra el polvo y guantes bien almohadillados.
5. **Asegúrese de que la broca esté bien sujeta antes iniciar la operación.**

6. La herramienta ha sido diseñada para que produzca vibración en operación normal. Los tornillos pueden aflojarse fácilmente, pudiendo ocasionar una rotura o accidente. Compruebe el apriete de los tornillos cuidadosamente antes de iniciar la operación.
7. En tiempo frío o cuando la herramienta no haya sido utilizada durante largo tiempo, deje calentar la herramienta durante un rato haciéndola funcionar sin carga. Esto agilizará la lubricación. Sin un calentamiento apropiado, la operación de percusión resultará difícil de realizar.
8. Asegúrese siempre de que tiene suelo firme. Asegúrese de que no haya nadie debajo cuando utilice la herramienta en lugares altos.
9. Sujete la herramienta firmemente con ambas manos.
10. Mantenga las manos alejadas de las partes en movimiento.
11. No deje la herramienta en marcha. Tenga en marcha la herramienta solamente cuando la tenga en la mano.
12. No apunte la herramienta hacia nadie en el lugar cuando la esté utilizando. La broca podría salir disparada y herir a alguien seriamente.
13. No toque la broca ni partes cercanas a ella inmediatamente después de la operación; podrán estar muy calientes y quemarle la piel.
14. Algunos materiales contienen sustancias químicas que podrán ser tóxicas. Tenga precaución para evitar la inhalación de polvo y el contacto con la piel. Siga los datos de seguridad del abastecedor del material.

GUARDE ESTAS INSTRUCCIONES.

⚠ ADVERTENCIA:

NO deje que la comodidad o familiaridad con el producto (a base de utilizarlo repetidamente) sustituya la estricta observancia de las normas de seguridad para el producto en cuestión. El MAL USO o el no seguir las normas de seguridad establecidas en este manual de instrucciones podrá ocasionar graves heridas personales.

ENC007-8

INSTRUCCIONES DE SEGURIDAD IMPORTANTES

PARA CARTUCHO DE BATERÍA

1. Antes de utilizar el cartucho de batería, lea todas las instrucciones e indicaciones de precaución sobre (1) el cargador de baterías, (2) la batería, y (3) el producto con el que se utiliza la batería.
2. No desarme el cartucho de batería.
3. Si el tiempo de uso del cartucho de batería se acorta demasiado, deje de usarlo inmediatamente. Podría resultar en un riesgo de recalentamiento, posibles quemaduras e incluso una explosión.
4. Si entra electrólito en sus ojos, aclárelos con agua limpia y vea a un médico inmediatamente. Existe el riesgo de poder perder la vista.
5. No cortocircuite el cartucho de batería:
 - (1) No toque los terminales con ningún material conductor.

(2) Evite guardar el cartucho de batería en un cajón junto con otros objetos metálicos, tales como clavos, monedas, etc.

(3) No exponga el cartucho de batería al agua ni a la lluvia.

Un cortocircuito en la batería puede producir una gran circulación de corriente, un recalentamiento, posibles quemaduras e incluso una rotura de la misma.

6. No guarde la herramienta ni el cartucho de batería en lugares donde la temperatura pueda alcanzar o exceder los 50°C.
7. Nunca incinere el cartucho de batería incluso en el caso de que esté dañado seriamente o ya no sirva en absoluto. El cartucho de batería puede explotar si se tira al fuego.
8. Tenga cuidado de no dejar caer ni golpear el cartucho de batería.
9. No utilice una batería dañada.
10. Siga los reglamentos locales referentes al desecho de la batería.

GUARDE ESTAS INSTRUCCIONES.

Consejos para alargar al máximo la vida de servicio de la batería

1. Cargue el cartucho de batería antes de que se descargue completamente. Pare siempre la operación y cargue el cartucho de batería cuando note menos potencia en la herramienta.
2. No cargue nunca un cartucho de batería que esté completamente cargado. La sobrecarga acortará la vida de servicio de la batería.
3. Cargue el cartucho de batería a temperatura ambiente de 10°C – 40°C. Si un cartucho de batería está caliente, déjelo enfriar antes de cargarlo.
4. Cargue el cartucho de batería una vez cada seis meses si no lo utiliza durante un periodo de tiempo prolongado.

DESCRIPCIÓN DEL FUNCIONAMIENTO

⚠ PRECAUCIÓN:

- Asegúrese siempre de que la herramienta está apagada y el cartucho de batería desmontado antes de ajustar o comprobar cualquier función de la herramienta.

Instalación o desmontaje del cartucho de batería (Fig. 1)

⚠ PRECAUCIÓN:

- Apague siempre la herramienta antes de instalar o desmontar el cartucho de batería.
- Sujete la herramienta y el cartucho de batería firmemente cuando instale o desmonte el cartucho de batería. Si no sujeta la herramienta y el cartucho de batería firmemente podrán caérsele de las manos y resultar en daños a la herramienta y cartucho de batería y heridas personales.

Para extraer el cartucho de batería, deslícelo de la herramienta a la vez que desliza el botón de la parte frontal del cartucho.

Para instalar el cartucho de batería, alinee la lengüeta del cartucho de batería con la ranura de la carcasa y deslícelo hasta que encaje en su sitio. Insértelo a tope hasta que se bloquee en su sitio produciendo un pequeño chasquido. Si puede ver el indicador rojo en el lado superior del botón, no estará bloqueado completamente.

PRECAUCIÓN:

- Instale siempre el cartucho de batería completamente hasta que no pueda verse el indicador rojo. En caso contrario, podrá caerse accidentalmente de la herramienta y ocasionarle heridas a usted o a alguien que esté cerca de usted.
- No instale el cartucho de batería empleando fuerza. Si el cartucho no se desliza al interior fácilmente, será porque no está siendo insertado correctamente.

NOTA:

La herramienta no funciona con un cartucho de batería solamente.

Sistema de protección de la herramienta/batería

La herramienta está equipada con un sistema de protección de la herramienta/batería.

Este sistema corta automáticamente la alimentación del motor para alargar la vida útil de la herramienta y de la batería.

La herramienta se detendrá automáticamente durante la operación si la herramienta o la batería son puestas en una de las condiciones siguientes. En algunas condiciones, los indicadores se iluminarán.

Protección de sobrecarga

Cuando la herramienta sea utilizada de una manera que dé lugar a que tenga que absorber una corriente anormalmente alta, la herramienta se detendrá automáticamente sin ninguna indicación. En esta situación, apague la herramienta y detenga la tarea que ocasiona la sobrecarga de la herramienta. Después encienda la herramienta para volver a empezar.

Protección contra el recalentamiento para la batería

Cuando la batería se recalienta, la herramienta se detiene automáticamente sin ninguna indicación. La herramienta no se pondrá en marcha aunque apriete el gatillo interruptor. En esta situación, deje que la batería se enfríe antes de encender la herramienta otra vez.

NOTA:

- La protección contra el recalentamiento de la batería funciona solamente con un cartucho de batería que tenga la marca de estrella. (Fig. 2)

Protección contra descarga excesiva (Fig. 3)

Cuando la capacidad de batería restante sea baja, el indicador de batería parpadeará en el lado aplicable de la batería. Si se sigue utilizando, la herramienta se detendrá y el indicador de batería se iluminará durante unos 10 segundos. En este situación, cargue el cartucho de batería.

Accionamiento del interruptor (Fig. 4)

PRECAUCIÓN:

- Antes de insertar el cartucho de batería en la herramienta, compruebe siempre para cerciorarse de que el gatillo interruptor se acciona debidamente y que vuelve a la posición "OFF" cuando lo suelta.

Para poner en marcha la herramienta, simplemente apriete el gatillo interruptor. La velocidad de la herramienta aumenta incrementando la presión en el gatillo interruptor. Suelte el gatillo interruptor para parar.

Encendido de la lámpara (Fig. 5)

PRECAUCIÓN:

- No mire a la luz ni vea la fuente de luz directamente.

Apriete el gatillo interruptor para encender la lámpara. La lámpara seguirá encendida mientras el gatillo interruptor esté siendo apretado.

La luz se apagará automáticamente 10 – 15 segundos después de soltar el gatillo interruptor.

NOTA:

- Utilice un paño seco para quitar la suciedad de la lente de la lámpara. Tenga cuidado de no rayar la lente de la lámpara, porque podrá disminuir la iluminación.
- No utilice diluyente ni gasolina para limpiar la lámpara. Tales disolventes podrán dañarla.

Accionamiento del interruptor de inversión (Fig. 6)

Esta herramienta tiene un interruptor de inversión para cambiar la dirección de giro. Presione hacia dentro la palanca del interruptor de inversión del lado A para giro a la derecha o del lado B para giro a la izquierda.

Cuando la palanca del interruptor de inversión esté en la posición neutral, no se podrá apretar el gatillo interruptor.

PRECAUCIÓN:

- Confirme siempre la dirección de giro antes de iniciar la operación.
- Utilice el interruptor de inversión solamente después de que la herramienta se haya parado completamente. Si cambia la dirección de giro antes de que la herramienta se haya parado podrá dañarla.
- Cuando no esté utilizando la herramienta, ponga siempre la palanca del interruptor de inversión en la posición neutral.

Cambio del mandril de cambio rápido para SDS-plus



Para el modelo DHR264

El mandril de cambio rápido para SDS-plus se puede sustituir fácilmente por el mandril de cambio rápido para taladro.



Desmontaje del mandril de cambio rápido para SDS-plus (Fig. 7)

PRECAUCIÓN:


- Antes de desmontar el mandril de cambio rápido para SDS-plus, desmonte siempre la broca.

Agarre la cubierta de cambio del mandril de cambio rápido para SDS-plus y girela en el sentido de la flecha hasta que la línea de la cubierta de cambio se mueva desde el símbolo  al símbolo . Tire con fuerza en el sentido de la flecha.

Instalación del mandril de cambio rápido para taladro (Fig. 8)


Compruebe que la línea del mandril de cambio rápido para taladro muestra el símbolo . Agarre la cubierta de cambio del mandril de cambio rápido para taladro y ponga la línea en el símbolo .

Ponga el mandril de cambio rápido para taladro en el eje de la herramienta.

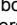
Agarre la cubierta de cambio del mandril de cambio rápido para taladro y gire la línea de la cubierta de cambio hacia el símbolo  hasta que se oiga un clic claramente.

Selección del modo de accionamiento

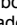
Giro con percusión (Fig. 9)

Para perforar en cemento, albañilería, etc., presione hacia dentro el botón de bloqueo y gire el pomo de cambio del modo de accionamiento hacia el símbolo . Utilice una broca con punta de carburo de tungsteno.

Giro solamente (Fig. 10)

Para perforar en madera, metal o materiales de plástico, presione hacia dentro el botón de bloqueo y gire el pomo de cambio del modo de accionamiento hacia el símbolo . Utilice una broca helicoidal o una broca para madera.

Percusión solamente (Fig. 11)

Para operaciones de cincelar, desincrustar o demoler, presione hacia dentro el botón de bloqueo y gire el pomo de cambio del modo de accionamiento hacia el símbolo . Utilice un barreno, cortafríos, cincel desincrustador, etc.

PRECAUCIÓN:

- No gire el pomo de cambio del modo de accionamiento cuando la herramienta esté funcionando. Se dañará la herramienta.
- Para evitar un desgaste rápido del mecanismo de cambio de modo, asegúrese de que el pomo de cambio del modo de accionamiento esté siempre puesto exactamente en una de las tres posiciones de modo de accionamiento.

Limitador de torsión

El limitador de torsión se acciona cuando se alcanza un cierto nivel de torsión. El motor se desembragará del eje de salida. Cuando ocurra esto, la broca dejará de girar.

PRECAUCIÓN:

- Apague la herramienta inmediatamente en cuanto actúe el limitador de torsión. De esta forma evitará un desgaste prematuro de la herramienta.
- Con esta herramienta no se pueden utilizar sierras de corona. La razón es que tienden a pincharse o engancharse fácilmente en el agujero. Esto hace que el limitador de torsión se accione con mucha frecuencia.

MONTAJE

PRECAUCIÓN:

- Asegúrese siempre de que la herramienta está apagada y el cartucho de batería desmontado antes de realizar cualquier trabajo en la herramienta.

Empuñadura lateral (mango auxiliar) (Fig. 12)

PRECAUCIÓN:

- Utilice siempre la empuñadura lateral para garantizar una operación segura.

Instale la empuñadura lateral de forma que los dientes de la misma encajen entre las protuberancias del barril de la herramienta. Después apriete la empuñadura girándola hacia la derecha en la posición deseada. Puede girarse 360° para poder sujetarla en cualquier posición.

Grasa para brocas

Cubra la cabeza de la espiga de la broca antes de la tarea con una pequeña cantidad de grasa para brocas (aprox. 0,5 – 1 gramo). Esta lubricación del mandril asegurará un accionamiento suave y una vida de servicio más larga.

Instalación o desmontaje de la broca

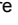
Limpie la espiga de la broca y aplique grasa para brocas antes de instalar la broca. (Fig. 13)


Inserte la broca en la herramienta. Gire la broca y presiónela hacia dentro hasta que quede encajada.

Si la broca no puede ser empujada hacia dentro, desmóntela. Tire de la cubierta del mandril hacia abajo unas cuantas veces. Después vuelva a insertar la broca. Gire la broca y presiónela hacia dentro hasta que quede encajada. (Fig. 14)

Después de la instalación, asegúrese siempre de que la broca esté bien sujeta en el mandril intentando sacarla. Para desmontar la broca, tire de la cubierta del mandril hacia abajo a tope y extraiga la broca. (Fig. 15)

Ángulo de la broca (para desincrustar, decapar o demoler) (Fig. 16 y 17)

La broca puede sujetarse en el ángulo deseado. Para cambiar el ángulo de la broca, presione hacia dentro el botón de bloqueo y gire el pomo de cambio del modo de accionamiento hacia el símbolo . Gire la broca al ángulo que desee.

Presione hacia dentro el botón de bloqueo y gire el pomo de cambio del modo de accionamiento hacia el símbolo . Después asegúrese de que la broca está bien sujeta en el mandril girándola ligeramente.

Tope de profundidad (Fig. 18)

El tope de profundidad sirve para perforar agujeros a una profundidad uniforme. Afloje la empuñadura lateral e inserte el tope de profundidad en el agujero de la empuñadura lateral. Ajuste el tope de profundidad a la profundidad que desee y apriete la empuñadura lateral.

NOTA:

- El tope de profundidad no puede utilizarse en la posición donde golpea contra la caja del engranaje.

Guardapolvo (Fig. 19)


Utilice el guardapolvo para evitar que el polvo caiga sobre la herramienta y usted cuando realice operaciones de perforación elevadas. Coloque el guardapolvo en la broca como se muestra en la figura. El guardapolvo puede instalarse en brocas de los siguientes tamaños.

	Diámetro de la broca
Guardapolvo 5	6 mm – 14,5 mm
Guardapolvo 9	12 mm – 16 mm

006382

OPERACIÓN

Operación de perforación con percusión (Fig. 20)

Ponga el pomo de cambio del modo de accionamiento en el símbolo .

Coloque la broca en el lugar donde desee hacer el agujero y a continuación apriete el gatillo interruptor.

No fuerce la herramienta. Los mejores resultados se obtienen con una ligera presión.

Mantenga la herramienta en posición y evite que se deslice y salga del agujero.

No aplique más presión cuando el agujero se atasque con fragmentos o partículas. En su lugar, haga funcionar la herramienta sin ejercer presión, y después saque parcialmente la broca del agujero. Repitiendo esto varias veces, se limpiará el agujero y podrá reanudarse la perforación normal.

PRECAUCIÓN:

- En el momento de comenzar a penetrar, cuando se atasca el agujero con virutas y partículas, o cuando se topa contra varillas de refuerzo de hormigón armado, se ejerce una tremenda y repentina fuerza de torsión sobre la herramienta/broca. Utilice siempre la empuñadura lateral (mango auxiliar) y sujete la herramienta firmemente por ambas empuñaduras lateral y del interruptor durante las operaciones. En caso contrario podrá perder el control de la herramienta y posiblemente sufrir graves heridas.

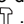
NOTA:

- Es posible que se produzca excentricidad en el giro de la broca mientras la herramienta funciona sin carga. La herramienta se vuelve a centrar automáticamente durante la operación. Esto no afecta a la precisión de perforación.

Soplador (accesorio opcional) (Fig. 21)

Después de perforar el agujero, utilice el soplador para extraer el polvo del agujero.

Desincrustar/decapar/demoler (Fig. 22)


Ponga el pomo de cambio del modo de accionamiento en el símbolo .

Sujete la herramienta firmemente con ambas manos. Encienda la herramienta y aplique una ligera presión sobre ella de forma que no rebote descontrolada. Presionando muy fuerte en la herramienta no aumentará la eficacia.

Perforación en madera o metal

Para el modelo DHR263 (Fig. 23 y 24)

Utilice el conjunto de mandril para taladro opcional. Cuando lo instale, consulte "Instalación o desmontaje de la broca" descrito en la página anterior.

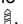
Ponga el pomo de cambio del modo de accionamiento de forma que el puntero apunte al símbolo .

Para el modelo DHR264 (Fig. 25)

Utilice el mandril de cambio rápido para taladro como equipo estándar.

Cuando lo instale, consulte "Cambio del mandril de cambio rápido para SDS-plus" descrito en la página anterior.

Sujete el anillo y gire el manguito hacia la izquierda para abrir las mordazas del mandril. Ponga la broca en el mandril a fondo. Sujete el anillo firmemente y gire el manguito hacia la derecha para apretar el mandril. Para desmontar la broca, sujete el anillo y gire el manguito hacia la izquierda.

Ponga el pomo de cambio del modo de accionamiento en el símbolo .

Se pueden perforar agujeros de hasta 13 mm de diámetro en metal y de hasta 32 mm de diámetro en madera.

PRECAUCIÓN:

- No utilice nunca "Giro con percusión" cuando esté instalado el conjunto de mandril para taladro en la herramienta. El conjunto de mandril para taladro podría dañarse. Además, el mandril para taladro se caerá cuando invierta el giro de la herramienta.
- Con ejercer una presión excesiva sobre la herramienta no conseguirá perforar más rápido. De hecho, esta presión excesiva sólo servirá para dañar la punta de la broca, disminuir el rendimiento de la herramienta y acortar su vida de servicio.
- En el momento de comenzar a penetrar se ejerce una tremenda fuerza de torsión sobre la herramienta/broca. Sujete la herramienta firmemente y tenga cuidado cuando la broca comience a penetrar en la pieza de trabajo.
- Una broca atascada podrá ser desmontada simplemente poniendo el interruptor de inversión en giro inverso para que retroceda. Sin embargo, la herramienta podrá retroceder bruscamente si no la sujeta firmemente.
- Sujete siempre las piezas de trabajo pequeñas en un tornillo de banco o herramienta de sujeción similar.

MANTENIMIENTO

PRECAUCIÓN:

- Asegúrese siempre de que la herramienta está apagada y el cartucho de batería desmontado antes de intentar realizar una inspección o mantenimiento.
- No utilice nunca gasolina, bencina, disolvente, alcohol o similares. Podría producir descoloración, deformación o grietas.

Reemplazo de las escobillas de carbón (Fig. 26 y 27)

Extraiga e inspeccione las escobillas de carbón regularmente. Reemplácelas cuando se hayan gastado hasta la marca límite. Mantenga las escobillas de carbón limpias de forma que entren libremente en los portaescobillas. Deberá reemplazar ambas escobillas de carbón al mismo tiempo. Utilice únicamente escobillas de carbón idénticas.

Utilice un destornillador para quitar los tapones portaescobillas. Extraiga las escobillas desgastadas, inserte las nuevas y vuelva a colocar los tapones portaescobillas.

Vuelva a instalar las cubiertas de la tapa del portaescobilla.

Para mantener la SEGURIDAD y la FIABILIDAD del producto, las reparaciones y cualquier otro mantenimiento o ajuste deberán ser realizados por los centros de servicio autorizado de Makita, siempre con piezas de repuesto de Makita.

ACCESORIOS OPCIONALES

PRECAUCIÓN:

- Estos accesorios o acoplamientos están recomendados para utilizar con la herramienta Makita especificada en este manual. La utilización de cualquier otro accesorio o acoplamiento podrá suponer un riesgo de sufrir heridas personales. Utilice los accesorios o acoplamientos solamente para el propósito que han sido diseñados.

Si necesita cualquier tipo de asistencia para obtener más detalles en relación con estos accesorios, pregunte al centro de servicio Makita local.

- Brocas con punta de carburo SDS-Plus
- Barreno
- Cortafíos
- Cíncel desincrustador
- Cortafío ranurador
- Conjunto de mandril para taladro
- Mandril para taladro S13
- Adaptador de mandril
- Llave de mandril S13
- Grasa para brocas
- Empuñadura lateral
- Tope de profundidad
- Soplador
- Guardapolvo
- Accesorio extractor de polvo
- Gafas de seguridad
- Maletín de transporte de plástico
- Mandril autoblocante para taladro
- Batería y cargador genuinos de Makita

NOTA:

- Algunos elementos de la lista podrán estar incluidos en el paquete de la herramienta como accesorios de serie. Pueden variar de un país a otro.

ENG905-1

Ruido

El nivel de ruido A-ponderado típico determinado de acuerdo con la norma EN60745:

Nivel de presión sonora (L_{pA}): 94 dB (A)

Nivel de potencia sonora (L_{WA}): 105 dB (A)

Incerteza (K): 3 dB (A)

Póngase protectores en los oídos

ENG900-1

Vibración

El valor total de la vibración (suma de vectores triaxiales) determinado de acuerdo con la norma EN60745:

Modelo DHR263

Modo tarea: taladrado con percusión en cemento

Emisión de vibración ($a_{h, HD}$): 14,5 m/s²
Incerteza (K): 1,5 m/s²

Modo tarea: cincelado

Emisión de vibración ($a_{h, Cheq}$): 14,0 m/s²
Incerteza (K): 1,5 m/s²

Modo tarea: taladrado en metal

Emisión de vibración ($a_{h, D}$): 3,0 m/s²
Incerteza (K): 1,5 m/s²

Modelo DHR264

Modo tarea: taladrado con percusión en cemento

Emisión de vibración ($a_{h, HD}$): 15,5 m/s²
Incerteza (K): 1,5 m/s²

Modo tarea: cincelado

Emisión de vibración ($a_{h, Cheq}$): 14,0 m/s²
Incerteza (K): 1,5 m/s²

Modo tarea: taladrado en metal

Emisión de vibración ($a_{h, D}$): 5,0 m/s²
Incerteza (K): 1,5 m/s²

ENG901-1

- El valor de emisión de vibración declarado ha sido medido de acuerdo con el método de prueba estándar y se puede utilizar para comparar una herramienta con otra.
- El valor de emisión de vibración declarado también se puede utilizar en una valoración preliminar de exposición.

ADVERTENCIA:

- La emisión de vibración durante la utilización real de la herramienta eléctrica puede variar del valor de emisión declarado dependiendo de las formas en las que la herramienta sea utilizada.
- Asegúrese de identificar medidas de seguridad para proteger al operario que estén basadas en una estimación de la exposición en las condiciones reales de utilización (teniendo en cuenta todas las partes del ciclo operativo tal como las veces cuando la herramienta está apagada y cuando está funcionando en vacío además del tiempo de gatillo).

ENH101-16

Para países europeos solamente

Declaración de conformidad CE

Makita Corporation como fabricante responsable declara que la(s) siguiente(s) máquina(s) de Makita:

Designación de máquina:

Martillo Rotativo Combinado Inalámbrico

Modelo N°/Tipo: DHR263, DHR264

son producidas en serie y

Cumplen con las directivas europeas siguientes:
2006/42/CE

Y que están fabricadas de acuerdo con las normas o documentos normalizados siguientes:
EN60745

Los documentos técnicos los guarda:

Makita International Europe Ltd.

Departamento técnico,

Michigan Drive, Tongwell,

Milton Keynes, Bucks MK15 8JD, Inglaterra

18.6.2013



Tomoyasu Kato
Director

Makita Corporation
3-11-8, Sumiyoshi-cho,
Anjo, Aichi, 446-8502, JAPAN

Explicação geral

1	Indicador vermelho	13	Mandril de perfuração de mudança rápida	26	Cobertura do mandril
2	Botão	14	Rotação com martelo	27	Símbolo ○
3	Cartucho da bateria	15	Só rotação	28	Botão de mudança do modo de acção
4	Marcação de estrela	16	Só martelo	29	Guia de profundidade
5	Indicador da bateria	17	Base do punho	30	Recipiente para o pó
6	Gatilho do interruptor	18	Dente	31	Soprador
7	Lâmpada	19	Desapertar	32	Adaptador do mandril
8	Alavanca do interruptor de inversão	20	Apertar	33	Mandril de perfuração
9	Mandril de mudança rápida para SDS-plus	21	Punho lateral	34	Manga
10	Linha de cobertura de mudança	22	Protuberância	35	Anel
11	Cobertura de mudança	23	Encaixe da broca	36	Marca limite
12	Veio	24	Lubrificante de brocas	37	Tampa do porta-escovas
		25	Broca	38	Chave de parafusos

ESPECIFICAÇÕES

Modelo		DHR263	DHR264
Capacidades	Cimento	26 mm	
	Madeira	13 mm	
	Aço	32 mm	
Velocidade em vazio (min ⁻¹)		0 – 1.250	
Impactos por minuto		0 – 5.000	
Comprimento total		350 mm	374 mm
Peso		4,6 kg	4,7 kg
Voltagem nominal		36 V C.C	

- Devido a um programa contínuo de pesquisa e desenvolvimento, estas especificações podem ser alteradas sem aviso prévio.
- As especificações e a bateria podem diferir de país para país.
- Peso, com a bateria, de acordo com o Procedimento 01/2003 da EPTA (European Power Tool Association)

ENE043-1

Utilização pretendida

A ferramenta foi concebida para perfuração de martelo e perfuração em tijolo, cimento e pedra assim como para cinzelar certos trabalhos.

Também pode ser utilizada para perfuração sem impacto em madeira, metal, cerâmica e plástico.

GEA010-1

Avisos gerais de segurança para ferramentas eléctricas

⚠ AVISO! Leia todos os avisos de segurança e todas as instruções. O não cumprimento de todos os avisos e instruções pode originar choque eléctrico, incêndio e/ou ferimentos graves.

Guarde todos os avisos e instruções para futuras referências.

AVISOS DE SEGURANÇA PARA O MARTELETE ROTATIVO A BATERIA

1. **Use protectores para os ouvidos.** A exposição ao ruído pode causar perda de audição.
2. **Utilize pega(s) auxiliar(es), se fornecida(s) com a ferramenta.** A perda de controlo pode causar danos pessoais.
3. **Agarre na ferramenta eléctrica pelos punhos isolados ao realizar uma operação onde o acessório de corte possa tocar em fios eléctricos escondidos ou no seu próprio fio.** O contacto do acessório de corte com um fio "ligado" poderá carregar as partes metálicas da ferramenta e causar choque eléctrico no operador.
4. **Use um capacete (de segurança), óculos de segurança e/ou uma máscara para a cara.** Óculos normais ou de sol NÃO são óculos de segurança. Também se recomenda muito a utilização de máscara contra o pó e luvas bem almofadadas.
5. **Certifique-se de que a broca está bem presa antes de começar a operação.**
6. **Em condições normais a ferramenta produz vibração.** Os parafusos podem facilmente soltarem-se causando um acidente ou avaria. **Verifique cuidadosamente o aperto dos parafusos antes da operação.**

GEB046-2

7. Em tempo frio ou quando a ferramenta não foi utilizada durante muito tempo, deixe a ferramenta aquecer durante certo tempo antes de a utilizar. Para a lubrificar. Sem isso, a operação será difícil.
8. Mantenha-se sempre em equilíbrio. Certifique-se que ninguém está por baixo quando trabalha em locais altos.
9. Agarre na ferramenta firmemente com as duas mãos.
10. Mantenha as mãos afastadas das partes rotativas.
11. Não deixe a ferramenta funcionar. Só funcione com a ferramenta quando a estiver a agarrar.
12. Não aponte a ferramenta a ninguém perto quando estiver a trabalhar. A broca pode soltar-se e ferir alguém.
13. Não toque na broca ou partes próximas depois da operação, podem estar quentes e queimar a sua pele.
14. Alguns materiais contêm químicos que podem ser tóxicos. Tenha cuidado para evitar inalação de pó e contacto com a pele. Cumpra os dados de segurança do fornecedor do material.

GUARDE ESTAS INSTRUÇÕES.

AVISO:

NÃO permita que conforto ou familiaridade com o produto (adquirido com o uso repetido) substitua a aderência estrita às regras de segurança da ferramenta. **MÁ INTERPRETAÇÃO** ou não seguimento das regras de segurança estabelecidas neste manual de instruções pode causar danos pessoais sérios.

ENC007-8

IMPORTANTES INSTRUÇÕES DE SEGURANÇA

PARA A BATERIA

1. Antes de utilizar a bateria, leia todas as instruções e etiquetas de precaução no (1) carregador de bateria (2) bateria e (3) produto que utiliza a bateria.
2. Não abra a bateria.
3. Se o tempo de funcionamento se tornar excessivamente curto, pare o funcionamento imediatamente. Pode resultar em sobreaquecimento, possíveis queimaduras e mesmo explosão.
4. Se entrar electrólito nos seus olhos, lave-os com água e consulte imediatamente um médico. Pode resultar em perda de visão.
5. Não corte-circuite a bateria:
 - (1) Não toque nos terminais com qualquer material condutor.
 - (2) Evite guardar a bateria juntamente com outros objectos metálicos tais como pregos, moedas, etc.
 - (3) Não exponha a bateria à água ou chuva. Um curto-circuito pode ocasionar um enorme fluxo de corrente, sobreaquecimento, possíveis queimaduras e mesmo estragar-se.
6. Não guarde a ferramenta e a bateria em locais onde a temperatura pode atingir ou exceder 50°C.

7. Não queime a bateria mesmo que esteja estragada ou completamente gasta. A bateria pode explodir no fogo.
8. Tenha cuidado para não deixar cair ou dar pancadas na bateria.
9. Não utilize uma bateria danificada.
10. Siga os seus regulamentos locais relativos à eliminação da bateria.

GUARDE ESTAS INSTRUÇÕES.

Conselhos para manter a máxima vida útil da bateria

1. Carregue a bateria antes que esteja completamente descarregada. Pare sempre o funcionamento da ferramenta e carregue a bateria quando notar menos poder na ferramenta.
2. Nunca carregue uma bateria completamente carregada. Carregamento excessivo diminui a vida útil da bateria.
3. Carregue a bateria à temperatura ambiente de 10°C – 40°C. Deixe que uma bateria quente arrefeça antes de a carregar.
4. Carregue a bateria uma vez a cada seis meses se não for utilizá-la por um longo período de tempo.

DESCRIÇÃO DO FUNCIONAMENTO

PRECAUÇÃO:

- Certifique-se sempre de que a ferramenta está desligada e o cartucho da bateria retirado antes de ajustar ou verificar o seu funcionamento.

Instalar ou retirar o cartucho da bateria (Fig. 1)

PRECAUÇÃO:

- Desligue sempre a ferramenta antes de instalar ou retirar o cartucho da bateria.
- **Segure firmemente na ferramenta e no cartucho da bateria quando instalar ou retirar o cartucho da bateria.** Se não segurar firmemente na ferramenta e no cartucho da bateria, eles podem escorregar das suas mãos e cair provocando danos na ferramenta e no cartucho da bateria assim como acidente pessoal.

Para retirar o cartucho da bateria, deslize-o da ferramenta enquanto desliza o botão na parte da frente do cartucho.

Para instalar o cartucho da bateria, alinhe a lingueta no cartucho da bateria com o entalhe na caixa e deslize-o para o lugar. Insira-o por completo até bloquear no lugar com um pequeno estalido. Se conseguir ver o indicador vermelho no lado superior do botão, não está bloqueado completamente.

PRECAUÇÃO:

- Instale sempre o cartucho da bateria por completo até o indicador vermelho não ser visto. Se isso não acontecer, pode cair acidentalmente da ferramenta, causando-lhe ferimentos a si ou alguém perto de si.
- Não instale o cartucho da bateria fazendo força. Se o cartucho não deslizar facilmente, não está a ser inserido correctamente.

NOTA:

- A ferramenta não funciona apenas com um cartucho da bateria.

Sistema de protecção da ferramenta/bateria

A ferramenta está equipada com um sistema de protecção da ferramenta/bateria.

Este sistema corta automaticamente a corrente para o motor para aumentar a vida da bateria.

A ferramenta pára automaticamente durante o funcionamento se a ferramenta ou a bateria forem colocadas sob uma das seguintes condições. Em algumas condições, os indicadores acendem.

Protecção contra sobrecarga

Quando a ferramenta é utilizada de tal forma que provoque uma corrente anormalmente elevada, a ferramenta pára automaticamente sem qualquer indicação. Nesta situação, desligue a ferramenta e pare a aplicação que provocou a sobrecarga na ferramenta. Depois, volte a ligar a ferramenta para reiniciar.

Protecção contra sobreaquecimento da bateria

Quando a bateria indica sobreaquecimento, a ferramenta pára automaticamente sem qualquer indicação. A ferramenta não inicia mesmo quando se puxa o gatilho do interruptor. Nesta situação, deixe a bateria arrefecer antes de voltar a ligar a ferramenta.

NOTA:

- A protecção contra sobreaquecimento da bateria só funciona com um cartucho da bateria que tenha uma marcação de estrela. (Fig. 2)

Protecção contra sobredescarga (Fig. 3)

Quando a capacidade restante da bateria é baixa, o indicador da bateria pisca no lado aplicável da bateria. Se continuar a utilizá-la, a ferramenta pára e o indicador da bateria acende durante cerca de 10 segundos. Nesta situação, carregue o cartucho da bateria.

Acção do interruptor (Fig. 4)

⚠ PRECAUÇÃO:

- Antes de inserir o cartucho da bateria na ferramenta, verifique sempre se o gatilho do interruptor funciona correctamente e volta à posição "OFF" (desligado) quando libertado.

Para ligar a ferramenta, carregue simplesmente no gatilho do interruptor. A velocidade da ferramenta aumenta de acordo com a pressão no gatilho do interruptor. Liberte o gatilho do interruptor para parar.

Acender a lâmpada (Fig. 5)

⚠ PRECAUÇÃO:

- Não olhe para a luz ou para a fonte de iluminação directamente.

Puxe o gatilho do interruptor para acender a lâmpada. A lâmpada continua a acender enquanto o gatilho do interruptor estiver a ser apertado.

A luz apaga-se automaticamente 10 a 15 segundos depois de o gatilho do interruptor ser libertado.

NOTA:

- Use um pano seco para limpar a sujidade da lente da lâmpada. Tenha cuidado para não riscar a lente da lâmpada ou pode diminuir a iluminação.
- Não use diluente nem gasolina para limpar a lâmpada. Esses solventes podem danificá-la.

Acção do interruptor de inversão (Fig. 6)

Esta ferramenta tem um interruptor de inversão para mudar a direcção de rotação. Carregue na alavanca do interruptor de inversão do lado A para rotação para a direita ou do lado B para rotação para a esquerda.

Quando a alavanca do interruptor de inversão estiver na posição neutra, o gatilho do interruptor não pode ser carregado.

⚠ PRECAUÇÃO:

- Verifique sempre a direcção de rotação antes da operação.
- Utilize o interruptor de inversão só depois da ferramenta estar completamente parada. Mudar a direcção de rotação antes da ferramenta parar pode danificá-la.
- Quando não operar a ferramenta, regule sempre a alavanca do interruptor de inversão para a posição neutra.

Mudar o mandril de mudança rápida para SDS-plus

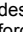

Para o modelo DHR264

O mandril de mudança rápida para SDS-plus pode ser facilmente trocado pelo mandril de perfuração de mudança rápida.

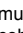
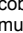
Retirar o mandril de mudança rápida para SDS-plus (Fig. 7)

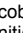
⚠ PRECAUÇÃO:

- Antes de retirar o mandril de mudança rápida para SDS-plus, retire sempre a broca.

Agarre na cobertura de mudança do mandril de mudança rápida para SDS-plus e rode-a na direcção da seta até que a linha da cobertura de mudança se desloque do símbolo  para o símbolo . Puxe com força na direcção da seta.

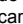
Instalar o mandril de perfuração de mudança rápida (Fig. 8)

Verifique se a linha do mandril de perfuração de mudança rápida indica o símbolo . Agarre na cobertura de mudança do mandril de perfuração de mudança rápida e regule a linha para o símbolo . Coloque o mandril de perfuração de mudança rápida no veio da ferramenta.

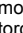
Agarre na cobertura de mudança do mandril de perfuração de mudança rápida e rode a linha da cobertura de mudança para o símbolo  até ouvir nitidamente um clique.

Seleccção do modo de acção

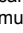
Rotação com martelo (Fig. 9)

Para perfuração em cimento, alvenaria, etc., carregue no botão de bloqueio e rode o botão de mudança do modo de acção para o símbolo . Utilize uma broca de carboneto de tungsténio.

Só rotação (Fig. 10)

Para perfuração em madeira, metal ou plástico, carregue no botão de bloqueio e rode o botão de mudança do modo de acção para o símbolo . Utilize uma broca de torção ou broca de madeira.

Só martelo (Fig. 11)

Para operações de lascas, descasque ou demolição, carregue no botão de bloqueio e rode o botão de mudança do modo de acção para o símbolo . Utilize um ponteiro, cinzel para ferreiro, cinzel para descasque, etc.

PRECAUÇÃO:

- Não rode o botão de mudança do modo de acção quando a ferramenta estiver a funcionar. A ferramenta ficará danificada.
- Para evitar o desgaste rápido do mecanismo de mudança de modo, certifique-se de que o botão de mudança do modo de acção está sempre bem colocado numa das três posições do modo de acção.

Limitador de binário

O limitador de binário actua quando é atingido um certo nível de binário. O motor solta-se do veio exterior. Quando isso acontece, a broca pára de rodar.

PRECAUÇÃO:

- Assim que o limitador de binário actua, desligue imediatamente a ferramenta. Isto ajudará a evitar o desgaste prematuro da ferramenta.
- Serras de orifício não podem ser utilizadas com esta ferramenta. Elas têm tendência a prender ou agarrar-se facilmente no orifício. Isto obrigará o limitador de binário a actuar muito frequentemente.

MONTAGEM

PRECAUÇÃO:

- Certifique-se sempre de que a ferramenta está desligada e o cartucho da bateria retirado antes de efectuar qualquer trabalho na ferramenta.

Punho lateral (pega auxiliar) (Fig. 12)

PRECAUÇÃO:

- Utilize sempre o punho lateral para assegurar uma operação segura.

Instale o punho lateral de modo que os dentes no punho encaixem entre as protuberâncias no canhão da ferramenta. Em seguida, aperte o punho rodando para a direita até à posição desejada. Pode ser rodado 360° e preso em qualquer posição.

Lubrificante de brocas

Cubra o cabeçote do encaixe da broca antecipadamente com uma pequena quantidade de lubrificante de brocas (cerca de 0,5 – 1 g). Esta lubrificação do mandril assegura uma acção mais suave e maior duração.

Instalar ou retirar a broca

Limpe o encaixe da broca e aplique lubrificante antes de instalar a broca. (Fig. 13)


Coloque a broca na ferramenta. Rode a broca e empurre-a até que se encaixe.

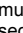
Se a broca não puder ser empurrada, retire-a. Puxe a cobertura do mandril para baixo um par de vezes. Em seguida, volte a inserir a broca. Rode a broca e empurre-a até que se encaixe. (Fig. 14)

Depois de instalar, certifique-se sempre de que a broca está bem presa no seu lugar tentando tirá-la para fora.

Para retirar a broca, puxe a cobertura do mandril totalmente para baixo e tire a broca. (Fig. 15)

Ângulo da broca (para lascas, descascar ou demolir) (Fig. 16 e 17)

A broca pode ser presa no ângulo desejado. Para mudar o ângulo da broca, carregue no botão de bloqueio e rode o botão de mudança do modo de acção para o símbolo . Rode a broca para o ângulo desejado.

Carregue no botão de bloqueio e rode o botão de mudança do modo de acção para o símbolo . Em seguida, certifique-se de que a broca está bem presa no seu lugar rodando-a ligeiramente.

Guia de profundidade (Fig. 18)

A guia de profundidade é conveniente para perfurar orifícios de profundidade uniforme. Desaperte o punho lateral e insira a guia de profundidade no orifício no punho lateral. Regule a guia de profundidade para a profundidade desejada e aperte o punho lateral.

NOTA:

- A guia de profundidade não pode ser utilizada na posição em que bate contra a caixa da engrenagem.

Recipiente para o pó (Fig. 19)


Utilize o recipiente para o pó para evitar que o pó caia sobre a ferramenta e em si quando executa perfurações em locais acima da altura da cabeça. Instale o recipiente para o pó à broca como ilustrado na figura. O tamanho das brocas a que o recipiente para o pó pode ser instalado é o seguinte.

	Diâmetro da broca
Recipiente para o pó 5	6 mm – 14,5 mm
Recipiente para o pó 9	12 mm – 16 mm

006382

OPERAÇÃO

Perfuração com martelo (Fig. 20)

Coloque o botão de mudança do modo de acção no símbolo .

Coloque a broca na posição desejada para o orifício e carregue no gatilho do interruptor.

Não force a ferramenta. Pressão ligeira oferece melhores resultados.

Mantenha a ferramenta em posição e evite que deslize para fora do orifício.

Não aplique mais pressão quando o orifício fica bloqueado com aparas ou partículas. Em vez disso, coloque a ferramenta em ponto morto, e retire a broca parcialmente do orifício. Repetindo isto várias vezes, o orifício ficará limpo e pode voltar para a perfuração normal.

PRECAUÇÃO:

- Uma força de torção enorme e repentina é exercida na ferramenta/broca na altura em que faz o orifício, quando o orifício fica bloqueado com aparas ou partículas ou quando bate em varões reforçados no cimento. Utilize sempre o punho lateral (peça auxiliar) e segure a ferramenta firmemente pelo punho lateral e pela pega interruptora durante as operações. Se não o fizer, pode resultar em perda de controlo da ferramenta e potencialmente danos severos.


NOTA:

- Pode ocorrer excentricidade na rotação da broca quando opera a ferramenta sem carga. A ferramenta centra-se automaticamente durante a operação. Isto não afecta a precisão da perfuração.

Soprador (acessório opcional) (Fig. 21)

Depois de perfurar o orifício, utilize o soprador para retirar o pó do orifício.

Lascar/Descascar/Demolir (Fig. 22)

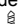
Coloque o botão de mudança do modo de acção no símbolo .

Agarre na ferramenta firmemente com as duas mãos. Ligue a ferramenta e aplique pressão ligeira na ferramenta de modo a que não salte descontrolada. Pressionar demasiado na ferramenta não aumentará a eficiência.

Perfurar em madeira ou metal

Para o modelo DHR263 (Fig. 23 e 24)

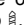
Utilize o conjunto do mandril de perfuração opcional. Quando o instala, refira-se a "Instalar ou retirar a broca" descrito na página anterior.

Coloque o botão de mudança do modo de acção a fim de que o indicador aponte para o símbolo .

Para o modelo DHR264 (Fig. 25)

Utilize o mandril de perfuração de mudança rápida como equipamento padrão.

Quando o instala, refira-se a "Mudar o mandril de mudança rápida para SDS-plus" descrito na página anterior.

Agarre no anel e rode a manga para a esquerda para abrir as garras do mandril. Coloque a broca no mandril até onde puder ir. Agarre no anel com firmeza e rode a manga para a direita para apertar o mandril. Para retirar a broca, agarre no anel e rode a manga para a esquerda. Coloque o botão de mudança do modo de acção no símbolo .

Pode perfurar até 13 mm de diâmetro em metal e até 32 mm de diâmetro em madeira.

PRECAUÇÃO:

- Nunca utilize "Rotação com martelo" se o conjunto do mandril de perfuração estiver instalado na ferramenta. O conjunto do mandril de perfuração pode ser danificado. Além disso, o mandril de perfuração pode saltar quando inverter a direcção de rotação da ferramenta.
- Não acelerará a perfuração se exercer demasiada pressão na ferramenta. Se o fizer, poderá danificar a ponta da broca, diminuir o desempenho da ferramenta e encurtar o tempo de vida útil da ferramenta.
- No momento de atravessar o orifício, exercer-se-á uma enorme força de torção na ferramenta/broca. Segure a ferramenta com firmeza e tenha cuidado quando a broca começar a atravessar a peça de trabalho.
- Uma broca presa pode ser retirada colocando-se simplesmente o interruptor de inversão para rotação inversa e fazê-la sair. No entanto, a ferramenta pode saltar para trás de repente se não a agarrar firmemente.
- Prenda sempre peças de trabalho pequenas num torno ou dispositivo de fixação similar.

MANUTENÇÃO

PRECAUÇÃO:

- Certifique-se sempre que a ferramenta está desligada e o cartucho da bateria retirado antes de fazer a inspecção ou manutenção.
- Nunca use gasolina, benzina, diluente, álcool ou produtos semelhantes. Pode ocorrer a descoloração, deformação ou fissuras.

Substituição das escovas de carvão (Fig. 26 e 27)

Retire e verifique as escovas de carvão regularmente. Substitua quando o desgaste atingir a marca limite. Mantenha as escovas de carvão limpas e livres para deslizarem nos porta-escovas. Ambas as escovas de carvão devem ser substituídas ao mesmo tempo. Utilize somente escovas de carvão idênticas.

Utilize uma chave de parafusos para retirar as tampas do porta-escovas. Retire as escovas de carvão gastas, coloque as novas e feche as tampas dos porta-escovas.

Volte a montar as tampas da cobertura do suporte na ferramenta.

Para manter a SEGURANÇA e FIABILIDADE, as reparações e outras acções de manutenção ou ajustes devem ser executados pelos Centros de assistência autorizados da Makita, utilizando sempre peças de substituição Makita.

ACESSÓRIOS OPCIONAIS

PRECAUÇÃO:

- Estes acessórios ou acoplamentos são recomendados para uso na ferramenta Makita especificada neste manual. A utilização de quaisquer outros acessórios ou acoplamentos poderá ser perigosa para o operador. Utilize o acessório ou acoplamento apenas para o fim a que se destina.

Se necessitar de informações adicionais acerca destes acessórios, solicite-as ao seu centro de assistência local da Makita.

- Brocas de carboneto SDS-Plus
- Ponteiro
- Cinzel para ferro
- Cinzel para descasque
- Cinzel para ranhuras
- Conjunto do mandril de perfuração
- Mandril de perfuração S13
- Adaptador do mandril
- Chave do mandril S13
- Lubrificante de brocas
- Punho lateral
- Guia de profundidade
- Soprador
- Recipiente para o pó
- Acoplamento para extracção de pó
- Óculos de segurança
- Mala de plástico para transporte
- Mandril de berbequim sem chave
- Bateria e carregador genuínos da Makita

NOTA:

- Alguns itens da lista podem estar incluídos na embalagem da ferramenta como acessórios padrão. Eles podem variar de país para país.

Ruído

A característica do nível de ruído A determinado de acordo com EN60745:

Nível de pressão de som (L_{pA}): 94 dB (A)

Nível do som (L_{WA}): 105 dB (A)

Variabilidade (K): 3 dB (A)

Utilize protectores para os ouvidos

ENG900-1

Vibração

O valor total da vibração (soma vectorial tri-axial) determinado de acordo com EN60745:

Modelo DHR263

Modo de funcionamento: perfuração com martelo em cimento

Emissão de vibração ($a_{h, HD}$): 14,5 m/s²

Variabilidade (K): 1,5 m/s²

Modo de funcionamento: cinzelamento

Emissão de vibração ($a_{h, CHeg}$): 14,0 m/s²

Variabilidade (K): 1,5 m/s²

Modo de funcionamento: perfuração em metal

Emissão de vibração ($a_{h, D}$): 3,0 m/s²

Variabilidade (K): 1,5 m/s²

Modelo DHR264

Modo de funcionamento: perfuração com martelo em cimento

Emissão de vibração ($a_{h, HD}$): 15,5 m/s²

Variabilidade (K): 1,5 m/s²

Modo de funcionamento: cinzelamento

Emissão de vibração ($a_{h, CHeg}$): 14,0 m/s²

Variabilidade (K): 1,5 m/s²

Modo de funcionamento: perfuração em metal

Emissão de vibração ($a_{h, D}$): 5,0 m/s²

Variabilidade (K): 1,5 m/s²

ENG901-1

- O valor da emissão de vibração indicado foi medido de acordo com o método de teste padrão e pode ser utilizado para comparar duas ferramentas.
- O valor da emissão de vibração indicado pode também ser utilizado na avaliação preliminar da exposição.

⚠ AVISO:

- A emissão de vibração durante a utilização real da ferramenta eléctrica pode diferir do valor de emissão indicado, dependendo das formas como a ferramenta é utilizada.
- Certifique-se de identificar as medidas de segurança para protecção do operador que sejam baseadas em uma estimativa de exposição em condições reais de utilização (considerando todas as partes do ciclo de operação, tal como quando a ferramenta está desligada e quando está a funcionar em marcha lenta além do tempo de accionamento).

Só para países Europeus

Declaração de conformidade CE

Nós, a Makita Corporation, fabricante responsável, declaramos que a(s) seguinte(s) ferramenta(s) Makita:

Designação da ferramenta:

Martetele Combinado A Bateria

Modelos n.º/Tipo: DHR263, DHR264

são de produção de série e

Em conformidade com as seguintes directivas europeias:

2006/42/EC

E estão fabricados de acordo com as seguintes normas ou documentos normativos:

EN60745

A documentação técnica é mantida pelo:

Makita International Europe Ltd.

Departamento técnico,

Michigan Drive, Tongwell,

Milton Keynes, Bucks MK15 8JD, Inglaterra

18.6.2013



Tomoyasu Kato

Director

Makita Corporation

3-11-8, Sumiyoshi-cho,
Anjo, Aichi, 446-8502, JAPAN

Illustrationsoversigt

1 Rød indikator	14 Rotation med hammerboring	28 Knap til ændring af funktionsmåde
2 Knap	15 Kun rotation	29 Dybdeanslag
3 Akku	16 Kun hammerboring	30 Støvsopsamler
4 Stjernemærke	17 Grebbase	31 Udblæsningskugle
5 Akku-indikator	18 Tænder	32 Boradapter
6 Afbryder	19 Løsn	33 Borpatron
7 Lampe	20 Stram	34 Manchet
8 Omdrejningsvælger	21 Sidegreb	35 Ring
9 Hurtigskift-borpatron for SDS-plus	22 Fremspring	36 Grænsemærkning
10 Skiftedæksellinje	23 Borskraft	37 Kulholderbørste
11 Skiftedæksel	24 Smørelse til bor	38 Skruetrækker
12 Spindel	25 Bor	
13 Hurtigskift-borpatron	26 Borpatrondæksel	
	27 ○ symbol	

SPECIFIKATIONER

Model		DHR263	DHR264
Kapacitet	Beton	26 mm	
	Stål	13 mm	
	Træ	32 mm	
Omdrejninger (ubelastet) (min ⁻¹)		0 – 1 250	
Slagantal (min)		0 – 5 000	
Længde		350 mm	374 mm
Vægt		4,6 kg	4,7 kg
Spænding		D.C. 36 V	

- På grund af vores kontinuerlige forskningsprogrammer og udvikling, kan hosstående specifikationer blive ændret uden varsel.
- Specifikationer og akku kan variere fra land til land.
- Vægt inklusive akku, i henhold til EPTA-Procedure 01/2003

GEB046-2

ENE043-1

Tilsigtet anvendelse

Denne maskine er beregnet til hammerboring og boring i mursten, beton og sten samt til mejselarbejde. Den er også egnet til boring uden slag i træ, metal, keramik og plastmaterialer.

GEA010-1

Almindelige sikkerhedsregler for el-værktøj

⚠ ADVARSEL! Læs alle sikkerhedsadvarsler og alle sikkerhedsinstruktioner. Hvis nedenstående advarsler og instruktioner ikke overholdes, kan resultatet blive elektrisk stød, brand og/eller alvorlig personskade.

Gem alle advarsler og instruktioner til fremtidig reference.

SIKKERHEDSFORSKRIFTER FOR AKKU BOREHAMMER

1. **Brug høreværn.** Udsættelse for støj kan medføre høretab.
2. **Brug hjælpéhåndtaget (-håndtagene), hvis sådanne følger med maskinen.** Hvis De mister herredømmet over maskinen, er der risiko for, at De kan komme alvorligt til skade.
3. **Hold altid et el-værktøj i dets isolerede håndtagsflader, når du udfører et arbejde, hvor skæreværktøjet kan komme i berøring med dets egen ledning.** Hvis skæreværktøjet kommer i berøring med en strømførende ("live") ledning, kan el-værktøjets udsatte metaldele blive strømførende og give operatøren stød.
4. **Bær stålhelm (sikkerhedshjelm), sikkerhedsbriller og/eller ansigtsmaske.** Almindelige briller eller solbriller er **IKKE** sikkerhedsbriller. Det anbefales også stærkt, at De bruger støvmaske og kraftige, polstrede handsker.
5. **Sørg for, at boret sidder godt fast, inden De begynder at arbejde.**
6. **Under normal anvendelse vil maskinen frembringe vibrationer.** Skruerne kan nemt løsne sig, hvilket kan føre til maskinsammenbrud eller en ulykke. Kontroller altid omhyggeligt, at skruerne er stramme, inden De begynder at bruge maskinen.

7. I koldt vejr eller hvis maskinen ikke har været anvendt i et længere tidsrum, skal De give maskinen tid til varme op i et stykke tid ved at lade den køre ubelastet. Dette vil løse smørelsen. Uden ordentlig opvarmning vil hammerarbejde være vanskeligt.
 8. Sørg altid for at have et godt fodfæste. Sørg for, at der ikke befinder sig nogen personer nedenunder, når De arbejder i højden.
 9. Hold altid godt fast i maskinen med begge hænder.
 10. Hold hænderne væk fra de bevægelige dele.
 11. Lad ikke maskinen køre, når den ikke skal bruges. Anvend kun maskinen håndholdt.
 12. Ret ikke maskinen mod nogen i området, når De arbejder. Boret kan blive slynget ud, hvorved omkringstående kan komme til skade.
 13. Lad være med at røre ved boret eller nogen af de dele, som er tæt ved boret, umiddelbart efter anvendelsen. De kan være meget varme og være årsag til hudforbrændinger.
 14. En del materialer indeholder kemikalier, som kan være giftige. Sørg for at forhindre inhalering af støv og kontakt med huden. Følg fabrikantens sikkerhedsforskrifter.
6. Opbevar ikke maskinen og akkuen på et sted, hvor temperaturen kan nå eller overstige 50°C.
 7. Lad være med at brænde akkuen, selv ikke i tilfælde, hvor den har lidt alvorlig skade eller er fuldstændig udtjent. Akkuen kan eksplodere, hvis man forsøger at brænde den.
 8. Lad være med at brænde akkuen eller udsætte den for stød.
 9. Anvend ikke en beskadiget akku.
 10. Følg de lokale regler angående bortskaffelse af akku'er.

GEM DISSE FORSKRIFTER.

Tips til opnåelse af maksimal akku-levetid

1. Oplad altid akkuen, inden den er helt afladet. Stop altid maskinen og oplad akkuen, hvis det bemærkes, at maskineffekten er dalende.
2. Genoplad aldrig en fuldt opladet akku. Overopladning vil afkorte akkuens levetid.
3. Oplad akkuen ved stuetemperatur ved 10°C – 40°C. Lad altid en varm akku få tid til at køle af, inden den oplades.
4. Oplad akkuen én gang hver sjette måned, hvis De ikke bruger den i lang tid.

GEM DISSE FORSKRIFTER.

⚠ ADVARSEL:

LAD IKKE bekvemmelighed eller kendskab til produktet (opnået gennem gentagen brug) forhindre, at sikkerhedsforskrifterne for produktet nøje overholdes. MISBRUG eller forsømmelse af at følge de i denne brugsvejledning givne sikkerhedsforskrifter kan føre til, at De kommer alvorligt til skade.

ENC007-8

VIGTIGE SIKKERHEDSFORSKRIFTER

FOR AKKU

1. Læs alle instruktioner og advarselmærkater på (1) akku opladeren, (2) akku og (3) produktet, som anvender akku.
2. Lad være med at skille akkuen ad.
3. Hold straks op med at anvende opladeren, hvis brugstiden er blevet stærkt afkortet. Fortsat anvendelse kan resultere i risiko for overophedning, forbrændinger og endog eksplosion.
4. Hvis De har fået elektrolytvæske i øjnene, skal De straks skylle den ud med rent vand og derefter øjeblikkeligt søge lægehjælp. I modsat fald kan resultatet blive, at De mister synet.
5. Vær påpasselig med ikke at komme til at kortslutte akkuen:
 - (1) Rør ikke ved terminalerne med noget ledende materiale.
 - (2) Undgå at opbevare akkuen i en beholder sammen med andre genstande af metal, som for eksempel søm, mønter og lignende.
 - (3) Udsæt ikke akkuen for vand eller regn. Kortslutning af akkuen kan være årsag til en kraftig øgning af strømmen, overophedning, mulige forbrændinger og endog maskinstop.

FUNKTIONSBESKRIVELSE

⚠ FORSIGTIG:

- Kontroller altid, at maskinen er slået fra og at akkuen er fjernet, før der udføres justeringer eller kontrolleres funktioner på maskinen.

Installation eller fjernelse af akku (Fig. 1)

⚠ FORSIGTIG:

- Slå altid maskinen fra, inden akkuen installeres eller fjernes.
- Hold godt fast i maskinen og akkuen, når akkuen installeres eller fjernes. Forsømmelse af at holde godt fast i maskinen og akkuen kan bevirke, at De mister grebet om dem med beskadigelse af maskinen og akkuen og tilskadekomst som resultat.

For at fjerne akkuen, skal man skyde den fra maskinen, idet man skyder knappen på forsiden af akkuen i stilling. For at installere akkuen, skal man sætte tungen på akkuen ud for rillen i huset og skyde den på plads. Sæt den hele vejen ind, så den låses på plads med et lille klik. Hvis den røde indikator på oversiden af knappen er synlig, betyder det, at den ikke er helt låst.

⚠ FORSIGTIG:

- Sæt altid akkuen helt ind, så den røde indikator ikke kan ses. Hvis den ikke er sat helt ind, kan den ved et uheld falde ud af maskinen, hvorved omkringstående eller De selv kan komme til skade.
- Sæt ikke akkuen i med magt. Hvis akkuen ikke glider nemt på plads, betyder det, at den ikke sættes korrekt i.

BEMÆRK:

- Maskinen fungerer ikke med brug af kun én akku.

Beskyttelsessystem for maskine/akku

Maskinen er udstyret med et beskyttelsessystem for maskinen/akku.

Dette system afbryder automatisk strømmen til motoren og forlænger dermed maskinens og akkuens levetid.

Maskinen stopper automatisk under brugen, hvis maskinen eller akkuen bruges under en af de følgende omstændigheder. Under visse omstændigheder vil indikatorerne blive tændt.

Beskyttelse mod overbelastning

Hvis maskinen anvendes på en måde, der bevirker, at den forbruger en unormal mængde strøm, vil den automatisk stoppe uden nogen indikering. I denne situation skal man slukke for maskinen og stoppe den anvendelse, som bevirkede at maskinen blev overbelastet. Start derefter maskinen igen ved at tænde for den.

Overophedningsbeskyttelse for akku

Hvis akkuen er overophedet, vil maskinen automatisk stoppe uden nogen indikering. Maskinen starter ikke, selv hvis afbryderen trykkes ind. I denne situation skal man lade akkuen køle af, inden man igen tænder for maskinen.

BEMÆRK:

- Beskyttelsen mod overophedning af akkuen fungerer kun med en akku, der har stjernemærke. (Fig. 2)

Beskyttelse mod overafledning (Fig. 3)

Når den tilbageværende akku-kapacitet er blevet lav, vil akku-indikatoren blinke på den anvendte akku-side. Ved yderligere anvendelse stopper maskinen og akku-indikatoren lyser i omkring 10 sekunder. I denne situation skal man oplade akkuen.

Afbryderfunktion (Fig. 4)

⚠ FORSIGTIG:

- Før De sætter akkuen i maskinen, skal De kontrollere, at afbryderen fungerer korrekt og går tilbage til stilling "OFF", når den slippes.

For at starte maskinen, trykker man ganske enkelt på afbryderen. Maskinens hastighed øges ved at man øger trykket på afbryderen. Slip afbryderen for at stoppe.

Tænding af lampen (Fig. 5)

⚠ FORSIGTIG:

- Se ikke ind i lyset eller direkte ind i lyskilden.

For at tænde lampen, skal man trykke på afbryderknappen. Lampen bliver ved med at lyse, mens afbryderknappen er trykket ind.

Lyset slukker automatisk 10 – 15 sekunder efter at afbryderen er sluppet.

BEMÆRK:

- Brug en tør klud til at tørre snavs af lampens linse. Vær påpasselig med ikke at ridsse lampens linse, da dette kan gøre lyset svagere.
- Anvend ikke fortynder eller benzin til at rengøre lampen. Sådanne opløsningsmidler kan beskadige den.

Anvendelse af omdrejningsvælger (Fig. 6)

Denne maskine har en omdrejningsvælger til ændring af omdrejningsretningen. Tryk omdrejningsvælgeren fra A-siden ind for omdrejning med uret eller fra B-siden for omdrejning mod uret.

Når omdrejningsvælgeren er i den neutrale stilling, kan afbryderen ikke trykkes ind.

⚠ FORSIGTIG:

- Kontroller altid omdrejningsretningen, inden arbejdet påbegyndes.
- Anvend kun omdrejningsvælgeren, efter at maskinen er helt stoppet. Hvis omdrejningsretningen ændres, inden maskinen er helt stoppet, kan maskinen lide skade.
- Når maskinen ikke anvendes, skal omdrejningsvælgeren altid sættes i den neutrale stilling.

Ændring af hurtigskift-borpatronen for SDS-plus



For model DHR264

Hurtigskift-borpatronen for SDS-plus kan nemt udskiftes med hurtigskift-borpatronen.


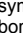
Fjernelse af hurtigskift-borpatronen for SDS-plus (Fig. 7)

⚠ FORSIGTIG:

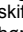
- Inden De fjerner hurtigskift-borpatronen for SDS-plus, skal De altid fjerne boret.

Tag fat i skiftedækslet på hurtigskift-borpatronen for SDS-plus og drej i pilens retning, indtil skiftedækslets linje flytter fra  symbolet til  symbolet. Træk godt til i pilens retning.

Påsætning af hurtigskift-borpatronen (Fig. 8)

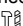
Tjek at linjen på hurtigskift-borpatronen viser  symbolet. Tag fat i skiftedækslet på hurtigskift-borpatronen og sæt linjen til  symbolet.

Anbring hurtigskift-borpatronen på maskinens spindel.


Tag fat i skiftedækslet på hurtigskift-borpatronen og drej skiftedæksellinjen til  symbolet, indtil et klik tydeligt høres.

Valg af funktionsmåde

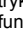
Rotation med hammerboring (Fig. 9)

For boring i beton, murværk, etc. trykkes låseknappen ned, og knappen til ændring af funktionsmåden drejes til  symbolet. Anvend et bor med hårdmetalskær.

Kun rotation (Fig. 10)

For boring i træ, metal eller plasticmaterialer, trykkes låseknappen ned og knappen til ændring af funktionsmåden drejes til  symbolet. Anvend et spiralbor eller et træbor.

Kun hammerboring (Fig. 11)

For mejslings-, afskalnings- eller nedbrydningsarbejde, trykkes låseknappen ned og knappen til ændring af funktionsmåden drejes til  symbolet. Anvend en spidsmejsel, en fladmejsel, en afskalningsmejsel eller lignende.

⚠ FORSIGTIG:

- Drej ikke knappen til ændring af funktionsmåden, når maskinen kører. Maskinen vil i så fald lide overlast.
- For at undgå slitage af funktionsvælgermekanismen, skal man sørge for, at knappen til ændring af funktionsmåden altid står i en af de tre funktionsmådeindstillinger.

Skridkobling

Skridkoblingen slår til, når et vist omdrejningsmoment nås. Motoren kobles fra drivakslen. Når dette sker, vil boret holde op med at dreje.

⚠ FORSIGTIG:

- Afbryd straks maskinen, når skridkoblingen slår til. Dette vil forhindre unødigt slid på maskinen.
- Hulsave kan ikke anvendes med denne maskine. De har tendens til nemt at sætte sig fast eller klemmes fast i hullet. Dette vil bevirke, at skridkoblingen ofte slår til.

SAMLING

⚠ FORSIGTIG:

- Sørg altid for, at maskinen er slukket og akkuen fjernet, før der foretages noget arbejde på maskinen.

Sidegreb (hjælpegreb) (Fig. 12)

⚠ FORSIGTIG:

- Brug altid sidegrebet af hensyn til betjeningsikkerheden.

Monter sidegrebet således, at tænderne på grebet passer ind mellem fremspringene på maskintromlen. Stram derefter grebet ved at dreje det med uret til den ønskede position. Det kan svinges 360°, så det kan fastgøres i en hvilken som helst position.

Smørelse til bor

Smør borhalsens hoved på forhånd med en smule smørelse til bor (ca. 0,5 – 1 g). Smørelse til bor sikrer problemfri anvendelse og en længere levetid.

Montering og afmontering af boret

Rengør borskaffet og smør med en smule smørelse til bor, inden boret monteres. (Fig. 13)
Sæt boret i maskinen. Drej boret og tryk det ind, indtil det låses fast.

Fjern boret, hvis det ikke kan trykkes ind. Træk borpatrondækslet ned et par gange. Sæt derefter boret ind igen. Drej boret og tryk det ind, indtil det låses fast. (Fig. 14)

Bekræft efter monteringen, at boret er ordentligt fastgjort ved at prøve at trække det ud.

Boret tages ud ved at man trækker borpatrondækslet hele vejen ned og trækker boret ud. (Fig. 15)

Borvinkel (ved mejsling, afskalning og nedbrydning) (Fig. 16 og 17)

Boret kan fastgøres i den ønskede vinkel. Hvis borvinklen ønskes ændret, skal man trykke låseknapen ned og dreje knappen til ændring af funktionsmåden til ○ symbolet. Drej boret til den ønskede vinkel.

Tryk låseknapen ned og drej knappen til ændring af funktionsmåden til T symbolet. Bekræft derefter, at boret sidder ordentligt fast ved at dreje det en smule.

Dybdeanslag (Fig. 18)

Dybdeanslaget er bekvemt til boring af huller af ens dybde. Løsn sidegrebet og sæt dybdeanslaget ind i hullet i sidegrebet. Indstil dybdeanslaget til den ønskede dybde og stram sidegrebet.

BEMÆRK:

- Dybdeanslaget kan ikke anvendes i den stilling, hvor det rammer gearhuset.

Støvopsamler (Fig. 19)

Anvend støvopsamleren til at forhindre at der kommer støv på maskinen og på Dem selv, når De udfører boring i højden. Monter støvopsamleren på boret som vist på illustrationen. Størrelsen af de bor, på hvilke støvopsamleren kan monteres, er som følger.

	Bordiameter
Støvopsamler 5	6 mm – 14,5 mm
Støvopsamler 9	12 mm – 16 mm

006382

ANVENDELSE

Hammerboring (Fig. 20)

Sæt knappen til ændring af funktionsmåden til T symbolet.

Anbring boret ved det ønskede sted til hullet og tryk derefter afbryderen ind.

Pres ikke maskinen. Et let tryk giver det bedste resultat. Hold maskinen i stilling for at forhindre den i at glide bort fra hullet.

Udøv ikke yderligere tryk, når hullet bliver tilstoppet af spåner og partikler. Kør i stedet maskinen i tomgang og fjern derefter boret delvist fra hullet. Ved at gentage dette flere gange, vil hullet blive rensat ud og den normale boring kan genoptages.

⚠ FORSIGTIG:

- Der opstår en kraftig og pludselig vridning af maskinen/boret, når der brydes igennem hullet, når hullet bliver tilstoppet med spåner eller partikler, eller hvis man rammer forstærkningsstænger inden i betonen. Anvend altid sidegrebet (hjælpehåndtaget) og hold godt fast i maskinen i både sidegreb og omskiftergreb under operationen. Forsømmelse af dette kan resultere i, at man mister herredømmet over maskinen og kommer alvorligt til skade.

BEMÆRK:

- Excitricitet i boromdrejningen kan forekomme, hvis maskinen anvendes uden belastning. Maskinen centrerer sig selv under anvendelsen. Dette har ingen indflydelse på boreydelsen.

Udblæsningskugle (ekstraudstyr) (Fig. 21)

Efter udboring af hullet skal man anvende udblæsningskuglen til at fjerne støve fra hullet.

Mejsling/afskalning/nedbrydning (Fig. 22)

Sæt knappen til ændring af funktionsmåden til T symbolet.

Hold godt fast i maskinen med begge hænder. Tænd for maskinen og udøv et let tryk på maskinen, så den ikke hopper ukontrolleret omkring. Et ekstremt hårdt tryk på maskinen vil ikke øge effektiviteten.

Boring i træ eller metal

For model DHR263 (Fig. 23 og 24)

Anvend den valgfri borpatronenhed. Se "Montering og afmontering af boret", som findes på den foregående side, når borepatronsettet skal monteres.


Sæt knappen til ændring af funktionsmåden således, at viseren peger på T symbolet.

For model DHR264 (Fig. 25)

Anvend hurtigskift-borpatronen som standardudstyr.

Se "Ændring af hurtigskift-borpatronen for SDS-plus", som findes på den foregående side, når borepatronsættet skal monteres.

Hold ringen og drej manchetten mod uret for at åbne borpatronkæberne. Anbring boret så langt oppe i patronen som det kan komme. Hold fast i ringen og drej manchetten med uret for at stramme borpatronen. Boret fjernes ved at man holder i ringen og drejer manchetten mod uret.

Sæt knappen til ændring af funktionsmåden til  symbolet.

Det er muligt at bore op til 13 mm diameter i metal og op til 32 mm diameter i træ.

FORSIGTIG:

- Anvend aldrig "Rotation med hammerboring", når borpatronenheden er monteret på maskinen. Borpatronenheden kan lide skade. Desuden vil borpatronen falde af, når man skifter omdrejningsretning.
- Et for kraftigt tryk på maskinen vil ikke give hurtigere boring. Faktisk vil et for kraftigt tryk kun bevirke, at spidsen af boret lider skade, at maskinydelsen mindskes og at maskinens levetid forkortes.
- Der opstår en kraftig vridning af maskinen/boret, når der brydes igennem hullet. Hold godt fast i maskinen og udvis forsigtighed, når boret begynder at bryde igennem arbejdsområdet.
- Et bor, der sidder fast, kan ganske enkelt fjernes ved at man sætter omdrejningsvælgeren til baglæns rotation for at bakke ud. Dog kan maskinen pludseligt bakke ud, hvis der ikke holdes godt fast i den.
- Fastgør altid små emner i en skruestik eller en lignende fastholdelsesanordning.

VEDLIGEHODELSE

FORSIGTIG:

- Kontroller altid, at maskinen er slået fra og at akkuen er fjernet, inden De udfører inspektion eller vedligeholdelse.
- Anvend aldrig benzin, renset benzin, fortynder, alkohol eller lignende. Misfarvning, deformation eller revner kan blive resultatet.

Udskiftning af kulbørster (Fig. 26 og 27)

Fjern og inspicer kulbørsterne med jævne mellemrum. Skift dem ud, hvis de er slidt ned til grænsemarkeringen. Hold kulbørsterne rene, så de frit kan glide ind i holderne. Begge kulbørster skal skiftes ud samtidigt. Brug kun identiske kulbørster.

Brug en skruetrækker til at udskifte kulholderbørsterne. Tag de slidte kulbørster ud, sæt de nye i, og sæt kulholderbørsterne på.

Monér holderhættedækslerne på maskinen.

For at opretholde produktets SIKKERHED og PÅLIDELIGHED bør reparation, vedligeholdelse og justering kun udføres af et Makita Service Center med anvendelse af original Makita udskiftningsdele.

EKSTRAUDSTYR

FORSIGTIG:

- De i denne brugsanvisning specificerede tilbehørsdele og anordninger anbefales til brug med Deres Makita-maskine. Brug af andet tilbehør og andre anordninger kan udgøre en risiko for personskade. Anvend kun tilbehør og anordninger til de beskrevne formål.

Hvis De har brug for assistance eller yderligere detaljer om dette tilbehør, bedes De kontakte Deres lokale Makita servicecenter.

- SDS-Plus bor med hårdmetalskæl
- Spidsmejsel
- Koldmejsel
- Afskalningsmejsel
- Kanalmejsel
- Borpatronhød
- Borpatron S13
- Boradapter
- Borpatronnøgle S13
- Smørelse til bor
- Sidegreb
- Dybdeanslag
- Udblæsningskugle
- Støvopsamler
- Støvopsamler
- Sikkerhedsbriller
- Plasticbæretaske
- Nøgleløs borpatron
- Original akku og oplader fra Makita.

BEMÆRK:

- Nogle ting på denne liste kan være inkluderet i værktøjsspakken som standardtilbehør. De kan være forskellige fra land til land.

ENG905-1

Lyd

Det typiske A-vægtede støjniveau bestemt i overensstemmelse med EN60745:

Lydtryksniveau (L_{pA}): 94 dB (A)
Lydeffektniveau (L_{WA}): 105 dB (A)
Usikkerhed (K): 3 dB (A)

Bær høreværn

ENG900-1

Vibration

Vibrations totalværdi (tre-aksial vektorsum) bestemt i overensstemmelse med EN60745:

Model DHR263

Arbejdsindstilling: hammerboring i beton

Vibrationsafgivelse ($a_{n, HD}$): 14,5 m/s²

Usikkerhed (K): 1,5 m/s²

Arbejdsindstilling: mejsling

Vibrationsafgivelse ($a_{n, Cheq}$): 14,0 m/s²

Usikkerhed (K): 1,5 m/s²

Arbejdsindstilling: boring i metal

Vibrationsafgivelse ($a_{n, D}$): 3,0 m/s²

Usikkerhed (K): 1,5 m/s²

Model DHR264

Arbejdsindstilling: hammerboring i beton

Vibrationsafgivelse ($a_{h, HD}$): 15,5 m/s²Usikkerhed (K): 1,5 m/s²

Arbejdsindstilling: mejsling

Vibrationsafgivelse ($a_{h, CHeg}$): 14,0 m/s²Usikkerhed (K): 1,5 m/s²

Arbejdsindstilling: boring i metal

Vibrationsafgivelse ($a_{h, D}$): 5,0 m/s²Usikkerhed (K): 1,5 m/s²

ENG901-1

- Den angivne vibrationsemissionsværdi er blevet målt i overensstemmelse med standardtestmetoden og kan anvendes til at sammenligne en maskine med en anden.
- Den angivne vibrationsemissionsværdi kan også anvendes i en preliminær eksponeringsvurdering.

⚠ ADVARSEL:

- Vibrationsemissionen under den faktiske anvendelse af maskinen kan være forskellig fra den erklærede emissionsværdi, afhængigt af den måde, hvorpå maskinen anvendes.
- Sørg for at identificere de sikkerhedsforskrifter til beskyttelse af operatøren, som er baseret på en vurdering af eksponering under de faktiske brugsforhold (med hensyntagen til alle dele i brugscyklen, som f.eks. de gange, hvor maskinen er slukket og når den kører i tomgang i tilgift til afbrydertiden).

Kun for lande i Europa**EU-konformitetserklæring**

Vi, Makita Corporation, erklærer, som den ansvarlige fabrikant, at den (de) følgende Makita maskine(r):

Maskinens betegnelse:

Akku-kombinationshammer

Model nr./Type: DHR263, DHR264

er af serieproduktion og

opfylder betingelserne i de følgende EU-direktiver:

2006/42/EU

og er fremstillet i overensstemmelse med de følgende standarder eller standardiserede dokumenter:

EN60745

Den tekniske dokumentation opbevares af:

Makita International Europe Ltd.

Teknisk Afdeling,

Michigan Drive, Tongwell,

Milton Keynes, Bucks MK15 8JD, England

18.6.2013



Tomoyasu Kato

Direktør

Makita Corporation

3-11-8, Sumiyoshi-cho,

Anjo, Aichi, 446-8502, JAPAN

Περιγραφή γενικής άποψης

1 Κόκκινη ένδειξη	13 Σφινκτήρας τρυπανιού ταχείας αλλαγής	26 Κάλυμμα σφινκτήρα
2 Κουμπί	14 Περιστροφή και κρούση	27 Σύμβολο ○
3 Κασέτα μπαταρίας	15 Περιστροφή μόνο	28 Κουμπί αλλαγής του τρόπου λειτουργίας
4 Ένδειξη αστεριού	16 Κρούση μόνο	29 Ρυθμιστής βάθους
5 Ένδειξη μπαταρίας	17 Βάση λαβής	30 Κάλυμμα σκόνης
6 Σκανδάλη ενεργοποίησης	18 Οδόντες	31 Φυσερό
7 Λυχνία	19 Ξεσφίξτε	32 Προσαρμογέας σφινκτήρα
8 Μοχλός-διακόπτης αντιστροφής	20 Σφίξτε	33 Σφινκτήρας τρυπανιού
9 Σφινκτήρας ταχείας αλλαγής για SDS-plus	21 Πλευρική λαβή	34 Χιτώνιο
10 Γραμμή καλύμματος αλλαγής	22 Προεξοχή	35 Δακτύλιος
11 Κάλυμμα αλλαγής	23 Στέλεχος αιχμής	36 Σημάδι ορίου
12 Στροφέιο	24 Γράσο αιχμής	37 Καπάκι θήκης καρβονάκι
	25 Αιχμή	38 Κατσαβίδι

ΤΕΧΝΙΚΑ ΧΑΡΑΚΤΗΡΙΣΤΙΚΑ

Μοντέλο		DHR263	DHR264
Ικανότητες	Μπετόν	26 χιλ.	
	Ξύλο	13 χιλ.	
	Ατσάλι	32 χιλ.	
Ταχύτητα χωρίς φορτίο (λεπ ⁻¹)		0 – 1.250	
Χτυπήματα ανά λεπτό		0 – 5.000	
Συνολικό μήκος		350 χιλ.	374 χιλ.
Καθαρό βάρος		4,6 χγρ.	4,7 χγρ.
Καθορισμένο βολτάζ		D.C. 36 V	

- Λόγω του συνεχιζόμενου προγράμματος έρευνας και ανάπτυξης, οι παρούσες προδιαγραφές υπόκεινται σε αλλαγή χωρίς προειδοποίηση.
- Τα τεχνικά χαρακτηριστικά και η κασέτα μπαταρίας μπορεί να διαφέρουν από χώρα σε χώρα.
- Βάρος, με κασέτα μπαταρίας, σύμφωνα με τη διαδικασία ΕΡΤΑ 01/2003

ENE043-1

Προοριζόμενη χρήση

Το εργαλείο προορίζεται για τρυπάνισμα με σφυροκόπημα και τρυπάνισμα σε τούβλα, μπετόν και πέτρα καθώς επίσης για σμιλευτική εργασία. Είναι επίσης κατάλληλο για τρυπάνισμα χωρίς κρούση σε ξύλο, μέταλλο, κεραμικά και πλαστικά.

GEA010-1

Γενικές προειδοποιήσεις ασφαλείας για το ηλεκτρικό εργαλείο

⚠ ΠΡΟΕΙΔΟΠΟΙΗΣΗ Διαβάστε όλες τις προειδοποιήσεις ασφαλείας και όλες τις οδηγίες. Η μη τήρηση των προειδοποιήσεων και οδηγιών ενδέχεται να καταλήξει σε ηλεκτροπληξία, πυρκαγιά ή/και σοβαρό τραυματισμό.

Φυλάξτε όλες τις προειδοποιήσεις και τις οδηγίες για μελλοντική παραπομπή.

ΠΕΡΙΣΤΡΟΦΙΚΟ ΣΦΥΡΙ ΜΕ ΜΠΑΤΑΡΙΑ — ΠΡΟΕΙΔΟΠΟΙΗΣΕΙΣ ΑΣΦΑΛΕΙΑΣ

1. **Φοράτε ωτασπίδες.** Έκθεση σε θόρυβο μπορεί να προκαλέσει απώλεια ακοής.
2. **Να χρησιμοποιείτε τη(ις) βοηθητική(ές) λαβή(ές), εάν παρέχονται με το εργαλείο.** Απώλεια ελέγχου μπορεί να προκαλέσει προσωπικό τραυματισμό.
3. **Να κρατάτε τα ηλεκτρικά εργαλεία μόνον από τις μονωμένες επιφάνειες συγκράτησης, κατά την εκτέλεση εργασίας όπου το παρελκόμενο κοπής ενδέχεται να έλθει σε επαφή με κρυφές καλωδιώσεις ή το δικό του καλώδιο τροφοδοσίας.** Σε περίπτωση επαφής του παρελκόμενου κοπής με "ηλεκτροφόρο" καλώδιο, ενδέχεται τα εκτεθειμένα μεταλλικά εξαρτήματα του ηλεκτρικού εργαλείου να καταστούν τα ίδια "ηλεκτροφόρα" και να προκαλέσουν ηλεκτροπληξία στο χειριστή.
4. **Φοράτε ένα σκληρό κράνος (κράνος ασφάλειας), γυαλιά ασφάλειας και/ή ασπίδα προσώπου.** Τα συνηθισμένα γυαλιά ή τα γυαλιά ηλίου ΔΕΝ είναι γυαλιά ασφάλειας. Συνιστάται επίσης ισχυρώς να φοράτε μία προσωπίδα σκόνης και γάντια με παχιά επένδυση.
5. **Βεβαιώνετε ότι η αιχμή είναι στην θέση της πριν από την λειτουργία.**

GE0046-2

6. Κάτω από κανονικές συνθήκες, το εργαλείο είναι σχεδιασμένο να προκαλεί δονήσεις. Οι βίδες μπορεί να χαλαρώσουν εύκολα, προκαλώντας βλάβη ή ατύχημα. Ελέγχετε το σφίξιμο των βιδών προσεκτικά πριν από την λειτουργία.
7. Σε κρύο καιρό ή όταν το εργαλείο δεν έχει χρησιμοποιηθεί για πολύ καιρό, αφήστε το εργαλείο να θερμανθεί για λίγο λειτουργώντας το χωρίς φορτίο. Αυτό θα ρευστοποιήσει την λίπανση. Χωρίς την κατάλληλη προθέρμανση, η λειτουργία σφυροκοπήματος είναι δύσκολη.
8. Πάντοτε βεβαιώνεστε ότι έχετε σταθερή βάση ποδιών.
Βεβαιώνεστε ότι δεν είναι κανείς από κάτω όταν χρησιμοποιείτε το εργαλείο σε υψηλές θέσεις.
9. Κρατάτε το εργαλείο σταθερά και με τα δύο χέρια.
10. Κρατάτε τα χέρια σας μακριά από τα κινούμενα μέρη.
11. Μην αφήνετε το εργαλείο σε λειτουργία. Λειτουργείτε το εργαλείο μόνο όταν το κρατάτε στα χέρια σας.
12. Μη διευθύνετε το εργαλείο προς άλλα άτομα στην περιοχή λειτουργίας. Η αιχμή μπορεί να πεταχτεί έξω και να τραυματίσει κάποιον σοβαρά.
13. Μην αγγίζετε την αιχμή ή μέρη κοντά στην αιχμή αμέσως μετά την λειτουργία. Μπορεί να είναι υπερβολικά καυτά και να σας προκαλέσουν εγκαύματα στο δέρμα.
14. Μερικά υλικά περιέχουν χημικές ουσίες που μπορεί να είναι τοξικές. Προσέχετε να μην εισπνεύσετε σκόνη και να μην έχετε δερματική επαφή. Ακολουθείστε τις οδηγίες ασφάλειας του προμηθευτή των υλικών.
5. Μην βραχυκυκλώνετε την κασέτα μπαταρίας:
 - (1) Μην αγγίζετε τους πόλους με οτιδήποτε αγώγιμο υλικό.
 - (2) Αποθηκεύετε να αποθηκεύετε την κασέτα μπαταρίας μέσα σε ένα δοχείο μαζί με άλλα μεταλλικά αντικείμενα όπως καρφιά, νομίσματα, κλπ.
 - (3) Μην εκθέτετε την κασέτα μπαταρίας στο νερό ή στη βροχή.
Ένα βραχυκύκλωμα μπαταρίας μπορεί να προκαλέσει μεγάλη ροή ρεύματος, υπερθέρμανση, πιθανά εγκαύματα ακόμη και σοβαρή βλάβη.
6. Μην αποθηκεύετε το εργαλείο και την κασέτα μπαταρίας σε τοποθεσίες όπου η θερμοκρασία μπορεί να φτάσει ή να ξεπεράσει τους 50°C.
7. Μη καίτε την κασέτα μπαταρίας ακόμη και εάν έχει σοβαρή ζημιά ή είναι εντελώς φθαρμένη. Η κασέτα μπαταρίας μπορεί να εκραγεί στην φωτιά.
8. Προσέχετε να μη ρίξετε κάτω ή χτυπήσετε την μπαταρία.
9. Μην χρησιμοποιείτε μπαταρία που έχει υποστεί ζημιά.
10. Τηρήστε τους τοπικούς κανονισμούς που σχετίζονται με τη διάθεση της μπαταρίας.

ΦΥΛΑΞΤΕ ΤΙΣ ΟΔΗΓΙΕΣ ΑΥΤΕΣ.

Συμβουλές για διατήρηση μέγιστης ζωής μπαταρίας

1. Φορτίζετε την κασέτα μπαταρίας πριν από την πλήρη αποφόρτιση της.
Πάντοτε σταματάτε την λειτουργία του εργαλείου και φορτίζετε την κασέτα μπαταρίας όταν παρατηρείτε μειωμένη ισχύ εργαλείου.
2. Ποτέ μην επαναφορτίζετε μία πλήρως φορτισμένη κασέτα μπαταρίας.
Υπερφόρτιση μειώνει την ωφέλιμη ζωή της μπαταρίας.
3. Φορτίζετε την κασέτα μπαταρίας σε θερμοκρασία δωματίου 10°C – 40°C. Αφήστε μία θερμή κασέτα μπαταρίας να κρυώσει πριν την φορτίσετε.
4. Φορτίστε την κασέτα μπαταρίας μία φορά κάθε έξι μήνες εάν δεν τη χρησιμοποιείτε για μεγάλη χρονική περίοδο.

ΦΥΛΑΞΤΕ ΤΙΣ ΟΔΗΓΙΕΣ ΑΥΤΕΣ.

⚠ ΠΡΟΕΙΔΟΠΟΙΗΣΗ:

ΜΗΝ επιτρέψετε το βαθμό άνεσης ή εξοικείωσης με το προϊόν (λόγω επανειλημμένης χρήσης) να αντικαταστήσει την αυστηρή τήρηση των κανόνων ασφαλείας του παρόντος εργαλείου. ΚΑΚΗ ΧΡΗΣΗ ή αμέλεια να ακολουθήσετε τους κανόνες ασφαλείας που διατυπώνονται σ'αυτό το εγχειρίδιο οδηγιών μπορεί να προκαλέσει σοβαρό προσωπικό τραυματισμό.

ENC007-8

ΣΗΜΑΝΤΙΚΕΣ ΟΔΗΓΙΕΣ ΑΣΦΑΛΕΙΑΣ

ΓΙΑ ΚΑΣΕΤΑ ΜΠΑΤΑΡΙΑΣ

1. Πριν χρησιμοποιήσετε την κασέτα μπαταρίας, διαβάστε όλες τις οδηγίες και σημειώσεις προφύλαξης (1) στον φορτιστή μπαταρίας, (2) στην μπαταρία και (3) στο προϊόν που χρησιμοποιεί την μπαταρία.
2. Μην αποσυναρμολογήσετε την κασέτα μπαταρίας.
3. Εάν ο χρόνος λειτουργίας έχει γίνει υπερβολικά βραχύς, σταματήστε την λειτουργία αμέσως. Αλλιώς, μπορεί να έχει ως αποτέλεσμα κίνδυνο υπερθέρμανσης, πιθανά εγκαύματα ή ακόμη και έκρηξη.
4. Εάν ηλεκτρολύτης μπει στα μάτια σας, ξεπλύνετε τα με καθαρό νερό και ζητήστε ιατρική φροντίδα αμέσως. Αλλιώς, μπορεί να έχει ως αποτέλεσμα απώλεια της όρασης σας.

ΠΕΡΙΓΡΑΦΗ ΛΕΙΤΟΥΡΓΙΑΣ

⚠ ΠΡΟΣΟΧΗ:

- Να φροντίζετε πάντα για την απενεργοποίηση του εργαλείου και την αφαίρεση της κασέτας μπαταρίας, πριν από οποιαδήποτε ρύθμιση ή έλεγχο της λειτουργίας του.

Τοποθέτηση ή αφαίρεση της κασέτας μπαταρίας (Εικ. 1)

⚠ ΠΡΟΣΟΧΗ:

- Πάντοτε να σβήνετε το εργαλείο πριν τοποθετήσετε ή αφαιρέσετε την κασέτα μπαταρίας.
- Κρατήστε το εργαλείο και την κασέτα μπαταρίας σταθερά κατά την τοποθέτηση ή αφαίρεση της κασέτας μπαταρίας. Αν δεν κρατάτε το εργαλείο και την κασέτα μπαταρίας σταθερά μπορεί να γλιστρήσουν από τα χέρια σας και να προκληθεί βλάβη στο εργαλείο και στην κασέτα μπαταρίας και προσωπικός τραυματισμός.

Για να αφαιρέσετε την κασέτα μπαταρίας, ολισθήστε την από το εργαλείο ενώ σύρετε το κουμπί στο μπροστινό μέρος της κασέτας.

Για να τοποθετήσετε την κασέτα μπαταρίας, ευθυγραμμίστε τη γλώσσα στην κασέτα μπαταρίας με την αύλακα στην υποδοχή και ολισθήστε τη στη θέση της. Να την τοποθετείτε πλήρως μέχρι να ασφαλίσει στη θέση της, γεγονός που υποδεικνύεται με ένα χαρακτηριστικό ήχο. Αν μπορείτε να δείτε την κόκκινη ένδειξη στην επάνω πλευρά του κουμπιού, δεν έχει κλειδώσει τελείως.

⚠ ΠΡΟΣΟΧΗ:

- Να τοποθετείτε πάντα την κασέτα μπαταρίας πλήρως μέχρι να μην βλέπετε την κόκκινη ένδειξη. Σε αντίθετη περίπτωση, μπορεί να πέσει κατά λάθος από το εργαλείο και να τραυματίσει εσάς ή κάποιον παρευρισκόμενο.
- Μην τοποθετείτε την κασέτα μπαταρίας με βία. Αν η κασέτα δεν εισέρχεται με ευκολία, δεν είναι τοποθετημένη σωστά.

ΠΑΡΑΤΗΡΗΣΗ:

- Το εργαλείο δεν λειτουργεί με μόνο μία κασέτα μπαταρίας.

Σύστημα προστασίας εργαλείου/μπαταρίας

Το εργαλείο είναι εξοπλισμένο με σύστημα προστασίας εργαλείου/μπαταρίας.

Αυτό το σύστημα αποκτάει αυτόματα την ισχύ προς το μοτέρ για να παραταθεί η διάρκεια λειτουργίας του εργαλείου και της μπαταρίας.

Το εργαλείο σταματάει αυτόματα κατά τη διάρκεια της λειτουργίας αν το εργαλείο ή η μπαταρία βρεθούν κάτω από μία εκ των παρακάτω συνθηκών. Σε μερικές συνθήκες, ανάβουν οι ενδεικτικές λυχνίες.

Προστασία υπερφόρτωσης

Όταν το εργαλείο λειτουργεί με τρόπο ώστε να αναγκάζεται να καταναλώνει ασυνήθιστα υψηλό ρεύμα, το εργαλείο σταματάει αυτόματα χωρίς καμία ένδειξη. Σε αυτή την περίπτωση, απενεργοποιήστε το εργαλείο και διακόψτε την εφαρμογή που προκάλεσε την υπερφόρτωση του εργαλείου. Μετά ενεργοποιήστε το εργαλείο για επανεκκίνηση.

Προστασία υπερθέρμανσης για την μπαταρία

Όταν η μπαταρία υπερθερμαίνεται, το εργαλείο σταματάει αυτόματα χωρίς καμία ένδειξη. Το εργαλείο δεν ξεκινάει ακόμη και εάν τραβήξετε τη σκανδάλη ενεργοποίησης. Σε αυτή την περίπτωση, αφήστε την μπαταρία να κρυώσει πριν ενεργοποιήσετε ξανά το εργαλείο.

ΠΑΡΑΤΗΡΗΣΗ:

- Η προστασία υπερθέρμανσης της μπαταρίας λειτουργεί μόνο με μια κασέτα μπαταρίας με μια ένδειξη αστεριού. (Εικ. 2)

Προστασία υπερβολικής αποφόρτισης (Εικ. 3)

Όταν το υπολείπόμενο φορτίο της μπαταρίας είναι χαμηλό, η ένδειξη μπαταρίας αναβοσβήνει στην αντίστοιχη πλευρά της μπαταρίας. Με την περαιτέρω χρήση, το εργαλείο σταματάει και η ένδειξη μπαταρίας ανάβει για περίπου 10 δευτερόλεπτα. Σε αυτή την περίπτωση, φορτίστε την κασέτα μπαταρίας.

Λειτουργία διακόπτη (Εικ. 4)

⚠ ΠΡΟΣΟΧΗ:

- Πριν βάξετε την κασέτα μπαταρίας στο εργαλείο, να ελέγχετε πάντα εάν η σκανδάλη ενεργοποίησης ενεργοποιεί τη συσκευή κανονικά και επιστρέφει στη θέση "OFF" (ανενεργό) όταν απελευθερώνεται.

Για να ενεργοποιήσετε το εργαλείο, απλά τραβήξτε τη σκανδάλη ενεργοποίησης. Η ταχύτητα του εργαλείου αυξάνει εάν αυξήσετε την πίεση στη σκανδάλη ενεργοποίησης. Για διακοπή της λειτουργίας, απελευθερώστε τη σκανδάλη ενεργοποίησης.

Για να ανάψετε την εμπρόσθια λυχνία (Εικ. 5)

⚠ ΠΡΟΣΟΧΗ:

- Μην κοιτάζετε το φως και μην βλέπετε την πηγή φωτός απευθείας.

Τραβήξτε τη σκανδάλη διακόπτη για να ενεργοποιήσετε τη λυχνία. Η λυχνία εξακολουθεί να είναι αναμμένη όσο τραβάτε τη σκανδάλη διακόπτη.

Το λαμπτάκι σβήνει αυτόματα 10 έως 15 δευτερόλεπτα αφού αφήσετε τη σκανδάλη ενεργοποίησης.

ΠΑΡΑΤΗΡΗΣΗ:

- Χρησιμοποιήστε ένα στεγνό πανί για να σκουπίσετε τη σκόνη από το φακό της λυχνίας. Προσέχετε να μη γρατσουνίσετε το φακό της λυχνίας, επειδή μπορεί να μειωθεί η ένταση του φωτισμού.
- Μην χρησιμοποιείτε διαλυτικό ή βενζίνη για τον καθαρισμό της λυχνίας. Τα διαλυτικά αυτού του τύπου ενδέχεται να προκαλέσουν ζημιά.

Λειτουργία διακόπτη αντιστροφής (Εικ. 6)

Το συγκεκριμένο εργαλείο διαθέτει διακόπτη αντιστροφής για αλλαγή της κατεύθυνσης περιστροφής. Πατήστε το μοχλό-διακόπτη αντιστροφής από την πλευρά Α για δεξιόστροφη περιστροφή ή από την πλευρά Β για αριστερόστροφη περιστροφή.

Όταν ο μοχλός-διακόπτη αντιστροφής είναι στην ουδέτερη θέση, η σκανδάλη ενεργοποίησης δεν μπορεί να τραβηχτεί.

⚠ ΠΡΟΣΟΧΗ:

- Να ελέγχετε πάντα την κατεύθυνση περιστροφής πριν από τη λειτουργία.
- Να χρησιμοποιείτε το διακόπτη αντιστροφής μόνον όταν το εργαλείο έχει ακινητοποιηθεί πλήρως. Τυχόν αλλαγή της κατεύθυνσης περιστροφής πριν την ακινητοποίηση του εργαλείου ενδέχεται να προκαλέσει ζημιά στο εργαλείο.
- Όταν δεν λειτουργείτε το εργαλείο, να θέτετε πάντοτε το μοχλό-διακόπτη αντιστροφής στην ουδέτερη θέση.

Αλλαγή σφικτήρα ταχείας αλλαγής για SDS-plus



Για το μοντέλο DHR264

Μπορείτε να αντικαταστήσετε με ευκολία το σφικτήρα ταχείας αλλαγής για SDS-plus με το σφικτήρα τρυπανιού ταχείας αλλαγής.



Αφαίρεση του σφικτήρα ταχείας αλλαγής για SDS-plus (Εικ. 7)

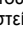
⚠ ΠΡΟΣΟΧΗ:

- Πριν από την αφαίρεση του σφικτήρα ταχείας αλλαγής για SDS-plus, να αφαιρείτε πάντα την αιχμή.

Κρατήστε το κάλυμμα αλλαγής του σφινγκτήρα ταχείας αλλαγής για SDS-plus και γυρίστε το προς την κατεύθυνση του βέλους έως ότου η γραμμή του καλύμματος αλλαγής μετακινηθεί από το σύμβολο  στο σύμβολο . Τραβήξτε με δύναμη προς την κατεύθυνση του βέλους.

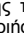
Προσαρμογή του σφινγκτήρα τρυπανιού ταχείας αλλαγής (Εικ. 8)

Ελέγξτε εάν η γραμμή του σφινγκτήρα ταχείας αλλαγής τρυπανιού υποδεικνύει το σύμβολο . Κρατήστε το κάλυμμα αλλαγής του σφινγκτήρα ταχείας αλλαγής τρυπανιού και ρυθμίστε τη γραμμή στο σύμβολο . Τοποθετήστε το σφινγκτήρα ταχείας αλλαγής τρυπανιού στο εργαλείο του εργαλείου.


Κρατήστε το κάλυμμα αλλαγής του σφινγκτήρα ταχείας αλλαγής τρυπανιού και ρυθμίστε τη γραμμή του καλύμματος αλλαγής στο σύμβολο  έως ότου ακουστεί καθαρά ο χαρακτηριστικός ήχος (κλικ).

Επιλογή τρόπου λειτουργίας


Περιστροφή με κρούση (Εικ. 9)

Για διάτρηση σε μπετόν, τοιχοποιία, κλπ., πατήστε το κουμπί ασφάλισης και γυρίστε το κουμπί αλλαγής του τρόπου λειτουργίας στο σύμβολο . Χρησιμοποιήστε αιχμή κατασκευασμένη από καρβίδιο του βολφραμίου.

Περιστροφή μόνο (Εικ. 10)

Για διάτρηση σε υλικό από ξύλο, μέταλλο ή πλαστικό, πατήστε το κουμπί ασφάλισης και γυρίστε το κουμπί αλλαγής του τρόπου λειτουργίας στο σύμβολο . Χρησιμοποιήστε ειλοκοιδές τρυπάνι ή τρυπάνι ξύλου.

Κρούση μόνο (Εικ. 11)

Για εργασίες κοπιδιάσματος, απομάκρυνσης σκουριάς ή κατεδάφισης, πατήστε το κουμπί ασφάλισης και γυρίστε το κουμπί αλλαγής του τρόπου λειτουργίας στο σύμβολο . Χρησιμοποιήστε διατρητική βελόνα, κοπίδι χαρτών, κοπίδι απομάκρυνσης σκουριάς, κ.λπ.

ΠΡΟΣΟΧΗ:

- Μην γυρίσετε το κουμπί αλλαγής του τρόπου λειτουργίας όταν το εργαλείο λειτουργεί. Το εργαλείο ενδέχεται να υποστεί ζημία.
- Για να αποφύγετε γρήγορη φθορά του μηχανισμού αλλαγής τρόπου λειτουργίας, φροντίστε ώστε το κουμπί αλλαγής του τρόπου λειτουργίας να βρίσκεται πάντα σε μία από τις τρεις θέσεις του τρόπου λειτουργίας και όχι κάπου ενδιάμεσα.

Περιοριστής ροπή

Ο περιοριστής ροπής ενεργοποιείται όταν παρουσιαστεί υπερβασή κάποιας συγκεκριμένης ροπής. Ο ηλεκτροκινητήρας αποσυμπλέκεται από τον άξονα εξόδου. Όταν συμβεί αυτό, διακόπτεται η περιστροφή της αιχμής.

ΠΡΟΣΟΧΗ:

- Μόλις ενεργοποιηθεί ο περιοριστής ροπής, απενεργοποιήστε αμέσως το εργαλείο. Έτσι αποτρέπεται η πρόωγη φθορά του εργαλείου.
- Δεν είναι δυνατή η χρήση πριονιών οπών με αυτό το εργαλείο. Έχουν την τάση να μαγκώνουν και να σκαλώνουν με ευκολία στο εσωτερικό της οπής. Αυτό θα προκαλέσει τη συχνή ενεργοποίηση του περιοριστή ροπής.

ΣΥΝΑΡΜΟΛΟΓΗΣΗ

ΠΡΟΣΟΧΗ:

- Να φροντίζετε πάντα για την απενεργοποίηση του εργαλείου και την αφαίρεση της κασέτας μπαταρίας πριν από την εκτέλεση οποιασδήποτε εργασίας στο εργαλείο.

Πλευρική λαβή (βοηθητική λαβή) (Εικ. 12)

ΠΡΟΣΟΧΗ:

- Να χρησιμοποιείτε πάντα την πλευρική λαβή, ώστε να διασφαλιστεί η ασφάλης λειτουργία.

Τοποθετήστε την πλευρική λαβή έτσι ώστε οι οδόντες στη λαβή να εφαρμόζουν μεταξύ των προεξοχών στον κύλινδρο του εργαλείου. Ακολουθώντας, σφίξτε καλά τη λαβή στην επιθυμητή θέση περιστροφοντάς την δεξιόστροφα. Μπορείτε να την περιστρέψετε 360° ώστε να είναι επικτική η ασφάλιση σε οποιαδήποτε θέση.

Γράσο αιχμής

Εφαρμόστε μικρή ποσότητα γράσου αιχμών στην κεφαλή του στελέχους της αιχμής πριν την εργασία (0,5 – 1 g περίπου). Η λίπανση του σφινγκτήρα διασφαλίζει ομαλή λειτουργία και μεγαλύτερη διάρκεια ζωής.

Τοποθέτηση ή αφαίρεση της αιχμής

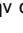
Καθαρίστε το στέλεχος της αιχμής και εφαρμόστε γράσο αιχμών πριν από την τοποθέτηση της αιχμής. (Εικ. 13) Εισάγετε την αιχμή στο εργαλείο. Γυρίστε την αιχμή και ωθήστε την προς τα μέσα, έως ότου συμπλεχθεί.

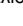
Εάν δεν μπορείτε να σπρώξετε την αιχμή προς τα μέσα, αφαιρέστε την. Τραβήξτε το κάλυμμα σφινγκτήρα προς τα κάτω μερικές φορές. Κατόπιν, τοποθετήστε ξανά την αιχμή. Γυρίστε την αιχμή και ωθήστε την προς τα μέσα, έως ότου συμπλεχθεί. (Εικ. 14)

Μετά από την τοποθέτηση, να φροντίζετε πάντα ώστε η αιχμή να είναι ασφαλισμένη κατάλληλα και να βεβαιώνεται για αυτό επιχειρώντας να την τραβήξετε προς τα έξω.

Για να αφαιρέσετε την αιχμή, τραβήξτε το κάλυμμα σφινγκτήρα πλήρως προς τα κάτω και τραβήξτε την αιχμή προς τα έξω. (Εικ. 15)

Γωνία αιχμής (κατά την εκτέλεση εργασιών κοπιδιάσματος, απομάκρυνσης σκουριάς ή κατεδάφισης) (Εικ. 16 και 17)

Μπορείτε να ασφαλίσετε την αιχμή στην επιθυμητή γωνία. Για να αλλάξετε τη γωνία της αιχμής, πατήστε το κουμπί ασφάλισης και γυρίστε το κουμπί αλλαγής του τρόπου λειτουργίας στο σύμβολο . Γυρίστε την αιχμή στην επιθυμητή γωνία.

Πατήστε το κουμπί ασφάλισης και γυρίστε το κουμπί αλλαγής του τρόπου λειτουργίας στο σύμβολο . Στη συνέχεια φροντίστε ώστε η αιχμή να είναι ασφαλισμένη κατάλληλα, επιχειρώντας να τη γυρίσετε ελαφρά.

Ρυθμιστής βάθους (Εικ. 18)

Ο ρυθμιστής βάθους διευκολύνει τη διάνοιξη οπών ομοιόμορφου βάθους. Ξεσφίξτε την πλευρική λαβή και τοποθετήστε το ρυθμιστή βάθους στην οπή στην πλευρική λαβή. Ρυθμίστε το ρυθμιστή βάθους στο επιθυμητό βάθος και σφίξτε την πλευρική λαβή.

ΠΑΡΑΤΗΡΗΣΗ:

- Ο ρυθμιστής βάθους δεν μπορεί να χρησιμοποιηθεί στη θέση όπου ο ρυθμιστής βάθους χτυπάει επάνω στο περίβλημα γραναζιού.

Κάλυμμα σκόνης (Εικ. 19)


Χρησιμοποιήστε το κάλυμμα σκόνης ώστε να αποτρέψετε την πτώση της σκόνης πάνω στο εργαλείο και στον εαυτό σας, όταν εκτελείτε εργασίες διάτρησης σε κάποιο σημείο ακριβώς πάνω από το κεφάλι σας. Προσαρμόστε το κάλυμμα σκόνης στην αιχμή, όπως υποδεικνύεται στην εικόνα. Ακολουθεί πίνακας μεγεθών αιχμών στις οποίες μπορείτε να προσαρμόσετε το κάλυμμα σκόνης.

	Διάμετρος αιχμής
Κάλυμμα σκόνης 5	6 χιλ. – 14,5 χιλ.
Κάλυμμα σκόνης 9	12 χιλ. – 16 χιλ.

006382

ΛΕΙΤΟΥΡΓΙΑ

Λειτουργία κρουστικής διάτρησης (Εικ. 20)

Γυρίστε το κουμπί αλλαγής του τρόπου λειτουργίας στο σύμβολο .

Τοποθετήστε την αιχμή στο επιθυμητό σημείο για διάνοιξη της οπής, στη συνέχεια τραβήξτε τη σκανδάλη ενεργοποίησης.

Μην ασκείτε δύναμη στο εργαλείο. Η μικρή πίεση έχει ως αποτέλεσμα βέλτιστα αποτελέσματα.

Κρατήστε το εργαλείο στη θέση του και εμποδίστε το να ξεφύγει από την οπή.

Μην ασκείτε μεγαλύτερη πίεση, όταν η οπή παρουσιάζει έμφραξη από θραύσματα ή σωματίδια. Αντί αυτού, θέστε το εργαλείο σε λειτουργία ρελαντί και στη συνέχεια τραβήξτε ελαφρά την αιχμή έξω από την οπή. Εάν επαναλάβετε το ίδιο αρκετές φορές, η οπή ελευθερώνεται από τα θραύσματα και μπορείτε να συνεχίσετε με την εργασία διάνοιξης.

ΠΡΟΣΟΧΗ:

- Το εργαλείο/αιχμή υφίσταται ξαφνική και ισχυρή δύναμη περιστροφής τη στιγμή που διέρχεται από την οπή στο άλλο άκρο, όταν η οπή παρουσιάζει έμφραξη με θραύσματα και σωματίδια ή όταν συναντήσει βέργες ενίσχυσης πακτωμένες στο σκυρόδεμα. Να χρησιμοποιείτε πάντα την πλευρική λαβή (βοηθητική λαβή) και να κρατάτε σταθερά το εργαλείο από την πλευρική λαβή και τη λαβή διακόπτη κατά την εκτέλεση των εργασιών. Η μη συμμόρφωση ενδέχεται να έχει ως αποτέλεσμα την απώλεια ελέγχου του εργαλείου και την ενδεχόμενη πρόκληση σοβαρού τραυματισμού.

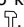
ΠΑΡΑΤΗΡΗΣΗ:

- Ενδέχεται να παρατηρηθεί εκκεντρικότητα στην κίνηση της αιχμής όταν το εργαλείο βρίσκεται σε άεργη λειτουργία. Το εργαλείο κεντράρεται αυτόματα στη διάρκεια της λειτουργίας. Αυτό δεν επηρεάζει την ακρίβεια διάτρησης.

Φυσερό (προαιρετικό εξάρτημα) (Εικ. 21)

Μετά από τη διάτρηση της οπής, χρησιμοποιήστε το φυσερό για να καθαρίσετε τη σκόνη από το εσωτερικό της οπής.

Κοπίδιασμα/απομάκρυνση σκουριάς/κατεδάφιση (Εικ. 22)


Γυρίστε το κουμπί αλλαγής του τρόπου λειτουργίας στο σύμβολο .

Κρατήστε το εργαλείο σταθερά με τα δύο χέρια. Ενεργοποιήστε το εργαλείο και εφαρμόστε ελαφρά πίεση ώστε το εργαλείο να μην αναπηδά τριγύρω, ανεξέλεγκτα. Εάν πιέσετε το εργαλείο με μεγάλη δύναμη, δεν αυξάνεται η αποτελεσματικότητά του.

Διάτρηση σε ξύλο ή μέταλλο

Για το μοντέλο DHR263 (Εικ. 23 και 24)

Χρησιμοποιήστε το προαιρετικό συγκρότημα σφινκτήρα τρυπανιού. Όταν το τοποθετείτε, ανατρέξτε στο “Τοποθέτηση ή αφαίρεση της αιχμής” που περιγράφηκε στην προηγούμενη σελίδα.


Γυρίστε το κουμπί αλλαγής του τρόπου λειτουργίας ώστε ο δείκτης να είναι στραμμένος στο σύμβολο .

Για το μοντέλο DHR264 (Εικ. 25)

Να χρησιμοποιείτε το σφινκτήρα τρυπανιού ταχείας αλλαγής ως τυπικό εξοπλισμό.

Όταν το τοποθετείτε, ανατρέξτε στο “Αλλαγή σφινκτήρα ταχείας αλλαγής για SDS-plus” που περιγράφηκε στην προηγούμενη σελίδα.

Κρατήστε το δακτύλιο και γυρίστε το χιτώνιο αριστερόστροφα για να ανοίξετε τις σιαγόνες του σφινκτήρα. Τοποθετήστε την αιχμή μέσα στο σφινκτήρα μέχρι τέρμα. Κρατήστε σταθερά το δακτύλιο και γυρίστε το χιτώνιο δεξιόστροφα για να σφίξετε το σφινκτήρα. Για να αφαιρέσετε την αιχμή, κρατήστε το δακτύλιο και γυρίστε το χιτώνιο αριστερόστροφα.

Ρυθμίστε το κουμπί αλλαγής του τρόπου λειτουργίας στο σύμβολο .

Μπορείτε να διανοίξετε οπές διαμέτρου έως 13 χιλ. σε μέταλλο και έως 32 χιλ. σε ξύλο.

ΠΡΟΣΟΧΗ:

- Μην χρησιμοποιείτε ποτέ την “Περιστροφή με κρούση” όταν στο εργαλείο υπάρχει συγκρότημα σφινκτήρα τρυπανιού. Το συγκρότημα σφινκτήρα τρυπανιού ενδέχεται να υποστεί ζημιά. Επιπλέον, ο σφινκτήρας τρυπανιού αποσπάται κατά την περιστροφή του εργαλείου προς την αντίθετη κατεύθυνση.
- Η υπερβολική πίεση στο εργαλείο δεν επιταχύνει τη διάτρηση. Στην πραγματικότητα, αυτή η υπερβολική πίεση προκαλεί ζημία στο άκρο της αιχμής, μείωση της απόδοσης όπως και της διάρκειας ζωής του εργαλείου.
- Στο εργαλείο/μύτη ασκείται τεράστια δύναμη περιστροφής τη στιγμή που διέρχεται από την οπή. Κρατήστε σταθερά το εργαλείο και προσέχετε ιδιαίτερα τη στιγμή που η αιχμή διέρχεται από το άλλο άκρο της οπής.
- Μπορείτε να αφαιρέσετε μια μπλοκαρισμένη αιχμή με απλή ρύθμιση του διακόπτη αντιστροφής στη θέση αντιστροφής περιστροφής, ώστε η αιχμή να οπισθοχωρήσει. Πάντως, το εργαλείο ενδέχεται να οπισθοχωρήσει έξω από την οπή απότομα, εάν δεν το κρατάτε σταθερά.
- Να ασφαρίζετε πάντα τα μικρά τεμάχια εργασίας σε μέγνηνη ή παρόμοια διάταξη συγκράτησης.

ΣΥΝΤΗΡΗΣΗ

⚠ ΠΡΟΣΟΧΗ:

- Να φροντίζετε πάντα για την απενεργοποίηση του εργαλείου και την αφαίρεση της κασέτας μπαταρίας πριν επιτελήσετε οποιονδήποτε έλεγχο ή συντήρηση του εργαλείου.
- Μην χρησιμοποιείτε ποτέ βενζίνη, πετρελαϊκό αιθέρα, διαλυτικά, αλκοόλη ή παρόμοιες ουσίες. Ενδέχεται να προκληθεί αποχρωματισμός, παραμόρφωση ή ρωγμές.

Αντικατάσταση καρβουνακίων (Εικ. 26 και 27)

Να αφαιρείτε και να ελέγχετε τακτικά τα καρβουνάκια. Να αντικαθιστάτε τα καρβουνάκια όταν έχουν φθαρεί έως το σημάδι ορίου. Να διατηρείτε τα καρβουνάκια καθαρά και ελεύθερα για να γλιστρούν στις υποδοχές. Πρέπει να αλλάξετε ταυτόχρονα και τα δύο καρβουνάκια. Να χρησιμοποιείτε μόνο καρβουνάκια ίδιου τύπου.

Με τη βοήθεια ενός κατσαβιδιού, βγάλετε τα καπάκι θήκης καρβουνακίων για τα καρβουνάκια. Βγάλτε τα φθαρμένα καρβουνάκια, τοποθετήστε τα καινούργια και ασφαλίστε τα καπάκι θήκης καρβουνακίου για τα καρβουνάκια.

Τοποθετήστε ξανά τα καλύμματα καπακιού θήκης στο εργαλείο.

Για την διατήρηση της ΑΣΦΑΛΕΙΑΣ και ΑΞΙΟΠΙΣΤΙΑΣ του προϊόντος, επισκευές, οποιαδήποτε άλλη συντήρηση ή ρύθμιση πρέπει να εκτελούνται από τα Εξουσιοδοτημένα Κέντρα Εξυπηρέτησης της Makita, με χρήση πάντοτε ανταλλακτικών Makita.

ΠΡΟΑΙΡΕΤΙΚΑ ΕΞΑΡΤΗΜΑΤΑ

⚠ ΠΡΟΣΟΧΗ:

- Αυτά τα παρελκόμενα ή προσαρτήματα συνιστώνται για χρήση με το εργαλείο της Makita που περιγράφεται στο παρόν εγχειρίδιο. Η χρήση οποιουδήποτε άλλου παρελκόμενου ή προσαρτήματος ενέχει κίνδυνο τραυματισμού ατόμων. Το παρελκόμενο ή προσάρτημα να χρησιμοποιείται μόνο για την προοριζόμενη χρήση του.

Εάν χρειάζεστε βοήθεια όσον αφορά περαιτέρω λεπτομέρειες σχετικά με τα εν λόγω παρελκόμενα, απευθυνθείτε στο τοπικό κέντρο σέρβις της Makita.

- Αιχμές SDS-Plus με επικάλυψη καρβιδίου
- Διατηρητική βελόνα
- Σμίλη χαρακτών
- Σμίλη απομάκρυνσης σκουριάς
- Σμίλη δημιουργίας αυλάκων
- Συγκρότημα σφικτήρα αιχμής
- Σφικτήρας τρυπανιού S13
- Προσαρμογέας σφικτήρα
- Κλειδί σφικτήρα S13
- Γράσο αιχμής
- Πλευρική λαβή
- Ρυθμιστής βάρους
- Φυσερό
- Κάλυμμα σκόνης
- Εξάρτημα απαγωγής σκόνης
- Προστατευτικά γυαλιά-προσωπίδες
- Πλαστική θήκη μεταφοράς
- Σφικτήρας τρυπανιού χωρίς κλειδί
- Γνήσια μπαταρία και φορτιστής της Makita

ΠΑΡΑΤΗΡΗΣΗ:

- Μερικά στοιχεία στη λίστα μπορεί να συμπεριλαμβάνονται στη συσκευασία εργαλείου ως στάνταρ εξαρτήματα. Μπορεί να διαφέρουν ανάλογα με τη χώρα.

ENG905-1

Θόρυβος

Το τυπικό A επίπεδο μετρημένου θορύβου καθορίζεται σύμφωνα με το EN60745:

Στάθμη πίεσης ήχου (L_{pA}): 94 dB (A)

Στάθμη δύναμης ήχου (L_{WA}): 105 dB (A)

Αβεβαιότητα (K): 3 dB (A)

Φοράτε ωτοασπίδες

ENG900-1

Κραδασμός

Η ολική τιμή δόνησης (άθροισμα τρι-αξονικού διανύσματος) καθορίζεται σύμφωνα με το EN60745:

Μοντέλο DHR263

Είδος εργασίας: τρυπάνισμα με σφυροκόπημα στο μπετόν

Εκπομπή δόνησης ($a_{h, HD}$): 14,5 m/s²

Αβεβαιότητα (K): 1,5 m/s²

Είδος εργασίας: σμίλευση

Εκπομπή δόνησης ($a_{h, CHed}$): 14,0 m/s²

Αβεβαιότητα (K): 1,5 m/s²

Είδος εργασίας: τρυπάνισμα σε μέταλλο

Εκπομπή δόνησης ($a_{h, D}$): 3,0 m/s²

Αβεβαιότητα (K): 1,5 m/s²

Μοντέλο DHR264

Είδος εργασίας: τρυπάνισμα με σφυροκόπημα στο μπετόν

Εκπομπή δόνησης ($a_{h, HD}$): 15,5 m/s²

Αβεβαιότητα (K): 1,5 m/s²

Είδος εργασίας: σμίλευση

Εκπομπή δόνησης ($a_{h, CHed}$): 14,0 m/s²

Αβεβαιότητα (K): 1,5 m/s²

Είδος εργασίας: τρυπάνισμα σε μέταλλο

Εκπομπή δόνησης ($a_{h, D}$): 5,0 m/s²

Αβεβαιότητα (K): 1,5 m/s²

ENG901-1

- Η δηλωμένη τιμή εκπομπής κραδασμών έχει μετρηθεί σύμφωνα με την πρότυπη μέθοδο δοκιμής και μπορεί να χρησιμοποιηθεί για τη σύγκριση ενός εργαλείου με άλλο.
- Η δηλωμένη τιμή εκπομπής κραδασμών μπορεί να χρησιμοποιηθεί και στην προκαταρκτική αξιολόγηση έκθεσης.

⚠ ΠΡΟΕΙΔΟΠΟΙΗΣΗ:

- Η εκπομπή κραδασμών κατά τη χρήση του ηλεκτρικού εργαλείου σε πραγματικές συνθήκες μπορεί να διαφέρει από τη δηλωμένη τιμή εκπομπής ανάλογα με τον τρόπο χρήσης του εργαλείου.
- Φροντίστε να λάβετε τα κατάλληλα μέτρα προστασίας του χειριστή βάσει υπολογισμού της έκθεσης σε πραγματικές συνθήκες χρήσης (λαμβάνοντας υπόψη όλες τις συνιστώσες του κύκλου λειτουργίας όπως τους χρόνους που το εργαλείο είναι εκτός λειτουργίας και όταν βρίσκεται σε αδρανή λειτουργία πέραν του χρόνου ενεργοποίησης).

Μόνο για χώρες της Ευρώπης

Δήλωση Συμμόρφωσης ΕΚ

Η Makita Corporation, ως ο υπεύθυνος κατασκευαστής, δηλώνει ότι το/τα ακόλουθο(α) μηχάνημα(τα) της Makita:

Χαρακτηρισμός μηχανήματος:

Φορητό σφυρί συνδυασμού

Αρ. μοντέλου/Τύπος: DHR263, DHR264

είναι εν σειρά παραγωγή και

συμμορφώνονται με τις ακόλουθες Ευρωπαϊκές Οδηγίες:

2006/42/ΕΚ

και κατασκευάζονται σύμφωνα με τα ακόλουθα πρότυπα ή έγγραφα τυποποίησης:

EN60745

Το τεχνικό πληροφοριακό υλικό διατηρείται από:

Makita International Europe Ltd.

Technical Department (Τεχνικό Τμήμα),

Michigan Drive, Tongwell,

Milton Keynes, Bucks MK15 8JD, England (Αγγλία)

18.6.2013



Tomoyasu Kato

Διευθυντής

Makita Corporation

3-11-8, Sumiyoshi-cho,

Anjo, Aichi, 446-8502, JAPAN

Genel görünüşün açıklanması

1 Kırmızı gösterge	14 Kırmalı dönüş	28 Eylem modu değiştirme düğmesi
2 Düğme	15 Sadece dönüş	29 Derinlik ölçeği
3 Batarya kartuşu	16 Sadece kırma	30 Toz başlığı
4 Yıldız işareti	17 Kavrama kaidesi	31 Toz üfleme aparatı
5 Batarya göstergesi	18 Dişler	32 Mandren adaptörü
6 Anahtar tetik	19 Gevşet	33 Matkap mandreni
7 Lamba	20 Sıkıştır	34 Manşon
8 Ters dönüş mandalı	21 Yan kavrama kolu	35 Segman
9 SDS-plus için hızlı değişim mandreni	22 Çıkıntı	36 Sınır işareti
10 Değişim kapağı çizgisi	23 Uç şankı	37 Fırça yuvası kapağı
11 Değişim kapağı	24 Uç gresi	38 Tornavida
12 İğ	25 Uç	
13 Hızlı değişim matkap mandreni	26 Mandren kapağı	
	27 ○ sembolü	

TEKNİK ÖZELLİKLER

Model	DHR263	DHR264
Kapasiteler	Beton	26 mm
	Çelik	13 mm
	Ahşap	32 mm
Yüksüz hız (dak ⁻¹)	0 – 1.250	
Dakikada vuruş	0 – 5.000	
Toplam uzunluk	350 mm	374 mm
Net ağırlık	4,6 kg	4,7 kg
Nominal voltaj	D.C. 36 V	

GE046-2

- Sürekli yapılan araştırma ve geliştirmelerden dolayı, burada belirtilen özellikler önceden bildirilmeksizin değiştirilebilir.
- Özellikler ve batarya kartuşu ülkeden ülkeye değişebilir.
- EPTA-Prosedürü 01/2003 uyarınca, batarya kartuşu dahil, ağırlık

ENE043-1

Kullanım amacı

Bu alet beton, tuğla ve taşta darbeli, darbesiz delme ve keskiyle yontma yapmak amacıyla kullanılır. Ahşap, metal, seramik ve plastikte darbesiz delme yapmaya da uygundur.

GEA010-1

Genel elektrikli alet Güvenliği

⚠ UYARI! Tüm güvenlik uyarılarını ve tüm talimatları okuyun. Uyarılara ve talimatlara uyulmaması elektrik şoku, yangın ve/veya ciddi yaralanmalar ile sonuçlanabilir.

Tüm uyarıları ve talimatları ileride başvurmak için saklayın.

AKÜLÜ KIRICI DELİCİ GÜVENLİK UYARILARI

1. **Kulak koruyucuları takın.** Gürültüye maruz kalmak işitme kaybına neden olabilir.
2. **Aletle birlikte sağlanmışsa yardımcı tutamağı/tutamakları kullanın.** Kontrol kaybı yaralanmaya neden olabilir.
3. **Kesici aksesuarın görünmeyen kablolarla temas etme olasılığı bulunan yerlerde çalışırken elektrikli aletleri yalıtımlı kavrama yüzeylerinden tutun.** Kesici aksesuarın "akımlı" bir telle temas etmesi elektrikli aletin yalıtımsız metal kısımlarını "akımlı" hale getirebilir ve kullanıcıyı elektrik şokuna maruz bırakabilir.
4. **Sert bir başlık (emniyet bareti), emniyet gözlüğü ve/veya yüz siperi takın. Normal gözlükler veya güneş gözlükleri koruyucu gözlük DEĞİLDİR. Bir toz maskesi ve kalın dolgulu eldivenler takmanız kuvvetle tavsiye edilir.**
5. **Kullanmadan önce kalemin yerinde sabitlenmiş olduğundan emin olun.**
6. **Normal kullanım koşullarında bu alet titreşim üretmek için tasarlanmıştır. Vidalar kolayca gevşeyerek arıza veya kazaya neden olabilir. Kullanmadan önce vidaların sıkılığını dikkatle kontrol edin.**
7. **Soğuk havada veya aletin uzun süre kullanılmamış olması durumunda, aleti bir süre yüksüz çalıştırarak ısıtın. Bu, yağı gevşetecektir. Gerekli ısıtma yapılmazsa, çekiç işlemi zorlaşır.**

- Her zaman yere sağlam basın. Aleti yüksekte kullanırken, aşağıda kimsenin olmadığından emin olun.
- Aleti her iki elinizle sıkıca tutun.
- Ellerinizi hareketli kısımlardan uzak tutun.
- Aleti çalışır durumda bırakmayın. Aleti sadece elinizde tutarken çalıştırın.
- Çalışırken aleti civardaki birine doğru tutmayın. Uç fırlayabilir ve birini ciddi şekilde yaralayabilir.
- Çalışmadan hemen sonra uca ya da uca yakın kısımlara dokunmayın; çok sıcak olabilirler ve cildinizi yakabilirler.
- Bazı malzemeler zehirli olabilen kimyasallar içerirler. Toz yutmayı ve cilt temasını önlemek için tedbir alın. Malzeme sağlayıcısının güvenlik bilgilerine uyun.

BU TALİMATLARI SAKLAYIN.

⚠ UYARI:

Ürünü kullanırken (defalarca kullanılan) rahatlık ve tanıdıklık duygusunun ilgili ürünün güvenlik kurallarına sıkı sıkıya bağlı kalmanın yerine geçmesine İZİN VERMEYİN. YANLIŞ KULLANIM veya bu kullanma kılavuzunda belirtilen emniyet kurallarına uymama ciddi yaralanmaya neden olabilir.

ENC007-8

ÖNEMLİ GÜVENLİK TALİMATLARI

BATARYA KARTUŞU HAKKINDA

- Batarya kartuşunu kullanmadan önce, tüm talimatları ve (1) batarya şarj aleti, (2) batarya ve (3) bataryası kullanan alet üstündeki tüm uyarıları okuyun.
- Batarya kartuşunu sökmeyin.
- Çalışma süresi aşırı derecede kısalmışsa kullanmayı derhal bırakın. Aşırı ısınma, yanma riski hatta patlamaya neden olabilir.
- Gözünüze elektrolit kaçarsa, gözlerinizi temiz suyla durulayın ve hemen tıbbi yardım alın. Görme kaybına yol açabilir.
- Batarya kartuşunu kısa devre yaptırmayın:
 - Terminallere herhangi bir iletken madde deşirmeyin.
 - Batarya kartuşunu çiviler, madeni paralar, vb. gibi başka metal nesnelere aynı kaba koymaktan kaçının.
 - Batarya kartuşunu yağmura ya da suya maruz bırakmayın.

Bataryada bir kısa devre büyük bir elektrik akımına, aşırı ısınmaya, olası yanıklara ve hatta bir bozulmaya neden olabilir.

- Aleti ve batarya kartuşunu sıcaklığın 50°C ya da daha yüksekçe ulaştığı yerlerde muhafaza etmeyin.
- Batarya kartuşunu ciddi hasar görmüş ya da tamamen kullanılmaz hale gelmiş olsa bile ateşe atmayın. Batarya kartuşu ateşin içinde patlayabilir.
- Bataryası düşürmemeye ya da darbe almamasına dikkat edin.
- Zarar gören bataryası kullanmayın.

- Bataryanın elden çıkarılması ile ilgili yerel düzenlemelere uyunuz.

BU TALİMATLARI SAKLAYIN.

Maksimum batarya ömrünü koruma için tavsiyeler

- Batarya kartuşunu tamamen boşalmadan şarj edin. Aletin gücünün zayıfladığını fark ettiğiniz zaman daima kullanmayı durdurarak pil kartuşunu şarj edin.
- Tam şarjlı bir batarya kartuşunu asla tekrar şarj etmeyin. Fazla şarj etme pilin kullanım ömrünü kısaltır.
- Batarya kartuşunu 10°C – 40°C oda sıcaklığında şarj edin. Sıcak bir batarya kartuşunu şarj etmeden önce soğumasını bekleyin.
- Uzun bir süre kullanmadığınız durumlarda batarya kartuşunu altı ayda bir şarj edin.

İŞLEVSEL NİTELİKLER

⚠ DİKKAT:

- Alet üzerinde ayarlama ya da işleyiş kontrolü yapmadan önce aletin kapalı ve batarya kartuşunun çıkartılmış olduğundan daima emin olun.

Batarya kartuşunun takılması ve çıkarılması (Şek. 1)

⚠ DİKKAT:

- Batarya kartuşunu takmadan ya da çıkarmadan önce aleti daima kapatın.
- Batarya dönüştürücüyü takarken veya çıkarırken aleti ve batarya dönüştürücüyü sıkıca tutun. Aletin ve batarya dönüştürücünün sıkıca tutulmaması bunların düşürülmesine ve zarar görmesine ya da ciddi yaralanmalara sebep olabilir.

Batarya kartuşunu çıkarmak için, kartuşun ön tarafındaki düğmeyi kaydırarak kartuşu aletten çıkarın. Batarya kartuşunu takmak için, batarya kartuşu üzerindeki dili yuvanın çentiği ile hizalayın ve yerine oturtun. Hafif bir tık sesi duyulana kadar itip yerine tam oturmasını sağlayın. Düğmenin üst tarafındaki kırmızı gösterge görünüyorsa tam yerine kilitlenmemiş demektir.

⚠ DİKKAT:

- Batarya kartuşunu daima kırmızı gösterge görünmeyecek şekilde tam olarak takın. Yerine tam oturmazsa, aletten yanlışlıkla düşebilir, sizin ya da çevrenizdeki kişilerin yaralanmasına neden olabilir.
- Batarya kartuşunu zorlayarak takmayın. Kartuş kolay bir şekilde kaymıyorsa doğru yerleştirilmemiş demektir.

NOT:

- Alet sadece bir batarya kartuşu ile çalışmaz.

Alet/batarya koruma sistemi

Alet, bir alet/batarya koruma sistemi ile donatılmıştır. Bu sistem, aletin ve bataryanın ömrünü uzatmak için motora giden gücü otomatik olarak keser. Alette veya bataryada aşağıdaki koşullardan biri oluşursa alet çalışma sırasında otomatik olarak durur. Bazı durumlarda göstergeler de yanar.

Aşırı yük koruması

Alet, anormal derecede yüksek akım çekmesine neden olacak şekilde çalıştırıldığında, alet hiçbir belirti vermeden otomatik olarak durur. Bu durumda, aleti kapatın ve aletin aşırı yüklenmesine neden olan uygulamayı durdurun. Ardından yeniden başlatmak için aleti çalıştırın.

Batarya için aşırı ısınma koruması

Batarya aşırı ısındığında, alet hiçbir belirti vermeden otomatik olarak durur. Anahtar tetik çekilse bile alet çalışmaz. Bu durumda, aleti tekrar çalıştırmadan önce bataryanın soğumasını bekleyin.

NOT:

- Batarya aşırı ısınma koruması sadece yıldız işaretli batarya kartuşu olan modellerde çalışır. (Şek. 2)

Aşırı deşarj koruması (Şek. 3)

Kalan batarya kapasitesi çok düşük olduğunda, ilgili batarya tarafındaki batarya göstergesi yanıp söner. Kullanılmaya devam edildiğinde, alet durur ve batarya göstergesi yaklaşık 10 saniye boyunca yanar. Bu durumda, batarya kartuşu şarj edilmelidir.

Anahtar işlemi (Şek. 4)

⚠ DİKKAT:

- Batarya kartuşunu alete takmadan önce, anahtar tetiğin düzgün çalıştığından ve bırakıldığında "OFF" (KAPALI) pozisyona döndüğünden emin olun.

Makinayı çalıştırmak için anahtar tetiği çekin. Makinanın hızı anahtar tetiğin üzerine daha fazla bastırılarak artırılır. Durdurmak için anahtar tetiği bırakın.

Lambanın yakılması (Şek. 5)

⚠ DİKKAT:

- Işığa ya da ışığın kaynağına doğrudan bakmayın.

Lambayı yakmak için anahtar tetiği çekin. Anahtar tetik çekilirken lamba yanmaya devam eder.

Anahtar tetik serbest bırakıldıktan 10 – 15 saniye sonra ışık otomatik olarak söner.

NOT:

- Lamba lensini temizlemek için kuru bir bez kullanın. Aydınlatmayı azaltacağı için lamba lensinin çizilmemesine dikkat edin.
- Lambayı temizlemek için tiner veya benzin kullanmayın. Bu solventler lambaya zarar verebilir.

Ters dönüş mandalı işlemi (Şek. 6)

Bu makinanın dönme yönünü değiştirmek için ters dönüş mandalı vardır. Saat yönünde dönme için, ters dönüş mandalını A tarafı pozisyonuna, saat yönünün tersine dönme için de B tarafı pozisyonuna getirin.

Ters dönüş mandalı nötr pozisyondayken anahtar tetik çekilemez.

⚠ DİKKAT:

- Kullanmadan önce dönüş yönünü daima kontrol edin.
- Ters dönüş mandalını, makina tamamen durduktan sonra kullanın. Alet durmadan yön değiştirmeye alete zarar verebilir.
- Aleti kullanmadığınız zamanlarda, ters dönüş mandalını daima nötr pozisyonunda tutun.

SDS-plus için hızlı değişim mandrenini değiştirme


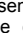
DHR264 modeli için

SDS-plus için hızlı değişim mandreni kolaylıkla hızlı değişim matkap mandreni ile değiştirilebilir.



SDS-plus için hızlı değişim mandrenini çıkarma (Şek. 7)

⚠ DİKKAT:

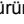
- SDS-plus için hızlı değişim mandrenini çıkarmadan önce mutlaka ucu çıkarın.

SDS-plus için hızlı değişim mandreni değişim kapağını kavrayın ve değişim kapağı çizgisi  sembolünden  sembolüne geçene kadar ok yönünde döndürün. Ok yönünde güçlü bir şekilde çekin.

Hızlı değişim matkap mandrenini takma (Şek. 8)

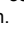
Hızlı değişim matkap mandreni çizgisinin  sembolünü gösterip göstermediğini kontrol edin. Hızlı değişim matkap mandreni değişim kapağını kavrayın ve çizgiyi  sembolüne hizalayın.

Hızlı değişim matkap mandrenini aletin iği üzerine yerleştirin.


Hızlı değişim matkap mandreni değişim kapağını kavrayın ve değişim kapağı çizgisini net bir tik sesi duyulana kadar  sembolüne doğru döndürün.

Bir eylem modu seçme


Kırmalı dönüş (Şek. 9)

Beton, taş vb. delerken, kilitleme düğmesine basın ve eylem modu değiştirme düğmesini  sembolüne doğru döndürün. Tungsten-karbür uç kullanın.

Sadece dönüş (Şek. 10)

Tahta, metal veya plastik malzemeleri delerken, kilitleme düğmesine basın ve eylem modu değiştirme düğmesini  sembolüne doğru döndürün. Spiral matkap ucu veya ahşap uç kullanın.

Sadece kırma (Şek. 11)

Yontma, raspalama veya kırma işlemleri için, kilitleme düğmesine basın ve eylem modu değiştirme düğmesini  sembolüne doğru döndürün. Sivri keski, soğuk keski, yassı keski vb. kullanın.

⚠ DİKKAT:

- Alet çalışırken eylem modu değiştirme düğmesini döndürmeyin. Alet zarar görebilir.
- Mod değiştirme mekanizmasının hızlı aşınmasını önlemek için, eylem modu değiştirme düğmesinin üç eylem modu pozisyonundan birine tam olarak döndürüldüğünden emin olun.

Tork sınırlandırıcı

Belli bir tork seviyesine ulaşıldığında tork sınırlandırıcı etkinleştirilir. Motor, çıkış şaftından ayrılır. Bunun sonucunda da ucun dönmesi durur.

⚠ DİKKAT:

- Tork sınırlandırıcı etkinleştiğinde, alet hemen kapanır. Bu işlem, aletin erkenden aşınmasını önler.
- Delik açma testereleleri bu aletle kullanılmaz. Deliğe kolayca sıkışabilir veya takılabilir. Bu da tork sınırlandırıcının çok sık etkinleşmesine neden olur.

MONTAJ

⚠ DİKKAT:

- Alet üzerinde herhangi bir işlem yapmadan önce aletin kapalı ve batarya kartuşunun çıkartılmış olduğundan daima emin olun.

Yan kavrama kolu (yardımcı tutamak) (Şek. 12)

⚠ DİKKAT:

- Güvenli bir kullanım sağlamak için daima yan kavrama kolunu kullanın.

Yan kavrama kolunu, kavrama kolu üzerindeki dişler alet gövdesinin üzerindeki çıkıntılar arasına oturacak şekilde takın. Ardından kolu saat yönünde döndürerek istenen konumda sıkılayın. Herhangi bir konumda sabitlenebilmesi için 360° dönebilir.

Uç gresi

Uç şankı kafasını önceden küçük bir miktar uç gresi ile yağlayın (yaklaşık 0,5 – 1 gr). Mandrenin yağlanması yumuşak bir çalışmaya ve daha uzun servis ömrü sağlar.

Ucun takılması veya çıkarılması


Uç şankını temizleyin ve ucu takmadan önce uç gresi uygulayın. (Şek. 13)


Ucu alete takın. Ucu çevirip yerine oturana kadar itin. Uç itilemiyorsa, ucu çıkarın. Mandren kapağını birkaç kez aşağı doğru çekin. Ardından ucu tekrar takın. Ucu çevirip yerine oturana kadar itin. (Şek. 14)

Takma işlemi bittikten sonra ucu çekmeye çalışarak yerine sağlam bir şekilde oturduğundan emin olun.

Ucu çıkarmak için, mandren kapağını tamamen aşağı çekin ve ucu çekip çıkarın. (Şek. 15)

Uç açısı (yontma, raspalama veya kırma sırasında) (Şek. 16 ve 17)

Uç, istenen açıda sabitlenebilir. Uç açısını değiştirmek için, kilitleme düğmesine basın ve eylem modu değiştirme düğmesini  sembolüne doğru döndürün. Ucu istenen açıya döndürün.

Kilitleme düğmesine basın ve eylem modu değiştirme düğmesini  sembolüne doğru döndürün. Ardından, ucu hafifçe döndürerek yerine sağlam bir şekilde oturduğundan emin olun.

Derinlik ölççeği (Şek. 18)

Derinlik ölççeği, aynı derinlikte delikler delmek için kullanışlıdır. Yan kavrama kolunu gevşetin ve derinlik ölççeğini yan kavrama kolundaki deliğin içine yerleştirin. Derinlik ölççeğini istenilen derinliğe ayarlayın ve yan kavrama kolunu sıkıştırın.

NOT:

- Derinlik ölççeği, vida yuvasına çarpan konumlarda kullanılamaz.

Toz başlığı (Şek. 19)


Tozun yere ve üzerinize dökülmesini önlemek için başınızdaki daha yukarıdaki delme işlemlerini gerçekleştirirken toz başlığını kullanın. Toz başlığını şekilde gösterildiği gibi uca takın. Toz başlığının takılabileceği uç boyutları aşağıda verilmiştir.

	Uç çapı
Toz başlığı 5	6 mm – 14,5 mm
Toz başlığı 9	12 mm – 16 mm

006382

KULLANIM

Darbeli matkabın kullanılması (Şek. 20)

Eylem modu değiştirme düğmesini  sembolüne ayarlayın.

Ucu delmek istediğiniz noktaya yerleştirin ve ardından anahtar tetiği çekin.

Aleti zorlamayın. En iyi sonucu almak için hafif bir basınç uygulamanız yeterlidir.

Aletin konumunu koruyun ve deliğin dışına kaymasını önleyin.

Delik talaş ya da parçacıklardan dolayı tikanırsa daha fazla basınç uygulamayın. Bunun yerine aleti rölantide çalıştırın ve ardından ucu kısmen delikten çıkarın. Bunu birkaç kez tekrarladığınızda delik temizlenir ve normal delme işlemine devam edilebilir.

⚠ DİKKAT:

- Deliğin delinmesi sırasında, delik talaş ya da parçacıklar tarafından tikanırsa ya da betonun içine gömülü takviye demirlerine denk gelirse, alete/uca güçlü ve ani bir dönüş gücü binebilir. Her zaman yan kavrama kolunu (yardımcı tutamağı) kullanın ve işlem sırasında aleti hem yan kavrama kolunu hem de anahtar kolunu sıkıca tutun. Aksi takdirde, aletin kontrolü kaybedilebilir ve ciddi yaralanmalara sebep olabilir.

NOT:


- Alet yüksüz olarak çalıştığında uç dönüşünde merkezden sapma meydana gelebilir. Kullanım sırasında alet otomatik olarak konumu düzeltir. Delme işleminin kesinliği etkilenmez.

Toz üfleme aparatı (isteğe bağlı aksesuar)

(Şek. 21)

Deliği dolduktan sonra, deliğin içindeki tozu temizlemek için toz üfleme aparatını kullanın.

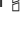
Yontma/Raspalama/Kırma (Şek. 22)

Eylem modu değiştirme düğmesini  sembolüne ayarlayın.

Aleti iki elinizle sıkıca tutun. Aleti çalıştırın ve tepme yapmadan kontrollü bir şekilde kullanılması için hafif bir basınç uygulayın. Alete çok fazla bastırmak daha verimli bir kullanım sağlamaz.

Tahta veya metal delme

DHR263 modeli için (Şek. 23 ve 24)

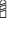
İsteğe bağlı matkap mandreni tertibatını kullanın. Mandrel tertibatını takarken önceki sayfada açıklanan “Ucun takılması veya çıkarılması” bölümüne bakın. Eylem modu değiştirme düğmesini işaretçi  sembolüne doğru döndürün.

DHR264 modeli için (Şek. 25)

Standart ekipman olarak hızlı değişim matkap mandrenini kullanmayın.

Mandrel tertibatını takarken önceki sayfada açıklanan “SDS-plus için hızlı değişim mandrenini değiştirme” bölümüne bakın.

Mandren ağızlarını açmak için, segmanı tutup manşonu saat yönünün tersine çevirin. Ucu mandrenin içinde gidebileceği kadar yerleştirin. Mandreni sıkıştırmak için, segmanı sıkıca tutup manşonu saat yönünde çevirin. Ucu çıkarmak için, segmanı tutup manşonu saat yönünün tersine çevirin.

Eylem modu değiştirme düğmesini  sembolüne ayarlayın.

Metalde 13 mm çapa, tahtada 32 mm çapa kadar delme işlemi gerçekleştirilebilir.

⚠ DİKKAT:

- Matkap mandreni tertibatı aletin üzerine takılı olduğunda "Kırmalı dönüş" özelliğini asla kullanmayın. Matkap mandreni tertibatı zarar görebilir. Ayrıca, alet ters dönerken matkap mandreni yerinden çıkar.
- Makinaya aşırı baskı yapıldığında delme işlemi hızlanmayacaktır. Aşırı baskı ucun yıpranmasına, makina performansının düşmesine ve makinanın kullanım ömrünün kısılmasına yol açacaktır.
- Delip çıkma sırasında makina ve uç üzerinde çok büyük güç uygulanır. Uç, iş parçasını delip çıkmaya başladığında makinayı sıkı tutun ve dikkat sarf edin.
- Sıkışan bir uç, makinayı ters yöne döndürerek kolayca çıkartılabilir. Fakat bu durumda makinayı sıkıca tutmak gerekir, aksi halde makina darbe ile aniden elden çıkabilir.
- Küçük iş parçalarını delerken, mengene ya da benzeri sabit tutucu aletler kullanın.

BAKIM

⚠ DİKKAT:

- Kontrol ya da bakım yapmadan önce aletin kapalı ve batarya kartuşunun çıkartılmış olduğundan daima emin olun.
- Benzin, tiner, alkol ve benzeri maddeleri kesinlikle kullanmayın. Renk değişimi, deformasyon veya çatlaklar oluşabilir.

Karbon fırçaların değiştirilmesi (Şek. 26 ve 27)

Karbon fırçaları düzenli olarak çıkarıp kontrol edin. Sınır işaretine kadar yıprandıkları zaman değiştirin. Karbon fırçaların temiz ve yuvaları içinde serbestçe kayar durumda kalmalarını sağlayın. Her iki karbon fırça aynı zamanda değiştirilmelidir. Sadece birbirinin aynısı olan fırçaları kullanın.

Fırça yuvası kapaklarını çıkarmak için bir tomavida kullanın. Aşınmış karbon fırçalarını dışarı çıkarın, yerlerine yenilerini geçirin ve fırça yuvası kapaklarını açılmayacak şekilde takın.

Tutucu kapakları aletin üzerine yeniden takın.

Ürün GÜVENLİLİĞİNİN ve GÜVENİLİRLİĞİNİN sağlanması için onarımlar diğer tüm bakım ve ayarlarla işlemleri Makita Yetkili Servis Merkezlerinde daima Makita yedek parçaları kullanılarak yapılmalıdır.

İSTEĞE BAĞLI AKSESUARLAR

⚠ DİKKAT:

- Bu el kitabında belirtilen Makita aletiniz ile kullanılmaları bu aksesuarlar ve ek parçaların tavsiye edilmektedir. Herhangi başka bir aksesuar ya da ek parça kullanılması insanlar için bir yaralanma riski oluşturabilir. Aksesuarları ya da ek parçaları yalnızca belirtilmiş olan kullanım amaçlarına uygun olarak kullanın.

Bu aksesuarlarla ilgili daha fazla bilgiye ihtiyaç duyarsanız bulunduğunuz yerdeki yetkili Makita servisine başvurun.

- SDS-Plus Karbür uçlar
- Sivri keski
- Soğuk keski
- Yassı keski
- Kanal açma keskesi
- Matkap mandreni tertibatı

- Matkap mandreni S13
- Mandren adaptörü
- Mandren anahtarları S13
- Uç gresi
- Yan kavrama kolu
- Derinlik ölçer
- Toz üfleme aparatı
- Toz başlığı
- Toz çekme ek parçası
- Koryucuyu gözlük
- Plastik taşıma çantası
- Anahtarsız matkap mandreni
- Makita orijinal batarya ve şarj aleti

NOT:

- Listedeki parçaların bazıları alet paketi içerisinde standart aksesuar olarak dahil edilmiş olabilir. Bunlar ülkeden ülkeye farklılık gösterebilir.

ENG900-1

Gürültü

EN60745 standardına göre belirlenen tipik A-ağırlıklı gürültü düzeyi:

Ses basıncı düzeyi (L_{pA}): 94 dB (A)
Ses güç seviyesi (L_{WA}): 105 dB (A)
Belirsizlik (K): 3 dB (A)

Kulak koruyucuları takın

ENG900-1

Titreşim

EN60745 standardına göre hesaplanan titreşim toplam değeri (üç eksenli vektör toplamı):

Model DHR263

Çalışma modu: betona darbeli delme
Titreşim emisyonu ($a_{h, HD}$): 14,5 m/s²
Belirsizlik (K): 1,5 m/s²

Çalışma modu: keskiyle yontma
Titreşim emisyonu ($a_{h, Cheq}$): 14,0 m/s²
Belirsizlik (K): 1,5 m/s²

Çalışma modu: metal delme
Titreşim emisyonu ($a_{h, D}$): 3,0 m/s²
Belirsizlik (K): 1,5 m/s²

Model DHR264

Çalışma modu: betona darbeli delme
Titreşim emisyonu ($a_{h, HD}$): 15,5 m/s²
Belirsizlik (K): 1,5 m/s²

Çalışma modu: keskiyle yontma
Titreşim emisyonu ($a_{h, Cheq}$): 14,0 m/s²
Belirsizlik (K): 1,5 m/s²

Çalışma modu: metal delme
Titreşim emisyonu ($a_{h, D}$): 5,0 m/s²
Belirsizlik (K): 1,5 m/s²

- Beyan edilen titreşim emisyon değeri standart test yöntemine uygun şekilde ölçülmüştür ve bir aleti bir başkasıyla karşılaştırmak için kullanılabilir.
- Beyan edilen titreşim emisyon değeri bir ön maruz kalma değerlendirmesi olarak da kullanılabilir.

⚠ UYARI:

- Bu elektrikli aletin gerçek kullanımı sırasındaki titreşim emisyonu aletin kullanım biçimlerine bağlı olarak beyan edilen emisyon değerinden farklı olabilir.
- Gerçek kullanım koşullarındaki maruz kalmanın bir tahmini hesaplaması temelinde operatörü koruyacak güvenlik önlemlerini mutlaka belirleyin (çalışma döngüsü içerisinde aletin kapalı olduğu ve aktif durumda olmasının yanı sıra boşta çalıştığı zamanlar gibi, bütün zaman dilimleri göz önünde bulundurularak değerlendirilmelidir).

ENH101-16

Sadece Avrupa ülkeleri için

EC Uygunluk Beyanı

Sorumlu imalatçı olarak biz Makita Corporation beyan ederiz ki aşağıdaki Makita makine(ler)i:

Makine Adı:

Kablosuz Kombine Darbeli Matkap

Model No./Tipi: DHR263, DHR264

seri üretilmişlerdir ve

aşağıdaki Avrupa Direktiflerine uygundur:

2006/42/EC

ve aşağıdaki standartlara veya standartlaştırılmış belgelere uygun olarak imal edilmişlerdir:

EN60745

Teknik dokümantasyon şurada muhafaza edilmektedir:

Makita International Europe Ltd.

Teknik Departman,

Michigan Drive, Tongwell,

Milton Keynes, Bucks MK15 8JD, England

18.6.2013



Tomoyasu Kato

Müdür

Makita Corporation

3-11-8, Sumiyoshi-cho,
Anjo, Aichi, 446-8502, JAPAN

Makita Corporation
Anjo, Aichi, Japan

885316-999

www.makita.com

IDE

ОФИЦИАЛЬНЫЙ ДИЛЕР В УКРАИНЕ:

storgom.ua

ГРАФИК РАБОТЫ:

Пн. – Пт.: с 8:30 по 18:30

Сб.: с 09:00 по 16:00

Вс.: с 10:00 по 16:00

КОНТАКТЫ:

+38 (044) 360-46-77

+38 (066) 77-395-77

+38 (097) 77-236-77

+38 (093) 360-46-77

Детальное описание товара:

<https://storgom.ua/product/akkumuliatornyi-perforator-makita-dhr-263-z.html>

Другие товары: <https://storgom.ua/akkumulyatornyye-perforatory.html>