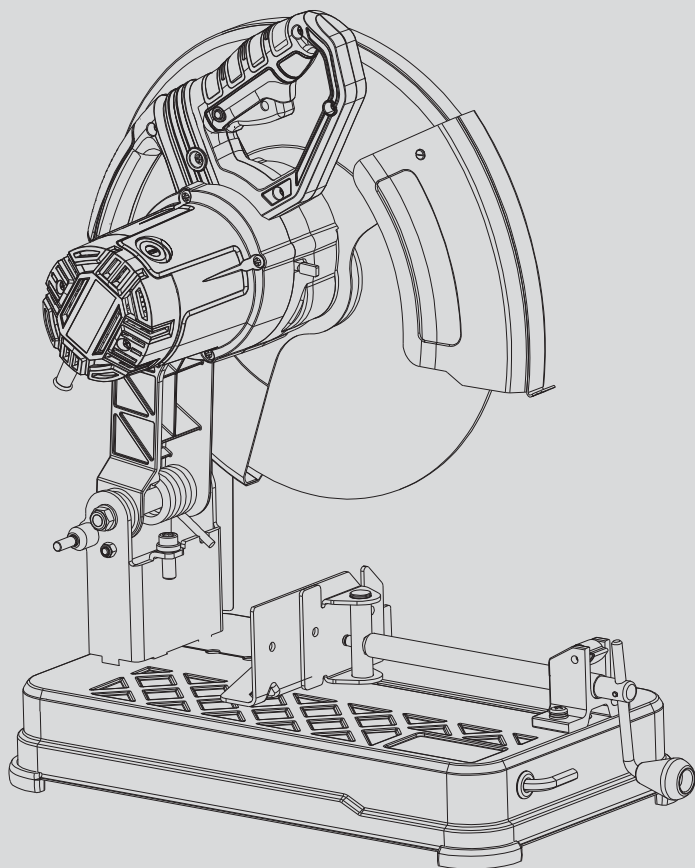
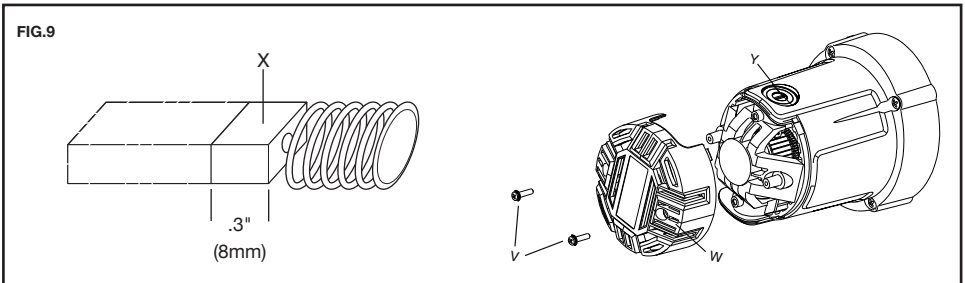
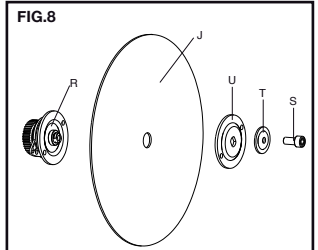
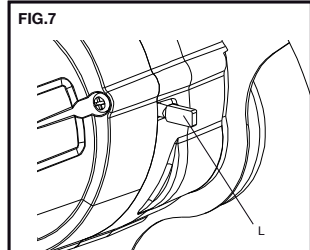
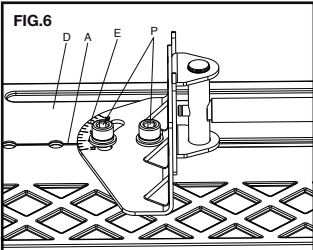
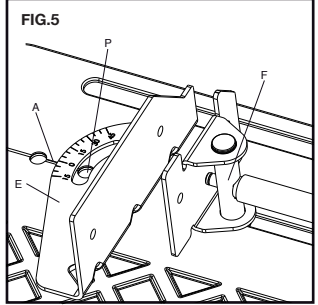
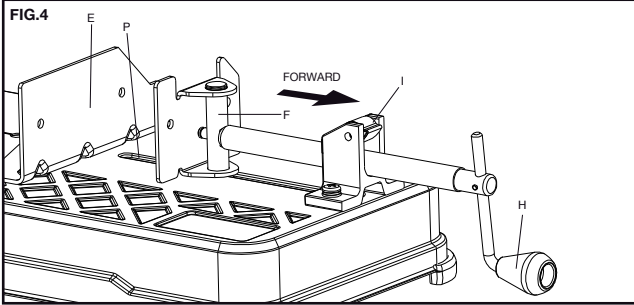
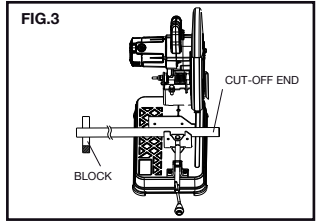
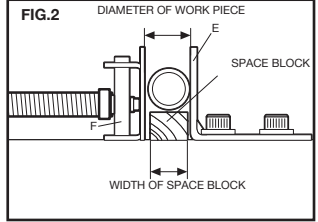
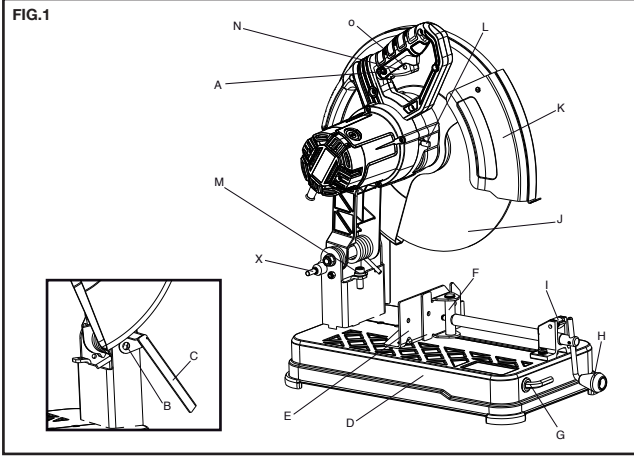


STANLEY



STSC2135

English	Page 3
Russian	Page 12
Ukrainian	Page 21



Technical data

Specifications		STSC2135
POWER	W	2100
NO-LOAD SPEED	/min	3800
MAX. DIAMETER	mm	355
Weight	kg	15.5

Intended use

Your Stanley Chop saw has been designed for cutting & cleaning applications.

General safety rules

Warning! Read all instructions. Failure to follow all instructions listed below may result in electric shock, fire and/or serious injury. The term "power tool" in all of the warnings listed below refers to your mains operated (corded) power tool or battery operated (cordless) power tool. **SAVE THESE INSTRUCTIONS.**

1. Work area

- a. **Keep work area clean and well lit.** Cluttered and dark areas invite accidents.
- b. **Do not operate power tools in explosive atmospheres, such as in the presence of flammable liquids, gases or dust.** Power tools create sparks which may ignite the dust or fumes.
- c. **Keep children and bystanders away while operating a power tool.** Distractions can cause you to lose control.

2. Electrical safety

- a. **Power tool plugs must match the outlet. Never modify the plug in any way. Do not use any adapter plugs with earthed (grounded) power tools.** Unmodified plugs and matching outlets will reduce risk of electric shock.
- b. **Avoid body contact with earthed or grounded surfaces such as pipes, radiators, ranges and refrigerators.** There is an increased risk of electric shock if your body is earthed or grounded.
- c. **Do not expose power tools to rain or wet conditions.** Water entering a power tool will increase the risk of electric shock.

- d. **Do not abuse the cord. Never use the cord for carrying, pulling or unplugging the power tool. Keep cord away from heat, oil, sharp edges or moving parts.** Damaged or entangled cords increase the risk of electric shock.
- e. **When operating a power tool outdoors, use an extension cord suitable for outdoor use.** Use of a cord suitable for outdoor use reduces the risk of electric shock.
- f. **If operating a power tool in a damp location is unavoidable, use a residual current device (RCD) protected supply.** Use of an RCD reduces the risk of electric shock.

Note: The term "Residual Current Device (RCD)" can be replaced by "Ground Fault Circuit Interrupter (GFCI)" or by "Earth Leakage Circuit Breaker (ELCB)".

3. Personal safety

- a. **Stay alert, watch what you are doing and use common sense when operating a power tool. Do not use a power tool while you are tired or under the influence of drugs, alcohol or medication.** A moment of inattention while operating power tools may result in serious personal injury.
- b. **Use safety equipment. Always wear eye protection.** Safety equipment such as dust mask, non-skid safety shoes, hard hat, or hearing protection used for appropriate conditions will reduce personal injuries.
- c. **Avoid accidental starting. Ensure the switch is in the off position before plugging in.** Carrying power tools with your finger on the switch or plugging in power tools that have the switch on invites accidents.
- d. **Remove any adjusting key or wrench before turning the power tool on.** A wrench or a key left attached to a rotating part of the power tool may result in personal injury.
- e. **Do not overreach. Keep proper footing and balance at all times.** This enables better control of the power tool in unexpected situations.
- f. **Dress properly. Do not wear loose clothing or jewellery. Keep your hair, clothing and gloves away from moving parts.** Loose clothes, jewellery or long hair can be caught in moving parts.
- g. **If devices are provided for the connection of dust extraction and collection facilities, ensure these are connected and properly used.** Use of these devices can reduce dust related hazards.

4. Power tool use and care

- a. **Do not force the power tool. Use the correct power tool for your application.** The correct power tool will do the job better and safer at the rate for which it was designed.
- b. Do not use the power tool if the switch does not turn it on and off. Any power tool that cannot be controlled with the switch is dangerous and must be repaired.
- c. **Disconnect the plug from the power source and/or the battery pack from the power tool before making any adjustments, changing accessories, or storing power tools.** Such preventive safety measures reduce the risk of starting the power tool accidentally
- d. **Store idle power tools out of the reach of children and do not allow persons unfamiliar with the power tool or these instructions to operate the power tool.** Power tools are dangerous in the hands of untrained users.
- e. **Maintain power tools. Check for misalignment or binding of moving parts, breakage of parts and any other condition that may affect the power tools operation. If damaged, have the power tool repaired before use.** Many accidents are caused by poorly maintained power tools.
- f. **Use the power tool, accessories and tool bits etc., in accordance with these instructions, taking into account the working conditions and the work to be performed.** Use of the power tool for operations different from those intended could result in a hazardous situation.

5. Service

- a. **Have your power tool serviced by a qualified repair person using only identical replacement parts.** This will ensure that the safety of the power tool is maintained.

Additional Safety Instruction For Chopsaws

- **Always wear proper eye and respiratory protection.**
- **Before using, inspect the cutting wheel for cracks or flaws. If such a crack or flaw is evident, discard the wheel. The wheel should also be inspected whenever you think the tool may have been dropped.** Flaws may cause wheel breakage.

- **When starting the tool with a new or replacement wheel or if you are unsure of the condition of the wheel, hold the tool in a well protected area and let it run for one minute.** If the wheel has an undetected crack or flaw, it should burst in less than one minute. Never start the tool with a person in line with the wheel. This includes the operator.
- **In operation, avoid bouncing the wheel or giving it rough treatment.** If this occurs, stop the tool and inspect the wheel for cracks or flaws.
- Clean your chop saw periodically following the procedure in this manual.
- Do not remove wheel guards or base.
- **ALWAYS USE THE VISE OR SPECIAL FIXTURE TO CLAMP WORK SECURELY.** Other aids such as spring, bar, or C-clamps may be appropriate for certain sizes and shapes of workpiece. Use care in selecting and placing these clamps and make a dry run before making a cut.
- Use only 14" type 1 wheels rated at 4100 rpm or higher.
- Allow cut off parts to cool before handling.
- Do not attempt to cut wood or plastic with this tool.
- **NEVER CUT MAGNESIUM WITH THIS TOOL.**
- Use chop saw in a well-ventilated area.
- Turn chop saw off before removing any pieces from the base.
- **DO NOT CUT ELECTRICALLY LIVE MATERIAL.**
- **Do not use circular saw blades or any other toothed blades with this tool.** Serious injury may result.
- **DO NOT OPERATE THIS TOOL NEAR FLAMMABLE LIQUIDS, GASES OR DUST.** Sparks or hot chips from cutting or arcing motor brushes may ignite combustible materials.
- Do not use the side of the abrasive wheel as a deburring grinder. This will substantially weaken the wheel creating an unsafe condition. The wheel may come apart.



Caution: Wear appropriate hearing protection during use. Under some conditions and duration of use, noise from this product may contribute to hearing loss.



Caution: Spark deflector will get hot. Avoid touching or adjusting while hot. Keep cordset and materials away from spark deflector.

- **Avoid prolonged contact with dust from power sanding, sawing, grinding, drilling, and other construction activities. Wear protective clothing and wash exposed areas with soap and water.** Allowing dust to get into your mouth, eyes, or lay on the skin may promote absorption of harmful chemicals.



Warning: Always use NIOSH/OSHA approved respiratory protection appropriate for the dust exposure. Direct particles away from face and body. For your convenience and safety, the following warnings are on your Heavy-Duty 14" (355mm) Chop Saw:



For safe operation read the instruction manual.

- Do not use toothed blades.
- Use only reinforced wheels rated 4100 rpm or higher.
- When servicing use only identical replacement parts.
- Always: wear eye protection, use guards, clamp work in vise, use proper respiratory protection.
- Do not expose to rain or use in damp locations.
- Only use chop saw wheel of a max. Thickness of 2.8mm and a max. Diameter of 355mm.

7. Labels on tool

The label on your tool may include the following symbols:



Read Instructions Manual



Use Eye Protection



Use Ear Protection

V Volts

A Amperes

Hz Hertz

W Watts

min minutes

..... Alternating Current

..... Direct Current

n_0 No-Load Speed



Class II Construction



Earthing Terminal



Safety Alert Symbol



Revolutions or Reciprocation per minute

Position of date barcode

The Date Code, which also includes the year of manufacture, is printed into the housing.

Example:

2014 XX JN
Year of manufacturing

Electrical safety

Warning! If the power cord is damaged, it must be replaced by the manufacturer, authorized Stanley Service Center or an equally qualified person in order to avoid damage or injury. If the power cord is replaced by an equally qualified person, but not authorized by Stanley, the warranty will not be valid.

Features (fig. 1, 4)

- Lock on Switch
- Spark Deflector Screw
- Spark Deflector
- Base
- Fence
- Vise
- Flat Wrench
- Crank

- I. Vise Level
- J. Wheel
- K. Guard
- L. Spindle Lock
- M. Depth Stop Bolt and Jam Nut
- N. Trigger Switch
- O. Padlock Hole
- P. Fence Bolts
- X. Lock Pin

Power supply

Be sure your power supply agrees with the nameplate marking. A voltage decrease of more than 10% will cause a loss of power and overheating.

Cutting capacity

The wide vise opening and high pivot point provide cutting capacity for many large pieces. Use the cutting capacity chart to determine total maximum size of cuts that can be made with a new wheel.



Caution: Certain large, circular or irregularly shaped objects may require additional holding means if they cannot be held securely in vise.



Caution: do not cut magnesium with this tool.

Maximum Cutting Capacity

Note: Capacity shown on chart assumes no wheel wear and optimum fence position.

Workpiece Shape:				
90° Cutting Angle	A = 4-7/8" (125mm)	A = 4-1/2" (115mm)	4-1/2" x 5-1/8" (115mm x 130mm) 4" x 7-5/8" (102mm x 188mm) 3" x 7-3/8" (76mm x 229mm)	A = 4-1/2" x 5-3/8" (115mm x 137mm)
45° Cutting Angle	A = 4-1/2" (115mm)	A = 3-13/16" (98mm)	4-1/2" x 3-13/16" (115mm x 95mm) 4-1/8" x 3-3/4" (105mm x 95mm)	A = 3-13/16" 3-3/4" (95mm)

Use

Standard Equipment

- 355mm Metal Cutting Abrasive Wheel
- 1 Wheel Wrench
- 1 Instruction manual

To Carry (fig. 1)

Fold down unit to position where you can carry the saw. Push in lock pin (X) to lock arm down.

Unlocking (fig. 1)

To unlock tool and raise head, depress motor arm slightly and pull lock pin (X) out. Motor arm will then pivot upward.

Spark Deflector Adjustment (fig. 1)

To best deflect sparks away from surrounding persons and materials, loosen the screw (B), adjust the spark deflector (C) and then retighten screw. Do not allow cordset to come into contact with deflector or sparks as damage to cordset may occur.

Depth Stop (fig. 1)

Depth stop is set at the factory for a new 14" wheel to prevent wheel from cutting into the supporting surface. To allow more depth of cut, use the flat wrench provided (G) to loosen the depth stop bolt (M) and raise bolt to desired height and then turn jam nut (N) clockwise until seated firmly on the casting. Securely tighten the depth stop bolt before use.



Caution: When changing to a new wheel, readjust depth stop to original position to prevent cutting into supporting surface.

Trigger Switch (fig. 1)

To start the tool, depress the trigger switch (N). To turn the tool off, release the trigger switch. Keep hands and material from wheel until it has coasted to a stop. To prevent unauthorized use of tool, install a standard padlock (not included) into the padlock hole (O) located in the trigger.

Material Clamping and Supporting

- Angles are best clamped and cut with both legs resting against base.

- A spacer block slightly narrower than the work piece can be used to increase wheel utilization (Fig. 2).
- Long work pieces must be supported by a block so it will be level with top of base (Fig. 3). The cut off end should be free to fall downward to avoid wheel binding.

Vise Operation (fig. 4)

The vise (F) has a quick-travel feature. To release the vise when it is clamped tightly, turn the crank (H) counterclockwise one or two times to remove clamping pressure. Lift vise lever (I) up. Pull crank assembly out as far as desired. Vise may be pushed forward into work without cranking. Lower vise lever (I) then tighten vise (F) on work by using crank (H).

Fence Operation (fig. 5, 6)



Caution: Turn off and unplug the tool before making any adjustments or removing or installing attachments or accessories. Be

sure the trigger switch is in the OFF position. The fence (E) can be adjusted two ways: to change desired cutting angle and to change spacing between the fence and vise.

To Change the Desired Cutting Angle

Use the wrench provided to loosen (do not remove) the two fence bolts (P). Align the desired angle indicator line with the slot line (A) in the base (D). Securely tighten both fence bolts before use. For more accurate square cuts, disconnect the power supply, loosen the two fence bolts, push arm down until wheel extends into base. Place a square against the wheel and adjust fence against the square. Securely tighten both fence bolts before use. When making a miter cut, the vise (F) may not clamp securely, depending on the thickness of the workpiece and the miter angle. Other aids (such as spring, bar or C-clamps) will be necessary to secure the work piece to the fence when making these cuts.

To Change Spacing between The Fence and Vise

Using the wrench provided, loosen and remove the two fence bolts (P). Adjust the fence (E) to desired locations. Insert both fence bolts in provided locations. Securely tighten both fence bolts before use.

Removal and Installation of Wheels (fig. 7, 8)



Caution: Turn off and unplug the tool before making any adjustments or removing or installing attachments or accessories. Be sure the trigger switch is in the OFF position. Do not make any adjustment while the wheel is in motion. Do not make any adjustment while chop saw is plugged into power supply.

1. Push in spindle lock (L) and rotate wheel (J) by hand until wheel lock lever engages slot in inside flange (R) to lock wheel. Loosen the bolt (S) counterclockwise in the center of the abrasive wheel with the 8mm hex wrench (G). Bolt has right-hand thread.
2. Remove the bolt (S), washer (T), outside flange (U) and old wheel (J).
3. Make sure flange surfaces are clean and flat. Install the new abrasive wheel by reversing the above steps.
4. Do not overtighten bolt.



Warning: Check the work surface that the chop saw rests on when replacing with a new abrasive wheel. It is possible that the wheel may contact ANY ITEMS OR STRUCTURE THAT EXTENDS ABOVE work surface (under the base) when the arm is fully lowered.

Operation tips for more accurate cuts

- Allow the wheel to do the cutting. Excessive force will cause the wheel to glaze reducing cutting efficiency and/or to deflect causing inaccurate cuts.
- Properly adjust fence angle.
- Make sure material is laying flat across base.
- Properly clamp material to avoid movement and vibration.

Motor brush inspection and replacement (fig.9)



Warning: Turn off and unplug the tool. Be sure the trigger switch is in the OFF position.

Brushes should be regularly inspected for wear. To inspect brushes, unscrew the two end cap screws (V) and remove end cap (W). Remove brush cap (Y). Brushes (X) should slide freely in brush box.

If brushes are worn down to .3" (8mm) as shown in Figure 9 they should be replaced. To reinstall, push new brush back into brushbox. If replacing existing brush, maintain same orientation as when removed. Replace the brush cap (do not overtighten). Replace end cap and two screws. Tighten securely.

Maintenance

Your STANLEY power tool has been designed to operate over a long period of time with a minimum of maintenance. Continuous satisfactory operation depends upon proper tool care and regular cleaning. Your tool is not user-serviceable. Take the tool to an authorized STANLEY repair agent. This tool should be serviced at regular intervals or when showing a noticeable change in performance.

Lubrication

STANLEY power tools are properly lubricated at the factory and are ready for use. Tools should be re-lubricated regularly, depending on usage. This lubrication should only be attempted by trained power tool repair persons, such as those at STANLEY service centers or by other qualified service personnel. Closed-type, grease-sealed ball bearings are used throughout. These bearings have sufficient lubrication packed in them at the factory to last the life of the chop saw.

Cleaning



Warning: unplug the tool before you use a cloth to clean the housing. With the motor running, blow dirt and dust out of all air vents with dry air at least once a week. Wear safety glasses when performing this. Exterior plastic parts may be cleaned with a damp cloth and mild detergent. Although these parts are highly solvent resistant, NEVER use solvents.

Blowing dust and grit out of the main housing by means of an air hose is recommended and may be done as often as dirt is seen collecting in and around the air vents. Always wear proper eye and respiratory protection.

Tool Care

Avoid overloading the machine. Overloading will result in a considerable reduction in speed and efficiency and the unit will become hot. In this event, run the machine at no load for a minute or two until cooled to normal working temperature by the built in fan. Switching your machine on and off whilst under load will considerably reduce the life of the switch.

Important

To ensure product SAFETY and RELIABILITY, repairs, maintenance and adjustment (other than those listed in this manual) should be performed by authorized service centers or other qualified organizations, always using identical replacement parts. Unit contains no user serviceable parts inside. Blowing dust and grit out of the main housing by means of an air hose is recommended and may be done as often as dirt is seen collecting in and around the air vents. Always wear proper eye and respiratory protection.

Note: Unit may be converted to a 3-wire twist lock cord set at an authorized service center.

Accessories

The performance of any power tool is dependent upon the accessory used. STANLEY accessories are engineered to high quality standards and are designed to enhance the performance of power tool.



Note: Accessory must be rated for use at speed equal to or higher than nameplate RPM of tool with which it is being used.

Caution: The use of any other accessory not recommended for use with this tool could be hazardous. Use only high-strength Type 1 organic bonded wheels rated 4100 rpm or higher. Recommended accessories for use with your tool are available at extra cost from your local dealer or authorized service center.

Service Information

STANLEY offers a full network of company-owned and authorized service locations throughout Asia. All STANLEY Service Centers are staffed with trained personnel to provide customers with efficient and reliable power tool service. Whether you need technical advice, repair, or genuine factory replacement parts, contact the STANLEY location nearest to you.

Notes

- STANLEY's policy is one of continuous improvement to our products and, as such, we reserve the right to change product specifications without prior notice.
- Standard equipment and accessories may vary by country.
- Product specifications may differ by country.
- Complete product range may not be available in all countries.
- Contact your local STANLEY dealers for range availability.

Protecting the environment



Separate collection. This product must not be disposed of with normal household waste.

Should you find one day that your STANLEY product needs replacement, or if it is of no further use to you, do not dispose of it with household waste. Make this product available for separate collection.



Separate collection of used products and packaging allows materials to be recycled and used again.

Re-use of recycled materials helps prevent environmental pollution and reduces the demand for raw materials.

Local regulations may provide for separate collection of electrical products from the household, at municipal waste sites or by the retailer when you purchase a new product. STANLEY provides a facility for the collection and recycling of STANLEY products once they have reached the end of their working life. To take advantage of this service please return your product to any authorised repair agent who will collect them on our behalf.

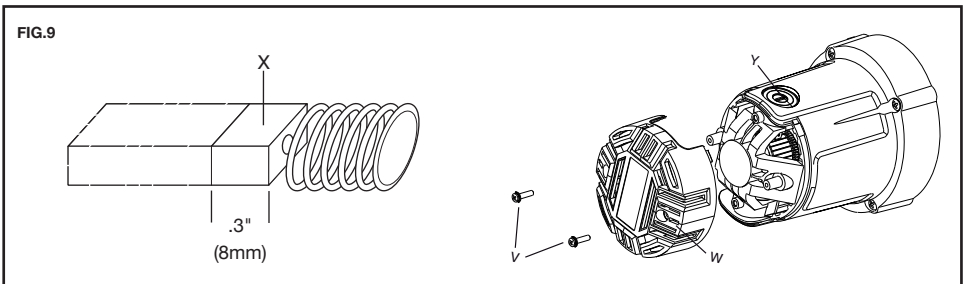
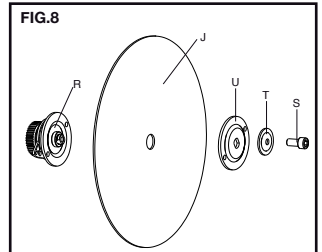
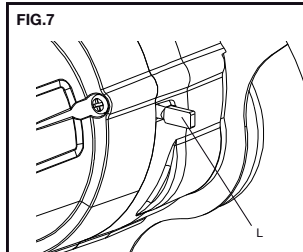
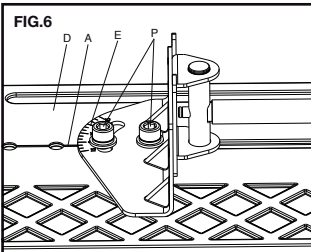
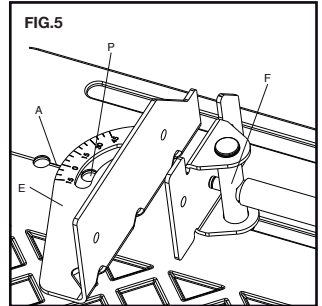
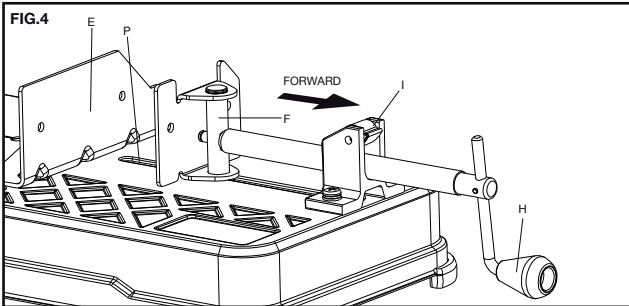
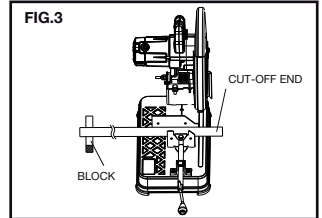
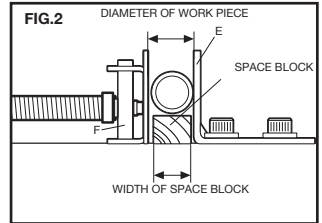
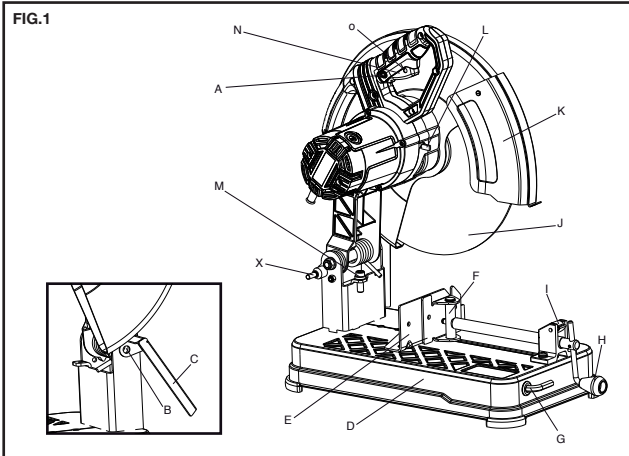
You can check the location of your nearest authorised repair agent by contacting your local STANLEY office at the address indicated in this manual. Alternatively, a list of authorised STANLEY repair agents and full details of our after-sales service and contacts are available on the Internet at: www.2helpU.com

Two years full warranty

If your STANLEY product becomes defective due to faulty materials or workmanship within 12 months from the date of purchase, STANLEY Europe guarantees to replace all defective parts free of charge or – at our discretion – replace the unit free of charge provided that:

- The product has not been misused and has been used in accordance with the instruction manual.
- The product has been subject to fair wear and tear;
- Repairs have not been attempted by unauthorised persons;
- Proof of purchase is produced.
- The STANLEY product is returned complete with all original components

If you wish to make a claim, contact your seller or check the location of your nearest authorised STANLEY repair agent in the STANLEY catalogue or contact your local STANLEY office at the address indicated in this manual. A list of authorised STANLEY repair agents and full details of our after sales service is available on the internet at: www.stanleytools.com



Технические характеристики

Характеристики		STSC2135
МОЩНОСТЬ	Вт	2100
ЧИСЛО ОБОРОТОВ ХОЛОСТОГО ХОДА	/мин	3800
МАКС. ДИАМЕТР	мм	355
Вес	кг	15,5

назначение

Ваша пила Stanley Chop создана для резки и очистки.

Общие правила техники безопасности

Внимание! Прочитайте и поймите все инструкции. Несоблюдение любых инструкций, указанных ниже, может привести к поражению электрическим током, пожару и/или серьезной травме. Термин "электроинструмент" во всех предупреждениях, указанных ниже, относится к вашему сетевому (с кабелем) электроинструменту или аккумуляторному электроинструменту (без кабеля питания). **СОХРАНИТЕ ЭТИ ИНСТРУКЦИИ**

1. Безопасность рабочего места

- a. **Содержите рабочее место в чистоте и хорошо освещенным.** Беспорядок на рабочем месте или отсутствие освещения рабочего места может привести к аварии.
- b. **Не работайте с электроинструментом в месте хранения взрывоопасных материалов, например, в присутствии огнеопасных жидкостей, газов или пыли.** Электрические инструменты создают искры, которые могут воспламенить пыль или пары.
- c. **Избегайте случайного запуска. Убедитесь, что выключатель в положении "выключено" до включения в розетку.** Если при перемещении электроинструмента, ваш палец находится на выключателе или электроинструмент подключен в розетку создадут предпосылки для несчастных случаев.

2. Электробезопасность

- a. **Вилка электроинструмента должна соответствовать розетке. Никогда не модифицируйте вилку каким-либо образом. Не используйте никакие вилки-переходники с заземленными (замкнутыми на землю) электроинструментами. Вилки и розетки, которые не подвергались никаким изменениям снижают риск поражения электрическим током.**
- b. **Избегайте контакта тела с заземленными**

поверхностями, такими как трубы, радиаторы, плиты и холодильники. Существует повышенный риск поражения электрическим током, если ваше тело заземлено.

- c. **Избегайте любого воздействия дождя или влаги на электроинструменты.** Вода, попавшая в электроинструмент, увеличивает риск поражения электрическим током.
- d. **Аккуратно обращайтесь со шнуром питания. Никогда не используйте шнур питания для переноски, перемещения или извлечения вилки из розетки. Держите шнур вдали от источников тепла, масла, острых краев или движущихся частей.** Поврежденные или запутанные шнуры увеличивают риск поражения электрическим током.
- e. **При работе с электроинструментом на улице, используйте удлинитель, подходящий для наружного использования.** Использование кабеля, пригодного для использования на открытом воздухе, снижает риск поражения электрическим током.
- f. **При необходимости работы с электроинструментом во влажной среде, используйте устройство защитного отключения (УЗО).** Использование УЗО снижает риск поражения электрическим током.

Примечание: Термин "устройство защитного отключения (УЗО)" может быть заменен на "аварийный прерыватель заземления" или "автоматический выключатель тока утечки".

3. Личная безопасность

- a. **Будьте внимательны, смотрите, что вы делаете, используйте здравый смысл при работе с электроинструментом. Не используйте электроинструмент, если вы устали или находитесь под влиянием наркотиков, алкоголя или лекарств.** Малейшая неосторожность при работе с электроинструментом может привести к серьезным травмам.
- b. **Используйте средства индивидуальной защиты. Всегда надевайте защитные очки. Другое защитное оборудование, включая респиратор, ботинки на нескользящей подошве, защитный шлем или средства защиты органов слуха, используемые в надлежащих условиях, уменьшат риск получения травмы.**
- c. **Для предотвращения случайного запуска, убедитесь, что переключатель находится в выключенном положении перед подключением к источнику питания и/или аккумуляторной батарее, поднятия или переноски инструмента.** Не переносите электроинструмент с пальцем на выключателе и не включайте питание на инструмент с включенным выключателем, что может привести к несчастному случаю.

- d. **Перед включением электроинструмента снимайте регулировочный или гаечный ключ.** Гаечный или регулировочный ключ, оставленный на вращающейся части электроинструмента, может привести к травме.
- e. **Не тянитесь. Сохраняйте правильную стойку и баланс все время.** Это позволяет лучше контролировать инструмент в неожиданных ситуациях.
- f. **Одевайтесь правильно. Не надевайте свободную одежду или украшения. Держите волосы, одежду и перчатки вдали от движущихся частей. Свободная одежда, украшения или длинные волосы могут попасть в движущиеся части.**
- g. **Если имеются устройства для подключения пылесборника или вытяжки, убедитесь в том, что они подсоединены и используются правильно.** Использование пылесборника снижает вероятность возникновения рисков, связанных с пылью.
4. **Использование и уход за электроинструментом**
- a. **Не перегружайте электроинструмент. Используйте подходящий электрический инструмент для соответствующего применения.** Правильно подобранный электроинструмент позволит выполнить работу лучше и безопаснее при скорости, для которой он был разработан.
- b. **Не используйте электроинструмент, если переключатель не может его включить и выключить.** Любой электроинструмент, который нельзя контролировать с помощью переключателя, опасен и должен быть отремонтирован.
- c. **Отключите кабель питания от источника питания и/или аккумуляторный блок от электрического инструмента перед выполнением любых регулировок, замены принадлежностей или при хранении электроинструмента.** Такие профилактические меры безопасности уменьшают риск непреднамеренного запуска электрического инструмента.
- d. **Храните неиспользуемые электроинструменты в недоступном для детей месте и не позволяйте лицам, не знакомым с электроинструментом или данными инструкциями, работать с электроинструментом.** Электроинструменты опасны в руках неопытных пользователей.
- e. **Поддержание электроинструмента. Проверяйте разрегулированность или соединение подвижных частей, поломки частей и любые другие условия, которые могут повлиять на работу электроинструмента. При наличии повреждения, отремонтируйте электроинструмент перед использованием.** Многие несчастные случаи являются следствием плохого ухода за электроинструментом.
- g. **Если имеются устройства для подключения пылесборника или вытяжки, убедитесь в том, что они подсоединены и используются правильно.** Использование пылесборника снижает вероятность возникновения рисков, связанных с пылью.
5. **Обслуживание**
- a. **Обеспечьте, чтобы обслуживание и ремонт вашего электроинструмента проводился в авторизованном сервисном центре по ремонту с использованием только оригинальных запасных частей.** Это станет гарантией безопасности электроинструмента.
- Дополнительные указания по технике безопасности для отрезных дисковых пил**
- **Всегда используйте средства защиты глаз и органов дыхания**
 - **Перед использованием проверьте режущий круг на наличие трещин или дефектов. Если очевидно присутствие трещин или дефектов не используйте круг. Также необходимо проверить круг, если вы предполагаете, что инструмент падал. Дефекты могут привести к поломке круга.**
 - **При запуске инструмента с новым или замененным кругом, если вы не уверены в качестве круга, поместите инструмент в хорошо защищенную зону и дайте ему поработать в течение одной минуты.** Если на круге присутствуют обнаруженные трещины или дефекты, его должно разорвать менее чем за одну минуту. Никогда не запускайте инструмент, если человек находится на одной оси с кругом. Это относится также и к оператору.
 - **В процессе работы избегайте подпрыгивания колеса или грубого обращения с ним.** Если это произошло, остановите инструмент и проверьте круг на предмет отсутствия трещин или дефектов.
 - **Периодически очищайте вашу отрезную дисковую пилу в соответствии с процедурой, указанной в данном руководстве.**
 - **Не снимайте предохранительный щиток над кругом или основанием!**
 - **ВСЕГДА ИСПОЛЬЗУЙТЕ ЗАЖИМНОЕ ИЛИ СПЕЦИАЛЬНОЕ ПРИСПОСОБЛЕНИЕ ДЛЯ БЕЗОПАСНОЙ ФИКСАЦИИ ДЕТАЛИ.** Другие средства, такие как пружинящее приспособление, полоса или С-образные струбицы могут быть неприменимы для определенных размеров и форм детали. Будьте внимательны при выборе и размещении этих зажимов и сделайте пробный прогон прежде, чем сделать разрез.

- Используйте только круги 14" типа 1, рассчитанные на 4100 оборотов в минуту или выше.
- Перед выполнением операций с отрезанными частями позвольте им охладиться.
- Не пытайтесь с помощью этого инструмента резать дерева или пластик.
- **НИКОГДА НЕ РЕЖЬТЕ МАГНИЙ ПРИ ПОМОЩИ ДАННОГО ИНСТРУМЕНТА.**
- Используйте отрезную дисковую пилу в хорошо проветриваемом помещении.
- Выключите отрезную дисковую пилу до удаления каких-либо фрагментов с основания.
- **НЕ РЕЖЬТЕ МАТЕРИАЛ, НАХОДЯЩИЙСЯ ПОД НАПРЯЖЕНИЕМ.**
- **Не используйте полотно циркулярной пилы или любые другие зубчатые лезвия с данным инструментом. Это может привести к серьезным травмам.**
- **НЕ РАБОТАЙТЕ ЭТИМ ИНСТРУМЕНТОМ ВОЗЛЕ ЛЕГКОВОМПЛАМЕНЯЮЩИХСЯ ЖИДКОСТЕЙ, ГАЗОВ ИЛИ ПЫЛИ.** Искры или горячие обрезки или дуги из под щеток электродвигателя могут воспалить горючие материалы.
- Искры или горячие обрезки или дуги из под щеток электродвигателя могут воспалить горючие материалы. Это существенно ослабит колесо, создавая опасную ситуацию. Диск может разрушиться.



Внимание: Одевайте соответствующее средство защиты слуха во время использования. В некоторых условиях и продолжительность использования, шум данного изделия может способствовать потере слуха.



Внимание: Защитная пластина от искр нагревается. Не прикасайтесь и не выполняете регулировку, пока инструмент горячий. Храните комплект проводов вдали от защитной пластины от искр.

- **Избегайте длительного контакта с пылью от механического шлифования, пиления, зачистки, сверления и других строительных работ. Одевайте защитную одежду и вымойте открытые участки с мылом и водой.** Попадание пыли в рот, глаза или на кожу может способствовать впитыванию вредных химических веществ.



Осторожно: Всегда используйте защиту органов дыхания, предназначенную для защиты от пыли и одобренную NIOSH/OSHA. Не направляйте частицы в сторону лица и тел. Для вашего удобства и безопасности на вашу высокопроизводительную отрезную дисковую пилу 14" (355 мм) нанесены следующие предупреждения).



Для обеспечения безопасной эксплуатации прочитайте руководство по эксплуатации.

- Не используйте зубчатые лезвия.
- Используйте только усиленные круги, рассчитанные на 4100 оборотов в минуту или выше.
- При выполнении технического обслуживания используйте только идентичные запасные части.
- Всегда одевайте защитные очки, используйте предохранительные приспособления, зажимайте деталь в зажимное приспособление, используйте надлежащее средство защиты органов дыхания.
- Не подвергайте воздействию дождя или используйте в помещениях с повышенной влажностью.
- Используйте только отрезную дисковую пилу с макс. толщиной 2,8 мм и макс. диаметром 355 мм.

7. Этикетки на инструменте

Этикетка на вашем инструменте может включать следующие символы:



Читайте инструкции по эксплуатации

Гц Герц



..... Конструкция класса II



Используйте средства защиты глаз

Вт Ватт



..... Терминал заземления



Используйте средства защиты органов слуха

мин..... минуты



..... Символ предупреждения об опасности

~ Переменный ток



..... обороты или возвратное поступательное движение в минуту

==== Постоянный ток

...мин..

V Вольт

n₀ Скорость без нагрузки

A Ампер

Положение даты штрих-кода

Дата кода, который также включает год изготовления, печатается на корпусе.

Пример:

2014 XX JN

Год изготовления

Электрическая безопасность

Осторожно! Если шнур питания поврежден, он должен быть заменен производителем, в авторизованном сервисном центре Stanley или в равной степени квалифицированным лицом для того, чтобы избежать повреждения или травмы. Если шнур питания заменен в равной степени квалифицированным лицом, но не уполномоченным компанией Stanley, гарантия не будет действовать.

Опции (рис. 1, 4)

- A. Выключатель с блокировкой
- B. Винт защитной пластины от искр
- C. Защитная пластина от искр
- D. Основание
- E. Направляющая линейка
- F. Зажимное приспособление
- G. Гаечный ключ
- H. Кривошип
- I. Уровень зажимного приспособления
- J. Диск
- K. Предохранительный щиток над кругом
- L. Зажим шпанделя
- M. Болт ограничителя глубины и контргайка
- N. Курковый выключатель
- O. Скоба для замка
- P. Болты направляющей линейки
- Q. Стопорный штифт

Электропитание

Убедитесь, что ваша электросеть соответствует маркировке на паспортной табличке. Снижение напряжения более чем на 10% вызовет потерю мощности и перегреву.

Производительность резания

Широкое отверстие зажимного приспособления и высокая точка опоры обеспечивают производительность резания многих крупных кусков. Используйте таблицу производительности резания, чтобы определить общий максимальный размер реза, который может быть выполнен новым кругом.



Внимание: Для некоторых крупных, круглых или неправильной формы объектов может потребоваться выполнение дополнительных операций, если они не могут быть надежно закреплены в зажимном приспособлении.



Внимание: не режьте магний с помощью данного инструмента.

Максимальная производительность резания

Примечание: Производительность, указанная на графике не подразумевает наличие износа круга и оптимальное положение направляющей линейки.

Форма детали:				
90° Угол резания	A = 4-7/8" (125мм)	A = 4-1/2" (115мм)	4-1/2" x 5-1/8" (115мм x 130мм) 4" x 7-5/8" (102мм x 188мм) 3" x 7-3/8" (76мм x 229мм)	A = 4-1/2" x 5-3/8" (115мм x 137мм)
45° Угол резания	A = 4-1/2" (115мм)	A = 3-13/16" (98мм)	4-1/2" x 3-13/16" 4-1/8" x 3-3/4" (105мм x 95мм)	A = 3-13/16" 3-3/4" (95мм)

Использование

Стандартное оборудование

- 355 мм абразивный круг для резки металла
- 1 ключ для диска
- 1 инструкция по эксплуатации

Переноска (рис. 1)

Сложите устройство в положение, в котором вы можете нести пилу. Вдавите стопорный штифт (рис. (X)), чтобы зафиксировать кронштейн.

Разблокировка (рис. 1)

Чтобы разблокировать инструмент и поднять головку, слегка нажмите на кронштейн двигателя и вытяните стопорный штифт (X). Кронштейн двигателя передвинется вверх.

Регулировка защитной пластины от искр (рис. 1)

Чтобы лучше защитить от искр окружающих людей и материалы, ослабьте винт (B), установите защитную пластину от искр (C), а затем затяните винт. Не допускайте контакта комплекта проводов с защитной пластиной от искр, так как комплект проводов может быть поврежден.

Ограничитель глубины (рис. 1)

Ограничитель глубины устанавливается на заводе-изготовителе для нового 14" круга, чтобы предотвратить колесо от резки в опорной поверхности. Чтобы позволить большую глубину реза, используйте плоский гаечный ключ (G), чтобы ослабить болт ограничителя глубины (M) и поднять болт до нужной высоты, а затем поверните контргайку (M) по часовой стрелке пока она не сядет надежно на литую деталь. Надежно затяните болт ограничителя глубины перед использованием.

Внимание: При замене круга, отрегулируйте ограничитель глубины в исходное положение, чтобы предотвратить врезание в опорную поверхность.

Курковый выключатель (рис. 1)

Чтобы запустить инструмент нажмите на курковый выключатель (N). Чтобы выключить инструмент отпустите курковый выключатель. Не допускайте попадания руки и материала к кругу, пока он движется к ограничителю. Чтобы предотвратить неавторизованное использование инструмента, установите стандартный висячий замок (не включен) в скобу для замка (O) расположенную в курковом выключателе.

Зажимание и поддержка материала

- Лучше зажать углы и выполнить рез, когда обе ноги упираются в основание
- Проставочная плита немного более узкая, чем деталь может быть использована для повышения эффективности использования круга (рис. 2).
- Длинные заготовки должны поддерживаться плитой так, чтобы быть на одном уровне с верхней частью основания (Рис. 3). Обрезки должны свободно падать вниз, чтобы избежать зажимания круга.

Работа с зажимным приспособлением (рис. 4)

Зажимное приспособление снабжено функцией быстрого перемещения. Чтобы освободить зажимное приспособление, когда оно сильно зажато, проверните кривошип (H) против часовой стрелки раз, чтобы снять усилие прижима. Поднимите рычаг зажимного приспособления (I) вверх. Вытяните кривошип в сборе насколько это необходимо. Зажимное приспособление может быть перемещено вперед к детали без использования кривошипа. Опустите рычаг кривошипа (I) вниз, затем затяните зажимное приспособление (F) на детали при помощи кривошипа (H).

Работа с направляющей линейки (рис. 5, 6)

Внимание: Выключите и отключите инструмент от сети перед выполнением каких-либо регулировок или снятием или установкой дополнительных

принадлежностей или насадок. Убедитесь, что курковый выключатель находится в положении ВЫКЛ. Т Ограждение (E) может быть отрегулировано двумя способами: изменить нужный угол резания и изменить расстояние между направляющей линейкой и зажимным приспособлением.

Изменение необходимого угла резания

Используйте гаечный ключ, чтобы ослабить (не удаляйте) два болта направляющей линейки (P) Совместите указатель линии необходимого угла с линией паза (A) в основании (D). Надежно затяните оба болта направляющей линейки перед использованием. Для получения более аккуратных квадратных обрезков, отключите от электросети, ослабьте два болта направляющей линейки, надавите на кронштейн пока он не войдет в основание. Поместите квадрат рядом с кругом и отрегулируйте направляющей линейки относительно площади. Надежно затяните оба болта направляющей линейки перед использованием. При выполнении косого реза, можно не зажимать зажимное приспособление (F) надежно, в зависимости от толщины заготовки и угла наклона. Другие средства, такие как пружинящее приспособление, полоса или С-образные струбцины будут необходимы, чтобы прикрепить заготовку к направляющей линейки при выполнении таких резов.

Изменение расстояния между направляющей линейкой и зажимным приспособлением

Используйте гаечный ключ, чтобы ослабить (не удаляйте) два болта направляющей линейки (P) Отрегулируйте направляющую линейку (E) в необходимых вам местах. Вставьте оба болта

направляющей линейки в предусмотренных местах. Надежно затяните оба болта направляющей линейки перед использованием.

Удаление и установка кругов (рис. 7, 8)



Внимание: Выключите и отключите инструмент от сети перед выполнением каких-либо регулировок или снятием или установкой дополнительных принадлежностей или насадок. Убедитесь, что курковый выключатель находится в положении ВЫКЛ. Не выполняйте какие-либо регулировки пока круг движется. Не выполняйте какие-либо регулировки пока пила включена в сеть.

1. Нажмите на устройство блокировки шпинделя (L) и проверните колесо (J) рукой, пока рычаг блокировки круга не войдет в паз во внутреннем фланце (R), чтобы заблокировать круг. Ослабьте болт (S) против часовой стрелки в центре абразивного круга с 8мм шестигранного ключа (G). Болт снабжен правой резьбой.
2. Снимите болт (S), шайбу (T), наружный фланец (U) и старый круг (J).
3. Убедитесь, что поверхности фланца чистые и плоские. Установите новый абразивный круг, выполняя вышеуказанные шаги в обратной последовательности.
4. Не перетягивайте болт.

Осторожно: Проверьте рабочую поверхность, на которой находится отрезная дисковая пила при установке нового абразивного круга. Возможно, круг войдет в контакт с КАКИМ-ЛИБО ПРЕДМЕТОМ ИЛИ КОНСТРУКЦИЕЙ, РАПОЛОЖЕННОЙ ВЫШЕ рабочей поверхности (под основанием), когда кронштейн полностью опущен.

Работа с насадками для выполнения более точных резов

- Позвольте кругу выполнить рез. Чрезмерное усилие может привести к засаливанию круга, что снижает производительность резания и / или изменяет направление, что приводит к неточным резам.
- Правильно отрегулируйте угол направляющей линейки.
- Убедитесь, что материал лежит в горизонтальной плоскости на основании.
- Правильно закрепите материал, чтобы избежать

движения и вибрации.

Осмотр и замена щетки мотора (рис.9)



Осторожно: Выключите инструмент и отключите его от розетки. Убедитесь, что курковый выключатель находится в положении ВЫКЛ. Необходимо постоянно проверять износ щеток. Чтобы проверить щетки, открутите два винта крышки (V) и снимите боковую крышку (W). Снимите колпачок щетки (Y). Щетки (X) должны свободно перемещаться в обойме щеткодержателя.

Если щетки изношены до 0,3" (8 мм) как показано на рисунке 9, они должны быть заменены. Для установки вставьте новую щетку в обойму щеткодержателя. При повторной установке старой щетки соблюдайте предыдущую ориентацию. Установите на место колпачок щетки (не перетягивайте). Установите крышку и два винта. Затяните надежно.

Обслуживание

Ваш инструмент STANLEY создан для работы на протяжении длительного периода времени с минимальным техническим обслуживанием. Продолжительная удовлетворительная работа зависит от должного ухода за инструментом и его регулярной чистки. Ваш инструмент обслуживается пользователем. Отнесите инструмент в авторизованный сервисный центр STANLEY. Этот инструмент должен обслуживаться через регулярные промежутки времени или когда обнаружено заметное изменение производительности.

Смазка

Электроинструменты STANLEY надлежащим образом смазываются на заводе и готовы к использованию. Инструменты следует регулярно смазывать смазкой, в зависимости от условий эксплуатации. Смазывание должно производиться только лицами, прошедшими обучение ремонту электроинструмента, таких как персонал в сервисных центрах STANLEY или другим квалифицированным персоналом. Закрытые, герметизированные смазкой шарикоподшипники используются во всех компонентах. В этих шарикоподшипниках, достаточно смазки, нанесенной на заводе, чтобы функционировать в течение всего срока службы отрезной дисковой пилы.

Очистка



Осторожно: отключайте инструмент из розетки, прежде чем использовать ткань для очистки корпуса. При работающем

двигателе, сдувайте грязь и пыль из всех вентиляционных отверстий сухим воздухом, по крайней мере, один раз в неделю. Выполняя это, одевайте защитные очки. Внешние пластмассовые детали могут быть очищены с влажной тряпкой и мягким моющим средством. Хотя эти части очень устойчивы к воздействию растворителей, НИКОГДА не используйте растворители.

Рекомендуется сдувать пыль из основного корпуса с помощью шланга для сжатого воздуха, это может выполняться по мере видимого скопления грязи внутри и вокруг вентиляционных отверстий. Всегда используйте средства защиты глаз и органов дыхания

Уход за инструментом

Старайтесь не перегружать устройство. Перегрузка может привести к значительному снижению скорости и эффективности по мере видимого скопления грязи внутри, запустите устройство на холостом ходу в течение минуты или двух пока она не остынет до нормальной рабочей температуры с помощью встроенного вентилятора. Включение и выключение вашего устройства под нагрузкой, значительно сократит срок службы выключателя.

Важно

Чтобы гарантировать БЕЗОПАСНОСТЬ и НАДЕЖНОСТЬ, ремонт, техническое обслуживание и регулировка (кроме тех, которые перечислены в настоящем руководстве) должны выполняться авторизованными сервисными центрами или другими компетентными организациями, всегда с использованием идентичных запасных частей. Устройство не содержит деталей, обслуживаемых пользователем. Рекомендуется сдувать пыль из основного корпуса с помощью шланга для сжатого воздуха, это может выполняться по мере видимого скопления грязи внутри и вокруг вентиляционных отверстий. Всегда используйте средства защиты глаз и органов дыхания

Примечание: Устройство может быть модифицировано путем установки 3-жильного скрученного шнура питания в авторизованном сервисном центре.

Насадки

Производительность любого электроинструмента зависит от используемых насадок. Насадки STANLEY разработаны в соответствии с жесткими стандартами качества и предназначены для повышения производительности электроинструмента.



Примечание: Насадка должна быть рассчитана на использование при скорости, равной или более высокой, чем номинальное количество оборотов в минуту инструмента с которым она используется.

Внимание: Использование другой насадки не рекомендуется для использования с данным инструментом может быть опасным. Используйте высокопрочные Тип 1 круги на органическом вяжущем, номинальное количество оборотов в минуту 4100 или выше. Рекомендуемые насадки для использования с вашим инструментом доступны за дополнительную плату у вашего местного дилера или в авторизованном сервисном центре.

Информация об обслуживании

STANLEY предлагает к вашим услугам масштабную сеть собственных и авторизованных сервисных центров по всей Азии. Все сервисные центры STANLEY укомплектованы обученным персоналом, чтобы предоставить клиентам услуги по эффективному и надежному техническому обслуживанию электроинструмента. Если вам необходима техническая консультация, ремонт или замена оригинальных запасных частей, свяжитесь с ближайшим подразделением STANLEY.

Примечания

- Политика компании STANLEY заключается в непрерывном совершенствовании нашей продукции и, таким образом, мы оставляем за собой право изменять характеристики продукции без предварительного уведомления.
- Стандартное оборудование и насадки могут варьироваться в зависимости от страны.
- Характеристики продукции могут варьироваться в разных странах.
- Полный ассортимент продукции может быть недоступен во всех странах
- Свяжитесь с вашими местными дилерами STANLEY, чтобы получить информацию о наличии.

Защита окружающей среды



Раздельный сбор и утилизация. Этот продукт не следует утилизировать вместе с бытовым мусором.

Если вы поймете, что ваш продукт Stanley нуждается в замене, или если он не имеет никакого дальнейшего применения для вас, не выбрасывайте его вместе с бытовыми отходами. Предоставьте этот продукт для раздельного сбора/утилизации.



Раздельный сбор продуктов и упаковок позволяет осуществить их переработку и использовать их повторно. Повторное

использование переработанных материалов помогает защищать окружающую среду от загрязнения и снижает расход сырьевых материалов.

Местное законодательство может обеспечить сбор старых электроинструментов отдельно от бытового мусора на муниципальных свалках отходов или в торговом предприятии при покупке нового изделия. Stanley обеспечивает возможность для сбора и утилизации продуктов Stanley, как только они достигли конца своего срока службы. Для того чтобы воспользоваться этой услугой, вы можете сдать ваше изделие в любой авторизованный сервисный центр, который собирает их по нашему поручению.

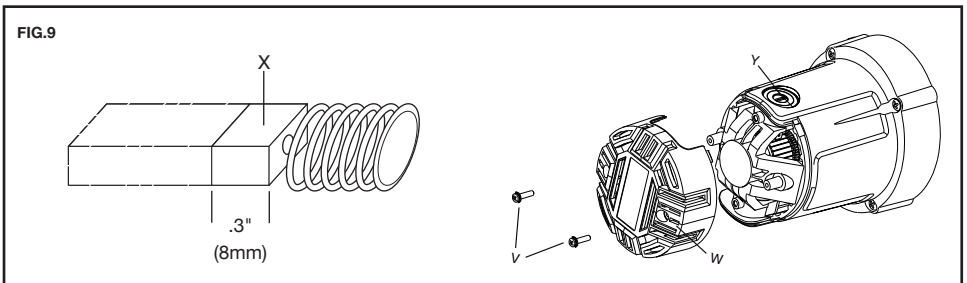
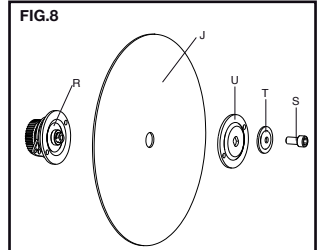
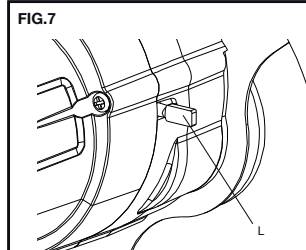
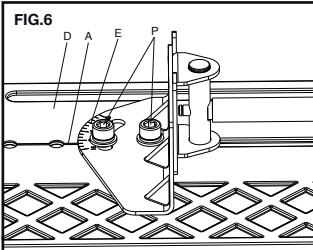
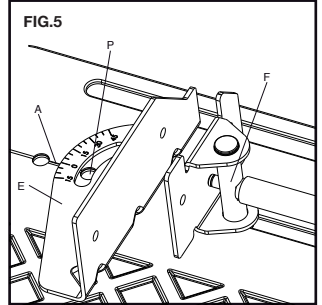
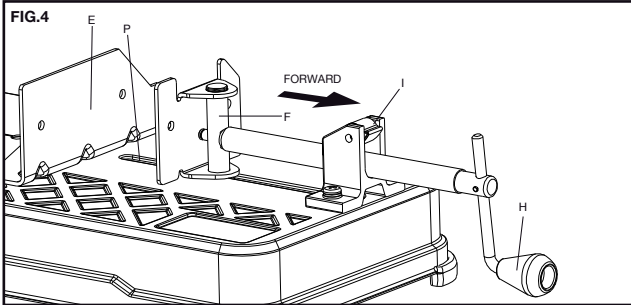
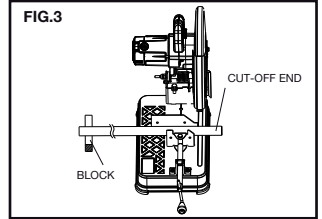
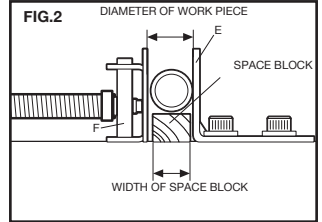
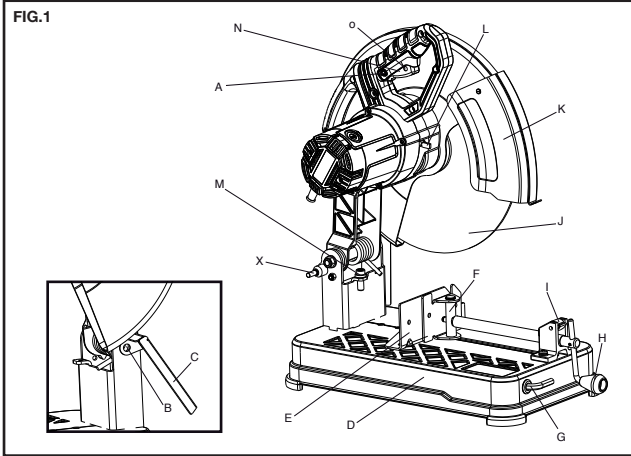
Вы можете узнать место нахождения вашего ближайшего авторизованного сервисного центра, обратившись в местное отделение Stanley по адресу, указанному в данном руководстве. Кроме того, список авторизованных ремонтных агентов Stanley и полную информацию о нашем послепродажном обслуживании и контактах вы можете найти в Интернете: www.2helpU.com10

Два год полной гарантии

Если ваш продукт STANLEY выходит из строя из-за дефектных материалов или изготовления в течение 24 месяцев с даты покупки, STANLEY Europe гарантирует замену всех неисправных деталей бесплатно или - по своему усмотрению - замену продукта бесплатно при условии, что:

- Продукт использовался правильно, его эксплуатация проводилась строго в соответствии с инструкцией по эксплуатации.
- Продукт подвергался естественному износу;
- Ремонт не проводился посторонними лицами;
- Представлены документы, подтверждающие покупку.
- Продукт STANLEY возвращается в полном комплекте со всеми оригинальными компонентами

Если вы хотите сделать заявку, свяжитесь с продавцом или узнайте место нахождения вашего ближайшего авторизованного сервисного агента Stanley в каталоге Stanley или обратитесь в местное представительство Stanley по адресу, указанному в данном руководстве. Список авторизованных сервисных агентов Stanley и полную информацию о нашем послепродажном обслуживании можно найти в Интернете по адресу: www.stanleytools.com



Технічні дані

Характеристики		STSC2135
ПОТУЖНІСТЬ	Вт	2100
ЧИСЛО ОБЕРТІВ НА ХОЛОСТОМУ ХОДУ /хв.		3800
МАКС. ДІАМЕТР	мм	355
ВАГА	кг	15,5

Призначення

Пилка Stanley Chop створена для різання та очищення.

Загальні правила техніки безпеки

Увага! Прочитайте і зрозумійте всі інструкції. Недотримання будь-яких інструкцій, зазначених нижче, може призвести до ураження електричним струмом, пожежі та/або серйозної травми. Термін "електроінструмент" у всіх попередженнях, зазначених нижче, відноситься до мережевого (з кабелем) електроінструменту або акумуляторної батареї (без кабелю живлення). ЗБЕРЕЖІТЬ ЦІ ІНСТРУКЦІ!

1. Безпека робочого місця

- Утримуєте робоче місце в чистоті і добре освітленим.** Безлад на робочому місці або відсутність освітлення робочого місця може призвести до аварії.
- Не працюйте з електроінструментом в місці зберігання вибухонебезпечних матеріалів, наприклад, у присутності легкозаймистих рідин, газів або пилу.** Електричні інструменти створюють іскри, що можуть запалити пил або пари.
- Діти і сторонні особи повинні знаходитися якнайдалі під час роботи з електроприладами.** Ви можете відволіктися і втратити контроль.

2. Електробезпека

- Вилка електроінструмента повинна відповідати розетці. Ніколи не змінюйте вилку будь-яким чином. Не використовуйте ніякі вилки-перехідники з заземленими (замкнутими на землю) електроінструментами.** Вилки і розетки, які не піддавалися ніяким змінам знижують ризик ураження електричним струмом.
- Уникайте контакту тіла з заземленими поверхнями, такими як труби, радіатори, плити та холодильники.** Існує підвищений ризик ураження електричним струмом, якщо ваше тіло заземлене.
- Уникайте будь-якого впливу дощу або вологи на електроінструменти.** Вода, що потрапила в електроінструмент, збільшує ризик ураження електричним струмом.
- Обережно поводьтеся зі шнуром живлення. Ніколи не використовуйте шнур живлення для перенесення, переміщення або вилучення вилки з розетки. Тримайте шнур подалі від джерел тепла, масла, гострих країв або рухомих частин.** Пошкоджені або заплутані шнури збільшують ризик ураження електричним струмом.
- При роботі з електроінструментом на вулиці, використовуйте подовжувач, відповідний для зовнішнього використання.** Використання кабелю, придатного для використання на відкритому повітрі, знижує ризик ураження електричним струмом.
- При необхідності роботи з електроінструментом у вологому середовищі, використовуйте пристрій захисного відключення (ПЗВ).** Використання ПЗВ знижує ризик ураження електричним струмом.

Примітка: Термін "пристрій захисного відключення (ПЗВ)" може бути замінений на "аварійний переривач заземлення" або "автоматичний вимикач струму витoku".

3. Особиста безпека

- Будьте уважні, дивіться, що ви робите, використовуйте здоровий глузд при роботі з електроприладами. Не використовуйте електроінструмент, якщо ви втомилися або перебуваєте під впливом наркотиків, алкоголю або ліків.** Найменша необережність при роботі з електроінструментом може призвести до серйозних травм.
- Використовуйте засоби індивідуального захисту. Завжди надягайте захисні окуляри.** Інше захисне обладнання, включаючи респіратор, черевки на нековзній підшві, захисний шолом або засоби захисту органів слуху, використовувані в належних умовах, зменшать ризик отримання травми.
- Уникайте випадкового запуску. Перш ніж вмикати інструмент в електророзетку переконайтесь в тому, що він вимкнений.** Знаходження пальця на вимикачі під час переміщення електроінструмента або підключення інструмента до електромережі, коли він вимкнений створює передумови для нещасних випадків.
- Перед включенням електроінструменту знімайте регульовальний або гайковий ключ.** Гайковий або регульовальний ключ, залишений на обертовій частині електроінструменту, може призвести до травми.
- Не тягніться. Зберігайте правильну стійку і баланс весь час.** Це дозволяє краще контролювати інструмент в несподіваних ситуаціях.
- Одягайтеся правильно. Не надягайте вільний одяг або прикраси. Тримайте волосся, одяг і рукавички далеко від рухомих частин.** Вільний одяг, прикраси або довге волосся можуть потрапити в рухомі частини.

- g. Якщо є пристрій для підключення пилозбірника або витяжки, переконайтеся в тому, що вони під'єднані і використовуються правильно.

Використання пилозбірника знижує ймовірність виникнення ризиків, пов'язаних з пилом.

4. Використання та догляд за електроінструментом

- a. Не перевантажуйте електроінструмент.

Використовуйте відповідний електричний інструмент для відповідного застосування.

Правильно підібраний електроінструмент дозволить виконати роботу краще і безпечніше при швидкості, для якої він був розроблений.

- b. Не використовуйте електроінструмент, якщо перемикач не може його включити і вимкнути.

Будь-який електроінструмент, який не можна контролювати за допомогою перемикача, є небезпечний і повинен бути відремонтований.

- c. Від'єднайте кабель живлення від джерела живлення та/або акумулятора від електричного інструменту перед виконанням будь-яких регулювань, заміни приладдя або при зберіганні електроінструменту. Такі профілактичні заходи безпеки зменшують ризик ненавмисного запуску електричного інструменту.

- d. Зберігайте електроприлади в недоступному для дітей місці і не дозволяйте особам, які не знайомі з електричним інструментом або даними інструкціями, працювати з електроприладами. Електроінструменти небезпечні в руках недосвідчених користувачів.

- e. Підтримання електроінструменту. Перевіряйте розрегульованість або з'єднання рухомих частин, повільно частин і будь-які інші умови, які можуть вплинути на роботу електроінструменту. При наявності пошкодження, відремонтуйте електроінструмент перед використанням. Багато нещасних випадків є наслідком поганого догляду за електроінструментом.

- f. Використовуйте електроінструмент, аксесуари і насадки відповідно до даних інструкцій, зважаючи на умови роботи, і ті роботи, які мають бути виконані. Використання електроінструменту для операцій, що відрізняються від тих, для яких він призначений, може привести до небезпечної ситуації.

5. Обслуговування

- a. Забезпечте, щоб обслуговування і ремонт вашого електроінструменту проводився в авторизованому сервісному центрі по ремонту з використанням тільки оригінальних запасних частин. Це стане гарантією безпеки електроінструменту.

Додаткові вказівки з техніки безпеки для відрізних дискових пилок

- Завжди використовуйте засоби захисту для очей та органів дихання.
- Перед використанням перевірте наявність на відрізнаму крузі тріщин та дефектів. У випадку наявності дефектів та тріщин – не використовуйте круг. Також круг необхідно перевіряти, якщо ви припускаєте, що інструмент падав. Дефекти можуть привести до поломки круга.
- При запуску інструмента з новим чи змінним кругом чи у випадку, коли ви не впевнені в якості круга розмістіть інструмент в добре захищеній зоні і дайте йому попрацювати протягом однієї хвилини. Якщо на крузі наявні невиявлені тріщини чи дефекти, то він має розірватися менше ніж за одну хвилину. Ніколи не вмикайте інструмент, коли в площині обертання круга знаходиться людина. Це застереження також відноситься до оператора.
- Під час роботи уникайте підсакування круга або грубого поводження з ним. Якщо так сталося, зупиніть інструмент та перевірте круг на наявність тріщин або дефектів.
- Періодично виконуйте очищення відрізної дискової пилки у відповідності із вказаною в даному посібнику процедурою.
- Не знімайте запобіжний щиток над кругом чи основу.
- **ЗАВЖДИ ВИКОРИСТОВУЙТЕ ПРИСТОСУВАННЯ ДЛЯ ЗАТИСКАННЯ ЧИ СПЕЦІАЛЬНЕ ПРИСТОСУВАННЯ ДЛЯ БЕЗПЕЧНОЇ ФІКСАЦІЇ ДЕТАЛІ.** Інші засоби, наприклад, пружинні пристосування, полосо та С-подібні струбцини можуть бути непридатні для певних розмірів та форм деталей. Будьте уважні, обираючи та розміщуючи такі затискачі та виконайте пробний прохід, перш ніж зробити розріз.
- Використовуйте лише круги діаметром 14" типу 1, розраховані на 4100 об/хв., чи більше значення.
- Перед виконанням будь-яких дій з відрізними частинами дайте їм охолонути.
- Не робіть спроб різати за допомогою цього інструменту дерево чи пластик.
- **НІКОЛИ НЕ РІЖТЕ ЗА ДОПОМОГОЮ ЦЬОГО ІНСТРУМЕНТУ МАГНІЙ.**
- Використовуйте відрізна дискову пилку в приміщеннях, що гарно провітрюються.
- Перш ніж видаляти будь-які фрагменти з основи, вимкніть відрізна дискову пилку.

- **НЕ РІЖТЕ МАТЕРІАЛ, ЩО ЗНАХОДИТЬСЯ ПІД НАПРУГОЮ.**
- **Не використовуйте диски циркулярної пилки чи будь-які інші зубчаті диски з цим інструментом.** Це може спричинити серйозні ушкодження.
- **НЕ КОРИСТУЙТЕСЯ ДАНИМ ІНСТРУМЕНТОМ ПОБЛИЗУ ЛЕГКОЗАЙМИСТИХ РІДИН, ГАЗІВ АБО ПИЛУ.** Іскри, гарячі обрізки чи дуги під електрошлітками можуть викликати займання горючих матеріалів.
- Не використовуйте бічну поверхню абразивного круга в якості пристосування для зняття задирок. Це істотно ослабить круг. Він може зламатись.



Увага: Вдягайте відповідні засоби захисту слуху під час використання інструмента. В деяких умовах та через тривале використання шум даного пристрою може спричинити втрату слуху.



Увага: Рефлектор іскор нагрівається. Не доторкайтесь та не виконуйте регулювання, доки інструмент гарячий. Тримайте кабелі віддалек захисної пластини від іскор.

- **Уникайте тривалого контакту з пилом, що продукується під час механічного шліфування, пиляння, зачистки, свердління та інших будівельних робіт.** Вдягайте захисний одяг та вимийте відкриті ділянки шкіри з милом. Потраплення пилу в рот, очі чи на шкіру сприяє абсорбції шкідливих хімічних речовин.



Обережно: Завжди використовуйте пристосування для захисту органів дихання від пилу, схвалені NIOSH/OSHA. Намагайтеся направляти частинки подалі від

обличчя та тіла. Для вашої зручності та безпеки на відрізній дисковій пилці (14" (355 мм)) для роботи в тяжких умовах містяться наступні застереження:



Для безпечної експлуатації прочитайте інструкцію з використання.

- **Не використовуйте зубчаті диски.**
- **Використовуйте лише армовані круги, розраховані на 4100 об/хв., чи більше.**
- **При виконанні технічного обслуговування використовуйте тільки оригінальні запасні частини.**
- **Завжди: одягайте захисні окуляри, використовуйте захисні пристосування, затискайте деталь за допомогою спеціального пристосування, використовуйте належні засоби захисту органів дихання.**

- **Не дозволяйте потрапляння під дощ та не використовуйте в приміщеннях з підвищеною вологістю.**
- **Використовуйте лише відрізні круги з максимальною товщиною 2,8 мм та максимальним діаметром 355 мм.**

6. Етикетки на інструменті

Етикетки на вашому інструменті можуть включати такі символи:

	Читайте інструкції з експлуатації	Гц Герц Вт Ватт		Конструкція класу II
	Використовуйте засоби захисту очей	мін хвилини		Термінал заземлення
	Використовуйте засоби захисту органів слуху			Символ попередження про небезпеку
			хв..	обороти або зворотно-поступальний рух в хвилину
V	Вольт	n_0	Швидкість без навантаження	
A	Ампер			

Положення дати штрих-коду

Дата коду, який також включає рік виготовлення, друкується на корпусі.

Приклад:

2014 XX JN
Рік виготовлення

Електрична безпека

Обережно! Якщо кабель електроживлення пошкоджено, його необхідно замінити на боці виробника, в авторизованому сервісному центрі Stanley, чи скориставшись послугами іншої кваліфікованої особи для того, щоб уникнути пошкодження чи травми. Якщо кабель живлення замінений іншою кваліфікованою особою, котра, однак, не уповноважена компанією Stanley, то надалі гарантія буде недійсна.

Опції (рис. 1, 4)

- A. Вимикач з блокуванням
- B. Гвинт захисної пластини від іскор
- C. Захисна пластинка від іскор
- D. Основа
- E. Направляюча лінійка
- F. Зажимне пристосування
- G. Гайковий ключ

- H. Кривошип
- I. Рівень зажимного пристосування
- J. Круг
- K. Захисний щиток круга
- L. Зажим шпинделя
- M. Болт обмежувача глибини та контржайка
- N. Курковий вимикач
- O. Скоба для замка
- P. Болти направляючої лінійки
- X. Стопорний штифт

Електроживлення

Впевніться в тому, що параметри вашої електромережі відповідають вказаним на паспортній таблиці. Зниження напруги більше ніж на 10% приведе до втрати потужності та до перегріву.

Продуктивність різання

Широкий отвір зажимного пристосування та висока точка опори забезпечують продуктивність різання багатьох великих робочих зразків. Використовуйте таблицю продуктивності різання, щоб визначити загальний максимальний розмір різу, що може бути виконаний за допомогою нового круга.



Увага: Деякі великі, круглі, або об'єкти неправильної форми можуть потребувати виконання додаткових операцій, якщо вони не можуть бути надійно закріплені в зажимному пристосуванні.



Увага: не різте за допомогою цього інструмента магній.

Максимальна продуктивність різання

Примітка: В показниках продуктивності, вказаних на графіку не враховується спрацювання круга та оптимальне положення направляючої лінійки.

Форма деталі:				
Кут різання 90°	A = 4-7/8" (125мм)	A = 4-1/2" (115мм)	4-1/2" x 5-1/8" (115мм x 130мм) 4" x 7-5/8" (102мм x 188мм) 3" x 7-3/8" (76мм x 229мм)	A = 4-1/2" x 5-3/8" (115мм x 137мм)
Кут різання 45°	A = 4-1/2" (115мм)	A = 3-13/16" (98мм)	4-1/2" x 3-13/16" (105мм x 95мм)	A = 3-3/4" (95мм)

Використання

Стандартне обладнання

- Абразивний круг для різання металу діаметром 355 мм
- 1 ключ для круга
- 1 інструкція з експлуатації

Переноска (рис. 1)

Складіть пристрій в положення, в якому ви можете переносити пилку. Втісність стопорний штифт (X), щоб зафіксувати кронштейн.

Розблокування (рис. 1)

Щоб розблокувати інструмент і підняти головку злегка натисніть на кронштейн двигуна, і витягніть стопорний штифт (X). Кронштейн двигуна пересунеться ввєрх.

Налаштування захисної пластини від іскор (рис. 1)

Щоб найкращим чином захистити від іскор навколишніх людей та матеріали ослабте гвинт (B), встановіть захисну пластину від іскор (C) та затягніть гвинт. Не допускайте контакту кабелів з пластиною, тому що вони можуть пошкодитися.

Обмежувач глибини (рис. 1)

Обмежувач глибини встановлюється на заводі для нового круга діаметром 14", щоб запобігти виконанню різі в опорній поверхні. Щоб налаштувати більшу глибину різання скористайтеся плоским гайковим ключем (G), що поставляється в комплекті, щоб відпустити болт обмежувача глибини (M) та підняти його до потрібної висоти, а потім поверніть контржайку (M) за годинниковою стрілкою, доки вона надійно не сяде на литу деталь. Надійно затягніть болт обмежувача глибини перед використанням.



Увага: Виконуючи заміну круга встановіть обмежувач глибини в початкове положення, щоб запобігти виконанню різі в опорній поверхні

Курковий вимикач (рис. 1)

Для запуску інструмента натисніть на курковий вимикач (N). Для вимкнення інструменту відпустіть курковий вимикач. Не допускайте потрапляння руки чи матеріалу в зону круга, поки він рухається до обмежувача. Щоб запобігти неавторизованому користуванню інструментом встановіть стандартний нависний замок (не входить в комплект поставки) в скобу для замка (O), що знаходиться в курковому вимикачі.

Затискання та підтримка матеріалу

- Кути краще всього затискати та виконувати їх різання, коли обидві ноги впираються в основу.

- Проставочна плита має трохи меншу ширину, ніж деталь, що може бути використана для підвищення ефективності використання круга (рис. 2).
- Довгі заготовки повинні підтримуватися плитою так, щоб вони знаходилися на одному рівні з верхньою частиною основи (рис. 3). Кінець, що відрізається повинен мати змогу вільно падати вниз, щоб запобігти затисканню круга.

Робота із пристосуванням для затискання (рис. 4)

Пристосування для затискання (F) має функцію швидкого переміщення. Щоб звільнити пристосування для затискання, коли воно сильно затиснуто, поверніть кривошип (H) проти годинникової стрілки один раз, чи двічі, щоб зменшити зусилля затискання. Підніміть важіль пристосування для затискання (I) вгору. Витягніть вузол кривошипа наскільки це необхідно. Пристосування для затискання можна перемістити вперед до деталі без використання кривошипа. Опустіть важіль кривошипа (I) вниз, після чого затягніть пристосування для затискання (F) із деталлю за допомогою кривошипа (H).

Робота з направляючою лінійкою (рис. 5, 6)



Увага: Вимкніть та від'єднайте інструмент від електромережі перед виконанням будь-яких налаштувань, демонтажу чи установки пристосувань та насадок.

Переконайтеся в тому, що курковий вимикач знаходиться в положенні ВИКЛ. Направляючу лінійку (E) можна відрегулювати двома способами: змінити кут різання та змінити відстань між направляючою лінійкою та пристосуванням для затискання.

Зміна кута різання

Використовуючи гайковий ключ ослабте (не знімайте) два болти направляючої лінійки (P). Сумістіть вказівник лінії необхідного кута з лінією пазу (A) в основі (D). Надійно затягніть обидва болти направляючої лінійки перед використанням. Для отримання більш акуратних квадратних обрізків відключіть інструмент від електромережі, ослабте два болти направляючої лінійки, натисніть на кронштейн так, щоб він ввійшов в основу. Розмістіть квадрат поруч із кругом та відрегулюйте направляючу лінійку відносно площі. Надійно затягніть обидва болти направляючої лінійки перед використанням. При виконанні косого розрізу в залежності від товщини заготовки та кута нахилу можна не затискати пристосування для затискання (F) надто сильно. Для того, щоб закріпити заготовку на направляючій лінійці при виконанні таких розрізів будуть необхідні інші засоби, наприклад, пружинні пристосування, полоса та С-подібні струбцини.

Зміна відстані між направляючою лінійкою та пристосуванням для затискання

За допомогою гайкового ключа ослабте та видаліть два болти направляючої лінійки (P). Відрегулюйте направляючу лінійку (E) в необхідних вам місцях. Вставте обидва болти направляючої лінійки в

передбачені місця. Надійно затягніть їх перед використанням.

Демонтаж та установка кругів (рис. 7, 8)



Увага: Вимкніть та від'єднайте інструмент від мережі електроживлення перед виконанням будь-яких налаштувань, демонтажем та установкою додаткових пристосувань чи насадок. Переконайтеся в тому, що курковий перемикач знаходиться в положенні ВИКЛ. Не виконуйте ніяких налаштувань, поки круг рухається. Не виконуйте ніяких налаштувань, доки пилка підключена до мережі електроживлення.

1. Натисніть на пристрій блокування шпинделя (L) та поверніть колесо (J) рукою так, щоб важіль блокування круга ввійшов в паз внутрішнього фланця (R) для блокування круга. Відпустіть болт (S) в центрі абразивного круга обертаючи його проти годинникової стрілки за допомогою шестигранного ключа на 8 мм (G). Болт має праву різьбу.
2. Зніміть болт (S), шайбу (T), зовнішній фланець (U) і старий круг.
3. Переконайтеся, що поверхні фланцю чисті і плоскі. Встановіть новий абразивний круг, виконуючи вищевказані кроки у зворотній послідовності.
4. Не перетягуйте болт.



Обережно: Перевірте робочу поверхню, на якій знаходиться відрізна дискова пила при встановленні нового абразивного круга. Можливо, круг увійде в контакт з ЯКИМ-НЕБУДЬ ПРЕДМЕТОМ ЧИ КОНСТРУКЦІЙ, РОЗТАШОВАНОЇ ВИЩЕ робочої поверхні (під основою), коли кронштейн повністю опущений.

Робота з насадками для виконання більш точних різів

- Дозвольте колі виконати різ. Надмірне зусилля може призвести до засалювання круга, що знижує продуктивність різання і / або змінює напрямок, що призводить до неточних різів.
- Правильно відрегулюйте кут прямої лінійки.
- Переконайтеся, що матеріал лежить в горизонтальній площині на основі.
- Правильно закріпіть матеріал, щоб уникнути руху і вібрації..

Огляд і заміна щітки мотора (мал. 9)



Обережно: Вимкніть інструмент та відключіть його від розетки. Переконайтеся, що курковий вимикач знаходиться в положенні ВИКЛ. Необхідно постійно перевіряти знос щіток. Щоб перевірити щітку, відкрутіть два гвинти кришки (V) і зніміть бічну кришку (W). Зніміть ковпачок щітки (Y). Щітки (X) повинні вільно переміщатися в обоймі щіткотримача.

Якщо щітки зношені до 0,3 "(8 мм) як показано на малюнку 9, їх необхідно замінити. Для установки вставте нову щітку в обійму щіткотримача. При повторній установці старої щітки дотримуйтесь попередньої орієнтації. Встановіть на місце ковпачок щітки (не перетягуйте). Встановіть на кришку і два гвинти. Затягніть надійно.

Обслуговування

Ваш інструмент STANLEY створений для роботи протягом тривалого періоду часу з мінімальним технічним обслуговуванням. Тривала задовільна робота залежить від належного догляду за інструментом і його регулярного чищення. Ваш інструмент обслуговується користувачем. Віднесіть інструмент в авторизований сервісний центр Stanley. Цей інструмент повинен обслуговуватися через регулярні проміжки часу або коли виявлено помітне зміна продуктивності.

Змащування

Електроінструменти STANLEY належним чином змащуються на заводі і готові до використання. Інструменти слід регулярно змащувати змазкою, залежно від умов експлуатації. Змащування повинно проводитися тільки особами, які пройшли навчання ремонту електроінструменту, таких як персонал в сервісних центрах STANLEY або іншим кваліфікованим персоналом. Закриті, герметизовані змазкою шарикопідшипники використовуються у всіх компонентах. У цих шарикопідшипниках, достатньою змазки, нанесеної на заводі, щоб функціонувати протягом усього терміну служби відрізної дискової пили.

Очищення



Обережно: відключайте інструмент з розетки, перш ніж використовувати тканину для очищення корпусу. При працюючому двигуні, здувайте бруд і пил з усіх вентиляційних отворів сухим повітрям, принаймні один раз на тиждень. Виконуючи це, одягайте захисні окуляри. Зовнішні пластмасові деталі можуть бути очищені з вологою ганчіркою і м'яким миючим засобом. Хоча ці частини дуже стійкі до впливу розчинників, НІКОЛИ не використовуйте розчинники.

Рекомендується здувати пил з основного корпусу за допомогою шланга для стиснутого повітря, це може виконуватися по мірі видимого скупчення бруду всередині і навколо вентиляційних отворів. Завжди використовуйте засоби захисту очей та органів дихання

Догляд за інструментом

Намагайтеся не перевантажувати пристрій. Перевантаження може привести до значного зниження швидкості та ефективності і нагріванню пристрою. У цьому випадку, запустіть пристрій на холостому ходу протягом хвилини або двох поки вона не охолоне до нормальної робочої температури за допомогою вбудованого вентилятора. Вмикання і вимикання вашого пристрою під навантаженням, значно скоротить термін служби вимикача.

Важливо

Щоб гарантувати БЕЗПЕКУ і НАДІЙНІСТЬ, ремонт, технічне обслуговування і регулювання (крім тих, які перераховані в цьому посібнику) повинні виконуватися авторизованими сервісними центрами або іншими компетентними організаціями, завжди з використанням ідентичних запасних частин. Пристрій не містить деталей, що обслуговуються користувачем. Рекомендується здувати пил з основного корпусу за допомогою шланга для стиснутого повітря, це може виконуватися по мірі видимого скупчення бруду всередині і навколо вентиляційних отворів. Завжди використовуйте засоби захисту очей та органів дихання

Примітка: Пристрій може бути модифіковано шляхом установки 3-жильного скрученого шнура живлення в авторизованому сервісному центрі

Насадки

Продуктивність будь-якого електроінструменту залежить від використовуваних насадок. Насадки STANLEY розроблені відповідно до жорстких стандартів якості і призначені для підвищення продуктивності електроінструменту.



Примітка: Насадка має бути розрахована на використання при швидкості, що дорівнює або перевищує номінальну кількість обертів на хвилину інструменту з яким вона використовується.

Увага: Використання іншої насадки не рекомендується для використання з даним інструментом може бути небезпечним. Використовуйте високоміцні Тип 1 кола на органічному в'язучому, номінальна кількість обертів на хвилину 4100 або вище. Використовуйте високоміцні Тип 1 кола на органічному в'язучому, номінальна кількість обертів на хвилину 4100 або вище.

Інформація про обслуговування

STANLEY пропонує до ваших послуг масштабну мережу власних і авторизованих сервісних центрів по всій Азії. Всі сервісні центри STANLEY укомплектовані навченим персоналом, щоб надати клієнтам послуги з ефективного і надійного технічного обслуговування електроінструменту. Якщо вам необхідна технічна консультація, ремонт або заміна оригінальних запасних частин, зв'яжіться з найближчим підрозділом STANLEY.

Примітки

- Політика компанії STANLEY полягає в безперервному вдосконаленні нашої продукції і, таким чином, ми залишаємо за собою право змінювати характеристики продукції без попереднього повідомлення.
- Стандартне обладнання і насадки можуть варіюватися залежно від країни.
- Характеристики продукції можуть варіюватися у різних країнах.
- Повний асортимент продукції може бути недоступний у всіх країнах
- Зв'яжіться з вашими місцевими дилерами STANLEY, щоб отримати інформацію про наявність.

Захист навколишнього середовища



Роздільний збір і утилізація. Цей продукт не слід утилізувати разом з побутовим сміттям.

Якщо ви зрозумієте, що ваш продукт Stanley потребує заміни, або якщо він не має ніякого подальшого застосування для вас, не викидайте його разом з побутовими відходами. Надайте цей продукт для роздільного збору/утилізації.



Роздільний збір продуктів і упаковок дозволяє здійснити їх переробку і використати їх повторно. Повторне використання перероблених матеріалів допомагає захищати довкілля від забруднення і знижує витрату сировинних матеріалів.

Місцеве законодавство може забезпечити збір старих електроінструментів окремо від побутового сміття на муніципальних звалищах відходів або в торговому підприємстві при купівлі нового виробу. Stanley забезпечує можливість для збору і утилізації продуктів Stanley, як тільки вони досягли кінця свого терміну служби. Для того, щоб скористатися цією послугою, ви можете здати ваш виріб у будь-який авторизований сервісний центр, який збирає їх за нашим дорученням.

Ви можете упізнати місце знаходження вашого найближчого авторизованого сервісного центру, звернувшись в місцеве відділення Stanley за адресою, вказану в цьому керівництві. Крім того, список авторизованих ремонтних агентів Stanley і повну інформацію про наше післяпродажне обслуговування і контакти ви можете знайти в Інтернеті: www.2helpru.com10

Два рік повної гарантії

Якщо ваш продукт STANLEY виходить з ладу із-за дефектних матеріалів або виготовлення впродовж 24 місяців з дати купівлі, STANLEY Europe гарантує заміну усіх несправних деталей безкоштовно або - на власний розсуд - заміну продукту безкоштовно за умови, що:

- Продукт використовувався правильно, його експлуатація проводилася строго відповідно до інструкції з експлуатації.
- Продукт піддавався звичайному зносу;
- Ремонт не проводився сторонніми особами;
- Представлені документи, що підтверджують купівлю.
- Продукт STANLEY повертається в повному комплекті з усіма оригінальними компонентами

Якщо ви хочете зробити заявку, зв'яжіться з продавцем або з'ясуйте місце знаходження вашого найближчого авторизованого сервісного агента Stanley в каталозі Stanley або зверніться в місцеве представництво Stanley за адресою, вказаною в цьому посібнику. Список авторизованих сервісних агентів Stanley і повну інформацію про наше післяпродажне обслуговування можна знайти в Інтернеті за адресою:
www.stanleytools.com

STANLEY

Гарантійні умови

Шановний покупце!

1. Вітаємо Вас з покупкою високоякісного виробу STANLEY і висловлюємо вдячність за Ваш вибір.
2. При покупці виробу вимагайте перевірки його комплектності і справності у Вашій присутності, інструкції з експлуатації та заповнений гарантійний талон українською мовою

В гарантійному талоні повинні бути внесені: модель, дата продажу, серійний номер, дата виробництва інструменту; назва, печатка і підпис торгової організації. За відсутності у Вас правильно заповненого гарантійного талону, а також при невідповідності зазначених у ньому даних ми будемо змушені відхилити Ваші претензії щодо якості даного виробу.

3. Щоб уникнути непорозумінь, переконливо просимо Вас перед початком роботи з виробом уважно ознайомитися з інструкцією з його експлуатації. Правовою основою справжніх гарантійних умов є чинне Законодавство. Гарантійний термін на даний виріб складає 24 місяці і обчислюється з дня продажу. У разі усунення недоліків виробу, гарантійний строк продовжується на період його перебування в ремонті. Термін служби виробу становить 5 років з дня продажу.
4. У разі виникнення будь-яких проблем у процесі експлуатації виробу рекомендуємо Вам звертатися тільки в уповноважені сервісні центри STANLEY, адреси та телефони яких Ви зможете знайти в гарантійному талоні, на сайті www.2helpU.com або дізнатися в магазині. Наші сервісні станції - це не тільки кваліфікований ремонт, але і широкий асортимент запчастин і аксесуарів.
5. Виробник рекомендує проводити періодичну перевірку і технічне обслуговування виробу в уповноважених сервісних центрах.
6. Наші гарантійні зобов'язання поширюються тільки на несправності, виявлені протягом гарантійного терміну і викликані дефектами виробництва та \ або матеріалів.
7. Гарантійні умови не поширюються на несправності виробу, що виникли в результаті:
 - 7.1 Недотримання користувачем приписів інструкції з експлуатації виробу, застосування виробу не за призначенням, неправильного зберігання, використання приладдя, витратних матеріалів і запчастин, що не передбачені виробником.
 - 7.2 Механічного пошкодження (відколи, тріщини і руйнування) внутрішніх і зовнішніх деталей виробу, основних і допоміжних рукояток, мережевого кабелю, що викликані зовнішнім ударним або будь-яким іншим впливом

- 7.3 Потрапляння у вентиляційні отвори та проникнення всередину виробу сторонніх предметів, матеріалів або речовин, що не є відходами, які супроводжують застосування виробу за призначенням, такими як: стружка, тирса, пісок, та ін.
- 7.4 Впливу на виріб несприятливих атмосферних і інших зовнішніх факторів, таких як дощ, сніг, підвищена вологість, нагрівання, агресивні середовища, невідповідність параметрів електромережі, що зазначені на інструменті.
- 7.5 Стихійного лиха. Пошкодження або втрати виробу, що пов'язані з непередбаченими лихами, стихійними явищами, у тому числі внаслідок дії непереборної сили (пожежа, блискавка, потоп і інші природні явища), а також внаслідок перепадів напруги в електромережі та іншими причинами, які знаходяться поза контролем виробника.
8. Гарантійні умови не поширюються:
 - 8.1. На інструменти, що піддавались розкриттю, ремонту або модифікації поза уповноваженим сервісним центром.
 - 8.2. На деталі, вузли та матеріали, що мають сліди природного зносу, такі як: приводні ремені і колеса, вугільні щітки, мастило, підшипники, зубчасті зчеплення редукторів, гумові ущільнення, сальники, направляючі ролики, муфти, вимикачі, бойки, штовхачі, стволи тощо.
 - 8.3. На змінні частини: патрони, цанги, затискні гайки і фланці, фільтри, акумулятори батарей, ножі, шліфувальні підшви, ланцюги, зірочки, пильні шини, захисні кожухи, пилки, абразиви, пильні і абразивні диски, фрези, свердла, бури тощо
 - 8.4. На несправності, що виникли в результаті перевантаження інструменту (як механічного, так і електричного), що спричинили вихід з ладу одночасно двох і більше деталей і вузлів, таких як: ротора і статора, обох обмоток статора, веденої і ведучої шестерень редуктора або інших вузлів і деталей. До безумовних ознак перевантаження виробу відносяться, крім інших: поява кольорів мінливості, деформація або оплавлення деталей і вузлів виробу, потемніння або обвуглювання ізоляції проводів електродвигуна під впливом високої температури.



Виробник:

"Stanley Black & Decker Deutschland GmbH" Black-&-Decker Str.40, D-65510 Idstein, Німеччина

Names & Addresses for STANLEY Service Concessionaries - MIDDLE EAST & AFRICA

ALGERIA: Sarl Outillage Corporation, 08 Rue Med Boudiaf - Cheraga - Algiers, Algeria. Tel: (213-21) 375130, Fax: (213-21) 369667. **ANGOLA:** Angoferraria, Lda., Rua Robert Shields, No. 61, Luanda, Angola. Tel: 00244-222-395837 / 222-395034, Fax: 00244-222-394790. **AZERBAIJAN:** Royalton Holdings Ltd. 41 Khagani St. Apt. 47 AZ 1001, Baku. Tel: (994-12) 4935544, Fax: (994-12) 5980378. **BAHRAIN:** Kavalani & Sons W.L.L., P.O. Box 71, Sitra, Manama, Tel: (973) 17732888, Fax: (973) 17737379. Alfouz Services Co. W.L.L., P.O. Box 26562, Tubli, Manama. Tel: (973) 17783562, Fax: (973) 17783479. **EGYPT:** El Farab S.A.E., 15-Nabil El Wakkad Street, Dokki, Giza, Egypt. Tel: 00202-37603946 / 002-010-2582544, Fax: 00202-33352796. **ETHIOPIA:** Seif Tewfik Sherif, Arada Sub-City, Kebele 01/02, Global Insurance Building, 2nd Floor, Room 43, P.O. Box 2525, Addis Ababa, Ethiopia. Tel: (251-11) 1563968/ 1563969, Fax: (251-11) 1558009. **IRAQ:** Financial Links, Kazzaz Building Ararat Al-Hindia Block No: 629 Street: 31 Building No: 1 Baghdad - Iraq. Tel: 00964 (0)780 195 2223/ 00964 (0)781 3763044. Al Sard Co. for General Trading Ltd. Jbara Bldg. 3Flr, Al Rasheed St. Baghdad. Tel: (964) 18184102. Sakhar Group, Arrasat al-hindya Al Masbah, Baghdad. (964) 7400144446. **JORDAN:** Palestine Bldg. (Bashiti Hardware), 93 King Abdullah 2nd Street. Opp. ELBA House, P.O. Box 3005, Amman 11953, Tel: (962-6) 5349098, Fax: (962-6) 5330731. **KENYA:** Dextron Tools Ltd., P.O. Box 20121-00200, Shariff House, Kimathi Street, Nairobi. Tel: (254-20) 6905000/ 2358021, Fax: (254-20) 6905111/ 6905112. **KUWAIT:** Al Omar Technical Co., P.O. Box 4062, 13041 Safat, Kuwait. Tel: (965) 24848595/ 24840039, Fax: (965) 24845652. Fawaz Al Zayani Establishment, P.O. Box 42426, Shop No. 18, Al Humaizi Commercial Complex, Khalifa Al Jassim, Shuwaikh, Kuwait. Tel: (965) 24828710, Fax: (965) 24828716. Fawaz Al Zayani Establishment, P.O. Box 42426, Shop No.18, Al Humaizi Commercial Complex, Khalifa Al Jassim, Shuwaikh, Kuwait. Tel: (965) 24828710, Fax: (965) 24828716. **LEBANON:** Est. Shaya & Azar S.A.R.L., Boulevard Jdeideh - Mar Takla - Bouchrieh, P.O. Box 90545 Jdeideh, Beirut - Lebanon. Tel: 00961 1 872305 / 306 , Fax: 00961 1 872303. **LIBYA:** North Africa Trading (El Ghoul Brothers), AlHilal Service Center Tawergha St. Misurata. Tel: 00218-091-3221408. (**Benghazi**) Sniydal st., Amr Ibn El-Aas Rd. Tel: (+218) 92 5771120. (**Tripoli**) Al Barniq Service Center, Mokhazin elskur st., ElFallah. Tel: (+218) 21 4808019. (**Misrata**) Al Hilal Service Center, Tawergha st. Tel: (+218) 51 2626743. **MAURITIUS:** Robert Le Marie Limited, Old Moka Road, Bell Village, P.O. Box 161, Port Louis, Tel: 00230-212 1865/ 212 2847, Fax: 00230-2080843. **MOROCCO:** Ets Louis Guillaud & Cie, 149, Quartier Industriel, Moulay Rachid, Casablanca, Postal Code 20450, Morocco. Tel: 00212-522729233, Fax: 00212-522729096. **NIGERIA:** Meridian Power Tools Ltd., Gr.Floor, #1 Alhaji Masha Rd, Next to Teslim Balogun Stadium, Near National Stadium Surulere, Lagos, Nigeria. Tel: 00234-1-7740431 / 7740410, Fax: 00234-1-7913798. **OMAN:** Al Jizzi Company LLC, P.O. Box 1704, PC 112 Ruwi, Oman. Tel: (968) 24832618/ 24835153, Fax: (968) 24831334/24836460. Al Hassan Technical & Construction Supplies Co. LLC, P.O. Box 1948, P.C. 112, Ruwi, Tel: (968) 24810575 / 24837054, Fax: (968) 24810287/ 24833080. Oman Hardware Co. LLC, P.O. Box 635, Ruwi Postal Code 112, Te. (968) 24815131, Fax: (968) 24816491. Khimji Ramdas, P.O. Box 19, Post Code 100, Ghalia, Muscat, Oman. Tel: (968) 24595906/ 907, Fax: (968) 24852752. Oman Marketing & Service Co. (Omasco), P.O. Box 2734, Behind Honda Showroom, Wattayah, Oman. Tel: (968) 24560232/ 24560255, Fax: (968) 24560993. Oman Marketing & Service Co. (Omasco), Al Ohi, Sohar, Oman. Tel: (968) 26846379, Fax: (968) 26846379. Oman Marketing & Service Co. (Omasco), Sanaya, Salalah, Oman. Tel: (968) 23212290, Fax: (968) 23210936. **PAKISTAN:** ZIT Co - Nasir & Bros., 2nd Floor, Qadri Center, Chokh Dalgran Railway Road, Lahore, Pakistan. Tel: 0092 42 37670839, Fax: 0092 42 37652989. Ammar Service & Spares, 60-Bank Arcade, Serai Road, Karachi, Pakistan. Tel: (92-21) 32426905, Fax: (92-21) 32427214. **QATAR:** Teyseer Industrial Supplies & Services Co. W.L.L, 55, Al Wakalat St. (Between St. 18 & 19) Salwa Industrial Area, P.O. Box 40523 Doha, Qatar. Tel: (974) 44581536, Fax: (974) 44682024. Shaheen Electrical Works & Trading Co. W.L.L, Gate 34, St. 44 Industrial Area P.O. Box 9756, Doha, Qatar. Tel: (974) 44600230 / 44600525, Fax: (974) 44601338. Al Mufah Service Centre, Al Wakrah Road, P.O. Box 875, Doha, Qatar. Tel: (974) 44650880/ 44650110/ 44446868, Fax: (974) 44441415 / 44662599. **SAUDI ARABIA: (Al Bahr)** Mohamed Ahmed Bin Afif Est., P.O. Box 530, Yanbu, Al Bahr. Tel: (966-4) 3222626/ 3228867, Fax: (966-4) 3222210. (**Al Khobar**) Fawaz Ebrahim Al Zayani Trading Est., P.O. Box 76026, Al Khobar # 31952, Tel: (966-3) 8140914, Fax: (966-3) 8140824. MSS (Al-Mojil Supply & Services) P.O. Box 450, Jubail 31951, Opp. Gulf Bridge Library & Riyadh House. Tel: (966-3) 3612850/ 3624487/ 3621729, Fax: (966-3) 3623589/ 3620783. (**Dammam**) MSS (Al-Mojil Supply & Services), P.O. Box 450, Jubail 31951, Opp. Gulf Bridge Library & Riyadh House. Tel: (966-3) 3612850 / 3624487 / 3621729, Fax: (966-3) 3623589 / 3620783. Al Bawardi Tools & Hardware, P.O. Box 112, Dammam. Tel: (966-3) 8330780 Ext.24 / 8348585 Ext. 24 / +966-3-8335555, Fax: (966-3) 8336303. (**Al Hassa**) Mutawa Trading & Gen. Services, Maliki road Hafuf city, Al Hassa, KSA. Tel: (966) 50286275 (**Jeddah**) Al Bawardi Tools & Hardware, P.O. Box 16905, Jeddah 21474, Tel: (966-2) 6444547 / 6439035 / 6456095, Fax: (966-2) 6439024. EAC (Al Yousef Contg. & Trdg. Est.), P.O. Box 30377, Jeddah -21477, Tel: (966-2) 6519912, Fax: (966-2) 6511153. (**Madina**) Garziz Trading for Bldg Mat & Decoration, P.O. Box 3364, Madina. Tel: (966-4) 826 14 90 / 8227636, Fax: (966-4) 8265741. (**Riyadh**) Industrial Material Organization (IMO), P.O. Box 623, Rial Street, Riyadh, Tel: (966-1) 4028010 Ext 26 / 8001245757, Fax: (966-1) 4037970. Sultan Garment Factory (RSC), P.O. Box 29912, Riyadh 11467, KSA, Tel: (966-1) 4055148 / 4042889, Fax: (966-1) 4055148. Al Bawardi Tools & Hardware, P.O. Box 68, Riyadh 11411, Tel: (966-1) 4484999, Fax: (966-1) 4487877. (**Yanbu**) Fawaz Ebrahim Al Zayani, Opposite to Al Fouzan, Jeddah highway or King Abdul Aziz road, Yanbu. Tel: (966-4) 3960980, Fax: (966-4) 3961980. Mohamed Ahmed Bin Afif Est., P.O. Box 530, Yanbu, Al Bahr, Tel: (966-4) 3222626/ 3228867, Fax: (966-4) 3222210. **SOUTH AFRICA:** Stanley Black & Decker - RSA, 199 Winetree Drive Stormill Exit 9 Rooodepoort. Tel: (2711) 472 0454, Fax: (2711) 472 0482. Trevco Power Tool Service 14 Steenbok Street, Koedoespoort, 0186, Pretoria, South Africa. Tel: (27-86) 1873826, Fax: (27-86) 5001771. **TANZANIA:** General Motors investment Ltd., P.O. Box 16541, 14 Nyerere Road, Vingunguti, Dar-es-Salaam. Tel: (255 22) 2862661/ 2865022, Fax: (255 22) 2862667. **TUNISIA:** Societe Tunisienne De Maintenance (STM), Rue de la Physique. Nouvelle Zone Industrielle Ben Arous, 2013 Ben Arous, Tunisia. Tel: (+216) 79 389687, Fax: (+216) 71 385154. **UAE: (Abu Dhabi)** Light House Electrical, P.O. Box 120, Abu Dhabi. Tel: (971-2) 6726131, Fax: (971-2) 6720667. Galaxy Equipment Trading, Madinat Zayed (Baada Zaid), Abu Dhabi P.C. 58910, Tel: (971-2) 8844279, Fax: (971-2) 8844297 (**Ajman**) Al Sukoon Gen. Trdg. Co. LLC, P.O. Box 2975, Ajman. Tel: (971-6) 7435725/ 7438317, Fax: (971-6) 7437350, Al Sukoon Gen. Trdg. Co. LLC, P.O. Box 2975, Ajman, Tel: (971-6) 7435725 / 7438317, Fax: (971-6) 7437350 (**Al Ain**) Zillion Equipment and Spare Parts Trading LLC, P.O. Box 19740, Opp. Bin Sada/ Trimix Redymy Sanaiya, Al Ain. Tel: (971-3) 7216690, Fax: (971-3) 7216103. (**Dubai**) Black & Decker (Overseas) GmbH, P.O. Box 5420, Dubai. Tel: (971-4) 8127400/ 8127406, Fax: (971-4) 81272765. Ideal Star Workshop Eqp't.Trading LLC, P.O. Box 37116, Al Quoz, Dubai. Tel: (971-4) 3474160, Fax: (971-4) 3474157, Fine Tools, P.O.Box 30139, Al Quoz, Dubai, Tel: (971-4) 3385240, Fax: (971-4) 3385239, Albrech Engineering Service, P.O. Box 78954, Al Qusais, Dubai. Tel: (971-4) 2850044, Fax: (971-4) 2848402. (**Musafah**) Light House Electrical, P.O. Box 120, Abu Dhabi. Tel: (971-2) 5548315, Fax: (971-2) 5540461. (**Sharjah**) Mc Coy Middle East LLC, P.O. Box 25793, Sharjah, Tel: (971-6) 5395931, Fax: (971-6) 5395932. Burj Al Madeena, Industrial Area No.1, Opp. Pakistani Masjid, P.O. Box 37635, Sharjah. Tel: (971-6) 5337747, Fax: (971-6) 5337719. Burj Al Madeena, Industrial Area No.1 opp Pakistani Masjid P.O. Box 37635, Sharjah, Tel: (971-6) 5337747, Fax: (971-6) 5337719 (**Ras Al Khaimah**) Mc Coy Middle East LLC, P.O. Box 10584, Ras Al Khaimah. Tel: (971-7) 2277095, Fax: (971-7) 2277096. **UGANDA:** The Building Center (U) Ltd., 52 Station Road, Kitgum House, P.O. Box 7436, Kampala, Uganda. Tel: (256-41) 4234567/ 4259754, Fax: (256-41) 4236413. **YEMEN: (Aden)** Middle East Trad. Co. Ltd. (METCO), Mualla Dakka, Aden, Yemen. Tel: (967-2) 222670, Fax: (967-2) 222670. (**Sana'a**) Middle East Trad. Co. Ltd. (METCO), Hayel St., Sana'a, Yemen. Tel: (967-1) 204201, Fax: (967-1) 204204. (**Taiz**) Middle East Trading Co. (METCO), P.O. Box 12363, 5th Flr, Hayel Saeed Anam Bldg, Al-Mugammah St. Taiz, Yemen. Tel: (967-4) 213455, Fax: (967-4) 219869.

ОФИЦИАЛЬНЫЙ ДИЛЕР В УКРАИНЕ:

storgom.ua

ГРАФИК РАБОТЫ:

Пн. – Пт.: с 8:30 по 18:30

Сб.: с 09:00 по 16:00

Вс.: с 10:00 по 16:00

КОНТАКТЫ:

+38 (044) 360-46-77

+38 (066) 77-395-77

+38 (097) 77-236-77

+38 (093) 360-46-77

Детальное описание товара:

<https://storgom.ua/product/pila-montazhnaia-stanley-stsc2135.html>

Другие товары: <https://storgom.ua/montazhnye-pily.html>