

**ILLUSTRATED PARTS LIST**

**MODEL NUMBER ST 224 P**

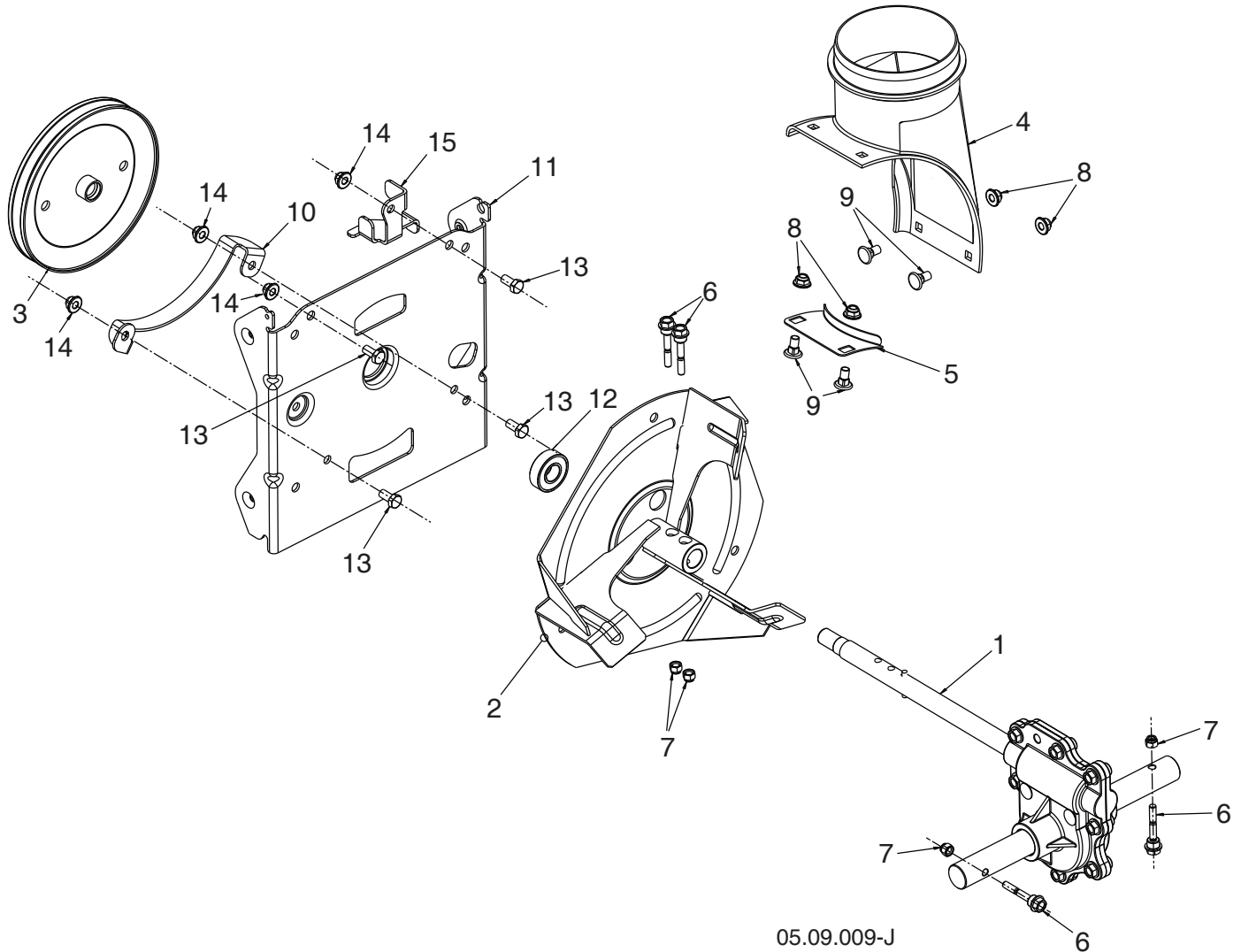
**PRODUCT NUMBER 961 93 01-22**

**MFG. ID. NUMBER 96193012201**

# REPAIR PARTS

# AUGER HOUSING / IMPELLER ASSEMBLY

SNOW THROWER - MODEL NO. ST 224 P (96193012201), PRODUCT NO. 961 93 01-22



**NOTE:** All component dimensions given in U.S. inches. 1 inch = 25.4 mm  
**IMPORTANT:** Use only Original Equipment Manufacturer (O.E.M.) replacement parts.  
Failure to do so could be hazardous, damage your snow thrower and void your warranty.

**REPAIR PARTS****AUGER HOUSING / IMPELLER ASSEMBLY****SNOW THROWER - MODEL NO. ST 224 P (96193012201), PRODUCT NO. 961 93 01-22**

| <b>KEY NO.</b> | <b>PART NO.</b> | <b>DESCRIPTION</b>                         |
|----------------|-----------------|--|
| 1              | 501 14 96-01    | GEARBOX AUGER                              |
| 2              | 586 60 72-02    | IMPELLER STEEL                             |
| 3              | 587 40 24-01    | PULLEY IMPELLER – SCREW ON                 |
| 4              | 585 05 69-01    | CHUTE DISCHARGE BASE                       |
| 5              | 532 18 40-95    | BRACKET CORNER DISCHARGE BASE              |
| 6              | 588 07 75-01    | BOLT SHEAR 1/4-20                          |
| 7              | 873 80 04-00    | NUT NYLOCK 1/4-20                          |
| 8              | 585 69 13-01    | NUT FLANGE NYLOCK 5/16-18 BLK              |
| 9              | 585 69 12-01    | BOLT CARRIAGE WAFER HEAD 5/16-18 X 5/8 BLK |
| 10             | 581 63 20-02    | BRACKET BELT KEEPER LOWER                  |
| 11             | 581 59 25-02    | BRACKET INTERFACE                          |
| 12             | 532 19 87-91    | BEARING BALL                               |
| 13             | 532 16 31-83    | SCREW HEX HEAD 5/16-18 X 5/8               |
| 14             | 532 42 79-42    | NUT FLANGE NYLOCK 5/16-18                  |
| 15             | 587 58 72-02    | LOWER AUGER BELT GUIDE                     |

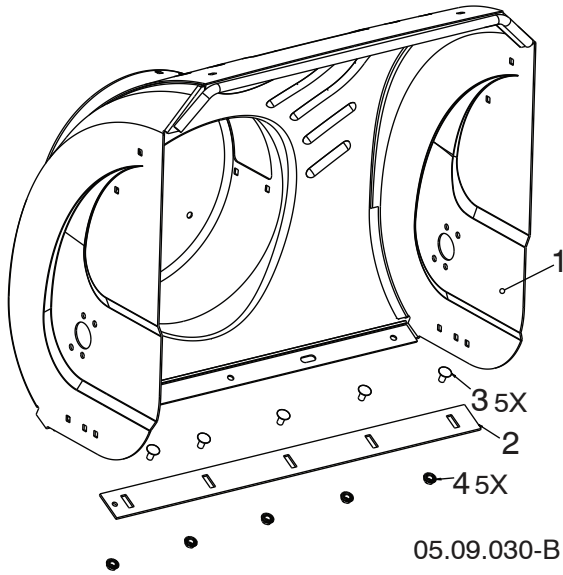
**NOTE:** All component dimensions given in U.S. inches. 1 inch = 25.4 mm

**IMPORTANT:** Use only Original Equipment Manufacturer (O.E.M.) replacement parts. Failure to do so could be hazardous, damage your snow thrower and void your warranty.

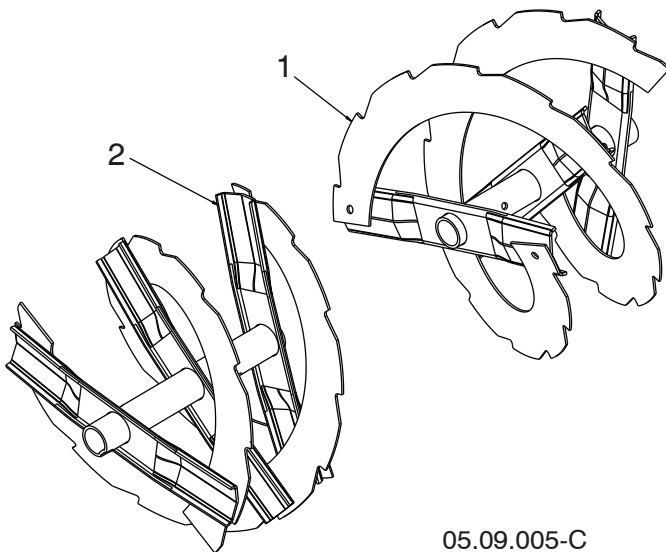
# REPAIR PARTS

# AUGER HOUSING / IMPELLER ASSEMBLY

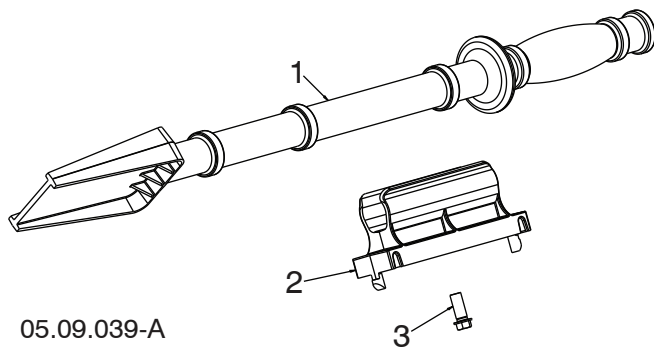
SNOW THROWER - MODEL NO. ST 224 P (96193012201), PRODUCT NO. 961 93 01-22



| KEY NO. | PART NO.     | DESCRIPTION                         |
|---------|--------------|-------------------------------------|
| 1       | 581 70 83-90 | AUGER HOUSING                       |
| 2       | 532 40 78-25 | SCRAPER BAR                         |
| 3       | 872 27 05-05 | CARRIAGE BOLT<br>5/16-18 X .625 GR5 |
| 4       | 532 15 53-77 | NUT 5/16-18                         |



| KEY NO. | PART NO.     | DESCRIPTION          |
|---------|--------------|----------------------|
| 1       | 587 19 10-01 | AUGER WELD RIB LH 24 |
| 2       | 585 54 42-01 | AUGER WELD RIB RH 24 |



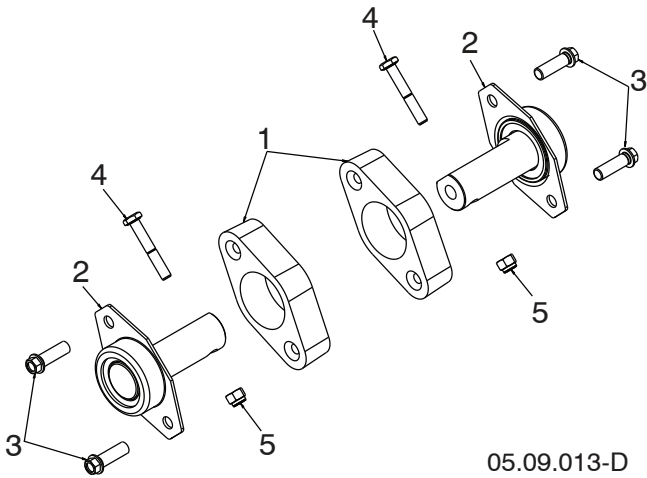
| KEY NO. | PART NO.     | DESCRIPTION                     |
|---------|--------------|---------------------------------|
| 1       | 532 19 21-99 | TOOL CLEANOUT                   |
| 2       | 532 40 54-00 | CLIP CLEANOUT TOOL              |
| 3       | 532 19 41-89 | SCREW HEX WASHER 13-16<br>X 5/8 |

**NOTE:** All component dimensions given in U.S. inches. 1 inch = 25.4 mm  
**IMPORTANT:** Use only Original Equipment Manufacturer (O.E.M.) replacement parts.  
 Failure to do so could be hazardous, damage your snow thrower and void your warranty.

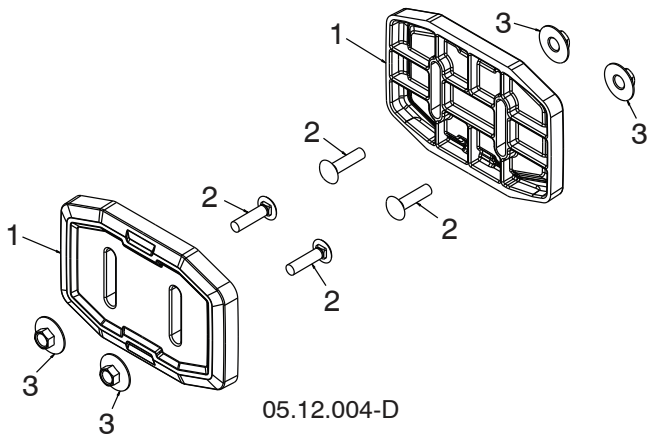
# REPAIR PARTS

# AUGER HOUSING / IMPELLER ASSEMBLY

SNOW THROWER - MODEL NO. ST 224 P (96193012201), PRODUCT NO. 961 93 01-22



| KEY NO. | PART NO.     | DESCRIPTION                      |
|---------|--------------|----------------------------------|
| 1       | 532 18 81-70 | PLASTIC RETAINER                 |
| 2       | 532 42 77-62 | AUGER BALL BEARING               |
| 3       | 584 29 94-01 | SCREW HI-LO 5/16-14 X 1.00 - BLK |
| 4       | 874 78 04-26 | BOLT SHEAR HEX HD 1/4-20         |
| 5       | 873 80 04-00 | NUT 1/4-20                       |



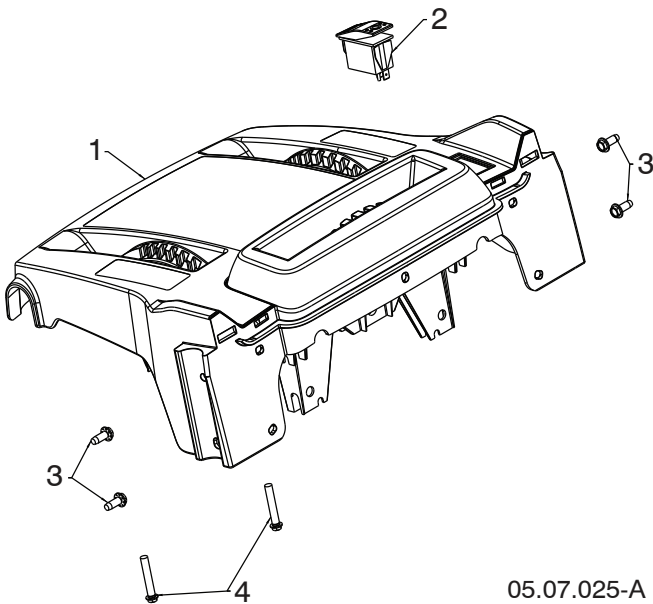
| KEY NO. | PART NO.     | DESCRIPTION                  |
|---------|--------------|------------------------------|
| 1       | 583 83 88-01 | SKID SHOW UHMW               |
| 2       | 585 80 29-01 | BOLT CARR BLK 5/16-18 X 1.25 |
| 3       | 585 80 28-01 | NUT HEX 5/16-18 LRG FLG      |

**NOTE:** All component dimensions given in U.S. inches. 1 inch = 25.4 mm  
**IMPORTANT:** Use only Original Equipment Manufacturer (O.E.M.) replacement parts.  
 Failure to do so could be hazardous, damage your snow thrower and void your warranty.

# REPAIR PARTS

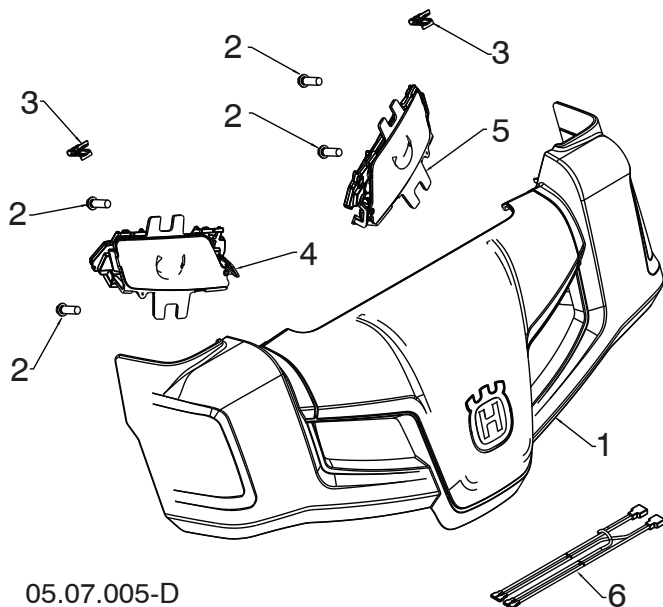
# CONTROL PANEL / DISCHARGE CHUTE

SNOW THROWER - MODEL NO. ST 224 P (96193012201), PRODUCT NO. 961 93 01-22



| KEY NO. | PART NO.     | DESCRIPTION                         |
|---------|--------------|-------------------------------------|
| 1       | 588 92 59-05 | CONSOLE BASE MULTICONT GRAY-MS498   |
| 2       | 585 80 50-01 | SWITCH GRIP HEATED BLACK            |
| 3       | 817 06 04-10 | SCREW TA SEMI GIMLE 1/4-20 X .62    |
| 4       | 581 32 95-01 | SCREW HEX WASHER HI-LO 13-16 X 1.50 |

05.07.025-A



| KEY NO. | PART NO.     | DESCRIPTION                 |
|---------|--------------|-----------------------------|
| 1       | 581 12 79-01 | HUSQVARNA CONSOLE COVER ASM |
| 2       | 532 19 41-89 | SCREW HI-LO 13-16 X 5/8     |
| 3       | 581 92 87-01 | CLIP PANEL                  |
| 4       | 586 72 35-01 | LIGHT ASM LED HUSQ RH       |
| 5       | 586 72 36-01 | LIGHT ASM LED HUSQ LH       |
| 6       | 585 86 83-01 | WIRE HARNESS LIGHT JUMPER   |

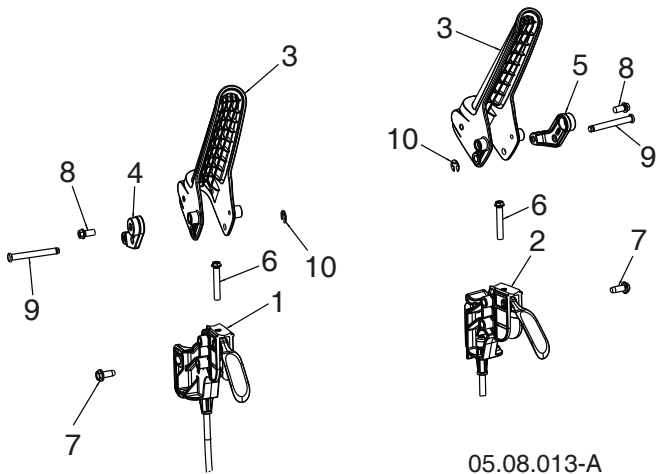
05.07.005-D

**NOTE:** All component dimensions given in U.S. inches. 1 inch = 25.4 mm  
**IMPORTANT:** Use only Original Equipment Manufacturer (O.E.M.) replacement parts. Failure to do so could be hazardous, damage your snow thrower and void your warranty.

# REPAIR PARTS

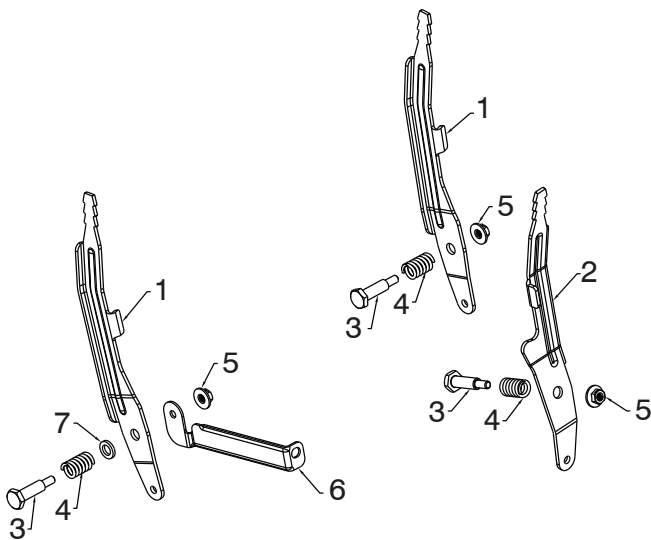
# CONTROL PANEL / DISCHARGE CHUTE

SNOW THROWER - MODEL NO. ST 224 P (96193012201), PRODUCT NO. 961 93 01-22



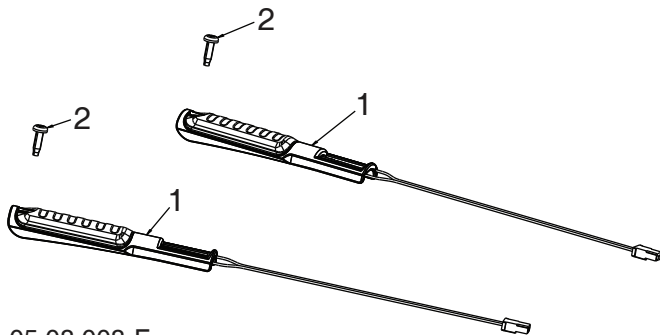
05.08.013-A

| KEY NO. | PART NO.     | DESCRIPTION              |
|---------|--------------|--------------------------|
| 1       | 588 26 39-01 | CABLE, POWER STEER - LHS |
| 2       | 588 26 39-02 | CABLE, POWER STEER - RHS |
| 3       | 587 46 30-01 | LEVER, CONTROL           |
| 4       | 587 73 97-01 | LEVER, CABLE ARM - LHS   |
| 5       | 587 73 97-02 | LEVER, CABLE ARM - RHS   |
| 6       | 581 32 95-01 | SCREW HI-LO 13-16 X 1.50 |
| 7       | 817 06 04-10 | SCREW 1/4-20 X .625      |
| 8       | 817 41 13-08 | SCREW HI-LW 13-16 X .500 |
| 9       | 588 14 77-01 | PIN, GROOVED             |
| 10      | 812 00 00-14 | E-RING                   |



05.08.005-C

| KEY NO. | PART NO.     | DESCRIPTION                            |
|---------|--------------|--|
| 1       | 581 12 39-02 | LEVER CONTROL SPEED/DEFL               |
| 2       | 581 24 16-02 | LEVER CONTROL CHUTE ROT                |
| 3       | 581 32 97-01 | BOLT SHOULDER 1/4-20                   |
| 4       | 581 32 96-01 | SPRING COMPRESSION                     |
| 5       | 586 66 89-01 | NUT FL LOCK 1/4-20                     |
| 6       | 584 46 84-02 | BRACE SUPPORT SPEED                    |
| 7       | 587 03 13-01 | WASHER .625 X .375 X .094<br>NYLON 6/6 |



05.08.008-F

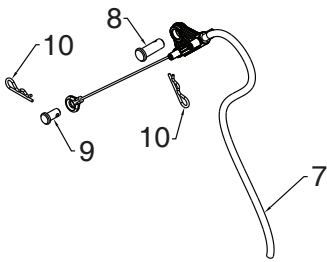
| KEY NO. | PART NO.     | DESCRIPTION                       |
|---------|--------------|-----------------------------------|
| 1       | 588 77 59-01 | GRIP HANDLE HEATED                |
| 2       | 532 44 22-50 | SCREW PAN HD TORX<br>1/4-20 X .75 |

**NOTE:** All component dimensions given in U.S. inches. 1 inch = 25.4 mm  
**IMPORTANT:** Use only Original Equipment Manufacturer (O.E.M.) replacement parts.  
 Failure to do so could be hazardous, damage your snow thrower and void your warranty.

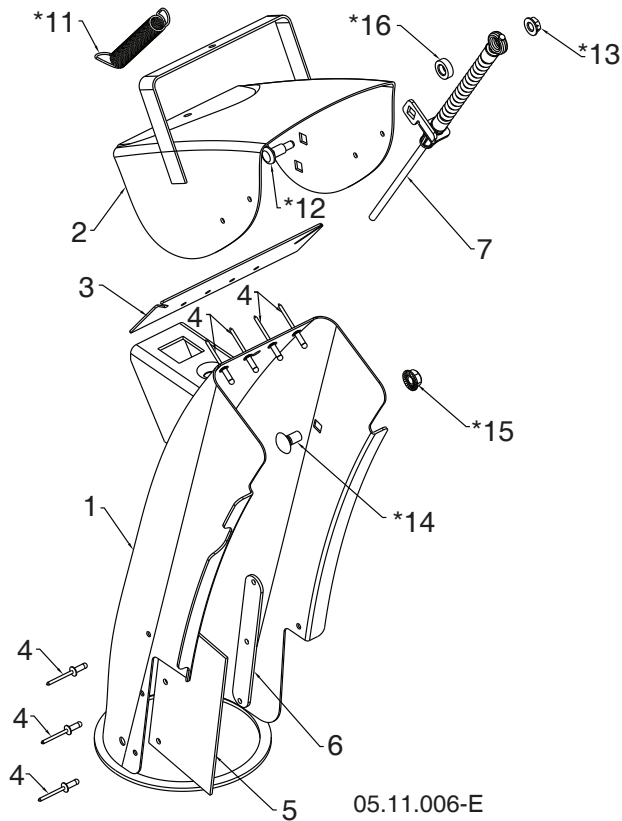
# REPAIR PARTS

# CONTROL PANEL / DISCHARGE CHUTE

SNOW THROWER - MODEL NO. ST 224 P (96193012201), PRODUCT NO. 961 93 01-22



| KEY NO. | PART NO.     | DESCRIPTION                     |
|---------|--------------|---------------------------------|
| 1       | 588 07 78-02 | CHUTE WELDMENT (INCLUDES 1-6)   |
| 2       | -----        | DEFLECTOR WELDMENT              |
| 3       | -----        | DEFLECTOR SEAL                  |
| 4       | -----        | POP RIVET                       |
| 5       | -----        | CHUTE SNOW SHIELD               |
| 6       | -----        | SHIELD STRAP RETAINER           |
| 7       | 586 96 15-01 | CABLE ASM DEFLECTOR - BOWDEN    |
| 8       | 581 32 94-01 | PIN CLEVIS 5/16 X .875          |
| 9       | 585 80 83-01 | PIN CLEVIS 1/4 X .312           |
| 10      | 532 42 33-03 | HAIRPIN RETAINER                |
| *11     | 532 18 45-05 | DEFLECTOR SPRING                |
| *12     | 501 41 73-01 | CARRIAGE BOLT 1/4-20 X .544     |
| *13     | 585 69 14-01 | NUT 1/4-20                      |
| *14     | 585 83 20-01 | CARRIAGE BOLT 3/8-16 X .625     |
| *15     | 873 97 05-00 | NUT 5/16-18                     |
| *16     | 501 41 74-01 | WASHER .362 X .625 X .205 NYLON |



NOTE: ALL ITEMS MARKED WITH AN \* ARE PROVIDED IN THE BAG OF ITEMS SHIPPED LOOSE WITH PRODUCT.

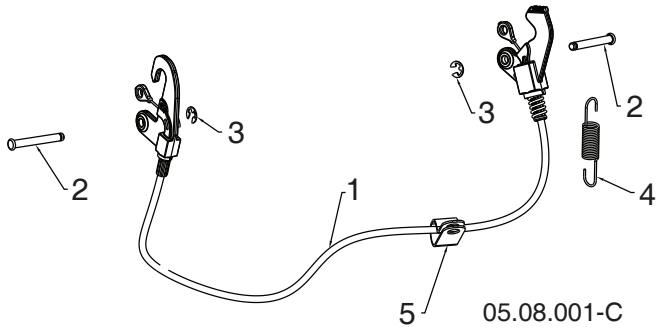
**NOTE:** All component dimensions given in U.S. inches. 1 inch = 25.4 mm  
**IMPORTANT:** Use only Original Equipment Manufacturer (O.E.M.) replacement parts. Failure to do so could be hazardous, damage your snow thrower and void your warranty.



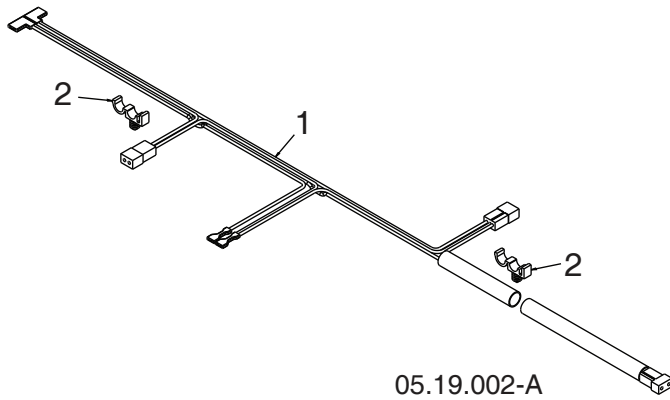
**REPAIR PARTS**

**CONTROL PANEL / DISCHARGE CHUTE**

**SNOW THROWER - MODEL NO. ST 224 P (96193012201), PRODUCT NO. 961 93 01-22**



| KEY NO. | PART NO.     | DESCRIPTION      |
|---------|--------------|------------------|
| 1       | 587 33 25-02 | CABLE INTERLOCK  |
| 2       | 532 43 17-62 | PIN GROOVED      |
| 3       | 812 00 00-14 | E-RING           |
| 4       | 581 15 12-01 | SPRING RETURN    |
| 5       | 532 19 79-91 | CLIP CABLE BLACK |



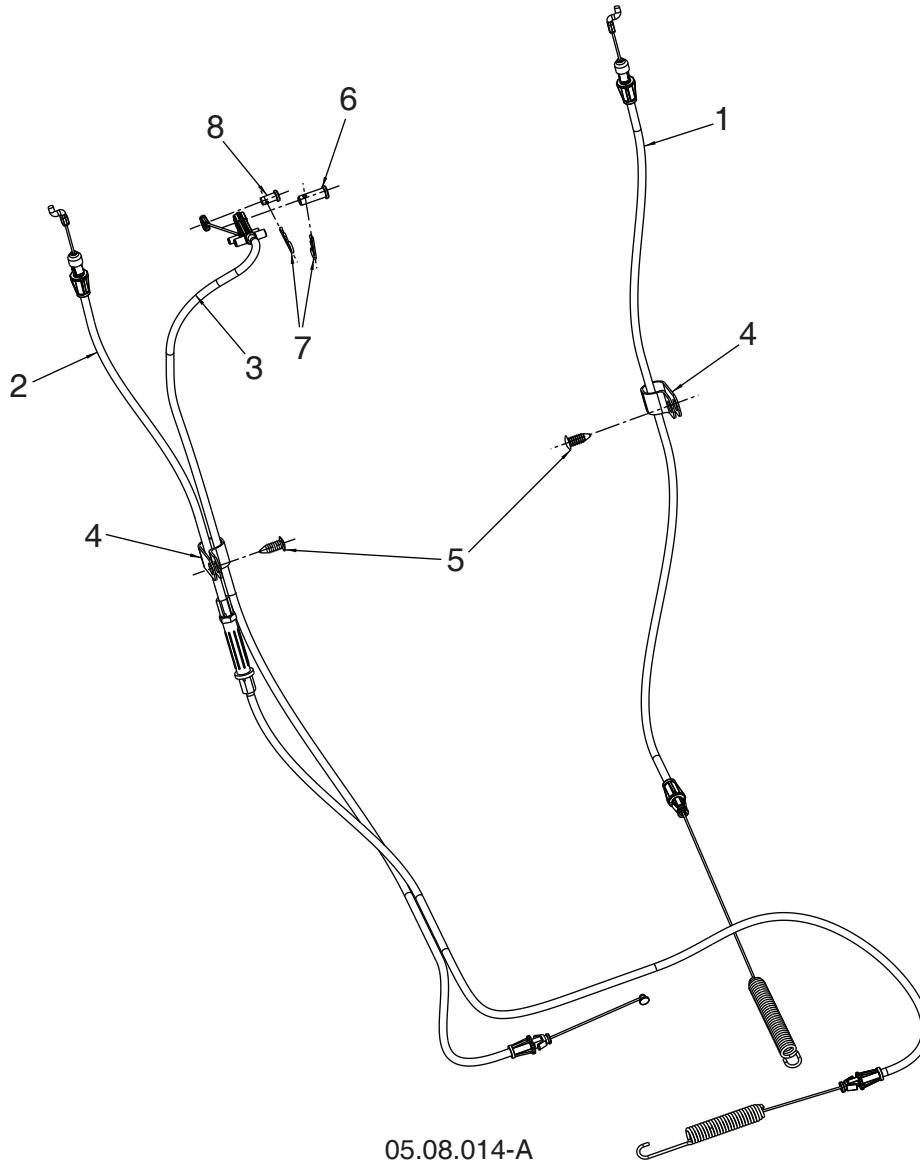
| KEY NO. | PART NO.     | DESCRIPTION                |
|---------|--------------|----------------------------|
| 1       | 587 53 57-01 | HARNES WIRE LIGHTS & GRIPS |
| 2       | 532 14 50-06 | WIRE RETAINER              |

**NOTE:** All component dimensions given in U.S. inches. 1 inch = 25.4 mm  
**IMPORTANT:** Use only Original Equipment Manufacturer (O.E.M.) replacement parts. Failure to do so could be hazardous, damage your snow thrower and void your warranty.

**REPAIR PARTS**

**CONTROL PANEL / DISCHARGE CHUTE**

**SNOW THROWER - MODEL NO. ST 224 P (96193012201), PRODUCT NO. 961 93 01-22**



05.08.014-A

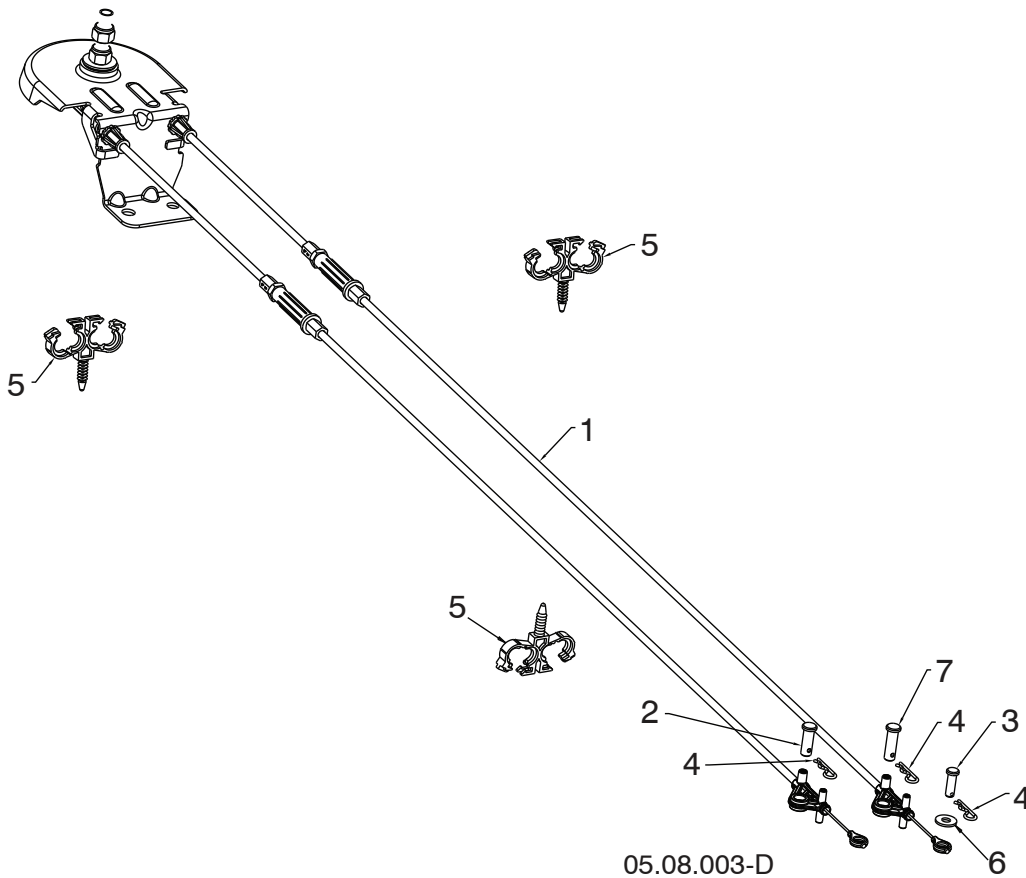
| KEY NO. | PART NO.     | DESCRIPTION         |
|---------|--------------|---------------------|
| 1       | 588 11 37-02 | CABLE CONTROL DRIVE |
| 2       | 588 11 38-02 | CABLE CONTROL AUGER |
| 3       | 588 12 23-01 | CABLE CONTROL SPEED |
| 4       | 532 19 79-91 | CLIP CABLE          |
| 5       | 532 42 81-24 | FASTENER PUSH .250  |
| 6       | 581 32 94-01 | PIN CLEVIS 5/16     |
| 7       | 532 42 33-03 | HAIRPIN             |
| 8       | 585 80 83-01 | PIN CLEVIS 1/4      |

**NOTE:** All component dimensions given in U.S. inches. 1 inch = 25.4 mm  
**IMPORTANT:** Use only Original Equipment Manufacturer (O.E.M.) replacement parts. Failure to do so could be hazardous, damage your snow thrower and void your warranty.

# REPAIR PARTS

# CONTROL PANEL / DISCHARGE CHUTE

SNOW THROWER - MODEL NO. ST 224 P (96193012201), PRODUCT NO. 961 93 01-22



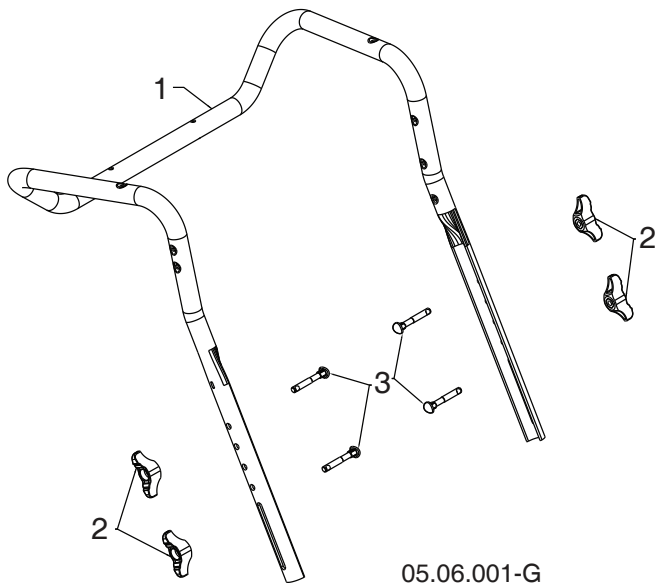
| KEY NO. | PART NO.     | DESCRIPTION           |
|---------|--------------|-----------------------|
| 1       | 581 68 03-01 | CABLE ROTATOR ASM     |
| 2       | 581 32 94-01 | PIN CLEVIS 5/16 X 7/8 |
| 3       | 877 10 08-12 | PIN CLEVIS 1/4 X 3/4  |
| 4       | 532 42 33-03 | HAIRPIN SOFT ZINC     |
| 5       | 584 65 22-01 | CLIP CONDUIT DOUBLE   |
| 6       | 586 68 21-01 | WASHER                |
| 7       | 587 13 08-01 | PIN CLEVIS 5/16 X 1   |

**NOTE:** All component dimensions given in U.S. inches. 1 inch = 25.4 mm  
**IMPORTANT:** Use only Original Equipment Manufacturer (O.E.M.) replacement parts. Failure to do so could be hazardous, damage your snow thrower and void your warranty.

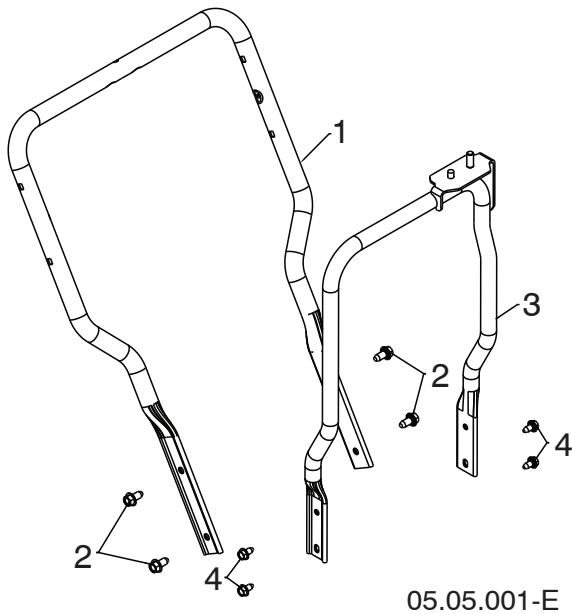
# REPAIR PARTS

# HANDLES

SNOW THROWER - MODEL NO. ST 224 P (96193012201), PRODUCT NO. 961 93 01-22



| KEY NO. | PART NO.     | DESCRIPTION                                     |
|---------|--------------|---|
| 1       | 588 16 08-03 | UPPER HANDLE                                    |
| 2       | 532 19 19-38 | HANDLE KNOB STD BLACK                           |
| 3       | 588 05 99-01 | SCREW 5/16-18 X 2.25<br>CONCAVE HEAD WITH PATCH |



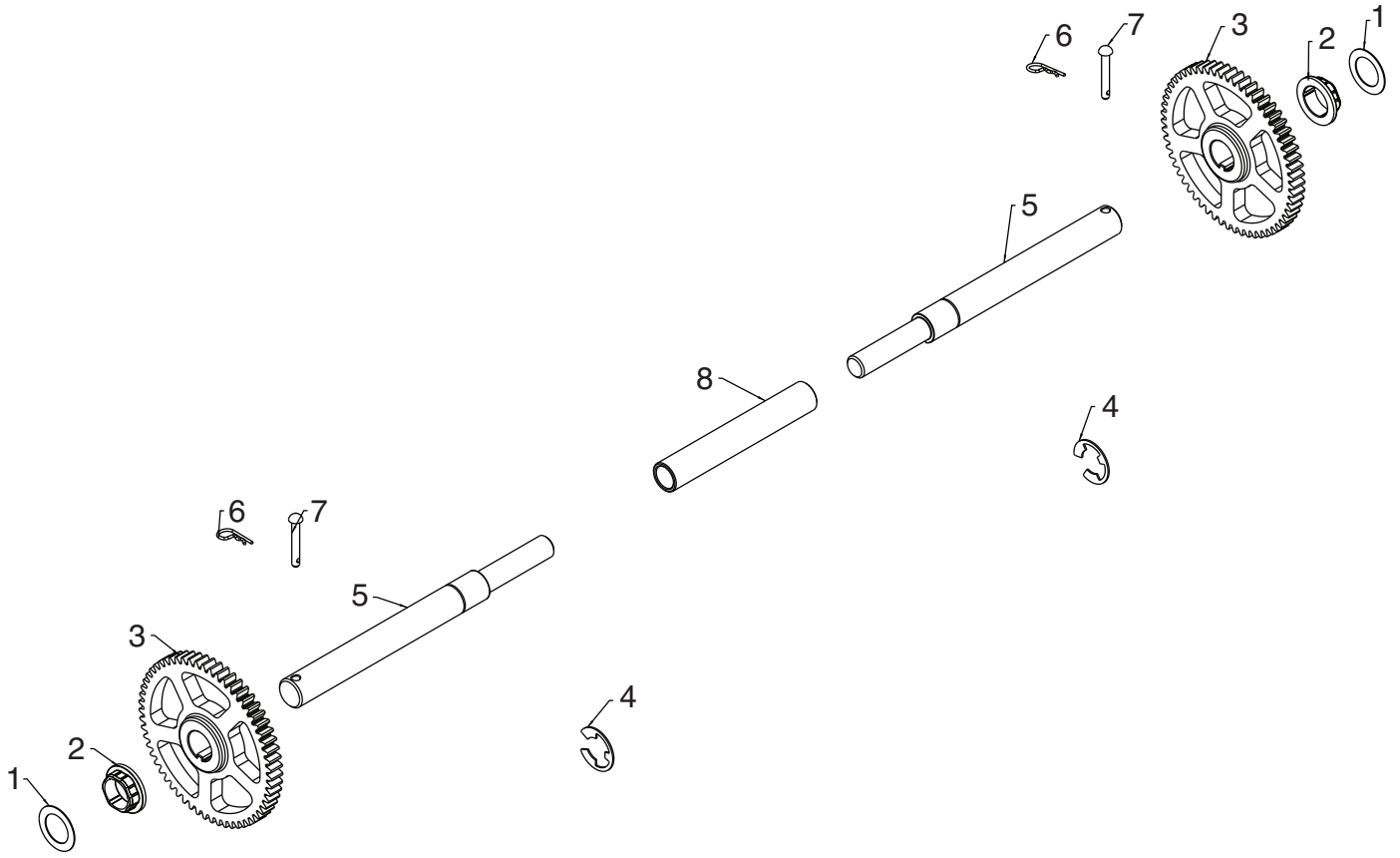
| KEY NO. | PART NO.     | DESCRIPTION                       |
|---------|--------------|-----------------------------------|
| 1       | 588 67 21-03 | LOWER HANDLE                      |
| 2       | 817 00 06-12 | SCREW HEX WASH HD<br>3/8-16 X .75 |
| 3       | 581 62 20-02 | CHUTE ROTATOR SUPPORT<br>ASM      |
| 4       | 817 00 05-10 | BOLT HEX 5/16-18                  |

**NOTE:** All component dimensions given in U.S. inches. 1 inch = 25.4 mm  
**IMPORTANT:** Use only Original Equipment Manufacturer (O.E.M.) replacement parts.  
 Failure to do so could be hazardous, damage your snow thrower and void your warranty.

**REPAIR PARTS**

**DRIVE**

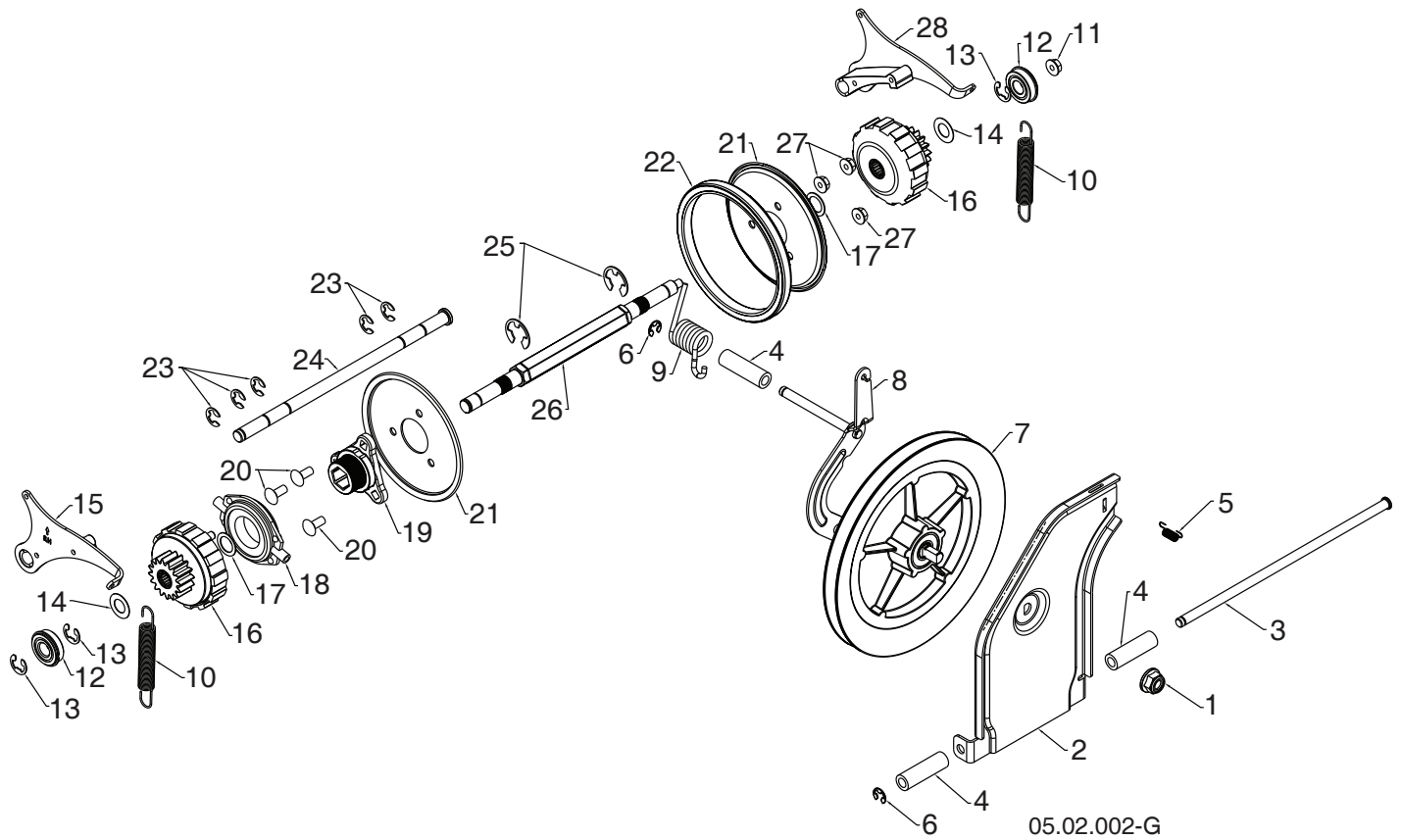
**SNOW THROWER - MODEL NO. ST 224 P (96193012201), PRODUCT NO. 961 93 01-22**



05.03.002-B

| KEY NO. | PART NO.     | DESCRIPTION                 |
|---------|--------------|-----------------------------|
| 1       | 532 44 49-49 | WASHER 1.00                 |
| 2       | 587 97 89-01 | BUSHING HEX 1 SHAFT         |
| 3       | 588 51 86-01 | GEAR 59T DRIVEN             |
| 4       | 812 00 00-53 | RETAINING RING              |
| 5       | 580 75 26-01 | AXLE SHAFT SPLIT            |
| 6       | 532 12 47-88 | RETAINER SPRING 1 ZINC      |
| 7       | 532 17 12-71 | RIVET RD HD DRILLED 1/4 DIA |
| 8       | 580 75 25-01 | AXLE SLEEVE                 |

**NOTE:** All component dimensions given in U.S. inches. 1 inch = 25.4 mm  
**IMPORTANT:** Use only Original Equipment Manufacturer (O.E.M.) replacement parts. Failure to do so could be hazardous, damage your snow thrower and void your warranty.



**NOTE:** All component dimensions given in U.S. inches. 1 inch = 25.4 mm  
**IMPORTANT:** Use only Original Equipment Manufacturer (O.E.M.) replacement parts.  
 Failure to do so could be hazardous, damage your snow thrower and void your warranty.

## SNOW THROWER - MODEL NO. ST 224 P (96193012201), PRODUCT NO. 961 93 01-22

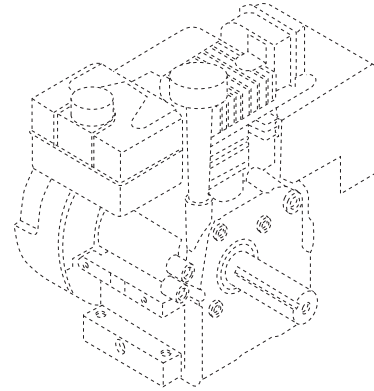
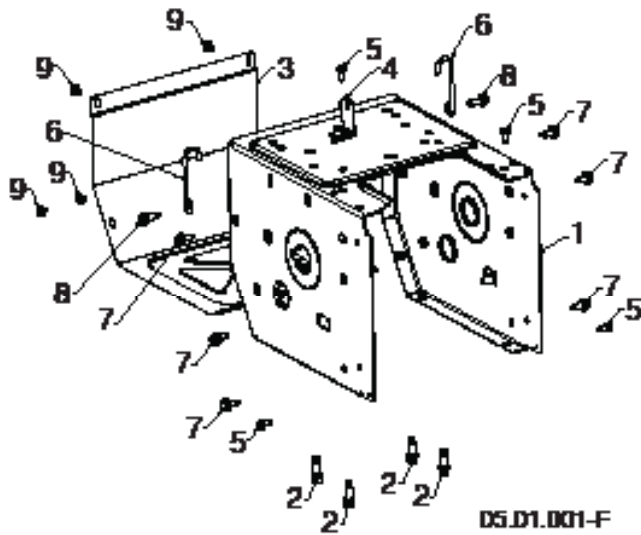
| KEY NO. | PART NO.     | DESCRIPTION                           |
|---------|--------------|---------------------------------------|
| 1       | 521 99 11-01 | NUT HEX FLANGE LK 1/2-13              |
| 2       | 587 70 34-02 | SWING PLATE FRICTION PULL             |
| 3       | 581 12 30-01 | ROD TIP PLATE                         |
| 4       | 581 73 27-01 | SPACER DRIVE                          |
| 5       | 532 19 38-85 | LATCH SPRING                          |
| 6       | 812 00 00-07 | E-RING RETAINER                       |
| 7       | 581 32 84-01 | FRICTION DISC COMBO PULLEY            |
| 8       | 587 19 34-03 | BRACKET YOKE ASSEMBLY                 |
| 9       | 581 31 53-01 | SPRING TORSION DRIVE                  |
| 10      | 585 26 38-01 | EXTENSION SPRING                      |
| 11      | 585 69 15-01 | NUT HEX FLANGE LOCK 5/16-18           |
| 12      | 580 75 62-01 | BEARING 9/16 I.D. 1622-2RSNR          |
| 13      | 580 75 61-02 | RETAINING RING 1622-2RSNR             |
| 14      | 580 75 13-01 | WASHER FLAT .59 I.D. X 1.065 X 25 GA  |
| 15      | 580 75 66-01 | PAWL ASM RH                           |
| 16      | 580 75 60-01 | GEAR ASM PLANETARY                    |
| 17      | 580 75 63-01 | WASHER FLAT .6875 I.D. X 1.00 X 21 GA |
| 18      | 532 17 53-44 | TRUNNION BEARING ASM                  |
| 19      | 581 09 09-01 | HUB RUBBER WHEEL                      |
| 20      | 872 11 05-06 | BOLT CARRIAGE 5/16-18 X .75           |
| 21      | 581 09 10-02 | PLATE RUBBER WHEEL                    |
| 22      | 581 09 11-01 | RING RUBBER WHEEL                     |
| 23      | 586 64 43-01 | E-RING                                |
| 24      | 580 75 51-01 | ROD PAWL                              |
| 25      | 812 00 00-22 | E-RING                                |
| 26      | 580 75 24-01 | SHAFT REDUCTION PWR STR               |
| 27      | 532 75 11-53 | NUT HEX FLANGE LK 5/16-18             |
| 28      | 580 75 67-01 | PAWL ASM LH                           |

**NOTE:** All component dimensions given in U.S. inches. 1 inch = 25.4 mm  
**IMPORTANT:** Use only Original Equipment Manufacturer (O.E.M.) replacement parts.  
 Failure to do so could be hazardous, damage your snow thrower and void your warranty.

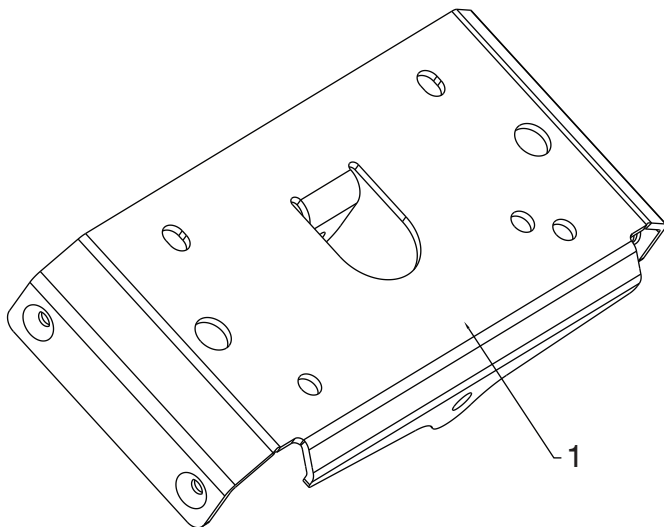
# REPAIR PARTS

# CHASSIS / ENGINE / PULLEYS

SNOW THROWER - MODEL NO. ST 224 P (96193012201), PRODUCT NO. 961 93 01-22



| KEY NO. | PART NO.     | DESCRIPTION                            |
|---------|--------------|--|
| --      | 580 42 60-03 | COMPLETE LCT ENGINE<br>PW2HK18650178E  |
| 1       | 580 83 94-05 | FRAME                                  |
| 2       | 532 15 04-06 | ENGINE BOLT 3/8-16 X 1.280<br>DOGPOINT |
| 3       | 580 83 95-05 | FRAME COVER                            |
| 4       | 501 06 04-03 | SHIFTER BRACKET                        |
| 5       | 817 06 04-10 | SCREW HEX WASHER<br>1/4-20 X .625      |
| 6       | 588 95 45-01 | WIREFORM SUPPORT CABLE                 |
| 7       | 532 42 88-67 | BOLT HEXHD WASHER<br>5/16-18 X .750    |
| 8       | 585 21 75-01 | BOLT HEXHD WASHER<br>5/16-18 X 1.000   |
| 9       | 817 06 04-08 | SCREW HEX WASHER<br>1/4-20 X .500      |



| KEY NO. | PART NO.     | DESCRIPTION          |
|---------|--------------|----------------------|
| 1       | 583 94 05-02 | SMALL MOUNTING PLATE |

**NOTE:** All component dimensions given in U.S. inches. 1 inch = 25.4 mm

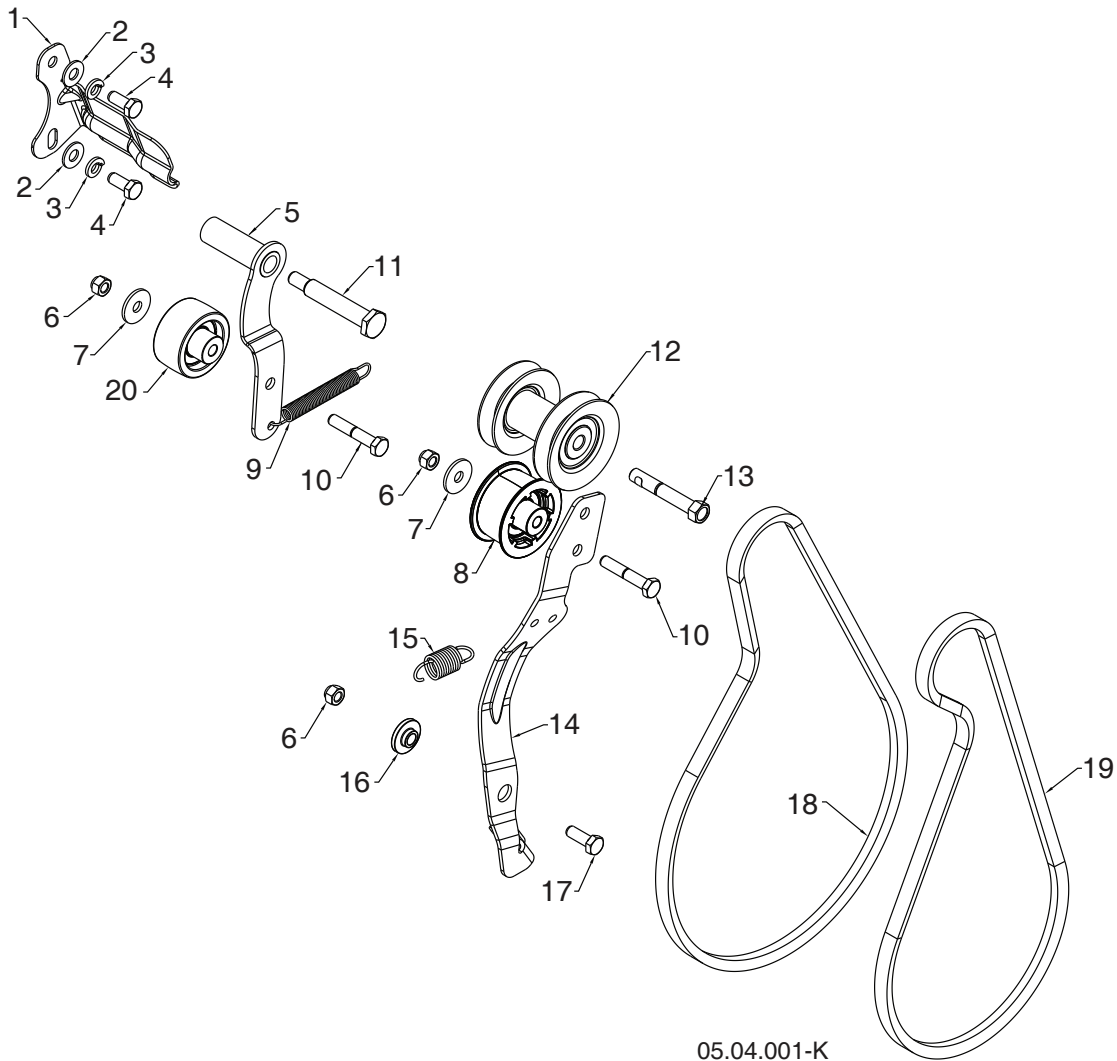
**IMPORTANT:** Use only Original Equipment Manufacturer (O.E.M.) replacement parts. Failure to do so could be hazardous, damage your snow thrower and void your warranty.



# REPAIR PARTS

# CHASSIS / ENGINE / PULLEYS

SNOW THROWER - MODEL NO. ST 224 P (96193012201), PRODUCT NO. 961 93 01-22



05.04.001-K

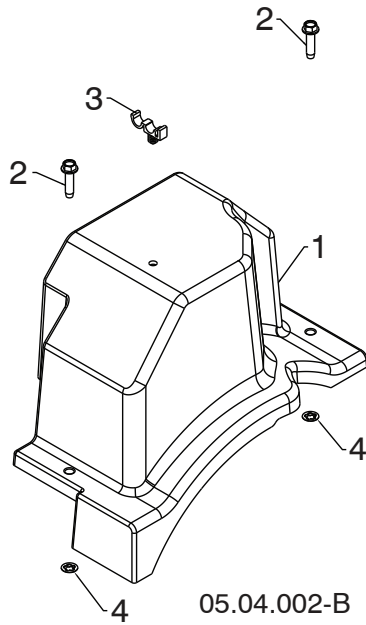
| KEY NO. | PART NO.     | DESCRIPTION                          | KEY NO. | PART NO.     | DESCRIPTION                             |
|---------|--------------|--------------------------------------|---------|--------------|---|
| 1       | 588 49 28-02 | BELT KEEPER BRACKET                  | 11      | 581 41 38-01 | SHOULDER BOLT 5/16-24 X 2.15            |
| 2       | 819 11 12-16 | WASHER 11/32 X 3/4 X 16 GA           | 12      | 587 89 37-03 | PULLEY ASM ENGINE                       |
| 3       | 810 04 05-00 | LOCKWASHER 5/16 SPLIT HVY            | 13      | 582 38 84-01 | BOLT HEXHD 3/8-24 X 2.375               |
| 4       | 874 61 05-12 | CAPSCREW HEXHD<br>5/16-24 X .75 GR 5 | 14      | 580 83 11-06 | ARM IDLER                               |
| 5       | 581 33 82-03 | IDLER ARM DRIVE WELDMENT             | 15      | 587 03 12-01 | RETURN SPRING IDLER ARM                 |
| 6       | 873 80 05-00 | NUT NYLOCK 5/16-18                   | 16      | 587 34 37-01 | BUSHING IDLER PIVOT                     |
| 7       | 532 05 92-89 | WASHER FLAT .328 X 1.00 X .097       | 17      | 874 76 05-14 | BOLT HEXHD 5/16-18 X .875               |
| 8       | 581 14 14-01 | IDLER PULLEY 2.0 W/SPACER            | 18      | 584 21 61-02 | DRIVE BELT 4L X 38.2                    |
| 9       | 580 75 30-01 | RETURN SPRING IDLER ARM<br>DRIVE     | 19      | 501 81 82-01 | IMPELLER BELT                           |
| 10      | 874 76 05-28 | BOLT HEXHD 5/16-18 X 1.75            | 20      | 586 88 02-01 | IDLER PULLEY 2.0<br>FLANGELESS W/SPACER |

**NOTE:** All component dimensions given in U.S. inches. 1 inch = 25.4 mm  
**IMPORTANT:** Use only Original Equipment Manufacturer (O.E.M.) replacement parts.  
 Failure to do so could be hazardous, damage your snow thrower and void your warranty.

# REPAIR PARTS

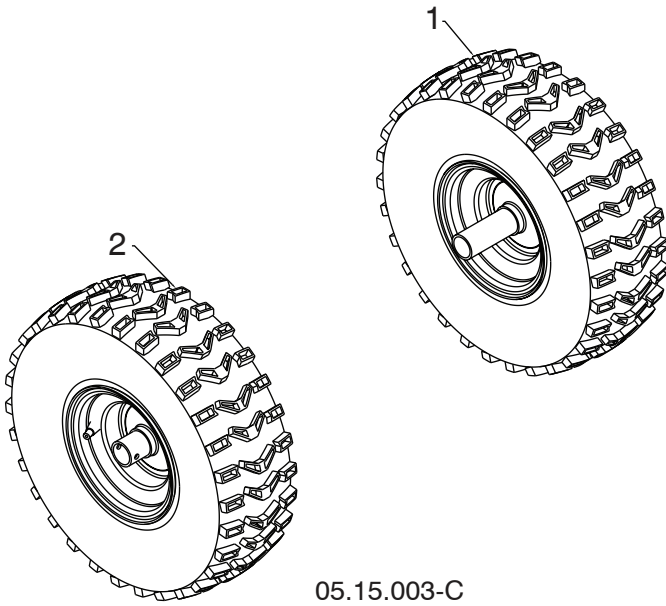
# CHASSIS / ENGINE / PULLEYS

SNOW THROWER - MODEL NO. ST 224 P (96193012201), PRODUCT NO. 961 93 01-22



| KEY NO. | PART NO.     | DESCRIPTION                                |
|---------|--------------|--|
| 1       | 587 10 54-01 | BELT COVER BLACK ASSEMBLY (INCLUDES 2 & 4) |
| 2       | -----        | BOLT HEX WSH THDRL<br>1/4-20 X 1           |
| 3       | 532 14 50-06 | CABLE GUIDE                                |
| 4       | -----        | PALNUT 1/4 IN                              |

**NOTE:** All component dimensions given in U.S. inches. 1 inch = 25.4 mm  
**IMPORTANT:** Use only Original Equipment Manufacturer (O.E.M.) replacement parts.  
Failure to do so could be hazardous, damage your snow thrower and void your warranty.



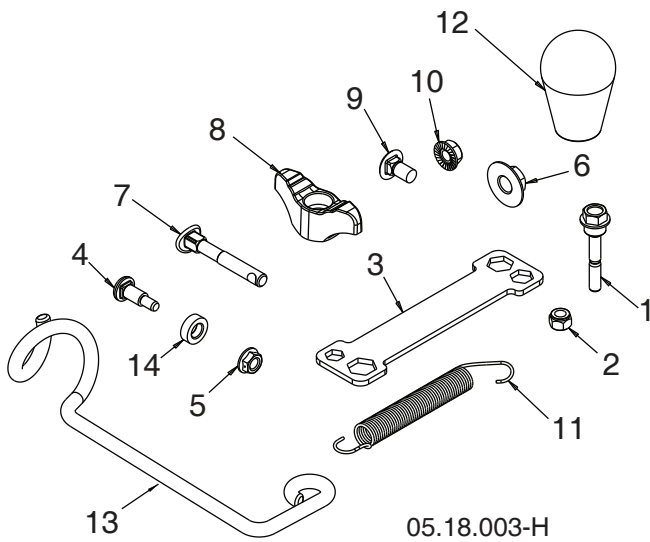
| KEY NO. | PART NO.     | DESCRIPTION                    |
|---------|--------------|--------------------------------|
| 1       | 586 71 04-01 | WHEEL 15X5.00 NPS LH 1.00 K478 |
| 2       | 586 71 03-01 | WHEEL 15X5.00 NPS RH 1.00 K478 |

**NOTE:** All component dimensions given in U.S. inches. 1 inch = 25.4 mm  
**IMPORTANT:** Use only Original Equipment Manufacturer (O.E.M.) replacement parts. Failure to do so could be hazardous, damage your snow thrower and void your warranty.

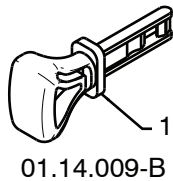
# REPAIR PARTS

# BAG OF PARTS

SNOW THROWER - MODEL NO. ST 224 P (96193012201), PRODUCT NO. 961 93 01-22



| KEY NO. | PART NO.     | DESCRIPTION                  |
|---------|--------------|------------------------------|
| 1       | 588 07 75-01 | BOLT 1/4-20 X 1.81           |
| 2       | 873 80 04-00 | NUT NYLOCK 1/4-20            |
| 3       | 532 18 06-84 | WRENCH                       |
| 4       | 501 41 73-01 | BOLT SHOULDER                |
| 5       | 585 69 14-01 | NUT HEX FL 1/4-20 CTR        |
| 6       | 585 69 10-01 | NUT NYLOCK 3/8-16            |
| 7       | 588 05 99-01 | BOLT 5/16-18 X 2.25 CONCAVE  |
| 8       | 532 19 19-38 | KNOB 5/16-18 TWO-WING        |
| 9       | 585 83 20-01 | BOLT 5/16-18 X .625          |
| 10      | 873 97 05-00 | NUT SERR FL LOCK 5/16-18     |
| 11      | 532 18 45-05 | SPRING DEFLECT CHUTE         |
| 12      | 581 69 75-01 | KNOB SOFT TOUCH SLOTTED      |
| 13      | 581 89 73-01 | SUPPORT ROTATION CABLE       |
| 14      | 501 41 74-01 | WASHER NYLON                 |
| NI      | 580 94 77-05 | BAG PLASTIC 6.5 X 10.5       |
| WARNING |              |                              |
| NI      | 588 07 76-03 | KIT REPLACEMENT BAG OF PARTS |



| KEY NO. | PART NO.     | DESCRIPTION             |
|---------|--------------|-------------------------|
| 1       | 532 44 30-59 | SAFETY IGNITION KEY KIT |

**NOTE:** All component dimensions given in U.S. inches. 1 inch = 25.4 mm  
**IMPORTANT:** Use only Original Equipment Manufacturer (O.E.M.) replacement parts. Failure to do so could be hazardous, damage your snow thrower and void your warranty.



1



3



2

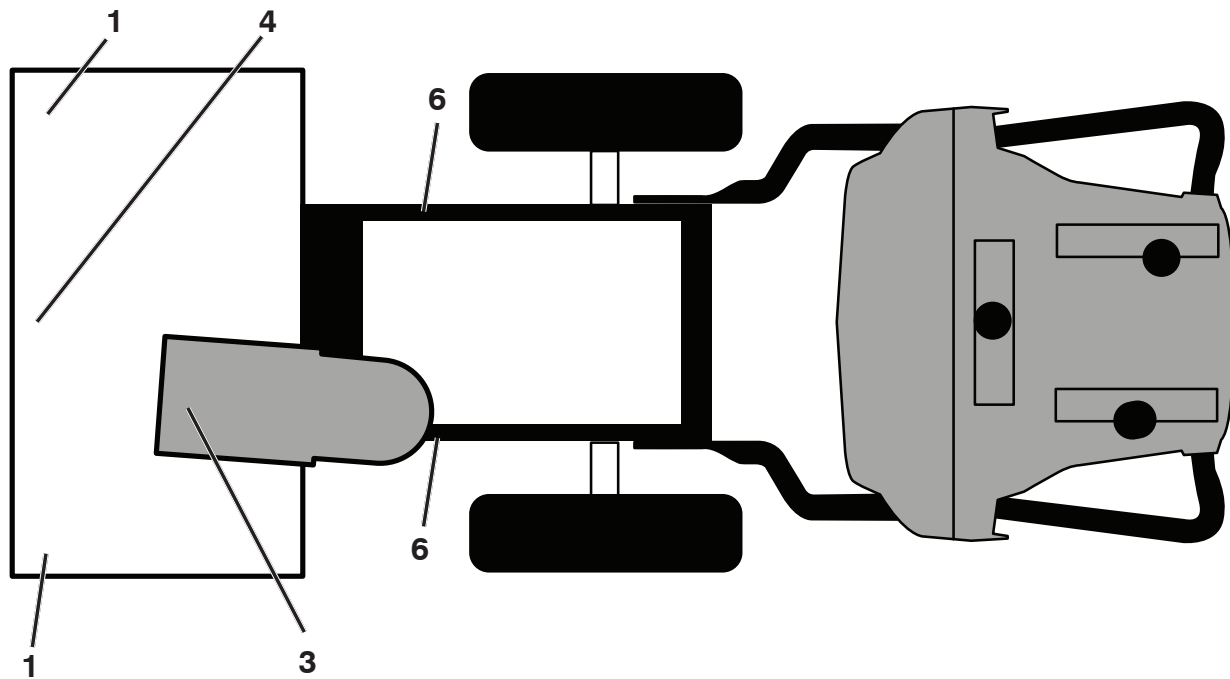


4

| KEY NO. | PART NO.     | DESCRIPTION        |
|---------|--------------|--------------------|
| 1       | 532 18 40-45 | DECAL AUGER        |
| 2       | 532 19 96-82 | DECAL CHUTE        |
| 3       | 532 19 96-83 | DECAL AUGER SAFETY |
| 4       | 532 18 40-28 | DECAL BELT GUIDE   |

05.16.001-A

**NOTE:** All component dimensions given in U.S. inches. 1 inch = 25.4 mm  
**IMPORTANT:** Use only Original Equipment Manufacturer (O.E.M.) replacement parts. Failure to do so could be hazardous, damage your snow thrower and void your warranty.



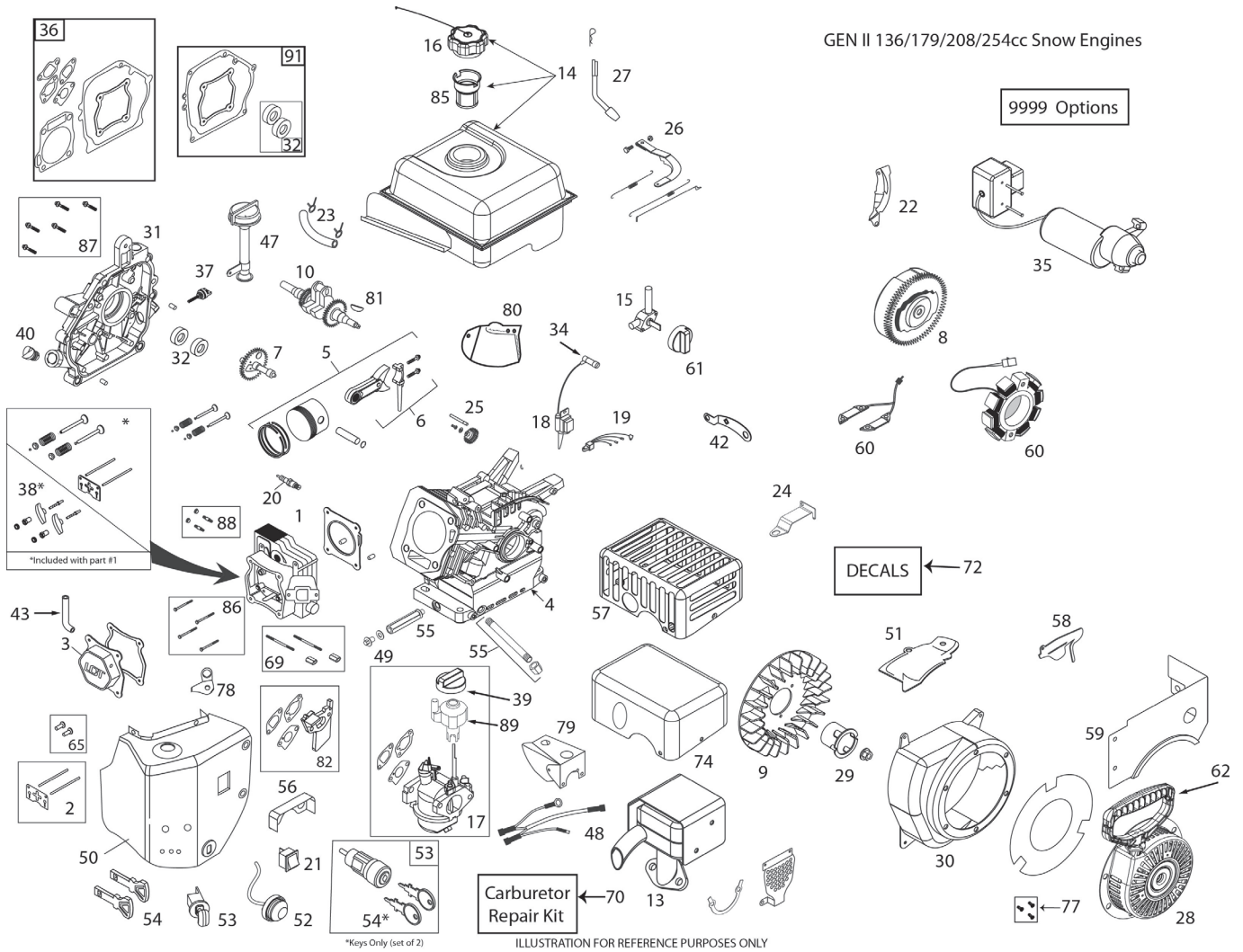
| KEY PART NO. | PART NO.     | DESCRIPTION                |
|--------------|--------------|----------------------------|
| 1            | 532 19 96-83 | DECAL, DANGER              |
| 3            | 532 19 96-82 | DECAL, DANGER, DEFLECTOR   |
| 4            | 532 18 40-45 | DECAL, DANGER              |
| 6            | 532 18 40-28 | DECAL                      |
| --           | 115 75 41-27 | OPERATOR'S MANUAL, ENGLISH |
| --           | 115 75 41-31 | OPERATOR'S MANUAL, FRENCH  |
| --           | 115 75 41-46 | OPERATOR'S MANUAL, SPANISH |

**NOTE:** All component dimensions given in U.S. inches. 1 inch = 25.4 mm  
**IMPORTANT:** Use only Original Equipment Manufacturer (O.E.M.) replacement parts. Failure to do so could be hazardous, damage your snow thrower and void your warranty.

# ENGINE, LCT

# COMPLETE ENGINE-580426003

GEN II 136/179/208/254cc Snow Engines



| KEY PART NO. | PART NO.     | DESCRIPTION  |
|--------------|--------------|--|
| 1            | 532 42 05-78 | CYLINDER HEAD ASSEMBLY - 208CC (INCL. GASKET)          |
| 2            | 532 42 05-79 | PUSH ROD & PLATE KIT(208CC)                            |
| 3            | 532 42 05-80 | VALVE COVER (208CC) (INCL. GASKET)                     |
| 4            | 587 14 75-01 | CYLINDER - 208CC GEN LL SNOW                           |
| 5            | 532 42 05-82 | PISTON & ROD ASSEMBLY (208CC)                          |
| 6            | 532 42 05-83 | CONNECTING ROD ASSEMBLY (208CC)                        |
| 7            | 532 42 05-84 | CAMSHAFT - MCR (208CC)                                 |
| 8            | 532 44 3892  | FLYWHEEL - ELECTRIC START (6-CHARGING MAGNETS) (208CC) |
| 9            | 532 42 05-86 | COOLLNG FAN - FLYWHEEL (PLASTIC - 208CC)               |
| 10           | 532 44 66-42 | CRANKSHAFT (#18 KEYED 208CC SNOW)                      |
| 13           | 587 14 77-01 | MUFFLER ASSEMBLY-GEN LL SNOW                           |
| 14           | 532 43 65-64 | FUEL TANK (208CC-SNOW) (2.7L BLACK W/PLASTIC CAP -     |

| KEY PART NO. | PART NO.     | DESCRIPTION   |
|--------------|--------------|---|
| 15           | 532 42 92-34 | FUEL TANK ON/OFF VALVE - GEN II SNOW                  |
| 16           | 532 42 49-42 | FUEL TANK CAP - BLACK CLICK STYLE (VENTED)            |
| 17           | 587 14 79-01 | CARB W/IDLE SPEED CONTROL (L10-1D) 208CCW/GASKET      |
| 18           | 532 44 38-94 | IGNITION COIL (CDI) (208/254CC)(STANDARD)             |
| 19           | N/A          | N/A   |
| 20           | 532 42 49-39 | SPARK PLUG  |
| 21           | 532 42 49-57 | ON/OFF SWITCH - ROCKER SHIELD - FLYWHEEL -            |
| 22           | 532 42 49-75 | ELECTRIC START - SNOW                                 |
| 23           | 532 43 21-44 | FUEL HOSE KIT (1/4" ID X 318MM - SS SNOW)             |
| 24           | 532 42 92-59 | SPEED CONTROL BRACKET (FIXED)                         |
| 25           | 532 42 96-46 | GOVERNOR GEAR ASSEMBLY (136/208CC)                    |
| 26           | 581 76 87-01 | GOVERNOR ARM & LINK KIT (208CC SNOW - 3600 FIXED RPM) |
| 27           | 532 42 06-02 | GOVERNOR ARM PADDLE                                   |

# ENGINE, LCT

# COMPLETE ENGINE-580426003

| KEY NO. | PART NO.     | DESCRIPTION  | KEY NO. | PART NO.     | DESCRIPTION   |
|---------|--------------|--|---------|--------------|---|
| 28      | 532 43 69-67 | RECOIL STARTER (ROUND STYLE-BLACK) 136/208CC GEN II SNOW                                 | 55      | 587 15 44-01 | OIL DRAIN TUBE-SNOW AND CAP (136/208CC)                 |
| 29      | 532 43 69-68 | STARTER CUP (USE WITH ROUND STYLE STARTER) (208CC SNOW)                                  | 56      | 532 42 92-60 | CARBURETOR VAPOR SHIELD - 208CC SNOW                    |
| 30      | 581 19 20-01 | BLOWER HOUSING - BLACK ELECTRIC STARTW/INTEGRATED BAFFLE (SN >1265H0604537) (208CC SNOW) | 57      | 532 43 66-72 | CE COMPLIANT MUFFLER SHIELD (208CC)                     |
| 31      | 581 00 73-01 | CRANKCASE COVER ASSY (PRESS-IN TYPE HOFT)(INCL. GASKET) (SN >1265H0519257)               | 58      | 532 42 49-60 | SHIELD - GOVERNOR LINKAGE - 208CC SNOW                  |
| 32      | 532 42 95-99 | OIL SEAL KIT (2 PCS FOR 3/4-INCH CRANKSHAFT)   | 59      | 532 43 65-62 | FUEL TANK SKIRT (208CC SNOW)                            |
| 34      | 532 43 69-66 | SPARK PLUG BOOT - WITH METAL SHIELD (SNOW)   | 60      | 532 44 38-93 | CHARGING COIL (60-WATT AC) (208/254CC)                  |
| 35      | 532 43 64-66 | 120V ELECTRIC STARTER (208/254CC GEN LL) (MOUNTING BOLTS ON SIDE OF BLOCK)               | 61      | 532 43 27-52 | FUEL CONTROL KNOB (GEN II SNOW - RED)                   |
| 36      | 532 42 96-01 | ENGINE GASKET KIT (208CC)  | 62      | 532 44 38-99 | STARTER GRIP-SNOW                                       |
| 37      | 532 42 09-61 | SMALL BLACK OIL DIPSTICK (PLASTIC)   | 65      | 581 37 28-01 | TAPPET KIT (208/254CC) (SET OF 2)                       |
| 38      | 532 42 96-91 | ROCKER ARM KIT (208CC) (INCL. GASKET)  | 69      | 532 42 49-51 | CARBURETOR STUDS & COUPLING KIT-SNOW                    |
| 39      | 532 42 92-24 | CHOKE CONTROL KNOB (GEN II RED)  | 70      | 580 35 36-01 | CARBURETOR REPAIR KIT (136/208/254CC)                   |
| 40      | 532 42 95-98 | NON-REMOVABLE PLASTIC PLUG (136/208/254CC)   | 72      | 532 43 56-47 | STORMFORCE LABEL KIT-208CC SNOW                         |
| 42      | N/A          | N/A  | 74      | 587 14 82-01 | MUFFLER HEAT SHIELD COVER (136/208/254)                 |
| 43      | 580 35 34-01 | BREATHERTUBE (136/208/254CC)   | 77      | 532 43 26-88 | RECOIL BOLT KIT (INCL. (3) MTG BOLTS)                   |
| 47      | 581 00 72-01 | HIGH OIL-FILL TUBE/DIPSTICK (PRESS-IN TYPE) (SN >1265H0519257)                           | 78      | 581 45 93-01 | BREATHER TUBE BRACKET                                   |
| 48      | 532 42 92-62 | WIRE HARNESS (208CC SNOW)  | 79      | 585 77 37-01 | CARBURETOR COVER (136/208/254CC SNOW)                   |
| 49      | 532 43 54-95 | OIL DRAIN PLUG W/WASHER (136/208/254CC)  | 80      | N/A          | N/A   |
| 50      | 532 43 65-61 | HEATER BOX KIT (GEN LL 208CC SNOW)   | 81      | 585 29 72-01 | WOODRUFF FLYWHEEL KEYS (5-PACK) (5X6X18MM)              |
| 51      | 532 43 71-19 | SHIELD - CYLLNDER (208CC SNOW)   | 82      | 585 02 05-03 | CARBURETOR SPACER (208/254CC)                           |
| 52      | 532 42 49-49 | PRIMER BULB WITH HOSE-SNOW   | 85      | 586 32 56-01 | FUEL TANK STRAINER                                      |
| 53      | 532 42 49-54 | KEY SWITCH - SAFETY (PUSH/PULL) SNOW (INCL. KEYS)  | 86      | 586 32 73-01 | CYLINDER HEAD BOLT KIT (4) (136-179-208-254CC)          |
| 54      | 532 44 30-59 | KEY SET - RED (2) (SNOW)   | 87      | 586 32 69-01 | CC COVER BOLT KIT (6) (179-208-254CC)                   |
|         |              |  | 88      | 586 32 68-01 | MUFFLER MTG STUD KIT (2)                                |
|         |              |  | 89      | 587 12 48-01 | SPEED CONTROL KNOB, GEN II                              |
|         |              |  | 91      | 587 52 57-01 | CRANKSHAFT GASKET KIT 179-208CC                         |
|         |              |  | 9999    | 586 32 62-01 | HIGH ALTITUDE JET (>5,000 FEET)(208CC L10-1 CARBURETOR) |
|         |              |  | 9999    | 579 80 64-01 | BOLT KIT BLWR HSG-HEATER BOX TANK SKIRT                 |





## **ОФИЦИАЛЬНЫЙ ДИЛЕР В УКРАИНЕ:**

[storgom.ua](http://storgom.ua)

## **ГРАФИК РАБОТЫ:**

Пн. – Пт.: с 8:30 по 18:30

Сб.: с 09:00 по 16:00

Вс.: с 10:00 по 16:00

## **КОНТАКТЫ:**

+38 (044) 360-46-77

+38 (066) 77-395-77

+38 (097) 77-236-77

+38 (093) 360-46-77

Детальное описание товара: <https://storgom.ua/product/snegouborshchik-husqvarna-st-224.html>

Другие товары: <https://storgom.ua/snegouborshchiki.html>