

VITALS

КЕРІВНИЦТВО З ЕКСПЛУАТАЦІЇ



WWW.VITALS.COM.UA



МОДЕЛ

Tf 206JSct



- 1.
- 2.
- 3.
- 4.
- 4.1.
- 4.2.
- 5.
- 5.1.
- 5.2.
- 5.3.
- 6.
- 7.
- 8.
- 9.



- 6
- 8
- 9
- 10
- 10
- 11
- 16
- 16
- 17
- 18
- 21
- 23
- 25
- 28

!

«Vitals».

«Vitals»

«Vitals»

«
, 70, . 056-374-89-39.

Tf 206JS t «Vitals» Master

IEC 60335-2-45:2010.

«
. 056-374-89-39.

www.vitals.com.ua.

056-374-89-38,

, 70,

«Vitals».



[Redacted text block]



[Redacted text block]



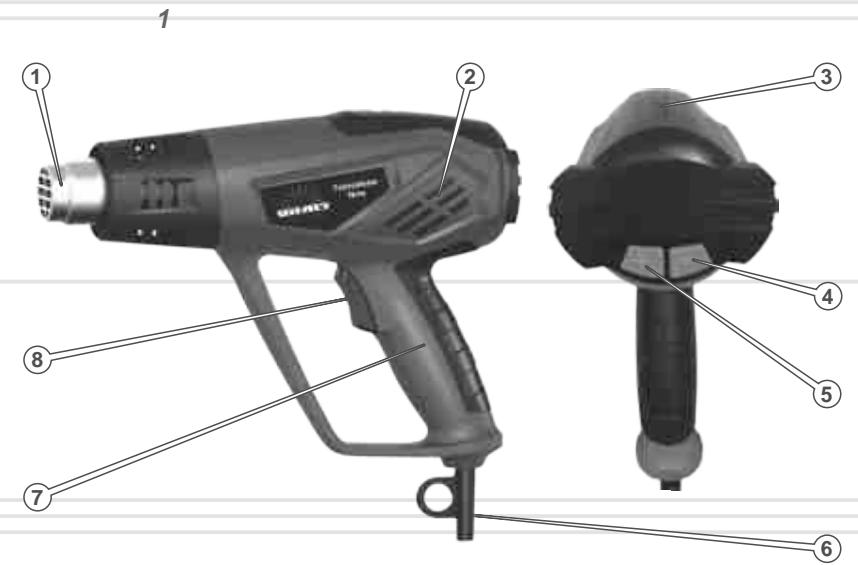
[Redacted text block]

Tf 206JS t «Vitals» Master

Vitals Tf 206JS t

УКРАЇНСЬКА

УКРАЇНСЬКА



1

- 1.
- 2.
- 3. C
- 4. «-»
- 5. «+»
- 6.
- 7.
- 8.

+0° +40°

Tf 206JS t «Vitals» Master (

- 1.
- 2.
- 3.
- 4.
- 5.
- 6.
- 7.
- 8.
- 9.
- 10.

(. . .2 .3).
 (. . .2 .4).
 (. . .2 .5).
 (. . .2 .6).
 (. . .2 .1)
 (. . .2 .2).
 (. . .2 .7).

2



!

1

	Tf 206JSct
,	220
,	50
,	2000
	2
I- II- , /	250 550
I- II- , °	50, 100, 150, 200, 250, 350 100, 200, 300, 400, 500, 600
	II
	+
,	290 105 270
,	1,1
,	2,0

4.1.



[Redacted text block]



[Redacted text block]



[Redacted text block]



[Redacted text block]



[Redacted text block]

4.2.

1.

2.

16

3.

4.
5.
6.
7.
8.
9.
10.
11.
12.
13.
14.

15.
16.
17.
18.
19.
20.
21.

22.

« » -

30.

23.

31.

24.

32.

25.

33.

26.

34.

27.

35.

28.



29.



4 « »

3 « »



[Redacted text block]



[Redacted text block]

5.1.

- 1.
- 2.
- 3.
- 4.



[Redacted text block]

1,5 2.

2 +



[Redacted text block]

1,5 2.

5.2.



[Redacted text block]

I- (250 /)

« » («|- »). (8) (. 1)

250' / , (50, 100, 150, 200, 250, 350°).

II- (550 / ,)

« » («|- »). (8) (. 1)

600°). 550' / , (100, 200, 300, 400, 500,

5) (. 1) 50° 600° (4,

«+»

«-»



[Redacted text block]

« » (« »). (8) (. 1)

. 2 . 6). (.



! -30

(1) (. 1).

(.) (5).

(3).



!

5.3.

(3).

30-40 °,

(5)

(4)

- 400°

(5).

6



!

(5).

20

21



!



!

-15 ° +55 ° ,
90%.

90%. -15 ° +55 °

- 1.
- 2.
- 3.
- 4.

УКРАЇНСЬКА



0 °
+5 ° +40 °

8

УКРАЇНСЬКА

24

25

«Vitals»

Master

18 ()

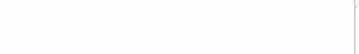
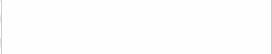
Tf 206JS t

3 ()

3 ()



()



ВІДРИВНИЙ ТАЛОН

ВІДРИВНИЙ ТАЛОН

ВІДРИВНИЙ ТАЛОН

A horizontal form with a black border. It contains three white rectangular input fields of varying widths. The middle field is the largest. To the right of the fields is a small black button with a white right-pointing arrow. Below the form is a thick grey shadow.

A horizontal form with a black border. It contains three white rectangular input fields of varying widths. The middle field is the largest. To the right of the fields is a small black button with a white right-pointing arrow. Below the form is a thick grey shadow.

A horizontal form with a black border. It contains three white rectangular input fields of varying widths. The middle field is the largest. To the right of the fields is a small black button with a white right-pointing arrow. Below the form is a thick grey shadow.



A table with 4 columns and 4 rows. The top row is entirely black. The first column has a grey bar on its left side for each row. The rest of the table is white with black grid lines. A thick grey shadow is at the bottom.

ОФИЦИАЛЬНЫЙ ДИЛЕР В УКРАИНЕ:

storgom.ua

ГРАФИК РАБОТЫ:

Пн. – Пт.: с 8:30 по 18:30

Сб.: с 09:00 по 16:00

Вс.: с 10:00 по 16:00

КОНТАКТЫ:

+38 (044) 360-46-77

+38 (066) 77-395-77

+38 (097) 77-236-77

+38 (093) 360-46-77

Детальное описание товара: <https://storgom.ua/product/fen-stroitelnyi-vitals-master-tf-206jsct.html>

Другие товары: <https://storgom.ua/termofeny.html>