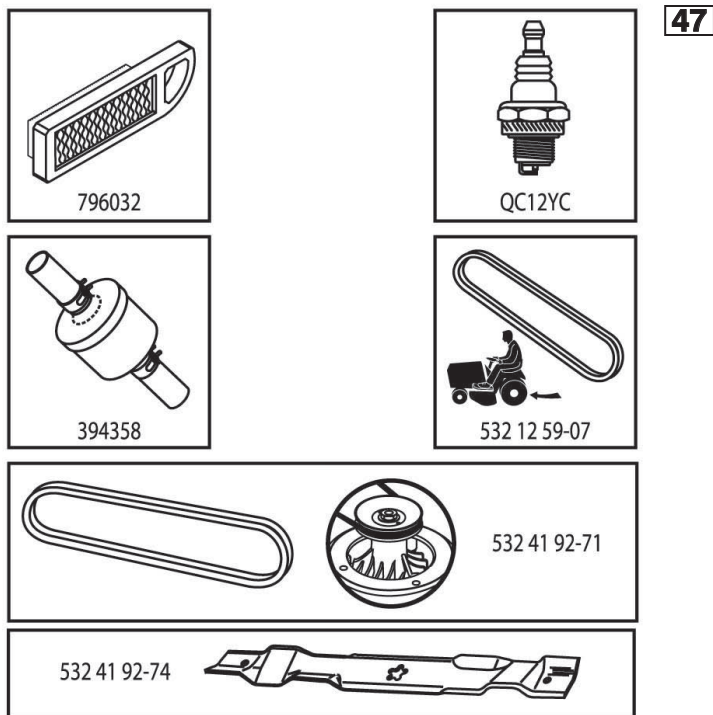


ILLUSTRATED PARTS LIST

MODEL NO. 96051012301

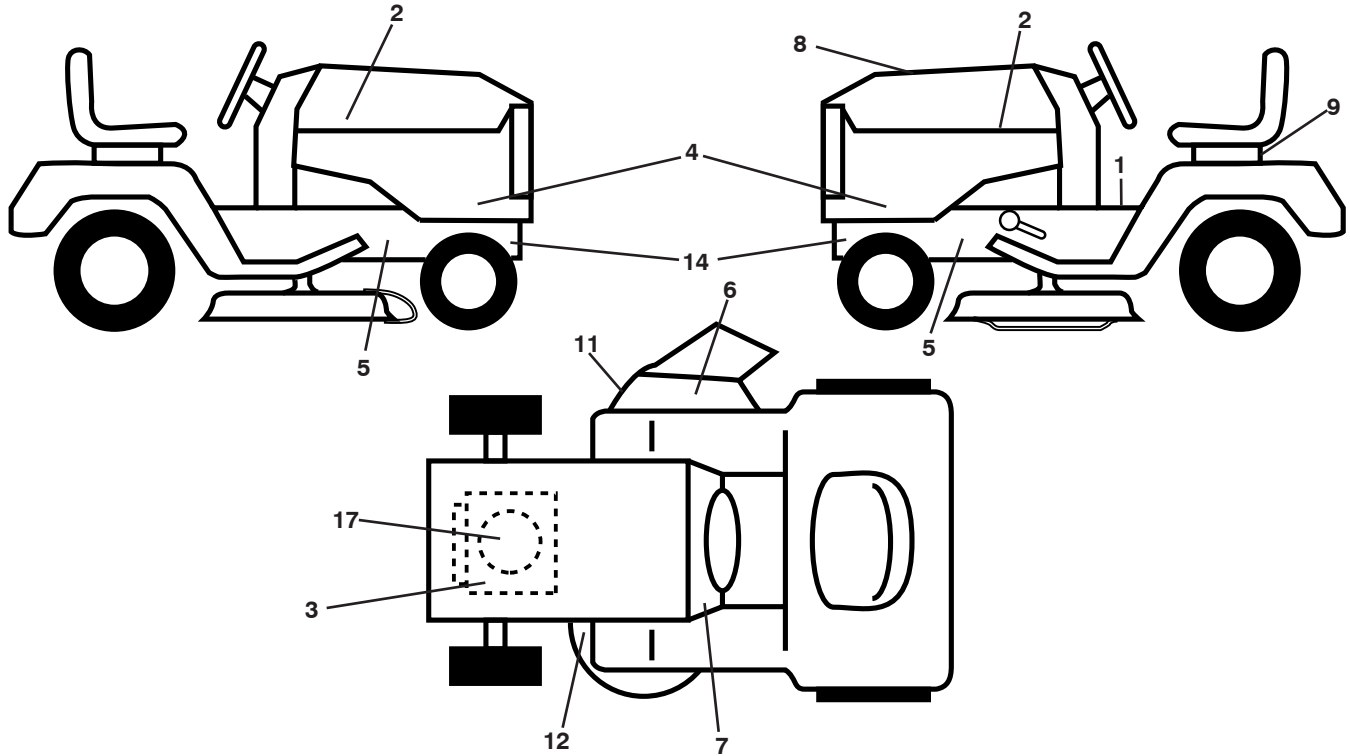
CUSTOMER CATALOG NO. TC 130

PRODUCT NO. 960 51 01-23



442548

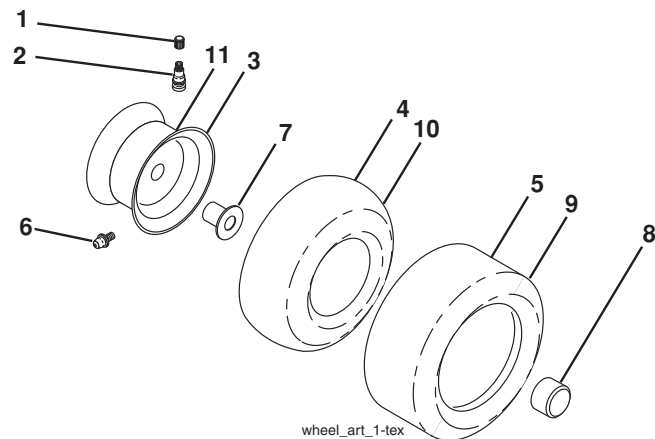
TRACTOR - MODEL NO. TC 130 (96051012301), PRODUCT NO. 960 51 01-23
DECALS 27



| KEY NO. | PART NO. | DESCRIPTION |
|---------|--------------|-------------------------------|
| 1 | 586 35 06-01 | Decal Saddle Fnrd |
| 2 | 581 62 73-01 | Decal, Hood Logo |
| 3 | 581 57 97-01 | Decal, Warning Eng. Symbols |
| 4 | 587 39 64-01 | Decal, Hood Panel |
| 5 | 581 57 96-01 | Decal, Chassis Hot Muffler |
| 6 | 584 90 46-01 | Decal, Deck/Deflect. Warning |
| 7 | 586 06 62-01 | Decal, Snowflake |
| 8 | 532 44 25-48 | Decal, Rpl |
| 9 | 532 14 50-05 | Decal, Battery Dnge/Poi |
| 11 | 581 57 94-01 | Decal, Warning DFlect/Ctfrng |
| 12 | 581 58 00-04 | Decal, Mower V-Belt Schematic |

| KEY NO. | PART NO. | DESCRIPTION |
|---------|--------------|---------------------|
| 14 | 581 57 98-01 | Decal, Warning |
| 17 | 587 38 50-01 | Decal, BS Engine |
| -- | 581 72 48-01 | Decal, Bypass |
| -- | 532 44 14-09 | Pad, Footrest, LH |
| -- | 532 44 14-10 | Pad, Footrest, RH |
| -- | 115 90 74-20 | Manual Oper. Euro |
| -- | 115 90 76-10 | Manual Oper. Scan |
| -- | 115 90 75-50 | Manual Oper. E-Bloc |
| -- | 115 90 77-40 | Manual Oper. Baltic |

WHEELS AND TIRES



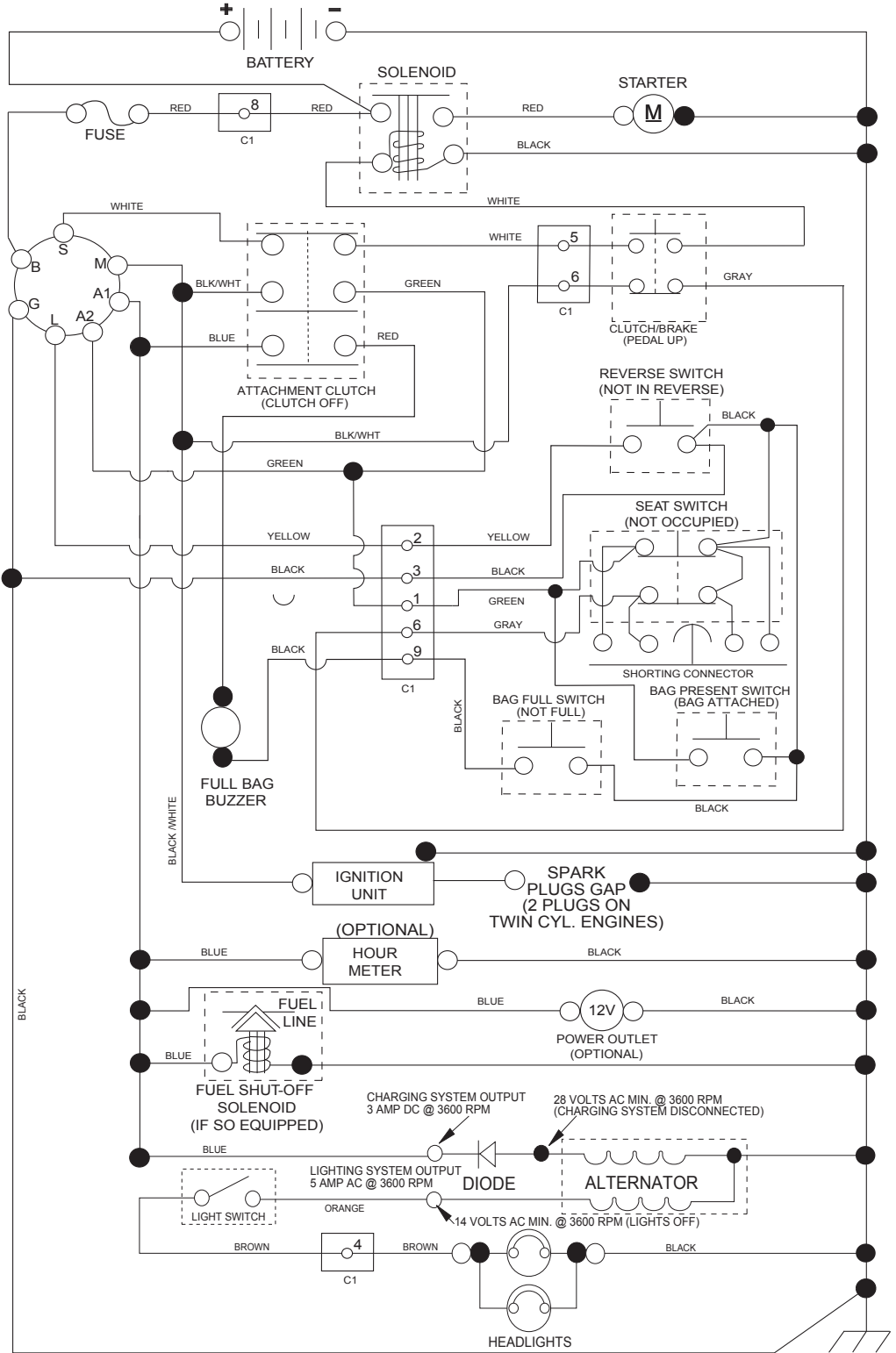
| KEY NO. | PART NO. | DESCRIPTION |
|---------|--------------|-----------------------------------|
| 1 | 532 05 91-92 | Cap Valve Tire |
| 2 | 532 06 51-39 | Stem Valve |
| 3 | 532 42 52-61 | Rim Asm 6 x 3.25 Front |
| 4 | 532 42 16-52 | TubeFront13x5-6(ServiceItemOnly) |
| 5 | 532 12 34-10 | Tire Front 13 x 5-6 |
| 6 | 532 12 49-57 | Fitting Grease (Front Wheel Only) |
| 7 | 532 12 49-59 | Bearing Flange (Front Wheel Only) |
| 8 | 532 17 50-39 | Cap Axle Blk 1 50 x 1 00 |
| 9 | 532 10 62-30 | Tire Rear 16 x 6.5-8 |
| 10 | 532 00 71-54 | Tube Rear (Service Item Only) |
| 11 | 532 42 52-62 | Rim Asm 8 x 5.375 Rear |
| -- | 532 14 43-34 | Sealant, Tire (10 oz. Tube) |

NOTE: All component dimensions given in U.S. inches
 1 inch = 25.4 mm

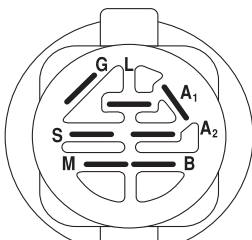
TRACTOR - MODEL NO. TC 130 (96051012301), PRODUCT NO. 960 51 01-23

SCHEMATIC **38**

SCH17

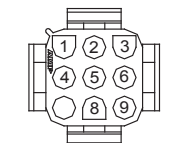


NOTE
YOUR TRACTOR IS EQUIPPED WITH A SPECIAL ALTERNATOR SYSTEM. THE LIGHTS ARE NOT CONNECTED TO THE BATTERY, BUT HAVE THEIR OWN ELECTRICAL SOURCE. BECAUSE OF THIS, THE BRIGHTNESS OF THE LIGHTS WILL CHANGE WITH ENGINE SPEED. AT IDLE THE LIGHTS WILL DIM. AS THE ENGINE SPEED IS INCREASED, THE LIGHTS WILL BECOME THEIR BRIGHTEST.

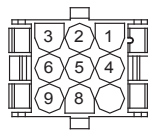


IGNITION SWITCH

| POSITION | CIRCUIT | "MAKE" |
|--------------|------------|--------|
| OFF | M+G+A1 | |
| RUN/OVERRIDE | B+A1 | |
| RUN | B+A1 | L+A2 |
| START | B + S + A1 | |



CHASSIS HARNESS CONNECTOR (C1) (MATING SIDE)



DASH HARNESS CONNECTOR (C1) (MATING SIDE)

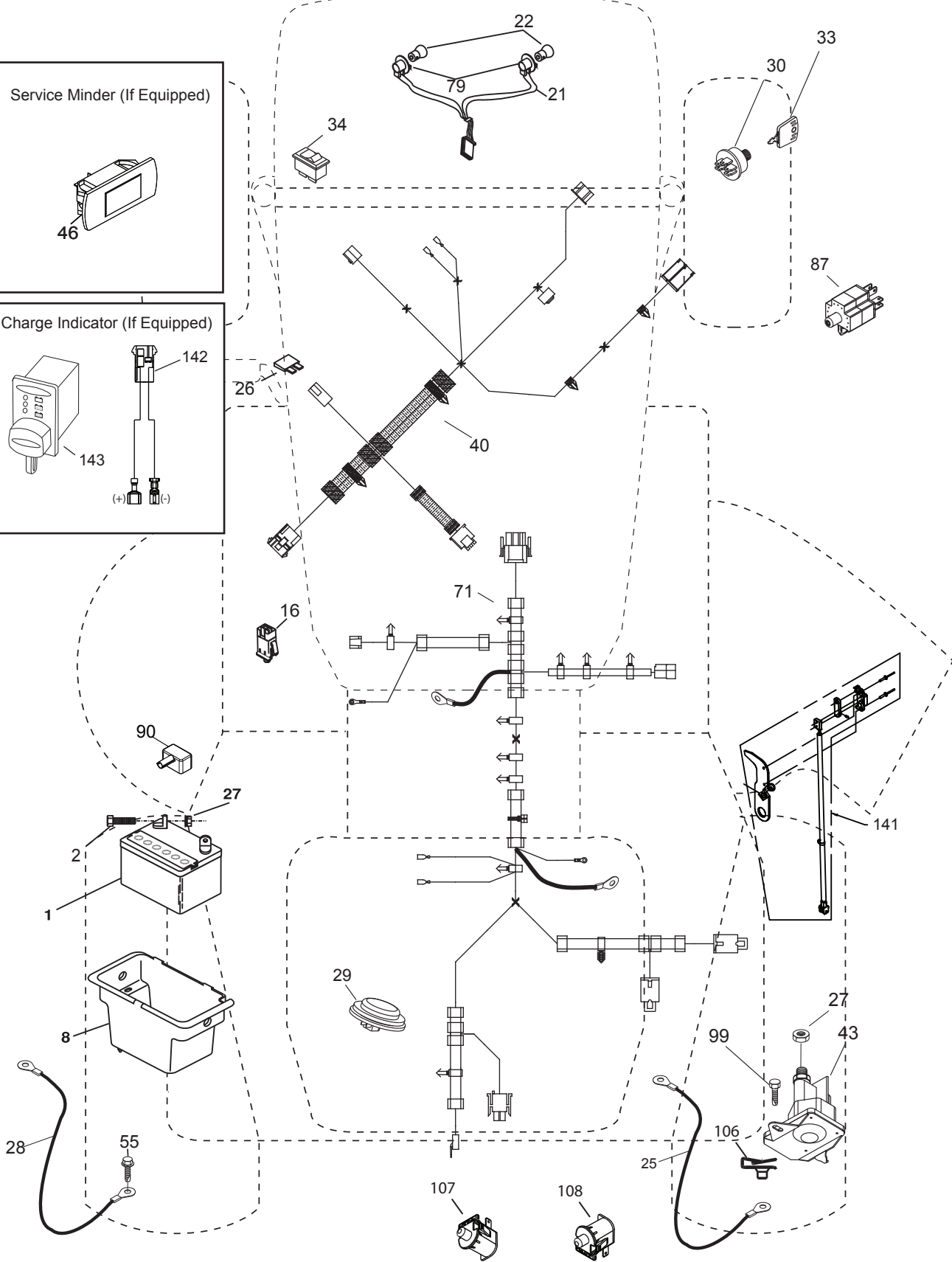
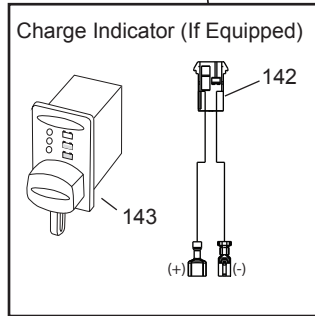
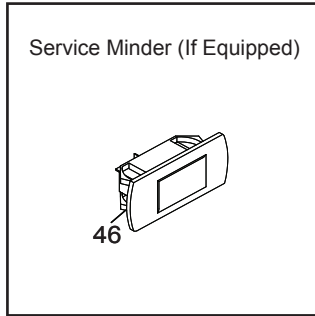
WIRING INSULATED CLIPS
NOTE: IF WIRING INSULATED CLIPS WERE REMOVED FOR SERVICING OF UNIT, THEY SHOULD BE RE-INSTALLED TO PROPERLY SECURE YOUR WIRING.

● NON-REMOVABLE CONNECTIONS

○ REMOVABLE CONNECTIONS

TRACTOR - MODEL NO. TC 130 (96051012301), PRODUCT NO. 960 51 01-23
ELECTRICAL 32

S02S



**TRACTOR - MODEL NO. TC 130 (96051012301), PRODUCT NO. 960 51 01-23
ELECTRICAL 32**

| KEY NO. | PART NO. | DESCRIPTION |
|----------------|-----------------|---------------------------------|
| 1 | 532 16 34-65 | Battery |
| 2 | 874 76 04-12 | Bolt Hex Head 1/4-20 x 3/4 |
| 8 | 532 41 97-91 | Box Battery |
| 16 | 532 17 61-38 | Switch Interlock Push-In |
| 21 | 532 40 02-52 | Harness Socket Light w/4152J |
| 22 | 532 00 41-52 | Bulb Light |
| 25 | 532 41 66-94 | Cable Starter |
| 26 | 532 17 51-58 | Fuse |
| 27 | 873 51 04-00 | Nut Keps Hex 1/4-20 unc |
| 28 | 532 42 16-86 | Cable, Ground |
| 29 | 532 40 15-45 | Switch, Seat |
| 30 | 532 19 33-50 | Switch, Ign |
| 33 | 532 41 19-35 | Key/Chain |
| 34 | 532 11 07-12 | Switch Light/Reset |
| 40 | 585 84 99-01 | Harness Ign. Dash |
| 43 | 582 04 28-01 | Solenoid |
| 55 | 817 06 05-12 | Screw Thdrol 5/16-18 x 3/4 TYTT |
| 71 | 501 13 34-01 | Harness Ign. Chassis |
| 79 | 532 17 52-42 | Socket Asm. Bulb |
| 87 | 532 42 10-60 | Switch Railmount NO-NC-NC |
| 90 | 532 43 53-95 | Cover Terminal |
| 99 | 817 67 04-12 | Screw 1/4-20 x 3/4 |
| 106 | 532 17 48-14 | Nut Speed 1/4-20 |
| 107 | 532 42 10-61 | Switch Snapmount No #2 |
| 108 | 532 42 10-62 | Switch Snapmount NC |
| 141 | 532 41 69-77 | Kit T2 ROS |
| 142 | 583 85 78-01 | Charge Port Pigtail |
| 143 | 532 44 80-59 | Charge Port |

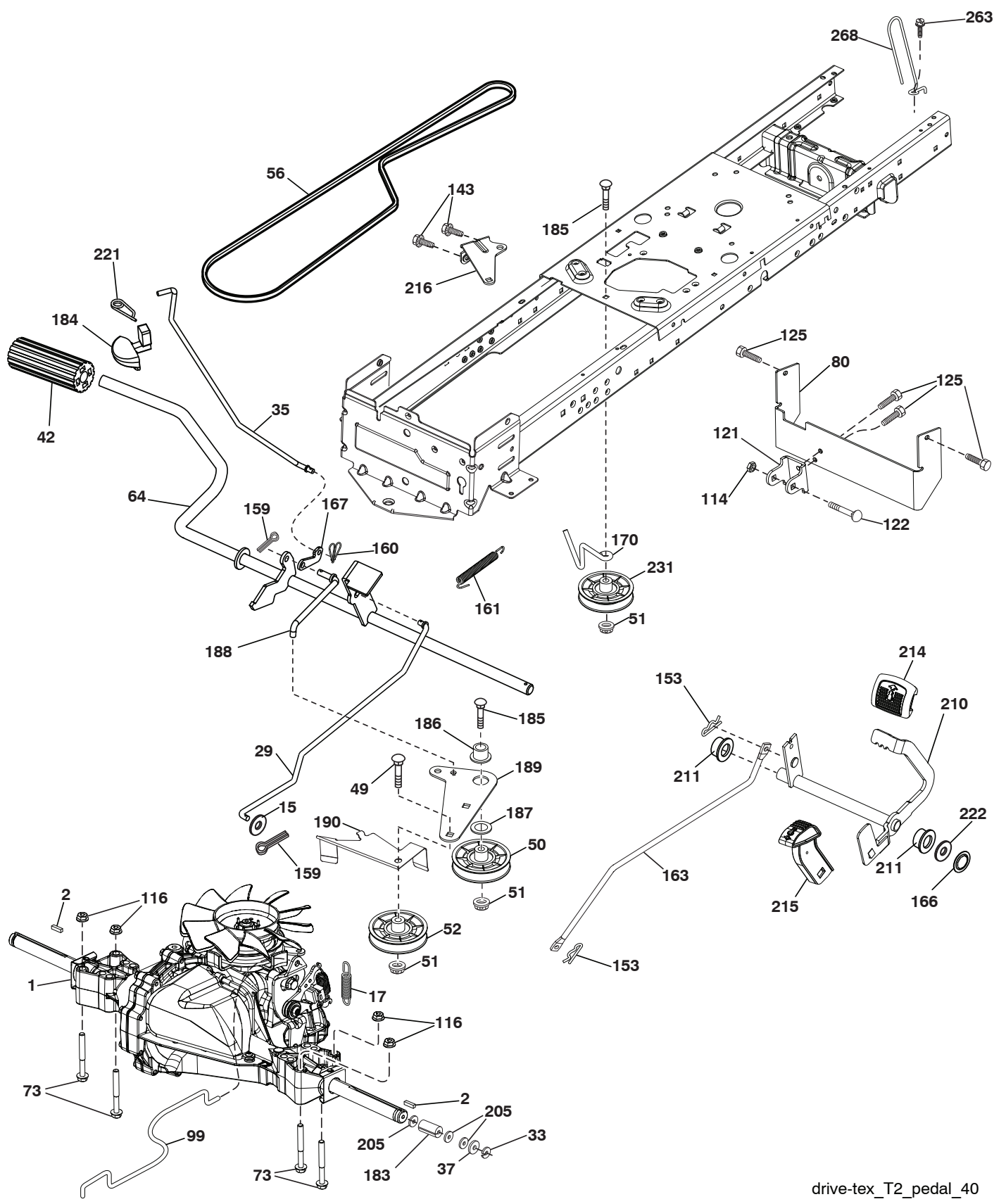
NOTE: All component dimensions given in U.S. inches
1 inch = 25.4 mm

**TRACTOR - MODEL NO. TC 130 (96051012301), PRODUCT NO. 960 51 01-23
CHASSIS AND ENCLOSURES 39**

| KEY NO. | PART NO. | DESCRIPTION | KEY NO. | PART NO. | DESCRIPTION |
|------------|--------------|------------------------------------|------------|--------------|---------------------------------|
| 3 | 581 05 63-01 | Logo | 216 | 817 67 05-08 | Screw Thdrol. 5/16-18 x 1/2 |
| 5 | 585 47 79-06 | Dash | 217 | 532 40 91-67 | Rod Pivot Hood |
| 14 | 532 44 12-67 | Hood | 218 | 532 19 63-95 | X-Piece Hood Stop |
| 15 | 532 44 14-28 | Lens LH | 228 | 532 19 51-61 | Stud Fastener |
| 18 | 532 44 13-68 | Grille | 235 | 532 40 61-29 | Spacer Fender |
| 19 | 819 13 13-12 | Washer 13/32 x 13/16 x 12 Ga. | 236 | 873 93 05-00 | Nut Lock 5/16-18 unc |
| 25 | 532 44 14-27 | Lens RH | 238 | 532 44 13-74 | Trim |
| 34 | 580 91 09-01 | Plate Engine | 239 | 532 40 48-83 | Clip Tinnerman |
| 36 | 817 06 05-12 | Screw 5/16-18 x 3/4 | 282 | 532 41 41-10 | Clip Retainer |
| 37 | 532 44 13-69 | Fender | 283 | 532 44 05-31 | Console Deck Lift |
| 52 | 873 68 05-00 | Nut Crown Lock 5/16 | 284 | 532 44 05-30 | Console Shift |
| 58 | 532 41 22-80 | Drawbar Upper | 287 | 817 60 04-06 | Screw Hex Washhead 1/4-20 x 3/8 |
| 62 | 872 11 06-08 | Bolt RDHD SQNK 3/8 x 1 Gr. 5 | 297 | 532 40 66-65 | Insert Reflective LH |
| 68 | 817 49 05-08 | Screw Thdrol. 5/16-18 x 1/2 | 303 | 587 49 31-02 | Shield Lwr LH |
| 118 | 819 13 13-16 | Washer 13/32 x 13/16 x 16 Ga. | 306 | 873 90 06-00 | Nut Lock |
| 119 | 873 68 06-00 | Nut Crownlock 3/8-16 unc | 307 | 587 49 45-01 | Shield Upper |
| 125 | 581 68 48-01 | Clip Fuel Line | 308 | 532 17 18-77 | Bolt 5/16-18 unc x 3/4 |
| 130 | 532 41 63-58 | Screw #10 x 0.750 BOS Thread | 309 | 532 43 02-46 | Backplate Bagger SRD |
| 137 | 532 40 75-90 | Bumper Dash | 310 | 532 44 54-28 | Bracket Hangar Bag LH |
| 146 | 581 85 79-01 | Bolt | 311 | 532 44 54-30 | Bracket Hangar Bag RH |
| 150 | 532 40 66-62 | Air Duct | 319 | 532 17 46-62 | Bracket Actuator Bagger |
| 151 | 532 40 78-07 | Bracket Pivot | 322 | 532 42 30-62 | Palnut 1/4 |
| 152 | 532 19 95-35 | Shield Browning | 323 | 532 43 14-88 | Guard French |
| 159 | 817 00 06-12 | Screw Kexwsh Thdr 3/8-16 x 3/4 | 325 | 532 42 30-63 | Palnut 5/16 |
| 162 | 532 14 24-32 | Screw Hex Wsh. Hi-Lo 1/4 x 1/2 unc | 326 | 817 06 04-10 | Screw Hex |
| 175 | 532 19 94-72 | Crossmember | 327 | 532 43 14-83 | French Guard |
| 176 | 532 40 07-76 | Screw 10-24 x 5/8 | 328 | 532 43 14-87 | French Guard |
| 177 | 532 19 52-28 | Bushing Steering | 329 | 872 14 05-05 | Bolt 5/16-18 x 5/8 |
| 180 | 532 41 46-85 | Chassis | 332 | 532 43 14-82 | French Guard |
| 182 | 532 40 71-76 | Dash Lower | 333 | 873 80 05-00 | Nut Lock 5/16-18 |
| 183 | 874 52 05-20 | Bolt 5/16-18 x 1-1/4 | 334 | 532 44 25-37 | Bracket Engine |
| 189 | 817 00 05-12 | Screw 5/16-18 x 3/4 | 369 | 532 42 17-56 | Screw, #10 x 0.500, BOS |
| 191 | 532 41 65-01 | Insert Reflective RH | 375 | 586 90 82-01 | Dash Clip-On Bumper |
| 194 | 873 90 05-00 | Nut Lock Hex Flange 5/16-18 | 376 | 589 45 87-01 | Mount Asm Huslt Upper Str |
| 199 | 532 41 87-39 | Plate Deck Lift | 377 | 589 45 53-01 | Screw 10 x 1/2 ZN PL |
| 202 | 532 44 13-42 | Vent Side Hood RH | -- | 532 43 99-76 | Plug Dash SVC Minder |
| 203 | 532 44 13-43 | Vent Side Hood LH | | | |
| 204 | 532 44 13-75 | Vent Top Hood | | | |
| 205 | 532 44 13-44 | Skirt Side RH | | | |
| 206 | 532 44 13-45 | Skirt Side LH | | | |
| 213 | 874 76 05-12 | Bolt 5/16-18 x 3/4 | | | |
| 214 | 532 19 91-45 | Clip Retainer | | | |

NOTE: All component dimensions given in U.S. inches
1 inch = 25.4 mm

TRACTOR - MODEL NO. TC 130 (96051012301), PRODUCT NO. 960 51 01-23
DRIVE 40



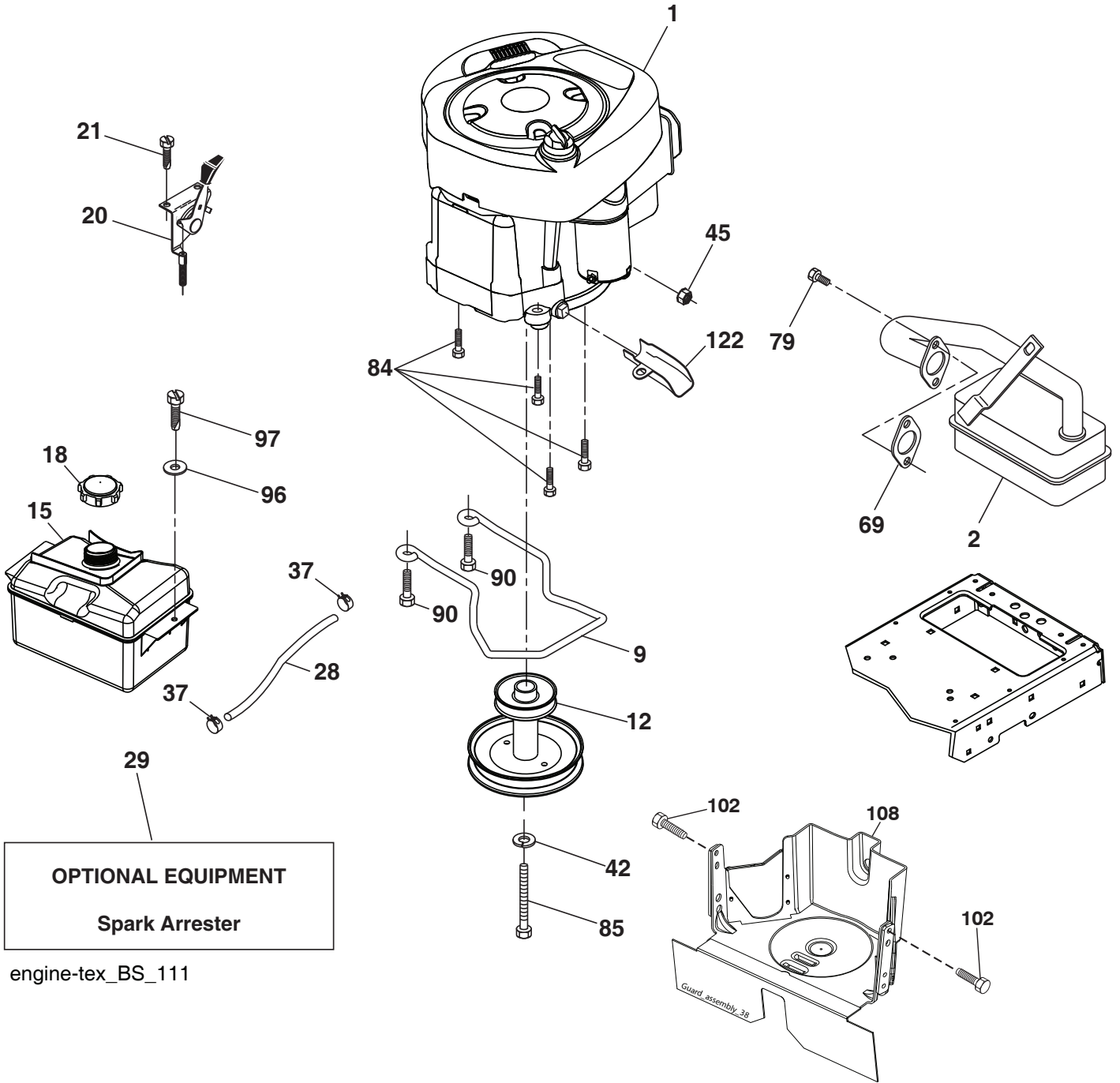
drive-tex_T2_pedal_40

**TRACTOR - MODEL NO. TC 130 (96051012301), PRODUCT NO. 960 51 01-23
DRIVE **40****

| KEY NO. | PART NO. | DESCRIPTION | KEY NO. | PART NO. | DESCRIPTION |
|---------|--------------|--|---------|--------------|--------------------------------|
| 1 | ----- | Transaxle, Hydro Gear T2-BDBE-1X2B-18X1 (587392201) (Order parts from transaxle manufacturer.) | 163 | 532 41 33-22 | Rod Control |
| 2 | 532 12 35-83 | Key Square | 166 | 532 42 91-64 | Nut Push .625 |
| 15 | 819 13 13-16 | Washer 13/32 x 13/16 x 16 Ga. | 167 | 532 40 52-57 | Latch Brake Parking |
| 17 | 532 19 72-96 | Spring, Brake | 170 | 532 41 34-30 | Keeper Belt Centerspan |
| 29 | 532 42 32-39 | Rod, Brake | 183 | 532 15 69-72 | Spacer Axle |
| 33 | 812 00 00-01 | Ring E | 184 | 532 41 14-84 | Handle Parking Brake |
| 35 | 532 40 10-31 | Rod, Brake, Park | 185 | 872 11 06-22 | Bolt |
| 37 | 532 12 17-49 | Washer 25/32 x 1-1/4 x 16 Ga. | 186 | 532 19 43-21 | Spacer Retainer |
| 42 | 532 12 48-72 | Cover, Foot Pedal | 187 | 819 13 32-10 | Washer |
| 49 | 872 11 06-14 | Bolt | 188 | 582 21 70-01 | Link Clutch Ground Drive, Long |
| 50 | 532 19 43-27 | Pulley Idler Flat | 189 | 532 19 43-17 | Bellcrank Ground Drive |
| 51 | 873 90 06-00 | Lock Nut 3/8-16 | 190 | 532 19 43-18 | Keeper Bellcrank Ground Drive |
| 52 | 532 19 43-26 | Idler V-Groove Offset | 205 | 532 12 17-48 | Washer 25/32 x 1-5/8 x 16 Ga. |
| 56 | 532 12 59-07 | V-Belt, Drive | 210 | 532 40 09-80 | Rocker Asm. Pedal Control |
| 64 | 532 19 78-65 | Shaft Asm. Pedal Brake Control | 211 | 532 12 01-83 | Bearing Nylon |
| 73 | 874 49 05-44 | Bolt Hex 5/16-18 Gr. 5 | 214 | 532 42 12-63 | Pedal Pad Forward |
| 80 | 581 55 07-01 | Strap Torque | 215 | 586 60 65-02 | Pedal Reverse |
| 99 | 532 40 84-18 | Rod Spring Bypass | 216 | 532 19 61-31 | Bracket Pulley Idler |
| 114 | 873 80 05-00 | Nut Lock 5/16-18 unc | 221 | 532 40 31-87 | Retainer Spring Clip Handle |
| 116 | 873 90 05-00 | Nut Lock Hex Flange 5/16-18 | 222 | 879 21 20-10 | Washer 21/32 x 1-1/4 10 Ga. |
| 121 | 532 17 56-11 | Bracket Strap Torque | 231 | 532 40 72-87 | Idler V-Groove |
| 122 | 872 01 05-20 | Bolt 5/16-18 x 2.50 | 263 | 817 00 06-12 | Screw Hexwsh THDR 3/8-16 x 3/4 |
| 125 | 817 00 05-12 | Screw 5/16-18 x 3/4 | 268 | 532 18 24-02 | Guard, Muffler |
| 143 | 817 49 05-08 | Screw THDROL 5/16-18 x 1/2 | | | |
| 153 | 532 12 47-88 | Retainer Spring 1" | | | |
| 159 | 876 02 04-12 | Pin Cotter 1/8 x 3/4 | | | |
| 160 | 532 16 94-84 | Retainer Clip | | | |
| 161 | 532 10 57-09 | Spring, Return, Clutch | | | |

NOTE: All component dimensions given in U.S. inches
1 inch = 25.4 mm

TRACTOR - MODEL NO. TC 130 (96051012301), PRODUCT NO. 960 51 01-23
ENGINE 24



engine-tex_BS_111

**TRACTOR - MODEL NO. TC 130 (96051012301), PRODUCT NO. 960 51 01-23
ENGINE 24**

| KEY NO. | PART NO. | DESCRIPTION |
|---------|--------------|--|
| 1 | --- | Engine BS Model No. 21R777-0100-B1 (587355101) (Order Parts from engine manufacturer.) |
| 2 | 532 17 97-58 | Muffler |
| 9 | 582 54 03-02 | Keeper Belt Engine |
| 12 | 532 14 01-86 | Pulley Engine |
| 15 | 581 28 99-01 | Tank Fuel 1.5 |
| 18 | 532 43 02-20 | Cap Asm |
| 20 | 587 24 26-01 | Control Throttle |
| 21 | 532 41 63-58 | Screw #10 x 0.750 BOS Thread |
| 28 | 532 13 70-40 | Fuel Line |
| 29 | 532 13 71-80 | Spark Arrester Kit |
| 37 | 532 12 34-87 | Clamp Hose |
| 42 | 539 99 02-47 | Washer SLW |
| 45 | 873 51 04-00 | Nut Keps Hex 1/4-20 unc |
| 69 | 532 16 52-91 | Gasket |
| 79 | 532 19 23-34 | Screw Socket HD 5/16 - 18 x 75 |
| 84 | 817 06 06-20 | Screw 3/8-16 x 1-1/4 |
| 85 | 501 60 65-01 | Bolt Hex 7/16-20 x 4 Gr. 5-1.5 |
| 90 | 817 00 06-16 | Screw 3/8-16 x 1 |
| 96 | 819 09 14-16 | Washer 9/32 x 7/8 x 16 Ga. |
| 97 | 817 67 04-12 | Screw 1/4-20 x 3/4 |
| 102 | 817 00 05-12 | Screw 5/16-18 x 3 x 4 |
| 108 | 587 17 95-04 | Pulley Cover Engine w/SHLD 30" |
| 122 | 532 42 19-22 | Extension Drain Oil |

NOTE: All component dimensions given in U.S. inches
1 inch = 25.4 mm

Engine Power Rating Information

The gross power rating for individual gas engine models is labeled in accordance with SAE (Society of Automotive Engineers) code J1940 (Small Engine Power & Torque Rating Procedure), and rating performance has been obtained and corrected in accordance with SAE J1995 (Revision 2002-05). Torque values are derived at 3060 RPM; horsepower values are derived at 3600 RPM. Actual gross engine power will be lower and is affected by, among other things, ambient operating conditions and engine-to-engine variability. Given both the wide array of products on which engines are placed and the variety of environmental issues applicable to operating the equipment, the gas engine will not develop the rated gross power when used in a given piece of power equipment (actual "on-site" or net power). This difference is due to a variety of factors including, but not limited to, accessories (air cleaner, exhaust, charging, cooling, carburetor, fuel pump, etc.), application limitations, ambient operating conditions (temperature, humidity, altitude), and engine-to-engine variability. Due to manufacturing and capacity limitations, Briggs & Stratton may substitute an engine of higher rated power for this Series engine.

TRACTOR - MODEL NO. TC 130 (96051012301), PRODUCT NO. 960 51 01-23
STEERING ASSEMBLY 41

| KEY NO. | PART NO. | DESCRIPTION |
|----------------|-----------------|-------------------------------------|
| 1 | 532 43 99-97 | Wheel, Steering |
| 2 | 532 41 81-68 | Axle Asm., Front |
| 4 | 532 41 68-45 | Spindle Asm., LH |
| 5 | 532 41 68-46 | Spindle Asm., RH |
| 6 | 532 12 49-31 | Bearing, Race Thrust Hardened |
| 7 | 532 12 17-48 | Washer 25/32 x 1-5/8 x 16 Ga. |
| 8 | 812 00 00-29 | Ring, Klip #T5304-75 |
| 9 | 532 12 12-32 | Cap, Spindle |
| 13 | 532 12 17-49 | Washer, 25/32 x 1-1/4 x 16 Ga. |
| 14 | 539 99 01-18 | Washer, SLW ZD 3/8 |
| 15 | 873 54 06-00 | Nut, Crown Lock 3/8-24 unf |
| 16 | 585 86 92-02 | Steering Shaft |
| 19 | 532 19 47-29 | Plate Steering |
| 20 | 532 44 14-25 | Boot, Steering |
| 21 | 532 18 67-37 | Adapter, Wheel Steering |
| 22 | 585 02 98-02 | Bearing |
| 26 | 532 43 97-43 | Insert, Wheel Steering |
| 27 | 819 21 16-16 | Washer 21 x 32 x 1 x 16 Ga. |
| 28 | 817 00 06-12 | Screw 3/8-16 x 3/4 |
| 33 | 539 99 01-87 | Washer Lock 5/16 |
| 35 | 532 19 47-32 | Gear, Sector Plate |
| 45 | 819 11 38-12 | Washer 11/32 x 3/8 x 12 Ga. |
| 53 | 532 18 89-67 | Washer Hardened .793 x 1.637 x .060 |
| 57 | 532 40 74-65 | Bracket Upstop |
| 58 | 532 19 47-47 | Bolt Shoulder Sector Pivot CFM |
| 59 | 532 19 47-48 | Washer Thrust Sector Steering |
| 60 | 873 97 10-00 | Nut Flange Lock 5/8-11 |
| 61 | 532 19 47-40 | Draglink, LH |
| 62 | 532 19 47-41 | Draglink, RH |
| 63 | 817 00 05-12 | Screw 5/16-18 x 3/4 |
| 64 | 532 19 98-49 | Retainer Clip Spring Steering |
| 66 | 871 02 07-48 | Bolt Hex Fghd 7/16-14 x 3 Serr |
| 67 | 532 19 47-37 | Bushing PM Front Axle |
| 68 | 873 90 07-00 | Nut Lock Flange 7/16-14 Gr. 5 |
| 69 | 532 19 91-62 | Washer 1.5 x .505 x .118 |
| 70 | 532 41 70-65 | Bracket Deck Susp. Front |
| 71 | 532 19 07-52 | Shaft Extension Steering |
| 72 | 532 42 89-82 | Bolt Fin Hex 5/16-18 x 4 w/Patch |
| 74 | 532 12 49-37 | Bearing |
| 75 | 580 68 37-01 | Pinion |
| 76 | 580 68 36-01 | Screw Head Sock |
| 119 | 532 17 01-65 | Bolt Shoulder 5/16-18 |
| 122 | 532 44 49-62 | Cap Gear Sector |

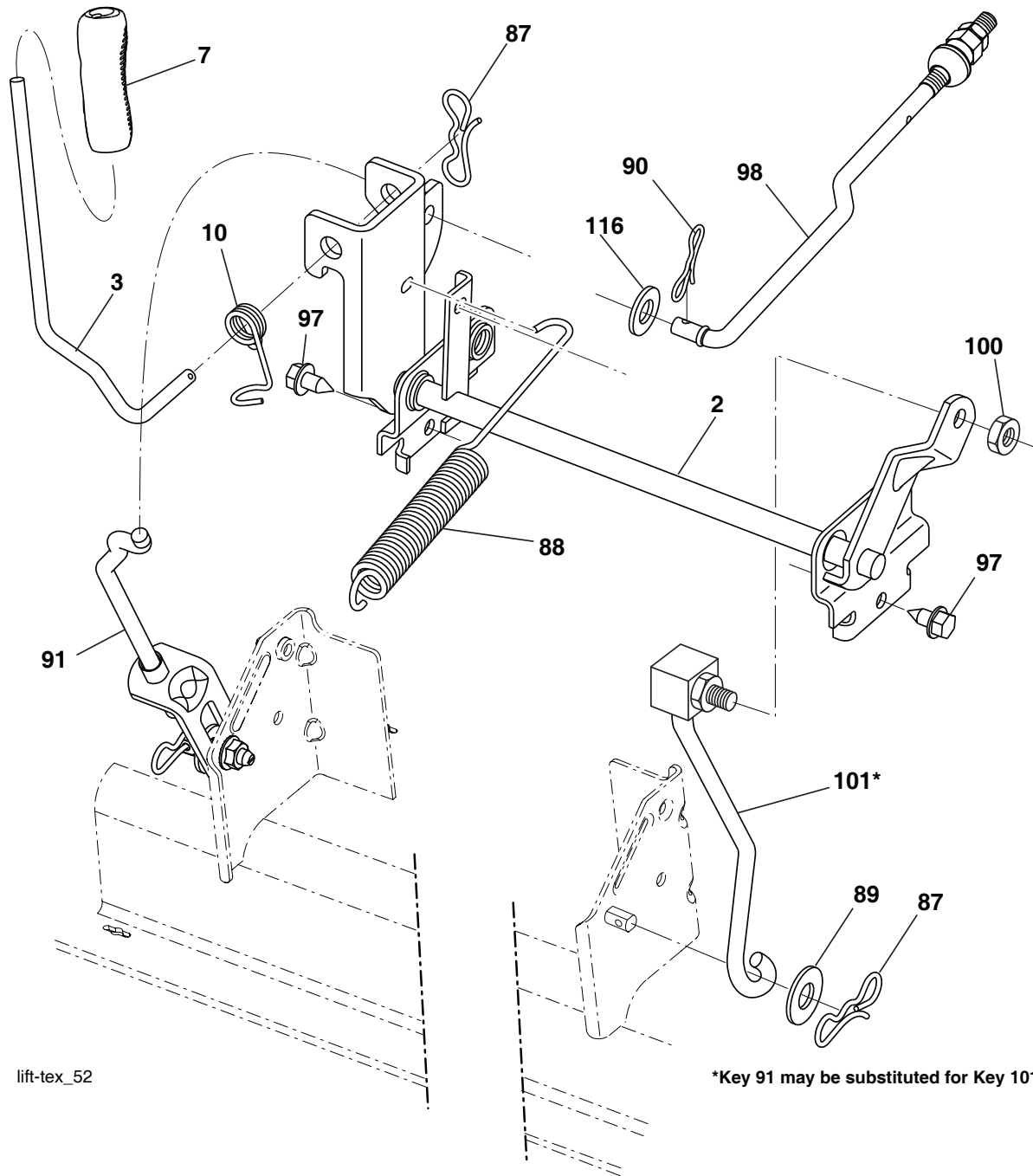
NOTE: All component dimensions given in U.S. inches
1 inch = 25.4 mm

**TRACTOR - MODEL NO. TC 130 (96051012301), PRODUCT NO. 960 51 01-23
MOWER DECK 44**

| KEY NO. | PART NO. | DESCRIPTION | KEY NO. | PART NO. | DESCRIPTION |
|---------|--------------|---------------------------------------|---------|--------------|--|
| 1 | 532 44 20-48 | Deck Weldment 30"Srd | 37 | 819 13 13-16 | Washer 13/32 x 13/16 x 16 Ga. |
| 2 | 532 19 51-61 | Stud Fastner W/'D'anti-Rotatio | 38 | 532 19 65-39 | Bolt Shoulder |
| 3 | 873 90 05-00 | Nut Lock Hex Flange 5/16 - 18 | 39 | 584 30 93-01 | Screw 7/16-20 x 1 Hex |
| 4 | 532 41 76-45 | Bracket Clutch Cable | 40 | 532 41 92-70 | Keeper Belt Engine LH |
| 5 | 817 00 05-10 | Bolt 5/16-18 | 41 | 532 41 92-65 | Keeper Belt Engine RH |
| 6 | 532 41 88-63 | Arm Susp Mower Rear Srd | 42 | 817 00 06-12 | Screw Hexwsh THDR 3/8-16x3/4 BL |
| 7 | 532 41 63-58 | Screw #10 x 0.750 BOS Thd. | 43 | 532 41 68-77 | Pulley Mandrel 6 5 Pd 30" |
| 8 | 532 42 02-52 | Arm Idler 30"Srd | 67 | 532 40 30-12 | Handle Clutch Cable |
| 9 | 532 19 90-92 | Spacer Retainer | 68 | 584 95 39-01 | Bolt Hex Wsh Hd .313-18 x 1.19 |
| 10 | 817 00 06-16 | Screw 3/8 - 16 X 1 Smgml Tap/R Blk | 70 | 532 40 12-46 | Clutch Asm. Manual |
| 11 | 532 13 77-29 | Screw Thd Roll 1/4 - 20 X 5/8 | 72 | 532 41 72-36 | Chute Upper SRD 30R |
| 12 | 532 19 94-70 | Arm Brake Mower | 73 | 532 42 52-74 | Chute Lower SRD 30R |
| 13 | 872 11 06-12 | Bolt Carr Sh 3/8 - 16 X 1 - 1/2 Gr. 5 | 74 | 532 12 46-70 | Retainer Spring |
| 14 | 532 15 60-85 | Keeper Belt Idler | 76 | 532 41 55-98 | Washout Port |
| 15 | 532 14 67-63 | Pulley Idler V-Groove Dim 4.25 | 78 | 532 42 25-66 | Deck Guard |
| 16 | 873 90 06-00 | Nut Lock FIG 3/8 - 16 unc | 79 | 532 14 24-32 | Screw 1/4 x 1/2 unc |
| 17 | 532 40 02-34 | Nut Flange Lock Top | 80 | 532 42 30-62 | Palnut 1/4" |
| 19 | 585 32 39-01 | Bearing Mandrel | 152 | 532 43 51-11 | Cable Clutch w/Spring |
| 21 | 532 41 69-10 | Belt Keeper Mandrel | -- | 587 25 33-01 | Mandrel Assembly (Includes Housing (key#14), Shaft Assembly (key#13), and Bearing Only (key#15) - Pulley/Nut/Washer and Blade Bolt/Washers Not Included) |
| 22 | 532 17 58-20 | Pulley Idler Flat | -- | 532 44 09-58 | Replacement Mower Complete |
| 23 | 817 49 06-28 | Screw Thdrol 3/8 - 16 X 1-3/4 | | | |
| 24 | 819 13 20-12 | Washer 13/32 X 1 - 1/4 X 12 Ga | | | |
| 25 | 532 42 02-53 | Keeper Belt 30"Srd | | | |
| 26 | 532 42 02-55 | Cover Mandrel Asm. | | | |
| 27 | 532 41 92-71 | V-Belt Drive | | | |
| 29 | 532 42 08-95 | Hinge Pin | | | |
| 32 | 532 40 18-72 | Spring Mower Drive | | | |
| 33 | 532 18 72-81 | Housing Mandrel 4pt Service | | | |
| 34 | 587 25 65-01 | Shaft Asm Mndrl N/Greaseable 38 | | | |
| 35 | 532 41 92-74 | Blade | | | |

NOTE: All component dimensions given in U.S. inches
1 inch = 25.4 mm

TRACTOR - MODEL NO. TC 130 (96051012301), PRODUCT NO. 960 51 01-23
MOWER LIFT 45



lift-tex_52

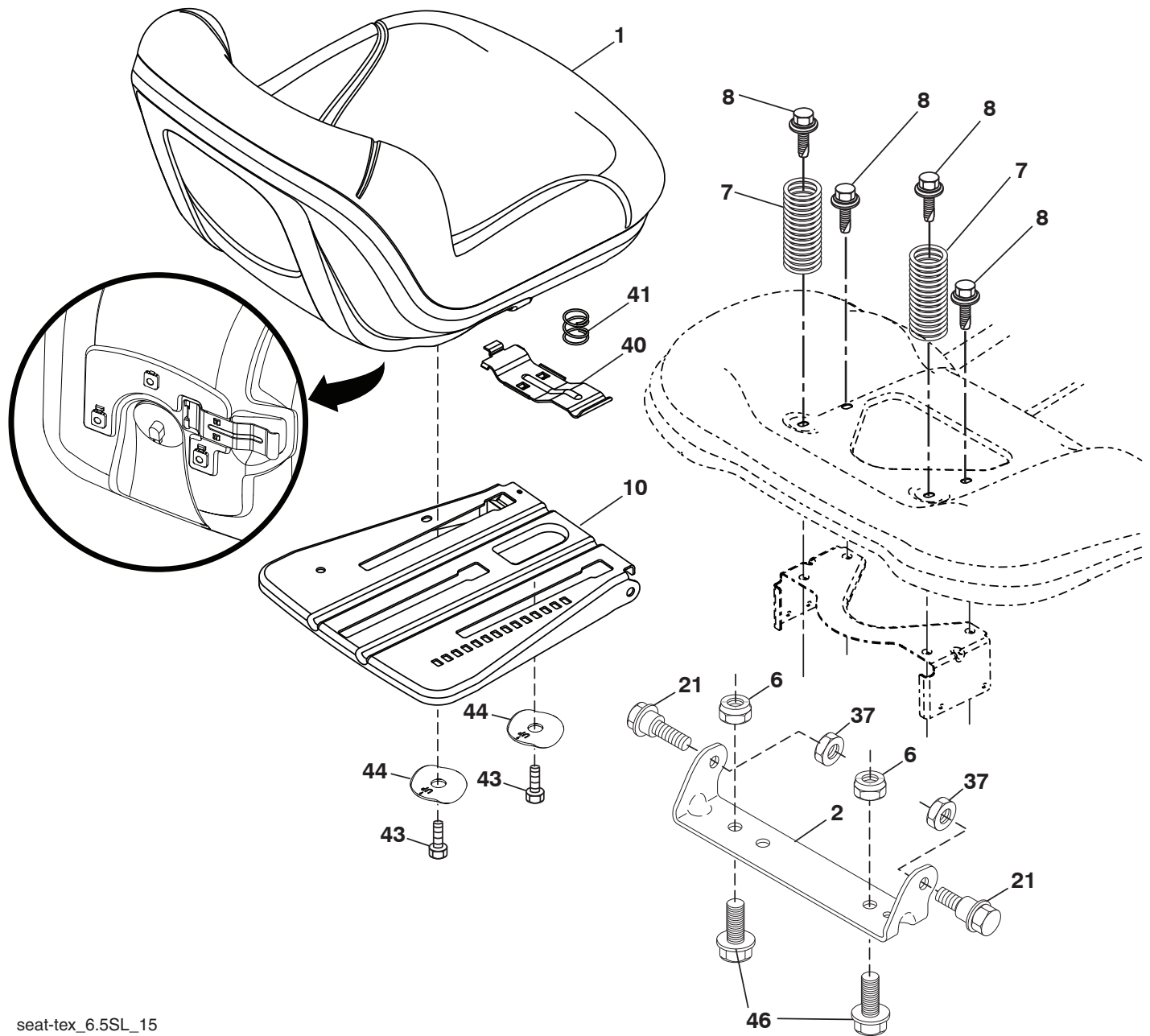
*Key 91 may be substituted for Key 101

| KEY NO. | PART NO. | DESCRIPTION |
|---------|--------------|------------------------------|
| 2 | 532 42 20-27 | Shaft Asm., Lift |
| 3 | 532 19 52-31 | Lever Asm., Lift RH |
| 7 | 580 96 23-01 | Grip, Lever |
| 10 | 532 19 63-14 | Spring Torsion |
| 87 | 532 19 42-09 | Pin Cotter 7/16 Bow Tie Lock |
| 88 | 532 41 07-10 | Spring Lift Assist |
| 89 | 819 19 19-12 | Washer Clear |
| 90 | 532 19 42-08 | Pin Cotter 5/16 Bow Tie Lock |

| KEY NO. | PART NO. | DESCRIPTION |
|---------|--------------|-------------------------------|
| 91 | 532 19 51-81 | Link Lift Susp Mower Rear |
| 97 | 817 00 06-12 | Screw 3/8-16 x 3/4 |
| 98 | 532 19 52-64 | Link Lift Susp. Front Mower |
| 100 | 873 93 06-00 | Nut Centerlock 3/8-16 unc |
| 101 | 532 40 70-03 | Link Asm. Lift |
| 116 | 819 15 15-16 | Washer 15/32 x 15/16 x 16 Ga. |

NOTE: All component dimensions given in U.S. inches
 1 inch = 25.4 mm

**TRACTOR - MODEL NO. TC 130 (96051012301), PRODUCT NO. 960 51 01-23
SEAT ASSEMBLY 42**



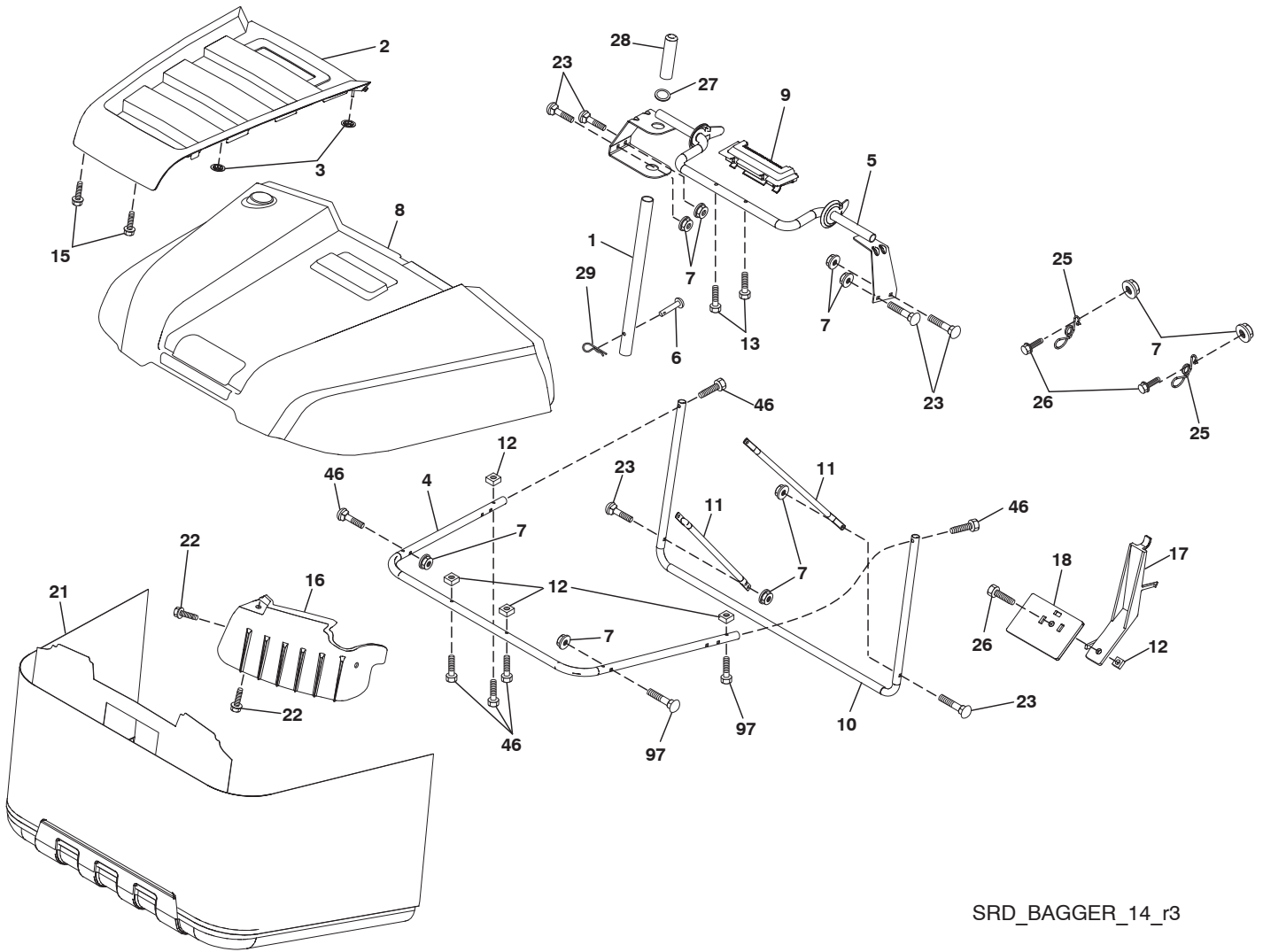
seat-tex_6.5SL_15

| KEY NO. | PART NO. | DESCRIPTION |
|---------|--------------|-------------------------------|
| 1 | 532 43 97-09 | Seat |
| 2 | 532 18 01-66 | Bracket Pivot Fender |
| 6 | 873 80 06-00 | Nut, Lock w/Ins. 3/8-16 unc |
| 7 | 589 48 35-01 | Spring, Seat Cprsn |
| 8 | 532 17 18-77 | Bolt 5/16-18 unc x 3/4 w/Sems |
| 10 | 587 23 20-02 | Pan, Seat |
| 21 | 587 90 78-01 | Bolt, Shoulder 5/16-18 x 5/8 |
| 37 | 873 80 05-00 | Nut, Lock 5/16-18 unc |

| KEY NO. | PART NO. | DESCRIPTION |
|---------|--------------|-------------------------------|
| 40 | 532 19 76-61 | Handle Slide Seat |
| 41 | 532 19 82-00 | Spring Latch Seat |
| 43 | 874 76 06-12 | Bolt 3/8-16 x 3/4 |
| 44 | 501 05 18-01 | Washer Wing |
| 46 | 588 09 04-01 | Bolt 3/8-16 x 1, 1.25 OD Wshr |

NOTE: All component dimensions given in U.S. inches
1 inch = 25.4 mm

TRACTOR - MODEL NO. TC 130 (96051012301), PRODUCT NO. 960 51 01-23
BAGGER 46



SRD_BAGGER_14_r3

**TRACTOR - MODEL NO. TC 130 (96051012301), PRODUCT NO. 960 51 01-23
BAGGER 46**

| KEY NO. | PART NO. | DESCRIPTION |
|----------------|-----------------|-----------------------------------|
| 1 | 532 42 86-10 | Tube Handle Bagger SRD |
| 2 | 532 44 13-58 | Applique |
| 3 | 532 41 38-08 | Nut Push |
| 4 | 579 78 54-01 | Frame Asm Bagger Top |
| 5 | 532 41 76-32 | Frame Asm Top Bagger SRD |
| 6 | 532 12 68-75 | Drilled Rivit |
| 7 | 873 90 04-00 | Nut Hex Flange 1/4-20 unc |
| 8 | 532 44 12-61 | Bagger Top |
| 9 | 532 41 76-29 | Insert Handle Bagger |
| 10 | 532 41 71-90 | Frame Front |
| 11 | 532 41 71-88 | Tubing Brace Bagger |
| 12 | 532 42 17-93 | Nut Square 1/4 |
| 13 | 532 42 17-80 | Screw 1/4 x 1.150 HXWSH |
| 15 | 532 42 18-01 | Screw #8 Flat Head Drill Tip |
| 16 | 532 42 15-66 | Deflector Bagger |
| 17 | 532 42 17-49 | Lever Bagger Full |
| 18 | 532 42 17-50 | Paddle Bagger Full |
| 21 | 532 42 99-81 | Bag Asm SRD |
| 22 | 532 14 24-32 | Screw Hex WSH Hi-Lo 1/4 - 1/2 unc |
| 23 | 872 04 04-10 | Bolt Carr 1/4-20 unc x 1-1/4 |
| 25 | 532 42 16-14 | Spring Latch Bagger |
| 26 | 817 49 04-12 | Screw Hex Thdrol 1/4-20 x 3/4 |
| 27 | 532 42 12-62 | Grommet, Rubber SRD |
| 28 | 532 16 57-87 | Grip Handle Black |
| 29 | 532 19 42-08 | Pin Cotter 5/16 Bow Tie Lock |
| 46 | 501 40 66-01 | Screw Hx Cap 1/4-20 x 1.5 |
| 97 | 590 10 57-01 | Screw Torx Butn HD 1/4-20-1.5" |

NOTE: All component dimensions given in U.S. inches
1 inch = 25.4 mm

ОФИЦИАЛЬНЫЙ ДИЛЕР В УКРАИНЕ:

storgom.ua

ГРАФИК РАБОТЫ:

Пн. – Пт.: с 8:30 по 18:30

Сб.: с 09:00 по 16:00

Вс.: с 10:00 по 16:00

КОНТАКТЫ:

+38 (044) 360-46-77

+38 (066) 77-395-77

+38 (097) 77-236-77

+38 (093) 360-46-77

Детальное описание товара: <https://storgom.ua/product/traktor-husqvarna-ts-130.html>

Другие товары: <https://storgom.ua/raidery.html>