



ELITE 80

MASONRY SAW

WATER TANK

Realized in ABS material, crash and consumption proof.

- Planned to divide the cutting rubble from the recycling water's area
- Easy to clean

KIT WHEELS

The wheels are Ø200 mm and can be fixed at the legs by means eyebolts.

Due to their conception and for the legs' inclination, are very functional and allow the machine to be easily moved if lightly lifted up by the handles.

STORAGE

Build to reduce at the maximum the encumbrance during the carriage and above all the storage space

Designed and made in Italy

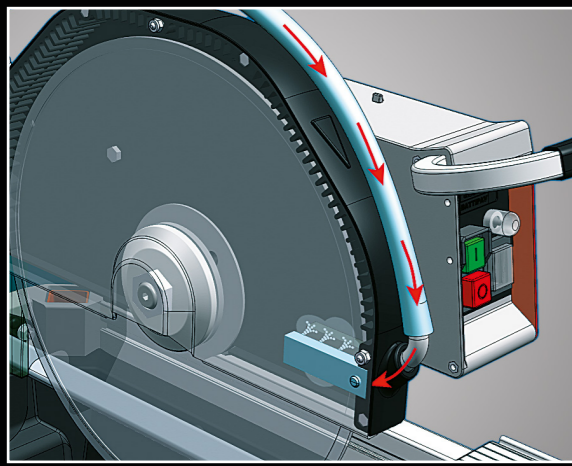


	Art. 9000	Art. 9001
DIAMOND DISK (not included)	Ø350 mm	
ENGINE	230V 50Hz 3Hp/2,2kW	
ROTATION SPEED	2800 rpm	
AMPEROMETRICAL PROTECTION	13A	
MAX CUTTING LENGTH	800 mm	
MAX CUTTING DEPTH AT 90°	110 mm	
MAX CUTTING DEPTH WITH 2 RUNS	130 mm	
MAX CUTTING DEPTH AT 45°	80 mm	
WORKING SIZE TABLE	520 x 442 mm	
WATER RECYCLING PUMP TYPE	S2 standard	
KIT WHEELS	Optional	Standard
LASER INSTRUMENT	Optional	Standard
DIMENSION MACHINE IN SERVICE	1180x770x h. 1300 mm	1240x900x h. 1300 mm
DIMENSION MACHINE IN STOCK	800x1200x h. 970 mm	
DIMENSION 3 MACHINES ON PALLET	800x1200x h. 2260 mm	
NET WEIGHT	65 Kg	68 Kg



APPLICATION

Built to cut tiles, bricks, stones, concrete blocks, granite, marble and natural stones



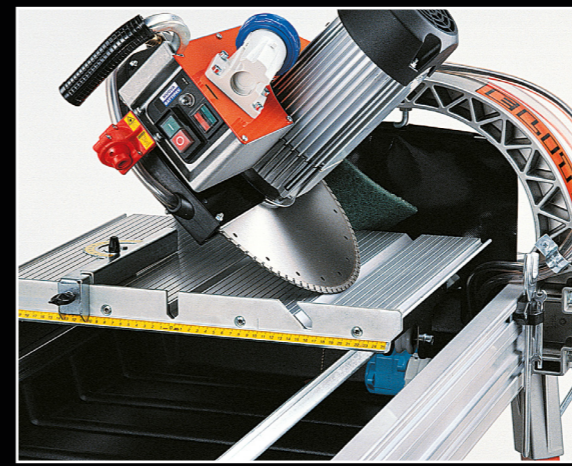
Spray system **SPRAY SYSTEM**

Patented system that improves the lubrication of diamond disk and ensures higher cutting performance and longer-lasting blades.



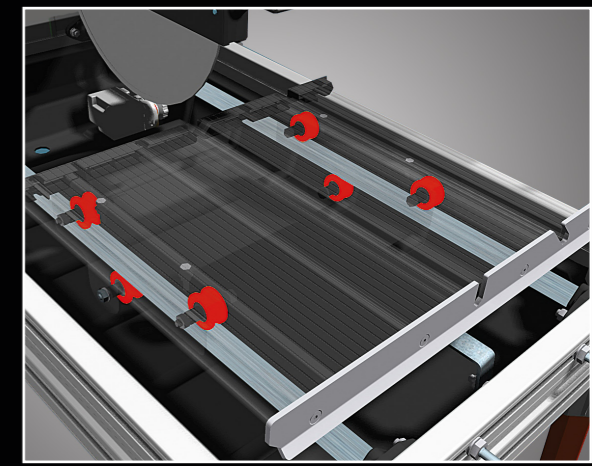
CUTTING HEAD

Tilting cutting head for one greater rapidity and precision in the execution of particular cuts. It can be locked at the wished height.



45° CUT

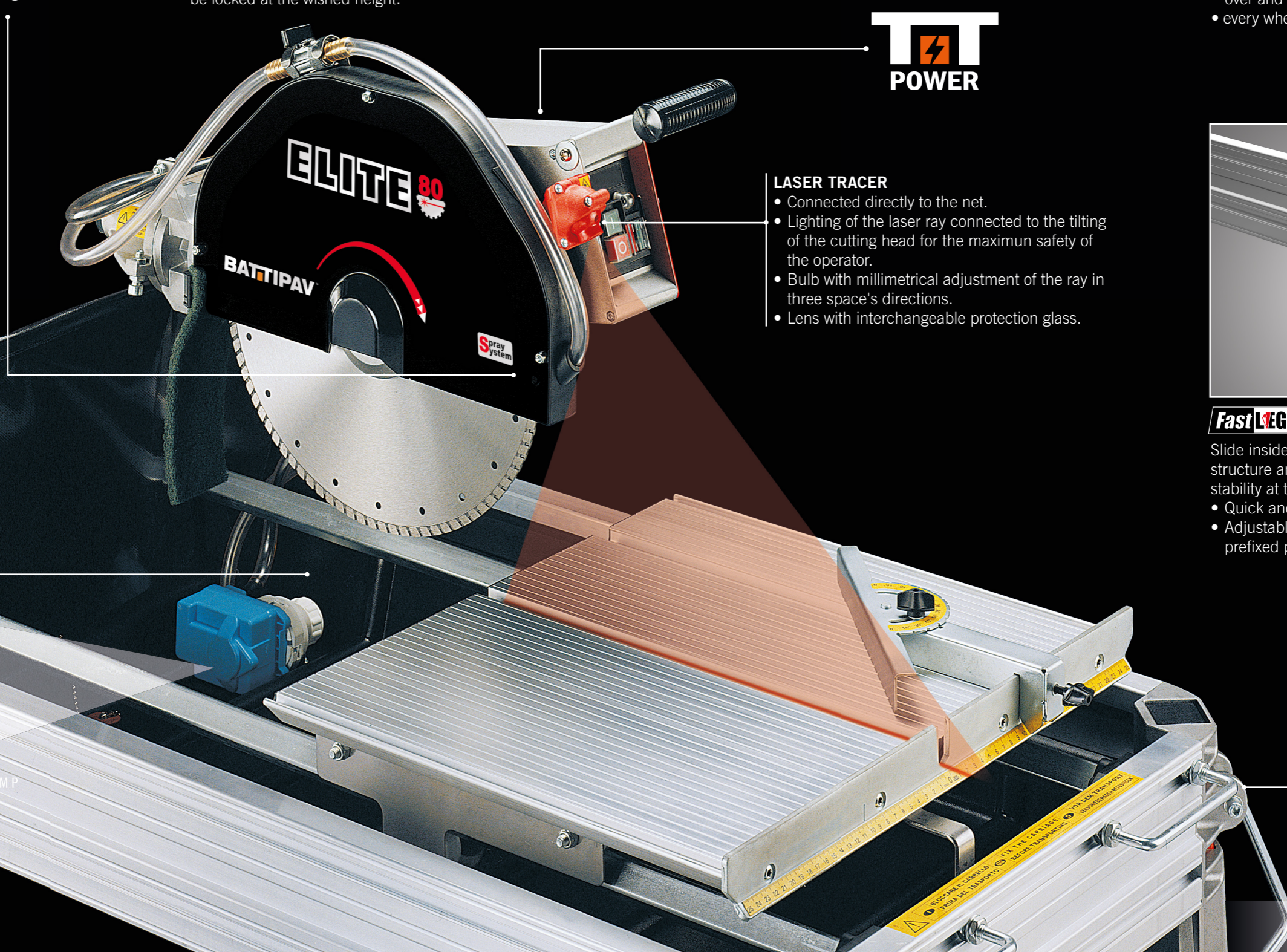
Position 45° angle cuts with relative tilting of the cutting head



WORKING TABLE

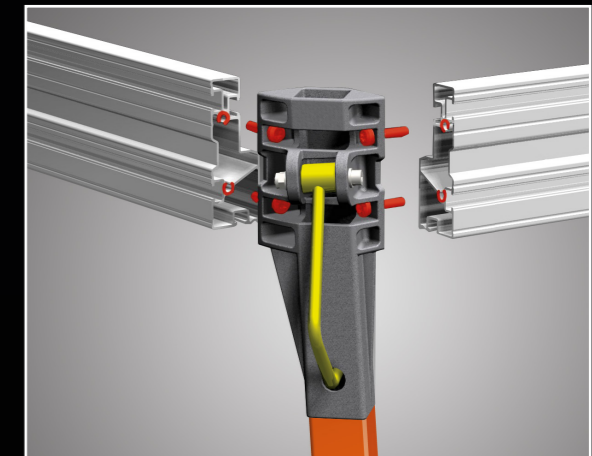
The working table is very strong and steady.

- It slides on 2 steel square rails with 6 wheels; 4 over and 2 under.
- every wheel has 2 ball bearings for a total of 12.



LASER TRACER

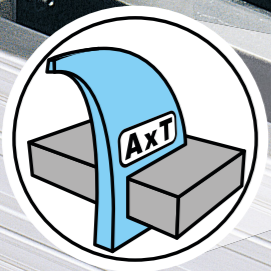
- Connected directly to the net.
- Lighting of the laser ray connected to the tilting of the cutting head for the maximum safety of the operator.
- Bulb with millimetrical adjustment of the ray in three space's directions.
- Lens with interchangeable protection glass.



FastLEG FAST LEG

Slide inside special attachments, integrated to the structure and bell-shaped inclined, assuring great stability at the machine.

- Quick and strong locking with eccentric.
- Adjustable height in every position, with three prefixed positions.



ORIGINAL RECYCLING PUMP

ОФИЦИАЛЬНЫЙ ДИЛЕР В УКРАИНЕ:

storgom.ua

ГРАФИК РАБОТЫ:

Пн. – Пт.: с 8:30 по 18:30

Сб.: с 09:00 по 16:00

Вс.: с 10:00 по 16:00

КОНТАКТЫ:

+38 (044) 360-46-77

+38 (066) 77-395-77

+38 (097) 77-236-77

+38 (093) 360-46-77

Детальное описание товара: <https://storgom.ua/product/stanok-dlia-obrabotki-plitki-kamnia-nuova-battipav-elite-80s.html>

Другие товары: <https://storgom.ua/kamnerezy.html>