

Art.Nr.
4901402901
AusgabeNr.
4901402850
Rev.Nr.
01/04/2015



schepach



deco-flex

D	Dekupiersäge Original-Betriebsanweisung
GB	Scroll Saw Translation from the original instruction manual
FR	Scie alternative à découper Traduction du manuel d'origine
IT	Segatrice a svolgerre Traduzione dalle istruzioni d'uso originali
PL	Wyrzynarka Tłumaczenie oryginalu instrukcji obsługi
CZ	Lupínková pila Překlad originálního návodu k obsluze

SK	Lupienková pila Preklad originálneho návodu na obsluhu
SI	Dekupirna žaga Prevod originalnih navodil za uporabo
EE	Jõhvsaag Preklad originálneho návodu na obsluhu
LV	Figūrzāģis Tulkojums no lietošanas instrukcijas oriģināla
LT	Siūlinis Pjūklas Vertimas iš originalaus eksploatavimo vadovo
NL	Decoupeerzaag Vertaling van de originele handleiding
FI	Kuviosaha Käännös alkuperäisestä käyttöohjeesta

Nachdrucke, auch auszugsweise, bedürfen der Genehmigung. Technische Änderungen vorbehalten. Abbildungen beispielhaft!

D	Dekupiersäge	6-14
GB	Scroll Saw	15-23
FR	Scie alternative à découper	24-32
IT	Segatrice a svolgerre	33-41
PL	Wyrzynarka	42-50
CZ	Lupínková pila	51-59
SK	Lupienková píla	60-68
SI	Dekupirna žaga	69-77
EE	Jõhvsaag	78-85
LV	Figūrzāģis	86-93
LT	Siūlinis Pjūklas	94-102
NL	Decoupeerzaag	103-111
FI	Kuviosaha	112-120

Fig. 1



Fig. 2

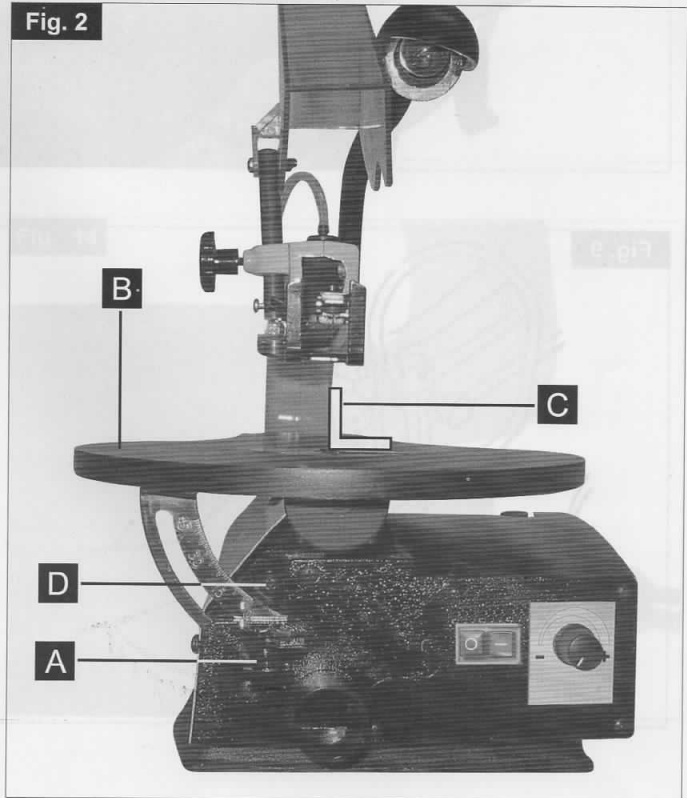


Fig. 3



Fig. 4

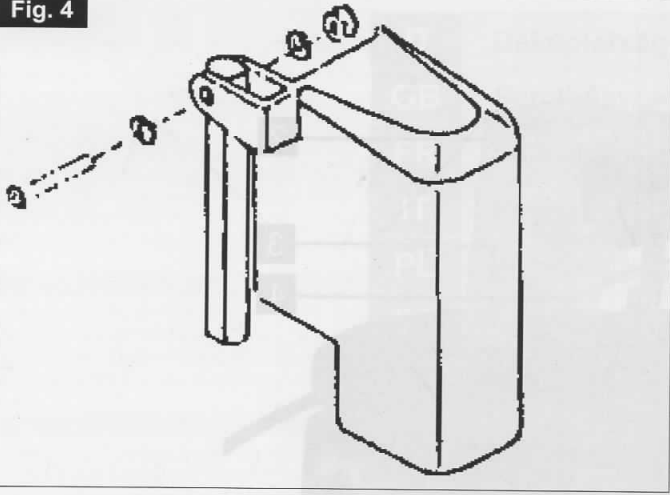


Fig. 5

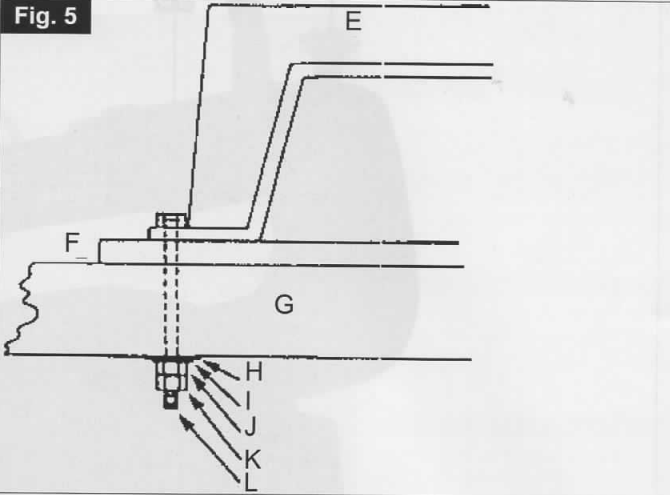


Fig. 6



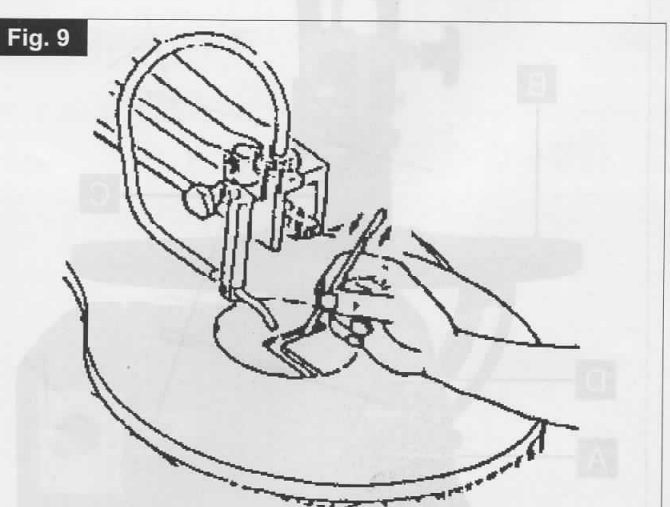
Fig. 7



Fig. 8



Fig. 9



Erklärung der Symbole auf dem Gerat

Inhaltsverzeichnis

Fig. 10

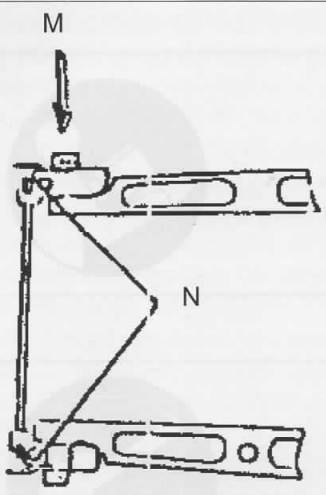


Fig. 11

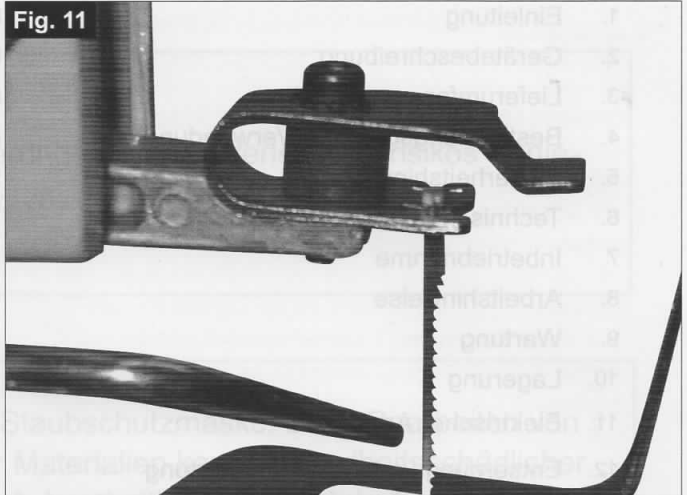


Fig. 12

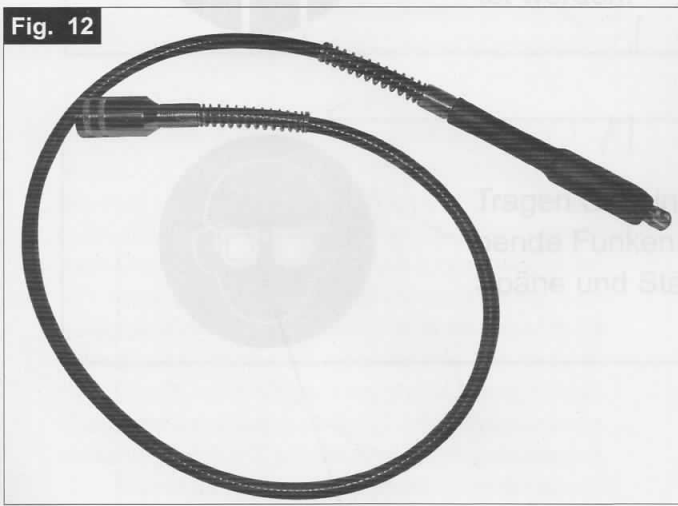


Fig. 13

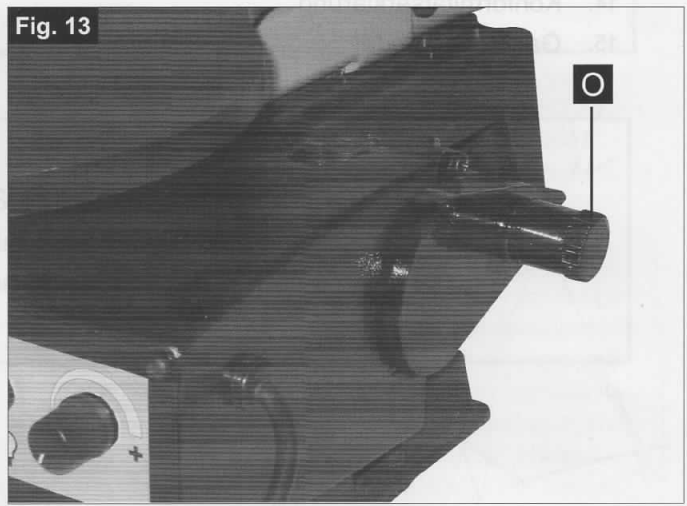


Fig. 14

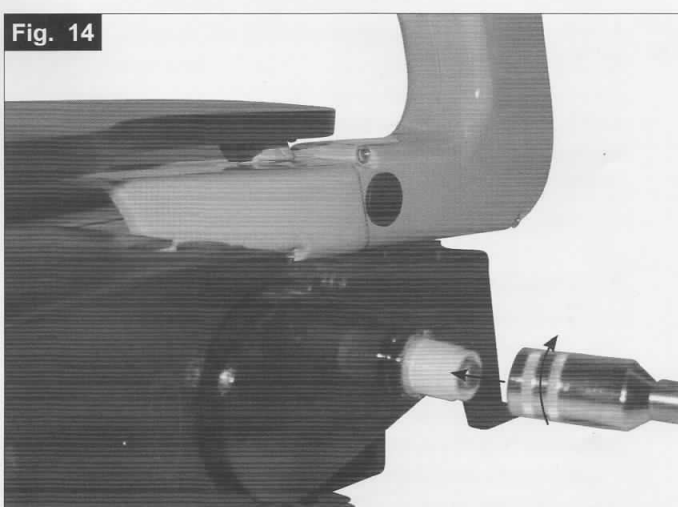
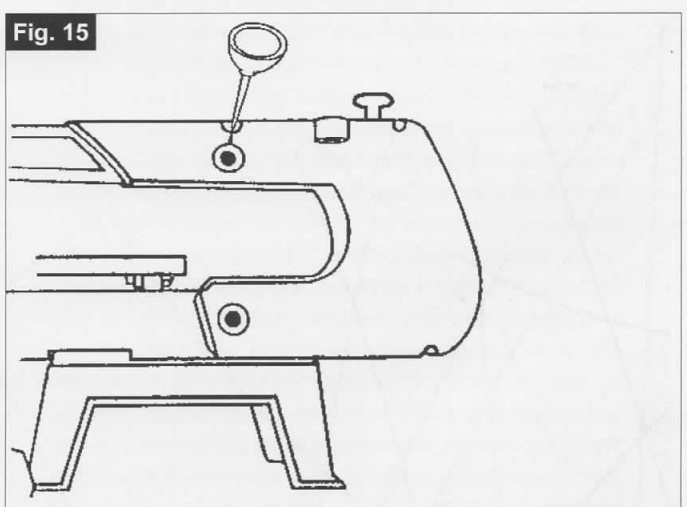


Fig. 15



1. Introduction

Manufacturer:

scheppach

Fabrikation von Holzbearbeitungsmaschinen GmbH
Günzburger Straße 69
D-89335 Ichenhausen

Dear customer,

we wish you a pleasant and successful working experience with your new scheppach Scroll Saw.

Note:

According to the applicable product liability law the manufacturer of this device is not liable for damages which arise on or in connection with this device in case of:

- improper handling
- non-compliance with the instructions for use
- repairs by third party, non authorized skilled workers
- installation and replacement of non-original spare parts
- improper use
- failures of the electrical system due to the non-compliance with the electrical specifications and the VDE 0100, DIN 57113 / VDE 0113 regulations

Warning

To avoid electrical hazards, fire hazards, or damage to the tool, use proper circuit protection.

Your drill press is wired at the factory for 230 V operation. Connect to a 230 V/15 amp branch circuit and use a 15 amp time delay fuse or circuit breaker. To avoid shock or fire, replace power cord immediately if it is worn, cut or damaged in any way.

Recommendations:

Read the entire text of the operating instructions prior to the assembly and operation of the device.

These operating instructions are intended to make it easier for you to get familiar with your device and utilize its intended possibilities of use.

The operating instructions contain important notes on how to work safely, properly and economically with your machine and how to avoid dangers, save repair costs, reduce downtime, and increase the reliability and working life of the machine.

In addition to the safety regulations contained herein, you must in any case comply with the applicable regulations of your country with respect to the operation of the machine.

Put the operating instructions in a clear plastic folder to protect them from dirt and humidity, and store them near the machine. The instructions must be read and carefully observed by each operator prior to starting the work. Only persons who have been trained in the use of the machine and have been informed on the

related dangers and risks are allowed to use the machine. The required minimum age must be met.

In addition to the safety notes contained in the present operating instructions and the special regulations of your country, the generally recognized technical rules for the operation of wood working machines must be observed.

2. Device description (Fig. 1)

1. Clamping screw: for removing the saw blade.
2. Blade guard: protects your hands from injury.
3. Work piece holder
4. Shavings blower: keeps the workpiece area free from dust.
5. electronic speed switch deco 402: Speed switch
6. On/Off switch
7. Angle scale: you can read the angle position of the table with this scale.
8. Lighting
9. Flexible shaft with drill chuck
10. Setting gauge for saw blades without pin

3. Scope of delivery

- When you unpack the device, check all parts for possible transport damages. In case of complaints the supplier is to be informed immediately.
- Complaints received at a later date will not be acknowledged.
- Check the delivery for completeness.
- Read the operating instructions to make yourself familiar with the device prior to using it.
- Only use original scheppach parts for accessories as well as for wearing and spare parts. Spare parts are available from your specialized dealer.
- Specify our part numbers as well as the type and year of construction of the device in your orders.

⚠ ATTENTION

The device and packaging materials are not toys! Children must not be allowed to play with plastic bags, film and small parts! There is a risk of swallowing and suffocation!

4. Intended use

CE tested machines meet all valid EC machine guidelines as well as all relevant guidelines for each machine.

- The machine must only be used in technically perfect condition in accordance with its designated use and the instructions set out in the operating manual, and only by safety-conscious persons who are fully aware of the risks involved in operating the machine. Any functional disorders, especially those affecting the safety of the machine, should therefore be rectified immediately.
- The safety, work and maintenance instructions

of the manufacturer as well as the technical data given in the calibrations and dimensions must be adhered to.

- Relevant accident prevention regulations and other, generally recognized safety-technical rules must also be adhered to.
- The machine may only be used, maintained, and operated by persons familiar with it and instructed in its operation and procedures. Arbitrary alterations to the machine release the manufacturer from all responsibility for any resulting damages.
- The machine may only be used with original accessories and tools made by the manufacturer.
- Any other use exceeds authorization. The manufacturer is not responsible for any damages resulting from unauthorized use; risk is the sole responsibility of the operator.

Please note that our equipment has not been designed for use in commercial, trade or industrial applications. Our warranty will be voided if the equipment is used in commercial, trade or industrial businesses or for equivalent purposes.

5. Safety information

Attention! The following basic safety measures must be observed when using electric tools for protection against electric shock, and the risk of injury and fire. Read all these notices before using the electric tool and keep the safety instructions for later reference.

Safe work

- 1 Keep the work area orderly
 - Disorder in the work area can lead to accidents.
- 2 Take environmental influences into account
 - Do not expose electric tools to rain.
 - Do not use electric tools in a damp or wet environment.
 - Make sure that the work area is well-illuminated.
 - Do not use electric tools where there is a risk of fire or explosion.
- 3 Protect yourself from electric shock
 - Avoid physical contact with earthed parts (e.g. pipes, radiators, electric ranges, cooling units).
- 4 Keep children away
 - Do not allow other persons to touch the equipment or cable, keep them away from your work area.
- 5 Securely store unused electric tools
 - Unused electric tools should be stored in a dry, elevated or closed location out of the reach of children.
- 6 Do not overload your electric tool
 - They work better and more safely in the specified output range.

- 7 Use the correct electric tool
 - Do not use low-output electric tools for heavy work.
 - Do not use the electric tool for purposes for which it is not intended. For example, do not use handheld circular saws for the cutting of branches or logs.
 - Do not use the electric tool to cut firewood.
- 8 Wear suitable clothing
 - Do not wear wide clothing or jewellery, which can become entangled in moving parts.
 - When working outdoors, anti-slip footwear is recommended.
 - Tie long hair back in a hair net.
- 9 Use protective equipment
 - Wear protective goggles.
 - Wear a mask when carrying out dust-creating work.
- 10 Connect the dust extraction device
 - If connections for dust extraction and a collecting device are present, make sure that they are connected and used properly.
 - Operation in enclosed areas is only permitted with a suitable extraction system.
- 11 Do not use the cable for purposes for which it is not intended
 - Do not use the cable to pull the plug out of the outlet. Protect the cable from heat, oil and sharp edges.
- 12 Secure the workpiece
 - Use the clamping devices or a vice to hold the workpiece in place. In this manner, it is held more securely than with your hand.
 - An additional support is necessary for long workpieces (table, trestle, etc.) in order to prevent the machine from tipping over.
 - Always press the workpiece firmly against the working plate and stop in order to prevent bouncing and twisting of the workpiece.
- 13 Avoid abnormal posture
 - Make sure that you have secure footing and always maintain your balance.
 - Avoid awkward hand positions in which a sudden slip could cause one or both hands to come into contact with the saw blade.
- 14 Take care of your tools
 - Keep cutting tools sharp and clean in order to be able to work better and more safely.
 - Follow the instructions for lubrication and for tool replacement.
 - Check the connection cable of the electric tool regularly and have it replaced by a recognised specialist when damaged.
 - Check extension cables regularly and replace them when damaged.
 - Keep the handle dry, clean and free of oil and grease.
- 15 Pull the plug out of the outlet
 - Never remove loose splinters, chips or

- jammed wood pieces from the running saw blade.
- During non-use of the electric tool or prior to maintenance and when replacing tools such as saw blades, bits, milling heads.
- 16 Do not leave a tool key inserted**
 - Before switching on, make sure that keys and adjusting tools are removed.
- 17 Avoid inadvertent starting**
 - Make sure that the switch is switched off when plugging the plug into an outlet.
- 18 Use extension cables for outdoors**
 - Only use approved and appropriately identified extension cables for use outdoors.
 - Only use cable reels in the unrolled state.
- 19 Remain attentive**
 - Pay attention to what you are doing. Remain sensible when working. Do not use the electric tool when you are distracted.
- 20 Check the electric tool for potential damage**
 - Protective devices and other parts must be carefully inspected to ensure that they are fault-free and function as intended prior to continued use of the electric tool.
 - Check whether the moving parts function faultlessly and do not jam or whether parts are damaged. All parts must be correctly mounted and all conditions must be fulfilled to ensure fault-free operation of the electric tool.
 - The moving protective hood may not be fixed in the open position.
 - Damaged protective devices and parts must be properly repaired or replaced by a recognised workshop, insofar as nothing different is specified in the operating manual.
 - Damaged switches must be replaced at a customer service workshop.
 - Do not use any faulty or damaged connection cables.
 - Do not use any electric tool on which the switch cannot be switched on and off.
- 21 ATTENTION!**
 - Exercise elevated caution for double mitre cuts.
- 22 ATTENTION!**
 - The use of other insertion tools and other accessories can entail a risk of injury.
- 23 Have your electric tool repaired by a qualified electrician**
 - This electric tool conforms to the applicable safety regulations. Repairs may only be performed by an electrician using original spare parts. Otherwise accidents can occur.

ADDITIONAL SAFETY RULES FOR SCROLL SAWS

- This scroll saw is intended for use in dry conditions, and for indoor use only.
- Do not cut pieces of material too small to hold by hand outside the blade guard.

- Avoid awkward hand positions where a sudden slip could cause a hand to move into the blade.
- Always use the blade guard to avoid possible injury due to blade breakage.
- Never leave the scroll saw work area with the power (01), or before the machine has come to a complete stop.
- Do not perform layout, assembly or set up work on the table while the cutting tool is in operation.
- Never turn your scroll saw on before clearing the table of all objects: (tools, scraps of wood, etc) except for the workpiece and related feed or support devices for the operation planned.

Remaining hazards

The machine has been built using modern technology in accordance with recognized safety rules. Some remaining hazards, however, may still exist.

- Long hair and loose clothing can be hazardous when the work piece is rotating. Wear personal protective gear such as a hair net and tight fitting work clothes.
- Saw dust and wood chips can be hazardous. Wear personal protective gear such as safety goggles and a dust mask.
- The use of incorrect or damaged mains cables can lead to injuries caused by electricity.
- Even when all safety measures are taken, some remaining hazards which are not yet evident may still be present.
- Remaining hazards can be minimized by following the instructions in „Safety Precautions“, „Proper Use“ and in the entire operating manual.
- Do not force the machine unnecessarily: excessive cutting pressure may lead to rapid deterioration of the blade and a decrease in performance in terms of finish and cutting precision.
- Avoid accidental starts: do not press the start button while inserting the plug into the socket.

Keep this safety information in a safe place.

6. Technical data

deco-flex	
Extent of delivery	
	Scroll saw
	Flexible Wave
	Accessories kit
	Operating instructions
Technical data	
Dimensions L x W x H mm	630 x 320 x 380
Bench size mm	ø 255 x 415
Saw blade length mm	133
Cutting height max. mm	50
Working depth mm	405

Lifting movement mm	15
Lifting speed 1/min (electrical)	550 - 1650
Bench diagonal adjustment left degrees	0 - 45
Weight kg	15,0
Suction connection piece \varnothing mm	35
Motor	
Electrical motor	230-240 V~/50 Hz
Power consumption P1 W	90
Sound pressure level on operator's ear measured in accordance with DIN 45635 with max. speed during idle running	77,3 dB (A)

7. Installation

Setting the saw bench, Fig. 2

Setting the angle scale

- Release the star button (A) and bring the saw bench (B) to a right angle (C) in relation to the saw blade.
- Use a 90° angle to measure the right angle between the blade and the bench. The saw blade be 90° to the angle.
- Close the star button again when the distance between the blade and the 90° angle is at a minimum. The bench should then be at 90° to the saw blade.
- Release the lock screw (D) and bring the indicator to the zero position. Fasten the screw. Please note: the angle scale is a useful piece of supplementary equipment, but should not be used for precision work. Use scrap wood for saw tests, adjust the bench if necessary.

Note: The bench should not be on the motor block, this can cause undesirable noise.

Horizontal saw bench and diagonal cuts, Fig. 2+3

- The saw bench can be positioned into a 45° diagonal position or be left in the horizontal position.
- You can read off the approximate slope angle by using the angle scale located under the work bench. For more exact adjustment, use scrap wood for some saw tests; adjust the bench if necessary.

Blade guard assembly, Fig. 4

Install the blade guard to the holder as shown in the diagram. Secure the screws with a nut and washer.

- Lift the saw onto the frame and base and push it onto the workbench.
- Familiarize yourself with the saw operating elements and features.

Mounting the saw on a work bench, Fig. 5

- A workbench made from solid wood is better than one made of plywood, as interfering vibrations and noise are more noticeable with plywood.
- The necessary tools and small parts for assembling the saw on a workbench are not supplied with

the saw. However, use equipment of at least the following size:

- E Saw body
- F Foam rubber base
- G Work bench
- H Flat seal
- I Washer
- J Hexagonal nut
- K Lock nut
- L Hexagonal bolt

Quantity Description

- 4 Hexagonal bolts (6mm) 1/4-20 x length
- 4 Flat seal (7mm) 9/321.0
- 4 Washers (7mm) 9/321.0.
- 8 Hexagonal nuts (6 mm) 1/4-20

First of all, drill holes into the seating surface and then insert the screws.

- A foam rubber base for reduction of noise is not supplied with the saw either. However, we expressly recommend that you use such a base to keep vibration and noise to a minimum. Ideal size 400 x 240 mm.

CHANGING THE SAW BLADES

Warning: Switch off the saw and remove the mains supply plug before installing saw blades in order to avoid injuries caused by unintentional activation of the saw.

A. Flat saw-blades Fig. 6

Use the adapter with flat saw-blades.

The saw-blade is fixed with Allen screws.

A 1 Saw-blade removal, fig. 7+8, 10

- Extract the saw-blade by sliding the table's inlay up, then unscrew the tightening screw (1).
- Slightly press the upper arm (M) down (fig. 10).
- Then remove the sawblade by pulling it forward out of the supports and through the access perforation in the table.

A 2 Inserting the saw-blade:

- Put the saw-blade with the two adapters into the lower support, the other end into the upper support.
- Slightly press the upper arm (M) down (fig. 10) before hooking it in.
- Tighten the blade with the tightening screw (1) (fig. 7) by rotating it clockwise. Check the tightness of the blade. Keep on rotating clockwise in order to tighten the blade even more.

B. Saw-blade with pins

B 1 Saw blade removal, fig. 7 + 8

- Extract the saw-blade by first unscrewing the tightening screw (1).
- Remove the saw-blade from the upper and lower support by slightly pressing the saw's upper arm down (fig. 10, M).

B 2 Inserting the saw-blade fig 7, 9-11

- Lead one end of the saw-blade through the perforation in the table and insert the saw-blade pins into the notch. Repeat this procedure at the upper blade support.
- Before hooking it in, slightly press the saw's upper arm down. (Fig 9; Nr. 10)
- Check the position of the blade pins at the supports (fig 11).
- Tighten the blade by means of the tightening screw. Check the blade's tightness. Keep on rotating clockwise in order to tighten the blade even more. (Fig. 7).

8. Operation

A scroll saw is fundamentally a „curve cutting tool“ but which can also carry out straight and angled edge cuts. Familiarise yourself with the following important points prior to commissioning the saw.

- The saw does not automatically cut wood. You must feed the wood against the saw blade manually.
- The cutting process occurs on l y while the blade is moving downwards.
- Feed the wood slowly against the saw blade as the saw blade teeth are small and cut only while moving downwards.
- All persons carrying out work with the saw require training. The saw blade may break easily during this training time lwhile the operator is sti1l unfamiliar with the saw.
- The saw is best suited for sheets of wood less than 2.5 cm thick.
- Feed the wood especially slowly against the blade and avoid abrupt curves to prevent the saw blade from breaking, if you wish to cut wood sheets thicker than 2.5 cm.
- Saw blade teeth blunten over time, saw blades must be replaced. The saw blades are sufficient for 1/2 to 2 operating time depending upon the type of wood.
- Try and make sure that the saw blade follows the grain of the wood in order to obtain a clean cut.
- The saw speed must be reduced to minimum when cutting precious and non-terrous metals.

INSIDE CUTS

Warning: Switch off the saw and remove the mains supply plug before installing saw blades in order to avoid injuries caused by unintentional activation of the saw.

This saw is suited also to inside cuts cuts not starting at the edge of the work piece. Proceed as follows:

- Drill a 6 mm hole in the work piece.
- Loosen the blade tension er and release the tension in the blade.
- Place the bore hole over the saw blade slot in the work bench.
- Install the saw blade through the hole in the work

piece and through the work blade slot, and fasten the blade to the holders.

- When you have completed the inside cut, remove the saw blade and then remove the workpiece from the bench.

Flexible shaft, Fig. 12-14

- Remove protective cap (O) from the threaded bushing (Fig. 13).
- Place flexible shaft onto the threaded bushing (Fig. 14).
- Clamp tool in the drill chuck (D 3.2).
- Firmly hold threaded shaft at the handle and switch on the speed control.
- Having finished the work, remove the flexible shaft and place the protective cap in place. Attention: When working with the flexible shaft, cover the saw blade with the blade guard.

9. Maintenance

Warning: In the interests of operational safety, always switch off the saw and remove the mains plug before carrying out maintenance work.

General

Wipe chips and dust off the machine from time to time using a cloth.

Re-application of the wax coating on the workbench makes feeding the workpiece to the blade easier.

Motor

The mains cable should be replaced immediately if pulled out, cut or damaged in any other way.

Do not lubricate the motor bearings or internal parts!

Saw arm bearings

Lubricate the saw arm bearings every 50 hours. Proceed as follows (Fig. 15).

- Turn the saw to the side
- Apply a generous amount of SAE 20 oil to the shaft end and bronze bearings.
- Let the lubricant oil work in overnight.
- Repeat the procedure the next day on the other side of the saw.

There are no parts inside the equipment which require additional maintenance.

Special accessories

Pin saw blade-universal
135 x 2,0 x 0,25 Z 10
blade mm 1 set = 6 pieces, Article No. **8800 0011**

Pin saw blade- wood/plastic mm
135 x 2,0 x 0,25 Z 7
1 set = 6 pieces, Article No. **8800 0012**

Pin saw blade-wood mm
135 x 3,0 x 0,5 Z 4

1 set = 6 pieces,

Article No. **8800 0013**

10. Storage

Store the device and its accessories in a dark, dry and frost-proof place that is inaccessible to children. The optimum storage temperature is between 5 and 30°C. Store the electrical tool in its original packaging.

11. Electrical connection

The installed electric motor is completely wired ready for operation.

The customer's connection to the power supply system, and any extension cables that may be used, must conform with local regulations.

IMPORTANT REMARK:

The motor is automatically switched off in the event of an overload. The motor can be switched on again after a cooling down period that can vary.

DEFECTIVE ELECTRICAL CONNECTION CABLES

Electrical connection cables often suffer insulation damage.

Possible causes are:

- Pinch points when connection cables are run through window or door gaps.
- Kinks resulting from incorrect attachment or laying of the connection cable.
- Cuts resulting from running over the connecting cable.
- Insulation damage resulting from forcefully pulling out of the wall socket.
- Cracks through aging of insulation.

Such defective electrical connection cables must not be used as the insulation damage makes them extremely hazardous.

Check electrical connection cables regularly for damage. Make sure the cable is disconnected from the mains when checking.

Electrical connection cables must comply with the regulations applicable in your country.

SINGLE-PHASE MOTOR

- The mains voltage must coincide with the voltage specified on the motor's rating plate.
- Extension cables up to a length of 25 m must have a cross-section of 1.5 mm², and beyond 25 m at least 2.5 mm².
- The connection to the mains must be protected with a 16 A slow-acting fuse.

Only a qualified electrician is permitted to connect the machine and complete repairs on its electrical equipment.

In the event of enquiries please specify the following data:

- Motor manufacturer
- Type of current of the motor
- Data recorded on the machine's rating plate
- Data recorded on the switch's rating plate

If a motor has to be returned, it must always be dispatched with the complete driving unit and switch.

12. Disposal and recycling

The equipment is supplied in packaging to prevent it from being damaged in transit. The raw materials in this packaging can be reused or recycled. Never place batteries in your household refuse, in fire or in water. Batteries should be collected, recycled or disposed of by environment-friendly means. The equipment and its accessories are made of various types of material, such as metal and plastic. Defective components must be disposed of as special waste. Ask your dealer or your local council.

13. Troubleshooting

Warning: In the interests of operational safety, always switch off the saw and remove the mains plug before carrying out maintenance work.

Fault	Possible causes	Action
Saw blades break	Tension incorrectly set	Set the correct tension
	Load too great	Feed the workpiece more slowly
	Incorrect saw blade variety	Use the correct saw blades
	Workpiece not fed straight	Avoid exerting pressure from the side
Motor does not function	Mains cable faulty	Change faulty parts
	Motor faulty	Call customer service. Do not attempt to repair the motor yourself as this should be carried out by trained personnel.
Vibration NOTE: The saw vibrates slightly when the motor is running in normal operation.	Saw incorrectly installed	Refer to the instructions given earlier in this manual for information on installing the saw
	Unsuitable underlay	The heavier the work bench is, the less the vibration. A bench made from ply wood always vibrates more than one made from solid wood. Select the work bench best suited to your working conditions
	The work bench is not screwed down or is on the motor	Tighten the locking lever
	The motor is not secured	Securely screw the motor in place
Saw blade swings out Holders not aligned straight	Holders not aligned	Loosen the screws with which the holders are fastened to the arm. Align the holders so that they are perpendicular to each other and retighten the screws.

ОФИЦИАЛЬНЫЙ ДИЛЕР В УКРАИНЕ:

storgom.ua

ГРАФИК РАБОТЫ:

Пн. – Пт.: с 8:30 по 18:30

Сб.: с 09:00 по 16:00

Вс.: с 10:00 по 16:00

КОНТАКТЫ:

+38 (044) 360-46-77

+38 (066) 77-395-77

+38 (097) 77-236-77

+38 (093) 360-46-77

Детальное описание товара:

<https://storgom.ua/product/lobzikovyj-standok-scheppach-deco-flex-nabor-prinadlezhnostei.html>

Другие товары: <https://storgom.ua/lobzikovye-stanki.html>