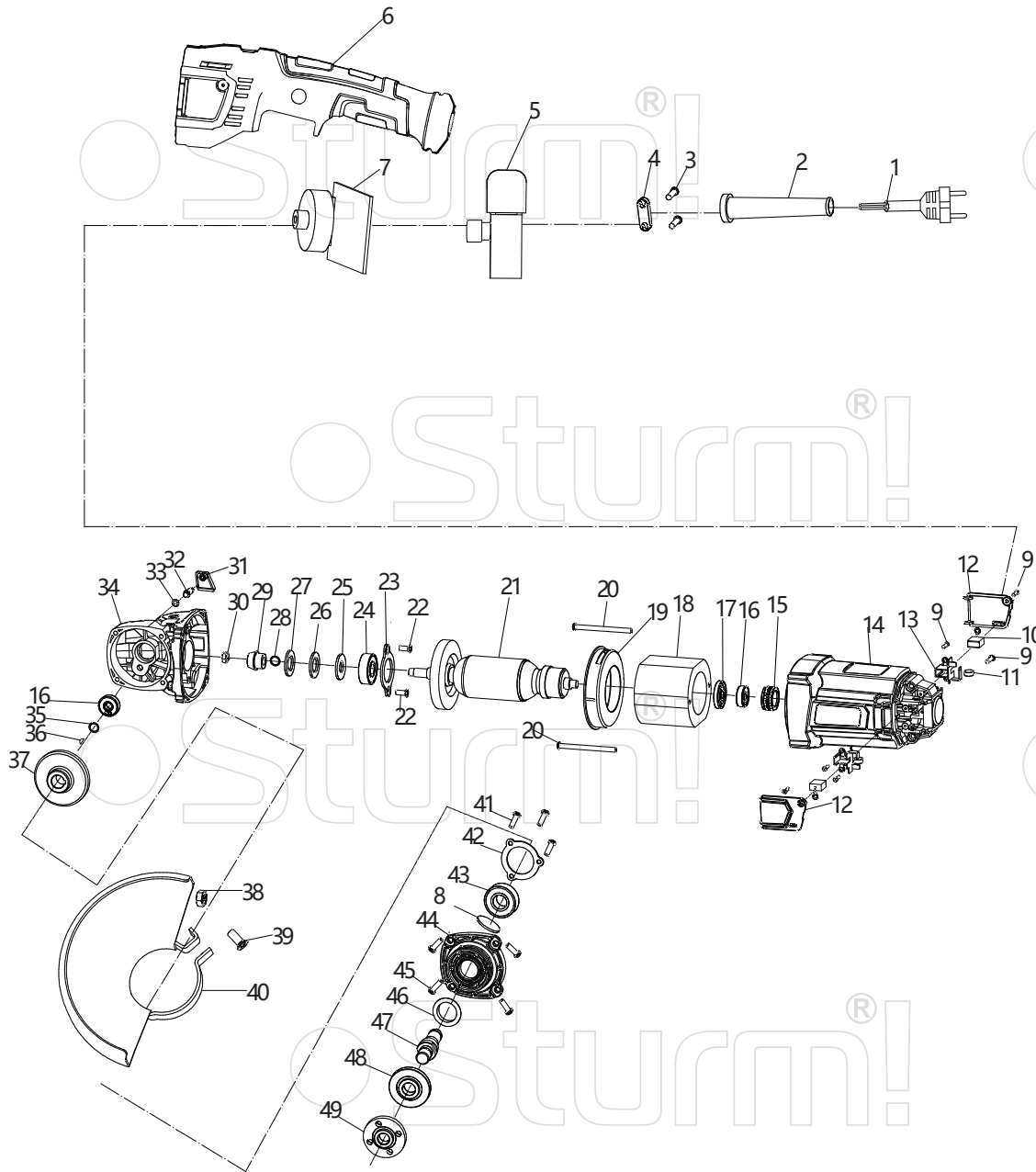


AG9018PE



| NO. | DESCRIPTION | NO. | DESCRIPTION |
|-----|--------------------|-----|-----------------|
| 1 | CABLE | 28 | O-RING |
| 2 | CABLE SLEEVE | 29 | PINION |
| 3 | TAPPING SCREW | 30 | NUT |
| 4 | CABLE PRESS BOARD | 31 | LOCKING BUTTON |
| 5 | SWITCH | 32 | LOCKING PIN |
| 6 | HANDLE | 33 | O-RING |
| 7 | CONSTANT POWER PCB | 34 | HOUSING |
| 8 | O-RING | 35 | CIRCLIP |
| 9 | TAPPING SCREW | 36 | KEY |
| 10 | CARBON BRUSH | 37 | GEAR |
| 11 | COIL SPRING | 38 | NUT |
| 12 | BRUSH HOLDER COVER | 39 | SCREW |
| 13 | BRUSH HOLDER | 40 | GUARD |
| 14 | HOUSING | 41 | SCREW |
| 15 | BEARING COVER | 42 | PRESS BAORD |
| 16 | BEARING 608RS | 43 | BEARING 6202RS |
| 17 | ANTI-DUST COVER | 44 | FRONT COVER |
| 18 | STATOR | 45 | SCREW |
| 19 | WIND GUIDE | 46 | ANTI-DUST COVER |
| 20 | TAPPING SCREW | 47 | SPINDLE |
| 21 | ROTOR | 48 | DOWN FLANGE |
| 22 | SCREW | 49 | UPPER FLANGE |
| 23 | PRESS BAORD | | |
| 24 | BEARING 6201RS | | |
| 25 | WOOL WASHER | | |
| 26 | WASHER | | |
| 27 | WASHER | | |

ОФИЦИАЛЬНЫЙ ДИЛЕР В УКРАИНЕ:

storgom.ua

ГРАФИК РАБОТЫ:

Пн. – Пт.: с 8:30 по 18:30

Сб.: с 09:00 по 16:00

Вс.: с 10:00 по 16:00

КОНТАКТЫ:

+38 (044) 360-46-77

+38 (066) 77-395-77

+38 (097) 77-236-77

+38 (093) 360-46-77

Детальное описание товара: <https://storgom.ua/product/sturm-182007.html>

Другие товары: <https://storgom.ua/akkumulyatornyye-bolgarki.html>