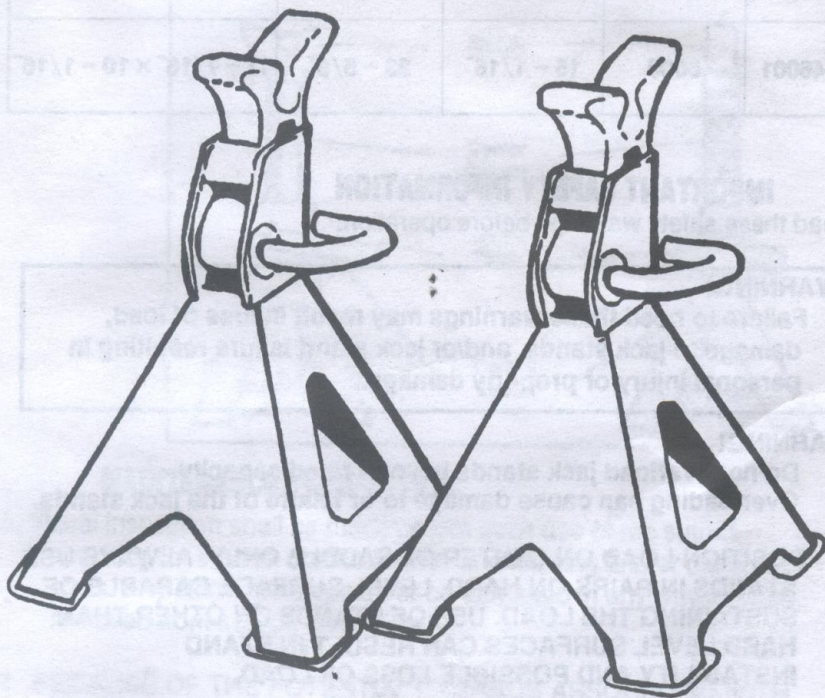


HEAVY DUTY JACK STANDS

OWNER'S MANUAL



FOR YOUR SAFETY,
please read these instructions carefully and retain them for future use.

SPECIFICATIONS

Specifications are subject to
change without notice

MODEL	CAPACITY (KG)	MIN. HEIGHT ↗	MAX. HEIGHT ↘	BASE DIMENSION
T42001	2000	10 - 7/16"	16 - 7/16"	7 - 1/2" x 6 - 7/8"
T43001	3000	11 - 1/16"	16 - 1/2"	8 - 1/16" x 7 - 1/4"
T46001	6000	15 - 1/16"	23 - 5/8"	11 - 7/16" x 10 - 1/16"

IMPORTANT SAFETY INFORMATION

Read these safety warnings before operation.

WARNING!

Failure to heed these warnings may result in loss of load, damage to jack stands, and/or jack stand failure resulting in personal injury or property damage.

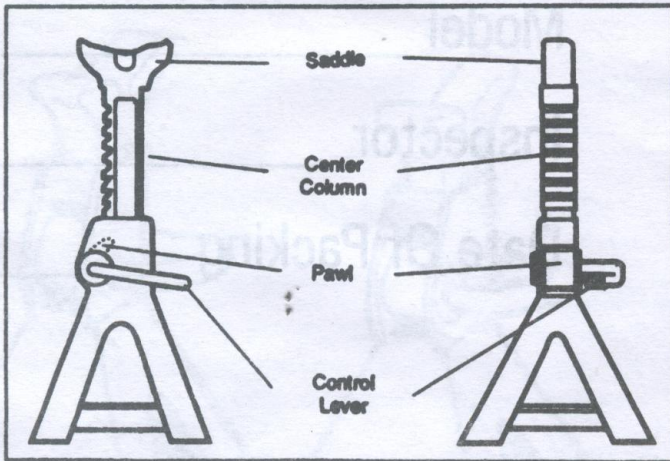
WARNING!

Do not overload jack stands beyond rated capacity.
Overloading can cause damage to or failure of the jack stands.

POSITION LOAD ON CENTER OF SADDLE ONLY. ALWAYS USE STANDS IN PAIRS ON HARD, LEVEL SURFACE CAPABLE OF SUSTAINING THE LOAD. USE OF STANDS ON OTHER THAN HARD LEVEL SURFACES CAN RESULT IN STAND INSTABILITY AND POSSIBLE LOSS OF LOAD.

OPERATION

1. Refer to your vehicle owner's manual for proper jacking procedures. Lift only on areas of the vehicle as specified by vehicle manufacturer.
2. Position stands under vehicle at points specified by vehicle manufacturer as proper load support points.
3. To adjust stands: Hold control lever up while lifting saddle shaft to desired height. Push control lever down to lock pawl into teeth located in center column. **MAKE SURE PAWL IS FULLY ENGAGED INTO TEETH.**
4. Carefully lower load onto stands.



MAINTENANCE & INSPECTION

1. Visual inspection shall be made before each use of the stands, checking for cracks, cracked welds and missing and/or damaged parts. Any stand that appears to be damaged in any way shall be removed from service immediately.
2. **BECAUSE OF THE POTENTIAL HAZARDS ASSOCIATED WITH THE MISUSE OF EQUIPMENT OF THIS TYPE, NO MODIFICATIONS SHALL BE MADE TO THE PRODUCT.**

FOR YOUR SAFETY

Always read these instructions carefully before using this product.

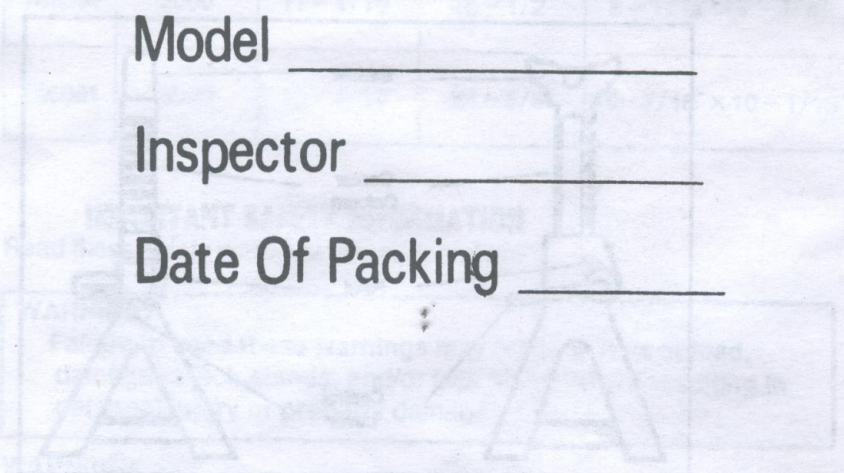
TEST CERTIFICATE

Product JACK STAND

Model _____

Inspector _____

Date Of Packing _____



BECAUSE OF THE POTENTIAL HAZARDS ASSOCIATED WITH THE MISUSE OF EQUIPMENT OF THIS TYPE, NO MODIFICATIONS SHALL BE MADE TO THE PRODUCT.

ОФИЦИАЛЬНЫЙ ДИЛЕР В УКРАИНЕ:
storgom.ua

ГРАФИК РАБОТЫ:

Пн. – Пт.: с 8:30 по 18:30

Сб.: с 09:00 по 16:00

Вс.: с 10:00 по 16:00

КОНТАКТЫ:

+38 (044) 360-46-77

+38 (066) 77-395-77

+38 (097) 77-236-77

+38 (093) 360-46-77

Детальное описание товара:

<https://storgom.ua/product/torin-167771.html>

Другие товары: <https://storgom.ua/domkraty.html>