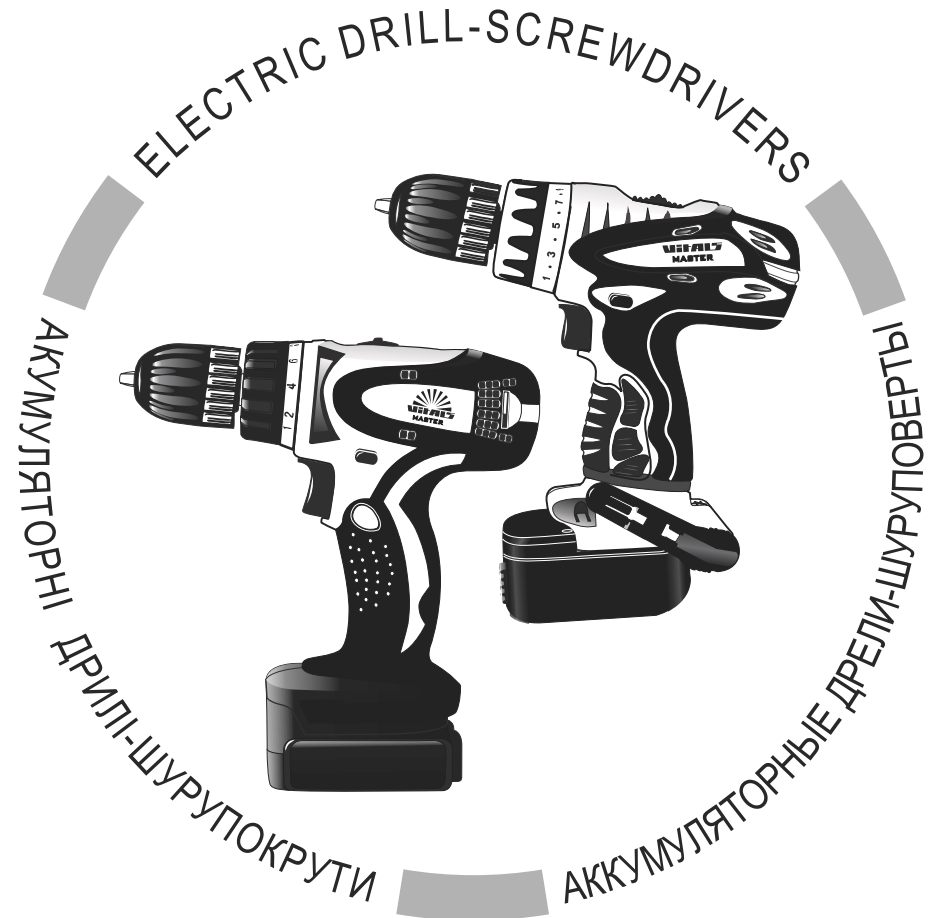


VITALS

MANUAL FOR TECHNICAL USE
ІНСТРУКЦІЯ З ЕКСПЛУАТАЦІЇ
РУКОВОДСТВО ПО ЭКСПЛУАТАЦИИ



WWW.VITALS.COM.UA



MODELS

МОДЕЛІ

МОДЕЛИ

AUmo 12/2dn • AUmo 14/2dn • AUmo 18/2dn • AUmd 12/2dn
AUmd 14/2dn • AUmd 18/2dn • AUmo 12/2dli • AUmo 14/2dli

CONTENTS

ENGLISH

1. General description	6
2. Delivery	11
3. Specifications	12
4. Safety	14
4.1. Important safety information	14
4.2. Safety operation	14
5. Operation	18
5.1. Getting started	18
5.2. Work	20
5.3. Charging	23
6. Maintenance	26
7. Handling and storage	27
8. Troubleshooting and their solution	28
9. Warranty	30

ЗМІСТ

УКРАЇНСЬКА

1. Загальний опис	34
2. Комплект поставки	39
3. Технічні характеристики	40
4. Вимоги безпеки	42
4.1. Важлива інформація щодо безпеки	42
4.2. Безпека експлуатації	42
5. Експлуатація	46
5.1. Підготовка до роботи	46
5.2. Робота	48
5.3. Зарядка акумуляторної батареї	51
6. Технічне обслуговування	54
7. Транспортування та зберігання	55
8. Можливі несправності та шляхи їх усунення	56
9. Гарантійні зобов'язання	58

СОДЕРЖАНИЕ

РУССКИЙ

1. Общее описание	62
2. Комплект поставки	67
3. Технические характеристики	68
4. Требования безопасности	70
4.1. Важная информация по безопасности	70
4.2. Безопасность эксплуатации	70
5. Эксплуатация	74
5.1. Подготовка к работе	74
5.2. Работа шуруповертом	76
5.3. Зарядка аккумуляторной батареи	79
6. Техническое обслуживание	82
7. Транспортировка и хранение	83
8. Возможные неисправности и пути их устранения	84
9. Гарантийные обязательства	86

DEAR CUSTOMER!

Thank you for purchasing a drill - electric screwdrivers TM "Vitals".

The technique TM "Vitals" developed by the European quality standards and using modern technology.

Improper use of drill - electric screwdrivers and unsafe practices that may result in damage or serious injury!

This manual contains all the necessary information on the safety at work with drill - electric screwdrivers. Carefully read the manual before using this product.

Please give other users the manual before they start to work with drill - electric screwdrivers. This manual would be stored for later use.

We are constantly working to improve its products and, therefore, reserve the right to make changes to the appearance, equipment and production technology, without changing the basic principles of management, without notice to the consumer. All possible changes will be directed to the improvement and development of the product.

KEY WORDS MEANING



WARNING!

Means potentially dangerous situations, which are to be avoided, otherwise can appear a danger for health or life.



ATTENTION!

Means potentially dangerous situations, which can lead to light injuries or damage of the mini power station.



NOTE!

Marks important additional information.

Drill - electric screwdrivers series as **AUmo** and **AUmd** (hereinafter - electric screwdrivers) are made in accordance with the current requirements of the standard and level of technology, current safety regulations and are reliable in operation. Electric screwdrivers series and AUmo AUmd have a modern design, economical, reliable, easy to use and maintain.

Distinctive features of models of screwdrivers:

- The entire range of products has two speed gearbox.
- Battery type. Depending on the model, electric screwdrivers equipped lithium-ion (Li-Ion) and nickel-cadmium (Ni-Cd) batteries. Li-Ion batteries, unlike Ni-Cd batteries have a low self-discharge, no memory effect, have a high energy density and are maintenance-free.
- Availability of complete second battery allows interrupt the waiting charge the battery.
- Battery capacity. This indicator affects the duration of the product from one battery. The higher the capacity of the battery, the longer the product can be used without the need to recharge the battery.
- Battery capacity is: model series AUmo - 1,5 Ah model series AUmd - 2,0 Ah.
- Battery voltage. This indicator determines the power of the electric motor, the torque value, and the duration of work from one battery. The higher the battery voltage, the greater the power of the product.

Electric screwdrivers is electric hand tool for inserting and removing fasteners (screws, bolts, male screws, dowels, and nuts), as well as for drilling bits with shank diameters up to 10 mm.

To work with the fasteners used bits - special interchangeable nozzles, one end of which is designed as a hexagonal shaft, and the second takes the form of a electric screwdrivers. For loosening and tightening bolts and nuts are used nozzles corresponding profile. The source of power is a battery screwdriver.

The principle of operation is as simple electric screwdrivers: when the rotational movement of the product from the DC motor is betrayed by a planetary gear. Gearbox is mechanically transfer torque to the spindle, which is fixed chuck screwdriver or a drill with a bat. The main difference from the drill electric screwdrivers - the presence of clutch-torque controller.

Clutch controller enables the user to the desired fastener torque, thus avoiding grinding slots and stripping. Once the fastener is twisted, rotating chuck stops, the motor continues to rotate at the same time (audible crackle ratchet).

Positive feature of cordless drills is their mobility and independence from a stationary source of power, and there is no danger of electric shock.

The main components of the screwdriver is provided below.

Models: AUmo 12/2dn, AUmo 14/2dn, AUmo 18/2dn,
AUmd 12/2dn, AUmd 14/2dn, AUmd 18/2dn.

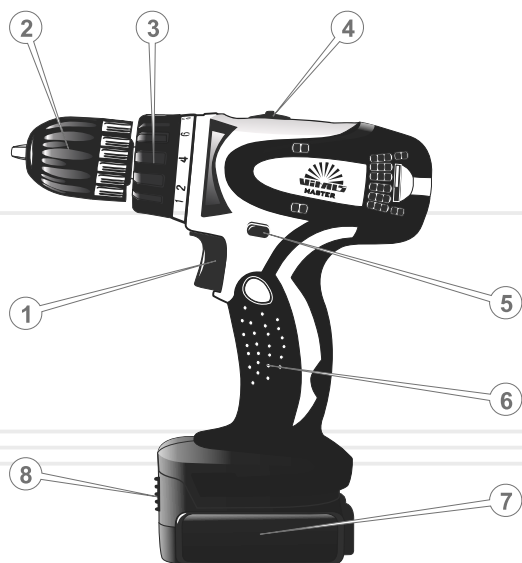


figure 1

1. Button "On / Off".
2. Chuck.
3. Clutch torque controller.
4. Mechanical switch speed ranges.
5. Reversing switch (reverse) and the spindle lock.
6. Ergonomic rubberized handle.
7. Battery.
8. Lock button battery.

Models: AUmo 12/2dli, AUmo 14/2dli.

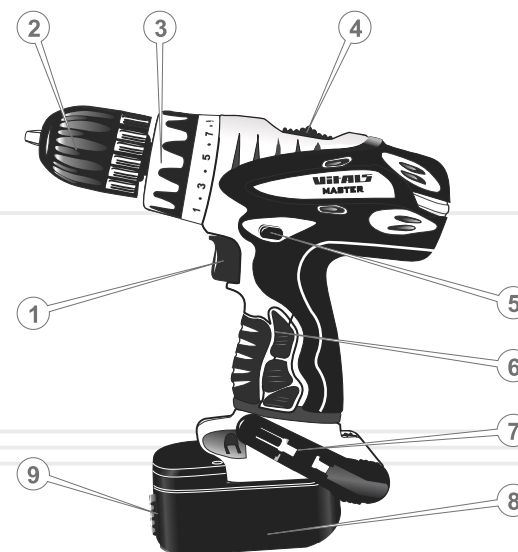


figure 2

1. Button "On / Off".
2. Chuck.
3. Clutch torque controller.
4. Mechanical switch speed ranges.
5. Reversing switch (reverse) and the spindle lock.
6. Ergonomic rubberized handle.
7. Adjustable hook holder to carry the product.
8. Battery.
9. Lock button battery.

Charger models: **AUmo 12/2dn, AUmo 14/2dn, AUmo 18/2dn, AUmd 12/2dn, AUmd 14/2dn, AUmd 18/2dn.**



1. Mine charger.
2. Red indicator.
3. Green indicator.

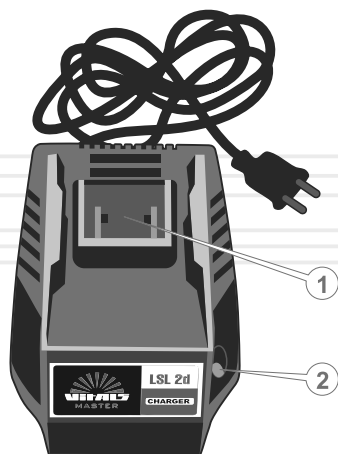


NOTE

The manufacturer reserves the right to make the look, design and delivery electric screwdrivers minor changes that do not affect the operation of the product.

figure 3

Charger models: **AUmo 12/2dli, AUmo 14/2dli.**



1. Mine charger.
2. Indicator.

figure 4

MODEL	AUmo 12/2dn	AUmo 14/2dn	AUmo 18/2dn	AUmd 12/2dn
Battery voltage, V	12,0	14,4	18,0	12,0
Battery capacity, Ah	1,5	1,5	1,5	2,0
Idle speed, rev/min	0 - 350 0 - 1100	0 - 400 0 - 1200	0 - 450 0 - 1250	0 - 350 0 - 1100
Maximum torque, Nm	25	26	27	25
Chuck, mm	10			
Ma[drill diameter, mm:				
- steel	12	12	12	12
- aluminium	15	20	20	15
- wood	20	20	28	20
Battery type	Ni-Cd			
Charger:				
battery charging time, hour	1			
power consumption, W	35			
Keyless chuck	+			
Reverse	+			
Dimensions (LxWxH), mm	200 x 60 x 215			
Case size (LxWxH), mm	350 x 115 x 300			
Weight of screwdrivers without battery, kg	1,4	1,55	1,65	1,4
Battery weight, kg	0,45	0,55	0,7	0,45
Gross weight, kg	3,5	3,5	3,8	3,5

MODEL

MODEL	AUmd 14/2dn	AUmd 18/2dn	AUmo 12/2dli	AUmo 14/2dli
Battery voltage, V	14,4	18,0	12,0	14,4
Battery capacity, Ah	2,0	2,0	1,5	1,5
Idle speed, rev/min	0 - 400 0 - 1200	0 - 450 0 - 1250	0 - 350 0 - 1100	0 - 400 0 - 1200
Maximum torque, Nm	26	27	25	26
Chuck, mm	10			
Ma[drill diameter, mm:				
- steel	12	13	10	12
- aluminium	20	20	15	20
- wood	20	28	20	24
Battery type	Ni-Cd		Li-Ion	
Charger:				
battery charging time, hour	1			
power consumption, W	35			
Keyless chuck	+			
Reverse	+			
Dimensions (LxWxH), mm	200 x 60 x 215		200 x 55 x 215	
Case size (LxWxH), mm	350 x 115 x 300		290 x 90 x 300	
Weight of screwdrivers without battery, kg	1,55	1,65	1,36	1,39
Battery weight, kg	0,55	0,7	0,4	0,43
Gross weight, kg	3,5	3,8	2,9	2,9

4.1. IMPORTANT SAFETY INFORMATION

Before working with the electric screwdrivers carefully read the safety regulations and warnings given in this manual.

Most injuries during the operation of the product is the result of non-compliance with the provisions of the basic safety rules. Injuries can be avoided by strict precautions in advance and provide a potential threat.

Under no circumstances should you use this product in a manner or for purposes not covered by this manual.

Improper use of the product or operation of an untrained person can cause an accident.



CAUTION!

Do not use the product to be unprepared for the work people.

4.2. SAFETY OPERATION

1. DO NOT ALLOW USE OF THE PRODUCT FOR THE CHILDREN AND THE DISABLED.

2. BE FULLY CONCENTRATE ON WORK.

Do not get distracted while working with screwdriver, as this could cause loss of control and cause personal injuries of varying severity.

3. DO NOT START AND USE THE PRODUCT IN CASE OF ILLNESS, IN STATE OF FATIGUE, DRUGS OR ALCOHOL, OR UNDER THE INFLUENCE OF DRUGS POTENT, REDUCES THE RATE OF REACTION AND ATTENTION.

4. Ensure that the integrity and serviceability PRODUCT.

Do not start and use the product if it is damaged, not securely fastened to the parts and components.

5. WEAR APPROPRIATE CLOTHING AND FOOTWEAR WHEN HANDLING THE PRODUCT.

Working with the product, wear tight clothes and fasten all the buttons. Wear shoes with non-slip soles. For eye protection against ingress of chips when drilling, wear special goggles. Hearing protection (in case such a need) take care of the headphones. If user operations generate dust or removes some of the material, use a respirator.

6. DO NOT TOUCH THE ROTATING PARTS PRODUCT.

Keep hands, fingers and other body parts moving parts electric screwdrivers.

7. WHEN THE PRODUCT HELD FIRMLY IN HIS HAND.

8. WHEN WORKING AT HEIGHT USE STEPLADDER.

9. DO NOT FORCE THE MOTOR, ALTERNATING WORK WITH REST.

10. WHEN DRILLING HOLES IN THE WALLS, CEILINGS AND FLOORS, MAKE SURE THAT DRILLING POINTS THERE ARE NO HIDDEN ELECTRICAL WIRING.

11. WHEN DRILLING HOLES IN ITS PREPARATION ENSHRINES IN A VISE OR TO CLAMP.

12. SEE TO IT THAT, DURING THE DRILLING OF METALS SHAVINGS DO NOT FALL INTO THE VENT CABINET.

13. WHILE NOT REMOVE HANDS SAWDUST, SHAVINGS, DUST AND DIRT.

14. DO NOT TOUCH THE BIT OR DRILL WHEN MOTOR ELECTRIC SCREWDRIVERS, AND IMMEDIATELY AFTER BORING PARTS - PLACES TO DRILL AS IS RISK OF THERMAL BURNS.

15. DO NOT TIGHTEN THE FASTENERS IN MODE "DRILLING".

16. DO NOT OVERLOAD, THEREFORE, THE LOAD IS NOT ABLE TO STOP THE MOTOR.

17. IS USED IN ONLY THE SERVICEABLE BITS (DRILL)

Do not use damaged or dull bits (drill) because it increases the likelihood of injury.

18. PROVIDE ADEQUATE LIGHTING OF THE WORKPLACE.

Electric screwdrivers work in the dark or in poor visibility conditions can lead to injury.

19. USE ONLY IN WELL-VENTILATED AREAS.

Do not operate the product in environments with high gas content, as well as locations where flammable materials are stored.

20. DOES NOT WORK WITH ELECTRIC SCREWDRIVERS IN RAIN OR SNOW.

Working with the electric screwdrivers in the rain or snow can result in injury or damage to the product.

21. DO NOT LEAVE THE BATTERY AND CHARGER IN RAIN OR SNOW.

22. NOT OPEN THE BATTERY OR SUBJECT IT TO SHOCKS AND MECHANICAL IMPACTS.

23. DO NOT SHORT CIRCUIT BATTERY SHORT: DO NOT TOUCH THE BATTERY TERMINAL OF THE SUBJECT THAT IS CAPABLE OF CONDUCTING ELECTRICAL CURRENT.

A short circuit may lead to lower supply voltage, overheating battery by thermal burns by abundant heat, and total yield of battery failure.

24. DO NOT LEAVE THE BATTERY OF METAL OBJECTS (TOOLS, NAILS, COINS, ETC.)

25. DO NOT COVER THE CHARGER AND BATTERY CHARGING.

Charger cooled natural ventilation, and if the cover equipment while charging, it may overheat and, as a result, fail.

26. DO NOT ATTEMPT TO REPAIR THE CHARGER.

**WARNING!**

Follow the serviceability of the product. In case of failure, odor characteristic of burning insulation, strong knock, noise, sparks, you would immediately remove the product and contact the service center.

5.1. GETTING STARTED

1. Before starting work, inspect the electric screwdrivers for integrity, serviceability and ease of the moving parts of the product.
2. Lock the spindle rotation, placing the reversing switch (see Fig. 1, 2) in the center position.
3. Connect a charged battery and make sure the battery is properly secured in the housing electric screwdrivers.
4. Paste the bit or drill into the chuck and tighten the chuck body rotation (see Fig. 5)

WARNING!

Make sure that the size of the bits to match the size of spline fixings.

NOTE!

If possible, use screws, dowels, anchors head. Due to the ability of the self-centering mounting material for a high quality job.

5. Switch the direction of rotation until the desired direction of rotation.
6. Turn the electric screwdrivers, press the button "On / Off" (by pressing the this button with a different effort, you can change the speed of the motor).
7. For 30 seconds at idle evaluate performance products for high-vibration, ambient noise and other defects of work. If defects in the product is not identified, the operation of the unit is permitted, otherwise, contact the service center.

Installation (removal) of the battery

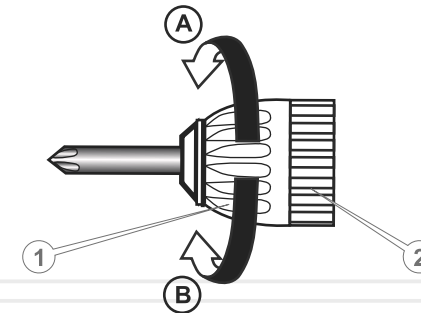
Before inserting or removing the battery and turning off the electric screwdrivers set with the spindle rotation direction switch to the neutral position (spindle lock mode and the electric motor).

To connect the battery electric screwdrivers to combine the tabs on the battery with the slots on the body of the product and with a little effort to press the battery until it clicks. Not recommended to use excessive force when installing the battery. If the battery pack is connected with labor, it means that either the installation steps performed incorrectly or in the body groove object has fallen, for example - chips.

To remove the battery, you need a little push in the lock button battery and hold the button with a little effort to pull the battery to remove it from the housing electric screwdrivers.

Installing and replacing bits (drill)

figure 5



1. Lock rotation schpindelya putting the reversing switch (see Fig. 1, 2) in the center position.
2. Turn the coupling (1) Chuck (2) counter-clockwise (A) to open the clamping jaws, if necessary, adjust the distance between the clutch cams according to the diameter shank or bits.

3. Place the bit (drill) all the way into the chuck.
4. Turn the chuck sleeve clockwise (B).
5. Make sure the installation bits (drill) in the chuck.

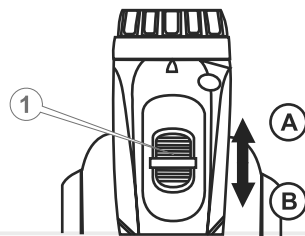
5.2. WORK

Speed control of the motor

With the help of a button "On / Off", you can change the speed of rotation of the spindle electric screwdrivers. The speed of rotation depends on the degree of pressure on the key: the more pressing the button "On / Off", the higher the rotational speed, and vice versa.

Mechanical switching speed ranges

figure 6

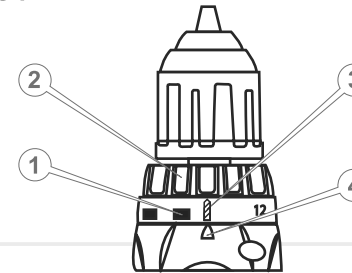


1. Mechanical switch slider speed ranges.
- A. Slow speed.
B. High speed.

With the help of a mechanical switch is set to one of two speed ranges of gear. Gear change by moving the slider to a mechanical switch (1) all the way to low speed (A) or high speed (B).

Torque control

figure 7



1. Graduated scale.
2. Adjustment ring.
3. Mark "drill" on the scale.
4. Label pointer.

Torque control can change the strength tightening fasteners (bolts, screws, anchors).

Torque can be adjusted by turning the clutch controller: within 14 positions - model AUmo 12/2dn, AUmo 14/2dn, AUmo 18/2dn, AUmd 12/2dn, AUmd 14/2dn, AUmd 18/2dn, and within 16 products - models AUmo 12/2dli, AUmo 14/2dli.

Required torque is selected by turning the adjustment ring to match the desired value on the scale with the index mark on the body of the electric screwdrivers.

Torque will be minimal if the index mark is aligned with the number 1, and is greatest when combined with label number 14 (16).



NOTE!

Torque is dependent on the type and hardness of the material, the presence of pre-drilled holes, length of fasteners used, as well as requirements for the fasteners.

Optimum torque is determined empirically and adjusted as necessary in the process.

On the scale of the coupling controller icon is "drill." Aligning the pointer with the icon, you can work with a electric screwdrivers in the "boring".



WARNING!

Torque would be done only when the power motor.

Changing the direction of rotation (reverse)

To electric screwdrivers spindle rotating in the right direction (modes tightening / loosening of), you must move the slider to switch the direction of rotation to the left or right, respectively.

Mechanical switching speed ranges

To spindle rotating the screwdriver in the right direction (modes twist/откручивание), you must move the slider switch the direction of rotation of the far left or right, respectively.



CAUTION!

Change the direction of rotation only after stopping the motor.

Blocking of the electric screwdrivers

To prevent accidental engine start screwdriver and premature discharge of the battery, provides blocking operation of the product, which is recommended in cases of prolonged pause in the work, moving items, etc.

Lock is enabled by setting the direction of rotation of the spindle in the center position.

Drilling Rules

When drilling holes in the wood of the best results are achieved when using the drill for wood, equipped with a guide point. Tip facilitates drilling, directing drill in the medium.

When drilling holes in the metal, in order to avoid slipping drill drilled nakernite place. Place the point of the bit in point and drill a hole. When drilling holes in the metal you can use a cutting fluid or plain water. The exception are materials such as brass and iron, which are processed dry.

5.3. CHARGING



WARNING!

To achieve a full charge the battery, it is first necessary to fully discharge.

Procedure for charging the battery

1. Disconnect the battery from the product.
2. Connect the charger supplied with the product to an AC voltage of 220 V, 50 Hz.
3. Insert the battery pack into the mine charger.
4. After charging, remove the battery from the charger and unplug the power cord from the power source.

Indication charging and comment on them

Charger for Ni-Cd batteries (see Figure 3):

- The red LED is off, the green light is on: the battery is not connected (no load on the charger).
- The red light is on, the green LED is off: The battery is charging.
- The red LED is off, the green light is on: the battery is fully charged, the charger then switch to trickle charge.
- Red light is flashing, the green light is off: The battery is faulty or short circuit between the contacts or the battery or the charger.

Charger for Li-Ion batteries (see Figure 4):

- The indicator light is red: The battery is charging.
- Light is green: The battery is fully charged, the charger then switch to trickle charge.

If the battery is not charging:

1. Check if there is power in the outlet.
2. Check battery terminals and battery charger, power cord and plug for damage.
3. Check the battery pack secured in the mine charger.
4. If the battery will not charge, contact the service center.



WARNING!

You may not use chargers from any other products.



NOTE!

For all models, electric screwdrivers longer charging the battery is about 1 hour.



NOTE!

If the product is not used for 30 days or more, you would first fully discharge the battery, and only then start charging.

All models series as **AUmo** and **AUmd** are equipped with modern electric motors, parts and components, which are designed to meet the requirements of long-term and continuous work. However, it is important to regularly simple maintenance tasks described in this section of the manual.

CAUTION!

Before starting maintenance work, turn off the product and disconnect the motor battery.

Complex maintenance electric screwdrivers r includes:

- inspection of equipment enclosures, parts and components, the battery and charger for mechanical and thermal damage;
- cleaning enclosures, battery and charger from dirt and dust.

In the case of thermal and mechanical damage to the product, contact the service center.

Clean the cabinet to a soft cloth. Not be allowed into shavings, dust and dirt in the ventilation openings of the product. If housing there stubborn stains, remove them with a soft cloth that has been soaked in soapy water or mild detergent.

The cleaning process is not recommended to use the electric screwdrivers abrasive materials such as solvents, ammonia water, gasoline, alcohol, which can damage the cabinet.

**NOTE!**

Transport and storage case, use the electric screwdrivers included with the product.

Transportation

Transportation electric screwdrivers allowed by all modes of transport, ensuring the safety of the product in accordance with the general rules of traffic.

Avoid moving the product by the chuck and battery. When changing the workplace must be turned off and the electric screwdrivers to install reverse switch to the center position ("lock").

When transporting products over long distances need to disconnect the battery.

Storage

Storage products are recommended in a dry ventilated place at -15 ° C - +55 ° C and relative humidity of 90%.

In the preparation of the product to storage:

1. Disconnect the battery.
2. Remove dust and dirt from the outside of the housing electric screwdrivers and battery.
3. Charge the battery.
4. Grease with a thin layer of engine oil all external metal parts of the product.

**WARNING!**

Keep the product in the same room with fuels, acids, alkalis, fertilizers and other aggressive substances is prohibited.



TROUBLESHOOTING AND THEIR SOLUTION

ENGLISH

DESCRIPTION OF THE PROBLEM	Possible Cause	Ways to eliminate
Motor by pressing the power button does not turn	Battery is low / faulty	Charge / replace the battery
	There is no electrical connection to the supply line	Restore the contact or contact your service
	Faulty motor, button "On / Off"	Contact the service center
Motor is strong spark	Motor winding is damaged, worn out carbon brushes	Contact the service center
Engine power is not enough, at work can be heard whistling (squeak)	Battery is low	Charge the battery
	Excessive pressure on the product during operation	Reduce the pressure
	Faulty clutch-adjustable torque	Contact the service center
	Worn bits (drill)	Replace
Radial run-out chuck	Weakened tightening chuck	Tighten
Not switch Reverse	Faulty reverse button	Contact the service center
Not regulated motor speed	Faulty button "On / Off"	Contact the service center
The motor is switched on for a split second and the "wedge"	Damaged or worn gears	Contact the service center

DESCRIPTION OF THE PROBLEM	Possible Cause	Ways to eliminate
Can not change the speed range	Faulty mechanical speed switch	Contact the service center
The cabinet is hot	Large load on the electric motor	Reduce the load (to cool off)
	Insufficient lubrication in the gearbox	Contact the service center
	The motor is faulty	Contact the service center
Battery is not charge	Unplug the battery	Turn
	There is no electrical connection between the battery and the charger	Restore the contact or contact your service
	Any charger	Contact the service center
	Defective battery	Replace

ENGLISH

Warranty period screwdrivers «Vitals» **AUmo 12/2dn, AUmo 14/2dn, AUmo 18/2dn, AUmd 12/2dn, AUmd 14/2dn, AUmd 18/2dn, AUmo 12/2dli, AUmo 14/2dli** is 1 (one) year specified in the warranty card date of retail sale.

During the warranty period, defective parts and components will be replaced, subject to all the requirements and guidelines for damage related to improper handling, storage and transportation of the product. For warranty service, contact your nearest authorized service center.

The consumer has the right to free warranty troubleshooting, identified and presented during the warranty period due to production and design factors.

Troubleshooting warranty is made by the repair or replacement of defective parts of the product to the certified service centers. Because of the complex structure repair can last more than two weeks. The cause of the fault and determine the terms of their elimination service personnel.

NOTE!

Product accepted for warranty only fully equipped, carefully cleaned of dirt and dust.

Warranty becomes valid in the following cases:

- Absence or unread warranty card.
- Improperly completed warranty card, it does not contain the date of the sale or seal (stamp) and signature of the seller, the serial number of the product.
- The presence of corrections or erasures in the warranty card.
- Complete or partial absence, unread serial number on the product, product serial number mismatch the number listed in the warranty card.
- Improper operation, in this manual, including the violation of rules of maintenance.
- Operation of defective or incomplete products, which caused its failure.
- Ingestion of product foreign substances or objects.
- The product has a significant mechanical or thermal damage, clear signs of careless handling, storage or transportation.

- Product has been used for other purposes.
- Made unauthorized repairs, tampering or attempted development of the product by the consumer or a third party.
- The fault is due to a natural disaster (fire, flood, hurricane, etc.).

Replaced under warranty parts and assemblies available to move the service center.

When the warranty on the warranty period increases the residence time of repair products. Counting the added period starts from the date of acceptance of the product warranty.

If for technical reasons, can not repair your product, service center gives the act, based on the user to decide on the organization of the supplier of the replacement product or refund.

After the warranty period service centers continue to perform maintenance and repair of the product, but at the expense of the consumer.

The warranty does not cover damage caused by natural wear and overloading of the product.

The warranty does not apply to the bat.

The warranty does not apply to the incompleteness of the product structure, which could be detected by its sale. All transportation costs is a consumer product.

Limited warranty is not a basis for other claims.

ШАНОВНИЙ КОРИСТУВАЧІ!

Дякуємо за придбання акумуляторного дрилі-шурупокрута ТМ "Vitals".

Техніка ТМ "Vitals" розробляється за європейськими стандартами якості та з використанням сучасних технологій.

Неправильна експлуатація акумуляторної дрилі-шурупокрута та недотримання заходів безпеки можуть призвести до пошкодження виробу або до серйозних травм!

Даний посібник містить всю необхідну інформацію щодо заходів безпеки при роботі з акумуляторним дрилем-шурупокрутом. Уважно ознайомтесь з керівництвом перед початком роботи з виробом.

Будь ласка, надайте іншим користувачам дане керівництво, перш ніж вони почнуть працювати з акумуляторним дрилем-шурупокрутом. Дане керівництво необхідно зберігати для подальшого використання.

Ми постійно працюємо над вдосконаленням своєї продукції і, у зв'язку з цим, залишаємо за собою право на внесення змін у зовнішній вигляд, оснащення і технологію виробництва, не змінюючи основних принципів управління, без повідомлення споживача. Всі можливі зміни будуть спрямовані тільки на покращення та модернізацію виробу.

Ми постійно працюємо над удосконаленням продукції і, в зв'язку з тим, залишаємо за собою право на внесення змін у зовнішньому вигляді, обладнанні та технології виробництва, не змінюючи основних принципів керування, без повідомлення користувача. Всі можливі зміни будуть спрямовані лише на покращення і модернізацію виробів.

ЗНАЧЕННЯ КЛЮЧОВИХ СЛІВ



ОБЕРЕЖНО!

Означає потенційно небезпечні ситуації, яких слід уникати, в противному разі може виникнути небезпека для життя або здоров'я.



УВАГА!

Означає потенційно небезпечні ситуації, які можуть призвести до легких травм або до поломки акумуляторного дреля-шурупокрута.



ПРИМІТКА!

Позначає важливу додаткову інформацію.

Акумуляторні дрилі-шурупокрути модельних серій **AUmo** і **AUmd** (далі по тексту - шурупокрут) створені у відповідності з сучасними вимогами стандарту, рівнем техніки і діючими правилами техніки безпеки, вони відрізняються надійністю в процесі експлуатації. Шурупокрути серій AUmo і AUmd мають сучасний дизайн, вони економічні, надійні в роботі, прості в обігу і обслуговуванні.

Характерні особливості моделей шурупокрутів::

- Весь модельний ряд виробів має дві швидкості обертання редуктора.
- Тип акумуляторної батареї. В залежності від моделі, шурупокрути комплектуються літій-іонними (Li-Ion) і нікель-кадмієвими (Ni-Cd) акумуляторами. Li-Ion акумулятори, на відміну від Ni-Cd акумуляторів, мають низький саморозряд, не мають ефекту пам'яті, мають високу енергетичну щільність і не потребують обслуговування.
- Наявність у комплекті другої акумуляторної батареї дає можливість не переривати роботу аби зачекати доки акумулятор зарядиться.
- Ємність акумулятора. Даний показник впливає на тривалість роботи виробу від однієї акумуляторної батареї. Чим вище ємність акумуляторної батареї, тим довше виріб може працювати без підзарядки акумулятора.
- Ємність акумуляторів становить: модельна серія AUmo - 1,5 Ач, модельна серія AUmd - 2,0 Ач.
- Напруга акумулятора. Даний показник визначає потужність електродвигуна, величину крутного моменту, а також тривалість роботи від одного акумулятора. Чим вища напруга акумуляторної батареї, тим більша потужність виробу.

Шурупокрут являє собою ручний електричний інструмент, призначений для закручування і відкручування виробів кріплення (шурупів, гвинтів, саморізів, конфірматів, дюбелів, болтів і гайок), а також для свердління отворів свердлами з хвостовиком, діаметром до 10 мм.

Для роботи з виробами кріплення застосовуються біти - спеціальні змінні насадки, один кінець яких виконаний у вигляді шестигранного хвостовика, а другий має форму викрутки. Для відкручування і закручування болтів і гайок застосовуються насадки відповідного профілю.

Джерелом електроживлення шурупокрута служить акумуляторна батарея.

Принцип дії шурупокрута максимально простий: при включенні виробу обертальний рух від електродвигуна постійного струму віддається на планетарний редуктор. Редуктор здійснює механічну передачу крутного моменту на шпindel, на якому закріплений затискний патрон гвинтокрута з битою або свердлом.

Основна відмінність шурупокрута від дреля - наявність муфти-регулятора крутного моменту. Муфта-регулятор дозволяє закручувати виріб кріплення з необхідним зусиллям, тим самим уникаючи зточення шліців і зриву різьблення. Як тільки кріпильний виріб закручено, обертання затискного патрона призупиняється, електродвигун при цьому продовжує обертатися (чути тріск тріскачки).

Позитивною властивістю акумуляторних шурупокрутів є їх мобільність і незалежність від стаціонарного джерела електроживлення, а також відсутність небезпеки ураження електричним струмом.

Опис основних компонентів шурупокрута представлено нижче.

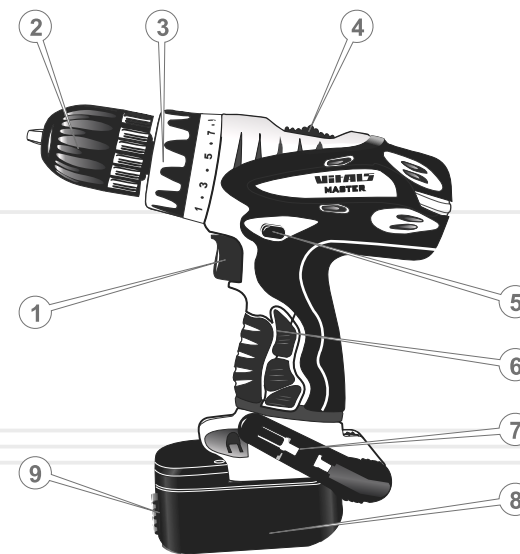
Моделі: AUmo 12/2dn, AUmo 14/2dn, AUmo 18/2dn,
AUmd 12/2dn, AUmd 14/2dn, AUmd 18/2dn.



малюнок 1

1. Клавiша "Вкл / Викл".
2. Затискний патрон.
3. Муфта-регулятор крутного моменту.
4. Механічний перемикач діапазонів швидкостей.
5. Перемикач напрямку обертання (реверс) і блокування шпинделя.
6. Ергономічна обгумована рукоятка.
7. Акумуляторна батарея.
8. Кнопка фіксації акумуляторної батареї.

Моделі: AUmo 12/2dli, AUmo 14/2dli.



малюнок 2

1. Клавiша "Вкл / Викл".
2. Затискний патрон.
3. Муфта-регулятор крутного моменту.
4. Механічний перемикач діапазонів швидкостей.
5. Перемикач напрямку обертання (реверс) і блокування шпинделя.
6. Ергономічна обгумована рукоятка.
7. Регульований гачок з тримачем для перенесення виробу.
8. Акумуляторна батарея.
9. Кнопка фіксації акумуляторної батареї.

Зарядний пристрій для моделей **AUmo 12/2dn**, **AUmo 14/2dn**,
Aumo 18/2dn, **AUmd 12/2dn**, **AUmd 14/2dn**, **AUmd 18/2dn**.



1. Шахта зарядного пристрою.
2. Червоний індикатор.
3. Зелений індикатор.

До комплекту поставки шурупокруту входять:

1. Шурупокрут.
2. Акумуляторна батарея (2 шт.).
3. Зарядний пристрій.
4. Кейс для транспортування і зберігання.
5. Біта.
6. Керівництво з експлуатації.

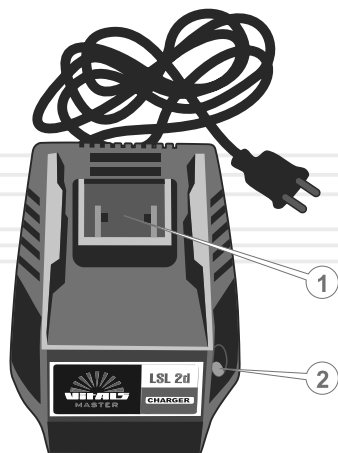


ПРИМІТКА!

Завод-виробник залишає за собою право вносити у зовнішній вигляд, конструкції і комплект поставки шурупокрута незначні зміни, що не впливають на роботу виробу.

малюнок 3

Зарядний пристрій для моделей **AUmo 12/2dli**, **AUmo 14/2dli**.



1. Шахта зарядного пристрою.
2. Індикатор.

малюнок 4

МОДЕЛЬ	AUmo 12/2dn	AUmo 14/2dn	AUmo 18/2dn	AUmd 12/2dn
Напруга акумулятора, В	12,0	14,4	18,0	12,0
Ємність акумулятора, Агод	1,5	1,5	1,5	2,0
Швидкість холостого ходу, об/хв	0 - 350 0 - 1100	0 - 400 0 - 1200	0 - 450 0 - 1250	0 - 350 0 - 1100
Максимальний крутний момент, Нм	25	26	27	25
Патрон, мм	10			
Максимальний діаметр свердління, мм:				
- сталь	12	12	12	12
- алюміній	15	20	20	15
- дерево	20	20	28	20
Тип акумуляторної батареї	Ni-Cd			
Зарядний пристрій: час зарядки акумулятора, год	1			
споживана потужність, Вт	35			
Швидкозатискний патрон	+			
Реверс	+			
Габарити шурупокрута (ДхТхШ), мм	200 x 60 x 215			
Габарити кейса (ДхТхШ), мм	350 x 115 x 300			
Вага шурупокрута без акумулятора, кг	1,4	1,55	1,65	1,4
Вага акумулятора, кг	0,45	0,55	0,7	0,45
Вага бруто, кг	3,5	3,5	3,8	3,5

МОДЕЛЬ

МОДЕЛЬ	AUmd 14/2dn	AUmd 18/2dn	AUmo 12/2dli	AUmo 14/2dli
Напруга акумулятора, В	14,4	18,0	12,0	14,4
Ємність акумулятора, Агод	2,0	2,0	1,5	1,5
Швидкість холостого ходу, об/хв	0 - 400 0 - 1200	0 - 450 0 - 1250	0 - 350 0 - 1100	0 - 400 0 - 1200
Максимальний крутний момент, Нм	26	27	25	26
Патрон, мм	10			
Максимальний діаметр свердління, мм:				
- сталь	12	13	10	12
- алюміній	20	20	15	20
- дерево	20	28	20	24
Тип акумуляторної батареї	Ni-Cd		Li-Ion	
Зарядний пристрій: час зарядки акумулятора, год	1			
споживана потужність, Вт	35			
Швидкозатискний патрон	+			
Реверс	+			
Габарити шурупокрута (ДхТхШ), мм	200 x 60 x 215		200 x 55 x 215	
Габарити кейса (ДхТхШ), мм	350 x 115 x 300		290 x 90 x 300	
Вага шурупокрута без акумулятора, кг	1,55	1,65	1,36	1,39
Вага акумулятора, кг	0,55	0,7	0,4	0,43
Вага бруто, кг	3,5	3,8	2,9	2,9

4.1. ВАЖЛИВА ІНФОРМАЦІЯ ЩОДО БЕЗПЕКИ

Перед початком роботи з шурупокрутом уважно ознайомтесь з вимогами щодо техніки безпеки та попередженнями, викладеними в даному керівництві.

Більшість травм під час експлуатації виробу виникають в результаті недотримання основних положень правил техніки безпеки. Травм можна уникнути, якщо суворо дотримуватись заходів безпеки і завчасно передбачати потенційну загрозу вашому здоров'ю.

Ні за яких обставин не використовуйте виріб способом або в цілях, не передбачених даним керівництвом.

Неправильна експлуатація виробу може призвести до нещасного випадку.



ОБЕРЕЖНО!

Забороняється експлуатація виробу не підготовленими до роботи людьми.

4.2. БЕЗПЕКА ЕКСПЛУАТАЦІЇ

1. НЕ ДОЗВОЛЯЄТЬСЯ КОРИСТУВАТИСЯ ВИРОБОМ ДІТЯМ ТА ОСОБАМ З ОБМЕЖЕНИМИ МОЖЛИВОСТЯМИ.

2. БУДЬТЕ ПОВНІСТЮ СКОНЦЕТРОВАНІ НА РОБОТІ.

Не відволікайтесь під час роботи з шурупокрутом, це може призвести до втрати контролю і стати причиною отримання травм різного ступеня тяжкості.

3. НЕ ВМИКАЙТЕ І НЕ ЕКСПЛУАТУЙТЕ ВИРІБ КОЛИ ХВОРИЄТЕ, У СТОМЛЕННОМУ СТАНІ, ПІД ДІЄЮ НАРКОТИЧНОГО АБО АЛКОГОЛЬНОГО СП'ЯНІННЯ, А ТАКОЖ ПІД ВПЛИВОМ СИЛЬНОДІЮЧИХ ЛІКАРСЬКИХ ПРЕПАРАТІВ, ЩО ЗНИЖУЮТЬ ШВИДКІСТЬ РЕАКЦІЙ ТА УВАГУ.

4. СТЕЖТЕ ЗА ЦІЛІСНІСТЮ ТА СПРАВНІСТЮ ВИРОБУ.

Не вмикайте і не використовуйте виріб при наявності будь-яких пошкоджень, або з ненадійно закріпленими частинами та деталями.

5. ОДЯГАЙТЕ ВІДПОВІДНИЙ ОДЯГ ТА ВЗУТТЯ ПРИ РОБОТІ З ВИРОБОМ.

Працюючи з виробом, одягайте облягаючий одяг та застібніть усі гудзики. Одягайте таке взуття, підошва якого не буде ковзати. Для захисту органів зору від попадання стружки при свердлінні, одягайте спеціальні захисні окуляри. Для захисту органів слуху (у разі такої необхідності) подбайте про навушники. Якщо в ході роботи утворюється пил або відділяються частки матеріалу що обробляється, використовуйте респіратор.

6. НЕ ТОРКАЙТЕСЯ ДО ДЕТАЛЕЙ ЯКІ ОБЕРТАЮТЬСЯ.

Не торкайтесь руками, пальцями та іншими частинами тіла до рухомих частин шурупокрута.

7. ПІД ЧАС РОБОТИ МІЦНО ТРИМАЙТЕ ВИРІБ У РУКАХ.

8. ПРИ РОБОТІ НА ВИСОТІ ВИКОРИСТОВУЙТЕ ДРАБИНУ.

9. НЕ ПЕРЕВАНТАЖУЙТЕ ЕЛЕКТРОДВИГУН, ЧЕРГУЙТЕ РОБОТУ З ВІДПОЧИНКОМ.

10. ПІД ЧАС СВЕРЛІННЯ ОТВОРІВ У СТІНАХ, СТЕЛЯХ ТА ПІДЛОГАХ ПЕРЕКОНАЙТЕСЯ, ЩО В ТОЧЦІ СВЕРДЛІННЯ ВІДСУТНЯ ЕЛЕКТРИЧНА ПРОВОДКА.

11. ПІД ЧАС СВЕРДЛІННЯ В ЗАГОТІВЛІ ЗАКРІПЛЮЙТЕ ЇЇ У ЛЕЩАТАХ АБО У СТРУБЦІНІ.

12. СЛІДКУЙТЕ ЗА ТИМ, ЩОБ ПІД ЧАС СВЕРДЛІННЯ МЕТАЛУ СТРУЖКА НЕ ПОТРАПЛЯЛА У ВЕНТИЛЯЦІЙНІ ОТВОРИ КОРПУСУ ВИРОБА.

13. ПІД ЧАС РОБОТИ НЕ ВИДАЛЯЙТЕ РУКАМИ ТИРСУ, СТРУЖКУ, ПИЛ І БРУД.

14. НЕ ТОРКАЙТЕСЯ БІТИ АБО СВЕРДЛА ПРИ УВІМКНеному ЕЛЕКТРОДВИГУНІ ШУРУПОКРУТА, А ТАКОЖ БЕЗПОСЕРЕДНЬО ПІСЛЯ СВЕРДЛІННЯ ДЕТАЛІ - ДО МІСЦЯ СВЕРДЛІННЯ, ОСКІЛЬКИ Є НЕБЕЗПЕКА ОТРИМАННЯ ТЕРМІЧНИХ ОПІКІВ.

15. НЕ ЗАГВИНЧУВАЙТЕ ВИРОБИ КРІПЛІННЯ В РЕЖИМІ «СВЕРДЛІННЯ».

16. НЕ ПЕРЕВАНТАЖУЙТЕ ПРИЛАД ТАКИМ ЧИНОМ, ЩОБ НАВАНТАЖЕННЯ ЗМОГЛИ ЗУПИНИТИ РОБОТУ ЕЛЕКТРОДВИГУНА.

17. ВИКОРИСТОВУЙТЕ У РОБОТІ ТІЛЬКИ СПРАВНІ СВЕРДЛА (БІТИ).

Не працюйте з пошкодженими або затупленими свердлами (бітами), так як при цьому підвищується вірогідність отримання травм.

18. ПОДБАЙТЕ ПРО ДОБРЕ ОСВІТЛЕННЯ РОБОЧОГО МІСЦЯ.
Робота шурупокрутом в темряві або в умовах недостатньої видимості може призвести до травм.

19. ПРАЦЮЙТЕ ТІЛЬКИ В ПРИМІЩЕНІ, ЯКЕ ДОБРЕ ПРОВІТРЮЄТЬСЯ.

Не працюйте з виробом в приміщеннях з високим рівнем загазованості, а також у приміщеннях, в яких зберігаються легкозаймисті матеріали.

20. НЕ ПРАЦЮЙТЕ З ШУРУПОКРУТОМ ПІД ДОЩЕМ ТА СНІГОМ.
Робота з шурупокрутом в дощ або сніг може призвести до травми або поломки виробу.

21. НЕ ЗАЛИШАЙТЕ АКУМУЛЯТОРИ ТА ЗАРЯДНІ ПРИСТРОЇ ПІД ДОЩЕМ АБО СНІГОМ.

22. НЕ РОЗКРИВАЙТЕ АКУМУЛЯТОР, НЕ ПІДДАВАЙТЕ ЙОГО УДАРАМ ТА МЕХАНІЧНИМ ВПЛИВАМ.

23. НЕ ЗАМИКАЙТЕ АКУМУЛЯТОР НАКОРОТКО: не доторкайтеся до клем акумулятора предметами, які здатні проводити електричний струм.

Коротке замикання може призвести до зниження живлячої напруги, перегріву акумуляторної батареї, отримання термічних опіків в результаті сильного тепловиділення, і повного виходу батареї з ладу.

24. НЕ ЗБЕРІГАЙТЕ АКУМУЛЯТОР СЕРЕД МЕТАЛЕВИХ ПРЕДМЕТІВ (ІНСТРУМЕНТІВ, ЦВЯХІВ, МОНЕТ І Т.Д.)

25. НЕ НАКРИВАЙТЕ ЗАРЯДНИЙ ПРИСТРІЙ ПІД ЧАС ЗАРЯДКИ АКУМУЛЯТОРА.

Зарядний пристрій охолоджується за допомогою природної вентиляції, і якщо накрити його під час зарядки, пристрій може перегрітися і, як наслідок, вийти з ладу.

26. Не намагайтеся самостійно ремонтувати зарядний пристрій.



УВАГА!

Стежте за справністю виробу. У разі відмови в роботі, появи характерного запаху горілої ізоляції, сильного стуку, шуму або іскор, необхідно негайно відключити виріб та звернутися до сервісного центру.

5.1. ПІДГОТОВКА ДО РОБОТИ

1. Перед початком робіт огляньте шурупокрут на предмет цілісності, справності і легкості ходу рухомих частин виробу.

2. Заблокуйте обертання шпинделя, поставивши перемикач напрямку обертання (див. мал. 1, 2) у центральне положення.

3. Підключіть заряджену акумуляторну батарею та переконайтеся, що акумулятор надійно зафіксований в корпусі шурупокрута.

4. Вставте обрані біту або свердло в затискний патрон і затисніть його обертанням корпусу затискного патрону (див. мал. 5).

УВАГА!

Слідкуйте за тим, щоб розмір біти відповідав розмірам шліців матеріалу кріплення.

ПРИМІТКА!

По можливості використовуйте гвинти, саморізи, дюбелі з хрестоподібним шліцом. Здатності матеріалів кріплення до самоцентрування забезпечує більш якісну роботу.

5. Встановіть потрібний напрямок обертання шпинделя за допомогою перемикача напрямку обертання.

6. Включіть шурупокрут, натиснувши клавішу "Вкл / Викл" (натискаючи на клавішу "Вкл / Викл" з різною силою, можна змінювати швидкість обертання електродвигуна).

7. Протягом 30 секунд в режимі холостого ходу зробіть оцінку працездатності виробу на предмет підвищеної вібрації, сторонніх шумів та інших дефектів роботи. Якщо дефекти в роботі виробу не виявлені, експлуатація виробу дозволяється, в іншому випадку зверніться до сервісного центру.

Установка (зняття) акумуляторної батареї

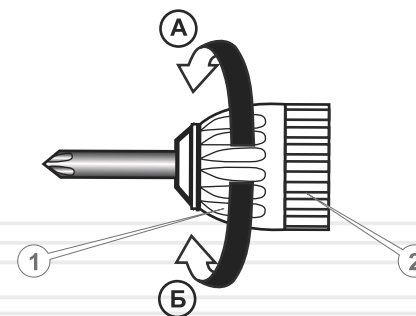
Перед підключенням або зняттям акумулятора завжди вимикайте шурупокрут і встановлюйте кнопку перемикача напрямку обертання шпинделя в нейтральне положення (режим блокування обертання шпинделя і роботи електродвигуна).

Щоб під'єднати акумуляторну батарею до шурупокрута, необхідно поєднати виступи на акумуляторі з пазами на корпусі виробу і з невеликим зусиллям притиснути акумулятор до появи характерного клацання. Не рекомендується докладати надмірних зусиль при установці акумулятора. Якщо акумуляторна батарея під'єднується насилу, це означає що, або дії по встановленню виконуються невірно, або в пази корпусу потрапив сторонній предмет, наприклад - стружка.

Щоб зняти акумулятор, необхідно не дуже сильно натиснути на кнопку фіксації акумуляторної батареї і, не відпускаючи кнопку, з невеликим зусиллям потягнути акумулятор, щоб вийняти його з корпусу шурупокрута.

Установка і заміна біти (свердла)

малюнок 5



1. Заблокуйте обертання шпинделя, поставивши перемикач напрямку обертання (див. рис. 1, 2) в центральне положення.

2. Поверніть муфту (1) затискного патрону (2) проти годинникової стрілки (А), щоб відкрити затискні кулачки, при необхідності відрегулюйте муфтою відстань між кулачками відповідно до діаметра хвостовика свердла або біти.

3. Вставте біту (свердло) в затискний патрон до упору.
4. Поверніть муфту затискного патрона по годинниковій стрілці (Б).
5. Переконайтеся в надійності установки біти (свердла) в затискному патроні.

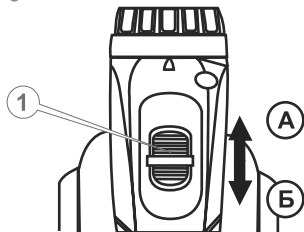
5.2. РОБОТА

Регулювання швидкості обертання електродвигуна

За допомогою клавіші "Вкл / Викл", можна змінювати швидкість обертання шпинделя шурупокрута. Швидкість обертання залежить від сили натискання на клавіша «Вкл/Викл»: чим сильніше натискати на тригерну клавішу, тим вище буде швидкість обертання шпинделя і навпаки.

Механічне перемикання діапазонів швидкостей

малюнок 6



1. Повзунок механічного перемикача діапазонів швидкостей.

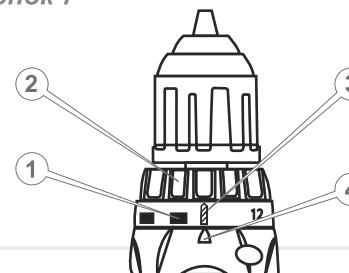
А. Низька швидкість.

Б. Висока швидкість.

За допомогою механічного перемикача встановлюється один з двох діапазонів швидкостей роботи редуктора. Перемикання швидкостей здійснюється шляхом переміщення повзунка механічного перемикача (1) до упору в положення низька швидкість (А), або висока швидкість (Б).

Регулювання крутного моменту

малюнок 7



1. Градуйована шкала.
2. Регулювальне кільце.
3. Відмітка «свердло» на шкалі.
4. Мітка покажчика.

Регулювання крутного моменту дозволяє змінити силу затягування кріпильних виробів (шурупів, саморізів, дюбелів).

Крутний момент затягування можна регулювати шляхом повороту муфти-регулятора: в межах 14 позицій - моделі AUmo 12/2dn, AUmo 14/2dn, AUmo 18/2dn, AUmd 12/2dn, AUmd 14/2dn, AUmd 18/2dn, і в межах 16 позицій - моделі AUmo 12/2dli, AUmo 14/2dli. Необхідний крутний момент обирається поворотом регулювального кільця до збігу потрібного значення на шкалі з міткою покажчика на корпусі шурупокрута.

Крутний момент затягування буде мінімальний, якщо з міткою покажчика суміщена цифра 1, і максимальний, коли з міткою суміщена цифра 14 (16).



ПРИМІТКА!

Величина крутного моменту залежить від виду і твердості оброблюваного матеріалу, наявності попередньо просвердлених отворів, довжини виробів кріплення що використовуються, а також вимог, що пред'являються до з'єднань кріплення.

Оптимальний крутний момент визначається дослідним шляхом і за необхідністю коригується в процесі роботи.

На шкалі муфти-регулятора присутній значок «свердло». Поєднавши покажчик з цим значком, можна працювати з шурупокрутом в режимі «свердління».

**УВАГА!**

Регулювання крутного моменту слід проводити тільки при відключеному електродвигуні.

Зміна напрямку обертання шпинделя (реверс)

Для того, щоб шпиндель шурупокрута обертався в потрібному напрямку (режими закручування / відкручування), необхідно перемістити повзунок перемикача напрямку обертання до упору вліво або вправо, відповідно.

Механічне перемикання діапазонів швидкостей

Для того, щоб шпиндель шурупокрута обертався в потрібному напрямку (режими закручування/відкручування), необхідно перемістити повзунок перемикач напрямку обертання до упору вліво або вправо, відповідно.

**УВАГА!**

Змінювати напрям обертання шпинделя можна тільки після повної зупинки електродвигуна.

Блокування роботи шурупокрута

Щоб запобігти випадковому включенню двигуна шурупокрута і передчасному розрядженню акумуляторної батареї, передбачено блокування роботи виробу, яке рекомендується використовувати у випадках тривалої паузи в роботі, перенесення виробу і т.д.

Блокування включається шляхом установки перемикача напрямку обертання шпинделя в центральне положення.

Правила свердління

При свердленні отворів в деревині оптимальні результати досягаються, якщо використовується свердло по дереву, оснащене напрямним наконечником. Наконечник полегшує процес свердління, направляючи свердло в матеріалі, що обробляється.

При свердленні отворів в металі, аби уникнути прослизання свердла, накерніть місце свердління. Встановіть наконечник свердла в накернену точку та просвердліть отвір. Під час свердління отворів в металі можна використовувати спеціальну мастильно-охолоджуючу рідину або просто воду. Винятком є такі матеріали, як латунь і чавун, які обробляються всуху.

5.3. ЗАРЯДКА АКУМУЛЯТОРНОЇ БАТАРЕЇ**УВАГА!**

Щоб повністю зарядити акумуляторну батарею, її спочатку необхідно повністю розрядити.

Порядок зарядки акумулятора:

1. Від'єднайте акумуляторну батарею від виробу.
2. Підключіть зарядний пристрій, що входить в комплект поставки виробу, до мережі змінного струму напругою 220 Вольт, 50 Герц.
3. Встановіть акумуляторну батарею в шахту зарядного пристрою.
4. По закінченню зарядки вийміть акумулятор із зарядного пристрою та від'єднайте мережевий шнур від джерела електроживлення.

Індикація показань зарядки

Зарядний пристрій для Ni-Cd акумуляторів (див. мал.3):

- Червоний індикатор вимкнений, зелений індикатор ввімкнений: акумулятор не підключений (відсутнє навантаження на зарядний пристрій).
- Червоний індикатор ввімкнений, зелений індикатор вимкнений: акумулятор заряджається.
- Червоний індикатор вимкнений, зелений індикатор ввімкнений: акумулятор повністю заряджений, зарядний пристрій переключено в режим підтримки заряду.
- Червона лампочка блимає, зелена лампочка відключена: акумулятор несправний або трапилося коротке замикання між контактами акумулятора чи зарядного пристрою.

Зарядний пристрій для Li-Ion акумуляторів (див. мал.4):

- Індикатор світиться червоним кольором: акумулятор заряджається.
- Індикатор світиться зеленим кольором: акумулятор повністю заряджений, зарядний пристрій переключено в режим підтримки заряду.



ПРИМІТКА!

Для всіх моделей шурупокрутів тривалість зарядки акумуляторної батареї становить приблизно 1 годину.



ПРИМІТКА!

Якщо виріб не використовувався протягом 30 днів і більше, необхідно спочатку повністю розрядити акумулятор, і лише потім приступити до його зарядки.

Якщо акумулятор не заряджається:

1. Перевірте, чи є напруга в електричній розетці.
2. Перевірте клеми акумулятора і зарядного пристрою, мережевий кабель і штекер на предмет пошкоджень.
3. Перевірте надійність закріплення акумулятора в шахті зарядного пристрою.
4. Якщо і після цього акумулятор не заряджається, зверніться до сервісного центру.



УВАГА!

Заборонено використовувати зарядні пристрої від інших виробів.

Всі моделі шурупокрутів серій **AUmo** і **AUmd** забезпечені сучасними електродвигунами, частинами та деталями, які розроблені з урахуванням вимог довгострокової та безперервної роботи. Але, дуже важливо регулярно проводити нескладні роботи з технічного обслуговування, які описуються в даному розділі керівництва.

УВАГА!

Перед початком робіт з технічного обслуговування слід вимкнути електродвигун виробу і від'єднати акумуляторну батарею.

Комплекс робіт з технічного обслуговування шурупокрута включає в себе:

- огляд корпусу виробу, частин і деталей, акумуляторної батареї та зарядного пристрою на наявність механічних і термічних пошкоджень;
- очищення корпусу виробу, акумулятора і зарядного пристрою від бруду та пилу.

У випадку виявлення механічних та термічних пошкоджень виробу, необхідно звернутися до сервісного центру.

Очищати корпус потрібно м'якою серветкою. Не можна допускати попадання стружки, пилу та бруду у вентиляційні отвори корпусу виробу. Якщо на корпусі є помітні плями, необхідно видалити їх за допомогою м'якої серветки, попередньо змоченої в мильному розчині або спеціальному миючому засобі.

В процесі очищення шурупокрута не рекомендується використовувати абразивні матеріали, різні розчинники, аміачну воду, бензин або спирт, які можуть пошкодити корпус виробу.

**ПРИМІТКА!**

Для транспортування та зберігання шурупокрута використовуйте кейс, який входить в комплект поставки виробу.

Транспортування

Транспортувати шурупокрут можливо всіма видами транспорту, які забезпечують збереження виробу, відповідно до загальних правил перевезень.

Не рекомендовано переносити виріб тримаючи його за затискний патрон і акумуляторну батарею. При зміні робочого місця необхідно вимкнути шурупокрут і встановити перемикач реверсу в центральне положення («блокування»).

При транспортуванні виробу на великі відстані необхідно від'єднувати акумуляторну батарею.

Зберігання

Зберігати виріб рекомендується в сухому приміщенні, яке провітрюється при температурі - 15 °С - +55 °С при відносній вологості повітря не більше 90%.

При підготовці виробу до зберігання:

1. Від'єднайте акумулятор.
2. Видаліть пил, бруд із зовнішньої частини корпусу шурупокрута та акумуляторної батареї.
3. Зарядіть акумулятор.
4. Змастіть тонким шаром машинного масла всі зовнішні металеві частини виробу.

УВАГА!

Зберігати виріб в одному приміщенні з горючими речовинами, кислотами, мінеральними добривами та іншими агресивними речовинами забороняється.



МОЖЛИВІ НЕСПРАВНОСТІ ТА ШЛЯХИ ЇХ УСУНЕННЯ

УКРАЇНСЬКА

ОПИС НЕСПРАВНОСТІ	Можлива причина	Шляхи усунення
Електродвигун при натисканні на клавішу ввімкнення не обертається	Акумулятор розряджений/ несправний	Зарядіть / замініть акумулятор
	Відсутній електричний контакт на лінії подачі електроживлення	Відновіть контакт або зверніться до сервісного центру
	Несправний електродвигун, клавіша «Вкл/Викл»	Зверніться у сервісний центр
Електродвигун дуже іскрить	Пошкоджена обмотка електродвигуна, зношені вугільні щітки	Зверніться у сервісний центр
Потужності двигуна недостатньо, при роботі чути посвист (скрип)	Акумулятор розряджений	Зарядіть акумулятор
	Надмірний тиск на виріб в процесі роботи	Знизьте тиск
	Несправна муфта-регулятор крутного моменту	Зверніться у сервісний центр
	Зношені біти (свердла)	Замініть
Радіальне биття затискного патрона	Ослаблена затяжка патрона	Затягніть патрон
Не перемикається реверс	Несправна кнопка реверсу	Зверніться у сервісний центр
Після відключення виробу електродвигун продовжує обертатися	Несправна клавіша «Вкл/Викл»	Зверніться у сервісний центр
Електродвигун вмикається на секунду і «клінить»	Пошкоджені або зношені шестерні редуктора	Зверніться у сервісний центр

ОПИС НЕСПРАВНОСТІ	Можлива причина	Шляхи усунення
Неможливо перемикнути діапазон швидкостей	Несправний механічний перемикач швидкості	Зверніться у сервісний центр
Корпус виробу сильно нагрівається	Велике навантаження на електродвигун	Знизьте навантаження (вимкніть до охолодження)
	Недостатня кількість мастила в редукторі	Зверніться у сервісний центр
	Електродвигун несправний	Зверніться у сервісний центр
Акумулятор не заряджається	Відключено зарядний пристрій	Ввімкніть
	Відсутній електричний контакт між акумулятором та зарядним пристроєм	Відновіть контакт або зверніться до сервісного центру
	Несправний зарядний пристрій	Зверніться у сервісний центр
	Несправний акумулятор	Замініть

УКРАЇНСЬКА

Гарантійний термін експлуатації шурупокрутів «Vitals» AUmo 12/2dn, AUmo 14/2dn, AUmo 18/2dn, AUmd 12/2dn, AUmd 14/2dn, AUmd 18/2dn, AUmo 12/2dli, AUmo 14/2dli становить 1 (один) рік з зазначеної в гарантійному талоні дати роздрібного продажу.

Протягом гарантійного терміну несправні деталі й вузли будуть замінюватися за умови дотримання всіх вимог керівництва і відсутності пошкоджень, пов'язаних з неправильною експлуатацією, зберіганням і транспортуванням виробу. З питань гарантійного обслуговування звертайтеся в авторизований сервісний центр.

Споживач має право на безкоштовне гарантійне усунення несправностей, виявлених і пред'явлених в період гарантійного терміну та обумовлених виробничими та конструктивними факторами.

Гарантійне усунення несправностей виробляється шляхом ремонту або заміни несправних частин виробу в сертифікованих сервісних центрах. У зв'язку зі складністю конструкції ремонт може тривати більше двох тижнів. Причину виникнення несправностей і строки їх усунення визначають фахівці сервісного центру.

УВАГА!

Вироб приймається на гарантійне обслуговування тільки в повній комплектації, ретельно очищений від бруду і пилу.

Гарантійні зобов'язання втрачають свою силу в наступних випадках:

- Відсутність або дуже поганий стан (коли не видно тексту) гарантійного талона.
- Неправильне заповнення гарантійного талона, відсутність в ньому дати продажу або печатки (штампу) і підпису продавця, серійного номера виробу.
- Наявність виправлень або підчищень в гарантійному талоні.
- Повна або часткова відсутність серійного номера на виробі, невідповідність серійного номера виробу, номеру, вказаному в гарантійному талоні.

- Недотримання правил експлуатації, наведених у цьому посібнику, в тому числі порушення регламенту технічного обслуговування.
- Експлуатація несправного або некомплектного виробу, що стала причиною виходу його з ладу.
- Потрапляння всередину виробу сторонніх речовин або предметів.
- Вироб має значні механічні чи термічні ушкодження, явні сліди недбалості експлуатації, зберігання або транспортування.
- Вироб використовувався не за призначенням.
- Проводилися несанкціонований ремонт, розтин або спроба модернізації виробу споживачем або третіми особами.
- Несправність сталася в результаті стихійного лиха (пожежа, повінь, ураган і т.п.).

Замінені по гарантії деталі й вузли переходять у розпорядження сервісного центру.

При виконанні гарантійного ремонту гарантійний строк збільшується на час перебування виробу в ремонті. Відлік доданого терміну починається з дати приймання виробу в гарантійний ремонт.

У разі якщо з технічних причин ремонт виробу неможливий, сервісний центр видає відповідний акт, на підставі якого користувач самостійно вирішує питання з організацією-постачальником про заміну виробу або поверненні грошей.

Після закінчення гарантійного терміну сервісні центри продовжують здійснювати обслуговування та ремонт виробу, але вже за рахунок споживача.

Гарантійні зобов'язання не поширюються на несправності, які виникли внаслідок природного зносу або перевантаження виробу.

Гарантійні зобов'язання не поширюються на біту.

Гарантійні зобов'язання не поширюються на неповноту комплектації виробу, яка могла бути виявлена при його продажу. Усі витрати на транспортування виробу несе споживач.

Право на гарантійний ремонт не є підставою для інших претензій.

УВАЖАЕМЫЙ ПОКУПАТЕЛЬ!

Благодарим Вас за приобретение аккумуляторной дрели-шуруповерта ТМ "Vitals".

Техника ТМ "Vitals" разрабатываются по европейским стандартам качества и с использованием современных технологий.

Неправильная эксплуатация аккумуляторной дрели-шуруповерта и несоблюдение мер безопасности может привести к повреждению изделия или к серьезным травмам!

Данное руководство содержит всю необходимую информацию по мерам безопасности при работе с аккумуляторной дрелью-шуруповертом. Внимательно ознакомьтесь с руководством перед началом работы с изделием.

Пожалуйста, предоставьте другим пользователям данное руководство, прежде чем они начнут работать с аккумуляторной дрелью-шуруповертом. Данное руководство необходимо хранить для последующего его использования.

Мы постоянно работаем над совершенствованием своей продукции и, в связи с этим, оставляем за собой право на внесение изменений во внешний вид, оснащение и технологию производства, не изменяя основных принципов управления, без уведомления потребителя. Все возможные изменения будут направлены только на улучшение и модернизацию изделия.

ЗНАЧЕНИЕ КЛЮЧЕВЫХ СЛОВ



ОСТОРОЖНО!

Обозначает потенциально опасные ситуации, которых следует избегать, в противном случае может возникнуть опасность для жизни и здоровья.



ВНИМАНИЕ!

Обозначает потенциально опасные ситуации, которые могут привести к легким травмам или к поломке аккумуляторной дрели-шуруповерта.



ПРИМЕЧАНИЕ!

Отмечает важную дополнительную информацию.

Аккумуляторные дрели-шурупверты модельных серий **AUmo** и **AUmd** (далее по тексту – шурупверты) выполнены в соответствии с современными требованиями к стандарту и уровню техники, действующими правилами техники безопасности и отличаются надежностью в процессе эксплуатации. Шурупверты серий **AUmo** и **AUmd** имеют современный дизайн, экономичны, надежны в работе, просты в обращении и обслуживании.

Отличительные особенности моделей шурупвертов:

- Весь модельный ряд изделий имеет две скорости вращения редуктора.
- Тип аккумуляторной батареи. В зависимости от модели, шурупверты комплектуются литий-ионными (Li-Ion) и никель-кадмиевыми (Ni-Cd) аккумуляторами. Li-Ion аккумуляторы, в отличие от Ni-Cd аккумуляторов, имеют низкий саморазряд, не имеют эффекта памяти, обладают высокой энергетической плотностью и не нуждаются в обслуживании.
- Наличие в комплекте второй аккумуляторной батареи дает возможность не прерывать работу на ожидание зарядки аккумулятора.
- Емкость аккумулятора. Данный показатель влияет на продолжительность работы изделия от одной аккумуляторной батареи. Чем выше емкость аккумуляторной батареи, тем дольше изделие может работать без необходимости подзарядки аккумулятора.
- Емкость аккумуляторов составляет: модельной серии **Aumo** – 1,5 Ач, модельной серии **Aumd** – 2,0 Ач.
- Напряжение аккумулятора. Данный показатель определяет мощность электродвигателя, величину крутящего момента, а также продолжительность работы от одного аккумулятора. Чем выше напряжение аккумуляторной батареи, тем больше мощность изделия.

Шурупверт представляет собой ручной электрический инструмент, предназначенный для закручивания и откручивания крепежных изделий (шурупов, винтов, саморезов, конфирматов, дюбелей, болтов и гаек), а также для сверления отверстий сверлами с хвостовиком, диаметром до 10 мм.

Для работы с крепежными изделиями применяются биты - специальные сменные насадки, один конец которых выполнен в виде шестигранного хвостовика, а второй имеет форму отвертки. Для откручивания и закручивания болтов и гаек применяются насадки соответствующего профиля.

Источником электропитания шурупверта служит аккумуляторная батарея.

Принцип действия шурупверта максимально прост: при включении изделия вращательное движение от электродвигателя постоянного тока передается на планетарный редуктор. Редуктор осуществляет механическую передачу крутящего момента на шпиндель, на котором закреплен зажимной патрон шурупверта с битой или сверлом.

Основное отличие шурупверта от дрели – наличие муфты-регулятора крутящего момента. Муфта-регулятор позволяет закручивать крепежное изделие с требуемым усилием, тем самым избегая стачивания шлицов и срыва резьбы. Как только крепежное изделие закручено, вращение зажимного патрона приостанавливается, электродвигатель при этом продолжает вращаться (слышен треск трещотки).

Положительным свойством аккумуляторных дрелей-шурупвертов является их мобильность и независимость от стационарного источника электропитания, а также отсутствие опасности поражения электрическим током.

Описание основных компонентов шурупверта представлено ниже.

Модели: AUmo 12/2dn, AUmo 14/2dn, AUmo 18/2dn,
AUmd 12/2dn, AUmd 14/2dn, AUmd 18/2dn.

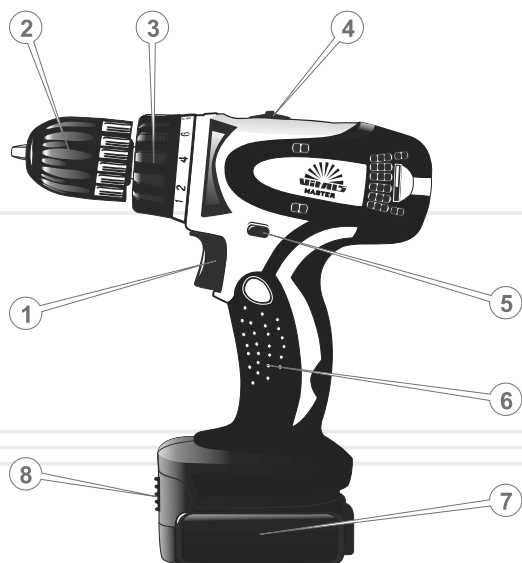


рисунок 1

1. Кнопка "Вкл/Выкл".
2. Зажимной патрон.
3. Муфта-регулятор крутящего момента.
4. Механический переключатель диапазонов скоростей.
5. Переключатель направления вращения (реверс) и блокировки шпинделя.
6. Эргономичная обрезиненная рукоятка.
7. Аккумуляторная батарея.
8. Кнопка фиксации аккумуляторной батареи.

Модели: AUmo 12/2dli, AUmo 14/2dli.

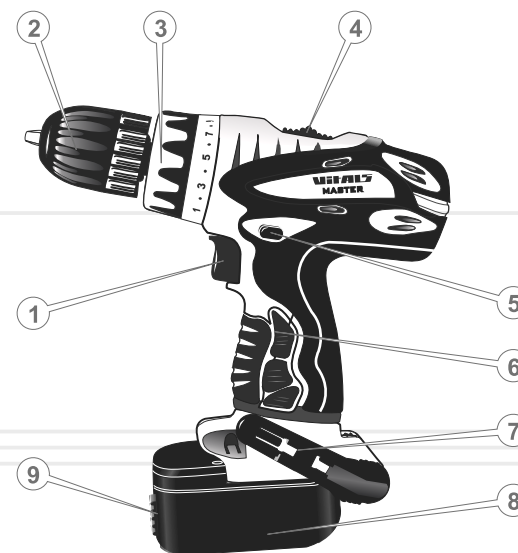


рисунок 2

1. Кнопка "Вкл/Выкл".
2. Зажимной патрон.
3. Муфта-регулятор крутящего момента.
4. Механический переключатель диапазонов скоростей.
5. Переключатель направления вращения (реверс) и блокировки шпинделя.
6. Эргономичная обрезиненная рукоятка.
7. Регулируемый крючок с держателем для переноски изделия.
8. Аккумуляторная батарея.
9. Кнопка фиксации аккумуляторной батареи.

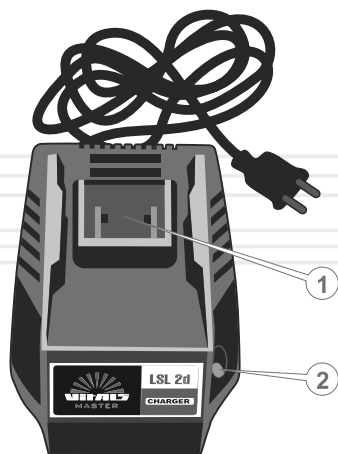
Зарядное устройство для моделей **AUmo 12/2dn**, **AUmo 14/2dn**, **Aumo 18/2dn**, **AUmd 12/2dn**, **AUmd 14/2dn**, **AUmd 18/2dn**.



1. Шахта зарядного устройства.
2. Красный индикатор.
3. Зеленый индикатор.

рисунок 3

Зарядное устройство для моделей **AUmo 12/2dli**, **AUmo 14/2dli**.



1. Шахта зарядного устройства.
2. Индикатор.

рисунок 4

В комплект поставки шуруповерта входят:

1. Шуруповерт.
2. Аккумуляторная батарея (2 шт.).
3. Зарядное устройство.
4. Кейс для транспортировки и хранения.
5. Бита.
6. Руководство по эксплуатации.



ПРИМЕЧАНИЕ!

Завод-изготовитель оставляет за собой право вносить во внешний вид, конструкцию и комплект поставки шуруповерта незначительные изменения, не влияющие на работу изделия.

МОДЕЛЬ	AUmo 12/2dn	AUmo 14/2dn	AUmo 18/2dn	AUmd 12/2dn
Напряжение аккумулятора, В	12,0	14,4	18,0	12,0
Емкость аккумулятора, Ач	1,5	1,5	1,5	2,0
Скорость холостого хода, об/мин	0 - 350 0 - 1100	0 - 400 0 - 1200	0 - 450 0 - 1250	0 - 350 0 - 1100
Максимальный крутящий момент, Нм	25	26	27	25
Патрон, мм	10			
Максимальный диаметр сверления, мм:				
- сталь	12	12	12	12
- алюминий	15	20	20	15
- дерево	20	20	28	20
Тип аккумуляторной батареи	Ni-Cd			
Зарядное устройство: время зарядки аккумулятора, ч	1			
потребляемая мощность, Вт	35			
Быстрозажимной патрон	+			
Реверс	+			
Габариты шуруповерта (ДхТхШ), мм	200 x 60 x 215			
Габариты кейса (ДхТхШ), мм	350 x 115 x 300			
Вес шуруповерта без аккумулятора, кг	1,4	1,55	1,65	1,4
Вес аккумулятора, кг	0,45	0,55	0,7	0,45
Вес брутто, кг	3,5	3,5	3,8	3,5

МОДЕЛЬ

МОДЕЛЬ	AUmd 14/2dn	AUmd 18/2dn	AUmo 12/2dli	AUmo 14/2dli
Напряжение аккумулятора, В	14,4	18,0	12,0	14,4
Емкость аккумулятора, Ач	2,0	2,0	1,5	1,5
Скорость холостого хода, об/мин	0 - 400 0 - 1200	0 - 450 0 - 1250	0 - 350 0 - 1100	0 - 400 0 - 1200
Максимальный крутящий момент, Нм	26	27	25	26
Патрон, мм	10			
Максимальный диаметр сверления, мм:				
- сталь	12	13	10	12
- алюминий	20	20	15	20
- дерево	20	28	20	24
Тип аккумуляторной батареи	Ni-Cd		Li-Ion	
Зарядное устройство: время зарядки аккумулятора, ч	1			
потребляемая мощность, Вт	35			
Быстрозажимной патрон	+			
Реверс	+			
Габариты шуруповерта (ДхТхШ), мм	200 x 60 x 215		200 x 55 x 215	
Габариты кейса (ДхТхШ), мм	350 x 115 x 300		290 x 90 x 300	
Вес шуруповерта без аккумулятора, кг	1,55	1,65	1,36	1,39
Вес аккумулятора, кг	0,55	0,7	0,4	0,43
Вес брутто, кг	3,5	3,8	2,9	2,9

4.1. ВАЖНАЯ ИНФОРМАЦИЯ ПО БЕЗОПАСНОСТИ

Перед началом работы с шуруповертом внимательно ознакомьтесь с требованиями по технике безопасности и предупреждениями, изложенными в данном руководстве.

Большинство травм во время эксплуатации изделия возникает в результате несоблюдения основных положений правил техники безопасности. Травм можно избежать, если строго соблюдать меры предосторожности и заблаговременно предусмотреть потенциальную опасность.

Ни при каких обстоятельствах не используйте изделие способом или в целях, не предусмотренных данным руководством.

Неправильная эксплуатация изделия или эксплуатация необученным человеком может привести к несчастному случаю.

ОСТОРОЖНО!

Обозначает потенциально опасные ситуации, которых следует избегать, в противном случае может возникнуть опасность для жизни и здоровья.

4.2. БЕЗОПАСНОСТЬ ЭКСПЛУАТАЦИИ

1. НЕ РАЗРЕШАЙТЕ ПОЛЬЗОВАТЬСЯ ИЗДЕЛИЕМ ДЕТЯМ И ЛИЦАМ С ОГРАНИЧЕННЫМИ ВОЗМОЖНОСТЯМИ.

2. БУДЬТЕ ПОЛНОСТЬЮ СКОНЦЕНТРИРОВАНЫ НА РАБОТЕ.

Не отвлекайтесь во время работы с шуруповертом, так как это может вызвать потерю контроля и стать причиной получения травм различной степени тяжести.

3. НЕ ВКЛЮЧАЙТЕ И НЕ ЭКСПЛУАТИРУЙТЕ ИЗДЕЛИЕ В СЛУЧАЕ БОЛЕЗНИ, В СОСТОЯНИИ УТОМЛЕНИЯ, НАРКОТИЧЕСКОГО ИЛИ АЛКОГОЛЬНОГО ОПЬЯНЕНИЯ, А ТАКЖЕ ПОД ВОЗДЕЙСТВИЕМ СИЛЬНОДЕЙСТВУЮЩИХ ЛЕКАРСТВЕННЫХ ПРЕПАРАТОВ, СНИЖАЮЩИХ СКОРОСТЬ РЕАКЦИИ И ВНИМАНИЕ.

4. СЛЕДИТЕ ЗА ЦЕЛОСТНОСТЬЮ И ИСПРАВНОСТЬЮ ИЗДЕЛИЯ.

Не включайте и не эксплуатируйте изделие при наличии повреждений, с ненадежно закрепленными частями и деталями.

5. НАДЕВАЙТЕ СООТВЕТСТВУЮЩУЮ ОДЕЖДУ И ОБУВЬ ПРИ РАБОТЕ С ИЗДЕЛИЕМ.

Работая с изделием, надевайте облегающую одежду и застегните все пуговицы. Надевайте обувь на нескользящей подошве. Для защиты органов зрения от попадания стружки при сверлении, надевайте специальные защитные очки. Для защиты органов слуха (в случае такой необходимости) позаботьтесь о наушниках. Если в ходе работы образуется пыль или отделяются частички обрабатываемого материала, используйте респиратор.

6. НЕ ДОТРАГИВАЙТЕСЬ ДО ВРАЩАЮЩИХСЯ ДЕТАЛЕЙ ИЗДЕЛИЯ.

Не подносите руки, пальцы и другие части тела к движущимся частям шуруповерта.

7. ВО ВРЕМЯ РАБОТЫ КРЕПКО УДЕРЖИВАЙТЕ ИЗДЕЛИЕ В РУКЕ.

8. ПРИ РАБОТЕ НА ВЫСОТЕ ИСПОЛЬЗУЙТЕ ЛЕСТНИЦУ-СТРЕМЯНКУ.

9. НЕ ПЕРЕГРУЖАЙТЕ ЭЛЕКТРОДВИГАТЕЛЬ, ЧЕРЕДУЙТЕ РАБОТУ С ОТДЫХОМ.

10. ПРИ СВЕРЛЕНИИ ОТВЕРСТИЙ В СТЕНАХ, ПОТОЛКАХ И ПОЛАХ УБЕДИТЕСЬ, ЧТО В ТОЧКЕ СВЕРЛЕНИЯ ОТСУТСТВУЕТ СКРЫТАЯ ЭЛЕКТРИЧЕСКАЯ ПРОВОДКА.

11. ПРИ СВЕРЛЕНИИ ОТВЕРСТИЙ В ЗАГОТОВКЕ ЗАКРЕПЛЯЙТЕ ЕЕ В ТИСКАХ ИЛИ В СТРУБЦИНЕ.

12. СЛЕДИТЕ ЗА ТЕМ, ЧТОБЫ ВО ВРЕМЯ СВЕРЛЕНИЯ МЕТАЛЛА СТРУЖКА НЕ ПОПАДАЛА В ВЕНТИЛЯЦИОННЫЕ ОТВЕРСТИЯ КОРПУСА ИЗДЕЛИЯ.

13. ВО ВРЕМЯ РАБОТЫ НЕ УДАЛЯЙТЕ РУКАМИ ОПИЛКИ, СТРУЖКУ, ПЫЛЬ И ГРЯЗЬ.

14. НЕ ПРИТРАГИВАЙТЕСЬ К БИТЕ ИЛИ СВЕРЛУ ПРИ ВКЛЮЧЕННОМ ЭЛЕКТРОДВИГАТЕЛЕ ШУРУПОВЕРТА, А ТАКЖЕ НЕПОСРЕДСТВЕННО ПОСЛЕ СВЕРЛЕНИЯ ДЕТАЛИ – ДО МЕСТА СВЕРЛЕНИЯ, ТАК КАК ЕСТЬ ОПАСНОСТЬ ПОЛУЧЕНИЯ ТЕРМИЧЕСКОГО ОЖОГА.

15. НЕ ЗАВИНЧИВАЙТЕ КРЕПЕЖНЫЕ ИЗДЕЛИЯ В РЕЖИМЕ «СВЕРЛЕНИЕ».

16. НЕ ПЕРЕГРУЖАЙТЕ ИНСТРУМЕНТ ТАКИМ ОБРАЗОМ, ЧТОБЫ НАГРУЗКА НЕ СМОГЛА ОСТАНОВИТЬ РАБОТУ ЭЛЕКТРОДВИГАТЕЛЯ.

17. ИСПОЛЬЗУЙТЕ В РАБОТЕ ТОЛЬКО ИСПРАВНЫЕ СВЕРЛА (БИТЫ).

Не работайте с поврежденными или затупившимися сверлами (битами), так как при этом повышается вероятность получения травм.

18. ПОЗАБОТЬТЕСЬ О ХОРОШЕМ ОСВЕЩЕНИИ РАБОЧЕГО МЕСТА. Работа шуруповертом в темноте или в условиях недостаточной видимости может привести к травме.

19. РАБОТАЙТЕ ТОЛЬКО В ХОРОШО ПРОВЕТРИВАЕМОМ ПОМЕЩЕНИИ.

Не работайте с изделием в помещениях с высоким уровнем загазованности, а также в помещениях, в которых хранятся легковоспламеняющиеся материалы.

20. НЕ РАБОТАЙТЕ С ШУРУПОВЕРТОМ В ДОЖДЬ ИЛИ СНЕГ. Работа с шуруповертом в дождь или снег может привести к травме или поломке изделия.

21. НЕ ОСТАВЛЯЙТЕ АККУМУЛЯТОР И ЗАРЯДНОЕ УСТРОЙСТВО ПОД ДОЖДЕМ ИЛИ СНЕГОМ.

22. НЕ ВСКРЫВАЙТЕ АККУМУЛЯТОР, НЕ ПОДВЕРГАЙТЕ ЕГО УДАРАМ И МЕХАНИЧЕСКИМ ВОЗДЕЙСТВИЯМ.

23. НЕ ЗАМЫКАЙТЕ АККУМУЛЯТОР НАКОРОТКО: НЕ ПРИТРАГИВАЙТЕСЬ К КЛЕММАМ АККУМУЛЯТОРА ПРЕДМЕТАМИ, КОТОРЫЕ СПОСОБНЫ ПРОВОДИТЬ ЭЛЕКТРИЧЕСКИЙ ТОК.

Короткое замыкание может привести к снижению питающего напряжения, перегреву аккумуляторной батареи, получению термических ожогов в результате обильного тепловыделения, и полному выходу батареи из строя.

24. НЕ ХРАНИТЕ АККУМУЛЯТОР СРЕДИ МЕТАЛЛИЧЕСКИХ ПРЕДМЕТОВ (ИНСТРУМЕНТОВ, ГВОЗДЕЙ, МОНЕТ И Т.Д.)

25. НЕ НАКРЫВАЙТЕ ЗАРЯДНОЕ УСТРОЙСТВО ВО ВРЕМЯ ЗАРЯДКИ АККУМУЛЯТОРА.

Зарядное устройство охлаждается естественной вентиляцией, и если накрыть устройство во время зарядки, оно может перегреться и, как следствие этого, выйти из строя.

26. НЕ ПЫТАЙТЕСЬ САМОСТОЯТЕЛЬНО РЕМОНТИРОВАТЬ ЗАРЯДНОЕ УСТРОЙСТВО.



ВНИМАНИЕ!

Следите за исправностью шуруповерта. В случае отказа в работе, появления запаха, характерного для горелой изоляции, сильного стука, шума, искр, необходимо немедленно отключить изделие и обратиться в сервисный центр.

5.1. ПОДГОТОВКА К РАБОТЕ

1. Перед началом работ осмотрите шуруповерт на предмет целостности, исправности и легкости хода подвижных частей изделия.
2. Заблокируйте вращение шпинделя, поставив переключатель направления вращения (см. рис. 1, 2) в центральное положение.
3. Подсоедините заряженную аккумуляторную батарею и убедитесь, что аккумулятор надежно зафиксирован в корпусе шуруповерта.
4. Вставьте выбранные биты или сверло в зажимной патрон и зажмите вращением корпуса зажимного патрона (см. рис. 5).

ВНИМАНИЕ!

Следите за тем, чтобы размер биты соответствовал размерам шлицов крепежного материала.

ПРИМЕЧАНИЕ!

По возможности используйте винты, саморезы, дюбеля с крестообразным шлицем. Благодаря способности этих крепежных материалов к самоцентрированию обеспечивается более качественная работа.

5. Переключателем направления вращения установите нужное направление вращения шпинделя.
6. Включите шуруповерт, нажав клавишу "Вкл./Выкл." (нажимая клавишу с разным усилием, можно менять скорость вращения электродвигателя).
7. На протяжении 30 секунд в режиме холостого хода оцените работоспособность изделия на предмет повышенной вибрации, посторонних шумов и прочих дефектов работы. Если дефекты в работе изделия не выявлены, эксплуатация изделия разрешается, в противном случае обратитесь в сервисный центр.

Установка (снятие) аккумуляторной батареи

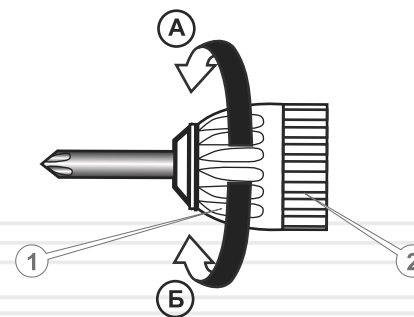
Перед подсоединением или снятием аккумулятора всегда выключайте шуруповерт и устанавливайте кнопку переключателя направления вращения шпинделя в нейтральное положение (режим блокировки вращения шпинделя и работы электродвигателя).

Чтобы подсоединить аккумуляторную батарею к шуруповерту, необходимо совместить выступы на аккумуляторе с пазами на корпусе изделия и с небольшим усилием прижать аккумулятор до появления характерного щелчка. Не рекомендуется прилагать чрезмерных усилий при установке аккумулятора. Если аккумуляторный блок подсоединяется с трудом, значит, либо действия по установке выполняются неправильно, либо в пазы корпуса попал посторонний предмет, например – стружка.

Чтобы снять аккумулятор, необходимо слегка нажать на кнопку фиксации аккумуляторной батареи и, не отпуская кнопку, с небольшим усилием потянуть аккумулятор, чтобы вынуть его из корпуса шуруповерта.

Установка и замена биты (сверла)

рисунки 5



1. Заблокируйте вращение шпинделя, поставив переключатель направления вращения (см. рис. 1, 2) в центральное положение.
2. Поверните муфту (1) зажимного патрона (2) против хода часовой стрелки (A), чтобы открыть зажимные кулачки, при необходимости отрегулируйте муфтой расстояние между кулачками в соответствии с диаметром хвостовика сверла или биты.

3. Вставьте биты (сверло) до упора в зажимной патрон.
4. Поверните муфту зажимного патрона по ходу часовой стрелки (Б).
5. Убедитесь в надежности установки биты (сверла) в зажимном патроне.

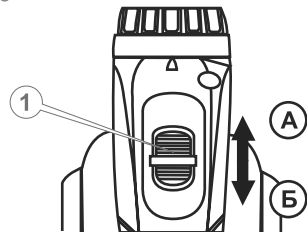
5.2. РАБОТА ШУРУПОВЕРТОМ

Регулировка скорости вращения электродвигателя

При помощи клавиши "Вкл/Выкл", можно изменять скорость вращения шпинделя шуруповерта. Скорость вращения зависит от степени нажатия на клавишу: чем сильнее нажатие, тем больше будет скорость вращения шпинделя, и наоборот.

Механическое переключение диапазонов скоростей

рисунок 6



1. Ползунок механического переключателя диапазонов скоростей.

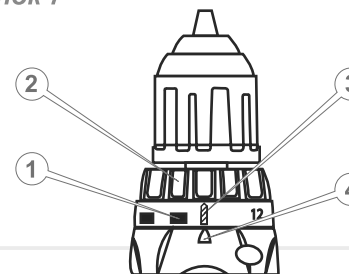
А. Низкая скорость.

Б. Высокая скорость.

При помощи механического переключателя устанавливается один из двух диапазонов скоростей работы редуктора. Переключение скоростей осуществляется путем перемещения ползунка механического переключателя (1) до упора в положение низкая скорость (А), или высокая скорость (Б).

Регулировка крутящего момента

рисунок 7



1. Градуированная шкала.
2. Регулировочное кольцо.
3. Отметка «сверло» на шкале.
4. Метка указателя.

Регулировка крутящего момента позволяет изменить силу затяжки крепежных изделий (шурупов, саморезов, дюбелей).

Крутящий момент затяжки можно регулировать путем поворота муфты-регулятора: в пределах 14 позиций – модели AUmo 12/2dn, AUmo 14/2dn, AUmo 18/2dn, AUmd 12/2dn, AUmd 14/2dn, AUmd 18/2dn, и в пределах 16 позиций – модели AUmo 12/2dli, AUmo 14/2dli.

Требуемый крутящий момент выбирается поворотом регулировочного кольца до совпадения нужного значения на шкале с меткой указателя на корпусе шуруповерта.

Крутящий момент затяжки будет минимален, если с меткой указателя совмещена цифра 1, и максимален, когда с меткой совмещена цифра 14 (16).



ПРИМЕЧАНИЕ!

Необходимая величина крутящего момента зависит от вида и твердости обрабатываемого материала, наличия предварительно просверленного отверстия, длины используемых крепежных изделий, а также требований, предъявляемых к крепежным соединениям.

Оптимальный крутящий момент определяется опытным путем и корректируется по необходимости в процессе работы.

На шкале муфты-регулятора присутствует значок «сверло». Совместив этот значок с меткой-указателем, можно работать шуруповертом в режиме «сверление».



ВНИМАНИЕ!

Регулировку крутящего момента следует проводить только при выключенном электродвигателе шуруповерта, после полной его остановки.

Изменение направления вращения шпинделя (реверс)

При помощи клавиши "Вкл/Выкл", можно изменять скорость вращения шпинделя шуруповерта. Скорость вращения зависит от степени нажатия на клавишу: чем сильнее нажатие, тем больше будет скорость вращения шпинделя, и наоборот.

Механическое переключение диапазонов скоростей

Для того, чтобы шпиндель шуруповерта вращался в нужном направлении (режимы закручивание/откручивание), необходимо переместить ползунок переключателя направления вращения до упора влево или вправо, соответственно.



ВНИМАНИЕ!

Изменять направление вращения шпинделя можно только после полной остановки электродвигателя.

Блокировка работы шуруповерта

Чтобы предотвратить случайное включение двигателя шуруповерта и преждевременную разрядку аккумуляторной батареи, предусмотрена блокировка работы изделия, которую рекомендуется использовать в случаях длительной паузы в работе, переносе изделия и т.д.

Блокировка включается путем установки переключателя направления вращения шпинделя в центральное положение.

Правила сверления

При сверлении отверстий в древесине оптимальные результаты достигаются, если используется сверло по дереву, оснащенное направляющим наконечником. Наконечник облегчает процесс сверления, направляя сверло в обрабатываемом материале.

При сверлении отверстий в металле, во избежание проскальзывания сверла накерните просверливаемое место. Установите наконечник сверла в накерненную точку и просверлите отверстие.

Во время сверления отверстий в металле можно использовать специальную смазочно-охлаждающую жидкость или просто воду. Исключением являются такие материалы, как латунь и чугун, которые обрабатываются всухую.

5.3. ЗАРЯДКА АККУМУЛЯТОРНОЙ БАТАРЕИ



ВНИМАНИЕ!

Для достижения полной зарядки аккумуляторной батареи, ее вначале необходимо полностью разрядить.

Порядок зарядки аккумулятора:

1. Отсоедините аккумуляторную батарею от изделия.
2. Подключите зарядное устройство, входящее в комплект поставки изделия, к сети переменного тока напряжением 220 В, 50 Гц.
3. Установите аккумуляторную батарею в шахту зарядного устройства.
4. По окончании зарядки извлеките аккумулятор из зарядного устройства и отсоедините сетевой шнур от источника электропитания.

Индикация показаний процесса зарядки**Зарядное устройство для Ni-Cd аккумуляторов (см. рис. 3):**

- Красный индикатор отключен, зеленый индикатор включен: аккумулятор не подключен (отсутствует нагрузка на зарядное устройство).
- Красный индикатор включен, зеленый индикатор отключен: аккумулятор заряжается.
- Красный индикатор отключен, зеленый индикатор включен: аккумулятор полностью заряжен.
- Красная лампочка мигает, зеленая лампочка отключена: аккумулятор неисправен или короткое замыкание между контактами либо аккумулятора, либо зарядного устройства.

Зарядное устройство для Li-Ion аккумуляторов (см. рис. 4):

- Индикатор светится красным цветом: аккумулятор заряжается.
- Индикатор светится зеленым цветом: аккумулятор полностью заряжен.

**ПРИМЕЧАНИЕ!**

Для всех моделей шуруповертов продолжительность зарядки аккумуляторной батареи составляет примерно один час.

**ПРИМЕЧАНИЕ!**

Если изделие не использовалось на протяжении 30 дней и более, необходимо вначале полностью разрядить аккумулятор, и лишь затем приступить к его зарядке.

Если аккумулятор не заряжается:

1. Проверьте, имеется ли напряжение в электрической розетке.
2. Проверьте клеммы аккумулятора и зарядного устройства, сетевой кабель и штекер на предмет повреждений.
3. Проверьте надежность соединения контактов аккумулятора с контактами зарядного устройства, а также правильность и надежность закрепления аккумулятора в шахте зарядного устройства.
4. Проверьте исправность аккумулятора.

Если и после этого аккумулятор не заряжается, обратитесь в сервисный центр .

**ВНИМАНИЕ!**

Запрещено использовать зарядные устройства от других изделий.

Все модели шуруповертов серий **Aumo** и **AUmd** снабжены современными электродвигателями, частями и деталями, которые разработаны с учетом требований долгосрочной и бесперебойной работы. Тем не менее, очень важно регулярно проводить несложные работы по техническому обслуживанию, описанные в данном разделе руководства.

ОСТОРОЖНО!

Перед началом работ по техническому обслуживанию следует выключить электродвигатель шуруповерта и отсоединить аккумуляторную батарею.

Работы по техническому обслуживанию шуруповерта включают:

- осмотр корпуса изделия, его частей и деталей, аккумуляторной батареи и зарядного устройства на наличие механических и термических повреждений;
- очистку корпуса изделия, аккумулятора и зарядного устройства от грязи и пыли.

В случае обнаружения механических и термических повреждений изделия, необходимо обратиться в сервисный центр.

Очищать корпус нужно мягкой салфеткой. Нельзя допускать попадания стружки, пыли и грязи в вентиляционные отверстия корпуса изделия. Если на корпусе присутствуют трудновыводимые пятна, необходимо удалить их при помощи мягкой салфетки, предварительно смоченной в мыльном растворе или специальном моющем средстве.

В процессе очистки шуруповерта не рекомендуется использовать абразивные материалы, различные растворители, аммиачную воду, бензин, спирт и другие вещества, которые могут повредить корпус изделия.

**ПРИМЕЧАНИЕ!**

Для транспортировки и хранения шуруповерта используйте кейс, входящий в комплект поставки изделия.

Транспортировка

Транспортировка шуруповерта допускается всеми видами транспорта, обеспечивающими сохранность изделия, в соответствии с общими правилами перевозок.

Не рекомендуется переносить изделие за зажимной патрон и аккумуляторную батарею. При смене рабочего места необходимо выключить шуруповерт и установить переключатель реверса в центральное положение («блокировка»).

При транспортировке изделия на большие расстояния необходимо отсоединять аккумуляторную батарею.

Хранение

Хранение изделия рекомендуется в сухом проветриваемом помещении при температуре от -15°C до $+55^{\circ}\text{C}$ и относительной влажности воздуха не более 90%.

При подготовке изделия к длительному хранению:

1. Отсоедините аккумулятор.
2. Удалите пыль и грязь с внешней части корпуса шуруповерта и аккумуляторной батареи.
3. Зарядите аккумулятор.
4. Смажьте тонким слоем машинного масла внутреннюю часть патрона и все открытые внешние металлические части изделия.

ВНИМАНИЕ!

Хранить изделие в одном помещении с горючими веществами, кислотами, щелочами, минеральными удобрениями и другими агрессивными веществами запрещается.



ВОЗМОЖНЫЕ НЕИСПРАВНОСТИ И ПУТИ ИХ УСТРАНЕНИЯ

РУССКИЙ

ОПИСАНИЕ НЕИСПРАВНОСТИ	Возможная причина	Пути устранения
Электродвигатель при нажатии на клавишу включения не вращается	Аккумулятор разряжен/неисправен	Зарядите/замените аккумулятор
	Отсутствует контакт в цепи электропитания	Восстановите контакт или обратитесь в сервисный центр
	Неисправны электродвигатель или клавиша "Вкл./Выкл."	Обратитесь в сервисный центр
Электродвигатель сильно искрит	Повреждена обмотка электродвигателя или изношены угольные щетки	Обратитесь в сервисный центр
Мощности двигателя недостаточно, при работе слышен свист (скрип)	Аккумулятор разряжен	Зарядите аккумулятор
	Чрезмерное давление на изделие в процессе работы	Снизьте давление
	Неисправна муфта-регулятор крутящего момента	Обратитесь в сервисный центр
	Изношены биты (сверла)	Замените
Радиальное биение зажимного патрона	Ослаблена затяжка патрона	Затяните патрон
Не переключается направление вращения шпинделя	Неисправен переключатель	Обратитесь в сервисный центр
После выключения электродвигатель продолжает вращаться	Неисправна клавиша "Вкл./Выкл."	Обратитесь в сервисный центр
Электродвигатель включается на доли секунды после этого "клинит"	Повреждены или изношены шестерни редуктора	Обратитесь в сервисный центр

ОПИСАНИЕ НЕИСПРАВНОСТИ	Возможная причина	Пути устранения
Невозможно переключить диапазоны скоростей	Неисправен механический переключатель диапазонов скоростей	Обратитесь в сервисный центр
Корпус шуруповерта сильно нагревается	Чрезмерная нагрузка на электродвигатель	Выключите до остывания и снизьте нагрузку
	Недостаточное количество смазки в редукторе	Обратитесь в сервисный центр
	Повреждена обмотка электродвигателя	Обратитесь в сервисный центр
Аккумулятор не заряжается	Зарядное устройство не включено в электросеть	Включите
	Отсутствует электрический контакт между аккумулятором и зарядным устройством	Восстановите контакт или обратитесь в сервисный центр
	Неисправно зарядное устройство	Обратитесь в сервисный центр
	Неисправен аккумулятор	Замените

РУССКИЙ

Гарантийный срок эксплуатации шуруповертов ТМ «Vitals» моделей **AUmo 12/2dn, AUmo 14/2dn, AUmo 18/2dn, AUmd 12/2dn, AUmd 14/2dn, AUmd 18/2dn, AUmo 12/2dli, AUmo 14/2dli** составляет 1 (один) год с указанной в гарантийном талоне даты розничной продажи.

В течение гарантийного срока неисправные детали и узлы будут заменяться при условии соблюдения всех требований руководства и отсутствии повреждений, связанных с неправильной эксплуатацией, хранением и транспортировкой изделия. По вопросам гарантийного обслуживания обращайтесь в уполномоченный сервисный центр.

Потребитель имеет право на бесплатное гарантийное устранение неисправностей, выявленных и предъявленных в период гарантийного срока и обусловленных производственными и конструктивными факторами.

Гарантийное устранение неисправностей производится путем ремонта или замены неисправных частей изделия в сертифицированных сервисных центрах. В связи со сложностью конструкции ремонт может длиться более двух недель. Причину возникновения неисправностей и сроки их устранения определяют специалисты сервисного центра.

**ВНИМАНИЕ!**

Изделие принимается на гарантийное обслуживание только в полной комплектации, тщательно очищенное от грязи и пыли.

Гарантийные обязательства утрачивают свою силу в следующих случаях:

- Отсутствие или нечитаемость гарантийного талона.
- Неправильное заполнение гарантийного талона, отсутствие в нем даты продажи или печати (штампа) и подписи продавца, серийного номера изделия.
- Наличие исправлений или подчисток в гарантийном талоне.
- Полное или частичное отсутствие, нечитаемость серийного номера на изделии, несоответствие серийного номера изделия номеру, указанному в гарантийном талоне.

- Несоблюдение правил эксплуатации, приведенных в данном руководстве, в том числе нарушение регламента технического обслуживания.
- Эксплуатация неисправного или некомплектного изделия, ставшая причиной выхода его из строя.
- Попадание внутрь изделия посторонних веществ или предметов.
- Изделие имеет значительные механические или термические повреждения, явные следы небрежной эксплуатации, хранения или транспортировки.
- Изделие использовалось не по назначению.
- Производились несанкционированный ремонт, вскрытие либо попытка модернизации изделия потребителем или третьими лицами.
- Неисправность произошла в результате стихийного бедствия (пожар, наводнение, ураган и т. п.).

Замененные по гарантии детали и узлы переходят в распоряжение сервисного центра.

При выполнении гарантийного ремонта гарантийный срок увеличивается на время пребывания изделия в ремонте. Отсчет добавленного срока начинается с даты приемки изделия в гарантийный ремонт.

В случае если по техническим причинам ремонт изделия невозможен, сервисный центр выдает соответствующий акт, на основании которого пользователь самостоятельно решает вопрос с организацией-поставщиком о замене изделия или возврате денег.

После окончания гарантийного срока сервисные центры продолжают осуществлять обслуживание и ремонт изделия, но уже за счет потребителя.

Гарантийные обязательства не распространяются на неисправности, возникшие вследствие естественного износа или перегрузки изделия и на расходные материалы - биты, сверла и т.п.

Гарантийные обязательства не распространяются на неполноту комплектации изделия, которая могла быть обнаружена при его продаже. Все расходы на транспортировку изделия несет потребитель.

Право на гарантийный ремонт не является основанием для других претензий.



ГАРАНТІЙНИЙ ТАЛОН

Купуючи виріб, вимагайте перевірки його справності, комплектності і відсутності механічних пошкоджень, наявності відмітки дати продажу, штампа магазину та підпису продавця. Після продажу претензії щодо некомплектності і механічних пошкоджень не приймаються.

Виріб	
Модель	
Серійний номер	
Торговельна організація	
Адреса торговельної організації	
Вироб перевірів і продав	
Дата продажу	
Печатка або штамп торговельної організації	

Претензій до зовнішнього вигляду, справності та комплектності виробу не маю. З правилами користування та гарантійними умовами ознайомлений.

(Підпис покупця)



Виріб		
Модель		
Серійний номер		
Вилучено (дата):	Торговельна організація	
	Дата продажу	
Видано (дата):		
Майстер (ПІП та підпис)	Печатка або штамп сервісного центру	Печатка або штамп торговельної організації



Виріб		
Модель		
Серійний номер		
Вилучено (дата):	Торговельна організація	
	Дата продажу	
Видано (дата):		
Майстер (ПІП та підпис)	Печатка або штамп сервісного центру	Печатка або штамп торговельної організації



Виріб		
Модель		
Серійний номер		
Вилучено (дата):	Торговельна організація	
	Дата продажу	
Видано (дата):		
Майстер (ПІП та підпис)	Печатка або штамп сервісного центру	Печатка або штамп торговельної організації

ВІДРИВНИЙ ТАЛОН

ВІДРИВНИЙ ТАЛОН

ВІДРИВНИЙ ТАЛОН

ФОРМУЛЯР ГАРАНТІЙНИХ РОБІТ

Вироб після гарантійного ремонту отримав у робочому стані, без дефектів. Претензій не маю.

Дата	П.І.П. покупця	Підпис покупця

Вироб після гарантійного ремонту отримав у робочому стані, без дефектів. Претензій не маю.

Дата	П.І.П. покупця	Підпис покупця

Вироб після гарантійного ремонту отримав у робочому стані, без дефектів. Претензій не маю.

Дата	П.І.П. покупця	Підпис покупця

№	Дата проведення ремонту		Опис ремонтних робіт та заміненних деталей	Прізвище майстра та печатка сервісного центру
	Початок	Закінчення		

ОФИЦИАЛЬНЫЙ ДИЛЕР В УКРАИНЕ:

storgom.ua

ГРАФИК РАБОТЫ:

Пн. – Пт.: с 8:30 по 18:30

Сб.: с 09:00 по 16:00

Вс.: с 10:00 по 16:00

КОНТАКТЫ:

+38 (044) 360-46-77

+38 (066) 77-395-77

+38 (097) 77-236-77

+38 (093) 360-46-77

Детальное описание товара: <https://storgom.ua/product/shurupovert-vitals-master-aumd-12-2dn.html>

Другие товары: <https://storgom.ua/akkumulyatornyye-shurupoverty.html>