

*Інструмент не
призначений для
професійного
використання.*

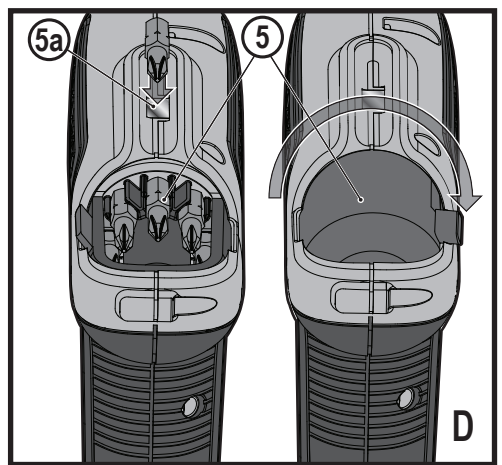
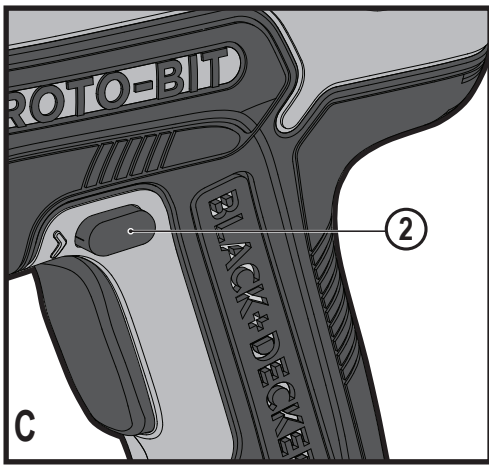
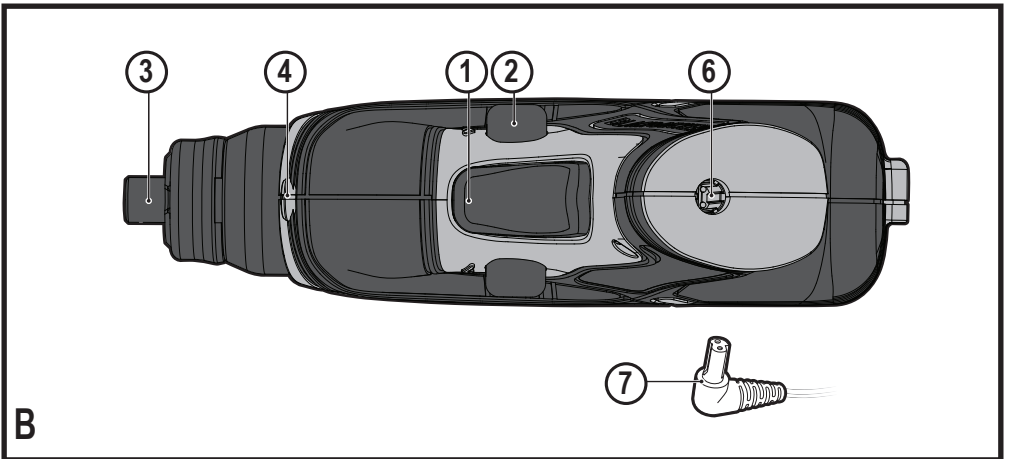
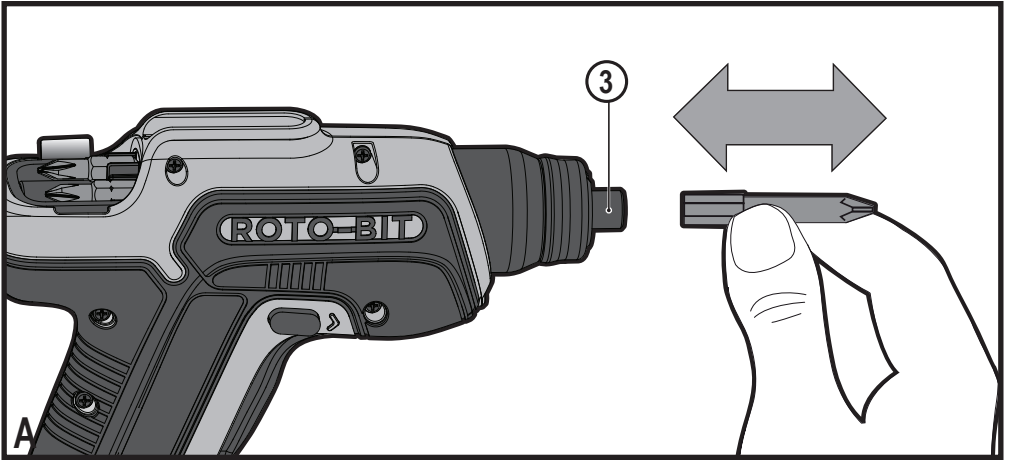
???

Переклад оригінальних інструкцій

www.blackanddecker.co.uk

CS36BS

English	(Original instructions)	4
Українська	(Переклад оригінальних інструкцій)	9



Intended use

Your BLACK+DECKER™ CS36BS screwdriver has been designed for screwdriving applications. This tool is intended for consumer use only.

Safety instructions

General power tool safety warnings



Warning! Read all safety warnings and all instructions. Failure to follow the warnings and instructions listed below may result in electric shock, fire and/or serious injury.

Save all warnings and instructions for future reference.

The term "power tool" in all of the warnings listed below refers to your mains operated (corded) power tool or battery operated (cordless) power tool.

1. **Work area safety**
 - a. **Keep work area clean and well lit.** Cluttered or dark areas invite accidents.
 - b. **Do not operate power tools in explosive atmospheres, such as in the presence of flammable liquids, gases or dust.** Power tools create sparks which may ignite the dust or fumes.
 - c. **Keep children and bystanders away while operating a power tool.** Distractions can cause you to lose control.
2. **Electrical safety**
 - a. **Power tool plugs must match the outlet. Never modify the plug in any way. Do not use any adapter plugs with earthed (grounded) power tools.** Unmodified plugs and matching outlets will reduce risk of electric shock.
 - b. **Avoid body contact with earthed or grounded surfaces such as pipes, radiators, ranges and refrigerators.** There is an increased risk of electric shock if your body is earthed or grounded.
 - c. **Do not expose power tools to rain or wet conditions.** Water entering a power tool will increase the risk of electric shock.
 - d. **Do not abuse the cord. Never use the cord for carrying, pulling or unplugging the power tool. Keep cord away from heat, oil, sharp edges or moving parts.** Damaged or entangled cords increase the risk of electric shock.
 - e. **When operating a power tool outdoors, use an extension cord suitable for outdoor use.** Use of a cord suitable for outdoor use reduces the risk of electric shock.
 - f. **If operating a power tool in a damp location is unavoidable, use a residual current device (RCD) protected supply.** Use of an RCD reduces the risk of electric shock.
3. **Personal safety**
 - a. **Stay alert, watch what you are doing and use common sense when operating a power tool. Do not use a power tool while you are tired or under the influence of drugs, alcohol or medication.** A moment of inattention while operating power tools may result in serious personal injury.
 - b. **Use personal protective equipment. Always wear eye protection.** Protective equipment such as dust mask, non-skid safety shoes, hard hat, or hearing protection used for appropriate conditions will reduce personal injuries.
 - c. **Prevent unintentional starting. Ensure the switch is in the off-position before connecting to power source and/or battery pack, picking up or carrying the tool.** Carrying power tools with your finger on the switch or energising power tools that have the switch on invites accidents.
 - d. **Remove any adjusting key or wrench before turning the power tool on.** A wrench or a key left attached to a rotating part of the power tool may result in personal injury.
 - e. **Do not overreach. Keep proper footing and balance at all times.** This enables better control of the power tool in unexpected situations.
 - f. **Dress properly. Do not wear loose clothing or jewellery. Keep your hair, clothing and gloves away from moving parts.** Loose clothes, jewellery or long hair can be caught in moving parts.
 - g. **If devices are provided for the connection of dust extraction and collection facilities, ensure these are connected and properly used.** Use of dust collection can reduce dust-related hazards.
 - h. **Do not let familiarity gained from frequent use of tools allow you to become complacent and ignore tool safety principles.** A careless action can cause severe injury within a fraction of a second.
4. **Power tool use and care**
 - a. **Do not force the power tool. Use the correct power tool for your application.** The correct power tool will do the job better and safer at the rate for which it was designed.
 - b. **Do not use the power tool if the switch does not turn it on and off.** Any power tool that cannot be controlled with the switch is dangerous and must be repaired.
 - c. **Disconnect the plug from the power source and/or the battery pack from the power tool before making any adjustments, changing accessories, or storing power tools.** Such preventive safety measures reduce the risk of starting the power tool accidentally.
 - d. **Store idle power tools out of the reach of children and do not allow persons unfamiliar with the power tool or**

these instructions to operate the power tool. Power tools are dangerous in the hands of untrained users.

- e. **Maintain power tools. Check for misalignment or binding of moving parts, breakage of parts and any other condition that may affect the power tools operation. If damaged, have the power tool repaired before use.** Many accidents are caused by poorly maintained power tools.
 - f. **Keep cutting tools sharp and clean.** Properly maintained cutting tools with sharp cutting edges are less likely to bind and are easier to control.
 - g. **Use the power tool, accessories and tool bits etc. in accordance with these instructions, taking into account the working conditions and the work to be performed.** Use of the power tool for operations different from those intended could result in a hazardous situation.
 - h. **Keep handles and grasping surfaces dry, clean and free from oil and grease.** Slippery handles and grasping surfaces do not allow for safe handling and control of the tool in unexpected situations.
- 5. Battery tool use and care**
- a. **Recharge only with the charger specified by the manufacturer.** A charger that is suitable for one type of battery pack may create a risk of fire when used with another battery pack.
 - b. **Use power tools only with specifically designated battery packs.** Use of any other battery packs may create a risk of injury and fire.
 - c. **When battery pack is not in use, keep it away from other metal objects, like paper clips, coins, keys, nails, screws, or other small metal objects, that can make a connection from one terminal to another.**
Shorting the battery terminals together may cause burns or a fire.
 - d. **Under abusive conditions, liquid may be ejected from the battery; avoid contact. If contact accidentally occurs, flush with water. If liquid contacts eyes, additionally seek medical help.** Liquid ejected from the battery may cause irritation or burns.
 - e. **Do not use a battery pack or tool that is damaged or modified.** Damaged or modified batteries may exhibit unpredictable behaviour resulting in fire, explosion or risk of injury.
 - f. **Do not expose a battery pack or tool to fire or excessive temperature.** Exposure to fire or temperature above 265° F may cause explosion.
 - g. **Follow all charging instructions and do not charge the battery pack or tool outside the temperature range specified in the instructions.** Charging improperly or at temperatures outside the specified range may damage the battery and increase the risk of fire.

6. Service

- a. **Have your power tool serviced by a qualified repair person using only identical replacement parts. This will ensure that the safety of the power tool is maintained.**
- b. **Never service damaged battery packs.** Service of battery packs should only be performed by the manufacturer or authorised service providers.

Additional power tool safety warnings



Warning! Additional safety warnings for screwdrivers and impact wrenches

- ◆ **Hold power tool by insulated gripping surfaces when performing an operation where the fastener may contact hidden wiring or its own cord.** Fasteners contacting a "live" wire may make exposed metal parts of the power tool "live" and shock the operator.
- ◆ **Wear ear protectors with impact wrenches.** Exposure to noise can cause hearing loss.
- ◆ **Use auxiliary handles supplied with the tool.** Loss of control can cause personal injury.
- ◆ **Use clamps or another practical way to secure and support the workpiece to a stable platform.** Holding the work by hand or against your body leaves it unstable and may lead to loss of control.
- ◆ Before driving fasteners into walls, floors or ceilings, check for the location of wiring and pipes.
- ◆ The intended use is described in this instruction manual. The use of any accessory or attachment or performance of any operation with this tool other than those recommended in this instruction manual may present a risk of personal injury and/or damage to property.

Safety of others

- ◆ This tool can be used by children aged from 8 years and above and persons with reduced physical, sensory or mental capabilities or lack of experience and knowledge if they have been given supervision or instruction concerning use of the appliance in a safe way and understand the hazards involved.
- ◆ Children shall not play with the appliance. Cleaning and user maintenance shall not be made by children without supervision.

Residual risks

Additional residual risks may arise when using the tool which may not be included in the enclosed safety warnings. These risks can arise from misuse, prolonged use etc. Even with the application of the relevant safety regulations and the implementation of safety devices, certain residual risks can not be avoided. These include:

- ◆ Injuries caused by touching any rotating/moving parts.
- ◆ Injuries caused when changing any parts, blades or accessories.
- ◆ Injuries caused by prolonged use of a tool. When using any tool for prolonged periods ensure you take regular breaks.
- ◆ Impairment of hearing.
- ◆ Health hazards caused by breathing dust developed when using your tool (example:- working with wood, especially oak, beech and MDF.)

Vibration

The declared vibration emission values stated in the technical data and the declaration of conformity have been measured in accordance with a standard test method provided by EN 60745 and may be used for comparing one tool with another. The declared vibration emission value may also be used in a preliminary assessment of exposure.

Warning! The vibration emission value during actual use of the power tool can differ from the declared value depending on the ways in which the tool is used. The vibration level may increase above the level stated.

When assessing vibration exposure to determine safety measures required by 2002/44/EC to protect persons regularly using power tools in employment, an estimation of vibration exposure should consider, the actual conditions of use and the way the tool is used, including taking account of all parts of the operating cycle such as the times when the tool is switched off and when it is running idle in addition to the trigger time.

Labels on tool

The following symbols are shown on the tool along with the date code:



Warning! To reduce the risk of injury, the user must read the instruction manual.

Additional safety instructions for batteries and chargers

Batteries

- ◆ Never attempt to open for any reason.
- ◆ Do not expose the battery to water.
- ◆ Do not expose the battery to heat.
- ◆ Do not store in locations where the temperature may exceed 40 °C.
- ◆ Charge only at ambient temperatures between 10 °C and 40 °C.
- ◆ Charge only using the charger provided with the appliance/tool.
- ◆ When disposing of batteries, follow the instructions given in the section "Protecting the environment".

- ◆ Do not damage/deform the battery pack either by puncture or impact, as this may create a risk of injury and fire.
- ◆ Do not charge damaged batteries.
- ◆ Under extreme conditions, battery leakage may occur. When you notice liquid on the batteries carefully wipe the liquid off using a cloth. Avoid skin contact.
- ◆ In case of skin or eye contact, follow the instructions below.

Warning! The battery fluid may cause personal injury or damage to property. In case of skin contact, immediately rinse with water. If redness, pain or irritation occurs seek medical attention. In case of eye contact, rinse immediately with clean water and seek medical attention.

Chargers

Your charger has been designed for a specific voltage. Always check that the mains voltage corresponds to the voltage on the rating plate.

Warning! Never attempt to replace the charger unit with a regular mains plug.

- ◆ Use your BLACK+DECKER charger only to charge the battery in the tool with which it was supplied. Other batteries could burst, causing personal injury and damage.
- ◆ Never attempt to charge non-rechargeable batteries.
- ◆ If the supply cord is damaged, it must be replaced by the manufacturer or an authorised BLACK+DECKER Service Centre in order to avoid a hazard.
- ◆ Have defective cords replaced immediately.
- ◆ Do not expose the charger to water.
- ◆ Do not open the charger.
- ◆ Do not probe the charger.
- ◆ The appliance/tool/battery must be placed in a well ventilated area when charging.



The charger is intended for indoor use only.



Read the instruction manual before use.

Electrical safety



Your charger is double insulated; therefore no earth wire is required. Always check that the mains voltage corresponds to the voltage on the rating plate. Never attempt to replace the charger unit with a regular mains plug.

- ◆ If the supply cord is damaged, it must be replaced by the manufacturer or an authorised BLACK+DECKER Service Centre in order to avoid a hazard.
- ◆ **Warning!** Never attempt to replace the charger unit with a regular mains plug.

Features

1. On/off trigger
2. Forward/reverse slider
3. Bit holder (1/4" Hex Shank)
4. LED light
5. Bit storage
- 5a. Magnetic bit/screw holder

Assembly

Fitting and removing a drill bit or a screwdriver bit (fig. A)

This tool uses screwdriver bits and drill bits with a 6.35 mm (1/4") hexagonal shank. The tool can store 8 of these bits in the bit storage compartment (5) or individually in the magnetic bit/screw holder (5a) as shown in figure D.

- ◆ To fit a bit, insert the bit shaft into the bit holder (3).
- ◆ To remove a bit, pull the bit shaft out of the bit holder (3).

Use

Warning! Let the tool work at its own pace. Do not overload.

- ◆ Before first use, the battery must be charged for at least 10 hours.

Charging the battery (fig. B)

- ◆ Insert the charger plug (7) into the charger connector (6).
- ◆ Plug in the charger (7).
- ◆ Leave the tool connected to the charger for 10 hours.

The charger may hum and become warm while charging; this is normal and does not indicate a problem.

Warning! Do not charge the battery at ambient temperatures below 10 °C or above 40°C.

Selecting the direction of rotation (fig. C)

For tightening screws, use forward rotation.

For loosening screws or removing a jammed drill bit, use reverse rotation.

- ◆ To select forward rotation, push the forward/reverse slider (2) to the forward position.
- ◆ To select reverse rotation, push the forward/reverse slider (2) to the rearward position.
- ◆ To lock the tool, set the forward/reverse slider into the centre position.

Screwdriving

- ◆ Select forward or reverse rotation using the forward/reverse slider (2).
- ◆ To switch the tool on, press the on/off switch (1).
- ◆ To switch the tool off, release the on/off switch (1).

LED light

The LED light (4) is activated automatically when the trigger is depressed. The LED will also illuminate when the trigger is

depressed and the forward/reverse slider (2) is in the locked off position (central position).

Hints for optimum use

Screwdriving

- ◆ Always use the correct type and size of screwdriver bit.
- ◆ If screws are difficult to tighten, try applying a small amount of washing liquid or soap as a lubricant.
- ◆ Use the spindle lock to loosen very tight screws or to firmly tighten screws.
- ◆ Always hold the tool and screwdriver bit in a straight line with the screw.
- ◆ When screwing in wood, it is recommended to drill a pilot hole with a depth equal to the length of the screw. A pilot hole guides the screw and prevents splintering or distortion of the wood. For the optimum size of the pilot hole, refer to the table below.
- ◆ When screwing in hardwood, also drill a clearance hole with a depth equal to half the length of the screw. For the optimum size of the clearance hole, refer to the table below.

Screw size	Pilot hole ø (softwood)	Pilot hole ø (hardwood)	Clearance hole
Nr. 6 (3.5 mm)	2.0 mm	2.5 mm	3.6 mm
Nr. 8 (4 mm)	2.5 mm	3.0 mm	4.5 mm
Nr. 10 (5 mm)	3.0mm	3.5mm	5.0mm

Accessories

The performance of your tool depends on the accessory used. BLACK+DECKER and Piranha accessories are engineered to high quality standards and designed to enhance the performance of your tool. By using these accessories you will get the very best from your tool.

This tool uses screwdriver bits with a 1/4" (6.35 mm) hexagonal shank. Piranha Super-lok accessories are designed for use with this tool.

Maintenance

Your BLACK+DECKER corded/cordless appliance/tool has been designed to operate over a long period of time with a minimum of maintenance. Continuous satisfactory operation depends upon proper tool care and regular cleaning. Your charger does not require any maintenance apart from regular cleaning.

Warning! Before performing any maintenance on the tool, switch off and unplug the tool or remove the battery from the tool if the tool has separate battery. If the battery is integral, run the battery completely down. Unplug the charger before cleaning it.

- ◆ Regularly clean the ventilation slots in your tool and charger using a soft brush or dry cloth.
- ◆ Regularly clean the motor housing using a damp cloth. Do not use any abrasive or solvent-based cleaner.
- ◆ Regularly open the chuck and tap it to remove any dust from the interior (when fitted).

Protecting the environment



Separate collection. Products and batteries marked with this symbol must not be disposed of with normal household waste.

Products and batteries contain materials that can be recovered or recycled reducing the demand for raw materials. Please recycle electrical products and batteries according to local provisions. Further information is available at www.2helpU.com.

Technische Daten

CS36BS (H2)		
Voltage	V _{DC}	3.6
No-load speed	min ⁻¹	180
Hard stall torque	Nm	5.84
Max. torque	Nm	5.5
Bit Holder	mm	6.35 (1/4")
Weight	kg	0.42

Battery		
Voltage	V	3.6
Battery type		Li-Ion
Capacity	Ah	1.5

Charger SSC-050015UK		
Input voltage	V _{AC}	230
Output voltage	V _{DC}	3.6
Current	mA	150
Approx. charging time	h	10
Weight	kg	0.06

Level of sound pressure according to EN 60745:	
L _{PA} (sound pressure)	64.5 dB(A), Uncertainty (K) 3 dB(A)
L _{WA} (sound power)	75.5 dB(A), Uncertainty (K) 3 dB(A)
Vibration total values (triax vector sum) according to EN 60745:	
Vibration emission value (a _v)	0.3 m/s ² , uncertainty (K) 1.5 m/s ²

EC declaration of conformity

MACHINERY DIRECTIVE



CS36BS - screwdriver

Black & Decker declares that these products described under "technical data" are in compliance with: 2006/42/EC, EN60745-1:2009+A11:2010, EN 60745-2-2:2010

These products also comply with Directive 2014/30/EU and 2011/65/EU. For more information, please contact Black & Decker at the following address or refer to the back of the manual.

The undersigned is responsible for compilation of the technical file and makes this declaration on behalf of Black & Decker.

A. Smith
 Technical Director
 Black & Decker Europe, 210 Bath Road, Slough,
 Berkshire, SL1 3YD
 United Kingdom
 30/01/2019

Guarantee

Black & Decker is confident of the quality of its products and offers consumers a 24 month guarantee from the date of purchase. This guarantee is in addition to and in no way prejudices your statutory rights. The guarantee is valid within the territories of the Member States of the European Union and the European Free Trade Area.

To claim on the guarantee, the claim must be in accordance with Black & Decker Terms and Conditions and you will need to submit proof of purchase to the seller or an authorised repair agent. Terms and conditions of the Black & Decker 2 year guarantee and the location of your nearest authorised repair agent can be obtained on the Internet at www.2helpU.com, or by contacting your local Black & Decker office at the address indicated in this manual.

Please visit our website www.blackanddecker.co.uk to register your new BLACK+DECKER product and receive updates on new products and special offers.

Сфера застосування

Ваша викрутка CS36BS виробництва компанії BLACK+DECKER™ призначена для загвинчування і відгвинчування. Даний інструмент призначено лише для побутового використання.

Інструкції з техніки безпеки

Загальні правила безпеки при роботі з електроінструментом



Увага! Прочитайте всі попередження та інструкції. Ігнорування наведених нижче попереджень та недотримання інструкцій може спричинити ураження електричним струмом, пожежу та/або серйозні травми.

Збережіть всі попередження та інструкції для використання в майбутньому. Термін «електричний інструмент» в усіх наведених нижче попередженнях стосується ваших інструментів, які працюють від електромережі (мають кабель електроживлення) або акумуляторів (без кабелю).

1. Безпека в робочій зоні

- a. Підтримуйте чистоту робочої зони та забезпечте добре освітлення. Безлад та недостатнє освітлення в робочій зоні збільшують імовірність нещасного випадку.
- b. **Не використовуйте електричні інструменти у вибухонебезпечній атмосфері, наприклад, у присутності займих рідин, газів та пилу.** Електричні інструменти створюють іскри, що можуть запалити пил або випаровування.
- c. **Під час використання електроінструмента забезпечте відсутність поблизу дітей та сторонніх осіб.** Неуважність може призвести до втрати контролю.

2. Електрична безпека

- a. Вилка електричного інструмента має відповідати розетці. Ніколи жодним чином не змінюйте вилку. **Не використовуйте жодні штепсельні адаптери з електроінструментами, які мають заземлення (занулення).** Незмінні вилки та відповідні їм розетки зменшують ризик ураження електричним струмом.
- b. **Уникайте контакту тіла із заземленими поверхнями, такими як труби, радіатори, плити та холодильники.** Заземлення або занулення вашого тіла збільшує ризик ураження електричним струмом.
- c. **Не залишайте електричні інструменти під дощем або за умов підвищеної вологості.** Вода, що потрапляє в електричний інструмент, підвищує ризик ураження електричним струмом.

- d. **Не використовуйте кабель живлення не за призначенням. Ніколи не використовуйте шнур для перенесення, витягування та відключення від розетки живлення електричного інструмента.** Тримайте шнур подалі від високих температур, мастила, гострих предметів та рухомих деталей. Пошкоджені або перекручені шнури підвищують ризик ураження електричним струмом.
- e. **Під час експлуатації електричного інструмента на вулиці використовуйте подовжувальний шнур, призначений для використання поза приміщеннями.** Використання шнура, призначеного для використання поза приміщенням, знижує ризик ураження електричним струмом.
- f. **Якщо неможливо уникнути використання електричного інструмента в умовах підвищеної вологості, використовуйте джерело живлення, захищене пристроєм захисного відключення (ПЗВ).** Використання ПЗВ знижує ризик ураження електричним струмом.

3. Особиста безпека

- a. Працюючи з електричним інструментом будьте уважні та розсудливі, дивіться, що ви робите. **Не використовуйте електричний інструмент, коли ви втомлені або знаходитесь під впливом наркотичних речовин, алкоголю або ліків.** Втрата уваги під час роботи з електричним інструментами може призвести до серйозних травм.
- b. **Використовуйте особисті засоби безпеки. Завжди використовуйте засоби захисту очей.** Відповідні умовам використання засоби безпеки, такі як протипилова маска, неслизькі безпечні черевики, захисний шолом та засоби захисту слуху, зменшують імовірність особистих травм.
- c. **Уникайте випадкового запуску. Переконайтесь в тому, що вмикач знаходиться в позиції Вимк. перед підключенням до джерела живлення та/або акумулятора, переміщенням або перенесенням пристрою.** Якщо ви перенесіть інструмент, тримаючи палець на вмикачі, або підключаєте живлення з перемикачем в позиції Увімк., це може призвести до нещасного випадку.
- d. **Зніміть всі налаштувальні ключі або гайкові ключі перед вмиканням електричного інструмента.** Гайковий ключ, що залишився прикріпленим до якоїсь деталі електричного пристрою, що обертається, може призвести до травм.
- e. **Не перенапружуйтеся. Завжди утримуйте правильну постановку ніг і рівновагу.** Це дає вам змогу краще контролювати інструмент в непередбачуваних ситуаціях.

- f. **Вдягайте відповідний одяг. Не вдягайте вільний одяг або прикраси. Тримайте ваше волосся, одяг та рукавички подалі від рухомих деталей.** Вільний одяг, прикраси або довге волосся можуть зачепитися за рухомі деталі.
- g. **Якщо передбачені пристрої для підключення до засобів видалення та збирання пилу, переконайтеся, що вони правильно підключені та використовуються.** Використання таких пристроїв зменшує ризик виникнення небезпечних ситуацій, що пов'язані з потраплянням пилу.
- h. **Навіть якщо ви добре знаєте інструмент та часто його використовуєте, не розслабляйтесь та не забувайте про принципи техніки безпеки.** Необережні дії за долю секунди можуть стати причиною важких травм.
4. **Використання електричного інструмента та догляд за ним**
- a. **Не застосовуйте надмірні зусилля під час роботи з інструментом. Використовуйте у своїй роботі відповідний електричний інструмент.** Правильно обраний інструмент виконає завдання краще та безпечніше за умов, для яких він був розроблений.
- b. **Не використовуйте інструмент, вимикач якого не вмикає та не вимикає його.** Будь-який електричний інструмент з непрацюючим вимикачем є небезпечним і має бути відремонтований.
- c. **Відключіть вилку від джерела живлення та/або зніміть акумуляторний блок з електричного інструмента перед тим, як робити будь-які налаштування, змінювати додаткове обладнання чи зберігати електричні інструменти.** Ці профілактичні заходи зменшують ризик випадкового запуску електричного інструмента.
- d. **Зберігайте вимкнені електричні інструменти подалі від дітей та не дозволяйте використовувати електричний інструмент особам, не знайомим з електричним інструментом або цими інструкціями.** Електричні інструменти є небезпечними, якщо вони використовуються некваліфікованими користувачами.
- e. **Технічне обслуговування електричних інструментів. Перевіряйте несумісність або заїдання рухомих деталей, наявність ушкоджених частин та інших умов, що можуть впливати на роботу електричного інструмента.** Якщо є ушкодження, відремонтуйте електричний інструмент перед використанням. Багато нещасних випадків є результатом того, що інструмент не пройшов відповідного технічного обслуговування.
- f. **Тримайте різальні інструменти гострими та чистими.** Правильно доглянуті різальні інструменти з гострими різальними кромками мають меншу ймовірність заїдання, ними легше керувати.
- g. **Використовуйте електричний інструмент, приладдя та деталі інструмента тощо у відповідності до цих інструкцій, зважаючи на умови використання та роботу, яка має бути виконана.** Використання електричних інструментів не за призначенням може призвести до виникнення небезпечних ситуацій.
- h. **Всі ручки та поверхні для тримання інструменту повинні бути сухими та без залишків мастила.** Слизькі ручки та поверхні для тримання не дозволяють безпечно працювати та контролювати інструмент у неочікуваних ситуаціях.
5. **Використання та догляд за акумуляторним інструментом**
- a. **Заряджайте інструмент лише за допомогою зарядного пристрою, вказаного виробником.** Зарядний пристрій, що може використовуватись з одним типом акумуляторів, може призвести до пожежі, коли використовується з іншим акумулятором.
- b. **Використовуйте електричні інструменти лише зі спеціально розробленим акумулятором.** Використання інших акумуляторів може призвести до травм або пожежі.
- c. **Коли акумулятори не використовуються, зберігайте їх подалі від металевих предметів, таких як скріпки, монети, ключі, цвяхи, гвинти або інші невеликі предмети, що можуть призвести до замикання контактів.** Замикання клем акумулятора може призвести до вибуху або пожежі.
- d. **За невідповідних умов використання з батареї може витікати рідина, уникайте контакту з цією рідиною.** Якщо стався випадковий контакт, промийте відповідне місце водою. Якщо рідина потрапила в очі, необхідно звернутися до лікаря. Рідина, що витікає з батареї, може призвести до подразненнь та опіків.
- e. **Не використовуйте акумулятор або інструмент, який пошкоджено або змінено.** Пошкоджені або змінені акумулятори можуть поводити себе непередбачуваним чином, що може спричинити пожежу, вибух або ризик травми.
- f. **Не піддавайте акумулятор або інструмент впливу вогню або надмірних температур.** Вплив вогню або температури вище 265 °F (129 °C) може спричинити вибух.
- g. **Виконуйте всі інструкції щодо зарядки та не заряджайте акумулятор або інструмент за межами температурного діапазону, вказаного в інструкціях.** Зарядка невідповідним чином або за температури поза

вказаним діапазоном може пошкодити акумулятор та підвищити ризик пожежі.

6. Обслуговування

- a. **Передавайте електричний інструмент для обслуговування кваліфікованим спеціалістам з ремонту та використовуйте тільки ідентичні замінні деталі. Це підвищує безпеку електричного інструменту.**
- b. **Не обслуговуйте пошкоджені акумулятори самостійно.** Обслуговування акумуляторів повинні виконувати представники виробника або працівники офіційного сервісного центру.

Додаткові правила безпеки для електричного інструмента



Увага! Додаткові попередження з техніки безпеки відносно викирток та ударних гайковертів

- ◆ **Тримайте інструмент за ізольовану поверхню при виконанні операцій, коли кріпильні пристрої можуть торкнутися проводки або власного кабелю.** При контакті кріпильних пристроїв з дротом під напругою, під напругою можуть опинитися металеві частини інструменту, що може призвести до ураження оператора електричним струмом.
- ◆ **Використовуйте засоби захисту вух при роботі з гайковертами.** Шум може викликати втрату слуху.
- ◆ **Використовуйте додаткові ручки, що надаються з інструментом.** Втрата контролю над інструментом може викликати травми.
- ◆ **Використовуйте затискач або інший спосіб закріплення деталі, що оброблюється, на стабільній платформі.** Утримування заготовки в руці та притискання її до тіла робить її нестабільною та може призвести до втрати контролю.
- ◆ **Перед використанням гайковерту для закручування в стіни, підлогу та стелю переконайтесь, що в цьому місці не розташована проводка та труби.**
- ◆ Використання за призначенням описано в цій інструкції з використання. Використання будь-якого приладдя чи додаткового обладнання, виконання будь-яких дій з інструментом, що суперечать рекомендаціям цієї інструкції, може призвести до ризику травмування людини та/або пошкодження майна.

Безпека оточення

- ◆ Цей інструмент можуть використовувати діти від 8 років та особи зі знизженими фізичними, сенсорними та розумовими можливостями або з недостатнім досвідом та знаннями, якщо вони знаходяться під наглядом та отримали інструкції щодо використання

цього пристрою безпечним чином і зрозуміли можливу небезпеку.

- ◆ Не дозволяйте дітям грати з пристроєм. Не дозволяйте дітям очищувати пристрій та виконувати його технічне обслуговування.

Залишкові ризики

Під час використання інструмента можуть виникнути додаткові залишкові ризики, які не внесено до попереджень щодо техніки безпеки в цьому посібнику. Такі ризики можуть виникнути в результаті неправильного використання, тривалого використання тощо. Незважаючи на виконання всіх відповідних правил техніки безпеки та використання захисних пристроїв, неможливо уникнути деяких залишкових ризиків. До них належать:

- ◆ травми через контакт з деталями, що рухаються/обертаються;
- ◆ травми під час заміни деталей, пильних полотен або аксесуарів;
- ◆ травми через занадто тривале використання інструменту. Під час використання будь-якого інструменту протягом тривалого періоду часу не забувайте робити регулярні перерви;
- ◆ порушення слуху;
- ◆ небезпека для здоров'я через вдихання пилу, що утворюється Під час використання інструменту (наприклад, при роботі з деревом, особливо з дубом, буком та ДВП).

Вібрація

Значення вібрації, вказані у технічних даних та у декларації про відповідність виміряні з дотриманням стандартних методів тестування, наданих в EN 60745, та їх можна використовувати для порівняння одного інструменту з іншим. Задекларовані значення вібрації можна також використовувати для попереднього оцінювання впливу вібрації.

Увага! Значення вібрації під час використання інструмента може відрізнятись від задекларованого в залежності від способів використання інструмента. Рівень вібрації може перевищувати вказані значення.

Оцінюючи вплив вібрації для визначення заходів безпеки за вимогами 2002/44/ЕС, щоб захистити людей, які регулярно використовують інструменти в роботі, необхідно враховувати реальні умови та способи використання інструмента, у тому числі всі періоди робочого циклу, наприклад час, коли інструмент вимкнено та коли він працює в режимі холостого ходу, а також час, потрібний для запуску інструмента.

Написи на інструменті

Наведені нижче символи нанесені на інструмент разом з кодом дати:



Увага! Щоб зменшити ризик травм, користувач повинен прочитати посібник з експлуатації.

Додаткові інструкції з техніки безпеки для батарей та зарядних пристроїв

Батареї

- ◆ Ніколи не намагайтесь відкривати батарею.
- ◆ Не занурюйте батарею у воду.
- ◆ Тримайте та експлуатуйте батарею впливу тепла.
- ◆ Не зберігайте у місцях, де температура може перевищувати 40 °C.
- ◆ Заряджайте лише за температури навколишнього середовища між 10 °C та 40 °C.
- ◆ Заряджайте лише за допомогою зарядного пристрою, що надається з інструментом.
- ◆ При утилізації батарей дотримуйтесь інструкцій, наведених у розділі "Захист навколишнього середовища".
- ◆ Не пошкоджуйте та не деформуйте батарею шляхом проколу або удару. Це може призвести до травми чи пожежі.
- ◆ Не заряджайте пошкоджені батареї.
- ◆ За екстремальних умов можлива розгерметизація батареї. Якщо ви помітите на батареї рідину, обережно витріть її ганчіркою. Уникайте контакту зі шкірою.
- ◆ При потрапленні на шкіру або в очі виконуйте наступні інструкції.

Увага! Рідина з батареї здатна спричинити тілесне ураження або пошкодження майна. У випадку потраплення на шкіру, негайно промийте її водою. При виникненні почервоніння, болю або подразнення зверніться до лікаря. У випадку потраплення на слизову очей негайно промийте великою кількістю чистої води та зверніться за медичною допомогою.

Зарядні пристрої

Зарядний пристрій розроблено для певного значення напруги. Завжди перевіряйте відповідність джерела живлення напрузі, що вказана на табличці з паспортними даними.

Увага! Ніколи не намагайтесь замінити зарядний пристрій звичайним мережним штепселем.

- ◆ Використовуйте зарядний пристрій BLACK+DECKER лише для зарядки батарей того інструменту, з яким він був придбаний. Інші батареї можуть вибухнути, спричинивши травми та пошкодження.
- ◆ Ніколи не намагайтесь заряджати батареї, що не підлягають зарядці.

- ◆ Якщо шнур живлення пошкоджений, його необхідно замінити у виробника або в офіційному сервісному центрі компанії BLACK+DECKER для уникнення небезпеки.
- ◆ Негайно замінюйте пошкоджений шнур живлення.
- ◆ Уникайте контакту зарядного пристрою з водою
- ◆ Не відкривайте корпус зарядного пристрою.
- ◆ Не розбирайте зарядний пристрій.
- ◆ Проводьте заряджання пристрою/інструменту/батарей у добре провітрюваному місці.



Зарядний пристрій призначений лише для використання в приміщенні.



Прочитайте інструкції цього посібника перед використанням.

Електрична безпека



Зарядний пристрій має подвійну ізоляцію, тому заземлення непотрібне. Завжди перевіряйте відповідність джерела живлення напрузі, що вказана на табличці з паспортними даними. Ніколи не намагайтесь замінити зарядний пристрій звичайним мережним штепселем.

- ◆ Якщо шнур живлення пошкоджений, його необхідно замінити у виробника або в офіційному сервісному центрі компанії BLACK+DECKER для уникнення небезпеки.
- ◆ **Увага!** Ніколи не намагайтесь замінити зарядний пристрій звичайним мережним штепселем.

Компоненти

1. Вимикач Увімк./Вимк.
2. Перемикач вперед/назад
3. Тримач біт (1 1/4" Hex Shank)
4. Світлодіодна підсвітка
5. Місце зберігання біт
- 5а. Магнітний тримач біт/гвинтів

Встановлення

Встановлення та видалення свердла або біти-викрутки (рис. А)

З даним інструментом використовуються біти-викрутки та свердла з шестиграним хвостовиком 6,35 мм (1/4"). В даному інструменті можуть зберігатися відразу 8 таких біт у відсіку для зберігання біт (5) або по одній в магнітному тримачі (5а), як показано на рис. D.

- ◆ Для встановлення біти вставте її хвостовик у тримач біт (3).
- ◆ Для видалення біти витягніть її хвостовик з тримача (3).

Використання

Увага! Інструмент повинен працювати з рекомендованою швидкістю. Не перевантажуйте його.

- ◆ Перед першим використанням необхідно зарядити батарею протягом щонайменше 10 годин.

Зарядка батареї (рис. В)

- ◆ Вставте штепсель зарядного пристрою (7) у конектор (6).
- ◆ Підключіть зарядний пристрій до розетки (7).
- ◆ Підключіть інструмент до зарядного пристрою на 10 годин.

Зарядний пристрій може стати теплим під час зарядки; це нормально та є показником проблеми.

Увага! Не заряджайте батарею при температурі навколишнього середовища нижче 10 °C або вище 40°C.

Вибір напрямку обертання (рис. С)

Для закручування шурупів використовується обертання у пряму напрямку.

Для викручування шурупів та витягування затиснутого свердла використовується обертання у зворотному напрямку.

- ◆ Щоб обрати обертання вперед, натисніть на перемикач вперед/назад (2) до положення руху вперед.
- ◆ Щоб обрати обертання у зворотному напрямку, натисніть на перемикач вперед/назад (2) до положення руху назад.
- ◆ Щоб заблокувати інструмент, переведіть реверсивний перемикач у центральне положення.

Використання викрутки

- ◆ Виберіть напрямок руху вперед чи назад, використовуючи реверсивний перемикач (2).
- ◆ Для ввімкнення інструменту натисніть перемикач Увімк./Вимк. (1).
- ◆ Для вимкнення інструменту відпустіть вимикач Увімк./Вимк. (1).

Світлодіодна підсвітка

Світлодіодна підсвітка (4) активується автоматично при натисненні на вимикач. Світлодіод також буде горіти, коли вимикач натиснений, а перемикач вперед/назад (2) знаходиться у розблокованому положенні (центральне положення).

Підказки для оптимального використання

Використання викрутки

- ◆ Завжди використовуйте правильний тип та розмір викрутки-вставки.

- ◆ Якщо гвинти важко затягуються, спробуйте нанести невелику кількість миючої рідини чи мила у якості мастила.
- ◆ Використовуйте блокування шпинделя для відкручування дуже сильно затягнутих шурупів.
- ◆ Завжди тримайте інструмент та біту-викрутку на одній лінії з гвинтом.
- ◆ При закручуванні у дерево рекомендується зробити попередній отвір глибиною на половину довжини шурупа. Попередній отвір буде спрямовувати гвинт та допоможе уникнути розколювання та пошкодження дерева. Інформацію щодо оптимального розміру попереднього отвору можна знайти в таблиці нижче.
- ◆ При закручуванні у тверде дерево необхідно зробити попередній отвір глибиною на половину довжини шурупа. Інформацію щодо оптимального розміру отвору з гарантованим зазором можна знайти в таблиці нижче.

Розмір гвинта	Попередній отвір в (м'яке дерево)	Попередній отвір в (тверде дерево)	Отвір з зазором
№ 6 (3,5 мм)	2,0 мм	2,5 мм	3,6 мм
№ 8 (4 мм)	2,5 мм	3,0 мм	4,5 мм
№ 10 (5 мм)	3,0 мм	3,5 мм	5,0 мм

Насадки

Продуктивність роботи інструменту залежить від використовуваних насадок. Витратні матеріали виробництва фірм BLACK+DECKER та Piranha розроблені з дотриманням високих стандартів якості та створені для підвищення ефективності використання вашого інструменту. Використовуючи це обладнання, ви отримаєте максимум ефективності від вашого інструменту.

Цей інструмент використовує біти з шестигранним хвостовиком розміром 1/4" (6,35 мм). Витратні матеріали виробництва компанії Piranha Super-lok розроблені для використання з цим інструментом.

Технічне обслуговування

Ваш пристрій виробництва компанії BLACK+DECKER призначений для роботи протягом довгого часу з мінімальним обслуговуванням. Тривала задовільна робота приладу залежить від належного обслуговування приладу та регулярного його очищення. Зарядний пристрій не вимагає технічного обслуговування, потрібно лише виконувати регулярне очищення.

Увага! Перед виконанням технічного обслуговування інструменту вимкніть його або витягніть з нього батарею, якщо інструмент має окрему батарею. Якщо батарея

незнімна, розрядіть її повністю. витягніть зарядний пристрій з розетки перед очищенням;

- ◆ Регулярно очищуйте вентиляційні отвори інструменту та зарядного пристрою, використовуючи м'яку щітку або суху ганчірку.
- ◆ регулярно очищуйте корпус двигуна вологою ганчіркою; не використовуйте абразивні очищувачі та засоби, що містять розчинники;
- ◆ Регулярно відкривайте затиснений патрон та струшуйте його, щоб видалити пил з середини (якщо патрон наявний).

Захист навколишнього середовища



Роздільний збір. Пристрої та батареї, позначені цим символом, не можна викидати зі звичайним побутовим сміттям.

Пристрої та батареї містять матеріали, які можна відновити та переробити, що зменшить потребу у сировині. Будь ласка, віддавайте електричні інструменти та батареї на переробку відповідно до місцевих постанов. Більш детальну інформацію можна отримати на сайті www.2helpU.com.

Technische Daten

CS36BS (H2)		
Напруга	V _{бс}	3,6
Швидкість без навантаження	хв. ⁻¹	180
Заданий крутний момент	Н·м	5,84
Макс. крутний момент	Н·м	5,5
Тримач біт	мм	6,35 (1/4")
Маса	кг	0,42

Батарея		
Напруга	V	3,6
Тип акумулятора		Літій-іонний
Ємність	Ампер-годин	1,5

Зарядний пристрій SSC-050015UK		
Вхідна напруга	V _{ac}	230
Вихідна напруга	V _{бс}	3,6
Струм	mA	150
Приблизний час першої зарядки	годин	10
Маса	кг	0,06

Рівень звукового тиску згідно з EN 60745:
L _{ра} (звуковий тиск) 64,5 дБ(A), похибка (K) 3 дБ(A)
L _{ма} (звукова потужність) 75,5 дБ(A), похибка (K) 3 дБ(A)
Загальні значення вібрації (векторна сума трьох векторів) згідно з EN 60745:
Емісія вібрації при роботі (a _v) 0,3 м/с ² , похибка (K) 1,5 м/с ²

Декларація про відповідність нормам ЄС ДИРЕКТИВА ДЛЯ МЕХАНІЧНОГО ОБЛАДНАННЯ



CS36BS - вируктукa

Компанія Black & Decker заявляє, що вироби, описані в розділі «Технічні дані» відповідають: 2006/42/EC, EN60745-1:2009+A11:2010, EN 60745-2-2:2010

Дані вироби також відповідають вимогам Директив 2014/30/EU і 2011/65/EU. Для отримання додаткової інформації, будь ласка, зверніться до компанії Black & Decker за наступною адресою або прочитайте інформацію на зворотній стороні цього посібника.

Нижчепідписаний несе відповідальність за упорядкування файлу технічних характеристик та робить цю заяву від компанії Black & Decker.

A. Сміт (A. Smith)
Технічний директор
Black & Decker Europe, 210 Bath Road, Slough,
Berkshire, SL1 3YD
United Kingdom (Велика Британія)
30.01.2019

Гарантія

Компанія Black & Decker впевнена в якості своєї продукції та пропонує споживачам гарантію тривалістю 24 місяці з дати покупки. Ця гарантія доповнює і жодним чином не обмежує ваші законні права. Ця гарантія є чинною на території країн—членів Європейського Союзу та в європейській зоні вільної торгівлі.

Позив за гарантією повинен відповідати умовам компанії Black & Decker, при цьому вам необхідно буде надати доказ покупки продавцю або спеціалісту офіційного сервісного центру. Умови дворічної гарантії компанії Black & Decker та місцезнаходження найближчого до вас сервісного центру можна дізнатися в інтернеті на сайті www.2helpU.com, або можна звернутися до місцевого представництва компанії Black & Decker за адресою, вказаною у цій інструкції.

Будь ласка, відвідайте наш сайт www.blackanddecker.co.uk, щоб зареєструвати свій новий виріб BLACK+DECKER та отримувати інформацію про нові вироби та спеціальні пропозиції.



Виробник:
"Stanley Black & Decker Deutschland
GmbH" Black-&-Decker Str.40, D-65510
Idstein, Німеччина





ГАРАНТІЙНИЙ ТАЛОН

2 РОКИ
ГАРАНТІЇ

1. Вітаємо Вас з покупкою високоякісного виробу Black+Decker і висловлюємо вдячність за Ваш вибір.
2. При покупці виробу вимагайте перевірки його комплектності і справності у Вашій присутності, інструкцію з експлуатації та заповнений гарантійний талон українською мовою. В гарантійному талоні повинні бути внесені: модель, дата продажу, серійний номер, дата виробництва інструменту; назва, печатка і підпис торгової організації. За відсутності у Вас правильно заповненого гарантійного талону, а також при невідповідності зазначених у ньому даних ми будемо змушені відхилити Ваші претензії щодо якості даного виробу.
3. Щоб уникнути непорозуміння, переконливо просимо Вас перед початком роботи з виробом уважно ознайомитися з інструкцією з його експлуатації. Правовою основою справжніх гарантійних умов є чинне Законодавство. Гарантійний термін на даний виріб складає 24 місяці і обчислюється з дня продажу. У разі усунення недоліків виробу, гарантійний строк продовжується на період його перебування в ремонті. Термін служби виробу становить 5 років з дня продажу.
4. У разі виникнення будь-яких проблем у процесі експлуатації виробу рекомендуємо Вам звертатися тільки в уповноважені сервісні центри Black+Decker, адреси та телефони яких Ви зможете знайти в гарантійному талоні, на сайті www.2helpU.com або дізнатися в магазині. Наші сервісні станції - це не тільки кваліфікований ремонт, але і широкий асортимент запчастин і аксесуарів.
5. Виробник рекомендує проводити періодичну перевірку і технічне обслуговування виробу в уповноважених сервісних центрах.
6. Наші гарантійні зобов'язання поширюються тільки на несправності, виявлені протягом гарантійного терміну і викликані дефектами виробництва та \ або матеріалів.
7. Гарантійні умови не поширюються на несправності виробу, що виникли в результаті:
 - 7.1. Недотримання користувачем приписів інструкції з експлуатації виробу, застосування виробу не за призначенням, неправильного зберігання, використання приладдя, витратних матеріалів і запчастин, що не передбачені виробником.
 - 7.2. Механічного пошкодження (відколи, тріщини і руйнування) внутрішніх і зовнішніх деталей виробу, основних і допоміжних рукояток, мережевого кабелю, що викликані зовнішнім ударним або будь-яким іншим впливом
 - 7.3. Потраплення у вентиляційні отвори та проникнення всередину виробу сторонніх предметів, матеріалів або речовин, що не є відходами, які супроводжують застосування виробу за призначенням, такими як: стружка, тирса, пісок, та ін.
 - 7.4. Впливу на виріб несприятливих атмосферних і інших зовнішніх факторів, таких як дощ, сніг, підвищена вологість, нагрівання, агресивні середовища, невідповідність параметрів електромережі, що зазначені на інструменті.
 - 7.5. Стихійного лиха. Пошкодження або втрати виробу, що пов'язані з непередбаченими лихами, стихійними явищами, у тому числі внаслідок дії непереборної сили (пожежа, блискавка, потоп і інші природні явища), а також внаслідок перепадів напруги в електромережі та іншими причинами, які знаходяться поза контролем виробника.
8. Гарантійні умови не поширюються:
 - 8.1. На інструменти, що піддавались розкриттю, ремонту або модифікації поза уповноваженим сервісним центром.
 - 8.2. На деталі, вузли та матеріали, що мають сліди природного зносу, такі як: приводні ремені і колеса, вугільні щітки, мастило, підшипники, зубчасті зчеплення редукторів, гумові ущільнення, сальники, направляючі ролики, муфти, вимикачі, бойки, штовхачі, стволи тощо.
 - 8.3. На змінні частини: патрони, цанги, затискні гайки і фланці, фільтри, ножі, шліфувальні підшви, ланцюги, зірочки, пильні шини, захисні кожухи, пилки, абразиви, пильні і абразивні диски, фрези, свердла, бури тощо
 - 8.4. На несправності, що виникли в результаті перевантаження інструменту (як механічного, так і електричного), що спричинили вихід з ладу одночасно двох і більше деталей і вузлів, таких як: ротора і статора, обох обмоток статора, веденої і ведучої шестерень редуктора або інших вузлів і деталей. До безумовних ознак перевантаження виробу відносяться, крім інших: поява кольорів млиновитості, деформація або оплавлення деталей і вузлів виробу, потемніння або обвуглювання ізоляції проводів електродвигуна під впливом високої температури.

Товар отриманий в справному стані, без видимих ушкоджень, в повній комплектації, перевірений у моїй присутності, претензій щодо якості товару не маю. З умовами гарантійного обслуговування ознайомлений і згоден.

П. І. Б. та підпис власника

Шановні клієнти, наша мережа авторизованих сервісних центрів постійно розширюється. Актуальну інформацію про обслуговування в місті, що цікавить вас, ви можете дізнатися на сайті

www.2helpU.com

Інформація про інструмент

Найменування інструменту	
Модель	
Найменування продавця	
Дата продажу	

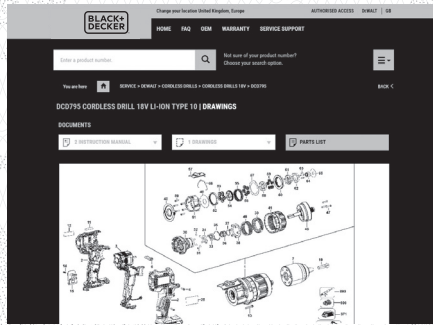
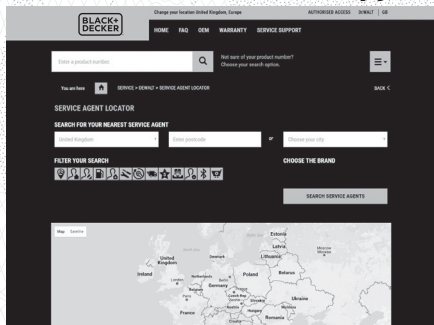
М.П.
Продавця

Серійний номер/Дата виробництва

Інструмент	
Зарядний пристрій	
Акумулятор 1	
Акумулятор 2	

На сайті www.2helpU.com доступні наступні функції:

- Список авторизованих сервісних центрів
- Зручний пошук найближчого сервісного центру
- Керівництво з експлуатації
- Технічні характеристики
- Список деталей і запасних частин
- Схема складання інструменту



Також дану інформацію ви можете отримати, зателефонувавши за номером:
0 (800) 211 521 в Україні

ВІДМІТКА ПРО ПРОВЕДЕННЯ СЕРВІСНОГО ОБСЛУГОВУВАННЯ

№1	№2	№3	№4
№ замовлення	№ замовлення	№ замовлення	№ замовлення
Дата прийому	Дата прийому	Дата прийому	Дата прийому
Дата ремонту	Дата ремонту	Дата ремонту	Дата ремонту

Печатка і підпис сервісного центру

Печатка і підпис сервісного центру

Печатка і підпис сервісного центру

Печатка і підпис сервісного центру

ОФИЦИАЛЬНЫЙ ДИЛЕР В УКРАИНЕ:

storgom.ua

ГРАФИК РАБОТЫ:

Пн. – Пт.: с 8:30 по 18:30

Сб.: с 09:00 по 16:00

Вс.: с 10:00 по 16:00

КОНТАКТЫ:

+38 (044) 360-46-77

+38 (066) 77-395-77

+38 (097) 77-236-77

+38 (093) 360-46-77

Детальное описание товара:

<https://storgom.ua/product/black-decker-159262.html>

Другие товары: <https://storgom.ua/akkumulyatornyye-otvertki.html>