

VITALS

MANUAL FOR TECHNICAL USE
КЕРІВНИЦТВО З ЕКСПЛУАТАЦІЇ
РУКОВОДСТВО ПО ЭКСПЛУАТАЦИИ



WWW.VITALS.COM.UA



MODELS

МОДЕЛІ

МОДЕЛИ

Ra 2462HB • Ra 2680HB • Ra 2882HB • Ra 2882HBp

CONTENTS

ENGLISH

1. General description	6
2. Delivery	11
3. Specifications	12
4. Safety	13
4.1. Important safety information	13
4.2. Safety operation	13
5. Operation	17
5.1. Getting started	17
5.2. Work	22
6. Maintenance	26
7. Handling and storage	27
8. Troubleshooting and their solution	28
9. Warranty	30

ЗМІСТ

УКРАЇНСЬКА

1. Загальний опис	34
2. Комплект поставки	39
3. Технічні характеристики	40
4. Вимоги безпеки	41
4.1. Важлива інформація щодо безпеки	41
4.2. Безпека експлуатації	41
5. Експлуатація	46
5.1. Підготовка до роботи	46
5.2. Робота	51
6. Технічне обслуговування	55
7. Транспортування та зберігання	57
8. Можливі несправності та шляхи їх усунення	58
9. Гарантійні зобов'язання	60

СОДЕРЖАНИЕ

РУССКИЙ

1. Общее описание	64
2. Комплект поставки	69
3. Технические характеристики	70
4. Требования безопасности	71
4.1. Важная информация по безопасности	71
4.2. Безопасность эксплуатации	71
5. Эксплуатация	76
5.1. Подготовка к работе	76
5.2. Работа	81
6. Техническое обслуживание	85
7. Транспортировка и хранение	87
8. Возможные неисправности и пути их устранения	88
9. Гарантийные обязательства	90

DEAR BUYER!

Thank you for purchasing a rotary hammer TM "Vitals".

The technique TM "Vitals" developed by the European quality standards and using modern technology.

Improper use of a rotary hammer and unsafe practices that may result in damage or serious injury!

This manual contains all the necessary information on safety measures when working with a rotary hammer. Carefully read the manual before using the product.

Please provide the other users of this manual, before they begin to work with a rotary hammer. This manual must be stored for later use.

We are constantly working to improve its products and, therefore, reserve the right to make changes in the appearance, equipment and production technology, without changing the basic principles of management, without notice to the consumer. All possible changes will be directed at improving and upgrading the product.

ENGLISH

KEY WORDS MEANING



WARNING!

Means potentially dangerous situations, which are to be avoided, otherwise can appear a danger for health or life.



ATTENTION!

Indicates a potentially hazardous situation that may result in minor injury or damage to the product.



NOTE!

Marks important additional information.

ENGLISH

GENERAL DESCRIPTION

Rotary hammer «Vitals Master» **Ra 2462HB, Ra 2680HB, Ra 2882HB** and **Ra 2882HBp** (hereinafter - the hammer) comply with all safety requirements and are quite reliable in operation.

Punch is a hand power tool that is intended for:

- drilling with hammering in brick, concrete, natural stone, asphalt;
- chipping, cracking and breaking up is not very durable materials - concrete and brick structures, asphalt, sedimentary rocks;
- drilling without hammering action in metal, wood, ceramics, as well as various synthetic materials;
- tightening and loosening of fasteners (screws, bolts, screws, SCREW, dowels, screws and nuts) with special nozzles.

Hammers series HBp and HB have a modern design, reliable in operation, easy to use and maintain, are equipped with a standard chuck with shank SDS-plus.

The device components, controls, models Ra 2462HB, Ra 2680HB, Ra 2882HB identical.

A distinctive feature of the model is Ra 2882HBp:

- availability of the supplied optional removable keyless chuck;
- a safety bar on the main handle.

The principle of operation is as simple punch: for a pulse blow directed towards the material, a pneumatic mechanism. Core through the shock transition mass transfers impact on the drill bit, drill or peak, the reverse movement which is carried out by the elastic properties of the material. Thus, the holes in brick, concrete, natural stone rotary hammer is much more efficient than a hammer drill.

All models are equipped with a safety clutch which prevents damage to the gearbox gun at scuffing or seizure of the tool in the material being processed.

The source of the power puncher is single-phase AC voltage of 220 V and a frequency of 50 Hz.

figure 1

Model Ra 2462HB

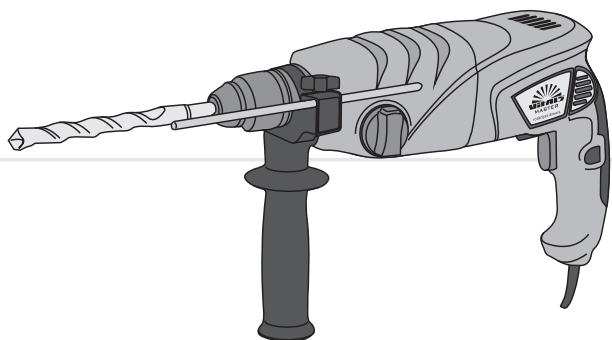


figure 3

Model Ra 2882HB

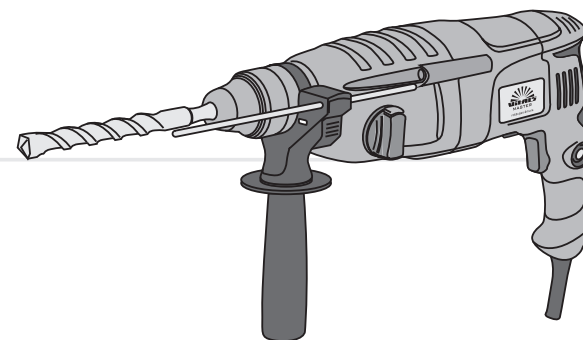


figure 2

Model Ra 2680HB

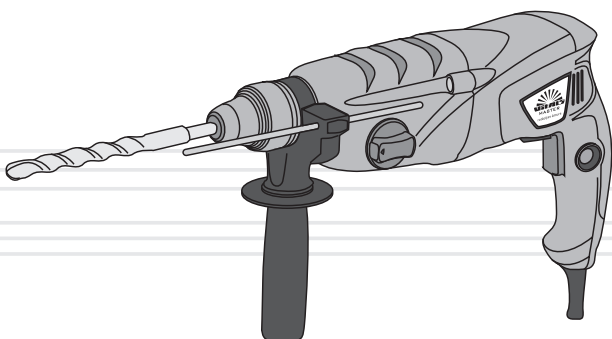
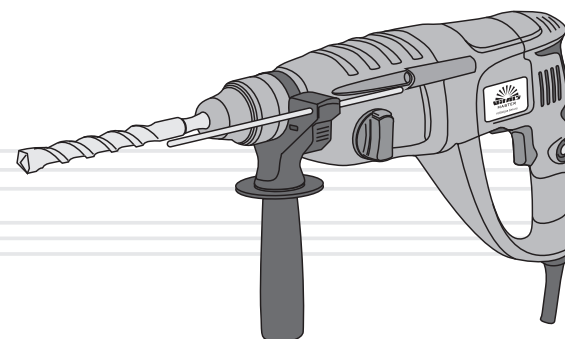


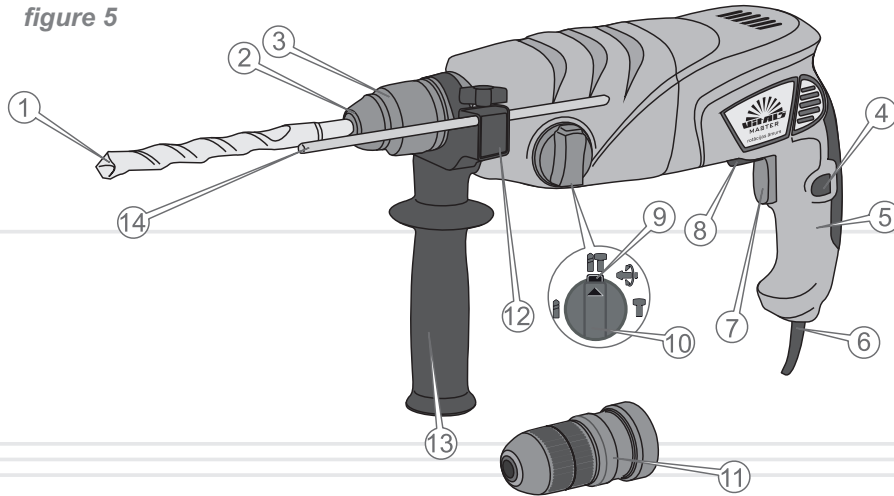
figure 4

Model Ra 2882HBp



Description of the main components of the hammer

figure 5



1. Hammer.
2. Case for transportation and storage.
3. The auxiliary handle.
4. Replacement 13mm-keyless chuck (model Ra 2882HBp).
5. The depth stop.
6. Instruction manual.

**NOTE**

The manufacturer reserves the right to make the look, design and delivery punch minor changes that do not affect product performance.

1. Drill Shank standard SDS-plus.
2. Bellow.
3. Chuck standard SDS-plus.
4. Push-lock button "On / Off".
5. Main handle with insulated surface.
6. The network cable.
7. The button "On / Off".
8. Switch the direction of rotation of the pattern (reverse).
9. The button-lock mode switch.
10. Switch between "Drilling / Impact drilling / Shock without rotation."
11. Keyless chuck (model Ra 2882HBp).
12. Button lock the depth stop.
13. Auxiliary handle (adjustable) with the insulated surface.
14. The depth stop..

MODEL	Ra 2462HB	Ra 2680HB	Ra 2882HB	Ra 2882HBp
Nominal voltage, V	230±10%			
Rated frequency, Hz	50±1%			
Maximum power, W	620	800	820	820
No-load speed	0-870	0-900	0-1100	0-1100
Impact rate, 1/min	0-4850	0-4000	0-4800	0-4800
Shot Power	2,15	3,0	3,2	3,2
Patron	SDS-plus			
Maximum drilling diameter in mm: concrete metal tree	24	26	28	28
	13			
	30			
Reverse	+			
Dimensions (WxDxH), mm hammer case	70x340x 210	80x360x 220	80x350x 200	80x360x 220
	435 x 106 x 305			
Weight of perforator, kg without case and accessories with case and accessories				
	2,9	3,05	3,15	3,25
	4,2	4,35	4,45	4,65

4.1. IMPORTANT SAFETY INFORMATION

Before you start, please read the hammer with the requirements of the safety and warning instructions in this guide.

Most injuries during the operation of the product is the result of non-compliance with the provisions of the basic safety rules. Injuries can be avoided if strict safety precautions in advance and provide a potential danger.

Do not, under any circumstances, use a product in a manner or for purposes not specified in this manual.

Improper handling or operation of an untrained person can cause an accident.

CAUTION!

Do not use the product to be unprepared for the work people.

4.2. SAFETY OPERATION

1. DO NOT ALLOW PRODUCT FOR CHILDREN AND PERSONS WITH DISABILITIES.

2. BE FULLY CONCENTRATE ON WORK.
Do not get distracted while working hammer, as this could cause loss of control and cause injury of varying severity.

3. DO NOT TRUST THE PUNCH children and adolescents younger than 18 years, EXCEPT FOR OVER 16 YEARS OLD STUDENTS STUDYING THE WORK PRODUCT under the close supervision of an instructor.

4. DO NOT LEAVE UNATTENDED EQUIPMENT INCLUDED.

5. NEVER ALLOW STRANGERS ANIMAL AND WORK PLACE.

6. DO NOT START AND USE THE PRODUCT IN CASE OF ILLNESS, IN THE STATE OF FATIGUE, DRUGS OR ALCOHOL, OR UNDER THE INFLUENCE OF DRUGS POTENT DRUGS, REDUCES THE RATE OF REACTION AND ATTENTION.

7. FOLLOW INTEGRITY AND THE PRODUCT TO.

Do not start and use the product in the presence of damage to the insecure parts and components.

8. WEAR APPROPRIATE CLOTHING AND SHOES WHEN HANDLING THE PRODUCT.

Working product, wear tight clothes and fasten all the buttons. Wear shoes with non-slip soles. For eye protection against dust, small particles of the material, chips, wear special protective glasses. Hearing protection (in case such a need) take care of headphones. Be sure to use a respirator.

9. DO NOT TOUCH THE ROTATING PARTS OF THE PRODUCT.

Do not bring your hands, fingers and other body parts moving parts gun.

10. A CONVENIENCE TO CONNECT TO USE rotary hammer side handle.

11. WHILE THE HARD TO HOLD THE PRODUCT TO TWO HANDS.

12. WHEN WORKING AT HEIGHT USE LADDERS.

13. DO NOT FORCE THE ELECTRIC HAMMERS, ALTERNATING WORK AND REST.

14. AT SHTROBROVANII OR DRILLING HOLES IN WALLS, CEILINGS AND FLOORS MAKE SURE THAT NO HIDDEN WIRING.

15. WHEN DRILLING HOLES SECURE IT IS INTO THE WORK PIECE IN A VISE OR IN THE CLAMP.

16. MAKE SURE THAT WHEN THE PRODUCT AND SMALL PARTICLE MATERIAL HANDLING AND CHIPS do not fall into the vent enclosure.

17. WHILE NOT REMOVE HANDS sawdust, shavings, dust and dirt.

18. Do not touch the drill bit (PEAK, chisels) when motor puncher. ALSO, do not touch the drill bit (PEAK, chisels) IMMEDIATELY AFTER WORK - RISK OF THERMAL BURNS.

19. DO NOT TIGHTEN THE FASTENERS AND DO NOT DRILL A HOLE IN METAL, WOOD, CERAMICS, AND VARIOUS SYNTHETIC MATERIALS IN THE "HAMMER DRILLING" OR "BLOW".

20. DO NOT FORCE THE PRODUCT SO THAT THE LOAD COULD NOT STOP THE MOTOR.

21. USE ONLY IN THE GOOD WORKING DRILLS (SPADES, CHISELS). Do not use damaged or blunt drill bits (peaks bit), because it increases the likelihood of injury.

22. KEEP THEM WELL-LIT WORKSPACE.

Work puncher in the dark or in poor visibility conditions can lead to injury.

23. USE ONLY IN WELL-VENTILATED AREAS.

Do not use the product in environments with high gas content, as well as in areas where flammable materials are stored.

24. DO NOT OPERATE PUNCHERS IN RAIN OR SNOW.

Use the product outdoors in the rain and snow can cause electrical shock or damage to the product. If the product gets wet, in any case, do not use it. Do not wash the product and do not pour water on it. If the punch somehow gets wet, wipe it dry with a body. If water gets inside the casing, unplug the product. Do not attempt to open the product - contact the service center.

25. DO NOT TOUCH THE ROTARY HAMMER WITH WET HANDS.

26. FOR PROTECTION AGAINST ELECTRIC SHOCK DO NOT CONTACT HAMMER WITH GROUNDED OBJECTS.

27. DO NOT OPEN THE PRODUCT AND DO NOT COVER IT.

28. DO NOT USE A DAMAGED MAINS CABLE INSULATION AND EXTENSION CORDS. DO NOT SPLICE USE SOLID SUITABLE CABLE LENGTH AND CROSS-SECTION.

Before starting work, check the status of the network cable and the extension cable in order to detect interruptions, faults, wear. Do not allow the use of kinked, twisted or damaged mains cable and wire extension cord.

29. DISCONNECT THE POWER CORD AND EXTENSION OF POWER SUPPLY DURING TESTING, UNTANGLING OR ELIMINATE DAMAGES, AND IN FRONT OF ADJUSTMENT, MAINTENANCE AND CLEANING OF THE HAMMER.

Turn off the hammer from the outlet when moving from one work area to another, and during the breaks.

30. DO NOT CARRY THE PRODUCT FOR THE POWER CORD OR DRILL (PIQUABIT).

31. IN THE EVENT OF AN EXTENSION CABLE NETWORK IN BOBIGNY - IT COMPLETELY UNWIND THE AS IS WOUND ONTO A BOBBIN CABLE CAN OVERHEAT AND IGNITE.

32. EXTENSION TO A SAFE PLACE AWAY FROM DRILLING & FALL OUTSIDE THE AREA OF POTENTIAL MOST PART THE MATERIAL. TO PREVENT ACCIDENTAL DISCONNECTING THE POWER CORD EXTENSION OF USE ADDITIONAL PLUG MOUNTING SUCH A VARIETY OF TERMINALS.

33. IF IN DOUBT, DEVIATIONS IN THE NORMAL OPERATION HAMMERS, IMMEDIATELY REMOVE IT FROM THE MAINS, CHECK AND CORRECT THE CAUSE.

**WARNING!**

Follow the serviceability of the product. In case of failure, odor characteristic of burning insulation, heavy banging noise, sparks; you should immediately remove the product and contact the service center.

**WARNING!**

This guidance does not take into account all the cases that may occur in actual use punch. Therefore, when using the product should be guided by common sense, to comply with the utmost attention and care when performing work.

5.1. GETTING STARTED

1. Before you start, check the product hammer for integrity and health of the body, parts, components, network cable, as well as all movable parts of the gun.
2. Replace the hammerside handle in a position convenient for your work, and secure the handle (see figure 6).
3. Insert the drill bit (peak bit) into the chuck (see figure 7 and 9).

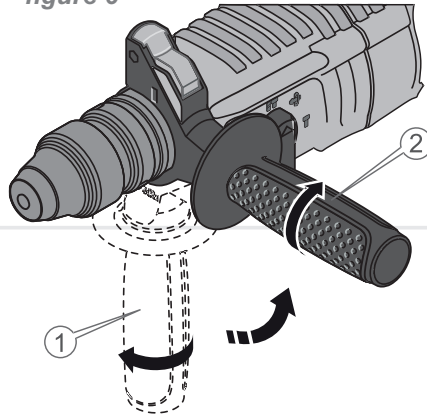
**NOTE!**

If you plan to work in the "Drilling" using drills with cylindrical shank, set to drill keyless chuck (model Ra 2882HBp) (see figure 8).

4. Set the depth (see Figure 10), adjust the stopper and securely tighten.
5. Mode selector switch, select one of three modes - "Drilling / Impact drilling / Shock without rotation"
6. Switch the direction of rotation (reverse) to change the direction of rotation of the chuck.
7. Connect the drill to single-phase AC power source, a voltage of 220 V and a frequency of 50 Hz.
8. Turn the punch by pressing the "On / Off" (by pressing the key with different strengths, you can change the speed of the motor).
9. For 30 seconds of idling vote functionality of the product for the absence of excessive vibration, unusual noises and other defects work. If defects in the product are not revealed, operation punch permitted, otherwise contact the service center.

Installing and configuring the position of the auxiliary handle

figure 6



1. Loosen the knob by turning it on one turn in the direction of the arrow (position 1).
2. Attach the handle to the position most comfortable for you.
3. Securely fasten the handle by turning it in the direction of the arrow (position 2).

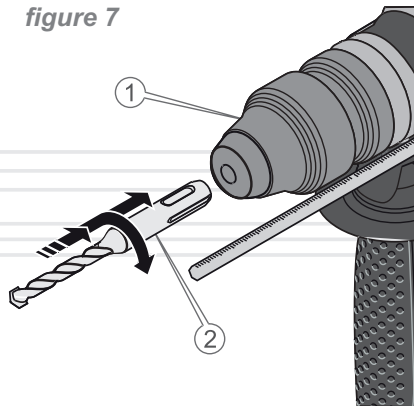


NOTE!

Tools Shank standard SDS-plus have the freedom of movement of the chuck, which is caused by the design of the standard chuck SDS-plus, resulting in the idling occurs runout. This does not affect the accuracy of drilling as the bit (peak bit) centered automatically.

Installing drill (spades, chisels) in a standard chuck SDS-plus

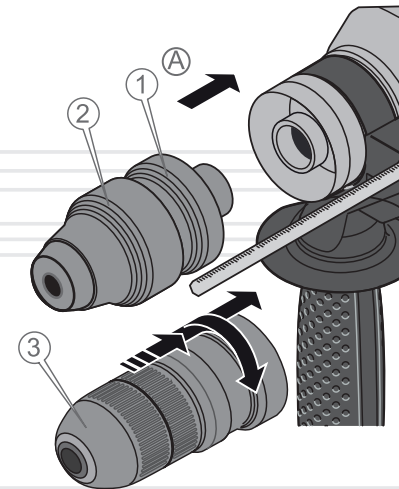
figure 7



1. Clean the drill shank (spades, chisels) from dust and dirt. Lubricate the shank with a thin layer of engine oil.
2. Slightly turning the drill (2) (peak bit), insert it into the chuck (1) until it stops. In this case, you will hear a click, representing about fixing drill (spades, chisels) in the chuck.
3. Check the fixing drill (spades, chisels) in the chuck, trying to get out of hand drill chuck.

Installing the keyless chuck (model Ra 2882HBp)

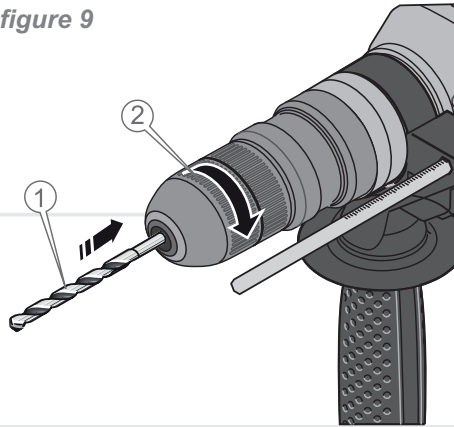
figure 8



1. Click on the clip (1) in the direction of the arrow (A) and remove the cartridge standard SDS-plus (2).
2. Slightly turning the keyless chuck (3), insert it into the housing bore until it stops. In this case, you will hear a click, representing about fixing the keyless chuck hole in the seat.
3. Check the lock holder.

Installing drill to keyless chuck (model Ra 2882HBp)

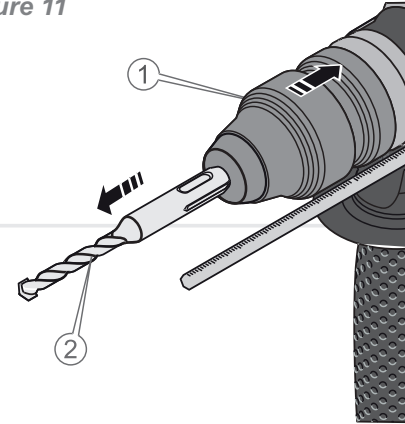
figure 9



1. Clean the shank drill bits of dust and dirt.
2. Insert the drill (1) all the way into the chuck.
3. By rotating the hand sleeve keyless chuck (2) in the direction of the arrow securely lock the drill bit in the chuck.

Removing the drill (peaks bit) from the chuck standard SDS-plus

figure 11

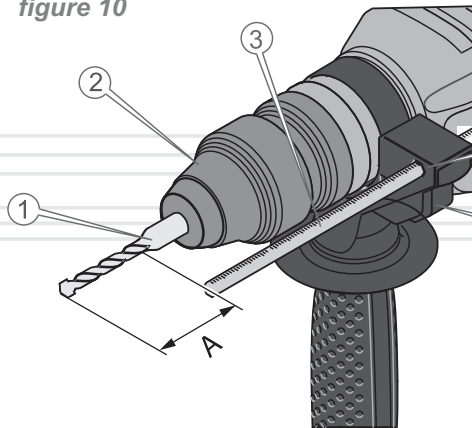


1. Slide the locking sleeve chuck (1) in the direction of the arrow.
2. Without releasing the clutch, pull the drill (2) (peak bit) away from the chuck.
3. Loosen the locking nut (1).

Setting the depth of drilling

With the depth gauge (3) can be set to the desired drilling depth A.

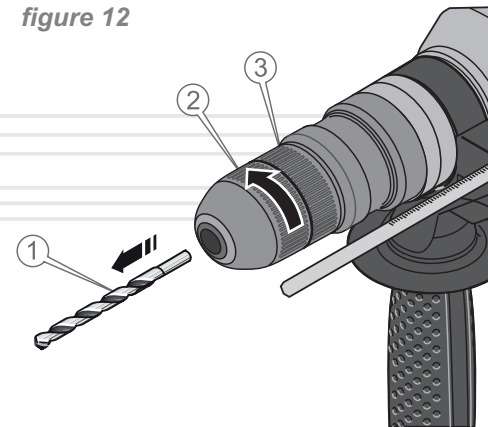
figure 10



1. Click on fixing the depth (5) and insert the stopper (3) in the hole in the side handle (4).
2. Set the desired drilling depth (A) and release (5) fixing the depth. This distance should be noted freewheel drill (1) in the chuck standard SDS-plus (2).

Extract of the keyless chuck drill

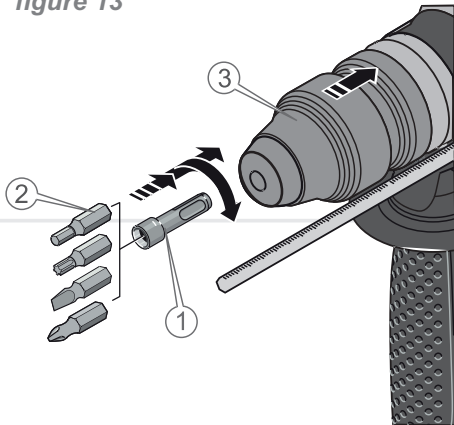
figure 12



1. While holding the retaining ring (3) keyless chuck rotate the sleeve (2) in the direction of the arrow.
2. Rotate the clutch as long as not to weaken the chuck jaws.
3. Remove the drill (1) from the chuck.

Installing the bit shank standard SDS-plus (optional)

figure 13



1. Clean the shank holder bits standard SDS-plus (1) from dust and dirt. Lubricate the shank with a thin layer of engine oil.
2. Slightly turning the holder bits (1), insert it into the chuck (3) until it stops. In this case, you will hear a click, representing about fixing the holder of the bits in the chuck.
3. Check the Tray Lock bits in the chuck.
4. Connect the device to the holder for the bit.

CAUTION!!

Setting and retrieving drill (peak, chisels, nozzles) and the chuck with the ring gear can be only when the electric motor. Failure to do so will result in personal injury.

5.2. WORK

Drill peaks bit and bits (nozzles) Shank SDS-plus standard set in the chuck SDS-plus standard and are used for drilling without hammering, drilling, hammering action chipping, cracking and disintegration of the material, as well as for tightening and loosening the fasteners to the installation of the operation.

Drills and bits (heads) to the cylindrical shank, which are inserted into the chuck with the ring gear is used only for drilling without percussion in wood, metal, ceramic and synthetic materials, as well as for inserting and removing fasteners.

WARNING!

To prevent failure of the chuck with the ring gear, do not use this cartridge for drilling with hammering, chiseling, cracking and breaking of the material

NOTE!

Boot largely prevents penetration of dust inside the chuck standard SDS-plus. When changing the cutting tool, make sure that to boot is not damaged. In the event of damage, immediately replace the damaged boot.

Turning on and off the hammer

To turn the hammer, you must press the "On / Off" button and hold it down. To lock down the "On / Off", press it all the way and lock in this position click-lock (4) (see figure 5).

To turn off the product release the "On / Off". If the button is activated, the lock down the "On / Off", first press the "On / Off", and then release it.

Set the frequency of turns and bumps

At the time of the hammer you can smoothly adjust the speed and frequency of attacks. The harder you press the "On / Off", the higher the speed of rotation of the cartridge and vice versa.

Changing the direction of rotation of the cartridge (reverse)

To hammerholder was rotated in the right direction, you must move the slider to switch the direction of rotation of the pattern (8) (see Fig. 5) to the left or right. When you move the slider to the left - a cartridge will rotate to the left, move the slider to the right - holder will rotate to the right.

**CAUTION!**

You can change the direction of rotation only when the electric motor. Failure to comply with this requirement, the product may be damaged.

Safety clutch

In the event that a working tool jammed in the material to be treated, work overload clutch and the trunk will terminate. When you lock the product immediately turn off the punch from the power supply, remove the tool out of the material, check the functionality of the product, and only then proceed.

Selecting the operating mode "Drilling / Impact drilling / Shock without rotation"

When the switch (10) (see Figure 5), you can select one of three modes hammer - "Drilling", "Hammer drilling" and "Punch without rotation." In addition, there is a function by which you can change the position of the working tool.

To change the mode, press the release button mode switch, turn the switch to the desired position (arrow on the switch must be identical to the mode shown in the body hammer) and secure it by releasing the release button (see Figure 14).

figure 14



Mode "drilling" - for percussion drilling without action of metal, wood, ceramics, various synthetic materials, as well as for tightening and loosening fasteners.



Mode "Hammer drilling" - for impact drilling in brick, concrete, natural stone or asphalt.



Mode "Blow without rotation" - for chipping, cracking and breaking of concrete and masonry structures, asphalt, sedimentary rocks.



The "Changing the position of the working tool. To change the position of the bit when using punch in the "Punch without rotation." To change the position of the tool, you must set the mode dial to a position as shown in the figure (in this position mode switch is not fixed). Turn a bit in the right direction again and return the handle to the "Punch without rotation."

**CAUTION!**

Change the mode of operation can punch only when the electric motor. Failure to comply with this requirement, the product may be damaged.

All models are equipped with modern electric motors, parts and parts that are designed to meet long-term, trouble-free operation. However, it is important to regularly simple maintenance work described in this section of the manual.

CAUTION!

Before starting maintenance, work must be disconnected product.

Complex maintenance hammer includes:

- inspection of equipment enclosures, parts and components, network cable, plug in the absence of mechanical and thermal damage;
- clean the cabinet products and components from dirt and dust;
- timely cleaning and replacement of the anther;
- cleaning the barrel hole puncher from dirt and dust. Replacement of contaminated lubricant.

In the case of thermal and mechanical damage to the product, contact the service center.

Clean the cabinet with a soft cloth hammer. We cannot allow the ingress of moisture, chips, dust and dirt, as well as small particles of the material in the ventilation openings of the product. If the outer case there are stubborn stains, remove them with a soft cloth that has been soaked in soapy water or in a special detergent.

During the cleaning gun is not recommended to use abrasives, various solvents, ammonia water, gasoline, alcohol that may damage the enclosure.

Boot protects the penetration of dust into the cartridge. During tool changes, make sure that the boot is not damaged. If the damage is anther, replace it immediately.

In order not to damage the gun barrel, after each use, clean the product gap between the boot and the working tool from dust and dirt. Also, wipe the dust and contaminated lubrication connection end of the tool. After cleaning, lubricate the liner with a thin layer of grease.

To clean or replace the grease barrel holder, carefully remove the boot, thoroughly clean the cage of dust, dirt or contaminated lubrication, apply new grease on the clip and slide the boot on a regular place.

**NOTE!**

In case of difficulties with maintenance products, please contact a service center.

**NOTE!**

For transport and storage of hammer use case included in the product package.

Transportation

Transportation hammer allowed by all modes of transport, ensuring the safety of the product, in accordance with the general rules of traffic.

Avoid moving the product by the chuck, drill (drill bit, the peak), and a network cable. If you change the workplace to disable punch from the power supply.

Storage

Storage products recommended in a ventilated room at a temperature of -15 °C - +55 °C and a relative humidity of 90%.

In the preparation of the product to storage:

1. Remove the drill chuck (chisel peak).
2. Remove dust and dirt from the outer portion of the punch.
3. Grease a thin layer of engine oil chuck with a ring gear, drills, peak bit.

**WARNING!**

Keep the product in the same room with flammable substances, acids, alkalis, fertilizers and other aggressive substances is prohibited.



TROUBLESHOOTING AND THEIR SOLUTION

ENGLISH

DESCRIPTION OF THE PROBLEM	Possible Cause	Ways to eliminate
Hammer when you press the "On / Off" does not work	There is no electrical connection to the supply line	Find out the reason, return the contact or contact the service center
	Damaged power cord or plug	Replace
	Faulty motor	Contact the service center
	Faulty key "On / Off"	Contact the service center
	Carbon brushes are worn	Replace
Motor strong spark	Damaged motor winding	Contact the service center
	Carbon brushes are worn	Replace
Engine power is not enough, at work can be heard whistling (squeak)	Excessive pressure on the punch during operation	Reduce the pressure
	The chuck is out of order	Replace
	Worn drill bit, the peak, chisel bits	Replace
Radial beat of clamping chuck	The chuck is out of order	Replace
Reverse do not switches	Faulty reverse switch	Contact the service center
Not regulated motor revs	Faulty key "On / Off"	Contact the service center
After switching off the motor continues to rotate items	Faulty key "On / Off"	Contact the service center

DESCRIPTION OF THE PROBLEM	Possible Cause	Ways to eliminate
The motor runs but no rotation/ stroke of the working tool	Safety clutch worked at scuffing or seizure of the the tool material to be treated	Turn hammer off the, remove the instrument from the process
The motor is switched on for a split second and "go crazy"	Damaged or worn gear reducer	Contact the service center
Can not change the mode of operation	Faulty mechanical switch modes	Contact the service center
Wipe the product is hot	Increased load on the electric motor	Reduce the load (to cool off)
	The electric motor is defective	Contact the service center

ENGLISH

Warranty period rotary hammer «Vitals Master» **Ra 2462HB, Ra 2680HB, Ra 2882HB** and **Ra 2882HBp** is 1 (one) year specified in the warranty card date of retail sale.

During the warranty period, defective parts and components will be replaced, subject to all the requirements and guidelines for damage related to improper handling, storage and transportation of the product. For warranty service, contact your nearest authorized service center.

The consumer has the right to free warranty troubleshooting, identified and presented during the warranty period due to production and design factors.

Troubleshooting warranty is made by the repair or replacement of defective parts of the product to the certified service centers. Because of the complex structure repair can last more than two weeks. The cause of the fault and determine the terms of their elimination service personnel.

NOTE!

Product accepted for warranty only fully equipped, carefully cleaned of dirt and dust.

Warranty becomes valid in the following cases:

- Absence or unread warranty card.
- Improperly completed warranty card, it does not contain the date of the sale or seal (stamp) and signature of the seller, the serial number of the product.
- The presence of corrections or erasures in the warranty card.
- Complete or partial absence, unread serial number on the product, product serial number mismatch the number listed in the warranty card.
- Improper operation, in this manual, including the violation of rules of maintenance.
- Operation of defective or incomplete products, which caused its failure.
- Ingestion of product foreign substances or objects.
- The product has a significant mechanical or thermal damage, clear signs of careless handling, storage or transportation.

- Product has been used for other purposes.
- Made unauthorized repairs, tampering or attempted development of the product by the consumer or a third party.
- The fault is due to a natural disaster (fire, flood, hurricane, etc.).

Replaced under warranty parts and assemblies available to move the service center.

When the warranty on the warranty period increases the residence time of repair products. Counting the added period starts from the date of acceptance of the product warranty.

If for technical reasons, can not repair your product, service center gives the act, based on the user to decide on the organization of the supplier of the replacement product or refund.

After the warranty period service centers continue to perform maintenance and repair of the product, but at the expense of the consumer.

The warranty does not cover damage caused by natural wear and overloading of the product.

The warranty does not apply to the bat.

The warranty does not apply to the incompleteness of the product structure, which could be detected by its sale. All transportation costs is a consumer product.

Limited warranty is not a basis for other claims.

ШАНОВНИЙ КОРИСТУВАЧІ!

Дякуємо Вам за придбання перфоратора електричного ТМ "Vitals".

Техніка ТМ "Vitals" розробляється за європейськими стандартами якості та із використанням сучасних технологій.

Неправильна експлуатація перфоратора електричного та недотримання заходів безпеки може призвести до пошкодження виробу або до серйозних травм!

Дане керівництво містить всю необхідну інформацію щодо заходів безпеки при роботі із перфоратором електричним. Уважно ознайомтесь із керівництвом перед початком роботи виробом.

Будь ласка, надайте іншим користувачам дане керівництво, перш ніж вони почнуть працювати із перфоратором електричним. Дане керівництво необхідно зберігати для подальшого його використання.

Ми постійно працюємо над удосконаленням своєї продукції та, у зв'язку з цим, залишаємо за собою право на внесення змін у зовнішній вигляд, оснащення та технологію виробництва, не змінюючи основних принципів управління, без повідомлення споживача. Всі можливі зміни будуть спрямовані тільки на покращення та модернізацію виробу.

ЗНАЧЕННЯ КЛЮЧОВИХ СЛІВ



ОБЕРЕЖНО!

Означає потенційно небезпечні ситуації, яких слід уникати, в противному разі може виникнути небезпека для життя або здоров'я.



УВАГА!

Означає потенційно небезпечні ситуації, які можуть призвести до легких травм або до поломки перфоратора.



ПРИМІТКА!

Позначає важливу додаткову інформацію.

Електричні перфоратори «Vitals Master» **Ra 2462HB, Ra 2680HB, Ra 2882HB та Ra 2882HBp** (далі за текстом – перфоратор) виконані із дотриманням усіх вимог безпеки та досить надійні в процесі експлуатації.

Перфоратор являє собою ручний електричний інструмент, який призначений для:

- свердління отворів з ударною дією в цеглі, бетоні, природному камені, асфальті;
- довбання, розколювання та розпушення не надто міцних матеріалів – бетонних і цегляних конструкцій, асфальту, осадових гірських порід;
- свердління отворів без ударної дії в металі, деревині, кераміці а також різних синтетичних матеріалах;
- закручування та відкручування кріпильних виробів (шурупів, гвинтів, саморізів, конфірматів, дюбелів, болтів і гайок) із застосуванням спеціальних насадок.

Перфоратори серій HBp і HB мають сучасний дизайн, надійні в роботі, прості в обігу та обслуговуванні, оснащуються патроном із хвостовиком стандарту SDS-plus.

Пристрій, складові частини, елементи управління моделей Ra 2462HB, Ra 2680HB, Ra 2882HB ідентичні

Відмінною особливістю моделі Ra 2882HBp являється:

- наявність у комплекті поставки додаткового знімного швидкозатискного патрона;
- наявність захисної дуги на основній рукоятці.

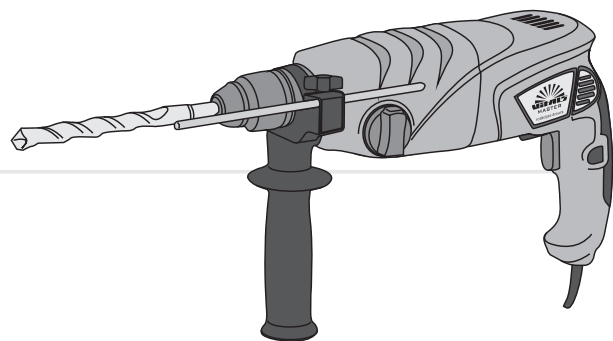
Принцип дії перфоратора максимально простий: для створення імпульсу удару, спрямованого у бік оброблюваного матеріалу, використовується пневматичний механізм. Сердечник за допомогою перехідної ударної маси передає удар на свердло, піку або бур, зворотний рух яких здійснюється за рахунок пружних властивостей оброблюваного матеріалу. Таким чином, отвори в цеглі, бетоні, природному камені перфоратор свердлить значно ефективніше, ніж ударний дріль.

Всі моделі забезпечені запобіжною муфтою, яка запобігає пошкодження редуктора перфоратора при заїданні або заклинюванні робочого інструменту в оброблюваному матеріалі.

Джерелом електроживлення перфоратора служить однофазна мережа змінного струму, напругою 220 В і частотою 50 Гц.

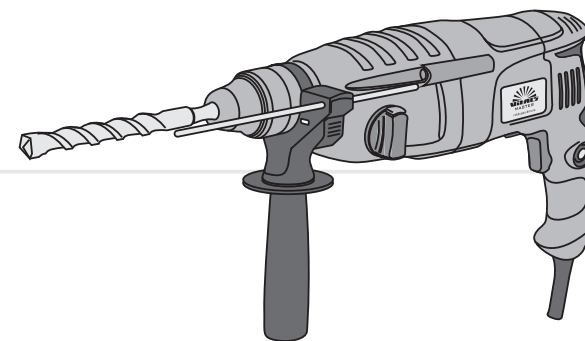
малюнок 1

Модель Ra 2462HB



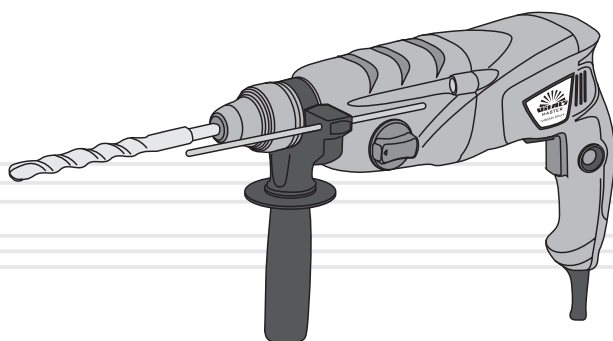
малюнок 3

Модель Ra 2882HB



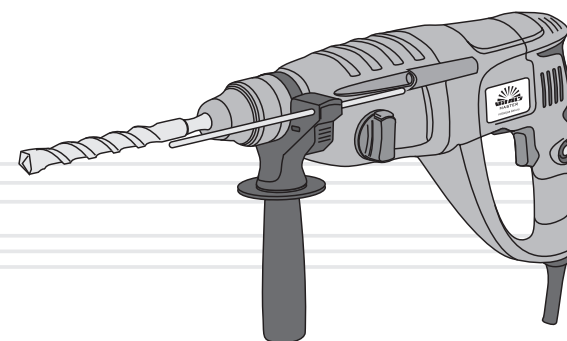
малюнок 2

Модель Ra 2680HB



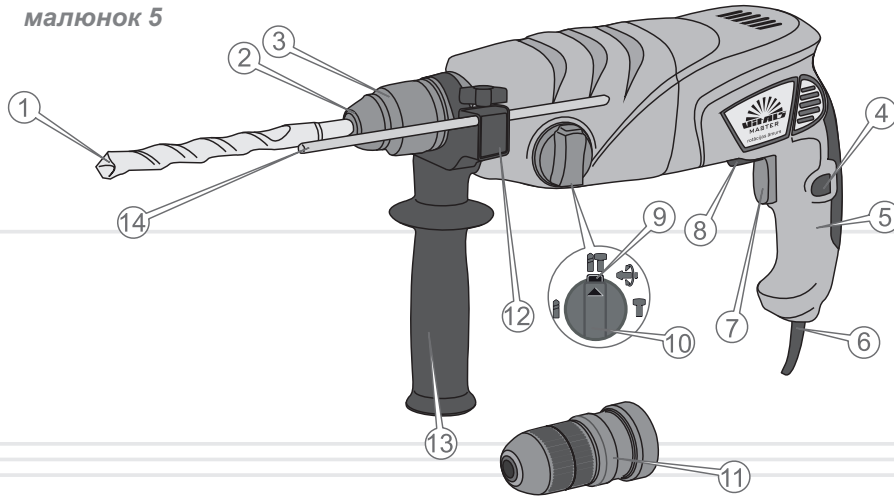
малюнок 4

Модель Ra 2882HBp



Опис основних компонентів перфоратора

малюнок 5



1. Перфоратор.
2. Кейс для транспортування та зберігання.
3. Допоміжна рукоятка.
4. Змінний 13 мм швидкозатискний патрон (тільки для моделі Ra 2882HBp).
5. Обмежувач глибини.
6. Керівництво з експлуатації.

**ПРИМІТКА!**

Завод-виробник залишає за собою право вносити у зовнішній вигляд, конструкцію та комплект поставки перфоратора незначні зміни, які не впливають на роботу виробу.

1. Свердло з хвостовиком стандарту SDS-plus.
2. Пильник.
3. Затискний патрон стандарту SDS-plus.
4. Кнопка-фіксатор клавіші "Вкл/Викл".
5. Основна рукоятка із ізолюваною поверхнею.
6. Мережевий кабель.
7. Клавіша "Вкл/Викл".
8. Перемикач напрямку обертання патрона (реверс).
9. Кнопка-фіксатор перемикача режимів.
10. Перемикач режимів «Свердління/Свердління з ударом/Удар без обертання».
11. Швидкозатискний патрон (тільки для моделі Ra 2882HBp).
12. Кнопка фіксації обмежувача глибини.
13. Допоміжна рукоятка (регульована) із ізолюючої поверхнею.
14. Обмежувач глибини.

МОДЕЛЬ	Ra 2462HB	Ra 2680HB	Ra 2882HB	Ra 2882HBp
Номінальна напруга, В	230±10%			
Номінальна частота, Гц	50±1%			
Максимальна потужність, Вт	620	800	820	820
Швидкість холостого ходу, об/хв	0-870	0-900	0-1100	0-1100
Частота ударів, 1/хв	0-4850	0-4000	0-4800	0-4800
Сила удару, Дж	2,15	3,0	3,2	3,2
Патрон	SDS-plus			
Максимальний діаметр свердління: - бетон	24	26	28	28
- метал	13			
- дерево	30			
Реверс	+			
Габаритні розміри (ШхДхВ), мм				
перфоратора	70x340x 210	80x360x 220	80x350x 200	80x360x 220
кейса	435 x 106 x 305			
Вага перфоратора, кг				
без кейса та приладдя	2,9	3,05	3,15	3,25
з кейсом і приладдям	4,2	4,35	4,45	4,65

4.1. ВАЖЛИВА ІНФОРМАЦІЯ З БЕЗПЕКИ

Перед початком роботи перфоратором уважно ознайомтеся з вимогами щодо техніки безпеки та попередженнями, викладеними в цьому посібнику.

Більшість травм під час експлуатації виробу виникає в результаті недотримання основних положень правил техніки безпеки. Травм можна уникнути, якщо суворо дотримуватися запобіжних заходів і завчасно передбачити потенційну небезпеку.

Ні за яких обставин не використовуйте виріб способом або в цілях, не передбачених даним керівництвом.

Неправильна експлуатація виробу або експлуатація ненавченим людиною може призвести до нещасного випадку.

ОБЕРЕЖНО!

Забороняється експлуатація виробу не підготовленими до роботи людьми.

4.2. БЕЗПЕКА ЕКСПЛУАТАЦІЇ

- НЕ ДОЗВОЛЯЙТЕ КОРИСТУВАТИСЯ ВИРОБОМ ДІТЯМ ТА ОСОБАМ З ОБМЕЖЕНИМИ МОЖЛИВОСТЯМИ.
- БУДЬТЕ ПОВНІСТЮ СКОНЦЕНТРОВАНИ НА РОБОТІ.
Не відволікайтеся під час роботи перфоратором, так як це може викликати втрату контролю та стати причиною отримання травм різного ступеня тяжкості.
- НЕ ДОВІРЯЙТЕ ПЕРФОРАТОР ДІТЯМ І ПІДЛІТКАМ МОЛОДШЕ 18 РОКІВ, ЗА ВИНЯТКОМ УЧНІВ СТАРШЕ 16 РОКІВ, ЯКІ НАВЧАЮТЬСЯ РОБОТІ ВИРОБОМ ПІД ПИЛЬНИМ НАГЛЯДОМ ІНСТРУКТОРІВ.

4. НЕ ЗАЛИШАЙТЕ ВИРІБ УВІМКНЕНИМ БЕЗ НАГЛЯДУ.
5. НЕ ДОПУСКАЙТЕ, ЩОБ У ЗОНІ ПРОВЕДЕННЯ РОБІТ БУЛИ ПРИСУТНІ СТОРОННІ ЛЮДИ ТА ТВАРИНИ.
6. НЕ ВКЛЮЧАЙТЕ ТА НЕ ПРАЦЮЙТЕ ВИРОБОМ У ВИПАДКУ ХВОРОБИ, В СТАНІ СТОМЛЕННЯ, НАРКОТИЧНОГО АБО АЛКОГОЛЬНОГО СП'ЯНІННЯ, А ТАКОЖ ПІД ВПЛИВОМ СИЛЬНОДІЮЧИХ ЛІКАРСЬКИХ ПРЕПАРАТІВ, ЯУІ ЗНИЖУЮТЬ ШВИДКІСТЬ РЕАКЦІЇ ТА УВАГУ.
7. СТЕЖТЕ ЗА ЦІЛІСНІСТЮ ТА СПРАВНІСТЮ ВИРОБУ.
Не вмикайте та не працюйте виробом при наявності пошкоджень, з ненадійно закріпленими частинами та деталями.
8. НАДЯГАЙТЕ ВІДПОВІДНИЙ ОДЯГ ТА ВЗУТТЯ ПРИ РОБОТІ З ВИРОБОМ.
Працюючи виробом, надягайте облягаючий одяг, застібніть всі гудзики. Надягайте взуття з підошвою, яка не ковзає. Для захисту органів зору від попадання пилу, дрібних частинок оброблюваного матеріалу та стружки, надягайте спеціальні захисні окуляри. Для захисту органів слуху (у разі такої необхідності) подбайте про навушники. Обов'язково використовуйте респіратор.
9. НЕ ТОРКАЙТЕСЯ ДО ДЕТАЛЕЙ ВИРОБУ, ЯКІ ОБЕРТАЮТЬСЯ.
Не підносьте руки, пальці та інші частини тіла до рухомих частин перфоратора.
10. ДЛЯ ЗРУЧНОСТІ КОРИСТУВАННЯ ВИРОБОМ ПІД'ЄДНУЙТЕ ДО ПЕРФОРАТОРА ДОПОМІЖНУ РУКОЯТКУ.
11. ПІД ЧАС РОБОТИ МІЦНО УТРИМУЙТЕ ВИРІБ ДВОМА РУКАМИ.
12. ПІД ЧАС РОБОТИ НА ВИСОТІ ВИКОРИСТОВУЙТЕ ДРАБИНУ.
13. НЕ ПЕРЕВАНТАЖУЙТЕ ЕЛЕКТРИЧНИЙ ДВИГУН ПЕРФОРАТОРА, ЧЕРГУЙТЕ РОБОТУ ІЗ ВІДПОЧИНКОМ.

14. ПРИ СТРОБУВАННІ АБО СВЕРДЛІННІ ОТВОРІВ У СТІНАХ, СТЕЛЯХ І ПІДЛОГАХ ПЕРЕКОНАЙТЕСЬ У ВІДСУТНОСТІ СХОВАНОЇ ЕЛЕКТРИЧНОЇ ПРОВОДКИ.
15. ПІД ЧАС СВЕРДЛІННЯ ОТВОРІВ У ДЕТАЛЯХ ЗАКРІПЛЮЙТЕ ЇЇ В ЛЕЩАТАХ АБО СТРУБЦІНІ.
16. СЛІДКУЙТЕ ЗА ТИМ, ЩОБ ПІД ЧАС РОБОТИ ВИРОБОМ ДРІБНІ ЧАСТИНКИ МАТЕРІАЛУ, ЯКИЙ ОБРОБЛЮЄТЬСЯ, ТА СТРУЖКА НЕ ПОТРАПЛЯЛИ У ВЕНТИЛЯЦІЙНІ ОТВОРИ КОРПУСУ ВИРОБУ.
17. ПІД ЧАС РОБОТИ НЕ ВИДАЛІТЕ РУКАМИ ТИРСУ, СТРУЖКУ, ПИЛ І БРУД.
18. НЕ ДОТОРКУЙТЕСЬ ДО СВЕРДЛА (ПІКИ, ДОЛОТО) ПІД ЧАС ВМИКАННЯ ЕЛЕКТРИЧНОГО ДВИГУНА ПЕРФОРАТОРА. ТАКОЖ НЕ ДОТОРКУЙТЕСЬ ДО СВЕРДЛА (ПІКИ, ДОЛОТО) ВІДРАЗУ Ж ПІСЛЯ ЗАКІНЧЕННЯ РОБОТИ – НЕБЕЗПЕКА ТЕРМІЧНОГО ОПІКУ.
19. НЕ ЗАГВИНЧУЙТЕ КРІПИЛЬНІ ВИРОБИ І НЕ СВЕРДЛІТЬ ОТВОРИ У ДЕРЕВИНІ, КЕРАМІЦІ, А ТАКОЖ У РІЗНИХ СИНТЕТИЧНИХ МАТЕРІАЛАХ У РЕЖИМАХ «СВЕРДЛІННЯ З УДАРОМ» АБО «УДАР».
20. НЕ ПЕРЕВАНТАЖУЙТЕ ВИРІБ ТАКИМ ЧИНОМ, ЩОБ НАВАНТАЖЕННЯ НЕ ЗМОГЛО ЗУПИНИТИ РОБОТУ ЕЛЕКТРИЧНОГО ДВИГУНА.
21. ВИКОРИСТОВУЙТЕ У РОБОТІ ТІЛЬКИ СПРАВНІ СВЕРДЛА (ПІКИ, ДОЛОТО).
Не працюйте із пошкодженими або тупими свердлами (піками, долотом), так як при цьому підвищується вірогідність отримання травм.
22. ПОДБАЙТЕ ПРО ГАРНЕ ОСВІТЛЕННЯ РОБОЧОГО МІСЦЯ.
Робота перфоратором в темряві або в умовах недостатньої видимості може призвести до травм.

23. ПРАЦЮЙТЕ В ПРИМІЩЕННІ, ЯКЕ ДОБРЕ ПРОВІТРЮЄТЬСЯ.
Не працюйте виробом в приміщеннях, в яких з високий рівень загазованості, а також у приміщеннях, в яких зберігаються легкозаймисті матеріали.
24. НЕ ПРАЦЮЙТЕ ПЕРФОРАТОРОМ ПІД ЧАС ДОЩУ АБО СНІГУ.
Експлуатація виробу на відкритому повітрі під час дощу або снігу може призвести до електрошоку або поломки виробу. Якщо виріб намочився, ні в якому разі не використовуйте його. Не мийте виріб та не лейте на нього воду. Якщо перфоратор якимось чином намок, насухо витріть корпус. Якщо вода потрапила всередину корпусу, негайно вимкніть виріб. Не намагайтеся самі розкривати виріб – зверніться до сервісного центру.
25. НЕ ДОТОРКАЙТЕСЯ ДО ПЕРФОРАТОРА ВОЛОГИМИ РУКАМИ.
26. З МЕТОЮ ЗАХИСТУ ВІД УРАЖЕННЯ СТРУМОМ УНИКАЙТЕ ДОТОРКУВАННЯ ПЕРФОРАТОРА ДО ПРЕДМЕТІВ, ЯКІ ЗАЗЕМЛЕНІ.
27. НЕ ВІДКРИВАЙТЕ ВИРІБ І НЕ НАКРИВАЙТЕ ЙОГО.
28. НЕ ВИКОРИСТОВУЙТЕ ВИРІБ, ЯКЩО ПОШКОДЖЕНА ІЗОЛЯЦІЯ МЕРЕЖЕВОГО КАБЕЛЮ ТА ПОДОВЖУВАЧА. УНИКАЙТЕ ЗРОЩЕННЯ КАБЕЛІВ, ВИКОРИСТОВУЙТЕ ЦІЛЬНІ КАБЕЛІ, ЯКІ МАЮТЬ ВІДПОВІДНІ ХАРАКТЕРИСТИКИ ДОВЖИНИ ТА ПЕРЕТИНУ.
Перед початком роботи перевіряйте стан мережного кабелю та подовжувача із метою виявлення обривів, пошкоджень, слідів зносу. Не допускайте використання перегнутого, скрученого або пошкодженого мережного кабелю та дроту подовжувача.
29. ВІД'ЄДНУЙТЕ МЕРЕЖЕВИЙ КАБЕЛЬ І ПОДОВЖУВАЧ ВІД ДЖЕРЕЛА ЕЛЕКТРОЖИВЛЕННЯ ПІД ЧАС ПЕРЕВІРКИ ЇХ СТАНУ, РОЗПЛУТУВАННЯ АБО ЛІКВІДАЦІЇ УШКОДЖЕНЬ, А ТАКОЖ ПЕРЕД РЕГУЛЮВАННЯМ, ОБСЛУГОВУВАННЯМ ТА ОЧИЩЕННЯМ ПЕРФОРАТОРА.
Вимикайте перфоратор із розетки під час переходу з однієї ділянки роботи на іншу, а також під час перерви.
30. НЕ ПЕРЕНОСЬТЕ ВИРІБ ЗА МЕРЕЖЕВИЙ КАБЕЛЬ АБО ЗА СВЕРДЛО (ПІКУ, ДОЛОТО).

31. У ВИПАДКУ ВИКОРИСТАННЯ ПОДОВЖУВАЧА МЕРЕЖЕВОГО КАБЕЛЯ В БОБІНАХ – ПОВНІСТЮ РОЗМОТАЙТЕ КАБЕЛЬ ПОДОВЖУВАЧА, ТАК ЯК КАБЕЛЬ, ЯКИЙ НАМОТАНИЙ НА БОБІНІ, МОЖЕ ПЕРЕГРІТИСЯ ТА ЗАПАЛАТИ.
32. РОЗМІЩУЙТЕ ПОДОВЖУВАЧ НА БЕЗПЕЧНІЙ ВІДСТАНІ ВІД ПЕРФОРАТОРА ТА ПОЗА ЗОНОЮ МОЖЛИВОГО ПАДІННЯ ВЕЛИКИХ ЧАСТИН МАТЕРІАЛУ, ЯКИЙ ОБРОБЛЮЄТЬСЯ. ЩОБ НЕ ДОПУСТИТИ ВИПАДКОВОГО ВІДКЛЮЧЕННЯ МЕРЕЖЕВОГО КАБЕЛЮ ВІД ПОДОВЖУВАЧА, ВИКОРИСТОВУЙТЕ ДОДАТКОВІ КРІПЛЕННЯ МЕРЕЖЕВОЇ ВИЛКИ, НАПРИКЛАД, РІЗНОМАНІТНІ ЗАТИСКАЧІ.
33. ПРИ ВИНИКНЕННІ ЯКИХ-НЕБУДЬ ВІДХИЛЕНЬ В НОРМАЛЬНІЙ РОБОТІ ПЕРФОРАТОРА, НЕГАЙНО ВІД'ЄДНАЙТЕ ВИРІБ ВІД ЕЛЕКТРОМЕРЕЖІ, З'ЯСУЙТЕ ТА УСУНЬТЕ ПРИЧИНУ ВІДХИЛЕНЬ.

**УВАГА!**

Слідкуйте за справністю виробу. У разі відмови в роботі, появі запаху, характерного для горілої ізоляції, сильного стуку, шуму, іскор, необхідно негайно відключити виріб і звернутися до сервісного центру.

**УВАГА!**

Дане керівництво не може врахувати всіх випадків, які можуть виникнути у реальних умовах експлуатації перфоратора. Тому при роботі виробом слід керуватися здоровим глуздом, дотримуватися граничної уваги та акуратності під час виконання робіт.

5.1. ПІДГОТОВКА ДО РОБОТИ

1. Перед початком роботи перфоратором огляньте виріб на предмет цілісності та справності корпусу, частин, деталей, мережевого кабелю, а також легкості ходу всіх рухомих частин перфоратора.
2. Встановіть на перфораторі допоміжну рукоятку в таке положення, яке буде забезпечувати зручність в ході Вашої роботи та надійно закріпіть рукоятку (див. малюнок 6).
3. Вставте свердло (піку, долото) в патрон (див. малюнок 7, 9).

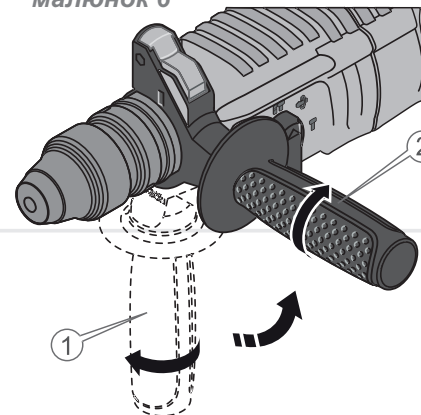
**ПРИМІТКА!**

Якщо Ви плануєте працювати в режимі «Свердління» із використанням свердла з циліндричним хвостовиком, встановіть на перфоратор швидкозатискний патрон (тільки для моделі Ra 2882HVp) (див. малюнок 8).

4. Встановіть обмежувач глибини (див. малюнок 10), налаштуйте обмежувач і надійно його зафіксуйте.
5. Перемикачем режимів роботи встановіть один з трьох режимів – «Свердління/Свердління з ударом/Удар без обертання»
6. Перемикачем напрямку обертання (реверс) встановіть потрібний напрямок обертання патрона.
7. Підключіть перфоратор до однофазної електромережі змінного струму, напругою 220 В і частотою 50 Гц.
8. Увімкніть перфоратор, натиснувши кнопку "Вкл/Викл" (натискаючи кнопку з різним зусиллям, можна міняти швидкість обертання електричного двигуна).
9. Протягом 30 секунд в режимі холостого ходу оцініть працездатність виробу на предмет відсутності підвищеної вібрації, сторонніх шумів та інших дефектів роботи. Якщо дефекти в роботі виробу не виявлені, експлуатація перфоратора дозволяється, в іншому випадку зверніться до сервісного центру.

Встановлення допоміжної рукоятки та налаштування її

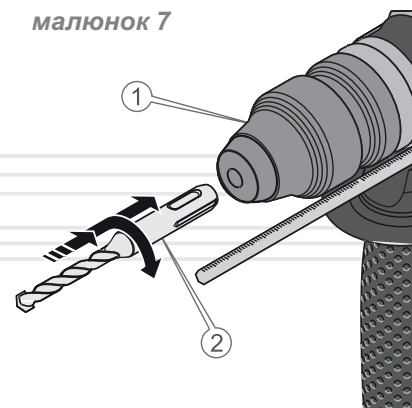
малюнок 6



1. Послабте рукоятку, повернувши її на один оберт в напрямку стрілки (позиція 1).
2. Встановіть рукоятку в таке положення, яке буде найбільш зручним для Вашої роботи.
3. Надійно зафіксуйте рукоятку, повернувши її у напрямку стрілки (позиція 2).

Встановлення свердла (піки, долото) в патрон стандарту SDS-plus

малюнок 7



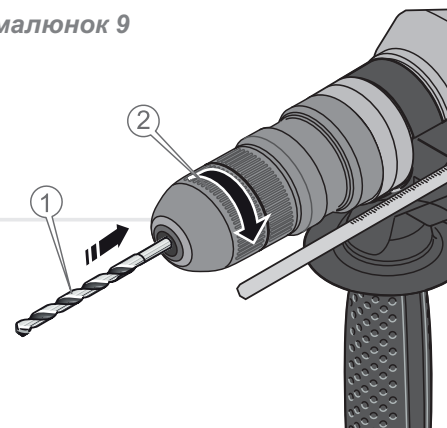
1. Очистіть хвостовик свердла (піки, долото) від пилу та бруду. Змастіть хвостовик тонким шаром машинного масла.
2. Злегка повертаючи свердло (2) (піку, долото) вставте його в патрон (1) до упору. При цьому Ви почуєте характерне клацання, що символізує про фіксацію свердла (піки, долото) у затискному патроні.
3. Перевірте надійність фіксації свердла (піки, долото) у затискному патроні, намагаючись витягнути рукою свердло із патрона.

**ПРИМІТКА!**

Робочі інструменти із хвостовиком стандарту SDS-plus мають свободу руху у затискному патроні, який обумовлений конструктивними особливостями патрона стандарту SDS-plus, в результаті чого в режимі холостого ходу виникає радіальне биття. Це ніяк не впливає на точність свердління, оскільки свердло (піка, долото) центруються автоматично.

Встановлення свердла в швидкозатискний патрон (тільки для моделі Ra 2882HBp)

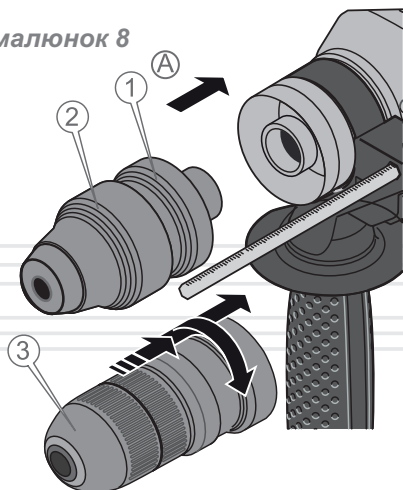
малюнок 9



1. Очистіть хвостовик свердла від пилу та бруду.
2. Вставте свердло (1) до упору в патрон.
3. Обертаючи від руки муфту швидкозатискного патрона (2) у напрямку стрілки, надійно зафіксуйте свердло в патроні.

Встановлення швидкозатискного патрона (тільки для моделі Ra 2882HBp)

малюнок 8

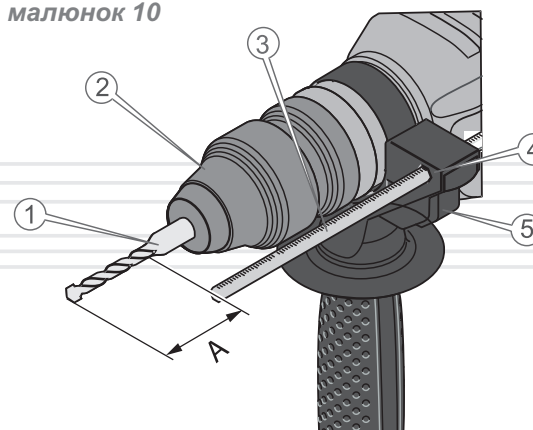


1. Натисніть на обойму (1) в напрямку стрілки (A) та від'єднайте патрон стандарту SDS-plus (2).
2. Злегка провертаючи швидкозатискний патрон (3) вставте патрон в посадковий отвір до упору. При цьому Ви почуєте характерне клацання, що символізує про фіксацію швидкозатискного патрона в посадковому отворі.
3. Перевірте надійність

Встановлення обмежувача глибини свердління

За допомогою обмежувача глибини (3) можна встановити бажану глибину свердління A.

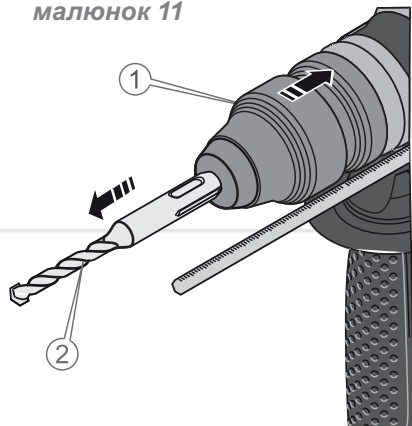
малюнок 10



1. Натисніть на кнопку фіксації обмежувача глибини (5) та вставте обмежувач (3) в отвір на допоміжній рукоятці (4).
2. Встановіть бажану глибину свердління (A) та відпустіть кнопку (5) фіксації обмежувача глибини. При цьому слід врахувати відстань вільного ходу свердла (1) у затискному патроні стандарту SDS-plus (2).

Вилучення свердла (піки, долото) із затискного патрона стандарту SDS-plus

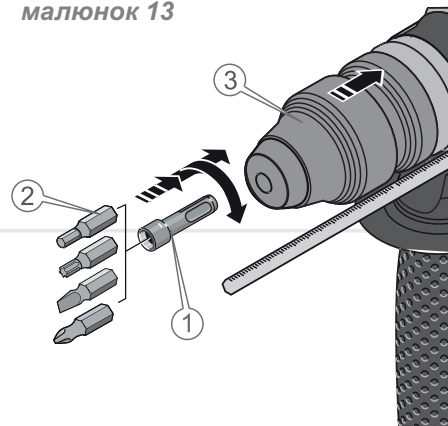
малюнок 11



1. Посуньте фіксуючу муфту патрона (1) у напрямку стрілки.
2. Не відпускаючи муфту, вийміть свердло (2) (піку, долото) із затискного патрона.
3. Відпустіть фіксуючу муфту (1).

Встановлення тримача біт із хвостовиком стандарту SDS-plus (необхідно придбати додатково)

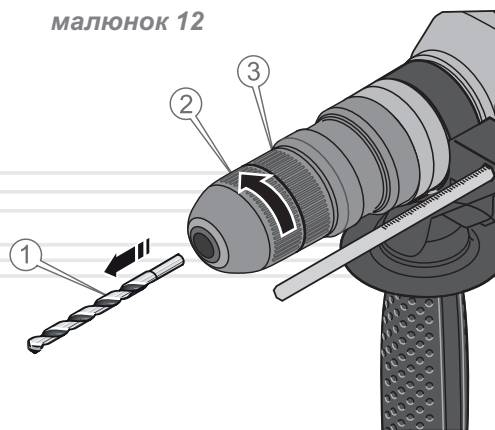
малюнок 13



1. Очистіть хвостовик тримача біти стандарту SDS-plus (1) від пилу та бруду. Змастіть хвостовик тонким шаром машинного масла.
2. Злегка повертаючи тримач біти (1) вставте тримач в патрон (3) до упору. При цьому Ви почуєте характерне клацання, що символізує про фіксацію тримача біти у затискному патроні.
3. Перевірте надійність фіксації тримача біти у затискному патроні.
4. Вставте в тримач біту (2), яка необхідна для Вашої роботи.

Вилучення свердла із швидкозатискного патрона

малюнок 12



1. Міцно утримуючи стопорне кільце (3) швидкозатискного патрона обертайте муфту (2) у напрямку стрілки.
2. Обертайте муфту до тих пір, поки не ослабляться затискні кулачки патрона.
3. Вийміть свердло (1) із затискного патрона.

ОБЕРЕЖНО!



Встановлювати та витягувати свердло (піку, долото, насадки) а також швидкозатискний патрон можна тільки після повної зупинки електродвигуна. Недотримання даної вимоги призведе до травми.

5.2. РОБОТА

Свердла, піки, долото та біти (насадки) із хвостовиком стандарту SDS-plus встановлюються в свердлильний патрон стандарту SDS-plus і використовуються для свердління без ударної дії, свердління з ударною дією, довбання, розколювання та розпушування матеріалу, який обробляється, а також для закручування і відкручування кріпильних виробів із установкою відповідного режиму роботи.

Свердла та біти (насадки) із хвостовиком циліндричної форми, які вставляються в швидкозатискний патрон, використовуються тільки для свердління отворів без використання ударної дії в деревині, металі, кераміці та синтетичному матеріалі, а також для закручування і відкручування кріпильних виробів.

**УВАГА!**

Щоб уникнути виходу із ладу швидкозатискного патрона, не використовуйте даний патрон для свердління з ударною дією, довбання, розколювання та розпушування матеріалу.

**ПРИМІТКА!**

Пильник в значній мірі запобігає проникненню пилу всередину затискного патрона стандарту SDS-plus. При заміні робочого інструменту стежте за тим, щоб пильовик не був пошкоджений. У разі пошкодження пильник, негайно його замініть.

Включення та виключення перфоратора

Щоб включити перфоратор, необхідно натиснути клавішу "Вкл/Викл" та утримувати її в натиснутому положенні. Щоб зафіксувати клавішу "Вкл/Викл", необхідно натиснути її до упору та зафіксувати в цьому положенні кнопкою-фіксатором (4) (див. малюнок 5).

Щоб вимкнути виріб, відпустіть клавішу "Вкл/Викл". Якщо буде задіяна кнопка-фіксатор клавіші "Вкл/Викл", то спочатку натисніть на клавішу "Вкл/Викл", а потім відпустіть її.

Встановлення частоти обертів та ударів

Під час роботи перфоратором Ви маєте можливість плавно регулювати частоту обертів та ударів. Чим сильніше Ви натиснете на клавішу "Вкл/Викл", тим вищою буде швидкість обертання патрона та навпаки.

Зміна напрямку обертання патрона (реверс)

Для того щоб патрон перфоратора обертався у потрібному напрямку, необхідно перемістити повзунок перемикача напрямку обертання патрона (8) (див. малюнок 5) до упору вліво або вправо. При переміщенні повзунка вліво – патрон буде обертатися в ліву сторону, при переміщенні повзунка вправо – патрон буде обертатися в праву сторону.

**ОБЕРЕЖНО!**

Змінювати напрямок обертання патрона можна лише після повної зупинки електричного двигуна перфоратора. При недотриманні цієї вимоги виріб може вийти із ладу.

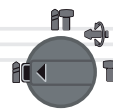
Запобіжна муфта

У тому випадку, якщо робочий інструмент заклинило в матеріалі, який обробляється, спрацює запобіжна муфта та виріб припинить свою роботу. При блокуванні виробу негайно від'єднайте перфоратор від джерела електричної енергії, вийміть робочий інструмент із матеріалу, який обробляється, перевірте працездатність виробу та лише після цього продовжуйте роботу перфоратором.

Встановлення режимів роботи «Свердління/Свердління з ударом/Удар без обертання»

За допомогою перемикача (10) (див. малюнок 5) можна вибрати один із трьох режимів роботи перфоратора – «Свердління», «Свердління з ударом» та «Удар без обертання». Крім цього присутня функція, вибравши яку можна змінювати положення робочого інструменту.

Для того щоб змінити режим роботи перфоратора, необхідно натиснути кнопку-фіксатор перемикача режимів, повернути перемикач у потрібне положення (стрілка на перемикачі повинна точно збігатися із символом режиму, який зображений на корпусі перфоратора) та зафіксувати, відпустивши кнопку-фіксатор (див. малюнок 14).

малюнок 14

Режим «Свердління» – для свердління отворів без ударної дії у метали, деревині, кераміці та різних синтетичних матеріалах, а також для закручування і відкручування кріпильних виробів.



Режим «Свердління з ударом» – для ударного свердління в цеглі, бетоні, природному камені або асфальті.



Режим «Удар без обертання» – для довбання, розколювання та розпушування бетонних і цегляних конструкцій, асфальту, осадових гірських порід.



Функція «Зміна положення робочого інструменту. Для зміни положення долота при роботі перфоратором в режимі «Удар без обертання». Щоб змінити положення робочого інструменту, необхідно перевести перемикач режимів у позицію, як зазначено на малюнку (в даному положенні перемикач режиму не фіксується).

Проверніть долото у потрібному напрямку та знову поверніть перемикач в режим «Удар без обертання».



ОБЕРЕЖНО!

Змінювати режим роботи перфоратора можна тільки після повної зупинки електричного двигуна. При недотриманні цієї вимоги виріб може вийти з ладу.

Всі моделі забезпечені сучасними електродвигунами, частинами та деталями, які розроблені з урахуванням вимог довгострокової та безперебійної роботи. Тим не менш, дуже важливо регулярно проводити нескладні роботи із технічного обслуговування, які описані в даному розділі керівництва.



ОБЕРЕЖНО!

Перед початком робіт із технічного обслуговування слід знеструмити виріб.

Комплекс робіт із технічного обслуговування перфоратора включає:

- огляд корпусу виробу, частин і деталей, мережевого кабелю, вилки на відсутність механічних і термічних ушкоджень;
- очищення корпусу виробу та комплектуючих від бруду і пилу;
- своєчасне очищення та заміна пильника;
- очищення отвору ствола перфоратора від бруду та пилу. Заміна забрудненого мастила.

У разі виявлення механічних і термічних пошкоджень виробу, необхідно звернутися до сервісного центру.

Очищати корпус перфоратора необхідно м'якою серветкою. Не можна допускати попадання вологи, стружки, пилу та бруду, а також дрібних частинок матеріалу, який оброблюється, у вентиляційні отвори корпусу виробу. Якщо на корпусі присутні складні плями, необхідно видалити їх за допомогою м'якої серветки, попередньо змоченої у мильному розчині або спеціальному миючому засобі.

У процесі очищення перфоратора не рекомендується використовувати абразивні матеріали, різні розчинники, аміачну воду, бензин, спирт, які можуть зашкодити корпусу виробу.

Пильник захищає проникнення пилу в патрон. Під час заміни робочого інструменту перевіряйте, щоб пильник не був пошкоджений. При пошкодженні пильника негайно замініть його.

Щоб не вивести з ладу ствол перфоратора, після кожного використання виробу очищайте зазор між пильником і робочим інструментом від пилу та бруду. Також протирайте від пилу та забрудненого мастила хвостовик робочого інструменту. Після очищення змастіть хвостовик тонким шаром мастила.

Для очищення та заміни мастила обойми ствола, акуратно зніміть пильник, ретельно очистіть обойму від пилу, бруду та забрудненого мастила, нанесіть свіже мастило на обойму та надіньте пильник на штатне місце.

**ПРИМІТКА!**

У разі виникнення труднощів при проведенні технічного обслуговування виробу, слід звернутися за допомогою до сервісного центру.

**ТРАНСПОРТУВАННЯ
ТА ЗБЕРІГАННЯ****ПРИМІТКА!**

Для транспортування та зберігання перфоратора використовуйте кейс, який входить до комплекту поставки виробу.

Транспортування

Транспортування перфоратора допускається всіма видами транспорту, які забезпечують збереження виробу, відповідно до загальних правил перевезень.

Не рекомендовано переносити виріб за затискний патрон, свердло (долото, піку) та мережевий кабель. Під час зміни робочого місця необхідно відключити перфоратор від джерела електричного живлення.

Зберігання

Зберігати виріб рекомендується у приміщенні, яке добре провітрюється, при температурі повітря від -15 °C до +55 °C та відносній вологості повітря не більше 90%.

При підготовці виробу до зберігання:

1. Витягніть із затискного патрона свердло (долото, піку).
2. Видаліть пил, бруд із зовнішньої частини корпусу перфоратора.
3. Змастіть тонким шаром машинного масла швидкозатискний патрон, свердла, піку, долото.

**УВАГА!**

Зберігати виріб в одному приміщенні із горючими речовинами, кислотами, лугами, мінеральними добривами та іншими агресивними речовинами забороняється.



МОЖЛИВІ НЕСПРАВНОСТІ ТА ШЛЯХИ ЇХ УСУНЕННЯ

УКРАЇНСЬКА

ОПИС НЕСПРАВНОСТІ	Можлива причина	Шляхи усунення
Перфоратор при натисканні на клавішу "Вкл/Викл" не працює	Відсутній електричний контакт на лінії подачі електроживлення	З'ясуйте причину, відновіть контакт або зверніться до сервісного центру
	Пошкоджений мережевий кабель або розетка	Замініть
	Несправний електричний двигун	Зверніться до сервісного центру
	Несправна клавіша "Вкл/Викл"	Зверніться до сервісного центру
Електричний двигун сильно іскрить	Зношені вугільні щітки	Замініть щітки
	Пошкоджена обмотка електричного двигуна	Зверніться до сервісного центру
Потужності електричного двигуна недостатньо, при роботі чути свист (скрип)	Зношені вугільні щітки	Замініть щітки
	Надмірний тиск на перфоратор в процесі роботи	Знизьте тиск
	Затиснений патрон вийшов з ладу	Замініть
Радіальне биття затисного патрона	Зношені свердло, піка, долото, біта	Замініть
Не переключається реверс	Затиснений патрон вийшов з ладу	Замініть
Не регулюються оберти електричного двигуна	Несправний перемикач реверсу	Зверніться до сервісного центру
Після відключення виробу електричний двигун продовжує обертатися	Несправна клавіша "Вкл/Викл"	Зверніться до сервісного центру

58

ОПИС НЕСПРАВНОСТІ	Можлива причина	Шляхи усунення
Електричний двигун працює, але немає обертання/удару робочого інструменту	Спрацювала запобіжна муфта при заїданні або заклинюванні робочого інструменту в матеріалі, який обробляється	Вимкніть перфоратор, вийміть робочий інструмент з матеріалу, який обробляється. Увімкніть перфоратор «вхолосту»
Електричний двигун включається на декілька секунд і «клинить»	Пошкоджені або зношені шестерні редуктора	Зверніться до сервісного центру
Неможливо змінити режим роботи перфоратора	Несправний механічний перемикач режимів роботи	Зверніться до сервісного центру
Корпус виробу дуже нагрівається	Велике навантаження на електричний двигун	Знизьте навантаження (вимкніть виріб до охолодження)
	Електричний двигун несправний	Зверніться до сервісного центру

УКРАЇНСЬКА

59

Гарантійний термін експлуатації виробів “Vitals Master” Ra 2462HB, Ra 2680HB, Ra 2882HB та Ra 2882HBp становить 1 (один) рік із зазначеної в гарантійному талоні дати роздрібного продажу.

Протягом гарантійного терміну несправні деталі й вузли будуть замінюватися за умови дотримання всіх вимог керівництва і відсутності пошкоджень, пов'язаних з неправильною експлуатацією, зберіганням і транспортуванням виробу. З питань гарантійного обслуговування звертайтеся в авторизований сервісний центр.

Споживач має право на безкоштовне гарантійне усунення несправностей, виявлених і пред'явлених в період гарантійного терміну та обумовлених виробничими та конструктивними факторами.

Гарантійне усунення несправностей виробляється шляхом ремонту або заміни несправних частин виробу в сертифікованих сервісних центрах. У зв'язку зі складністю конструкції ремонт може тривати більше двох тижнів. Причину виникнення несправностей і строки їх усунення визначають фахівці сервісного центру.

- Недотримання правил експлуатації, наведених у цьому посібнику, в тому числі порушення регламенту технічного обслуговування.
- Експлуатація несправного або некомплектного виробу, що стала причиною виходу його з ладу.
- Потраплення всередину виробу сторонніх речовин або предметів.
- Вироб має значні механічні чи термічні ушкодження, явні сліди недбалої експлуатації, зберігання або транспортування.
- Вироб використовувався не за призначенням.
- Проводилися несанкціонований ремонт, розтин або спроба модернізації виробу споживачем або третіми особами.
- Несправність сталася в результаті стихійного лиха (пожежа, повінь, ураган і т. п.).

Замінені по гарантії деталі й вузли переходять у розпорядження сервісного центру.

При виконанні гарантійного ремонту гарантійний строк збільшується на час перебування виробу в ремонті. Відлік доданого терміну починається з дати приймання виробу в гарантійний ремонт.

У разі якщо з технічних причин ремонт виробу неможливий, сервісний центр видає відповідний акт, на підставі якого користувач самостійно вирішує питання з організацією-постачальником про заміну виробу або поверненні грошей.

Після закінчення гарантійного терміну сервісні центри продовжують здійснювати обслуговування та ремонт виробу, але вже за рахунок споживача.

Гарантійні зобов'язання не поширюються на несправності, які виникли внаслідок природного зносу або перевантаження виробу.

Гарантійні зобов'язання не поширюються на біту.

Гарантійні зобов'язання не поширюються на неповноту комплектації виробу, яка могла бути виявлена при його продажу. Усі витрати на транспортування виробу несе споживач.

Право на гарантійний ремонт не є підставою для інших претензій.

**УВАГА!**

Вироб приймається на гарантійне обслуговування тільки в повній комплектації, ретельно очищений від бруду і пилу.

Гарантійні зобов'язання втрачають свою силу в наступних випадках:

- Відсутність або дуже поганий стан (коли не видно тексту) гарантійного талона.
- Неправильне заповнення гарантійного талона, відсутність в ньому дати продажу або печатки (штампу) і підпису продавця, серійного номера виробу.
- Наявність виправлень або підчищень в гарантійному талоні.
- Повна або часткова відсутність серійного номера на виробі, невідповідність серійного номера виробу, номеру, вказаному в гарантійному талоні.

УВАЖАЕМЫЙ ПОКУПАТЕЛЬ!

Благодарим Вас за приобретение перфоратора электрического ТМ "Vitals".

Техника ТМ "Vitals" разрабатываются по европейским стандартам качества и с использованием современных технологий.

Неправильная эксплуатация перфоратора электрического и несоблюдение мер безопасности может привести к повреждению изделия или к серьезным травмам!

Данное руководство содержит всю необходимую информацию по мерам безопасности при работе с перфоратором электрическим. Внимательно ознакомьтесь с руководством перед началом работы с изделием.

Пожалуйста, предоставьте другим пользователям данное руководство, прежде чем они начнут работать с перфоратором электрическим. Данное руководство необходимо хранить для последующего его использования.

Мы постоянно работаем над усовершенствованием своей продукции и, в связи с этим, оставляем за собой право на внесение изменений во внешний вид, оснащение и технологию производства, не изменяя основных принципов управления, без уведомления потребителя. Все возможные изменения будут направлены только на улучшение и модернизацию изделия.

ЗНАЧЕНИЕ КЛЮЧЕВЫХ СЛОВ



ОСТОРОЖНО!

Обозначает потенциально опасные ситуации, которых следует избегать, в противном случае может возникнуть опасность для жизни и здоровья.



ВНИМАНИЕ!

Обозначает потенциально опасные ситуации, которые могут привести к легким травмам или к поломке изделия.



ПРИМЕЧАНИЕ!

Отмечает важную дополнительную информацию.

Электрические перфораторы «Vitals Master» **Ra 2462НВ, Ra 2680НВ, Ra 2882НВ и Ra 2882НВр** (далее по тексту – перфоратор) выполнены с соблюдением всех требований безопасности и достаточно надежны в процессе эксплуатации.

Перфоратор представляет собой ручной электрический инструмент, который предназначен для:

- сверления отверстий с ударным действием в кирпиче, бетоне, природном камне, асфальте;
- долбления, раскалывания и разрыхления не очень прочных материалов – бетонных и кирпичных конструкций, асфальта, осадочных горных пород;
- сверления отверстий без ударного действия в металле, древесине, керамике, а также различных синтетических материалах;
- закручивания и откручивания крепежных изделий (шурупов, винтов, саморезов, конфирматов, дюбелей, болтов и гаек) с применением специальных насадок.

Перфораторы серий НВр и НВ имеют современный дизайн, надежны в работе, просты в обращении и обслуживании, оснащаются патроном с хвостовиком стандарта SDS-plus.

Устройство, составные части, элементы управления моделей Ra 2462НВ, Ra 2680НВ, Ra 2882НВ идентичные.

Отличительной особенностью модели Ra 2882НВр является:

- наличие в комплекте поставки дополнительного съемного быстрозажимного патрона;
- наличие защитной дуги на основной рукоятке.

Принцип действия перфоратора максимально прост: для создания импульса удара, направленного в сторону обрабатываемого материала, используется пневматический механизм. Сердечник посредством переходной ударной массы передает удар на сверло, пику или бур, обратное движение которых осуществляется за счет упругих свойств обрабатываемого материала. Таким образом, отверстия в кирпиче, бетоне, природном камне перфоратор сверлит значительно эффективнее, нежели ударная дрель.

Все модели снабжены предохранительной муфтой, которая предотвращает повреждение редуктора перфоратора при заедании или заклинивании рабочего инструмента в обрабатываемом материале.

Источником электропитания перфоратора служит однофазная сеть переменного тока, напряжением 220 В и частотой 50 Гц.

рисунок 1

Модель Ra 2462HB

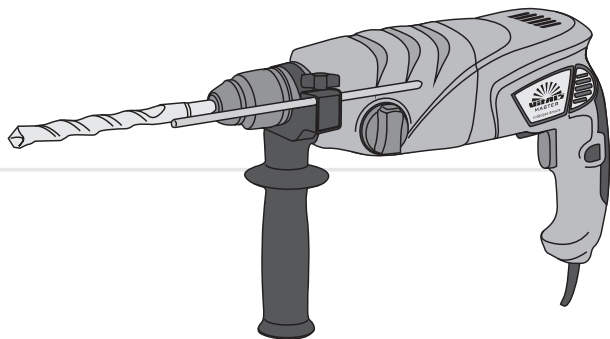


рисунок 3

Модель Ra 2882HB

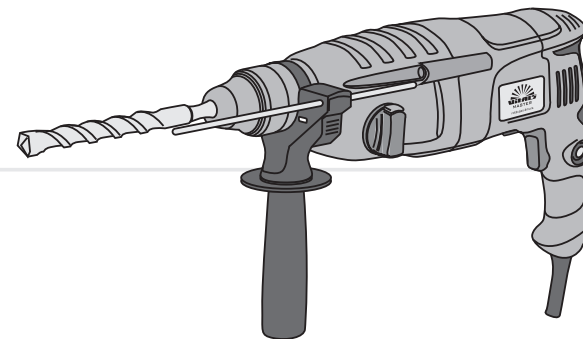


рисунок 2

Модель Ra 2680HB

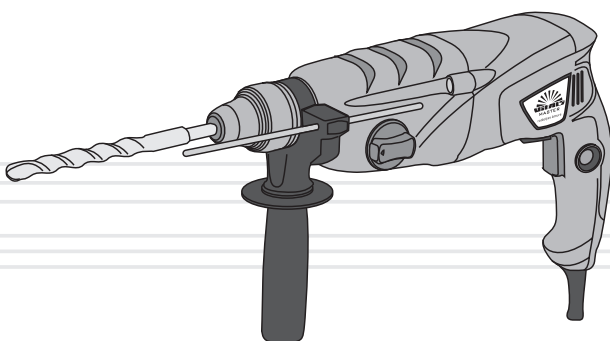
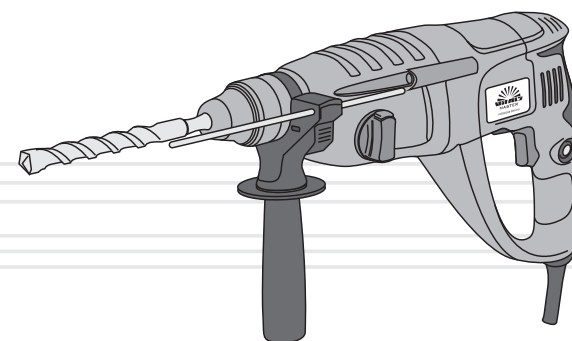


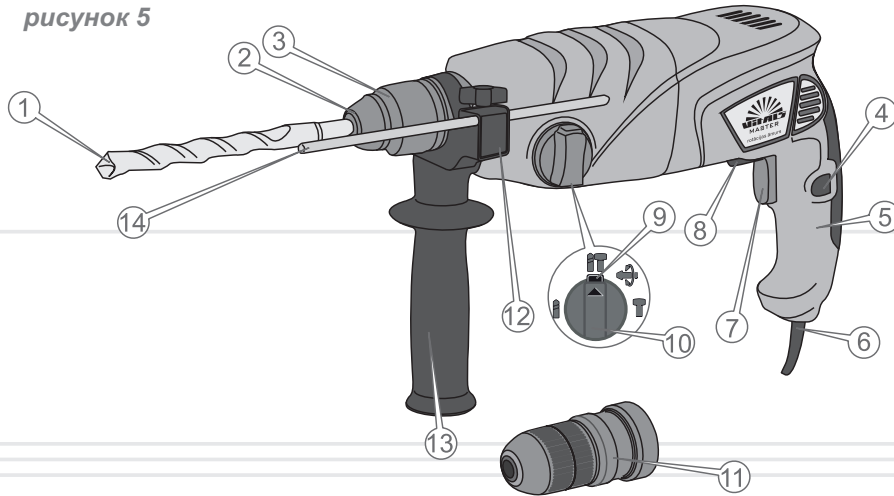
рисунок 4

Модель Ra 2882HBp



Описание основных компонентов перфоратора.

рисунок 5



1. Сверло с хвостовиком стандарта SDS-plus.
2. Пыльник.
3. Зажимной патрон стандарта SDS-plus.
4. Кнопка-фиксатор клавиши «Вкл/Выкл».
5. Основная рукоятка с изолированной поверхностью.
6. Сетевой кабель.
7. Клавиша «Вкл/Выкл».
8. Переключатель направления вращения патрона (реверс).
9. Кнопка-фиксатор переключателя режимов.
10. Переключатель режимов «Сверление/Сверление с ударом/Удар без вращения».
11. Быстрозажимной патрон (только для модели Ra 2882HBr).
12. Кнопка фиксации ограничителя глубины.
13. Вспомогательная рукоятка (регулируемая) с изолируемой поверхностью.
14. Ограничитель глубины.

1. Перфоратор.
2. Кейс для транспортировки и хранения.
3. Вспомогательная рукоятка.
4. Сменный 13 мм быстрозажимной патрон (только для модели Ra 2882HBr).
5. Ограничитель глубины.
6. Руководство по эксплуатации.

**ПРИМЕЧАНИЕ!**

Завод-изготовитель оставляет за собой право вносить во внешний вид, конструкцию и комплект поставки перфоратора незначительные изменения, не влияющие на работу изделия.

МОДЕЛЬ	Ra 2462НВ	Ra 2680НВ	Ra 2882НВ	Ra 2882НВр
Номинальное напряжение, В	230±10%			
Номинальная частота, Гц	50±1%			
Максимальная мощность, Вт	620	800	820	820
Скорость холостого хода, об/мин	0-870	0-900	0-1100	0-1100
Частота ударов, 1/мин	0-4850	0-4000	0-4800	0-4800
Сила удара, Дж	2,15	3,0	3,2	3,2
Патрон	SDS-plus			
Максимальный диаметр сверления, мм: - бетон - металл - дерево	24	26	28	28
	13			
	30			
Реверс	+			
Габаритные размеры (ДхТхШ), мм	перфоратора			
	70x340x 210	80x360x 220	80x350x 200	80x360x 220
кейса	435 x 106 x 305			
Вес перфоратора, кг	без кейса и принадлежностей			
	2,9	3,05	3,15	3,25
	4,2	4,35	4,45	4,65
с кейсом и принадлежностями				

4.1. ВАЖНАЯ ИНФОРМАЦИЯ ПО БЕЗОПАСНОСТИ

Перед началом работы перфоратором внимательно ознакомьтесь с требованиями по технике безопасности и предупреждениями, изложенными в данном руководстве.

Большинство травм во время эксплуатации изделия возникает в результате несоблюдения основных положений правил техники безопасности. Травм можно избежать, если строго соблюдать меры предосторожности и заблаговременно предусмотреть потенциальную опасность.

Ни при каких обстоятельствах не используйте изделие способом или в целях, не предусмотренных данным руководством.

Неправильная эксплуатация изделия или эксплуатация необученным человеком может привести к несчастному случаю.

**ОСТОРОЖНО!**

Запрещается эксплуатация изделия не подготовленными к работе людьми.

4.2. БЕЗОПАСНОСТЬ ЭКСПЛУАТАЦИИ

- НЕ РАЗРЕШАЙТЕ ПОЛЬЗОВАТЬСЯ ИЗДЕЛИЕМ ДЕТЯМ И ЛИЦАМ С ОГРАНИЧЕННЫМИ ВОЗМОЖНОСТЯМИ.
- БУДЬТЕ ПОЛНОСТЬЮ СКОНЦЕНТРИРОВАНЫ НА РАБОТЕ.
Не отвлекайтесь во время работы с перфоратором, так как это может вызвать потерю контроля и стать причиной получения травм различной степени тяжести.
- НЕ ДОВЕРЯЙТЕ ПЕРФОРАТОР ДЕТЯМ И ПОДРОСТКАМ МОЛОЖЕ 18 ЛЕТ, ЗА ИСКЛЮЧЕНИЕМ УЧЕНИКОВ СТАРШЕ 16 ЛЕТ, ОБУЧАЮЩИХСЯ РАБОТЕ ИЗДЕЛИЕМ ПОД ПРИСТАЛЬНЫМ ПРИСМОТРОМ ИНСТРУКТОРОВ.

4. НЕ ОСТАВЛЯЙТЕ ИЗДЕЛИЕ ВКЛЮЧЕННЫМ БЕЗ ПРИСМОТРА.
5. НЕ ДОПУСКАЙТЕ ПРИСУТСТВИЯ ПОСТОРОННИХ ЛЮДЕЙ И ЖИВОТНЫХ В ЗОНЕ ПРОВЕДЕНИЯ РАБОТ.
6. НЕ ВКЛЮЧАЙТЕ И НЕ ЭКСПЛУАТИРУЙТЕ ИЗДЕЛИЕ В СЛУЧАЕ БОЛЕЗНИ, В СОСТОЯНИИ УТОМЛЕНИЯ, НАРКОТИЧЕСКОГО ИЛИ АЛКОГОЛЬНОГО ОПЬЯНЕНИЯ, А ТАКЖЕ ПОД ВОЗДЕЙСТВИЕМ СИЛЬНОДЕЙСТВУЮЩИХ ЛЕКАРСТВЕННЫХ ПРЕПАРАТОВ, СНИЖАЮЩИХ СКОРОСТЬ РЕАКЦИИ И ВНИМАНИЕ.
7. СЛЕДИТЕ ЗА ЦЕЛОСТНОСТЬЮ И ИСПРАВНОСТЬЮ ИЗДЕЛИЯ.
Не включайте и не эксплуатируйте изделие при наличии повреждений, с ненадежно закрепленными частями и деталями.
8. НАДЕВАЙТЕ СООТВЕТСТВУЮЩУЮ ОДЕЖДУ И ОБУВЬ ПРИ РАБОТЕ С ИЗДЕЛИЕМ.
Работая изделием, надевайте облегающую одежду и застегните все пуговицы. Надевайте обувь на нескользящей подошве. Для защиты органов зрения от попадания пыли, мелких частиц обрабатываемого материала, стружки, надевайте специальные защитные очки. Для защиты органов слуха (в случае такой необходимости) позаботьтесь о наушниках. Обязательно используйте респиратор.
9. НЕ ДОТРАГИВАЙТЕСЬ ДО ВРАЩАЮЩИХСЯ ДЕТАЛЕЙ ИЗДЕЛИЯ.
Не подносите руки, пальцы и другие части тела к движущимся частям перфоратора.
10. ДЛЯ УДОБСТВА ПОЛЬЗОВАНИЯ ПОДСОЕДИНЯЙТЕ К ПЕРФОРАТОРУ ВСПОМОГАТЕЛЬНУЮ РУКОЯТКУ.
11. ВО ВРЕМЯ РАБОТЫ КРЕПКО УДЕРЖИВАЙТЕ ИЗДЕЛИЕ ДВУМЯ РУКАМИ.
12. ПРИ РАБОТЕ НА ВЫСОТЕ ИСПОЛЬЗУЙТЕ ЛЕСТНИЦУ-СТРЕМЯНКУ.
13. НЕ ПЕРЕГРУЖАЙТЕ ЭЛЕКТРОДВИГАТЕЛЬ ПЕРФОРАТОРА, ЧЕРЕДУЙТЕ РАБОТУ С ОТДЫХОМ.

14. ПРИ ШТРОБИРОВАНИИ ИЛИ СВЕРЛЕНИИ ОТВЕРСТИЙ В СТЕНАХ, ПОТОЛКАХ И ПОЛАХ УБЕДИТЕСЬ В ОТСУТСТВИИ СКРЫТОЙ ЭЛЕКТРИЧЕСКОЙ ПРОВОДКИ.
15. ПРИ СВЕРЛЕНИИ ОТВЕРСТИЙ В ЗАГОТОВКЕ ЗАКРЕПЛЯЙТЕ ЕЕ В ТИСКАХ ИЛИ В СТРУБЦИНЕ.
16. СЛЕДИТЕ ЗА ТЕМ, ЧТОБЫ ВО ВРЕМЯ РАБОТЫ ИЗДЕЛИЕМ МЕЛКИЕ ЧАСТИЦЫ ОБРАБАТЫВАЕМОГО МАТЕРИАЛА И СТРУЖКА НЕ ПОПАДАЛИ В ВЕНТИЛЯЦИОННЫЕ ОТВЕРСТИЯ КОРПУСА ИЗДЕЛИЯ.
17. ВО ВРЕМЯ РАБОТЫ НЕ УДАЛЯЙТЕ РУКАМИ ОПИЛКИ, СТРУЖКУ, ПЫЛЬ И ГРЯЗЬ.
18. НЕ ПРИТРАГИВАЙТЕСЬ К СВЕРЛУ (ПИКЕ, ДОЛОТУ) ПРИ ВКЛЮЧЕННОМ ЭЛЕКТРОДВИГАТЕЛЕ ПЕРФОРАТОРА. ТАКЖЕ НЕ ПРИТРАГИВАЙТЕСЬ К СВЕРЛУ (ПИКЕ, ДОЛОТУ) СРАЗУ ЖЕ ПОСЛЕ ОКОНЧАНИЯ РАБОТЫ – ОПАСНОСТЬ ПОЛУЧЕНИЯ ТЕРМИЧЕСКОГО ОЖОГА.
19. НЕ ЗАВИНЧИВАЙТЕ КРЕПЕЖНЫЕ ИЗДЕЛИЯ И НЕ СВЕРЛИТЕ ОТВЕРСТИЯ В МЕТАЛЛЕ, ДРЕВЕСИНЕ, КЕРАМИКЕ, А ТАКЖЕ РАЗЛИЧНЫХ СИНТЕТИЧЕСКИХ МАТЕРИАЛАХ В РЕЖИМАХ «СВЕРЛЕНИЕ С УДАРОМ» ИЛИ «УДАР».
20. НЕ ПЕРЕГРУЖАЙТЕ ИЗДЕЛИЕ ТАКИМ ОБРАЗОМ, ЧТОБЫ НАГРУЗКА НЕ СМОГЛА ОСТАНОВИТЬ РАБОТУ ЭЛЕКТРОДВИГАТЕЛЯ.
21. ИСПОЛЬЗУЙТЕ В РАБОТЕ ТОЛЬКО ИСПРАВНЫЕ СВЕРЛА (ПИКИ, ДОЛОТО).
Не работайте с поврежденными или затупившимися сверлами (пиками, долотом), так как при этом повышается вероятность получения травм.
22. ПОЗАБОТЬТЕСЬ О ХОРОШЕМ ОСВЕЩЕНИИ РАБОЧЕГО МЕСТА.
Работа перфоратором в темноте или в условиях недостаточной видимости может привести к травме.

23. РАБОТАЙТЕ ТОЛЬКО В ХОРОШО ПРОВЕТРИВАЕМОМ ПОМЕЩЕНИИ.

Не работайте изделием в помещениях с высоким уровнем загазованности, а также в помещениях, в которых хранятся легковоспламеняющиеся материалы.

24. НЕ РАБОТАЙТЕ ПЕРФОРАТОРОМ В ДОЖДЬ ИЛИ СНЕГ.

Эксплуатация изделия на открытом воздухе в дождь и снег может привести к электрошоку или поломке изделия. Если изделие намочило, ни в коем случае не эксплуатируйте его. Не мойте изделие и не лейте на него воду. Если перфоратор каким-то образом намочил, насухо вытрите корпус. Если вода попала внутрь корпуса, немедленно отключите изделие. Не пытайтесь сами вскрывать изделие – обратитесь в сервисный центр.

25. НЕ ПРИКАСАЙТЕСЬ К ПЕРФОРАТОРУ МОКРЫМИ РУКАМИ.**26. В ЦЕЛЯХ ЗАЩИТЫ ОТ ПОРАЖЕНИЯ ЭЛЕКТРИЧЕСКИМ ТОКОМ ИЗБЕГАЙТЕ СОПРИКОСНОВЕНИЯ ПЕРФОРАТОРА С ЗАЗЕМЛЕННЫМИ ПРЕДМЕТАМИ.****27. НЕ ВСКРЫВАЙТЕ ИЗДЕЛИЕ И НЕ НАКРЫВАЙТЕ ЕГО.****28. НЕ ИСПОЛЬЗУЙТЕ ИЗДЕЛИЕ, ЕСЛИ ПОВРЕЖДЕНА ИЗОЛЯЦИЯ СЕТЕВОГО КАБЕЛЯ И УДЛИНИТЕЛЯ. ИЗБЕГАЙТЕ СРАЩИВАНИЯ КАБЕЛЕЙ, ИСПОЛЬЗУЙТЕ ЦЕЛЬНЫЕ КАБЕЛИ СООТВЕТСТВУЮЩЕЙ ДЛИНЫ И СЕЧЕНИЯ.**

Перед началом работы проверяйте состояние сетевого кабеля и удлинителя в целях выявления обрывов, повреждений, следов износа. Не допускайте использование перегнутых, скрученных или поврежденных сетевого кабеля и провода удлинителя.

29. ОТСОЕДИНЯЙТЕ СЕТЕВОЙ КАБЕЛЬ И УДЛИНИТЕЛЬ ОТ ИСТОЧНИКА ЭЛЕКТРОПИТАНИЯ ПРИ ИХ ПРОВЕРКЕ, РАСПУТЫВАНИИ ИЛИ ЛИКВИДАЦИИ ПОВРЕЖДЕНИЙ, А ТАКЖЕ ПЕРЕД РЕГУЛИРОВКОЙ, ОБСЛУЖИВАНИЕМ И ОЧИСТКОЙ ПЕРФОРАТОРА.

Выключайте перфоратор из розетки при переходе с одного участка работы на другой, а также во время перерывов.

30. НЕ ПЕРЕНОСИТЕ ИЗДЕЛИЕ ЗА СЕТЕВОЙ КАБЕЛЬ ИЛИ ЗА СВЕРЛО (ПИКУ, ДОЛОТО).**31. В СЛУЧАЕ ИСПОЛЬЗОВАНИЯ УДЛИНИТЕЛЯ СЕТЕВОГО КАБЕЛЯ В БОБИНЕ – ПОЛНОСТЬЮ ЕГО РАЗМОТАЙТЕ, ТАК КАК НАМОТАННЫЙ НА БОБИНУ КАБЕЛЬ МОЖЕТ ПЕРЕГРЕТЬСЯ И ВОСПЛАМЕНИТЬСЯ.****32. РАЗМЕЩАЙТЕ УДЛИНИТЕЛЬ НА БЕЗОПАСНОМ РАССТОЯНИИ ОТ ПЕРФОРАТОРА И ВНЕ ЗОНЫ ВОЗМОЖНОГО ПАДЕНИЯ БОЛЬШИХ ЧАСТЕЙ ОБРАБАТЫВАЕМОГО МАТЕРИАЛА. ЧТОБЫ НЕ ДОПУСТИТЬ СЛУЧАЙНОГО ОТКЛЮЧЕНИЯ СЕТЕВОГО КАБЕЛЯ ОТ УДЛИНИТЕЛЯ, ИСПОЛЬЗУЙТЕ ДОПОЛНИТЕЛЬНЫЕ КРЕПЛЕНИЯ ВИЛКИ, НАПРИМЕР РАЗНООБРАЗНЫЕ ЗАЖИМЫ.****33. ПРИ ВОЗНИКНОВЕНИИ КАКИХ-ЛИБО ОТКЛОНЕНИЙ В НОРМАЛЬНОЙ РАБОТЕ ПЕРФОРАТОРА, НЕМЕДЛЕННО ОТКЛЮЧИТЕ ЕГО ОТ ЭЛЕКТРОСЕТИ, ВЫЯСНИТЕ И УСТРАНИТЕ ИХ ПРИЧИНУ.****ВНИМАНИЕ!**

Следите за исправностью изделия. В случае отказа в работе, появления запаха, характерного для горелой изоляции, сильного стука, шума, искр, необходимо немедленно отключить изделие и обратиться в сервисный центр.

**ВНИМАНИЕ!**

Данное руководство не может учесть всех случаев, которые могут возникнуть в реальных условиях эксплуатации перфоратора. Поэтому при работе изделием следует руководствоваться здравым смыслом, соблюдать предельное внимание и аккуратность при выполнении работ.

5.1. ПОДГОТОВКА К РАБОТЕ

1. Перед началом работы перфоратором осмотрите изделие на предмет целостности и исправности корпуса, частей, деталей, сетевого кабеля, а также легкости хода всех подвижных частей перфоратора.
2. Установите на перфораторе вспомогательную рукоятку в положение, удобное для Вашей работы и надежно закрепите рукоятку (см. рисунок 6).
3. Вставьте сверло (пику, долото) в зажимной патрон (см. рисунок 7, 9).

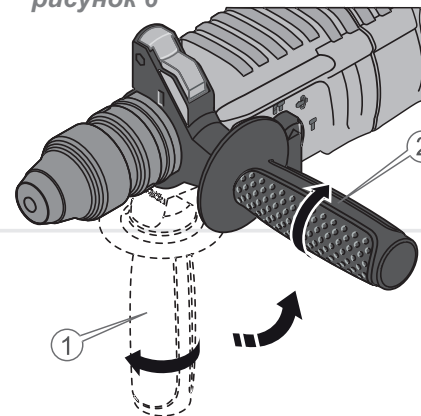
**ПРИМЕЧАНИЕ!**

Если Вы планируете работать в режиме «Сверление» с использованием сверла с цилиндрическим хвостовиком, установите на перфоратор быстрозажимной патрон (только для модели Ra 2882HBp) (см. рисунок 8).

4. Установите ограничитель глубины (см. рисунок 10), настройте ограничитель и надежно зафиксируйте.
5. Переключателем режимов работы установите один из трех режимов – «Сверление/Сверление с ударом/Удар без вращения»
6. Переключателем направления вращения (реверс) установите нужное направление вращения патрона.
7. Подключите перфоратор к однофазной электросети переменного тока, напряжением 220 В и частотой 50 Гц.
8. Включите перфоратор, нажав клавишу «Вкл/Выкл» (нажимая клавишу с разным усилием, можно менять скорость вращения электродвигателя).
9. На протяжении 30 секунд в режиме холостого хода оцените работоспособность изделия на предмет отсутствия повышенной вибрации, посторонних шумов и прочих дефектов работы. Если дефекты в работе изделия не выявлены, эксплуатация перфоратора разрешается, в противном случае обратитесь в сервисный центр.

Установка и настройка положения вспомогательной рукоятки

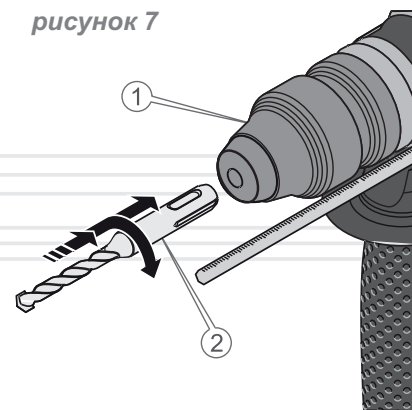
рисунок 6



1. Ослабьте рукоятку, повернув ее на один оборот в направлении стрелки (позиция 1).
2. Установите рукоятку в положение, наиболее удобное Вам для работы.
3. Надежно зафиксируйте рукоятку, повернув ее в направлении стрелки (позиция 2).

Установка сверла (пики, долото) в зажимной патрон стандарта SDS-plus

рисунок 7



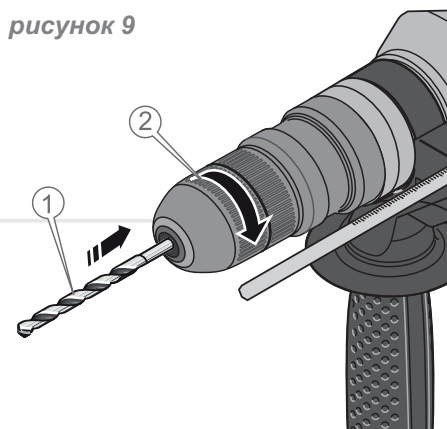
1. Очистите хвостовик сверла (пики, долото) от пыли и грязи. Смажьте хвостовик тонким слоем машинного масла.
2. Слегка проворачивая сверло (2) (пику, долото) вставьте его в зажимной патрон (1) до упора. При этом Вы услышите характерный щелчок, символизирующий о фиксации сверла (пики, долото) в зажимном патроне.
3. Проверьте надежность фиксации сверла (пики, долото) в зажимном патроне, пытаясь вытащить рукой сверло из патрона.

**ПРИМЕЧАНИЕ!**

Рабочие инструменты с хвостовиком стандарта SDS-plus имеют свободу движения в зажимном патроне, которая обусловлена конструктивными особенностями патрона стандарта SDS-plus, в результате чего в режиме холостого хода возникает радиальное биение. Это никак не влияет на точность сверления, поскольку сверло (пика, долото) центрируются автоматически.

Установка сверла в быстрозажимной патрон (только для модели Ra 2882HBp)

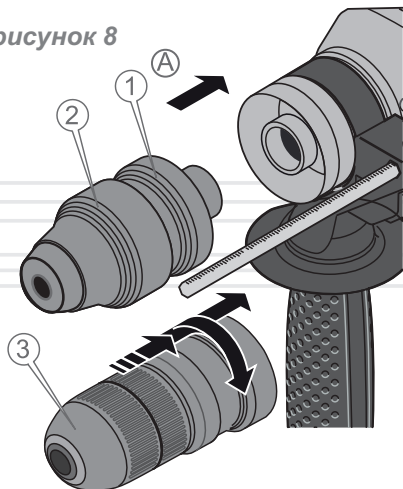
рисунки 9



1. Очистите хвостовик сверла от пыли и грязи.
2. Вставьте сверло (1) до упора в зажимной патрон.
3. Вращая от руки муфту быстрозажимного патрона (2) в направлении стрелки, надежно зафиксируйте сверло в патроне.

Установка быстрозажимного патрона (только для модели Ra 2882HBp)

рисунки 8

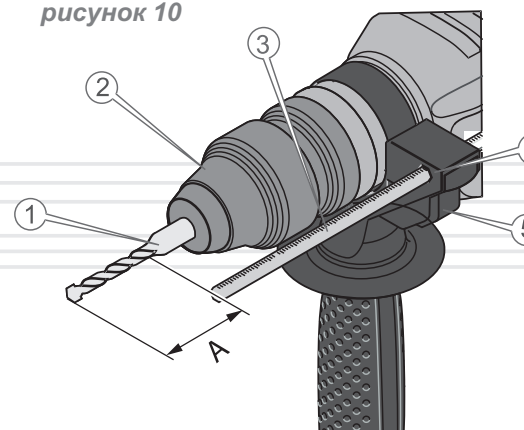


1. Нажмите на обойму (1) в направлении стрелки (A) и отсоедините патрон стандарта SDS-plus (2).
2. Слегка проворачивая быстрозажимной патрон (3) вставьте его в посадочное отверстие до упора. При этом Вы услышите характерный щелчок, символизирующий о фиксации быстро-зажимного патрона в посадочном отверстии.
3. Проверьте надежность фиксации патрона.

Установка ограничителя глубины сверления

При помощи ограничителя глубины (3) можно установить желаемую глубину сверления A.

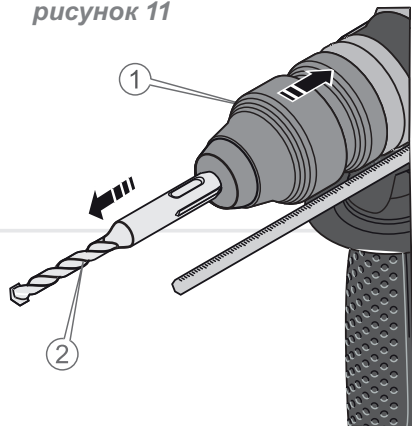
рисунки 10



1. Нажмите на кнопку фиксации ограничителя глубины (5) и вставьте ограничитель (3) в специальное отверстие на вспомогательной рукоятке (4).
2. Установите желаемую глубину сверления (A) и отпустите кнопку (5) фиксации ограничителя глубины. При этом следует учесть расстояние свободного хода сверла (1) в зажимном патроне стандарта SDS-plus (2).

Извлечение сверла (пики, долото) из зажимного патрона стандарта SDS-plus

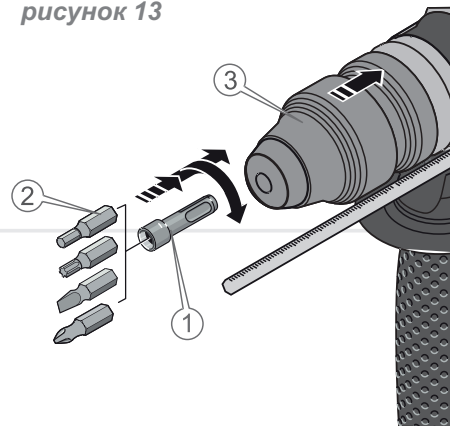
рисунок 11



1. Сдвиньте фиксирующую муфту патрона (1) в направлении стрелки.
2. Не отпуская муфту, извлеките сверло (2) (пику, долото) из зажимного патрона.
3. Отпустите фиксирующую муфту (1).

Установка держателя бит с хвостовиком стандарта SDS-plus (приобретаются дополнительно)

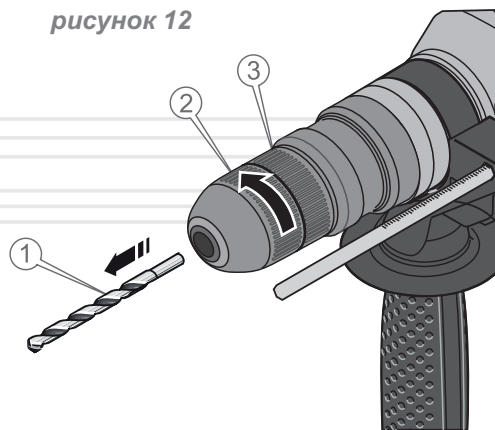
рисунок 13



1. Очистите хвостовик держателя биты стандарта SDS-plus (1) от пыли и грязи. Смажьте хвостовик тонким слоем машинного масла.
2. Слегка проворачивая держатель биты (1) вставьте ее в зажимной патрон (3) до упора. При этом Вы услышите характерный щелчок, символизирующий о фиксации держателя биты в зажимном патроне.
3. Проверьте надежность фиксации держателя биты в зажимном патроне.
4. Подсоедините к держателю требуемую для работы биты (2).

Извлечение сверла из быстрозажимного патрона

рисунок 12



1. Крепко удерживая стопорное кольцо (3) быстрозажимного патрона вращайте муфту (2) в направлении стрелки.
2. Вращайте муфту до тех пор, пока не ослабятся зажимные кулачки патрона.
3. Извлеките сверло (1) из зажимного патрона.

ОСТОРОЖНО!

Устанавливать и извлекать сверло (пику, долото, насадки) а также быстрозажимной патрон можно только после полной остановки электродвигателя. Несоблюдение данного требования приведет к травме.

5.2. РАБОТА

Сверла, пики, долото, и биты (насадки) с хвостовиком стандарта SDS-plus устанавливаются в сверлильный патрон стандарта SDS-plus и используются для сверления без ударного действия, сверления с ударным действием, долбления, раскалывания и разрыхления материала, а также для закручивания и откручивания крепежных изделий с установкой соответствующего режима работы.

Сверла и биты (насадки) с цилиндрическим хвостовиком, которые вставляются в быстрозажимной патрон, используются только для сверления отверстий без использования ударного действия в древесине, металле, керамике и синтетическом материале, а также для закручивания и откручивания крепежных изделий.

**ВНИМАНИЕ!**

Во избежание выхода из строя быстрозажимного патрона, не используйте данный патрон для сверления с ударным действием, долбления, раскалывания и разрыхления материала.

**ПРИМЕЧАНИЕ!**

Пыльник в значительной степени предотвращает проникновение пыли вовнутрь зажимного патрона стандарта SDS-plus. При замене рабочего инструмента следите за тем, чтобы пыльник не был поврежден. В случае повреждения, немедленно замените поврежденный пыльник.

Включение и выключение перфоратора

Чтобы включить перфоратор, необходимо нажать клавишу «Вкл/Выкл» и удерживать ее в нажатом положении. Чтобы зафиксировать клавишу «Вкл/Выкл», необходимо нажать ее до упора и зафиксировать в этом положении кнопкой-фиксатором (4) (см. рисунок 5).

Для выключения изделия отпустите клавишу «Вкл/Выкл». Если задействована кнопка-фиксатор клавиши «Вкл/Выкл», вначале нажмите на клавишу «Вкл/Выкл», а затем отпустите ее.

Установка частоты оборотов и ударов

Во время работы перфоратором Вы можете плавно регулировать частоту оборотов и ударов. Чем сильнее Вы нажмете на клавишу «Вкл/Выкл», тем выше будет скорость вращения патрона и наоборот.

Изменение направления вращения патрона (реверс)

Для того чтобы патрон перфоратора вращался в нужном направлении, необходимо переместить ползунок переключателя направления вращения патрона (8) (см. рисунок 5) до упора влево или вправо. При перемещении ползунка влево – патрон будет вращаться в левую сторону, при перемещении ползунка вправо – патрон будет вращаться в правую сторону.

ОСТОРОЖНО!

Изменять направление вращения можно только после полной остановки электродвигателя. При несоблюдении данного требования изделие может выйти из строя.

Предохранительная муфта

В том случае, если рабочий инструмент заклинило в обрабатываемом материале, сработает предохранительная муфта и ствол прекратит свою работу. При блокировке изделия немедленно отключите перфоратор от источника электроэнергии, извлеките рабочий инструмент из обрабатываемого материала, проверьте работоспособность изделия и только после этого продолжайте работу.

Установка режимов работы «Сверление/Сверление с ударом/Удар без вращения»

При помощи переключателя (10) (см. рисунок 5) можно выбрать один из трех режимов работы перфоратора – «Сверление», «Сверление с ударом» и «Удар без вращения». Помимо этого присутствует функция, выбрав которую можно изменить положение рабочего инструмента.

Для того чтобы изменить режим работы, необходимо нажать кнопку-фиксатор переключателя режимов, повернуть переключатель в требуемое положение (стрелка на переключателе должна точно совпадать с символом режима, изображенном на корпусе перфоратора) и зафиксировать, отпустив кнопку-фиксатор (см. рисунок 14).

рисунок 14

Режим «Сверление» – для сверления отверстий без ударного действия в металле, древесине, керамике, в различных синтетических материалах, а также для закручивания и откручивания крепежных изделий.



Режим «Сверление с ударом» – для ударного сверления в кирпиче, бетоне, природном камне или асфальте.



Режим «Удар без вращения» – для долбления, раскалывания и разрыхления бетонных и кирпичных конструкций, асфальта, осадочных горных пород.



Функция «Изменение положения рабочего инструмента. Для изменения положения долота при работе перфоратора в режиме «Удар без вращения». Чтобы изменить положение инструмента, необходимо перевести переключатель режимов в позицию, как указано на рисунке (в данном положении переключатель режимов не фиксируется).

Проверните долото в нужном направлении и опять верните переключатель режимов в режим «Удар без вращения».



ОСТОРОЖНО!

Изменять режим работы перфоратора можно только после полной остановки электродвигателя. При несоблюдении данного требования изделие может выйти из строя.

Все модели снабжены современными электродвигателями, частями и деталями, которые разработаны с учетом требований долгосрочной и бесперебойной работы. Тем не менее, очень важно регулярно проводить несложные работы по техническому обслуживанию, описанные в данном разделе руководства.



ОСТОРОЖНО!

Перед началом работ по техническому обслуживанию следует обесточить изделие.

Комплекс работ по техническому обслуживанию перфоратора включает:

- осмотр корпуса изделия, частей и деталей, сетевого кабеля, вилки на отсутствие механических и термических повреждений;
- очистку корпуса изделия и комплектующих от грязи и пыли;
- своевременная очистка и замена пыльника;
- очистка отверстия ствола перфоратора от грязи и пыли. Замена загрязненной смазки.

В случае обнаружения механических и термических повреждений изделия, необходимо обратиться в сервисный центр.

Очищать корпус перфоратора необходимо мягкой салфеткой. Нельзя допускать попадания влаги, стружки, пыли и грязи, а также мелких частиц обрабатываемого материала в вентиляционные отверстия корпуса изделия. Если на корпусе присутствуют трудновыводимые пятна, необходимо удалить их при помощи мягкой салфетки, предварительно смоченной в мыльном растворе или специальном моющем средстве.

В процессе очистки перфоратора не рекомендуется использовать абразивные материалы, различные растворители, аммиачную воду, бензин, спирт, которые могут повредить корпус изделия.

Пыльник защищает проникновение пыли в патрон. Во время замены рабочего инструмента проверяйте, чтобы пыльник не был поврежден. При повреждении пыльника немедленно замените его.

Чтобы не вывести из строя ствол перфоратора, после каждого использования изделия очищайте зазор между пыльником и рабочим инструментом от пыли и грязи. Также протирайте от пыли и загрязненной смазки хвостовик рабочего инструмента. После очистки смажьте хвостовик тонким слоем смазки.

Для очистки и замены смазки обоймы ствола, аккуратно снимите пыльник, тщательно очистите обойму от пыли, грязи и загрязненной смазки, нанесите новую смазку на обойму и наденьте пыльник на штатное место.



ПРИМЕЧАНИЕ!

В случае возникновения трудностей при проведении технического обслуживания изделия, следует обратиться за помощью в сервисный центр.

ТРАНСПОРТИРОВКА И ХРАНЕНИЕ



ПРИМЕЧАНИЕ!

Для транспортировки и хранения перфоратора используйте кейс, входящий в комплект поставки изделия.

Транспортировка

Транспортировка перфоратора допускается всеми видами транспорта, обеспечивающими сохранность изделия, в соответствии с общими правилами перевозок.

Не рекомендуется переносить изделие за зажимной патрон, сверло (долото, пику) и сетевой кабель. При смене рабочего места необходимо отключить перфоратор от источника электропитания.

Хранение

Хранение изделия рекомендуется в сухом проветриваемом помещении при температуре от $-15\text{ }^{\circ}\text{C}$ до $+55\text{ }^{\circ}\text{C}$ и относительной влажности воздуха не более 90%.

При подготовке изделия к хранению:

1. Извлеките из зажимного патрона сверло (долото, пику).
2. Удалите пыль, грязь с внешней части корпуса перфоратора.
3. Смажьте тонким слоем машинного масла бистрозажимной патрон, сверла, пику, долото.



ВНИМАНИЕ!

Хранить изделие в одном помещении с горючими веществами, кислотами, щелочами, минеральными удобрениями и другими агрессивными веществами запрещается.



ВОЗМОЖНЫЕ НЕИСПРАВНОСТИ И ПУТИ ИХ УСТРАНЕНИЯ

РУССКИЙ

ОПИСАНИЕ НЕИСПРАВНОСТИ	Возможная причина	Пути устранения
Перфоратор при нажатии на клавишу «Вкл/Выкл» не работает	Отсутствует электрический контакт на линии подачи электропитания	Выясните причину, восстановите контакт или обратитесь в сервисный центр
	Поврежден сетевой кабель или розетка	Замените
	Неисправен электродвигатель	Обратитесь в сервисный центр
	Неисправна клавиша «Вкл/Выкл»	Обратитесь в сервисный центр
Электродвигатель сильно искрит	Изношены угольные щетки	Замените щетки
	Повреждена обмотка электродвигателя	Обратитесь в сервисный центр
Мощности двигателя недостаточно, при работе слышен свист (скрип)	Изношены угольные щетки	Замените
	Чрезмерное давление на перфоратор в процессе работы	Снизьте давление
	Зажимной патрон вышел из строя	Замените
Радиальное биение зажимного патрона	Изношены сверло, пика, долото, бита	Замените
Не переключается реверс	Зажимной патрон вышел из строя	Замените
Не регулируются обороты электродвигателя	Неисправен переключатель реверса	Обратитесь в сервисный центр
После отключения изделия электродвигатель продолжает вращаться	Неисправна клавиша «Вкл/Выкл»	Обратитесь в сервисный центр

ОПИСАНИЕ НЕИСПРАВНОСТИ	Возможная причина	Пути устранения
Электродвигатель работает, но нет вращения/удара рабочего инструмента	Сработала предохранительная муфта при заедании или заклинивании рабочего инструмента в обрабатываемом материале	Выключите перфоратор, извлеките инструмент из обрабатываемого материала. Включите перфоратор «вхолостую»
Электродвигатель включается на доли секунды и «клинит»	Повреждены или изношены шестерни редуктора	Обратитесь в сервисный центр
Невозможно изменить режим работы	Неисправен механический переключатель режимов работы	Обратитесь в сервисный центр
Корпус изделия сильно нагревается	Большая нагрузка на электродвигатель	Снизьте нагрузку (выключите до остывания)
	Электродвигатель неисправен	Обратитесь в сервисный центр

РУССКИЙ

Гарантийный срок эксплуатации перфораторов «Vitals Master» **Ra 2462НВ, Ra 2680НВ, Ra 2882НВ и Ra 2882НВр** составляет 1 (один) год с указанной в гарантийном талоне даты розничной продажи.

В течение гарантийного срока неисправные детали и узлы будут заменяться при условии соблюдения всех требований руководства и отсутствии повреждений, связанных с неправильной эксплуатацией, хранением и транспортировкой изделия. По вопросам гарантийного обслуживания обращайтесь в уполномоченный сервисный центр.

Потребитель имеет право на бесплатное гарантийное устранение неисправностей, выявленных и предъявленных в период гарантийного срока и обусловленных производственными и конструктивными факторами.

Гарантийное устранение неисправностей производится путем ремонта или замены неисправных частей изделия в сертифицированных сервисных центрах. В связи со сложностью конструкции ремонт может длиться более двух недель. Причину возникновения неисправностей и сроки их устранения определяют специалисты сервисного центра.

ВНИМАНИЕ!

Изделие принимается на гарантийное обслуживание только в полной комплектации, тщательно очищенное от грязи и пыли.

Гарантийные обязательства утрачивают свою силу в следующих случаях:

- Отсутствие или нечитаемость гарантийного талона.
- Неправильное заполнение гарантийного талона, отсутствие в нем даты продажи или печати (штампа) и подписи продавца, серийного номера изделия.
- Наличие исправлений или подчисток в гарантийном талоне.
- Полное или частичное отсутствие, нечитаемость серийного номера на изделие, несоответствие серийного номера изделия номеру, указанному в гарантийном талоне.

- Несоблюдение правил эксплуатации, приведенных в данном руководстве, в том числе нарушение регламента технического обслуживания.
- Эксплуатация неисправного или некомплектного изделия, ставшая причиной выхода его из строя.
- Попадание внутрь изделия посторонних веществ или предметов.
- Изделие имеет значительные механические или термические повреждения, явные следы небрежной эксплуатации, хранения или транспортировки.
- Изделие использовалось не по назначению.
- Производились несанкционированный ремонт, вскрытие либо попытка модернизации изделия потребителем или третьими лицами.
- Неисправность произошла в результате стихийного бедствия (пожар, наводнение, ураган и т. п.).

Замененные по гарантии детали и узлы переходят в распоряжение сервисного центра.

При выполнении гарантийного ремонта гарантийный срок увеличивается на время пребывания изделия в ремонте. Отсчет добавленного срока начинается с даты приемки изделия в гарантийный ремонт.

В случае если по техническим причинам ремонт изделия невозможен, сервисный центр выдает соответствующий акт, на основании которого пользователь самостоятельно решает вопрос с организацией-поставщиком о замене изделия или возврате денег.

После окончания гарантийного срока сервисные центры продолжают осуществлять обслуживание и ремонт изделия, но уже за счет потребителя.

Гарантийные обязательства не распространяются на неисправности, возникшие вследствие естественного износа или перегрузки изделия и на расходные материалы - биты, сверла и т.п.

Гарантийные обязательства не распространяются на неполноту комплектации изделия, которая могла быть обнаружена при его продаже. Все расходы на транспортировку изделия несет потребитель.

Право на гарантийный ремонт не является основанием для других претензий.



ГАРАНТІЙНИЙ ТАЛОН

Купуючи виріб, вимагайте перевірки його справності, комплектності і відсутності механічних пошкоджень, наявності відмітки дати продажу, штампа магазину та підпису продавця. Після продажу претензії щодо некомплектності і механічних пошкоджень не приймаються.

Виріб

Модель

Серійний номер

Торговельна організація

Адреса торговельної організації

Вироб перевірів і продав

Дата продажу

Печатка або штамп торговельної організації

Претензій до зовнішнього вигляду, справності та комплектності виробу не маю. З правилами користування та гарантійними умовами ознайомлений.

(Підпис покупця)



Виріб

Модель

Серійний номер

Вилучено (дата):

Торговельна організація

Дата продажу

Видано (дата):

Майстер (ПІП та підпис)

Печатка або штамп сервісного центру

Печатка або штамп торговельної організації



Виріб

Модель

Серійний номер

Вилучено (дата):

Торговельна організація

Дата продажу

Видано (дата):

Майстер (ПІП та підпис)

Печатка або штамп сервісного центру

Печатка або штамп торговельної організації



Виріб

Модель

Серійний номер

Вилучено (дата):

Торговельна організація

Дата продажу

Видано (дата):

Майстер (ПІП та підпис)

Печатка або штамп сервісного центру

Печатка або штамп торговельної організації

ВІДРИВНИЙ ТАЛОН

ВІДРИВНИЙ ТАЛОН

ВІДРИВНИЙ ТАЛОН

ФОРМУЛЯР ГАРАНТІЙНИХ РОБІТ

Вироб після гарантійного ремонту отримав у робочому стані, без дефектів. Претензій не маю.

<input type="text"/>	<input type="text"/>	<input type="text"/>
Дата	П.І.П. покупця	Підпис покупця

Вироб після гарантійного ремонту отримав у робочому стані, без дефектів. Претензій не маю.

<input type="text"/>	<input type="text"/>	<input type="text"/>
Дата	П.І.П. покупця	Підпис покупця

Вироб після гарантійного ремонту отримав у робочому стані, без дефектів. Претензій не маю.

<input type="text"/>	<input type="text"/>	<input type="text"/>
Дата	П.І.П. покупця	Підпис покупця

№	Дата проведення ремонту		Опис ремонтних робіт та заміненних деталей	Прізвище майстра та печатка сервісного центру
	Початок	Закінчення		
<input type="text"/>	<input type="text"/>	<input type="text"/>		
<input type="text"/>	<input type="text"/>	<input type="text"/>		
<input type="text"/>	<input type="text"/>	<input type="text"/>		
<input type="text"/>	<input type="text"/>	<input type="text"/>		
<input type="text"/>	<input type="text"/>	<input type="text"/>		

ОФИЦИАЛЬНЫЙ ДИЛЕР В УКРАИНЕ:

storgom.ua

ГРАФИК РАБОТЫ:

Пн. – Пт.: с 8:30 по 18:30

Сб.: с 09:00 по 16:00

Вс.: с 10:00 по 16:00

КОНТАКТЫ:

+38 (044) 360-46-77

+38 (066) 77-395-77

+38 (097) 77-236-77

+38 (093) 360-46-77

Детальное описание товара: <https://storgom.ua/product/perforator-vitals-ra-2680hb.html>

Другие товары: <https://storgom.ua/setevye-perforatory.html>