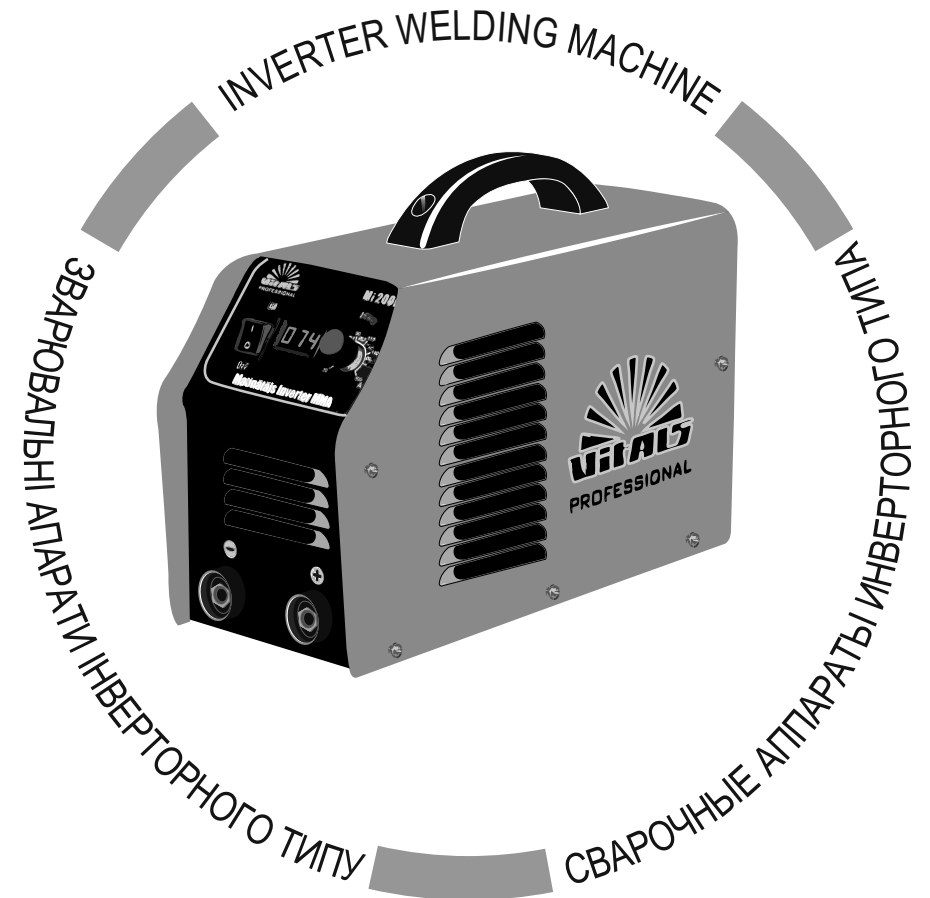


VITALS

MANUAL FOR TECHNICAL USE
КЕРІВНИЦТВО З ЕКСПЛУАТАЦІЇ
РУКОВОДСТВО ПО ЭКСПЛУАТАЦИИ



WWW.VITALS.COM.UA



MODELS

МОДЕЛІ

МОДЕЛИ

Mi 200md • Mi 200m • Mi 200da • Mi 225da

CONTENTS

ENGLISH

1. General description	6
2. Delivery kit	12
3. Technical data	13
4. Safety requirements	15
4.1. Important safety information	15
4.2. Safety of operation	17
4.3. Grounding	20
5. Operation	22
5.1. Application	22
5.2. Getting Started	22
5.3. Welding	25
6. Maintenance	29
7. Transport and storage	31
7.1. Transportation	31
7.2. Storage	32
8. Possible problems and their solution	33
9. Warranty	38

ЗМІСТ

УКРАЇНСЬКА

1. Загальний опис	42
2. Комплект поставки	48
3. Технічні характеристики	49
4. Вимоги безпеки	51
4.1. Важлива інформація з безпеки	51
4.2. Безпека експлуатації	53
4.3. Заземлення	56
5. Експлуатація	58
5.1. Застосування	58
5.2. Підготовка до роботи	58
5.3. Зварювальні роботи	61
6. Технічне обслуговування	65
7. Транспортування та зберігання	67
7.1. Транспортування	67
7.2. Зберігання	68
8. Можливі несправності та шляхи їх усунення	69
9. Гарантійні зобов'язання	74

СОДЕРЖАНИЕ

РУССКИЙ

1. Общее описание	78
2. Комплект поставки	84
3. Технические характеристики	85
4. Требования безопасности	87
4.1. Важная информация по безопасности	87
4.2. Безопасность эксплуатации	89
4.2. Заземление	92
5. Эксплуатация	95
5.1. Применение	95
5.2. Подготовка к работе	95
5.3. Сварочные работы	98
6. Техническое обслуживание	102
7. Транспортировка и хранение	104
7.1. Транспортировка	104
7.2. Хранение	105
8. Возможные неисправности и пути их устранения	106
9. Гарантийные обязательства	111

DEAR BUYER!

Thank you for purchasing a welding machine inverter TM "Vitals".

The TM technique "Vitals" developed by the European quality standards and using the latest technologies.

Improper use of inverter welding machine and unsafe practices that may result in damage or serious injury!

This manual contains all the necessary information on safety measures during the operation of inverter welding machine. Carefully read the manual before using the product.

Please provide the other users of this manual, before they begin to work with the welder inverter. This manual must be stored for later use.

We are constantly working to improve its products and, therefore, reserve the right to make changes in the appearance, equipment and production technology, without changing the basic principles of management, without notice to the consumer. All possible changes will be directed at improving and upgrading the product.

KEY WORDS VALUE



CAUTION!

Indicates a potentially hazardous situation that should be avoided, otherwise there is a danger to life and health.



WARNING!

Indicates a potentially hazardous situation that may result in minor injury or damage to the product.



NOTE!

The important additional information.

Professional Inverter welding machine "**Vitals "Professional" Mi 200md, Mi 200m, Mi 200da and Mi 225da**" designed to perform manual metal arc welding of metal products covered electrode. Welding is carried out at a constant current of metal consumable electrodes for AC and DC with basic, rutile, cellulosic, sour, mixed and other types of coatings.

Inverter welding machine consists of the following structural units:

- the power transformer, step-down power supply voltage to the required load voltage welding machine;
- unit of electrical power circuits;
- stabilizing the throttle, reducing ripple rectified current.

The most simple principle of inverter welding machine (hereinafter - the welding machine) is based on the transformation of voltage 220 V AC, 50 Hz to DC voltage, after which a DC voltage is applied to the welding arc.

These products are made in accordance with the current requirements of the standard and level of technology, current safety regulations are robust in operation, a modern design, economical, reliable in operation, easy to use and maintain.

The modern design of these products based on advanced inverter technology and incorporating a microprocessor-based control parameters of an electric arc can not even fully qualified welder to quickly and easily get a reliable weld.

The use of inverter technology has led to a decrease in weight and size of welding machines, improved quality indicator of the arc, increase efficiency, smooth adjustment of the welding current.

Distinctive features of welding machines:

- Smooth and precise adjustment of the welding current can achieve a perfect weld quality;
- high stability of the welding process parameters for all values of the welding current;
- resistance and arc stability regardless of fluctuations in the mains voltage: Special development for Ukraine's electricity - operating voltage models Mi 200md and Mi 200m is 170V-245V, model Mi 200da and Mi 225da - 170V-270V;

- low degree of reaction on the mains supply, the lack of it was excessive overload;
- availability of digital information display. Three models (Mi 200md, Mi 200da and Mi 225da) equipped with a digital information display, which shows the exact value of the welding current. When you select the desired welding current should be guided by the value shown on the display;
- Professional electrode 300 A;
- reliable and rugged clamp "weight" of 300 A;
- high resistance of the product, providing maximum rate constant load;
- The "anti-freeze" a complete loss of the welding current (models Mi 200da and Mi 225da);
- greater length of welding cable (2.5 meters).

Modern technology incorporated into the design of products:

1. Feature «Hot Start» - automatic transient increase in current for easy ignition of the arc.
2. Feature «Anti Sticking».
3. Function «Arc Force» - «welding current modulation" (automatic current up to 30% depending on the distance from the electrode to the metal).

Description of main components of the welding machine is provided below.

Model: Mi 200md

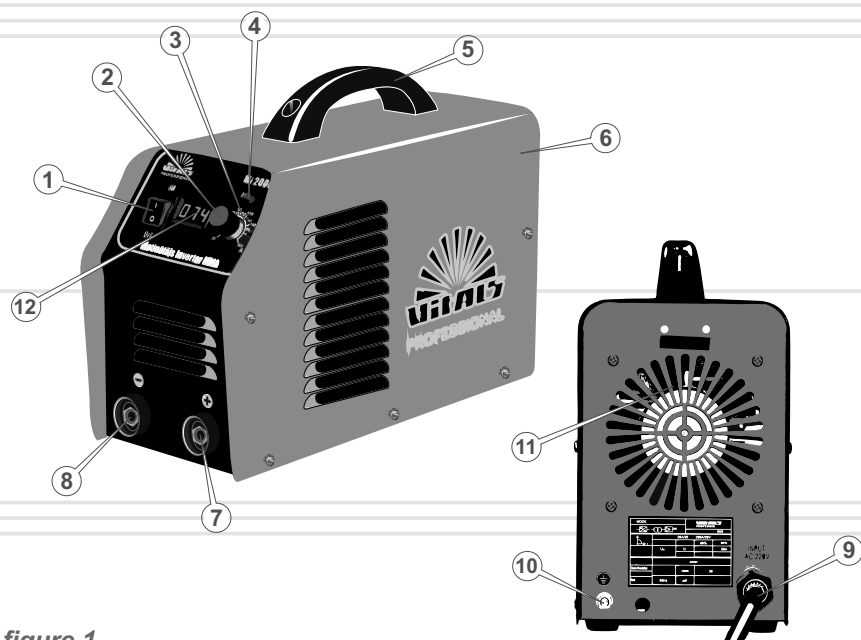


figure 1

1. Power switch with light indicator (key «ON / OFF»).
2. Manual control of welding current.
3. The graduated scale (size of the welding current, the diameter of the electrode used.)
4. The indicator light "Overheat".
5. Carrying handle welding machine.
6. The protective cover.
7. BNC connector "+".
8. BNC connector "-".
9. Power cable.
10. Ground terminal.
11. Ventilation grille.
12. Digital information display (display of the selected welding current value).

8

Model: Mi 200m

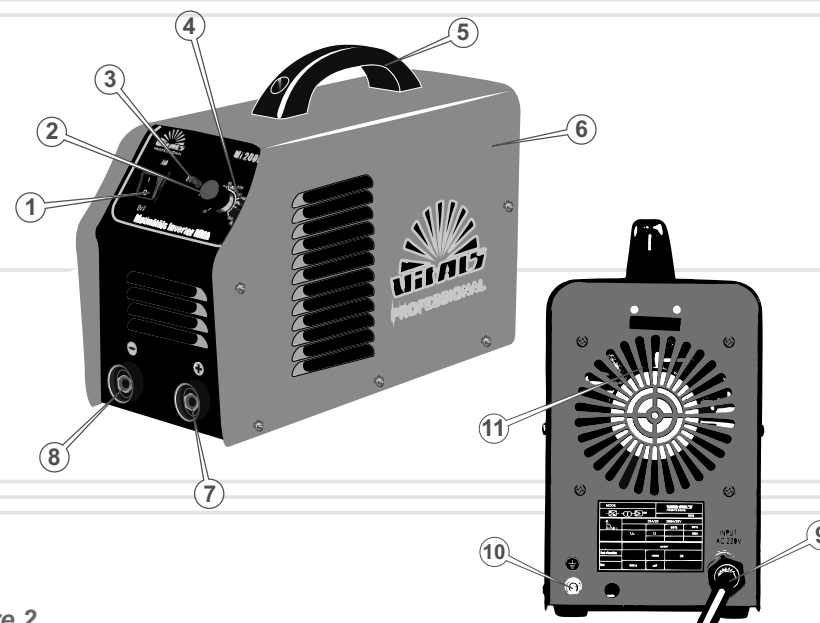


figure 2

1. Power switch with light indicator (key «ON / OFF»).
2. Manual control of welding current.
3. The indicator light "Overheat".
4. The graduated scale (size of the welding current, the diameter of the electrode used.)
5. Carrying handle welding machine.
6. The protective cover.
7. BNC connector "+".
8. BNC connector "-".
9. Power cable.
10. Ground terminal.
11. Ventilation grille.

9

Model: **Mi 200da**

Model: **Mi 225da**

ENGLISH

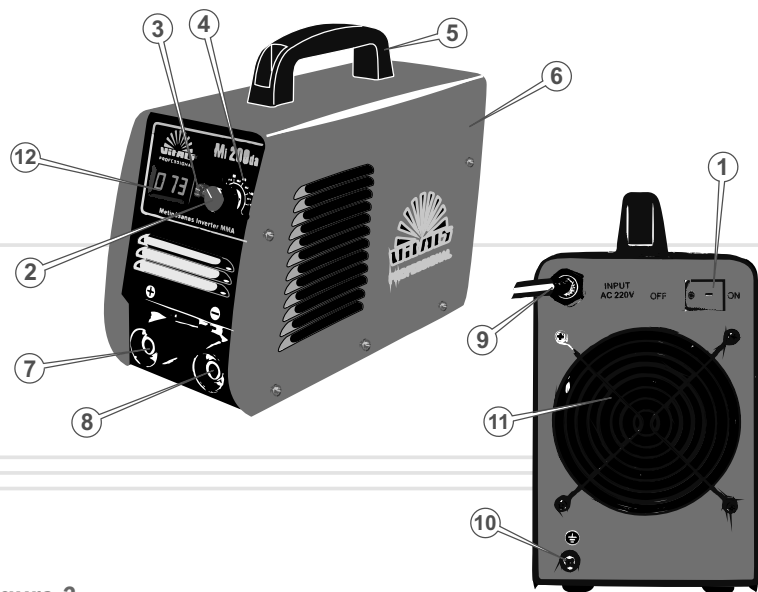


figure 3

1. Switch (key «ON / OFF»).
2. Manual control of welding current.
3. The indicator light "Overheat".
4. The graduated scale (size of the welding current, the diameter of the electrode used.)
5. Carrying handle welding machine.
6. protective shroud
7. BNC connector "+".
8. BNC connector "-".
9. Power cable.
10. Ground terminal.
11. Ventilation grille.
12. Digital information display (display of the selected welding current value).

10

ENGLISH

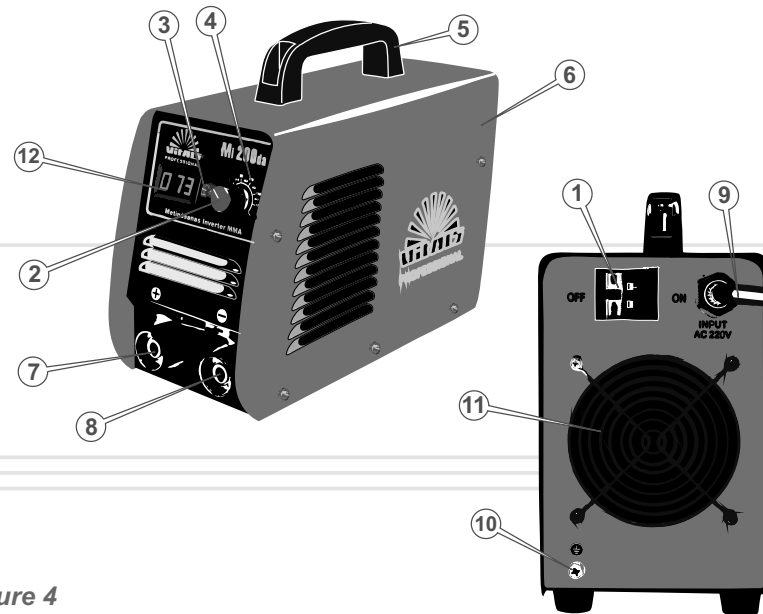


figure 4

1. Automatic fuse (key «ON / OFF»).
2. Manual control of welding current.
3. The indicator light "Overheat".
4. The graduated scale (size of the welding current, the diameter of the electrode used.)
5. Carrying handle welding machine.
6. protective shroud
7. BNC connector "+".
8. BNC connector "-".
9. Power cable.
10. Ground terminal.
11. Ventilation grille.
12. Digital information display (display of the selected welding current value).

11

2

DELIVERY KIT

1. Welding machine with a handle for carrying.
2. Welding cable with clamp "mass".
3. Welding cable with electrode holder.
4. Instruction manual.

**NOTE**

The manufacturer reserves the right to make the look, design and delivery welding machine minor changes that do not affect product performance.

ENGLISH

3

TECHNICAL DATA

MODEL	Mi 200md	Mi 200m	Mi 200da	Mi 225da
AC Voltage, B	170 - 245		170 - 270	
Frequency, Hz	50			
The maximum power consumption, kW	8,7	8,7	8,5	9,4
The open circuit voltage, V	61		75	
Welding current, A	20 - 200	20 - 200	20 - 200	20 - 225
Duty cycle at maximum welding current, %	60			
Welding current at 100% DC, A	155	155	140	180
The diameter of the electrode used, mm	1,6 - 4,0	1,6 - 4,0	1,6 - 5,0	1,6 - 5,0
Power factor (cos φ)	0,93			
Insulation class	F		H	
Class of protection	IP 21			
Length of cable, m	2,5			
Dimensions of the welding machine (LxBxB), mm	465x270x330	465x270x330	340x130x280	387x157x305
Weight welding machine, kg	8,0	8,0	6,0	8,4
Gross weight, kg	10,5	10,5	8,10	11,30

ENGLISH

**NOTE**

All models are equipped with a system to protect the product from overheating.

**NOTE**

Models Mi 200da and Mi 225da have the function of "anti-freeze" a complete loss of current.

Overheating protection

This alarm system designed to prevent damage to the welding machine when overheated. In the course of a long and intensive welding at high ambient temperatures may operate products protect against overheating and come off the welding circuit. The system cooling welding machine will continue its work. On the control panel will light up LED "Overheat". Work welding machine will continue automatically when the product cools. The indicator light "Overheat" disappears.

The "anti-freeze"

During welding, the metal droplets separated from the electrode, which drastically reduces the length of the arc and electrode be welded to the product. When sticking the electrode current automatically turned off, thus the electrode easily away from the work surface.

4.1. IMPORTANT SAFETY INFORMATION

Before the beginning of the welding machine, please read the requirements on safety instructions and warnings contained in this manual.

Most injuries during the operation of the product is the result of non-compliance with the provisions of the basic safety rules. Injuries and accidents can be avoided if strict safety precautions in advance and provide a potential danger.

Do not, under any circumstances, use a product in a manner or for purposes not specified in this manual.

Improper handling or operation of an untrained person can cause an accident.

Description of symbols

Remove dust inside the cabinet is two times per month with compressed air, low pressure (1.5-2 atm).



Wipe the product must be grounded



Watch out! High Voltage. To avoid accidents, do not try to repair the product. Repairs should be conducted by an experienced specialist



Before using the product, carefully review the requirements of this manual.

PLEASE READ ALL INSTRUCTIONS

For safe use of the product should review instructions and appropriate training. Improper use or operation of the welding machine by untrained person can be dangerous. Read and understand the basic components of the welding machine. Learn how to stop the operation of the product, if necessary.

Failure to follow these instructions may result in electric shock and lead to death of a person, serious damage to health or property.



RISK OF ELECTRIC SHOCK

When welding machine malfunction there is a danger of electric shock or death from electrical shock. Use of the product under conditions of high humidity, near the water in the wet grass in the rain or snow, can cause death from electrical shock. Do not weld wet items or items that are under water. Always keep the welding machine dry.

The product not intended for use and storage of unprotected outdoors.

Moisture or ice can cause a malfunction of the welding machine or a circuit of electrical parts, which can also lead to death due to electric shock.

Each time before using the welding machine inspect all of its electrical parts.

CAUTION!

Before the start, welding machine pre-ground the product. Failure to do so will result in the death of a person or the scrapping of the product..

WARNING!

Before moving, checking and maintenance of welding machine disconnect it from the mains.

4.2. SAFETY OF OPERATION

1. DØ NØT ALLOW PRØDUCT FØR CHILDREN AND PERSØNS WITH DISABILITIES.
2. BE FULLY CØNCENTRATE ØN WØRK.
Do not get distracted during welding machine, as this may cause a loss of control and cause injury of varying severity.
3. DØ NØT ØPERATE IN THE EVENT ØF ILLNESS, IN STATE ØF FATIGUE, DRUGS ØR ALCØHØL, ØR UNDER THE INFLUENCE ØF DRUGS PØTENT DRUGS, REDUCES THE RATE ØF REACTIØN AND ATTENTIØN.
4. FØLLØW INTEGRITY AND THE PRØDUCT TØ.
Do not start and use the product if damaged, with insecure cables. Do not operate with a damaged power cable.
5. WEAR APPRØPRIATE CLØTHING AND SHØES WHEN USING THE ARTICLE.
When welding, wear protective clothing, shoes with non-slip rubber soles, thick leather gloves or mittens, a face shield or goggles with tinted windows, as well as other means of protection to prevent burns and injuries. Use insulating mats.
6. DØ NØT WØRK WITH WELDING MACHINE REMØVE CØVER, WITH A FAULTY ELECTRØDE HØLDER AND CLAMP "WEIGHT".
7. DØ NØT USE IN THE DAMAGED ØR HØMEMADE WELDING CABLES AND EXTENSIØN ØF WELDING CABLE, PØWER CABLE.
8. DØ NØT TØUCH THE WELDING CABLE, BAYØNET DURING WELDING MACHINE.
While the product cables are high voltage - danger of electric shock or death.
9. DØ NØT TØUCH THE WELDED PARTS AND SURFACES UNTIL THEY ARE CØØL.
Welding is a high temperature process that heats the metal to the point of melting - risk of scalding.

10. DURING WELDING MACHINE KEEP TO THE PLACE OF WORK CARRIED OUT WITHIN 5 METERS OF STRANGERS AND ANIMALS.
The welding process is a source of electromagnetic waves, heat, ultraviolet radiation, and glare. Before welding sure to check the area of welding works outside people and animals, which can be caused by trauma. Set-sparking screens.
11. TO REDUCE THE RISK OF VIEW DO NOT WATCH EVEN WITH CLOSE DISTANCE OF 15 METERS ON WELDING WITHOUT SPECIAL PROTECTIVE MASKS OR GLASSES WITH TINTED WINDOWS.
Ultraviolet radiation of the arc can cause irreparable damage to the eyes. You can not carry out welding work and to approach closer than 15 meters to the place of welding to people who wear contact lenses, eyeglasses, pacemakers and devices stabilize heart rhythm.
12. KEEP AWAY FROM THE WELDING MACHINE FLAMMABLE MATERIALS.
During welding operations should not be closer than 15 meters from the site of welding fuel, engine oil, matches, oily clothes, straw, trash and other flammable materials. Be careful with the presence of fire extinguishers.
13. DO NOT COVER WELDING MACHINE IN OPERATION.
The product is equipped with a forced air cooling system, and if it is covered, the welding machine may overheat.
14. AVOID DIRECT CONTACT WITH THE WELDING CIRCUIT, THE DISCOVERY OF LIVE PARTS OF THE WELDING MACHINE AND CABLES, INCLUDING ITS PRODUCTS IN IDLE.
15. DO NOT WELDING IN THE RAIN OR WET HANDS.
Work welding machine in rain or snow can cause electrical shock or damage to the product. If the welding machine gets wet, before turning it necessary to wipe dry. Do not pour water on the product, do not wash it.
16. DO NOT LEAVE THE WELDING MACHINE IS UNATTENDED, DISCONNECT THE SUPPLY PRODUCT IMMEDIATELY AFTER WELDING.
17. REMEMBER, THE GAS GENERATED DURING THE WELDING PROCESS - HARMFUL TO HUMAN HEALTH.
Carry out welding work outdoors or in a well-ventilated area. Materials

having in its composition lead, cadmium, mercury, zinc and beryllium, under the influence of the welding arc may release toxic gas in dangerous to life and health of people and animals concentrations. When welding these materials be sure to use personal respiratory protection.

18. BEFORE STARTING WELDING MACHINE ON A FLAT, LEVEL SURFACE.
To avoid turning the product or place it on an uneven, and the vibrating surface.
19. IF, DURING WELDING OPERATIONS SPARKS GOT INTO THE VENT WELDING MACHINE, IMMEDIATELY UNPLUG THE PRODUCT FROM THE WALL AND CONTACT THE SERVICE CENTER.
20. OPERATION, STORAGE AND TRANSPORTATION OF WELDING MACHINES, PROTECTS IT FROM THE EFFECTS OF PRECIPITATION, WATER VAPOR, CORROSIVE FLUIDS, MECHANICAL DAMAGE, SPARKS, MOLTEN METAL, DUST AND DIRT.
21. DO NOT ATTEMPT TO REPAIR THE UNIT, CONTACT THE SERVICE CENTER.

**CAUTION!**

Always be aware of the fact that, when connected to an electrical welding machine Electrode with the electrode does not touch the clip "mass" and the apparatus. Do not use the power and welding cables, if they have damaged or worn insulation.

All the models of welding machines have passed the required tests for electromagnetic compatibility and safety, in accordance with the requirements. However, during welding, these products can influence on nearby radio-electronic devices and computer control system.

**WARNING!**

Be sure to monitor the serviceability of the product. In case of failure, you can smell typical of burning insulation, flame, sparks, immediately stop the operation of the product and contact a service center.

**NOTE!**

User welder must take all feasible precautions to avoid applying direct or indirect damage to third parties and organizations (hospitals, laboratories, centers of information processing, etc.).

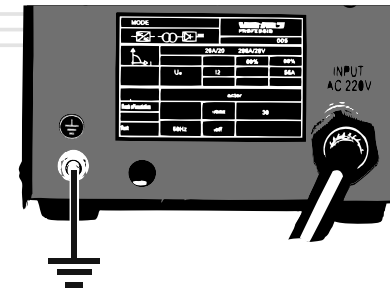
4.3. GROUNDING

figure 5

**CAUTION!**

Do not use the welding machine without a ground connection!

**CAUTION!**

Electrical outlet that connects the welding machine must be grounded. The ground wire outlet cross section must be at least 1.5 mm .

Grounding prevents the possibility of electric shock. For proper grounding products recommended to use a ground wire, which is connected to the ground terminal and the earth electrode (wire and earthing switch with the product is not included) (see Figure 5).

**WARNING!**

The ground wire should have a cross section of at least 1.5 mm , preferably of twisted copper wire.
Ground terminal and earthing should have good contact with the ground wire

As an earth electrode can be used are metal pipes in the ground water, sewage or metal frames of buildings that have a connection to the land.

**CAUTION!**

To make a proper connection grounding get expert advice from the relevant specialist or use its services.

**WARNING!**

This guidance does not take into account all the possible cases that may occur in actual use of the product. In this case should be guided by common sense, to comply with the utmost attention and care when carrying out welding work.

If the above grounding you are unable to use it, use one of the following earthing:

- metal pipe of not less than 1500 mm and a diameter of 50 mm;
- metal rod length not less than 1500 mm and a diameter of not less than 15 mm;
- sheet of galvanized steel, uncoated size 1500x1000 mm.

5 OPERATION

5.1. APPLICATION

Inverter welding machine can be used in stationary conditions (at service stations vehicles, construction sites, home and garden land, garages, etc.) and in the field in mobile systems equipped with gasoline or diesel mini power stations.

5.2. GETTING STARTED

Before you start welding machine run:

1. Carefully remove the welding machine out of the box, do not apply shock or mechanical impact on the parts of the product.
2. Place the unit on a horizontal surface.
3. Visually inspect the product for mechanical damage on the body of the welding machine, welding cable, power supply and cables.
4. Check the BNC connectors, clips, electrode holders and "mass".
5. Ensure that the surface on which the welding machine is installed and that there is enough space (at least 0.5 m on each side and from the top) to ensure proper operation of the ventilation system.
6. Make sure the power switch (button « \emptyset N / \emptyset FF») is in position « \emptyset FF».

The procedure for preparing the welding machine to work

1. Connect with the welding machine welding cables, observing the necessary polarity. To secure the welding cable to the bayonet connector, it is necessary to combine the tab on the cable connector with the slot bayonet connector, push the plug with a little effort and turn it clockwise until it stops.



WARNING!

Unreliable contact will result in overheating and rapid output BNC connectors and plugs of the system, and may also result in inefficient operation welding machine.

2. Securely connect with the welding machine wire (see section 4.3. Guidance): Connect one end of the wire to earth, and the other end of the wire to the ground terminal, connect the product and tighten the clamping nut.
3. Securely fasten the clamp welding cable "mass" in the immediate vicinity of the weld to reduce the resistance welding circuit.
4. Connect the power cable to the power (electrical outlet, minipower) single-phase AC 220 V, 50 Hz. Source power supply must be sufficient to provide the welding power supply unit. The source must be equipped with an automatic safety device (fuse) with the appropriate current operation. Do not connect the product to a power supply with parameters other than those specified in Section 3 of this manual, as it will damage the welding machine malfunction.



WARNING!

Rated current trip a circuit breaker must be 40 A.
Rated current circuit breaker must not exceed the permissible load currents for electrical wiring home network.



CAUTION!

The electrical outlet must be grounded. The ground wire outlet cross section must be at least 1.5 mm . If the electrical outlet is not grounded, be sure to ground the product as specified in 4.3. this manual.
Connect this product only to the power sockets 2P + T with transmittance of not less than 40 A.



NOTE!

Grounding of the welding machine can be accomplished in one of two ways: to connect the grounding terminal of the unit "Ground" or the product is connected to a grounded outlet.

5. Turn on the power switch, turning the key «ØN / ØFF» to position «ØN».

6. After turning the system of forced cooling products (inaudible hum characteristic), by turning the manual control of welding current to set the desired current value. Information on the digital display shows the set value of welding current (models Mi 200md, Mi 200da and Mi 225da).

7. Check the status indicator light "Øverheat".



WARNING!

If it is lit, welding machine stays in the mode of thermal protection, which occurred due to overloading. Let cool product. Automatic welding machine is ready for operation when the internal temperature decreases, the indicator light will go off.

8. The welding machine is ready for operation.



CAUTION!

Making any connections to the welding circuit must be disconnected from the power supply when the product.



WARNING!

Do not use welding cables longer than 10 meters



CAUTION!

Do not use metal objects that are not part of the structure to be welded (metal rods, tubes, strips, etc.) for replacement or extension of welding cable with clamp "weight", as it leads to violations of safety rules, an increase in resistance welding circuit and accordingly, reduce the quality of weld joint.

5.3. WELDING



WARNING!

Before welding, always use a protective mask welding or special goggles with tinted glasses to protect your eyes from strong light and ultraviolet radiation, formed by an electric arc.

1. Clean the surface of the metal in the weld zone and the connection point of the clip "mass" of dust, dirt, water, rust and paint.

2. Make a one-sided or two-sided V-shaped edge processing (if the workpiece thickness of 3 mm).

3. Place the electrode in the electrode.

4. Set the desired welding current value.

The required value of the welding current is adjusted by turning the manual knob to match the index mark on the controller with the desired value on the graduated scale. In this case, it should be noted that the exact value of the welding current will be displayed on the electronic display (models Mi 200md, Mi 200da and Mi 225da). Value of the welding current is set depending on the thickness of the weld metal and the diameter of the electrode used (see the specifications of the electrode at its packing box): 1,6 mm - 60-90 A; 2,5 mm - 90-100 A; 3,2 mm - 110-140 A; 4,0 mm - 140-200 A, 5, 0 mm - 200-225A.

5. Touch the part to be welded.



WARNING!

Do not knock the welding electrode strong surface because it can lead to damage of the electrode and arcing difficult.

6. To excite the arc pull the electrode from the work piece at a distance (depending on the diameter of the electrode spacing should correspond to the diameter of the electrode used 1-1.5) and hold it for the entire length of the welding process (see Figure 6).

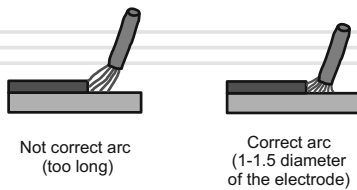


figure 6

7. To stop the welding electrode take away from the work piece. The correct direction of discharge electrode is shown in Figure 7

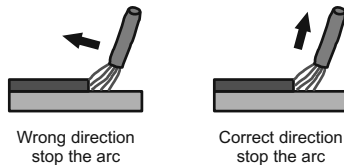


figure 7

For a durable welded joint than the correct choice of welding current is necessary to ensure the correct position of the electrode relative to the work piece. The angle of inclination of the electrode should be 60-80 degrees (see Figure 8). With too large inclination of the weld may be porous, at too small an angle - a large amount of splash of molten metal and the arc becomes unstable.

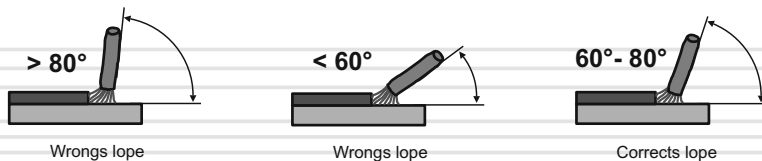


figure 8

The length of the electrode in the welding process reduced. When the electrode length is 15-20 mm, stop and replace the welding electrode, electrode-clicking the handle.

Welding electrode with a protective coating layer accompanied by formation of slag along the trajectory of movement of the electrode. To obtain a uniform and smooth seal, as well as to avoid corrosion is formed on the seam, it is necessary to remove the slag layer always after each pass through the brush hammer.

After the termination of the arc on the electrode is always the peak of plastering 1-2 mm long. When re-ignition of the arc must be dosed blow to knock this electrode shield and the remains of slag.

**WARNING!**

The electrode and the slag heated to a high temperature. To avoid burns, be careful when changing the electrode and remove slag.

Basic electrodes for DC welding (UØNI 13/55, etc.) are preferably used in cases where it is necessary to obtain high mechanical characteristics of the weld, for example, when welding pipes, since such a coating imparts increased viscosity of the molten pool and provides greater depth boiling seam.

To get a quality weld such electrodes require mandatory baking. Welding is performed by the DC reverse polarity (electrode is connected to the BNC connector on the welding machine labeled "+").

Coated welding electrodes for alternating current (IR-3 ANØ-21, etc.) can perform a straight polarity ("- of the electrode) and feedback ("+" on the electrode). Polarity selection depends on the welding conditions. Reverse polarity provides a more stable arc with low-quality electrodes heats the workpiece less. Is mainly used for welding thin parts and to work in tight spaces. The electrode is burned slowly. Straight polarity allows more heat to the weld area. Is mainly used for welding the heat capacity of the massive parts. The electrode burns faster.

Valid values of welding current,
depending on the diameter of the electrode *

Electrode diameter, mm	The thickness of the base metal, mm	The range of values of the welding current, A	
		Rutile electrode	Basic coated electrode
1,6	1,5 - 2,0	30 - 60	50 - 75
2,0	1,5 - 3,0	50 - 80	60 - 100
2,5	1,5 - 5,0	60 - 110	70 - 120
3,2	2,0 - 12,0	90 - 140	110 - 160
4,0	4,0 - 20,0	140 - 200	160 - 220
5,0	8,0 - 24,0	170 - 250	190 - 260

*This manual is not a manual on the welding business. For more information about the welding process, contact a qualified technician or reference material.

WARNING!

Frequent operation of the system of protection welding machine from overheating informs that the product operates with a considerable overload. To prevent welding machine fails, change the parameters of the welding process. To do this, select a smaller diameter electrodes, decrease the welding current, reduce the length of periods of continuous welding and improve ventilation products.



CAUTION!

Before starting maintenance welder shut off the power and unplug the cables.

The design of inverter welding machines "Vitals "Professional" Mi 200md, Mi 200m, Mi 200da and Mi 225da applied the latest electronic components and the latest technology, the converting electrical current. With this apparatus does not require regular servicing, other than cleaning.

However, to ensure reliable operation of the product for a long period of use and storage of necessary time to carry out maintenance.

The following types of service:

- visual inspection;
- maintenance.

Control examination should be carried out before and after using the welding machine or transportation. When the control examination, check all connections are secure, no damage to the hull, controls, cables and power supply cables.

Maintenance welding machine must be inspected at least once every two months, to remove dust and dirt that have accumulated within the product while it is running, check the status of connectors, terminals, cables.



NOTE!

Depending on the frequency of use of the welding machine and the environmental conditions, maintenance items should be performed more frequently.

A set of measures for maintenance:

- visual inspection of the product (check the body, controls, BNC connectors, terminals and clamps "earth" isolate network and welding cables, electrode holder for damage);
- clean the inside of the welding machine from dust and dirt;
- checking, cleaning, broaching contact group (bayonet connectors, terminal grounding clip "mass" and the electrode).

**NOTE!**

To remove dust from the inside of the product casing remove the protective housing, pre-loosening with a screwdriver 10 screws. Carefully remove the dust with compressed air (maximum pressure 1.5 - 2 atm.) Replace the cover on a regular place and tighten the screws securely.

**WARNING!**

When cleaning the product, and do not bend the cables do not touch the circuit board in order to avoid damaging them.

**NOTE!**

Maintenance products recommended for the experienced professional. In case of difficulties with maintenance products, please contact a service center.

**WARNING!**

Do not move the welding machine connected to the network and cables.

**WARNING!**

Keep the product in the same room with flammable substances, acids, alkalis, fertilizers and other aggressive substances prohibited.

7.1. TRANSPORTATION

The product can transported by all modes of transport, ensuring the safety of the product, in accordance with the general rules of traffic.

During loading and unloading and transport of the product should not be subjected to shock or rain.

Stowage and securing the welding machine in vehicles should ensure a stable position the product and its lack of movement during transport.

Take care not to damage the power plant during transportation. Do not place heavy objects on top.

Acceptable transportation welding machine: ambient temperature from -15 °C to +55 °C, relative humidity up to 90%.

**WARNING!**

Do not carry the unit by the power cord and cables.



POSSIBLE PROBLEMS AND THEIR SOLUTION

7.2. STORAGE

If the product is not used for a long time (more than 2 months), it must be stored in a ventilated room at a temperature of -15 ° C to +55 ° C and a relative humidity of 90%, having covered by the product off the dust and small debris. The presence of vapors of acids, alkalis and other aggressive substances is prohibited.

Welding machine before making the long-term storage should be preserved.

In preparing the product for storage:

1. Disconnect the product, disconnect the welding cables and grounding wire.
2. Remove dust and dirt from the outer portion of the product, BNC connectors and terminals "earth."
3. Grease a thin layer of engine oil terminal.



NOTE!

After removing the product from the ground terminal storage of clean lubricant.

TYPE OF DAMAGE*	Caution	Ways to eliminate
Heard odor characteristic of burning insulation from inside the smoke, light is "overheating" is not lit	Short circuit or overload of critical system board Øut of order protection products from overheating	Isolate the product immediately, even if it is still possible to carry out welding work, and contact a service center
There is an electric shock when touching the body of the machine	There is no ground	Disconnect the welding machine until you get a good ground equipment enclosures and electrical outlet to which is connected a power cable welding machine
The welding machine is turned on, the cooling fan is working, but the light indicator on the «ØN / ØFF» is off (only models Mi 200md, Mi 200m)	Faulty light or a disruption to the system board	Contact the service center
The welding machine is turned on (the light indicator on the «ØN / ØFF» lights - only for models Mi 200md, Mi 200m), the cooling fan is working, but the arc does not ignite	Damaged welding cables. No contact in the welding circuit	Check the condition of welding cables, welding cables, contact reliability in BNC connectors products at terminal "weight" on the work piece and the electrode in the holder

TYPE OF DAMAGE*	Caution	Ways to eliminate
The welding machine is turned on (the light indicator on the «ON / OFF» lights - only for models Mi 200md, Mi 200m), the arc is ignited but the cooling fan is not working	Øut of service charge cooling system products	Immediately turn off the welding machine and contact a service center
The arc is ignited, but the electrode immediately sticks to the work piece	Set too low welding current	Increase welding current
	Insufficient power supply voltage	Measure the voltage in the power supply. If it is below the acceptable one, use the voltage stabilization sufficient power
The welding current is set correctly, but can not start welding - Electrode immediately sticks to the work piece	Are loose welding circuit	Check the contact welding cables to BNC connectors products at terminal "weight" on the work piece and the electrode in the holder

TYPE OF DAMAGE*	Caution	Ways to eliminate
The welding current is set correctly, but can not start welding - Electrode immediately sticks to the work piece	Poor quality or non-optimal electrode his position at the start of the arc	Try to warm up the electrode, after spending a few times on the work piece, adding a bit of welding current. Having achieved a stable arc, reduce the current to the desired value. If you keep the arc ignition electrode at an angle of 60°, 80° to the work piece
In the process of welding arc "breaks" and goes	Too great a distance between the electrode and the work piece	Keep the electrode closer to the work piece
Electrodes for welding "lead" itself in different ways	Substandard electrodes or electrodes of different types	Check the condition of the electrodes, if necessary, dry them. Pay attention to the size, type and polarity of the electrodes. The desired polarity and magnitude of the welding current is usually indicated on the package

TYPE OF DAMAGE*	Caution	Ways to eliminate
Electrodes for welding "lead" itself in different ways	Substandard electrodes or electrodes of different types	Check the condition of the electrodes, if necessary, dry them. Pay attention to the size, type and polarity of the electrodes. The desired polarity and magnitude of the welding current is usually indicated on the package
During the welding process automatically turns off the power supply 220V fuse ("knocks the plug")	Mounted circuit breaker rated at less than 40A Response	Replace with a circuit breaker rated at 40A switching
	Insufficient power supply	Connect the welding machine to a more powerful power supply 220V
Lit LED "Øverheat"	Fired thermal protection welding machine	Wait (no more than 3-5 minutes, depending on ambient temperature) until the cooling system is sufficiently cool the system board

TYPE OF DAMAGE*	Caution	Ways to eliminate
Lit LED "Øverheat"	Mains voltage out of tolerance	Measure the voltage in the power supply. If it is lower or higher than the permissible one, use the voltage stabilization sufficient power
Excessive amounts of sparks in welding	Maybe wrong connection cables	Change the polarity

* The list of damages, placed above doesn't show all the occasions. If the problem happens you should contact the service center.

Warranty period of inverter welding machines "Vitals "Professional" **Mi 200md, Mi 200m, Mi 200da and Mi 225da** is 18 (eighteen) months specified in the warranty card date of retail sale.

During the warranty period, defective parts and components will be replaced, subject to all the requirements and guidelines for damage related to improper handling, storage and transportation of the product. For warranty service, contact your nearest authorized service center.

The consumer has the right to free warranty troubleshooting, identified and presented during the warranty period due to production and design factors.

Troubleshooting warranty is made by the repair or replacement of defective parts of the product to the certified service centers. Because of the complex structure repair can last more than two weeks. The cause of the fault and determine the terms of their elimination service personnel.

NOTE!

Product accepted for warranty only fully equipped, carefully cleaned of dirt and dust.

Warranty becomes valid in the following cases:

- Absence or unread warranty card.
- Improperly completed warranty card, it does not contain the date of the sale or seal (stamp) and signature of the seller, the serial number of the product.
- The presence of corrections or erasures in the warranty card.
- Complete or partial absence, unread serial number on the product, product serial number mismatch the number listed in the warranty card.
- Improper operation, in this manual, including the violation of rules of maintenance.
- Operation of defective or incomplete products, which caused its failure.
- Ingestion of product foreign substances or objects.
- The product has a significant mechanical or thermal damage, clear signs of careless handling, storage or transportation.

- Product has been used for other purposes.
- Made unauthorized repairs, tampering or attempted development of the product by the consumer or a third party.
- The fault is due to a natural disaster (fire, flood, hurricane, etc.).

Replaced under warranty parts and assemblies available to move the service center.

When the warranty on the warranty period increases the residence time of repair products. Counting the added period starts from the date of acceptance of the product warranty.

If for technical reasons, can not repair your product, service center gives the act, based on the user to decide on the organization of the supplier of the replacement product or refund.

After the warranty period service centers continue to perform maintenance and repair of the product, but at the expense of the consumer.

The warranty does not cover damage caused by natural wear and overloading of the product.

The warranty does not apply to the bat.

The warranty does not apply to the incompleteness of the product structure, which could be detected by its sale. All transportation costs is a consumer product.

Limited warranty is not a basis for other claims.

ШАНОВНИЙ ПОКУПЕЦЬ!

Дякуємо Вам за придбання зварювального апарату інверторного типу ТМ "Vitals".

Техніка ТМ "Vitals" розробляється за європейськими стандартами якості та з використанням сучасних технологій.

Неправильна експлуатація зварювального апарату інверторного типу та недотримання заходів безпеки може призвести до пошкодження виробу або до серйозних травм!

Дане керівництво містить всю необхідну інформацію щодо заходів безпеки під час експлуатації зварювального апарату інверторного типу. Уважно ознайомтеся з керівництвом перед початком роботи виробу.

Будь ласка, надайте іншим користувачам дане керівництво, перш ніж вони почнуть працювати зі зварювальним апаратом інверторного типу. Дане керівництво необхідно зберігати для подальшого його використання.

Ми постійно працюємо над удосконаленням своєї продукції та, в зв'язку з цим, залишаємо за собою право на внесення змін у зовнішній вигляд, оснащення та технологію виробництва, не змінюючи основних принципів управління, без повідомлення споживача. Всі можливі зміни будуть спрямовані тільки на покращення та модернізацію виробу.

ЗНАЧЕННЯ КЛЮЧОВИХ СЛІВ



ОБЕРЕЖНО!

Позначає потенційно небезпечні ситуації, яких слід уникати, в іншому разі може виникнути небезпека для життя або здоров'я.



УВАГА!

Позначає потенційно небезпечні ситуації, які можуть призвести до легких травм або до поломки виробу.



ПРИМІТКА!

Позначає важливу додаткову інформацію.

Професійні зварювальні апарати інверторного типу "Vitals Professional" Mi 200md, Mi 200m, Mi 200da і Mi 225da призначені для виконання ручного дугового зварювання металевих виробів покритим електродом. Зварювання здійснюється на постійному струмі металевими плавкими електродами для постійного та змінного струму з основним, рутиловим, целюлозним, кислим, змішаного типу та іншими видами покриттів.

Зварювальний апарат інверторного типу складається з наступних конструктивних вузлів:

- силового трансформатора, який понижує напругу електромережі до необхідної напруги холостого ходу зварювального апарату;
- блоку силових електричних схем;
- стабілізуючого дроселя, який зменшує пульсації випрямленого струму.

Максимально спрощений принцип дії зварювального апарату інверторного типу (далі по тексті – зварювальний апарат) заснований на перетворенні напруги 220 В змінного струму частотою 50 Гц у напругу постійного струму, після чого напруга постійного струму подається на зварювальну дугу.

Дані вироби виконані у відповідності з сучасними вимогами до стандарту та рівню техніки, діючими правилами техніки безпеки, відрізняються надійністю в процесі експлуатації, мають сучасний дизайн, економічні, надійні в роботі, прості в обігу та обслуговуванні.

Сучасна конструкція цих виробів, заснована на передових інверторних технологіях і включає в себе мікропроцесорне регулювання параметрів електричної дуги, дозволяє навіть користувачу, який не має високої кваліфікації, швидко та без проблем отримати надійне зварне з'єднання.

Використання інверторних технологій призвело до зменшення ваги та габаритів зварювальних апаратів, поліпшення якісного показника зварювальної дуги, збільшенню ККД, плавного регулювання зварювального струму.

Відмінні особливості зварювальних апаратів:

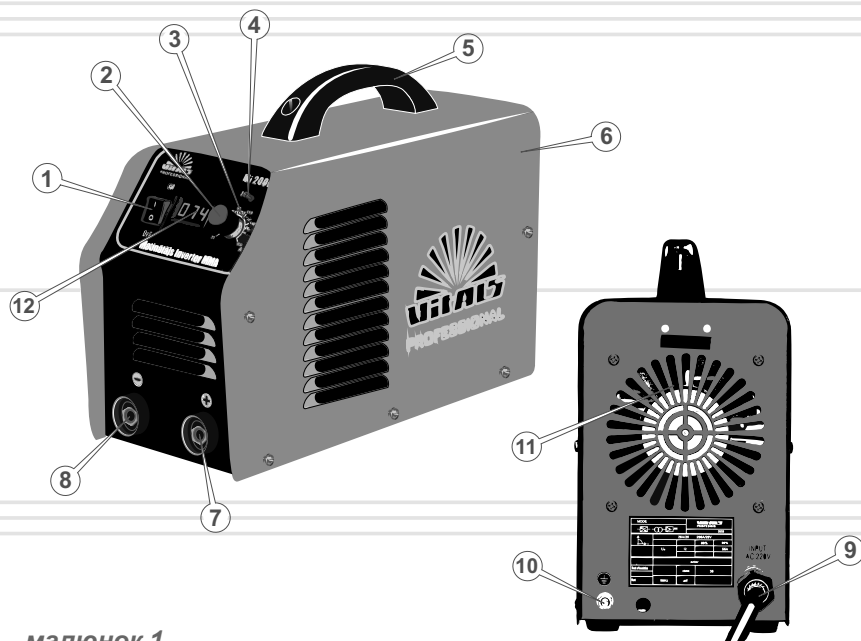
- плавне та точне регулювання зварювального струму дозволяють домогтися ідеальної якості зварного шва;
- висока стабільність параметрів процесу зварювання при будь-яких значеннях зварювального струму;
- стійкість і стабільність дуги незалежно від коливань напруги в електричній мережі: спеціальна розробка для електромереж України – робоча напруга моделей Mi 200md і Mi 200m становить 170 В - 245 В, моделей Mi 200da і Mi 225da – 170 В - 270 В;
- низька ступінь зворотного впливу на мережу електроживлення, відсутність її надмірного перевантаження;
- наявність цифрового інформаційного дисплея. Три моделі (Mi 200md, Mi 200da і Mi 225da) забезпечені цифровим інформаційним дисплеєм, на якому відображається точне значення зварювального струму. При виборі необхідного значення зварювального струму необхідно керуватися значенням, що відображується на дисплеї;
- професійний електродотримач на 300 А;
- надійний і міцний затиск «маса» на 300 А;
- висока стійкість виробу, яка забезпечує максимальний коефіцієнт постійного навантаження;
- функція «антизалипання» з повним відключенням зварювального струму (тільки моделі Mi 200da і Mi 225da);
- велика довжина зварювальних кабелів (2,5 метри).

Сучасні технології, закладені в конструкцію виробів:

1. Функція «Hot Start» – автоматичне короткочасне підвищення струму для полегшеного запалювання зварювальної дуги.
2. Функція «Anti Sticking» – «Антизалипання».
3. Функція «Arc Force» - «Модуляція зварювального струму» (автоматична зміна струму до 30% залежно від відстані від електроду до металу).

Опис основних компонентів зварювального апарату представлено нижче.

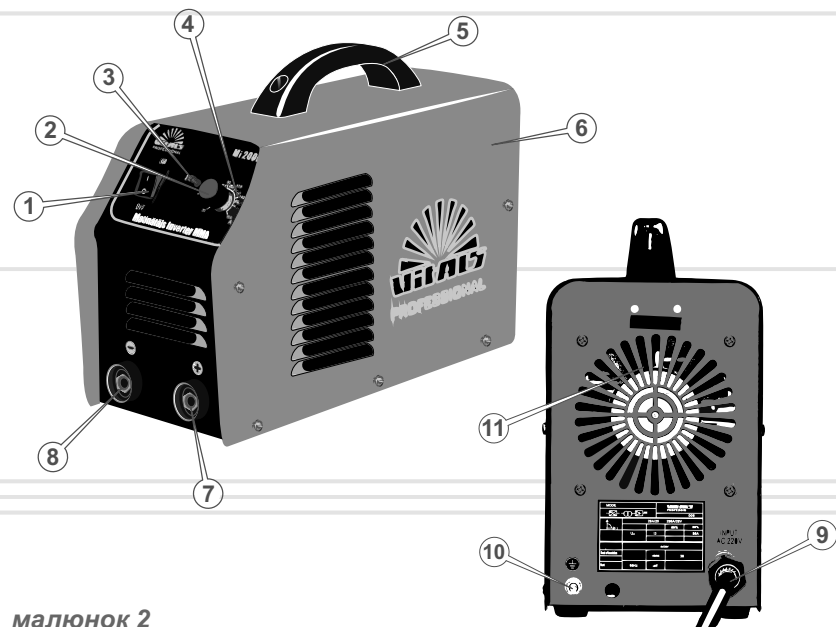
Модель: Mi 200md



малюнок 1

1. Мережевий вимикач зі світловим індикатором (кнопка «ON/OFF»).
2. Ручний регулятор зварювального струму.
3. Градуйована шкала (величина зварювального струму, діаметр електроду, який використовується).
4. Світловий індикатор «Перегрів».
5. Рухомка для перенесення зварювального апарату.
6. Захисний кожух.
7. Байонетний роз'єм «+».
8. Байонетний роз'єм «-».
9. Кабель електроживлення.
10. Клема заземлення.
11. Вентиляційна решітка.
12. Цифровий інформаційний дисплей (відображення обраної величини зварювального струму).і.

Модель: Mi 200m



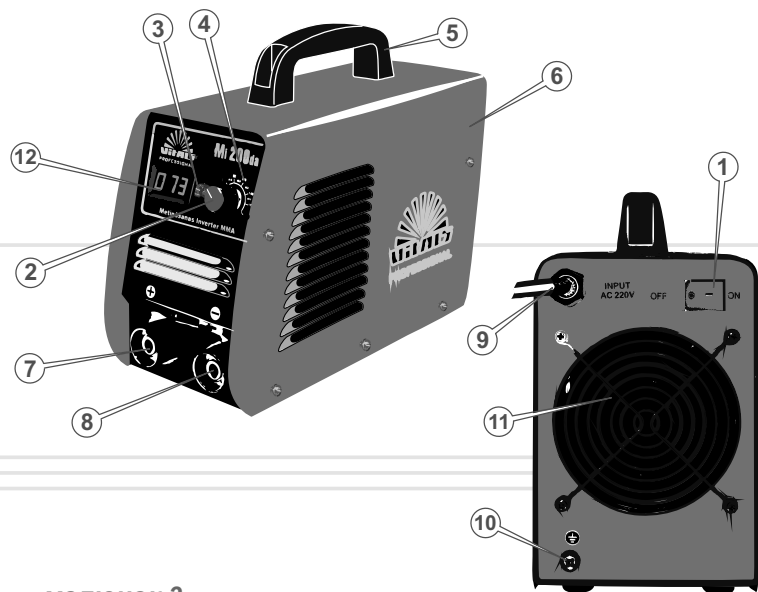
малюнок 2

1. Мережевий вимикач зі світловим індикатором (кнопка «ON/OFF»).
2. Ручний регулятор зварювального струму.
3. Світловий індикатор «Перегрів».
4. Градуйована шкала (величина зварювального струму, діаметр електроду, який використовується).
5. Рухомка для перенесення зварювального апарату.
6. Захисний кожух.
7. Байонетний роз'єм «+».
8. Байонетний роз'єм «-».
9. Кабель електроживлення.
10. Клема заземлення.
11. Вентиляційна решітка.

Модель: Mi 200da

Модель: Mi 225da

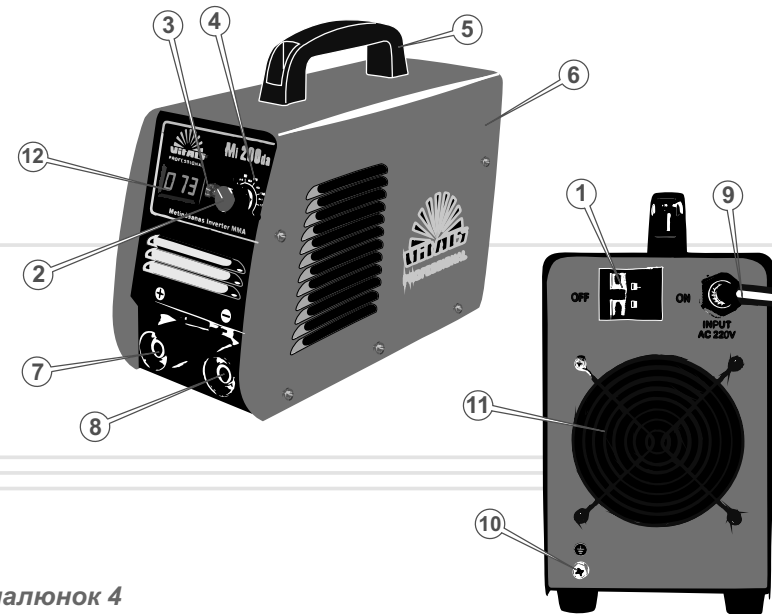
УКРАЇНСЬКА



малюнок 3

1. Мережевий вимикач (кнопка «ON/OFF»).
2. Ручний регулятор зварювального струму.
3. Світловий індикатор «Перегрів».
4. Градуйована шкала (величина зварювального струму, діаметр електроду, який використовується).
5. Рухомка для перенесення зварювального апарату.
6. Захисний кожух.
7. Байонетний роз'єм «+».
8. Байонетний роз'єм «-».
9. Кабель електроживлення.
10. Клема заземлення.
11. Вентиляційна решітка.
12. Цифровий інформаційний дисплей (відображення обраної величини зварювального струму).

УКРАЇНСЬКА



малюнок 4

1. Автоматичний запобіжник (кнопка «ON/OFF»).
2. Ручний регулятор зварювального струму.
3. Світловий індикатор «Перегрів».
4. Градуйована шкала (величина зварювального струму, діаметр електроду, який використовується).
5. Рухомка для перенесення зварювального апарату.
6. Захисний кожух.
7. Байонетний роз'єм «+».
8. Байонетний роз'єм «-».
9. Кабель електроживлення.
10. Клема заземлення.
11. Вентиляційна решітка.
12. Цифровий інформаційний дисплей (відображення обраної величини зварювального струму).

1. Зварювальний апарат із рукояткою для перенесення.
2. Зварювальний кабель із зажимом «маса».
3. Зварювальний кабель із електродотримачем.
4. Керівництво з експлуатації.

**ПРИМІТКА!**

Завод-виробник залишає за собою право вносити в зовнішній вигляд, конструкцію та комплект поставки зварювального апарату незначні зміни, які не впливають на роботу виробу.

МОДЕЛЬ	Mi 200md	Mi 200m	Mi 200da	Mi 225da
Напруга змінного струму, В	170 - 245		170 - 270	
Частота струму, Гц	50			
Максимальна споживана потужність, кВт	8,7	8,7	8,5	9,4
Напруга холостого ходу, В	61		75	
Зварювальний струм, А	20 - 200	20 - 200	20 - 200	20 - 225
Тривалість включення (ТВ) на максимальному зварювальному струмі, %	60			
Сила зварювального струму при 100% ТВ, А	155	155	140	180
Діаметр електроду, який використовується, мм	1,6 - 4,0	1,6 - 4,0	1,6 - 5,0	1,6 - 5,0
Коефіцієнт потужності (cos φ)	0,93			
Клас ізоляції	F		H	
Клас захисту	IP 21			
Довжина кабелів, м	2,5			
Габарити зварювального апарату (ДхВхШ), мм	465x270x330	465x270x330	340x130x280	387x157x305
Вага зварювального апарату, кг	8,0	8,0	6,0	8,4
Вага брутто, кг	10,5	10,5	8,10	11,30

**ПРИМІТКА!**

Всі моделі забезпечені системою захисту виробу в разі перегріву.

**ПРИМІТКА!**

Моделі Mi 200da і Mi 225da оснащені функцією «антизалипання» з повним відключенням зварювального струму.

Система захисту від перегріву

Дана аварійна система призначена для запобігання виходу з ладу зварювального апарату при перегріві. У процесі довгого та інтенсивного зварювання при високій температурі навколишнього середовища може спрацювати система захисту від перегріву виробу та відбутися відключення зварювального контуру. При цьому система охолодження зварювального апарату продовжить свою роботу. На панелі керування буде світитися світловий індикатор «Перегрів». Робота зварювального апарату буде продовжена автоматично, коли виріб охолоне. Світловий індикатор «Перегрів» згасне.

Функція «антизалипання»

У процесі зварювання краплі металу відокремлюються від електроду, що різко скорочує довжину дуги, та електрод може приваритися до виробу (залипнути). При залипанні електроду сила струму автоматично відключається, тим самим електрод легко відводиться від зварюваної поверхні.

4.1. ВАЖЛИВА ІНФОРМАЦІЯ ЩОДО БЕЗПЕКИ

Перед початком експлуатації зварювального апарату уважно ознайомтесь із вимогами щодо техніки безпеки, інструкціями та попередженнями, викладеними в цьому керівництві.

Більшість травм під час роботи виробу виникає в результаті недотримання основних положень правил техніки безпеки. Травм і нещасних випадків можна уникнути, якщо суворо дотримуватися заходів безпеки та завчасно передбачити потенційну небезпеку.

Ні за яких обставин не використовуйте виріб способом або в цілях, не передбачених даним керівництвом.

Неправильна експлуатація виробу або експлуатація ненавченою людиною може призвести до нещасного випадку.

Опис символів

Видаляти пил всередині корпусу необхідно два рази на місяць стисненим повітрям низького тиску (1,5-2 атм.)



Корпус виробу повинен бути надійно заземлений



Обережно! Висока напруга. Щоб уникнути нещасних випадків не слід самостійно ремонтувати виріб. Ремонт повинен проводити досвідчений фахівець



Перед початком експлуатації виробу уважно ознайомтесь із вимогами даного керівництва

УВАЖНО ОЗНАЙОМТЕСЬ З УСІМА ІНСТРУКЦІЯМИ

Для безпечної експлуатації виробу необхідно ознайомитися з інструкціями та пройти відповідне навчання. Неправильна експлуатація зварювального апарату або експлуатація ненавченою людиною може бути небезпечною. Уважно ознайомтесь із основними компонентами

зварювального апарату. Вивчіть, як зупинити роботу виробу в разі потреби. Недотримання наведених нижче інструкцій може призвести до ураження електричним струмом, призвести до смерті людини, завдати серйозної шкоди його здоров'ю або майну.



НЕБЕЗПЕКА ЕЛЕКТРОШОКУ

При неправильній роботі зварювального апарату існує небезпека електричного шоку або смерті від ураження електричним струмом. Використання виробу в умовах підвищеної вологості, біля води, на мокрій траві, під час дощу або снігопаду, може призвести до смерті від ураження електричним струмом. Не зварюйте мокрі деталі або деталі, що знаходяться під водою. Завжди тримайте зварювальний апарат сухим.

Виріб не призначений для експлуатації та зберігання незахищеним на відкритому повітрі.

Волога або лід можуть призвести до неправильної роботи зварювального апарату або до замикання електричних його частин, що може також призвести до смерті внаслідок ураження електричним струмом.

Кожного разу перед експлуатацією зварювального апарату перевіряйте справність усіх його електричних частин.

ОБЕРЕЖНО!

Перед початком роботи зварювального апарату попередньо заземліть виріб. Недотримання цієї вимоги призведе до смерті людини або виведення з ладу виробу.

УВАГА!

Перед переміщенням, перевіркою та технічним обслуговуванням зварювального апарату відключіть його від мережі електроживлення

4.2. БЕЗПЕКА ЕКСПЛУАТАЦІЇ

1. НЕ ДОЗВОЛЯЄТЬСЯ КОРИСТУВАТИСЯ ВИРОБОМ ДІТЯМ ТА ОСОБАМ З ОБМЕЖЕНИМИ МОЖЛИВОСТЯМИ.
2. БУДЬТЕ ПОВНІСТЮ СКОНЦЕНТРУВАНІ НА РОБОТІ.
Не відволікайтесь під час роботи зварювальним апаратом, так як це може викликати втрату контролю та стати причиною отримання травм різного ступеню тяжкості.
3. НЕ ПРАЦЮЙТЕ ВИРОБОМ У ВИПАДКУ ХВОРОБИ, В СТАНІ СТОМЛЕННЯ, НАРКОТИЧНОГО АБО АЛКОГОЛЬНОГО СП'ЯНИННЯ, А ТАКОЖ ПІД ВПЛИВОМ СИЛЬНОДІЮЧИХ ЛІКАРСЬКИХ ПРЕПАРАТІВ, ЯКІ ЗНИЖУЮТЬ ШВИДКІСТЬ РЕАКЦІЇ ТА УВАГУ.
4. СТЕЖТЕ ЗА ЦІЛІСНІСТЮ ТА СПРАВНІСТЮ ВИРОБУ.
Не вмикайте та не працюйте виробом при наявності пошкоджень, із ненадійно закріпленими зварювальними кабелями. Не використовуйте виріб із пошкодженим кабелем електроживлення.
5. НАДЯГАЙТЕ ВІДПОВІДНИЙ ОДЯГ ТА ВЗУТТЯ ПРИ ЕКСПЛУАТАЦІЇ ВИРОБУ.
При зварювальних роботах надягайте захисний одяг, взуття з гумовою підошвою, яка не ковзає, щільні шкіряні рукавички або рукавиці, захисну маску або окуляри із затемненим склом, а також інші засоби захисту для запобігання отримання опіків і травм. Використовуйте ізолюючі килимки.
6. НЕ ПРАЦЮЙТЕ ЗВАРЮВАЛЬНИМ АПАРАТОМ ЗІ ЗНЯТИМ ЗАХИСНИМ КОЖУХОМ, З НЕСПРАВНИМИ ЕЛЕКТРОДОТРИМАЧАМИ І ЗАТИСКОМ «МАСА».
7. НЕ ВИКОРИСТОВУЙТЕ В РОБОТІ ПОШКОДЖЕНІ АБО САМОРОБНІ ЗВАРЮВАЛЬНИЙ КАБЕЛЬ І ПОДОВЖУВАЧІ ЗВАРЮВАЛЬНОГО КАБЕЛЮ, ТА КАБЕЛЬ ЕЛЕКТРОЖИВЛЕННЯ.
8. НЕ ТОРКАЙТЕСЯ ЗВАРЮВАЛЬНОГО КАБЕЛЮ, БАЙОНЕТНИХ РОЗ'ЄМІВ ПІД ЧАС РОБОТИ ЗВАРЮВАЛЬНОГО АПАРАТУ.
Під час роботи виробу кабелі знаходяться під високою напругою – небезпека електричного шоку або смерті.
9. НЕ ТОРКАЙТЕСЯ ДЕТАЛЕЙ, ЩО ЗВАРЮЮТЬСЯ, А ТАКОЖ

ПОВЕРХНІ ДО ПОВНОГО ЇХ ОХОЛОДЖЕННЯ.

Зварювання представляє собою високотемпературний процес, що нагріває метал до стану плавлення – небезпека отримання термічних опіків.

10. ПІД ЧАС РОБОТИ ЗВАРЮВАЛЬНИМ АПАРАТОМ НЕ ПІДПУСКАЙТЕ ДО МІСЦЯ ПРОВЕДЕННЯ РОБІТ БЛИЖЧЕ 5 МЕТРІВ СТОРОННІХ ЛЮДЕЙ І ТВАРИН.

Зварювальний процес є джерелом електромагнітних коливань, високої температури, ультрафіолетового випромінювання, яскравого світла. Перед початком зварювальних робіт переконайтесь у відсутності в зоні проведення зварювальних робіт сторонніх людей і тварин, яким можуть бути завдані травми. Встановіть іскрозахисні екрани.

11. ЩОБ УНИКНУТИ УРАЖЕННЯ ОРГАНІВ ЗОРУ, НІ В ЯКОМУ РАЗІ НЕ СПОСТЕРІГАЙТЕ, НАВІТЬ ІЗ ВІДСТАНІ БІЛЬШЕ 15 МЕТРІВ, НА ПРОЦЕС ЗВАРЮВАННЯ БЕЗ СПЕЦІАЛЬНОЇ ЗАХИСНОЇ МАСКИ АБО ОКУЛЯРІВ ІЗ ЗАТЕМНЕНИМ СКЛОМ.

Ультрафіолетове випромінювання зварювальної дуги може завдати непоправної шкоди очам. Не можна виконувати зварювальні роботи та наблизитися на відстань ближче 15 метрів до місця проведення зварювальних робіт людям, які носять контактні лінзи, окуляри, використовують кардіостимулятори та апарати стабілізації серцевого ритму.

12. НЕ РОЗМІЩУЙТЕ ПОРУЧ ЗІ ЗВАРЮВАЛЬНИМ АПАРАТОМ ЛЕГКОЗАЙМИСТІ МАТЕРІАЛИ.

Під час зварювальних робіт не повинні знаходитися ближче 15 метрів від місця зварювання паливо, машинне масло, сірники, замаслений одяг, солома, сміття та інші легкозаймісті матеріали. Заздалегідь подбайте про наявність засобів пожежогасіння.

13. НЕ НАКРИВАЙТЕ ЗВАРЮВАЛЬНИЙ АПАРАТ ПІД ЧАС РОБОТИ.

Виріб оснащений примусовою системою повітряного охолодження, а тому, якщо його накрити, зварювальний апарат може перегрітися.

14. УНИКАЙТЕ ПРЯМИХ КОНТАКТІВ ЗІ ЗВАРЮВАЛЬНИМ КОНТУРОМ, ВІДКРИТИМИ СТРУМОВЕДУЧИМИ ЧАСТИНАМИ ЗВАРЮВАЛЬНОГО АПАРАТУ ТА КАБЕЛЯМИ, У ТОМУ ЧИСЛІ ПРИ РОБОТІ ВИРОБУ В РЕЖИМІ ХОЛОСТОГО ХОДУ.

15. НЕ ЗДІЙСНЮЙТЕ ЗВАРЮВАЛЬНІ РОБОТИ В ДОЩ АБО ВОЛОГИМИ РУКАМИ.

Робота зварювального апарату в дощ або сніг може призвести до електричного шоку або до поломки виробу. Якщо зварювальний апарат намок, то перед включенням його необхідно насухо витерти. Не лейте воду на виріб і не мийте його.

16. НЕ ЗАЛИШАЙТЕ ЗВАРЮВАЛЬНИЙ АППАРАТ, ЯКИЙ ПІД'ЄДНАНИЙ ДО ЛІНІЙ ЕЛЕКТРОМЕРЕЖІ, БЕЗ НАГЛЯДУ, ВІД'ЄДНАЙТЕ МЕРЕЖЕВУ ВИЛКУ ВИРОБУ ВІД ЕЛЕКТРОМЕРЕЖІ ВІДРАЗУ Ж ПІСЛЯ ЗАКІНЧЕННЯ ЗВАРЮВАЛЬНИХ РОБІТ.

17. ПАМ'ЯТАЙТЕ, ГАЗ, ЩО УТВОРЮЄТЬСЯ В ПРОЦЕСІ ЗВАРЮВАННЯ – НЕБЕЗПЕЧНИЙ ДЛЯ ЗДОРОВ'Я ЛЮДИНИ.

Проводьте зварювальні роботи на відкритому повітрі або в добре провітрюваному приміщенні. Матеріали, які мають у своєму складі свинець, кадмій, ртуть, цинк і берилій, під впливом зварювальної дуги можуть виділяти отруйний газ у небезпечних концентраціях для життя та здоров'я людей і тварин. При зварюванні таких матеріалів обов'язково використовуйте індивідуальні засоби захисту органів дихання.

18. ПЕРЕД ПОЧАТКОМ РОБОТИ ПОСТАВТЕ ЗВАРЮВАЛЬНИЙ АПАРАТ НА РІВНУ ГОРИЗОНТАЛЬНУ ПОВЕРХНЮ.

Щоб уникнути перевертання виробу не встановлюйте його на нерівній, а також на віброуючій поверхнях.

19. ЯКЩО ПІД ЧАС ПРОВЕДЕННЯ ЗВАРЮВАЛЬНИХ РОБІТ ІСКРИ ПОТРАПИЛИ У ВЕНТИЛЯЦІЙНИЙ ОТВІР ЗВАРЮВАЛЬНОГО АПАРАТУ, НЕГАЙНО ВІД'ЄДНАЙТЕ ВИРІБ ВІД ЕЛЕКТРОМЕРЕЖІ ТА ЗВЕРНІТЬСЯ ДО СЕРВІСНОГО ЦЕНТРУ.

20. ПРИ ЕКСПЛУАТАЦІЇ, ЗБЕРІГАННІ ТА ТРАНСПОРТУВАННІ ЗВАРЮВАЛЬНОГО АПАРАТУ, ЗАХИЩАЙТЕ ЙОГО ВІД ВПЛИВУ АТМОСФЕРНИХ ОПАДІВ, ВОДЯНОЇ ПАРИ, АГРЕСИВНИХ РЕЧОВИН, МЕХАНІЧНИХ УШКОДЖЕНЬ, ПОПАДАННЯ ІСКОР, РОЗПЛАВЛЕНОГО МЕТАЛУ, ПИЛУ ТА БРУДУ.



ОБЕРЕЖНО!

Постійно стежте за тим, щоб при підключеному до електромережі зварювальному апараті електродотримач з електродом не торкався затиску «маса» та корпусу виробу. Не використовуйте мережевий та зварювальні кабелі, якщо в них пошкоджена або зношена ізоляція.

**УВАГА!**

Постійно слідкуйте за справністю виробу. У разі відмови в роботі, появи запаху, характерного для горілої ізоляції, полум'я, іскор, негайно припиніть роботу виробу та зверніться до сервісного центру.

Всі моделі зварювальних апаратів пройшли необхідні тести на електромагнітну сумісність і безпеку відповідно до встановлених вимог. Проте, під час проведення зварювальних робіт дані вироби можуть впливати на радіоелектронні пристрої та комп'ютерні системи управління, які перебувають поблизу.

**ПРИМІТКА!**

Користувач зварювального апарату зобов'язаний прийняти всі можливі заходи безпеки для недопущення нанесення прямого чи непрямого збитку стороннім особам та організаціям (лікарням, лабораторіям, центрам обробки інформації і т.д.).

4.3. ЗАЗЕМЛЕННЯ**ОБЕРЕЖНО!**

Категорично забороняється використовувати зварювальний апарат без заземлення!

Електрична розетка, до якої підключається зварювальний апарат, повинна бути заземлена. Дріт заземлення розетки повинен мати переріз не менше 1,5 мм.

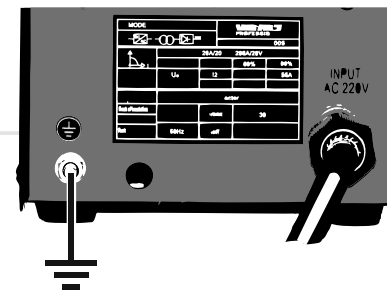
Заземлення запобігає можливості електрошоку. Для надійного заземлення виробу рекомендується використовувати дріт заземлення, який під'єднується до клеми заземлення та заземлювач (провід та заземлювач в комплект поставки виробу не включений) (див. малюнок 5).

В якості заземлювача можуть використовуватися металеві труби системи водопостачання, каналізації, які знаходяться в землі, або металеві каркаси будівель, що мають з'єднання із землею.

**УВАГА!**

Дріт заземлення повинен мати переріз не менше 1,5 мм, бажано з крученого мідного дроту.

Клема заземлення та заземлювач повинні мати надійний контакт із дротом заземлення.



малюнок 5

**ОБЕРЕЖНО!**

Щоб здійснити правильне підключення заземлення, отримайте кваліфіковану консультацію у відповідного спеціаліста або скористайтеся його послугами.

Якщо вище переліченими заземлювачами ви не в змозі скористатися, використовуйте один із наступних заземлювачів:

- металеву трубу довжиною не менше 1500 мм і діаметром не менше 50 мм;
- металевий стрижень завдовжки не менше 1500 мм і діаметром не менше 15 мм;
- лист з оцинкованої сталі, сталі без покриття розміром 1500x1000 мм.

**УВАГА!**

Дане керівництво не може врахувати всіх можливих випадків, які можуть виникнути в реальних умовах експлуатації виробу. У цьому випадку слід керуватися здоровим глуздом, дотримуватися граничної уваги та проявляти акуратність при виконанні зварювальних робіт

5.1. ЗАСТОСУВАННЯ

Зварювальні апарати інверторного типу можуть застосовуватися як в стаціонарних умовах (на станціях технічного обслуговування автомобілів, будівельних майданчиках, в домашньому та присадибному господарстві, гаражах і т.д.), так і в польових умовах в складі мобільних комплексів, забезпечених бензиною або дизельною міні-електростанцією.

5.2. ПІДГОТОВКА ДО РОБОТИ

Перед початком роботи зварювального апарату виконайте:

1. Акуратно витягніть зварювальний апарат із пакувальної коробки, не допускайте ударів і механічного впливу на деталі виробу.
2. Встановіть виріб на горизонтальній поверхні.
3. Візуально перевірте виріб на предмет відсутності механічних ушкоджень на корпусі зварювального апарату, на кабелі електроживлення та зварювальних кабелях.
4. Перевірте справність байонетних роз'ємів, затискачів електродотримача та «маса».
5. Переконайтеся в надійності поверхні, на яку встановлений зварювальний апарат, і в тому, що є достатньо місця (не менше 0,5 м з кожного боку і зверху) для забезпечення нормальної роботи системи вентиляції.
6. Переконайтеся, що мережевий вимикач (клавіша «ON/OFF») знаходиться в положенні «OFF».

Порядок підготовки зварювального апарату до роботи

1. З'єднайте зі зварювальним апаратом зварювальні кабелі, дотримуючись необхідної полярності підключення. Щоб надійно закріпити зварювальний кабель в байонетних роз'ємах, необхідно поєднати виступ на штекері кабелю з пазом байонетного роз'єму, натиснути штекер і з невеликим зусиллям повернути за годинниковою стрілкою до упору.

2. Надійно з'єднайте зі зварювальним апаратом дріт заземлення (див. п. 4.3. Керівництва): один кінець дроту з'єднайте із заземлювачем, а другий кінець дроту підключіть до клеми заземлення виробу та надійно затягніть притискну гайку.



УВАГА!

Ненадійний контакт призведе до перегріву та швидкого виходу байонетних роз'ємів і штекерів із ладу, а також може стати причиною неефективної роботи зварювального апарату.

3. Надійно закріпіть затискач зварювального кабелю «маса» в безпосередній близькості від місця зварювання для зменшення опору зварювального контуру.

4. Підключіть кабель електроживлення до джерела (електричної розетки, мініелектростанції) однофазного змінного струму напругою 220 В частотою 50 Гц. Потужність джерела електромережі повинна бути достатньою для забезпечення електроживленням зварювального апарату. Джерело повинно бути забезпечене автоматичним запобіжником (плавким запобіжником) із відповідним струмом спрацьовування. Не можна підключати виріб до джерел електроживлення з параметрами, відмінними від зазначених у розділі 3 даного керівництва, так як це призведе до виходу зварювального апарату з ладу.



УВАГА!

Номинальний струм спрацьовування автоматичного запобіжника повинен становити 40 А.

Номинальний струм автоматичного запобіжника не повинен перевищувати допустимих струмових навантажень для електричної проводки домашньої мережі.



ОБЕРЕЖНО!

Електрична розетка повинна бути заземлена. Дріт заземлення розетки повинен мати переріз не менше 1,5 мм. Якщо електрична розетка не заземлена, здійсніть заземлення корпусу виробу, як зазначено в п.4.3. даного керівництва.

Підключайте виріб тільки до розеток стандарту 2P+T із пропускнуою здатністю не менш ніж 40 А.

**ПРИМІТКА!**

Заземлення зварювального апарату можна здійснити одним із двох способів: під'єднати заземлення до клеми апарату «Земля» або підключити виріб до заземленої розетки.

5. Увімкніть мережевий вимикач, перевівши клавішу «ON/OFF» у положення «ON».

6. Після включення системи примусового охолодження виробу (чутно характерне гудіння), поворотом рукоятки ручного регулятора зварювального струму встановіть необхідну величину струму. На цифровому інформаційному дисплеї буде відобразитися задане значення зварювального струму (тільки моделі Mi 200md, Mi 200da і Mi 225da).

7. Перевірте стан світлового індикатора «Перегрів».

**УВАГА!**

Якщо індикатор світиться, зварювальний апарат перебуває в режимі захисту від перегріву, що стався внаслідок перевантаження. Дайте охолонути виробу. Зварювальний апарат автоматично буде готовий до роботи, коли температура всередині корпусу понизиться, світловий індикатор при цьому згасне.

8. Зварювальний апарат готовий до роботи.

**ОБЕРЕЖНО!**

Виконання будь-яких підключень до зварювального контуру повинно здійснюватися при відключеному від електромережі виробі.

**УВАГА!**

Не використовуйте зварювальні кабелі довжиною більше 10 м.

ОБЕРЕЖНО!

Не використовуйте металеві предмети, які не є частиною зварюваної конструкції (металеві прутки, труби, смуги і т.д.) для заміни або подовження зварювального кабелю із затискачем «маса», так як це призводить до порушень правил безпеки, до збільшення опору зварювального контуру і, відповідно, до зниження якості зварювального з'єднання.

5.3. ЗВАРЮВАЛЬНІ РОБОТИ**УВАГА!**

При зварювальних роботах завжди використовуйте захисну маску зварника або спеціальні захисні окуляри із затемненим склом для захисту очей від сильного світлового та ультрафіолетового випромінювання, утвореного електричною дугою.

1. Очистіть поверхню металу в зоні зварювання та точці підключення затиску «маса» від пилу, бруду, води, іржі а також фарби.

2. Зробіть односторонню або двосторонню V-подібну обробку крайок (якщо товщина зварювальних деталей більше 3 мм).

3. Встановіть електрод в електродотримачі.

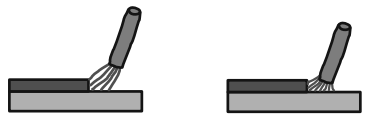
4. Встановіть необхідне значення зварювального струму. Необхідна величина сили зварювального струму вибирається поворотом ручного регулятора до збігу мітки покажчика на регуляторі з потрібним значенням на градуйованій шкалі. При цьому слід врахувати, що точне значення величини зварювального струму буде відобразитися на електронному дисплеї (тільки моделі Mi 200md, Mi 200da і Mi 225da). Значення зварювального струму встановлюється залежно від товщини зварюваного металу та діаметра використовуваного електроду (дивіться також технічні характеристики електроду на його пакувальній коробці): 1,6 мм – 60-90 А; 2,5 мм – 90-100 А; 3,2 мм – 110 - 140 А; 4,0 мм – 140-200 А; 5,0 мм – 200-225 А.

5. Торкніться зварюваної деталі.

**УВАГА!**

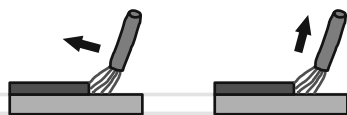
Не стукайте сильно електродом по зварюваній поверхні, так як це може призвести до пошкодження електроду та утруднити виникнення електричної дуги.

6. Для порушення дуги відведіть електрод від зварюваної поверхні на відстань (залежно від діаметра електроду відстань повинна відповідати 1-1,5 діаметра електроду, який використовується) та утримуйте цю відстань протягом всього зварювального процесу (див. малюнок 6).



малюнок 6

7. Для зупинки процесу зварювання відведіть електрод від зварюваної поверхні. Правильний напрямок відводу електроду зображено на малюнку 7.



малюнок 7

Для отримання міцного зварювального з'єднання крім правильного вибору зварювального струму необхідно забезпечити правильне положення електроду щодо зварюваної поверхні. Кут нахилу електроду повинен становити 60-80 градусів (див. малюнок 8). При занадто великому куті нахилу зварювальний шов може стати пористим, при занадто малому куті – утворюється велика кількість бризок розплавленого металу, та дуга стає нестійкою.



малюнок 8

Довжина електроду в процесі зварювання зменшується. Коли довжина електроду досягає 15-20 мм, припиніть зварювання та замініть електрод, натиснувши ручку електродотримача.

Зварювання електродом із захисним покриттям супроводжується утворенням шлакового шару вздовж траєкторії руху електроду. Для отримання однорідного та гладенького шву, а також щоб не утворювалася корозія на шві, цей шлаковий шар необхідно видаляти завжди після кожного проходу за допомогою щітки-молотка.

Після обриву дуги на електроді завжди залишається козирок з обмазки довжиною 1-2 мм. При повторному запалюванні дуги необхідно дозованим ударом збити з електроду цей козирок і залишки шлаку.

**УВАГА!**

Електрод і шлак нагріваються до високої температури. Щоб уникнути опіків будьте обережні при заміні електроду та видаленні шлаку.

Електроди з основним покриттям для зварювання постійним струмом (УОНИ 13/55 і т.д.) застосовуються переважно у випадках, коли необхідно отримати високі механічні показники зварного з'єднання, наприклад, при зварюванні труб, оскільки таке покриття додає зварювальній ванні підвищену в'язкість і забезпечує велику глибину проварювання шву.

Для отримання якісного шву такі електроди вимагають обов'язкової прокалки. Зварювання виконують постійним струмом на зворотній полярності (електрод підключається до байонетного роз'єму зварювального апарату з позначенням «+»).

Зварювання електродом з покриттям для змінного струму (MP-3, АНО-21 і т.п.) можна виконувати як з прямою полярністю («-» на електроді), так і зі зворотною полярністю («+» на електроді).

Вибір полярності залежить від умов зварювання. Зворотна полярність дає більш стійку дугу при неякісних електродах, менше гріє зварювану деталь. Застосовується переважно для зварювання тонких деталей і для роботи у важкодоступних місцях. Електрод вигорає повільніше. Пряма полярність дає більше тепла в зону зварювання. Застосовується переважно для зварювання масивних теплоємних деталей. Електрод вигорає швидше.

Допустимі значення зварювального струму залежно від діаметра електроду*

Діаметр електроду, мм	Товщина зварюваного металу, мм	Діапазон значень зварювального струму, А	
		Електрод з рутіловим покриттям	Електрод з основним покриттям
1,6	1,5 - 2,0	30 - 60	50 - 75
2,0	1,5 - 3,0	50 - 80	60 - 100
2,5	1,5 - 5,0	60 - 110	70 - 120
3,2	2,0 - 12,0	90 - 140	110 - 160
4,0	4,0 - 20,0	140 - 200	160 - 220
5,0	8,0 - 24,0	170 - 250	190 - 260

* Дане керівництво не є посібником зі зварювальної справи. За отриманням більш повної інформації про процес зварювання зверніться до кваліфікованого фахівця або до довідкових матеріалів.

УВАГА!

Часті спрацювання системи захисту зварювального апарату від перегріву інформує про те, що виріб працює зі значним перевантаженням. Щоб уникнути виходу зварювального апарату з ладу змініть параметри процесу зварювання. Для цього виберіть електроди меншого діаметру, зменшіть зварювальний струм, зменшіть тривалість періодів безперервного зварювання та поліпшіть вентиляцію виробу.

**ОБЕРЕЖНО!**

Перед початком робіт із технічного обслуговування зварювального апарату відключіть електроживлення та від'єднайте зварювальні кабелі.

У конструкції зварювальних апаратів інверторного типу "Vitals "Professional" Mi 200md, Mi 200m, Mi 200da і Mi 225da застосовані найсучасніші електронні компоненти та новітні технології перетворення електричного струму. Завдяки цьому апарати не вимагають проведення регулярного сервісного обслуговування, за винятком очищення.

Тим не менш, для забезпечення надійної роботи виробу протягом тривалого періоду експлуатації та зберігання необхідно своєчасно проводити технічне обслуговування.

Передбачені такі види технічного обслуговування:

- контрольний огляд;
- технічне обслуговування.

Контрольний огляд необхідно проводити до та після використання зварювального апарату або його транспортування. При контрольному огляді слід перевірити надійність кріплення всіх роз'ємів, відсутність пошкоджень корпусу, органів управління, кабелю електроживлення та зварювальних кабелів.

Технічне обслуговування зварювального апарату необхідно проводити не рідше одного разу на два місяці, з метою видалення пилу та бруду, що накопичилися всередині корпусу виробу під час його роботи, перевірки стану роз'ємів, клеми, кабелів.

**ПРИМІТКА!**

Залежно від частоти використання зварювального апарату та умов навколишнього середовища, технічне обслуговування виробу повинно проводитися частіше.

Комплекс заходів при технічному обслуговуванні:

- зовнішній огляд виробу (перевірка корпусу, органів управління, байонетних роз'ємів, клеми та затиску «земля», ізоляції мережевого та зварювальних кабелів, електродотримача на предмет пошкодження);
- очищення внутрішньої частини зварювального апарату від пилу та бруду;
- перевірка, очищення, протяжка контактної групи (байонетні роз'єми, клема заземлення, затиск «маса» і електродотримач).

**ПРИМІТКА!**

Для видалення пилу з внутрішньої частини корпусу виробу зніміть захисний корпус, попередньо відкрутивши за допомогою викрутки 10 гвинтів. Акуратно видаліть пил стисненим повітрям (максимальний тиск 1,5 - 2 атм.) Встановіть кожух на штатне місце і надійно закрутіть гвинти.

**УВАГА!**

При проведенні очищення виробу не гніть кабелі та не доторкуйтесь до деталей електронної плати щоб уникнути їх пошкодження.

**ПРИМІТКА!**

Технічне обслуговування виробу рекомендується проводити досвідченому фахівцеві. У разі виникнення труднощів при проведенні технічного обслуговування виробу, слід звернутися за допомогою до сервісного центру.

**ТРАНСПОРТУВАННЯ
ТА ЗБЕРІГАННЯ****УВАГА!**

Не переносьте зварювальний апарат із підключеними до нього мережевим і зварювальними кабелями.

**УВАГА!**

Зберігати виріб в одному приміщенні з горючими речовинами, кислотами, лугами, мінеральними добривами та іншими агресивними речовинами забороняється.

**7.1. ТРАНСПОРТУВАННЯ**

Виріб може транспортуватися всіма видами транспорту, які забезпечують збереження виробу, відповідно до загальних правил перевезень.

Під час вантажно-розвантажувальних робіт і транспортування виріб не повинен піддаватися ударам і впливу атмосферних опадів.

Розміщення та кріплення зварювального апарату в транспортних засобах повинні забезпечувати стійке положення виробу та відсутність можливості його переміщення під час транспортування.

Подбайте про те, щоб не пошкодити зварювальний апарат при транспортуванні. Не кладіть на виріб важкі предмети.

Допустимі умови транспортування зварювального апарату: температура навколишнього повітря від -15 °С до +55 °С, відносна вологість повітря до 90%.

УВАГА!

Не переносьте виріб за мережевий та зварювальні кабелі.



7.2. ЗБЕРІГАННЯ

Якщо виріб не використовується тривалий час (більше 2 місяців), його необхідно зберігати в приміщенні, яке дуже добре провітрюється, при температурі від -15 °С до +55 °С та відносній вологості не більше 90%, уклавши від попадання на виріб пилу, а також дрібного сміття. Наявність у повітрі парів кислот, лугів та інших агресивних домішок не допускається.

Зварювальний апарат перед постановкою на тривале зберігання повинен бути законсервований.

При підготовці виробу до зберігання:

1. Знеструмте виріб, від'єднайте зварювальні кабелі та дріт заземлення.
2. Видаліть пил, бруд із зовнішньої частини корпусу виробу, байонетних роз'ємів і клеми "Земля".
3. Змастіть тонким шаром машинного масла клему заземлення.

**ПРИМІТКА!**

Після зняття виробу зі зберігання клему заземлення очистіть від мастильних матеріалів.

МОЖЛИВІ НЕСПРАВНОСТІ
ТА ШЛЯХИ ЇХ УСУНЕННЯ

ОПИС НЕСПРАВНОСТІ*	Можлива причина	Шляхи усунення
Чути запах, характерний для горілої ізоляції, зсередини корпусу йде дим, світловий індикатор «Перегрів» не світиться	Коротке замикання або критичне перевантаження системної плати Вийшла з ладу система захисту виробу від перегріву	Негайно знеструмте виріб, навіть якщо їм як і раніше можна виконувати зварювальні роботи, та зверніться до сервісного центру
Відчувається удар електричним струмом при дотику до корпусу апарату	Відсутнє заземлення	Знеструмте зварювальний апарат, добийтеся надійного заземлення корпусу виробу та електричної розетки, до якої приєднується силовий кабель зварювального апарату
Зварювальний апарат включений, вентилятор охолодження працює, але світловий індикатор клавіші «ØN / ØFF» не світиться (тільки моделі Mi 200md, Mi 200m)	Вийшов з ладу світловий індикатор або порушена робота системної плати	Зверніться до сервісного центру

ОПИС НЕСПРАВНОСТІ*	Можлива причина	Шляхи усунення
Зварювальний апарат увімкнений (світловий індикатор клавіші «ON / OFF» світиться – тільки для моделей Mi 200md, Mi 200m), вентилятор охолодження працює, але дуга не запалюється	Пошкоджено зварювальні кабелі. Відсутній контакт у зварювальному контурі	Перевірте стан зварювальних кабелів, надійність контакту зварювальних кабелів у байонетних роз'ємів виробу, на клемі «маса», на зварюваній деталі та електроді в тримачі
Зварювальний апарат увімкнений (світловий індикатор клавіші «ON / OFF» світиться – тільки для моделей Mi 200md, Mi 200m), дуга запалюється але вентилятор охолодження не працює	Вийшла з ладу система примусового охолодження виробу	Негайно відключіть зварювальний апарат та зверніться до сервісного центру
Дуга запалюється, але електрод відразу ж прилипає до зварюваної поверхні	Встановлено занадто малий зварювальний струм	Збільште зварювальний струм
	Недостатня напруга в мережі електроживлення	Замірте напругу в електромережі. Якщо воно нижче допустимого, використовуйте пристрої стабілізації напруги достатньої потужності

ОПИС НЕСПРАВНОСТІ*	Можлива причина	Шляхи усунення
Зварювальний струм виставлений правильно, але неможливо почати зварювання – електрод відразу ж прилипає до зварюваної поверхні	Ненадійний контакт у зварювальному контурі	Перевірте надійність контакту зварювальних кабелів у байонетних роз'ємах виробу, на клемі «маса», на зварюваній деталі та електроді в тримачі
У процесі зварювання дуга «зривається» та гасне	Неякісний електрод або неоптимальне його положення при старті дуги	Спробуйте розігріти електрод, провівши кілька разів по зварюваній поверхні, додавши трохи силу зварювального струму. Отримавши стійку дугу, зменшіть струм до необхідного значення. При запалюванні дуги тримайте електрод під кутом 60°-80° до зварюваної поверхні
	Занадто велика відстань між електродом і зварюваною поверхнею	Тримайте електрод ближче до зварюваної поверхні

ОПИС НЕСПРАВНОСТІ*	Можлива причина	Шляхи усунення
Електроди при зварюванні «ведуть» себе по-різному	Неякісні електроди або електроди різного типу	Перевірте стан електродів, при необхідності просушіть їх. Звертайте увагу на діаметр, полярність і тип електродів. Потрібні полярність і величина зварювального струму звичайно вказуються на пакувальній коробці
У процесі зварювання вимикається автоматичний запобіжник джерела електроживлення 220 В («вибиває пробки»)	Встановлений автоматичний запобіжник із номінальним струмом спрацьовування менш 40 А	Замініть на автоматичний запобіжник з номінальним струмом спрацьовування 40 А
	Недостатня потужність електромережі	Підключіть зварювальний апарат до більш потужного джерела електроживлення 220 В

ОПИС НЕСПРАВНОСТІ*	Можлива причина	Шляхи усунення
Світиться світловий індикатор «Перегрів»	Спрацював термозахист зварювального апарату	Зачекайте (не більше 3-5 хвилин, залежно від температури навколишнього середовища), поки система охолодження в достатній мірі остудить системну плату
	Напруга мережі електроживлення вийшла за допустимі межі	Замірте напругу в електромережі. Якщо вона нижче або вище допустимого, використуйте пристрої стабілізації напруги достатньої потужності
Надмірна кількість іскор в процесі зварювання	Можливо неправильне підключення кабелів	Змініть полярність

* Наведений вище перелік несправностей не відображає всі можливі випадки. При виникненні проблем слід звернутися в сервісний центр ТМ "Vitals" або до кваліфікованого фахівця.

Гарантійний термін експлуатації виробів “Vitals ”Professional” **Mi 200md, Mi 200m, Mi 200da, Mi 225da** становить 18 (вісімнадцять) місяців із зазначеної в гарантійному талоні дати роздрібного продажу.

Споживач має право на безкоштовне гарантійне усунення несправностей, виявлених і пред'явлених у період гарантійного терміну і обумовлених виробничими і конструктивними факторами.

Гарантійне усунення несправностей проводиться шляхом ремонту або заміни пошкоджених частин агрегату в сертифікованих сервісних центрах. У зв'язку зі складністю конструкції ремонт може тривати більше двох тижнів. Причину виникнення несправностей і терміни їх усунення визначають фахівці сервісного центру.

УВАГА!

Вироб приймається на гарантійне обслуговування тільки в повній комплектації, ретельно очищений від бруду і пилу.

Гарантійні зобов'язання втрачають своє значення у наступних випадках:

- Відсутність або нечитабельність гарантійного талону.
- Неправильне заповнення гарантійного талону, відсутність у ньому дати продажу або печатки (штампу) і підпису продавця, серійного номеру виробу.
- Наявність виправлень або підчисток у гарантійному талоні.
- Повна або часткова відсутність, нечитабельність серійного номеру на виробі, невідповідність серійного номеру виробу номеру, вказаному в гарантійному талоні.
- Недотримання правил експлуатації, наведених у керівництві з експлуатації.
- Експлуатація несправного або некомплектного виробу, що стала причиною виходу виробу з ладу.
- Попадання всередину пристрою сторонніх речовин або предметів.
- Причиною несправності, що виникла, стало застосування нестандартних або неякісних витратних і комплектуючих матеріалів.

- Виріб має значні механічні або термічні ушкодження, явні сліди недбалих експлуатації, зберігання або транспортування.
- Виріб використовувався не за призначенням.
- Здійснювалися несанкціонований ремонт, розкриття або спроба модернізації виробу споживачем або третіми особами.
- Несправність виникла в результаті стихійного лиха (пожежа, повінь, ураган і т. п.).

Замінені по гарантії деталі та вузли переходять у розпорядження сервісного центру.

При здійсненні гарантійного ремонту гарантійний термін збільшується на час перебування товару в ремонті. Відлік доданого терміну починається з дати приймання виробу в гарантійний ремонт.

У разі, якщо з технічних причин ремонт виробу неможливий, сервісний центр видає відповідний акт, на підставі якого користувач самостійно вирішує питання з організацією-постачальником про заміну виробу або повернення грошей.

Після закінчення гарантійного терміну сервісні центри продовжують здійснювати обслуговування та ремонт виробу, але вже за рахунок споживача.

Гарантійні зобов'язання не поширюються на несправності, які виникли внаслідок природного зношення або перевантаження виробу.

Гарантійні зобов'язання не поширюються на комплектуючі: зварювальний кабель із зажимом «маса» и зварювальний кабель із електродотримачем.

Гарантійні зобов'язання не поширюються на неповноту комплектації виробу, яка могла бути виявлена при його продажу. Всі витрати на транспортування виробу несе споживач.

Право на гарантійний ремонт не є підставою для інших претензій.

УВАЖАЕМЫЙ ПОКУПАТЕЛЬ!

Благодарим Вас за приобретение сварочного аппарата инверторного типа ТМ “Vitals”.

Техника ТМ “Vitals” разрабатывается по европейским стандартам качества и с использованием современных технологий.

Неправильная эксплуатация сварочного аппарата инверторного типа и несоблюдение мер безопасности может привести к повреждению изделия или к серьезным травмам!

Данное руководство содержит всю необходимую информацию по мерам безопасности во время эксплуатации сварочного аппарата инверторного типа. Внимательно ознакомьтесь с руководством перед началом работы изделия.

Пожалуйста, предоставьте другим пользователям данное руководство, прежде чем они начнут работать со сварочным аппаратом инверторного типа. Данное руководство необходимо хранить для последующего его использования.

Мы постоянно работаем над усовершенствованием своей продукции и, в связи с этим, оставляем за собой право на внесение изменений во внешний вид, оснащение и технологию производства, не изменяя основных принципов управления, без уведомления потребителя. Все возможные изменения будут направлены только на улучшение и модернизацию изделия.

ЗНАЧЕНИЕ КЛЮЧЕВЫХ СЛОВ



ОСТОРОЖНО!

Обозначает потенциально опасные ситуации, которых следует избегать, в противном случае может возникнуть опасность для жизни и здоровья.



ВНИМАНИЕ!

Обозначает потенциально опасные ситуации, которые могут привести к легким травмам или к поломке изделия.



ПРИМЕЧАНИЕ!

Отмечает важную дополнительную информацию.

Профессиональные сварочные аппараты инверторного типа «Vitals Professional» Mi 200md, Mi 200m, Mi 200da и Mi 225da предназначены для выполнения ручной дуговой сварки металлических изделий покрытым электродом. Сварка осуществляется на постоянном токе металлическими плавящимися электродами для постоянного и переменного тока с основным, рутитовым, целлюлозным, кислым, смешанного типа и прочими видами покрытий.

Сварочный аппарат инверторного типа состоит из следующих конструктивных узлов:

- силового трансформатора, понижающего напряжение электросети до необходимого напряжения холостого хода сварочного аппарата;
- блока силовых электрических схем;
- стабилизирующего дросселя, уменьшающего пульсации выпрямленного тока.

Максимально упрощенный принцип действия сварочного аппарата инверторного типа (далее по тексту – сварочный аппарат) основан на преобразовании напряжения 220 В переменного тока частотой 50 Гц в напряжение постоянного тока, после чего напряжение постоянного тока подается на сварочную дугу.

Данные изделия выполнены в соответствии с современными требованиями к стандарту и уровню техники, действующими правилами техники безопасности, отличаются надежностью в процессе эксплуатации, имеют современный дизайн, экономичны, надежны в работе, просты в обращении и обслуживании.

Современная конструкция этих изделий, основанная на передовых инверторных технологиях и включающая в себя микропроцессорное регулирование параметров электрической дуги, позволяет даже не имеющему высокой квалификации сварщику быстро и без проблем получить надежное сварное соединение.

Использование инверторных технологий привело к уменьшению веса и габаритов сварочных аппаратов, улучшению качественного показателя сварочной дуги, увеличению КПД, плавной регулировке сварочного тока.

Отличительные особенности сварочных аппаратов:

- плавная и точная регулировка сварочного тока позволяют добиться идеального качества сварного шва;
- высокая стабильность параметров процесса сварки при любых значениях сварочного тока;
- стойкость и стабильность дуги независимо от колебаний напряжения в электрической сети: специальная разработка для электросетей Украины – рабочее напряжение моделей Mi 200md и Mi 200m составляет 170 В - 245 В, моделей Mi 200da и Mi 225da – 170 В - 270 В;
- низкая степень обратного влияния на сеть электропитания, отсутствие ее чрезмерной перегрузки;
- наличие цифрового информационного дисплея. Три модели (Mi 200md, Mi 200da и Mi 225da) снабжены цифровым информационным дисплеем, на котором отображается точное значение сварочного тока. При выборе требуемого значения сварочного тока необходимо руководствоваться значением, отображаемым на дисплее;
- профессиональный электрододержатель на 300 А;
- надежный и прочный зажим «масса» на 300 А;
- высокая стойкость изделия, обеспечивающая максимальный коэффициент постоянной нагрузки;
- функция «Антизалипание» с полным отключением сварочного тока (только модели Mi 200da и Mi 225da);
- большая длина сварочных кабелей (2,5 метра).

Современные технологии, заложенные в конструкцию изделий:

1. Функция «Hot Start» – автоматическое кратковременное повышение тока для облегченного зажигания сварочной дуги.
2. Функция «Anti Sticking».
3. Функция «Arc Force» – «Модуляция сварочного тока» (автоматическое изменение тока до 30% в зависимости от расстояния от электрода до металла).

Описание основных компонентов сварочного аппарата представлено ниже.

Модель: Mi 200md

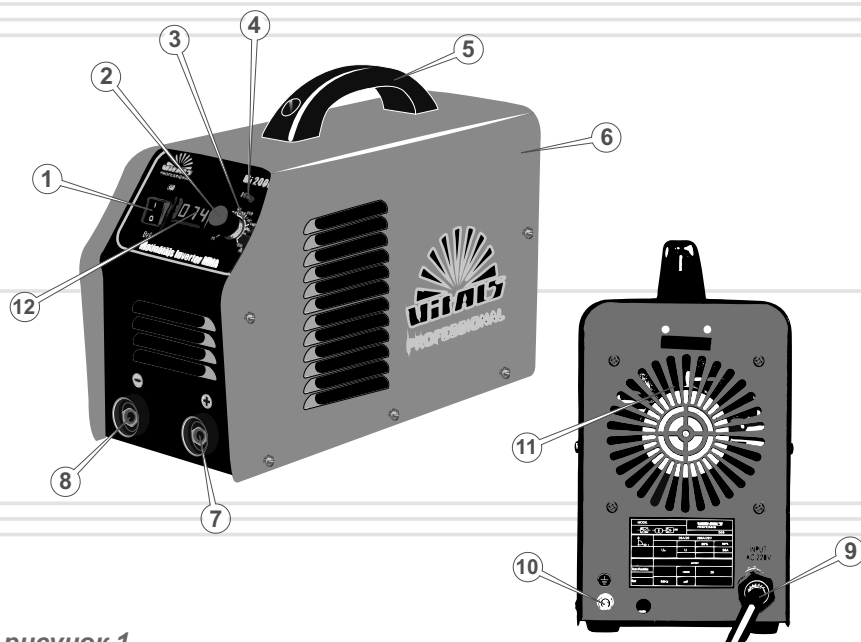


рисунок 1

1. Сетевой выключатель со световым индикатором (клавиша « \emptyset N/ \emptyset FF»).
2. Ручной регулятор сварочного тока.
3. Градуированная шкала (величина сварочного тока, диаметр используемого электрода).
4. Световой индикатор «Перегрев».
5. Рукоятка для переноски сварочного аппарата.
6. Защитный кожух.
7. Байонетный разъем «+».
8. Байонетный разъем «-».
9. Кабель электропитания.
10. Клемма заземления.
11. Вентиляционная решетка.
12. Цифровой информационный дисплей (отображение выбранной величины сварочного тока).

Модель: Mi 200m

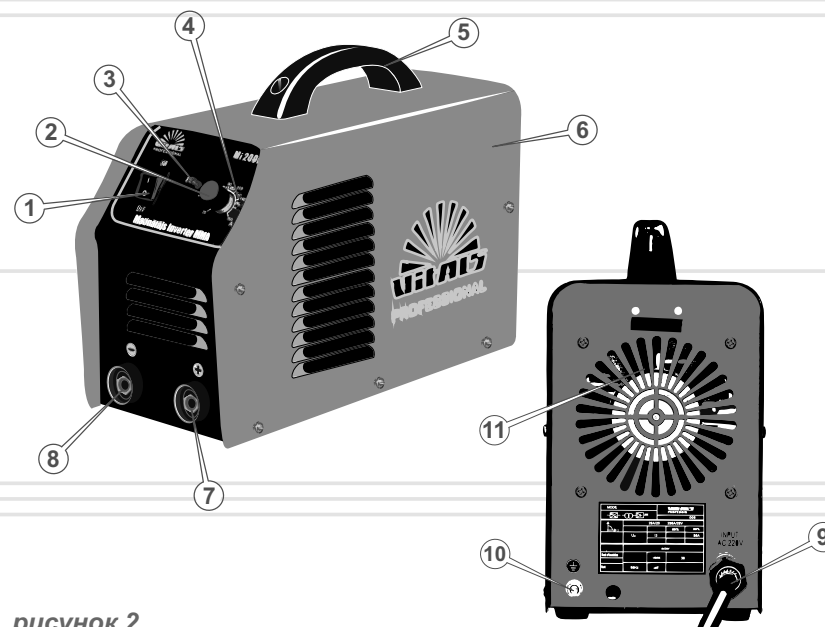


рисунок 2

1. Сетевой выключатель со световым индикатором (клавиша « \emptyset N/ \emptyset FF»).
2. Ручной регулятор сварочного тока.
3. Световой индикатор «Перегрев».
4. Градуированная шкала (величина сварочного тока, диаметр используемого электрода).
5. Рукоятка для переноски сварочного аппарата.
6. Защитный кожух.
7. Байонетный разъем «+».
8. Байонетный разъем «-».
9. Кабель электропитания.
10. Клемма заземления.
11. Вентиляционная решетка.

Модель: Mi 200da

Модель: Mi 225da

РУССКИЙ

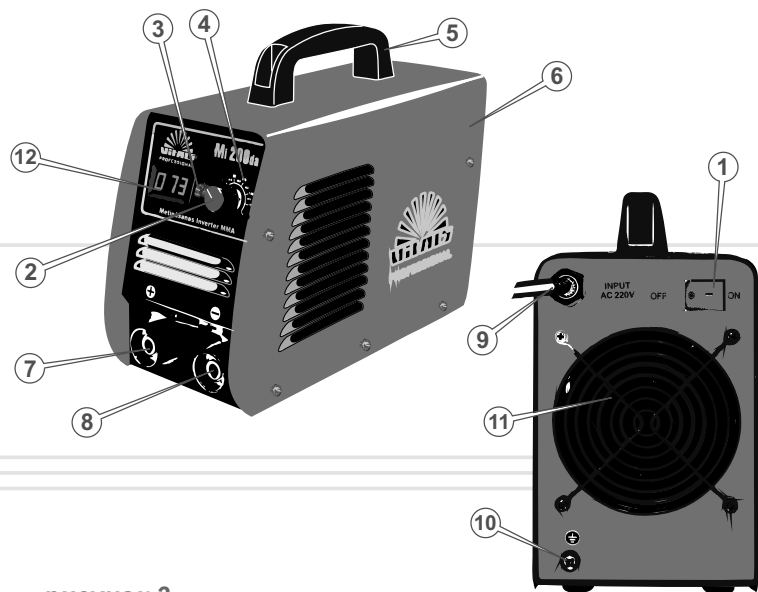


рисунок 3

1. Сетевой выключатель (клавиша «ON/OFF»).
2. Ручной регулятор сварочного тока.
3. Световой индикатор «Перегрев».
4. Градуированная шкала (величина сварочного тока, диаметр используемого электрода).
5. Рукоятка для переноски сварочного аппарата.
6. Защитный кожух
7. Байонетный разъем «+».
8. Байонетный разъем «-».
9. Кабель электропитания.
10. Клемма заземления.
11. Вентиляционная решетка.
12. Цифровой информационный дисплей (отображение выбранной величины сварочного тока).

РУССКИЙ

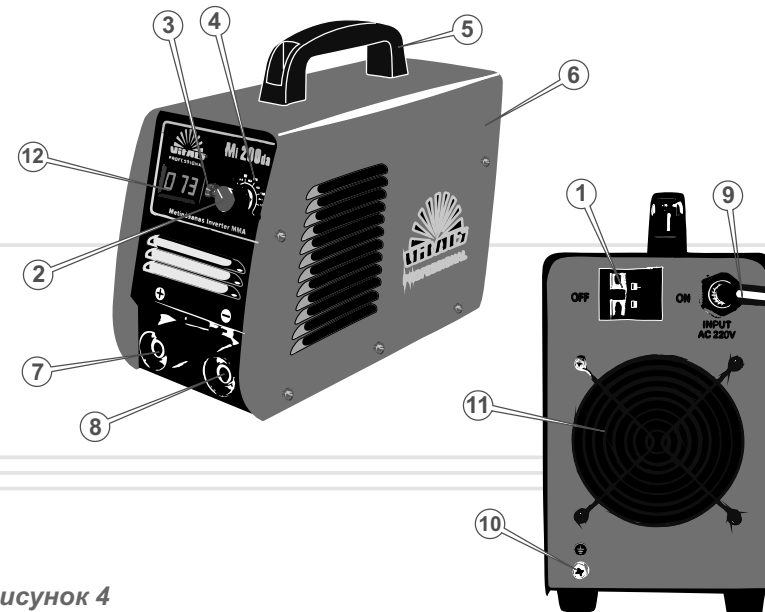


рисунок 4

1. Автоматический предохранитель (клавиша «ON/OFF»).
2. Ручной регулятор сварочного тока.
3. Световой индикатор «Перегрев».
4. Градуированная шкала (величина сварочного тока, диаметр используемого электрода).
5. Рукоятка для переноски сварочного аппарата.
6. Защитный кожух
7. Байонетный разъем «+».
8. Байонетный разъем «-».
9. Кабель электропитания.
10. Клемма заземления.
11. Вентиляционная решетка.
12. Цифровой информационный дисплей (отображение выбранной величины сварочного тока).

2

КОМПЛЕКТ ПОСТАВКИ

1. Сварочный аппарат с рукояткой для переноски.
2. Сварочный кабель с зажимом «масса».
3. Сварочный кабель с электрододержателем.
4. Руководство по эксплуатации.

РУССКИЙ

i

ПРИМЕЧАНИЕ

Завод-изготовитель оставляет за собой право вносить во внешний вид, конструкцию и комплект поставки сварочного аппарата незначительные изменения, не влияющие на работу изделия.

84

3

ТЕХНИЧЕСКИЕ ХАРАКТЕРИСТИКИ

МОДЕЛЬ	Mi 200md	Mi 200m	Mi 200da	Mi 225da
Напряжение переменного тока, В	170 - 245		170 - 270	
Частота тока, Гц	50			
Максимальная потребляемая мощность, кВт	8,7	8,7	8,5	9,4
Напряжение холостого хода, В	61		75	
Сварочный ток, А	20 - 200	20 - 200	20 - 200	20 - 225
Продолжительность включения на максимальном сварочном токе, %	60			
Сила сварочного тока при 100% ПВ, А	155	155	140	180
Диаметр используемого электрода, мм	1,6 - 4,0	1,6 - 4,0	1,6 - 5,0	1,6 - 5,0
Коэффициент мощности (cos φ)	0,93			
Класс изоляции	F		H	
Класс защиты	IP 21			
Длина кабелей, м	2,5			
Габариты сварочного аппарата (ДхВхШ), мм	465x270x330	465x270x330	340x130x280	387x157x305
Вес сварочного аппарата, кг	8,0	8,0	6,0	8,4
Вес брутто, кг	10,5	10,5	8,10	11,30

РУССКИЙ

85

**ПРИМЕЧАНИЕ!**

Все модели снабжены системой защиты изделия в случае перегрева.

**ПРИМЕЧАНИЕ!**

Модели Mi 200da и Mi 225da оснащены функцией «Антизалипание» с полным отключением сварочного тока.

Система защиты от перегрева

Данная аварийная система предназначена для предотвращения выхода из строя сварочного аппарата при перегреве. В процессе долгой и интенсивной сварки при высокой температуре окружающей среды может сработать система защиты от перегрева изделия и произойти отключение сварочного контура. При этом система охлаждения сварочного аппарата продолжит свою работу. На панели управления будет светиться световой индикатор «Перегрев». Работа сварочного аппарата будет продолжена автоматически, когда изделие остынет. Световой индикатор «Перегрев» погаснет.

Функция «Антизалипание»

В процессе сварки капли металла отделяются от электрода, что резко сокращает длину дуги, и электрод может привариться к изделию (залипнуть). При залипании электрода сила тока автоматически отключается, тем самым электрод легко отводится от свариваемой поверхности.

4.1. ВАЖНАЯ ИНФОРМАЦИЯ ПО БЕЗОПАСНОСТИ

Перед началом эксплуатации сварочного аппарата внимательно ознакомьтесь с требованиями по технике безопасности, инструкциями и предупреждениями, изложенными в данном руководстве.

Большинство травм во время работы изделия возникает в результате несоблюдения основных положений правил техники безопасности. Травм и несчастных случаев можно избежать, если строго соблюдать меры предосторожности и заблаговременно предусмотреть потенциальную опасность.

Ни при каких обстоятельствах не используйте изделие способом или в целях, не предусмотренных данным руководством.

Неправильная эксплуатация изделия или эксплуатация необученным человеком может привести к несчастному случаю.

Описание символов

Удалять пыль внутри корпуса необходимо два раза в месяц сжатым воздухом низкого давления (1,5 - 2 атм.).



Корпус изделия должен быть надежно заземлен.



Осторожно! Высокое напряжение. Во избежание несчастных случаев не следует самостоятельно ремонтировать изделие. Ремонт должен проводить опытный специалист.



Перед началом эксплуатации изделия внимательно ознакомьтесь с требованиями данного руководства

ВНИМАТЕЛЬНО ОЗНАКОМЬТЕСЬ СО ВСЕМИ ИНСТРУКЦИЯМИ

Для безопасной эксплуатации изделия необходимо ознакомление с инструкциями и соответствующее обучение. Неправильная эксплуатация сварочного аппарата или эксплуатация необученным

человеком может быть опасной. Внимательно ознакомьтесь с основными компонентами сварочного аппарата. Изучите, как остановить работу изделия в случае необходимости. Несоблюдение приведенных ниже инструкций может привести к поражению электрическим током, привести к смерти человека, нанести серьезный вред его здоровью или имуществу.



ОПАСНОСТЬ ЭЛЕКТРОШОКА

При неправильной работе сварочного аппарата существует опасность электрошока или смерти от поражения электрическим током. Использование изделия в условиях повышенной влажности, около воды, на мокрой траве, во время дождя или снегопада, может привести к смерти от поражения электрическим током. Не сваривайте мокрые детали или детали, находящиеся под водой. Всегда содержите сварочный аппарат сухим.

Изделие не предназначено для эксплуатации и хранения незащищенным на открытом воздухе.

Влага или лед могут привести к неправильной работе сварочного аппарата или к замыканию электрических частей, что может также привести к смерти в результате поражения электрическим током.

Каждый раз перед эксплуатацией сварочного аппарата проверяйте исправность всех его электрических частей.

ОСТОРОЖНО!

Перед началом работы сварочного аппарата предварительно заземлите изделие. Несоблюдение этого приведет к смерти человека или выводу из строя изделия.

ВНИМАНИЕ!

Перед перемещением, проверкой и техническим обслуживанием сварочного аппарата отключите его от сети электропитания.

4.2. БЕЗОПАСНОСТЬ ЭКСПЛУАТАЦИИ

1. НЕ РАЗРЕШАЙТЕ ПОЛЬЗОВАТЬСЯ ИЗДЕЛИЕМ ДЕТЯМ И ЛИЦАМ С ОГРАНИЧЕННЫМИ ВОЗМОЖНОСТЯМИ.
2. БУДЬТЕ ПОЛНОСТЬЮ СКОНЦЕНТРИРОВАННЫ НА РАБОТЕ.
Не отвлекайтесь во время работы сварочным аппаратом, так как это может вызвать потерю контроля и стать причиной получения травм различной степени тяжести.
3. НЕ ЭКСПЛУАТИРУЙТЕ ИЗДЕЛИЕ В СЛУЧАЕ БОЛЕЗНИ, В СОСТОЯНИИ УТОМЛЕНИЯ, НАРКОТИЧЕСКОГО ИЛИ АЛКОГОЛЬНОГО ОПЬЯНЕНИЯ, А ТАКЖЕ ПОД ВОЗДЕЙСТВИЕМ СИЛЬНОДЕЙСТВУЮЩИХ ЛЕКАРСТВЕННЫХ ПРЕПАРАТОВ, СНИЖАЮЩИХ СКОРОСТЬ РЕАКЦИИ И ВНИМАНИЕ.
4. СЛЕДИТЕ ЗА ЦЕЛОСТНОСТЬЮ И ИСПРАВНОСТЬЮ ИЗДЕЛИЯ.
Не включайте и не эксплуатируйте изделие при наличии повреждений, с ненадежно закрепленными сварочными кабелями. Не эксплуатируйте изделие с поврежденным кабелем электропитания.
5. НАДЕВАЙТЕ СООТВЕТСТВУЮЩУЮ ОДЕЖДУ И ОБУВЬ ПРИ ЭКСПЛУАТАЦИИ ИЗДЕЛИЯ.
При сварочных работах надевайте защитную одежду, обувь на нескользящей резиновой подошве, плотные кожаные перчатки или рукавицы, защитную маску или очки с затемненными стеклами, а также другие средства защиты для предотвращения получения ожогов и травм. Используйте изолирующие коврики.
6. НЕ РАБОТАЙТЕ СВАРОЧНЫМ АППАРАТОМ СО СНЯТЫМ ЗАЩИТНЫМ КОЖУХОМ, С НЕИСПРАВНЫМ ЭЛЕКТРОДОДЕРЖАТЕЛЕМ И ЗАЖИМОМ «МАССА».
7. НЕ ИСПОЛЬЗУЙТЕ В РАБОТЕ ПОВРЕЖДЕННЫЕ ИЛИ САМОДЕЛЬНЫЕ СВАРОЧНЫЕ КАБЕЛИ И УДЛИНИТЕЛИ СВАРОЧНЫХ КАБЕЛЕЙ, КАБЕЛЬ ЭЛЕКТРОПИТАНИЯ.
8. НЕ ПРИКАСАЙТЕСЬ К СВАРОЧНЫМ КАБЕЛЯМ, БАЙОНЕТНЫМ РАЗЪЕМАМ ВО ВРЕМЯ РАБОТЫ СВАРОЧНОГО АППАРАТА.
Во время работы изделия кабели находятся под высоким напряжением – опасность электрошока или смерти.

9. НЕ ПРИКАСАЙТЕСЬ К СВАРИВАЕМЫМ ДЕТАЛЯМ И ПОВЕРХНОСТЯМ ДО ПОЛНОГО ИХ ОСТЫВАНИЯ.

Сварка представляет собой высокотемпературный процесс, нагревающий металл до состояния плавления – опасность получения термических ожогов.

10. ВО ВРЕМЯ РАБОТЫ СВАРОЧНОГО АППАРАТА НЕ ПОДПУСКАЙТЕ К МЕСТУ ПРОВОДИМЫХ РАБОТ БЛИЖЕ 5 МЕТРОВ ПОСТОРОННИХ ЛЮДЕЙ И ЖИВОТНЫХ.

Сварочный процесс является источником электромагнитных колебаний, высокой температуры, ультрафиолетового излучения, яркого света. Перед началом сварочных работ убедитесь в отсутствии в зоне проведения сварочных работ посторонних людей и животных, которым могут быть причинены травмы. Установите искрозащитные экраны.

11. ВО ИЗБЕЖАНИЕ ПОРАЖЕНИЯ ОРГАНОВ ЗРЕНИЯ НИ В КОЕМ СЛУЧАЕ НЕ НАБЛЮДАЙТЕ, ДАЖЕ С РАССТОЯНИЯ БОЛЕЕ 15 МЕТРОВ, НА ПРОЦЕСС СВАРКИ БЕЗ СПЕЦИАЛЬНОЙ ЗАЩИТНОЙ МАСКИ ИЛИ ОЧКОВ С ЗАТЕМНЕННЫМИ СТЕКЛАМИ.

Ультрафиолетовое излучение сварочной дуги может нанести непоправимый вред глазам. Нельзя выполнять сварочные работы и приближаться на расстояние ближе 15 метров к месту проведения сварочных работ людям, которые носят контактные линзы, очки, используют кардиостимуляторы и аппараты стабилизации сердечного ритма.

12. НЕ РАЗМЕЩАЙТЕ РЯДОМ СО СВАРОЧНЫМ АППАРАТОМ ЛЕГКОВОСПЛАМЕНЯЮЩИЕСЯ МАТЕРИАЛЫ.

Во время сварочных работ не должны находиться ближе 15 метров от места сварки топливо, машинное масло, спички, замасленная одежда, солома, мусор и другие легковоспламеняющиеся материалы. Заранее позаботьтесь о наличии средств пожаротушения.

13. НЕ НАКРЫВАЙТЕ СВАРОЧНЫЙ АППАРАТ ВО ВРЕМЯ РАБОТЫ.

Изделие оснащено принудительной системой воздушного охлаждения и, если его накрыть, сварочный аппарат может перегреться.

14. ИЗБЕГАЙТЕ ПРЯМЫХ КОНТАКТОВ СО СВАРОЧНЫМ КОНТУРОМ, ОТКРЫТЫМИ ТОКОВЕДУЩИМИ ЧАСТЯМИ СВАРОЧНОГО

АППАРАТА И КАБЕЛЯМИ, В ТОМ ЧИСЛЕ ПРИ РАБОТЕ ИЗДЕЛИЯ В РЕЖИМЕ ХОЛОСТОГО ХОДА.

15. НЕ ВЫПОЛНЯЙТЕ СВАРОЧНЫЕ РАБОТЫ В ДОЖДЬ ИЛИ МОКРЫМИ РУКАМИ.

Работа сварочного аппарата в дождь или снег может привести к электрошоку или к поломке изделия. Если сварочный аппарат намок, перед включением его необходимо насухо вытереть. Не лейте воду на изделие, не мойте его.

16. НЕ ОСТАВЛЯЙТЕ ВКЛЮЧЕННЫМ СВАРОЧНЫЙ АППАРАТ БЕЗ ПРИСМОТРА, ОТКЛЮЧАЙТЕ ИЗДЕЛИЕ ОТ ЭЛЕКТРОСЕТИ СРАЗУ ЖЕ ПОСЛЕ ОКОНЧАНИЯ СВАРОЧНЫХ РАБОТ.

17. ПОМНИТЕ, ГАЗ, ОБРАЗУЮЩИЙСЯ В ПРОЦЕССЕ СВАРКИ – ОПАСЕН ДЛЯ ЗДОРОВЬЯ ЧЕЛОВЕКА.

Проводите сварочные работы на открытом воздухе или в хорошо проветриваемом помещении. Материалы, имеющие в своем составе свинец, кадмий, ртуть, цинк и бериллий, под воздействием сварочной дуги могут выделять ядовитый газ в опасных для жизни и здоровья людей и животных концентрациях. При сварке таких материалов обязательно используйте индивидуальные средства защиты органов дыхания.

18. ПЕРЕД НАЧАЛОМ РАБОТ УСТАНОВИТЕ СВАРОЧНЫЙ АППАРАТ НА РОВНОЙ ГОРИЗОНТАЛЬНОЙ ПОВЕРХНОСТИ.

Во избежание переворачивания изделия не устанавливайте его на неровной, а также вибрирующей поверхностях.

19. ЕСЛИ ВО ВРЕМЯ ПРОВЕДЕНИЯ СВАРОЧНЫХ РАБОТ ИСКРЫ ПОПАЛИ В ВЕНТИЛЯЦИОННЫЕ ОТВЕРСТИЯ СВАРОЧНОГО АППАРАТА, НЕМЕДЛЕННО ОТКЛЮЧИТЕ ИЗДЕЛИЕ ОТ ЭЛЕКТРОСЕТИ И ОБРАТИТЕСЬ В СЕРВИСНЫЙ ЦЕНТР.

20. ПРИ ЭКСПЛУАТАЦИИ, ХРАНЕНИИ И ТРАНСПОРТИРОВКЕ СВАРОЧНОГО АППАРАТА, ЗАЩИЩАЙТЕ ЕГО ОТ ВОЗДЕЙСТВИЯ АТМОСФЕРНЫХ ОСАДКОВ, ВОДЯНЫХ ПАРОВ, АГРЕССИВНЫХ ВЕЩЕСТВ, МЕХАНИЧЕСКИХ ПОВРЕЖДЕНИЙ, ПОПАДАНИЯ ИСКР, РАСПЛАВЛЕННОГО МЕТАЛЛА, ПЫЛИ И ГРЯЗИ.

21. НЕ ПЫТАЙТЕСЬ САМОСТОЯТЕЛЬНО РЕМОНТИРОВАТЬ ИЗДЕЛИЕ, ОБРАТИТЕСЬ В СЕРВИСНЫЙ ЦЕНТР.

**ОСТОРОЖНО!**

Постоянно следите за тем, чтобы при подключенном к электросети сварочном аппарате электродержатель с электродом не касался зажима «масса» и корпуса изделия. Не используйте сетевой и сварочные кабели, если у них повреждена или изношена изоляция.

**ВНИМАНИЕ!**

Постоянно следите за исправностью изделия. В случае отказа в работе, появлении запаха, характерного для горелой изоляции, пламени, искр, немедленно остановите работу изделия и обратитесь в сервисный центр.

Все модели сварочных аппаратов прошли необходимые тесты на электромагнитную совместимость и безопасность в соответствии с установленными требованиями. Тем не менее, во время проведения сварочных работ данные изделия могут оказывать влияние на находящиеся поблизости радиоэлектронные устройства и компьютерные системы управления.

**ПРИМЕЧАНИЕ!**

Пользователь сварочного аппарата обязан принять все возможные меры предосторожности для недопущения нанесения прямого или косвенного ущерба сторонним лицам и организациям (больницам, лабораториям, центрам обработки информации и т.д.).

4.3. ЗАЗЕМЛЕНИЕ

Заземление предотвращает возможность электрошока. Для надежного заземления изделия рекомендуется использовать провод заземления, который подсоединяется к клемме заземления и заземлитель (провод и заземлитель в комплект поставки изделия не включен) (см. рисунок 5).

ОСТОРОЖНО!

Категорически запрещается использовать сварочный аппарат без заземления!

**ОСТОРОЖНО!**

Электрическая розетка, к которой подключается сварочный аппарат, должна быть заземлена. Провод заземления розетки должен иметь сечение не менее 1,5 мм.

**ВНИМАНИЕ!**

Провод заземления должен иметь сечение не менее 1,5 мм, желательно из витой медной проволоки. Клемма заземления и заземлитель должны иметь надежный контакт с проводом заземления.

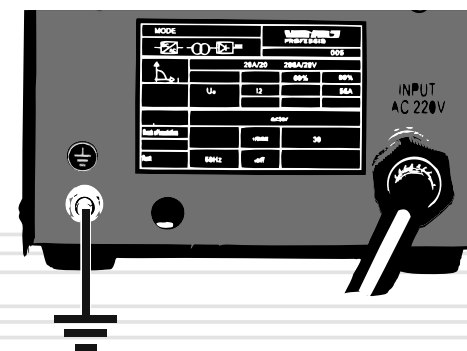


рисунок 5

В качестве заземлителя могут использоваться находящиеся в земле металлические трубы системы водоснабжения, канализации или металлические каркасы зданий, имеющие соединение с землей.

ОСТОРОЖНО!

Чтобы осуществить правильное подключение заземления получите квалифицированную консультацию у соответствующего специалиста или воспользуйтесь его услугами.



Если вышеперечисленными заземлителями вы не в состоянии воспользоваться, используйте один из следующих заземлителей:

- металлическую трубу длиной не менее 1500 мм и диаметром не менее 50 мм;
- металлический стержень длиной не менее 1500 мм и диаметром не менее 15 мм;
- лист из оцинкованной стали, стали без покрытия размером 1500x1000 мм.

ВНИМАНИЕ!

Данное руководство не может учесть всех возможных случаев, которые могут возникнуть в реальных условиях эксплуатации изделия. В этом случаях следует руководствоваться здравым смыслом, соблюдать предельное внимание и аккуратность при выполнении сварочных работ.

**5.1. ПРИМЕНЕНИЕ**

Сварочные аппараты инверторного типа могут применяться как в стационарных условиях (на станциях технического обслуживания автомобилей, строительных площадках, в домашнем и приусадебном хозяйстве, гаражах и т.д.), так и в полевых условиях в составе мобильных комплексов, снабженных бензиновыми или дизельными мини-электростанциями.

5.2. ПОДГОТОВКА К РАБОТЕ

Перед началом работы сварочного аппарата выполните:

1. Аккуратно извлеките сварочный аппарат из упаковочной коробки, не допускайте ударов и механического воздействия на детали изделия.

2. Установите изделие на горизонтальной поверхности.

3. Визуально проверьте изделие на предмет отсутствия механических повреждений на корпусе сварочного аппарата, на кабеле электропитания и сварочных кабелях.

4. Проверьте исправность байонетных разъемов, зажимов электродержателя и «масса».

5. Убедитесь в надежности поверхности, на которую установлен сварочный аппарат, и в том, что есть достаточно места (не менее 0,5 м с каждой стороны и сверху) для обеспечения нормальной работы системы вентиляции.

6. Убедитесь, что сетевой выключатель (клавиша «ON/OFF») находится в положении «OFF».

Порядок подготовки сварочного аппарата к работе

1. Соедините со сварочным аппаратом сварочные кабели, соблюдая необходимую полярность подключения. Чтобы надежно закрепить сварочный кабель в байонетном разьеме, необходимо совместить выступ на штекере кабеля с пазом байонетного разьема, надавить штекер и с небольшим усилием повернуть по часовой стрелке до упора.

2. Надежно соедините со сварочным аппаратом провод заземления (см. п. 4.3. руководства): один конец провода соедините с заземлителем, а второй конец провода подсоедините к клемме заземления изделия и надежно затяните прижимную гайку

**ВНИМАНИЕ!**

Ненадежный контакт приведет к перегреву и быстрому выходу байонетных разъемов и штекеров из строя, а также может стать причиной неэффективной работы сварочного аппарата.

3. Надежно закрепите зажим сварочного кабеля «масса» в непосредственной близости от места сваривания для уменьшения сопротивления сварочного контура.

4. Подсоедините кабель электропитания к источнику (электрической розетке, миниэлектростанции) однофазного переменного тока напряжением 220 В частотой 50 Гц. Мощность источника электросети должна быть достаточной для обеспечения электропитанием сварочного аппарата. Источник должен быть снабжен автоматическим предохранителем (плавким предохранителем) с соответствующим током срабатывания. Нельзя подключать изделие к источникам электропитания с параметрами, отличными от указанных в разделе 3 данного руководства, так как это приведет к выходу сварочного аппарата из строя.

**ВНИМАНИЕ!**

Номинальный ток срабатывания автоматического предохранителя должен составлять 40 А.

Номинальный ток автоматического предохранителя не должен превышать допустимых токовых нагрузок для электрической проводки домашней сети.

**ОСТОРОЖНО!**

Электрическая розетка должна быть заземлена. Провод заземления розетки должен иметь сечение не менее 1,5 мм. Если электрическая розетка не заземлена, обязательно заземлите корпус изделия, как указано в п.4.3. данного руководства.

Подключайте изделие только к розеткам стандарта 2P+T с пропускающей способностью не менее чем 40 А.

**ПРИМЕЧАНИЕ!**

Заземление сварочного аппарата можно осуществить одним из двух способов: подсоединить заземление к клемме аппарата «Земля» либо подключить изделие к заземленной розетке.

5. Включите сетевой выключатель, переведя клавишу «ON/OFF» в положение «ON».

6. После включения системы принудительного охлаждения изделия (слышно характерное гудение), поворотом рукоятки ручного регулятора сварочного тока установите необходимую величину тока. На цифровом информационном дисплее будет отображаться заданное значение сварочного тока (только модели Mi 200md, Mi 200da и Mi 225da).

7. Проверьте состояние светового индикатора «Перегрев».

**ВНИМАНИЕ!**

Если индикатор светится, сварочный аппарат пребывает в режиме защиты от перегрева, произошедшего вследствие перегрузки. Дайте остыть изделию. Сварочный аппарат автоматически будет готов к работе, когда температура внутри корпуса понизится, световой индикатор при этом погаснет.

8. Сварочный аппарат готов к работе.

**ОСТОРОЖНО!**

Выполнение любых подключений к сварочному контуру должно осуществляться при отключенном от электросети изделии.

**ВНИМАНИЕ!**

Не используйте сварочные кабели длиной более 10 м.

**ОСТОРОЖНО!**

Не используйте металлические предметы, не являющиеся частью свариваемой конструкции (металлические прутья, трубы, полосы и т.д.) для замены или удлинения сварочного кабеля с зажимом «масса», так как это приводит к нарушениям правил безопасности, к увеличению сопротивления сварочного контура и, соответственно, к снижению качества сварочного соединения.

**ВНИМАНИЕ!**

При сварочных работах всегда используйте защитную маску сварщика или специальные защитные очки с затемненными стеклами для защиты глаз от сильного светового и ультрафиолетового излучения, образуемого электрической дугой.

5.3. СВАРОЧНЫЕ РАБОТЫ

1. Очистите поверхность металла в зоне сварки и точке подключения зажима «масса» от пыли, грязи, воды, ржавчины и краски.

2. Сделайте одностороннюю или двухстороннюю V-образную обработку кромок (если толщина свариваемых деталей более 3 мм).

3. Установите электрод в электрододержатель.

4. Установите необходимое значение сварочного тока.

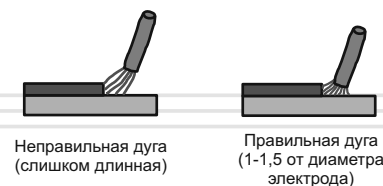
Требуемая величина силы сварочного тока выбирается поворотом ручного регулятора до совпадения метки указателя на регуляторе с нужным значением на градуированной шкале. При этом следует учесть, что точное значение величины сварочного тока будет отображаться на электронном дисплее (только модели Mi 200md, Mi 200da и Mi 225da). Значение сварочного тока устанавливается в зависимости от толщины свариваемого металла и диаметра используемого электрода (смотрите также технические характеристики электрода на его упаковочной коробке): 1,6 мм – 60-90 А; 2,5 мм – 90-100 А; 3,2 мм – 110-140А; 4,0 мм – 140-200А, 5,0 мм – 200-225 А.

5. Коснитесь свариваемой детали.

**ВНИМАНИЕ!**

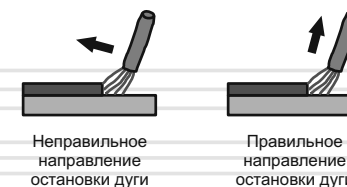
Не стучите сильно электродом по свариваемой поверхности, так как это может привести к повреждению электрода и затруднить образованию электрической дуги.

6. Для возбуждения дуги отведите электрод от свариваемой поверхности на расстояние (в зависимости от диаметра электрода расстояние должно соответствовать 1-1,5 диаметра используемого электрода) и удерживайте это расстояние в течение всего сварочного процесса (см. рисунок 6).



рисунк 6

7. Для остановки процесса сварки отведите электрод от свариваемой поверхности. Правильное направление отвода электрода изображено на рисунке 7.



рисунк 7

Для получения прочного сварочного соединения кроме правильного выбора сварочного тока необходимо обеспечить правильное положение электрода относительно свариваемой поверхности. Угол наклона электрода должен составлять 60-80 градусов (см. рисунок 8). При слишком большом угле наклона сварочный шов может стать пористым, при слишком малом угле – образуется большое количество брызг расплавленного металла, и дуга становится неустойчивой.

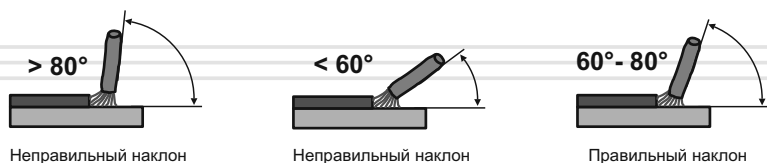


рисунок 8

Длина электрода в процессе сварки уменьшается. Когда длина электрода достигает 15-20 мм, прекратите сварку и замените электрод, нажав ручку электродержателя.

Сваривание электродами с защитным покрытием сопровождается образованием шлакового слоя вдоль траектории движения электрода. Для получения однородного и гладкого шва, а также чтобы не образовывалась коррозия на шве, этот шлаковый слой необходимо удалять всегда после каждого прохода с помощью щетки-молотка.

После обрыва дуги на электроде всегда остается козырек из обмазки длиной 1-2 мм. При повторном зажигании дуги необходимо дозированным ударом сбить с электрода этот козырек и остатки шлака.

ВНИМАНИЕ!

Электрод и шлак нагреваются до высокой температуры. Во избежание ожогов будьте осторожны при замене электрода и удалении шлака.

Электроды с основным покрытием для сварки постоянным током (УОНИ 13/55 и т.д.) применяются преимущественно в случаях, когда необходимо получить высокие механические показатели сварного соединения, к примеру, при сварке труб, поскольку такое покрытие придает сварочной ванне повышенную вязкость и обеспечивает большую глубину проваривания шва.

Для получения качественного шва такие электроды требуют обязательной прокалки. Сварку выполняют постоянным током на обратной полярности (электрод подключается к байонетному разъему сварочного аппарата с обозначением «+»).

Сварку электродами с покрытием для переменного тока (MP-3, АНО-21 и т.п.) можно выполнять как с прямой полярностью («-» на электроде), так и с обратной («+» на электроде). Выбор полярности зависит от условий сварки. Обратная полярность дает более стойкую

дугу при некачественных электродах, меньше греет свариваемую деталь. Применяется преимущественно для сварки тонких деталей и для работы в труднодоступных местах. Электрод выгорает медленнее. Прямая полярность дает больше тепла в зону сваривания. Применяется преимущественно для сварки массивных теплоемких деталей. Электрод выгорает быстрее.

Допустимые значения сварочного тока в зависимости от диаметра электрода*

Диаметр электрода, мм	Толщина свариваемого металла, мм	Диапазон значений сварочного тока, А	
		Электрод с рутиловым покрытием	Электрод с основным покрытием
1,6	1,5 - 2,0	30 - 60	50 - 75
2,0	1,5 - 3,0	50 - 80	60 - 100
2,5	1,5 - 5,0	60 - 110	70 - 120
3,2	2,0 - 12,0	90 - 140	110 - 160
4,0	4,0 - 20,0	140 - 200	160 - 220
5,0	8,0 - 24,0	170 - 250	190 - 260

* Данное руководство не является пособием по сварочному делу. За получением более полной информации о процессе сварки обратитесь к квалифицированному специалисту или к справочным материалам.

ВНИМАНИЕ!

Частое срабатывание системы защиты сварочного аппарата от перегрева информирует о том, что изделие работает со значительной перегрузкой. Во избежание выхода сварочного аппарата из строя измените параметры процесса сварки. Для этого выберите электроды меньшего диаметра, уменьшите сварочный ток, уменьшите длительность периодов непрерывной сварки и улучшите вентиляцию изделия.

ОСТОРОЖНО!

Перед началом работ по техническому обслуживанию сварочного аппарата отключите электропитание и отсоедините сварочные кабели.



В конструкции сварочных аппаратов инверторного типа “Vitals” Professional Mi 200md, Mi 200m, Mi 200da и Mi 225da применены самые современные электронные компоненты и новейшие технологии преобразования электрического тока. Благодаря этому аппараты не требуют проведения регулярного сервисного обслуживания, за исключением очистки.

Тем не менее, для обеспечения надежной работы изделия в течение длительного периода эксплуатации и хранения необходимо своевременно проводить техническое обслуживание.

Предусмотрены следующие виды технического обслуживания:

- контрольный осмотр;
- техническое обслуживание.

Контрольный осмотр необходимо проводить до и после использования сварочного аппарата или его транспортировки. При контрольном осмотре следует проверить надежность крепления всех разъемов, отсутствие повреждений корпуса, органов управления, кабеля электропитания и сварочных кабелей.

Техническое обслуживание сварочного аппарата необходимо проводить не реже одного раза в два месяца, с целью удаления пыли и грязи, накопившихся внутри корпуса изделия во время его работы, проверки состояния разъемов, клемм, кабелей.

**ПРИМЕЧАНИЕ!**

В зависимости от частоты использования сварочного аппарата и условий окружающей среды, техническое обслуживание изделия может проводиться чаще.

Комплекс мероприятий при техническом обслуживании:

- внешний осмотр изделия (проверка корпуса, органов управления, байонетных разъемов, клеммы и зажима «земля», изоляции сетевого и сварочных кабелей, электрододержателя на предмет повреждения);
- очистка внутренней части сварочного аппарата от пыли и грязи;
- проверка, очистка, протяжка контактной группы (байонетные разъемы, клемма заземления, зажим «масса» и электрододержатель).

**ПРИМЕЧАНИЕ!**

Для удаления пыли с внутренней части корпуса изделия снимите защитный корпус, предварительно открутив при помощи отвертки 10 винтов. Аккуратно удалите пыль сжатым воздухом (максимальное давление 1,5 - 2 атм.) Установите кожух на штатное место и надежно закрутите винты.

**ВНИМАНИЕ!**

При проведении очистки изделия не перегибайте кабели и не прикасайтесь к деталям электронной платы во избежание их повреждения.

**ПРИМЕЧАНИЕ!**

Техническое обслуживание изделия рекомендуется проводить опытному специалисту. В случае возникновения трудностей при проведении технического обслуживания изделия, следует обратиться за помощью в сервисный центр.

ВНИМАНИЕ!

Не перемещайте сварочный аппарат с подключенными сетевым и сварочными кабелями.

ВНИМАНИЕ!

Хранить изделие в одном помещении с горючими веществами, кислотами, щелочами, минеральными удобрениями и другими агрессивными веществами запрещается.

7.1. ТРАНСПОРТИРОВКА

Изделие может транспортироваться всеми видами транспорта, обеспечивающими сохранность изделия, в соответствии с общими правилами перевозок.

Во время погрузочно-разгрузочных работ и транспортировки изделие не должно подвергаться ударам и воздействию атмосферных осадков.

Размещение и крепление сварочного аппарата в транспортных средствах должны обеспечивать устойчивое положение изделия и отсутствие возможности его перемещения во время транспортировки.

Позаботьтесь о том, чтобы не повредить сварочный аппарат при транспортировке. Не помещайте на изделие тяжелые предметы.

Допустимые условия транспортировки сварочного аппарата: температура окружающего воздуха от -15°C до $+55^{\circ}\text{C}$, относительная влажность воздуха до 90%.

ВНИМАНИЕ!

Не переносите изделие за сетевой и сварочные кабели.

7.2. ХРАНЕНИЕ

Если изделие не используется продолжительное время (более 2 месяцев), его необходимо хранить в проветриваемом помещении при температуре от -15°C до $+55^{\circ}\text{C}$ и относительной влажности не более 90%, укрыв от попадания на изделие пыли и мелкого мусора. Наличие в воздухе паров кислот, щелочей и других агрессивных примесей не допускается.

Сварочный аппарат перед постановкой на длительное хранение должен быть законсервирован.

При подготовке изделия к хранению:

1. Обесточьте изделие, отсоедините сварочные кабели и провод заземления.
2. Удалите пыль, грязь с внешней части корпуса изделия, байонетных разъемов и клеммы «земля».
3. Смажьте тонким слоем машинного масла клемму заземления.



ПРИМЕЧАНИЕ!

После снятия изделия с хранения клемму заземления очистите от смазочных материалов.



ВОЗМОЖНЫЕ НЕИСПРАВНОСТИ И ПУТИ ИХ УСТРАНЕНИЯ

РУССКИЙ

ОПИСАНИЕ НЕИСПРАВНОСТИ*	Возможная причина	Пути устранения
Слышен запах, характерный горелой изоляции, изнутри корпуса идет дым, световой индикатор «Перегрев» не светится	Короткое замыкание или критическая перегрузка системной платы	Немедленно обесточьте изделие, даже если им по-прежнему можно выполнять сварочные работы, и обратитесь в сервисный центр
	Вышла из строя система защиты изделия от перегрева	
Ощущается удар электротоком при прикосновении к корпусу аппарата	Отсутствует заземление	Обесточьте сварочный аппарат, добейтесь надежного заземления корпуса изделия и электрической розетки, к которой подсоединяется силовой кабель сварочного аппарата
Сварочный аппарат включен, вентилятор охлаждения работает, но световой индикатор клавиши «ON/OFF» не светится (только модели Mi 200md, Mi 200m)	Вышел из строя световой индикатор или нарушена работа системной платы	Обратитесь в сервисный центр

106

РУССКИЙ

ОПИСАНИЕ НЕИСПРАВНОСТИ*	Возможная причина	Пути устранения
Сварочный аппарат включен (световой индикатор клавиши «ON/OFF» светится – только для моделей Mi 200md, Mi 200m), вентилятор охлаждения работает, но дуга не зажигается	Повреждены сварочные кабели. Отсутствует контакт в сварочном контуре	Проверьте состояние сварочных кабелей, надежность контакта сварочных кабелей в байонетных разъемах изделия, на клемме «масса», на свариваемой детали и электроде в держателе
Сварочный аппарат включен (световой индикатор клавиши «ON/OFF» светится – только для моделей Mi 200md, Mi 200m), дуга зажигается но вентилятор охлаждения не работает	Вышла из строя система принудительного охлаждения изделия	Немедленно отключите сварочный аппарат и обратитесь в сервисный центр
Дуга зажигается, но электрод сразу же прилипает к свариваемой поверхности	Установлен слишком малый сварочный ток	Увеличьте сварочный ток
	Недостаточное напряжение в сети электропитания	Замерьте напряжение в электросети. Если оно ниже допустимого, используйте устройства стабилизации напряжения достаточной мощности

107

ОПИСАНИЕ НЕИСПРАВНОСТИ*	Возможная причина	Пути устранения
Сварочный ток выставлен правильно, но невозможно начать сварку – электрод сразу же прилипает к свариваемой поверхности	Ненадежный контакт в сварочном контуре	Проверьте надежность контакта сварочных кабелей в байонетных разъемах изделия, на клемме «масса», на свариваемой детали и электроде в держателе
	Некачественный электрод или неоптимальное его положение при старте дуги	Попробуйте разогреть электрод, проведя несколько раз по свариваемой поверхности, добавив немного силу сварочного тока. Добившись устойчивой дуги, уменьшите ток до требуемого значения. При зажигании дуги держите электрод под углом 60°-80° к свариваемой поверхности
В процессе сварки дуга «срывается» и гаснет	Слишком большое расстояние между электродом и свариваемой поверхностью	Держите электрод ближе к свариваемой поверхности

ОПИСАНИЕ НЕИСПРАВНОСТИ*	Возможная причина	Пути устранения
Электроды при сварке «ведут» себя по-разному	Некачественные электроды или электроды разного типа	Проверьте состояние электродов, при необходимости просушите их. Обращайте внимание на диаметр, полярность и тип электродов. Нужные полярность и величина сварочного тока обычно указываются на упаковочной коробке
В процессе сварки выключается автоматический предохранитель источника электропитания 220В («выбивает пробки»)	Установлен автоматический предохранитель с номинальным током срабатывания менее 40 А	Замените на автоматический предохранитель с номинальным током срабатывания 40 А
	Недостаточная мощность электросети	Подключите сварочный аппарат к более мощному источнику электропитания 220 В
Светится световой индикатор «Перегрев»	Сработала термозащита сварочного аппарата	Подождите (не более 3-5 минут, в зависимости от температуры окружающей среды), пока система охлаждения в достаточной мере остудит системную плату

ОПИСАНИЕ НЕИСПРАВНОСТИ*	Возможная причина	Пути устранения
Светится световой индикатор «Перегрев»	Напряжение сети электропитания вышло за допустимые пределы	Замерьте напряжение в электросети. Если оно ниже или выше допустимого, используйте устройства стабилизации напряжения достаточной мощности
Чрезмерное количество искр в процессе сварки	Неправильное подключение кабелей	Измените полярность

* Приведенный выше перечень неисправностей не отражает все возможные случаи. При возникновении проблем следует обратиться в сервисный центр ТМ "Vitals" или к квалифицированному специалисту.

ГАРАНТИЙНЫЕ ОБЯЗАТЕЛЬСТВА

Гарантийный срок эксплуатации профессиональных сварочных аппаратов инверторного типа "Vitals" Professional **Mi 200md, Mi 200m, Mi 200da и Mi 225da** составляет 18 (восемнадцать) месяцев с указанной в гарантийном талоне даты розничной продажи.

В течение гарантийного срока неисправные детали и узлы будут заменяться при условии соблюдения всех требований руководства и отсутствии повреждений, связанных с неправильными эксплуатацией, хранением и транспортировкой изделия. По вопросам гарантийного обслуживания обращайтесь в уполномоченный сервисный центр.

Потребитель имеет право на бесплатное гарантийное устранение неисправностей, выявленных и предъявленных в период гарантийного срока и обусловленных производственными и конструктивными факторами.

Гарантийное устранение неисправностей производится путем ремонта или замены неисправных частей изделия в сертифицированных сервисных центрах. В связи со сложностью конструкции ремонт может длиться более двух недель. Причину возникновения неисправностей и сроки их устранения определяют специалисты сервисного центра.

ВНИМАНИЕ!



Изделие принимается на гарантийное обслуживание только в полной комплектации, тщательно очищенное от пыли и грязи.

Гарантийные обязательства утрачивают свою силу в следующих случаях:

- Отсутствие или нечитаемость гарантийного талона.
- Неправильное заполнение гарантийного талона, отсутствие в нем даты продажи или печати (штампа) и подписи продавца, серийного номера изделия.
- Наличие исправлений или подчисток в гарантийном талоне.
- Полное или частичное отсутствие, нечитаемость серийного номера на изделие, несоответствие серийного номера изделия номеру, указанному в гарантийном талоне.

- Несоблюдение правил эксплуатации, приведенных в данном руководстве, в том числе нарушение регламента технического обслуживания.
- Эксплуатация неисправного или некомплектного изделия, ставшая причиной выхода его из строя.
- Попадание внутрь изделия посторонних веществ или предметов.
- Изделие имеет значительные механические или термические повреждения, явные следы небрежной эксплуатации, хранения или транспортировки.
- Изделие использовалось не по назначению.
- Производились несанкционированный ремонт, вскрытие компонентов либо попытка модернизации изделия потребителем или третьими лицами.
- Неисправность произошла в результате стихийного бедствия (пожар, наводнение, ураган и т. п.).

Замененные по гарантии детали и узлы переходят в распоряжение сервисного центра.

При выполнении гарантийного ремонта гарантийный срок увеличивается на время пребывания изделия в ремонте. Отсчет добавленного срока начинается с даты приемки изделия в гарантийный ремонт.

В случае если по техническим причинам ремонт изделия невозможен, сервисный центр выдает соответствующий акт, на основании которого пользователь самостоятельно решает вопрос с организацией-поставщиком о замене изделия или возврате денег.

После окончания гарантийного срока сервисные центры продолжают осуществлять обслуживание и ремонт изделия, но уже за счет потребителя.

Гарантийные обязательства не распространяются на неисправности, возникшие вследствие естественного износа или перегрузки изделия.

Гарантийные обязательства не распространяются на комплектующие: сварочный кабель с зажимом «масса» и сварочный кабель с электрододержателем.

Гарантийные обязательства не распространяются на неполноту комплектации изделия, которая могла быть обнаружена при его продаже. Все расходы на транспортировку изделия несет потребитель.

Право на гарантийный ремонт не является основанием для других претензий.



ГАРАНТІЙНИЙ ТАЛОН

Купуючи виріб, вимагайте перевірки його справності, комплектності і відсутності механічних пошкоджень, наявності відмітки дати продажу, штампа магазину та підпису продавця. Після продажу претензії щодо некомплектності і механічних пошкоджень не приймаються.

Виріб

Модель

Серійний номер

Торговельна організація

Адреса торговельної організації

Вироб перевірів і продав

Дата продажу

Печатка або штамп торговельної організації

Претензій до зовнішнього вигляду, справності та комплектності виробу не маю. З правилами користування та гарантійними умовами ознайомлений.

(Підпис покупця)



Виріб

Модель

Серійний номер

Вилучено (дата):

Торговельна організація

Дата продажу

Видано (дата):

Майстер
(ПІП та підпис)

Печатка або штамп
сервісного центру

Печатка або штамп
торговельної організації



Виріб

Модель

Серійний номер

Вилучено (дата):

Торговельна організація

Дата продажу

Видано (дата):

Майстер
(ПІП та підпис)

Печатка або штамп
сервісного центру

Печатка або штамп
торговельної організації



Виріб

Модель

Серійний номер

Вилучено (дата):

Торговельна організація

Дата продажу

Видано (дата):

Майстер
(ПІП та підпис)

Печатка або штамп
сервісного центру

Печатка або штамп
торговельної організації

ВІДРИВНИЙ ТАЛОН

ВІДРИВНИЙ ТАЛОН

ВІДРИВНИЙ ТАЛОН

ФОРМУЛЯР ГАРАНТІЙНИХ РОБІТ

Вироб після гарантійного ремонту отримав у робочому стані, без дефектів. Претензій не маю.

<input type="text"/>	<input type="text"/>	<input type="text"/>
Дата	П.І.П. покупця	Підпис покупця

Вироб після гарантійного ремонту отримав у робочому стані, без дефектів. Претензій не маю.

<input type="text"/>	<input type="text"/>	<input type="text"/>
Дата	П.І.П. покупця	Підпис покупця

Вироб після гарантійного ремонту отримав у робочому стані, без дефектів. Претензій не маю.

<input type="text"/>	<input type="text"/>	<input type="text"/>
Дата	П.І.П. покупця	Підпис покупця

№	Дата проведення ремонту		Опис ремонтних робіт та заміненних деталей	Прізвище майстра та печатка сервісного центру
	Початок	Закінчення		
<input type="text"/>	<input type="text"/>	<input type="text"/>		
<input type="text"/>	<input type="text"/>	<input type="text"/>		
<input type="text"/>	<input type="text"/>	<input type="text"/>		
<input type="text"/>	<input type="text"/>	<input type="text"/>		
<input type="text"/>	<input type="text"/>	<input type="text"/>		

ОФИЦИАЛЬНЫЙ ДИЛЕР В УКРАИНЕ:

storgom.ua

ГРАФИК РАБОТЫ:

Пн. – Пт.: с 8:30 по 18:30

Сб.: с 09:00 по 16:00

Вс.: с 10:00 по 16:00

КОНТАКТЫ:

+38 (044) 360-46-77

+38 (066) 77-395-77

+38 (097) 77-236-77

+38 (093) 360-46-77

Детальное описание товара: <https://storgom.ua/product/invertornaia-svarka-vitals-professional-mi-200da.html>

Другие товары: <https://storgom.ua/inventory.html>