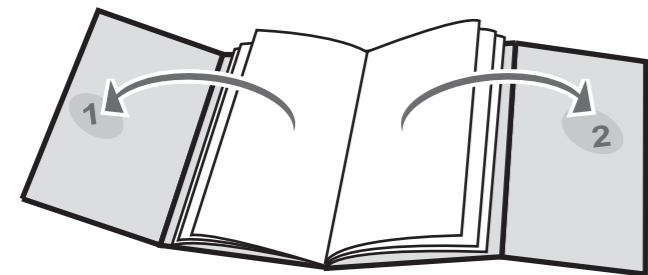




**POWER  
TOOLS**



142414V3

1704R01

© 2017 SPARKY



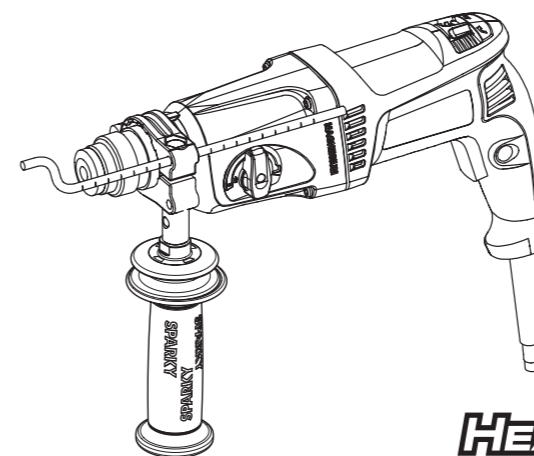
[www.sparky.eu](http://www.sparky.eu)



**SPARKY**

**HD PROFESSIONAL**

(EN)	<b>ROTARY HAMMER</b>	<b>1 – 9</b>
	Original instructions	
(DE)	<b>BOHRHAMMER</b>	<b>10 – 19</b>
	Originalbetriebsanleitung	
(FR)	<b>MARTEAU PERFORATEUR</b>	<b>20 – 30</b>
	Notice originale	
(IT)	<b>MARTELLLO PERFORATORE</b>	<b>31 – 40</b>
	Istruzioni originali	
(ES)	<b>MARTILLO PERFORADOR</b>	<b>41 – 51</b>
	Instrucciones de uso originales	
(PT)	<b>MARTELO PERFURADOR</b>	<b>52 – 62</b>
	Manual original	
(PL)	<b>MŁOT UDAROWO-OBROTOWY</b>	<b>63 – 72</b>
	Oryginalna instrukcja obsługi	
(RU)	<b>ЭЛЕКТРОННЫЙ ПЕРФОРАТОР</b>	<b>73 – 83</b>
	Оригинальная инструкция по эксплуатации	
(UK)	<b>ЕЛЕКТРОННИЙ ПЕРФОРАТОР</b>	<b>84 – 94</b>
	Оригінальна інструкція з експлуатації	
(BG)	<b>ПЕРФОРАТОР</b>	<b>95 – 105</b>
	Оригинална инструкция за използване	



**HEAVYDUTY**

**650/720/750 W**  
**800/900/1010 W**

**BPR 220E • BPR 240E • BPR 240CE**  
**BPR 260E • BPR 260CE • BPR 280CE**



(EN) **DECLARATION OF CONFORMITY**

We declare under our sole responsibility that the product, described under "Technical specifications", fulfils all the relevant provisions of the following directives and the harmonized standards: 2006/42/EC, 2014/30/EU, 2011/65/EU, EN 60745-1, EN 60745-2-6; EN 55014-1, EN 55014-2, EN 61000-3-2, EN 61000-3-3, EN 50581. Technical file is stored at SPARKY ELTOS AD, Kubrat Str. 9, 5500 Lovech, Bulgaria.

(DE) **KONFORMITÄTSERKLÄRUNG**

Hiermit versichern wir unsere persönliche Haftung, dass Produkt im Abschnitt "Technische Daten" beschrieben" allen einschlägigen Bestimmungen folgender Richtlinien und entsprechender harmonisierter Standards entspricht: 2006/42/EC, 2014/30/EU, 2011/65/EU, EN 60745-1, EN 60745-2-6; EN 55014-1, EN 55014-2, EN 61000-3-2, EN 61000-3-3, EN 50581. Die technischen Unterlagen werden bei SPARKY ELTOS AD, Kubrat Str.9, 5500 Lovech, Bulgarien, aufbewahrt.

(FR) **DECLARATION DE CONFORMITE**

Nous déclarons sous notre responsabilité que le produit décrit dans la rubrique "Données techniques" satisfait à l'ensemble des dispositions pertinentes des présentes directives, respectivement aux normes harmonisées: 2006/42/CE, 2014/30/UE, 2011/65/UE, EN 60745-1, EN 60745-2-6; EN 55014-1, EN 55014-2, EN 61000-3-2, EN 61000-3-3, EN 50581. Le dossier technique est conservé par SPARKY ELTOS AD, 9, rue Kubrat, 5500 Lovech, Bulgarie.

(IT) **DICHIARAZIONE DI CONFORMITÀ**

Noi dichiariamo sotto la nostra personale responsabilità, che il prodotto, descritto nella sezione "Dati tecnici" è in conformità a tutte le disposizioni pertinenti della presente direttiva e norme armonizzate: 2006/42/CE, 2014/30/UE, 2011/65/UE, EN 60745-1, EN 60745-2-6; EN 55014-1, EN 55014-2, EN 61000-3-2, EN 61000-3-3, EN 50581. Il fascicolo tecnico viene custodito presso la SPARKY ELTOS AD, 5500 Lovech, via Kubrat n. 9, Bulgaria.

(ES) **DECLARACIÓN DE CONFORMIDAD**

Declaramos bajo nuestra exclusiva responsabilidad que el producto, descrito en los "Datos técnicos", está conforme con todas las disposiciones aplicables de la presente directrices aplicables y las correspondientes normas armonizadas: 2006/42/CE, 2014/30/UE, 2011/65/UE, EN 60745-1, EN 60745-2-6; EN 55014-1, EN 55014-2, EN 61000-3-2, EN 61000-3-3, EN 50581. El expediente técnico está archivado en SPARKY ELTOS AD, C/ Kubrat, 9, 5500 Lovech, Bulgaria.

(PT) **DECLARAÇÃO DE CONFORMIDADE**

Declaramos assumindo a nossa responsabilidade pessoal que el producto, descrito en los "Dados técnicos", está conforme com todas as disposições relevantes da presente directrices aplicáveis e respectivos estandartes harmonizados: 2006/42/CE, 2014/30/UE, 2011/65/UE, EN 60745-1, EN 60745-2-6; EN 55014-1, EN 55014-2, EN 61000-3-2, EN 61000-3-3, EN 50581. A documentação técnica guarda-se no SPARKY ELTOS AD, rua Kubrat 9, 5500, Lovech, Bulgária.

(PL) **DEKLARACJA ZGODNOŚCI**

Niniejszym deklarujemy naszą osobistą odpowiedzialnością, że produkt, przedstawiony w rozdziale "Dane techniczne", pełni wszystkie odpowiednie postanowienia następujących dyrektyw i harmonizowanych standardów: 2006/42/WE, 2014/30/UE, 2011/65/UE, EN 60745-1, EN 60745-2-6; EN 55014-1, EN 55014-2, EN 61000-3-2, EN 61000-3-3, EN 50581. Techniczna przechowywana jest w SPARKY ELTOS AD, Kubrat Str.9, 5500 Lovetch, Bulgaria.

(RU) **ДЕКЛАРАЦИЯ О СООТВЕТСТВИИ**

Мы заявляем со всей ответственностью, что продукт, описанный в разделе "Технические данные", полностью соответствует всем соответствующим требованиям действующих директив и гармонизированных стандартов: 2006/42/EC, 2014/30/EU, 2011/65/EU, EN 60745-1, EN 60745-2-6; EN 55014-1, EN 55014-2, EN 61000-3-2, EN 61000-3-3, EN 50581. Техническое досье хранится в СПАРКИ ЕЛТОС АД, ул. Кубрат №9, 5500 Ловеч, Болгария.

(UK) **ДЕКЛАРАЦІЯ ПРО ВІДПОВІДНІСТЬ**

Ми заявляємо під свою власну відповідальність, що продукт, описаний у розділі "Технічні дані" відповідає всім діючим вимогам директив і гармонізованих стандартів: 2006/42/EC, 2014/30/EU, 2011/65/UE, EN 60745-1, EN 60745-2-6; EN 55014-1, EN 55014-2, EN 61000-3-2, EN 61000-3-3, EN 50581. Технічне досьє зберігається в СПАРКИ ЕЛТОС АД, ул. Кубрат № 9, 5500 Ловеч, Болгарія.

(BG) **ДЕКЛАРАЦИЯ ЗА СЪОТВЕТСТВИЕ**

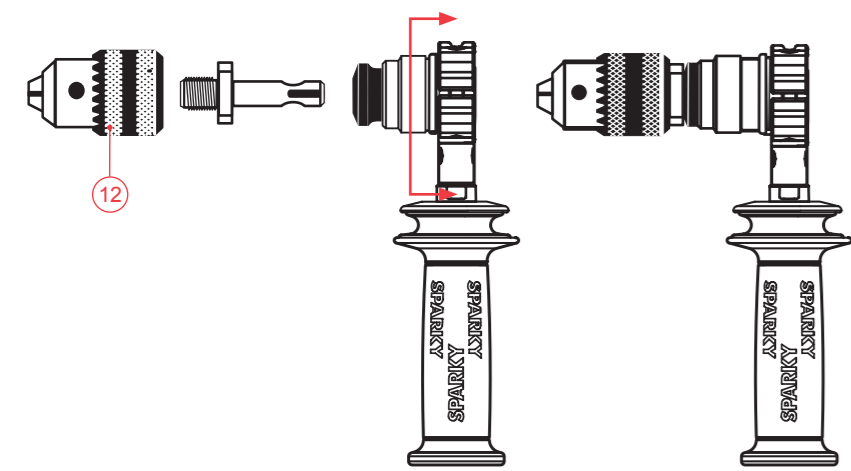
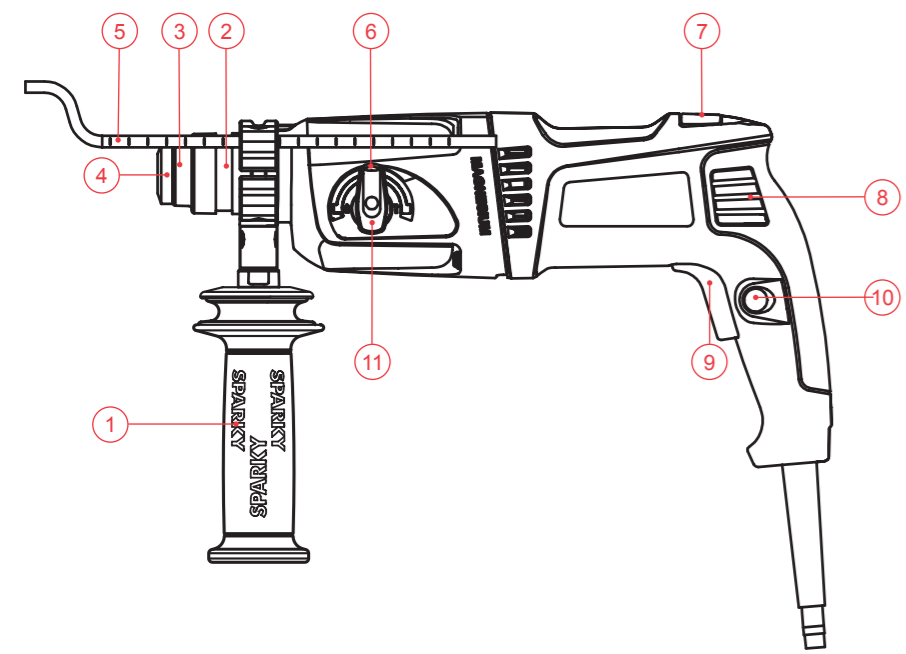
Ние декларираме на своя лична отговорност, че izdelieto, opisano v razdel "Технически данни", отговаря на всички приложими изисквания на следните директиви и хармонизирани стандарти: 2006/42/EC, 2014/30/EU, 2011/65/UE, EN 60745-1, EN 60745-2-6; EN 55014-1, EN 55014-2, EN 61000-3-2, EN 61000-3-3, EN 50581. Техническото досье се съхранява в СПАРКИ ЕЛТОС АД, ул. Кубрат №9, 5500 Ловеч, България.

Manufacturer  
**SPARKY Power Tools GmbH**  
Leipziger Str. 20  
10117 Berlin, GERMANY

6 March 2017

Signature of authorized person

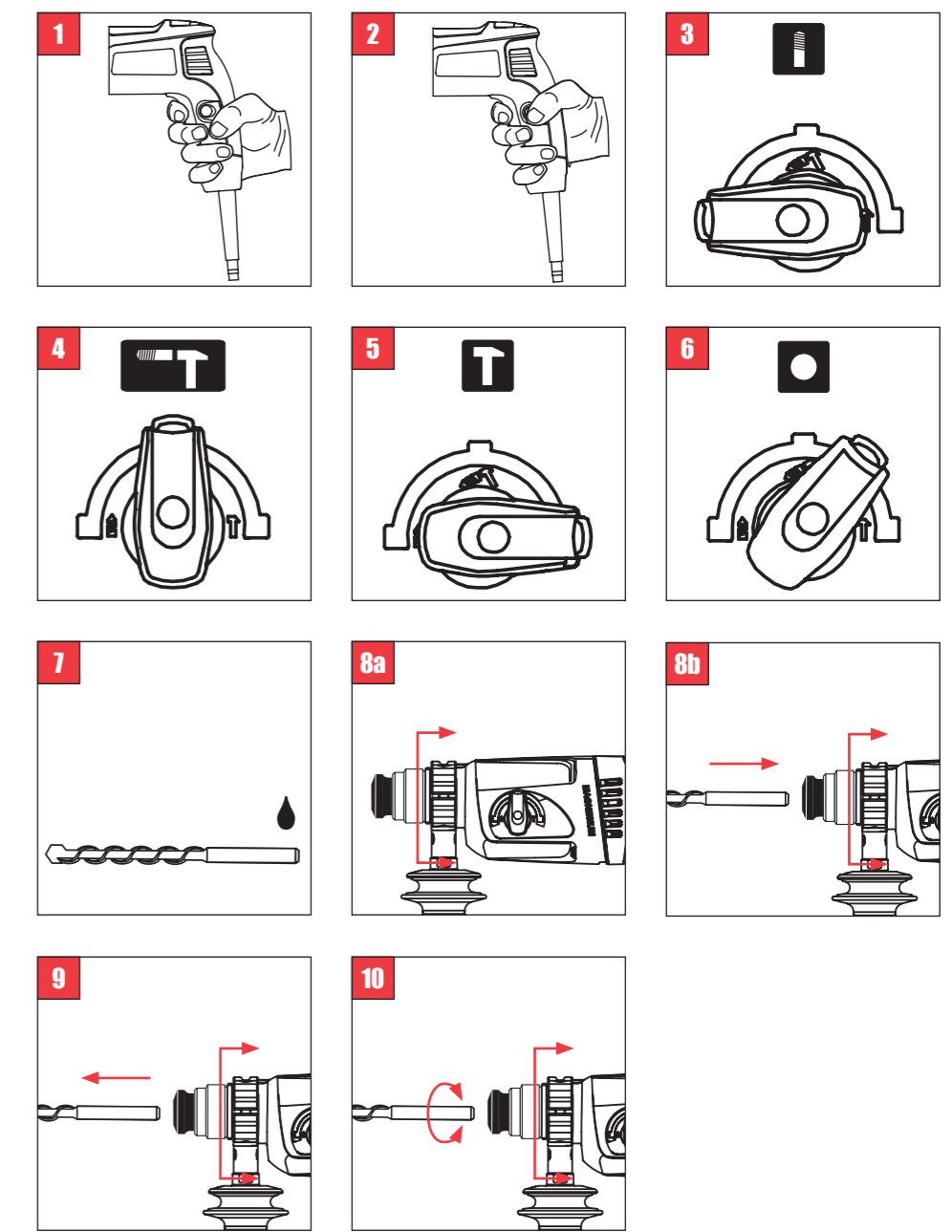
A. Ivanov  
Technical director of SPARKY ELTOS AD



A

<p>Cat.№ 20009480700 Cat.№ 20009480600</p>	<p>Cat.№ 20009681700 Cat.№ 20009681800 Cat.№ 20009682200</p>
<p>Cat.№ 20009686200 Cat.№ 20009686300</p>	<p>Cat.№ 20009490800 Ø65x65 mm Cat.№ 20009490900 Ø68x65 mm</p>
<p>Cat.№ 20009686400</p>	<p>Cat.№ 20009000000 Ø4x110 mm Cat.№ 20009000900 Ø6x110 mm Cat.№ 20009001000 Ø8x110 mm Cat.№ 20009001100 Ø10x110 mm Cat.№ 20009000100 Ø5x160 mm Cat.№ 20009000200 Ø6x160 mm Cat.№ 20009000300 Ø48x160 mm Cat.№ 20009000400 Ø10x160 mm Cat.№ 20009000500 Ø12x160 mm Cat.№ 20009000000 Ø4x110 mm Cat.№ 20009000000 Ø4x110 mm Cat.№ 20009001300 Ø8x210 mm Cat.№ 20009001400 Ø10x210 mm Cat.№ 20009001500 Ø12x210 mm Cat.№ 20009001600 Ø16x210 mm Cat.№ 20009001800 Ø10x260 mm Cat.№ 20009001900 Ø12x260 mm Cat.№ 20009002000 Ø12x310 mm Cat.№ 20009002100 Ø14x310 mm Cat.№ 20009002200 Ø16x310 mm Cat.№ 20009002300 Ø18x310 mm Cat.№ 20009002400 Ø20x310 mm</p>
<p>Cat.№ 20009080500 250 mm Cat.№ 20009080600 20x250 mm Cat.№ 20009080700 40x250 mm Cat.№ 20009080800 22x250 mm Cat.№ 20009080900 40x250 mm</p>	

C



D

# Contents

Introduction .....	1
Technical specifications .....	3
General power tool safety warnings .....	4
Rotary hammer safety warnings .....	5
Know your product .....	A/6
Operation .....	B/7
Maintenance .....	9
Warranty .....	9

## UNPACKING

Due to modern mass production techniques, it is unlikely that your power tool is faulty or that a part is missing. If you find anything wrong, do not operate the tool until the parts have been replaced or the fault has been rectified. Failure to do so could result in serious personal injury.

## ASSEMBLY

The rotary hammer, packed in a case, is fully assembled.  
The rotary hammer, packed in a box, is assembled except for the auxiliary handle.

## Introduction

---

Your new SPARKY power tool will more than satisfy your expectations. It has been manufactured under stringent SPARKY Quality Standards to meet superior performance criteria. You will find your new tool easy and safe to operate, and, with proper care, it will give you many years of dependable service.

### WARNING:



Carefully read through these Original Instructions before using your new SPARKY power tool. Take special care to heed the Warnings. Your SPARKY power tool has many features that will make your job faster and easier. Safety, performance, and dependability have been given top priority in the development of this tool, making it easy to maintain and operate.



### **Do not dispose of electric tools together with household waste!**

Waste electrical products should not be disposed of with household waste. Please recycle where facilities exist. Check with your local authority or retailer for recycling advice.

## ENVIRONMENTAL PROTECTION



The machine, accessories and packaging should be sorted for environmental-friendly recycling.

The plastic components are labelled for categorised recycling.

## DESCRIPTION OF SYMBOLS

The rating plate on your power tool may show symbols. These represent important information about the product or instructions on its use.



Double insulated for additional protection.



Conforms to the relevant European Directives.



Conforms to the requirements of Customs Union regulations.



Conforms to the requirements of Ukrainian standards.



Refer to Original Instructions.

YYYY-Www Production period, where the variable symbols are:


YYYY- year of manufacture,

ww - calendar week number.

BPR

Rotary hammer.

# Technical specifications

Model		BPR 220E	BPR 240E	BPR 240CE	BPR 260E	BPR 260CE	BPR 280CE
Variable speed		•	•	•	•	•	•
Constant electronics		○	○	•	○	•	•
Reversing		•	•	•	•	•	•
Drilling		•	•	•	•	•	•
Hammer drilling		•	•	•	•	•	•
Chiselling		○	•	•	•	•	•
Protective clutch		•	•	•	•	•	•
Power input	W	650	720	750	800	900	1010
No load rpm	min <sup>-1</sup>	0-1000	0-1050	0-900	0-1150	0-900	0-1000
No load impact rate	min <sup>-1</sup>	0-4700	0-4800	0-4100	0-5200	0-4100	0-4700
Impact energy (EPTA Procedure 05/2009)	J	2.3	2.8	3.0	3.0	3.2	3.4
Drilling capacity:							
in concrete	mm	22	24	24	26	26	28
in concrete with core bits	mm	68	68	68	68	68	68
in steel with adapter and chuck (not delivered with the machine)	mm	13	13	13	13	13	13
in wood with adapter and chuck (not delivered with the machine)	mm	30	30	30	30	30	30
Optimum capacity in concrete with twist drill bits	mm	Ø4-Ø10	Ø6-Ø12	Ø6-Ø16	Ø6-Ø16	Ø6-Ø20	Ø6-Ø22
Chuck capacity	mm	1.5-13	1.5-13	1.5-13	1.5-13	1.5-13	1.5-13
Weight (EPTA Procedure 01/2014)	kg	2.7	2.8	2.9	2.8	2.9	2.9
Protection class (EN 60745-1) 		II	II	II	II	II	II

## NOISE AND VIBRATION INFORMATION

Measured values determined according to EN 60745.

### Noise emission

A-weighted sound

pressure level  $L_{pA}$  dB (A) 87,0 89,0 89,0 91,0 91,0 92,0

Uncertainty  $K_{pA}$  dB (A) 3,0 3,0 3,0 3,0 3,0 3,0

A-weighted sound

power level  $L_{WA}$  dB (A) 98,0 100,0 100,0 102,0 102,0 103,0

Uncertainty  $K_{WA}$  dB (A) 3,0 3,0 3,0 3,0 3,0 3,0

### Wear hearing protection!

### Vibration emission \*

Total vibration values (vector sum in the three axes) determined according to EN 60745:

Hammer drilling in concrete

Vibration emission

value  $a_{h,HD}$  m/s<sup>2</sup> 10,0 11,9 12,1 12,3 12,6 13,2

Uncertainty  $K_{HD}$  m/s<sup>2</sup> 1,5 1,5 1,5 1,5 1,5 1,5

Chiselling

Vibration emission

value  $a_{n,ChEq}$  m/s<sup>2</sup> - 5,1 5,3 5,3 5,4 6,0

Uncertainty  $K_{ChEq}$  m/s<sup>2</sup> - 1,5 1,5 1,5 1,5 1,5

Drilling in steel

Vibration emission

value  $a_{n,D}$  m/s<sup>2</sup> 4,5 4,4 4,3 4,5 4,5 4,7

Uncertainty  $K_D$  m/s<sup>2</sup> 1,5 1,5 1,5 1,5 1,5 1,5

\* The vibration emission values are determined according to 6.2.7 EN 60745.

The vibration emission level given in this information sheet has been measured in accordance with a standardised test given in EN 60745 and may be used to compare one tool with another. It may be used for a preliminary assessment of exposure.

The declared vibration emission level represents the main applications of the tool. However if the tool is used for different applications, with different accessories or poorly maintained, the vibration emis-

sion may differ. This may significantly increase the exposure level over the total working period.

An estimation of the level of exposure to vibration should also take into account the times when the tool is switched off or when it is running but not actually doing the job. This may significantly reduce the exposure level over the total working period.

Maintain the power tool and the accessories and keep your hands warm during operation to reduce the harmful effect of vibrations.

Dust from material such as paint containing lead, some wood species, minerals and metal may be harmful. Contact with or inhalation of the dust may cause allergic reactions and/or respiratory diseases to the operator or bystanders.

Certain kinds of dust are classified as carcinogenic such as oak and beech dust especially in conjunction with additives for wood conditioning (chromate, wood preservative). Material containing asbestos must only be treated by specialists.

- Where the use of a dust extraction device is possible it shall be used.
- To achieve a high level of dust collection, use vacuum cleaner for wood or for wood and/or minerals together with this tool.
- The work place must be well ventilated.
- The use of a dust mask of filter class P2 is recommended.

Follow national requirements for the materials you want to work with.

## General power tool safety warnings



**WARNING!** Read all safety warnings and all instructions. Failure to follow the warnings and instructions may result in electric shock, fire and/or serious injury.

Save all warnings and instructions for future reference.

The term "power tool" in the warnings refers to your mains-operated (corded) power tool or battery-operated (cordless) power tool.

### 1) Work area safety

- a) **Keep work area clean and well lit.** Cluttered or dark areas invite accidents.
- b) **Do not operate power tools in explosive atmospheres, such as in the presence of flammable liquids, gases or dust.** Power tools create sparks which may ignite the dust or fumes.
- c) **Keep children and bystanders away while operating a power tool.** Distractions can cause you to lose control.

### 2) Electrical safety

- a) **Power tool plugs must match the outlet. Never modify the plug in any way. Do not use any adapter plugs with earthed (grounded) power tools.** Unmodified plugs and matching outlets will reduce risk of electric shock.
- b) **Avoid body contact with earthed or grounded surfaces, such as pipes, ra-**

**diators, ranges and refrigerators.** There is an increased risk of electric shock if your body is earthed or grounded.

- c) **Do not expose power tools to rain or wet conditions.** Water entering a power tool will increase the risk of electric shock.
  - d) **Do not abuse the cord. Never use the cord for carrying, pulling or unplugging the power tool. Keep cord away from heat, oil, sharp edges or moving parts.** Damaged or entangled cords increase the risk of electric shock.
  - e) **When operating a power tool outdoors, use an extension cord suitable for outdoor use.** Use of a cord suitable for outdoor use reduces the risk of electric shock.
  - f) **If operating a power tool in a damp location is unavoidable, use a residual current device (RCD) protected supply.** Use of an RCD reduces the risk of electric shock.
- ### 3) Personal safety
- a) **Stay alert, watch what you are doing and use common sense when operating a power tool. Do not use a power tool while you are tired or under the influence of drugs, alcohol or medication.** A moment of inattention while operating power tools may result in serious personal injury.
  - b) **Use personal protective equipment. Always wear eye protection.** Protective equipment such as dust mask, non-skid safety shoes, hard hat, or hearing protection used for appropriate conditions will reduce personal injuries.

- c) **Prevent unintentional starting.** Ensure the switch is in the off-position before connecting to power source and/or battery pack, picking up or carrying the tool. *Carrying power tools with your finger on the switch or energising power tools that have the switch on invites accidents.*
  - d) **Remove any adjusting key or wrench before turning the power tool on.** A wrench or a key left attached to a rotating part of the power tool may result in personal injury.
  - e) **Do not overreach.** Keep proper footing and balance at all times. *This enables better control of the power tool in unexpected situations.*
  - f) **Dress properly.** Do not wear loose clothing or jewellery. Keep your hair, clothing and gloves away from moving parts. *Loose clothes, jewellery or long hair can be caught in moving parts.*
  - g) **If devices are provided for the connection of dust extraction and collection facilities, ensure these are connected and properly used.** *Use of dust collection can reduce dust-related hazards.*
- 4) Power tool use and care**
- a) **Do not force the power tool.** Use the correct power tool for your application. *The correct power tool will do the job better and safer at the rate for which it was designed.*
  - b) **Do not use the power tool if the switch does not turn it on and off.** *Any power tool that cannot be controlled with the switch is dangerous and must be repaired.*
  - c) **Disconnect the plug from the power source and/or the battery pack from the power tool before making any adjustments, changing accessories, or storing power tools.** *Such preventive safety measures reduce the risk of starting the power tool accidentally.*
  - d) **Store idle power tools out of the reach of children and do not allow persons unfamiliar with the power tool or these instructions to operate the power tool.** *Power tools are dangerous in the hands of untrained users.*
  - e) **Maintain power tools.** Check for misalignment or binding of moving parts, breakage of parts and any other condition that may affect the power tool's operation. *If damaged, have the power tool repaired before use. Many accidents are caused by poorly maintained power tools.*
  - f) **Keep cutting tools sharp and clean.**

*Properly maintained cutting tools with sharp cutting edges are less likely to bind and are easier to control.*

- g) **Use the power tool, accessories and tool bits etc. in accordance with these instructions, taking into account the working conditions and the work to be performed.** *Use of the power tool for operations different from those intended could result in a hazardous situation.*

#### 5) Service

- a) **Have your power tool serviced by a qualified repair person using only identical replacement parts.** *This will ensure that the safety of the power tool is maintained.*

## Rotary hammer safety warnings



**Wear ear protectors with rotary hammers.** *Exposure to noise can cause hearing loss.*

- **Use the auxiliary handle supplied with the machine.** *Loss of control can cause personal injury.*



**During operation provide eye protection to prevent eyes from exposure to flying particles.** *Wear goggles.*



**Take protective measures against inhalation of dust.** *Some materials can contain toxic ingredients. Wear a dust mask and work with dust/chip extraction when connectable.*

- **Hold the power tool by insulated gripping surfaces only, when performing an operation where the cutting accessory may contact hidden wiring or its own cord.** *Cutting accessory contacting a "live" wire may make exposed metal parts of the power tool "live" and could give the operator an electric shock.*
- **Do not process materials containing asbestos.** *Asbestos is considered carcinogenic.*



**WARNING:** Before connecting a tool to a power source ensure that the voltage supply is the same as that specified on the nameplate of the tool.

- **A power source with a voltage greater than**

that specified for the tool can result in serious injury to the user, as well as damage to the tool.

- If in doubt, do not plug in the tool.
- Using a power source with a voltage less than the nameplate rating is harmful to the motor.
- Fully unwind cable drum extensions to avoid potential overheating.
- When an extension cable is required, you must ensure that it has the right ampere rating for your power tool and it is in safe electrical condition.



**WARNING:** Always switch off and unplug the power tool prior to any adjustment, servicing or maintenance.

- While operating the machine, always hold it firmly with both hands and provide for a secure stance. The power tool is guided more securely with both hands.
- Prior to operation use suitable detectors to determine if utility lines are hidden in the work area or call the local utility company for assistance. Contact with electric lines can lead to fire and electric shock. Damaging a gas line can lead to explosion. Penetrating a water line causes property damage or may cause electric shock.
- Always keep the cord away from the working area of the power tool.
- Never use the machine with a damaged cable. Do not touch the damaged cable and pull the mains plug when the cable is damaged while operating. Damaged cables increase the risk of electric shock.
- Always be sure you have a firm footing. Be sure no one is below when using the tool in high locations.
- Use clamps or a vice to secure your work whenever possible.
- Watch out for the initial torque reaction of the machine or upon jamming the drill bit. Switch the power tool immediately upon jamming the drill bit. Watch out for high reactive torque which may result in kick-back. The drill bit will block if the power tool is overloaded or if the bit jams into the material.
- Do not touch the drill bit or the processed part during operation and immediately after that; they may be extremely hot. You may get serious burns.
- Keep work area clean. Blends of materials are particularly dangerous. Dust from light alloys can burn or explode.

- Rags, cloths, cord, string and the like should never be left around the work area.
- Always switch the machine off prior to leaving it down.
- The tool must be used only for its prescribed purpose. Any use other than those mentioned in this Manual will be considered a case of misuse. The user and not the manufacturer shall be liable for any damage or injury resulting from such cases of misuse.
- To use this tool properly, you must observe the safety regulations, the assembly instructions and the operating instructions found in this Manual. All persons who use and service the machine have to be acquainted with this Manual and must be informed about its potential hazards. Children and frail people must not use this tool. Children should be supervised at all times if they are in the area in which the tool is being used. It is also imperative that you observe the accident prevention regulations in force in your area. The same applies for general rules of occupational health and safety.
- The manufacturer shall not be liable for any changes made to the tool nor for any damage resulting from such changes.
- Power tools must not be used outdoors in rainy weather, or in moist environment (after rain) or in close vicinity with easily flammable liquids and gases. The working place should be well lit.



**WARNING:** When operating with chisels the mode selector switch 11 must always be in «hammer» position!

## Know your product

Before using the power tool, familiarize yourself with all the operating features and safety requirements.

Use the tool and accessories only for the applications intended. All other applications are expressly ruled out.

1. Auxiliary handle
2. Rotary hammer journal
3. Locking sleeve
4. SDS plus socket
5. Depth gauge
6. Release button
7. Reversing switch



8. Ventilation slots
9. ON/OFF switch
10. Lock-on button
11. Operation mode selector switch
12. Adapter with chuck (not delivered with the machine)

## Operation

This power tool is supplied from single-phase alternating current mains only. It is double insulated according to EN 60745-1, IEC 60745 and can be connected to grounded or not grounded sockets. This power tool is radio suppressed in compliance with EMC Directive.

The rotary hammer is designed for hammer drilling in concrete, stone, masonry and various brittle materials and for drilling in steel, wood, plastics, etc.

### PRIOR TO INITIAL OPERATION

- Make sure the power supply voltage corresponds to the value indicated on the name plate with technical data of the tool.
- Always check the position of ON/OFF switch. The power tool must be connected to the power supply socket only when this switch is in OFF position. If the plug is connected to a receptacle while the power switch is in the ON position, the power tool will start operating immediately, which could cause a serious accident.
- Make sure that the cord and the plug are in order. If the replacement of the supply cord is necessary, this has to be done by the manufacturer or his agent in order to avoid a safety hazard.



**WARNING:** Always switch off and unplug the power tool prior to any adjustment, servicing or maintenance.

- In case the work area is remote from the power source, use as short as practicable extension cord with proper cross-section.
- Check that the auxiliary handle is properly mounted and reliably tightened.

### SWITCHING ON - SWITCHING OFF

#### Brief activation

- Switching on: press ON/OFF switch 9 (Fig.1).
- Switching off: release ON/OFF switch 9.

### Continuous use

- Switching on: press ON/OFF switch 9 and in pressed position lock it by button 10 (Fig.1).
- Switching off: press ON/OFF switch 9 once and release it immediately.



**WARNING:** At low temperature approximately or below 0°C (32°F) or in case the power tool has not been used for a long period (after storage in warehouse/ shop / house), there might be no impact action upon starting because of the thickened lubricant. In this case, let the power tool run for 1.5 minutes at no load in order to warm up, thus achieving improved lubrication and prolonged life of the power tool.

### STEPLESS ELECTRONIC RPM CONTROL

Light pressure on ON/OFF trigger switch 9 results in low rotation speed, further pressing the switch results in smooth increase of the rpm to maximum upon reaching the extreme position. Models BPR 240CE, BPR 260CE and BPR 280CE feature constant electronics for maintaining the rotation speed / impact frequency thus preserving them constant, regardless of loading.

### REVERSING

Prior to operation always check the direction of rotation.

The extreme position of lever 7 to the left is equivalent to clockwise rotation, the extreme position to the right - to anti-clockwise rotation.



**WARNING:** Reversing can be performed only when the spindle is not rotating! Otherwise this might cause damage to the motor.

### OPERATION MODE SELECTION

Switching between the operation modes shall be performed only when the machine is turned off. Press the release button 6 and turn the mode selector switch 11 to the necessary position.

- Drilling (Fig.3) - drilling in metal, wood, plastics, etc.
- Hammer drilling (Fig.4) - hammer drilling in concrete, stone, etc..

- Hammer mode (Fig.5) - chiselling grooves and demolishing in concrete, masonry, etc.
- Adjusting the chisel (Fig.6) - to avoid operator's fatigue, insert and fix the chisel in the necessary position.

## INSERTING AND FASTENING SDS PLUS BITS

Clean and grease the shank of the accessory, before placing it into the socket! (Fig.7)

Pull backward the locking sleeve 3 of the SDS plus socket (4) (Fig.8a). Insert the bit until stop. Ensure that the socket grooves correspond to the bit shank channels, and then release the sleeve to fix the bit. (Fig.8b)

To remove the bit, pull the sleeve 3 backward, and then take the bit out. (Fig.9)



**WARNING:** Never use bits with diameter exceeding the indicated to avoid overloading the power tool.

## INSERTING AND FASTENING DRILL BITS WITH STRAIGHT SHANK INTO THE CHUCK

Place the mode selection switch 11 in position «Drilling» (Fig.3). Insert the chuck 12 into the SDS plus socket 4 as described above. In this configuration the rotary hammer can operate in drilling mode.

### **For keyed chuck**

By turning the collar of chuck 12 clockwise or anti-clockwise the jaws move to a position ensuring inserting the drill bit shank. Rotate the collar of the chuck clockwise to tighten the drill bit shank. Fix the drill bit finally into the chuck by means of the special chuck key, tightening equally in all three bores.

### **For keyless chuck**

Grip the rear collar of the chuck and rotate its front collar until the chuck is opened sufficiently for the tool to be inserted, and then tighten the front collar. An audible «click» indicates that the chuck has automatically locked.

## ADJUSTING THE CHISEL POSITION

Insert the chisel into the socket as it is described in section «Inserting SDS-Plus bits».

Turn the operating mode switch 11 in position «Adjusting the chisel» (Fig.6).

Rotate the tool by hand to the desired position (Fig.10).

Turn the operating mode switch 11 to position «Hammer» (Fig.5), and then turn the tool slightly by hand left and right until locked. Longer operation life of the rotary hammer and higher efficiency can be achieved only with well sharpened tools for demolition and chiseling.

## SCREWING / UNSCREWING BOLTS, SCREWS AND NUTS

Following the above-described procedure, tighten the corresponding accessory into chuck 12. Set mode selector switch 11 to position «Drilling» (Fig.3). Select the necessary rotation direction by lever 7. These operations must be performed only at low speed.



**WARNING:** In case of driving long bolts and screws there is a danger of slipping the rotary hammer!

## AUXILIARY HANDLE

Tighten the auxiliary handle 1 on the journal 2 of the rotary hammer. In the interests of safety, the auxiliary handle 1 should always be used. The depth gauge 5 can be used for fixing the depth of the drilled bores.

## TORQUE LIMITATION

The safety clutch limits the torque. Upon actuating the safety clutch stops the spindle rotation and the tool (drill bit) ceases to rotate. In this case switch the machine off immediately to avoid premature wear.

## RECOMENDATIONS FOR OPERATION

Apply moderate pressure during drilling in concrete (approximately 80-100 N). Higher pressure will not increase drilling efficiency, but it will result in decreasing the operation life of the machine.

Take the drill bit out of the opening from time to time to remove dust.

Watch out for the stage of blunting of the bit and change it if considerable decrease of efficiency is observed.

Do not operate the machine in «Hammer drilling» and «Hammer» mode with the lever 7 in rightmost position.

Depending on the processed material it is possible that the impact energy may decrease during operation in «Hammer» mode (chiselling and demolishing and in «Hammer drilling» mode. To

restore the maximum impact energy it is necessary to reduce the revolutions by decreasing the pressure on the switch trigger 9 until the advent of stable impact.

Before drilling large-diameter holes in metal, first drill a small pilot hole.

The optimum capacity for drilling in concrete with twist drill bits is shown in the table with technical specifications.

The rotary hammer is suitable for light-duty chiselling. Higher durability and efficiency can be achieved only when using sharp chisels.

## Maintenance

---



**WARNING:** Always ensure that the tool is switched off and unplugged before attempting to perform inspection or maintenance.

### GENERAL INSPECTION

---

Regularly inspect all fasteners and ensure they are properly tightened. Should any of the screws be loose, retighten it immediately to avoid hazards.

If the replacement of the supply cord is necessary, this has to be done by the manufacturer or his agent in order to avoid a safety hazard.

### CLEANING

---

For safe operation always keep the machine and its ventilation slots clean.

Regularly check to see if any dust or foreign matter has entered the ventilation slots and the grills around the switches. Use a soft brush and/or air jet to remove any accumulated dust. Wear safety glasses to protect your eyes whilst cleaning.

Exterior plastic parts may be cleaned with a damp cloth and mild detergent if necessary.



**WARNING:** Never use alcohol, petrol or other cleaning agent. Never use caustic agents to clean plastic parts.



**WARNING:** Water must never come into contact with the tool.

**IMPORTANT!** To assure product safety and reliability, repairs, maintenance and adjustment (including brush inspection and replacement) should be performed by certified service centres or other qualified service organisations, always using genuine replacement parts.

## Warranty

---

The guarantee period for SPARKY power tools is determined in the guarantee card.

Faults due to normal wear, overloading or improper handling will be excluded from the guarantee.

Faults due to defective materials implemented as well as defects in workmanship will be corrected free of charge through replacement or repair.

The complaints for defective SPARKY power tools will be recognized if the machine is sent back to the dealer or is presented to the authorised warranty service centre undismantled, in its initial condition.

## Notes

---

Carefully read through these Original Instructions before using this product.

The manufacturer reserves the right to make changes and improvements to the products and to alter specifications without prior notice.

Specifications may differ from country to country.

# Inhalt

Einführung .....	10
Technische Daten .....	12
Allgemeine Sicherheitshinweise für Elektrowerkzeuge.....	13
Zusätzliche Sicherheitshinweise für Arbeiten mit Bohrhämmern .....	15
Elemente des Elektrowerkzeuges.....	A/16
Betriebshinweise.....	B/16
Wartung .....	19
Garantie .....	19

## AUSPACKEN

Überprüfen Sie unmittelbar nach dem Auspacken ob sämtliche Bestandteile und das beschriebene Zubehör mitgeliefert wurden. Sollte dies nicht der Fall sein, wenden Sie sich bitte umgehend an Ihren Fachhändler bei dem das Elektrowerkzeug gekauft wurde. Dies trifft auch dann zu, wenn Sie den Eindruck haben mit dem Gerät ist etwas nicht in Ordnung. Eine Nichtbeachtung dieser Empfehlung kann zu schweren Unfällen führen.

## ZUSAMMENBAU

Der Bohrhämmer wird komplett montiert (mit Ausnahme des Zusatzhandgriffs) im Koffer oder Karton (je nach Ausführung) geliefert.

## Einführung

---

Das von Ihnen erworbene Elektrowerkzeug wird Ihre Erwartungen übersteigen. Es ist gemäß den hohen Qualitätsstandards von SPARKY hergestellt, die den strengen Anforderungen des Verbrauchers entsprechen. Einfach in der Bedienung und ungefährlich bei richtiger Handhabung, wird dieses Gerät bei bestimmungsgemäßem Gebrauch Ihnen lange Jahre zuverlässig dienen.

## WARNUNG!



Lesen Sie die ganze Originalbetriebsanleitung aufmerksam durch, bevor Sie das neu erworbene SPARKY - Elektrowerkzeug in Betrieb nehmen. Beachten Sie besonders die Texte, die mit den Wörtern „Warnung“ beginnen. Ihr SPARKY - Elektrowerkzeug besitzt viele Eigenschaften, die Ihre Arbeit erleichtern werden. Bei der Entwicklung dieses Elektrowerkzeuges ist höchste Aufmerksamkeit der Sicherheit, den Betriebseigenschaften und der Zuverlässigkeit gewidmet worden, die es einfach zur Wartung und Bedienung machen.



### **Keine elektrischen Geräte zusammen mit dem Hausmüll wegwerfen!**

Die Abfälle von elektrischen Erzeugnissen sollen nicht zusammen mit dem Hausmüll gesammelt werden. Für eine umweltgerechte Entsorgung geben Sie Ihren alten / defekten Elektrogeräte bitte in der nächsten kommunalen Sammelstelle ab.

## UMWELTSCHUTZ



Angesichts des Umweltschutzes sollen das Elektrowerkzeug, die Zubehörteile und die Verpackung einer geeigneten Wiederverwertung zugeführt werden. Zum sortenreinen Recycling sind die Teile, hergestellt aus Kunststoffen, entsprechend gekennzeichnet.

## BEDEUTUNG DER SYMBOLE

Auf dem Typenschild des Elektrowerkzeuges sind spezielle Symbole dargestellt. Sie stellen wichtige Information über das Produkt oder Instruktionen für seine Nutzung dar.



Doppelte Isolierung für zusätzlichen Schutz.



Entspricht den einschlägigen Europäischen Richtlinien.



Entspricht den Anforderungen der Zollunion-Regelungen.



Entspricht den Anforderungen der ukrainischen normativen Dokumenten.




Lesen Sie die Originalbetriebsanleitung.

YYYY-Www      Zeitabschnitt der Produktion, wobei die variablen Symbole sind:  
YYYY - Kalenderjahr der Produktion,  
ww - laufende Kalenderwoche.

BPR              Bohrhammer.

# Technische Daten

Modell		BPR 220E	BPR 240E	BPR 240CE	BPR 260E	BPR 260CE	BPR 280CE
Elektronische Drehzahlregelung		•	•	•	•	•	•
Konstant-Elektronik		○	○	•	○	•	•
Drehrichtungsumschalter		•	•	•	•	•	•
Bohren		•	•	•	•	•	•
Schlagbohren		•	•	•	•	•	•
Meißeln		○	•	•	•	•	•
Mechanische							
Sicherheitskupplung		•	•	•	•	•	•
Leistungsaufnahme	W	650	720	750	800	900	1010
Leerlaufdrehzahl	min <sup>-1</sup>	0-1000	0-1050	0-900	0-1150	0-900	0-1000
Leerlaufschlagzahl	min <sup>-1</sup>	0-4700	0-4800	0-4100	0-5200	0-4100	0-4700
Energie der Einzelschlag (EPTA Prozedur 05/2009)	J	2,3	2,8	3,0	3,0	3,2	3,4
Max. Querschnitt von Bohrern in:							
Beton	mm	22	24	24	26	26	28
Beton mit c Bohrkronen	mm	68	68	68	68	68	68
Stahl bei Verwendung des Adapter mit Futter (mit der Maschine nicht geliefert)	mm	13	13	13	13	13	13
Holz bei Verwendung des Adapter mit Futter (mit der Maschine nicht geliefert)	mm	30	30	30	30	30	30
Optimale Einsatzbereich							
für Stahl bohren	mm	Ø4-Ø10	Ø6-Ø12	Ø6-Ø16	Ø6-Ø16	Ø6-Ø20	Ø6-Ø22
Bohrfutterbefestigung		SDS plus	SDS plus	SDS plus	SDS plus	SDS plus	SDS plus
Bohrfutterkapazität	mm	1,5-13	1,5-13	1,5-13	1,5-13	1,5-13	1,5-13
Gewicht (EPTA Prozedur 01/2014)	kg	2,7	2,8	2,9	2,8	2,9	2,9
Schutzklasse							
(EN 60745-1) 		II	II	II	II	II	II
<b>GERÄUSCH-/VIBRATIONSINFORMATION</b>							
Messwerte ermittelt entsprechend EN 60745.							
<b>Geräuschemissionswerte</b>							
Der A-bewertete							
Schalldruckpegel L <sub>PA</sub>	dB (A)	87,0	89,0	89,0	91,0	91,0	92,0
Unsicherheit K <sub>PA</sub>	dB (A)	3,0	3,0	3,0	3,0	3,0	3,0
Der A-bewertete							
Schalleistungspegel L <sub>WA</sub>	dB (A)	98,0	100,0	100,0	102,0	102,0	103,0
Unsicherheit K <sub>WA</sub>	dB (A)	3,0	3,0	3,0	3,0	3,0	3,0
<b>Gehörschutz tragen!</b>							
<b>Schwingungsemissionswerte *</b>							
Schwingungsgesamtwerte (Vektorsumme dreier Richtungen) ermittelt entsprechend EN 60745:							
Schlagbohren im Beton							
Schwingungs-							
emissionswert a <sub>h,HD</sub>	m/s <sup>2</sup>	10,0	11,9	12,1	12,3	12,6	13,2
Unsicherheit K <sub>HD</sub>	m/s <sup>2</sup>	1,5	1,5	1,5	1,5	1,5	1,5
Brechen							
Schwingungs-							
emissionswert a <sub>h,CHeq</sub>	m/s <sup>2</sup>	-	5,1	5,3	5,3	5,4	6,0
Unsicherheit K <sub>CHeq</sub>	m/s <sup>2</sup>	-	1,5	1,5	1,5	1,5	1,5
Stahl bohren							
Schwingungs-							
emissionswert a <sub>h,D</sub>	m/s <sup>2</sup>	4,5	4,4	4,3	4,5	4,5	4,7
Unsicherheit K <sub>D</sub>	m/s <sup>2</sup>	1,5	1,5	1,5	1,5	1,5	1,5

\* Vibrationsmesswerte ermittelt nach P. 6.2.7 EN 60745.

Der in diesen Anweisungen angegebene Schwingungspegel ist entsprechend einem in EN 60745 genormten Messverfahren gemessen worden und kann für den Vergleich von Elektrowerkzeugen miteinander verwendet werden. Er eignet sich auch für eine vorläufige Einschätzung der Schwingungsbelastung.

Der angegebene Schwingungspegel repräsentiert die hauptsächlichen Anwendungen des Elektrowerkzeugs. Wenn allerdings das Elektrowerkzeug für andere Anwendungen, mit abweichenden Einsatzwerkzeugen oder ungenügender Wartung eingesetzt wird, kann der Schwingungspegel abweichen. Dies kann die Schwingungsbelastung über den gesamten Arbeitszeitraum deutlich erhöhen.

Für eine genaue Abschätzung der Schwingungsbelastung sollten auch die Zeiten berücksichtigt werden, in denen das Gerät abgeschaltet ist oder zwar läuft, aber nicht tatsächlich im Einsatz ist. Dies kann die Schwingungsbelastung über den gesamten Arbeitszeitraum deutlich reduzieren.

Pflegen Sie das Gerät und die Einsatzwerkzeuge mit Sorgfalt. Halten Sie Ihre Hände warm während der Arbeit – dies wird die schädliche Einwirkung erhöhter Schwingungen reduzieren.

Stäube von Materialien wie bleihaltigem Anstrich, einigen Holzarten, Mineralien und Metall können gesundheitsschädlich sein. Berühren oder Einatmen der Stäube können allergische Reaktionen und/oder Atemwegserkrankungen des Benutzers oder in der Nähe befindlicher Personen hervorrufen.

Bestimmte Stäube wie Eichen- oder Buchenstaub gelten als krebserzeugend, besonders in Verbindung mit Zusatzstoffen zur Holzbehandlung (Chromat, Holzschutzmittel). Asbesthaltiges Material darf nur von Fachleuten bearbeitet werden.

- Benutzen Sie möglichst eine Staubabsaugung.
  - Um bei der Arbeit mit diesem Elektrowerkzeug ein gutes Staubabfangen zu gewährleisten, benutzen Sie einen Staubabsauger, der für Holzstaub oder für Holz- und mineralischen Staub bestimmt ist.
  - Sorgen Sie für gute Belüftung des Arbeitsplatzes.
  - Es wird empfohlen, eine Atemschutzmaske mit Filterklasse P2 zu tragen.
- Beachten Sie in Ihrem Land gültige Vorschriften für die zu bearbeitenden Materialien.

## Allgemeine Sicherheitshinweise für Elektrowerkzeuge



**WARNUNG: Lesen Sie alle Sicherheitshinweise und Anweisungen.** *Versäumnisse bei der Einhaltung der Sicherheitshinweise und Anweisungen können elektrischen Schlag, Brand und/oder schwere Verletzungen verursachen.*

**Bewahren Sie alle Sicherheitshinweise und Anweisungen für die Zukunft auf.**

Der in den Sicherheitshinweisen verwendete Begriff „Elektrowerkzeug“ bezieht sich auf netzbetriebene Elektrowerkzeuge (mit Netzkabel) und auf akkubetriebene Elektrowerkzeuge (ohne Netzkabel).

### 1) Arbeitsplatzsicherheit

- a) **Halten Sie Ihren Arbeitsbereich sauber und gut beleuchtet.** *Unordnung oder unbeleuchtete Arbeitsbereiche können zu Unfällen führen.*
- b) **Arbeiten Sie mit dem Elektrowerkzeug**

**nicht in explosionsgefährdeter Umgebung, in der sich brennbare Flüssigkeiten, Gase oder Stäube befinden.** *Elektrowerkzeuge erzeugen Funken, die den Staub oder die Dämpfe entzünden können.*

- c) **Halten Sie Kinder und andere Personen während der Benutzung des Elektrowerkzeugs fern.** *Bei Ablenkung können Sie die Kontrolle über das Gerät verlieren.*

### 2) Elektrische Sicherheit

- a) **Der Anschlussstecker des Elektrowerkzeugs muss in die Steckdose passen.** *Der Stecker darf in keiner Weise verändert werden. Verwenden Sie keine Adapterstecker gemeinsam mit schutzgeerdeten Elektrowerkzeugen.* *Unveränderte Stecker und passende Steckdosen verringern das Risiko eines elektrischen Schlages.*
- b) **Vermeiden Sie Körperkontakt mit geerdeten Oberflächen wie von Rohren, Heizungen, Herden und Kühlschränken.** *Es besteht ein erhöhtes Risiko durch elektrischen Schlag, wenn Ihr Körper geerdet ist.*
- c) **Halten Sie Elektrowerkzeuge von Regen oder Nässe fern.** *Das Eindringen von Wasser in ein Elektrowerkzeug erhöht das*

*Risiko eines elektrischen Schlages.*

- d) **Zweckentfremden Sie das Kabel nicht, um das Elektrowerkzeug zu tragen, aufzuhängen oder um den Stecker aus der Steckdose zu ziehen. Halten Sie das Kabel fern von Hitze, Öl, scharfen Kanten oder sich bewegenden Geräteteilen. Beschädigte oder verwickelte Kabel erhöhen das Risiko eines elektrischen Schlages.**
- e) **Wenn Sie mit einem Elektrowerkzeug im Freien arbeiten, verwenden Sie nur Verlängerungskabel, die auch für den Außenbereich geeignet sind. Die Anwendung eines für den Außenbereich geeigneten Verlängerungskabels verringert das Risiko eines elektrischen Schlages.**
- f) **Wenn der Betrieb des Elektrowerkzeuges in feuchter Umgebung nicht vermeidbar ist, verwenden Sie einen Fehlerstromschutzschalter. Der Einsatz eines Fehlerstromschutzschalters vermindert das Risiko eines elektrischen Schlages.**

### 3) Sicherheit von Personen

- a) **Seien Sie aufmerksam, achten Sie darauf, was Sie tun, und gehen Sie mit Vernunft an die Arbeit mit einem Elektrowerkzeug. Benutzen Sie kein Elektrowerkzeug, wenn Sie müde sind oder unter dem Einfluss von Drogen, Alkohol oder Medikamenten stehen. Ein Moment der Unachtsamkeit beim Gebrauch des Elektrowerkzeuges kann zu ernsthaften Verletzungen führen.**
- b) **Tragen Sie persönliche Schutzausrüstung und immer eine Schutzbrille. Das Tragen persönlicher Schutzausrüstung, wie Staubmaske, rutschfeste Sicherheitsschuhe, Schutzhelm oder Gehörschutz, je nach Art und Einsatz des Elektrowerkzeuges, verringert das Risiko von Verletzungen.**
- c) **Vermeiden Sie eine unbeabsichtigte Inbetriebnahme. Vergewissern Sie sich, dass das Elektrowerkzeug ausgeschaltet ist, bevor Sie es an die Stromversorgung und/oder den Akku anschließen, es aufnehmen oder tragen. Wenn Sie beim Tragen des Elektrowerkzeuges den Finger am Schalter haben oder das Gerät eingeschaltet an die Stromversorgung anschließen, kann dies zu Unfällen führen.**
- d) **Entfernen Sie Einstellwerkzeuge oder Schraubenschlüssel, bevor Sie das Elektrowerkzeug einschalten. Ein Werkzeug oder Schlüssel, der sich in einem drehenden Geräteteil befindet, kann zu Verlet-**

*zungen führen.*

- e) **Vermeiden Sie eine abnormale Körperhaltung. Sorgen Sie für einen sicheren Stand und halten Sie jederzeit das Gleichgewicht. Dadurch können Sie das Elektrowerkzeug in unerwarteten Situationen besser kontrollieren.**
- f) **Tragen Sie geeignete Kleidung. Tragen Sie keine weite Kleidung oder Schmuck. Halten Sie Haare, Kleidung und Handschuhe fern von sich bewegenden Teilen. Lockere Kleidung, Schmuck oder lange Haare können von sich bewegenden Teilen erfasst werden.**
- g) **Wenn Staubabsaug- und -auffangeinrichtungen montiert werden können, vergewissern Sie sich, dass diese angeschlossen sind und richtig verwendet werden. Verwendung einer Staubabsaugung kann Gefährdungen durch Staub verringern.**

### 4) Verwendung und Behandlung des Elektrowerkzeuges

- a) **Überlasten Sie das Gerät nicht. Verwenden Sie für Ihre Arbeit das dafür bestimmte Elektrowerkzeug. Mit dem passenden Elektrowerkzeug arbeiten Sie besser und sicherer im angegebenen Leistungsbereich.**
- b) **Benutzen Sie kein Elektrowerkzeug, dessen Schalter defekt ist. Ein Elektrowerkzeug, das sich nicht mehr ein- oder ausschalten lässt, ist gefährlich und muss repariert werden.**
- c) **Ziehen Sie den Stecker aus der Steckdose und/oder entfernen Sie den Akku, bevor Sie Geräteeinstellungen vornehmen, Zubehörteile wechseln oder das Gerät weglegen. Diese Vorsichtsmaßnahme verhindert den unbeabsichtigten Start des Elektrowerkzeuges.**
- d) **Bewahren Sie unbenutzte Elektrowerkzeuge außerhalb der Reichweite von Kindern auf. Lassen Sie Personen das Gerät nicht benutzen, die mit diesem nicht vertraut sind oder diese Anweisungen nicht gelesen haben. Elektrowerkzeuge sind gefährlich, wenn Sie von unerfahrenen Personen benutzt werden.**
- e) **Pflegen Sie Elektrowerkzeuge mit Sorgfalt. Kontrollieren Sie, ob bewegliche Teile einwandfrei funktionieren und nicht klemmen, ob Teile gebrochen oder so beschädigt sind, dass die Funktion des Elektrowerkzeuges beeinträchtigt ist. Lassen Sie beschädigte Teile vor**



**dem Einsatz des Gerätes reparieren.** *Viele Unfälle haben ihre Ursache in schlecht gewarteten Elektrowerkzeugen.*

- f) **Halten Sie Schneidwerkzeuge scharf und sauber.** *Sorgfältig gepflegte Schneidwerkzeuge mit scharfen Schneidkanten verklemmen sich weniger und sind leichter zu führen.*
  - g) **Verwenden Sie Elektrowerkzeug, Zubehör, Einsatzwerkzeuge usw. entsprechend diesen Anweisungen. Berücksichtigen Sie dabei die Arbeitsbedingungen und die auszuführende Tätigkeit.** *Der Gebrauch von Elektrowerkzeugen für andere als die vorgesehenen Anwendungen kann zu gefährlichen Situationen führen.*
- 5) Service**
- a) **Lassen Sie Ihr Elektrowerkzeug nur von qualifiziertem Fachpersonal und nur mit Original-Ersatzteilen reparieren.** *Damit wird sichergestellt, dass die Sicherheit des Elektrowerkzeuges erhalten bleibt.*

## Zusätzliche Sicherheitshinweise für Arbeiten mit Bohrhämmern



**Gehörschutz tragen.** *Das intensive Geräusch während der Arbeit kann Gehörschäden verursachen.*

- **Beim Arbeiten immer den Zusatzhandgriff verwenden.** *Ein Kontrollverlust kann zu schweren körperlichen Verletzungen führen.*



**Beim Arbeiten persönliche Schutzausrüstung und immer eine Schutzbrille tragen.**



**Bei stauberzeugenden Arbeiten, Unfallverhütungsvorschriften beachten!** *Einige Materialien können Giftstoffe enthalten. Tragen Sie eine Staubmaske. Das Verwenden von Staubabsaug- und Auffangeinrichtungen verringert die Gefährdung durch Staub.*

- **Halten Sie das Gerät nur an den isolierten Griffflächen, wenn Sie Arbeiten ausführen, bei denen das Einsatzwerkzeug verborgene Stromleitungen oder das eigene Netzkabel treffen kann.** *Der Kontakt mit einer spannungsführenden Leitung kann auch metallene Geräteteile unter Spannung setzen und zu einem elektrischen Schlag führen.*

- Asbestenthaltende Materialien nicht bearbeiten. Asbest gilt als krebserregend.



**! WARNUNG:** Netzspannung beachten!  
Vor Anschluss des elektrischen Geräts prüfen, ob die auf dem Typenschild angegebene Spannung der Netzspannung entspricht.

- Höhere Netzspannung als die auf dem Leistungsschild angegebene Spannung kann zu schweren Verletzungen von Personen und zu Schäden am Elektrowerkzeug führen.
- Sind Sie nicht sicher, stecken Sie nicht den Anschlussstecker des elektrischen Gerätes in die Steckdose ein.
- Netzspannung, die niedriger als die auf dem Leistungsschild angegebene Spannung ist, kann den Elektromotor beschädigen.
- Um eventuelle Überhitzung zu vermeiden, Verlängerungskabel immer von der Kabeltrommel abwickeln.
- Verwenden Sie nur Verlängerungskabel, die auch für das Elektrowerkzeug zugelassen sind. Kontrollieren Sie Verlängerungskabel regelmässig und ersetzen Sie sie, wenn sie beschädigt sind.



**! WARNUNG:** Ziehen Sie den Stecker aus der Steckdose, bevor Sie Geräteeinstellungen oder Wartung vornehmen, Zubehörteile wechseln oder das Gerät weglegen.

- Beim Arbeiten halten Sie das elektrische Gerät mit beiden Händen fest. Sorgen Sie für einen sicheren Stand und halten Sie jederzeit das Gleichgewicht. Das Elektrowerkzeug wird sicher geführt, wenn man es mit beiden Händen festhält.
- Vorsicht vor verdeckt liegenden elektrischen Leitungen, Gas- und Wasserrohren! Beim Werkzeugkontakt mit verdeckt liegenden elektrischen Leitungen besteht das Risiko eines elektrischen Schlages. Die Beschädigung von Gasrohren kann zu einer Explosion führen. Das Durchbohren einer Wasserleitung kann zu Vermögensschaden oder Verletzungen durch elektrischen Schlag führen.
- Das Netzkabel ausserhalb des Arbeitsbereichs des Bohrhammers führen.
- Überzeugen Sie sich von der Unversehrtheit des Netzkabels und des Steckers. Ein beschädigtes Netzkabel nicht berühren und den Stecker aus der Steckdose ziehen, wenn das Kabel während der Arbeit beschädigt wird. Es

besteht das sonst Risiko eines elektrischen Schlages.

- Sorgen Sie für einen sicheren Stand und halten Sie jederzeit das Gleichgewicht. Falls Sie mit dem Gerät auf einer Leiter arbeiten, überzeugen Sie sich, dass darunter niemand steht.
- Das zu bearbeitende Werkstück festspannen oder entsprechend sichern.
- Beim Arbeiten das Elektrowerkzeug immer fest mit beiden Händen halten. Bei Überlastung wird das Arbeitswerkzeug festklemmen. Klemmt das Arbeitswerkzeug fest, wird sein Antrieb von der integrierten mechanischen Sicherheitskupplung unterbrochen.
- Berühren Sie das Arbeitswerkzeug oder das bearbeitete Werkstück nicht gleich nach der Arbeit - es besteht die Gefahr vor Hautverbrennung.
- Halten Sie Ihren Arbeitsbereich sauber und aufgeräumt. Die Staubmischung von unterschiedlichen Materialien ist gefährlich. Der Staub von Leichtmetallen kann brennen und zu Explosion führen.
- Lassen Sie keine Laschen, Schnüre, Leitungen oder Draht usw. im Arbeitsbereich.
- Schalten Sie die Maschine aus, bevor Sie sie weglegen.
- Verwenden Sie das elektrische Gerät entsprechend diesen Anweisungen und so, wie es für diesen speziellen Gerätetyp vorgeschrieben ist. Der Gebrauch von elektrischen Geräten für andere als die vorgesehenen Anwendungen kann zu gefährlichen Situationen führen. Die Verantwortung für jede Beschädigung oder Verletzung trägt in diesem Fall der Verbraucher und nicht der Hersteller.
- Um mit diesem elektrischen Gerät richtig umzugehen, müssen Sie die Sicherheitshinweise und die hier angegebenen allgemeinen Betriebsanleitungen berücksichtigen. Alle Anwender sind mit dieser Betriebsanleitung und den Sicherheitshinweisen bekanntzumachen. Bewahren Sie unbenutzte elektrische Geräte außerhalb der Reichweite von Kindern auf. Lassen Sie Personen das elektrische Gerät nicht benutzen, die mit diesem nicht vertraut sind oder diese Anweisungen nicht gelesen haben. Elektrische Geräte sind gefährlich, wenn sie von unerfahrenen Personen benutzt werden.
- Der Hersteller haftet nicht für jegliche eigenmächtige Veränderung am elektrischen Gerät und für die daraus folgenden Schäden.
- Arbeiten Sie mit dem elektrischen Gerät nicht im Freien und bei Regen, in explosionsge-

fährdeter Umgebung, in der sich brennbare Flüssigkeiten, Gase oder Staube befinden. Der Arbeitsplatz muss gut beleuchtet sein.



**WARNUNG:** Bei der Arbeit mit einem Meißel muss der Umschalter 11 immer in Position «Hammer» gestellt sein!

## Elemente des Elektrowerkzeuges

Bevor Sie mit dem Elektrowerkzeuges zu arbeiten beginnen, lesen Sie zuerst alle Arbeitsbesonderheiten und Sicherheitsbedingungen. Verwenden Sie das Elektrowerkzeug und das Zubehör nur für die entsprechende Zwecke. Jede andere Anwendung ist absolut verboten.

1. Zusatzhandgriff
2. Spindelhalbs
3. SDS Verriegelung
4. Werkzeugaufnahme
5. Tiefenanschlag
6. Fixierelement
7. Drehrichtungs-Wahlschalter
8. Belüftungsöffnungen
9. Schalter
10. Dauerlaufarretierung
11. Gangumschalter
12. Adapter mit Zahnkranzbohrfutter (mit der Maschine nicht geliefert)

## Betriebshinweise

Dieses elektrische Gerät wird nur mit Einphasenwechselspannung betrieben. Es ist doppelt isoliert gemäß EN 60745-1 und IEC 60745 und darf an Steckdosen ohne Schutzklemmen angeschlossen werden. Die Funkstörungen entsprechen der Richtlinie über die elektromagnetische Verträglichkeit.

Der Bohrerhammer ist zum Schlagbohren von Löchern in Beton, Gestein, Mauerwerk und anderen bröckeligen Materialien, sowie zum Bohren von Löchern in Stahl, Holz, Kunststoff u.a. bestimmt.

### BEVOR SIE DAS GERÄT IN BETRIEB SETZEN

- Prüfen Sie, ob die auf dem Leistungsschild angegebene Spannung der Netzspannung entspricht.

- Prüfen Sie die Position des Tippschalters. Das elektrische Gerät darf an die Netzspannung nur bei ausgeschaltetem Tippschalter angeschlossen werden. Wenn Sie das Gerät bei eingeschaltetem Tippschalter an die Steckdose anschließen, besteht die Voraussetzung für einen Unfall.
- Stellen Sie sicher, dass die Anschlussleitung und der Gerätestecker in gutem Zustand sind. Kontrollieren Sie regelmäßig die Anschlussleitung des elektrischen Gerätes und lassen Sie sie bei Beschädigung von qualifiziertem Fachpersonal oder von einer autorisierten Vertrags-Kundendienstwerkstatt erneuern.



**WARNUNG:** Ziehen Sie den Stecker aus der Steckdose, bevor Sie Geräteeinstellungen und Wartung vornehmen, Zubehörteile wechseln oder das Gerät weglegen.

- Wenn der Arbeitsbereich von der Steckdose entfernt ist, verwenden Sie möglichst kürzere Verlängerungskabel. Nur für den Aussenbereich zugelassene und entsprechend gekennzeichnete Verlängerungskabel verwenden.
- Prüfen Sie, ob der Zusatzhandgriff gut montiert und festgezogen ist.

## EIN- UND AUSSCHALTEN

### Kurzzeitiger Betrieb

- Einschalten: Schalter (9) drücken (Bild 1).
- Ausschalten: Schalter (9) loslassen.

### Dauerbetrieb

- Einschalten: Schalter 9 drücken und in gedrücktem Zustand mit Taste 10 blockieren (Bild 1).
- Ausschalten: Schalter 9 einmal drücken und sofort loslassen.



**WARNUNG:** Bei niedrigen Temperaturen unter 0 °C (32 °F) oder wenn das Elektrowerkzeug lange Zeit nicht benutzt wurde (wenn es gelagert wurde), ist es möglich, dass keine bzw. geringe Schlagwirkung beim Starten vorhanden ist, da das Fett sich verdichtet hat. In diesem Fall schalten Sie das Elektrowerkzeug an und lassen Sie es ungefähr anderthalb Minute in Leerlauf funktionieren, damit es sich erwärmen kann. Das verbessert die Schmierung und die Lebensdauer des Elektrowerkzeugs verlängert sich.

## STUFENLOSE ELEKTRONISCHE DREHZAHLREGELUNG

Wenn Sie den Schalter 9 leicht drücken, beginnt der Bohrhämmer mit niedrigen Drehzahlen zu arbeiten, die sich mit dem Drücken des Schalters bis zum Ende stufenlos bis zum Maximum erhöhen lassen.

Die Modelle BPR 240CE, BPR 260CE und BPR 280CE haben eine Konstantelektronik, die die Drehzahl / Schlagfrequenz konstant hält, unabhängig von der Belastung.

## WAHL DER DREHRICHTUNG

Überprüfen Sie immer die Drehrichtung bevor Sie mit dem Bohren beginnen.

Die Umschalterstellung 7 ganz rechts bedeutet Drehen entgegen dem Uhrzeigersinn, und ganz links – im Uhrzeigersinn.



**WARNUNG:** Das Wechseln der Drehrichtung darf nur beim Stillstand des Hammers erfolgen. Andernfalls kann das zu Motorschäden führen.

## WAHL DES ARBEITSBETRIEBES

Die Wahl des Arbeitsbetriebes darf nur bei ausgeschalteter Maschine erfolgen.

Der Gangumschalter 11 wird in die gewünschte Position bei gedrücktem Fixierelement 6 gedreht.

- Bohren (Bild 3) - Bohren von Löchern in Metall, Holz, Kunststoff und anderen Materialien
- Schlagbohren (Bild 4) - Bohren von Löchern in Beton, Stein und anderen Materialien
- Hammer (Bild 5) - Meißeln von Kanälen und Brechen in Beton, Mauerwerk und anderen
- Einstellen der Lage des Meißels (Bild 6) – Man kann den Meißel in die gewünschte Position drehen und arretiert ihn.

## EINSETZEN EINES WERKZEUGS MIT SDS-PLUS-EINSTECKENDE

Einsteckende des Werkzeugs vor dem Einstecken in die Aufnahmeöffnung, reinigen und schmieren! (Bild 7)

Die Verriegelungshülse 3 der Werkzeugaufnahme 4 wird zurückgezogen (Bild 8a). Führen Sie das Einsatzwerkzeug bis zum Anschlag hinein, wobei Sie darauf achten, dass die Schlitze der Aufnahme in die Kanäle des Werkzeugendes eingehen. Danach lässt man die Verriegelung los und fixiert das Elektrowerkzeug. (Bild 8b)

Um das Elektrowerkzeug zu entnehmen, ziehen Sie die Verriegelungshülse 3 zurück und entnehmen das Einsatzwerkzeug. (Bild 9)



**WARNING:** Benutzen Sie keine Bohrer mit einem Durchmesser, größer als der angegebene, da Sie das Elektrowerkzeug überlasten werden.

## **EINSETZEN EINES WERKZEUGS MIT ZYLINDERSCHAFT**

Stellen Sie die Gangumschaltung 11 in Position «Bohren» (Bild 3). Setzen Sie nun den Adapter des Bohrfutters wie oben beschrieben in die Werkzeugaufnahme ein.

### **Arbeiten mit einem Zahnkranzbohrfutter**

Durch das Drehen der Bohrkronen mit dem Schlüssel im Uhrzeigersinn oder umgekehrt, bewegen sich seine Backen in eine Position, die es ermöglicht das Einsteckende des Meißels oder Bohrers in das Bohrfutter zu setzen. Durch das Drehen entgegen dem Uhrzeigersinn wird der Meißel oder Bohrer festgezogen. Mit dem speziellen Schlüssel fixiert man den Meißel endgültig im Futter, das gleichmäßig durch die drei Öffnungen festgezogen wird.

### **Arbeiten mit einem Schnellspannbohrfutter**

Halten Sie das hintere Ende des Bohrfutters fest und drehen Sie mit der anderen den vorderen Teil auf. Sie können dann den Meißel oder Bohrer in das Bohrfutter einsetzen. Verfahren Sie zum Fixieren umgekehrt bis Sie ein deutliches Einrasten hören.

## **ÄNDERN DER MEISSELPOSITION**

Drehen Sie den Wahlschalter 11 bis zur Position «Wechsel der Position des Meißels» (Bild 6).

Drehen Sie den Meißel mit der Hand bis zur gewünschten Position (Bild 10).

Drehen Sie den Wahlschalter 11 bis in die Position «Hammer» (Bild 5), danach dreht man das Werkzeug mit der Hand leicht nach links und rechts bis es einrastet.

Eine längere Lebensdauer des Bohrhammers und eine höhere Produktivität können nur durch gut geschärfte Werkzeuge zum Meißeln und Bohren erreicht werden.

## **LÖSEN UND FESTZIEHEN VON SCHRAUBEN; BOLZEN UND MUTTERN**

Befestigen Sie im jeweiligen Bohrfutter den passenden Einsatz zum Schrauben.... Stellen Sie

den Wahlschalter 11 in Position «Bohren» (Bild 3). Mit dem Hebel 7 zum Wechseln der Drehrichtung wählt man die Operation Festziehen oder Lösen (Losschrauben). Diese Arbeiten dürfen nur bei niedriger Drehzahl durchgeführt werden.



**WARNING:** Beim Festziehen von langen Schrauben und Bolzen kann der gewählte Einsatz abrutschen. Es besteht Verletzungsgefahr für den Anwender. Seien Sie hier besonders aufmerksam.

## **ZUSÄTZLICHER HANDGRIFF**

Der zusätzliche Handgriff 1 wird auf dem Spindelhalbs 2 des Bohrhammers festgezogen. Aus Sicherheitsgründen muss man den zusätzlichen Handgriff 1 ständig benutzen. Die Tiefe der gebohrten Öffnungen kann mittels des Tiefenanschlags 5 fixiert werden.

## **BEGRENZEN DES DREHMOMENTS**

Die Schutzkupplung (Rutschkupplung) der Maschine begrenzt das Drehmoment. Beim Eingreifen der Schutzkupplung wird der Antrieb der Spindel unterbrochen und das Funktionswerkzeug (der Bohrer) stoppt seine Drehung. Man muss die Maschine sofort ausschalten, um das vorzeitige Verschleiß zu vermeiden.

## **EMPFEHLUNGEN BEI DER ARBEIT**

Benutzen Sie einen gleichmäßigen Druck beim Bohren von Beton (ungefähr 80-100 N). Zu großer Druck erhöht nicht die Produktivität des Bohrens und führt zum Verkürzen der Lebensdauer der Maschine.

Ziehen Sie den Bohrer von Zeit zu Zeit aus dem gebohrten Loch um den angefallenen Staub zu entfernen.

Achten Sie auf den Verschleiß des Bohrers. Bei anhaltender geringer Produktivität muss er ausgetauscht werden.

In der rechten Endposition des Hebels 7 darf auf keinen Fall in den Betriebsarten „Meißeln“ und „Schlagbohren“ gearbeitet werden.

Bei der Arbeit in den Betriebsarten «Meißeln» (Bohren, Brechen) und «Schlagbohren» ist es möglich in Abhängigkeit vom Material in manchen Fällen das die Schlagkraft reduziert. Zum Wiederherstellen der maximalen Schlagkraft ist es erforderlich, die Drehzahl der Maschine mittels der Reduzierung des Drucks auf dem Abzug des Schalters 9 zu reduzieren, bis zur

Wiederherstellung eines beständigen Schlags. Beim Bohren einer Öffnung mit einem großen Durchmesser in Metall, bohren Sie zuerst eine Öffnung mit kleinerem Durchmesser. Der optimale Umfang beim Bohren in Beton mit Spiralbohrern ist in der Tabelle mit den technischen Angaben obig angegeben.

Der Bohrhammer ist geeignet zu einer leichten Bearbeitung mit dem Meißel. Eine längere Lebensdauer und eine hohe Produktivität des Bohrhammers können nur mittels gut geschärfter Werkzeuge zum Bohren (Meißel) gesichert werden.

## Wartung

---



**WARNUNG:** Ziehen Sie den Stecker aus der Steckdose, bevor Sie eine Inspektion oder Wartung vornehmen.

## INSTANDHALTUNG

---

Prüfen Sie regelmäßig, ob alle Stützelemente fest angezogen sind. Falls eine Klemmschraube gelöst ist, unverzüglich anziehen, um Risiken zu vermeiden.

Wenn die Anschlussleitung beschädigt ist, muss sie von einer autorisierten Vertrags-Kundendienstwerkstatt ausgetauscht werden.

## REINIGUNG

---

Pflegen Sie das elektrische Gerät und die Entlüftungsöffnungen mit Sorgfalt.

Zur sicheren Arbeit das Elektrowerkzeug und die Lüftungsschlitze stets sauber halten. Immer nach dem Arbeiten die Lüftungsschlitze und die Werkzeugaufnahme reinigen. Verwenden Sie eine weiche Bürste, um Staub zu entfernen. Tragen Sie eine Schutzbrille während der Reinigung. Reinigen Sie den Gerätekörper mit einem weichen, feuchten Tuch und leichtem Spülmittel.



**WARNUNG:** Die Verwendung von Spiritus, Benzin oder anderen Lösmitteln ist nicht zugelassen. Verwenden Sie keine ätzenden Reinigungsmittel für die Kunststoffteile.



**WARNUNG:** Das Eindringen von Wasser in das Elektrogerät ist nicht ratsam.

**ACHTUNG!** Um den sicheren und zuverlässigen Betrieb des Elektrowerkzeuges sicherzustellen, lassen Sie alle Geräteeinstellungen, Reparatur- und Wartungstätigkeiten (einschließlich der Inspektion und Instandsetzung der Kohlebürsten) von einer autorisierten SPARKY Vertrags-Kundendienstwerkstatt durchführen.

## Garantie

---

Die Garantiefrist der SPARKY-Elektrowerkzeuge wird im Garantieschein bestimmt.

Schäden, die auf natürliche Abnutzung, Überlastung oder unsachgemäße Handhabung zurückzuführen sind, bleiben von der Garantie ausgeschlossen.

Schäden, die durch Material- und/oder Herstellerfehler entstanden sind, werden unentgeltlich durch Ersatzlieferung oder Reparatur beseitigt. Beanstandungen bezüglich eines beschädigten SPARKY-Elektrowerkzeugs können nur anerkannt werden, wenn das Gerät unzerlegt (im ursprünglichen Zustand) dem Lieferanten oder der befugten Kundendienstwerkstatt vorgelegt wird.

## Hinweise

---

Lesen Sie aufmerksam die ganze Betriebsanleitung bevor Sie beginnen dieses Erzeugnis zu benutzen.

Der Hersteller behält sich das Recht vor, Verbesserungen und Änderungen in seinen Erzeugnissen einzuführen und die Spezifikationen ohne Voranmeldung zu ändern.

Die Spezifikationen können sich in den verschiedenen Ländern unterscheiden.

# Sommaire

Introduction .....	20
Données techniques .....	22
Avertissements de sécurité généraux pour l'outil.....	23
Instructions supplémentaires de sécurité lors du travail avec des perforateurs .....	25
Présentation de l'outil.....	A/26
Instructions pour le travail .....	B/26
Entretien .....	29
Garantie .....	30

## DEBALLAGE

Compte tenu des technologies généralement adoptées pour la production en grande série, il est peu probable que votre instrument électrique soit défectueux ou qu'il lui manque une pièce. Si toutefois vous remarquez que quelque chose ne va pas, n'utilisez pas l'instrument électrique avant le remplacement de la pièce défectueuse ou avant l'élimination du dysfonctionnement. Le non-respect de cette recommandation peut entraîner un grave accident.

## MONTAGE

Le marteau perforateur livré en coffret est entièrement assemblée.

Le marteau perforateur livré en boîte est assemblée sauf la poignée supplémentaire.

## Introduction

Votre nouvel outil a été conçu et produit selon tous les standards de qualité pour répondre aux exigences les plus élevées. Son exploitation est facile et sécurisée. Et avec une utilisation correcte il vous servira longtemps.

### AVERTISSEMENT!



Lire attentivement cette notice originale avant d'utiliser votre nouvel outil. Prêter attention aux sections «Avertissement». Votre outil électrique possède des caractéristiques qui facilitent votre travail.

Cet instrument a été conçu et produit selon toutes les exigences de sécurité pour que son usage et son entretien soient faciles.



### **Ne pas jeter les outils électroportatifs avec les ordures ménagères!**

Les déchets provenant d'outils électroportatifs ne doivent pas être ramassés avec les ordures ménagères. Prière de recycler sur les lieux qui y sont spécialement destinés. Contacter les autorités locales ou un représentant pour des consultations concernant le recyclage.

### RESPECT DE L'ENVIRONNEMENT



Récupération des matières premières plutôt qu'élimination des déchets. En vue à la protection de l'environnement, les appareils, comme d'ailleurs leurs accessoires et emballages, doivent pouvoir suivre chacun une voie de recyclage appropriée. Nos pièces en matières artificielles ont été marquées en vue d'un recyclage sélectif des différents matériaux.

## LÉGENDE

L'outil électrique porte une plaque décrivant les signes spéciaux. Ils apportent une information importante quant au produit ou des instructions d'utilisation.



Double isolation pour une meilleure sécurité.



Conforme aux directives européennes applicables.



Conforme aux exigences des règlements de l'Union douanière.



En conformité avec les exigences des standards ukrainiens.




Lisez la notice originale.

YYYY-Www Période de production, où, les symboles variables sont les suivants :  
YYYY - année de production,  
ww – le numéro de la semaine du calendrier.

BPR Marteau perforateur.

# Données techniques

Modèle		BPR 220E	BPR 240E	BPR 240CE	BPR 260E	BPR 260CE	BPR 280CE
Régulation électronique de la vitesse de rotation		•	•	•	•	•	•
Electronique assurant un régime constant		○	○	•	○	•	•
Inverseur du sens de rotation		•	•	•	•	•	•
Perçage		•	•	•	•	•	•
Perçage à percussion		•	•	•	•	•	•
Burinage		○	•	•	•	•	•
Embrayage mécanique de sécurité		•	•	•	•	•	•
Puissance absorbée	W	650	720	750	800	900	1010
Vitesse de rotation à vide	min <sup>-1</sup>	0-1000	0-1050	0-900	0-1150	0-900	0-1000
Fréquence des coups à vide	min <sup>-1</sup>	0-4700	0-4800	0-4100	0-5200	0-4100	0-4700
Energie d'un coup isolé (procédure EPTA 05/2009)	J	2.3	2.8	3.0	3.0	3.2	3.4
Diamètre maximal de l'orifice percé dans:							
du béton	mm	22	24	24	26	26	28
du béton à l'aide de couronnes de perçage	mm	68	68	68	68	68	68
de l'acier par utilisation d'un adaptateur à mandrin (non fourni avec la machine)	mm	13	13	13	13	13	13
du bois par utilisation d'un adaptateur à mandrin (non fourni avec la machine)	mm	30	30	30	30	30	30
Diapason optimal d'utilisation lors du perçage de béton à l'aide de forets	mm	Ø4-Ø10	Ø6-Ø12	Ø6-Ø16	Ø6-Ø16	Ø6-Ø20	Ø6-Ø22
Système de fixation de l'outil de travail		SDS plus	SDS plus	SDS plus	SDS plus	SDS plus	SDS plus
Capacité du mandrin	mm	1.5-13	1.5-13	1.5-13	1.5-13	1.5-13	1.5-13
Poids (EPTA procédure 01/2014)	kg	2.7	2.8	2.9	2.8	2.9	2.9
Classe de protection (EN 60745-1) 		II	II	II	II	II	II
<b>INFORMATION SUR LE BRUIT ET LES VIBRATIONS</b>							
Les valeurs sont mesurées conformément à EN 60745.							
<b>Émission de bruit</b>							
A-niveau pondéré de pression sonore L <sub>pA</sub>	dB (A)	87,0	89,0	89,0	91,0	91,0	92,0
Incertitude K <sub>pA</sub>	dB (A)	3,0	3,0	3,0	3,0	3,0	3,0
A-niveau pondéré de puissance sonore L <sub>WA</sub>	dB (A)	98,0	100,0	100,0	102,0	102,0	103,0
Incertitude K <sub>WA</sub>	dB (A)	3,0	3,0	3,0	3,0	3,0	3,0
<b>Utilisez des moyens de protection contre le bruit!</b>							
<b>Émission de vibrations *</b>							
Valeur globale des vibrations (somme vectorielle sur les trois axes), déterminée conformément à EN 60745:							
<b>Perçage à percussion du béton</b>							
Valeur des vibrations							
émises a <sub>h,HD</sub>	m/s <sup>2</sup>	10,0	11,9	12,1	12,3	12,6	13,2
Incertitude K <sub>HD</sub>	m/s <sup>2</sup>	1,5	1,5	1,5	1,5	1,5	1,5
<b>Burinage</b>							
Valeur des vibrations							
émises a <sub>a,Chég</sub>	m/s <sup>2</sup>	-	5,1	5,3	5,3	5,4	6,0
Incertitude K <sub>Chég</sub>	m/s <sup>2</sup>	-	1,5	1,5	1,5	1,5	1,5
<b>Perçage dans de l'acier</b>							
Valeur des vibrations							
émises a <sub>a,D</sub>	m/s <sup>2</sup>	4,5	4,4	4,3	4,5	4,5	4,7
Incertitude K <sub>D</sub>	m/s <sup>2</sup>	1,5	1,5	1,5	1,5	1,5	1,5

\* Vibrations déterminées conformément au point 6.2.7 de EN 60745



L'amplitude d' accélération indiquée dans ces instructions d'utilisation a été mesurée suivant les méthodes de mesurage conformément à la norme EN 60745 et peut être utilisée pour une comparaison d'appareils. Le niveau de vibration peut être utilisé pour faire une estimation provisoire du degré d'influence vibratoire.

Le niveau de vibration annoncé concerne la fonction principale de l'outil. Dans des cas où l'outil est destinée à une autre utilisation ou avec d'autres accessoires, ou s'il est mal entretenu, le niveau de vibration peut s'écarter de celui qui a été indiqué. Si c'est le cas, le degré d'influence peut fortement augmenter au cours de l'utilisation

Pour une estimation précise de l'influence vibratoire pendant un certain temps d'utilisation, il est recommandé de prendre aussi en considération les espaces de temps pendant lesquels l'appareil est éteint ou sous tension, mais pas vraiment utilisé. Ceci peut réduire considérablement l'influence vibratoire pendant toute la durée du travail.

Entretenez l'outil et ses accessoires en bon état. Gardez vos mains chaudes au cours de son utilisation - cela va diminuer les conséquences négatives lorsque vous travaillez à des hauts degrés de vibrations

Les poussières de matériaux tels que peintures contenant du plomb, certains bois, minéraux ou métaux, peuvent être nuisibles à la santé. Toucher ou aspirer les poussières peut entraîner des réactions allergiques et/ou des maladies respiratoires auprès de l'utilisateur ou de personnes se trouvant à proximité.

Certaines poussières telles que les poussières de chêne ou de hêtre sont considérées cancérigènes, surtout en connexion avec des additifs pour le traitement de bois (chromate, lazure). Les matériaux contenant de l'amiante ne doivent être travaillés que par des personnes qualifiées.

- Si possible, utilisez une aspiration des poussières.
- Afin d'atteindre un haut degré d'aspiration de la poussière, lors du travail avec cet outil électroportatif utilisez un aspirateur spécialement adapté pour l'aspiration de poussière de bois ou pour l'aspiration de poussière de bois et/ou poussière de minéraux.
- Veillez à bien aérer la zone de travail.
- Il est recommandé de porter un masque respiratoire de la classe de filtre P2.

Respectez les règlements en vigueur dans votre pays spécifiques aux matériaux à traiter.

## Avertissements de sécurité généraux pour l'outil



**AVERTISSEMENT!** Lire tous les avertissements de sécurité et toutes les instructions. Ne pas suivre les avertissements et instructions peut donner lieu à un choc électrique, un incendie et/ou une blessure sérieuse.

**Conserver tous les avertissements et toutes les instructions pour pouvoir s'y reporter ultérieurement.**

Le terme «outil» dans les avertissements fait référence à votre outil électrique alimenté par le secteur (avec cordon d'alimentation) ou votre outil fonctionnant sur batterie (sans cordon d'alimentation).

### 1) Sécurité de la zone de travail

- a) Conserver la zone de travail propre et

bien éclairée. Les zones en désordre ou sombres sont propices aux accidents.

- b) Ne pas faire fonctionner les outils électriques en atmosphère explosive, par exemple en présence de liquides inflammables, de gaz ou de poussières. Les outils électriques produisent des étincelles qui peuvent enflammer les poussières ou les fumées.
- c) Maintenir les enfants et les personnes présentes à l'écart pendant l'utilisation de l'outil. Les distractions peuvent vous faire perdre le contrôle de l'outil.

### 2) Sécurité électrique

- a) Il faut que les fiches de l'outil électrique soient adaptées au socle. Ne jamais modifier la fiche de quelque façon que ce soit. Ne pas utiliser d'adaptateurs avec des outils à branchement de terre. Des fiches non modifiées et des socles adaptés réduiront le risque de choc électrique.
- b) Eviter tout contact du corps avec des surfaces reliées à la terre telles que les tuyaux, les radiateurs, les cuisinières et les réfrigérateurs. Il existe un risque accru

de choc électrique si votre corps est relié à la terre.

- c) **Ne pas exposer les outils à la pluie ou à des conditions humides.** La pénétration d'eau à l'intérieur d'un outil augmentera le risque de choc électrique.
- d) **Ne pas maltraiter le cordon. Ne jamais utiliser le cordon pour porter, tirer ou débrancher l'outil.** Maintenir le cordon à l'écart de la chaleur, du lubrifiant, des arêtes ou des parties en mouvement. Des cordons endommagés ou emmêlés augmentent le risque de choc électrique.
- e) **Lorsqu'on utilise un outil à l'extérieur, utiliser un prolongateur adapté à l'utilisation extérieure.** L'utilisation d'un cordon adapté à l'utilisation extérieure réduit le risque de choc électrique.
- f) **Si l'usage d'un outil dans un emplacement humide est inévitable, utiliser une alimentation protégée par un dispositif à courant différentiel résiduel (RCD).** L'usage d'un RCD réduit le risque de choc électrique.

### 3) Sécurité des personnes

- a) **Rester vigilant, regarder ce que vous êtes en train de faire et faire preuve de bon sens dans votre utilisation de l'outil.** Ne pas utiliser un outil lorsque vous êtes fatigué ou sous l'emprise de drogues, d'alcool ou de médicaments. Un moment d'inattention en cours d'utilisation d'un outil peut entraîner des blessures graves des personnes.
- b) **Utiliser un équipement de sécurité. Toujours porter une protection pour les yeux.** Les équipements de sécurité tels que les masques contre les poussières, les chaussures de sécurité antidérapantes, les casques ou les protections acoustiques utilisés pour les conditions appropriées réduiront les blessures de personnes.
- c) **Éviter tout démarrage intempestif. S'assurer que l'interrupteur est en position arrêt avant de brancher l'outil au secteur et/ou au bloc de batteries, de le ramasser ou de le porter.** Porter les outils en ayant le doigt sur l'interrupteur ou brancher des outils dont l'interrupteur est en position marche est source d'accidents.
- d) **Retirer toute clé de réglage avant de mettre l'outil en marche.** Une clé laissée fixée sur une partie tournante de l'outil peut donner lieu à des blessures de personnes.
- e) **Ne pas se précipiter.** Garder une position et un équilibre adaptés à tout mo-

ment. Cela permet un meilleur contrôle de l'outil dans des situations inattendues.

- f) **S'habiller de manière adaptée. Ne pas porter de vêtements amples ou de bijoux.** Garder les cheveux, les vêtements et les gants à distance des parties en mouvement. Des vêtements amples, des bijoux ou les cheveux longs peuvent être pris dans des parties en mouvement.
  - g) **Si des dispositifs sont fournis pour le raccordement d'équipements pour l'extraction et la récupération des poussières, s'assurer qu'ils sont connectés et correctement utilisés.** Utiliser des collecteurs de poussière peut réduire les risques dus aux poussières.
- ### 4) Utilisation et entretien de l'outil
- a) **Ne pas forcer l'outil. Utiliser l'outil adapté à votre application.** L'outil adapté réalisera mieux le travail et de manière plus sûre au régime pour lequel il a été construit.
  - b) **Ne pas utiliser l'outil si l'interrupteur ne permet pas de passer de l'état de marche à arrêt et vice versa.** Tout outil qui ne peut pas être commandé par l'interrupteur est dangereux et il faut le réparer.
  - c) **Débrancher la fiche de la source d'alimentation en courant et/ou le bloc de batteries de l'outil avant tout réglage, changement d'accessoires ou avant de ranger l'outil.** De telles mesures de sécurité préventives réduisent le risque de démarrage accidentel de l'outil.
  - d) **Conserver les outils à l'arrêt hors de la portée des enfants et ne pas permettre à des personnes ne connaissant pas l'outil ou les présentes instructions de le faire fonctionner.** Les outils sont dangereux entre les mains d'utilisateurs novices.
  - e) **Observer la maintenance de l'outil. Vérifier qu'il n'y a pas de mauvais alignement ou de blocage des parties mobiles, des pièces cassées ou toute autre condition pouvant affecter le fonctionnement de l'outil.** En cas de dommages, faire réparer l'outil avant de l'utiliser. De nombreux accidents sont dus à des outils mal entretenus.
  - f) **Garder affûtés et propres les outils permettant de couper.** Des outils destinés à couper correctement entretenus avec des pièces coupantes tranchantes sont moins susceptibles de bloquer et sont plus faciles à contrôler.
  - g) **Utiliser l'outil, les accessoires et les lames etc., conformément à ces instruc-**

tions, en tenant compte des conditions de travail et du travail à réaliser. L'utilisation de l'outil pour des opérations différentes de celles prévues pourrait donner lieu à des situations dangereuses.

#### 5) Maintenance et entretien

- a) **Faire entretenir l'outil par un réparateur qualifié utilisant uniquement des pièces de rechange identiques.** Cela assurera que la sécurité de l'outil est maintenue.

## Instructions supplémentaires de sécurité lors du travail avec des marteaux perforateurs



**Portez des protecteurs auditifs lors d'un travail prolongé.** Le bruit intensif émis lors du travail peut entraîner des troubles de l'audition.

- **Utilisez toujours la poignée auxiliaire fournie avec l'appareil.** La perte de contrôle peut entraîner un accident du travail.



**Pendant le travail, utilisez des dispositifs pour la protection des yeux contre les fragments volants.** Portez des lunettes de protection.



**Prenez des mesures qui vous éviteront l'inhalation de poussières.** Certains matériaux peuvent contenir des composants toxiques. Portez donc un masque protégeant de la poussière. Utilisez un dispositif pour l'élimination de la poussière s'il est possible de raccorder celui-ci à l'instrument électrique.

- **Tenir l'outil uniquement par les surfaces de préhension isolantes, pendant les opérations au cours desquelles l'accessoire coupant peut être en contact avec des conducteurs cachés ou avec son propre câble.** Le contact de l'accessoire coupant avec un fil „sous tension” peut également mettre „sous tension” les parties métalliques exposées de l'outil électrique et provoquer un choc électrique sur l'opérateur.
- Ne traitez pas les matériaux qui contiennent de l'amiante. L'amiante est considérée comme une matière cancérogène.



**AVERTISSEMENT:** Avant de brancher l'outil électrique dans le réseau d'alimentation électrique, assurez-vous que la tension de celui-ci est bien celle indiquée sur la plaque contenant les caractéristiques techniques de l'outil.

- Une source de courant à tension plus élevée que celle indiquée pour l'appareil peut causer à l'opérateur de sérieux dommages dus au courant électrique et en outre endommager l'outil.
- Si vous avez des hésitations à ce sujet, ne branchez pas l'appareil au réseau électrique.
- L'utilisation d'une source d'alimentation à tension plus basse que celle indiquée sur la plaque de l'appareil électrique endommagera le moteur électrique.
- Afin d'éviter une éventuelle surchauffe, déroulez toujours jusqu'au bout le câble de rallonge à dérouleur.
- Lorsqu'il est nécessaire d'utiliser une rallonge, assurez-vous que la section du câble est conforme à la force du courant consommé par l'appareil électrique utilisé et que la rallonge est en parfait état.



**AVERTISSEMENT:** Arrêtez toujours l'appareil électrique et débranchez-le du réseau avant d'effectuer sur celui-ci tout réglage et opération de service ou d'entretien.

- Pendant le travail, serrez toujours solidement l'appareil avec les deux mains et tenez votre corps en position stable. L'appareil est guidé d'une manière plus sécurisée lorsqu'on le tient des deux mains.
- Avant le début des travaux, vérifiez à l'aide d'un détecteur de métaux approprié s'il n'y a pas un réseau électrique, une conduite de gaz ou une conduite d'eau invisibles de l'extérieur ou adressez-vous à ce sujet aux services locaux respectifs. Le contact du foret avec une installation électrique invisible peut entraîner l'électrocution. Un dommage apporté à une conduite de gaz peut entraîner une explosion. En perçant une conduite d'eau, on peut endommager la propriété ou subir une électrocution.
- Tenez le câble d'alimentation électrique de l'appareil à l'écart de l'aire de travail de celui-ci.
- N'utilisez pas l'appareil électrique lorsque son

câble est endommagé. Ne touchez pas le câble endommagé et débranchez la fiche de la prise si le câble vient à subir un dommage dans le courant du travail. Les câbles endommagés augmentent le risque d'électrocution.

- Gardez toujours votre corps dans un équilibre stable. Lorsque vous travaillez avec l'appareil à un endroit élevé, assurez-vous qu'au-dessous de vous il n'y a personne.
- Fixez la pièce traitée à l'aide d'un étau ou d'une autre manière convenable.
- Faites attention au couple d'inertie lors de la mise en marche de l'appareil ou si le foret vient à se coincer dans la pièce traitée. Arrêtez immédiatement l'appareil si le foret vient à se coincer. Soyez attentif, car un couple d'inertie élevé peut provoquer une force de rappel. Le foret risque de bloquer si vous surchargez l'appareil ou si le foret se coince dans la pièce traitée.
- Ne touchez pas le foret ou la pièce traitée immédiatement après la fin du travail. Ils peuvent être très chauds et vous risquez de vous brûler.
- Entretenez propre le lieu de travail. Le mélange de poussières de différents matériaux est extrêmement dangereux. Les poussières de métaux légers peuvent brûler ou provoquer une explosion.
- Ne laissez jamais traîner à proximité du lieu de travail des chiffons, des fils électriques ou des fils de fer.
- Débranchez toujours l'appareil avant de le mettre de côté.
- L'appareil doit être utilisé uniquement pour les travaux pour lesquels il a été prévu. Toute autre utilisation, différente que celle décrite dans la présente instruction, doit être considérée comme abusive. Le producteur décline toute responsabilité en cas de dommage ou de blessure causée par une utilisation abusive, cette responsabilité étant alors entièrement assumée par l'utilisateur.
- Afin de utiliser l'appareil correctement, vous devez respecter les règles de sécurité, les consignes générales et celles concernant l'exploitation qui figurent dans le présent document. Tous les utilisateurs doivent avoir pris connaissance de cette instruction d'utilisation et être informés sur les risques potentiels lors du travail avec l'appareil électrique. Les enfants et les personnes ne possédant pas la force physique nécessaire ne doivent pas utiliser l'appareil. Les enfants se trouvant dans la zone de travail doivent être sous une surveillance incessante. Il est indispensable

que vous preniez également des mesures de sécurité préalables. Ceci est également valable pour les principales consignes concernant la salubrité et la sécurité du travail.

- Le producteur décline toute responsabilité en cas de modifications apportées à l'appareil électrique ou de dommages provoqués par ces modifications.
- L'appareil électrique ne doit pas être utilisé à l'extérieur lorsqu'il pleut, dans un milieu humide (après la pluie) ou à proximité de liquides et de gaz facilement inflammables. Le lieu de travail doit être bien éclairé.



**AVERTISSEMENT:** En cas de travail avec un burin, le commutateur 11 doit être impérativement placé en position «marteau» !

## Présentation de l'outil

Avant de commencer le travail avec l'appareil électrique, prenez connaissance des particularités de son fonctionnement et des conditions de sécurité à respecter.

L'appareil et ses accessoires doivent être utilisés uniquement pour les travaux pour lesquels ils ont été prévus. Toute autre utilisation est strictement interdite.

1. Vis d'arrêt
1. Poignée auxiliaire
2. Gorge du perforateur
3. Douille de verrouillage
4. Logement destiné aux forets SDS
5. Ligne de butée
6. Fixateur
7. Sélecteur de direction de rotation
8. Orifices de ventilation
9. Interrupteur
10. Bouton de blocage de l'interrupteur
11. Sélecteur de changement des régimes de fonctionnement
12. Adaptateur à mandrin (non fourni avec la machine)

## Instructions pour le travail

Cet appareil électrique est alimenté uniquement par un courant alternatif monophasé. Il possède une double isolation, conformément à EN 60745-1 et IEC 60745 et peut être branché

a des prises qui ne possèdent pas de bornes de protection. Les brouillages radiophoniques sont conformes à la Directive de conformité électromagnétique.

Le perforateur est destiné au percement à percussion d'ouvertures dans le béton, la pierre, la maçonnerie, ainsi que dans d'autres matériaux fragiles, et pour le percement d'ouvertures dans l'acier, le bois, le plastique, etc.

## **AVANT LE DEBUT DU TRAVAIL**

- Assurez-vous que la tension du secteur correspond à celle indiquée sur la plaquette contenant les données techniques de l'instrument.
- Vérifiez la position de l'interrupteur. L'appareil doit être toujours branché et débranché du secteur interrupteur on position OFF. Si vous branchez l'appareil au secteur lorsque son interrupteur est en position de marche, l'appareil se mettra immédiatement à fonctionner, ce qui crée un danger d'accident.
- Assurez-vous que le câble d'alimentation électrique et sa fiche sont en parfait état. Si le câble d'alimentation est endommagé, il doit être remplacé par le producteur ou un spécialiste agréé par celui-ci afin d'éviter les éventuels risques liés à son remplacement.



**AVERTISSEMENT:** Arrêtez toujours l'appareil et débranchez-le du réseau avant d'effectuer sur celui-ci tout réglage et opération de service ou d'entretien..

- Si la zone de travail est éloignée de la prise de courant, utilisez une rallonge aussi courte que possible, à section du câble appropriée.
- Vérifiez si la poignée auxiliaire est correctement montée et bien serrée.

## **MARCHE - ARRÊT**

### **Mise en marche d'une courte durée**

- Marche: Presser sur l'interrupteur 9 (Fig. 1).
- Arrêt: Relâchez l'interrupteur 9.

### **Travail continu**

- Marche: L'interrupteur (9) est pressé, puis verrouillé en cette position à l'aide du bouton (10).(Fig. 1).
- Arrêt: l'interrupteur (9) est pressé une fois, puis relâché immédiatement après.



**AVERTISSEMENT:** Lors de températures inférieures à 0°C (32°F) ou lorsque l'outil électroportatif est resté longtemps inactif (ayant été rangé dans un entrepôt/un magasin/un logement), il est possible que lors de sa mise en marche il n'ait pas de fonction de percussion en raison de l'épaississement de la graisse. Dans un tel cas, mettez l'outil en marche et laissez-le tourner à vide environ une minute et demie pour qu'il se réchauffe. Ainsi est amélioré le graissage et est augmentée la durée de vie de l'outil.

## **REGLAGE ELECTRONIQUE PROGRESSIF DE LA VITESSE DE ROTATION**

Une légère pression sur l'interrupteur (9) provoque le lancement de la perceuse à petite vitesse; cette vitesse augmente progressivement pour atteindre son maximum au fur et à mesure qu'on augmente la pression sur l'interrupteur pour finir par l'enfoncer à fond.

Les modèles BPR 240CE, BPR 260CE et BPR 280CE sont dotés d'un dispositif électronique qui entretient constante la vitesse de rotation / la fréquence des coups, indépendamment de l'effort.

## **INVERSEUR DU SENS DE ROTATION**

Avant de passer au perçage, n'oubliez jamais de vérifier le sens de rotation.

La position gauche extrême du levier 7 correspond au sens horaire, alors que sa position droite extrême, au sens inverse.



**AVERTISSEMENT:** On ne change le sens de rotation que lorsque le perforateur est arrêté. Sinon, le moteur risque d'être endommagé.

## **PASSAGE D'UN REGIME DE FONCTIONNEMENT A UN AUTRE**

Le passage d'un régime à l'autre est effectué lorsque l'outil ne fonctionne pas.

On fait tourner le sélecteur 11 des régimes de fonctionnement jusqu'à ce qu'il atteigne la position désirée, puis on presse sur le fixateur 6.

- Régime « Perçage » (Fig. 3) - pour le perçage d'orifices dans du métal, du bois, des matières plastiques, etc.

- Régime « Perçage par percussion » (Fig. 4) - pour le perçage d'orifices dans du béton, de la pierre, etc.
- Marteau (Fig.5) - pour creuser des canaux et buriner du béton, de la maçonnerie, etc.
- Réglage de la position du burin (Fig. 6) : pour plus de commodité lors du travail, le burin est placé dans la position désirée, puis fixé.

## **PLACER UN OUTIL A QUEUE SDS-PLUS**

Nettoyez et graissez la queue de l'instrument avant de placer celui-ci dans le logement ! (Fig.7)

Le collier 3 de libération du logement 4 et tiré en arrière (Fig. 8a). L'outil de travail est introduit jusqu'à ce qu'il atteigne la butée ; veiller à ce que les cannelures du logement entrent dans les canaux de la queue, après quoi le collier de libération est relâché pour la fixation de l'outil. (Fig. 8b)

Pour enlever l'outil de travail, le collier 3 de libération est tiré en arrière, après quoi, l'outil est enlevé. (Fig. 9)



**AVERTISSEMENT:** N'utilisez pas de forets d'un diamètre supérieur à celui qui est indiqué, car vous risquez de surcharger l'outil électroportatif.

## **PLACER ET SERREZ DANS UN MANDRIN UN FORET A QUEUE CYLINDRIQUE**

Le sélecteur 11 des régimes est mis en position «perçage» (Fig. 3) Le mandrin 12 est placé dans le logement 4 comme il est expliqué ci-dessus. Avec cette configuration, le perforateur peut fonctionner en régime «perçage».

### **Machines possédant un mandrin à clé**

En faisant tourner la couronne du mandrin en sens horaire ou en sens anti-horaire, on met ses mâchoires en position permettant à la queue du foret de pénétrer entre celles-ci. Lorsqu'on fait tourner la couronne du mandrin en sens horaire, les mâchoires serrent la queue du foret. A l'aide de la clé spéciale, le foret est fixé définitivement dans le mandrin qui se serre avec la même force dans les trois orifices.

### **Machines possédant un mandrin à serrage rapide**

La couronne arrière est retenue immobile, alors qu'on fait tourner la couronne d'avant jusqu'à ce que le mandrin s'ouvre suffisamment pour qu'on

puisse y placer le foret. Puis on serre à la main la couronne d'avant ; cette opération produit un son bien audible.

## **CHANGEMENT DE LA POSITION DU BURIN**

L'outil de travail est placé dans le logement comme il est indiqué dans la rubrique «Placer un outil à queue SDS-Plus».

Le sélecteur des régimes de travail 11 est mis en position «Changement de la position du burin» (Fig. 6).

L'outil de travail est tourné à la main jusqu'à ce qu'il atteigne la position désirée (Fig. 10).

Le sélecteur des régimes de travail 11 est mis en position «marteau», (Fig. 5), après quoi, l'outil est tourné légèrement à la main dans les deux sens jusqu'à ce qu'il se verrouille.

Afin d'assurer la longévité et la haute productivité du perforateur, il faut utiliser uniquement des outils bien affûtés pour buriner et creuser.

## **VISSER ET DEVISSER DES BOULONS, DES VIS ET DES ECROUS**

Dans le mandrin 12 est fixé de la manière indiquée ci-dessus le dispositif respectif servant à visser ou à dévisser des boulons, des écrous ou des vis. Le sélecteur des régimes de travail 11 est mis en position «perçage» (Fig. 3) A l'aide du levier 7 de changement du sens de rotation, on sélectionne l'opération : dévisser ou visser. Ces opérations sont effectuées uniquement à une faible vitesse de rotation.



**AVERTISSEMENT:** Lorsqu'on visse des boulons et des vis d'une grande longueur, le perforateur risque de glisser!

## **POIGNEE AUXILIAIRE**

La poignée auxiliaire 1 est fixée sur la gorge 2 du perforateur. Pour plus de sécurité, il faut utiliser la poignée auxiliaire 1 continuellement. On peut fixer à l'avance la profondeur des orifices percés à l'aide de la ligne de butée 5.

## **LIMITATION DU COUPLE MOTEUR**

L'embrayage de sécurité de la machine limite le couple moteur. Lorsque est actionné l'embrayage de sécurité, la traction de la broche est interrompue et l'outil de travail (le foret) cesse de tourner. Il faut arrêter immédiatement la machine pour éviter son usure prématurée.

## RECOMMANDATIONS POUR LE TRAVAIL

Appliquez une pression modérée lors du perçage du béton (de l'ordre de 80 à 100 N). La forte pression n'assure pas une augmentation de la productivité lors du perçage, mais conduit à une usure prématurée de la machine.

Il faut de temps en temps extraire le foret de l'orifice qu'on perce afin d'en éliminer les poussières.

Il faut veiller au degré d'usure du foret et celui-ci doit être remplacé lorsqu'on détecte une diminution considérable de la productivité.

Lorsque le levier 7 est en position droite extrême, ne pas travailler en régime «perçage à percussion», ni en régime «marteau».

Lors du travail en régime «marteau» (pour creuser, buriner), selon le matériau, il est possible que dans certains cas la force des coups diminue. Pour restituer la force maximale des coups, il faut réduire la vitesse de rotation de la machine en réduisant la force de la pression sur l'interrupteur jusqu'à restitution de la force des coups.

Lorsque vous avez à percer un orifice dans du métal, commencez par percer un d'un diamètre inférieur.

Le diapason optimal, lorsqu'on perce des orifices dans du béton à l'aide de forets un spirale, est indiqué ci-dessus, dans le tableau contenant les caractéristiques techniques.

Le perforateur est convenable pour un traitement léger à l'aide d'un burin. Pour assurer la longévité et la haute productivité du perforateur, il faut utiliser uniquement des outils (des burins) bien affûtés pour creuser.

## Entretien



**AVERTISSEMENT:** Arrêtez toujours l'appareil électrique et débranchez sa fiche de la prise de courant avant toute opération de vérification ou d'entretien.

### EXAMEN GENERAL

Vérifiez régulièrement tous les éléments de fixation et assurez-vous qu'ils sont solidement serrés. Si quelque vis s'est desserrée, resserrez-la immédiatement afin d'éviter tout risque.

Si le câble d'alimentation est endommagé, son remplacement doit être effectué par le constructeur ou par un spécialiste agréé par celui-ci, afin

que soit évité tout risque résultant de ce remplacement.

## NETTOYAGE

Pour assurer un travail sécurisé, entretenez toujours la machine et ses orifices de ventilation propres.

Vérifiez régulièrement si dans la grille de ventilation à proximité du moteur électrique ou autour des commutateurs n'ont pas pénétré de la poussière ou des corps étrangers. Utilisez une brosse douce pour éliminer la poussière accumulée. Pour protéger vos yeux, portez des lunettes de protection lors du nettoyage.

Si le boîtier de la machine a besoin d'être nettoyé, essuyez-le à l'aide d'un chiffon mou humide. Vous pouvez utiliser un détergent non agressif.



**AVERTISSEMENT:** Il est interdit d'utiliser de l'alcool, de l'essence ou d'autres solvants. N'utilisez jamais de produits agressifs pour nettoyer les pièces en matière plastique.



**AVERTISSEMENT:** Il est inacceptable que de l'eau entre en contact avec la machine.

**IMPORTANT!** Pour assurer un travail sécurisé avec l'appareil électrique et la longévité de celui-ci, tous les travaux de réparation, d'entretien et de réglage (y compris la vérification et le remplacement des balais) doivent être effectués dans les ateliers agréés de SPARKY avec l'utilisation exclusive de pièces de rechange d'origine.

## Garantie

---

La période de garantie des outils électroportatifs SPARKY est définie dans le contrat de garantie.

La garantie ne couvre pas les pannes apparues suite à l'usure naturelle, une surcharge ou une mauvaise exploitation.

Les pannes survenues pour cause de matériaux défectifs et/ou d'erreurs de fabrication seront réparées gratuitement ou le produit sera échangé.

Les réclamations pour un instrument SPARKY défectueux seront honorées si la machine est retournée au livreur ou est présentée à un service après-vente agréé assemblé et dans son état original (assemblée).

## Notes

---

Lisez attentivement toute cette instruction d'utilisation avant de commencer à vous servir de l'outil.

Le producteur retient son droit d'améliorer ses produits et de changer les spécifications sans avis spécial.

Les spécifications peuvent varier selon le pays.



# Indice

Introduzione .....	31
Dati tecnici .....	33
Avvertenze generali di pericolo per elettroutensili.....	34
Ulteriori norme di sicurezza per trapani e martelli.....	35
Elementi della macchina .....	A/37
Uso della macchina .....	B/37
Manutenzione .....	39
Garanzia .....	40

## PRIMA DELL'USO

Prima dell'uso verificare la presenza di tutti i componenti e degli accessori elencati. In caso di mancanze o apparenti difetti rivolgersi al rivenditore specializzato. L'inosservanza di tale raccomandazione potrebbe provocare gravi incidenti.

## ASSEMBLAGGIO

Il trapano in valigetta è fornito completamente montato.

Il trapano in scatola di cartone è fornito montato ad eccezione dell'impugnatura supplementare.

## Introduzione

---

Questo utensile SPARKY supererà le Vostre aspettative. La produzione secondo i rigorosi standard di qualità SPARKY assicura un'ottima prestazione. Se utilizzato correttamente, l'utensile risulterà maneggevole e sicuro, e garantirà un uso duraturo.

## AVVERTENZA

---



Leggere attentamente tutte le istruzioni prima dell'utilizzo dell'utensile. Leggere con cura soprattutto le parti introdotte da "Avvertenza". Questo utensile SPARKY presenta numerose caratteristiche che faciliteranno il Suo lavoro. Sicurezza, qualità ed affidabilità sono punti chiave nello sviluppo di questo utensile, e lo rendono semplice nell'uso e nella manutenzione.



### **Non smaltire elettroutensili insieme a rifiuti domestici!**

Residui di prodotti elettrici devono essere smaltiti separatamente dai rifiuti domestici e sottoposti ad un riciclaggio ecologico. Si prega di informarsi presso le autorità locali o i rivenditori specializzati circa il più vicino luogo di raccolta.

## RISPETTO DELL'AMBIENTE



Macchina, accessori ed imballaggio devono essere destinati ad una riutilizzo ecologica per il recupero di materie prime.

I componenti in plastica sono contrassegnati per relativo riciclaggio.

## SIMBOLI

---

L'etichetta che si trova sulla macchina contiene alcuni simboli. Questi forniscono importanti informazioni sull'utensile o istruzioni sull'uso dello stesso.



Doppio isolamento per ulteriore sicurezza.



Corrisponde alle direttive europee applicabili.



Corrisponde alle esigenze dei regolamenti dell'unione doganale.



Conforme alle esigenze dei documenti normativi ucraini.




Osservare le istruzioni originali.

YYYY-Www    Periodo di produzione, ove i simboli variabili sono:  
YYYY – l'anno di produzione,  
ww – la settimana di calendario consecutiva

BPR            Martello perforatore.

# Dati tecnici

Modello		BPR 220E	BPR 240E	BPR 240CE	BPR 260E	BPR 260CE	BPR 280CE
<b>Regolazione elettronica</b>							
dei giri		•	•	•	•	•	•
Elettronica costante		○	○	•	○	•	•
<b>Inversione del senso di rotazione</b>							
Foratura		•	•	•	•	•	•
Foratura a percussione		•	•	•	•	•	•
Scalpellatura		○	•	•	•	•	•
<b>Frizione meccanica protettiva</b>							
Potenza assorbita	W	650	720	750	800	900	1010
Numero di giri a vuoto	min <sup>-1</sup>	0-1000	0-1050	0-900	0-1150	0-900	0-1000
Numero dei colpi a vuoto	min <sup>-1</sup>	0-4700	0-4800	0-4100	0-5200	0-4100	0-4700
Energia del singolo colpo (procedura EPTA 05/2009)	J	2.3	2.8	3.0	3.0	3.2	3.4
<b>Diametro massimo di foratura:</b>							
calcestruzzo	mm	22	24	24	26	26	28
calcestruzzo con punte a corona	mm	68	68	68	68	68	68
acciaio, usando un adattatore con mandrino (non viene fornito con la macchina)	mm	13	13	13	13	13	13
legno, usando un adattatore con mandrino (non viene fornito con la macchina)	mm	30	30	30	30	30	30
Portata ottimale di utilizzazione forando in calcestruzzo con punte	mm	Ø4-Ø10	Ø6-Ø12	Ø6-Ø16	Ø6-Ø16	Ø6-Ø20	Ø6-Ø22
Sistema per fissaggio dell'utensile		SDS plus	SDS plus	SDS plus	SDS plus	SDS plus	SDS plus
Portata del mandrino	mm	1.5-13	1.5-13	1.5-13	1.5-13	1.5-13	1.5-13
Peso (procedura EPTA 01/2014)	kg	2.7	2.8	2.9	2.8	2.9	2.9
<b>Classe di protezione (EN 60745-1) </b>							
		II	II	II	II	II	II
<b>INFORMAZIONI SUL RUMORE E SULLE VIBRAZIONI</b>							
I valori sono stati misurati secondo la norma EN 60745.							
<b>Emissione acustica</b>							
A-livello di pressione sonora ponderata L <sub>pA</sub>							
Indeterminazione K <sub>pA</sub>	dB (A)	87,0	89,0	89,0	91,0	91,0	92,0
A-livello di potenza sonora ponderata L <sub>WA</sub>	dB (A)	3,0	3,0	3,0	3,0	3,0	3,0
Indeterminazione K <sub>WA</sub>	dB (A)	98,0	100,0	100,0	102,0	102,0	103,0
Indeterminazione K <sub>WA</sub>	dB (A)	3,0	3,0	3,0	3,0	3,0	3,0
<b>Usare mezzi per protezione dal rumore!</b>							
<b>Emissione di vibrazioni *</b>							
Valore totale delle vibrazioni (somma vettoriale lungo i tre assi), determinata secondo la norma EN 60745:							
<b>Foratura a percussione in calcestruzzo</b>							
Valore delle vibrazioni emesse a <sub>h,HD</sub>							
Indeterminazione K <sub>HD</sub>	m/s <sup>2</sup>	10,0	11,9	12,1	12,3	12,6	13,2
Indeterminazione K <sub>HD</sub>	m/s <sup>2</sup>	1,5	1,5	1,5	1,5	1,5	1,5
<b>Scalpellatura</b>							
Valore delle vibrazioni emesse a <sub>h,CHeq</sub>							
Indeterminazione K <sub>CHeq</sub>	m/s <sup>2</sup>	-	5,1	5,3	5,3	5,4	6,0
Indeterminazione K <sub>CHeq</sub>	m/s <sup>2</sup>	-	1,5	1,5	1,5	1,5	1,5
<b>Foratura in calcestruzzo</b>							
Valore delle vibrazioni emesse a <sub>h,D</sub>							
Indeterminazione K <sub>D</sub>	m/s <sup>2</sup>	4,5	4,4	4,3	4,5	4,5	4,7
Indeterminazione K <sub>D</sub>	m/s <sup>2</sup>	1,5	1,5	1,5	1,5	1,5	1,5

\* Valori di vibrazione determinati secondo la normativa EN 60745 (paragrafo 6.2.7).

Il livello di vibrazione sopra indicato è stato definito seguendo il metodo di misurazione riportato nella normativa EN 60745 e può essere utilizzato per confrontare tra di loro diversi elettrodomestici. Inoltre è adatto per effettuare una stima provvisoria del livello di esposizione.

Il livello di vibrazione si riferisce alle modalità d'uso principali dell'utensile. Tuttavia, se utilizzato per scopi diversi da quelli previsti, con punte poco stabili o senza adeguata manutenzione, il livello di vibrazione può variare. Ciò può aumentare sensibilmente il livello di esposizione durante il lavoro.

Per una precisa definizione del livello di esposizione dovrebbe essere preso in considerazione anche l'arco di tempo in cui l'utensile è spento o funzionante ma non in uso. Ciò può ridurre sostanzialmente il livello di esposizione durante il lavoro.

Utilizzare l'utensile e gli accessori con cura, e maneggiarlo mantenendo le mani calde così da ridurre gli effetti dannosi dell'elevato livello di vibrazioni.

Polvere derivante da materiali come vernici contenenti particelle di piombo, alcuni tipi di legno, minerali e metallo potrebbe essere nociva. Il contatto o l'inalazione di tali polveri potrebbe causare reazioni allergiche e/o problemi al sistema respiratorio dell'utente o di terzi.

Talune tipologie di polveri, come ad esempio quella derivante da legno di quercia o faggio, soprattutto se trattati con additivi e conservanti, sono classificate come cancerogene. Si consiglia di fare trattare materiali contenenti asbesto solo a persone esperte.

- Se possibile collegare sempre la macchina ad un dispositivo di aspirazione.
- Per ottenere un alto grado di asportazione della polvere, usare nel lavoro con questo elettrodomestico un aspirapolvere destinato a raccogliere la polvere di legno e/o polvere minerale
- Tenere l'area di lavoro ben pulita e ventilata.
- Si consiglia l'uso di una mascherina o filtro di classe P2.

Osservare le direttive nazionali relative al materiale da lavorare.

## Avvertenze generali di pericolo per elettrodomestici



**AVVERTENZA!** Leggere tutte le istruzioni d'uso e le avvertenze di sicurezza. L'inosservanza delle istruzioni seguenti può causare folgorazioni, incendi e/o gravi danni a persone.

Conservare con cura queste istruzioni.

Il termine "utensile" in tutte le avvertenze successive si riferisce sia agli utensili collegati alla rete elettrica (con cavo di alimentazione) che agli utensili a batteria (senza cavo).

### 1) Area di lavoro

- a) **Mantenere l'area di lavoro pulita e ben illuminata.** Le zone buie ed ingombre di oggetti favoriscono incidenti.
- b) **Non utilizzare l'utensile in presenza di liquidi infiammabili, gas o polvere.** Le scintille generate potrebbero infiammare polvere e/o vapore.
- c) **Tenere a distanza bambini e terzi durante il funzionamento.** Per una distrazione

*potreste perdere il controllo dell'utensile.*

### 2) Sicurezza elettrica

- a) **La spina dell'utensile deve essere adatta alla presa utilizzata. Non modificare la spina in alcun modo. Non utilizzare adattatori con gli utensili collegati a terra.** L'impiego di una spina integra ed una presa adatta riduce i rischi di folgorazione.
- b) **Evitare di toccare con il corpo le superfici collegate a terra quali tubi, radiatori, forni e frigoriferi.** Il rischio di folgorazione aumenta se il corpo è collegato a terra.
- c) **Non esporre l'utensile alla pioggia e all'umidità.** La penetrazione d'acqua nell'utensile aumenta il rischio di folgorazione.
- d) **Non utilizzare il cavo per scopi diversi da quello previsto. Non utilizzare il cavo per trasportare o tirare l'utensile, oppure per staccare la spina dalla presa. Tenere il cavo lontano da fonti di calore, olio, parti appuntite o in movimento. Cavi danneggiati o attorcigliati aumentano il rischio di folgorazione.**
- e) **Se l'utensile viene utilizzato all'aperto, usare una prolunga adatta all'uso esterno.** L'impiego di una prolunga da esterno reduce il rischio di folgorazione.
- f) **Se il lavoro in un ambiente umido è**

strettamente necessario, utilizzare una presa protetta da dispositivo a corrente residua. Ciò riduce i rischi di scosse.

### 3) Sicurezza personale

- a) L'uso di elettrodomestici richiede attenzione e buon senso. Non utilizzare gli utensili se si è stanchi o sotto l'effetto di droghe, alcol o medicinali. Una breve distrazione può provocare gravi danni alle persone.
- b) Munirsi di indumenti e dispositivi di protezione. Indossare sempre occhiali da lavoro. L'uso di dispositivi di protezione tra cui mascherina antipolvere, scarpe antiscivolo, casco e protezioni per l'udito riduce il rischio di danni a persone.
- c) Evitare l'accensione accidentale. Accertarsi che l'interruttore sia in posizione "OFF" prima di inserire la spina. Se si trasportano gli utensili con il dito sull'interruttore o si inserisce la spina nella presa con l'interruttore in posizione "ON" aumenta il rischio di incidenti.
- d) Togliere tutte le chiavi di regolazione prima di accendere l'utensile. Una chiave lasciata inserita in una parte rotante di un utensile può provocare danni a persone.
- e) Non utilizzare l'utensile in condizioni estreme. Mantenere sempre l'equilibrio ed i piedi ben appoggiati a terra. Questo consente un maggior controllo dell'utensile in caso di imprevisti.
- f) Indossare un abbigliamento adeguato. Non indossare abiti svolazzanti o gioielli. Tenere capelli, vestiti, e guanti lontani dalle parti in movimento. Abiti svolazzanti, gioielli o capelli potrebbero impigliarsi nelle parti in movimento.
- g) In presenza di apparecchiature per il collegamento a dispositivi di aspirazione e raccolta delle polveri, accertarsi che essi siano collegati ed utilizzarli correttamente. L'uso di queste apparecchiature può ridurre i rischi causati dalla polvere.

### 4) Uso e manutenzione dell'utensile

- a) Utilizzare l'utensile più adatto per il lavoro da svolgere. L'impiego dell'utensile giusto migliora la qualità del lavoro e la sicurezza.
- b) Non utilizzare l'utensile se non è possibile accenderlo e spegnerlo con l'apposito interruttore. Gli utensili che non possono essere controllati con l'interruttore sono pericolosi e devono essere riparati.

- c) Staccare la spina dall'alimentazione di corrente prima di eseguire regolazioni, cambiare accessori o riporre l'utensile. Osservando queste precauzioni si riduce il rischio di accensione accidentale dell'utensile.
- d) Riporre gli utensili non utilizzati fuori dalla portata dei bambini e non consentirne l'utilizzo a persone che non conoscono l'utensile o queste istruzioni. Nelle mani di persone inesperte gli utensili possono diventare pericolosi.
- e) Sottoporre l'utensile a manutenzione. Verificare il corretto allineamento di tutte le parti mobili, controllare che non siano grippate e che non vi siano rotture o altri guasti che potrebbero influire sul funzionamento dell'utensile. Far riparare gli utensili danneggiati prima di riutilizzarli. Molti incidenti sono causati da utensili in pessime condizioni.
- f) Tenere le punte e gli strumenti da taglio puliti ed affilati. Se sottoposti ad una regolare manutenzione e pulizia consentono di lavorare in modo più preciso e sono maggiormente controllabili.
- g) Utilizzare l'utensile, gli accessori, gli attrezzi etc. secondo quanto indicato in queste istruzioni nonché tenendo in considerazione le condizioni di lavoro e il lavoro da eseguire. L'impiego di utensili per scopi diversi da quelli per cui sono stati progettati può dare origine a situazioni pericolose.

### 5) Manutenzione

- a) Far riparare l'utensile da personale qualificato che utilizzi solo parti di ricambio originali. In caso contrario la sicurezza dell'utensile potrebbe risultare compromessa.

## Ulteriori norme di sicurezza per trapani



- Impiegare mezzi per protezione dell'udito. Il rumore intenso durante il lavoro potrebbe provocare danneggiamento dell'udito.
- Usare sempre l'impugnatura supplementare, in dotazione della macchina. La perdita di controllo può causare un infortunio sul lavoro.



**Usare durante il lavoro mezzi per la protezione della vista, per proteggersi da particelle volanti. Portare occhiali di protezione.**



**Prendere precauzioni contro l'inspirazione di polvere. Alcuni materiali possono contenere componenti tossiche. Indossare maschera antipolvere. Impiegare depolverizzatori.**

- **Quando si eseguono lavori in cui vi è pericolo che l'accessorio impiegato possa arrivare a toccare cavi elettrici nascosti oppure anche il cavo elettrico della macchina stessa, tenere l'elettrotensile afferrandolo sempre alle superfici di impugnatura isolate. Un contatto con un cavo elettrico mette sotto tensione anche le parti in metallo dell'elettrotensile e provoca quindi una scossa elettrica.**
- Non trattare materiali contenenti asbesto, in quanto considerato cancerogeno.



**AVVERTENZA:** Prima di iniziare il lavoro assicurarsi sempre che il voltaggio della presa corrisponda a quello indicato sull'etichetta dell'utensile.

- Una fonte di corrente con voltaggio superiore a quello previsto per la macchina può causare danni all'utente e/o alla macchina stessa.
- Se in dubbio, non inserire la spina nella presa.
- Operare con un voltaggio inferiore rispetto a quello previsto potrebbe surriscaldare il motore della macchina.
- Svolgere il cavo o la prolunga per evitare un eventuale surriscaldamento.
- In caso sia necessario l'uso di una prolunga, assicurarsi che sia intatta e che l'ampereaggio della stessa sia corretto.



**AVVERTENZA:** Prima di sostituire qualsiasi accessorio o eseguire operazioni di manutenzione accertarsi sempre che l'utensile sia spento e la spina staccata dalla presa di corrente..

- Si consiglia di afferrare l'utensile con entrambe le mani e di assumere una stabile posizione operativa, ciò consente di guidare l'utensile con maggiore sicurezza.

- Controllare sempre che nelle pareti e nei soffitti non vi siano cavi elettrici, tubi nascosti, etc. A tale scopo è possibile acquistare un metal detector in tutti i negozi fai da te. Il contatto con condutture elettriche può provocare incendi o scosse. Danneggiare una conduttura di gas potrebbe causare esplosioni. La rottura di una conduttura d'acqua potrebbe provocare danni a cose o scosse.
- Tenere sempre il cavo di alimentazione fuori dal raggio d'azione della macchina.
- Non utilizzare mai la macchina se il cavo risulta danneggiato. Non afferrare il cavo e non utilizzarlo per staccare la spina dalla presa. Cavi danneggiati aumentano il rischio di scosse.
- Mantenere sempre l'equilibrio e i piedi ben appoggiati. In caso di utilizzo in aree sopraelevate assicurarsi che nessuno si trovi al di sotto.
- Se possibile fissare sempre il pezzo da forare con morsetti o con una morsa a vite.
- Prestare attenzione alla reazione iniziale della coppia di forza e in caso di pressione sulla punta. Spegnerne immediatamente l'utensile al momento dell'inserimento della punta. Prestare attenzione ad una reazione elevata della coppia di forza che potrebbe causare contraccolpi. La punta si blocca in caso di sovraccarico della macchina o se rimane incastrata nel materiale.
- Non toccare la punta durante o dopo l'uso, essendo questa surriscaldata.
- Mantenere l'area di lavoro pulita e ben illuminata. Zone buie e ingombre di oggetti favoriscono incidenti.
- Non lasciare stracci, panni, corde, spaghi e simili nell'area di lavoro.
- Spegnerne sempre trapano prima di appoggiarlo.
- Non utilizzare la macchina per scopi diversi da quelli indicati in queste istruzioni. L'uso per qualsiasi altra finalità sarà considerato uso improprio. In tal caso sarà l'utente e non l'azienda produttrice ritenuto responsabile di eventuali danni o lesioni.
- Per un utilizzo corretto di questo elettrotensile è necessario osservare le avvertenze di sicurezza, le norme supplementari e le istruzioni d'uso fornite in questo opuscolo. Tutti gli utenti della macchina devono aver letto queste istruzioni e devono essere a conoscenza degli eventuali rischi. Bambini e persone di corporatura debole non devono maneggiare l'utensile. Bambini nelle vicinanze dell'area di lavoro devono essere tenuti sotto stretto con-

trollo. È assolutamente necessario attenersi alle disposizioni di prevenzione dagli infortuni, così come alle norme di sicurezza sul lavoro vigenti nella sua area.

- L'azienda produttrice non è responsabile per eventuali modifiche apportate all'utensile da parte dell'utente o per danni causati da tali modifiche.
- Non esporre l'utensile alla pioggia o all'umidità e non utilizzarlo in presenza di liquidi infiammabili, gas o polveri.



**AVVERTENZA:** Nel lavoro con scalpello il commutatore 11 deve stare sempre nella posizione «martello»!

## Elementi della macchina

Prima di utilizzare la macchina è bene conoscere le sue particolarità e le avvertenze di sicurezza.

Usare l'utensile e gli accessori solo per gli scopi indicati in queste istruzioni. L'uso per qualsiasi altra finalità è severamente vietato.

1. Impugnatura supplementare
2. Collo del trapano tassellato
3. Bussola disimpegnante
4. Sede per punte SDS plus
5. Linea limitante
6. Fermo
7. Leva per inversione del senso di rotazione
8. Fori di ventilazione
9. Interruttore
10. Pulsante per il blocco dell'interruttore
11. Commutatore dei regimi di funzionamento
12. Adattatore con mandrino (non viene fornito con la macchina)

## Uso della macchina

Questo trapano è azionato da corrente alternata monofase. Dispone di un doppio isolamento in conformità alle norme EN 60745-1 e IEC 60745 e può essere collegato a prese di corrente con o senza messa a terra. È inoltre conforme alla normativa europea sulla schermatura.

Questo utensile è indicato per la foratura a percussione in cemento, calcestruzzo, pietra e muratura, così come per la foratura in acciaio, legno, plastica, etc.

## PRIMA DELLA MESSA IN FUNZIONE

- Che la tensione di alimentazione corrisponda ai valori indicati sulla targhetta dell'utensile.
- Che l'interruttore ON/OFF non sia premuto. Il trapano deve essere collegato all'alimentazione elettrica solo se l'interruttore non è premuto.
- Che il cavo elettrico e la spina siano in perfetto stato. Per motivi di sicurezza i cavi elettrici danneggiati devono essere sostituiti solo dall'azienda produttrice o dai centri di servizio autorizzati.



**AVVERTENZA:** Prima di sostituire qualsiasi accessorio o eseguire operazioni di manutenzione accertarsi sempre che l'utensile sia spento e la spina staccata dalla presa di corrente.

- In caso l'area di lavoro sia distante da una presa di corrente utilizzare una prolunga più corta possibile.
- Assicurarsi che l'impugnatura supplementare sia montata e fissata correttamente.



**AVVERTENZA:** Prima dell'uso verificare sempre il senso di rotazione. Cambiare il senso di rotazione solo a macchina spenta onde evitare danni alla macchina

## AVVIAMENTO - ARRESTO

### Breve messa in moto

- Avviamento: Premere l'interruttore 9 (Fig.1).
- Arresto: Rilasciare l'interruttore 9.

### Funzionamento continuativo

- Avviamento: Premere l'interruttore 9 e, tenendolo premuto, bloccarlo con il pulsante 10 (Fig.1).
- Arresto: Premere l'interruttore 9 una sola volta e rilasciarlo subito.



**AVVERTENZA:** A temperature basse intorno al o sotto il 0°C (32°F), oppure se l'elettrotensile non ha funzionato per lungo tempo (è stato conservato in un magazzino/ negozio/a casa), è possibile che al momento dell'avviamento esso non abbia una forza di percussione, siccome il lubrificante si è addensato. In tale caso inserire e lasciare l'elettrotensile funzionare per circa 1,5 minuti a vuoto, per riscaldarsi. Così si migliora la lubrificazione e si allunga la vita dell'elettrotensile.

## REGOLAZIONE ELETTRONICA CONTINUA DEL NUMERO DEI GIRI

Premerendo lievemente il pulsante 9 si mette in moto il trapano tassellatore a giri bassi, i quali aumentano dolcemente fino al massimo con l'aumento della pressione sull'interruttore, finché si arrivi alla posizione estrema.

I modelli BPR 240CE, BPR 260CE e BPR 280CE sono muniti di elettronica costante, la quale mantiene la velocità di rotazione / la frequenza dei colpi costanti, nonostante il carico.

## INVERSIONE DEL SENSO DI ROTAZIONE

Prima di cominciare la foratura, verificare sempre il senso di rotazione.

La posizione estrema sinistra della leva 7 significa rotazione in senso orario, e l'estrema destra quella opposta.



**AVVERTENZA:** L'inversione del senso di rotazione si fa soltanto con il trapano tassellatore in riposo. Altrimenti si potrebbe danneggiare il motore.

## COMMUTAZIONE DEI REGIMI DI FUNZIONAMENTO

Effettuare la commutazione dei regimi di funzionamento a macchina disinserita.

Girare il commutatore dei regimi di funzionamento 11 alla posizione desiderata, a fermo 6 premuto.

- Foratura (Fig.3) - praticare fori in metallo, legno, plastica, ecc.
- Foratura a percussione (Fig.4) - praticare fori in calcestruzzo, pietra, ecc.

- Martello (Fig.5) - scavare fosse e scalpellare in calcestruzzo, muratura, ecc.
- Impostare la posizione dello scalpello (Fig.6) - per comodità nel lavoro impostare lo scalpello nella posizione desiderata e fissarlo.

## FISSAGGIO DI UTENSILE CON CODOLO SDS-PLUS

Pulire ed oliare il codolo dell'utensile prima di fissarlo nella sua sede! (Fig.7)

Tirare indietro la bussola disimpegnante 3 della sede 4 (Fig.8a). Incastrare l'utensile a fondo, badando che gli alloggiamenti della sede entrino nella scanalatura del codolo, dopo di che rilasciare la bussola disimpegnante e fissare l'elettrotensile. (Fig.8b)

Per rimuovere l'utensile, tirare indietro la bussola disimpegnante 3 e quindi tirare fuori l'utensile. (Fig.9)



**AVVERTENZA:** Non usare punte con diametro maggiore di quello indicato, altrimenti l'elettrotensile viene sovraccaricato.

## COLLOCARE E STRINGERE UNA PUNTA CON CODOLO CILINDRICO NEL MANDRINO

Mettere il commutatore dei regimi di funzionamento 11 nella posizione di «foratura» (Fig.3). Collocare il mandrino 12 nella sede 4 nel modo descritto qui sopra. In tale configurazione il trapano tassellatore può funzionare nel regime di «foratura».

### In macchine a mandrino con chiave

Girando la corona del mandrino in senso orario o antiorario, le sue ganasce si muovono ad una posizione che permetta al codolo della punta di entrare tra essi. Girando la corona del mandrino in senso orario, le ganasce stringono il codolo della punta. Fissare con la chiave speciale la punta definitivamente nel mandrino, il quale va stretto uniformemente nei tre fori.

### In macchine con mandrino a serraggio rapido

Trattenere la corona posteriore e girare la corona anteriore finché il mandrino sarà sufficientemente aperto per mettervi la punta. Quindi stringere a mano la corona anteriore; facendo questo si avverte un suono distinto.



## **CAMBIARE LA POSIZIONE DELLA PUNTA**

Infilare l'utensile nella sede come descritto nel punto "Infilare l'utensile SDS-Plus".

Girare il commutatore dei regimi di funzionamento 11 alla posizione di «Cambiamento della posizione dello scalpello» (Fig.6).

Girare l'utensile a mano alla posizione desiderata (Fig.10).

Girare il commutatore dei regimi di funzionamento 11 nella posizione «martello» (Fig.5), e quindi girare leggermente l'utensile a mano a destra e a sinistra, finché scatti.

La maggiore longevità del trapano tassellatore e la sua alta produzione possono essere ottenute soltanto con utensili per scalpellatura e cesellatura ben affilati.

## **SVITARE E AVVITARE BULLONI, VITI E DADI**

Nel mandrino 12 il rispettivo congegno per avvitare o svitare bulloni, dadi e viti va fissato nel modo come descritto qui sopra. Mettere il commutatore 11 dei regimi di funzionamento nella posizione di «foratura» (Fig.3). Scegliere con la leva 7 per inversione del senso di rotazione l'operazione di svitare o avvitare. Effettuare le operazioni soltanto a giri bassi.



**AVVERTENZA:** Nello stringere bulloni o viti alti si corre il pericolo di slittamento del trapano tassellatore!

## **L'IMPUGNATURA SUPPLEMENTARE**

L'impugnatura supplementare 1 va fissata al collo 2 del trapano tassellatore. Per ragioni di sicurezza l'impugnatura supplementare 1 deve essere usata continuamente. La profondità dei fori praticati può essere fissata a mezzo della linea limitante 5.

## **LIMITARE LA COPPIA**

La frizione protettiva della macchina limita la coppia. Mettendo in azione la frizione protettiva si interrompe il movimento dell'alberino e l'utensile (la punta) smette di girare. La macchina deve essere disinserita subito, per prevenire il logoramento precoce.

## **CONSIGLI SUL FUNZIONAMENTO**

Esercitare una pressione moderata nel forare

in calcestruzzo (circa 80-100 N). La forte pressione non aumenta la produzione nel forare e comporta una riduzione della longevità della macchina.

Tirare di tanto in tanto la punta fuori al foro, per rimuovere la polvere.

Tenere d'occhio il grado di ottundimento della punta e sostituirla quando si avverte una diminuzione considerevole della produzione.

Non lavorare nella posizione estrema destra della leva 7 nel regime di «foratura a percussione» e nel regime di «martello».

Quando si lavora nel regime di «martello» (scalpellatura, cesellatura) e nel regime di «foratura a percussione», è possibile a seconda del materiale che in certi casi la forza del colpo sia ridotta. Per ripristinare la massima forza del colpo è necessario ridurre il numero dei giri della macchina diminuendo la pressione sul grilletto dell'interruttore 9, fino a quando comparirà un colpo stabile.

Nel praticare in metallo un foro di grosso diametro, fare in anticipo un foro di diametro minore.

La portata ottimale nel forare in calcestruzzo con punte a spirale è indicata nella tabella dei dati tecnici qui sopra.

Il trapano tassellatore è adatto per una lavorazione lieve con scalpello. Si possono assicurare una maggiore longevità del trapano tassellatore e un'alta produzione soltanto con utensili per scalpellatura (scalpelli) ben affilati.

## **Manutenzione**



**AVVERTENZA:** Accertarsi che l'utensile sia spento e che la spina sia disinserita prima di effettuare qualsiasi controllo di manutenzione.

## **CAMBIO DELLE SPAZZOLE**

Questo trapano è fornito con spazzole autofrenanti. Quando queste si esauriscono, la macchina smette di funzionare. In tal caso far sostituire entrambe le spazzole in un centro autorizzato SPARKY utilizzando parti originali.

## **CONTROLLI PERIODICI GENERALI**

Controllare regolarmente che tutte le viti siano propriamente fissate. Dopo un uso prolungato potrebbero infatti allentarsi a causa delle vibrazioni.

In caso sia necessario cambiare il cavo, recarsi ad un centro assistenza SPARKY.

## **PULIZIA**

---

Per poter garantire buone e sicure operazioni di lavoro, tenere la macchina e le aperture di ventilazione sempre pulite.

Verificare regolarmente che polvere o altri corpi estranei non siano penetrati nelle aperture di ventilazione o attorno agli interruttori. Utilizzare uno spazzolino morbido per rimuovere la polvere depositatasi. Proteggere gli occhi durante la pulizia indossando occhiali da lavoro.

Per pulire la macchina utilizzare un panno umido. È possibile utilizzare un leggero detersivo.



**AVVERTENZA:** Non utilizzare alcool, benzina o altri solventi. È sconsigliato l'uso di detersivi aggressivi per la pulizia delle parti in plastica.



**AVVERTENZA:** Evitare il contatto della macchina con l'acqua.

**IMPORTANTE!** Per garantire la sicurezza e l'affidabilità dell'utensile, riparature, lavori di manutenzione ed altre regolazioni (incluso il controllo e l'eventuale sostituzione delle spazzole) devono essere effettuate da centri di assistenza SPARKY autorizzati, dove vengono adoperate solo parti originali.

## **Garanzia**

---

Il periodo di garanzia per gli utensili SPARKY ha validità a partire dalla data di acquisto ed è conforme alle normative europee.

Non sono coperti da garanzia danni derivanti da usura, sovraccarico o uso improprio.

L'azienda produttrice assicura la sostituzione di tutte le parti non funzionanti in cui si riconoscano difetti di materiale e/o di lavorazione.

Le prestazioni di garanzia saranno erogate solo se la macchina richiesta sarà inviata in condizioni integre al rivenditore o ad un centro di assistenza, accompagnata dallo scontrino fiscale.

## **Ulteriori informazioni**

---

Leggere attentamente tutte le istruzioni prima di iniziare a lavorare con l'utensile.

L'azienda produttrice si riserva il diritto di apportare modifiche tecniche senza preavviso.

Le specifiche tecniche possono variare da paese a paese.

# Contenido

Introducción .....	41
Datos técnicos .....	43
Instrucciones generales de seguridad al operar con herramientas eléctricas .....	44
Instrucciones adicionales de seguridad al operar con martillos perforadores .....	46
Componentes principales de la herramienta eléctrica .....	A/48
Instrucciones para la operación .....	B/48
Mantenimiento .....	50
Garantía .....	51

## DESENVASE

En conformidad con las tecnologías de grandes series generalmente aceptadas, es poco probable que su herramienta eléctrica sea defectuosa o que le falte alguna pieza. Si observa que algo no está en orden, no opere con la herramienta eléctrica hasta que su pieza dañada no haya sido sustituida o su defectuosidad no haya sido eliminada. El incumplimiento de esta recomendación puede conducir a un accidente de trabajo grave

## ENSAMBLAJE

El martillo perforador, envasado en un maletín, se suministra completamente ensamblado.

El martillo perforador, envasado en caja, se suministra ensamblado, con excepción de la empuñadura lateral.

## Introducción

La herramienta eléctrica SPARKY que acaba de adquirir superará sus expectativas. Ha sido fabricada conforme a las altas normas de calidad de SPARKY que responden a las exigencias más rigurosas del usuario. Su mantenimiento es fácil y es segura a la hora de explotarse. Si se usa correctamente, esta herramienta eléctrica le servirá con fiabilidad durante largos años.

### ¡ADVERTENCIA!



Lea con atención e íntegramente estas instrucciones de explotación antes de usar la herramienta eléctrica SPARKY que acaba de adquirir. Preste una atención especial a los textos encabezados por la palabra "Advertencia". Su herramienta eléctrica SPARKY posee muchas cualidades que facilitarán su trabajo. Al diseñarse esta herramienta eléctrica, se ha prestado una mayor atención a la seguridad, a las cualidades de explotación y a la fiabilidad que facilitan su mantenimiento y explotación.



### ¡No tire la herramienta eléctrica junto con los residuos domésticos!

Los residuos de productos eléctricos no deben recogerse junto con los residuos domésticos. Por favor, recíclelos en los lugares destinados a ello. Póngase en contacto con las autoridades locales o con un representante suyo para informarse respecto al reciclaje.

## PROTECCIÓN DEL MEDIO AMBIENTE



Con miras a la protección del medio ambiente, esta herramienta eléctrica, sus accesorios y su envase deben someterse a un tratamiento adecuado para reutilizar las materias primas que contienen.

Para facilitar el reciclaje de las piezas fabricadas de materiales artificiales, éstas han sido marcadas de la forma correspondiente.

## DESCRIPCIÓN DE LOS SÍMBOLOS

Sobre la placa de características técnicas de la herramienta eléctrica se han marcado símbolos especiales. Éstos facilitan información importante sobre el producto o instrucciones para su manejo.



Doble aislamiento de protección adicional.



Conformidad con las directrices europeas aplicables.



Cumple con las regulaciones de la Unión Aduanera.



Compatible con los requisitos de los documentos normativos ucranianos.



Consulte el manual de usuario.

YYYY-Www Período de producción en que los símbolos variables son:

YYYY – año de producción,  
ww – semana natural consecutiva

BPR Martillo perforador.

# Datos técnicos

Modelo		BPR 220E	BPR 240E	BPR 240CE	BPR 260E	BPR 260CE	BPR 280CE
Regulación electrónica de la velocidad		●	●	●	●	●	●
Electrónica constante		○	○	●	○	●	●
Cambio del sentido de rotación		●	●	●	●	●	●
Perforación		●	●	●	●	●	●
Perforación de percusión		●	●	●	●	●	●
Demolición		○	●	●	●	●	●
Acoplador mecánico protector		●	●	●	●	●	●
Potencia consumida	W	650	720	750	800	900	1010
Velocidad de rotación en marcha en vacío	min <sup>-1</sup>	0-1000	0-1050	0-900	0-1150	0-900	0-1000
Número de percusiones en marcha en vacío	min <sup>-1</sup>	0-4700	0-4800	0-4100	0-5200	0-4100	0-4700
Energía del golpe único (EPTA Procedure 05/2009)	J	2,3	2,8	3,0	3,0	3,2	3,4
Diámetro máximo de perforación en:							
hormigón	mm	22	24	24	26	26	28
hormigón con borcoronas	mm	68	68	68	68	68	68
acero al utilizar adaptador con mandril (no se suministra con la máquina)	mm	13	13	13	13	13	13
madera al utilizar adaptador con mandril (no se suministra con la máquina)	mm	30	30	30	30	30	30
Diapasón óptimo de utilización al perforar en hormigón con brocas	mm	Ø4-Ø10	Ø6-Ø12	Ø6-Ø16	Ø6-Ø16	Ø6-Ø20	Ø6-Ø22
Sistema de fijación de la herramienta		SDS plus	SDS plus	SDS plus	SDS plus	SDS plus	SDS plus
Alcance del mandril	mm	1,5-13	1,5-13	1,5-13	1,5-13	1,5-13	1,5-13
Peso (EPTA Procedure 01/2014)	kg	2,7	2,8	2,9	2,8	2,9	2,9
Clase de protección (EN 60745-1)		II	II	II	II	II	II

## INFORMACIÓN SOBRE RUIDO Y VIBRACIONES

Los valores se han medido según la norma EN 60745.

### Emisión de ruido

A-nivel medido							
de presión sonora L <sub>pA</sub>	dB (A)	87,0	89,0	89,0	91,0	91,0	92,0
Indeterminación K <sub>pA</sub>	dB (A)	3,0	3,0	3,0	3,0	3,0	3,0
A-nivel medido							
de potencia sonora L <sub>WA</sub>	dB (A)	98,0	100,0	100,0	102,0	102,0	103,0
Indeterminación K <sub>WA</sub>	dB (A)	3,0	3,0	3,0	3,0	3,0	3,0

¡Utilice medios de protección contra el ruido!

### Emisión de vibraciones \*

Valor total de las vibraciones (suma vectorial de tres direcciones) determinado según la norma EN 60745:

Perforación de percusión en hormigón							
Valor de las vibraciones							
emitidas a <sub>r,HD</sub>	m/s <sup>2</sup>	10,0	11,9	12,1	12,3	12,6	13,2
Indeterminación K <sub>HD</sub>	m/s <sup>2</sup>	1,5	1,5	1,5	1,5	1,5	1,5
Demolición							
Valor de las vibraciones							
emitidas a <sub>r,ChEq</sub>	m/s <sup>2</sup>	-	5,1	5,3	5,3	5,4	6,0
Indeterminación K <sub>ChEq</sub>	m/s <sup>2</sup>	-	1,5	1,5	1,5	1,5	1,5
Perforación en acero							
Valor de las vibraciones							
emitidas a <sub>r,D</sub>	m/s <sup>2</sup>	4,5	4,4	4,3	4,5	4,5	4,7
Indeterminación K <sub>D</sub>	m/s <sup>2</sup>	1,5	1,5	1,5	1,5	1,5	1,5

\* Las vibraciones se han determinado según el apartado 6.2.7 de la norma EN 60745.

El nivel de las vibraciones determinado en esta instrucción ha sido medido en conformidad con la metodología de ensayo indicada en EN 60745 y podrá utilizarse para comparar instrumentos eléctricos. El nivel de las vibraciones podrá utilizarse para una evaluación previa del grado de influencia.

El nivel declarado de las vibraciones se refiere a la destinación principal del instrumento eléctrico. En los casos cuando el instrumento eléctrico se utilice con otra destinación, con otros accesorios o cuando el instrumento eléctrico no haya sido mantenido debidamente, el nivel de las vibraciones podrá ser diferente al indicado. En estos casos, el nivel de influencia podrá aumentar considerablemente dentro de los límites del período total de funcionamiento.

En la evaluación del nivel de influencia de las vibraciones se deberá tener en consideración el tiempo durante el cual el instrumento eléctrico queda desconectado o conectado, pero no se utiliza. Esto podrá reducir notablemente el nivel de influencia dentro de los límites del período total de funcionamiento.

¡Manténganse el instrumento eléctrico y los accesorios en buen estado! Procure tener las manos calientes durante el trabajo. Esto disminuirá la influencia nociva durante un trabajo con vibraciones elevadas.

El polvo desprendido en el procesamiento de los materiales, como pinturas que contienen plomo, algunos tipos de madera, minerales y metales, podrá ser peligroso para la salud. El contacto o la aspiración del polvo podrá provocar reacciones alérgicas y/o enfermedades de las vías respiratorias del operario o de las personas a su alrededor.

Algunos tipos de polvo, por ejemplo, de roble o de haya, se consideran cancerígenos, ante todo si se combinan con adiciones para procesar la madera (cromato, conservantes). El material que contenga asbesto se ha de procesar únicamente por especialistas.

- Cuando sea posible, utilice la evacuación de polvo.
- Para alcanzar un alto grado de captación de polvo, al operar con esta herramienta eléctrica, utilice una aspiradora destinada a recoger polvo de madera o para polvo de madera y/o polvo mineral.
- Asegure una buena ventilación del lugar de trabajo.
- Se recomienda usar una mascarilla antipolvo de protección con filtro clase P2.

Respétese las disposiciones vigentes en su país acerca del procesamiento de los respectivos materiales.

## Instrucciones generales de seguridad durante el trabajo con herramientas eléctricas



**ADVERTENCIA!** Lea íntegramente estas advertencias e instrucciones de seguridad. Si no se respetan las advertencias e instrucciones de seguridad, podrá llegar a causarse una avería por la corriente eléctrica, un incendio y/o una lesión grave.

**Guárdense todas las advertencias e instrucciones de seguridad para su uso futuro.**

El término "herramienta eléctrica" empleado en todas las advertencias descritas a continuación se refiere a su instrumento eléctrico alimentado de la red (con un cordón eléctrico) y/o de una

*máquina eléctrica alimentada por una batería de acumuladores (sin cordón eléctrico).*

### 1) Seguridad del puesto de trabajo

- a) **Mantenga limpio y bien iluminado su puesto de trabajo.** El desorden y la insuficiente iluminación son premisas para un accidente de trabajo.
- b) **No trabaje con la herramienta eléctrica en un entorno de aire explosivo donde hay líquidos inflamables, gases o polvo.** Las herramientas eléctricas producen chispas que pueden incendiar el polvo o el vapor.
- c) **Mantenga a los niños y a las personas extrañas a una distancia cuando esté trabajando con una herramienta eléctrica.** Una distracción suya le puede hacer perder el control sobre el instrumento eléctrico.

### 2) Seguridad eléctrica

- a) **Los enchufes de las herramientas eléctricas deben corresponder a la toma de corriente. No cambie el enchufe bajo ningún concepto. No emplee ningún enchufe adaptador en las herramientas eléctricas de puesta a tierra.** El uso de

enchufes no modificados y su correspondiente toma de corriente reduce el riesgo de una avería causada por la corriente eléctrica.

- b) **Evite el contacto de su cuerpo con la tierra o con superficies con puesta a tierra, como tubos, radiadores, cocinas y refrigeradores.** *Si su cuerpo está con puesta a tierra, existe un mayor riesgo de producirse una avería por la corriente eléctrica.*
- c) **No exponga la herramienta eléctrica a la lluvia o en un ambiente húmedo.** *La penetración del agua en el interior del instrumento eléctrico aumenta el riesgo de producirse una avería por la corriente eléctrica.*
- d) **Utilice el cordón eléctrico conforme a su destino. Jamás utilice el cordón eléctrico para trasladar el instrumento eléctrico, tirar o sacar el enchufe de la toma de corriente. Mantenga el cordón eléctrico alejado del calor, de lubricantes, aristas vivas o piezas móviles.** *Los cordones eléctricos deteriorados o enredados aumentan el riesgo de producirse una avería por la corriente eléctrica.*
- e) **Al trabajar con la herramienta eléctrica a la intemperie, utilice un alargador apropiado para trabajar al aire libre.** *La utilización de un alargador adecuado para trabajar a la intemperie reduce el riesgo de producirse una avería por la corriente eléctrica.*
- f) **Para interrumpir la alimentación, utilice un dispositivo de seguridad que se pone en funcionamiento por la corriente eléctrica restante de ser imprescindible el empleo de la herramienta eléctrica en un ambiente húmedo.** *La aplicación de un dispositivo de seguridad reduce el riesgo de producirse una avería por la corriente eléctrica.*

### 3) Seguridad personal

- a) **Manténgase en alerta, trabaje con mayor atención y sea prudente mientras esté trabajando con la herramienta eléctrica.** *No utilice la herramienta eléctrica si estuviese cansado bajo el efecto de drogas, alcohol o medicamentos. Un instante de falta de atención al trabajar con un instrumento eléctrico puede provocar una grave accidente de trabajo.*
- b) **Utilice medios de protección personal.** *Lleve siempre medios para la protección de los ojos. Los medios de protec-*

*ción personal como carreta antipolvo, zapatos seguros con suela antideslizante, casco o protectores auditivos utilizados en condiciones concretas reducen el riesgo de accidentes de trabajo.*

- c) **Evite una puesta en marcha involuntaria.** *Antes de aspir o trasladar el instrumento eléctrico, asegúrese de que el interruptor esté desconectado previa su conexión a la fuente de alimentación y/o a la batería de acumuladores.* *Puede dar lugar a un accidente de trabajo que la herramienta eléctrica sea trasladada con el dedo sobre el interruptor, o bien la conexión de dicha herramienta a una fuente de alimentación con el interruptor en posición conectada.*
- d) **Retire toda llave de ajuste o llaves de tuercas antes de conectar la herramienta eléctrica.** *Una llave de ajuste o llave de tuercas fijada a una pieza rotatoria puede producir un accidente de trabajo.*
- e) **¡No alargue la mano!** *Mantenga en todo momento la postura correcta y el equilibrio. Ello permitirá un mejor manejo de la herramienta eléctrica en caso de que se presente una situación inesperada.*
- f) **Lleve una ropa de trabajo adecuada.** *No lleve prendas anchas o joyas. Mantenga su cabello, vestimenta y guantes alejados de las piezas móviles. La ropa ancha, las joyas o el pelo largo se podrán enganchar a las piezas en movimiento.*
- g) **Siempre que sea posible, utilice equipos de aspiración o recogepolvos y asegúrese que estén conectados y que se utilicen correctamente.** *El uso de estos dispositivos puede reducir los riesgos que son producto del polvo.*

### 4) Uso y cuidado de las herramientas eléctricas

- a) **No sobrecargue la herramienta eléctrica.** *Según el uso, hágase una correcta selección de la herramienta eléctrica. La herramienta correctamente seleccionada funciona mejor y con mayor seguridad en el régimen de trabajo para el que ha sido diseñada.*
- b) **No utilice la herramienta eléctrica si el interruptor no conmuta en posición de “conectado” y “desconectado”.** *Toda herramienta eléctrica que no pueda ser manejada con el interruptor es peligrosa y ha de ser reparada.*
- c) **Antes de efectuar cualquier ajuste, saque el enchufe de la red de alimentación,**

previo cambio de cualquier accesorio o antes de guardar la herramienta. *Estas medidas de seguridad preventivas reducen el riesgo de poner en funcionamiento la herramienta eléctrica accidentalmente.*

- d) **Guarde las herramientas eléctricas que no hayan sido utilizadas en lugares que estén fuera del alcance de los niños, y no permita que trabajen con ella las personas que prestan servicios y desconozcan la herramienta eléctrica y estas instrucciones.** *Las herramientas eléctricas son peligrosas en manos de usuarios inexpertos.*
- e) **Mantenga la herramienta eléctrica. Averigüe si sus piezas móviles funcionan correctamente y se mueven con libertad, así como la integridad y el buen estado de las piezas, como también cualquier otra circunstancia que pudiera afectar de forma desfavorable el funcionamiento de la herramienta eléctrica. En caso de que esté deteriorada, la herramienta habrá de repararse antes de que se continúe usando.** *Muchos accidentes se deben al mal mantenimiento de las herramientas eléctricas.*
- f) **Mantenga las herramientas cortantes limpias y afiladas.** *Las herramientas cortantes con bordes afilados y cortantes que tengan un mantenimiento correcto es menos probable que bloqueen y son más fáciles de manejar.*
- g) **Utilice la herramienta eléctrica, los accesorios, las piezas, etc., de acuerdo con estas instrucciones y de la forma prevista para el tipo de herramienta eléctrica concreta, tomando en consideración las condiciones laborales y el trabajo a realizar.** *El uso de la herramienta eléctrica con fines diferentes a aquellos para los que ha sido diseñada puede causar una situación de peligro.*

#### 5) Servicio

- a) **Repare su herramienta eléctrica con un técnico cualificado en reparaciones, utilizando sólo piezas de recambio originales.** *Elo garantizará el mantenimiento y la seguridad de la herramienta eléctrica.*

## Instrucciones adicionales de seguridad al operar con martillos perforadores



Utilice medios de protección auditiva al operar con la herramienta eléctrica. *El ruido intenso durante la operación puede ocasionar daños auditivos.*

- **Utilice siempre el asidero adicional suministrado con la máquina.** *La pérdida de control puede ocasionar un accidente de trabajo.*



Durante la operación, utilice medios de protección de la vista para protegerse de las partículas volantes. *Lleve gafas de protección.*



Tome medidas de prevención contra la aspiración del polvo. *Es posible que algunos materiales contengan componentes tóxicos. Lleve una mascarilla de protección antipolvo. Utilice un dispositivo para la evacuación del polvo en caso de ser posible conectarlo a la herramienta eléctrica.*

- **Sostenga la herramienta eléctrica solamente por las superficies aisladas de sujeción cuando efectúe una operación en la cual el accesorio cortante puede entrar en contacto con una instalación eléctrica oculta o su propio cable.** *El contacto del accesorio cortante con un conductor eléctrico bajo voltaje pondrá las partes metálicas abiertas de la herramienta eléctrica bajo tensión y el operador sufrirá electrocución.*
- **No procese materiales que contienen amianto.** *El amianto se considera una sustancia cancerígena.*



**ADVERTENCIA:** Antes de conectar la herramienta eléctrica a la red de alimentación, cerciórese de que el voltaje de alimentación corresponde al indicado sobre la placa de características técnicas de la herramienta eléctrica.

- **Una fuente de alimentación con voltaje superior al indicado para la herramienta eléctrica puede causar tanto un daño grave de corrien-**



te eléctrica al operador como una avería a la herramienta eléctrica.

- Si tiene algunas vacilaciones, no coloque el enchufe de la herramienta eléctrica en la caja de contacto.
- El uso de una fuente de alimentación con voltaje inferior al indicado sobre la placa de características técnicas de la herramienta eléctrica dañará el motor eléctrico.
- Para evitar un posible sobrecalentamiento, desenrosque siempre hasta el final el cable del prolongador con tambor de cable.
- Cuando sea imprescindible usar un prolongador, cerciórese de que su sección corresponde a la corriente nominal de la herramienta eléctrica utilizada, así como del buen estado del prolongador.



**ADVERTENCIA:** Desconecte siempre la herramienta eléctrica y saque el enchufe de la toma de corriente antes de efectuar cualquier ajuste, servicio o mantenimiento.

- Mientras esté operando, sostenga siempre la máquina fuertemente con ambas manos y mantenga una posición estable del cuerpo. La herramienta eléctrica se maneja con mayor seguridad cuando se sostiene con ambas manos.
- Antes de empezar a operar, averigüe con un buscametales apropiado la existencia de una instalación eléctrica, de un gasoducto o de una tubería de agua ocultos o solicite la asistencia de los respectivos servicios locales. El contacto de la broca con una instalación eléctrica oculta puede causar una descarga de corriente eléctrica. La avería de un gasoducto puede ocasionar explosión. La perforación de una tubería de agua ocasionará daños materiales o descarga de corriente eléctrica.
- Mantenga el cable de alimentación fuera del alcance de operación de la máquina.
- No utilice la herramienta eléctrica cuando el cable está dañado. No toque el cable dañado y saque el enchufe de la toma de corriente, si el cable se ha dañado durante la operación. Los cables dañados elevan el riesgo de electrocución.
- Mantenga su cuerpo siempre en una posición estable. Cuando esté operando con la herramienta eléctrica a una altura determinada, cerciórese de que debajo de usted no haya nadie.
- Fije la pieza en procesamiento en una mordaza o de otra forma apropiada.
- Observe el momento de inercia al poner en marcha la herramienta eléctrica o en caso de acuñarse el taladro. Desconecte inmediatamente la herramienta eléctrica si la broca está bloqueada. Manténgase en alerta de que no se produzca un momento reactivo alto que pueda provocar el retroceso. La broca quedará bloqueada si la herramienta eléctrica se sobrecarga o si se acuña en el material que se está procesando.
- No toque la broca o la pieza en procesamiento inmediatamente después de la operación. Éstos pueden estar muy calientes y provocar quemaduras en la piel.
- Mantenga su puesto de trabajo limpio. La mezcla de polvo de diversos materiales es sumamente peligrosa. El polvo de metales ligeros puede arder o explotar.
- No deje nunca trapos, estopas, conductores o alambres cerca del lugar de operación.
- Desconecte siempre la máquina antes de dejarla aparte.
- La herramienta eléctrica debe usarse solamente según el fin con que ha sido concebida. Cualquier otro uso que difiera del que se describe en estas instrucciones se considerará uso incorrecto. La responsabilidad por cualquier daño o lesión derivados del uso incorrecto se asumirá por el usuario, y no por el fabricante.
- Para explotar correctamente esta herramienta eléctrica, deberá cumplir las normas de seguridad, las instrucciones generales y las indicaciones de operación que se señalan aquí. Cada usuario debe familiarizarse con estas instrucciones de explotación y estar informado acerca de los riesgos potenciales al operar con la herramienta eléctrica. Los niños y las personas físicamente débiles no deben utilizar esta herramienta eléctrica. Los niños deben estar bajo vigilancia permanente si se encuentran cerca del lugar de operación con la herramienta eléctrica. Es obligatorio adoptar asimismo medidas de seguridad preventivas. Lo mismo se refiere también al cumplimiento de las normas básicas de salud profesional y seguridad.
- El fabricante no asume responsabilidad por las modificaciones en la herramienta eléctrica efectuadas por el usuario o por las averías causadas a raíz de semejantes modificaciones.
- La herramienta eléctrica no debe usarse al aire libre cuando esté lloviendo, en un entorno húmedo (después de llover) o cerca de líquidos y gases fácilmente inflamables. El puesto de trabajo debe estar bien iluminado.



**ADVERTENCIA:** ¡Al operar con un cincel, el conmutador 11 debe estar siempre en la posición «martillo»!

## Componentes principales de la herramienta eléctrica

Antes de empezar a operar con la herramienta eléctrica, infórmese acerca de todas las peculiaridades operativas y de las condiciones de seguridad.

Utilice la herramienta eléctrica y sus accesorios solamente según el fin con que han sido concebidos. Cualquier otra aplicación queda terminantemente prohibida.

1. Asidero adicional
2. Gollete del perforador
3. Casquillo liberador
4. Caja para taladros SDS plus
5. Línea demarcadora
6. Fijador
7. Palanca de cambio del sentido de rotación
8. Orificios de ventilación
9. Interruptor
10. Botón de bloqueo del interruptor
11. Conmutador de los regímenes de operación
12. Adaptador con mandril  
(no se suministra con la máquina)

## Instrucciones para la operación

Esta herramienta eléctrica se alimenta solamente mediante voltaje monofásico alterno. Posee doble aislamiento según las normas EN 60745-1 y EC 60745, pudiendo conectarse a tomas de corriente sin bornes de protección. Las radiointerferencias corresponden a la Directiva de Compatibilidad Electromagnética.

El martillo perforador está destinado a efectuar perforaciones de percusión en hormigón, piedra, mampostería y otros materiales frágiles, así como a perforar aberturas en acero, madera, plástico, etc.

## ANTES DE EMPEZAR A OPERAR

- Revise si el voltaje de la red eléctrica corresponde al indicado en la placa de características técnicas de la herramienta eléctrica.
- Revise la posición en que se encuentra el interruptor. La herramienta eléctrica debe conectarse y desconectarse de la red de alimentación solamente cuando el interruptor esté desconectado. Si el enchufe se ha introducido en la toma de corriente mientras que el interruptor está conectado, la herramienta eléctrica se accionará inmediatamente, lo cual es una premisa de accidente.
- Cerciórese del buen estado del cable de alimentación y del enchufe. Si el cable de alimentación está dañado, la sustitución de éste debe efectuarse por el fabricante o por un técnico de servicio suyo para evitar los peligros de la sustitución.



**ADVERTENCIA:** Desconecte siempre la herramienta eléctrica y saque el enchufe de la toma de corriente antes de efectuar cualquier ajuste, servicio o mantenimiento.

- Si la zona de operación está alejada de la fuente de alimentación, utilice un prolongador lo más corto posible con sección apropiada.
- Revise si el asidero adicional ha sido colocado correctamente y si ha sido atiesado de forma segura.

## CONEXIÓN - DESCONEXIÓN

### Accionamiento breve

- Conexión: El interruptor 9 se aprieta (Fig.1).
- Desconexión: El interruptor 9 se afloja.

### Operación continua

- Conexión: El interruptor 9 se aprieta y, en la posición de apriete, se bloquea mediante el botón 10 (Fig.1).
- Desconexión: El interruptor 9 se aprieta una sola vez, aflojándose inmediatamente.



**ADVERTENCIA:** En caso de temperaturas bajas, en torno a y bajo 0 °C (32 °F), o bien si la herramienta eléctrica no ha funcionado largo tiempo (ha estado guardada en un depósito/almacén/hogar), es posible que al ponerla en funcionamiento no tenga una acción de percusión, ya que el lubricante se ha espesado. En este caso, conecte y deje que la herramienta eléctrica funcione alrededor de 1,5 minutos en marcha en vacío para calentarse. Así mejorará la lubricación y se prolongará la vida de la herramienta eléctrica.

## REGULACIÓN ELECTRÓNICA PROGRESIVA DE LAS REVOLUCIONES

Al apretar levemente el interruptor 9, se provocará el accionamiento del martillo perforador en revoluciones bajas, que aumentarán paulatinamente hasta las máximas al elevar la presión sobre el interruptor, hasta llegar a la posición extrema.

Los modelos BPR 240CE, BPR 260CE y BPR 280CE están provistos de electrónica constante que mantiene la velocidad de rotación / la frecuencia de las percusiones constantes, independientemente de la carga.

## CAMBIO DEL SENTIDO DE ROTACIÓN

Antes de empezar a perforar, revise siempre el sentido de rotación.

La posición extrema izquierda de la palanca 7 significa que la rotación es en el sentido de la aguja del reloj, y la extrema derecha, en el sentido opuesto a ésta.



**ADVERTENCIA:** El cambio del sentido de rotación se efectúa solamente cuando el martillo perforador se encuentra en estado de reposo. De lo contrario, se puede provocar una avería del motor.

## CONMUTACIÓN DE LOS RÉGIMENES DE OPERACIÓN

La conmutación de los regímenes de operación debe efectuarse cuando la máquina esté desconectada.

El conmutador de los regímenes de operación 11 debe girar hasta la posición deseada, estando apretado el fijador 6.

- Perforación (Fig.3): perforación de orificios en metal, madera, plástico, etc.

- Perforación de percusión (Fig.4): perforación de aberturas en hormigón, piedra, etc.
- Martillo (Fig.5): cincelado de canales, demolición en hormigón, mampostería, etc.
- Ajuste de la posición del cincel (Fig.6): para una comodidad al operar, el cincel se coloca en la posición deseada, fijándose.

## COLOCACIÓN DE UNA HERRAMIENTA CON COLA SDS-PLUS

¡Limpie y lubrique la cola de la herramienta antes de colocarla en la caja! (Fig.7)

El casquillo liberador 3 de la caja 4 se tira hacia atrás (Fig.8a). La herramienta se introduce hasta el tope, observando que las estrías de la caja entren en los canales de la cola, después de lo cual el casquillo liberador se afloja y la herramienta se inmoviliza. (Fig.8b)

Para bajar la herramienta, el casquillo liberador 3 debe tirarse hacia atrás, sacando posteriormente la herramienta. (Fig.9)



**ADVERTENCIA:** No utilice cinceles con diámetro superior al indicado, ya que sobrecargará la herramienta eléctrica.

## COLOCACIÓN Y APRIETE DE LA BROCA CON COLA CILÍNDRICA EN EL MANDRIL

El conmutador de los regímenes de operación 11 se coloca en la posición «perforación» (Fig.3). El mandril 12 se coloca en la caja 4 de la forma descrita anteriormente. En esta configuración, el martillo perforador podrá operar en régimen «perforación».

### En caso de máquinas con mandril de llave

Al girar la corona del mandril en el sentido de la aguja del reloj o viceversa, sus mandíbulas se desplazan hasta una posición que permita que la cola de la broca se introduzca entre éstas. Al girar la corona del mandril en el sentido de la aguja del reloj, las mandíbulas atiesan la cola de la broca. Con la llave especial, la broca se fija definitivamente en el mandril que se atiesa uniformemente en las tres aberturas.

### En máquinas con mandril de apriete rápido

Se retiene la parte posterior de la corona, girando la corona delantera hasta que el mandril se abra suficientemente para colocar la broca. Posteriormente, la corona delantera se atiesa a mano, oyéndose un sonido claro.

## **CAMBIO DE LA POSICIÓN DEL CINCEL**

La herramienta se coloca en la caja de la forma descrita en el apartado "Colocación de la herramienta SDS-Plus".

El conmutador de los regímenes de operación 11 debe girar a la posición «Cambio de la posición del cincel» (Fig.6).

La herramienta debe girarse manualmente hasta la posición deseada (Fig.10).

El conmutador de los regímenes de operación 11 debe girarse a la posición «martillo» (Fig.5), después de lo cual la herramienta debe girarse levemente a mano hacia la izquierda y hacia la derecha, hasta cerrarse.

Puede alcanzarse una mayor duración y una alta productividad del martillo perforador únicamente con herramientas de demolición y excavación bien afiladas.

## **DESENROSCAR Y ENROSCAR PERNOS, TORNILLOS Y TUERCAS**

En el mandril 12 se atiesa, de la forma descrita anteriormente, el correspondiente dispositivo para enroscar, respectivamente, desenroscar pernos, tornillos y tuercas. El conmutador 11 de los regímenes de operación se coloca en la posición «perforación» (Fig.3). Con la palanca 7 de cambio del sentido de rotación se selecciona la operación de desenroscar o enroscar. Las operaciones se efectúan solamente en revoluciones bajas.



**ADVERTENCIA:** ¡Al enroscar pernos y tornillos largos existe el peligro de que el martillo perforador se deslice!

## **ASIDERO ADICIONAL**

El asidero adicional 1 se atiesa al gollete 2 del martillo perforador. Por motivos de seguridad, el asidero adicional 1 debe usarse constantemente. La profundidad de las aberturas perforadas puede fijarse mediante la línea demarcadora 5.

## **LIMITACIÓN DEL MOMENTO ROTATORIO**

El acoplador de protección de la máquina limita el momento rotatorio. Al accionarse el acoplador mecánico, se interrumpe el accionamiento del husillo y la herramienta de operación (broca) deja de girar. La máquina debe desconectarse inmediatamente para evitar su desgaste anticipado.

## **RECOMENDACIONES AL OPERAR**

Aplice una presión moderada al perforar en hormigón (aproximadamente, 80-100 N). Una presión grande no eleva la productividad de la máquina y conduce a la reducción de la vida de ésta.

De vez en cuando, saque la broca de la abertura para eliminar el polvo.

Debe observarse el grado de embotamiento de la broca y ser cambiada al observar una reducción significativa de la productividad.

En la posición extrema derecha de la palanca 7 no se debe operar en el régimen «perforación de percusión» ni en el régimen «martillo».

Al operar en el régimen «martillo» (excavación, demolición) y en el régimen «perforación de percusión», dependiendo del material, es posible que en algunos casos la fuerza de la percusión disminuya. Para recuperar la fuerza máxima de la percusión es necesario reducir las revoluciones de la máquina, disminuyendo la presión sobre el gatillo del interruptor 9 hasta que se produzca una percusión estable.

Al perforar en metal aberturas de gran diámetro, perfóre previamente un orificio de diámetro más pequeño.

El alcance óptimo al perforar en hormigón con brocas salomónicas se ha indicado en la tabla de características técnicas más arriba.

El perforador es apropiado para un procesamiento ligero con cincel. La mayor duración del martillo perforador y su alta productividad pueden garantizarse únicamente con herramientas de excavación (cinceles) afiladas.

## **Mantenimiento**



**ADVERTENCIA:** Desconecte siempre la herramienta eléctrica y saque el enchufe de la toma de corriente antes de realizar cualquier revisión o mantenimiento.

## **CAMBIO DE CEPILLOS**

La herramienta eléctrica está provista de cepillos de autodesconexión. Cuando los cepillos se desgasten, los dos deberán ser sustituidos simultáneamente por cepillos originales en un centro de servicio de SPARKY de mantenimiento de garantía y fuera de garantía.

## REVISIÓN GENERAL

---

Revise regularmente todos los elementos de entibación y cerciórese de que hayan sido fuertemente atiesados. En caso de que alguno de los tornillos se haya aflojado, enrósquelo inmediatamente para evitar situaciones de riesgo.

Si el cable de alimentación está dañado, su sustitución deberá efectuarse por el fabricante o por un técnico de servicio suyo a fin de evitar los peligros relativos a esta sustitución.

## LIMPIEZA

---

Para una operación segura, mantenga la máquina y los orificios de ventilación siempre limpios. Revise regularmente que en la rejilla de ventilación, cerca del motor eléctrico o en torno a los conmutadores no se hayan infiltrado polvo o cuerpos ajenos. Utilice un cepillo suave para quitar el polvo acumulado. Lleve gafas de protección para preservar sus ojos durante la limpieza.

Si el cuerpo de la máquina debe limpiarse, límpielo con un paño húmedo y suave. Puede utilizarse un detergente de limpieza suave.



**ADVERTENCIA:** No se deben usar alcohol, gasolina ni otros disolventes. No utilice nunca detergentes corrosivos para limpiar las piezas de plástico.



**ADVERTENCIA:** El agua no debe entrar en contacto con la máquina.

**¡IMPORTANTE!** Para garantizar una operación segura con la herramienta eléctrica y su fiabilidad, todas las actividades relativas a su reparación, mantenimiento y regulación (incluida la revisión y el cambio de cepillos) deben efectuarse en los centros de servicio autorizados de SPARKY, empleando sólo piezas de recambio originales.

## Garantía

---

El periodo de garantía de las herramientas SPARKY aparece indicado en la hoja de garantía.

Los daños debido a llevar ropa normal, a sobrecargas o manejo indebido se excluirán de la garantía.

Los daños debido al uso de materiales defectuosos, así como a defectos en la hechura serán subsanados libres de gastos por medio de sustitución o reparación.

Se reconocerán las quejas por herramientas SPARKY defectuosas si la máquina se devuelve al distribuidor o si se entrega al servicio autorizado de garantía sin desmontar, en su estado inicial.

## Notas

---

Lea detenidamente todo el Manual de instrucciones antes de utilizar este producto.

El fabricante se reserva el derecho a cambiar las especificaciones sin previo aviso.

Las especificaciones pueden ser distintas de país a país.

## Conteúdo

Introdução .....	52
Dados técnicos .....	54
Instruções gerais para a segurança do trabalho com instrumentos eléctricos .....	55
Instruções adicionais para a segurança do trabalho com perfuradoras .....	57
Conhecimento do instrumento eléctrico.....	A/58
Instruções para o trabalho .....	B/58
Manutenção .....	61
Garantia .....	62

### DESEMBALAGEM

De acordo com as tecnologias de produção geralmente utilizadas, é pouco provável o novo instrumento eléctrico que você adquiriu ser ineficiente ou lhe faltar alguma peça. Mesmo assim, se você verificar que qualquer coisa não está bem, não trabalhe com o instrumento, enquanto a peça ineficiente não for substituída, ou a imperfeição não ficar eliminada. O não seguimento desta recomendação é capaz de provocar um acidente de trabalho grave.

### MONTAGEM

O martelo perfurador, embalado em mala, fornece-se completamente montado.

O martelo perfurador, embalado em caixa de cartão, fornece-se completamente montado, excepto o punho adicional.

## Introdução

O novo instrumento eléctrico SPARKY que adquiriu vai ultrapassar as suas expectativas. Ele foi fabricado de acordo com os mais elevados padrões de qualidade da SPARKY, os quais vão de encontro com as exigências mais rigorosas do consumidor. Fácil de manutenção e seguro durante a utilização, sendo correctamente manipulado, este instrumento eléctrico servir-lhe-á fielmente durante muitos anos.

### ATENÇÃO!



Leia atentamente toda a instrução para o uso, antes de começar a trabalhar com o seu novo instrumento eléctrico SPARKY. Preste especial atenção aos textos que começam com a palavra "Atenção". O seu instrumento eléctrico SPARKY possui qualidades que hão de facilitar o seu trabalho. Ao ser fabricado este instrumento eléctrico, maior atenção foi prestada à segurança, às qualidades de exploração e à fiabilidade, as quais fazem dele um instrumento fácil de manutenção e de exploração.



#### **Não deitar o instrumento eléctrico para o lixo comum!**

Os resíduos de aparelhos eléctricos não se devem misturar com o lixo comum. Mande-os para reciclagem nos lugares destinados a isso. Ponha-se em contacto com as autoridades locais ou com um representante para consultar a forma de reciclagem.

### PROTECÇÃO DO MEIO AMBIENTE



Visando a protecção do meio ambiente, o instrumento eléctrico, os seus acessórios e embalagem têm de ser submetidos a uma adequada reelaboração para serem novamente utilizadas as matérias primas contidas neles.

Para facilitar a reciclagem, as peças feitas de materiais sintéticos levam a respectiva denotação.

## DESCRIÇÃO DOS SÍMBOLOS

Sobre a chapa com os dados do instrumento eléctrico estão denotados os símbolos especiais que fornecem importante informação sobre o artefacto ou recomendações para o seu uso.



Duplo isolamento para protecção adicional.



Conformidade com as directrizes europeias aplicáveis.



Está conforme com as exigências dos regulamentos da União Alfandegária.



Conformidade com as exigências dos documentos normativos ucranianos.




Conheça a instrução para a exploração

YYYY-Www Período de fabrico, onde os símbolos variáveis são:  
YYYY – ano de fabrico,  
ww – a respectiva semana corrente do calendário

BPR Martelo perfurador.

# Dados técnicos

Modelo		BPR 220E	BPR 240E	BPR 240CE	BPR 260E	BPR 260CE	BPR 280CE
Regulamento electrónico							
da velocidade		•	•	•	•	•	•
Electrónica constante		○	○	•	○	•	•
Mudança do sentido de rotação		•	•	•	•	•	•
Perfuração		•	•	•	•	•	•
Perfuração à percussão		•	•	•	•	•	•
Demolição		○	•	•	•	•	•
Empreguem mecânica							
de segurança		•	•	•	•	•	•
Potência consumida	W	650	720	750	800	900	1010
Velocidade da rotação							
ao ralenti	min <sup>-1</sup>	0-1000	0-1050	0-900	0-1150	0-900	0-1000
Número de golpe							
ao ralenti	min <sup>-1</sup>	0-4700	0-4800	0-4100	0-5200	0-4100	0-4700
Energia do golpe singular (EPTA procedimento 05/2009)	J	2,3	2,8	3,0	3,0	3,2	3,4
Diâmetro máximo do buril em:							
betão	mm	22	24	24	26	26	28
betão com broca	mm	68	68	68	68	68	68
aço usando mandril adaptador (não se fornece com o instrumento)	mm	13	13	13	13	13	13
madeira usando mandril adaptador (não se fornece com o instrumento)	mm	30	30	30	30	30	30
Diapasão óptimo de uso na perfuração de concreto							
com broca	mm	Ø4-Ø10	Ø6-Ø12	Ø6-Ø16	Ø6-Ø16	Ø6-Ø20	Ø6-Ø22
Sistema de fixação do instrumento							
		SDS plus	SDS plus	SDS plus	SDS plus	SDS plus	SDS plus
Alcance do mandril	mm	1,5-13	1,5-13	1,5-13	1,5-13	1,5-13	1,5-13
Peso (EPTA procedimento 01/2014)							
	kg	2,7	2,8	2,9	2,8	2,9	2,9
Classe de protecção (EN 60745-1) 							
		II	II	II	II	II	II

## INFORMAÇÃO SOBRE RÚIDO E VIBRAÇÕES

Os valores foram medidos segundo EN 60745.

### Emissão de ruído

A-nível avaliado de pressão sonora L <sub>PA</sub>	dB (A)	87,0	89,0	89,0	91,0	91,0	92,0
Indefinição K <sub>PA</sub>	dB (A)	3,0	3,0	3,0	3,0	3,0	3,0
A-nível avaliado de potência sonora L <sub>WA</sub>	dB (A)	98,0	100,0	100,0	102,0	102,0	103,0
Indefinição K <sub>WA</sub>	dB (A)	3,0	3,0	3,0	3,0	3,0	3,0

### Utilize meios de protecção do ruído!

### Emissão de vibrações \*

Valor global das vibrações (suma vectora pelos três eixos), determinado segundo EN 60745:

#### Perfuração de percussão em concreto

Valor das vibrações							
emanadas a <sub>h,HD</sub>	m/s <sup>2</sup>	10,0	11,9	12,1	12,3	12,6	13,2
Indefinição K <sub>HD</sub>	m/s <sup>2</sup>	1,5	1,5	1,5	1,5	1,5	1,5

#### Demolição

Valor das vibrações							
emanadas a <sub>h,ChEq</sub>	m/s <sup>2</sup>	-	5,1	5,3	5,3	5,4	6,0
Indefinição K <sub>ChEq</sub>	m/s <sup>2</sup>	-	1,5	1,5	1,5	1,5	1,5

#### Perfuração em aço

Valor das vibrações							
emanadas a <sub>h,D</sub>	m/s <sup>2</sup>	4,5	4,4	4,3	4,5	4,5	4,7
Indefinição K <sub>D</sub>	m/s <sup>2</sup>	1,5	1,5	1,5	1,5	1,5	1,5

\* As vibrações são determinadas segundo o p. 6.2.7 de EN 60745.



O nível das vibrações, indicado neste manual, foi determinado com base no teste indicado por EN 60745 e pode ser utilizado para a comparação de instrumentos eléctricos. O nível das vibrações pode ser utilizado para a avaliação prévia do grau de impacto.

O nível das vibrações declarado refere-se à utilização principal do instrumento. Caso o instrumento eléctrico seja utilizado para outros fins, ou forem utilizados outros acessórios, ou o instrumento não for bem tratado, o nível das vibrações diferenciar-se-á do declarado. Em tais casos o nível do impacto pode crescer consideravelmente dentro do período laboral total.

Ao avaliar o nível de impacto das vibrações, é preciso considerar também o tempo em que o instrumento está desligado, ou está ligado, mas sem funcionar. Tal pode diminuir consideravelmente o nível do impacto dentro do período laboral total.

Mantenha o instrumento eléctrico e os acessórios em bom estado. Cuide as mãos quentes durante o trabalho – isto vai diminuir o efeito nocivo do trabalho com instrumentos de vibração elevada.

O pó resultante do processamento dos materiais tais como pinturas com conteúdo de chumbo, certos tipos de madeiras, minerais e metais, pode ser nocivo para a saúde. O contacto directo ou a aspiração do pó pode causar reacções alérgicas e/ou doenças das vias respiratórias do trabalhador ou das pessoas que se encontram perto dele.

Alguns tipos de pó, por exemplo o de carvalho ou de faia consideram-se carcinogênicos, sobretudo em combinação com ingredientes utilizados no processamento da madeira, tais como cromato ou conservantes.

O material que contém amianto tem de ser processado só por especialistas.

- Quando for possível, utilize sistemas para o desvio do pó.
- Para atingir maior grau de captação do pó, ao trabalhar com o instrumento, utilize aspirador de pó.
- Garanta a boa ventilação do local de trabalho.
- Recomenda-se o uso de máscara anti pó com filtro da classe P2.

Cumpra as regras vigentes no Seu país referentes ao processamento dos diferentes materiais.

## Instruções gerais para a segurança de trabalho com Instrumentos eléctricos



**ATENÇÃO!** Devem ser lidas todas as indicações de advertência e todas as instruções. O desrespeito das advertências e instruções apresentadas abaixo pode causar choque eléctrico, incêndio e/ou graves lesões.

Guarde bem todas as advertências e instruções para futura referência.

O termo “Ferramenta eléctrica” utilizado a seguir nas indicações de advertência, refere-se a ferramentas eléctricas operadas com corrente de rede (com cabo de rede) e a ferramentas eléctricas operadas com bateria (sem cabo de rede).

### 1) Segurança da área de trabalho

- a) Mantenha a sua área de trabalho sempre limpa e bem iluminada. Desordem ou

áreas de trabalho insuficientemente iluminadas podem levar a acidentes.

- b) Não trabalhar com a ferramenta eléctrica em áreas com risco de explosão, nas quais se encontrem líquidos, gases ou pós inflamáveis. Ferramentas eléctricas produzem faíscas, que podem inflamar pós ou vapores.
- c) Manter crianças e outras pessoas afastadas da ferramenta eléctrica durante a utilização. No caso de distração é possível que perca o controlo sobre o aparelho.

### 2) Segurança eléctrica

- a) A ficha de conexão da ferramenta eléctrica deve caber na tomada. A ficha não deve ser modificada de maneira alguma. Não utilizar uma ficha de adaptação junto com ferramentas eléctricas protegidas por ligação a terra. Fichas não modificadas e tomadas apropriadas reduzem o risco de um choque eléctrico.
- b) Evitar que o corpo possa entrar em contacto com superfícies ligadas a terra, como tubos, aquecimentos, fogões e frigoríficos. Há um risco elevado devido a choque eléctrico, se o corpo estiver ligado a terra.
- c) Manter o aparelho afastado de chuva ou humidade. A infiltração de água numa fer-

ramenta eléctrica aumenta o risco de choque eléctrico.

- d) **Não deverá utilizar o cabo para outras finalidades. Jamais utilizar o cabo para transportar a ferramenta eléctrica, para pendurá-la, nem para puxar a ficha da tomada. Manter o cabo afastado de calor, óleo, cantos afiados ou partes do aparelho em movimento. Cabos danificados ou emaranhados aumentam o risco de um choque eléctrico.**
- e) **Se trabalhar com uma ferramenta eléctrica ao ar livre, só deverá utilizar cabos de extensão apropriados para áreas exteriores. A utilização de um cabo de extensão apropriado para áreas exteriores reduz o risco de um choque eléctrico.**
- f) **Se não for possível evitar o funcionamento da ferramenta eléctrica em áreas húmidas, deverá ser utilizado uma disjuntor de corrente de avaria. A utilização de um disjuntor de corrente de avaria reduz o risco de um choque eléctrico.**

### 3) Segurança de pessoas

- a) **Esteja atento, observe o que está a fazer e tenha prudência ao trabalhar com a ferramenta eléctrica. Não utilizar uma ferramenta eléctrica quando estiver fadigado ou sob a influência de drogas, álcool ou medicamentos. Um momento de descuido ao utilizar a ferramenta eléctrica, pode levar a lesões graves.**
- b) **Utilizar equipamento de protecção pessoal e sempre óculos de protecção. A utilização de equipamento de protecção pessoal, como máscara de protecção contra pó, sapatos de segurança antiderrapantes, capacete de segurança ou protecção auricular, de acordo com o tipo e aplicação da ferramenta eléctrica, reduz o risco de lesões.**
- c) **Evitar uma colocação em funcionamento involuntária. Assegure-se de que a ferramenta eléctrica esteja desligada, antes de conectá-la a alimentação de rede e/ou ao acumulador, antes de levantá-la ou de transportá-la. Se tiver o dedo no interruptor ao transportar a ferramenta eléctrica ou se o aparelho for conectado a alimentação de rede enquanto estiver ligado, poderão ocorrer acidentes.**
- d) **Remover ferramentas de ajuste ou chaves de boca antes de ligar a ferramenta eléctrica. Uma ferramenta ou chave que se encontre numa parte do aparelho em movimento pode levar a lesões.**

e) **Evite uma posição anormal. Mantenha uma posição firme e mantenha sempre o equilíbrio. Desta forma é mais fácil controlar a ferramenta eléctrica em situações inesperadas.**

f) **Usar roupa apropriada. Não usar roupa larga nem jóias. Mantenha os cabelos, roupas e luvas afastadas de partes em movimento. Roupas frouxas, cabelos longos ou jóias podem ser agarrados por peças em movimento.**

g) **Se for possível montar dispositivos de aspiração ou de recolha, assegure-se de que estejam conectados e utilizados correctamente. A utilização de uma aspiração de pó pode reduzir o perigo devido ao pó.**

### 4) Utilização e manuseio cuidadoso de ferramentas eléctricas

a) **Não sobrecarregue o aparelho. Utilize a ferramenta eléctrica apropriada para o seu trabalho. É melhor e mais seguro trabalhar com a ferramenta eléctrica apropriada na área de potência indicada.**

b) **Não utilizar uma ferramenta eléctrica com um interruptor defeituoso. Uma ferramenta eléctrica que não pode mais ser ligada nem desligada, é perigosa e deve ser reparada.**

c) **Puxar a ficha da tomada e/ou remover o acumulador antes de executar ajustes no aparelho, de substituir acessórios ou de guardar o aparelho. Esta medida de segurança evita o arranque involuntário da ferramenta eléctrica.**

d) **Guardar ferramentas eléctricas não utilizadas fora do alcance de crianças. Não permita que pessoas que não estejam familiarizadas com o aparelho ou que não tenham lido estas instruções, utilizem o aparelho. Ferramentas eléctricas são perigosas se forem utilizadas por pessoas inexperientes.**

e) **Tratar a ferramenta eléctrica com cuidado. Controlar se as partes móveis do aparelho funcionam perfeitamente e não emperram, e se há peças partidas ou danificadas que possam prejudicar o funcionamento da ferramenta eléctrica. Permitir que peças danificadas sejam reparadas antes da utilização. Muitos acidentes têm como causa, a manutenção insuficiente de ferramentas eléctricas.**

f) **Manter as ferramentas de corte afiadas e limpas. Ferramentas de corte cuidadosamente tratadas e com cantos de corte**

*afiados emperram com menos frequência e podem ser conduzidas com maior facilidade.*

- g) **Utilizar a ferramenta eléctrica, acessórios, ferramentas de aplicação, etc. conforme estas instruções. Considerar as condições de trabalho e a tarefa a ser executada. A utilização de ferramentas eléctricas para outras tarefas a não ser as aplicações previstas, pode levar a situações perigosas.**

#### 5) Serviço

- a) **Só permita que o seu aparelho seja reparado por pessoal especializado e qualificado e só com peças de reposição originais. Desta forma é assegurado o funcionamento seguro do aparelho.**

## Instruções adicionais para a segurança do trabalho com perfuradoras



**Use meios de protecção auriculares ao trabalhar com perfuradores. O barulho intenso durante o trabalho pode causar danos auditivos.**

- **Use sempre o punho adicional fornecida com o instrumento. A perda de controlo pode provocar acidente de trabalho.**



**Durante o trabalho use meios de protecção dos olhos contra partículas voantes. Use óculos protectores.**



**Tome medidas preventivas contra a aspiração de pó. Alguns materiais podem conter elementos tóxicos. Use máscara anti-pó. Use equipamento de remoção do pó, caso seja possível juntá-lo ao instrumento eléctrico.**

- **Pegue no instrumento só pelas superfícies isoladas, quando efectua operação na qual a superfície cortante pode entrar em contacto com instalação eléctrica escondida ou com o cordão próprio. O contacto da superfície cortante com cabo sob tensão vai deixar as partes metálicas descobertas do instrumento sob tensão e o operário pode sofrer choque eléctrico.**

- Não processe materiais que contêm amianto. O amianto considera-se substância carcinogénica.



**ADVERTÊNCIA:** Antes de ligar o aparelho à rede eléctrica, verifique se a tensão na rede eléctrica corresponde à que está marcada na placa das características técnicas do instrumento.

- Fonte de alimentação cuja tensão é maior do que a indicada para o instrumento, pode causar tanto um grave dano de choque eléctrico no operário, como avaria do aparelho.
- Se tiver quaisquer hesitações, não meta a ficha de tomada do aparelho na rede de alimentação.
- Fonte de alimentação cuja tensão é menor do que a indicada para o instrumento, pode causar tanto um grave dano ao motor eléctrico.
- Para evitar eventual sobre aquecimento, desenrole sempre até ao fim o cordão a partir duma extensão com cabo de bateria.
- Quando se precisa usar extensão, certifique-se de que a sua secção corresponde a corrente nominal do aparelho e também da perfuração da extensão.



**ADVERTÊNCIA:** Desligue sempre a ficha da tomada antes de realizar quaisquer consertos, reparações ou manutenção, bem como nos casos de corte da corrente eléctrica.

- Durante o trabalho pegue na máquina bem com as duas mãos e mantenha o corpo em posição estável. O aparelho maneja-se melhor com as duas mãos.
- Antes de iniciar o trabalho, verifique com um explorador de metais apropriado a presença de instalação eléctrica, gasoduto ou aqueduto escondidos. Procure a colaboração dos respectivos serviços competentes. O contacto do aparelho com instalação eléctrica escondida pode causar choque eléctrico. Uma avaria no gasoduto pode provocar explosão. A perfuração de aqueduto pode causar danos ao imóvel ou trauma de corrente eléctrica.
- Mantenha o cabo alimentador fora do alcance operacional do aparelho.
- Não se admite trabalhar com o cabo alimentador avariado. Se o cabo de alimentação está danificado, não pegue nele e retire a ficha de tomada da rede alimentadora. Se o cabo ficar avariado durante o processo de trabalho. Os

cabos avariados aumentam o risco de choque eléctrico.

- Mantenha sempre a posição estável do corpo. Ao trabalhar a uma determinada altura verifique se não está ninguém por baixo.
- Fixe a peça processada com um grampo ou doutro modo adequado.
- Esteja alerta do momento de inércia na altura do arranque do aparelho ou de encravamento da broca. Desligue sempre o aparelho, se a broca ficar encravada. Esteja alerta do momento reactivo elevado que pode causar ricochete. A broca ficará bloqueada se sobrecarregar o aparelho ou a broca ficar encravada no aparelho em funcionamento.
- Não pegue na broca ou na peça processada imediatamente depois do trabalho – eles podem ter ficado muito quentes e podem causar-lhe queimaduras na pele.
- Mantenha o posto de trabalho limpo. A mistura de pó de diferentes materiais é sumamente perigosa. O pó de metais ligeiros pode incendiar-se ou explodir.
- Nunca deixe na zona operacional estopas, cordões, farrapos, etc.
- Sempre desligue o instrumento antes de deixá-lo de lado.
- O aparelho eléctrico tem de se usar só para o que for destinado. Qualquer outro uso diferente do que está descrito neste manual considerar-se-á uso incorrecto. A responsabilidade de qualquer avaria ou ferimento que decorrem do uso incorrecto será assumida pelo consumidor e não pelo fabricante.
- Para explorar correctamente este aparelho, tem de seguir as regras de segurança, as instruções gerais e as indicações para o trabalho aqui assinaladas. Todos os consumidores têm de conhecer este manual e estar informados sobre os riscos potenciais ao trabalhar com o aparelho. Crianças e pessoas de físico fraco não podem trabalhar com o aparelho. As crianças têm de encontrar-se sob vigilância permanente, caso se encontrem perto do lugar onde se trabalha com o aparelho. É preciso serem tomadas obrigatoriamente medidas preventivas de segurança. O mesmo refere-se à observância das regras principais de saúde profissional e segurança técnica.
- O fabricante não assume a responsabilidade pelas alterações feitas no aparelho pelo consumidor, nem pelas avarias que decorrem dessas alterações.
- O aparelho não pode ser usado ao ar livre em tempo de chuva, em ambiente húmido (de-

pois de chuva) ou perto de líquidos e gases facilmente inflamáveis. O local de trabalho tem de ficar bem iluminado.



**ADVERTÊNCIA:** Ao trabalhar com buril, o comutador 11 tem de estar sempre na posição «martelo»!

## Conhecimento do instrumento

Antes de começar a trabalhar com o aparelho eléctrico, conheça todas as suas especificidades operacionais e as condições de segurança.

Use o aparelho e os seus acessórios só para o que forem destinados. Qualquer outra aplicação é terminantemente proibida.

1. Punho adicional
2. Pescoço do martelo
3. Porta ferramentas
4. Encaixe para brocas SDS plus
5. Medidor de profundidade
6. Botão fixador
7. Botão para mudança do sentido da rotação
8. Aberturas de ventilação
9. Interruptor de ligar/desligar
10. Botão de travamento do interruptor
11. Comutador dos modos operacionais
12. Mandril de brocas com adaptador SDS-plus (não se fornece com a máquina)

## Instruções para o trabalho

Este modelo de aparelho eléctrico alimenta-se unicamente por tensão alternada monofásica. Pode-se juntar a tomadas sem clips de segurança, pois tem duplo isolamento conforme EN 60745-1 и IEC 60745. As radio perturbações correspondem à Directriz sobre a compatibilidade de electromagnética.

O martelo foi concebido para martelo de perfuração em betão, pedra, alvenaria e vários materiais quebradiços e para a perfuração em aço, madeira, plásticos, etc

## ANTES DE COMEÇAR O TRABALHO

- Verifique se a tensão da rede eléctrica corresponde à que está indicada sobre a chapa com os dados técnicos do instrumento eléctrico.
- Verifique em que posição se encontra o interruptor. O instrumento tem de se ligar e desligar da rede só com o interruptor desligado. Se meter a tomada na rede enquanto o interruptor estiver em posição de accionado, o instrumento accionar-se-á imediatamente, o qual é premissa para um acidente.
- Assegure-se da perfeição do cabo de alimentação e do pino de tomada. Se o cabo de alimentação está danificado, a sua substituição tem de se fazer pelo produtor ou por especialista de serviço autorizado por ele para evitar os perigos decorrentes dessa operação.



**ADVERTÊNCIA:** Desligue a ficha da tomada antes de realizar quaisquer consertos, reparações ou manutenção, bem como nos casos de queda da tensão alimentadora.

- Se a zona de trabalho estiver afastada da fonte de alimentação, use extensão quanto mais curto possível de secção adequada.
- Verifique se o punho adicional está correctamente colocado e bem apertado.

## ARRANQUE - PARAGEM

### Funcionamento de pouca duração

- Arranque: O interruptor de ligar/desligar (9) aperta-se (Fig.1).
- Paragem: O interruptor de ligar/desligar (9) liberta-se.

### Funcionamento duradouro

- Arranque: O interruptor de ligar/desligar (9) aperta-se e nesse estado trava-se com o botão de travamento do interruptor (10) (Fig.1).
- Paragem: O interruptor de ligar/desligar (9) aperta-se uma vez só e liberta-se imediatamente.



**ADVERTÊNCIA:** Sendo as temperaturas baixas  $\leq 0^{\circ}\text{C}$  ( $32^{\circ}\text{F}$ ) ou quando o instrumento tem ficado sem trabalhar durante muito tempo (esteve guardado em armazém/ loja/ casa), é possível que ao arrancar não tenha efeito de percussão, pois o lubrificante pode ter ficado comprimido. Nesse caso, ligue o instrumento e deixe-o trabalhar ao ralenti por volta de 1,5 minuto para aquecer. Deste modo melhora a lubrificação e prolonga-se a vida do instrumento.

## CONTROLO DA VELOCIDADE INFINITAMENTE VARIÁVEL

O apertar leve do interruptor de ligar/desligar (9) provoca o accionamento da perfuradora a baixa velocidade. As rotações aumentam paulatinamente até ao máximo, aumentando a pressão sobre o interruptor até chegar à posição final. Os modelos BPR 240CE, BPR 260CE e BPR 280CE são equipados de electrónica constante que mantém a velocidade da rotação / a frequência da percussão constante, independentemente da carga.

## MUDANÇA DO SENTIDO DA ROTAÇÃO

Antes de começar a perfuração, sempre verifique o sentido de rotação. A posição extrema-esquerda da alavanca para mudança do sentido da rotação (7) significa rotação no sentido horário, ao passo que a extrema-direita significa o sentido contrário.



**ADVERTÊNCIA:** A mudança do sentido de rotação realiza-se só estando a perfuradora em repouso. Caso contrário, pode causar avaria no motor.

## COMUTAÇÃO DOS REGIMES OPERACIONAIS

A comutação dos regimes operacionais faz-se com o instrumento desligado. O comutador dos modos operacionais 11 dobra-se até à posição desejada sendo o fixador 6 apertado.

- Perfuração (Fig.3) – perfuração de aberturas em metal, madeira, plástico, etc.
- Perfuração à percussão (Fig.4) – perfuração de aberturas em betão, pedra, etc.
- Martelo (Fig.5) – escavação de canais e demolição em betão, alvenaria, etc.

- Conserto da posição do buril (Fig.6) – para maior comodidade do trabalho, o buril coloca-se na posição desejada e fixa-se.

## COLOCAÇÃO DE INSTRUMENTO COM CÁUDA SDS-PLUS

Limpe e lubrifique a cauda do instrumento antes de colocá-lo no ninho! (Fig.7) O porta-ferramentas (3) de encaixe para brocas SDS-Plus (4) puxa-se para trás (Fig.8a). O instrumento introduz-se até ao fundo, tendo o cuidado para que as fendas do encaixe entrem nos canais da cauda, depois do qual a porta-ferramentas liberta-se e o instrumento fica travado (Fig.8b). Para retirar o instrumento, o porta-ferramentas 3 puxa-se para trás e depois o instrumento retira-se (Fig.9).



**ADVERTÊNCIA:** Não use brocas de diâmetro maior do indicado, pois assim vai sobrecarregar o instrumento.

## COLOCAÇÃO E COMPRESSÃO DE BROCA COM CÁUDA CILÍNDRICA EM MANDRIL DE BROCAS

O comutador dos modos operacionais (11) coloca-se na posição «perfuração» (Fig.3). O mandril de brocas com adaptador SDS-plus (12) coloca-se no encaixe para brocas SDS-plus (4) do modo descrito mais acima. Nessa configuração a perfuradora pode trabalhar em regime «perfuração».

### Em máquinas de chuck com chave

Em máquinas de mandril de brocas com chave, dobrando a coroa do mandril no sentido horário ou ao contrário, as suas mandíbulas deslocam-se até à posição que permite à broca entrar entre elas. Ao dobrar a coroa do mandril no sentido horário, as mandíbulas apertam a cauda da broca. Com a chave especial a broca fixa-se definitivamente no mandril que se aperta regularmente nas três aberturas.

### Em máquinas de chuck de compressão rápida

Em máquinas de mandril de compressão rápida retém-se a coroa traseira e dobra-se a coroa frontal até o mandril se abrir suficientemente para ser colocada a broca. Depois aperta-se a coroa frontal, o que é acompanhado por um som distintivo.

## MUDANÇA DA POSIÇÃO DO BURIL

- Coloca-se o instrumento no encaixe tal como se descreve no ponto “Colocação de instrumento SDS-plus”
- O comutador dos modos operacionais (11) dá a volta para a posição “Mudança da posição do buril” (Fig.6).
- O instrumento dá as voltas manualmente até à posição desejada (Fig.10).
- O comutador dos modos operacionais (11) gira para a posição “martelo” (Fig.5) depois do qual o instrumento dá a volta levemente com a mão para a esquerda e para a direita até ficar travado. Maior durabilidade de instrumento e maior produtividade podem ser garantidas só com os instrumentos bem afiados para demolição.

## DESAPARAFUSAMENTO E APARAFUSAMENTO DE PARAFUSOS E PARAFUSOS COM PORCAS

No mandril de broca com adaptador SDS-plus (12) aperta-se do modo descrito supra o respectivo dispositivo para aparafusamento e desaparafusamento de parafusos e parafusos com porcas. O comutador dos modos operacionais (11) coloca-se na posição “perfuração” (Fig.3). Com o botão para mudança do sentido da rotação (7) escolhe-se a operação de aparafusamento ou desaparafusamento. As operações realizam-se só à baixa velocidade.



**ADVERTÊNCIA:** Ao aparafusar parafusos de grande comprimento existe o perigo de a perfuradora deslizar!

## PUNHO ADICIONAL

O punho adicional (1) aperta-se no pescoço do martelo (2) da perfuradora. Por razões de segurança, o punho adicional (1) tem de se usar sempre. A profundidade das aberturas perfuradas pode-se fixar mediante o medidor de profundidade (5).

## LIMITAÇÃO DO TORQUE

O acoplamento de sobrecarga do instrumento limita o torque. Ao accionar-se o acoplamento de sobrecarga interrompe-se o accionamento do fuso e o instrumento operacional (broca) deixa de girar. A máquina tem de ser imediatamente desligada para se evitar o desgaste prematuro.

## RECOMENDAÇÕES PARA O TRABALHO

Aplice uma pressão moderada na perfuração (aproximadamente 80 – 100 N). A maior pressão não aumenta a produtividade, mas, sim, reduz a vida do instrumento. De vez em quando retire o buril da abertura para limpar o pó. Observe o grau de embotamento do buril e substitua-lo quando a produtividade tem diminuído sensivelmente. Na posição de extrema direita do botão para mudança do sentido da rotação (7) não trabalhe nos regimes “perfuração à percussão” e “martelo”.

Ao trabalhar no regime “martelo” (escavação, demolição) e no regime “perfuração à percussão”, segundo o material, é possível nalguns casos a força da percussão diminuir. Para restabelecer a força normal do golpe, tem de diminuir a velocidade da máquina mediante a diminuição da pressão sobre o gatilho do interruptor de ligar/desligar (9) até aparecer o golpe estável. Ao abrir em metal uma abertura de grande diâmetro, abra primeiro uma abertura de diâmetro mais pequeno. O alcance óptimo da perfuração em betão com broca helicoidal assinala-se no quadro das características técnicas supra. A perfuradora é adequada para processamento ligeiro com buril. Maior durabilidade da perfuradora e sua maior produtividade podem-se garantir sendo os instrumentos de escavação (buris) bem afiados.

## Manutenção



**ATENÇÃO:** Desligue sempre o instrumento da corrente quando vai efectuar qualquer revisão ou manutenção

## SUBSTITUIÇÃO DAS ESCOVAS

O instrumento eléctrico está equipado com escovas de auto-exclusão. Quando as escovas ficarem gastas, ambas têm de ser substituídas simultaneamente por escovas originais da oficina de serviço da SPARKY para assistência no prazo de garantia e fora dele.

## REVISÃO GERAL

Verifique regularmente todos os elementos de suporte e verifique se estão bem apertados. Caso algum parafuso tenha ficado afrouxado, aparafuse-o imediatamente para evitar situações de risco.

Se o cabo alimentador estiver danificado, a substituição tem de se fazer pelo produtor ou seu especialista autorizado de oficina de serviço, para evitar os perigos da substituição.

## LIMPEZA

Para um trabalho seguro mantenha sempre limpo o instrumento e as aberturas de ventilação. Verifique regularmente se na grelha da ventilação perto do motor eléctrico e dos comutadores não tenham penetrado pó ou corpos alheios. Use uma escova fina para remover o pó acumulado. Para proteger os olhos durante a limpeza use óculos protectores. Caso o corpo do instrumento precise de limpeza, use um pano macio húmido. Pode usar também algum detergente fraco



**ATENÇÃO:** Não se admite o uso de álcool, gasolina ou outros solventes. Nunca use substâncias corrosivas para limpar as partes de plástico.



**ATENÇÃO:** Não se admite a entrada de água em contacto com o instrumento.

**IMPORTANTE!** Para garantir o trabalho seguro com o instrumento e a confiança nele, todas as actividades relacionadas com reparação, manutenção e regulação (incluindo a revisão e substituição das escovas) têm de se fazer nas oficinas de serviço autorizadas da SPARKY utilizando só peças de substituição originais.

## **Garantia**

---

O prazo de garantia dos instrumentos eléctricos SPARKY está indicado no cartão de garantia. Problemas surgidos em resultado do desgaste natural, sobrecarga ou utilização incorrecta, ficam excluídos dos deveres da garantia. Os problemas surgidos devido ao uso de materiais de baixa qualidade e/ou erros de fabricação, eliminam-se sem pagamento adicional mediante substituição ou reparação.

Reclamação por um instrumento eléctrico SPARKY defeituoso reconhece-se quando o instrumento for devolvido ao distribuidor ou for levado a uma oficina autorizada de assistência em prazo de garantia no seu estado inicial (montado).

## **Observações**

---

Leia atentamente toda a instrução para o uso, antes de começar a trabalhar com este aparelho. O fabricante reserva-se o direito de introduzir melhoras e modificações nos seus aparelhos, bem como modificar as especificações sem aviso.

As especificações podem variar de país para país.



# Spis treści

Wstęp .....	63
Dane techniczne .....	65
Ogólne zasady bezpiecznego użytkowania elektronarzędzi .....	66
Zasady bezpiecznego użytkowania młotów .....	68
Opis urządzenia .....	A/69
Działanie .....	B/69
Obsługa i konserwacja .....	71
Gwarancja .....	72

## ROZPAKOWYWANIE

Ze względu na nowoczesne metody produkcji masowej, istnieje niewielkie prawdopodobieństwo, iż zakupione przez Państwa narzędzie jest wadliwe, bądź niekompletne. W przypadku stwierdzenia jakichkolwiek nieprawidłowości, nie uruchamiać narzędzia do chwili wymiany części lub usunięcia usterki. Niezastosowanie się do tego zalecenia może skutkować poważnym uszkodzeniem ciała.

## MONTAŻ

Młot w walizce jest zapakowany w postaci całkowicie zmontowanej

Młot w opakowaniu kartonowym jest zapakowany w postaci całkowicie zmontowanej z wyjątkiem uchwytu dodatkowego..

## Wstęp

Zakupione przez Państwa elektronarzędzie marki SPARKY spełni nawet najbardziej wygórowane oczekiwania użytkownika. Zostało ono wyprodukowane z zachowaniem rygorystycznych norm jakościowych SPARKY, aby zagwarantować doskonałe parametry pracy. Przekonają się Państwo, że Wasze nowe narzędzie jest łatwe i bezpieczne w obsłudze i, przy zachowaniu odpowiednich zasad użytkowania, będzie Wam niezawodnie służyć przez wiele lat.

## UWAGA!



Prosimy o dokładne zapoznanie się z niniejszą instrukcją obsługi przed użyciem urządzenia SPARKY, zwracając szczególną uwagę na ostrzeżenia i uwagi. Dzięki swoim cechom, urządzenie SPARKY zapewnia szybką i łatwą pracę. Bezpieczeństwo, niezawodność i wydajność były priorytetami przy konstruowaniu tego urządzenia aby zapewnić łatwość obsługi oraz utrzymania.



**Nie wyrzucać produktów elektrycznych razem z odpadami z gospodarstw domowych!** Zużyte artykuły elektryczne nie powinny być wyrzucane wraz z odpadami z gospodarstw domowych. Należy je utylizować w przeznaczonych do tego miejscach. Informacji na temat utylizacji udzielają władze lokalne bądź sprzedawcy.

## OCHRONA ŚRODOWISKA



Utylizując urządzenie, osprzęt i opakowanie należy poddać poszczególne elementy sortowaniu z myślą o ochronie środowiska naturalnego. Elementy plastikowe zostały odpowiednio oznaczone, aby umożliwić utylizację wg odpowiedniej klasyfikacji odpadów.

## OPIS SYMBOLI

Na tabliczce znamionowej narzędzia mogą znajdować się symbole oznaczające ważne informacje o produkcie lub instrukcji jego użytkowania.



Podwójna izolacja zapewniająca dodatkową ochronę.



Zgodny z odpowiednimi dyrektywami europejskimi.



Spełnia wymagania przepisów Unii Celnej.



Zgodność z wymogami ukraińskich dokumentów normatywnych.



Patrz oryginalna instrukcja obsługi

YYYY-Www Okres produkcji, w którym zmiennymi symbolami są:  
YYYY- roku produkcji,  
ww – tydzień kalendarzowy.

BPR Młot udarowo-obrotowy.

# Dane techniczne

Model		BPR 220E	BPR 240E	BPR 240CE	BPR 260E	BPR 260CE	BPR 280CE
Regulacja obrotów		•	•	•	•	•	•
Constant electronics		•	•	•	•	•	•
Zmiana kierunku obrotów		•	•	•	•	•	•
Wiercenie		•	•	•	•	•	•
Wiercenie z udarem		•	•	•	•	•	•
Dłutowanie		•	•	•	•	•	•
Sprzęgło ochronne		•	•	•	•	•	•
Moc	W	650	720	750	800	900	1010
Obroty bez obciążenia	min <sup>-1</sup>	0-1000	0-1050	0-900	0-1150	0-900	0-1000
Ilość udarów bez obciążenia	min <sup>-1</sup>	0-4700	0-4800	0-4100	0-5200	0-4100	0-4700
Energia poj. udaru (wg procedury EPTA 05/2009)	J	2.3	2.8	3.0	3.0	3.2	3.4
Zakres wiercenia:							
w betonie	mm	22	24	24	26	26	28
koronkami wiertniczymi							
w betonie	mm	68	68	68	68	68	68
w stali z adapterem I uchwytem wiert. (nie zawarte w dostawie)	mm	13	13	13	13	13	13
w drewnie z adapterem I uchwytem wiert. (nie zawarte w dostawie)	mm	30	30	30	30	30	30
Optymalna wydajność w betonie wiertłem spiralnym	mm	Ø4-Ø10	Ø6-Ø12	Ø6-Ø16	Ø6-Ø16	Ø6-Ø20	Ø6-Ø22
Uchwyt narzędziowy	SDS plus	SDS plus	SDS plus	SDS plus	SDS plus	SDS plus	SDS plus
Zakres uchwytu	mm	1.5-13	1.5-13	1.5-13	1.5-13	1.5-13	1.5-13
Waga (wg procedury EPTA 01/2014)	kg	2.7	2.8	2.9	2.8	2.9	2.9
Klasa ochrony (EN 60745-1)		II	II	II	II	II	II
<b>INFORMACJA NA TEMAT HAŁASU I DRGAŃ</b>							
Wartości mierzone określono według EN 60745.							
<b>Emisja hałasu</b>							
Skorygowany charakterystyką częstotliwościową A poziom ciśnienia akustycznego emisji na stanowisku pracy L <sub>PA</sub> dB (A)							
		87,0	89,0	89,0	91,0	91,0	92,0
Niepewność pomiaru K <sub>PA</sub> dB (A)							
		3,0	3,0	3,0	3,0	3,0	3,0
Skorygowany charakterystyką częstotliwościową A poziom mocy akustycznej emisji na stanowisku pracy L <sub>WA</sub> dB (A)							
		98,0	100,0	100,0	102,0	102,0	103,0
Niepewność pomiaru K <sub>WA</sub> dB (A)							
		3,0	3,0	3,0	3,0	3,0	3,0
<b>Stosować środki ochrony słuchu!</b>							
<b>Emisja drgań *</b>							
Wartość sumy drgań (suma wektorowa z trzech kierunków) wyznaczono według EN 60745:							
Wiercenie udarowe w betonie							
Wartość emisji drgań a <sub>h,HD</sub> m/s <sup>2</sup>							
		10,0	11,9	12,1	12,3	12,6	13,2
Niepewność pomiaru K <sub>HD</sub> m/s <sup>2</sup>							
		1,5	1,5	1,5	1,5	1,5	1,5
Dłutowanie							
Wartość emisji drgań a <sub>h,CHeq</sub> m/s <sup>2</sup>							
		-	5,1	5,3	5,3	5,4	6,0
Niepewność pomiaru K <sub>CHeq</sub> m/s <sup>2</sup>							
		-	1,5	1,5	1,5	1,5	1,5
Wiercenie w stali							
Wartość emisji drgań a <sub>h,D</sub> m/s <sup>2</sup>							
		4,5	4,4	4,3	4,5	4,5	4,7
Niepewność pomiaru K <sub>D</sub> m/s <sup>2</sup>							
		1,5	1,5	1,5	1,5	1,5	1,5

\* Wartości emisji drgań określone zgodnie z punktem 6.2.7 normy EN 60745.

Podany w niniejszej instrukcji poziom drgań został zmierzony zgodnie z określoną przez normę EN 60745 procedurą i może być używany do porównywania urządzeń. Może być stosowany do wstępnego określenia ekspozycji.

Deklarowany poziom emisji drgań odnosi się do głównego zastosowania urządzenia. Jeżeli urządzenie zostanie przeznaczone do innych zastosowań, z innym osprzętem lub nie będzie należycie konserwowane, poziom emisji wibracji może się różnić. Może to znacznie zwiększyć poziom ekspozycji w łącznym czasie pracy.

Aby dokładnie określić poziom ekspozycji na drgania, należy także brać pod uwagę okresy gdy urządzenie jest wyłączone, lub gdy nawet jest włączone, ale nie wykorzystywane do pracy. Może to znacznie obniżyć poziom ekspozycji na drgania w łącznym czasie pracy.

Chronić urządzenie oraz osprzęt oraz dbać o zapewnienie ciepła dłoniom podczas pracy w celu obniżenia szkodliwego wpływu drgań.

Pył z takich materiałów jak np. farba zawierająca ołów, niektóre gatunki drewna, minerały oraz metal może być szkodliwy. Kontakt lub inhalacja pyłów może spowodować reakcje alergiczne i/lub choroby układu oddechowego u operatora lub osób znajdujących się w bezpośredniej bliskości.

Pewne odmiany pyłów sklasyfikowane są jako rakotwórcze np. pył dębowy czy bukowy w szczególności w połączeniu z dodatkami zawierającymi chromaty i środki konserwujące. Materiały zawierające azbest mogą być obrabiane jedynie przez specjalistów.

- Tam gdzie możliwe jest stosowanie odciągu pyłów należy je stosować.
- Aby uzyskać wysoką skuteczność odciągu pyłów, stosować odkurzacz do drewna lub do drewna i minerałów wraz z niniejszym urządzeniem.
- Miejsce pracy musi być dobrze wentylowane.
- Zaleca się stosowanie maski p.pyłowej lub filtrów klasy P2.

Przestrzegać przepisów krajowych odnośnie obrabianych materiałów.

## Ogólne zasady bezpiecznego użytkowania elektronarzędzi



**UWAGA!** Należy zapoznać się z niniejszą ogólną instrukcją bezpieczeństwa oraz całą instrukcją obsługi. *Nie przestrzeganie niniejszych instrukcji może spowodować porażenie prądem, pożar i/lub poważne obrażenia.*

**Zachować niniejsze instrukcje na przyszłość.**

Określenie „elektronarzędzie” odnosi się zarówno do urządzeń zasilanych z sieci (przewodowych) jak i zasilanych bateriami (beprzewodowych).

### 1) Bezpieczeństwo w miejscu pracy

- Miejsce pracy musi być zawsze dobrze oświetlone i czyste.** *Niedoświetlenie oraz nieład mogą być przyczyną wypadków.*
- Nie należy używać urządzenia w obecności palnych płynów, gazów i pyłów.** *Podczas pracy urządzenia powstają iskry,*

*które mogą zapalić pyły lub opary.*

- Dzieci i osoby postronne nie powinny znajdować się w miejscu pracy elektronarzędziami.** *Brak skupienia może spowodować utratę kontroli nad urządzeniem.*

### 2) Bezpieczeństwo elektryczne

- Wtyczka urządzenia musi pasować do gniazda zasilającego.** *Nie wolno modyfikować wtyczki w jakikolwiek sposób. Nie stosować żadnych adapterów w przypadku elektronarzędzi wymagających uziemienia. Nie modyfikowane wtyczki oraz gniazda zasilające redukują ryzyko porażenia prądem.*
- Unikać kontaktu z uziemionymi przedmiotami takimi jak, rury, grzejniki, piece i lodówki.** *Ryzyko porażenia prądem wzrasta gdy ciało użytkownika zostanie uziemione.*
- Nie narażać urządzenia na kontakt z deszczem lub wilgocią.** *Woda wnika do urządzenia zwiększa ryzyko porażenia prądem.*
- Traktować przewód zasilający zgodnie z przeznaczeniem.** *Nigdy nie stosować przewodu do przenoszenia, przeciągania lub odłączania urządzenia od zasilania. Chronić przewód przed źródłem*

ciepła, olejami, przedmiotami o ostrych brzegach, ruchomymi częściami urządzeń. Uszkodzony lub splątany przewód zwiększa ryzyko porażenia prądem.

- e) Podczas pracy na zewnątrz należy zawsze stosować odpowiedni przewód przedłużający przystosowany do pracy na zewnątrz. Stosowanie przewodu przeznaczonego do pracy na zewnątrz zmniejsza ryzyko porażenia prądem.
- f) Jeżeli nie ma możliwości uniknięcia pracy elektronarzędziem w wilgotnym środowisku, należy stosować zasilanie wyposażone w wyłącznik różnicowoprądowy. Stosowanie wyłącznika różnicowoprądowego redukuje ryzyko porażenia prądem.

### 3) Bezpieczeństwo osobiste

- a) Zawsze należy pracować w należytym skupieniu i kierować się rozsądkiem. Nie używać urządzenia będąc zmęczonym lub pozostając pod wpływem narkotyków, alkoholu lub będąc w trakcie leczenia. Chwila nieuwagi podczas pracy urządzeniem może być przyczyną poważnych uszkodzeń ciała.
- b) Stosować wyposażenie ochronne. Zawsze używać ochrony oczu. Wyposażenie takie jak maska p.pyłowa, buty na podszewie antypoślizgowej, kask, ochronniki słuchu, stosowane w odpowiednich warunkach, redukuje zagrożenie uszkodzenia ciała.
- c) Unikać przypadkowego włączenia urządzenia. Upewnić się, że wyłącznik znajduje się w położeniu „wyłączony” przed podłączeniem urządzenia do źródła zasilania lub baterii. Przenoszenie urządzenia trzymając za wyłącznik lub podłączając je do zasilania z wyłącznikiem w pozycji: „włączone” może być przyczyną wypadków.
- d) Usunąć wszelkie klucze przed włączeniem urządzenia. Pozostawienie klucza w rotującej części urządzenia może spowodować obrażenia ciała.
- e) Nie przeceniać własnych możliwości. Zawsze dbać o odpowiednie oparcie dla nóg oraz balans. Zapewnić lepszą kontrolę w nieoczekiwanych sytuacjach.
- f) Stosować odpowiednie ubranie. Nie nosić luźnych ubrań ani biżuterii. Nie zbliżać włosów, ubrania ani rękawic roboczych do ruchomych części urządzenia. Luźne ubranie, biżuteria lub długie włosy mogą utknąć w ruchomych częściach urządzenia.

- g) Jeśli urządzenie jest wyposażone w adapter odprowadzania pyłów, należy sprawdzić czy jest odpowiednio podłączony i używany. Stosowanie systemu odprowadzania pyłów może obniżyć niebezpieczeństwa związane z pyleniem.

### 4) Używanie i konserwacja urządzenia

- a) Nie przeciążać urządzenia. Stosować odpowiednie urządzenie do każdej pracy. Należy używać dobrej jakości narzędzia, które wykonają pracę lepiej i bezpieczniej w trybie do którego zostało zaprojektowane
  - b) Nie używać urządzenia jeśli włącznik nie działa. Każde urządzenie z uszkodzonym włącznikiem jest niebezpieczne i musi zostać naprawione.
  - c) Zawsze należy odłączyć urządzenie od zasilania lub odłączyć baterie przed zmianą ustawień, wymianą akcesoriów lub odłożeniem po pracy. Takie działanie zmniejszy ryzyko przypadkowego włączenia urządzenia.
  - d) Nieużywane urządzenie należy chronić przed dziećmi oraz nie zezwalać niepowołanym osobom nie znającym tego urządzenia lub niniejszej instrukcji na pracę tym urządzeniem. Elektronarzędzia są niebezpieczne w rękach nie przeszkolonych osób.
  - e) Konserwować elektronarzędzia. Sprawdzić połączenia części ruchomych, ewentualne uszkodzenia oraz inne czynniki mogące mieć wpływ na działanie urządzenia. W przypadku stwierdzenia uszkodzenia należy naprawić urządzenie przed dalszym użytkowaniem. Wiele wypadków spowodowanych jest nienależytą konserwacją urządzenia.
  - f) Narzędzia tnące zawsze muszą być ostre. Odpowiednio konserwowane narzędzia tnące z ostrymi krawędziami rzadziej się zacinają w obrabianym materiale i są łatwiejsze w obsłudze.
  - g) Niniejsze urządzenie oraz osprzęt do niego muszą być używane zgodnie z niniejszą instrukcją obsługi oraz w zakresie przewidzianym dla danego typu urządzenia. Zawsze należy brać pod uwagę rodzaj pracy do wykonania oraz warunki panujące w miejscu pracy. Użycie elektronarzędzi do celów innych niż opisane w niniejszej instrukcji obsługi może spowodować niebezpieczne sytuacje.
- ### 5) Serwis
- a) Niniejsze urządzenie należy serwisować wyłącznie w wykwalifikowanych serwi-

sach z wykorzystaniem oryginalnych części zamiennych. Takie postępowanie zapewni należyte bezpieczeństwo elektronarzędzia.

## Zasady bezpiecznego użytkowania młotów



Używając młota nosić nauszniki ochronne. Używając młota nosić nauszniki ochronne.

- Stosować uchwyt dodatkowy dostarczany z urządzeniem. Utrata kontroli nad narzędziem może skutkować obrażeniami ciała.



Podczas eksploatacji zapewnić ochronę oczu, aby zapobiec wystawianiu oczu na latające cząstki urobku.. Nosić okulary ochronne.



Przedsięwziąć środki ostrożności zapobiegające wdychaniu pyłu. Niektóre materiały mogą zawierać składniki toksyczne. Nosić maskę przeciwpylową i w miarę możliwości stosować urządzenie odpylające.

- Podczas prac, przy których elektronarzędzie mogłyby natrafić na ukryte przewody elektryczne lub na własny przewód, należy je trzymać tylko za izolowaną rękkojeść. Pod wpływem kontaktu osprzętu z przewodami będącymi pod napięciem, wszystkie części metalowe elektronarzędzia mogą również znaleźć się pod napięciem i spowodować porażenie prądem operatora.
- Nie należy poddawać obróbce materiały zawierające azbest. Azbest jest uważany za materiał rakotwórczy..



**UWAGA:** Przed podłączeniem elektronarzędzia do źródła zasilania upewnić się, że jego napięcie odpowiada wartości określonej na tabliczce znamionowej narzędzia.

- Źródło zasilania o napięciu przekraczającym wartość uwidocznioną na narzędziu może spowodować poważne obrażenia użytkownika, jak również uszkodzenie narzędzia.
- W przypadku wątpliwości, nie podłączać narzędzia do źródła zasilania.
- Używanie źródła zasilania o napięciu niższym niż wartość określona na tabliczce znamionowej jest szkodliwe dla silnika urządzenia.

- Używając przedłużacza na bębnie, należy całkowicie rozwinąć kabel na bębnie, aby uniknąć potencjalnego przegrzania przewodu zasilającego.
- W przypadku konieczności zastosowania przedłużacza, należy upewnić się, że przewód posiada odpowiednią dla używanego elektronarzędzia wartość znamionową natężenia prądu i jego stan gwarantuje bezpieczeństwo elektryczne.



**UWAGA:** Przed dokonywaniem jakichkolwiek regulacji czy czynności serwisowych lub konserwacyjnych, należy zawsze wyłączyć elektronarzędzie i odłączyć je od źródła zasilania.

- Obsługując urządzenie należy zawsze trzymać je mocno w obydwu rękach i zapewnić zachowanie bezpiecznej pozycji pracy. Utrata kontroli nad narzędziem może skutkować obrażeniami ciała.
- Przed przystąpieniem do pracy użyć odpowiednich przyrządów w celu określenia, czy w miejscu pracy nie znajdują się ukryte przewody zasilające, lub też zwrócić się do dostawcy mediów o pomoc w tym zakresie. Kontakt z linią elektryczną może prowadzić do powstania pożaru i porażenia prądem. Uszkodzenie instalacji gazowe grozi wybuchem. Przebicie instalacji wodno-kanalizacyjnej powoduje powstanie szkód w mieniu lub może skutkować porażeniem prądem.
- Zawsze trzymać kabel zasilający z dala od miejsca pracy elektronarzędzia.
- Nigdy nie korzystać z elektronarzędzia, którego przewód zasilający jest uszkodzony. Nie dotykać uszkodzonego przewodu, lecz natychmiast odłączyć urządzenie od źródła zasilania. Uszkodzone przewody stwarzają ryzyko porażenia prądem.
- Zawsze dbać o stabilną postawę. Upewniać się, czy nikogo nie ma pod spodem gdy pracujemy na podwyższeniu.
- Zawsze, gdy tylko to jest możliwe, stosować zaciski lub imadła do zabezpieczania obrabianego elementu.
- Uważać na moment początkowy urządzenia lub przy zablokowaniu wiertła. Natychmiast wyłączyć urządzenie po zablokowaniu wiertła. Uważać na wysoki moment reakcji, który może spowodować odbicie. Wiertło zablokuje się w przypadku przeciążenia lub utkwienia w materiale.
- Nie dotykać wiertła bądź obrabianego mate-

riału podczas pracy i bezpośrednio potem; mogą one być rozgrzane do bardzo wysokiej temperatury. Można doznać poważnych poparzeń.

- Zachować porządek w miejscu pracy. Szczególnie niebezpieczne są materiały mieszane. Pył z lekkich stopów może się zapalić lub eksplodować.
- Szmaty, ubrania, przewody, druty nie powinny być pozostawiane w miejscu pracy.
- Zawsze wyłączać elektronarzędzie zanim zostanie odłożone.
- Urządzenie wolno używać wyłącznie zgodnie z przeznaczeniem. Każde zastosowanie inne, niż wymienione w niniejszej instrukcji obsługi będzie traktowane jako użycie niezgodne z przeznaczeniem. Użytkownik a nie producent będzie odpowiedzialny za wszelkie zniszczenia bądź obrażenia wynikłe z przypadku użycia niezgodnego z przeznaczeniem.
- Aby właściwie eksploatować narzędzie, należy przestrzegać zasad bezpieczeństwa i higieny pracy, instrukcji montażu i obsługi zawartych w niniejszym dokumencie. Wszystkie osoby użytkujące i serwisujące urządzenie muszą zapoznać się z niniejszą Instrukcją obsługi i mieć świadomość potencjalnych zagrożeń. Dzieciom i osobom o niewielkiej sile fizycznej nie wolno używać tego narzędzia. Należy zapewnić stały nadzór nad dziećmi przebywającymi w pobliżu miejsca, gdzie narzędzie jest używane. Istnieje także obowiązek przestrzegania obowiązujących lokalnych przepisów w zakresie zapobiegania wypadkom. To samo odnosi się do ogólnych zasad bezpieczeństwa i higieny pracy.
- Producent nie ponosi odpowiedzialności za jakiegokolwiek modyfikacje narzędzia ani za jakiegokolwiek szkody powstałe w wyniku takich modyfikacji.
- Elektronarzędzi nie wolno używać poza pomieszczeniem w warunkach padającego deszczu bądź wilgotnym otoczeniu (po deszczu) lub też w pobliżu palnych cieczy i gazów. Miejsce pracy powinno być dobrze oświetlone.



**UWAGA:** Podczas prac dłutami przełącznik trybu pracy 11 musi zawsze znajdować się w pozycji "młot"!

## Opis urządzenia

Przed użyciem zapoznać się ze wszystkimi cechami urządzenia oraz zapoznać się z niniejszą instrukcją obsługi.

Stosować urządzenie wraz z osprzętem wyłącznie zgodnie z przeznaczeniem. Wszystkie pozostałe zastosowania są zabronione.

1. Uchwyt dodatkowy
2. Kołnierz młota
3. Pierścień mocujący
4. Uchwyt SDS Plus
5. Ogranicznik głębokości wiercenia
6. Przycisk zwalniający
7. Przełącznik zmiany kierunków obrotów
8. Otwory wentylacyjne
9. Włącznik/wyłącznik
10. Przycisk blokady
11. Przełącznik trybu pracy
12. Adapter z uchwytem wiertarskim (nie znajduje się w dostawie)

## Działanie

Elektronarzędzie jest zasilane wyłącznie z sieci dostarczającej prąd zmienny jednofazowy. Jest podwójnie izolowane zgodnie z normą 60745-1 i może być podłączane do gniazd uziemionych i nieuziemionych. Elektronarzędzie spełnia wymagania odnośnie zakłóceń radioelektrycznych zgodnie z Dyrektywą EMC.

Młot obrotowo-udarowy jest przeznaczony do wiercenia z udarem w betonie, kamieniu, cegle i innych kruchych materiałach oraz do wiercenia w stali, drewnie, plastiku, itp.

### PRZED PRZYSTĄPIENIEM DO PRACY

- Upewnić się, że wartość napięcia w sieci zasilającej odpowiada wartości określonej na tabliczce znamionowej urządzenia.
- Zawsze sprawdzić pozycję wyłącznika. Elektronarzędzie może być podłączone do gniazda zasilania jedynie wówczas, gdy wyłącznik ustawiony jest w pozycji OFF (wyłączone). Jeśli wtyczka jest podłączona do gniazda, gdy wyłącznik ustawiony jest w pozycji ON (włączone), elektronarzędzie zostanie natychmiast uruchomione, co może skutkować poważnym wypadkiem.
- Upewnić się, że przewód i wtyczka są w prawidłowym stanie. W przypadku konieczności wymiany przewodu zasilającego, czynność tę, w celu uniknięcia zagrożenia bezpieczeń-

stwa użytkowania, może wykonać producent bądź jego przedstawiciel.



**UWAGA:** Przed przystąpieniem do czynności obsługowych i konserwacyjnych należy zawsze upewnić się, że elektroniczne urządzenie jest wyłączone i odłączone od źródła zasilania.

- W przypadku pracy w miejscu odległym od źródła zasilania używać możliwie najkrótszego przedłużacza o odpowiednim przekroju.
- Sprawdzić czy uchwyt dodatkowy jest właściwie zamontowany i odpowiednio przykręcony.

## WŁĄCZANIE - WYŁĄCZANIE

### Uruchomienie jednorazowe

- Włączanie: nacisnąć włącznik/wyłącznik 9 (Rys.1).
- Wyłączanie: zwolnić włącznik/wyłącznik 9.

### Praca ciągła

- Włączanie: nacisnąć włącznik/wyłącznik 9 i w pozycji naciśniętej zablokować przyciskiem blokady 10 (Rys.1).
- Wyłączanie: nacisnąć włącznik/wyłącznik 9 jeden raz i natychmiast go zwolnić.



**UWAGA:** Przy niskich temperaturach przy około lub poniżej 0°C (32°F) lub w przypadku dłuższej bezczynności (po składowaniu w magazynie/ sklepie / domu), może wystąpić brak udaru spowodowany zgęstnieniem smaru. W takim wypadku należy uruchomić urządzenie na 1.5 min bez obciążenia w celu rozgrzania a przez to lepszego smarowania i przedłużenia żywotności urządzenia.

## BEZSTOPNIOWA REGULACJA OBROTÓW

Lekki nacisk na włącznik 9 powoduje niską prędkość obrotową, dalsze zwiększanie nacisku powoduje płynny wzrost obrotów aż do wartości maksymalnej po osiągnięciu krańcowej pozycji. Modele BPR 240CE, BPR 260CE i BPR 280CE posiadają elektronikę podtrzymania stałej prędkości i ilości uderzeń niezależnie od obciążenia.

## ZMIANA KIERUNKU OBROTÓW

Przed pracą zawsze sprawdzić kierunek obrotów.

Maksymalne położenie dźwigni 7 z lewej strony oznacza obroty zgodne z ruchem wskazówek zegara, maksymalne położenie z prawej strony - przeciwnie do ruchów wskazówek.



**UWAGA:** Zmiana kierunku obrotów może być wykonana wyłącznie gdy wrzeciono nie obraca się! W innym przypadku może spowodować to uszkodzenie silnika.

## WYBÓR TRYBU PRACY

Przełączanie pomiędzy trybami pracy należy wykonywać tylko wtedy gdy urządzenie jest wyłączone.

Nacisnąć przycisk zwalnający 6 i przekręcić przełącznik trybu pracy 11 do wymaganej pozycji.

- Wiercenie (Rys.3) - w metalu, drewnie, plastiku, itp.
- Wiercenie z udarem (Rys.4) - w betonie, kamieniu, itp.
- Podkuwanie (Rys.5) - wykuwanie rowków i kruszenie betonu, cegły itp.
- Ustawianie dłuta (Rys.6) - aby uniknąć nadmiernego przemęczenia operatora, ustawić dłuto w wygodnej pozycji.

## MONTAŻ I ZABEZPIECZANIE OSPRZĘTU SDS PLUS

Przed montażem osprzętu należy oczyścić i nasmarować uchwyt osprzętu! (Rys.7)

Odciągnąć w tył pierścień mocujący 3 uchwyty SDS Plus 4 (Rys. 8a). Wprowadzić osprzęt do końca. Upewnić się, że rowki uchwyty urządzenia są zgrane z kanałami uchwyty osprzętu, a następnie zwolnić pierścień mocujący aby zabezpieczyć osprzęt. (Rys. 8b)

Aby wyjąć osprzęt, odciągnąć pierścień mocujący 3 i wyjąć osprzęt. (Rys. 9)



**UWAGA:** Nie używać wiertel o średnicy większej niż wskazane w tabeli aby uniknąć przeciążenia.

## MONTAŻ I ZABEZPIECZANIE WIERTEŁ Z UCHWYTEM PROSTYM

Ustawić przełącznik trybu pracy 11 w położeniu «Wiercenie» (Rys.3). Zamontować uchwyt 12 w uchwycie SDS Plus 4 zgodnie z powyższym opisem. W takiej konfiguracji młot udarowo-obrotowy może pracować w trybie wiercenia.



### **W przypadku użycia uchwytu na klucz**

Obracając kołnierzem uchwytu 12 zgodnie z kierunkiem ruchu wskazówek zegara lub odwrotnie ustawić wymagane rozwarcie dla wprowadzenia uchwytu wiertła. Obracać kołnierze uchwytu zgodnie z ruchem wskazówek zegara aby zabezpieczyć uchwyt wiertła. Finalne zamocowanie wiertła należy wykonać za pomocą specjalnego klucza dokręcając równomiernie we wszystkich trzech otworach uchwytu.

### **W przypadku użycia uchwytu samozaciskowego**

Trzymając tylną część uchwytu, obracać przednią część, do uzyskania wymaganego rozwarcia. Po włożeniu wiertła dokręcić przednią część uchwytu. Słyszalne kliknięcie potwierdza automatyczne zabezpieczenie wiertła w uchwycie.

## **ZMIANA POZYCJI DŁUTA**

Zamontować dłuto w uchwycie zgodnie z opisem w części "MONTAŻ I ZABEZPIECZANIE OSPRZĘTU SDS PLUS".

Ustawić przełącznik trybu pracy 11w pozycji «Regulacja pozycji dłuta» (Rys.6).

Ręcznie ustawić dłuto w wymaganej pozycji (Rys.10).

Przełączyć przełącznik trybu pracy 11 na ustawienie «Podkuwanie» (Rys.5), a następnie obracać dłuto lekko w prawo i lewo, aż zablokuje się.

Dłuższą żywotność urządzenia i zwiększoną wydajność można osiągnąć stosując wyłącznie dobrze naostrzony osprzęt do kruszenia i dłutowania.

## **WKREĆANIE / WYKREĆANIE WKREŚTÓW, ŚRUB I NAKRĘTEK**

Postępując zgodnie z powyższą procedurą, umieścić i zabezpieczyć odpowiedni osprzęt w uchwycie 12. Ustawić przełącznik trybu pracy 11 w pozycji: «Wiercenie» (Rys.3). Wybrać wymagany kierunek obrotów za pomocą dźwigni 7. Operacje wkręcania/wykręcania mogą być przeprowadzane wyłącznie przy niskich prędkościach.



**UWAGA:** W przypadku wkręcania długich śrub lub wkrętów występuje niebezpieczeństwo ześlizgnięcia się młota!

## **UCHWYT DODATKOWY**

Zamontować uchwyt dodatkowy 1 na kołnierzu 2

młota. Dla bezpieczeństwa, uchwyt dodatkowy 1 powinien zawsze być używany. Ogranicznik głębokości wiercenia 5 może być używany do ustalania głębokości wierconych otworów.

## **OGRANICZENIE MOMENTU**

Sprzęgło bezpieczeństwa ogranicza moment obrotowy. Po aktywacji, sprzęgło zatrzymuje obrotowy wrzeciono i narzędzie robocze przestaje obracać się. W takim wypadku należy natychmiast wyłączyć urządzenie aby uniknąć przedwczesnego zużycia.

## **ZALECENIA**

Stosować lekki nacisk podczas wiercenia w betonie (około 80-100 N). Większy nacisk nie zwiększy wydajności wiercenia urządzenia ale zmniejszy jego żywotność.

Od czasu do czasu wyjmować wiertło z otworu w celu usunięcia pyłu.

Zwracać uwagę na stopień stępienia osprzętu i wymienić gdy tylko pojawi się spadek wydajności.

Nie używać urządzenia w trybach «wiercenie z udarem» i «podkuwanie» z dźwignią 7 w pozycji z maksymalnie prawej strony.

W zależności od obrabianego materiału, istnieje możliwość spadku energii udaru podczas pracy w trybie «Młot» (dłutowanie, kruszenie i praca w trybie «Wiercenie z udarem»). Aby przywrócić maksymalną energię udaru należy zredukować obroty poprzez zmianę nacisku na włącznik 9 do momentu powrotu sablonego udaru.

Przed wierceniem otworów o dużych średnicach w metalu, najpierw wywiercić mały otwór pilotażowy.

Optymalna wydajność wiercenia w betonie jest podana w tabeli z danymi technicznymi.

Młot obrotowy jest przeznaczony do lekkiego podkuwania. Wyższą trwałość i wydajność można osiągnąć tylko w przypadku stosowania ostrego osprzętu.

## **Obsługa i konserwacja**



**UWAGA!** Przed przystąpieniem do czynności obsługowych i konserwacyjnych należy zawsze upewnić się, że elektroniczne urządzenie jest wyłączone i odłączone od źródła zasilania.

## KONTROLA OGÓLNA

Regularnie kontrolować wszystkie mocowania, aby zapewnić odpowiednie dociągnięcie śrub. W przypadku poluzowania którejkolwiek ze śrub, natychmiast ją dokręcić aby uniknąć zagrożeń.

Jeśli konieczna jest wymiana przewodu, należy to wykonać u producenta lub autoryzowanego przedstawiciela w celu uniknięcia zagrożenia.

## CZYSZCZENIE

Aby zapewnić pracę, należy urządzenie i szczeliny wentylacyjne utrzymywać w czystości.

Regularnie sprawdzać czypył ani żadne obce ciała nie dostały się do otworów wentylacyjnych ani gniazd przełączników. Do usuwania zebranego pyłu używać miękkiej szczotki i/lub sprężonego powietrza. Podczas czyszczenia nosić okulary ochronne.

Zewnętrzne części plastikowe można czyścić wilgotną szmatką i z pomocą łagodnego środka czyszczącego.



**UWAGA!** Nigdy nie używać alkoholu, benzyny ani innych środków czystości. Nigdy nie stosować substancji żrących do czyszczenia części plastikowych.



**UWAGA!** Nie wolno dopuścić do kontaktu urządzenia z wodą.

**WAŻNE!** Aby zapewnić bezpieczeństwo i niezawodność produktu, naprawy, konserwacja i regulacja (łącznie z kontrolą i wymianą szczotek) powinny być wykonywane przez autoryzowane centra serwisowe bądź inne kompetentne podmioty świadczące tego typu usługi, zawsze przy użyciu oryginalnych części zamiennych.

## Gwarancja

Okres gwarancji elektronarzędzi SPARKY jest określony w karcie gwarancyjnej produktu.

Usterki spowodowane normalnym zużyciem, przeciążeniem lub niewłaściwą obsługą, nie podlegają gwarancji.

Uszkodzenia wynikłe z wady materiałowej lub błędów produkcyjnych zostaną usunięte bezpłatnie w drodze naprawy lub wymiany urządzenia.

Reklamacje uszkodzonych urządzeń SPARKY zostaną rozpatrzone jeśli zostaną dostarczone w stanie w jakim stwierdzono wadę, nie rozmontowane, wraz z dokumentem zakupu i kartą gwarancyjną do autoryzowanego serwisu lub punktu sprzedaży.

## Informacja

Przed użyciem należy dokładnie przeczytać niniejszą instrukcję.

Narzędzia SPARKY są stale ulepszane w związku z tym otrzymany produkt może nieznacznie różnić się od tego ukazanego w niniejszej instrukcji. Producent zapewnia sobie prawo do wprowadzania zmian bez uprzedzenia.

Specyfikacja może się różnić w zależności od kraju.

# Содержание

Введение .....	73
Технические данные .....	75
Общие указания по технике безопасности при работе с электроинструментами .....	76
Дополнительные указания по технике безопасности при работе с перфораторами .....	78
Знакомство с электроинструментом .....	A/80
Указания по работе .....	B/80
Обслуживание .....	82
Гарантия .....	83

## РАСПАКОВКА

В соответствие с общепринятыми технологиями крупносерийного производства, почти не существует риска поломки Вашего электроинструмента, или отсутствия какой-либо из его частей. Если вы все же установите повреждение, не используйте электроинструмент до тех пор, пока дефектная часть не будет заменена, а неисправность - устранена. Нарушение этой рекомендации может привести к серьезному трудовому инциденту.

## СБОРКА

Перфоратор, упакованный в чемодане, поставляется вполне собранный.

Перфоратор, упакованный в коробке, поставляется собранный за исключением дополнительной рукоятки.

## Введение

Новоприобретенный Вами электроинструмент SPARKY превзойдет Ваши ожидания. Его производство подчиняется высоким стандартам качества SPARKY, отвечающим строгим требованиям потребителя. Удобный для обслуживания и безопасный в эксплуатации, этот электроинструмент при правильном употреблении будет служить безотказно долгие годы.

## ПРЕДОСТЕРЕЖЕНИЕ!



Прочтите внимательно и целиком инструкцию по эксплуатации перед использованием новоприобретенного электроинструмента SPARKY. Обратите специальное внимание на параграфы, обозначенным словом "Предостережение". У Вашего электроинструмента SPARKY много качеств, которые облегчают работу. При разработке этого инструмента основное внимание было направлено на безопасность, эксплуатационные качества и надежность, которые облегчают его обслуживание и эксплуатацию.



### **Не выбрасывать электроинструменты вместе с бытовыми отбросами!**

Отходы электрических изделий нельзя собирать вместе с бытовыми отбросами. Они должны быть рециклированы на местах, предназначенных специально для этих целей. Просим обратиться к местным властям или к нашему представителю для получения информации насчет рециклирования.

## ЗАЩИТА ОКРУЖАЮЩЕЙ СРЕДЫ



Для предохранения окружающей среды электроинструменты, принадлежности и упаковки должны быть переработаны подходящим образом для повторно использования содержащихся в них материалов. Для облегчения процесса рециклирования детали, сделанные из искусственных материалов, обозначены соответствующим способом.

## ОПИСАНИЕ СИМВОЛОВ

На табличке с данными электроинструмента нанесены специальные символы, содержащие важную информацию о продукте или инструкции по использованию.



Двойная изоляция для дополнительной защиты.



Соответствует релевантным европейским директивам.



Соответствует требованиям правил Таможенного союза.



Соответствует требованиям украинским нормативным документам.



Ознакомьтесь с инструкцией по эксплуатации.

YYYY-Www

Период производства, где переменные символы означают:  
YYYY - год производства,  
ww – очередная календарная неделя.

BPR

Электронный перфоратор.

# Технические данные

Модель		BPR 220E	BPR 240E	BPR 240CE	BPR 260E	BPR 260CE	BPR 280CE
Электронная регулировка скорости		•	•	•	•	•	•
Константная электроника		○	○	•	○	•	•
Смена направления вращения		•	•	•	•	•	•
Выполнение отверстий		•	•	•	•	•	•
Ударное сверление		•	•	•	•	•	•
Долбление		○	•	•	•	•	•
Предохранительный механический соединитель		•	•	•	•	•	•
Потребляемая мощность	W	650	720	750	800	900	1010
Скорость вращения без нагрузки	min <sup>-1</sup>	0-1000	0-1050	0-900	0-1150	0-900	0-1000
Количество ударов при работе без нагрузки	min <sup>-1</sup>	0-4700	0-4800	0-4100	0-5200	0-4100	0-4700
Энергия единичного удара (ЕРТА процедура 05/2009)	J	2,3	2,8	3,0	3,0	3,2	3,4
Максимальный диаметр выполнения отверстий:							
в бетоне	mm	22	24	24	26	26	28
в бетоне с помощью боркороны	mm	68	68	68	68	68	68
в стали, с использованием адаптера с патронником (не входит в комплект поставки)	mm	13	13	13	13	13	13
в дереве, с использованием адаптера с патронником (не входит в комплект поставки)	mm	30	30	30	30	30	30
Оптимальный диапазон использования для выполнения отверстий в бетоне с помощью сверла	mm	Ø4-Ø10	Ø6-Ø12	Ø6-Ø16	Ø6-Ø16	Ø6-Ø20	Ø6-Ø22
Система крепежа инструмента	SDS plus	SDS plus	SDS plus	SDS plus	SDS plus	SDS plus	SDS plus
Объем патронника	mm	1,5-13	1,5-13	1,5-13	1,5-13	1,5-13	1,5-13
Вес (ЕРТА процедура 01/2014)	kg	2,7	2,8	2,9	2,8	2,9	2,9
Показатели измерены согласно EN 60745 		II	II	II	II	II	II
<b>ИНФОРМАЦИЯ О ШУМЕ И ВИБРАЦИЯМ</b>							
Показатели измерены согласно EN 60745.							
<b>Уровень шума</b>							
А-взвешенный уровень звуковой нагрузки L <sub>PA</sub>	dB (A)	87,0	89,0	89,0	91,0	91,0	92,0
Неопределенность K <sub>PA</sub>	dB (A)	3,0	3,0	3,0	3,0	3,0	3,0
А-взвешенный уровень звуковой нагрузки L <sub>WA</sub>	dB (A)	98,0	100,0	100,0	102,0	102,0	103,0
Неопределенность K <sub>WA</sub>	dB (A)	3,0	3,0	3,0	3,0	3,0	3,0
<b>Пользуйтесь средствами защиты от шума!</b>							
<b>Уровень вибраций *</b>							
Общий показатель вибраций (векторная сумма по трем осям), определенный согласно EN 60745:							
Ударное долбление бетона							
Показатель уровня вибраций a <sub>h,HD</sub>	m/s <sup>2</sup>	10,0	11,9	12,1	12,3	12,6	13,2
Неопределенность K <sub>HD</sub>	m/s <sup>2</sup>	1,5	1,5	1,5	1,5	1,5	1,5
Долбление							
Показатель уровня вибраций a <sub>h,CHeq</sub>	m/s <sup>2</sup>	-	5,1	5,3	5,3	5,4	6,0
Неопределенность K <sub>CHeq</sub>	m/s <sup>2</sup>	-	1,5	1,5	1,5	1,5	1,5
Долбление стали							
Показатель уровня вибраций a <sub>h,D</sub>	m/s <sup>2</sup>	4,5	4,4	4,3	4,5	4,5	4,7
Неопределенность K <sub>D</sub>	m/s <sup>2</sup>	1,5	1,5	1,5	1,5	1,5	1,5
* Вибрации определены согласно п. 6.2.7 EN 60745.							

Указанный в настоящую инструкцию уровень вибраций измерен в соответствии с установленную EN 60745 методику испытаний и может использоваться для сравнения электроинструментов. Уровень вибраций может использоваться для предварительной оценки воздействия.

Указанный уровень вибраций дан при условии использования инструмента по его прямому назначению. В тех случаях, когда электроинструмент используется для других целей, с другими принадлежностями, уровень вибраций может отличаться от указанного. В этих случаях уровень воздействия может значительно возрасти в рамках общего периода работы.

Для точной оценки воздействия вибраций во время определенного периода работы необходимо учитывать промежутки времени, в которые электроинструмент выключен, либо хотя и включен, но фактически не используется. Это может существенно сократить воздействия вибраций в течение всего периода работы.

Сохраняйте электроинструмент и его принадлежности в хорошем состоянии. Во время работы старайтесь сохранять руки теплыми - это поможет уменьшить вредное воздействие при работе с повышенной вибрацией.

Пыль материалов, как с краски с содержанием свинца, некоторых сортов древесины, минералов и металла может быть вредной для здоровья. Прикосновение к пыли и попадание пыли в дыхательные пути может вызвать аллергические реакции и/или заболевания дыхательных путей оператора или находящегося вблизи персонала.

Определенные виды пыли, как из дуба и бука, считаются канцерогенными, особенно, совместно с присадками для обработки древесины (хромат, средство для защиты древесины). Материал с содержанием асбеста разрешается обрабатывать только специалистам.

- По возможности применяйте отсос пыли.
- Для достижения максимально высокой эффективности собирания пыли при работе с данным электроинструментом, используйте пылесос, предназначенный для сбора пыли из древесины или для пыли из древесины и/или минеральной пыли.
- Следите за хорошей вентиляцией.
- Рекомендуется пользоваться дыхательной защитной маской с фильтром класса P2.

Соблюдайте действующие в Вашей стране предписания для обрабатываемых материалов.

## Общие указания по безопасности при работе с электроинструментами



**ПРЕДОСТЕРЕЖЕНИЕ!** Прочитайте все предупреждения и указания по безопасности. Несоблюдение предупреждений и указаний по безопасности может привести к поражению электрическим током, от пожара и/или серьезные ранения.

Сохраните все предупреждения и указания для дальнейшего использования.

Термин "электроинструмент" во всех указанных ниже предупреждениях касается вашего электроинструмента, с питанием от сети (с кабелем) и/или электроинструмент

с питанием от аккумуляторной батареи (без кабеля).

### 1) Безопасность рабочего места

- a) Содержите рабочее место в чистоте и хорошо освещенным. Беспорядок и недостаточное освещение являются предпосылками трудовых инцидентов.
- b) Не работайте с электроинструментами во взрывоопасной атмосфере при наличии воспламеняющихся жидкостей, газов или пыли. Электроинструменты создают искры, которые могут воспламенить пыль или пары.
- c) Держите детей и посторонних лиц на расстоянии, когда работаете с электроинструментом. Рассеивание может привести к потере контроля с Вашей стороны.

### 2) Электрическая безопасность

- a) Штепселя электроинструментов должны соответствовать контактным гнездам. Никогда не меняйте штепсель каким-либо способом. Не используйте какие-либо адаптерные

штепселя для электроинструментов с защитным заземлением. Использование оригинальных штепселей и соответствующим им контактов уменьшает риск от удара электрическим током.

- b) Избегайте соприкосновения тела с землей или с заземленными поверхностями, такими как трубы, радиаторы, кухонные плиты и холодильники. Если ваше тело заземлено, существует повышенный риск поражения электрическим током.
  - c) Не оставляйте электроинструменты под дождем или во влажной среде. Проникновение воды в электроинструменты повышает риск от поражения электрическим током.
  - d) Используйте кабель по назначению. Никогда не используйте кабель для переноса электроинструмента, натягивания или отключения штепселя из контактного гнезда. Держите кабель далеко от тепла, масла, острых углов или движущихся частей. Поврежденные или запутанные кабели повышают риск от поражения электрическим током.
  - e) Во время наружной работы с электроинструментом используйте удлинитель, подходящий для этих целей. Использование удлинителя, предназначенного для внешних (наружных) работ, уменьшает опасность от поражения электрическим током.
  - f) В случае, если работа с электроинструментом во влажной среде неизбежна, используйте предохранительное устройство, которое задействовано от остаточного тока для прерывания подачи тока. Использование предохранительного устройства уменьшает риск от поражения электрическим током.
- 3) Личная безопасность**
- a) Будьте бдительны, работайте с повышенным вниманием и проявляйте благоразумие, когда работаете с электроинструментом. Не используйте электроинструмент, когда вы устали или находитесь под влиянием наркотиков, алкоголя или медикаментов. Момент невнимания при работе с электроинструментом может привести к серьезной производственной травме.
- b) Используйте индивидуальные средства защиты. Носите всегда защитные очки. Индивидуальные средства защиты, такие как маска против пыли, нескользкая обувь, защитный шлем или средства для защиты слуха, используемые в конкретных условиях, снижают риск от производственных травм.
  - c) Избегайте невольного пуска инструмента. Убедитесь, что выключатель находится в положение „выключено” перед включением к источнику питания и/или аккумуляторной батарее перед тем, как его возьмете в руки или переносите. Ношение электроинструмента с пальцем на выключателе или подключение к источнику питания электроинструмента с выключателем во включенном положении является предпосылкой для производственной травмы.
  - d) Удалите каждый ключ для затягивания или гаечный ключ перед включением электроинструмента. Ключ для затягивания или гаечный ключ, прикрепленный к вращающейся части электроинструмента, может привести к трудовому инциденту.
  - e) Не перегревайтесь. Поддерживайте правильное положение и равновесие в течение всей работы. Это позволит лучше управлять электроинструментом при неожиданных ситуациях.
  - f) Носите подходящую рабочую одежду. Не носите широкую одежду или украшения. Держите свои волосы, одежду и перчатки далеко от движущихся частей. Широкая одежда, бижутерия или длинные волосы могут попасть в движущиеся части.
  - g) Если электроинструмент снабжен приспособлением для пыли, убедитесь, что они правильно установлены и правильно используются. Использование этих устройств может понизить связанные с пылью опасности.
- 4) Эксплуатация и уход за электроинструментами**
- a) Не перегружайте электроинструмент. Используйте правильно выбранный электроинструмент согласно его назначению. Правильно подобранный электроинструмент работает лучше и безопасней для объявленного режима работы, для которого он спроектирован.

- b) Не используйте электроинструмент в случае, если выключатель не переключается во включенное и исключенное положение. *Каждый электроинструмент, который не может управляться с помощью его выключателя, опасен и подлежит ремонту.*
- c) Отключите штепсель от электросети перед тем, как начать любые настройки, перед заменой принадлежностей или перед тем, как убрать электроинструмент для хранения. *Эти меры предосторожности снижают риск невольного пуска электроинструмента.*
- d) Сохраняйте неиспользованные электроинструменты в местах, недоступных для детей и не позволяйте обслуживающему персоналу, который не знаком с электроинструментом или инструкциями по эксплуатации, работать с ним. *Электроинструменты являются опасными в руках необученных потребителей.*
- e) Проверяйте электроинструменты. Проверяйте, работают ли нормально и движутся ли свободно движущиеся части, находятся ли в целостности и исправности части, а также проверяйте все прочие обстоятельства, которые могут неблагоприятно повлиять на работу электроинструмента. Если он поврежден, электроинструмент необходимо отремонтировать перед его дальнейшим использованием. *Много инцидентов причиняются от плохо обслуживаемых электроинструментов.*
- f) Поддерживайте режущие инструменты острыми и чистыми. *Правильно подержанные режущие инструменты с острыми режущими углами реже блокируются и проще управляются.*
- g) Используйте электроинструмент, принадлежности и части инструмента и т.д. в соответствии с этими инструкциями и способом, предусмотренным для конкретного типа электроинструмента, имея ввиду рабочие условия и работу, которую необходимо выполнять. *Использование электроинструмента для работы не по предназначению может привести к опасной ситуации.*

## 5) Обслуживание

- a) Ремонтируйте ваш электроинструмент у квалифицированного специалиста по ремонту, при этом используйте только оригинальные запасные части. *Это обеспечивает сохранение безопасности электроинструмента.*

## Дополнительные указания по технике безопасности при работе с перфораторами



Используйте средства защиты слуха при продолжительной работе. *Интенсивный шум во время работы может повредить слух.*

- Всегда используйте дополнительную рукоятку, прилагаемую в комплекте с машиной. *Потеря контроля может привести к трудовому происшествию.*



Во время работы используйте средства защиты зрения от разлетающихся частиц. *Носите защитные очки.*



Примите меры предосторожности против вдыхания пыли. *Некоторые материалы могут содержать токсические компоненты. Носите защитную маску. Подключите инструмент к устройству для удаления пыли (если это возможно).*

- В случае потенциальной возможности касания режущей принадлежности до скрытой электропроводки или до собственного питающего шнура, держите электроинструмент только за изолированные поверхности рукояток. *Контакт принадлежности с токоведущим проводом ставит под напряжение также открытые металлические части электроинструмента и может привести к поражению оператора электрическим током.*
- Не обрабатывайте материалы содержащих асбеста. Асбест считается канцерогенным веществом.





**ПРЕДОСТЕРЕЖЕНИЕ:** Перед тем, как подключить электроинструмент в электросеть, проверьте соответствие напряжения, указанного на табличке с техническими данными электроинструмента

- Источник питания, работающий при напряжении, превышающем указанное на электроинструменте, может вызвать серьезное поражение электрическим током оператора или электроинструмента.
- При наличии любых сомнений, не включайте штепсель электроинструмента в контактное гнездо.
- Использование источника питания с более низким, чем обозначенное на табличке электроинструмента напряжением, повредит электродвигатель.
- Во избежание перегрева, раскрутите кабель удлинителя кабельной катушки до конца.
- В случае необходимости в использовании удлинителя, убедитесь в том, что его сечение соответствует номинальному току используемого электроинструмента, проверьте исправность удлинителя.



**ПРЕДОСТЕРЕЖЕНИЕ:** При настройке, обслуживании или ремонте, в обязательном порядке отключайте электроинструмент и вынимайте штепсель из контакта.

- Во время работы держите машину крепко двумя руками, сохраняя стабильное положение тела. Направлять электроинструмент более безопасно, удерживая его двумя руками.
- Перед началом работы проверьте подходящим детектором металла наличие скрытой электропроводки, газопровода и водопровода, или обратитесь за содействием в соответствующие местные службы. Прикосновение сверла к скрытой электропроводке может вызвать поражение электрическим током. Повреждение газопровода может привести к взрыву. Повреждение водопровода нанесет ущерб собственности или приведет к поражению электрическим током.
- Кабель электропитания следует держать вне рабочего охвата машины.
- Не используйте электроинструмент с поврежденным кабелем. Не прикасайтесь к

поврежденному кабелю, выньте штепсель из контакта, если кабель получит повреждение во время работы. Поврежденный кабель повышает опасность удара электрическим током.

- Всегда занимайте стабильную позицию. При работе на определенной высоте, убедитесь в том, что под Вами никого нет.
- Фиксируйте обрабатываемую деталь тисками или другим подходящим методом.
- Контролируйте инерционный момент при запуске электроинструмента или при заклинивании сверла. Немедленно выключите электроинструмент, если сверло заблокировалось. С повышенным вниманием контролируйте высокий реактивный момент, который может привести к откату. В случае перегрузки электроинструмента или заклинивания сверла в обрабатываемом материале, сверло будет заблокировано.
- Не прикасайтесь к инструменту или обрабатываемой детали сразу же после работы: они могут быть слишком горячими и вызвать ожог кожи.
- Обеспечьте чистоту рабочего места. Соединение пыли различных материалов очень опасно. Пыль легких металлов может привести к возгоранию или эксплозии.
- В зоне работ никогда не следует оставлять ветошь, шнуры, кабели и пр.
- Выключите инструмент перед тем, как отложить его в сторону.
- Электроинструмент следует использовать только по назначению. Любое другое применение, отличающееся от указанного в данной инструкции, считается неправильным. Ответственность за любое повреждение или ранение, вызванное неправильным употреблением, несет потребитель, а не производитель.
- Для правильной эксплуатации электроинструмента следует соблюдать правила техники безопасности, указания по монтажу, эксплуатационные инструкции, описанные в этом документе. Все лица, которые используют или обслуживают эту машину, должны быть ознакомлены с настоящей инструкцией, и информированы о возможных рисках, связанных с электроинструментом. Работа на электроинструменте запрещена детям и немощным людям. Следует держать детей под постоянным наблюдением, если они находятся в рабочей зоне. В обязательном порядке следует соблюдать правила техники безопасности,

действующие в стране. Это условие касается и основных правил профессионального здравоохранения и техники безопасности.

- Производитель не несет ответственность в случае внесенных потребителем в электроинструмент изменений, или в случае повреждений, вызванных такими изменениями.
- Электроинструмент не следует использовать под открытым небом в дождливую погоду, во влажной среде (после дождя), или вблизи от возгораемых жидкостей и газов. Рабочее место должно быть хорошо освещено



**ПРЕДОСТЕРЕЖЕНИЕ:** При использовании долота переключатель 11 должен находиться в позиции «молоток»!

## Знакомство с электроинструментом

До начала работы, ознакомьтесь со всеми оперативными особенностями инструмента и условиями техники безопасности.

Используйте электроинструмент и его принадлежности только по назначению. Любое другое приложение категорически запрещено.

1. Дополнительная рукоятка
2. Шейка перфоратора
3. Втулка освобождающая
4. Гнездо для SDS plus сверла
5. Ограничительная линия
6. Фиксатор
7. Рычаг смены направления вращения
8. Вентиляционные отверстия
9. Выключатель
10. Кнопка блокировки выключателя
11. Переключатель рабочих режимов
12. Адаптер с патронником (не входит в комплектацию)

## Указания по работе

Этот электроинструмент питается однофазным непостоянным током. Двойная изоляция электроинструмента согласно EN 60745-1 и IEC 60745 позволяет подключение электроинструмента к контактам без защитных

клемм. Радиопомехи соответствуют директиве электромагнитной совместимости.

Перфоратор предназначен для ударного сверления отверстий по бетону, горным породам, штукатурке и прочим хрупким материалам, как и по стали, древесине, пластмассам и т.д.

## ДО НАЧАЛА РАБОТЫ

- Проверьте напряжение электросети: оно должно соответствовать обозначенным на табличке техническим данным электроинструмента.
- Проверьте, в какой позиции находится переключатель. Электроинструмент следует подключать и отключать от электросети только при выключенном выключателе. Если штепсель будет включен в розетку при включенном выключателе, электроинструмент немедленно приводится в действие, что может привести к нежеланному инциденту.
- Убедитесь в исправности кабеля питания. В случае повреждения кабеля питания, его следует заменить специальным кабелем или узлом, обратившись к производителю или его сервисному специалисту во избежание возможных рисков.



**ПРЕДОСТЕРЕЖЕНИЕ:** Всегда отключайте электроинструмент и вынимайте штепсель из контакта до начала любой настройки или обслуживания.

- Если рабочая зона находится на расстоянии от источника питания, используйте возможно наиболее короткий удлинитель с подходящим сечением.
- Проверьте правильность и надежность монтажа дополнительной рукоятки.

## ПУСК-ОСТАНОВКА

### Кратковременный пуск

- Пуск: Нажать выключатель 9 (Рис. 1).
- Остановка: Освободить выключатель 9.

### Длительная работа

- Пуск: Нажать на выключатель 9, и, не отпуская, заблокировать кнопкой 10 (Рис. 1).
- Остановка: Нажать выключатель 9 однократно и сразу же отпустить.



**ПРЕДОСТЕРЕЖЕНИЕ:** При низких температурах около и ниже 0°C (32°F), или после длительного простоя электроинструмента (если он находился на хранении на складе /в магазине/ в доме), при пуске возможно отсутствие ударного действия по причине сгущения смазки. В этом случае включите электроинструмент на ок. 1,5 минут без нагрузки для разогрева. Это улучшает смазку и продлевает срок использования электроинструмента.

## ЭЛЕКТРОННАЯ РЕГУЛИРОВКА ОБОРОТОВ

Легкое нажатие выключателя 9 приводит перфоратор в действие на низких оборотах, которые плавно увеличиваются до максимальных с увеличением нажима, вплоть до упора.

Модели BPR 240CE, BPR 260CE и BPR 280CE снабжены константной электроникой, которая поддерживает постоянную скорость вращения / частоту ударов независимо от нагрузки.

## СМЕНА НАПРАВЛЕНИЯ ВРАЩЕНИЯ

Перед тем, как приступить к долблению, обязательно проверьте направление вращения. Крайнее левое положение рычага 7 соответствует вращению по часовой стрелке, а крайнее правое – против часовой стрелки.



**ПРЕДОСТЕРЕЖЕНИЕ:** Смена направления вращения осуществляется только при выключенном перфораторе. В противном случае может повредиться двигатель.

## ПЕРЕКЛЮЧЕНИЕ РАБОЧИХ РЕЖИМОВ

Переключение рабочих режимов выполняется только после выключения электроинструмента.

Переключатель рабочих режимов 11 устанавливается в необходимое положение при нажатии фиксатора 6.

- Долбление (Рис. 3) - выполнение отверстий в металле, дереве, пластмассе и др.
- Ударное долбление (Рис. 4) - долбление отверстий в бетоне, камне и др.

- Молоток (Рис. 5) - долбление каналов и долбление бетона, кладки и др.
- Настройка положения долота (Рис. 6) - для удобства работы, долото следует установить и зафиксировать в необходимом положении.

## МОНТАЖ ИНСТРУМЕНТА С SDS-PLUS ХВОСТОМ

Почистите и смажьте хвостик инструмента (насадки) перед тем, как вставить его в гнездо! (Рис. 7)

Втулку освобождающую 3 гнезда 4 передвинуть назад (Рис. 8а). Ввести инструмент (насадку) до упора, при этом шлицы гнезда должны войти в каналы хвоста. После этого освободить втулку освобождающую и застопорить инструмент (Рис. 8б)

Для демонтажа инструмента, сдвинуть втулку освобождающую 3 назад и вынуть инструмент (насадку) (Рис. 9)



**ПРЕДОСТЕРЕЖЕНИЕ:** Не используйте сверла большего, чем указанный, диаметра, т.к. это приведет к перегрузке электроинструмента.

## МОНТАЖ И КРЕПЕЖ СВЕРЛА С ЦИЛИНДРИЧЕСКИМ ХВОСТИКОМ В ПАТРОННИКЕ

Переключатель рабочих режимов 11 установить в положение «долбление» (Рис. 3). Патронник 12 вставить в гнездо 4 описанным выше способом. В этой конфигурации перфоратор может работать в режиме «долбление».

Электроинструменты с патронником с ключом

При повороте кольца патронника в направлении часовой стрелки или обратно, его зубцы занимают положение, позволяющее хвостику сверла войти между ними. Повернув кольцо патронника в направлении часовой стрелки, челюсти захватывают хвостик сверла. С помощью специального ключа зафиксировать сверло в патроннике, равномерно закрутив его в трех отверстиях.

Электроинструменты с фиксирующим патронником

Удерживая заднее кольцо, поворачивать переднее кольцо до тех пор, пока патронник не раскроется достаточно, чтобы вставить

сверло. Закрутить вручную переднее кольцо до звука характерного щелчка.

## **СМЕНА ПОЗИЦИИ ДОЛОТА**

Вставить инструмент (насадку) в гнездо, как это описано в разделе "Монтаж SDS-Plus инструмента".

Переключатель рабочих режимов 11 установить в позицию «Смена позиции долота» (Рис. 6).

Поворачивать инструмент вручную, до желаемого положения (Рис. 10).

Переключатель рабочих режимов 11 повернуть в положение «молоток» (Рис. 5). Вручную легко поворачивать вправо/влево инструмент (насадку), пока он заблокируется.

Для обеспечения долговечности перфоратора и его высокой производительности необходимо использовать только хорошо заточенные инструменты (насадки) для долбления и разрушения.

## **ОТКРУЧИВАНИЕ И ЗАКРУЧИВАНИЕ БОЛТОВ, ШУРУПОВ, ВИНТОВ**

В патронник 12 ввести вышеуказанным способом соответствующее приспособление для закручивания/откручивания болтов, шурупов или винтов. Переключатель 11 рабочих режимов установить в положение «долбление» (Рис. 3). С помощью ползуна 7 для смены направления вращения настроить режим закручивания или откручивания. Эти операции выполняются только на низких оборотах.



**ПРЕДОСТЕРЕЖЕНИЕ:** При закручивании длинных болтов и шурупов перфоратор может соскальзывать!

## **ДОПОЛНИТЕЛЬНАЯ РУКОЯТКА**

Дополнительная рукоятка 1 затягивается на шейке 2 перфоратора. В целях безопасности дополнительную рукоятку 1 следует использовать постоянно. Глубину выполняемого отверстия можно зафиксировать посредством ограничительной линии 5.

## **ОГРАНИЧЕНИЕ МОМЕНТА ВРАЩЕНИЯ**

Момент вращения этого электроинструмента ограничивается предохранительным соединителем. Задействованный предохра-

нительный соединитель останавливает работу шпинделя и рабочей насадки (сверла). В этом случае необходимо выключить электроинструмент в целях предупреждения преждевременного изнашивания.

## **РЕКОМЕНДАЦИИ ПО РАБОТЕ ЭЛЕКТРОИНСТРУМЕНТА**

Прилагайте умеренный натиск при долблении бетона (приблизительно 80-100 N). Сильный натиск не повышает производительность и приводит к сокращению срока использования электроинструмента.

Периодически выводите сверло из выполняемого отверстия, чтобы удалить пыль.

Необходимо контролировать остроту сверла, и при снижении производительности заменить его.

В крайнем правом положении рычага 7 не следует выполнять работу в режиме «ударное долбление» и в режиме «молоток».

При работе в режиме «молоток» (долбление, разрушение) и в режиме «ударное долбление», в некоторых случаях, в зависимости от материала, сила удара может снизиться. Для восстановления максимальной силы удара необходимо снизить обороты электроинструмента посредством снижения натиска на ползун выключателя 9, до достижения устойчивого удара.

При выполнении отверстий большого диаметра в металле, предварительно пробейте отверстие небольшого диаметра.

Оптимальные размеры спирального сверла для долбления бетона указаны в таблице технических данных выше.

Перфоратор рекомендуется для легкой обработки с помощью долота. Продление долговечности перфоратора и достижение высокой производительности обеспечиваются только при использовании хорошо подогранных инструментов для долбления (долота).

## **Обслуживание**



**ПРЕДОСТЕРЕЖЕНИЕ:** Всегда выключайте электроинструмент и вынимайте штепсель из розетки перед тем, как приступить к любой проверке или обслуживанию.

## ОБЩАЯ ПРОВЕРКА

---

Регулярно проводите проверку всей крепежной - они должны быть крепко стянуты. В случае, если какой-либо винт открутился, его следует немедленно закрутить во избежание опасности.

В случае повреждения кабеля питания, его замену должен произвести изготовитель или его сервисный специалист, во избежание опасности.

## УХОД

---

Для обеспечения безопасной работы всегда поддерживайте в чистоте и машину, и ее вентиляционные отверстия.

Регулярно проверяйте вентиляционные отверстия электродвигателя или переключателей на наличие пыли или чужеродных тел. Используйте мягкую щетку для удалений пыли. Во избежание повреждения глаз, во время ухода за устройством пользуйтесь защитными очками.

Если корпус машины загрязнен, протрите его мягкой влажной салфеткой. Можно использовать щадящий моющий препарат.



**ПРЕДОСТЕРЕЖЕНИЕ:** Не допускается употребление спирта, бензина и прочих растворителей. Никогда не пользуйтесь разъедающими препаратами для чистки пластмассовых частей



**ПРЕДОСТЕРЕЖЕНИЕ:** Не допускается попадание и контакт устройства с водой.

**ВАЖНО!** В целях обеспечения безопасности работы электроинструмента и его надежности, все ремонтные работы, обслуживание и регулировку устройства (включительно проверку и замену щеток) следует проводить в специализированных сервисах SPARKY, используя исключительно оригинальные запасные части.

## Гарантия

---

Гарантийный срок электроинструментов SPARKY указан в гарантийной карте.

Неисправности, появившиеся в результате естественного изнашивания, перегрузки или неправильной эксплуатации, не входят в гарантийные обязательства.

Неисправности, появившиеся вследствие применения некачественных материалов и/или из-за производственных ошибок, устраняются без дополнительной оплаты путем замены или ремонта.

Рекламации дефектного электроинструмента SPARKY принимаются в том случае, если машина будет возвращена поставщику, или специализированному гарантийному сервису в не разобранном (первоначальном) состоянии.

## Замечания

---

Внимательно прочтите всю инструкцию по эксплуатации перед тем, как приступить к использованию этого изделия.

Производитель сохраняет за собой право вносить в свои изделия улучшения и изменения, а также изменять спецификации без предупреждения.

Спецификации для разных стран могут различаться.

## Зміст

Введення .....	84
Технічні дані .....	86
Загальні вказівки з безпеки при роботі з електроприладами .....	87
Додаткові вказівки по техніці безпеки під час роботи з перфораторами .....	89
Ознайомлення з електроінструментом .....	A/90
Вказівки щодо роботи .....	B/91
Обслуговування .....	93
Гарантія .....	94

### РОЗПАКУВАННЯ

У відповідності з загальноприйнятими технологіями великосерійного виробництва, майже не існує ризику поломки Вашого електроінструменту, або відсутності будь-якої з його частин. Якщо ви все ж таки знайдете пошкодження, не використовуйте електроінструмент до тих пір, поки дефектна частина не буде замінена, а несправність - усунена. Порушення цієї рекомендації може призвести до нещасного випадку.

### ЗБІРКА

Перфоратор, запакований у валізу, постачається повністю зібраним.

Перфоратор, запакований у коробку, постачається зібраним, за винятком додаткової рукоятки.

## Введення

Придбаний Вами електроінструмент SPARKY перевершить Ваші очікування. Він зроблений у відповідності до високих стандартів якості SPARKY, що відповідають суворим вимогам споживача. Його легко обслуговувати і він безпечний при експлуатації, при правильному використанні цей електроінструмент буде служити Вам довгі роки.

### ЗАСТЕРЕЖЕННЯ!



Прочитайте уважно і цілком інструкцію з експлуатації, перед використанням новопридбаного електроінструменту SPARKY. Зверніть спеціальну увагу на параграфи, позначених словом "Застереження". У Вашого електроінструменту SPARKY багато якостей, які полегшують роботу. При розробці цього інструменту основну увагу було направлено на безпеку, експлуатаційні якості і надійність, які полегшують його обслуговування і експлуатацію.



#### **Не викидайте електроінструменти разом з побутовими відходами!**

Відходи від електричних виробів не варто збирати разом з побутовими відходами. Будь ласка, викидайте в місцях, призначених для цього. Зв'яжіться з місцевою владою або представником для консультації щодо повторної переробки.

### ОХОРОНА НАВКОЛИШНЬОГО СЕРЕДОВИЩА



З урахуванням охорони навколишнього середовища електроінструмент, приналежності й упаковка повинні надати відповідній переробці для повторного використання сировини, що міститься в них. Для полегшення повторної переробки деталей, зроблених з штучних матеріалів, вони позначені відповідним чином.

## ОПИС СИМВОЛІВ

Табличка з даними електродріля містить спеціальні символи. Вони є важливою інформацією про використання інструмента та його характеристики.



Подвійна ізоляція для додаткового захисту.



Відповідає чинним європейським директивам.



Відповідає регламентам Митного союзу.



Відповідає вимогам українських нормативних документів.



Ознайомтеся з інструкцією з експлуатації.

YYYY-Www

Термін виробництва, де змінними символами є:

YYYY - рік випуску,

ww - черговий календарний тиждень.

BPR

Електронний перфоратор.

# Технічні дані

Модель		BPR 220E	BPR 240E	BPR 240CE	BPR 260E	BPR 260CE	BPR 280CE
Електронне регулювання швидкості		•	•	•	•	•	•
Константна електроніка		○	○	○	○	○	○
Зміна напрямку обертання		•	•	•	•	•	•
Свердління отворів		•	•	•	•	•	•
Ударне свердління		•	•	•	•	•	•
Довбання		○	•	•	•	•	•
Запобіжний механічний з'єднувач		•	•	•	•	•	•
Споживана потужність	W	650	720	750	800	900	1010
Швидкість обертання без навантаження	min <sup>-1</sup>	0-1000	0-1050	0-900	0-1150	0-900	0-1000
Кількість ударів під час роботи без навантаження	min <sup>-1</sup>	0-4700	0-4800	0-4100	0-5200	0-4100	0-4700
Енергія одиночного удару (ЕРТА процедура 05/2009)	J	2,3	2,8	3,0	3,0	3,2	3,4
Максимальний діаметр свердла:							
у бетоні	mm	22	24	24	26	26	28
у бетоні за допомогою боркоронки	mm	68	68	68	68	68	68
у сталі з використання адаптера з патроном (не входить у комплект поставки)	mm	13	13	13	13	13	13
у дереві з використання адаптера з патроном (не входить у комплект поставки)	mm	30	30	30	30	30	30
Оптимальний діапазон використання для виконання отворів у бетоні х за допомогою свердла	mm	Ø4-Ø10	Ø6-Ø12	Ø6-Ø16	Ø6-Ø16	Ø6-Ø20	Ø6-Ø22
Система кріплення інструмента	SDS plus	SDS plus	SDS plus	SDS plus	SDS plus	SDS plus	SDS plus
Об'єм патронника	mm	1,5-13	1,5-13	1,5-13	1,5-13	1,5-13	1,5-13
Вага (ЕРТА процедура 01/2014)	kg	2,7	2,8	2,9	2,8	2,9	2,9
Показники заміряні згідно EN 60745 		II	II	II	II	II	II
<b>ІНФОРМАЦІЯ ПРО ШУМ ТА ВІБРАЦІЇ</b>							
Показники заміряні згідно EN 60745.							
<b>Рівень шуму</b>							
А-зважений рівень звукове навантаження L <sub>рА</sub> dB (A)							
		87,0	89,0	89,0	91,0	91,0	92,0
Невизначеність K <sub>рА</sub> dB (A)							
		3,0	3,0	3,0	3,0	3,0	3,0
А-зважений рівень звукового навантаження L <sub>вА</sub> dB (A)							
		98,0	100,0	100,0	102,0	102,0	103,0
Невизначеність K <sub>вА</sub> dB (A)							
		3,0	3,0	3,0	3,0	3,0	3,0
<b>Користуйтеся засобами захисту від шуму!</b>							
<b>Рівень вібрацій *</b>							
Загальний рівень вібрацій (векторна сума у трьох напрямках), заміряний згідно EN 60745:							
Ударне довбання бетону							
Показник рівня вібрацій a <sub>h,HD</sub> m/s <sup>2</sup>							
		10,0	11,9	12,1	12,3	12,6	13,2
Невизначеність K <sub>HD</sub> m/s <sup>2</sup>							
		1,5	1,5	1,5	1,5	1,5	1,5
Довбання							
Показник рівня вібрацій вибравий a <sub>h,ChEq</sub> m/s <sup>2</sup>							
		-	5,1	5,3	5,3	5,4	6,0
Невизначеність K <sub>ChEq</sub> m/s <sup>2</sup>							
		-	1,5	1,5	1,5	1,5	1,5
Довбання сталі							
Показник рівня вібрацій a <sub>h,D</sub> m/s <sup>2</sup>							
		4,5	4,4	4,3	4,5	4,5	4,7
Невизначеність K <sub>D</sub> m/s <sup>2</sup>							
		1,5	1,5	1,5	1,5	1,5	1,5
* Рівень вібрацій визначений згідно п. 6.2.7 EN 60745.							



Вказаний в інструкції рівень вібрацій виміряний відповідно до встановлених EN 60745 методик випробувань, і може використовуватися для порівняння електроінструментів. Рівень вібрацій може використовуватися для попередньої оцінки впливу.

Зазначений рівень вібрацій надано за умови використання інструменту за його прямим призначенням. У тих випадках, коли електроінструмент використовується для інших цілей, з іншими речами, рівень вібрацій може відрізнятись від зазначеного. У цих випадках рівень впливу може значно зрости в рамках загального періоду роботи.

Для точної оцінки впливу вібрацій, під час певного періоду роботи необхідно враховувати проміжки часу, в які електроінструмент вимкнено, або хоча і включений, але фактично не використовується. Це може істотно скоротити вплив вібрацій протягом всього періоду роботи.

Зберігайте електроінструмент і його речі в гарному стані. Під час роботи намагайтеся зберігати руки теплими - це допоможе зменшити шкідливий вплив при роботі з підвищеною вібрацією.

Пил матеріалів, наприклад - фарби з вмістом свинцю, деяких сортів деревини, мінералів і металу може бути шкідливим для здоров'я. Дотик до пилу і потрапляння пилу в дихальні шляхи може викликати алергічні реакції та / або захворювання дихальних шляхів оператора або персоналу, що знаходиться поблизу.

Певні види пилу, наприклад, з дуба та бука, вважаються канцерогенними, особливо, спільно з присадками для обробки деревини (хромат, засіб для захисту деревини, тощо). Матеріал з вмістом азбесту дозволяється обробляти тільки фахівцям.

- По можливості застосовуйте відсмоктування пилу.
- Для досягнення максимально високої ефективності збирання пилу при роботі з даним приладом, використовуйте пилосос, призначений для збору пилу з деревини або для пилу з деревини та / або мінерального пилу.
- Слідкуйте за хорошою вентиляцією.
- Рекомендується користуватися дихальною захисною маскою з фільтром класу P2.

Дотримуйтесь розпорядження щодо оброблюваних матеріалів, що діють у Вашій країні.

## Загальні вказівки з безпеки при роботі з електроприладами



**ЗАСТЕРЕЖЕННЯ!** Прочитайте всі попередження і вказівки з безпеки. Недодержання попереджень і вказівок з безпеки може призвести до ураження електричним струмом, пожежі та / або важкого поранення.

**Збережіть всі попередження та вказівки для подальшого використання.**

Термін "електроприлад" у всіх зазначених нижче попередженнях стосується вашого електроприладу, з живленням від мережі (з кабелем), та / або електроприладу з живленням від акумуляторної батареї (без кабелю).

### 1) Безпека робочого місця

- а) **Утримайте робоче місце в чистоті і добре освітленим.** Безлад і недостатнє освітлення є передумовою виникнення трудових інцидентів.

- b) **Не працюйте з електроприладами у вибухонебезпечній атмосфері при наявності займих рідин, газів або пилу.** Електроприлади створюють іскри, що можуть займати пил або пари.

- c) **Тримайте дітей та сторонніх осіб на відстані, коли працюєте з електроприладом.** Розсіювання уваги може призвести до втрати контролю з Вашого боку.

### 2) Електрична безпека

- a) **Штепселі електроприладів повинні відповідати контактним гніздам.** Ніколи не змінюйте штепсель у будь-який спосіб. Не використовуйте будь-які адаптерні штепселі для електроприладів із захисним заземленням. Використання оригінальних штепселів і відповідних їм контактів зменшує ризик удару електричним струмом.

- b) **Уникайте дотику тіла з землею або заземленими поверхнями, такими як труби, радіатори, кухонні плити та холодильники.** Якщо ваше тіло заземлене, існує підвищений ризик ураження електричним струмом.

- c) **Не залишайте електроприлади під дощем або у вологому середовищі.**

*Проникнення води в електроприлади підвищує ризик ураження електричним струмом.*

- d) Використовуйте кабель за призначенням. Ніколи не використовуйте кабель для перенесення електроприладу, натягування або відключення штепселя з контактної гнізда. Тримайте кабель далеко від тепла, олії, гострих кутів, що рухаються. Пошкоджені або заплутані кабелі підвищують ризик поразок електричним струмом.
- e) Під час зовнішніх робіт використовуйте подовжувач, що підходить для цих цілей. Використання подовжувача, призначеного для зовнішніх робіт, зменшує небезпеку від ураження електричним струмом.
- f) У випадку, якщо робота з електроприладом у вологому середовищі неминуча, використовуйте запобіжний пристрій, який робить на залишковому струмі для переривання подачі струму. Використання запобіжного пристрою зменшує ризик ураження електричним струмом.

### 3) Особиста безпека

- a) Будьте пильні, працюйте з підвищеною увагою і проявляйте розсудливість, коли працюєте з електроприладом. Не використовуйте електроприлад, коли ви стомлені, або під впливом наркотиків, алкоголю, медикаментів, тощо. Одна мить не уваги при роботі з електроприладом може призвести до серйозної виробничої травми.
- b) Використовуйте індивідуальні засоби захисту. Носіть завжди захисні окуляри. Індивідуальні засоби захисту, такі як маска проти пилу, неслизьке взуття, захисний шолом або засоби для захисту слуху, що використовуються в конкретних умовах, знижують ризик виникнення виробничих травм.
- c) Уникайте мимовільного пуску інструменту. Переконайтеся, що вимикач знаходиться в положенні “вимкнено” перед включенням в джерело живлення та / або акумуляторної батареї, перед тим, візьмете в руки або перенесите. Носіння електроприладу з пальцем на вимикачі або підключення до джерела живлення електроінструменту з вимикачем у включеному положенні є передумовою для виробничої травми.

- d) Видаліть кожен гайковий ключ перед включенням електроприладу. Ключ для затягування або гайковий ключ, прикріплений до частини електроприладу, що обертається, може призвести до трудового інциденту.
- e) Не простягайтесь занадто. Підтримуйте правильне положення і рівновагу протягом всієї роботи. Це дозволить краще керувати електроприладом у несподіваних ситуаціях.
- f) Носіть придатний одяг. Не носіть широкий одяг або прикраси. Тримайте своє волосся, одяг і рукавички далеко від рухомих частин. Широкий одяг, біжутерія та довге волосся можуть потрапити в рухомі частини.
- g) Якщо електроприлад має пристосування для пилу, переконайтеся, що воно правильно встановлено і правильно використовується. Використання цих пристроїв може знизити пов'язані з пилом небезпеки.

### 4) Експлуатація і догляд за електроприладами

- a) Не перевантажуйте електроприлад. Використовуйте правильно вибраний електроприлад згідно з його призначенням. Правильно підібраний електроприлад працює краще і безпечніше для оголошеного режиму роботи, для якого він спроектований.
- b) Не використовуйте електроприлад у випадку, якщо вимикач не переходить у включену і виключену позицію. Кожен електроприлад, який не може управлятися за допомогою вимикача, є небезпечним і підлягає ремонту.
- c) Вимкніть штепсель від електромережі перед тим, як почати будь-які налаштування, перед заміною приладдя або перед тим, як прибрати електроприлад для зберігання. Ці запобіжні заходи знижують ризик мимовільного пуску електроприладу.
- d) Зберігайте невикористані електроприлади в місцях, недоступних для дітей, і не дозволяйте користуватися ним обслуговуючому персоналу, який не знайомий з електроприладом або інструкціями з експлуатації. Електроприлади є небезпечними в руках ненавчених сложивачів.
- e) Перевіряйте електроприлади. Перевіряйте, чи працюють нормально і рухаються вільно рухомі частини,

чи знаходяться в цілості і справності усі частини, а також перевіряйте всі інші обставини, які можуть негативно вплинути на роботу електроприладу. У разі ушкоджень електроприлад необхідно відремонтувати перед його подальшим використанням. Багато інцидентів заподіюються у випадку поганого обслуговування електроприладів.

- f) Підтримуйте ріжучі інструменти гострими і чистими. Правильно підтримані ріжучі інструменти з гострими кутами рідше блокуються і простіше управляються.
- g) Використовуйте електроприлад, приналежності (комплектуючі) і частини інструменту і т.д. відповідно до цих інструкцій та у засіб, передбачений для конкретного типу електроприладу, маючи на увазі робочі умови і роботу, яку необхідно виконувати. Використання електроприладу для роботи не за призначенням може призвести до небезпечної ситуації.

#### 5) Технічне обслуговування

- a) Ремонтуйте ваш електроприлад у кваліфікованого фахівця з ремонту, при цьому використовуйте тільки оригінальні запасні частини. Це забезпечує безпеку електроприладу.

## Додаткові вказівки з техніки безпеки під час роботи з перфораторами



Використовуйте засоби захисту слуху під час тривалої роботи. Інтенсивний шум під час роботи може пошкодити слух.

- Завжди використовуйте додаткове руків'я, додане у комплект із машиною. Втрата контролю може призвести до трудової травми.



Під час роботи використовуйте засоби захисту зору від частинок, що розлітаються. Носіть захисні окуляри.



Прийміть запобіжні заходи проти вдихання пилу. Деякі матеріали можуть<sup>b</sup>

містити токсичні компоненти. Носіть захисну маску. Підключіть інструмент до пристрою для видалення пилу (якщо це можливо).

- В разі потенційної можливості дотику приладдя, що ріже до прихованої електропроводки або до власного шнура живлення, тримайте електроінструмент тільки за ізольовані поверхні руків'їв. Контакт приладдя з струмоведучим проводом ставить під напругу також відкриті металеві частини електроінструменту і може призвести до ураження оператора електричним струмом.
- Не обробляйте матеріали, що містять азбест. Азбест вважається канцерогенною речовиною.



**ЗАСТЕРЕЖЕННЯ:** Перед тим, як підключити електроінструмент в електромережу, перевірте відповідність напруги, зазначеної на табличці з технічними даними електроінструменту.

- Джерело живлення, що працює при напрузі, що перевищує зазначену на електроінструменті, може викликати серйозне ураження електричним струмом оператора або електроінструменту.
- У разі будь-яких сумнівів, не вставляйте штепсель електроінструменту у контактне гніздо.
- Використання джерела живлення з більш низькою, ніж позначеною на табличці електроінструменту напругою, зашкодить електродвигуну.
- Щоб уникнути перегріву, розкрутіть кабель подовжувача кабельної котушки до кінця.
- В разі необхідності використання подовжувача, переконайтеся у тому, що його переріз відповідає номінальному току використовуваного електроінструменту, перевірте справність подовжувача.



**ЗАСТЕРЕЖЕННЯ:** Під час налаштування, обслуговування або ремонту, в обов'язковому порядку відключайте електроінструмент та виймайте штепсель із розетки.

- Під час роботи тримайте машину міцно двома руками, зберігаючи стабільне положення тіла. Направляти електроінструмент більш безпечно, утримуючи його двома руками.

- Перед початком роботи перевірте відповідним детектором металу наявність прихованої електропроводки, газопроводу та водопроводу, або зверніться за сприянням у відповідні місцеві служби. Дотик свердла до прихованої електропроводки може викликати ураження електричним струмом. Пошкодження газопроводу може привести до вибуху. Пошкодження газопроводу може привести до вибуху. Пошкодження водопроводу завдасть шкоди власності або призведе до ураження електричним струмом.
- Кабель електроживлення слід тримати поза робочою зоною машини.
- Не використовуйте електроінструмент із пошкодженим кабелем. Не торкаючись до ушкодженого кабелю, вийміть штепсель з контакту, якщо кабель отримає пошкодження під час роботи. Пошкоджений кабель підвищує небезпеку ураження електричним струмом.
- Завжди займайте стабільну позицію. Під час роботи на певній висоті, переконайтеся у тому, що під Вами нікого немає.
- Фіксуйте оброблювану деталь лещатами або іншим відповідним методом.
- Контролюйте інерційний момент під час запуску електроінструмента або під час заклинювання свердла. негайно вимкніть електроінструмент, якщо свердло заблокувалося. З підвищеною увагою контролюйте високий реактивний момент, який може привести до відскоку. У разі перевантаження електроінструменту або заклинювання свердла в оброблюваному матеріалі, свердло буде заблоковано.
- Не торкайтеся інструмента або оброблюваної деталі відразу ж після роботи: вони можуть бути дуже гарячими і викликати опік шкіри.
- Забезпечте чистоту робочого місця. З'єднання пилу різних матеріалів дуже небезпечно. Пил легких металів може призвести до займання або вибуху.
- У зоні робіт ніколи не слід залишати ганчірки, шнури, кабелі тощо
- Вимкніть інструмент перед тим, як відкласти його у бік.
- Електроінструмент слід використовувати тільки за призначенням. Будь-яке інше застосування, що відрізняється від зазначеного у даній інструкції, вважається неправильним застосуванням. Відповідальність за будь-яке пошкодження або поранення,

викликане неправильним застосуванням, несе споживач, а не виробник.

- Для правильної експлуатації електроінструмента слід дотримуватися правил техніки безпеки, вказівок по монтажу, експлуатаційних інструкцій, описаних у цьому документі. Всі особи, які використовують або обслуговують цю машину, повинні бути ознайомлені з цією інструкцією, і поінформовані про можливі ризики, пов'язані з електроінструментом. Робота на електроінструменті заборонена дітям і немічним людям. Слід тримати дітей під постійним наглядом, якщо вони знаходяться у робочій зоні. В обов'язковому порядку слід дотримуватися правил техніки безпеки, що діють у країні. Ця умова стосується й основних правил охорони праці здоров'я і техніки безпеки.
- Виробник не несе відповідальність у разі внесених споживачем в електроінструмент змін, або у разі пошкоджень, викликаних такими змінами.
- Електроінструмент не слід використовувати під відкритим небом у дощову погоду, у вологому середовищі (після дощу), або поблизу від займистих рідин і газів. Робоче місце має бути добре освітлено.

## Ознайомлення з електроінструментом

До початку роботи, ознайомтеся з усіма робочими характеристиками інструменту та умовами техніки безпеки.

Використовуйте електроінструмент і його приладдя тільки за призначенням. Будь-яке інше застосування категорично заборонене.

1. Додаткова рукоятка
2. Шийка перфоратора
3. Втулка, що вивільняє
4. Гніздо для SDS-Plus свердла
5. Обмежувальна лінійка
6. Фіксатор
7. Важіль зміни напрямку обертання
8. Вентиляційні отвори
9. Вимикач
10. Кнопка блокування вимикача
11. Перемикач робочих режимів
12. Адаптер з патроном (не входить у комплектацію)

## Вказівки щодо роботи

Цей електроінструмент живиться однофазним непостійним струмом. Подвійна ізоляція електроінструмента згідно EN 60745-1 й IEC 60745 дозволяє підключення електроінструменту до контактів без захисних клем. Радіоперешкоди відповідають директиві електромагнітної сумісності.

Перфоратор призначений для ударного свердління отворів у бетоні, гірських породах, штукатурці та інших крихких матеріалах як сталь, деревина, пластмаса та ін..

### ДО ПОЧАТКУ РОБОТИ

- Перевірте напругу електромережі: вона повинна відповідати позначенням на табличці технічним даним електроінструменту.
- Перевірте, в якій позиції знаходиться перемикач. Електроінструмент слід підключати та відключати від електромережі тільки під час вимкненого перемикача. Якщо штепсель буде вставлений у розетку при увімкненому перемикачі, електроінструмент негайно почне працювати, що може призвести до небажаного інциденту.
- Переконайтеся у справності кабелю живлення. У разі пошкодження кабелю живлення, його слід замінити спеціальним кабелем або вузлом, звернувшись до виробника або його спеціаліста сервісного центру, щоб уникнути можливих ризиків.



**ЗАСТЕРЕЖЕННЯ:** Завжди вимикайте електроінструмент та виймайте штепсель з розетки перед тим як здійснювати будь-які налаштування або обслуговування.

- Якщо робоча зона знаходиться на відстані від джерела живлення, використовуйте найкоротший подовжувач із відповідним перерізом.
- Перевірте правильність і надійність монтажу додаткової рукоятки

### ПУСК - ЗУПИНКА

#### Короткочасний пуск:

- Пуск: Пуск: Натисніть перемикач 9 (Рис. 1).
- Зупинка: вивільнити перемикач 9.

#### Тривала робота:

- Пуск: Натисніть на перемикач 9 та, не відпускаючи його, заблокуйте кнопкою 10 (Рис. 1).

- Зупинка: Натисніть один раз перемикач 9 і відразу ж відпустіть його.



**ЗАСТЕРЕЖЕННЯ:** За низьких температур біля 0°C (32°F) або нижче, або після тривалого простою електроінструмента (якщо він перебуває на зберіганні на складі/ у магазині, вдома), під час запуску можлива відсутність дії через згущення змазки. У цьому випадку дайте інструменту біля 1,5 хвилини працювати для розігріву. Це покращує змащування та подовжує термін експлуатації електроінструмента.

### ЕЛЕКТРОННЕ РЕГУЛЮВАННЯ ОБЕРТІВ

Легке натиснення перемикача (9) приводить дріль у дію на низьких оборотах, які плавно збільшуються до максимальних по мірі збільшення натискання перемикача до упору.

Моделі BPR 240CE, BPR 260CE та BPR 280CE оснащені константною електронікою, яка підтримує постійну швидкість обертання/ частоту ударів незалежно від навантаження.

### ЗМІНА НАПРЯМУ ОБЕРТАННЯ

Перед тим як розпочати довшання, обов'язково перевірте напрям обертання.

Крайнє праве положення важеля 7 означає обертання за годинниковою стрілкою, а крайнє ліве – проти годинникової стрілки.



**ЗАСТЕРЕЖЕННЯ:** Зміна напрямку обертання здійснюється лише якщо перфоратор вимкнений. В іншому випадку це може пошкодити двигун.

### ПЕРЕМИКАННЯ РОБОЧИХ РЕЖИМІВ

Перемикач робочих режимів здійснюється після вимкнення електроінструмента.

Перемикач робочих режимів 11 встановлюється у необхідне положення шляхом натискання фіксатора 6.

- Довбання (Рис. 3) - свердління отворів у металі, дереві, пластмасі та ін.
- Ударне довшання (Рис. 4) - довшання отворів у бетоні, камені й ін.
- Молоток (Рис. 5) – довшання каналів та довшання бетону, кладки та ін..

- Налаштування положення долота (Рис. 6) – для зручності роботи, долото необхідно встановити та зафіксувати у необхідному положенні.

## МОНТАЖ ІНСТРУМЕНТУ З ХВОСТИКОМ SDS-PLUS

Почистіть і змастіть хвостову частину інструменту перед тим, як поставити його у гніздо! (Рис. 7)

Вивільнююча втулка з гнізда 4 пересувається назад (Рис. 8а). Вставити інструмент (насадку) до упору, при цьому шліці гнізда мають увійти у канали хвоста. Після цього звільніть вивільнюючу втулку та заблокуйте інструмент (Рис. 8б)

Для демонтажу інструмента посуньте вивільнюючу втулку з назад та вийміть інструмент (насадку) (Рис. 9)



**ЗАСТЕРЕЖЕННЯ:** Не використовуйте свердла більші зазначеного діаметру, тому що це призведе до перевантаження електроінструменту.

## МОНТАЖ ТА КРІПЛЕННЯ СВЕРДЛА З ЦИЛІНДРИЧНИМ ХВОСТОМ У ПАТРОНІ

Перемикач робочих режимів 11 встановіть у положення «довбання» (Рис. 3). Патрон 12 вставте у гніздо 4 описаним вище способом. У такій конфігурації перфторатор може працювати у режимі «довбання».

Електроінструменти з патроном та ключем  
Під час повороту патрона за годинниковою стрілкою або проти неї, його зубці займають положення, що дозволяє хвостовику свердла увійти між ними. Повернувши кільце патрона у напрямку за годинниковою стрілкою, затискачі захоплюють хвостовик свердла. За допомогою спеціального ключа зафіксуйте свердло у патроні, рівномірно закрутивши його у трьох отворах.

Електроінструменти з фіксуючимся патроном

Утримуючи заднє кільце, поверніть переднє кільце доти, доки патрон не розкриється настільки, щоб вставити свердло. Закрутіть вручну переднє кільце до звуку характерного клацання.

## ЗМІНА ПОЗИЦІЇ ДОЛОТА

Вставте інструмент (насадку) у гніздо, як це описано у розділі «Монтаж SDS-Plus інструменту».

Перемикач робочого режиму 11 встановіть у позицію «Зміна позиції долота». (Рис. 6).

Поверніть інструмент вручну до бажаного положення (Рис. 10).

Перемикач робочих режимів 11 встановіть у положення «молоток» (Рис. 5). Вручну легко поверніть вправо/вліво інструмент (насадку), поки він не заблокується.

Для забезпечення тривалої експлуатації перфторатора та його високої продуктивності необхідно використовувати тільки добре заточені інструменти (насадки) для довбання та руйнування.

## ВІДКРУЧУВАННЯ ТА ЗАКРУЧУВАННЯ БОЛТІВ, ШУРУПІВ, ГВИНТІВ

У патрон 12 встановіть вищеописаним способом відповідний пристрій для закручування/відкручування болтів, шурупів, гвинтів. Перемикач робочих режимів 11 встановіть у положення «довбання» (Рис. 3). За допомогою важеля 7 для зміни напрямку обертання виберіть режим відкручування/закручування. Ці операції виконуються тільки на низьких обертах.



**ЗАСТЕРЕЖЕННЯ:** Під час закручування довгих болтів та шурупів перфторатор може вислизати!

## ДОДАТКОВА РУКОЯТКА

Додаткова рукоятка 1 затягується на шийці 2 перфторатора. В цілях безпеки додаткова рукоятка 1 повинна використовуватися постійно. Глибину отвору можна зафіксувати за допомогою обмежувальної лінійки 5.

## ОБМЕЖЕННЯ МОМЕНТУ ОБЕРТАННЯ

Момент обертання цього електроінструменту обмежується запобіжним з'єднувачем. Задіяний запобіжний з'єднувач зупинить роботу шпинделя та робочої насадки (свердла). У цьому випадку необхідно вимкнути електроінструмент з метою запобігання передчасного зношування.

## РЕКОМЕНДАЦІЇ ЩОДО РОБОТИ ЕЛЕКТРОІНСТРУМЕНТА

Використовуйте помірний натиск під час до-вбання бетону (приблизно 80-100 N). Сильний натиск не підвищує продуктивність та призводить до скорочення терміну викорис-тання електроінструменту.

Періодично виймайте свердло з отвору, щоб видалити пил.

Необхідно контролювати гостроту свердла, а у випадку зниження продуктивності замінити його.

У крайньому лівому положенні важеля 7 ро-бота у режимі «ударне свердління» й у режи-мі «молоток» заборонена.

Під час роботи у режимі «молоток» (довбан-ня, руйнування) та у режимі «ударне довбан-ня», у деяких випадках, в незалежності від матеріалу, сила удару може знизитись. Щоб відновити максимальну силу ударів необхід-но зменшити оберти машини, знижуючи тиск на важіль вимикача 9, поки не досягнете стій-кого удару.

Під час свердління у металах отворів більшо-го діаметра заздалегідь просвердліть отвір свердлом меншого діаметру.

Оптимальні розміри спірального свердла для довбання бетону вказані у таблиці з технічни-ми даними вище.

Перфоратор зручно використовувати для легкої обробки за допомогою долота. Термін експлуатації перфоратора та висока працез-датність забезпечується тільки у разі вико-ристання добре наточених інструментів для довбання (долота).

## Обслуговування



**ЗАСТЕРЕЖЕННЯ:** Завжди ви-микайте електроінструмент та виймайте штепсель із розетки перед тим, як розпо-чати будь-яку перевірку або обслуговування.

### ЗАГАЛЬНА ПЕРЕВІРКА

Регулярно проводьте перевірку всіх кріплень Регулярно проводьте перевірку всіх кріплень - вони повинні бути міцно стягнуті. У випадку, якщо який-небудь гвинт відкрутиться, його слід негайно закрити щоб уникнути небез-пеки.

У разі пошкодження кабелю живлення, його

заміну повинен здійснити виробник або його сервісний фахівець, щоб уникнути небезпе-ки.

### ДОГЛЯД

Для забезпечення безпечної роботи завжди підтримуйте у чистоті і машину, й її вентиля-ційні отвори.

Регулярно перевіряйте вентиляційні отвори електродвигуна або перемикачів на наявність пилу або сторонніх тіл. Використовуйте м'яку щітку для видалення пилу. Щоб уникнути по-шкодження очей, під час догляду за пристро-ем користуйтеся захисними окулярами.

Якщо корпус машини забруднений, протріть його м'якою вологою серветкою. Можна вико-ристовувати щадний миючий препарат.



**ЗАСТЕРЕЖЕННЯ:** Не допускається застосування спирту, бензину та інших роз-чинників. Ніколи не користуйтеся їдкими препаратами для чищення пластмасових частин.



**ЗАСТЕРЕЖЕННЯ:** Не допускаєть-ся попадання і контакт пристрою з водою..

**ВАЖЛИВО!** З метою забезпечення безпеки роботи електроінструменту і його надійності, всі ремонтні роботи, обслуговування і регу-лювання пристрою (враховуючи перевірку і заміну щіток) слід проводити у спеціалізова-них сервісах SPARKY, використовуючи ви-ключно оригінальні запасні частини.

## Гарантія

---

Гарантійний термін електроприладів SPARKY вказаний в гарантійній карті.

Несправності, що з'явилися в результаті природного зношування, перевантаження або неправильного користування, не входять до гарантійних зобов'язань.

Несправності, що з'явилися внаслідок застосування неякісних матеріалів та / або через виробничі помилки, усуваються без додаткової оплати шляхом заміни або ремонту.

Рекламації дефектного електроприладу SPARKY приймаються у тому випадку, якщо прилад буде повернуто постачальнику, або спеціалізованому гарантійного сервісу в не розібраному (початковому) стані.

## Примітки

---

Уважно прочитайте всю інструкцію з експлуатації, перед тим, як приступити до використання виробу.

Виробник зберігає за собою право вносити у свої вироби поліпшення і зміни, а також змінювати специфікації без попередження.

Специфікації для різних країн можуть відрізнятися.



## Съдържание

Въведение .....	95
Технически данни .....	97
Общи указания за безопасност при работа с електроинструменти.....	98
Допълнителни правила за безопасност при работа с перфоратори.....	100
Запознаване с електроинструмента .....	A/102
Указания за работа .....	B/102
Поддръжка .....	105
Гаранция .....	105

### РАЗОПАКОВАНЕ

В съответствие с общоприетите технологии на едросерийно производство е малко вероятно Вашият електроинструмент да бъде неизправен или някоя от частите му да липсва. Ако забележите, че нещо не е наред, не работете с електроинструмента, докато повредената част не бъде заменена или неизправността не бъде отстранена. Неспазването на тази препоръка може да доведе до сериозна трудова злополука.

### СГЛОБЯВАНЕ

Перфораторът, опакован в куфар, се доставя напълно сглобен.

Перфораторът, опакован в кутия, се доставя сглобен, с изключение на допълнителната ръкохватка.

## Въведение

Новопридобитият от Вас електроинструмент SPARKY ще надхвърли Вашите очаквания. Той е произведен в съответствие с високите стандарти на качеството на SPARKY, отговарящи на строгите изисквания на потребителя. Лесен за обслужване и безопасен при експлоатация, при правилна употреба този електроинструмент ще Ви служи надеждно дълги години.

### ПРЕДУПРЕЖДЕНИЕ!



Внимателно прочетете цялата инструкция за използване преди да използвате новопридобития си електроинструмент SPARKY. Обърнете специално внимание на текстовете, които започват с думата “Предупреждение”. Вашият електроинструмент SPARKY притежава много качества, които ще улеснят Вашата работа. При разработката на този електроинструмент най-голямо внимание е обърнато на безопасността, експлоатационните качества и надеждността, които го правят лесен за поддръжка и експлоатация.



#### Не изхвърляйте електроинструменти заедно с битовите отпадъци!

Отпадъците от електрически изделия не трябва да се събират заедно с битовите отпадъци. Моля, рециклирайте на местата, предназначени за това. Свържете се с местните власти или представител за консултация относно рециклирането.

### ОПАЗВАНЕ НА ОКОЛНАТА СРЕДА



С оглед опазване на околната среда електроинструментът, принадлежностите и опаковката трябва да бъдат подложени на подходяща преработка за повторно използване на съдържащите се в тях суровини.

За облекчаване на рециклирането детайлите, произведени от изкуствени материали, са обозначени по съответния начин.

## ОПИСАНИЕ НА СИМВОЛИТЕ

Върху табелката с данни на електроинструмента са означени специални символи. Те предоставят важна информация за изделието или инструкции за неговото ползване.



Двойна изолация за допълнителна защита.



Съответства на приложимите европейски директиви.



Съответства на изискванията на регламентите на Митническия съюз.



Съответства на изискванията на украинските нормативни документи.




Запознайте се с инструкцията за използване.

YYYY-Www      Период на производство, където променливи символи са:

YYYY - година на производство,  
ww - поредна календарна седмица.

BPR              Перфоратор.

# Технически данни

Модел		BPR 220E	BPR 240E	BPR 240CE	BPR 260E	BPR 260CE	BPR 280CE
Електронно регулиране		•	•	•	•	•	•
на скоростта		•	•	•	•	•	•
Константна електроника		○	○	•	○	•	•
Смяна посоката на въртене		•	•	•	•	•	•
Пробиване		•	•	•	•	•	•
Ударно пробиване		•	•	•	•	•	•
Къртене		○	•	•	•	•	•
Предпазен механичен съединител		•	•	•	•	•	•
Консумирана мощност	W	650	720	750	800	900	1010
Скорост на въртене на празен ход	min <sup>-1</sup>	0-1000	0-1050	0-900	0-1150	0-900	0-1000
Брой на ударите на празен ход	min <sup>-1</sup>	0-4700	0-4800	0-4100	0-5200	0-4100	0-4700
Енергия на единичен удар (EPTA процедура 05/2009)	J	2,3	2,8	3,0	3,0	3,2	3,4
Максимален диаметър на пробиване в:							
бетон	mm	22	24	24	26	26	28
бетон с боркорони	mm	68	68	68	68	68	68
стомана при използване на адаптер с патронник (не се доставя с машината)	mm	13	13	13	13	13	13
дърво при използване на адаптер с патронник (не се доставя с машината)	mm	30	30	30	30	30	30
Оптимален диапазон на използване при пробиване в бетон със свредла	mm	Ø4-Ø10	Ø6-Ø12	Ø6-Ø16	Ø6-Ø16	Ø6-Ø20	Ø6-Ø22
Система на закрепване на инструмента		SDS plus	SDS plus	SDS plus	SDS plus	SDS plus	SDS plus
Обхват на патронника	mm	1,5-13	1,5-13	1,5-13	1,5-13	1,5-13	1,5-13
Тегло (EPTA процедура 01/2014)	kg	2,7	2,8	2,9	2,8	2,9	2,9
Клас на защита (EN 60745-1) 		II	II	II	II	II	II
<b>ИНФОРМАЦИЯ ЗА ШУМ И ВИБРАЦИИ</b>							
Стойностите са измерени съгласно EN 60745.							
<b>Излъчване на шум</b>							
А-претеглено ниво на звуково налягане L <sub>pA</sub>	dB (A)	87,0	89,0	89,0	91,0	91,0	92,0
Неопределеност K <sub>pA</sub>	dB (A)	3,0	3,0	3,0	3,0	3,0	3,0
А-претеглено ниво на звукова мощност L <sub>WA</sub>	dB (A)	98,0	100,0	100,0	102,0	102,0	103,0
Неопределеност K <sub>WA</sub>	dB (A)	3,0	3,0	3,0	3,0	3,0	3,0
<b>Използвайте средства за защита от шума!</b>							
<b>Излъчване на вибрации *</b>							
Обща стойност на вибрациите (векторна сума по трите оси), определена съгласно EN 60745:							
Ударно пробиване в бетон							
Стойност на излъчените вибрации a <sub>h,HD</sub>	m/s <sup>2</sup>	10,0	11,9	12,1	12,3	12,6	13,2
Неопределеност K <sub>HD</sub>	m/s <sup>2</sup>	1,5	1,5	1,5	1,5	1,5	1,5
Къртене							
Стойност на излъчените вибрации a <sub>h,CHec</sub>	m/s <sup>2</sup>	-	5,1	5,3	5,3	5,4	6,0
Неопределеност K <sub>CHec</sub>	m/s <sup>2</sup>	-	1,5	1,5	1,5	1,5	1,5
Пробиване в стомана							
Стойност на излъчените вибрации a <sub>h,D</sub>	m/s <sup>2</sup>	4,5	4,4	4,3	4,5	4,5	4,7
Неопределеност K <sub>D</sub>	m/s <sup>2</sup>	1,5	1,5	1,5	1,5	1,5	1,5

\* Вибрациите са определени съгласно т. 6.2.7 на EN 60745.

Посоченото в тази инструкция ниво на вибрации е измерено в съответствие с методиката за изпитване, указана в EN 60745 и може да се използва за сравняване на електроинструменти. Нивото на вибрации може да се използва за предварителна оценка на степента на въздействие.

Декларираното ниво на вибрации се отнася за основното предназначение на електроинструмента. В случаите, при които електроинструментът се използва за друго предназначение, с други принадлежности или ако електроинструментът не се поддържа добре, нивото на вибрации може да различава от посоченото. В тези случаи нивото на въздействие може значително да нарасне в границите на общия период на работа.

При оценката на нивото на въздействие на вибрации трябва също да се отчита времето, през което електроинструментът е изключен или е включен, но не се използва. Това може значително да понижи нивото на въздействие в границите на общия период на работа.

Поддържайте електроинструмента и принадлежностите в добро състояние. Пазете ръцете си топли по време на работа - това ще намали вредното въздействие при работа с повишени вибрации.

Прахът, отделян при обработването на материали като оловосъдържащи бои, някои видове дървесина, минерали и метали, може да бъде опасен за здравето. Допирът или вдишването на праха може да предизвика алергични реакции и/или заболявания на дихателните пътища на оператора или на намиращи се в близост лица.

Някои видове прах, например от дъб или бук, се считат за канцерогенни, особено в комбинация с добавки за обработка на дървесина (хромат, консерванти). Материал, който съдържа азбест, трябва да се обработва само от специалисти.

- Когато това е възможно, използвайте прахоотвеждане.
- За да се постигне висока степен на прахоулавяне, при работа с този електроинструмент използвайте прахосмукачка, предназначена за събиране на прах от дървесина или за прах от дървесина и/или минерален прах.

- Осигурете добра вентилация на работното място.

- Препоръчва се използването на защитна маска за прах с филтър клас P2.

Спазвайте действащите във вашата страна разпоредби за обработване на съответните материали.

## Общи указания за безопасност при работа с електроинструменти



**ПРЕДУПРЕЖДЕНИЕ!** Четете всички предупреждения и указания за безопасност. Неспазването на предупрежденията и указанията за безопасност може да предизвика поражение от електрически ток, пожар и/или сериозно нараняване.

Запазете всички предупреждения и указания за бъдещо ползване.

Терминът "електроинструмент" във всички описани по-долу предупреждения се отнася до вашия електроинструмент, захранван от мрежата (с шнур) и/или електроинструмент, захранван от акумулаторна батерия (без шнур).

### 1) Безопасност на работното място

а) Поддържайте работното място чисто и добре осветено. *Безпорядъкът и недостатъчното осветление са предпоставка за трудови злополуки.*

б) Не работете с електроинструменти в експлозивни атмосфери при наличие на запалими течности, газове или прах. *Електроинструментите образуват искри, които могат да възпламенят праха или парите.*

в) Дръжте децата и страничните лица на разстояние, когато работите с електроинструмент. *Разсейването може да доведе до загуба на контрол от Ваша страна.*

### 2) Електрическа безопасност

а) Щепселите на електроинструментите трябва да съответстват на контактите. Никога не променяйте щепсела по какъвто и да било начин. Не използвайте каквито и да са адаптерни щепсели за електроинструменти със защитно заземяване. *Употребата на непроменени щепсели и съответстващите им*

контакти намалява риска за поражение от електрически ток.

- b) Избягвайте допир на тялото до земя или до заземени повърхности, такива като тръби, радиатори, кухненски печки и хладилници. Ако тялото ви е заземено, съществува повишен риск от поражение от електрически ток.
- c) Не излагайте електроинструментите на дъжд или във влажна среда. Проникването на вода в електроинструмента повишава риска от поражение от електрически ток.
- d) Използвайте шнура по предназначение. Никога не използвайте шнура за носене на електроинструмента, опъване или изваждане на щепсела от контактното гнездо. Дръжте шнура далече от топлина, масло, остри ръбове или движещи се части. Увредени или оплетени шнурове повишават риска за поражение от електрически ток.
- e) При работа с електроинструмента на открито, използвайте удължител, подходящ за работа на открито. Използването на удължител, подходящ за работа на открито, намалява риска от поражение от електрически ток.
- f) Ако работата с електроинструмента във влажна среда е неизбежна, използвайте предпазно устройство, задействано от остатъчен ток, за прекъсване на захранването. Използването на предпазно устройство намалява риска от поражение от електрически ток.

### 3) Лична безопасност

- a) Бъдете бдителни, работете с повишено внимание и проявявайте благоразумие, когато работите с електроинструмент. Не използвайте електроинструмента, когато сте уморени или под влияние на наркотици, алкохол или медикаменти. Момент на невнимание при работа с електроинструмент може да предизвика сериозна трудова злополука.
- b) Използвайте лични предпазни средства. Носете винаги средства за защита на очите. Лични предпазни средства, като маска против прах, непълзящи се безопасни обувки, защитен шлем или средства за защита на слуха, използвани при конкретните условия, намаляват риска от трудови

злополуки.

- c) Избягвайте неволно пускане. Убедете се, че прекъсвачът е в изключено положение преди включване към източник на захранване и/или акумулаторна батерия, преди да го вземете или пренасяте. Носенето на електроинструмент с пръст върху прекъсвача или свързването към източник на захранване на електроинструмент с прекъсвач във включено положение е предпоставка за трудова злополука.
  - d) Отстранете всеки ключ за затягане или гаечен ключ преди включване на електроинструмента. Ключ за затягане или гаечен ключ, прикрепен към въртяща се част на електроинструмента, може да предизвика трудова злополука.
  - e) Не се пресягайте. Поддържайте правилен стоиж и равновесие през цялото време. Това позволява по-добро управление на електроинструмента при неочаквани ситуации.
  - f) Носете подходящо работно облекло. Не носете широки дрехи или бижута. Дръжте косите си, дрехите и ръкавиците далеч от движещи се части. Широки дрехи, бижута или дълги коси могат да се захванат от движещи се части.
  - g) Ако електроинструментът е снабден с приспособления за засмукване и улавяне на прах, убедете се, че те са свързани и правилно използвани. Използването на тези устройства може да намали свързаните с прах опасности.
- ### 4) Използване и грижи за електроинструментите
- a) Не претоварвайте електроинструмента. Използвайте правилно избрани електроинструмент според приложението. Правилно избраният електроинструмент работи по-добре и по-безопасно при обявения режим на работа, за който е проектиран.
  - b) Не използвайте електроинструмента, ако прекъсвачът не превключва във включено и изключено положение. Всеки електроинструмент, който не може да бъде управляван с прекъсвач, е опасен и трябва да бъде ремонтиран.
  - c) Разединете щепсела от захранващата мрежа преди да извършите всякакви настройки, преди замяна на принад-

лжности или преди да приберете електроинструмента за съхранение. Тези предпазни мерки за безопасност намаляват риска от неволно пускане на електроинструмента.

- d) Съхранявайте неизползваните електроинструменти на места, недостъпни за деца и не позволявайте на обслужващи лица, които не познават електроинструмента или не са запознати с тези инструкции, да работят с него. Електроинструментите са опасни в ръцете на необучени потребители.
- e) Поддържайте електроинструментите. Проверявайте движещите се части дали функционират нормално и се движат свободно, целостта и изправността на частите, както и за всякакво друго обстоятелство, което може неблагоприятно да повлияе на работата на електроинструмента. Ако е повреден, електроинструментът трябва да бъде ремонтиран преди по-нататъшно използване. Много злополуки са причинени от лошо поддържани електроинструменти.
- f) Поддържайте режещите инструменти остри и чисти. Правилно поддържаните режещи инструменти с остри режещи ръбове е по-малко вероятно да блокират и са по-лесни за управление.
- g) Използвайте електроинструмента, принадлежностите и частите на инструмента и т.н. в съответствие с тези инструкции и по начин, предвиден за конкретния тип електроинструмент, като вземате предвид работните условия и работата, която трябва да се извършва. Използването на електроинструмента за работа, различна от тази, за която е проектиран, може да предизвика опасна ситуация.
- 5) Обслужване
- a) Поддържайте вашия електроинструмент при квалифициран специалист по ремонта, като използвате само оригиналните резервни части. Това осигурява запазването на безопасността на електроинструмента.

## Допълнителни указания за безопасност при работа с перфоратори



Използвайте средства за защита на слуха при работа с електроинструмента. Интензивният шум по време на работа може да предизвика слухови увреждания.

- Винаги използвайте допълнителната ръкохватка, доставена с машината. Загубата на контрол може да предизвика трудова злополука.



По време на работа използвайте средства за защита на зрението, за да се предпазите от хвърчащи частици. Носете защитни очила.



Вземете предпазни мерки срещу вдишване на прах. Някои материали могат да съдържат токсични съставки. Носете прахозащитна маска. Използвайте устройство за прахоотвеждане, ако е възможно присъединяването му към електроинструмента.

- Дръжте електроинструмента само за изолираните повърхности за захващане когато извършвате операция, при която режещата принадлежност може да допре до скрита ел.инсталация или до собствения шнур. Допирът на режещата принадлежност до проводник под напрежение ще постави откритите метални части на електроинструмента под напрежение и операторът ще получи токов удар.
- Не обработвайте материали, съдържащи азбест. Азбестът се счита за канцерогенно вещество.



**ПРЕДУПРЕЖДЕНИЕ:** Преди да свържете електроинструмента към захранващата мрежа, убедете се че захранващото напрежение отговаря на посоченото върху табелката с технически данни на електроинструмента.

- Източник на захранване с напрежение, по-високо от посоченото за електро-

инструмента, може да предизвика както сериозно поражение от електрически ток върху оператора, така и повреда на електроинструмента.

- Ако имате някакви колебания, не поставяйте щепсела на електроинструмента в контактното гнездо.
- Използването на източник на захранване с напрежение, по-ниско от обозначеното върху табелката на електроинструмента, ще увреди електродвигателя.
- За да се предотврати евентуално прегряване, винаги развивайте докрай кабела от удължител с кабелен барабан.
- Когато се налага използването на удължител, убедете се, че сечението му отговаря на номиналния ток на използвания електроинструмент, както и в изправността на удължителя.



**ПРЕДУПРЕЖДЕНИЕ:** Винаги изключвайте електроинструмента и изваж-дайте щепсела от контакта преди извършване на каквато и да било настройка, обслужване или поддръжка.

- Докато работите винаги дръжте машината здраво с двете си ръце и поддържайте стабилно положение на тялото. Електроинструментът се направлява по-безопасно, когато го държите с две ръце.
- Преди започване на работа проверявайте с подходящ металотърсач за наличието на скрита електроинсталация, газопровод или водопровод или потърсете съдействие от съответните местни служби. Допирът на свредлото до скрита електроинсталация може да предизвика поражение от електрически ток. Повредата на газопровод може да предизвика експлозия. Пробиването на водопровод ще предизвика повреда на собственост или поражение от електрически ток.
- Дръжте захранващия кабел извън работния обсег на машината.
- Не използвайте електроинструмента с повреден кабел. Не докосвайте повредения кабел и извадете щепсела от контакта, ако кабелът се повреди по време на работа. Повредените кабели повишават риска от токов удар.
- Винаги поддържайте стабилно положение на тялото си. Когато работите с електроинструмента на височина, убедете се, че под вас няма никой.

- Фиксирайте обработвания детайл в менге-ме или по друг подходящ начин.
- Следете инерционния момент при пускане на електроинструмента или при заклиняване на свредлото. Веднага изключете електроинструмента ако свредлото блокира. Бъдете нащрек за висок реактивен момент, който може да предизвика откат. Свредлото ще блокира ако претоварите електроинструмента или ако то се заклини в обработвания материал.
- Не докосвайте свредлото или обработвания детайл веднага след работа. Те могат да бъдат много горещи и да предизвикат изгаряне на кожата.
- Поддържайте чисто работното място. Смесването на прах от различни материали е особено опасно. Прахът от леки метали може да гори или експлодира.
- Никога не оставяйте парцали, кълчища, проводници или тел в близост до работното място.
- Винаги изключвайте машината преди да я оставите настрана.
- Електроинструментът трябва да се използва само по предназначение. Всякаква друга употреба, различаваща се от описаната в тази инструкция, ще се счита за неправилна употреба. Отговорността за всякаква повреда или нараняване, произтичащи от неправилна употреба, ще се носи от потребителя, а не от производителя.
- За да експлоатирате правилно този електроинструмент, трябва да съблюдавате правилата за безопасност, общите инструкции и указанията за работа, посочени тук. Всички потребители трябва да са запознати с тази инструкция за експлоатация и информирани за потенциалните рискове при работата с електроинструмента. Деца и физически слаби хора не трябва да използват електроинструмента. Децата трябва да бъдат под непрекъснато наблюдение ако се намират в близост до място, където се работи с електроинструмента. Задължително е да предприемете и превантивни мерки за безопасност. Същото се отнася и за спазването на основните правила за професионалното здраве и безопасност.
- Производителят не носи отговорност за извършени от потребителя промени върху електроинструмента или за повреди, предизвикани от подобни промени.
- Електроинструментът е предназначен за работа в помещения и зони с нормална пожарна опасност съгласно "НАРЕДБА № 13

1971 за строително-технически правила и норми за осигуряване на безопасност при пожар". Не се допуска използването му във взривоопасна и пожароопасна среда, при температура на околния въздух над 40°C, в особено влажна среда, при наличие на валяно и в химически активна среда. Работното място трябва да е добре осветено.



**ПРЕДУПРЕЖДЕНИЕ:** При работа с длето, превключвателят 11 трябва да бъде винаги в положение «чук»!

## Запознаване с електроинструмента

Преди да започнете да работите с електроинструмента се запознайте с всички оперативни особености и условия за безопасност. Използвайте електроинструмента и принадлежностите му само по предназначение. Всяко друго приложение е изрично забранено.

1. Допълнителна ръкохватка
2. Шийка на перфоратора
3. Втулка освобождаваща
4. Гнездо за SDS plus свредла
5. Ограничителна линия
6. Фиксатор
7. Лост за смяна посоката на въртене
8. Вентилационни отвори
9. Прекъсвач
10. Бутон за застопоряване на прекъсвача
11. Превключвател на работните режими
12. Адаптер с патронник (не се доставя с машината)

## Указания за работа

Този електроинструмент се захранва само с еднофазно променливо напрежение. Той е с двойна изолация съгласно EN 60745-1 и IEC 60745 и може да се присъединява към контакти без защитни клеми. Радиосмущенията съответстват на Директивата за електромагнитна съвместимост.

Перфораторът е предназначен за ударно пробиване на отвори в бетон, камък, зидария и други крехки материали и за пробиване на отвори в стомана, дърво, пластмаса и др.

## ПРЕДИ ДА ЗАПОЧНЕТЕ РАБОТА

- Проверете дали напрежението на електрическата мрежа отговаря на това, означено върху табелката с технически данни на електроинструмента.
- Проверете в какво положение се намира прекъсвачът. Електроинструментът трябва да се присъединява и отделя от захранващата мрежа само при изключен прекъсвач. Ако поставите щепсела в контакт докато прекъсвачът е във включено положение, електроинструментът веднага ще се задейства, което е предпоставка за злополука.
- Убедете се в изправността на захранващия кабел и щепсел. Ако захранващият кабел е повреден, заменяната трябва да се извърши от производителя или от негов сервизен специалист, за да се избегнат опасностите от заменяната.



**ПРЕДУПРЕЖДЕНИЕ:** Винаги изключвайте електроинструмента и изваждайте щепсела от контакта преди извършване на всякаква настройка, обслужване или поддръжка.

- Ако зоната на работа е отдалечена от източника на захранване, използвайте колкото е възможно по-къс удължител с подходящо сечение.
- Проверете дали допълнителната ръкохватка е правилно поставена и надеждно затегната.

## ПУСКАНЕ - СПИРАНЕ

### Кратковременно задействане

- Пускане: Прекъсвач 9 се натиска (Фиг.1).
- Спиране: Прекъсвач 9 се отпуска.

### Продължителна работа

- Пускане: Прекъсвач 9 се натиска и в натиснато състояние се застопорява с бутон 10 (Фиг.1).
- Спиране: Прекъсвач 9 се натиска еднократно и се отпуска веднага.





**ПРЕДУПРЕЖДЕНИЕ:** При ниски температури около и под 0°C (32°F) или ако електроинструментът не е работил дълго време (бил е съхраняван в склад /магазин/ дом), е възможно при пускането да няма ударно действие, тъй като смазката се е сгъстила. В този случай включете и оставете електроинструмента да поработи около 1,5 минути на празен ход, за да загрее. Така се подобрява смазването и удължава живота на електроинструмента.

## БЕЗСТЕПЕННО ЕЛЕКТРОННО РЕГУЛИРАНЕ НА ОБОРОТИТЕ

Леко натискане на прекъсвача 9 предизвиква задействане на перфоратора на ниски обороти, които плавно се увеличават до максимални с увеличаване на натиска върху прекъсвача до достигане на крайно положение. Моделите BPR 240CE, BPR 260CE и BPR 280CE са снабдени с константна електроника, която поддържа скоростта на въртене / честотата на ударите постоянни, независимо от натоварването.

## СМЯНА ПОСОКАТА НА ВЪРТЕНЕ

Преди да започнете пробиването, винаги проверявайте посоката на въртене. Крайно ляво положение на лоста 7 означава въртене по посока на часовниковата стрелка, а крайно дясно - обратна на нея.



**ПРЕДУПРЕЖДЕНИЕ:** Смяна на посоката на въртене става само в покой на перфоратора. В противен случай може да предизвика повреда на двигателя.

## ПРЕВКЛЮЧВАНЕ НА РАБОТНИТЕ РЕЖИМИ

Превключването на работните режими да се извършва при изключена машина.

Превключвателят на работните режими 11 се завърта до желаното положение при натиснат фиксатор 6.

- Пробиване (Фиг.3) - пробиване на отвори в метал, дърво, пластмаса и др
- Ударно пробиване (Фиг.4) - пробиване на отвори в бетон, камък и др.
- Чук (Фиг.5) - дълбаене на канали и къртене в бетон, зидария и др.

- Настройване положението на длетото (Фиг.6) - за удобство при работа, длетото се поставя в желаното положение и се фиксира.

## ПОСТАВЯНЕ НА ИНСТРУМЕНТ СЪС SDS-PLUS ОПАШКА

Почистете и смажете опашката на инструмента преди поставянето му в гнездото! (Фиг.7) Втулка освобождаваща 3 на гнездото 4 се изтегля назад (Фиг.8а). Инструментът се вкарва до упор, като се следи шлиците на гнездото да влязат в каналите на опашката, след което втулка освобождаваща се отпуска и инструментът се застопорява. (Фиг.8б)

За да се свали инструмента, втулка освобождаваща 3 се изтегля назад след което инструмента се изважда. (Фиг.9)



**ПРЕДУПРЕЖДЕНИЕ:** Не използвайте свредла с диаметър, по-голям от указания, тъй като ще претоварите електроинструмента.

## ПОСТАВЯНЕ И ЗАТЯГАНЕ НА СВРЕДЛО С ЦИЛИНДРИЧНА ОПАШКА В ПАТРОННИК

Превключвателят на работните режими 11 се поставя в положение »пробиване« (Фиг.3). Патронникът 12 се поставя в гнездото 4 по начина, описан по-горе. В тази конфигурация перфораторът може да работи в режим »пробиване«.

### При машини с патронник с ключ

Посредством завъртане на короната на патронника в посока на часовниковата стрелка или обратно, челюстите му се придвижват до положение, позволяващо опашката на свредлото да влезе между тях. Чрез завъртане на короната на патронника в посока на часовниковата стрелка, челюстите затягат опашката на свредлото. Със специалния ключ свредлото се фиксира окончателно в патронника, който равномерно се затяга в трите отвора.

### При машини с бързостягащ патронник

Задържа се задната корона и се завърта предната корона докато патронникът се разтвори достатъчно, за да се постави свредлото. След това се затяга с ръка предната корона, при което се чува отчетлив звук.

## СМЯНА НА ПОЗИЦИЈАТА НА ДЛЕТОТО

Поставя се инструмента в гнездото както е описано в точка "Поставяне на SDS-Plus инструмент".

Превключвателят на работните режими 11 се завърта в положение «Смяна на позицията на длетото» (Фиг.6).

Инструментът се завърта с ръка до желаното положение (Фиг.10).

Превключвателят на работните режими 11 се завърта в положение «чук» (Фиг.5), след което инструментът се завърта леко с ръка наляво-надясно докато се заключи.

По-голяма дълготрайност на перфоратора и висока производителност могат да се постигнат само с добре заточени инструменти за къртене и дълбаене.

## ОТВИВАНЕ И ЗАВИВАНЕ НА БОЛТОВЕ, ВИНТОВЕ И ГАЙКИ

В патронника 12 се затяга по гореописания начин, съответното приспособление за завиване, респективно за отвиване на болтове, гайки или винтове. Превключвателят 11 на работните режими се поставя в положение «пробиване» (Фиг.3). С лоста 7 за смяна на посоката на въртене се избира операция отвиване или завиване. Операциите се извършват само при ниски обороти.



**ПРЕДУПРЕЖДЕНИЕ:** При завиване на дълги болтове и винтове има опасност от изплъзване на перфоратора!

## ДОПЪЛНИТЕЛНА РЪКОХВАТКА

Допълнителната ръкохватка 1 се затяга на шийката 2 на перфоратора. От съображения за сигурност допълнителната ръкохватка 1 трябва да се използва постоянно. Дълбочината на пробиваните отвори може да се фиксира посредством ограничителната линия 5.

## ОГРАНИЧАВАНЕ НА ВЪРТЯЩИЯ МОМЕНТ

Предпазният съединител на машината ограничава въртящия момент. При задействане на предпазния съединител се прекъсва задвижването на вретеното и работния инструмент (свредло) спира да се върти. Машината трябва веднага да се изключи, за да се предотврати преждевременно износване.

## ПРЕПОРЪКИ ПРИ РАБОТА

Прилагайте умерен натиск при пробиване в бетон (приблизително 80-100 N). Големият натиск не повишава производителността при пробиване и води до намаляване живота на машината.

От време на време изваждайте свредлото от отвора, за да се отстрани праха.

Да се следи степента на затъпяване на свредлото и да се сменя, когато се забележи значително спадане на производителността.

В крайно дясно положение на лоста 7 да не се работи в режим «ударно пробиване» и в режим «чук».

При работа в режим «чук» (дълбаене, къртене) и в режим «ударно пробиване» в зависимост от материала е възможно в някои случаи силата на удара да намалее. За възстановяване на максималната сила на удара е необходимо да се намалат оборотите на машината посредством намаляване на натиска върху спусъка на прекъсвача 9, до появата на устойчив удар.

При пробиване в метал на отвор с голям диаметър, предварително пробийте отвор с по-малък диаметър.

Оптималният обхват при пробиване в бетон със спирални свредла е посочен в таблицата с технически данни по-горе.

Перфораторът е подходящ за лека обработка с длето. По-голяма дълготрайност на перфоратора и висока производителност могат да се осигурят само със заточени инструменти за дълбаене (длета).

## Поддръжка



**ПРЕДУПРЕЖДЕНИЕ:** Винаги изключвайте електроинструмента и изваждайте щепсела от контакта преди всякаква проверка или поддръжка.

## ОБЩА ПРОВЕРКА

Проверявайте редовно всички крепежни елементи и се уверете, че те са здраво притегнати. В случай, че някой от винтовете се е разхлабил, го затегнете незабавно, за да избегнете рискови ситуации.

Ако захранващият кабел е повреден, замената трябва да се извърши от производителя или негов сервизен специалист, за да се избегнат опасностите от замената.

## ПОЧИСТВАНЕ

За безопасна работа поддържайте винаги чисти машината и вентилационните отвори. Редовно проверявайте дали във вентилационната решетка близо до електродвигателя или около превключвателите не е проникнал прах или чужди тела. Използвайте мека четка за да отстраните събралия се прах. За да предпазите очите си, по време на почистването носете защитни очила.

Ако корпусът на машината се нуждае от почистване, избършете го с мека влажна кърпа. Може да се използва слаб препарат за миене.



**ПРЕДУПРЕЖДЕНИЕ:** Не се допуска употребата на спирт, бензин или други разтворители. Никога не използвайте разяждащи препарати за почистване на пластмасовите части.



**ПРЕДУПРЕЖДЕНИЕ:** Не се допуска влизането на вода в контакт с машината.

**ВАЖНО!** За да се осигури безопасната работа с електроинструмента и неговата надеждност, всички дейности по ремонта, поддръжката и регулирането (включително проверката и подмяната на четките) трябва да се извършват в оторизираните сервиси на SPARKY с използване само на оригинални резервни части.

## Гаранция

Гаранционният срок на електроинструментите SPARKY се определя в гаранционна карта.

Неизправности, появили се в следствие на естествено износване, претоварване или неправилна експлоатация, се изключват от гаранционните задължения.

Неизправности, появили се в следствие на влагане на некачествени материали и/или производствени грешки, се отстраняват без допълнително заплащане чрез замяна или ремонт.

Рекламация на дефектирал електроинструмент SPARKY се признава, когато машината се върне на доставчика или се представи на оторизиран гаранционен сервиз в неразглобено (първоначално) състояние.

## Забележки

Внимателно прочетете цялата инструкция за използване преди да използвате това изделие.

Производителят си запазва правото да въвежда подобрения и промени в своите изделия и да променя спецификациите без предупреждение.

Спецификациите могат да се различават за отделните страни.







## **ОФИЦИАЛЬНЫЙ ДИЛЕР В УКРАИНЕ:**

[storgom.ua](https://storgom.ua)

### **ГРАФИК РАБОТЫ:**

Пн. – Пт.: с 8:30 по 18:30

Сб.: с 09:00 по 16:00

Вс.: с 10:00 по 16:00

### **КОНТАКТЫ:**

+38 (044) 360-46-77

+38 (066) 77-395-77

+38 (097) 77-236-77

+38 (093) 360-46-77

Детальное описание товара:

<https://storgom.ua/product/perforator-sparky-bpr-260e.html>

Другие товары: <https://storgom.ua/setevye-perforatory.html>