

DEWALT®

XR®

| | |
|--|---|
| English (original instructions) | 4 |
|--|---|

| | |
|---|----|
| Русский (<i>перевод с оригинала инструкции</i>) | 17 |
|---|----|

| | |
|--|----|
| Українська (<i>переклад з оригінальної інструкції</i>) | 37 |
|--|----|

Fig. A

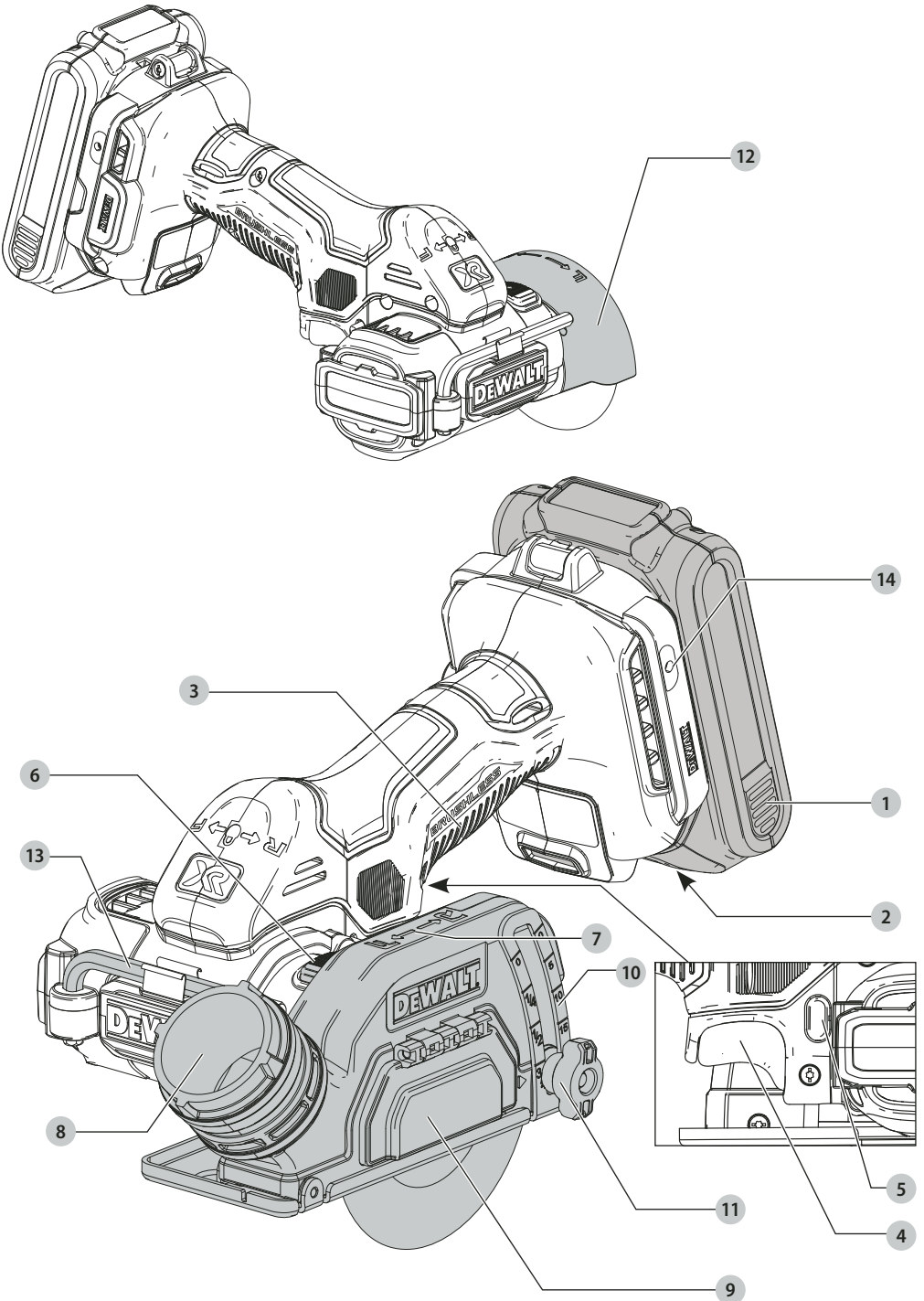


Fig. B

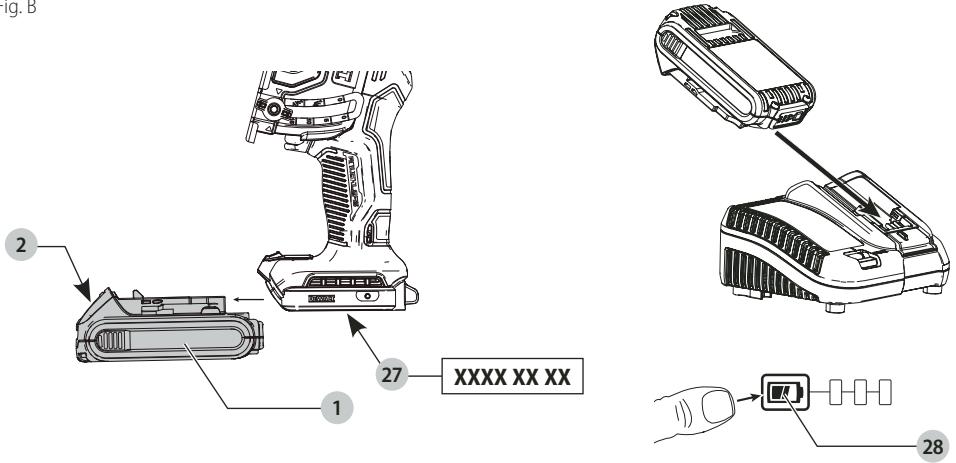


Fig. C

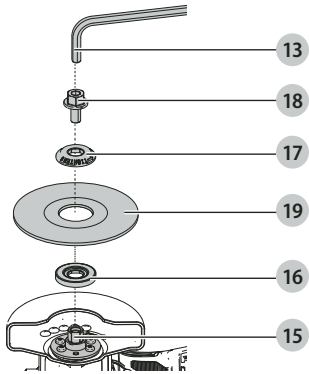


Fig. D

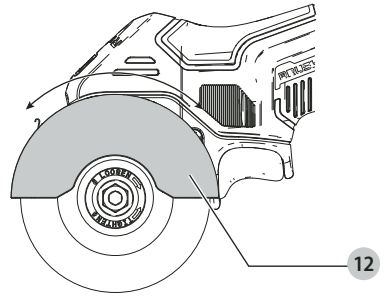


Fig. E

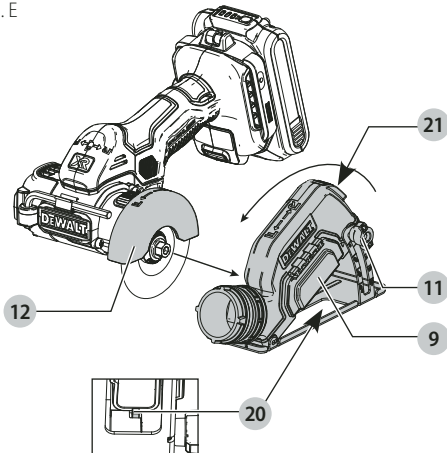


Fig. F

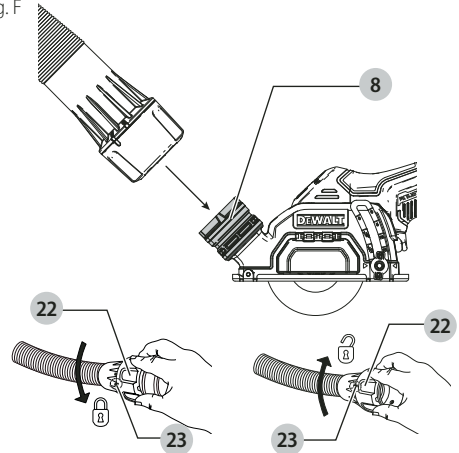


Fig. G

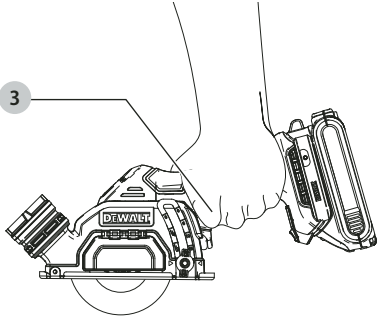


Fig. H

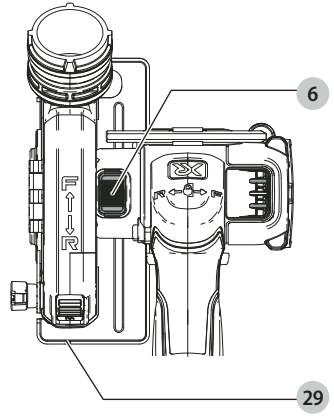
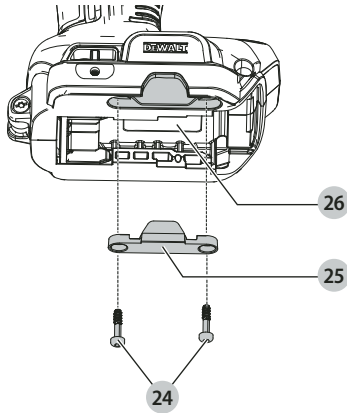


Fig. I



CUT OFF TOOL

DCS438

Congratulations!

You have chosen a STANLEY FATMAXDEWALT tool. Years of experience, thorough product development and innovation make STANLEY FATMAXDEWALT one of the most reliable partners for professional power tool users.

Technical Data

| | | DCS438 |
|---|-------------------|--------|
| Voltage | V _{DC} | 18 |
| Type | | 1 |
| Battery type | | Li-Ion |
| No-load/rated speed | min ⁻¹ | 20000 |
| Wheel diameter | mm | 76 |
| Wheel thickness (max) | mm | 2.2 |
| Spindle diameter | mm | 10 |
| Spindle length | mm | 43 |
| Weight (without battery pack) | kg | 0.94 |
| Noise values and/or vibration values (triax vector sum) according to EN60745-2-3: | | |
| L _{PA} (emission sound pressure level) | dB(A) | 87 |
| L _{WA} (sound power level) | dB(A) | 98 |
| K (uncertainty for the given sound level) | dB(A) | 3 |
| Vibration emission value a _H = | | |
| | m/s ² | 3.3 |
| Uncertainty K = | | |
| | m/s ² | 1.5 |

The vibration and/or noise emission level given in this information sheet has been measured in accordance with a standardised test given in EN60745 and may be used to compare one tool with another. It may be used for a preliminary assessment of exposure.



WARNING: *The declared vibration and/or noise emission level represents the main applications of the tool. However, if the tool is used for different applications, with different accessories or is poorly maintained, the vibration and/or noise emission may differ. This may significantly increase the exposure level over the total working period.*

An estimation of the level of exposure to vibration and/or noise should also take into account the times when the tool is switched off or when it is running but not actually doing the job. This may significantly reduce the exposure level over the total working period.

Identify additional safety measures to protect the operator from the effects of vibration and/or noise such as: maintain the tool and the accessories, keep the hands warm (relevant for vibration), organisation of work patterns.

EC-Declaration of Conformity

Machinery Directive



Cut Off Tool

DCS438

DeWALT declares that these products described under

Technical Data are in compliance with:

2006/42/EC, EN60745-1:2009 + A11:2010; EN60745-2-22:2011 + A11:2013.

These products also comply with Directive 2014/30/EU and 2011/65/EU. For more information, please contact DeWALT at the following address or refer to the back of the manual.

The undersigned is responsible for compilation of the technical file and makes this declaration on behalf of DeWALT.

Markus Rompel

Vice-President Engineering, PTE-Europe

DeWALT, Richard-Klinger-Straße 11,

65510, Idstein, Germany

24.09.2021

DECLARATION OF CONFORMITY THE SUPPLY OF MACHINERY (SAFETY) REGULATIONS 2008



Cut Off Tool

DCS438

DeWALT declares that these products described under

Technical Data are in compliance with:

The Supply of Machinery (Safety) Regulations, 2008, S.I. 2008/1597 (as amended),

EN60745-1:2009 + A11:2010; EN60745-2-22:2011 + A11:2013.

These products conform to the following UK Regulations:

Electromagnetic Compatibility Regulations, 2016, S.I.2016/1091 (as amended).

The Restriction of the Use of Certain Hazardous Substances in Electrical and Electronic Equipment Regulations 2012, S.I. 2012/3032 (as amended).

For more information, please contact DeWALT at the following address or refer to the back of the manual.

| Batteries | | | | Chargers/Charge Times (Minutes)*** | | | | | | | | | |
|------------|-----------------|----------|-------------|------------------------------------|--------|--------------------|--------|--------------------|---------|---------|---------|--------|--------|
| Cat # | V _{DC} | Ah | Weight (kg) | DCB104 | DCB107 | DCB112/ DCB1102 | DCB113 | DCB115/ DCB1104 | DCB116 | DCB117 | DCB118 | DCB132 | DCB119 |
| DCB546 | 18/54 | 6.0/2.0 | 1.08 | 60 | 270 | 170 | 140 | 90 | 80 | 40 | 60 | 90 | X |
| DCB547/G | 18/54 | 9.0/3.0 | 1.46 | 75* | 420 | 270 | 220 | 135* | 110* | 60 | 75* | 135* | X |
| DCB548 | 18/54 | 12.0/4.0 | 1.46 | 120 | 540 | 350 | 300 | 180 | 150 | 80 | 120 | 180 | X |
| DCB549 | 18/54 | 15.0/5.0 | 2.12 | 125 | 730 | 450 | 380 | 230 | 170 | 90 | 125 | 230 | X |
| DCB181 | 18 | 1.5 | 0.35 | 22 | 70 | 45 | 35 | 22 | 22 | 22 | 22 | 22 | 45 |
| DCB182 | 18 | 4.0 | 0.61 | 60/40** | 185 | 120 | 100 | 60 | 60/45** | 60/40** | 60/40** | 60 | 120 |
| DCB183/B/G | 18 | 2.0 | 0.40 | 30 | 90 | 60 | 50 | 30 | 30 | 30 | 30 | 30 | 60 |
| DCB184/B/G | 18 | 5.0 | 0.62 | 75/50** | 240 | 150 | 120 | 75 | 75/60** | 75/50** | 75/50** | 75 | 150 |
| DCB185 | 18 | 1.3 | 0.35 | 22 | 60 | 40 | 30 | 22 | 22 | 22 | 22 | 22 | 40 |
| DCB187 | 18 | 3.0 | 0.54 | 45 | 140 | 90 | 70 | 45 | 45 | 45 | 45 | 45 | 90 |
| DCB189 | 18 | 4.0 | 0.54 | 60 | 185 | 120 | 100 | 60 | 60 | 60 | 60 | 60 | 120 |
| DCBP034/G | 18 | 1.7 | 0.32 | 27 | 82 | 50 | 40 | 27 | 27 | 27 | 27 | 27 | 50 |
| DCBP518/G | 18 | 5.0 | 0.75 | 50 | 240 | 150 | 120 | 75 | 60 | 50 | 50 | 75 | 150 |

*Date code 201811475B or later

**Date code 201536 or later

***Battery charge times matrix provided for guidance only; charge times will vary depending on temperature and condition of batteries.

The undersigned is responsible for compilation of the technical file and makes this declaration on behalf of DEWALT.



Karl Evans
Vice President Professional Power Tools EANZ GTS
DEWALT UK, 270 Bath Road, Slough
Berkshire, SL1 4DX
England
24.09.2021



WARNING: To reduce the risk of injury, read the instruction manual.

Definitions: Safety Guidelines

The definitions below describe the level of severity for each signal word. Please read the manual and pay attention to these symbols.



DANGER: Indicates an imminently hazardous situation which, if not avoided, **will** result in **death or serious injury**.



WARNING: Indicates a potentially hazardous situation which, if not avoided, **could** result in **death or serious injury**.



CAUTION: Indicates a potentially hazardous situation which, if not avoided, **may** result in **minor or moderate injury**.

NOTICE: Indicates a practice **not related to personal injury** which, if not avoided, **may** result in **property damage**.



Denotes risk of electric shock.



Denotes risk of fire.

GENERAL POWER TOOL SAFETY WARNINGS



WARNING: Read all safety warnings, instructions, illustrations and specifications provided with this power tool. Failure to follow all instructions listed below may result in electric shock, fire and/or serious injury.

**SAVE ALL WARNINGS AND INSTRUCTIONS
FOR FUTURE REFERENCE**

The term “power tool” in the warnings refers to your mains-operated (corded) power tool or battery-operated (cordless) power tool.

1) Work Area Safety

- a) **Keep work area clean and well lit.** Cluttered or dark areas invite accidents.
- b) **Do not operate power tools in explosive atmospheres, such as in the presence of flammable liquids, gases or dust.** Power tools create sparks which may ignite the dust or fumes.
- c) **Keep children and bystanders away while operating a power tool.** Distractions can cause you to lose control.

2) Electrical Safety

- a) **Power tool plugs must match the outlet. Never modify the plug in any way. Do not use any adapter plugs with earthed (grounded) power tools.** Unmodified plugs and matching outlets will reduce risk of electric shock.
- b) **Avoid body contact with earthed or grounded surfaces, such as pipes, radiators, ranges and refrigerators.** There is an increased risk of electric shock if your body is earthed or grounded.
- c) **Do not expose power tools to rain or wet conditions.** Water entering a power tool will increase the risk of electric shock.
- d) **Do not abuse the cord. Never use the cord for carrying, pulling or unplugging the power tool. Keep cord away from heat, oil, sharp edges or moving parts.** Damaged or entangled cords increase the risk of electric shock.
- e) **When operating a power tool outdoors, use an extension cord suitable for outdoor use.** Use of a cord suitable for outdoor use reduces the risk of electric shock.
- f) **If operating a power tool in a damp location is unavoidable, use a residual current device (RCD) protected supply.** Use of an RCD reduces the risk of electric shock.

3) Personal Safety

- a) **Stay alert, watch what you are doing and use common sense when operating a power tool. Do not use a power tool while you are tired or under the influence of drugs, alcohol or medication.** A moment of inattention while operating power tools may result in serious personal injury.
- b) **Use personal protective equipment. Always wear eye protection.** Protective equipment such as a dust mask, non-skid safety shoes, hard hat or hearing protection used for appropriate conditions will reduce personal injuries.
- c) **Prevent unintentional starting. Ensure the switch is in the off-position before connecting to power source and/or battery pack, picking up or carrying the tool.** Carrying power tools with your finger on the switch or energising power tools that have the switch on invites accidents.
- d) **Remove any adjusting key or wrench before turning the power tool on.** A wrench or a key left attached

to a rotating part of the power tool may result in personal injury.

- e) **Do not overreach. Keep proper footing and balance at all times.** This enables better control of the power tool in unexpected situations.
- f) **Dress properly. Do not wear loose clothing or jewellery. Keep your hair and clothing away from moving parts.** Loose clothes, jewellery or long hair can be caught in moving parts.
- g) **If devices are provided for the connection of dust extraction and collection facilities, ensure these are connected and properly used.** Use of dust collection can reduce dust-related hazards.
- h) **Do not let familiarity gained from frequent use of tools allow you to become complacent and ignore tool safety principles.** A careless action can cause severe injury within a fraction of a second.

4) Power Tool Use and Care

- a) **Do not force the power tool. Use the correct power tool for your application.** The correct power tool will do the job better and safer at the rate for which it was designed.
- b) **Do not use the power tool if the switch does not turn it on and off.** Any power tool that cannot be controlled with the switch is dangerous and must be repaired.
- c) **Disconnect the plug from the power source and/or remove the battery pack, if detachable, from the power tool before making any adjustments, changing accessories, or storing power tools.** Such preventive safety measures reduce the risk of starting the power tool accidentally.
- d) **Store idle power tools out of the reach of children and do not allow persons unfamiliar with the power tool or these instructions to operate the power tool.** Power tools are dangerous in the hands of untrained users.
- e) **Maintain power tools and accessories. Check for misalignment or binding of moving parts, breakage of parts and any other condition that may affect the power tool's operation. If damaged, have the power tool repaired before use.** Many accidents are caused by poorly maintained power tools.
- f) **Keep cutting tools sharp and clean.** Properly maintained cutting tools with sharp cutting edges are less likely to bind and are easier to control.
- g) **Use the power tool, accessories and tool bits etc. in accordance with these instructions, taking into account the working conditions and the work to be performed.** Use of the power tool for operations different from those intended could result in a hazardous situation.
- h) **Keep handles and grasping surfaces dry, clean and free from oil and grease.** Slippery handles and grasping surfaces do not allow for safe handling and control of the tool in unexpected situations.

5) Battery Tool Use and Care

- a) **Recharge only with the charger specified by the manufacturer.** A charger that is suitable for one type

of battery pack may create a risk of fire when used with another battery pack.

- b) **Use power tools only with specifically designated battery packs.** Use of any other battery packs may create a risk of injury and fire.
- c) **When battery pack is not in use, keep it away from other metal objects, like paper clips, coins, keys, nails, screws or other small metal objects, that can make a connection from one terminal to another.** Shorting the battery terminals together may cause burns or a fire.
- d) **Under abusive conditions, liquid may be ejected from the battery; avoid contact. If contact accidentally occurs, flush with water. If liquid contacts eyes, additionally seek medical help.** Liquid ejected from the battery may cause irritation or burns.
- e) **Do not use a battery pack or tool that is damaged or modified.** Damaged or modified batteries may exhibit unpredictable behaviour resulting in fire, explosion or risk of injury.
- f) **Do not expose a battery pack or tool to fire or excessive temperature.** Exposure to fire or temperature above 130 °C may cause explosion.
- g) **Follow all charging instructions and do not charge the battery pack or tool outside the temperature range specified in the instructions.** Charging improperly or at temperatures outside the specified range may damage the battery and increase the risk of fire.

6) Service

- a) **Have your power tool serviced by a qualified repair person using only identical replacement parts.** This will ensure that the safety of the power tool is maintained.
- b) **Never service damaged battery packs.** Service of battery packs should only be performed by the manufacturer or authorized service providers.

CUT-OFF MACHINE SAFETY WARNINGS

- a) **The guard provided with the tool must be securely attached to the power tool and positioned for maximum safety, so the least amount of wheel is exposed towards the operator. Position yourself and bystanders away from the plane of the rotating wheel.** The guard helps to protect operator from broken wheel fragments and accidental contact with wheel.
- b) **Use only bonded reinforced or diamond cut-off wheels for your power tool.** Just because an accessory can be attached to your power tool, it does not assure safe operation.
- c) **The rated speed of the accessory must be at least equal to the maximum speed marked on the power tool.** Accessories running faster than their rated speed can break and fly apart.
- d) **Wheels must be used only for recommended applications. For example: do not grind with the side of cut-off wheel.** Abrasive cut-off wheels are intended for peripheral grinding, side forces applied to these wheels may cause them to shatter.
- e) **Always use undamaged wheel flanges that are of correct diameter for your selected wheel.** Proper wheel flanges support the wheel thus reducing the possibility of wheel breakage.
- f) **Do not use worn down reinforced wheels from larger power tools.** Wheels intended for a larger power tool are not suitable for the higher speed of a smaller tool and may burst.
- g) **The outside diameter and the thickness of your accessory must be within the capacity rating of your power tool.** Incorrectly sized accessories cannot be adequately guarded or controlled.
- h) **The arbour size of wheels and flanges must properly fit the spindle of the power tool.** Wheels and flanges with arbour holes that do not match the mounting hardware of the power tool will run out of balance, vibrate excessively and may cause loss of control.
- i) **Do not use damaged wheels. Before each use, inspect the wheels for chips and cracks. If power tool or wheel is dropped, inspect for damage or install an undamaged wheel. After inspecting and installing the wheel, position yourself and bystanders away from the plane of the rotating wheel and run the power tool at maximum no load speed for one minute.** Damaged wheels will normally break apart during this test time.
- j) **Wear personal protective equipment. Depending on application, use face shield, safety goggles or safety glasses. As appropriate, wear dust mask, hearing protectors, gloves and shop apron capable of stopping small abrasive or workpiece fragments.** The eye protection must be capable of stopping flying debris generated by various operations. The dust mask or respirator must be capable of filtering particles generated by your operation. Prolonged exposure to high intensity noise may cause hearing loss.
- k) **Keep bystanders a safe distance away from work area. Anyone entering the work area must wear personal protective equipment.** Fragments of workpiece or of a broken wheel may fly away and cause injury beyond immediate area of operation.
- l) **Hold the power tool by insulated gripping surfaces only, when performing an operation where the cutting accessory may contact hidden wiring.** Cutting accessory contacting a "live" wire may make exposed metal parts of the power tool "live" and could give the operator an electric shock.
- m) **Never lay the power tool down until the accessory has come to a complete stop.** The spinning wheel may grab the surface and pull the power tool out of your control.
- n) **Do not run the power tool while carrying it at your side.** Accidental contact with the spinning accessory could snag your clothing, pulling the accessory into your body.

- o) **Regularly clean the power tool's air vents.** The motor's fan will draw the dust inside the housing and excessive accumulation of powdered metal may cause electrical hazards.
- p) **Do not operate the power tool near flammable materials.** Sparks could ignite these materials.
- q) **Do not use accessories that require liquid coolants.** Using water or other liquid coolants may result in electrocution or shock.

FURTHER SAFETY INSTRUCTIONS FOR ABRASIVE CUTTING-OFF OPERATIONS

Kickback and Related Warnings

Kickback is a sudden reaction to a pinched or snagged rotating wheel, backing pad, brush or any other accessory. Pinching or snagging causes rapid stalling of the rotating accessory which in turn causes the uncontrolled power tool to be forced in the direction opposite of the accessory's rotation at the point of the binding.

For example, if an abrasive wheel is snagged or pinched by the workpiece, the edge of the wheel that is entering into the pinch point can dig into the surface of the material causing the wheel to climb out or kick out. The wheel may either jump toward or away from the operator, depending on direction of the wheel's movement at the point of pinching. Abrasive wheels may also break under these conditions.

Kickback is the result of power tool misuse and/or incorrect operating procedures or conditions and can be avoided by taking proper precautions as given below:

- a) **Maintain a firm grip on the power tool and position your body and arm to allow you to resist kickback forces. Always use auxiliary handle, if provided, for maximum control over kickback or torque reaction during start-up.** The operator can control torque reaction or kickback forces, if proper precautions are taken.
- b) **Never place your hand near the rotating accessory.** Accessory may kickback over your hand.
- c) **Do not position your body in line with the rotating wheel.** Kickback will propel the tool in direction opposite to the wheel's movement at the point of snagging.
- d) **Use special care when working corners, sharp edges etc. Avoid bouncing and snagging the accessory.** Corners, sharp edges or bouncing have a tendency to snag the rotating accessory and cause loss of control or kickback.
- e) **Do not attach a saw chain, woodcarving blade, segmented diamond wheel with a peripheral gap greater than 10 mm or toothed saw blade.** Such blades create frequent kickback and loss of control.
- f) **Do not "jam" the wheel or apply excessive pressure. Do not attempt to make an excessive depth of cut.** Overstressing the wheel increases the loading and susceptibility to twisting or binding of the wheel in the cut and the possibility of kickback or wheel breakage.
- g) **When wheel is binding or when interrupting a cut for any reason, switch off the power tool and hold the power tool motionless until the wheel comes to a complete stop. Never attempt to remove the wheel from the cut while the wheel is in motion otherwise kickback may occur.** Investigate and take corrective action to eliminate the cause of wheel binding.
- h) **Do not restart the cutting operation in the workpiece. Let the wheel reach full speed and carefully re-enter the cut.** The wheel may bind, walk up or kickback if the power tool is restarted in the workpiece.
- i) **Support panels or any oversized workpiece to minimize the risk of wheel pinching and kickback.** Large workpieces tend to sag under their own weight. Supports must be placed under the workpiece near the line of cut and near the edge of the workpiece on both sides of the wheel.
- j) **Use extra caution when making a "pocket cut" into existing walls or other blind areas.** The protruding wheel may cut gas or water pipes, electrical wiring or objects that can cause kickback.

Additional Safety Warnings for Abrasive Cutting-Off Operations:

- a) **This power tool is intended to function as a cut-off tool. Read all safety warnings, instructions, illustrations and specifications provided with this power tool.** Failure to follow all instructions listed below may result in electric shock, fire and/or serious injury.
- b) **Operations such as grinding, sanding, wire brushing, or polishing are not recommended to be performed with this power tool.** Operations for which the power tool was not designed may create a hazard and cause personal injury.
- c) **Do not use accessories which are not specifically designed and recommended by the tool manufacturer.** Just because the accessory can be attached to your power tool, it does not assure safe operation.
- d) **The outside diameter and the thickness of your accessory must be within the capacity rating of your power tool.** Incorrectly sized accessories cannot be adequately guarded or controlled.
- e) **The arbour size of wheels, flanges, backing pads or any other accessory must properly fit the spindle of the power tool.** Accessories with arbour holes that do not match the mounting hardware of the power tool will run out of balance, vibrate excessively and may cause loss of control.
- f) **Set the depth of cut for no more than necessary. The less wheel exposed, the less chance of binding and kickback.** Before cutting, be sure adjust shoe assembly is tight.
- g) **Do not force the tool.** Forcing a cut off tool reduces control and cutting efficiency.
- h) **Do not use this tool as a table saw.**

- i) **Firmly secure the workpiece.**
 - j) **Wear protective clothing and wash exposed areas with soap and water. Allowing dust to get into your mouth, eyes, or lay on the skin may promote absorption of harmful chemicals.** *Direct particles away from face and body.*
 - k) **Use the appropriate dust extractor vacuum to remove the vast majority of static and airborne dust.** *Failure to remove static and airborne dust could contaminate the working environment or pose an increased health risk to the operator and those in close proximity.*
 - l) **Use clamps or other practical ways to secure and support the workpiece to a stable platform.** *Holding the work by hand or against your body is unstable and may lead to loss of control and injury.*
 - m) **Air vents often cover moving parts and should be avoided.** *Loose clothes, jewelry or long hair can be caught in moving parts.*
-  **CAUTION:** *When not in use, place tool on its side on a stable surface where it will not cause a tripping or falling hazard. Some tools with large battery packs will stand upright on the battery pack but may be easily knocked over.*
- n) **When using segmented diamond wheels, use only diamond wheels with a peripheral gap not greater than 10 mm and negative rake angle.**

Residual Risks

In spite of the application of the relevant safety regulations and the implementation of safety devices, certain residual risks cannot be avoided. These are:

- Impairment of hearing.
- Risk of personal injury due to flying particles.
- Risk of burns due to accessories becoming hot during operation.
- Risk of personal injury due to prolonged use.

SAVE THESE INSTRUCTIONS

Chargers

DEWALTSTANLEY FATMAX chargers require no adjustment and are designed to be as easy as possible to operate.

Electrical Safety

The electric motor has been designed for one voltage only. Always check that the battery pack voltage corresponds to the voltage on the rating plate. Also make sure that the voltage of your charger corresponds to that of your mains.



Your DEWALTSTANLEY FATMAX charger is double insulated in accordance with EN60335; therefore, no earth wire is required.

If the supply cord is damaged, it must be replaced only by DEWALTSTANLEY FATMAX or an authorised service organisation.

Mains Plug Replacement (U.K. & Ireland Only)

If a new mains plug needs to be fitted:

- Safely dispose of the old plug.
- Connect the brown lead to the live terminal in the plug.
- Connect the blue lead to the neutral terminal.



WARNING: No connection is to be made to the earth terminal.

Follow the fitting instructions supplied with good quality plugs. Recommended fuse: 3 A.

Using an Extension Cable

An extension cord should not be used unless absolutely necessary. Use an approved extension cable suitable for the power input of your charger (see **Technical Data**). The minimum conductor size is 1 mm²; the maximum length is 30 m.

When using a cable reel, always unwind the cable completely.

Important Safety Instructions for All

Battery Chargers

SAVE THESE INSTRUCTIONS: This manual contains important safety and operating instructions for compatible battery chargers (refer to **Technical Data**).

- Before using charger, read all instructions and cautionary markings on charger, battery pack, and product using battery pack.



WARNING: Shock hazard. Do not allow any liquid to get inside charger. Electric shock may result.



WARNING: We recommend the use of a residual current device with a residual current rating of 30mA or less.



CAUTION: Burn hazard. To reduce the risk of injury, charge only DEWALTSTANLEY FATMAX rechargeable batteries. Other types of batteries may burst, causing personal injury and damage.



CAUTION: Children should be supervised to ensure that they do not play with the appliance.

NOTICE: Under certain conditions, with the charger plugged into the power supply, the exposed charging contacts inside the charger can be shorted by foreign material. Foreign materials of a conductive nature such as, but not limited to, steel wool, aluminum foil or any buildup of metallic particles should be kept away from charger cavities. Always unplug the charger from the power supply when there is no battery pack in the cavity. Unplug charger before attempting to clean.

- **DO NOT attempt to charge the battery pack with any chargers other than the ones in this manual.** The charger and battery pack are specifically designed to work together.
- **These chargers are not intended for any uses other than charging DEWALTSTANLEY FATMAX rechargeable batteries.** Any other uses may result in risk of fire, electric shock or electrocution.
- **Do not expose charger to rain or snow.**
- **Pull by plug rather than cord when disconnecting charger.** This will reduce risk of damage to electric plug and cord.

- **Make sure that cord is located so that it will not be stepped on, tripped over, or otherwise subjected to damage or stress.**
- **Do not use an extension cord unless it is absolutely necessary.** Use of improper extension cord could result in risk of fire, electric shock, or electrocution.
- **Do not place any object on top of charger or place the charger on a soft surface that might block the ventilation slots and result in excessive internal heat.** Place the charger in a position away from any heat source. The charger is ventilated through slots in the top and the bottom of the housing.
- **Do not operate charger with damaged cord or plug—** have them replaced immediately.
- **Do not operate charger if it has received a sharp blow, been dropped, or otherwise damaged in any way.** Take it to an authorised service centre.
- **Do not disassemble charger; take it to an authorised service centre when service or repair is required.** Incorrect reassembly may result in a risk of electric shock, electrocution or fire.
- **In case of damaged power supply cord, the supply cord must be replaced immediately by the manufacturer, its service agent or similar qualified person to prevent any hazard.**
- **Disconnect the charger from the outlet before attempting any cleaning. This will reduce the risk of electric shock.** Removing the battery pack will not reduce this risk.
- **NEVER attempt to connect two chargers together.**
- **The charger is designed to operate on standard 230V household electrical power. Do not attempt to use it on any other voltage.** This does not apply to the vehicular charger.

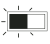



Charging a Battery

1. Plug the charger into an appropriate outlet before inserting battery pack.
2. Insert the battery pack ❶ into the charger, making sure the battery pack is fully seated in the charger. The red (charging) light will blink repeatedly, indicating that the charging process has started.
3. The completion of charge will be indicated by the red light remaining ON continuously. The battery pack is fully charged and may be used at this time or left in the charger. To remove the battery pack from the charger, push the battery release button ❷ on the battery pack.

NOTE: To ensure maximum performance and life of lithium-ion battery packs, charge the battery pack fully before first use.

Charger Operation

Refer to the indicators below for the charge status of the battery pack.

| Charge Indicators | |
|---|---|
|  Charging |  |
|  Fully Charged |  |

Charge Indicators



*The red light will continue to blink, but a yellow indicator light will be illuminated during this operation. Once the battery pack has reached an appropriate temperature, the yellow light will turn off and the charger will resume the charging procedure.

The compatible charger(s) will not charge a faulty battery pack. The charger will indicate faulty battery by refusing to light.

NOTE: This could also mean a problem with a charger.

If the charger indicates a problem, take the charger and battery pack to be tested at an authorised service centre.

Hot/Cold Pack Delay

When the charger detects a battery pack that is too hot or too cold, it automatically starts a Hot/Cold Pack Delay, suspending charging until the battery pack has reached an appropriate temperature. The charger then automatically switches to the pack charging mode. This feature ensures maximum battery pack life.

A cold battery pack will charge at a slower rate than a warm battery pack. The battery pack will charge at that slower rate throughout the entire charging cycle and will not return to maximum charge rate even if the battery pack warms.

The DCB118 charger is equipped with an internal fan designed to cool the battery pack. The fan will turn on automatically when the battery pack needs to be cooled. Never operate the charger if the fan does not operate properly or if ventilation slots are blocked. Do not permit foreign objects to enter the interior of the charger.

Electronic Protection System

XR Li-Ion tools are designed with an Electronic Protection System that will protect the battery pack against overloading, overheating or deep discharge.

The tool will automatically turn off if the Electronic Protection System engages. If this occurs, place the lithium-ion battery pack on the charger until it is fully charged.

Wall Mounting

These chargers are designed to be wall mountable or to sit upright on a table or work surface. If wall mounting, locate the charger within reach of an electrical outlet, and away from a corner or other obstructions which may impede air flow. Use the back of the charger as a template for the location of the mounting screws on the wall. Mount the charger securely using drywall screws (purchased separately) at least 25.4 mm long with a screw head diameter of 7–9 mm, screwed into wood to an optimal depth leaving approximately 5.5 mm of the screw exposed. Align the slots on the back of the charger with the exposed screws and fully engage them in the slots.

Charger Cleaning Instructions



WARNING: Shock hazard. Disconnect the charger from the AC outlet before cleaning. Dirt and grease may be removed from the exterior of the charger using a cloth or soft non-metallic brush. Do not use water or any cleaning solutions. Never let any liquid get inside the tool; never immerse any part of the tool into a liquid.

Battery Packs

Important Safety Instructions for All Battery Packs

When ordering replacement battery packs, be sure to include catalogue number and voltage.

The battery pack is not fully charged out of the carton. Before using the battery pack and charger, read the safety instructions below. Then follow charging procedures outlined.

READ ALL INSTRUCTIONS

- **Do not charge or use battery in explosive atmospheres, such as in the presence of flammable liquids, gases or dust.** Inserting or removing the battery from the charger may ignite the dust or fumes.
- **Never force battery pack into charger. Do not modify battery pack in any way to fit into a non-compatible charger as battery pack may rupture, causing serious personal injury.**
- Charge the battery packs only in STANLEY FATMAXDEWALT chargers.
- **DO NOT splash or immerse in water or other liquids.**
- **Do not store or use the tool and battery pack in locations where the temperature may fall below 4 °C (39.2 °F) (such as outside sheds or metal buildings in winter), or reach or exceed 40 °C (104 °F) (such as outside sheds or metal buildings in summer).**
- **Do not incinerate the battery pack even if it is severely damaged or is completely worn out.** The battery pack can explode in a fire. Toxic fumes and materials are created when lithium-ion battery packs are burned.
- **If battery contents come into contact with the skin, immediately wash area with mild soap and water.** If battery liquid gets into the eye, rinse water over the open eye for 15 minutes or until irritation ceases. If medical attention is needed, the battery electrolyte is composed of a mixture of liquid organic carbonates and lithium salts.
- **Contents of opened battery cells may cause respiratory irritation.** Provide fresh air. If symptoms persist, seek medical attention.



WARNING: Burn hazard. Battery liquid may be flammable if exposed to spark or flame.



WARNING: Never attempt to open the battery pack for any reason. If battery pack case is cracked or damaged, do not insert into charger. Do not crush, drop or damage battery pack. Do not use a battery pack or charger that has received a sharp blow, been dropped, run over or damaged in any way (i.e., pierced with a nail, hit with a hammer, stepped on). Electric shock or electrocution may result. Damaged battery packs should be returned to service centre for recycling.



WARNING: Fire hazard. Do not store or carry the battery pack so that metal objects can contact exposed battery terminals. For example, do not place the battery pack in aprons, pockets, tool boxes, product kit boxes, drawers, etc., with loose nails, screws, keys, etc.



CAUTION: When not in use, place tool on its side on a stable surface where it will not cause a tripping or falling hazard. Some tools with large battery packs will stand upright on the battery pack but may be easily knocked over.

Transportation



WARNING: Fire hazard. Transporting batteries can possibly cause fire if the battery terminals inadvertently come into contact with conductive materials. When transporting batteries, make sure that the battery terminals are protected and well-insulated from materials that could contact them and cause a short circuit. **NOTE:** Lithium-ion batteries should not be put in checked baggage.

DEWALT STANLEY FATMAX batteries comply with all applicable shipping regulations as prescribed by industry and legal standards, which include UN Recommendations on the Transport of Dangerous Goods; International Air Transport Association (IATA) Dangerous Goods Regulations; International Maritime Dangerous Goods (IMDG) Regulations; and the European Agreement Concerning The International Carriage of Dangerous Goods by Road (ADR). Lithium-ion cells and batteries have been tested to section 38.3 of the UN Recommendations on the Transport of Dangerous Goods Manual of Tests and Criteria.

In most instances, shipping a DEWALTSTANLEY FATMAX battery pack will be excepted from being classified as a fully regulated Class 9 Hazardous Material. In general, only shipments containing a lithium-ion battery with an energy rating greater than 100 Watt Hours (Wh) will require being shipped as fully regulated Class 9. All lithium-ion batteries have the Wh rating marked on the pack. Furthermore, due to regulation complexities, STANLEY FATMAXDEWALT does not recommend air shipping lithium-ion battery packs alone regardless of Wh rating. Shipments of tools with batteries (combo kits) can be air shipped as excepted if the Wh rating of the battery pack is no greater than 100 Wh.

Regardless of whether a shipment is considered excepted or fully regulated, it is the shipper's responsibility to consult the latest regulations for packaging, labeling/marketing and documentation requirements.

The information provided in this section of the manual is provided in good faith and believed to be accurate at the time the document was created. However, no warranty, expressed or implied, is given. It is the buyer's responsibility to ensure that its activities comply with the applicable regulations.

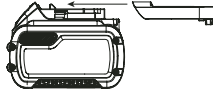
Transporting the FLEXVOLT™ Battery

The DEWALT FLEXVOLT™ battery has two modes: **Use** and **Transport**.

Use Mode: When the FLEXVOLT™ battery stands alone or is in a DEWALT 18V product, it will operate as an 18V battery. When the FLEXVOLT™ battery is in a 54V or a 108V (two 54V batteries) product, it will operate as a 54V battery.

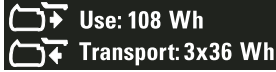
Transport Mode: When the cap is attached to the FLEXVOLT™ battery, the battery is in Transport mode. Keep the cap for shipping.

When in Transport mode, strings of cells are electrically disconnected within the pack, resulting in 3 batteries with a lower Watt hour (Wh) rating as compared to 1 battery with a higher Watt hour rating. This increased quantity of 3 batteries with the lower Watt hour rating can exempt the pack from certain shipping regulations that are imposed upon the higher Watt hour batteries.



For example, the Transport Wh rating might indicate 3 x 36 Wh, meaning 3 batteries of 36 Wh each. The Use Wh rating might indicate 108 Wh (1 battery implied).

Example of Use and Transport Label Marking



Storage Recommendations

1. The best storage place is one that is cool and dry away from direct sunlight and excessive heat or cold. For optimum battery performance and life, store battery packs at room temperature when not in use.
2. For long storage, it is recommended to store a fully charged battery pack in a cool, dry place out of the charger for optimal results.

NOTE: Battery packs should not be stored completely depleted of charge. The battery pack will need to be recharged before use.


Labels on Charger and Battery Pack


In addition to the pictographs used in this manual, the labels on the charger and the battery pack may show the following pictographs:


 Read instruction manual before use.




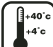
 See **Technical Data** for charging time.


 Do not probe with conductive objects.

 Do not charge damaged battery packs.

 Do not expose to water.

 Have defective cords replaced immediately.

 Charge only between 4 °C and 40 °C.

 Only for indoor use.



Discard the battery pack with due care for the environment.



Charge DEWALTSTANLEY FATMAX battery packs only with designated STANLEY FATMAXDEWALT chargers. Charging battery packs other than the designated STANLEY FATMAXDEWALT batteries with a DEWALTSTANLEY FATMAX charger may make them burst or lead to other dangerous situations.



Do not incinerate the battery pack.



USE (without transport cap). Example: Wh rating indicates 108 Wh (1 battery with 108 Wh).



TRANSPORT (with built-in transport cap). Example: Wh rating indicates 3 x 36 Wh (3 batteries of 36 Wh).

Battery Type

The following tools operate on a 18 volt battery pack: DCS438. These battery packs may be used: DCB181, DCB182, DCB183, DCB183B, DCB183G, DCB184, DCB184B, DCB184G, DCB185, DCB187, DCB189, DCB546, DCB547, DCB548, DCBP0304. Refer to **Technical Data** for more information.

NOTE: Considering the balance of the tool, the DCB548 battery is not recommended although we have capacity for 60 volt batteries.

Package Contents

The package contains:

- 1 Cut off tool
- 1 Dust shroud
- 1 Wrench
- 1 DCBP0304 Battery (E2 model)
- 1 Li-Ion battery pack (C1, D1, E1, G1, L1, M1, P1, S1, T1, X1, Y1 models)
- 2 Li-Ion battery packs (C2, D2, E2, G2, L2, M2, P2, S2, T2, X2, Y2 models)
- 3 Li-Ion battery packs (C3, D3, E3, G3, L3, M3, P3, S3, T3, X3, Y3 models)
- 1 Instruction manual

NOTE: Battery packs, chargers and kitboxes are not included with N models. Battery packs and chargers are not included with NT models. B models include Bluetooth® battery packs.

NOTE: The Bluetooth® word mark and logos are registered trademarks owned by the Bluetooth®, SIG, Inc. and any use of such marks by DEWALT is under license. Other trademarks and trade names are those of their respective owners.

- Check for damage to the tool, parts or accessories which may have occurred during transport.
- Take the time to thoroughly read and understand this manual prior to operation.

Markings on Tool

The following pictograms are shown on the tool:



Read instruction manual before use.



Wear ear protection.



Wear eye protection.



Visible radiation. Do not stare into light.



Icon order : Reverse/lock/forward

Date Code Position (Fig. B)

The date code **27**, which also includes the year of manufacture, is printed into the housing.

Example:

2022 XX XX

Year and Week of Manufacture

Description (Fig. A)



WARNING: Never modify the power tool or any part of it. Damage or personal injury could result.

- 1 Battery
- 2 Battery release button
- 3 Handle
- 4 Trigger
- 5 Forward/reverse/lock off button
- 6 Spindle lock button
- 7 Direction indicator
- 8 Dust extraction attachment
- 9 Dust shoe assembly
- 10 Depth of cut gauge
- 11 Depth of cut wing nut
- 12 Guard
- 13 Hex wrench
- 14 Lanyard ready hole

Intended Use

Your cut-off tool is designed for professional cutting applications. This cut-off tool is intended to be used to cut different materials. Follow the information regarding the application range of the cutting blade used.

DO NOT use under wet conditions or in the presence of flammable liquids or gases.

DO NOT let children come into contact with the tool.

Supervision is required when inexperienced operators use this tool.

- **Young children and the infirm.** This appliance is not intended for use by young children or infirm persons without supervision.
- This product is not intended for use by persons (including children) suffering from diminished physical, sensory or

mental abilities; lack of experience, knowledge or skills unless they are supervised by a person responsible for their safety. Children should never be left alone with this product.

ASSEMBLY AND ADJUSTMENTS



WARNING: To reduce the risk of serious personal injury, turn tool off and disconnect battery pack before making any adjustments or removing/installing attachments or accessories. An accidental start-up can cause injury.

Inserting and Removing the Battery Pack from the Tool (Fig. B)

NOTE: Make sure your battery pack 1 is fully charged.

To Install the Battery Pack into the Tool Handle

1. Align the battery pack with the rails inside the tool's handle (Fig. B).
2. Slide it into the handle until the battery pack is firmly seated in the tool and ensure that you hear the lock snap into place.

To Remove the Battery Pack from the Tool

1. Press the battery release button 2 and firmly pull the battery pack out of the tool handle.
2. Insert battery pack into the charger as described in the charger section of this manual.

Fuel Gauge Battery Packs (Fig. B)

Some STANLEY FATMAXDEWALT battery packs include a fuel gauge, which consists of three green LED lights that indicate the level of charge remaining in the battery pack.

To actuate the fuel gauge, press and hold the fuel gauge button 28. A combination of the three green LED lights will illuminate, designating the level of charge left. When the level of charge in the battery is below the usable limit, the fuel gauge will not illuminate and the battery will need to be recharged.

NOTE: The fuel gauge is only an indication of the charge left on the battery pack. It does not indicate tool functionality and is subject to variation based on product components, temperature and end-user application.

Wheels



WARNING: To minimize the risk of eye injury, always use eye protection. Carbide is a hard but brittle material. Foreign objects in the workpiece such as wire or nails can cause tips to crack or break. Mount the wheel securely in proper direction of rotation before using, and always use a clean, sharp wheel.



WARNING: To reduce the risk of injury, only use wheels that are no greater than 76 mm in diameter, have an inner diameter of 10 mm, and without cutting teeth. Thickness of wheel not to exceed 0.09".



WARNING: Since accessories, other than those offered by DEWALT, have not been tested with this product, use of such accessories with this tool could be hazardous. To reduce the risk of injury, only DEWALT recommended accessories should be used with this product.

A dull wheel will cause slow inefficient cutting, overload the motor, could cause excessive splintering, and could increase the possibility of kickback. Please refer to the table below to determine the correct wheel for your application.

| Wheel type | Application |
|---|--|
| Diamond Multi-Material Wheel (DT20590-QZ) | Drywall, fiber cement, plastic, steel, non ferrous materials |
| Bonded Abrasive Wheel (DT20592-QZ) | Steel, stainless steel, non-ferrous materials |
| Diamond Tile Wheel (DT20591-QZ) | Ceramic Tile, Porcelain and Granite/Marble/Stone |

Installing Wheels (Fig. A, C)



WARNING: Burn Hazard. Sharp parts. ALWAYS wear gloves when changing wheels. Wheels have sharp edges or may get extremely hot during operation, and may damage bare hands.



WARNING: To reduce the risk of injury, only use wheels that are no greater than 76 mm in diameter, have an inner diameter of 10 mm, and without cutting teeth. Thickness of wheel not to exceed 0.09". Type 1 wheels are for side grinding only, not surface grinding. Never force a wheel onto the machine or alter the size of the arbor hole.

1. Remove the battery.
2. Lay unit on a firm surface, with the spindle **15** facing upward.
3. Hold spindle lock button **6** to keep the spindle from turning. Spindle threads are left hand.
4. Using supplied 6 mm wrench **13**, remove spindle screw **18**, outer flange **17**, used wheel **19** if one is installed and inner flange **16**. Spindle threads are left hand.
5. Slip the inner flange over the spindle.
6. Slip wheel over spindle. Make sure wheel goes over pilot diameter of inner flange.

NOTE: When installing diamond wheels, always match direction of rotation of the wheel to the desired direction of rotation of the tool. Diamond wheels will not cut effectively unless the direction marked on the wheel matches the direction of rotation. Check the setting of the forward/reverse/lock off button **5** to make sure it matches the direction marked on the wheel.

7. Slip on outer flange with the flat side towards the cut-off wheel.

NOTE: The text "LOOSE TIGHTEN" will be visible when installed correctly.

8. Start threading on spindle screw which will self align outer flange. Make sure the wheel is fitted in the correct orientation.
9. Engage spindle lock button and tighten nut with wrench. Do not over tighten spindle screw.
10. Turn wheel by hand to ensure it is properly centered. The wheel should not hit the shoe, guard or spindle screw. The spindle screw and flanges should be tight.



WARNING: If the spindle screw has not been tightened securely, it can loosen with the F (forward) direction of rotation.

Adjusting the Guard Angle (Fig. D)



WARNING: There is a higher risk of kickback when guard is moved backwards leading to wider opening. The guard must be opened wider only when required.

You can adjust the angle of the guard.

1. Remove the battery.
2. Grasp the guard **12** firmly and rotate to desired angle. The guard can rotate 30 degrees, forward or backward.

Mounting, Removing and Adjusting the Dust Shroud (Fig. A, E)

NOTE: The dust shroud is only for tile/concrete and drywall cutting applications to connect to a vacuum for dust collecting. We do not recommend use of the shroud for metal cutting applications.

1. Remove the battery.
2. With the wheel properly installed, rotate the guard **12** all the way forward.
3. Loosen the depth of cut wing nut **11** and fully extend the shoe. Hand-tighten the depth of cut knob.
4. Maneuver the upper guard and wheel into the dust shroud assembly **9** and rotate tool to lock in place. The front of the guard will rest against the stop inside the assembly, and the back of the guard will catch the release tab **20**.

To Remove the Dust Shroud

1. Remove the battery.
2. Loosen the depth of cut wing nut and fully extend the shoe. Hand-tighten the depth of cut wing nut.
3. Press in the shroud release button **21** and rotate the tool out of the dust shroud assembly.

To Adjust the Depth of Cut

1. Loosen the depth of cut wing nut and slide the shroud up or down. Use the markings on the depth of cut gauge to help determine proper depth. Adjust the cutting depth to the thickness of the workpiece. Less than 1/4" of the wheel should be visible below the workpiece.

Attaching an AirLock™ Compatible Dust Extractor (Fig. F)



WARNING: Do not use dust extraction when cutting metal. Swarf from metal cutting may be hot and may spark which can melt vacuum hoses and may cause a fire inside the vacuum.



WARNING: When using dust extraction, empty vacuum before work begins and often during work. Use care in disposing of dust. Dust can be hazardous to health if inhaled, ingested or in contact with the skin. Materials in fine dust can be explosive.

Your tool is compatible with the DEWALT AirLock™ connection system. The AirLock™ allows for a fast, secure connection

between the AirLock™ connector **22** and your tool's dust extraction port **8**.


1. Remove the battery.
2. Ensure the collar on the AirLock™ connector is in the unlock position. (Refer to Figure F.) Align notches **23** on collar and AirLock™ connector as shown for unlock and lock positions.
3. Push the AirLock™ connector onto the adapter connector point.
4. Rotate the collar to the locked position.


NOTE: The ball bearings inside collar lock into slot and secure the connection. The power tool is now securely connected to the dust extractor.

NOTE: The sleeve of the dust extraction port can be removed if damaged and replaced by the user. The sleeve is available as an optional accessory and can be replaced using a screwdriver.


OPERATION

Instructions for Use


 **WARNING:** Always observe the safety instructions and applicable regulations.

 **WARNING:** To reduce the risk of serious personal injury, turn tool off and disconnect battery pack before making any adjustments or removing/installing attachments or accessories. An accidental start-up can cause injury.

Proper Hand Position (Fig. G)

 **WARNING:** To reduce the risk of serious personal injury, ALWAYS use proper hand position as shown.

 **WARNING:** To reduce the risk of serious personal injury, ALWAYS hold securely in anticipation of a sudden reaction.

 **WARNING:** Keep your free hand far from cutting action. Do not reach underneath the workpiece.

Proper hand position requires one hand on the main handle **3**.

Spindle Lock Button (Fig. C, H)

The spindle lock button **6** is used to lock the spindle **15** when changing accessories.

1. To engage the spindle lock button, remove the battery pack and make sure trigger switch is in OFF position.
2. Depress the spindle lock button and turn the wheel and spindle until the lock button engages the spindle.
3. Use supplied wrench **13** to unscrew the spindle nut **18** and remove or mount accessories. Spindle threads are left hand.


Forward/Reverse/Lock Off Button (Fig. A)


Your cut-off tool is equipped with a forward/reverse/lock off button **5**. Some applications or accessories may require the tool to be run in forward or reverse. When making a cut, select the direction of cut that allows the tool to be pushed away from your body. When installing a diamond wheel, select the rotation that matches the arrow on the wheel.


- For forward (clockwise) rotation, push the forward/reverse/lock off button all the way to the right, as shown by the direction indicator **7**.
- For reverse (counterclockwise) rotation, push the forward/reverse/lock off button all the way to the left, as shown by the direction indicator.
- To lock the trigger switch, push the forward/reverse/lock off button to the centre position, as shown by the direction indicator.


To Operate (Fig. A)

 **CAUTION:** Before attempting to start, grasp tool firmly.

 **WARNING:** Edge cutting can be performed only with wheels that are designed and specified for this purpose. Protect yourself during edge cutting by directing the open side of the guard toward a surface.

 **WARNING:** Wheels used for cutting may break or kick back if they bend or twist while the tool is being used to do cut-off work.

 **WARNING:** Do not use edge cutting wheels for surface grinding applications because these wheels are not designed for side pressures encountered with surface grinding. Wheel breakage and injury may result.

 **WARNING:** Do not bang or bump a cut-off wheel when starting or during a cut.


1. Grasp main handle **3** firmly.
2. Line up wheel with material to be cut. Be sure nothing is near or in line with the wheel.
3. Depress and hold trigger switch **4** then slowly feed wheel into work with firm pressure. Do not force the tool. For maximum efficiency and wheel life, keep the wheel speed high.
4. To stop tool, release trigger switch **4**.

If Using the Dust Shroud for Dust Collecting (Fig. H)

1. Remove battery pack.
2. Adjust the depth of cut when using the dust shroud.
3. Insert the battery pack.
4. While cutting, keep the shoe flat against the workpiece and maintain a firm grip, don't force the cut off tool through the workpiece. Forcing a cut off tool can cause kickback.

NOTE: If making a partial cut, restarting a cut, or correcting cut direction. Allow the wheels to come to a complete stop. To resume cutting, centre the wheel in the kerf (cutting slot) **29**, back and saw away from cutting edge, pull the trigger and re-enter the cut slowly.
5. To stop tool, release trigger switch.

Tool Connect™ Chip (Fig. I)

 **WARNING:** To reduce the risk of serious personal injury, turn unit off and remove the battery pack before making any adjustments or removing/installing attachments or accessories. An accidental start-up can cause injury.

Your tool is Tool Connect™ Chip ready and has a location for installation of a Tool Connect™ Chip.

Tool Connect™ Chip is an optional application for your smart device (such as a smart phone or tablet) that connects the device to utilize the mobile application for inventory management functions.

Refer to **Tool Connect™ Chip Instruction Sheet** for more information.

Installing the Tool Connect™ Chip

1. Remove the retaining screws **24** that hold the Tool Connect™ Chip protective cover **25** into the tool.
2. Remove the protective cover and insert the Tool Connect™ Chip into the empty pocket **26**.
3. Ensure that the Tool Connect™ Chip is flush with the housing. Secure it with the retaining screws and tighten the screws.
4. Refer to **Tool Connect™ Chip Instruction Sheet** for further instructions.

Transportation and Storage

During transportation and storage lock the trigger switch with the lock-off button.

Remove the battery pack during the tool storage.

MAINTENANCE

Your power tool has been designed to operate over a long period of time with a minimum of maintenance. Continuous satisfactory operation depends upon proper tool care and regular cleaning.



WARNING: To reduce the risk of serious personal injury, turn tool off and disconnect battery pack before making any adjustments or removing/installing attachments or accessories. An accidental start-up can cause injury.

The charger and battery pack are not serviceable.



Lubrication

Your power tool requires no additional lubrication.



Cleaning



WARNING: Blow dirt and dust out of the main housing with dry air as often as dirt is seen collecting in and around the air vents. Wear approved eye protection and approved dust mask when performing this procedure.



WARNING: Never use solvents or other harsh chemicals for cleaning the non-metallic parts of the tool. These chemicals may weaken the materials used in these parts. Use a cloth dampened only with water and mild soap. Never let any liquid get inside the tool; never immerse any part of the tool into a liquid.

Optional Accessories



WARNING: Since accessories, other than those offered by DEWALTSTANLEY FATMAX, have not been tested with this product, use of such accessories with this tool could be hazardous. To reduce the risk of injury, only DEWALTSTANLEY FATMAX-recommended accessories should be used with this product.

Consult your dealer for further information on the appropriate accessories.

Protecting the Environment



Separate collection. Products and batteries marked with this symbol must not be disposed of with normal household waste.



Products and batteries contain materials that can be recovered or recycled, reducing the demand for raw materials. Please recycle electrical products and batteries according to local provisions. Further information is available at www.2helpU.com.

Rechargeable Battery Pack

This long-life battery pack must be recharged when it fails to produce sufficient power on jobs that were easily done before. At the end of its technical life, discard it with due care for our environment:

- Run the battery pack down completely, then remove it from the tool.
- Li-Ion cells are recyclable. Take them to your dealer or a local recycling station. The collected battery packs will be recycled or disposed of properly.

ОТРЕЗНОЙ ИНСТРУМЕНТ

DCS438

Поздравляем!

Вы приобрели инструмент DeWALT. Многолетний опыт, тщательная разработка изделий и инновации делают компанию DeWALT одним из самых надёжных партнеров для пользователей профессионального электроинструмента.

Технические характеристики

| | | DCS438 |
|--|-------------------------|----------------|
| Напряжение | $V_{\text{пост. тока}}$ | 18 |
| Тип | | 1 |
| Тип аккумуляторной батареи | | Ионно-литиевая |
| Скорость без нагрузки/номинальная скорость | мин^{-1} | 20000 |
| Диаметр круга | мм | 76 |
| Толщина круга (макс.) | мм | 2,2 |
| Диаметр шпинделя | мм | 10 |
| Длина шпинделя | мм | 43 |
| Вес (без аккумуляторной батареи) | кг | 0,94 |

Значения шума и/или вибрации (сумма векторов в трех плоскостях) в соответствии с EN60745-2-3:

| | | |
|--|----------------|-----|
| L_{pa} (уровень звукового давления) | дБ(А) | 87 |
| L_{WA} (уровень акустической мощности) | дБ(А) | 98 |
| K (погрешность для заданной акустической мощности) | дБ(А) | 3 |
| Значение вибрационного воздействия $a_{h1} =$ | м/с^2 | 3,3 |
| Погрешность K = | м/с^2 | 1,5 |

Значение шумовой эмиссии и/или эмиссии вибрации, указанное в данном справочном листке, было получено в соответствии со стандартным тестом, приведенным в EN60745, и может использоваться для сравнения инструментов. Кроме того, оно может использоваться для предварительной оценки воздействия вибрации.



ОСТОРОЖНО! Заявленное значение шумовой эмиссии и/или эмиссии вибрации относится к основным областям применения инструмента. Однако, если инструмент используется для различных целей, с различными дополнительными принадлежностями или при ненадлежащем уходе, то уровень шума и/или вибрации может измениться. Это может привести к значительному увеличению уровня воздействия вибрации в течение всего рабочего периода.

При расчете приблизительного значения уровня воздействия шума и/или вибрации также необходимо учитывать время, когда инструмент выключен или то время, когда он работает на холостом ходу. Это может привести к

значительному снижению уровня воздействия вибрации в течение всего рабочего периода.

Определите дополнительные меры техники безопасности для защиты оператора от воздействия шума и/или вибрации, а именно: поддержание инструмента и дополнительных принадлежностей в рабочем состоянии, создание комфортных условий работы (соответствующих вибрации), хорошая организация рабочего места.

Заявление о соответствии нормам ЕС

Директива по машинам, механизмам и машинному оборудованию



Отрезной инструмент DCS438

DeWALT заявляет, что продукты, описанные в разделе «Технические характеристики», соответствуют: 2006/42/EC, EN60745-1:2009 + A11:2010; EN60745-2-22:2011 + A11:2013.

Данные продукты также соответствуют Директивам 2014/30/EU и 2011/65/EU. За дополнительной информацией, свяжитесь с DeWALT по адресу, указанному ниже или приведенному на задней стороне обложки руководства.

Нижеподписавшийся несет ответственность за составление технической документации и составил данную декларацию по поручению компании DeWALT.

Маркус Ромпель
Вице-президент отдела по разработке и производству, PTE-Europe
DeWALT, Richard-Klinger-Straße 11,
65510, Idstein, Германия
24.09.2021



ВНИМАНИЕ: Во избежание риска получения травм ознакомьтесь с инструкцией.

Обозначения: правила техники безопасности

Ниже описывается уровень опасности, обозначаемый каждым из предупреждений. Прочитайте руководство и обратите внимание на данные символы.



ОПАСНО: Обозначает опасную ситуацию, которая неизбежно приведет к серьезной травме или

| Батареи | | | | Зарядные устройства/время зарядки (мин)*** | | | | | | | | | |
|------------|-------------------------|----------|----------|--|--------|--------------------|--------|--------------------|---------|---------|---------|--------|--------|
| Кат. № | V _{пост. тока} | Ah | Вес (kg) | DCB104 | DCB107 | DCB112/ DCB1102 | DCB113 | DCB115/ DCB1104 | DCB116 | DCB117 | DCB118 | DCB132 | DCB119 |
| DCB546 | 18/54 | 6,0/2,0 | 1,08 | 60 | 270 | 170 | 140 | 90 | 80 | 40 | 60 | 90 | X |
| DCB547/G | 18/54 | 9,0/3,0 | 1,46 | 75* | 420 | 270 | 220 | 135* | 110* | 60 | 75* | 135* | X |
| DCB548 | 18/54 | 12,0/4,0 | 1,46 | 120 | 540 | 350 | 300 | 180 | 150 | 80 | 120 | 180 | X |
| DCB549 | 18/54 | 15,0/5,0 | 2,12 | 125 | 730 | 450 | 380 | 230 | 170 | 90 | 125 | 230 | X |
| DCB181 | 18 | 1,5 | 0,35 | 22 | 70 | 45 | 35 | 22 | 22 | 22 | 22 | 22 | 45 |
| DCB182 | 18 | 4,0 | 0,61 | 60/40** | 185 | 120 | 100 | 60 | 60/45** | 60/40** | 60/40** | 60 | 120 |
| DCB183/B/G | 18 | 2,0 | 0,40 | 30 | 90 | 60 | 50 | 30 | 30 | 30 | 30 | 30 | 60 |
| DCB184/B/G | 18 | 5,0 | 0,62 | 75/50** | 240 | 150 | 120 | 75 | 75/60** | 75/50** | 75/50** | 75 | 150 |
| DCB185 | 18 | 1,3 | 0,35 | 22 | 60 | 40 | 30 | 22 | 22 | 22 | 22 | 22 | 40 |
| DCB187 | 18 | 3,0 | 0,54 | 45 | 140 | 90 | 70 | 45 | 45 | 45 | 45 | 45 | 90 |
| DCB189 | 18 | 4,0 | 0,54 | 60 | 185 | 120 | 100 | 60 | 60 | 60 | 60 | 60 | 120 |
| DCBP034/G | 18 | 1,7 | 0,32 | 27 | 82 | 50 | 40 | 27 | 27 | 27 | 27 | 27 | 50 |
| DCBP518/G | 18 | 5,0 | 0,75 | 50 | 240 | 150 | 120 | 75 | 60 | 50 | 50 | 75 | 150 |

*Код даты 201811475В или новее

**Код даты 201536 или новее

***Battery charge times matrix provided for guidance only; charge times will vary depending on temperature and condition of batteries.

смертельному исходу, в случае несоблюдения соответствующих мер безопасности.



ВНИМАНИЕ: Указывает на потенциально опасную ситуацию, которая, в случае несоблюдения соответствующих мер безопасности, может привести к **серьезной травме или смертельному исходу**.



ПРЕДУПРЕЖДЕНИЕ: Указывает на потенциально опасную ситуацию, которая, в случае несоблюдения соответствующих мер безопасности **может** стать причиной травм **средней или легкой степени тяжести**.

ПОЯСНЕНИЕ: Указывает на практики, использование которых не связано с получением травмы, но если ими пренебречь, могут привести к **порче имущества**.



Указывает на риск поражения электрическим током.



Указывает на риск возгорания.

ОБЩИЕ ПРАВИЛА ТЕХНИКИ БЕЗОПАСНОСТИ ПРИ ИСПОЛЬЗОВАНИИ ЭЛЕКТРОИНСТРУМЕНТОВ



ВНИМАНИЕ: Прочитайте и просмотрите все предупреждения, инструкции, иллюстрации и спецификации по данному электроинструменту. Несоблюдение всех приведенных ниже инструкций может стать причиной поражения электрическим током, возгорания и/или тяжелой травмы.

СОХРАНИТЕ ВСЕ ИНСТРУКЦИИ ДЛЯ ПОСЛЕДУЮЩЕГО ИСПОЛЬЗОВАНИЯ

Термин «электроинструмент» в предупреждениях относится к работающим от сети (проводным) электроинструментам или работающим от аккумуляторной батареи (беспроводным) электроинструментам.

1) Безопасность на рабочем месте

- Следите за чистой и хорошим освещением на рабочем месте.** Захламленное или плохо освещенное рабочее место может стать причиной несчастного случая.
- Запрещается работать с электроинструментами во взрывоопасных местах, например, вблизи легковоспламеняющихся жидкостей, газов и пыли.** Искры, которые появляются при работе электроинструментов могут привести к воспламенению пыли или паров.
- Следите за тем, чтобы во время работы с электроинструментом в зоне работы не было посторонних и детей.** Отвлекаясь от работы вы можете потерять контроль над инструментом.

2) Электробезопасность

- Штепсельная вилка электроинструмента должна соответствовать розетке. Никогда не меняйте вилку инструмента. Запрещается использовать переходники к вилкам для электроинструментов с заземлением.** Использование оригинальных штепсельных вилок, соответствующих типу сетевой розетки снижает риск поражения электрическим током.
- Избегайте контакта с заземленными поверхностями, такими как трубы, радиаторы и холодильники.** Если вы будете

заземлены, увеличивается риск поражения электрическим током.

c) Запрещается оставлять электроинструмент под дождем и в местах повышенной влажности.

При попадании воды в электроинструмент риск поражения электротоком возрастает.

d) Берегите кабель от повреждений. Никогда не используйте кабель для переноски инструмента, не тяните за него, пытаясь отключить инструмент от сети. Держите кабель подальше от источников тепла, масла, острых углов или движущихся предметов.

Поврежденный или запутанный кабель питания повышает риск поражения электрическим током.

e) При работе с электроинструментом на открытом воздухе используйте удлинитель, подходящий для использования на улице.

Использование кабеля питания, предназначенного для использования вне помещения, снижает риск поражения электрическим током.

f) Если использование электроинструмента в условиях повышенной влажности неизбежно, используйте устройства защитного отключения (УЗО) для защиты сети.

Использование УЗО сокращает риск поражения электрическим током.

3) Обеспечение индивидуальной безопасности

a) Будьте внимательны, смотрите, что делаете и не забывайте о здравом смысле при работе с электроинструментом. Запрещается работать с электроинструментом в состоянии усталости, наркотического, алкогольного опьянения или под воздействием лекарственных препаратов.

Невнимательность при работе с электроинструментом может привести к серьезным телесным повреждениям.

b) Используйте индивидуальные средства защиты. Всегда используйте защитные очки.

Средства защиты, такие как пылезащитная маска, обувь с нескользящей подошвой, каска и защитные наушники, используемые при работе, уменьшают риск получения травм.

c) Примите меры для предотвращения случайного включения. Перед тем как подключить электроинструмент к сети и/или аккумуляторной батарее, возьмите инструмент или перенести его на другое место, убедитесь в том, что выключатель находится в положении «Выкл.».

Если при переноске электроинструмента он подключен к сети, и при этом ваш палец находится на выключателе, это может стать причиной несчастных случаев.

d) Уберите все регулировочные или гаечные ключи перед включением электроинструмента.

Ключ, оставленный на вращающейся части электроинструмента, может привести к травме.

e) Не пытайтесь дотянуться до слишком удаленных поверхностей. Обувь должна быть удобной, чтобы вы всегда могли сохранять равновесие. Это позволит лучше контролировать электроинструмент в непредвиденных ситуациях.

f) Одевайтесь соответствующим образом. Избегайте носить свободную одежду и ювелирные украшения. Следите за тем, чтобы волосы и одежда не попали под движущиеся детали. Возможно наматывание свободной одежды, ювелирных изделий и длинных волос на движущиеся детали.

g) При наличии устройств для подключения оборудования для удаления и сбора пыли необходимо обеспечить правильность их подключения и эксплуатации. Использование устройства для пылеудаления сокращает риски, связанные с пылью.

h) Не позволяйте хорошему знанию от частого использования инструментов стать причиной самонадеянности и игнорирования правил техники безопасности. Небрежное действие может повлечь серьезные травмы за долю секунды.

4) Эксплуатация электроинструмента и уход за ним

a) Избегайте чрезмерной нагрузки электроинструмента. Используйте электроинструмент в соответствии с назначением. Правильно подобранный электроинструмент выполнит работу более эффективно и безопасно при стандартной нагрузке.

b) Не пользуйтесь инструментом, если не работает выключатель. Любой инструмент, управлять выключением и включением которого невозможно, опасен, и его необходимо отремонтировать.

c) Перед выполнением любых настроек, сменой аксессуаров или прежде чем убрать инструмент на хранение, отключите его от сети и/или снимите с него аккумуляторную батарею, если ее можно снять. Такие превентивные меры безопасности сокращают риск случайного включения электроинструмента.

d) Храните электроинструмент в недоступном для детей месте и не позволяйте работать с инструментом людям, не имеющим соответствующих навыков работы с такого рода инструментами. Электроинструмент представляет опасность в руках неопытных пользователей.

e) Поддерживайте электроинструмент и принадлежности в исправном состоянии. Проверьте, не нарушена ли центровка или не заклинены ли движущиеся детали, нет ли повреждений или иных неисправностей, которые могли бы повлиять на работу электроинструмента. В случае обнаружения

повреждений, прежде чем приступать к эксплуатации электроинструмента, его нужно отремонтировать. Большинство несчастных случаев происходит из-за электроинструментов, которые не обслуживаются должным образом.

f) **Содержите режущий инструмент в остро заточенном и чистом состоянии.** Вероятность заклинивания инструмента, за которым следят должным образом и который хорошо заточен, значительно меньше, а работать с ним легче.

g) **Используйте электроинструменты, принадлежности и насадки в соответствии с данными инструкциями, принимая во внимание условия работы и характер выполняемой работы.** Использование электроинструмента для выполнения операций, для которых он не предназначен, может привести к созданию опасных ситуаций.

h) **Все рукоятки и поверхности захватывания должны быть сухими и без следов смазки.** Скользкие рукоятки и поверхности захватывания не позволяют обеспечить безопасность работы и управления инструментом в непредвиденных ситуациях.

5) Использование аккумуляторных электроинструментов и уход за ними

a) **Используйте для зарядки аккумуляторной батареи только указанное производителем зарядное устройство.** Использование зарядного устройства определенного типа для зарядки других батарей может привести к возгоранию.

b) **Используйте для электроинструмента только батареи указанного типа.** Использование других аккумуляторных батарей может стать причиной травмы и пожара.

c) **Оберегайте батарею от попадания в нее скрепок, монет, ключей, гвоздей, болтов или других мелких металлических предметов, которые могут вызывать замыкание контактов.** Короткое замыкание контактов аккумуляторной батареи может привести к пожару или получению ожогов.

d) **При повреждении батареи, из нее может вытечь электролит. Не прикасайтесь к нему. При случайном контакте с электролитом смойте его водой. При попадании электролита в глаза обратитесь за медицинской помощью.** Жидкость, находящаяся внутри батареи, может вызвать раздражение или ожоги.

e) **Не используйте поврежденные или измененные аккумуляторные батареи или инструменты.** Поврежденные или измененные аккумуляторные батареи могут работать непредсказуемо, что может привести к возгоранию, взрыву или риску получения травм.

f) **Не подвергайте аккумуляторные батареи или инструмент воздействию огня или**

повышенной температуры. Открытый огонь или воздействие высокой температуры выше 130 °C может привести к взрыву.

g) **Следуйте всем инструкциям по зарядке и не заряжайте аккумуляторную батарею или инструмент вне температурного диапазона, указанного в инструкции.** Неправильная зарядка или зарядка вне указанного температурного диапазона может привести к повреждению батареи и увеличить риск возгорания.

6) Обслуживание

a) **Обслуживание электроинструмента должен проводить квалифицированный специалист с использованием только оригинальных запасных частей.** Это позволит обеспечить безопасность обслуживаемого электрифицированного инструмента.

b) **Не выполняйте обслуживание поврежденных аккумуляторных батарей.** Обслуживание аккумуляторных батарей должно выполняться только производителем или авторизованными поставщиками услуг.

ПРАВИЛА ТЕХНИКИ БЕЗОПАСНОСТИ ПРИ РАБОТЕ С ОТРЕЗНЫМИ МАШИНАМИ

a) **Поставляемый вместе с инструментом кожух должен быть надежно закреплен на электроинструменте и находиться в положении, обеспечивающем максимальную защиту, чтобы минимально возмозможная часть круга находилась в одной плоскости с оператором. Не позволяйте людям стоять на одной плоскости с вращением круга и не стойте там сами.** Кожух защищает оператора от отколотых от круга фрагментов и случайного прикосновения к нему.

b) **Используйте с электроинструментом только алмазные и абразивные отрезные круги.** Возможность установки принадлежности на электроинструмент не обеспечивает безопасность при ее использовании.

c) **Номинальная скорость принадлежности должна, как минимум, равняться максимальной скорости, указанной на электроинструменте.** Принадлежность, которая вращается со скоростью, превышающей ее номинальную скорость вращения, может разрушиться и отлететь в сторону.

d) **Используйте круги для выполнения только рекомендованных типов работ. Например: не выполняйте шлифование при помощи отрезного круга.** Абразивные отрезные круги предназначены для работы периферией круга; боковая нагрузка, прилагаемая к таким кругам, может привести к их разрушению.

- e) **Всегда используйте исправные фланцы для кругов, диаметр которых соответствует конкретному кругу.** Соответствующие фланцы надежно фиксируют круг, что снижает вероятность его поломки.
- f) **Внешний диаметр и толщина принадлежности должны соответствовать диапазону мощности электроинструмента.** Принадлежности неправильно подобранного размера не закрываются защитным ограждением и не обеспечивают надлежащего контроля управления.
- g) **Размер оси кругов и фланцев должен точно соответствовать шпинделю электроинструмента.** Круги и фланцы с ромбовидными отверстиями, которые не подходят к монтажной арматуре электроинструмента, работают несбалансированно, слишком сильно вибрируют и могут привести к потере управления.
- h) **Не используйте поврежденные круги. Перед каждым использованием проверяйте круги на предмет сколов и трещин. В случае падения электроинструмента или принадлежности проверьте наличие повреждений круга или установите неповрежденный круг. После проверки и установки круга, оператор и посторонние лица не должны находиться на одной плоскости с вращающимся кругом. Запустите электроинструмент на максимальной скорости без нагрузки и дайте ему поработать одну минуту.** Поврежденные круги, как правило, ломаются в течение этого тестового периода.
- i) **Используйте средства индивидуальной защиты. В зависимости от типа выполняемых работ надевайте щиток для защиты лица или защитные очки. В соответствии с необходимостью надевайте пылезащитную маску, защитные наушники, перчатки и рабочий фартук, способный защитить от мелких абразивных частиц и фрагментов обрабатываемой детали.** Средства защиты для глаз должны останавливать частицы, вылетающие при выполнении различных видов работ. Пылезащитная маска или респиратор должны обеспечивать фильтрацию твердых частиц, образующихся при выполнении работ. Длительное воздействие шума высокой мощности может привести к нарушениям слуха.
- j) **Не подпускайте посторонних лиц близко к рабочей зоне. Любое лицо, входящее в рабочую зону, должно использовать средства индивидуальной защиты.** Фрагменты заготовки или разрушенного круга могут отлететь в сторону и стать причиной травмы даже за пределами рабочей зоны.
- k) **Удерживайте инструменты только за изолированные ручки при выполнении работ, во время которых имеется вероятность контакта режущей принадлежности со скрытой электропроводкой.** Если вы держите за металлические детали инструмента, то в случае перерезания находящегося под напряжением провода, возможно поражение оператора электрическим током.
- l) **Располагайте кабель питания на удалении от вращающейся принадлежности.** В случае потери контроля над инструментом кабель питания может быть разрезан или ободран, а ваша рука может быть затянута вращающимся кругом.
- m) **Никогда не кладите электроинструмент до тех пор, пока он полностью не остановится.** Вращающийся круг может задеть за поверхность, из-за чего электроинструмент может вырваться из рук.
- n) **Не включайте электроинструмент, если принадлежность направлена на вас.** Случайный контакт с вращающейся принадлежностью может привести к наматыванию одежды и контакту принадлежности с вашим телом.
- o) **Регулярно очищайте вентиляционные отверстия электроинструмента.** Вентилятор электродвигателя затягивает пыль внутрь корпуса, а скопление большого количества пыли на металлических частях электродвигателя повышает риск поражения электротоком.
- p) **Не используйте электроинструмент рядом с горючими материалами.** Искры могут привести к их воспламенению.
- q) **Не используйте принадлежности, требующие жидкостного охлаждения.** Использование воды или других жидких охлаждающих средств может привести к поражению электрическим током вплоть до смертельного исхода.

ДОПОЛНИТЕЛЬНЫЕ ИНСТРУКЦИИ ПО ТЕХНИКЕ БЕЗОПАСНОСТИ ДЛЯ ВСЕХ ВИДОВ РАБОТ

Причины возникновения обратного удара и способы его предупреждения

Отдача представляет собой внезапную реакцию в результате заклинивания или деформации вращающегося круга, диска-подшвы, щетки или любых других дополнительных принадлежностей. Заклинивание или деформация вызывают мгновенную остановку вращающейся насадки, что, в свою очередь, приводит к потере управления инструментом и его резкого смещения в сторону, противоположную направлению вращения насадки в точке заклинивания.

Например, в случае заклинивания или деформации абразивного круга в обрабатываемой детали, заклинивающий край круга может врезаться в поверхность материала, что приводит к поднятию или выталкиванию круга. Круг может отскочить в сторону оператора или в другом направлении, в зависимости от направления вращения круга в точке заклинивания. Это может также привести к поломке абразивных кругов.

Отдача является результатом неправильного использования инструмента и/или использованием неправильных методов или режимов работы; избежать этого явления можно путем выполнения указанных далее мер предосторожности:


- a) **Прочно удерживайте электроинструмент обеими руками и располагайтесь таким образом, чтобы иметь возможность погасить энергию отдачи. Для эффективного управления инструментом в случае возникновения отдачи или реактивного крутящего момента во время запуска всегда пользуйтесь вспомогательной рукояткой, если таковая имеется.** Оператор может контролировать энергию крутящего момента или отдачи при соблюдении надлежащих мер предосторожности.
- b) **Никогда не держите руки поблизости от вращающейся принадлежности.** Она может отскочить в направлении вашей руки.
- c) **Не стойте на одной линии с вращающимся кругом.** В результате отдачи, инструмент отскакивает в направлении, противоположном вращению круга в точке заклинивания.
- d) **Соблюдайте особую осторожность при обработке углов, острых кромок и т. д. Избегайте дрожания и заклинивания принадлежности.** Углы, острые кромки или дрожание могут вызвать заклинивание насадки в заготовке и привести к потере управления в случае возникновения отдачи.
- e) **Не устанавливайте пильные цепи, диски для резки по дереву, сегментные алмазные круги с периферическими зазорами больше 10 мм или зубчатые отрезные диски.** Такие диски часто вызывают отдачу и потерю контроля над инструментом.
- f) **Избегайте застревания круга в заготовке и не прилагайте чрезмерных усилий. Не пытайтесь выполнять разрез слишком большой глубины.** Слишком сильное нажатие на круг увеличивает нагрузку и возможность его деформации или заклинивания в заготовке, а также возможность возникновения отдачи или поломки круга.
- g) **В случае заклинивания круга или прекращения резки по какой-либо причине выключите электроинструмент и удерживайте его в неподвижном состоянии до полной остановки. Никогда не пытайтесь извлечь круг из разреза,**

когда он находится в движении. В противном случае, это может привести к возникновению отдачи. Выясните причину и примите надлежащие меры по устранению причины заклинивания круга.

- h) **Не возобновляйте работу, когда круг находится внутри заготовки. Дождитесь, пока круг наберет полные обороты, и осторожно поместите его в начатый разрез.** В случае заклинивания, круг может подскочить вверх из заготовки или привести к отдаче при повторном запуске.
- i) **Для снижения риска заклинивания круга и отдачи обеспечьте надлежащую опору для длинных панелей или прочих заготовок большого размера.** Заготовки большого размера могут провисать под собственным весом. Опоры необходимо поместить под панель возле линии распила и возле края панели по обеим сторонам круга.
- j) **Соблюдайте повышенную осторожность при выполнении врезного пиления стен или в других слепых зонах.** Можно случайно перерезать газовые или водопроводные трубы, электрическую проводку, а также предметы, которые могут вызвать отдачу.

Дополнительные правила техники безопасности при абразивной резке:

- a) **Данный электроинструмент предназначен для резания. Прочтите все правила техники безопасности, инструкции, иллюстрации и спецификации по данному электроинструменту.** Несоблюдение всех нижеприведенных инструкций может привести к поражению электрическим током, пожару и/или серьезной травме.
- b) **Не рекомендуется выполнять с помощью данного инструмента такие работы, как заточку, шлифование, крацевание и полирование.** Выполнение работ, не предусмотренных для данного инструмента, представляет опасность и может привести к травмам.
- c) **Не используйте дополнительные принадлежности, которые не рекомендованы производителем инструмента и не предназначены для него специально.** Возможность установки принадлежности на электроинструмент не обеспечивает безопасность при ее использовании.
- d) **Внешний диаметр и толщина принадлежности должны соответствовать диапазону мощности электроинструмента.** Принадлежности неправильно выбранного размера не закрываются защитным ограждением и не обеспечивают надлежащего контроля управления.

- e) Посадочное отверстие кругов, фланцев, дисков-подложки и любых принадлежностей должно точно соответствовать шпинделю электроинструмента. Принадлежности с ромбовидными отверстиями, которые не подходят к монтажной арматуре электроинструмента, работают несбалансированно, слишком сильно вибрируют и могут привести к потере управления.
- f) **Не устанавливайте глубину резки больше необходимой. Чем меньше выступает круг, тем меньше шанс возникновения заклинивания и отдачи.** Перед выполнением резки убедитесь, что узел башмака затянут.
- g) **Избегайте чрезмерной нагрузки на инструмент.** Избыточная нагрузка на отрезной инструмент снижает как управляемость, так и эффективность резки.
- h) **Запрещается использовать инструмент в качестве настольной пилы.**
- i) **Крепко фиксируйте заготовку.**
- j) **Носите защитную одежду и промывайте открытые участки тела водой с мылом. Попадание пыли в рот, глаза или на кожу может привести к пощощению вредных химических веществ.** Направляйте выброс пыли в сторону от лица и тела.
- k) **Используйте соответствующий пылесос для удаления большей части статической и переносимой по воздуху пыли.** Несоблюдение требований по удалению статической и переносимой по воздуху пыли может привести к загрязнению рабочей среды или создать повышенный риск для здоровья оператора и лиц, находящихся в непосредственной близости.
- l) **Используйте зажимы или другие уместные средства фиксации обрабатываемой детали на стабильной опоре.** Удерживание обрабатываемой детали рукой или прижимание ее к телу не обеспечивает устойчивости и может привести к потере контроля и получению травмы.
- m) **Вентиляционные прорезы часто закрывают движущиеся части, и их следует избегать.** Свободная одежда, украшения или длинные волосы могут быть захвачены движущимися деталями.
-  **ВНИМАНИЕ!** Когда инструмент не используется, кладите его на бок на устойчивую поверхность в том месте, где о него нельзя споткнуться и упасть. Некоторые инструменты с аккумуляторными батареями больших размеров стоят на аккумуляторной батарее в вертикальном положении, но их легко опрокинуть.
- n) **При использовании сегментных алмазных кругов, используйте алмазные круги с периферическими зазорами не больше 10 мм и отрицательным передним углом.**

Остаточные риски

Несмотря на соблюдение соответствующих инструкций по технике безопасности и использование предохранительных устройств, некоторые остаточные риски невозможно полностью исключить. А именно:

- ухудшение слуха;
- риск травм от разлетающихся частиц;
- риск получения ожогов в результате нагрева инструмента в процессе работы;
- риск получения травмы в результате продолжительной работы.

СОХРАНИТЕ НАСТОЯЩЕЕ РУКОВОДСТВО

Зарядные устройства

Зарядные устройства DEWALT не требуют регулировки и максимально просты в использовании.

Электробезопасность

Электродвигатель рассчитан на работу только при одном напряжении сети. Необходимо обязательно убедиться в том, что напряжение источника питания соответствует указанному на шильдике устройства. Необходимо также убедиться в том, что напряжение работы зарядного устройства соответствует напряжению в сети.



Зарядное устройство DEWALT оснащено двойной изоляцией в соответствии с требованиями EN60335; поэтому провод заземления не требуется.

В случае повреждения кабеля питания его необходимо заменить специально подготовленным кабелем, который можно приобрести в сервисных центрах DEWALT.

Использование удлинительного кабеля

Используйте удлинитель только в случаях крайней необходимости. Используйте только утвержденные удлинители промышленного изготовления, рассчитанные на мощность не меньшую, чем потребляемая мощность зарядного устройства (см. **Технические характеристики**). Минимальное поперечное сечение провода электрического кабеля должно составлять 1 мм²; максимальная длина 30 м. При использовании кабельного барабана всегда полностью разматывайте кабель.

Важные инструкции по технике безопасности для всех зарядных устройств

СОХРАНИТЕ НАСТОЯЩЕЕ РУКОВОДСТВО. В данном руководстве содержатся важные инструкции по технике безопасности для совместимых зарядных устройств (см. **Технические характеристики**).

- **Перед тем как использовать зарядное устройство, внимательно изучите все инструкции и предупреждающие этикетки на зарядном устройстве, батарее и инструменте, для которого используется батарея.**



ВНИМАНИЕ: Опасность поражения электрическим током. Не допускайте попадания жидкости

в зарядное устройство. Это может привести к поражению электрическим током.



ВНИМАНИЕ: Рекомендуется использовать устройство защитного отключения (УЗО) с током утечки до 30 мА.



ВНИМАНИЕ: Опасность ожога. Во избежание травм, следует использовать только аккумуляторные батареи производства DEWALT. Использование батареи другого типа может привести к взрыву, травмам и повреждению.



ПРЕДУПРЕЖДЕНИЕ: Не позволяйте детям играть с данным устройством.

ПОЯСНЕНИЕ: В определенных условиях, при подключении зарядного устройства к источнику питания, может произойти короткое замыкание контактов внутри зарядного устройства посторонними материалами. Не допускайте попадания в полости зарядного устройства таких токопроводящих материалов, как стальная стружка, алюминиевая фольга или другие металлические частицы и т. п. Всегда отключайте зарядное устройство от источника питания, если в нем нет аккумуляторной батареи. Всегда отключайте зарядное устройство от сети перед тем, как приступить к очистке инструмента

- **НЕ ПЫТАЙТЕСЬ заряжать батареи с помощью каких-либо других зарядных устройств, кроме тех, которые указаны в данном руководстве.** Зарядное устройство и батарея предназначены для совместного использования.
- **Эти зарядные устройства не предназначены ни для какого другого использования, помимо зарядки аккумуляторных батарей DEWALT.** Использование любых других батарей может привести к возгоранию, поражению электротоком или гибели от электрического шока.
- **Не подвержайте зарядное устройство воздействию снега или дождя.**
- **При отключении зарядного устройства от сети всегда тяните за штепсельную вилку, а не за кабель.** Это поможет избежать повреждения штепсельной вилки и розетки.
- **Убедитесь в том, что кабель расположен таким образом, чтобы на него не наступили, не споткнулись об него, а также в том, что он не натянут и не может быть поврежден.**
- **Не используйте удлинительный кабель без крайней необходимости.** Использование удлинительного кабеля неподходящего типа может привести к пожару или поражению электрическим током.
- **Не ставьте на зарядное устройство никакие предметы и не устанавливайте зарядное устройство на мягкую поверхность, которая может закрыть вентиляционные отверстия и привести к перегреву.** Не размещайте зарядное устройство поблизости от источников тепла.

Вентиляция зарядного устройства происходит с помощью отверстий в верхней и нижней части корпуса.

- **Не используйте зарядное устройство при наличии поврежденной кабеля или штепсельной вилки – в этом случае необходимо немедленно их заменить.**
- **Не используйте зарядное устройство, если его роняли, либо если оно подвергалось сильным ударам или было повреждено каким-либо иным образом.** Обратитесь в авторизованный сервисный центр.
- **Не разбирайте зарядное устройство. При необходимости обратитесь в специализированный сервисный центр, если нужно провести обслуживание или ремонт инструмента.** Неправильная сборка может стать причиной пожара или поражения электрическим током.
- **В случае повреждения кабеля питания его необходимо немедленно заменить у производителя, в его сервисном центре или с привлечением другого специалиста аналогичной квалификации для предотвращения несчастного случая.**
- **Перед очисткой отключите зарядное устройство от сети. В противном случае, это может привести к поражению электрическим током.** Извлечение аккумуляторной батареи не приведет к снижению степени этого риска.
- **НИКОГДА не подключайте два зарядных устройства вместе.**
- **Зарядное устройство предназначено для работы при стандартном напряжении сети в 230 В. Не пытайтесь использовать его при каком-либо ином напряжении.** Это не относится к автомобильному зарядному устройству.

Зарядка батареи (Рис. [Fig.] В, С)

1. Перед установкой батареи подключите зарядное устройство к соответствующей сетевой розетке.
2. Вставьте аккумуляторную батарею 1 в зарядное устройство, убедившись в том, что она хорошо установлена. Красный индикатор зарядки начнет мигать. Это означает, что процесс зарядки начался.
3. По окончании зарядки красный индикатор будет гореть непрерывно, не мигая. Теперь батарея полностью заряжена, и ее можно использовать или оставить в зарядном устройстве. Чтобы извлечь аккумуляторную батарею из зарядного устройства, нажмите кнопку фиксатора батареи 2 и извлеките батарею.

ПРИМЕЧАНИЕ: Чтобы обеспечить максимальную производительность и срок службы литий-ионных батарей, перед первым использованием полностью зарядите аккумуляторную батарею.

Работа с зарядным устройством

См. состояние зарядки аккумуляторной батареи на приведенных ниже индикаторах.

Индикаторы зарядки



*В это время красный индикатор продолжит мигать, а когда начнется зарядка, загорится желтый. После того, как батарея достигнет рабочей температуры, желтый индикатор погаснет, и зарядка продолжится.

Зарядное(-ые) устройство(-а) не может(-гут) полностью зарядить неисправную аккумуляторную батарею. При неисправной аккумуляторной батарее, индикатор на зарядном устройстве не загорится.

ПРИМЕЧАНИЕ: Также это может указывать на проблему с зарядным устройством.

Если зарядное устройство указывает на наличие проблемы, проверьте аккумулятор и зарядное устройство в специализированном сервисном центре.

Температурная задержка

Если температура батареи слишком низкая или слишком высокая, зарядное устройство автоматически переходит в режим температурной задержки; при этом зарядка не начинается до тех пор, пока батарея не достигнет нужной температуры. После того, как нужный уровень температуры будет достигнут, устройство перейдет в режим зарядки. Данная функция обеспечивает максимальный срок эксплуатации батареи.

Зарядка холодной батареи занимает больше времени, чем теплой. Аккумуляторная батарея заряжается медленнее во время цикла зарядки и максимального заряда не удастся добиться даже после того, как аккумуляторная батарея будет теплой.

Зарядное устройство DCB1 18 оснащено внутренним вентилятором для охлаждения батареи. Вентилятор включится автоматически, если батарея нуждается в охлаждении. Не используйте зарядное устройство, если вентилятор не функционирует или если забиты вентиляционные отверстия. Не позволяйте посторонним предметам попадать внутрь зарядного устройства.

Система электронной защиты

Литий-ионные аккумуляторные батареи XR оснащены системой электронной защиты, которая защищает аккумуляторную батарею от перегрузки, перегрева или глубокой разрядки.

При срабатывании системы электронной защиты инструмент автоматически отключается. В этом случае поставьте литий-ионную батарею на зарядку до тех пор, пока она полностью не зарядится.

Крепление на стену

Данные зарядные устройства могут крепиться на стены или устанавливаться на стол или рабочую поверхность. При креплении на стену расположите зарядное устройство

в пределах досягаемости розетки и подальше от углов и других препятствий, которые могут помешать потоку воздуха. Используйте заднюю часть зарядного устройства в качестве образца для положения монтажных болтов на стене. Надежно закрепите зарядное устройство при помощи саморезов (приобретаются отдельно) длиной минимум в 25,4 мм с диаметром шляпки самореза в 7–9 мм, вкрученных в дерево до оптимальной глубины, составляющей на поверхности примерно 5,5 мм самореза. Совместите отверстия на задней стороне зарядного устройства с выступающими саморезами и полностью вставьте их в отверстия.

Инструкции по очистке зарядного устройства

ВНИМАНИЕ: *Опасность поражения электрическим током. Перед чисткой отключите зарядное устройство от сети питания. Грязь и жир можно удалить с наружной поверхности зарядного устройства с помощью тряпки или мягкой неметаллической щетки. Не используйте воду или чистящие растворы. Не допускайте попадания жидкости внутрь инструмента; никогда не погружайте никакие из деталей инструмента в жидкость.*

Аккумуляторные батареи**Важные инструкции по технике безопасности для всех батарей**

При заказе запасных батарей не забудьте указать номер по каталогу и напряжение.

При покупке батарея заряжена не полностью. Перед тем, как использовать батарею и зарядное устройство, прочтите следующие инструкции по технике безопасности. Затем выполните необходимые действия для зарядки.

ВНИМАТЕЛЬНО ПРОЧИТЕ ВСЕ ИНСТРУКЦИИ

- **Не заряжайте и не используйте батарею во взрывоопасной атмосфере, например, при наличии горючих жидкостей, газов или пыли.** Установка или удаление батареи из зарядного устройства может привести к воспламенению пыли или газов.
- **Никогда не прилагайте больших усилий, вставляя батарею в зарядное устройство. Не вносите изменения в конструкцию батарей с целью установить их в зарядное устройство, к которому они не подходят. Это может привести к серьезным травмам.**
- **Заряжайте батареи только с помощью зарядных устройств DEWALT.**
- **НЕ ПРОЛИВАЙТЕ** на них и не погружайте их в воду или другие жидкости.
- **Не храните и не используйте данное устройство и батарею при температуре выше 40 °C (например, на внешних пристройках или на металлических поверхностях зданий в летнее время).**

- **Не сжигайте батареи, даже поврежденные или полностью отработавшие.** При попадании в огонь батареи могут взорваться. При сжигании литий-ионных батарей образуются токсичные вещества и газы.
- **При попадании содержимого батареи на кожу, немедленно промойте это место водой с мылом.** При попадании содержимого батареи в глаза, необходимо промыть открытые глаза проточной водой в течение 15 минут или до тех пор, пока не пройдет раздражение. При необходимости обращения к врачу, может пригодиться следующая информация: электролит представляет собой смесь жидких органических углекислых и литиевых солей.
- **При вскрытии батареи, ее содержимое может вызвать раздражение дыхательных путей.** Обеспечьте наличие свежего воздуха. Если симптомы сохраняются, обратитесь к врачу.



ВНИМАНИЕ: Опасность ожога. Содержимое батареи может воспламениться при попадании искр или огня.



ВНИМАНИЕ: Ни в коем случае не разбирайте батарею. При наличии трещин или других повреждений батареи, не устанавливайте ее в зарядное устройство. Не роняйте батарею и не подвергайте ее ударам или другим повреждениям. Не используйте батарею или зарядное устройство после удара, падения или получения каких-либо других повреждений (например, после того, как ее проткнули гвоздем, ударили молотком или наступили на нее). Это может привести к удару или поражению электрическим током. Поврежденные батареи необходимо вернуть в сервисный центр для повторной переработки.



ВНИМАНИЕ: Риск воспламенения. Избегайте замыкания выводов батарей металлическими предметами во время хранения или переноски.

Например, не кладите аккумуляторные батареи в передники, карманы, ящики для инструментов, выдвижные ящики и т. п. с гвоздями, гайками, ключами и т. п.



ПРЕДУПРЕЖДЕНИЕ: Когда устройство не используется, кладите его на бок на устойчивую поверхность в таком месте, где оно не может упасть и об него нельзя споткнуться. Некоторые устройства с батареями большого размера, стоят сверху на батарее, и могут легко упасть.

Транспортировка



ВНИМАНИЕ: Риск воспламенения. При транспортировке аккумуляторных батарей может произойти возгорание, если терминалы аккумуляторных батарей случайно будут замкнуты электропроводящими материалами. При транспортировке аккумуляторных батарей убедитесь в том, что терминалы защищены

и хорошо изолированы от материалов, контакт с которыми может привести к короткому замыканию.

ПРИМЕЧАНИЕ: Литий-ионные аккумуляторные батареи запрещается сдавать в багаж.

Батареи DeWALT соответствуют всем применимым правилам транспортировки, как предусмотрено промышленными и юридическими стандартами, включая рекомендации ООН по транспортировке опасных грузов; Ассоциация международных авиаперевозчиков (IATA) правила перевозки опасных грузов, Международные правила перевозки опасных грузов морским путем (IMDG), и европейское соглашение о международной дорожной перевозке опасных грузов (ADR). Литий-ионные элементы и аккумуляторные батареи были протестированы в соответствии с разделом 38.3 Рекомендаций ООН по транспортировке опасных грузов руководства по тестам и критериям.

В большинстве случаев транспортировка аккумуляторных батарей DeWALT не попадает под классификацию, поскольку они не являются опасными материалами Класса 9. В целом, полностью под правила Класса 9 подпадают только перевозки литий-ионных батарей с энергоемкостью выше 100 Ватт час (Вт ч). Энергоемкость всех литий-ионных аккумуляторных батарей в Ватт-часах указана на упаковке. Кроме того, из-за сложности правил, DeWALT не рекомендует перевозку литий-ионных батарей по воздуху вне зависимости от их энергоемкости. Поставки инструментов с батареями (комбинированные наборы) могут перевозиться по воздуху согласно исключениям, если энергоемкость батареи не превышает 100 Вт ч.

Независимо от того, является ли перевозка исключением или выполняется по правилам, перевозчик должен уточнить последние требования к упаковке, маркировке и оформлению документации.

Информация, изложенная в данном руководстве обоснована и на момент создания данного документа может считаться точной. Но эта гарантия не является ни выраженной, ни подразумеваемой. Покупатель должен обеспечить то, что бы его деятельность соответствовала всем применимым законам.

Транспортировка батареи FLEXVOLT™

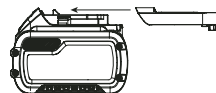
Батарея DeWALT FLEXVOLT™ оснащена двумя режимами: **эксплуатации и транспортировки.**

Режим эксплуатации: если батарея FLEXVOLT™ используется отдельно или в изделии DeWALT на 18 В, то она будет работать в качестве батареи 18 В. Если батарея FLEXVOLT™ используется в изделии на 54 В или 108 В (две батареи 54 В), то она будет работать в качестве батареи 54 В.

Режим транспортировки: если к батарее FLEXVOLT™ прикреплена крышка, то батарея находится в режиме транспортировки. Сохраните крышку для транспортировки.

При режиме транспортировки ряды элементов электрически отсоединяются внутри батареи, что в итоге дает

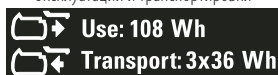
3 батареи с более низкой энергоемкостью в ватт-часах (Вт ч)



по сравнению с 1 батареей с более высокой емкостью в ватт-часах. Данное увеличенное количество в 3 батареи с более низкой энергоемкостью может исключить комплект из некоторых ограничений на перевозку, налагаемых на батареи с более высокой энергоемкостью.

Например, энергоемкость в режиме транспортировки указана как 3 × 36 Вт ч, что может означать 3 батареи с емкостью в 36 Вт ч каждая. Энергоемкость в режиме эксплуатации указана как 108 Вт ч (подразумевается 1 батарея).

Пример маркировки режимов эксплуатации и транспортировки



Рекомендации по хранению

1. Лучшим местом для хранения является прохладное и сухое место, защищенное от прямых солнечных лучей, высокой или низкой температуры. Для оптимальной работы и продолжительного срока службы, храните неиспользуемые аккумуляторные батареи при комнатной температуре.
2. Для достижения максимальных результатов при продолжительном хранении рекомендуется полностью зарядить батарейный комплект и хранить его в прохладном сухом месте вне зарядного устройства.

ПРИМЕЧАНИЕ: Аккумуляторные батареи не должны храниться в полностью разряженном состоянии. Перед использованием аккумуляторная батарея требует повторной зарядки.

Маркировка на зарядном устройстве и аккумуляторной батарее

Помимо пиктограмм, используемых в данном руководстве, на зарядном устройстве и батарее имеются следующие обозначения:



Перед началом работы прочтите руководство по эксплуатации.



Чтобы узнать время зарядки, см. **Технические характеристики**.



Не касайтесь токопроводящими предметами контактов батареи и зарядного устройства.



Не пытайтесь заряжать поврежденную батарею.



Не подвергайте электроинструмент или его элементы воздействию влаги.



Немедленно заменяйте поврежденный кабель питания.



Зарядку осуществляйте только при температуре от 4 °C до 40 °C.



Для использования внутри помещений.



Утилизируйте отработанные батареи безопасным для окружающей среды способом.



Заряжайте аккумуляторные батареи DEWALT только с помощью соответствующих зарядных устройств DEWALT. Зарядка иных аккумуляторных батарей, кроме DEWALT на зарядных устройствах DEWALT может привести к возгоранию аккумуляторных батарей и возникновению других опасных ситуаций.



Не сжигайте аккумуляторную батарею.



ЭКСПЛУАТАЦИЯ (без крышки для транспортировки). Пример: энергоемкость указана как 108 Вт ч (1 батарея с 108 Вт ч).



ТРАНСПОРТИРОВКА (с крышкой для транспортировки). Пример: энергоемкость указана как 3 × 36 Вт ч (3 батареи по 36 Вт ч).

Тип аккумуляторной батареи

Модели, работающие от аккумуляторных батарей 18 В: DCS438.

Могут использоваться следующие типы батарей: DCB181, DCB182, DCB183, DCB183B, DCB183G, DCB184, DCB184B, DCB184G, DCB185, DCB187, DCB189, DCB546, DCB547, DCB548, DCBP0304. Подробную информацию см. в разделе **«Технические характеристики»**.

ПРИМЕЧАНИЕ. Хотя инструмент способен работать от аккумуляторных батарей FLEXVOLT™, использовать аккумуляторную батарею DCB548 не рекомендуется из соображений балансировки инструмента.

Комплект поставки

В комплект входят:

- 1 Отрезной инструмент
- 2 Пылеуловитель
- 1 Гаечный ключ
- 1 Аккумуляторная батарея DCBP0304 (модель E2)
- 1 Ионно-литиевая аккумуляторная батарея (модели C1, D1, E1, G1, L1, M1, P1, S1, T1, X1, Y1)
- 2 Ионно-литиевые аккумуляторные батареи (модели C2, D2, E2, G2, L2, M2, P2, S2, T2, X2, Y2)
- 3 Ионно-литиевые аккумуляторные батареи (модели C3, D3, E3, G3, L3, M3, P3, S3, T3, X3, Y3)
- 1 Руководство по эксплуатации

ПРИМЕЧАНИЕ. Аккумуляторные батареи, зарядные устройства и инструментальные ящики не входят в комплект поставки для моделей N. Аккумуляторные батареи и зарядные устройства не входят в комплект поставки для

моделей NT. Модели В включают в себя аккумуляторные батареи Bluetooth®.

ПРИМЕЧАНИЕ. Словесный товарный знак и логотип Bluetooth® являются зарегистрированными товарными знаками Bluetooth®, SIG, Inc. и любое использование этих знаков DEWALT выполняется по лицензии. Другие торговые марки и названия принадлежат их владельцам.

- Проверьте инструмент, детали и дополнительные принадлежности на предмет повреждений, которые могли произойти во время транспортировки.
- Перед эксплуатацией внимательно прочтите данное руководство.

Маркировка инструмента

На инструмент нанесены следующие обозначения:



Перед началом работы прочтите руководство по эксплуатации.



Используйте защитные наушники.



Используйте защитные очки.



Видимое излучение. Не направляйте луч в глаза.



Порядок символов: назад/блокировка/вперед

Место положения кода даты (Рис. В)

Код даты **27**, который также включает в себя год изготовления, отштампован на поверхности корпуса инструмента.

Пример:

2022 XX XX
Год изготовления

Описание (рис. А)



ОСТОРОЖНО! Никогда не вносите изменения в конструкцию электроинструмента или какой-либо его части. Это может привести к повреждениям или травмам.

- 1 Аккумуляторная батарея
- 2 Отпирающая кнопка батареи
- 3 Рукоятка
- 4 Пусковой выключатель
- 5 Переключатель направления вращения/блокировки
- 6 Кнопка блокировки шпинделя
- 7 Индикатор направления
- 8 Насадка для отвода пыли
- 9 Узел пылеуловителя башмака
- 10 Указатель глубины реза
- 11 Барашковая гайка глубины реза
- 12 Ограждение

13 Шестигранный ключ

14 Отверстие под систему привязывания инструмента

Назначение

Отрезной инструмент предназначен для профессиональных работ по резке. Данный отрезной инструмент предназначен для резки различных материалов. Следуйте информации относительно диапазона применения режущего диска.

НЕ ИСПОЛЬЗУЙТЕ в условиях повышенной влажности или поблизости от легковоспламеняющихся жидкостей или газов.

НЕ ПОЗВОЛЯЙТЕ детям прикасаться к инструменту. Использование инструмента неопытными пользователями должно происходить под контролем опытного лица.

- **Малолетние дети и люди с ограниченными физическими возможностями.** Данное изделие не предназначено для использования маленькими детьми или людьми с ограниченными физическими возможностями, если они не находятся под присмотром лица, отвечающего за их безопасность.
- Данный инструмент не предназначен для использования лицами (включая детей) с ограниченными физическими, психическими и умственными возможностями, не имеющими опыта, знаний или навыков работы с ним, если они не находятся под наблюдением лица, ответственного за их безопасность. Никогда не оставляйте детей с этим инструментом без присмотра.

СБОРКА И РЕГУЛИРОВКА



ВНИМАНИЕ: Чтобы снизить риск получения серьезной травмы, необходимо выключить инструмент и отсоединить батарею, прежде чем выполнять какую-либо регулировку либо удалять/устанавливать какие-либо насадки или дополнительные принадлежности.

Случайный запуск может привести к травме.



ВНИМАНИЕ: Используйте только зарядные устройства и аккумуляторные батареи марки.

Установка и извлечение аккумуляторной батареи из инструмента (Рис. В, С)

ПРИМЕЧАНИЕ: Убедитесь, что аккумуляторная батарея **1** полностью заряжена.

Установка батареи в рукоятку инструмента

- 1 Совместите аккумуляторную батарею **1** с выемкой на внутренней стороне рукоятки (Рис. В, С).
- 2 Задвиньте ее в рукоятку так, чтобы аккумуляторная батарея плотно встала на место и убедитесь, что услышали щелчок от вставшего на место замка.

Извлечение батареи из инструмента

- 1 Нажмите кнопку фиксатора батареи **2** и вытащите батарею из рукоятки.
- 2 Вставьте батарею в зарядное устройство, как указано в разделе данного руководства, посвященном зарядному устройству.

Датчик уровня заряда аккумуляторной батареи (Рис. В, С)

В некоторых аккумуляторных батареях DEWALT есть датчик заряда, который включает три зеленых светодиодных индикатора, показывающих уровень оставшегося заряда аккумуляторной батареи.

Для включения датчика заряда, нажмите и удерживайте кнопку датчика заряда **28**. Загорятся три зеленых светодиода, показывая уровень оставшегося заряда. Когда уровень заряда аккумуляторной батареи будет ниже уровня, необходимого для использования, светодиоды перестанут гореть и аккумуляторную батарею следует зарядить.

ПРИМЕЧАНИЕ: Датчик заряда аккумуляторной батареи показывает уровень оставшегося заряда. Он не показывает работоспособность устройства и его показания могут меняться в зависимости от компонентов продукта, температуры и сфер применения.

Круги

! **ОСТОРОЖНО!** Для сведения к минимуму риска травмирования глаз, обязательно надевайте защитные очки. Карбид является твердым, но хрупким материалом. Посторонние предметы в заготовке наподобие проводов или гвоздей могут привести к трещинам и поломкам кончиков. Надежно устанавливайте круг в правильном направлении вращения перед использованием и всегда используйте чистые и острые круги.

! **ОСТОРОЖНО!** Для снижения риска получения травм, используйте круги диаметром не более 76 мм со внутренним диаметром в 10 мм и без режущих зубцов. Толщина круга не должна превышать 0,09 дюйма.

! **ОСТОРОЖНО!** В связи с тем, что дополнительные принадлежности других производителей, кроме DEWALT, не проходили проверку на совместимость с данным изделием, их использование может представлять опасность. Во избежание риска получения травмы, с данным продуктом должны использоваться только дополнительные принадлежности, рекомендованные DEWALT.

Изношенный круг приводит к неэффективной резке, перегрузке электродвигателя, чрезмерному расщеплению и повышенному риску отдачи. См. таблицу ниже, чтобы найти подходящий круг для выполняемых работ.

| Тип круга | Применение |
|--|---|
| Универсальный алмазный круг (DT20590-QZ) | Гипсокартон, волокнистый цемент, пластмасса, сталь, цветные металлы |
| Абразивный диск (DT20592-QZ) | Сталь, нержавеющей сталь, цветные материалы |
| Алмазный круг для плитки (DT20591-QZ) | Керамическая плитка, фарфор и гранит/мрамор/камень |

Установка кругов (рис. А, С)

! **ОСТОРОЖНО!** Опасность ожога. Острые детали. При замене кругов **ОБЯЗАТЕЛЬНО** надевайте перчатки. Круги обладают острыми краями и могут крайне сильно нагреваться во время работы, поэтому они представляют опасность для голых рук.

! **ОСТОРОЖНО!** Для снижения риска получения травм, используйте круги диаметром не более 76 мм со внутренним диаметром в 10 мм и без режущих зубцов. Толщина круга не должна превышать 0,09 дюйма. Круги типа 1 предназначены только для бокового шлифования, а не шлифования поверхностей. Не применяйте силу для установки кругов на инструмент и не меняйте размер ромбовидного отверстия.

1. Извлеките аккумуляторную батарею.
2. Положите устройство на твердую поверхность шпинделем **15** вверх.
3. Зажмите кнопку блокировки шпинделя **6**, чтобы не дать шпинделю вращаться. Резьба шпинделя — левосторонняя.
4. С помощью поставленного в комплекте ключа на 6 мм **13**, выверните винт шпинделя **18**, наружный фланец **17**, отработанный круг **19** при наличии такового и внутренний фланец **16**. Резьба шпинделя — левосторонняя.
5. Наденьте внутренний фланец на шпиндель.
6. Наденьте круг на шпиндель. Убедитесь, что круг соответствует диаметру направляющего отверстия внутреннего фланца.
ПРИМЕЧАНИЕ. При установке алмазных кругов убедитесь, что направление вращения круга соответствует нужному направлению вращения инструмента. Алмазные круги неэффективны при резке, если метка направления на круге не совпадает с направлением вращения. Проверьте положение переключателя направления вращения/блокировки **5** и убедитесь, что оно соответствует метке направления на круге.
7. Наденьте внешний фланец плоской стороной к отрезному кругу.
ПРИМЕЧАНИЕ. При правильной установке должны быть видны слова «LOOSE TIGHTEN» (ослабить/затянуть).
8. Вставьте и немного вкрутите винт шпинделя, который самостоятельно выравнивает внешний фланец. Убедитесь, что круг установлен правильной стороной.
9. Нажмите на кнопку блокировки шпинделя и затяните гайку с помощью ключа. Не затягивайте винт шпиндель слишком плотно.
10. Поверните круг вручную и убедитесь, что он правильно отцентрирован. Круг не должен касаться башмака, ограждения или винта шпинделя. Винт шпинделя и фланцы должны быть плотно затянуты.

! **ОСТОРОЖНО!** Если винт шпинделя неплотно затянут, то вращение в направлении вперед (F) может привести к его ослаблению.

Регулировка угла ограждения (рис. D)

! **ОСТОРОЖНО!** Смещение ограждения назад с увеличением зазора повышает риск возникновения отдачи. Ограждение следует открывать шире только в случае необходимости.

Угол ограждения можно отрегулировать.

1. Извлеките аккумуляторную батарею.
2. Крепко возьмитесь за ограждение **12** и поверните его до нужного угла. Ограждение можно вращать на 30 градусов вперед или назад.

Установка, снятие и регулировка пылеуловителя (рис. A, E)

ПРИМЕЧАНИЕ. Пылеуловитель предназначен только для резки плитки/бетона и гипсокартона с подключением к пылесосу для сбора пыли. Использование пылеуловителя при резке по металлу не рекомендуется.

1. Извлеките аккумуляторную батарею.
2. Правильно установив круг, поверните ограждение **12** вперед до упора.
3. Отверните барашковую гайку глубины реза **11** и полностью выдвиньте башмак. Затяните ручку регулировки глубины реза вручную.
4. Переведите верхнее ограждение и круг в узел пылеуловителя **9** и поверните инструмент, чтобы зафиксировать его на месте. Передняя часть ограждения должна упереться в упор внутри узла, в то время как задняя часть зацепится за ушко **20**.

Снятие пылеуловителя

1. Извлеките аккумуляторную батарею.
2. Отверните барашковую гайку глубины реза и полностью выдвиньте башмак. Затяните барашковую гайку глубины реза вручную.
3. Зажмите кнопку фиксатора пылеуловителя **21** и поверните инструмент, чтобы высвободить его из узла пылеуловителя.

Регулировка глубины реза

1. Отверните барашковую гайку глубины реза и сдвиньте пылеуловитель вверх или вниз. Воспользуйтесь отметками глубины реза на указателе глубины реза, чтобы определить подходящую глубину. Отрегулируйте глубину реза в соответствии с толщиной заготовки. Под заготовки должно быть видно менее 1/4 дюйма круга.

Установка переходника AirLock™ для подсоединения совместимого пылесоса (рис. F)

! **ОСТОРОЖНО!** Запрещается использовать пылесос при распиловке металла. Металлическая стружка

может нагреваться и искрить, что может привести к расплавлению шлангов пылесоса и возгоранию внутри пылесоса.

! **ОСТОРОЖНО!** При использовании пылесоса, опорожняйте его перед работой и регулярно во время нее. Соблюдайте осторожность при утилизации пыли. Пыль представляет угрозу здоровью при вдыхании, проглатывании или контакте с кожей. Вещества в мелкодисперсной пыли могут быть взрывоопасными.

Ваш инструмент совместим с соединительной системой DeWALT AirLock™. Система AirLock™ обеспечивает быстрое и надежное соединение между разъемом **22** переходника AirLock™ и патрубком пылеотвода инструмента **8**.

1. Извлеките аккумуляторную батарею.
2. Убедитесь, что муфта переходника AirLock™ находится в положении разблокировки. (См. рис. F.) Совместите метки **23** на муфте и переходнике AirLock™, как показано для положений блокировки и разблокировки.
3. Вставьте переходник AirLock™ в место его подсоединения.
4. Поверните муфту в положение блокировки.

ПРИМЕЧАНИЕ. Шарикоподшипники внутри муфты фиксируются в прорези, обеспечивая плотность соединения. Теперь электроинструмент надежно подсоединен к пылесосу.

ПРИМЕЧАНИЕ. Если муфта патрубка пылеотвода повреждена, то она может быть заменена пользователем. Муфту можно приобрести как дополнительную принадлежность и заменить ее при помощи отвертки.

ЭКСПЛУАТАЦИЯ

Инструкции по использованию

! **ВНИМАНИЕ:** Всегда следуйте указаниям действующих норм и правил безопасности.

! **ВНИМАНИЕ:** Чтобы снизить риск получения серьезной травмы, необходимо выключить инструмент и отсоединить батарею, прежде чем выполнять какую-либо регулировку либо удалять/устанавливать какие-либо насадки или дополнительные принадлежности. Случайный запуск может привести к травме.

Правильное положение рук во время работы (рис. G)

! **ОСТОРОЖНО!** Во избежание риска получения серьезных травм **ВСЕГДА** используйте правильное положение рук как показано на рисунке.

! **ОСТОРОЖНО!** Во избежание риска получения серьезных травм **ВСЕГДА** крепко держите инструмент, предупреждая внезапную резкую отдачу.

! **ОСТОРОЖНО!** Держите свободную руку подальше от режущей части. Не держите руки под заготовкой.

При правильном положении рук одна рука должна находиться на основной рукоятке **3**.

Кнопка блокировки шпинделя (рис. С, Н)

Кнопка блокировки шпинделя **6** предназначена для блокировки шпинделя **15** во время замены дополнительных принадлежностей.





1. Чтобы задействовать кнопку блокировки шпинделя, извлеките аккумуляторную батарею и убедитесь, что пусковой выключатель находится в положении выключения.
2. Нажмите кнопку блокировки шпинделя и вращайте круг и шпиндель до тех пор, пока кнопка блокировки не зафиксирует шпиндель.
3. Используйте поставленный в комплекте ключ **13**, чтобы отвернуть гайку шпинделя **18** и снять или установить дополнительные принадлежности. Резьба шпинделя — левосторонняя.

Переключатель направления вращения/блокировки (рис. А)


Отрезной инструмент оснащен переключателем направления вращения/блокировки **5**. Некоторые виды работы или дополнительных принадлежностей могут потребовать изменить направление вращения инструмента. При выполнении резки, выберите направление, при котором инструмент будет удаляться от вашего тела. При установке алмазного круга, выберите направление вращения, совпадающее со стрелкой на круге.

- Для вращения вперед (т. е. по часовой стрелке) переведите переключатель направления вращения/блокировки в крайнее правое положение, как показано на индикаторе направления **7**.
- Для вращения назад (т. е. против часовой стрелки) переведите переключатель направления вращения/блокировки в крайнее левое положение, как показано на индикаторе направления.
- Чтобы зафиксировать пусковой выключатель, переведите переключатель направления вращения/блокировки в центральное положение, как показано на индикаторе направления.

Эксплуатация (рис. А)

-  **ВНИМАНИЕ!** Крепко возьмитесь за инструмент перед тем, как его запустить.
-  **ОСТОРОЖНО!** Снятие фасок следует выполнять только со специально предназначенными для этого кругами. В целях безопасности, направляйте инструмент открытой стороной ограждения к поверхности во время снятия фасок.
-  **ОСТОРОЖНО!** При заклинивании или скручивании во время выполнения резки, круги могут разрушиться или привести к отдаче.
-  **ОСТОРОЖНО!** Не используйте круги для снятия фасок для шлифования поверхностей, так как данные круги не рассчитаны на боковые нагрузки,

образующиеся при шлифовании поверхностей. Последствием этого может стать разрушение круга и получение травмы.

 **ОСТОРОЖНО!** Избегайте ударного воздействия на отрезной круг при начале резки или в ее процессе.

1. Крепко держитесь за основную рукоятку **3**.
2. Выровняйте круг по одной плоскости с обрабатываемым материалом. Убедитесь в отсутствии посторонних предметов рядом с кругом или на одной линии с ним.
3. Нажмите и удерживайте пусковой выключатель **4** затем медленно, но крепко подайте круг к заготовке. Избегайте чрезмерной нагрузки на инструмент. Поддерживайте высокую скорость вращения круга, чтобы обеспечить ему максимальную эффективность и срок службы.
4. Чтобы остановить инструмент, отпустите пусковой выключатель **4**.


При использовании пылеуловителя (рис. Н)

1. Извлеките аккумуляторную батарею.
2. Отрегулируйте глубину резки вместе с установленным пылеуловителем.
3. Вставьте аккумуляторную батарею.
4. При резке, держите башмак параллельно поверхности и крепко держитесь за инструмент; не пытайтесь прилагать избыточное усилие к отрезному инструменту во время обработки заготовки. Применение избыточного усилия к отрезному инструменту может привести к возникновению отдачи.

ПРИМЕЧАНИЕ. При выполнении частичной резки, возобновлении резки или изменении направления резки. Дождитесь полной остановки круга. Чтобы возобновить резку, отцентрируйте круг в пропиале (прорези) **29**, отведите инструмент назад от разрезаемой кромки, нажмите пусковой выключатель и медленно войдите обратно в пропиал.

5. Чтобы остановить инструмент, отпустите пусковой выключатель.

Чип Tool Connect™ (Рис. I)

 **ВНИМАНИЕ:** Для снижения риска получения тяжелых травм выключайте инструмент и извлекайте аккумуляторную батарею перед проведением любых действий по регулировке или установке/снятию дополнительных принадлежностей или насадок. Случайный запуск может привести к травме.

Ваш инструмент готов к работе с чипом Tool Connect™ и имеет для его установки специально предназначенное место.

Чип Tool Connect™ – это дополнительное приложение для интеллектуального устройства (например, смартфона или планшета), которое обеспечивает соединение устройства с инструментом для использования мобильного приложения для функций управления.

В инструкции к чипу **Tool Connect™ вы найдете** дополнительную информацию.

Установка чипа Tool Connect™

1. Удалите винты **24**, удерживающие защитную крышку чипа Tool Connect™ **25** на инструменте.
2. Снимите защитную крышку и вставьте чип Tool Connect™ в пустое гнездо **26**.
3. Убедитесь, что чип Tool Connect™ находится заподлицо с корпусом инструмента. Зафиксируйте его, затянув винты.
4. В инструкции к чипу **Tool Connect™ вы найдете** дополнительные инструкции.

Транспортировка и хранение

При транспортировке и хранении, фиксируйте пусковой выключатель кнопкой блокировки.

Извлекайте аккумуляторную батарею из инструмента перед тем, как убрать его на хранение.

ТЕХНИЧЕСКОЕ ОБСЛУЖИВАНИЕ

Электроинструмент имеет длительный срок эксплуатации и требует минимальных затрат на техобслуживание. Для длительной безотказной работы необходимо обеспечить правильный уход за инструментом и его регулярную очистку.



ВНИМАНИЕ: *Чтобы снизить риск получения серьезной травмы, необходимо выключить инструмент и отсоединить батарею, прежде чем выполнять какую-либо регулировку либо удалять/устанавливать какие-либо насадки или дополнительные принадлежности.*

Случайный запуск может привести к травме.

Зарядное устройство и аккумуляторные батареи неремонтопригодны.



Смазка

Ваш электроинструмент не требует дополнительной смазки.



Чистка



ВНИМАНИЕ: *Выдувайте грязь и пыль из корпуса сухим сжатым воздухом по мере видимого скопления грязи внутри и вокруг вентиляционных отверстий. Выполняйте очистку, надев средство защиты глаз и респиратор утвержденного типа.*



ВНИМАНИЕ: *Никогда не используйте растворители или другие агрессивные химические средства для очистки неметаллических деталей инструмента. Эти химикаты могут ухудшить свойства материалов, примененных в данных деталях. Используйте ткань, смоченную в воде с мягким мылом. Не допускайте попадания какой-либо жидкости внутрь инструмента; ни в коем случае не погружайте какую-либо часть инструмента в жидкость.*

Дополнительные принадлежности



ВНИМАНИЕ: *Поскольку принадлежности, отличные от тех, которые предлагаем DEWALT, не проходили тесты на данном изделии, то использование этих принадлежностей может привести к опасной ситуации. Во избежание риска получения травмы, с данным продуктом должны использоваться только рекомендованные DEWALT дополнительные принадлежности.*

По вопросу приобретения дополнительных принадлежностей обращайтесь к Вашему дилеру.

Защита окружающей среды



Отдельная утилизация. Изделия и аккумуляторные батареи с данным символом на маркировке запрещается утилизировать с обычными бытовыми отходами.

Изделия и аккумуляторные батареи содержат материалы, которые могут быть извлечены или переработаны, снижая потребность в исходном сырье. Пожалуйста, утилизируйте электрические изделия и аккумуляторные батареи в соответствии с местными нормами. Дополнительная информация доступна по адресу www.2helpU.com.

Аккумуляторная батарея

Данную аккумуляторную батарею с длительным сроком эксплуатации необходимо перезаряжать, когда она перестает обеспечивать питание, необходимое для выполнения определенных работ. По окончании срока эксплуатации ее следует утилизировать, соблюдая при этом необходимые меры по защите окружающей среды:

- полностью разрядите батарею до конца и извлеките ее из инструмента.
- литий-ионные аккумуляторные батареи подлежат вторичной переработке. Сдайте их нашему дилеру или в местный центр вторичной переработки. В этих пунктах батареи будут подвергнуты повторной переработке или правильной утилизации.

Дополнительная информация:

Дату изготовления (код даты) указан на корпусе инструмента. Код даты, который так же включает год изготовления, отштампован на поверхности корпуса изделия. Пример: 2021 46 XX, где 2021 – год изготовления, 46-неделя изготовления, XX – код завода изготовителя.

ТОВАР СЕРТИФИЦИРОВАН. Орган по сертификации "РОСТЕСТ- Москва", Адрес: 119049, г. Москва, улица Житная, д. 14, стр. 1; 117418, Москва, Нахимовский просп., 31 (факт.). Тел.: (499) 1292311, (495) 6682893, E-mail: office@rostest.ru
Изготовитель: Изготовитель: Блэк энд Деккер Холдингс ГмбХ, Германия, 65510, Идштайн, ул. Блэк энд Деккер, 40, тел. +496126212790.

Уполномоченное изготовителем юрлицо: ООО "Стэнли Блэк энд Деккер", 117485, город Москва, улица Обручева, дом 30/1, строение 2, Телефон: + 7 (495) 258-3981, факс: + 7 (495) 258-3984, E-mail: inbox@dewalt.com. Сведения о импортере указаны в сопроводительной документации и/или на упаковке.



ГАРАНТИЙНЫЙ ТАЛОН



1. Поздравляем Вас с покупкой высококачественного изделия DEWALT и выражаем признательность за Ваш выбор.
2. При покупке изделия требуйте проверки его комплектности и исправности в Вашем присутствии, инструкцию по эксплуатации и заполненный Гарантийный талон на русском языке. В гарантийном талоне должны быть внесены: модель, дата продажи, серийный номер, дата производства инструмента; название, печать и подпись торговой организации. При отсутствии у Вас правильно заполненного Гарантийного талона, а также несоответствия указанных в нем данных, мы будем вынуждены отклонить Ваши претензии по качеству данного изделия.
3. Во избежание недоразумений, убедительно просим Вас перед началом работы с изделием внимательно ознакомиться с инструкцией по его эксплуатации. Правовой основой настоящих гарантийных условий является действующее Законодательство. Гарантийный срок на данное изделие составляет 36 месяцев и исчисляется со дня продажи. В случае устранения недостатков изделия, гарантийный срок продлевается на период его нахождения в ремонте. Срок службы изделия составляет 5 лет со дня продажи.
4. В случае возникновения каких-либо проблем в процессе эксплуатации изделия рекомендуем Вам обращаться только в уполномоченные сервисные центры DEWALT, адреса и телефоны которых Вы сможете найти на сайте www.2helpU.com или узнать в магазине. Наши сервисные станции - это не только квалифицированный ремонт, но и широкий ассортимент запчастей и принадлежностей.
5. Производитель рекомендует проводить периодическую проверку и техническое обслуживание изделия в уполномоченных сервисных центрах.
6. Наши гарантийные обязательства распространяются только на неисправности, выявленные в течение гарантийного срока и вызванные дефектами производства и / или материалов.
7. Гарантийные условия не распространяются на неисправности изделия, возникшие в результате:
 - 7.1. Несоблюдения пользователем предписаний инструкции по эксплуатации изделия, применения изделия не по назначению, неправильном хранении, использования принадлежностей, расходных материалов и запчастей, не предусмотренных производителем.
 - 7.2. Механического повреждения (сколы, трещины и разрушения) внутренних и внешних деталей изделия, основных и вспомогательных рукояток, сетевого электрического кабеля, вызванного внешним ударным или любым иным воздействием.
 - 7.3. Попадания в вентиляционные отверстия и проникновение внутрь изделия посторонних предметов, материалов или веществ, не являющихся отходами, сопровождающими применение изделия по назначению, такими как: стружка, опилки, песок, и пр.
 - 7.4. Воздействий на изделие неблагоприятных атмосферных и иных внешних факторов, таких как: дождь, снег, повышенная влажность, нагрев, агрессивные среды, несоответствие параметров питающей электросети, указанных на инструменте.
 - 7.5. Стихийного бедствия. Повреждение или утрата изделия, связанное с непредвиденными бедствиями, стихийными явлениями, в том числе вследствие действия непреодолимой силы (пожар, молния, потоп и другие природные явления), а также вследствие перепадов напряжения в электросети и других причин, которые находятся вне контроля производителя.
8. Гарантийные условия не распространяются:
 - 8.1. На инструменты, подвергавшиеся вскрытию, ремонту или модификации вне уполномоченного сервисного центра.
 - 8.2. На детали и узлы, имеющие следы естественного износа, такие как: приводные ремни и колеса, угольные щетки, смазка, подшипники, зубчатое зацепление редукторов, резиновые уплотнения, сальники, направляющие ролики, муфты сцепления, бойки, толкатели, стволы, и т.п.
 - 8.3. На сменные и расходные части: цанги, зажимные гайки и фланцы, фильтры, ножи, шлифовальные подошвы, цепи, звездочки, пильные шины, защитные кожухи, пилки, абразивы, пильные и абразивные диски, фрезы, сверла, буры и т.п.
 - 8.4. На неисправности, возникшие в результате перегрузки инструмента (как механической, так и электрической), повлекшей выход из строя одновременно двух и более деталей и узлов, таких как ротора и статора, обеих обмоток статора, ведомой и ведущей шестерни редуктора или других узлов и деталей. К безусловным признакам перегрузки изделия относятся, помимо прочего: появление цветов побежалости, деформация или оплавление деталей и узлов изделия, потемнение или обугливание изоляции проводов электродвигателя под воздействием высокой температуры.

Товар получен в исправном состоянии, без видимых повреждений, в полной комплектации, проверен в моем присутствии, претензий по качеству товара не имею. С условиями гарантийного обслуживания ознакомлен и согласен.

Ф. И. О. и подпись покупателя _____

Уважаемые клиенты, наша сеть авторизованных сервисных центров постоянно расширяется. Актуальную информацию об обслуживании в интересующем вас городе вы можете узнать на сайте

www.2helpU.com

Информация об инструменте

Серийный номер / Дата производства

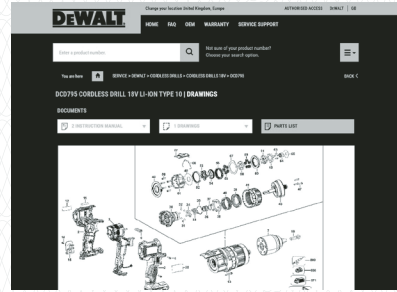
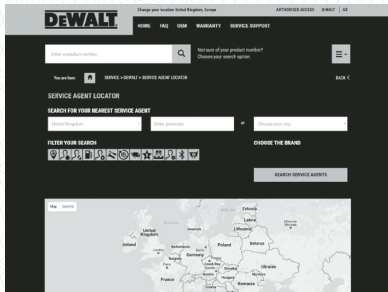
| | |
|--------------------------|--|
| Наименование инструмента | |
| Модель | |
| Наименование продавца | |
| Дата продажи | |

М.П.
Продавца

| | |
|---------------------|--|
| Инструмент | |
| Зарядное устройство | |
| Аккумулятор 1 | |
| Аккумулятор 2 | |

На сайте www.2helpU.com доступны следующие функции:

- Список авторизованных сервисных центров
- Удобный поиск ближайшего сервисного центра
- Руководство по эксплуатации
- Технические характеристики
- Список деталей и запасных частей
- Схема сборки инструмента



**Также данную информацию вы можете
получить, позвонив по телефону:
8(800) 1000 876**

ОТМЕТКА О ПРОВЕДЕНИИ СЕРВИСНОГО ОБСЛУЖИВАНИЯ

| №1 | №2 | №3 | №4 |
|------------------------------------|------------------------------------|------------------------------------|------------------------------------|
| № заказа | № заказа | № заказа | № заказа |
| Дата поступления | Дата поступления | Дата поступления | Дата поступления |
| Дата ремонта | Дата ремонта | Дата ремонта | Дата ремонта |
| Печать и подпись сервисного центра | Печать и подпись сервисного центра | Печать и подпись сервисного центра | Печать и подпись сервисного центра |



Приложение к руководству по эксплуатации электрооборудования для определения месяца производства по номеру текущей календарной недели года

Электрооборудование торговых марок "Dewalt", "Stanley", "Stanley FatMAX", "BLACK+DECKER".

Директивы 2014/30/EU ЕВРОПЕЙСКОГО ПАРЛАМЕНТА И СОВЕТА от 26 февраля 2014 г. "О гармонизации законодательства Государств-членов ЕС в области электромагнитной совместимости", 2006/42/ЕС ЕВРОПЕЙСКОГО ПАРЛАМЕНТА И СОВЕТА от 17 мая 2006 г. "О машинах и оборудовании"; 2014/35/EU ЕВРОПЕЙСКОГО ПАРЛАМЕНТА И СОВЕТА от 26 февраля 2014 г. "О гармонизации законодательства государств-членов в области размещения на рынке электрооборудования, предназначенного для использования в определенных пределах напряжения".
Серийный выпуск.

ТОВАР СЕРТИФИЦИРОВАН

Орган по сертификации "РОСТЕСТ- Москва", Адрес: 119049, г. Москва, улица Житная, д. 14, стр. 1; 117418, Москва, Нахимовский просп., 31 (фактический), Телефон: (499) 1292311, (495) 6682893, факс: (495) 6682893, E-mail: office@rostest.ru
Изготовитель: Изготовитель: Блэк энд Деккер Холдингс ГмбХ, Германия, 65510, Идштайн, ул. Блэк энд Деккер, 40, тел. +496126212790.

Уполномоченное изготовителем юр.лицо:
ООО "Стэтли Блэк энд Деккер", 117485, город Москва, улица Обручева, дом 30/1, строение 2
Телефон: + 7 (495) 258-3981, факс: + 7 (495) 258-3984, E-mail: inbox@dewalt.com
Сведения о импортере указаны в сопроводительной документации и/или на упаковке

Хранение.

Необходимо хранить в сухом месте, вдали от источников повышенных температур и воздействия солнечных лучей. При хранении необходимо избегать резкого перепада температур. Хранение без упаковки не допускается

Срок службы.

Срок службы изделия составляет 5 лет. Не рекомендуется к эксплуатации по истечении 5 лет хранения с даты изготовления без предварительной проверки.

Дата изготовления (код даты) указана на корпусе инструмента. Код даты, который также включает год изготовления, отштампован на поверхности корпуса изделия.

Пример:

2014 46 XX, где 2014 –год изготовления, 46–неделя изготовления. Определить месяц изготовления по указанной неделе изготовления можно согласно приведенной ниже таблице.

Транспортировка.

Категорически не допускается падение и любые механические воздействия на упаковку при транспортировке. При разгрузке/погрузке не допускается использование любого вида техники, работающей по принципу зажима упаковки.

Перечень критических отказов, возможные ошибочные действия персонала.

Не допускается эксплуатация изделия:
-При появлении дыма из корпуса изделия
-При поврежденном и/или оголенном сетевом кабеле
-при повреждении корпуса изделия, защитного кожуха, рукоятки
-при попадании жидкости в корпус
-при возникновении сильной вибрации
-при возникновении сильного искрения внутри корпуса

Критерии предельных состояний.

-При поврежденном и/или оголенном сетевом кабеле
-при повреждении корпуса изделия

| Месяц | Январь | Февраль | Март | Апрель | Май | Июнь | Июль | Август | Сентябрь | Октябрь | Ноябрь | Декабрь | Год производства |
|--------|--------|---------|------|--------|-----|------|------|--------|----------|---------|--------|---------|------------------|
| Неделя | 1 | 5 | 9 | 14 | 18 | 23 | 27 | 31 | 36 | 40 | 44 | 49 | 2018 |
| | 2 | 6 | 10 | 15 | 19 | 24 | 28 | 32 | 37 | 41 | 45 | 50 | |
| | 3 | 7 | 11 | 16 | 20 | 25 | 29 | 33 | 38 | 42 | 46 | 51 | |
| | 4 | 8 | 12 | 17 | 21 | 26 | 30 | 34 | 39 | 43 | 47 | 52 | |
| | | | 13 | | 22 | | | 35 | | | 48 | | |
| Неделя | 1 | 6 | 10 | 14 | 18 | 23 | 27 | 31 | 36 | 40 | 45 | 49 | 2019 |
| | 2 | 7 | 11 | 15 | 19 | 24 | 28 | 32 | 37 | 41 | 46 | 50 | |
| | 3 | 8 | 12 | 16 | 20 | 25 | 29 | 33 | 38 | 42 | 47 | 51 | |
| | 4 | 9 | 13 | 17 | 21 | 26 | 30 | 34 | 39 | 43 | 48 | 52 | |
| | 5 | | | | 22 | | | 35 | | 44 | | | |
| Неделя | 1 | 6 | 10 | 14 | 19 | 23 | 27 | 32 | 36 | 40 | 45 | 49 | 2020 |
| | 2 | 7 | 11 | 15 | 20 | 24 | 28 | 33 | 37 | 41 | 46 | 50 | |
| | 3 | 8 | 12 | 16 | 21 | 25 | 29 | 34 | 38 | 42 | 47 | 51 | |
| | 4 | 9 | 13 | 17 | 22 | 26 | 30 | 35 | 39 | 43 | 48 | 52 | |
| | 5 | | | | 18 | | 31 | | | 44 | | | |
| Неделя | 2 | 6 | 10 | 14 | 19 | 23 | 27 | 32 | 36 | 41 | 45 | 49 | 2021 |
| | 3 | 7 | 11 | 15 | 20 | 24 | 28 | 33 | 37 | 42 | 46 | 50 | |
| | 4 | 8 | 12 | 16 | 21 | 25 | 29 | 34 | 38 | 43 | 47 | 51 | |
| | 5 | 9 | 13 | 17 | 22 | 26 | 30 | 35 | 39 | 44 | 48 | 52 | |
| | | | | | 18 | | 31 | | 40 | | | 1 | |
| Неделя | 2 | 6 | 10 | 15 | 19 | 23 | 28 | 32 | 36 | 41 | 45 | 49 | 2022 |
| | 3 | 7 | 11 | 16 | 20 | 24 | 29 | 33 | 37 | 42 | 46 | 50 | |
| | 4 | 8 | 12 | 17 | 21 | 25 | 30 | 34 | 38 | 43 | 47 | 51 | |
| | 5 | 9 | 13 | 18 | 22 | 26 | 31 | 35 | 39 | 44 | 48 | 52 | |
| | | | | 14 | | 27 | | | 40 | | | 1 | |

ІНСТРУМЕНТ ДЛЯ ВІДРІЗАННЯ

DCS438

Вітаємо вас!

Ви обрали інструмент виробництва компанії DEWALT. Ретельна розробка продукції, багаторічний досвід фірми у виробництві інструментів, різні вдосконалення, все це зробило інструменти DEWALT є одними із найнадійніших помічників для тих, хто використовує електричні інструменти у своїй професії.

Технічні дані

| | | DCS438 | |
|---|--------------|--------------|--|
| Напруга | B | 18 | |
| | пост. струму | | |
| Тип | | 1 | |
| Тип акумулятора | | Літій-іонний | |
| Швидкість без навантаження / номінальна швидкість | об/хв. | 20000 | |
| Діаметр диска | мм | 76 | |
| Товщина диска (макс.) | мм | 2,2 | |
| Діаметр шпинделя | мм | 10 | |
| Довжина шпинделя | мм | 43 | |
| Маса (без акумулятора) | кг | 0,94 | |

Значення рівня шуму та/або вібрації (векторна сума трьох векторів) відповідно до стандарту EN60745-2-3:

| | | |
|--|------------------|-----|
| L_{pA} (рівень тиску звукового випромінювання) | дБ(A) | 87 |
| L_{WA} (рівень звукового тиску) | дБ(A) | 98 |
| K (похибка для даного рівня звукового тиску) | дБ(A) | 3 |
| Значення вібрації $ah =$ | м/с ² | 3,3 |
| Похибка K = | м/с ² | 1,5 |

Значення вібрації та/або шуму, наведене в цьому документі, було виміряне згідно зі стандартизованим тестом, викладеним в EN60745 та може використовуватись для порівняння інструментів. Це значення вібрації можна також використовувати для попередньої оцінки впливу вібрації.

⚠️ ПОПЕРЕДЖЕННЯ: Заявлене значення вібрації та/або шуму відповідає вимогам цільового використання інструмента. Однак якщо інструмент використовується для виконання інших завдань, або з іншими витратними матеріалами/насадками, або не обслуговується належним чином, значення вібрації та/або шуму може відхилитися. Це може значно збільшити рівень впливу протягом усього періоду роботи.

Оцінка рівня впливу вібрації та/або шуму має враховувати час, протягом якого інструмент є вимкненим, а також час, протягом якого він є ввімкненим, але не використовується. Це може

значно зменшити рівень впливу протягом усього періоду роботи.

Визначення додаткових заходів безпеки для захисту оператора від впливу вібрації та/або шуму: технічне обслуговування інструмента та приладдя, утримання рук у теплі (має значення для вібрації), організація режиму роботи.

Декларація про відповідність ЄС ДИРЕКТИВА ДЛЯ МЕХАНІЧНОГО ОБЛАДНАННЯ



Інструмент для відрізання DCS438

DEWALT заявляє, що описані в розділі **Технічні дані** пристрої відповідають стандартам: 2006/42/EC, EN60745-1:2009 + A11:2010; EN60745-2-22:2011 + A11:2013.

Ці продукти також відповідають вимогам Директив 2014/30/EU та 2011/65/EU. Для отримання додаткової інформації звертайтеся до компанії DEWALT за адресою, зазначеною нижче або наприкінці цього керівництва.

Нижчепідписаний несе відповідальність за упорядкування файлу технічних характеристик та робить цю заяву від імені компанії DEWALT..

Маркус Ромпель
Віце-президент з машинобудування, PTE-Europe
DEWALT, Richard-Klinger-Straße 11,
65510, Ідштайн, Німеччина
24.09.2021



ПОПЕРЕДЖЕННЯ: Уважно прочитайте керівництво з експлуатації для зниження ризику отримання травм.

Позначення: інструкції з техніки безпеки

Умовні позначення, наведені нижче, описують рівень важливості кожної попереджувальної вказівки. Прочитайте керівництво з експлуатації та зверніть увагу на символи, наведені нижче.



НЕБЕЗПЕЧНО: Указує на безпосередню загрозу, яка, якщо її не уникнути, призведе до смерті або серйозної травми.



ПОПЕРЕДЖЕННЯ: Вказує на потенційну загрозу, ігнорування якої може призвести до смерті або серйозної травми.

| Батареї | | | | Зарядні пристрої/час зарядки (у хвилинали)** | | | | | | | | | | |
|------------|-----------------|----------|-----------|--|--------|--------------------|--------|--------------------|---------|---------|---------|--------|--------|--|
| Кат. № | V _{ис} | Ah | Маса (kg) | DCB104 | DCB107 | DCB112/ DCB1102 | DCB113 | DCB115/ DCB1104 | DCB116 | DCB117 | DCB118 | DCB132 | DCB119 | |
| DCB546 | 18/54 | 6,0/2,0 | 1,08 | 60 | 270 | 170 | 140 | 90 | 80 | 40 | 60 | 90 | X | |
| DCB547/G | 18/54 | 9,0/3,0 | 1,46 | 75* | 420 | 270 | 220 | 135* | 110* | 60 | 75* | 135* | X | |
| DCB548 | 18/54 | 12,0/4,0 | 1,46 | 120 | 540 | 350 | 300 | 180 | 150 | 80 | 120 | 180 | X | |
| DCB549 | 18/54 | 15,0/5,0 | 2,12 | 125 | 730 | 450 | 380 | 230 | 170 | 90 | 125 | 230 | X | |
| DCB181 | 18 | 1,5 | 0,35 | 22 | 70 | 45 | 35 | 22 | 22 | 22 | 22 | 22 | 45 | |
| DCB182 | 18 | 4,0 | 0,61 | 60/40** | 185 | 120 | 100 | 60 | 60/45** | 60/40** | 60/40** | 60 | 120 | |
| DCB183/B/G | 18 | 2,0 | 0,40 | 30 | 90 | 60 | 50 | 30 | 30 | 30 | 30 | 30 | 60 | |
| DCB184/B/G | 18 | 5,0 | 0,62 | 75/50** | 240 | 150 | 120 | 75 | 75/60** | 75/50** | 75/50** | 75 | 150 | |
| DCB185 | 18 | 1,3 | 0,35 | 22 | 60 | 40 | 30 | 22 | 22 | 22 | 22 | 22 | 40 | |
| DCB187 | 18 | 3,0 | 0,54 | 45 | 140 | 90 | 70 | 45 | 45 | 45 | 45 | 45 | 90 | |
| DCB189 | 18 | 4,0 | 0,54 | 60 | 185 | 120 | 100 | 60 | 60 | 60 | 60 | 60 | 120 | |
| DCBP034/G | 18 | 1,7 | 0,32 | 27 | 82 | 50 | 40 | 27 | 27 | 27 | 27 | 27 | 50 | |
| DCBP518/G | 18 | 5,0 | 0,75 | 50 | 240 | 150 | 120 | 75 | 60 | 50 | 50 | 75 | 150 | |

*Код дати 201811475В або пізніше

**Код дати 201536 або пізніше

***Battery charge times matrix provided for guidance only; charge times will vary depending on temperature and condition of batteries.



УВАГА: Вказує на потенційну загрозу, ігнорування якої може призвести до травми легкої або середньої тяжкості.

ПРИМІТКА: Вказує на ситуацію, не пов'язану з особою травмою, ігнорування цієї ситуації може призвести до пошкодження майна.



Вказує на ризик ураження електричним струмом.



Вказує на ризик виникнення пожежі.

ЗАГАЛЬНІ ПРАВИЛА БЕЗПЕКИ ПРИ ЕКСПЛУАТАЦІЇ ЕЛЕКТРИЧНОГО ІНСТРУМЕНТА



ПОПЕРЕДЖЕННЯ: Ознайомтеся з усіма попередженнями, інструкціями з техніки безпеки, зображеннями та специфікаціями, які поставляються з даним електричним інструментом. Невиконання нижченаведених інструкцій може призвести до ураження електричним струмом, пожежі та/або серйозних тілесних ушкоджень.

ЗБЕРІГАЙТЕ ВСІ ПОПЕРЕДЖЕННЯ ТА ІНСТРУКЦІЇ ДЛЯ ПОДАЛЬШОГО ВИКОРИСТАННЯ

Термін «електричний інструмент» в усіх попередженнях стосується використовуваних вами інструментів, що живляться від мережі енергопостачання (з електричним кабелем) або від акумуляторів (без кабелю).

1) Безпека робочої зони

- Робоча зона завжди має бути чистою та добре освітленою. Захаращена або темна робоча зона призводить до нещасних випадків.

- Не використовуйте електричні інструменти у вибухонебезпечній атмосфері, наприклад поруч із вогненебезпечними рідинами, газами та пилом. Електричні інструменти створюють іскри, що можуть запалити пил або пару.
- Тримайте дітей та сторонніх подалі під час використання інструмента. Відвернення уваги може призвести до втрати контролю.

2) Електрична безпека

- Вилка електричного інструмента повинна відповідати розетці. Ніколи жодним чином не змінюйте вилку. Не використовуйте адаптери з замкнутими на землю (заземленими) електричними інструментами. Немодифіковані вилки та розетки, що підходять до них, зменшують ризик ураження електричним струмом.
- Уникайте контакту тіла з заземленими поверхнями, такими як труби, радіатори, плити та холодильники. Якщо ваше тіло заземлене, збільшується ризик ураження електричним струмом.
- Не залишайте електричні інструменти під дощем або в умовах підвищеної вологості. Вода, що потрапляє в електричний інструмент, підвищує ризик ураження електричним струмом.
- Не використовуйте кабель живлення не за призначенням. Ніколи не переносьте, не тягніть та не відключайте електричний інструмент від розетки живлення за допомогою шнура. Тримайте шнур подалі від високих температур, масла, гострих предметів та рухомих деталей. Пошкоджені або перекручені шнури підвищують ризик ураження електричним струмом.

- e) **При використанні електричного інструмента на вулиці, використовуйте подовжувальний шнур, що підходить для використання на вулиці.** Використання шнура, що призначений для використання поза приміщенням, знижує ризик ураження електричним струмом.
- f) **Якщо неможливо уникнути використання електричного інструмента в умовах підвищеної вологості, використовуйте живлення, захищене пристроєм залишкового струму (RCD).** Використання RCD знижує ризик ураження електричним струмом.
- h) **Навіть якщо ви добре знаєте інструмент та часто його використовуєте, не розслабляйтесь та не забувайте про принципи техніки безпеки.** Необережні дії можуть за долю секунди призвести до важких тілесних ушкоджень.

4) Використання електричного інструмента та догляд за ним

3) Особиста безпека

- a) **Будьте в стані готовності, дивіться, що ви робите, та будьте розсудливі, працюючи з електричним інструментом. Не використовуйте електричний інструмент, коли ви втомлені або знаходитесь під впливом наркотичних речовин, алкоголю або ліків.** Втрата уваги під час роботи з електричним інструментами може призвести до серйозних травм.
- b) **Використовуйте особисті засоби безпеки. Завжди використовуйте засоби захисту очей.** Засоби безпеки, такі як протипилова маска, неслизькі безпечні черевки, захисний шолом та засоби захисту слухового апарату при використанні для відповідних умов зменшують імовірність особистих травм.
- c) **Уникайте випадкового запуску. Переконайтесь в тому, що вимикач знаходиться в позиції Вимк., перш ніж підключати інструмент до джерела живлення та/або акумулятора, переміщувати або переносити.** Може статися нещасний випадок, коли ви переносите інструмент, тримаючи палець на вимикачі, або підключаєте живлення до вимикача в позиції Увімк.
- d) **Зніміть усі ключі для регулювання або гайкові ключі, перш ніж вмикати електричний інструмент.** Гайковий ключ, що залишився прикріпленим до якоїсь деталі електричного пристрою, що обертається, може призвести до травм.
- e) **Не прикладайте надмірного зусилля. Завжди утримуйте правильну постановку ніг і рівновагу.** Це дає вам змогу краще контролювати інструмент в неочікуваних ситуаціях.
- f) **Одягайтеся відповідним чином. Не вдягайте вільний одяг або прикраси. Тримайте ваше волосся та одяг подалі від рухомих деталей.** Вільний одяг, прикраси або довге волосся можуть зачепитися за рухомі деталі.
- g) **Якщо передбачені пристрої для підключення до засобів виділення та збирання пилу, переконайтесь, що вони правильно підключені та використовуються.** Використання таких пристроїв зменшує ризик виникнення небезпечних ситуацій, що пов'язані з потраплянням пилу.
- a) **Не прикладайте надмірних зусиль під час роботи з інструментом. Використовуйте електричний інструмент, який відповідає завданню, що виконується.** Правильно обраний інструмент виконає завдання краще та безпечніше за умов, для яких він був зроблений.
- b) **Не використовуйте інструмент, якщо його неможливо ввімкнути та вимкнути за допомогою вимикача.** Будь-який електричний інструмент, яким неможливо керувати за допомогою вимикача, є небезпечним і має бути відремонтований.
- c) **Якщо вилка знімна, відключіть її від джерела живлення та/або вийміть акумулятор, перш ніж виконувати будь-які налаштування, змінювати додаткове обладнання або зберігати інструмент.** Ці профілактичні заходи зменшують ризик випадкового запуску електричного інструмента.
- d) **Зберігайте вимкнені електричні інструменти в недоступному для дітей місці та не дозволяйте особам, що не знайомі з електричним інструментом або цими інструкціями, використовувати електричний інструмент.** Електричні інструменти є небезпечними, якщо вони використовуються некваліфікованими користувачами.
- e) **Технічне обслуговування електричних інструментів та приладдя. Перевіряйте неспівісність, заїдання рухомих деталей, наявність пошкоджених частин та інших факторів, які можуть впливати на роботу електричного інструмента. Якщо є пошкодження, відремонтуйте електричний інструмент перед використанням.** Нещасні випадки часто є результатом того, що інструмент не пройшов відповідного технічного обслуговування.
- f) **Різальні інструменти мають бути гострими та чистими.** Правильно доглянуті різальні інструменти з гострими різальними кромками мають меншу імовірність заїдання, та ними легше керувати.
- g) **Використовуйте електричний інструмент, додаткові інструменти та деталі інструменту тощо у відповідності до цих інструкцій та відповідно до даного типу електричних інструментів, зважаючи на умови використання та роботу, яка має бути виконана.** Використання електричних інструментів не за призначенням може призвести до виникнення небезпечних ситуацій.

- h) **Всі ручки та поверхні для тримання інструмента мають бути сухими, без залишків мастила.** Слизькі ручки та поверхні для тримання не дозволяють безпечно працювати та контролювати інструмент у неочікуваних ситуаціях.

5) Використання та догляд за інструментом, що живиться від акумулятора

- a) **Заряджайте інструмент лише за допомогою зарядного пристрою, вказаного виробником.** Зарядний пристрій, що підходить до одного типу акумуляторів, може призвести до пожежі в разі використання з іншим акумулятором.
- b) **Використовуйте електричні інструменти лише з призначеними для них акумуляторами.** Використання інших акумуляторів може призвести до травм або пожежі.
- c) **Коли акумулятори не використовуються, зберігайте їх подалі від металевих предметів, як скріпки, монети, ключі, цвяхи, гвинти або інші невеликі предмети, що можуть призвести до замикання двох контактів.** Коротке замикання клем акумулятора може призвести до вибуху або пожежі.
- d) **За невідповідних умов використання рідина може витекти з акумулятора; уникайте контакту з цією рідиною.** Якщо контакт таки стався, промийте забруднену ділянку водою. Якщо рідина потрапила в очі, промийте водою та зверніться до лікаря. Рідина, що витікає з акумулятора, може призвести до подразнень та опіків.
- e) **Не використовуйте пошкоджений або модифікований акумулятор або інструмент.** Пошкоджені або модифіковані акумулятори можуть поводити себе непередбачуваним чином, призводячи до пожежі, вибуху або тілесним ушкодженням.
- f) **Не піддавайте акумулятор та інструмент дії вогню та надмірних температур.** Дія вогню або температури вище 130 °C може спричинити вибух.
- g) **Виконуйте всі інструкції щодо зарядки; заряджайте акумулятор та інструмент тільки в межах температурного діапазону, вказаного в інструкціях.** Неналежна зарядка або зарядка поза межами вказаного температурного діапазону може пошкодити акумулятор та підвищити ризик пожежі.

6) Обслуговування

- a) **Надавайте ваш електричний інструмент для обслуговування кваліфікованим спеціалістом з ремонту та використовуйте тільки ідентичні замінні деталі.** Це забезпечить безпеку електричного пристрою.
- b) **Ніколи не обслуговуйте пошкоджені акумулятори самостійно.** Обслуговування акумуляторів мають виконувати представники

виробника або працівники офіційного сервісного центру.

ПРАВИЛА ТЕХНІКИ БЕЗПЕКИ ДЛЯ ВІДРІЗНИХ МАШИН

- a) **Захисний кожух, що надається з інструментом, необхідно надійно прикріпити до електричного інструменту та розмістити для максимальної безпеки так, щоб найменша частина диска була спрямована на оператора. Розташуйте себе та сторонніх людей подалі від площини обертання диска.** Запобіжник допомагає захистити оператора від уламків диска та випадкового контакту з диском.
- b) **Для цього електричного інструменту використовуйте тільки алмазні та абразивні відрізи диски.** Той факт, що приладдя можна прикріпити до інструмента, не гарантує безпечної роботи.
- c) **Номинальна швидкість приладдя повинна щонайменше дорівнювати максимальній швидкості, вказаній на електричному інструменті.** Приладдя з більшою швидкістю може зламатися та розлетітися.
- d) **Диски повинні використовуватись лише для рекомендованих видів діяльності.** Наприклад, не проводьте шліфування боковою стороною різального диска. Абразивні різальні диски призначені для шліфування периферійних ділянок, причому бокові сили, застосовані до цих дисків, можуть призвести до їхнього хитання.
- e) **Завжди використовуйте непошкоджені фланці дисків відповідного діаметра для обраного диска.** Відповідні фланці диску підтримують диск, зменшуючи можливість поломки диску.
- f) **Зовнішній діаметр та товщина вашого приладдя повинні знаходитись у рамках характеристики потужності цього електричного інструмента.** Аксесуари невірних розмірів неможливо контролювати відповідним чином.
- g) **Розмір оправки дисків і фланців повинен відповідати шпindelю електричного інструменту.** Диски і фланці з отворами в оправленні, які не відповідають елементам кріплення електричного інструменту можуть втрачати баланс, надмірно вібрувати та призводити до втрати контролю.
- h) **Не використовуйте пошкоджені диски.** Перед кожним використанням перевіряйте диски на наявність поломок та тріщин. Якщо електричний інструмент або диск падав, необхідно оглянути їх на пошкодження та встановити непошкоджені диск. Після огляду та встановлення диска відступіть на певну відстань та попросіть сторонніх відійти

від площини обертання диска. Запустіть електричний інструмент при максимальній швидкості без навантаження та залиште його в робочому стані впродовж однієї хвилини.

Пошкоджені диски зазвичай ламаються під час цього запуску.

- i) **Використовуйте засоби індивідуального захисту. У залежності від способу експлуатації інструмента слід використовувати захисний щиток, захисні окуляри або маску. За необхідності вдягайте протипилову маску, засоби захисту слуху, рукавиці або робочий фартух, що захищать вас від маленьких фрагментів абразиву або заготовки.**

Захисні окуляри захищать вас від частинок, що здатні розлітатись під час певних видів робіт.

Протипилова маска або респіратор повинні фільтрувати частинки, що утворюються під час роботи. Тривалий вплив шуму з високою інтенсивністю може призвести до втрати слуху.

- j) **Сторонні особи повинні перебувати подалі від робочої зони. Будь-яка особа, яка наближається до робочої зони, повинна використовувати засоби особистого захисту.** Фрагменти заготовки або уламки диска можуть відлетіти та призвести до травми, навіть поза безпосередньої зоною роботи.

- k) **Тримайте інструмент лише за ізольовану поверхню при виконанні операцій, коли ріжучі аксесуари можуть торкнутися схованої проводки.** Ріжучі елементи при контакті з дротом під напругою може призвести до появи напруги в інструменті та ураження оператора електричним струмом.

- l) **Розмістіть кабель подалі від приладдя, що обертається.** Якщо ви втратите контроль, кабель може бути розрізаний або може зачепитися, а ваша рука або пальці можуть потрапити у диск, що обертається.

- m) **У жодному разі не кладіть інструмент, доки всі його деталі повністю не зупиняться.** Диск, що обертається, може захопити поверхню та потягнути електричний інструмент з рук.

- n) **Не тримайте увімкнений інструмент біля власного тіла.** Випадковий контакт з приладдям, що обертається, може зачепити одяг, потягнувши інструмент до вашого тіла.

- o) **Регулярно очищуйте вентиляційні отвори електричного інструмента.** Вентилятор двигуна буде втягувати пил всередину корпусу, надмірна кількість металевих частинок може призвести до ризику ураження електричним струмом.

- p) **Не використовуйте електричний інструмент біля легкозаймистих матеріалів.** Іскри можуть викликати спалах цих матеріалів.

- q) **Не використовуйте приладдя, що вимагає рідкого холодоагенту.** Використання води чи інших рідких холодоагентів може призвести до смертельної електротравми або шоку.

ДОДАТКОВІ ІНСТРУКЦІ З ТЕХНІКИ БЕЗПЕКИ ПРИ ВИКОНАННІ БУДЬ-ЯКИХ ОПЕРАЦІЙ З ЕЛЕКТРИЧНИМ ІНСТРУМЕНТОМ

Причини та попередження віддачі

Віддача – це раптова реакція на затиснений або деформований диск, що обертається, диск-підшову, щітку або інші приладдя. Затиснення або нерівності викликають різке уповільнення швидкості обертання рухомого приладдя, що, в свою чергу, викликає відхилення неконтрольованого електричного інструмента в напрямку протилежному напрямку обертання приладдя в місці зчеплення.


Наприклад, якщо абразивний диск затиснений заготовкою, край диска, що входить у зону затиснення, може увійти в поверхню матеріалу, спричиняючи віддачу диска. При цьому диск відскочить від оператора або на оператора, в залежності від напрямку руху диска в точці заїдання. Абразивні диски також можуть зламатися за цих умов.

Віддача є результатом невідповідного використання інструменту або/та невідповідних способів чи умов експлуатації. Її можна уникнути, вживаючи нижченаведених заходів:

- a) **Добре тримайте інструмент та розташуйте своє тіло та руки так, щоб можна було протистояти віддачі. Завжди використовуйте додаткову ручку, якщо така є, для максимального контролю віддачі або реактивного крутного моменту при запуску.** Оператор може контролювати реактивний крутний момент або сили віддачі, якщо вжиті відповідні заходи.
- b) **Ніколи не розташуйте руки біля різальних поверхонь.** Може виникнути віддача приладдя через руку.
- c) **Не розташуйте своє тіло в одну лінію з диском, що обертається.** Віддача призведе до руху інструмента в напрямку протилежному руху диска в точці заїдання.
- d) **Будьте особливо уважними коли обробляєте кути, гострі краї тощо. Уникайте відстрибування та заїдання приладдя.** Кути, гострі краї або відстрибування можуть призвести до затиснення приладдя та викликати втрату контролю або віддачу.
- e) **Не прикріплюйте пильний ланцюг, пильне полотно для різьблення по дереву, сегментний алмазний диск з периферійним ззором більше 10 мм або пильне полотно с зубцями.** Такі пильні полотна призводять до частих віддач та втрати контролю.

- f) **Не «затискуйте» диск та не застосовуйте надмірний тиск до інструменту. Не намагайтесь створювати надглибокі розрізи.** Надмірний тиск на диск збільшує навантаження й чутливість до заїдання або деформації диска в розрізі та можливість віддачі або поломки диска.
- g) Якщо диск заїдає або при припиненні виконання розрізу з будь-якої причини, **вимкніть інструмент та утримуйте його нерухомим, доки диск не буде повністю зупинений. Ніколи не намагайтесь витягувати диск з розрізу, коли він рухається, інакше може виникнути віддача.** Потрібно проаналізувати ситуацію й вжити необхідних заходів для уникнення затиснення диска.
- h) **Не поновлюйте роботу інструмента в заготовці. Дайте диску досягти повної швидкості та обережно вставте його в розпочатий розріз.** Диск може бути затиснений або він може піднятися в разі поновлення роботи інструмента.
- i) **Опорні пластини або заготовки великого розміру можуть допомогти звести до мінімуму ризик заїдання диска та віддачі.** Великі заготовки можуть прогинатися під власною вагою. Опори необхідно розташувати під заготовкою біля лінії розрізу та біля краю заготовки з обох боків диска.
- j) **Будьте особливо уважні під час виконання «врізання» в наявні стіни або інші місця, де не видно, що знаходиться під поверхнею.** Диск, що виступає, може розрізати газову або водяну трубу, електричні кабелі або інші предмети, що може спричинити віддачу.
- d) **Зовнішній діаметр і товщина приладдя повинні відповідати номінальній потужності вашого електричного інструмента.** Приладдя неправильного розміру неможливо належним чином захистити або контролювати.
- e) Розмір оправок дисків, фланців, проліжок або будь-якого іншого приладдя повинен точно відповідати шпинделю електричного інструмента. Приладдя з отворами в оправці, що не відповідають елементам кріплення електричного інструмента, втрачатимуть рівновагу, надмірно вібруватимуть і можуть призвести до втрати контролю.
- f) **Встановіть потрібну глибину різання. Чим менше відкритий диск, тим менша ймовірність його заїдання і віддачі.** Перш ніж різати, переконайтеся, що вузол основи затягнутий.
- g) **Не прикладайте надмірних зусиль під час роботи з інструментом.** Прикладання надмірних зусиль до відрізного інструмента знижує контроль та ефективність різання.
- h) **Не використовуйте цей інструмент як циркулярний верстат.**
- i) **Надійно закріпіть заготовку.**
- j) **Одягніть захисний одяг і промийте відкриті ділянки водою з милом. Потраплення пилу в рот, очі або на шкіру може сприяти поглинанню шкідливих хімічних речовин.** Направте частинки подалі від обличчя та тіла.
- k) **Використовуйте відповідний пиლოსос для видалення більшої частини статичного та атмосферного пилу.** Якщо не видалити статичний та зважений пил, це може призвести до забруднення робочого середовища або створити підвищений ризик для здоров'я оператора і тих, хто знаходиться поблизу.

Додаткові застереження щодо техніки безпеки під час роботи з абразивним відрізним інструментом:

- a) **Цей електричний інструмент призначений працювати як інструмент для відрізання. Ознайомтеся з усіма попередженнями, інструкціями з техніки безпеки, зображеннями та специфікаціями, які поставляються з даним електричним інструментом.** Невиконання нижченаведених інструкцій може призвести до ураження електричним струмом, пожежі та/або серйозних тілесних ушкоджень.
- b) **Цим електричним інструментом не рекомендується виконувати такі операції, як шліфування, зачищення, чищення щіткою або полірування.** Роботи, для яких електричний інструмент не призначений, можуть становити небезпеку та призвести до травм.
- c) **Не використовуйте приладдя, які спеціально не розроблені та рекомендовані виробником інструмента.** Той факт, що приладдя можна під'єднати до вашого електричного інструмента, не гарантує його безпечну роботу.
- l) **Використовуйте затискачі або інші практичні засоби для закріплення та підтримки заготовки на стійкій платформі.** Утримування заготовки рукою або притисканням до тіла нестійке і може призвести до втрати контролю та травм.
- m) **Рухомі частини часто приховані вентиляційними отворами; уникайте контакту з ними.** Вільний одяг, прикраси або довге волосся може зачепитися за рухомі деталі.
-  **УВАГА!** Коли інструмент не використовується, залишайте його на боці на стабільній поверхні в такому місці, де через нього не можна перечепитися та впасти. Деякі інструменти з великими акумуляторами можуть стояти на батареї, але їх можна легко перекинути.
- n) **Використовуючи сегментовані алмазні кола, застосовуйте лише алмазні кола з периферійним зазором не більше 10 мм і негативним переднім кутом.**

Залишкові ризики

Дотримання всіх правил техніки безпеки та застосування пристроїв безпеки не гарантує уникнення певних залишкових ризиків. До такого переліку належать:

- *Порушення слуху.*
- *Ризик тілесних ушкоджень через частинки, які розлітаються.*
- *Ризик опіків через нагрівання приладдя під час роботи.*
- *Ризик тілесних ушкоджень через занадто тривале використання.*

ЗБЕРІГАЙТЕ ЦІ ІНСТРУКЦІЇ

Зарядні пристрої

DEWALT не вимагає налаштувань і розроблені для максимально простого використання.

Електрична безпека

Електричний двигун розроблений для роботи лише з одним значенням напруги. Завжди перевіряйте, що напруга акумулятора відповідає напрузі, що вказана в технічних даних. Також переконайтесь, що напруга зарядного пристрою відповідає напрузі мережі живлення.



Ваш DEWALT Ваш зарядний пристрій виробництва компанії DEWALT має подвійну ізоляцію відповідно до EN60335; тому заземлення не є необхідним.

Якщо кабель живлення пошкоджений, його необхідно замінити на спеціальний кабель, який можна замовити в офіційних сервісних центрах DEWALT. організація обслуговування.

Використання електричного подовжувача

Використовуйте подовжувальний шнур лише за абсолютної необхідності. Використовуйте лише рекомендований подовжувальний шнур, що відповідає споживаній потужності вашого зарядного пристрою (див. *Технічні дані*). Мінімальний розмір січення провідника становить 1 мм²; максимальна довжина — 30 м.

При використанні кабельного барабану завжди витягуйте весь кабель.

Важливі інструкції з техніки безпеки для всіх зарядних пристроїв

ЗБЕРІГАЙТЕ ЦІ ІНСТРУКЦІЇ: У цьому керівництві містяться важливі інструкції з техніки безпеки та використання для сумісних зарядних пристроїв (див. «Технічні дані»).

- *Перед використанням зарядного пристрою прочитайте всі інструкції та попередження на зарядному пристрої, акумуляторах та продукті, для якого ці акумулятори використовуються.*



ПОПЕРЕДЖЕННЯ: Небезпека ураження електричним струмом. Не допускайте потрапляння рідини в зарядний пристрій. Це може призвести до ураження електричним струмом.



ПОПЕРЕДЖЕННЯ: Ми рекомендуємо використовувати пристрій з керуванням

диференційним струмом з номінальним значенням диференційного струму 30 мА або менше.



УВАГА: Небезпека опіку. Для зниження ризику виникнення травми заряджайте лише акумулятори DEWALT. акумуляторні батареї. Інші типи акумуляторів можуть вибухнути, спричинивши тілесні ушкодження та пошкодження майна.



УВАГА: Уважно слідкуйте за тим, щоб діти не гралися з пристроєм.

ПРИМІТКА: За певних умов, коли зарядний пристрій підключений до мережі живлення, незахищені контакти всередині зарядного пристрою можуть замкнутися будь-яким стороннім предметом. Сторонні предмети, що проводять струм, наприклад металева стружка, алюмінієва фольга або будь-які металеві деталі, необхідно зберігати подалі від зарядного пристрою. Завжди відключайте зарядний пристрій від розетки, коли батарея не встановлена в зарядний пристрій. Відключіть зарядний пристрій від мережі живлення перед його очищенням

- **НЕ намагайтеся заряджати акумулятор зарядними пристроями, що не вказані в цьому керівництві.** Зарядний пристрій та акумулятори даної моделі розроблені для сумісної експлуатації.
- **Ці зарядні пристрої не призначені ні для чого іншого, крім зарядки акумуляторів DEWALT акумуляторні батареї.** Використання з іншими акумуляторами може призвести до виникнення пожежі або ураження електричним струмом.
- **Не піддавайте зарядний пристрій впливу дощу або снігу.**
- **При відключенні зарядного пристрою від мережі живлення тягніть за вилку, а не за кабель.** Це зменшить ризик пошкодження вилки та кабелю.
- **Переконайтесь, що кабель розміщений так, щоб на нього не наступали, не ходили по ньому та не піддавали його іншим фізичним впливам.**
- **Не використовуйте подовжувальний шнур окрім випадків, коли це абсолютно необхідно.** Використання невідповідних подовжувальних шнурів може призвести до пожежі або ураження електричним струмом.
- **Не кладіть будь-які предмети на зарядний пристрій та не залишайте зарядний пристрій на м'якій поверхні, що може заблокувати вентиляційні отвори та призвести до надмірного нагрівання.** Розташуйте зарядний пристрій подалі від джерел тепла. Зарядний пристрій вентилюється крізь отвори у верхній та нижній частинах корпусу.
- **Не використовуйте зарядний пристрій із пошкодженим кабелем або вилкою** — їх потрібно негайно замінити.
- **Не використовуйте зарядний пристрій, якщо той отримав різкий удар, впаав або був пошкоджений**

іншим чином. Віднесіть його до авторизованого сервісного центру.

- **Якщо зарядний пристрій вимагає технічного обслуговування або ремонту, не розбирайте його самотужки, а віднесіть до авторизованого сервісного центру.** Невідповідні способи використання можуть призвести до виникнення пожежі або ураження електричним струмом.
- Якщо кабель живлення пошкоджено, для уникнення небезпеки його необхідно негайно замінити, звернувшись до виробника, спеціаліста сервісного центру або іншого кваліфікованого спеціаліста.
- **Відключайте зарядний пристрій від розетки перед його очищенням. Це дозволяє знизити ризик ураження електричним струмом.** Видалення акумулятора не знижує ризик.
- **НИКОЛИ не намагайтесь з'єднувати два зарядні пристрої.**
- **Цей зарядний пристрій розрахований на роботу зі стандартною напругою побутової електромережі 230 В. Не намагайтесь використовувати його з іншою напругою.** Це не стосується автомобільних зарядних пристроїв.







Зарядка акумулятора (Рис. [Fig.] B)

1. Підключіть зарядний пристрій до відповідної розетки перед встановленням акумулятора.
2. Вставте акумулятор 1 у зарядний пристрій до упору. Червоний індикатор («зарядка») буде блимати, вказуючи на початок процесу зарядки.
3. Коли зарядку завершено, червоний індикатор горить, не блимаючи. Це означає, що акумулятор повністю заряджений та може використовуватися одразу або залишатися в зарядному пристрої. Щоб витягнути акумулятор із зарядного пристрою, натисніть кнопку деблокування 2 на акумуляторі.

ПРИМІТКА: щоб забезпечити максимальну продуктивність та тривалість роботи літій-іонного акумулятора, повністю зарядіть його перед першим використанням.

Робота зарядного пристрою

Нижче описані індикатори стану зарядки акумулятора.

| Індикатори зарядки | |
|--|---|
|  Заряджається |  |
|  Повністю заряджений |  |
|  Затримка через надмірно високу/низьку температуру акумулятора* |  |

*Червоний індикатор буде продовжувати миготіти, а жовтий індикатор буде горіти під час виконання цього завдання. Коли акумулятор досягне прийнятної температури, жовтий індикатор згасне, а зарядний пристрій відновить процес зарядки.

Сумісний зарядний пристрій не буде заряджати несправний акумулятор. Зарядний пристрій розпізнає несправну батарею та не вмикне світловий індикатор.

ПРИМІТКА: Це також може свідчити про проблему з зарядним пристроєм.

Якщо виявлено проблему із зарядним пристроєм, віднесіть зарядний пристрій та акумулятор для перевірки в авторизований сервісний центр.

Затримка через надмірно високу/низьку температуру акумулятора

Якщо зарядний пристрій визначає, що акумулятор є надмірно гарячим або холодним, він автоматично вмикає режим температурної затримки, припиняючи процес зарядки, доки акумулятор не досягне відповідної температури. Після досягнення прийнятної температури зарядний пристрій автоматично перемикається в режим зарядки акумулятора. Ця функція забезпечує максимальний термін служби акумулятора.

Холодний акумулятор буде заряджатися повільніше порівняно з теплим акумулятором. Такий акумулятор буде заряджатися повільніше протягом всього циклу зарядки та не повернеться до максимального значення зарядки, навіть якщо нагріється.

Зарядний пристрій DCB118 оснащений внутрішнім вентилятором, призначеним для охолодження акумулятора. Вентилятор автоматично вмикається, коли акумулятор потребує охолодження. Ніколи не використовуйте зарядний пристрій, якщо вентилятор працює неналежним чином або вентиляційні отвори заблоковані. Уникайте потрапляння сторонніх предметів усередину зарядного пристрою.

Електронна система захисту

Інструменти з літій-іонними акумуляторами XR розроблені з використанням електронної системи захисту, яка захищає акумулятор від перевантаження, перегрівання або глибокої розрядки.

Пристрій автоматично вимикається, якщо спрацював електронна система захисту. Якщо це сталося, встановіть літій-іонний акумулятор в зарядний пристрій до повної зарядки.

Кріплення на стіну

Ці зарядні пристрої можна закріпити на стіні, чи поставити на стіл або іншу робочу поверхню. При кріпленні на стіну розташуйте зарядний пристрій недалеко від електричної розетки, а також подаль від кутів та інших перешкод, що заважають повітряному потоку. Скористайтеся задньою частиною зарядного пристрою в якості шаблону для розташування кріпильних гвинтів на стіні. Надійно зафіксуйте зарядний пристрій за допомогою шурупів (потрібно придбати окремо) довжиною приблизно 25,4 мм з голівкою діаметром 7–9 мм, що закручуються в дерев'яну поверхню до оптимальної глибини, щоб залишилося приблизно 5,5 мм. Вирівняйте отвори на задній поверхні зарядного пристрою з виступаючими шурупами, після чого повністю вставте шурупи в отвори.

Інструкції з очищення зарядного пристрою



ПОПЕРЕДЖЕННЯ: Небезпека ураження електричним струмом. Відключіть зарядний пристрій від розетки змінного струму перед його очищенням. Бруд та жир можна видалити з поверхні зарядного пристрою за допомогою ганчірки або м'якої неметалевої щітки. Не використовуйте воду та мийні розчини. Не дозволяйте рідині потрапляти всередину інструмента та ніколи не занурюйте деталі інструмента в рідину.

Акумулятор

Важливі інструкції з техніки безпеки для різних типів акумуляторів

При замовленні змінних акумуляторів не забудьте вказати номер з каталогом та напругу.

Новий акумулятор заряджений не повністю. Перед використанням акумулятора та зарядного пристрою прочитайте всі нижче наведені інструкції з техніки безпеки. Після цього виконайте всі вказані пункти процедури зарядки.

ПРОЧИТАЙТЕ ВСІ ІНСТРУКЦІЇ

- **Не заряджайте та не використовуйте акумулятор у вибухонебезпечних умовах, наприклад в присутності легкозаймистих рідин, газів або пилу.** Під час встановлення або виймання батареї з зарядного пристрою може спалахнути пил або пара.
- **На прикладайте зусилля, вставляючи акумулятор в зарядний пристрій. Жодним чином не модифікуйте акумулятор, аби встановити його в несумісний зарядний пристрій, адже акумулятор може розірватися та спричинити серйозні травми.**
- Використовуйте тільки зарядні пристрої DeWALT для зарядження акумуляторів.
- **НЕ занурюйте акумулятор у воду та інші рідини та не бризкайте на нього.**
- **Не зберігайте та не використовуйте інструмент та акумулятор у місцях, де температура може сягати або перевищувати 40 °C (104 °F) (наприклад, біля гаражів або металевих будівель влітку).**
- **Не спалюйте акумулятор, навіть якщо він сильно пошкоджений або повністю зношений.** Акумулятор може вибухнути у вогні. Коли літій-іонні акумулятори горять, утворюються токсичні випаровування та речовини.
- **Якщо вміст акумулятора потрапив на шкіру, негайно промийте це місце м'яким милом та водою.** Якщо рідина з акумулятора потрапила в очі, промийте відкрите око протягом 15 хвилин або доки подразнення не зникне. Якщо необхідно звернутися до лікаря, акумуляторний електродит складається з суміші рідких органічних вуглекислих солей та солей літію.
- **Вміст відкритого акумулятора може спричинити подразнення дихальних шляхів.** Вийдіть на свіже

повітря. Якщо симптоми не зникнуть, зверніться до лікаря.



ПОПЕРЕДЖЕННЯ: Небезпека опіку. Рідина з акумулятора може спалахнути, якщо на неї потрапить іскра або полум'я.



ПОПЕРЕДЖЕННЯ: За жодних умов не намагайтесь відкрити акумулятор. За будь-якого пошкодження акумулятора не встановлюйте його у зарядний пристрій. Не бийте, не кидайте та не пошкоджуйте акумулятор. Не використовуйте акумулятор та зарядний пристрій, якщо ті отримали різкий удар, впали або були пошкоджені іншим чином (наприклад, були проколоті цвяхом, вдарені молотком, на них наступили). Це може призвести до ураження електричним струмом. Пошкоджені акумулятори необхідно повернути до сервісного центру для переробки.



ПОПЕРЕДЖЕННЯ: Небезпека виникнення пожежі. Зберігайте та переносіть акумулятор так, щоб металеві предмети не торкалися його відкритих контактів. Наприклад, не кладіть акумулятор у фартух, кишені, ящики з інструментами, коробки з наборами приладдя, шухляди тощо, де можуть бути цвяхи, гвинти, ключі тощо.



УВАГА: Коли інструмент не використовується, залишайте його на боці на стабільній поверхні в такому місці, де через нього не можна перечепитися та власти. Деякі інструменти з великими акумуляторами можуть стояти на батареї, але їх можна легко перекинути.

Транспортування



ПОПЕРЕДЖЕННЯ: Небезпека виникнення пожежі. Під час перевезення акумуляторів може виникнути пожежа, якщо контакти акумулятора випадково вийдуть в контакт з електропровідним матеріалом. Під час перевезення акумуляторів переконайтесь, що їхні контакти захищені та добре ізольовані від матеріалів, які можуть увійти з ними в контакт та викликати коротке замикання.
ПРИМІТКА: При перевезенні літій-іонних акумуляторів не можна здавати їх в багаж.

Акумулятори DeWALT відповідають всім нормам перевезення, описаним у галузевих та законодавчих положеннях, включно з рекомендаціями ООН про перевезення небезпечних вантажів, правилами перевезення небезпечних вантажів Міжнародної організації повітряного транспорту (IATA), міжнародними правилами перевезення небезпечних вантажів водним транспортом (IMDG) та Європейській угоді про міжнародне дорожнє перевезення небезпечних вантажів (ADR). Літій-іонні елементи живлення та акумулятори були перевірені відповідно до розділу 38.3 керівництва з тестів та критеріїв щодо перевезення небезпечних вантажів Рекомендацій ООН.

У більшості випадків перевезення акумуляторів DeWALT може бути класифіковано як перевезення небезпечних

речовин, що повністю підпадають під клас 9. Загалом тільки вантажі, що містять літій-іонні акумулятори ємністю більше за 100 ват-годин (Вт-год.), вимагають транспортування відповідно до норм перевезення небезпечних речовин, що повністю підпадають під Клас 9. На всі літій-іонні акумулятори нанесено значення ват-годин. Крім того, через складності законодавчих норм компанія DEWALT не рекомендує транспортування окремо літій-іонних акумуляторів повітряним транспортом, незалежно від показника ват-годин. Перевезення інструментів з акумуляторами (у комплекті) можна виконувати повітряним транспортом, якщо значення ват-годин не перевищує 100 Вт-год.

Незалежно від того, чи вантаж вважається виключеним або повністю регламентованим, вантажовідправник несе відповідальність за відповідність останнім нормам щодо вимог до упакування, етикеток/маркування та документації.

Інформація, що наводиться у цьому розділі керівництва, сумлінно перевірена та вважається дійсною на момент складання документації. Проте чинні нормативи можуть підлягати змінам. Покупець несе відповідальність за те, щоб його дії відповідали певним нормам.

Транспортування батареї FLEXVOLT™

Батарея DEWALT FLEXVOLT™ має два режими: **використання** та **транспортування**.

Режим використання. при використанні батареї FLEXVOLT™ окремо або в продукті DEWALT 18В вона працює як батарея з напругою живлення 18 В. Якщо батарею FLEXVOLT™ встановлено у пристрій з напругою живлення 54 В або 108 В (дві батареї 54 В), вона буде працювати як батарея 54 В.

Режим транспортування. якщо на батарею FLEXVOLT™ встановлено кришку, вона знаходиться у режимі транспортування. Не знімайте цю кришку при транспортуванні.

У режимі транспортування послідовність електричних елементів акумулятора роз'єднана, що створює 3 акумулятори з меншим значенням Вт-год в порівнянні з 1 акумулятором із більшим значенням цього показника. Ці 3 акумулятори з нижчим значенням ват-годин можуть бути виключені з певних норм транспортування, що застосовуються для акумуляторів з більшим значенням ват-годин.

Наприклад, показник транспортування може бути 3 × 36 Вт-год, що означає 3 акумулятори по 36 Вт-год кожний. При цьому показник Вт-год в режимі використання може бути вказаний як 108 Вт-год (1 акумулятор).



Рекомендації щодо зберігання

1. Найкращим місцем для зберігання інструмента є прохолодне сухе місце, куди не потрапляють прямі сонячні промені та немає доступу тепла та холоду. Для оптимальної продуктивності та терміну служби батарей зберігайте їх за кімнатної температури, коли вони не використовуються.
2. При тривалому зберіганні для оптимального результату рекомендується помістити повністю заряджений акумулятор у сухе прохолодне місце поза зарядним пристроєм.

ПРИМІТКА: Не рекомендується зберігати акумулятор повністю розрядженим. Акумулятор потрібно перезарядити перед використанням.

Етикетки на зарядному пристрої та акумуляторі

Крім символів, що використовуються у цьому керівництві, етикетки на зарядному пристрої та акумуляторі можуть містити наведені нижче позначки.



Прочитайте інструкції цього керівництва перед використанням.



Див. розділ «Технічні дані» щодо часу зарядки.



Не торкайтеся електропровідними предметами.



Не заряджайте пошкоджені акумулятори.



Не піддавайте впливу води.



Негайно замінійте пошкоджений дріт живлення.



Заряджайте акумулятор за температури 4–40 °С.



Лише для використання в приміщенні.




Утилізуйте акумулятори з належною турботою про навколишнє середовище.




Заряджайте акумулятори DEWALT лише за допомогою спеціальних зарядних пристроїв DEWALT. Зарядка інших акумуляторних батарей, ніж призначені DEWALT, у зарядному пристрої DEWALT може призвести до їх вибуху або інших небезпечних ситуацій.



Не спалюйте акумулятори.

 **ВИКОРИСТАННЯ** (без кришки для транспортування).
Приклад: Значення Вт-год становить 108 Вт-год (1 акумулятор потужністю 108 Вт-год).

 **ТРАНСПОРТУВАННЯ** (зі встановленою кришкою для транспортування). Приклад: Значення Вт-год становить 3 × 36 Вт-год (3 акумулятори потужністю 36 Вт-год).

Тип акумулятора

Наступні інструменти працюють від акумулятора потужністю 18 вольт: DCS438.

Для експлуатації придатні акумулятори наступних моделей: DCB181, DCB182, DCB183, DCB183B, DCB183G, DCB184, DCB184B, DCB184G, DCB185, DCB187, DCB189, DCB546, DCB547, DCB548, DCBP0304. Див. додаткову інформацію у розділі «Технічні дані».

ПРИМІТКА. Враховуючи збалансованість інструмента, акумулятор DCB548 не рекомендується для використання, хоча й сумісний з інструментом.

Комплект поставки

Комплект містить:

- 1 Інструмент для відрізання
- 2 Пілозахисний кожух
- 1 Гайковий ключ
- 1 Акумулятор DCBP0304 (моделі E2)
- 1 Літій-іонний акумулятор (моделі C1, D1, E1, G1, L1, M1, P1, S1, T1, X1, Y1)
- 2 Літій-іонні акумулятори (моделі C2, D2, E2, G2, L2, M2, P2, S2, T2, X2, Y2)
- 3 Літій-іонні акумулятори (моделі C3, D3, E3, G3, L3, M3, P3, S3, T3, X3, Y3)
- 1 Керівництво з експлуатації


ПРИМІТКА. Акумулятори, зарядні пристрої й коробки для зберігання не входять до комплекту моделей N. Акумулятори й зарядні пристрої не входять до комплекту моделей NT. Моделі V включають акумулятори для приладів з підтримкою Bluetooth®.

ПРИМІТКА. Текстовий знак та логотипи Bluetooth® є зареєстрованими товарними знаками, що належать компанії Bluetooth®, SIG, Inc. Будь-яке використання таких знаків компанією DEWALT здійснюється згідно з ліцензією. Інші торгові марки й торгові назви належать відповідним власникам.

- *Перевірте інструмент, деталі та приладдя на пошкодження, що могли виникнути під час транспортування.*
- *Перед використанням уважно прочитайте та повністю зрозумійте це керівництво.*

Маркування інструмента

На інструменті є наступні піктограми:

 Прочитайте інструкції цього керівництва перед використанням.



Використовуйте засоби захисту органів слуху.



Використовуйте засоби захисту очей.



Видиме випромінювання. Не дивіться на джерело світла.



Порядок позначок: назад/
блокування/вперед

Розташування коду дати (Рис. B)

Код дати **27**, що включає також рік виробництва, зазначений на корпусі.

Приклад:

2022 XX XX

Рік виробництва

Опис (рис. A)



ПОПЕРЕДЖЕННЯ: Ніколи не модифікуйте електричні інструменти й їхні деталі. Інакше вони можуть стати причиною пошкодження майна або тілесних ушкоджень.

- 1 Акумулятор
- 2 Кнопка розблокування акумулятора
- 3 Ручка
- 4 Тригерний перемикач
- 5 Кнопка «вперед/назад/блокування»
- 6 Кнопка блокування шпінделя
- 7 Індикатор напрямку
- 8 Пілосос
- 9 Пілозахисна основа в зборі
- 10 Датчик глибини різання
- 11 Гайка-баранець на глибину різання
- 12 Захисний кожух
- 13 Шестигранний гайковий ключ
- 14 Отвір для шнурка

Область застосування

Ваш відрізний інструмент призначений для професійного різання. Цей відрізний інструмент призначений для різання різних матеріалів. Дотримуйтесь інформації, що стосується області застосування ріжучого диска.

НЕ ВИКОРИСТОВУЙТЕ ЗА УМОВ ПІДВИЩЕНОЇ ВОЛОГІСТІ АБО В ПРИСУТНОСТІ ЛЕГКОЗАЙМИСТИХ РІДИН ТА ГАЗІВ.

НЕ дозволяйте дітям підходити та торкатися інструмента. Використання інструмента недосвідченими операторами потребує нагляду.

- **Діти та хворі люди.** Даний пристрій не призначений для експлуатації дітьми та особами з обмеженими розумовими та фізичними можливостями без стороннього контролю.
- Цей пристрій не призначений для використання особами (включаючи дітей) із зниженими фізичними, сенсорними

або розумовими можливостями або особами, яким бракує досвіду або знань за винятком випадків, коли такі особи працюють під наглядом особи, яка несе відповідальність за їх безпеку. Не можна залишати дітей наодинці з цим пристроєм.

МОНТАЖ ТА НАЛАШТУВАННЯ

! **ПОПЕРЕДЖЕННЯ:** Щоб знизити ризик серйозних тілесних ушкоджень, вимкніть інструмент та відключіть акумулятор перед виконанням будь-яких налаштувань або зніманням/встановленням додаткового обладнання або приладдя. Випадковий запуск може призвести до травм.

! **ПОПЕРЕДЖЕННЯ:** Використовуйте тільки акумулятори та зарядні пристрої.

Установка акумулятора в інструмент та його виймання (Рис. В)

ПРИМІТКА. Переконайтесь, що ваш акумулятор ① повністю заряджений.

Для встановлення акумулятора у ручку інструмента

1. Вирівняйте акумулятор ① по напрямних у ручці інструменту (Рис. В).
2. Вставте акумулятор у ручку до упору та переконайтесь, що ви почули звук клацання акумулятора, що став на місце.

Виймання акумулятора з інструмента

1. Натисніть кнопку розблокування ② та витягніть акумулятор з ручки інструмента.
2. Вставте акумулятор у зарядний пристрій, як описано у розділі щодо зарядного пристрою цього керівництва.

Акумулятори з індикатором рівня заряду (Рис. В)

Деякі акумулятори DEWALT оснащені індикатором заряду з трьох зелених світлодіодів, що вказують рівень заряду акумулятора, що залишився.

Щоб увімкнути індикатор заряду, натисніть та утримуйте кнопку індикатора заряду 28. Три зелені світлодіоди будуть горіти відповідним чином, відображуючи рівень зарядки акумулятора. Коли рівень заряду акумулятора нижче відповідного ліміту, індикатор рівня заряду не горить, а акумулятор потрібно зарядити.

ПРИМІТКА: Індикатор рівня зарядки показує лише рівень зарядки, що залишився в акумуляторі. Він не показує функціональність інструмента, а його показники можуть змінюватись відповідно до комплектності інструмента, температури та способу застосування.

Відрізнi диски

! **ПОПЕРЕДЖЕННЯ.** Щоб зменшити ризик травм очей, завжди використовуйте захисні окуляри. Карбід – твердий, але крихкий матеріал. Сторонні

предмети у заготовці, такі як дрiт або цвяхи, можуть призвести до розтріскування або поломки ріжучих пластин. Перед використанням надійно закріпіть диск у правильному напрямку обертання та завжди використовуйте чистий, загострений диск.

! **ПОПЕРЕДЖЕННЯ:** Щоб знизити ризик отримання травми, використовуйте лише диски не більше 76 мм у діаметрі, з внутрішнім діаметром 10 мм і без ріжучих зубів. Товщина диска не повинна перевищувати 0,09 дюйма.

! **ПОПЕРЕДЖЕННЯ:** Оскільки інше приладдя, що не рекомендоване компанією DEWALT, не було перевірене з цим продуктом, використання такого приладдя з цим інструментом може бути небезпечним. Щоб зменшити ризик травмування, слід використовувати тільки приладдя, рекомендовані компанією DEWALT.

Тупий диск призведе до повільного неефективного різання, перевантаження двигуна, може спричинити надмірне розколювання та збільшити ймовірність віддачі. Див. таблицю нижче, щоб визначити правильний диск для вашого способу застосування.

| Тип диска | Спосіб застосування |
|--|--|
| Алмазний диск для різних матеріалів (DT20590-QZ) | Гіпсокартон, фіброцемент, пластик, сталь, кольорові метали |
| Абразивний диск (DT20592-QZ) | Сталь, нержавіюча сталь, кольорові метали |
| Алмазний диск (DT20591-QZ) | Керамічна плитка, порцеляна та граніт/мармур/камінь |

Встановлення дисків (рис. А, С)

! **ПОПЕРЕДЖЕННЯ:** *Небезпека опіку. Гострі деталі.* ЗАВЖДИ надягайте рукавички при заміні дисків. Диски мають гострі краї або можуть сильно нагріватись під час роботи і пошкодити голі руки.

! **ПОПЕРЕДЖЕННЯ:** Щоб знизити ризик отримання травми, використовуйте лише диски не більше 76 мм у діаметрі, з внутрішнім діаметром 10 мм і без ріжучих зубів. Товщина диска не повинна перевищувати 0,09 дюйма. Диски типу 1 призначені лише для шліфування боків, а не поверхні. Ніколи не встановлюйте диск на верстат із надмірним зусиллям та не змінюйте розмір отвору оправки.

1. Вийміть акумулятор.
2. Покладіть пристрій на тверду поверхню шпинделем 15 вгору.
3. Утримуйте кнопку блокування шпинделя 6, щоб шпиндель не обертався. Різьблення шпинделя ліве.
4. За допомогою ключа, що входить в комплект, на 6 мм 13 викрутіть шпиндельний гвинт 18, зніміть зовнішній фланець 17, використаний диск 19, якщо його встановлено, і внутрішній фланець 16. Різьблення шпинделя ліве.
5. Надягніть внутрішній фланець на шпиндель.

- Надягніть диск на шпindelю. Переконайтеся, що диск проходить за посадковим діаметром внутрішнього фланця.

ПРИМІТКА. При установці алмазних дисків завжди поєднуйте напрямком обертання диска з бажаним напрямком обертання інструмента. Алмазні диски не будуть ефективно різати, якщо напрямком, позначений на диску, не збігається з напрямком обертання. Перевірте налаштування кнопки «вперед/назад/блокування» **5**, щоб переконатися, що вона відповідає напрямку, позначеному на диску.

- Надягніть зовнішній фланець пласкою стороною на відвізний диск.
- ПРИМІТКА.** У разі правильної установки буде видно текст «LOOSE TIGHTEN».
- Почніть нагвинчувати гвинт шпindelю, який самостійно вирівняє зовнішній фланець. Переконайтеся, що диск встановлено з правильною орієнтацією.
 - Натисніть кнопку блокування шпindelю та затягніть гайку ключем. Не затягуйте гвинт шпindelю занадто сильно.
 - Поверніть диск вручну, щоб переконатися, що він правильно відцентрований. Диск не повинен вдарилися об основу, захисний кожух або гвинт шпindelю. Гвинт шпindelю та фланці повинні бути затягнуті.

! **ПОПЕРЕДЖЕННЯ:** Якщо гвинт шпindelю не був надійно затягнутий, він може ослабитися при обертанні в напрямку F (вперед).

Регулювання кута нахилу захисного кожуха (рис. D)

! **ПОПЕРЕДЖЕННЯ:** Існує вищий ризик віддачі, коли захисний кожух перемищається назад, що призводить до ширшого відкриття. Захисний кожух необхідно відкривати ширше лише за потреби.

Кут нахилу захисного кожуха можна відрегулювати.

- Вийміть акумулятор.
- Міцно візьміться за захисний кожух **12** і поверніть на потрібний кут. Захисний кожух може повертатися на 30 градусів вперед або назад.

Монтаж, зняття та регулювання пилозахисного кожуха (рис. А, Е)

ПРИМІТКА. Пилозахисний кожух призначений лише для різання плитки/бетону та гіпсокартону і під'єднується до пилососа для збирання пилу. Ми не рекомендуємо використовувати цей кожух для різання металу.

- Вийміть акумулятор.
- Встановивши диск правильно, поверніть захисний кожух **12** повністю вперед.
- Послабте гайку-баранець **11** на глибину різання і повністю висуньте основу. Вручну затягніть ручку регулювання глибини різання.
- Вставте верхній захисний кожух і диск у пилозахисний кожух **9** і поверніть інструмент до фіксації на місці. Передня частина захисного кожуха упреться в упор

всередині вузла, а задня частина захисного кожуха зачепиться за фіксатор **20**.

Зняття пилозахисного кожуха

- Вийміть акумулятор.
- Послабте гайку-баранець на глибину різання і повністю висуньте основу. Вручну затягніть гайку-баранець на глибину різання.
- Натисніть кнопку розблокування кожуха **21** і витягніть інструмент із пилозахисного кожуха в зборі.

Регулювання глибини різання

- Послабте гайку-баранець на глибину різання та підійміть або опустіть кожух. Використовуйте позначки на датчику глибини різання, щоб визначити правильну глибину. Відрегулюйте глибину різання відповідно до товщини заготовки. Під заготовкою має бути видно менше 1/4 дюйма диска.

Під'єднання пилососа, сумісного з AirLock™ (рис. F)

! **ПОПЕРЕДЖЕННЯ:** Не використовуйте пилосос під час різання металу. Стружка від різання металу може бути гарячою та іскри, в результаті чого можуть розплавитися вакуумні шланги та відбутись загорання всередині пилососа.

! **ПОПЕРЕДЖЕННЯ:** У разі використання пилососа перед початком роботи та ще частіше під час роботи спорожняйте його. Обережно утилізуйте пил. Пил може бути небезпечним для здоров'я при вдиханні, проковтуванні або контакті зі шкірою. Часточки дрібного пилу можуть бути вибухонебезпечними.

Ваш інструмент сумісний із системою з'єднання DEWALT AirLock™. AirLock™ забезпечує швидке та безпечне з'єднання між роз'ємом AirLock™ **22** і портом для видалення пилу **8** вашого інструмента.

- Вийміть акумулятор.
 - Переконайтеся, що хомут на роз'ємі AirLock™ знаходиться в розблокованому положенні. (Див. рис. F.) Сумістиво вийми **23** на хомуті та роз'ємі AirLock™, як показано для позицій розблокування та блокування.
 - Вставте роз'єм AirLock™ у точку роз'єму адаптера.
 - Поверніть хомут у заблоковане положення.
- ПРИМІТКА.** Кулькові підшипники всередині хомути фіксуються в гнізді та закріплюють з'єднання. Тепер електричний інструмент надійно під'єднано до пилососа.
- ПРИМІТКА.** У разі пошкодження користувач може зняти гільзу порту для видалення пилу та замінити її. Гільза доступна як додаткове приладдя, її можна замінити за допомогою викруткі.

РЕЖИМ РОБОТИ

Інструкції з використання

! **ПОПЕРЕДЖЕННЯ:** Завжди дотримуйтесь усіх інструкцій з техніки безпеки та відповідних норм.

! **ПОПЕРЕДЖЕННЯ:** Щоб знизити ризик серйозних тілесних ушкоджень, вимкніть інструмент та відключіть акумулятор перед виконанням будь-яких налаштувань або зніманням/встановленням додаткового обладнання або приладдя. Випадковий запуск може призвести до травм.

Належне положення рук (рис. G)

! **ПОПЕРЕДЖЕННЯ:** Щоб знизити ризик серйозних травм, **ЗАВЖДИ** правильно розташуйте руки, як показано.

! **ПОПЕРЕДЖЕННЯ:** Щоб знизити ризик серйозних травм, **ЗАВЖДИ** надійно тримайте інструмент, щоб попередити випадкову віддачу.

! **ПОПЕРЕДЖЕННЯ:** Тримайте вільну руку подалі від різання. Не простягайте руку під заготовку.

Правильне положення рук полягає в тому, щоб одна рука знаходилась на основній ручці **3**.

Кнопка блокування шпинделя (рис. C, H)

Кнопка блокування шпинделя **6** використовується для блокування шпинделя **15** під час заміни приладдя.

- Щоб задіяти кнопку блокування шпинделя, вийміть акумулятор та переконайтеся, що тригерний перемикач знаходиться у положенні «ВІМК».
- Натисніть кнопку блокування шпинделя і повертайте диск та шпиндель, поки кнопка блокування не зафіксується на шпинделі.
- За допомогою ключа, що входить у комплект **13**, відкрутіть гайку шпинделя **18** і зніміть або встановіть потрібне приладдя. Різьблення шпинделя ліве.

Кнопка «вперед/назад/блокування» (рис. A)

Ваш інструмент для відрізання оснащено кнопкою «вперед/назад/блокування» **5**. Для деяких застосувань або приладдя може знадобитися рух інструмента вперед або назад. Виконуючи розріз, виберіть напрямок різання, який дозволить відсунути інструмент від вашого тіла. Встановлюючи алмазне коло, виберіть обертання, яке відповідає стрілці на диску.

- Для обертання вперед (за годинниковою стрілкою) переведіть кнопку «вперед/назад/блокування» до упору вправо, як показано на індикаторі напрямку **7**.
- Для обертання назад (проти годинникової стрілки) переведіть кнопку «вперед/назад/блокування» до упору вліво, як показано на індикаторі напрямку.
- Щоб заблокувати тригерний перемикач, переведіть кнопку «вперед/назад/блокування» в центральне положення, як показано на індикаторі напрямку.

Експлуатація (рис. A)

! **УВАГА!** Перш ніж почати, міцно візьміться за інструмент.

! **ПОПЕРЕДЖЕННЯ:** Різання кромки можна виконувати лише дисками, призначеними для цієї мети.

Захистіть себе під час різання кромки, спрямувавши захисний кожух відкритою стороною на поверхню.

! **ПОПЕРЕДЖЕННЯ:** Диски, що використовуються для різання, можуть зламатися або спричинити віддачу, якщо вони зінуться або скрутяться при використанні інструмента, що виконує відрізання.

! **ПОПЕРЕДЖЕННЯ:** Не використовуйте диски, що призначені для різання кромки, для шліфування поверхні, оскільки вони не розраховані на боковий тиск, що виникає при шліфуванні поверхні. Це може призвести до поломки диска та травми.

! **Попередження.** Не стукайте та не вдаряйте відрізним диском під час запуску або різання.

- Міцно візьміться за основну ручку **3**.
- Вирівняйте диск із матеріалом, який потрібно розрізати. Переконайтеся, що поруч із диском чи на одній лінії з ним нічого немає.
- Натисніть і утримуйте тригерний перемикач **4**, повільно та з зусиллям ведіть диск у заготовку. Не прикладайте надмірних зусиль під час роботи з інструментом. Для максимальної ефективності та подовження терміну служби диска підтримуйте високу швидкість обертання диска.
- Щоб зупинити інструмент, відпустіть тригерний перемикач **4**.

Якщо для збирання пилу використовується пилозахисний кожух (рис. H)

- Вийміть акумулятор.
- Відрегулюйте глибину різання, використовуючи пилозахисний кожух.
- Вставте акумулятор.
- Під час різання тримайте основу так, щоб вона щільно прилягала до заготовки, зберігайте міцний захват і не проштовхуйте відрізний інструмент крізь заготовку. Прикладання надмірних зусиль до відрізного інструмента може спричинити віддачу.
ПРИМІТКА. При виконанні часткового розрізу, перезапуску різання або коригуванні напрямку різання. Дайте диску повністю зупинитись. Щоб відновити різання, відцентруйте диск у виймці (ріжучому пазі) **29**, відійдіть і відпиліть від ріжучої кромки, натисніть тригерний перемикач і знову повільно увійдіть у розріз.
- Щоб зупинити інструмент, відпустіть тригерний перемикач.

Чін Tool Connect™ (Рис. I)

! **УВАГА!** Для зниження ризику отримання серйозної травми вимкніть інструмент та зніміть акумулятор перед виконанням будь-яких регулювань або демонтажу/встановлення приладдя або насадок. Випадковий запуск може призвести до травм.

Ваш інструмент підготовлений до чіпа Tool Connect™ і має місце для встановлення чіпа Tool Connect™.

Чіп Tool Connect™ – це опціональний додаток для вашого мобільного пристрою (наприклад, смартфона чи планшета), що підключає пристрій до вашого інструмента, дозволяючи вам використовувати мобільний додаток для функцій управління запасами.

Див. **Інструкцію з використання чіпа Tool Connect™** для отримання додаткової інформації.

Встановлення чіпа Tool Connect™

1. Вийміть стопорні гвинти **24**, які закріплюють захисну кришку чіпа Tool Connect™ **25** на інструменті.
2. Зніміть захисну кришку та вставте чіп Tool Connect™ у порожню кишеню **26**.
3. Переконайтеся, що чіп Tool Connect™ знаходиться врівень з корпусом. Закріпіть його стопорними гвинтами і затягніть гвинти.
4. Додаткові інструкції див. у розділі **Інструкції з використання чіпа Tool Connect™**.

Транспортування та зберігання

Під час транспортування та зберігання блокуйте тригерний перемикач кнопкою блокування.

Вийміть акумулятор під час зберігання інструмента.

ТЕХНІЧНЕ ОБСЛУГОВУВАННЯ

Ваш електричний інструмент призначений для роботи протягом довгого часу з мінімальним обслуговуванням. Довга задовільна робота приладу залежить від належного обслуговування приладу та регулярного його очищення.



ПОПЕРЕДЖЕННЯ: Щоб знизити ризик серйозних тілесних ушкоджень, вимкніть інструмент та відключіть акумулятор перед виконанням будь-яких налаштувань або змінами/встановленням додаткового обладнання або приладдя. Випадковий запуск може призвести до травм.

Зарядний пристрій та акумулятор не підлягають обслуговуванню.



Змащування

Ваш електричний інструмент не вимагає додаткового змащування.



Очищення



ПОПЕРЕДЖЕННЯ: Коли пил та бруд стають помітними та починають накопичуватися біля вентиляційних отворів, вивувайте бруд та пил зсередини основного корпусу за допомогою сухого повітря. Використовуйте рекомендовані

засоби захисту органів зору та рекомендовану протипилкову маску при виконанні цієї операції.



ПОПЕРЕДЖЕННЯ: Ніколи не використовуйте розчинники та інші агресивні хімічні засоби для очищення неметалевих деталей інструмента. Такі хімічні речовини можуть нанести шкоду матеріалам, що використовуються в цих деталях. Використовуйте вологу ганчірку, змочену лише водою з м'яким милом. Не дозволяйте рідині потрапляти всередину інструмента та ніколи не занурюйте деталі інструмента в рідину.

Додаткові аксесуари



ПОПЕРЕДЖЕННЯ: Оскільки інше приладдя, що не зазначене виробником DEWALT, не перевірялося з цим пристроєм, його використання з інструментом може бути небезпечним. Необхідно використовувати лише рекомендовані DEWALT приладдя з цим пристроєм, щоб знизити ризик отримання травми.

Зверніться до свого дилера для отримання подальшої інформації щодо відповідного приладдя.

Захист навколишнього середовища



Роздільний збір. Пристрої і акумулятори позначені цим символом, не можна викидати зі звичайним побутовим сміттям.

Пристрої і акумулятори містять матеріали, які можна відновити та переробити, що зменшить потребу у сировині. Утилізуйте електротехнічну продукцію і акумулятори відповідно до місцевих положень.

Більш детальну інформацію можна отримати на сайті www.2helpU.com.

Придатність акумулятора для перезарядки

Дана модель акумулятора підлягає перезарядці у випадку зниження його потужності при виконанні завдань, що попередньо не вимагали особливих зусиль. Наприкінці терміну служби акумулятора утилізуйте його у спосіб, безпечний для навколишнього середовища.

- Повністю розрядіть акумулятор, потім витягніть його з інструменту.
- Літій-іонні акумулятори можна повторно переробляти. Відправте їх до свого дилера або на місцеву переробну станцію. Там зібрані акумулятори будуть перероблені або



060

Виробник:
"Stanley Black & Decker Deutschland
GmbH" Black-&-Decker Str.40, D-65510
Idstein, Німеччина

DEWALT

ГАРАНТІЙНИЙ ТАЛОН

**3 РОКИ
ГАРАНТІЇ**

1. Вітаємо Вас з покупкою високоякісного виробу DEWALT і висловлюємо вдячність за Ваш вибір.
2. При покупці виробу вимагайте перевірки його комплектності і справності у Вашій присутності, інструкцію з експлуатації та заповнений гарантійний талон українською мовою. В гарантійному талоні повинні бути внесені: модель, дата продажу, серійний номер, дата виробництва інструменту, назва, печатка і підпис торгової організації. За відсутності у Вас правильно заповненого гарантійного талону, а також при невідповідності зазначених у ньому даних ми будемо змушені відхилити Ваші претензії щодо якості даного виробу.
3. Щоб уникнути непорозумінь, переконливо просимо Вас перед початком роботи з виробом уважно ознайомитися з інструкцією з його експлуатації. Правовою основою справних гарантійних умов є чинне Законодавство. Гарантійний термін на даний виріб складає 36 місяці і обчислюється з дня продажу. У разі усунення недоліків виробу, гарантійний строк продовжується на період його перебування в ремонті. Термін служби виробу становить 5 років з дня продажу.
4. У разі виникнення будь-яких проблем у процесі експлуатації виробу рекомендуємо Вам звертатися тільки в уповноважені сервісні центри DEWALT, адреси та телефони яких Ви зможете знайти в гарантійному талоні, на сайті www.2helpU.com або дізнатися в магазині. Наші сервісні станції - це не тільки кваліфікований ремонт, але і широкий асортимент запчастин і аксесуарів.
5. Виробник рекомендує проводити періодичну перевірку і технічне обслуговування виробу в уповноважених сервісних центрах.
6. Наші гарантійні зобов'язання поширюються тільки на несправності, виявлені протягом гарантійного терміну і викликані дефектами виробництва та \ або матеріалів.
7. Гарантійні умови не поширюються на несправності виробу, що виникли в результаті:
 - 7.1. Недотримання користувачем приписів інструкції з експлуатації виробу, застосування виробу не за призначенням, неправильного зберігання, використання приладдя, витратних матеріалів і запчастин, що не передбачені виробником.
 - 7.2. Механічного пошкодження (відколи, тріщини і руйнування) внутрішніх і зовнішніх деталей виробу, основних і допоміжних рукояток, мережевого кабелю, що викликані зовнішнім ударним або будь-яким іншим впливом
 - 7.3. Поتراплення у вентиляційні отвори та проникнення всередину виробу сторонніх предметів, матеріалів або речовин, що не є відходами, які супроводжують застосування виробу за призначенням, такими як: стружка, тирса, пісок, тін.
 - 7.4. Впливу на виріб несприятливих атмосферних і інших зовнішніх факторів, таких як дощ, сніг, підвищена вологість, нагрівання, агресивне середовище, невідповідність параметрів електромережі, що зазначені на інструменті.
 - 7.5. Стихійного лиха. Пошкодження або втрати виробу, що пов'язані з непереборними лихами, стихійними явищами, у тому числі внаслідок дії непереборної сили (пожежа, блискавка, потоп і інші природні явища), а також внаслідок перепадів напруги в електромережі та іншими причинами, які знаходяться поза контролем виробника.
8. Гарантійні умови не поширюються:
 - 8.1. На інструменти, що піддавалися розкриттю, ремонту або модифікації поза уповноваженим сервісним центром.
 - 8.2. На деталі, вузли та матеріали, що мають сліди природного зносу, такі як: приводні ремені і колеса, вугільні щітки, мастило, підшипники, зубчасті зчеплення редукторів, гумові ущільнення, сальники, направляючі ролики, муфти, вимикачі, бойки, штовхачі, столи тощо.
 - 8.3. На змінні частини: патрони, цанги, затискні гайки і фланці, фільтри, ножі, шліфувальні підшви, ланцюги, зірочки, пильні шини, захисні кожухи, пилки, абразиви, пильні і абразивні диски, фрези, свердла, бури тощо
 - 8.4. На несправності, що виникли в результаті перевантаження інструменту (як механічного, так і електричного), що спричинили вихід з ладу одночасно двох і більше деталей і вузлів, таких як: ротора і статора, обох обмоток статора, веденої і ведучої шестерень редуктора або інших вузлів і деталей. До безумовних ознак перевантаження виробу відносяться, крім інших: поява кольорів мінливості, деформація або оплвлення деталей і вузлів виробу, потемніння або обуглювання ізоляції проводів електродвигуна під впливом високої температури.

Товар отриманий в справному стані, без видимих ушкоджень, в повній комплектації, перевірений у моїй присутності, претензій щодо якості товару не маю. З умовами гарантійного обслуговування ознайомлений і згоден.

П. І. Б. та підпис власника _____

Шановні клієнти, наша мережа авторизованих сервісних центрів постійно розширюється. Актуальну інформацію про обслуговування в місті, що цікавить вас, ви можете дізнатися на сайті

www.2helpU.com

Інформація про інструмент

| | |
|--------------------------|--|
| Найменування інструменту | |
| Модель | |
| Найменування продавця | |
| Дата продажу | |

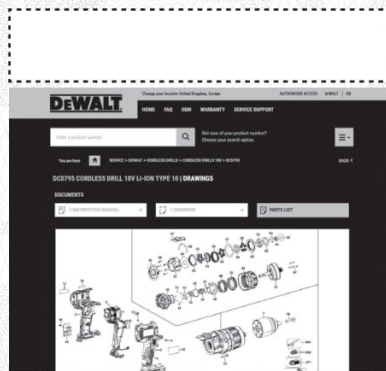
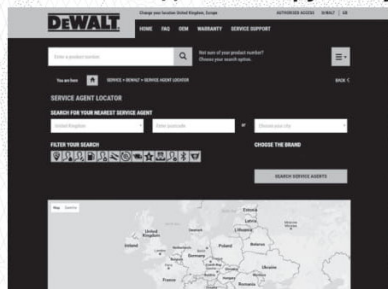
М.П.
Продавця

Серійний номер/Дата виробництва

| | |
|-------------------|--|
| Інструмент | |
| Зарядний пристрій | |
| Акумулятор 1 | |
| Акумулятор 2 | |

На сайті www.2helpU.com доступні наступні функції:

- Список авторизованих сервісних центрів
- Зручний пошук найближчого сервісного центру
- Керівництво з експлуатації
- Технічні характеристики
- Список деталей і запасних частин
- Схема складання інструменту



**Також дану інформацію ви можете отримати, зателефонувавши за номером:
0 (800) 211 521 в Україні**

ВІДМІТКА ПРО ПРОВЕДЕННЯ СЕРВІСНОГО ОБСЛУГОВУВАННЯ

| №1 | №2 | №3 | №4 |
|------------------------------------|------------------------------------|------------------------------------|------------------------------------|
| № замовлення | № замовлення | № замовлення | № замовлення |
| Дата прийому | Дата прийому | Дата прийому | Дата прийому |
| Дата ремонту | Дата ремонту | Дата ремонту | Дата ремонту |
| Печатка і підпис сервісного центру | Печатка і підпис сервісного центру | Печатка і підпис сервісного центру | Печатка і підпис сервісного центру |

ОФИЦИАЛЬНЫЙ ДИЛЕР В УКРАИНЕ:

storgom.ua

ГРАФИК РАБОТЫ:

Пн. – Пт.: с 8:30 по 18:30

Сб.: с 09:00 по 16:00

Вс.: с 10:00 по 16:00

КОНТАКТЫ:

+38 (044) 360-46-77

+38 (066) 77-395-77

+38 (097) 77-236-77

+38 (093) 360-46-77

Детальное описание товара:

<https://storgom.ua/product/dewalt-148815.html>

Другие товары:

<https://storgom.ua/akkumulyatornye-diskovye-pily.html>