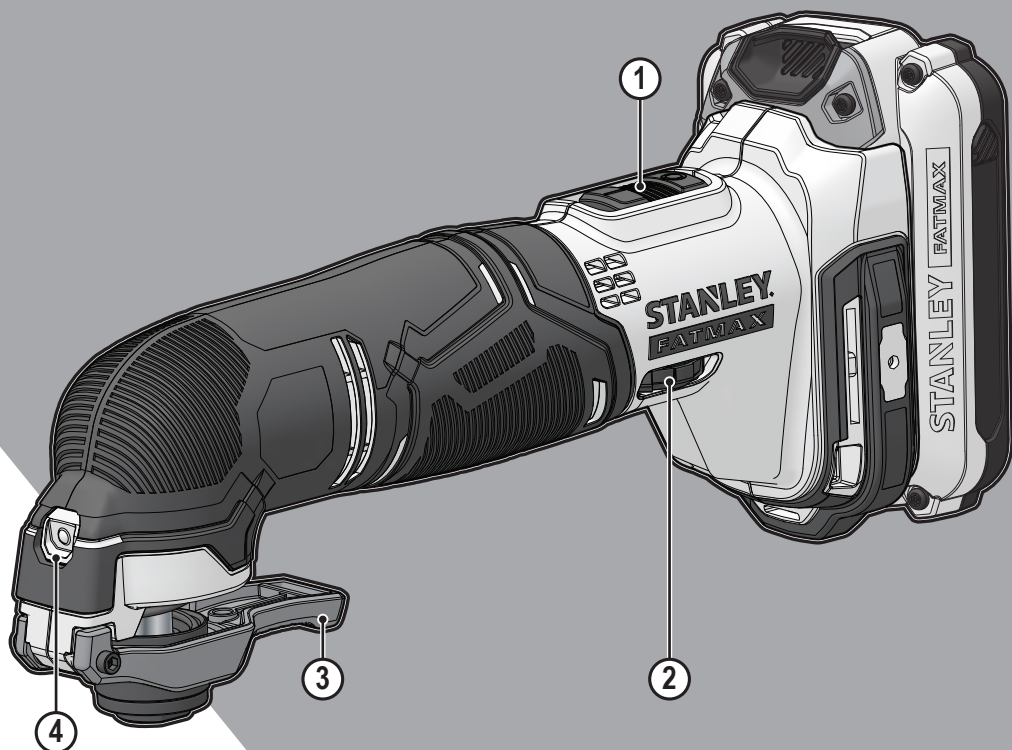


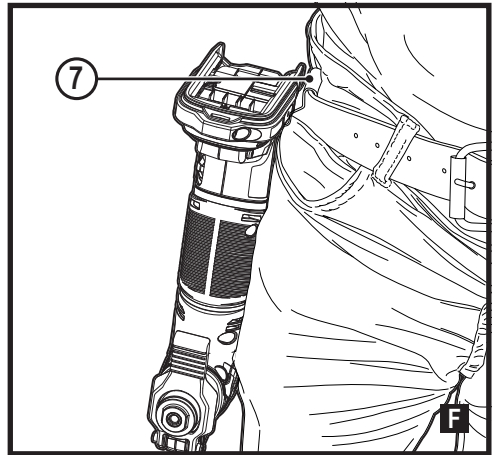
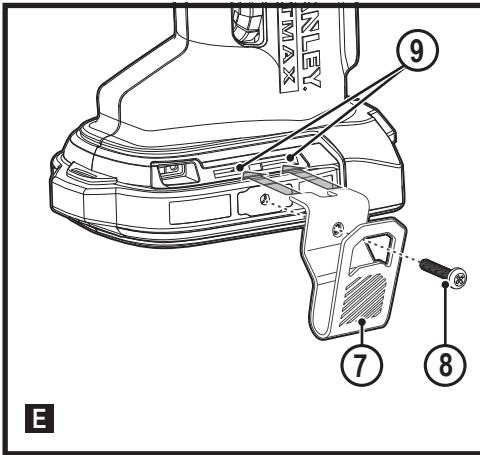
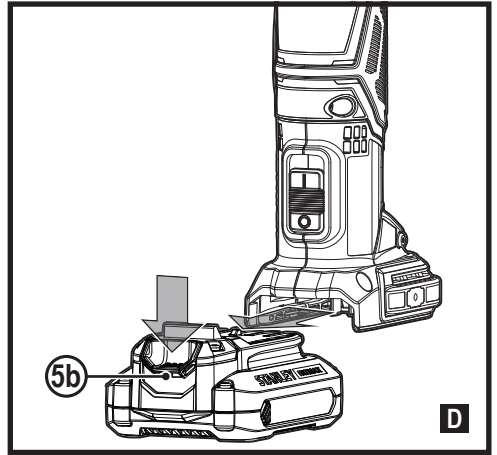
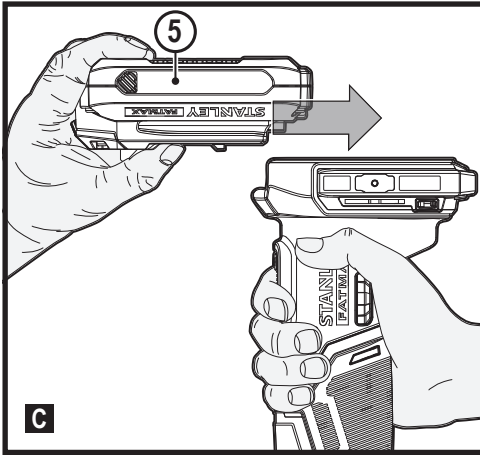
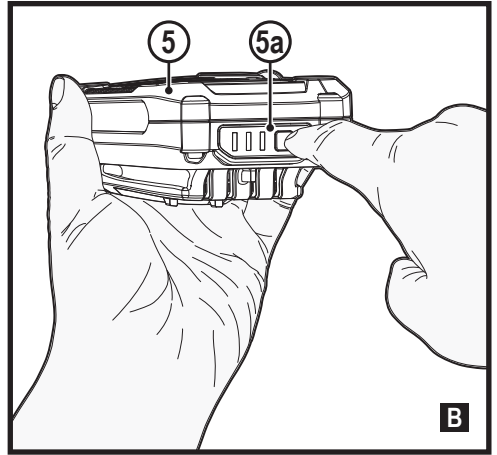
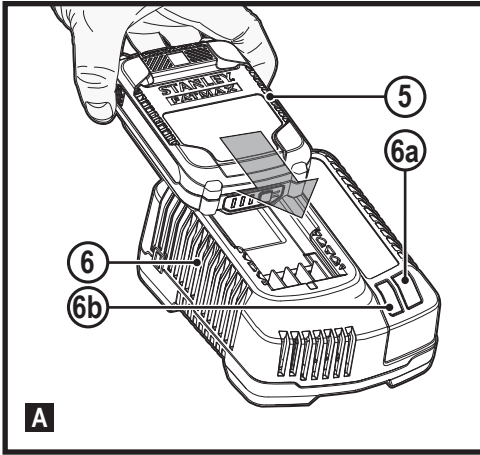
STANLEY® FATMAX®

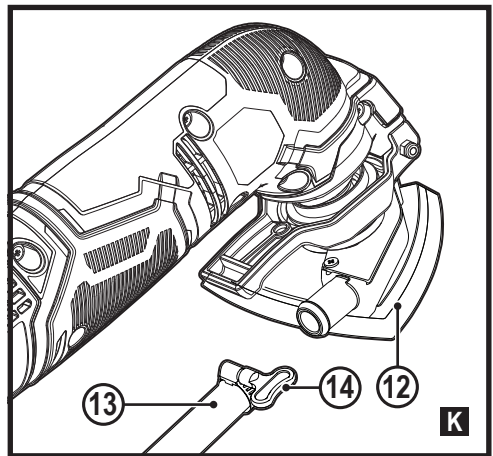
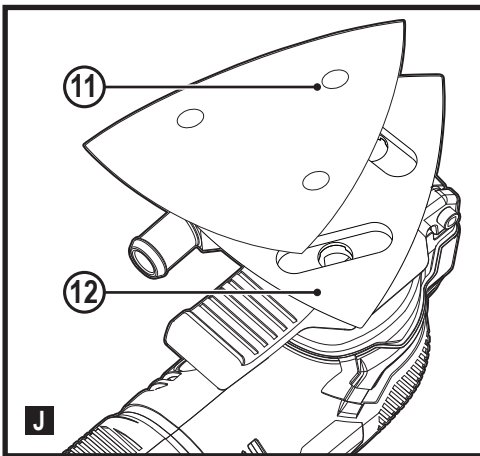
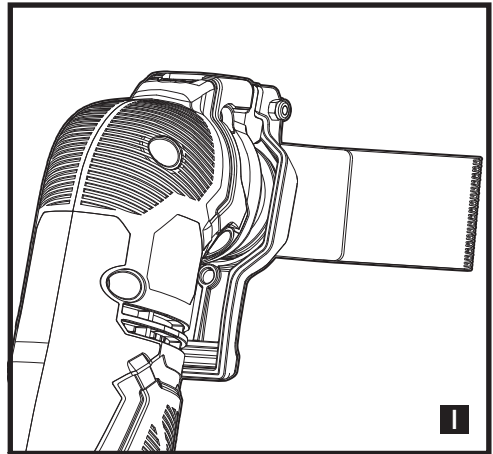
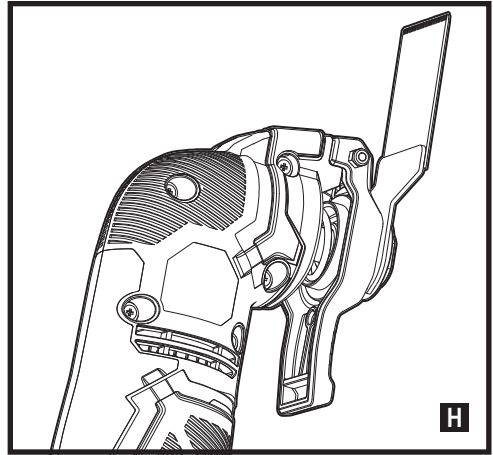
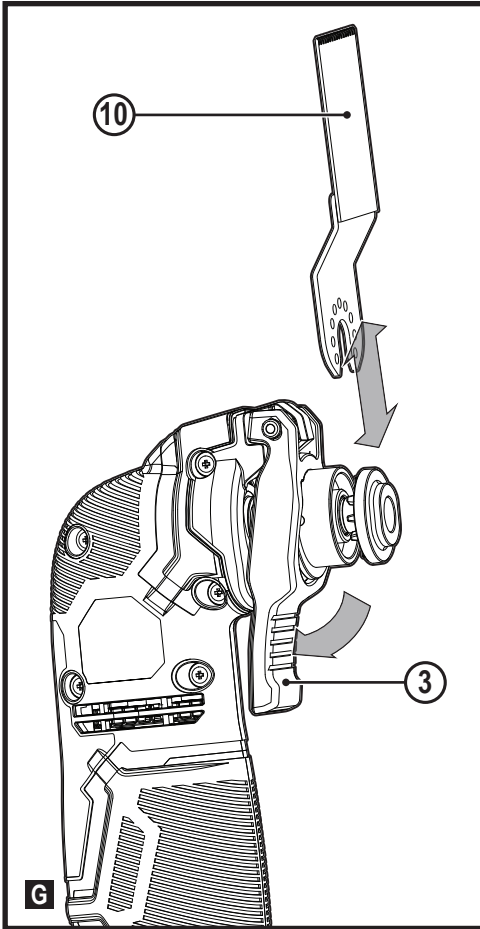
V20 LITHIUM ION

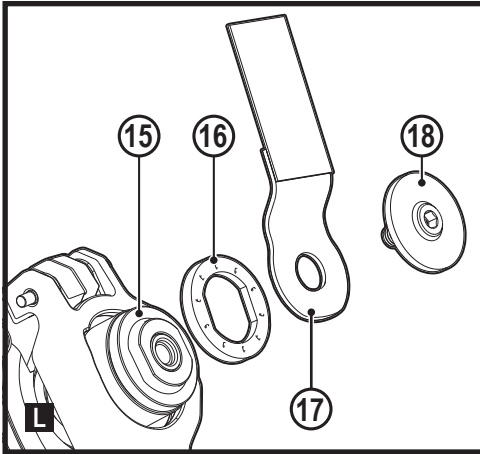


www.stanley.eu

SFMCE500







Intended use

Your Stanley Fat Max SFMCE500 oscillating tool has been designed for DIY applications such as sanding operations. It is also suitable for cutting wooden materials, plastic, gypsum, non-ferrous metals and fastening elements (e.g., unhardened nails, staples), working soft wall tiles and scraping of small surfaces. This tool is intended for professional and private, non professional users.

Safety instructions

General power tool safety warnings



Warning! Read all safety warnings, instructions, illustrations and specifications provided with this power tool. Failure to follow the warnings and instructions listed below may result in electric shock, fire and/or serious injury..

Save all warnings and instructions for future reference.

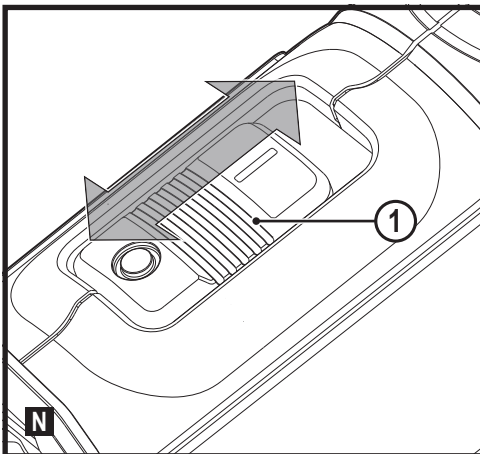
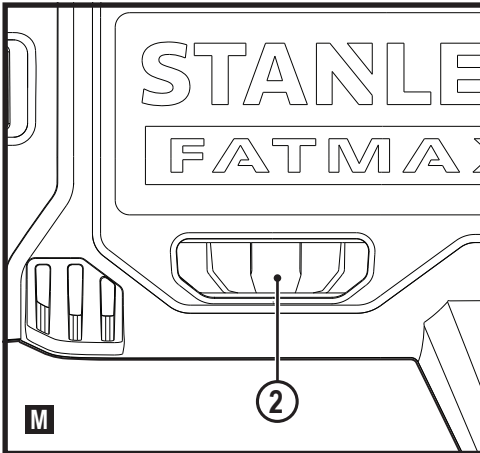
The term "power tool" in all of the warnings listed below refers to your mains operated (corded) power tool or battery operated (cordless) power tool.

1. Work area safety

- a. **Keep work area clean and well lit.** Cluttered or dark areas invite accidents.
- b. **Do not operate power tools in explosive atmospheres, such as in the presence of flammable liquids, gases or dust.** Power tools create sparks which may ignite the dust or fumes.
- c. **Keep children and bystanders away while operating a power tool.** Distractions can cause you to lose control.

2. Electrical safety

- a. **Power tool plugs must match the outlet. Never modify the plug in any way.**
Do not use any adapter plugs with earthed (grounded) power tools. Unmodified plugs and matching outlets will reduce risk of electric shock.
- b. **Avoid body contact with earthed or grounded surfaces such as pipes, radiators, ranges and refrigerators.** There is an increased risk of electric shock if your body is earthed or grounded.
- c. **Do not expose power tools to rain or wet conditions.** Water entering a power tool will increase the risk of electric shock.
- d. **Do not abuse the cord. Never use the cord for carrying, pulling or unplugging the power tool. Keep cord away from heat, oil, sharp edges or moving parts.** Damaged or entangled cords increase the risk of electric shock.



- e. **When operating a power tool outdoors, use an extension cord suitable for outdoor use.** Use of a cord suitable for outdoor use reduces the risk of electric shock.
- f. **If operating a power tool in a damp location is unavoidable, use a residual current device (RCD) protected supply.** Use of an RCD reduces the risk of electric shock.
- 3. Personal safety**
- a. **Stay alert, watch what you are doing and use common sense when operating a power tool.**
Do not use a power tool while you are tired or under the influence of drugs, alcohol or medication. A moment of inattention while operating power tools may result in serious personal injury.
- b. **Use personal protective equipment. Always wear eye protection.** Protective equipment such as dust mask, non-skid safety shoes, hard hat, or hearing protection used for appropriate conditions will reduce personal injuries.
- c. **Prevent unintentional starting. Ensure the switch is in the off-position before connecting to power source and/or battery pack, picking up or carrying the tool.** Carrying power tools with your finger on the switch or energising power tools that have the switch on invites accidents.
- d. **Remove any adjusting key or wrench before turning the power tool on.** A wrench or a key left attached to a rotating part of the power tool may result in personal injury.
- e. **Do not overreach. Keep proper footing and balance at all times.** This enables better control of the power tool in unexpected situations.
- f. **Dress properly. Do not wear loose clothing or jewellery. Keep your hair, clothing and gloves away from moving parts.** Loose clothes, jewellery or long hair can be caught in moving parts.
- g. **If devices are provided for the connection of dust extraction and collection facilities, ensure these are connected and properly used.** Use of dust collection can reduce dust-related hazards.
- h. **Do not let familiarity gained from frequent use of tools allow you to become complacent and ignore tool safety principles.** A careless action can cause severe injury within a fraction of a second.
- 4. Power tool use and care**
- a. **Do not force the power tool. Use the correct power tool for your application.**
The correct power tool will do the job better and safer at the rate for which it was designed.
- b. **Do not use the power tool if the switch does not turn it on and off.** Any power tool that cannot be controlled with the switch is dangerous and must be repaired.
- c. **Disconnect the plug from the power source and/or the battery pack from the power tool before making any adjustments, changing accessories, or storing power tools.** Such preventive safety measures reduce the risk of starting the power tool accidentally.
- d. **Store idle power tools out of the reach of children and do not allow persons unfamiliar with the power tool or these instructions to operate the power tool.**
Power tools are dangerous in the hands of untrained users.
- e. **Maintain power tools and accessories. Check for misalignment or binding of moving parts, breakage of parts and any other condition that may affect the power tools operation. If damaged, have the power tool repaired before use.** Many accidents are caused by poorly maintained power tools.
- f. **Keep cutting tools sharp and clean.** Properly maintained cutting tools with sharp cutting edges are less likely to bind and are easier to control.
- g. **Use the power tool, accessories and tool bits etc. in accordance with these instructions, taking into account the working conditions and the work to be performed.**
Use of the power tool for operations different from those intended could result in a hazardous situation.
- h. **Keep handles and grasping surfaces dry, clean and free from oil and grease.** Slippery handles and grasping surfaces do not allow for safe handling and control of the tool in unexpected situations.
- 5. Battery tool use and care**
- a. **Recharge only with the charger specified by the manufacturer.** A charger that is suitable for one type of battery pack may create a risk of fire when used with another battery pack.
- b. **Use power tools only with specifically designated battery packs.** Use of any other battery packs may create a risk of injury and fire.
- c. **When battery pack is not in use, keep it away from other metal objects, like paper clips, coins, keys, nails, screws, or other small metal objects, that can make a connection from one terminal to another.** Shorting the battery terminals together may cause burns or a fire.
- d. **Under abusive conditions, liquid may be ejected from the battery; avoid contact. If contact accidentally occurs, flush with water. If liquid contacts eyes, additionally seek medical help.** Liquid ejected from the battery may cause irritation or burns.
- e. **Do not use a battery pack or tool that is damaged or modified.** Damaged or modified batteries may exhibit unpredictable behaviour resulting in fire, explosion or risk of injury.

- f. **Do not expose a battery pack or tool to fire or excessive temperature.** Exposure to fire or temperature above 130 °C may cause explosion. NOTE The temperature „130 °C“ can be replaced by the temperature „265 °F“.
- g. **Follow all charging instructions and do not charge the battery pack or tool outside the temperature range specified in the instructions.** Charging improperly or at temperatures outside the specified range may damage the battery and increase the risk of fire.

6. Service

- a. **Have your power tool serviced by a qualified repair person using only identical replacement parts.** This will ensure that the safety of the power tool is maintained.
- b. **Never service damaged battery packs.** Service of battery packs should only be performed by the manufacturer or authorized service providers.

Additional power tool safety warnings



Warning! Warning! Additional safety warnings for hand-held saws.

- ◆ **Hold power tool by insulated gripping surfaces, when performing an operation where the cutting accessory may contact hidden wiring.** Cutting accessory contacting a “live” wire may make exposed metal parts of the power tool “live” and could give the operator an electric shock.
- ◆ **Use clamps or another practical way to secure and support the workpiece to a stable platform.** Holding the work by hand or against your body leaves it unstable and may lead to loss of control.
- ◆ **Keep hands away from cutting area.** Never reach underneath the work piece any reason. Do not insert fingers or thumb into the vicinity of the reciprocating blade and blade clamp. Do not stabilize the saw by gripping the shoe.
- ◆ **Keep blades sharp.** Dull or damaged blades may cause the saw to swerve or stall under pressure. Always use the appropriate type of saw blade for the workpiece material and type of cut.
- ◆ **When cutting pipe or conduit, make sure that they are free from water, electrical wiring, etc.**
- ◆ **Do not touch the workpiece or the blade immediately after operating the tool.** They can become very hot.
- ◆ **Be aware of hidden hazards, before cutting into walls, floors or ceilings, check for the location of wiring and pipes.**
- ◆ **The blade will continue to move after releasing the switch.**

Always switch the tool off and wait for the saw blade to come to a complete standstill before putting the tool down.

Warning! The vibration emission value during actual use of the power tool can differ from the declared value depending on the ways in which the tool is used. The vibration level may increase above the level stated.

- ◆ The intended use is described in this instruction manual. The use of any accessory or attachment or performance of any operation with this tool other than those recommended in this instruction manual may present a risk of personal injury and/or damage to property.

Safety of others

- ◆ This appliance is not intended for use by persons (including children) with reduced physical, sensory or mental capabilities, or lack of experience and knowledge, unless they have been given supervision or instruction concerning use of the appliance by a person responsible for their safety.
- ◆ Children should be supervised to ensure that they do not play with the appliance.

Vibration

The declared vibration emission values stated in the technical data and the declaration of conformity have been measured in accordance with a standard test method provided by EN62841 and may be used for comparing one tool with another. The declared vibration emission value may also be used in a preliminary assessment of exposure.

Warning! The vibration emission value during actual use of the power tool can differ from the declared value depending on the ways in which the tool is used. The vibration level may increase above the level stated.

When assessing vibration exposure to determine safety measures required by 2002/44/EC to protect persons regularly using power tools in employment, an estimation of vibration exposure should consider, the actual conditions of use and the way the tool is used, including taking account of all parts of the operating cycle such as the times when the tool is switched off and when it is running idle in addition to the trigger time.

Residual risks.

Additional residual risks may arise when using the tool which may not be included in the enclosed safety warnings. These risks can arise from misuse, prolonged use etc.

Even with the application of the relevant safety regulations and the implementation of safety devices, certain residual risks can not be avoided. These include:

- ◆ Injuries caused by touching any rotating/moving parts.
- ◆ Injuries caused when changing any parts, blades or accessories.

- ◆ Injuries caused by prolonged use of a tool. When using any tool for prolonged periods ensure you take regular breaks.
- ◆ Impairment of hearing.
- ◆ Health hazards caused by breathing dust developed when using your tool (example:- working with wood, especially oak, beech and MDF.)

Labels on tool

The following pictograms are shown on the tool along with the date code:



Warning! To reduce the risk of injury, the user must read the instruction manual.

Additional safety instructions for batteries and chargers

Batteries

- ◆ Never attempt to open for any reason.
- ◆ Do not expose the battery to water.
- ◆ Do not store in locations where the temperature may exceed 40 °C.
- ◆ Charge only at ambient temperatures between 10 °C and 40 °C.
- ◆ Charge only using the charger provided with the tool.
- ◆ When disposing of batteries, follow the instructions given in the section "Protecting the environment".



Do not attempt to charge damaged batteries.

Chargers

- ◆ Use your Stanley Fat Max charger only to charge the battery in the tool with which it was supplied. Other batteries could burst, causing personal injury and damage.
- ◆ Never attempt to charge non-rechargeable batteries.
- ◆ Have defective cords replaced immediately.
- ◆ Do not expose the charger to water.
- ◆ Do not open the charger.
- ◆ Do not probe the charger.



The charger is intended for indoor use only.



Read the instruction manual before use.

Electrical safety



Your charger is double insulated; therefore no earth wire is required. Always check that the mains voltage corresponds to the voltage on the rating plate.

Never attempt to replace the charger unit with a regular mains plug.

- ◆ If the supply cord is damaged, it must be replaced by the manufacturer or an authorised Stanley Fat Max Service Centre in order to avoid a hazard.

Features

This tool includes some or all of the following features.

1. On/Off switch
2. Variable speed dial
3. Super-lok™ Tool free accessory clamping lever
4. LED Work light

Use

Warning! Let the tool work at its own pace. Do not overload.

Charging the battery (Fig. A)

The battery needs to be charged before first use and whenever it fails to produce sufficient power on jobs that were easily done before.

The battery may become warm while charging; this is normal and does not indicate a problem.

Warning! Do not charge the battery at ambient temperatures below 10 °C or above 40 °C. Recommended charging temperature: approx. 24 °C.





Note: The charger will not charge a battery if the cell temperature is below approximately 10 °C or above 40 °C. The battery should be left in the charger and the charger will begin to charge automatically when the cell temperature warms up or cools down.

Note: To ensure maximum performance and life of lithium-ion battery packs, charge the battery pack fully before first use.

- ◆ Plug the charger (6) into an appropriate outlet before inserting battery pack (5).
- ◆ The green charging light (6a) will blink continuously indicating that the charging process has started.
- ◆ The completion of charge will be indicated by the green charging light (6a) remaining ON continuously. The battery pack (5) is fully charged and may be removed and used at this time or left in the charger (6).
- ◆ Charge discharged batteries within 1 week. Battery life will be greatly diminished if stored in a discharged state.

Charger LED Modes

	<p>Charging: Green LED Intermittent</p>	
--	--	--

	Fully Charged: Green LED Solid	
	Hot/Cold Pack Delay: Green LED Intermittent Red LED Solid	

Note: The compatible charger(s) will not charge a faulty battery pack. The charger will indicate a faulty battery pack by refusing to light.

Note: This could also mean a problem with a charger. If the charger indicates a problem, take the charger and battery pack to be tested at an authorized service centre.

Leaving the battery in the charger

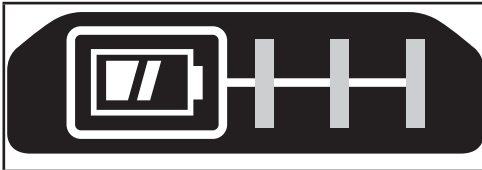
The charger and battery pack can be left connected with the LED glowing indefinitely. The charger will keep the battery pack fresh and fully charged.

Hot/Cold Pack Delay

When the charger detects a battery that is too hot or too cold, it automatically starts a Hot/Cold Pack Delay, the green LED (6a) will flash intermittently, while the red LED (6b) will remain on continuously, suspending charging until the battery has reached an appropriate temperature. The charger then automatically switches to the pack charging mode. This feature ensures maximum battery life.

Battery state of charge indicator (Fig. B)

The battery includes a state of charge indicator to quickly determine the extent of battery life as shown in figure B. By pressing the state of charge button (5a) you can easily view the charge remaining in the battery as illustrated in figure B.



Installing and Removing the Battery Pack from the tool

Warning! Make certain the lock-off button is engaged to prevent switch actuation before removing or installing battery.

To install battery pack (Fig. C)

- ◆ Insert battery pack firmly into tool until an audible click is heard as shown in figure C. Ensure battery pack is fully seated and fully latched into position.

To remove battery pack (Fig. D)

- ◆ Depress the battery release button (5b) as shown in figure D and pull battery pack out of tool.

Belt hook (Optional extra) (Fig. E, F)

Warning! To reduce the risk of serious personal injury, place the forward/reverse button in the lock-off position or turn tool off and disconnect battery pack before making any adjustments or removing/installing attachments or accessories.

An accidental start-up can cause injury.

Warning! To reduce the risk of serious personal injury, ONLY use the tool's belt hook (7) to hang the tool from a work belt. DO NOT use the belt hook (7) for tethering or securing the tool to a person or object during use. DO NOT suspend tool overhead or suspend objects from the belt hook.

Warning! To reduce the risk of serious personal injury, ensure the screw (8) holding the belt hook is secure.

Note: When attaching or replacing the belt hook (7), use only the screw (8) that is provided. Be sure to securely tighten the screw.

The belt hook (7) can be attached to either side of the tool using only the screw (8) provided, to accommodate left- or right- handed users. If the hook is not desired at all, it can be removed from the tool.

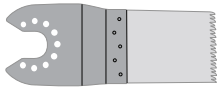
To move the belt hook, remove the screw (8) that holds the belt hook (7) in place then reassemble on the opposite side. Be sure to securely tighten the screw (8).

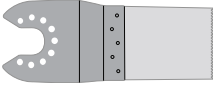
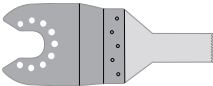
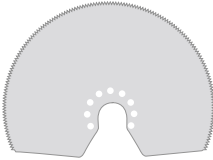
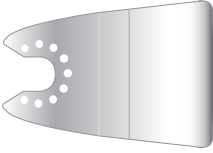

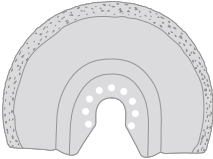
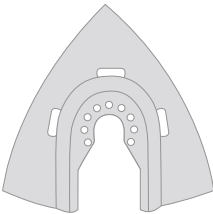
Note: Various trackwall hooks and storage configurations are available.

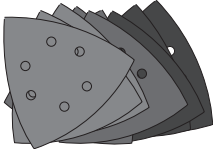
Please visit our website www.stanley.eu/3 for further information.

Accessories

This tool includes some or all of the following accessories. The performance of your tool depends on the accessory used. Stanley Fat Max accessories are engineered to high quality standards and designed to enhance the performance of your tool. By using these accessories you will get the very best from your tool.

	Precision plunge cut saw blade for wooden materials, soft plastics. (Part number - STA26105-XJ) Separating, plunge and flush cutting of wood and soft plastics. Ideal for working on doors, skirting boards, windowsills and flooring.
---	---

	<p>Plunge cut saw blade for wood and metal. (Part number - STA26110-XJ) Separating, plunge and flush cutting of wood, plastics, thin-walled non-ferrous pipes and extrusions, nails and screws.</p>
	<p>Plunge cut saw blade for wood and metal. (Part number - STA26115-XJ) Separating, plunge and flush cutting of wood, plastics, thin-walled non-ferrous pipes and extrusions.</p>
	<p>Segmented saw blade. (Part number - STA26120-XJ) Long life blade which is ideal for cutting wood, plastics, thin walled ferrous and non-ferrous material.</p>
	<p>Rigid scraper. (Part number - STA26135-XJ) Ideal for removal of hard and soft material from flat surfaces such as the removal of vinyl flooring, bonded carpet adhesive, tile floor adhesive, grout, paint and varnish.</p>
	<p>Flexible scraper. (Part number - STA26140-XJ) Ideal for removal of elastomer materials from hard flat surfaces in difficult to reach areas such as silicon sealant and other caulking materials.</p>
	<p>Carbide grout removal blade. (Part number - STA26125-XJ) Carbide coated surface ideal for clearing grout and tile adhesive from flat surfaces and for fast stock removal of wood, chipboard and fibreglass.</p>
	<p>Carbide rasp. (Part number - STA26130-XJ) Carbide coated surface ideal for grout removal and for fast stock removal of plastics, chipboard and fibreglass.</p>

	<p>Sanding Sheets. (Part number - STA32348-XJ) Various grades for sanding of wood, painted and varnished surfaces.</p>
---	---

Assembly

Fitting and removing the accessories (fig. G - L)

Warning! Before fitting an accessory, disconnect the tool from the mains supply/Remove battery from tool.

Fitting a Stanley Fat Max accessory (fig. G - I)

- ◆ Hold the tool and squeeze the accessory clamping lever (3).
- ◆ Slide the accessory (10) between the shaft and the accessory holder making sure the accessory engages all eight pins on the holder and is flush with the shaft.
- ◆ Release the accessory clamping lever.

Note: Some accessories, such as scrapers and blades can be mounted at an angle if required (fig. I).

Removing a Stanley Fat Max accessory (fig. A)

- ◆ Hold the tool and squeeze the accessory clamping lever (3).
- ◆ Pull the accessory from the tool making sure the accessory dis-engages from all eight pins on the holder.
- ◆ Release the accessory clamping lever.

Warning: Gloves must be worn when removing accessories as they may become hot during use.

Fitting a sanding sheet (fig. J)

- ◆ Line up the sanding sheet (11) with the sanding base (12) as shown.
- ◆ Press the sheet firmly and evenly onto the sanding base, making sure that the holes in the sheet coincide with the holes in the base.

Removing a sanding sheet

- ◆ Pull the sanding sheet off the sanding base (12).

Warning! Never use the sanding base without a sanding sheet or accessory in place.

Fitting the dust extraction adaptor (fig. K)

- ◆ Line up the dust extraction adaptor (13) with the sanding base (12) as shown.
- ◆ Press the adaptor firmly and evenly in to the sanding base.
- ◆ Secure the adaptor by turning the locking nut (14) clockwise.
- ◆ Connect a vacuum cleaner to the dust extraction adaptor.

Removing the dust extraction adaptor

- ◆ Turn the locking nut (14) anti-clockwise.
- ◆ Pull the dust extraction adaptor (13) out of the sanding base (12).

Fitting alternative accessories (fig. L)

- ◆ Place the spacer (16) onto the collar (15).
- ◆ Place the alternative accessory (17) onto the collar (15).
- ◆ Firmly attach the fixing bolt (18) into place to ensure a tight fit for the alternative accessory (17).

Note: The spacer and fixing bolt are not used to attach Stanley Fat Max accessories. Black and Decker accessories are attached using the Super-lok™ Tool free accessory clamping lever.

Use

Warning! Let the tool work at its own pace. Do not overload.

Warning! Before cutting into walls, floors or ceilings, check for the location of wiring and pipes.

Variable speed control (fig. M)

The variable speed control allows you to adapt the speed of the tool to the application.

- ◆ Set the variable speed dial (2) to the desired setting. At setting 1 the tool will operate at low speed, 8,000 min-1. At setting 6 the tool will operate at the maximum speed, 18,000 min-1.

Switching on and off (fig. N)

- ◆ To switch the tool on, slide the on/off switch (1) forward (position I).
- ◆ To switch the tool off, slide the on/off switch (1) to the rear (position O).

LED work light

The LED work light (4) is activated automatically when the tool is switched on.

Low-battery Indicator

If the LED worklight (4) begins to rapidly and continuously flash when the switch on the tool is depressed, the battery-pack power has run out, and the battery pack should be recharged.

Unlike other battery pack types, Lithium-Ion battery packs deliver fade-free power for their entire run time. The tool will not experience a slow, gradual loss of power as you work. To signal that the battery pack is at the end of its run time and needs to be charged, the power to the tool will drop quickly.

Note: The LED may also flash due to an overload or high temperature (see Battery Protection).

Hints for optimum use

- ◆ Always hold the tool securely. For precision work, hold the tool near the front.
- ◆ Clamp the workpiece whenever possible, especially when using cutting blades.
- ◆ Do not exert too much pressure on the tool.
- ◆ Always use the appropriate type of attachment for the workpiece material and type of cut.
- ◆ Regularly check the condition of accessories. Replace when necessary.
- ◆ Mark the desired starting point.
- ◆ Switch the tool on and slowly feed attachments into the workpiece at the desired starting point.
- ◆ Clamp a piece of plywood or soft wood to the back of the workpiece and saw through the combination in order to obtain a clear cut.
- ◆ Do not force the cutting blade into the workpiece. Note that cutting sheet metal will normally take more time than sawing thicker wooden workpieces.
- ◆ When cutting metal spread a thin film of oil along the cutting line before cutting.
- ◆ When sanding new layers of paint before applying another layer, use extra fine grit.
- ◆ On very uneven surfaces, or when removing layers of paint, start with a coarse grit. On other surfaces, start with a medium grit. In both cases, gradually change to a fine grit for a smooth finish.
- ◆ Consult your retailer for more information on available accessories.

Maintenance

Your Stanley Fat Max corded/cordless appliance/tool has been designed to operate over a long period of time with a minimum of maintenance. Continuous satisfactory operation depends upon proper tool care and regular cleaning.

Warning! Before performing any maintenance on corded/cordless power tools:

- ◆ Switch off and unplug the appliance/tool.
- ◆ Or switch off and remove the battery from the appliance/tool if the appliance/tool has a separate battery pack.
- ◆ Or run the battery down completely if it is integral and then switch off.
- ◆ Regularly clean the ventilation slots in your appliance/tool/charger using a soft brush or dry cloth.
- ◆ Regularly clean the motor housing using a damp cloth. Do not use any abrasive or solvent-based cleaner.

Mains plug replacement (U.K. & Ireland only)

If a new mains plug needs to be fitted:

- ◆ Safely dispose of the old plug.
- ◆ Connect the brown lead to the live terminal in the new plug.

- ◆ Connect the blue lead to the neutral terminal.

Warning! No connection is to be made to the earth terminal. Follow the fitting instructions supplied with good quality plugs. Recommended fuse: 5 A.

Protecting the environment



Separate collection. Products and batteries marked with this symbol must not be disposed of with normal household waste.

Products and batteries contain materials that can be recovered or recycled reducing the demand for raw materials. Please recycle electrical products and batteries according to local provisions. Further information is available at www.2helpU.com.

Technical data

SFMCE500 (Type 1)		
Voltage	V_{DC}	18
No-load speed	min^{-1}	8000 - 18000
Oscillating angle	Degrees	1.4 or 2.8
Weight	kg	1.4

Charger		SFMCB11	SFMCB12	SFMCB14
Input Voltage	V_{AC}	230	230	230
Output Voltage	V_{DC}	18	18	18
Current	A	1.25	2	4

Battery		SFMCB201	SB202 / SFMCB202	SB202 / SFMCB202	SB202 / SFMCB202
Voltage	V_{DC}	18	18	18	18
Capacity	Ah	1.5	2.0	4.0	6.0
Type		Li-Ion	Li-Ion	Li-Ion	Li-Ion

Level of sound pressure according to EN62841:

Sound pressure (L_{pA}) 85 dB(A), uncertainty (K) 3 dB(A)

Sound power (L_{WA}) 96 dB(A), uncertainty (K) 3 dB(A)

Vibration total values (triax vector sum) according to EN62841:

Cutting wood ($a_{n,cw}$) 6.3 m/s^2 , uncertainty (K) 1.5 m/s^2

Cutting metal ($a_{n,cm}$) 7.5 m/s^2 , uncertainty (K) 1.5 m/s^2

Sanding (a_n) 8.2 m/s^2 , uncertainty (K) 1.5 m/s^2

Rigid scraper – Removal of glued carpet from a floor (a_n) 7.9 m/s^2 , (K) 1.5 m/s^2

Rasp/grout removal blade- Scraping concrete (a_n) 7.5 m/s^2 , (K) 1.5 m/s^2

EC declaration of conformity

MACHINERY DIRECTIVE



Cordless Oscillating Tool - SFMCE500

Stanley Europe declares that these products described under "technical data" are in compliance with:
2006/42/EC, EN 62841-1:2015, EN 62841-2-4:2014

These products also comply with Directive 2014/30/EU and 2011/65/EU. For more information, please contact Stanley Europe at the following address or refer to the back of the manual.

The undersigned is responsible for compilation of the technical file and makes this declaration on behalf of Stanley Fat Max.

A.P. Smith
Technical Director

Stanley Fat Max Europe, Egide Walschaertsstraat14-18,
2800 Mechelen, Belgium
07.08.2019

Guarantee

Stanley Fat Max is confident of the quality of its products and offers consumers a 12 month guarantee from the date of purchase. This guarantee is in addition to and in no way prejudices your statutory rights. The guarantee is valid within the territories of the Member States of the European Union and the European Free Trade Area.

To claim on the guarantee, the claim must be in accordance with Stanley Fat Max Terms and Conditions and you will need to submit proof of purchase to the seller or an authorised repair agent. Terms and conditions of the Stanley Fat Max 1 year guarantee and the location of your nearest authorised repair agent can be obtained on the Internet at www.2helpU.com, or by contacting your local Stanley Fat Max office at the address indicated in this manual.

Please visit our website www.stanley.eu/3 to register your new Stanley Fat Max product and receive updates on new products and special offers. agent in the Stanley Fat Max catalogue or contact your local Stanley office at the address indicated in this manual. A list of authorised Stanley Fat Max repair agents and full details of our after sales service is available on the internet at: www.stanley.eu/3

Назначение

Многофункциональный инструмент Stanley FatMax SFMCE500 предназначен для Бытовых проектов, таких как шлифовка. Он также пригоден для распиловки древесины, пластмассы, гипса, цветных металлов и крепежных элементов (мягких гвоздей, скоб), обработки мягкой настенной плитки и зачистки небольших поверхностей. Данный инструмент предназначен как для профессионального использования, так и бытового использования частными пользователями.

Правила техники безопасности

Общие правила безопасности при работе с электроинструментом



Внимание! Прочтите все правила техники безопасности, инструкции, иллюстрации и спецификации по данному электроинструменту. Несоблюдение представленных ниже предупреждений и инструкций может привести к поражению электрическим током, возгоранию и/или тяжелым травмам.

Сохраните все инструкции для последующего обращения к ним. Термин «электроинструмент» во всех приведенных ниже предупреждениях относится к питаемому от электросети (проводному) или от аккумуляторных батарей (беспроводному) электроинструменту.

1. Безопасность на рабочем месте

- a. **Содержите рабочее место в чистоте и обеспечьте его хорошую освещенность.** Плохое освещение или беспорядок на рабочем месте может привести к несчастному случаю.
- b. **Не используйте электроинструмент во взрывоопасной атмосфере, например, при наличии горючих жидкостей, газов или пыли.** Искры, которые появляются при работе электроинструмента, могут привести к воспламенению пыли или паров.
- c. **Не разрешайте детям и посторонним лицам находиться рядом с вами при работе с электроинструментом.** Отвлекаясь от работы, вы можете потерять контроль над инструментом.

2. Электробезопасность

- a. **Сетевые вилки электроинструмента должны соответствовать розеткам. Никогда не меняйте вилку инструмента.**
Запрещается использовать переходники к вилкам

для электроинструментов с заземлением.

Использование оригинальных штепсельных вилок, соответствующих типу сетевой розетки, снижает риск поражения электрическим током.

- b. **Следует избегать контакта с заземленными поверхностями, такими как трубы, радиаторы, батареи и холодильники.** Если вы будете заземлены, увеличивается риск поражения электрическим током.
 - c. **Не допускайте нахождения электроинструментов под дождем или в условиях повышенной влажности.** При попадании воды в электроинструмент риск поражения электротоком возрастает.
 - d. **Бережно обращайтесь с кабелем питания. Никогда не используйте кабель для переноски электроинструмента, не тяните за него, пытайтесь отключить инструмент от сети. Держите кабель подальше от источников тепла, масла, острых углов или движущихся предметов.** Поврежденный или запутанный кабель питания повышает риск поражения электрическим током.
 - e. **При работе с электроинструментом вне помещения необходимо пользоваться удлинителем, рассчитанным на эксплуатацию в соответствующих условиях.** Использование кабеля питания, предназначенного для использования вне помещения, снижает риск поражения электрическим током.
 - f. **При необходимости эксплуатации электроинструмента в местах с повышенной влажностью используйте устройство защитного отключения (УЗО).** Использование УЗО снижает риск поражения электрическим током.
- #### 3. Обеспечение индивидуальной безопасности
- a. **При работе с электроинструментом сохраняйте бдительность, действуйте внимательно и руководствуйтесь здравым смыслом.** Не работайте с электроинструментом, если вы устали, находитесь в состоянии наркотического, алкогольного опьянения или под воздействием лекарственных препаратов. Невнимательность при работе с электроинструментом может привести к серьезным травмам.
 - b. **Используйте средства индивидуальной защиты. Всегда надевайте защитные очки.** Использование при работе таких средств защиты, как пылезастыная маска, обувь с нескользящей подошвой, каска и защитные наушники снижает риск травм.
 - c. **Примите меры для предотвращения случайного включения.** Перед тем как подключить электроинструмент к сети и/или аккумуляторной батарее, возьмите инструмент или перенести его в

- другое место, убедитесь в том, что выключатель находится в положении «Выкл.». Если при переноске электроинструмент остается подключен к сети, и при этом ваш палец находится на выключателе, это может привести к несчастному случаю.
- d. Уберите все регулировочные или гаечные ключи перед включением электроинструмента. Ключ, оставленный на вращающейся части электроинструмента, может травмировать.
- e. Не пытайтесь дотянуться до слишком удаленных поверхностей. Всегда твердо стойте на ногах, сохраняя равновесие. Это позволит лучше контролировать электроинструмент в непредвиденных ситуациях.
- f. Надевайте подходящую одежду. Не носите свободную одежду и ювелирные украшения. Следите за тем, чтобы волосы и одежда не попадали под движущиеся детали. Возможно наматывание элементов одежды, ювелирных изделий и длинных волос на движущиеся детали.
- g. При наличии устройств для подключения оборудования для удаления и сбора пыли необходимо обеспечить правильность их подключения и эксплуатации. Использование устройства для пылеудаления снижает риски, связанные с пылью.
- h. Не позволяйте хорошему знанию от частого использования инструментов стать причиной самонадеянности и игнорирования правил техники безопасности. Небрежное действие может стать причиной серьезной травмы за долю секунды.
4. Эксплуатация электроинструмента и уход за ним
- a. Избегайте чрезмерной нагрузки электроинструмента. Используйте электроинструмент в соответствии с назначением. Правильно подобранный электроинструмент выполнит работу более эффективно и безопасно при стандартной нагрузке.
- b. Не используйте электроинструмент, если не работает его выключатель. Любой электроинструмент, управляемый выключением и включением которого невозможно, опасен и подлежит ремонту.
- c. Перед выполнением любой регулировки, заменой дополнительных принадлежностей или хранением электроинструмента отключите инструмент от сети или извлеките батарею из инструмента. Такие превентивные меры безопасности снижают вероятность случайного включения электроинструмента.
- d. Храните электроинструмент в недоступном для детей месте и не позволяйте работать с инструментом людям, не имеющим соответствующих навыков работы с такого рода инструментами.
- Электроинструмент представляет опасность в руках неопытных пользователей.
- e. Поддерживайте электроинструмент и насадки в исправном состоянии. Проверьте движущиеся детали на точность совмещения или заклинивание, наличие поломок или каких-либо других условий, которые могут повлиять на эксплуатацию электроинструмента. В случае обнаружения повреждений, прежде чем приступить к эксплуатации электроинструмента, его следует отремонтировать. Большинство несчастных случаев происходит по причине отсутствия должного обслуживания электроинструмента.
- f. Необходимо содержать режущий инструмент в остро заточенном и чистом состоянии. Вероятность заклинивания инструмента, за которым следят должным образом и который хорошо заточен, значительно меньше, и работать с ним легче.
- g. Используйте данный электроинструмент, а также дополнительные принадлежности и насадки в соответствии с данными инструкциями и с учетом условий и специфики работы. Использование электроинструмента для выполнения операций, для которых он не предназначен, может привести к опасной ситуации.
- h. Все рукоятки и поверхности захватывания должны быть сухими и без следов смазки. Скользкие рукоятки и поверхности захватывания не позволяют обеспечить безопасность работы и управления инструментом в непредвиденных ситуациях.
5. Использование инструментов с аккумуляторами и уход за ними
- a. Используйте для зарядки аккумуляторной батареи только указанное производителем зарядное устройство. Использование зарядного устройства определенного типа для зарядки других аккумуляторных батарей может быть огнеопасно.
- b. Используйте для электроинструмента только батареи указанного типа. Использование других аккумуляторных батарей может привести к травмам и пожару.
- c. Избегайте попадания внутрь батареи скрепок, монет, ключей, гвоздей, болтов или других мелких металлических предметов, которые могут вызывать замыкание ее контактов. Короткое замыкание контактов батареи может привести к возгоранию или ожогам.
- d. При повреждении батареи, из нее может вытечь

электродит; избегайте контакта с ним. При случайном контакте с электродитом смойте его водой. При попадании электродита в глаза обратитесь за медицинской помощью. Жидкость, находящаяся внутри батареи, может вызвать раздражение или ожоги.

- e. **Не используйте поврежденные или измененные аккумуляторные батареи или инструменты.** Поврежденные или измененные аккумуляторные батареи могут работать непредсказуемо, что может привести к возгоранию, взрыву или травмам.
- f. **Не подвергайте аккумуляторные батареи или инструмент воздействию огня или повышенной температуры.** Открытый огонь или воздействие температуры выше 130 °C может привести к взрыву. ПРИМЕЧАНИЕ. Температуру «130 °C» можно заменить на температуру «265 °F».
- g. **Следуйте всем инструкциям по зарядке и не заряжайте аккумуляторную батарею или инструмент вне температурного диапазона, указанного в инструкции.** Неправильная зарядка или зарядка вне указанного температурного диапазона может привести к повреждению аккумуляторной батареи и повысить риск воспламенения.

6. Сервисное обслуживание

- a. **Обслуживание электроинструмента должно выполняться только квалифицированным техническим персоналом.** Это позволит обеспечить безопасность обслуживаемого электроинструмента.
- b. **Не выполняйте обслуживание поврежденных аккумуляторных батарей.** Обслуживание аккумуляторных батарей должно выполняться только производителем или авторизованными поставщиками услуг.

Дополнительные правила техники безопасности при работе с электроинструментом



Внимание! Внимание! Дополнительные инструкции по технике безопасности для ручных пил.

- ◆ **Удерживайте инструмент за изолированные поверхности захватывания при выполнении работ, во время которых имеется вероятность контакта инструмента со скрытой электропроводкой.** Если вы держитесь за металлические детали инструмента, то в случае перерезания находящегося под напряжением провода, возможно поражение оператора электрическим током.
- ◆ **Используйте зажимы или другие подходящие**

средства для фиксации заготовки на стабильной опоре. Если держать заготовку руками или с упором в собственное тело, то можно потерять контроль над инструментом или заготовкой.

- ◆ **Держите руки подальше от зоны разреза.** Никогда не наклоняйтесь над заготовкой. Не держите пальцы вблизи пильного полотна и его зажима. Не выравнивайте пилу, удерживая ее за основание.
- ◆ **Следите за остротой заточки пильных полотен.** Тупые или поврежденные полотна могут привести к тому, что пила отклонится или заклинит под давлением. Всегда используйте полотна соответствующего типа для разных рабочих деталей и вида распила.
- ◆ **При распиле трубы или трубопровода убедитесь в том, что в них нет воды, не проходит электропроводка и т. п.**
- ◆ **Не трогайте заготовку и полотно сразу после того как закончите работу.** Они могут сильно нагреваться.
- ◆ **Перед тем, как делать отверстия в стенах, полах или потолках, проверьте места прохождения проводов и трубопроводов.**
- ◆ **Полотно продолжает двигаться после того, как будет отпущен спусковой выключатель.** Выключая инструмент, всегда дождитесь, пока пила полностью остановится перед тем, как положить его.

Внимание! Значения вибрационного воздействия при работе с электроинструментом зависят от вида работ, выполняемых данным инструментом, и могут отличаться от заявленных значений. Уровень вибрации может быть выше заявленного.

- ◆ Далее в руководстве приводятся виды работ, для которых предназначен данный инструмент. Применение любых принадлежностей и приспособлений, а также выполнение любых операций помимо тех, которые рекомендованы данным руководством, может привести к травме.

Безопасность окружающих

- ◆ Данный инструмент не предназначен для использования лицами (включая детей) с ограниченными физическими, сенсорными или умственными способностями, а также лицами без достаточного опыта и знаний, если только они не делают этого под руководством лица имеющего соответствующий опыт и отвечающего за их безопасность.
- ◆ Дети должны находиться под присмотром, чтобы исключить возможность игр с инструментом.

Вибрация

Значения уровня вибрации, указанные в технических характеристиках инструмента и декларации соответствия, были измерены в соответствии со стандартным методом определения вибрационного воздействия согласно

EN62841 и могут использоваться при сравнении характеристик различных инструментов. Заявленные значения вибрационного воздействия также могут использоваться при предварительной оценке ее воздействия.

Внимание! Значения вибрационного воздействия при работе с электроинструментом зависят от вида работ, выполняемых данным инструментом, и могут отличаться от заявленных значений. Уровень вибрации может быть выше заявленного.

При оценке уровня вибрации для определения меры безопасности, предусмотренного 2002/44/ЕС для защиты людей, регулярно пользующихся электроинструментом при работе, нужно принимать во внимание уровень вибрации, реальные условия использования и способ использования инструмента, а также учитывать все этапы цикла работы — когда инструмент выключается, когда он работает на холостом ходу, а также время переключения с одного режима на другой.

Остаточные риски.

При работе с инструментом возможно возникновение дополнительных остаточных рисков, которые не вошли в описанные здесь правила техники безопасности. Это может произойти при неправильной эксплуатации или продолжительном использовании изделия и т. п. Несмотря на соблюдение соответствующих инструкций по технике безопасности и использование предохранительных устройств, некоторые остаточные риски невозможно полностью исключить. К ним относятся:

- ◆ Травмы в результате касания вращающихся/движущихся частей.
- ◆ Травмы, которые могут произойти в результате смены деталей, лезвий или дополнительных принадлежностей.
- ◆ Травмы, связанные с продолжительным использованием инструмента. При использовании любого инструмента в течение продолжительного периода времени не забывайте делать перерывы.
- ◆ Ухудшение слуха.
- ◆ Ущерб здоровью в результате вдыхания пыли в процессе работы с инструментом (например, при обработке древесины, в особенности, дуба, бука и МДФ.)

Условные обозначения на инструменте

Наравне с кодом даты на инструменте имеются следующие знаки:



Внимание! Во избежание риска получения травм, прочтите руководство по эксплуатации.

Дополнительные правила техники безопасности при работе с аккумуляторными батареями и зарядными инструментами

Аккумуляторные батареи

- ◆ Никогда не пытайтесь разбирать аккумуляторные батареи.
- ◆ Не подвергайте аккумуляторные батареи воздействию воды.
- ◆ Не оставляйте батареи в местах, где температура превышает 40 °С.
- ◆ Заряжайте батареи только при температуре от 10 °С до 40 °С.
- ◆ Заряжайте аккумуляторные батареи только с зарядным устройством, которое прилагается к инструменту.
- ◆ При утилизации батарей следуйте инструкциям, указанным в разделе «Защита окружающей среды».



Не пытайтесь заряжать поврежденные аккумуляторные батареи.

Зарядные устройства

- ◆ Используйте свое зарядное устройство Stanley Fat Max только для зарядки аккумуляторной батареи инструмента, с которым оно поставлялось. Использование аккумуляторных батарей другого типа может привести к взрыву, травмам и повреждениям.
- ◆ Не пытайтесь заряжать одноразовые батареи.
- ◆ Немедленно заменяйте поврежденный кабель питания.
- ◆ Не подвергайте зарядное устройство воздействию воды.
- ◆ Не вскрывайте зарядное устройство.
- ◆ Не разбирайте зарядное устройство.



Зарядное устройство можно использовать только в помещении.



Перед началом работы прочтите руководство по эксплуатации.

Электробезопасность



Ваше зарядное устройство имеет двойную изоляцию, поэтому не требует заземления. Необходимо обязательно убедиться в том, что напряжение источника питания соответствует указанному на паспортной табличке устройства. Никогда не пытайтесь заменить зарядное устройство обычной сетевой вилкой.

- ◆ Если поврежден сетевой кабель, его нужно заменить у производителя или в авторизованном сервисном центре Stanley Fat Max, чтобы избежать проблем.

Составные части

Данный инструмент может содержать все или некоторые из перечисленных ниже составных частей.

1. Пусковой выключатель
2. Дискový регулятор скорости
3. Super-lok™ - рычаг системы крепления дополнительных принадлежностей, не требующая инструментов
4. Светодиодная подсветка

Эксплуатация

Внимание! Инструмент должен работать в обычном режиме.

Избегайте перегрузок.

Зарядка аккумуляторной батареи (Рис. А)

Аккумуляторную батарею нужно заряжать перед первым использованием и каждый раз, когда заряда недостаточно для выполняемых работ.

Во время зарядки аккумуляторная батарея нагревается. Это нормальная ситуация, которая не указывает на неисправность.

Внимание! Не заряжайте батарею при температуре окружающей среды ниже 10 °C или выше 40 °C.

Рекомендуемая температура при зарядке: приблизительно 24 °C.

Примечание: Зарядное устройство не будет заряжать аккумуляторную батарею, если температура элемента ниже 10 °C или выше 40 °C.

Аккумуляторную батарею следует оставить в зарядном устройстве. Зарядка начнется автоматически, когда температура элемента аккумуляторной батареи выровняется до нормальных значений.

Примечание: Чтобы обеспечить максимальную производительность и срок службы ионно-литиевых батарей, перед первым использованием полностью зарядите их.

- и Перед установкой аккумуляторной батареи (5) подключите зарядное устройство (6) к соответствующей розетке.
- ◆ Зеленый индикатор зарядки (6a) начнет мигать. Это означает, что процесс зарядки начался.
- ◆ По окончании зарядки, зеленый индикатор зарядки (6a) будет гореть непрерывно, не мигая. Теперь аккумуляторная батарея (5) полностью заряжена, и ее можно использовать или оставить в зарядном устройстве (6).

- ◆ Разрядившиеся батареи заряжайте не позже, чем через 1 неделю. Срок службы аккумуляторной батареи значительно уменьшается, если ее хранить в разряженном состоянии.

Режимы горения светодиодного индикатора зарядного устройства

	Зарядка: Мигающий зеленый светодиод	
	Полностью заряжен: Непрерывно горящий зеленый светодиод	
	Температурная задержка: Мигающий зеленый светодиод Непрерывно горящий красный светодиод	

Примечание: Зарядное(-ые) устройство(-а) не сможет(-гут) зарядить неисправную аккумуляторную батарею.

При неисправной аккумуляторной батарее, индикатор на зарядном устройстве не загорится.

Примечание: Также это может указывать на проблему с зарядным устройством. При наличии проблемы с зарядным устройством, проверьте аккумуляторную батарею и зарядное устройство в авторизованном сервисном центре.

Хранение аккумуляторной батареи в зарядном устройстве

Аккумуляторную батарею можно оставлять в зарядном устройстве на неопределенное время, когда горит светодиод. Зарядное устройство будет поддерживать полную зарядку аккумуляторной батареи.

Температурная задержка

При слишком низкой или слишком высокой температуре батареи, зарядное устройство автоматически переходит в режим температурной задержки: зеленый светодиод (6a) будет мигать, в то время как красный светодиод (6b) будет гореть постоянно; при этом зарядка не начинается до тех пор, пока батарея не достигнет нужной температуры. Как только нужная температура будет достигнута, устройство автоматически перейдет в режим зарядки. Данная функция обеспечивает максимальный срок эксплуатации аккумуляторной батареи.

Индикатор заряда (Рис. В)

Аккумуляторная батарея имеет индикатор заряда, который позволяет быстро установить состояние

заряда батареи, как показано на Рис. В. Нажатие кнопки заряда (5а) позволяет легко посмотреть оставшийся заряд батареи, как показано на Рис. В.



Установка и извлечение аккумуляторной батареи из инструмента

Внимание! Проверьте, нажата ли кнопка блокировки, чтобы исключить вероятность срабатывания пускового выключателя при извлечении или установке батареи.

Установка батареи (Рис. С)

- ◆ Крепко вставьте аккумуляторную батарею в инструмент до щелчка, как показано на Рис. С. Убедитесь, что батарея полностью вошла и зафиксирована на месте.

Извлечение батареи (Рис. D)

- ◆ Нажмите кнопку разблокирования аккумуляторного отсека (5b), как показано на Рис. D и извлеките аккумуляторную батарею из инструмента.

Крепление для ремня (дополнительная принадлежность) (Рис. Е, F)

Внимание! Чтобы снизить риск получения серьезной травмы, устанавливайте переключатель изменения направления вращения в положение выключения или выключайте инструмент и отсоединяйте аккумуляторную батарею, прежде чем выполнять какую-либо регулировку или удалять/устанавливать какие-либо дополнительные приспособления или принадлежности. Случайный запуск может привести к травме.

Внимание! Во избежание получения травмы или повреждения инструмента, подвешивайте инструмент на ремень ТОЛЬКО за крепление для ремня (7). ЗАПРЕЩАЕТСЯ использовать крепление для ремня (7) для крепления инструмента к людям или предметам во время эксплуатации. НЕ ПОДВЕШИВАЙТЕ инструмент над головой и не прицепляйте другие объекты к креплению для ремня.

Внимание! Во избежание получения серьезной травмы убедитесь в том, что винт (8) крепления для ремня хорошо затянут.

Примечание: Прикрепляя или меняя крепление для ремня (7), используйте только входящий в комплектацию винт (8). Убедитесь в надежности закрепления винта. Крепление для ремня (7) можно устанавливать только

с использованием винта (8) из комплекта поставки и с любой стороны инструмента, чтобы им могли пользоваться люди с ведущей правой или левой рукой. Если крепление не нужно, его можно снять с инструмента. Чтобы передвинуть крепление для ремня (7), открутите винт (8), удерживающий его, и установите его на противоположной стороне. Убедитесь в надежности затяжки винта (8).

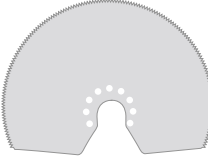


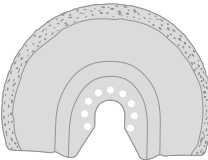
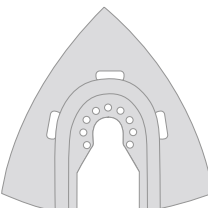
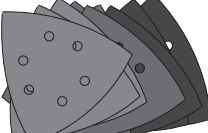
Примечание: Доступны различные крюки для настенных направляющих и конфигураций хранения. Дополнительную информацию см. на нашем веб-сайте по адресу www.stanley.eu/3.

Дополнительные принадлежности

Этот инструмент включает в себя следующие принадлежности или некоторые из них.

Производительность вашего инструмента напрямую зависит от используемых принадлежностей. Принадлежности Stanley Fat Max изготовлены в соответствии с самыми высокими стандартами качества и способны увеличить производительность вашего инструмента. Используя эти принадлежности, вы достигнете наилучших результатов в работе.

	<p>Пильное полотно для выполнения точных врезных распилов в древесине и мягкой пластмассе. (Номер детали – STA26105-XJ) Отрезание, врезание и пиление заподлицо древесины и мягкой пластмассы. Идеально подходит для работы с дверями, плинтусами, подоконниками и настилки полов.</p>
	<p>Пильное полотно для выполнения врезных распилов в древесине и металле. (Номер детали – STA26110-XJ) Отрезание, врезание и пиление заподлицо древесины, пластмассы, толстостенных труб из цветных металлов, профилей, гвоздей и шурупов.</p>
	<p>Пильное полотно для выполнения врезных распилов в древесине и металле. (Номер детали – STA26115-XJ) Отрезание, врезание и пиление заподлицо древесины, пластмассы, толстостенных труб из цветных металлов и профилей.</p>

	<p>Многосекционное пыльное полотно. (Номер детали – STA26120-XJ) Долговечное полотно, идеально подходящее для распиловки древесины, пластмассы, тонкостенных труб из черного и цветного металла.</p>
	<p>Жесткий скребок. (Номер детали – STA26135-XJ) Идеально подходит для удаления твердых и мягких материалов с плоских поверхностей, например, виниловых напольных покрытий, коврового клея, клея для напольной плитки, раствора, краски и лака.</p>
	<p>Гибкий скребок. (Номер детали – STA26140-XJ) Идеально подходит для удаления эластомерных материалов с твердых плоских покрытий в труднодоступных местах, например, силиконового герметика и прочих уплотняющих материалов.</p>
	<p>Карбидное полотно для удаления цементного раствора. (Номер детали – STA26125-XJ) Полотно с карбидным покрытием идеально подходит для удаления цементного раствора и клея для плитки с плоских поверхностей, а также для быстрого удаления древесины, ДСП и стекловолокна.</p>
	<p>Карбидный инструмент. (Номер детали – STA26130-XJ) Поверхность карбидным покрытием идеально подходит для удаления цементного раствора и быстрого удаления пластмассы, ДСП и стекловолокна.</p>
	<p>Шлифовальные листы. (Номер детали – STA32348-XJ) Наждачные листы разной зернистости для обработки древесины, окрашенных и лакированных поверхностей.</p>

Сборка

Установка и снятие дополнительных принадлежностей (Рис. G–L)

Внимание! Перед установкой принадлежностей отсоедините инструмент от сети/извлеките из него батарею.

Установка принадлежности Stanley FatMax (Рис. G - I)

- ◆ Удерживайте инструмент и сожмите рычаг зажима принадлежности (3).
- ◆ Установите принадлежность (10) между валом и держателем принадлежности и убедитесь, что принадлежность установлена на все восемь выступов и расположена заподлицо с валом.
- ◆ Отпустите рычаг зажима принадлежности.

Примечание: В случае необходимости некоторые принадлежности, такие как скребки и полотна, можно установить под углом (Рис. I).

Снятие принадлежности Stanley FatMax (Рис. A)

- ◆ Удерживайте инструмент и сожмите рычаг зажима принадлежности (3).
- ◆ Снимите принадлежность с инструмента, убедившись, что она снята со всех восьми выступов держателя.
- ◆ Отпустите рычаг зажима принадлежности.

Внимание: Поскольку принадлежности могут нагреваться во время работы, при их снятии необходимо надевать защитные перчатки.

Установка шлифовальных листов (Рис. J)

- ◆ Приложите шлифовальный лист (11) к шлифовальной подошве (12), как показано на изображении.
- ◆ Прижмите лист к шлифовальной подошве, убедившись в том, что отверстия на листе совпали с отверстиями в подошве.

Снятие шлифовальных листов

- ◆ Снимите шлифовальный лист со шлифовальной подошвы (12).

Внимание! Эксплуатация шлифовальной платформы без шлифовального листа или установленной принадлежности запрещена.

Установка патрубков для удаления пыли (Рис. E)

- ◆ Совместите патрубок для удаления пыли (13) со шлифовальной подошвой (12), как показано на рисунке.
- ◆ Надежно вставьте переходник для удаления пыли в шлифовальную подошву.
- ◆ Закрепите патрубок, поворачивая гайку (14) по часовой стрелке.
- ◆ Подсоедините пылесос к патрубку для удаления пыли.

Снятие переходника для удаления пыли

- ◆ Поворачивайте гайку (14) против часовой стрелки.
- ◆ Извлеките патрубков для удаления пыли (13) из шлифовальной подошвы (12).

Установка альтернативных принадлежностей (Рис. L)

- ◆ Установите промежуточное кольцо (16) на муфту (15).
- ◆ Установите принадлежность (17) на муфту (15).
- ◆ Надежно затяните болт крепления (18) и убедитесь, что альтернативная принадлежность должным образом закреплена (17).

Примечание: Промежуточное кольцо и болт крепления не используются для закрепления принадлежностей Stanley FatMax. Принадлежности Black and decker крепятся с помощью зажимного рычага Super-lok™ без использования инструментов.

Эксплуатация

Внимание! Инструмент должен работать в обычном режиме. Избегайте перегрузок.

Внимание! Перед тем как вырезать отверстия в стенах, полах или потолках проверьте места прохождения проводки и трубопровода.

Регулятор скорости (Рис. M)

Регулятор скорости позволяет адаптировать скорость инструмента в зависимости от применения.

- ◆ Установите дисковый регулятор скорости (2) в нужное положение. В положении 1 инструмент будет работать с наименьшей скоростью, 8 000 мин⁻¹. В положении 6 инструмент будет работать с максимальной скоростью, 18 000 мин⁻¹.

Включение и выключение (Рис. N)

- ◆ Для включения инструмента переведите выключатель (1) вперед (в положение I).
- ◆ Для выключения инструмента переведите выключатель (1) назад (положение O).

Светодиодная подсветка

Светодиодная подсветка (4) включается при нажатии на пусковую выключатель.

Индикатор низкого заряда батареи

Если светодиодная подсветка (4) начинает непрерывно быстро мигать при нажатии на пусковой выключатель, это означает, что батарея разряжена и требует подзарядки. В отличие от других типов аккумуляторов, ионно-литиевые аккумуляторы обеспечивают бесперебойное питание в течение всего времени работы. Инструмент не будет испытывать медленной, постепенной потери мощности во время работы. Чтобы сигнализировать о том, что

аккумуляторная батарея находится в конце времени работы и нуждается в зарядке, мощность инструмента быстро падает.

Примечание: Светодиод также может мигать из-за перегрузки или высокой температуры (см. Защита аккумулятора).

Советы по оптимальному использованию

- ◆ Держите инструмент крепко. Выполняя точную работу, удерживайте инструмент ближе к передней части.
- ◆ По возможности закрепляйте заготовку зажимами, особенно при использовании пильных полотен.
- ◆ Не применяйте к инструменту чрезмерное усилие.
- ◆ Всегда используйте принадлежности соответствующего типа для материалов заготовки и типа распила.
- ◆ Регулярно проверяйте состояние принадлежностей. Заменяйте по необходимости.
- ◆ Отметьте начальную точку.
- ◆ Включите инструмент и медленно поднесите принадлежность к заготовке в отмеченной точке.
- ◆ Чтобы свети к минимуму расщепление во время распиловки, прижмите кусок древесины или фанеры к задней части заготовки и распилите оба слоя одновременно.
- ◆ Не подавайте принадлежность в заготовку, применяя силу. Учтите, что резка листового металла обычно занимает больше времени, чем распиловка толстых заготовок из древесины.
- ◆ Перед резкой металла нанесите тонкий слой масла на линию разреза.
- ◆ При шлифовании новых слоев краски перед нанесением еще одного слоя, используйте мелкое зерно.
- ◆ На очень неровных поверхностях или при удалении краски начинайте с крупного зерна. На прочих поверхностях начинайте со среднего зерна. В обоих случаях постепенно переходите на более мелкое зерно для более гладкой отделки.
- ◆ Проконсультируйтесь со своим продавцом для получения дополнительной информации о доступных принадлежностях.

Техническое обслуживание

Проводной/беспроводной инструмент/устройство Stanley Fat Max имеет длительный срок эксплуатации и требует минимальных затрат на техобслуживание. Срок службы и надежность инструмента увеличивается при правильном уходе и регулярной чистке.

Внимание! Перед выполнением любых работ по техническому обслуживанию проводных/беспроводных электроинструментов:

- ◆ Выключите и отключите от сети устройство/инструмент.

- ◆ Или выключите устройство/инструмент и извлеките батарею, если для него есть отдельная аккумуляторная батарея.
- ◆ Или полностью выработайте заряд аккумуляторной батареи, если она встроенная, и затем выключите инструмент.
- ◆ Регулярно очищайте вентиляционные отверстия устройства/инструмента/зарядного устройства мягкой щеткой или сухой тканевой салфеткой.
- ◆ Регулярно очищайте корпус двигателя влажной салфеткой. Не используйте никакие абразивные чистящие средства или средства на основе растворителей.

Замена штепсельной вилки (только для Великобритании и Ирландии)

Если необходимо установить новую штепсельную вилку:

- ◆ Осторожно снимите старую вилку.
- ◆ Подсоедините коричневый провод к терминалу фазы в новой вилке.
- ◆ Подсоедините синий провод к нулевому терминалу.

Внимание! Заземление не требуется. Соблюдайте инструкции по установке вилок высокого качества. Рекомендованный предохранитель: 5 А.

Защита окружающей среды



Отдельная утилизация. Изделия и аккумуляторные батареи с данным символом на маркировке запрещается утилизировать с обычными бытовыми отходами.

Изделия и аккумуляторные батареи содержат материалы, которые могут быть извлечены или переработаны, снижая потребность в исходном сырье.

Пожалуйста, утилизируйте электрические изделия и аккумуляторные батареи в соответствии с местными нормами. Дополнительная информация доступна по адресу www.2helpU.com.

Технические характеристики

SFMC500 (Тип 1)		
Напряжение	$V_{\text{пост. тока}}$	18
Скорость без нагрузки	мин.^{-1}	8 000–18 000
Угол колебания	Градусы	1,4 или 2,8
Вес	кг	1,4

Зарядное устройство		SFMCB11	SFMCB12	SFMCB14
Входное напряжение	$V_{\text{перем. тока}}$	230	230	230

Зарядное устройство		SFMCB11	SFMCB12	SFMCB14
Выходное напряжение	$V_{\text{пост. тока}}$	18	18	18
Ток	A	1,25	2	4

Аккумуляторная батарея		SFMCB201	SB202 / SFMCB202	SB202 / SFMCB202	SB202 / SFMCB202
Напряжение	$V_{\text{пост. тока}}$	18	18	18	18
Емкость	Aч	1,5	2,0	4,0	6,0
Тип		Ионно-литиевая	Ионно-литиевая	Ионно-литиевая	Ионно-литиевая

Уровень звукового давления согласно EN62841:

Звуковое давление (L_{pA}) 85 дБ(A), погрешность (K) 3 дБ(A)

Акустическая мощность (L_{WA}) 96 дБ(A), погрешность (K) 3 дБ(A)

Сумма величин вибрации (сумма векторов по трем осям), измеренных в соответствии со стандартом EN62841:

Пиление древесины ($a_{\text{св}}$) 6,3 м/с^2 , погрешность (K) 1,5 м/с^2

Резка металла ($a_{\text{св}}$) 7,5 м/с^2 , погрешность (K) 1,5 м/с^2

Шлифование ($a_{\text{св}}$) 8,2 м/с^2 , погрешность (K) 1,5 м/с^2

Жесткий скребок – снятие прилепленного ковролина ($a_{\text{св}}$) 7,9 м/с^2 , (K) 1,5 м/с^2

Рашипиль/полотно для удаления цементного раствора ($a_{\text{св}}$) 7,5 м/с^2 , (K) 1,5 м/с^2

Заявление о соответствии нормам ЕС ДИРЕКТИВА ПО МЕХАНИЧЕСКОМУ ОБОРУДОВАНИЮ



Аккумуляторный многофункциональный инструмент – SFMC500

Stanley Europe заявляет, что продукция, описанная в разделе «Технические характеристики» соответствует: 2006/42/EC, EN 62841-1:2015, EN 62841-2-4:2014

Эти продукты также соответствуют Директивам 2014/30/EU и 2011/65/EU. За дополнительной информацией обращайтесь в компанию Stanley Europe по адресу, указанному ниже или приведенному на задней стороне обложки руководства.

Нижеподписавшийся несет ответственность за составление технической документации и составил данную декларацию по поручению компании Stanley Fat Max.



А. П. Смит (A. P. Smith)
Технический директор

Stanley Fat Max Europe, Egide Walschaertsstraat 14-18,
2800 Mechelen, Belgium
07.08.2019

office@rostest.ru

Изготовитель: Изготовитель: Блэк энд Деккер Холдингс ГмбХ, Германия, 65510, Идштайн, ул. Блэк энд Деккер, 40, тел. +496126212790.

Уполномоченное изготовителем юр.лицо: ООО "Стэнли Блэк энд Деккер", 117485, город Москва, улица Обручева, дом 30/1, строение 2, Телефон: + 7 (495) 258-3981, факс: + 7 (495) 258-3984, E-mail: inbox@dewalt.com. Сведения о импортере указаны в сопроводительной документации и/или на упаковке.

Гарантия

Компания Stanley Fat Max уверена в качестве своей продукции и предлагает клиентам гарантию на 12 месяцев с момента покупки. Данная гарантия является дополнительной и ни в коей мере не направлена на ущемление ваших юридических прав. Гарантия действует на территории стран-участниц Европейского союза и в Европейской зоне свободной торговли.

Чтобы подать заявку по гарантии, заявка должна соответствовать положениям и условиям Stanley Fat Max; кроме того, Вам потребуется предъявить продавцу или авторизованному специалисту по ремонту подтверждение покупки. Положения и условия 1-летней гарантии Stanley Fat Max и местонахождение ближайшего авторизованного специалиста по ремонту можно узнать через Интернет по адресу www.2helpU.com, или связавшись с местным представительством Stanley Fat Max по адресу, указанному в данном руководстве.

Посетите наш веб-сайт www.stanley.eu/3, чтобы зарегистрировать свое новое изделие Stanley Fat Max и получать информацию о новинках и специальных предложениях. Найдите своего агента в каталоге Stanley Fat Max или обратитесь в местный офис Stanley по адресу, указанному в этом руководстве. Список уполномоченных специалистов по ремонту Stanley Fat Max и подробную информацию о послепродажном обслуживании можно найти в Интернете: www.stanley.eu/3

Дополнительная информация:

Дату изготовления (код даты) указан на корпусе инструмента. Код даты, который так же включает год изготовления, отштампован на поверхности корпуса изделия. Пример: 2021 46 XX, где 2021 – год изготовления, 46-неделя изготовления, XX – код завода изготовителя.

ТОВАР СЕРТИФИЦИРОВАН. Орган по сертификации "РОСТЕСТ- Москва", Адрес: 119049, г. Москва, улица Житная, д. 14, стр. 1; 117418, Москва, Нахимовский просп., 31 (факт.). Тел.: (499) 1292311, (495) 6682893, E-mail:



Приложение к руководству по эксплуатации электрооборудования для определения месяца производства по номеру текущей календарной недели года

Электрооборудование торговых марок "Dewalt", "Stanley", "Stanley FatMAX", "BLACK+DECKER".

Директивы 2014/30/EU ЕВРОПЕЙСКОГО ПАРЛАМЕНТА И СОВЕТА от 26 февраля 2014 г. "О гармонизации законодательства Государств-членов ЕС в области электромагнитной совместимости", 2006/42/ЕС ЕВРОПЕЙСКОГО ПАРЛАМЕНТА И СОВЕТА от 17 мая 2006 г. "О машинах и оборудовании"; 2014/35/EU ЕВРОПЕЙСКОГО ПАРЛАМЕНТА И СОВЕТА от 26 февраля 2014 г. "О гармонизации законодательства государств-членов в области размещения на рынке электрооборудования, предназначенного для использования в определенных пределах напряжения". Серийный выпуск.

ТОВАР СЕРТИФИЦИРОВАН

Орган по сертификации "РОСТЕСТ- Москва",
Адрес: 119049, г. Москва, улица Житная, д. 14, стр. 1; 117418, Москва, Нахимовский просп., 31 (фактический),
Телефон: (499) 1292311, (495) 6682893, Факс: (495) 6682893,
E-mail: office@roostest.ru
Изготовитель: Изготовитель: Блэк энд Деккер Холдингс ГмБХ,
Германия, 65510, Идштайн, ул. Блэк энд Деккер, 40,
тел. +496126212790.

Уполномоченное изготовителем юр.лицо:

ООО "Стэнли Блэк энд Деккер", 117485, город Москва, улица Обручева, дом 30/1, строение 2
Телефон: + 7 (495) 258-3981, факс: + 7 (495) 258-3984,
E-mail: inbox@dewalt.com

Сведения о импортере указаны в сопроводительной документации и/или на упаковке

Хранение.

Необходимо хранить в сухом месте, вдали от источников повышенных температур и воздействия солнечных лучей. При хранении необходимо избегать резкого перепада температур. Хранение без упаковки не допускается

Срок службы.

Срок службы изделия составляет 5 лет. Не рекомендуется к эксплуатации по истечении 5 лет хранения с даты изготовления без предварительной проверки.

Дата изготовления (код даты) указана на корпусе инструмента/продукции.

Код даты, который также включает год изготовления, отштампован на поверхности корпуса изделия.

Пример:

2014 46 XX, где 2014 –год изготовления, 46–неделя изготовления.

Определить месяц изготовления по указанной неделе изготовления можно согласно приведенной ниже таблице.

Транспортировка.

Категорически не допускается падение и любые механические воздействия на упаковку при транспортировке.

При разгрузке/погрузке не допускается использование любого вида техники, работающей по принципу зажима упаковки.

Перечень критических отказов, возможные ошибочные действия персонала.

Не допускается эксплуатация изделия:

- При появлении дыма из корпуса изделия
- При поврежденном и/или оголенном сетевом кабеле
- При повреждении корпуса изделия, защитного кожуха, рукоятки
- При попадании жидкости в корпус
- При возникновении сильной вибрации
- При возникновении сильного искрения внутри корпуса

Критерии предельных состояний.

- При поврежденном и/или оголенном сетевом кабеле
- При повреждении корпуса изделия

Месяц	Январь	Февраль	Март	Апрель	Май	Июнь	Июль	Август	Сентябрь	Октябрь	Ноябрь	Декабрь	Год производства
Неделя	1	5	9	14	18	23	27	31	36	40	44	49	2018
	2	6	10	15	19	24	28	32	37	41	45	50	
	3	7	11	16	20	25	29	33	38	42	46	51	
	4	8	12	17	21	26	30	34	39	43	47	52	
			13		22			35			48		
Неделя	1	6	10	14	18	23	27	31	36	40	45	49	2019
	2	7	11	15	19	24	28	32	37	41	46	50	
	3	8	12	16	20	25	29	33	38	42	47	51	
	4	9	13	17	21	26	30	34	39	43	48	52	
	5					22		35		44			
Неделя	1	6	10	14	19	23	27	32	36	40	45	49	2020
	2	7	11	15	20	24	28	33	37	41	46	50	
	3	8	12	16	21	25	29	34	38	42	47	51	
	4	9	13	17	22	26	30	35	39	43	48	52	
	5				18		31		44				
Неделя	2	6	10	14	19	23	27	32	36	41	45	49	2021
	3	7	11	15	20	24	28	33	37	42	46	50	
	4	8	12	16	21	25	29	34	38	43	47	51	
	5	9	13	17	22	26	30	35	39	44	48	52	
					18		31		40			1	
Неделя	2	6	10	15	19	23	28	32	36	41	45	49	2022
	3	7	11	16	20	24	29	33	37	42	46	50	
	4	8	12	17	21	25	30	34	38	43	47	51	
	5	9	13	18	22	26	31	35	39	44	48	52	
				14		27			40			1	

STANLEY FATMAX®

3 ГОДА ГАРАНТИИ
ТРЕБУЕТСЯ ОНЛАЙН РЕГИСТРАЦИЯ
СТАНДАРТНАЯ ГАРАНТИЯ 1 ГОД
исключая условия гарантии в форме регистрации на сайте ниже
sfm.stanley.ru

ГАРАНТИЙНЫЕ УСЛОВИЯ

Уважаемый покупатель!

1. Поздравляем Вас с покупкой высококачественного изделия STANLEY FATMAX и выразим признательность за Ваш выбор.
2. При покупке изделия требуйте проверки его комплектности и исправности в Вашем присутствии. В комплекте с инструментом должен быть инструкция по эксплуатации и гарантийные условия производителя на русском языке. Сохраняйте на весь срок гарантии Ваш документ, удостоверяющий факт покупки изделия. Убедитесь, что в чеке указаны: фиксальный номер чека, модель/наименование изделия, дата продажи и название торговой организации.
3. Во избежание недоразумений убедительно просим Вас перед началом работы с изделием внимательно ознакомиться с инструкцией по его эксплуатации. Прямой основой настоящих гарантийных условий является действующее законодательство. Гарантийный срок на данное изделие составляет 12 месяцев* и исчисляется со дня продажи. В случае устранимых недостатков изделия гарантийный срок продлевается на период его нахождения в ремонте. Срок службы изделия составляет 5 лет со дня продажи.
4. В случае возникновения каких-либо проблем в процессе эксплуатации изделия рекомендуем Вам обратиться только в уполномоченные сервисные центры STANLEY FATMAX, адреса и телефоны которых Вы сможете найти на сайте www.2helix.com или узнать в магазине. Наши сервисные станции это не только квалифицированный ремонт, но и широкий ассортимент запчастей и принадлежностей.
5. Производитель рекомендует проводить периодическую проверку и техническое обслуживание изделия в уполномоченных сервисных центрах.
6. Наши гарантийные обязательства распространяются только на неисправности, выявленные в течение гарантийного срока и вызванные дефектами материалов или сборки изделия.
7. **Гарантийные условия не распространяются на неисправности изделия, возникшие в результате:**
 - 7.1. Несоблюдения пользователем предостережений инструкции по эксплуатации изделия, применения изделия не по назначению, некорректного хранения, использования принадлежностей, расходных материалов и запчастей, не предусмотренных производителем.
 - 7.2. Механического повреждения (сколы, трещины и разрушения) внутренних и внешних деталей изделия, основных и вспомогательных рукояток, сетевого электрического кабеля, вызванного внешним ударным или любым иным воздействием.
 - 7.3. Попытки в вентиляционные отверстия и проникновение внутрь



ОБЯЗАТЕЛЬНО СОХРАНИТЕ КАССОВЫЙ ЧЕК

изделия посторонних предметов, материалов или веществ, не являющихся отходами, сопровождающим применением изделия по назначению, такими как: стружка, опилки, песок, и пр.

- 7.4. Воздействие на изделие неблагоприятных атмосферных и иных внешних факторов, таких как дождь, снег, повышенная влажность, низкие температуры среды, несоответствие параметров питающей электросети, указанных на инструменте.
- 7.5. Стихийного бедствия. Повреждения или утрата изделия, связанное с непредвиденными бедствиями, стихийными явлениями, в том числе вследствие действия непреодолимой силы (пожар, молния, потоп и другие природные явления), а также вследствие перегрузки напряжения в электросети и другими причинами, которые не входят в контроль производителя.
8. **Гарантийные условия не распространяются:**
 - 8.1. На инструменты, подвергшиеся вскрытию, ремонту или модификации вне уполномоченного сервисного центра.
 - 8.2. На детали и узлы, имеющие следы естественного износа, такие как: приводные ремни и колеса, угловые шетки, смески подшипники, зубчатые зацепления редукторов, резинные уплотнения, сальники, направляющие ролики, муфты сцепления, бойки, толкатели, стволы, и т.п.
 - 8.3. На сменные и расходные части: цепи, эластичные пилки и фрезы, фильтры, ножи, шлифовальные подшвы, цепи, звездочки, пыльные шины, защитные кожухи, пилки, шлифовальные и шлифовальные диски, фрезы, сверла, буры и т.п.
 - 8.4. На неисправности, возникшие в результате перегрузки инструмент (как механической, так и электрической), повлекшей выход из строя одновременно двух и более деталей и узлов, таких как роторы и статоры, обмоток статоров, ведомой и ведущей шестерни редуктора или других узлов и деталей. К безусловным причинам перегрузки изделия относятся, помимо прочего: появление цветов побежалости, деформация или оплывание деталей и узлов изделия, потемнение или обугливание изоляции проводов электродвигателя под воздействием высокой температуры.

* Зарегистрируйте ваш новый электроинструмент STANLEY FATMAX чтобы получить 3 года гарантии.

- требуется регистрация продукта в течение 4-х недель со дня покупки;
- для регистрации посетите наш сайт sfm.stanley.ru



Горячая линия
8-800-1000-876

Актуальную информацию об обслуживании
в интересующем вас городе вы можете узнать на сайте
service.stanley.ru

- Список авторизованных сервисных центров
- Поиск ближайшего сервисного центра
- Руководство по эксплуатации
- Технические характеристики
- Список деталей и запасных частей
- Схема сборки инструмента

ГАРАНТИЙНОЕ ОБСЛУЖИВАНИЕ

С БЕСПЛАТНОЙ ДОСТАВКОЙ

Теперь вы можете сдать инструмент в сервис, даже если его нет в вашем городе.

Скачать/распечатать инструкцию с сайта

service.stanley.ru



Отметки о проведении сервисного обслуживания

№1	№2	№3	№4
№ заказа	№ заказа	№ заказа	№ заказа
Дата поступления	Дата поступления	Дата поступления	Дата поступления
Дата ремонта	Дата ремонта	Дата ремонта	Дата ремонта
Печать и подпись сервисного центра	Печать и подпись сервисного центра	Печать и подпись сервисного центра	Печать и подпись сервисного центра



ПОДАРОК ЗА ОТЗЫВ*

- 1 Зарегистрируйся на **my.stanley.ru**
- 2 Напиши отзыв о покупке
- 3 Получи подарок на выбор**



*Акция проводится на территории Российской Федерации. Подробные условия акции указаны на **my.stanley.ru**

** Подарок может отличаться от изображенного, актуальный перечень см. на **my.stanley.ru**

Сфера застосування

Ваш універсальний інструмент SFMCE500 виробництва компанії Stanley Fat Max призначений для виконання робіт по дому, наприклад, для шліфування поверхонь. Він також підходить для розрізання деревини, пластика, гіпсу, кольорових металів і кріпильних елементів (наприклад, цвяхів з незагартованої сталі, скоб), робіт з м'якою настінною плиткою і зачищення невеликих поверхонь. Цей пристрій призначений для професійного використання, а також для приватних непрофесійних користувачів.

Інструкції з техніки безпеки

Загальні правила безпеки для електричного інструмента



Увага! Ознайомтеся з усіма попередженнями, інструкціями з техніки безпеки, зображеннями та специфікаціями, які поставляються з цим електричним інструментом. Невиконання наведених нижче попереджень та інструкцій може призвести до ураження електричним струмом, пожежі та/або серйозних травм.

Збережіть всі попередження та інструкції для використання в майбутньому. Термін «електричний інструмент» в усіх попередженнях, перерахованих нижче, стосується використовуваних вами інструментів, що працюють від мережі енергоспоживання (з використанням електричного кабелю) або батарей (без кабелю).

1. Безпека робочої зони

- a. **Тримайте робочу зону чистою та добре освітленою.** Невпорядковані й темні робочі зони збільшують імовірність нещасного випадку.
- b. **Не використовуйте електричні інструменти у вибухонебезпечній атмосфері, наприклад у присутності займистих рідин, газів та пилу.** Електричні інструменти створюють іскри, що можуть запалити пил або випаровування.
- c. **Тримайте дітей та сторонніх подалі під час використання інструмента.** Відвернення уваги може призвести до втрати контролю.

2. Електрична безпека

- a. **Вилка електричного інструмента має відповідати розетці. Ніколи жодним чином не змінюйте вилку.** Не використовуйте адаптери з заземленими електричними інструментами. Немодифіковані вилки та розетки, що відповідають їм, зменшують ризик ураження електричним струмом.
- b. **Уникайте контакту тіла із заземленими поверхнями,**

такими як труби, радіатори, плити та холодильники. Якщо ваше тіло заземлене, збільшується ризик ураження електричним струмом.

- c. **Не залишайте електричні інструменти під дощем або за умов підвищеної вологості.** Вода, що потрапляє в електричний інструмент, підвищує ризик ураження електричним струмом.
- d. **Не використовуйте кабель живлення не за призначенням. Ніколи не переносьте, не тягніть та не відключайте електричний інструмент від розетки електроживлення за допомогою шнура.** Тримайте шнур подалі від високих температур, мастила, гострих предметів та рухомих деталей. Пошкоджені або перекручені шнури підвищують ризик ураження електричним струмом.
- e. **Під час експлуатації електричного інструмента на вулиці використовуйте подовжувальний шнур, що призначений для використання поза приміщеннями.** Використання шнура, що призначений для використання поза приміщенням, знижує ризик ураження електричним струмом.
- f. **Якщо неможливо уникнути використання електричного інструмента за умов підвищеної вологості, використовуйте джерело живлення, захищене пристроєм з керуванням диференційним струмом (RCD).** Використання RCD знижує ризик ураження електричним струмом.

3. Особиста безпека

- a. **Будьте в стані готовності, дивіться, що ви робите, та будьте розсудливі, працюючи з електричним інструментом.** Не використовуйте електричний інструмент, коли ви втомлені або знаходитесь під впливом наркотичних речовин, алкоголю або ліків. Втрата уваги під час роботи з електричними інструментами може призвести до серйозних травм.
- b. **Використовуйте особисті засоби безпеки. Завжди використовуйте засоби захисту очей.** Засоби безпеки, такі як протипилова маска, нековзкі безпечні черевки, захисний шолом та засоби захисту слухового апарату, які використані для відповідних умов, зменшують імовірність особистих травм.
- c. **Уникайте випадкового запуску. Переконайтесь в тому, що перемикач знаходиться в позиції Вимк., перш ніж підключати інструмент до джерела електроживлення та/або акумулятора, переміщувати або переносити.** Якщо ви переносите інструмент, тримаючи палець на перемикачі, або підключаєте живлення з перемикачем в позиції Увімк., це може призвести до нещасного випадку.
- d. **Зніміть всі налаштувальні ключі або гайкові ключі перед вмиканням електричного інструмента.**

Гайковий ключ, що залишився прикріпленим до якоїсь деталі електричного пристрою, що обертається, може призвести до травм.

- e. **Не намагайтесь дотягнутись і працювати у незручному положенні. Завжди утримуйте правильну постановку ніг і рівновагу.** Це дає вам змогу краще контролювати інструмент в непередбачуваних ситуаціях.
 - f. **Вдягайте відповідний одяг. Не вдягайте вільний одяг або прикраси. Тримайте ваше волосся, одяг та рукавички подалі від рухомих деталей.** Вільний одяг, прикраси або довге волосся можуть зачепитися за рухомі деталі.
 - g. **Якщо передбачені пристрої для підключення до засобів виділення та збирання пилу, переконайтеся, що вони правильно підключені та використовуються.** Використання таких пристроїв зменшує ризик виникнення небезпечних ситуацій, що пов'язані з потраплянням пилу.
 - h. **Навіть якщо ви добре знаєте інструмент та часто його використовуєте, не розслабляйтесь і не забувайте про принципи техніки безпеки.** Необережні дії за долю секунди можуть стати причиною важких травм.
- 4. Використання електричного інструмента та догляд за ним**
- a. **Не застосовуйте надмірні зусилля під час роботи з інструментом. Використовуйте електричний інструмент, який відповідає завданню, що виконується.**
Правильно обраний інструмент виконає завдання краще та безпечніше за умов, для яких він був розроблений.
 - b. **Не використовуйте інструмент, вмикач якого не вмикає та не вмикає його.** Будь-який електричний інструмент, який не може управлятися вмикачем, є небезпечним і має бути відремонтований.
 - c. **Відключіть вилку від джерела живлення та/або зніміть акумуляторний блок з електричного інструмента перед тим, як робити будь-які налаштування, змінювати додаткове обладнання чи зберігати електричні інструменти.** Ці профілактичні заходи зменшують ризик випадкового запуску електричного інструмента.
 - d. **Зберігайте вимкнені електричні інструменти подалі від дітей та не дозволяйте особам, що не знайомі з електричним інструментом або цими інструкціями, використовувати електричний інструмент.** Електричні інструменти є небезпечними, якщо вони використовуються некваліфікованими користувачами.
 - e. **Технічне обслуговування електричних інструментів та приладдя. Перевіряйте**

несумісність або заїдання рухомих деталей, наявність ушкоджених частин та інших умов, що можуть впливати на роботу електричного інструмента. Якщо є пошкодження, відремонтуйте електричний інструмент перед використанням. Багато нещасних випадків є результатом того, що інструмент не пройшов відповідного технічного обслуговування.

- f. **Тримайте ріжучі інструменти гострими та чистими.** Правильно доглянуті ріжучі інструменти з гострими ріжучими кромками мають меншу ймовірність заїдання, та ними легше керувати.
 - g. **Використовуйте електричний інструмент, приладдя та деталі інструмента тощо у відповідності до цих інструкцій, зважаючи на умови використання та роботу, яка має бути виконана.**
Використання електричних інструментів не за призначенням може призвести до виникнення небезпечних ситуацій.
 - h. **Всі ручки та поверхні для тримання інструменту повинні бути сухими та без залишків мастила.** Слизькі ручки та поверхні для тримання не дають можливості безпечно працювати та контролювати інструмент у неочікуваних ситуаціях.
- 5. Використання та догляд за інструментом, що працює від батареї**
- a. **Заряджайте інструмент лише за допомогою зарядного пристрою, що вказаний виробником.** Зарядний пристрій, що може використовуватись з одним типом батарей, може призвести до пожежі, коли використовується з іншим комплектом батарей.
 - b. **Використовуйте електричні інструменти лише зі спеціально розробленими комплектами батарей.** Використання інших комплектів батарей може призвести до травм або пожежі.
 - c. **Коли комплект батарей не використовується, зберігайте його подалі від таких металевих предметів, як скріпки, монети, ключі, цвяхи, гвинти або інші невеликі предмети, що можуть призвести до замикання двох контактів.** Зімкнення терміналів батареї може призвести до вибуху або пожежі.
 - d. **За невідповідних умов використання рідина може витікати з батареї, уникайте контакту з цією рідиною.** Якщо контакт таки стався, промийте забруднену ділянку водою. Якщо рідина потрапила в очі, промийте водою та зверніться до лікаря. Рідина, що витікає з батареї, може призвести до подразнень та опіків.
 - e. **Не використовуйте акумулятор або інструмент, який пошкоджено або змінено.** Пошкоджені або модифіковані акумулятори можуть поводити себе

непередбачуваним чином, призводячи до пожежі, вибуху або тілесним ушкодженням.

- f. **Не піддавайте акумулятор або інструмент впливу вогню або надмірних температур.** Вплив вогню або температури вище 130°C може спричинити вибух.

ПРИМІТКА. Температуру «130 °C» можна замінити на температуру «265 °F».

- g. **Дотримуйтесь усіх інструкцій щодо зарядки та не заряджайте акумуляторну батарею чи інструмент за межами температурного діапазону, зазначеного в інструкціях по експлуатації.** Неналежна зарядка або зарядка поза межами вказаного температурного діапазону може пошкодити акумулятор та підвищити ризик пожежі.

6. Обслуговування

- a. **Передавайте електричний інструмент для обслуговування кваліфікованим спеціалістам з ремонту та використовуйте тільки ідентичні заміні деталі.**

Це забезпечить безпеку електричного пристрою.

- b. **Ніколи не ремонтуйте пошкоджені акумуляторні батареї.** Сервісне обслуговування акумуляторних батарей повинно здійснюватися тільки виробником або уповноваженими постачальниками послуг.

Додаткові правила безпеки для електричного інструмента



Увага! Увага! Додаткові застереження щодо використання ручних пилок.

- ◆ **Тримайте електричний інструмент за ізольовану поверхню для тримання під час виконання операцій, коли різальне приладдя може торкнутися схованої проводки.** Ріжучі елементи при контакті з дротом під напругою можуть призвести до появи напруги в інструменті та ураження оператора електричним струмом.
- ◆ **Використовуйте затискач або інший спосіб закріплення деталі, що оброблюється, на стабільній платформі.** Утримування деталі в руці та притискання до тіла робить її нестабільною та може призвести до втрати контролю.
- ◆ **Тримайте руки подалі від ріжучої поверхні.** Ніколи не підставляйте руки під заготовку. Не піднімайте пальці до пильного полотна із зворотно-поступальним рухом та до фіксатора пильного полотна. Не намагайтесь зробити пилку більш стійкою, тримаючись за опорну пластину.
- ◆ **Пильні полотна мають бути гострими.** Затуплені або пошкоджені пильні полотна спричиняють відхилення пилки від прямої лінії та заїдання під навантажен-

ням. Завжди використовуйте відповідні пильні полотна залежно від матеріалу заготовки й типу розрізу.

- ◆ **Під час розпилювання труб або трубопроводів переконайтесь, що в них немає води, електричних кабелів, тощо.**
- ◆ **Не торкайтесь заготовки та пильного полотна відразу після використання інструмента.** Вони можуть бути дуже гарячими.
- ◆ **Перед розпилюванням стін, підлоги та стелі пам'ятайте про приховану небезпеку, перевірте розташування кабелів та труб.**
- ◆ **Пильне полотно продовжує рухатись після відпускання перемикача.**

Перед тим як покласти інструмент необхідно вимкнути його та зачекати, щоб пильне полотно повністю зупинилося.

Увага! Значення вібрації під час використання інструмента може відрізнятися від задекларованого в залежності від способів використання інструмента. Рівень вібрації може перевищувати вказані значення.

- ◆ Використання за призначенням описане в цьому керівництві з використанням. Використання будь-якого приладдя чи додаткового обладнання або виконання будь-яких дій з інструментом, що суперечать рекомендаціям цього посібника, може призвести до ризику травмування людини та/або пошкодження майна.

Безпека оточення

- ◆ Цей пристрій не призначений для використання особами (включаючи дітей) із зниженими фізичними, сенсорними або розумовими можливостями або особами, яким бракує досвіду або знань за винятком випадків, коли такі особи працюють під наглядом або отримали інструкції щодо використання пристрою від особи, яка несе відповідальність за їх безпеку.
- ◆ Уважно слідкуйте за тим, щоб діти не гралися з пристроєм.

Вібрація

Значення вібрації, вказані в технічних даних та в декларації про відповідність, були виміряні з дотриманням стандартних методів тестування, наданих у EN62841, та можуть використовуватися для порівняння одного інструменту з іншим. Задекларовані значення вібрації можна також використовувати для попереднього оцінювання впливу вібрації.

Увага! Значення вібрації під час використання інструмента може відрізнятися від задекларованого в залежності від способів використання інструмента. Рівень вібрації може перевищувати вказані значення.

Оцінюючи вплив вібрації для визначення заходів безпеки

за вимогами 2002/44/ЕС, щоб захистити людей, які регулярно використовують інструменти в роботі, необхідно враховувати реальні умови та способи використання інструмента, у тому числі всі періоди робочого циклу, наприклад час, коли інструмент вимкнено та коли він працює в режимі холостого ходу, а також час, потрібний для запуску інструмента.

Залишкові ризики.

Під час використання інструмента можуть виникнути додаткові залишкові ризики, які не внесені до попереджень щодо техніки безпеки в цьому посібнику. Ці ризики можуть виникнути як результат неправильного використання, тривалого використання тощо.

Незважаючи на виконання всіх відповідних правил техніки безпеки та використання захисних пристроїв, неможливо уникнути деяких залишкових ризиків. Сюди належать:

- ◆ Травми через контакт з деталями, що рухаються/обертаються.
- ◆ Травми під час заміни деталей, пильних полотен або аксесуарів.
- ◆ Травми через занадто тривале використання інструменту. Під час використання будь-якого інструменту протягом тривалого періоду часу не забувайте робити регулярні перерви.
- ◆ Порушення слуху.
- ◆ небезпека для здоров'я через вдихання пилю, що утворюється під час використання інструменту (наприклад, при роботі з деревом, особливо з дубом, буком та ДВП)

Написи на інструменті

Наступні піктограми нанесено на інструмент разом з кодом дати:



Увага! Щоб зменшити ризик травм, користувач повинен прочитати посібник з експлуатації.

Додаткові інструкції з техніки безпеки для батарей та зарядних пристроїв

Батареї

- ◆ Ніколи не намагайтесь відкривати батарею.
- ◆ Не занурюйте батарею у воду.
- ◆ Не зберігайте у місцях, де температура може перевищувати 40 °С.
- ◆ Заряджайте лише за температури навколишнього середовища між 10 °С та 40 °С.
- ◆ Заряджайте лише за допомогою зарядного пристрою, що надається з інструментом.
- ◆ При утилізації батарей дотримуйтесь інструкцій, наведених у розділі «Захист навколишнього середовища».



Не заряджайте пошкоджені акумулятори.

Зарядні пристрої

- ◆ Використовуйте зарядний пристрій Stanley Fat Max лише для зарядки батарей того інструменту, з яким він продавався. Інші батареї можуть вибухнути, спричинивши травми та пошкодження.
- ◆ Ніколи не намагайтесь заряджати батареї, що не підлягають зарядці.
- ◆ негайно замінійте пошкоджений дріт живлення.
- ◆ Уникайте контакту зарядного пристрою з водою.
- ◆ Не відкривайте корпус зарядного пристрою.
- ◆ Не розбирайте зарядний пристрій.



Зарядний пристрій призначений лише для використання в приміщенні.



Прочитайте інструкції цього посібника перед використанням.

Електрична безпека



Зарядний пристрій має подвійну ізоляцію, тому заземлення непотрібне. Завжди перевіряйте відповідність джерела живлення напрузі, що вказана на табличці з паспортними даними. Ніколи не намагайтесь замінити зарядний пристрій звичайним мережним штепселем.

- ◆ Якщо шнур живлення пошкоджений, його необхідно замінити у виробника або в офіційному сервісному центрі компанії Stanley Fat Max для уникнення небезпеки.

Компоненти

Цей пристрій оснащено всіма або кількома з указаних нижче компонентів.

1. Вимикач
2. Дисківий перемикач змінної швидкості
3. Затискний перемикач Super-lok™ для заміни насадок без ключа
4. Світлодіодний індикатор роботи

Використання

Увага! Інструмент повинен працювати з рекомендованою швидкістю.

Не перевантажуйте його.

Зарядження акумуляторної батареї (рис. А)

Необхідно зарядити батарею перед першим використанням, а також коли вона не може забезпечити достатню потужність для виконання завдань, які легко виконувались раніше.

Батарея може стати теплою під час зарядки: це нормально та не є показником проблеми.

Увага! Не заряджайте батарею за температури навколишнього середовища нижче 10 °C або вище 40 °C. Рекомендована температура зарядки: приблизно 24 °C.

Примітка. Зарядний пристрій не заряджає батарею, якщо її температура нижче приблизно 10 °C або вище 40 °C.

Батарею потрібно залишити у зарядному пристрої, який автоматично почне її заряджати, коли температура батареї підніметься або зменшиться.

Примітка. Щоб забезпечити максимальну продуктивність та тривалість роботи літій-іонного акумулятора, повністю зарядіть його перед першим використанням.

- Підключіть зарядний пристрій (6) до відповідної розетки перед встановленням акумулятора (5).
- ◆ Зелений індикатор зарядки (6а) буде блимати постійно, вказуючи на те, що процес зарядки розпочався.
- ◆ Після завершення зарядки зелений індикатор зарядки (6а) залишається постійно включеним. Це означає, що акумулятор (5) повністю заряджений та може бути вийнятий та використований одразу або залишатися в зарядному (6) пристрої.
- ◆ Не тримайте батареї розрядженими більше 1 тижня. Термін служби батареї значно зменшується, якщо вона зберігається у незарядженому стані.

Режими світлодіода зарядного пристрою

	Заряджається: Зелений світлодіод блимає	
	Повністю заряджений: Зелений світлодіод постійно горить	
	Затримка через надмірно високу/низьку температуру батареї: Зелений світлодіод блимає Червоний світлодіод постійно горить	

Примітка. Сумісний зарядний пристрій не буде заряджати несправний акумулятор. Зарядний пристрій розпізнає несправну акумуляторну батарею та не ввімкне світловий

індикатор.

Примітка. Це також може свідчити про проблему з зарядним пристроєм. Якщо виявлено проблему із зарядним пристроєм, віднесіть зарядний пристрій та акумулятор для перевірки в авторизований сервісний центр.

Залишення батареї в зарядному пристрої

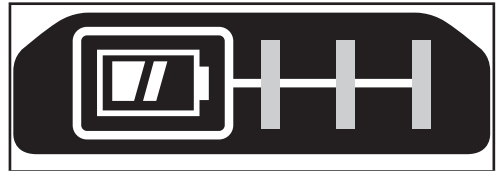
Батареї можна залишити в зарядному пристрої на необмежений час з індикатором, який працює. Зарядний пристрій буде підтримувати акумуляторну батарею у повністю зарядженому стані.

Затримка через надмірно високу/низьку температуру батареї

Якщо зарядний пристрій визначає, що батарея є занадто гарячою або занадто холодною, він автоматично вмикає режим температурної затримки, зелений світлодіодний індикатор (6а) буде періодично блимати, а червоний світлодіодний індикатор (6б) буде постійно горіти, припиняючи процес зарядки, доки батарея не досягне відповідної температури. Зарядний пристрій автоматично перемикається в режим зарядки батареї. Ця функція забезпечує максимальний термін служби батареї.

Індикатор стану зарядки акумулятора (рис. В)

Акумулятор містить індикатор стану зарядки для швидкого визначення заряду батареї, як показано на рисунку В. Натиснувши кнопку стану зарядки (5а), можна легко переглянути, скільки заряду залишилося в акумуляторі, як показано на рисунку В.



Встановлення акумулятора в інструмент та його виймання з інструмента

Увага! Перед встановленням та зніманням батареї переконайтеся, що інструмент заблокований, щоб уникнути його випадкового запуску.

Встановлення акумуляторної батареї (рис. С)

- ◆ Вставте акумулятор в інструмент до упору, щоб почути звук клацання, як показано на рисунку С. Переконайтеся, що акумулятор повністю вставлений і зафіксований в цьому положенні.

Виймання акумуляторної батареї (рис. D)

- ◆ Натисніть кнопку вивільнення батареї (5b), як показано на рисунку D, та витягніть її з пристрою.

Гачок для ремня (додатковий аксесуар) (рис. Е, F)

Увага! Щоб знизити ризик серйозних травм, встановіть кнопку реверсу (вперед/назад) у положення блокування або вимкніть інструмент та відключіть акумулятор перед виконанням будь-яких налаштувань або зніманням/встановленням насадок або аксесуарів.

Випадковий запуск може призвести до тілесних ушкоджень.

Увага! Для зменшення ризику травматизму використовуйте поясний гач (7) **ЛИШЕ** для підвішування інструменту на робочому поясі. **НЕ** використовуйте поясний гач (7) для підвішування або фіксації інструмента, який працює, на тілі людини або іншому предметі. **НЕ** підвішуйте інструмент догори ногами та не вішайте предмети на поясний гач.

Увага! Щоб знизити ризик отримання важких травм, переконайтесь у надійній фіксації гвинта (8), який утримує поясний гачок.

Примітка. Для встановлення або заміни поясного гачка (7) використовуйте лише гвинт (8), який йде в комплекті. Переконайтесь, що гвинт надійно затягнутий.

Поясний гач (7) можна припасувати з будь-якої сторони приладу з використанням того гвинта (8), який надається в комплекті для використання правшами та шульгами. Якщо гач непотрібний взагалі, його можна зняти з інструмента. Щоб переставити поясний гачок (7), викрутіть гвинт (8), який його кріпить, а потім встановіть його з протилежної сторони. Переконайтесь, що гвинт надійно затягнутий (8).

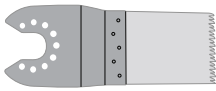
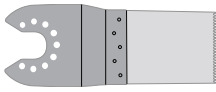
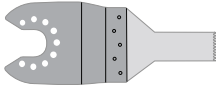
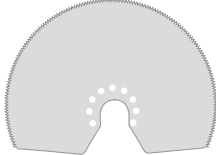
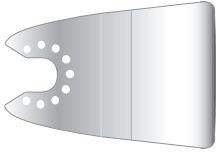

Примітка. Можливі різні конфігурації зберігання і гачка для пересувного підвішування на стіну.

Відвідайте наш сайт www.stanley.eu/3 для подальшої інформації.

Приладдя

Цей пристрій оснащено всіма або кількома з указаних нижче аксесуарів.

Продуктивність роботи інструмента залежить від приладдя, яке ви використовуєте. Витратні матеріали виробництва компанії Stanley Fat Max розроблені з дотриманням високих стандартів якості та створені для підвищення ефективності використання вашого інструмента. Використовуючи це обладнання, ви отримаєте максимум ефективності від вашого інструменту.

	<p>Занурювальне пильне полотно для високо-точного різання деревини і м'якого пластику. (Деталь № STA26105-XJ) Для розрізання, занурювального розпилення і різання урівень деревини і м'якого пластику. Ідеально підходить для обробки дверей, плінтусів, підвіконь та підлогового покриття.</p>
	<p>Занурювальне пильне полотно для деревини і металу. (Деталь № STA26110-XJ) Для розрізання, занурювального розпилювання та різання урівень деревини, пластику, тонкостінних труб і екструзії труб з кольорових металів, цвяхів і гвинтів.</p>
	<p>Занурювальне пильне полотно для деревини і металу. (Деталь № STA26115-XJ) Для розрізання, занурювального розпилювання та різання урівень деревини, пластику, тонкостінних труб і екструзії труб з кольорових металів.</p>
	<p>Багатосекційне пильне полотно. (Деталь № STA26120-XJ) Довговічне пильне полотно, яке ідеально підходить для різання деревини, пластику, тонкостінних матеріалів з кольорових і чорних металів.</p>
	<p>Жорсткий скребок. (Деталь № STA26135-XJ) Ідеально підходить для видалення твердих і м'яких матеріалів з плоских поверхонь, наприклад, зняття вінілового підлогового покриття, клею для підлогової плитки, цементного розчину, лаку та фарби.</p>
	<p>Гнучкий скребок. (Деталь № STA26140-XJ) Ідеально підходить для видалення еластомерів з твердих плоских поверхонь у важкодоступних місцях, наприклад, силіконових герметиків та інших ущільнювачів.</p>

	<p>Карбідне полотно для видалення цементного розчину. (Деталь № STA26125-XJ)</p> <p>Полотно з покриттю карбідом поверхню ідеально підходить для очищення цементного розчину і плиткового клею з плоских поверхонь, а також для швидкого зняття шару з деревини, ДСП і скловолокна.</p>
	<p>Карбідний рашпіль. (Деталь № STA26130-XJ)</p> <p>Полотно з покриттю карбідом поверхню ідеально підходить для очищення цементного розчину, а також для швидкого зняття шару з пластика, ДСП і скловолокна.</p>
	<p>Шліфувальне полотно. (Деталь № STA32348-XJ)</p> <p>Шліфувальне полотно різного ступеня зернистості для шліфування деревини, фарбованих і лакованих поверхонь.</p>

Монтаж

Встановлення та зняття насадок (рис. G – L)

Увага! Перед встановленням насадки відключіть інструмент від джерела живлення / вийміть акумулятор з інструменту.

Встановлення насадки виробництва компанії Stanley Fat Max (рис. G – I)

- ◆ Візьміть інструмент та натисніть на затискний перемикач (3).
- ◆ Встановіть насадку (10) між хвостовиком та тримачем насадок, переконавшись, що усі вісім штифтів тримача увійшли в отвори насадки, і вона добре тримається у тримачі.
- ◆ Відпустіть важіль затискача насадки.

Примітка. Деякі насадки, такі як скребки і пильні полотна, за необхідності, можна встановити під потрібним кутом (рис. I).

Змінення насадки виробництва компанії Stanley Fat Max (рис. A)

- ◆ Візьміть інструмент та натисніть на затискний перемикач (3).
- ◆ Витягніть насадку з інструмента, переконавшись, що вона знята з усіх восьми штифтів тримача.

- ◆ Відпустіть важіль затискача насадки.

Увага! При знятті насадок з інструменту вдягайте захисні рукавиці, тому що під час використання насадки сильно нагріваються.

Встановлення шліфувальних полотен (рис. J)

- ◆ Помістіть шліфувальне полотно (11) на шліфувальну основу (12), як показано.
- ◆ Натисніть на шліфувальне полотно так, щоб воно міцно та рівно встало на шліфувальну основу, переконавшись, що отвори в полотні збігаються з отворами в основі.

Зняття шліфувального полотна

- ◆ Зніміть шліфувальне полотно зі шліфувальної основи (12).

Увага! Ніколи не використовуйте інструмент без шліфувального полотна на основі або без встановлених насадок.

Встановлення адаптера для видалення пилу (рис. K)

- ◆ Помістіть адаптер для видалення пилу (13) на шліфувальну основу (12), як показано.
- ◆ Добре натисніть адаптер, щоб він рівно встав на шліфувальну основу.
- ◆ Зафіксуйте адаптер, повертаючи стопорну гайку (14) за годинниковою стрілкою.
- ◆ Підключіть пилосос до адаптера для видалення пилу.

Зняття адаптера для видалення пилу

- ◆ Поверніть стопорну гайку (14) проти годинникової стрілки.
- ◆ Зніміть адаптер для видалення пилу (13) зі шліфувальної основи (12).

Встановлення насадок інших марок (рис. L)

- ◆ Встановіть розпірку (16) на виступ (15).
- ◆ Встановіть насадку іншої марки (17) на виступ (15).
- ◆ Добре затягніть кріпильний болт (18) на місці, добре фіксуючи насадку іншої марки (17).

Примітка. Розпірка та кріпильний болт не потрібні для встановлення насадок Stanley Fat Max. Насадки BLACK+DECKER встановлюються, використовуючи затискний перемикач Super-lok™ для заміни насадок без ключа.

Використання

Увага! Інструмент повинен працювати з рекомендованою швидкістю. Не перевантажуйте його.

Увага! Перед розрізанням стін, підлоги та стелі переконайтесь, що в цьому місці не розташована електрична проводка та труби.

Регулятор змінної швидкості (рис. М)

Регулятор змінної швидкості дозволяє встановити швидкість, необхідну для виконання певної задачі.

- ◆ Встановіть дисковий перемикач змінної швидкості (2) на необхідне значення. При значенні 1 інструмент буде працювати з низькою швидкістю, 8000 об/хв. При значенні 6 інструмент буде працювати з максимальною швидкістю, 18 000 об/хв.

Увімкнення та вимкнення (рис. N)

- ◆ Щоб увімкнути інструмент, змістіть перемикач Увімк./Вимк. (1) вперед (положення I).
- ◆ Щоб вимкнути інструмент, змістіть перемикач Увімк./Вимк. (1) назад (положення O).

Світлодіодний індикатор роботи

Світлодіодний індикатор роботи (4) активується автоматично при вмиканні інструмента.

Індикатор низького рівня заряду батареї

Якщо світлодіодний індикатор роботи (4) починає швидко й безперервно блимати при натисненні перемикача інструмента, то акумуляторний блок розряджений і його слід зарядити.

На відміну від інших типів акумуляторних блоків літій-іонні акумуляторні блоки забезпечує безвідмовну потужність протягом усього часу роботи. Інструмент не зазнає повільної, поступової втрати потужності під час роботи. Про закінчення часу роботи акумуляторного блока та необхідність його заряджання сигналізує швидке падіння потужності інструмента.

Примітка. Світлодіод також може блимати через перевантаження або високу температуру (див. «Захист акумулятора»).

Підказки для оптимального використання

- ◆ Завжди добре тримайте інструмент. При прецизійній обробці тримайте інструмент за його передню частину.
- ◆ За можливості завжди закріплюйте заготовку, яка оброблюється, особливо при використанні ріжучих полотен.
- ◆ Не докладайте надмірного зусилля до інструменту.
- ◆ Завжди використовуйте відповідні типи насадок в залежності від матеріалу заготовки та типу розрізу.
- ◆ Регулярно перевіряйте стан насадок. Замініть їх за необхідності.
- ◆ Помітьте відправну точку у потрібному місці.
- ◆ Увімкніть інструмент і повільно введіть насадку у заготовку в поміченій відправній точці.
- ◆ Для отримання чистого розрізу затискачами прикріпіть до задньої сторони заготовки шматок фанери або м'якої деревини й розпилуйте через усі ці шари.
- ◆ Не докладайте значних зусиль до інструмента, коли він

знаходиться у заготовці. Зверніть увагу, що розрізання листового металу зазвичай вимагає більше часу, чим розпил більш товстих дерев'яних заготовок.

- ◆ Перед розрізанням металу нанесіть вздовж лінії розрізу тонкий шар мастила або іншого мастильного засобу.
- ◆ При шліфуванні нових шарів фарби перед нанесенням ще одного шару завжди використовуйте дуже мілку абразивність.
- ◆ На дуже нерівній поверхні або при знятті шарів фарби починайте з грубої абразивності. На інших поверхнях починайте з середньої абразивності. В обох випадках поступово переходьте на мілку абразивність для більш гладкого результату.
- ◆ Додаткову інформацію щодо доступних аксесуарів можна отримати у продавця.

Технічне обслуговування

Ваш пристрій виробництва компанії Stanley Fat Max призначений для роботи протягом довгого часу з мінімальним обслуговуванням. Тривала задовільна робота приладу залежить від належного обслуговування приладу та регулярного його очищення.

Увага! Перед виконанням будь-якого технічного обслуговування інструмента зі шнуром живлення або без нього виконайте такі дії.

- ◆ Вимкніть інструмент та відключіть його від мережі живлення.
- ◆ Або вимкніть інструмент та витягніть акумулятор з нього, якщо ваш пристрій має окремий акумуляторний блок.
- ◆ Або повністю розрядіть акумулятор, якщо пристрій має вбудований акумулятор, а потім вимкніть інструмент.
- ◆ Регулярно очищуйте вентиляційні отвори пристрою/інструменту/зарядного пристрою за допомогою м'якої щітки або сухої ганчірки.
- ◆ Регулярно очищуйте корпус двигуна вологою тканиною. Не використовуйте абразивні очищувачі та засоби, що містять розчинники.

Заміна шнура живлення (тільки для Великої Британії та Ірландії)

Якщо потрібно встановити нову вилку, виконайте кілька дій:

- ◆ Зніміть стару вилку та утилізуйте її, дотримуючись правил техніки безпеки.
- ◆ Приєднайте коричневий провідник до активного виходу нової вилки.
- ◆ Приєднайте блакитний провідник до нейтрального виходу.

Увага! Жоден провід не повинен бути підключений до клеми заземлення. Дотримуйтеся інструкцій щодо встановлення, які постачаються з якісними вилками. Плавкий

запобіжник, що рекомендується: 5 А.

Захист навколишнього середовища



Роздільний збір. Пристрої та батареї, позначені цим символом, не можна викидати зі звичайним побутовим сміттям.

Пристрої та батареї містять матеріали, які можна відновити та переробити, що зменшить потребу у сировині.

Будь ласка, віддавайте електричні інструменти та батареї на переробку відповідно до місцевих постанов. Більш детальну інформацію можна отримати на сайті www.2helpU.com.

Технічні характеристики

SFMC500 (Тип 1)		
Напруга	$V_{\text{пост. струму}}$	18
Швидкість без навантаження	хв.^{-1}	8000-18000
Кут коливання	Градуси	1,4 або 2,8
Маса	кг	1,4

Зарядний пристрій		SFMCB11	SFMCB12	SFMCB14
Вхідна напруга	$V_{\text{змін. струму}}$	230	230	230
Вихідна напруга	$V_{\text{пост. струму}}$	18	18	18
Струм	А	1,25	2	4

Батарея		SFMCB201	SB202 / SFMCB202	SB202 / SFMCB202	SB202 / SFMCB202
Напруга	$V_{\text{пост. струму}}$	18	18	18	18
Ємність	Ам-пер-го-дин	1,5	2,0	4,0	6,0
Тип		Літій-іонна	Літій-іонна	Літій-іонна	Літій-іонна

Рівень звукового тиску згідно з EN62841:

Звуковий тиск ($L_{\text{p,дв}}$) 85 дБ(А), похибка (К) 3 дБ(А)

Звукова потужність (L_{WA}) 96 дБ(А), похибка (К) 3 дБ(А)

Загальні значення вібрації (векторна сума трьох векторів) згідно з EN62841:

Розрізання дощок ($a_{h,св}$) 6,3 m/s^2 , похибка (К) 1,5 m/s^2

Розрізання металу ($a_{h,св}$) 7,5 m/s^2 , похибка (К) 1,5 m/s^2

Шліфування ($a_{h,св}$) 8,2 m/s^2 , похибка (К) 1,5 m/s^2

Жорсткий скребок – зняття наклеєного килима з підлоги ($a_{h,св}$) 7,9 m/s^2 , (К) 1,5 m/s^2

Загальні значення вібрації (векторна сума трьох векторів) згідно з EN62841:

Полотно для тертя/видалення цементного розчину – зіскрибання бетону ($a_{h,св}$) 7,5 m/s^2 , (К) 1,5 m/s^2

Декларація про відповідність нормам ЄС ДИРЕКТИВА ДЛЯ МЕХАНІЧНОГО ОБЛАДНАННЯ



Універсальний інструмент без шнура живлення – SFMCE500

Компанія Stanley Europe заявляє, що продукти, описані у розділі «Технічні дані» відповідають вимогам: 2006/42/EC, EN 62841-1:2015, EN 62841-2-4:2014

Ці продукти також відповідають Директивам 2014/30/EU і 2011/65/EU. Для отримання додаткової інформації зверніться до компанії Stanley Europe за наведеною нижче адресою або прочитайте інформацію на зворотному боці цього посібника.

Особа, яка підписалася нижче, несе відповідальність за упорядкування файлу технічних характеристик та робить цю заяву від компанії Stanley Fat Max.

A.P. Smith

Технічний директор

Stanley Fat Max Europe, Egide Walschaertsstraat14-18,

2800 Мехелен, Бельгія

07.08.2019

Гарантія

Компанія Stanley Fat Max впевнена в якості своєї продукції та пропонує споживачам гарантію тривалістю 12 місяці з дати покупки. Ця гарантія доповнює і жодним чином не обмежує ваші законні права. Ця гарантія є чинною на території країн-членів Європейського Союзу та в європейській зоні вільної торгівлі.

Позив за гарантією повинен відповідати умовам компанії Stanley Fat Max, при цьому вам необхідно буде надати доказ покупки продавцю або спеціалісту офіційного сервісного центру. Умови 1-річної гарантії компанії Stanley Fat Max та місцезнаходження найближчого сервісного центру можна дізнатися в інтернеті на сайті www.2helpU.com або звернутися до місцевого представництва компанії Stanley Fat Max за адресою, вказаною у цьому керівництві.

Відвідайте наш сайт www.stanley.eu/3, щоб зареєструвати свій новий продукт STANLEY FATMAX та отримувати інформацію про нові продукти та спеціальні пропозиції. Ви можете звернутися до місцевого представництва

компанії STANLEY FATMAX за адресою, вказаною у цьому керівництві. Список офіційних сервісних центрів компанії Stanley Fat Max з усіма подробицями нашого післяпродажного обслуговування та контактною інформацією міститься в Інтернеті за адресою: www.stanley.eu/3



Виробник:
"Stanley Black & Decker Deutschland
GmbH" Black-&-Decker Str.40, D-65510
Idstein, Німеччина

STANLEY
FATMAX

ГАРАНТІЙНИЙ ТАЛОН

3 РОКИ
ГАРАНТІЇ

- Вітаємо Вас з покупкою високоякісного виробу Stanley FATMAX і висловлюємо вдячність за Ваш вибір.
- При покупці виробу вимагайте перевірки його комплектності і справності у Вашій присутності, інструкцію з експлуатації та заповнений гарантійний талон українською мовою. В гарантійному талоні повинні бути внесені: модель, дата продажу, серійний номер, дата виробництва інструменту, назва, печатка і підпис торгової організації. За відсутності у Вас правильно заповненого гарантійного талону, а також при невідповідності зазначених у ньому даних ми будемо змушені відхилити Ваші претензії щодо якості даного виробу.
- Щоб уникнути непорозумінь, переконливо просимо Вас перед початком роботи з виробом уважно ознайомитися з інструкцією з його експлуатації. Правовою основою справжніх гарантійних умов є чинне Законодавство. Гарантійний термін на даний виріб складає 36 місяців і обчислюється з дня продажу. У разі усунення недоліків виробу, гарантійний строк продовжується на період його перебування в ремонті. Термін служби виробу становить 5 років з дня продажу.
- У разі виникнення будь-яких проблем у процесі експлуатації виробу рекомендуємо Вам звертатися тільки в уповноважені сервісні центри Stanley FATMAX, адреси та телефони яких Ви можете знайти в гарантійному талоні, на сайті www.2helpU.com або дізнатися в магазині. Наші сервісні станції - це не тільки кваліфікований ремонт, але і широкий асортимент запчастин і аксесуарів.
- Виробник рекомендує проводити періодичну перевірку і технічне обслуговування виробу в уповноважених сервісних центрах.
- Наші гарантійні зобов'язання поширюються тільки на несправності, виявлені протягом гарантійного терміну і викликані дефектами виробництва та \ або матеріалів.
- Гарантійні умови не поширюються на несправності виробу, що виникли в результаті:
 - Недотримання користувачем приписів інструкції з експлуатації виробу, застосування виробу не за призначенням, неправильного зберігання, використання приладдя, витратних матеріалів і запчастин, що не передбачені виробником.
 - Механічного пошкодження (відколю, тріщини і руйнування) внутрішніх і зовнішніх деталей виробу, основних і допоміжних рукояток, мережевого кабелю, що викликані зовнішнім ударним або будь-яким іншим впливом
 - Потраплення у вентиляційні отвори та проникнення всередину виробу сторонніх предметів, матеріалів або речовин, що не є відходами, які супроводжують застосування виробу за призначенням, такими як: стружка, тирса, пісок, та ін.
 - Впливу на виріб несприятливих атмосферних і інших зовнішніх факторів, таких як дощ, сніг, підвищена вологість, нагрівання, агресивні середовища, невідповідність параметрів електромережі, що зазначені на інструменті.
 - Стихійного лиха. Пошкодження або втрати виробу, що пов'язані з непередбаченими лихами, стихійними явищами, у тому числі внаслідок дії непереборної сили (пожежа, блискавка, потоп і інші природні явища), а також внаслідок перепадів напруги в електромережі та іншими причинами, які знаходяться поза контролем виробника.
- Гарантійні умови не поширюються:
 - На інструменти, що піддавались розкриттю, ремонту або модифікації поза уповноваженим сервісним центром.
 - На деталі, вузли та матеріали, що мають сліди природного зносу, такі як: приводні реміні і колеса, вугільні щітки, мастило, підшипники, зубчасті зчеплення редукторів, гумові ущільнення, сальники, направляючі ролики, муфти, вимикачі, бойки, штовхачі, стволи тощо.
 - На змінні частини: патрони, цанги, затискні гайки і фланці, фільтри, ножі, шліфувальні підшови, ланцюги, зірочки, пильні шини, захисні кошуки, пилки, абразивні, пильні і абразивні диски, фрези, свердла, бури тощо
 - На несправності, що виникли в результаті перевантаження інструменту (як механічного, так і електричного), що спричинили вихід з ладу одночасно двох і більше деталей і вузлів, таких як: ротора і статора, обох обмоток статора, веденої і ведучої шестерні редуктора або інших вузлів і деталей. До безумовних ознак перевантаження виробу відносяться, крім інших: поява кольорів мільниці, деформація або оплавлення деталей і вузлів виробу, потемніння або обуглювання ізоляції проводів електроприводу під впливом високої температури.

Товар отриманий в справному стані, без видимих ушкоджень, в повній комплектції, перевірений у моїй присутності, претензій щодо якості товару не маю. З умовами гарантійного обслуговування ознайомлений і згоден.

П. І. Б. та підпис власника _____

Шановні клієнти, наша мережа авторизованих сервісних центрів постійно розширюється. Актуальну інформацію про обслуговування в місті, що цікавить вас, ви можете дізнатися на сайті

www.2helpU.com

Редакція ВК/12-12-2018

STANLEY
FATMAX

ГАРАНТІЙНИЙ ТАЛОН

3 РОКИ
ГАРАНТІЇ

1. Вітаємо Вас з покупкою високоякісного виробу Stanley FATMAX і висловлюємо вдячність за Ваш вибір.
2. При покупці виробу вимагайте перевірки його комплектності і справності у Вашій присутності, інструкцію з експлуатації та заповнений гарантійний талон українською мовою. В гарантійному талоні повинні бути внесені: модель, дата продажу, серійний номер, дата виробництва інструменту; назва, печатка і підпис торгової організації. За відсутності у Вас правильно заповненого гарантійного талону, а також при невідповідності зазначених у ньому даних ми будемо змушені відхилити Ваші претензії щодо якості даного виробу.
3. Щоб уникнути непорозумінь, переконливо просимо Вас перед початком роботи з виробом уважно ознайомитися з інструкцією з його експлуатації. Правовою основою справжніх гарантійних умов є чинне Законодавство. Гарантійний термін на даний виріб складає 36 місяці і обчислюється з дня продажу. У разі усунення недоліків виробу, гарантійний строк продовжується на період його перебування в ремонті. Термін служби виробу становить 5 років з дня продажу.
4. У разі виникнення будь-яких проблем у процесі експлуатації виробу рекомендуємо Вам звертатися тільки в уповноважені сервісні центри Stanley FATMAX, адреси та телефони яких Ви зможете знайти в гарантійному талоні, на сайті www.2helpU.com або дізнатися в магазині. Наші сервісні станції - це не тільки кваліфікований ремонт, але і широкий асортимент запчастин і аксесуарів.
5. Виробник рекомендує проводити періодичну перевірку і технічне обслуговування виробу в уповноважених сервісних центрах.
6. Наші гарантійні зобов'язання поширюються тільки на несправності, виявлені протягом гарантійного терміну і викликані дефектами виробництва та \ або матеріалів.
7. Гарантійні умови не поширюються на несправності виробу, що виникли в результаті:
 - 7.1. Недотримання користувачем приписів інструкції з експлуатації виробу, застосування виробу не за призначенням, неправильного зберігання, використання приладдя, витратних матеріалів і запчастин, що не передбачені виробником.
 - 7.2. Механічного пошкодження (відколю, тріщини і руйнування) внутрішніх і зовнішніх деталей виробу, основних і допоміжних рукояток, мережевого кабелю, що викликані зовнішнім ударним або будь-яким іншим впливом
 - 7.3. Потраплення у вентиляційні отвори та проникнення всередину виробу сторонніх предметів, матеріалів або речовин, що не є відходами, які супроводжують застосування виробу за призначенням, такими як: стружка, тирса, пісок, та ін.
 - 7.4. Впливу на виріб несприятливих атмосферних і інших зовнішніх факторів, таких як дощ, сніг, підвищена вологість, нагрівання, агресивні середовища, невідповідність параметрів електромережі, що зазначені на інструменті.
 - 7.5. Стихійного лиха. Пошкодження або втрати виробу, що пов'язані з непередбаченими лихами, стихійними явищами, у тому числі внаслідок дії непереборної сили (пожежа, блискавка, потоп і інші природні явища), а також внаслідок перепадів напруги в електромережі та іншими причинами, які знаходяться поза контролем виробника.
8. Гарантійні умови не поширюються:
 - 8.1. На інструменти, що піддавались розкриттю, ремонту або модифікації поза уповноваженим сервісним центром.
 - 8.2. На деталі, вузли та матеріали, що мають сліди природного зносу, такі як: приводні реміні і колеса, вугільні щітки, мастило, підшипники, зубчасті зчеплення редукторів, гумові ущільнення, сальники, направляючі ролики, муфти, вимикачі, бойки, штовхачі, стволи тощо.
 - 8.3. На змінні частини: патрони, цанги, затискні гайки і фланці, фільтри, ножі, шліфувальні підшови, ланцюги, зірочки, пильні шини, захисні кошуки, пилки, абразиви, пильні і абразивні диски, фрези, свердла, бури тощо
 - 8.4. На несправності, що виникли в результаті перевантаження інструменту (як механічного, так і електричного), що спричинили вихід з ладу одночасно двох і більше деталей і вузлів, таких як: ротора і статора, обох обмоток статора, веденої і ведучої шестерні редуктора або інших вузлів і деталей. До безумовних ознак перевантаження виробу відносяться, крім інших: поява кольорів мільниці, деформація або оплавлення деталей і вузлів виробу, потемніння або обуглювання ізоляції проводів електроприводу під впливом високої температури.

Товар отриманий в справному стані, без видимих ушкоджень, в повній комплектації, перевірений у моїй присутності, претензій щодо якості товару не маю. З умовами гарантійного обслуговування ознайомлений і згоден.

П. І. Б. та підпис власника _____

Шановні клієнти, наша мережа авторизованих сервісних центрів постійно розширюється. Актуальну інформацію про обслуговування в місті, що цікавить вас, ви можете дізнатися на сайті

www.2helpU.com

Редакція ВК/12-12-2018

ОФИЦИАЛЬНЫЙ ДИЛЕР В УКРАИНЕ:

storgom.ua

ГРАФИК РАБОТЫ:

Пн. – Пт.: с 8:30 по 18:30

Сб.: с 09:00 по 16:00

Вс.: с 10:00 по 16:00

КОНТАКТЫ:

+38 (044) 360-46-77

+38 (066) 77-395-77

+38 (097) 77-236-77

+38 (093) 360-46-77

Детальное описание товара:

<https://storgom.ua/product/stanley-998403.html>

Другие товары:

<https://storgom.ua/akkumulyatornyj-mnogofunkcionalnyj-instrument.html>