



**OPERATOR'S MANUAL**  
**MANUEL de L'UTILISATEUR**  
**MANUAL del OPERADOR**



**Cat. No.**  
**No de Cat.**  
**2266-20**

**Laser Temp-Gun™ Thermometer**  
**Thermomètre laser Temp-Gun™**  
**Termómetro láser Temp-Gun™**

***TO REDUCE THE RISK OF INJURY, USER MUST READ AND UNDERSTAND OPERATOR'S MANUAL.***

***AFIN DE RÉDUIRE LE RISQUE DE BLESSURES, L'UTILISATEUR DOIT LIRE ET BIEN COMPRENDRE LE MANUEL DE L'UTILISATEUR.***

***PARA REDUCIR EL RIESGO DE LESIONES, EL USUARIO DEBE LEER Y ENTENDER EL MANUAL DEL OPERADOR.***

# IMPORTANT SAFETY INSTRUCTIONS

**WARNING READ ALL SAFETY WARNINGS AND INSTRUCTIONS.** Failure to follow the warnings and instructions may result in electric shock, fire and/or serious injury. **Save these instructions** - This operator's manual contains important safety and operating instructions for the **MILWAUKEE Laser Temp-Gun™ Thermometer**. Before using the Temp-Gun™, read this operator's manual and all labels on the Temp-Gun™.

## LASER SAFETY

- **Laser light** - Do not stare into beam or view directly with optical instruments. Do not point laser light at others. Laser light can cause eye damage.
- **Avoid exposure to laser radiation.** Laser may emit hazardous radiation.
- **Do not point laser at reflective surfaces.** Unpredictable results may occur.

## WORK AREA SAFETY

- **Keep children and bystanders away while operating Temp-Gun™.** Store idle Temp-Guns™ out of the reach of children and do not allow persons unfamiliar with the tool or these instructions to operate them.
- **Avoid dangerous environments.** Do not use in rain, snow, damp or wet locations. Do not use in the presence of explosive atmospheres (gaseous fumes, dust or flammable materials) because sparks may be generated when inserting or removing battery pack, possibly causing fire.

## PERSONAL SAFETY

- **Stay alert, watch what you are doing and use common sense when operating Temp-Gun™.** Do not use while you are tired or under the influence of drugs, alcohol or medication. A moment of inattention may result in serious personal injury.
- **Do not overreach. Keep proper footing and balance at all times.** This enables better control in unexpected situations.

## BATTERY USE AND CARE

- This tool is designed to be powered by 3-AA batteries properly inserted into the **MILWAUKEE Temp-Gun™**. Do not attempt to use with any other voltage or power supply.
- **Do not leave batteries within the reach of children.**
- **Do not mix new and used batteries. Do not mix brands (or types within brands) of batteries.**
- **Do not mix rechargeable and non-rechargeable batteries.**
- **Install batteries according to polarity (+ / -) diagrams.**
- **Properly dispose of used batteries immediately.**
- **Do not incinerate or dismantle batteries.**
- **Under abusive conditions, liquid may be ejected**

from the battery, avoid contact. If contact accidentally occurs, flush with water. If liquid contacts eyes, additionally seek medical help. Liquid ejected from the battery may cause irritation or burns.

## SERVICE

- **Have your Temp-Gun™ serviced by a qualified repair person using only identical replacement parts.** This will ensure that the safety of the tool is maintained.
- **Do not disassemble.** Incorrect reassembly may result in the risk of electric shock or fire. If it is damaged, take it to a **MILWAUKEE** service facility.
- **Store in a cool, dry place.** Do not store where temperatures may exceed 120°F (50°C) such as in direct sunlight, a vehicle or metal building during the summer.
- **Do not remove or deface labels. Maintain labels and nameplates.** These carry important information. If unreadable or missing, contact a **MILWAUKEE** service facility for a free replacement.

## Symbology

	Volts Direct Current
	CAUTION Laser Light - Do Not Stare Into Beam
	Laser product Avoid Exposure: Laser Radiation Is Emitted From This Aperture
	To reduce the risk of injury, user must read operator's manual.

**FC** Federal Communications Commission

**WARNING:** Changes or modifications to this unit not expressly approved by the party responsible for compliance could void the user's authority to operate the equipment.

This equipment has been tested and found to comply with the limits for a Class B digital device, pursuant to Part 15 of the FCC Rules. These limits are designed to provide reasonable protection against harmful interference in a residential installation. This equipment generates, uses and can radiate radio frequency energy and, if not installed and used in accordance with the instructions, may cause harmful interference to radio communications.

However, there is no guarantee that interference will not occur in a particular installation. If this equipment does cause harmful interference to radio or television recep-

tion, which can be determined by turning the equipment off and on, the user is encouraged to try to correct the interference by one or more of the following measures:

- Reorient or relocate the receiving antenna.
- Increase the separation between the equipment and receiver.
- Connect the equipment into an outlet on a circuit different from that to which the receiver is connected.
- Consult the dealer or an experienced radio/TV technician for help.

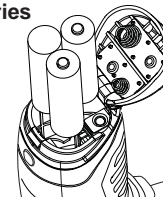
## Specifications

**Laser Type:** Class II  
**Max Power:** <1mW  
**Wavelength:** 630-670 nm  
**IR Temperature range\*:** -30°C to 500°C (-22°F to 932°F) \*Assume ambient operating temperature of 23°C to 25°C (73°F to 75°F)  
**IR Accuracy:** -30°C to 10°C (-22°F to 50°F): ±1.5°C (3°F)  
 10°C to 30°C (50°F to 86°F): ±1.0°C (2°F)  
 30°C to 380°C (86°F to 716°F): ±1.5°C (3°F) or 1.5% of reading, whichever is greater  
 380°C to 500°C (716°F to 932°F): ±2°C (4°F) or 2% of reading, whichever is greater  
**Min. measuring distance:** 2" < 50°C (122°F), 4" > 50°C (122°F)  
**Display resolution:** 0.1°C (0.1°F)  
**Contact temperature range:** -30°C to 450°C (-22°F to 842°F)  
**Contact temperature input accuracy:** ± 1.1°C (± 2°F)  
**Temperature display resolution:** 0.1°C/°F in Primary, 1°C/°F in Secondary  
**Emissivity:** 0.95  
**Response time:** <500 msec  
**Spectral response:** 8 to 14µm  
**Distance to spot:** 12 to 1  
**Drop:** 1.5 meter  
**Repeatability:** ±0.5% OR ±1°C(±2°F) (whichever is greater)  
**Operating temperature:** 0°C to 50°C (32°F to 122°F)  
**Storage temperature:** -20°C to 60°C (-4°F to 140°F) w/o battery  
**Relative humidity:** 10 to 90% RH non-condensing at <30°C ambient  
**Voltage:** 4.5 DC  
**Battery life:** Greater than 12 hrs with all functions

## ASSEMBLY

### Loading/Changing the Batteries

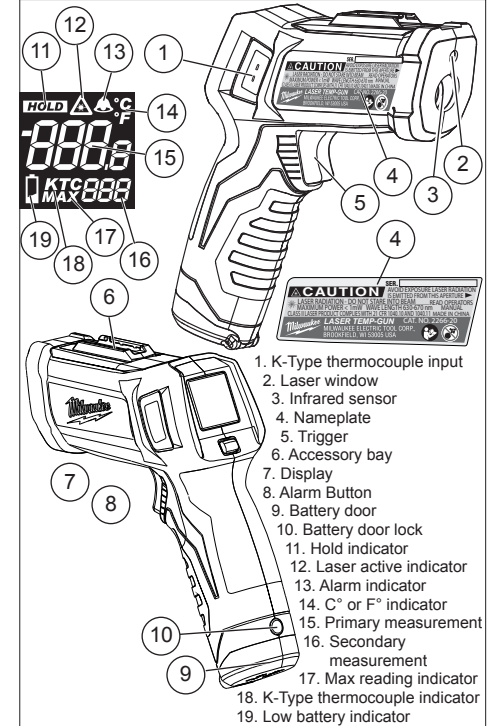
1. Press in the battery door lock and open the battery door.
2. Before installing batteries for the first time, remove the white, rectangular tag in the battery compartment.
3. Insert three (3) AA batteries, as displayed.
4. Close the battery door securely.



### Selecting Celsius or Fahrenheit

Switch between Celsius and Fahrenheit temperature display anytime by using the switch inside the battery compartment.

## FUNCTIONAL DESCRIPTION



1. K-Type thermocouple input
2. Laser window
3. Infrared sensor
4. Nameplate
5. Trigger
6. Accessory bay
7. Display
8. Alarm Button
9. Battery door
10. Battery door lock
11. Hold indicator
12. Laser active indicator
13. Alarm indicator
14. C° or F° indicator
15. Primary measurement
16. Secondary measurement
17. Max reading indicator
18. K-Type thermocouple indicator
19. Low battery indicator

## OPERATION

### Scanning Object IR Temperature

1. Pull and hold the trigger for at least 2 seconds and scan the surface temperature of an object. A laser pointer indicates the center of the circular area being scanned.

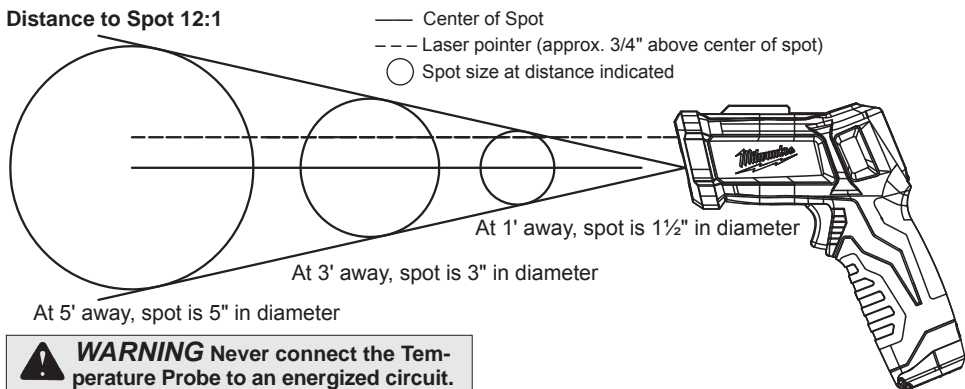
NOTE: The object should be larger than the spot being scanned. If not, readings will be affected. See Distance To Spot for necessary object size.

2. As you continue to hold the trigger, the icon is displayed along with the surface temperature (primary measurement) and maximum temperature (secondary measurement) readings.

3. Release the trigger. HOLD is displayed until the screen shuts off in about seven seconds.

NOTE: A quick change in temperature (>10°F) affects the meter's readings. Allow the meter to reach ambient temperature before use (5 to 30 minutes, depending on temperature change).

### Distance to Spot 12:1

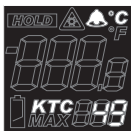


**WARNING** Never connect the Temperature Probe to an energized circuit.

### Contact Temperature Measurement with K-Type Probe

Only use K-type Temperature Probes with this meter.

1. Insert the probe. The unit detects a connection of a K-type probe and displays the contact temperature (KTC) as the secondary measurement.
2. The display will continue to update the contact temperature (KTC) while the temperature probe reaches thermal equilibrium with the object being measured. The display will shut off after about 20 min.
3. To return to IR mode, remove the K-type probe.

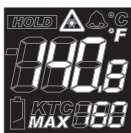


### Temperature Alarm

Press the Alarm button to turn on the alarm function. If the temperature reading is outside the preset range, the temperature reading and bell icon will flash and an alarm will sound.

### Muting Alarm

Mute the alarm by pressing the Alarm button. The bell icon will go off. The temperature reading will continue to flash as long as it is outside the preset range.



### Setting Preset Range for the Alarm

1. To set the alarm range, pull and hold the trigger and then press the Alarm button. Repeat to toggle between LO and HI settings.
2. Pull the trigger to increase the values, press the Alarm button to decrease the values. Wait 3 seconds for the ranges to save and exit.



### Low Battery

When the Low Battery icon is displayed, change the batteries.



### MAINTENANCE

**WARNING** To reduce the risk of injury, always remove the batteries from the tool before performing any maintenance. Never disassemble the tool. Contact a MILWAUKEE service facility for ALL repairs.

#### Maintaining Tool

Keep your tool in good repair by adopting a regular maintenance program. After six months to one year, depending on use, return the tool to a MILWAUKEE service facility for repairs.

If the tool does not start or operate at full power with fully charged batteries, clean the contacts on the battery door. If the tool still does not work properly, return the tool to a MILWAUKEE service facility for repairs.

#### Cleaning the Laser Windows

Clean the laser windows with a soft, moist cloth to keep them clean and clear. Remove battery pack before cleaning.

**WARNING** To reduce the risk of personal injury and damage, never immerse your tool in liquid or allow a liquid to flow inside it.

#### Cleaning

Clean dust and debris from tool. Keep tool handles clean, dry and free of oil or grease. Use only mild soap and a damp cloth to clean the tool since certain cleaning agents and solvents are harmful to plastics and other insulated parts. Some of these include gasoline, turpentine, lacquer thinner, paint thinner, chlorinated cleaning solvents, ammonia and household detergents containing ammonia. Never use flammable or combustible solvents around tools.

#### Repairs

For repairs, return the tool to the nearest service center listed on the back cover of this operator's manual.

### ACCESSORIES

**WARNING** Always remove batteries before changing or removing accessories. Only use accessories specifically recommended for this tool. Others may be hazardous.

### LIMITED WARRANTY - USA AND CANADA

MILWAUKEE Test & Measurement Products (including bare tool, li-ion battery pack(s) and battery charger but excluding alkaline batteries) are warranted to the original purchaser only to be free from defects in material and workmanship. Subject to certain exceptions, MILWAUKEE will repair or replace any part on this product which, after examination, is determined by MILWAUKEE to be defective in material or workmanship for a period of five (5) years\* after the date of purchase. Return the Test & Measurement tool and a copy of proof of purchase to the nearest Milwaukee Electric Tool Corporation - factory Service Center. This warranty does not apply to damage that MILWAUKEE determines to be from repairs made or attempted by anyone other than MILWAUKEE authorized personnel, misuse, alterations, abuse, normal wear and tear, lack of maintenance, or accidents.

\*The warranty period for the LITHIUM-ION battery pack that ships with the Test & Measurement tool is two (2) years from the date of purchase. \*Alkaline battery that ships with Test & Measurement tool is separately warranted by the battery manufacturer. \*The warranty period for a NON-CONTACT VOLTAGE DETECTOR – 2201 20 is one (1) year from the date of purchase.

Warranty Registration is not necessary to obtain the applicable warranty on MILWAUKEE product. The manufacturing date of the product will be used to determine the warranty period if no proof of purchase is provided at the time warranty service is requested.

ACCEPTANCE OF THE EXCLUSIVE REPAIR AND REPLACEMENT REMEDIES DESCRIBED HEREIN IS A CONDITION OF THE CONTRACT FOR THE PURCHASE OF EVERY MILWAUKEE PRODUCT. IF YOU DO NOT AGREE TO THIS CONDITION, YOU SHOULD NOT PURCHASE THE PRODUCT. IN NO EVENT SHALL MILWAUKEE BE LIABLE FOR ANY INCIDENTAL, SPECIAL, CONSEQUENTIAL OR PUNITIVE DAMAGES, OR FOR ANY COSTS, ATTORNEY FEES, EXPENSES, LOSSES OR DELAYS ALLEGED TO BE AS A CONSEQUENCE OF ANY DAMAGE TO, FAILURE OF, OR DEFECT IN ANY PRODUCT INCLUDING, BUT NOT LIMITED TO, ANY CLAIMS FOR LOSS OF PROFITS. SOME STATES DO NOT ALLOW THE EXCLUSION OR LIMITATION OF INCIDENTAL OR CONSEQUENTIAL DAMAGES, SO THE ABOVE LIMITATION OR EXCLUSION MAY NOT APPLY TO YOU. THIS WARRANTY IS EXCLUSIVE AND IN LIEU OF ALL OTHER EXPRESS WARRANTIES, WRITTEN OR ORAL. TO THE EXTENT PERMITTED BY LAW, MILWAUKEE DISCLAIMS ANY IMPLIED WARRANTIES, INCLUDING WITHOUT LIMITATION ANY IMPLIED WARRANTY OF MERCHANTABILITY OR FITNESS FOR A PARTICULAR USE OR PURPOSE; TO THE EXTENT SUCH DISCLAIMER IS NOT PERMITTED BY LAW, SUCH IMPLIED WARRANTIES ARE LIMITED TO THE DURATION OF THE APPLICABLE EXPRESS WARRANTY AS DESCRIBED ABOVE. SOME STATES DO NOT ALLOW LIMITATIONS ON HOW LONG AN IMPLIED WARRANTY LASTS, SO THE ABOVE LIMITATION MAY NOT APPLY TO YOU, THIS WARRANTY GIVES YOU SPECIFIC LEGAL RIGHTS, AND YOU MAY ALSO HAVE OTHER RIGHTS WHICH VARY FROM STATE TO STATE.

This warranty applies to product sold in the U.S.A. and Canada only.

For a complete listing of accessories refer to your MILWAUKEE Electric Tool catalog or go online to [www.milwaukeetool.com](http://www.milwaukeetool.com). To obtain a catalog, contact your local distributor or a service center.

### LIMITED WARRANTY - MEXICO, CENTRAL AMERICA AND CARIBBEAN

TECHTRONIC INDUSTRIES' warranty is for 5 year since the original purchase date.

This warranty card covers any defect in material and workmanship on this Power Tool.

To make this warranty valid, present this warranty card, sealed/stamped by the distributor or store where you purchased the product, to the Authorized Service Center (ASC). Or, if this card has not been sealed/stamped, present the original proof of purchase to the ASC. Call toll-free 1 800 832 1949 to find the nearest ASC, for service, parts, accessories or components.

#### Procedure to make this warranty valid

Take the product to the ASC, along with the warranty card sealed/stamped by the distributor or store where you purchased the product, and there any faulty piece or component will be replaced without cost for you. We will cover all freight costs relative with this warranty process.

#### Exceptions

This warranty is not valid in the following situations:

- a) When the product is used in a different manners from the end-user guide or instruction manual.
- b) When the conditions of use are not normal.
- c) When the product was modified or repaired by people not authorized by TECHTRONIC INDUSTRIES.

Note: If cord set is damaged, it should be replaced by an Authorized Service Center to avoid electric risks.

#### SERVICE AND ATTENTION CENTER

Rafael Buelna No.1.  
 Col. Tezozomoc Mexico, Azcapotzalco D.F.  
 Ph. 01 800 832 1949

IMPORTED AND COMMERCIALIZED BY:  
 TECHTRONIC INDUSTRIES MEXICO, .S.A. DE C.V.  
 Av. Santa Fe 481 piso 6, Col. Curz Manca.  
 CP 05349, Cuajimalpa, D.F.

Model: \_\_\_\_\_

Date of Purchase: \_\_\_\_\_

Distributor or Store Stamp: \_\_\_\_\_

# RÈGLES IMPORTANTES DE SÉCURITÉ

**AVERTISSEMENT** LIRE TOUTES LES RÈGLES ET INSTRUCTIONS DE SÉCURITÉ. Ne pas suivre l'ensemble des règles et instructions peut entraîner une électrocution, un incendie ou des blessures graves. Conserver ces instructions – Ce manuel contient des instructions importantes de sécurité et de fonctionnement pour le thermomètre laser Temp-Gun™ de MILWAUKEE. Avant d'utiliser le Temp-Gun™, lire le présent manuel d'utilisation ainsi que toutes les étiquettes se trouvant sur le Temp-Gun™

## SÉCURITÉ RELATIVES AU LASER

- **Lampe laser** - Ne pas fixer directement le faisceau ou l'examiner directement au moyen d'instruments d'optique. Ne pas diriger la lampe laser vers les autres personnes. La lampe laser peut provoquer des lésions oculaires.
- **Éviter de s'exposer au rayonnement laser.** Cela peut s'avérer dangereux.
- **Ne pas diriger le laser vers des surfaces réfléchissantes.** Cela peut entraîner des conséquences imprévisibles.

## SÉCURITÉ DU LIEU DE TRAVAIL

- **Tenir les enfants et les curieux à l'écart au moment d'utiliser le thermomètre Temp-Gun™.** S'il n'est pas utilisé, ranger le thermomètre Temp-Gun™ hors de portée des enfants et interdire à quiconque de l'utiliser si la personne ne connaît pas bien le produit ou ces instructions.
- **Éviter les environnements dangereux.** Ne pas exposer l'unité à la pluie ou à la neige et ne pas l'utiliser dans un endroit humide ou mouillé. Ne pas utiliser l'unité dans un endroit propice aux explosions (fumées gazeuses, poussières ou matériaux inflammables); l'insertion ou le retrait du bloc-piles pouvant créer des étincelles, un incendie pourrait alors éclater.

## SÉCURITÉ INDIVIDUELLE

- **Rester vigilant, se concentrer sur son travail et faire preuve de bon sens au moment d'utiliser le thermomètre Temp-Gun™.** Ne pas utiliser cet appareil en cas de fatigue ou sous l'influence de l'alcool, de drogues ou de médicaments. Un moment d'inattention pendant l'utilisation de ce produit peut résulter en une blessure grave.
- **Ne pas travailler hors de portée. Se tenir bien campé et en équilibre en tout temps.** Cela permet un meilleur contrôle en cas d'imprévu.

## UTILISATION ET ENTRETIEN DE LA BATTERIE

- **Cet outil fonctionne avec trois piles AA qui doivent être installées correctement dans le Temp-Gun™ de MILWAUKEE.** Ne pas tenter

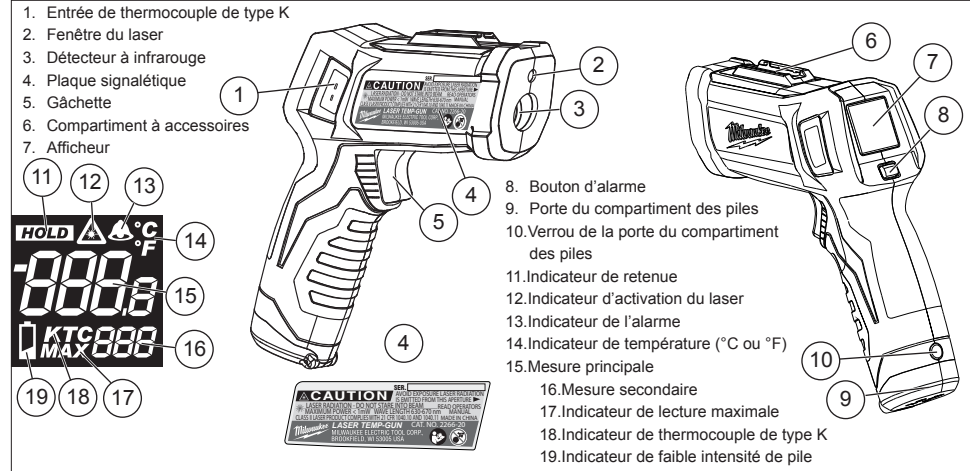
d'utiliser le produit à une autre tension ou avec un autre type d'alimentation.

- **Ne pas laisser les piles à la portée des enfants.**
- **Ne pas mélanger des piles neuves et usées. Ne pas mélanger des piles de marques différentes (ou des piles de même marque mais de types différents).**
- **Ne pas mélanger des piles rechargeables et non rechargeables.**
- **Installer les piles en respectant la polarité (+ et -) indiquée.**
- **Se débarrasser immédiatement des piles usées.**
- **Ne pas brûler ou démonter les piles.**
- **Éviter tout contact avec le liquide pouvant être éjecté de la pile en cas de manutention abusive. En cas de contact accidentel, rincer abondamment avec de l'eau. Si le liquide entre en contact avec les yeux, consulter un médecin.** L'électrolyte qui s'échappe de la pile peut causer des démangeaisons ou des brûlures.

## ENTRETIEN

- **Confier la réparation du thermomètre Temp-Gun™ à un réparateur qualifié qui utilise des pièces de rechange identiques aux pièces d'origine,** ce qui préservera la sûreté de l'outil.
- **Ne pas désassembler le produit.** Un remontage inapproprié peut résulter en un risque de décharge électrique ou d'incendie. En cas de dommage, confier le produit à un centre de service MILWAUKEE.
- **Entreposer le produit dans un endroit frais et sec.** Ne pas l'entreposer dans des endroits où la température peut dépasser 50 °C (120 °F) par exemple, un endroit exposé directement à la lumière du soleil, un véhicule ou une construction en métal pendant l'été.
- **Ne pas retirer ou endommager les étiquettes. Maintenir en état les étiquettes et les plaques signalétiques.** Des informations importantes y figurent. Si elles sont illisibles ou manquantes, contacter un centre de services et d'entretien MILWAUKEE pour un remplacement gratuit.

## DESCRIPTION FONCTIONNELLE



## Spécifications

Type de laser : Classe II

Puissance maximale : < 1 mW

Longueur d'onde : 630 à 670 nm

Plage de température de l'infrarouge\* : -30 °C à 500 °C (-22 °F à 932 °F)

\*Assumez la température de fonctionnement ambiante de 23 °C à 25 °C (73 °F à 75 °F);

Précision de la lecture de l'infrarouge : -30 °C à 10 °C (-22 °F à 50 °F) : ±1,5 °C (3 °F)

10 °C à 30 °C (50 °F à 86 °F) : ±1 °C (2 °F)

30 °C à 380 °C (86 °F à 716 °F) : ±1,5 °C (3 °F) ou 1,5 % de la lecture, selon la plus grande des deux valeurs;

380 °C à 500 °C (716 °F à 932 °F) : ±2 °C (4 °F) ou 2 % de la lecture, selon la plus grande des deux valeurs;

Distance minimale de mesure : 51 mm (2") < 50 °C

(122 °F), 102 mm (4") > 50 °C (122 °F);

Résolution de l'afficheur : 0,1 °C (0,1 °F);

Plage de température de contact : -30 °C à 450 °C

(-22 °F à 842 °F);

Précision des mesures de température de contact :

± 1,1 °C (± 2 °F)

Résolution de l'affichage de la température :

0,1 °C/°F primaire, 1 °C/°F secondaire

Émissivité : 0,95

Temps de réponse : < 500 ms

Réponse spectrale : 8 à 14 µm

Résolution optique : 12:1

Chute : 1,5 mètre

Répétabilité : ±0,5 % OU ±1 °C (±2 °F)

(selon la plus grande des deux valeurs)

Température d'utilisation : 0 °C à 50 °C (32 °F à 122 °F)

Température d'entreposage : -20 °C à 60 °C

(-4 °F à 140 °F) Sans pile

Humidité relative : Humidité relative sans condensation

de 10 à 90 % à une température ambiante < 30 °C

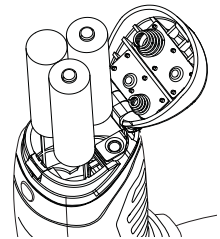
Tension : 4,5 V c.c.

Autonomie des piles : Supérieure à 12 heures pour toutes les fonctions

## MONTAGE DE L'OUTIL

### Charge et changement des piles

1. Appuyer sur le verrou de la porte du compartiment des piles et ouvrir la porte.
2. Avant d'installer les piles pour la première fois, retirer l'étiquette rectangulaire blanche se trouvant dans le compartiment des piles.
3. Insérer trois (3) piles AA, tel qu'illustré.
4. Bien fermer la porte du compartiment des piles.



### Affichage de la température en Celsius ou en Fahrenheit

L'interrupteur situé à l'intérieur du compartiment des piles permet de passer en tout temps de l'affichage de la température en Fahrenheit à celui en Celsius.

**AVERTISSEMENT:** Les changements ou les modifications apportés à cette unité non expressément approuvés par l'organisme responsable de la conformité peuvent annuler l'autorité de l'utilisateur à utiliser cet équipement.

Cet équipement a été testé et déclaré conforme aux limites des dispositifs numériques de classe B, en vertu de la section 15 des réglementations de la FCC. Ces limites ont pour but de fournir une protection raisonnable contre les interférences nuisibles dans le cadre d'une installation résidentielle. Cet équipement génère, utilise et peut émettre de l'énergie de radiofréquence. Il est donc recommandé de l'installer et de l'utiliser conformément aux instructions afin d'éviter toute interférence nuisible aux communications radio. Cependant, il n'existe aucune garantie selon laquelle des interférences ne se produiront pas dans le cas d'une installation spécifique. Si cet appareil provoque des interférences nuisibles pour les réceptions radio et télévisées, ce qui peut être déterminé en l'éteignant puis en le rallumant, il est conseillé d'y remédier en suivant l'une ou plusieurs des mesures suivantes:

- Réorienter ou repositionner l'antenne réceptrice.
- Augmenter l'espace entre l'équipement et le récepteur.
- Brancher l'équipement dans une prise sur un circuit différent de celui sur lequel le récepteur est connecté.
- Consulter le concessionnaire ou un technicien radio/TV expérimenté pour obtenir de l'aide.

Pictographie	
	Volts courant continu
	ATTENTION Lampe laser – Ne pas fixer le faisceau.
	Produit laser Éviter l'exposition : Le rayonnement laser est émis de cette ouverture
	Afin de réduire le risque de blessures, l'utilisateur doit lire le manuel de l'utilisateur.

## OPERATION

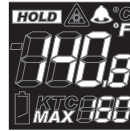
### Balayage de la température de l'objet (infrarouge)

1. Tirer sur la gâchette et la tenir en place pendant au moins deux secondes et saisir la température de surface de l'objet. Un pointeur laser indique le centre de la zone circulaire balayée.



NOTE : L'objet doit être plus grand que la zone balayée. Si tel n'est pas le cas, les lectures peuvent être affectées. Consulter la section « Résolution optique » pour connaître les dimensions requises de l'objet.

2. Si l'utilisateur continue de tenir la gâchette, l'icône s'affiche avec la température de surface (mesure principale) et la température maximale (mesure secondaire).

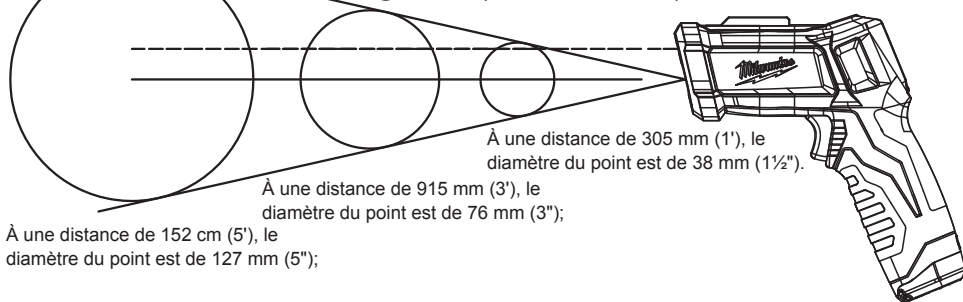


3. Relâcher ensuite la gâchette. L'indication « HOLD » (Retenue) s'affiche jusqu'à ce que l'écran s'éteigne (cela prend environ sept secondes).

NOTE : Un changement brusque de la température (>5°C) affecte les lectures de l'unité. Permettre à l'unité d'atteindre la température ambiante avant de l'utiliser (5 à 30 minutes, selon le changement de température).

### Résolution optique : 12:1

- Centre du point
- - - Pointeur laser (environ 19 mm (3/4") au-dessus du centre du point)
- Taille du point à la distance indiquée

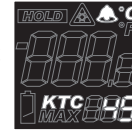


**AVERTISSEMENT** Ne jamais raccorder la sonde thermique à un circuit sous tension.

### Mesure de la température de contact à l'aide de la sonde de type K

Utiliser uniquement des sondes thermiques de type K avec ce multimètre.

1. Insérer la sonde. L'unité détecte le raccord d'une sonde de type K et affiche la température de contact (KTC) comme mesure secondaire.
2. L'afficheur continue de mettre à jour la température de contact (KTC) alors que la sonde thermique atteint l'équilibre thermique avec l'objet mesuré. L'afficheur s'éteint après environ vingt minutes.
3. Pour retourner en mode infrarouge, retirer la sonde de type K.

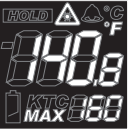


### Alarme de la température

Appuyer sur le bouton « Alarm » (Alarme) pour activer la fonction d'alarme. Si la température se situe à l'extérieur de la plage établie, la température et l'icône de cloche clignotent et une alarme retentit.

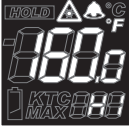
### Mise en sourdine de l'alarme

Pour mettre l'alarme en sourdine, appuyer sur le bouton « Alarm » (Alarme). L'icône de cloche disparaît. La température continue de clignoter tant qu'elle se situe à l'extérieur de la plage établie.



### Choix de la plage de prééglage pour l'alarme

1. Pour régler la plage de l'alarme, appuyer sur la gâchette et la tenir enfoncée, puis appuyer sur le bouton « Alarm » (Alarme). Répéter l'opération afin de basculer entre les réglages « LO » (Faible) et « HI » (Élevé).
2. Appuyer sur la gâchette pour faire augmenter les valeurs et appuyer sur le bouton « Alarm » (Alarme) pour faire diminuer les valeurs. Attendre trois secondes pour enregistrer les plages et quitter le mode.



### Piles faibles

Lorsque l'icône « Piles faibles » s'affiche, changer les piles.



## ENTRETIEN

**AVERTISSEMENT** Pour réduire le risque de blessures, toujours retirer les piles de l'outil avant d'en assurer l'entretien. Ne jamais démonter l'outil. Pour toute réparation, communiquer avec un centre de service MILWAUKEE.

### Entretien de l'outil

Garder l'outil en bon état en le soumettant à un programme d'entretien régulier. Après six mois, selon l'utilisation, confier l'outil à un centre de service MILWAUKEE.

Si l'outil ne démarre pas ou ne fonctionne pas à plein régime une fois les piles complètement chargées, nettoyer les contacts du compartiment des piles. Si l'outil ne fonctionne toujours pas correctement, le confier à un centre de service MILWAUKEE afin de le faire réparer.

### Nettoyage des fenêtres du laser

Nettoyer les fenêtres du laser à l'aide d'un linge doux et humide afin de s'assurer qu'elles demeurent propres et claires. Retirer la batterie avant de procéder au nettoyage.

**AVERTISSEMENT** Pour minimiser les risques de blessures ou de dommages à l'outil, n'immergez jamais l'outil, la batterie ou le chargeur et ne laissez pas de liquide s'y infiltrer.

### Nettoyage

Nettoyer les événements de l'outil des débris et de la poussière. Garder les poignées de l'outil propres, sèches et exemptes d'huile ou de graisse. Utiliser uniquement un savon doux et un linge humide, puisque certains agents de nettoyage et certains solvants peuvent détériorer le plastique et les autres pièces isolées. En voici des exemples : l'essence, la térébenthine, les diluants à laque ou à peinture, les solvants chlorés, l'ammoniaque et les détergents à usage domestique qui en contiennent. Ne jamais utiliser de solvants inflammables ou combustibles autour des outils.

### Réparations

Pour toute réparation, confier l'outil au centre de service le plus près indiqué au dos du présent manuel d'utilisation.

## ACCESOIRES

**AVERTISSEMENT** Retirez toujours la batterie avant de changer ou d'enlever les accessoires. L'utilisation d'autres accessoires que ceux qui sont spécifiquement recommandés pour cet outil peut comporter des risques.

Pour une liste complète des accessoires, prière de se reporter au catalogue MILWAUKEE Electric Tool ou visiter le site internet [www.milwaukeeetool.com](http://www.milwaukeeetool.com). Pour obtenir un catalogue, il suffit de contacter votre distributeur local ou l'un des centres-service.

## GARANTIE LIMITÉE - AUX ÉTATS-UNIS ET AU CANADA

Les produits d'essai et de mesure MILWAUKEE (y compris l'outil, les blocs-piles au lithium-ion et le chargeur, mais non les piles alcalines) sont garantis à l'acheteur d'origine être exempt de vice du matériau et de fabrication. Sous réserve de certaines exceptions, MILWAUKEE réparera ou remplacera toute pièce de ce produit qui, après examen par MILWAUKEE, s'avère être affecté d'un vice du matériau ou de fabrication, pendant une période de cinq (5) ans\* après la date d'achat. Retourner l'outil d'essai et de mesure, accompagné d'une copie de la preuve d'achat, au centre de réparations en usine MILWAUKEE (société d'outils électriques) le plus près. Cette garantie ne couvre pas les dommages que MILWAUKEE détermine être causés par des réparations ou des tentatives de réparation par quiconque autre que le personnel agréé par MILWAUKEE, des utilisations incorrectes, des altérations, des utilisations abusives, une usure normale, une carence d'entretien ou les accidents.

\*La période de la garantie du bloc-piles au lithium-ion qui est fourni avec l'outil d'essai et de mesure est de deux (2) ans à compter de la date d'achat. \*La pile alcaline qui est fournie avec l'outil d'essai et de mesure bénéficie d'une garantie distincte accordée par le fabricant de la pile. \*La période de la garantie d'un DÉTECTEUR DE TENSION SANS CONTACT - 2201-20 est d'un (1) an à partir de la date d'achat.

L'enregistrement de la garantie n'est pas nécessaire pour bénéficier de la garantie en vigueur sur un produit MILWAUKEE. La date de fabrication du produit servira à établir la période de garantie si aucune preuve d'achat n'est fournie lorsqu'une demande de service sous garantie est faite. L'ACCEPTATION DES RECOURS EXCLUSIFS DE RÉPARATION ET DE REMPLACEMENT DÉCRITS AUX PRÉSENTES EST UNE CONDITION DU CONTRAT D'ACHAT DE TOUT PRODUIT MILWAUKEE. SI VOUS N'ACCEPTÉZ PAS CETTE CONDITION, VOUS NE DEVEZ PAS ACHETER LE PRODUIT. EN AUCUN CAS MILWAUKEE NE SAURAIT ÊTRE RESPONSABLE DE TOUT DOMMAGE ACCESSOIRE, SPÉCIAL OU INDIRECT, DE DOMMAGES-INTÉRÊTS PUNITIFS OU DE TOUTE DÉPENSE, D'HONORAIRES D'AVOCATS, DE FRAIS, DE PERTE OU DE DÉLAIS ACCESSOIRES À TOUT PRODUIT, DÉFAILLANCE OU DÉFAUT DE TOUT PRODUIT, Y COMPRIS NOTAMMENT LES PERTES DE PROFIT. CERTAINS ÉTATS ET PROVINCES NE PERMETTANT PAS L'EXCLUSION OU LA LIMITATION DES DOMMAGES DIRECTS OU INDIRECTS, LES RESTRICTIONS CI-DESSUS PEUVENT NE PAS ÊTRE APPLICABLES. CETTE GARANTIE EST EXCLUSIVE ET REMPLACE TOUTE AUTRE GARANTIE EXPRESSE, OU'ELLE SOIT VERBALE OU ÉCRITE. DANS LA MESURE PERMISE PAR LA LOI, MILWAUKEE RENONCE À TOUTE GARANTIE IMPLICITE Y COMPRIS, SANS S'Y LIMITER, TOUTE GARANTIE IMPLICITE DE QUALITÉ MARCHANDE OU D'ADAPTATION À UNE UTILISATION OU À UNE FIN PARTICULIÈRE. DANS LA MESURE OU UNE TELLE STIPULATION D'EXONÉRATION N'EST PAS PERMISE PAR LA LOI, LA DURÉE DE CES GARANTIES IMPLICITES EST LIMITÉE À LA PÉRIODE APPLICABLE DE LA GARANTIE EXPRESSE, TEL QUE CELA EST DÉCRIT PRÉCÉDEMMENT. CERTAINS ÉTATS ET PROVINCES NE PERMETTANT PAS DE LIMITATION DE DURÉE DES GARANTIES IMPLICITES, LES RESTRICTIONS CI-DESSUS PEUVENT NE PAS ÊTRE APPLICABLES. LA PRÉSENTE CONFÈRE À L'UTILISATEUR DES DROITS LÉGAUX PARTICULIERS: IL BÉNÉFICIE ÉGALEMENT D'AUTRES DROITS QUI VARIENT D'UN ÉTAT À L'AUTRE.

Cette garantie s'applique aux produits vendus aux États-Unis et au Canada uniquement.

## GARANTIE LIMITÉE - MEXIQUE, AMÉRIQUE CENTRALE ET CARAÏBES

TECHTRONIC INDUSTRIES\* garantit le produit pendant cinq ans à partir de la date d'achat d'origine. Le présent bon de garantie couvre tous les vices de matériau et de fabrication que peut afficher cet outil électrique. Pour assurer la validité de la présente garantie, veuillez présenter le bon de commande, estampillé du sceau du distributeur ou du magasin où le produit a été acheté, au centre de réparations agréé. Si le bon de commande n'a pas été estampillé, veuillez fournir la preuve d'achat d'origine au centre de réparations agréé. Pour un entretien, des pièces, des accessoires ou d'autres composants, composer sans frais le 1-800-832-1949 afin d'obtenir les coordonnées du centre de réparations agréé le plus près.

### Procédure pour assurer la validité de la garantie

Présenter le produit au centre de réparations agréé, accompagné du bon de commande estampillé du sceau du distributeur ou du magasin où le produit a été acheté. Toute pièce défectueuse ou tout composant défectueux sera remplacé sans frais. Milwaukee assume tous les frais de transport liés à ce processus de garantie.

### Exceptions

La garantie ne s'applique pas dans les situations suivantes :

- Si le produit a été utilisé pour une fin autre que celle indiquée dans le guide de l'utilisateur final ou le manuel d'instructions.
- Si les conditions d'utilisations ne sont pas habituelles.
- Si le produit a été modifié ou réparé par une personne non autorisée par TECHTRONIC INDUSTRIES.

Note : Si le cordon électrique est endommagé, il doit être remplacé par un centre de réparations agréé pour éviter les risques d'électrocution.

Modèle : \_\_\_\_\_

Date d'achat : \_\_\_\_\_

Sceau du distributeur ou du magasin : \_\_\_\_\_

CENTRE DE RÉPARATIONS ET DE SERVICE  
Rafael Buelna No.1.  
Col. Tezozomoc Mexico, Azcapotzalco D.F.  
Ph. 01 800 832 1949

IMPORTÉ ET COMMERCIALISÉ PAR :  
TECHTRONIC INDUSTRIES MEXICO, S.A. DE C.V.  
Av. Santa Fe 481 piso 6, Col. Curz Manca.  
CP 05349, Cuajimalpa, D.F.

# INSTRUCCIONES IMPORTANTES DE SEGURIDAD

**ADVERTENCIA LEA TODAS LAS ADVERTENCIAS E INSTRUCCIONES DE SEGURIDAD.** La inobservancia de las advertencias e instrucciones puede causar una descarga eléctrica, un incendio y/o lesiones graves. Guarde estas instrucciones: Este manual del operador contiene instrucciones importantes de seguridad y funcionamiento para el Termómetro láser Temp-Gun™ MILWAUKEE. Antes de usar el Temp-Gun™, lea este manual del operador y todas las etiquetas del Temp-Gun™.

## SEGURIDAD LÁSER

- **Luz láser:** No mire fijamente el haz de rayos láser ni lo mire directamente con instrumentos ópticos. No apunte la luz láser en dirección a otras personas. La luz láser puede provocar daños a los ojos.
- **Evite la exposición a la radiación láser.** El láser puede emitir radiación peligrosa.
- **No apunte el láser a superficies reflectantes.** Pueden producirse resultados impredecibles.

## SEGURIDAD EN EL ÁREA DE TRABAJO

- **Mantenga alejados a niños y personas presentes mientras utiliza el Temp-Gun™.** Cuando no esté en uso, guarde el Temp-Gun™ fuera del alcance de los niños y no permita que las personas que no están familiarizadas con la herramienta o con estas instrucciones la operen.
- **Evite los entornos peligrosos.** No use este producto bajo la lluvia, la nieve ni en lugares húmedos o mojados. No lo use en atmósferas explosivas (emanaciones de gas, polvo o materiales inflamables), ya que al introducir o quitar la batería se pueden generar chispas, lo que posiblemente producirá un incendio.

## SEGURIDAD PERSONAL

- **Permanezca alerta, preste atención a lo que esté haciendo y use el sentido común al utilizar el Temp-Gun™.** No use este producto si está cansado o se encuentra bajo los efectos de las drogas, el alcohol o algún medicamento. Un momento de descuido puede causar lesiones personales graves.
- **No estire el cuerpo para alcanzar mayor distancia. Mantenga los pies bien asentados y conserve el equilibrio en todo momento.** Esto permite tener un mejor control en situaciones inesperadas.

## USO Y CUIDADO DE LAS HERRAMIENTAS CON BATERÍA

- **Esta herramienta está diseñada para funcionar con 3 baterías AA correctamente introducidas en el Temp-Gun™ MILWAUKEE.** No intente usar este producto con ningún otro voltaje ni suministro de energía.

- **No deje las baterías cerca del alcance de los niños.**
- **No mezcle las baterías nuevas con las usadas. No mezcle baterías de diferentes marcas (ni diferentes tipos de baterías de una misma marca).**
- **No mezcle las baterías recargables con las no recargables.**
- **Instale las baterías, según los diagramas de polaridad (+ / -).**
- **Deseche de inmediato las baterías usadas, en forma correcta.**
- **No incinerar ni desarme las baterías.**
- **En condiciones abusivas, puede salir líquido expulsado de la batería; evite el contacto. Si se produce un contacto accidental, lávese con agua. Si el líquido entra en contacto con los ojos, además busque atención médica.** El líquido que sale expulsado de la batería puede provocar irritaciones o quemaduras.

## MANTENIMIENTO

- **Haga que un técnico calificado realice el mantenimiento de su Temp-Gun™ utilizando solamente piezas de repuesto idénticas.** Esto asegurará que se mantenga la seguridad de la herramienta.
- **No desarme el producto.** Si se vuelve a armar de manera incorrecta, puede causar un riesgo de descarga eléctrica o de incendio. Si el producto está dañado, llévelo a una instalación de servicio MILWAUKEE.
- **Almacene el producto en un lugar limpio y seco.** No lo guarde en lugares donde la temperatura supere los 50 °C (120 °F), como por ejemplo bajo la luz solar directa, en un vehículo o en un edificio metálico durante el verano.
- **No retire ni deteriore las etiquetas. Mantenga las etiquetas y las placas de identificación.** Estas contienen información importante. Si es ilegible o faltante, comuníquese con una instalación de servicio MILWAUKEE para solicitar un reemplazo gratuito.

**FC** Federal Communications Commission  
**ADVERTENCIA:** Los cambios o modificaciones hechos a esta unidad sin la autorización expresa del responsable del cumplimiento de la norma podrían anular la autoridad del usuario para manejar el equipo.

Se ha verificado y determinado que este equipo cumple con los límites correspondientes a los dispositivos digitales de Clase B, de acuerdo con la Parte 15 de las Normas de la FCC. Estos límites se han diseñado para garantizar una protección razonable contra interferencias perjudiciales en instalaciones residenciales. Este equipo genera, utiliza y puede radiar energía de radiofrecuencia y, si no se instala y utiliza en conformidad con las instrucciones, puede generar interferencia perjudicial para la radiocomunicación. No obstante, no se garantiza que no se produzca interferencia en una instalación concreta. Si este equipo, en

efecto, genera interferencia perjudicial para la recepción de radio o televisión, que se puede determinar apagando y encendiendo el equipo, se insta al usuario a intentar corregir la interferencia tomando una o varias de las siguientes medidas:

- Reorientar o reubicar la antena receptora.
- Aumentar la distancia que separa al equipo del receptor.
- Conectar el equipo a un tomacorriente de otro circuito distinto a aquel que tiene conectado el receptor.
- Solicitar ayuda al distribuidor o a un técnico de radio y televisión experto.

### Especificaciones

**Tipo de láser:** Clase II

**Rango de temperatura IR\*:** entre -30°C y 500°C (entre -22°F y 932°F)

\*Asuma la temperatura de funcionamiento ambiente de 23°C a 25°C (73°F a 75°F)

**Precisión IR:** entre -30°C y 10°C (entre -22°F y 50°F): ±1,5°C (3°F)

entre 10°C y 30°C (entre 50°F y 86°F): ±1,0°C (2°F)

entre 30°C y 380°C (entre 86°F y 716°F): ±1,5 °C (3°F) o 1,5% de la lectura, la que sea mayor

entre 380°C y 500°C (entre 716°F y 932°F): ±2°C (4°F) o 2% de la lectura, la que sea mayor

**Distancia de medición mín.:** 51 mm (2") < 50°C (122°F), 102 mm (4") > 50°C (122°F)

**Potencia máx.:** <1 mW

**Longitud de onda:** 630-670 nm

**Resolución de pantalla:** 0,1°C (0,1°F)

**Rango de temperatura de contacto:** entre -30°C y 450°C (entre -22°F y 842°F)

**Precisión de entrada de temperatura de contacto:** ± 1,1°C (± 2°F)

**Resolución de pantalla de temperatura:** 0,1°C/°F primaria, 1°C/°F secundaria

**Emisividad:** 0,95

**Tiempo de respuesta:** <500 ms

**Respuesta espectral:** entre 8 y 14 µm

**Distancia al objetivo:** entre 12 y 1

**Caída:** 1,5 metros

**Repetibilidad:** ±0,5% O ±1°C (±2°F) (la que sea mayor)

**Temperatura de funcionamiento:** entre 0°C y 50°C

(entre 32°F y 122°F)

**Temperatura de almacenamiento:** entre -20°C y 60°C

(entre -4°F y 140°F) sin baterías

**Humedad relativa:** entre 10 y 90% HR sin condensación

a <30 °C ambiente

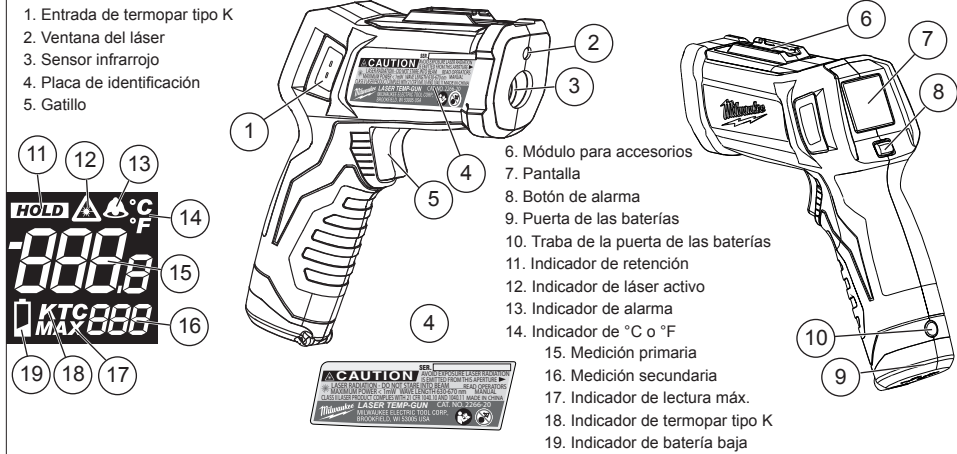
**Voltaje:** 4,5 corr. cont.

**Vida útil de la batería:** Más de 12 h con todas las funciones

### Simbología

	Volts de corriente alterna
	PRECAUCIÓN Láser: No mire fijamente el rayo láser.
	Producto láser Evite la exposición. La radiación láser se emite a través de esta abertura.
	Para reducir el riesgo de lesiones, el usuario debe leer y entender el manual del operador.

### DESCRIPCIÓN FUNCIONAL

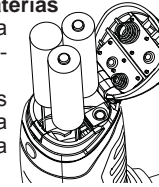


### ENSAMBLAJE

**⚠ ADVERTENCIA** Recargue la batería sólo con el cargador especificado para ella. Para instrucciones específicas sobre cómo cargar, lea el manual del operador suministrado con su cargador y la batería.

### Instalación/Cambio de las baterías

1. Presione hacia adentro la traba de la puerta de las baterías para abrirla.
2. Antes de instalar las baterías por primera vez, retire la etiqueta rectangular blanca



que se encuentra en el compartimiento de las baterías.

3. Introduzca tres (3) baterías AA, como se muestra.
4. Cierre firmemente la puerta de las baterías.

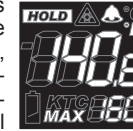
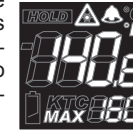
### Selección de Celsius o Fahrenheit

Cambie la pantalla de temperatura de Celsius a Fahrenheit, en cualquier momento, usando el interruptor que se encuentra dentro del compartimiento de las baterías.

### OPERACION

#### Escaneado de la temperatura IR de un objeto

1. Tire del gatillo y no lo suelte durante, al menos, 2 segundos y escanee la temperatura de superficie de un objeto. Un puntero láser indica el centro del área circular que se está escaneando.



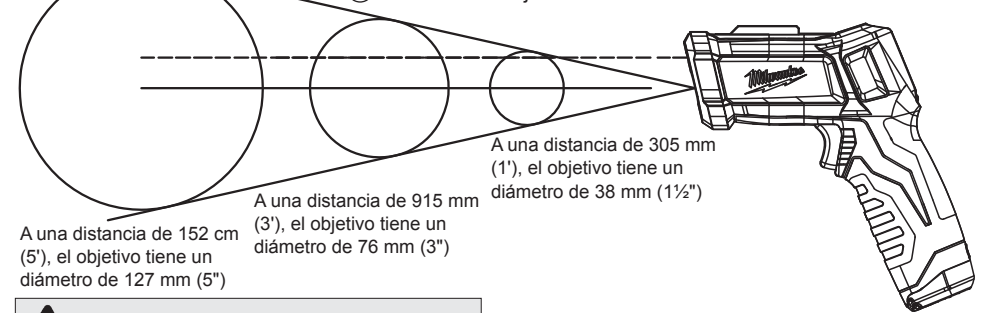
NOTA: El objeto debe ser más grande que el objetivo que se está escaneando. De lo contrario, las lecturas pueden verse afectadas. Consulte la sección Distancia al objetivo para conocer el tamaño necesario del objeto.

#### Distancia al objetivo 12:1

— Centro del objetivo

--- Puntero láser (aprox. 19 mm (3/4") sobre el centro del objetivo)

○ Tamaño del objetivo a la distancia indicada



**⚠ ADVERTENCIA** Nunca conecte la sonda de temperatura a un circuito energizado.

#### Medición de temperatura de contacto con una sonda tipo K

Use solamente sondas de temperatura tipo K con este medidor.

1. Introduzca la sonda. La unidad detecta la conexión de una sonda tipo K y muestra la temperatura de contacto (KTC) como la medición secundaria.

2. La pantalla seguirá actualizando la temperatura de contacto (KTC) mientras la sonda de temperatura alcanza el equilibrio térmico con el objeto que se está midiendo. La pantalla se apagará después de 20 minutos.
3. Para regresar al modo de IR, retire la sonda tipo K.



## Alarma de temperatura

Presione el botón de alarma para encender la función alarma. Si la lectura de temperatura está fuera del rango preconfigurado, la lectura de temperatura y el ícono de campana parpadearán, y sonará una alarma.

## Silenciado de la alarma

Silencie la alarma presionando el botón de alarma. El ícono de la campana se apagará. La lectura de temperatura seguirá parpadearando mientras se encuentre fuera del rango preconfigurado.



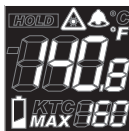
## Ajuste del rango preconfigurado de la alarma

1. Para configurar el rango de la alarma, tire del gatillo y no lo suelte, y luego presione el botón de alarma. Repita para cambiar entre las configuraciones LO (bajo) y HI (alto).
2. Tire del gatillo para aumentar los valores, presione el botón de alarma para disminuir los valores. Espere 3 segundos para guardar los rangos y salir.



## Batería baja

Cuando se muestre el ícono de batería baja, cambie las baterías.



## ACCESORIOS

**ADVERTENCIA** Para reducir el riesgo de lesiones, siempre extraiga la batería antes de cambiar o retirar accesorios. Utilice únicamente accesorios específicamente recomendados para esta herramienta. El uso de accesorios no recomendados podría resultar peligroso.

Para una lista completa de accesorios, refiérase a su catálogo *MILWAUKEE* Electric Tool o visite nuestro sitio en Internet: [www.milwaukeetool.com](http://www.milwaukeetool.com). Para obtener un catálogo, contacte su distribuidor local o uno de los centros de servicio.

## MANTENIMIENTO

**ADVERTENCIA** Para reducir el riesgo de lesiones, siempre retire las baterías de la herramienta antes de realizar mantenimiento. Nunca desarme la herramienta. Comuníquese con una instalación de servicio *MILWAUKEE* para que se realicen TODAS las reparaciones.

### Mantenimiento de la herramienta

Mantenga su herramienta en buenas condiciones adoptando un programa de mantenimiento regular. Después de un período de entre seis meses y un año, según el uso, envíe la herramienta a una instalación de servicio *MILWAUKEE* para:

Si la herramienta no enciende o no funciona al máximo de potencia con baterías completamente cargadas, limpie los contactos de la puerta de las baterías. Si la herramienta aún no funciona correctamente, envíela a una instalación de servicio *MILWAUKEE* para que la reparen.

### Limpieza de las ventanas del láser

Limpie las ventanas del láser con un paño suave y húmedo para mantenerlas limpias. Retire la batería antes de realizar la limpieza.

**ADVERTENCIA** Para reducir el riesgo de una explosión, no queme nunca una batería, aun si está dañada, "muerta" o completamente descargada.

### Limpieza

Limpie el polvo y los desechos de la herramienta. Mantenga los mangos de la herramienta limpios, secos y sin aceite ni grasa. Use solamente jabón suave y un paño húmedo para limpiar la herramienta, ya que algunos agentes de limpieza y solventes son dañinos para los plásticos y otras partes aisladas. Algunos de estos son gasolina, aguarrás, decapante para laca, decapante para pintura, solventes para limpieza con cloro, amoníaco y detergentes domésticos que contienen amoníaco. Nunca use solventes inflamables ni combustibles cerca de las herramientas.

### Reparaciones

Para realizar reparaciones, envíe la herramienta al centro de servicio más cercano que figure en la contraportada de este manual del operador.

## GARANTÍA LIMITADA - E.U.A. Y CANADÁ

Se garantiza al comprador original que los productos de pruebas y mediciones *MILWAUKEE* (que incluyen la herramienta, la(s) batería(s) de iones de litio y el cargador de baterías, excepto las baterías alcalinas) no presentan defectos de material ni de mano de obra. Sujeto a ciertas excepciones, *MILWAUKEE* reparará o reemplazará cualquier pieza de este producto que, después de ser examinada, *MILWAUKEE* determine que es defectuosa por material o mano de obra durante un período de cinco (5) años\* después de la fecha de compra. Envíe la herramienta de pruebas y mediciones, y una copia del comprobante de la compra al centro de servicio más cercano de fábrica de *MILWAUKEE* Electric Tool Corporation. Esta garantía no se aplica a los daños que *MILWAUKEE* determine son consecuencia de reparaciones realizadas o intentos de reparaciones por parte de personal no autorizado por *MILWAUKEE*, uso indebido, alteraciones, abuso, desgaste y deterioro normales, falta de mantenimiento o accidentes.

\*El período de garantía para la batería de IONES DE LITIO que viene con la herramienta de pruebas y mediciones es de dos (2) años a partir de la fecha de compra. \*La batería alcalina que viene con la herramienta de pruebas y mediciones tiene una garantía por separado otorgada por el fabricante de la batería. \*El período de garantía para un DETECTOR DE VOLTAJE SIN CONTACTO - 2201-20 es de un (1) año a partir de la fecha de compra.

No se necesita registro de garantía para obtener la garantía correspondiente de los productos *MILWAUKEE*. Se usará la fecha de fabricación del producto para determinar el período de garantía en caso de no presentarse el comprobante de la compra en el momento de solicitar el servicio de garantía.

LA ACEPTACIÓN DE LOS DERECHOS A REPARACIÓN Y REEMPLAZO EXCLUSIVAMENTE DESCRITOS EN EL PRESENTE DOCUMENTO CONSTITUYE UNA CONDICIÓN DEL CONTRATO POR LA COMPRA DE CADA PRODUCTO *MILWAUKEE*. SI NO ACEPTA ESTA CONDICIÓN, NO DEBE COMPRAR EL PRODUCTO. *MILWAUKEE* NO SERÁ EN NINGÚN CASO RESPONSABLE DE DAÑOS INCIDENTALES, ESPECIALES, CONSECUENTES O PUNITIVOS, NI DE COSTOS, HONORARIOS DE ABOGADOS, GASTOS, PÉRDIDAS O DEMORAS SUPUESTAMENTE CAUSADOS COMO CONSECUENCIA DE CUALQUIER DAÑO, FALLA O DEFECTO EN CUALQUIER PRODUCTO, INCLUIDOS, A MODO DE EJEMPLO, RECLAMOS POR PÉRDIDA DE GANANCIAS. ALGUNOS ESTADOS NO PERMITEN LA EXCLUSIÓN O LA LIMITACIÓN DE DAÑOS INCIDENTALES O CONSECUENTES. POR LO TANTO, LAS LIMITACIONES Y EXCLUSIONES ANTERIORES PUEDEN NO APLICARSE PARA USTED. ESTA GARANTÍA ES EXCLUSIVA Y SUSTITUYE A TODAS LAS OTRAS GARANTÍAS EXPRESAS, ESCRITAS U ORALES. SEGÚN LO PERMITA LA LEY, *MILWAUKEE* SE EXIME DE TODA GARANTÍA IMPLÍCITA, INCLUIDOS, A MODO DE EJEMPLO, TODA GARANTÍA IMPLÍCITA DE COMERCIABILIDAD O IDONEIDAD PARA UN USO O PROPÓSITO EN PARTICULAR: EN LA MEDIDA EN QUE DICHA RENUNCIA NO ESTÉ PERMITIDA POR LA LEY, DICHAS GARANTÍAS IMPLÍCITAS ESTÁN LIMITADAS A LA DURACIÓN DE LA GARANTÍA EXPRESA APLICABLE SEGÚN SE DESCRIBE ANTERIORMENTE. ALGUNOS ESTADOS NO PERMITEN LIMITACIONES EN LA DURACIÓN DE UNA GARANTÍA IMPLÍCITA. POR LO TANTO, LA LIMITACIÓN ANTERIOR PUEDE NO APLICARSE PARA USTED. ESTA GARANTÍA LE OTORGA DERECHOS LEGALES ESPECÍFICOS Y TAMBIÉN PUEDE TENER OTROS DERECHOS QUE VARIAN DE ESTADO EN ESTADO.

Esta garantía se aplica a los productos vendidos en los EE. UU. y Canadá.

## PÓLIZA DE GARANTÍA - VALIDA SOLO PARA MÉXICO, AMÉRICA CENTRAL Y EL CARIBE

TECHTRONIC INDUSTRIES, garantiza por 5 años este producto a partir de la fecha original de compra. Esta garantía cubre cualquier defecto que presenten las piezas, componentes y la mano de obra contenidas en este producto. Para América Central y el Caribe se debe confirmar en el Centro de Servicio Autorizado el plazo de la garantía.

Para hacer efectiva la Garantía deberá presentar al Centro de Servicio Autorizado la Póliza de Garantía sellada por el establecimiento en donde adquirió el producto. Si no la tienen, podrá presentar el comprobante de compra original.

Usted puede llamar sin costo al teléfono 01 800 832 1949 o por correo electrónico a la dirección "servicio@ttigroupna.com", para ubicar el Centro de Servicio Autorizado más cercano a su domicilio, en el cual además podrá adquirir partes, componentes, consumibles y accesorios, que usted necesite.

### Procedimiento para hacer válida la garantía

Acuda al Centro de Servicio con el producto y la póliza de garantía sellada por el establecimiento donde realizó la compra. Ahí se reemplazará cualquier pieza o componente defectuoso sin cargo alguno para el usuario final. La empresa se hace responsable de los gastos de transportación razonablemente erogados que se deriven del cumplimiento de la presente garantía.

### Excepciones

La garantía perderá validez en los siguientes casos:

- a) Cuando el producto se hubiese utilizado en condiciones distintas a las normales.
- b) Cuando el producto no hubiese sido operado de acuerdo con el instructivo de uso que le acompaña.
- c) Cuando el producto hubiese sido alterado o reparado por personas no autorizadas por TECHTRONIC INDUSTRIES.

Nota: Si el cordón de alimentación es dañado, este debe ser reemplazado por el fabricante o por un Centro de Servicio Autorizado para evitar riesgo.

Modelo: \_\_\_\_\_

Fecha de Compra: \_\_\_\_\_

Sello del Distribuidor: \_\_\_\_\_

CENTRO DE SERVICIO Y ATENCIÓN A CLIENTES  
Rafael Buelna No. 1. Col. Tezozomoc Mexico, D.F.  
Tel. 01 800 832 1949

IMPORTADO Y COMERCIALIZADO POR:  
TECHTRONIC INDUSTRIES MEXICO, S.A. DE C.V.  
Av. Santa Fe 481 piso 6, Col. Curz Manca.  
CP 05349, Cuajimalpa, D.F.



## UNITED STATES - MILWAUKEE Service

MILWAUKEE prides itself in producing a premium quality product that is NOTHING BUT HEAVY DUTY®. Your satisfaction with our products is very important to us! If you encounter any problems with the operation of this tool, or you would like to locate the factory Service/Sales Support Branch or *authorized service station* nearest you, please call...

### 1-800-SAWDUST

(1.800.729.3878)

Monday-Friday  
7:00 AM - 6:30 PM  
Central Time

or visit our website at  
[www.milwaukeetool.com](http://www.milwaukeetool.com)

For service information, use the 'Service Center Search' icon found in the 'Parts & Service' section.

Additionally, we have a nationwide network of *authorized* Distributors ready to assist you with your tool and accessory needs. Check your "Yellow Pages" phone directory under "Tools-Electric" for the names & addresses of those nearest you or see the 'Where To Buy' section of our website.

### Contact our Corporate After Sales Service Technical Support about ...

- Technical Questions
- Service/Repair Questions
- Warranty

call: 1-800-SAWDUST

fax: 1.800.638.9582

email: [metproductsupport@milwaukeetool.com](mailto:metproductsupport@milwaukeetool.com)

### Register your tool online at [www.milwaukeetool.com](http://www.milwaukeetool.com) and...

- receive important notifications regarding your purchase
- ensure that your tool is protected under the warranty
- become a HEAVY DUTY club member

## Canada - Service MILWAUKEE

MILWAUKEE est fier de proposer un produit de première qualité NOTHING BUT HEAVY DUTY®. Votre satisfaction est ce qui compte le plus!

En cas de problèmes d'utilisation de l'outil ou pour localiser le centre de service/ventes ou le *centre d'entretien* le plus proche, appelez le...

416.439.4181

fax: 416.439.6210

Milwaukee Electric Tool (Canada) Ltd  
755 Progress Avenue  
Scarborough, Ontario M1H 2W7

Notre réseau national de distributeurs agréés se tient à votre disposition pour fournir l'aide technique, l'outillage et les accessoires nécessaires. Composez le 416.439.4181 pour obtenir les noms et adresses des revendeurs les plus proches ou bien consultez la section «Où acheter» sur notre site web à l'adresse

[www.milwaukeetool.com](http://www.milwaukeetool.com)

## MEXICO - Soporte de Servicio MILWAUKEE

CENTRO DE ATENCIÓN A CLIENTES  
Rafael Buelna No. 1, Col Tezozomoc,  
Delegación Azcapotzalco, México, D.F.  
Telefono sin costo 01 800 832 1949  
e-mail: [servicio@ttigroupna.com](mailto:servicio@ttigroupna.com)

Adicionalmente, tenemos una red nacional de distribuidores autorizados listos para ayudarle con su herramienta y sus accesorios. Por favor, llame al 01 800 832 1949 para obtener los nombres y direcciones de los más cercanos a usted, o consulte la sección 'Where to buy' (Dónde comprar) de nuestro sitio web en

[www.ttigroupmexico.com](http://www.ttigroupmexico.com)

Registre su herramienta en línea, en [www.ttigroupmexico.com](http://www.ttigroupmexico.com) y...

- reciba importantes avisos sobre su compra
- asegúrese de que su herramienta esté protegida por la garantía
- conviértase en integrante de Heavy Duty

### MILWAUKEE ELECTRIC TOOL CORPORATION

13135 West Lisbon Road • Brookfield, Wisconsin, U.S.A. 53005

## **ОФИЦИАЛЬНЫЙ ДИЛЕР В УКРАИНЕ:**

[storgom.ua](http://storgom.ua)

## **ГРАФИК РАБОТЫ:**

Пн. – Пт.: с 8:30 по 18:30

Сб.: с 09:00 по 16:00

Вс.: с 10:00 по 16:00

## **КОНТАКТЫ:**

+38 (044) 360-46-77

+38 (066) 77-395-77

+38 (097) 77-236-77

+38 (093) 360-46-77

Детальное описание товара: <https://storgom.ua/product/distantcionnyi-termometr-milwaukee-2266-20.html>

Другие товары: <https://storgom.ua/pirometry.html>